

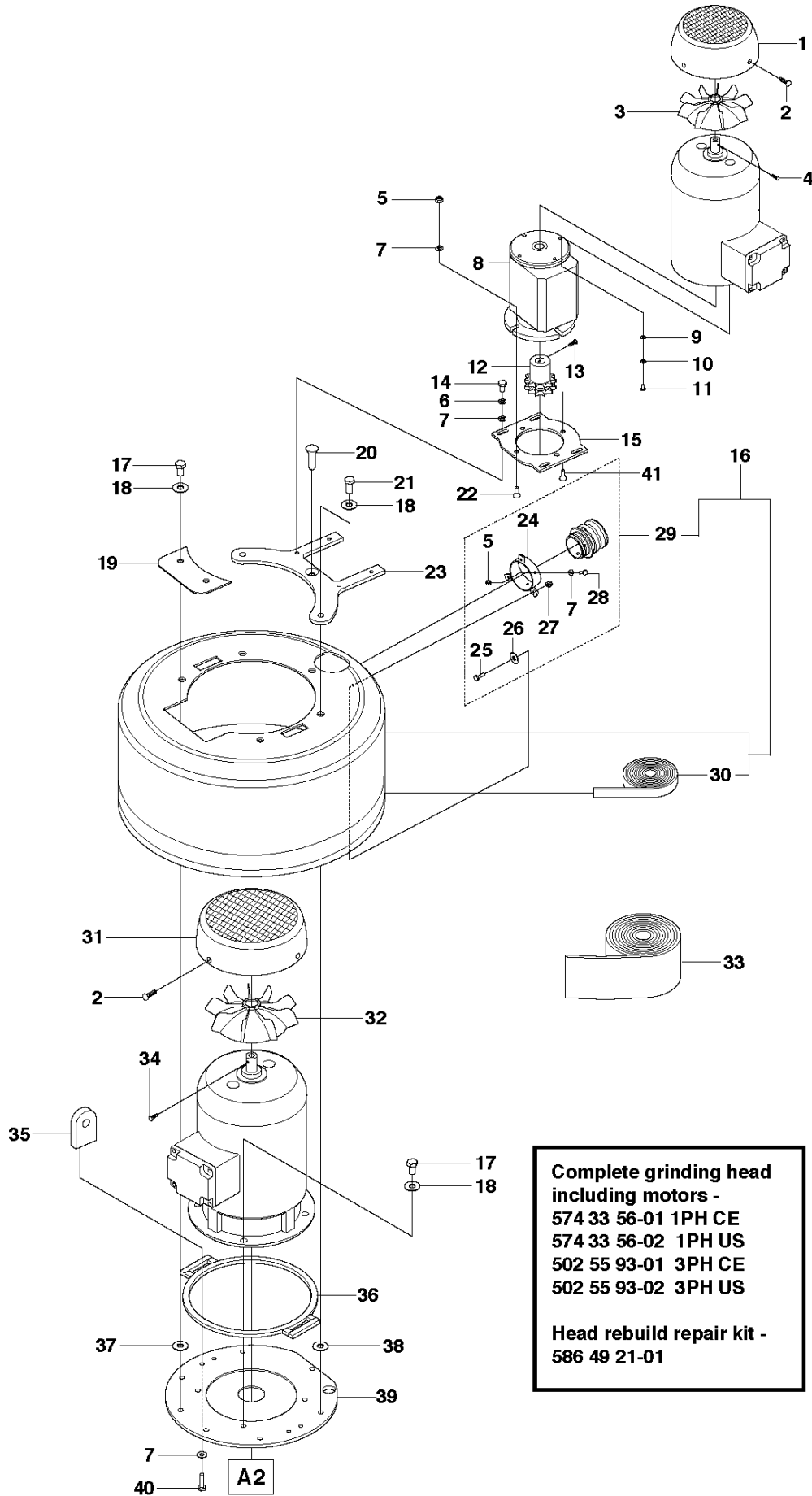


SPARE PARTS LIST

SURFACE PREPARATION EQUIPMENT

PG 530, Machine 0904-01 and forward,
2010-02

A1



Complete grinding head including motors -
574 33 56-01 1PH CE
574 33 56-02 1PH US
502 55 93-01 3PH CE
502 55 93-02 3PH US

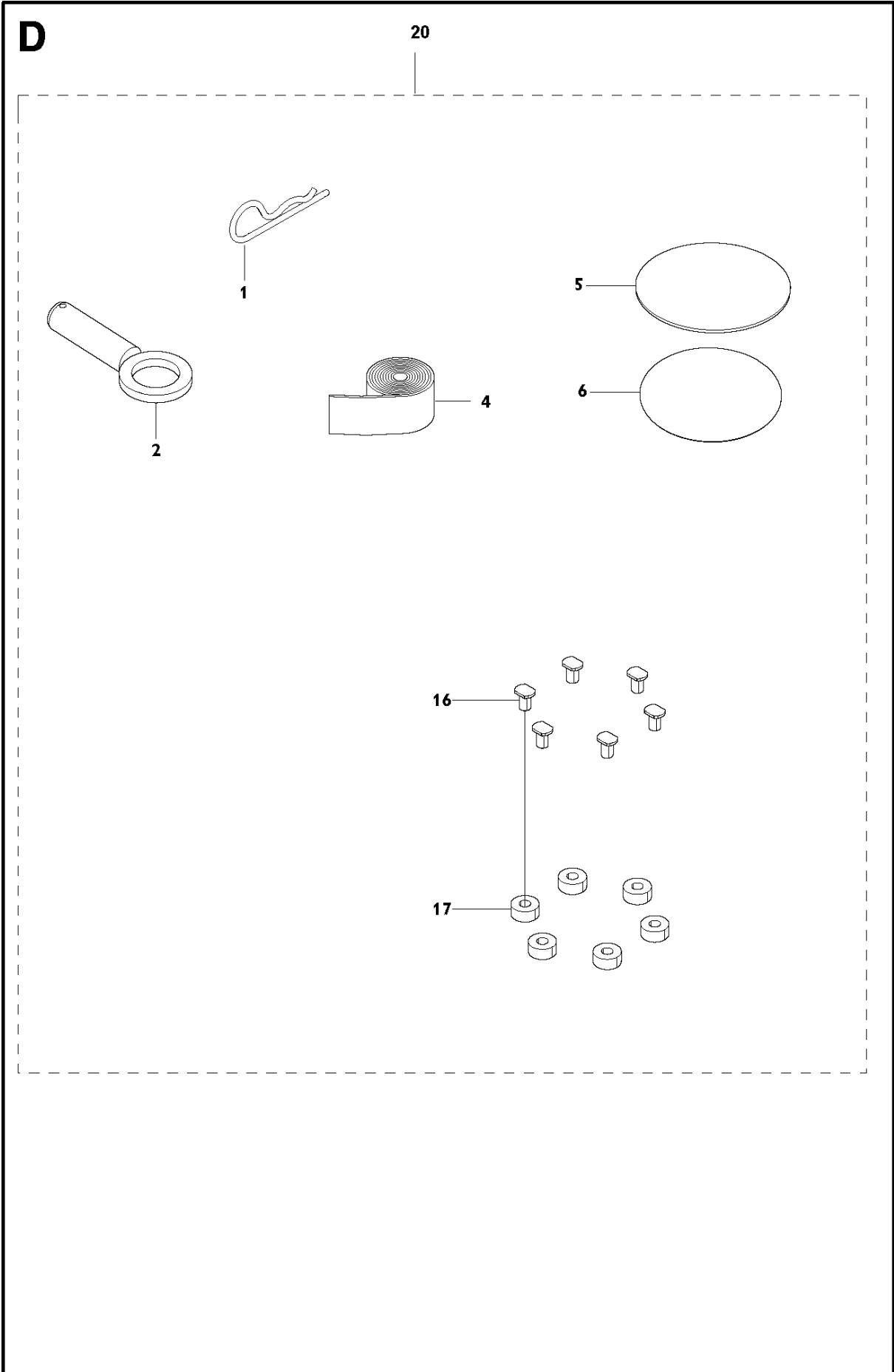
Head rebuild repair kit -
586 49 21-01

A2

COVER

PG 530, Machine 0904-01 and forward, 2010-02

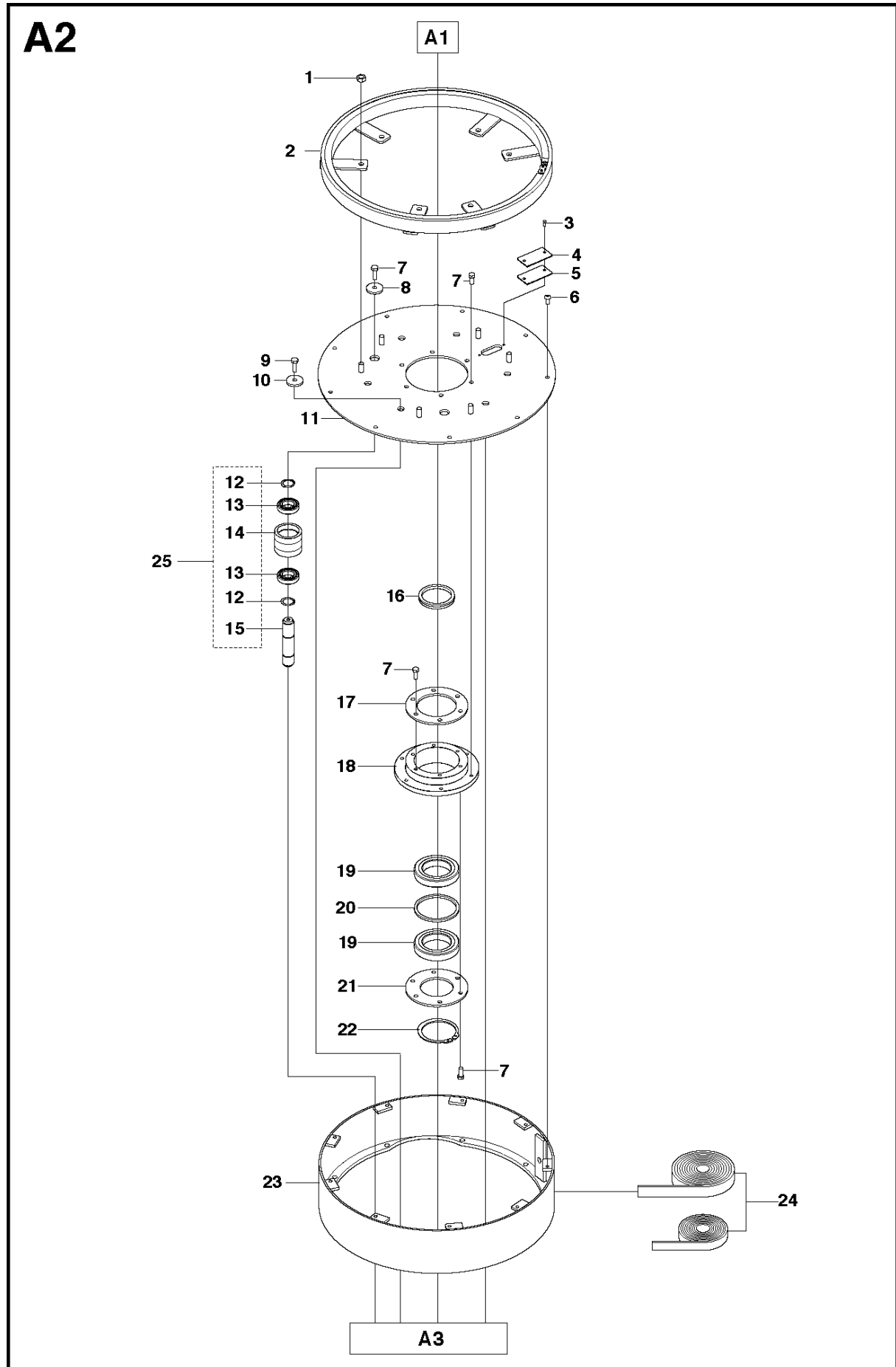
| Ref | Part No | Description | Remark | QTY | KIT |
|-----|--------------|---------------------|--------|-----|--------|
| 1 | 522 65 84-01 | COVER | | 1 | |
| 2 | 723 13 20-51 | SCREW SLCHM | | 7 | |
| 3 | 522 65 86-01 | FAN | | 1 | |
| 4 | 522 65 85-01 | PEN | | 1 | |
| 5 | 732 25 18-01 | HEXAGON LOCKING NUT | | 6 | 16, 29 |
| 6 | 735 11 64-01 | SPRING WASHER | | 8 | |
| 7 | 734 11 63-01 | WASHER | | 14 | 16, 29 |
| 8 | 502 55 96-01 | GEARBOX | | 1 | |
| 9 | 734 11 52-01 | WASHER | | 4 | |
| 10 | 735 11 53-01 | WASHER | | 4 | |
| 11 | 725 23 72-71 | SCREW EHHM | | 4 | |
| 12 | 502 56 40-01 | DRIVE SPROCKET | | 1 | |
| 13 | 541 40 51-78 | SCREW IHANM | | 2 | |
| 14 | 725 24 49-76 | SCREW EHHM | | 4 | |
| 15 | 502 56 16-01 | PLATE | | 1 | |
| 16 | 522 65 89-01 | COVER ASSY | | 1 | |
| 17 | 725 25 32-71 | SCREW EHHM | | 8 | |
| 18 | 734 11 78-01 | WASHER | | 10 | |
| 19 | 504 72 51-01 | COVER PLATE | | 1 | |
| 20 | 522 65 81-01 | SCREW IHCSFM | | 1 | |
| 21 | 725 25 36-71 | SCREW EHHM | | 2 | |
| 22 | 725 64 55-51 | SCREW IHCSFM | | 4 | |
| 23 | 502 56 15-01 | BRACKET | | 1 | |
| 24 | 522 65 87-01 | BRACKET | | 1 | 16, 29 |
| 25 | 724 33 70-51 | SCREW CRCSFM | | 3 | 16, 29 |
| 26 | 504 74 73-01 | WASHER | | 2 | |
| 27 | 732 25 16-01 | HEXAGON LOCKING NUT | | 3 | 16, 29 |
| 28 | 725 24 53-76 | SCREW EHHM | | 2 | 16, 29 |
| 29 | 522 65 88-01 | ASSEMBLY | | 1 | 16, 29 |
| 30 | 502 53 85-01 | COVER | | 1 | |
| 31 | 505 55 66-01 | COVER | | 1 | 16 |
| 31 | 522 65 90-01 | COVER | | 1 | |
| 32 | 505 55 65-01 | FAN | | 1 | |
| 32 | 522 65 92-01 | FAN | | 1 | |
| 33 | 590 49 92-01 | RUBBER SKIRT | | 1 | |
| 34 | 522 65 93-01 | PEN | | 1 | |
| 35 | 504 72 56-01 | LIFTING LUG | | 2 | |
| 36 | 502 56 87-01 | SEAL | | 1 | |
| 37 | 504 72 63-04 | WASHER | | 2 | |
| 38 | 504 72 95-01 | WASHER | | 5 | |
| 39 | 502 56 13-01 | PLATE | | 1 | |
| 40 | 725 24 55-76 | SCREW EHHM | | 4 | |
| 41 | 725 64 51-51 | SCREW IHCSFM | | 1 | |



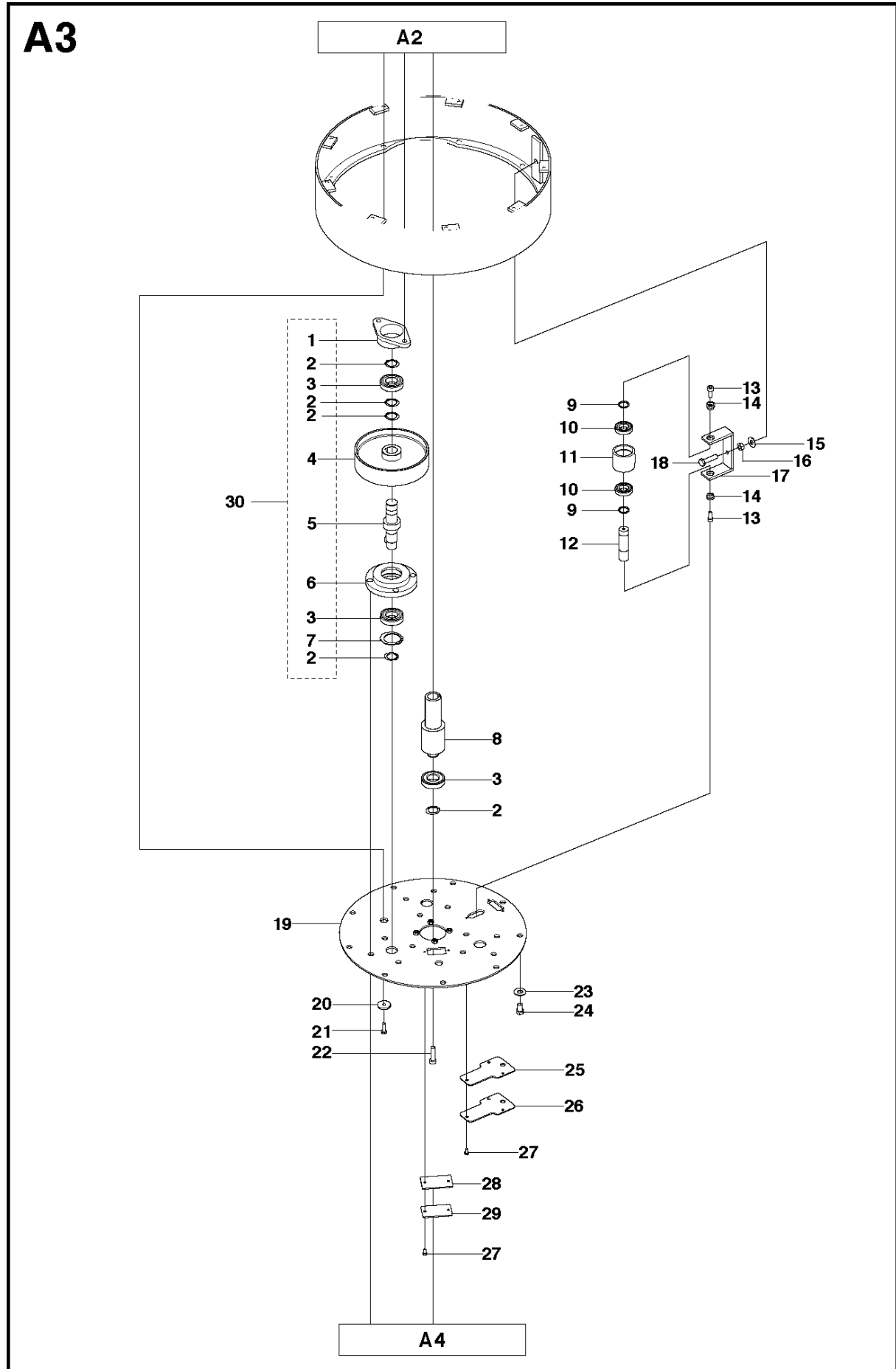
ON SITE PARTS

PG 530, Machine 0904-01 and forward, 2010-02

| Ref | Part No | Description | Remark | QTY KIT |
|-----|--------------|---------------|--------|---------|
| 1 | 721 68 02-51 | SPRING COTTER | | 2 |
| 2 | 504 72 97-01 | PEN | | 2 |
| 4 | 590 49 92-01 | RUBBER SKIRT | | 1 |
| 5 | 502 54 55-01 | HOLDER | | 1 |
| 6 | 502 54 56-01 | HOLDER | | 1 |
| 16 | 522 65 98-03 | PEN | | 6 |
| 17 | 502 53 39-01 | WASHER | | 6 |

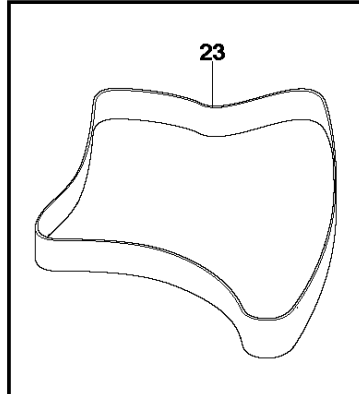
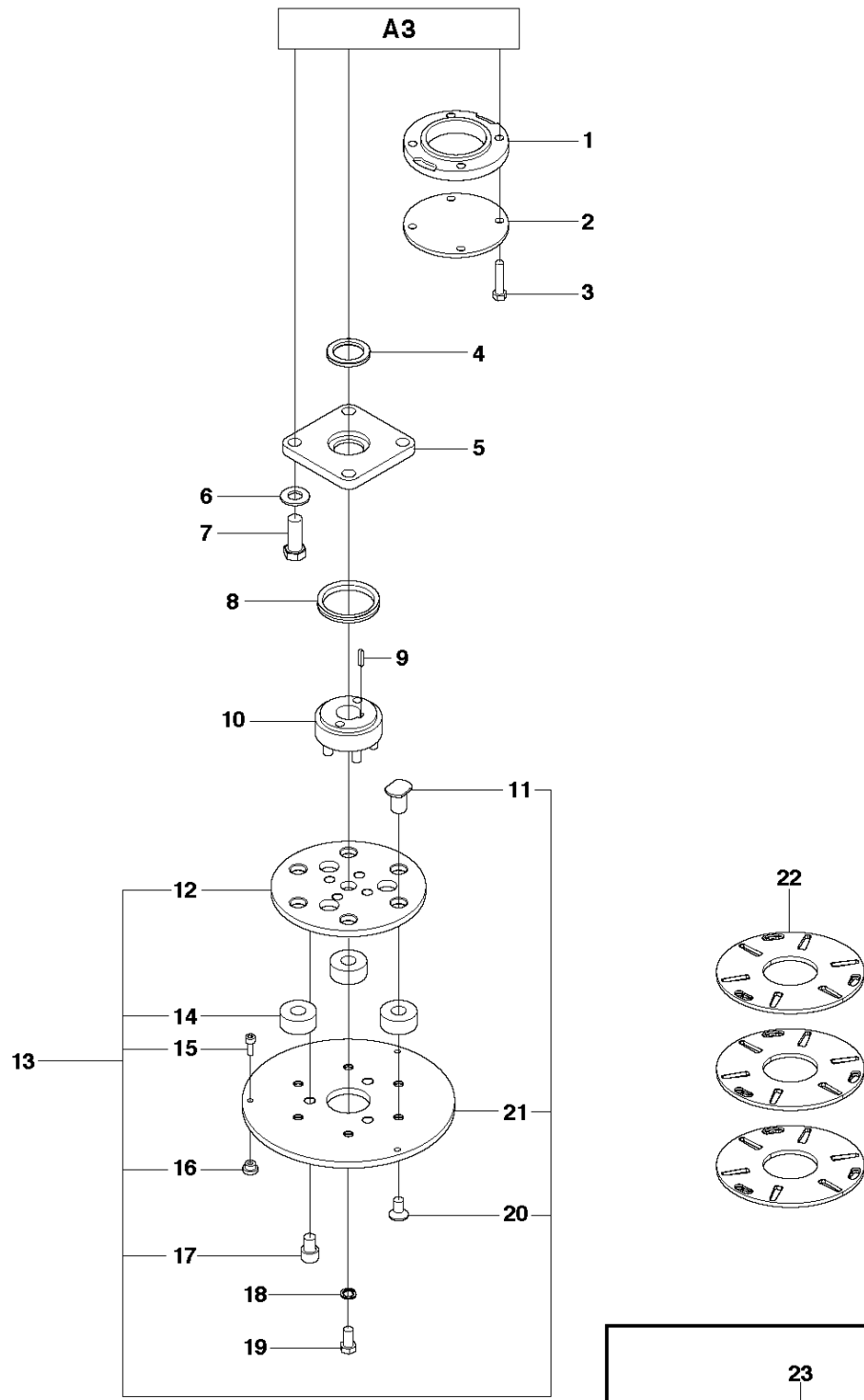


| Ref | Part No | Description | Remark | QTY KIT |
|-----|--------------|---------------------|--------|---------|
| 1 | 732 25 20-01 | HEXAGON LOCKING NUT | | 6 |
| 2 | 502 56 23-01 | CHAIN | | 1 |
| 3 | 724 13 64-51 | SCREW CRPANM | | 2 |
| 4 | 504 72 79-01 | COVER PLATE | | 1 |
| 5 | 516 05 85-01 | SEAL | | 1 |
| 6 | 522 61 99-01 | SCREW IHPANM | | 9 |
| 7 | 725 24 51-76 | SCREW EHHM | | 20 |
| 8 | 543 04 66-47 | WASHER | | 2 |
| 9 | 522 62 01-01 | SCREW | | 6 |
| 10 | 734 11 82-01 | WASHER | | 6 |
| 11 | 502 56 11-01 | TOP PLATE | | 1 |
| 12 | 735 31 26-00 | CIRCLIP | | 2 |
| 13 | 502 56 28-01 | BALL BEARING | | 2 |
| 14 | 502 56 04-01 | PULLEY | | 1 |
| 15 | 502 56 03-01 | SHAFT | | 2 |
| 16 | 502 53 98-01 | SEAL | | 1 |
| 17 | 504 72 50-01 | PLATE | | 1 |
| 18 | 502 56 08-01 | BEARING HOUSING | | 1 |
| 19 | 502 56 26-01 | BALL BEARING | | 2 |
| 20 | 504 72 48-01 | SPACER | | 1 |
| 21 | 504 72 49-01 | PLATE | | 1 |
| 22 | 502 53 96-01 | CIRCLIP | | 1 |
| 23 | 502 56 20-01 | RIM | | 1 |
| 24 | 582 31 86-03 | SEAL KIT | | 1 |
| 25 | 579 37 36-01 | PULLEY ASSY | | 1 |



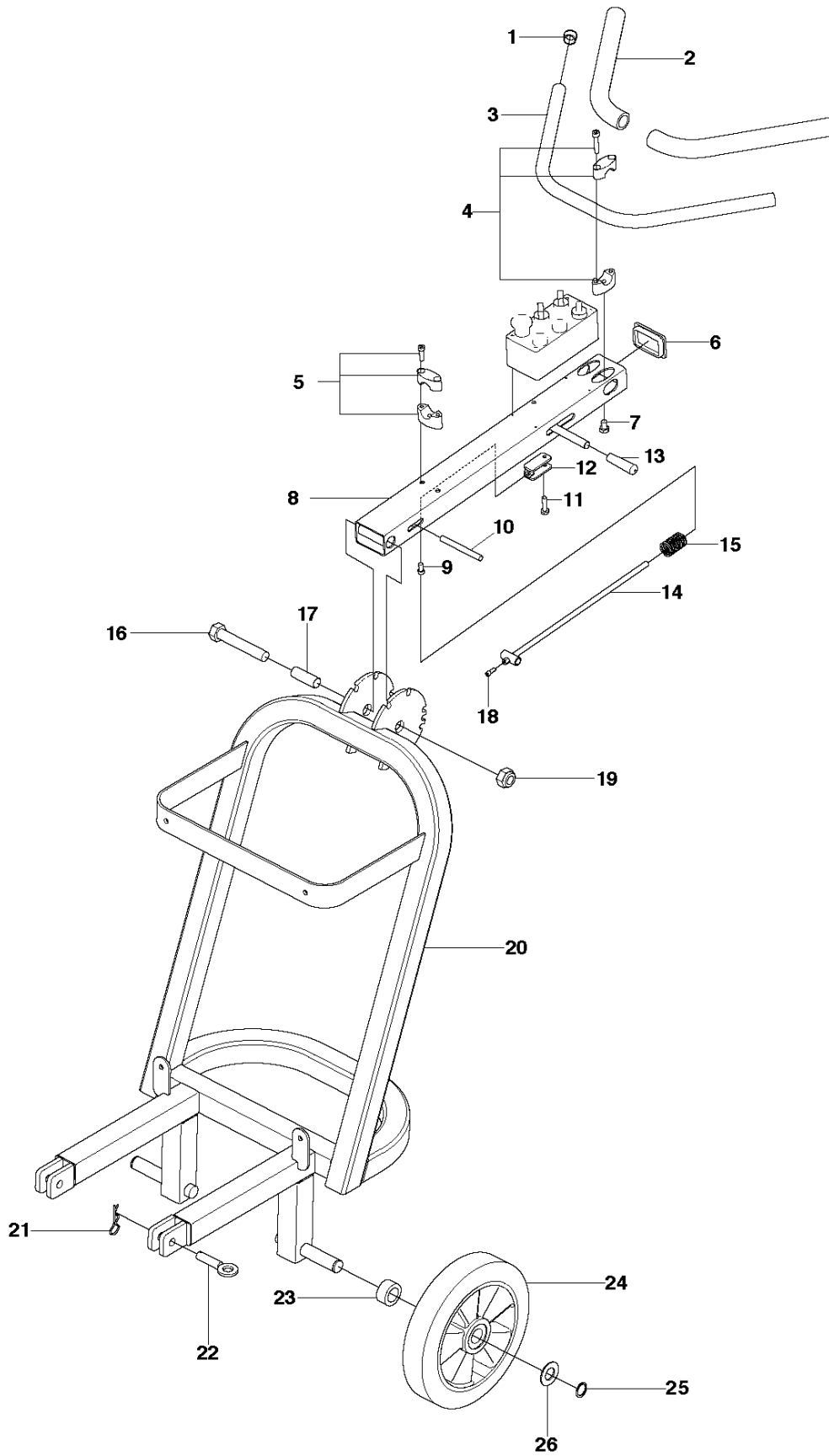
| Ref | Part No | Description | Remark | QTY KIT |
|-----|--------------|-----------------|--------|---------|
| 1 | 502 56 07-01 | BEARING HOUSING | | 3 |
| 2 | 735 31 30-00 | CIRCLIP | | 13 |
| 3 | 502 56 24-01 | BALL BEARING | | 7 |
| 4 | 502 56 00-01 | PULLEY | | 3 |
| 5 | 502 56 02-01 | SHAFT | | 3 |
| 6 | 502 56 06-01 | BEARING HOUSING | | 3 |
| 7 | 502 56 33-01 | CIRCLIP | | 3 |
| 8 | 502 56 01-01 | PULLEY | | 1 |
| 9 | 735 31 26-00 | CIRCLIP | | 2 |
| 10 | 502 56 28-01 | BALL BEARING | | 2 |
| 11 | 502 56 04-01 | PULLEY | | 1 |
| 12 | 502 56 05-01 | SHAFT | | 1 |
| 13 | 725 54 51-01 | SCREW IHSCM | | 2 |
| 14 | 504 72 42-01 | GUIDE BUSHING | | 2 |
| 15 | 734 11 72-01 | WASHER | | 1 |
| 16 | 731 23 20-01 | HEXAGON NUT | | 1 |
| 17 | 502 56 19-01 | FRAME | | 1 |
| 18 | 725 24 99-71 | SCREW EHHM | | 1 |
| 19 | 502 56 12-01 | BOTTOM PLATE | | 1 |
| 20 | 543 04 66-47 | WASHER | | 2 |
| 21 | 725 24 51-76 | SCREW EHHM | | 2 |
| 22 | 522 62 02-01 | SCREW IHSCM | | 1 |
| 23 | 734 11 78-01 | WASHER | | 9 |
| 24 | 725 25 34-71 | SCREW EHHM | | 9 |
| 25 | 522 65 95-01 | SEAL | | 1 |
| 26 | 504 72 55-01 | COVER PLATE | | 1 |
| 27 | 725 23 66-71 | SCREW EHHM | | 5 |
| 28 | 516 05 85-01 | SEAL | | 1 |
| 29 | 504 72 79-01 | COVER PLATE | | 1 |
| 30 | 576 95 10-01 | PULLEY | | 1 |

A4



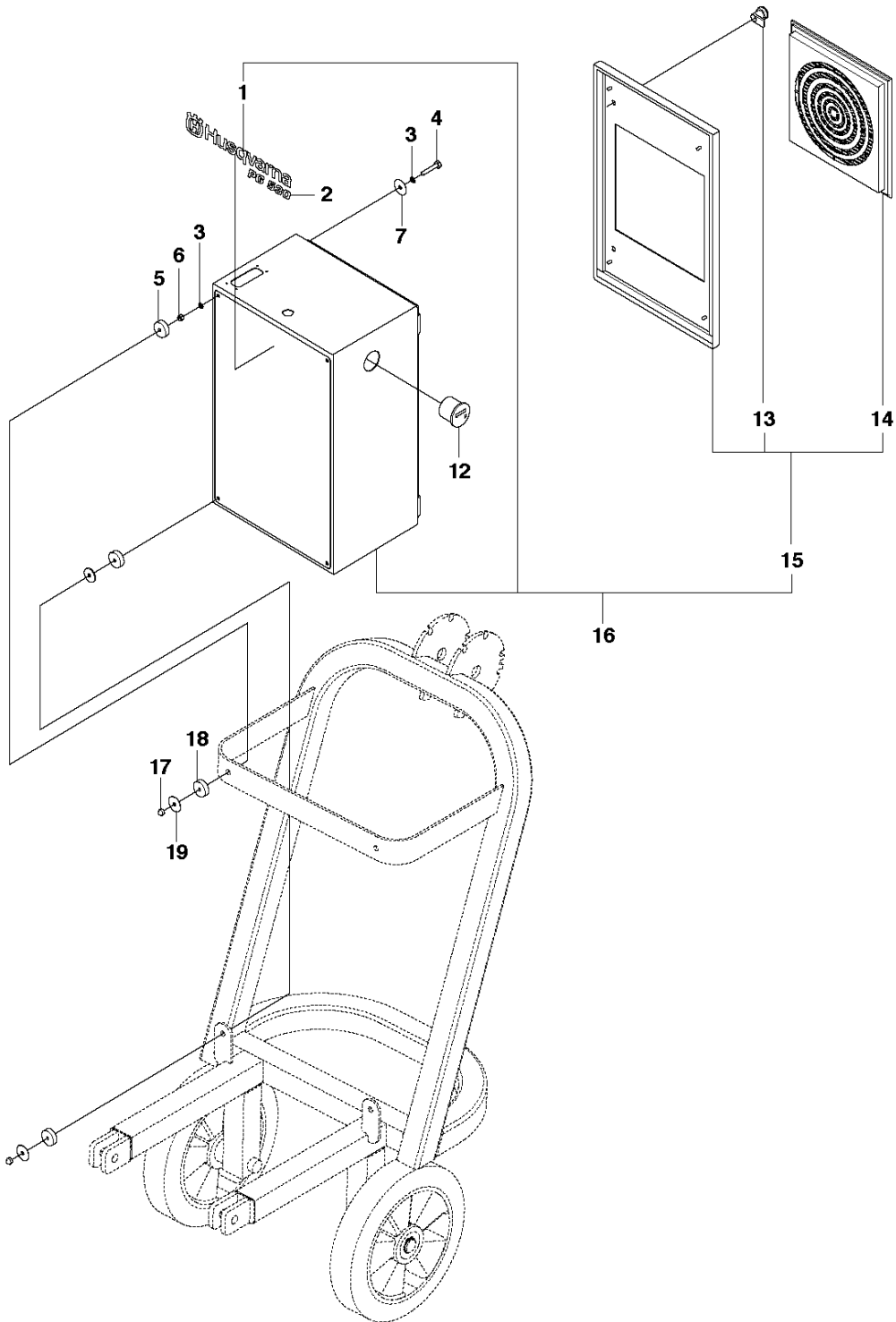
| Ref | Part No | Description | Remark | QTY | KIT |
|-----|--------------|-----------------|--------|-----|-----|
| 1 | 502 56 09-01 | BEARING HOUSING | | 1 | |
| 2 | 502 56 14-01 | COVER PLATE | | 1 | |
| 3 | 725 24 55-76 | SCREW EHHM | | 4 | |
| 4 | 502 56 34-01 | RADIAL SEAL | | 3 | |
| 5 | 504 75 98-01 | HOUSING | | 3 | |
| 6 | 734 11 82-01 | WASHER | | 12 | |
| 7 | 522 62 03-01 | SCREW | | 12 | |
| 8 | 502 56 36-01 | SEAL | | 3 | |
| 9 | 522 65 96-01 | PARALLEL KEY | | 3 | |
| 10 | 502 56 10-01 | HEAD | | 3 | |
| 11 | 522 65 98-03 | PEN | | 18 | 13 |
| 12 | 522 65 97-01 | PLATE | | 3 | 13 |
| 13 | 502 55 82-01 | GRINDER | | 3 | |
| 14 | 502 53 39-01 | WASHER | | 9 | 13 |
| 15 | 725 53 68-51 | SCREW IHSCM | | 9 | 13 |
| 16 | 502 53 44-01 | LOCK | | 9 | 13 |
| 17 | 504 74 84-01 | SCREW IHSCM | | 9 | 13 |
| 18 | 504 74 96-02 | LOCKWASHER | | 3 | |
| 19 | 522 66 18-01 | SCREW EHHM | | 3 | |
| 20 | 725 64 91-51 | SCREW IHCSFM | | 18 | 13 |
| 21 | 522 65 98-02 | PLATE | | 3 | 13 |
| 22 | 502 54 58-01 | HOLDER | | 3 | |
| 23 | 502 56 39-01 | DRIVE CABLE | | 1 | |

B1



| Ref | Part No | Description | Remark | QTY KIT |
|-----|--------------|-----------------------|--------|---------|
| 1 | 543 04 60-41 | EMBOUT REF 320 GL 25/ | | 2 |
| 2 | 502 54 49-22 | RUBBER COVER | | 2 |
| 3 | 502 56 65-13 | HANDLE TUBE | | 1 |
| 4 | 502 54 49-25 | HANDLEBAR | | 2 |
| 5 | 502 54 49-26 | HANDLEBAR | | 1 |
| 6 | 516 05 90-01 | HUB CAP | | 1 |
| 7 | 725 24 89-76 | SCREW EHHM | | 2 |
| 8 | 502 56 65-02 | HANDLEBAR ASSY | | 1 |
| 9 | 725 54 45-01 | SCREW IHSCM | | 2 |
| 10 | 516 05 93-01 | PEN | | 1 |
| 11 | 725 24 55-76 | SCREW EHHM | | 1 |
| 12 | 502 54 49-05 | BRACKET | | 1 |
| 13 | 502 54 49-23 | RUBBER COVER | | 1 |
| 14 | 522 65 99-01 | ROD | | 1 |
| 15 | 502 54 49-27 | COMPRESSION SPRING | | 1 |
| 16 | 504 75 07-01 | SCREW | | 1 |
| 17 | 516 05 97-01 | SLEEVE | | 1 |
| 18 | 724 13 64-51 | SCREW CRPANM | | 1 |
| 19 | 504 75 06-01 | LOCK NUT | | 1 |
| 20 | 502 56 64-01 | CHASSIS | | 1 |
| 21 | 721 68 02-51 | SPRING COTTER | | 2 |
| 22 | 504 72 97-01 | PEN | | 2 |
| 23 | 504 72 77-07 | SPACING TUBE | | 2 |
| 24 | 502 54 50-01 | WHEEL | | 2 |
| 25 | 735 31 26-00 | CIRCLIP | | 2 |
| 26 | 504 75 14-01 | WASHER | | 2 |

B2



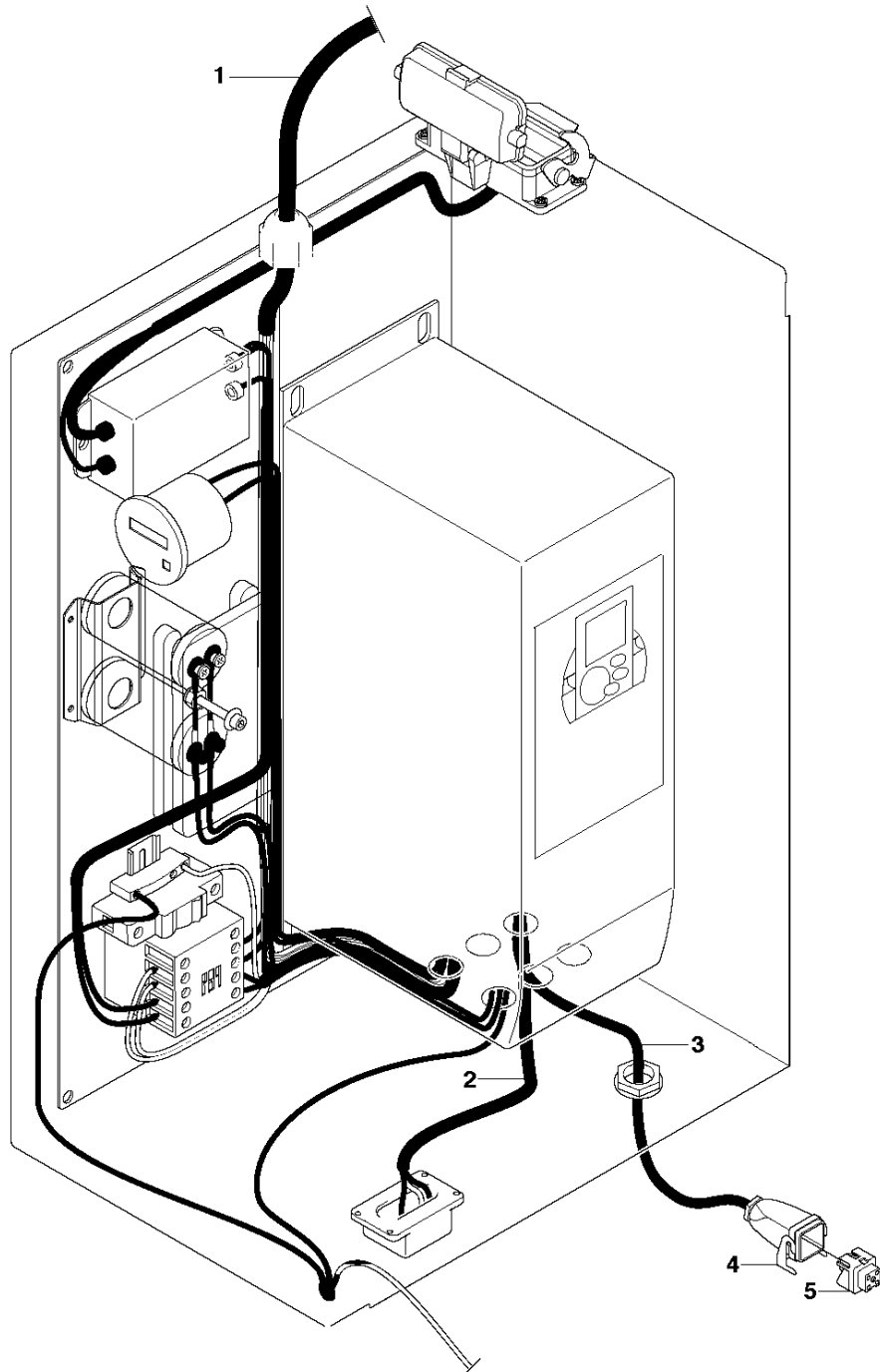
Electrical Box externals

PG 530, Machine 0904-01 and forward, 2010-02

| Ref | Part No | Description | Remark | QTY | KIT |
|-----|--------------|---------------------|--------|-----|-------|
| 1 | 525 48 88-01 | DECAL | | 1 | 16 |
| 2 | 525 48 85-01 | DECAL | | 1 | |
| 3 | 735 21 64-01 | LOCKWASHER | | 8 | |
| 4 | 725 24 61-71 | SCREW EHHM | | 4 | |
| 5 | 502 53 39-01 | WASHER | | 4 | |
| 6 | 732 25 18-01 | HEXAGON LOCKING NUT | | 4 | |
| 7 | 504 74 73-01 | WASHER | | 4 | |
| 12 | 504 74 13-01 | HOUR METER | | 1 | |
| 12 | 580 88 17-01 | HOUR METER | UL | 1 | |
| 13 | 516 05 98-01 | LATCH | 15 | 2 | 1, 13 |
| 14 | 502 54 41-01 | VENT | 15 | 1 | 1, 13 |
| 15 | 574 44 10-01 | ELECTRIC BOX | 16 | 1 | 1 |
| 16 | 574 44 08-01 | ELECTRIC BOX | | 1 | |
| 16 | 574 44 08-02 | ELECTRIC BOX | UL | 1 | |
| 17 | 543 04 47-66 | NUT | | 4 | |
| 18 | 515 98 41-01 | WASHER | | 4 | |
| 19 | 521 88 67-01 | WASHER | | 4 | |

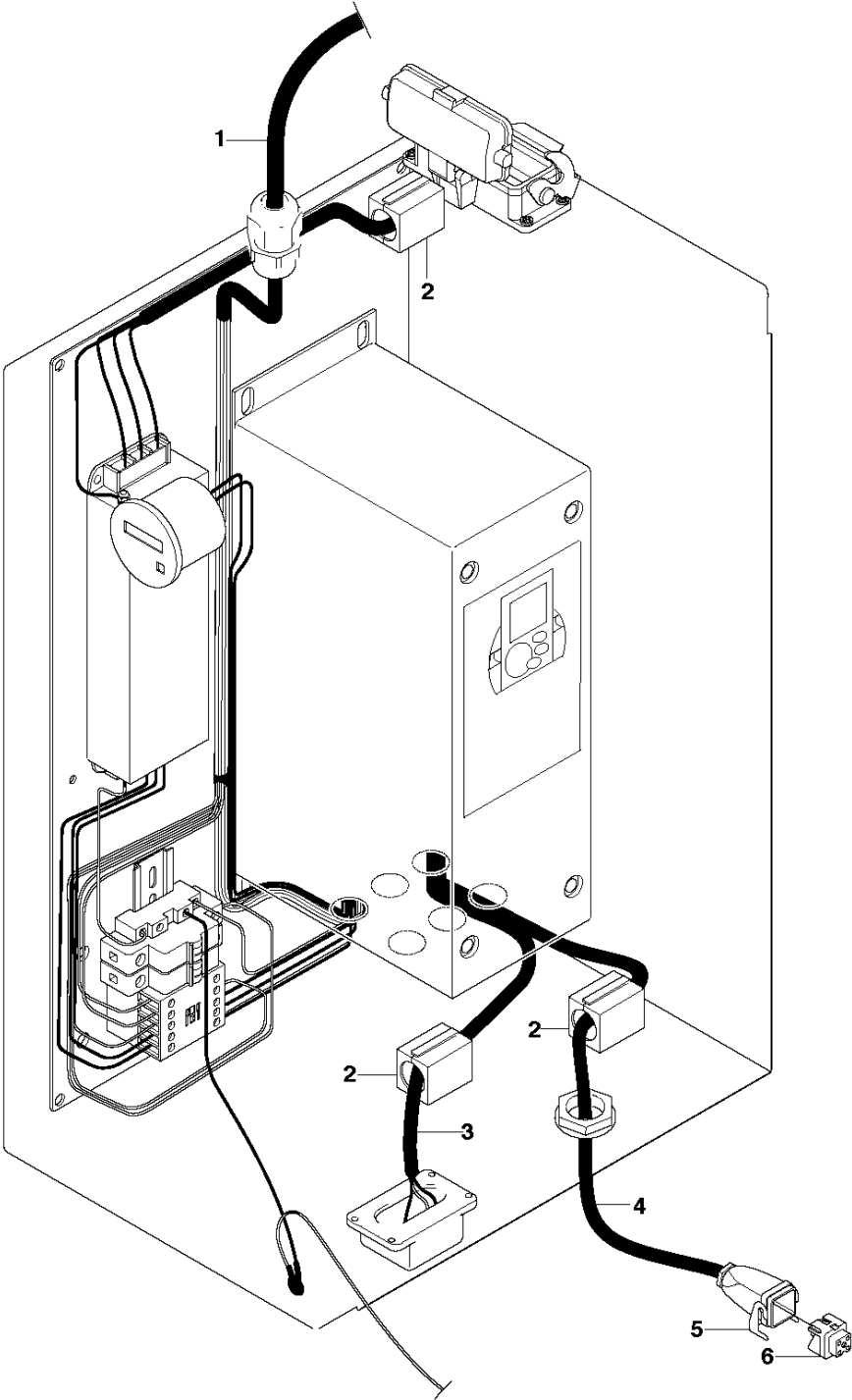
C2

Single Phase



| Ref | Part No | Description | Remark | QTY KIT |
|-----|--------------|-------------|--------|---------|
| 1 | 504 75 39-01 | PANEL | | 1 |
| 1 | 581 11 08-01 | WIRING | UL | 1 |
| 2 | 522 66 00-01 | CABLE | | 1 |
| 2 | 522 66 00-02 | CABLE | | 1 |
| 3 | 522 66 01-01 | CABLE | | 1 |
| 3 | 522 66 01-02 | CABLE | | 1 |
| 4 | 522 66 14-01 | PLUG | | 1 |
| 5 | 522 66 16-01 | CONNECTOR | | 1 |

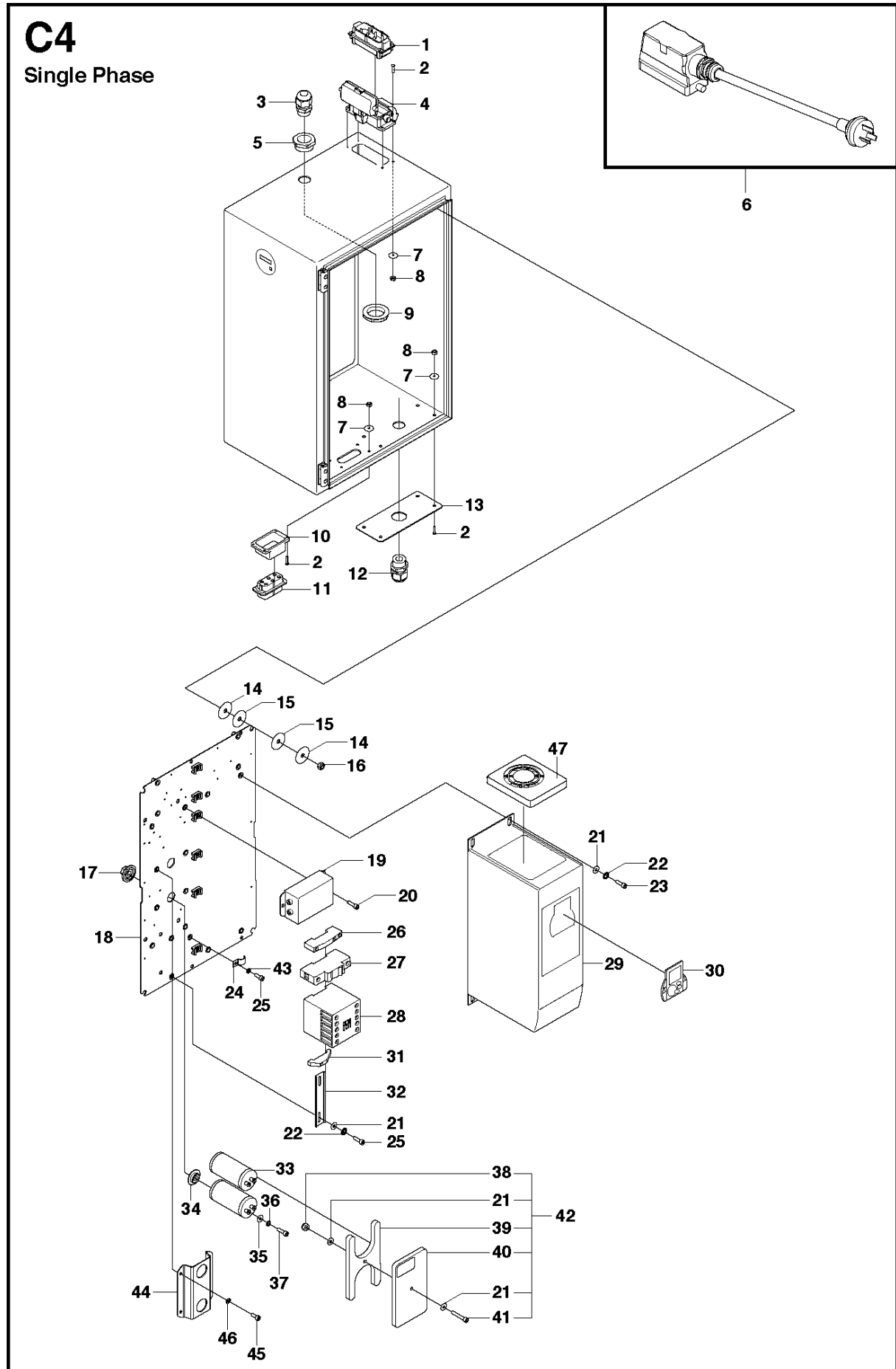
C3
3 phase



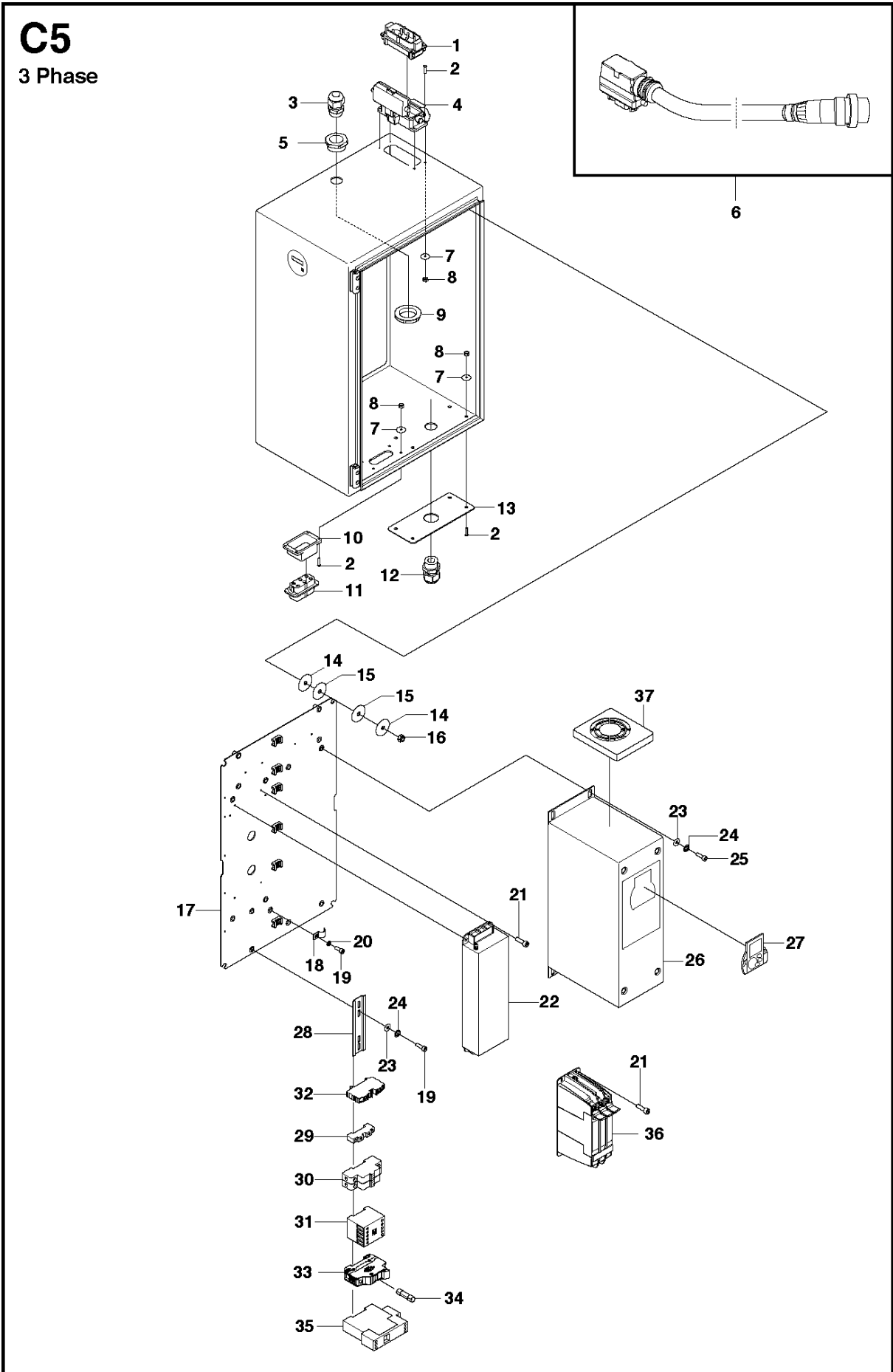
| Ref | Part No | Description | Remark | QTY KIT |
|-----|--------------|-------------|--------|---------|
| 1a | 504 75 39-01 | PANEL | | 1 |
| 1b | 581 11 08-01 | WIRING | UL | 1 |
| 2 | 504 71 72-01 | FERRITE | | 3 |
| 3a | 522 66 02-01 | CABLE | | 1 |
| 3b | 522 66 02-02 | CABLE | | 1 |
| 4a | 522 66 01-01 | CABLE | | 1 |
| 4b | 522 66 01-02 | CABLE | | 1 |
| 5 | 522 66 14-01 | PLUG | | 1 |
| 6 | 522 66 16-01 | CONNECTOR | | 1 |

C4

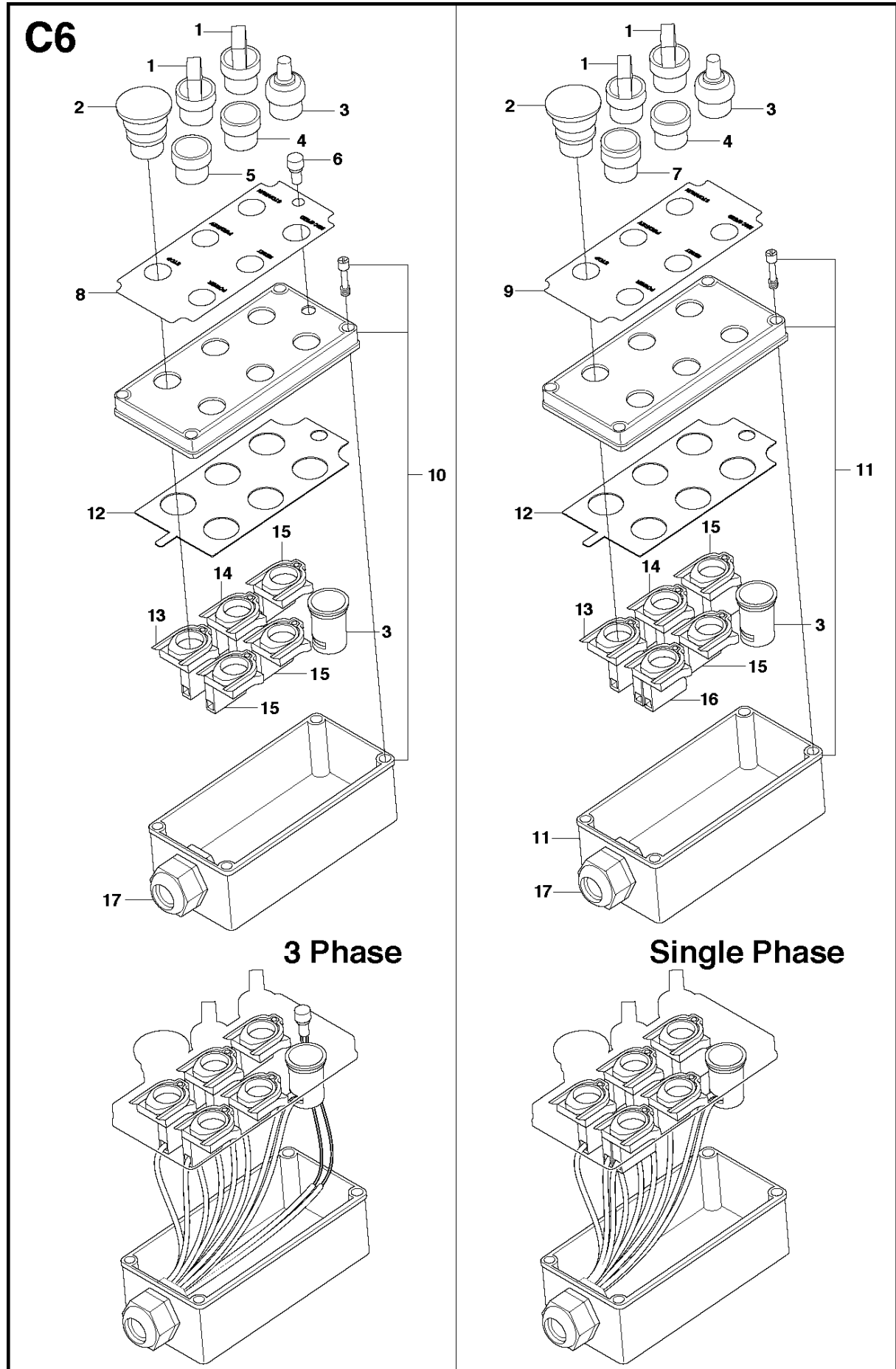
Single Phase



| Ref | Part No | Description | Remark | QTY | KIT |
|-----|--------------|---------------------|--|-----|-----|
| 1 | 516 06 15-01 | CONNECTOR | | 1 | |
| 2 | 724 12 93-51 | SCREW CRPANM | | 12 | |
| 3 | 516 06 18-01 | GROMMET | | 1 | |
| 4 | 516 06 06-02 | HOUSING | | 1 | |
| 5 | 504 76 24-01 | ADAPTER | | 1 | |
| 6 | 525 58 45-01 | CABLE KIT | | 1 | |
| 6 | 525 58 45-02 | CABLE KIT | | 1 | |
| 6 | 525 58 45-03 | CABLE KIT | | 1 | |
| 6 | 525 58 45-04 | CABLE KIT | | 1 | |
| 7 | 734 11 36-01 | WASHER | | 12 | |
| 8 | 732 25 12-01 | HEXAGON LOCKING NUT | | 12 | |
| 9 | 575 51 01-01 | NUT | | 1 | |
| 10 | 516 06 04-01 | HOUSING | | 1 | |
| 11 | 516 06 05-01 | CONNECTOR | | 1 | |
| 12 | 516 06 12-01 | GROMMET | | 1 | |
| 13 | 525 31 14-01 | COVER PLATE | | 1 | |
| 14 | 521 88 67-01 | WASHER | | 8 | |
| 15 | 516 06 01-01 | WASHER | | 8 | |
| 16 | 732 25 18-01 | HEXAGON LOCKING NUT | | 4 | |
| 17 | 586 85 31-01 | NUT | | 2 | |
| 18 | 574 44 12-01 | PLATE | | 1 | |
| 19 | 504 71 70-01 | FILTER | Not UL | 1 | |
| 20 | 521 88 64-02 | SCREW | Not UL | 2 | |
| 21 | 734 11 54-41 | WASHER | | 8 | 42 |
| 22 | 735 11 53-01 | WASHER | | 6 | |
| 23 | 725 53 70-51 | SCREW IHSCM | | 4 | |
| 24 | 504 75 84-01 | CABLE CLAMP | | 1 | |
| 25 | 725 53 68-01 | SCREW IHSCM | | 3 | |
| 26 | 502 54 38-01 | TERMINAL BLOCK | | 1 | |
| 27 | 504 75 37-01 | CIRCUIT BREAKER | | 1 | |
| 27 | 578 35 06-01 | CIRCUIT BREAKER | UL | 1 | |
| 28 | 504 75 36-01 | CONTACTOR | | 1 | |
| 29 | 502 56 43-02 | FREQUENCY INVERTER | | 1 | |
| 30 | 516 06 10-01 | PAN | | 1 | |
| 30 | 505 46 40-01 | KEYBOARD | | 1 | |
| 31 | 504 73 99-01 | CLAMP | | 1 | |
| 32 | 516 06 11-01 | RAIL | | 1 | |
| 33 | 585 84 32-01 | CAPACITOR | | 2 | |
| 33 | 585 85 15-01 | CAPACITOR | For machines before SN 2014 2200007 | 1 | |
| 34 | 586 85 32-01 | WASHER | | 2 | |
| 35 | 734 11 46-01 | WASHER | | 4 | |
| 36 | 735 11 46-01 | SPRING WASHER | | 4 | |
| 37 | 725 23 27-71 | SCREW EHHM | | 4 | |
| 38 | 732 25 16-01 | HEXAGON LOCKING NUT | | 1 | 42 |
| 39 | 522 66 06-01 | COVER | | 1 | 42 |
| 40 | 522 66 07-01 | COVER | | 1 | 42 |
| 41 | 725 53 74-01 | SCREW IHSCM | | 1 | 42 |
| 42 | 522 66 08-01 | COVER | | 1 | |
| 43 | 735 21 53-01 | LOCKWASHER | | 1 | |
| 44 | 586 58 92-01 | BRACKET | | 1 | |
| 45 | 725 53 68-01 | SCREW IHSCM | | 1 | |
| 46 | 735 11 53-01 | WASHER | | 1 | |
| 47 | 589 41 16-01 | FAN | | 1 | |



| Ref | Part No | Description | Remark | QTY KIT |
|-----|--------------|---------------------|--------|---------|
| 1 | 504 76 25-01 | CONNECTOR | | 1 |
| 2 | 724 12 93-51 | SCREW CRPANM | | 12 |
| 3 | 516 06 18-01 | GROMMET | | 1 |
| 4 | 516 06 06-02 | HOUSING | | 1 |
| 5 | 504 76 24-01 | ADAPTER | | 1 |
| 6 | 574 44 13-02 | PLUG | | 1 |
| 6 | 531 11 71-36 | PLUG | | 1 |
| 6 | 580 95 23-01 | CABLE ASSY | UL | 1 |
| 7 | 734 11 36-01 | WASHER | | 12 |
| 8 | 732 25 12-01 | HEXAGON LOCKING NUT | | 12 |
| 9 | 575 51 01-01 | NUT | | 1 |
| 10 | 516 06 04-01 | HOUSING | | 1 |
| 11 | 516 06 05-01 | CONNECTOR | | 1 |
| 12 | 516 06 12-01 | GROMMET | | 1 |
| 13 | 525 31 14-01 | COVER PLATE | | 1 |
| 14 | 521 88 67-01 | WASHER | | 8 |
| 15 | 516 06 01-01 | WASHER | | 8 |
| 16 | 732 25 18-01 | HEXAGON LOCKING NUT | | 4 |
| 17 | 574 44 12-01 | PLATE | | 1 |
| 18 | 504 75 84-01 | CABLE CLAMP | | 1 |
| 19 | 725 53 68-01 | SCREW IHSCM | | 3 |
| 20 | 735 21 53-01 | LOCKWASHER | | 1 |
| 21 | 521 88 64-02 | SCREW | Not UL | 4 |
| 22 | 522 66 10-01 | FILTER | Not UL | 1 |
| 23 | 734 11 54-41 | WASHER | | 6 |
| 24 | 735 11 53-01 | WASHER | | 6 |
| 25 | 725 53 70-51 | SCREW IHSCM | | 4 |
| 26 | 502 56 41-02 | FREQUENCY INVERTER | | 1 |
| 27 | 516 06 10-01 | PAN | | 1 |
| 27 | 505 46 40-01 | KEYBOARD | | 1 |
| 28 | 516 06 11-01 | RAIL | | 1 |
| 29 | 502 54 38-01 | TERMINAL BLOCK | | 1 |
| 30 | 502 54 37-01 | CIRCUIT BREAKER | | 1 |
| 30 | 578 35 05-01 | CIRCUIT BREAKER | UL | 1 |
| 31 | 502 56 53-01 | CONTACTOR | | 1 |
| 37 | 589 41 16-01 | FAN | | 1 |

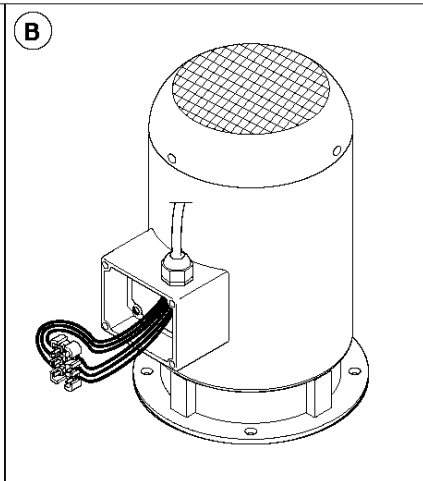
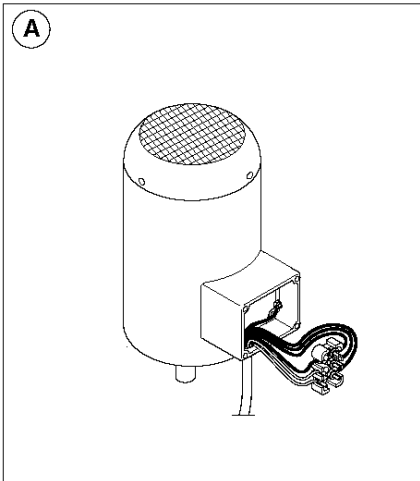
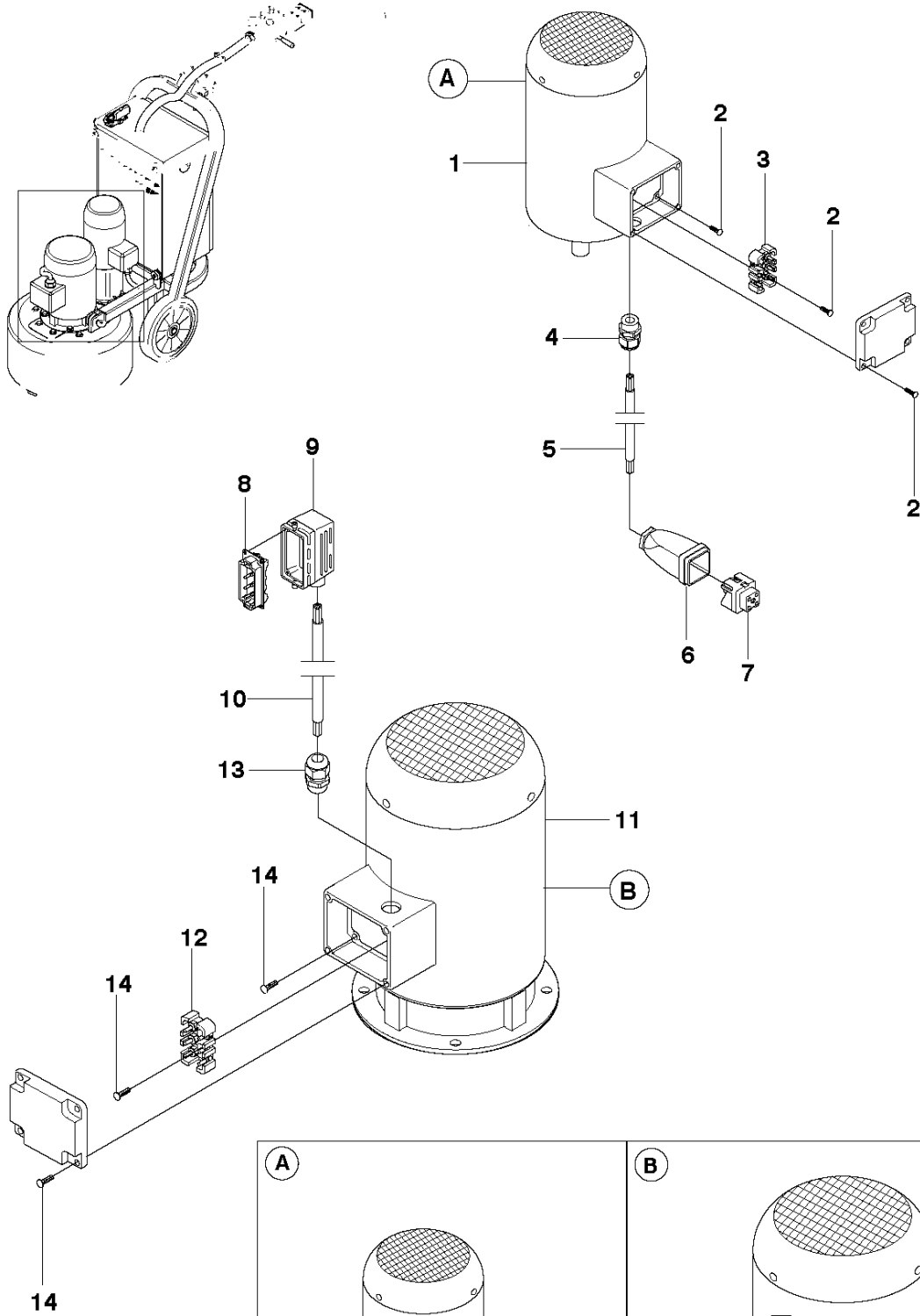


Control panel

PG 530, Machine 0904-01 and forward, 2010-02

| Ref | Part No | Description | Remark | QTY KIT |
|-----|--------------|--------------|--------|---------|
| 1 | 504 73 86-01 | SWITCH | | 2 |
| 2 | 504 73 94-01 | BUTTON | | 1 |
| 3 | 502 54 29-01 | CONTROL | | 1 |
| 4 | 504 73 88-01 | PUSH BUTTON | | 1 |
| 5 | 504 73 90-01 | PUSH BUTTON | | 1 |
| 6 | 504 73 96-01 | LAMP | | 1 |
| 6 | 580 88 16-01 | LAMP | UL | 1 |
| 7 | 504 75 50-01 | PUSH BUTTON | | 1 |
| 8 | 522 67 69-01 | DECAL | | 1 |
| 9 | 504 75 56-01 | DECAL | | 1 |
| 10 | 522 66 11-01 | ELECTRIC BOX | | 1 |
| 11 | 504 75 43-01 | ELECTRIC BOX | | 1 |
| 12 | 525 73 65-01 | PLATE | | 1 |
| 13 | 504 73 95-01 | BUTTON | | 1 |
| 14 | 504 73 87-01 | BUTTON | | 1 |
| 15 | 504 73 89-01 | BUTTON | | 3 |
| 16 | 504 75 51-01 | BUTTON | | 1 |
| 17 | 516 06 18-01 | GROMMET | | 1 |

C7



MOTOR

PG 530, Machine 0904-01 and forward, 2010-02

| Ref | Part No | Description | Remark | QTY KIT |
|-----|--------------|----------------|--------|---------|
| 1 | 502 55 97-01 | ELECTRIC MOTOR | | 1 |
| 2 | 723 13 27-51 | SCREW SLCHM | | 10 |
| 3 | 516 06 19-01 | TERMINAL BLOCK | | 1 |
| 4 | 516 06 12-01 | GROMMET | | 1 |
| 5a | 504 75 58-01 | CABLE ASSY | | 1 |
| 5b | 504 75 58-02 | CABLE ASSY | | 1 |
| 6 | 522 66 13-01 | PLUG | | 1 |
| 7 | 522 66 15-01 | CONNECTOR | | 1 |
| 8 | 516 06 14-01 | CONNECTOR | | 1 |
| 9 | 516 06 13-01 | HOOD | | 1 |
| 10a | 522 66 17-01 | CABLE | | 1 |
| 10b | 522 66 17-02 | CABLE | UL | 1 |
| 11a | 502 55 94-01 | MOTOR | | 1 |
| 11b | 505 52 32-01 | MOTOR | | 1 |
| 12a | 516 06 19-01 | TERMINAL BLOCK | | 1 |
| 12b | 516 06 20-01 | TERMINAL BLOCK | | 1 |
| 13a | 516 06 12-01 | GROMMET | | 1 |
| 13b | 516 06 18-01 | GROMMET | | 1 |
| 14a | 723 13 27-51 | SCREW SLCHM | | 10 |
| 14b | 724 13 68-51 | SCREW CRPANM | | 10 |