

RYOBI®

R18MT3

ORIGINAL INSTRUCTIONS
TRADUCTION DES INSTRUCTIONS ORIGINALES
ÜBERSETZUNG DER ORIGINALANLEITUNG
TRADUCCIÓN DE LAS INSTRUCCIONES ORIGINALES
TRADUZIONE DELLE ISTRUZIONI ORIGINALI
VERTALING VAN DE ORIGINELE INSTRUCTIES
TRADUÇÃO DAS INSTRUÇÕES ORIGINAIS
OVERSÆTTELSE AF DE ORIGINALE INSTRUKTIONER
ÖVERSÄTTNING AV DE URSPRUNGLIGA INSTRUKTIONERNA
ALKUPERÄISTEN OHJEIDEN SUOMENNO
OVERSETTELSE AV DE ORIGINALE INSTRUKSJONENE
ПЕРЕВОД ОРИГИНАЛЬНЫХ ИНСТРУКЦИЙ
TŁUMACZENIE INSTRUKCJI ORYGINALNEJ
PŘEKLAD ORIGINÁLNÍCH POKYNŮ
AZ EREDETI ÚTMUTATÓ FORDÍTÁSA
TRADUCEREA INSTRUCȚIUNILOR ORIGINALE
TULKOTS NO ORIĢINĀLĀS INSTRUKCIJAS
ORIGINALIŲ INSTRUKCIJŲ VERTIMAS
ORIGINAALJUHENDI TÕLGE
PRIJEVOD ORIGINALNIH UPUTA
PREVOD ORIGINALNIH NAVODIL
PREKLAD ORIGINÁLNYCH POKYNOV
ПРЕВОД ОТ ОРИГИНАЛНИТЕ ИНСТРУКЦИИ
ПЕРЕКЛАД ОРИГИНАЛЬНИХ ІНСТРУКЦІЙ
ORIJ NAL TALIMATLARIN TERCÜMESİ
ΜΕΤΑΦΡΑΣΗ ΤΩΝ ΠΡΩΤΟΤΥΠΩΝ ΟΔΗΓΙΩΝ



EN
FR
DE
ES
IT
NL
PT
DA
SV
FI
NO
RU
PL
CS
HU
RO
LV
LT
ET
HR
SL
SK
BG
UK
TR
EL





- Important!** It is essential that you read the instructions in this manual before assembling, maintaining and operating the product.
- Attention!** Il est essentiel que vous lisiez les instructions contenues dans ce manuel avant d'assembler, d'entretenir et d'utiliser le produit.
- Achtung!** Es ist wichtig, dass Sie vor Zusammenbau, Wartung und Benutzung des Produktes die Anweisungen in dieser Anleitung lesen.
- ¡Atención!** Resulta fundamental que lea este manual de instrucciones antes de realizar el montaje, el mantenimiento y de utilizar este producto
- Attenzione!** È importante leggere le istruzioni contenute nel presente manuale prima di montare il prodotto, svolgere le operazioni di manutenzione sullo stesso e metterlo in funzione.
- Let op!** Het is van essentieel belang dat u de instructies in deze gebruiksaanwijzing leest voor u het product monteert, onderhoudt en gebruikt.
- Atenção!** É fundamental que leia as instruções deste manual antes da montagem, manutenção e operação do aparelho.
- OBS!** Det er vigtigt, at man læser instrukserne i denne brugsanvisning, inden man samler, vedligeholder og betjener produktet.
- Observera!** Det är viktigt att du läser instruktionerna i manualen före montering, användning och underhåll av produkten.
- Huomio!** On tärkeää, että luet tämän käsikirjan ohjeet ennen tuotteen kokoamista, huoltoa ja käyttöä.
- Advarsel!** Det er vigtigt at du leser instruksjonene i denne manualen før sammensetning, vedlikehold og bruk av produktet
- Внимание!** Необходимо прочитать инструкции в данном руководстве перед сборкой, обслуживанием и эксплуатацией этого изделия.
- Uwaga!** Konieczne należy przeczytać instrukcje zawarte w tym podręczniku przed montażem, obsługą oraz konserwacją produktu.
- Důležité upozornění!** Neinstalujte, neprovádějte údržbu ani nepoužívejte tento výrobek dřív, než si přečtete pokyny uvedené v tomto návodu.
- Figyelem!** Fontos, hogy a termék összeszerelése, karbantartása és használatá elött elolvassa a kézikönyvben található utasításokat.
- Atenție!** Este esențial să citiți instrucțiunile din acest manual înainte de asamblare, efectuarea întreinerii și operarea produsului.
- Uzmanību!** Ir svarīgi izlasīt šīs rokasgrāmatas instrukcijas pirms uzstādīšanas, apkopes un preces darbināšanas.
- Děmesio!** Prieš surenkant, prižiūrint ir naudojam gaminį, būtina perskaityti šiam vadove pateiktus nurodymus.
- Tähtis!** Enne masina kokkupanekut, hooldamist ja kasutama hakkamist tuleb käesolevas juhendis esitatud juhised kindlasti läbi lugeda.
- Upozorenie!** Vrlo je važno da ste prije sklapanja, održavanja i rada s ovim proizvodom pročitali upute u ovom priručniku.
- Pomembno!** Pomembno je da pred montažo vzdrževanjem in uporabo tega izdelka preberete navodila v tem priručniku.
- Upozornenie!** Je dôležité, aby ste si pred montážou, údržbou a obsluhou produktu prečítali pokyny v tomto návode.
- Важно!** Исключительно важно е да прочетете инструкциите в настоящото ръководство, преди да преминете към сглобяване, поддръжка или работа с продукта.
- Важливо!** Дуже важливо, щоб ви прочитали інструкції в цьому керівництві перед складанням, обслуговуванням та експлуатацією цієї машини.
- Dikkat!** Ürünün montajını, bakımını yapmadan ve ürünü çalıştırmadan önce bu kılavuzda yer alan talimatları okumanız önemlidir.
- Προσοχή!** Είναι πολύ σημαντικό να διαβάσετε τις οδηγίες στο παρόν εγχειρίδιο πριν συναρμολογήσετε, συντηρήσετε ή λειτουργήσετε το προϊόν.

Subject to technical modification | Sous réserve de modifications techniques | Technische Änderungen vorbehalten | Bajo reserva de modificaciones técnicas | Con riserva di eventuali modifiche tecniche | Technische wijzigingen voorbehouden | Com reserva de modificações técnicas | Med forbehold for tekniske ændringer | Med förbehåll för tekniska ändringar | Tekniset muutokset varataan | Med forbehold om tekniske endringer | могут быть внесены технические изменения | Z zastrzeżeniem modyfikacji technicznych | Změny technických údajů vyhrazeny | A műszaki módosítás jogát fenntartjuk | Sub rezerva modifiцаiilor tehnice | Paturam tiesības mainīt tehnisko raksturlielumus | Pasiilikant teise daryti techninius pakeitimus | Tehnilised muudatused võimalikud | Podloženo tehničkim promjenama | Tehnične spremembe dopuščene | Právo na technické zmeny je vyhradené | Подлежи на технически модификации | Є об'єктом для технічних змін | Teknik değişiklik hakkı saklıdır | Υπό την επιφύλαξη τεχνικών τροποποιήσεων



Safety, performance, and dependability have been given top priority in the design of your multi-tool.

INTENDED USE

The multi-tool is intended to be used only by adults who have read and understood the instructions and warnings in this manual and can be considered responsible for their actions.

The multi-tool is intended to be used:

- for sanding and finishing metal, wood, plastics, or similar materials using the sanding pad with the shaped abrasive sheets provided
- for scraping and plunge-cutting into non-ferrous metal, wood, plastics, plasterboard, etc. using the provided metallic cutting blades
- for cutting holes in walls to accommodate switches or power sockets
- for removing grouting from between ceramic tiles

The multi-tool is intended to be operated indoors in dry, well illuminated and adequately ventilated conditions.

The multi-tool is not intended to be used on wet materials or surfaces.

Do not use the product in any way other than those stated for intended use.

⚠ WARNING

Read all safety warnings, instructions, illustrations and specifications provided with this power tool. Failure to follow all instructions listed below may result in electric shock, fire and/or serious injury.

Save all warnings and instructions for future reference.

MULTI-TOOL SAFETY WARNINGS

- **Hold the power tool by insulated gripping surfaces, when performing an operation where the cutting accessory may contact hidden wiring.** Cutting accessory contacting a “live” wire may make exposed metal parts of the power tool “live” and could give the operator an electric shock.
- Always wear safety goggles while operating the tool. Wear a dust mask when dust is produced.

⚠ WARNING

Dust from certain paints, coatings, and materials may cause irritation or allergic reactions. Dust from wood such as oak, beech, MDF, and others are carcinogenic. Only qualified specialists should be allowed to use the product on materials containing asbestos.

⚠ WARNING

The product should never be connected to a power supply when assembling parts, making adjustments, cleaning, performing maintenance, or when not using it. Disconnecting the product from the power supply will prevent accidental starting that could cause serious injury.

- When working in walls, ceilings or floors, take care to avoid electric cables and gas or water pipes.

⚠ WARNING

Metallic accessories will become hot during use and could result in skin burns if contacted by the operator. Wear gloves when changing accessories.

Take care when setting down the tool between operations to prevent damage or injury.

- Do not use cutting accessories which are damaged, cracked or do not fit securely to the product.
- Ensure that the lock on switch is not in the on position before inserting the battery pack.
- The multi-tool creates vibrations which move the accessory. The vibrations may cause discomfort if the product is operated for long periods of time. Take a rest often, especially if you feel discomfort in the arm, wrist, or fingers. Choose a speed setting which will get the work completed efficiently. Read the Residual Risks and Risk Reduction sections for more information on vibration-related injury.
- Clamp workpiece with a clamping device. Unclamped workpieces can cause severe injury and damage. Do not hold the material you are sanding by hand.
- Do not use sanding paper larger than needed. Extra paper extending beyond the sanding pad can also cause serious lacerations.
- Ambient temperature range for tool during operation is between 0°C and 40°C.
- Ambient temperature range for tool storage is between 0°C and 40°C.
- The recommended ambient temperature range for the charging system during charging is between 10°C and 38°C.

ADDITIONAL BATTERY SAFETY WARNINGS

⚠ WARNING

To reduce the risk of fire, personal injury, and product damage due to a short circuit, never immerse your tool, battery pack or charger in fluid or allow a fluid to flow inside them. Corrosive or conductive fluids, such as seawater, certain industrial chemicals, and bleach or bleach-containing products, etc., can cause a short circuit.

- Ambient temperature range for battery during use is between 0°C and 40°C.
- Ambient temperature range for battery storage is between 0°C and 20°C.

TRANSPORTING LITHIUM BATTERIES

Transport the battery in accordance with local and national provisions and regulations.

Follow all special requirements on packaging and labelling when transporting batteries by a third party. Ensure that no batteries can come in contact with other batteries or conductive materials while in transport by protecting exposed connectors with insulating, non-conductive caps

or tape. Do not transport batteries that are cracked or leaking. Check with the forwarding company for further advice.

RESIDUAL RISKS

Even when the product is used as prescribed, it is still impossible to completely eliminate certain residual risk factors. The following hazards may arise and the operator should pay special attention to avoid the following:

- Injury caused by dust
 - Wear eye protection at all times.
 - Wear respiratory protection masks containing filters appropriate to the materials being worked. Ensure adequate workplace ventilation.
 - Do not eat, drink or smoke in the work area.
- Injury caused by noise and vibration
 - Wear ear protection.
 - Do not operate the product for long periods of time. See "Risk reduction".
- Risk of electrocution if electric cables are cut
 - Always hold the product by designated handles. Do not touch the cutting blades or metal parts of the product.

RISK REDUCTION

It has been reported that vibrations from handheld tools may contribute to a condition called Raynaud's Syndrome in certain individuals. Symptoms may include tingling, numbness and blanching of the fingers, usually apparent upon exposure to cold. Hereditary factors, exposure to cold and dampness, diet, smoking, and work practices are all thought to contribute to the development of these symptoms. There are measures that can be taken by the operator to possibly reduce the effects of vibration:

- Keep your body warm in cold weather. When operating the product, wear gloves to keep the hands and wrists warm. It is reported that cold weather is a major factor contributing to Raynaud's Syndrome.
- After each period of operation, exercise to increase blood circulation.
- Take frequent work breaks. Limit the amount of exposure per day.

If you experience any of the symptoms of this condition, immediately discontinue use and see your doctor about these symptoms.

⚠ WARNING

Injuries may be caused, or aggravated, by prolonged use of a tool. When using any tool for prolonged periods, ensure you take regular breaks.

KNOW YOUR PRODUCT

See page 105.

1. LED light
2. Blade locking screw
3. Speed control
4. On/ off switch
5. Lock on switch
6. Handle, insulated grasping surface

2 | English

7. Plunge cut blade
8. Flush cut blade
9. Sanding pad
10. Sandpaper
11. Adaptor storage slot
12. Adaptor */**
13. Hex key
14. Battery pack

*Compatible with BOSCH accessories. BOSCH is a registered trademark of Robert Bosch GmbH.

**Compatible with DREMEL accessories. DREMEL is a registered trademark of Robert Bosch Tool Corporation.

OPERATION

The product is supplied with an extra adapter for use with other brands of cutting, scraping, and sanding accessories. The adapter may be turned over for use with the desired brands of accessories. Do not use the adapter with RYOBI accessories supplied with your tool.

- Secure workpieces that can move with a clamp to prevent movement during sanding or cutting operations. Do not hold the workpiece by hand. An inadvertent slip while operating the product may cause serious personal injury.
- When making a plunge cut into soft materials like wood and plasterboard using the cutting accessory, gradually bring the vibrating blade to the workpiece. Do not push the vibrating blade hard into the material to be cut. Let the product do the work and concentrate on keeping the product and the cutting accessory stable in the position you wish to make the cut.
- Take extra care when cutting in non-ferrous metals. The vibrating cutting blade may skip around before beginning the cut. If necessary, drill some holes along the line to be cut before you start cutting.
- If the cutting accessories become jammed in the workpiece, switch off the product and disconnect from the power supply. If the cutting accessory cannot be removed easily, allow the cutting accessory to adequately cool before releasing the cutting accessory from the product. Wear gloves and use hand tools, such as pliers or wrench, to remove the cutting accessory from the workpiece.

OVERCURRENT PROTECTION

When overcurrent is detected, the product will automatically switch off.

If the product stops working, release the trigger and then apply again. The product should again start working.

MAINTENANCE

⚠ WARNING

The product should never be connected to a power supply when you are assembling parts, making adjustments, cleaning, performing maintenance, or when the product is not in use. Disconnecting the product will prevent accidental starting that could cause serious injury.

- When servicing, use only original manufacturer's replacement parts. Use of any other parts may create a

hazard or cause product damage.

⚠ WARNING

For greater safety and reliability, all repairs should be performed by an authorised RYOBI service centre.

GENERAL

Avoid using solvents when cleaning plastic parts. Most plastics are susceptible to various types of commercial solvents and may be damaged by their use. Use clean cloths to remove dirt, carbon dust, etc.

⚠ WARNING

Do not, at any time, let brake fluids, gasoline, petroleum-based products, and penetrating oils, come in contact with plastic parts. They contain chemicals that can damage, weaken, or destroy plastic.

The dust from plaster and wall board is abrasive and may cause premature failure of the product if it is allowed to enter the motor area. Thoroughly clean the product after use by using a brush and a vacuum. Take care not to push dirt into the ventilation openings. Beware of using compressed air to clean the product because dust and grit can cause serious eye injury.

LUBRICATION

All of the bearings in the product are lubricated with a sufficient amount of high grade lubricant for the life span of the product under normal operating conditions. Therefore, no further lubrication is required.

ENVIRONMENTAL PROTECTION



Recycle raw materials instead of disposing of as waste. The machine, accessories and packaging should be sorted for environment-friendly recycling.

SYMBOLS ON THE PRODUCT



Safety alert



CE conformity



No-load speed



Volts



Direct current



EurAsian Conformity Mark



Please read the instructions carefully before starting the machine.



Ukrainian mark of conformity

001



Wood – Plunge and flush cuts



Non-ferrous metal – Plunge and flush cuts



Plastics – Plunge and flush cuts



Waste electrical products should not be disposed of with household waste. Please recycle where facilities exist. Check with your local authority or retailer for recycling advice.

SYMBOLS IN THIS MANUAL



Note



Parts or accessories sold separately



Unlock



Lock



Speed, minimum



Speed, maximum

The following signal words and meanings are intended to explain the levels of risk associated with this product:

⚠ DANGER

Indicates an imminently hazardous situation, which, if not avoided, will result in death or serious injury.

⚠ WARNING

Indicates a potentially hazardous situation, which, if not avoided, could result in death or serious injury.

⚠ CAUTION

Indicates a potentially hazardous situation, which, if not avoided, may result in minor or moderate injury.

CAUTION

(Without Safety Alert Symbol) Indicates a situation that may result in property damage.

La plus grande priorité a été donnée à la sécurité, aux performances et à la fiabilité de votre outil multifonctions lors de sa conception.

UTILISATION PRÉVUE

L'outil multifonctions est destiné à n'être utilisé que par des adultes ayant lu et compris les instructions et avertissements présents dans ce manuel, et pouvant être considérés responsables de leurs actions.

L'outil multifonctions est conçu pour être utilisé :

- pour le ponçage et le polissage du métal, du bois, du plastique, ou matériaux similaires à l'aide des tampons abrasifs fournis
- pour le raclage et la coupe plongeante des métaux non-ferreux, du bois, du plastique, des plaques de plâtre, etc. à l'aide des lames de coupe en métal fournies
- pour la découpe de trous dans les murs destinés à recevoir des prises ou des interrupteurs
- pour retirer les joints de carrelage

L'outil multifonctions est destiné à être utilisé à l'intérieur en conditions sèches, avec un bon éclairage et une bonne ventilation.

Ce produit n'est pas conçu pour être utilisé sur des matériaux et surfaces humides.

Ne vous servez pas de ce produit pour d'autres utilisations que celles décrites au chapitre des utilisations prévues.

AVERTISSEMENT

Lisez attentivement l'ensemble des avertissements, instructions et spécifications fournis avec cet outil, et reportez-vous aux illustrations. Le non-respect des instructions présentées ci-après peut entraîner des accidents tels que des incendies, des décharges électriques et/ou des blessures corporelles graves.

Conservez tous les avertissements et toutes les instructions pour pouvoir vous y reporter ultérieurement.

AVERTISSEMENTS DE SÉCURITÉ RELATIFS À L'OUTIL MULTIFONCTIONS

- Lorsque vous effectuez une opération où l'accessoire de coupe risque d'entrer en contact avec un câble électrique caché, maintenez l'outil par ses surfaces isolées. Un accessoire de coupe qui entre en contact avec un câble "sous tension" est susceptible de véhiculer le courant électrique vers les parties métalliques de l'outil et de provoquer un choc électrique à l'opérateur.
- Portez toujours des lunettes de sécurité lorsque vous utilisez l'outil. Portez un masque antipoussière lorsque de la poussière est produite.

AVERTISSEMENT

La sciure en provenance de certaines peintures, vernis et matériaux est susceptible de provoquer des irritations ou des réactions allergiques au système respiratoire. La sciure de bois tels que le chêne, le hêtre, le médium et autres est cancérigène. Seuls des spécialistes qualifiés devraient être autorisés à utiliser le produit sur des matériaux contenant de l'amiante.

AVERTISSEMENT

Le produit ne doit jamais être branché sur le secteur lorsque vous-y montez des pièces, lorsque vous effectuez des réglages, lorsque vous le nettoyez, lorsque vous l'entretenez, ou lorsque vous ne l'utilisez pas. Déconnecter le produit de l'alimentation électrique empêche les démarrages accidentels qui peuvent causer des blessures graves.

- Lorsque vous travaillez sur des murs, des plafonds ou des sols, prenez garde de ne pas entrer en contact avec des câbles électriques ou des tuyaux d'eau ou de gaz.

AVERTISSEMENT

Les accessoires métalliques deviennent chauds en cours d'utilisation ce qui risque brûler la peau de l'opérateur en cas de contact. Portez des gants lorsque vous changez d'accessoire.

Prenez garde lorsque vous posez l'outil entre deux opérations de ne pas causer de dommages ou de blessures.

- N'utilisez pas d'accessoires de coupe qui seraient endommagés, fêlés ou qui ne seraient pas fermement mis en place sur le produit.
- Vérifier que le verrou de l'interrupteur n'est pas en position « marche » avant d'insérer le bloc-batteries.
- Le produit crée des vibrations qui mettent les accessoires en mouvement. Les vibrations peuvent causer de l'inconfort si le produit est utilisé pendant une période prolongée. Faites souvent des pauses, notamment si vous ressentez de l'inconfort dans le bras, le poignet ou les doigts. Choisissez un réglage de vitesse qui permet de mener la tâche à bien de façon efficace. Lisez le chapitre relatif aux Risques Résiduels et à la Réduction des Risques pour plus d'informations concernant les blessures causées par les vibrations.
- Sécurisez la pièce à couper à l'aide d'un dispositif de serrage. Une pièce à travailler non-fixée peut être la cause de blessures graves et de dommages. Ne tenez pas à la main le matériau à poncer.
- La feuille de papier abrasif ne doit pas être trop grande. Si vous laissez le papier abrasif dépasser du patin, vous vous exposez à des risques de blessures graves.
- La plage de température ambiante pour l'outil en fonctionnement se situe entre 0 °C et 40 °C.



- La plage de température ambiante pour l'entreposage de l'outil se situe entre 0 °C et 40 °C.
- La plage de température ambiante recommandée pour le système de chargement en fonctionnement se situe entre 10 °C et 38 °C.

MISES EN GARDE DE SÉCURITÉ SUPPLÉMENTAIRES CONCERNANT LA BATTERIE

AVERTISSEMENT

Pour réduire le risque d'incendie, de blessures corporelles et de dommages cau-sés par un court-circuit, n'immergez jamais l'outil, le bloc de batterie ou le chargeur dans un liquide et ne laissez pas couler un fluide à l'intérieur de celui-ci. Les fluides corrosifs ou conducteurs, tels que l'eau de mer, certains produits chimiques industriels, les produits de blanchiment ou contenant des agents de blanchiment, etc., peuvent provoquer un court-circuit.

- La plage de température ambiante pour la batterie en utilisation se situe entre 0 °C et 40 °C.
- La plage de température ambiante pour l'entreposage de la batterie se situe entre 0 °C et 20 °C.

TRANSPORT DES BATTERIES AU LITHIUM

Transportez les batteries en conformité avec les dispositions et règlements locaux et nationaux.

Respectez toutes les exigences légales particulières concernant l'emballage et l'étiquetage des batteries lorsque vous confiez leur transport à un tiers. Assurez-vous qu'aucune batterie ne puisse entrer en contact avec une autre batterie ou avec des matériaux conducteurs lors de son transport en isolant les bornes électriques avec du ruban adhésif ou des capuchons isolants. Ne transportez pas une batterie qui serait fendue ou qui fuirait. Demandez conseil au transporteur pour de plus amples informations.

RISQUES RÉSIDUELS

Même lorsque le produit est utilisé selon les prescriptions, il reste impossible d'éliminer totalement certains facteurs de risque résiduels. Les dangers suivants risquent de se présenter en cours d'utilisation et l'utilisateur doit prêter particulièrement garde aux points suivants :

- Blessures dues à la poussière
 - Portez en permanence une protection oculaire.
 - Portez un masque de protection respiratoire adapté aux matériaux coupés. Assurez une ventilation correcte à l'espace de travail.
 - Ne mangez pas, de buvez pas, et ne fumez pas dans l'espace de travail.
- blessures causées par le bruit et les vibrations
 - Portez une protection auditive.
 - N'utilisez pas le produit de façon prolongée. Voir "Réduction Des Risques".
- Risque d'électrocution en cas de section de câbles

électriques

- Tenez toujours le produit par les poignées destinées à cet usage. Ne touchez pas les lames de coupes ou les parties métalliques du produit.

RÉDUCTION DES RISQUES

Il a été reporté que les vibrations engendrées par les outils tenus à main peuvent contribuer à l'apparition d'un état appelé le Syndrome de Raynaud chez certaines personnes. Les symptômes peuvent comprendre des fourmillements, un engourdissement et un blanchiment des doigts, généralement par temps froid. Des facteurs héréditaires, l'exposition au froid et à l'humidité, le régime alimentaire, le tabagisme et les habitudes de travail peuvent contribuer au développement de ces symptômes. Certaines mesures peuvent être prises par l'utilisateur pour aider à réduire les effets des vibrations:

- Gardez votre corps au chaud par temps froid. Lorsque vous utilisez l'appareil, portez des gants afin de garder vos mains et vos poignets au chaud. Le temps froid est considéré comme un facteur contribuant très largement à l'apparition du Syndrome de Raynaud.
- Après chaque session de travail, pratiquez des exercices qui favorisent la circulation sanguine.
- Faites des pauses fréquentes. Limitez la quantité d'exposition journalière.

Si vous ressentez l'un des symptômes associés à ce syndrome, arrêtez immédiatement le travail et consultez votre médecin pour lui en faire part.

AVERTISSEMENT

L'utilisation prolongée d'un outil est susceptible de provoquer ou d'aggraver des blessures. Assurez-vous de faire des pauses de façon régulière lorsque vous utilisez tout outil de façon prolongée.

APPRENEZ À CONNAÎTRE VOTRE PRODUIT

Voir page 105.

1. Voyants LED
2. Vis de verrouillage de la lame
3. Contrôle de la vitesse
4. Interrupteur marche/arrêt
5. Interrupteur à verrou
6. Poignée, surface de préhension isolée
7. Lame plongeante
8. Lame de coupe à ras
9. Patin
10. Papier de verre
11. Compartiment de stockage de l'adaptateur
12. Adaptateur */**
13. Clé hexagonale
14. Réceptacle de la batterie

*Compatible avec les accessoires BOSCH. BOSCH est une marque déposée de Robert Bosch GmbH.

**Compatible avec les accessoires DREMEL. DREMEL est une marque commerciale déposée de Robert Bosch Tool Corporation.



UTILISATION

Le produit est fourni avec un adaptateur supplémentaire permettant d'utiliser les accessoires de coupe, de grattage et de ponçage d'autres fabricants. L'adaptateur peut être retourné pour être utilisé avec les marques d'accessoires souhâtées. Ne pas utiliser l'adaptateur avec les accessoires RYOBI fournis avec votre outil.

- Bloquez les pièces à usiner avec un serre-joints pour éviter qu'elles ne bougent en cours de ponçage ou de coupe. Ne tenez jamais une pièce à la main. Un mouvement involontaire en cours d'opération peut entraîner de graves blessures.
- Lorsque vous effectuez une coupe plongeante dans un matériau tendre comme du bois ou une plaque de plâtre avec l'accessoire de coupe, approchez progressivement la lame vibrante de la pièce à couper. Ne poussez pas la lame vibrante trop fort dans le matériau à couper. Laissez le produit faire le travail et concentrez-vous sur la stabilité du produit et de l'accessoire de découpe dans la position de découpe désirée.
- Redoublez d'attention lorsque vous coupez des matériaux non-ferreux. La lame de coupe vibrante est susceptible de déraiper avant que le coupe ne soit entamée. Si nécessaire, percez quelques trous le long de la ligne de découpe avant de commencer à couper.
- Si l'accessoire de coupe se coince dans la pièce à couper, arrêtez le produit et débranchez-le de la source de courant. Si l'accessoire de coupe ne peut pas être retiré facilement, laissez-le refroidir suffisamment avant de le retirer du produit. Portez des gants et utilisez des outils à main, tels que des pinces et des clés, pour retirer l'accessoire de coupe de la pièce à couper.

PROTECTION CONTRE LES SURINTENSITÉS

Lorsqu'une surintensité est détectée, l'appareil s'éteint automatiquement.

S'il s'arrête de fonctionner, relâchez le déclencheur et actionnez-le à nouveau. L'appareil devrait alors recommencer à fonctionner.

ENTRETIEN

⚠ AVERTISSEMENT

Le produit ne doit jamais être branché sur une source de courant lorsque vous-y montez des pièces, lorsque vous effectuez des réglages, lorsque vous le nettoyez, lorsque vous l'entretenez, ou lorsque vous ne l'utilisez pas. Le fait de débrancher le produit évitera toute mise en marche accidentelle susceptible de provoquer de graves blessures.

- N'effectuez les opérations de réparation et d'entretien qu'avec des pièces détachées d'origine constructeur. L'utilisation de toute autre pièce est susceptible de présenter un danger ou d'endommager votre outil.

⚠ AVERTISSEMENT

Pour plus de sécurité et de fiabilité, toutes les réparations doivent être effectuées par un service après-vente RYOBI agréé.

GÉNÉRAL

Évitez d'utiliser des solvants pour nettoyer les parties en plastique. La plupart des plastiques sont susceptibles d'être endommagés par les solvants disponibles dans le commerce. Utilisez un chiffon propre pour essuyer les impuretés, la poussière, etc.

⚠ AVERTISSEMENT

Les éléments en plastique ne doivent jamais entrer en contact avec du liquide de frein, de l'essence, des produits à base de pétrole, des huiles pénétrantes, etc. Ces produits chimiques contiennent des substances qui peuvent endommager, fragiliser ou détruire le plastique.

La poussière de plâtre et des panneaux muraux est abrasive et peut entraîner un dysfonctionnement prématuré du produit si elle pénètre dans le moteur. Nettoyez soigneusement le produit après utilisation à l'aide d'un pinceau et d'un aspirateur. Prenez garde de ne pas pousser la poussière dans les ouvertures de ventilation. N'utilisez pas d'air comprimé pour nettoyer le produit car les poussières et les particules peuvent entraîner de graves blessures oculaires.

LUBRIFICATION

Tous les roulements de ce produit sont lubrifiés avec une quantité suffisante d'huile de haute qualité pour toute sa durée de vie sous des conditions d'utilisation normales. Par conséquent, aucune lubrification supplémentaire n'est nécessaire.

PROTECTION DE L'ENVIRONNEMENT



Recyclez les matières premières au lieu de les jeter avec les ordures ménagères. Pour protéger l'environnement, l'outil, les accessoires et les emballages doivent être triés.

SYMBOLES APPLIQUÉS SUR LE PRODUIT



Alerte de sécurité



Conformité CE



Vitesse à vide



Volts



Courant continu



Marque de conformité d'Eurasie



Veillez lire attentivement le mode d'emploi avant de démarrer la machine.



Marque de conformité ukrainienne



Bois - Découpes plongeante et à ras



Métaux non ferreux - Découpes plongeantes et à ras



Plastique - Découpes plongeantes et à ras



Les produits électriques hors d'usage ne doivent pas être jetés avec les ordures ménagères. Recyclez-les par l'intermédiaire des structures disponibles. Contactez les autorités locales ou votre distributeur pour vous renseigner sur les conditions de recyclage.

SYMBOLES PRÉSENTS DANS LE MANUEL



Note



Pièces détachées et accessoires vendus séparément



Déverrouillage



Verrouillage



Vitesse, minimum



Vitesse, maximum

Les symboles suivants, et les noms qui leur sont associés, permettent d'expliquer les différents niveaux de risques liés à l'utilisation de cet outil.

DANGER

Imminence d'un danger qui, si l'on n'y prend garde, peut entraîner des blessures graves voire mortelles.

AVERTISSEMENT

Situation potentiellement dangereuse qui, si l'on n'y prend garde, peut entraîner des blessures graves voire mortelles.

ATTENTION

Situation potentiellement dangereuse qui, si l'on n'y prend garde, peut entraîner des blessures moyennes ou légères.

ATTENTION

(Sans symbole de sécurité) Indique une situation pouvant provoquer des dommages matériels.

- EN
- FR**
- DE
- ES
- IT
- NL
- PT
- DA
- SV
- FI
- NO
- RU
- PL
- CS
- HU
- RO
- LV
- LT
- ET
- HR
- SL
- SK
- BG
- UK
- TR
- EL

Sicherheit, Leistung und Zuverlässigkeit hatten oberste Priorität bei der Entwicklung Ihres Multitools.

BESTIMMUNGSGEMÄSSE VERWENDUNG

Dieses Multitool ist nur für den Gebrauch durch Erwachsene vorgesehen, die die Bedienungsanleitung gelesen und verstanden haben und als verantwortlich für ihre Handlungen erachtet werden können.

Das Multitool ist vorgesehen zum:

- Schleifen und Bearbeiten von Metall, Holz, Kunststoff oder ähnliche Materialien mit dem Schleifpad und den mitgelieferten, geformten Schleifpapieren.
- Schaben und Tauchschnitten in Buntmetalle, Holz, Kunststoff, Gipskarton usw. mit den mitgelieferten Schneidklingen.
- Schneiden von Löchern für Schalter oder Steckdosen in Wänden
- Entfernen von Fugen zwischen Keramikfliesen

Das Multitool ist für den Innengebrauch bei trockener, gut beleuchtete und ausreichend belüfteter Umgebung vorgesehen

Das Produkt ist nicht für den Einsatz an nassen Materialien oder Flächen geeignet.

Benutzen Sie das Produkt nicht für andere Aufgaben, als die genannten bestimmungsgemäßen Verwendungen.

⚠ WARNUNG

Lesen Sie aufmerksam alle mit diesem Werkzeug gelieferten Warnungen, Anweisungen und Spezifikationen, beziehen Sie sich auf die Illustrationen. Die Nichtbeachtung der weiter unten aufgeführten Anweisungen kann Unfälle wie Brände, Elektroschocks und/oder schwere Körperverletzungen zur Folge haben.

Bewahren Sie diese Sicherheitshinweise und Anweisungen für einen späteren Gebrauch gut auf.

MULTITOOL SICHERHEITSWARNUNGEN

- **Halten Sie das Gerät an den isolierten Griffflächen, wenn Sie Arbeiten ausführen, bei denen das Einsatzwerkzeug verborgene Stromleitungen treffen kann.** Der Kontakt mit einer spannungsführenden Leitung kann auch metallene Geräteteile unter Spannung setzen und zu einem elektrischen Schlag führen.
- Tragen Sie immer eine Sicherheitsbrille, wenn Sie das Werkzeug benutzen. Tragen Sie eine Staubmaske, wenn Staub entsteht.

⚠ WARNUNG

Staub von bestimmten Farben, Beschichtungen und Materialien können Irritationen oder allergische Reaktionen der Atemwege verursachen. Staub von Holz wie Eiche, Buche, Faserstoffplatten und anderen ist krebserregend. Nur qualifizierte Spezialisten dürfen das Produkt mit asbesthaltigen Materialien benutzen dürfen.

⚠ WARNUNG

Das Produkt sollte niemals an das Stromnetz angeschlossen sein, wenn Sie Teile zusammenbauen, Einstellungen vornehmen, reinigen, Wartungsarbeiten durchführen oder wenn das Produkt nicht benutzt wird. Das Trennen des Produkts von der Stromversorgung verhindert einen unbeabsichtigten Start, der zu schweren Verletzungen führen kann.

- Achten Sie beim Arbeiten in Wänden, Decken oder Böden darauf keine elektrischen Kabel oder Gas- oder Wasserleitungen zu treffen.

⚠ WARNUNG

Zubehörteile aus Metall werden bei der Benutzung heiß und können zu Hautverbrennungen führen, wenn der Benutzer sie berührt. Tragen Sie Handschuhe beim Wechseln von Zubehörteilen.

Seien Sie vorsichtig, wenn Sie das Werkzeug zwischendurch ablegen, um Schäden und Verletzungen zu verhindern.

- Verwenden Sie kein beschädigtes, gerissenes Zubehör oder Zubehör das nicht sicher an das Produkt passt.
- Stellen Sie vor dem Einsetzen des Akkus sicher, dass sich der Sperrschalter nicht in der Position „On“ befindet.
- Das Produkt erzeugt Vibrationen, die das Zubehör bewegen. Die Vibrationen können zu Unannehmlichkeiten führen, wenn das Produkt über einen längeren Zeitraum betrieben wird. Legen Sie des öfteren Pausen ein, vor allem, wenn Sie Unbehagen im Arm, Handgelenk oder in den Fingern fühlen. Wählen Sie eine Geschwindigkeit, die ausreicht, um die Arbeit effizient zu erledigen. Lesen Sie den Abschnitt Restrisiken und Risikoverringerung für weitere Informationen über vibrationsbedingte Verletzungen.
- Sichern Sie Ihr Werkstück mit einer Spannvorrichtung. Ungesicherte Werkstücke können schwere Verletzungen und Schäden verursachen. Halten Sie das zu schleifende Material nicht mit der Hand.
- Das Schleifpapier darf nicht zu groß sein. Wenn das Schleifpapier über den Schleifschuh hinausragt, kann es zu schweren Verletzungen kommen.
- Der Umgebungstemperaturbereich für das Werkzeug während des Betriebs liegt zwischen 0 °C und 40 °C.
- Der Umgebungstemperaturbereich für die Lagerung des Werkzeugs liegt zwischen 0 °C und 40 °C.
- Der empfohlene Umgebungstemperaturbereich für das Ladesystem während des Ladevorgangs liegt zwischen 10 °C und 38 °C.

WEITERE SICHERHEITSHINWEISE ZUM AKKU

⚠️ WARNUNG

Um die durch einen Kurzschluss verursachte Gefahr eines Brandes, von Verletzungen oder Produktbeschädigungen zu vermeiden, tauchen Sie das Werkzeug, den Wechselakku oder das Ladegerät nicht in Flüssigkeiten ein und sorgen Sie dafür, dass keine Flüssigkeiten in die Geräte und Akkus eindringen. Korrodierende oder leitfähige Flüssigkeiten, wie Salzwasser, bestimmte Chemikalien und Bleichmittel oder Produkte, die Bleichmittel enthalten, können einen Kurzschluss verursachen.

- Der Umgebungstemperaturbereich für die Batterie während des Gebrauchs liegt zwischen 0 °C und 40 °C.
- Der Umgebungstemperaturbereich für die Lagerung der Batterie liegt zwischen 0 °C und 20 °C.

TRANSPORT VON LITHIUM AKKUS

Transportieren Sie den Akku gemäß Ihren örtlichen und nationalen Bestimmungen und Regeln.

Befolgen Sie alle besonderen Anforderungen für Verpackung und Beschriftung, wenn Sie Akkus von Dritten transportieren lassen. Stellen Sie sicher, dass beim Transport kein Akku in Kontakt mit anderen Akkus oder leitenden Materialien kommt, indem Sie die freien Anschlüsse mit Isolierband, nichtleitenden Kappen oder Klebeband schützen. Transportieren Sie keine Akkus die gebrochen oder undicht sind. Befragen Sie Ihre Transportfirma nach weiteren Informationen.

RESTRISIKEN

Sogar wenn das Produkt wie vorgeschrieben benutzt wird, ist es unmöglich ein gewisses Restrisiko vollständig auszuschließen. Die folgenden Gefahren können bei der Benutzung entstehen, und der Benutzer sollte besonders auf folgende Punkte achten:

- Durch Staub verursachte Verletzungen.
 - Tragen Sie immer Augenschutz!
 - Tragen Sie eine für das zu bearbeitende Material geeignete Atemschutzmaske mit Filter. Sorgen Sie für ausreichende Belüftung des Arbeitsbereichs.
 - Essen, trinken oder rauchen Sie nicht in dem Arbeitsbereich.
- Verletzungen durch Lärm und Vibration
 - Gehörschutz tragen.
 - Benutzen Sie das Produkt nicht über lange Zeiträume. Siehe "Risikoverringering".
- Gefahr von Stromschlag, wenn Stromkabel zertrennt werden.
 - Halten Sie das Produkt immer an den vorgesehenen Griffen. Berühren Sie nicht die Schneidklingen oder Metallteile des Produktes.

RISIKOVERRINGERUNG

Vibrationen von in der Hand gehaltenen Werkzeugen können bei einigen Personen zu einem Zustand, der Raynaud-Syndrom genannt wird, führen. Symptome sind u.a. Kribbeln, Taubheitsgefühl und episodische Weißfärbung der Finger und treten normalerweise bei Kälte auf. Man geht davon aus, dass ererbte Faktoren, Kälte und Feuchtigkeit, Essgewohnheiten, Rauchen und Arbeitsweise zur Entwicklung dieser Symptome beitragen. Der Anwender kann Maßnahmen ergreifen, um die Auswirkungen der Vibrationen möglicherweise zu verringern:

- Halten Sie den Körper bei Kälte warm. Tragen Sie beim Betrieb des Geräts Handschuhe, um Hände und Handgelenke warm zu halten. Berichten zu Folge ist kaltes Wetter ein wesentlicher Faktor, der zum Raynaud Syndrom beiträgt.
- Betätigen Sie sich nach jedem Einsatz körperlich, um den Blutkreislauf zu steigern.
- Machen Sie regelmäßig Pausen. Beschränken Sie die Beanspruchung pro Tag.

Sollten bei Ihnen eines der zuvor beschriebenen Symptome / Zustände auftreten, stellen Sie unverzüglich den Betrieb ein und suchen Sie bezüglich der Symptome einen Arzt auf.

⚠️ WARNUNG

Verletzungen können durch lange Benutzung eines Werkzeugs entstehen oder verschlimmert werden. Machen Sie regelmäßig Pause, wenn Sie ein Werkzeug für lange Zeit benutzen.

MACHEN SIE SICH MIT IHREM PRODUKT VERTRAUT

Siehe Seite 105.

1. LED Licht
2. Klingensperrschraube
3. Drehzahlregelung
4. Ein-/Ausschalter
5. Sperrschalter
6. Handgriff, isolierte Grifffläche
7. Einsteckschliffklinge
8. Glattschnittsägeblatt
9. Schleifschuh
10. Sandpapier
11. Schlitz zur Aufbewahrung des Adapters
12. Adapter */**
13. Sechskantschlüssel
14. Batterieanschluss

*Kompatibel mit Zubehör von BOSCH . BOSCH ist ein eingetragenes Warenzeichen der Robert Bosch GmbH.

**Kompatibel mit Zubehör von DREMEL . DREMEL ist eine registrierte Handelsmarke der Robert Bosch Tool Corporation.

BETRIEB

Das Produkt wird mit einem zusätzlichen Adapter zum Einsatz mit anderen Marken von Zubehör zum Schneiden, Schabern und Schleifen geliefert. Der Adapter kann zur Nutzung mit den gewünschten Zubehörmarken gedreht werden. Verwenden Sie den Adapter nicht mit den RYOBI Zubehörteilen, die mit Ihrem Werkzeug geliefert werden.

- Befestigen Sie das Werkstück mit einer Klemme, um Bewegung beim Schleifen oder Sägen zu verhindern. Halten Sie ein Werkstück niemals mit der Hand. Ein versehentlicher Ausrutscher während Sie das Produkt benutzen kann schwere Verletzungen verursachen.
- Wenn Sie einen Tauchschnitt in weichem Material wie Holz und Gipskarton mit den Sägezubehör durchführen, führen Sie das vibrierende Sägeblatt langsam an das Werkstück heran. Drücken Sie das vibrierende Sägeblatt nicht fest in das zu schneidende Material. Lassen Sie das Produkt die Arbeit machen und konzentrieren sich darauf, das Produkt und das Schneidzubehör stabil in der Position zu halten, in der Sie den Schnitt machen möchten.
- Seien Sie besonders vorsichtig, wenn Sie in Buntmetall sägen. Die vibrierende Klinge kann hin und her springen, bevor Sie anfangen zu sägen. Wenn nötig, bohren Sie einige Löcher entlang der zu schneidenden Linie, bevor Sie mit dem Schneiden beginnen.
- Wenn das Schneidewerkzeug in dem Werkstück verklemt ist, schalten Sie das Produkt aus und trennen es von der Stromversorgung. Wenn das Schneidewerkzeug nicht einfach entfernt werden kann, lassen Sie das Schneidewerkzeug ausreichend abkühlen, bevor Sie das Schneidewerkzeug von dem Produkt lösen. Tragen Sie Handschuhe und benutzen Handwerkzeug, wie Zange und Schraubenschlüssel, um das Schneidewerkzeug aus dem Werkstück zu entfernen.

ÜBERSTROMSCHUTZ

Bei zu hoher Stromaufnahme schaltet sich das Gerät automatisch ab.

Wenn das Produkt stoppt, den Ein-Ausschalter loslassen und wieder betätigen. Das Produkt sollte dann wieder funktionieren.

WARTUNG UND PFLEGE

⚠ WARNUNG

Das Produkt darf niemals an die Stromversorgung angeschlossen sein, wenn Sie Teile zusammenbauen, Einstellungen vornehmen, reinigen, Wartungsarbeiten durchführen, oder wenn das Produkt nicht benutzt wird. Trennen des Produktes vom Stromnetz verhindert ein unbeabsichtigtes Einschalten, das schwere Verletzungen verursachen könnte.

- Verwenden Sie zur Wartung ausschließlich Original-Ersatzteile des Herstellers. Der Einsatz von anderen Teilen kann eine Gefahr verursachen oder das Produkt

beschädigen.

⚠ WARNUNG

Alle Reparaturen sollten zur besseren Sicherheit und Zuverlässigkeit von einem autorisierten Kundendienst durchgeführt werden.

ALLGEMEIN

Vermeiden Sie beim Reinigen der Plastikteile den Einsatz von Lösungsmitteln. Die meisten Kunststoffe können durch im Handel erhältliche Lösungsmittel beschädigt werden. Verwenden Sie einen sauberen Lappen für die Reinigung von Verschmutzungen, Karbonstaub usw.

⚠ WARNUNG

Die Kunststoffelemente dürfen niemals mit Bremsflüssigkeit, Benzin, Produkten auf Petroleumbasis, eindringende Öle usw. in Kontakt kommen. Diese chemischen Produkte enthalten Substanzen, die den Kunststoff beschädigen, schwächen oder zerstören können.

Der Staub von Gipskarton oder Wandtafeln ist aggressiv und kann vorzeitiges Versagen des Produktes verursachen, wenn er in den Motorbereich eindringen kann. Reinigen Sie das Produkt gründlich mit Bürste und Staubsauger nach der Benutzung. Achten Sie darauf keinen Schmutz in die Belüftungsöffnungen zu drücken. Benutzen Sie keine Druckluft, um das Produkt zu reinigen, weil Staub und Schmutz schwere Augenverletzungen verursachen können.

ÖLEN

Alle Lager Elemente in dem Produkt sind mit genug qualitativ hochwertigem Schmiermittel für die gesamte Lebensdauer des Produktes unter normalen Betriebsbedingungen geölt. Es ist daher keine zusätzliche Schmierung erforderlich.

UMWELTSCHUTZ



Recyceln Sie die Rohstoffe, anstatt sie im Haushaltsabfall zu entsorgen. Zum Schutz der Umwelt müssen das Gerät, die Zubehörteile und die Verpackungen getrennt entsorgt werden.

SYMBOLS AUF DEM PRODUKT



Sicherheitswarnung



CE Konformität



Leerlaufdrehzahl



Volt



Gleichstrom



EurAsian Konformitätszeichen



Bitte lesen Sie die Anweisungen sorgfältig, bevor Sie das Gerät einschalten.



Ukrainisches Prüfzeichen

001



Holz - Tauch- und Glattschnitte



NE-Metall - Tauch- und Glattschnitte



Kunststoffe - Tauch- und Glattschnitte



Elektrische Geräte sollten nicht mit dem übrigen Müll entsorgt werden. Bitte entsorgen Sie diese an den entsprechenden Entsorgungsstellen. Wenden Sie sich an die örtliche Behörde oder Ihren Händler, um Auskunft über die Entsorgung zu erhalten.

SYMBOLE IN DER BEDIENUNGSANLEITUNG



Hinweis



Teile oder Zubehör getrennt erhältlich



Öffnen



Sperren



Drehzahl, Minimum



Drehzahl, Maximum

Mit den folgenden Symbolen wird die Bedeutung der verschiedenen Risikostufen, die mit dem Produkt einhergehen, dargestellt.

GEFAHR

Bezeichnet eine unmittelbare Gefahrensituation, die, falls nicht vermieden, zum Tod oder schweren Verletzungen führen kann.

WARNUNG

Bezeichnet eine mögliche Gefahrensituation, die, falls nicht vermieden, zum Tod oder schweren Verletzungen führen kann.

ACHTUNG

Bezeichnet eine mögliche Gefahrensituation, die, falls nicht vermieden, zu kleineren und mittleren Verletzungen führen kann.

ACHTUNG

(Ohne Warnsymbol) Weist auf eine Situation hin, die zu Sachschaden führen kann.

Seguridad, desempeño y fiabilidad han sido las prioridades en el diseño de su multiherramienta.

USO PREVISTO

Esta multiherramienta está diseñada para ser utilizada por adultos que hayan leído y comprendido las instrucciones y advertencias recogidas en este manual y que puedan ser considerados responsables de sus acciones.

La multi-herramienta está destinada a utilizarse:

- para el lijado y acabado de metal, madera, plástico o materiales similares utilizando la almohadilla de lijado con las hojas abrasivas moldadas suministradas
- para raspar y puntear en metales no ferrosos, madera, plástico, cartón-yeso, etc., utilizando las hojas de corte metálicas suministradas
- para el corte de agujeros en las paredes para dar cabida a interruptores o tomas de corriente
- para la eliminación de la argamasa entre las baldosas de cerámica

La multi-herramienta está destinada a utilizarse en interiores en condiciones secas, bien iluminados y ventilados adecuadamente.

El producto no está destinado a ser utilizado sobre materiales y superficies mojadas.

Utilice el producto exclusivamente para el uso para el que fue diseñado.

⚠ ADVERTENCIA

Lea atentamente todas las advertencias, instrucciones y especificaciones suministradas con la herramienta, y consulte las ilustraciones. El incumplimiento de las instrucciones que se indican a continuación puede ocasionar diversos accidentes como incendios, descargas eléctricas y/o graves heridas corporales.

Guarde todas estas advertencias e instrucciones para futuras referencias.

ADVERTENCIAS DE SEGURIDAD DE LA MULTI-HERRAMIENTA

- **Sujete la herramienta eléctrica por las superficies de sujeción aislantes cuando realice una operación en la que el accesorio de corte pueda entrar en contacto con el cableado oculto.** El accesorio de corte que esté en contacto con un cable "vivo" puede transmitir corriente a las piezas metálicas de la herramienta que estén expuestas y el operador podría sufrir una descarga eléctrica.
- Use siempre gafas de seguridad mientras opera la herramienta. Use una máscara anti polvo cuando se produce polvo.

⚠ ADVERTENCIA

El polvo de ciertas pinturas, revestimientos y materiales puede causar irritación o reacciones alérgicas en el sistema respiratorio. El polvo de madera como el roble, la haya, el MDF y otros es cancerígeno. Solo especialistas cualificados deben utilizar el producto sobre materiales que contengan amianto.

⚠ ADVERTENCIA

El aparato nunca debe estar conectado a una fuente de alimentación eléctrica cuanto esté montando las piezas, realizando ajustes, limpiándolo, realizando el mantenimiento o cuando no lo esté utilizando. Desconectar el producto de la fuente de suministro evitará que se encienda de manera accidental, lo que podría provocar lesiones graves.

- Cuando se trabaja en paredes, techos o pisos, tenga cuidado para evitar los cables eléctricos y tuberías de gas o agua.

⚠ ADVERTENCIA

Los accesorios metálicos se calientan durante el uso y puede resultar en quemaduras en la piel si entra en contacto con el operador. Use guantes cuando cambie accesorios.

Tenga cuidado al ajustar por la herramienta entre las operaciones para evitar daños o lesiones.

- No utilice accesorios que estén dañados, agrietados o no encajan de forma segura al producto del corte.
- Asegúrese de que el interruptor con bloqueo no esté en la posición de encendido antes de insertar la batería.
- El producto genera una vibración que mueve el accesorio. Las vibraciones pueden generar molestias si el producto se utiliza durante largos periodos de tiempo. Descanse con frecuencia, especialmente si siente molestias en el brazo, la muñeca o los dedos. Elija un ajuste de velocidad que terminará el trabajo de manera eficiente. Lea las secciones de riesgos residuales y de reducción de riesgo para más información sobre lesiones relacionadas con las vibraciones.
- Sujete la pieza de trabajo con un dispositivo de sujeción. Las piezas de trabajo mal sujetas pueden causar daños y lesiones graves. No sujete el material que esté lijando con la mano.
- La hoja de papel abrasivo de lija no debe ser demasiado grande. Si la hoja de lija rebasa el patín, podrá sufrir heridas graves.
- El rango de temperatura ambiente para la herramienta (producto) en funcionamiento es de entre 0 y 40 °C.
- El rango de temperatura ambiente en el entorno en el que se guarde la herramienta (producto) es de entre 0 y 40 °C.
- El rango de temperatura ambiente recomendado para el sistema de carga durante la carga es de entre 10 y

38 °C.

ADVERTENCIAS DE SEGURIDAD DE LA BATERÍA ADICIONAL

⚠ ADVERTENCIA

Para reducir el riesgo de incendio, lesión personales y daños al producto debido a un cortocircuito, no sumerja nunca la herramienta, el paquete de baterías o el cargador en líquido ni permita que fluya un fluido dentro de ellos. Los fluidos corrosivos o conductivos, como el agua de mar, ciertos productos químicos industriales y blanqueadores o lejías que contienen, etc., pueden causar un cortocircuito.

- El rango de temperatura ambiente para la batería en uso es de entre 0 y 40 °C.
- El rango de temperatura ambiente para el almacenamiento de batería es de entre 0 y 20 °C.

TRANSPORTE DE BATERÍAS DE LITIO

Transporte la batería de conformidad con las disposiciones y las normativas locales y nacionales.

Cuando las baterías sean transportadas por un tercero, cumpla los requisitos especiales relativos al embalaje y etiquetado. Asegúrese de que ninguna batería entra en contacto con otra batería o con materiales conductores durante el transporte, proteja los conectores expuestos con tapones o tapas aislantes no conductoras. No transporte baterías con fisuras o fugas. Para más asesoramiento, póngase en contacto con la empresa de distribución.

RIESGOS RESIDUALES

Incluso cuando se utiliza el producto según las instrucciones, sigue siendo imposible eliminar por completo ciertos factores de riesgo residuales. Pueden surgir los siguientes riesgos durante el uso y el operador debe prestar especial atención para evitar lo siguiente:

- Lesiones causadas por el polvo
 - Use siempre protección para los ojos.
 - Use mascarillas protectoras con filtros adecuados para los materiales con los que va a trabajar. Asegure una ventilación adecuada del lugar de trabajo.
 - No comer, beber o fumar en el área de trabajo.
- Lesiones causadas por el ruido y la vibración
 - Utilice dispositivos de protección para los oídos.
 - No utilice el producto durante largos periodos de tiempo. Consulte el apartado “Reducción De Riesgos”.
- Riesgo de electrocución si se cortan los cables eléctricos
 - Sujete siempre el producto por tiradores designados. No toque las cuchillas de corte o partes metálicas del producto.

REDUCCIÓN DEL RIESGO

Se ha informado de que las vibraciones de las herramientas manuales pueden contribuir a una enfermedad llamada síndrome de Raynaud en ciertos individuos. Los síntomas pueden incluir hormigueo, entorpecimiento y decoloración de los dedos, generalmente aparentes cuando tiene lugar una exposición al frío. Se considera que los factores hereditarios, exposición al frío y a la humedad, dieta, tabaquismo y prácticas de trabajo contribuyen al desarrollo de estos síntomas. Existen medidas que pueden ser tomadas por el operador para reducir los efectos de vibración:

- Mantenga su cuerpo caliente durante el tiempo frío. Al manipular la unidad, utilice guantes para mantener las manos y las muñecas calientes. Hay informes que indican que el tiempo frío es un gran factor que contribuye al síndrome de Raynaud.
- Después de cada período de funcionamiento, realice ejercicios para aumentar la circulación sanguínea.
- Haga pausas de trabajo frecuentes. Limite la cantidad de exposición por día.

Si siente alguno de los síntomas de esta enfermedad, interrumpa inmediatamente el uso y consulte a su médico estos síntomas.

⚠ ADVERTENCIA

El uso prolongado de la herramienta puede provocar o agravar lesiones. Al utilizar cualquier herramienta durante períodos prolongados asegúrese de tomar descansos regulares.

CONOZCA EL PRODUCTO

Consulte la página 105.

1. Led
2. Tornillo de bloqueo de la cuchilla
3. Control de la velocidad
4. Interruptor de encendido/apagado
5. Interruptor de bloqueo
6. Mango, superficie de agarre aislada
7. Cuchilla de corte de inmersión
8. Cuchilla de corte a ras
9. Patín
10. Papel de lija
11. Ranura de almacenamiento del adaptador
12. Adaptador **
13. Llave hexagonal
14. Puerto de la batería

*Compatible con los accesorios BOSCH. BOSCH es una marca registrada de Robert Bosch GmbH.

**Compatible con los accesorios DREMEL. DREMEL es una marca registrada de Robert Bosch Tool Corporation.

FUNCIONAMIENTO

El producto se suministra con un adaptador adicional para su uso con otras marcas de corte, raspado, lijado y accesorios. Es posible darle la vuelta al adaptador para utilizarlo con las marcas de accesorios que desee. No utilice

EN
FR
DE
ES
IT
NL
PT
DA
SV
FI
NO
RU
PL
CS
HU
RO
LV
LT
ET
HR
SL
SK
BG
UK
TR
EL

el adaptador con los accesorios RYOBI suministrados con su herramienta.

- Proteja las piezas de trabajo con una abrazadera para evitar el movimiento durante el lijado o las operaciones de corte. No sujete con la mano una pieza de trabajo. Un deslizamiento accidental durante el funcionamiento del producto puede causar lesiones personales graves.
- Al hacer un corte por penetración en materiales blandos como la madera y placa de yeso utilizando el accesorio de corte, lleve gradualmente la cuchilla que vibra a la pieza de trabajo. No empuje la cuchilla que vibra con fuerza en el material a cortar. Deje que el producto haga el trabajo y concéntrese en mantener el producto y el accesorio de corte estable en la posición en la que desea realizar el corte.
- Tenga mucho cuidado al cortar los metales no ferrosos. La cuchilla de corte vibrante puede saltar antes de empezar a cortar. Si es necesario, perforo algunos orificios a lo largo de la línea a cortar antes de empezar con los cortes.
- Si los accesorios de corte se atascan en la pieza de trabajo, apague el producto y desconecte de la red eléctrica. Si el accesorio de corte no se puede quitar fácilmente, permita que los accesorios de corte se enfríen adecuadamente antes de soltar el accesorio de corte del producto. Use guantes y use herramientas de mano, tales como alicates y llave, para quitar el accesorio de corte de la pieza de trabajo.

PROTECCIÓN CONTRA SOBRECORRIENTE

Si se detecta sobrecorriente, el producto se apagará automáticamente.

Si el producto deja de funcionar, suelte el gatillo y vuelva a accionarlo. El producto debería iniciar de nuevo su funcionamiento.

MANTENIMIENTO

⚠ ADVERTENCIA

El aparato nunca debe estar conectado a una fuente eléctrica mientras se estén montando las piezas, realizando ajustes, limpiando, llevando a cabo el mantenimiento o cuando no esté en uso. Apagar el aparato evitará que se ponga en marcha accidentalmente y cause lesiones graves.

- En las operaciones de reparación, utilice solo piezas de repuesto originales del fabricante. El uso de otras piezas puede ocasionar riesgos o daños en el producto.

⚠ ADVERTENCIA

Para una mayor seguridad y fiabilidad, todas las reparaciones deben ser realizadas por un centro de servicio autorizado RYOBI.

GENERAL

Evite el uso de disolventes para limpiar las piezas de plástico. La mayor parte de los plásticos pueden resultar

dañados con los disolventes que se venden en el mercado. Utilice un paño limpio para quitar las impurezas, el polvo, etc.

⚠ ADVERTENCIA

Los elementos de plástico nunca deben estar en contacto con líquido de frenos, gasolina, productos derivados de petróleo, aceites penetrantes, etc. Estos productos químicos contienen sustancias que pueden deteriorar, debilitar o destruir el plástico.

El polvo del yeso y de la pared es abrasivo y puede causar un fallo prematuro del producto si se le permite entrar en la zona del motor. Limpie a fondo el producto después de su uso mediante el uso de un cepillo y una aspiradora. Tenga cuidado para no empujar la suciedad en las aberturas de ventilación. No use aire comprimido para limpiar el producto, ya que el polvo y las impurezas podrían causar graves lesiones en los ojos.

LUBRICACIÓN

Todos los cojinetes de este producto están lubricados con una cantidad suficiente de lubricante de alta calidad para la vida del producto en condiciones normales de funcionamiento. Por lo tanto, no es menester prever ninguna lubricación adicional.

PROTECCIÓN DEL MEDIO AMBIENTE



Recicle las materias primas en lugar de tirarlas a la basura doméstica. Para proteger el medio ambiente, debe separar la herramienta, los accesorios y los embalajes.

SÍMBOLOS EN EL PRODUCTO



Alerta de seguridad



Conformidad CE



Velocidad sin carga



Voltios



Corriente directa



Certificado EAC de conformidad



Por favor lea las instrucciones detenidamente antes de arrancar la máquina.



Marca de conformidad ucraniana

001



Madera - Cortes de inmersión y nivelados



Metales no ferrosos - Cortes de inmersión y nivelados



Plásticos - Cortes de inmersión y nivelados



Los productos eléctricos de desperdicio no deben desecharse con desperdicios caseros. Por favor recíclelos donde existan dichas instalaciones. Compruebe con su autoridad local o minorista para reciclar.

SÍMBOLOS EN ESTE MANUAL



Nota



Las piezas o accesorios se venden por separado



Desbloquear



Bloquear



Velocidad, mínimo



Velocidad, máxima

Los siguientes símbolos y palabras detallan los niveles de cuidado necesarios para usar este producto.

PELIGRO

Indica una situación inminente de peligro que, si no se evita, provocará la muerte o lesiones graves.

ADVERTENCIA

Indica una situación potencialmente peligrosa que, si no se evita, podría causar la muerte o lesiones graves.

PRECAUCIÓN

Indica una situación potencialmente peligrosa que, si no se evita, puede provocar lesiones leves o moderadas.

PRECAUCIÓN

(Sin símbolo de seguridad) Indica una situación que podría ocasionar daños materiales.

E' stata data massima priorità a sicurezza, prestazioni e affidabilità nel design di questo multi-utensile.

UTILIZZO

Questo multi-utensile è adatto per essere utilizzato da adulti che hanno letto e compreso le istruzioni e gli avvertimenti nel presente manuale e che possono quindi essere considerati responsabili delle loro azioni.

Questo multi-utensile è stato progettato per essere utilizzato:

- per operazioni di levigatura e rifinitura metalli, legno, plastica o altri materiali simili utilizzando il cuscinetto per la levigatura con i fogli abrasivi forniti
- per operazioni di raschiatura e tagli a tuffo in metalli non ferrosi, legno, plastica, cartongesso, ecc. utilizzando le lame di taglio metalliche fornite
- per forare muri in modo da montare interruttori o prese dell'alimentazione
- per rimuovere lo sporco nelle fughe e nei canali delle mattonelle in ceramica

Il multi-utensile è indicato per funzionare in interni, in condizioni asciutte, ben illuminate e adeguatamente ventilate.

Prodotto non adatto ad essere utilizzato su materiali e superfici bagnate.

Non utilizzare il prodotto in modi diversi da quelli indicati.

AVVERTENZE

Leggere attentamente tutte le avvertenze, le istruzioni e le specifiche fornite con l'apparecchio e fare riferimento alle illustrazioni. La mancata osservanza delle istruzioni riportate di seguito potrebbe provocare incidenti quali incendi, scosse elettriche e/o gravi lesioni fisiche.

Conservare tutte le istruzioni e le avvertenze per eventuali riferimenti futuri.

AVVERTENZE DI SICUREZZA MULTI-UTENSILE

- **Reggere l'utensile dalle superfici isolate quando si svolge un'operazione nella quale le lame potrebbero toccare dei cavi nascosti.** Se la lama taglia un cavo "vivo" le parti esposte dell'elettrotensile potrebbero fare da conduttore e causare scosse elettriche.
- Indossare sempre occhiali di sicurezza mentre si mette in funzione l'utensile. Indossare una maschera anti-polvere se si prevede di lavorare in ambienti dove si produce polvere.

AVVERTENZE

La polvere di alcune vernici, rivestimenti e materiali potrà causare irritazioni o reazioni allergiche al sistema respiratorio. La polvere prodotta da legno come quercia, betulla, pannelli di fibra a media densità (MDF) e altri tipi di legname è cancerogena. Lasciare che solo professionisti qualificati utilizzino il prodotto su materiali che contengono amianto.

AVVERTENZE

Non collegare il prodotto a una presa dell'alimentazione quando si montano parti, svolgono operazioni di regolazione, pulizia, manutenzione, o quando il prodotto non è in uso. Scollegando il prodotto dall'alimentazione se ne previene l'avviamento accidentale che potrebbe causare lesioni gravi.

- Quando si lavora su pareti, soffitti o pavimenti, evitare cavi elettrici o tubi del gas o dell'acqua.

AVVERTENZE

Gli accessori metallici potranno surriscaldarsi durante l'utilizzo causando scottature se entrano in contatto con l'operatore. Indossare guanti quando si cambiano gli accessori.

Fare attenzione quando si appoggia l'utensile tra un'operazione e l'altra per prevenire danni o lesioni.

- Non utilizzare accessori di taglio danneggiati, rotti o non assicurati correttamente al prodotto.
- Prima di inserire la batteria assicurarsi che l'interruttore con blocco non si trovi nella posizione di accensione.
- Il prodotto genera delle vibrazioni che spostano l'accessorio. Tali vibrazioni possono causare disagio se il prodotto viene utilizzato per lunghi periodi di tempo. Fare spesso una pausa, soprattutto se si prova disagio in braccia, polsi o dita. Scegliere una impostazione di velocità che permetterà di completare il lavoro efficientemente. Leggere le sezioni Rischi Residui e Riduzione del Rischio per ulteriori informazioni su lesioni legate alle vibrazioni.
- Agganciare il pezzo sul quale si sta lavorando con un morsetto. Pezzi non assicurati correttamente potranno causare gravi lesioni e danni. Non reggere il materiale sul quale si sta lavorando con le mani.
- Il foglio di carta abrasiva non deve essere troppo grande. Se la carta abrasiva fuoriesce dal pattino, ci si espone a rischi di gravi ferite.
- L'intervallo della temperatura ambiente per l'utensile durante l'azionamento rientra tra 0° C e 40° C.
- L'intervallo della temperatura ambiente per la conservazione dell'utensile rientra tra 0° C e 40° C.
- L'intervallo della temperatura ambiente raccomandato per il sistema di carica durante la carica rientra tra 10° C e 36° C.

AVVERTENZE AGGIUNTIVE PER LA SICUREZZA DELLA BATTERIA

⚠ AVVERTENZE

Per ridurre il rischio d'incendio, di lesioni o di danni al prodotto causati da corto circuito, non immergere mai l'utensile, la batteria ricaricabile o il carica batterie in un liquido e non lasciare mai penetrare alcun liquido all'interno dei dispositivi e delle batterie. I fluidi corrosivi o conduttori come acqua salata, alcuni agenti chimici, agenti candeggianti o prodotti contenenti agenti candeggianti potrebbero provocare un corto circuito.

- L'intervallo della temperatura ambiente per la batteria durante l'utilizzo rientra tra 0° C e 40° C.
- L'intervallo della temperatura ambiente per la conservazione della batteria rientra tra 0° C e 20° C.

TRASPORTARE BATTERIE AL LITIO

Trasportare la batteria secondo quanto indicato dalle norme e regolamentazioni locali e nazionali.

Seguire tutte le istruzioni speciali riportate sulla scatola e sull'etichetta quando si fanno trasportare batterie da eventuali terzi. Assicurarsi che le batterie non entrino in contatto con altre batterie o materiali conduttivi durante il trasporto proteggendo i connettori esposti con tappi isolanti, non conduttivi o nastro adesivo. Non trasportare batterie rotte o che perdono liquidi. Rivolgersi alla ditta distributrice per ulteriori consigli.

RISCHI RESIDUI

Anche quando il prodotto viene utilizzato come indicato, sarà ancora impossibile eliminare completamente alcuni fattori di rischio residuo. Si potranno verificare i seguenti rischi e l'operatore dovrà prestare particolare attenzione per evitare quanto segue:

- Lesioni causate dalla polvere
 - Indossare sempre protezioni per gli occhi.
 - Indossare maschere di protezione contenenti filtri adeguati ai materiali che si stanno manipolando. Assicurarsi una adeguata ventilazione del luogo di lavoro.
 - Non mangiare, bere, né fumare nell'area di lavoro.
- lesioni causate da rumore e vibrazioni
 - Indossare cuffie di protezione.
 - Non mettere in funzione il prodotto per lunghi periodi di tempo. Vedere "Riduzione Rischio".
- Rischio di scosse elettriche nel caso in cui i cavi elettrici vengano tagliati
 - Reggere sempre il prodotto dagli appositi manici. Non toccare le lame di taglio o le parti in metallo del prodotto.

RIDUZIONE DEL RISCHIO

E' stato fatto presente che le vibrazioni da utensili a mano potrebbero contribuire a una condizione chiamata

Sindrome di Raynaud in alcuni individui. I sintomi, comprendenti formicolio, intorpidimento e perdita di colore alle dita, si verificano di solito quando ci si espone al freddo. Fattori ereditari, esposizione a freddo e umidità, una dieta scorretta, fumo e condizioni di lavoro non sicure potranno contribuire allo sviluppo di questi sintomi. È possibile prendere delle precauzioni per ridurre le vibrazioni:

- Tenere il corpo al caldo a basse temperature. Quando si utilizza l'utensile, indossare guanti e tenere le mani e i polsi caldi. Le basse temperature contribuiscono a causare la Sindrome di Raynaud.
- Dopo aver utilizzato l'utensile per un certo periodo, fare degli esercizi per stimolare la circolazione del sangue.
- Fare spesso delle pause. Limitare la quantità di esposizione giornaliera.

Nel caso in cui si provino i sintomi di questa condizione, interrompere immediatamente l'utilizzo dell'utensile e consultare un dottore.

⚠ AVVERTENZE

L'utilizzo prolungato dell'utensile potrà causare o aggravare lesioni già esistenti. Quando si utilizza questo utensile per periodi di tempo prolungati, assicurarsi di fare sempre delle pause regolari.

FAMILIARIZZARE CON IL PRODOTTO

Vedere a pagina 105.

1. LED
2. Vite di blocco della lama
3. Controllo della velocità
4. Interruttore On/Off (Acceso/Spento)
5. Blocco interruttore
6. Impugnatura con superficie isolata antiscivolo
7. Lama di taglio a tuffo
8. Lama per taglio a filo
9. Patin
10. Carta vetrata
11. Scanalatura di inserimento dell'adattatore
12. Adattatore **
13. Chiave esagonale
14. Porta batterie

*Compatibile gli accessori BOSCH. BOSCH è un marchio commerciale registrato di Robert Bosch GmbH.

**Compatibile gli accessori DREMEL. DREMEL è un marchio commerciale registrato di Robert Bosch Tool Corporation.

FUNZIONAMENTO

Il prodotto è fornito con un ulteriore adattatore che permette di utilizzarlo con altre marche di accessori da taglio, raschiatura, levigatura. L'adattatore può essere capovolto per l'utilizzo con gli accessori delle marche desiderate. Non usare l'adattatore con gli accessori RYOBI forniti con il proprio utensile.

- Assicurare i pezzi sui quali si deve lavorare con un morsetto per evitare che si spostino durante le operazioni di levigatura o taglio. Non reggere mai il

pezzo da tagliare con le mani. Si potranno verificare gravi lesioni alla persona nel caso in cui l'operatore scivoli inavvertitamente mentre utilizza il prodotto.

- Quando si realizza un taglio a tuffo in materiali morbidi come legno e intonaco utilizzando accessori di taglio, portare la lama vibrante gradualmente verso il pezzo sul quale si sta lavorando. Non forzare una lama che vibra nel materiale da tagliare. Lascia il lavoro al prodotto e concentrati sul mantenere il prodotto stesso e l'accessorio di taglio stabili nella posizione desiderata per il taglio.
- Fare ulteriore attenzione quando si tagliano metalli non ferrosi. La lama di taglio vibrante potrà scivolare prima di aver avviato le operazioni di taglio. Se necessario, prima di iniziare a tagliare pratica dei fori lungo la linea di taglio.
- Nel caso in cui gli accessori di taglio rimangano incastrati nel pezzo sul quale si sta lavorando, spegnere il prodotto e scollegarlo dall'alimentazione. Nel caso in cui non sia possibile rimuovere facilmente l'accessorio di taglio, lasciare che gli accessori di taglio si raffreddino adeguatamente prima di rilasciare l'accessorio di taglio dal prodotto. Indossare guanti ed utensili a mano come tenaglie e chiavi per rimuovere l'accessorio di taglio dal pezzo sul quale si sta lavorando.

PROTEZIONE DALLE SOVRACORRENTI

Quando viene rilevata una sovracorrente, il prodotto si spegne automaticamente.

Se il prodotto smette di funzionare, rilasciare il grilletto e poi premerlo nuovamente. Il prodotto dovrebbe ricominciare a funzionare.

MANUTENZIONE

⚠ AVVERTENZE

Questo prodotto non dovrà mai essere collegato all'alimentazione mentre si montano le sue parti, svolgono regolazioni, operazioni di pulizia e manutenzione o quando il prodotto non viene utilizzato. Scollegare il prodotto per prevenire l'avvio accidentale che potrà causare gravi lesioni.

- Quando si svolgono operazioni di manutenzione, utilizzare solo parti di ricambio originali della ditta produttrice. Utilizzare parti di ricambio diverse potrebbe causare rischi o danneggiare il prodotto.

⚠ AVVERTENZE

Per una maggior sicurezza e affidabilità, tutte le riparazioni dovranno essere svolte da un centro servizi autorizzato RYOBI.

GENERALE

Evitare di utilizzare solventi quando si puliscono le parti in plastica. La maggior parte dei materiali plastici rischia di essere danneggiata dall'uso dei solventi disponibili in commercio. Utilizzare un panno pulito per rimuovere lo

sporco, la polvere, ecc.

⚠ AVVERTENZE

Gli elementi in plastica non devono mai entrare a contatto con liquido dei freni, benzina, prodotti a base di petrolio, oli penetranti, ecc. Tali prodotti chimici contengono sostanze che possono danneggiare, indebolire o distruggere la plastica.

La polvere prodotta da cartongesso e pannelli è abrasiva e potrà non far funzionare il prodotto correttamente nel caso in cui riuscirà a entrare nella zona del motore. Pulire attentamente il prodotto dopo l'utilizzo con una spazzola e un aspirapolvere. Non spingere lo sporco nelle griglie di ventilazione. Non utilizzare aria compressa per pulire il prodotto dal momento che polvere e granelli di sabbia potranno causare gravi lesioni agli occhi.

LUBRIFICAZIONE

Tutti i cuscinetti in questo prodotto sono stati lubrificati con una quantità di lubrificante ad alto indice di viscosità per tutta la durata del prodotto nelle normali condizioni di funzionamento. Di conseguenza, non è necessario effettuare alcuna lubrificazione supplementare.

TUTELA DELL'AMBIENTE



Riciclare le materie prime anziché gettarle tra i rifiuti domestici. Per tutelare l'ambiente, l'apparecchio, gli accessori e gli imballaggi devono essere smaltiti separatamente.

SIMBOLI SUL PRODOTTO



Indicazioni sicurezza



Conformità CE



Velocità a vuoto



Volt



Corrente diretta



Marchio di conformità EurAsian



Leggere attentamente le istruzioni prima di avviare l'utensile.



Marchio di conformità ucraino

001



Legno - Tagli a tuffo e a filo



Metallo non ferroso - Tagli a tuffo e a filo



Plastica - Tagli a tuffo e a filo



I prodotti elettrici non devono essere smaltiti con i rifiuti domestici. Vi sono strutture per smaltire tali prodotti. Informarsi presso il proprio Comune o rivenditore di sicurezza per smaltire adeguatamente tali rifiuti.

SIMBOLI NEL MANUALE



Note



Parti o accessori venduti separatamente



Sblocco



Blocco



Velocità, minimo



Velocità, massima

I seguenti simboli indicano i livelli di rischio associati a questo prodotto.

PERICOLO

Indica una situazione immediatamente pericolosa che, se non evitata, potrà causare gravi lesioni o morte.

AVVERTENZE

Indica una situazione potenzialmente pericolosa che, se non evitata potrà causare gravi lesioni o morte.

ATTENZIONE

Indica una situazione potenzialmente pericolosa che, se non evitata, potrà causare lesioni minori o moderate.

ATTENZIONE

(Senza simbolo di allarme in materia di sicurezza) Indica una situazione che può provocare danni materiali.

Veiligheid, prestaties en betrouwbaarheid kregen topprioriteit in het ontwerp van uw multitool.

BEOOGD GEBRUIK

Het multitool is uitsluitend geschikt om te worden gebruikt door volwassenen die de instructies en waarschuwingen in deze gebruiksaanwijzing hebben gelezen en begrepen en die als verantwoordelijk voor hun handelingen kunnen worden beschouwd.

Het multitool is ontworpen om als volgt te worden gebruikt:

- voor het schuren en afwerken van metaal, hout, kunststof of gelijkaardige materialen door middel van het schuurpad met de meegeleverde bladen schuurpapier.
- voor het afschrapen en insteken in non-ferrometaal, hout, kunststof, gipsplaat, etc. met de meegeleverde metalen snijbladen
- voor het boren van gaten in muren om schakelaars of contactdozen te installeren
- voor het verwijderen van voegmortel tussen de keramische tegels

Het multitool is ontworpen voor binnenshuis gebruik in droge, goed verlichte en verluchte omstandigheden.

Het product is niet bedoeld voor gebruik op natte materialen en oppervlakken.

Gebruik het product niet voor andere doeleinden dan waarvoor het is bestemd.

⚠ WAARSCHUWING

Lees aandachtig alle waarschuwingen, aanwijzingen en specificaties die bij deze machine worden meegeleverd en bestudeer de afbeeldingen. Als u onderstaande voorschriften niet opvolgt, kan dit leiden tot ongelukken zoals brand, elektrische schokken en/of ernstig lichamelijk letsel.

Bewaar alle waarschuwingen en instructies voor toekomstig gebruik.

VEILIGHEIDSWAARSCHUWINGEN MULTITOOLO

- **Houd de machine aan de geïsoleerde handvatten vast wanneer u werkt op plaatsen waar de accessoire een verborgen snoer kan raken.** Wanneer de accessoire een spanningvoerende leiding raakt, kunnen de blootgestelde onderdelen van de machine onder spanning komen waardoor de gebruiker wordt geëlectrocuteerd.
- Draag altijd gezichtsbescherming terwijl u het apparaat gebruikt. Draag een stofmasker wanneer stof wordt geproduceerd.

⚠ WAARSCHUWING

Stof van bepaalde verven, coatings of materialen kunnen irritatie of allergische reacties aan de ademhalingswegen veroorzaken. Stof van hout, zoals eik, beuk, MDF en anderen zijn kankerverwekkend. Alleen gekwalificeerde specialisten mogen het product gebruiken met asbesthoudende materialen.

⚠ WAARSCHUWING

Het product mag nooit met de stroomtoevoer worden verbonden als u onderdelen monteert, de machine afstelt, reinigt, onderhoudswerken uitvoert of als het product niet wordt gebruikt. Door het product los te koppelen van de stroomtoevoer voorkomt u incidenteel opstarten, wat ernstig letsel kan veroorzaken.

- Wanneer u werkt in muren, plafonds of vloeren, moet u voorzichtig zijn om elektrische kabels en gas- of waterleidingen te vermijden.

⚠ WAARSCHUWING

Metalen accessoires worden warm tijdens gebruik, wat kan leiden tot brandwonden indien de bediener ermee in contact komt. Draag handschoenen bij het vervangen van accessoires.

Wees voorzichtig wanneer u het apparaat neerzet tussen handelingen om schade of verwondingen te voorkomen.

- Gebruik geen zaagaccessoires die beschadigd of gebarsen zijn of niet veilig in het product passen.
- Zorg ervoor dat de vergrendelingsschakelaar, tijdens het plaatsen van de accu, niet in de aan-stand staat.
- Het product creëert trillingen die het accessoire bewegen. De trillingen kunnen ongemak veroorzaken als het product voor langere tijd wordt gebruikt. Neem regelmatig een pauze, zeker als u pijn voelt in de arm, pols of vingers. Kies een snelheidsinstelling die het werk op een efficiënte manier kan uitvoeren. Lees de hoofdstukken met betrekking tot restrisico's en risicovermindering voor meer informatie met betrekking tot letsels veroorzaakt door trillingen.
- Klem het werkstuk met een klem vast. Werkstukken die niet zijn vastgeklemd kunnen ernstige letsels en schade veroorzaken. Houd het materiaal dat u schuurt niet met de hand vast.
- Het vel schuurpapier mag niet te groot zijn. Als u het schuurpapier over de randen van de schuurvoet laat uitsteken, stelt u zich bloot aan het gevaar voor lichamelijk letsel.
- Toegestane omgevingstemperatuur voor het gereedschap tijdens gebruik ligt tussen 0°C en 40°C.
- Toegestane omgevingstemperatuur voor het gereedschap bij opslag ligt tussen 0°C en 40°C.
- De aanbevolen omgevingstemperatuur voor het laadsysteem tijdens het laden ligt tussen 10°C en 38°C.

EXTRA WAARSCHUWINGEN BATTERIJVEILIGHEID

⚠ WAARSCHUWING

Vorkom brand, persoonlijk letsel of materiële schade door kortsluiting en dompel het gereedschap, de wisselaccu en het laadtoestel niet onder in vloeistoffen en waarborg dat geen vloeistoffen in de apparaten en accu's kunnen dringen. Corrosieve of geleidende vloeistoffen zoals zout water, bepaalde chemicaliën, bleekmiddelen of producten die bleekmiddelen bevatten, kunnen een kortsluiting veroorzaken.

- Toegestane omgevingstemperatuur voor de accu tijdens gebruik ligt tussen 0°C en 40°C.
- Toegestane omgevingstemperatuur voor opslag van de accu ligt tussen 0°C en 20°C.

VERVOEREN VAN LITHIUM BATTERIJEN

Vervoer de accu in overeenstemming met de plaatselijke en nationale voorzieningen en regelgevingen.

Volg alle speciale vereisten op de verpakking en etiketten bij het vervoeren van batterijen door een derde partij. Zorg dat de batterijen tijdens het vervoer niet in contact komen met andere batterijen of geleidende materialen door de blootliggende aansluitpunten te beschermen met een isolerende, niet-geleidende dop of tape. Geen gekraakte of lekkende accu's vervoeren. Controleer bij het doorsturende bedrijf voor verder advies.

RESTRISICO'S

Zelfs wanneer het product zoals voorgeschreven wordt gebruikt, blijft het onmogelijk om alle restrisiko's te voorkomen. De volgende gevaren kunnen optreden bij gebruik en de gebruiker dient speciaal op te letten om het volgende te voorkomen:

- Verwonding veroorzaakt door stof
 - Draag altijd gezichtsbescherming.
 - Draag ademhalingsbeschermingsmaskers met filters die aangepast zijn aan het materiaal waarmee wordt gewerkt. Zorg voor voldoende ventilatie op de werkplaats.
 - Eten, drinken of roken verboden in het werkgebied.
- Verwondingen veroorzaakt door geluid en trilling
 - Draag gehoorbescherming.
 - Gebruik dit product niet voor een lange periode. Zie "Risiko's Beperken".
- Risiko op elektrocutie als elektrische kabels worden doorknipt.
 - Houd het product altijd aan de voorgeschreven handvatten vast. Raak de zaagbladen of metalen onderdelen van het product niet aan.

RISICOBEPERKING

Vibraties van handgereedschap kan in bepaalde individuele gevallen leiden tot het syndroom van Raynaud.

Symptomen kunnen ondermeer tintelingen, gevoelloosheid en bleek worden van de vingers omvatten, wat normaal gezien duidelijk wordt bij blootstelling aan koude. Erfelijke factoren, blootstelling aan koude en vocht, dieet, roken en werkroutine kunnen allemaal bijdragen tot de ontwikkeling van deze symptomen. Er kunnen door de bediener maatregelen worden genomen om de gevolgen van de trillingen te beperken:

- Houd bij koud weer uw lichaam warm. Draag handschoenen wanneer u de machine gebruikt om handen en polsen warm te houden. Men neemt aan dat koud weer een belangrijke factor is die bijdraagt tot het Syndroom van Raynaud.
- Doe oefeningen om de bloeddoorstroming te bevorderen na elke periode van gebruik.
- Neem regelmatig een pauze. Beperk het aantal uren dat u per dag wordt blootgesteld.

Wanneer u enige van de symptomen van deze aandoening ervaart, stop dan onmiddellijk met het gebruik van het toestel en raadpleeg uw dokter

⚠ WAARSCHUWING

Letsels kunnen optreden of verergeren door langdurig gebruik van een gereedschap. Als u een werktuig gedurende langere periodes gebruikt, neem dan regelmatig pauze.

KEN UW PRODUCT

Zie pagina 105.

1. LED
2. Borgschroef van het mes
3. Snelheidsregeling
4. Aan-/uitschakelaar
5. Vergrendelschakelaar
6. Handgreep, geïsoleerd grijppoppervlak
7. Invalzaag
8. Vlaksnijmes
9. Schuurvoet
10. Zandpapier
11. Opslagsluif van de adapter
12. Adapter */**
13. Inbussleutel
14. Accupoort

*Compatibel met accessoires van BOSCH . BOSCH is een geregistreerd handelsmerk van Robert Bosch GmbH.

**Compatibel met accessoires van DREMEL . DREMEL is een geregistreerd handelsmerk van Robert Bosch Tool Corporation.

BEDIENING

Het product wordt met een bijkomende adapter geleverd voor gebruik met zaag-, schraap- en schuuraccessoires van andere merken. De adapter kan worden omgedraaid voor gebruik met de gewenste accessoiremerken. Gebruik de adapter niet met RYOBI-accessoires die bij uw gereedschap geleverd worden.

- Maak werkstukken vast met een klem om te voorkomen

dat ze tijdens het schuren af zagen bewegen. Houd een werkstuk nooit met de hand vast. Een ongewilde slip tijdens het gebruik van het product kan leiden tot ernstige verwondingen.

- Wanneer u met het zaagaccessoire een insteek maakt in zacht materiaal, zoals hout en gipsplaat, breng dan het trilblad geleidelijk in het werkstuk. Duw het trilblad niet te hard in het materiaal dat moet worden gezaagd. Laat het product het werk doen en richt u op het stabiel houden van het product en de zaagaccessoire in stand waarin u de snede wilt maken.
- Wees extra voorzichtig bij het zagen in non-ferrometalen. Het trillende zaagblad kan doorslaan voor u begint te zagen. Boor indien nodig enkele gaten langs de zaaglijn voordat u begint met zagen.
- Als het zaagaccessoire klem raakt in het werkstuk, schakelt u het product uit en ontkoppelt u het van de stroombron. Als het zaagaccessoire niet makkelijk kan worden verwijderd, laat u het voldoende afkoelen voor u het van het product verwijderd. Draag handschoenen en gebruik handgereedschap, zoals een tang of sleutel om het zaagaccessoire uit het werkstuk te verwijderen.

OVERSTROOMBEVEILIGING

Wanneer overstroom wordt waargenomen, schakelt het apparaat automatisch uit.

Als het product ophoudt met werken, laat de hendel dan los en activeer deze dan opnieuw. Als het goed is, begint het product dan weer te werken.

ONDERHOUD

⚠ WAARSCHUWING

Het product mag nooit worden aangesloten op de netvoeding bij het aansluiten van onderdelen, maken van afstellingen, schoonmaken, uitvoeren van onderhoud of als het product niet wordt gebruikt. Ontkoppelen van het product voorkomt accidenteel opstarten, wat ernstig letsel kan veroorzaken.

- Gebruik voor het onderhoud uitsluitend originele vervangingsonderdelen van de fabrikant. Gebruik van niet originele onderdelen kan gevaar opleveren of schade aan de machine veroorzaken.

⚠ WAARSCHUWING

Voor meer veiligheid en betrouwbaarheid, moeten alle herstellingen door een geautoriseerd RYOBI onderhoudscentrum worden uitgevoerd.

ALGEMEEN

Voorkom het gebruik van oplosmiddelen wanneer u kunststof onderdelen reinigt. De meeste kunststoffen kunnen worden beschadigd door de in de handel zijnde oplosmiddelen. Gebruik een schone doek om vuil of stof te verwijderen.

⚠ WAARSCHUWING

Voorkom dat remvloeistoffen, benzine, petroleumproducten, kruipolie enz. in contact komen met kunststof onderdelen. Deze chemicaliën bevatten namelijk stoffen die kunststof kunnen beschadigen, verzwakken of aantasten.

Het stof van gips of gipsplaat is hard en kan tot een defect van het product leiden als het in de motor van het product raakt. Reinig het product grondig na gebruik met behulp van een borstel en stofzuiger. Wees voorzichtig om het vuil niet in de ventilatieopeningen te duwen. Geen perslucht gebruiken om het product schoon te maken aangezien stof en grind ernstige oogletsels kunnen veroorzaken.

SMERING

Alle lagers in het product zijn gesmeerd met voldoende kwalitatief smeermiddel voor de gehele levensduur van het product bij normale gebruiksomstandigheden. Extra smering is daarom niet noodzakelijk.

MILIEUBESCHERMING



Zorg dat grondstoffen worden gerecycleerd in plaats van weggegooid als afval. Om het milieu te beschermen moeten de machine, de accessoires en de verpakking gesorteerd bij een erkend recyclingcentrum worden aangeleverd.

SYMBOLEN OP HET PRODUCT



Veiligheidswaarschuwing



EG conformiteit



Onbelast toerental



Volt



Gelijkstroom



EurAsian-symbool van overeenstemming



Lees de instructies zorgvuldig voordat u de machine in gebruik neemt.



Oekraïens conformiteitsymbool

001



Hout - Inval- en vlaksneden



Niet-ijzerhoudend metaal - Inval- en vlaksneden



Kunststoffen - Inval- en vlaksneden



Elektrisch afval mag niet samen met ander huishoudafval worden weggegooid. Gelieve te recycleren indien de mogelijkheid bestaat. Neem contact op met uw gemeente of handelaar om advies te krijgen over recyclage.

SYMBOLLEN IN DE GEBRUIKSAANWIJZING



Opmerking



Onderdelen of accessoires afzonderlijk gekocht



Ontgrendeling



Vergrendeling



Snelheid, minimaal



Snelheid, max.

De volgende kernwoorden en verklaringen zijn bedoeld om de gevaarniveaus die op dit toestel betrekking hebben, te verklaren.

GEVAAR

Wijst op een gevaarlijke situatie die, indien ze niet wordt vermeden, kan leiden tot ernstige verwondingen of de dood.

WAARSCHUWING

Wijst op een mogelijk gevaarlijke situatie die, indien ze niet wordt vermeden, kan leiden tot ernstige verwondingen of de dood.

LET OP

Wijst op een mogelijk gevaarlijke situatie die, indien ze niet wordt vermeden, kan leiden tot lichte of middelmatige verwondingen.

LET OP

(Zonder veiligheidssymbool) Geeft een situatie aan die materiële schade zou kunnen veroorzaken.

Segurança, desempenho e fiabilidade foram as prioridades na concepção da sua multi-ferramenta.

UTILIZAÇÃO PREVISTA

Esta multi-ferramenta foi desenhada para ser utilizada por adultos que tenham lido e compreendido as instruções e avisos recolhidos neste manual e que possam ser considerados responsáveis das suas ações.

A multi-ferramenta destina-se a ser utilizada:

- para lixar e acabar de metal, madeira, plástico, ou materiais semelhantes utilizando o prato de lixar com as folhas abrasivas moldadas fornecidas
- para raspagem e chanfragem em metais não ferrosos, madeira, plástico, gesso, etc. usando as lâminas de corte metálicas fornecidas
- para cortar buracos em paredes para acomodar interruptores ou tomadas de energia
- para a remoção de argamassa entre ladrilhos cerâmicos

A multi-ferramenta destina-se a ser operada em interiores em condições secas, bem iluminadas e adequadamente ventiladas.

O produto não se destina a ser usado em superfícies e materiais molhados.

Utilize o produto exclusivamente para o uso para o qual foi concebido.

⚠ AVISO

Leia com atenção todas as advertências, instruções e especificações fornecidas com a ferramenta, e consulte as ilustrações. O incumprimento das instruções seguintes pode ocasionar acidentes como incêndios, choques eléctricos e/ou ferimentos graves.

Guarde todos os avisos e instruções para futuras consultas.

AVISOS DE SEGURANÇA MULTI-FERRAMENTA

- **Segure a ferramenta eléctrica pelas superfícies de pega isoladas, ao realizar uma operação em que o acessório possa entrar em contacto com fios eléctricos escondidos.** O acessório de corte que entre em contacto com um fio "ligado" pode tornar as peças de metal da ferramenta eléctrica condutivas e tal pode causar um choque eléctrico ao operador.
- Use sempre óculos de segurança durante ao utilizar a ferramenta. Use uma máscara de pó quando produzir pó.

⚠ AVISO

O pó de certas pinturas, revestimentos e materiais pode causar irritação ou reações alérgicas no sistema respiratório. O pó de madeira como o carvalho, a faia, o MDF e outros é cancerígeno. Apenas especialistas qualificados devem utilizar o produto sobre materiais que contenham amianto.

⚠ AVISO

O produto nunca deve estar conectado a uma fonte de alimentação enquanto está a montar peças, fazer ajustes, limpar, realizar a manutenção, ou quando o aparelho não está a ser usado. Desligar o produto da fonte de alimentação eléctrica irá impedir o arranque acidental que poderia causar ferimentos graves.

- Quando trabalhar em paredes, tetos ou pisos, tome cuidado para evitar cabos eléctricos e tubos de gás ou água.

⚠ AVISO

Os acessórios metálicos ficam quentes durante a utilização e pode resultar em queimaduras na pele se contactar o operador. Use luvas quando trocar de acessórios.

Tome cuidado ao configurar a ferramenta para baixo entre as operações para evitar danos ou ferimentos.

- Não use acessórios que estão danificados, rachados ou não se encaixam de forma segura no produto de corte.
- Certifique-se de que o bloqueio no interruptor não está engrenado antes de inserir a bateria.
- O produto gera vibrações que fazem mover o acessório. As vibrações podem causar desconforto se o produto for utilizado por períodos de tempo prolongados. Se sentir desconforto no braço, no pulso ou nos dedos, faça pausas frequentes para descanso. Escolha uma configuração de velocidade que vai terminar o trabalho de forma eficiente. Leia as seções de riscos residuais e de redução de riscos para mais informações sobre lesões relacionadas com a vibração.
- Fixe a peça de trabalho com um dispositivo de fixação. As peças de trabalho mal presas podem causar danos e lesões graves. Não segure o material que estiver a lixar com a mão.
- A folha de lixa não deve ser grande demais. Se deixar a folha de lixa ultrapassar o prato, fica exposto a ferimentos graves.
- A amplitude de temperatura ambiente para a ferramenta durante o funcionamento é entre 0 °C e 40 °C.
- A amplitude de temperatura ambiente para a ferramenta em armazenamento é entre 0 °C e 40 °C.
- A amplitude de temperatura ambiente recomendada para o sistema de carregamento durante o carregamento é entre 10 °C e 38 °C.

AVISOS DE SEGURANÇA ADICIONAIS DAS BATERIAS

⚠️ AVISO

Para evitar o risco de incêndio, de feridas ou de danificação do produto causado por um curto-circuito, não imerja a bateria intercambiável ou o carregador em líquidos e assegure-se de que líquidos não penetrem nos aparelhos ou nas baterias. Líquidos corrosivos ou condutivos como água salgada, determinadas substâncias químicas ou produtos que contenham branqueadores podem causar um curto-circuito.

- A amplitude de temperatura ambiente para a bateria durante a utilização é entre 0 °C e 40 °C.
- A amplitude de temperatura ambiente para a bateria em armazenamento é entre 0 °C e 20 °C.

TRANSPORTE DE BATERIAS DE LÍTIU

Transporte a bateria em conformidade com as disposições e os regulamentos locais e nacionais.

Respeite os requisitos especiais que existam na embalagem e a etiquetagem durante o transporte de baterias por terceiros. Assegure-se que não há risco de uma bateria entrar em contacto com outra bateria nem com materiais condutores durante o transporte, protegendo os conectores expostos com tampas ou fita isoladoras e não condutoras. Não transporte baterias com fissuras ou fugas. Contacte a empresa transitária para mais aconselhamento.

RISCOS RESIDUAIS

Mesmo quando se utiliza o produto segundo as instruções, continua a ser impossível eliminar por completo certos fatores de risco residuais. Podem surgir os seguintes riscos durante o uso e o operador deve prestar especial atenção para evitar o seguinte:

- Prejuízo causado pela poeira
 - Use sempre proteção para os olhos.
 - Use máscaras protetoras com filtros adequados para os materiais com que vai trabalhar. Assegure uma ventilação adequada do local de trabalho.
 - Não coma, beba ou fume na área de trabalho.
- Lesões causadas pelo ruído e a vibração
 - Use proteção para os ouvidos.
 - Não utilize o produto durante longos períodos de tempo. Consulte o ponto “Redução De Riscos”.
- Risco de electrocução se os cabos elétricos forem cortadas
 - Segure sempre o produto pelas pegas designadas. Não toque nas lâminas de corte ou nas partes metálicas do produto.

REDUÇÃO DO RISCO

Informou-se que as vibrações das ferramentas manuais podem contribuir para uma doença chamada síndrome de Raynaud em certos indivíduos. Os sintomas podem

incluir formigueiro, entorpecimento e empalidecimento dos dedos, habitualmente visível aquando da exposição ao frio. Estima-se que os fatores hereditários, exposição ao frio e humidade, dieta, tabagismo e práticas de trabalho contribuem todos para o desenvolvimento destes sintomas. Existem medidas que podem ser tomadas pelo operador para possivelmente reduzir os efeitos da vibração:

- Mantenha o seu corpo quente durante o tempo frio. Ao operar a unidade, use luvas para manter as mãos e os pulsos quentes. Encontra-se reportado que o tempo frio é um grande factor que contribui para o Síndrome de Raynaud.
- Após cada período de operação, exercite para aumentar a circulação sanguínea.
- Faça pausas frequentes no trabalho. Limite o tempo de exposição por dia.

Caso sinta algum dos sintomas desta doença, interrompa de imediato a sua utilização e consulte o seu médico sobre estes sintomas.

⚠️ AVISO

As lesões podem ser causadas ou agravadas pelo uso prolongado de uma ferramenta. Ao usar qualquer ferramenta durante períodos prolongados, assegure-se que faz intervalos regulares.

CONHEÇA O SEU PRODUTO

Consulte a página 105.

1. LED
2. Parafuso de fixação da lâmina
3. Controlo da velocidade
4. Interruptor desligado/ligado
5. Tranca de gatilho ligado
6. Pega, superfície de prensão isolada
7. Lâmina para corte de imersão
8. Lâmina de corte à face
9. Placa de lixar
10. lixa
11. Ranhura de armazenamento do adaptador
12. Adaptador */**
13. Chave hexagonal
14. Orifício da bateria

*Compatível com acessórios BOSCH. BOSCH é uma marca registada da Robert Bosch GmbH.

**Compatível com acessórios DREMEL. DREMEL é uma marca comercial registada da Robert Bosch Tool Corporation.

OPERAÇÃO

O produto é fornecido com um adaptador adicional para uso com outras marcas de corte, raspagem, lixamento e acessórios. O adaptador pode ser voltado para utilização com as marcas de acessórios pretendidas. Não utilize o adaptador com acessórios RYOBI fornecidos com a sua ferramenta.

- Proteja as peças de trabalho com uma braçadeira para evitar o movimento durante lixamento ou operações

de corte. Nunca segure manualmente uma peça de trabalho. Um deslizamento inadvertido durante a operação do produto pode causar ferimentos graves.

- Ao fazer cortes profundos em materiais macios, como a madeira e gesso cartonado utilizando o acessório de corte, traz gradualmente a lâmina de vibração para a peça. Não empurre a lâmina vibrante dura para o material a ser cortado. Deixe o produto trabalhar e concentre-se em manter a estabilidade do produto e do acessório de corte, na posição em que quer fazer o corte.
- Tome cuidado extra no corte em metais não-ferrosos. A lâmina de corte vibrante pode saltar antes de começar a cortar. Se necessário, antes de começar a cortar, faça alguns furos ao longo da linha que vai ser cortada.
- Se os acessórios de corte ficarem presos na peça de trabalho, desligue o produto e desconecte-a da fonte de alimentação. Se o acessório de corte não puder ser removido facilmente, permita que os acessórios de corte arrefeçam adequadamente antes de libertar o acessório de corte do produto. Use luvas e utilizar ferramentas manuais, tais como alicates e chave de fenda, para remover o acessório de corte da peça.

PROTECÇÃO CONTRA SOBREINTENSIDADE DE CORRENTE

Quando é detectada uma sobreintensidade de corrente, o produto desliga-se automaticamente.

Se o produto parar de trabalhar, liberte o gatilho e, em seguida, volte a premir o gatilho. O produto deverá começar a trabalhar novamente.

MANUTENÇÃO

⚠ AVISO

O produto não deve nunca ligado à corrente elétrica durante a montagem de peças, a realização de ajustes, limpeza, operações de manutenção ou quando não está em uso. Ao deligar o produto estará a evitar um arranque acidental que pode causar lesões graves.

- Na reparação só devem ser utilizadas peças sobresselentes do fabricante. O uso de quaisquer outras peças pode criar perigo ou causar danos ao aparelho.

⚠ AVISO

Para uma maior segurança e fiabilidade, todas as reparações devem ser realizadas por um centro de assistência autorizado RYOBI.

GERAL

Evite usar solventes ao limpar as peças de plástico. A maioria dos plásticos pode ser danificada pelos solventes vendidos no comércio. Utilize um pano limpo para remover as sujidades, o pó, etc.

⚠ AVISO

Os elementos de plástico nunca devem entrar em contacto com líquido de travões, gasolina, produtos à base de petróleo, óleos penetrantes, etc. Estas substâncias contêm produtos químicos que podem danificar, enfraquecer ou destruir o plástico.

A poeira da placa de gesso e a parede é abrasiva e pode causar falha prematura do produto se tiver permissão para entrar na área do motor. Limpe bem o produto após o uso, utilizando uma escova e um aspirador. Tome cuidado para não empurrar o lixo nas aberturas de ventilação. Não use ar comprimido para limpar o produto, dado que o pó e as impurezas podem causar graves lesões nos olhos.

LUBRIFICAÇÃO

Todos os rolamentos deste produto estão lubrificados com um montante suficiente de lubrificante de elevado nível, de acordo com a duração de vida do produto em condições normais de funcionamento. Por conseguinte, não requer nenhuma lubrificação suplementar.

PROTECÇÃO DO AMBIENTE



Recicle os materiais em vez de pô-los directamente no lixo doméstico. Para proteger o ambiente, a ferramenta, os acessórios e as embalagens devem ser seleccionados.

SÍMBOLOS NO PRODUTO



Alerta de segurança



Conformidade CE



Velocidade em vazio



Volts



Corrente directa



Marca de conformidade EurAsian



Agradecemos que leia atentamente as instruções antes de iniciar a máquina.



Marca de conformidade ucraniana

001



Madeira – Cortes de imersão e cortes lisos



Metais não ferrosos – Cortes de imersão e cortes lisos



Plástico – Cortes de imersão e cortes lisos



Os aparelhos eléctricos antigos não devem ser eliminados juntamente com o lixo doméstico. Recicle onde existem instalações para o efeito. Verifique com as Autoridades Locais ou revendedor para obter informações sobre reciclagem.

SÍMBOLOS NESTE MANUAL



Nota



As peças ou acessórios vendem-se separadamente



Abrir



Bloqueio



Velocidade, mínimo



Velocidade, máximo

As seguintes palavras de sinal e significados destinam-se a explicar os níveis de risco associados a este produto.

PERIGO

Indica uma situação de perigo iminente, a qual, se não for evitada, pode resultar em morte ou ferimentos graves.

AVISO

Indica uma situação potencialmente perigosa que, se não for evitada, pode resultar em morte ou ferimentos graves.

CAUTELA

Indica uma situação potencialmente perigosa que, se não for evitada, pode resultar em ferimentos leves ou moderados.

CAUTELA

(Sem símbolo de segurança) Indica uma situação que pode provocar danos materiais.

Sikkerhed, ydelse og driftssikkerhed har fået topprioritet i designet af dit multiværktøj.

TILTÆNKET ANVENDELSESFØRMÅL

Multiværktøjet er kun beregnet til at blive brugt af voksne, som har læst og forstået instrukserne og advarslerne i denne brugsanvisning, og som kan betragtes som værende ansvarlige for deres handlinger.

Multiværktøjet er beregnet til:

- Slibning og overfladebehandling af metal, træ, plast eller lignende materialer ved hjælp af medfølgende formede slibebark
- Skrabning og dyksavning i ikke-jernholdige metaller, træ, plast, gipsplader osv ved hjælp af de medfølgende metalklinger
- Skæring af huller i vægge til indsættelse af kontakter og elstik
- Fjernelse af fugemateriale mellem keramikfliser

Multi-værktøjet er beregnet til indendørs brug i tørre, godt belyste og tilstrækkeligt ventilerede forhold.

Produktet er ikke beregnet til brug på våde materialer og overflader.

Produktet må kun bruges til de formål, der er angivet under formålsbestemt/korrekt brug.

⚠ ADVARSEL

Læs alle omhyggeligt alle advarsler, anvisninger og specifikationer, som følger med maskinen, og studer illustrationerne. Hvis nedenstående forskrifter ikke overholdes, kan der ske uheld og ulykker som brand, elektrisk stød og/eller alvorlige personskader.

Gem alle advarsler og brugsanvisninger til senere brug.

SIKKERHEDSADVARSLER VEDR. MULTIVÆRKTØJER

- **Hold maskinværktøjet i de isolerede gribeoverlader, når der arbejdes på steder, hvor man kan komme til at skære i skjulte ledninger.** Hvis der skæres i en strømførende ledning, kan det gøre udsatte metaldele af maskinværktøjet strømførende og give operatøren elektrisk stød.
- Benyt altid sikkerhedsbriller, når værktøjet benyttes. Benyt støvmaske, når der udvikles støv.

⚠ ADVARSEL

Støv fra visse typer maling, belægninger og materialer kan forårsage irritation eller allergiske reaktioner i åndedrætssystemet. Støv fra træ som fx eg, bøg, MDF og andre er kræftfremkaldende. Kun kvalificerede fagfolk må anvende produktet på asbestholdige materialer.

⚠ ADVARSEL

Produktet må aldrig sluttes til en strømforsyning, mens man er i færd med at samle dele, foretage justeringer, rengøre, udføre vedligeholdelsesarbejde, eller når produktet ikke anvendes. Frakobling af produktet fra strømforsyningen vil forhindre utilsigtet start, hvilket kan medføre alvorlig personskade.

- Når der arbejdes i vægge, lofter eller gulve, skal man sørge for at undgå el-, gas- eller vandledninger.

⚠ ADVARSEL

Metaludstyr vil blive varmt under brug og kan forårsage forbrænding af huden ved kontakt med operatøren. Benyt handsker, når der skiftes udstyr.

Vær forsigtig, når værktøjet fralægges mellem arbejdsopgaver, så der ikke opstår (person)skader.

- Undlad at benytte skæreudstyr, som er beskadiget, revnet eller ikke passer fuldstændigt til produktet.
- Kontroller, at låsen på kontakten ikke står i stillingen fra inden isætning af batteripakken.
- Produktet skaber vibrationer, som bevæger tilbehøret. Vibrationerne kan medføre ubehag, hvis produktet betjenes i længere perioder ad gangen. Tag ofte en pause, især hvis du føler ubehag i armen, håndledet eller fingrene. Vælg en hastighedsindstilling, med hvilken arbejdet kan udføres effektivt. Læs afsnittene Uundgåelige risici og Risikoreduktion for flere oplysninger om vibrationer-relaterede skader.
- Emnet skal fastspændes med en fastspændingsanordning. Ikke-spændte emner kan forårsage alvorlige (person)skader. Undlad at holde det materiale, der slibes, med hånden.
- Brug ikke større stykker sandpapir end nødvendigt. Ekstra papir, der stikker ud over bundpladen, kan også forårsage alvorlige flænger.
- Omgivelsestemperaturområdet for værktøj under betjening er mellem 0°C og 40°C.
- Omgivelsestemperaturområdet for værktøj under opbevaring er mellem 0°C og 40°C.
- Det anbefalede omgivelsestemperaturområde for ladesystemet under opladning er mellem 10°C og 38°C.

YDERLIGERE SIKKERHEDSADVARSLER OM BATTERI

⚠ ADVARSEL

For at undgå risiko for brand, kvæstelser eller beskadigelse af produktet forårsaget af kortslutning må værktøjet, batteripakken eller opladeren ikke nedsænkes i vand. Sørg ligeledes for, at der ikke trænger væske ind i enhederne og batterierne. Korroderende eller ledende væsker, f.eks. saltvand, bestemte kemikalier, blegestoffer eller produkter, som indeholder blegestoffer, kan forårsage kortslutning.

- Omgivelsestemperaturområdet for batteri under brug er mellem 0°C og 40°C.
- Omgivelsestemperaturområdet for batteriopbevaring er mellem 0°C og 20°C.

TRANSPORT AF LITHIUM-BATTERIER

Batteriet skal transporteres i henhold til lokale og nationale forskrifter og love.

Når batterier skal transporteres af tredjepart, skal alle specielle krav til emballering og mærkning efterleves. Man skal sikre sig, at ingen batterier kan komme i kontakt med andre batterier eller ledende materialer under transporten ved at beskytte blottede konnektorer med isolerende, ikke-ledende hætter eller tape. Undlad at transportere batterier med revner eller utætheder. Rådfør dig desuden hos speditøren.

UUNDGÅELIGE RISICI

Selv om produktet anvendes som foreskrevet, er det stadig umuligt at eliminere visse uundgåelige risikofaktorer fuldstændigt. Følgende risici kan opstå under brug, og operatøren bør være særligt opmærksom for at undgå følgende:

- Personskader forårsaget af støv
 - Der skal altid benyttes øjenværn.
 - Benyt åndedrætsværn med filtre, der svarer til det materiale, der arbejdes med. Sørg for tilstrækkelig ventilation på arbejdspladsen.
 - Undlad at spise, drikke eller ryge i arbejdsområdet.
- Fare for personskade pga. støj og vibration
 - Benyt høreværn.
 - Undlad at benytte produktet i længere perioder ad gangen. Se "Risikoreduktion".
- Der er fare for elektrisk stød, hvis der skæres i kabler.
 - Hold altid produktet i de hertil indrettede håndtag. Undgå at gøre ved produktets skæreklinger eller metaldele.

RISIKOREDUKTION

Der er rapporteret om, at vibrationer fra håndholdte værktøjer kan være medvirkende til en lidelse kaldet Raynauds syndrom hos visse personer. Symptomerne herpå kan være prikken, følelsesløshed og blegning

af fingrene, der normalt viser sig ved kuldepåvirkning. Faktorer som arvelighed, udsættelse for kulde og fugt, kost, rygning og arbejdsvaner menes alle at medvirke til udviklingen af disse symptomer. Der findes forholdsregler, som operatøren kan træffe for at begrænse påvirkningen fra vibrationer:

- Hold kroppen varm i koldt vejr. Brug handsker, så hænder og vrister holdes varme under arbejdet. Der er rapporteret om, at koldt vejr er en væsentlig faktor til Raynauds syndrom.
- Motionér efter hver arbejdsperiode for at øge blodcirkulationen.
- Hold hyppige arbejdspauser. Begræns eksponeringen for vibrationer pr. dag.

Hvis du mærker nogen af symptomerne på denne tilstand, skal du straks ophøre med arbejdet og søge læge.

⚠ ADVARSEL

Længere tids brug af et værktøj kan forårsage - eller forværre - personskader. Når man bruger et værktøj i længere perioder ad gangen, skal man huske at holde hyppige pauser.

KEND PRODUKTET

Se side 105.

1. LED
2. Klingelåseskrue
3. Hastighedskontrol
4. Tænd/Sluk-kontakt
5. Låsekontakt
6. Håndtag, isoleret gribeblade
7. Dyksavsklinge
8. Ligesnitssklinge
9. Bundplade
10. Sandpapir
11. Adapteropbevaringsslids
12. Adapter */**
13. Sekskantnøgle
14. Batteriåbning

*Kompatibel med BOSCH-tilbehør. BOSCH er et registreret varemærke tilhørende Robert Bosch GmbH.

**Kompatibel med DREMEL-tilbehør. DREMEL er et varemærke tilhørende Robert Bosch Tool Corporation.

BETJENING

Produktet leveres med en ekstra adapter til brug med andre mærker af skære-, skrabe- og slibeudstyr. Adapteren kan omstilles til brug med de ønskede mærker tilbehør. Brug ikke adapteren med det RYOBI-tilbehør, der leveres sammen med dit værktøj.

- Emner skal fastgøres med en fastspændingsanordning for at forhindre bevægelse under slibe- eller skærearbejde. Hold aldrig emnet i hånden. En utilsigtet smutter, mens man betjener produktet, kan forårsage alvorlig personskade.
- Når man udfører dyksnit i bløde materialer som træ og



gipsplader ved hjælp af skærende tilbehør, skal man føre den vibrerende klinge forsigtigt frem til emnet. Undgå at presse den vibrerende klinge hårdt ind i det materiale, der skal skæres. Lad produktet klare arbejdet og koncentrer dig om at holde produktet og skæretilbehøret stabilt i den position, du ønsker at foretage udskæringen.

- Vær ekstra forsigtig, når der skæres ikke-jernholdige metaller. Den vibrerende skæreklinge kan smutte inden påbegyndelse af skæringen. Hvis det er nødvendigt, kan du bore nogle huller langs linjen, der skal skæres, før du begynder at skære.
- Hvis skæreudstyret sætter sig fast i emnet, skal man slukke produktet og frakoble forbindelsen til strømforsyningen. Hvis skæreudstyret ikke kan fjernes uden besvær, skal man lade det køle tilstrækkeligt af, inden man frigør det fra produktet. Benyt handsker og anvend håndværktøj som fx tang og skruenøgle til at fjerne skæreudstyret fra emnet.

OVERSPÆNDINGSBESKYTTELSE

Når der registreres overspænding, vil produktet automatisk slukke.

Hvis produktet stopper med at virke, slippes udløseren og trykkes derefter ned igen. Produktet bør starte med at virke igen.

VEDLIGEHOLDELSE

⚠ ADVARSEL

Produktet må aldrig sluttes til en strømforsyning, mens man er i færd med at samle dele, foretage justeringer, rengøre, udføre vedligeholdelsesarbejde, eller når produktet ikke anvendes. Ved at afbryde forbindelsen til strømforsyningen forhindrer man utilsigtet start af produktet, hvilket kan medføre alvorlige personskader.

- Brug kun originale reservedele fra maskinproducenten i forbindelse med servicearbejde. Brug af alternative dele kan forårsage farlige situationer eller ødelægge produktet.

⚠ ADVARSEL

Af hensyn til større sikkerhed og pålidelighed skal alt reparationsarbejde udføres på et autoriseret RYOBI-servicecenter.

GENERELT

Undgå brug af opløsningsmidler til rengøring af plastdele. De fleste plasttyper bliver ødelagt, hvis de renses med almindelige gængse opløsningsmidler. Fjern snavs, støv m.v. med en ren klud.

⚠ ADVARSEL

Plastelementerne må aldrig komme i berøring med bremsevæske, benzin, olie- eller petroleumbaserede produkter, rustløsnende olie o. lign. Disse kemiske produkter indeholder stoffer, som kan beskadige, mørne eller ødelægge plastmaterialet.

Støvet fra gips- og vægplader er skurende og kan forårsage førtidig svigt af produktet, hvis det kommer ind i motorområdet. Rengør produktet grundigt efter brug ved hjælp af en børste og en støvsuger. Pas på ikke at presse snavs ind i ventilationsåbningerne. Undlad at bruge trykluft til at rengøre produktet, fordi støv og grus kan forårsage alvorlige øjenskader.

SMØRING

Alle lejerne i produktet er smurt for produktets levetid under normale driftsbetingelser med en tilstrækkelig mængde højkvalitetssmøremiddel. Det er derfor ikke nødvendigt med yderligere smøring.

MILJØBESKYTTELSE



Råmaterialerne skal genbruges og ikke bortskaffes som almindeligt affald. Af hensyn til miljøet skal redskab, tilbehør og emballage sorteres.

SYMBOLER PÅ PRODUKTET



Sikkerhedsadvarsel



CE-overensstemmelse



Tomgangshastighed



Volt



Direkte strøm



EurAsian overensstemmelsesmærke



Læs venligst vejledningen grundigt igennem før maskinen tages i brug.



Ukrainsk overensstemmelsesmærke



Træ - dyksavs- og planskæringer



Ikke-jern-metal - dyksavs- og planskæringer



Plast - dyksavs- og planskæringer



Elektriske affaldsprodukter bør ikke afskaffes sammen med husholdningsaffald. Genbrug venligst hvor faciliteterne tillader dette. Tjek med din lokale kommune eller forhandler for genbrugsråd.



SYMBOLER I BRUGSANVISNINGEN



Bemærk



Dele eller tilbehør, der sælges separat



Oplås



Lås



Hastighed, mindste



Hastighed, max

De følgende ikoner og betydninger er beregnet til at forklare risikoen involveret i at anvende denne enhed.



FARE

Indikerer en umiddelbart farlig situation, som - hvis den ikke afværges - vil medføre dødsfald eller alvorlig personskade.



ADVARSEL

Indikerer en potentielt farlig situation, som - hvis den ikke afværges - kan medføre dødsfald eller alvorlig personskade.



VÆR OPMÆRKSOM

Indikerer en potentielt farlig situation, som - hvis den ikke afværges - kan medføre mindre eller middelsvær personskade.

VÆR OPMÆRKSOM

(Uden sikkerhedssymbol) indikerer en situation som kan føre til skade af personlig ejendom.

Säkerhet, prestanda och pålitlighet har varit högsta prioritet vid design av ditt multiverktyg.

ANVÄNDNINGSMÅL

Detta multiverktyg är enbart avsett att användas av vuxna som har läst och är införstådda med instruktioner och varningar i denna bruksanvisning och kan anses vara ansvariga för sina åtgärder.

Multiverktyget är avsett att användas:

- för slipning och ytbehandling av metall, trä, plast och liknande material med slipplattan och medföljande formade självhäftande slippapper
- för skrapning och tillskärning av inte järnhaltig metall, trä, plast, gipsplattor, etc. med de medföljande metallskärblåden
- för hålltagning i vägar för kontakter eller eluttag
- för borttagning av murbruk mellan keramikplattor

Multiverktyget är avsett för inomhusbruk i torra, väl belysta och ventilerade förhållanden.

Produkten är inte avsedd för användning på våta material och ytor.

Använd inte produkten på något annat sätt än vad som är avsett.

⚠ VARNING

Läs uppmärksamt alla varningar, instruktioner och specifikationer som bifogas med detta verktyg och studera bilderna. Underlåtenhet att respektera dessa föreskrifter kan leda till olyckor som brand, elektriska stötar och/eller allvarliga kroppsskador.

Behåll dessa varningar och anvisningar för framtida referens.

SÄKERHETSVARNINGAR FÖR MULTIVERKTYG

- **Greppa verktyget i dess isolerade delar när du utför arbeten där maskinen kan komma i kontakt med döda elkablar.** Vid kontakt med en strömförande kabel kan de exponerade delarna på verktyget bli strömförande och ge användaren en elektrisk stöt.
- Använd alltid skyddsglasögon vid användning av verktyget. Använd dammask när det dammar.

⚠ VARNING

Damm från viss typ av färg, ytor och material kan skapa irritation eller allergiska reaktioner i andningssystemet. Damm från trä som ek, bok, MDF och annat är cancerframkallande. Endast utbildad person får använda produkten på material som innehåller asbest.

⚠ VARNING

Produkten får inte anslutas till elnät under montering, justering, rengöring, underhåll eller då produkten inte används. Att koppla bort produkten från strömförsörjningen förhindrar oavsiktlig start som kan orsaka allvarliga olycksfall.

- Vid arbete i väggar, golv eller tak ska du vara noga med att undvika el-, gas- och vattenledningar.

⚠ VARNING

Metalltillbehör blir varmt under användning och kan leda till brännskador om användaren vidrör tillbehören. Använd handskar vid byte av tillbehör.

Var försiktig när verktyget sätts ned mellan åtgärder så att inga skador uppstår.

- Använd inte skärtillbehör som är skadade, spruckna eller inte passar på produkten.
- Säkerställ att brytaren för påslagning inte är i läget PÅ före isättning av batteripaketet.
- Produkten genererar vibrationer som flyttar på tillbehöret. Vibrationerna kan orsaka obehag om produkten används under lång tid. Lägg in frekventa pauser, särskilt om du upplever obehag i armen, handleden eller fingrarna. Välj hastighetsinställning för att utföra arbetet på ett effektivt sätt. Läs i avsnittet Restrisker och Riskminskning för mer information om vibrationsrelaterade skador.
- Fest arbetsstycket med klämanordning. Icke fastklämda arbetsstycken kan orsaka allvarliga skador och skada på egendom. Håll inte det material som slipas med enbart handen.
- Sandpappret får inte vara för stort. Om sandpappret är större än slipdynan, kan du skada dig allvarligt.
- Omgivningstemperatur för verktyget vid drift skall ligga mellan 0 °C och 40 °C.
- Omgivningstemperatur för verktyget vid förvaring skall ligga mellan 0 °C och 40 °C.
- Den rekommenderade omgivningstemperaturen vid laddning av systemet skall ligga mellan 10 °C och 38 °C.

YTTERLIGARE SÄKERHETSVARNINGAR FÖR BATTERIER

⚠ VARNING

För att undvika den fara för brand, personskadorna eller produktskadorna som orsakas av en kortslutning, doppa inte ner verktyget, utbytesbatteriet eller laddaren i vätskor och se till att ingen vätska kan tränga in i apparaterna eller batterierna. Korroderande eller ledande vätskor, som saltvatten, vissa kemikalier, blekningsmedel eller produkter som innehåller blekmedel, kan orsaka en kortslutning.

- Omgivningstemperatur för batteriet vid drift skall ligga mellan 0 °C och 40 °C.
- Omgivningstemperatur för batteriet vid förvaring skall ligga mellan 0 °C och 20 °C.

TRANSPORTERA LITIUMBATTERIER.

Transportera batteriet enligt lokala och nationella lagar och regleringar.

Följ alla specifika krav på förpackning och etiketter när batteri transporteras av tredje part. Se till att batteriet inte kommer i kontakt med andra batterier eller ledande



material genom att skydda exponerade kontakter med isolerande, icke ledande skydd eller tejp. Transportera inte batterier som är spruckna eller läcker. Kontrollera med vidarebefordrande företag för mer information.

RESIDUALRISK

Även om produkten används enligt instruktionerna går det inte att eliminera alla eventuella riskfaktorer. Följande risker kan uppstå vid användning och operatören ska vara extra uppmärksam för att undvika följande:

- Skador orsakade av damm
 - Använd alltid lämpligt ögonskydd.
 - Använd andningsskydd med filter som är lämpliga för de material som du arbetar med. Se till att arbetsplatsen är tillräckligt ventilerad.
 - Ät, drick eller rök inte på arbetsområdet.
- skador orsakade av buller eller vibrationer
 - Bär hörselskydd.
 - Använd inte produkten under längre tidsperioder. Se "Riskreducering".
- Det finns risk för elektrisk stöt om man skär i elkablar
 - Håll alltid produkten i avsedda handtag. Vidrör inte skärblad eller metalldelar på produkten.

RISKMINSKNING

Det finns rapporter om att vibrationer från handhållna produkter kan bidra till ett tillstånd som kallas Raynauds syndrom för vissa personer. Symptomen brukar vara att det sticker i fingrarna och att de domnar bort; fingrarna kan också bli vita, särskilt vid kyla. Årftliga faktorer, kyla och fukt, diet, rökning och arbetsrutiner tros alla bidra till att orsaka dessa symptom. Det finns förebyggande åtgärder som du kan vidta för att försöka minska vibrationernas påverkan:

- Håll dig varm när du arbetar i kallt väder. Använd handskar för att hålla kvar värmen i händer och handleder. Kyla har rapporterats som en viktig del i utvecklandet av Raynauds syndrom.
- Träna och rör på dig efter varje användningstillfälle för att öka blodcirkulationen.
- Ta ofta pauser från arbetet. Begränsa tiden du utsätter dig varje dag.

Upphör omedelbart om du upplever några av dessa symptom och uppsök din läkare.

VARNING

Risk för person- eller slitageskador vid användning av verktyget under lång tid. Om verktyget används under längre perioder krävs regelbundna pauser.

LÄR KÄNNA DIN PRODUKT

Se sidan 105.

1. LED
2. Bladlåsskruv
3. Kontroll av hastigheten

4. Av/på-knapp
5. Brytare för påslagning
6. Handtag, isolerad greppyta
7. Instickssågblad
8. Plansågblad
9. Fot
10. Sandpapper
11. Lagringsplats för adapter
12. Adapter */**
13. Sexkantsnyckel
14. Batteriport

*Kompatibel med tillbehör från BOSCH. BOSCH är ett registrerat varumärke för Robert Bosch GmbH.

**Kompatibel med tillbehör från DREMEL. DREMEL är ett registrerat varumärke som tillhör Robert Bosch Tool Corporation.

ANVÄNDNING

Produkten har en extra adapter för användning med andra märken av skär-, slip- och sandtillbehör. Adaptern kan användas för att användas med önskade varumärken och tillbehör. Använd inte adaptern med RYOBI-tillbehör som medföljer verktyget.

- Säkra arbetsstycken med klämma för att förhindra rörelse under slipning eller skärning. Håll aldrig i arbetsstycket. Ett oväntat misstag under användning kan leda till allvarliga personskador.
- Vid tillskärning av mjuka material som trä och gipsplattor med skärtillbehöret ska det vibrerande bladet långsamt sänkas mot arbetsstycket. Tryck inte det vibrerande bladet för hårt i material som ska skäras. Låt produkten göra arbetet och koncentrera dig på att hålla produkten och sågtillbehöret stabilt i det läge där du vill säga.
- Var extra försiktig vid skärning i icke järnhaltiga material. Det vibrerande skärbladet kan halka runt innan skäret påbörjas. Om det behövs, borra några hål längs med den linje du vill säga, innan du påbörjar sågningen.
- Om skärbladen sätter sig i arbetsstycket, stäng av produkten och koppla bort den från eluttag. Om det inte går lätt att få bort skärtillbehöret ska du låta det svalna innan du frigör tillbehöret från produkten. Använd handskar och handverktyg, som tänger och nycklar, för att ta loss skärtillbehöret från arbetsstycket.

ÖVERSTRÖMSSKYDD

När överström detekteras stängs produkten automatiskt av.

Om produkten slutar arbeta, släpp reglaget och applicera sedan igen. Produkten bör börja arbeta igen.

UNDERHÅLL

VARNING

Produkten får aldrig anslutas till strömkälla undre montering, justeringar, rengöring, underhåll eller när produkten inte används. Frånkoppling av produkten förhindrar uppstart av misstag vilket kan orsaka allvarliga skador.

- Under servicearbete ska enbart tillverkarens originaltillbehör användas. Användning av andra delar kan orsaka fara eller produktskada.



⚠ VARNING

För säkerhet och pålitlighet ska alla reparationer utföras av auktoriserat RYOBI reparationscenter.

ALLMÄNT

Undvik att använda lösningsmedel vid rengöring av plastdelar. Flertalet plaster kan skadas vid användning av vissa lösningsmedel som säljs i affärerna. Använd en ren tygrasa för att torka bort smuts, damm, osv.

⚠ VARNING

Se till att plastdelarna aldrig kommer i kontakt med bromsvätska, bensin, produkter med petroleumbas, penetrerande oljor, osv. Dessa ämnen innehåller kemiska produkter som kan skada, försvaga eller förstöra plasten.

Damm från gips och väggskivor slipar och kan orsaka för tidigt slitage på produkten om det kommer in i motordelen. Rengör produkten noga efter användning med borste och dammsugare. Var noga med att inte få in smuts i ventilationshålen. Använd inte komprimerad luft för att rengöra produkten då damm och grus kan orsaka allvarliga skador.

SMÖRJNING

Alla lager i produkten har smorts med tillräcklig mängd högklassig smörjmedel för produktens livslängd under normala driftförhållanden. Därför behövs ingen ytterligare smörjning.

MILJÖSKYDD



Råmaterialen ska återvinnas i stället för att kastas i hushållsavfallet. För att skona miljön ska verktyget, tillbehören och emballagen sorteras.

SYMBOLER PÅ PRODUKTEN



Säkerhetsvarning



CE-överensstämmelse



Tomgångshastighet



Volt



Likström



EurAsian överensstämmelsesymbol



Läs instruktionerna ordentligt innan start av maskinen.



Ukrainskt märke för överensstämmelse

001



Trä - Instickssågning och sågning jäms med ytan



Icke-järnhaltig metall - Instickssågning och sågning jäms med ytan



Plast - Instickssågning och sågning jäms med ytan



Gamla elektroniska produkter ska inte kastas med hushållssoporna. Återvinn där sådana faciliteter finns. Kontrollera med din lokala myndighet eller säljaren för att få återvinningstips.

SYMBOLER I MANUALEN



Notera



Delar och utrustning säljs separat



Lås upp



Lås



Hastighet, minsta



Hastighet, maximum

Följande signalord och betydelser är tänkta att förklara de olika risknivåerna som är associerade med denna produkt.

⚠ FARA

Visar på en direkt riskfylld situation som, om den inte undviks, kan orsaka dödsfall eller allvarig personskada.

⚠ VARNING

Visar på en potentiellt riskfylld situation som, om den inte undviks, kan orsaka dödsfall eller allvarig personskada.

⚠ FÖRSIKTIGHET

Visar på en potentiellt riskfylld situation som, om den inte undviks, kan orsaka mindre eller måttlig personskada.

FÖRSIKTIGHET

(Utan säkerhetssymbolen) Indikerar en situation som kan leda till egendomsskada.

Yleistyökalun suunnittelussa on pidetty etusijalla turvallisuutta, suorituskykyä ja luotettavuutta.

KÄYTTÖTARKOITUS

Tämä yleistyökalu on tarkoitettu vain sellaisten aikuisten käytettäväksi, jotka ovat lukeneet ja ymmärtäneet tämän käsikirjan ohjeet ja varoitukset ja joita voidaan pitää vastuullisina teoistaan.

Yleistyökalu on tarkoitettu

- metallin, puun, muovien ja vastaavien materiaalien hiontaan ja viimeistelyyn käyttäen mukana toimitettuja muotoon leikattuja hioma-arkkeja
- rautaa sisältämättömien materiaalien, puun, muovin, kipsilevyn jne. kaavintaan ja uppoleikkaukseen käyttäen oheisia metallisia teriä
- reikien leikkaamiseen seiniin kytkimiä ja pistorasioita varten
- laastin poistamiseen keraamisten laattojen välistä

Yleistyökalu on tarkoitettu sisäkäyttöön kuivissa, hyvin valaistuissa ja riittävästi tuuletetuissa olosuhteissa.

Tuotetta ei ole tarkoitettu käytettäväksi märkien materiaalien tai pintojen kanssa.

Älä käytä tätä tuotetta millään muulla tavalla kuin mihin se on tarkoitettu.

VAROITUS

Lue tarkkaavaisesti kaikki tämän työkalun kanssa toimitetut varoitukset, ohjeet ja spesifikaatiot, ja katso lisäksi kuvat. Seuraavassa esitettyjen ohjeiden laiminlyönnistä saattaa olla seurauksena onnettomuuksia kuten tulipalot, sähköiskut ja/tai vakavia kehon vammoja.

Säästä kaikki varoitukset ja ohjeet tulevaa käyttöä varten.

YLEISTYÖKALUN TURVALLISUUSVAROITUKSET

- **Pidä kiinni sähkötyökalusta vain kahvasta jossa tartuntapinta, erityisesti kun työstät materiaalia, jossa on mahdollisesti piilossa olevia johtoja.** Jos leikkuri koskettaa sähköistettyä johtoa, työkalun metalliosat voivat sähköistyä ja aiheuttaa käyttäjälle sähköiskun.
- Käytä aina suojalaseja käyttäessäsi työkalua. Käytä pölynaamarina pölyisissä töissä.

VAROITUS

Erilaisista maaleista, pinnoitteista ja materiaaleista syntyvä pöly saattaa aiheuttaa ärsytystä tai allergisia reaktioita hengitysteissä. Esim. tammen, pyökin ja MDF:n puupöly on karsinogeenistä. Vain pätevät asiantuntijat saavat käyttää tuotetta asbestia sisältäviin materiaaleihin.

VAROITUS

Tuotetta ei tule koskaan kytkeä pistorasiaan osia koottaessa, säätöjä tehtäessä, puhdistettaessa, huollon aikana tai kun tuotetta ei aiota käyttää. Laitteen irrottaminen virtalähteestä estää vahingossa tapahtuvan käynnistymisen, mikä voi aiheuttaa vakavan loukkaantumisen.

- Kun käsittelet seiniä, kattoja tai lattioita, varo osumasta sähköjohtoihin ja kaasu- tai vesiputkiin.

VAROITUS

Metalliset lisävarusteet kuumenevat käytössä ja voivat aiheuttaa palovammoja, jos niitä kosketetaan. Käytä lisävarusteita vaihtaessasi käsiineitä.

Ole varovainen laskiessasi työkalun alas estääksesi loukkaantumiset ja vammat.

- Älä käytä vahingoittuneita, lohkeilleita tai huonosti istuvia leikkukulisävarusteita.
- Varmista ennen akkupakkauksen paikalleen laittamista, että lukituskytkin ei ole Päällä-asennossa.
- Laitte saa aikaan värinää, joka liikuttaa lisäosaa. Värinä voi aiheuttaa epämukavuutta, jos laitetta käytetään kauan. Pidä usein taukoa, varsinkin jos tunnet kipua tai epämiellyttävää tunnetta käsivarressa, ranteessa tai sormissa. Valitse nopeusasetus, jolla työ hoituu tehokkaasti. Lue lisätietoja värinästä liittyvistä vammoista kohdasta Jäännösriskit ja Riskin vähentäminen.
- Kiinnitä työkalun kappale paikoilleen puristimella. Kiinnittämätön työkalun kappale voi aiheuttaa vakavan vamman ja vaurioita. Älä pitele hiomaasi materiaalia kädessä.
- Älä käytä liian suurta hiekkapaperia. Hiomalaikan reunojen yli ulottuva ylimääräinen paperi saattaa aiheuttaa vakavia haavoja.
- Ympäristön lämpötila-alue työkalulle käytön aikana on 0 °C ja 40 °C välillä.
- Ympäristön lämpötila-alue työkalulle varastoinnin aikana on 0 °C ja 40 °C välillä.
- Suositeltu ympäristön lämpötila-alue latausjärjestelmän latauksen aikana on 10 °C ja 38 °C välillä.

EN
FR
DE
ES
IT
NL
PT
DA
SV
FI
NO
RU
PL
CS
HU
RO
LV
LT
ET
HR
SK
SL
BG
UK
TR
EL

LISÄÄ AKUN TURVALLISUUSVAROITUKSIA

VAROITUS

Jotta vältetään lyhytsulun aiheuttama tulipalon, loukkaantumisen tai tuotteen vahingoittumisen vaara, älä koskaan upota työkalua, vaihtoakkuja tai latauslaitetta nesteeseen ja huolehdi siitä, ettei mitään nesteitä pääse tunkeutumaan laitteiden tai akkujen sisään. Syövyttävät tai sähköä johtavat nesteet, kuten suolavesi, tietyt kemikaalit ja lalkaisuaineet tai valkaisuaineita sisältävät tuotteet voivat aiheuttaa lyhytsulun.

- Ympäristön lämpötila-alue akulle käytön aikana on 0 °C ja 40 °C välillä.
- Ympäristön lämpötila-alue akun varastoinnin aikana on 0 °C ja 20 °C välillä.

LITIUMAKKUJEN KULJETTAMINEN

Kuljeta akkuja paikallisten ja kansallisten ehtojen ja säädösten mukaisesti.

Noudata kaikkia pakkaamista ja nimeämistä koskevia erikoissäädöksiä, kun kolmas osapuoli kuljettaa akkuja. Varmista, että mikään akku ei kosketa muita akkuja tai johtavaa materiaalia kuljetuksen aikana suojaamalla paljaat navat eristävillä, johtamattomilla korkeilla tai teipillä. Älä kuljeta akkuja, jotka ovat halkeilleet tai vuotavat. Kysy välityritykseltä lisäneuvoja.

KÄYTÖN RISKIT

Vaikka tuotetta käytettäisiin ohjeiden mukaisesti, ei ole mahdollista täysin eliminoida tiettyjä käyttöön liittyviä riskitekijöitä. Käytössä voi aiheutua seuraavia vaaroja, ja käyttäjän tulee kiinnittää erityistä huomiota niiden välttämiseen:

- Pölyn aiheuttama vamma
 - Käytä aina suojalaseja.
 - Käytä suodattimella varustettua hengityssuojainta, joka sopii käsiteltävälle materiaalille Huolehdi työpaikalla riittävästä tuuletuksesta.
 - Älä syö, juo tai tupakoi työalueella.
- melun ja tärinän aiheuttama vamma
 - Käytä kuulosuojaimia.
 - Älä käytä tuotetta pitkiä aikoja. Katso kohta Riskien Vähentäminen.
- Sähköiskun vaara, jos leikataan sähköjohtoja.
 - Pitele tuotetta aina kahvoista. Älä kosketa tuotteen leikkuteriä tai metalliosia.

RISKIEN VÄHENTÄMINEN

Raporttien mukaan käsityökalujen tärinä voi joidenkin kohdalla myötävaikuttaa Raynaudin oireen ilmenemiseen. Oireita ovat pistely, turtuus ja sormien kalpeneminen, yleensä kylmässä ilmassa. Perinnölliset tekijät, kylmyys ja kosteus, ruokavalio, tupakointi sekä työtavat voivat kaikki myötävaikuttaa näiden oireiden ilmenemiseen. Käyttäjää voi ehkäistä tärinän aiheuttamia vaikutuksia seuraavasti:

- Pidä itsesi lämpimänä kylmällä säällä. Käytä laitteen käytön aikana käsineitä, jotta kätesi ja ranteesi pysyvät lämpöisinä. Raporttien mukaan kylmä ilma on tärkeä tekijä Raynaud's Syndromen (Raunaudin oireiden) ilmenemisessä.
- Harjoita kunkin käyttöjakson jälkeen liikuntaa, jotta verenkierto lisääntyy.
- Pidä työn aikana säännöllisesti taukoja. Rajoita päivittäisen tärinän määrä.

Jos mitään yllä mainittuja oireita ilmenee, lopeta heti laitteen käyttö ja kerro oireista lääkärille.

VAROITUS

Laitteen pitkittynyt käyttö voi aiheuttaa tai vaikeuttaa vammoja. Kun käytät mitä tahansa laitetta pitkiä aikoja, muista pitää säännöllisiä taukoja.

TUNNE TUOTTEESI

Katso sivu 105.

1. Merkkivalo
2. Terän lukitusruuvi
3. Nopeudensäätö
4. Käynnistys/sammutuskytkin
5. Lukituskytkin
6. Kahva, eristetty tarttumispinta
7. Uputussahanterä
8. Kaavinterä
9. Luistin
10. Hiomapaperi
11. Sovittimen säilytyskolo
12. Sovitin **/*
13. Kuusioavain
14. Akkutila

*Yhteensopiva BOSCH-lisätarvikkeiden kanssa. BOSCH on rekisteröity tavaramerkki, jonka omistaa Robert Bosch GmbH.

**Yhteensopiva DREMEL-lisätarvikkeiden kanssa. DREMEL on rekisteröity tavaramerkki, jonka omistaa Robert Bosch Tool Corporation.

KÄYTTÖ

Tuotteen mukana toimitetaan lisäsovitin, jolla sitä voidaan käyttää muun merkisten leikkuu-, kaavinta- ja hiontalisävarusteita. Sovitin voidaan kääntää käytettäväksi halutuille lisävarustemerkeille. Älä käytä sovitinta työkalusi toimituksen mukana tulleiden RYOBI-lisävarusteiden kanssa.

- Kiinnitä työkappaleet puristimella estääksesi niiden liikkumisen hionnan tai leikkaamisen aikana. Älä koskaan pitele työkalua käsin. Lipsahtaminen tuotetta käytettäessä voi johtaa vakavaan loukkaantumiseen.
- Kun uppoleikkaat pehmeää materiaalia, kuten puuta tai kipsilevyä, laske tärisevä terä hitaasti työkaluun. Älä paina tärisevää terää leikattavaan materiaaliin. Anna laitteen tehdä työ ja keskity pitämään laitetta ja sahauslisäosaa vakavana siinä asennossa, jossa haluat

tehdä sahauksen.

- Ole erittäin varovainen leikatessasi raudattomia metalleja. Tärisevä leikkuuterä voi hyppelhtiä ennen kuin se alkaa leikata. Poraa tarvittaessa reikiä pitkin sahattavaa linjaa ennen kuin aloitat sahauksen.
- Jos leikkulisävaruste jumittuu työkappaleeseen, sammuta tuote ja irrota se pistorasiasta. Jos leikkulisävarustetta ei ole mahdollista irrottaa helposti, anna sen jäähtyä riittävästi ennen kuin irrotat sen tuotteesta. Käytä käsineitä ja irrota lisävaruste työkappaleesta käsityökaluilla, kuten pihdeillä ja avaimella.

YLIVIRTASUOJAUS

Kun ylivirtaa havaitaan, laite kytkeytyy automaattisesti pois päältä.

Jos tuote lakkaa toimimasta, vapauta liipaisin ja käytä sitten uudelleen. Tuotteen tulisi alkaa toimia.

HUOLTO

VAROITUS

Tuotetta ei tule koskaan kytkeä pistorasiaan osia koottaessa, säätöjä tehtäessä, puhdistettaessa, huollon aikana tai kun tuotetta ei aiota käyttää. Tuotteen irrottaminen pistorasiasta estää sitä käynnistymättä vahingossa, jolloin vältetään mahdollisilta vakavilta vammoilta.

- Käytä huollossa ainoastaan alkuperäisiä valmistajan tuottamia varaosia. Muunlaisten osien käyttö voi aiheuttaa vaaran tai vioittaa laitetta.

VAROITUS

Jotta laite toimisi turvallisesti ja luotettavasti, kaikki korjaukset tulee antaa valtuutetun RYOBI-huoltopisteen hoidettavaksi.

YLEISTÄ

Älä puhdista muoviosia liuottimilla. Suurin osa muoveista ei siedä markkinoilla olevia määrättyjä liuotteita, jotka vahingoittavat niitä. Käytä puhdasta riepua lian, pölyn jne. puhdistukseen.

VAROITUS

Muoviosat eivät saa koskaan joutua kosketukseen jarrunesteeseen, bensiiniin, öljytuotteita, ruosteenirrotusöljyn jne. kanssa. Nämä kemialliset aineet voivat vaurioittaa, heikentää tai tuhota muovin.

Kipsistä ja seinälevyistä syntyvä pöly on hankaavaa ja saattaa aiheuttaa tuotteen ennenaikaisen rikkoutumisen, jos sitä pääsee moottoritalaan. Puhdista tuote huolella käytön jälkeen harjalla ja imuriilla. Varo, ettet työnnä pölyä tuuletusaukkoihin. Älä puhdista tuotetta paineilmalla, sillä pöly ja roskat voivat aiheuttaa vakavan silmävamman.

VOITELU

Tuotteen laitteen laakerit on voideltu laitteen eliniäksi normaaliolosuhteissa riittävällä määrällä korkealaatuista voiteluainetta. Tästä syystä työkalu ei kaipaa lisävoitelua.

YMPÄRISTÖNSUOJELU



Älä hävitä raaka-aineita jätteinä vaan vie ne kierrätykseen. Ympäristönsuojelun kannalta työkalu, lisäksi r usteet ja pakkausmateriaali on lajiteltava.

TUOTTEESSA OLEVAT SYMBOLIT



Turvallisuusvaroitus



Todistus CE-sääntöjen noudattamisesta



Tyhjäkäyntinopeus



Voltti



Tasavirta



EurAsian-vaatimustenmukaisuusmerkki



Lue ohjeet huolellisesti ennen laitteen käynnistämistä.



001

Ukrainalainen säädöstenmukaisuusmerkintä



Puu - Uputus- ja tasosahaus



Ei-rautametalli - Uputus- ja tasosahaus



Muovit - Uputus- ja tasosahaus



Käytöstä poistettavia sähkölaitteita ei pidä hävittää talusjätteiden mukana. Ne on mahdollisuuksien mukaan pantava kiertoon. Kierrätysohjeita antavat kunnan viranomaiset ja vähittäiskauppiat.

KÄSIKIRJAN SYMBOLIT



Huom



Osat ja lisävarusteet on hankittava erikseen



Avaa



Lukko



Nopeus, pienin



Nopeus, maksimimomentti

Seuraavat signaalisanat ja merkitykset on tarkoitettu selittämään tähän tuotteeseen liittyviä riskin tasoja.

 **VAARA**

Ilmoittaa välittömästä vaaratilanteesta, joka saattaa aiheuttaa kuoleman tai vakavan vamman.

 **VAROITUS**

Ilmoittaa mahdollisesta vaaratilanteesta, joka saattaa aiheuttaa kuoleman tai vakavan vamman.

 **VAROITUS**

Ilmoittaa mahdollisesta vaaratilanteesta, joka saattaa aiheuttaa pienen tai kohtalaisen vamman.

VAROITUS

(Ilman varoitusmerkkiä) Tilanne, joka voi aiheuttaa materiaalista vahinkoa.

Sikkerhet, ytelse og driftssikkerhet er gitt topp prioritet i konstruksjonen av ditt multiverktøy.

TILTENKT BRUK

Dette multiverktøyet skal kun brukes av voksne som har lest og forstått anvisningene og advarslene i denne brukermanualen og som kan anses å være ansvarlige for sine handlinger.

Multiverktøyet er ment brukt:

- for sliping og overflatebehandling av metall, tre, plast og lignende materialer ved bruk av slipeputen og det medfølgende tilpassede slipepapiret
- for skrapping og dypkapping i ikke-jernholdig metall, tre, plast, gipsplater etc ved bruk av de medfølgende bladene i metall
- for å kappe hull i vegger til brytere og elektriske kontakter
- for å fjerne fugemasse mellom keramiske fliser

Multiverktøyet er ment brukt innendørs i tørre og med godt opplyste og ventilerte forhold.

Produktet er ikke ment brukt på våte materialer og overflater.

Ikke bruk produktet på noe annen måte enn det som er beskrevet som tiltenkt bruk.

⚠ ADVARSEL

Les nøye gjennom alle advarslene, instruksene og spesifikasjonene som følger med verktøyet, og se på tegningene. Hvis forskriftene nedenfor ikke overholdes, kan det forårsake ulykker som brann, elektrisk støt og/eller alvorlige personskader.

Ta vare på alle advarsler og anvisninger for senere bruk.

SIKKERHETSADVARSLER FOR BRUK AV MULTIVERKTØY

- **Hold det elektriske verktøyet på de isolerte gripeflatene når du foretar arbeid der skjæreredskapen kan få kontakt med skjulte strømførende elektriske ledninger.** Skjæreredskap som får kontakt med strømførende elektriske ledninger kan føre til at metalldelene på verktøyet blir strømførende og at brukeren kan få støt.
- Anvend alltid sikkerhetsbriller når verktøyet brukes. Bruk en støvmaske når arbeidet produserer støv.

⚠ ADVARSEL

Støv fra visse malingtyper, belegg og materialer vil kunne skape irritasjoner eller allergiske reaksjoner i åndedrettssystemet. Støv fra tresorter som eik, bjørk, fiberplater og andre er kreftfremkallende. Bare kvalifiserte spesialister kan bruke produktet på materialer som inneholder asbest.

⚠ ADVARSEL

Produktet må ikke være koblet til strømmettet når du monterer deler, foretar justeringer, rengjør, utfører vedlikehold eller når produktet ikke er i bruk. Koble verktøyet fra strømmen slik at du unngår at det utilsiktede starter, noe som kan føre til alvorlige skader.

- Når det arbeides på vegger, tak eller gulv må det påses at det ikke bores i elektriske ledninger og vann- eller gassrør.

⚠ ADVARSEL

Tilbehør av metall kan bli varmt ved bruk og kan føre til brannskader ved kontakt med brukerens hud. Bruk hansker når du skifter tilbehør.

Utvis forsiktighet når du setter fra deg verktøyet mellom arbeidsoperasjoner for å unngå skade på gjenstander eller personer.

- Ikke bruk kappeutstyr som er skadet, sprukket eller som ikke lar seg montere forsvarlig til produktet.
- Se til at låsen på bryteren ikke er i på-stilling før innsettingen av batteripakken.
- Verktøyet skaper vibrasjoner som vil få tilbehøret til å bevege seg. Vibrasjonene kan føre til ubehag dersom verktøyet brukes lenge om gangen. Ta en pause ofte, særlig hvis du føler ubehag i armen, håndledd eller fingre. Velg en hastighetsinnstilling som vil sørge for at arbeidet utføres på en effektiv måte. Les seksjonen om gjenværende risiko og risikoreduksjon for å få mer informasjon om mulige skader som følger av vibrasjoner.
- Fest arbeidsstykket med en tvinge. Ikke festede emner kan påføre alvorlig personskade og materielle skader. Ikke hold materialet du skal slippe i hånden.
- Slipepapiret må ikke være for stort. Hvis slipepapiret stikker ut av sålen, risikerer du alvorlige kroppsskader.
- En passende temperatur for verktøyet når det brukes er mellom 0°C og 40°C.
- En passende temperatur for lagring av verktøyet er mellom 0°C og 40°C.
- En passende temperatur når systemet opplades er mellom 10°C og 38°C.

EN
FR
DE
ES
IT
NL
PT
DA
SV
FI
NO
RU
PL
CS
HU
RO
LV
LT
ET
HR
SL
SK
BG
UK
TR
EL

EKSTRA ADVARSLER FOR BATTERISIKKERHET

⚠ ADVARSEL

For å unngå fare for en brann forårsaket av en kortslutning, av personskader eller skader av produktet, må det forhindres at batteripakken eller laderen dryppes i væsker og også sørges for at ingen væsker kan komme inn i apparatene eller batteriene. Korroderende og ledende væsker som saltvann, visse kjemikalier og blekemidler eller produkt som inneholder blekemidler kan forårsake en kortslutning.

- En passende batteritemperatur når verktøyet brukes er mellom 0°C og 40°C.
- En passende lagringstemperatur for batteriet er mellom 0°C og 20°C.

TRANSPORTERE LITIUM-BATTERIER

Transporter batteriet i samsvar med lokale og nasjonale forskrifter og bestemmelser.

Følg alle spesielle krav når det gjelder pakking og merking når tredje part skal transportere batteriene. Pass på at batteriene ikke kan komme i kontakt med andre batterier eller ledende materialer når de transporteres ved at du beskytter åpne koblinger med isolerende, ikkeledende hetter eller tape. Ikke transportert batterier som har sprekker eller lekket. Sjekk med transportfirmaet for ytterligere råd.

GJENVÆRENDE RISIKO

Også når produktet brukes som beskrevet, er det ikke mulig å utelukke risiko for brukere eller personer i nærheten. Følgende farer kan oppstå ved bruk og operatøren bør være spesielt oppmerksom på å unngå/sikre følgende:

- Skader skapt av støv.
 - Bruk til enhver tid øyebeskyttelse.
 - Bruk åndedrettsbeskyttelse med filter som er tilpasset materialene som skal kappes. Sørg for tilfredsstillende ventilasjon av arbeidsområdet.
 - Ikke spis, drikk eller røyk i arbeidsområdet.
- skade skapt av støy og vibrasjoner
 - Bruk hørselsvern.
 - Ikke bruk produktet sammenhengende over lang tid. Se "Farereduksjon".
- Det er fare for dødelig elektrosjokk dersom den elektriske ledningen kappes mens den er tilkoppelt strømmen
 - Hold alltid verktøyet i angitte håndtak. Bører aldri kappeblad eller produktets metalldele.

FAREREDUKSJON

Det har blitt rapportert at vibrasjonene fra håndholdt verktøy kan bidra til en tilstand som heter Raynauds syndrom hos enkelte. Symptomene kan omfatte følelseløshet og gjøre fingrene bleke, vanligvis synlig ved eksponering til lave temperaturer. Arvelige faktorer, eksponering mot lave temperaturer og fuktighet, diett, røyking og arbeidspraksis

blir alle ansett for å kunne bidra til å utvikle disse symptomene. Brukeren kan iverksette tiltak for mulig å redusere virkningene av vibrasjonene:

- Hold kroppen din varm i kaldt vær. Bruk hansker og hold hender og vrister varme ved bruk av gressklipperen. Det er rapportert at kaldt vær er en viktig faktor som bidrar til Raynauds Syndrome.
- Etter hver arbeidsperiode bør det utføres øvelser for å øke blodsirkulasjonen.
- Ta ofte pauser fra arbeidet som utføres. Begrens mengden av eksponering pr. dag.

Hvis du opplever noen av symptomene på denne tilstanden må du øyeblikkelig avbryte arbeidet og oppsøke en lege med disse symptomene.

⚠ ADVARSEL

Skader kan oppstå eller forsterkes ved forlenget bruk av et verktøy. Når du bruker et verktøy over en lenger tidsperiode, husk å ta regelmessige pauser.

KJENN DITT PRODUKT

Se side 105.

1. LED
2. Bladlåseskruer
3. Hastighetskontroll
4. Av/På-bryter
5. Låseknapp
6. Håndtak, isolert gripeoverflate
7. Blad til kappsag
8. Innfelt kutteblad
9. Såle
10. Sandpapir
11. Adapteroppbevaringslisle
12. Adapter */**
13. Sekskantnøkkel
14. Batteridør

*Kompatibel med BOSCH-tilbehør. BOSCH er et registrert varemerke som tilhører Robert Bosch GmbH.

**Kompatibel med DREMEL-tilbehør. DREMEL er et registrert varemerke som tilhører Robert Bosch Tool Corporation.

BRUK

Produktet er utstyrt med en ekstra adapter for bruk med andre typer kappe-, skraper- og slipeutstyr. Adapteren kan vendes for bruk med ønskede merker av tilbehør. Ikke bruk adapteren med RYOBI-tilbehør som medfølger verktøyet.

- Hold arbeidsstykket på plass med en tvinge for å unngå at det flytter seg under sliping eller kapping. Hold aldri arbeidsstykket med hånden. En utilsiktet bevegelse mens produktet brukes kan føre til alvorlig personskade.
- Når det foretas et dykk i myke materialer som tre og gipsplater med kappeltilbehør må det vibrerende bladet bevegelse gradvis ned mot arbeidsstykket. Ikke press bladet inn i materialet som skal kappes. La maskinen gjøre jobben mens du konsentrerer deg

om å holde den stille og skjærestyret stabilt i den posisjonen du ønsker å sage.

- Utvis ekstra forsiktighet når det kappes i ikke-jernholdige metaller. Det vibrerende kappebladet vil kunne bevege seg rundt på arbeidsstykket før det begynner å kappe. Bor om nødvendig noen hull langs linjen som skal sages, før du begynner å sage.
- Hvis kappeutstyret blokkeres i arbeidsstykket må verktøyet slås av og den elektriske ledningen tas ut av støpslet. Hvis kappeverktøyet ikke kan fjernes enkelt må verktøyet gis anledning til å kjøle seg ned før tilbehøret frakoples verktøyet. Bruk hansker og håndverktøy som knipetang og fastnøkler til å fjerne kappetilbehøret fra arbeidsstykket.

OVERSTRØMSVERN

Produktet slår seg automatisk av når det registreres overstrøm.

Hvis produktet ikke fungerer lenger, slipp utløseren og prøv igjen. Produktet skal settes i drift igjen.

VEDLIKEHOLD

⚠ ADVARSEL

Produktet skal aldri kobles til en strømforsyning mens du monterer på deler, gjør justeringer, rengjør, utfører vedlikehold eller når produktet ikke er i bruk. Ved å koble fra produktet hindrer man utilsiktet start som kan forårsake alvorlig personskade.

- Bruk bare produsentens originale reservedeler til reparasjoner og vedlikehold. Bruk av andre deler kan skape fare eller føre til skade på produktet.

⚠ ADVARSEL

Før større sikkerhet og pålitelighet, bør alle reparasjoner utføres av et autorisert RYOBI servicesenter.

GENERELT

Unngå bruk av løsemidler når du rengjør plastdelene. De fleste plastmaterialene kan skades ved bruk av løsningsmidlene som fås i handelen. Bruk en ren klut til å tørke bort smuss, støv osv.

⚠ ADVARSEL

Plastdeler må aldri komme i kontakt med bremsevæske, bensin, petroleumsholdige produkter, penetrerende oljer, osv. Slike kjemiske produkter inneholder stoffer som kan skade, svekke eller ødelegge platen.

Støv fra gips og veggplater har en slipende effekt og vil kunne føre til at produktet havarerer dersom støvet trenger inn i motoren. Rengjør verktøyet grundig etter hver gangs bruk med børste eller støvsuger. Påse at urenheter ikke presses inn i ventilasjonsåpningene. Ikke bruk trykkluft for å rengjøre produktet fordi støv og grus kan forårsake alvorlig øyeskade.

SMØRING

Alle lager i dette produktet skal smøres med en tilstrekkelig mengde med et høyverdig smøremiddel for å sikre lang levetid under normale driftsforhold. Det er derfor nødvendig med tilleggs smøring.

MILJØVERN



Resirkuler råmaterialer istedenfor å kaste dem i søppelen. Verktøyet, tilbehørene og emballasjen bør sorteres for miljøvennlig resirkulering.

SYMBOLER PÅ PRODUKTET



Sikkerhetsadvarsel



CE samsvarserklæring



Hastighet ubelastet



Volt



Likestrøm



EurAsian Konformitetstegn



Vennligst les instruksjonene nøyte før du starter maskinen.



Ukrainsk merke for konformitet

001



Trevirke – kappsnitt



Ikke-jernholdige metaller – kappsnitt



Plast – kappsnitt



Avfall fra elektriske produkter skal ikke kastes sammen med husholdningsavfall. Vennligst resirkulervedeksisterende avfallsbehandlingssted. Undersøk hos dine lokale myndigheter eller forhandler for råd om resirkulering.

SYMBOLER I MANUALEN



Nb



Deler eller tilbehør solgt separat



Låse opp



Lås



Hastighet, minimum



Hastighet, maks

Følgende symboler og betydninger forklarer risikonivået som er assosiert med dette produktet.

 **FARE**

Indikerer en umiddelbart farlig situasjon, som, dersom den ikke unngås, kan føre til alvorlig personskade eller død.

 **ADVARSEL**

Indikerer en potensiell farlig situasjon, som, dersom den ikke unngås, kan føre til alvorlig personskade eller død.

 **ADVARSEL**

Indikerer en potensiell farlig situasjon, som, dersom den ikke unngås, kan føre til mindre eller moderate skader.

ADVARSEL

(Uten sikkerhetssymbol) Indikerer en situasjon som kan resultere i skader på eiendom.

При разработке этого мультинструмента особое внимание уделялось безопасности, производительности и надежности.

НАЗНАЧЕНИЕ

Мультинструментом могут пользоваться только компетентные взрослые, которые прочли инструкции по технике безопасности, осознали опасности, связанные с эксплуатацией изделия, и могут считаться ответственными за свои действия.

Данный мультинструмент предназначен для:

- шлифования и полировки металла, древесины, пластмассы и аналогичных материалов, используя шлифовальную насадку с шлифовальными пластинами разной формы, входящими в комплект поставки
- для циклевания и врезного шлифования цветных металлов, древесины, пластика, гипсокартона и т. п., используя металлические режущие лезвия, входящие в комплект поставки
- для вырезания отверстий в стенах под выключатели или розетки
- для удаления затирки из швов между керамическими плитками

Данный мультинструмент предназначен для эксплуатации в сухих, хорошо освещенных и проветриваемых помещениях.

Данный инструмент не предназначен для использования с сырыми материалами и поверхностями.

Используйте устройство строго по назначению, указанному в настоящем руководстве.

⚠ ОСТОРОЖНО

Прочтите все указания, инструкции, иллюстрации и спецификации, поставляемый с этим электроинструментом. Несоблюдение всех инструкций, указанных ниже, может привести к поражению электрическим током, пожару и / или серьезным травмам.

Сохраните все предупреждения и инструкции для дальнейшего использования.

ПРЕДОСТЕРЕЖЕНИЯ ОТНОСИТЕЛЬНО БЕЗОПАСНОГО ПОЛЬЗОВАНИЯ МУЛЬТИИНСТРУМЕНТОМ

- При работе держите инструмент за рукоятки с электроизолирующим покрытием, так как пыльное полотно может наткнуться на скрытую электропроводку. В результате контакта полотна с проводом, находящимся под напряжением, металлические части инструмента также могут оказаться под напряжением, что приведет к поражению работающего электрическим током.
- Всегда носите защитные очки при работе с инструментом. В пыльных условиях носите респиратор.

⚠ ОСТОРОЖНО

Пыль, представляющая собой частицы определенных красок, покрытий и материалов, может вызвать раздражение или аллергические реакции дыхательной системы. Пыль от дуба, бука, МДФ и прочей древесины является канцерогенной. Только квалифицированные специалисты допускаются к использованию изделия для обработки материалов, содержащих асбест.

⚠ ОСТОРОЖНО

Не допускайте подключения инструмента к источнику питания при сборке его деталей, выполнении регулировки, чистки, технического обслуживания или в тех случаях, когда он не используется. Отключение инструмента от источника питания предотвращает его случайный пуск, который может привести к получению тяжелой травмы.

- При выполнении работ на стенах, потолках или полах следите за тем, чтобы не задеть электрические кабели и газовые или водопроводные трубы.

⚠ ОСТОРОЖНО

Металлические насадки нагреваются во время использования и могут вызвать ожоги кожи в случае прикосновения к ним. Выполняйте замену насадок в перчатках.

Осторожно обращайтесь с инструментом между операциями, чтобы избежать повреждения или травмы.

- Не используйте режущие насадки, которые повреждены, треснуты или ненадежно прикрепляются к изделию.
- Перед установкой аккумуляторного блока убедитесь в том, что фиксируемый выключатель находится в положении "Вкл."
- Инструмент при работе создает вибрации, способствующие передвижению принадлежностей. Вибрации могут причинять дискомфорт при работе с инструментом в течение длительного времени. Работайте с частыми перерывами, особенно если чувствуете дискомфорт в области предплечья, запястья или пальцев. Выбирайте скорость, которая позволит эффективно выполнить работу. Прочитайте разделы «Остаточные риски» и «Уменьшение риска» для получения информации о травмах, вызываемых вибрацией.
- Зажимайте обрабатываемое изделие зажимным устройством. Незажатые обрабатываемые изделия могут стать причиной тяжелых травм и повреждений. Не держите шлифуемый материал рукой.
- Не используйте шлифовальную бумагу дольше, чем нужно. Кроме того, шлифовальной бумагой, выступающей за рамки шлифовальной накладки, можно серьезно пораниться.



- Температура окружающей среды для эксплуатации инструмента должна быть в диапазоне от 0°C до 40°C.
- Температура окружающей среды для хранения инструмента должна быть в диапазоне от 0°C до 40°C.
- Рекомендуемая температура окружающей среды для зарядного устройства в процессе зарядки должна быть в диапазоне между 10°C и 38°C.

ТРЕБОВАНИЯ БЕЗОПАСНОСТИ ПРИ ИСПОЛЬЗОВАНИИ ДОПОЛНИТЕЛЬНОЙ АККУМУЛЯТОРНОЙ БАТАРЕИ

⚠ ОСТОРОЖНО

Для предотвращения опасности пожара в результате короткого замыкания, травм и повреждения изделия не опускайте инструмент, сменный аккумулятор или зарядное устройство в жидкости и не допускайте попадания жидкостей внутрь устройств или аккумуляторов. Коррозионные и проводящие жидкости, такие как соленый раствор, определенные химикаты, отбеливающие средства или содержащие их продукты, могут привести к короткому замыканию.

- Температура окружающей среды для эксплуатации аккумулятора должна быть в диапазоне от 0°C до 40°C.
- Температура окружающей среды для хранения аккумулятора должна быть в диапазоне от 0°C до 20°C.

ТРАНСПОРТИРОВКА ЛИТИЕВЫХ БАТАРЕЙ

Транспортируйте аккумуляторную батарею в соответствии с местными и государственными правилами и положениями.

При транспортировке батарей третьей стороной соблюдайте все специальные требования по упаковке и маркировке. Проверьте, чтобы аккумуляторные батареи не вступали в контакт с другими батареями или проводимыми материалами при транспортировке, для этого защитите оголенные разъемы изоляцией, изолирующими колпачками или лентами. Не переносите батареи с повреждениями или утечками. За дальнейшими консультациями обратитесь в транспортно-экспедиционную компанию.

ОСТАТОЧНЫЕ РИСКИ

Даже когда изделие используют согласно инструкциям, невозможно полностью устранить факторы риска. Следующие опасности могут возникнуть во время его использования, и во избежание их рабочий должен обратить особое внимание на следующее:

- Травмы, вызываемые пылью
 - Обязательно носите устройства для защиты глаз.
 - Носите средства защиты органов дыхания, содержащие фильтры, соответствующие

обрабатываемым материалам Обеспечьте надлежащую вентиляцию на рабочем месте.

- Не ешьте, не пейте и не курите в рабочей зоне.
- травмы, вызываемые шумом и вибрацией
 - Применяйте средства защиты органов слуха.
 - Не эксплуатируйте изделие в течение длительного периода времени без перерыва. См. "Снижение Риска".
- Риск поражения электрическим током в случае повреждения электрического кабеля.
 - Держите изделие только за предназначенные для этого ручки. Не касайтесь режущих лезвий или металлических частей изделия.

СНИЖЕНИЕ РИСКА

Сообщалось, что вибрация ручных электроинструментов у отдельных лиц может способствовать состоянию, которое называется синдром Рейно. К симптомам могут относиться покалывание, онемение и побеление пальцев (как при переохлаждении). Считают, что наследственные факторы, охлаждение и влажность, диета, курение и практический опыт способствуют развитию этих симптомов. Ниже приводятся меры, которые может принять оператор для снижения воздействия вибрации:

- Одевайтесь теплее в холодную погоду. При работе с устройством пользуйтесь перчатками, чтобы руки и запястья были в тепле. Считается, что холодная погода является основным фактором, способствующим возникновению болезни Рейно (Raynaud's Syndrome).
- После каждого этапа работы выполните упражнения для усиления кровообращения.
- Чаще делайте перерывы в работе. Сократите длительность ежедневного пребывания на открытом воздухе.

При появлении каких-либо из указанных симптомов сразу же прекратите работу и обратитесь по их поводу к врачу.

⚠ ОСТОРОЖНО

Продолжительное использование инструмента без перерыва может привести к травмам. При использовании инструмента в течение длительного времени делайте регулярные перерывы.

ИЗУЧИТЕ ИЗДЕЛИЕ

Стр 105.

1. Индикатор
2. Зажимной винт полотна
3. Регулировка скорости вращения
4. Тумблер включения/выключения
5. Переключатель блокиратора
6. Рукоять, изолированная захватная поверхность
7. Погружное пыльное полотно
8. Полотно для резки заподлицо
9. Лодышка



10. Наждачная бумага
11. Отсек для хранения адаптера
12. Адаптер */**
13. Шестигранный гаечный ключ
14. Гнездо подключения батареи

*Совместимо с принадлежностями BOSCH. BOSCH является зарегистрированным товарным знаком компании Robert Bosch GmbH.

**Совместимо с принадлежностями DREMEL. DREMEL является зарегистрированным товарным знаком компании Robert Bosch Tool Corporation.

ЭКСПЛУАТАЦИЯ

Данное изделие поставляется с дополнительным адаптером для использования насадок для резки, циклевания и шлифовки других производителей. Адаптер можно перевернуть для использования принадлежностей других марок. Использование адаптера с принадлежностями RYOBI, входящими в комплект вашего инструмента, не допускается.

- Закрепите заготовки зажимом для предотвращения движения во время шлифовки или резки. Никогда не придерживайте заготовку рукой. Самопроизвольное проскальзывание заготовки во время работы изделия может привести к серьезным травмам.
- При врезном шлифовании мягких материалов, таких как древесина и гипсокартон, с помощью режущей насадки постепенно вводите вибрирующее лезвие в заготовку. Не вдавливайте вибрирующее лезвие в обрабатываемый материал. Предоставьте выполнение работы инструменту и уделите все свое внимание обеспечению устойчивости инструмента и расположению детали в необходимом положении.
- Будьте особенно осторожны при резке цветных металлов. Вибрирующее режущее лезвие может соскользнуть, прежде чем начнет резать. Если необходимо, перед началом пиления просверлите несколько отверстий вдоль линии будущего разреза.
- Если режущая насадка застряла в заготовке, выключите изделие и отсоедините его от источника электропитания. Если снять режущую насадку оказывается затруднительно, дайте ей остыть, прежде чем отсоединять от изделия. Работайте в перчатках и используйте ручные инструменты, такие как плоскогубцы и гаечный ключ, чтобы извлечь режущую насадку из заготовки.

МАКСИМАЛЬНАЯ ТОКОВАЯ ЗАЩИТА

При выявлении перенапряжения инструмент автоматически выключается.

В случае остановки изделия отпустите кнопку пуска и нажмите повторно. Изделие должно запуститься вновь.

ТЕХНИЧЕСКОЕ ОБСЛУЖИВАНИЕ

⚠ ОСТОРОЖНО

Прибор ни в коем случае не должен подсоединяться к источнику питания, когда вы разбираете его компоненты, выполняете регулировку, очистку, проводите техническое обслуживание, или когда прибор не используется. Отсоединение прибора позволит защитить инструмент от случайного запуска, чреватого серьезными физическими травмами.

- При выполнении технического обслуживания используйте только оригинальные запчасти от производителя. Использование других запчастей может представлять опасность или повредить изделия.

⚠ ОСТОРОЖНО

Для большей безопасности и надежности все ремонтные работы должны выполняться в авторизованном сервисном центре RYOBI.

ОБЩИЕ УКАЗАНИЯ

Избегайте использования растворителей во время чистки пластмассовых частей. Многие пластмассы чувствительны к воздействию различных бытовых растворителей и в результате их использования могут разрушиться. Для снятия грязи, пыли и пр. пользуйтесь чистой тряпкой.

⚠ ОСТОРОЖНО

Пластмассовые детали нельзя чистить тормозной жидкостью, бензином, нефтепродуктами, едкими маслами и т.д. Эти химикаты содержат вещества, которые могут испортить, ослабить или разрушить пластмассу.

Пыль от гипсокартона и штукатурки является абразивной и может стать причиной преждевременного выхода изделия из строя, она попадет в двигатель. Тщательно очищайте изделие после использования с помощью щетки или пылесоса. Следите за тем, чтобы грязь не попала в вентиляционные отверстия. Не пользуйтесь сжатым воздухом для очистки изделия, так как вылетающие пыль и песчинки могут привести к травме глаз.

СМАЗКА

Все подшипники в изделии смазаны достаточным количеством высокосортной смазки для продолжительной эксплуатации изделия в нормальных рабочих условиях. Поэтому дополнительная смазка не требуется.

EN
FR
DE
ES
IT
NL
PT
DA
SV
FI
NO
RU
PL
CS
HU
RO
LV
LT
ET
HR
SL
SK
BG
UK
TR
EL

ЗАЩИТА ОКРУЖАЮЩЕЙ СРЕДЫ



Утилизируйте как сырье, а не выбрасывайте как мусор. Машина, аксессуары и упаковка должны быть отсортированы.

УСЛОВНЫЕ ОБОЗНАЧЕНИЯ НА ПРОДУКТЕ



Сигнал опасности



Соответствие требованиям CE



Скорость на холостом ходу



Вольт



Постоянный ток



Знак Евразийского Соответствия



Перед использованием прибора внимательно ознакомьтесь с данной инструкцией.



Знак Евразийского Соответствия
Сертификат Соответствия
№ TC RU C-DE.AE11.B.04250
Срок действия Сертификата Соответствия
По 20.09.2020
Некоммерческая организация Учреждение
сертификации и экспертизы «Сертэкс»
109044 РФ, город Москва, 3-й Крутицкий
перулок, дом 11



Дерево - Погружные и потайные разрезы



Цветные металлы - Погружные и потайные разрезы



Пластик - Погружные и потайные разрезы



Отработанная электротехническая продукция должна уничтожаться вместе с бытовыми отходами. Утилизируйте, если имеется специальное техническое оборудование. По вопросам утилизации проконсультируйтесь с местным органом власти или предприятием розничной торговли.

ОБОЗНАЧЕНИЯ В РУКОВОДСТВЕ



Примечание



Детали или принадлежности, приобретаемые отдельно



Расцепить



Зафиксировать



Скорость, минимальная



Скорость, максимальная

Следующие сигнальные слова и значения предназначены, чтобы объяснить уровни риска, связанного с этим изделием.

ОПАСНО

Указывает на потенциально опасную ситуацию, которая, если ее не избежать, приведет к летальному исходу или серьезной травме.

ОСТОРОЖНО

Указывает на потенциально опасную ситуацию, которая, если ее не избежать, может привести к летальному исходу или серьезной травме.

ВНИМАНИЕ

Указывает на потенциально опасную ситуацию, которая, если ее не избежать, может привести к травме легкой или средней тяжести.

ВНИМАНИЕ

(Без Символа Тревоги Безопасности) Указывает ситуацию, которая может кончиться повреждением собственности.

Транспортировка:

Категорически не допускается падение и любые механические воздействия на упаковку при транспортировке.

При разгрузке/погрузке не допускается использование любого вида техники, работающей по принципу зажима упаковки.

Хранение:

Необходимо хранить в сухом месте.

Необходимо хранить вдали от источников повышенных температур и воздействия солнечных лучей.

При хранении необходимо избегать резкого перепада температур.

Хранение без упаковки не допускается.

Срок службы изделия:

Срок службы изделия составляет 5 лет.

Не рекомендуется к эксплуатации по истечении 5 лет хранения с даты изготовления без предварительной проверки.

Дата изготовления (код даты) отштампован на поверхности корпуса изделия.

Пример:

W17 Y2015, где Y2015 - год изготовления

W17 – неделя изготовления

Определить месяц изготовления можно согласно приведенной ниже таблице, на примере 2015 года.

Обратите внимание! Количество недель в месяце различается от года в год.

Месяц	Январь	Февраль	Март	Апрель	Май	Июнь	Июль	Август	Сентябрь	Октябрь	Ноябрь	Декабрь	Год
Неделя	01	05	09	14	18	22	27	31	36	40	44	49	2015
	02	06	10	15	19	23	28	32	37	41	45	50	
	03	07	11	16	20	24	29	33	38	42	46	51	
	04	08	12	17	21	25	30	34	39	43	47	52	
	05	09	13	18	22	26	31	35	40	44	48	53	
			14			27							

W przypadku tego multinarzędzia zwrócono szczególną uwagę na zapewnienie bezpieczeństwa, wysokiej wydajności oraz niezawodności.

PRZEZNACZENIE

To multinarzędzie może być używane wyłącznie przez dorosłe osoby, które przeczytały i zrozumiały instrukcje oraz ostrzeżenia podane w tym podręczniku oraz, które mogą odpowiadać za swoje działania.

To multinarzędzie jest przeznaczone do:

- szlifowania i wykańczania metali, drewna, tworzywa sztucznego lub podobnych materiałów, przy użyciu tarczy szlifierskiej z dostarczonymi przyciętymi na wymiar arkuszami papieru ściernego
- skrobienia i szlifowania wglębnego metali nieżelaznych, drewna, tworzywa sztucznego, tynku itp. przy użyciu dostarczonych metalowych ostrzy tnących
- wycinania otworów w ścianach do montażu włączników lub gniazd elektrycznych
- usuwania zaprawy spomiędzy płytek ceramicznych

Multinarzędzie jest przeznaczone do pracy wewnątrz pomieszczeń, w suchym, dobrze oświetlonym i wentylowanym miejscu.

Produkt nie jest przeznaczony do stosowania na mokrych materiałach i powierzchniach.

Nie należy używać tego produktu niezgodnie z przeznaczeniem.

OSTRZEŻENIE

Prosimy o uważne zapoznanie się z ostrzeżeniami, instrukcjami i specyfikacjami dostarczonymi z tym narzędziem oraz z zawartymi w nich ilustracjami. Nie przestrzeganie przedstawionych niżej zaleceń mogłoby pociągnąć za sobą wypadki takie jak pożary, porażenia prądem elektrycznym i /lub poważne obrażenia ciała.

Zachowaj wszystkie ostrzeżenia i instrukcje do wykorzystania w przyszłości.

OSTRZEŻENIA DOTYCZĄCE MULTINARZĘDZIA ZWIĄZANE Z BEZPIECZEŃSTWEM

- **Urządzenie elektryczne należy trzymać za izolowany uchwyt, gdy zachodzi ryzyko przewiercenia przewodu pod napięciem.** Kontakt z przewodem pod napięciem może spowodować przepływ prądu przez metalowe elementy urządzenia i porażenie operatora.
- Podczas korzystania z narzędzia zawsze należy nosić okulary ochronne. W przypadku pylenia należy nosić maskę przeciwpyłową.

OSTRZEŻENIE

Pył z określonych farb, powłok oraz materiałów może powodować podrażnienie lub reakcje alergiczne układu oddechowego. Pył z drzew takich jak dąb, brzoza, z płyt MDF itp. jest rakotwórczy. W przypadku obróbki materiałów zawierających azbest produkt może być używany wyłącznie przez wykwalifikowanych specjalistów

OSTRZEŻENIE

Produkt nigdy nie może być podłączony do źródła zasilania podczas montażu części, regulacji, czyszczenia, konserwacji lub gdy nie jest używany. Odłączenie produktu od zasilania pozwala zapobiec przypadkowemu uruchomieniu, które mogłoby spowodować obrażenia.

- Przy wykonywaniu prac na ścianach, sufitach lub podłogach należy unikać kontaktu z przewodami elektrycznymi oraz rurami gazowymi i wodnymi.

OSTRZEŻENIE

Metalowe akcesoria mocno nagrzewają się podczas pracy i w przypadku dotknięcia przez operatora mogą spowodować oparzenia. Podczas zmiany akcesoriów należy nosić rękawice.

Należy zachować ostrożność przy odkładaniu narzędzia, aby nie spowodować uszkodzenia lub urazu ciała.

- Nie stosować akcesoriów tnących, które są uszkodzone, pęknięte lub nie pasują do produktu.
- Przed włożeniem akumulatora należy upewnić się, że blokada włącznika nie znajduje się w pozycji włączonej.
- Produkt wytwarza wibracje, które powodują przemieszczanie się akcesorium. Wibracje te mogą powodować dyskomfort, jeśli produkt będzie używany przez dłuższy okres. Należy często odpoczywać, zwłaszcza w przypadku występowania dyskomfortu w ramieniu, nadgarstku lub palcach. Należy wybrać ustawienie prędkości, które zapewni efektywne wykonanie danej pracy. Więcej informacji na temat urazów spowodowanych wibracjami można znaleźć w sekcjach Dodatkowe zagrożenia oraz Ograniczenie zagrożenia.
- Obrabiany element należy zamocować za pomocą zacisku. Niezabezpieczone elementy mogą spowodować poważne obrażenia ciała i uszkodzenia. Nie trzymać szlifowanego materiału rękoma.
- Arkusz okładziny ścierniej nie powinien być za duży. Jeżeli zostawicie okładzinę ścierną o większym wymiarze niż płyta szlifierska, narażacie się na poważne okaleczenie.
- Zakres temperatury otoczenia dla narzędzia podczas eksploatacji to od 0°C do 40°C.
- Zakres temperatury otoczenia dla narzędzia podczas przechowywania to od 0°C do 40°C.
- Zalecany zakres temperatury otoczenia dla układu ładującego podczas ładowania to od 10°C do 38°C.

EN
FR
DE
ES
IT
NL
PT
DA
SV
FI
NO
RU
PL
CS
HU
RO
LV
LT
ET
HR
SL
SK
BG
UK
TR
EL

AKUMULATOR — DODATKOWE OSTRZEŻENIA DOTYCZĄCE BEZPIECZEŃSTWA

⚠ OSTRZEŻENIE

Aby uniknąć niebezpieczeństwa pożaru, obrażeń lub uszkodzeń produktu na skutek zwarcia, nie wolno zanurzać narzędzia, akumulatora wymiennego ani ładowarki w cieczach i należy zatroszczyć się o to, aby do urządzeń i akumulatorów nie dostały się żadne ciecz. Zwarcie spowodować mogą korodujące lub przewodzące ciecz, takie jak woda morska, określone chemikalia i wybielacze lub produkty zawierające wybielacze.

- Zakres temperatury otoczenia dla akumulatora podczas eksploatacji to od 0°C do 40°C.
- Zakres temperatury otoczenia dla akumulatora podczas przechowywania to od 0°C do 20°C.

TRANSPORTOWANIE AKUMULATORÓW LITOWYCH

Akumulatory należy transportować zgodnie z lokalnymi i krajowymi przepisami i regulacjami.

Należy postępować zgodnie z wszystkimi specjalnymi wymaganiami dotyczącymi pakowania i etykietowania akumulatorów podczas transportu przez stronę trzecią. Upewnij się, że żadne akumulatory nie zetkną się z innymi akumulatorami lub materiałami przewodzącymi podczas transportu. W tym celu należy zabezpieczyć odkryte złącza nieprzewodzącymi nakładkami izolacyjnymi lub taśmą izolacyjną. Nie należy transportować pękniętych ani nieszczelnych akumulatorów. Szczegółowe porady można uzyskać w firmie spedycyjnej.

RYZYKO ZWIĄZANE Z UŻYTKOWANIEM

Nawet jeśli produkt jest używany zgodnie z zaleceniami, nadal nie jest możliwe wyeliminowanie określonych czynników ryzyka. Następujące zagrożenia mogą wystąpić podczas używania urządzenia i operator powinien zwracać szczególną uwagę na poniższe punkty:

- Urazy ciała spowodowane pyłem
 - Stosować przez cały czas środki ochrony oczu.
 - Należy nosić maskę ochronną z filtrem odpowiednim do obrabianego materiału. Należy zapewnić odpowiednią wentylację miejsca pracy.
 - Nie jeść, nie pić i nie palić w miejscu pracy.
- Urazy spowodowane hałasem i wibracjami
 - Stosować środki ochrony słuchu.
 - Nie należy używać produktu przez dłuższy czas. Patrz "Ograniczenie Ryzyka".
- Ryzyko śmiertelnego porażenia prądem elektrycznym w przypadku przecięcia kabli elektrycznych
 - Produkt zawsze należy trzymać za odpowiednie uchwyty. Nie dotykać ostrzy tnących ani metalowych części produktu.

OGRANICZENIE RYZYKA

Znane są przypadki wywołania u niektórych osób objawu Raynauda spowodowanego wibracjami ręcznych narzędzi. Typowe objawy to mrowienie, drętwienie i blednięcie palców, widoczne zwykle po wystawieniu na działanie zimna. Uważa się, że czynniki dziedziczne, wystawienie na działanie zimna i wilgoci, dieta, palenie papierosów i przyjęte zwyczaje przyczyniają się do rozwoju tych objawów. Istnieją środki zaradcze, które może podjąć operator narzędzia, aby zmniejszyć efekt wibracji:

- Zadać w niskich temperaturach o ciepłotę własnego ciała, zakładając odpowiednie ubranie. Podczas obsługi urządzenia należy nosić rękawice, aby dłonie i nadgarstki były ciepłe. Wiadomo, że niskie temperatury są główną przyczyną powstawania objawu Raynauda.
- Podczas przerw w pracy należy wykonywać ćwiczenia poprawiające krążenie krwi..
- Podczas pracy robić częste przerwy. Ograniczyć ekspozycję w ciągu dnia.

W razie doświadczenia dowolnego z wymienionych objawów, należy niezwłocznie zaprzestać użytkowania tego urządzenia i skontaktować się z lekarzem.

⚠ OSTRZEŻENIE

Długotrwałe użytkowanie narzędzia może spowodować obrażenia ciała lub nasilić dolegliwości zdrowotne. W przypadku używania narzędzia przed dłuższy czas należy pamiętać o regularnych przerwach.

INFORMACJE O PRODUKCIE

Patrz strona 105.

1. LED
2. Śruba blokująca ostrze
3. Kontrolowanie prędkości
4. Przelącznik W-Wył
5. Przelącznik blokady
6. Uchwyt, izolowana powierzchnia chwytana
7. Ostrze do cięcia wglębnego
8. Tarcza do przycinania występow
9. Płyta szlifierska
10. Papier ścierny
11. Otwór do przechowywania adaptera
12. Adapter */**
13. Klucz do śrub sześciokątnych
14. Gniazdo akumulatora

*Zgodny z akcesoriami BOSCH. BOSCH jest zarejestrowanym znakiem towarowym Robert Bosch GmbH.

**Zgodny z akcesoriami DREMEL. DREMEL jest zarejestrowanym znakiem towarowym Robert Bosch Tool Corporation.

OBSŁUGA

Produkt jest dostarczony z dodatkowym adapterem umożliwiającym używanie akcesoriów do cięcia, skrobienia i szlifowania innych producentów. Adapter może nie nadawać się do stosowania z akcesoriami wybranych

marek. Nie zakładać adaptera w przypadku stosowania akcesoriów dostarczonych z tym narzędziem.

- Zamocować obrabiany element przy użyciu zacisku, aby uniemożliwić jego poruszanie podczas szlifowania lub cięcia. Nie wolno trzymać obrabianego elementu w rękach. Przewadkowe przesunięcie produktu podczas pracy może spowodować poważne obrażenia ciała.
- W przypadku wykonywania cięcia wgłębnego w miękkich materiałach, takich jak drewno i tynku, przy użyciu akcesoriów tnących, należy stopniowo zbliżać wibrujące ostrze do obrabianego elementu. Nie należy dociskać mocno wibrującego ostrza do ciętego materiału. W trakcie pracy nie należy wymuszać ruchu produktu, skupiając się na stabilnym utrzymaniu produktu i akcesorium tnącego w położeniu, w którym ma zostać wykonane cięcie.
- Należy zachować ostrożność podczas cięcia metali nieżelaznych. Wibrujące ostrze tnące może gwałtownie odskoczyć przed rozpoczęciem cięcia. W razie potrzeby nawiercić kilka otworów wzdłuż linii cięcia przed jego rozpoczęciem.
- W przypadku zablokowania się akcesoriów tnących w obrabianym elemencie należy wyłączyć produkt i odłączyć go od źródła zasilania. Jeśli nie można zwolnić ostrza tnącego, należy poczekać aż ostrze ostygnie, a następnie spróbować wyjąć je z produktu. Przy usuwaniu ostrza tnącego z obrabianego elementu należy używać rękawic i ręcznych narzędzi, takich jak kombinerki i klucz.

ZABEZPIECZENIE NADPRĄDOWE

W przypadku wykrycia prądu o zbyt wysokim natężeniu produkt automatycznie się wyłączy.

Jeśli produkt przestanie działać, zwolnić spust, a następnie wcisnąć go ponownie. Produkt powinien ponownie zacząć pracować.

KONSERWACJA

⚠ OSTRZEŻENIE

Produkt nigdy nie może być podłączony do źródła zasilania podczas montażu części, regulacji, czyszczenia, konserwacji lub gdy nie jest używany. Odłączenie produktu zapobiegnie przypadkowemu uruchomieniu, które mogłoby spowodować poważne obrażenia ciała.

- Do serwisowania należy stosować wyłącznie oryginalne części zamienne producenta. Użycie jakiegokolwiek innej części mogłoby spowodować zagrożenie lub też uszkodzić wasze narzędzie.

⚠ OSTRZEŻENIE

Dla większego bezpieczeństwa i lepszej pewności, wszystkie naprawy powinny być wykonywane w Autoryzowanym Punkcie Serwisowym RYOBI.

OGÓLNE

Nie stosować rozpuszczalników do czyszczenia elementów plastikowych. Większość tworzyw sztucznych, mogłyby zostać uszkodzone przez użycie rozpuszczalników dostępnych w sprzedaży. Używajcie czystszej szmatki do mycia zabrudzeń, pyłu, itd.

⚠ OSTRZEŻENIE

Elementy plastikowe nigdy nie powinny być w kontakcie z płynem hamulcowym, benzyną, czy produktami na bazie ropy naftowej, przenikliwymi olejami itd. Substancje te zawierają produkty chemiczne, które mogłyby uszkodzić, osłabić lub zniszczyć plastik.

Pył z tynku oraz płyt ściennych ma właściwości ścierne i może powodować przedwczesną usterkę produktu, jeśli dostanie się do silnika. Po użyciu produkt należy dokładnie wyczyścić przy użyciu szczotki i odkurzacza. Należy zwrócić uwagę, aby zanieczyszczenia nie przedostały się do otworów wentylacyjnych. Nie używać sprężonego powietrza do czyszczenia produktu, ponieważ pył i zanieczyszczenia mechaniczne mogą spowodować poważne urazy oczu.

SMAROWANIE

Wszystkie łożyska produktu są smarowane przy użyciu odpowiedniej ilości wysokiej jakości smaru na cały okres eksploatacji produktu przy uwzględnieniu normalnych warunków roboczych. W wyniku czego, nie zachodzi potrzeba dodatkowego smarowania.

OCHRONA ŚRODOWISKA



Surowce należy oddawać do powtórznego przetworzenia zamiast wyrzucać je na śmieci. Z myślą o ochronie środowiska, narzędzie, akcesoria i opakowania powinny być sortowane.

SYMBOLE PRODUKTU



Uwaga dotycząca bezpieczeństwa



Zgodność CE



Prędkość bez obciążenia



Volt



Prąd stały



Znak zgodności EurAsian



Przed uruchomieniem urządzenia prosimy uważnie przeczytać instrukcję



Ukraiński znak zgodności

001



Drewno — cięcie wgłębne i powierzchniowe



Metal nieżelazny — cięcie wgłębne i powierzchniowe



Tworzywa sztuczne — cięcie wgłębne i powierzchniowe



Zużyte produkty elektryczne nie powinny być utylizowane z odpadami domowymi. Prosimy poddawać recyklingowi w odpowiednich miejscach. Informacje o właściwych metodach recyklingu można uzyskać u władz lokalnych lub sprzedawcy.

SYMBOLE W INSTRUKCJI



Uwaga



Części lub akcesoria sprzedawane oddzielnie



Odkręcenie uchwyty



Blokada



Bieg, minimalne



Bieg, maksymalny

Poniższe symbole i nazwy które im nadano, pozwalają wyjaśnić różne poziomy ryzyka związanego z używaniem tego narzędzia.

NIEBEZPIECZEŃSTWO

Oznacza bezpośrednio niebezpieczną sytuację, która, jeśli nie zostanie uniknięta, spowoduje śmierć lub poważne urazy ciała.

OSTRZEŻENIE

Oznacza potencjalnie niebezpieczną sytuację, która, jeśli nie zostanie uniknięta, może spowodować śmierć lub poważne urazy ciała.

UWAGA

Oznacza potencjalnie niebezpieczną sytuację, która, jeśli nie zostanie uniknięta, może spowodować niewielkie lub umiarkowane urazy ciała.

UWAGA

(Bez symbolu bezpieczeństwa) Wskazuje na sytuację mogącą spowodować straty materialne.

Bezpečnost, výkon a spolehlivost byli hlavní prioritou při návrhu multifunkčního nářadí.

ZAMÝŠLENÉ POUŽITÍ

Toto multifunkčního nářadí je určeno pouze pro používání dospělými osobami, které si přečetly a řádně pochopily pokyny a varování v této příručce a jsou zodpovědné za své konání.

Multifunkční nářadí je určeno k následujícímu použití:

- broušení a konečná úprava kovu, dřeva, plastu nebo podobných materiálů pomocí brusného talíře s dodanými tvarovanými brusnými listy;
- drhnutí a ponornému řezání do nezelezných kovů, dřeva, plastu, sádkartonu atd. pomocí dodaných kovových řezacích nožů;
- řezání otvorů do stěn za účelem zabudování vypínačů nebo zásuvek;
- odstranění malty z prostoru mezi keramickými obklady.

Multifunkční nářadí je určeno pro provoz v interiéru, a to v suchém, dobře osvětleném a dostatečně větraném místě.

Není určeno pro používání na mokřích materiálech a plochách.

Nepoužívejte výrobek jinak než je uvedeno v určeném použití.

VAROVÁNÍ

Přečtěte si pozorně upozornění, pokyny a technické specifikace dodané s nářadím a prohlédněte si ilustrace. Nedodržení uvedených pokynů může způsobit požár, úraz elektrickým proudem a/nebo jiné vážné zranění.

Uschovejte si všechny pokyny a varování pro budoucí nahlédnutí.

BEZPEČNOSTNÍ UPOZORNĚNÍ TÝKAJÍCÍ SE MULTIFUNKČNÍHO NÁŘADÍ

- **Držte elektricky poháněný nástroj za izolované úchopové plochy, když nástroj používáte s vrtacím příslušenstvím, které může přijít do styku se skrytými vodiči.** Kontakt s „živým“ vodičem způsobí, že kovové části elektricky poháněného nástroje se stanou také „živými“ a způsobí elektrický úraz obsluze.
- Při práci s nářadím vždy používejte ochranné brýle. Pokud při práci dochází k tvorbě prachu, používejte masku proti prachu.

VAROVÁNÍ

Prach z určitých barev, laků a materiálů může způsobit podráždění nebo alergické reakce na dýchací ústrojí. Prach ze dřeva, jako je dub, buk, překližka a jiných, je karcinogenní. Při opracování materiálů obsahujících azbest by měli produkt používat pouze kvalifikovaní odborníci.

VAROVÁNÍ

Výrobek nikdy nepřipojujte ke zdroji napájení, když se montují díly, provádí seřizování, čištění, údržba nebo když se nepoužívá. Odpojení nářadí od zdroje energie zabrání nechtěnému spuštění, které by mohlo způsobit vážné poranění.

- Při práci na stěnách, střepech nebo podlahách buďte opatrní a vyhněte se elektrickým kabelům a plynovému nebo vodnímu potrubí.

VAROVÁNÍ

Při práci se kovové příslušenství zahřeje a při kontaktu s ním může dojít k popálení kůže. Při výměně příslušenství si nasadte rukavice.

Buďte opatrní, jestliže mezi jednotlivými operacemi pokládáte nářadí dolů, aby nedošlo k poškození nebo zranění.

- Nepoužívejte řezací příslušenství, které je poškozené, prasklé nebo jej nelze bezpečně do výrobku uchytit.
- Před vložením baterie nesmí být aretační tlačítko v poloze zapnuto.
- Nářadí vytváří chvění, které se přenáší na nástroj. Toto chvění může být při dlouhém používání nářadí nepříjemné. Dělejte časté přestávky, obzvláště při nepříjemných pocitech v paži, zápěstí nebo prstech. Zvolte takové nastavení rychlosti, aby práce byla efektivně dokončena. Více informací o úrazech spojených s vibracemi naleznete v částech Zůstatková rizika a Snížení rizik.
- Upínadlo obrobku s upínacím zařízením. Neupnuté obrobky mohou způsobit vážné zranění nebo škody na majetku. Nedržte materiál, který se brousí rukou.
- Nikdy nepoužívejte příliš velký brusný papír. Pokud brusný papír přesahuje brusný talíř, vystavujete se nebezpečí vážného úrazu.
- Rozsah teplot okolí při používání nástroje je od 0 °C do 40 °C.
- Rozsah teplot okolí při skladování nástroje je od 0 °C do 40 °C.
- Rozsah doporučených teplot okolí při používání systému nabíjení akumulátoru je od 10 °C do 38 °C.

DOPLŇUJÍCÍ BEZPEČNOSTNÍ UPOZORNĚNÍ K BATERII

VAROVÁNÍ

Abyste zabránili nebezpečí požáru způsobeného zkratem, poraněním nebo poškozením výrobku, neponořujte nářadí, výměnnou baterii nebo nabíječku do kapalin a zajistěte, aby do zařízení a akumulátorů nevnikly žádné tekutiny. Korodující nebo vodivé kapaliny, jako je slaná voda, určité chemikálie a bělicí prostředky nebo výrobky, které obsahují bělidlo, mohou způsobit zkrat.

- Rozsah provozních teplot okolí akumulátoru je od 0 °C do 40 °C.
- Rozsah skladovacích teplot okolí akumulátoru je od 0 °C do 20 °C.

TRANSPORT LITHIOVÝCH BATERII

Přenos baterie dle místních a národních opatření a předpisů.

Dodržujte všechny zvláštní požadavky na balení a značení při transportu baterii třetí stranou. Zajistěte, aby žádné baterie nepřišly do kontaktu s jinými bateriemi nebo vodivými materiály při transportu pomocí ochrany nekrytých kontaktů prostřednictvím izolace, nevodivých krytek či lepicích pásek. Nepřepravujte prasklé nebo baterie s unikajícím elektrolytem. Ptejte se u zásilkové společnosti na další radu.

ZBYTKOVÁ RIZIKA

Dokonce, i když se výrobek provozuje jak je předepsáno, je stále nemožné zcela eliminovat veškeré zbytkové rizikové faktory. Následující nebezpečí mohou nastat při používání; vyhýbejte se:

- Zranění způsobené prachem
 - Vždy noste adekvátní ochranu zraku.
 - Noste dýchací masky obsahujících filtry vhodné pro obráběné materiály. Zajistit dostatečné větrání pracoviště.
 - V pracovní oblasti výrobku nejíst, nepít, ani nekouřit.
- zranění způsobená hlukem a vibracemi
 - Noste ochranu sluchu.
 - Neprovozujte produkt příliš dlouhou dobu. Viz "Snižování Rizik".
- Nebezpečí úrazu elektrickým proudem, dojde-li k nařiznutí elektrických kabelů
 - Vždy držte výrobek za určené rukojeti. Nedotýkejte se řezacích nožů ani kovových částí výrobku.

SNÍŽENÍ RIZIKA

Bylo zjištěno, že vibrace z nástrojů mohou u některých osob přispívat ke stavu tzv Raynaud's Syndrome (Raynaudovu syndromu). Mezi jeho příznaky patří brnění, necitlivost a zblednutí prstů, patrné obvykle po pobytu v chladu. Vědci se domnívají, že k rozvinutí těchto příznaků přispívají dědičné

faktory, pobyt v chladu a vlhku, strava, kouření a pracovní návyky. Uživatel může omezit případné působení vibrací použitím vhodných opatření:

- Za chladného počasí se teple oblečte. Při práci s nástrojem si navlékněte rukavice, abyste udrželi ruce a zápěstí v teple. Bylo zjištěno, že chladné počasí je hlavním faktorem přispívajícím k Raynaud's Syndrome (Raynaudovu syndromu).
- Během práce si v pravidelných intervalech zacvičte, abyste zvýšili krevní oběh.
- Zařazujte časté pracovní přestávky. Omezte dobu práce za den.

Jakmile pocítíte některý z výše uvedených příznaků tohoto syndromu, okamžitě přerušete práci a vyhledejte lékaře.

VAROVÁNÍ

Poranění mohou být způsobena, či zhoršena, prodlouženým používáním nástroje. Když používáte jakýkoliv nástroj delší dobu, dělejte pravidelně přestávky.

SEZNAMTE SE S VÝROBKEM

Viz strana 105.

1. LED
2. Pojistný šroub nástroje
3. Kontrola otáček
4. Spínač On/Off (Zapnuto/Vypnuto)
5. Aretované tlačítko zapínání
6. Rukojeť s izolací a protiskluzovým povrchem
7. Ponorný pilový list
8. Segmentový pilový kotouč
9. Brusná plocha
10. Smírkový papír
11. Prostor pro uložení nástavce
12. Adaptér */**
13. Klíč pro šestihránné šrouby a matice
14. Otvor pro baterie

*Kompatibilní s příslušenstvím BOSCH. BOSCH je registrovaná ochranná známka společnosti Robert Bosch GmbH.

**Kompatibilní s příslušenstvím DREMEL. DREMEL je registrovaná ochranná známka společnosti Robert Bosch Tool Corporation.

OBSLUHA

Výrobek je dodáván s dodatečným adaptérem, který umožňuje pro řezání, škrabání a broušení nasadit příslušenství také jiných značek. Nástavec lze otočit a používat s příslušenstvím požadovaných značek. Nástavec nepoužívejte s příslušenstvím RYOBI dodaným s nářadím.

- Zajistěte obrobek svorkou, aby se při broušení nebo řezání nepohyboval. Obrobek nikdy nedržte rukou. Neúmyslné smeknutí při práci s výrobkem může způsobit vážné zranění.
- Při provádění zapichovacího řezu do měkkých materiálů, jako je dřevo a sádrokarton pomocí řezacího

příslušenství, postupně vedte vibrační čepel k obrobku. Netlačte vibrační čepel příliš silně do řezaného materiálu. Nechte nářadí dělat svoji práci a soustředte se na udržování stability nářadí i řezného nástroje v poloze, v které chcete provést řez.

- Při řezání do neželezných kovů dbejte zvýšené opatrnosti. Vibrační řezací čepel může před zahájením řezání přeskočit. V případě potřeby vyvrtejte podél linie řezu před jeho provedením několik otvorů.
- Pokud řezací příslušenství v obrobku uvízne, výrobek vypněte a odpojte od elektrické sítě. V případě, že řezací příslušenství není možné snadno vyjmout, nechte ho před vyjmutím z výrobku dostatečně zchladit. Používejte ochranné rukavice a k vyjmutí řezacího příslušenství z obrobku používejte ruční nářadí, jako jsou kleště a klíč.

NADPROUDOVÁ OCHRANA

Při zjištění nadproudu se nástroj automaticky vypne.

Pokud se chod nástroje zastaví, uvolněte spoušť a znovu ji stiskněte. Chod nástroje by se měl obnovit.

ÚDRŽBA

VAROVÁNÍ

Výrobek nikdy nepřipojujte ke zdroji napájení, když se montují díly, provádí seřizování, čištění, údržba nebo když se nepoužívá. Odpojením produktu předejdete náhodnému spuštění a tím vážnému osobnímu poranění.

- Při údržbě používejte pouze původní náhradní díly výrobce. Použití jakýchkoliv jiných dílů může vytvořit nebezpečí nebo způsobit poškození výrobku.

VAROVÁNÍ

Pro větší bezpečnost a spolehlivost by veškeré opravy měly být prováděny autorizovaným servisním střediskem RYOBI.

OBECNĚ

Vyhnete se používání rozpouštědel, když čistíte plastové díly. Většina ředidel běžně dostupných v obchodní síti se nehodí k čištění plastových částí, neboť narušuje povrch plastů. K odstranění nečistot, prachu apod. použijte čistý hadr.

VAROVÁNÍ

Plastové části nářadí nesmí nikdy přijít do styku s brzdovou kapalinou, benzínem, produkty na bázi ropy, regenerovanými maznými oleji apod. Tyto výrobky obsahují chemikálie, které mohou poškodit, oslabit nebo zničit plastové části, případně snížit jejich životnost.

Prach z omítky a z desek stěn palubě je abrazivní a může způsobit předčasné selhání výrobku nebo se může dostat do prostoru motoru. Po použití výrobek důkladně očistěte kartáčem a vysavačem. Dávejte pozor, aby se nečistoty nedostaly do ventilačních otvorů. Nepoužívejte stlačený

vzduch k čištění produktu, protože prach a drť může způsobit vážné zranění očí.

MAZÁNÍ

Veškerá ložiska nářadí byla výrobcem namazána dostatečným množstvím vysoce účinného maziva, které stačí na celou dobu životnosti produktu při normálních podmínkách používání. Žádné další mazání nářadí není nutné.

OCHRANA ŽIVOTNÍHO PROSTŘEDÍ



V rámci možností neodhazujte vysloužilé nářadí do domovního odpadu a upřednostněte jeho recyklaci. V souladu s předpisy na ochranu životního prostředí odkládejte vysloužilé nářadí, příslušenství i obalový materiál do tříděného odpadu.

SYMBOLY NA VÝROBKU



Bezpečnostní výstraha



Shoda CE



Otáčky naprázdno



Napětí



Stejnoseměrný proud



Euroasijská značka shody



Před spuštěním přístroje si řádně přečtěte pokyny.



Ukrajinská značka shody



Dřevo – ponorné řezy a ořezy



Neželezné kovy – ponorné řezy a ořezy



Plasty – ponorné řezy a ořezy



Odpad elektrických výrobků se nesmí likvidovat v domovním odpadu. Recyklujte prosím na sběrných místech. Ptejte se u místních úřadů nebo prodejce na postup při recyklaci.

SYMBOLY POUŽITÉ V NÁVODU



Poznámka



Díly nebo příslušenství jsou v prodeji samostatně



Odemknuto



Zamknuto



Rychlost, minimum



Rychlost, maximum

Následující signální slova a významy jsou vhodné pro vysvětlení úrovní nebezpečí spojených s tímto výrobkem.

NEBEZPEČÍ

Upozorňuje na bezprostředně nebezpečnou situaci, která vede k usmrcení nebo těžkému zranění.

VAROVÁNÍ

Upozorňuje na možnou nebezpečnou situaci, která by mohla vést ke smrtelnému úrazu nebo k závažnému zranění.

POZOR

Upozorňuje na možnou nebezpečnou situaci, která může vést k menšímu nebo lehkému zranění.

POZOR

(Bez bezpečnostního výstražného symbolu) Určuje situaci, která může mít za následek vážné poškození.



A multiszerszám tervezésekor a biztonság, a teljesítmény és a megbízhatóság voltak a legfontosabb szempontok.

RENDELTETTÉSSZERŰ HASZNÁLAT

Ezt a multiszerszámot csak felnőttek használhatják, akik elolvasták és megértették a kézikönyvben lévő utasításokat és figyelmeztetéseket, és felelősnek lehet őket tekinteni a tetteikért.

A multiszerszám a következőkre használható:

- fém, fa, műanyag és más hasonló anyagok csiszolása és polírozása a mellékelt csiszolóeszközre felhelyezett csiszolólapokkal.
- marás és beszúró vágás színesfém, fa, műanyag, gipszkarton stb. anyagokba a mellékelt fém vágókésekkel
- furatok vágása falakba kapcsolók vagy hálózati aljzatok elhelyezéséhez
- kerámia csempék közötti fuga eltávolítása

A multiszerszám beltérben való használatra alkalmas, száraz, jól megvilágított és megfelelően szellőztetett körülmények között.

A termék nem alkalmas nedves anyagokon és felületeken való használatra.

Ne használja a terméket a rendeltetésétől eltérő célra.

⚠ FIGYELEM

Figyelmesen olvassa el az ehhez a szerszámhoz mellékelt összes figyelmeztetést, utasítást és műszaki adatokat, valamint tanulmányozza az ábrákat is. Az alább részletezett előírások be nem tartása olyan baleseteket okozhat, mint pl. tűz, áramütés és/vagy súlyos testi sérülések.

A jövőbeli felhasználásra őrizze meg az összes figyelmeztetést és útmutatót.

MULTISZERSZÁMRA VONATKOZÓ BIZTONSÁGI FIGYELMEZTETÉSEK

- **A szerszámgépet a szigetelt felületén fogja, ha olyan műveletet végez vele, melynek során rejtett, feszültség alatt lévő vezeték is elvágható.** A feszültség alatt lévő vezetékkel történő érintkezés során a szerszám fém alkatrészei áram alá kerülhetnek, minek következtében a kezelő áramütés érheti.
- Mindig viseljen szemvédőt a szerszám használata során. Por keletkezésekor viseljen pormaszkot.

⚠ FIGYELEM

Bizonyos festékekből, bevonatokból és anyagokból a por irritációt vagy allergiás reakciót válthat ki a légzőrendszerben. A fából, pl. tölgy, bükk, MDF stb. származó por rákkeltő. Csak képzett szakemberek használhatják a terméket azbeszttet tartalmazó anyagokon.

⚠ FIGYELEM

Alkatrészek szerelésekor, beállítások végzésekor, tisztításkor, karbantartás végzésekor, illetve használaton kívül mindig húzza ki a gépet az elektromos hálózatról. Ha a terméket leválasztja az áramellátásról, megakadályozza a véletlen elindítást, ami komoly sérülést okozhat.

- Ha falon, mennyezetben vagy padlón dolgozik, vigyázzon az azokban található elektromos kábelekkal, gáz- és vízcsővekkel.

⚠ FIGYELEM

Fém tartozékok a használat során felforrósodnak, és a kezelővel való érintkezéskor a bőr égését okozhatják. A tartozékok cseréjekor viseljen kesztyűt.

A sérülések vagy károsodások elkerülése érdekében figyeljen oda, amikor leteszi a szerszámot a műveletek között.

- Ne használjon sérült, repedt vagy olyan vágóeszközöket, melyek nem illeszkednek biztonságosan a termékre.
- Mielőtt behelyezi az akkumulátort, biztosítsa, hogy a rögzítőkapcsoló ne legyen „be” helyzetben.
- A termék rezgést hoz létre, ami a kelleket mozgatja. A rezgő mozgás kellemetlen érzést okozhat, ha a terméket hosszú időn át használja. Gyakran tartson pihenőt, különösen, ha a karjában, csuklójában vagy ujjában kellemetlen érzést tapasztal. Válasszon a munka hatékony elvégzéséhez megfelelő fordulatszám-beállítás. Olvassa el a Fennmaradó kockázat és Kockázatcsökkentés részeket a vibrációval kapcsolatos sérülésekre vonatkozó további információikért.
- Szorítsa le a munkadarabot egy szorítóval. A nem rögzített munkadarabok súlyos sérüléseket és károkat okozhatnak. Ne fogja az éppen csiszolt anyagot a kezében.
- Ügyeljen arra, hogy a csiszolópapír mérete ne legyen túl nagy. A túl nagy csiszolópapír balesetet okozhat.
- Az eszköz környezeti hőmérséklet-tartománya a működés során: 0°C - 40°C.
- Az eszköz környezeti hőmérséklet-tartománya a tárolás során: 0°C - 40°C.
- A töltőrendszer ajánlott környezeti hőmérséklet-tartománya töltés során: 10°C - 38°C.





EN
FR
DE
ES
IT
NL
PT
DA
SV
FI
RU
PL
CS
HU
RO
LV
LT
ET
HR
SL
SK
BG
UK
TR
EL

AZ AKKUMULÁTOR KIEGÉSZÍTŐ BIZTONSÁGI FIGYELMEZTETÉSEI

FIGYELEM

A rövidzárlat általi tűz, sérülések vagy termékkárosodások veszélye elkerülésére ne merítse a szerszámot, a cserélhető akkut vagy a töltőkészüléket folyadékokba, és gondoskodjon arról, hogy ne hatoljanak folyadékok a készülékekbe és az akkuba. A korrozív hatású vagy vezetőképes folyadékok, mint pl. a sós víz, bizonyos vegyi anyagok, fehérítők vagy fehérítő tartalmú termékek, rövidzárlatot okozhatnak.

- Az akkumulátor környezeti hőmérséklet-tartománya a használat során: 0°C - 40°C.
- Az akkumulátor környezeti hőmérséklet-tartománya a tárolás során: 0°C - 20°C.

LÍTIUM AKKUMULÁTOROK SZÁLLÍTÁSA

Az akkumulátorokat a helyi és nemzeti előírásokkal és szabályokkal összhangban szállítsa.

Az elemek külső fél általi szállításakor kövesse a csomagolásra és a címkézésre vonatkozó speciális előírásokat. Ügyeljen arra, hogy az akkumulátorok ne érhessenek más akkumulátorokhoz vagy vezető anyagokhoz szállítás közben; ehhez a szabadon maradt csatlakozókat védje szigetelő fedéllel vagy szalaggal. Ne szállítson repedt vagy szivárgó akkumulátorokat. További információért vegye fel a kapcsolatot a továbbítást végző céggel.

VISSZAMARADÓ KOCKÁZATOK

Még a termék rendeltetésszerű használata esetén sem lehet teljesen kiküszöbölni minden kockázati tényezőt. A gép használata során a következő veszélyek merülhetnek fel, és a kezelőnek különösen oda kell figyelnie az alábbiak elkerülésére:

- Por okozta sérülések
 - Mindig viseljen szemvédőt.
 - Viseljen légszűrő maszkot, ami a megmunkálendő anyagoknak megfelelő szűrőket tartalmaz Biztosítson megfelelő szellőztetést.
 - Ne egyen, igyon vagy dohányozzon a munkaterületen.
- a zaj és vibráció sérüléseket okozhat
 - Viseljen fülvédőt.
 - Ne használja hosszabb ideig a terméket. Lásd "Kockázatsökkentés".
- Áramütés veszélye lép fel, ha belevágnak az elektromos vezetékekbe.
 - A terméket mindig az arra szolgáló fogantyúknál tartsa. Ne érintse meg a vágókészeket és a termék fém részeit.

KOCKÁZATCSÖKKENTÉS

Ismert, hogy a kézi szerszámgépek használata során fellépő vibráció bizonyos személyeknél hozzájárulhat az úgynevezett Raynaud-szindróma (Raynaud's Syndrome) nevű állapot kialakulásához. A tünetei lehetnek: az ujjak zsibbadása, elfehéredése, szúrások érzése, amelyek hidegnek kitéve gyakran felerősödnek. Az öröklődő tényezők, a hidegnek kitettség és verejtékezés, a diéta, a dohányzás és munka közben alkalmazott fogások valószínűleg mind hozzájárulhatnak ezen tünetek megjelenéséhez. A vibráció hatásainak csökkentése érdekében a kezelőnek be kell tartani az alábbi óvintézkedéseket:

- Hideg időben tartsa melegen a testét. A gép használatakor viseljen kesztyűt a kéz és a csukló melegen tartásához. Arról számoltak be, hogy a hideg időjárásnak fontos szerepe van a Raynaud-szindróma kialakulásában.
- Bizonyos időtartamú használat után mindig végezzen gyakorlatokat a vérkeringés javításához.
- Gyakran tartson munkaszünetet. Korlátozza a napi munkaidőt.

Ha ezen állapot bármelyik tünetét tapasztalja, azonnal hagyja abba a munkát, és tájékoztassa az orvosát a tünetekről.

FIGYELEM

A gép hosszabb idejű folyamatos használata sérüléseket okozhat vagy súlyosbíthatja a tüneteket. Ha a gépet hosszú időn át kell használnia, tartson gyakran szünetet.

ISMERJE MEG A TERMÉKET

105. oldal.
1. LED
 2. Késrögzőítő csavar
 3. Sebességszabályozás
 4. Be/ki kapcsoló
 5. Rögzítőkapcsoló
 6. Kar, szigetelt fogófelület
 7. Súlyszettelt vágópenge
 8. Aligátorfűrész-lap
 9. Csiszolótalp
 10. Csiszolópapír
 11. Adaptertartó nyílása
 12. Adapter ***
 13. Imbuszkulcs
 14. Akkumulátornyílás

*BOSCH tartozékokkal kompatibilis. A BOSCH a Robert Bosch GmbH regisztrált védjegye.

**DREMEL tartozékokkal kompatibilis. A DREMEL a Robert Bosch Tool Corporation bejegyzett védjegye.

HASZNÁLAT

A termék rendelkezik egy extra adapterrel más márkájú vágó, kaparó és csiszoló kiegészítők használatához. Az adapter a kívánt márkájú tartozékokkal használható. Ne használja az adaptert az eszközhöz biztosított RYOBI tartozékokkal.





- Egy szorítóval rögzítse a munkadarabot, hogy meggátolja a mozgását a csiszolási vagy vágási műveletek közben. Ne tartsa a kezével a munkadarabot. Egy véletlen megcsúszás a termék működtetése közben súlyos személyi sérülést okozhat.
- Amikor puha anyagba, pl. fába vagy gipszkartonba végez beszúró vágást a vágó tartozékkal, fokozatosan vigye közelebb a rezgőkést a munkadarabhoz. Ne nyomja bele erősen a rezgőkést vágandó anyagba. Hagyja, hogy a termék végezze a munkát, Ön pedig a termék és a vágóalkatrész stabil megtartására koncentráljon abban a helyzetben, ahol a vágást szeretné végezni.
- Színesfémek vágásakor különösen figyeljen oda. A rezgőkés a vágás megkezdése előtt kiugorhat oldalra. Ha szükséges, a vágás megkezdése előtt fúrjon néhány lyukat a vágni kívánt vonal mentén.
- Ha a vágóeszközök beragadnak a munkadarabba, kapcsolja ki a terméket, és húzza ki az elektromos hálózatról. Ha a vágóeszköz könnyen nem távolítható el, hagyja megfelelően lehűlni a vágóeszközt annak a termékből való kihúzása előtt. Viseljen kesztyűt, és használjon kéziszerszámokat, pl. fogót és kulcsot, hogy eltávolítsa a vágóeszközt a munkadarabból.

TÚLÁRAMVÉDELLEM

Túláram észlelésekor a termék automatikusan kikapcsol.

Ha a termék leáll, engedje el a kioldóbillentyűt, majd alkalmazza újra. A terméknek ismét működnie kell.

KARBANTARTÁS

⚠ FIGYELEM

Alkatrészek szerelésekor, beállítások végzésekor, tisztításakor, karbantartás végzésekor, illetve használaton kívül mindig húzza ki a gépet az elektromos hálózatról. A termék hálózatról történő leválasztása megakadályozza a véletlen bekapcsolódást, ami súlyos sérülést okozhat.

- Szervizeléskor csak eredeti, a gyártó által biztosított cserealkatrészeket használjon. Bármilyen más alkatrész használata veszélyes és a termék károsodását okozhatja.

⚠ FIGYELEM

A nagyobb biztonság és megbízhatóság érdekében minden javítást hivatalos RYOBI szervizközpontban kell elvégeztetni.

ÁLTALÁNOS

A műanyag részek tisztításakor tartózkodjon a tisztítószeresek használatától. A kereskedelmi forgalomban kapható oldószerek rongáló hatással vannak a műanyagból készült elemek többségére. A por és egyéb szennyeződések stb. tisztítására használjon egy tiszta ruhadarabot.

⚠ FIGYELEM

A műanyag részek semmilyen körülmények között nem érintkezhetnek fékolajjal, benzinnel, petróleum alapú termékekkel, beszívódó olajokkal, stb. Ezen anyagok olyan vegyületeket tartalmaznak, amelyek károsíthatják, meggyengíthetik vagy tönkretelthetik a műanyagot.

A gipszkartonból és farostlemezből származó por csiszoló hatású és a termék idő előtti meghibásodását okozhatja, ha bejut a motorterületre. Használat után egy kefével és porszívóval alaposan tisztítsa meg a terméket. Ügyeljen rá, hogy ne nyomja be a koszt a szellőzőnyílásokba. Ne használjon sűrített levegőt a termék tisztításához, mert a por és a szemcsék súlyos szemsérülést okozhatnak.

KENÉS

A termékben lévő összes csapágy a termék teljes élettartamára elegendő kenőanyaggal van feltöltve, normál körülmények közötti használat esetén. Ebből kifolyólag nincs szükség arra, hogy a gép belső részeit kenje.

KÖRNYEZETVÉDELLEM



Segítse elő az alpanyagok újrahasznosítását azzal, hogy nem helyezi el őket a háztartási szemétkben. Környezetvédelmi megfontolásból az elhasználdott gépet és tartozékokat, valamint a csomagolóanyagokat szelektív módon kell gyűjteni.

SZIMBÓLUMOK A TERMÉKEN



Biztonsági figyelmeztetés



CE megfelelőség



Üresjáratú fordulatszám



Volt



Egyenáram



Eurázsiai megfelelőségi jelzés



A gép bekapcsolása előtt figyelmesen olvassa el az útmutatót.



Ukrainai megfelelőségi nyilatkozat



Fa - süllyesztett és telehézagvágás



Színesfém - süllyesztett és telehézagvágás



Műanyag - süllyesztett és telehézagvágás





A kiselejtezett elektromos termékeket nem szabad a háztartási hulladékkal együtt kidobni. Ezeket újra kell hasznosítani, ha van rá lehetőség. Az újrahasznosítással kapcsolatban érdeklődjön a helyi önkormányzatnál vagy a termék forgalmazójánál.

A KÉZIKÖNYVBEN HASZNÁLT SZIMBÓLUMOK



Megjegyzés



Külön értékesített alkatrészek és kiegészítők



Szétnyitás



Retesz



Fordulatszám, minimális



Fordulatszám, maximális

A következő jelölőszavak és jelentések arra szolgálnak, hogy megmagyarázzák a termékkel kapcsolatos veszélyességi szinteket.

VESZÉLY

Egy bekövetkező veszélyes helyzetet jelez, ami, ha nem előzik meg, halált vagy komoly sérülést eredményez.

FIGYELEM

Egy potenciálisan bekövetkező veszélyes helyzetet jelez, ami, ha nem előzik meg, halált vagy súlyos sérülést eredményezhet.

VIGYÁZAT

Egy potenciálisan veszélyes helyzetet jelez, ami, ha nem előzik meg, kisebb vagy mérsékelt súlyos sérülést eredményezhet.

VIGYÁZAT

(Biztonsági figyelmeztető szimbólum nélkül) Egy olyan helyzetet jelez, ami anyagi kárt eredményezhet.



Au fost acordate priorități maxime asupra siguranței, performanței și fiabilității în proiectarea sculei dvs. multifuncționale.

DOMENIU DE APLICAȚII

Această sculă multifuncțională este destinată a fi folosită doar de adulții care au citit și înțeles instrucțiunile și avertizările din acest manual și pot fi considerați responsabili pentru acțiunile lor.

Această sculă multifuncțională este destinată a fi folosită:

- pentru șlefuirea și finisarea metalului, lemnului, plasticului sau materialelor similare folosind talpa de șlefuire împreună cu șmirghelul la formă furnizat.
- pentru răzuire sau tăieri tip decupare în materiale neferoase, lemn, plastic, ghips carton etc, folosind lamele metalice de tăiere furnizate.
- pentru a tăia găuri în pereți pentru a putea potrivi întrerupătoare sau prize electrice.
- pentru a îndepărta mortarul dintre plăcile de gresie

Această sculă multifuncțională este destinată a fi operată doar în interior în condiții uscate, bine iluminate și corespunzător aerisite.

Produsul nu este proiectat a fi folosit pe materiale și suprafețe umede.

Nu folosiți produsul în niciun alt fel decât cel menționat pentru folosirea lui destinată.

⚠️ AVERTISMENT

Citiți, cu atenție, toate avertismentele, instrucțiunile și specificațiile furnizate împreună cu aparatul, și consultați ilustrațiile. Nerespectarea instrucțiunilor prezentate în continuare poate provoca accidente cum ar fi incendii, electrocutare și/sau vătămări corporale grave.

Salvați toate avertizările și instrucțiunile pentru o consultare ulterioară.

AVERTIZĂRI DE SIGURANȚĂ A SCULEI MULTIFUNCȚIONALE

- **În cazul în care efectuați operații în locuri în care accesoriul de tăiere poate intra în contact cu cabluri ascunse, țineți unealta electrică de suprafețele de prindere izolate.** Accesoriul de tăiere ce intră în contact cu un cablu sub curent ar putea alimenta electric părțile metalice expuse ale unelei electrice și ar putea expune operatorul la un șoc electric.
- Purtați întotdeauna ochelari de protecție în timpul operării aparatului. Purtați o mască împotriva prafului atunci când este produs praf.

⚠️ AVERTISMENT

Praful de la anumite vopsele, tencuieli și materiale pot cauza iritații sau reacții alergice ale sistemului respirator. Praful de la lemn precum stejarul, fagul, PAL-ul și altele sunt cancerigene. Doar specialiștilor calificați le este permis să folosească produsul pe materiale conținând azbest.

⚠️ AVERTISMENT

Acest produs nu trebuie conectat niciodată la o sursă de curent atunci când asamblați părțile, faceți reglaje, curățați, efectuați întreținerea, sau când produsul nu este în folosință. Deconectarea produsului de la alimentare va preveni pornirea accidentală, care poate provoca răni grave.

- Atunci când lucrați la pereți, tavane sau podele, fiți atent pentru a evita cablurile electrice și țevile de gaz sau apă.

⚠️ AVERTISMENT

Accesoriile metalice vor deveni fierbinți în timpul folosirii și pot cauza arsuri de piele dacă vin în contact cu operatorul. Purtați mănuși când schimbați accesoriile.

Fiți atent când puneți jos aparatul între operațiuni pentru a preveni deteriorarea sau rănirea.

- Nu folosiți accesoriile de tăiere care prezintă urme de deteriorare, sunt crăpate sau nu se potrivesc fix produsului.
- Asigurați-vă că butonul de blocare nu este pe poziția on înainte de inserarea acumulatorilor.
- Produsul creează vibrații care mișcă accesoriul de tăiere. Dacă produsul este utilizat pentru perioade lungi de timp, aceste vibrații pot cauza disconfort. Luați pauze des, mai ales dacă apare disconfort la nivelul brațului, încheieturii sau al degetelor. Alegeți o setare a vitezei care va face lucrul complet eficient. Citiți secțiunile Riscuri reziduale și Reducerea riscurilor pentru mai multe informații privind vătămrile legate de vibrații.
- Prindeți piesa de lucru cu un dispozitiv de prindere. Piesele de lucru nefixate cu clemă pot cauza vătămare gravă și pagube. Nu țineți cu mâna materialul care îl șlefuiți.
- Foaia de hârtie abrazivă nu trebuie să fie prea mare. Dacă lăsați hârtia abrazivă să depășească talpa, vă expuneți riscului de răniri grave.
- Temperatura ambientală în timpul funcționării unelei trebuie să fie cuprinsă între 0°C și 40°C.
- Temperatura ambientală în timpul depozitării unelei trebuie să fie cuprinsă între 0°C și 40°C.
- Temperatura ambientală în timpul încărcării unelei trebuie să fie cuprinsă între 10°C și 38°C.



AVERTISMENTE SUPPLEMENTARE PRIVIND SIGURANȚA LA UTILIZAREA BATERIILOR

⚠️ AVERTISMENT

Pentru a reduce pericolul unui incendiu și evitarea rănilor sau deteriorarea produsului în urma unui scurtcircuit nu imersați scula, acumulatorul de schimb sau încărcătorul în lichide și asigurați-vă să nu pătrundă lichide în aparate și acumulatori. Lichidele corosive sau cu conductibilitate, precum apa sărată, anumite substanțe chimice și înălbitori sau produse ce conțin înălbitori, pot provoca un scurtcircuit.

- Temperatura ambientală în timpul utilizării bateriei trebuie să fie cuprinsă între 0°C și 40°C.
- Temperatura ambientală în timpul depozitării bateriei trebuie să fie cuprinsă între 0°C și 20°C.

TRANSPORTAREA ACUMULATORILOR PE LITIU

Transportați bateria în conformitate cu prevederile și reglementările locale și naționale.

Urmați toate cerințele speciale de pe ambalaj și etichete atunci când transportați acumulatorii la o parte terță. Asigurați-vă că în timpul transportului nicio baterie nu vine în contact cu alte baterii sau materiale conducătoare de electricitate prin protejarea bornelor expuse cu bandă sau capace izolatoare non conducătoare de electricitate. Nu transportați acumulatorii ce sunt crăpați sau au scurgeri. Verificați cu compania de transport pentru sfaturi ulterioare.

RISCURI REZIDUALE

Chiar dacă produsul este folosit așa cum este descris, este totuși imposibil să se elimine complet anumiți factori de risc reziduali. Următoarele pericole ar putea apărea în timpul folosirii iar operatorul trebuie să acorde o atenție specială pentru a evita următoarele:

- Vătămare cauzată de praf.
 - Purtați întotdeauna protecție pentru ochi.
 - Purtați mască de protecție a respirației conținând filtre corespunzătoare cu materialele ce vin prelucrate. Asigurați aerisire adecvată la locul de muncă.
 - Nu mâncați, beți sau fumați în zona de lucru.
- vătămare cauzată de zgomot și vibrații.
 - Purtați echipamente de protecție a auzului.
 - Nu operați produsul pentru perioade lungi de timp. Vezi "Reducerea Riscului"
- Risc de electrocutare în cazul în care cablurile electrice sunt tăiate.
 - Țineți produsul întotdeauna de mânerele destinate. Nu atingeți lamele de tăiere sau părțile de metal ale produsului.

REDUCEREA RISCULUI

S-a reținut că virabțiile de la sculele de mână pot contribui la starea numită Sindromul lui Raynaud, la anumite

persoane. Simptomele pot include furnicăături, amorțeală și albirea degetelor, care apare, de obicei, după expunerea la frig. Factori ereditari, expunerea la frig și umiditate, dieta, fumatul și practicile de muncă contribuie la dezvoltarea acestor simptome. Există măsurător care pot fi efectuate de către operator pentru a reduce efectele de vibrațiilor:

- Păstrați-vă temperatura corporală ridicată pe vreme rece. Când operați unitatea purtați mănuși pentru a vă menține mâinile și încheieturile la căldură. S-a constatat că vremea rece este un factor major care contribuie la sindromul Raynaud.
- După fiecare perioadă de operare, trebuie făcute exerciții pentru a crește circulația sângelui.
- Trebuie făcute pauze la intervale de timp regulate. Limitați expunerea zilnică.

Dacă sunt experimentate oricare dintre simptomele acestei afecțiuni, trebuie întreruptă utilizarea și consultat un medic.

⚠️ AVERTISMENT

Poti fi cauzate, sau agravate vătămări prin folosirea prelungită a sculei. Atunci când folosiți o sculă pentru perioade prelungite, asigurați-vă că luați pauze regulate.

CUNOAȘTEȚI-VĂ PRODUSUL.

Salt la pagina nr. 105.

1. LED
2. Șurub de blocare lamă
3. Controlul vitezei
4. Întrerupător pornire/oprire
5. Comutator cu blocare
6. Mâner, suprafață de contact izolată
7. Lamă tăietoare
8. Lamă pentru tăiere prin vibrații
9. Talpă
10. Șmirghel
11. Fantă pentru depozitare adaptor
12. Adaptor */**
13. Cheie hexagonală
14. Port acumulator

*Compatível com acessórios BOSCH. BOSCH é uma marca registada da Robert Bosch GmbH.

**Compatível com acessórios DREMEL. DREMEL este o marcă comercială înregistrată a Robert Bosch Tool Corporation.

OPERAREA

Acest produs este furnizat cu un adaptor suplimentar pentru folosirea cu alte mărci de accesorii de tăiere, răzuire și șlefuire. Adaptorul poate fi livrat pentru utilizarea cu accesorii de la o altă marcă comercială dorită. Nu utilizați adaptorul cu accesorii RYOBI furnizate împreună cu unealta dumneavoastră.

- Fixați piesa de lucru cu o clemă pentru a preveni mișcarea ei în timpul operațiilor de șlefuire sau tăiere. Niciodată nu țineți cu mâna o piesă de lucru. O alunecare neintenționată în timpul operării produsului poate cauza vătămare personală gravă.



- Atunci când efectuați o tăiere tip decupare în materiale moi precum lemnul sau ghips-cartonul folosind accesorii de tăiere, aduceți gradual lama vibratoare la piesa de lucru. Nu împingeți puternic lama vibratoare în materialul ce va fi tăiat. Lăsați produsul să avanseze singur și concentrați-vă pe menținerea stabilă a acestuia și a accesoriului pentru tăiere pe linia de tăiere dorită.
- Acordați atenție suplimentară când tăiați în materiale neferoase. Lama de tăiere cu vibrație poate să alunece împrejur înainte de a începe să tăiați. Dacă este necesar, dați câteva găuri de-a lungul liniei de tăiere înainte de a începe operația de tăiere.
- Dacă accesoriile de tăiere se blochează în piesa de lucru, opriți produsul și deconectați-l de la priză. Dacă accesoriul de tăiere nu poate fi ușor îndepărtat, lăsați accesoriile de tăiere să se răcească înainte de a elibera accesoriul de tăiere din produs. Purtați mănuși și folosiți scule precum clești și chei reglabile pentru a îndepărta accesoriul de tăiere din piesa de lucru.

PROTECȚIE ÎN CAZ DE SUPRACURRENT

Aparatul se oprește automat în caz de supracurent.

În cazul în care produsul se oprește din funcționare, eliberați maneta și apoi apăsați din nou. Aparatul va reintra în funcțiune.

ÎNȚREȚINEREA

⚠ AVERTISMENT

Produsul nu trebuie conectat niciodată la priză atunci când asamblați părțile, faceți reglaje, curățați sau faceți întreținerea, sau atunci când părodsul nu este folosit. Deconectarea produsului va preveni pornirea accidentală ce poate cauza vătămare gravă.

- La efectuarea service-ului folosiți doar piese de schimb originale ale producătorului. Utilizarea altor piese poate crea situații periculoase sau poate conduce la deteriorarea produsului.

⚠ AVERTISMENT

Pentru o siguranță și fiabilitate sporită, toate reparațiile trebuie să fie efectuate la un centru service RYOBI autorizat.

GENERALITĂȚI

Evitați utilizarea solvenților atunci când curățați piesele din plastic. Majoritatea materialelor plastice pot să fie deteriorate prin utilizarea unor solvenți vânduți în comerț. Utilizați o cârpă curată pentru a curăța murdăriile, praful etc.

⚠ AVERTISMENT

Elementele din plastic nu trebuie să intre niciodată în contact cu lichid de frână, benzină, produse petroliere, uleiuri minerale etc. Aceste produse chimice conțin substanțe care pot afecta, slăbi sau distruge plasticul.

Praful de la ghips-carton și tencuială este abrazivă și poate cauza defectarea prematură a produsului dacă este premis să intre în zona motorului. Curățați complet produsul după folosire folosind o perie și aspiratorul. Fiți atent să nu împingeți mizeria în deschizăturile de ventilație. Nu folosiți aer comprimat pentru a curăța produsul întrucât praful și nisipul pot cauza vătămare serioasă a ochilor.

LUBRIFIEREA

Toți rulmenții din interiorul produsului sunt lubrifiați cu o cantitate suficientă de lubrifianț de calitate înaltă pentru durata produsului în condiții normale de folosire. În consecință, nici o ungere suplimentară nu este necesară.

PROTECȚIA MEDIULUI ÎNCONJURĂTOR



Reciclați materiile prime în loc să le aruncați la gunoi, împreună cu deșeurile menajere. Pentru a proteja mediul înconjurător, mașina, accesoriile acesteia și ambalajele trebuie triate.

SIMBOLURILE DE PE PRODUS.



Alertă de siguranță



Conformitate CE



Viteză în gol



Volți



Curent continuu



Marcaj de conformitate EurAsian



Vă rugăm citiți instrucțiunile cu atenție înainte de pornirea aparatului.



Semn de conformitate ucrainean

001



Lemn - Tăieturi în adâncime și decupări



Metale neferoase - Tăieturi în adâncime și decupări



Materiale plastice - Tăieturi în adâncime și decupări



Deșeurile produselor electrice nu trebuie să fie înlăturate împreună cu deșeurile casnice. Vă rugăm reciclați acolo unde există facilități. Verificați la autoritatea dvs locală sau la vânzător pentru sfaturi privind reciclarea.



SIMBOLURILE DIN MANUAL



Notă



Piese sau accesorii vândute separat



Deblocare



Piedică



Viteză, minim



Viteză, maxim

Rmătoarele cuvinte simbol și înțelesul lor au intenția de a explica nivelele de risc asociate cu acest produs.

PERICOL

Indică o situație imediată de pericol, care dacă nu este evitată va rezulta în deces sau rănire gravă.

AVERTISMENT

Indică o situație potențială de pericol, care dacă nu este evitată poate rezulta în deces sau rănire gravă.

PRECAUȚIE

Indică o situație potențial periculoasă, care dacă nu este eviată, poate rezulta în vătămare minoră sau moderată.

PRECAUȚIE

(Fără simbol de alertă de siguranță) Indică o situație ce poate rezulta în distrugerea proprietății.

Drošība, sniegums un uzticamība ir augstākā prioritāte daudzfunkcionālā instrumenta izstrādē.

PAREDZĒTĀ LIETOŠANA

Šo daudzfunkcionālo instrumentu drīkst lietot tikai pieaugušie, kuri ir izlasījuši un sapratuši šīs rokasgrāmatas norādījumus un brīdinājumus un kuri spēj atbildēt par savu rīcību.

Daudzfunkcionālā instrumenta funkcijas:

- metāla, koka, plastmasas un līdzīgu materiālu slīpēšana un apstrāde, izmantojot slīpēšanas pamatni ar iekļautajām attiecīgās formas abrazīvajām loksņēm
- skrāpēšana un iegremdējamā griešana krāsainajā metālā, kokā, plastmasā, ģipskartona plāksnēs u. tml., izmantojot iekļautos metāliskos griezējasmeņus
- caurumu griešana sienās slēdžu un kontaktligzdu ievietošanai
- šuvju izņemšana starp keramikajām flīzēm

Daudzfunkcionālo instrumentu paredzēts lietot iekštelpās sausos, labi izgaismotos un attiecīgi ventilētos apstākļos.

Izstrādājumu nav paredzēts lietot uz slapjiem materiāliem un virsmām.

Neizmantojiet ierīci citiem mērķiem, bet tikai tam paredzētajiem.

⚠ BRĪDINĀJUMS

Izlasiet visus drošības brīdinājumus, instrukcijas, specifikācijas un apskatiet attēlus šī elektroinstrumenta dokumentācijā. Visu uzskaitīto instrukciju neievērošana ir bīstama; tā var izraisīt elektrisko triecienu, aizdegšanos un/vai nopietnas traumas.

Visus brīdinājumus un norādījumus saglabājiet turpmākām uzziņām.

DAUDZFUNKCIONĀLĀ INSTRUMENTA DROŠĪBAS

- **Darbos, kuros instruments var saskarties ar slēptiem vadiem, turiet instrumentu aiz izolētajām satveršanas virsmām.** Griezējinstrumenta saskare ar strāvu vadošajām vietām var padarīt arī atklātās metāla daļas vadošas un radīs operatoram elektrisko triecienu.
- Lietojot instrumentu, vienmēr valkājiet aizsargbrilles. Rodoties putekļiem, valkājiet putekļu masku.

⚠ BRĪDINĀJUMS

Putekļi no dažādām krāsām, klājumiem un materiāliem var izraisīt kairinājumu vai alerģijas reakcijas elpošanas sistēmai. Putekļi no tādiem kokiem, kā ozols, dižskābardis, šķiedrkartons un citiem ir kancerogēni. Izmantošanu ar azbestu saturošiem materiāliem drīkst veikt tikai kvalificētu speciālisti.

⚠ BRĪDINĀJUMS

Instrumenti nekādā gadījumā nedrīkst būt pievienoti elektrības padevei, montējot detaļas, veicot regulējumus, tīrot, veicot apkopi vai nelietojot instrumentu. Elektrības vada atvienošana no sprieguma padeves novēršis nejaušu ieslēgšanu, kas var izraisīt smagus ievainojumus.

- Veicot darbus sienās, griestos vai grīdā, uzmanieties, lai nenonāktu saskarē ar elektrības kabeļiem un gāzes vai ūdens caurulēm.

⚠ BRĪDINĀJUMS

Metāliskie piederumi lietošanas laikā sakarst un pieskaroties var izraisīt ādas apdegumus. Mainot piederumus, valkājiet cimdus.

Starp darbībām iestatot instrumentu, rīkojieties uzmanīgi, lai nepieļautu bojājumus vai traumas.

- Neizmantojiet griešanas piederumus, kas ir bojāti, ieplaisājuši vai nav droši uzstādāmi instrumentam.
- Nodrošiniet, ieslēgšanas slēdža fiksācija nav bloķēta, pirms ievietot akumulatora bloku.
- Izstrādājums rada vibrācijas, kas kustina uzliku. Vibrācijas var radīt diskomfortu, ja izstrādājums tiek lietots ilgstošu laika posmu. Veiciet biežus pārtraukumus, it īpaši, ja jūtat rokas, plaukostas vai pirkstu diskomfortu. Izvēlieties ātruma iestatījumu, kas ļaus darbu veikt efektīvi. Izlasiet sadaļas "Atlikušie riski" un "Risku samazināšana", lai iegūtu vairāk informācijas par ar vibrāciju saistītām traumām.
- Nostipriniet apstrādājamo objektu ar nostiprinājuma skavu. Neiespīlētas sagataves var izraisīt nopietnas traumas un bojājumus. Neturiet slīpējamo materiālu ar roku.
- Neizmantojiet smilšpapīru, kas ir lielāks kā nepieciešams. Ja papīrs ir lielāks par slīpēšanas uzliktni, tas var izraisīt nopietnus plūsumus.
- Apkārtējās vides temperatūras diapazons instrumentam lietošanas laikā ir starp 0°C un 40°C.
- Apkārtējās vides temperatūras diapazons instrumenta uzglabāšanai ir starp 0°C un 40°C.
- Ieteicamais apkārtējās vides temperatūras diapazons lādēšanas sistēmai uzlādes laikā ir starp 10°C un 38°C.

EN
FR
DE
ES
IT
NL
PT
DA
SV
FI
NO
RU
PL
CS
HU
RO
LV
LT
ET
HR
SL
SK
BG
UK
TR
EL

PAPILDU AKUMULATORU BLOKA DROŠĪBAS BRĪDINĀJUMI

⚠ BRĪDINĀJUMS

Lai novērstu īssavienojuma izraisītu aizdegšanās, savainojumu vai produkta bojājuma risku, neiegremdējiet instrumentu, maināmo akumulatoru vai uzlādes ierīci šķidrums un rūpējieties par to, lai ierīcēs un akumulatoros neiekļūtu šķidrums. Koroziju izraisoši vai vadītspējīgi šķidrumi, piemēram, sālsūdens, noteiktas ķīmikālijas, balinātāji vai produkti, kas satur balinātājus, var izraisīt īssavienojumu.

- Apkārtējās vides temperatūras diapazons akumulatoram lietošanas laikā ir starp 0°C un 40°C.
- Apkārtējās vides temperatūras diapazons akumulatora uzglabāšanai ir starp 0°C un 20°C.

LITIJA AKUMULATORU PĀRVADĀŠANA

Pārvadājiet akumulatoru saskaņā ar vietējiem un valsts nosacījumiem un noteikumiem.

Ja akumulatoru pārvadāšanu veic trešā puse, ievērojiet visas īpašās prasības par iepakojšanu un marķēšanu. Transportējot nodrošiniet, lai akumulatori nesaskaras ar citiem akumulatoriem vai vadošiem materiāliem, atsegtos savienotājus aizsargājot ar izolējošiem, nevadošiem vāciņiem vai lenti. Nepārvietojiet akumulatorus, kas ir iekļūti vai ar noplūdi. Konsultējieties ar pārsūtīšanas uzņēmumu.

PALIEKOŠIE RISKI

Pat tad, ja ierīce tiek lietota, kā aprakstīts, joprojām nav iespējams pilnībā novērst atsevišķus riska faktorus. Lietošanas laikā var rasties šādas briesmas un strādniekam īpaša uzmanība jāpievērš šim:

- Putekļu izraisītas traumas
 - Vienmēr nēsājiet acu aizsardzību.
 - Valkājiet elpošanas aizsargmaskas, kurām ir apstrādājamiem materiāliem atbilstoši filtri. Darba vietā nodrošiniet atbilstošu ventilāciju.
 - Darba vietā neēdiet, nederiet un nesmēķējiet.
- trokšņa un vibrācijas radīti savainojumi
 - Lietojiet dzirdes aizsargus.
 - Nedarbiniet precīz ilgstoši. Skatīt "Risku Samazināšana".
- Elektrotraumu risks, iegriežot elektrības kabeļos
 - Vienmēr turiet ierīci aiz tam paredzētajiem rokturiem. Nepieskarieties ierīces griešanas asmeņiem un metāla daļām.

RISKA SAMAZINĀŠANA

Ir ziņots, ka rokās turamu preču vibrācijas dažām personām var veicināt „Reino sindromu”. Simptomi var ietvert pirkstu tīkšķēšanu, nejutīgumu un nobālēšanu, parasti aukstā laikā. Tiek uzskatīts, ka tradicionālie faktori, aukstums un mitrums, uzturs, smēķēšana un darba prakse sekmē šo

simptomu attīstību. Operators var veikt pasākumus, lai iespējami samazinātu vibrācijas efektu:

- Aukstā laikā ķermenim jābūt siltam. Darbinot ierīci, nēsājiet cimdus, lai rokas un plaukstas locītavas būtu siltas. Ir pētījumi, ka auksts laiks ir galvenais faktors, kas veicina Reino sindromu.
- Ik pēc laika apturiet darbu un veiciet vingrinājumus, kas uzlabo asins cirkulāciju.
- Strādājot jābūt biežiem pārtraukumiem. Ierobežojiet iedarbības ilgumu dienā.

Ja jūs izjūtat kādu no šiem simptomiem, nekavējoties apturiet ierīces lietošanu un sazinieties ar ārstu par šiem simptomiem.

⚠ BRĪDINĀJUMS

Ilgstoša instrumenta lietošana var izraisīt traumas vai pasliktināt veselības stāvokli. Ilgstoši lietojot jebkuru instrumentu, pārlicinieties, ka tiek veikti regulāri pārtraukumi.

IERĪCES IEPAZĪŠANA

Skatīt 105. lpp.

1. LED indikators
2. Asmens fiksācijas skrūve
3. Ātruma regulators
4. Ieslēgšanas/izslēgšanas slēdzis
5. Slēdža fiksators
6. Rokturis, izolēta satvēriena virsma
7. Asmens griešanai ar iegremdēšanu
8. Iegremdējamā griezienu asmens
9. Slīpēšanas pamatne
10. Smilšpapīrs
11. Adaptera glabāšanas rieva
12. Adapteris */**
13. Sešstūrveida uzgriežņu atslēga
14. Akumulatora savienojuma ligzda

*Savietojams ar BOSCH aksesuāriem. BOSCH Robert Bosch GmbH reģistrēta preču zīme.

**Savietojams ar DREMEL aksesuāriem. DREMEL ir Robert Bosch Tool Corporation reģistrēta preču zīme.

EKSPLUATĀCIJA

Ierīces komplektācijā ietilpst papildu adapters, kas paredzēts lietošanai ar citu zīmolu griešanas, skrāpēšanas un slīpēšanas piederumiem. Adapteri var apgriezt otrādāk, lai izmantotu ar nepieciešamajiem aksesuāru zīmolēm. Neizmantojiet adapteri ar RYOBI aksesuāriem, kas tiek piegādāti kopā ar jūsu instrumentu.

- Nostipriniet apstrādājamo materiālu ar skavu, lai nepieļautu izkustēšanas slīpēšanas vai griešanas laikā. Nekad neturiet sagatavi ar rokām. Nejausa paslīdēšana ierīces lietošanas laikā var izraisīt nopietnus miesas bojājumus.
- Veicot iegremdējamo griezumu mīkstos materiālos, piemēram, kokā un ģipškartona plāksnē, izmantojot griešanas piederumu, pakāpeniski tuviniet vibrējošo

asmeni apstrādājamajam materiālam. Nespiediet pārāk stipri vibrējošo asmeni griežamajā materiālā. Ļaujiet instrumentam paveikt darbu un koncentrējieties uz instrumenta un griešanas aprikojuma noturēšanu stabilā stāvoklī, kurā vēlaties veikt griezumu.

- Griežot krāsainos metālus, rīkojieties īpaši uzmanīgi. Vibrējošais griezējasmens var novirzīties, pirms uzsāk griešanu. Ja nepieciešams, veiciet urbumus gar griešanas līniju, pirms uzsākt griešanu.
- Ja griešanas piederumi iestrēgst apstrādājamā materiālā, izslēdziet ierīci un atvienojiet to no elektropadeves. Ja griešanas piederumu nevar viegli izņemt, ļaujiet tam atdzist, pirms izņemat to no ierīces. Valkājiet cimdus un izmantojiet darbarīkus, piemēram, knaibles un uzgriežņu atslēgu, lai izņemtu griešanas piederumu no apstrādājamā materiāla.

STRĀVAS PĀRSLODŽU AIZSARDZĪBA

Konstatējot strāvas pārslodzi, izstrādājums automātiski izslēdzas.

Ja izstrādājums apstājas, atbrīvojiet mēlīti un tad nospiediet to atkārtoti. Izstrādājumam atsāks darboties.

APKOPE

⚠ BRĪDINĀJUMS

Produktu nekad nedrīkst pievienot barošanas padevei, veicot daļu montāžu, regulēšanu, tīrīšanu vai apkopi, kā arī laikā, kad tas netiek izmantots. Atvienojot produktu, tiek novērsta nejausa ieslēgšanās, kas var izraisīt nopietnu traumu.

- Veicot apkopi, izmantojiet tikai oriģinālās ražotāja rezerves daļas. Jebkādi citu detaļu izmantošana var izraisīt bīstamību vai produkta bojājumus.

⚠ BRĪDINĀJUMS

Lielākai drošībai un uzticamībai, visus remontdarbus jāveic RYOBI pilnvarotam servisa centram.

VISPĀRĪGI

Tīrot plastmasas daļas, izvairieties no šķīdinātāju lietošanas. Vairums plastmasu ir jutīgas pret dažāda veida pārdošanā esošajiem šķīdinātājiem un to izmantošanas rezultātā var tikt bojātas. Izmantojiet tīru drānu, lai notīrītu neītrumus, oglekļa putekļus utt.

⚠ BRĪDINĀJUMS

Nekad neļaujiet bremžu šķidrums, benzīnam, naftas produktiem, piesūcināšanas eļļām, utt., nonākt kontaktā ar plastmasas detaļām. Ķīmikālijas var sabojāt, novājināt vai iznīcināt plastmasas detaļas.

Putekļi, kas rodas no ģipša un sienām, ir abrazīvi un, iekļūstot motora korpusā, var izraisīt priekšlaicīgu ierīces sabojāšanos. Pēc lietošanas rūpīgi notīriet ierīci ar birsti vai putekļu sūcēju. Uzmanieties, lai neiestumtu putekļus ventilācijas atverēs. Neizmantojiet saspīestu gaisu, lai tīrītu precī, jo putekļi un smiltis var radīt nopietnus acu

savainojumus.

ELĻOŠANA

Visi izstrādājuma gultņi tiek eļļoti ar pietiekamu augstas kvalitātes smērvielas daudzumu, lai nodrošinātu produkta kalpošanas laiku normālos lietošanas apstākļos. Tāpēc papildu eļļošana nav nepieciešama.

VIDES AIZSARDZĪBA



Tā vietā, lai izejmateriālus izmestu atkritumos, nododiet tos otrreizējai pārstrādei. Mašīna, aksesuāri un iepakojums ir jāsašķiro un jānodod videi draudzīgā atkārtotas pārstrādes vietā.

UZ PRECES ESOŠIE SIMBOLI



Drošības brīdinājums



CE atbilstība



Apgrīzieni bez slodzes



Volti



Līdzstrāva



EurAsian atbilstības marķējums



Pirms iedarbināt mašīnu, lūdzu rūpīgi izlasiet instrukcijas.



Ukrainas apstiprinājuma zīme

001



Kokam - griešanai ar iegremdēšanu un caurejošai griešanai



Dzelzi nesaturošs metāls - griešanai ar iegremdēšanu un caurejošai griešanai



Plastikātiem - griešanai ar iegremdēšanu un caurejošai griešanai



Izlietotie elektroprodukti nedrīkst tikt izmesti kopā ar majsaimniecības atkritumiem. Lūdzu, nododiet tos attiecīgajās atk ār totas izmantošanas vietās. Sazinieties ar savu vietējo varas pārstāvi vai izplatītāju, lai noskaidrotu, kur iespējama atkārtota pārstrāde.

SIMBOLI ROKASGRĀMATĀ



Piezīme



Atsevišķi nopērkamās daļas vai piederumi



Atbloķēt



Bloķētājs



Apgriezieni, minimālais



Apgriezieni, maksimums

Lai izskaidrotu risku, kas saistīti ar izstrādājumu, līmeni, paredzēti šādi norādījuma vārdi un jēdzieni.

BĪSTAMI

Norāda uz nenovēršami bīstamu situāciju, kas, ja netiks novērsta, izraisīs nāvi vai nopietnus miesas bojājumus.

BRĪDINĀJUMS

Norāda uz potenciāli bīstamu situāciju, kas, ja netiks novērsta, var izraisīt nāvi vai nopietnus miesas bojājumus.

UZMANĪBU

Norāda uz potenciāli bīstamu situāciju, kas, ja netiek novērsta, var izraisīt vieglus vai vidējus miesas bojājumus.

UZMANĪBU

(Bez drošības trauksmes simbola), kas norāda, uz situāciju, kas var novest pie īpašuma bojājuma.

Projektuojant daugiafunkcij įrankį, didžiausias prioritetas suteiktas saugai, eksploatacinėms savybėms ir patikimumui.

NAUDOJIMO PASKIRTIS

Šis rotacinis kūjinis gražtas skirtas naudoti tik suaugusiems, kurie yra perskaitę ir supratę šiam vadove pateiktus nurodymus bei įspėjimus ir gali būti laikomi atsakingi už savo veiksmus.

Daugiafunkcis įrankis skirtas:

- metalo, medienos, plastiko ar panašių medžiagų šlifavimui ir apdailai pateiktais įvairių formų švitrinio popieriaus lapeliais;
- spalvotųjų metalų, medienos, plastiko, gipskartonio ir pan. medžiagų grandymui ir kertamajam pjovimui gaminio komplekte pateiktomis metalinėmis pjovimo geležtėmis;
- jungikliams ar maitinimo lizdams skirtų angų išpjovimui sienose;
- skiedinio pašalinimui iš tarpų tarp keraminių plytelių.

Daugiafunkcis įrankis skirtas naudoti gerai apšviestose ir vėdinamose uždaroje patalpose.

Šis gaminy nes skirtas naudoti su šlapiomis medžiagomis ir paviršiais.

Gaminį galima naudoti tik pagal paskirtį.

⚠ ĮSPĖJIMAS

Perskaitykite visus saugos įspėjimus, visas instrukcijas, paveikslėlius ir techninius reikalavimus, pateikiamus su šiuo elektriniu įrankiu. Apačioje išdėstytų instrukcijų nesilaikymas gali sukelti elektros smūgį, gaisrą ir (ar) sunkius sužeidimus.

Kad tinkamai naudotumėte įrankį, žr. visus perspėjimus ir nurodymus.

DAUGIAFUNKCIO ĮRANKIO SAUGOS ĮSPĖJIMAI

- **Elektrinį įrankį laikykite už izoliuotų paviršių, kad darbo metu pjovimo įrankio priedas nesusiliestų su paslėptais laidais.** Pjovimo metu priedas, prisilietęs prie laido, prijungto prie maitinimo šaltinio, gali aktyvuoti metalines elektrinio įrankio detales ir sukelti operatoriui elektros smūgį.
- Dirbant šiuo įrankiu, būtina dėvėti saugos akinius. Reikia dėvėti dulkių apsauginę kaukę, kai dirbant susidaro dulkių.

⚠ ĮSPĖJIMAS

Tam tikrų dažų, gruntų ir medžiagų dulksės gali dirginti ar sukelti alergines kvėpavimo sistemos reakcijas. Ažuolo, beržo, medienos plaušų plokščių ir kitos dulksės kancerogeninės. Gaminiau apdoroti medžiagas, kurių sudėtyje yra asbesto, gali tik kvalifikuoti specialistai.

⚠ ĮSPĖJIMAS

Niekada nelaikykite įrankio prijungto prie elektros maitinimo šaltinio, kai montuojate detales, reguliuojate, valote, atliekate priežiūros darbus arba kai įrankis nėra naudojamas. Atjungę įrenginį nuo elektros tinklo išvengsite netyčinio paleidimo, kuris gali tapti sunkauso susižalojimo priežastimi.

- Šlifuojant sienas ar pjaunant jose angas, reikia būti atsargiems ir nepažeisti elektros laidų ar dujotiekio arba vandentiekio vamzdžių.

⚠ ĮSPĖJIMAS

Apdirbant metalinius paviršius, jie įkaista ir prisilietus, galima nudegti odą. Keičiant įtaisus būtina dėvėti pirštines.

Padedant įrankį tarp darbų, reikia būti atsargiems ir neapgadinti objektų bei nesusižeisti patiems ir nesusižeisti kitų.

- Negalima naudoti apgadintų, sutrūkinėjusių ar netinkamai uždėtų ant gaminio pjovimo įtaisų.
- Prieš įdėdami akumuliatorių, įsitinkinkite, ar spyna ant jungiklio nėra atrakinimo padėtyje.
- Įrenginys kelia vibraciją, kuri judina priedą. Vibracija gali sukelti diskomfortą, jei įrenginys bus naudojamas ilgą laiko tarpą. Dažnai darykite pertraukas, ypač jei jaučiate nemalonų pojūtį rankose, riešuose ar pirštuose. Pasirinkite greičio parametą, kuris leis našiai atlikti darbą. Išsamesnės informacijos apie vibracijų sukeltus sužeidimus, skaitykite skyriuose Liktniniai pavojai ir Pavojų mažinimas.
- Suspauskite ruošinį spauštuvu. Neprispausti ruošiniai gali pajudėti ir sukelti sunkių traumų ar apgadinti vietą, prie kurios yra tvirtinami. Šlifuojamos medžiagos negalima laikyti ranka.
- Nenaudokite didesnio švitrinio popieriaus nei reikia. Iš šlifavimo pado išsikišęs popierius gali smarkiai draskyti paviršius.
- Įrankio darbinės aplinkos temperatūros diapazonas nuo 0°C iki 40°C.
- Įrankio sandėliavimo aplinkos temperatūros diapazonas nuo 0°C iki 40°C.
- Rekomenduojamas įkrovimo sistemų darbinės aplinkos temperatūros diapazonas nuo 10°C iki 38°C.

PAPILDOMI AKUMULIATORIAUS SAUGOS ĮSPĖJIMAI

⚠ ĮSPĖJIMAS

Siekdami išvengti trumpojo jungimo sukeliama gaisro pavojaus, sužalojimų arba produkto pažeidimų, neikiškite įrankio, keičiamo akumulatoriaus arba įkroviklio į skysčius ir pasirūpinkite, kad į prietaisus arba akumulatorius nepatektų jokių skysčių. Koroziją sukeltantys arba laidūs skysčiai, pvz., sūrus vanduo, tam tikri chemikalai ir balikliai arba produktai, kurių sudėtyje yra baliklių, gali sukelti trumpąjį jungimą.

- Baterijos darbinės aplinkos temperatūros diapazonas nuo 0°C iki 40°C.
- Baterijos sandėliavimo aplinkos temperatūros diapazonas nuo 0°C iki 20°C.

LIČIO BATERIJŲ GABENIMAS

Gabenkite bateriją pagal įmonės ir valstybinius reikalavimus ir taisykles.

Gabendama baterijas, trečioji šalis privalo vadovautis ant pakuotės ar etikečių nurodytais specialiaisiais reikalavimais. Pasirūpinkite, kad gabenant baterijos nesusilieję su kitomis baterijomis ar laidžiomis medžiagomis: ant jungiamųjų elementų uždėkite izoluojančius, nelaidžius apsauginius dangtelius arba šiuos elementus apvyniokite juosta. Negabenkite įtrūkusių ar pratekančių baterijų. Išsamesnio patarimo kreipkitės į gabentojo įmonę.

ŠALUTINIS PAVOJUS

Net naudojant gaminį griežtai pagal paskirtį neįmanoma visiškai atmesti kai kurių liktinių rizikos veiksnių. Naudojant gali kilti toliau nurodyti pavojai ir naudotojas turi būti ypatingai atsargus, kad išvengtų šių pavojų:

- Dulkių sukeliama žala
 - Būtinai dėvėti akių apsaugą.
 - Dėvėkite kvėpavimo sistemos apsaugines kaukes su atitinkamais filtrais, nepraleidžiančiais nuo pjaunamų medžiagų atsiskiriančių dalelių Darbo vieta turi būti tinkamai vėdinama.
 - Darbo vietoje negalima valgyti, gerti ar rūkyti.
- triukšmo ir vibracijos sukelti sužeidimai
 - Dėvėkite klausos apsaugos priemones.
 - Gaminio negalima naudoti ilgai. Žr. "Rizikos Veiksnių Mažinimas".
- Pavojus žūti nuo elektros srovės pažeidus elektros laidus
 - Laikykite gaminį tik už rankenų. Neprilieskite gaminio pjovimo geležčių ar metalinių dalių.

RIZIKOS MAŽINIMAS

Pranešama, kad rankinių įrankių keliamos vibracijos kai kuriems asmenims gali paskatinti Reino sindromo vystymąsi. Šios ligos požymiai yra pirštų dilgčiojimas, nutirpimas ir pabalimas, paprastai pasireiškiantis nuo

šalčio. Šie simptomai vystosi dėl paveldimų veiksnių, nesisaugant nuo šalčio ir drėgmės, dėl mitybos, rūkymo ir darbo praktikos. Operatorius gali imtis šių priemonių, kurios gali sumažinti vibracijos poveikį:

- Apsirenkite kuo šilčiau šaltu oru. Dirbant šiuo prietaisu mūvėkite pirštines, kad plaštakos ir riešai būtų laikomi šiltai. Turime pranešimų, kad Raynaud sindromas labiausiai vystosi nuo šalto oro sąlygų.
- po darbo kiekvieną kartą pasportuokite, kad pagerėtų kraujo apytaka;
- dažnai darykite darbo pertraukas. Aprobokite darbo laikotarpį per dieną.

Jei jums pasireiškia kokie nors šios būklės simptomai, nedelsdami nutraukite darbą ir kreipkitės į gydytoją.

⚠ ĮSPĖJIMAS

Ilgai naudojant įrankį, galima susižaloti arba pakenkti sveikatai. Ilgiau naudojant įrankius, reikia reguliariai daryti pertraukas.

GERAI IŠMANYKITE APIE GAMINĮ

- Žiūrėti 105 psl.*
1. LED lemputė
 2. Disko fiksavimo varžtas
 3. Greičio reguliavimas
 4. Įjungimo / išjungimo mygtukas
 5. Fiksatorius
 6. Rankena izoliuotu paviršiumi
 7. Įleidžiamųjų pjūvių diskas
 8. Tiesusis pjovimo diskas
 9. Šlifavimo padas
 10. Švitrinis popierius
 11. Adapterio saugojimo vieta
 12. Adapteris */**
 13. Šešiakampis veržliaraktis
 14. Baterijos gnybtas

*Galima naudoti su BOSCH priedais. BOSCH yra registruotasis „Robert Bosch GmbH“ prekės ženklas.

**Galima naudoti su DREMEL priedais. DREMEL yra registruotasis „Robert Bosch Tool Corporation“ prekės ženklas.

VEIKIMAS

Gaminys pristatomas su papildomu adapteriu, kad būtų galima jungti kitų gamintojų pjovimo, grandymo ir šlifavimo įtaisus. Adapterį galima apversti ir naudoti su pageidaujamų prekių ženklų priedais. Nenaudokite adapterio su RYOBI priedais, kurie yra pateikti su šiuo įrenginiu.

- Pritvirtinkite ruošinius spaustuvu, kad šlifuojant ar pjaunant jį nejudėtų. Niekada ruošinio nelaikykite rankomis. Netyčia pasislinkus ruošiniui, galima patirti sunkių traumų.
- Kertamuoju judesiu pjovimo įtaisu pjaunant minkštas medžiagas, pavyzdžiui, medieną ir gipskartonį, vibruojančią geležtę reikia palaipsniui artinti prie ruošinio. Vibruojančios geležtės negalima stipriai stumti

į pjaunamą medžiagą. Leiskite įrenginiui pačiam atlikti darbą ir susitarkite ties įrenginio laikymu bei pjovimo priedo stabilumu, kad jis būtų pjūviui reikiamoje padėtyje.

- Ypatingai atsargiai pjaukite spalvotuosius metalus. Vibruojanti pjovimo geležtė gali nušokti prieš pradėdami pjauti. Jei būtina, prieš pradėdami pjauti, išgręžkite kelias skylės išilgai pjovimo linijos.
- Pjovimo įtaisams įstrigus ruošinyje, išjunkite gaminį ir atjunkite nuo maitinimo šaltinio. Jeigu pjovimo įtaiso negalima lengvai nuimti, reikia jį atjungti nuo gaminio ir palikti atitinkamai atvėsti. Nuimdami pjovimo įtaisą nuo ruošinio, mūvėkite pirštines ir naudokite rankinius įrankius, tokius kaip replės ir veržliaraktis.

APSAUGA NUO VIRŠSROVIŲ

Aptikęs viršsrovės, gaminys automatiškai išsijungs.

Jei gaminys išsijungia, atleiskite gaiduką, paskui vėl jį nuspauskite. Gaminys turi vėl pradėti veikti.

PRIEŽIŪRA

⚠ ĮSPĖJIMAS

Perforatoriaus jokių būdu negalima jungti į maitinimo šaltinį montuojant dalis, reguliuojant, valant, atliekant priežiūros darbus ar jo nenaudojant. Atjungus perforatorių, jis nepasileis atsiktiktinai: atsiktiktinai pasileidęs, šis įrankis gali sunkiai sužaloti.

- Atliekant techninės priežiūros darbus, galima naudoti tik gamintojo atsargines dalis. Kitų detalių naudojimas gali sukelti pavojų ar sugadinti įrankį.

⚠ ĮSPĖJIMAS

Siekiant užtikrinti didesnę saugumą ir patikimumą, visus taisymo darbus turi atlikti įgaliotas "RYOBI" techninio aptarnavimo centras.

PAGRINDINIAI

Valydami plastikines detales, nenaudokite tirpiklių. Daugelis plastikų jautrūs įvairių tipų komerciniams tirpikliams ir juos naudojant galima pažeisti plastikines detales. Valydami purvą, anglies dulkes ir kt. naudokite švarią šluostę.

⚠ ĮSPĖJIMAS

Būkite atsargūs, kad ant plastikinių detalių nepatektų stabdžių skysčio, benzino, naftos turinčių produktų, tepalo ir pan. Juose yra chemikalų, kurie gali sugadinti, pažeisti arba susilpninti plastiką.

Tinko ar gipskartonio dulksės šiuurkščios ir patekusios į variklio skyrelį gali sugadinti gaminį, nepasibaigus jo naudojimo laikui. Panaudojus gaminį, jį reikia kruopščiai išvalyti šepetėliu ir dulkių siurbliu. Būkite atsargūs, kad valant dulkių nepatektų į ventiliacijos angas. Gaminio negalima valyti suspaustu oru, nes dulksės ir smiltys gali sunkiai sužeisti akis.

SUTEPIMAS

Kad įprastomis darbo sąlygomis perforatorius ilgai nesusidėvėtų, visi jo guoliai sutepti reikiamu kiekiu aukštos klasės tepalo. Todėl daugiau jo tepti nebereikia.

APLINKOS APSAUGA



Žaliavines medžiagas perdirbkite pakartotinai, o ne išmeskite kaip atliekas. Mechanizmas, priedai ir pakuotės turi būti laikomi pakartotinai perdirbti aplinkai nekenksmingu būdu.

SIMBOLIAI ANT ĮRENGINIO



Saugos perspėjimas



CE atitiktis



Greitis be apkrovimo



Voltais



Nuolatinė srovė



„EurAsian“ atitikties ženklas



Atidžiai perskaitykite instrukcijas prieš pradėdami naudoti mechanizmą.



Ukrainos atitikties ženklas

001



Mediena – įleidžiamieji ir lygmalieji pjūviai



Spalvotieji metalai – įleidžiamieji ir lygmalieji pjūviai



Plastikai – įleidžiamieji ir lygmalieji pjūviai



Elektrinių produktų atliekos neturi būti metamos kartu su namų ūkio atliekomis. Prašome perdirbkite jas ten, kur yra tokios perdirbimo bazės. Dėl perdirbimo patarimo kreipkitės į savo vietinę savivaldybę ar pardavėją.

SIMBOLIAI VADOVE



Pastaba



Detalės arba priedai yra parduodami atskirai



Atrakinti



Blokėtąjs



Greitis, minimalus



Greitis, maksimalus

Šie signaliniai žodžiai yra skirti nurodyti su prietaiso naudojimu susijusio pavojaus lygį.

PAVOJUS

Rodo grėšiančią pavojingą situaciją, kurios neišvengus galima patirti mirtiną arba sunkų sužalojimą.

ĮSPĖJIMAS

Rodo potencialiai pavojingą situaciją, kurios neišvengus galima patirti mirtiną arba sunkų sužalojimą.

ATSARGIAI

Rodo potencialiai pavojingą situaciją, kurios neišvengus galima patirti nesunkų arba vidutinio sunkumo sužalojimą.

ATSARGIAI

(Be įspėjamojo šauktuko) Reiškia situaciją, kurioje galima sugadinti turą.

Universaaltööriista konstrueerimisel on peaeesmärgiks olnud toote ohutus, tootlikkus ja töökindlus.

OTSTARBEKOHANE KASUTAMINE

See universaaltööriist on ette nähtud kasutamiseks vaid täiskasvanud töötaja poolt, kes on selle kasutusjuhendi juhised ja hoiatused läbi lugenud ja mõistab vastutust nende täitmise eest.

Universaaltööriist on ette nähtud järgmisteks töödeks:

- metallide, puidu, plastide ja nendega sarnaste materjalide lihvimiseks ja viimistlemiseks kompleksis olevate abrasiivpatjade abil;
- mittemetallist, puidust, plastidest, kipsplaadist materjalide kaabitsemiseks ja avade lõikamiseks kompleksis olevate lõiketerade abil;
- lülite ja pistikupesade avade lõikamiseks seintesse;
- keraamiliste plaatide vuukide eemaldamiseks.

Universaaltööriist on ette nähtud kasutamiseks ruumides, mis on hästi valgustatud ja ventileeritud.

Toode ei ole kasutatav märgadel materjalidel ja pindadel.

Ärge kasutage seadet ühelgi muul viisil kui mainitud sihtotstarbeks.

⚠ HOIATUS

Lugege läbi kõik mehaanilise tööriista kohta esitatud ohuhoiatused ning tutvuge tööriista jooniste ja tehniliste andmetega. Allpool esitatud hoiatuste ja juhiste eiramise puhul on oht saada elektrilööki või raskeid kehavigastusi ning/või tekitada tulekahju.

Hoidke kõik hoiatused ja juhised edaspidiseks juhendumiseks alles.

UNIVERSAALTÖÖRIISTA OHUHOIATUSED

- **Töötamisel kohtades, kus lõikeriist võib kokku puutuda varjatud elektrijuhtmetega, hoidke tööriista kinni ainult isoleeritud käepidemetest.** Kui kinnitusdetail või puur satub kontakti pinge all olevate juhtmetega, jäävad tööriista isoleerimata metallosad pinge alla ja kasutaja võib saada elektrilöögi.
- Tööriistaga töötamisel kandke alati kaitseprille. Tolmustes kohtades töötamisel kandke tolumumaski.

⚠ HOIATUS

Mõnede värvide tolm, pinnakatted ja materjalid võivad põhjustada hingamisteede ärritust või allergilisi reaktsioone. Tamme- ja kasepuu, MDF-i ja mõnede muude materjalide tolm on kantserogeenne. Asbesti sisaldavaid materjale tohivad selle seadmega töödelda vaid väljaõppinud spetsialistid.

⚠ HOIATUS

Saag ei tohi mingil juhul kokku puutuda toitejuhtmega sel ajal kui kinnitate selle osi, teete reguleerimistoiminguid, puhastate või hooldate saagi ning siis kui seda ei kasutata. Toote eemaldamine toitevõrgust hoiab ära ootamatu käivitumise, mis võib põhjustada raskeid vigastusi.

- Avade puurimisel seintesse, põrandatesse olge ettevaatlik, et vältida kaableid, gaasi- ja veetorustikke.

⚠ HOIATUS

Metallist tarvikud võivad töötamise ajal kuumeneda ja selle tulemusena võite saada nahapõletuse, kui sellega kokkupuutesse satute. Tarvikute vahetamisel tuleb kanda kaitsekindaid.

Seadme kahjustuste ja kehavigastuste vältimiseks olge tööriista seadistamisel ettevaatlik.

- Ärge kasutage kahjustatud, pragunenud või kindlalt mittekinnituvaid tarvikuid.
- Enne aku sisestamist veenduge, et lukustuslüli ei ole asendis „on“ (sees).
- Toode tekitab vibratsiooni, mis liigutab tarvikut. Vibratsioon võib põhjustada ebamugavustunnet, kui toodet kasutada pika aja jooksul. Puhake sageli, eriti siis, kui tekib ebamugavustunne käes, randmes või sõrmedes. Valige selline kiirus, mis võimaldab tõhusalt töötada. Lisateavet vibratsiooniga seotud kehavigastuse kohta lugege alajaotistest "Jääkriskid" ja "Riskide vältimine".
- Kinnitage toorik pitskruviga. Kinnitamata toorik võib põhjustada raske kehavigastuse või tekitada varakahju. Ärge hoidke lihvitavat materjali käega kinni.
- Ärge kasutage lihvimisel suuremat lihvpaberit, kui vaja. Lihvimistallast ülevulatu lihvpaberi osa võib põhjustada kehavigastusi.
- Tööriista ümbritseva keskkonna temperatuur töö ajal jääb vahemikku 0°C–40°C.
- Tööriista ümbritseva keskkonna temperatuur säilituse ajal on vahemikus 0°C–40°C.
- Selle laadimissüsteemi soovitatav ümbritseva keskkonna temperatuur laadimise ajal on vahemikus 10°C–38°C.

AKU LISAOHUTUSJUHISED

⚠ HOIATUS

Lühisest põhjustatud tuleohtu, vigastuste või toote kahjustuste vältimiseks ärge kastke tööriista, vahetusakut ega laadimiseadet vedelikku ning jälgige, et vedelikke ei tungiks seadmesse ega akusse. Korrodeeruvad või elektrit juhtivad vedelikud, nagu soolvesi, teatud kemikaalid ja pleegitusained või pleegitusaineid sisaldavad tooted, võivad põhjustada lühist.

- Akut ümbritseva keskkonna temperatuur kasutamise ajal on vahemikus 0°C–40°C.
- Akut ümbritseva keskkonna temperatuur ladustamise ajal on vahemikus 0°C–20°C.



LIITUMAKUDE TEISALDAMINE

Akude transportimisel juhendage kasutuskoahas kehtivatest ja riiklikest määrustest ja eeskirjadest.

Akude transportimisel allettevõtjate poolt järgige kõiki spetsiaalseid pakkimise ja tähistamise nõudeid. Veenduge, et akud ei satu kokkupuutesse teiste akude ega voolu juhtivate materjalidega, transportimise ajal kaitske klemme voolu mittejuhtivate isoleerkatete või teibiga. Ärge transportige pragunenud või lekkivaid akusid. Küsige lisateavet transportetevõtelt.

JÄÄKRISKID

Isegi siis, kui seadet kasutatakse kirjeldatud viisil, ei ole võimalik kõrvaldada kõiki jääkriskide mõjureid. Töötamise ajal võivad tekkida järgmised ohud, millele operaator peab pöörama erilist tähelepanu.

- Tolmust põhjustatud kehavigastus
 - Kandke alati silmakaitsevahendeid.
 - Kandke hingamismaski, milles on filter vastavalt lõigatavale materjalile. Tagage töökohal nõuetekohane ventilatsioon.
 - Ärge töökohal sööge, jooge ega suitsetage.
- müra ja vibratsioonist põhjustatud kehavigastus
 - Kandke kuulmise kaitsevahendeid.
 - Ärge kasutage seadet pikka aega. Vadake Osa "Riskide Vältimine".
- Elektriikaabli läbilõikamisel on oht saada elektrilööki.
 - Hoidke töötamisel kinni selleks ettenähtud käepidemetest. Ärge puudutage lõiketerasid ega seadme metalloosi.

RISKI ALANDAMINE

Teadaolevalt võib käsitööriistade kasutamine põhjustada mõnedel inimestel seisundit, mida nimetatakse Raynaud' sündroomiks. Sümptomidena võib ilmneda sõrmede tuimus ja valkjaks muutumine, mis tavaliselt ilmneb külmas töötamisel. Nende sümptomite puhul tuleb hoiduda külmast ja niiskusest, dieedist ning suitsetamisest ja kasutada õigeid töövõtteid. Vibratsiooni mõju vähendamiseks tuleb rakendada järgmisi abinõusid.

- Külma ilmaga hoidke oma keha soe. Kandke kindaid, et hoida oma käed ja randmed soojad. Uuringud näitavad, et Raynaud's Syndrome ilmneb põhiliselt külma ilmaga.
- Pärast külmas töötamist tehke harjutusi, et verevarustust kiirendada.
- Tehke regulaarselt töövaheaegasid. Piirake tööperioodi pikkust.

Kui ilmnevad haigustunnused, lõpetage kohe töö ja pöörduge arsti poole.

⚠ HOIATUS

Seadme pikaajalisel kasutamisel võite saada kehavigastusi või vigastused võivad süveneda. Seadme kasutamisel pika aja jooksul tuleb teha korralisi vaheaegasid.

ÕPPIGE OMA TOODET TUNDMA

Vt lk 105.

1. LED
2. Tera lukustuskruvi
3. Kiirusregulaator
4. „Sisse/välja“-lüliti
5. Lukustuslüliti
6. Isoleeritud haardepinnaga käepide
7. Süvislõikamise lõiketera
8. Tasapinnaliste lõigete tera
9. Lihvtaidmik
10. Lihvpaber
11. Adapteri hoiustuspesa
12. Adaptador **
13. Kuuskantvõti
14. Aku ühenduspesa

*Ühilduv BOSCH tarvikutega. BOSCH on Robert Bosch GmbH registreeritud kaubamärk.

**Ühilduv DREMEL tarvikutega. DREMEL on ettevõtte Robert Bosch Tool Corporation registreeritud kaubamärk.

KASUTAMINE

Seadmel on lisaadapter teiste tootjate lõiketerade, kaabitsate ja lihvimistarvikute kasutamiseks. Adapteri võib ümber pöörata ja kasutada soovitud tootemargi tarvikutega. Ärge kasutage adapterit koos tootega kaasasolevate RYOBI tarvikutega.

- Kinnitage toorik pitskruviga, et vältida selle liikumahakkamist lihvimise või lõikamise ajal. Ärge mingil juhul hoidke toorikut kinni käega. Hetkeline libisemine töötamise ajal võib põhjustada tõsiseid kehavigastusi.
- Pehmetesse materjalidesse, näiteks puit või kipsplaat ava lõikamisel lõiketarvikutega, lähendage vibreeriv lõiketera toorikule järk-järgult. Ärge suruge vibreerivat lõiketera lõigatava materjali sisse tugevasti. Laske tootel töö ära teha ning keskendage oma tähelepanu sellele, et toode ja lõiketarvik oleks stabiilses lõikeasendis.
- Olge mittemetallist materjalide lõikamisel eriti ettevaatlik. Vibreeriv lõiketera võib enne lõikamise alustamist kõrvale kalduda. Vajaduse korral puurige enne lõikama asumist lõikejoonele mõned augud.
- Kui lõiketarvik jääb toorikusse kinni, lülitage seade välja ja ühendage toitevõrgust lahti. Kui lõiketarvikut ei õnnestu lihtsalt eemaldada, laske lõiketarvikul piisavalt jahtuda, enne kui seda eemaldama hakkate. Pange kindad kätte ja kasutage lõiketera toorikust eemaldamiseks näpitsaid ja võtit.

LIGVOOLUKAITSE

Kui ilmneb liigvool, lülitub toode automaatselt välja.

Kui toode lakkab töötamast, vabastage päästik ja vajutage seda seejärel uuesti. Toode peaks nüüd jälle töötama.



HOOLDUS

⚠ HOIATUS

Seade ei tohi mingil juhul olla toitepinge all sel ajal kui kinnitate selle osi, teete reguleerimistoiminguid, puhastate või hooldate seadet ning siis kui seda ei kasutata. Seadme elektrivõrgust lahtiühendamine väldib selle tahtmatu käivitumise, mis võib põhjustada raske kehavigastuse.

- Kasutage hooldamisel ainult tootja originaalvaruosi. Muude osade kasutamine võib tekitada ohuolukorra ja põhjustada seadme vigastumise.

⚠ HOIATUS

Kõik remonttööd tuleb lasta teha RYOBI volitatud hoolduskeskuses, et tagada masina ohutus ja töövõime.

ÜLDKIRJELDUS

Vältige plastosade puhastamisel lahustite kasutamist. Enamik plaste on tundlikud kaubandusvõrgust saadaolevate lahustite suhtes ja võivad nende mõjul oma omadusi kaotada. Tolmust, õlist, määrdest ja muust mustusest puhastamiseks kasutage puhast riidelappi.

⚠ HOIATUS

Ärge lubage mitte kunagi pidurivedelikel, bensiinil, petrooleumist valmistatud toodetel, immutusõlidel jne puutuda kokku plastikosadega. Kemikaalid võivad kahjustada, nõrgendada või hävitada plastiku.

Kipsplaadi ja seinaplaatide tolm on abrasiivne ja võib põhjustada seadme tõrkeid, kui sellel lasta mootori sisemusse sattuda. Puhastage seade pärast kasutamist põhjalikult harja või imuriga. Olge ettevaatlik, et mustus ei pääseks puhastamise ajal ventilatsiooniavadesse. Ärge kasutage seadme puhastamiseks suruõhku, sest tolm ja kübemed võivad põhjustada raskeid silmavigastusi.

MÄÄRIMINE

Kõik selle tööriista laagrid on tehases täidetud piisava hulga kvaliteetse määrdega, mis tagab tavatingimustes nende töövõime kogu kasutusea jooksul. Seetõttu ei ole täiendav määrimine vajalik.

KESKKONNAKAITSE



Taaskasutage materjale nende jäätmekäitluse andmise asemel. Masin, selle lisaseadmed ja pakend tuleb jäätmekäitluseks keskkonnasõbralikult sorteerida.

MASINAL OLEVAD SÜMBOLID



Ohuhoiatus



CE-vastavus

n_o

Kiirus ilma koormuseta

V

Volt



Alalisvool



Euraasia vastavusmärk



Enne seadme kasutamist lugege palun kasutusjuhend hoolega läbi.



Ukraina vastavusmärgis

001



Puit - süvis- ja tasapinnalised lõiked



Värviline metall - süvis- ja tasapinnalised lõiked



Plastik - süvis- ja tasapinnalised lõiked



Mittekasutatavaid elektritooteid ei tohi visata olmejäätmete hulka. Vaid tuleb viia vastavasse kogumispunkti. Vajadusel küsige sellekohast nõu oma edasimüüjalt või vastavalt kohaliku omavalitsuse institutsioonilt.

KASUTUSJUHENDIS KASUTATUD SÜMBOLID



Märkus



Eraldi ostetavad osad või tarvikud



Lahtikeeramine



Lukk



Velocidad, mínimo



Velocidad, máxima

Järgnevad märguandesõnad ja tähendused on mõeldud selle toote kasutamisega seotud riskitasemete kirjeldamiseks.

⚠ OHT.

Osutab ähvardavale ohuolukorrale, mille mittevältimine lõpeb surma või tõsise vigastusega.

HOIATUS

Osutab võimalikule ohuolukorrale, mille mittevältimine võib lõppeda surma või tõsise kehavigastusega.

ETTEVAATUST

Osutab võimalikule ohuolukorrale, mille mittevältimine võib lõppeda väiksemate või mõõdukate kehavigastustega.

ETTEVAATUST

(Ilma ohutussümbolita) Viitab olukorrale, mis võib põhjustada kahjustusi varale.

EN
FR
DE
ES
IT
NL
PT
DA
SV
FI
NO
RU
PL
CS
HU
RO
LV
LT
ET
HR
SL
SK
BG
UK
TR
EL



U razvoju ovog višenamjenskog alata dati su maksimalni prioriteta sigurnosti, performansama i pouzdanosti.

NAMJENA

Ovaj višenamjenski alat namijenjen je za korištenje samo od strane odraslih osoba koje su pročitale i razumiju upute i upozorenja u ovom priručniku te se mogu smatrati odgovornim za svoje radnje.

Višenamjenski alat namijenjen je za:

- za brušenje i finišenje metala, drveta, plastike ili sličnih materijala korištenjem isporučениh abrazivnih jastučića
- za rezarenje i urezivanje u materijale bez željeza, rezanje drveta, plastike, iverice idr., korištenjem isporučениh metalnih oštrica
- za rezanje otvora u zidovima radi postavljanja prekidača ili utičnica
- za uklanjanje fuga između keramičkih pločica

Višenamjenski alat namijenjen je za rad u suhom zatvorenom prostoru, dobro ventiliranom i s odgovarajućim uvjetima ventilacije

Proizvod nije namijenjen za korištenje na mokrim materijalima i površinama.

Nemojte koristiti proizvod na bilo koji drugi način od onog za koji je namijenjen.

UPOZORENJE

Pažljivo pročitajte sva upozorenja, upute i specifikacije priložene uz alat i pogledajte crteže. Nepoštivanje svih uputa može dovesti do električnog udara, požara i / ili teške ozljede.

Spremite sva upozorenja i upute za buduće korištenje.

SIGURNOSNA UPOZORENJA ZA

- Kad izvodite radove na mjestima gdje pribor za rezanje može doći u kontakt sa skrivenim ožičenjem ili svojim vlastitim kablom, držite alat za izoliranu površinu za hvatanje. Dodirivanje „žive“ žice priborom za rezanje može izložiti metalne dijelove alata električnoj energiji i može dovesti do strujnog udara na operatera.
- Uvijek nosite zaštitne naočale tijekom rada s alatom. Kada se proizvodi prašina nosite masku.

UPOZORENJE

Prašina iz određenih boja, premaza i materijala mogu uzrokovati iritacije ili alergijske reakcije u respiratornom sustavu. Prašina iz drveta poput hrasta, bukve, MDF-a i ostalog je karcinogena. Samo kvalificirani stručnjaci trebaju koristiti proizvod na materijalima koji sadrže azbest.

UPOZORENJE

Proizvod nikad ne smije biti priključen na izvor napajanja kada sastavljate dijelove, vršite podešenja, čistite, izvodite održavanje ili kada se proizvod ne koristi. Isključivanjem proizvoda s izvora napajanja sprečavaju se slučajna pokretanja proizvoda koja mogu prouzročiti ozbiljne tjelesne ozljede.

- Kada radite u zidovima, podovima ili stropovima, pazite da izbjegnute električne kabele, cijevi za plin i vodu.

UPOZORENJE

Metalni pribor postaje vruć tijekom korištenja i može uzrokovati opekline na koži ako dođe u dodir s operaterom. Nosite rukavice tijekom izmjene dodatnog pribora.

Budite pažljivi kada postavljate alat između postupaka kako biste spriječili oštećenje ili ozljede.

- Nemojte koristiti rezni pribor koji je oštećen, polomljen ili dobro ne pristaje na proizvod.
- Uvjerite se da blokada na prekidaču nije na svojem položaju prije umetanja baterijskog sklopa.
- Proizvod stvara vibracije koje pokreću alatni nastavak. Vibracije mogu uzrokovati nelagodu ako se proizvodom rukuje kroz produljeno vremensko razdoblje. Uzimajte česte stanke, posebno ako osjetite nelagodu u ruci, zglobu ili prstima. Odaberite postavku brzine koja omogućuje učinkovito završenje rada. Pročitajte odlomke ostale opasnosti i smanjenje opasnosti za više informacija o ozljedama vezanim uz vibracije.
- Spojite uradak s uređajem za spajanje. Odspojени izrasci mogu uzrokovati ozbiljne ozljede i oštećenje. Nemojte držati materijal kojeg brusite s rukom.
- Nemojte koristiti veći brusni papir od potrebnog. Dodatni produljeni papir iza podloge brusilice također može uzrokovati ozbiljne ozljede.
- Raspon temperatura okoliša za alat za vrijeme rada je između 0 °C i 40 °C.
- Raspon temperatura okoliša za pohranu alata je između 0 °C i 40 °C.
- Preporučena temperatura okoliša za sustav punjača za vrijeme punjenja je između 10 °C i 38 °C.



DODATNA SIGURNOSNA UPOZORENJA ZA BATERIJU

⚠ UPOZORENJE

Zbog izbjegavanja opasnosti od požara jednim kratkim spojem, opasnosti od ozljeda ili oštećenja proizvoda, alat, izmjenjivi akumulator ili napravu za punjenje ne uronjavati u tekućine i pobrinite se za to, da u uređaje ili akumulator ne prodiru nikakve tekućine. Korozirajuće ili vodljive tekućine kao slana voda, određene kemikalije i sredstva za bijeljenje ili prozvodni koji sadrže sredstva bijeljenja, mogu prouzročiti kratak spoj.

- Raspon temperatura okoliša za bateriju za vrijeme uporabe je između 0 °C i 40 °C.
- Raspon temperatura okoliša za pohranu baterije je između 0 °C i 20 °C.

TRANSPORTIRANJE LITIJUMSKIH BATERIJA

Transportirajte bateriju u skladu s lokalnim i nacionalnim pravilima i zakonima.

Sljedite sve specijalne zahtjeve na pakiranju i naljepnicama prilikom transporta baterije od treće strane. Osigurajte da baterija ne može doći u kontakt s drugim baterijama ili provodnim materijalima tijekom transporta tako da zaštitite izložene priključke s izolacijom, kapticama koje ne provode energiju ili trakom. Nemojte transportirati baterije koje su polomljene ili cure. Provjerite kod kompanije koja transportira za daljnju pomoć.

PREOSTALE OPASNOSTI

Čak i kad je proizvod korišten kao što je prethodno opisano, još uvijek nije moguće potpuno isključiti ostale čimbenike opasnosti. Može doći do sljedećih opasnosti prilikom korištenja i operater mora obratiti posebnu pozornost kako bi izbjegao sljedeće:

- Ozljede uzrokovane prašinom
 - Cijelo vrijeme nosite sredstva za zaštitu očiju.
 - Nosite respiratorne maske koje sadrže odgovarajuće filtere za materijale s kojima se radi
 - Nemojte jesti, piti ili pušiti u radom području.
- povrede uzrokovane bukom i vibracijom
 - Nosite zaštitu za sluh.
 - Nemojte raditi s proizvodom dulje vremensko razdoblje. Pogledajte „Smanjenje Opasnosti“.
- Opasnost od strujnog udara ako se prerežu električni kabele
 - Uvijek držite proizvod za označene ručke. nemojte dodirivati rezne oštrice ili metalne dijelove proizvoda.

SMANJENJE OPASNOSTI

Prijavljeno je da vibracije alata kod određenih pojedinaca mogu doprinijeti stanju pod nazivom Raynaud's Syndrome. Simptomi mogu uključivati trnce, ukočenost i bjelinu

prstiju, obično uočljivo po izlaganju hladnoći. Smatra se da nasljedne osobine, izlaganje hladnoći i vlazi, dijeta, pušenje i radni postupci pridonose razvoju ovih simptoma. Postoje mjere koje operator može poduzeti kako bi smanjio moguće učinke vibracije:

- Održavajte svoje tijelo toplim u hladnim vremenskim uvjetima. Kad radite s uređajem nosite rukavice kako biste ruke i zglobove održavali toplima. Prijavljeno je da je hladnoća glavni čimbenik koji doprinosi Raynaud's Syndrome.
- Nakon svakog perioda rada vježbajte kako biste povećali cirkulaciju krvi.
- Uzimajte česte stanke u radu. Ograničite količinu izlaganja po danu.

Ako osjetite neke od simptoma ovog stanja, odmah prekinite korištenje i obratite se svome liječniku vezano uz ove simptome.

⚠ UPOZORENJE

Ozljede mogu biti uzrokovane ili izazvane produljenim vremenskim razdobljem korištenja alata. Kada koristite bilo koji alat dulje vremena, osigurajte da uzimate povremene stanke.

UPOZNAJTE SVOJ PROIZVOD

Pogledajte stranicu 105.

1. LED dioda
2. Sigurnosni vijak noža
3. Kontrola brzine
4. Sklopka za Uklj./isklj. (ON/OFF)
5. Prekidač za zaključavanje
6. Drška, izolirana prihvatna površina
7. Nož za bušenje materijala (plunge cut)
8. Oštrica za ravni rez
9. Brusna ploča
10. Brusni papir
11. Utor spremišta adaptera
12. Adapter */**
13. Ključ sa šesterokutnom glavom
14. Ulaz za bateriju

*Kompatibilno s BOSCH priborom. BOSCH je registrirani zaštitni znak tvrtke Robert Bosch GmbH.

**Kompatibilno s DREMEL priborom. DREMEL je registrirani žig tvrtke Robert Bosch Tool Corporation.

RAD

Proizvod je opremljen s dodatnim adapterom za korištenje s dodatnim priborom drugih marki za rezanje, struganje i brušenje. Adapter se može prilagoditi korištenju sa željenim markama pribora. Ne koristite adapter s RYOBI priborom isporučenim s vašim alatom.

- Pričvrstite izradak sa spojnicam kako biste spriječili pomicanje tijekom brušenja ili rezanja. Nikad ne držite ruku na izratku. Nenamjerno klizanje tijekom uporabe proizvoda može uzrokovati ozbiljne ozljede.
- Prilikom zarezivanja mekih materijala kao što su drvo

i gipsane ploče koristite pribor za rezanje, postupno donoseći vibrirajuću oštricu na izradak. Nemojte gurati vibrirajuću oštricu u materijal koji treba rezati. Pustite da uređaj odradi posao, a vi se koncentrirajte na održavanje alatnog proizvoda i reznog nastavka u stabilnom položaju u kojem želite učiniti rez.

- Budite osobito pažljivo kada režete u materijalima u kojima nema čelika. Vibrirajuća rezna oštrica može poskočiti okolo prije početka rezanja. Ako je nužno, prije samog početka rezanja izbušite nekoliko provrta duž linije rezanja.
- Ako rezni pribor zaglavi u izratku, isključite proizvod i odspojite napajanje. Ako se rezani pribor ne može lako ukloniti, omogućite rezanom priboru adekvatno da se ohladi prije oslobađanja reznog pribora iz proizvoda. Nosite rukavice i koristite ručni alat, kao što su kliješta i ključ za uklanjanje reznog pribora od izratka.

PREKOSTRUJNA ZAŠTITA

Nakon otkrivenog preopterećenja proizvod će se automatski isključiti.

Ako proizvod prestane raditi otpustite okidač i ponovno ga pritisnite. Proizvod bi trebao ponovo početi s radom.

ODRŽAVANJE

⚠ UPOZORENJE

Proizvod nikad ne smije biti priključen na izvor napajanja kada sastavljate dijelove, vršite podešenja, čistite, izvodite održavanje ili kada se proizvod ne koristi. Iskapčanje proizvoda sprječava slučajno pokretanje koje može dovesti do ozbiljnih osobnih ozljeda.

- Prilikom servisiranja, koristite samo originalne zamjenske dijelove od proizvođača. Korištenje nekih drugih dijelova može dovesti do opasnosti ili uzrokovati oštećenje alat.

⚠ UPOZORENJE

Radi veće sigurnosti i pouzdanosti, sve popravke treba izvoditi ovlašteni RYOBI servisni centar.

OPĆENITO

Prilikom čišćenja plastičnih dijelova izbjegavajte koristiti kemijska sredstva. Većina plastika je podložna različitim vrstama komercijalnih kemijskih sredstava za čišćenje i mogu se oštetiti prilikom njihovog korištenja. Za uklanjanje nečistoća, prašine, ulja masti i drugog upotrebljavajte čistu krupu.

⚠ UPOZORENJE

Plastični dijelovi nikad ne smiju doći u dodir s kočionom tekućinom, benzinom, proizvodima na bazi nafte, uljima itd. Ti kemijski proizvodi sadrže tvari koje mogu oštetiti, oslabiti ili uništiti plastiku.

Prašina iz žbuke i zidne ploče je abrazivna i može uzrokovati kvar proizvoda ako dođe u prostor motora. Temeljito

očistite proizvod nakon korištenja četki i usisavača. Pazite da ne gurate prijavštinu u ventilacijske otvore. Nemojte koristiti komprimirani zrak za čišćenje proizvoda jer prašina i zrnca mogu dovesti do ozbiljnih povreda oka.

PODMAZIVANJE

Svi ležajevi u ovom proizvodu podmazani su s dovoljnom količinom visokokvalitetnog sredstva za podmazivanje za životni vijek proizvoda u normalnim radnim uvjetima. Stoga nije potrebno daljnje podmazivanje.

ZAŠTITA OKOLIŠA



Sirovine reciklirajte, umjesto da ih odlažete kao otpad. Kako biste zaštitili okoliš, alat, dodatke i ambalažu treba odvojeno bacati u otpad.

SIMBOLI NA PROIZVODU



Sigurnosno upozorenje



CE usklađenost



Brzina bez opterećenja



Volti



Istosmjerna struja



EurAsian znak conformnosti



Molimo da pažljivo pročitate upute prije pokretanja stroja.



Ukrajinska oznaka za sukladnost

001



Drvo - rezanje bušenjem (plunge cut) i s donje strane materijala (flush cut)



Nemetalni materijali - Rezanje bušenjem (plunge cut) i s donje strane materijala (flush cut)



Plastika - rezanje bušenjem (plunge cut) i s donje strane materijala (flush cut)



Otpadni električni proizvodi ne treba da se odlažu s otpadom iz domaćinstva. Molimo da reciklirate gdje je to moguće. Potražite savjet od lokalnih vlasti ili prodavca kako reciklirati.

SIMBOLI U PRIRUČNIKU



Napomena



Dijelovi ili pribor prodan odvojeno



Otključavanje



Brava



Brzina, minimalna



Brzina, maksimum

Slijedeće riječi upozorenja i značenja imaju namjeru da objasne nivo rizika u vezi s ovim proizvodom.



OPASNOST

Naznačuje prijeteću opasnu situaciju, koja ako se ne izbjegne dovodi do smrti ili ozbiljnih ozljeda.



UPOZORENJE

Naznačuje potencijalno opasnu situaciju, koja ako se ne izbjegne dovodi do smrti ili ozbiljnih ozljeda.



OPREZ

Naznačuje potencijalno opasnu situaciju, koja ako se ne izbjegne dovodi do lakših ili srednjih ozljeda.

OPREZ

(Bez simbola upozorenja sigurnosti) Označava situaciju koja može izazvati oštećenje imovine

Varnost, učinkovitost in zanesljivost so bile pri načrtovanju vašega večnamenskega orodja ključnega pomena.

NAMEN UPORABE

Večnamensko orodje je namenjeno odraslim, ki so prebrali in razumejo navodila in opozorila v tem priročniku in ki so odgovorni za svoja dejanja.

Večnamensko orodje je namenjeno:

- za peskanje in končno obdelavo kovin, lesa, plastike ali podobnih materialov s priloženimi blazinicami za z abrazivnimi listi
- za strganje in potopno rezanje v barvne kovine, les, plastiko, mavčne plošče itd. s priloženimi kovinskimi rezili
- za rezanje odprtih sten za namestitve stikal ali vtičnic
- za odstranjevanje fug med keramičnimi ploščicami

Večnamensko orodje je namenjen za uporabo v notranjih prostorih, na suhem, dobro osvetljenem in primerno prezračujem mestu.

Izdelek ni namenjen za uporabo na mokrih materialih in površinah.

Izdelka ne uporabljajte na noben način, ki ni predpisan za to napravo.

⚠ OPOZORILO

Preberite vsa varnostna opozorila, navodila, ilustracije in specifikacije, ki so priložene temu električnemu orodju. Če ne upoštevate opozoril in navodil, lahko pride do električnega udara, ognja in/ali hudih poškodb.

Vsa opozorila in vsa navodila shranite za bodočo referenco.

VARNOSTNA OPOZORIILA ZA VEČNAMENSKO ORODJE

- **Električno orodje držite pri delu za izolirane držalne površine.** Če se pripomočki za rezanje dotaknejo žice, ki je pod električno napetostjo, lahko izpostavljeni kovinski deli električnega orodja povzročijo električni udar.
- Pri uporabi orodja vedno nosite zaščitna očala. Nosite zaščitno masko, če nastaja prah.

⚠ OPOZORILO

Prah z določenih delov, premazi in materiali lahko povzročijo draženje ali alergijske reakcije dihal. Prah z lesa, kot je hrast, bukev, MDF-plošče ali drugi, je karcinogen. Izdelek smejo na materialih, ki vsebuje azbest, uporabljati le izkušeni strokovnjaki.

⚠ OPOZORILO

Ko sestavljate dele, prilagajate, čistite ali vzdržujete orodje, ali ko izdelka ne uporabljate, ga nikoli ne imejte priključenega na vir napajanja. Če izdelek izklopite iz napajanja, preprečite nenameren zagon, ki bi lahko povzročil resne telesne poškodbe.

- Pri delu v stenah, stropih ali tleh pazite, da se izognite električnim kablom ali plinskimi ali vodovodnim napeljavam.

⚠ OPOZORILO

Kovinski dodatki se bodo med uporabo segreli in lahko povzročijo opekline kože. Med menjavanjem dodatkov nosite rokavice.

Ko odlagate orodje pazite, da preprečite materialno škodo ali telesne poškodbe.

- Ne uporabljajte dodatkov za rezanje, ki so poškodovani, počeni ali se nepravilno prilegajo v izdelek.
- Pred vstavljanjem baterijskega vložka poskrbite, da zaklepno stikalo ni v položaju za vklop.
- Izdelek ustvarja vibracije, kipovzročajo premikanje dodatkov. Vibracije lahko ob dolgotrajni uporabi izdelka povzročijo neugodje. Delajte redne premore, predvsem če čutite neugodje v roki, zapestju ali prstih. Izberite nastavitev hitrosti, s katero boste delo učinkovito opravili. Preberite razdelka Preostala tveganja in Zmanjševanje tveganj za več informacij o poškodbah, povezanih s treslaji.
- Obdelovanec vpnite z vpenjalno napravo. Obdelovanci, ki niso vpeti, lahko povzročijo hude poškodbe in škodo. Materiala, ki ga peskate, ne držite z roko.
- Ne uporabljajte večjega brusilnega papirja, kot ga potrebujete. Če papir sega preko brusilne blazinice, se lahko resno poškodujete.
- Temperatura okolja delovanja orodja je med 0 °C in 40 °C.
- Temperatura okolja shranjevanja orodja je med 0 °C in 40 °C.
- Priporočena temperatura okolja za polnilni sistem med polnjenjem je med 10 °C in 38 °C.

DODATNA VARNOSTNA OPOZORILA ZA BATERIJO

⚠ OPOZORILO

V izogib, s kratkim stikom povzročene nevarnosti požara, poškodb ali okvar na proizvodu, orodja, izmenljivega akumulatorja ali polnilne naprave ne potaplajte v tekočine in poskrbite, da ne bo prihajalo do vdora tekočin v naprave in akumulatorje. Korozivne ali prevodne tekočine, kot so slana voda, določene kemikalije in belila ali proizvodi, ki le ta vsebujejo, lahko povzročijo kratek stik.

- Temperatura okolja za baterijo (izdelek) je med 0 °C in 40 °C.
- Temperatura okolja za shranjevanje baterije je med 0 °C in 20 °C.

PREVAŽANJE LITIJEVIH AKUMULATORJEV

Akumulator prevažajte v skladu z lokalnimi in državnimi uredbami in predpisi.

Upošteвайте vse posebne zahteve glede pakiranja in označevanja, kadar prevoz opravlja tretja oseba. Zagotovite, da akumulatorji med prevozom ne morejo priti v stik z drugimi akumulatorji ali prevodnimi materiali, tako da zaščitite izpostavljene konektorje z neprevodnimi izolacijskim pokrovčki ali trakom. Ne prevažajte poškodovanih akumulatorjev oz. akumulatorjev, ki puščajo. Za nadaljnje informacije se obrnite na posredništvo.

PREOSTALA TVEGANJA

Nekateri preostalih dejavnikov tveganja ni mogoče povsem odpraviti, tudi če ta izdelek uporabljate v skladu z navodili. Med uporabo se lahko pojavijo nekatere nevarnosti, upravljavec pa naj bo pozoren na naslednje:

- Poškodbe zaradi prahu
 - Vedno nosite zaščito za oči.
 - Nosite zaščitne dihalne maske s primernimi filtri za obdelovane materiale. Zagotovite primerno prezračevanje prostora.
 - V delovnem območju je prepovedano jesti, piti in kaditi.
- poškodbe zaradi hrupa in vibracij
 - Nosite zaščito za ušesa.
 - Izdelka ne uporabljajte predolgo. Glejte »Zmanjševanje Tveganja«.
- Nevarnost električnega udara, če vrtate v električne kable
 - Izdelek vedno držite za ustrezne ročaje. Ne dotikajte se rezil ali kovinskih delov izdelka.

ZMANJŠANJE TVEGANJA

Poročali so že, da lahko vibracije ročnih orodij pri nekaterih posameznikih pripomorejo k razvoju Raynaudovega sindroma. Simptomi so lahko mravljinci, otrplost in pobledele prsti, kar je običajno vidno, kadar je oseba izpostavljena

mrazu. Dedni dejavniki, izpostavljenost mrazu in vlagi, dieta, kajenje in delovne navade naj bi pripomogle k razvoju teh simptomov. Za zmanjšanje učinkov vibracij lahko upravljavec upošteva naslednja navodila:

- Poskrbite, da bo vaše telo na mrazu toplo. Med upravljanjem nosite rokavice in tako ohranjajte toploto vaših dlani in zapestij. Kot poročajo, je mráz glavni dejavnik, ki prispeva k Raynaudovemu sindromu.
- Po vsakem obdobju upravljanja naprave telovadite in tako pospešite krvni obtok.
- Pogosto si vzemite odmor. Omejite dnevno količino izpostavljenosti.

Če zaznavate kakršnekoli simptome takšnega stanja, takoj prenehajte z uporabo naprave in se posvetujte z zdravnikom.

⚠ OPOZORILO

Zaradi daljše uporabe orodja lahko pride do poškodb oz. se morebitne poškodbe poslabšajo. Kadar orodje uporabljate dalj časa, si večkrat vzemite odmor.

SPOZNAJTE SVOJ IZDELEK

Glej stran 105.

1. LED
2. Vijak za zaklepanje rezila
3. Upravljanje hitrosti
4. Stikalo za vklop/izklop
5. Varovalno stikalo
6. Ročaj, izolirano držalo
7. Potopno rezilo
8. Ravno rezilo
9. Brusna podloga
10. Brusni papir
11. Reža za shranjevanje adapterja
12. Adapter */**
13. Šestrobi ključ
14. Priklop za bateriji

*Združljiv z dodatki BOSCH . BOSCH je registrirana blagovna znamka podjetja Robert Bosch GmbH.

**Združljiv z dodatki DREMEL . DREMEL je registrirana blagovna znamka družbe Robert Bosch Tool Corporation.

DELOVANJE

Izdelek je dobavljen z dodatnim nastavkom za uporabo z drugimi znamkami dodatkov za rezanje, strganje in brušenje. Adapter lahko obrnete za uporabo z dodatki zelenih blagovnih znamk. Adapterja ne uporabljajte z dodatki RYOBI, ki so priloženi k orodju.

- Obdelovanec pritrdite s sponko, da se med brušenjem ali rezanjem ne bo premaknil. Obdelovanca nikoli ne držite z roko. Če vam zdrsne, medtem ko uporabljate izdelek, se lahko z izdelkom hudo telesno poškodujete.
- Pri potopnih rezih z rezilnim nastavkom v mehke materiale, kot sta les in mavčne plošče, počasi približujte rezilo k obdelovancu. Ne pritiskajte rezila močno v material, ki ga režete. Pustite izdelku, da opravi delo, in

se osredotočite na zagotavljanje stabilnosti izdelka ter dodatka v položaju, v katerem želite izvesti rez.

- Bodite izredno previdni pri rezanju v barvne kovine. Vibracijsko rezilo lahko zdrsne, preden začne rezati. Pred začetkom rezanja po potrebi izvržite nekaj lukenj vzdolž linije, po kateri želite rezati.
- Če se rezilo zagodzi v obdelovanec, izključite izdelek in ga odklopite iz električnega napajanja. Če rezilnega nastavka ni mogoče enostavno odstraniti, pustite, da se dovolj ohladi, preden rezilni nastavek snamete z izdelka. Nosite rokavice in uporabite ročno orodje, kot so klešče in ključ, da iz obdelovanca odstranite rezilni nastavek.

NADTOKOVNA ZAŠČITA

Ob zaznavanju nadтока se izdelek samodejno izklopi.

Če izdelek preneha delovati, spustite sprožilec in ga nato ponovno aktivirajte. Izdelek bi moral ponovno začeti delovati.

VZDRŽEVANJE

⚠ OPOZORILO

Ko sestavljate dele, prilagajate, čistite ali vzdržujete orodje, ali ko izdelka ne uporabljate, ga nikoli ne imejte priključenega na vir napajanja. Če izdelek odklopite, preprečite nenamerni zagon, ki bi lahko povzročil hude poškodbe.

- Za servisiranje uporabljajte samo nadomestne dele originalnega proizvajalca. Uporaba drugih delov lahko pomeni tveganje ali povzroči škodo na izdelku.

⚠ OPOZORILO

Za večjo varnost in zanesljivost mora vsa popravila izvesti pooblaščen servisni center RYOBI.

SPLOŠNO

Pri čiščenju plastičnih delov se izogibajte toplom. Večina vrst plastik se lahko pri uporabi različnih komercialnih topil poškoduje. Za odstranjevanje umazanije, saj in podobnega uporabljajte čisto krpo.

⚠ OPOZORILO

Ne dovolite, da bi zavorne tekočine, gorivo, izdelki, ki vsebujejo petrolej, penetracijska olja in podobno kadarkoli prišli v stik s plastičnimi deli. Kemikalije lahko poškodujejo, oslabijo ali uničijo plastiko.

Mavčni prah in prah stenskih plošč je abraziven in lahko povzroči prezgodnjo okvaro izdelka, če vstopi v območje motorja. Temeljito očistite izdelek po uporabi s krtačko in sesalnikom. Pazite, da ne potisnete umazanije v odprtine za prezračevanje. Za čiščenje izdelka ne uporabljajte stisnjene zraka, ker lahko prah in pesek povzročita resne poškodbe oči.

MAZANJE

Vsi ležaji na napravi so namazani z dovolj kakovostnega maziva, tako da mazanje naprave ob normalni uporabi do konca življenjske dobe naprave ni več potrebno. Zato dodatno mazanje ni potrebno.

ZAŠČITA OKOLJA



Namesto, da napravo zavržete, reciklirajte surovine. Napravo, pribor in embalažo je treba sortirati za okolju prijazno recikliranje.

SIMBOLI NA IZDELKU



Varnostno opozorilo



Skladnost CE

n_o

Hitrost brez obremenitve

V

Volti



Enosmerni tok



EurAsian oznaka o skladnosti



Prosimo, da si pred zagonom naprave pazno preberete navodila



Ukrajinska oznaka za skladnost

001



Les - potopni in ravni rezi



Neželezne kovine - potopni in ravni rezi



Plastika - potopni in ravni rezi



Odpadne električne izdelke ne odlagajte skupaj z ostalimi gospodinjstvi odpadki. Reciklažo opravljajte na predpisanih mestih. Za nasvet se obrnite na lokalne oblasti.

SIMBOLI V PRIROČNIKU



Opomba



Deli ali dodatki so na prodaj ločeno



Odklenjeno



Zaklenjeno



Hitrost



Hitrost, največja

Sledeče signalne besede in pomeni naj bi pojasnili ravni tveganja, ki so povezane s tem izdelkom.

NEVARNOST

Označuje neizogibno nevarno stanje, ki lahko povzroči smrt ali hude poškodbe, če ga ne preprečite.

OPOZORILO

Označuje morebitno nevarno stanje, ki bi lahko povzročilo smrt ali hude poškodbe, če ga ne preprečite.

POZOR

Označuje morebitno nevarno stanje, ki lahko povzroči manjše ali zmerne poškodbe, če se ga ne preprečite.

POZOR

(Brez simbola Varnostni alarm) Označuje stanje, ki lahko privede do poškodovanja lastnine.

Na dosiahnutie jednoduchej obsluhy a prevádzky boli pri navrhovaní tohto multifunkčného nástroja najvyššou prioritou bezpečnosť, výkon a spoľahlivosť.

ÚČEL POUŽITIA

Tento multifunkčný nástroj je určený len na použitie dospelými osobami, ktoré si prečítali a porozumeli pokynom a výstrahám v tomto návode a možno ich považovať za zodpovedajúce za svoje činy.

Tento multifunkčný nástroj je určený na:

- na brúsenie a leštenie kovu, drevu, plastu alebo podobných materiálov pomocou pribalených brúsnych podložiek,
- na stieranie a prepíľovanie do neželezných kovov, dreva, plastov, sadrokartónu a pod. s použitím metalických rezacích ostrí,
- na rezanie otvorov do stien na prispôbenie spínačov alebo elektrických zásuviek,
- na odstraňovanie injekčáže medzi keramikými obkladačkami,

Tento multifunkčný nástroj je určený na použitie v interiéri v suchom, dobre osvetlenom a dostatočne vetranom prostredí.

Tento produkt nie je vhodný na použitie na mokrých materiáloch a povrchoch.

Tento produkt nepoužívajte žiadnym iným spôsobom, ako je uvedené v účele použitia.

VAROVANIE

Prečítajte si všetky výstrahy, pokyny, vyobrazenia a špecifikácie dodané k tomuto elektrickému nástroju. Pri nedodržaní týchto výstrah a pokynov môže dôjsť k úrazu elektrickým prúdom, požiaru a/alebo závažnému poraneniu

Odložte všetky výstrahy a pokyny pre budúce použitie.

MULTIFUNKČNÝ NÁSTROJ – BEZPEČNOSTNÉ VÝSTRAHY

- **Pri vykonávaní operácie, kedy môže rezacie príslušenstvo prísť do kontaktu so skrytým vedením, držte nástroj za izolované úchopné miesta.** Pri kontakte rezacieho príslušenstva so „živým“ vodičom by mohli byť obnažené kovové diely pod prúdom a spôsobiť obsluhujúcemu úder elektrickým prúdom.
- Pri práci so zariadením vždy používajte ochranné okuliare. Keď pri práci vzniká prach, používajte protiprachovú masku.

VAROVANIE

Prach z niektorých farieb, náterov a materiálov môže spôsobiť podráždenie alebo alergické reakcie dýchaciemu systému. Prach z dreva, napríklad, dubu, buku MDF a iných, je karcinogénny. Na materiáloch obsahujúcich azbest je povolené používať produkt len kvalifikovaných odborníkom.

VAROVANIE

Tento produkt sa nikdy nesmie pripájať do elektrickej siete, keď montujete diely, vykonávate úpravy, čistíte alebo vykonávate údržbu, alebo keď produkt nepoužívate. Odpojenie výrobku od zdroja napájania zabráni náhodnému spusteniu, ktoré by mohlo spôsobiť vážne poranenie.

- Pri práci na stenách, stropoch alebo dlážkach dávajte pozor, aby ste nezasiahli elektrické káble a plynové či vodovodné potrubie.

VAROVANIE

Metalické príslušenstvo sa pri práci zohreje na vysokú teplotu a mohlo by pri kontakte s obsluhujúcou osobou spôsobiť popálenie kože. Pri výmene príslušenstva používajte rukavice.

Pri pokladaní nástroja medzi operáciami buďte opatrní, aby nedošlo k poškodeniu alebo poraneniu.

- Nepoužívajte rezacie príslušenstvo, ktoré je poškodené, prasknuté alebo sa nedá pevne nasadiť do produktu.
- Pred vložení súpravy batérií skontrolujte, že poistný spínač nie je v zapnutej (ON) polohe.
- Výrobok vytvára vibrácie, ktoré spôsobujú pohyb príslušenstva. Vibrácie môžu pri dlhodobom používaní výrobku spôsobovať nepohodlie. Často si urobte prestávku, hlavne ak pociťujete nepohodlie v ruke, zápästí či prstoch. Vyberte nastavenie rýchlosti, ktoré vykoná prácu čo najúčinnejšie. Prečítajte si sekcia Zvyšková rizikovosť a Redukcia rizika, kde nájdete bližšie informácie o zraneniach spôsobených vibráciami.
- Upnite obrobok pomocou upínacieho zariadenia. Neupnuté obroby môžu spôsobiť závažné poranenie a škody. Nedržte brúsený materiál rukou.
- Ne uporabljajte večjega brusnega papirja, kot je potrebno. Tudi prevelik papir, ki sega preko brusne podloge, lahko povzroči resne poškodbe.
- Rozsah okolitej teploty počas prevádzkovania náradia je 0 °C až 40 °C.
- Rozsah okolitej teploty počas skladovania náradia je 0 °C až 40 °C.
- Odporúčaný rozsah okolitej teploty pre nabíjací systém počas nabíjania je 10 °C až 38 °C.

DOPLNKOVÉ BEZPEČNOSTNÉ VÝSTRAHY PRE BATÉRIU

⚠ VAROVANIE

Aby ste zabránili nebezpečenstvu požiaru spôsobeného skratom, poraneniam alebo poškodeniam výrobku, neponárajte náradie, výmennú batériu alebo nabíjačku do kvapalín a postarajte sa o to, aby do zariadení a akumulátorov nevnikli žiadne tekutiny. Korodujúce alebo vodivé kvapaliny, ako je slaná voda, určité chemikálie a bieliace prostriedky alebo výrobky, ktoré obsahujú bielidlo, môžu spôsobiť skrat.

- Rozsah okolitej teploty počas používania batérie je 0 °C až 40 °C.
- Rozsah okolitej teploty počas skladovania batérie je 0 °C až 20 °C.

PREPRAVA LÍTOVÝCH AKUMULÁTOROV

Akumulátor prepravujte v súlade s miestnymi smernicami a nariadeniami.

Keď akumulátory prepravuje tretia strana, dodržiavajte všetky požiadavky na balení a označení. Zabezpečte, aby počas prepravy akumulátory neprišli do kontaktu s inými akumulátormi ani vodivými materiálmi – chráňte obnažené konektory pomocou izolácie, nevodivými viečkami alebo páskou. Neprepravujte akumulátory, ktoré sú prasknuté alebo vytekajú. Ďalšie pokyny zistíte u nasledujúcej spoločnosti.

ZVYŠKOVÁ RIZIKOVOSŤ

Aj keď sa nástroj používa podľa predpisu, nie je možné eliminovať určité zvyškové rizikové faktory. Pri použití vznikajú nasledujúce riziká a obsluhujúca osoba musí venovať zvláštnu pozornosť, aby nedošlo k nasledovnému:

- Zranenie spôsobené prachom
 - Neustále používajte ochranu zraku.
 - Používajte dýchacie masky obsahujúce filtre vhodné pre obrábané materiály. Zabezpečte primerané vetranie pracoviska.
 - Na pracovisku nejedzte, nepite ani nefajčite.
- poranenie spôsobené hlukom a vibráciami
 - Noste ochranu sluchu.
 - Nepoužívajte produkt príliš dlhé časové obdobia. Pozrite časť "Znižovanie Rizika".
- Pri prezeraní elektrických káblov hrozí nebezpečenstvo usmrtenia elektrickým prúdom
 - Produkt vždy držte za určené rukoväte. Nedotýkajte sa rezných ostrí ani kovových častí produktu.

OBMEDZENIE RIZIKA

Boli hlásené prípady, kedy vibrácie z ručných nástrojov u niektorých osôb prispeli k stavu nazývanému Raynaudov syndróm. K symptómom patria: trpnutie, znecitlivenie a blednutie prstov, zvyčajne zjavné po vystavení zime. Je známe, že k vývoju týchto symptómov prispievajú: dedičné

faktory, vystavovanie zime a vlhkosti, diéta, fajčenie a pracovné návyky. Opatrenia, ktoré môže vykonať obsluhujúca osoba na možné zníženie účinkov vibrácií:

- V studenom počasí udržiavajte svoje telo v teple. Pri práci so zariadením noste rukavice, aby ste mali ruky a zápästia v teple. Boli hlásené prípady, kedy hlavným faktorom prispievajúcim k Raynaudovmu syndrómu bolo studené počasie.
- Po každom určitom časovom úseku prevádzky cvičte, aby ste zlepšili krvný obeh.
- Počas práce si doprajte časté prestávky. Obmedzte počet vystavení za deň.

Ak zistíte ktorýkoľvek zo symptómov tohto stavu, okamžite prerušte používanie zariadenia, navštívte svojho lekára a povedzte mu o symptómoch.

⚠ VAROVANIE

Dlhodobé používanie nástroja môže spôsobiť alebo zhoršiť poranenia. Pri používaní nástroja príliš dlhé obdobia si vždy doprajte pravidelné prestávky.

OBOZNÁMTE SA S VAŠÍM PRODUKTOM

Vid' strana 105.

1. LED
2. Poistná skrutka čepele
3. Ovládanie rýchlosti
4. Hlavný spínač
5. Poistný spínač
6. Rúčka, izolovaný povrch na uchopenie
7. Nôž na zapichovacie rezanie
8. Orezávací čepeľ
9. Brúsna podložka
10. Pieskový papier
11. Štrbina na uloženie adaptéra
12. Adaptér **
13. Šesťhranný kľúč
14. Otvor na akumulátor

*Kompatibilný s príslušenstvom BOSCH. BOSCH je registrovaná ochranná známka spoločnosti Robert Bosch GmbH.

**Kompatibilný s príslušenstvom DREMEL. DREMEL je registrovaná ochranná známka spoločnosti Robert Bosch Tool Corporation.

PREVÁDZKA

Produkt sa dodáva s extra adaptérom na použitie s príslušenstvom na rezanie, stieranie a brúsenie iných značiek. Adaptér možno otočiť na používanie s požadovanými značkami príslušenstva. Adaptér nepoužívajte s príslušenstvom RYOBI dodaným s náradím.

- Obrobky zaistíte svorkou, aby nedošlo k ich pohybu pri operáciách brúsenia alebo rezania. Nikdy nekladte ruku na obrobok. Môže dôjsť k neúmyselnému zošmyknutiu a následne k závažnému osobnému poraneniu.
- Pri vykonávaní zapichovacieho rezu do mäkkých materiálov ako drevo alebo drevotrieska s použitím

rezacieho príslušenstva postupne zavádzajte vibrujúce ostrie do obrobku. Netlačte príliš vibrujúce ostrie do materiálu, ktorý chcete rezať. Nechajte výrobok vykonávať činnosť a sústreďte sa na zachovanie stability výrobku a rezného náradia v polohe pre požadovaný rez.

- Pri rezaní do neželezných materiálov buďte veľmi opatrní. Vibrujúce rezné ostrie môže pred začatím rezu odkakávať nabok. Ak je to potrebné, pred rezaním vyvrtajte niekoľko otvorov pozdĺž línie rezania.
- Ak sa rezacie príslušenstvo zasekne v obrobku, vypnite produkt a odpojte ho z elektrickej siete. Ak rezacie príslušenstvo nemožno ľahko odstrániť, predtým, ako uvoľníte rezacie príslušenstvo z produktu, nechajte ho dostatočne vychladnúť. Pri odstraňovaní rezacieho príslušenstva z obrobku používajte rukavice a použite ručný nástroj ako kliešte a francúzsky kľúč.

OCHRANA PRED NADPRÚDOM

Pri zistení nadprúdu sa výrobok automaticky vypne.

Ak výrobok prestane fungovať, uvoľníte vypínač a následne ho znova stlačíte. Výrobok by sa mal znova začať fungovať.

ÚDRŽBA

VAROVANIE

Tento produkt sa nikdy nesmie pripájať do elektrickej siete, keď montujete diely, vykonávate úpravy, čistíte alebo vykonávate údržbu, alebo keď produkt nepoužívate. Odpojením produktu zabránite náhodnému spusteniu, ktoré by mohlo spôsobiť závažné poranenie.

- Pri servise používajte len originálne náhradné diely výrobcu. Použitie iných dielov môže predstavovať riziko alebo spôsobiť poškodenie produktu.

VAROVANIE

Pre vyššiu bezpečnosť a spoľahlivosť sa musia všetky opravy vykonávať v autorizovanom servisnom centre RYOBI.

VŠEOBECNÉ

Vyhýbajte sa použitiu rozpúšťadiel pri čistení plastových častí. Veľšina plastických materiálov je občutlivá na različne vrste komerčially dostupných topil in jih z njihovo uporabo lahko poškodujemo. Na odstránenie špiny, uhľikového prachu a pod. použite čisté tkaniny.

VAROVANIE

Dbajte na to, aby do kontaktu s plastovými dielmi nikdy neprišli do kontaktu brzdové kvapaliny, benzín, ropné produkty, prenikavé oleje a pod. Chemikálie môžu poškodiť, oslabiť či zničiť plast.

Prach zo sadrokartónu a stenových dosiek je abrazívny a môže spôsobiť predčasnú poruchu produktu, pokiaľ prenikne do priestoru motora. Produkt po použití dôkladne vyčistite pomocou kefy a vysávača. Dávajte pozor, aby

ste nezatlačili nečistoty do vetracích otvorov. Na čistenie produktu nepoužívajte stlačený vzduch, lebo prach a štrk môže spôsobiť závažné poranenie zraku.

MAZANIE

Všetky ložiská v produkte sú namazané dostatočným množstvom mazivom vysokej akosti na celú životnosť produktu pri bežných prevádzkových podmienkach. Preto nie je potrebné žiadne ďalšie mazanie.

OCHRANA ŽIVOTNÉHO PROSTREDIA



Surové materiály recyklujte, nelikvidujte ich ako odpad. Stroj, príslušenstvo a obaly by sa mali triedene recyklovať spôsobom šetrným k životnému prostrediu.

SYMBOLY NA PRODUKTE



Buďte ostražití



Zhoda CE



Otáčky bez zaťaženia



Napätie



Jednosmerný prúd



Euroázijská značka zhody



Pred zapnutím zariadenia si prosím prečítajte inštrukcie



Ukrajinské označenie zhody

001



Drvo – zapichovacie a zapustené rezanie



Nekovový materiál – zapichovacie a zapustené rezanie



Plasty – zapichovacie a zapustené rezanie



Opotrebované elektrické zariadenia by ste nemali odhadzovať do domového odpadu. Prosíme o recykláciu ak je možné. Kontaktujte miestne úrady, alebo predajcu pre viac informácií ohľadom ekologického spracovania.

SYMBOLY V NÁVODE



Poznámka



Diely alebo príslušenstvo predávané samostatne



Odomknuté



Zamknuté



Rýchlosť, min.



Rýchlosť, max.

Nasledujúce značky a významy vysvetľujú úroveň rizika spojeným s výrobkom.



NEBEZPEČENSTVO

Označuje bezprostredne nebezpečnú situáciu, ktorá, ak jej nepredídete, spôsobí usmrtenie alebo vážne poranenie.



VAROVANIE

Označuje potenciálne nebezpečnú situáciu, ktorá, ak jej nepredídete, môže spôsobiť usmrtenie alebo vážne poranenie.



UPOZORNENIE

Označuje potenciálne nebezpečnú situáciu, ktorá, ak jej nepredídete, môže spôsobiť menšie alebo stredne závažné poranenie.

UPOZORNENIE

(Bez výstražnej značky s výkričníkom) Označuje situáciu, ktorá môže zapríčiniť škody na majetku.



Безопасността, работните характеристики и надеждността са аспектите, на които е отделен най-голям приоритет при проектирането на вашия мулти-инструмент.

ПРЕДНАЗНАЧЕНИЕ

Мулти-инструментът е предназначен за използване само от възрастни, които са прочели и разбрали указанията и предупрежденията в настоящото ръководство и могат да се считат отговорни за действията си.

Изделието е предназначено да се използва:

- за шлифване и окончателно обработване на метал, дърво, пластмаси или подобни материали, чрез използване на шлифовъчна подложка с предоставените оформени шлифовъчни листове
- за шаброване и обработване чрез връзване в цветни метали, дърво, пластмаси, гипсокартон и т.н. с помощта на предоставените метални режещи остриета
- за рязане на отвори в стени за поставяне на електрически ключове или контакти
- за премахване на материал от fugи между керамични плочки

Изделието е предназначено за работа на закрито при сухи, добре осветени и съответно вентилирани условия.

Изделието не е предназначено да се използва върху влажни материали или повърхности.

Не използвайте продукта по начини, различни от посочените.

⚠ ПРЕДУПРЕЖДЕНИЕ

Прочетете всички предупреждения за безопасност инструкции, илюстрации и спецификации, предоставени с този електрически инструмент. Неспазването на инструкциите, изброени по-долу, може да доведе до електрически удар, пожар и/или тежки физически травми.

Съхранявайте всички предупреждения и инструкции за бъдещи справки.

ПРЕДУПРЕЖДЕНИЯ ЗА БЕЗОПАСНОСТ ПРИ РАБОТА С МНОЖЕСТВО ИНСТРУМЕНТИ

- **Дръжте електрическия инструмент за изолираните повърхности за хващане, когато извършвате операция, при която режещият аксесоар може да влезе в контакт със скрити проводници.** Режещ аксесоар, който влезе в контакт с проводник, по който тече ток, може да доведе до протичането на ток по неизолираните метални части на електрическия инструмент и да причини токов удар на оператора.
- Винаги носете предпазни очила при използването на машината. Носете противопрахова маска, когато се образува прах.

⚠ ПРЕДУПРЕЖДЕНИЕ

Прахът от определени бои, покрития и материали може да причини дразнене или алергични реакции. Прахът от дървесина, напр. дъб, бук, MDF и др., е канцероген. Само на квалифицирани специалисти трябва да бъде разрешено да използват изделия от материали, съдържащи азбест.

⚠ ПРЕДУПРЕЖДЕНИЕ

Продуктът не трябва никога да се включва в захранване, когато сглобявате части, правите настройки, почиствате, извършвате поддръжка или когато не го използвате. Изключването на продукта от захранването ще предотврати случайно стартиране, което би могло да причини сериозни наранявания.

- Когато работите в стени, тавани или подове, избягвайте засягането на електрически кабели, газови и водни тръби.

⚠ ПРЕДУПРЕЖДЕНИЕ

Металните принадлежности ще се нагорещат по време на използване, което може да доведе до изгаряния по кожата, ако бъдат докоснати от оператора. Носете ръкавици, когато сменяте принадлежностите.

Внимавайте, когато оставяте инструмента на пода между операциите, за да предотвратите повреда или нараняване.

- Не използвайте принадлежности за рязане, които са повредени, напукани или не пасват плътно към изделието.
- Уверете се, че фиксаторът на превключвателя не е във включено положение, преди да поставите акумулаторната батерия.
- Изделието създава вибрации, които движат принадлежността. Възможно е вибрациите да причинят дискомфорт, ако изделието се експлоатира в продължение на дълги периоди от време. Често си правете почивки, особено ако почувствате дискомфорт в ръката, китката или пръстите. Изберете настройка на скоростта, чрез която ефективно ще свършите работата. Прочетете разделите Остатъчните рискове и Намаляване на риска за повече информация относно наранявания, свързани с вибрации.
- Закрепете работния детайл с устройство за захващане. Незакрепени обработвани детайли могат да причинят сериозно нараняване или щети. Не дръжте материала, който шлифовате, с ръка.
- Не използвайте шкурка, по-голяма от необходимото. Шкурка, която излиза извън шлифовъчната подложка, може да причини сериозни разкъсвания.
- Диапазонът на околната температура при работа с инструмента е между 0°C и 40°C.



- Диапазонът на околната температура при съхранение на инструмента е между 0°C и 40°C.
- Препоръчителният диапазон на околната температура при зареждане със зарядната система е между 10°C и 38°C.

ДОПЪЛНИТЕЛНИ ПРЕДУПРЕЖДЕНИЯ ЗА БЕЗОПАСНОСТ ЗА БАТЕРИЯТА

⚠ ПРЕДУПРЕЖДЕНИЕ

За да избегнете опасността от пожар, предизвикана от късо съединение, както и нараняванията и повредите на продукта, не потапяйте инструмента, сменяемата акумулаторна батерия или зарядното устройство в течности и се погрижете в уредите и акумулаторните батерии да не попадат течности. Течностите, предизвикващи корозия или провеждащи електричество, като солена вода, определени химикали, избелващи вещества или продукти, съдържащи избелващи вещества, могат да предизвикат късо съединение.

- Диапазонът на околната температура при използване на батерията е между 0°C и 40°C.
- Диапазонът на околната температура при съхранение на батерията е между 0°C и 20°C.

ТРАНСПОРТИРАНЕ НА ЛИТИЕВИ БАТЕРИИ

Транспортирайте батериите в съответствие с местните и национални постановления и разпоредби.

Спазвайте всички специални изисквания за пакетиране и етикетирание, когато транспортирате батерии чрез трето лице. Уверете се, че батериите не влизат в контакт с други батерии или проводими материали по време на транспортиране, като предпазите откритите конектори с изолация, непроводими капачета или лента. Не транспортирайте батерии, които са спукани или текат. Свържете се със следната компания за допълнителен съвет.

НЕПРЕДВИДЕНИ РИСКОВЕ

Дори когато продуктът се използва по предназначение, е невъзможно напълно да се ограничи влиянието на определени рискови фактори. Могат да възникнат следните опасности и операторът трябва да обърне особено внимание, за да ги избегне:

- Наранявания, причинени от прах
 - По всяко време носете защитни средства за очите.
 - Носете маски за защита на дихателните пътища, които съдържат филтри, подходящи за материалите, които ще бъдат обработвани. Осигурете подходяща вентилация на работното място.
 - Не употребявайте храни, напитки или цигари в зоната на работа.
- Наранявания, причинени от шум и вибрации
 - Носете антифони

– Не работете с продукта за продължителни периоди от време. Вижте „Намаляване на риска“.

- Съществува риск от токов удар, ако бъдат срязани електрически кабели

– Винаги дръжте изделието за определените дръжки. Не докосвайте режещите остриета и металните части на изделието.

НАМАЛЯВАНЕ НА РИСКА

Известно е, че вибрациите, произвеждани от ръчни инструменти може да предизвикат у някои индивиди заболяване, наречено Синдром на Рейнолд (Raynaud's Syndrome). Симптомите може да включват изтръпване, схващане и избледняване на пръстите, обикновено се забелязват при излагане на студ. Смята се, че наследствените фактори, излагането на студ и влага, диетите, пушенето и някои работни навици допринасят за развитието на тези симптоми. Могат да се вземат някои мерки, които могат да се предприемат от оператора, за да се намалят ефектите от вибрациите:

- Поддържайте телесната температура в студено време. Когато работите с продукта, носете ръкавици, за да поддържате ръцете и китките си топли. Според изследванията главният фактор, допринасящ за развитието на Raynaud's Syndrome, е студеното време.
- Правете упражнения за активизиране на кръвообращението след всеки работен цикъл.
- Редовно излизайте в почивка. Ограничете излагането на вибрации на ден.

При поява на някой от симптомите на това заболяване, незабавно прекратете употребата на инструмента и посетете лекар.

⚠ ПРЕДУПРЕЖДЕНИЕ

Продължителното използване на инструмента може да доведе до наранявания или влошаване. При използване на инструмента за продължителни периоди от време правете чести почивки.

ОПОЗНАЙТЕ ВАШИЯ ПРОДУКТ

Вж. страница 105.

1. LED светлини
2. Фиксиращ винт на циркулярния диск
3. Управление на скоростта
4. Превключвател ПУСКАНЕ/СПИРАНЕ
5. Заклучване на превключвателя
6. Ръкохватка, изолирана повърхност за захващане
7. Острие за обработване чрез връзване
8. Острие за рязане наравно
9. Шлифовъчна подложка
10. Шкурка
11. Слот за съхранение на адаптера
12. Адаптер */ **
13. Ключ шестограм
14. Гнездо за батерията



*Съвместимо с аксесоари от BOSCH. BOSCH е регистрирана търговска марка на Robert Bosch GmbH.

**Съвместимо с аксесоари от DREMEL. DREMEL е търговска марка Robert Bosch Tool Corporation.

РАБОТА

Изделието се доставя с допълнителен адаптер за използване с други марки принадлежности за рязане, шаброване и шлифоване. Адаптерът може да бъде преобърнат за използване с желаните марки принадлежности. Не използвайте адаптера с принадлежностите на RYOBI, доставяни с вашия инструмент.

- Закрепете със скоба детайли, които могат да се движат, за да избегнете движение по време на дейности по шлифоването или рязане. Не дръжте детайла с ръка. Едно невнимателно приплъзване при експлоатация на изделието може да причини тежка телесна повреда.
- При обработване чрез връзване в меки материали, като например дърво или гипскартон с помощта на приспособлението за рязане, постепенно подавайте вибриращото острие към детайла. Не натискайте силно вибриращото острие в материала, който трябва да бъде отрязан. Оставете изделието да свърши работата и се концентрирайте върху това да поддържате изделието и принадлежността за рязане стабилно в позицията, в която искате да направите среза.
- Внимавайте много при рязане на цветни метали. Вибриращото режещо острие може да се плъзне преди започване на рязането. Ако е необходимо, пробийте няколко отвора по линията на желания срез, преди да започнете да режете.
- Ако принадлежностите за рязане се заклинят в детайла, изключете изделието и го разединете от електрическото захранване. Ако принадлежността за рязане не може да бъде отстранена лесно, я оставете да се охлади добре, преди да я освободите от изделието. Носете ръкавици и използвайте ръчни инструменти като клещи или гаечен ключ, за да извадите принадлежността за рязане от детайла.

ЗАЩИТА СРЕЩУ СВРЪХТОК

При откриване на наличие на свръхток инструментът ще се изключи автоматично.

Ако инструментът спре да работи, освободете спусъка, а след това го натиснете отново. Инструментът би трябвало отново да заработи.

ПОДДРЪЖКА

⚠ ПРЕДУПРЕЖДЕНИЕ

Продуктът не трябва никога да се включва в захранване, когато сглобявате части, правите настройки, почиствате, извършвате поддръжка или когато не го използвате. Изключването на продукта от захранването ще предотврати случайно стартиране, което би могло да причини сериозни наранявания.

- При извършване на сервизни дейности използвайте само оригинални резервни части от производителя. Използването на други части може да ви постави в опасност или да повреди продукта.

⚠ ПРЕДУПРЕЖДЕНИЕ

За по-голяма безопасност и надеждност всички ремонти трябва да се извършват от оторизиран сервиз на RYOBI.

ОБЩА ИНФОРМАЦИЯ

Избягвайте използването на разтворители при почистването на пластмасовите части. Повечето пластмаси са чувствителни към различни видове разтворители и може да се повредят при използването на такива. Използвайте меки кърпи за отстраняване на замърсявания, въглероден прах и др.

⚠ ПРЕДУПРЕЖДЕНИЕ

В никакъв случай не позволявайте пластмасовите части да влизат в контакт със спирачни течности, нефтени продукти, проникващи масла и т.н. Те съдържат химически вещества, които могат да повредят, отслабят или разрушат пластмасата.


Прахът от мазилка и стенна замазка е абразивен и може да предизвика преждевременна повреда на изделието, ако навлезе в зоната на електродвигателя. След използване старателно почиствайте изделието с помощта на четка и вакуум. Внимавайте да не вкарате мръсотия във вентилационните отвори. Избягвайте използването на състен въздух за почистване на изделието, защото прах и пясъчинки могат да предизвикат сериозни очни наранявания.

СМАЗВАНЕ

Всички лагери в този продукт за смазани с достатъчно количество висококачествено масло, което трябва да стигне за целия експлоатационен живот на инструмента при нормални работни условия. Затова не е необходимо допълнително смазване.




ОПАЗВАНЕ НА ОКОЛНАТА СРЕДА


 Рециклиране на суровини, вместо за обезвреждане като отпадък. Машината, допълнителните приспособления и опаковките трябва да бъдат подложени на подходяща преработка за оползотворяване на съдържащите се в тях вторични суровини.

СИМВОЛИ НА ПРОДУКТА


 Предупреждение относно безопасността


 CE съответствие


 n_0 Скорост на празен ход


 V Напрежение


 Постоянен ток


 EurAsian знак за съответствие


 Прочетете инструкциите внимателно, преди да стартирате машината.

 Украински знак за съответствие
001


 Дърво - срезове чрез връзване и наравно


 Цветен метал - срезове чрез връзване и наравно

 Пластмаса - срезове чрез връзване и наравно

 Електрическите уреди не трябва да се изхвърлят заедно с битовите отпадъци. Рециклирайте, където има възможност. Обърнете се за съвет по рециклирането към местните власти или разпространителите.

СИМВОЛИ В НАСТОЯЩОТО РЪКОВОДСТВО

 Забележка

 Частите или принадлежностите се продават отделно

 Отключване

 Ключалка

 Скорост, минимална

 Скорост, максимална

Следните сигнални думи и техните съответни значения обясняват нивата на опасност, свързани с употребата на този продукт:

 **ОПАСНОСТ**

Указва неминуемо опасна ситуация, която ако не бъде избегната, ще доведе до сериозни наранявания или смърт.

 **ПРЕДУПРЕЖДЕНИЕ**

Указва потенциално опасна ситуация, която ако не бъде избегната, може да доведе до сериозни наранявания или смърт.

 **ВНИМАНИЕ**

Указва потенциално опасна ситуация, която ако не бъде избегната, може да доведе до дребни или средни наранявания.

ВНИМАНИЕ

(Без предупредителен символ за безопасност) Указва ситуация, която може да доведе до имуществени щети.

Безпеці, продуктивності і надійності наданий вищий пріоритет в дизайні вашого мультіінструменту.

ПРИЗНАЧЕННЯ

Цей мультіінструмент призначений для використання тільки дорослими, які читали і зрозуміли інструкції та попередження в цьому посібнику і можуть вважатися відповідальними за свої дії.

Мультіінструмент призначений для використання:

- для шліфування та полірування металу, дерева, пластика, або подібних матеріалів, використовуючи шліфувальну насадку з наданими профільованими абразивними листами
- для вискоблювання і врізання в кольорові метали, дерево, пластик, гіпсокартон і т.д., використовуючи надані металеві ріжучі леза
- для вирізання отворів у стінах для розміщення перемикачів або розеток
- для видалення затірки між керамічною плиткою

Мультіінструмент призначений для роботи в закритому приміщенні у сухих, добре освітлених і адекватно вентильованих умовах.

Продукт не призначений для використання на вологих матеріалах та / або поверхнях.

Для довбання та свердлення кам'яної кладки, може бути використаний режим молотка.

⚠ ПОПЕРЕДЖЕННЯ

Прочитайте всі правила безпеки, інструкції, ілюстрації і специфікації, що поставляються з електроінструментом. Недотримання всіх зазначених інструкцій може призвести до ураження електричним струмом, пожежі та/або серйозних травм.

Збережіть всі інструкції і вказівки для майбутнього використання.

ПОПЕРЕДЖЕННЯ З БЕЗПЕКИ МУЛЬТІІНСТРУМЕНТА

- **Тримайте електроінструмент за ізольовані поверхні при виконанні дій, при яких ріжуче приладдя можуть контактувати з прихованою проводкою.** Ріжучі приладдя при контакті з проводом під напругою можуть зробити незахищені металеві частини електроінструменту під напругою і можуть вдарити оператора електричним струмом.
- Завжди надягайте захисні окуляри при роботі з інструментом. Носіть маску від пилу, коли пил утворюється.

⚠ ПОПЕРЕДЖЕННЯ

Пил від певних фарб, покриттів та матеріалів може викликати подразнення або алергічні реакції. Пил від дерев, таких як дуб, бук, МДФ та інших подібних матеріалів може бути канцерогенним. Тільки кваліфіковані фахівці повинні мати можливість використовувати продукт на матеріалах, що містять азбест.

⚠ ПОПЕРЕДЖЕННЯ

Продукт не повинен бути підключений до джерела живлення при складанні деталей, регулюванні, чищенні, проведенні технічного обслуговування або коли продукт не використовується. Від'єднання пристрою від мережі живлення унеможливіє випадковий запуск пристрою, який може стати причиною серйозного травмування.

- При роботі на стінах, стелі, або підлозі, дбайте про уникнення електричних кабелів і газових або водопровідних труб.

⚠ ПОПЕРЕДЖЕННЯ

Металеве приладдя буде нагріватися під час використання і може привести до опіків шкіри при контакті з оператором. Одягайте рукавички при зміні приладдя.

Будьте обережні, налагоджуючи інструмент між операціями, щоб запобігти отриманню пошкодження або травми.

- Не використовуйте ріжуче приладдя, яке пошкоджене, потріскане або не пристосовується надійно до продукту.
- Перш ніж вставляти акумуляторну батарею, переконайтеся, що перемикач блокування не перебуває у положенні вмик.
- Пристрій створює вібрації, які переміщують приладдя. Ці вібрації можуть викликати дискомфорт, якщо пристрій працює протягом тривалого часу. Частіше відпочивайте, особливо, якщо ви відчуваєте дискомфорт в руці, зап'ясті або пальцях. Виберіть настройку швидкості, що буде ефективно виконувати роботу. Читайте розділи "Залишкові ризики" та "Зниження ризику" для отримання більш докладної інформації про травми, пов'язані з вібрацією.
- Затисніть заготовку за допомогою затискного пристрою. Незатиснені заготовки можуть привести до серйозних травм і пошкоджень. Не тримайте матеріал, який ви шліфуйте вручну.
- Не використовуйте шліфувальний папір більший, ніж потрібно. Зайвий папер, виходить за рамки шліфувального диску також може викликати серйозні рвані рани.
- Діапазон температури навколишнього середовища для пристрою під час використання від 0°C до 40°C.

- Діапазон температури навколишнього середовища для пристрою під час зберігання від 0°C до 40°C.
- Рекомендований діапазон температури зовнішнього середовища для системи заряджання під час заряджання між 10°C та 38°C.

ТЕХНІКА БЕЗПЕКИ ПРИ ЕКСПЛУАТАЦІЇ АКУМУЛЯТОРНОЇ БАТАРЕЇ

⚠ ПОПЕРЕДЖЕННЯ

Для запобігання небезпеці пожежі в результаті короткого замикання, травм і пошкодженню виробів не занурюйте інструмент, змінний акумулятор або зарядний пристрій у рідину і не допускайте потрапляння рідини всередину пристроїв або акумуляторів. Корозійні і струмопровідні рідини, такі як солоний розчин, певні хімікати, вибілювальні засоби або продукти, що їх містять, можуть призвести до короткого замикання.

- Діапазон температури навколишнього середовища для акумулятора під час використання між 0°C та 40°C.
- Діапазон температур зовнішнього середовища під час зберігання акумулятора між 0°C та 20°C.

ТРАНСПОРТУВАННЯ ЛІТІСВИХ БАТАРЕЙ

Транспортуйте батарею відповідно до місцевих та національних положень та правил.

Дотримуйтеся усіх спеціальних вимог щодо пакування та маркування при транспортуванні батареї третьою стороною. Переконайтеся, що батареї не можуть вступати в контакт з іншими батареями або провідними матеріалами при транспортуванні, захищаючи відкриті роз'єми ізоляційними непереводячими кришками або стрічкою. Не перевозити батареї, які мають тріщини або протечки. Консультуйтеся з експедиторською компанією для подальших консультацій.

ЗАЛИШКОВІ РИЗИКИ

Навіть коли продукт використовується як написано, залишається неможливим повністю усунути деякі залишкові чинники ризику. Наступні небезпеки можуть виникнути і оператор повинен звернути особливу увагу, щоб уникнути наступного:

- Травми, викликані пилом.
 - Увесь час носить захист для очей.
 - Носить респіраторні захисні маски, що містять фільтри, відповідні до обробляємих матеріалів. Забезпечте достатню вентиляцію на робочому місці.
 - Не їжте, не пийте і не паліть в робочій зоні.
- пошкодження, викликані шумом і вібрацією
 - Носить захист слуху
 - Не використовуйте продукт протягом тривалого періоду часу. Дивіться «ЗНИЖЕННЯ РИЗИКУ».

- Небезпека ураження електрострумом при розрізанні електричних кабелів.
 - Завжди тримайте виріб за позначені ручки. Не торкайтеся леза або металевих частин продукту.

ЗНИЖЕННЯ РИЗИКУ

Повідомлялося, що вібрації від ручних інструментів у певних осіб можуть сприяти стану, який називається синдромом Рейно. Симптоми можуть включати поколювання, оніміння і збліднення пальців, як правило, очевидні при впливі холоду. Спадкові фактори, вплив холоду і вогкості, дієта, куріння і робоча практика, всі ці чинники роблять свій внесок у розвиток цих симптомів. Ці заходи можуть бути прийняті оператором, щоб можливо зменшити вплив вібрації:

- Тримайте тіло в теплі в холодну погоду. При експлуатації приладу, одягайте рукавички, щоб тримати руки і зап'ястя у теплі. Повідомлялося, що холодна погода є основним чинником, що сприяє синдрому Рейно.
- Після кожного періоду роботи, здійснійте вправи для підвищення кровообігу.
- Робіть часті перерви в роботі. Зробіть обмеження кількості впливу на день.

Якщо ви відчуваєте будь-які з симптомів цього стану, негайно припиніть використання і зверніться до лікаря з ціми симптомами.

⚠ ПОПЕРЕДЖЕННЯ

Тривале використання інструменту може викликати або посилити травми. При використанні інструменту протягом тривалого періоду, робіть регулярні перерви.

ЗНАЙТЕ СВІЙ ПРОДУКТ

Див. стор. 105.

1. СВД світло
2. Гвинт для кріплення леза
3. Контроль швидкості
4. Перемикач включення/вимикання
5. Зафіксуйте перемикач
6. Ручка, ізольована поверхня для утримання
7. Полотно для врізання
8. Пилкове полотно
9. Шліфувальна насадка
10. Наждачний папір
11. Слот для зберігання адаптера
12. Адаптер */**
13. Пальцева прокладка
14. Гніздо для акумулятора

*Сумісний із BOSCH аксесуарами. BOSCH є зареєстрованим товарним знаком Robert Bosch GmbH.

**Сумісний із DREMEL аксесуарами. DREMEL є торговою маркою Robert Bosch Tool Corporation.

ФУНКЦІОНУВАННЯ

Продукт поставляється з додатковим адаптером для використання з іншими брендами приладдя для різання, вискоблювання, і шліфування. Адаптер може бути використаний з потрібними марками аксесуарів. Не використовуйте адаптер з аксесуарами RYOBI, що постачаються разом з інструментом.

- Зафіксуйте заготовки затискачем, щоб запобігти руху під час шліфування або різання. Не тримайте заготовку вручну. Випадкове ковзання під час роботи з виробом може призвести до серйозних травм.
- Під час врізання у м'які матеріали, такі як дерево і гіпсокартон, використовуючи ріжучий інструмент, поступово підносьте вібруюче лезо до заготівлі. Не штовхайте сильно вібруюче лезо в оброблюваний матеріал. Під час різання слідкуйте, щоб пристрій та ріжуче приладдя було закріплене у потрібному положенні.
- Будьте особливо обережні при різанні кольорових металів. Вібруюче ріжуче лезо може прокрутитися навколо, перш ніж почати різати. При необхідності, перш ніж почати різання, слід просвердлити кілька отворів уздовж лінії різання.
- Якщо ріжуче приладдя застрягло у заготівлі, вимкніть виріб і від'єднайте від джерела живлення. Якщо ріжуче приладдя не може бути легко видалено, дозвольте ріжучому приладдю адекватно охолонути перед видаленням ріжучого інструменту з продукту. Одягайте рукавички і використовуйте ручні інструменти, такі як кліщі і гайковий ключ, щоб видалити ріжуче приладдя з заготовки.

ЗАХИСТ ВІД ПЕРЕВАНТАЖЕННЯ ЗА СТРУМОМ

При виявленні перевантаження за струмом, прилад автоматично вимкнеться.

Якщо прилад перестає працювати, відпустіть курок, а потім натисніть знову. Прилад має знову почати працювати.

ОБСЛУГОВУВАННЯ

⚠ ПОПЕРЕДЖЕННЯ

Продукт не повинен бути підключений до джерела живлення, коли ви збираєте деталі, регулюєте, чистите, проводите технічне обслуговування або коли продукт не використовується. Відключення продукту допоможе уникнути випадкового запуску, який може призвести до серйозних травм.

- При обслуговуванні використовуйте тільки оригінальні запасні частини виробника. Використання будь-яких інших деталей може створити небезпеку або спричинити пошкодження продукту.

⚠ ПОПЕРЕДЖЕННЯ

Для більшої безпеки і надійності, всі ремонтні роботи повинні виконуватися уповноваженим RYOBI сервісним центром.

ЗАГАЛЬНІ

Не використовуйте розчинники для очищення пластмасових деталей. Більшість пластмас вразливі до різних видів комерційних розчинників і може бути пошкоджена їх використанням. Використовуйте чисті ганчірки для видалення бруду і вугільного пилу.

⚠ ПОПЕРЕДЖЕННЯ

Ніколи не дозволяйте гальмівній рідині, бензину, продуктам на основі нафти, і проникаючим маслам вступати в контакт з пластиковими деталями. Вони містять хімічні речовини, які можуть зашкодити, послабити або знищити пластик.

Пил від штукатурки і стінної дошки абразивний і може призвести до передчасного виходу виробу з ладу, якщо дозволити його попадання в зону двигуна. Ретельно очистіть продукт після використання за допомогою щітки і пилососу. Дбайте, щоб не штовхнути бруд у вентиляційні отвори. Будьте обережні, використовуючи стиснене повітря для очистки продукту, тому що пил і пісок можуть призвести до серйозних травм очей.

ЗМАЦУВАННЯ

Всі підшипники в продукті змащені достатньою кількістю високоякісного мастила для всього терміну служби продукту при нормальних умовах експлуатації. Таким чином, додаткове змащення не потрібно.

ЗАХИСТ НАВКОЛИШНЬОГО СЕРЕДОВИЩА



Переробляйте сировину замість утилізації в якості відходів. Машини, обладнання та упаковки повинні бути відсортовані для дружньої для навколишнього середовища утилізації.

СИМВОЛИ НА ПРОДУКТІ



Попередження безпеки



CE відповідність



Швидкість без навантаження



Вольти



Постійний струм



Євразійський знак відповідності



Будь ласка, уважно прочитайте інструкцію перед запуском продукту.



Український знак відповідності



Деревина - різи погрузні та урівень



Кольорові метали - різи погрузні та урівень



Пластик - різи погрузні та урівень



Відходи електротехнічної продукції не слід викидати разом із побутовими відходами. Будь ласка, переробляйте там, де наявне устаткування. Перевірте з вашим місцевим органом влади або продавцем для консультацій з приводу переробки.

СИМВОЛИ В ЦІЄІ ІНСТРУКЦІЇ З ЕКСПЛУАТАЦІЇ



Примітка



Запасні деталі або принадлежности продаються окремо



Розблокувати



Блокувати



Швидкість, мінімальна



Швидкість, максимальна

Нижчезказані попереджальні слова та символи пояснюють рівень ризику при роботі з цим приладом.

НЕБЕЗПЕКА

Вказує на неминуче небезпечну ситуацію, яка, якщо її не уникнути, може призвести до смерті або серйозних травм.

ПОПЕРЕДЖЕННЯ

Вказує на потенційно небезпечну ситуацію, яка, якщо її не уникнути, може призвести до смерті або серйозних травм.

УВАГА

Вказує на потенційно небезпечну ситуацію, яка, якщо її не уникнути, може призвести до середньої або легкої травми.

УВАГА

(Без Символу попередження про небезпеку) Вказує на ситуацію, яка може привести до матеріальних збитків.

Bu çok amaçlı alet tasarlanırken temel öncelik güvenlik, performans ve güvenilirlik özelliklerine verilmiştir.

KULLANIM AMACI

Bu çok amaçlı aletin sadece, bu kılavuzdaki talimatları ve uyarıları okumuş ve anlamış ve eylemlerinden sorumlu tutulabilecek yetişkinler tarafından kullanılması amaçlanmaktadır.

Çok amaçlı aletin kullanım amacı:

- Ürünle birlikte verilen şekilli zımpara kağıtlarıyla birlikte zımpara diskini kullanarak metal, ahşap, plastik veya benzer malzemeleri zımparalama ve perdahlama
- Ürünle birlikte verilen metal kesim bıçaklarını kullanarak demir olmayan metal, ahşap, plastik, alçı panel vb. kazıma ve daldırma kesim
- Anahtarları ve elektrik prizlerini yerleştirmek için duvarlarda delik açma
- Seramik fayanslar arasındaki derzleri çıkarma

Çok amaçlı alet, kuru, iyi aydınlatmalı ve uygun şekilde havalandırılan iç mekanda kullanıma yöneliktir.

Ürün, ıslak materyaller ve yüzeyler üzerinde kullanılmak üzere üretilmemiştir.

Bu ürünü belirtilen kullanım amacı dışında herhangi bir amaçla kullanmayın.

⚠ UYARI

Bu aletle birlikte verilen tüm uyarı, talimat ve özellikleri dikkatlice okuyunuz ve resimli açıklamalara bakınız. Aşağıda belirtilen talimatlara uyulmaması, yangın, elektrik çarpması ve/veya ciddi bedensel yaralanmalar gibi kazalar sebep olabilir.

Tüm uyarıları ve talimatları daha sonra başvurmak üzere saklayın.

ÇOK AMAÇLI ALET GÜVENLİK UYARILARI

- Kesici aksesuarlar gizli kablo tesisatını kesebileceği için, matkapla çalışırken izolasyonlu tutma yüzeylerinden tutun. Kesici aksesuarın elektrik geçen kabloyla temas etmesi, elektrikli aletin metal parçalarının elektrikle yüklenmesine ve kullanıcının elektrığe çarpmasına neden olabilir.
- Aleti kullanırken her zaman güvenlik gözlükleri takın. Toz çıktığında bir toz maskesi takın.

⚠ UYARI

Belirli boyalardan, kaplamalardan veya materyallerden kaynaklanan toz solunum sisteminde tahrişe veya alerjik reaksiyona neden olabilir. Meşe, kayın, MDF ve diğer ağaçlar gibi ahşaptan kaynaklanan toz kanserojendir. Ürün, asbest içeren materyaller üzerinde sadece kalifiye uzmanlar tarafından kullanılmalıdır.

⚠ UYARI

Parçaları takarken, ayarlama yaparken, temizlerken, bakım yaparken veya kullanımda değilken ürünün elektrik bağlantısı kesilmelidir. Aleti güç kaynağından çıkartmak, ciddi yaralanmalara yol açabilecek kazara çalıştırmayı önler.

- Duvar, tavan veya zemin üzerinde çalışırken elektrik kablolarından ve gaz veya su borularından uzak durmaya dikkat edin.

⚠ UYARI

Metal aksesuarlar kullanım sırasında ısınır ve operatörün temas etmesi durumunda cilt yanıklarına neden olabilir. Aksesuarları değiştirirken eldiven giyin.

Hasarı veya yaralanmayı önlemek için çalışmalar arasında yere koyarken dikkat edin.

- Hasarlı, çatlak veya ürüne sıkıca oturmeyen kesme aksesuarlarını kullanmayın.
- PİL paketini takmadan önce anahtar üzerindeki kilidin açık konumda olmadığından emin olun.
- Ürün, aksesuarın hareket etmesine neden olan titreşimler yaratır. Ürün uzun süre çalıştırılırsa, titreşimler rahatsızlığa neden olabilir. Özellikle kolda, bileklerde veya parmaklarda rahatsızlık hissederseniz, sık sık dinlenin. Çalışmadan tam verim alacağınız bir hız ayarı seçin. Titreşim kaynaklı yaralanmalar hakkında daha fazla bilgi için Artık Riskler ve Risk Azaltma kısımlarını okuyun.
- İş parçasını bir mengene ile sıkıştırın. Sabitlenmemiş parçalar ciddi yaralanmaya ve hasara sebep olabilir. Zımparaladığınız materyali elinizle tutmayın.
- Zımpara kağıdı çok büyük olmamalıdır. Zımpara kağıt pateni aşarsa, ciddi yaralanma riskleriyle karşılaşabilirsiniz.
- Alet için ortam sıcaklığı aralığı çalışma sırasında 0°C ile 40°C arasındadır.
- Alet için depolama ortam sıcaklığı aralığı 0°C ile 40°C arasındadır.
- Şarj sırasında şarj sistemi için önerilen ortam sıcaklığı aralığı 10°C ile 38°C arasındadır.

PİL İÇİN EK GÜVENLİK UYARILARI

⚠ UYARI

Bir kısa devreden kaynaklanan yangın, yaralanma veya ürün hasarları tehlikesini önlemek için aleti, güç paketini veya şarj cihazını asla sıvıların içine daldırmayınız ve cihazların ve pillerin içine sıvı girmesini önleyiniz. Tuzlu su, belirli kimyasallar, aşartıcı madde veya aşartıcı madde içeren ürünler gibi korozif veya iletken sıvılar kısa devreye neden olabilir.

- Batarya için ortam sıcaklığı aralığı çalışma sırasında 0°C ile 40°C arasındadır.
- Batarya için depolama ortam sıcaklığı aralığı 0°C ile 20°C arasındadır.

LİTYUM PİLLERİN NAKLİYESİ

Pili yerel ve ulusal hükümlere ve yönetmeliklere göre nakledin.

Piller üçüncü bir şahıs tarafından nakledilirken ambalaj ve etiket üzerindeki tüm özel gereksinimlere uyun. Açıktaki

konektörleri iletken olmayan yalıtım başlıkları veya bandı ile koruyarak pillerin nakliye sırasında diğer pillerle veya iletken materyallerle temas etmediğinden emin olun. Çatlak veya sızıntı yapan pilleri nakletmeyin. Daha fazla bilgi için nakliye şirketine danışın.

ARDIL RİSKLER

Ürün belirtildiği şekilde kullanıldığı zaman bile belirli artık risk faktörlerinin tamamen ortadan kaldırılması mümkün değildir. Kullanım sırasında aşağıdaki tehlikeler ortaya çıkabilir ve operatör bunlardan kaçınmak için özellikle dikkat etmelidir:

- Toz kaynaklı yaralanmalar
 - Her zaman göz koruyucu takın.
 - İşlenecek materyallere uygun filtreler içeren solunum koruma maskeleri takın Çalışma yerinin uygun şekilde havalandırıldığından emin olun.
 - Çalışma alanı içinde bir şey yemeyin, içmeyin veya sigara içmeyin.
- Titreşim ve sestən meydana gelen yaralanma
 - Koruyucu kulaklık kullanın.
 - Ürünü uzun süre kullanmayın. Bkz. "Risk Azaltma".
- Elektrik kabloları kesildiğinde elektrik çarpması riski oluşur
 - Ürünü her zaman gösterilen saplarından tutun. Kesme bıçaklarına veya ürünün metal kısımlarına dokunmayın.

RİSK AZALTMA

El aletlerinden kaynaklanan titreşimlerin belirli kişilerde Raynaud Sendromu olarak adlandırılan bir durumu etkileyebileceği rapor edilmiştir. Karıncalanma, hissizlik ve parmakların sararması gibi genelde soğuğa maruz kaldıktan sonra görülen semptomlar oluşabilir. Kalıtsal faktörler, soğuğa ve ıslaklığa maruz kalmak, diyet, sigara içmek ve fiziksel yorgunluk gibi etkenlerin hepsinin bu semptomların ortaya çıkmasına zemin hazırlayabileceği bildirilmiştir. Titreşimin etkilerini azaltmak için operatör tarafından alınabilecek önlemler bulunmaktadır:

- Soğuk havalarda vücudunuzu sıcak tutun. Ürünü çalıştırırken elleri ve bilekleri sıcak tutmak için eldiven takın. Soğuk havanın Raynaud Sendromunun ana tetikleyicilerinden olduğu bildirilmiştir.
- Her operasyon sürecinden sonra kan dolaşımını arttırmak için egzersiz yapın.
- Sık sık işe ara verin. Günlük maruziyet miktarını sınırlandırın.

Bu rahatsızlığın semptomlarından herhangi birini görürseniz, aleti kullanmayı derhal bırakın ve bir doktora görünün.

⚠ UYARI

Bir aletin uzun süre kullanılması nedeniyle yaralanmalar olabilir veya mevcut yaraların durumu kötüleşebilir. Herhangi bir aleti uzun bir süre boyunca kullanırken düzenli olarak ara vermeyi ihmal etmeyin.

ÜRÜNÜNÜZÜ TANIYIN

Sayfa 105'ya bakın.

1. LED
2. Bıçak kilitleme vidası
3. Hız kontrolü
4. Açma/kapama anahtarı
5. Kilitleme düğmesi
6. Tutamak, yalıtılmış kavrama yüzeyi
7. Daldırılmalı kesim bıçağı
8. Yan kesme bıçağı
9. Paten
10. Zımpara kağıdı
11. Adaptör saklama yuvası
12. Adaptör */**
13. Altıgen anahtar
14. Pili bağlantı noktası

*BOSCH aksesuarlarıyla uyumlu. BOSCH, Robert Bosch GmbH şirketinin tescilli markasıdır.

**DREMEL aksesuarlarıyla uyumlu. DREMEL, Robert Bosch Tool Corporation şirketinin tescilli ticari markasıdır.

ÇALIŞTIRMA

Ürün, diğer kesme, kazıma ve zımparalama aksesuarı markalarıyla birlikte kullanılmak üzere ilave bir adaptöre birlikte sağlanır. Adaptör istenen aksesuar markalarıyla kullanım için çevrilebilir. Adaptörü aletle birlikte verilen RYOBI aksesuarları ile kullanmayın.

- Zımparalama veya kesme çalışmaları sırasında hareket etmelerini önlemek için iş parçalarını bir kelepçe yardımıyla sabitleyin. Mazemeyi asla elinizle tutmayın. Ürünü kullanırken kazara kayması ciddi fiziksel yaralanmalara neden olabilir.
- Kesme aksesuarlarını kullanarak ahşap ve alçı panel gibi yumuşak malzemelerde daldırma kesim yaparken titreşimli bıçağı iş parçasının üzerine kademeli olarak yerleştirin. Titreşimli bıçağı kesilecek malzemeye sert bir şekilde bastırmayın. İş ürüne bırakın ve ürünle kesme aksesuarını, kesim yapmak istediğiniz pozisyonda sabit tutmaya odaklanın.
- Demir olmayan metalleri keserken çok dikkatli olun. Titreşimli kesme bıçağı, kesime başlamadan önce kayabilir. Gerekirse, kesime başlamadan önce kesilecek hat boyunca bazı delikler açın.
- Kesme aksesuarları iş parçasına sıkıştırsa ürünü kapatın ve güç kaynağından ayırın. Kesme aksesuarı kolayca çıkmıyorsa kesme aksesuarını üründen serbest bırakmadan önce kesme aksesuarlarını uygun şekilde soğumaya bırakın. Kesme aksesuarını iş parçasından çıkarmak için eldiven giyin ve kargabumu ve İngiliz anahtarı gibi el aletleri kullanın.

AŞIRI AKIM KORUMASI

Aşırı akım tespit edildiğinde, ürün otomatik olarak kapatılacak.

Ürün çalışmayı durdurursa, tetiği serbest bırakın ve sonra tekrar sıkın. Ürünün tekrar çalışmaya başlaması gerekir.

BAKİM

⚠ UYARI

Parçaları monte ederken, ayar, temizlik, bakım çalışması yaparken veya ürün kullanılmadığı zaman ürünü asla güç kaynağına bağlamayın. Ürünün bağlantısının kesilmesi ciddi yaralanmalara neden olabilecek kazara çalışmayı önleyecektir.

- Uygulama sırasında yalnızca üreticinin orijinal yedek parçalarını kullanın. Diğer parçaları kullanmak tehlike yaratabilir ya da hasara neden olabilir.

⚠ UYARI

Daha yüksek güvenlik ve güvenilirlik için tüm onarım çalışmaları yetkili bir RYOBI servis merkezi tarafından yapılmalıdır.

GENEL

Plastik parçaları temizlerken solventleri kullanmaktan kaçının. Plastiklerin çoğu ticari kullanımlı uçucu maddeler karşı hassastır. Lekeleri, tozu, vb. temizlemek için temiz bir bez kullanınız.

⚠ UYARI

Plastik unsurlar asla fren sıvısı, benzin, petrol bazlı ürünler, nüfuz edici yağlar, vb ile temas etmemelidir. Bu kimyasal ürünler, plastiğe zarar verebilecek, kırılır hale getirebilecek ya da yok edebilecek maddeler içermektedir.

Alçı ve duvar kaplamasından çıkan toz aşındırıcıdır ve motor bölgesine girmesine izin verilirse ürünün zamanından önce arızalanmasına neden olabilir. Ürünü kullandıktan sonra bir fırça ve elektrikli süpürge kullanarak iyice temizleyin. Kiri havalandırma deliklerinin içine doğru itmemeye dikkat edin. Toz ve iri taneli kum, ciddi göz yaralanmalarına neden olabileceğinden ürünü temizlemek için basınçlı hava kullanmayın.

YAĞLAMA

Üründeki tüm yataklar normal çalışma koşullarında ürünün hizmet ömrü boyunca yeterli miktarda yüksek kalite yağ ile yağlanır. Buna göre, fazladan yağlama yapılmasına gerek yoktur.

ÇEVRENİN KORUNMASI



Ham maddeleri çöp olarak atmak yerine geri dönüştürün. Çevreyi korumak için, alet, aksesuarlar ve ambalajlar tasnif edilmelidir.

ÜRÜN ÜZERİNDEKİ SEMBOLLER



Güvenlik ikazı



CE uygunluğu

n_o

Bota hız

V

Volt



Doğru akım



EurAsian Uyumluluk işareti



Makineyi çalıştırmadan talimatları dikkatlice okuyun.



Ukrayna uygunluk işareti

001



Ahşap - Daldırmalı ve kenar kesimler



Demirsiz metal - Daldırmalı ve kenar kesimler



Plastik - Daldırmalı ve kenar kesimler



Atık elektrikli ürünler evsel atıklarla birlikte atılmamalıdır. Tesis bulunuyorsa lütfen geri dönüşüme verin. Geri dönüşümle ilgili tavsiye için Yerel Makamlarla veya bayi ile irtibat kurun.

KİTAPÇIKTAKİ SEMBOLLER



Not



Parçalar ya da aksesuarlar ayrı olarak satılır.



Kilidi açma



Kilit



Hız, minimum



Hız, en

Aşağıdaki işaret sözcükleri ve anlamları, bu ürünle ilişkili risk seviyelerini açıklamaya yöneliktir:

⚠ TEHLİKE

Önlenmemesi durumunda ölüm veya ciddi yaralanma ile sonuçlanacak, tehdit edici tehlikeli bir durumu gösterir.

⚠ UYARI

Önlenmemesi durumunda ölüm veya ciddi yaralanma ile sonuçlanabilecek potansiyel olarak tehlikeli bir durumu gösterir.

⚠ DİKKAT

Önlenmemesi durumunda önemsiz veya orta derece yaralanma ile sonuçlanabilecek potansiyel olarak tehlikeli bir durumu gösterir.

DİKKAT

(Güvenlik uyarı simgesiz) maddi hasarla sonuçlanabilecek bir durum belirtir.

EN
FR
DE
ES
IT
NL
PT
DA
SV
FI
NO
RU
PL
CS
HU
RO
LV
LT
ET
HR
SL
SK
BG
UK
TR
EL



Στον σχεδιασμό του πολυεργαλείου έχει δοθεί μέγιστη προτεραιότητα στην ασφάλεια, την απόδοση και την αξιοπιστία.

ΠΡΟΟΡΙΖΟΜΕΝΗ ΧΡΗΣΗ

Το πολυεργαλείο διατίθεται για χρήση μόνο από ενήλικες που έχουν διαβάσει και κατανοήσει τις οδηγίες και τις προειδοποιήσεις του παρόντος εγχειριδίου και μπορούν να θεωρηθούν υπεύθυνοι για τις πράξεις τους.

Το πολυεργαλείο προορίζεται να χρησιμοποιηθεί:

- για λείανση και φινιρίσμα μέταλλου, ξύλου, πλαστικού, ή παρόμοιων υλικών χρησιμοποιώντας το περιστρεφόμενο πέλμα με το διαμορφωμένα λειαντικά φύλλα
- για το ξύσιμο και κοπή με βύθισμα στο υλικό σε μη-σιδηρούχα μέταλλα, ξύλο, πλαστικό, γυψοσανίδες, κ.λ.π., χρησιμοποιώντας τις παρεχόμενες μεταλλικές λεπίδες κοπής
- για την κοπή οπών σε τοίχους για τοποθέτηση διακοπών ή πριζών
- για την απομάκρυνση υλικού από την αρμολόγηση μεταξύ κεραμικών πλακιδίων

Το πολυεργαλείο προορίζεται για να λειτουργεί σε εσωτερικούς χώρους σε στεγνά σημεία, καλά φωτισμένους και επαρκώς αεριζόμενους χώρους.

Το προϊόν δεν διατίθεται για χρήση σε υγρά υλικά και επιφάνειες.

Μην χρησιμοποιείτε το προϊόν με τρόπο διαφορετικό από αυτόν που αναφέρεται για τη χρήση του.

▲ ΠΡΟΕΙΔΟΠΟΙΗΣΗ

Διαβάστε προσεκτικά όλες τις προειδοποιήσεις, οδηγίες και προδιαγραφές που παρέχονται με το εργαλείο και ανατρέξτε στις εικόνες. Η μη τήρηση των ακόλουθων οδηγιών μπορεί να επιφέρει ατυχήματα όπως πυρκαγιές, ηλεκτροπληξίες ή και σοβαρό σωματικό τραυματισμό.

Φυλάσσετε όλες τις προειδοποιήσεις και οδηγίες για μελλοντική χρήση.

ΠΡΟΕΙΔΟΠΟΙΗΣΕΙΣ ΑΣΦΑΛΕΙΑΣ ΠΟΛΥΕΡΓΑΛΕΙΟΥ

- Κρατάτε το εργαλείο από τις μονωμένες επιφάνειες λαβής όταν εκτελείτε εργασίες όπου το εξάρτημα κοπής μπορεί να έρθει σε επαφή με κρυφές καλωδιώσεις. Η επαφή του εξαρτήματος κοπής με «ζωντανό» καλώδιο (ηλεκτροφόρο) μπορεί να μεταφέρει τον ηλεκτρισμό στα εκτεθειμένα μεταλλικά εξαρτήματα του εργαλείου, προκαλώντας ηλεκτροπληξία στον χειριστή.
- Να φοράτε πάντα γυαλιά ασφαλείας κατά τη λειτουργία του εργαλείου. Να φοράτε μάσκα για τη σκόνη, όταν παράγεται σκόνη.

▲ ΠΡΟΕΙΔΟΠΟΙΗΣΗ

Η σκόνη από ορισμένα χρώματα, επιχρίσματα και υλικά μπορεί να προκαλέσει ερεθισμό ή αλλεργικές αντιδράσεις στο αναπνευστικό σύστημα. Η σκόνη από ξύλο, όπως η δρυς, οξιά, MDF και άλλα είναι καρκινογόνος. Η χρήση του προϊόντος σε υλικά που περιέχουν αμίαντο, επιτρέπεται μόνο από ειδικούς.

▲ ΠΡΟΕΙΔΟΠΟΙΗΣΗ

Το προϊόν δεν πρέπει ποτέ να είναι συνδεδεμένο στο ρεύμα όταν συναρμολογείτε εξαρτήματα, κάνετε προσαρμογές, το καθαρίζετε, εκτελείτε εργασίες συντήρησης ή δεν το χρησιμοποιείτε. Αποσυνδέοντας τη συσκευή από την παροχή ρεύματος προλαμβάνει την ακούσια ενεργοποίηση της η οποία μπορεί να επιφέρει σοβαρό τραυματισμό.

- Όταν εργάζεστε σε τοίχους, οροφές ή δάπεδα, φροντίστε να αποφεύγετε ηλεκτρικά καλώδια και σωλήνες αερίου ή νερού.

▲ ΠΡΟΕΙΔΟΠΟΙΗΣΗ

Τα μεταλλικά βοηθητικά εξαρτήματα θα ζεσταίνονται κατά τη λειτουργία και μπορεί να προκαλέσουν εγκαύματα στο δέρμα αν έρθουν σε επαφή με τον χειριστή. Φοράτε γάντια κατά την αλλαγή εξαρτημάτων.

Προσέξτε κατά τη ρύθμιση του εργαλείου μεταξύ των εργασιών για την πρόληψη ζημιών ή τραυματισμών.

- Μη χρησιμοποιείτε εξαρτήματα κοπής που έχουν υποστεί ζημιά, ραγίσει ή δεν ταιριάζουν καλά με το προϊόν.
- Πριν τοποθετήσετε τη μπαταρία, βεβαιωθείτε ότι ο διακόπτης κλειδώματος δεν βρίσκεται στη θέση ενεργοποίησης on.
- Η συσκευή δημιουργεί κραδασμούς που μπορεί να κινήσουν το εξάρτημα. Οι κραδασμοί μπορεί να προκαλέσουν δυσφορία εάν η συσκευή λειτουργεί για μεγάλα χρονικά διαστήματα. Κάνετε συχνά διαλείμματα, ειδικά αν αισθανθείτε δυσφορία στο μπράτσο, τον καρπό ή τα δάχτυλα. Επιλέξτε μια ρύθμιση για την ταχύτητα που θα σας επιτρέψει να ολοκληρώσετε αποτελεσματικά την εργασία. Διαβάστε για τους υπολειπόμενους κινδύνους και τα τμήματα μείωσης των κινδύνων για περισσότερες πληροφορίες σχετικά με τους τραυματισμούς που σχετίζονται με τους κραδασμούς.
- Αγκιστρώστε το τεμάχιο με μια συσκευή συγκράτησης. Ελεύθερα τεμάχια εργασίας μπορούν να προκαλέσουν σοβαρό τραυματισμό και ζημιές. Μην κρατάτε με το χέρι το υλικό που λειάνετε.
- Το φύλλο γυαλόχαρτο δεν πρέπει να περισσεύει. Αν αφήσετε το γυαλόχαρτο να περισσεύει από το πέλμα, εκτίθεστε σε κίνδυνο σοβαρού τραυματισμού.
- Το εύρος θερμοκρασίας περιβάλλοντος για το εργαλείο στη διάρκεια της λειτουργίας είναι μεταξύ 0 °C και 40 °C.





- Το εύρος θερμοκρασίας περιβάλλοντος για το την αποθήκευση του εργαλείου είναι μεταξύ 0 °C και 40 °C.
- Το συνιστώμενο εύρος θερμοκρασίας περιβάλλοντος για το σύστημα φόρτισης στη διάρκεια της φόρτισης είναι μεταξύ 10 °C και 38 °C.

ΕΠΙΠΡΟΣΘΕΤΕΣ ΠΡΟΕΙΔΟΠΟΙΗΣΕΙΣ ΑΣΦΑΛΕΙΑΣ ΜΠΑΤΑΡΙΑΣ

ΠΡΟΕΙΔΟΠΟΙΗΣΗ

Για να αποτρέπεται τον κίνδυνο πυρκαγιάς λόγω βραχυκυκλώματος, τραυματισμούς ή ζημιές του προϊόντος, να μη βυθίζετε το εργαλείο, τον ανταλλακτικό συσσωρευτή ή τη συσκευή φόρτισης σε υγρά και να φροντίζετε, ώστε να μη διεισδύουν υγρά στις συσκευές και τους συσσωρευτές Διαβρωτικές ή αγώγιμες υγρές ουσίες, όπως αλατόνερο, ορισμένες χημικές ουσίες και λευκαντικά ή προϊόντα που περιέχουν λευκαντικά, μπορεί να προκαλέσουν βραχυκύκλωμα.

- Το εύρος θερμοκρασίας περιβάλλοντος για την μπαταρία στη διάρκεια της χρήσης είναι μεταξύ 0 °C και 40 °C.
- Το εύρος θερμοκρασίας περιβάλλοντος για την αποθήκευση της μπαταρίας είναι μεταξύ 0 °C και 20 °C.

ΜΕΤΑΦΟΡΑ ΜΠΑΤΑΡΙΩΝ ΛΙΘΙΟΥ

Μεταφέρετε τη μπαταρία σε συμφωνία με τις τοπικές εθνικές διατάξεις και τους κανονισμούς.

Τηρείτε όλες τις ειδικές απαιτήσεις στη συσκευασία και στην ετικέτα κατά τη μεταφορά των μπαταριών από τρίτους. Εξασφαλίζετε ότι δεν θα έρχονται σε επαφή οι μπαταρίες με άλλες μπαταρίες ή με αγώγιμα υλικά κατά τη διάρκεια της μεταφοράς, προστατεύοντας τους εκτεθειμένους συνδέσμους με μόνωση, μη αγώγιμα πώματα ή ταινία. Μη μεταφέρετε μπαταρίες που έχουν χτυπήματα ή διαρροή. Ενημερωθείτε από τη πρακτορείο μεταφορών για περαιτέρω ειδοποιήσεις.

ΑΛΛΟΙ ΚΙΝΔΥΝΟΙ

Ακόμη και όταν το προϊόν χρησιμοποιείται σύμφωνα με τις οδηγίες, δεν είναι δυνατή η απόλυτη απαλειφή συγκεκριμένων παραγόντων κινδύνου. Κατά τη χρήση μπορεί να προκύψουν οι ακόλουθοι κίνδυνοι και ο χειριστής πρέπει να δίδει ιδιαίτερη προσοχή προς αποφυγή των εξής:

- Τραυματισμός που προκαλείται από τη σκόνη
 - Να φοράτε συνέχεια, προστατευτικά γυαλιά.
 - Φορέστε μάσκα προστασίας της αναπνοής που περιέχουν κατάλληλα φίλτρα για τα υλικά που επεξεργάζεστε Βεβαιωθείτε ότι υπάρχει επαρκής εξαερισμός του χώρου εργασίας.
 - Μην τρώτε, πίνετε ή καπνίζετε στον χώρο εργασίας.
- Τραυματισμοί εξαιτίας θορύβου και κραδασμών
 - Φοράτε προστατευτικά αυτιών.
 - Μην χρησιμοποιείτε το προϊόν για μεγάλα χρονικά διαστήματα. Βλ. "Μείωση Κινδύνου".

- Κίνδυνος ηλεκτροπληξίας εάν κοπούν ηλεκτρικά καλώδια
 - Πάντα να κρατάτε το προϊόν από τις ειδικές λαβές. Μην αγγίζετε τις λεπίδες κοπής ή μεταλλικά μέρη του προϊόντος.

ΜΕΙΩΣΗ ΚΙΝΔΥΝΟΥ

Έχει αναφερθεί ότι οι κραδασμοί των χειροκίνητων εργαλείων μπορεί να συμβάλλει σε μια πάθηση γνωστή ως Σύνδρομο Raynaud σε ορισμένα άτομα. Τα συμπτώματα περιλαμβάνουν κνησμό, μούδιασμα και λευκότητα των δακτύλων, που εμφανίζονται συνήθως μετά την έκθεση σε κρύο. Κληρονομικοί παράγοντες, έκθεση σε κρύο και υγρασία, η διατροφή, το κάπνισμα και οι εργασιακές πρακτικές θεωρείται ότι συμβάλλουν στην ανάπτυξη αυτών των συμπτωμάτων. Υπάρχουν μέτρα που μπορούν να ληφθούν από τον χειριστή για να μειωθούν πιθανώς οι επιδράσεις των κραδασμών:

- Διατηρείτε το σώμα σας ζεστό όταν ο καιρός είναι ψυχρός. Κατά τη λειτουργία του προϊόντος φοράτε γάντια ώστε να διατηρείτε τα χέρια και τους καρπούς ζεστά. Ο ψυχρός καιρός είναι κύριος παράγοντας που συμβάλλει στην εκδήλωση του συνδρόμου Raynaud.
- Μετά από κάθε περίοδο λειτουργίας, κάνετε ασκήσεις για να αυξάνετε την κυκλοφορία αίματος.
- Κάνετε τακτικά διαλείμματα κατά την εργασία. Περιορίζετε το σύνολο έκθεσης ανά ημέρα.

Αν παρουσιάσετε οποιοδήποτε σύμπτωμα αυτής της πάθησης, διακόψτε αμέσως τη χρήση και συμβουλευτείτε τον γιατρό σας για τα συμπτώματα.

ΠΡΟΕΙΔΟΠΟΙΗΣΗ

Υπάρχει κίνδυνος πρόκλησης ή επιδείνωσης τραυματισμού, από την παρατεταμένη χρήση εργαλείου. Όταν χρησιμοποιείτε το εργαλείο για μεγάλες περιόδους, κάνετε τακτικά διαλείμματα.

ΓΝΩΡΙΣΤΕ ΤΟ ΠΡΟΪΟΝ ΣΑΣ

Βλέπε σελίδα 105.

1. LED
2. Βίδα κλειδώματος λεπίδας
3. Έλεγχος της ταχύτητας
4. Διακόπτης ενεργοποίησης/απενεργοποίησης (on/off)
5. Διακόπτης κλειδώματος.
6. Λαβή, μονωμένη επιφάνεια συγκράτησης
7. Λεπίδα εγκάρσιας τομής
8. Λεπίδα για κοφτάκι
9. Πέλμα
10. Γυαλόχαρτο
11. Θυρίδα αποθήκευσης προσαρμογέα
12. Αντάπτορας */**
13. Εξαγωνικό κλειδί
14. Θύρα μπαταρίας

*Συμβατό με εξαρτήματα BOSCH . Η BOSCH είναι κατοχυρωμένη εμπορική ονομασία της Robert Bosch GmbH.

*Συμβατό με εξαρτήματα DREMEL . Το DREMEL αποτελεί



εμπορικό σήμα της Robert Bosch Tool Corporation.

ΛΕΙΤΟΥΡΓΙΑ

Το προϊόν διατίθεται με επιπλέον προσαρμογέα για χρήση με άλλες μάρκες εξαρτημάτων κοπής, απόξεσης, λείανσης και λείανσης. Ο προσαρμογέας μπορεί να γυριστεί για χρήση με τις επιθυμητές μάρκες εξαρτημάτων. Μην χρησιμοποιείτε τον προσαρμογέα με εξαρτήματα RYOBI που συνοδεύουν το εργαλείο σας.

- Ασφαλίστε τα τεμάχια που κατεργάζεστε με σφιγκτήρα για να αποτρέψετε οποιαδήποτε μετακίνηση κατά τη λείανση ή τις εργασίες κοπής. Μην κρατάτε ποτέ με το χέρι το τεμάχιο εργασίας. Μια ακούσια ολισθήση κατά τη λειτουργία του προϊόντος μπορεί να προκαλέσει σοβαρό τραυματισμό.
- Όταν κάνετε μια κοπή σε βάθος σε μαλακά υλικά όπως ξύλο και γυψοσανίδες χρησιμοποιώντας το κοπτικό εξάρτημα, πλησιάστε σταδιακά την δονούμενη λεπίδα στο τεμάχιο εργασίας. Μην πιέζετε το δονούμενη λεπίδα δυνατά μέσα στο υλικό που πρόκειται να κοπεί. Κρατήστε το μηχανήμα εκτελέει την εργασία του.
- Προσέξτε επιπλέον κατά την κοπή μη σιδηρούχων μετάλλων. Η δονούμενη λεπίδα κοπής μπορεί να πηδήξει γρήγορα γύρω πριν αρχίσει να κόβει. Εάν είναι απαραίτητο, κάντε μερικές τρύπες στη γραμμή κοπής πριν ξεκινήσετε να κόβετε.
- Αν τα εξαρτήματα κοπής μπλοκάρουν στο κομμάτι, σβήστε το προϊόν και αποσυνδέστε την από την παροχή ηλεκτρικού ρεύματος. Αν το εξάρτημα κοπής δεν μπορεί να αφαιρεθεί εύκολα, αφήστε τα εξαρτήματα κοπής να κρυώσουν επαρκώς πριν από την αποδέσμευση του εξαρτήματος κοπής από το προϊόν. Να φοράτε γάντια και να χρησιμοποιείτε εργαλεία χειρός, όπως πένσες και κλειδιά, για να αφαιρέσετε το εξάρτημα κοπής από το τεμάχιο εργασίας.

ΠΡΟΣΤΑΣΙΑ ΑΠΟ ΥΠΕΡΤΑΣΗ

Όταν εντοπιστεί υπέρταση, η συσκευή θα απενεργοποιηθεί αυτόματα.

Εάν η συσκευή πάψει να λειτουργεί, αφήστε τη σκανδάλη και πατήστε τη ξανά. Υπό κανονικές συνθήκες, η συσκευή θα ξεκινήσει να λειτουργεί ξανά.

ΣΥΝΤΗΡΗΣΗ

⚠ ΠΡΟΕΙΔΟΠΟΙΗΣΗ

Το προϊόν δεν πρέπει ποτέ να συνδέεται σε παροχή ισχύος όταν συναρμολογείτε εξαρτήματα, όταν διεξάγετε ρυθμίσεις, καθαρισμό, συντήρηση ή όταν το προϊόν δε χρησιμοποιείται. Μια αποσύνδεση του προϊόντος θα εμποδίσει τυχαία εκκίνηση, η οποία θα μπορούσε να προκαλέσει σοβαρό τραυματισμό.

- Στις εργασίες σέρβις χρησιμοποιείτε μόνο αυθεντικά ανταλλακτικά του κατασκευαστή. Η χρήση οποιουδήποτε άλλου ανταλλακτικού μπορεί να παρουσιάσει κίνδυνο ή να προκαλέσει ζημιά στο

εργαλείο σας.

⚠ ΠΡΟΕΙΔΟΠΟΙΗΣΗ

Για μεγαλύτερη ασφάλεια και αξιοπιστία, όλες οι επισκευές πρέπει να εκτελούνται από εξουσιοδοτημένο κέντρο σέρβις της RYOBI.

ΓΕΝΙΚΑ

Αποφύγετε τη χρήση διαλυτών κατά τον καθαρισμό πλαστικών εξαρτημάτων. Τα περισσότερα πλαστικά μπορούν να υποστούν ζημιά από τη χρήση ορισμένων διαλυτών που διατίθενται στο εμπόριο. Χρησιμοποιήστε ένα καθαρό πανάκι για να καθαρίσετε τις ακαθαρσίες, τη σκόνη, κλπ.

⚠ ΠΡΟΕΙΔΟΠΟΙΗΣΗ

Τα πλαστικά τμήματα δεν πρέπει ποτέ να έρχονται σε επαφή με υγρά φρένων, βενζίνη, προϊόντα με βάση το πετρέλαιο, έλαια, κλπ. Τα προϊόντα αυτά περιέχουν χημικές ουσίες που μπορούν να προξενήσουν ζημιά, να μειώσουν ή να καταστρέψουν το πλαστικό.

Η σκόνη από γύψο και γυψοσανίδες είναι λειαντική και μπορεί να προκαλέσει πρόωγη βλάβη του προϊόντος, αν μπορέσει να μπει στον χώρο του κινητήρα. Καθαρίστε καλά το προϊόν μετά τη χρήση, χρησιμοποιώντας ένα πινέλο και ηλεκτρική σκούπα. Προσέξτε να μην σπρώξετε βρωμιά μέσα στα ανοίγματα εξαερισμού. Μην χρησιμοποιείτε πεπιεσμένο αέρα για τον καθαρισμό του προϊόντος, αφού η σκόνη και τα υπολείμματα μπορούν να προκαλέσουν σοβαρούς οφθαλμολογικούς τραυματισμούς.

ΛΙΠΑΝΣΗ

Όλα τα έδρανα στο προϊόν έχουν λιπανθεί με επαρκή ποσότητα λιπαντικού υψηλής ποιότητας για όλη τη διάρκεια ζωής του προϊόντος, υπό φυσιολογικές συνθήκες λειτουργίας. Συνεπώς, δε χρειάζεται καμία επιπλέον λίπανση.

ΠΡΟΣΤΑΣΙΑ ΤΟΥ ΠΕΡΙΒΑΛΛΟΝΤΟΣ



Ανακυκλώνετε τις πρώτες ύλες αντί να τις πετάτε ως απορρίμματα. Για την προστασία του περιβάλλοντος, πρέπει να γίνεται η διαλογή του εργαλείου, των εξαρτημάτων και των συσκευασιών του.

ΣΥΜΒΟΛΑ ΣΤΟ ΠΡΟΪΟΝ



Προειδοποίηση ασφαλείας



Συμμόρφωση CE



Ταύτητα σε κεν



BLT



Συνεχές ρεύμα



EurAsian σήμα πιστότητας



Παρακαλούμε διαβάστε τις οδηγίες προσεκτικά πριν ξεκινήσετε το μηχάνημα.



Ουκρανικό σήμα συμμόρφωσης



Ξύλο - Εγκάρσια και ευθύγραμμη κοπή



Μη σιδηρούχα μέταλλα - Εγκάρσιες και ευθύγραμμες κοπές



Πλαστικά - Εγκάρσια και ευθύγραμμη κοπή



Τα ηλεκτρικά προϊόντα προς απόρριψη δεν θα πρέπει να απορρίπτονται μαζί με τα οικιακά απόβλητα. Παρακαλούμε ανακυκλώστε όπου υπάρχουν οι αντίστοιχες εγκαταστάσεις. Μιλήστε με τις τοπικές αρχές ή τον πωλητή για να σας ενημερώσουν σχετικά με τα προγράμματα ανακύκλωσης.

ΣΥΜΒΟΛΑ ΣΤΟ ΕΓΧΕΙΡΙΔΙΟ



Σημείωση



Ανταλλακτικά και εξαρτήματα πωλούνται χωριστά



Ξεκλειδωμα



Κλειδωμα



Ταχύτητα, ελάχιστη



Ταχύτητα, ανώτατος

Οι ακόλουθες προειδοποιητικές λέξεις και έννοιες προορίζονται να εξηγήσουν τα επίπεδα κινδύνου που συνδέονται με αυτό το προϊόν:

ΚΙΝΔΥΝΟΣ

Υποδεικνύει μια επικείμενη επικίνδυνη κατάσταση, η οποία, αν δεν αποφευχθεί, θα οδηγήσει σε θάνατο ή σοβαρό τραυματισμό.

ΠΡΟΕΙΔΟΠΟΙΗΣΗ

Υποδεικνύει μια δυνητικά επικίνδυνη κατάσταση, η οποία, αν δεν αποφευχθεί, θα οδηγήσει σε θάνατο ή σοβαρό τραυματισμό.

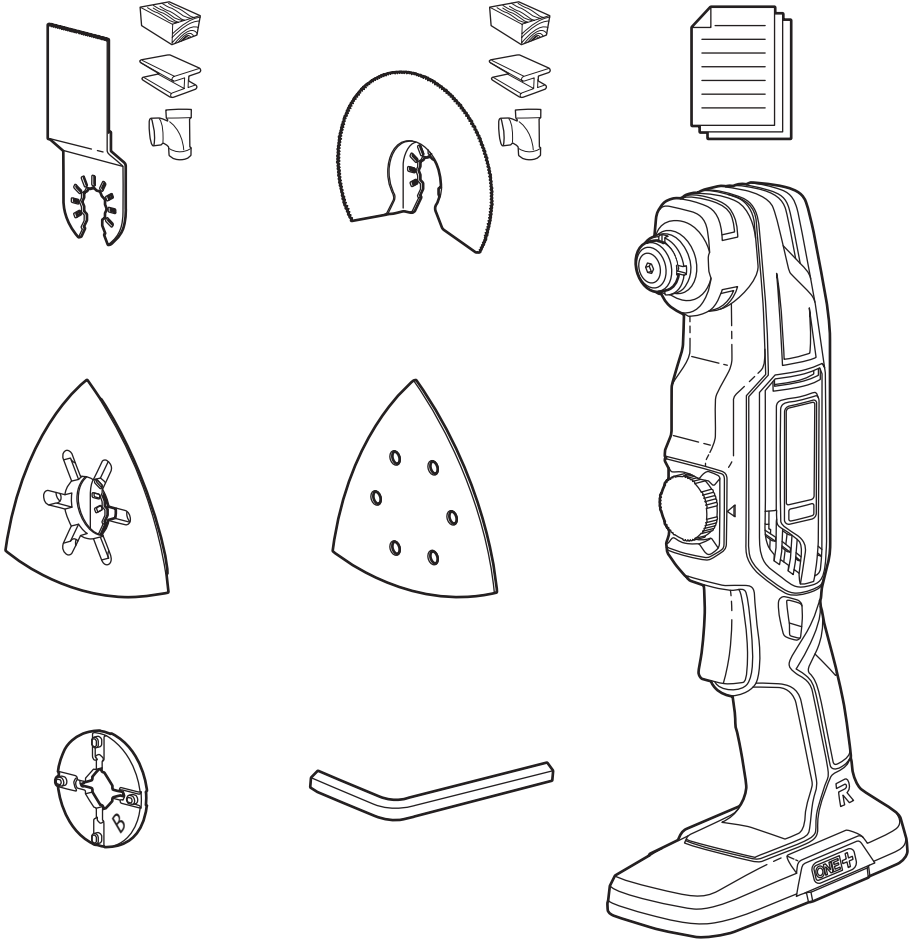
ΠΡΟΣΟΧΗ

Υποδεικνύει μια δυνητικά επικίνδυνη κατάσταση, η οποία, αν δεν αποφευχθεί, ενδέχεται να οδηγήσει σε ελαφρύ ή

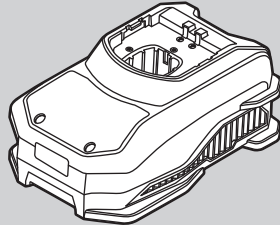
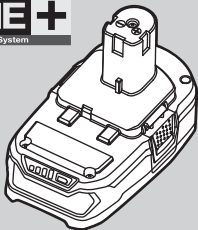
μέτριο τραυματισμό.

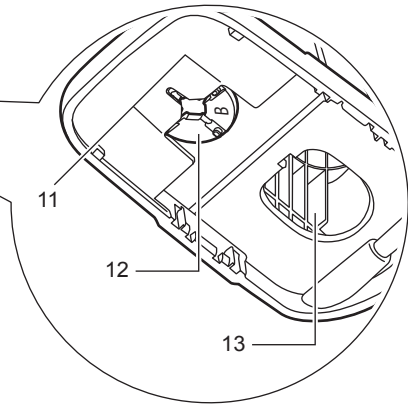
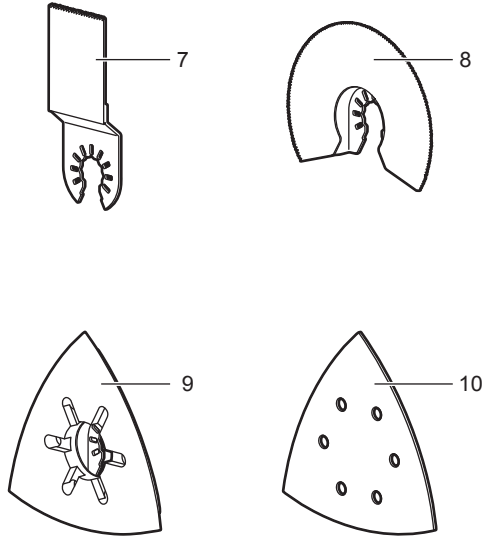
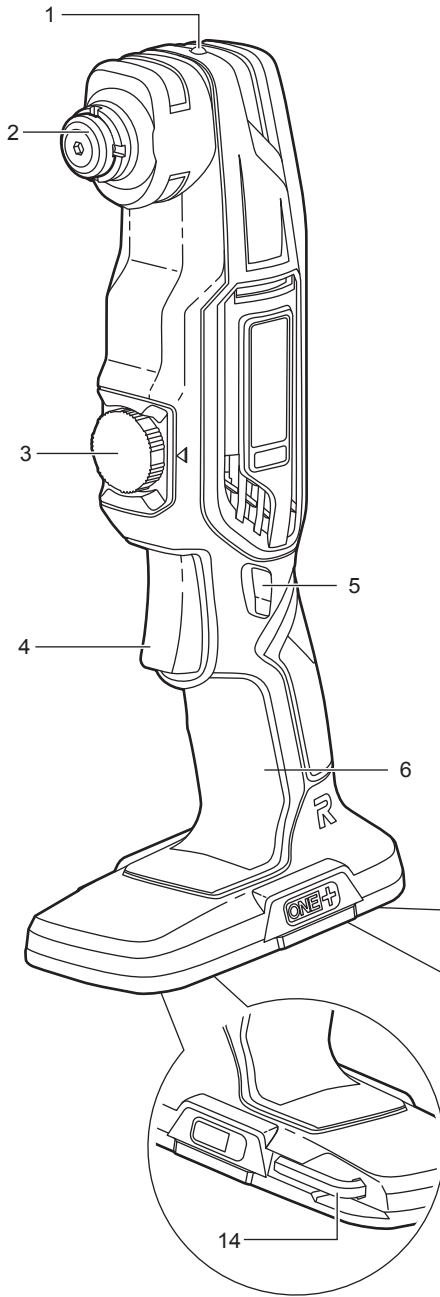
ΠΡΟΣΟΧΗ

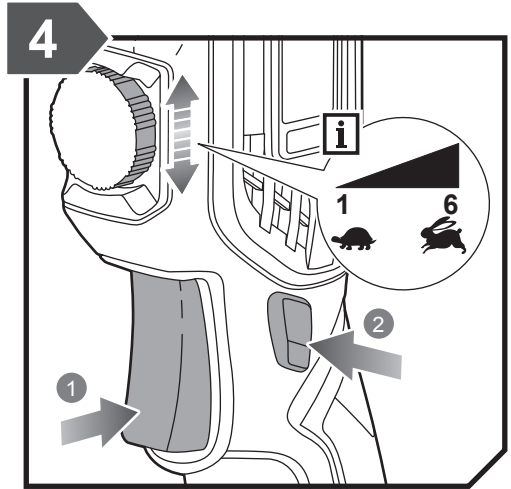
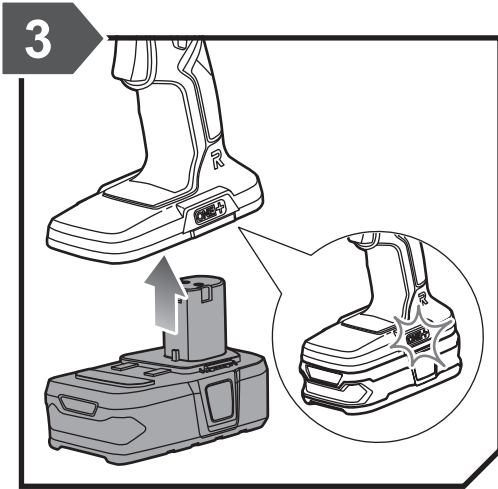
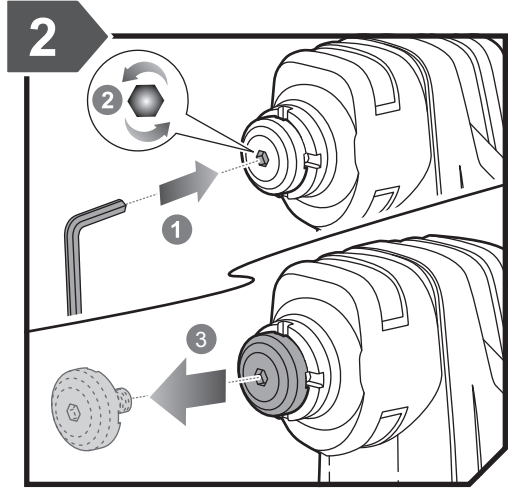
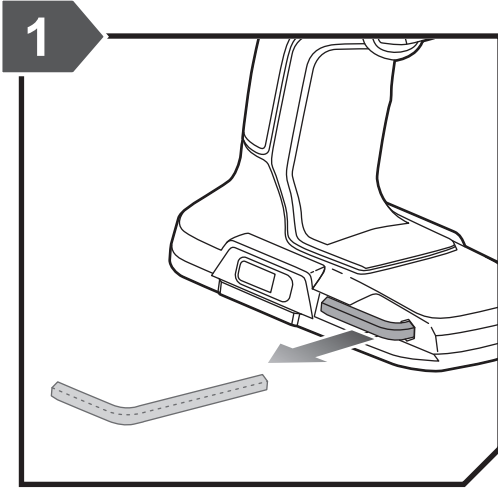
(Χωρίς προειδοποιητικό σύμβολο) Επισημαίνει μια κατάσταση που ενδέχεται να προκαλέσει υλικές ζημιές.



EVOR **ONE+**
18v System

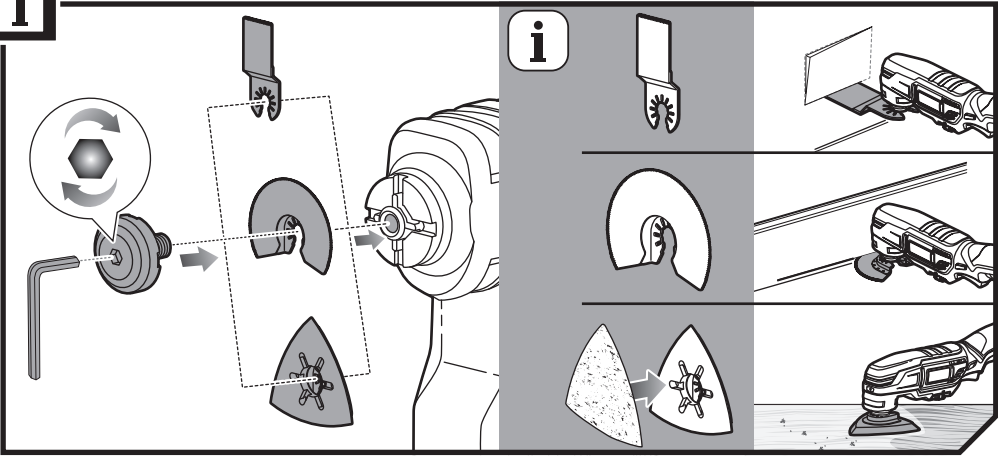




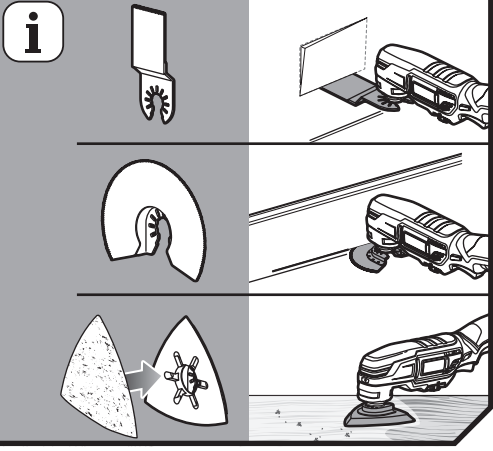




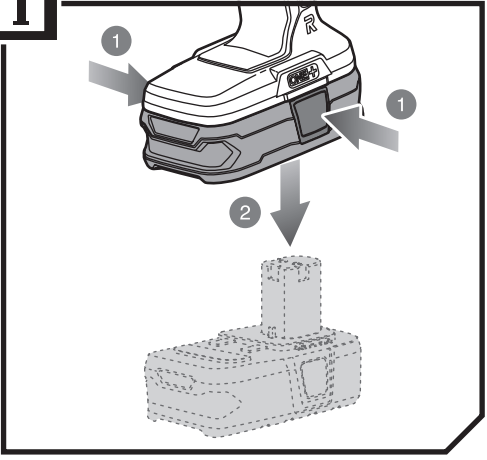
i



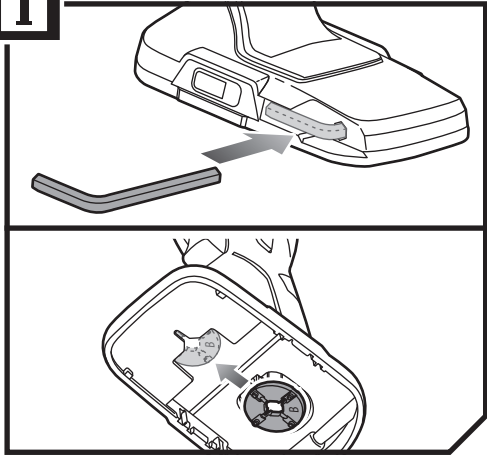
i



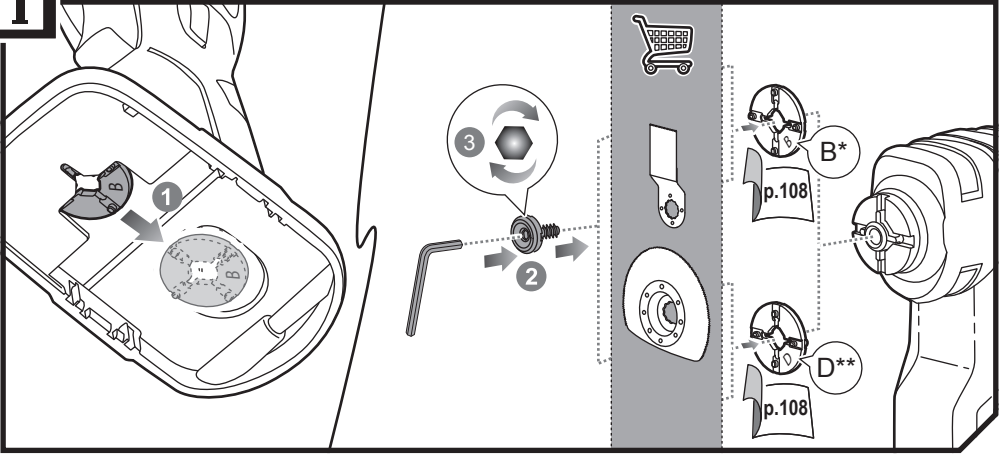
i



i



i



(EN) multi-tool adaptor

*Compatible with BOSCH accessories. BOSCH is a trademark of Robert Bosch GmbH.
 **Compatible with DREMEL accessories. DREMEL is a trademark of Robert Bosch Tool Corporation.

(FR) ADAPTATEUR MULTI-OUTILS

*Compatible avec les accessoires BOSCH. BOSCH est une marque commerciale de Robert Bosch GmbH.
 **Compatible avec les accessoires DREMEL. DREMEL est une marque commerciale de Robert Bosch Tool Corporation.

(DE) MULTITOOL-ADAPTER

*Kompatibel mit Zubehör von BOSCH. BOSCH ist eine Handelsmarke der Robert Bosch GmbH.
 **Kompatibel mit Zubehör von DREMEL. DREMEL ist eine Handelsmarke der Robert Bosch Tool Corporation.

(ES) ADAPTADOR PARA MULTIHERRAMIENTA

*Compatible con los accesorios BOSCH. BOSCH es una marca comercial de Robert Bosch GmbH.
 **Compatible con los accesorios DREMEL. DREMEL es una marca comercial de Robert Bosch Tool Corporation.

(IT) ADATTATORE MULTIUTENSILE

*Compatibile gli accessori BOSCH. BOSCH è un marchio commerciale di Robert Bosch GmbH.
 **Compatibile gli accessori DREMEL. DREMEL è un marchio commerciale di Robert Bosch Tool Corporation.

(NL) ADAPTER MULTI-GEREEDSCHAP

*Compatibel met accessoires van BOSCH. BOSCH is een handelsmerk van Robert Bosch GmbH.
 **Compatibel met accessoires van DREMEL. DREMEL is een handelsmerk van Robert Bosch Tool Corporation.

(PT) ADAPTADOR PARA MULTI-FERRAMENTA

*Compatível com acessórios BOSCH. BOSCH é uma marca comercial da Robert Bosch GmbH.
 **Compatível com acessórios DREMEL. DREMEL é uma marca comercial da Robert Bosch Tool Corporation.

(DA) MULTIVÆRKTØJSADAPTOR

*Kompatibel med BOSCH-tilbehør. BOSCH er et varemærke tilhørende Robert Bosch GmbH.
 **Kompatibel med DREMEL-tilbehør. DREMEL er et varemærke tilhørende Robert Bosch Tool Corporation.

(SV) ADAPTER FÖR MULTIREDSKAP

*Kompatibel med tillbehör från BOSCH. BOSCH är ett varumärke som tillhör Robert Bosch GmbH.
 **Kompatibel med tillbehör från DREMEL. DREMEL är ett varumärke som tillhör Robert Bosch Tool Corporation.

(FI) ADAPTERI MONITOIMITYÖKALULLE

*Yhteensopiva BOSCH-lisätarvikkeiden kanssa. BOSCH on tavaramerkki, jonka omistaa Robert Bosch GmbH.
 **Yhteensopiva DREMEL-lisätarvikkeiden kanssa. DREMEL on tavaramerkki, jonka omistaa Robert Bosch Tool Corporation.

(NO) MULTIVERKTØYADAPTER

*Kompatibel med BOSCH-tilbehør. BOSCH er et varemærke som tilhører Robert Bosch GmbH.
 **Kompatibel med DREMEL-tilbehør. DREMEL er et varemærke som tilhører Robert Bosch Tool Corporation.

(RU) АДАПТЕРМНОГОФУНКЦИОНАЛЬНОГО ИНСТРУМЕНТА

*Совместимо с принадлежностями BOSCH. BOSCH является товарным знаком компании Robert Bosch GmbH.
 **Совместимо с принадлежностями DREMEL. DREMEL является товарным знаком компании Robert Bosch Tool Corporation.

(PL) ADAPTER DO NARZĘDZIA UNIWERSALNEGO

*Zgodny z akcesoriami BOSCH. BOSCH jest znakiem towarowym Robert Bosch GmbH.
 **Zgodny z akcesoriami DREMEL. DREMEL jest znakiem towarowym Robert Bosch Tool Corporation.

(CS) NÁSTAVEC PRO MULTIFUNKČNÍ NÁSTROJ

*Kompatibilní s příslušenstvím BOSCH. BOSCH je ochranná známka společnosti Robert Bosch Tool Corporation.
 **Kompatibilní s příslušenstvím DREMEL. DREMEL je ochranná známka společnosti Robert Bosch Tool Corporation.

(HU) TÖBBFUNKCIÓS GÉP ADAPTERE

*BOSCH tartozékokkal kompatibilis. A BOSCH a Robert Bosch GmbH védjegye.
 **DREMEL tartozékokkal kompatibilis. A DREMEL a Robert Bosch Tool Corporation védjegye.

(RO) ADAPTOR UNEALȚĂ ULTIFUNCȚIONALĂ

*Compatibil cu accesorii BOSCH. BOSCH este o marcă comercială a Robert Bosch GmbH.
 **Compatibil cu accesorii DREMEL. DREMEL este o marcă comercială a Robert Bosch Tool Corporation.

(LV) DAUDZFUNKCIONĀLĀ INSTRUMENTA ADAPTERS

*Savietojams ar BOSCH aksesuāriem. BOSCH Robert Bosch GmbH preču zīme.
 **Savietojams ar DREMEL aksesuāriem. DREMEL Robert Bosch Tool Corporation preču zīme.

(LT) UNIVERSALIOJO ĮRANKIO ADAPTERIS

*Galima naudoti su BOSCH priedais. BOSCH yra „Robert Bosch GmbH“ prekės ženklas.
 **Galima naudoti su DREMEL priedais. DREMEL yra „Robert Bosch Tool Corporation“ prekės ženklas.

(ET) MULTIFUNKSIONAALSE TÖÖRIISTA ADAPTER

*Ühilduv BOSCH tarvikutega. BOSCH on ettevõtte Robert Bosch GmbH kaubamärk.
 **Ühilduv DREMEL tarvikutega. DREMEL on ettevõtte Robert Bosch Tool Corporation kaubamärk.

(HR) ADAPTER VIŠENAMJENSKOG ALATA

*Kompatibilno s BOSCH priborom. BOSCH je žig tvrtke Robert Bosch GmbH.

**Kompatibilno s DREMEL priborom. DREMEL je žig tvrtke Robert Bosch Tool Corporation.

(SL) VEČNAMENSKI ADAPTER

*Zdruljiv z dodatki BOSCH. BOSCH je blagovna znamka podjetja Robert Bosch GmbH.
 **Zdruljiv z dodatki DREMEL. DREMEL je blagovna znamka podjetja Robert Bosch Tool Corporation.

(SK) ADAPTÉR PRE VIACÚČELOVÉ NÁRADIE

*Kompatibilný s príslušenstvom BOSCH. BOSCH je ochranná známka spoločnosti Robert Bosch GmbH.
 **Kompatibilný s príslušenstvom DREMEL. DREMEL je ochranná známka spoločnosti Robert Bosch Tool Corporation.

(BG) АДАПТЕР ЗА МНОГОФУНКЦИОНАЛЕН ИНСТРУМЕНТ

*Съвместимо с аксесоари от BOSCH. BOSCH е търговска марка Robert Bosch GmbH.
 **Съвместимо с аксесоари от DREMEL. DREMEL е търговска марка Robert Bosch Tool Corporation.

(UK) АДАПТЕР ДЛЯ БАГАТОФУНКЦІОНАЛЬНИХ ІНСТРУМЕНТІВ

*Сумісний із BOSCH аксесуарями. BOSCH є торговою маркою Robert Bosch GmbH.
 **Сумісний із DREMEL аксесуарями. DREMEL є торговою маркою Robert Bosch Tool Corporation.


(TR) ÇOK İŞLEVİLİ ALET ADAPTÖRÜ

*BOSCH aksesuarlarıyla uyumlu. BOSCH, Robert Bosch GmbH şirketinin bir ticari markasıdır.
 **DREMEL aksesuarlarıyla uyumlu. DREMEL, Robert Bosch Tool Corporation şirketinin bir ticari markasıdır.

(EL) ΠΡΟΣΑΡΜΟΓΕΑΣ ΠΟΛΥΕΡΓΑΛΕΙΟΥ

*Συμβατό με εξαρτήματα BOSCH. Το BOSCH αποτελεί εμπορικό σήμα της Robert Bosch GmbH.
 **Συμβατό με εξαρτήματα DREMEL. Το DREMEL αποτελεί εμπορικό σήμα της Robert Bosch Tool Corporation.

English	Français	Deutsch	Español	Italiano	Nederlands
Product specifications	Caractéristiques de l'appareil	Produkt-Spezifikationen	Especificaciones del producto	Specifiche prodotto	Productspecificaties
18V Multi-tool	Multi-outils 18V	18V Multitool	Multiherramienta de 18 V	Multiutensile 18 V	18 V multi-gereedschap
Model	Modèle	Modell	Marca	Marca	Merk
Voltage	Tension	Spannung	Tensión	Voltaggio	Spanning
No-load speed	Vitesse à vide	Leerlaufdrehzahl	Velocidad sin carga	Velocità a vuoto	Onbelast toerental
Oscillation angle	Angle d'oscillation	Oszillationswinkel	Ángulo de oscilación	Angolo di oscillazione	Oscillerende hoek
Weight - excluding battery pack	Poids - sans pack batterie	Gewicht - ohne Akkupack	Peso - Excluyendo conjunto de batería	Peso - Senza gruppo batteria	Gewicht - exclusief accupack
Weight (According to EPTA-Procedure 01/2003)	Poids (selon la procédure EPTA 01/2003)	Gewicht (Gemäß EPTA-Verfahren 01/2003)	Peso (Según el procedimiento EPTA 01/2003)	Peso (Secondo quanto indicato dalla EPTA-Procedure 01/2003)	Gewicht (Overeenkomstig de EPTA-procedure 01/2003)
Measured sound values determined according to EN 62841:	Valeurs du son mesuré déterminées selon EN 62841:	Gemäß EN 62841: gemessene Schallwerte	Valores medidos del sonido en función de la norma EN 62841:	Valori del suono misurati determinati secondo lo standard EN 62841:	Gemeten geluidswaarden bepaald in overeenstemming met EN 62841:
A-weighted sound pressure level	Niveau de pression sonore pondéré-A	A-bewerteter Schalldruckpegel	Nivel de presión acústica ponderada en A	Livello di pressione sonora pesato A	A-gewogen geluidsdrukniveau
Uncertainty K	Incertitude K	Unsicherheit K	Incertidumbre K	Incertezza K	Onzekerheid K
A-weighted sound power level	Niveau de puissance sonore pondéré-A	A-bewerteter Schalleistungspegel	Nivel de potencia acústica ponderada en A	Livello di potenza sonora pesato A	A-gewogen geluidsniveau
Uncertainty K	Incertitude K	Unsicherheit K	Incertidumbre K	Incertezza K	Onzekerheid K
Wear ear protectors.	Portez une protection acoustique.	Tragen Sie Gehörschutz.	Utilice protección auditiva!	Indossare protezioni acustiche adeguate.	Draag oorbeschermers.
The vibration total values (triaxial vector sum) determined according to EN 62841:	La valeur totale des vibrations (somme vectorielle triaxiale) a été déterminée selon EN62841 :	Die Vibrationsgesamtwerte (triaxiale Vektorensomme) ermittelt entsprechend EN62841:	Los valores de vibración total (suma de vectores triax.), determinado según la norma EN62841:	I valori totali delle vibrazioni (somma di vettori in tre direzioni) sono misurati conformemente alla norma EN62841:	De totale trillingswaarden (triaxiale vectorsom) vastgesteld in overeenstemming met EN62841:
Sanding with sanding pad	Ponçage à l'aide d'un tampon abrasif	Schleifen mit dem Schleifpad	Lijar con lija	Levigatura con cuscinetto levigante	Schuren met schuurpad
Uncertainty K	Incertitude K	Unsicherheit K	Incertidumbre K	Incertezza K	Onzekerheid K

Português	Dansk	Svenska	Suomi	Norsk	Русский	
Especificações do produto	Produktspecifikationer	Produktspecifikationer	Tuotteen tekniset tiedot	Produktspesifikasjoner	Характеристики изделия	
Multi-ferramenta de 18V	18V multiværktøj	18 V Multiredskap	18 V monitoimityökalu	18 V multiverktøy	Многофункциональный инструмент 18 В	
Marca	Brand	Modellnummer	Mallinnumero	Merke	Марка	R18MT3
Voltagem	Spænding	Spänning	Jännite	Spenning	Напряжение	18 V 
Velocidade em vazio	Tomgangshastighed	Tomgångshastighet	Tyhjäkäyntinopeus	Hastighet ubelastet	Скорость на холостом ходу	10000 - 20000 min ⁻¹
Ângulo de oscilação	Oscillationsvinkel	Oscillationsvinkel	Oskillaatiokulma	Svingningsvinkel	Угол качания	3 °
Peso - excluindo conjunto de bateria	Vægt - Batteri medfølger ikke	Vikt - Batteri medfølger ej	Paino - ilman akkua	Vekt - uten batteripakke	Вес - без аккумуляторной батареи	0,85 kg
Peso (De acordo com o Procedimento EPTA 01/2003)	Vægt (I henhold til EPTA-procedure 01/2003)	Vikt (Enligt EPTA 01/2003)	Paino (EPTA-meneteilmän 01/2003 mukaan)	Vekt (I henhold til EPTA-prosedyre 01/2003)	Вес (Соответствует требованиям EPTA-Procedure 01/2003)	1,22 kg
Valores medidos do som em função da norma EN 62841:	Målte lydverdier bestemt iht. EN 62841:	Uppmätta ljudvärden enligt EN 62841:	Mitatut arvot määritetty EN 62841: standardin mukaan:	Målte lydverdier bestemt iht. EN 62841:	Измеренные значения параметров звука определены в соответствии с EN 62841:	
Nível de pressão sonora ponderada A	A-vægtet lydtryksniveau	A-vägd ljudtryksnivå	A-painotettu äänenpainetaso	A-vektet lydtryknivå	Уровень А-взвешенного звукового давления	$L_p = 90,5 \text{ dB(A)}$
Incerteza K	Usikkerhed K	Osäkerhet K	Epätarkkuus K	Usikkerhet K	Разброс K	3 dB
Nível de potência sonora ponderada A	A-vægtet lydeffektniveau	A-vägd ljudeffektnivå	A-painotettu äänen teho	A-vektet lydeffektnivå	Уровень А-взвешенной звуковой мощности	$L_w = 101,5 \text{ dB(A)}$
Incerteza K	Usikkerhed K	Osäkerhet K	Epätarkkuus K	Usikkerhet K	Разброс K	3 dB
Sempre use a proteção dos ouvidos.	Bær høreværn.	Bär hörselskydd.	Käytä korvasuojia.	Bruk hørselsvern.	Используйте наушники!	
Os valores totais de vibração (soma do vector triax) são determinados em conformidade com a:	Totale vibrationsverdier (triax vector sum) afgøres ifølge EN62841:	Det totala vibrationsvärdet (treaxelvektorsumma) är framtaget enligt EN62841:	Tärinän kokonaisarvot (kolmiakselinen vektorisumma) määritettyä standardin EN62841 mukaisesti:	De totale vibrasjonsverdiene (triax vektor-sum) er fastsatt i henhold til EN62841:	суммарное значение вибрации (векторная сумма по трем координатам) определено в соответствии со стандартом EN62841:	
Lixar com lixa	Slibning med slibepad	Slipning med slipplatta	Hionta hiontatyynyllä	Sliping med slipeputer	Шлифовка шлифовальной насадкой	$a_n = 4,2 \text{ m/s}^2$
Incerteza K	Usikkerhed K	Osäkerhet K	Epätarkkuus K	Usikkerhet K	Погрешность K	1,5 m/s ²



Polski	Čeština	Magyar	Română	Latviski	Lietuviškai	Eesti
Parametry techniczne	Technické údaje produktu	Termék műszaki adatai	Specificațiile produsului	Produkta specifikācijas	Gaminio techninės savybės	Toote tehnilised andmed
Narzędzie uniwersalne 18 V	18V multifunkční nářadí	18 V-os többfunkciós gép	Unealtă multifuncțională cu acumulator de 18V	18V Daudzfunkcionālais instruments	18 V Universalis is įrankis	18 V universaaltööriist
Numer modelu	Značka	Márka	Număr serie	Modeja numurs	Prekės ženklas	Mark
Napięcie	Elektrické napětí	Feszültség	Tensiune	Spriegums	Įtampa	Pinge
Prędkość bez obciążenia	Otáčky naprázdno	Üresjárati fordulatszám	Viteză în gol	Apgrīzieni bez slodzes	Greitis be apkrovimo	Kiirus ilma koormuseta
Kąt oscylacji	Oscilační úhel	Oscilláció szöge	Unghi de oscilație	Svārstību leņķis	Virpesių kampas	Võnkliikumise nurk
Waga - bez akumulatora	Hmotnost - bez baterie	Tömeg - akkumulátor nélkül	Greutate - exclusiv acumulatorul	Svars - izņemot akumulatora iepakojumu	Svoris - neįskaitant baterijos paketo	Mass - välja arvatud akupakett
Waga (Zgodnie z procedurą EPTA 01/2003)	Hmotnost (Dle protokolu EPTA 01/2003)	Tömeg (A 01/2003 EPTA-eljárás szerint)	Greutate (În conformitate cu Procedura EPTA din 01/2003)	Svars (Saskaņā ar EPTA procedūru 01/2003)	Svoris (Pagal Europos elektrosinų įrankių asociacijos (EPTA) nustatytą tvarką 01/2003)	Mass (Vastavalt EPTA-protseduurile 01/2003)
Zmierzone wartości akustyczne zgodnie z normą EN 62841:	Naměřené hodnoty hluku zjištěné dle EN 62841:	A hang értékek meghatározása az EN 62841: szerint történt:	Valori de sunet măsurate determinate în conformitate cu EN 62841:	Izmērtās skaņas vērtības ir noteiktas saskaņā ar EN 62841:	Išmatuotos garso vertės nustatytos pagal EN 62841:	Mõõtemäärtused on kindlaks määratud vastavalt standardile EN 62841:
A-ważony poziom ciśnienia głosu	Hladina akustického tlaku vážená funkcí A	A-súlyozott hangnyomásszint	Nivel de presiune acustică ponderată A	A-līmeņa skaņas spiediena līmenis	A svertinis garso slėgio lygis	A-kaalutud helirõhu tase
Niepewność pomiaru K	Nejistota K	Bizonytalanság K	Incertitudine K	Kļūdas vērtība K	Nepastovumas K	Mõõtemääramatus K
A-ważony poziom natężenia głosu	Hladina akustického výkonu vážená funkcí A	A-súlyozott hangteljesítményszint	Nivel de putere acustică ponderată A	A-līmeņa skaņas jaudas līmenis	A svertinis garso galios lygis	A-kaalutud helivõimsuse tase
Niepewność pomiaru K	Nejistota K	Bizonytalanság K	Incertitudine K	Kļūdas vērtība K	Nepastovumas K	Mõõtemääramatus K
Stosować środki ochrony słuchu!	Používejte chrániče sluchu.	Viseljen hallásvédőt.	Purtați aparatoare de urechi.	Lietojiet dzirdes aizsargus.	Naudokite ausų apsaugos priemonės.	Kasutage kuulmiskaitsevahendeid.
Wartości sumaryczne drgań (suma wektorowa przyspieszeń mierzona czujnikami typu triax) określone zgodnie z normą EN62841:	Celkové hodnoty vibrací (třísosy vektorový součet) určené v souladu s EN62841:	Vibráció teljes értékei (háromtengelyű vektorösszeg), az EN 62841 szerint meghatározva:	Valorile totale ale vibrațiilor (suma vectorială a trei direcții) au fost determinate conform EN62841:	Vibrāciju kopējās vērtības (trīsasu vektoru summa) tiek noteiktas atbilstoši EN62841:	Bendros vibracijos vertės (trikampio vektorių suma) nustatomos pagal EN62841:	Vibratsiooni koguväärtused (kolme suuna vektorsumma) on vastavalt standardile EN 62841 määratud järgmiselt:
Szlifowanie przy użyciu tarczy szlifierskiej	Broušení brusnou podložkou	Csiszolás csiszolópárnával	Șlefuire cu talpă de șlefuire	Šļīpēšana ar šļīpēšanas pamatni	Šlifavimas šlifavimo popieriaus lapeliu	Lihvimine lihvimispadjaga
Niepewność pomiaru K	Nejistota K	Bizonytalanság K	Incertitudine K	Nenoteiktība K	Nepastovumas K	Määramatus K





Hrvatski	Slovensko	Slovenčina	България	українська МОВА	Türkçe	Ελληνικά	
Specifikacije proizvoda	Specifikacije izdelka	Špecifikácie produktu	Технически характеристики	Технічні характеристики продукту	Ürün Özellikleri	Προδιαγραφές Προϊόντος	
Višenamjenski alat od 18 V	Večnamensko orodje 18 V	18 V viacúčelové náradie	18V мулти-инструмент	Багатофункціональний пристрій 18В	18 V Çok işlevli alet	Πολυεργαλείο 18V	
Marka	Znamka	Značka	Модел	Модель	Marka	Μάρκα	R18MT3
Napon	Napetost	Napätie	Напряжение	Напруга	Gerilim	Τάση	18 V
Brzina bez opterećenja	Hitrost brez obremenitve	Otáčky bez zaťaženia	Скорост в ненатоварен режим	Швидкість без навантаження	Bota hız	Ταχύτητα στ κεν	10000 - 20000 min ⁻¹
Kut oscilacije	Kot vrtenja	Oscilačný uhol	Ъгъл на трепене	Кут коливання	Salınım açısı	Γωνία ταλάντωσης	3 °
Težina - baterija nije uključena	Teža - razen baterij	Hmotnosť - okrem jednotky akumulátora	Тегло - без батерията	Вага (без акумулятора)	Ağırlık - Harici batarya takımı	Βάρος - χωρίς μπαταρία	0,85 kg
Težina (Prema EPTA-postupku 01/2003)	Teža (Skladno s postopkom EPTA 01/2003)	Hmotnosť (Podľa EPTA-Procedure 01/2003)	Тегло (съответствие с EPTA 01/2003)	Вага (відповідно до процедури EPTA 01/2003)	Ağırlık (EPTA- Prosedürü 01/2003'e göre)	Βάρος (Σύμφωνα με την Διαδικασία EPTA 01/2003)	1,22 kg
Mjerena vrijednost zvuka određena je prema EN 62841:	Izmerjene zvočne vrednosti določene v skladu s standardom EN 62841:	Namerané hodnoty určene podľa EN 62841:	Измерените стойности на звука са определени в съответствие с EN 62841:	Вимірні значення шуму визначаються відповідно до EN 62841:	EN 62841: e göre hesaplanmış ses değerleri:	Μετρημένες τιμές ήχου σύμφωνα με το EN 62841:	
Ponderirana razina tlaka zvuka	A-izmerjena raven zvočnega tlaka	Vážená A hladina akustického tlaku	Ниво на шумово налягане с равнице А	A-зважений рівень звукового тиску	A ağırlıklı ses basıncı seviyesi	A-σταθμισμένο επίπεδο πίεσης ήχου	L _p = 90,5 dB(A)
Neodređenost K	Nedoloč. K	Odchýlka K	Променливост (K)	Невизначеність K	Belirsizlik K	Αβεβαιότητα K	3 dB
Ponderirana razina zvučne snage	A-izmerjena raven zvočne moči	Vážená A hladina akustického výkonu	Ниво на силата на шум с равнице А	A-зважений рівень звукової потужності	A ağırlıklı ses gücü seviyesi	A-σταθμισμένο επίπεδο έντασης ήχου	L _w = 101,5 dB(A)
Neodređenost K	Nedoloč. K	Odchýlka K	Променливост (K)	Невизначеність K	Belirsizlik K	Αβεβαιότητα K	3 dB
Nosite štítneke za uši.	Nosite štítneke za ušesa.	Používajte chrániče sluchu.	Носете антифони	Носіть захисні навушники.	Kulak koruyucu kullanın.	Φοράτε ωτοασπίδες.	
Ponderirana energetska vrijednost Ukupne vrijednosti vibracija (troosni vektorski zbir) određuju se u skladu s EN62841:	Skupna vrednost vibracij (vektorska vsota treh smeri) določena v skladu z EN62841:	Celkové hodnoty vibrácií (súhm triaxiálneho vektora) určuje norma EN62841:	Общата стойност на вибрациите (триосна векторна сума) е определена в съответствие с EN 62841:	Загальне значення вібрації (триаксіальна векторна сума) визначається відповідно до EN 62841:	EN 62841 normuna uygun olarak belirlenmiş titreşim toplam değerleri (triaks vektör topları):	Συνολικές αξίες κραδασμών (τριασμικό διανυσματικό άθροισμα) σύμφωνα με EN62841:	
Brušenje s abrazivnim jastučićima	Brušenje z brusno blazinico	Brušenie s brúsnou položkou	Шлифоване с шлифовъчна подложка	Шліфування зі шліфувальним кругом	Zımpara kağıdıyla zımparalama	Λείανση με υαλόχαρτο	a _n = 4,2 m/s ²
Neodređenost K	Negotovost K	Odchýlka K	Променливост (K)	Невизначеність K	Belirsizlik K	Αβεβαιότητα K	1,5 m/s ²



English	Français	Deutsch	Español	Italiano	Nederlands	Português
Replacement parts	Pièces de Rechange	Ersatzteile	Piezas de repuesto	Parti di ricambio	Vervangonderdelen	Peças de substituição
Adapter	Adaptateur	Adapter	Adaptador	Adattatore	Adapter	Adaptador
28-mm Plunge cut blade	Lame pour coupe plongeante 28 mm	28 mm Sägeblatt für Tauchschnitt	28-mm Plunge cut blade	28-mm Plunge cut blade	Lama per tagli a immersione da 28 mm	Lâmina para cortes de rebarba de 28 mm
88-mm Flush cut blade	Lame pour coupe à ras 88 mm	88 mm Sägeblatt für bündiges Sägen	88-mm Flush cut blade	88-mm Flush cut blade	Lama per tagli in linea da 88 mm	Lâmina para corte liso de 88 mm
Sanding pad	Patin	Schleifschuh	Patin	Pattino	Schuurvoet	Placa de lixar
Sanding paper, 60 grit	Papier de verre, grosseur 60	Schleifpapier, 60er Körnung	Papel de lija, 60 grit	Carta abrasiva, 60 grani abrasivi	Schuurpapier, 60 korrel	Papel de lixa, 60 grit
Sanding paper, 80 grit	Papier de verre, grosseur 80	Schleifpapier, 80er Körnung	Papel de lija, 80 grit	Carta abrasiva, 80 grani abrasivi	Schuurpapier, 80 korrel	Papel de lixa, 80 grit
Sanding paper, 120 grit	Papier de verre, grosseur 120	Schleifpapier, 120er Körnung	Papel de lija, 120 grit	Carta abrasiva, 120 grani abrasivi	Schuurpapier, 120 korrel	Papel de lixa, 120 grit

Čeština	Magyar	Română	Latviski	Lietuviškai	Eesti
Náhradní díly	Cserealkatrészek	Piese de schimb	Rezerves daļas	Atsarginės detalės	Asendusosad
Adaptér	Adapter	Adaptor	Adaptēris	Adaptēris	Adapter
28 mm zanořovací řezný kotouč	28 mm Szúróvágó fűrészlap	Lamă pentru tăiere plonjată/decupare 28 mm	28 mm iegremdējamaš asmens	28 mm stumiamojo pjovimo geležtė	28 mm avalšiketera
88 mm ořezávací pilový kotouč na dřevo a kov	88 mm Sikba vágó fűrészlap	Lamă pentru tăieri de nivelare 88 mm	88 mm nogriešanas asmens	88 mm pjovimo vienu lygiu geležtė	88 mm tasalõiketera
Brusná plocha	Csiszolótalp	Talpă	Slīpēšanas pamatne	Šlifavimo padas	Lihvtaldmik
Smirkový papír zrnitosti 60	Csiszolópapír, 60-as	Șmirghel, granulație 60	Smiļšpapīrs, 60 raupjuma	Švitrinis popierius, 60 rupumo smėlis	Lihvpaber tera suurusega 60
Smirkový papír zrnitosti 80	Csiszolópapír, 80-as	Șmirghel, granulație 80	Smiļšpapīrs, 80 raupjuma	Švitrinis popierius, 80 rupumo smėlis	Lihvpaber tera suurusega 80
Smirkový papír zrnitosti 120	Csiszolópapír, 120-as	Șmirghel, granulație 120	Smiļšpapīrs, 120 raupjuma	Švitrinis popierius, 120 rupumo smėlis	Lihvpaber tera suurusega 120



Dansk	Svenska	Suomi	Norsk	Русский	Polski	
Reserve dele	Utbytesdelar	Varaosat	Reserve deler	Запасные части	Części zamienne	
Adapter	Adapter	Sovitin	Adapter	Адаптер	Adapter	5131040771
28 mm lommessnitklinge	28 mm sågblad	28 mm:n upotusleikkausterä	28 mm Blad for dykkutt	Погружное пильное полотно 28 мм	28 mm Ostrze do cięcia wgłębnego	RAK15MT
88 mm udglatningsklinge	88 mm sågblad	88 mm:n tasasaamaterä	88 mm Blad for skjult saging	Пильное полотно для резки заподлицо 88 мм	88 mm Ostrze do cięcia brzegowego	RAK15MT
Bundplade	Fot	Luistin	Såle	Лодошва	Лодошва	5131040772
Slibepapir, 60 korn	Sandpapper, 60 grovlek	Hiomapaperi, karkeus 60	Sandpapir, 60 grit	Наждачная бумага, зернистость 60	Papier ścierny, granulacja 60	RAK15MT
Slibepapir, 80 korn	Sandpapper, 80 grovlek	Hiomapaperi, karkeus 80	Sandpapir, 80 grit	Наждачная бумага, зернистость 80	Papier ścierny, granulacja 80	RAK15MT
Slibepapir, 120 korn	Sandpapper, 120 grovlek	Hiomapaperi, karkeus 120	Sandpapir, 120 grit	Наждачная бумага, зернистость 120	Papier ścierny, granulacja 120	RAK15MT



Hrvatski	Slovensko	Slovenčina	България	українська мова	Türkçe	Ελληνικά	
Zamjena dijelova	Nadomestni deli	Náhradné diely	Резервни части	Запасні частини	Yedek parçalar	Ανταλλακτικά	
Adapter	Adapter	Adaptér	Адаптер	Адаптер	Adaptör	Ανάπτορας	5131040771
Oštrica za prividni rez 28 mm	28 mm potopno rezilo	28 mm ostriе na zapichovacie rezy	28-мм оstriе за обработване чрез врязване	28 мм Полотно для врязання	28 mm Saplamalı Kesme Bıçacı	Λεπίδα κοπής βύθισης 28 mm	RAK15MT
Oštrica za ravni rez 88 mm	88 mm prebodno rezilo	88 mm ostriе na úrovňové rezy	88-мм оstriе за рязане наравно	88 мм Полотно для прямого зрізу	88 mm Kenar Kesme Bıçacı	Λεπίδα ευθείας κοπής 88 mm	RAK15MT
Brusna ploča	Brusna podloga	Brusna podložka	Шлифовъчна подложка	Шліфувальна насадка	Paten	Πέλαμα	5131040772
Brusni papir, 60 gradacije	Brusni papir, zrnatost 60	Brusný papier, zрно 60	Шкурка, зърнистост 60	Шліфувальний папір, зернистість 60	Zımpara kağıdı, 60 taneçikli	Γυαλόχαρτο, 60 grit	RAK15MT
Brusni papir, 80 gradacije	Brusni papir, zrnatost 80	Brusný papier, zрно 80	Шкурка, зърнистост 80	Шліфувальний папір, зернистість 80	Zımpara kağıdı, 80 taneçikli	Γυαλόχαρτο, 80 grit	RAK15MT
Brusni papir, 120 gradacije	Brusni papir, zrnatost 120	Brusný papier, zрно 120	Шкурка, зърнистост 120	Шліфувальний папір, зернистість 120	Zımpara kağıdı, 120 taneçikli	Γυαλόχαρτο, 120 grit	RAK15MT





English	Français	Deutsch	Español	Italiano	Nederlands	Português
Battery and charger	Batterie et chargeur	Akku und Ladegerät	Batería y cargador	Batteria e caricatore	Accu en lader	Bateria e carregador
Compatible battery pack (not included)	Pack batterie compatible (non compris)	Kompatible Akkus (nicht im Lieferumfang enthalten)	Packs de Batería compatibles (no incluido)	Gruppo batterie compatibili (non incluso)	Compatibel accupack (niet inbegrepen)	Baterias compatíveis (não incluída)
Lithium-ion	Lithium-ion	Lithium-Ionen	Ión-litio	Ioni di litio	Lithium-ion	Ião-Lítio
Compatible charger (not included)	Chargeur compatible (non compris)	Kompatible Ladegerät (nicht im Lieferumfang enthalten)	Cargador compatible (no incluido)	Caricatore compatibile (non incluso)	Compatibele oplader (niet inbegrepen)	Carregador compatível (não incluída)



Čeština	Magyar	Română	Latviski	Lietuviškai	Eesti
Baterie a nabíječka	Akkumulátor és töltő	Baterie și încărcător	Akumulators un lādētājs	Baterija ir įkroviklis	Aku ja laadija
Kompatibilní akumulátor (nepřibalen)	Kompatibilis akkumulátor (nem tartozék)	Acumulatori compatibili (neinclus)	Saderīgu akumulatoru komplekts (nav kompl.)	Suderinamas baterijos paketas (nepriedama)	Ühilduvad akupaketid (ei ole komplektis)
Lithium iontový akumulátor	Lítiumion	Litiu-ion	Litija-jonu	Litis-jonas	Liitumioon
Kompatibilní nabíječka (nepřibalen)	Kompatibilis töltő (nem tartozék)	Încărcător compatibil (neinclus)	Saderīgs lādētājs (nav kompl.)	Tinkamas įkroviklis (nepriedama)	Kasutatav laadija (ei ole komplektis)





Dansk	Svenska	Suomi	Norsk	Русский	Polski	
Batteri og oplader	Batteri och laddare	Akku ja laturi	Batteri og lader	Батарея и зарядное устройство	Akumulator i ładowarka	
Kompatibelt batteri (medfølger ikke)	Kompatibelt batteripack (inte inkluderat)	Yhteensopiva akku (ei mukana)	Kompatible batteripakker (ikke inkludert)	Совместимая аккумуляторная батарея (не входит в комплект поставки)	Pasujące akumulatory (nie dołączona)	
Lithium-ion	Litiumjon	Litiumioni	Litium-ion	Литий-ионная аккумуляторная батарея	Li-Ion	RB18L13 RB18L15 RB18L20 RB18L25 RB18L40 RB18L50
Kompatibel oplader (medfølger ikke)	Passande laddare (inte inkluderat)	Yhteensopiva laturi (ei mukana)	Kompatibel lader (ikke inkludert)	Совместимое зарядное устройство (не входит в комплект поставки)	Odpowiednia ładowarka (nie dołączona)	BCS618 BCL14181H BCL14183H RC18150 RC18627 RC18115 RC18120 RC18118C



Hrvatski	Slovensko	Slovenčina	България	українська мова	Türkçe	Ελληνικά	
Baterija i punjač	Baterija in polnilnik	Akumulátor a nabíjačka	Батерия и зарядно устройство	Акумулятор і зарядний пристрій	Batarya ve şarj aleti	Μπαταρία και φορτιστής	
Kompatibilno pakiranje baterija (nije uključeno)	Združljive baterije (ni priložen)	Kompatibilná jedínka akumulátorov (nie je súčasťou balenia)	Съвместима акумулаторна батерия (не е включена в комплекта)	Сумісний акумулятор (не входить в комплект)	Uyumlu pil takımı (dahil değildir)	Συμβατή μπαταρία (δεν περιλαμβάνεται)	
Litij-ion	Litij-ionska	Lítium-iónová	Литиево-йонна	Літій-іонний	Lityum-iyon	Λιθίου-Ιόντων	RB18L13 RB18L15 RB18L20 RB18L25 RB18L40 RB18L50
Kompatibilni punjač (nije uključeno)	Združljiv polnilce (ni priložen)	Kompatibilná nabíjačka (nie je súčasťou balenia)	Съвместимо зарядно устройство (не е включено в комплекта)	Сумісний зарядний пристрій (не входить в комплект)	Uyumlu şarj cihazı (dahil değildir)	Συμβατος φορτιστής (δεν περιλαμβάνεται)	BCS618 BCL14181H BCL14183H RC18150 RC18627 RC18115 RC18120 RC18118C





EN WARNING

The vibration emission level given in this information sheet has been measured in accordance with a standardised test given in EN 62841 and may be used to compare one tool with another. It may be used for a preliminary assessment of exposure. The declared vibration emission level represents the main applications of the tool. However if the tool is used for different applications, with different accessories or poorly maintained, the vibration emission may differ. This may significantly increase the exposure level over the total working period.

An estimation of the level of exposure to vibration should also take into account the times when the tool is switched off or when it is running but not actually doing the job. This may significantly reduce the exposure level over the total working period. Identify additional safety measures to protect the operator from the effects of vibration such as: maintain the tool and the accessories, keep the hands warm, organisation of work patterns.

FR AVERTISSEMENT

Le niveau d'émission des vibrations indiqué dans cette feuille d'information a été mesuré en concordance avec un test normalisé fourni par EN62841 et peut être utilisé pour comparer un outil à un autre. Il peut être utilisé pour une évaluation préliminaire de l'exposition. Le niveau déclaré d'émission des vibrations s'applique à l'utilisation principale de l'outil. Toutefois, si l'outil est utilisé pour des applications différentes, avec des accessoires différents, ou mal entretenu, l'émission de vibrations peut être différente. Le niveau d'exposition peut en être augmenté de façon significative tout au long de la période de travail.

Une estimation du niveau d'exposition aux vibrations doit aussi prendre en compte les périodes où l'outil est arrêté ainsi que les périodes où il fonctionne sans vraiment travailler. Le niveau d'exposition pendant la durée totale du travail peut en être réduit de façon significative. Prenez en considération les mesures additionnelles de sécurité à prendre pour protéger l'opérateur des effets des vibrations telles que: maintien de l'outil et de ses accessoires, maintien des mains au chaud, organisation du travail.

DE WARNUNG

Der in diesem Informationsblatt genannte Schwingungspegel wurde entsprechend dem standardisierten Test von EN62841 gemessen und kann benutzt werden um das Werkzeug mit anderen zu vergleichen. Er kann benutzt werden, um eine vorausgehende Einschätzung der Exposition durchzuführen. Der genannte Schwingungspegel repräsentiert den Haupteinsatzbereich des Werkzeugs. Jedoch kann das Werkzeug für verschiedene Einsatzbereiche benutzt werden. Mit unterschiedlichen Zusatzgeräten oder bei schlechter Wartung kann der Schwingungspegel unterschiedlich sein. Dadurch kann die Expositionshöhe über die gesamte Arbeitszeit signifikant erhöht werden.

Eine Einschätzung der Exposition zu Schwingungen sollte auch die Zeiten wenn das Werkzeug ausgeschaltet ist, oder wenn es angeschaltet aber nicht in Betrieb ist, in Betracht ziehen. Dadurch kann die Expositionshöhe über die gesamte Arbeitszeit signifikant reduziert werden. Identifizieren Sie zusätzliche Sicherheitsmaßnahmen um die Bedienungsperson vor den Effekten der Schwingungen zu schützen, wie zum Beispiel: Das Werkzeug und Zusatzgeräte warten, Hände warmhalten und Organisation der Arbeitszeiten.

ES ADVERTENCIA

El nivel de emisión de las vibraciones que figura en esta hoja de información se ha medido según una prueba estandarizada que figura en EN62841 y puede ser utilizado para comparar una herramienta con otra. Puede ser utilizado para una evaluación preliminar de la exposición. El nivel de emisión de las vibraciones declarado representa las principales aplicaciones de la herramienta. No obstante, si la herramienta se utiliza para diferentes aplicaciones, con diferentes accesorios o no recibe el mantenimiento adecuado, la emisión de las vibraciones puede ser diferente. Esto puede aumentar significativamente el nivel de exposición durante el período de trabajo total.

Una estimación del nivel de exposición a la vibración también debe tener en cuenta el tiempo en el que la herramienta está desconectada o cuando está conectada pero no está realizando ningún trabajo. Esto puede reducir significativamente el nivel de exposición durante el período de trabajo total. Identificar las medidas de seguridad adicionales para proteger al operador de los efectos de las vibraciones, tales como: mantenimiento de la herramienta y de los accesorios, y la organización de los patrones de trabajo.

IT AVVERTENZE

Il livello di vibrazioni indicato in questo foglio informativo è stato misurato seguendo un test svolto secondo i requisiti indicati dallo standard EN62841 e potrà essere utilizzato per paragonare un utensile con un altro. Potrà essere utilizzato per una valutazione preliminare dell'esposizione a vibrazioni. Il livello dichiarato di emissioni di vibrazioni viene indicato tenendo conto delle applicazioni principali dell'utensile. Comunque se l'utensile viene utilizzato per applicazioni diverse con accessori diversi o non viene correttamente conservato, il livello delle vibrazioni potrà variare. Ciò potrà significativamente aumentare il livello di esposizione alle vibrazioni durante il periodo di lavoro totale.

Una valutazione del livello di esposizione alle vibrazioni dovrà inoltre prendere in considerazione i tempi in cui l'utensile viene spento o è acceso ma non viene utilizzato. Ciò potrà significativamente ridurre il livello di esposizione in un periodo totale di funzionamento. Ulteriori misure di sicurezza per proteggere l'operatore dagli effetti delle vibrazioni come: conservare correttamente l'utensile e i suoi accessori, tenere le mani calde e organizzare i tempi di lavoro.

NL WAARSCHUWING

Het trillingsemissieniveau dat op dit informatieblad wordt gegeven, is gemeten in overeenstemming met een gestandaardiseerde test, vastgelegd in EN62841 en mag worden gebruikt om machines met elkaar te vergelijken. Het verklaarde trillingsemissieniveau geeft de hoofdtoepassing van het gereedschap weer. Als de machine echter voor andere toepassingen of met andere accessoires wordt gebruikt of slecht wordt onderhouden, kan de trillingsemissie verschillen. Dit kan de blootstelling gedurende de gehele werkduur aanzienlijk verhogen.

Bij een schatting van het niveau van blootstelling aan trillingen moet ook rekening worden gehouden met het aantal keren dat de machine wordt uitgeschakeld of draait, maar niet wordt gebruikt. Dit kan het niveau van blootstelling gedurende de gehele werkduur aanzienlijk verlagen. Stel bijkomende veiligheidsmaatregelen op om de gebruiker tegen de gevolgen van trillingen te beschermen: zoals onderhoud het gereedschap en de accessoires, houd de handen warm, de organisatie van werktijden.

PT AVISO

O nível de emissão de vibrações fornecido nesta folha de informações foi medido em conformidade com o teste uniformizado descrito em EN62841 e pode ser usado para comparar a ferramenta com outra. Este pode ser usado para uma avaliação preliminar da exposição. O nível de emissão de vibração declarado refere-se à aplicação principal da ferramenta. Contudo, se a ferramenta for usada para aplicações diferentes, com acessórios diferentes ou não for devidamente mantida, a emissão de vibrações pode diferir. Isto pode fazer aumentar significativamente o nível de exposição ao longo do período de trabalho total.

Uma estimativa do nível de exposição às vibrações deve ter, também, em consideração o tempo durante o qual a ferramenta está desligada ou em que está ligada mas não está a realizar qualquer trabalho. Isto pode reduzir significativamente o nível de exposição durante o período total de trabalho. Identifique medidas adicionais de segurança que protejam o operário dos efeitos da vibração como a manutenção da ferramenta e dos acessórios, a manutenção das mãos quentes e a organização de padrões de trabalho.

DA ADVARSEL

Det angivne niveau for vibrationsemission på denne oplysningsside er blevet målt iht. en standardtest ifølge EN62841 og kan bruges til at sammenligne værktøjer indbyrdes. Det kan bruges til en foreløbig eksponeringsvurdering. Det opgivne niveau for vibrationsemission gælder, når værktøjet bruges til sit hovedformål. Men hvis værktøjet bruges til andre formål, kan der forskelligt eller med dårligt vedligehold ekstraudstyr, kan vibrationsemissionen variere. Dette kan medføre en betragtelig stigning i eksponeringsniveauet set over hele arbejdsperioden.

Et skøn over niveauet for vibrationseksponering bør også tage højde for de perioder, hvor værktøjet er slukket, eller hvor det er tændt uden faktisk at være i brug. Dette kan medføre en betragtelig reduktion i eksponeringsniveauet set over hele arbejdsperioden. Træf ekstra sikkerhedsforanstaltninger til beskyttelse af operatøren mod virkningerne fra vibrationen som fx: vedligehold værktøj og ekstraudstyr, holde hænderne varme, organisere arbejdsmonstre.





SV VARNING

Vibrationsnivåerna som uppges i det här dokumentet har uppmäts i enlighet med ett standardiserat test som beskrivs i EN62841 och som kan användas för att jämföra verktyg. Det kan användas som en preliminär bedömning av den vibration som användaren utsätts för. De deklarerade vibrationsvärdena motsvarar de som uppstår när verktyget används i sitt huvudsyfte. Om verktyget används i andra syften, med andra tillbehör eller om verktyget är dåligt underhållet kan vibrationsnivåerna vara annorlunda. Det kan kraftigt öka vibrationsnivåerna över den totala arbetsperioden.

En uppskattning av vibrationsnivåerna som användaren utsätts för ska också ta hänsyn till de stunder då verktyget är avstängt och när det går på tomgång. Detta kan kraftigt minska vibrationsnivåerna över den totala arbetsperioden. Andra säkerhetsåtgärder som kan skydda användaren från effekterna av vibrationer är: underhållning av verktyget och tillbehören, hålla händerna varma och organisera arbets sättet.

FI VAROITUS

Tämän tiedotteen tärnätaso on mitattu EN62841-standardien mukaisilla testeillä, ja niitä voidaan käyttää verrattaessa laitetta toiseen. Sitä voidaan käyttää arvioitaessa tärnävaikutusta. Ilmoitettu tärnätaso vastaa laitteen pääasiallista käyttötarkoitusta. Jos laitetta kuitenkin käytetään muuhun tarkoitukseen, muilla lisälaitteilla tai huonosti huolletuna, tärnätaso saattaa poiketa ilmoitetusta arvosta. Tämä voi kasvatata kokonaisaltistumista huomattavasti koko työjakson kuluessa.

Tärnän altistumistasoa arvioitaessa tulee huomioida ajat, jolloin laite on sammutettu tai kun se on käynnissä, mutta sitä ei käytetä varsinaiseen työskentelyyn. Tämä voi vähentää kokonaisaltistumista huomattavasti koko työjakson kuluessa. Käytä muitakin suojakeinoja turvataksesi käyttäjän tärnävaikutukselta, kuten: huolla laite ja lisälaitteet, pidä kätesi lämpiminä, organisoi työnkulku.

NO ADVARSEL

Vibrasjonsnivået som oppgis på dette informasjonsarket er målt i henhold til en standardisert test gitt i EN62841 og kan brukes til å sammenligne ett verktøy med et annet. Det kan brukes til en foreløpig vurdering av eksponering. Det erklærte vibrasjonsnivået representerer hovedanvendelsen for verktøyet. Dersom verktøyet brukes for andre anvendelser, med forskjellige tilbehør eller med dårlig vedlikehold, vil vibrasjonsnivået kunne være annerledes. Det kan gi en betydelig økning av eksponeringsnivået over den totale arbeidsperioden.

En beregning av nivået for eksponering til vibrasjoner må også ta hensyn til den tiden verktøyet er slått av eller er i gang men ikke i faktisk bruk for å utføre den tiltenkte oppgaven. Dette kan gi en betydelig økning av eksponeringsnivået over den totale arbeidsperioden. Identifiser ytterligere sikkerhetstiltak for å beskytte den som bruker verktøyet fra virkningen av vibrasjoner, tiltak som: Vedlikehold verktøyet og tilbehøret, hold hendene varme, organiser arbeidsmetodene.

RU ОСТОРОЖНО!

Уровень вибрации, приведенный в данном справочном листе, измерен согласно стандартизованным испытаниям, определенным в EN62841 и может использоваться для сравнения различных инструментов. Значение уровня может использоваться для предварительной оценки влияния вибрации. Заявленный уровень вибрации действителен для основного применения инструмента. Однако, если инструмент используется для других целей, с другими приспособлениями, или плохо обслуживается, уровень вибрации может отличаться от указанного. Это может значительно увеличить величину воздействия за общее время работы.

При оценке уровня воздействия вибрации следует также принять во внимание время простоя и холостой ход (когда инструмент выключен и когда включен, но работа не производится). Эти факторы могут значительно уменьшить величину воздействия вибрации за общее время работы. Определите дополнительные меры безопасности, защищающие работника от влияния вибрации: техническое обслуживание инструмента и принадлежности, недопущение охлаждения рук, соответствующие приемы и распорядок работы.

PL OSTRZEŻENIE

Deklarowany poziom drgań został zmierzony za pomocą standardowej metody pomiaru określonej normą EN62841 i jego wyniki mogą służyć do porównywania tego urządzenia z innymi. Deklarowana wartość drgań może służyć do wstępnej oceny narażenia operatora na drgania. Deklarowany poziom drgań dotyczy podstawowych zastosowań urządzenia. Jednak w przypadku użycia urządzenia do innych zastosowań, z innymi przystawkami lub w przypadku niewłaściwego stanu technicznego urządzenia poziom drgań może odbiegać od deklarowanego. Może być to przyczyną zwiększenia stopnia narażenia operatora na drgania w całym okresie wykonywania pracy.

Podczas oceny narażenia na drgania należy również uwzględnić czas wyłączenia urządzenia oraz czas, w którym urządzenie jest włączone, jednak praca nie jest wykonywana. Czasy te mogą znacznie zmniejszyć stopień narażenia operatora na drgania w całym okresie wykonywania pracy. Należy określić dodatkowe środki ochrony operatora przed skutkami drgań, przykładowo: dbać o stan techniczny urządzenia i przystawek, dbać o zachowanie ciepłoty dłoni, odpowiednio zorganizować harmonogram wykonywania prac.

CS VAROVÁNÍ

Hodnota vibračních emisí uvedená v tomto informačním listu byla naměřena standardizovaným testem podle EN62841 a ji použít k porovnání s hodnotami jiných nástrojů. Může se používat k předběžnému odhadu vystavení vibračím. Uznaná hodnota vibračních emisí prezentuje hlavní použití nástroje. Nicméně pokud se nástroj používá pro jiné použití, s různými doplňky nebo se nedostatečně neudržuje, mohou se vibrační emise lišit. Toto může výrazně zvýšit úroveň vystavení nad celkové pracovní období.

Odhad úrovně vystavení vibračím by měl vzít také v potaz časy, kdy je chvění vypnuté, nebo když přístroj běží, ale nevykonává práci. Toto může výrazně snížit úroveň vystavení nad celkové pracovní období. Určete doplňující bezpečnostní opatření pro ochranu obsluhy před různými vibracemi, například: Udržujte nástroj a doplňky, udržujte ruce v teple, organizujte pracovní schéma.

HU FIGYELMEZTÉTES

A vibráció-kibocsátás adattalapon megadott értéke az EN62841 által meghatározott szabványosított mérési eljárás szerint lett megmértve, amely lehetővé teszi a különböző szerszámok összehasonlítását. Használható a kitettség előzetes felmérésére is. A nyilatkozatban szereplő kibocsátási érték a szerszám főbb alkalmazási területeire vonatkozik. Ugyanakkor, ha a szerszámot más alkalmazásokra, más kiegészítőkkel használják vagy rosszul tartják karban, a vibráció-kibocsátás értéke ettől eltérő is lehet. Ez jelentősen növelheti a kitettség szintjét a gép teljes használati időtartama során.

A vibrációnak való kitettség szintjének becslésekor figyelembe kell venni azokat az időintervallumokat is, amikor a szerszám ki van kapcsolva, vagy működik, de nem végeznek munkát vele. Ez jelentősen csökkentheti a kitettség szintjét a gép teljes használati időtartama során. Tegyén további óvintézkedéseket a kezelő vibrációval szembeni megvédése érdekében: tartsa karban a szerszámot és a tartozékokat, tartsa melegen a kezét, tervezzék meg a munkafolyamatot.

RO AVERTISMENT

Nivelul emisiilor de vibrații prezentat în cadrul acestei fișe cu informații a fost măsurat în conformitate cu un test standardizat furnizat în EN62841 și poate fi folosit la a compara o unealtă cu o alta. Poate fi folosit la o evaluare preliminară a expunerii. Nivelul declarat al emisiilor de vibrații reprezintă aplicațiile principale ale uneltei. Cu toate acestea, în cazul în care unealta este utilizată pentru aplicații diferite, cu accesorii diferite sau întreținute necorespunzător, emisiile de vibrații pot diferi. Acestea pot crește semnificativ nivelul de expunere pe întreaga perioadă de lucru.

O estimare a nivelului de expunere la vibrații trebuie, de asemenea, să țină cont de tălile în care unealta este oprită sau de tălile în care aceasta funcționează fără a efectua propriu-zis sarcina de lucru. Acestea pot reduce semnificativ nivelul de expunere pe întreaga perioadă de lucru. Identificați măsuri de siguranță suplimentare pentru a proteja operatorul de efectele vibrațiilor, precum: întreținerea uneltei și a accesoriilor, păstrarea mâinilor calde, organizarea de modele de lucru.





LV BRĪDINĀJUMS

Šajā datu lapā dotā vibrāciju emisijas vērtība ir mērīta saskaņā ar standartizēto testu, kas dots EN62841 un kuru var izmantot, lai salīdzinātu vienu instrumentu ar citu. To var izmantot aptuvenam ekspozīcijas novērtējumam. Deklarētais vibrāciju emisijas līmenis atbilst galvenajiem instrumenta pielietojumiem. Tomēr, ja instrumentu lieto citiem pielietojumiem, ar citiem piederumiem vai tas tiek slikti apkopots, vibrāciju emisijas vērtība var atšķirties. Tas var ievērojami palielināt ekspozīcijas līmeni visā darba periodā.

Vibrāciju ekspozīcijas līmeņa novērtējumam jāņem vērā laiks, kad instruments ir izslēgts vai ir ieslēgts, bet neveic nekādu darbu. Tas var ievērojami samazināt ekspozīcijas līmeni visā darba periodā. Identificējiet papildu drošības pasākumus, lai aizsargātu operatoru no vibrāciju iedarbības, piemēram, veiciet instrumenta un piederumu apkopi, turiet rokas siltas un pielāgojiet darba grafiku.

LT ĮSPĖJIMAS

Šiame lapе nurodytas vibracijos emisijos lygis buvo išmatuotas pagal standartinį testą, aprašytą EN62841, ir gali būti naudojamas vieno įrankio su kitu palyginimui. Jis gali būti naudojamas preliminariam pavojaus įvertinimui. Deklaruotas vibracijos emisijos lygis priskiriamas pagrindinėms įrankio taikymo sritims. Tačiau, jei įrankis naudojamas kitiems tikslams, su kitokiais priedais ar įrankis prastai prižiūrimas, vibracijos emisija gali skirtis. Per visą darbo laikotarpį tai gali žymiai padidinti vibracijos keliamą pavojų.

Nustatant vibracijos keliamą pavojų taip pat būtina atsižvelgti į tai, kiek kartų įrankis yra išjungtas ar kai jis veikia, bet juo iš tikrųjų nedirbama. Per visą darbo laikotarpį tai gali žymiai sumažinti vibracijos keliamą pavojų. Naudokite papildomas apsaugos priemones dirbančiam asmeniui apsaugoti nuo vibracijos poveikio, pvz.: prižiūrėti įrankį ir jo priedus, rankas laikyti šiltai, organizuoti darbo sesijas.

ET HOIATUS

Sellel inolehel esitatud vibratsioonitaseme väärtus on mõõdetud standardis EN62841 kirjeldatud katsemeetodiga ja seda võib kasutada tööriistade omavaheliseks võrdlemiseks. Seda võib kasutada vibratsioonimõju eelhindamiseks. Deklareeritud vibratsioonitaseme väärtus kehtib tööriista tavakasutamisel. Kui aga kasutate tööriista muudeks kasutusotstarveteks, erioptarbeliste tarvikutega või kui tööriist on puudulikult hooldatud, siis võib vibratsiooniväärtus erineda. Sellistel juhtudel võib tööperioodi summaarne vibratsioonitaseme suureneda märgatavalt.

Vibratsiooniväärtuse taset tuleb arveste võtta ka sel ajal, kui tööriist on välja lülitatud või kui tööriist tööle, kuid ei tee tööoperatsiooni. Sellistel juhtudel võib tööperioodi ajal summaarne vibratsioonitaseme väheneda märgatavalt. Maarake kindlaks täiendavad ohutusmeetmed, et kaitsa operaatorit vibratsioonimõjude eest – tööriistade ja tarvikute hooldamine, käte soojas hoidmine ja tövähetus te organiseringine.

HR UPOZORENJE

Razina vrijednosti vibracija data u ovoj tablici s informacijama mjerena je skladno normiranom testu pruženom u EN62841 i može se koristiti za usporedbu jednog alata s drugim. Može se koristiti u početnom usklađivanju izloženosti. Objavljena razina vrijednosti vibracija predstavlja glavnu primjenu alata. Međutim, ako se alat koristi za druge primjene, s različitim dodatnim priborom ili je slabo održavan, vrijednost vibracija može se razlikovati. Ovo može značajno povećati razinu izloženosti tijekom ukupnog radnog razdoblja.

U procjeni razine izloženosti na vibraciju također treba uzeti u obzir vrijeme kada je alat isključen ili kada je pokrenut no ne i stvarno vrijeme rada. Ovo može značajno smanjiti razinu izloženosti tijekom ukupnog radnog razdoblja. Odredite dodatne sigurnosne mjere za zaštitu operatora od učinaka vibracije poput: održavanje alata i pribora, održavanje toplih ruku, organizacija obrazaca za rad.

SL OPOZORILO

Nivo emisij vibracij, naveden v tem informacijskem listu, je bil izmerjen v skladu s standardiziranim testom, ki je podan v EN62841, podatke pa se lahko uporablja za primerjavo enega orodja z drugim. Uporablja se ga lahko za predhodno oceno izpostavljenosti. Navedeni nivo emisij vibracij predstavlja glavne uporabe orodja. Vendar, če se orodje uporablja v druge namene in z različnimi nastavitvami oz. če je orodje slabo vzdrževano, se lahko emisije vibracij razlikujejo. To lahko občutno poveča nivo izpostavljenosti v skupnem delovnem času.

Ocena nivoja izpostavljenosti vibracijam bi morala prav tako upoštevati, koliko krat je orodje bilo izključeno ali je v delovanju in pravzaprav ne opravlja svojega dela. To lahko občutno zmanjša nivo izpostavljenosti v skupnem delovnem času. Upoštevajte dodatne varnostne ukrepe, da bi upravljavca zaščitili pred vplivom vibracij, kot je: vzdržujte orodje in nastavke, pazite, da so roke tople, organizirajte delovne vzorce.

SK VAROVANIE

Úroveň emisie vibrácií, uvedená v tomto informačnom hárku bola nameraná v súlade so štandardizovaným testom, daný normou EN62841 a môže sa použiť na porovnanie jedného nástroja s druhým. Môže sa použiť na predbežné určenie miery vystavenia sa vibráciám. Uvedená úroveň emisie vibrácií predstavuje hlavné aplikácie nástroja. Avšak keď sa nástroj používa na iné aplikácie, s rôznym príslušenstvom alebo má zlé údržbu, úroveň vibrácií sa môže líšiť. Týmto sa môže výrazne zvýšiť úroveň vystavenia sa vibráciám počas celkového času práce.

Odhad úrovne vystavenia sa vibráciám by sa mal brať tiež do úvahy, vzdý, keď sa nástroj vypne, alebo potom, keď beží ale v skutočnosti sa nevykonáva práca. Týmto sa môže výrazne znížiť úroveň vystavenia sa vibráciám počas celkového času práce. Nasledovné dopĺňujúce bezpečnostné opatrenia pomáhajú chrániť operátora od účinkov vibrácií: údržba nástroja a príslušenstva, udržiavanie teplých držadiel, organizácia práce.

BG ВНИМАНИЕ

Посоченото в тези инструкции ниво на вибрациите е измерено в съответствие със стандартизиран в EN 62841 измервателен метод и може да се използва за сравнение на електрически инструменти помежду им. Подходящ е и за временна оценка на вибрационното натоварване. Посоченото ниво на вибрациите представя основните приложения на електрическия инструмент. Ако обаче електрическият инструмент се използва с друго предназначение, с различни сменяеми инструменти или при недостатъчна техническа поддръжка, нивото на вибрациите може да е различно. Това чувствително може да увеличи вибрационното натоварване по време на целия работен цикъл.

За точната оценка на вибрационното натоварване трябва да се вземат предвид и периодите от време, в които уредът е изключен или работи, но в действителност не се използва. Това чувствително може да намали вибрационното натоварване по време на целия работен цикъл. Определете допълнителни мерки по техника на безопасност в защита на обслужващия работник от въздействието на вибрациите като например: техническа поддръжка на електрическия инструмент и сменяемите инструменти, поддръжане на ръцете топли, организация на работния цикъл.

UK ПОПЕРЕДЖЕННЯ

Рівень вібрації, зазначений у цьому інформаційному листку, був розрахований відповідно зі стандартизованим випробуванням, наведеним в EN 62841 і може використовуватися для порівняння одного інструмента з іншим. Він може бути використаний для попередньої оцінки впливу. Зазначений рівень вібрації представляє основні застосування інструменту. Тим не менш, якщо інструмент використовується для різних додатків, з різними аксесуарями і недоглянутий, рівень вібрації може відрізнятись. Це може значно підвищити рівень впливу протягом усього робочого періоду.

При оцінюванні рівня впливу вібрації необхідно також враховувати час, коли інструмент вимкнений або коли він працює, але насправді не виконує ніякої роботи. Це може значно зменшити рівень впливу протягом усього робочого періоду. Для захисту оператора від впливу вібрації, визначте додаткові заходи безпеки, такі як: ретельний догляд за інструментом і приладдям, тримання рук в теплі, і організація схеми роботи.





TR UYARI

Bu bilgi sayfasında verilen titreşim emisyon seviyesi, EN62841 standardında belirtilen standartlaştırılmış bir teste uygun olarak ölçülmüş ve bir aleti diğeriyle karşılaştırmak için kullanılabilir. Ön maruz kalma tespiti için kullanılabilir. Beyan edilen titreşim emisyon seviyesi aletin asıl uygulamalarını temsil etmektedir. Ancak alet, farklı aksesuarlarla veya yetersiz bakımlı olarak farklı uygulamalar için kullanılırsa titreşim emisyonu değişebilir. Bu durum toplam çalışma süresi boyunca maruz kalma seviyesini önemli ölçüde artırır.

Titreşime maruz kalma seviyesinin değerlendirilmesi aynı zamanda alet kapalı ve ardından çalışır ancak gerçek anlamda iş yapmadığı zamanlar da göz önünde bulundurulmalıdır. Bu durum toplam çalışma süresi boyunca maruz kalma seviyesini önemli ölçüde azaltır. Operatörü titreşimin etkilerinden korumak için ilave güvenlik önlemleri belirleyin, örneğin: aletin ve aksesuarlarının bakımını yapmak, operatörün ellerini sıcak tutmak, çalışma modellerini organize etmek.

EL ΠΡΟΕΙΔΟΠΟΙΗΣΗ

Τα επίπεδα εκπομπών κραδασμών που παρέχονται στο παρόν ενημερωτικό φυλλάδιο, έχουν μετρηθεί βάσει τυποποιημένης δοκιμής που προβλέπεται στο EN62841 και μπορούν να συγκριθούν για τη σύγκριση του εργαλείου με άλλα. Μπορούν επίσης να χρησιμοποιηθούν για προκαταρκτική αξιολόγηση της έκθεσης. Τα δηλωμένα επίπεδα εκπομπών κραδασμών αφορούν τις βασικές εφαρμογές του εργαλείου. Ωστόσο, αν το εργαλείο χρησιμοποιείται για διαφορετικές εφαρμογές, με διαφορετικά εξαρτήματα ή με κακή συντήρηση, η εκπομπή κραδασμών μπορεί να διαφέρει. Αυτό μπορεί να αυξήσει σημαντικά το επίπεδο έκθεσης στη συνολική περίοδο εργασίας.

Η εκτίμηση των επιπέδων έκθεσης σε κραδασμούς θα πρέπει επίσης να λαμβάνει υπόψη τις χρονικές περιόδους κατά τις οποίες το εργαλείο είναι απενεργοποιημένο ή λειτουργεί χωρίς να χρησιμοποιείται σε συγκεκριμένη εργασία. Αυτό μπορεί να μειώσει σημαντικά το επίπεδο έκθεσης στη συνολική περίοδο εργασίας. Εφαρμόστε επιπρόσθετα μέτρα ασφαλείας για την προστασία του χειριστή από τις επιπτώσεις των κραδασμών, όπως τα εξής: συντηρείτε το εργαλείο και τα εξαρτήματα, διατηρείτε τα χέρια ζεστά, οργανώστε μοτίβα εργασίας.



EN RYOBI® WARRANTY APPLICATION CONDITIONS

In addition to any statutory rights resulting from the purchase, this product is covered by a warranty as stated below.

1. The warranty period is 24 months for consumers and commences on the date the product was purchased. This date has to be documented by an invoice or other proof of purchase. The product is designed and dedicated to consumer and private use only. So there is no warranty provided in case of professional or commercial use. This warranty applies only on new products.
2. There is a possibility to extend for a part of the range of power tools (AC/DC) the warranty period over the period described above using the registration on the www.ryobitools.eu website. The eligibility of products for extended warranty is clearly displayed in stores and / or on packaging and is contained within the product documentation. The end user is required to register his/her newly-acquired products online within 30 days from the date of purchase. The end user may register for the extended warranty in his/her country of residence if listed on the online registration form where this option is valid. Furthermore, end users must give their consent to the storage of their personal data that is required to be entered online. They must also accept the terms and conditions. The registration confirmation receipt, which is sent out by e-mail, and the original invoice showing the date of purchase will serve as proof of the extended warranty.
3. The warranty covers all defects of the product during the warranty period due to faults in workmanship or material at the purchase date. The warranty is limited to repair and/or replacement and does not include any other obligations including but not limited to incidental or consequential damages. The warranty is not valid if the product has been misused, used contrary to the instruction manual, or has been incorrectly connected to a power supply. This warranty does not apply to:
 - any damage to the product that is the result of improper or lack of maintenance
 - any product that has been altered or modified
 - any product where original identification (trade mark, serial number) markings have been defaced, altered or removed
 - any damage caused by non-observance of the instruction manual
 - any product not displaying the CE approval mark on the rating plate
 - any product that has been attempted to be repaired by a non-authorized warranty service centre or without prior authorisation by Techtronic Industries
 - any product connected to improper power supply (amps, voltage, frequency)
 - any damage caused by external influences (water, chemical, physical, shocks) or foreign substances
 - normal wear and tear spare parts
 - inappropriate use, overloading of the tool
 - use of non-approved accessories or parts
 - Power tool accessories provided with the tool or purchased separately, including but not limited to screw driver bits, drill bits, abrasive discs, sand paper and blades, lateral guide, etc.
 - Components (parts and accessories) subject to natural wear and tear, including but not limited to service & maintenance kits, carbon brushes, bearings, chuck, SDS drill bit attachment or reception, power cord, auxiliary handle, transport carry case, sanding plate, dust bag, dust exhaust tube, felt washers, impact wrench pins & springs, etc.
4. For servicing, the product must be sent or presented to a RYOBI authorised service station listed for each country in the following list of service station addresses. In some countries your local RYOBI dealer undertakes to send the product to the RYOBI service organisation. When sending a product to a RYOBI service station, the product should be safely packed without any dangerous contents such as petrol, marked with sender's address and accompanied by a short description of the fault.
5. A repair / replacement under this warranty is free of charge. It does not constitute an extension or a new start of the warranty period. Exchanged parts or products become our property. In some countries delivery charges or postage will have to be paid by the sender. Your statutory rights arising from the purchase of the product remain unaffected
6. This warranty is valid in the European Community, Switzerland, Iceland, Norway, Liechtenstein, Turkey and Russia. Outside these areas, please contact your authorised RYOBI dealer to determine if another warranty applies.

AUTHORISED SERVICE CENTRE

To find an authorised service centre near you, visit <http://en.ryobitools.eu/header/service-and-support/service-agents>

FR RYOBI® CONDITIONS D'APPLICATION DE LA GARANTIE

En plus des droits statutaires liés à l'achat, ce produit est couvert par une garantie telle que décrite ci-dessous.

1. La durée de la garantie accordée au consommateur est de 24 mois à partir de la date d'achat. Cette date doit être authentifiée par une facture ou toute autre preuve d'achat. Le produit a été conçu en vue d'une utilisation strictement privée. Aucune garantie ne s'applique donc en cas d'utilisation professionnelle ou commerciale.
2. Il existe pour une partie de la gamme d'outils électroportatifs (AC/DC), une possibilité d'étendre la période de garantie au-delà de la période précédemment décrite en utilisant le formulaire d'enregistrement présent sur le site Internet www.ryobitools.eu. L'éligibilité d'un outil est clairement affichée dans les points de vente et/ou sur l'emballage et la documentation. L'utilisateur final doit enregistrer son/ses outil(s) nouvellement acheté(s) en ligne dans les 30 jours qui suivent la date d'achat. L'utilisateur a la possibilité de s'enregistrer pour l'extension de garantie dans son pays de résidence si celui-ci est listé dans le formulaire d'enregistrement en ligne où cette option est valide. L'utilisateur final doit donner son consentement pour l'enregistrement des données requises pour accéder au site et doit accepter les termes et conditions. La confirmation d'enregistrement, envoyée par courrier électronique, ainsi que la facture originale mentionnant la date d'achat serviront de preuve de l'extension de garantie.
3. La garantie couvre pendant la période de garantie les défauts des produits liés à la fabrication et aux matériaux à la date d'achat. La garantie est limitée à la réparation et/ou au remplacement et n'inclut aucune autre obligation, tel que, mais sans s'y limiter, les dommages accessoires ou indirects. La garantie est non valable en cas de mauvaise utilisation du produit, d'utilisation contraire aux instructions du mode d'emploi, ou en cas de branchement incorrect. Cette garantie ne s'applique pas pour :
 - tout dommage au produit résultant d'un mauvais entretien
 - tout produit ayant été altéré ou modifié
 - tout produit dont les marquages originaux d'identification (marque, numéro de série) ont été dégradés, altérés ou retirés
 - tout dommage causé par le non-respect des instructions du mode d'emploi
 - tout produit non CE
 - tout produit ayant subi une tentative de réparation par du personnel non qualifié ou sans autorisation préalable de Techtronic Industries
 - tout produit raccordé à une alimentation secteur non conforme (ampérage, voltage, fréquence)
 - tout dommage causé par des influences extérieures (chimiques, physiques, chocs) ou par des substances étrangères
 - l'usure normale des pièces consommables
 - une utilisation inappropriée, une surcharge de l'outil
 - l'utilisation de pièces ou accessoires non agréés
 - accessoires de l'outil électrique fournis avec l'outil ou achetés séparément. Cela comprend notamment les embouts de vissage, les forets de perceuse, les disques abrasifs, le papier de verre et les lames, le guide latéral
 - Les composants (pièces et accessoires) sujets à l'usure naturelle, ceci incluant notamment les mandrins, les charbons, adaptateurs SDS, les cordons d'alimentation, les poignées auxiliaires, les mallettes de transport, les plateaux de ponçage, les sacs collecteurs de poussière, les tubes d'extraction de poussière, les carrés de clé à choc, etc.
4. Si le produit doit être réparé, envoyez-le à un service après-vente agréé RYOBI dont vous trouverez ci-dessous la liste pour chaque pays. Dans certains pays, votre revendeur RYOBI se chargera d'envoyer le produit à un centre de réparation RYOBI. Lorsque vous envoyez un produit à un service après-vente RYOBI, celui-ci doit être correctement emballé, sans contenir aucun produit dangereux tel que de l'essence, et vous devez indiquer votre adresse ainsi qu'une courte description du problème.
5. Une réparation / un remplacement sous garantie est gratuit(e). Ceci ne constituera pas une extension de garantie ni un nouveau départ de la période de garantie. Les pièces ou les outils remplacés deviennent notre propriété. Dans certains pays, les frais de port devront être assumés par l'expéditeur. Vos droits statutaires restent inchangés.
6. Cette garantie est valable au sein de l'Europe, de la Suisse, de l'Islande, de la Norvège, du Liechtenstein, de la Turquie, de la Russie. En dehors de ces zones, veuillez contacter votre distributeur agréé RYOBI pour déterminer si une autre garantie s'applique.

SERVICE APRÈS-VENTE AGRÉÉ

Pour trouver le service après-vente agréé le plus proche, rendez-vous sur <http://fr.ryobitools.eu/header/service-and-support/service-agents>.

DE RYOBI® GARANTIEBEDINGUNGEN

Zusätzlich zu den gesetzlichen Rechten aus dem Kauf gilt für dieses Produkt die nachstehend aufgeführte Garantie.

- Der Garantiezeitraum beträgt für Verbraucher 24 Monate und beginnt mit dem Datum des Kaufs. Dieses Datum muss durch eine Rechnung oder einen anderen Kaufbeleg dokumentiert werden. Dieses Produkt wurde ausschließlich zur privaten Nutzung durch Verbraucher entwickelt. Für den Fall einer professionellen bzw. kommerziellen Nutzung besteht daher keine Garantie.
- Es besteht die Möglichkeit, für einen Teil des Sortiments der Elektrogeräte (AC/DC) den Garantiezeitraum über den oben genannten Zeitraum hinaus zu verlängern, indem der Verbraucher die Registrierung auf der Website www.ryobitools.eu durchführt. Die Berechtigung der Werkzeuge für die Garantieverlängerung ist deutlich im Geschäft und/oder auf der Verpackung beschrieben und in der Produktdokumentation erwähnt. Der Verbraucher muss das neu erworbene Gerät online innerhalb von 30 Tagen ab dem Kaufdatum registrieren. Der Verbraucher kann das Gerät zwecks Garantieverlängerung in seinem Wohnsitzland/Heimatland registrieren, wenn dieses Land auf dem Online-Registrierungsformular aufgeführt ist und die Option gültig ist. Darüber hinaus muss der Verbraucher seine Zustimmung zur Speicherung der Daten geben, die online eingegeben werden müssen, und er muss die allgemeinen Geschäftsbedingungen akzeptieren. Die Bestätigung der Registrierung, die per E-Mail versandt wird, und die Originalrechnung mit dem Kaufdatum gelten als Beleg für die Garantieverlängerung.
- Die Garantie deckt alle Defekte des Geräts während des Garantiezeitraums ab, die auf zum Zeitpunkt des Kaufs bestehende Verarbeitungs- oder Materialfehler zurückzuführen sind. Die Garantie beschränkt sich auf Reparatur und/oder Ersatz und beinhaltet keine anderen Verpflichtungen, insbesondere keinen Schadenersatz für Folge- oder Nebenschäden. Die Garantie gilt nicht, wenn das Gerät fehlerhaft eingesetzt wurde, gegensätzlich zur Bedienungsanleitung eingesetzt wurde oder falsch angeschlossen wurde. Die Garantie gilt nicht für Folgendes:
 - Schäden am Gerät, die auf unkorrekte Wartung zurückzuführen sind
 - Geräte, an denen Veränderungen vorgenommen wurden
 - Produkte, bei denen die ursprüngliche Identifizierung (Handelsmarke, Seriennummer) unleserlich gemacht, verändert oder entfernt wurde
 - Schäden durch Nichtbeachtung der Bedienungsanleitung
 - nicht-CE-zertifizierte Geräte
 - Geräte, an denen durch nicht-qualifizierte Personen oder ohne vorherige Genehmigung von Techtronic Industries Reparaturversuche vorgenommen wurden
 - Geräte, die an unkorrekte Energiequellen (Ampere, Volt, Frequenz) angeschlossen wurden
 - Schäden durch äußere Einflüsse (chemisch, physisch, Stöße) oder Fremdstoffe
 - normaler Verschleiß von Ersatzteilen
 - unangemessene Nutzung, Überlastung des Geräts
 - Nutzung nicht genehmigter Zubehörteile oder Ersatzteile
 - mit dem Gerät gelieferte oder separat erworbene Zubehörteile. Dieser Ausschuss beinhaltet, ist aber nicht beschränkt auf Schraubendreher-Bits, Bohreinsätze, Schleifscheiben, Sandpapier und Klingen, Seitenführungen
 - Komponenten (Ersatzteile und Zubehörteile), die natürlichen und normalen Verschleißerscheinungen unterworfen sind, einschließlich aber nicht beschränkt auf: Service- und Wartungssätze, Kohlebürsten, Lager, Spannfutter, SDS-Bohreraufnahme /Bit-Adapter, Netzkabel, Zusatzhandgriff, Transportkoffer, Schleifteller, Staubbeutel, Staubabsaugrohr, Filzunterlegscheiben, Bolzen und Federn von Schlagschraubern usw.
- Zum Service muss das Gerät zu einer von RYOBI autorisierten Servicestation gebracht oder dorthin gesendet werden. Die Servicestationen für die einzelnen Länder sind in der folgenden Liste aufgeführt. In einigen Ländern sendet Ihr RYOBI-Händler vor Ort das Gerät an das RYOBI-Serviceunternehmen. Beim Einsenden an die RYOBI-Servicestation sollte das Gerät sicher verpackt sein, ohne gefährliche Inhalte wie Benzin, und es sollte mit der Adresse des Absenders und einer kurzen Beschreibung des Fehlers versehen sein.
- Eine Reparatur bzw. ein Ersatz gemäß dieser Garantie ist kostenlos. Hieraus ergibt sich weder eine Garantieverlängerung noch der Beginn eines neuen Garantiezeitraums. Die ausgetauschten Ersatzteile oder Werkzeuge gehen in unser Eigentum über. In einigen Ländern müssen die Zustellgebühren oder die Versandkosten vom Absender gezahlt werden. Ihre gesetzlichen Rechte aus dem Kauf des Geräts bleiben hiervon unberührt.
- Diese Garantie gilt in der Europäischen Union, der Schweiz, Island, Norwegen, Liechtenstein, der Türkei und Russland. Bitte wenden Sie sich außerhalb dieser Gebiete an Ihren autorisierten RYOBI-Händler, um festzustellen, ob eine andere Garantie gilt.

AUTORISIERTER KUNDENDIENST

Besuchen Sie <http://de.ryobitools.eu/header/service-and-support/service-agents>, um einen autorisierten Kundendienst in Ihrer Nähe zu finden.

ES CONDICIONES DE APLICACIÓN DE LA GARANTÍA DE RYOBI®

Además de cualquier derecho legal derivado de la compra, este producto está cubierto por una garantía que se indica a continuación.

- El periodo de garantía es de 24 meses para consumidores y comienza en la fecha en que se comprara el producto. Dicha fecha debe documentarse con una factura u otro comprobante de compra. El producto está diseñado y concebido únicamente para el uso privado del consumidor. Por lo tanto, no se ofrece garantía en caso de uso profesional o comercial.
- Existe la posibilidad de ampliar el periodo de garantía respecto a una parte de la gama de herramientas eléctricas (CA/CC) durante el periodo descrito más arriba y mediante el registro en el sitio web www.ryobitools.eu. La elegibilidad de las herramientas para que se amplíe el periodo de garantía se muestra claramente en las tiendas o en el embalaje y está incluida en la documentación del producto. El usuario final tiene que registrar en línea sus herramientas recientemente adquiridas en un plazo de 30 días a partir de la fecha de compra. El usuario final podrá registrarse para obtener la garantía ampliada en su país de residencia si este aparece en la lista del formulario de registro en línea cuando esta opción sea válida. Además, los usuarios finales deberán dar su consentimiento al almacenamiento de los datos necesarios para el acceso en línea y tienen que aceptar los términos y condiciones. El recibo de confirmación de registro, que se envía por correo electrónico, y la factura original que muestra la fecha de compra servirán como comprobante para la garantía ampliada.
- La garantía cubre todos los defectos del producto durante el periodo de garantía debido a fallos de mano de obra o material en la fecha de compra. La garantía se limita a la reparación o sustitución y no incluye ninguna otra obligación como, por ejemplo, daños accidentales o consecuentes. La garantía no es válida si se ha usado mal el producto, se ha usado contraviniendo el manual de instrucciones o se ha conectado de forma incorrecta. Esta garantía no es aplicable a:
 - ningún daño en el producto que sea consecuencia de un mantenimiento inadecuado
 - ningún producto que haya sido alterado o modificado
 - ningún producto en el que los marcados de identificación originales (marca comercial, número de serie) se hayan borrado, modificado o eliminado
 - ningún daño provocado por no seguir el manual de instrucciones
 - ningún producto que no sea CE
 - ningún producto que haya sufrido un intento de reparación por parte de un profesional no cualificado o sin la autorización previa de Techtronic Industries.
 - ningún producto conectado a un suministro eléctrico inadecuado (amperios, voltaje, frecuencia)
 - ningún daño causado por influencias externas (químicas, físicas, impactos) o sustancias extrañas
 - desgaste normal de piezas de repuesto
 - uso inadecuado, sobrecarga de la herramienta
 - uso de accesorios o piezas no aprobados
 - Accesorios de herramientas eléctricas proporcionados con la herramienta o comprados por separado. Tales exclusiones incluyen, entre otros, brocas de destornilladores, brocas de taladro, discos abrasivos, papel de lija y cuchillas, y guías laterales
 - Componentes (piezas y accesorios) sujetos a un desgaste natural, que incluyen, entre otros, equipos de servicio y mantenimiento, escobillas de carbono, cojinetes, pinzas, accesorio o recepción de broca de taladro SDS, cable eléctrico, manillar auxiliar, bolsa de transporte, hoja lijadora, bolsa de polvo, tubo de escape de polvo, disco de fieltro, pasadores y resortes de llave de impacto, etc.
- Para su mantenimiento, el producto debe enviarse o presentarse a una estación de servicio de RYOBI autorizada que figure en la siguiente lista de direcciones de estaciones de servicio por países. En algunos países, su distribuidor RYOBI local se responsabiliza de enviar el producto a la compañía de servicio de RYOBI. Cuando se envíe un producto a una estación de servicio de RYOBI, este debe estar empaquetado de forma segura sin contenidos peligrosos como gasolina, marcado con la dirección del remitente y acompañado de una breve descripción del fallo.
- Una reparación / sustitución con esta garantía es gratuita. No constituye una ampliación ni un nuevo comienzo del periodo de garantía. Las piezas o herramientas intercambiadas pasan a ser de nuestra propiedad. En algunos países, los gastos de envío o correo tendrá que pagarlos el remitente. Sus derechos legales derivados de esta compra de la herramienta no se verán afectados.
- Esta garantía es válida en la Unión Europea, Suiza, Islandia, Noruega, Liechtenstein, Turquía y Rusia. Fuera de estas zonas, póngase en contacto con su distribuidor de RYOBI autorizado para determinar si es aplicable otra garantía.

SERVICIO TÉCNICO AUTORIZADO

Para encontrar el servicio técnico autorizado más cercano, visite <http://es.ryobitools.eu/header/service-and-support/service-agents>



IT CONDIZIONI DI VALIDITÀ DELLA GARANZIA RYOBI®

In aggiunta ai diritti di legge risultanti dall'acquisto, il prodotto è coperto dalla garanzia sotto descritta.

- Il periodo di garanzia è di 24 mesi per i consumatori, a decorrere dalla data di acquisto del prodotto. La data deve essere documentata da una fattura o altra prova d'acquisto. Il prodotto è progettato e destinato solo all'utilizzo privato dei consumatori. Pertanto non viene fornita alcuna garanzia in caso di uso professionale o commerciale.
- Per una serie di utensili elettrici (CA/CC) è possibile prolungare il periodo di garanzia oltre quello descritto, registrandosi sul sito web www.ryobitools.eu. Gli utensili per i quali è possibile prolungare il periodo di garanzia sono chiaramente indicati nei negozi e/o sulle confezioni e nella documentazione dei prodotti. L'utente deve registrare online l'utensile acquistato entro 30 giorni dalla data di acquisto. L'utente può registrarsi per la garanzia prolungata nel proprio paese di residenza, se questo è elencato nel modulo di registrazione online dove questa opzione sia valida. Inoltre gli utenti devono fornire il proprio consenso alla conservazione dei dati da immettere online e devono accettare le condizioni generali. La conferma di registrazione, inviata tramite e-mail, e la fattura originale indicante la data di acquisto, costituiscono la prova della garanzia prolungata.
- La garanzia copre tutti i difetti del prodotto durante il periodo di garanzia, risultanti da manodopera o materiali alla data di acquisto. La garanzia è limitata alla riparazione e/o sostituzione e non include alcun altro obbligo quali, a mero titolo esemplificativo, i danni incidentali o consequenziali. La garanzia non è valida se il prodotto è stato usato scorrettamente, in modo contrario al manuale di istruzioni o se è stato collegato in modo errato. La garanzia non è valida per:
 - qualsiasi danno al prodotto dovuto a manutenzione errata;
 - qualsiasi prodotto che sia stato alterato o modificato;
 - qualsiasi prodotto le cui marcate di identificazione originali (marchi di fabbrica, numero di serie) siano state cancellate, alterate o rimosse;
 - qualsiasi danno causato dalla non osservanza delle istruzioni del manuale;
 - qualsiasi prodotto privo di omologazione CE;
 - qualsiasi prodotto che sia stato sottoposto a un tentativo di riparazione da parte di un professionista non qualificato oppure senza la previa autorizzazione di Techtronic Industries;
 - qualsiasi prodotto collegato a un'alimentazione errata (per ampere, tensione, frequenza);
 - qualsiasi danno causato da influenze esterne (chimiche, fisiche, urti) o sostanze estranee;
 - la normale usura delle parti di ricambio;
 - uso inappropriato, sovraccarico dell'utensile;
 - uso di accessori o parti non omologate;
 - accessori per utensili elettrici forniti con l'utensile o acquistati separatamente. Questa esclusione comprende, a mero titolo esemplificativo, punte per cacciaviti, punte per trapani, dischi abrasivi, carta vetrata, lame e guide laterali;
 - componenti (parti e accessori) soggetti alla normale usura compresi, a mero titolo esemplificativo, kit di servizio e manutenzione, spazzole al carbonio, cuscinetti, mandrini, attacchi per punte a vite autopoterforante, cavi di alimentazione, maniglie ausiliarie, custodie di trasporto, piastre di levigatura, sacchetti per la polvere, tubi di scarico della polvere, rondelle di feltro, perni e molle per avvitatori ecc.
- Per la manutenzione il prodotto dev'essere spedito o portato presso uno dei centri assistenza autorizzati RYOBI elencati per ogni paese nel seguente elenco di indirizzi dei centri. In alcuni paesi il rivenditore locale RYOBI si incarica di inviare il prodotto all'organizzazione di assistenza RYOBI. Quando si invia un prodotto a un centro assistenza RYOBI, imballarlo in modo sicuro senza contenuti pericolosi come la benzina, apporre l'indirizzo del mittente e accompagnarlo da una breve descrizione del guasto.
- La riparazione/sostituzione ai sensi della presente garanzia è gratuita. Non costituisce un prolungamento o un nuovo inizio del periodo di garanzia. Le parti o gli utensili scambiati diventano di nostra proprietà. In alcuni paesi i costi di consegna o di spedizione postale devono essere pagati dal mittente. I diritti di legge derivanti dall'acquisto dell'utensile rimangono inalterati.
- La presente garanzia è valida in Unione Europea, Svizzera, Islanda, Norvegia, Liechtenstein, Turchia e Russia. Al di fuori di tali aree contattare il rivenditore autorizzato RYOBI per sapere se è valida un'altra garanzia.

CENTRO SERVIZI AUTORIZZATO

Per individuare il più vicino centro servizi autorizzato, visitare il sito <http://it.ryobitools.eu/header/service-and-support/service-agents>.

NL RYOBI® GARANTIEVOORWAARDEN

Naast de wettelijke rechten die voortvloeien uit de aankoop, wordt dit product gedekt door een garantie, zoals hieronder staat vermeld.

- De garantietermijn voor consumenten bedraagt 24 maanden en gaat in op de datum waarop het product is gekocht. Deze datum moet worden gedocumenteerd met een factuur of een ander aankoopbewijs. Het product is uitsluitend ontworpen en bedoeld voor persoonlijk gebruik door consumenten. Er wordt dus geen garantie gegeven voor professioneel of commercieel gebruik.
- Voor een deel van ons aanbod van elektrische gereedschappen (AC/DC) is het mogelijk om de garantietermijn te verlengen over de boven beschreven termijn, met behulp van de website www.ryobitools.eu. De gereedschappen die in aanmerking komen voor de verlenging van de garantietermijn wordt duidelijk weergegeven in winkels en/of verpakkingen en staat beschreven in de productdocumentatie. De eindgebruiker moet zijn/haar nieuw gekochte gereedschappen binnen 30 dagen na aankoop online registreren. De eindgebruiker kan zich registreren voor de verlengde garantietermijn als zijn woonland staat vermeld op het online registratieformulier waar deze optie geldt is. Bovendien moeten eindgebruikers toestemming geven voor de opslag van de gegevens die online ingevuld moeten worden en moeten ze de algemene voorwaarden accepteren. Het ontvangstbewijs van de registratie, dat per e-mail wordt verzonden en de oorspronkelijke factuur met de aankoopdatum vormt het bewijs van de verlengde garantietermijn.
- De garantie dekt tijdens de garantietermijn alle gebreken van het product vanwege defecten in vakmanschap of materiaal op de aankoopdatum. De garantie is beperkt tot reparatie en/of vervanging en bevat geen andere verplichtingen, waaronder maar niet beperkt tot incidentele of gevolgschade. De garantie is niet geldig als het product is misbruikt, in strijd met de gebruiksaanwijzing wordt gebruikt of onjuist is aangesloten. Deze garantie geldt niet voor:
 - alle schade aan het product die het gevolg is van onjuist onderhoud
 - elk product dat is veranderd of aangepast
 - elk product waar de oorspronkelijke identificatie (handelsmerk, serienummer) is beschadigd, gewijzigd of verwijderd
 - alle schade die is veroorzaakt door het niet opvolgen van de gebruiksaanwijzing
 - elk niet-CE-product
 - elk product waar een poging tot reparatie is gedaan door een niet-erkende professional of zonder voorafgaande toestemming door Techtronic Industries.
 - elk product dat is verbonden met een verkeerde voeding (amperage, spanning, frequentie)
 - alle schade die is veroorzaakt door externe invloeden (chemisch, fysisch, schokken) of vreemde stoffen
 - normale slijtage van reserveonderdelen
 - ongepast gebruik, overbelasting van het gereedschap
 - gebruik van niet-goedgekeurde accessoires of onderdelen
 - gereedschapsaccessoires die bij het gereedschap worden geleverd of afzonderlijk zijn aangeschaft. Zulke uitzonderingen bevatten, maar niet beperkt tot schroevendraaierbits, boorbits, slijpschijven, schuurpapier en zagen, laterale geleiding
 - Componenten (onderdelen en accessoires) die onderhevig zijn aan natuurlijke slijtage, waaronder maar niet beperkt tot service-onderhoudsets, koolstofborstels, lagers, boorkoppen, SDS boorbitbevestigingen of ontvangers, stroomsoeren, hulpprepen, transporttassen, schuurplateaus, stofzakken, stofafvoerbuizen, viltlingen, pennen en veren van slagmoersleutels, etc.
- Voor onderhoud moet het product worden verzonden of gebracht naar een erkend servicecenter van RYOBI die voor elk land staan vermeld in de volgende lijst met adressen voor servicecentra. In sommige landen zal uw lokale RYOBI-dealer het product verzenden naar de RYOBI-serviceorganisatie. Wanneer u het product naar een servicecenter van RYOBI verzendt, moet het product veilig worden verpakt zonder enige gevaarlijke inhoud, zoals benzine, met het adres van de afzender en vergezeld van een korte beschrijving van het defect.
- Een reparatie/vervanging die onder deze garantie valt is gratis. Het vormt geen verlenging of een nieuwe start van de garantietermijn. Verwisselde onderdelen of gereedschappen worden ons eigendom. In sommige landen moeten de verzendkosten door de afzender worden betaald. Uw wettelijke rechten die voortvloeien uit de aankoop van het gereedschap blijven onaangetaast.
- Deze garantie is geldig in de Europese Gemeenschap, Zwitserland, Usland, Noorwegen, Liechtenstein, Turkije en Rusland. Buiten deze gebieden moet u contact opnemen met uw erkende RYOBI-dealer om vast te stellen of er een andere garantie van toepassing is.

GEAUTORISEERD ONDERHOUDSCENTRUM

Om een geautoriseerd onderhoudscentrum in uw buurt te vinden, surf u naar <http://nl.ryobitools.eu/header/service-and-support/service-agents>.



PT CONDIÇÕES DE APLICAÇÃO DA GARANTIA RYOBI®

Para além de quaisquer direitos previstos por lei resultantes da compra, este produto está coberto por uma garantia conforme descrição abaixo.

- O período da garantia é de 24 meses para consumidores particulares e inicia-se na data de compra do produto. Esta data tem de ser documentada por uma factura ou por outra prova de compra. O produto foi concebido para e destina-se apenas a consumidores particulares e uso privado. Assim, não é dada garantia em caso de utilização por profissionais ou uso comercial.
- Para uma parte da gama de ferramentas eléctricas (AC/DC) existe a possibilidade de prolongamento do período da garantia para além do período descrito acima, mediante registo no Web site www.ryobitools.eu. A elegibilidade das ferramentas para prolongamento do período da garantia é claramente visível nas lojas e/ou nas embalagens e está contida na documentação do produto. O utilizador final tem de fazer o registo online das suas ferramentas recém-adquiridas no prazo de 30 dias após a data de compra. O utilizador final pode fazer o registo para prolongamento da garantia no seu país de residência, desde que esteja listado no formulário de registo online e para os casos em que esta opção seja válida. Para além disso, os utilizadores finais têm de autorizar o armazenamento dos dados cujo preenchimento lhes for solicitado online e têm de aceitar os termos e as condições. O recibo de confirmação do registo é enviado por e-mail e, em conjunto com a factura original ostentando a data de compra, servirá de prova do prolongamento da garantia.
- A garantia cobre todos os defeitos do produto durante o período da garantia devidos a defeitos de fabrico ou de material à data da compra. A garantia está limitada à reparação e/ou substituição e não inclui quaisquer outras obrigações, incluindo mas não se limitando a, perdas complementares ou indirectas. A garantia não é válida se o produto tiver sido utilizado incorrectamente, utilizado de forma contrária ao Manual de Instruções ou se as respectivas ligações tiverem sido feitas incorrectamente. Esta garantia não se aplica ao seguinte:
 - quaisquer danos ao produto que sejam resultado de manutenção incorrecta
 - qualquer produto que tenha sido alterado ou modificado
 - qualquer produto cujas marcações de identificação de origem (marca comercial, número de série) tiverem sido apagadas, alteradas ou retradas
 - quaisquer danos causados pelo incumprimento do Manual de Instruções
 - qualquer produto que não seja da Comunidade Europeia
 - qualquer produto ao qual tenha sido feita, ou tentada fazer, uma reparação por outra pessoa que não um profissional habilitado ou sem autorização prévia da Techtronic Industries.
 - qualquer produto ligado a uma fonte de alimentação eléctrica incorrecta (Amperes, Voltagem e Frequência)
 - qualquer dano causado por influências externas (químicas, físicas, impactos) ou substâncias estranhas
 - desgaste e degradação normal de sobresselentes
 - utilização incorrecta, sobrecarga da ferramenta
 - utilização de acessórios ou peças não aprovados
 - acessórios para ferramentas eléctricas fornecidos com a ferramenta ou comprados em separado. Estas exclusões incluem mas não se limitam a, pontas de aparafusadora, brocas, discos abrasivos, papel de lixa e lâminas, guia lateral
 - Componentes (peças e acessórios) sujeitos a desgaste e degradação natural, incluindo mas não se limitando a, Kits de Assistência e Manutenção, escovas de carvão, roletamentos, bucha, acessórios ou recepções de brocas SDS, cabos eléctricos, pegas auxiliares, estojos de transporte, placas de lixagem, sacos de poeiras, tubos de saída de poeiras, anilhas de feltro, pinos e molas da aparafusadora de impacto, etc.
- Para assistência, o produto tem de ser enviado para, ou apresentado em, um posto de assistência autorizado RYOBI, conforme listado para cada país na lista de moradas de postos de assistência seguinte. Nalguns países, o seu concessionário RYOBI local encarrega-se de enviar o produto para a organização de assistência RYOBI. Quando enviar um produto para um posto de assistência RYOBI, o produto deve ser embalado de forma segura, sem conter nenhuns conteúdos perigosos (por exemplo, gasolina), marcado com o endereço do remetente e acompanhado por uma breve descrição da avaria.
- Uma reparação/substituição ao abrigo desta garantia é gratuita. Não constitui um prolongamento a, nem um novo início de, o período da garantia. As peças ou ferramentas substituídas tornam-se propriedade nossa. Nalguns países, o remetente terá de pagar os custos de entrega ou a remessa postal. Os seus direitos previstos por lei resultantes da compra da ferramenta mantêm-se inalterados
- Esta garantia é válida na Comunidade Europeia, Suíça, Islândia, Noruega, Liechtenstein, Turquia e Rússia. Fora destas áreas, entre em contacto com o seu concessionário autorizado RYOBI para determinar se existe outra garantia aplicável.

CENTRO DE ASSISTÊNCIA AUTORIZADO

Para encontrar um centro de assistência autorizado próximo de si, visite <http://pt.ryobitools.eu/header/service-and-support/service-agents>.

DA RYOBI® BETINGELSER FOR GARANTI

Udover lovbestemte rettigheder, som resulterer af købet, er dette produkt dækket af en garanti, som anført herunder.

- Garantiperioden er 24 måneder for forbrugere og begynder på den dato, som produktet blev købt. Denne dato skal dokumenteres af en faktura eller andet bevis for køb. Produktet er udelukkende designet og dedikeret til forbrugere og privat brug. Så der ydes ingen garanti i tilfælde af professionel eller kommerciel brug.
- Der er en mulighed for at forlænge garantiperioden for en del af udvalget af elværktøj (AC/DC), hen over den ovenfor beskrivne periode vha. registrering på hjemmesiden www.ryobitools.eu. Rettigheden af værktøjet til forlængelse af garantiperioden er tydeligt vist i butikker og/eller på emballage/og indeholdt i produktokumentationen. Slutbrugeren skal registrere hans/hendes nyligt indkøbte værktøj online indenfor 30 dage efter købsdatoen. Slutbrugeren kan registrere sig for den forlængede garanti i sit land, hvis han/hun er opført på den online registreringsformular, hvor denne mulighed er gyldig. Derudover skal slutbrugere give deres samtykke til at opbevare data, som er påkrævet at indtaste online, og de er nødt til at acceptere vilkår og betingelser. Registreringsbekræftelseskvitteringen, som sendes ud på e-mail, og den originale faktura, som viser købsdatoen, vil fungere som bevis for den forlængede garanti.
- Garantien dækker alle defekter, som et produkt måtte have i løbet af garantiperioden, og som skyldes produktionsfejl eller materialefejl på købsdatoen. Garantien er begrænset til reparation og/eller udskiftning og inkluderer ikke andre forpligtelser, inklusiv men ikke begrænset til tilfældige skader eller følgeskader. Garantien er ugyldig, hvis produktet er blevet misbrugt, brugt uden at overholde vejledningen, eller det er blevet forkert tilsluttet. Denne garanti gælder ikke:
 - Beskadigelse af produktet, som er et resultat af uegnet vedligeholdelse
 - Et produkt der er blevet ændret eller modificeret
 - Et produkt hvor de originale identifikationsmærkninger (varemærke, serienummer) er blevet ødelagt, ændret eller fjernet.
 - Enhver beskadigelse forårsaget af manglende overholdelse af vejledningen
 - Ethvert ikke CE-produkt
 - Ethvert produkt som er blevet forsøgt repareret af en ukvalificeret professionel eller uden tidligere autorisation af Techtronic Industries.
 - Ethvert produkt som er tilsluttet uegnet strømforsyning (ampere, spænding, frekvens)
 - Enhver skade forårsaget af ekstern påvirkning (kemisk, fysisk, chok) eller fremmedelementer
 - Normal slid på reservedele
 - Uegnet brug, overbelastning af værktøjet
 - Brug af ikke-godkendt tilbehør eller dele
 - Elværktøjstilbehør som leveres med værktøjet eller købes separat. Sådanne undertagelser inkluderer men er ikke begrænset til skruetrækkerbits, bor, bits, slibeskiver, sandpapir og klinger, sidestyrt
 - Komponenter (dele og tilbehør) som er udsat for naturligt slid og ælde, inklusiv men ikke begrænset til Service- og vedligeholdelsessæt, kulbrøster, lejer, bøsninger, påsætning eller modtagelse af SDS-bor, El ledning, hjælpehåndtag, transporttaske, sandplade, støvpose, støvudstødningslange, filterkiver, nåle og fjedre slagnagle etc.
- For eftersyn skal produktet sendes til eller præsenteres for en RYOBI-autoriseret service værksted, som er oplyst for hvert land i den følgende liste over service værksted adresser. I nogle lande påtager din lokale RYOBI-forhandler sig ansvaret for at sende produktet til RYOBI-serviceorganisationen. Når et produkt sendes til en RYOBI-service værksted, skal det pakkes sikkert ind uden noget farligt indhold som benzin, mærkes med afsenderens adresse og med en kort beskrivelse af fejlen.
- En reparation/erstatning under denne garanti er gratis. Den udgør ikke en forlængelse eller en ny start på garantiperioden. Udvekslede dele eller værktøjer bliver vores ejendom. I nogle lande skal leveringsafgifter eller porto betales af afsenderen. Dine lovbestemte rettigheder i forbindelse med købet forbliver uanfægtede
- Denne garanti gælder i EU, Schweiz, Island, Norge, Liechtenstein, Tyrkiet og Rusland. Udenfor disse områder bedes du kontakte din autoriserede RYOBI-forhandler for at afgøre, om en anden garanti gælder.

AUTORISERED E SERVICE/VÆRKSTEDER

Find nærmeste autoriserede serviceværksted på <http://dk.ryobitools.eu/header/service-and-support/service-agents>.

SV RYOBI® ANVÄNDNINGSVILLKOR FÖR GARANTI

Förutom eventuella lagstadgade rättigheter som uppstår genom köpet, täcks den här produkten av en garanti som anges nedan.

1. Garantiperioden är 24 månader för konsumenter och börjar gälla från det datum då produkten köptes. Detta datum måste dokumenteras på en faktura eller annat köpbevis. Produkten är utformad och avsedd för konsumenter och privat bruk. Därmed tillhandahålls ingen garanti vid yrkesmässigt eller kommersiellt bruk.
2. Det finns möjlighet att förlänga garantiperioden för en del av utbudet för elverktyg (AC/DC) under den period som anges ovan genom att använda registreringen på webbplatsen www.ryobitools.eu. De verktyg som är berättigade till en förlängning av garantiperioden visas tydligt i butiker och/eller på förpackningen/och anges i produktdokumentationen. Slut användaren behöver registrera hans/hennes nyförvävade verktyg online inom 30 dagar från köpdatumet. Slut användaren kan registrera sig för den förlängda garantin i det land där han/hon bor om landet finns angivet i registreringsformuläret online och där detta alternativ är giltigt. Dessutom måste slut användaren ge sitt medgivande till lagring av data vilket krävs vid registrering online samt acceptera villkoren. Bekräftelsekvittot för registreringen som skickas ut via e-post och originalfakturan som visas köpdatumet kommer att gälla som bevis för den förlängda garantin.
3. Garantin täcker alla produktdefekter under garantiperioden som beror på brister i utförande eller material vid köpdatumet. Garantin är begränsad gällande reparation och/eller utbyte och inkluderar inte några skyldigheter inklusive men inte begränsat till oförutsedda skador eller följskador. Garantin är inte giltig om produkten har missbrukats, använts i strid med bruksanvisningen eller inte anslutits på rätt sätt. Denna garanti täcker inte:
 - eventuella skador på produkten som uppstått till följd av felaktigt underhåll
 - produkter som har ändrats eller modifierats
 - produkter där ursprungliga identifieringsmärken (varumärke, serienummer) har målats över, ändrats eller tagits bort
 - eventuella skador som uppstått till följd av att bruksanvisningen inte efterföljts
 - alla icke CE-produkter
 - eventuella produkter som har försökts repareras av en icke-kvalificerad yrkesman eller utan föregående medgivande från Technronic Industries.
 - eventuella produkter som anslutits till felaktig strömförsörjning (ampere, volt, frekvens)
 - eventuella skador som uppstått till följd av yttre påverkan (kemisk, fysisk, stöt) eller främmande ämnen
 - normalt slitage av reservdelar
 - olämplig användning, överbelastning av verktyget
 - användningen av icke-godkända tillbehör eller delar
 - tillbehör till elverktyg som medföljde verktyget eller köpts separat. Sådana undantag inkluderar men är inte begränsat till skruvmejselbits, borrbits, slipskivor, sandpapper, blad och sidoskena
 - Komponenter (delar och tillbehör) är föremål för naturligt slitage, inklusive men inte begränsat till service- och underhållsatsar, kolborstar, kullager, chuck, tillbehör eller tillhörande SDS-borrbitt, strömsladd, hjälphandtag, transportväska, slipplatta, dammpåse, dammtulblåsrör, filterbrickor, stift och fjädrar till mutterdragare osv.
4. Vid service måste produkten skickas eller uppvisas för en RYOBI-auktoriserad servicestation som står angiven för varje land i följande adresslista över servicestationer. I vissa länder tar din lokala RYOBI-återförsäljare på sig ansvaret att skicka produkten till RYOBI-serviceorganisationen. När en produkt skickas till en RYOBI-servicestation, ska produkten paketeras säkert utan något farligt innehåll såsom bensin, markeras med avsändarens adress samt en kort beskrivning av felet.
5. En reparation/ett utbyte under denna garanti är kostnadsfri. Det utgör inte en förlängning eller förnyelse av garantiperioden. Utbyta delar eller verktyg blir vår egendom. I vissa länder måste leveranskostnader eller porto betalas av avsändaren. Dina lagstadgade rättigheter som härrör från köpet av verktyget förblir opåverkade
6. Denna garanti är giltig i Europeiska gemenskapen: Schweiz, Island, Norge, Liechtenstein, Turkiet och Ryssland. Utanför dessa länder, kontakta din auktoriserade RYOBI-återförsäljare för att avgöra om en annan garanti gäller.

AUKTORISERAT SERVICECENTER

Du hittar närmaste auktoriserade servicecenter genom att gå till <http://se.ryobitools.eu/header/service-and-support/service-agents>.

FI RYOBI®-TAKUUN SOVELTAMISEHDOT

Tällä tuotteella on oston luomien lakisääteisten oikeuksien ohella alla mainitun mukainen takuu.

1. Takuun kesto on kuluttajille 24 kuukautta ja takuuaika alkaa tuotteen ostopäivästä. Tämän päivämäärän tulee lukea laskussa tai muussa ostotositteessa. Tuote on suunniteltu ja tarkoitettu vain kuluttajien ja yksityiseen käyttöön. Takuu ei siis kata ammatti- eikä kaupallista käyttöä.
2. Joidenkin sähkötyökalujen (AC/DC) takuun kesto on mahdollista laajentaa yllä mainittua kestoä pidemmäksi verkko-sivuston www.ryobitools.eu rekisteröinnin kautta. Työkalujen kelpoisuus takuujakson laajennukseen näkyy selkeästi myymälöissä ja/tai pakkauksissa ja/ tai tämä tieto sisältyy tuotedokumentaation. Loppukäyttäjän täytyy rekisteröidä vasta hankitut työkalut internetissä 30 päivän kuluessa ostopäivämäärästä. Loppukäyttäjät voi rekisteröidä laajennetun takuun kotimaassaan, jos se on luetteluna online-rekisteröintilomakkeessa, jossa mainitaan, missä tämä vaihtoehto on voimassa. Loppukäyttäjien täytyy lisäksi hyväksyä tietojen tallennus, jotka heidän täytyy antaa online-tilassa sekä ehdot. Rekisteröinnin vahvistuskuitti, joka lähetetään sähköpostitse, ja alkuperäinen ostopäivämäärän ilmaiseva lasku toimivat laajennetun takuun tositteina.
3. Takuu kattaa kaikki tuotteeseen takuuaikana tulevat viat, joiden aiheuttajina ovat tuotteessa ostopäivänä olleet valmistus- tai materiaali- viat. Takuu on rajoitettu korjaukseen ja/tai vaihtoon eikä se sisällä mitään muuta velvoitetta mukaan lukien satunnais- ja seurannaisvahinkoja, mutta rajoittumatta niihin. Takuu ei päde, jos tuotetta on käylytty väärin, käyttöohjeen vastaisesti tai jos se on liitetty virheellisesti. Tämä takuu ei kata:
 - virheellisestä huollosta johtuvia vaurioita
 - muunnettua tai muutettua tuotetta
 - tuotetta, jonka alkuperäiset tunnistemerkinnät (tavaramerkki, sarjanumero) on turmeltu, muutettu tai poistettu
 - tämän käyttöoppaan laiminlyönnistä johtuvia vaurioita
 - ei-CE-tuotetta
 - tuotetta, jota on yrittänyt korjata epäpätevä ammattilainen tai joka on korjattu ilman Technronic Industriesin emakkoluopaa.
 - tuotetta, joka on liitetty virheelliseen tehohäviönsäeseen (ampeirit, jännite, taajuus)
 - ulkoisten vaikutusten (kemiallinen, fyysinen, iskut) tai vieraiden aineiden aiheuttamaa vauriota
 - normaaleja kuluvia vaurioita
 - virheellistä käyttöä, työkalun ylikuormitusta
 - ei-hyväksytyjen tarvikkeiden tai osien käyttöä
 - sähkötyökalun tarvikkeita, jotka on toimitettu työkalun mukana tai ostettu erikseen. Poissuljettuja osia ovat ruuvausterät, poranterät, hiomalaikat, hiekkapaperi ja terät, sivuohjain, näihin kuitenkaan rajoittumatta
 - Luonnollisesti kuluvia komponentteja (osia tai tarvikkeita), joihin sisältyvät huolto- ja kunnossapitosetit, hiiliharjat, laakerit, terästäkat, SDS-porien kiinnittimet istukka, virtajohto, apukahva, kuljetuskotelo, hiomalaikka, pölypussi, pölynpoistoputki, huopatiivisteet, iskunvääntimen pultit ja jouset yms. näihin kuitenkaan rajoittumatta.
4. Tuote on lähetettävä huollettavaksi valtuutettuun RYOBI-huoltoon tai näyteltävä siellä. Niiden osoitteet kussakin maassa löytyvät seuraavasta luettelosta. Joissakin maissa paikallinen RYOBI-jälleenmyyjä huolehtii tuotteen lähetyksestä RYOBI-huolto-organisaatioon. Kun tuote lähetetään RYOBI-huoltoon, se täytyy pakata hyvin ilman vaarallisia aineita, kuten polttoainetta, ja pakkaukseen täytyy merkitä lähettäjän nimi sekä vain lyhyt kuvaus.
5. Takuun kattama korjaus/vaihto on maksuton. Se ei tarkoita takuuaajan laajennusta tai alkamista alusta. Vaihdetut osat tai työkalut siirtyvät valmistajan omistukseen. Joissakin maissa lähettäjän täytyy maksaa lähetyksenkustannukset tai postikulut. Työkalun oston luomat lakisääteiset oikeudet pysyvät koskemattomina
6. Tämä takuu on voimassa Euroopan yhteisössä, Sveitsissä, Islannissa, Norjassa, Liechtensteinissä, Turkissa ja Venäjällä. Ota näiden alueiden ulkopuolella yhteyttä omaan valtuutettuun RYOBI-jälleenmyyjään ja selvitä, onko jokin vainu takuuta.

VALTUUTETTU HUOLTO

Voit etsiä lähimmän valtuutetun huollon sivulta <http://fi.ryobitools.eu/header/service-and-support/service-agents>.

NO RYOBI® GARANTIBETINGELSER

I tillegg til eventuelle lovbestemte rettigheter som følger av kjøpet, er dette produktet dekket av en garanti som angitt nedenfor.

1. Garantiperioden er 24 måneder for konsumenter og gjelder fra den datoen som produktet ble kjøpt. Denne datoen skal dokumenteres med en faktura eller annet kjøpsbevis. Produktet er designet og beregnet kun til konsument- og privat bruk. Så det gis ingen garanti ved profesjonell eller kommersiell bruk.
2. For en del av utvalget av elektriske verktøy (AC/DC) er det mulighet til å utvide garantiperioden i den perioden som er beskrevet ovenfor ved bruk av registreringen på nettsidene www.ryobitools.eu. Kvalifisering av verktøyene for en utvidelse av garantiperioden er tydelig vist i butikker og/eller på pakningen / og finnes innen produktdokumentasjonen. Sluttbrukeren må registrere sine nylig anskaffede verktøy online innen 30 dager etter kjøpsdato. Sluttbrukeren kan registrere seg for den utvidede garantien i sitt land hvis det er opplistet på online registreringsskjemaet der dette alternativet er gyldig. Videre må sluttbrukere gi sitt samtykke til oppbevaring av dataene som kreves for å gå online, og de må godta vilkår og betingelser. Registreringsbekreftelsen, som sendes ut på e-post, og den originale fakturaen som viser kjøpsdato, vil tjene som bevis for den utvidede garantien.
3. Garantien dekker alle defekter i produktet under garantiperioden på grunn av defekter i utførelse eller materiale på kjøpsdato. Garantien er begrenset til å reparere og/eller erstatte og inkluderer ikke noen andre forpliktelser, inkludert, men ikke begrenset til, tilfældige eller følgesmessige skader. Garantien er ikke gyldig hvis produktet har blitt misbrukt, brukt på annen måte enn det som beskrives i bruksanvisningen eller er koblet til på feil måte. Denne garantien gjelder ikke for:
 - enhver skade på produktet som er resultat av utlisterkkelig vedlikehold
 - ethvert produkt som har blitt endret eller modifisert
 - ethvert produkt der de originale identifiseringsmerkene (varemerke, serienummer) har blitt uleselig, er endret eller fjernet
 - enhver skade som forårsakes av ikke-overholdelse av instruksjonsboken
 - ethvert ikke-CE-produkt
 - ethvert produkt som har blitt forsøkt reparert eller av en ikke-kvalifisert fagperson eller uten tidligere autorisasjon fra Techtronic Industries.
 - ethvert produkt tilkoblet feil strømforsyning (ampere, spenning, frekvens)
 - enhver skade som er forårsaket av eksterne påvirkninger (kjemiske, fysiske, støt) eller fremmede stoffer
 - normal slitasje og sliteseravedeler
 - feil bruk, overbelastning av verktøyet
 - bruk av ikke-godkjent tilbehør eller deler
 - Elektrisk verktøytilbehør levert med verktøyet eller kjøpt separat. Slike ekskluderinger, inkludert, men ikke begrenset til skrutrekkerbits, drillbits, slipedisker, sandpapir og blader, lateral føring
 - Komponenter (deler og tilbehør) som er utsatt for naturlig slitasje, inkludert, men ikke begrenset til service- og vedlikeholdssett, karbonborster, lagre, chuck, SDS-borrbifeste eller -mottak, strømledning, hjelpéhåndtak, transportbæreske, sandingsplate, støvpose, støvutslippsrør, filtpakninger, støtnøkkelpinner og fjær, osv.
4. For service må produktet sendes eller fremlegges for en RYOBI-autorisert servicestasjon opplistet for hvert land i den følgende listen over servicestasjonsadresser. I noen land sender den lokale RYOBI-forhandleren produktet til RYOBI serviceorganisasjonen. Ved å sende et produkt til en RYOBI servicestasjon skal produktet være sikkert pakket uten noe farlig innhold, slik som bensin, merket med senderens adresse og fulgt av en kort beskrivelse av feilen.
5. En reparasjon/erstatning under denne garantien er gratis. Den utgjør ingen forlengelse eller en ny start av garantiperioden. Utvekslede deler eller verktøy blir vår eiendom. I noen land vil leveringskostnader eller frankering måtte betales av senderen. Dine lovbestemte rettigheter som oppstår fra kjøp av verktøyet forblir uberørt.
6. Denne garantien er gyldig i EU, Sveits, Island, Norge, Liechtenstein, Tyrkia og Russland. Utenfor disse områdene ta kontakt med din autoriserte RYOBI-forhandler om en annen garanti gjelder.

AUTORISERT SERVICESENTER

For å finne et autorisert servicesenter i nærheten, gå til <http://no.ryobitools.eu/header/service-and-support/service-agents>.

RU УСЛОВИЯ ПРИМЕНЕНИЯ ГАРАНТИИ НА ПРОДУКЦИЮ RYOBI®

Помимо законных прав, возникающих при покупке, данное изделие покрывается гарантией в соответствии с приведенными ниже пунктами.

1. Гарантийный период для покупателя составляет 24 месяца с даты покупки изделия. Дата покупки должна быть подтверждена полностью заполненным гарантийным талоном и чеком о покупке. Данное изделие предназначено только для частного использования покупателем. Поэтому гарантия не распространяется на использование в профессиональных или коммерческих целях.
2. Предусмотрена возможность продления для части изделий линейки электроинструментов (AC/DC) гарантийного периода с помощью регистрации на сайте www.ryobitools.eu. Право инструмента на продление гарантийного периода четко указано в магазинах и / или на упаковке / и содержится в сопутствующей инструменту документации. Конечный пользователь должен зарегистрировать свой приобретенный инструмент в течение 30 дней с даты покупки. Конечный пользователь может зарегистрировать свой инструмент на продление гарантии в стране своего проживания, если она указана в форме онлайн-регистрации. Кроме того, конечный пользователь должен дать свое согласие на хранение данных, которые необходимо ввести в онлайн-форму и принять правила и условия. Подтверждение регистрации, которое вы получите по электронной почте, заполненный гарантийный талон и оригинальный чек, в котором указана дата покупки, будут служить доказательством продленной гарантии.
3. Гарантия покрывает в течение гарантийного периода все дефекты качества или материала изделия на дату покупки. Гарантия ограничена ремонтом и / или заменой и не включает никакие другие обязательства, включая, но не ограничиваясь случайными или косвенными убытками. Гарантия становится недействительной, если изделие использовалось не по назначению, вопреки инструкциям, данным в Руководстве пользователя или было неправильно подключено. Настоящая гарантия не распространяется на:
 - любые повреждения изделия в результате неправильного технического обслуживания или недостаточного ухода за инструментом
 - любые изделия, подвергшиеся изменениям и модификации
 - любые изделия, оригинальные идентификационные отметки которого (торговая марка, серийный номер) были повреждены, изменены или удалены
 - любые повреждения, вызванные несоблюдением инструкций Руководства пользователя
 - любые изделия, не сертифицированные маркировкой "CE" для продажи в Европейском союзе
 - любые изделия, подвергшиеся попыткам ремонта неквалифицированным работником или без предварительного утверждения компании Techtronic Industries.
 - любые изделия, подключенные к неправильному источнику питания (сила тока, напряжение, частота)
 - любые повреждения, вызванные внешними воздействиями (химические, физические, удары) или посторонними веществами
 - естественный износ запасных деталей
 - несоответствующее использование, перегрузка инструмента
 - использование неутвержденных аксессуаров и неофициальных запасных деталей
 - аксессуары электроинструментов, поставляемые с инструментом или приобретаемые отдельно. К этому списку относятся, но не исчерпывают его: сверла, шуруповерты, дрели, абразивные диски, наждачную бумагу, лезвия и боковые направляющие компоненты (детали и аксессуары), подверженные естественному износу и разрыву, включая, но не ограничиваясь наборы для технического обслуживания, угольные щетки, подшипники, патроны, переходники SDS, кабели питания, дополнительные ручки, футляры для транспортировки, шифовальные подошвы, пылесборники, трубки для отвода пыли, войлочные шайбы, штыри и пружины ударных ключей и др.
4. Для проведения технического обслуживания изделие следует направлять в авторизованные сервисные центры RYOBI, указанные для каждой страны в приведенном ниже списке адресов станций сервисного обслуживания. В некоторых странах местные дилеры RYOBI отправляют изделия в сервисные организации RYOBI. При отправке изделия в сервисный центр RYOBI, изделие должно быть безопасно упаковано и не содержать никаких опасных веществ, таких как бензин, должен быть подписан адрес отправителя и сопровождаться кратким описанием неисправности.
5. Ремонт / замена проводится в рамках настоящей гарантии бесплатно. Он не продлевает гарантию и не начинает новый гарантийный период. Замененные детали и инструменты становятся нашей собственностью. В некоторых странах отправитель должен оплачивать стоимость отправки. Ваши законные права, возникающие при покупке инструмента, остаются неизменными.
6. Данная гарантия действительна в Европейском Союестве, Швейцарии, Исландии, Норвегии, Лихтенштейне, Турции и России. Вне указанных территорий обращайтесь к своему авторизованному дилеру RYOBI, чтобы узнать, применяются ли условия каких-либо других гарантий.

УПОЛНОМОЧЕННЫЙ СЕРВИСНЫЙ ЦЕНТР

Чтобы найти ближайший уполномоченный сервисный центр, обратитесь к веб-сайту <http://ru.ryobitools.eu/header/service-and-support/service-agents>.

PL WARUNKI GWARANCJI RYOBI®

Oprócz praw ustawowych wynikających z zakupu produkt jest objęty gwarancją, której warunki podano poniżej.

1. Okres gwarancyjny wynosi 24 miesiące dla konsumentów i rozpoczyna się w dniu zakupu produktu. Datę zakupu należy udokumentować fakturą lub innym dowodem zakupu. Produkt został zaprojektowany i jest przeznaczony do użytku konsumenckiego i prywatnego. W związku z tym gwarancja nie obejmuje zastosowań profesjonalnych i komercyjnych.
2. Istnieje możliwość wydłużenia okresu gwarancyjnego dla części asortymentu narzędzi ręcznych z napędem mechanicznym (AC/DC) poprzez zarejestrowanie produktu na stronie internetowej www.ryobitools.eu. Kwalifikowalność narzędzi do wydłużenia okresu gwarancyjnego jest wyraźnie określona w sklepach i/lub na opakowaniu oraz w dokumentacji produktu. Użytkownik końcowy musi zarejestrować nowo kupione narzędzia online w ciągu 30 dni od daty zakupu. Użytkownik końcowy może zarejestrować się w celu przedłużenia gwarancji w swoim kraju zamieszkania, jeżeli jest on wymieniony w formularzu rejestracji online, gdzie opcja ta obowiązuje. Ponadto użytkownicy końcowi muszą wyrazić zgodę na przechowywanie danych, wprowadzanych na stronie internetowej i zaakceptować regulamin. Dowodem wydłużenia gwarancji jest wysłane pocztą elektroniczną potwierdzenie rejestracji i oryginalny faktury potwierdzającej datę zakupu.
3. Gwarancja obejmuje wszystkie wady produktu ujawnione w okresie gwarancyjnym wynikające usterek wykonania lub materiału obecnym w dniu zakupu. Gwarancja jest ograniczona do naprawy i/lub wymiany i nie obejmuje żadnych innych zobowiązań, w tym między innymi odpowiedzialności za szkody przypadkowe lub wtórne. Gwarancja nie obowiązuje, jeżeli produkt był nieprawidłowo używany, używany niezgodnie z instrukcją lub nie był prawidłowo podłączony. Gwarancja nie obejmuje:
 - uszkodzenia produktu wynikającego z nieprawidłowej konserwacji,
 - produktu, który został zmieniony lub zmodyfikowany,
 - produktu, którego oryginalne oznaczenie (znak towarowy, numer seryjny) zostało zniszczone, zmienione lub usunięte,
 - jakiegokolwiek uszkodzeń wynikających z nieprzebrzeżenia instrukcji,
 - jakiegokolwiek produktu bez certyfikatu CE,
 - jakiegokolwiek produktu, który próbowano naprawiać z pomocą niewykwalifikowanej osoby lub bez uzyskania wcześniejszej zgody firmy Techtronic Industries.
 - jakiegokolwiek produktu podłączonego nie prawidłowego źródła zasilania (nieprawidłowe napięcie prądu, napięcie, częstotliwość),
 - jakiegokolwiek uszkodzeń spowodowanych wpływem czynników zewnętrznych (chemicznych, fizycznych, drgań) lub substancji obcych,
 - normalnego zużycia części zamiennych,
 - nieprawidłowego użycia, przeciążenia narzędzia,
 - stosowania niezatwierdzonych akcesoriów lub części,
 - akcesoriów narzędzi ręcznych z napędem mechanicznym dostarczonych z narzędziem lub kupionych oddzielnie. Takie wykluczenia obejmują, między innymi, wymienne ostrza wkrętaka, wiertła, tarcze cierne, papier ścierny i ostrza, prowadnicę boczną.
 - elementów (części i akcesoriów) podlegających naturalnemu zużyciu obejmujących, między innymi, zestawy do konserwacji i serwisu, szczotki węglowe, łożyska, uchwyty, przystawkę wiertła SDS, gniazdo, przewód zasilania, uchwyty pomocnicze, skrzynię transportową, płytę szlifierską, worek pyłowy, rurę odprowadzania pyłu, podkładki filcowe, kolki i sprężyny klucza udarowego itp.
4. W celu serwisowania produkt należy wysłać lub okazać w autoryzowanym punkcie serwisowym RYOBI znajdującym się na przedstawionym poniżej wykazie punktów serwisowych w poszczególnych krajach. W niektórych krajach lokalny dystrybutor produktów RYOBI podejmuje się wysyłki produktu do centrum serwisowego RYOBI. W przypadku wysyłki do punktu serwisowego RYOBI produkt — pozbawiony jakiegokolwiek niebezpiecznych substancji, na przykład benzyny — należy bezpiecznie zapakować i dołączyć adres nadawcy oraz krótki opis usterek.
5. Naprawa/wymiana w ramach niniejszej gwarancji jest bezpłatna. Nie stanowi jednak o przedłużeniu lub rozpoczęciu od nowa biegu okresu gwarancyjnego. Wymienione części lub narzędzia stają się naszą własnością. W przypadku niektórych krajów nadawca będzie musiał uregulować koszty dostawy lub opłaty pocztowe. Prawa ustawowe wynikające z zakupu narzędzia pozostają niezmienione.
6. Niniejsza gwarancja obowiązuje w Unii Europejskiej, Szwajcarii, Islandii, Norwegii, Liechtensteinie, Turcji i Rosji. Poza tymi obszarami należy skontaktować się z autoryzowanym dostawcą produktów RYOBI i ustalić, czy obowiązuje inna gwarancja.

AUTORYZOWANY PUNKT SERWISOWY

Najbliższy autoryzowany punkt serwisowy można wyszukać w witrynie internetowej <http://pl.ryobitools.eu/header/service-and-support/service-agents>.

CS ZÁRUČNÍ PODMÍNKY RYOBI®

Kromě zákonných práv vyplývajících z koupě výrobku se na tento výrobek vztahuje také níže uvedené záruka.

1. Záruční doba pro spotřebitele je 24 měsíců a začíná datem nákupu výrobku. Datum musí být zaznamenáno na fakturě nebo jiném dokladu o koupi. Tento výrobek je navržen a určen pouze pro soukromé účely spotřebitelů. Záruka se tedy nevztahuje na profesionální nebo komerční využití výrobku.
2. U některých elektrických nástrojů (AC/DC) je možné záruční dobu prodloužit. K tomu je nutná registrace na stránkách www.ryobitools.eu. Možnost prodloužení záruční doby výrobků je jasně uvedena v prodejních, popř. na obalech nebo v dokumentech o výrobku. Koncový uživatel musí svůj nový nástroj zaregistrovat online do 30 dnů od data nákupu. Koncový uživatel se může k prodloužení záruční doby zaregistrovat v zemi trvalého pobytu, pokud je tato uvedena na internetovém registračním formuláři u výrobku, kde je tato možnost dostupná. Koncoví uživatelé musí dále souhlasit s uložením osobních údajů, která musí zadat na internetu, a přijmout obchodní podmínky. E-mail s původní registrací a původní faktura s datem koupě poslouží jako důkaz o prodloužení záruce.
3. Záruka se vztahuje na veškeré vady na výrobku v rámci záruční doby způsobené výrobními vadami nebo vadami materiálu v době koupě. Záruka je omezena na opravu, popřípadě výměnu a nezahrnuje žádné další povinnosti, včetně mimo jiné vedlejších či následných odškodnění. Záruka neplatí při použití výrobku k nevhodným účelům, v rozporu s uživatelskou příručkou nebo při nesprávném zapojení. Záruka se nevztahuje na:
 - veškeré škody na výrobku způsobené nesprávnou údržbou
 - veškeré produkty, které byly pozměněny nebo upraveny
 - veškeré produkty, kde byly původní identifikační prvky (obchodní značka, sériové číslo) poničeny, pozměněny nebo odstraněny
 - veškeré škody způsobené nedodržením pokynů uživatelské příručky
 - veškeré produkty bez CE certifikace
 - veškeré produkty, které se pokusil upravit nequalifikovaný odborník nebo opravy bez předchozího svolení společnosti Techtronic Industries.
 - veškeré produkty zapojené do nesprávného elektrického zdroje (proud, napětí, frekvence)
 - veškeré škody způsobené externími vlivy (chemickými, fyzickými, nárazy) nebo cizími látkami
 - běžné opotřebování dílů
 - nevhodné použití, přetěžování nástroje
 - použití neschválených příslušenství nebo dílů
 - příslušenství k elektrickému nástroji poskytnuté s nástrojem nebo zakoupené samostatně. Tyto výjimky se vztahují mimo jiné na šroubovací bity, vrtáky, brusné disky, brusný papír a čepele, postranní vodič lišty
 - komponenty (díly a příslušenství) podléhající přirozenému opotřebování, včetně mimo jiné servisních sad, karbonových kartáčů, ložisek, sklíčidla, SDS nástavce na vrtací bity, napájecího kabelu, pomocné rukojeti, přepravního pouzdra, brusné desky, prachového vaku, výfukové prachové trubice, plstěných podložek, západek a pružin rážového utahávacího trudu.
4. K provedení servisu musí být výrobek zaslán nebo předán do autorizovaného servisního centra společnosti RYOBI, jejichž adresy jsou uvedeny podle země v seznamu servisních center. V některých zemích z vás výrobek pošle servisní organizaci RYOBI sám prodejce výrobků této značky. Při zasílání výrobku do servisního centra RYOBI je potřeba výrobek bezpečně zabalit bez nebezpečného obsahu jako benzín, opatřit adresou odesílatele a přiložit krátký popis závady.
5. Oprava, popř. výměna v rámci této záruky je zdarma. Neznamená to prodloužení nebo začátek nové záruční lhůty. Vyměněné díly nebo nástroje přejdou do našeho vlastnictví. V některých zemích platí poštovné odesílatele. Vaše zákonná práva vyplývající z koupě tohoto nástroje utvářejí nedotčená.
6. Tato záruka platí v Evropském Společenství, Švýcarsku, Norsku, Lichtenštejnsku, Turecku, Rusku a na Islandu. Mimo tato území kontaktujte autorizovaného prodejce značky RYOBI, který zjistí, zda se na výrobek vztahuje jiná záruka.

POVĚŘENÉ SERVISNÍ STŘEDISKO

Pro nalezení nejbližšího pověřeného servisního střediska navštivte <http://cz.ryobitools.eu/header/service-and-support/service-agents>.

HU A RYOBI® GARANCIA ALKALMAZÁSÁNAK FELTÉTELEI

A vásárlásból adódó törvényben rögzített jogok mellett a termékre az alábbi garancia vonatkozik.

1. A fogyasztói garancia tartama 24 hónap, mely a termék vásárlásának napjával kezdődik. Ezt a dátumot számlával vagy a vásárlást igazoló egyéb dokumentummal kell bizonyítani. A termék rendeltetése csak fogyasztói és magán céllú használható. Ezért professzionális vagy kereskedelmi használat esetén a garancia nem érvényes.
2. A szerszámgépek (egyenáramú/váltóáramú) egy részénél a garancia időtartama a www.ryobitools.eu weblapon regisztrálva meghosszabbítható. Az áruházakban, a csomagolásban, illetve a termék dokumentációjában egyértelműen jelezzük, hogy az adott termék garanciája meghosszabbítható-e. A végfelhasználónak a vásárlás dátumától számított 30 napon belül regisztrálnia kell az újonnan vásárolt szerszámot. A végfelhasználó akkor regisztrálhatja a kiterjesztett garanciára, ha az ország, ahol lakik, fel van sorolva az online regisztrációs úrlapon azon országok között, ahol választható ez az opció. Ezenkívül a végfelhasználónak bele kell egyeznie az online regisztrálás során szükséges adatok tárolásába, és el kell fogadnia a felhasználási feltételeket. A kiterjesztett garanciát a regisztráció beérkezésétől e-mailben küldött visszaigazolás és a vásárlás dátumát tartalmazó eredeti számla igazolja.
3. A garancia a termék vásárlásakor fennálló, a gyártás során keletkezett hibákra és anyaghibákra érvényes a garanciális időtartamon belül. A garancia csak a javításra/cserére korlátozódik, és nem terjed ki semmilyen egyéb kötelezettségre, nem kizárólagosan ideértve a véletlen vagy szándékos rongálást. A garancia nem érvényes, ha a terméket nem megfelelően, a használati utasításban foglaltakkal ellentétben, illetve nem megfelelően csatlakoztatva használták. A garancia nem vonatkozik:
 - a terméket a nem megfelelő karbantartás következtében ért károsodásra
 - megváltoztatott vagy átalakított termékre
 - olyan termékre, melyben az eredeti azonosítókat (védjegy, sorozatszám) megrongálták, megváltoztatták vagy eltávolították
 - a használati utasítás be nem tartásából eredő kárra
 - CE jelöléssel nem rendelkező termékekre
 - olyan termékre, melyet nem képzett, illetve a Techtronc Industries által nem fejlesztett szerelvény javított
 - nem megfelelő (áramerősség, feszültség, frekvenciájú) áramforrásra csatlakoztatott termékre
 - külső (vegyi, fizikai, ütés) hatásokból vagy idegen anyagokból eredő károkkra
 - a cserélhető alkatrészek természetes kopására és elhasználódására
 - a szerszám helytelen használatára, túlterhelésére
 - nem jóváhagyott tartozékok és alkatrészek használatára
 - A szerszámmal adott vagy külön megvásárolt tartozékokra. Ilyenek például (de nem kizárólag) a csavarhúzófejek, fúrószárak, csiszolókorongok, csiszolópapír, kések, oldallirányú terelők.
 - A természetes kopásnak, elhasználódásnak kitett alkatrészek és kiegészítők, például (de nem kizárólag) szerviz- és karbantartóeszközök, szénkefék, csapagyak, tokmány, SDS fúrószár csatlakozója, tápkábel, segédfogantyú, szállítók, csiszolólap, porzsák, povelvezető cső, filcaltátek, ütőműves csavarbehajtó gép csapszege és rugója stb.
4. A terméket javításra el kell vinni egy meghatalmazott RYOBI szervizbe; ezeket az egyes országokhoz a következő listában találja. Egyes országokban a helyi RYOBI kereskedő vállalja a termék elszállítását a RYOBI szervizbe. A terméket veszélyes tartalom, például benzín nélkül csomagolja, a feladó címét feltüntetve, a hiba rövid leírásával együtt küldje el a RYOBI szervizbe.
5. A jelen garancia hatálya alatt végzett javítás, illetve csere ingyenes. Nem jelenti a garanciális időtartam újraindulását. A kicserélt alkatrészek és szerszámok a mi tulajdonunkba kerülnek. Egyes országokban a szállítás vagy postázás költségét a feladó viseli. A vevőnek a szerszám megvásárlásából adódó törvényes jogai nem változnak.
6. Jelen garancia az Európai Közösségben, Svájcban, Izlandon, Norvégiában, Liechtensteinben, Törökországban és Oroszországban érvényes. E területeken kívül kérdezze meg a RYOBI forgalmazót, hogy milyen garancia van érvényben.

HIVATALOS SZERVIZKÖZPONT

A legközelebbi hivatalos szervizközpont megtalálásához látogasson el a <http://hu.ryobitools.eu/header/service-and-support/service-agents>.

RO CONDIȚII DE APLICARE A GARANȚIEI PENTRU PRODUSELE RYOBI®

În plus față de condițiile statutare rezultate din achiziționarea acestui produs, acesta este acoperit de garanția stipulată mai jos.

1. Perioada de garanție este de 24 de luni pentru consumatori și începe de la data achiziționării produsului. Data de începere a garanției trebuie demonstrată cu o factură sau altă dovadă a cumpărării produsului. Produsul este destinat și conceput doar pentru utilizare în scopuri personale. Din acest motiv, nu se oferă garanție pentru utilizarea sa în scop profesional sau comercial.
2. Există posibilitatea de a extinde a perioadei de garanție pentru gama de unelte electrice (de CA/CC) peste perioada stipulată mai sus prin înscrierea produsului pe [website-ul www.ryobitools.eu](http://www.ryobitools.eu). Eligibilitatea pentru perioada de extindere a garanției este afișată în mod clar în magazinele de vânzare și/sau pe ambalaj sau este inclusă în documentația livrată împreună cu produsul. Utilizatorul final este obligat să-și înregistreze produsul online în termen de maxim 30 de zile de la data achiziției acestuia. Utilizatorul final poate înregistra produsul pentru garanția extinsă oferită în țara sa de rezidență dacă aceasta este listată în formularul de înregistrare online și dacă această opțiune este validă. În plus, utilizatorul final trebuie să-și dea acordul pentru stocarea datelor personale solicitate la înregistrare online și trebuie să accepte termenii și condițiile. Mesajul de confirmare a înregistrării, trimis prin e-mail și factura originală cu data achiziției vor dovedi perioada de garanție extinsă.
3. Garanția acoperă toate defecțiunile produsului survenite în perioada de garanție datorate defectelor de execuție sau materialelor folosite, începând cu data achiziției acestuia. Garanția este limitată la reparare și/sau înlocuire și nu include alte obligații, inclusiv, dar fără a se limita la daune accidentale sau rezultate pe cale de consecință. Garanția își pierde valabilitatea dacă produsul este utilizat necorespunzător, utilizat neconform cu instrucțiunile de utilizare din manualul cu instrucțiuni sau conectat incorect. Garanția nu se aplică în cazul:
 - oricărei defecțiuni survenite în urma întreținerii necorespunzătoare a produsului
 - oricărui produs alterat sau modificat
 - oricărui produs la care inscripțiile cu datele de identificare (marca comercială, numărul de serie) au fost șterse, modificate sau îndepărtate
 - oricărei defecțiuni datorate neconformării cu instrucțiunile din manualul de utilizare
 - oricărui produs necertificat CE
 - oricărui produs asupra căruia au fost efectuate tentative de reparare de către personal necertificat sau fără autorizație prealabilă din partea Techtronc Industries.
 - oricărui produs conectat la o sursă de alimentare necorespunzătoare (curent, tensiune, frecvență)
 - oricărui defecțiuni datorate unor influențe externe (chimice, fizice, socuri) sau substanțe străine
 - uzurii și fisurării normale a pieselor de rezervă
 - utilizării neadecvate, suprasolicitării uneltei
 - utilizării de piese și accesorii neaprobate
 - accesorilor pentru unelți furnizate odată cu acestea sau achiziționate separat. Acestea sunt excluse și aplică, dar fără a se limita la următoarele: burghie, biți de șurubelniță, discuri abrazive, hârte abrazivă și lame de tăiere, ghidaje laterale
 - Componentele (piese și accesorii) supuse uzurii normale, care includ, fără a se limita la, kituri de întreținere și service, perii de carbon, rulmenți, mandrină, adaptor pentru burghie SDS, cordon de alimentare, manere auxiliare, cutie de transport, placă pentru șlefuit, suport praf, tub pentru evacuarea prafului, discuri de păsă, adaptoare și resorturi pentru cheile de strângere prin vibrație, etc.
4. Pentru efectuarea reparațiilor, produsul trebuie trimis sau adus la un centru de reparații autorizat RYOBI din lista următoare de centre de reparații prezentate pentru fiecare țară. În anumite țări, reprezentantul local RYOBI va trimite produsul spre reparare la sediul central de reparații RYOBI. Atunci când trimiteți produsul spre reparare la un centru de reparații RYOBI, acesta trebuie ambalat în siguranță, fără conținut periculos (cum ar fi benzina), marcat cu adresa expeditorului și însoțit de o scurtă descriere a defectului.
5. Repararea/inlocuirea în perioada de garanție este gratuită. Aceasta nu este însoțită de o prelungire sau o reinițiere a perioadei de garanție. Piesele sau uneltele schimbate devin proprietatea dvs. În anumite țări, taxele de expediție sau poștale vor fi suportate de expeditor. Drepturile dvs. statutare rezultate din achiziția produsului rămân neschimbate
6. Această garanție este valabilă în Comunitatea Europeană, Elveția, Islanda, Norvegia, Liechtenstein, Turcia și Rusia. În afara acestor zone, vă rugăm să contactați reprezentantul dvs. local RYOBI pentru a determina dacă se aplică alt tip de garanție.

CENTRU DE SERVICE AUTORIZAT

Pentru a găsi un centru de service autorizat lângă dvs., vizitați <http://en.ryobitools.eu/header/service-and-support/service-agents>.

LV RYOBI® GARANTIJAS PIEMĒROŠANAS NOSACĪJUMI

Papildus jebkādam likumiskajām tiesībām, kuras rodas, veicot pirkumu, izstrādājums tiek nodrošināts ar tālāk tekstā noteikto garantiju.

1. Garantijas periods patērētājiem ir 24 mēneši, tā atskaitē tiek sākta no datuma, kurā veikta izstrādājuma iegāde. Šim datumam jābūt dokumentētam rēķinā vai citā pirkumu apliecināšā dokumentā. Izstrādājums ir radīts un paredzēts tikai patērētāja privātai lietošanai. Saistībā ar iepriekšminēto, garantija netiek nodrošināta profesionālas vai komerciālas lietošanas gadījumā.
2. Pastāv iespēja pagarināt daļas no elektroinstrumentu klāsta (Maignstrāvas/akumulatoru) garantiju ilgāk par iepriekš minēto periodu, izmantojot reģistrāciju interneta vietnē www.ryobitools.eu. Instrumenti, kas pakļauti garantijas perioda pagarināšanai, tiek skaidri apzīmēti veikalos un/vai uz iepakojuma un izstrādājumu komplektējošajā dokumentācijā. Gala lietotājam nepieciešams reģistrēt lai iegādātu jauno instrumentu 30 dienu laikā no pirkuma datuma. Gala lietotājs var reģistrēties pagarinātajai garantijai savā mitnes valstī, ja tā minēta tiesaistes reģistrācijas veidlapā, kurā šī iespēja ir aktīva. Bez tam, gala lietotājam ir jāsniedz piekrišana tiesaistes ievadīšanai nepieciešamo datu glabāšanai un jāpiekrīt noteikumiem un nosacījumiem. Reģistrācijas apstiprinājums, kas tiek nosūtīts, izmantojot e-pastu, un rēķina oriģināls, kurā norādīts iegādes datums, kalpo kā pagarinātās garantijas apstiprinājums.
3. Garantija attiecas uz visiem izstrādājumu defektiem garantijas periodā, kas saistīti ar ražošanas vai materiālu defektiem no pirkuma datuma. Šī garantija tiek ierobežota ar remontu un/vai nomaiņu un neietver jebkādas citas saistības, tajā skaitā, bet ne tikai, cēloņsakarīgos un saistītos bojājumus. Garantija nav spēkā, ja izstrādājums ir nepareizi lietots, izmantots pretēji norādēm lietošanas rokasgrāmatā vai bijis nepareizi pieslēgts. Šī garantija netiek attiecināta uz:
 - jebkādiem izstrādājuma bojājumiem, kas radušies nepareizas uzturēšanas rezultātā
 - jebkuru izstrādājumu, kas ticis pārveidots vai mainīts
 - jebkuru izstrādājumu, kura oriģināls identifikācijas (preču zīme, sērijas numurs) marķējums ir ticis nodzēsts, mainīts vai noņemts
 - jebkādiem bojājumiem, kuri radušies neievērojot norādes lietošanas rokasgrāmatā
 - jebkādam izstrādājumam bez CE sertifikācijas
 - jebkuru izstrādājumam, kura remontu mēģinājis veikt nekvalificēts personāls vai bez Techtronic Industries iepriekšējas autorizācijas.
 - jebkuru izstrādājumam, kurš bijis pieslēgts neatbilstošu parametru (strāvas, sprieguma, frekvences) sprieguma avotam
 - jebkuriem bojājumiem, kuri radušies ārējas iedarbības (ķīmiskas, fiziskas, triecieni) vai vielu ietekmē
 - detaļu normāla lietošanas nodiluma rezultātā
 - nepareizas lietošanas vai instrumentu pārslodzes rezultātā
 - neapstiprinātu detaļu vai aprīkojuma lietošanas rezultātā
 - elektroinstrumentu aksesuāriem, kas atrodas instrumenta komplektācijā vai ir iegādāti atsevišķi. Šis izņēmums attiecināms uz, bet neaprobežojoties ar, skrūvgrīžu uzgaļiem, urbjiem, abrazīvajiem diskkiem, smilšpapīru un asmeņiem, sānu vadotnēm
 - komponentiem (daļām un aksesuāriem), kas pakļauti normālam nodilumam, ieskaitot, bet neaprobežojoties ar Servisa un apkopju komplekti, oglekļa sukuks, gultņi, patrona, SDS urbju uztverējiem vai uzliks, elektrības vads, papildus rukturis, transportēšanas un pārmēsāšanas kaste, sīpmašīnas plāksne, putekļu mais, putekļu izvadīšanas caurule, paplākšņi, triecienatslēgu tapas un atsperes, u.t.t.
4. Servisa nodrošināšanai, izstrādājums ir jānodod pilnvarotā RYOBI servisa centrā, kas norādīts katrai valstij tālāk minētajā servisa centru adresē sarakstā. Dažās valstīs jūs vietējais RYOBI izplatītājs uzņemas izstrādājuma nosūtīšanu uz RYOBI servisa organizāciju. Nosūtot izstrādājumu uz RYOBI servisa centru, izstrādājuma jābūt droši iepakotam, tas nedrīkst saturēt bīstamas vielas kā degvielu, sūtfūjumam jābūt marķētam ar sūtfūta adresi un īsu kļūmes aprakstu.
5. Remonts/nomaiņa šīs garantijas ietvaros ir bezmaksas. Tas nerada garantijas perioda pagarināšanu vai jaunu garantiju. Nomaiņās daļas vai instrumentu kļūst par mūsu īpašumu. Dažās valstīs piegādes vai pasta izmaksas būs jāapmaksā sūtfūtam. Jūsu likumiskās tiesības, kas nodibinās, iegādājoties instrumentu, paliek nemainīgas
6. Šī garantija ir spēkā Eiropas Kopienā, Šveicē, Islandē, Norvēģijā, Līhtenšteinā, Turcijā un Krievijā. Ārpus šīm teritorijām, lūdzu, sazinieties ar jūsu pilnvaroto RYOBI izplatītāju, lai noteiktu, vai ir piemērojama cita garantija.

AUTORIZĒTS APKALPOŠANAS CENTRS

Lai atrastu tuvāko autorizēto apkalpošanas centru, apmeklējiet <http://en.ryobitools.eu/header/service-and-support/service-agents>.

LT „RYOBI®“ GARANTIJOS TAIKYMO SĄLYGOS

Papildant bet kokias įstatybose numatytas perkanat atsirandancias teises, šiam įrenginiui taikoma toliau nurodyta garantija.

1. Vartotojams suteikiama 24 mėnesių trukmės garantija nuo įrenginio įsigijimo datos. Ši data turi būti nurodyta sąskaitoje faktūroje ar kitame pirkimą įrodančiame dokumente. Šis įrenginys skirtas tik vartotojų rinkai ir asmeniniam naudojimui. Todėl garantija netaikoma, jei įrenginys naudojamas profesiniams ar komerciniams reikmėms.
2. Įsigijus tam tikrus elektrinius įrenginius (AC/DC), suteikiama galimybė pratęsti garantiją, kad ji galiojūt ilgiau, nei nurodyta pirmiau, naudojantis registracija interneto svetainėje www.ryobitools.eu. Ar galima pratęsti įrenginio garantinį laikotarpį, aiškiai nurodoma parduotuvėse ir (arba) ant įrenginio pakuočės, ir (arba) įrenginio dokumentuose. Galutinis naudotojas turi užregistruoti savo naujai įsigytą įrenginį per 30 dienų nuo įsigijimo datos. Galutinis naudotojas gali registruotis išplėstinei garantijai savo gyvenamojoje šalyje, jei ji nurodyta internetinėje registracijos formoje, kurioje siūloma tokia galimybė. Be to, galutiniai naudotojai turi sutikti su duomenų, kuriuos reikia įvesti internetu, saugojimu ir sveatinės naudojimo sąlygomis. Kaip išplėstinės garantijos įrodymas naudojamas registracijos patvirtinimo kvitas, atsiunčiamas e. paštu, ir originali sąskaita faktūra, kurioje nurodyta įsigijimo data.
3. Ši garantija apima visus garantiniu laikotarpiu aptiktus įrenginio trūkumus, atsiradusius dėl gamybos arba medžiaginių defektų nuo įsigijimo datos. Ši garantija nbrojama remontu ir (arba) pakeitimu, ji neapima jokių kitų įsipareigojimų, įskaitant (bet tuo neapsiribojant) šaltininius arba antrinius nuostolius. Garantija anuliuojama, jei įrenginys buvo naudojamas netinkamai, naudojamas ne pagal naudojimo instrukciją arba netinkamai prijungtas. Ši garantija netaikoma:
 - jokiai įrenginiui padarytai žalai, kurią lėmė netinkama techninė priežiūra;
 - jokiai įrenginiui, kuris buvo keičiamas ar modifikuojamas;
 - jokiai įrenginiui, kurio originalūs identifikavimo ženklai (prekės ženklas, serijos numeris) buvo sugadinti, pakeisti arba pašalinti;
 - jokiai žalai, kurią lėmė naudojimo instrukcijos nesilaikymas;
 - jokiems CE ženklų nepažymėtiems įrenginiams;
 - jokiai įrenginiui, kurį bandė remontuoti nekvalifikuoti asmenys arba kuris buvo remontojamas be „Techtronic Industries“ leidimo;
 - jokiai įrenginiui, kuris buvo prijungtas prie netinkamo maitinimo tinklo (netinkamos srovės, įtampos, dažnio);
 - jokiai žalai, kurią lėmė išorinis poveikis (cheminis, fizinis, smūgiai) arba pašalinės medžiagos;
 - dėvimosioms dalims;
 - netinkamam naudojimui, įrenginio perkrovai;
 - nepatvirtintų priedų arba dalių naudojimui;
 - su įrenginiu pateiktiems arba atskirai įsigytiems elektrinio įrenginio priedams. Šios išimty apima (tuo neapsiribojant) atsektuvų antgalius, gražtų antgalius, šlifavimo diskus, švitrinį popierių ir geležtes, šoninį kreiptuvą;
 - komponentams (dalims ir priedams), kurie natūraliai dėvijs, įskaitant (bet tuo neapsiribojant) įprastines ir technines priežiūros rinkinius, anglinius šepetėlius, guolius, laikiklį, SDS gražtų antgalį priedą arba lizdą, maitinimo kabelį, pagalbinę rankena, nešiojimo dėklą, šlifavimo diską, maišelį dulkmėms, dulkių ištraukimo vamzdelį, fetro poveržles, smūginio veržliarakčio kaiščius ir spyruokles ir pan.
4. Prieiksui atlikti priežiūros darbus, įrenginį reikia siųsti arba atvežti RYOBI įgaliojamam priežiūros centrui, nurodytam kiekvienos šalies priežiūros centrų adresų sąrašė. Kai kuriose šalyse vietinis RYOBI atstovas siunčia įrenginį RYOBI priežiūros organizacijai. Siunčiant įrenginį RYOBI priežiūros centrui, reikia saugiai jį supakuoti pašalinant visas pavojingas medžiagas, pvz., benzina, nurodyti ant pakuotės siuntytojo adresą ir pridėti trumpą gedimo aprašymą.
5. Pagal šią garantiją remontas / keitimas atliekami nemokamai. Tokie veiksmai netaikomi garantijos pratęsimu arba naujo garantinio laikotarpio pradžia. Dalys arba įrenginiai, kuriuos pakeitėme, tampa mūsų nuosavybe. Kai kuriose šalyse pristatymo ir pašto išlaidas turi padengti siuntėjas. Įstatymuose numatytos teisės, atsirandancias perkanat įrenginį, lieka nepakeistos
6. Ši garantija galioja Europos bendrijoje, Šveicarijoje, Islandijoje, Norvegijoje, Lichtenšteine, Turkijoje ir Rusijoje. Jei gyvenate ne šiose šalyse, kreipkitės į įgaliojamą RYOBI atstovą ir sužinokite, ar jums taikoma kita garantija.

ĮGALIOJUS TECHNINĖS PRIEŽIŪROS CENTRAS

Jei norite surasti įgaliojatą techninės priežiūros centrą netoli Jūsų, silankykite interneto svetainėje <http://en.ryobitools.eu/header/service-and-support/service-agents>.

ET RYOBI® GARANTIIINGIMUSED

Lisaks toote ostust tulenevatele seadusjärgsetele õigustele, kehtib tootele ka alitoodud garantiiga.

1. Tarbijatele on garantiiaeg 24 kuud ja algab sellel kuupäeval, mil toode osteti. Selle kuupäeva tõestuseks on vaja arvet või mõnda teist tõendit ostu sooritamise kohta. Toode on mõeldud eratarbijatele ainult isiklikuks kasutamiseks. Seega ei kehti garantii ostu kasutamisel kutsetegevuses või kaubanduslikel eesmärkidel.
2. Teatud osale elektrilistele (vahelduvvoolu/alalisvoolu) tööriistadele on võimalik pikendada tõestuseks on vaheldu garantiieaga, kasutades teie registreerimist veebilehel www.ryobitools.eu. Teave tööriista võimaliku pikendatud garantiiaja kohta on selgelt esile toodud poodides ja/või pakendil / ning see sisaldub toote dokumentatsioonis. Lõpparbiaja peab registreerima oma uued tööriistad interneti teel 30 päeva jooksul pärast ostmise päeva. Lõppkasutaja võib registreerida pikendatud garantiiaja saamise oma elukohariigis, kui veebis olevas registreerimisvormis on see valik lubatav. Lisaks peavad kasutajad andma oma nõusoleku veebis nõutud sisestatavate andmete säilitamiseks ning nad peavad nõustuma tingimustega. E-posti teel saadetav registreerimise kinnitus ja arve originaal, kus on näha ostu sooritamise kuupäev, on pikendatud garantiiaja tõestuseks.
3. Garantii katab kõik defektid toote garantiiaja jooksul, kui ostu kuupäeval ilmnevad talitlus- või materjalivead. Garantii piirneb toote remondi ja/või väljavahetamisega ning ei sisalda muid kohustusi, muu hulgas ettenägematuid või kaudseid kahjusid. Garantii ei kehti, kui toodet ei ole kasutatud sihtotstarbelselt või kooskõlas kasutusjuhendiga või see on valesti ühendatud. Garantii ei kehti järgmistel põhjustel:
 - toode on kahjustatud vale hoolituse tõttu
 - toodet on muudetud
 - toote algupäraseid identifitseerimismärke (kaubamärk, seerianumber) on rikutud, muudetud või eemaldatud
 - kahju on tekkinud kasutusjuhendi mittejärgmisest
 - tootel puudub CE-märgis
 - toodet on püüdnud remondida vastavat kvalifikatsiooni mitte omav isik või ilma firma Techtronic Industries eelneva loata.
 - toode on ühendatud valesse toiteallikasse (voolutugevus, pinge, sagedus)
 - välismõjude (keemilised, füüsilised, elektrilöögid) või võrkehade tekitatud kahju
 - tavapärase kulumine ja katkised varuosad
 - ebaõige kasutamine, tööriista ülekoormamine
 - heakskiitmata tarvikute või osade kasutamine
 - koos tööriistaga saadud või eraldi ostetud elektriliste tööriistade tarvikud. Need erandid puudutavad muu hulgas kruvikeeraja otsakuid, puuriterasid, lihvkettaid, lihvpaberit ja -tald, külgjuhid
 - Komponendid (osad ja tarvikud), mida iseloomustab kulumine ja vananemine, muu hulgas remondi- ja hoolduskomplektid, süsinikharjad, laagrid, padrunid, SDS-puuriterade tarvikud, toitejuht, lisakäepide, transpordikott, lihvplaat, tolmuokt, tolmu väljalasketoru, vildist seibid, löökmutrivõtme võliid ja vedrud jne.
4. Hoolituseks peab toote saatma või viima RYOBI volitatud teenindusse, mille aadressi leiate järgnevat teeninduspunkti nimekirjast vastava riigi alt. Mõnedes riikides võtab kohalik RYOBI edasimüüja enda kanda kohustuse saata toode RYOBI teenindusorganisatsiooni. Toote saatmisel RYOBI teenindusse peab toode olema ohutult pakitud ja ei tohi sisaldada ohtlikke aineid (nt bensini), kirjas peab olema saatja aadress ja lisatud vea lühikirjeldus.
5. Garantii alusel tehtavad remonditööd / asendamine on tasuta. See ei pikenda garantii kehtivusaega ega tähistu uue garantiiaja algust. Väljavahetatud osad või tööriistad kuuluvad meile. Mõnedes riikides maksab kätetoimetamis- ja postikulud saatja. Teile jäävad kehtima tööriista ostust tulenevad seadusjärgsed õigused
6. See garantii kehtib Euroopa Ühenduse territooriumil, Šveitsis, Islandil, Norras, Liechtensteinis, Türgis ja Venemaal. Väljaspool neid piirkondi võtke ühendust volitatud RYOBI edasimüüjaga, et teha kindlaks kas kehtib mõni teine garantii.

VOLITATUD HOOLDUSKESKUS

Oma volitatud hoolduskeskuse leiate veebisaidilt <http://en.ryobitools.eu/header/service-and-support/service-agents>.

HR UVJETI PRIMJENE JAMSTVA TVRTKE RYOBI®

Osim svim zakonskim pravima koja proizlaze iz kupnje, ovaj je proizvod pokriven jamstvom kako je navedeno u nastavku.

1. Jamstveno razdoblje za potrošače traje 24 mjeseca i počinje s datumom na koji je proizvod kupljen. Taj datum mora se dokumentirati računom ili drugim dokazom o kupnji. Proizvod je konstruiran i namijenjen samo za privatnu upotrebu korisnika. Stoga se jamstvo ne daje u slučaju profesionalne ili komercijalne uporabe.
2. Postoji mogućnost da se za dio asortimana električnih alata pokretanih izmjeničnom strujom (AC/DC) produži gore navedeno jamstveno razdoblje putem registriranja na mrežnom mjestu www.ryobitools.eu. Uvjeti koje je potrebno zadovoljiti kako bi se produžilo jamstveno razdoblje jasno su istaknuti u prodavaonicama i / ili na pakiranju / i nalaze se unutar dokumentacije proizvoda. Krajnji korisnik mora registrirati svoje novo kupljene alate na mreži u roku od 30 dana od datuma kupnje. Krajnji korisnik može se registrirati za produženo jamstvo u svojoj zemlji boravišta ako se nalazi na popisu u mrežnom obrascu za registraciju gdje je ta opcija važeća. Nadalje, krajnji korisnici moraju dati svoj pristanak na pohranu podataka koji su potrebni za mrežni ulazak i moraju prihvatiti odredbe i uvjete. Potvrda o prijemu registracije, koja se šalje putem e-pošte, kao i originalni račun s vidljivim datumom kupnje poslužiti će kao dokaz produženog jamstva.
3. Jamstvo pokriva sve nedostatke proizvoda tijekom jamstvenog razdoblja koji su nastali zbog neispravnosti prilikom izrade ili materijala s datumom kupnje. Jamstvo je ograničeno na popravak i/ili zamjenu i ne obuhvaća nikakve druge obveze, uključujući, ali ne ograničavajući se na slučajne ili posjednične štete. Jamstvo ne vrijedi ako je proizvod bio zlorabljeno, korišten u suprotnosti s priručnikom s uputama ili ako je pogrešno spojen. Ovo jamstvo ne primjenjuje se na:
 - svaku štetu koja je na proizvodu nastala kao rezultat nepravilnog održavanja
 - svaki proizvod koji je promijenjen ili izmijenjen
 - svaki proizvod na kojem su izvorne identifikacijske oznake (žig, serijski broj) bile oštećene, izmijenjene ili uklonjene
 - svaku štetu prouzročenu neprirodžavanjem priručnika s uputama
 - svaki proizvod koji nema oznaku CE
 - svaki proizvod koji je pokušao popraviti ne kvalificirani profesionalac ili onaj koji je popravljao bez prethodnog odobrenja tvrtke Techtronic Industries.
 - svaki proizvod koji je spojen na neprikladan izvor električnog napajanja (neodgovarajuća amperaza, napon, frekvencija)
 - svaku štetu prouzročenu unutarnjim utjecajima (kemijskim, fizikalnim, udarima) ili stranim tvarima
 - normalno habanje i trošenje rezervnih dijelova
 - neodgovarajuću uporabu, preopterećenje alata
 - upotrebu neodobrenog pribora ili dijelova
 - dodatnu opremu električnog alata isporučenu s alatom ili kupljenu odvojeno. Takvi izuzetci uključuju ali nisu ograničeni na vrhove odvijачa, svrdla bušilice, abrazivne diske, brusni papir i noževe, bočnu vodilicu
 - Komponente (dijelovi i pribor) podložne prirodnom trošenju i habanju, što uključuje, ali nije ograničeno na komplecte za servisiranje i održavanje, ugljične četkice, ležajeve, steznu glavu, nastavak ili priključak za svrdla za SDS bušilicu, priključni kabel, pomoćnu ručku, transportne torbe, brusnu ploču, vreću za prašinu, ispušnu cijev za prašinu, podloške od filca, udami ključ, zatici i opruge, itd.
4. Za potrebe servisiranja, proizvod se mora poslati ili odnijeti u ovlaštenu servisnu postaju tvrtke RYOBI navedenu na sljedećem popisu s adresama servisnih postaja u svakoj zemlji. U nekim zemljama, vaš lokalni RYOBI zastupnik obvezuje se da će poslati proizvod u servisnu organizaciju tvrtke RYOBI. Kada se proizvod šalje u neku servisnu postaju tvrtke RYOBI, proizvod se mora sigurno pakirati bez jednog od opasnih sadržaja kao što je benzin, na njemu mora pisati adresa pošiljatelja i mora biti popraćen kratkim opisom kvara.
5. Popravak / zamjena pod ovim jamstvom su besplatni. Oni ne predstavljaju produženje ili novi početak jamstvenog razdoblja. Zamijenjeni dijelovi ili alati postaju naše vlasništvo. U nekim državama troškove isporuke ili poštarinu mora platiti pošiljatelj. Vaša zakonska prava koja proizlaze iz kupnje alata ostaju nepromijenjena
6. Ovo jamstvo vrijedi u Europskoj uniji, Švicarskoj, Islandu, Norveškoj, Lihtenštajnu, Turskoj i Rusiji. Izvan tih područja vas molimo da se obratite svojem ovlaštenom zastupniku tvrtke RYOBI kako biste utvrdili primjenjuje li se drugo jamstvo.

OVLAŠTENI SERVISNI CENTAR

Za pronalazjenje ovlaštenog servisnog centra pored vas posjetite <http://en.ryobitools.eu/header/service-and-support/service-agents>.

SL POGOJI ZA VELJAVNOST GARANCIJE RYOBI®

Poleg morebitnih zakonsko določenih pravic, ki izvirajo iz nakupa, za ta izdelek velja spodaj navedena garancija.

- Garancijsko obdobje je za potrošnike 24 mesecev in začne teči z dnem nakupa izdelka. Ta datum mora biti dokumentiran z računom ali drugim dokazilom o nakupu. Izdelek je zasnovan in namenjen izključno za potrošniško zasebno uporabo. V primeru strokovne oziroma komercialne uporabe izdelka garancija ne velja.
- Obstaja možnost podaljšanja garancije na del naše ponudbe električnih orodij (AC/DC) prek obdobja garancije, opisaneega zgoraj, s pomočjo registracije na spletnem mestu www.ryobitools.eu website. Ustreznost orodij za podaljšanje garancijskega obdobja je jasno prikazana v trgovinah in/ali na embalaži oziroma je navedena v dokumentaciji izdelka. Končni uporabnik mora registrirati svoje novo orodje na spletu v 30 dneh po datumu nakupa. Končni uporabnik lahko registrira podaljšano garancijo v svoji državi bivanja, če je na obrazcu spletne registracije navedeno, da ta možnost velja za njegovo državo. Poleg tega morajo končni uporabniki podati svoje soglasje za shranjevanje podatkov, ki so potrebni za spletni dostop in morajo sprejeti pogoje in določila uporabe spletnega mesta. Potrdilo o registraciji, ki ga pošljemo prek e-pošte, in originalni račun, ki prikazuje datum nakupa, služita kot dokazilo o podaljšani garanciji.
- Garancija krije vse okvare izdelka, do katerih pride v garancijskem obdobju zaradi napak v izdelavi ali materialu, ki so bile prisotne ob datumu nakupa. Garancija je omejena na popravilo in/ali zamenjavo in ne vključuje nobenih drugih obveznosti, med drugim vključno z naključno ali posledično škodo. Garancija ne velja, če je bil izdelek napačno uporabljen, uporabljen v nasprotju z navodili iz priročnika za uporabo ali če ni bil pravilno povezan. Ta garancija ne velja za:
 - škodo na izdelku, ki je posledica neustreznega vzdrževanja
 - spremenjen ali prilagojen izdelek
 - izdelek, katerega originalna identifikacijska oznaka (blagovna znamka, serijska številka) je bil poškodovan, spremenjena ali odstranjena
 - škodo, ki je posledica neupoštevanja navodil iz priročnika za uporabo izdelka, ki nima oznake CE
 - izdelek, ki ga je poskušal opraviti ne kvalificiran strokovnjak ali ki je bil popraviljen brez predhodne odobritve s strani družbe Techtronic Industries.
 - izdelek, ki je bil povezan na neustrezno napajanje (amperska moč, napetost, frekvenca)
 - škodo, ki jo povzročijo zunanji vplivi (kemični, fizični, mehanski) ali tuje snovi
 - rezervne dele, ki so podvrženi običajni uporabi
 - neprimerno uporabo, preobremenitev orodja
 - uporabo neodobrenih dodatkov ali delov
 - Dodatno električno orodje, priloženo orodju ali kupljeno ločeno. Take izjeme so med drugim nastavki za izvijače, svedri, abrazivni diski, brusni papir in rezila, stranska vodila.
 - Komponente (sestavni in rezervni deli), ki so podvrženi običajni obrabi, med drugim vključno s kompleti za servisiranje in vzdrževanje, oglikovimi krtačkami, ležaji, penjalji, svedrni priključki SDS ali sprejemnimi odprtini zanje, napajalnimi kablji, pomožnimi ročajji, prenosnimi kovčki, brusnimi ploščami, vreckami za prah, cevmi za izpuh prahu, tesnilni iz filca, iglami in vzmetni udamega ključa itd.
- Za servisiranje morate izdelek poslati ali prinesiti v pooblaščen servisni center družbe RYOBI, ki je naveden za vsako državo na naslednjem seznamu naslovov servisnih centrov. V nekaterih državah se vaš lokalni posrednik družbe RYOBI obveže, da bo poslal izdelek na servis družbe RYOBI. Ko pošiljate izdelek v servisni center družbe RYOBI, mora biti izdelek varno zapakiran in ne sme vsebovati nobenih nevarnih snovi, kot je npr. bencin, opremljen pa mora biti z naslovom pošiljatelja in vsebovati kratek opis napake.
- Popravilo/zamenjava v skladu s to garancijo sta brezplačni storitvi. To pa ne predstavlja podaljšanja ali ponovnega začetka garancijskega obdobja. Zamenjani deli ali orodja postanejo naša last. V nekaterih državah stroške dostave ali poštno plača pošiljatelj. Vaše zakonsko določene pravice, ki izvirajo iz nakupa orodja, ostajajo nespremenjene.
- Ta garancija velja v Evropski skupnosti, Švici, Islandiji, na Norveškem, v Lichtenštajnu, v Turčiji in Rusiji. Izven teh območij se obrnite na svojega pooblaščenega posrednika izdelkov RYOBI, dealer ki vam bo povedal, ali velja kakšna druga garancija.

POOBLAŠČEN SERVISNI CENTER

Pooblaščen servisni center blizu vas poiščite na <http://en.ryobitools.eu/header/service-and-support/service-agents>.

SK ZÁRUČNÉ PODMIENKY RYOBI®

Na tento výrobok sa okrem všetkých zákonných práv, vyplývajúcich z nákupu, vzťahuje záruka v nasledovnom znení.

- Záručná doba pre spotrebiteľa je 24 mesiacov a začína plynúť odo dňa, kedy bol výrobok zakúpený. Tento dátum musí byť doložený faktúrou alebo iným dokladom o zakúpení. Výrobok je navrhnutý a určený pre spotrebiteľov a ten na súkromné používanie. Preto sa záruka sa neposkytuje v prípade použitia na profesionálne a komerčné účely.
- V prípade elektrického náradia (na striedavý/jednosmerný prúd AC/DC), existuje možnosť predĺženia záručnej doby oproti záručnej dobe, uvedenej vyššie, s využitím on-line registrácie na webovej stránke www.ryobitools.eu. Označenie na náradí o nároku na predĺženie záručnej doby je zreteľne uvedené v obchodoch a/alebo na obale a je uvedené v dokumentácii k výrobku. Koncový používateľ musí zaregistrovať svoje novozískané náradie on-line do 30 dní odo dňa nákupu. Koncový používateľ sa môže zaregistrovať na predĺženie záruky v krajine svojho bydliska, ak je v on-line registračnom formulári uvedená táto možnosť. Ďalej musia koncoví používatelia ešte dať svoj súhlas k uchovávaniu údajov, ktoré je potrebné zadať on-line a musia súhlasiť s podmienkami. Potvrdenie o prijatí registrácie, ktoré je zasielané e-mailom a originál faktúry, v ktorej je uvedený dátum nákupu, slúžia ako dôkaz o predĺženej záruke.
- Záruka sa vzťahuje na všetky poruchy výrobku v záručnej dobe, spôsobené chybami materiálů alebo spracovania k dátumu nákupu. Táto záruka je obmedzená na opravu a/alebo výmenu a nezahŕňažiadne ďalšie povinnosti, vrátane, okrem iných, náhodné alebo následné škody. Táto záruka je neplatná, ak bol výrobok nesprávne používaný, bol používaný v rozpore s návodom na použitie alebo bol nesprávne zapojený. Táto záruka sa nevzťahuje na:
 - akékoľvek poškodenie výrobku, ktoré bolo spôsobené nesprávnou obsluhou
 - akýkoľvek výrobok, ktorý bol zmenený alebo upravený
 - akýkoľvek výrobok, na ktorom bolo poškodené, upravené alebo odstránené identifikačné označenie (ochranná známka, výrobné číslo)
 - akékoľvek škody, spôsobené nedodržením návodu na obsluhu
 - akýkoľvek výrobok, ktorý neobsahuje označenie CE
 - akýkoľvek výrobok, ktorý sa pokúšal opraviť nekvalifikovaný odborník alebo bol opravovaný bez predchádzajúceho súhlasu so strany spoločnosti Techtronic Industries.
 - akýkoľvek výrobok, pripojený k nesprávnemu napájaciemu zdroju (ampéry, napätie, frekvencia)
 - akékoľvek poškodenia, spôsobené vonkajšími vplyvmi (chemickými, fyzikálnymi, nárazmi) alebo cudzorodými látkami
 - bežné opotrebovanie náhradných dielov
 - nevhodné používanie, preťažovanie nástroja
 - používanie neschváleného príslušenstva a dielov
 - príslušenstvo k elektrickému náradiu, dodávané spolu s náradím alebo zakúpené oddelene. Takéto vylúčenia sa vzťahujú, okrem iného, na násady skrutkovačov, vrtáky, brusne kotúče, brusný papier a čepele, bočné vodiace lišty
 - Súčiastky (diely a príslušenstvo), ktoré podliehajú prirodzenému opotrebeniu, okrem iného súpravy na servis a údržbu, uhliky, ložiská, skľučovadlá, SDS vrtáky a príslušenstvo, príloh alebo prijímanie, napájací kábel, pomocná rukoväť, prepravná skriňa, brusná doska, pracovové vrecko, výfuková trubica, pistené podložky, kotlíky a pružiny na rázový uťahovač atď.
- Na opravu musí byť výrobok odoslaný alebo doručený do autorizovaného servisného strediska RYOBI, uvedeného pre každú krajinu v nasledovnom zozname adries servisných stredísk. V niektorých krajinách miestny zástupca RYOBI preberá na seba záväzok zaslať tovar do servisnej organizácie RYOBI. Pri odoslaní výrobku do servisného strediska RYOBI je potrebné výrobok bezpečne zabaliť bez akéhokoľvek nebezpečného obsahu, ako je bencín, s vyznačením adresy odosielateľa, s krátkym popisom poruchy.
- Oprava/výmena je vrámci tejto záruky bezplatná. Neznamená to predĺženie záruky alebo spustenie novej záručnej doby. Vymenené diely alebo nástroje sa stávajú našim vlastníctvom. V niektorých krajinách náklady na odoslanie alebo poštovné musí zaplatiť odosielateľ. Vaše zákonné práva, vyplývajúce z nákupu náradia, zostávajú nedotknuté.
- Táto záruka platí v Európskej únii, Švajčiarsku, Islande, Nórsku, Lichtenštajnsku, Turesku a Rusku. Ak sa nachádzate mimo týchto oblastí, obráťte sa na autorizovaného predajcu RYOBI na určenie, či sa dá uplatniť iná záruka.

AUTORIZOVANÉ SERVISNÉ CENTRUM

Ak chcete nájsť najbližšie autorizované servisné centrum, navštívte stránku <http://en.ryobitools.eu/header/service-and-support/service-agents>.

BG УСЛОВИЯ ЗА ВАЛИДНОСТ НА ГАРАНЦИЯТА НА RYOBI®

В допълнение към законоустановените права, произтичащи от покупката, този продукт е обхванат от гаранция, както е изложено по-долу.

- Гаранционният срок е 24 месеца за клиенти и започва да тече от деня на закупуване на продукта. Тази дата трябва да се докаже с фактура или друго доказателство за покупка. Продуктът е изработен и предназначен само за потребителска и лична употреба. Следователно не се дава гаранция в случай на използване от професионалисти или с търговска цел.
- Съществува възможност за удължаване на гаранционния срок за част от диапозона на гаранцията на електрически инструменти (AC/DC) след изтичането на описания тук чрез регистрация на уеб сайта www.ryobitools.eu. В магазините и/или на опаковката или вътре в документацията на продукта е показано ясно дали инструментът отговаря на условията за такова удължаване на гаранционния срок. Крайният потребител трябва да регистрира своите новопридобити инструменти онлайн в рамките на 30 дни от датата на покупка. Крайният потребител може да се регистрира за удължена гаранция в държавата си на пребиваване, ако е посочена във формуляра за онлайн регистрация като място, където тази опция е валидна. Освен това крайните потребители трябва да дадат съгласието си за съхранение на данните, които са задължителни за ползване онлайн, и трябва да приемат общите условия. Полученото потвърждение за регистрация, изпратено по електронна поща, и оригиналната фактура, показваща датата на покупка, ще служат като доказателство за удължената гаранция.
- Гаранцията покрива всички дефекти на продукта по време на гаранционния срок, които се дължат на проблеми в изработката или материалите към момента на покупката. Гаранцията е ограничена до ремонт и/или замяна и не включва други задължения, включително, но не само, случайни или косвени щети. Гаранцията е невалидна, ако продуктът е използван неправилно или в противоречие с ръководството с инструкции, както и ако е свързан неправилно. Тази гаранция не важи за:
 - щети по продукта в резултат на неправилна профилактика
 - продукти, които са били изменени или модифицирани
 - продукт, при който оригиналните маркировки за идентификация (търговска марка, серийен номер) са изтрети, променени или премахнати
 - повреда, причинена от неспазване на ръководството с инструкции
 - продукт без CE маркировка
 - продукт, за който е направен опит за ремонт от неквалифициран специалист или без предварително разрешение от Techtronic Industries.
 - продукт, свързан към неподходящо електрозахранване (ампераж, волтаж, честота)
 - щети, причинени от външни влияния (химични, физични, удари) или чужди вещества
 - нормално износване на резервни част
 - неподходяща употреба, претоварване на инструмента
 - използване на неободбени аксесоари или части
 - Аксесоарите за електрически инструмент са предоставени с инструмента или се кулват отделно. Тези изключения включват, но не само, накрайници за отвертка, свердела, абразивни дискове, шкурка и остриета, страничен водач
 - Компоненти (части и аксесоари), подложени на естествено износване, включително, но не само, комплекти за обслужване и поддръжка, карбонови четки, лагери, патронник, приставка със средло SDS или приемно устройство, захранващ кабел, спомогателна ръкохватка, кутия за транспортиране, шлифовъчна пластина, торба за прах, тръба за отвеждане на прах, филцови шабви, цифрове и пружини за винтоверти и др.
- За обслужване продуктът трябва да се изпрати или занесе на авторизан сервис на RYOBI, посочен за всяка държава в следния списък с адреси на сервиси. В някои държави местният търговец на RYOBI поема отговорността да изпрати продукта до сервисен център на RYOBI. При изпращане на продукт до сервис на RYOBI той трябва да е опакован безопасно без опасо съдържание, напр. бензин, да е маркиран с адреса на подателя и придружен от кратко описание на повредата.
- Ремонът/замяната по силата на тази гаранция са безплатни. Те не водят до удължаване или подновяване на гаранционния срок. Сменените части или инструменти стават наша собственост. В някои държави таксите за доставка или изпращане трябва да се платят от подателя. Законоустановените ни права, произтичащи от закупуването на инструмента, остават незасегнати.
- Тази гаранция е валидна в Европейската общност, Швейцария, Исландия, Норвегия, Лихтенщайн, Турция и Русия. Извън тези области се свържете с упълномощения търговец на RYOBI, за да се установи дали е приложима друга гаранция.

УПЪЛНОМОЩЕН СЕРВИЗЕН ЦЕНТЪР

За да намерите упълномощен сервисен център близо до вас, посетете <http://en.ryobitools.eu/header/service-and-support/service-agents>.

UK ГАРАНТИЙНИ УМОВИ ДЛЯ RYOBI®

Окрім загалом установлених законом прав, що стосуються покупки, цей пристрій покривається гарантією, що зазначено нижче.

- Гарантійний період для споживачів складає 24 місяці і починається з моменту придбання цього пристрою. Ця дата повинна бути задокументована у гарантійному талоні або чеку. Цей пристрій був розроблений і призначений тільки для споживчого та приватного використання. У разі професійного або комерційного використання цього пристрою, він втрачає гарантію.
- Існує можливість продовжити гарантійний період для частини лінійки електричних інструментів (перемінного/постійного струму), понад період описаний вище за допомогою реєстрації на сайті www.ryobitools.eu. Пристрої, які мають право на продовження гарантійного періоду, мають чіткі позначки щодо цього в магазинах і / або на упакуванні / та документації до пристрою. Кінцевий користувач повинен зареєструвати його/її новопридбаний пристрій онлайн протягом 30 днів з дати покупки. Кінцевий користувач може зареєструватися для продовження гарантійного періоду в своїй країні постійного перебування, якщо вона є доступною у відповідній опції онлайн форми реєстрації. Крім того, кінцеві користувачі повинні дати свою згоду на збірвання даних, які необхідні для ведення онлайн, а також вони повинні прийняти правила та умови. Отримання підтвердження реєстрації, яке відправляється на адресу електронної пошти, та оригінал гарантійного талона і зазначеною датою покупки буде служити доказом продовженої гарантії.
- Гарантія поширюється на всі дефекти пристрою протягом гарантійного терміну щодо недотримання стандартів виробництва або матеріалів на дату придбання. Гарантія обмежується ремонтом та/або заміною, та не включає в себе будь-яких інших зобов'язань, в тому числі, але не обмежена у разі будь-яких та подальших пошкоджень. Гарантія не діє, якщо пристрій використовувався ненадлежащим чином, всупереч інструкції з експлуатації або був неправильно підключений до мережі. Дана гарантія не поширюється на:
 - пристрої, що були пошкоджені у результаті неправильного технічного обслуговування;
 - пристрої, що були видозміннені або модифіковані;
 - пристрої, оригінальні ідентифікаційні (товарний знак, серійний номер) маркування яких було пошкоджене, змінене або видалено;
 - будь-які пошкодження, заподіяні недотриманням інструкції з експлуатації;
 - пристрої, що не мають маркування CE;
 - пристрої, що були відремонтовані некваліфікованим фахівцем або за відсутності попереднього дозволу від Techtronic Industries;
 - пристрої, підключені до невідповідного джерела живлення (сила току, напруги, частота);
 - будь-які пошкодження спричинені зовнішнім впливом (хімічним, фізичним, стрибком напруги) або сторонніми речовинами;
 - нормальну амортизацію запасних частин;
 - невідповідне використання, перевантаження пристрою;
 - використання не підтверджених запасних частин або аксесуарів;
 - приладдя до електричного інструменту, що постачається разом з пристроєм або купуються окремо. Такі винятки враховують але не є обмеженнями для наконечників викруток, свердел, абразивних дисків, наждачного паперу та лез, бічних напрямних – компоненти(частини та приладдя) з урахуванням нормального зношування, враховуючи, але без обмеження на комплекти профілактики та технічного обслуговування, вугільні шітки, підшипники, патрони, кріплення або прийом SDS свердел, кабелі живлення, додаткові рукоятки, чохла для транспортування, шліфувальні пластини, мішки для збору пилу, трубки вихлопу, фітрові кільця, шпирі і пружини гайковерту і т.д.
- Для обслуговування пристрій має бути відправлений або поданий до одного з авторизованих сервісних центрів RYOBI, які перелічені для кожної країни у наступному переліку адрес сервісних центрів. У деяких країнах місцевий дилер RYOBI зобов'язується відправити пристрій до сервісного центру RYOBI. При відправленні пристрою до сервісного центру RYOBI, пристрій має бути надійно упакуваний без будь-якого небезпечного вмісту, наприклад бензину, з позначеною адресою відправника та супроводжується коротким описом несправності.
- Ремонт / заміна відповідно до цієї гарантії здійснюється безкоштовно. Це не є основою для подовження або початку нового гарантійного періоду. Замінені частини або прилади переходять до власності компанії. У деяких країнах вартість доставки або поштові витрати повинні бути сплачені відправником. Загально встановлені права покупця на пристрій залишаються незмінними.
- Ця гарантія діє в Європейському Союзі, Швейцарії, Ісландії, Норвегії, Лихтенштейні, Туреччині та Росії. За межами цих зон, будь ласка, зверніться до офіційного дилера RYOBI, щоб визначити, чи застосовується інша гарантія.

АВТОРИЗОВАНІ СЕРВІСНІ ЦЕНТРИ

Для отримання оновленого переліка авторизованих сервісних центрів, відвідайте <http://en.ryobitools.eu/header/service-and-support/service-agents>.

TR RYOBI® GARANTİ UYGULAMA KOŞULLARI

Alımdan kaynaklanan yasal haklara ek olarak, ürün aşağıda belirtilen garanti kapsamındadır.

1. Tüketiciler için 24 ay olan garanti süresi, ürünün satın alındığı tarihte başlar. Bu tarihin bir fatura ya da alım kanıtıyla belgelenmesi gerekir. Ürün sadece tüketim ve özel kullanım için geliştirilmiş ve adanmıştır. Bu nedenle, profesyonel ya da ticari kullanım halinde garanti kapsamı sağlanmaz.
2. Elektrikli el aletlerinin bir bölümü (AC/DC) için www.ryobitools.eu sayfasındaki kayıt işlemini kullanarak garantinin belirtilen süresinin ötesine uzatılma imkanı mevcuttur. Aletlerin garanti süresinin uzatılmasına uygun olup olmadığı mağazalarda ve / veya ambalajda açıkça belirtilmiş olup, ürün dokümantasyonunda gösterilir. Son kullanıcının yeni aldığı aletleri satın alma tarihini izleyen 30 gün içinde kaydetmesi gerekir. Son kullanıcı ikamet ettiği ülkede, bu seçeneğin geçerli olduğu çevrimiçi kayıt formunda belirtilmişse, uzatılmış garanti süresi için kayıt yapılabilir. Dahası, son kullanıcıların çevrimiçi giriş için gerekli verilerin kaydedilmesine izin vermek ve hüküm ve koşulları kabul etmelidir. E-posta ile gönderilen kayıt teyit makbuzu ve alım tarihini gösteren orijinal fatura uzatılmış garantinin kanıtı olarak değerlendirilir.
3. Garanti, ürünün alım tarihindeki işçilik ve malzeme kusurları nedeniyle garanti süresi içinde oluşacak bütün arızaları kapsar. Bu garanti onarım ve değiştirilmeyle sınırlı olup, tasadüfî ya da dolaylı hasarlar da dahil, ancak bunlarla kısıtlı olmayan başka hiçbir tahahhüdü kapsamaz. Garanti, ürünün kötü, kullanıcı kılavuzuna aykırı kullanımıyla ya da yanlış bağlanmış olması halinde geçerli değildir. Bu garanti aşağıdakileri kapsamaz:
 - üründe, yanlış bakımдан kaynaklanan herhangi bir hasar
 - değiştirilmesi ya da modifiye edilmiş herhangi bir ürün
 - orijinal tanıtmış işaretleri (ticari marka, seri numarası) silinmiş, değiştirilmiş ya da kaldırılmış herhangi bir ürün
 - kullanma kılavuzuna uymamaktan kaynaklanmış herhangi bir hasar
 - herhangi bir AT dışı ürün
 - kalifiye olmamış personel tarafından ya da önceden Techtronic Industries onayı alınmadan onarılmış herhangi bir ürün.
 - uygunsuz güç kaynağına (amper, voltaj, frekans) bağlanmış herhangi bir ürün
 - harici etkenlerden (kimyasal, fiziksel, darbe) veya yabancı cisimlerden kaynaklanan her türlü hasar
 - normal aşınır ve yıpranır aksam
 - uygunsuz kullanım, aletin aşırı yüklenmesi
 - onaysız aksesuar veya parça kullanımı
4. Aletle birlikte sağlanmış ya da ayrıca alınmış elektrikli alet aksesuarları. Tornavida uçları, matkap uçları, aşındırıcı diskler, zımpara kağıdı ve bıçakları, yanıl kılavuz gibi aksamı içeren, ancak bunlarla sınırlı olmayan eklentiler
5. Servis ve Bakım kitiyle, kömür fırçalar, yataklar, kovanlar, SDS matkap ucu bağlantısı ya da yuvaları, güç kablosu, yedek tutamak, nakliye ve taşıma kutusu, kuşlama plakası, toz torbası, toz egzoz borusu, keçe rondelalar, Darbeli Tornavida Pim ve yayları vb. gibi parçaları kapsayan, ancak bunlarla sınırlı olmayan, aşınma ve yıpranmaya tabi bileşenler (aksam ve aksesuarlar).
4. Ürünün servis için her ülkede aşağıdaki servis istasyonları adres listesinde yer alan yetkili bir RYOBI servis istasyonuna gönderilmesi ya götürülmesi gereklidir. Bazı ülkelerde, yerel RYOBI distribütörünüz ürün RYOBI servis teklifinizi göndermeyi üstlenir. Bir ürün bir RYOBI servis istasyonuna gönderilirse, ürünün güvenli bir biçimde ambalajlanması, benzin gibi tehlikeli maddeler içermemesi, gönderinen adresini taşımaması ve arızanın kısa bir açıklamasını içermesi gerekir.
5. Bu garanti kapsamında yapılacak onarım / değişiklik ücretsizdir. Garanti süresinin uzatılması ya da yeniden başlatılması anlamına gelmez. Değiştirilmiş parçalar veya aletler bize ait olur. Bazı ülkelerde teslimat ücretleri veya posta giderlerini gönderici tarafından ödenmesi gerekir. Alımdan kaynaklanan yasal haklarının etkilenmez
6. Bu Garanti Avrupa Topluçuluğu, İsviçre, İzlanda, Norveç, Liechtenstein, Türkiye ve Rusya'da geçerlidir. Bu alanların dışında, başka bir garantinin geçerli olup olmadığını belirlemek için lütfen yetkili RYOBI distribütörünüzle irtibata geçin.

YETKİLİ SERVİS MERKEZİ

En yakın yetkili servis merkezini öğrenmek için <http://en.ryobitools.eu/header/service-and-support/service-agents> sitesine girin.

EL OROİ ΕΦΑΡΜΟΓΗΣ ΤΩΝ ΠΡΟΫΠΟΘΕΣΕΩΝ ΕΓΓΥΗΣΗΣ ΤΗΣ RYOBI®

Εκτός από τα νόμιμα δικαιώματα, τα οποία προκύπτουν από την αγορά, το προϊόν καλύπτεται από εγγύηση, λεπτομέρειες της οποίας ακολουθούν στη συνέχεια.

1. Η διάρκεια της εγγύησης για τους καταναλωτές είναι 24 μήνες και αρχίζει από την ημερομηνία αγοράς. Η ημερομηνία θα πρέπει να αναγράφεται στην απόδειξη ή σε άλλο αποδεικτικό αγοράς. Το προϊόν έχει σχεδιαστεί και προορίζεται αποκλειστικά για οικιακή χρήση από καταναλωτές. Συνεπώς, δεν παρέχεται εγγύηση σε περίπτωση επαγγελματικής ή εμπορικής χρήσης.
2. Υπάρχει η δυνατότητα επέκτασης της εγγύησης για ορισμένα ηλεκτρικά εργαλεία (AC/DC), πέραν του παραπάνω αναφερόμενου χρονικού διαστήματος, μέσω εγγραφής στο δικτυακό τόπο www.ryobitools.eu. Η επιλεξιμότητα των εργαλείων με δυνατότητα επέκτασης της περιόδου εγγύησης αναγράφεται ρητά στα καταστήματα και/ή επάνω στη συσκευασία, ενώ περιέχεται στην τεκμηρίωση του προϊόντος. Το τελικός χρήστης θα πρέπει να καταχωρήσει τα προσωπικά αποκτηθέντα εργαλεία online, εντός 30 ημερών από την ημερομηνία αγοράς. Ο τελικός χρήστης μπορεί να εγγραφεί για την επέκταση εγγύησης επί χώρα κατοικίας, εφόσον αυτή περιλαμβάνεται στο online έντυπο εγγραφής, εάν υπάρχει η δυνατότητα επέκτασης. Επιπλέον, οι τελικοί χρήστες θα πρέπει να παρέχουν τη συγκατάθεσή τους για την αποθήκευση των στοιχείων τους, τα οποία οφείλουν να καταχωρούν online, όπως και να αποδεχθούν του όρους και τις προϋποθέσεις. Η απόδειξη επιβεβαίωσης της εγγραφής, η οποία αποστέλλεται μέσω email, και η πρωτότυπη απόδειξη αγοράς, η οποία αναγράφεται στην ημερομηνία αγοράς, αποτελούν αποδεικτικά της παρατεταμένης εγγύησης.
3. Η εγγύηση καλύπτει όλα τα ελαττώματα του προϊόντος, κατά τη διάρκεια της περιόδου εγγύησης, λόγω κατασκευαστικών ελαττωμάτων ή αστοχίας υλικού κατά την ημερομηνία αγοράς. Η εγγύηση περιορίζεται στην επισκευή και/ή την αντικατάσταση και δεν περιλαμβάνει καμία άλλη υποχρέωση, συμπεριλαμβανομένων, ενδεικτικά, συμπληρωματικών ή παρεπόμενων ζημιών. Η εγγύηση δεν ισχύει εφόσον, έχει σημειωθεί κακομεταχείριση του προϊόντος, δεν έχουν τηρηθεί οι οδηγίες του εγχειριδίου οδηγιών ή το προϊόν έχει συνδεθεί λανθασμένα. Η εγγύηση δεν ισχύει για:
 - οποιαδήποτε ζημία στο προϊόν, η οποία είναι αποτέλεσμα κακής συντήρησης
 - οποιοδήποτε προϊόν, το οποίο έχει αλλοιωθεί ή τροποποιηθεί
 - οποιοδήποτε προϊόν, στο οποίο έχει αλλοιωθεί, τροποποιηθεί ή αφαιρεθεί το γνήσιο αναγνωριστικό (σήμα κατατεθέν, σειριακός αριθμός)
 - οποιαδήποτε ζημία προκλήθει λόγω μη τήρησης του εγχειριδίου οδηγιών
 - οποιοδήποτε προϊόν χωρίς σήμανση CE
 - οποιοδήποτε προϊόν, στο οποίο έχει γίνει προσπάθεια επισκευής από μη καταρτισμένο επαγγελματία ή χωρίς την προηγούμενη έγκριση της Techtronic Industries.
 - οποιοδήποτε προϊόν, το οποίο έχει συνδεθεί σε ακατάλληλη παροχή ρεύματος (αμπερ, ισχύ, συχνότητα)
 - οποιαδήποτε ζημία έχει προκληθεί από εξωτερικές επιδράσεις (χημικές, φυσικές, κλιματιομετρικές) ή ζένες υαλούς
 - φυσιολογική φθορά και ρήξη ανταλλακτικών
 - ακατάλληλη χρήση, υπερφόρτωση του εργαλείου
 - χρήση μη ενδεδειγμένων εξαρτημάτων ή ανταλλακτικών
 - Εξαρτήματα ηλεκτρικών εργαλείων που παρασχεθήκαν με το εργαλείο ή αγοράστηκαν ξεχωριστά. Τέτοιες εξαρτήματα περιλαμβάνουν, ενδεικτικά, μύτες καθαρισμού, τρυπάνια, δίσκους λείανσης, γυαλόχαρτο και λειπίδες, πλευρικό οδηγό
 - Εξαρτήματα (ανταλλακτικά και αξεσουάρ) που υποκείμενα σε φυσική φθορά και θραύση, συμπεριλαμβανομένων, ενδεικτικά, σετ επισκευής & συντήρησης, ψηκτρών άνθρακα, εφεδράνων, τσoκ, εξαρτημάτων ή υποδοχών τρυπάνιων SDS, καλωδίων ισχύος, βοηθητικής λαβής, βαλβίδας μεταφοράς, βίσης τριβείου, σακούλης συλλογής σκόνης, σωλήνα εξαναγκαστικής σκόνης, ροδελών τοξόχας, μωτών και ελατηρίων κροστικού κλειδιού κοχλίων, κτλ.
4. Το προϊόν θα πρέπει να αποσταλεί ή να παραδοθεί για επισκευή ή συντήρηση σε εξουσιοδοτημένο σημείο σέρβις της RYOBI που περιλαμβάνεται στον ακόλουθο κατάλογο διευθύνσεων για κάθε χώρα. Σε ορισμένες χώρες, το τοπικό σημείο πώλησης της RYOBI αναλαμβάνει την αποστολή του προϊόντος στο κεντρικό σέρβις της RYOBI. Κατά την αποστολή ενός προϊόντος σε σημείο σέρβις της RYOBI, αυτό θα πρέπει να είναι ασφαλώς συσκευασμένο, χωρίς επικίνδυνα περιεχόμενα, όπως, πετρέλαιο, να φέρει τη διευθύνση του αποστολέα και να συνοδεύεται από σύντομη περιγραφή της βλάβης.
5. Η επιδιόρθωση / αντικατάσταση υπό την παρούσα εγγύηση παρέχεται δωρεάν. Δε συνιστά παράταση της περιόδου εγγύησης ή εκκίνηση νέας περιόδου εγγύησης. Τα μέρη που αντικαθίστανται περιέρχονται στην κυριότητα μας. Σε ορισμένες χώρες, τα ενδεχόμενα έξοδα παραδοσης ή μεταφοράς βερνούν τον αποστολέα. Τα νόμιμα δικαιώματά σας, τα οποία απορρέουν από την αγορά του εργαλείου, δεν θίγονται.
6. Η παρούσα εγγύηση ισχύει στην Ευρωπαϊκή Κοινότητα, την Ελβετία, την Ισπανία, τη Νορβηγία, το Λιχτενστάιν, την Τουρκία και την Ρωσία. Εκτός των παραπάνω περιοχών, σας παρακαλούμε να επικοινωνήσετε με εξουσιοδοτημένο κατάστημα πώλησης της RYOBI, προκειμένου να διαπιστωθεί είναι ισχύει κάποια άλλη εγγύηση.

ΕΞΟΥΣΙΟΔΟΤΗΜΕΝΟ ΚΕΝΤΡΟ ΣΕΡΒΙΣ

Για να εντοπίσετε ένα εξουσιοδοτημένο κέντρο σέρβις στην περιοχή σας, επισκεφτείτε τη σελίδα <http://en.ryobitools.eu/header/service-and-support/service-agents>.

EN declaration of conformity

Technronic Industries GmbH
Max-Eyth-Straße 10, 71364 Winnenden, Germany

Herewith we declare that the product

18V Multi-tool
Brand: RYOBI
Model number: R18MT3
Serial number range: 46280801000001 - 46280801999999

is in conformity with the following European Directives and harmonised standards
2006/42/EC, 2014/30/EU, 2011/65/EU,
EN55014-1:2017, EN55014-2:2015, EN 62841-1:2015, EN 62841-2-4:2014

RoHS documentation is compiled according to EN 50581:2012



Todd Chipner
Sr. Director, CPT Supplier Quality and Asia Regulatory & Safety
Winnenden, Sep. 24, 2018

Authorised to compile the technical file:

Alexander Krug, Managing Director
Technronic Industries GmbH
Max-Eyth-Straße 10, 71364 Winnenden, Germany



FR DÉCLARATION DE CONFORMITÉ

Technronic Industries GmbH
Max-Eyth-Straße 10, 71364 Winnenden, Germany

Déclarons par la présente que le produit

Multi-outils 18V
Marque: RYOBI
Numéro de modèle: R18MT3
Étendue des numéros de série: 46280801000001 - 46280801999999

est conforme aux Directives Européennes et Normes Harmonisées suivantes
2006/42/EC, 2014/30/EU, 2011/65/EU,
EN55014-1:2017, EN55014-2:2015, EN 62841-1:2015, EN 62841-2-4:2014

La documentation RoHS a été dressée d'après EN 50581:2012



Todd Chipner
Directeur principal, Qualité fournisseurs CPT et Réglementation/Sécurité pour la
région Asie
Winnenden, Sep. 24, 2018

Autorisé à rédiger le dossier technique:

Alexander Krug, Directeur Général
Technronic Industries GmbH
Max-Eyth-Straße 10, 71364 Winnenden, Germany



DE KONFORMITÄTSEKTLÄRUNG

Technronic Industries GmbH
Max-Eyth-Straße 10, 71364 Winnenden, Germany

Hiermit erklären wir, dass die Produkte

18V Multitool
Marke: RYOBI
Modellnummer: R18MT3
Seriennummernbereich: 46280801000001 - 46280801999999

den folgenden europäischen Richtlinien und harmonisierten Normen entspricht
2006/42/EC, 2014/30/EU, 2011/65/EU,
EN55014-1:2017, EN55014-2:2015, EN 62841-1:2015, EN 62841-2-4:2014

RoHS Dokumentation ist gemäß EN 50581:2012 zusammengestellt



Todd Chipner
Sr. Director, Anbieterqualität CPT und Regulierung und Sicherheit in Asien
Winnenden, Sep. 24, 2018

Autorisiert die technische Datei zu erstellen:

Alexander Krug, Geschäftsführer
Technronic Industries GmbH
Max-Eyth-Straße 10, 71364 Winnenden, Germany



ES DECLARACIÓN DE CONFORMIDAD

Technronic Industries GmbH
Max-Eyth-Straße 10, 71364 Winnenden, Germany

Por la presente declaramos que los productos

Multiherramienta de 18 V
Marca: RYOBI
Número de modelo: R18MT3
Intervalo del número de serie: 46280801000001 - 46280801999999

se encuentra en conformidad con las siguientes Directivas Europeas y normas armonizadas
2006/42/EC, 2014/30/EU, 2011/65/EU,
EN55014-1:2017, EN55014-2:2015, EN 62841-1:2015, EN 62841-2-4:2014

Documentación sobre restricción de sustancias peligrosas (RoHS) recopilada según la norma EN 50581:2012



Todd Chipner
Director principal, Calidad de Proveedores CPT y Normas y Seguridad para Asia
Winnenden, Sep. 24, 2018

Autorizado para elaborar la ficha técnica:

Alexander Krug, Administrador Ejecutivo
Technronic Industries GmbH
Max-Eyth-Straße 10, 71364 Winnenden, Germany



IT DICHIARAZIONE DI CONFORMITÀ

Technronic Industries GmbH
Max-Eyth-Straße 10, 71364 Winnenden, Germany

Si dichiara con la presente che il prodotto

Multitensile 18 V
Marca: RYOBI
Numero modello: R18MT3
Gamma numero seriale: 46280801000001 - 46280801999999

è conforme alle seguenti Direttive Europee e ai seguenti standard armonizzati
2006/42/EC, 2014/30/EU, 2011/65/EU,
EN55014-1:2017, EN55014-2:2015, EN 62841-1:2015, EN 62841-2-4:2014

La documentazione RoHS è stata compilata come indicato dalle norme EN 50581:2012



Todd Chipner
Sig. Direttore, qualità del fornitore CPT e sicurezza e normativa per l'Asia
Winnenden, Sep. 24, 2018

Autorizzato per compilare il file tecnico:

Alexander Krug, Direttore Amministrativo
Technronic Industries GmbH
Max-Eyth-Straße 10, 71364 Winnenden, Germany



NL CONFORMITEITSVERKLARING

Technronic Industries GmbH
Max-Eyth-Straße 10, 71364 Winnenden, Germany

Hierbij verklaren wij dat het product

18 V multi-gereedschap
Merk: RYOBI
Modelnummer: R18MT3
Seriennummernbereik: 46280801000001 - 46280801999999

is in overeenstemming met de volgende Europese Richtlijnen en geharmoniseerde normen

2006/42/EC, 2014/30/EU, 2011/65/EU,
EN55014-1:2017, EN55014-2:2015, EN 62841-1:2015, EN 62841-2-4:2014

RoHS-documentatie is samengesteld in overeenstemming met EN 50581:2012



Todd Chipner
Dhr. Directeur, CPT Supplier Quality en Asia Regulatory & Safety
Winnenden, Sep. 24, 2018

Afgevaardigde voor het samenstellen van de technische fiche:

Alexander Krug, Directeur
Technronic Industries GmbH
Max-Eyth-Straße 10, 71364 Winnenden, Germany



PT DECLARAÇÃO DE CONFORMIDADE

Techtronic Industries GmbH
Max-Eyth-Straße 10, 71364 Winnenden, Germany

Pelo presente declaramos que os produtos

Multi-ferramenta de 18V
Marca: RYOBI
Número do modelo: R18MT3
Intervalo do número de série: 46280801000001 - 46280801999999

se encontra em conformidade com as seguintes Directivas Europeias e normas harmonizadas

2006/42/EC, 2014/30/EU, 2011/65/EU,
EN55014-1:2017, EN55014-2:2015, EN 62841-1:2015, EN 62841-2-4:2014

Documentação sobre restrição de substâncias perigosas (RoHS) compilada segundo a norma EN 50581:2012

Todd Chipner

Sr. Diretor, Qualidade de Fornecedores CPT e Assuntos Regulamentares e de Segurança da Ásia
Winnenden, Sep. 24, 2018

CE

Autorizado para compilar o ficheiro técnico:

Alexander Krug, Administrador Executivo
Techtronic Industries GmbH
Max-Eyth-Straße 10, 71364 Winnenden, Germany

DA OVERENSSTEMMELSESERKLÆRING

Techtronic Industries GmbH
Max-Eyth-Straße 10, 71364 Winnenden, Germany

Vi erklærer hermed, at produktet

18V multiværktøj
Brand: RYOBI
Modelnummer: R18MT3
Serienummerområde: 46280801000001 - 46280801999999

er i overensstemmelse med følgende EU-direktiver og harmoniserede standarder

2006/42/EC, 2014/30/EU, 2011/65/EU,
EN55014-1:2017, EN55014-2:2015, EN 62841-1:2015, EN 62841-2-4:2014

RoHS-dokumentationen er udarbejdet i henhold til EN 50581:2012

Todd Chipner

Hr. Direktør, CPT Supplier Quality and Asia Regulatory & Safety
Winnenden, Sep. 24, 2018

CE

Bemyndiget til at udarbejde det tekniske kartotek:

Alexander Krug, Administrerende Direktør
Techtronic Industries GmbH
Max-Eyth-Straße 10, 71364 Winnenden, Germany

SV Konformitetsdeklaration

Techtronic Industries GmbH
Max-Eyth-Straße 10, 71364 Winnenden, Germany

Härmed deklarerar vi att produkterna

18 V Multiredskap
Märke: RYOBI
Modellnummer: R18MT3
Serienummerintervall: 46280801000001 - 46280801999999

är i enlighet med följande EU-direktiv och harmoniserade standarder

2006/42/EC, 2014/30/EU, 2011/65/EU,
EN55014-1:2017, EN55014-2:2015, EN 62841-1:2015, EN 62841-2-4:2014

RoHS-dokumentation sammanställd enligt EN 50581:2012

Todd Chipner

Överordnad direktör, CPT leverantörskvalitet och regelverk & säkerhet Asien
Winnenden, Sep. 24, 2018

CE

Godkänd att sammanställa den tekniska filen:

Alexander Krug, VD
Techtronic Industries GmbH
Max-Eyth-Straße 10, 71364 Winnenden, Germany

FI SÄÄNNÖSTEN NOUDATTAMINEN

Techtronic Industries GmbH
Max-Eyth-Straße 10, 71364 Winnenden, Germany

Ilmoitamme täten, että tuotteet

18 V monitoimityökalu
Tuotemerkki: RYOBI
Mallinumero: R18MT3
Sarjanumeroalue: 46280801000001 - 46280801999999

noudattaa seuraavia EU-direktiivejä ja harmonoituja standardeja

2006/42/EC, 2014/30/EU, 2011/65/EU,
EN55014-1:2017, EN55014-2:2015, EN 62841-1:2015, EN 62841-2-4:2014

RoHS-dokumentaatio on koottu standardin EN 50581:2012 mukaisesti

Todd Chipner

Sr. Director, CPT Supplier Quality and Asia Regulatory & Safety (CPT-toimitusten laadusta ja Aasian alueen sääntelystä ja turvallisuudesta vastaava johtaja)
Winnenden, Sep. 24, 2018

CE

Valtuutettu kokoamaan tekninen tiedosto:

Alexander Krug, Toimitusjohtaja
Techtronic Industries GmbH
Max-Eyth-Straße 10, 71364 Winnenden, Germany

NO Samsvarserklæring

Techtronic Industries GmbH
Max-Eyth-Straße 10, 71364 Winnenden, Germany

Herved erklærer vi at produktet

18 V multiverktøy
Merk: RYOBI
Modellnummer: R18MT3
Serienummerserie: 46280801000001 - 46280801999999

er i samsvar med følgende europeiske direktiver og harmoniserte standarder

2006/42/EC, 2014/30/EU, 2011/65/EU,
EN55014-1:2017, EN55014-2:2015, EN 62841-1:2015, EN 62841-2-4:2014

RoHS dokumentasjonen er skrevet i samsvar med EN 50581:2012

Todd Chipner

Sr. direktør, CPT leverandørkvalitet, samt juridisk og sikkerhet for Asia
Winnenden, Sep. 24, 2018

CE

Autorisert til å sette sammen den tekniske filen:

Alexander Krug, Administrerende Direktør
Techtronic Industries GmbH
Max-Eyth-Straße 10, 71364 Winnenden, Germany

RU ЗАЯВЛЕНИЕ О СООТВЕТВИИ ТРЕБОВАНИЯМ

Techtronic Industries GmbH
Max-Eyth-Straße 10, 71364 Winnenden, Germany

Настоящим мы заявляем, что данный продукт

Многофункциональный инструмент 18 В
Марка: RYOBI
Номер модели: R18MT3
Диапазон заводских номеров: 46280801000001 - 46280801999999

соответствует требованиям следующих Директив ЕС и согласованных стандартов

2006/42/EC, 2014/30/EU, 2011/65/EU,
EN55014-1:2017, EN55014-2:2015, EN 62841-1:2015, EN 62841-2-4:2014

Документация RoHS соответствует стандарту EN 50581:2012

Todd Chipner

Г-н Директор по контролю качества поставщиков CPT, нормативов и безопасности в Азиатском регионе
Winnenden, Sep. 24, 2018

CE

Лицо, ответственное за подготовку технической документации:

Alexander Krug, Директор
Techtronic Industries GmbH
Max-Eyth-Straße 10, 71364 Winnenden, Germany



PL DEKLARACJA ZGODNOŚCI

Techtronic Industries GmbH
Max-Eyth-Straße 10, 71364 Winnenden, Germany

Niniejszym deklarujemy, że produkty

Narzędzie uniwersalne 18 V
Marka: RYOBI
Numer modelu: R18MT3
Zakres numerów seryjnych: 46280801000001 - 46280801999999

jest zgodny z następującymi dyrektywami europejskimi i zharmonizowanymi normami
2006/42/EC, 2014/30/EU, 2011/65/EU,
EN55014-1:2017, EN55014-2:2015, EN 62841-1:2015, EN 62841-2-4:2014

Dokumentacja RoHS została opracowana zgodnie z normą EN 50581:2012

Todd Chipner
Starszy dyrektor ds. jakości dostawców CPT oraz przepisów i bezpieczeństwa na
Azję
Winnenden, Sep. 24, 2018



Osoba upoważniona do sporządzenia dokumentu technicznego:
Alexander Krug, Dyrektor Zarządzający
Techtronic Industries GmbH
Max-Eyth-Straße 10, 71364 Winnenden, Germany

RO DECLARAȚIE DE CONFORMITATE

Techtronic Industries GmbH
Max-Eyth-Straße 10, 71364 Winnenden, Germany

Prin prezenta, declarăm că produsele

Unealtă multifuncțională cu acumulator de 18V
Marka: RYOBI
Număr serie: R18MT3
Gamă număr serie: 46280801000001 - 46280801999999

este în conformitate cu următoarele Directive Europene și standarde armonizate
2006/42/EC, 2014/30/EU, 2011/65/EU,
EN55014-1:2017, EN55014-2:2015, EN 62841-1:2015, EN 62841-2-4:2014

Dokumentacja RoHS este întocmită în conformitate cu EN 50581:2012

Todd Chipner
Director Senior, Calitate Furnizor CPT și Siguranță & Reglementare Asia
Winnenden, Sep. 24, 2018



Autorizat să completeze fișa tehnică:
Alexander Krug, Director General
Techtronic Industries GmbH
Max-Eyth-Straße 10, 71364 Winnenden, Germany

CS PROHLÁŠENÍ O SHODĚ

Techtronic Industries GmbH
Max-Eyth-Straße 10, 71364 Winnenden, Germany

Tímto prohlašujeme, že výrobky

18V multifunkční nářadí
Značka: RYOBI
Číslo modelu: R18MT3
Rozsah sériových čísel: 46280801000001 - 46280801999999

že tento výrobek je v souladu s evropskými a harmonizovanými standardy
2006/42/EC, 2014/30/EU, 2011/65/EU,
EN55014-1:2017, EN55014-2:2015, EN 62841-1:2015, EN 62841-2-4:2014

RoHS dokumentace sestavena dle EN 50581:2012

Todd Chipner
Vyšší ředitel, jakost dodavatelů CPT a předpisy a bezpečnost pro Asii
Winnenden, Sep. 24, 2018



Pověřeni ke kompilaci technické souboru:
Alexander Krug, Generální ředitel
Techtronic Industries GmbH
Max-Eyth-Straße 10, 71364 Winnenden, Germany

LV Atbilstības deklarācija

Techtronic Industries GmbH
Max-Eyth-Straße 10, 71364 Winnenden, Germany

Ar šo paziņojam, ka produkti

18V Daudzfunkcionālais instruments
Zīmols: RYOBI
Modeļa numurs: R18MT3
Sērijas numura intervāls: 46280801000001 - 46280801999999

atbilst šādām Eiropas direktīvām un saskaņotajiem standartiem
2006/42/EC, 2014/30/EU, 2011/65/EU,
EN55014-1:2017, EN55014-2:2015, EN 62841-1:2015, EN 62841-2-4:2014

RoHS dokumentācija ir izstrādāta saskaņā ar EN 50581:2012

Todd Chipner
Vecākais Direktors, CPT piegādātāji, kvalitāte un Āzijas atbilstība un drošība
Winnenden, Sep. 24, 2018



Pilnvarots sastādīt tehnisko failu:
Alexander Krug, Izpildītājs
Techtronic Industries GmbH
Max-Eyth-Straße 10, 71364 Winnenden, Germany

HU Megfelelőségi nyilatkozat

Techtronic Industries GmbH
Max-Eyth-Straße 10, 71364 Winnenden, Germany

Ezúton kijelentjük, hogy a termék

18 V-os többfunkciós gép
Márka: RYOBI
Típuszám: R18MT3
Sorozatszám tartomány: 46280801000001 - 46280801999999

megfelel az alábbi Európai Irányelvek és harmonizált szabványok vonatkozó rendelkezéseinek

2006/42/EC, 2014/30/EU, 2011/65/EU,
EN55014-1:2017, EN55014-2:2015, EN 62841-1:2015, EN 62841-2-4:2014

A RoHS dokumentáció összeállítására az EN 50581:2012 szerint történt

Todd Chipner
Senior igazgató, CPT ellátás minősége, ázsiai szabályozás és biztonság
Winnenden, Sep. 24, 2018



A műszaki dokumentáció összeállítására felhatalmazott:
Alexander Krug, Ügyvezető igazgató
Techtronic Industries GmbH
Max-Eyth-Straße 10, 71364 Winnenden, Germany

LT Atitikties pareiškimas

Techtronic Industries GmbH
Max-Eyth-Straße 10, 71364 Winnenden, Germany

Mes pareiškiame, kad šie produktai

18 V Universalusis įrankis
Prekės ženklas: RYOBI
Modelio numeris: R18MT3
Serijinio numerio diapazonas: 46280801000001 - 46280801999999

pagamintas laikantis toliau nurodytųjų Europos Direktyvų ir darniųjų standartų
2006/42/EC, 2014/30/EU, 2011/65/EU,
EN55014-1:2017, EN55014-2:2015, EN 62841-1:2015, EN 62841-2-4:2014

Tam tikrų pavojingų medžiagų naudojimo elektros ir elektroninėje įrangoje apribojimo dokumentai sudaryti pagal standartą EN 50581:2012

Todd Chipner
Vyr. direktorius, BEJ tiekimo kokybės ir reglamentavimo bei saugos Azijoje skyrius
Winnenden, Sep. 24, 2018



Įgaliojats sudaryti techninį failą:
Alexander Krug, Generalinis Direktorius
Techtronic Industries GmbH
Max-Eyth-Straße 10, 71364 Winnenden, Germany

(ET) VASTAVUSDEKLARATSIOON

Techtronic Industries GmbH
Max-Eyth-Straße 10, 71364 Winnenden, Germany

Kinnitame, et see toode
18 V universaaltööriist
Mark: RYOBI
Mudeli number: R18MT3
Seerianumbri vahemik: 46280801000001 - 46280801999999

vastab järgmistele Euroopa direktiividele ja harmoniseeritud standarditele
2006/42/EC, 2014/30/EU, 2011/65/EU,
EN55014-1:2017, EN55014-2:2015, EN 62841-1:2015, EN 62841-2-4:2014

RoHS dokumentid on koostatud vastavuses standardi EN 50581:2012 nõuetele.



Todd Chipner
Vanemdirektor, juhtmeta mootortööriistade tarnija kvaliteet ning Aasia järelevalve ja ohutus
Winnenden, Sep. 24, 2018

Tehnilise faili koostamiseks volitatud isik:
Alexander Krug, Tegevdirektor
Techtronic Industries GmbH
Max-Eyth-Straße 10, 71364 Winnenden, Germany

**(SK)** PREHLÁSENIE O ZHODE

Techtronic Industries GmbH
Max-Eyth-Straße 10, 71364 Winnenden, Germany

Týmto vyhlasujeme, že výrobok
18 V viacúčelové náradie
Značka: RYOBI
Číslo modelu: R18MT3
Rozsah sériových čísel: 46280801000001 - 46280801999999

Je v súlade s nasledujúcimi Európskymi smernicami a harmonizovanými normami
2006/42/EC, 2014/30/EU, 2011/65/EU,
EN55014-1:2017, EN55014-2:2015, EN 62841-1:2015, EN 62841-2-4:2014

Dokumentácia RoHS je zostavená podľa EN 50581:2012



Todd Chipner
vyšší riaditeľ, kvalita dodávok CPT, regulačné záležitosti pre Áziu a bezpečnosť
Winnenden, Sep. 24, 2018

Oprávnená osoba na zostavenie technického súboru:
Alexander Krug, Generálny Riaditeľ
Techtronic Industries GmbH
Max-Eyth-Straße 10, 71364 Winnenden, Germany

**(HR)** IZJAVA O USKLADENOSTI

Techtronic Industries GmbH
Max-Eyth-Straße 10, 71364 Winnenden, Germany

Ovime izjavljujemo da su proizvodi
Višenamjenski alat od 18 V
Marka: RYOBI
Broj modela: R18MT3
Raspon serijskog broja: 46280801000001 - 46280801999999

usklađen sa sljedećim Europskim Direktivama i usklađenim normama
2006/42/EC, 2014/30/EU, 2011/65/EU,
EN55014-1:2017, EN55014-2:2015, EN 62841-1:2015, EN 62841-2-4:2014

RoHS dokumentacija sukladna je EN 50581:2012



Todd Chipner
Viši direktor, CPT dobavljač odjela Kvaliteta, regulative i sigurnost za područje Azije
Winnenden, Sep. 24, 2018

Ovlašten da sastavi tehničku datoteku:
Alexander Krug, Direktor Upravljanja
Techtronic Industries GmbH
Max-Eyth-Straße 10, 71364 Winnenden, Germany

**(BG)** ДЕКЛАРАЦИЯ НА ЗА СЪОТВЕТСТВИЕ

Techtronic Industries GmbH
Max-Eyth-Straße 10, 71364 Winnenden, Germany

С настоящето декларираме, че продуктите
18V мулти-инструмент
Марка: RYOBI
Номер на модела: R18MT3
Обхват на серийни номера: 46280801000001 - 46280801999999

отговаря на следните директиви на ЕС и хармонизирани стандарти
2006/42/EC, 2014/30/EU, 2011/65/EU,
EN55014-1:2017, EN55014-2:2015, EN 62841-1:2015, EN 62841-2-4:2014

Документацията за RoHS е съставена в съответствие с EN 50581:2012.



Todd Chipner
Главен директор, Качество на доставчици на CPT и нормативно съответствие и безопасност за Азия
Winnenden, Sep. 24, 2018

Упълномощено лице за съставяне на техническия файл:
Alexander Krug, Изпълнителен Директор
Techtronic Industries GmbH
Max-Eyth-Straße 10, 71364 Winnenden, Germany

**(SL)** IZJAVA O SKLADNOSTI

Techtronic Industries GmbH
Max-Eyth-Straße 10, 71364 Winnenden, Germany

Izjavljamo, da je izdelek
Večnamensko orodje 18 V
Znamka: RYOBI
Številka modela: R18MT3
Razpon serijskih števil: 46280801000001 - 46280801999999

v skladu s sledečimi evropskimi direktivami in harmoniziranimi standardi
2006/42/EC, 2014/30/EU, 2011/65/EU,
EN55014-1:2017, EN55014-2:2015, EN 62841-1:2015, EN 62841-2-4:2014

Dokumentacija RoHS je sestavljena skladno s standardom EN 50581:2012



Todd Chipner
Višji direktor, kakovost dobaviteljev CPT ter regulativa in varnost za Azijo
Winnenden, Sep. 24, 2018

Pooblaščená oseba za sestavo tehnične dokumentacije:
Alexander Krug, Izvršni Direktor
Techtronic Industries GmbH
Max-Eyth-Straße 10, 71364 Winnenden, Germany

**(UK)** Декларация про відповідність

Techtronic Industries GmbH
Max-Eyth-Straße 10, 71364 Winnenden, Germany

При цьому ми заявляємо, що продукт
Багатофункціональний пристрій 18В
Марка: RYOBI
Номер моделі: R18MT3
Діапазон серійного номеру: 46280801000001 - 46280801999999

у відповідності з наступними європейськими директивами та гармонізованими стандартами
2006/42/EC, 2014/30/EU, 2011/65/EU,
EN55014-1:2017, EN55014-2:2015, EN 62841-1:2015, EN 62841-2-4:2014

Документація RoHS складена відповідно до EN 50581:2012



Todd Chipner
Ген. директор, якість постачання CPT, а також регулювання охорони праці і техніки безпеки в Азії
Winnenden, Sep. 24, 2018

Дозвіл на складання технічного файла:
Alexander Krug, Керуючий директор
Techtronic Industries GmbH
Max-Eyth-Straße 10, 71364 Winnenden, Germany



**TR** Uygunluk beyanı

Techtronic Industries GmbH
Max-Eyth-Straße 10, 71364 Winnenden, Germany

Böylelikle beyan ederiz ki; ürün

18 V Çok işlevli alet
Marka: RYOBI
Model numarası: R18MT3
Seri numarası aralığı: 46280801000001 - 46280801999999

aşağıdaki Avrupa Direktifleri ve uyumlaştırılmış standartlara uygundur
2006/42/EC, 2014/30/EU, 2011/65/EU,
EN55014-1:2017, EN55014-2:2015, EN 62841-1:2015, EN 62841-2-4:2014

RoHS belgeleri EN 50581:2012 uyarınca derlenmiştir

Todd Chipner

Kıdemli Direktör, CPT Tedarikçi Kalitesi ve Asya Düzenleme ve Güvenlik
Winnenden, Sep. 24, 2018



Teknik dosya hazırlamaya yetkilidir:

Alexander Krug, Genel Müdür
Techtronic Industries GmbH
Max-Eyth-Straße 10, 71364 Winnenden, Germany

EL Δήλωση συμμόρφωσης

Techtronic Industries GmbH
Max-Eyth-Straße 10, 71364 Winnenden, Germany

Δια του παρόντος δηλώνουμε ότι το προϊόν

Πολυεργαλείο 18V
Μάρκα: RYOBI
Αριθμός μοντέλου: R18MT3
Εύρος σειριακών αριθμών: 46280801000001 - 46280801999999

είναι σύμφωνο με τις παρακάτω Ευρωπαϊκές Οδηγίες και εναρμονισμένα πρότυπα
2006/42/EC, 2014/30/EU, 2011/65/EU,
EN55014-1:2017, EN55014-2:2015, EN 62841-1:2015, EN 62841-2-4:2014

Τα έγγραφα RoHS συντάσσονται σύμφωνα με το EN 50581:2012

Todd Chipner

Ανώτερος Διευθυντής, Πάροχος CPT, Υπεύθυνος Ασίας για Ποιότητα & Ασφάλεια
Winnenden, Sep. 24, 2018



Εξουσιοδοτημένο άτομο για σύνταξη τεχνικού αρχείου:

Alexander Krug, Διευθύνων Σύμβουλος
Techtronic Industries GmbH
Max-Eyth-Straße 10, 71364 Winnenden, Germany

- EN** RYOBI is a trademark of Ryobi Limited, and is used under license.
- FR** RYOBI est une marque déposée de Ryobi Limited, et est utilisée sous licence.
- DE** RYOBI ist ein Markenzeichen von Ryobi Limited und wird in Lizenz verwendet.
- ES** RYOBI es una marca registrada de Ryobi Limited, y se utiliza bajo licencia.
- IT** L'utilizzo del marchio registrato RYOBI è legato alla licenza concessa da Ryobi Limited.
- NL** RYOBI is een handelsmerk van Ryobi Limited en wordt onder licentie gebruikt.
- PT** RYOBI é uma marca comercial de Ryobi Limited, e é utilizada sob licença.
- DA** RYOBI er et varemærke tilhørende Ryobi Limited og bruges under licens.
- SV** RYOBI är en del av varumärke Ryobi Limited och dess användning är licensierad.
- FI** RYOBI on Ryobi Limitedin omistama tavaramerkki, ja sitä käytetään lisenssin puitteissa.
- NO** RYOBI er et varemerke for Ryobi Limited, og brukes under lisens.
- RU** RYOBI является товарным знаком компании Ryobi Limited, используемым по лицензии.
- PL** RYOBI to znak towarowy firmy Ryobi Limited i jest używany zgodnie z uzgodnioną licencją.
- CS** RYOBI je ochranná známka společnosti Ryobi Limited a její používání podléhá licenci.
- HU** A RYOBI a Ryobi Limited védjegye, használatát licenc keretében történik.
- RO** RYOBI este o marcă comercială a firmei Ryobi Limited și este utilizată sub licență.
- LV** RYOBI ir Ryobi Limited preču zīme un tiek izmantota saskaņā ar licenci.
- LT** „RYOBI“ yra „Ryobi Limited“ prekės ženklas, naudojamas pagal licenciją.
- ET** RYOBI on ettevõtte Ryobi Limited kaubamärk, mida kasutatakse litsentsi alusel.
- HR** RYOBI je žig tvrtke Ryobi Limited i koristi se po licenci.
- SL** RYOBI je blagovna znamka družbe Ryobi Limited in se uporablja na podlagi dovoljenja.
- SK** RYOBI je ochranná známka spoločnosti Ryobi Limited a používa sa na základe licencie.
- BG** RYOBI е търговска марка на Ryobi Limited и се използва под лиценз.
- UK** RYOBI є товарним знаком Ryobi Limited, і використовується за ліцензією.
- TR** RYOBI, Ryobi Limited şirketine ait olup, lisans altında kullanılan bir ticari markadır.
- EL** Το RYOBI αποτελεί εμπορικό σήμα της Ryobi Limited και χρησιμοποιείται μετά από χορήγηση άδειας.





Techtronic Industries GmbH
Max-Eyth-Straße 10,
71364 Winnenden, Germany

961152965-03B