

RYOBI®

RLM18X33H40
OLM1833H

ORIGINAL INSTRUCTIONS
TRADUCTION DES INSTRUCTIONS ORIGINALES
ÜBERSETZUNG DER ORIGINALANLEITUNG
TRADUCCIÓN DE LAS INSTRUCCIONES ORIGINALES
TRADUZIONE DELLE ISTRUZIONI ORIGINALI
VERTALING VAN DE ORIGINELE INSTRUCTIES
TRADUÇÃO DAS INSTRUÇÕES ORIGINAIS
OVERSÆTTELSE AF DE ORIGINALE INSTRUKTIONER
ÖVERSÄTTNING AV DE URSPRUNGLIGA INSTRUKTIONERNA
ALKUPERÄISTEN OHJEIDEN SUOMENNO
OVERSETTELSE AV DE ORIGINALE INSTRUKSJONENE
ПЕРЕВОД ОРИГИНАЛЬНЫХ ИНСТРУКЦИЙ
TŁUMACZENIE INSTRUKCJI ORYGINALNEJ
PŘEKLAD ORIGINÁLNÍCH POKYNŮ
AZ EREDETI ÚTMUTATÓ FORDÍTÁSA
TRADUCEREA INSTRUCȚIUNILOR ORIGINALE
TULKOTS NO ORIĢINĀLĀS INSTRUKCIJAS
ORIGINALIŲ INSTRUKCIJŲ VERTIMAS
ORIGINAALJUHENDI TÕLGE
PRIJEVOD ORIGINALNIH UPUTA
PREVOD ORIGINALNIH NAVODIL
PREKLAD ORIGINÁLNYCH POKYNOV
ПРЕВОД ОТ ОРИГИНАЛНИТЕ ИНСТРУКЦИИ
ПЕРЕКЛАД ОРИГИНАЛЬНИХ ІНСТРУКЦІЙ



EN
FR
DE
ES
IT
NL
PT
DA
SV
FI
NO
RU
PL
CS
HU
RO
LV
LT
ET
HR
SL
SK
BG
UK





Important!	It is essential that you read the instructions in this manual before assembling, maintaining and operating the product.
Attention!	Il est essentiel que vous lisiez les instructions contenues dans ce manuel avant d'assembler, d'entretenir et d'utiliser le produit.
Achtung!	Es ist wichtig, dass Sie vor Zusammenbau, Wartung und Benutzung des Produktes die Anweisungen in dieser Anleitung lesen.
¡Atención!	Resulta fundamental que lea este manual de instrucciones antes de realizar el montaje, el mantenimiento y de utilizar este producto
Attenzione!	E' importante leggere le istruzioni contenute nel presente manuale prima di montare il prodotto, svolgere le operazioni di manutenzione sullo stesso e metterlo in funzione.
Let op!	Het is van essentieel belang dat u de instructies in deze gebruiksaanwijzing leest voor u het product monteert, onderhoudt en gebruikt.
Atenção!	É fundamental que leia as instruções deste manual antes da montagem, manutenção e operação do aparelho.
OBS!	Det er vigtigt, at man læser instrukserne i denne brugsanvisning, inden man samler, vedligeholder og betjener produktet.
Observera!	Det är viktigt att du läser instruktionerna i manualen före montering, användning och underhåll av produkten.
Huomio!	On tärkeää, että luet tämän käsikirjan ohjeet ennen tuotteen kokoamista, huoltoa ja käyttöä.
Advarsel!	Det er viktig at du leser instruksjonene i denne manualen før sammensetning, vedlikehold og bruk av produktet
Внимание!	Необходимо прочитать инструкции в данном руководстве перед сборкой, обслуживанием и эксплуатацией этого изделия.
Uwaga!	Koniecznosc nalezy przeczytac instrukcje zawarte w tym podręczniku przed montażem, obsługą oraz konserwacją produktu.
Důležitost upozornění!	Neinstalujte, neprovádějte údržbu ani nepoužívejte tento výrobek dříve, než si přečtete pokyny uvedené v tomto návodu.
Figyelem!	Fontos, hogy a termék összeszerelése, karbantartása és használata előtt elolvassa a kézikönyvben található utasításokat.
Atenție!	Este esențial să citiți instrucțiunile din acest manual înainte de asamblare, efectuarea întreținerii și operarea produsului.
Uzmanību!	Ir svarīgi izlasīt šīs rokasgrāmatas instrukcijas pirms uzstādīšanas, apkopes un precas darbināšanas.
Dėmesio!	Prieš surenkant, prižiūrint ir naudojant gaminį, būtina perskaityti šiame vadove pateiktus nurodymus.
Tähtis!	Enne masina kokkupanekut, hooldamist ja kasutama hakkamist tuleb käesolevas juhendis esitatud juhised kindlasti läbi lugeda.
Upozorenje!	Vrlo je važno da ste prije sklapanja, održavanja i rada s ovim proizvodom pročitali upute u ovom priručniku.
Pomembno!	Pomembno je da pred montažo vzdrževanjem in uporabo tega izdelka preberete navodila v tem priročniku.
Upozornenie!	Je dôležité, aby ste si pred montážou, údržbou a obsluhou produktu prečítali pokyny v tomto návode.
Важно!	Исключительно важно е да прочетете инструкциите в настоящото ръководство, преди да преминете към сглобяване, поддръжка или работа с продукта.
Важливо!	Дуже важливо, щоб ви прочитали інструкції в цьому керівництві перед складанням, обслуговуванням та експлуатацією цієї машини.

Subject to technical modification | Sous réserve de modifications techniques | Technische Änderungen vorbehalten | Bajo reserva de modificaciones técnicas | Con riserva di eventuali modifiche tecniche | Technische wijzigingen voorbehouden | Com reserva de modificações técnicas | Med forbehold for tekniske ændringer | Med förbehåll för tekniska ändringar | Tekniset muutokset varataan | Med forbehold om tekniske endringer | могут быть внесены технические изменения | Z zastrzeżeniem modyfikacji technicznych | Změny technických údajů vyhrazeny | A műszaki módosítás jogát fenntartjuk | Sub rezerva modificărilor tehnice | Paturam tiesības mainīt tehniskos raksturlielumus | Pasiliekan teisę daryti techninius pakeitimus | Tehnilised muudatused võimalikud | Подлежно техничким промјенама | Tehnične spremembe dopuščene | Právo na technické zmeny je vyhradené | Подлежи на технически модификации | Є об'єктом для технічних змін



EN
FR
DE
ES
IT
NL
PT
DA
SV
FI
NO
RU
CS
PL
HU
RO
LV
LT
ET
HR
SL
SK
BG
UK

Safety, performance, and dependability have been given top priority in the design of your cordless lawn mower.

INTENDED USE

The cordless lawn mower is only intended for use outdoors.

The product is designed for domestic lawn mowing. The cutting blade should rotate approximately parallel to the ground over which it is being wheeled. All four wheels should touch the ground while mowing. It is a pedestrian-controlled walk-behind mower designed to be pushed by hand.

The mower should never be operated with the wheels off the ground; it should not be pulled or ridden on. It should not be used to cut anything other than domestic grass lawns.

GENERAL SAFETY WARNINGS

⚠ WARNING

When using the product, the safety rules must be followed. For your own safety and that of bystanders, please read these instructions before operating the product. Please keep the instructions safe for later use.

⚠ WARNING

The product should only be operated with the battery pack. When using battery operated product, basic safety precautions should always be followed to reduce the risk of fire, leaking batteries and personal injury.

PERSONAL SAFETY

- The product is capable of amputating hands and feet, and throwing objects. Failure to observe all safety instructions could result in serious injury or death.
- Read and understand the instructions and safety warnings. Be familiar with the controls and the correct use of the product.
- Never allow children or people with reduced physical, sensory or mental capabilities, or people unfamiliar with these instructions, to operate, clean or maintain the product. Local regulations may restrict the age of the operator. Children should be adequately supervised to ensure they do not play with the appliance.

- Stay alert, watch what you are doing, and use common sense when operating the product. Do not operate the product while tired or under the influence of drugs, alcohol, or medication. A lapse in concentration while operating the product may result in serious personal injury.
- Wear heavy, long trousers, long sleeves, sturdy anti-slip footwear. Do not wear short trousers, sandals, or go barefoot. Avoid wearing clothing that is loose fitting or that has hanging cords or ties.
- Always wear safety glasses with side shields.
- Always be sure of your footing. Keep firm footing and balance. Walk, never run.
- Always be sure of your footing on slopes.
- Use the product across the face of slopes, never up and down. Exercise extreme caution when changing direction on slopes.
- Do not use the product near drop-offs, ditches, excessively steep slopes, or embankments. Poor footing could cause a slip and fall accident.

WORK AREA SAFETY

- Never use product while people, especially children, or pets are within 15 m because of the danger of objects being thrown by contact with the blade.
- Objects struck by the lawn mower blade can cause severe injuries to persons. Thoroughly inspect the area where the product is to be used and remove all rocks, sticks, metal, wire, bones, toys, or other foreign objects. Remember, string or wire may entangle with the cutting means.
- Always use the product in the daylight or in good artificial light.
- Do not operate the product in explosive atmospheres, such as in the presence of flammable liquids, gases or dust. The product creates sparks which may ignite the dust or fumes.
- Do not operate the product in wet grass or in the rain.
- Do not use the lawn mower when there is a risk of lightning.
- Keep in mind that the operator or user is responsible for accidents or hazards occurring to other people or their property.
- Tragic accidents can occur if the operator

is not alert to the presence of children. Children are often attracted to the product and the mowing activity. Never assume that children will remain where you last saw them.

- Keep children out of the mowing area and under the watchful care of a responsible adult other than the operator, be alert and turn the product off if a child enters the area.
- Use extra care when approaching blind corners, shrubs, trees, or other objects including overhanging shrubs, etc. which may block your view.

BATTERY TOOL USE AND CARE

- Read, understand and always follow the safety instructions which came with your battery and charger. Failure to do so may result in electric shock, fire or other hazardous situations. Keep all the instructions together in a safe place for future reference.
- Battery operated product do not have to be plugged into an electrical outlet; therefore, they are always in operating condition. Remove the isolator key whenever you are not operating the product.
- Remove the battery pack before making any adjustments, cleaning, or removing material from the product.
- Ensure the isolator key is removed before inserting battery pack.
- A battery pack must be recharged only with the charger specified by the manufacturer. Using a charger with an incompatible battery pack may create a risk of fire. Use battery pack only with charger listed.
- Use only battery pack intended specifically for the product. Use of any other battery packs may result in a risk of fire, electric shock, or injury to persons.
- When battery pack is not in use, keep it away from other metal objects like, paper clips, coins, keys, nails, screws, or other small metal objects, that can make a connection from one terminal to another. Shorting the battery pack terminals together may cause sparks, burns, fire or explosion.
- Do not place battery products or their batteries near fire or heat. This increases the risk of explosion and possibly injury.

- Do not open or mutilate the battery pack. Released electrolyte is corrosive and may cause damage to the eyes or skin. It may be toxic if swallowed.
- Protect the battery pack against moisture and water. Do not charge the product in a damp or wet location. Following this rule will reduce the risk of electric shock.
- In case of damage and improper use of the battery, vapour may be emitted. Provide for fresh air and seek medical help in case of complaints. The vapour can irritate the respiratory system.
- Do not leave the battery pack inside a vehicle in hot or cold conditions.
- Do not incinerate the battery.
- Under abusive conditions, liquid may be ejected from the battery; avoid contact. If contact accidentally occurs, flush with water. If liquid contacts eyes, additionally seek medical help. Liquid ejected from the battery may cause irritation or burns.

LAWN MOWER SAFETY WARNINGS

- Before using, always visually inspect to ensure blades, blade bolts, and cutter assembly are not worn or damaged.
- Replace worn or damaged blades and bolts in sets to preserve balance.
- The blade on this mower is sharp, use extreme caution and wear heavy duty gloves when fitting, replacing, cleaning or checking bolt security.
- Bring the product to an authorised service centre to replace damaged or unreadable labels.
- Check all nuts, bolts, and screws at frequent intervals for proper tightness to be sure the equipment is in safe working condition.
- Check the grass box frequently for wear, holes or deterioration.
- Replace worn or damaged parts before operating the product.
- The mower must be started with the user behind the handlebars in the operator safety zone. Never start the product if:
 - all four wheels are not on the ground
 - the grass discharge chute is exposed without being protected by either the mulching plug and grass discharge

chute cover, or the grass box and grass discharge chute cover

- hands and feet of all persons are not clear of the cutting enclosure
- Never operate the product if the on/off switch on the handlebar does not properly start and stop the mower.
- Never attempt to lock the on/off switches in the on position, this is extremely dangerous.
- Do not force the product. It will do the job better and safer at the speed for which it was designed.
- Stop the blade when crossing gravel surfaces.
- Do not pull the product backward unless absolutely necessary. If you must back the product away from a wall or obstruction, first look down and behind to avoid tripping or pulling the product over your feet.
- Stop the motor and allow the blade to stop if the mower has to be tilted for transportation when crossing surfaces other than grass, and when transporting the product to and from the area to be mowed.
- Never use the product with defective guards or shields, or without safety devices, for example, deflectors and/ or grass boxes, in place.
- Do not tilt the lawn mower when switching on the motor or while the motor is running. This exposes the blade and increases the probability of objects being thrown.
- Switch on the motor carefully according to instructions and keep hands and feet away from cutting area. Keep clear of the discharge opening at all times. Do not start the product when standing in front of the discharge opening.
- Do not put hands or feet near or under rotating parts. Keep clear of the discharge opening at all time.
- Never pick up or carry the product while it is running.
- Stop the mower motor and remove isolator key, make sure that all moving parts have come to a complete stop for the below cases:
 - whenever you leave the product unattended (including disposal of grass clippings)
 - before cleaning a blockage or unclogging

discharge chute

- before checking, cleaning or working on the product
- after striking a foreign object (inspect the product for damage and make repairs as necessary before restarting and operating the product)
- before removing the grass box or opening the grass discharge chute cover
- If the product starts to vibrate abnormally (check immediately)
 - inspect for damage, particularly the blades
 - replace or repair any damaged parts
 - check for and tighten any loose parts
- Avoid holes, ruts, bumps, rocks, property stakes, or other hidden objects. Uneven terrain could cause a slip and fall accident.
- Always ensure the motor control cable is never trapped, pinched or otherwise damaged during assembly or when folding the handle.

OVERLOAD AND OVERHEAT PROTECTION

The product has an overload protection device. When overloading is detected, the product will automatically switch off. If the overload protector is actuated, the on-off button must be released. Press the on-off button to restart the product.

The battery pack has overheat protection. Excessive temperatures will cause the battery to stop powering the product. Feel the battery pack; if it is too warm, allow it to cool down before resuming operation. If the product still does not work, recharge the battery.

NOTE: The battery pack LED indicator will not work if the battery protection feature has caused the battery pack to stop powering the product. Release the on-off button or remove the battery pack from the product and the battery pack LED indicator will resume normal function.

RESIDUAL RISKS

Even when the product is used as prescribed, it is still impossible to completely eliminate certain residual risk factors. The following hazards may arise in use and the operator should pay special attention to avoid the following:

- Injury caused by vibration. Always use the right tool for the job, use designated handles and restrict working time and exposure.
- Exposure to noise can cause hearing injury. Wear ear protection and limit exposure.
- Contact with blades.
- Injury from thrown objects.

TRANSPORTATION AND STORAGE

- Stop the product, remove the isolator key and the battery. Make sure that all moving parts have come to a complete stop. Allow the product to cool down before storing or transporting.
- Clean all foreign material from the product. Store it in a cool, dry, and well-ventilated place that is inaccessible to children. Keep away from corrosive agents such as garden chemicals and de-icing salts. Do not store outdoors.
- For transportation, remove isolator key, secure the product against movement or falling to prevent injury to persons or damage to the product.

⚠ WARNING

Use extreme caution when lifting or tilting the product for maintenance, cleaning, storage, or transportation. The blade is sharp. Keep all body parts away from the blade while it is exposed.

MAINTENANCE

⚠ WARNING

Use only original manufacturer's replacement parts, accessories and attachments. Failure to do so can cause injury, poor performance and may void your warranty.

⚠ WARNING

Servicing requires extreme care and knowledge and should be performed only by a qualified service technician. For service, we suggest you bring the product to your nearest authorised service centre for repair. When servicing, use only original replacement parts.

- Remove the isolator key and the battery before any cleaning or maintenance task.
- You may make adjustments and repairs described here. For other repairs, contact the authorised service agent.
- Check the grass box frequently for wear or deterioration.
- After each use, clean the product with a soft dry cloth. Any part that is damaged should be properly repaired or replaced by an authorised service centre.
- Check all nuts, bolts and screws at frequent intervals for proper tightness to ensure the product is in safe working condition.
- Be careful during adjustment of the product to prevent entrapment of the fingers between moving blades and fixed parts of the product.
- When servicing the blades, be aware that even though the power source is switched off, the blades can still be moved.
- The blade on the product is sharp. Use extreme caution and wear heavy duty gloves when fitting, replacing, cleaning or checking bolt security.
- Replace damaged blades and bolts in sets to preserve balance.

RISK REDUCTION

It has been reported that vibrations from handheld tools may contribute to a condition called Raynaud's Syndrome. Symptoms may include tingling, numbness and blanching of the fingers, usually apparent upon exposure to cold. Hereditary factors, exposure to cold and dampness, diet, smoking and work practices are all thought to contribute to the development of these symptoms. There are measures that can be taken by the operator to possibly reduce the effects of vibration:

- Keep your body warm in cold weather. When operating the product wear gloves to

keep the hands and wrists warm.

- After each period of operation, exercise to increase blood circulation.
- Take frequent work breaks. Limit the amount of exposure per day.

If you experience any of the symptoms of this condition, immediately discontinue use and see your doctor.

⚠ WARNING

Injuries may be caused, or aggravated, by prolonged use of a tool. When using any tool for prolonged periods, ensure you take regular breaks.

KNOW YOUR PRODUCT

See page 163.

Parts

1. On-off button
2. Handle
3. Motor control cable
4. Cord retainer
5. Battery door
6. Grassbox full indicator
7. Grassbox
8. Rear wheel
9. Height adjustment lever
10. Front wheel
11. Isolator key
12. Mulching plug
13. Battery
14. Charger
15. Start button

SYMBOLS ON THE PRODUCT



Read and understand all instructions before operating the product, follow all warnings and safety instructions.



Wear ear protection.



Wear eye protection.



Do not operate on inclines greater than 15°. Mow across the face of slopes, never up and down.



Do not expose to rain or damp condition.



Beware of sharp blades. Blades continue to rotate after the motor is switched off – Remove isolator key before maintenance



Beware of thrown or flying objects. Keep all bystanders, especially children and pets, at least 15 m away from the operating area.



Press the Start button and then the On-off button (A, B, C or D) to start the product. Release the Start button and keep pressing the On-off button to run the product. Release the On-off button to stop the product.



Please read the instructions carefully before using the product.



Waste electrical products should not be disposed of with household waste. Please recycle where facilities exist. Check with your local authority or retailer for recycling advice.



Conforms to all regulatory standards in the country in the EU where the product is purchased.



EurAsian Conformity Mark



Ukrainian mark of conformity



The guaranteed sound power level is shown on this label by 94 dB.

The following signal words and meanings are intended to explain the levels of risk associated with the product:

⚠ DANGER

Indicates an imminently hazardous situation, which, if not avoided, will result in death or serious injury.

WARNING

Indicates a potentially hazardous situation, which, if not avoided, could result in death or serious injury.

CAUTION

Indicates a potentially hazardous situation, which, if not avoided, may result in minor or moderate injury.

CAUTION

(Without safety alert symbol) Indicates a situation that may result in property damage.

SYMBOLS IN THIS MANUAL



Parts or accessories sold separately



Waste electrical products should not be disposed of with household waste. Please recycle where facilities exist.



Keep hands away from blades



Note



Warning



Stop the product.

- For best performance, always cut off one-third or less of the total height of the grass.
- When cutting long grass, reduce walking speed to allow for more effective cutting and a proper discharge of the clippings.
- Do not cut wet grass; it will stick to the underside of the deck and prevent proper collection or discharge of grass clippings.
- New or thick grass may require a higher cutting height.
- A higher cutting height will extend the run time of the battery.
- If you wish to collect the grass cuttings for disposal, remove the mulching plug and fit the grass box making sure the top flap is properly closed. Empty the grass box regularly; otherwise, the discharge chute will become blocked with grass cuttings.
- If you are making a light cut and wish for the grass cuttings to remain on the lawn, fit the mulching plug and close the top flap to cover the discharge opening. It is not necessary to fit the grass box in this case.
- The mower is designed to operate and cut most effectively when moving forwards.

MOWING TIPS

The run time of the battery depends on the condition, length, and density of the grass.

Adjust the cutting height of the lawn mower to suit the current condition of the lawn to be mowed.

Grass conditions	Suggested height adjustment		Coverage (maximum)	
	First pass	Succeeding passes	4 Ah battery	5 Ah battery
Very thin / Dry	3	2	200 m ²	250 m ²
Thin / Dry	4	3 → 2	150 m ²	200 m ²
Medium / Dense	5	4 → 3	100 m ²	150 m ²

La plus grande priorité a été donnée à la sécurité, aux performances et à la fiabilité de votre tondeuse à gazon sans-fil lors de sa conception.

UTILISATION PRÉVUE

Ce tondeuse à gazon sans-fil ne doit être utilisé qu'à l'extérieur.

Ce produit est destiné à la tonte du gazon par les particuliers. La lame de coupe doit tourner en position à peu près parallèle au sol sur lequel l'appareil se déplace. L'ensemble des quatre roues doit toucher le sol au cours de la tonte. Il s'agit d'une tondeuse destinée à être poussée par une personne marchant derrière.

La tondeuse ne doit jamais être utilisée avec ses roues décollées du sol, elle ne doit pas être tractée, et on ne doit pas monter dessus. Elle ne doit être utilisée que pour la tonte des pelouses de particuliers.

AVERTISSEMENTS GÉNÉRAUX DE SÉCURITÉ

⚠ AVERTISSEMENT

Lors de l'utilisation de machines alimentées par batterie, il convient de respecter certaines précautions de sécurité de base afin de réduire les risques d'incendie, de fuite de batterie et de blessures. Pour votre sécurité et celle des passants, veuillez lire ces instructions avant d'utiliser le produit. Veuillez conserver ce manuel pour vous-y reporter dans le futur.

⚠ AVERTISSEMENT

Ce produit ne peut être utilisé qu'avec le pack batterie. Lors de l'utilisation de machines alimentées par batterie, il convient de respecter certaines précautions de sécurité de base afin de réduire les risques d'incendie, de fuite de batterie et de blessures.

SÉCURITÉ DES PERSONNES

- La tondeuse à gazon est capable d'amputer les mains et les pieds, ainsi que de projeter des objets. Le non respect de toutes les règles de sécurité est susceptible d'entraîner de graves blessures ou la mort.
- Lisez et comprenez les instructions et les

avertissements de sécurité. Familiarisez-vous avec les commandes du produit ainsi qu'avec son utilisation correcte.

- Ne laissez jamais les enfants ou les personnes aux capacités physiques, sensorielles ou mentales réduites, ni les personnes non familiarisées avec ces instructions utiliser, nettoyer ou entretenir le produit. Les lois locales peuvent imposer un âge minimum à l'opérateur. Les enfants doivent être bien surveillés afin de s'assurer qu'ils ne jouent pas avec le produit.
- Restez vigilant, prenez garde à ce que vous faites et utilisez votre bon sens lors de l'utilisation de cette tondeuse. N'utilisez pas cette tondeuse lorsque vous êtes fatigué ou sous l'influence de l'alcool, de drogues ou de médicaments. Un moment d'inattention lors de l'utilisation de la machine suffit à provoquer de graves blessures.
- Portez des pantalons longs et épais, des manches longues, des chaussures antidérapantes et des gants. Ne portez pas de vêtements amples, de pantalons courts ou de sandales, et ne travaillez pas pieds nus. Évitez de porter des vêtements amples ou qui possèdent des cordons ou attaches qui pendent.
- Portez toujours des lunettes de sécurité avec protections latérales.
- Gardez toujours un bon appui sur vos jambes. Gardez un bon appui et un bon équilibre. Marchez, ne courez jamais.
- Gardez toujours un bon appui dans les pentes.
- Utilisez le produit en travers des pentes, jamais de haut en bas. Redoublez de vigilance lorsque vous changez de direction sur une pente.
- N'utilisez pas le produit à proximité des à-pics, des fossés, des fortes pente, ou des talus. Un mauvais appui sur le sol peut entraîner une glissade et une chute et causer un accident.

SÉCURITÉ DE LA ZONE DE TRAVAIL

- N'utilisez jamais le produit lorsque des gens, en particulier des enfants, ou des animaux se trouvent à moins de 15 m à cause du risque de projection d'objets par la lame en rotation.
- Les objets heurtés par la lame de la tondeuse peuvent causer de graves

blessures. Vérifiez avec soin la zone où vous allez utiliser la machine, et retirez-en tous les cailloux, bâtons, objets métalliques, câbles, os, jouets et autres objets étrangers. Rappelez-vous, de la ficelle ou du câble sont susceptibles de s'emmêler dans le dispositif de coupe.

- Tondez toujours en plein jour ou sous un bon éclairage artificiel.
- N'utilisez pas la machine en atmosphère explosive, comme en présence de liquides inflammables, de gaz ou de poussières. L'outil produit des étincelles susceptibles d'enflammer poussières et vapeurs.
- N'utilisez pas la machine dans l'herbe mouillée ou sous la pluie.
- N'utilisez pas la tondeuse à gazon en cas de risque d'éclair.
- Gardez à l'esprit que l'opérateur est responsable des accidents qui arrivent aux autres personnes présentes dans sa propriété.
- De tragiques accidents peuvent se produire si l'opérateur n'est pas conscient de la présence d'enfants. Les enfants sont souvent attirés par la machine et par le déroulement de la tonte. Ne considérez jamais comme acquis qu'un enfant restera là où vous l'avez vu pour la dernière fois.
- Eloignez les enfants de la zone de tonte et faites en sorte qu'ils soient surveillés par une autre personne que l'opérateur. Restez alerte et arrêtez le produit au cas où un enfant pénétrerait dans la zone de travail.
- Soyez particulièrement vigilant à l'approche des angles morts, buissons, arbres, ou autres objets susceptibles de masquer la présence d'un enfant.

UTILISATION DES OUTILS FONCTIONNANT SUR BATTERIES ET PRÉCAUTIONS D'EMPLOI

- Lisez, comprenez et suivez toujours les instructions de sécurité qui accompagnent votre batterie et son chargeur. Le non respect de cette consigne pourrait entraîner une décharge électrique, un incendie ou autres situations dangereuses. Gardez toutes les instructions ensemble en lieu sûr pour vous-y reporter dans le futur.
- Les appareils alimentés par batterie n'ont pas à être branchés sur le secteur; ils sont

donc en permanence en état de fonctionner. Retirez la clé d'isolation lorsque vous ne vous servez pas du produit.

- Retirez le pack batterie avant toute opération de réglage, de nettoyage, ou de retrait de corps étrangers de l'appareil.
- Assurez-vous que la clé coupe-contact a été retirée avant d'insérer le pack batterie.
- Un pack batterie ne peut être rechargé qu'à l'aide du chargeur préconisé par le fabricant. L'utilisation d'un chargeur avec un pack batterie incompatible peut entraîner un risque d'incendie. N'utilisez le pack batterie qu'avec le chargeur indiqué.
- N'utilisez que le pack batterie spécifiquement prévu pour la machine. L'utilisation de tout autre pack batterie peut entraîner un incendie, une décharge électrique, ou des blessures.
- Lorsque le pack batterie n'est pas utilisé, éloignez-le des autres objets métalliques tels que trombones, pièces de monnaie, clés, clous, vis, ou autres petits objets susceptibles de court-circuiter les bornes de la batterie. La mise en court-circuit des bornes du pack batterie pourrait causer des étincelles, des brûlures, un incendie, ou une explosion.
- Ne mettez pas les appareils alimentés par batterie ni leur batterie à proximité du feu ou d'une source de chaleur. Ceci augmente les risques d'explosion et de blessures.
- N'ouvrez pas et n'abîmez pas le pack batterie. Les fuites d'électrolyte sont corrosives et sont susceptibles de causer des dommages aux yeux ou à la peau. L'électrolyte peut être toxique en cas d'ingestion.
- Protégez le pack batterie de l'humidité et de l'eau. Ne rechargez pas cet appareil en milieu humide ou mouillé. Vous réduirez ainsi les risques de choc électrique et de blessures corporelles.
- Si la batterie est endommagée ou utilisée de façon inappropriée, des vapeurs sont susceptibles d'être émises. Aérez les lieux et contactez un médecin en cas de gêne. Les vapeurs peuvent irriter le système respiratoire.
- Ne laissez pas le pack batterie dans un véhicule ou dans un rangement extérieur sous des conditions de température froides

ou chaudes.

- N'incinerez pas la batterie.
- Dans de mauvaises conditions, du liquide peut être éjecté de la batterie; éviter tout contact. En cas de contact accidentel, nettoyer à l'eau. Si le liquide entre en contact avec les yeux, rechercher en plus une aide médicale. Le liquide éjecté des batteries peut causer des irritations ou des brûlures.

AVERTISSEMENTS DE SÉCURITÉ RELATIFS À LA TONDEUSE À GAZON

- Avant utilisation, vérifiez toujours visuellement que les lames, boulons de lame, et ensembles de coupe ne sont ni usés ni endommagés.
- Remplacez toujours les lames usées ou endommagées ainsi que les boulons dans leur ensemble pour conserver l'équilibre.
- La lame du produit étant très coupante, soyez particulièrement prudent et portez des gants solides lorsque vous la mettez en place, lorsque vous la remplacez, lorsque vous la nettoyez ou lorsque vous vérifiez le bon serrage de ses boulons.
- Apportez le produit à un service après-vente agréé pour le remplacement des étiquettes abîmées ou illisibles.
- Vérifiez régulièrement le bon serrage des écrous, vis et boulons pour que l'appareil soit toujours en bon état de fonctionnement.
- Vérifiez fréquemment tout signe d'usure et l'absence de détérioration ou de trous dans le bac de ramassage d'herbe.
- Remplacez les éléments usés ou endommagés avant d'utiliser le produit.
- Le produit doit être démarré avec l'utilisateur se tenant derrière le guidon dans la zone de sécurité de l'opérateur. Ne démarrez jamais le produit si:
 - l'ensemble des quatre roues ne repose pas sur le sol
 - l'ouverture d'évacuation de l'herbe est visible sans être protégée par soit le conduit de paillage ou le volet de protection, ou par le sac de ramassage et le volet de protection
 - les mains et les pieds de toutes les personnes présentes ne sont pas à l'écart du carter de coupe
- N'utilisez jamais le produit si l'interrupteur marche/arrêt du guidon n'est pas en état de bien démarrer et arrêter le produit.
- Ne tentez jamais de bloquer les interrupteurs on/off (marche/arrêt) en position ON (MARCHE) ; ceci est extrêmement dangereux.
- Ne faites pas forcer le produit. Elle effectuera un meilleur travail dans de meilleures conditions de sécurité si elle est utilisée à la vitesse pour laquelle elle a été conçue.
- Arrêtez la lame lorsque vous traversez des surfaces recouvertes de graviers.
- Ne tirez pas le produit en arrière à moins que cela ne soit absolument nécessaire. Si vous devez reculer la machine pour l'éloigner d'un mur ou d'un obstacle, regardez d'abord par terre et derrière vous pour éviter de trébucher ou de faire passer la machine sur vos pieds.
- Arrêtez le moteur et attendez que la lame s'arrête si vous devez incliner la tondeuse pour lui faire traverser des surfaces non-herbeuses, et lorsque vous la transportez vers et depuis la surface à tondre.
- N'utilisez jamais la machine si un de ses carters ou une des ses protections sont endommagés, ou dont les éléments de sécurité, tels que déflecteur et/ou panier de ramassage ne sont pas en place.
- Ne basculez pas la tondeuse à gazon lorsque vous en démarrez le moteur ou lorsque le moteur tourne. Ceci mettrait la lame à découvert et augmenterait la probabilité que des objets soient projetés.
- Mettez le moteur en marche avec prudence en respectant les instructions et gardez vos mains et vos pieds à distance de la zone de coupe. Restez en permanence à l'écart de la trappe d'éjection. Ne vous tenez pas en face de la trappe d'éjection lorsque vous démarrez l'appareil.
- Ne mettez pas vos pieds ou vos mains sous les pièces en rotation ou à leur proximité. Restez en permanence à l'écart de la trappe d'éjection.
- Ne transportez ni ne soulevez jamais le produit lorsque son moteur tourne.
- Arrêtez le moteur de la tondeuse et retirez la clé coupe-contact, assurez-vous que toutes les parties mobiles se

sont complètement arrêtées dans les cas suivants:

- chaque fois que vous laissez le produit sans surveillance (y-compris lorsque vous videz le sac de ramassage de l'herbe)
- avant de dégager un blocage ou de débloquer l'évacuation
- avant de travailler sur le produit, de le vérifier ou de le nettoyer
- après avoir heurté un objet étranger ; vérifiez l'absence de dommages sur l'appareil et effectuez les éventuelles réparations nécessaires avant de redémarrer la machine et de l'utiliser.
- avant de retirer le bac de ramassage ou d'ouvrir le volet de fermeture du conduit d'évacuation de l'herbe
- si le produit se met à vibrer de façon anormale (vérifiez immédiatement)
 - lorsque vous vérifiez les dommages éventuels, en particulier lorsque cela concerne les lames
 - remplacez ou réparez toute pièce endommagée
 - vérifiez l'absence d'éléments desserrés et resserrez-les au besoin
- Évitez trous, racines, monticules, pierres et autres objets cachés. Un terrain accidenté peut provoquer une glissade et une chute entraînant un accident.
- Assurez-vous toujours que le câble qui relie le guidon au corps de la tondeuse n'est jamais coincé, pincé ou endommagé au cours du montage ou du repliage du guidon.

SURCHARGE ET PROTECTION CONTRE LA SURCHAUFFE

Cet appareil est équipé d'un dispositif de protection contre les surcharges qui se déclenche en cas de surchauffe ou de choc, et qui coupe dans ce cas automatiquement l'alimentation de l'appareil. En cas de déclenchement de la protection contre les surcharges, le bouton marche-arrêt doit être relâché. Appuyez sur le bouton marche-arrêt pour remettre le produit en marche.

Le pack batterie est équipé d'une protection contre les surchauffes. Une température excessive entraîne l'arrêt de l'alimentation de l'outil par la batterie. Sentez la température du

pack batterie; si il est trop chaud, laissez-le refroidir. Si l'outil ne fonctionne toujours pas, rechargez la batterie.

REMARQUE: Le voyant LED du pack batterie ne fonctionnera pas si le dispositif de protection intégré s'est déclenché, entraînant l'arrêt de l'outil. Relâchez la gâchette-interrupteur de l'outil ou retirez le pack batterie de l'outil, le voyant LED du pack batterie retrouvera son fonctionnement normal.

RISQUES RÉSIDUELS

Même lorsque le produit est utilisé selon les prescriptions, il reste impossible d'éliminer totalement certains facteurs de risque résiduels. Les dangers suivants risquent de se présenter en cours d'utilisation et l'utilisateur doit prêter particulièrement garde à ce qui suit :

- Blessures dues aux vibrations. Utilisez toujours un outil adapté au travail à effectuer, servez-vous des poignées appropriées et limitez le temps de travail et d'exposition.
- L'exposition au bruit peut provoquer des pertes d'audition. Portez une protection auditive et limitez le temps d'exposition.
- Contact avec les lames
- Blessures dues à la projection d'objets

TRANSPORT ET STOCKAGE

- Arrêtez le moteur, retirez la clé coupe-contact et la batterie. Assurez-vous que tous les éléments en mouvement se sont bien arrêtés. Laissez le produit refroidir suffisamment avant de le ranger ou de le transporter.
- Débarrassez l'appareil de tous les corps étrangers. Rangez la en un endroit frais, sec et correctement ventilé, hors de portée des enfants. Ne la rangez pas à proximité d'agents corrosifs tels que produits chimiques de jardinage ou sels de dégel. Ne rangez pas à l'extérieur.
- Pour le transport, retirez la clé coupe-contact, attachez le produit pour l'empêcher de bouger ou de tomber, afin d'éviter toute blessure et tout dommage matériel.



⚠ AVERTISSEMENT

Soyez particulièrement prudent lorsque vous inclinez ou soulevez la machine pour l'entretenir, la nettoyer, la ranger ou la transporter. La lame est coupante. Gardez toutes les parties du corps éloignées de la lame lorsque celle-ci est à découvert.

ENTRETIEN

⚠ AVERTISSEMENT

N'utilisez que des pièces détachées et accessoires d'origine constructeur. Le non respect de cette précaution peut entraîner de mauvaises performances, des blessures, et annuler votre garantie.

⚠ AVERTISSEMENT

Les réparations demandent un soin et des connaissances extrêmes et ne doivent être effectuées que par un réparateur qualifié. Pour toute réparation, nous vous conseillons de retourner votre appareil à votre service après vente agréé le plus proche. N'effectuez les réparations qu'en utilisant des pièces détachées agréées.

- Avant toute opération de nettoyage ou d'entretien, retirez la clé coupe-contact et si possible la batterie.
- Vous pouvez effectuer les réglages et réparations décrits dans ce manuel. Pour les autres réparations, contactez un service après-vente agréé.
- Vérifiez que régulièrement que le bac de ramassage n'est ni usé ni endommagé.
- Après chaque utilisation, utilisez un chiffon propre et sec pour nettoyer le produit. Toute pièce endommagée doit être correctement remplacée ou réparée par un service après-vente agréé.
- Vérifiez régulièrement le bon serrage des écrous, vis et boulons pour que le produit soit toujours en bon état de fonctionnement.
- Lors du réglage de la machine, prenez garde de ne pas coincer vos doigts entre les lames et les parties fixes de la machine.
- Lorsque vous entretenez les lames, soyez conscient que les lames ont

toujours la possibilité de bouger, même si l'alimentation est coupée.

- La lame dont est équipé le produit est très coupante. Soyez particulièrement prudent et portez des gants solides lorsque vous les mettez en place, lorsque vous les remplacez, lorsque vous les nettoyez ou lorsque vous vérifiez le bon serrage de ses boulons.
- Remplacez toujours les lames usées ou endommagées ainsi que les boulons dans leur ensemble pour conserver l'équilibre.

RÉDUCTION DES RISQUES

Il a été reporté que les vibrations engendrées par les outils à main peuvent contribuer à l'apparition d'un état appelé le Syndrome de Raynaud chez certaines personnes. Les symptômes peuvent comprendre des fourmillements, un engourdissement et un blanchiment des doigts, généralement par temps froid. Des facteurs héréditaires, l'exposition au froid et à l'humidité, le régime alimentaire, le tabagisme et les habitudes de travail peuvent contribuer au développement de ces symptômes. Certaines mesures peuvent être prises par l'utilisateur pour aider à réduire les effets des vibrations:

- Gardez votre corps au chaud par temps froid. Lorsque vous utilisez le produit, portez des gants afin de garder vos mains et vos poignets au chaud.
- Après chaque session de travail, pratiquez des exercices qui favorisent la circulation sanguine.
- Faites des pauses fréquentes. Limitez la quantité d'exposition journalière.

Si vous ressentez l'un des symptômes associés à ce syndrome, arrêtez immédiatement le travail et consultez votre médecin pour lui en faire part.

⚠ AVERTISSEMENT

L'utilisation prolongée d'un outil est susceptible de provoquer ou d'aggraver des blessures. Assurez-vous de faire des pauses de façon régulière lorsque vous utilisez tout outil de façon prolongée.

EN
FR
DE
ES
IT
NL
PT
DA
SV
FI
NO
RU
PL
CS
HU
RO
LV
LT
ET
HR
SL
SK
BG
UK



APPRENEZ À CONNAÎTRE VOTRE PRODUIT

Voir page 163.

Pièces

1. Bouton On-off (marche-arrêt)
2. Poignée
3. Câble de commande du moteur
4. Accroche-câble
5. Trappe de la batterie
6. Indicateur de sac plein
7. Panier
8. Roue arrière
9. Levier de réglage de hauteur de coupe
10. Roue avant
11. Clé coupe-contact
12. Accessoire de paillage
13. Batterie
14. Chargeur
15. Bouton de démarrage

SYMBOLES APPLIQUÉS SUR LE PRODUIT



Lisez et comprenez toutes les instructions avant d'utiliser le produit, respectez tous les avertissements et toutes les instructions de sécurité.



Portez une protection auditive



Portez une protection oculaire



Ne travaillez pas sur des pentes supérieures à 15°. Tondez transversalement par rapport à la pente, jamais en la remontant ou en la descendant.



Ne pas exposer à la pluie ou à des conditions humides.



Prenez garde aux lames coupantes. Les lames continuent de tourner une fois le moteur coupé - Retirez la clé d'isolation avant toute opération d'entretien



Prenez garde à la projection d'objets au sol et dans les airs. Gardez tous les passants, en particulier les enfants et les animaux, éloignés d'au moins 15m de distance de la zone de travail.



Appuyez sur le bouton Start (Démarrage) puis sur le bouton On-off (marche-arrêt) (A, B, C, ou D) pour démarrer le produit. Relâchez le bouton Start et maintenez le bouton On-off enfoncé pour faire fonctionner le produit. Relâchez le bouton Marche-arrêt pour arrêter le produit.



Veillez lire attentivement le mode d'emploi avant de démarrer la machine.



Les produits électriques hors d'usage ne doivent pas être jetés avec les ordures ménagères. Recyclez-les par l'intermédiaire des structures disponibles. Contactez les autorités locales pour vous renseigner sur les conditions de recyclage.



Cet outil est conforme à l'ensemble des normes réglementaires du pays de l'UE où il a été acheté.



Marque de qualité EurAsian



Marque de conformité ukrainienne



Le niveau de puissance sonore garanti est de 94 dB

Les signaux et mots suivants sont destinés à indiquer le niveau de risque associé au produit :

DANGER

Situation potentiellement dangereuse qui, si l'on n'y prend garde, peut entraîner la mort ou des blessures graves.

⚠ AVERTISSEMENT

Situation potentiellement dangereuse qui, si l'on n'y prend garde, peut entraîner la mort ou des blessures graves.

⚠ MISE EN GARDE

Situation potentiellement dangereuse qui, si l'on n'y prend garde, peut entraîner des blessures moyennes ou légères.

MISE EN GARDE

(Sans symbole d'alerte de sécurité) Indique une situation pouvant entraîner des dommages matériels.

SYMBOLES DE CE MANUEL



Pièces détachées et accessoires vendus séparément
Les produits électriques hors d'usage ne doivent pas être jetés avec les ordures ménagères. Recyclez-les par l'intermédiaire des structures disponibles.



Gardez vos mains à l'écart des lames.



Remarque



Avertissement



Arrêtez le produit.

- Pour de meilleures performances, coupez toujours un tiers de la hauteur totale de l'herbe ou moins.
- Lorsque vous tondez de l'herbe haute, réduisez votre vitesse de progression pour permettre une meilleure coupe et une éjection plus efficace de l'herbe.
- Ne coupez pas d'herbe humide ; elle collerait au dessous du carter et empêcherait le bon ramassage ou la bonne éjection des brins d'herbe.
- L'herbe épaisse ou les nouvelles pousses peuvent nécessiter une hauteur de coupe plus importante.
- Une plus grande hauteur de coupe augmente l'autonomie de la batterie.
- Si vous souhaitez ramasser l'herbe coupée pour la jeter, retirez le conduit de paillage et mettez en place le sac de ramassage en vous assurant que le volet supérieur est bien fermé. Videz le sac régulièrement, sinon l'ouverture d'évacuation subira un bourrage d'herbe coupée.
- Si vous effectuez une coupe légère et désirez que l'herbe coupée reste sur la pelouse, mettez en place le conduit de paillage et fermez le volet supérieur de façon à obturer l'ouverture d'évacuation. Il n'est pas nécessaire de mettre en place le sac de ramassage dans ce cas.
- La tondeuse est conçue pour fonctionner et couper dans les meilleures conditions lorsqu'elle se dirige vers l'avant.

CONSEILS DE TONTE

L'autonomie de la batterie dépend de l'état, de la hauteur, et de la densité de l'herbe.

Réglez la hauteur de coupe de la tondeuse à gazon en fonction de l'état de l'herbe à tondre.

État de l'herbe	Hauteur de coupe conseillée		Surface couverte (maximum)	
	Première passe	Passes suivantes	Batterie 4 Ah	Batterie 5 Ah
Très fine / Sèche	3	2	200 m ²	250 m ²
Fine / Sèche	4	3 → 2	150 m ²	200 m ²
Moyenne / Dense	5	4 → 3	100 m ²	150 m ²

Sicherheit, Leistung und Zuverlässigkeit hatten oberste Priorität bei der Entwicklung Ihres Akku Rasenmäher.

VORGESEHENE VERWENDUNG

Dieses Akku Rasenmäher ist nur zum Einsatz im Freien vorgesehen.

Dieses Produkt ist zum Rasenmähen im häuslichen Bereich vorgesehen. Das Messer dreht sich ungefähr parallel zu dem Boden über den es sich bewegt. Alle vier Räder sollten beim Mähen den Boden berühren. Es ist ein handgeführter Rasenmäher, der manuell geschoben werden muss.

Der Mäher sollte nicht mit vom Boden abgehobenen Rädern betrieben werden; er sollte nicht gezogen bzw. es sollte nicht darauf geritten werden. Er sollte nur zum Schneiden von Hausrasen benutzt werden.

ALLGEMEINE SICHERHEITSWARNUNGEN

⚠️ WARNUNG

Bei der Verwendung von akkubetriebenen Geräten müssen jederzeit grundsätzliche Vorsichtsmaßnahmen befolgt werden, um das Risiko eines Feuers, auslaufender Akkus und von Verletzungen zu reduzieren. Lesen Sie für Ihre eigene Sicherheit und die von Außenstehenden diese Anweisungen bevor Sie das Produkt benutzen. Bitte bewahren Sie die Anweisungen zum späteren Nachschlagen auf.

⚠️ WARNUNG

Das Produkt sollte nur mit dem Akku verwendet werden. Bei der Verwendung von akkubetriebenen Geräten müssen jederzeit grundsätzliche Vorsichtsmaßnahmen befolgt werden, um das Risiko eines Feuers, auslaufender Akkus und von Verletzungen zu reduzieren.

SICHERHEIT VON PERSONEN

- Der Rasenmäher ist in der Lage Hände und Füße zu amputieren und Gegenstände zu schleudern. Sollten Sie diese Hinweise nicht einhalten, so kann dies schwere Personenschäden hervorrufen bis hin zum Tod.

- Lesen und verstehen Sie die Anweisungen und Sicherheitswarnungen. Machen Sie sich mit den Bedienelementen und dem ordnungsgemäßen Gebrauch des Produktes vertraut.

- Lassen Sie niemals Kinder oder Personen mit verminderten physischen, geistigen oder sensorischen Fähigkeiten oder Personen, die mit diesen Anweisungen nicht vertraut sind das Produkt bedienen, reinigen oder warten. Die lokale Gesetzgebung regelt das Mindestalter des Benutzers. Kinder müssen ausreichend beaufsichtigt werden, so dass gewährleistet ist, dass sie nicht mit dem Produkt spielen.

- Vorsicht, passen Sie auf was Sie genau tun und handeln Sie immer gemäß gesundem Menschenverstand wenn Sie den Rasenmäher benutzen. Benutzen Sie das Gerät nicht wenn Sie müde sind oder unter dem Einfluss von Alkohol, Drogen oder Medikamenten stehen. Ein unkonzentrierter Moment während der Bedienung der Maschine kann zu schweren Verletzungen führen.

- Tragen Sie eine lange, feste Hose, lange Ärmel, rutschfeste Schuhe und Handschuhe. Tragen Sie keine locker sitzende Kleidung, kurze Hosen, Sandalen und gehen Sie nicht barfuß. Vermeiden Sie lockere Kleidung oder Kleidung mit Schnüren oder Bändern zu tragen.

- Tragen Sie eine Schutz- oder Sicherheitsbrille mit Seitenschutz.

- Achten Sie immer auf sicheren Stand. Halten Sie immer das Gleichgewicht. Gehen sie immer, laufen sie nie.

- Achten Sie bei der Arbeit an Hängen auf einen festen Stand.

- Benutzen Sie das Produkt quer entlang von Hängen, niemals nach oben und unten. Es könnte schwerer Schaden entstehen, wenn dies nicht eingehalten wird.

- Verwenden Sie den Rasenmäher nicht am Rand von Abhängen, Gräben, übermäßigen Steigungen oder Böschungen. Passen Sie bitte auf Sie könnten hinfallen.

ARBEITSPLATZSICHERHEIT

- Benutzen Sie das Produkt niemals während Menschen, besonders Kinder, oder Tiere sich im Umkreis von 15 m befinden, weil die Gefahr besteht, dass Gegenstände von



Messer geschleudert werden könnten.

- Objekte, die vom Rasenmäher-Messer geschleudert werden, können schwere Verletzungen verursachen. Untersuchen Sie den Bereich, in dem die Maschine verwendet werden soll, genau und entfernen Sie alle Steine, Stöcke, Metall, Draht, Knochen, Spielzeug oder andere fremde Objekte. Vergessen Sie nicht, Schnur oder Draht kann sich in dem Schneidwerkzeug verfangen.
- Mähen Sie immer im Tageslicht oder bei guter künstlicher Beleuchtung.
- Betreiben Sie die Maschine nicht in einer explosiven Atmosphäre, wie in der Umgebung von brennbaren Flüssigkeiten, Gasen oder Staub. Das Werkzeug erzeugt Funken, die Staub oder Dämpfe entzünden können.
- Betreiben Sie die Maschine nicht in nassem Gras oder im Regen.
- Benutzen Sie den Rasenmäher nicht, wenn die Gefahr von Blitzschlag besteht.
- Vergessen Sie nie, dass der Benutzer verantwortlich ist für Unfälle und Gefahren die an Eigentum Fremder oder an anderen Personen entstehen könnte.
- Es können schwere Unfälle entstehen, wenn der Benutzer die Anwesenheit von Kindern nicht beachtet. Kinder fühlen sich oft von der Maschine und der Aktivität angezogen. Nehmen Sie nicht an, dass Kinder sich dort aufhalten werden, wo Sie sie zuletzt gesehen haben.
- Halten Sie die Kinder fern von der Mähumgebung, und stellen Sie die Kindern unter Aussicht einer verantwortlichen Erwachsenen, der nicht der Bediener ist. Seien Sie wachsam und schalten das Produkt aus, wenn ein Kind in die Umgebung kommt.
- Seien Sie vorsichtig, wenn Sie sich blinden Ecken, Sträuchern, Bäumen oder anderen Objekten nähern, die Ihre Sicht beeinträchtigen könnten.

VERWENDUNG UND BEHANDLUNG DES AKKUWERKZEUGES

- Lesen, verstehen und befolgen Sie immer die mit Ihrem Akku und Ladegerät gelieferten Sicherheitsanweisungen. Nichtbefolgung kann zu Stromschlag, Feuer oder anderen gefährlichen Situationen führen. Halten Sie

alle Anweisungen zum späteren Nachlesen an einem sicheren Ort beisammen.

- Akkubetriebene Geräte müssen nicht an das Stromnetz angeschlossen sein; deshalb sind sie immer betriebsbereit. Entfernen Sie den Sicherheitsschlüssel immer, wenn Sie Ihr Produkt nicht benutzen.
- Entfernen Sie den Akku bevor Sie Einstellungen vornehmen, Reinigen oder Material von dem Gerät entfernen.
- Stellen Sie sicher, dass der Sicherheitsschlüssel entfernt ist, wenn Sie den Akku einlegen.
- Ein Akku darf nur mit dem vom Hersteller vorgeschriebenen Ladegerät aufgeladen werden. Die Benutzung eines Ladegerätes mit einem inkompatiblen Akku kann ein Feuerrisiko verursachen. Verwenden Sie den Akku ausschließlich mit dem angegebenen Ladegerät.
- Verwenden Sie nur den speziell für dieses Gerät vorgesehenen Akku. Die Verwendung anderer Akkus kann zu Feuergefahr, Stromschlägen oder Verletzungen führen.
- Halten Sie Akkus, die nicht benutzt werden, von anderen Metallobjekten wie Büroklammern, Münzen, Schlüsseln, Nägeln, Schrauben oder anderen kleinen Metallobjekten, die eine Verbindung zwischen den Polen herstellen könnten, fern. Ein Kurzschließen der Akkupole kann Funken, Verbrennungen, Feuer oder eine Explosion verursachen.
- Halten Sie batteriebetriebene Produkte bzw. deren Akkus von Feuer und Hitze fern. Das erhöht das Explosions- und Verletzungsrisiko.
- Öffnen oder beschädigen Sie den Akku nicht. Freigesetztes Elektrolyt ist gewebezerstörend und kann zu einer Schädigung von Augen oder Haut führen. Es kann bei Verschlucken toxisch wirken.
- Schützen Sie den Akku vor Feuchtigkeit und Wasser. Das Gerät nicht in feuchter oder nasser Umgebung laden. Durch Befolgung dieser Anweisung wird das Risiko von elektrischen Schlägen verringert.
- Im Fall einer Beschädigung oder nicht ordnungsgemäßen Verwendung des Akkus, können Dämpfe austreten. Sorgen



Sie für frische Luft und suchen Sie bei Beschwerden einen Arzt auf. Die Dämpfe können zu einer Reizung des Atemsystems führen.

- Lassen Sie den Akkupack bei heißen oder kalten Bedingungen nicht in einem Fahrzeug oder Außenlager.
- Verbrennen Sie den Akku nicht.
- Bei falscher Anwendung kann Flüssigkeit aus dem Akku austreten; vermeiden Sie den Kontakt damit. Bei zufälligem Kontakt mit Wasser abspülen. Wenn die Flüssigkeit in die Augen kommt, nehmen Sie zusätzlich ärztliche Hilfe in Anspruch. Austretende Akkufflüssigkeit kann zu Hautreizungen oder Verbrennungen führen.

SICHERHEITSWARNUNGEN FÜR RASENMÄHER

- Bitte inspizieren Sie den Mäher vor der Benutzung, um sicherzustellen, dass die Messer, Messerbolzen und Messereinheit nicht abgenutzt oder beschädigt sind.
- Ersetzen Sie abgenutzte oder beschädigte Messer und Bolzen als Satz um die Balance zu erhalten.
- Das Messer dieses Produktes ist sehr scharf. Seien Sie besonders vorsichtig und tragen Sie Schutzhandschuhe, wenn Sie es montieren, ersetzen, reinigen oder die Schrauben überprüfen.
- Bringen Sie das Produkt zu einem autorisierten Kundendienst zurück, um beschädigte oder unleserliche Aufkleber zu ersetzen.
- Überprüfen Sie Bolzen, Muttern und Schrauben, ob sie fest angezogen sind, um so sicherzustellen, dass der Mäher in einem sicheren Betriebszustand ist.
- Prüfen Sie Grasfangkorb regelmäßig auf Abnutzung, Löcher oder Verschleiß.
- Ersetzen Sie abgenutzte oder beschädigte Teile, bevor Sie das Produkt in Betrieb nehmen.
- Das Produkt muss gestartet werden, während der Benutzer sich hinter dem Griff in dem sicheren Bereich für den Benutzer befindet. Starten Sie das Produkt niemals, wenn:
 - Nicht alle vier Räder auf dem Boden stehen.
 - Der Gras-Auswurfschacht frei liegt

ohne von entweder dem Mulchadapter und Deckel der Auswurföffnung oder dem Grasfänger und Deckel der Auswurföffnung geschützt zu sein.

- Hände und Füße aller Personen nicht fern von dem Schneidgehäuse sind.
- Betreiben Sie das Produkt niemals, wenn der An-/Ausschalter an dem Handgriff das Produkt nicht ordnungsgemäß an- oder ausschaltet.
- Versuchen Sie niemals die An-/Ausschalter in der AN Position zu verriegeln; das ist extrem gefährlich.
- Betätigen Sie das Werkzeug nicht mit Gewalt. Es wird die Arbeit mit der Geschwindigkeit, für die es ausgelegt wurde, besser und sicherer erledigen.
- Stoppen Sie das Messer, wenn Sie Kiesflächen überqueren.
- Ziehen Sie den Mäher nur rückwärts, wenn dies unbedingt erforderlich ist. Wenn Sie die Maschine von einer Wand oder einem Hindernis fortziehen müssen, sehen Sie zuerst nach unten, um zu vermeiden, dass Sie stolpern oder mit der Maschine über Ihre Füße fahren.
- Halten Sie den Motor an und lassen die Messer stoppen, wenn der Mäher zum Transport oder dem Überqueren von anderem Untergrund als Gras gekippt werden muss, und wenn Sie das Produkte zum und vom Mähbereich transportieren.
- Benutzen Sie das Gerät niemals mit defekten Schutzvorrichtungen oder Abschirmungen, oder ohne Sicherheitsvorrichtungen, wie z.B. Abweisern und/oder der Grasfangkorb.
- Kippen Sie den Rasenmäher nicht, wenn Sie den Motor starten oder der Motor läuft. Das exponiert die Messer und erhöht die Wahrscheinlichkeit, dass Gegenstände geschleudert werden.
- Starten sie den Motor vorsichtig entsprechend den Anweisungen und halten Sie Hände und Füße von dem Schneidbereich fern. Halten Sie alle Bereiche sauber. Starten Sie den Motor nie, wenn Sie vor dem Grasabwurfschacht stehen sollten.
- Halten Sie Ihre Hände oder Füße nicht in die Nähe von oder unter rotierende Teile. Halten Sie alle Bereiche sauber.
- Heben oder tragen Sie niemals das Produkt



mit laufendem Motor.

- Stoppen Sie den Motor und entfernen den Sicherheitsschlüssel, stellen Sie sicher, dass für die unten genannten Fälle alle sich bewegenden Teile vollständig gestoppt sind:
 - Immer wenn Sie das Produkt unbeaufsichtigt lassen (einschließlich wenn Sie den Grasschnitt entsorgen)
 - Bevor Sie eine Blockade entfernen oder die Auswurföffnung reinigen
 - Bevor Sie die Maschine prüfen, reinigen oder daran arbeiten,
 - Nachdem Sie einen Fremdkörper getroffen haben; überprüfen Sie das Gerät auf Schäden und führen alle notwendigen Reparaturen durch, bevor Sie die Maschine wieder starten.
 - bevor Sie den Grasfangkorb entfernen oder die Abdeckung des Grasauswurfs entfernen.
 - Wenn die Maschine anfängt ungewöhnlich zu vibrieren (sofort überprüfen).
 - Überprüfen sie auf Schäden, besonders die Messer.
 - ersetzen oder reparieren von beschädigten Teilen
 - überprüfen Sie ob Teile locker sind und ziehen sie fest, wenn erforderlich
- Vermeiden Sie Löcher, Kurven, Steine oder sonstige versteckte Objekte. Unebenes Terrain birgt eine Rutschgefahr.
- Stellen Sie immer sicher, dass die Schnur von dem Griff zum Gehäuse des Rasenmähers nicht während der Montage oder dem Zusammenklappen des Griffs eingeklemmt oder anderweitig beschädigt wurde.

ÜBERLAST- UND ÜBERHITZUNGSSCHUTZ

Das Produkt ist mit einem Überlastungsschutz ausgestattet, der aktiviert wird wenn Überhitzung oder eine Stromspitze auftritt, und das Produkt automatisch ausschaltet. Wenn der Überlastungsschutz ausgelöst wurde, muss der An-/Ausschalter losgelassen werden. Drücken Sie den An-/Ausschalter, um das Produkt erneut zu starten.

Der Akkupack verfügt über einen Überhitzungsschutz. Sehr hohe

Temperaturen bewirken, dass der Akku das Werkzeug nicht länger mit Strom versorgt. Berühren Sie den Akku; falls er zu warm ist, lassen Sie ihn abkühlen. Falls das Werkzeug dann immer noch nicht funktioniert, laden Sie den Akku auf.

HINWEIS: Die LED der Ladezustandsanzeige des Akkus funktioniert nicht, wenn die Akkuschutzfunktion ausgelöst wurde und der Akku das Werkzeug nicht mehr mit Strom versorgt. Lassen Sie den An-/Ausschalter des Werkzeugs los oder entfernen Sie den Akku aus dem Werkzeug; die LED der Ladezustandsanzeige des Akkus nimmt daraufhin die normale Funktion wieder auf.

RESTRISIKEN

Sogar wenn das Produkt wie vorgeschrieben benutzt wird, ist es unmöglich ein gewisses Restrisiko vollständig zu beseitigen. Die folgenden Gefahren können bei der Benutzung entstehen, und der Benutzer sollte besonders auf folgende Punkte achten:

- Durch Vibrationen verursachte Verletzungen. Benutzen Sie immer das richtige Werkzeug für die Aufgabe, benutzen Sie die vorgesehenen Griffe und schränken die Arbeitszeit und Exposition ein.
- Lärm kann zu Gehörschäden führen. Tragen Sie einen Gehörschutz und schränken Sie die Belastung ein.
- Kontakt mit Messer
- Verletzung durch geschleuderte Gegenstände

TRANSPORT UND LAGERUNG

- Schalten Sie den Motor aus, entfernen den Sicherheitsschlüssel und der Akkupack. Stellen Sie sicher, dass alle bewegliche Teile vollständig angehalten sind. Lassen Sie das Produkt ausreichend abkühlen, bevor Sie es lagern oder transportieren.
- Entfernen Sie alle Fremdkörper vom Produkt. Lagern Sie das Gerät an einem trockenen und gut belüfteten Ort, der Kindern keinen Zugang bietet. Die Rasenmäher von korrodierend wirkenden Stoffen, wie Gartenchemikalien und Enteisungssalzen, fernhalten. Nicht im Freien lagern.
- Entfernen den Sicherheitsschlüssel,

EN
FR
DE
ES
IT
NL
PT
DA
SV
FI
NO
RU
PL
CS
HU
RO
LV
LT
ET
HR
SL
SK
BG
UK



sichern Sie das Produkt beim Transport gegen Bewegung oder fallen, um Verletzungen und Beschädigung des Produktes zu verhindern.

⚠️ WARNUNG

Seien Sie extrem vorsichtig, wenn Sie die Maschine zur Wartung, Reinigung oder den Transport anheben oder kippen. Das Messer ist scharf. Halten Sie alle Körperteile von dem Messer fern, während das Messer frei liegt.

WARTUNG UND PFLEGE

⚠️ WARNUNG

Verwenden Sie ausschließlich original Ersatzteile, Zubehör und Aufsätze des Herstellers. Nichtbefolgung kann mögliche Verletzungen oder schlechte Leistung verursachen und Ihre Garantie ungültig machen.

⚠️ WARNUNG

Service und Wartung des Gerätes erfordert besonderen Schutz und Kenntnisstand und sollte nur durch qualifiziertes Personal durchgeführt werden. Wir empfehlen zu diesem Zweck das Produkt umgehend an ein Autorisiertes Service Center zur Reparatur zu senden. Verwenden Sie für die Wartung nur autorisiert Ersatzteile.

- Entfernen den Sicherheitsschlüssel und den Akku bevor Sie irgendwelche Reinigungs- oder Wartungsaufgaben durchführen.
- Sie dürfen die die in dieser Bedienungsanleitung beschriebenen Einstellungen und Reparaturen durchführen. Kontaktieren Sie Ihren autorisierten Kundendienst für andere Reparaturen.
- Überprüfen Sie den Grasfangkorb nach Schäden von Zeit zu Zeit.
- Reinigen Sie das Produkt nach jeder Benutzung mit einem weichen, trockenen Lappen. Jedes beschädigte Teil sollte durch den autorisierten Kundendienst ordnungsgemäß repariert oder ausgetauscht werden.

- Überprüfen Sie Bolzen, Muttern und Schrauben immer wieder ob alles fest angezogen ist, so dass das Produkt in einem sicheren Zustand ist.
- Seien Sie während Einstellarbeiten an der Maschine vorsichtig, um zu verhindern, dass Ihre Finger zwischen die beweglichen Messer und feste Teile der Maschine gelangen.
- Seien Sie sich bei der Wartung die Messer bewusst, dass, obwohl die Energiequelle ausgeschaltet ist, sich die Messer weiterhin bewegen können.
- Die Messer des Produktes sind scharf. Seien Sie vorsichtig und tragen Sie feste Handschuhe, wenn Sie sie Montieren, Austauschen, Reinigen oder den Sitz von Schrauben überprüfen.
- Ersetzen Sie abgenutzte oder beschädigte Messer und Bolzen als Satz um die Balance zu erhalten.

RISIKOVERRINGERUNG

Vibrationen von in der Hand gehaltenen Werkzeugen können bei einigen Personen zu einem Zustand, der Raynaud-Syndrom genannt wird, führen. Symptome sind u.a. Kribbeln, Taubheitsgefühl und episodische Weißfärbung der Finger und treten normalerweise bei Kälte auf. Man geht davon aus, dass ererbte Faktoren, Kälte und Feuchtigkeit, Essgewohnheiten, Rauchen und Arbeitsweise zur Entwicklung dieser Symptome beitragen. Der Anwender kann Maßnahmen ergreifen, um die Auswirkungen der Vibrationen möglicherweise zu verringern:

- Halten Sie den Körper bei Kälte warm. Tragen Sie beim Betrieb des Gerätes Handschuhe, um Hände und Handgelenke warm zu halten.
- Betätigen Sie sich nach jedem Einsatz körperlich, um den Blutkreislauf zu steigern.
- Machen Sie regelmäßig Pausen. Beschränken Sie die Beanspruchung pro Tag.

Sollten bei Ihnen Symptome dieses Zustands auftreten, stellen Sie unverzüglich den Betrieb ein und suchen Sie in Hinsicht auf die Symptome einen Arzt auf.

⚠️ WARNUNG

Verletzungen können durch lange Benutzung eines Werkzeugs entstehen oder verschlimmert werden. Machen Sie regelmäßig Pause, wenn Sie ein Werkzeug für lange Zeit benutzen.

MACHEN SIE SICH MIT IHREM PRODUKT VERTRAUT

Siehe Seite 163.

Teile

1. An-/Ausschalter
2. Griff
3. Motor-Steuerkabel
4. Kabelhalter
5. Akkuklappe
6. Füllstandsanzeige Grasbehälters
7. Grasfangkorb
8. Hinterrad
9. Höheneinstellungshebel
10. Vorderrad
11. Sicherheitsschalter
12. Mulchadapter
13. Akku
14. Ladegerät
15. Startknopf

SYMBOLE AUF DEM PRODUKT



Lesen und verstehen Sie alle Anweisungen, bevor Sie das Produkt benutzen, befolgen Sie alle Warnungen und Sicherheitsanweisungen.



Tragen Sie einen Gehörschutz



Tragen Sie einen Augenschutz



Nicht auf Schrägen größer als 15° benutzen. Mähen Sie immer quer und niemals von oben nach unten.



Nicht Regen oder feuchten Bedingungen aussetzen.



Achten Sie auf scharfe Messer. Die Messer drehen sich weiter nachdem der Motor ausgeschaltet ist - Entfernen Sie vor der Wartung den Sicherheitsschlüssel.



Achten Sie auf geschleuderte oder fliegende Objekte. Halten Sie alle Zuschauer, besonders Kinder und Haustiere, mindestens 15m vom dem Arbeitsbereich fern.



Drücken Sie den Startknopf und dann den An-/Ausschalter (A, B, C, oder D), um das Produkt zu starten. Lassen Sie den Startknopf los und halten den An-/Ausschalter gedrückt, um das Produkt laufen zu lassen. Lassen Sie den An-/Ausschalter los, um das Produkt zu stoppen.



Bitte lesen Sie die Anweisungen sorgfältig, bevor Sie das Gerät einschalten.



Elektrische Geräte sollten nicht mit dem übrigen Müll entsorgt werden. Bitte entsorgen Sie diese an den entsprechenden Entsorgungsstellen. Wenden Sie sich an die örtliche Behörde oder Ihren Händler, um Auskunft über die Entsorgung zu erhalten.



Dieses Gerät entspricht allen gesetzlichen Normen des Landes der europäischen Union, in dem es gekauft wurde.



EurAsian Konformitätszeichen



Ukrainisches Prüfzeichen



Der garantierte Schallleistungspegel beträgt 94 dB(A).

Die folgenden Signalwörter und –bedeutungen sollen den mit diesem Produkt verbundenen Risikograd veranschaulichen:

⚠ GEFAHR

Weist auf eine unmittelbare gefährliche Situation hin, die bei Missachtung zu Tod oder ernsthafter Verletzung führen kann.

⚠ WARNUNG

lWeist auf eine mögliche gefährliche Situation hin, die bei Missachtung zu Tod oder ernsthafter Verletzung führen kann.

⚠ VORSICHT

lWeist auf eine mögliche gefährliche Situation hin, die bei Missachtung zu einer leichten oder mittleren Verletzung führen kann.

VORSICHT

(Ohne Sicherheitswarnsymbol) Bezeichnet eine Situation die zu Sachbeschädigungen führen kann.

SYMBOLE IN DIESER BEDIENUNGSANLEITUNG



Teile oder Zubehör getrennt erhältlich



Elektrische Geräte sollten nicht mit dem übrigen Müll entsorgt werden. Bitte entsorgen Sie diese an den entsprechenden Entsorgungsstellen.



Halten Sie die Hände von den Messer fern!



Hinweis



Warnung



Stoppen des Produktes.

TIPS ZUM RASENMÄHEN

Die Laufzeit des Akkus hängt von dem Zustand, der Länge und Dichte des Grasses ab.

Stellen Sie die Schnitthöhe des Rasenmähers passend für das aktuell zu mähende Gras ein.

Graszustand	Empfohlene Einstellung der Schnitthöhe		Abdeckung (maximal)	
	Erster Durchgang	Weitere Durchgänge	4 Ah Akku	5 Ah Akku
Sehr dünn / trocken	3	2	200 m ²	250 m ²
Dünn / Trocken	4	3 → 2	150 m ²	200 m ²
Mittel / dicht	5	4 → 3	100 m ²	150 m ²

- Schneiden Sie für das beste Ergebnis immer ein Drittel oder weniger der Grashöhe ab.
- Sollten Sie hohes Grass mähen, reduzieren Sie ihre Geschwindigkeit um das beste Arbeitsergebnis zu erhalten.
- Mähen Sie kein nasses Gras, es klebt an der Unterseite des Mähers und verhindert die ordentliche Sammlung oder den Auswurf des Schnittguts.
- Neues oder schweres Gras kann eine größere Schnitthöhe erfordern.
- Eine größere Schnitthöhe verlängert die Laufzeit des Akkus.
- Wenn Sie den Grasschnitt zur Entsorgung sammeln möchten, entfernen Sie den Mulchadapter, montieren den Grasfänger und stellen sicher, dass die obere Klappe richtig geschlossen ist. Leeren Sie den Grasfänger regelmäßig, sonst kann der Auswurfschacht mit Grasschnitt verstopft werden.
- Wenn Sie nur wenig abschneiden und den Grasschnitt auf dem Rasen lassen möchten, montieren Sie den Mulchadapter und schließen die obere Klappe, um den Auswurfschacht zu schließen. In diesem Fall ist es nicht nötig den Grasfänger zu montieren.
- Der Rasenmäher wurde konstruiert, um am effektivsten in der Vorwärtsbewegung zu funktionieren und Gras zu schneiden.

Seguridad, desempeño y fiabilidad han sido las prioridades en el diseño de su cortacésped inalámbrico.

USO PREVISTO

Este producto sólo está destinado para usar al aire libre.

Este producto está diseñado para el corte doméstico de césped. La hoja debe girar aproximadamente paralela al suelo sobre el que está girando. Las cuatro ruedas deben tocar el suelo durante el corte de césped. Es un cortacésped de tracción manual con operario a pie.

El cortacésped no debe ponerse en funcionamiento con las ruedas separadas del suelo, ni debe tirar de él ni subirse en él. No debe usarse para cortar otra cosa que no sea césped o hierba doméstica.

ALERTA DE SEGURIDAD GENERAL

⚠ ADVERTENCIA

Al usar la máquina con la batería, debe seguir siempre las precauciones básicas de seguridad para reducir el riesgo de incendio, fugas de la batería y lesiones personales. Por su propia seguridad y la de los que le rodean, lea estas instrucciones antes de utilizar el producto. Guarde las instrucciones para usarlas en el futuro.

⚠ ADVERTENCIA

El aparato solo deberá funcionar con la batería. Al usar la máquina con la batería, debe seguir siempre las precauciones básicas de seguridad para reducir el riesgo de incendio, fugas de la batería y lesiones personales.

SEGURIDAD PERSONAL

- El cortacésped puede amputar manos y pies, así como lanzar objetos. El no cumplir con todas las instrucciones de seguridad podrá causar lesiones serias o la muerte.
- Lea y entienda las instrucciones y advertencias de seguridad. Familiarícese con los controles y el uso adecuado del producto.
- Nunca permita que los niños o las personas con discapacidad física, sensorial o

mental, o que no estén familiarizadas con estas instrucciones, operen, limpien ni realicen el mantenimiento del aparato. Las regulaciones locales pueden restringir la edad del operario. Los niños deben estar adecuadamente supervisados para asegurarse de que no juegan con el producto.

- Manténgase alerta y observe lo que está haciendo y use su sentido común al utilizar el cortacésped. No utilice el cortacésped cuando esté cansado o bajo la influencia de drogas, alcohol o medicamentos. Un lapso en la concentración mientras utiliza la unidad puede resultar en lesiones personales graves.
- Utilice pantalones largos y resistentes, manga larga, calzado antideslizante y guantes. No use ropa holgadas, pantalones cortos, sandalias o vaya sin calzado al utilizar la herramienta. Evite usar ropa suelta o de la que cuelguen cordones o lazos.
- Siempre use gafas de seguridad con protectores laterales.
- Asegúrese siempre de que está en equilibrio, en una superficie estable. Mantenga su pisada firme y su equilibrio. Camine, nunca corra.
- Asegúrese siempre de mantener el equilibrio y de no situarse en pendientes.
- Utilice el aparato en la superficie de cuestas, nunca hacia arriba ni abajo. Tenga mucho cuidado cuando cambie de dirección en las cuestas.
- No utilice el aparato cerca de zonas descendientes, zanjas, pendientes excesivamente pronunciadas o terraplenes. Una mala pisada podrá causar resbalones y accidentes de caídas.

ZONA DE TRABAJO

- Debido al peligro de proyección de objetos que puedan entrar en contacto con la cuchilla, evite utilizar el producto a menos de 15 m de distancia de otras personas, especialmente niños, o animales.
- Los objetos golpeados por la cuchilla del cortacésped pueden causar lesiones severas a las personas. Inspeccione cuidadosamente el área donde va a utilizarse la herramienta y retire todas las rocas, palos, metales, alambres,

huesos, juguetes u otros objetos extraños. Recuerde, el hilo o el cable pueden enredarse con las cuchillas.

- Corte siempre a la luz del día o con luz artificial suficiente.
- No utilice la máquina en entornos inflamables, como puede ser en presencia de líquidos inflamables, gases o polvo. La herramienta puede crear chispas que pueden encender polvo o gases.
- No utilice la máquina en hierba mojada o bajo la lluvia.
- No utilice el cortacésped si existe riesgo de tormenta eléctrica.
- Tenga presente que el operario o usuario es responsable de los accidentes o riesgos que le puedan ocurrir a otras personas o a su propiedad.
- Los accidentes trágicos pueden ocurrir si el operario no está alerta de la presencia de niños. A menudo, los niños sienten cierta atracción hacia la máquina y la actividad de corte. Nunca asuma que los niños permanecerán donde los vio por última vez.
- Mantenga a los niños lejos del área de corte y bajo la observación de un adulto responsable aparte del operario. Esté alerta y apague el producto si algún niño accede a la zona de trabajo.
- Tenga mucho cuidado cuando se acerque a esquinas ciegas, arbustos, árboles u otros objetos que puedan bloquear su vista hacia un niño.

USO Y CUIDADO DE LA HERRAMIENTA

- Lea, comprenda y siga siempre las instrucciones de seguridad suministradas con la batería y el cargador. Si no lo hace, podría provocar una descarga eléctrica, un incendio u otras situaciones peligrosas. Guarde todas las instrucciones juntas en un lugar seguro para realizar futuras consultas.
- Las unidades operadas con batería no necesitan estar enchufados a una toma de corriente; por lo tanto, están siempre en condiciones de funcionamiento. Quite la llave conmutadora cuando no utilice el producto.
- Extraiga la batería antes de hacer cualquier ajuste, limpieza o de quitar material de la

unidad.

- Asegúrese de que la llave de aislamiento no se encuentra en la herramienta antes de insertar la batería.
- La batería solamente debe recargarse con el cargador especificado por el fabricante. El uso de un cargador con una batería incompatible puede crear un riesgo de incendio. Utilice sólo la batería con el cargador en la lista.
- Utilice sólo la batería diseñada específicamente para la máquina. El uso de cualquier otra batería puede resultar en un riesgo de incendio, descargas eléctricas o lesiones personales.
- Cuando la batería no está en uso, manténgala alejada de otros objetos metálicos como clips, monedas, llaves, clavos, tornillos u otros objetos metálicos pequeños que puedan crear una conexión desde una terminal a otra. Cortocircuitar los terminales de la batería puede provocar chispas, quemaduras, incendios y explosiones.
- No coloque los productos de batería o las pilas cerca del fuego o fuentes de calor. Esto aumenta el riesgo de explosión y de lesiones.
- No abra ni desmonte la batería. El electrolito liberado es corrosivo y puede causar daño a los ojos o la piel. Puede ser tóxico si se ingiere.
- Proteja la batería contra la humedad y el agua. No cargue la unidad en lugares húmedos o mojados. Following this rule will reduce the risk of electric shock.
- En caso de daños y uso inadecuado de la batería, podría emitirse vapor. Respire aire fresco y acuda a un médico en caso de dolencias. El vapor puede irritar el sistema respiratorio.
- No deje la batería en un vehículo ni la guarde en el exterior expuesta a condiciones de frío o calor.
- No queme la batería.
- En condiciones abusivas, podría salir expulsado líquido de la batería, por lo que debería evitar el contacto con éste. Si se produce un contacto accidental, enjuáguese las manos con agua. Si el líquido entra en contacto con los ojos, acuda inmediatamente al médico. Si el

líquido es expulsado de la batería y entra en contacto con él, podría causar irritación o quemaduras.

AVISOS DE SEGURIDAD DEL CORTACÉSPED

- Antes de utilizarla, realice siempre una inspección visual para asegurarse de que las hojas, los pernos de las hojas y el conjunto de los elementos de corte no estén gastados o dañados.
- Reemplace las hojas y tornillos desgastados o dañados en grupos para preservar el equilibrio.
- La cuchilla del aparato está muy afilada, tenga mucho cuidado y utilice guantes de alta protección para llevar a cabo operaciones de ajuste, sustitución, limpieza o comprobación de la seguridad de los tornillos.
- Lleve el aparato a un centro de servicios autorizado para sustituir las etiquetas dañadas o ilegibles.
- Verifique a intervalos frecuentes si todas las tuercas, pernos y tornillos están apretados apropiadamente para asegurarse de que el equipo esté en buenas condiciones de trabajo.
- Compruebe la caja de la hierba para cerciorarse de que no existen señales de desgaste, huecos o deterioro.
- Sustituya las partes gastadas o dañadas antes de poner el aparato en funcionamiento.
- El producto debe encenderse con el usuario situado detrás del manillar, en la zona de seguridad del operario. Nunca encienda el producto si:
 - las cuatro ruedas no están sobre el suelo
 - el saco recogedor se encuentra al descubierto, sin la protección del accesorio de mulching y la cubierta del saco recogedor, o la caja recogedora de hierba y la cubierta del saco recogedor
 - si hay pies o manos en la zona de corte
- Nunca utilice el producto si el interruptor de encendido/apagado situado en el manillar no enciende y apaga el producto de forma correcta.
- Nunca intente bloquear los interruptores on/off (encender/apagar) en la posición ON; esto es extremadamente peligroso.
- No fuerce el producto. Realizará un trabajo mejor y más seguro a la velocidad para la que ha sido diseñada.
- Detenga la hoja cuando pase por superficies con grava.
- No tire del aparato hacia atrás a menos que sea absolutamente necesario. Si se ve obligado a alejar la herramienta de una pared u obstáculo, en primer lugar mire hacia abajo y hacia atrás para evitar tropezar o que la herramienta pase sobre sus pies.
- Pare el motor y deje que la cuchilla se pare si tiene que inclinar el cortacésped para transportarlo por superficies que no sean de césped y cuando transporte el aparato hasta o desde el área que va a cortar.
- No utilice la máquina con protecciones defectuosas, o sin haber situado correctamente los dispositivos de seguridad, por ejemplo deflectores y/o recogedores de hierba.
- No incline el cortacésped al arrancar el motor ni mientras el motor se encuentra en funcionamiento. Esto deja la cuchilla expuesta y aumenta la probabilidad de proyectar objetos.
- Arranque el motor con cuidado de acuerdo con las instrucciones y mantenga las manos y los pies apartados de la zona de corte. Manténgase alejado de la apertura de descarga en todo momento. No arranque el motor al estar parado delante del conducto de descarga.
- No coloque las manos o los pies cerca o debajo de las piezas giratorias. Manténgase alejado de la apertura de descarga en todo momento.
- Nunca levante ni transporte el aparato con el motor en marcha.
- Pare el motor del cortacésped y retire el dispositivo de desactivación, asegúrese de que todas las piezas móviles están completamente paradas en los siguientes casos:
 - Siempre que deje el producto sin vigilancia (incluso mientras tira los restos de hierba).
 - antes de limpiar un bloqueo o desobstruir el canal
 - antes de inspeccionar, limpiar o trabajar

con el producto

- después de alcanzar un objeto extraño, inspeccione el aparato para comprobar si se han producido daños y realizar reparaciones, en caso necesario, antes de reiniciar y utilizar la máquina.
- antes de retirar la caja de césped o abrir el conducto de descarga de césped
- si el producto empieza a vibrar de forma anormal (comprobar inmediatamente)
 - Cuando realice una inspección de daños, en particular en las cuchillas.
 - cambie o repare las piezas dañadas
 - revise y apriete las piezas sueltas
- Evite los agujeros, surcos, resaltos, rocas u otros objetos ocultos. El terreno desigual puede causar resbalones y accidentes de caídas.
- Durante el montaje o el plegado del manillar, asegúrese siempre de que el cordón que va del manillar al cuerpo del cortacésped no se encuentra enganchado ni pinzado, y que no presenta daños.

PROTECCIÓN CONTRA SOBRECARGA Y SOBRECALENTAMIENTO

El producto tiene un dispositivo de protección contra sobrecarga que se activa cuando ocurre un pico de corriente o sobrecalentamiento, cortando automáticamente la corriente al producto. Si se activa el protector de sobrecarga, el botón de encendido y apagado debe ser liberado. Pulse el botón de encendido y apagado para reiniciar el producto.

La batería tiene protección contra el sobrecalentamiento. Una temperatura excesiva hará que la batería deje de alimentar a la herramienta. Toque la batería; si está demasiado caliente, deje que se enfríe. Si la herramienta sigue sin funcionar, recargue la batería.

OBSERVACIÓN: El indicador LED de la batería no funcionará si la función de protección de la batería ha provocado que la batería deje de alimentar a la herramienta y que ésta se detenga. Suelte el gatillo de la herramienta o extraiga la batería de la herramienta y el indicador LED reanudará su funcionamiento normal.

RIESGOS RESIDUALES:

Incluso cuando se utiliza el producto según las instrucciones, sigue siendo imposible eliminar por completo ciertos factores de riesgo residuales. Los siguientes peligros pueden surgir en el uso y el operador debe prestar especial atención para evitar lo siguiente:

- Lesiones por vibración. Utilice siempre la herramienta adecuada para el trabajo, utilice los mangos pertinentes y limite el tiempo de trabajo y de exposición.
- La exposición al ruido puede causar pérdidas de audición. Use protección para los oídos y limite el tiempo de exposición.
- Contacto con las cuchillas
- Lesión por objetos proyectados

TRANSPORTE Y ALMACENAMIENTO

- Detenga el motor y retire la llave de aislamiento. Asegúrese de que todas las partes móviles se han detenido por completo: Deje o aparato enfriarse antes de guardarlo o transportarlo.
- Limpie todo el material extraño que pueda permanecer en el producto. Guarde en una zona seca y bien ventilada, a la que no puedan acceder los niños. Evite el contacto con agentes corrosivos tales como productos químicos de jardinería o sales descongelantes. No almacenar al aire libre.
- Para transportar el producto, sujételo de modo que no se mueva ni se caiga para evitar lesiones personales o daños al producto.

⚠ ADVERTENCIA

Tenga mucho cuidado al levantar o inclinar la máquina cuando realice operaciones de mantenimiento, limpieza, almacenamiento o transporte. La cuchilla está afilada. Mantenga todas las partes del cuerpo apartadas de la cuchilla cuando esta quede expuesta.

MANTENIMIENTO

⚠ ADVERTENCIA

Utilice sólo piezas y accesorios de recambio originales del fabricante. Si no lo hace podría ocurrir un mal funcionamiento, podrían producirse daños o podría quedar anulada la garantía.

⚠ ADVERTENCIA

Las reparaciones requieren tener mucho cuidado y conocimiento y sólo debe realizarse por un técnico de servicio calificado. Para obtener servicio, le sugerimos que devuelva el producto al centro de servicio autorizado más cercano para reparación. Utilice sólo piezas de recambio autorizadas en la herramienta.

- Retire el dispositivo desactivado y, si fuera posible, la batería antes de llevar a cabo cualquier operación de limpieza o mantenimiento.
- Usted puede realizar los ajustes y reparaciones descritos en este manual del usuario. Para otro tipo de reparaciones póngase en contacto con un agente de servicios autorizado.
- Revise frecuentemente si el recolector de césped tiene desgaste o deterioro.
- Limpiar el producto con un paño suave seco después de cada uso. Cualquier pieza dañada debe ser sustituida o reparada adecuadamente por un centro de servicio autorizado.
- Verifique a intervalos frecuentes si todas las tuercas, pernos y tornillos están apretados apropiadamente para asegurarse de que el producto esté en buenas condiciones de trabajo.
- Tenga cuidado durante el ajuste de la máquina para evitar que sus dedos queden atrapados entre las cuchillas móviles y las partes fijas de la máquina.
- Cuando realice trabajos de reparación en las cuchillas, tenga en cuenta que, aunque la fuente de alimentación esté apagada, las cuchillas pueden seguir moviéndose.
- Este aparato está provisto de una cuchilla afilada. Tenga cuidado y use guantes pesadas al encajar, substituir, limpiar o

comprobar el tornillo de seguridad.

- Reemplace las hojas y tornillos desgastados o dañados en grupos para preservar el equilibrio.

REDUCCIÓN DEL RIESGO

Se ha informado de que las vibraciones de las herramientas de mano puede contribuir a una condición llamada síndrome de Raynaud en ciertos individuos. Los síntomas pueden incluir hormigueo, entorpecimiento y decoloración de los dedos, generalmente aparentes cuando tiene lugar una exposición al frío. Se considera que los factores hereditarios, exposición al frío y a la humedad, dieta, tabaquismo y prácticas de trabajo contribuyen al desarrollo de estos síntomas. Existen medidas que pueden ser tomadas por el operador para reducir los efectos de vibración:

- Mantenga su cuerpo caliente durante el tiempo frío. Al manipular el producto, utilice guantes para mantener las manos y las muñecas calientes.
- Después de cada período de funcionamiento, realice ejercicios para aumentar la circulación sanguínea.
- Haga pausas de trabajo frecuentes. Limite la cantidad de exposición por día.

Si siente alguno de los síntomas de esta enfermedad, interrumpa inmediatamente el uso y consulte a su médico estos síntomas.

⚠ ADVERTENCIA

El uso prolongado de una herramienta puede causar o agravar lesiones. Al utilizar cualquier herramienta durante períodos prolongados asegúrese de tomar descansos regulares.

CONOZCA SU PRODUCTO

Véase la página 163.

Piezas

1. Botón ON/OFF (encender/apagar)
2. Mango
3. Cable de control del motor
4. Retenedor de cable
5. Tapa de la batería
6. Indicador de caja recogedora llena
7. Caja de la hierba
8. Rueda trasera
9. Palanca de ajuste de altura

10. Rueda delantera
11. Llave de aislamiento
12. Conector de triturado
13. Batería
14. Cargador
15. Botón de arranque

SÍMBOLOS EN EL PRODUCTO



Lea y comprenda todas las instrucciones antes de manipular el producto, respete las advertencias y las instrucciones de seguridad.



Use protección auditiva



Utilice protección ocular



No utilice la unidad en pendientes superiores a 15°. Siempre corte a través de las superficies de las cuestas, nunca de arriba hacia abajo.



No la exponga a la lluvia o a lugares húmedos.



Tenga cuidado con las cuchillas afiladas. Las cuchillas siguen girando una vez que el motor se apaga; quite la llave conmutadora antes de realizar cualquier operación de mantenimiento



Tenga cuidado con los objetos volátiles o lanzados. Mantenga a todos los espectadores, especialmente a los niños y las mascotas, por lo menos a 15 metros de la zona de trabajo.



Pulse el botón Start (arrancar) y, a continuación, el botón On/Off (A, B, C o D) para arrancar el aparato. Suelte el botón Start y continúe pulsando el botón On/Off para operar el aparato. Suelte el botón de encendido/apagado para parar el aparato.



Por favor lea las instrucciones detenidamente antes de arrancar la máquina.



Los productos eléctricos de desperdicio no deben desecharse con desperdicios caseros. Por favor recíclelos donde existan dichas instalaciones. Compruebe con su autoridad local o minorista para reciclar.



Esta herramienta responde a todas las normas reglamentarias del país de la UE donde se ha comprado.



Certificado EAC de conformidad



Marca de conformidad ucraniana



El mejor nivel de potencia sonora es de 94 dB

Los siguientes símbolos y sus significados pretenden explicar los niveles de riesgo asociados a este producto.

PELIGRO

Indica una situación potencialmente peligrosa que, de no evitarse, puede ocasionar la muerte o heridas de gravedad.

ADVERTENCIA

Indica una situación peligrosa que, de no evitarse, puede ocasionar la muerte o heridas de gravedad.

ADVERTENCIA

Indica una situación potencialmente peligrosa que, de no evitarse, puede ocasionar heridas leves.

ADVERTENCIA

(Sin símbolo de alerta de seguridad) Indica una situación que puede causar daños en las cosas.

SÍMBOLOS EN ESTE MANUAL



Las piezas o accesorios se venden por separado



Los productos eléctricos de desperdicio no deben desecharse con desperdicios caseros. Por favor recíclelos donde existan dichas instalaciones.



Mantenga las manos alejadas de las hojas.



Observación



Advertencia



Detenga el aparato.

CONSEJOS PARA EL CORTACÉSPED

El tiempo de funcionamiento de la batería varía en función de las condiciones, la longitud y la densidad del césped.

Adapte la altura de corte del cortacésped a las condiciones del césped que va a cortar.

Estado del césped	Ajuste de altura recomendado		Cobertura (máxima)	
	Primer paso	Pasos siguientes	Batería de 4 Ah	Batería de 5 Ah
Muy fino / Seco	3	2	200 m ²	250 m ²
Fino / Seco	4	3 → 2	150 m ²	200 m ²
Medio / Denso	5	4 → 3	100 m ²	150 m ²

- Para un mejor rendimiento, corte siempre un tercio o menos de la altura total del césped.
- Al cortar césped alto, reduzca la velocidad de caminata para permitir un corte más efectivo y descargar apropiadamente los recortes.
- No corte el césped mojado, ya que se quedará pegado a la parte inferior de la plataforma e impedirá que la recogida o descarga del césped cortado se realicen de forma adecuada.
- La hierba nueva o gruesa puede requerir una mayor altura de corte.

- Cuanto mayor sea la altura de corte mayor será el tiempo de funcionamiento de la batería.
- Si desea recoger los restos de hierba para tirarlos, quite el accesorio de mulching y coloque la caja recogedora; asegúrese de que la solapa superior se encuentra bien cerrada. Vacíe la caja recogedora con frecuencia, en caso contrario, la bolsa recogedora se bloqueará con los restos de hierba.
- Si está realizando un corte pequeño y quiere que los recortes de hierba caigan sobre el césped, coloque el accesorio de mulching y cierre la solapa superior para tapar el orificio de descarga. En tal caso no es necesario colocar la caja recogedora.
- Este cortacésped está diseñado para funcionar y ofrecer los mejores resultados de corte cuando se utiliza hacia delante.

E' stata data massima priorità a sicurezza, prestazioni e affidabilità nel design di questo tosaerba senza cavo.

UTILIZZO RACCOMANDATO

Prodotto indicato solo per l'utilizzo all'esterno.

Questo prodotto è indicato per tagliare l'erba di prati domestici. La lama di taglio dovrà ruotare parallelamente al terreno sulla quale viene attivata. Le quattro ruote dovranno tutte toccare il terreno durante le operazioni. Questo dispositivo viene controllato da un operatore che cammina dietro lo stesso e lo spinge manualmente.

Il tosaerba non deve essere messo in funzione con le ruote sollevate da terra, non deve essere tirato né cavalcato. Non utilizzare per tagliare materiali diversi da erba.

AVVERTENZE GENERALI DI SICUREZZA

▲ AVVERTENZA

Quando si utilizzano utensili a batterie seguire sempre precauzioni di sicurezza per ridurre il rischio di incendio, perdita di liquidi da batterie e gravi lesioni alla persona. Per la propria sicurezza e per la sicurezza degli osservatori, leggere queste istruzioni prima di mettere in funzione il prodotto. Conservare le istruzioni per eventuali riferimenti futuri.

▲ AVVERTENZA

Il prodotto deve essere messo in funzione solo con un gruppo batterie. Quando si utilizzano utensili a batterie seguire sempre precauzioni di sicurezza per ridurre il rischio di incendio, perdita di liquidi da batterie e gravi lesioni alla persona.

SICUREZZA PERSONALE

- Questo tosaerba è in grado di amputare mani e piedi e di scagliare oggetti verso l'operatore. La mancata osservanza delle norme di sicurezza potrà causare gravi lesioni personali o morte.
- Leggere e comprendere le istruzioni e gli avvertimenti di sicurezza. Familiarizzare con i comandi e il corretto utilizzo del prodotto.
- Non permettere mai a bambini o persone

con ridotte capacità fisiche, sensoriali o mentali o a persone che non conoscono queste istruzioni di mettere in funzione, o svolgere le operazioni di pulizia e manutenzione sul prodotto. Leggere le istruzioni locali per limitare l'età dell'operatore. Supervisionare adeguatamente i bambini per assicurarsi che non giochino con il prodotto.

- Fare attenzione, osservare sempre la massima accortezza nelle operazioni che si stanno svolgendo e buon senso mentre si utilizza il tosaerba. Un momento di disattenzione potrà causare gravi lesioni personali. Una perdita di concentrazione mentre si utilizza la macchina potrà causare gravi lesioni alla persona.
- Indossare pantaloni lunghi e resistenti, scarpe antiscivolo e guanti. Non indossare vestiti con parti svolazzanti, pantaloni corti, sandali, né camminare scalzi. Evitare di indossare abiti con parti svolazzanti o con cordicelle o lacci.
- Indossare sempre occhiali di sicurezza con visiere laterali.
- Mantenere sempre l'equilibrio. Mantenere sempre un appoggio saldo e l'equilibrio. Camminare, non correre mai.
- Mantenere l'equilibrio su terreni in discesa.
- Sui pendii procedere sempre in diagonale e mai in direzione verticale. Fare estrema attenzione quando si cambia direzione sui pendii.
- Non utilizzare il prodotto vicino a dirupi, avvallamenti, pendii eccessivamente ripidi o argini. Una mancanza di equilibrio potrà provocare cadute o far scivolare.

AMBIENTE DI LAVORO

- Non utilizzare mai il prodotto nel caso in cui vi siano eventuali osservatori, soprattutto bambini, o animali in un raggio di 15 m dal momento che gli oggetti che entrano in contatto con le lame potranno essere scagliati in aria.
- Gli oggetti rimasti incastrati nel tosaerba potranno causare gravi lesioni a persone. Ispezionare la zona dove si utilizza la macchina e rimuovere rocce, rami, pezzi di metallo, cavi, ossa, giocattoli o altri corpi estranei. Ricordare che cavi o fili potranno rimanere impigliati nei dispositivi di taglio.
- Svolgere le operazioni di lavoro sempre alla



luce del sole o con un'ottima illuminazione artificiale.

- Non mettere in funzione l'utensile in atmosfere esplosive, come in presenza di liquidi infiammabili, gas o polvere. L'utensile crea scintille che potranno causare incendi a contatto con polvere o vapori.
- Non mettere in funzione su erba bagnata o sotto la pioggia.
- Non utilizzare il prodotto in caso di rischi di fulmini.
- Ricordare che l'operatore sarà responsabile di eventuali lesioni o danni a persone o cose.
- Si potranno verificare spiacevoli incidenti se si lasceranno avvicinare bambini alla zona di taglio. I bambini sono spesso attratti da questo utensile e dall'attività che esso può svolgere. Non presumere mai che i bambini rimangano nella posizione dove li si è lasciati.
- Tenere i bambini fuori del raggio d'azione e fare in modo che siano sotto la supervisione di un adulto responsabile. Mantenersi sempre svegli e spegnere il prodotto se un bambino entra nell'area di lavoro.
- Fare attenzione quando si opera dietro un angolo con visuale ristretta e quando ci si avvicina ad alberi o cespugli che limitino la visuale e non permettano di vedere dove si trovano i bambini.

UTILIZZO E MANUTENZIONE DI UN UTENSILE A BATTERIE

- Leggere, comprendere e seguire sempre le istruzioni di sicurezza fornite con la batteria e con il caricatore. La mancata osservanza potrà causare scosse elettriche, incendi o altre situazioni pericolose. Conservare tutte le istruzioni assieme in un luogo sicuro per eventuali riferimenti futuri.
- Gli utensili a batterie non devono essere collegati a una presa elettrica per funzionare; sono quindi sempre in grado di funzionare. Rimuovere la chiave dell'isolatore quando non si mette in funzione il prodotto.
- Rimuovere il gruppo batterie prima di svolgere eventuali regolazioni, operazioni di pulizia o rimuovere materiale dall'unità.
- Assicurarsi che la chiave dell'isolatore sia stata rimossa prima di inserire il gruppo

batterie.

- Ricaricare il gruppo batterie solo con il caricatore indicato dalla ditta produttrice. Utilizzare un caricatore con un gruppo batterie non compatibile potrà creare un rischio di incendio. Utilizzare il gruppo batterie solo con il caricatore indicato.
- Utilizzare solo il gruppo batteria indicato per questo utensile. L'utilizzo di gruppi batteria diversi da quello indicato potrà causare rischi di incendi, scosse elettriche o lesioni alla persona.
- Quando il gruppo batterie non viene utilizzato, tenerlo lontano da oggetti in metallo come fermagli, monete, chiavi, chiodi, viti o altri piccoli oggetti che potranno fare da tramite da un terminale all'altro. Cortocircuitare i terminali del gruppo batterie assieme potrà causare scintille, scottature, incendi o esplosioni.
- Non posizionare i prodotti a batteria o le loro batterie vicino a fuoco o fonti di calore. Ciò aumenterà il rischio di esplosioni e di possibili lesioni.
- Non aprire o danneggiare la batteria. Il liquido elettrolitico rilasciato è corrosivo e può causare danni agli occhi e alla pelle. Può essere tossico se ingoiato.
- Proteggere il gruppo batterie da acqua e umidità. Non ricaricare in zone umide o bagnate. Il rispetto di tale norma limita il rischio di incendi, scosse elettriche e lesioni fisiche.
- In caso di danni e di utilizzo improprio della batteria, l'utensile potrà emettere dei vapori. Esporsi ad aria fresca e rivolgersi a un medico in caso di malessere. I vapori creati potranno irritare il sistema respiratorio.
- Non lasciare il gruppo batterie nel veicolo né riporlo all'esterno in temperature troppo alte o basse.
- Non bruciare la batteria.
- Se sottoposto a stress, la batteria potrà perdere dei liquidi; evitare il contatto. Se si entra accidentalmente in contatto con tali liquidi, lavarsi immediatamente con acqua. Se il liquido entra negli occhi, rivolgersi a un medico. Il liquido espulso dalla batteria potrà causare irritazioni o scottature.



AVVERTENZE DI SICUREZZA DECESPUGLIATORE

- Prima di utilizzare, controllare sempre assicurandosi che le lame, i bulloni delle lame e la taglierina non siano usurati né danneggiati.
- Sostituire le lame usurate o danneggiate e i bulloni tutti assieme per mantenere l'equilibrio.
- La lama sul prodotto è molto affilata, fare estrema attenzione e indossare pesanti guanti da lavoro quando si monta, sostituisce, pulisce o controlla la sicurezza del bullone.
- Portare il prodotto presso un centro servizi autorizzato per sostituire le parti danneggiate o le etichette illeggibili.
- Controllare frequentemente dadi, bulloni e viti, verificando che siano stati assicurati correttamente per fare in modo che l'utensile garantisca condizioni di lavoro ottimali.
- Controllare il dispositivo raccogliherba frequentemente per individuare eventuale usura, fori o deterioramento.
- Sostituire le parti consumate o danneggiate prima di mettere in funzione il prodotto.
- Il prodotto deve essere avviato con l'utente dietro il manico nella zona di sicurezza dell'operatore. Non avviare mai il prodotto se:
 - tutte e quattro le ruote non poggiano a terra
 - il tubo di scarico dell'erba è esposto e rimane senza la protezione del tappo di triturazione o del coperchio del tubo di scarico erba, o del sacchetto raccolta erba e del coperchio del tubo di scarico erba.
 - L'operatore deve tenere mani e piedi lontani dai dispositivi di taglio.
- Non mettere in funzione il prodotto se l'interruttore on/off (acceso/spento) sul manico non avvia o arresta correttamente il prodotto.
- Non tentare di bloccare gli interruttori acceso/spento sulla posizione ON (acceso); ciò sarà estremamente pericoloso.
- Non forzare il prodotto. L'utensile svolgerà un lavoro migliore e più sicuro se utilizzato alla velocità per la quale è stato progettato.
- Arrestare la lama quando si attraversano superfici acciottolate.
- Non tirare il prodotto indietro a meno che non sia assolutamente necessario. Prima di fare marcia indietro per evitare un muro o ostruzione d'altro genere, controllare bene il terreno per evitare di inciampare o di passarsi la macchina sui piedi.
- Arrestare il motore e lasciare che la lama si arresti se il tagliaerba deve essere inclinato per essere trasportato quando si attraversano superfici diverse dall'erba e quando si trasporta il prodotto verso e dall'area da falciare.
- Non mettere mai in funzione l'utensile con schermi o paralame difettosi o senza dispositivi di sicurezza, come per esempio deflettori e/o raccogliherba.
- Non inclinare il decespugliatore quando si avvia il motore o quando il motore è in funzione. Ciò esporrà la lama e aumenterà la probabilità che gli oggetti vengano scagliati lontano.
- Avviare il motore attentamente seguendo le istruzioni e tenere mani e piedi lontani dall'area di taglio. Tenersi sempre lontani dalle aperture di scarico. Non avviare il motore posizionandosi davanti al tubo di scarico.
- Tenere mani e piedi lontani dalle parti rotanti. Tenersi sempre lontani dalle aperture di scarico.
- Non alzare né trasportare il prodotto con il motore in funzione.
- Arrestare il motore del tagliaerba e rimuovere il dispositivo di arresto, assicurarsi che tutte le parti in movimento si arrestino per le seguenti ragioni:
 - quando si lascia il prodotto incustodito (compreso lo smaltimento di sfalci d'erba)
 - prima di rimuovere un blocco o sbloccare il tubo di scarico
 - prima di svolgere le operazioni di controllo o pulizia sul prodotto o prima di utilizzarlo
 - dopo aver colpito un oggetto estraneo; controllare il dispositivo per individuare eventuali danni e svolgere le dovute riparazioni come necessario prima di riavviare e mettere in funzione l'utensile.
 - prima di rimuovere la scatola dell'erba

o di aprire il coperchio dello scivolo di scarico dell'erba

- se il prodotto inizia a vibrare in maniera anormale (controllare immediatamente)
 - controllare eventuali danni riportati in modo particolare dalle lame
 - sostituire o riparare le parti danneggiate
 - controllare e serrare le parti eventualmente allentate
- Evitare buchi, solchi, rocce o altri oggetti nascosti. Terreni irregolari possono provocare scivolate e cadute.
- Assicurarsi sempre che il cavo dal manico al corpo centrale del decespugliatore non venga intrappolato, impigliato o danneggiato durante il montaggio o quando si ripiega il manico.

PROTEZIONE DA SOVRACCARICO E SURRISCALDAMENTO

Il prodotto è dotato di un dispositivo di protezione dal sovraccarico che si attiva quando l'utensile si surriscalda o quando si verificano picchi di corrente, spegnendo automaticamente il dispositivo. Se il dispositivo di protezione da sovraccarico viene inserito il tasto on-off (acceso-spegnuto) dovrà essere rilasciato. Premere il tasto on-off (acceso-spegnuto) per riavviare il prodotto.

Il gruppo batteria viene protetto da sovraccarico. Le batterie non funzioneranno in temperature estreme. Controllare la temperatura del gruppo batterie; se è troppo caldo, lasciarlo raffreddare. Se l'utensile non funziona, ricaricare la batteria.

NOTA: Il LED indicatore del gruppo batterie non funzionerà se il dispositivo di protezione della batteria avrà bloccato l'alimentazione dell'utensile. Rilasciare l'interruttore a grilletto o rimuovere il gruppo batterie dall'utensile e l'indicatore a LED ricomincerà le sue normali funzioni.

RISCHI RESIDUI:

Anche quando il prodotto viene utilizzato come indicato, è impossibile eliminare completamente alcuni fattori di rischio residuo. Si potranno verificare i seguenti rischi durante l'utilizzo e l'operatore dovrà prestare attenzione speciale per evitare quanto segue:

- Lesioni causate da vibrazioni. Utilizzare

sempre l'utensile adatto per svolgere il lavoro, utilizzare i manici appositi e limitare le ore di lavoro e l'esposizione.

- L'esposizione al rumore può causare lesioni all'udito. Indossare cuffie di protezione e limitare l'esposizione.
- Contatto con le lame
- Lesioni da oggetti scagliati

TRASPORTO E RIPONIMENTO

- Arrestare il motore e rimuovere la chiave dell'isolatore. Assicurarsi che tutte le parti in movimento si siano arrestate. Lasciare il prodotto raffreddarsi adeguatamente prima di riporre o trasportare.
- Rimuovere eventuali materiali di scarto dal prodotto. Riporre in un luogo asciutto e ben ventilato non accessibile ai bambini. tenerlo a distanza da agenti corrosivi, come le sostanze chimiche per il giardinaggio e il fondente chimico. Non riporre all'esterno.
- Per il trasporto, assicurare il prodotto contro ogni movimento o contro eventuali cadute per evitare lesioni a persone o danni al prodotto.

⚠ AVVERTENZA

Fare estrema attenzione quando si alza o inclina la macchina per svolgere operazioni di manutenzione, pulizia, riponimento o trasporto. La lama è affilata. Tenere tutte le parti lontane dalla lama mentre la lama è scoperta.

MANUTENZIONE

⚠ AVVERTENZA

Utilizzare solo parti di ricambio, accessori e dispositivi originali della ditta produttrice. In caso contrario si potranno causare lesioni, prestazioni basse e la garanzia verrà invalidata.

⚠ AVVERTENZA

Le operazioni di manutenzione devono essere svolte con grande attenzione e accortezza solo da un tecnico qualificato. Si consiglia di riportare l'utensile al più vicino centro assistenza autorizzato per farlo riparare. Durante le operazioni di manutenzione, utilizzare solo parti di ricambio autorizzate.

- Rimuovere il dispositivo di disabilitazione e se possibile la batteria prima di svolgere le operazioni di pulizia o manutenzione.
- L'operatore potrà fare le regolazioni e riparazioni descritte nel presente manuale. Per ulteriori riparazioni, contattare il centro servizi autorizzato.
- Controllare spesso il cestello raccoglierba per evidenziare segni di usura e deterioramento.
- Dopo ogni uso, pulire il prodotto con un panno morbido e asciutto. Riparare eventuali parti danneggiate o farle sostituire da un centro servizi autorizzato.
- Controllare frequentemente dadi, bulloni e viti, verificando che siano stati assicurati correttamente per fare in modo che il prodotto garantisca condizioni di lavoro ottimali.
- Fare attenzione durante le regolazioni dell'utensile per evitare di rimanere intrappolati con le dita tra le lame in movimento e le parti fisse dell'utensile.
- Quando si svolgono operazioni di manutenzione sulle lame, ricordare che, nonostante l'alimentazione sia spenta, le lame possono ancora muoversi.
- La lama sul prodotto è affilata. Fare attenzione e indossare guanti da lavoro quando si svolgono le operazioni di montaggio, sostituzione, pulizia o quando si controlla la sicurezza del bullone.
- Sostituire le lame usurate o danneggiate e i bulloni tutti assieme per mantenere l'equilibrio.

RIDUZIONE DEL RISCHIO

Si è accertato che le vibrazioni causate da utensili a mano possono contribuire a causare una condizione chiamata Sindrome di Raynaud in alcune persone. I sintomi,

comprendenti formicolio, intorpidimento e perdita di colore alle dita, si verificano di solito quando ci si espone al freddo. Fattori ereditari, esposizione a freddo e umidità, una dieta scorretta, fumo e condizioni di lavoro non sicure potranno contribuire allo sviluppo di questi sintomi. È possibile prendere delle precauzioni per ridurre le vibrazioni:

- Tenere il corpo al caldo a basse temperature. Quando si utilizza il prodotto indossare guanti per tenere le mani e i polsi caldi.
- Dopo aver utilizzato l'utensile per un certo periodo, fare degli esercizi per stimolare la circolazione del sangue.
- Fare spesso delle pause. Limitare la quantità di esposizione giornaliera.

Nel caso in cui si provino i sintomi di questa condizione, interrompere immediatamente l'utilizzo dell'utensile e consultare un dottore.

⚠ AVVERTENZA

Il prolungato utilizzo dell'utensile potrà causare o aggravare lesioni. Quando si utilizza questo utensile per periodi di tempo prolungati, assicurarsi di fare sempre delle pause regolari.

FAMILIARIZZARE CON IL PRODOTTO

Vedere pagina 163.

Parti

1. Tasto acceso-spento
2. Manico
3. Cavo di controllo motore
4. Dispositivo di blocco cavo
5. Vano batterie
6. Indicatore sacchetto erba pieno
7. Scatola di raccolta erba
8. Ruote posteriori
9. Leva regolazione altezza
10. Ruote anteriori
11. Chiave isolatore
12. Presa dispositivo di triturazione
13. Batteria
14. Caricatore
15. Tasto di avvio

SIMBOLI SUL PRODOTTO



Leggere e comprendere tutte le istruzioni prima di mettere in funzione il prodotto, seguire tutte le istruzioni e le avvertenze di sicurezza.



Indossare cuffie di protezione



Indossare dispositivi di protezione occhi



Non mettere in funzione su superfici che presentino una inclinazione superiore a 15°. Operare un taglio obliquo sui pendii, non tagliare mai passando il tosaerba in su e in giù.



Non esporre a pioggia o umidità.



Fare attenzione alle lame affilate. Le lame continueranno a girare dopo aver arrestato il motore – Rimuovere la chiave dell'isolatore prima di svolgere le operazioni di manutenzione.



Fare attenzione ad oggetti scagliati o lanciati dall'utensile. Tenere lontani tutti gli osservatori, soprattutto bambini e animali, ad almeno 15m dalla zona di funzionamento.



Premere il tasto Start (avvio) e quindi il tasto On-off (Acceso-Spento) (A, B, C o D) per avviare il prodotto. Rilasciare il tasto di Avvio e continuare a premere il tasto On-Off (Acceso-Spento) per avviare il prodotto. Rilasciare il tasto On-off per arrestare il prodotto.



Leggere attentamente le istruzioni prima di avviare l'utensile.



I prodotti elettrici non devono essere smaltiti con i rifiuti domestici. Vi sono strutture per smaltire tali prodotti. Informarsi presso il proprio Comune o rivenditore di sicurezza per smaltire adeguatamente tali rifiuti.



Questo apparecchio è conforme a tutte le norme vigenti nel paese dell'UE in cui è stato acquistato.



Marchio di conformità EurAsian



Marchio di conformità ucraino



Il livello di potenza sonora garantito è 94 dB

Le parole e i messaggi di avvertimento spiegano i livelli di rischio associato con il prodotto.

⚠ PERICOLO

Indica una situazione pericolosa che, se non evitata attentamente, potrà causare gravi lesioni alla persona o morte.

⚠ AVVERTENZA

Indica una situazione potenzialmente pericolosa che, se non evitata attentamente, potrà causare gravi lesioni alla persona o morte.

⚠ ATTENZIONE

Indica una situazione potenzialmente pericolosa che, se non evitata attentamente, potrà causare lesioni minori o moderate alla persona.

ATTENZIONE

(Senza simbolo di allerta di sicurezza) Indica una situazione che potrà risultare in gravi danni a cose.

SIMBOLI NEL PRESENTE MANUALE



Parti o accessori venduti separatamente



I prodotti elettrici non devono essere smaltiti con i rifiuti domestici. Vi sono strutture per smaltire tali prodotti.



Tenere le mani lontane dalle lame.



Nota:



Avvertenze



Arrestare il prodotto.

la raccolta erba assicurandosi che lo sportello superiore sia correttamente chiuso. Svuotare il sacchetto dell'erba regolarmente, in caso contrario il tubo di scarico si bloccherà a causa della quantità di scarti d'erba.

- Se si sta facendo un taglio leggero, e si desidera che gli sfalci d'erba rimangano sul prato, inserire il tappo di triturazione e chiudere lo sportello superiore per coprire il tubo di scarico. Non è necessario montare il sacchetto di raccolta erba in questo caso.
- Il decespugliatore è progettato per funzionare e tagliare nel modo più efficace possibile quando lo si sposta in avanti.

CONSIGLI DI TAGLIO

Il tempo di funzionamento della batteria dipende dalla condizione, lunghezza e densità dell'erba.

Regolare l'altezza di taglio del decespugliatore in modo da corrispondere alla condizione attuale dell'erba da tagliare.

Condizioni dell'erba	Regolazione altezza consigliata		Copertura (massima)	
	Primo passaggio	Passaggi successivi	Batteria 4 Ah	Batteria 5 Ah
Molto sottile / Asciutta	3	2	200 m ²	250 m ²
Sottile / Asciutta	4	3 → 2	150 m ²	200 m ²
Media / Densa	5	4 → 3	100 m ²	150 m ²

- Per prestazioni ottimali, tagliare sempre un terzo o meno dell'altezza totale dell'erba.
- Quando si taglia erba alta, ridurre la propria velocità per permettere un taglio più efficace e una raccolta migliore degli scarti.
- Non tagliare l'erba bagnata; rimarrà incollata ai lati dell'utensile e preverrà un'adeguata raccolta o l'adeguato scarico dei ritagli dell'erba.
- Erba nuova o spessa potrà aver bisogno di essere tagliata a un'altezza di taglio più alta.
- Un'altezza di taglio più alta estenderà il tempo di funzionamento della batteria.
- Se si desidera raccogliere gli sfalci di erba per smaltirli, rimuovere il tappo di triturazione e inserire il sacchetto per

Veiligheid, prestaties en betrouwbaarheid kregen toprioriteit in het ontwerp van uw snoerloze heggenchaar.

VOORGESCHREVEN GEBRUIK

Het product is uitsluitend geschikt voor buitenshuis gebruik.

Dit product is geschikt voor huishoudelijk grasmaaien. Het maaiblad moet ongeveer parallel draaien met de grond waarover het wordt gereden. Alle vier de wielen moeten bij het maaien contact maken met de grond. Het is een grasmaaimachine die wordt bediend door een voetganger die achter de machine loopt.

De grasmaaier mag nooit worden bediend met de wielen van de grond; er mag niet aan worden getrokken of erop gereden. Deze mag niet worden gebruikt om iets anders dan huishoudelijke gazons te maaien.

ALGEMENE VEILIGHEIDSWAARSCHUWINGEN

⚠ WAARSCHUWING

Wanneer u een accuaangedreven machine gebruikt, moeten altijd standaard veiligheidsmaatregelen worden genomen om het risico op brand, lekkende accu's en letsels te vermijden. Voor uw eigen veiligheid en deze van omstanders, dient u deze instructies te lezen voor u het product gebruikt. Bewaar de instructies voor later gebruik.

⚠ WAARSCHUWING

Het product mag uitsluitend met behulp van een batterijpack worden gebruikt. Wanneer u een accuaangedreven machine gebruikt, moeten altijd standaard veiligheidsmaatregelen worden genomen om het risico op brand, lekkende accu's en letsels te vermijden.

PERSOONLIJKE VEILIGHEID

- De grasmaaier kan handen en voeten amputeren en voorwerpen wegslingeren. Wanneer u deze voorschriften niet opvolgt, kan dit leiden tot ernstige verwondingen of de dood.
- Lees en begrijp de instructies en

veiligheidswaarschuwingen. Wees vertrouwd met de bedieningen en het correct gebruik van het product.

- Laat kinderen of mensen met verminderde fysieke, zintuigelijke of mentale vermogens of mensen die niet met deze instructies vertrouwd zijn, het product niet bedienen, reinigen of onderhouden. De plaatselijke wetgeving kan beperkingen opleggen i.v.m. de leeftijd van de bediener. Kinderen moeten onder toezicht staan om ervoor te zorgen dat ze niet met het product spelen.
 - Blijf alert, kijk naar wat u doet en gebruik uw gezond verstand wanneer u de grasmaaier bedient. Bedien de grasmaaier niet wanneer u moe bent of onder de invloed bent van drugs, alcohol of medicatie. Een klein moment van onoplettendheid terwijl u de machine gebruikt kan leiden tot ernstige letsels.
 - Draag een lange, zware broek, lange mouwen, slipbestendig schoeisel en handschoenen. Draag geen loszittende kledij, korte broeken, sandalen of stap niet blootsvoets. Draag geen loszittende kledij of kledij met loshangende snoeren of touwen.
 - Draag altijd een veiligheidsbril met zijdelingse bescherming.
 - Wees altijd zeker de manier waarop u staat. Bewaar steeds een stevige houvast en goed evenwicht. Stap altijd, loop nooit.
 - Zorg ervoor dat u altijd stevig vast staat op hellingen.
 - Gebruik het product langs een helling, nooit op een neer. Wees uiterst voorzichtig wanneer u op een helling van richting verandert.
 - Gebruik het product niet in de buurt van afstelplaatsen, dijken, zeer steile hellingen of bermen. Een slechte houvast kan ertoe leiden dat u uitglijdt en valt.
- ## WERKOMGEVING
- Gebruik het product nooit terwijl mensen, in het bijzonder kinderen, of huisdieren zich in een straal van 15 meter van de machine bevinden omwille van het gevaar voor voorwerpen die door contact met het maaiblad worden weggegooid.
 - Voorwerpen die door het snijblad van de grasmaaier worden geraakt, kunnen ernstige verwondingen veroorzaken.

Inspecteer de plaats waar de machine zal worden gebruikt grondig en verwijder alle stenen, stokken, metaal, draad, beenderen, speelgoed en andere vreemde voorwerpen. Onthoud dat een draad of kabel in de messen verstrikt kan raken.

- Maai altijd bij daglicht of bij een goede kunstmatige verlichting.
- Gebruik de machine niet in explosieve atmosferen, zoals in de aanwezigheid van ontvlambare vloeistoffen, gassen of stof. Het werktuig kan vonken veroorzaken die stof of gassen kunnen ontsteken.
- Gebruik de machine niet in vochtig gras of in de regen.
- Gebruik de grasmaaaimachine niet als er gevaar is voor bliksem.
- Hou er rekening mee dat de bediener of gebruiker verantwoordelijk is voor ongevallen of gevaren t.o.v. anderen of hun eigendom.
- Tragische ongevallen kunnen gebeuren indien de bediener niet alert is op de aanwezigheid van kinderen. Kinderen worden door het toestel en de maaiactiviteiten vaak aangetrokken. Neem nooit aan dat kinderen zullen blijven waar u ze laatst zag.
- Hou kinderen uit het maaibereik en onder toezicht van een verantwoordelijke volwassene die niet de bediener is. Wees alert en schakel het product uit als een kind het werkgebied betreedt.
- Wees extra voorzichtig wanneer u een blinde hoek, struikgewas, bomen of andere voorwerpen die uw zicht op een kind kunnen belemmeren, nadert.

GEbruik EN ONDERHOUD VAN HET ACCUANGEDREVEN WERKTUIG

- Lees, begrijp en volg altijd de veiligheidsvoorschriften die met uw batterij en lader werden meegeleverd. Als u dit niet doet, kan dit leiden tot een elektrische schok, brand of een andere gevaarlijke situatie. Bewaar alle instructies samen op een veilige plaats voor later gebruik.
- Accuaangedreven gereedschap hoeft niet met een stopcontact te zijn verbonden en bevindt zich daarom altijd in een gebruiksklare toestand. Verwijder de isolatorsleutel wanneer u het product niet gebruikt.

- Verwijder het accupack voor u de machine afstelt, reinigt of materiaal uit de machine verwijdert.
- Zorg ervoor dat de isolatorsleutel wordt verwijderd voor het accupack wordt ingebracht.
- Een accupack mag uitsluitend worden herladen met de lader die door de fabrikant wordt gespecificeerd. Wanneer u een lader met een niet-compatibel accupack gebruikt kan dit een risico op brand veroorzaken. Gebruik het accupack uitsluitend met de opgelijste oplader.
- Gebruik uitsluitend accupacks die specifiek voor de machine zijn bedoeld. Het gebruik van een ander accupack kan leiden tot risico op brand, elektrische schok of lichamelijke letsels.
- Wanneer het accupack niet wordt gebruikt, moet u het weg houden van andere metalen objecten, zoals papierclips, munten, sleutels, spijkers, schroeven of andere kleine metalen voorwerpen die een verbinding kan maken van een terminal naar een andere. Het kortsluiten van de batterijterminals kan vonken, brand, brandwonden of een explosie veroorzaken.
- Plaats geen accuprodukten of hun accu's in de buurt van vuur of hitte. Dit verhoogt het risico op explosies en mogelijke verwondingen.
- Open of beschadig het accupack nooit. Vrijgekomen elektrolyt is corrosief en kan schade aan ogen of huid veroorzaken. Het kan giftig zijn indien het wordt ingenomen.
- Bescherm het accupack tegen vocht en water. Laad de machine niet op een vochtige of natte plek op. Zo kunt u het gevaar voor elektrische schokken of lichamelijke letsel beperken.
- In geval van schade en oneigenlijk gebruik van de accu, kan er stoom vrijkomen. Zorg voor verse lucht en raadpleeg medische hulp ingeval van klachten. De stoom kan leiden tot irritatie van de luchtwegen.
- Laat het batterijpack nooit in het voertuig zitten of bewaar het niet buitenshuis bij warm of koud weer.
- Verbrand de accu niet.
- In oneigenlijke omstandigheden, kan een vloeistof uit de accu lekken; vermijd contact hiermee. Als per ongeluk contact

voorkomt, spoelt u met water. Als de vloeistof in contact komt met de ogen, dient u bijkomend medische hulp te raadplegen. Vloeistof die uit de accu lekt, kan irritatie of brandwonden veroorzaken.

VEILIGHEIDSWAARSCHUWINGEN GRASMAAIMACHINE

- Voor u de machine gebruikt, moet u deze altijd visueel inspecteren om zeker te zijn dat maaibladeren, maaibladbouten en het maamechanisme niet zijn versleten of beschadigd.
- Vervang versleten of beschadigde maaibladeren en moeren in paren om het evenwicht te bewaren.
- Het maaiblad van het product is heel scherp. Wees uiterst voorzichtig en draag veiligheidshandschoenen als u ze installeert, vervangt, reinigt of de boutfixering controleert.
- Breng het product naar een geautoriseerd onderhoudscentrum om beschadigde of onleesbare etiketten te vervangen.
- Controleer regelmatig of alle moeren, bouten en vijzen goed zijn vastgemaakt om zeker te zijn dat het toestel veilig kan worden gebruikt.
- Controleer de grasvanger regelmatig op slijtage, gaten of defecten.
- Vervang versleten of beschadigde onderdelen voor u het product gebruikt.
- Het product moet worden gestart terwijl de gebruiker achter het handvat staat in de veilige zone. Start het product nooit als:
 - alle vier de wielen zich niet op de bodem bevinden
 - de grasuitlaatklep is blootgesteld zonder bescherming door de mulching plug of het grasuitlaatklepdeksel, de grasbak en het grasuitlaatklepdeksel.
 - handen en voeten van iedereen die zich binnen het maaibereik bevindt, niet duidelijk zichtbaar zijn.
- Gebruik het product nooit als de aan-/uitknop op het handvat het product niet correct start en stillet.
- Probeer de aan/uitschakelaar nooit in de AAN-stand te vergrendelen; dit is uiterst gevaarlijk.
- Forceer het product niet. Deze zal beter en veiliger werken aan de snelheid waarvoor ze werd ontworpen.
- Stop het maaiblad wanneer u een grintoppervlak oversteekt.
- Trek het product niet achteruit tenzij absoluut nodig. Als u de machine achteruit moet wegsturen van een muur of obstructie, kijk dan eerst naar beneden en achter u om te voorkomen dat u struikelt en de machine over uw voeten trekt.
- Leg de motor stil en laat het maaiblad stilvallen als de grasmaaimachine moet worden gekanteld voor transport wanneer u andere oppervlakken dan gras oversteekt en wanneer u de machine van en naar de plaats die moet worden gemaaid, transporteert.
- Gebruik de machine nooit wanneer beschermers of schilden defect zijn of zonder dat de veiligheidsvoorzieningen, bijvoorbeeld deflectoren en/of grasverzamelzakken, zijn geïnstalleerd.
- Kantel de grasmaaimachine niet wanneer u de motor start of terwijl de motor draait. Do not tilt the machine when switching on the machine. Dit legt het maaiblad bloot en verhoogt de kans dat voorwerpen worden weggegooid.
- Start de motor voorzichtig aan de hand van de instructies en hou uw handen en voeten uit de buurt van het maaigebied. Hou de uitlaatopening altijd vrij. Start de motor niet wanneer u voor de uitlaat staat.
- Steek uw handen of voeten niet in de buurt van of onder ronddraaiende onderdelen. Hou de uitlaatopening altijd vrij.
- Hef het product nooit op of draag het nooit terwijl de motor draait.
- Leg de maaiermotor stil en verwijder het vergrendelmechanisme en de batterij en zorg ervoor dat alle bewegende onderdelen volledig zijn stilgevallen voor de onderstaande gevallen:
 - wanneer u het product onbeheerd achter laat (ook bij het verwijderen van het grasafval)
 - voor u een blokkering reinigt of de uitlaat vrijmaakt
 - voor u het product controleert, reinigt of aan het product werkt.
 - nadat een vreed voorwerp de machine heeft geraakt; inspecteer de machine

op schade en herstel de machine indien nodig voor u de ze heropstart en opnieuw gebruikt.

- voor u de grasopvangbak verwijdert of het deksel van de grasopvangbak verwijdert
- als het product abnormaal begint te trillen (onmiddellijk controleren)
 - op schade controleert, in het bijzonder de handvatten
 - vervang of repareer alle beschadigde onderdelen
 - controleer op losse onderdelen en maak vast
- Vermijd gaten, sporen, oneffenheden, stenen of andere verborgen voorwerpen. Een oneven terrein kan ervoor zorgen dat u wegglijdt en valt.
- Zorg er altijd voor dat het snoer van het handvat naar het maaierlichaam, nooit geklemd of verstrikt raakt en tijdens montage of bij het opvouwen van het handvat beschadigd wordt.

OVERBELASTING EN OVERVERHITTING BESCHERMING

Het product beschikt over een overbelastingsbeschermingsvoorziening die wordt geactiveerd bij oververhitting of stroompiek, waardoor het product automatisch wordt uitgeschakeld. Als de overbelastingsbescherming geactiveerd is, moet de aan-/uitknop worden losgelaten. Druk op de aan-/uitknop om het product opnieuw op te starten.

Het batterijpack beschikt over oververhittingsbescherming. Te hoge temperaturen zullen ervoor zorgen dat de accu het werktuig niet langer aandrijft. Voel aan het accupack; als het warm is, laat u het afkoelen. Als het werktuig nog steeds niet werkt, laadt u de accu opnieuw op.

OPMERKING: Het LED-controlelampje van het accupack zal niet werken als de accubeschermingseigenschap ervoor gezorgd heeft dat het accupack het werktuig niet langer aandrijft. Laat de aan-/uitschakelaar van het werktuig los en verwijder het accupack uit het werktuig en het LED-controlelampje van het accupack zal haar normale functie hernemen.

RESTRISICO'S

Zelfs wanneer het product zoals voorgeschreven wordt gebruikt, is het nog steeds onmogelijk om bepaalde restrisico's volledig te elimineren. De volgende gevaren kunnen zich voordoen tijdens het gebruik en de gebruiker dient in het bijzonder aandacht te hebben om de volgende situaties te vermijden:

- Letsels veroorzaakt door trillingen. Gebruik altijd het juiste gereedschap voor de taak, gebruik de toegewezen handvaten en beperk de gebruikstijd en blootstelling.
- Blootstelling aan geluid kan gehoorletsels veroorzaken. Draag gehoorbescherming en beperk de blootstelling.
- Contact met bladen
- Letsel door rondslingerende objecten

TRANSPORT EN OPSLAG

- Stop de motoren verwijder de isolatorsleutel. Zorg ervoor dat alle bewegende delen volledig tot stilstand zijn gekomen. Laat het product voldoende afkoelen voor u het opbergt of transporteert.
- Verwijder alle vreemde voorwerpen van het product. Bewaar op een koele, droge en goed geventileerde plaats die niet toegankelijk is voor kinderen. Houd corrosieve producten, zoals tuinchemicaliën en strooizout uit de buurt van het apparaat. Bewaar niet buitenshuis.
- Voor transport verwijder de isolatorsleutel beveiligd u het product tegen bewegen of vallen om lichamelijke letsels of schade aan het product te voorkomen.

⚠ WAARSCHUWING

Wees uiterst voorzichtig wanneer u de machine optilt of opheft voor onderhoud, reiniging, opslag of transport. Het maaiblad is scherp. Houd alle lichaamsdelen weg van het maaiblad terwijl het is blootgesteld.

ONDERHOUD

⚠ WAARSCHUWING

Gebruik uitsluitend originele vervangonderdelen, accessoires en voorzetstukken van de fabrikant. Als u dit niet doet, kan dit mogelijks letsels of slechte prestaties veroorzaken waardoor uw garantie kan vervallen.

⚠ WAARSCHUWING

Het onderhoud vereist extreme voorzichtigheid en deskundigheid en mag enkel door een gekwalificeerde onderhoudstechnicus worden uitgevoerd. Wij raden u aan het toestel voor herstellingen naar uw dichtstbijzijnde erkende onderhoudsdienst terug te brengen. Wanneer u onderhoud uitvoert mag u uitsluitend geautoriseerde vervangonderdelen gebruiken.

- Verwijder het vergrendelmechanisme en, indien mogelijk, de batterij voor u reinigt of onderhoudswerken uitvoert.
- U kunt de afstellingen en reparaties die in deze gebruiksaanwijzing worden vermeld, uitvoeren. Voor andere herstellingen, neemt u contact op met uw geautoriseerd onderhoudsagent.
- Controleer de grasvanger regelmatig op slijtage en sleet.
- Na elk gebruik, reinigt u het product met een zachte, droge doek. Een beschadigd onderdeel moet door een geautoriseerd onderhoudscentrum goed worden gerepareerd of vervangen.
- Controleer regelmatig of alle moeren, bouten en vijzen goed zijn vastgemaakt om zeker te zijn dat het product veilig kan worden gebruikt.
- Wees voorzichtig wanneer u de machine afstelt om te voorkomen dat uw vingers tussen de bewegende en vaste delen van de machine geklemd raken.
- Wanneer u de maaibladen onderhoudt, dient u er rekening mee te houden dat, ondanks het feit dat de stroombron is uitgeschakeld, de maaibladen nog steeds kunnen worden bewogen.
- Het maaiblad op het product is scherp. Wees

voorzichtig en draag zware handschoenen wanneer u de veiligheidsbout installeert, vervangt, reinigt of controleert.

- Vervang versleten of beschadigde maaibladen en moeren in paren om het evenwicht te bewaren.

RISICOBEPERKING

Er zijn meldingen dat trillingen van handwerktuigen bij sommige mensen bijdragen tot het Syndroom van Raynaud. Symptomen kunnen ondermeer tintelingen, gevoelloosheid en bleek worden van de vingers omvatten, wat normaal gezien duidelijk wordt bij blootstelling aan koude. Erfelijke factoren, blootstelling aan koude en vocht, dieet, roken en werkroutine kunnen allemaal bijdragen tot de ontwikkeling van deze symptomen. Er kunnen door de bediener maatregelen worden genomen om de gevolgen van de trillingen te beperken:

- Houd bij koud weer uw lichaam warm. Draag handschoenen terwijl u het product gebruikt om de handen en polsen warm te houden.
- Doe oefeningen om de bloeddoorstroming te bevorderen na elke periode van gebruik.
- Neem regelmatig een pauze. Beperk het aantal uren dat u per dag wordt blootgesteld.

Wanneer u enige van de symptomen van deze aandoening ervaart, stop dan onmiddellijk met het gebruik van het toestel en raadpleeg uw dokter

⚠ WAARSCHUWING

Letsels kunnen worden veroorzaakt of ernstiger worden door verlengd gebruik van een werktuig. Als u een werktuig gedurende langere periodes gebruikt, neem dan regelmatig pauze.

KEN UW PRODUCT

Zie pagina 163.

Onderdelen

1. Aan/uit-knop
2. Handvat
3. Motorbesturingskabel
4. Snoerhouder
5. Accudeur
6. Indicatielampje grasbak vol

7. Grasopvangbak
8. Achterwiel
9. Hoogteafstellingshendel
10. Voorwiel
11. Isolatorsleutel
12. Mulching plug
13. Accu
14. Lader
15. Startknop

SYMBOLEN OP HET PRODUCT



Lees en begrijp alle instructies voor u het product bedient, volg alle waarschuwingen en veiligheidsinstructies.



Draag gehoorbescherming



Draag gezichtsbescherming



Gebruik niet bij hellingen steiler dan 15°. Maai dwars langs hellingen, nooit op en neer.



Stel niet bloot aan regen of vocht.



Pas op voor het scherpe maaiblad. De maaibladen blijven draaien nadat de motor is uitgeschakeld - verwijder de isolatorsleutel voor onderhoud



Houd rekening met weggeslingerde of rondvliegende voorwerpen. Houd alle omstanders, in het bijzonder kinderen en huisdieren, op tenminste 15m afstand van het werkgebied.



Druk op de start-knop en dan op de aan/uit-knop (A, B, C of D) om het product te starten. Laat de start-knop los en blijf op de aan/uit-knop drukken om het product te bedienen. Laat de Aan/Uit-knop los om het product te doen stilvallen.



Gelieve de instructies zorgvuldig te lezen voordat u de machine in gebruik neemt.



Elektrisch afval mag niet samen met ander huishoudafval worden weggegooid. Gelieve te recyclen indien de mogelijkheid bestaat. Neem contact op met uw lokaal bestuur of handelaar om advies te krijgen over recyclage.



Dit apparaat voldoet aan alle geldende normen van Lid-Staat van de Europese Unie waar het werd gekocht.



EurAsian-symbool van overeenstemming



Oekraïens conformiteitssymbool



Het gegarandeerde geluidsniveau bedraagt 94 dB.

De volgende signaalwoorden en betekenissen zijn bedoeld om de gevareniveaus die met het product zijn verbonden, te verklaren:

⚠ GEVAAR

Wijst op een gevaarlijke situatie die, als ze niet wordt voorkomen, dodelijk kan zijn of ernstige verwondingen kan veroorzaken.

⚠ WAARSCHUWING

Wijst op een mogelijks gevaarlijke situatie die, als ze niet wordt voorkomen, dodelijk kan zijn of ernstige verwondingen kan veroorzaken.

⚠ LET OP

Wijst op een mogelijks gevaarlijke situatie die, als ze niet wordt voorkomen, kleine of middelmatige verwondingen kan veroorzaken.

LET OP

(Zonder veiligheidswaarschuwingssymbool) Wijst op een situatie die kan leiden tot materiële schade.

SYMBOLEN IN DEZE GEBRUIKSAANWIJZING



Onderdelen of accessoires afzonderlijk verkocht



Elektrisch afval mag niet samen met ander huishoudafval worden weggegooid. Gelieve te recycleren indien de mogelijkheid bestaat.



Houd handen weg van snijbladen.



Opmerking



Waarschuwing



Product stoppen

MAAITIPS

De looptijd van de batterij hangt af van de toestand, lengte en dichtheid van het gras.

Stel de maaihoogte van de grasmaaimachine af om overeen te komen met de huidige toestand van het gazon dat moet worden gemaaid.

Grastoeestand	Aangewezen hoogte-afstelling		Dekking (maximum)	
	Eerste doorgang	Volgende doorgangen	4 Ah-batterij	5 Ah-batterij
Heel dun / droog	3	2	200 m ²	250 m ²
Dun / droog	4	3 → 2	150 m ²	200 m ²
Medium / dicht	5	4 → 3	100 m ²	150 m ²

- Voor de beste resultaten maait u altijd een derde of minder van de totale hoogte van het gras
- Wanneer u lang gras maait, stapt u best trager om efficiënter maaien toe te laten en ervoor te zorgen dat het afval goed wegraakt.
- Maai geen nat gras; het zal aan de onderzijde van de maaier blijven plakken en voorkomen dat het grasafval goed wordt opgevangen of weggeworpen.
- Bij nieuw of dik gras kan een hogere maaihoogte nodig zijn.
- Een hogere maaihoogte zal de looptijd van de batterij verlengen.
- Als u het grasafval wilt verzamelen voor

afvoer, verwijdert u de mulching polug en installeert u de grasbak; zorg ervoor dat de bovenste klep goed is gesloten. Maak de grasbak regelmatig leeg, anders raakt de uitlaatklep geblokkeerd met grasafval.

- Als u een licht maait en het grasafval op het gazon wilt achterlaten, installeert u de mulching plug en sluit u de bovenste klep om de uitlaat te bedekken. In dit geval is het niet nodig om de grasbak te installeren.
- De grasmaaimachine is ontworpen om tijdens het maaien om de meest efficiënte manier te maaien.

Segurança, desempenho e fiabilidade foram as prioridades na concepção da seu corta-sebes sem fios.

USO PREVISTO

Este produto destina-se exclusivamente a ser utilizado ao ar livre.

Este produto foi concebido para o corte doméstico de relva. A lâmina deve girar aproximadamente paralela ao solo sobre o qual está a girar. As quatro rodas devem tocar o chão, enquanto estiver a cortar. É um corta-relva de tração manual com operário a pé.

O cortador de relva não deve ser colocado em funcionamento com as rodas separadas do solo, não deve ser puxado nem se deve colocar em cima dele. Só deve ser usada para cortar relvado de jardins.

AVISOS GERAIS DE SEGURANÇA

⚠ ADVERTÊNCIA

Ao usar a máquina com a bateria a funcionar, deve seguir sempre as precauções básicas de segurança para reduzir o risco de incêndio, fugas da bateria e danos corporais. Para a sua própria segurança e a dos que o rodeiam, leia estas instruções antes de utilizar o produto. Guarde as instruções para usá-las no futuro.

⚠ ADVERTÊNCIA

O aparelho apenas deverá funcionar com la bateria. Ao usar a máquina com a bateria a funcionar, deve seguir sempre as precauções básicas de segurança para reduzir o risco de incêndio, fugas da bateria e danos corporais.

SEGURANÇA PESSOAL

- O cortador de relva pode amputar mãos e pés, assim como lançar objectos. Na eventualidade de não cumprir com todas as instruções de segurança, tal poderá causar graves lesões ou morte.
- Leia e entenda as instruções e avisos de segurança. Familiarize-se com os controlos e a utilização adequada do aparelho.
- Nunca permita que crianças ou pessoas com capacidades físicas, sensoriais ou mentais reduzidas, ou pessoas não

familiarizadas com estas instruções, operem, limpem ou realizem qualquer manutenção no aparelho. A legislação local pode restringir a idade do operador. As crianças devem ser mantidas sob vigilância adequada para se garantir que não brincam com o produto.

- Ao operar o corta-relva, permaneça alerta, tenha em atenção ao que está a fazer e use o bom senso. Não utilize o corta-relva quando se sentir cansado ou se encontrar sob a influência de drogas, álcool ou medicamentos. Uma falta de concentração durante o funcionamento do cortador pode resultar em lesão corporal grave.
- Use calças compridas e resistentes, mangas compridas, calçado antiderrapante e luvas. Não use roupas largas, calções, sandálias ou ande descalço. Evite usar roupa larga ou com cordões ou laços.
- Use sempre óculos de segurança com protectores laterais.
- Assegure-se sempre do seu equilíbrio. Mantenha-se bem apoiado e equilibrado. Ande e nunca corra.
- Certifique-se sempre onde põe os pés em sítios inclinados.
- Utilize o aparelho na superfície de encostas, nunca para cima, nem para baixo. Tenha extrema cautela ao mudar de direcção nas inclinações.
- Não utilize o aparelho perto de declives, valas, zonas de inclinação excessiva ou aterros. Um fraco equilíbrio pode causar um acidente em que escorrega e cai.

AMBIENTE DE TRABALHO

- Devido ao perigo de projecção de objetos que possam entrar em contacto com a lâmina, evite utilizar o produto a menos de 15 m de distância de outras pessoas, especialmente crianças ou animais.
- Os objectos atirados pela lâmina do corta relva podem causar graves lesões às pessoas. Inspeccione cuidadosamente a área onde o cortador vai ser utilizado e retire todas as rochas, paus, metais, fios, ossos, brinquedos ou outros objectos estranhos. Lembre-se, o fio ou o cabo podem emaranhar-se com as lâminas.
- Corte sempre a relva com luz natural ou com uma boa luz artificial.



EN
FR
DE
ES
IT
NL
PT
DA
SV
FI
NO
RU
CS
PL
HU
RO
LV
LT
ET
HR
SL
SK
BG
UK

- Não opere a máquina em atmosferas explosivas, tais como na presença de líquidos inflamáveis, gases ou poeira. A ferramenta pode criar fagulhas que podem incendiar o pó ou os gases.
- Não trabalhe com o cortador em relva molhada ou sob chuva.
- Não utilize o corta-relva quando existe risco de relâmpagos.
- Mantenha em mente que o operador ou o utilizador é responsável pelos acidentes ou perigos que ocorrem a outras pessoas ou à sua propriedade.
- Podem ocorrer acidentes trágicos caso o operador não esteja alerta em relação à presença de crianças. As crianças sentem-se frequentemente atraídas pela máquina e pela actividade de cortar relva. Nunca assuma que as crianças vão permanecer onde as viu por último.
- Mantenha as crianças afastadas da área de corte e sobre a vigilância atenta de um adulto responsável para além do operador. Esteja alerta e desligue o aparelho, caso uma criança entre na área.
- Tenha cuidado extra ao aproximar-se de cantos cegos, arbustos, árvores, ou outros objectos que possam obstruir a sua visão de uma criança.

UTILIZAÇÃO E MANUTENÇÃO DA BATERIA

- Leia, compreenda e siga sempre as instruções de segurança que são fornecidas com a sua bateria e carregador. A não observância pode resultar em choque eléctrico, incêndio ou outras situações de perigo. Guarde todas as instruções juntas num local seguro para futuras consultas.
- As unidades operadas com bateria não têm que estar ligadas a uma tomada eléctrica, por conseguinte, estarão sempre em estado de funcionamento. Tire a chave comutadora quando não utilizar o produto.
- Extraia a bateria antes de fazer qualquer ajuste, limpeza ou de tirar material da unidade.
- Certifique-se que a chave de isolamento foi retirada antes de inserir a bateria.
- A bateria apenas deve ser carregada apenas com o carregador especificado pelo fabricante. O uso de um carregador

com um pacote de baterias incompatíveis pode criar um risco de incêndio. Use a bateria apenas com o carregador indicado.

- Utilize apenas a bateria concebida especificamente para a máquina. O uso de qualquer outra bateria pode resultar num risco de incêndio, choque eléctrico ou danos corporais.
- Quando a bateria não estiver a ser utilizada, mantenha-a afastada de outros objectos metálicos como clipes de papel, moedas, chaves, pregos, parafusos, ou outros pequenos objectos metálicos que podem fazer a ligação de um terminal para outro. Curto circuitar os terminais da bateria pode provocar faíscas, queimaduras, incêndios e explosões.
- Não coloque aparelhos com bateria ou as respectivas baterias perto de fogo ou fontes de calor. Tal aumenta o risco de explosão e de lesões.
- Não abra nem danifique a bateria. O electrólito libertado é corrosivo e pode causar danos nos olhos ou na pele. Pode ser tóxico no caso de ingestão.
- Proteja a bateria contra a humidade e a água. Não carregue a unidade em lugares húmidos ou molhados. Se entrar água no carregador, isto aumentará o risco de descargas eléctricas.
- Em caso de danos e uso inadequado da bateria, poderia emitir-se vapor. Proporciono ar fresco e vá a um médico em caso de queixas. O vapor pode irritar o sistema respiratório.
- Não deixe a bateria num veículo nem a guarde no exterior exposta a condições de frio ou calor.
- Não queime a bateria.
- Sob circunstâncias abusivas, o líquido pode ser ejectado da bateria, evite o contacto. Se o contacto ocorrer acidentalmente, limpe com água abundante. Se o líquido entrar em contacto com os olhos, procure adicionalmente assistência médica. O líquido ejectado da bateria pode causar irritação ou queimaduras.

AVISOS DE SEGURANÇA DO CORTADOR DE RELVA

- Antes de a utilizar, realize sempre uma inspecção visual para assegurar-se de



que as lâminas, os pernos da lâmina e o conjunto cortador não estão gastos ou danificados.

- Substitua lâminas e parafusos desgastados em conjunto de modo a preservar o equilíbrio.
- A lâmina do aparelho é muito afiada, tenha muito cuidado e use luvas resistentes ao montar, substituir, limpar ou verificar a fixação do parafuso.
- Leve o produto a um centro de serviço autorizado para substituir as etiquetas danificadas ou ilegíveis.
- Verifique todas as porcas, pregos e parafusos com intervalos frequentes para confirmar a tensão apropriada e se certificar que o equipamento está em condições seguras de funcionamento.
- Verifique o coletor de erva frequentemente para ver se existe desgaste, buracos ou deterioração.
- Substitua as peças desgastadas ou danificadas antes de operar o aparelho.
- O produto deve ser ligado com o utilizador situado atrás do guiador, na zona de segurança do operário. Nunca ligue o produto se:
 - as quatro rodas não estiverem no chão
 - o saco de recolha estiver a descoberto, sem a proteção do acessório de mulching e da cobertura do saco de recolha, ou a caixa de recolha de erva e a cobertura do saco de recolha
 - se houver pés ou mãos na zona de corte
- Nunca utilize o produto se o interruptor de ligar/desligar situado no guiador não ligar e desligar o produto de forma correta.
- Nunca tente bloquear os interruptores on/off (ligar/desligar) na posição ON; isto é extremamente perigoso.
- Não force o produto. Realizará um trabalho melhor e mais seguro à velocidade para a qual foi concebida.
- Pare a lâmina quando passar por superfícies com gravilha.
- Não puxe o aparelho para trás a menos que seja absolutamente necessário. Se tiver de afastar o cortador de um muro ou obstrução, olhe primeiro para baixo e atrás para evitar de tropeçar ou puxar o cortador para os seus pés.
- Pare o motor e deixe que a lâmina pare caso o cortador de relva tenha que ser inclinado para ser transportado ao atravessar superfícies que não sejam de relva e ao transportar o aparelho para e da área a ser cortada.
- Não utilize a máquina com protecções defeituosas, ou sem ter colocado correctamente os dispositivos de segurança, por exemplo deflectores e/ou apanhadores de relva.
- Não incline o corta-relva ao ligar o motor ou com o motor em funcionamento. Isso expõe a lâmina e aumenta a probabilidade de objetos serem projetados.
- Ligue o motor com cuidado de acordo com as instruções e mantenha as mãos e os pés afastados da área de corte. Mantenha sempre a abertura de descarga desobstruída. Não ligue o motor quando se encontra em frente da rampa de descarga.
- Não coloque as mãos ou os pés próximo das peças rotativas. Mantenha sempre a abertura de descarga desobstruída.
- Nunca levante nem transporte o aparelho com o motor em funcionamento.
- Pare o motor do cortador e remova o dispositivo desativado, certifique-se de que todas as peças móveis se imobilizaram completamente para os casos abaixo:
 - Sempre que deixe o produto sem vigilância (inclusive enquanto tira os restos de erva)
 - antes de limpar um bloqueio ou desobstruir a calha
 - antes de verificar, limpar ou funcionar com o produto
 - após atingir um objeto estranho; inspecione o aparelho para verificar se fez danos e fazer reparações, se necessário, antes de reiniciar e operar a máquina.
 - antes de remover a caixa de relva ou abrir a calha de descarga de relva
 - se o produto começar a vibrar de forma anormal (verifique imediatamente)
 - Quando realizar uma inspeção de danos, em particular nas lâminas.
 - substitua ou repare qualquer peça danificada
 - verifique e aperte as peças soltas
- Evite furos, raízes, solavancos, pedras

ou outros objectos escondidos. Um terreno desnivelado pode fazer com que escorregue e caia.

- Durante a montagem ou ao dobrar o guiador, assegure-se sempre que o cabo que vai do guiador ao corpo do corta-relva não está encurralado nem pisado, e que não apresenta danos.

SOBRECARGA E PROTEÇÃO CONTRA SUPERAQUECIMENTO

O produto tem um dispositivo de protecção contra sobrecarga que se activa quando ocorre um pico de corrente ou sobreaquecimento, cortando automaticamente a corrente ao produto. Se o protetor de sobrecarga for accionado, o botão on-off deve ser libertado. Pressione o botão ligar-desligar para reiniciar o produto.

A bateria tem protecção de sobreaquecimento. Uma temperatura excessiva fará com que a bateria deixe de alimentar a ferramenta. Toque na bateria; se estiver demasiado quente, deixe arrefecer. Se a ferramenta continuar sem funcionar, recarregue a bateria.

NOTA: O indicador LED da bateria não funcionará se a função de protecção da bateria provocar que a bateria deixe de alimentar a ferramenta e que esta pare. Solte o gatilho da ferramenta ou extraia a bateria da ferramenta e o indicador LED reiniciará o funcionamento normal.

RISCOS RESIDUAIS:

Mesmo quando se utiliza o produto segundo as instruções, continua a ser impossível eliminar por completo certos fatores de risco residuais. Os seguintes perigos podem surgir na utilização e o operador deve prestar especial atenção para evitar o seguinte:

- Lesões por vibração. Use sempre a ferramenta certa para o trabalho, use pegas concebidas e restrinja o tempo e exposição de trabalho.
- A exposição ao ruído pode provocar perda de audição. Use protecção para os ouvidos e limite o tempo de exposição.
- Contacto com as lâminas
- Lesão de objetos projetados

TRANSPORTE E ARMAZENAMENTO

- Pare o motor e retire a chave de isolamento. Certifique-se de que todas as peças em movimento pararam completamente. Deixe o dispositivo arrefecer antes de o guardar ou transportar.
- Limpe todos os materiais estranhos do produto. Guarde-o num local fresco e seco e bem ventilado a que as crianças não consigam aceder. Mantenha-o afastado de substâncias corrosivas, tais como produtos químicos utilizados em jardinagem e sais de descongelação. Não armazenar ao ar livre.
- Para transportar, prenda o aparelho de modo a evitar que este se mova ou caia, para evitar lesões ou danos no produto.

⚠ ADVERTÊNCIA

Tenha muito cuidado ao levantar ou inclinar a máquina para operações de manutenção, limpeza, armazenamento ou transporte. A lâmina é afiada. Mantenha todas as partes do corpo afastadas da lâmina enquanto a lâmina se encontrar exposta.

MANUTENÇÃO

⚠ ADVERTÊNCIA

Utilize apenas peças de substituição, acessórios e encaixes do fabricante original. A inobservância desta indicação pode causar um fraco desempenho, possíveis lesões e poderá anular a sua garantia.

⚠ ADVERTÊNCIA

Os serviços de manutenção requerem extremo cuidado e conhecimentos e devem apenas ser realizado por um técnico de assistência qualificado. Para assistência, sugerimos que devolva o produto ao seu centro de assistência autorizado mais próximo para reparação. Ao realizar serviços de manutenção, use apenas peças de substituição autorizadas.

- Remova o dispositivo desativado e se possível a bateria, antes de qualquer tarefa de limpeza ou manutenção.

- Pode realizar os ajustes e reparações descritos neste manual do utilizador. Para outro tipo de reparações entre em contacto com um agente de serviço autorizado.
- Verifique o colector de erva frequentemente para ver se existe desgaste ou deterioração.
- Limpar o produto com um pano suave seco depois de cada uso. Qualquer peça danificada deve ser substituída ou reparada adequadamente por um centro de serviço autorizado.
- Verifique todas as porcas, pregos e parafusos com intervalos frequentes para confirmar a tensão apropriada e se certificar que o produto está em condições seguras de funcionamento.
- Tenha cuidado quando estiver a ajustar a máquina de forma a evitar que os seus dedos fiquem presos entre as lâminas em movimento e as peças fixas da máquina.
- Quando efectuar a manutenção das lâminas, tenha em conta que mesmo que a corrente esteja desligada, as lâminas podem na mesma mover-se.
- Este aparelho contém uma lâmina afiada. Tenha cuidado e use luvas pesadas ao encaixar, substituir, limpar ou verificar o parafuso de segurança.
- Substitua lâminas e parafusos desgastados em conjunto de modo a preservar o equilíbrio.

REDUÇÃO DO RISCO

Foi reportado que as vibrações das ferramentas de mão podem contribuir para uma doença designada de Síndrome de Raynaud em determinados indivíduos. Os sintomas podem incluir formigueiro, entorpecimento e empaldecimento dos dedos, habitualmente visível aquando da exposição ao frio. Estima-se que os factores hereditários, exposição ao frio e humidade, dieta, tabagismo e práticas de trabalho contribuem todos para o desenvolvimento destes sintomas. Existem medidas que podem ser tomadas pelo operador para possivelmente reduzir os efeitos da vibração:

- Mantenha o seu corpo quente durante o tempo frio. Ao operar o produto, use luvas para manter as mãos e os pulsos quentes.
- Após cada período de operação, exercite para aumentar a circulação sanguínea.

- Faça pausas frequentes no trabalho. Limite o tempo de exposição por dia.

Caso sinta algum dos sintomas desta doença, interrompa de imediato a sua utilização e consulte o seu médico sobre estes sintomas.

⚠ ADVERTÊNCIA

O uso prolongado de uma ferramenta pode causar o agravar lesões. Ao usar qualquer ferramenta durante períodos prolongados, assegure-se que faz intervalos regulares.

CONHEÇA O SEU APARELHO

Ver a página 163.

Peças

1. Botão ON/OFF (ligar/desligar)
2. Manipulo
3. Cabo de controlo do motor
4. Fixador de cabo
5. Porta da bateria
6. Indicador de caixa de recolha cheia
7. Caixa de relva
8. Roda traseira
9. Alavanca reguladora da altura
10. Roda frontal
11. Chave de isolamento
12. Tomada de "mulching"
13. Bateria
14. Carregador
15. Botão de início

SÍMBOLOS NO PRODUTO



Leia e compreenda todas as instruções antes de manipular o produto, respeite os alertas e as instruções de segurança.



Use protecção para os ouvidos



Usar protecção para os olhos



Não trabalhe com o cortador em inclinações superiores a 15°. Corte a relva transversalmente nas inclinações, nunca para cima e para baixo.



Não o exponha à chuva ou a condições de humidade.



Cuidado com lâminas afiadas. As lâminas continuam a rodar quando se desliga o motor – Tire a chave comutadora antes de realizar qualquer operação de manutenção



Tenha cuidado com os objectos voláteis ou lançados. Mantenha todos os espectadores, especialmente crianças e animais de estimação, a pelo menos 15m da área de funcionamento.



Pressione o botão Start (iniciar) e, em seguida, o botão On/Off (A, B, C ou D) para iniciar o aparelho. Solte o botão Start e continue a premir o botão On/Off para operar o aparelho. Solte o botão On-off para parar o aparelho.



Agradecemos que leia atentamente as instruções antes de iniciar a máquina.



Os aparelhos eléctricos antigos não devem ser eliminados juntamente com o lixo doméstico. Recicle onde existem instalações para o efeito. Verifique com as suas Autoridades Locais ou revendedor para obter informações sobre reciclagem.



Esta ferramenta obedece a todas as normas regulamentares do país da UE onde foi comprada.



Marca de conformidade EurAsian



Marca de conformidade ucraniana



O melhor nível de potência sonora é de 94 dB

As seguintes palavras de sinal e significados destinam-se a explicar os níveis de risco associados a este produto:

⚠ PERIGO

Indica uma situação perigosa iminente, que, se não evitada, poderá resultar em morte ou ferimentos graves.

⚠ ADVERTÊNCIA

Indica uma situação potencialmente perigosa, que, se não evitada, poderá conduzir à morte ou graves lesões.

⚠ ADVERTÊNCIA

Indica uma situação potencialmente perigosa, que, se não evitada, poderá resultar em pequenas ou moderadas lesões.

ADVERTÊNCIA

(Sem símbolo de alerta de segurança) Indica uma situação que pode resultar em danos de propriedade.

SÍMBOLOS NESTE MANUAL



As peças ou acessórios vendem-se separadamente



Os aparelhos eléctricos antigos não devem ser eliminados juntamente com o lixo doméstico. Recicle onde existem instalações para o efeito.



Mantenha as mãos afastadas das lâminas.



Nota



Aviso



Pare o aparelho.

DICAS PARA CORTAR A RELVA

O tempo operacional da bateria varia de acordo com a condição, comprimento e densidade da relva.

Ajuste de altura de corte do cortador de relva para se adequar à atual condição do relvado a ser cortado.

Condições da relva	Regulação de altura sugerida		Cobertura (máximo)	
	Primeira passagem	Passagens subsequentes	Bateria de 4 Ah	Bateria de 5 Ah
Muito fina / seca	3	2	200 m ²	250 m ²
Fina / Seca	4	3 → 2	150 m ²	200 m ²
Média / Densa	5	4 → 3	100 m ²	150 m ²

- Para um melhor desempenho, corte sempre um terço ou menos da altura total da relva.
- Ao cortar relva longa, reduza a velocidade de passo para permitir um corte mais eficaz e uma descarga apropriada das aparas.
- Não corte a relva molhada; irá ficar colada à parte inferior da plataforma e impedir a recolha ou descarga adequadas das aparas de relva.
- A relva nova ou densa pode requerer uma altura de corte superior.
- Uma maior altura de corte irá aumentar o tempo operacional da bateria.
- Se deseja recolher os restos de erva, tire o acessório de mulching e coloque a caixa de recolha; assegure-se que a aba superior está bem fechada. Esvazie a caixa de recolha com frequência, caso contrário, a bolsa de recolha bloqueará com os restos de erva.
- Se estiver a realizar um corte pequeno e quer que os cortes de erva caiam no chão, coloque o acessório de mulching e feche a aba superior para tapar o orifício de descarga. Em tal caso não é necessário colocar a caixa de recolha.
- Este corta-relva foi desenhado para funcionar e oferecer os melhores resultados de corte quando se utiliza para a frente.

Sikkerhed, ydelse og driftssikkerhed har fået topprioritet i designet af din ledningsfri hækkeklipper.

TILTÆNKT ANVENDELSESFORMÅL

Produktet er kun beregnet til udendørs brug.

Dette produkt er beregnet til klipning af private plæner. Klippekniven bør rotere omtrent parallelt med den jordoverflade, den køres hen over. Alle fire hjul skal røre ved plænen under klipningen. Denne plæneklipper er designet til at blive betjent af en person, som går bag den og skubber den med hånden.

Plæneklipperen må aldrig anvendes, uden at hjulene rører jorden; det er forbudt at trække den eller ride på den. Den bør ikke bruges til at klippe andet end private græsplæner.

GENERELLE SIKKERHEDSADVARSLER

⚠ ADVARSEL

Når man bruger den batteridrevne maskine, skal man altid følge de grundlæggende sikkerhedsforanstaltninger for at reducere faren for brand, lækkende batterier og personskader. Af hensyn til egen og andres sikkerhed skal man læse denne brugsanvisning, inden produktet anvendes. Disse sikkerhedsregler skal opbevares med henblik på senere brug.

⚠ ADVARSEL

Produktet bør kun anvendes med batteriet som drivkraft. Når man bruger den batteridrevne maskine, skal man altid følge de grundlæggende sikkerhedsforanstaltninger for at reducere faren for brand, lækkende batterier og personskader.

PERSONLIG SIKKERHED

- Plæneklipperen er i stand til at amputere hænder og fødder samt udslynge genstande. Følges alle sikkerhedsinstruktioner ikke, så kan det have alvorlige skader, eller i værste fald døden, til følge.
- Brugsanvisningen og sikkerhedsadvarslene skal være læst og forstået. Sørg for at blive fortrolig med betjeningselementerne samt korrekt brug af produktet.
- Lad aldrig børn eller personer med

begrænsede fysiske, sensoriske eller mentale evner, eller personer, som ikke er bekendt med denne brugsanvisning, benytte, rengøre eller vedligeholde produktet. Lokale love kan have indflydelse på den tilladte brugeralder. Børn bør holdes under tilstrækkeligt opsyn, så man er sikker på, at de ikke leger med produktet.

- Anvend sund fornuft når du anvender græsslåmaskinen. Anvend ikke græsslåmaskinen hvis du er træt eller under indflydelse fra stoffer, alkohol eller medicin. Et kort koncentrationssvigt, mens man betjener maskinen, kan medføre alvorlige personskader.
- Bær kraftige, lange bukser, lange ærmer, skridsikkert fodtøj og handsker. Undlad at bære løstsiddende tøj, korte bukser, sandaler eller gå barfodet. Undgå at bære løstsiddende tøj eller frit hængende snører eller slips.
- Vær altid sikkerhedsbriller med sidebeskyttelse.
- Sørg altid for at have godt fodfæste. Hold et godt fodfæste og balance. Gå, løb aldrig.
- Sørg altid for at have godt fodfæste på skråninger.
- Kør produktet på tværs af skråninger, aldrig op og ned. Udvis stor forsigtighed når græsslåmaskinen vendes på bakker.
- Undgå at bruge produktet nær skrænter, grøfter, meget stejle skåninger eller diger. Dårligt fodfæste kan føre til tab af balance og faldulykker.

ARBEJDSOMGIVELSER

- Undlad at bruge produktet, mens mennesker, især børn, eller kæledyr opholder sig inden for 15 meter, da der er fare for, at genstande kan blive udslynget ved kontakt med kniven.
- Genstande som sætter sig fast i græsslåmaskinens skæreblade kan føre til alvorlige skader. Inspicér omhyggeligt det område, hvor maskinen skal anvendes, og fjern alle sten, pinde, metaldele, ledninger, ben, legetøj eller andre fremmedlegemer. Husk på, at tråd eller snor kan blive filtret ind i klippeudstyret.
- Klip kun græs i dagslys eller i god kunstig belysning.
- Brug ikke maskinen i eksplosive omgivelser

som fx i nærheden af brandbar væske, gas eller støv. Værktøjet udløser gnister, som kan antænde støvet eller dampene.

- Brug ikke maskinen på fugtige, våde steder eller i regnvejr.
- Plæneklipperen må ikke benyttes, hvis der er fare for tordenvejr.
- Husk det er brugeren selv der er ansvarlig for ulykker eller farer andre folk bliver udsat for.
- Tragiske yheld kan forekomme hvis brugeren ikke er klar over tilstedeværelsen af børn. Børn tiltrækkes ofte af græsslåmaskinen og dens udførte arbejde. Tag det aldrig for givet, at børn bliver stående det sted du sidst så dem.
- Hold børn væk fra arbejdsområdet og hold dem under nært opsyn af en voksen; en voksen der ikke selv er bruger af græsslåmaskinen. Vær årvågen, og sluk produktet, hvis et barn kommer i nærheden.
- Udvis ekstra forsigtighed når de nærmer dig blinde hjørner, buske, træer eller andre ting der kan blokere udsynet.

BRUG OG PLEJE AF BATTERIVÆRKTØJ

- Læs, forstå og følg altid de sikkerhedsinstrukser, der fulgte med batteri og oplader. Undladelse heraf kan resultere i elektrisk stød, brand eller andre farlige situationer. Opbevar alle brugsanvisninger samlet på et sikkert sted for fremtidig brug.
- Batteridrevne produkter skal ikke nødvendigvis forbindes til en stikkontakt; de er således altid klar til brug. Fjern afbrydernøglen, når du ikke bruger produktet.
- Inden man foretager justeringer, rengøring eller fjerner materiale fra produktet, skal batteriet udtages.
- Kontrollér, at sikkerhedsnøglen er fjernet, inden batteriet isættes.
- Opladning af batteriet må kun ske med den af producenten foreskrevne oplader. Brug af en oplader med et ukompatibelt batteri kan medføre brandfare. Brug kun batteriet sammen med den foreskrevne oplader.
- Brug kun det batteri, der specifikt er beregnet til maskinen. Brug af andre batterier kan medføre fare for brand, elektrisk stød eller personskader.
- Når batteriet ikke bruges, må det ikke

opbevares sammen med metalgenstande som fx papirclips, mønter, nøgler, søm, skruer eller andre metalgenstande, som kan skabe forbindelse mellem batteriets poler. Hvis batteriets poler kortsluttes, kan de forårsage gnister, forbrændinger, brand eller eksplosion.

- Batteriprodukter eller de tilhørende batterier må ikke anbringes nær ild eller varme. Herved øges faren for eksplosion og evt. personskader.
- Batteriet må ikke åbnes eller mishandles. Udløbende batterisyre er korrosiv og kan forårsage skader på øjne og hud. Den kan være toksisk ved indtagelse.
- Beskyt batteriet mod fugt og vand. Produktet må ikke oplades i fugtige eller våde omgivelser. Derved formindskes risikoen for elektrisk stød.
- I tilfælde af skade og forkert brug af batteriet kan der udledes dampe. Sørg for frisk luft, og kontakt læge, hvis der konstateres gener. Dampen kan irritere åndedrætssystemet.
- Undlad at efterlade batteripakken i køretøjet eller udendørs i varme eller kolde omgivelser.
- Batteriet må ikke afbrændes.
- Hvis batteriet misbruges, kan der sprøjte væske ud af det; undgå kontakt med batterivæsken. Ved kontakt med batterivæsken skylles med vand. Hvis der kommer væske i øjnene, søges desuden læge. Udsprøjtet batterivæske kan forårsage irritation eller forbrændinger.

SIKKERHEDSADVARSLER VEDR. PLÆNEKLIPPERE

- Inden ibrugtagning skal man altid visuelt kontrollere, at knive, knivbolte og klippemodul ikke er slidte eller beskadigede.
- Udskift altid slidte eller beskadigede knive og skruer sætvis, så balancen opretholdes.
- Klingen på produktet er meget skarp; man skal udvise ekstrem forsigtighed og benytte solide handsker, når man monterer, udskifter, rengør eller kontrollerer boltsikkerheden.
- Indlevér produktet på et autoriseret servicecenter for at få udskiftet beskadigede eller ulæselige mærkater.
- Tjek ofte alle møtrikker, bolte og skruer



om de sidder godt fast og sørg for at græsslåmaskinen fungerer ordentligt.

- Græsopsamleren skal kontrolleres hyppigt for slitage, huller eller svækkelse.
- Udskift slidte eller beskadigede dele, inden produktet tages i brug.
- Produktet skal startes med brugeren placeret bag styrene i operatørens sikkerhedszone. Produktet må aldrig startes, hvis:
 - alle fire hjul ikke hviler på jorden
 - græs-udkaståbningen er blottet uden at være beskyttet af enten bioklipproppen og græs-udkaståbningens dæksel eller af græsboksen og græs-udkaståbningsdækslet.
 - alle de tilstedeværendes hænder og fødder ikke er fri af klippebeklædningen.
- Produktet må aldrig benyttes, hvis Tænd/Sluk-kontakten på styret ikke formår at starte og stoppe produktet korrekt.
- Forsøg aldrig at låse Tænd/Sluk-kontakter (ON/OFF) i pos. ON (=tændt; dette er yderst farligt).
- Undlad at tvinge produktet. Produktet klarer opgaven bedre og sikrere med den hastighed, det er beregnet til.
- Stop kniven under passage af grusarealer.
- Undgå at trække produktet baglæns, med mindre dette er absolut nødvendigt. Hvis maskinen skal bakkes bort fra en væg eller forhindring, skal man først se ned og bagud, så man ikke risikerer at snuble eller trække maskinen hen over fødderne.
- Stop motoren, og vent, til klingen er stoppet, hvis maskinen skal vippes i forbindelse med transport hen over arealer forskellig fra græs, og når produktet transporteres til og fra det område, de skal klippes.
- Maskinen må aldrig anvendes med defekte skærme eller skjolde, eller uden påmonteret sikkerhedsudstyr, fx preplader og/eller græssamler.
- Undgå at vippe plæneklipperen, mens motoren startes, eller mens motoren kører. Herved blottes klingens, og risikoen for, at der udslynges genstande, øges.
- Start motoren forsigtigt som foreskrevet, og hold hænder og fødder på afstand af klippeområdet. Hold også altid væk fra udtømningsområdet. Start ikke motoren

mens du står foran udstødningen.

- Anbring aldrig hænder eller fødder i nærheden af eller under roterende dele. Hold også altid væk fra udtømningsområdet.
- Løft eller bær aldrig produktet med kørende motor.
- Stop plæneklipperens motor, og fjern sikkerhedsnøglen; sørg for, at alle bevægelige dele er fuldstændigt stoppet i nedenstående tilfælde:
 - når man efterlader produktet uden opsyn (herunder ved bortskaffelse af græsafklip)
 - inden afhjælpning af blokeringer eller fjernelse af tilstopninger fra åbningen,
 - inden kontrol, rengøring eller arbejde på produktet
 - efter at man har ramt et fremmedlegeme; inspicér udstyret for skader, og foretag de nødvendige reparationer inden genstart og benyttelse af maskinen.
 - Inden man fjerner græsboksen eller åbner græsudkast-åbningens dæksel
 - hvis produktet begynder at vibrere unormalt (kontrolleres omgående)
 - eftersyn for skader, især knivene
 - udskift eller reparér alle beskadigede dele
 - kontrollér og efterspænd evt. løse dele
- Undgå huller, riller, buler, sten eller lignende. Ujævnt terræn kan føre til tab af balance og faldulykker.
- Kontrollér altid, at ledningen fra styret til selve plæneklipperen ikke er blevet sammenviklet, klemt eller beskadiget på anden måde under samling eller sammenklapning af styret.

OVERBELASTNING OG OVEROPHEDNING BESKYTTELSE

Produktet har en overbelastningsbeskyttelse, som aktiveres i tilfælde af strøm-spike, og den afbryder automatisk strømforsyningen internt i produktet. Hvis overbelastningsbeskytteren udløses, skal man frigive Tænd/Sluk-knappen. Tryk på Tænd/Sluk-knappen for at genstarte produktet.

Batteripakken har overophedningsbeskyttelse. For høje temperaturer vil bevirke, at batteriet afbryder strømforsyningen til værktøjet. Mærk



efter på selve batteriet; lad det køle af, hvis det er for varmt. Hvis værktøjet stadig ikke vil starte, skal batteriet genoplades.

BEMÆRK: Batteriets indikator-LED virker ikke, hvis batteribeskyttelsesfunktionen har fået batteriet til at afbryde strømforsyningen til værktøjet. Slip værktøjsudløseren, eller tag batteriet ud af værktøjet; herefter vil batteriets indikator-LED atter fungere normalt.

UUNDGÅELIGE RISICI

Selv om produktet anvendes som foreskrevet, er det stadig umuligt at eliminere visse uundgåelige risikofaktorer fuldstændigt. Følgende risici kan opstå under brug, og operatøren bør være særligt opmærksom for at undgå følgende:

- Personskader forårsaget af vibration. Brug altid det rigtige værktøj i forhold til arbejdsopgaven, benyt de hertil indrettede håndtag, og sørg for at begrænse arbejds- og eksponeringstiden.
- Eksponering for støj kan medføre høreskader. Benyt høreværn, og begræns eksponering.
- Kontakt med knive
- Personskader pga. flyvende genstande

TRANSPORT OG OPBEVARING

- Stop motoren, og tag sikkerhedsnøglen ud. Kontrollér, at alle bevægelige dele er standset fuldstændigt. Lad produktet køle tilstrækkeligt af inden opbevaring eller transport.
- Afrens alle fremmedlegemer fra produktet. Opbevar den på et køligt, tørt og godt ventileret sted utilgængeligt for børn. Opbevar motorsaven på afstand af ætsende midler som f.eks. havekemikalier og optøningsalt. Må ikke opbevares udendørs.
- Til transport skal, fjern sikkerhedsnøglen, man sikre produktet så den ikke kan bevæge sig eller vælte; dette for at forebygge personskader eller skader på produktet.

⚠ ADVARSEL

Vær meget forsigtig, når du løfter eller vipper maskinen i forbindelse med vedligeholdelse, rengøring, opbevaring eller transport. Klingen er skarp. Hold alle kroppsdele på afstand af klingens, når denne er blottet.

VEDLIGEHOLDELSE

⚠ ADVARSEL

Brug kun originale reservedele, ekstraudstyr og tilbehør fra producenten. I modsat fald er der fare for personskader, dårlig maskinydelse og annullering af garantien.

⚠ ADVARSEL

Vedligeholdelse kræver stor omhyggelighed og viden og kun bør udføres af en kvalificeret tekniker. Vi anbefaler du leverer enheden tilbage til dit nærmeste autoriserede service center til reparation. I forbindelse med servicearbejde må der kun bruges godkendte reservedele.

- Fjern sikkerhedsnøglen og, om muligt, batteriet, før nogen form for rengøring eller vedligeholdelse.
- Du kan lave justeringer og reparationer beskrevet i denne brugervejledning. Til andre reparationsopgaver skal man kontakte den autoriserede servicemontør.
- Tjek ofte græsbeholderen for slitage.
- Produktet skal rengøres med en blød klud efter hver brug. Enhver del, som bliver beskadiget, skal repareres ordentligt eller udskiftes på et autoriseret servicecenter.
- Tjek ofte alle møtrikker, bolte og skruer om de sidder godt fast, og sørg for at produktet fungerer ordentligt.
- Vær forsigtig ved justering af maskinen, så du ikke får fingrene i klemme mellem bevægelige knive og faste maskindele.
- Når man servicerer knivene, skal man være opmærksom på, at de stadig kan bevæge sig, selv om strømmen er afbrudt.
- Kniven på produktet er skarp. Vær forsigtig, og benyt kraftige handsker, når du monterer, udskifter, rengør eller

kontrollerer boltsikkerheden.

- Udskift altid slide eller beskadigede knive og skruer sætvis, så balancen opretholdes.

RISIKOREDUKTION

Der er rapporteret om, at vibrationer fra håndholdte værktøjer kan være medvirkende til en lidelse kaldet Raynauds syndrom hos visse personer. Symptomerne herpå kan være prikken, følelsesløshed og blegning af fingrene, der normalt viser sig ved kuldepåvirkning. Faktorer som arvelighed, udsættelse for kulde og fugt, kost, rygning og arbejdsvaner menes alle at medvirke til udviklingen af disse symptomer. Der findes forholdsregler, som operatøren kan træffe for at begrænse påvirkningen fra vibrationer:

- Hold kroppen varm i koldt vejr. Brug handsker, så hænder og vriste holdes varme under arbejdet.
- Motionér efter hver arbejdsperiode for at øge blodcirkulationen.
- Hold hyppige arbejdspauser. Begræns eksponeringen for vibrationer pr. dag.

Hvis du mærker nogen af symptomerne på denne tilstand, skal du straks ophøre med arbejdet og søge læge.

⚠ ADVARSEL

Længere tids brug af et værktøj kan forårsage - eller forværre - personskader. Når man bruger et værktøj i længere perioder ad gangen, skal man huske at holde hyppige pauser.

KEND PRODUKTET

Se side 163.

Dele

1. Tænd/Sluk-knap
2. Håndtag
3. Motorstyre-kabel
4. Ledningsholder
5. Batteridør
6. Indikator for fuld græsboks
7. Græsboks
8. Baghjul
9. Højdeindstillingsstang
10. Forhjul
11. Sikkerhedsnøgle
12. Bioklip-prop
13. Batteri

14. Oplader
15. Start-knap

SYMBOLER PÅ PRODUKTET



Alle vejledninger skal læses og forstås, inden produktet benyttes; følg alle advarsler og sikkerhedsinstrukser.



Bær høreværn



Benyt øjenværn



Kør ikke på hældninger større end 15°. Slå græsset på tværs af bakker, aldrig op og ned.



Må ikke udsættes for regn eller bruges på fugtige steder.



Pas på skarpe klinger. Knivene fortsætter med at rotere, efter at motoren er slukket - fjern afbrydernøglen inden vedligeholdelsesarbejde



Pas på udslyngede eller flyvende objekter. Sørg for, at tilskuere (især børn og dyr) er mindst 15m fra arbejdsområdet.



Tryk først på Start-knappen og dernæst på Tænd/Sluk-knappen (A, B, C eller D) for at starte produktet. Slip Start-knappen, og hold Tænd/Sluk-knappen inde for at køre produktet. Slip Tænd/Sluk-knappen for at stoppe produktet.



Læs venligst vejledningen grundigt igennem før maskinen tages i brug.



Elektriske affaldsprodukter bør ikke afskaffes sammen med husholdningsaffald. Genbrug venligst hvor faciliteterne tillader dette. Tjek med din lokale kommune eller forhandler for genbrugsråd.



Dette redskab overholder alle lovkraft og standarder i det EU-land, hvor det er købt.



EurAsian
overensstemmelsesmærke



Ukrainsk
overensstemmelsesmærke



Det garanterede
lydeffektniveau er 94 dB.

Formålet med nedenstående signalord og betydninger er at tydeliggøre risikoniveauet i forbindelse med produktet:

FARE

Indikerer en meget farlig situation, som hvis ikke undgås, kan føre til alvorlige skader og i værste fald døden.

ADVARSEL

Indikerer en potentielt farlig situation, som hvis ikke undgås, kan føre til alvorlige skader og i værste fald døden.

PAS PÅ

Indikerer en potentielt farlig situation, som hvis ikke undgås, kan føre til mindre eller moderate skader.

PAS PÅ

(Uden sikkerhedsadvarselssymbol) Indikerer en situation, som kan medføre materiel skade.

SYMBOLER I DENNE BRUGSANVISNING



Dele eller tilbehør, der sælges separat



Elektriske affaldsprodukter bør ikke afskaffes sammen med husholdningsaffald. Genbrug venligst hvor faciliteterne tillader dette.



Hold hænderne på afstand af knivene.



Bemærk



Advarsel



Stop produktet.

TIPS TIL GRÆSSLÅNING

Batteriets driftstid afhænger af de aktuelle forhold samt græssets længde og tæthed.

Indstil plæneklipperens klippehøjde, så denne svarer til de aktuelle forhold for den plæne, der skal klippes.

Græsforhold	Anbefalet højdeindstilling		Dækningsgrad (max)	
	Første gennemgang	Efterfølgende gennemgange	4 Ah-batteri	5 Ah-batteri
Meget tynd / tør	3	2	200 m ²	250 m ²
Tynd / tør	4	3 → 2	150 m ²	200 m ²
Middel / tæt	5	4 → 3	100 m ²	150 m ²

- For bedste ydelse bør man altid klippe en tredjedel eller mindre af græssets totale højde.
- Når langt græs klippes, så gå langsommere frem med græsslåmaskinen, så græsset kan klippes mere effektivt.
- Undgå at klippe vådt græs; dette vil sætte sig fast på undersiden og forhindre opsamling eller udkast af det afklippede græs.
- Nyt eller tykt græs kan nødvendiggøre en højere klippehøjde.
- En højere klippehøjde vil forlænge batteriets driftstid.
- Hvis man ønsker at opsamle det afklippede græs med henblik på bortskaffelse, skal man fjerne bioklip-proppen og montere græsboksen og sikre, at flappen er ordentligt lukket. Græsboksen skal tømmes med jævne mellemrum, da udkast-åbningen ellers bliver blokeret af det afklippede græs.
- Hvis man foretager en let klipping og ønsker, at det afklippede græs skal blive liggende på plænen, monterer man bioklip-proppen og lukker den øverste flap for at tildække udkast-åbningen. I dette tilfælde er det ikke nødvendigt at montere græsboksen.
- Plæneklipperen er designet, så den fungerer og klipper mest effektivt, når den kører forlæns.

Säkerhet, prestanda och pålitlighet har varit högsta prioritet vid design av din sladdlösa häcktrimmer.

ANVÄNDNINGSSOMRÅDE

Produkten är enbart avsedd för utomhusbruk.

Denna produkt är avsedd för klippning av villaträdgårdar. Klippkniven bör rotera mer eller mindre parallellt mot den yta som ska klippas. Alla fyra hjul måste vara i marken när du klipper. Detta är en gräsklippare som kontrolleras genom att den skjuts för hand av den gående operatören.

Klipparen får aldrig köras om alla hjul inte är i marken och man får inte leka med eller åka på den. Den får endast användas för att klippa villagrasmattor, inte i något annat syfte.

ALLMÄNNA SÄKERHETSFORESKRIFTER

⚠ VARNING

Vid användning av batteridrivna verktyg ska grundläggande säkerhetsanvisningar alltid följas för att minska risken för brand, läckande batterier och personskador. För din egen, och andra närvarandes säkerhet, läs alltid dessa instruktioner innan du använder produkten. Förvara instruktionerna på ett säkert ställe för användning vid senare tillfälle.

⚠ VARNING

Produkten får enbart användas med batteriet. Vid användning av batteridrivna verktyg ska grundläggande säkerhetsanvisningar alltid följas för att minska risken för brand, läckande batterier och personskador.

PERSONLIG SÄKERHET

- Gräsklipparen kan klippa av händer och fötter samt slunga iväg objekt. Att inte följa alla säkerhetsinstruktioner kan resultera i allvarlig skada eller dödsfall.
- Läs och var införstådd med instruktioner och säkerhetsvarningar. Bekanta dig med reglagen och rätt användning av produkten.
- Se till att barn eller personer med nedsatt fysisk eller psykisk förmåga, eller personer som inte är bekanta med dessa instruktioner, aldrig använder, rengör eller utför underhåll på produkten. Lokala regler

kan åldersbegränsa användningen av gräsklipparen. Barn ska alltid övervakas så att de inte leker med produkten.

- Var vaksam, tänk på vad du gör och använd sunt förnuft när du använder gräsklipparen. Använd inte gräsklipparen om du är trött eller påverkad av droger, alkohol eller mediciner. Ett ögonblicks ouppmärksamhet vid användningen av maskinen kan leda till allvarliga personskador.
- Använd grova långa byxor, långärmat, halssäkra skor och arbetshandskar. Ha inte på dig löst åtsittande kläder, korta byxor, sandaler och gå inte barfota. Undvik att bära kläder som sitter löst eller som har hängande bälten och slips.
- Bär alltid säkerhetsglasögon med sidoglas.
- Var försiktig med balansen när du klipper. Bibehåll ett bra fotfäste och bra balans. Gå. Spring aldrig.
- Se till att du har ordentligt fotfäste i lutningar.
- Använd produkten tvärs lutningar, aldrig upp och ner. Var extremt försiktig när du byter riktning i en sluttning.
- Använd inte produkten vid höjdskillnader, diken, alltför branta lutningar eller kullar. Dåligt fotfäste kan resultera i halkningsolyckor.

ARBETSMILJÖ

- Använd aldrig produkten om personer, särskilt barn, uppehåller sig inom 15 meters radie på grund av faran med föremål som kan komma flygande genom kontakt med kniven.
- Föremål som träffas av gräsklipparbladet kan orsaka allvarlig skada. Inspektera noggrant arbetsområdet där maskinen ska användas och ta bort alla stenar, pinnar, metallföremål, strängar, ben, leksaker eller andra främmande föremål. Observera, trädor eller kablar kan trassla in sig i skärkameran.
- Arbeta endast i dagsljus eller under tillräckligt god belysning.
- Använd inte maskinen i explosiva atmosfärer, till exempel i närheten av brännbara vätskor, brännbara gaser eller damm. Verktuget skapar gnistor som kan antända damm och ångor.
- Använd inte maskinen om gräset är blött

eller om det regnar.

- Använd inte produkten om det finns risk för blixtnedslag.
- Kom ihåg att användaren är ansvarig för olyckor och faror som uppstår för andra människor och deras egendom.
- Tragiska olyckor kan ske om användaren inte är uppmärksam på om barn är i närheten. Barn är ofta nyfikna på maskinen och gräsklippningen. Anta aldrig att barn kommer att vara kvar där du senast såg dem.
- Håll barn borta från klippningsområdet och be en ansvarsfull vuxen att se efter dem. Var uppmärksam och stäng av produkten om barn kommer i närheten.
- Var extra försiktig när du närmar dig hörn, buskar, träd eller andra föremål som kan göra att du inte ser ett barn.

ANVÄNDNING OCH UNDERHÅLL AV BATTERIET

- Se till att läsa, vara införstådd med och alltid följa säkerhetsinstruktionerna som medföljde batteri och laddare. Om inte så kan det leda till elektrisk stöt, eldsvåda eller annan farofylld situation. Se till att samtliga instruktioner förvaras tillsammans för framtida referens.
- Batteridrivna enheter behöver inte vara inkopplade till ett eluttag för att fungera; de är därför alltid redo att användas. Avlägsna isoleringsnyckeln när du inte använder produkten.
- Plocka bort batteripaketet innan du gör några justeringar, rengör eller tar bort material från enheten.
- Se till att tändningsnyckeln är utdragen innan du sätter i batteripaketet.
- Batteripaketet får endast laddas med den batteriladdare som tillverkaren rekommenderar. Att använda en laddare med ett icke kompatibelt batteripaket utgör en brandrisk. Använd endast batteripaketet med den laddare som listas här.
- Använd endast batteripaket som är avsedda för just denna maskin. Om du använder några andra batteripaket så kan det leda till brand, elektriska stötar eller personskador.
- När batteripaketet inte används ska det hållas bort från metallföremål som gem,

mynt, nycklar, spikar, skruvar och andra små metallföremål som kan kortsluta batteriets kontakter. Kortslutning av batteriets poler kan orsaka gnistor, lågor, eldsvåda eller explosion.

- Placera inte batteriprodukter eller deras batterier i närheten av eld eller värme. Detta ökar risken för explosion och potentiell personskada.
- Försök inte öppna batteripaketet och utsätt det inte för våld. Elektrolyt som läcker ut är korrosivt och kan orsaka ögon- och hudskador. Det kan vara giftigt om det sväljs.
- Skydda batteripaketet mot fukt och vatten. Ladda inte enheten på fuktiga eller våta platser. Du minskar därmed riskerna för brand, elstöt eller allvarliga kroppsskador.
- Om batteriet är skadat eller används på fel sätt kan ånga komma ut från batteriet. Om besvär uppstår, se till att personen ifråga får frisk luft och uppsök sedan en läkare. Ångorna kan irritera andningssystemet.
- Lämna aldrig kvar batterier i ett fordon eller i förvaring utomhus under varma eller kalla förhållanden.
- Bränn inte batteriet.
- Vätska kan läcka ut från batteripaketet vid felaktig användning; undvik kontakt med vätskan. Spola med vatten om du kommer i kontakt med den. Uppsök omedelbart läkarhjälp om du får vätska i ögonen. Den kan orsaka irritation och brännskador.

SÄKERHETSFORESKRIFTER FÖR GRÄSKLIPPARE

- Undersök alltid maskinen visuellt innan du använder den för att försäkra dig om att knivar, knivbultarna och klippanordningen inte är utslitna eller skadade.
- Byt ut utslitna eller skadade knivar och bultar i par för att bibehålla balansen.
- Kniven på produkten är mycket vass, var extremt försiktig och använd grova arbetshandskar vid montering, byte eller kontroll av mutter.
- Lämna produkten till auktoriserat servicecenter för utbyte av skadade eller oläsbara etiketter.
- För att vara säker på att maskinen är säker att använda, kontrollera alla muttrar, bultar och skruvar regelbundet för att säkerställa



att de är åtdragna ordentligt.

- Kontrollera regelbundet gräsupsamlaren så den inte är slitna eller det är hål i den.
- Ersätt slitna och skadade delar innan produkten används.
- Produkten måste startas med operatören på plats bakom styret, i operatörens säkerhetszon. Starta aldrig produkten om:
 - alla fyra hjulen inte är på marken
 - om gräsutkastet är öppet utan att vara skyddat av vare sig kompostinsatsen och gräsutkastskyddet, eller gräsupsamlaren och gräsutkastskyddet
 - alla personers händer och fötter inte är borta från skärknivsinkapslingen
- Kör aldrig produkten om inte på/av-kontakten startar resp. stoppar produkten ordentligt.
- Lås aldrig på/av-brytaren i läget ON – det är extremt riskfyllt.
- Tvinga inte produkten. Verktuget fungerar bäst och mest effektivt om du jobbar i den takt som det är avsett för.
- Stoppa kniven när du kör över en grusgång eller liknande.
- Dra inte produkten bakåt såvida det inte är helt nödvändigt. Om du måste backa med maskinen bort från en vägg eller något annat hinder, titta först ner och bakom dig för att förhindra att du snubblar eller kör över dina egna fötter med maskinen.
- Stäng av motorn och låt kniven stoppa helt innan du lutar maskinen för att gå över annat underlag än gräs och vid transport av maskinen till och från det område där den ska användas.
- Använd aldrig maskinen med defekta skydd eller utan säkerhetsanordningar, som utkastare och/eller gräsupsamlare, på plats.
- Luta inte gräsklipparen när motorn startas eller när motorn är igång. Det exponerar kniven och ökar risken för att föremål ska kastas iväg.
- Var noga med att följa instruktionerna när motorn startas och håll händer och fötter borta från klippområdet. Håll alltid undan från utkastöppningen. Starta inte motorn när du står framför utkastsluckan.
- Placera inte händerna eller fötterna nära eller under roterande delar. Håll alltid

undan från utkastöppningen.

- Lyft aldrig upp och bär produkten när motorn är i gång.
- Stoppa gräsklipparens motor och ta bort inaktiveringsenheten, se till att alla rörliga delar har stoppat i följande fall:
 - när du lämnar produkten utan överinseende (inklusive bortskaffande av gräsklipp)
 - före rengöring av igensättningar eller upplösning av skräp
 - före kontroll av, rengöring av eller arbete med produkten
 - efter att slagit till främmande föremål; kontrollera produkten så den inte skadats, reparera vid behov före omstart och före användning av produkten.
 - innan gräsupsamlaren tas bort eller före skyddet för gräsutkastet öppnas
 - när maskinen börjar vibrera onormalt (kontrollera omedelbart)
 - Inspektera avseende skador, särskilt skärknivarna
 - byt ut eller reparera alla skadade delar
 - kontrollera och sätt fast ev. lösa delar
- Undvik hål, hjulspår, gupp, stenar och andra dolda föremål. Ojämn terräng kan orsaka halkolyckor.
- Var alltid noga med att kabeln från handtaget/styret till själva gräsklipparen aldrig fastnar, böjs eller skadas på annat sätt under monteringen eller vid vridning av handtaget.

ÖVERBELASTNING OCH ÖVERHETNINGSSKYDD

Produkten har överbelastningsskydd som aktiveras vid överhettning eller effektoppar och då automatiskt stänger av produkten. Om överbelastningsskyddet löst ut måste strömbrytaren tryckas in. Tryck på strömbrytaren för att starta om produkten.

Batteriet har överbelastningsskydd. Extrema temperaturer får batteriet att stänga av sig automatiskt. Känn på batteripacket; om det är för varmt behöver det få kylas av. Ladda batteriet om verktuget fortfarande inte fungerar efter det.

ANMÄRKNING: Indikatorn på batteripacket fungerar inte om batteriets





skyddsfunktioner har stängt av batteriet automatiskt. Släpp upp verktygets avtryckare eller ta bort batteripacket från verktyget så kommer indikatoridioden på batteripacket att fungera normalt igen.

KVARSTÅENDE RISKER

Även om produkten används enligt instruktionerna går det inte att eliminera alla eventuella riskfaktorer. Följande risker kan uppkomma under bruk och användaren ska vara extra uppmärksam för att undvika följande:

- Skada orsakad av vibration. Använd alltid rätt verktyg för arbetet, håll ordentligt i handtagen och begränsa arbetstid och exponering.
- Exponering för buller kan orsaka hörselskador. Använd hörselskydd och begränsa exponeringen.
- Kontakt med skärblad
- Skador från kringflygande föremål

TRANSPORT OCH FÖRVARING

- Stanna motorn och plocka ur tändningsnyckeln. Se till att samtliga rörliga delar har stannat helt. Låt produkten svalna ordentligt före transport eller förvaring.
- Ta bort allt främmande material från produkten. Förvara den svalt och välventilerat på en plats där barn inte kan komma åt den. Förvara på avstånd från frätande medel, t.ex. trädgårdskemikalier och vägsalt. Förvara den inte utomhus.
- Vid transport ska produkten säkras mot rörelser eller fallande för att förhindra personskador eller att produkten skadas.

⚠ VARNING

Var extra försiktig då maskinen lyfts eller lutas för underhåll, rengöring, förvaring eller transport. Kniven är mycket vass. Se till att att alla kroppsdelar är på säkert avstånd då kniven exponeras.

UNDERHÅLL

⚠ VARNING

Använd enbart ersättningsdelar och tillbehör från tillverkaren. Om inte kan det eventuellt orsaka skador, sämre resultat och kan upphäva garantin.

⚠ VARNING

Att serva produkten kräver extrem försiktighet och kunskap och bör endast utföras av en kvalificerad servicetekniker. Vi rekommenderar att du returnerar produkten till ditt närmsta auktoriserade servicecenter för reparation. Vid service ska endast auktoriserade reservdelar användas.

- Ta bort inaktiveringsenheten och, om möjligt, batteriet före rengöring eller underhåll.
- Du kan göra de justeringar och reparationer som beskrivs i den här manualen. För alla andra reparationer ska godkänt servicecenter kontaktas.
- Kontrollera gräsuppsamlaren regelbundet för slitage och nedbrytning.
- Efter rengöring ska maskinen alltid rengöras med en mjuk torr trasa. Skadade delar skall repareras ordentligt eller bytas ut av en auktoriserad servicefirma.
- För att vara säker på att produkten är säker att använda, kontrollera alla muttrar, bultar och skruvar regelbundet för att säkerställa att de är åtdragna ordentligt.
- Var noga vid inställning av maskinen med att förhindra att fingrarna fastnar mellan rörliga och fasta delar på maskinen.
- Vid underhåll eller service av bladen ska du vara medveten om att trots att elförsörjningen är avbruten kan bladet/bladen röra sig.
- Produktens skärkniv är vass. Var extremt försiktig och använd grova arbetshandskar vid montering, byte eller kontroll av mutter.
- Byt ut utslitna eller skadade knivar och bultar i par för att bibehålla balansen.

RISKMINSKNING

Det finns rapporter om att vibrationer från handhållna verktyg kan bidra till ett tillstånd



som kallas Raynauds syndrom för vissa personer. Symptomen brukar vara att det sticker i fingrarna och att de domnar bort; fingrarna kan också bli vita, särskilt vid kyla. Årftliga faktorer, kyla och fukt, diet, rökning och arbetsrutiner tros alla bidra till att orsaka dessa symptom. Det finns förebyggande åtgärder som du kan vidta för att försöka minska vibrationernas påverkan:

- Håll dig varm när du arbetar i kallt väder. Använd handskar för att hålla händer och handleder varma under användning.
- Träna och rör på dig efter varje användningstillfälle för att öka blodcirkulationen.
- Ta ofta pauser från arbetet. Begränsa tiden du utsätter dig varje dag.

Upphör omedelbart om du upplever några av dessa symptom och uppsök din läkare.

⚠ VARNING

Risk för person- eller slitageskador vid användning av verktyget under lång tid. Om verktyget används under längre perioder krävs regelbundna pauser.

LÄR KÄNNA PRODUKTEN

Se sida 163.

Delar

1. På/Av-knapp
2. Handtag
3. Motorkontrollkabel
4. Kabelvinda
5. Batterilucka
6. Gräsuppsamlingslådan full-indikator
7. Gräslåda
8. Bakhjul
9. Höjdjusteringsspak
10. Framhjul
11. Tändningsnyckel
12. Komposteringsplugg
13. Batteri
14. Batteriladdare
15. Startknapp

SYMBOLER PÅ PRODUKTEN



Läs igenom och var införstådd med alla instruktioner före användning av produkten, var uppmärksam på alla varningar och säkerhetsinstruktioner.



Använd hörselskydd



Bär ögonskydd



Använd inte i sluttningar som är brantare än 15°. Klipp längst med sluttningar, aldrig uppåt eller nedåt.



Utsätt inte för regn eller våta omgivningar.



Var försiktig med vassa blad. Kniven fortsätter rotera efter att motorn har stängts av - avlägsna isolatornyckeln innan du vidtar underhållsarbeten



Se upp med kringkastade eller flygande föremål. Håll alla åskådare, barn och husdjur på minst 15 meters avstånd från arbetsområdet.



Tryck på Start och sedan på På/Av-knappen (A, B, C eller D) för att starta produkten. Släpp Start-knappen och fortsätt hålla in På/Av-knappen för att använda produkten. Släpp upp knappen På/Av för att stänga av produkten.



Läs instruktionerna ordentligt innan start av maskinen.



Gamla elektroniska produkter ska inte kastas med hushållssoporna. Återvinn där sådana faciliteter finns. Kontrollera med din lokala myndighet eller säljaren för att få återvinningstips.



Detta verktyg uppfyller alla standarder i de EU-länder där det kan köpas.



EurAsian överensstämmelsesymbol



Ukrainskt märke för överensstämmelse



Garanterad ljudnivå är 94 dB

Följande signalord och betydelser är avsedda att beskriva risknivåer associerade med produkten:

FARA

Indikerar en överhängande farlig situation som kan, om den inte undviks, resultera i dödsfall eller allvarlig skada.

VARNING

Indikerar en potentiellt farlig situation som kan, om den inte undviks, resultera i dödsfall eller allvarlig skada.

PÅMINNELSE

Indikerar en potentiellt farlig situation som kan, om den inte undviks, resultera i mindre eller medelstora skador.

PÅMINNELSE

(Utan säkerhetssymbolen) Indikerar en situation som kan leda till egendomsskada.

SYMBOLER I MANUALEN



Delar och utrustning säljs separat



Gamla elektroniska produkter ska inte kastas med hushållssoporna. Återvinn där sådana faciliteter finns.



Håll händerna borta från bladen.



Notera



Varning



Stoppa produkten.

GRÄSKLIPPNINGSTIPS

Körtiden för batteriet beror på skick, längd och täthet för gräset.

Ställ in klipphöjden så att den passar det aktuella skicket på gräset som ska klippas.

Gräsvarianter	Förslag på klipphöjd		Täckning (max)	
	Första klippning	Följande klippningar	4 Ah batteri	5 Ah batteri
Mycket tunt/Torrt	3	2	200 m ²	250 m ²
Tunt/Torrt	4	3 → 2	150 m ²	200 m ²
Medium/Tätt	5	4 → 3	100 m ²	150 m ²

- För bästa resultat ska inte mer än en tredjedel av grässets totallängd klippas.
- Minska gånghastigheten vid klippning av långt gräs för att öka klippningsprestandan och för att få ordentligt utkast av gräset.
- Klipp inte vått gräs – det fastnar på klipparens undersida och förhindrar uppsamling eller utkast av klippt gräs.
- Nytt eller tjockt gräs kan kräva att man använder en högre klipphöjd.
- Högre klipphöjd ökar batteriets drifttid.
- Om du vill samla in gräsklipppet för bortskaffning, ta bort kompostpluggen och sätt på gräsklippbehållaren och se till att den övre klaffen är ordentligt stängd. Töm gräsbehållaren regelbundet, annars kan gräsutkaströret blockeras med gräsklipp.
- Om du gör en lätt klippning och vill att gräsklipppet stannar på gräsmattan, sätter du på kompostpluggen och stänger den övre klaffen som täcker över gräsutkastöppningen. I det här fallet är det inte nödvändigt att montera på gräsappsamlaren.
- Gräsklipparen är designad att fungera och klippa mest effektivt när den är i rörelse framåt.



EN
FR
DE
ES
IT
NL
PT
DA
SV
FI
NO
RU
PL
CS
HU
RO
LV
LT
ET
HR
SL
SK
BG
UK

Johdoton ruohonleikkuri suunnittelussa on pidetty etusijalla turvallisuutta, suorituskykyä ja luotettavuutta.

KÄYTTÖTARKOITUS

Tämä tuote on tarkoitettu yksinomaan ulkokäyttöön.

Tämä tuote on tarkoitettu kotinurmikon leikkuuseen. Leikkuuterän on pyörittävä suunnilleen sen alla olevan maanpinnan suuntaisesti. Jokaisen neljän pyörän tulee koskettaa maata ruohoa leikattaessa. Se on kävellen käytettävä ruohonleikkuri, jota työnnetään takaa käsin.

Ruohonleikkuria ei saa koskaan käyttää pyörät irti maasta, sitä ei saa vetää eikä sen päällä saa ajaa. Sitä ei tule käyttämään minkään muun kuin kodin nurmikon leikkaamiseen.

YLEISET TURVALLISUUSVAROITUKSET

▲ VAROITUS

Akkukäyttöistä laitetta käytettäessä on aina ryhdyttävä perusvarotoimiin tulipalon, akkuvuodon ja loukkaantumisen välttämiseksi. Oman ja sivullisten turvallisuuden vuoksi, lue nämä ohjeet ennen tuotteen käynnistämistä. Säilytä ohjeet tulevaa käyttöä varten.

▲ VAROITUS

Tuotetta on käytettävä vain akun kanssa. Akkukäyttöistä laitetta käytettäessä on aina ryhdyttävä perusvarotoimiin tulipalon, akkuvuodon ja loukkaantumisen välttämiseksi.

KÄYTTÄJÄN TURVALLISUUS

- Ruohonleikkuri on riittävän voimakas pystyäkkeen amputoimaan käden tai jalan ja sinkoamaan kappaleita. Turvaohjeiden laiminlyönti voi aiheuttaa vakavia ruumiinvammoja tai kuoleman.
- Lue ja ymmärrä ohjeet ja turvallisuusvaroitukset. Tutustu ohjaimiin ja tuotteen asianmukaiseen käyttöön.
- Älä koskaan salli lasten tai ihmisten, joiden fyysiset tai henkiset kyvyt tai aistit ovat heikentyneet, tai näitä ohjeita tuntemattomien käyttää, puhdistaa tai huoltaa tuotetta. Paikalliset säädökset

saattavat asettaa rajoituksia käyttäjän iälle. Lapsia on pidettävä asianmukaisesti silmällä, jotta he eivät pääse leikkimään tuotteella.

- Pysy valppaana, katso mitä teet ja käytä tervettä järkeä ruohoa leikatessasi. Älä leikkaa ruohoa, jos olet väsynyt tai alkoholin, huumausaineiden tai lääkkeiden vaikutuksen alainen. Tarkkaamattomuus laitetta käytettäessä saattaa johtaa vakavaan loukkaantumiseen.
- Käytä paksuja pitkiä housuja, pitkähiihaista päitää, liukastumissuojattuja jalkineita ja hansikkaita. Älä käytä löysiä vaatteita, shortseja tai sandaaleja tai kulje paljasjaloin. Älä käytä löysiä vaatteita tai vaatteita, joista riippuu nuoria tai siteitä.
- Käytä aina sivusuojilla varustettuja suojalaseja.
- Seiso aina tukevasti. Pidä vakaa tasapaino. Kävele, älä koskaan juokse.
- Seiso rinteissä aina tukevasti.
- Käytä tuotetta rinteessä poikittain, ei ylös ja alas. Ole erityisen varovainen vaihtaessasi suuntaa rinteessä.
- Älä käytä tuotetta jyrkän teiden, ojen, hyvin jyrkkien rinteiden tai töyräiden lähellä. Jos saatta huonon jalansijan, voit liukastua, kaatua ja loukkaantua.

TYÖYMPÄRISTÖ

- Älä koskaan käytä tuotetta, kun ihmisiä, erityisesti lapsia, tai lemmikkejä on 15 metrin etäisyydellä tuotteesta, koska terää koskettavat kappaleet saattavat sinkoutua ilmaan.
- Osat, kuten ruohonleikkurin terä, voivat aiheuttaa vakavia vammoja. Tarkista huolella alue, jolla laitetta käytetään, ja poista kaikki kivet, tikut, metallikkappaleet, johdot, luut, lelut ja muut vierasesineet. Muista, että siima tai lanka voi sotkeutua leikkuuosaan.
- Leikkaa ruoho aina päivänvalossa tai hyvässä keinovalossa.
- Älä käytä laitetta räjähdysalttiissa paikoissa, kuten helposti syttyvien nesteiden tai kaasujen tai pölyn läheisyydessä. Työkalu kipinöi, mikä saattaa syyttää pölyn tai höyryt.
- Älä käytä laitetta märässä ruohossa tai sateessa.



- Älä käytä tuotetta paikassa, jossa on salamaniskun vaara.
- Muista, että ruohonleikkurin käyttö on vastuunalainen vahingoista ja vaaroista, jotka hän aiheuttaa muille ihmisille ja heidän omaisuuksilleen.
- Traagisia onnettomuuksia voi sattua, jos käyttäjä ei huomioi lasten paikallaoloa. Lapset ovat usein kiinnostuneita ruohonleikkurista ja ruohon leikkaamisesta. Älä koskaan oletta, että lapset ovat edelleen siellä, missä näit heidät viimeksi.
- Pidä lapset leikkuualueen ulkopuolella toisen aikuisen valvottavina. Ole valpas ja sammuta tuote, jos alueelle tulee lapsi.
- Ole erityisen varovainen lähestyessäsi nurkkauksia, pensaita, puita ja muita esteitä, joiden takana saattaa olla lapsi.

AKKUKÄYTTÖISEN TYÖKALUN KÄYTTÖ JA HOITO

- Lue ja ymmärrä akun ja laturin mukana tulleet turvallisuusohjeet ja noudata niitä aina. Tämän laiminlyönti voi aiheuttaa sähköiskun, tulipalon tai muun vaaratilanteen. Pidä kaikki ohjeet yhdessä ja turvallisessa paikassa tulevaa käyttöä varten.
- Akkukäyttöisiä työkaluja ei tarvitse kytkeä pistorasiaan, joten ne ovat aina käyttövalmiita. Irrota virta-avain aina, kun et käytä tuotetta.
- Irrota akku ennen säätöjä, puhdistusta ja materiaalin irrottamista laitteesta.
- Varmista ennen akun asentamista, että virta-avain on irrotettu.
- Akun lataukseen saa käyttää ainoastaan valmistajan mainitsemaa laturia. Laturin käyttö yhteensopimattoman akun kanssa voi aiheuttaa tulipalon vaaran. Käytä ainoastaan ohjeissa mainittua akkulaturia.
- Käytä vain erityisesti laitteelle tarkoitettua akkua. Muiden akkujen käyttö voi johtaa tulipaloon, sähköiskuun tai loukkaantumiseen.
- Kun akkua ei käytetä, pidä se erillään metalliesineistä, kuten paperiliittimistä, kolikoista, avaimista, nauloista, ruuveista ja muista pienistä metalliesineistä, jotka voivat yhdistää akun navat. Akun napojen oikosulkeminen voi aiheuttaa kipinöintiä, palovammoja, tulipalon tai räjähdyksen.

- Älä aseta akkukäyttöisiä tuotteita tai niiden akkuja lähelle tulta tai lämmönlähdettä. Tämä lisää räjähdyksen ja loukkaantumisen vaaraa.
- Älä avaa tai vioita akkua. Vapautunut elektrolyytti on syövyttävää ja voi vioittaa silmiä tai ihoa. Se voi olla myrkyllistä nieltynä.
- Suojele akkua kosteudelta ja vedeltä. Älä lataa yksikköä kosteassa tai märässä ympäristössä. Veden pääsy laturiin lisää sähköiskun vaaraa.
- Jos akku vioittuu tai sitä käytetään virheellisesti, siitä saattaa vapautua huujuja. Hakeudu tällöin raikkaaseen ilmaan ja oireiden tapauksessa lääkäriin. Huurut voivat ärsyttää hengitystiehyteitä.
- Älä jätä akkua ajoneuvoon tai ulkovarastoon kuumiin tai kylmiin oloihin.
- Älä sytytä akkua tuleen.
- Jos akkua käsitellään väärin, siitä voi vuotaa nestettä; älä kosketa sitä. Jos kosketat sitä vahingossa, huuhtelee se vedellä. Jos nestettä pääsee silmiin, hakeudu lisäksi lääkärin hoitoon. Akusta vuotanut neste voi ärsyttää ihoa ja aiheuttaa palovammoja.

RUOHONLEIKKURIN TURVALLISUUSVAROITUKSET

- Tarkista laite aina ennen käyttöä silmämääräisesti terien, terän pulttien ja leikkuuosan kulumisen ja vaurioiden varalta.
- Vaihda kuluneet tai vioittuneet terät ja pultit sarjoina säilyttääksesi tasapainon.
- Tuotteen terä on hyvin terävä; ole erittäin varovainen ja käytä paksuja käsineitä asettaessasi pulttia paikoilleen ja asentaessasi tai puhdistaessasi sitä ja tarkistaessasi sen kireyttä.
- Vie tuote valtuutettuun huoltoon vaurioituneiden ja lukukelvottomien kyttien vaihtamiseksi.
- Varmista aina, että ruuvit ja mutterit ovat tiukasti kiinni, jotta leikkuri olisi aina turvallinen ja käyttövalmis.
- Tarkista ruohonkeräin säännöllisesti kulumisen, reikien ja rappeutumisen varalta.
- Vaihda kuluneet ja vioittuneet osat ennen tuotteen käyttöä.



- Tuote on käynnistettävä käyttäjän ollessa kahvojen takana suoja-alueella. Älä koskaan käynnistä tuotetta, jos
 - kaikki neljä pyörää eivät ole maassa
 - poistokuilu ei ole suojattu silppuripistokkeella ja poistokuilun suojalla tai ruohonkeräimellä ja poistokuilun suojuksella
 - kädet ja jalat ovat poissa leikkuukotelosta
- Älä koskaan käytä tuotetta, jos ohjaustangon virtakytkin ei käynnistä tai sammuta tuotetta asianmukaisesti.
- Älä koskaan yritä lukita virtakytkimiä ON-asentoon; tämä on erittäin vaarallista.
- Älä pakota tuotetta. Se hoitaa työt paremmin ja turvallisemmin sillä vauhdilla, jota varten se on suunniteltu.
- Pysäytä terä, kun ylität sorapintoja.
- Älä vedä tuotetta takaperin ellei se ole täysin välttämätöntä. Jos laitetta on peruutettava seinän tai esteen luota, katso ensin alas ja taaksesi, jotta et kompastu tai vedä laitetta jaloillesi.
- Pysäytä moottori ja anna terän pysähtyä, jos ruohonleikkuria on kallistettava ylitettäessä muita kuin ruohopintoja tai ennen kuin kuljetat laitetta leikkausalueelle tai sieltä takaisin.
- Älä koskaan käytä laitetta, jos suojat tai suojuukset ovat epäkunnossa tai ilman suojalaitteita, kuten ohjauslevyjä ja/tai ruohonkerääjää.
- Älä kallista ruohonleikkuria käynnistäessäsi moottoria tai moottorin käydessä. Tämä paljastaa terät ja lisää kappaleiden sinkoutumisvaaraa.
- Käynnistä moottori varoen ohjeiden mukaisesti ja pidä kädet ja jalat poissa leikkuualueelta. Pidä ruohonkeruuaukko aina vapaana. Älä käynnistä moottoria silloin, kun seisot ruohonkeruuaukon edessä.
- Älä laita käsiä tai jalkoja lähelle pyöriviä osia tai niiden alle. Pidä ruohonkeruuaukko aina vapaana.
- Älä koskaan nosta tai kannata tuotetta moottorin käydessä.
- Sammuta seuraavissa tapauksissa ruohonleikkurin moottori ja poista estolaite sekä varmista, että kaikki liikkuvat osat ovat täysin pysähtyneet:

- aina kun jätät tuotteen valvomatta (mukaan lukien ruoholeikkeiden hävittäminen)
- ennen tukkeiden poistoa ja poistokuilun avaamista
- ennen tuotteen tarkastusta, puhdistusta ja huoltoa
- törmättyäsi vieraaseen esineeseen; tarkista laite vaurioiden varalta ja suorita tarpeelliset korjaukset ennen laitteen käynnistämistä ja käyttöä
- ennen ruoholaatikon irrottamista tai ruohonpoistokourun suojuksen avaamista
- Jos tuote alkaa tärinä epänormaalisti (tarkista välittömästi)
 - tarkista laitteen, erityisesti terät, vaurioiden varalta
 - vaihda tai korjaa kaikki vioittuneet osat
 - tarkista, onko jokin osa löysällä, ja kiristä tarvittaessa
- Vältä koloja, uria, möykkyjä, kiviä ja muita piilossa olevia esteitä. Epätasaisessa maastossa voit liukastua, kaatua ja loukkaantua.
- Varmista aina, että kahvasta runkoon kulkeva johto ei jää jumiin tai puristuksiin tai vahingoitu muutoin kokoamisen tai kahvan taittamisen aikana.

YLIKUORMITUS JA YLIKUUMENEMISSUOJA

Tuotteessa on ylikuormitussuojauslaite, joka aktivoituu, kun laite ylikuumentee tai kokee virtapiikin, katkaisten tällöin virran tuotteen sisällä automaattisesti. Jos ylikuormitussuojaus kytkeytyy, virtapainike on vapautettava. Käynnistä tuote uudelleen painamalla virtapainiketta.

Akussa on ylikuumentemissuojaus. Liian kuuma lämpötila saa akun lakkaamaan antamasta virtaa. Tunnustele akkua; jos se on liian kuuma, anna sen jäähtyä. Jos laite ei silloinkaan toimi, lataa akku.

HUOMAUTUS: Akun merkkivalo ei toimi, jos akun suojaominaisuus on saanut akun lakkaamaan antamasta laitteelle virtaa. Vapauta liipaisin tai irrota akku laitteesta, jolloin akun LED-merkkivalo jatkaa normaalia toimintaa.



KÄYTTÖÖN LIITTYVÄT RISKIT

Vaikka tuotetta käytettäisiin ohjeiden mukaisesti, ei ole mahdollista täysin eliminoida tiettyjä käyttöön liittyviä riskitekijöitä. Käytössä voi aiheutua seuraavia vaaroja, ja käyttäjän tulee kiinnittää erityistä huomiota niiden välttämiseen:

- Tärinän aiheuttama vamma. Käytä aina työhön sopivaa laitetta, käytä nimettyjä kahvoja ja rajoita työaikaa sekä altistumista.
- Liian kova melu voi aiheuttaa kuulovamman. Käytä suojalaseja ja rajoita altistumista.
- Kosketus teriin
- Sinkoutuneiden kappaleiden aiheuttama loukkaantuminen

KULJETUS JA VARASTOITAESSA

- Sammuta moottori ja irrota virta-avain. Varmista, että kaikki liikkuvat osat ovat pysähtyneet täysin: Anna tuotteen jäähtyä riittävästi ennen varastointia tai kuljetusta.
- Puhdista laitteesta kaikki vieraat materiaalit. Varastoi laite viileään, kuivaan ja hyvin tuuletettuun paikkaan, jossa lapset eivät pääse siihen käsiksi. Pidä poissa syövyttäviltä aineilta kuten puutarhakemikaaleilta ja jäänsulatusuolalta. Älä säilytä ulkona.
- Irrota estolaite ja kiinnitä laite kuljetettaessa siten, että se ei pääse liikkumaan tai kaatumaan, jotta vältytään loukkaantumisilta ja vaurioilta.

⚠ VAROITUS

Ole erittäin varovainen nostaessasi ja kallistaessasi laitetta huoltoon, puhdistusta, varastointia tai kuljetusta varten. Terä on terävä. Pidä kaikki ruumiinosat poissa terän tieltä terän ollessa paljaana.

HUOLTO

⚠ VAROITUS

Käytä ainoastaan alkuperäisiä valmistajan tuottamia varaosia, lisälaitteita ja lisävarusteita. Tämän noudattamatta jättäminen voi johtaa loukkaantumiseen ja huonoon tulokseen ja voi mitätöidä takuun.

⚠ VAROITUS

Huolto kaipaa suurta huolellisuutta ja hyvää työkalun tuntemusta: Se on annettava pätevän teknikon tehtäväksi. Suosittelemme, että viet työkalun korjattavaksi lähimpään valtuutettuun liikkeeseen. Tuotteen huollossa tulee käyttää ainoastaan valtuutettuja varaosia.

- Irrota estolaite ja mahdollisuuksien mukaan myös akku ennen puhdistusta ja huoltoa.
- Voit tehdä tässä käyttöoppaassa kuvattuja säätöjä ja korjauksia. Jos laite vaatii muuta huoltoa, ota yhteys valtuutettuun huoltopisteeseen.
- Tarkasta useain ruohon keräyssäkin tila ja mahdollinen kuluminen ja vaurioituminen.
- Puhdista tuote aina käytön jälkeen pehmeällä ja kuivalla liinalla. Valtuutetun huoltopisteen on korjattava tai vaihdettava vioittuneet osat asianmukaisesti.
- Varmista aina, että ruuvit ja mutterit ovat tiukasti kiinni, jotta tuote olisi aina turvallinen ja käyttövalmis.
- Varo laitetta säätäessäsi, että sormet eivät jää liikkuvien terien ja laitteen kiinteiden osien väliin.
- Kun huollat terää, pidä mielessä, että vaikka pistoke on irrotettu pistorasiasta, terät voivat yhä pyöriä.
- Tuotteen terä on terävä. Ole varovainen ja käytä paksuja käsineitä asettaessasi pulttia paikoilleen ja asentaessasi tai puhdistaessasi sitä ja tarkistaessasi sen kireyttä.
- Vaihda kuluneet tai vioittuneet terät ja pultit sarjoina säilyttääksesi tasapainon.

RISKIEN VÄHENTÄMINEN

Raporttien mukaan käsikäyttöisten laitteiden tärinä voi joidenkin kohdalla myötävaikuttaa Raynaud's Syndromen (Raynaudin oireen) ilmenemiseen. Oireita ovat pistely, turtuus ja sormien kalpeneminen, yleensä kylmässä ilmassa. Perinnölliset tekijät, kylmyys ja kosteus, ruokavalio, tupakointi sekä työtavat voivat kaikki myötävaikuttaa näiden oireiden ilmenemiseen. Käyttäjää voi ehkäistä tärinän aiheuttamia vaikutuksia seuraavasti:

- Pidä itsesi lämpimänä kylmällä säällä. Käytä tuotteen käytön aikana käsineitä,

jotta kätesi ja ranteesi pysyvät lämpöisinä.

- Harjoita kunkin käyttöjakson jälkeen liikuntaa, jotta verenkierto lisääntyisi.
- Pidä työn aikana säännöllisesti taukoja. Rajoita päivittäisen tärinän määrä.

Jos mitään yllä mainittuja oireita ilmenee, lopeta heti laitteen käyttö ja kerro oireista lääkärille.

VAROITUS

Laitteen pitkittynyt käyttö voi aiheuttaa tai vaikeuttaa vammoja. Kun käytät mitä tahansa laitetta pitkiä aikoja, muista pitää säännöllisiä taukoja.

TUNNE TUOTTEESI

Katso sivu 163.

Osat

1. Virtapainike
2. Kädensija
3. Moottorin ohjauskaapeli
4. Johdon kotelo
5. Akkutilan kansi
6. Keruulaatikon täyttymisilmaisim
7. Ruoholaatikko
8. Takapyörä
9. Korkeudensäätövipu
10. Etupyörä
11. Virta-avain
12. Silppuripistoke
13. Akku
14. Laturi
15. Käynnistyspainike

TUOTTEESSA OLEVAT SYMBOLIT



Lue ja ymmärrä kaikki ohjeet ennen tuotteen käyttöä ja noudata kaikkia varoituksia ja turvallisuusohjeita.



Käytä kuulosuojaimia



Käytä silmäsuojaimia



Älä käytä ruohonleikkuria rinteessä, jonka kaltevuus on yli 15°. Leikkaa ruoho rinteissä poikittain eikä koskaan ylös alas.



Älä altista konetta sateelle tai kosteudelle.



Varo teräviä teriä. Terät pyörivät moottorin sammutuksen jälkeen – poista virta-avain ennen huoltoa



Varo sinkoutuneita ja muita lentäviä esineitä. Pidä kaikki sivulliset vähintään 15 metrin päässä toiminta-alueelta – erityisesti lapset ja lemmikit.



Käynnistä tuote painamalla käynnistyspainiketta ja sitten virtapainiketta (A, B, C tai D). Vapauta käynnistyspainike ja pidä virtapainiketta pohjassa laitetta käyttäessäsi. Sammuta laite vapauttamalla On/Off-painike.



Lue ohjeet huolellisesti ennen laitteen käynnistämistä.



Käytöstä poistettavia sähkölaitteita ei pidä hävittää talousjätteiden mukana. Ne on mahdollisuuksien mukaan pantava kiertoon. Kierrätysohjeita antavat kunnan viranomaiset ja vähittäiskauppiaat.



Tämä työkalu on sen EU-maan kaikkien sääntömääräisten standardien mukainen, josta se on ostettu.



EurAsian-vaatimustenmukaisuusmerkki



Ukrainalainen säädöstenmukaisuusmerkintä



Taattu äänenteho on 94 dB.

Seuraavien merkien tarkoitus on selittää, miten vakava riski tuotteeseen liittyy.

VAARA

Ilmaisee välitöntä vaaratilannetta, joka ellei sitä vältetä, johtaa kuolemaan tai vakavaan loukkaantumiseen.

⚠ VAROITUS

Ilmaisee potentiaalisen vaaratilanteen, joka ellei sitä vältetä, johtaa kuolemaan tai vakavaan loukkaantumiseen.

⚠ HUOMAUTUS

Ilmaisee potentiaalisen vaaratilanteen, joka ellei sitä vältetä, saattaa johtaa pienempään tai keskivaikeaan loukkaantumiseen.

HUOMAUTUS

(Ilman turvallisuusvaroitussymbolia) Ilmoittaa tilanteesta, jossa omaisuutta saattaa vaurioitua.

TÄMÄN KÄSIKIRJAN SYMBOLIT



Osat ja lisävarusteet on hankittava erikseen



Käytöstä poistettavia sähkölaitteita ei pidä hävittää talousjätteiden mukana. Ne on mahdollisuuksien mukaan pantava kiertoon.



Pidä kädet kaukana teristä.



Huom



Varoitus



Pysäytä tuote.

- Paras suorituskyky saadaan lyhentämällä ruohoa aina enintään kolmasosalla.
- Pitkää ruohoa leikatessasi, kulje hitaammin ja tehosta näin leikkuuta ja ruohon poistumista leikkurista.
- Älä leikkaa märkää nurmikkoa; se tarttuu laitteen alapintaan ja estää ruohon keräystä ja poistoa.
- Uusi tai paksu ruoho voi edellyttää suurempaa leikkuukorkeutta.
- Korkeampi leikkuukorkeus pidentää akun kestoa.
- Jos haluat kerätä leikkuujätteet hävitettäväksi, poista silppuritulppa ja aseta keruulaatikko paikoilleen varmistaen, että yläläppä on kunnolla paikoillaan. Tyhjennä keruulaatikko säännöllisesti, tai poistokuilu tukkeutuu leikkuujätteestä.
- Jos teet kevyen leikkauksen ja haluat leikkuujätteiden jäävän nurmikolle, asenna silppuritulppa ja sulje poistoaukon yläläppä. Tällöin ei tarvitse käyttää keruulaatikkoa.
- Leikkuri on suunniteltu toimimaan ja leikkaamaan tehokkaimmin liikkeessaan eteenpäin.

LEIKKUVINKKEJÄ

Akun kesto riippuu ruohon kunnosta, pituudesta ja paksuudesta.

Sääda ruohonleikkurin leikkuukorkeus leikkattavan nurmikon kunnan mukaan.

Ruoho- olosuhteet	Suositeltu korkeussäätö		Katealue (max.)	
	Ensimmäinen leikkuukerta	Seuraavat leikkuukerrat	4 Ah:n akku	5 Ah:n akku
Hyvin ohut/ kuiva	3	2	200 m ²	250 m ²
Ohut/kuiva	4	3 → 2	150 m ²	200 m ²
Keskipaksu/ tiheä	5	4 → 3	100 m ²	150 m ²

Sikkerhet, ytelse og driftssikkerhet er gitt topp prioritet i konstruksjonen av din kabelfri gressklipper.

TILTENKT BRUK

Produktet er kun til utendørs bruk.

Dette produktet er ment for klipping av plener i private haver. Kniven skal rotere tilnærmelsesvis parallelt med underlaget den kjøres over. Alle fire hjul skal ha kontakt med underlaget ved klipping. Det er en operatørstyrt gressklipper du står bak og skyver foran deg manuelt.

Gressklipperen må aldri brukes med hjulene hevet over bakken, den må ikke trekkes eller bli ridd på. Den skal ikke brukes til annet enn å klippe plener i private hager.

GENERELLE SIKKERHETSADVARSLER

⚠ ADVARSEL

Når du bruker en batteridrevet maskin må visse grunnleggende sikkerhetsforholdsregler følges for å redusere risikoen for brann, lekkende batterier og personlig skade, inklusive følgende. Les disse instruksjonene før du tar i bruk produktet for din egen sikkerhet og sikkerheten til personer som befinner seg i nærheten. Vennligst ta vare på instruksjonene for fremtidig bruk.

⚠ ADVARSEL

Produktet må bare brukes sammen med batteripakken. Når du bruker en batteridrevet maskin må visse grunnleggende sikkerhetsforholdsregler følges for å redusere risikoen for brann, lekkende batterier og personlig skade, inklusive følgende.

PERSONLIG SIKKERHET

- Gressklipperen er i stand til å amputere ben og armer og kan kaste opp gjenstander. Dersom sikkerhetsanvisningene ikke følges, kan det ha alvorlige personskader eller døden til følge.
- Les og forstå instruksjonene og sikkerhetsadvarslene. Gjør deg kjent med styringen og riktig bruk av produktet.
- Du må aldri la barn eller personer med

nedsatte fysiske, sensoriske eller mentale evner, eller personer som ikke kjenner tid denne bruksanvisningen, å bruke, rengjøre eller vedlikeholdet dette produktet. Lokale forskrifter kan begrense en alder av operatøren. Barn må ha riktig tilsyn for å sikre at de ikke leker med produktet.

- Vær oppmerksom, se hva du driver med og bruk sunn fornuft når du bruker gressklipperen. Ikke bruk et slikt verktøy dersom du er trøtt eller påvirket av narkotika, alkohol eller medisiner. Tap av konsentrasjon når maskinen brukes kan føre til alvorlig personskade.
- Bruk lange tykke bukser, langermet genser, sklisikre sko og hansker. Ikke bruk løstsittende klær, kortbukser, sandaler eller gå barfot når du bruker gressklipperen. Unngå å bruke klær som er løstsittende eller som har hengende snorer eller belter.
- Bruk alltid vernebriller med sideskjermer.
- Sørg alltid for godt fotfeste. Ha god fotfeste og ballanse til enhver tid. Gå, du må aldri løpe mens du arbeider med maskinen.
- Sørg for å ha godt fotfeste i skråninger.
- Arbeid langs en skråning, aldri opp og ned. Vær meget forsiktig når du skifter retning i en skråning.
- Ikke bruk produktet nær terrengfall, grøfter, meget bratte skråninger eller fyllinger. Dårlig fotfeste kan føre til at du sklir og faller.

ARBEIDSOMGIVELSER

- Bruk aldri produktet når personer, spesielt barn, eller kjæledyr er innenfor 15 m på grunn av faren for at gjenstander kan slenges ut etter kontakt med bladet.
- Gjenstander som blir truffet av kuttebladene kan føre til alvorlig personskade. Inspiser grundig området der gressklipperen skal brukes og fjern alle steiner, pinner, metallbiter, stråltråd, bein, leker og andre fremmedlegemer. Husk at snorer og vaiere kan hekte seg fast i kutteenheten.
- Klipp alltid gress i dagslys eller i godt kunstlys.
- Ikke bruk elektrisk verktøy i eksplosive atmosfærer, der det finnes brennbare væsker, gasser eller støv. Elektrisk verktøy skaper gnister som kan antenne støv eller gasser.

- Ikke bruk verktøyet i fuktige og våte omgivelser eller når det regner.
- Ikke bruk gressklipperen når det er fare for lynnedslag.
- Husk at operatøren eller brukeren er ansvarlig for uhell og farer som andre personer og deres eiendom får påført.
- Tragiske uhell kan oppstå dersom operatøren ikke er oppmerksom på barn i nærheten. Barn tiltrekkes ofte av slikt redskap og gressklipping. Du må aldri gå ut i fra at barn forblir på det stedet der du så dem sist.
- Hold barn unna området som klippes under tilsyn av en annen voksen person som ikke betjener gressklipperen. Husk å skru av produktet hvis et barn kommer innenfor arbeidssonen.
- Vær spesielt oppmerksom på blindsoner, busker, trær eller andre ting som kan blokkere sikten i forhold til barn.

BATTERIPRODUKTER - BRUK OG STELL

- Du må lese og forstå sikkerhetsinstruksene som fulgte med batteriet og laderen og alltid følge disse ved bruk. Dersom dette ikke overholdes, kan det føre til elektrisk støt, brann eller andre farlige situasjoner. Ta vare på alle bruksanvisninger på et sted som er trygt for framtidig referanse.
- Batteridrevne produkter behøver ikke å kobles til en elektrisk kontakt; derfor vil de alltid være klare til bruk. Fjern skillebryteren når du ikke bruker produktet.
- Fjern batteripakken før det foretas justeringer, rengjøring eller det skal fjernes deler fra gressklipperen.
- Påse at isolatørnøkkelen er tatt ut før batteripakken settes på plass.
- Batteripakken må kun lades med ladere som er spesifisert av produsenten. Bruk av lader med en ikke-kompatibel batteripakke kan skape risiko for brann. Bruk kun de oppførte laderne til å lade batteriet.
- Bruk bare en batteripakke som er spesielt beregnet på dette verktøyet. Bruk av noe annet batteri kan føre til risiko for brann, elektrisk støt eller personskade.
- Når batteripakken ikke er i bruk, hold den vekke fra metallgjenstander som binders, mynter, nøkler, spiker, skruer og annet som kan forbinde de to

terminalene med hverandre. Kortslutning av batteriterminalene kan føre til gnister, brennemerke, brann eller eksplosjon.

- Plasser ikke batteriprodukter eller deres batterier nær åpen flamme eller sterk varme. Dette vil øke risikoen for eksplosjoner og mulige skader.
- Ikke gjør forsøk på å åpne eller slå i stykker en batteripakke. Batterisyre er korroderende og kan, dersom den kommer ut, føre til skade på hud og øyne. Den kan være giftig å svelge.
- Beskytt batteripakken mot fuktighet og vann. Ikke lad enheten på fuktige eller våte steder. Du reduserer dermed faren for brann, elektrisk støt og alvorlige kroppsskader.
- Ved skade på eller feilaktig bruk av batteriet kan det løse ut damp. Sørg for frisk luft og søk medisinsk hjelp dersom den som er utsatt for dampen føler seg uvel eller syk. Dampen kan irritere luftveiene.
- Ikke la batteripakken ligge i et kjøretøy eller en utendørs lagringsplass under varme eller kalde forhold.
- Ikke gjør forsøk på å brenne batteriet.
- Dersom batteriet misbrukes kan det slippe ut væske, unngå hudkontakt med væsken. Hvis du får kontakt med væsken fra batteriet, skyl med rikelige mengder vann. Hvis væsken får kontakt med øynene må det søkes medisinsk hjelp. Væske som kommer ut av batteriet kan føre til irritasjon eller brannskår.

GRESSKLIPPER SIKKERHETSADVARSLER

- Før gressklipperen tas i bruk må det foretas en visuell inspeksjon for å fastslå at kniv, knivbolt og klippesett ikke er slitt eller skadet.
- Skift slitte og/eller skadede kniver og bolter i sett for å ivareta balansen.
- Produktets kutteblad er meget skarpt, vær meget forsiktig og bruk arbeidshansker når bladet skal settes på, skiftes ut, rengjøres eller når du sjekker om boltene sitter godt.
- Bring produktet til et autorisert servicesenter for utskifting av skadede eller uleselige etiketter.
- Kontroller all mutter, bolter og skruer med jevne mellomrom at de er skrudd fast for å



sikre at utstyret er i driftssikker stand.

- Sjekk gressoppsamleren ofte for slitasje, hull eller annen skade.
- Skift ut slitte eller ødelagte deler før du tar i bruk produktet.
- Produktet må startes når brukeren står bak håndtaket i brukerens sikkerhetssone. Du må aldri starte produktet hvis:
 - Ikke alle fire hjul er på bakken
 - Gressutkasteren er åpen uten at den er beskyttet med kvernepluggen og gressutkasterdekselet eller gressboksen og gressutkasterdekselet
 - Ikke alle personer har hender og føtter unna kuttedelen
- Bruk aldri produktet hvis på/av-bryteren på håndtaket ikke ordentlig for å starte og stoppe produktet.
- Du må aldri forsøke å låse På-/av-knappene i PÅ posisjon. Det er meget farlig.
- Ikke press maskinen. Den vil gjøre jobben bedre og tryggere med den hastigheten den er konstruert for.
- Stopp kniven når du krysser et gruslagt område.
- Ikke dra produktet bakover kun hvis det absolutt er nødvendig. Hvis du må rygge klipperen ut fra en vegg eller en hindring, se ned og bak deg for å unngå å snuble og dernest trekke klipperen over føttene dine.
- Stans motoren så bladet kan stanse all bevegelse hvis produktet skal legges på siden, når du skal transportere den over grunn som ikke er gress og når du skal transportere produktet til og fra områder der gresset skal klippes.
- Ikke bruk maskinen med defekte beskyttelser eller skjold, eller uten at sikkerhetsinnretninger, for eksempel avvisere og/eller oppsamlingspose for gress, er på plass.
- Ikke bikk gressklipperen når du starter motoren eller mens motoren er i gang. Dette blottes bladet og øker faren for at noe kan bli slengt opp av rotasjonen.
- Start motoren forsiktig i samsvar med instruksene og hold hender og føtter unna kuttetsonen. Hold deg alltid unna utladingsåpningen. Ikke start motore n dersom du står foran utladingsåpningen.
- Ikke plasser hender eller føtter under

roterende deler. Hold deg alltid unna utladingsåpningen.

- Løft aldri opp eller bær produktet mens motoren går.
- Stans gressklipperens motor og fjern sperreanordningen, sjekk at alle bevegelige deler har stanset helt i følgende tilfeller:
 - Når du forlater produkt uten tilsyn (inkludert tømning av gressavfallet)
 - før rensing av en blokkering eller utkastingsrennen
 - før kontroll, rensing og arbeider på produktet
 - etter at du har kjørt på en gjenstand; sjekk enheten for skader og utfør nødvendige reparasjoner før du starter og bruker maskinen igjen.
 - før du fjerner oppsamlingsboksen eller åpner gressutkasterens deksel
 - hvis produktet starter å vibrere unormalt (sjekk omgående)
 - Kontroller for skader, spesielt knivene
 - erstatt eller reparer enhver skadet del
 - undersøk og stram alle løse deler
- Unngå hull, hjulspor, humper, steiner og andre skjulte gjenstander. Ujevnt underlag kan føre til at man sklir og fallulykker.
- Sikre alltid at ledningen fra håndtaket til gressklipperens motorenhet aldri blir klemt, sitter fast eller på annen måte kan bli skadet under montering eller sammenbretting av håndtaket.

OVERBELASTNING OG OVEROPPHETING BESKYTTELSE

Produktet har en overbelastningsbeskyttelse som aktiveres når overoppheting eller en spenningstopp inntreffer, og vil automatisk slå av strømmen inne i produktet. Hvis overlastvernet er aktivert, må på/av-knappen slippes. Trykk på av/på-knappen for å starte produktet på nytt.

Batteripakken har overopphetingsbeskyttelse. Høye temperaturer kan føre til at batteriet slutter å drive vektøyet. Kjenn på batteripakken, dersom den er for varm må den gis tid til å kjøle seg ned. Hvis verktøyet fortsatt ikke virker må batteriet lades.

MERK: LED-indikatoren på batteripakken vil ikke virke dersom batteriets beskyttelsesfunksjon har ført til at



batteripakken har sluttet å drive verktøyet. Frigjør avtrekkeren på verktøyet eller fjern batteripakken fra verktøyet og batteripakkens LED-indikator vil gå tilbake til sin normale funksjon.

GJENVÆRENDE RISIKO

Selv om utstyret brukes som beskrevet er det ikke mulig å unngå enhver gjenværende risiko. Følgende faresituasjoner kan oppstå ved bruk, og operatøren må legge spesielt vekt på å unngå følgende:

- Personskade på grunn av vibrasjon. Bruk alltid riktig verktøy til jobben, bruk håndtakene og begrens arbeidstiden og eksponeringen.
- Eksponering for støy kan føre til hørselskader. Bruk hørselvern og begrens eksponeringen.
- Kontakt med knivbladene
- Fare for personskade når noe slenges gjennom luften

TRANSPORT OG LAGRING

- Stopp motoren og fjern isolatormøkkelen. Påse at alle bevegelige deler har stoppet helt. La produktet kjøle ned tilstrekkelig før lagring eller transport.
- Fjern alle fremmedelementer fra produktet. Lagres på et kjølig, tørt og godt ventilt sted som er utilgjengelig for barn. Hold den borte fra korrosive materialer, så som ugressmidler og veisalt. Ikke oppbevar utendørs.
- Ved transport må produktet sikres mot å komme i bevegelse eller falle for å unngå skade på personer eller produktet.

⚠ ADVARSEL

Vær meget forsiktig når du løfter eller velter maskinen på siden for vedlikehold, rengjøring, lagring eller transport. Kuttebladet er skarpt. Hold alle kroppsdeler unna bladet når bladet ligger åpent.

VEDLIKEHOLD

⚠ ADVARSEL

Bruk kun produsentens originale reservedeler, tilleggsutstyr og påsatser. Dersom dette ikke følges, kan det forårsake personskader, dårlig funksjon og kan annullere garantien din.

⚠ ADVARSEL

Service krever meget stor forsiktighet og kunnskap og bør utføres kun av kvalifisert teknisk personale. Vi anbefaler at man sender verktøyet tilbake til nærmeste autoriserte servicesenter for reparasjon. Bruk kun originale reservedeler tilsvarende dem som skiftes ved service- og vedlikeholdsarbeider.

- Fjern sperreanordningen, og hvis mulig batteriet, før du utfører rengjøring eller vedlikehold.
- Du kan foreta justeringer og reparasjoner som er beskrevet i denne brukermanualen. For andre reparasjoner, ta kontakt med et autorisert serviceverksted.
- Kontroller gressoppsamleren ofte for slitasje eller elde.
- Etter hver bruk, rens produktet med en myk tørr klut. Enhver del som er skadet må repareres eller skiftes ut ved et autorisert serviceverksted.
- Kontroller all mutter, bolter og skruer med jevne mellomrom at de er skrudd fast for å sikre at produktet er i driftssikker stand.
- Vær forsiktig ved justering av maskinen slik at du unngår å få fingrene i klem mellom bevegelige kniver og faste deler av maskinen.
- Når du behandler knivene, vær klar over at de kan fortsatt bevege seg selv om strømtilførselen er slått av.
- Bladet på produktet er skarpt. Vis varsomhet og bruk tykke arbeidshansker når du monterer, skifter, rengjør og sjekker innfestingen av tindene.
- Skift slitte og/eller skadede kniver og bolter i sett for å ivareta balansen.

FAREREDUKSJON

Det foreligger rapporter om at vibrasjoner fra håndholdt verktøy for enkelte personer kan bidra til en tilstand som kalles Raynauds Syndrome. Symptomene kan omfatte følelsesløshet og gjøre fingrene bleke, vanligvis synlig ved eksponering til lave temperaturer. Arvelige faktorer, eksponering mot lave temperaturer og fuktighet, diett, røyking og arbeidspraksis blir alle ansett for å kunne bidra til å utvikle disse symptomene. Brukeren kan iverksette tiltak for mulig å redusere virkningene av vibrasjonene:

- Hold kroppen din varm i kaldt vær. Bruk hansker og hold hender og håndledd varme ved bruk av produktet.
- Etter hver arbeidsperiode bør det utføres øvelser for å øke blodsirkulasjonen.
- Ta ofte pauser fra arbeidet som utføres. Begrens mengden av eksponering pr. dag.

Hvis du opplever noen av symptomene på denne tilstanden må du øyeblikkelig avbryte arbeidet og oppsøke en lege med disse symptomene.

⚠ ADVARSEL

Hvis man bruker verktøyet for lenge av gangen, kan det føre til eller forverre allerede eksisterende personskade. Når du bruker et verktøy over en lenger tidsperiode, husk å ta regelmessige pauser.

KJENN PRODUKTET DITT

Se side 163.

Deler

1. På-av knapp
2. Håndtak
3. Motor kontrollkabel
4. Trådholder
5. Batteridør
6. Indikator full gressbeholder
7. Gressboks
8. Bakhjul
9. Høydeinnstiller
10. Forhjul
11. Isolatornøkkel
12. Mull-plugg
13. Batteri
14. Lader
15. Start-knapp

SYMBOLER PÅ PRODUKTET



Les og forstå alle instruksjer før du tar i bruk produktet, følg alle advarsler og sikkerhetsanvisninger.



Bruk hørselsvern



Bruk øyebeskyttelse



Ikke kjør klipperen i helninger på mer enn 15°. Klipp gresset på tvers av skråninger, aldri opp og ned.



Ikke utsette for regn eller fuktige forhold.



Vær oppmerksom på skarpe blader. Bladene fortsetter å rotere etter at motoren er skrudd av - fjern skillebryteren før vedlikehold



Vær oppmerksom på utkastede eller flygende gjenstander. Hold tilskuere, spesielt barn og dyr, på god avstand, det vil si minst 15 meter fra arbeidsområdet



Trykk på startknappen og deretter på På-/av-knappen (A, B, C eller D) for å starte produktet. Slipp startknappen og hold inne På-/av-knappen for å kjøre klipperen. Slipp På/Av-knappen for å stanse produktet.



Vennligst les instruksjonene nøye før du starter maskinen.



Avfall fra elektriske produkter skal ikke kastes sammen med husholdningsavfall. Vennligst resirkulervedeksisterende avfallsbehandlingssted. Undersøk hos dine lokale myndigheter eller forhandler for råd om resirkulering.



Dette verktøyet overholder samtlige standarder i det EU-landet det er kjøpt i.



EurAsian Konformitetstegn



Ukrainsk merke for konformitet



Garantert lydnivå er 94 dB

Følgende signalord og meninger har til hensikt å forklare graden av risiko forbundet med bruken av dette produktet.

FARE

Indikerer en øyeblikkelig farlig situasjon, som, hvis ikke unngås, kan resultere i død eller alvorlig personskade.

ADVARSEL

Indikerer en potensiell farlig situasjon, som, hvis ikke unngås, kan resultere i død eller alvorlig personskade.

FORSIKTIGHETSREGEL

Indikerer en potensiell farlig situasjon, som, hvis ikke unngås, kan resultere i mindre eller moderat personskade.

FORSIKTIGHETSREGEL

(Uten sikkerhetsvarselsymbol) Indikerer en situasjon som kan føre til skade på eiendom.

SYMBOLER I DENNE MANUALEN



Deler eller tilbehør solgt separat



Avfall fra elektriske produkter skal ikke kastes sammen med husholdningsavfall. Vennligst resirkulervedeksisterende avfallsbehandlingssted.



Hold hendene vekke fra kniven.



Merk



Advarsel



Stans produktet.

GRESSKLIPPINGSRÅD

Batteriets levetid er avhengig av gressets forhold, lengde og tetthet.

Juster kutte høyden til gressklipperen slik at det er tilpasset de enkelte forhold på gressplenen som skal klippes.

Gress-tilstand	Anbefalt høydejustering		Dekning (maksimalt)	
	Første klipp	Påfølgende klipp	4 Ah-batteri	5 Ah-batteri
Meget tynt / tørt	3	2	200 m ²	250 m ²
Tynt / tørt	4	3 → 2	150 m ²	200 m ²
Medium / tett	5	4 → 3	100 m ²	150 m ²

- For beste resultat, kutt alltid en tredjedel eller mindre av gressets totale høyde.
- Når du kutter høyt gress, senk hastigheten på gange for å få en mer effektiv klipping og riktig utslipp av klippet gress.
- Ikke kutt vått gress. Det vil feste seg til undersiden av dekselet og hindre at kuttet gress blir samlet opp eller kastet ut riktig.
- Nytt eller tykt gress kan kreve større klippehøyde.
- Høyere klippehøyde vil øke batteriets driftstid.
- Dersom du ønsker å samle gresset for å kaste det, fjern kvernepluggen og sett på gressoppsamleren; husk å sjekke at topplokket sitter godt. Husk å tømme gressoppsamleren regelmessig, ellers vil utkaståpningen bli blokkert med gress.
- Hvis du skal klippe gresset bare litt og ønsker at det som er klippet skal bli liggende på plenen, kan du sette på kvernepluggen og lukke topplokket for å tildekke utkaståpningen. Da er det ikke nødvendig å sette på gressoppsamleren.
- Gressklipperen er ment å brukes ved å trille framover og det er da den er mest effektiv.

При разработке Беспроводная газонокосилка особое внимание уделялось безопасности, производительности и надежности.

НАЗНАЧЕНИЕ

Инструмент предназначен только для использования на открытом воздухе.

Данное устройство предназначено для стрижки газонов в бытовых условиях. Режущее лезвие должно вращаться примерно параллельно поверхности, по которой перемещается газонокосилка. Во время стрижки все четыре колеса должны касаться земли. Эта газонокосилка предназначена для толкания вручную оператором, идущим за ней.

Не допускайте отрыва колес газонокосилки от земли во время работы, ее также не следует дергать и использовать для катания. Устройство можно использовать исключительно для стрижки газонов в бытовых условиях.

ОБЩИЕ ПРАВИЛА БЕЗОПАСНОСТИ

▲ ОСТОРОЖНО

Во избежание опасности возгорания, течи аккумуляторной батареи и получения травм при использовании электроинструментов с питанием от аккумуляторных батарей следует соблюдать основные правила техники безопасности. В целях собственной безопасности и безопасности наблюдающих лиц перед использованием устройства прочитайте приведенные в данном руководстве инструкции. Сохраните данные инструкции для последующего использования.

▲ ОСТОРОЖНО

Прибор должен работать от портативного источника питания. Во избежание опасности возгорания, течи аккумуляторной батареи и получения травм при использовании электроинструментов с питанием от аккумуляторных батарей следует соблюдать основные правила техники безопасности.

ЛИЧНАЯ БЕЗОПАСНОСТЬ

- Ненадлежащее использование газонокосилки может привести к ампутации рук и ног, газонокосилка также может разбрасывать различные предметы, попадающие под нее. Отказ соблюдать все инструкции безопасности, может кончатся серьезным ущербом или смертью.
- Прочитайте и изучите инструкции и предупреждения относительно безопасного использования. Ознакомьтесь с элементами управления и правильным использованием устройства.
- Никогда не позволяйте детям или людям с ограниченными физическими, сенсорными или умственными способностями, а также людям, незнакомым с этими инструкциями, работать с этим устройством, выполнять его очистку и техническое обслуживание. Местные инструкции могут ограничить возраст оператора. Не допускайте того, чтобы дети играли с этим устройством.
- Будьте внимательны, смотрите, что Вы делаете, и используете здравый смысл при действии косилки лужайки. Не используйте косилку, в то время как утомлены или под влиянием наркотиков, алкоголя, или лечения. Недостаточная внимательность во время работы с устройством может привести к получению серьезной травмы.
- Работайте в толстых длинных брюках, одежде в длинным рукавом, нескользкой обуви и перчатках. Не надевайте свободную одежду, короткие брюки, сандалии и не работайте босиком. Не надевайте свободную одежду или одежду со свисающими шнурками или узлами.
- Всегда надевать небьющиеся очки с щитами стороны.
- Сохраняйте устойчивость во время работы. Держать устойчивую опору и баланс. Передвигайтесь шагом, не бегайте.
- Обеспечьте устойчивость ног при работе на склонах.
- Двигайтесь с изделием поперек поверхности склонов, но не вверх и не вниз. Осуществлять чрезвычайное

предостережение при изменении направления на склонах.

- Не используйте устройство вблизи обрывов, рвов, очень крутых склонов или насыпей. Бедная опора может причинять несчастный случай промаха и падения.

БЕЗОПАСНОСТЬ НА РАБОЧЕМ МЕСТЕ

- Запрещается работать с устройством, если в радиусе 15 м находятся люди, особенно дети или домашние животные, потому что предметы, вылетающие от контакта с лезвием, могут привести к травмам.
- Объекты, пораженные лезвием косилки лужайки, могут причинять серьезные повреждения людям. Тщательно осмотрите участок, где предполагается использовать газонокосилку, и уберите все камни, палки, металлические части, проволоку, кости, игрушки и другие посторонние предметы. Помните, что провода или шнуры могут запутаться в режущих деталях.
- Производите стрижку только днем или при хорошем искусственном освещении.
- Не используйте изделия с аккумуляторным питанием во взрывоопасной среде, например, при наличии легковоспламеняющихся жидкостей, газов или пыли. В устройстве могут образовываться искры, что может привести к воспламенению пыли или газа.
- Не работайте с устройством во влажной траве или под дождем.
- Не используйте прибор, если есть опасность поражения молнией.
- Иметь в виду, что оператор или пользователь ответственны за несчастные случаи или опасности, встречающиеся другим людям или их собственности.
- Трагические несчастные случаи могут происходить, если оператор - не внимателен к присутствию детей. Детей часто привлекает машина и сканирующая деятельность. Никогда не предполагать, что дети останутся, там, где вы видели их.
- Держать детей вне области скоса и под осторожной заботой ответственного

взрослого, не оператора. Будьте внимательны и выключайте устройство, если в рабочей зоне появится ребенок.

- Использовать дополнительную осторожность при приближении к не просматриваемым поворотам, кустам, деревьям, или другим объектам, которые могут скрыть ребенка от вашего взгляда.

ЭКСПЛУАТАЦИЯ УСТРОЙСТВА С АККУМУЛЯТОРНЫМ ПИТАНИЕМ И УХОД ЗА НИМ

- Прочитайте, уясните и всегда следуйте инструкции по технике безопасности, прилагаемой к батарее и зарядному устройству. Несоблюдение инструкции может привести к поражению электрическим током, пожару и другим опасным ситуациям. Храните все инструкции вместе в надежном месте для дальнейшего использования.
- Нет необходимости подключать устройства с аккумуляторным питанием в электрическую розетку, они всегда находятся в рабочем состоянии. Извлеките разъединитель, когда вы не используете изделие.
- Перед выполнением любых настроек, очисткой или удалением материала с устройства снимите аккумуляторную батарею.
- Перед установкой аккумуляторной батареи убедитесь, что ключ зажигания вынут.
- Зарядку аккумуляторной батареи следует производить только с помощью рекомендованного изготовителем зарядного устройства. Использование зарядного устройства с несовместимой аккумуляторной батареей может создать опасность возгорания. Используйте аккумуляторные батареи только с перечисленными зарядными устройствами.
- Используйте с данным устройством только предназначенные для него аккумуляторные батареи. Использование аккумуляторных батарей другого типа может привести к возгоранию, поражению электрическим током или телесным повреждениям.
- Если аккумуляторная батарея не

используется, храните ее отдельно от других металлических предметов, например канцелярских скрепок, монет, ключей, гвоздей, винтов и других мелких металлических предметов, которые могут привести к замыканию контактов батареи. Замыкание полюсов батареи может привести к искрам, возгоранию, пожару или взрыву.

- Не размещайте батареи рядом с источниками огня или тепла. Это повышает риск взрыва и получения травмы.
- Не вскрывайте и не разбирайте аккумуляторную батарею. Вытекающий электролит является разъедающим веществом, которое может привести к поражению глаз или кожи. При проглатывании электролит может привести к отравлению.
- Оберегайте аккумуляторную батарею от сырости и воды. Незаряжайте устройство в условиях повышенной влажности или сырости. Попавшая внутрь зарядного устройства вода создает опасность поражения электрическим током.
- При повреждении или ненадлежащем использовании аккумуляторной батареи из нее могут выделяться испарения. В случае появления признаков недомогания обеспечьте поступление свежего воздуха и обратитесь за врачебной помощью. Испарения могут вызвать раздражение органов дыхания.
- Не оставляйте батарею в автомобиле или на открытом воздухе при высоких или низких температурах окружающей среды.
- Не сжигайте аккумуляторную батарею.
- При ненормальных условиях из батареи может вытечь жидкость, избегайте контакта с ней. Если этого избежать не удалось, смойте жидкость водой. Если жидкость попала в глаза, после их промывания обратитесь за медицинской помощью. Жидкость, вытекшая из батареи, может вызвать раздражение или ожог.

ПРЕДОСТЕРЕЖЕНИЯ ОТНОСИТЕЛЬНО БЕЗОПАСНОГО ПОЛЬЗОВАНИЯ ГАЗОНОКОСИЛКИ

- Перед работой всегда проверяйте инструмент на наличие износа или повреждений режущего лезвия, болтов для его крепления полотна и режущего узла.
- Замените изношенные или поврежденные режущие лезвия и болты в комплекте, чтобы обеспечить балансировку.
- Лезвие, используемое в устройстве, очень острое, будьте предельно осторожны и выполняйте установку, замену, очистку и проверку затяжки болтов в защитных перчатках.
- Обратитесь в авторизованный сервисный центр для замены поврежденных или нечитаемых этикеток изделия.
- Проверить все болты, задвижки, и винты, через короткие интервалы, на надлежащую плотность, чтобы убедиться, что оборудование находится в безопасном, рабочем состоянии.
- Регулярно проверяйте травосборник на предмет износа, повреждений и эффективности.
- Замените изношенные или поврежденные детали перед началом эксплуатации устройства.
- При запуске изделия оператор должен находиться за ручками в безопасной зоне. Запрещается запускать устройство, если не выполнены указанные ниже условия:
 - все четыре колеса не находятся на земле
 - желоб выброса травы закрыт заглушкой для мульчирования и крышкой желоба выброса травы или сборником срезанной травы и крышкой желоба выброса травы
 - оператор и другие находящиеся поблизости лица носят спецодежду, защищающую их ноги и руки от порезов
- Не используйте изделие, если невозможно остановить двигатель выключателем, расположенным на ручке.



- Никогда не пытайтесь заблокировать выключатели в положении «ВКЛ.», это крайне опасно.
- Не прикладывайте чрезмерных усилий при работе с данным инструментом. Лучше и безопаснее выполнить работу на той скорости, на которую устройство рассчитано.
- При пересечении участков, покрытых гравием, остановите режущее лезвие.
- Не тяните устройство назад без крайней необходимости. Если вам потребуется отодвинуть устройство от стены или иного ограждения, сначала посмотрите под ноги и назад, чтобы не повредить себе ноги при его перемещении.
- Остановите двигатель и дождитесь остановки лезвия, если газонокосилку необходимо наклонить для перевозки при пересечении не покрытых травой поверхностей и при транспортировке устройства к месту скашивания и из него.
- Никогда не пользуйтесь инструментом в случае повреждения защитных приспособлений или без установленных щитков или других защитных устройств, например, без отражателей и/или контейнера для травы.
- Не наклоняйте газонокосилку во время запуска и работы двигателя. При этом открывается лезвие и повышается вероятность опасного вылетания объектов.
- Запустите двигатель, тщательно соблюдая инструкции и не допуская попадания рук и ног в зону резания. Держите свободным разгрузку, открывающейся всегда. Не начать двигатель, когда стоите перед разгрузочным желобом.
- Не держите руки или ноги вблизи вращающихся деталей или под ними. Держите свободным разгрузку, открывающейся всегда.
- Не поднимайте и не несите изделие с работающим двигателем.
- Остановите двигатель газонокосилки и снимите устройство блокировки, убедитесь, что все движущиеся части полностью остановились в следующих случаях:
 - когда продукт оставляется без присмотра (включая выброс обрезков травы)
 - перед удалением засора или чисткой желоба;
 - перед проверкой, чисткой и техобслуживанием продукта;
 - после удара о посторонний предмет; осмотрите прибор на наличие повреждений и отремонтируйте по мере необходимости перед повторным запуском и эксплуатацией устройства;
 - перед снятием сборника срезанной травы или открытия крышки желоба выброса травы
 - если продукт начинает вибрировать (проверьте немедленно).
 - осмотреть на предмет повреждений, особенно лопасти
 - замените или отремонтируйте поврежденные детали
 - проверьте и, при необходимости, затяните ослабленные детали
- Избежать отверстий, колея, ударов, камней, или других скрытых объектов. Неровный ландшафт может причинять несчастный случай промаха и падения.
- Всегда следите за тем, чтобы шнур, идущий от ручки газонокосилки, не был зацеплен, пережат и поврежден каким-либо иным образом во время сборки или складывания ручки.

ЗАЩИТА ОТ ПЕРЕГРУЗКИ И ПЕРЕГРЕВА ЗАЩИТА

Данное устройство оборудовано устройством защиты от перегрузки, которое срабатывает при перегреве или токовом выбросе, автоматически отключая питание продукта. Если срабатывает устройство защиты от перегрузки, необходимо выключить кнопку Вкл-Выкл. Нажмите кнопку Вкл-Выкл, чтобы повторно запустить устройство.

Батарея оснащена защитой от перегрева. Чрезмерная температура может привести к отключению батареи инструмента. Потрогайте аккумуляторную батарею; если она слишком горячая, дайте ей охладиться. Если и в этом случае инструмент не работает, зарядите батарею.

ПРИМЕЧАНИЕ: Индикатор аккумуляторной



батарей может не работать, если прекращение питания инструмента от батареи вызвано срабатыванием функции защиты батарей. Отпустите курковый выключатель и извлеките аккумуляторную батарею из инструмента, после чего индикатор возобновит нормальную работу.

БУДЬТЕ ВСЕГДА ОСТОРОЖНЫ

Даже когда изделие используют согласно инструкциям, невозможно полностью устранить факторы риска. При эксплуатации могут возникнуть следующие ситуации, которым пользователь должен уделять особое внимание, чтобы избежать проблем:

- Травмы, вызываемые вибрацией. Применяйте инструмент только по своему назначению, используйте надлежащие ручки и соблюдайте рабочий режим.
- Воздействие шума может привести к повреждению слуха. Носите устройства защиты слуха и ограничивайте продолжительность шумового воздействия.
- Контакт с лезвиями
- Получение травмы от отбрасываемых объектов

ТРАНСПОРТИРОВКА И ХРАНЕНИЕ

- Остановите двигатель и выньте ключ зажигания. Убедитесь в полной остановке всех движущихся деталей. Дайте устройству остыть перед постановкой на хранение или транспортировкой.
- Очистите устройство от всех посторонних материалов. Храните его в прохладном, сухом, хорошо проветриваемом и недоступном для детей месте. Не держите бензопилу рядом с коррозионными веществами, такими как садовые химикаты или размораживающая соль. Не храните на открытом воздухе.
- Для транспортировки закрепите изделие так, чтобы оно не могло перемещаться или упасть во избежание травмирования персонала или повреждения изделия.

▲ ОСТОРОЖНО

Будьте предельно осторожны при подъеме или наклоне устройства для технического обслуживания, очистки, хранения или транспортировки. Лезвие очень острое. Если лезвие оказывается открытым, держите его подальше от тела.

ТЕХНИЧЕСКОЕ ОБСЛУЖИВАНИЕ

▲ ОСТОРОЖНО

Используйте только оригинальные запчасти, аксессуары и насадки от производителя. Невыполнение этого требования может привести к травме, к снижению производительности и к аннулированию гарантии.

▲ ОСТОРОЖНО

Обслуживание требует чрезвычайной заботы и знания и должно быть выполнено только квалифицированным техником обслуживания. Для обслуживания мы предлагаем, чтобы вы возвратили изделие вашему самому близкому уполномоченному центру обслуживания для ремонта. При проведении технического обслуживания используйте только рекомендованные запчасти.

- Снимите блокировочное устройство и по возможности батарею перед проведением очистки или технического обслуживания.
- Вы можете также выполнить другие виды регулировки и ремонтные работы, описанные в данном руководстве. По вопросу ремонта обращайтесь в авторизованный сервисный центр.
- Держать механизм в хорошем рабочем состоянии.
- После каждого использования протирайте изделие мягкой сухой тканью. В случае повреждения какой-либо детали необходимо обратиться в авторизованный сервисный центр для выполнения надлежащего ремонта или замены.

- Проверить все болты, задвижки, и винты, через короткие интервалы, на надлежащую плотность, чтобы убедиться, что изделие находится в безопасном, рабочем состоянии.
- При регулировке инструмента соблюдайте осторожность во избежание попадания пальцев между движущимися режущим полотном и неподвижными деталями инструмента.
- При обращении с режущими лезвиями помните, что даже при отключении от сети питания лезвия могут перемещаться.
- Лезвие изделия острое. Будьте предельно осторожны и выполняйте установку, замену, очистку и проверку затяжки болтов в защитных перчатках.
- Замените изношенные или поврежденные режущие лезвия и болты в комплекте, чтобы обеспечить балансировку.

СНИЖЕНИЕ РИСКА

Считается, что вибрация ручного инструмента может привести к проявлению у отдельных лиц так называемой болезни Рейно (Raynaud's Syndrome). К симптомам могут относиться покалывание, онемение и побеление пальцев (как при переохлаждении). Считают, что наследственные факторы, охлаждение и влажность, диета, курение и практический опыт способствуют развитию этих симптомов. Ниже приводятся меры, которые может принять оператор для снижения воздействия вибрации:

- Одевайтесь теплее в холодную погоду. При эксплуатации изделия носите перчатки, чтобы сохранить руки и запястья в тепле.
- После каждого этапа работы выполните упражнения для усиления кровообращения.
- Чаще делайте перерывы в работе. Сократите длительность ежедневного пребывания на открытом воздухе.

При появлении каких-либо из указанных симптомов сразу же прекратите работу и обратитесь по их поводу к врачу.

⚠ ОСТОРОЖНО

Слишком продолжительное использование инструмента может привести к травме. При использовании инструмента в течение длительного времени делайте регулярные перерывы.

ИЗУЧИТЕ УСТРОЙСТВО

См. стр. 163.

Детали

1. Кнопка включения/выключения
2. Рукоятка
3. Управляющий кабель двигателя
4. Фиксатор шнура
5. Дверца отсека батареи
6. Индикатор заполнения сборщика срезанной травы
7. Контейнер для травы
8. Заднее колесо
9. Рычаг регулирования высоты
10. Переднее колесо
11. Ключ зажигания
12. Заглушка для мульчирования
13. Аккумулятор
14. Зарядное устройство
15. Кнопка пуска

УСЛОВНЫЕ ОБОЗНАЧЕНИЯ НА ПРОДУКТЕ



Внимательно прочитайте все инструкции перед началом работы с продуктом, соблюдайте все предупреждения и инструкции по безопасности.



Следует надевать средства защиты органов слуха



Используйте средства защиты органов зрения



Не производите работы на склонах с углом наклона более 15°. Не косить поперек наклонов, никогда вверх и вниз.



Не подвергайте инструмент воздействию дождя и не используйте в условиях повышенной влажности.



Будьте предельно внимательными с острыми лезвиями. Лезвие продолжает вращаться после выключения двигателя - Извлеките изолирующий ключ перед проведением технического обслуживания



Помните об опасности, которую представляют собой отбрасываемые устройством или вылетающие из-под него предметы. Не допускайте приближения посторонних лиц, особенно детей и домашних животных к рабочей зоне ближе чем на 15 м



Нажмите кнопку Пуск, а затем кнопку включения/выключения (А, В, С или D) для запуска устройства. Отпустите кнопку Пуск и держите кнопку включения/выключения нажатой для работы устройства. Отпустите кнопку включения/выключения для останова продукта.



Перед использованием прибора внимательно ознакомьтесь с данной инструкцией.



Отработанная электротехническая продукция должна уничтожаться вместе с бытовыми отходами. Утилизируйте, если имеется специальное техническое оборудование. По вопросам утилизации проконсультируйтесь с местным органом власти или предприятием розничной торговли.



Настоящий инструмент отвечает всем официальным стандартам страны ЕС, в которой он был приобретен.



Знак Евразийского Соответствия Сертификат Соответствия № TC RU C-DE.AE11.B.04144 Срок действия Сертификата Соответствия По 09.08.2020 АНО Экспертизы и контроля качества – Центр сертификации «Евро-Тест» 109147 РФ, город Москва, улица Малая Калитниковская дом 7



Украинский знак стандартизации



Гарантированный уровень звуковой мощности 94 дБ

Следующие сигнальные слова и значения предназначены для того, чтобы объяснить уровень риска, связанного с этим изделием:

⚠ ОПАСНО

Указывает неизбежно опасную ситуацию, которая, если не избежать, кончится смертельным или серьезным ущербом.

⚠ ОСТОРОЖНО

Указывает потенциально опасную ситуацию, которая, если не избежать, может кончаться смертельным или серьезным ущербом.

⚠ ПРЕДОСТЕРЕЖЕНИЕ

Указывает потенциально опасную ситуацию, которая, если не избежать, может кончаться малым или уменьшенным ущербом.

ПРЕДОСТЕРЕЖЕНИЕ

(Употребляется без предупреждающего знака) Указывает на ситуацию, которая может привести к повреждению имущества.

УСЛОВНЫЕ ОБОЗНАЧЕНИЯ В ДАННОМ РУКОВОДСТВЕ.



Детали или принадлежности, приобретаемые отдельно



Отработанная электротехническая продукция должна уничтожаться вместе с бытовыми отходами. Утилизируйте, если имеется специальное техническое оборудование.



Не касайтесь режущих полотен.



Примечание



Осторожно



Остановите устройство.

СКОС ВЕРХУШЕК

Время работы батареи зависит от состояния, длины и плотности травы.

Отрегулируйте высоту срезания газонокосилки в соответствии с состоянием скашиваемого газона.

Состояние травы	Предлагаемая высота скашивания		Охват (максимум)	
	Первый проход	Последующие проходы	Батарея на 4 Ач	Батарея на 5 Ач
Очень тонкая/сухая трава	3	2	200 м ²	250 м ²
Тонкая/сухая трава	4	3 → 2	150 м ²	200 м ²
Средняя/плотная трава	5	4 → 3	100 м ²	150 м ²

- Для лучшей производительности срезайте треть или менее от общей высоты травы.
- При сокращении длинной травы, уменьшить скорость, чтобы учесть более эффективное сокращение и надлежащую разгрузку отсека.
- Не скашивайте мокрую траву, она будет прилипать к нижней части платформы и нарушать надлежащий сбор или выброс скошенной травы.
- Для стрижки свежей или густой травы может потребоваться увеличение высоты стрижки.

- Чем больше высота среза, тем дольше будет работать батарея.
- Чтобы собирать срезанную траву для последующего выбрасывания, снимите заглушку для мульчирования и установите сборщик срезанной травы, следя за тем, чтобы верхняя крышка была закрыта. Регулярно выбрасывайте содержимое сборщика срезанной травы, иначе разгрузочный желоб забьется обрезками травы.
- Если вы хотите немного подрезать траву и оставить обрезки на газоне, установите заглушку для мульчирования и закройте верхнюю крышку, чтобы выход из разгрузочного желоба был закрыт. В этом случае нет необходимости устанавливать сборщик срезанной травы.
- Конструкция газонокосилки такова, что она работает и скашивает траву наиболее эффективно при движении вперед.

Транспортировка:

Категорически не допускается падение и любые механические воздействия на упаковку при транспортировке.

При разгрузке/погрузке не допускается использование любого вида техники, работающей по принципу зажима упаковки.

Хранение:

Необходимо хранить в сухом месте.

Необходимо хранить вдали от источников повышенных температур и воздействия солнечных лучей.

При хранении необходимо избегать резкого перепада температур.

Хранение без упаковки не допускается.

Срок службы изделия:

Срок службы изделия составляет 5 лет.

Не рекомендуется к эксплуатации по истечении 5 лет хранения с даты изготовления без предварительной проверки.

Дата изготовления (код даты) отштампован на поверхности корпуса изделия.

Пример:

W17 Y2015, где Y2015 - год изготовления

W17 – неделя изготовления

Определить месяц изготовления можно согласно приведенной ниже таблице, на примере 2015 года.

Обратите внимание! Количество недель в месяце различается от года в год.

Месяц	Январь	Февраль	Март	Апрель	Май	Июнь	Июль	Август	Сентябрь	Октябрь	Ноябрь	Декабрь	Год
Неделя	01	05	09	14	18	22	27	31	36	40	44	49	2015
	02	06	10	15	19	23	28	32	37	41	45	50	
	03	07	11	16	20	24	29	33	38	42	46	51	
	04	08	12	17	21	25	30	34	39	43	47	52	
	05	09	13	18	22	26	31	35	40	44	48	53	
			14			27							

W przypadku kosiarka bezprzewodowa zwrócono szczególną uwagę na zapewnienie bezpieczeństwa, wysokiej wydajności oraz niezawodności.

PRZEZNACZENIE

Produkt jest przeznaczony do użytku wyłącznie na zewnątrz pomieszczeń.

Urządzenie jest przeznaczone tylko i wyłącznie do koszenia trawy na przydomowych trawnikach. Ostrze tnące powinno obracać się mniej więcej równoległe do podłoża, nad którym przejeżdża. Podczas koszenia trawy wszystkie cztery koła muszą dotykać podłoża. Jest to kontrolowana przez użytkownika kosiarka popychana przez użytkownika.

Nie wolno używać kosiarki, gdy koła nie są na ziemi; nie wolno także ciągnąć kosiarki i jeździć na niej. Należy go używać tylko i wyłącznie do koszenia trawy na przydomowych trawnikach.

OGÓLNE OSTRZEŻENIA DOTYCZĄCE BEZPIECZEŃSTWA

▲ OSTRZEŻENIE

W przypadku korzystania z urządzeń akumulatorowych należy zawsze przestrzegać podstawowych zasad bezpieczeństwa w celu ograniczenia ryzyka pożaru, wycieku elektrolitu z akumulatorów oraz obrażeń ciała. Aby zapewnić bezpieczeństwo sobie i osobom postronnym, przed przystąpieniem do użytkowania urządzenia należy zapoznać się z niniejszą instrukcją. Niniejszą instrukcję należy przechowywać w bezpiecznym miejscu do późniejszego użytku.

▲ OSTRZEŻENIE

Urządzenie do pracy wymaga akumulatora. W przypadku korzystania z urządzeń akumulatorowych należy zawsze przestrzegać podstawowych zasad bezpieczeństwa w celu ograniczenia ryzyka pożaru, wycieku elektrolitu z akumulatorów oraz obrażeń ciała.

BEZPIECZEŃSTWO OSOBISTE

■ Niewłaściwe użycie kosiarki grozi amputacją rąk i nóg, a ponadto kosiarka może wyrzucać spod siebie różne

przedmioty. Nieprzestrzeganie wszelkich zasad bezpieczeństwa grozi poważnym zranieniem lub śmiercią.

- Należy przeczytać ze zrozumieniem instrukcję oraz ostrzeżenia dotyczące bezpieczeństwa. Należy zapoznać się z przyrządami sterowania oraz zasadami prawidłowej obsługi produktu.
- Nie wolno pozwalać obsługiwać, czyścić ani konserwować tego urządzenia dzieciom lub osobom o ograniczonych zdolnościach fizycznych, sensorycznych lub umysłowych ani osobom, które nie przeczytały tych instrukcji. Przepisy lokalne mogą ograniczać dopuszczalny wiek operatora. Należy dopilnować, aby dzieci nie bawiły się produktem.
- Zachowywać skupienie, uważnie obserwować wykonywane czynności, stosować zasady zdrowego rozsądku podczas obsługi urządzenia. Nie wolno używać kosiarki będąc zmęczonym, pod wpływem lekarstw, alkoholu lub środków odurzających. Utrata koncentracji podczas pracy urządzenia może spowodować poważne obrażenia ciała.
- Założyć grube, długie spodnie, koszulę/bluzę z długim rękawem, buty przeciwpoślizgowe i rękawice. Nie nosić luźnego ubrania, krótkich spodenek, sandałów oraz nie chodzić boso. Unikać zakładania luźnej odzieży, ze sznurkami lub krawatem.
- Podczas pracy należy mieć założone okulary ochronne z osłonami bocznymi.
- Zawsze zwracać uwagę na zachowanie bezpiecznej odległości stóp od urządzenia. Stać stabilnie, zachowując równowagę. Podczas pracy należy chodzić, nie wolno biegać.
- Na zboczach należy zawsze stać w sposób pewny.
- Produkt należy prowadzić w poprzek zbocza, a nie pod górę lub z góry. Zachować szczególną ostrożność podczas zmiany kierunku jazdy na pochyłym terenie.
- Nie używać produktu w pobliżu urwisk, rowów, zbyt stromych zboczy lub nabrzeży. Brak pewnego oparcia dla stóp grozi poślizgiem i upadkiem.



OTOCZENIE ROBOCZE

- Nigdy nie należy używać produktu, gdy inne osoby, a w szczególności dzieci lub zwierzęta, znajdują się w zakresie 15 metrów, ponieważ występuje ryzyko odrzucenia przedmiotów na skutek kontaktu z ostrzem.
- Obiekty uderzone przez tarczę tnącą mogą być przyczyną poważnego zranienia osób. Dokładnie sprawdzić obszar, na którym będzie używane urządzenie i usunąć wszystkie kamienie, gałęzie, przewody, kości, zabawki i inne przedmioty obcego pochodzenia. Należy pamiętać, że żyłka lub linka może zaplątać się o ostrze.
- Trawę zawsze kosić w świetle dziennym lub przy dobrym sztucznym oświetleniu.
- Nie używać urządzenia w atmosferze wybuchowej, np. w obecności łatwopalnych cieczy, gazów i pyłów. Narzędzie wytwarza iskry, co może spowodować zapłon pyłu lub oparów.
- Nie używać narzędzia na mokrej trawie lub podczas deszczu.
- Nie używać kosiarki, jeśli występuje ryzyko wyładowań atmosferycznych.
- Należy pamiętać, że operator lub użytkownik jest odpowiedzialny za spowodowanie wypadku lub zagrożenia bezpieczeństwa osób i mienia.
- Może dojść do tragicznego wypadku, jeśli operator nie zauważa obecności dzieci. Kosiarka i proces koszenia często przyciąga uwagę dzieci. Nie wolno nigdy zakładać, że dzieci pozostają tam, gdzie je ostatnio widziano.
- Dzieci należy trzymać z dala od obszaru roboczego i pod nadzorem odpowiedzialnej osoby dorosłej, innej niż operator. Należy zachować ostrożność i wyłączyć urządzenie, gdy dziecko znajdzie się na miejscu pracy.
- Zachować szczególną ostrożność zbliżając się do narożników, krzewów, drzew lub innych obiektów, które mogą przeszkodzić w zauważeniu dziecka.

UŻYTKOWANIE I OBSŁUGA AKUMULATORA

- Należy przeczytać, zrozumieć i zawsze przestrzegać instrukcji bezpieczeństwa dostarczonych z akumulatorem i

ładowarką. W przeciwnym razie może dojść do porażenia prądem, pożaru lub innej niebezpiecznej sytuacji. Wszystkie instrukcje należy przechowywać razem w bezpiecznym miejscu w celu wykorzystania w przyszłości.

- Urządzenia akumulatorowe nie muszą być podłączone do gniazda elektrycznego i w związku z tym zawsze są gotowe do pracy. Jeśli produkt nie jest używany, należy wyjąć klucz zabezpieczający.
- Przed rozpoczęciem regulacji, czyszczenia lub usuwania materiału z urządzenia należy wyjąć akumulator.
- Przed umieszczeniem akumulatora upewnić się, że klucz odłącznika został wyciągnięty.
- Akumulator może być ładowany wyłącznie za pomocą ładowarki dostarczonej przez producenta. Użycie ładowarki z niezgodnym akumulatorem może być przyczyną pożaru. Do ładowania akumulatora stosować wyłącznie zalecaną ładowarkę.
- Używać wyłącznie akumulatora przeznaczony do tego urządzenia. Używanie innych akumulatorów może spowodować pożar, porażenie prądem lub obrażenia ciała.
- Gdy akumulator nie jest używany, przechowywać go z dala od innych metalowych przedmiotów, np. spinaczy, monet, kluczy, gwoździ, śrub lub innych małych metalowych przedmiotów, które mogłyby utworzyć połączenie między stykami, prowadząc do zwarcia. Zwarcie styków akumulatora może spowodować iskrzenie, oparzenia lub pożar.
- Nie umieszczać urządzeń akumulatorowych ani samych akumulatorów w pobliżu ognia lub źródeł ciepła. Występuje ryzyko eksplozji i obrażeń ciała.
- Nie otwierać i nie modyfikować akumulatora. Wyciekający elektrolit jest czynnikiem korozyjnym i może powodować urazy oczu lub skóry. W razie poknięcia może być toksyczny.
- Chronić akumulator przed wilgocią i wodą. Nie ładować akumulatora w wilgotnym lub mokrym miejscu. W ten sposób zmniejszycie ryzyko porażenia prądem elektrycznym, pożaru czy obrażeń ciała.



- W przypadku uszkodzenia i nieprawidłowego użytkownika akumulatora może dojść do emisji oparów. Należy udać się na świeże powietrze i w razie dolegliwości uzyskać pomoc medyczną. Opary mogą podrażnić układ oddechowy.
- Nie wolno pozostawiać akumulatora w samochodzie lub na zewnątrz pomieszczeń przy wysokiej lub niskiej temperaturze.
- Nie wolno wrzucać akumulatora do ognia.
- W przypadku niewłaściwej obsługi może dojść do wycieku płynu z akumulatora, należy unikać kontaktu z tym płynem. Miejsce ewentualnego kontaktu przepłukać wodą. W przypadku, gdy płyn dostanie się do oczu, po przemyciu zwrócić się o pomoc do lekarza. Płyn wyciekający z akumulatora może powodować podrażnienia i oparzenia.

OSTRZEŻENIA DOTYCZĄCE BEZPIECZEŃSTWA ZWIĄZANEGO Z KOSIARKĄ

- Przed użyciem zawsze sprawdzić wizualnie, czy ostrza, śruby ostrza oraz zespół tnący nie są zużyte lub uszkodzone.
- Wymienić zużyte lub uszkodzone całe zestawy ostrzy i śrub, aby zachować wyważenie.
- Ostrze produktu jest bardzo ostre. Przy montażu, wymianie, czyszczeniu lub kontroli dokręcenia śrub należy zachować szczególną ostrożność i nosić grube rękawice ochronne.
- Jeśli etykiety są uszkodzone lub nieczytelne, należy zwrócić produkt do punktu serwisowego w celu wymiany etykiet.
- Systematycznie sprawdzać, czy wszystkie nakrętki, wkręty i śruby są dobrze dokręcone, aby upewnić się, że kosiarka jest w bezpiecznym stanie.
- Należy regularnie sprawdzać kosz na trawę pod względem zużycia lub uszkodzeń.
- Wymienić zużyte lub uszkodzone części przed rozpoczęciem pracy z produktem.
- Produkt można uruchomić wyłącznie wtedy, gdy użytkownik znajduje się za uchwytami w bezpiecznej strefie użytkownika. Nie wolno uruchamiać produktu, jeśli:
 - wszystkie cztery koła nie znajdują się na ziemi
 - otwór wylotowy trawy jest odsłonięty
- i nie jest zabezpieczony osłoną do mulczowania i osłoną wylotową trawy lub koszem na trawę i osłoną otworu wylotowego.
 - dłonie i stopy wszystkich osób znajdują się w pobliżu ostrzy
- Nigdy nie wolno obsługiwać produktu, jeśli włącznik/wyłącznik na uchwycie nie działa prawidłowo i nie zapewnia prawidłowego uruchamiania i zatrzymywania produktu.
- Nigdy nie wolno blokować włączników/wyłączników w położeniu włączenia (ON). Jest to bardzo niebezpieczne.
- Nie przeciążać urządzenia. Urządzenie będzie najwydajniejsze i najbezpieczniejsze w obsłudze, jeśli będzie używane zgodnie z zamierzonymi parametrami pracy.
- Przed przejechaniem przez podłoże żywotowe zatrzymać ostrze.
- Nie należy ciągnąć produktu do tyłu, chyba że jest to absolutnie konieczne. Jeżeli trzeba odsunąć urządzenie do tyłu od ściany lub przeszkody, należy najpierw spojrzeć w dół i do tyłu, aby uniknąć przewrócenia lub najechania urządzeniem na swoje stopy.
- Wyłączyć silnik i odczekać, aż ostrze zatrzyma się, jeśli kosiarka musi być przechylone do transportu, podczas przejeżdżania przez podłoża nietrawiaste oraz podczas transportu kosiarki do i z obszaru koszenia.
- Nie wolno używać urządzenia z uszkodzonymi osłonami lub pokrywami lub bez elementów zabezpieczających lub bez pojemnika na odpadki.
- Nie przechylać kosiarki przy uruchamianiu silnika lub gdy silnik pracuje. Spowoduje to narażenie na kontakt z ostrzem i zwiększenie ryzyka uderzenia odrzuconym obiektem.
- Ostrożnie włączyć silnik zgodnie z instrukcją oraz trzymać ręce i nogi z daleka od obszaru koszenia. Należy cały czas trzymać się z dala od otworów wyrzutowych. Nie uruchamiać silnika stojąc przed otworem wyrzutowym.
- Nie umieszczać rąk lub nóg w pobliżu lub pod częściami obrotowymi. Należy cały czas trzymać się z dala od otworów wyrzutowych.
- Nigdy nie wolno podnosić ani przenosić

produktu, gdy silnik pracuje.

- Wyłączyć silnik kosiarki i wyjąć urządzenie odłączające. Upewnić się, że wszystkie ruchome części są całkowicie zatrzymane w następujących przypadkach:
 - w przypadku pozostawiania produktu bez nadzoru (również w przypadku opróżniania kosza)
 - przed usuwaniem zatoru lub czyszczeniem wylotu,
 - przed sprawdzeniem, czyszczeniem i użytkowaniem produktu,
 - po uderzeniu obcego obiektu; należy sprawdzić urządzenie pod kątem uszkodzeń i w razie potrzeby dokonać niezbędnych napraw przed uruchomieniem i kontynuowaniem pracy,
 - przed odłączeniem kosza na trawę lub przed otwarciem pokrywy wyrzutu trawy
 - jeśli produkt zacznie wibrować w nietypowy sposób (należy natychmiast przeprowadzić kontrolę).
 - w przypadku sprawdzania stanu elementów, szczególnie ostrzy
 - wymienić lub naprawić wszystkie uszkodzone elementy
 - sprawdzić, czy nie ma obluzowanych elementów i w razie potrzeby dokręcić je
- Unikać dziur, korzeni, skał, wybrzuszeń terenu i innych ukrytych w trawie obiektów. Nierówny teren grozi poślizgiem i upadkiem.
- Należy dopilnować, aby przewód na odcinku od uchwytu do korpusu kosiarki nigdy nie został zablokowany, przytrzaśnięty lub w inny sposób uszkodzony podczas montażu lub składania uchwytu.

ZABEZPIECZENIE PRZED PRZECIĄŻENIEM I PRZEGRZANIEM

Produkt posiada zabezpieczenie przeciążeniowe, które uruchamia się w chwili przegrzania lub skoku natężenia prądu, wyłączając automatycznie dopływ zasilania do produktu. W przypadku uruchomienia zabezpieczenia przeciążeniowego należy zwolnić przycisk włączania/wyłączania. Nacisnąć przycisk włączania/wyłączania, aby ponownie uruchomić produkt.

Akumulator jest wyposażony w

zabezpieczenie przeciążeniowe. Nadmierna temperatura może spowodować wyłączenie elektronarzędzia przez akumulator. Sprawdzić temperaturę akumulatora, jeśli jest zbyt wysoka, odczekać aż ostygnie. Jeśli elektronarzędzie nadal nie działa, należy naładować akumulator.

OBJAŚNIENIE: Wskaźnik LED akumulatora nie będzie świecił, jeśli układ zabezpieczający akumulator odetnie zasilanie elektronarzędzia. Zwolnić przycisk uruchamiający lub wyjąć akumulator z elektronarzędzia, działanie wskaźnika LED akumulatora zostanie przywrócone.

RYZIKO ZWIĄZANE Z UŻYTKOWANIEM:

Nawet jeśli produkt jest używany zgodnie z zaleceniami, nadal nie jest możliwe wyeliminowanie określonych czynników ryzyka. Następujące zagrożenia mogą wystąpić podczas używania urządzenia i operator powinien zwracać szczególną uwagę na poniższe punkty:

- Urazy ciała spowodowane przez wibracje. Zawsze należy używać do określonego zadania odpowiednich narzędzi, korzystać z przeznaczonych do tego uchwytów i stosować się do zaleceń dotyczących czasu pracy i narażenia.
- Narażenie na hałas może spowodować utratę słuchu. Należy nosić środki ochrony uszu oraz ograniczyć poziom narażenia.
- Kontakt z ostrzami
- Urazy na skutek odrzucanych obiektów

TRANSPORT I PRZECHOWYWANIE

- Wyłączyć silnik i wyciągnąć klucz odłącznika. Upewnić się, że wszystkie elementy ruchome zostały całkowicie zatrzymane. Przed schowaniem lub transportem produktu należy odczekać aż produkt ostygnie.
- Usunąć z produktu wszelkie zanieczyszczenia. Należy przechowywać urządzenie w chłodnym, suchym i dobrze wentylowanym miejscu, które jest niedostępne dla dzieci. Nie chowajcie jej w pobliżu czynników żrących, takich jak ogrodowe produkty chemiczne czy sole odmrażające. Nie przechowywać na zewnątrz.
- W przypadku transportu produktu należy

zabezpieczyć go przed przemieszczaniem się lub upadkiem, aby nie dopuścić do obrażeń ciała lub uszkodzenia urządzenia.

⚠ OSTRZEŻENIE

Należy zachować szczególną ostrożność w przypadku podnoszenia lub przechylenia maszyny na potrzeby konserwacji, czyszczenia, przechowywania lub transportu. Ostrze jest ostre. Gdy ostrze jest odkryte, nie wolno zbliżać do niego żadnych części ciała.

KONSERWACJA

⚠ OSTRZEŻENIE

Należy stosować wyłącznie oryginalne części zamienne, akcesoria oraz przystawki producenta. W przeciwnym razie może dojść do obrażeń ciała, niskiej wydajności oraz do unieważnienia gwarancji.

⚠ OSTRZEŻENIE

Serwisowanie wymaga wyjątkowej staranności i wiedzy. Może być wykonywane wyłącznie przez wykwalifikowany personel serwisowy. W celu naprawy zaleca się oddać kosiarkę do najbliższego autoryzowanego punktu serwisowego. Podczas konserwacji i naprawy używać wyłącznie autoryzowanych części zamiennych.

- Wyjąć urządzenie odłączające i akumulator, jeśli jest to możliwe, przed czyszczeniem lub konserwacją.
- Możesz wykonywać czynności regulacyjne i naprawcze opisane w tej instrukcji obsługi. W przypadku innych napraw należy skontaktować się autoryzowanym punktem serwisowym.
- Systematycznie kontrolować zbiornik na trawę na oznaki zużycia lub uszkodzenia.
- Po każdym użyciu należy wyczyścić produkt miękką, suchą szmatką. Każdą uszkodzoną część należy odpowiednio naprawić lub wymienić w autoryzowanym punkcie serwisowym.
- Systematycznie sprawdzać, czy wszystkie nakrętki, wkręty i śruby są dobrze dokręcone, aby upewnić się, że produkt

jest w bezpiecznym stanie.

- Zachować ostrożność podczas regulacji urządzenia, aby uniknąć pochwycenia palców między ruchomymi ostrzami a elementami stałymi urządzenia.
- Podczas serwisowania ostrzy tnących należy pamiętać, że mimo odłączenia źródła zasilania ostrza mogą nadal się poruszać.
- Ostrze produktu jest ostre. Przy montażu, wymianie, czyszczeniu lub kontroli dokręcenia śrub należy zachować szczególną ostrożność i nosić grube rękawice ochronne.
- Wymienić zużyte lub uszkodzone całe zestawy ostrzy i śrub, aby zachować wyważenie.

OGRANICZENIE RYZYKA

Badania dowodzą, że wibracje powodowane przez narzędzia ręczne mogą wywoływać u niektórych osób objawy zespołu Raynauda. Typowe objawy to mrowienie, drętwienie i blednięcie palców, widoczne zwykle po wystawieniu na działanie zimna. Uważa się, że czynniki dziedziczne, wystawienie na działanie zimna i wilgoci, dieta, palenie papierosów i przyjęte zwyczaje przyczyniają się do rozwoju tych objawów. Istnieją środki zaradcze, które może podjąć operator narzędzia, aby zmniejszyć efekt wibracji:

- Zadać w niskich temperaturach o ciepłość własnego ciała, zakładając odpowiednie ubranie. Podczas obsługi produktu należy nosić rękawice, aby dłonie i nadgarstki były ciepłe.
- Podczas przerw w pracy należy wykonywać ćwiczenia poprawiające krążenie krwi.
- Podczas pracy robić częste przerwy. Ograniczyć ekspozycję w ciągu dnia.

W razie doświadczenia dowolnego z wymienionych objawów, należy niezwłocznie zaprzestać użytkowania tego urządzenia i skontaktować się z lekarzem.

⚠ OSTRZEŻENIE

Długotrwałe użytkowanie narzędzia może spowodować obrażenia ciała lub nasilić dolegliwości zdrowotne. W przypadku używania narzędzia przed dłuższy czas należy pamiętać o regularnych przerwach.

ZAPOZNAJ SIĘ ZE SWOIM PRODUKTEM

Patrz str. 163.

Części

1. Przycisk włączania/wyłączania
2. Rękojeść
3. Kabel sterujący silnika
4. Uchwyt przewodu
5. Drzwi akumulatora
6. Wskaźnik pełnego kosza trawy
7. Kosz na trawę
8. Koło tylne
9. Dźwignia regulacji wysokości
10. Koło przednie
11. Klucz odłącznika
12. Korek ściółkowania
13. Akumulator
14. Ładowarka
15. Przycisk uruchamiania

SYMBOLE PRODUKTU



Należy przeczytać i zrozumieć wszystkie instrukcje przed rozpoczęciem obsługi produktu oraz przestrzegać wszystkich ostrzeżeń i instrukcji dotyczących bezpieczeństwa.



Nosić środki ochrony słuchu



Zakładać środki ochrony wzroku



Nie używać na pochyłościach większych niż 15°. Pochyłe tereny należy kosić wzdłuż zbocza, nigdy do góry i w dół.



Nie wystawiać urządzenia na działanie deszczu ani nie używać w miejscach o dużej wilgotności.



Uwaga na ostre ostrza. Ostrza nadal obracają się po wyłączeniu silnika – przed konserwacją należy wyjąć kluczyk zabezpieczający.



Uwaga na odrzucane przedmioty. Wszystkie osoby postronne, a szczególnie dzieci i zwierzęta, muszą znajdować się w odległości przynajmniej 15 metrów od miejsca pracy.



Nacisnąć przycisk Start, a następnie przycisk włączania/wyłączania (A, B, C lub D), aby uruchomić produkt. Zwolnić przycisk Start i przytrzymać naciśnięty przycisk włączania/wyłączania, aby produkt był uruchomiony. Zwolnij przycisk wł.-wyt., aby zatrzymać produkt.



Przed uruchomieniem urządzenia prosimy uważnie przeczytać instrukcję.



Zużyte produkty elektryczne nie powinny być utylizowane z odpadami domowymi. Prosimy poddawać recyklingowi w odpowiednich miejscach. Informacje o właściwych metodach recyklingu można uzyskać u władz lokalnych lub sprzedawcy.



Narzędzie to spełnia wymogi wszystkich norm reglamentacji kraju UE, w którym było ono zakupione.



Znak zgodności EurAsian



Ukraiński znak zgodności



Gwarantowany poziom mocy akustycznej wynosi 94 dB

Następujące wyrażenia i znaczenia wyrażają poziom zagrożenia związanego z tym produktem:

⚠ NIEBEZPIECZEŃSTWO

Wskazuje na realne zagrożenie, które może spowodować śmierć lub poważne zranienie, jeżeli się nie uniknie tego niebezpieczeństwa.

⚠ OSTRZEŻENIE

Wskazuje na potencjalne zagrożenie, które może spowodować śmierć lub poważne zranienie, jeżeli się nie uniknie tego niebezpieczeństwa.

⚠ UWAGA

Wskazuje na potencjalne zagrożenie, które może spowodować mniejsze lub bardziej

poważne zranienie, jeżeli się nie uniknie tego niebezpieczeństwa.

UWAGA

(Bez symbolu ostrzeżenia) Sytuacja, która może grozić uszkodzeniem mienia.

SYMBOLE W TYM PODRĘCZNIKU



Części lub akcesoria sprzedawane oddzielnie



Zużyte produkty elektryczne nie powinny być utylizowane z odpadami domowymi. Prosimy poddawać recyklingowi w odpowiednich miejscach.



Nie zbliżać rąk do ostrzy.



Objaśnienie



Ostrzeżenie!



Zatrzymać produkt.

WSKAZÓWKI DOTYCZĄCE KOSZENIA

Czas pracy akumulatora zależy od stanu, długości i gęstości trawy.

Ustawić wysokość cięcia kosiarki z uwzględnieniem stanu koszonego trawnika.

Stan trawy	Sugerowane ustawienie wysokości		Zakres (maks.)	
	Pierwsze koszenie	Kolejne koszenia	Akumulator 4 Ah	Akumulator 5 Ah
Bardzo rzadka/sucha	3	2	200 m ²	250 m ²
Rzadka/sucha	4	3 → 2	150 m ²	200 m ²
Średnia/gęsta	5	4 → 3	100 m ²	150 m ²

- Aby utrzymać trawnik w doskonałym stanie, zawsze należy ścinać maksymalnie jedną trzecią całkowitej wysokości trawy.
- Podczas koszenia wysokiej trawy, należy zmniejszyć prędkość przesuwu co pozwoli zwiększyć efektywność koszenia i zapewni prawidłowe wyrzucanie skoszonej trawy.
- Nie należy ścinać mokrej trawy, ponieważ przylgnie ona do spodu urządzenia, uniemożliwiając prawidłowe zbieranie i wyrzut trawy.
- Świeża lub gruba trawa może wymagać ustawienia wyższej wysokości koszenia.
- Wyższe ustawienie wysokości koszenia wydłuży żywotność akumulatora.
- Aby usunąć ściętą trawę, należy zdjąć osłonę do mulczowania i zamontować kosz na trawę, zwracając uwagę na prawidłowe zamknięcie górne kłapy. Należy regularnie opróżniać kosz na trawę; w przeciwnym razie otwór wylotowy zostanie zablokowany ściętą trawą.
- W przypadku lekkiego przycinania trawy, gdy ścięta trawa ma pozostać na trawniku, należy zamontować osłonę do mulczowania i zamknąć górną klapę, aby zabezpieczyć otwór wylotowy. W takim przypadku nie trzeba zakładać kosza na trawę.
- Kosiarka zapewnia najlepsze efekty koszenia podczas jazdy do przodu.



Bezpečnost, výkon a spolehlivost byli hlavní prioritou při návrhu vašeho akumulátoros fúnyíró.

ZAMÝŠLENÉ POUŽITÍ

Tento výrobek je určen pouze pro venkovní používání.

Tento výrobek je určen jen pro domácí sečení trávy. Sekací nůž se musí otáčet víceméně rovnoběžně s plochou země, po které se jede. Všechna čtyři kola se musí během sečení dotýkat země. Jedná se o pššíím řízenou sekačku vedenou za chůze navrženou pro ruční tlačení.

Sekačka se nesmí používat, pokud nejsou kolečka na zemi, nesmí se na ni tlačit ani na ní jezdit. Nesmí se používat pro jiné účely než sečení trávníků v domácím prostředí.

VŠEOBECNÁ BEZPEČNOSTNÍ VAROVÁNÍ

▲ VAROVÁNÍ

Pokud používáte elektricky poháněné přístroje, měly byste dodržovat základní bezpečnostní předpisy za účelem snížení nebezpečí požáru, elektrického úrazu nebo osobní újmy. Pro vaší vlastní bezpečnost i bezpečnost kolemjdoucích si přečtete tento návod k obsluze. Tyto pokyny uschovejte pro příští použití.

▲ VAROVÁNÍ

Zařízení musí být provozováno pouze s akumulátorovou sadou. Pokud používáte elektricky poháněné přístroje, měly byste dodržovat základní bezpečnostní předpisy za účelem snížení nebezpečí požáru, elektrického úrazu nebo osobní újmy.

OSOBNÍ BEZPEČNOST

- Sekačka trávy je schopná amputovat ruce i nohy a odmršřovat předměty. Pochybení při dodržování všech bezpečnostních pokynů tak může způsobit úraz nebo usmrcení.
- Přečtete si návod a bezpečnostní upozornění a snažte se mu porozumět. Seznamte se s ovládáním a řádným používáním nástroje.
- Produkt není určen pro používání osobami,

včetně dětí se sníženými tělesnými, smyslovými nebo duševními schopnostmi nebo s nedostatkem zkušeností a znalostí, pokud neprošli školením ohledně používání, čištění či údržby. Místní předpisy mohou omezovat dobu obsluhy. Dohlédněte, aby si děti se spotřebičem nehrály.

- Buďte ve střehu, hlídejte, co děláte a používejte zdravý rozum při provozu tohoto výrobku. Nepoužívejte, pokud jste unaveni nebo pod vlivem drog, alkoholu nebo léků. Chvilé nepozornosti při práci s tímto výrobkem může zapříčinit vážná osobní poranění.
- Noste silné kalhoty, dlouhé rukávy, neklouzavou obuv a rukavice. Nenoste volný oděv, kraťasy, sandály nebo nechoďte bosí. Zamezte nošení volných oděvů, nebo které mají vlající šňůrky nebo pásky.
- Vždy noste bezpečnostní brýle s postranními štítky.
- Vždy zabezpečte své pevné postavení. Udržujte bezpečné postavení a rovnováhu. Chodte, nikdy neběhejte.
- Vždy na svazích zabezpečte své pevné postavení.
- Na strmých svazích používejte výrobek po vrstevnicích, nikdy ve směru nahoru a dolů. Je třeba opatrnosti, když měníte směr na svahu.
- Nesečte v blízkosti srázů, prudkých svahů, příkopů nebo hrází. Nedostatečné postavení může způsobit uklouznutí a pád.

PRACOVNÍ PROSTŘEDÍ

- Nikdy nepoužívejte výrobek, když se lidé, zejména děti, nebo domácí zvířata, zdržují do vzdálenosti 15 m od sekačky z důvodu nebezpečí vymrštění předmětů kontaktovaných nožem.
- Předměty vymrštěné nožem sekačky mohou způsobit vážná poranění osob. Řádně prohlédněte oblast, kde se má nástroj používat a odstraňte všechny kameny, kůly, kovy dráty, kosti, hračky a cizí předměty. Nezapomeňte, že se může zamotat do žacího zařízení řetěz nebo drát.
- Používejte sekačku ve dne nebo v dobrém umělém osvětlení.
- Nepracujte s tímto strojem ve výbušných

EN
FR
DE
ES
IT
NL
PT
DA
SV
FI
NO
RU
PL
CS
HU
RO
LV
LT
ET
HR
SL
SK
BG
UK



prostředí, například v přítomnosti hořlavých kapalin, plynů nebo prachu. Nástroj vytváří jiskry, které mohou zapálit prach nebo výpary.

- Nepoužívejte stroj v dešti nebo ve vlhké trávě.
- Nepoužívejte sekačku před bouřkami.
- Uživatel nebo obsluha tohoto zahradnického nástroje je zodpovědná za nehody nebo nebezpečí způsobená na jiné osobě nebo jejich majetku.
- Mohou nastat tragické nehody, pokud není obsluha upozorněna na přítomnost dětí. Děti jsou strojem a sekáním často zaujaty. Nikdy nespolehejte na to, že děti zůstanou tam, kde jste je naposledy viděli.
- Udržujte děti mimo oblast sečení a pod dohledem zodpovědného dospělého, který zároveň neobsluhuje sekačku. Buďte opatrní a po vstupu dítěte do oblasti práce sekačku vypněte.
- Buďte velmi pozorní, když se přibližujete do zarostlých rohů, keřů, stromů nebo jiných objektů, které vám mohou zablokovat výhled na dítě.

POUŽITÍ A PÉČE O NÁSTROJ NA BATERIE

- Přečtěte, pochopte a vždy dodržujte bezpečnostní pokyny dodané k akumulátoru a nabíječce. Nedodržování těchto pokynů může způsobit úraz elektrickým proudem, požár či jiná nebezpečí. Tento návod k používání uložte na bezpečném místě k pozdějšímu nahlížení.
- Přístroje na akumulátory se nepřipojují do elektrické sítě; proto jsou vždy v provozním stavu. Odeberte odpojovací klíč, když nepracujete s výrobkem.
- Před prováděním jakékoliv údržby, seřizování, odstraňování materiálu nebo před čištěním výrobku vytáhněte akumulátor.
- Zkontrolujte, že je odpojovací klíč před vložením akumulátoru vyjmut.
- Dobíjejte akumulátor pouze nabíječkou určenou výrobcem. Použití nekompatibilní baterie s nabíječkou může způsobit nebezpečí požáru. Akumulátor používejte pouze s nabíječkou v seznamu.
- Výrobek používejte pouze s přesně určeným akumulátorem. Použití jakéhokoliv jiného akumulátoru může způsobit nebezpečí

poranění, úrazu elektrickým proudem a požáru.

- Pokud akumulátor nepoužíváte, uchovávejte jej mimo kovové předměty jako svorky pro papír, mince, klíče, hřebíky, šrouby nebo jiné malé kovové předměty, které mohou vytvořit spojení jednoho vývodu s druhým. Zkratování svorek akumulátorové sady může vést k jiskření, popáleninám, požáru nebo výbuchu.
- Neumísťujte přístroje na baterie nebo jeho baterie blízko ohně nebo tepla. Tím se zvyšuje riziko výbuchu a možného zranění.
- Baterii nerozebírejte ani nedeformujte. Uniklý elektrolyt je korozivní a může poškozovat oči neb kůži. Může ublížit, spolkne-li se.
- Nevystavujte akumulátor působení vlhkosti a vody. Nástroj na baterie nenabíjejte ve vlhkých ani mokrých prostředích. Tyto pokyny důsledně dodržujte, aby nedošlo ke vzniku úrazu elektrickým proudem nebo zranění.
- V případě poškození a nesprávného používání baterie mohou unikát výpary. Zajistěte čerstvý vzduch a v případě komplikací vyhledejte lékařskou pomoc. Výpary mohou dráždit dýchací systém.
- Během veder a zimy neskladujte a nenechávejte akumulátory ve vozidle.
- Baterii nepalte.
- Za nevhodných podmínek může z baterie vytékat kapalina; zabraňte kontaktu. Pokud dojde k náhodnému kontaktu, omyjte vodou. Pokud kapalina přijde do kontaktu s očima, vyhledejte lékařskou pomoc. Kapalina vytečená z baterie způsobí podráždění nebo popáleniny.

BEZPEČNOSTNÍ VAROVÁNÍ K SEKAČCE TRÁVY

- Před každým použitím vizuálně zkontrolujte nůžky, že nože, šrouby nože a stříhací sestava nejsou opotřebená nebo poškozena.
- Vyměňujte opotřebená nebo poškozená nože a šrouby, abyste zachovali rovnováhu.
- Nůž na výrobku je velmi ostrý, buďte velmi opatrní a noste silné rukavice při výměně, čištění, upeňování či kontrole zajištění šroubu.
- Chcete-li vyměnit poškozené nebo nečitelné štítky, předejte zařízení do



autorizovaného servisního střediska.

- Zkontrolujte všechny šrouby, matice v častých intervalech na řádné utažení, aby se zajistilo, že zařízení bude pracovat v bezpečných pracovních podmínkách.
- Lapač trávy často kontrolujte na opotřebení, otvory nebo poškození.
- Z důvodu bezpečnosti měňte opotřebované nebo poškozené díly před provozem zařízení.
- Výrobek se musí spouštět uživatelem za říditkami v bezpečné zóně obsluhy. Nikdy nezapínáte výrobek, pokud:
 - všechna čtyři kola se nedotýkají země
 - žlab vyhazování trávy je obnažen, aniž by byl chráněn buď mulčovací záslepkou a krytem žlabu vyhazování trávy nebo sběrným boxem trávy a krytem žlabu vyhazování trávy
 - ruce a nohy všech osob nejsou vzdáleny od uzávěru řezného prostoru
- Nikdy nepoužívejte výrobek, pokud přepínač on/off (zap/vyp) na říditkách správně nespouští a nezastavuje produkt.
- Nikdy se nepokoušejte blokovat spínač zapnout/vypnout v poloze ZAPNUTO; je to velmi nebezpečné.
- Nepoužívejte nadměrnou sílu na nástroj. Nástroj bude svou práci provádět lépe a bezpečněji při určeném přísunu materiálu, pro který byl navržen.
- Zastavte nůž, když přejíždíte kamenité plochy.
- Nikdy netahejte za produkt směrem dozadu, pokud to není nutné. Pokud musíte couvat se sekačkou, vždy se nejprve podívejte dolů a za sebe, zabráníte upadnutí nebo najetí sekačky na vaše nohy.
- Vypněte motor a nechte nůž zastavit, abyste sekačku naklopili pro převoz přes plochy jiné než pro sečení a když ji přepravujete z místa na další místo sečení.
- Nikdy neprovozujte přístroj s poškozenými chrániči nebo štíty nebo bez bezpečnostních zařízení, například chráničů a/nebo sběrných vaků trávy.
- Nenaklánějte sekačku, když ji zapínáte nebo když motor běží. Tak se exponuje nůž a zvyšuje pravděpodobnost odhození předmětu.
- Opatrně zapněte motor v souladu s pokyny

a udržujte ruce a nohy mimo oblast sečení. Vždy udržujte výstupní otvory čisté. Nestartujte motor, když stojíte před výsypným žlabem.

- Nemějte své ruce nebo nohy v blízkosti nebo pod rotujícími díly. Vždy udržujte výstupní otvory čisté.
- Nikdy výrobek nepřevracejte ani nepřenašejte, pokud je motor v chodu.
- Zastavte motor sekačky a odeberte odpojovací klíč, ujistěte se, že jsou všechny pohyblivé díly zastaveny před následujícím:
 - kdykoli necháte produkt bez dozoru (včetně likvidace posečené trávy)
 - před odstraněním ucpávky nebo před uvolněním násypky,
 - před kontrolou, čištěním nebo prací na nástroji,
 - po nárazu cizího předmětu; prohlédněte přístroj na poškození a proveďte opravy před restartem a obsluhou stroje.
 - před odebráním vaku pro trávu či otevřením krytu vyhazování trávy
 - pokud stroj začne abnormálně vibrovat (ihned zkontrolujte)
 - zjistěte škody, zejména na nožích
 - výměna a oprava všech poškozených dílů
 - zkontrolujte a utáhněte všechny volné části
- Vyhýbejte se dířám, vyjetým kolejím, vyvýšeninám, kamenům nebo jiným skrytým předmětům. Nerovný terén může způsobit uklouznutí a pád.
- Vždy se ujistěte, kabel od řídítek do těla sekačky není nikde zachycen, sevřen nebo jinak poškozen během sestavování a skládání rukojeti.

PŘETÍŽENÍ A OCHRANA PROTI PŘEHŘÁTÍ

Výrobek má ochranu proti přetížení, která se aktivuje, když dojde k přehřátí či proudové špičce, to je, že se automaticky vypne pohon výrobku. Pokud je ochranné zařízení proti přetížení aktivováno, musí se uvolnit tlačítko Zap-Vyp (on-off). Stiskněte tlačítko Zap-Vyp (on-off) pro restartování produktu.

Akumulátor má ochranu proti přehřátí. Nadměrné teploty způsobují, že baterie





přestane napájet přístroj. Dotkněte se baterie; je-li velmi horká, nechejte ji zchladit. Pokud zařízení stále nefunguje, je třeba akumulátor nabít.

POZNÁMKA: LED indikační světlo baterie nefunguje, pokud ochranná funkce baterie zapřičinila, že baterie přestane napájet přístroj. Uvolněte spoušť nástroje či vyndejte baterii z nástroje a LED indikační světlo baterie obnoví normální funkci.

ZBYTKOVÁ RIZIKA

Dokonce, i když se výrobek provozuje jak je předepsáno, je stále nemožné zcela eliminovat veškeré zbytkové rizikové faktory. Následující nebezpečí mohou nastat při používání; vyhybejte se:

- Poranění způsobené vibracemi. Pro danou práci vždy používejte správný nástroj, navržené rukojeti a dodržujte pracovní dobu a expozici.
- Vystavování hluku může způsobit poškození sluchu. Noste ochranu sluchu a omezte vystavení.
- Kontakt s noži
- Poranění odlétávajícími předměty

TRANSPORT A SKLADOVÁNÍ

- Vypněte motor a vytáhněte odpojovací klíč a baterii. Ujistěte se, že se zastavily všechny pohyblivé díly: Nechejte výrobek dostatečně zchladit před skladováním nebo přepravou.
- Odstraňte z výrobku všechny cizí materiál. Ukládejte v chladných, suchých a dobře větraných prostorech, které nejsou přístupné dětem. Náradí neuskładňujte v blízkosti žíravých látek, jako například v blízkosti zahradkářských nebo zahradnických chemických přípravků nebo solí na zimní sypání komunikací. Neskladujte mimo budovu.
- Při transportu výrobku, odeberte odpojovací klíč, zajistěte proti pohybům nebo pádu, abyste zabránili poranění osob nebo poškození výrobku.

VAROVÁNÍ

Budte při zvedání či naklápění pro transport, údržbu, čištění a skladování velmi opatrní. Nůž je velmi ostrý. Udržujte všechny části těla mimo vystavený nůž.

ÚDRŽBA

VAROVÁNÍ

Používejte pouze originální příslušenství, doplňky a náhradní díly výrobce. Zanedbání může zapřičinit možné poranění, slabý výkon a může dojít ke ztrátě záruky.

VAROVÁNÍ

Údržba vyžaduje extrémní péči a znalosti a měla by být prováděna pouze kvalifikovaným servisním technikem. Pro údržbu nebo servis doporučujeme výrobek vrátit do nejbližšího pověřeného opravárenského střediska. Pokud opravujete, používejte pouze předepsané náhradní díly.

- Odeberte odpojovací klíč a dle možností i baterii před čištěním či údržbou.
- Můžete provádět v návodu k obsluze uvedené opravy a seřízení. Další opravy se smí provádět pouze u pověřených servisních prodejců.
- Lapač trávy často kontrolujte na opotřebením nebo poškozením.
- Po každém použití setřete nástroj měkkým a suchým hadříkem. Jakýkoliv poškozený díl je nutné správně opravit nebo nechat vyměnit v autorizovaném servisním středisku.
- Zkontrolujte všechny šrouby, matice v častých intervalech na řádné utažení, aby se zajistilo, že výrobek bude pracovat v bezpečných pracovních podmínkách.
- Budte opatrní při seřizování stroje, aby se vám nezachytily prsty mezi pohybující nože a upevněné díly stroje.
- Při servisu nožů si uvědomte, že i když je napájení vypnuto, mohou se nože stále otáčet.
- Nůž sekačky je velmi ostrý. Budte velmi opatrní a noste silné rukavice při výměně, čištění, upevňování či kontrole zajištění



šroubu.

- Vyměňte opotřebované nebo poškozené nože a šrouby, abyste zachovali rovnováhu.

SNÍŽENÍ RIZIKA

Bylo zjištěno, že vibrace z ručních pracovních nástrojů mohou u některých osob přispívat ke stavu tzv. Raynaud's Syndrome (Raynaudovu syndromu). Mezi jeho příznaky patří brnění, necitlivost a zbledení prstů, patrné obvykle po pobytu v chladu. Vědci se domnívají, že k rozvinutí těchto příznaků přispívají dědičné faktory, pobyt v chladu a vlhku, strava, kouření a pracovní návyky. Uživatel může omezit případné působení vibrací použitím vhodných opatření:

- Za chladného počasí se teple oblečte. Při práci s výrobkem si navlékněte rukavice, abyste udrželi ruce a zápěstí v teple.
- Během práce si v pravidelných intervalech zacvičte, abyste zvýšili krevní oběh.
- Zařazujte časté pracovní přestávky. Omezte dobu práce za den.

Jakmile pocítíte některý z výše uvedených příznaků tohoto syndromu, okamžitě přerušte práci a vyhledejte lékaře.

VAROVÁNÍ

Poranění mohou být způsobena, či zhoršena, prodlouženým používáním nástroje. Když používáte jakýkoliv nástroj delší dobu, dělejte pravidelné přestávky.

POZNEJTE SVŮJ NÁSTROJ

Viz strana 163.

Součásti

1. Tlačítko On-off (Zapnout-vypnout)
2. Rukojeť
3. Řídící kabel motoru
4. Přidržovač kabelu
5. Dvířka pro baterie
6. Indikátor naplnění
7. Sběrný vak
8. Zadní kolo
9. Páka seřízení výšky
10. Přední kolo
11. Odpojovací klíč
12. Mulčovací zásuvka
13. Baterie
14. Nabíječka
15. Tlačítko spuštění

SYMBOLY NA VÝROBKU



Řádně si návod přečtěte, porozumějte veškerým pokynům a dodržujte všechny bezpečnostní pokyny a bezpečnostní varování.



Noste ochranu sluchu



Noste ochranu očí



Nepoužívejte na sklonech vyšších jak 15°. Na strmých svazích sečte po vrstevnicích, nikdy ve směru nahoru a dolů.



Nevystavujte dešti nebo nepoužívejte ve vlhkých podmínkách.



Uvědomte si nebezpečí z ostrých nožů. Nože ještě rotují i po vypnutí motoru - před údržbou odeberte odpojovací klíč.



Dávejte pozor na odmrštěné nebo odletující předměty. Všechny přihlízející, zvláště děti a zvířata udržujte ve vzdálenosti alespoň 15m od pracovní oblasti.



Stiskněte tlačítko Start a pak tlačítko zapnout-vypnout (On-off) (A, B, C, nebo D) pro spuštění zařízení. Uvolněte tlačítko Start a držte stisknuto tlačítko zapnout-vypnout (On-off) pro spuštění zařízení. Uvolněte tlačítko zapnout-vypnout (On-off) pro zastavení zařízení.



Před spuštěním přístroje si řádně přečtěte pokyny.



Odpad elektrických výrobků se nesmí likvidovat v domovním odpadu. Recyklujte prosím na sběrných místech. Ptejte se u místních úřadů nebo prodejce na postup při recyklaci.



Toto nářadí je v souladu se všemi normami a předpisy platnými v zemi EU, ve které bylo zakoupeno.



Euroasijská značka shody



Ukrajinská značka shody



Zaručená hladina akustického výkonu je 94 dB.

Následující signální slova a významy jsou vhodné pro vysvětlení úrovní nebezpečí spojených s tímto výrobkem.

NEBEZPEČÍ

Označuje bezprostředně rizikovou situaci, které je třeba předejít, jinak bude jejím následkem smrt nebo vážné zranění.

VAROVÁNÍ

Označuje možnou rizikovou situaci, které je třeba předejít, jinak jejím následkem může být smrt nebo vážné zranění.

VAROVÁNÍ

Označuje možnou rizikovou situaci, které je třeba předejít, jinak jejím následkem může být smrt nebo vážné zranění.

VAROVÁNÍ

(Bez symbolu bezpečnostní výstrahy) Určuje situaci, která může mít za následek vážné poškození.

SYMBOLY V NÁVODU



Díly nebo příslušenství jsou v prodeji samostatně



Odpad elektrických výrobků se nesmí likvidovat v domovním odpadu. Recyklujte prosím na sběrných místech.



Udržujte ruce mimo nože.



Poznámka



Varování



Zastavte zařízení.

TIPY K SEČENÍ

Životnost baterie závisí na podmínkách, délce a hustotě trávy.

Seřďte výšku sečení sekačky vhodně k aktuálním podmínkám sečení.

Travní podmínky	Navržené seřízení výšky		Pokrytí (maximální)	
	První sečení	Další sečení	4 Ah akumulátor	5 Ah akumulátor
Velmi tenká/suchá	3	2	200 m ²	250 m ²
Tenká/suchá	4	3 → 2	150 m ²	200 m ²
Střední/hustá	5	4 → 3	100 m ²	150 m ²

- Pro nejlepší výkon vždy posekejte třetinu nebo méně výšky trávy.
- Když sečete vysokou travu, snižte rychlost chůze pro zefektivnění sečení a správné vysypávání odřezků.
- Nesekejte mokrou travu; ta se lepí na spodní stranu dna a brání správnému shromažďování nebo vysypávání odřezků trávy.
- Mladá nebo silná tráva vyžaduje vyšší výšku sečení.
- Vysoká výška sečení prodlouží dobu sečení.
- Pokud si přejete sbírat travu pro likvidaci, vyjměte mulčovací záslepku a nasadte sběrný box trávy, ujistěte se, že je horní víko správně uzavřeno. Pravidelně vyprazdňujte sběrný box trávy, jinak se vyhazovací otvor bude sečení ucpávat.
- Pokud chcete vytvořit mírné zkrácení trávy a přejete si, aby posekaná tráva zůstala na trávníku, nasadte mulčovací záslepku a zavřete horní klapku pro zakrytí vyhazovacího otvoru. V tomto případě není nutné upevňovat sběrný box trávy.
- Sekačka je navržena tak, že je provoz a nejvyšší účinnost při pohybu vpřed.



A akumulatorová sekačka trávy tervezésekor a biztonság, a teljesítmény és a megbízhatóság voltak a legfontosabb szempontok.

RENDELTESSZERŰ HASZNÁLAT

A termék kizárólag a szabadban használható.

A termék kizárólag otthoni fűnyírásra alkalmas. A vágókésnek nagyjából párhuzamosan kell forognia a talajfelszínnel, amelyen tolja a fűnyírót. Fűnyírás közben mind a négy keréknek érintkeznie kell a talajjal. A fűnyíró mögött gyalogló tempóban kell haladni, a fűnyírót tolvá.

A fűnyírót tilos használni, ha a kerekek nincsenek a talajon, és tilos húzni vagy ráülni. Az otthoni pázsiton kívül semmi más nyírására vagy vágására nem használható.

ÁLTALÁNOS BIZTONSÁGI FIGYELMEZTETÉSEK

▲ FIGYELMEZTETÉS

Akkumulátoros gépek használatakor a tűz, az akkumulátor szivárgása és a személyi sérülés veszélyének csökkentése érdekében mindig be kell tartani az alapvető biztonsági óvintézkedéseket. A saját és mások biztonsága érdekében kérjük, olvassa el ezt az útmutatót a termék használata előtt. Tartsa meg a kézikönyvet, hátha a későbbiekben szüksége lehet rá.

▲ FIGYELMEZTETÉS

A terméket csak akkumulátorról kell működtetni. Akkumulátoros gépek használatakor a tűz, az akkumulátor szivárgása és a személyi sérülés veszélyének csökkentése érdekében mindig be kell tartani az alapvető biztonsági óvintézkedéseket.

SZEMÉLYI BIZTONSÁG

- A fűnyíró levághatja a kezét és a lábát, valamint tárgyakat vehet ki. Az összes biztonsági utasítás figyelmen kívül hagyása súlyos sérülést vagy halált eredményezhet.
- Olvassa el és értse meg az utasításokat és a biztonsági figyelmeztetéseket. Legyen tisztában a termék kezelőszerveivel és helyes használatával.
- Ne hagyja, hogy gyerekek vagy

csökkent fizikai, érzékelési vagy értelmi képességgel rendelkező személyek, vagy az utasításokat nem ismerő személyek működtessék, tisztítsák vagy karbantartsák a terméket. A helyi előírások korlátozhatják a kezelő életkorát. A gyerekekre oda kell figyelni, nehogy játsszanak a termékkel.

- A fűnyíró használatakor legyen mindig éber, figyeljen arra, amit csinál és használja a józan esztét. Ne működtesse a fűnyírót, ha alkohol, gyógyszer vagy tudatmódosító szerek hatása alatt áll. Ha a gép használata közben nem figyel oda arra, amit csinál, az súlyos személyi sérüléshez vezethet.
- Viseljen vastag anyagból készült hosszú nadrágot, hosszú ujjú ruhadarabokat, csúszásmentes lábbelit és kesztyűt. Ne vegyen fel laza ruhát, rövidnadrágot, szandált, illetve ne legyen mezítláb. Kerülje a bő ruhák viseletét, vagy amelyből kábelek vagy madzagok lógnak ki.
- Mindig viseljen oldalellenzővel rendelkező védősisakot.
- Mindig biztosan álljon. Stabilan álljon és vegyen fel megfelelő egyensúlyt. Gyalogoljon, ne fusson.
- Mindig biztosan támaszkodjon meg a lejtőkön.
- A leejtőkön keresztbe használja a terméket, soha ne felfelé és lefelé haladva. A leejtőn való irányváltás közben legyen különösen óvatos.
- Ne használja a terméket mélyedések, árkok, túlzottan meredek lejtők vagy töltések közelében. A nem stabil tartás csúszási vagy esési balesetet okozhat.

MUNKATERÜLET

- Ne használja a terméket, miközben emberek, különösen gyerekek vagy háziállatok vannak a termék 15 méteres környezetében, a késsel való érintkezés miatti kivetődés okozta veszélyek miatt.
- A fűnyíró kése által eltalált tárgyak súlyos személyi sérüléseket okozhatnak. Alaposan vizsgálja át a területet, ahol a gépet használni szeretné, és távolítsa el minden követ, fadarabot, fémdarabot, drótot, csontot, játékot vagy más idegen tárgyat. Ne feledje, hogy a szálak vagy vezetékek beakadhatnak a vágókésbe.
- Mindig nappal vagy jó mesterséges



megvilágítás mellett nyírja le a fűvet.

- A gépet nem működtesse robbanásveszélyes környezetben, például robbanásveszélyes folyadékok, gázok vagy porok jelenlétében. A gépben szikrák keletkeznek, amik begyűjthetik a port vagy a gőzöket.
- Ne használja a gépet vizes fűben vagy esőben.
- Ne használja a fűnyírót, ha villámlás veszélye áll fenn.
- Jegyezze meg, hogy a kezelő vagy a felhasználó felelős a más embereknek vagy tulajdonuknak okozott veszélyekért vagy balesetekért.
- Tragikus balesetek fordulhatnak elő, ha a kezelő nem veszi észre a gyerekek jelenlétét. A gyerekeknek figyelmét felkelti a gép és a fűnyírás. Ne feltételezze azt, hogy a gyerekek ugyanott maradnak, ahol utoljára látta őket.
- Tartsa távol a gyerekeket a fűnyírási területtől, az értük felelős felnőtt vagy másik személy látható felügyelete alatt. Figyeljen oda és állítsa le a terméket, ha egy gyerek lép be a területre.
- Különösen figyeljen akkor, amikor nem belátható sarkok, bozótok, fák vagy más tárgyak közelébe ér, mert ezek miatt nem láthatja a gyereket.

AKKUMULÁTOROS SZERSZÁMGÉP HASZNÁLATA ÉS KARBANTARTÁSA

- Olvassa el, értse meg és mindig tartsa be az akkumulátorhoz és a töltőhöz mellékelt biztonsági előírásokat. Ennek elmulasztása áramütést, tüzet vagy más veszélyes szituációkat eredményezhet. A jövőbeni felhasználásra az összes útmutatót tartsa együtt, biztonságos helyen.
- Az akkumulátorral működő gépeket nem kell az elektromos hálózathoz csatlakoztatni, azok mindig készen állnak a használatra. Távolítsa el az áramtalanító kulcsot, amikor nem használja a terméket.
- Bármilyen beállítás, tisztítás vagy anyag gépből történő eltávolítás előtt vegye ki az akkumulátort a gépből.
- Az akkumulátor behelyezése előtt ellenőrizze, hogy a áramtalanító kulcs ki van véve.
- Az akkumulátort csak a gyártó által meghatározott töltővel töltsen fel.

Töltő használata nem kompatibilis akkumulátorral akár tűzveszélyt is okozhat. Az akkumulátort csak a hozzá adott töltővel töltsen.

- A géphez csak a hozzá való akkumulátort használja. Más akkumulátorok használata tűzveszélyt, áramütést vagy személyi sérüléseket eredményezhet.
- Az akkumulátort használaton kívül tartsa távol más fém tárgyaktól, úgymint gemkapcsoktól, érméktől, kulcsoktól, szögektől, csavaroktól vagy más kisméretű fém tárgyaktól, amelyek rövidre zárhatják a két érintkezőt. Az akkumulátor érintkezőinek rövidre zárása szikrákat, tüzet, égéseket vagy robbanást okozhat.
- Az akkumulátoros termékeket vagy az akkumulátort ne tegye tűz vagy hőforrás közelébe. Ezzel csökkenti a robbanás és az esetleges sérülés kockázatát.
- Ne nyissa fel és ne módosítsa az akkumulátort. A kifolyt elektrolit korrodáló, és a szem vagy a bőr sérülését okozhatja. Belélegzéskor mérgező lehet.
- Óvja az akkumulátort a nedvességtől és a víztől. Az akkumulátort ne töltsen nedves vagy vizes helyeken. Ezen előírás betartása jelentősen csökkenti a tűz-, az áramütés- és a testi sérüléssel járó balesetek veszélyét.
- Az akkumulátor károsodásakor és helytelen használata esetén gőz szabadulhat ki. Biztosítson friss levegőt, és panasz esetén forduljon orvoshoz. A gőz irritálhatja a légzőrendszert.
- Nem ajánlott az akkumulátort meleg vagy hideg környezeti feltételek esetén járműben vagy a szabadban hagyni.
- Ne égesse el az akkumulátort.
- Nem megfelelő körülmények esetén folyadék távozhat az akkumulátorból, kerülje az azzal való érintkezést. Ha mégis érintkezik vele, öblítse le vízzel. Ha a folyadék szembe kerül, forduljon orvoshoz. Az akkumulátorból kifolyt folyadék irritációt vagy égéseket okozhat.

FŰNYÍRÓ BIZTONSÁGI FIGYELMEZTETÉSEK

- Használat előtt mindig vizsgálja át vizuálisan a szerszámot, és ellenőrizze, hogy a kések, a kések csavarjai valamint a



vágószerszervény nincsenek elhasználódva és nem sérültek meg.

- Az egyensúly megtartása érdekében az elhasználódott vagy sérült késeket és csavarokat teljes készletben cserélje ki.
- A terméken lévő kés nagyon éles, felszereléskor, cserekor, tisztításkor vagy a csavar rögzítésének ellenőrzésekor különleges figyelemmel járjon el, és viseljen nehéz igénybevételhez tervezett kesztyűt.
- A sérült vagy olvashatatlan címkék cseréjéhez vigye vissza a terméket egy hivatalos szervizközpontba.
- Gyakori időközönként ellenőrizze a csavaranyák, csavarok és fejescsavarok megfelelő meghúzását, hogy a gép biztonságos üzemi állapotban legyen.
- Rendszeresen ellenőrizze a fűgyűjtő kopását, kilyukadását vagy károsodását.
- A termék használata előtt cserélje ki az elhasználódott vagy sérült alkatrészeket.
- A terméket csak úgy szabad beindítani, hogy a kezelő a fogantyú mögött, a biztonságos zónában tartózkodik. Ne indítsa be a terméket, ha:
 - nincs mind a négy kereke a talajon
 - a fűkiadó nyílás szabadon van, azt nem védi sem a mulcsoló feltét és a fűkiadó nyílás fedele, sem a fűgyűjtő és a fűkiadó nyílás fedele
 - a gép körül álló személyek keze és lába nincs távol a vágókések burkolatától
- Ne működtesse a terméket, ha a markolatlan található be/ki kapcsoló nem megfelelően indítja és állítja le a terméket.
- Ne próbálja meg rögzíteni a be/ki kapcsolókat BE állásba; ez különösen veszélyes.
- Ne erőltesse a terméket. A gép jobban teljesít és biztonságosabban dolgozik olyan sebesség használatokor, amilyenre azt tervezték.
- Kavicsos felületeken való áthaladáskor állítsa le a fűnyírót.
- Ne húzza vissza a terméket, hacsak nem elkerülhetetlen. Ha vissza kell húznia a gépet egy faltól vagy akadálytól, először nézzen le és maga mögé, nehogy elessen vagy a lábaira húzza a gépet.
- Állítsa le a motort, és hagyja megállni kést,

ha a fűnyírót a szállításhoz meg kell dönteni a nem füves területeken való áthaladáskor, valamint amikor a nyírni kívánt területre szállítja vagy onnan elviszi a gépet.

- Soha ne működtesse a gépet hibás védőburkolatokkal vagy védőlemezekkel, illetve biztonsági berendezések, például felhelyezett terelőlemez és/vagy fűgyűjtő nélkül.
- Ne döntse meg a fűnyírót a motor indításakor vagy a motor működése közben. Ezzel szabaddá válik a kés, és megnő a tárgyak kivetésének valószínűsége.
- Az utasításoknak megfelelően, óvatosan indítsa be a motort, a kezét és a lábát tartsa távol a vágási területtől. A kiürítő nyílás legyen mindig akadálymentes. Ne indítsa be a motort, amikor az üritőcsúszda előtt áll.
- Ne helyezze kezét vagy lábát a forgó részek alá vagy közelébe. A kiürítő nyílás legyen mindig akadálymentes.
- Ne emelje fel és ne szállítsa a terméket működő motorral.
- Állítsa le a fűnyíró motorját, és távolítsa el a letiltó eszközt, ügyeljen arra, hogy az alábbi esetekben az összes mozgó rész teljesen megálljon:
 - amikor felügyelet nélkül hagyja a gépet (beleértve a levágott fű kidobását is)
 - eltömődés megszüntetése vagy az üritőcsúszda kitisztítása előtt;
 - ellenőrzés, karbantartás vagy a gépen végzett bármilyen művelet megkezdése előtt;
 - idegen tárgyak eltalálása után; a gép újraindítása és működtetése előtt vizsgálja meg a gépet sérülések tekintetében, és szükség esetén végezze el a javításokat;
 - a fűtartály eltávolítása előtt vagy a fűkidobó csúszda fedelének kinyitása előtt
 - ha a gép szokatlanul kezd rezegni (ellenőrizze azonnal).
 - a sérülések, különösen a kések vizsgálatakor
 - cserélje ki vagy javítsa meg a sérült alkatrészeket
 - ellenőrizze és húzza meg a meglazult alkatrészeket
- Kerülje a lyukakat, keréknyomokat, köveket

EN
FR
DE
ES
IT
NL
PT
DA
PA
SV
FI
NO
PL
CS
HU
RO
LV
LT
ET
HR
SL
SK
BG
UK



és más rejtett tárgyakat. Az egyenetlen talaj csúszási vagy esési balesetet okozhat.

- Mindig figyeljen oda arra, hogy a fogantyú és a fűnyíró közötti kábel ne akadjon be, ne csípődjön be és máshogy se károsodjon a kar összeszerelésekor vagy lehajtásakor.

TÜLTERHELÉS ÉS TÚLMELEGEDÉS ELLENI VÉDELEM

A termék el van látva túlterhelés elleni védőeszközzel, ami aktiválódik, ha túlhevülés vagy egy áramerősség-tűske jön létre, és automatikusan kikapcsolja a termék áramellátását. A túlterhelés elleni védelem aktiválódása után fel kell engedni a be-/kikapcsoló gombot. Nyomja meg a be-/kikapcsoló gombot a termék újraindításához.

Az akkumulátorban túlmelegedés elleni védelem van. Az akkumulátor túl magas hőmérséklete a szerszám leállítását okozza. Fogja meg az akkumulátort; ha túl meleg, hagyja lehűlni. Ha a készülék továbbra sem működik, tölts fel az akkumulátort.

MEGJEGYZÉS: Az akkumulátor töltésjelző LED-je nem fog világítani, ha az akkumulátor-védelmi funkció az akkumulátoros tápellátás leállítását okozta a szerszámban. Engedje fel a szerszám kioldóját vagy vegye ki az akkumulátort és az akkumulátor LED-es töltésjelzője visszaállítja a normál működést.

FENNMARADÓ KOCKÁZAT

Még a termék rendeltetésszerű használata esetén sem lehet teljesen kiküszöbölni minden kockázati tényezőt. A gép használata során a következő veszélyek merülhetnek fel, és a kezelőnek különösen oda kell figyelnie az alábbiak elkerülésére:

- A vibráció sérüléseket okozhat. Mindig a munkához megfelelő célszerszámot használja, használja a gépre szerelt fogantyúkat, és korlátozza a munkaidőt és a vibrációnak való kitettséget.
- A zajnak való kitettség halláskárosodást okozhat. Viseljen hallásvédőt és korlátozza a zajnak való kitettséget.
- Késekkel való érintkezés
- Kivetődött tárgyak okozta sérülések

SZÁLLÍTÁS ÉS TÁROLÁS

- Állítsa le a motort, és vegye ki az áramtalanító kulcsot. Ellenőrizze, hogy

minden mozgó rész teljesen megállt. Tárolás vagy szállítás előtt hagyja megfelelően lehűlni a terméket.

- Minden idegen anyagtól tisztítsa meg a terméket. Hűvös, száraz és jól szellőztetett, gyerekektől elzárt helyiségben tárolja. Ne tárolja olyan oxidálószerrel közelében, mint pl. kerti munkáknál használatos vegyszerek vagy jégmentesítő sók. Ne tárolja a szabadban.
- Szállításkor rögzítse a terméket elmozdulás és leesés ellen, hogy elkerülje a sérüléseket és a termék sérülését.

▲ FIGYELMEZTETÉS

Különösen figyeljen oda, amikor karbantartáshoz, tisztításhoz, tároláshoz vagy szállításához felemeli vagy megdönti a gépet. A kés éles. Minden testrészét tartsa távol a késtől, amikor a kés szabadon van.

KARBANTARTÁS

▲ FIGYELMEZTETÉS

Csak a gyártó eredeti cserealkatrészeit, tartozékait és szerelékeit használja. Ennek figyelmen kívül hagyása gyenge motorteljesítményt, esetleges sérülést és a jótállás elvesztését okozhatja.

▲ FIGYELMEZTETÉS

szervizelés különös figyelmet és hozzáértést igényel, és csak szakképzett szerelő végezheti el. Javasoljuk, hogy a szervizeléskor a terméket vigye a legközelebbi hivatalos szervizközpontba javítás céljából. Szervizeléskor csak engedélyezett cserealkatrészeket használjon.

- Bármilyen tisztítási vagy karbantartási művelet előtt távolítsa el a leltető eszközt és, ha lehetséges, az akkumulátort is.
- A használati útmutatóban leírt beállításokat és javításokat Ön is elvégezheti. Az egyéb javításokhoz vegye fel a kapcsolatot a hivatalos szervizzel.
- Rendszeresen ellenőrizze a fűgyűjtő kopását vagy károsodását.
- Minden egyes használat után egy puha,

száraz ruhával tisztítsa meg a terméket. A sérült alkatrészeket egy hivatalos szervizközpontban kell megjavíttatni vagy kicseréltetni.

- Gyakori időközönként ellenőrizze a csavaranyák, csavarok és fejescsavarok megfelelő meghúzását, hogy a termék biztonságos üzemi állapotban legyen.
- A gép beállítása során legyen óvatos, nehogy ujjai beszoruljanak a forgó kések és a gép rögzített részei közé.
- A kések szervizeléskor vegye figyelembe, hogy a kések még kikapcsolt elektromos áramellátás esetén is foroghatnak.
- A termékre szerelt kés éles. Óvatosan járjon el, és viseljen nehéz igénybevételre tervezett kesztyűt a felszerelésükkor, cseréjükkor, tisztításükkor vagy a csavarok ellenőrzésekor.
- Az egyensúly megtartása érdekében az elhasználdott vagy sérült késeket és csavarokat teljes készletben cserélje ki.

KOCKÁZATCSÖKKENTÉS

Arról számoltak be, hogy a kézszerszámok használata során fellépő vibráció bizonyos személyeknél hozzájárulhat az úgynevezett Raynaud-szindróma (Raynaud's Syndrome) nevű állapot kialakulásához. A tünetei lehetnek: az ujjak zsibbadása, elfehéredése, szúrások érzése, amelyek hidegnek kitéve gyakran felerősödnek. Az öröklődő tényezők, a hidegnek kitettség és verejtékezés, a diéta, a dohányzás és munka közben alkalmazott fogások valószínűleg mind hozzájárulhatnak ezen tünetek megjelenéséhez. A vibráció hatásainak csökkentése érdekében a kezelőnek be kell tartani az alábbi óvintézkedéseket:

- Hideg időben tartsa melegen a testét. A termék használatakor viseljen kesztyűt a kéz és a csukló melegen tartásához.
- Bizonyos időtartamú használat után mindig végezzen gyakorlatokat a vérkeringés javításához.
- Gyakran tartson munkaszünetet. Korlátozza a napi munkaidőt.

Ha ezen állapot bármelyik tünetét tapasztalja, azonnal hagyja abba a munkát, és tájékoztassa az orvosát a tünetekről.

▲ FIGYELMEZTETÉS

Injuries may be caused, or aggravated, by prolonged use of a tool. Ha a gépet hosszú időn át kell használnia, tartson gyakran szünetet.

ISMERJE MEG A TERMÉKET

Lásd 163. oldal.

Részegységek

1. Be/ki kapcsológomb
2. Fogantyú
3. Motor vezérlőkábele
4. Kábeltartó
5. Akkumulátorfedél
6. Fűgújtó tele visszajelző
7. Fűgújtó
8. Hátsó kerék
9. Magasságállító kar
10. Elülső kerék
11. Áramtalanító kulcs
12. Mulcsozó csatlakozó
13. Akkumulátor
14. Töltő
15. Indítógomb

SZIMBÓLUMOK A TERMÉKEN



A termék használata előtt olvassa el és értse meg a kezelési útmutatóban leírtakat, és tartsa be az összes figyelmeztető és biztonsági utasítást.



Viseljen fülvédőt



Viseljen védőszemüveget



Ne használja 15°-nál meredekebb lejtőn. A leejtőkön keresztbe nyírjon, soha ne felfelé és lefelé haladva.



Ne tegye ki esőnek, és ne használja nedves környezetben.



Óvakodjon az éles késektől. A motor leállítása után a kés tovább forog – karbantartás előtt távolítsa el az áramtalanító kulcsot



Figyeljen a kivetett vagy repülő tárgyakra. Az összes nézelődő, különösen a gyerekek és a háziállatok, legyenek legalább 15m-es távolságra a használati területtől.

A gép beindításához nyomja meg a Start gombot, majd a be/ki kapcsológombot (A, B, C vagy D). A gép működtetéséhez engedje fel a Start gombot és tartsa lenyomva a be/ki kapcsológombot. Engedje fel a be-ki gombot a termék leállításához.



A gép bekapcsolása előtt figyelmesen olvassa el az útmutatót.

A kiselejtezett elektromos termékeket nem szabad a háztartási hulladékkal együtt kidobni. Ezeket újra kell hasznosítani, ha van rá lehetőség.



Az újrahasznosítással kapcsolatban érdeklődjön a helyi önkormányzatnál vagy a termék forgalmazójánál.

Ez a szerszám minden, a vásárlás európai uniós országában hatályos szabványnak megfelel.



Eurázsiai megfelelőségi jelzés



Ukrainai megfelelőségi nyilatkozat



A garantált hangteljesítményszint 94 dB.

A következő jelölészek és jelölések arra szolgálnak, hogy megmagyarázzák a termékkel kapcsolatos veszélyességi szinteket:

VESZÉLY

Egy bekövetkező veszélyes helyzetet jelez, ami, ha nem előzik meg, halált vagy komoly sérülést eredményez.

FIGYELMEZTETÉS

Egy potenciálisan bekövetkező veszélyes helyzetet jelez, amit, ha nem előznek meg, halált vagy komoly sérülést eredményezhet.

FIGYELEMFELHÍVÁS

Egy potenciálisan veszélyes helyzetet jelez, ami, ha nem előzik meg, kisebb vagy mérsékelt sérülést eredményezhet.

FIGYELEMFELHÍVÁS

(Biztonsági figyelmeztető szimbólum nélkül) Egy olyan helyzetet jelez, ami anyagi kárt eredményezhet.

A KÉZIKÖNYVBEN HASZNÁLT SZIMBÓLUMOK



Külön értékesített alkatrészek és kiegészítők



A kiselejtezett elektromos termékeket nem szabad a háztartási hulladékkal együtt kidobni. Ezeket újra kell hasznosítani, ha van rá lehetőség.



Tartsa a kezeit távol a késektől.



Megjegyzés



Figyelem



Állítsa le a gépet.

FÜNYÍRÁSI TIPPEK

Az akkumulátor működési ideje a fű állapotától, hosszától és a sűrűségétől függ.

Állítsa be a fűnyíró vágásmagasságát, hogy megfeleljen a vágandó fű állapotának.

Fű állapota	Javasolt magasságbeállítás		Lefedettségek (maximális)	
	Első menet	Következő menetek	4 amperórás akkumulátor	5 amperórás akkumulátor
Vagyon vékony / Száraz	3	2	200 m ²	250 m ²
Vékony / Száraz	4	3 → 2	150 m ²	200 m ²
Közepes / Sűrű	5	4 → 3	100 m ²	150 m ²

- A legjobb teljesítmény érdekében mindig a fű teljes magasságának csak az egyharmadát vagy kevesebbet vágjon.
- Magas fű vágásakor csökkentse a haladási sebességet, hogy sokkal hatékonyabban tudjon vágni és a levágott fű kiürítse megfelelő legyen.
- Ne vágjon nedves fűvet; rátapad a burkolat aljára, és akadályozza a levágott fű megfelelő begyűjtését vagy kiürítését.
- Friss vagy magas fű esetében nagyobb vágásmagasság beállítására lehet szükség.
- nagyobb vágásmagasság meghosszabbítja az akkumulátor működési idejét.
- Ha levágott fűvet össze szeretné gyűjteni, vegye le a mulcsozó feltétet, és helyezze fel a fűgyűjtőt, odafigyelve a felső ajtó megfelelő bezárására. Rendszeresen ürítse ki a fűgyűjtőt, mert ellenkező esetben a levágott fű eltömíti az ürítőnyílást.
- Ha csak kevés fűvet vág le és szeretné, hogy a levágott fű a gyepon maradjon, helyezze fel a mulcsozó feltétet, és zárja le a felső ajtót az ürítőnyílás bezárásához. Ebben az esetben nem kell felszerelni a fűgyűjtőt.
- A fűnyíró előre fel haladva működik és vág le leghatékonyabban.

Au fost acordate priorități maxime asupra siguranței, performanței și fiabilității în proiectarea dvs.

UTILIZARE PREVĂZUTĂ

Acest produs este proiectat doar pentru folosirea în mediul exterior.

Acest produs este destinat exclusiv tunderii gazonului. Lama de tăiere trebuie să se rotească aproximativ paralel cu solul peste care se rotește. Toate cele patru roți trebuie să atingă solul în timpul tunderii ierbii. Este un mers pedestru controlat din spatele mașinii de tuns gazonul proiectate a fi împinsă cu mâna.

Mașina de tuns nu trebuie să fie utilizată cu roțile ridicate de pe sol, aceasta nu trebuie să fie trasă și nu trebuie să vă urcați pe ea. Aceasta nu trebuie să fie folosită pentru a tunde nimic altceva decât peluzele cu gazon.

AVERTISMENTE GENERALE PRIVIND SIGURANȚA

⚠ AVERTISMENT

Atunci când se utilizează mașina cu acumulator, măsurile de precauție de bază ar trebui să fie întotdeauna respectate pentru a reduce riscul de incendiu, de scurgere a bateriilor și de vătămare corporală. Pentru siguranța dumneavoastră și a trecătorilor, vă rugăm să citiți aceste instrucțiuni înainte de utilizarea produsului. Vă rugăm să păstrați instrucțiunile într-un loc sigur pentru utilizare ulterioară.

⚠ AVERTISMENT

Produsul trebuie operat doar cu acumulatorul montat. Atunci când se utilizează mașina cu acumulator, măsurile de precauție de bază ar trebui să fie întotdeauna respectate pentru a reduce riscul de incendiu, de scurgere a bateriilor și de vătămare corporală.

SIGURANȚĂ PERSONALĂ

- Mașina de tuns iarba poate amputa mâinile și picioarele și poate proiecta obiecte. Neobservarea tuturor instrucțiunilor de siguranță poate cauza vătămare gravă sau deces.
- Citiți și înțelegeți instrucțiunile și avertizările de siguranță. Familiarizați-vă cu comenzile

și folosirea corectă a produsului.

- Nu permiteți niciodată copiilor sau persoanelor cu capacități fizice, senzoriale sau mintale reduse, sau cele nefamiliare cu aceste instrucțiuni, să opereze, curețe sau să efectueze întreținerea produsului. Reglementările locale pot restricționa vârsta operatorului. Copiii trebuie să fie supravegheați adecvat pentru a vă asigura că nu se joacă cu produsul.
- Fiți alert, observați ceea ce faceți, și folosiți simț practic atunci când operați mașina de tuns gazon. Nu operați mașina dacă sunteți obosit sau sub influența medicamentelor, a alcoolului sau a drogurilor. Un moment de neatenție în timpul operării mașinii poate cauza vătămarea personală gravă.
- Purtați încălțăminte nealuneacoasă, pantaloni lungi rezistenți, bluză cu mânecă lungă și mănuși. Nu purtați haine largi, pantaloni scurți, sandale sau nu mergeți desculț. Evitați să purtați de îmbrăcăminte largă sau care are cordoane sau șireturi libere.
- Purtați mereu ochelari de protecție cu apărători laterale.
- Trebuie să stați întotdeauna într-o poziție stabilă. Mențineți sprijin ferm pe picioare și echilibrul. Mergeți. Nu alergați niciodată.
- Trebuie să stați întotdeauna într-o poziție stabilă pe pante.
- Folosiți produsul de-a latul pantelor, niciodată în jos și în susul ei. Acordați atenție maximă atunci când schimbați direcția pe pantă.
- Nu folosiți produsul lângă pante abrupte, șanțuri, zone extrem de înclinate sau diguri. Echilibrul fragil pe picioare poate cauza alunecarea sau căderea.

MEDIUL DE LUCRU

- Nu folosiți niciodată produsul în timp ce persoane, în special copii sau animale de casă, sunt într-o rază de 15 metri, din cauza pericolului obiectelor aruncate prin contactul cu lama.
- Obiectele prinse de lama mașinii de tuns gazon pot cauza vătămări grave persoanelor. Inspectați foarte bine zona în care va fi utilizată mașina și îndepărtați toate pietrele, crengile, metalul, sârma, oasele, jucăriile sau alte obiecte străine. Rețineți, firul sau cablurile se pot încălci în



cuțitele de tăiere.

- Tundeți întotdeauna iarba în timpul zilei sau în lumină artificială bună.
- Nu operați mașina în atmosfere explozive, precum în prezența lichidelor, gazelor sau a prafului inflamabil. Unealta creează scânteii care pot aprinde praful sau vaporii.
- Nu operați mașina în iarba udă sau în ploaie.
- Nu folosiți motocositoarea atunci când există risc de fulgere.
- Rețineți că operatorul sau utilizatorul este responsabil pentru accidentele sau pericolele ce pot avea loc asupra altor persoane sau proprietății lor.
- Se pot întâmpla accidente tragice dacă operatorul nu este atent la prezența copiilor. Copiii de obicei sunt atrași de aparat și de activitatea de tundere a acesteia. Nu presupuneți niciodată că copiii vor rămâne acolo unde i-ați văzut ultima oară.
- Țineți copiii în afara zonei de tundere și sub atenția unui adult responsabil, altul decât operatorul. Fiți atent și opriți produsul dacă un copil intră în zonă.
- Folosiți atenție suplimentară atunci când vă apropiați de colțuri ascunse, tufișuri, copaci sau alte obiecte ce ar putea împiedica observarea dvs a unui copil.

FOLOSIREA ȘI ÎNTREȚINEREA MAȘINII CU ACUMULATOR

- Citiți, înțelegeți și urmați întotdeauna instrucțiunile de siguranță ce vin împreună cu acumulatorul și încărcătorul. Neurmarea instrucțiunilor poate rezulta în electrocutare, incendiu sau situații periculoase. Păstrați toate instrucțiunile împreună într-un loc sigur pentru o consultare ulterioară.
- Unitățile cu acumulator nu trebuie să fie conectate la o priză electrică; prin urmare, acestea sunt întotdeauna în stare de funcționare. Scoateți întotdeauna cheia izolatoare oricând nu operați produsul.
- Scoateți acumulatorul înainte de a face orice ajustări, de curățare sau de eliminarea materialului din unitate.
- Asigurați-vă că cheia de contact este scoasă înainte de a introduce acumulatorul.
- Un acumulator trebuie să fie reîncărcat numai cu încărcătorul specificat de

producător. Utilizarea unui încărcător cu acumulator incompatibil poate crea un risc de incendiu. Folosiți acumulatorul numai cu încărcătorul specificat.

- Folosiți doar acumulatorul destinat în mod special pentru mașină. Utilizarea unui alt acumulator poate produce un risc de incendiu, de electrocutare sau de vătămare a persoanelor.
- Atunci când acumulatorul nu este în uz, păstrați-l departe de alte obiecte metalice, cum ar fi agrafe de birou, monede, chei, cuie, șuruburi sau alte obiecte metalice mici, care pot face o conexiune de la o bornă la alta. Scurtcircuitarea terminalelor acumulatorului ar putea cauza scânteii, arsuri, incendiu sau explozie.
- Nu lăsați produsele cu acumulatori sau acumulatorii acestora în apropierea focului sau a surselor de căldură. Aceasta crește riscul de explozie și posibilă vătămare.
- Nu deschideți sau distrugeți bateria. Electrolitul eliberat este coroziv și poate cauza vătămarea ochilor sau a pielii. Poate fi toxic dacă este înghițit.
- Protejați acumulatorul împotriva umezelii și a apei. Nu încărcăți unitatea în locuri umede sau ude. Reduceți astfel riscurile de electrocutare.
- În caz de deteriorare și de folosire inadecvată a acumulatorului, pot fi emiși vapori. Respirați aer proaspăt și consultați medicul în caz de dureri. Vaporii pot irita sistemul respirator.
- Nu lăsați acumulatorul într-un vehicul sau depozitat în exterior în condiții de vreme foarte călduroasă sau foarte rece.
- Nu aruncați acumulatorul în foc.
- Ca urmare a folosirii necorespunzătoare, din acumulator se poate scurge lichid; evitați contactul cu acesta. În cazul unui contact accidental, spălați cu apă. În cazul contactului cu ochii, consultați suplimentar un medicul. Lichidul care iese din acumulator poate provoca iritații sau arsuri.

AVERTIZĂRI DE SIGURANȚĂ A MAȘINII DE TUNS IARBA.

- Înainte de utilizare, inspectați vizual pentru a vă asigura că lamele, șuruburile lamei și ansamblul cuțitului nu sunt uzate sau deteriorate.





- Înlocuiți lamele și șuruburile uzate sau deteriorate în seturi pentru a menține echilibrul.
- Lama produsului este foarte ascuțită, folosiți maximă atenție și purtați mănuși de protecție când ajustați, înlocuiți, curățați sau verificați siguranța șurubului.
- Duceți produsul la un centru service autorizat pentru a înlocui etichetele deteriorate sau ilizibile.
- Verificați toate piulițele, șuruburile la intervale frecvente de timp ca să fie corespunzător strânse pentru a vă asigura că echipamentul este în stare de lucru în siguranță.
- Verificați frecvent captatorul de iarbă de uzură, găuri sau deteriorări.
- Înlocuiți părțile uzate sau deteriorate înainte de operarea produsului.
- Produsul trebuie pornit cu utilizatorul în spatele ghidonului în zona de siguranță a operatorului. Nu porniți niciodată produsul dacă:
 - toate cele patru roți nu se află pe sol
 - jgheabul de evacuare a ierbii este expus fără a fi protejat fie de dispozitivul de mărunțit și capacul jgheabului de evacuare a ierbii, fie de cutia de colectare a ierbii și capacul jgheabului de evacuare a ierbii
 - mâinile și picioarele tuturor persoanelor nu sunt în afara împrejurimii cuțitelor de tăiere
- Nu operați niciodată produsul dacă întrerupătorul pornit/oprit de mânerul de ghidare nu pornește și oprește corespunzător produsul.
- Nu încercați niciodată să blocați butonul de start în poziția PORNIT; este extrem de periculos.
- Nu forțați produsul. Aceasta va funcționa mai bine și mai sigur la viteza pentru care a fost proiectată.
- Opriți lama la trecerea pe suprafețe cu pietriș.
- Nu trageți produsul înspre înapoi decât dacă e absolut necesar. Dacă trebuie să vă deplasați înapoi cu mașina pentru a evita un perete sau un obstacol, în primul rând uitați-vă în jos și în spate pentru a evita împiedicarea sau trecerea cu mașina peste picioarele dvs.
- Opriți motorul și lăsați lama să se oprească în cazul în care mașina de tuns iarba a fost înclinată pentru a fi transportată, când se traversează suprafețe altele decât iarba, și când transportați produsul la și de la zona unde se tunde iarba.
- Nu folosiți niciodată mașina cu apărători sau protecții defecte sau fără dispozitive de siguranță, de exemplu, deflectoare și / sau colectoare de iarbă, montate.
- Nu înclinați motocositoarea când porniți motorul sau când motorul funcționează. Aceasta expune lama și crește probabilitatea obiectelor să fie aruncate.
- Porniți motorul cu atenție în conformitate cu instrucțiunile și țineți mâinile și picioarele ferite de zona de tăiere. Mențineți libere deschizăturile de golire tot timpul. Nu porniți motorul când stați în fața jgheabului de golire.
- Nu puneți mâinile sau picioarele în apropierea sau sub piesele în rotație. Mențineți libere deschizăturile de golire tot timpul.
- Nu ridicați și nu purtați produsul când motorul funcționează.
- Opriți motorul mașinii de tuns iarba și scoateți dispozitivul de dezactivare, asigurați-vă că toate părțile/piese în mișcare s-au oprit complet pentru cazurile de mai jos:
 - oricând lăsați produsul nesupravegheat (incluzând îndepărtarea bucăților de iarbă tăiate)
 - înainte de a curăța un blocaj sau de a desfunda jgheabul
 - înainte de a verifica, curăța sau lucra asupra produsului
 - după ce ați lovit un obiect străin; inspectați aparatul dacă e deteriorat și faceți reparații necesare înainte de a reporni și opera mașina.
 - înainte de scoaterea cutiei de colectat iarba sau deschiderea apărătorii jgheabului de golire a ierbii
 - dacă produsul începe să vibreze anormal (verificați imediat)
 - când inspectați de deteriorări, în special lamele.
 - înlocuiți sau reparați toate piesele deteriorate
 - verificați dacă există și strângeți orice



piese desprinse

- Evitață găurile, fâgașele, pietrele sau alte obiecte ascunse. Nerenu nenivelat poate cauza alunecare sau cădere.
- Asigurați-vă întotdeauna că în timpul asamblării sau plierii, cablul de la ghidonul corpului mașinii de tuns nu este niciodată prins, ciupit sau deteriorat.

SUPRASARCINĂ ȘI PROTECȚIE LA SUPRAÎNCĂLZIRE

Produsul dispune de un dispozitiv de protecție la suprasarcină care este activat atunci când apare supraîncălzirea sau un vârf de curent, oprind în mod automat alimentarea produsului. Dacă este activat protectorul suprasarcină, butonul pornit-oprit poate fi eliberat. Apăsati butonul pornit-oprit pentru a reporni produsul.

Acumulatorul are protecție împotriva supraîncălzirii. Temperaturile excesive vor conduce la oprirea alimentării uneltei de la acumulator. Atingeți acumulatorul; dacă este prea cald, lăsați-l să se răcească. Dacă uneltea nu funcționează în continuare, încărcați acumulatorul.

OBSERVAȚIE: Indicatorul LED al acumulatorului nu va funcționa dacă funcția de protecția a acumulatorul a condus la oprirea alimentării uneltei de la acumulator. Eliberați declanșatorul uneltei sau scoateți acumulatorul din uneltea și indicatorul LED al acumulatorului își va relua funcționarea normală.

RISCURI REZIDUALE

Chiar dacă produsul este folosit așa cum a fost prescris, este totuși imposibil să se elimine complet anumiți factori de risc reziduali. Următoarele pericole pot apărea în timpul folosirii și operatorul trebuie să acorde atenție specială pentru a evita următoarele:

- Vătămare cauzată de vibrație. Folosiți întotdeauna aparatul potrivit pentru sarcină, folosiți mânerul prevăzute și restricționați timpul de lucru și expunerea.
- Expunerea la zgomot poate cauza vătmarea auzului. Purați protecție pentru auz și limitați expunerea.
- Contact cu discurile
- Vătămare de la obiectele aruncate

TRANSPORTAREA ȘI DEPOZITAREA

- Opriți motorul și scoateți cheia de contact. Asigurați-vă că toate piesele mobile s-au oprit complet. Lăsați produsul să se răcească suficient înainte de a-l depozita sau transporta.
- Curățați toate materialele străine din produs. Depozitați-l într-un loc răcoros, uscat și bine aerisit ce este inaccesibil copiilor. Nu-l depozitați în apropiere de agenți corozivi cum ar fi produși chimici de grădinarit sau săruri antigel. Nu depozitați în aer liber.
- Pentru transportare, fixați produsul împotriva mișcării sau căderii pentru a preveni vătmarea persoanelor sau deteriorarea produsului.

⚠ AVERTISMENT

Folosiți maximă atenție când ridicați sau înclinați mașina pentru efectuarea întreținerii, curățare, depozitare sau transportare. Lama este ascuțită. Mențineți toate părțile corpului ferite de lamă cât timp lama este expusă.

ÎNȚREȚINEREA

⚠ AVERTISMENT

Folositi doar piese de schimb, accesorii si atasamente originale ale producatorului. Neurmarea acestora poate cauza posibila vătmare, slaba funcționare și ar putea anula garanția.

⚠ AVERTISMENT

Service-ul necesită atenție și cunoștințe deosebite și trebuie îndeplinit doar de către un tehnician service calificat. Pentru service sugerăm să returnați produsul la cel mai apropiat centru service autorizat pentru efectuarea reparațiilor. În timpul lucrărilor de service, utilizați doar piese de schimb autorizate.

- Scoateți dispozitivul de dezactivare și dacă e posibil acumulatorul, înainte de curățare sau efectuarea întreținerii.
- Puteți face reglaje și reparații descrise în acest manual de instrucțiuni. Pentru

alte reparații, contactați agentul service autorizat.

- Verificați frecvent dispozitivul de colectare a ierbii de uzură sau deteriorare.
- După fiecare folosire curățați produsul cu o cârpă moale și uscată. Orice piesă deteriorată trebuie să fie reparată în mod corespunzător sau înlocuită de un service autorizat.
- Verificați toate piulițele, suruburile la intervale frecvente de timp ca să fie corespunzător strânse pentru a vă asigura că produsul este în stare de lucru în siguranță.
- Aveți grijă, în timpul ajustării mașinii, să preveniți prinderea degetelor între lamele în mișcare și părțile fixe ale mașinii.
- Când faceți revizia lamelor, rețineți că, deși sursa de alimentare este oprită, lamele se pot mișca.
- Lama produsului este ascuțită. Folosiți atenție și purtați mănuși rezistente când montați, înlocuiți, curățați sau verificați șurubul de siguranță.
- Înlocuiți lamele și șuruburile uzate sau deteriorate în seturi pentru a menține echilibrul.

REDUCEREA RISCULUI

S-a raportat faptul că vibrațiile produse de unelte manuale pot contribui, la anumite persoane, la o afecțiune denumită Sindromul Raynaud. Simptomele pot include furnicături, amorțeală și albirea degetelor, care apare, de obicei, după expunerea la frig. Factori ereditari, expunerea la frig și umiditate, dieta, fumatul și practicile de muncă contribuie la dezvoltarea acestor simptome. Există măsurători care pot fi efectuate de către operator pentru a reduce efectele de vibrațiilor:

- Păstrați-vă temperatura corporală ridicată pe vreme rece. Când operați produsul purtați mănuși pentru a menține calde mâinile și încheieturile.
- După fiecare perioadă de operare, trebuie făcute exerciții pentru a crește circulația sângelui.
- Trebuie făcute pauze la intervale de timp regulate. Limitați expunerea zilnică.

Dacă sunt experimentate oricare dintre simptomele acestei afecțiuni, trebuie întreruptă utilizarea și consultat un medic.

⚠ AVERTISMENT

Pot fi cauzate sau agravate vătămarile de la folosirea prelungită a aparatului. Atunci când folosiți o sculă pentru perioade prelungite, asigurați-vă că luați pauze regulate.

CUNOAȘTEȚI-VĂ PRODUSUL

Vezi pagina 163.

Părți

1. Buton pornire-oprire.
2. Mâner
3. Cablu de control motor
4. Opritor cablu
5. Ușă acumulator
6. Indicator casetă colectare iarbă plină
7. Colector de iarbă
8. Roată spate
9. Manetă de reglare a înălțimii
10. Roată față
11. Cheie de contact
12. Duză pentru mulcire
13. Acumulator
14. Încărcător
15. Butonul de pornire

SIMBOLURILE DE PE PRODUS.



Citiți și înțelegeți toate instrucțiunile înaintea operării produsului, urmați toate avertizările și instrucțiunile de siguranță.



Purtați protecție pentru urechi



Purtați întotdeauna ochelari de protecție



Nu folosiți pe pante mai mari de 15°. Tundeți de-a latul pantei, niciodată sus și în jos.



Nu expuneți la ploaie sau umezeală.



Fiți atent la lamele ascuțite. Lamele continuă să se rotească după ce motorul a fost oprit - Scoateți cheia izolatoare înainte de efectuarea întreținerii



Ferți-vă de obiecte proiectate sau în zbor. Țineți toți trecătorii, în special copiii și animalele de companie la cel puțin 15 metri de zona de operare.



Apăsați butonul Start apoi butonul pornire-oprire pentru a pune produsul în funcțiune. Eliberați butonul Start și mențineți apăsat butonul pornire-oprire pentru a menține produsul funcționând. Eliberați butonul pornit-oprit pentru a opri produsul.



Vă rugăm citiți instrucțiunile cu atenție înainte de pornirea aparatului.



Deșeurile produselor electrice nu trebuie să fie înlăturate împreună cu deșeurile casnice. Vă rugăm reciclați acolo unde există facilități. Verificați la autoritatea dvs locală sau la vânzător pentru sfaturi privind reciclarea.

Acest aparat este conform cu ansamblul normelor reglementare din țara din UE în care a fost cumpărat.



Marcaj de conformitate EurAsian



Semn de conformitate ucrainean



Nivelul garantat de putere al sunetului este de 94 dB

Următoarele cuvinte de semnalizare sunt destinate a explica nivelele de risc asociate cu acest produs:

⚠ PERICOL

Indică o situație periculoasă iminentă, care dacă nu este evitată va cauza decesul sau vătămarea gravă.

⚠ AVERTISMENT

Indică o situație periculoasă iminentă, care dacă nu este evitată poate rezulta în deces sau vătămare gravă.

⚠ ATENȚIE

Indică o situație potențial periculoasă, care dacă nu este evitată poate cauza vătămarea moderată sau ușoară.

ATENȚIE

(Fără a simbolul de alertă privind siguranța) Indică o situație care poate duce la pagube materiale.

SIMBOLURI DIN ACEST MANUAL



Piese sau accesorii vândute separat



Deșeurile produselor electrice nu trebuie să fie înlăturate împreună cu deșeurile casnice. Vă rugăm reciclați acolo unde există facilități.



Țineți mâinile departe de lame.



Observație



Avertisment



Opriiți produsul

SFATURI DE TUNDERE

Timpul de funcționare al acumulatorului depinde de starea, lungimea și densitatea ierbii.

Reglați înălțimea de tăiere a mașinii de tuns iarba pentru a se potrivi stării prezente a gazonului ce vine tuns.

Condiții iarbă	Reglare sugerată a înălțimii.		Acoperire (maximum).	
	Prima trecere	Treceri succesive	Acumulator 4 Ah	Acumulator 5 Ah
Foarte subțire / Uscată	3	2	200 m ²	250 m ²
Subțire / Uscată	4	3 → 2	150 m ²	200 m ²
Medie / Densă	5	4 → 3	100 m ²	150 m ²

- Pentru cea mai bună funcționare, tăiați întotdeauna o treime sau mai puțin din

Înălțimea totală a ierbii.

- Atunci când tăiați iarbă înaltă, reduceți viteza de înaintare pentru a permite o tăiere mai bună și o golire corespunzătoare a ierbii tăiate.
- Nu tăiați iarbă umedă; se va lipi de partea dedesubt a punții mașinii și va împiedica colectarea corespunzătoare a ierbii sau golirea ierbii tăiate.
- Iarba nouă sau deasă poate necesita o înălțime mai mare de tăiere.
- O înălțime mai mare de tăiere a ierbii va prelungi perioada de funcționare a acumulatorului.
- Dacă doriți să colectați iarba tăiată în vederea îndepărtării ei, scoateți dispozitivul de mărunțire și potriviți caseta de colectare a ierbii asigurându-vă că clapa superioară este corespunzător închisă. Goliți regulat caseta de colectare a ierbii, altfel jgheabul de evacuare va fi blocat de iarba tăiată.
- Dacă doriți să efectuați o tăiere ușoară și doriți ca iarba tăiată să rămână pe gazon, potriviți dispozitivul de mărunțire și închideți clapa superioară pentru a acoperi deschizătura pentru evacuarea ierbii. Nu este necesar să montați caseta de colectare a ierbii în acest caz.
- Mașina de tuns gazonul este proiectată să tundă cel mai eficient când este împinsă înainte.

Izstrādājot šo jūsu brezžična kosilnica, īpaši uzmanība veltīta drošībai, veiktspējai un uzticamībai.

PAREDZĒTAIS LIETOJUMS

Šī ierīce paredzēta izmantošanai tikai ārpus telpām.

Šis izstrādājums ir paredzēts mājas zālāja pļaušanai. Griezējasmehānismam jāgriežas apmēram paralēli zemei, virs kuras tas tiek pārvietots. Pļaušanas laikā visiem četriem riteņiem jāpieskaras zemei. Tas ir stumjams zāles plāvējs, kuru paredzēts stumt ar rokām. Zāles plāvēju nedrīkst darbināt, ja riteņi neatrodas uz zemes, to nevajadzētu vilkt vai vizināties uz tā. To nevajadzētu lietot citu materiālu griešanai kā tikai mājas zālienam.

VISPĀRĪGIE DROŠĪBAS BRĪDINĀJUMI

▲ BRĪDINĀJUMS

Lietojot ar baterijām darbināmu ierīci, vienmēr jāievēro pamata drošības noteikumi, lai samazinātu ugunsgrēka, bateriju iztecēšanu un ievainojumu risku. Pirms darba uzsākšanas Jūsu un blakusstāvētāju drošības dēļ, lūdzu, izlasiet šos norādījumus. Lūdzu, glabāiet noteikumus drošā vietā vēlākai izmantošanai.

▲ BRĪDINĀJUMS

Ierīci var lietot tikai ar bateriju paketi. Lietojot ar baterijām darbināmu ierīci, vienmēr jāievēro pamata drošības noteikumi, lai samazinātu ugunsgrēka, bateriju iztecēšanu un ievainojumu risku.

PERSONISKĀ DROŠĪBA

- Zāles pļaujmašīna spēj nocirst rokas un kājas un izsviest priekšmetus. Nesilaikant visų saugos taisyklių galima rimtai susižeisti ar net žūti.
- Izlasiet un izprotiet norādījumus un drošības brīdinājumus. Iepazīstieties ar ierīces vadīšanu un pareizu lietošanu.
- Nekad nepieļaujiet, lai šī izstrādājuma ekspluatāciju, tīrīšanu vai apkopi veiktu bērni, personas ar samazinātām fiziskajām, maņu vai garīgajām spējām vai arī personas, kuras nav iepazinušās ar šiem norādījumiem. Vietos jstatymai

gali apriboti ierīgimo operatoriaus amžiu. Nepieciešams pienācīgi uzmanīt bērnus, lai nodrošinātu, ka tie nespēlējas ar ierīci.

- Būkite budrūs ir stebēkite, kā darote, bei sąmoningai naudokite žoliapjovę. Nenaudokite įrankio jei esate pavargę, paveikite kvaišalų, alkoholio ar vaistų. Neuzmanība darbā ar ierīci var izraisīt smagus ievainojumus.
- Valkājiet biezas garās bikses, garas piedurknes, neslīdošus apavus un cimdus. Nevalkājiet vaļīgu apģērbu, īsas bikses, sandales un nestaiģājiet basām kājām. Nevelciet vaļīgu apģērbu vai apģērbu ar auklām un lentēm.
- Visada dēvēkite apsauginius akinius su šonine apsauga.
- Vienmēr saglabāiet stabilu stāvokli. Visada tvirtai stovēkite ir išlaikykite pusiausvyrą. Eĳiet, nekādā gadījumā neskrieniet.
- Stipumā kājas vienmēr turiet stabilā pozīcijā.
- Lietojiet precī paralēli nogāzēm, nekad no augšas uz leju. Būkite itin atsargūs ant šlaitų keisdami kryptį.
- Nelietot izstrādājumu bedru, grāvju, pārlieki stāvu nogāžu vai krasta malu tuvumā. Galite paslysti ir pargriūti.

DARBA VIETA

- Nekad neizmantojiet šo precī, kamēr cilvēki, īpaši bērnu vai mājdzīvnieki atrodas 15m attālumā, jo pastāv briesmas, ka saskaroties ar asmeni gaisā var tikt uzmeti priekšmeti.
- Nuo žoliapjovės geležčių atsitrenkę objektai gali sunkiai sužaloti žmones. Rūpīgi pārbaudiet vietu, kur lietosiet ierīci un aizvēciet visus akmeņus, žagarus, metālu, vadus, kaulus, rotālijetas vai citus svešķermeņus. Atcerieties, stieple vai vads var sapties ar asmeņiem.
- Vienmēr pļaujiet tikai dienas gaismā vai labā mākslīgajā apgaismojumā.
- Nedarbiniet ierīci sprādzienbīstamā vidē, piemēram, degošu šķidrums, gāzu vai putekļu klātbūtnē. Ierīce rada dzirksteles, kas var aizdedzināt putekļus vai gāzes.
- Nedarbiniet ierīci mitrā zālē vai lietus laikā.
- Neizmantojiet zāles plāvēju, ja pastāv negaisa risks.

EN
FR
DE
ES
IT
NL
PT
DA
SV
FI
NO
RU
PL
CS
HU
RO
LV
LT
ET
HR
SL
SK
BG
UK



- Turēkite omenyje, kad operatorius arba vartotojas yra atsakingas už nelaimingus atsitikimus arba kitiems asmenims ar jų turčiai sukeltą pavojų.
- Operatoriui nežinant, kad šalia yra vaikai, gali įvykti nelaimingi atsitikimai. Vaikams visada šis įrengimas bei pats pjovimo procesas yra įdomus. Niekada nemanykite, kad vaikai išliks toje pačioje vietoje, kur juos pirmiau matėte.
- Laikykite vaikus kuo toliau nuo pjovimo zonos bei užtikrinkite, kad uos prižiūri kitas suaugęs žmogus. Užmanietes un izslėdziet ierči, ja pietuvojas bērnš.
- Priartėję prie aklinių kampų, krūmų, medžių arba kitų objektų, už kurių gali būti vaikų, būkite itin atsargūs.

AR AKUMULATORU DARBINĀMU IERČŪ LIETOŠANA UN KOPŠANA

- Izlasiet, izprotiet un vienmēr ievērojiet akumulatora un lādētāja komplektā iekļautos drošības norādījumus. Pretējā gadījumā varat izraisīt elektrošoku, aizdegšanos vai citas bīstamas situācijas. Visas instrukcijas glabājiet drošā vietā turpmākām uzziņām.
- Ar akumulatoru darbināmas ierīces nav jāpievieno elektriskajai kontaktligzdai, tāpēc tās vienmēr ir darba kārtībā. Noņemiet izolatora atslēgu, kad nedarbiniet precī.
- Izņemiet akumulatoru pirms regulēšanas, tīrīšanas vai objektu izņemšanas no ierīces.
- Pirms akumulatora ievietošanas slēdža atslēga noteikti jāizņem.
- Akumulators jālādē tikai ar ražotāja noteikto lādētāju. Lādētāja lietošana ar nesaderīgu akumulatoru var izraisīt ugunsgrēka risku. Akumulatora uzlādēšanai lietojiet tikai nosaukto tipu lādētāju.
- Lietojiet tikai konkrētajai ierīcei paredzēto akumulatoru. Jebkura cita akumulatora lietošana var radīt ugunsgrēka, elektriskā trieciena vai ievainojumu risku.
- Kad nelietojat akumulatoru, neturiet to citu metāla priekšmetu tuvumā, piemēram: papīra saspaušanas, monētas, atslēgas, naģlas, skrūves vai citi sīki metāla priekšmeti, kas var veidot savienojumu starp spailēm. Savienojot bateriju paketes terminālus, var rasties dzirksteles,

apdegumi, aizdegšanās vai eksplozija.

- Nenovietojiet akumulatoru izstrādājumus vai to akumulatorus uguns vai karstuma avotu tuvumā. Tas palielina eksplozijas un miesas bojājumu gūšanas risku.
- Neatveriet un neizjauciet akumulatoru. Izliets elektrolīts ir korodējošs un var radīt bojājumus acīm vai ādai. Norijot tas ir toksisks.
- Sargājiet akumulatoru no mitruma un ūdens. Nelādējiet akumulatoru mitrā vietā. Šī noteikuma ievērošana mazinās elektriskā trieciena, aizdegšanās un nopietnu traumu risku.
- Akumulatora bojājuma un nepareizas lietošanas gadījumā var izdalīties tvaiks. Nodrošiniet svaigu gaisu un sūdzību gadījumā lūdziet medicīnisku palīdzību. Tvaiks var kairināt elpošanas sistēmu.
- Neatstājiet bateriju ierīcē vai ārā glabātuvē karstos vai aukstos apstākļos.
- Nesadedziniet akumulatoru.
- Nepareizas rīcības gadījumā no akumulatora var izkļūt šķidrums; izvairieties no saskares ar to. Nejaušas saskares gadījumā skalojiet skarto vietu ar ūdeni. Ja šķidrums nokļūst acīs, nepieciešama arī medicīniskā palīdzība. No akumulatora izkļuvušais šķidrums var izraisīt kairinājumu vai apdegumus.

ZĀLES PLĀVĒJA DROŠĪBAS BRĪDINĀJUMI

- Pirms lietošanas vienmēr apskatiet, vai asmeņi, asmeņu skrūves un griezēja mezģls nav izdilis vai bojāts.
- Nomainiet izdilušos vai bojātos asmeņus un skrūves, lai saglabātu simetriju.
- Izstrādājuma asmens ir ļoti ass, tāpēc rīkojieties īpaši uzmanīgi un, veicot uzstādīšanu, nomaiņu, tīrīšanu vai skrūves drošības pārbaudi, valkājiet lielai slodzei paredzētus cimdus.
- Nesiet precī uz pilnvarotu pakalpojumu centru, lai nomainītu bojātos vai nesalasāmās uzlīmes.
- Dažnai tikrinkite visas veržles, varžtus ir sraigtus, ar jie tvirtai laikiis ir ar ģranga yra saugios darbo būklēs stovyje.
- Bieži pārbaudiet, vai zāles satvērējs nav nolietojies, nodilis, kā arī vai tajā nav





radušies caurumi.

- Pirms izstrādājuma lietošanas, aizvietojiet nolietoto vai bojātas detaļas.
- Preci jāiedarbina, lietotājam atrodoties aiz roktura, operatora drošības zonā. Nekad nedarbiniet precī, ja:
 - visi četri riteņi neatrodas uz zemes
 - zāles izvades izeja ir vaļā, bez mulčēšanas spraudņa un zāles izmetes pārklāja, vai zāles kastes, un zāles izvades pārklāja
 - visi personu rokas un pēdas ir pakļautas griešanas ierīcēm
- Nekad nedarbiniet precī, ja iesl./izsl. slēdzis uz roktura pareizi neieslēdzas un neaptur precī.
- Nekad nemēģiniet ieslēgšanas/izslēgšanas slēžus bloķēt ieslēgšanas pozīcijā, jo tas ir ļoti bīstami.
- Nepielietojiet spēku, izmantojot ražojumu. Tas darbu darīs labāk un drošāk ar ātrumu, kādam tas ticis izstrādāts.
- Apturiet asmeni, kad šķērsojat grantētas virsmas.
- Nevilkst izstrādājumu at muguriski, izņemot, ja absolūti nepieciešams. Ja ierīce ir jāvirza atpakaļ no sienas vai šķēršļa, vispirms paskatieties uz leju un aiz sevis, lai nepakļuptu vai neuzvilktu ierīci uz kājām.
- Ja zāles plāvējis ir jāsasver transportēšanai, šķērsojot citas virsmas, izņemot zāli, un transportējot zāles plāvēju uz plaujamo teritoriju vai no tās, izslēdziet motoru un pagaidiet, līdz asmens apstājas.
- Nekad nelietojiet iekārtu, ja ir bojāti aizsargi vai pārsegi vai drošības ierīces, piemēram, deflektori un/vai zāles savācējs, neatrodas vietā.
- Iedarbinot dzinēju vai dzinēja darbības laikā nesagāziet zāles plāvēju. Tādējādi tiek atklāts asmens un pieaug priekšmetu mešanas iespējamība.
- Uzmanīgi iedarbiniet dzinēju saskaņā ar instrukcijām un turiet rokas drošā attālumā no asmeņiem. Visada laikykitēs saugaus atstumo nuo išmetimo angos. Nejunkite variklio stovėdami prieš išmetimo lataką.
- Nenovietojiet rokas vai kājas zem rotējošām detaļām vai to tuvumā. Visada laikykitēs saugaus atstumo nuo išmetimo angos.

- Nekad nepaceliet vai nesiet precī, kamēr darbojas motors.
- Izslēdziet plāvēja motoru un noņemiet deaktivizēto ierīci, pārliecinoties, vai visas kustīgās daļas ir pilnīgi apstājušās, šādos gadījumos:
 - ja atstājāt precī nepieskatītu (tai skaitā atbrīvojoties no zāles)
 - pirms nosprostošanu un izvada tīrīšanas
 - pirms iekārtas pārbaudes, tīrīšanas vai labošanas
 - pēc sadursmes ar kādu priekšmetu; pārbaudiet, vai iekārta nav bojāta, un veiciet pirms iedarbināšanas un lietošanas veiciet nepieciešamos remontdarbus.
 - pirms noņemt zāles tvertni vai atvērt zāles izmešanas izvada pārsegu.
 - ja iekārta sāk neparasti vibrēt (pārbaudiet nekavējoties)
 - pārbaudot vai nav bojājumu, īpaši asmeņi
 - nomainiet vai salabojiet bojātās daļas
 - pārbaudiet un pievelciet vaļīgās detaļas
- Venkīte skylių, provėžų, iškilimų, akmenų ar kitų paslėptų objektų. Nelygioje teritorijoje galima paslysti ir išgriūti.
- Vienmēr nodrošiniet, ka vads atrodas pa gabalu no vadības roktura un plāvēja korpuss nekad nevar iesprūst, tikt saspiests vai kā citādi bojāts, salikšanas vai roktura salocīšanas laikā.

PĀRSLODZES UN PĀRKARŠANAS AIZSARDZĪBA

Produkts ir aprīkots ar pārslodzes aizsardzības ierīci, kas tiek aktivizēta pārkaršanas vai pārstrāvas gadījumā, automātiski atslēdzot strāvas padevi produktā. Ja pārslodzes aizsargs ir iedarbināts, ieslēgšanas-izslēgšanas pogu jāatbrīvo. Nospiediet ieslēgšanas-izslēgšanas pogu, lai restartētu precī.

Baterijas pakai ir pārkaršanas aizsardzība. Pārmērīgā temperatūrā akumulators nenodrošinās instrumenta barošanu. Pieskarieties akumulatoram; ja tas ir pārāk sasilis, ļaujiet tam atdzist. Ja instruments joprojām nedarbojas, uzlādējiet akumulatoru.

PIEZĪME: Akumulatora uzlādes indikatora gaismas diode nedarbosies, ja akumulatora

EN
FR
DE
ES
IT
NL
PT
DA
SV
FI
NO
RU
PL
CS
HU
RO
LV
LT
ET
HR
SL
SK
BG
UK





aizsargfunkcija ir apturējusi instrumenta barošanu. Atlaidiet instrumenta mēlīti vai noņemiet akumulatoru no instrumenta, un akumulatora gaismas diodes indikators atsāks normālu darbību.

OBJEKTĪVIE RISKI

Pat ka prece ir lietotā kā noteikts, nav iespējams pilnībā novērst noteiktus riska faktorus. Lietošanas laikā var rasties šādas bīstamas situācijas, un lietotājam ir jāpievērš pastiprināta uzmanība, lai tās novērstu:

- Vibrācijas radīts ievainojums. Vienmēr izmantojiet pareizos rīkus tiem paredzētajam darba, izmantojiet norādītos rokturus un ierobežojiet laiku, cik ilgi izmantojat ierīci.
- Saskarsme ar troksni var radīt dzirdes traucējumus. Valkājiet ausu aizsargu un ierobežojiet saskarsmi.
- Saskarsme ar asmeņiem
- Ievainojums no aizmestiem objektiem

TRANSPORTĒŠANA UN UZGLABĀŠANA

- Apturiet motoru un izņemiet slēdža atslēgu. Pārliecinieties, ka visas kustīgās daļas ir pilnīgi apstājušās. Pirms izstrādājuma uzglabāšanas vai transportēšanas ļaujiet tam pietiekami atdzist.
- Notīriet visus svešķermeņus no izstrādājuma. Uzglabājiet to vēsā, sausā un labi vēdinātā vietā, kurai nevar piekļūt bērni. Neglabājiet to vietā, kur tuvumā atrodas korozīvas vielas, piemēram dārza darbos izmantojamās ķīmikālijas vai atsaldēšanai domāta sāls. Neuzglabājiet ārpus telpām.
- Transportējot nostipriniet ierīci, lai tā nekustētos un neapgāztos, jo tas var izraisīt miesas bojājumus un ierīces bojājumus.

▲ BRĪDINĀJUMS

Paceļot vai sasverot iekārtu apkopes, tīrīšanas, uzglabāšanas vai transportēšanas nolūkos, rīkojieties īpaši uzmanīgi. Asmens ir ass. Kamēr asmens ir atklāts, netuviniet tam nevienu ķermeņa daļu.

APKOPE

▲ BRĪDINĀJUMS

Lietojiet tikai oriģinālās ražotāja rezerves daļas, piederumus un uzgaļus. Pretējā gadījumā var tikt radīti ievainojumi un parādīts slikts sniegums, kā arī var tikt anulēta garantija.

▲ BRĪDINĀJUMS

Aptarnavimā atlikti būtina itin atdīzai, todēl rekomenduoame, kad tehniņē apžiūrā vykdytų kvalifikuotas specialistas. Tehninei apžiūrai atlikti patariame gražinti prietaisą į artimiausią įgaliotą paslaugų teikimo tarnybą. Veicot apkopi, izmantojiet tikai licencētas rezerves daļas.

- Pirms jebkura tīrīšanas vai apkopes darba veikšanas noņemiet deaktivizācijas ierīci un, ja iespējams, akumulatoru.
- Daudzus šajā lietotāja rokasgrāmatā aprakstītos regulēšanas un remontdarbus varat veikt pats. Lai veiktu citus remontdarbus, sazinieties ar pilnvarotu servisa darbinieku.
- Pastoviai tikrinkite, ar žolės gaudytuvus nėra susidėvėjęs ar sugedęs.
- Pēc katras lietošanas reizes notīriet precī ar mīkstu, sausu drāniņu. Jebkura bojāta detaļa jānodod remontam vai nomaigai pilnvarotā apkopes centrā.
- Regulāri pārbaudiet visus uzgriežņus, stiprinājumus un skrūves, lai pārliecinātos, ka tās ir cieši pievilktas un izstrādājums ir drošā darba stāvoklī.
- Regulējot iekārtu, rīkojieties uzmanīgi, lai neiespiestu pirkstus starp iekārtas kustīgajiem asmeņiem un fiksētajām daļām.
- Veicot asmeņu apkopi, atcerieties, ka pat pēc atslēgšanas no strāvas avota asmeņi joprojām var kustēties.
- Preces asmens ir ass. Esiet uzmanīgi un valkājiet izturīgus cimdus, kas pievienojat, nomaināt, tīrāt vai pārbaudāt skrūves drošību.
- Nomainiet izdilušos vai bojātos asmeņus un skrūves, lai saglabātu simetriju.



RISKA SAMAZINĀŠANA

Ir ticis ziņots, ka vibrācijas no rokas instrumentiem atsevišķos cilvēkos var veicināt kaiti, ko sauc par Reino sindromu. Simptomi var ietvert pirkstu tinkšķēšanu, nejutīgumu un nobālēšanu, parasti aukstā laikā. Tiek uzskatīts, ka tradicionālie faktori, aukstums un mitrums, uzturs, smēķēšana un darba prakse sekmē šo simptomu attīstību. Operators var veikt pasākumus, lai iespējami samazinātu vibrācijas efektu:

- Aukstā laikā ķermenim jābūt siltam. Kad darbināt precī valkājiet cimdus, lai rokas un plaukstu locītavas būtu siltas.
- Ik pēc laika apturiet darbu un veiciet vingrinājumus, kas uzlabo asins cirkulāciju.
- Strādājot jābūt biežiem pārtraukumiem. Ierobežojiet iedarbības ilgumu dienā.

Ja jūs izjūtat kādu no šiem simptomiem, nekavējoties apturiet ierīces lietošanu un sazinieties ar ārstu par šiem simptomiem.

▲ BRĪDINĀJUMS

Ilgstoša preces lietošana var radīt ievainojumus vai pasliktināt jau esošos. Ilgstoši lietojot jebkuru instrumentu, pārliecinieties, ka tiek veikti regulāri pārtraukumi.

PAZĪSTIET SAVU IERĪCI

Skatīt 163. lappusi

Daļas

1. Ieslēgšanas-izslēgšanas poga
2. Rokturis
3. Motora vadības kabelis
4. Auklas aizturis
5. Akumulatora nodalījuma durvītiņas
6. Indikators zāles kaste ir pilna
7. Zāles savācējs
8. Aizmugures ritenis
9. Aukšājo lygio regulatorius
10. Priekšējais ritenis
11. Slēdža atslēga
12. Smalcinātājs
13. Akumulators
14. Lādētājs
15. Palaišanas poga

UZ PRECES ESOŠIE SIMBOLI



Pirms preces darbināšanas izlasiet un izprotiet visus norādījumus, ievērojiet visus brīdinājumus un drošības norādījumus.



Lietojiet dzirdes aizsargus



Valkājiet acu aizsargaprīkojumu



Nedarbiniet slīpumā, kas ir lielāks par 15°. Pjaukrite skersai šlaitu, nekad nepjaukrite aukštn un žemyn.



Nepakļaujiet lietum vai mitriem apstākļiem.



Uzmanieties no asiem asmeņiem. Asmeņi turpina rotēt pēc tam, kad motors ir izslēgts — Noņemiet izolatora atslēgu pirms apkopes



Sargieties no izmestiem vai lidojošiem priekšmetiem. Rūpējieties, lai visi tuvumā stāvošie, īpaši bērni un dzīvnieki atrastos vismaz 15m attālumā no darba zonas. Lai iekārtu iedarbinātu, nospiediet palaišanas pogu, pēc tam ieslēgšanas-izslēgšanas pogu (A, B, C vai D). Lai iekārta darbotos, atlaidiet iedarbināšanas pogu un turiet nospiestu ieslēgšanas-izslēgšanas pogu. Atlaidiet ieslēgšanas/izslēgšanas pogu, lai apturētu ierīci.



Pirms iedarbināt mašīnu, lūdzu rūpīgi izlasiet instrukcijas.



Izlietotie elektroprodukti nedrīkst tikt izmesti kopā ar māsājniecības atkritumiem. Lūdzu, nododiet tos attiecīgajās atk ār totas izmantošanas vietās. Sazinieties ar savu vietējo varas pārstāvi vai izplatītāju, lai noskaidrotu, kur iespējama atkārtota pārstrāde.



Darbarīks atbilst visām normām ES valstī, kurā tas ir iegādāts.



EurAsian atbilstības marķējums



Ukrainas apstiprinājuma zīme



Garantētais skaņas jaudas līmenis ir 94 dB.

Šādi signālvārdi un nozīmes ir paredzētas, lai izskaidrotu ar precīzīti riska līmeņus:

BĪSTAMI

Norāda draudošo bīstamo situāciju, kas, ja no tās neizvairās, var novest pie nāves vai nopietnas traumas.

BRĪDINĀJUMS

Norāda potenciālo bīstamo situāciju, kas, ja no tās neizvairās, var novest pie nāves vai nopietnas traumas.

UZMANĪBU

Norāda potenciālo bīstamo situāciju, kas, ja no tās neizvairās, var novest pie nelielas vai vidējas traumas.

UZMANĪBU

(Bez drošības brīdinājuma apzīmējuma)
Norāda uz situāciju, kas var radīt īpašuma bojājumus.

SIMBOLI ŠAJĀ ROKASGRĀMATĀ



Atsevišķi nopērkamās daļas vai piederumi



Izlietotie elektroprodukti nedrīkst tikt izmesti kopā ar mājtsaimniecības atkritumiem. Lūdzu, nododiet tos attiecīgajās atk ār totas izmantošanas vietās.



Neturiet rokas asmeņu tuvumā.



Piezīme



Brīdinājums



Apturiet iekārtu.

PJOVIMO PATARIMAI

Akumulatora darbības laiks ir atkarīgs no zāles stāvokļa, garuma un blīvuma.

Noregulējiet zāles plāvēja pļaušanas augstumu atbilstoši pļaujamā zālāja stāvoklim.

Zāles stāvoklis	Ieteicamā augstuma regulēšana		Pārklājums (maksimālais)	
	Pirmais gājiens	Turpmākie gājieni	4 Ah baterija	5 Ah baterija
Ļoti plāns/sauss	3	2	200 m ²	250 m ²
Plāns/sauss	4	3 → 2	150 m ²	200 m ²
Vidējs/blīvs	5	4 → 3	100 m ²	150 m ²

- Lai nodrošinātu pēc iespējas labākus rezultātus, vienmēr nopļaujiet ne vairāk kā trešdaļu no zāles kopējā augstuma.
- Pļaudami aukstā žolē sumažināte ējimo greitī. Taip pļojimas bus efektyvesnis ir geriau išsivalys nuopjovos.
- Nepļaujiet slapju zāli, jo tā pielīp zem platformas un neļauj pareizi savākt vai izmest zāles atgriezumus.
- Jaunai vai biežai zālei var būt nepieciešams lielāks pļaušanas augstums.
- Lielāks pļaušanas augstums paildzina akumulatora darbības laiku.
- Ja vēlaties savākt zāli izmešanai, noņemiet mulčēšanas spraudni un uzlieciet zāles kasti, pārliedcinoties, ka augšējais vāks ir cieši aizvērts. Regulāri iztukšojiet zāles kasti, pretējā gadījumā izvade tiks nobloķēta ar zāli.
- Ja veicat vieglu pļaušanu un vēlaties, lai nopļautā zāle paliek uz zālāja, uzlieciet mulčēšanas spraudni un aizveriet vāku, lai tas pārklāt izvades atveri. Šādā gadījumā nav nepieciešams uzlikt zāles kasti.
- Pļāvējs darbojas un pļauj visefektīvāk kustoties uz priekšu.

Projektuojant bežična kosilica, didžiausias prioritetas suteiktas saugai, eksploatacinėms savybėms ir patikimumui.

NAUDOJIMO PASKIRTIS

Grandininis pjūklas skirtas pjauti tik lauke.

Šis produktas yra skirtas pjauti žolę aplink namus. Pjovimo geležtė turi sukintis apytiksliai lygiagrečiai žemei, virš kurios ji stumiama. Pjaunant žolę visi keturi ratukai turi liesti žemę. Tai – pėsčiojo einant iš paskos ir stumiant ranka valdoma vejapjovė.

Žoliapjovės niekada negalima naudoti, kai ratukai yra pakelti nuo žemės, jos negalima traukti ar ant jos sėdėti. Šį prietaisą galima naudoti tik pjauti žolę aplink namus, o ne kitose vietose.

BENDRIEJI SAUGOS ĮSPĖJIMAI

▲ ĮSPĖJIMAS

Naudojant įrankius su akumulatoriumi, būtina atsižvelgti į elementarias saugumo priemones, kad sumažintumėte gaisro, skysčio iš akumuliatorių ištekėjimo ir sužeidimo pavojų. Dėl savo pačių ir šalia esančių asmenų saugumo, perskaitykite šias instrukcijas prieš pradėdami dirbti prietaisu. Išsaugokite šią instrukciją ateičiai.

▲ ĮSPĖJIMAS

Šį gaminį reikia naudoti tik su akumulatoriumi. Naudojant įrankius su akumulatoriumi, būtina atsižvelgti į elementarias saugumo priemones, kad sumažintumėte gaisro, skysčio iš akumuliatorių ištekėjimo ir sužeidimo pavojų.

ASMENINĖ SAUGA

- Žoliapjovė gali nupjauti rankas, kojas bei sviesti objektus. Nesilaikant visų saugos taisyklių galima rimtai susižeisti ar net žūti.
- Perskaitykite ir supraskite visas instrukcijas. Gerai žinoti apie valdiklius ir tinkamą krūmapjovės naudojimą.
- Jokiu būdu neleiskite naudoti, valyti ar prižiūrėti prietaisą vaikams, žmonėms su robotais fiziniiais, jutikliniais ar protiniais gebėjimais, arba nesusipažinusiems su šiomis instrukcijomis asmenimis. Vietos įstatymai gali apriboti įrengimo operatoriaus

amžių. Vaikus reikia tinkamai prižiūrėti, kad jie nežaistų su krūmapjovė.

- Būkite budrūs ir stebėkite, ką darote, bei sąmoningai naudokite žoliapjovę. Nenaudokite įrankio jei esate pavargę, paveikti kvaišalų, alkoholio ar vaistų. Neatidžiai elgdamiis su šiuo prietaisu galite sunkiai susižeisti.
- Dėvėkite patvarias, ilgas kelnes, marškinius ilgomis rankovėmis, avalynę neslystančiais padais ir mūvėkite pirštines. Nedėvėkite laisvų nepriglundusių drabužių, trumpų kelnių, neavėkite sandalų ar basomis kojomis. Nedėvėkite laisvų drabužių arba drabužių su kabančiais raišteliais arba virvelėmis.
- Visada dėvėkite apsauginius akinius su šonine apsauga.
- Visada atkreipkite dėmesį į stabilią stovėseną. Visada tvirtai stovėkite ir išlaikykite pusiausvyrą. Visada eikite, niekada nebėkite.
- Nuolat atkreipkite dėmesį į stabilią stovėseną nuolaidžiose vietose.
- Šlaituose gaminį reikia stumti skersai, joku būdu ne aukštyn ir žemyn šlaito. Būkite itin atsargūs ant šlaitų keisdami kryptį.
- Nenaudokite prietaiso arti skardžių, griovių, lapai stačių šlaitų ar pylimų. Galite paslysti ir pargriūti.

DARBO APLINKA

- Jokiu būdu negalima naudoti gaminio, jeigu 15 m spinduliu yra žmonių, ypač vaikų, taip pat – naminių gyvūnų, nes juos gali sužeisti iš po geležčių ištykstantys objektai.
- Nuo žoliapjovės geležčių atsitrenkę objektai gali sunkiai sužaloti žmones. Gerai patikrinkite tą vietą, kurią pjausite žoliapjovė bei pašalinkite visus akmenis, pagalius, metalo gabalus, laidus, kaulus, žaislus ir kitus pašalinius objektus. Reikia atminti, kad virvė arba viela gali įsipainioti į pjovimo įtaisus.
- Visada dirbkite tik dienos šviesoje ar esant geram dirbtiniam apšvietimui.
- Nenaudokite prietaiso, jei šalia yra degios ir sprogti galinčios medžiagos (skysčiai, dujos ar dulkės). Prietaisas kibirkščiuoja ir gali uždegti dulkes arba garus.
- Nenaudokite įrankio ant šlapios žolės bei lietuje.



- Nenaudokite žoliapjovės, kai gali žaibuoti.
- Turėkite omenyje, kad operatorius arba vartotojas yra atsakingas už nelaimingus atsitikimus arba kitiems asmenims ar jų turtui sukeltą pavojų.
- Operatoriui nežinant, kad šalia yra vaikai, gali įvykti nelaimingi atsitikimai. Vaikams visada šis įrengimas bei pats pjovimo procesas yra įdomus. Niekada nemanykite, kad vaikai išliks toje pačioje vietoje, kur juos pirmiau matėte.
- Laikykite vaikus kuo toliau nuo pjovimo zonos bei užtikrinkite, kad uos prižiūri kitas suaugęs žmogus. Būkite budrūs - į darbo zoną patekus vaikui, prietaisą išjunkite.
- Priartėję prie aklinių kampų, krūmų, medžių arba kitų objektų, už kurių gali būti vaikų, būkite itin atsargūs.

ĮRANKIO SU AKUMULIATORIUMI NAUDOJIMAS IR PRIEŽIŪRA

- Perskaitykite, supraskite ir griežtai vadovaukitės saugos instrukcijomis, pridėdamomis prie prietaiso baterijos ir įkroviklio. Nesilaikant saugos instrukcijų, gali įvykti elektros smūgis, kilti gaisras ar kitos pavojingos situacijos. Visas instrukcijas laikykite kartu saugioje vietoje, kad prireikus galėtumėte jas bet kada paskaityti.
- Akumuliatorių įrankių prie maitinimo šaltinio prijungti nereikia, todėl jie visuomet paruošti naudoti. Kai gaminys nenaudojamas, reikia ištraukti izoliatoriaus raktą.
- Prieš reguliuodami, valydami įrankį ar šalindami nuopjovas iš įrankio, visada išimkite akumuliatorių.
- Patikrinkite, ar izoliatoriaus raktas yra ištrauktas tik tada tvirtinkite akumuliatorių.
- Pakartotinai kraukite akumuliatorių tik naudodami gamintojo nurodytą įkroviklį. Naudojant įkroviklį su nesuderinamu akumuliatoriumi gali sukelti gaisro pavojų. Akumuliatorių naudokite tik su sąraše pateiktu įkrovikliu.
- Naudokite tik šiam įrankiui skirtą akumuliatorių. Kitokių akumuliatorių naudojimas gali sukelti gaisrą, elektros smūgį ar sužeidimus.
- Kai akumuliatorius nenaudojamas, jį laikykite toliau nuo kitų metalinių daiktų,

pavyzdžiui, sąvaržėlių, monetų, raktų, vinių, varžtų ar kitų mažų metalinių daiktų, kurie vieną gnybtą gali sujungti su kitu. Sutrumpinus vieną akumuliatoriaus gnybtą su kitu, gali kilti kibirkštys, gaisras arba galite nusideginti.

- Baterinių įrankių ar jų baterijų nelaikykite prie ugnies ar karščio. Tai padidina sprogimo ir sužeidimų pavojų.
- Niekada nebandykite akumuliatoriaus atidaryti ar išardyti. Išsiskiriantys elektrolitai yra koroziniai bei gali pakenkti akims ir odai. Juos prarijus, jie gali būti nuodingi.
- Akumuliatorių saugokite nuo drėgmės ir vandens. Įrankio neįkraukite drėgnose ar šlapiose vietose. Laikantis šių nurodymų, sumažinamas elektros smūgio.
- Akumuliatorių pažeidus gali išsiskirti garai. Išėikite į gryną orą ir jei vis dar prastai jaučiatės, kreipkitės į gydytojus. Garai gali dirginti kvėpavimo organus.
- Kai karšta arba šalta, akumuliatoriaus paketo negalima palikti transporto priemonėje arba lauke.
- Akumuliatoriaus nedeginkite.
- Netinkamomis sąlygomis iš akumuliatoriaus gali ištekėti skystis - nelieskite jo. Jei atsitiktinai prisilietėte - nuplaukite vandeniu. Jei skysčio pateko į akis, papildomai kreipkitės į gydytoją. Iš akumuliatoriaus ištekėjęs skystis gali nudeginti ar sukelti sudirginimus.

VEJAPJOVĖS SAUGOS PERSPĖJIMAI

- Prieš pradėdami naudoti įrankį, visada vizualiai patikrinkite geležtes, jų varžtus ir pjoviklio korpusą dėl nusidėvėjimo.
- Siekiant išlaikyti įrankio pusiausvyrą, nusidėvėjęsias ar pažeistas geležtes ir varžtus pakeiskite.
- Prietaiso geležtė labai aštri, todėl ją montuodami, keisdami, valydami ar tikrindami varžtų priveržimo tvirtumą būkite ypatingai atsargūs ir mūvėkite darbo pirštines.
- Prireikus pakeisti sugadintas ar neįskaitomas etiketes, gaminį reikia nugabenti į įgaliotą techninio aptarnavimo centrą.
- Dažnai tikrinkite visas veržles, varžtus ir sraigtus, ar jie tvirtai laikosi ir ar įranga yra saugios darbo būklės stovyje.





- Dažnai tikrinkite žolės gaudyklę: ar nesusidėvėjusi, ar nėra skylių ar gedimo požymių.
- Prieš naudodami prietaisą, pakeiskite susidėvėjusias ar pakenktas dalis.
- Gaminį reikia paleisti naudotojui stovint už vairalazdžių, saugos zonoje. Jokiu būdu negalima paleisti gaminio, jeigu:
 - ne visi keturi ratai atsirėmę į žemę;
 - žolės iškratymo lovelis atidengtas ir neapsaugotas mulčiavimo kaiščiu bei žolės iškratymo lovelio dangčiu arba žolės dėže bei žolės iškratymo lovelio dangčiu;
 - aplinkinių asmenų plaštakos ir pėdos arti pjovimo įdėklo.
- Gaminio jokiu būdu negalima naudoti, jeigu jį/išj. jungiklio ant vairalazdės neįmanoma tinkamai paleisti ir tai stabdo gaminį.
- Jokiu būdu nemėginkite uždėti jį/išj. jungiklio kaiščio, kai jungiklis ĮJUNGTAS: tai labai pavojinga.
- Nenaudokite per didelės jėgos. Prietaisą naudodami pagal pagamintą tinkamą greitį, darbą atliksite geriau ir saugiau.
- Stumdami žoliapjovę per žvyrą ar asfaltą, prietaisą išjunkite, kad geležtės sustotų.
- Jei nėra būtino reikalo, netraukite prietaiso atgal. Jei būtina prietaisą statyti ne prie sienos ar išvengiant kliūčių, pirmiausia patikrinkite po prietaisu ir už jo, kad už jo neužkliūtumėte ir jo neužsiverstumėte ant kojų.
- Jeigu vejapjovę reikia pakreipti norint gabenti ne per žolę arba gabenant j / iš vejos, sustabdykite variklį ir palaukite, kol geležtė visiškai liausis suktis.
- Niekada nenaudokite šio įrankio, jei pažeisti jo apsauginiai gaubtai ar skydeliai, nenaudokite be apsauginių įtaisų, pvz. be krepituvų ir (ar) žolės surinkimo dėžės.
- Nepakreipkite žoliapjovės paleisdami variklį ar jam veikiant. Pakreipus, atidengiama geležtė ir padidėja galimybė svaidyti objektus.
- Variklį paleiskite atsargiai, vadovaudamiesi nurodymais, ir laikykite rankas bei kojas atokiai nuo pjovimo ploto. Visada laikykitės saugaus atstumo nuo išmetimo angos. Nejunkite variklio stovėdami prieš išmetimo lataką.
- Rankų ar kojų nelaikykite šalia besisukančių detalių ar po jomis. Visada laikykitės saugaus atstumo nuo išmetimo angos.
- Jokiu būdu negalima kelti gaminio ar jį nešti veikiant varikliui.
- Sustabdykite vejapjovės variklį ir išimkite atjungimo įtaisą; toliau nurodytais atvejais patikrinkite, ar visos judamosios dalys visiškai sustojusios:
 - paliekant gaminį be priežiūros (taip pat išmetant žolės nuopjovas)
 - prieš valydami užsikimšusį žolės iškratymo lovelį;
 - prieš tikrindami ar valydami prietaisą arba prieš pradėdami juo pjauti žolę;
 - prietaisui atsitrenkus į pašalinį objektą: apžiūrėkite, ar prietaisas neapgadintas ir, jei reikia, pasirūpinkite, kad prieš jį vėl paleidžiant ir naudojant būtų pataisytas;
 - prieš išimant žolės surinkimo krepšį ar atidarant žolės iškratymo nuleistuvo dangtį
 - Prietaisui pradėjus neįprastai vibruoti (kuo skubiau patikrinkite).
 - reikia patikrinti, ar nėra gedimų, ypač – ar nepažeistos geležtės.
 - pakeiskite ar suremontuokite visas pažeistas dalis
 - patikrinkite, ar nėra atsilaisvinsusių detalių ir jas priveržkite
- Venkite skylių, provėžų, iškilimų, akmenų ar kitų paslėptų objektų. Nelygioje teritorijoje galima paslysti ir išgriūti.
- Būtina patikrinti, ar vairalazdės laidas, prijungtas prie vejapjovės korpuso, nėra įsivėlęs, suspaustas ar kitaip pažeistas surenkant gaminį ar sulenkiant rankeną.

PERKROVOS IR PERKAITIMO APSAUGA

Šiame įrankyje yra apsauginis įtaisas nuo perkrovos, kuris įsijungia esant perkaitinimui ar srovės pertrūkiui bei automatiškai išjungia elektros tiekimą į įrankį. Jeigu perkrovos apsauga įjungta, reikia atlesiti įjungimo-išjungimo mygtuką. Norint iš naujo paleisti gaminį, reikia paspausti įjungimo-išjungimo mygtuką.

Baterijų pakete įmontuota apsauga nuo perkaitimo. Esant ekstremalioms temperatūroms akumuliatorius įrankio nebakrauna. Palieskite akumuliatorių, jei jis per karštas, palaukite kol jis atvės. Jei įrankis



vis tiek neveikia, akumuliatorių įkraukite.

PASTABA: LED įkroviklio lemputė nešviečia, jei akumuliatoriaus apsauginis įtaisas sustabdo energijos tiekimą į įrankį. Atleiskite įrankio perjungiklį arba išimkite akumuliatorių iš įrankio ir akumuliatoriaus LED indikatorius pradės veikti įprastai.

ŠALUTINIAI PAVOJAI

Net naudojant gaminį pagal nurodymus, neįmanoma visiškai atmesti visų pavojaus veiksnių. Gali kilti toliau nurodyti pavojai, todėl operatorius turi būti itin dėmesingas, kad išvengtų šių dalykų:

- Vibracijos sukeltas sužalojimas. Kiekvieną darbą atlikite jam skirtu įrankiu, naudokite atitinkamas rankenas ir ribokite darbo bei buvimo sveikatai žalingoje aplinkoje laiką.
- Ilgai būnant triukšme, galima pakenkti klausą. Dėvėkite akių apsaugą ir ribokite poveikio trukmę.
- Sąlytis su ašmenimis
- Sužeidimai nuo svaidomų objektų

GABENIMAS IR LAIKYMAS

- Sustabdykite variklį ir ištraukite izoliatoriaus raktą. Patikrinkite, ar visos judančio dalys visiškai nustojo sukstis. Prieš padėdami laikyti arba gabenti palaukite, kol įrenginys visiškai atvės.
- Nuo įrankio nuvalykite visas pašalines medžiagas. Laikykite vėsioje, sausoje, gerai vėdinamoje ir vaikams nepasiekiamoje vietoje. Nelaikykite jo arti nuo tokių koroziją sukeliančių reagentų kaip cheminės sodininkystės medžiagos arba druskos, naudojamos prieš apledėjimą. Nelaikykite lauke.
- Paruošiant gabenimui, gaminį reikia pritvirtinti, kad nejudėtų ir nenukristų, nes priešingu atveju jis gali sužaloti žmones arba sugesti pats.

⚠ ĮSPĖJIMAS

Būkite ypatingai atsargūs keldami ar pakreipdami prietaisą atlikti priežiūros, valymo darbus, padėti į sandėlį ar transportuoti. Geležtė aštri. Visas korpuso dalis laikykite atokiai nuo atidengtos geležtės.

PRIEŽIŪRA

⚠ ĮSPĖJIMAS

Keitimui naudokite tik originalias gamintojo atsargines dalis. Neoriginalios dalys gali būti sužeidimų ir įrenginio blogo veikimo priežastis, ir dėl to gali būti anuliuotas garantinis pažymėjimas.

⚠ ĮSPĖJIMAS

Aptarnavimą atlikti būtina itin atidžiai, todėl rekomenduojame, kad techninę apžiūrą vykdytų kvalifikuotas specialistas. Techninei apžiūrai atlikti patariame grąžinti prietaisą į artimiausią įgaliotą paslaugų teikimo tarnybą. Sugedusias detales keiskite tik įgaliotomis atsarginėmis detalėmis.

- Prieš atlikdami valymo ar priežiūros darbus, išimkite atjungimo įtaisą ir, jeigu įmanoma, bateriją.
- Prietaisą galite reguliuoti ir remontuoti, kaip aprašyta šiame naudotojo vadove. Dėl kitų remonto darbų kreipkitės į įgaliotą techninio aptarnavimo centrą.
- Pastoviai tikrinkite, ar žolės gaudytuvai nėra susidėvėjęs ar sugedęs.
- Po kiekvieno naudojimo, išvalykite įrenginį sausu švelnaus audinio gabalėliu. Bet kurią apgadintą detalę leidžiama remontuoti arba keisti tik autorizuoatame aptarnavimo centre.
- Dažnai tikrinkite visas varžles, varžtus ir sraigtus, ar jie tvirtai laikosi ir ar gaminyje yra saugios darbo būklės stovyje.
- Reguluodami prietaisą būkite atsargūs, kad pirštai nepatektų tarp judančių geležčių ir stabilių detalių.
- Atliekant geležčių techninę priežiūrą, atminti, kad net jei maitinimas į prietaisą yra nutrauktas, geležtės gali vis dar sukstis.
- Gaminio geležtė aštri. Montuojant, keičiant dalis, valant ar tikrinant varžtų įsukimo tvirtumą, reikia būti atsargiems ir mūvėti patvarias pirštines.
- Siekiant išlaikyti įrankio pusiausvyrą, nusidėvėjusias ar pažeistas geležtes ir varžtus pakeiskite.

RIZIKOS MAŽINIMAS

Turime pranešimų, kad vibracija nuo ranka laikomų įrankių kai kuriems asmenims gali turėti neigiamos įtakos vystantis Raynaud sindromui. Šios ligos požymiai yra pirštų dilgčiojimas, nutirpimas ir pabalimas, paprastai pasireiškiantis nuo šalčio. Šie simptomai vystosi dėl paveldimų veiksnių, nesisaugant nuo šalčio ir drėgmės, dėl mitybos, rūkymo ir darbo praktikos. Operatorius gali imtis šių priemonių, kurios gali sumažinti vibracijos poveikį:

- Apsirenkite kuo šilčiau šaltu oru. Naudojant gaminį, reikia mūvėti pirštines, kad plaštakos ir riešai neatšaltų.
- po darbo kiekvieną kartą pasportuokite, kad pagerėtų kraujo apytaka;
- dažnai darykite darbo pertraukas. Apribokite darbo laikotarpį per dieną.

Jei jums pasireiškia kokie nors šios būklės simptomai, nedelsdami nutraukite darbą ir kreipkitės į gydytoją.

⚠️ IŠPĖJIMAS

Ilgiau naudojant, įrankis kelia sužeidimų pavojų ir apsunkina darbą. Ilgiau naudojant įrankius, reikia reguliariai daryti pertraukas.

PAŽINKITE SAVO GRANDININĮ PJŪKLĄ

Žr. 163 psl.

Dalys

1. Įj. / išj. mygtukas „On-off“
2. Rankena
3. Variklio valdymo droselis
4. Laido fiksatorius
5. Akumulatoriaus dangtelis
6. Pilnos žolės dėžės indikatorius
7. Žolės surinkimo dėžė
8. Galinis ratukas
9. Aukščio lygio reguliatorius
10. Priekinis ratukas
11. Izoliatoriaus raktas
12. Mulčiavimo kištukas
13. Baterija
14. Įkroviklis
15. Užvedimo mygtukas

SIMBOLIAI ANT ĮRENGINIO



Prieš naudodami įrenginį, atidžiai perskaitykite instrukcijas, laikykitės įspėjimų ir saugos nurodymų.



Dėvėkite ausų apsaugos priemones



Dėvėkite apsauginius akinius



Žoliapjovės nenaudokite ant šlaitų, kurių nuožulnumo kampas yra didesnis nei 15°. Pjunkite skersai šlaitų, niekada nepjunkite aukštyn ir žemyn.



Nenaudoti lyjant ar esant drėgnoms sąlygoms.



Saugokitės aštrių geležčių. Išjungus variklį, geležtės dar kurį laiką juda – prieš atliekant priežiūros darbus, reikia ištraukti izoliatoriaus raktą



Saugokitės išmetamų arba skrendančių objektų. Visi pašaliniai asmenys, ypač vaikai ir naminiai gyvūnai, turi būti neturėti arčiau kaip 15m nuo darbo vietos.



Norėdami paleisti prietaisą, paspauskite paleidimo mygtuką „Start“ (paleisti), tada įj. / išj. mygtuką „On-off“ (A, B, C arba D). Norėdami prietaisu pjauti veją, atleiskite paleidimo mygtuką „Start“ ir laikykite nuspaudę įj. / išj. mygtuką „On-off“. Atleiskite įjungimo / išjungimo (On/Off) mygtuką, jei norite prietaisą išjungti.



Atidžiai perskaitykite instrukcijas prieš pradėdami naudoti mechanizmą.



Elektrinių produktų atliekos neturi būti metamos kartu su namų ūkio atliekomis. Prašome perdirbkite jas ten, kur yra tokios perdirbimo bazės. Dėl perdirbimo patarimo kreipkitės į savo vietinę savivaldybę ar pardavėją.



Šis prietaisas atitinka visas reglamentuotas normas ES šalies, kur jis buvo nupirktas.



„EurAsian“ atitikties ženklas



Ukrainos atitikties ženklas



Garantuojama garso galia yra 94 dB

Toliau pateikti signaliniai žodžiai skirti paaiškinti rizikos, susijusios su gaminiu, lygius:

⚠ PAVOJUS

Reiškia ypač pavojingą padėtį, kurios neišvengus bus patirti sunkūs ar net mirtini sužeidimai.

⚠ ĮSPĖJIMAS

Reiškia potencialiai pavojingą situaciją, kurios neišvengus galimi sunkūs ar net mirtini sužeidimai.

⚠ ATSARGIAI

Reiškia potencialiai pavojingą situaciją, kurios neišvengus galimi lengvi ar vidutinio sunkumo sužeidimai.

ATSARGIAI

(Be įspėjamųjų simbolių) Reiškia nuosavybės žalos tikimybę.

SIMBOLIAI VADOVE



Detalės arba priedai yra parduodami atskirai



Elektrinių produktų atliekos neturi būti metamos kartu su namų ūkio atliekomis. Prašome perdirbkite jas ten, kur yra tokios perdirbimo bazės.



Rankas laikykite toliau nuo geležčių.



Pastaba



Įspėjimas!



Sustabdykite prietaisą.

PJOVIMO PATARIMAI

Baterijos veikimo trukmė priklauso nuo žolės būklės, ilgio ir tankumo.

Nustatykite veją plovėms pjovimo aukštį pagal pjaunamos vejos būklę.

Žolės būklė	Siūlomas aukščio nustatymas		Aprėptis (maksimali)	
	Pirmas perėjimas	Paskesni perėjimai	4 Ah akumulatorius	5 Ah akumulatorius
Labai reta / sausa	3	2	200 m ²	250 m ²
Reta / sausa	4	3 → 2	150 m ²	200 m ²
Vidutinė / tanki	5	4 → 3	100 m ²	150 m ²

- Veiksmingiausia nupjauti trečdalį ar mažiau viso žolės aukščio.
- Pjaudami aukštą žolę sumažinkite ėjimo greitį. Taip pjovimas bus efektyvesnis ir geriau išsivalys nuo pjovos.
- Nepjaukite šlapios žolės: ji prilips prie žolės surinkimo krepšio apačios ir bus neįmanoma tinkamai surinkti arba iškratyti jos nuo pjovos.
- Pjaunant naują ar tankią žolę pjovimo aukštį gali reikėti nustatyti didesnį.
- Kuo didesnis pjovimo aukštis pasirenkamas, tuo ilgiau veikia baterija.
- Norint surinkti žolės nuo pjovos išmetimui, reikia ištraukti mulčiavimo kaištį ir įdėti žolės dėžę bei patikrinti, ar viršutinis atlankas tinkamai uždarytas. Žolės dėžę reikia reguliariai ištuštinti, nes priešingu atveju žolės iškratymo lovelį užkims žolės nuo pjovos.
- Pjaunant tik nedideles žolės viršūnėles ir pageidaujant palikti nuo pjovos ant vejos, reikia įdėti mulčiavimo kaištį ir uždaryti viršutinį atlanką, kad jis uždengtų žolės nuo pjovos iškratymo angą. Šiuo atveju žolės dėžės dėti nebūtina.
- Veją plovė yra tokios konstrukcijos, kad efektyviausiai veiktų ir pjautų stumiant į priekį.

Akutoitega muruniiduk konstrueerimisel on peaesmärgiks olnud toote ohutus, tootlikkus ja töökindlus.

OTSTARBEKOHANE KASUTAMINE

See toode on ette nähtud kasutamiseks vaid väljaspool ruume.

Muruniiduk on ette nähtud muru niitmiseks vaid koduaias. Lõiketera peab pöörlema niidetava muru pinnaga ligikaudu paralleelselt. Liikumise ajal peavad kõik neli ratast olema maapinnal. See on tagantpoolt jalgsijuhitav muruniiduk, mis on ette nähtud käsitsi edasilükkamiseks.

Muruniidukit ei tohi kunagi nii kasutada, et rattad on maapinna kohal, seda ei tohi lükata ega sellele ei tohi peale astuda. Seda ei tohi kasutada muudeks lõikamistöodeks kui muru niitmiseks.

OHUTUSE ÜLDEESKIRJAD

⚠ HOIATUS

Akutööriistade kasutamisel tuleb järgida üldisi ohutusnõudeid, et vähendada tulekahjust ja lekkivatest akudest tingitud ohtu ning vältida kehavigastusi. Teie ja kõrvalseisjatele ohutuse tagamiseks lugege käesolevad juhised enne seadme kasutamist läbi. Hoidke juhend edaspidiseks kasutamiseks alles.

⚠ HOIATUS

Seadme tööks on vaja vaid akupaketti. Akutööriistade kasutamisel tuleb järgida üldisi ohutusnõudeid, et vähendada tulekahjust ja lekkivatest akudest tingitud ohtu ning vältida kehavigastusi.

ISIKUKAITSE

- Muruniiduk on võimeline maha lõikama käe, jala ja esemeid eemale paiskama. Kõikide ohutusjuhiste mittetäitmine võib põhjustada tõsiseid vigastusi või surma.
- Lugege kõik juhised ja ohutusjuhised läbi ja mõtestage need lahti. Õppige tundma kõiki seadme juhtseadiseid ja kasutusnõudeid.
- Ärge lubage lapsi ega piiratud füüsiliste, sensoorsete ja vaimsete võimetega inimesi ning nende juhistega mittetutvunud inimesi seadet kasutada, puhastada ja hooldada.

Kohalikud regulatsioonid võivad seada kasutaja vanusele piiranguid. Laste järele tuleb piisavalt valvata, et nad seadmega ei mängiks.

- Muruniidukit kasutades püsige valvel, jälgige, mida te teete, ning kasutage kainet mõistust. Ärge kasutage muruniidukit, kui olete väsinud või mõnuainete, alkoholi või ravimite mõju all. Hetkeline tähelepanu hajumine muruniiduki kasutamise ajal võib põhjustada raske kehavigastuse.
- Kandke tugevast riidest pikki pükse, käistega särki, libisemisvastaseid jalatseid ja kindaid. Ärge kandke lõtvu riideid, lühikesi pükse või sandaale ega olge töötamisel paljajalu. Vältige selliste riiete kandmist, mis on lõdvad või millel on paelad või sidemed.
- Kandke alati küljekaitsmetega kaitseprille.
- Tagage endale kindel jalgealune. Hoidke kindlat jalgade asendit ja tasakaalu. Töötamisel kõndige, ärge kunagi jookske.
- Kallakul töötamisel tagage endale kindel jalgealune.
- Töötamisel suunduge piki kallakut, mitte aga üles või alla. Olge ülimalt ettevaatlik, kui muudate kallakul olles suunda.
- Ärge püüdke niita järsakute ja kraavide serval või suurel kaldel ja teetammidel. Halb jalgade asend võib põhjustada libisemist ja kukkumist.

TÖÖKOHT

- Ärge mingil juhul kasutage kohas, kus inimesed, eriti lapsed või koduloomad on kuni 15 meetri kaugusel, sest lõiketeralt õhkupaisatud objektid on ohtlikud.
- Muruniiduki tera poolt loodud objektid võivad põhjustada isikutele mitmeid vigastusi. Kontrollige muruniiduki kasutamise ala hoolikalt üle ja eemaldage kõik kivid, vaiad, metallesemed, traat, kondid, mänguasjad ning muud esemed. Pidage meeles, et nõõrid ja traadid võivad takerduda lõiketeradesse.
- Kasutage muruniidukit ainult päevavalguses või hästi valgustatud kohas.
- Ärge kasutage muruniidukit plahvatusohtlikes keskkondades, näiteks kergestisüttivate vedelike ja gaaside läheduses ega tolmuses kohas. Elektriööriistad tekitavad sädemeid, mis

võivad tolmu või aurud süüdata.

- Ärge kasutage muruniidukit niiskes või märjas kohas ega vihmäs.
- Ärge kasutage muruniidukit kui on äikese oht.
- Pidage meeles, et operaator või kasutaja on vastutav õnnetuste või ohuolukordade eest, mis võivad puudutada teisi inimesi või nende vara.
- Traagilised õnnetused võivad juhtuda, kui kasutaja ei märka laste kohalolekut. Lastele meeldib väga tihti masin ja niitmine. Ärge eeldage kunagi, et lapsed püsivad seal, kus te neid viimati nägite.
- Hoidke lapsed niitmispirkonnast eemal ning ning mõne muu täiskasvanu, mitte kasutaja, valvsa pilgu all. Kui laps tuleb tööpiirkonda, olge tähelepanelik ja lülitage seade välja.
- Olge eriti hoolas, kui lähenete pimedatele nurkadele, pöösastele, puudele või muudele objektidele, mis võivad varjata teid lapsi nägemast.

AKUTÖÖRIISTA KASUTAMINE JA KOR-RASHOID

- Lugege aku ja akulaadija komplektis olevad ohutusjuhised läbi ja tehke need endale selgeks. Selle nõude eiramine võib põhjustada elektrilööki, tulekahju ja muid ohtlikke olukordi. Hoidke kõiki juhiseid ühes kindlas kohas, et saaksite neid tulevikus lugeda.
- Akutoittega seadmeid ei pea pingestamiseks vooluvõrgu pistikupessa ühendama – need on pinges all kogu aeg. Kui seadet ei kasutata, eemaldage sellelt lahkliitli võti.
- Enne reguleerimist, hooldamist või lõigatavast materjalist puhastamist võtke akupakett välja.
- Enne akupaketi sissepanekut võtke lülitusvõti välja.
- Akupaketti tohib laadida ainult tootja poolt ettenähtud laadijaga. Akupaketiga mittesobiva laadija kasutamine võib põhjustada tuleohtu. Kasutage akupaketi laadimiseks ainult juhendis mainitud laadijat.
- Kasutage ainult seda akupaketti, mis on sellele seadmele ette nähtud. Muude akupakettide kasutamise korral võib tekkida tulekahju, elektrilöögi või kehavigastuse

oht.

- Sel ajal kui akupakett ei ole kasutusel, hoidke seda eemal metallesemetest nagu kirjaklambrid, mündid, võtmed, naelad, kruvid ja muudest väikestest metallobjektidest, mis võivad akuklemmid lühistada. Akupaketi klemmide lühistamine võib põhjustada sädemeid, põletust, tulekahju või plahvatust.
- Ärge jätke akusid või toiteelemente lahtise tule lähedusse või kuumale kohtale. Selle juhise järgimine vähendab plahvatuse ja võimaliku kehavigastuse ohtu.
- Ärge akupaketti avage ega osadeks lahutage. Vabanev elektrilüüti on korrodeeriv ja võib põhjustada silma- ja nahavigastusi. Allaneelamisel on see mürgine.
- Kaitske akut niiskuse ja vee vastu. Ärge laadige akut niiskes või märjas kohas. Selle juhise järgimine vähendab elektrilöögi.
- Aku vigastamise või ebaõige kasutamise korral võib eralduda gaase. Kaebuste korral minge värske õhu kätte ja kutsuge arstiabi. Gaasid võivad ärritada hingamissüsteemi.
- Ärge jätke akupaketti kuumale või külma ilmaga sõidukile või õue.
- Ärge püüdke akut põletamise teel hävitada.
- Aku vale kasutamise korral võib akuvedelik välja voolata - vältige sellega kokkupuudet. Akuvedeliku nahale sattumisel peske see veega maha. Akuvedeliku silma sattumisel pöörduge arsti poole. Väljapritsvitud akuvedelik võib tekitada nahaärritust või -põletust.

MURUNIIDUKI OHUTUSEESKIRJAD

- Enne kasutamist kontrollige välise vaatluse teel, et lõiketerad, lõiketerade poldid ega kinnitid pole kulunud või vigastatud.
- Ärakulunud ja vigastatud lõiketerad ning poldid tuleb asendada komplektis, et säilitada tasakaalustatus.
- Masina lõiketera on väga terav, olge selle paigaldamise, asendamise ja kinnituspoldi kinnituse kontrollimise ajal väga ettevaatlik ning kandke tugevdatud kaitsekindaid.
- Pöörduge vigastatud ja loetamatute kleebiste asendamiseks volitatud hoolduskeskuse poole.
- Kontrollige kõiki mutreid, polte ja kruvisid



sagedaste intervallidega õige pinguleoleku suhtes, et veenduda seadme ohutus töökorras olemises.

- Kontrollige rohpüüdurit kulumise, aukude ja vigastuste suhtes regulaarselt.
- Asendage kulunud või vigastatud osad, enne kui hakkate seadet kasutama.
- Kasutaja peab muruniiduki käivitamise ajal olema juhtraua taga ohutus kohas. Ärge mingil juhul käivitage muruniidukit, kui:
 - kõik neli ratast ei toetu maapinnale,
 - rohu väljaheiterenn on avatud, ilma et sellel pole multšimisplaati ja rohu väljaheiterenni katet või rohukotti ja rohu väljaheiterenni katet,
 - käed ja jalad ei ole lõikeketta kattest piisaval kaugusel.
- Ärge seadet kasutage kui juhtraual olev sisse/välja lülitamise lüliti ei käivita või seisake seadet nõuetekohaselt.
- Ärge püüdke mingil juhul lukustada sisse/välja lülitamise lüliteid asendisse SEES - see on ülimalt ohtlik.
- Ärge kasutage töötamisel liigset jõudu. Õigesti valitud tööriist töötab paremini ja ohutumalt selles võimsuspiirkonnas, milleks on see ette nähtud.
- Kruusastel pindadel liikumisel seisake lõiketera.
- Ärge tõmmake seadet tahasuunas kui see pole tingimata vajalik. Kui peate muruniiduki seinast või takistusest eemale tagurdama, siis vaadake esmalt alla ja taha, et vältida überminekut või tõmbamist üle jala.
- Muudel pindadel kui murul liikumisel tuleb muruniidukit kallutada ning muruniiduki teisaldamisel murule või sealt eemaldamisel, seisake mootor ja laske lõiketeral peatuda.
- Ärge kasutage seadet, mille kaitsed või katted on vigastatud või kui see on ilma kaitseseadisteta, näiteks ilma suunajate ja/või rohukogurita.
- Ärge muruniidukit käivitamise ja mootori töötamise ajal kallutage. See paljastab lõiketera ja suurendab ohtu, et esemed võivad välja paiskuda.
- Lülitage mootor ettevaatlikult sisse vastavalt juhiste ja hoidke käed ning jalad niitmiskohast eemal. Hoidke alati puisteavast eemal. Ärge käivitage

mootorit, kui seisate puisteava ees.

- Ärge pange oma käsi või jalgu pöörlevate osade alla või lähedusse. Hoidke alati puisteavast eemale.
- Ärge mingil juhul mootori töötamise ajal kultivaatorit üles tõstke ega kandke.
- Seisake muruniiduki mootor ja eemaldage lülitusvõti, veenduge et kõik liikuvad osad on täielikult seiskunud, järgmistel juhtudel:
 - kui jätate seadme järelevalveta (kui kõrvaldate lõikmeid)
 - enne ummistumise kõrvaldamist või väljalaskeava puhastamist,
 - enne kontrollimist, puhastamist või teenindamist,
 - pärast võõrkehade vastu sattumist, enne uuesti käivitamist vaadake see vigastuste suhtes üle ja tehke vajadusel remont,
 - enne rohukoguri või rohu väljaheiterenni katte eemaldamist
 - kui muruniiduk hakkab ebanormaalselt vibreerima (kontrollige viivitamatult).
 - vaatate muruniidukit üle, eriti lõiketerade vigastuste suhtes.
 - asendage või parandage kõik vigastatud osad
 - kontrollige ja pingutage lõtvunud osad
- Vältige auke, vagusid, konarusi, kive ja muid varjatud objekte. Ebatasane pinnas võib põhjustada libisemist ja kukkumist.
- Tagage, et kokkupaneku või käepideme kokkuvoltimisel ei saa juhtrauast muruniidukini suunatud juhe kinni jääda, muljuda või muul viisil vigastada.

ÜLEKOORMUSE JA ÜLEKUUMENEMISKAITSE

Seadmel on ülekoormuse kaitse, mis aktiveeritakse ülekuumenemisel või voolutõuke ilmnmisel lülitab seadme automaatselt välja. Kui ülekoormuskaitse rakendub, siis tuleb nupp "Sees/Väljas" vabastada. Seadme taaskäivitamiseks tuleb vajutada nupule "Sees/Väljas".

Akupaketil on ülekuumenemise kaitse. Ligne temperatuur põhjustab tööriista toite katkemise. Katsuge akupaketti ja kui see on liiga kuum, siis laske see maha jahtuda. Kui tööriist siiski tööle ei hakka, laadige aku



uuesti.

MÄRKUS. Akupaketi LED-märgutuli ei tööta, kui aku kaitsefunktsioon on põhjustanud akupaketi toite katkemise. Vabastage tööriista päästik või võtke akupakett tööriistast välja, misjärel hakkab LED-märgutuli tavalisel viisil tööle.

JÄÄKRISKID

Isegi siis, kui kultivaatorit kasutatakse kirjeldatud viisil, ei ole võimalik kõrvaldada kõiki jääkriskide mõjureid. Töötamise ajal võivad tekkida järgmised ohud, millele operaator peab pöörama erilist tähelepanu.

- Vibratsioonist põhjustatud kehavigastus. Kasutage töötamiseks õiget seadet, kasutage ettenähtud käepidemeid, piirake tööaega ja kokkupuudet vibratsiooniga.
- Tugev müra võib põhjustada kuulmiskahjustuse. Kandke kuulmiskaitsevahendeid ja piirake müraga kokkupuudet.
- Kokkupuude löiketeradega
- Väljapaiskuvatest esemetest tingitud kehavigastus

TRANSPORTIMINE JA HOIUSTAMINE

- Stop the product, remove the isolator key and the battery. Veenduge, et kõik masina liikuvad osad on täielikult seiskunud. Laske seadmel enne hoiule panekut või transportimist maha jahtuda.
- Puhastage seade kõikidest võõrkehadest. Hoidke kuivas ja hästi ventileeritud kohas, mis on lastele juurdepääsmatu. Hoidke kettsaagi eemal söövitavatest ainetest nagu aiakemikaalid ja jäätõrjevahendid. Ärge hoiustage õues.
- Vedamise ajal tõkestage trimmer liikuma hakkamise ja alla kukkumise vastu, et vältida kehavigastusi ja osade kahjustamist.

⚠ HOIATUS

Olge masina tõstmisel ja kallutamisel hooldamise, puhastamise, hoiustamise või transportimise ajal ülimalt ettevaatlik. Lõiketera on väga terav. Kui lõiketera on kaitsmata, siis hoidke kõik oma kehaosad sellest eemale.

HOOLDUS

⚠ HOIATUS

Kasutage ainult tootja originaalvaruosi, tarvikuid ja tööorganeid. Selle nõude eiramine võib põhjustada, kehavigastuse, tootluse languse ja teile antud garantii tühistamise.

⚠ HOIATUS

Hooldamine nõuab ülimalt korrashoidu ja teadmisi ning tuleks teostada ainult kvalifitseeritud hooldustehnikute poolt. Hoolduseks soovitame me viia toote remontimiseks lähimasse või lit atud teenind uskesk usesse . Kasutage teenindamisel ainult täpselt sobivaid varuosi.

- Eemaldage blokeerimiseseade ja kui võimalik siis ka aku, enne kui hakkate tegema mõnda puhastus- või hooldustoimingut.
- Lubatud on teha ainult selles kasutusjuhendis kirjeldatud reguleerimis- ja parandustoiminguid. Muude remonditööde tegemiseks võtke ühendust volitatud hooldajaga.
- Kontrollige murukogujat sageli kulumise ja halvenemise suhtes.
- Pühkige trimmer pärast iga kasutuskorda pehme kuiva lapiga puhtaks. Vigastatud osad tuleb lasta pideval hooldajal parandada või asendada.
- Kontrollige kõiki mutreid, polte ja kruvisid sagedaste intervallidega õige pinguloleku suhtes, et veenduda toote ohutus töökorras olemises.
- Olge seadme reguleerimisel ettevaatlik, et vältida sõrmede jäämist liikuvate lõiketerade ja seadme liikumatute osade vahele.
- Lõiketerade hooldamisel olge ettevaatlik, sest kuigi toide on välja lülitatud, võivad lõiketerad siiski liikuda.
- Seadme lõiketera on terav. Olge nende paigaldamise, asendamise ja kinnituspoldi kinnituse kontrollimise ajal väga ettevaatlik ning kandke tugevdatud kaitsekindaid.
- Ärakulunud ja vigastatud lõiketerad ning poldid tuleb asendada komplektis, et säilitada tasakaalustatus.

RISKI ALANDAMINE

Teadaolevalt võib käsitööriistade kasutamine põhjustada mõnedel inimestel seisundit, mida nimetatakse Raynaud' sündroomiks. Sümptomidena võib ilmuda sõrmede tuimus ja valkjaks muutumine, mis tavaliselt ilmneb külmas töötamisel. Nende sümptomite puhul tuleb hoiduda külmast ja niiskusest, dieedist ning suitsetamisest ja kasutada õigeid töövõtteid. Vibratsiooni mõju vähendamiseks tuleb rakendada järgmisi abinõusid.

- Külma ilmaga hoidke oma keha soe. Kandke kindaid, et hoida oma käed ja randmed soojad.
- Pärast külmas töötamist tehke harjutusi, et verevarustust kiirendada.
- Tehke regulaarselt töovaheaegasid. Piirake tööperioodi pikkust.

Kui ilmnevad haigustunnused, lõpetage kohe töö ja pöörduge arsti poole.

⚠ HOIATUS

Seadme pikaajalisel kasutamisel võite saada kehavigastusi ja varasemad vigastused võivad süveneda. Seadme kasutamisel pika aja jooksul tuleb teha korralisi vaheaegasid.

ÕPPIGE OMA TOODET TUNDMA

Vt leht 163.

Seadme osad

1. Sisse ja välja lülitamise nupp
2. Käepide
3. Mootori juhtimiskaabel
4. Juhtmekinniti
5. Akupesa kaas
6. Rohukasti täitmise märgutuli
7. Rohukast
8. Tagaratas
9. Kõrguse reguleerimishoob
10. Esiratas
11. Lülitusvõti
12. Multsimissulgur
13. Aku
14. Laadija
15. Käivitusnupp

MASINAL OLEVAD SÜMBOLID



Enne seadmega töö alustamist lugege kõik juhised hoolikalt läbi ja pidage kinni hoiatustest ja ohutusega seotud juhistest.



Kandke kuulmiskaitsevahendeid



Kandke silmakaitsevahendeid



Ärge töötage kallakul, mille kalle on üle 15°. Niitke kallakutel olevat muru risti, mitte kunagi ülesalla suunaliselt.



Ärge jätke vihma kätte või kasutage niiskes kohas.



Olge teravate lõiketeradega ettevaatlik. Lõiketera jätkab pöörlemist pärast mootori väljalülitamist - võtke lahküliti või enne hooldamist välja.



Hoiduge ülespaisatud ja lendavate esemete eest. Hoidke kõik kõrvalseisjad, eriti lapsed ja lemmikloomad tööalalt vähemalt 15 meetri kaugusele.



Seadme käivitamiseks vajutage käivitusnupule Start ja seejärel sisse-välja lülitamise nupule On-off (A, B, C, või D). Seadmega töötamise ajaks vabastage käivitusnupp Start ja hoidke all sisse-välja lülitamise nuppu. Seadme seiskamiseks vabastage sisse-välja lülitamise nupp.



Enne seadme kasutamist lugege palun kasutusjuhend hooliga läbi.



Mittekasutatavaid elektritooteid ei tohi visata olmejäätmete hulka. Vaid tuleb viia vastavasse kogumispunkti. Vajadusel küsige sellekohast nõu oma edasimüüjalt või vastavalt kohaliku omavalitsuse institutsioonilt.



Vastab kõigile eeskirjadele EL-i liikmesriigis, kus toode on ostenud.



Euraasia vastavusmärk



Ukraina vastavusmargis



Garanteeritud helivõimsuse tase on 94 dB

Järgnevad märksõnad ja selgitused on mõeldud selle toote kasutamiseiga seotud riskitasemete kirjeldamiseks.

OHT.

Viitab kohe tekkivale ohtlikule situatsioonile, mis, kui ei väldita, lõpeb surma või tõsise vigastusega.

HOIATUS

Viitab võimalikule ohtlikule situatsioonile, mis, kui ei väldita, võib lõppeda surma või tõsise vigastusega.

ETTEVAATUST

Viitab võimalikule ohtlikule situatsioonile, mis, kui ei väldita, võib lõppeda väiksemate või keskmiste vigastusega.

ETTEVAATUST

(Ilma hoiatussümbolita) Osutab olukorrale, mis võib põhjustada varakahju.

KASUTUSJUHENDI SÜMBOLID



Eraldi ostetavad osad või tarvikud



Mittekasutatavaid elektrotooteid ei tohi visata olmejäätmete hulka. Vaid tuleb viia vastavasse kogumispunkti.



Hoidke käed lõiketeradest eemal.



Märkus



Hoiatus



Seisake muruniiduk.

NÕUANDED NIITMISEKS

Aku tööiga sõltub töötingimustest, töö kestusest ja rohu tihedusest.

Reguleerige muruniiduki lõikekõrgust välja sellisele kõrgusele, mis sobib pügatavale murule.

Muru seisund	Soovitav reguleerikõrgus		Pindala (maksimum)	
	Esimene läbim	Järgnevad läbimid	Aku 4 Ah	Aku 5 Ah
Väga hõre / Kuiv	3	2	200 m ²	250 m ²
Hõre / Kuiv	4	3 → 2	150 m ²	200 m ²
Keskmine	5	4 → 3	100 m ²	150 m ²

- Tihedat muru kärpige parima jõudluse saavutamiseks alati esmalt ühe kolmandiku kõrguselt või vähem.
- Kui niidate pikka muru, vähendage jalutuskiirust, et niide oleks efektiivsem ja peenmassi puistamine ühtlasem.
- Ärge lõigake märga rohtu - see kleepub põhjale ja takistab rohulõikmete nõuetekohast kogumist või väljapaiskumist.
- Uus või tihe rohi võib nõuda kõrgemat lõikekõrgust.
- Kõrgemalt lõikamisel pikeneb aku tühjenemise aeg.
- Kui soovite rohu utiliseerimiseks kokku koguda, eemaldage multšimiskork ja pange kohale rohukott, veenduge sealjuures et ülaklapp on nõuetekohaselt suletud. Tühjendage rohukotti regulaarselt, vastasel juhul ummistub väljaheiterenn rohu jäätmetega.
- Kui soovite muru kõrgelt lõigata ja soovite jätta jäätmed murule, paigaldage multšimiskork ja seadke ülemine klapp väljaheiteava ette. Sellisel juhul pole rohukotti vaja paigaldada.
- Muruniiduk on ette nähtud töötamiseks edasisuunas liikumisega ja töötab siis kõige efektiivsemalt.

U razvoju ovog belaidé vejapjové dati su maksimalni prioriteti sigurnosti, performansama i pouzdanosti.

NAMJENA

Uređaj je namijenjen samo za korištenje na otvorenom.

Ovaj uređaj namijenjen je za rezanje travnjaka u domaćinstvu. Oštrica za rezanje treba se rotirati približno paralelno na tlo iznad kojeg se vozi. Sva četiri kotača dodiruju zemlju prilikom pomicanja. To je kontrolirano pješačenje iz kosilice dizajnirano za gurenje rukom.

Kosilica nikad ne smije raditi s kotačima podignutim od tla, na smije se povlačiti ili sjediti na njoj. Ne bi se smjelo koristiti za rezanje ničega osim travnjaka u domaćinstvu.

OPĆA SIGURNOSNA PRAVILA

▲ UPOZORENJE

Prilikom korištenja AKU uređaja, uvijek se valja pridržavati osnovnih mjera opreza kako biste smanjili opasnost od požara, curenja baterija i osobnih ozljeda. Radi vaše i sigurnosti ostalih promatrača, molimo vas da prije rada s proizvodom pročitate ove upute. Molimo vas da čuvate ove upute radi kasnijeg korištenja.

▲ UPOZORENJE

Uređaj treba raditi samo s baterijom. Prilikom korištenja AKU uređaja, uvijek se valja pridržavati osnovnih mjera opreza kako biste smanjili opasnost od požara, curenja baterija i osobnih ozljeda.

OSOBNA SIGURNOST

- Kosilica može odrezati ruke i stopala i odbaciti predmete. Propust da se pridržavate svih uputa o sigurnosti može imati za posljedicu ozbiljne osobne povrede ili smrt.
- Pročitajte i razumite upute i sigurnosna upozorenja. Upoznajte se s upravljačkim elementima i pravilnim korištenjem proizvoda.
- Nikada ne dopustite djeci ili osobama sa smanjenim fizičkim, osjetilnim ili mentalnim mogućnostima ili osobama koje nisu upoznate s ovim uputama da rade, čiste

ili oražavaju ovaj proizvod. Moguće je da lokalni propisi propisuju starosnu dob rukovatelja. Djecu je potrebno odgovarajuće nadzirati kako bi se osiguralo da se ne igraju s proizvodom.

- Budite na oprezu, pazite što radite i uključite opći osjećaj kada radite kosilicom. Ne rukujte kosilicom kada ste pod utjecajem droga, alkohola ili lijekova. Gubitak koncentracije tijekom rada uređaja može dovesti do ozbiljnih osobnih ozljeda.
- Nosite hlače s dugim nogavicama, košulje dugih rukava, obuću otpornu na klizanje i rukavice. Nemojte nositi široku odjeću, kratke hlače, sandale ili hodati bosonogi. Izbjegavajte nositi odjeću koja je labava ili s nje visi konop ili kravata.
- Uvijek nosite zaštitne naočale sa bočnim štitnicima.
- Uvijek imajte čvrsto uporište. Zauzmite čvrst stav i ravnotežu. Hodajte, nemojte trčati.
- Uvijek se čvrsto uprite na kosinama.
- Koristite proizvod uzduž kosine nikada gore i dolje. Posebnu pozornost obratite kada mijenjate smjer na kosini.
- Nemojte koristiti proizvod pored kosina, jaraka, previše stepenastih kosina ili nasipa. Loša obuća može izazvati klizanje ili pad.

RADNA OKOLINA

- Nikada ne koristite proizvod dok su ljudi, posebice djeca ili kućni ljubimci unutar 15 m jer postoji opasnost da predmeti budu odbačeni u kontaktu s oštricom.
- Predmeti koje udari kosilica mogu osobama nanijeti ozbiljne povrede. Temeljito provjerite područje gdje će se uređaj koristiti i uklonite svo kamenje, štapove, metal, žicu, kosti, igračke ili druge strane predmete. Imajte na umu, flaks ili žica mogu se zaglaviti u reznom mehanizmu.
- Radite samo po danjem svijetlu ili pri dobroj umjetnoj rasvjeti.
- Nemojte rukovati uređajem u eksplozivnim atmosferama u kojima su prisutne zapaljive tekućine, plinovi ili prašina. Uređaj stvara iskre koje mogu zapaliti prašinu ili pare.
- Nemojte raditi s uređajem u mokroj travi ili na kiši.
- Nemojte koristiti kosilicu kada postoji

opasnost od munja.

- Imajte na umu da je rukovatelj ili korisnik odgovoran za nezgode ili opasnosti koje nastanu drugim osobama ili njihovoj imovini.
- Tragične nezgode se mogu dogoditi ukoliko rukovatelj nije svjestan prisutnosti djece. Djecu čestu privuče stroj i posao košenja. Nikada ne pretpostavite da će djeca ostati tamo gdje ste ih posljednji put vidjeli.
- Neka djeca budu izvan prostora koji se kosi i neka budu pod budnim okom odrasle osobe koja ne rukuje kosilicom. Pazite i isključite proizvod ako dijete uđe u područje.
- Posvetite posebnu pozornost kada se približavate mrtvomu kutu, grmlju, drveću i drugim objektima koji vam zaklanjaju vidik prema djecu.

KORIŠTENJE I BRIGA O AKU ALATU

- Pročitajte, razumite i uvijek slijedite sigurnosne upute koje dolaze s baterijom i punjačem. Nepoštivanje ovog upozorenja može rezultirati električnim udarom, požarom ili drugim opasnim situacijama. Držite sve upute zajedno na sigurnom mjestu za buduće korištenje.
- AKU uređaje nije potrebno priključivati u električne utičnice, stoga su uvijek u radnom stanju. Uklonite sigurnosni ključ kad got ne radite s proizvodom.
- Uklonite bateriju prije izvođenja svih podešavanja, čišćenja ili uklanjanja materijala iz uređaja.
- Osigurajte da je prije umetanja baterije ključ za kontakt uklonjen.
- Baterija se mora puniti samo s punjačem specificiranim od proizvođača. Korištenje punjača s nekompatibilnom baterijom može izazvati opasnost od požara. Koristite baterije samo s navedenim punjačem.
- Koristite samo baterije posebno namijenjene za uređaj. Korištenje bilo kojih drugih baterija može dovesti do opasnosti od požara, strujnog udara ili ozljeda osoba.
- Kada se baterija ne koristi držite je dalje od drugih metalnih predmeta kao što su spajalice za papir, kovanice, ključevi, čavli, vijci ili drugi mali metalni predmeti koji mogu spojiti jedan pol na drugi. Kratki spoj polova baterije može izazvati iskre, opekotine, požar ili eksploziju.

- Ne postavljajte uređaje na baterije ili njihove baterije pored plamena ili topline. Ovo će povećati opasnost od eksplozije i moguće ozljede.
- Nemojte otvarati ili oštećivati bateriju. Oslobođeni elektroliti su korozivni i mogu dovesti do oštećenja očiju ili kože. Ako se proguta može biti otrovno.
- Zaštitite bateriju od vlage i vode. Ne puniti uređaj u vlažnim ili mokrim mjestima. Tako ćete smanjiti opasnost od požara, strujnog udara ili tjelesnih ozljeda.
- U slučaju oštećenja ili nepravilnog korištenja baterije, može doći do ispuštanja pare. Izdižite na svjež zrak i potražite liječničku pomoć u slučaju poteškoća. Pare mogu nadražiti respiratorni sustav.
- Nemojte ostavljati bateriju u vozilu ili spremiti na otvorenom tijekom toplih ili hladnih vremenskih uvjeta.
- Nemojte spaljivati bateriju.
- Pod uvjetima loma može doći do izbacivanja tekućine iz baterije, izbjegavajte kontakt. Ako dođe do nehotičnog kontakta, isperite to mjesto s vodom. Ako tekućina dospije u oči, dodatno potražite liječničku pomoć. Tekućina koja istječe iz baterije može dovesti do iritacije ili opekotina.

SIGURNOSNA UPOZORENJA ZA KOSILICU

- Prije korištenja, uvijek vizualno provjerite uređaj kako biste osigurali da oštrice, svornjaci oštrica i sklop rezača nisu istrošeni ili oštećeni.
- Kako biste održali ravnotežu zamijenite istrošene ili oštećene oštrice i svornjake u sklopovima.
- Oštrica na proizvodu je vrlo oštra, budite osobito pažljivi prilikom korištenja i nosite zaštitne rukavice kada postavljate, zamijenjujete, čistite ili provjeravate sigurnost vijaka.
- Za zamjenu oštećenih ili nečitljivih naljepnica vratite proizvod u ovlaštenu servisnu centar.
- Često provjeravajte sve matice i zavrtnje da li su dobro pritegnuti kako biste bili sigurni da je kosilica u sigurnom radnom stanju.
- Povremeno provjeravajte kutiju za travu na istrošenost, otvore ili propadanje.



- Zamijenite istrošene ili oštećene dijelove prije rada s proizvodom.
- Proizvod se mora pokrenuti tako da korisnik stoji iza ručke u sigurnoj zoni za operatera. Nikada ne pokrećite proizvod ako:
 - sva četiri kotača nisu na zemlji
 - Traka za pražnjenje trave je izložena bez zaštite usitnivaču i poklopcu trake za pražnjenje trave ili kutiji za travu i poklopcu trake za pražnjenje trave.
 - Ruke i stopala svih osoba nisu zaštićene kućištem za rezanje.
- Nikada ne radite s proizvodom ako sklopka za uklj./isklj. na ručki pravilno ne pokreće i zaustavlja proizvod.
- Nikada ne pokušavajte zaključati sklopku za uključivanje/isključivanje u položaju UKLJUČENO; ovo je izuzetno opasno.
- Nemojte proizvod koristiti iznad njegovih mogućnosti. Uređaj će bolje i sigurnije raditi na brzini za koju je konstruiran.
- Zaustavite oštricu kad prelazite preko šljunčanih površina.
- Nemojte proizvod povlačiti unatrag osima ko nije nužno potrebno. Ako se morate s uređajem maknuti unazad od zida ili prepreke, najprije pogledajte dolje i iza kako biste izbjegli saplitanje ili povlačenja uređaja preko stopala.
- Zaustavite motor i omogućite oštricu da se zaustavi ako se kosilica mora nagnuti radi transporta kod prelaska površina koje nisu travnate i kad transportirate proizvod do i od područja košenja.
- Nikada nemojte raditi s uređajem s oštećenim pokrovima ili štitnicima, ili bez sigurnosnih uređaja, npr. postavljenog deflektora i/ili kutije za travu.
- Nemojte nagnuti kosilicu prilikom pokretanja motora ili dok je motor pokrenut. Ovo izlaganje oštrici i povećava mogućnost da objekti budu odbačeni.
- Pažljivo uključite motor prema uputama i držite ruke i stopala dalje od područja rezanja. Neka je otvor za pražnjenje uvijek slobodan. Na palite motor ako stojite ispred otvora za pražnjenje.
- Nemojte stavljati ruke ili stopala blizu ili ispod rotirajućih dijelova. Neka je otvor za pražnjenje uvijek slobodan.
- Nikada ne podižite ili ne nosite proizvod dok motor radi.
- Zaustavite motor kosilice i uklonite uređaj za blokiranje, provjerite da se svi pokretni dijelovi potpuno zaustave u sljedećim slučajevima:
 - kada got ostavljate proizvod bez nadzora (uključujući odlaganja nekupina trave)
 - prije čišćenja blokiranosti ili odčepljenja trake za pražnjenje
 - prije provjere, čišćenja ili rada na uređaju
 - nakon odbacivanja nepoznatog predmeta; provjerite uređaj na oštećenja i po potrebi izvršite popravke prije ponovnog pokretanja i rada uređaja.
 - prije uklanjanja kutije s travom ili otvaranja poklopca trake za pražnjenje trave
 - ako uređaj počne abnormalno vibrirati (odmah provjerite)
 - provjerite na oštećenja, posebice oštrice
 - zamjenite ili popravite sve oštećene dijelove
 - provjerite ima li i pritegnite sve labave dijelove
- Izbjegavajte rupe, kolotrage, ispupčenja, kamenje i druge prikrivene predmete. Neravan teren može uzrokovati klizanje i pad.
- Osigurajte da kabel iz ručke do kućišta kosilice nije zaglavljen, priklješten ili na neki drugi način oštećen tijekom sklapanja ili preklapanja ručke.

PREOPTEREĆENJA I PREGRIJAVANJA ZAŠTITA

Proizvod ima uređaj za zaštitu od preopterećenja koja se aktivira kad dođe do pregrijavanja ili vršne struje, automatski isključujući napajanje proizvoda. Ako je aktiviran zaštitnik preopterećenja, gumb uklj./isklj. mora biti otpušten. Pritisnite gumb uklj./isklj. za ponovno pokretanja proizvoda.

Baterija ima problem pregrijavanja. Prekomjerne temperature uzrokuju da baterija prestane napajati alat. Osjetite bateriju, ako je pretopla, dopustite da se ohladi. Ako alat i dalje ne radi, napunite bateriju.

NAPOMENA: LED pokazivač baterije neće raditi ako je značajka zaštite baterije dovela do prekida napajanja alata. Otpustite sklopku



za pokretanje alata ili uklonite bateriju s alata i LED pokazivač baterije će normalno nastaviti s radom.

OSTALE OPASNOSTI:

Čak i kad je proizvod korišten kao što je prethodno opisano, još uvijek nije moguće potpuno isključiti ostale čimbenike opasnosti. Može doći do sljedećih opasnosti prilikom korištenja i operater mora obratiti posebnu pozornost kako bi izbjegao sljedeće:

- Ozljeđe uzrokovane vibracijom. Uvijek koristite pravi alat za posao, koristite označenu kopču i ograničite radno vrijeme i izloženost.
- Izlaganje buci može izazvati povredu sluha. Nosite zaštitu za sluh i ograničite izloženost.
- Kontakt s oštricama
- Ozljeđe od odbačenih predmeta

PRIJEVOZ I SKLADIŠTENJE

- Zaustavite motor i uklonite ključ za kontakt. Provjerite da su svi pokretni dijelovi zaustavljeni: Omogućite proizvodu da se ohladi prije spremanja ili transporta.
- Očistite svaki strani materijal s uređaja. Skladištite ga na suhom i dobro ventiliranom mjestu koje nije pristupačno djeci. Nemojte ju ostavljati u blizini korozivnih agenasa kao ni vrtnih kemijskih proizvoda i soli za odmrzavanje. Ne ostavljajte na otvorenom.
- Za prijevoz, osigurajte uređaj protiv pomicanja ili pada kako biste spriječili povredu osoba ili oštećenja na uređaju.

⚠ UPOZORENJE

Budite izuzetno oprezni kada podižete ili naginjete uređaj radi održavanja, čišćenja, spremanja ili prijevoza. Oštrica je oštra. Kada je oštica izložena držite podalje sve dijelova tijela.

ODRŽAVANJE

⚠ UPOZORENJE

Koristite samo originalne zamjenske dijelove, dodatni pribor i priključke od proizvođača. Nepoštivanje ovih uputa može dovesti do mogućih ozljeda, loše učinkovitosti i može dovesti do poništenja jamstva.

⚠ UPOZORENJE

Servisiranje iziskuje krajnju pažnju i znanje i treba da ga vrši samo kvalificirani serviser. Za servisiranje mi vam preporučamo da odnesete proizvod u najbliži ov lašteni servisni cent ar radi opravke. Prilikom servisiranja koristite samo odobrene zamjenske dijelove.

- Uklonite uređaj za blokiranje i ako je moguće bateriju, prije zadatka čišćenja ili održavanja.
- Možete izvršiti podešavanja i popravke koji su opisani u ovom priručniku. Za druge popravke, obratite se ovlaštenom servisnom agentu.
- Često provjeravajte skupljač trave na habanje i oštećenja.
- Nakon svakog korištenja proizvod obrišite sa suhom mekom krpom. Svaki oštećeni dio trebao bi pravilno popraviti ili zamijeniti ovlašteni servisni centar.
- Često provjeravajte sve matice i zavrtnje da li su dobro pritegnuti kako biste bili sigurni da je proizvod u sigurnom radnom stanju.
- Kako biste spriječili zahvaćenje prstiju između pokretnih oštrica i utvrđenih dijelova uređaja pazite prilikom podešavanja uređaja.
- Prilikom servisiranja oštrica pazite da iako je isključeno napajanje oštrice se mogu pomicati.
- Oštica na proizvodu je oštra. Budite pažljivi i nosite zaštitne rukavice kada postavljate, zamijenjujete, čistite ili provjeravate sigurnost vijaka.
- Kako biste održali ravnotežu zamijenite istrošene ili oštećene oštrice i svornjake u sklopovima.

SMANJENJE OPASNOSTI

Prijavljeno je da vibracije alata koje se drži u ruci kod određenih pojedinaca mogu doprinijeti stanju pod nazivom Raynaud's Syndrome. Simptomi mogu uključivati trnce, ukočenost i bjelinu prstiju, obično uočljivo po izlaganju hladnoći. Smatra se da nasljedne osobine, izlaganje hladnoći i vlazi, dijeta, pušenje i radni postupci pridonose razvoju ovih simptoma. Postoje mjere koje operator može poduzeti kako bi smanjio moguće učinke vibracije:

- Održavajte svoje tijelo toplim u hladnim vremenskim uvjetima. Kad radite s proizvodom nosite rukavice kako biste ruke i zglobove održavali toplima.
- Nakon svakog perioda rada vježbajte kako biste povećali cirkulaciju krvi.
- Uzimajte česte stanke u radu. Ograničite količinu izlaganja po danu.

Ako osjetite neke od simptoma ovog stanja, odmah prekinite korištenje i obratite se svome liječniku vezano uz ove simptome.

⚠ UPOZORENJE

Povrede mogu biti uzrokovane ili zadobivene produljenim korištenjem alata. Kada koristite bilo koji alat dulje vremena, osigurajte da uzimate povremene stanke.

UPOZNAJTE SVOJ PROIZVOD

Pogledajte stranicu 163.

Dijelovi

1. Gumb za uključivanje/isključivanje
2. Ručka
3. Kabel upravljanja motorom
4. Držač kabela
5. Vratašca za bateriju
6. Pokazatelj napunjenosti kutije za travu
7. Kutija za travu
8. Stražnji kotač
9. Ručica za podešavanje visine
10. Prednji kotač
11. Ključ za kontakt
12. Usitnjivač
13. Baterija
14. Punjač
15. Gumb za pokretanje

SIMBOLI NA PROIZVODU



Pročitajte i razumite sve upute prije rada s proizvodom, slijedite sva upozorenja i sigurnosne upute.



Nosite zaštitu za sluh



Nosite sredstva za zaštitu očiju



Nemojte raditi na strminama većim od 15°. Na padini kosite poprijeko, nikada gore-dolje.



Ne izlažite kiši ili vlažnim uvjetima.



Pazite na oštre oštrice. Oštrice se nastavljaju rotirati nakon što se motoro isključi – uklonite sigurnosni ključ prije održavanja.



Čuvajte se odbačenih ili letećih predmeta. Držite sve promatrače naročito djecu i kućne ljubimce, na udaljenosti najmanje 15m od radnog područja.



Pritisnite gumb za pokretanje i potom gumb uklj./isklj. (A, B, C, or D) za pokretanje proizvoda. Otpustite gumb za otključavanje i držite pritisnutim gumb za uklj./isklj. za pokretanje uređaja. Za zaustavljanje uređaja otpustite gumb za uklj./isklj.



Molimo da pažljivo pročitate upute prije pokretanja stroja.



Otpadni električni proizvodi ne treba da se odlažu s otpadom iz domaćinstva. Molimo da recikirate gdje je to moguće. Potražite savjet od lokalnih vlasti ili prodavca kako reciklirati.



Ovaj alat usklađen je sa svim normama i propisima zemlje Europske unije u kojoj je kupljen.



EurAsian znak konformnosti



Ukrajinska oznaka za sukladnost



Jamčena razina zvučne snage 94 dB.

Sljedeće signalne riječi i značenja namijenjeni su objašnjenju razina opasnosti koje su vezane uz ovaj proizvod:

OPASNOST

Ukazuje na neposrednu opasnu situaciju, koja, ukoliko se ne izbjegne, može rezultirati smrću ili opasnim povredama

UPOZORENJE

Ukazuje na moguću opasnu situaciju, koja, ukoliko se ne izbjegne, može rezultirati smrću ili opasnim povredama

UPOZORENJE

Ukazuje na moguću opasnu situaciju, koja, ukoliko se ne izbjegne, može rezultirati manjim ili blažim povredama

UPOZORENJE

(Bez sigurnosnog simbola upozorenja)
Naznačuje situaciju koja može rezultirati oštećenjem imovine.

SIMBOLI U OVOM PRIRUČNIKU



Dijelovi ili pribor prodan odvojeno



Otpadni električni proizvodi ne treba da se odlažu s otpadom iz domaćinstva. Molimo da reciklirate gdje je to moguće.



Držite ruke dalje od oštrica.



Napomena



Upozorenje



Zaustavite uređaj.

SAVJETI ZA KOŠENJE

Vrijeme rada baterije ovisi o uvjetu, duljini i gustoći trave.

Podesite visinu rezanja kosilice kako biste trenutni uvjet kosilice prilagodili kosilici.

Stanje trave	Predloženo podešenje visine		Pokrivenost (maksimalno)	
	Prvi otkos	Uspješno otkošeno	Baterija od 4 Ah	Baterija od 5 Ah
Vrlo tanko/suho	3	2	200 m ²	250 m ²
Tanko/suho	4	3 → 2	150 m ²	200 m ²
Srednje/gusto	5	4 → 3	100 m ²	150 m ²

- Za najbolju učinkovitost, uvijek kosite trećinu ili manje ukupne visine trave.
- Kada kosite visoku travu, smanjite brzinu kretanja kako bi košenje bilo učinkovitije i pravilno izbacivanje pokošene trave.
- Nemojte kositi vlažnu travu, zaglaviti će se na donjem dijelu ploče i spriječiti pravilno prikupljanje ili pražnjenje komada trave.
- Nova ili debela trava mogu zahtijevati višu visinu rezanja.
- Veća visina košenja produljuje vijek trajanja baterije.
- Ako želite prikupljati travu za odlaganje, uklonite usitnivač i postavite kutiju za travu kako biste bili sigurni da je gornji pokrov pravilno zatvoren. Redovite praznite kutiju za travu, u suprotnom traka za pražnjenje može se blokirati s izrezanom travom.
- Ako vršite lagano rezanje i želite da odrezana trava ostane na kosilici, postavite usitnivač i zatvorite gornji pokrov kako biste zatvorili otvor za pražnjenje. U ovom slučaju nije potrebno postaviti kutiju za travu.
- Kosilica je dizajnirana za rad i najučinkovitije rezanje kada se pomiče prema naprijed.

Varnost, učinkovitost in zanesljivost so bile pri načrtovanju vaših bezvady záles plāvējs ključnega pomena.

NAMEN UPORABE

Izdelek je namenjen izključno zunanji uporabi. Izdelek je namenjen domači košnji trave. Rezilo naj kroži nekako vzporedno s tlemi, nad katerimi se obrača. Med košnjo se morajo vsa štiri kolesa dotikati tal. Samohodna kosilnica je oblikovana tako, da jo potiskate.

Kosilnice nikoli ne uporabljajte z dvignjenimi kolesi, je ne vlecite in se ne vozite na njej. Z njim kosite samo domače trate.

SPLOŠNA VARNOSTNA OPOZORILA

⚠ OPOZORILO

Pri uporabi naprave z baterijo vedno upoštevajte osnovne varnostne ukrepe, da zmanjšate tveganje za požar, puščanje baterij in telesne poškodbe. Za svojo varnost in varnost drugih oseb preberite ta navodila pred uporabo izdelka. Prosimo, shranite ta navodila za kasnejšo rabo.

⚠ OPOZORILO

Izdelek lahko uporabljate le z baterijskim paketom. Pri uporabi naprave z baterijo vedno upoštevajte osnovne varnostne ukrepe, da zmanjšate tveganje za požar, puščanje baterij in telesne poškodbe.

OSEBNA VARNOST

- Kosilnica lahko v zrak meče predmete, z njo pa si lahko tudi odrežete roke in stopala. Neupoštevanje vseh varnostnih navodil se lahko konča z resnimi poškodbami ali smrtjo.
- Preberite in se prepričajte, da razumete navodila za uporabo in varnostna opozorila. Seznanite se s krmilnimi elementi in pravilno uporabo izdelka.
- Otrokom in osebam z zmanjšanimi fizičnimi, senzoričnimi ali duševnimi zmoglostmi ter osebam, ki niso seznanjene s temi navodili, nikoli ne dovolite uporabljati, čistiti ali vzdrževati izdelka. Lokalni predpisi se morda nanašajo tudi na minimalno starost upravitelja. Otroke nenehno primerno nadzorujte, da se ne bodo igrali z napravo.

- Bodite pozorni, glejte kaj delate, in uporabite zdrav razum, ko uporabljate kosilnice. Ne uporabljajte je, ko ste utrujeni ali pod vplivom drog, alkohola ali zdravil. Padec koncentracije pri uporabi naprave lahko privede do hudih telesnih poškodb.
- Nosite močne dolge hlače, dolge rokave, obutev, ki ne drsi, in rokavice. Ne nosite ohlapnih oblačil, kratkih hlač, natikačev in ne hodite bos. Ne nosite oblačil, ki so ohlapna ali z njih visijo trakovi.
- Vedno nosite zaščitna očala s stransko zaščito.
- Vedno stojite trdno. Pazite na ravnotežje in ne pretiravajte. Vedno hodite, nikoli ne tecite.
- Pri uporabi na pobočjih vedno pazite na ravnotežje.
- Na pobočjih se premikajte prečno, nikoli gor in dol. Pri menjavanju smeri na pobočjih bodite še posebej previdni.
- Izdelka ne uporabljajte v bližini nagibov, jarkov, izredno strmih pobočij ali nabrežij. Slaba obutev lahko povzroči zdrs in nesrečo.

DELOVNO OBMOČJE

- Izdelka ne uporabljajte, kadar so v območju 15 m ljudje, zlasti otroci ali hišni ljubljenci, saj obstaja nevarnost letečih predmetov zaradi stika z rezilom.
- Objekti, ki jih zadane rezilo kosilnice, lahko povzročijo resne poškodbe. Temeljito pregledjte delovno površino in odstranite vse kamne, palice, kovino, žice, kosti, igračke ali druge predmete. V rezalne dele se lahko zaplete vrv ali žica.
- Kosite le podnevi ali pri dobri umetni svetlobi.
- Naprave ne uporabljajte v eksplozivnih okoljih, npr. v bližini vnetljivih tekočin, plinov ali prahu. Orodje proizvaja iskre, zaradi katerih se lahko prah ali hlapi vnamejo.
- Naprave ne uporabljajte na mokri travi ali na dežju.
- Kosilnice ne uporabljajte, kadar obstaja nevarnost strele.
- Pomnite, da je upravitelj oz. uporabnik odgovoren za nesreče ali nevarnosti, ki se pripetijo ostalim ljudem ali njihovi lastnini.
- Če upravitelj ni pozoren na prisotnost otrok,

se lahko pripetijo tragične nesreče. Otroke stroj in košnja pogosto zanimata. Nikoli ne domnevajte, da bo otrok ostal tam, kjer ste ga zadnjič videli.

- Otroke imejte izven območja košnje in pod budnim očesom odgovorne odrasle osebe, ki ne upravlja s kosilnico. Bodite pozorni in izključite izdelek, če na območje vstopi otrok.
- Ko se približujete mrtvim kotom, grmovju, drevesom ali ostalim predmetom, ki bi lahko ovirali vaš pogled na otroka, bodite še posebej pozorni.

UPORABA IN VZDRŽEVANJE BATERIJSKEGA ORODJA

- Varnostna navodila, priložena bateriji in polnilniku, morate prebrati, jih razumeti in vedno upoštevati. Če tega ne storite, lahko pride do električnega udara, požara ali drugih nevarnih situacij. Vsa navodila hranite skupaj na varnem mestu za bodočo referenco.
- Enot z baterijo ni treba priključiti v električno vtičnico; zato so vedno v stanju delovanja. Odstranite izolacijski ključ vsakič, ko ne upravljate z izdelkom.
- Pred nastavljanjem, čiščenjem ali odstranjevanjem materiala iz enote iz nje odstranite baterijo.
- Prepričajte se, da je pred vstavitvijo baterije izolacijski ključ odstranjen.
- Baterijo lahko napolnite samo s polnilnikom, ki ga določa proizvajalec. Če polnilnik uporabite z nezdržljivo baterijo, lahko pride do požara. Baterijo uporabljajte samo z navedenimi polnilniki.
- Uporabljajte samo baterijo, ki je posebej izdelana za to napravo. Uporaba drugih baterij lahko povzroči požar, električni udar ali telesne poškodbe.
- Ko baterije ne uporabljate, pazite, da bo odmaknjena od kovinskih predmetov, kot so papirne sponke, kovanci, ključi, žebliji, vijaki ali drugih majhni kovinski predmeti, ki bi lahko povzročili povezavo med obema terminaloma. Združitve dveh različno naelektrenih baterijskih priključkov lahko povzročijo iskrice, opekline, ogenj ali eksplozijo.
- Baterijskih izdelkov ali baterij ne postavljajte v bližino ognja ali vročine. To poveča tveganje za eksplozijo in možnost

poškodbe.

- Baterije ne odpirajte in je ne poškodujte. Sproščeni elektroliti so korozivni in lahko poškodujejo oči ali kožo. Lahko so strupeni, če jih zaužijete.
- Baterijo zaščitite pred vlago in vodo. Enote ne polnite v vlažnih ali mokrih pogojih. Če boste ravnali tako, boste zmanjšali možnost električnega udara, požara in resnih telesnih poškodb.
- V primeru poškodbe in napačne rabe baterije lahko pride do hlapenja. Poskrbite, da bo zrak čist, v primeru težav pa poiščite zdravniško pomoč. Hlapi lahko dražijo dihalni sistem.
- Akumulatorskega vložka ne puščajte v vozilu ali zunaj v vročih ali mrzlih vremenskih pogojih.
- Baterije ne sežigajte.
- Ob zlorabi baterije lahko iz nje steče tekočina. Če se po nesreči dotaknete tekočine, mesto dotika sperite z vodo. Če pride tekočina v stik z očmi, poiščite zdravstveno pomoč. Tekočina, ki izteče iz baterije, lahko povzroči vnetje ali opekline.

VARNOSTNA OPOZORILA ZA KOSILNICO

- Pred vsako uporabo jo preglejte in se prepričajte, da rezila, vijaki rezila in sestavni deli rezalnika niso obrabljeni ali poškodovani.
- Obrabljena ali poškodovana rezila in vijake zamenjajte v kompletih, da ohranite uravnoteženost naprave.
- Rezilo na izdelku je zelo ostro, zato je potrebna izredna pazljivost, pri nameščanju, zamenjavi, čiščenju ali pregledovanju vijaka pa morate nositi trpežne rokavice.
- Izdelek prinesite k pooblaščenemu servisnemu centru za zamenjavo uničenih ali nečitljivih nalepk.
- Pogosto preverjajte, ali so vse matice in vijaki dobro priviti in tako zagotovite varno delovno stanje opreme.
- Redno preverjajte, ali je zbiralnik obrabljen, preluknjan ali pokvarjen.
- Zamenjajte obrabljene ali poškodovane dele, preden izdelek znova uporabite.
- Upravitelj mora izdelek zagnati v položaju za ročaji, ki je zanj najbolj varen.



Izdelka ne zaganjajte, če:

- niso vsa štiri kolesa na tleh;
- je praznilni žleb za travo izpostavljen in ni zaščiten z zaporo mlatilnega dela ter pokrovom praznilnega žleba ali z zbiralnikom trave in pokrovom praznilnega žleba;
- dlani in stopala vseh oseb niso varno oddaljena od območja rezanja.
- Z izdelkom ne upravljajte, če ga s stikalom za vklop/izklop na ročaju ne morete ustrezno zagnati in ustavite izdelek.
- Stikala za vklop/izklop, ki je v položaju za vklop (ON), nikoli ne poskušajte zakleniti, ker je to izjemno nevarno.
- Izdelka ne preobremenjujte. Nalogo bo opravila bolje in varneje pri hitrosti, za katero je bila zasnovana.
- Pri košnji prek peščenih površin rezilo ustavite.
- Izdelka ne vlecite nazaj, razen če je to zares nujno. Če morate napravo odmakniti od zidu ali ovire, se najprej ozrite navzdol in nazaj, da se ne spotaknete ali si naprave ne povlečete čez stopala.
- Če je treba izdelek nagniti zaradi prečkanja površin, ki niso travnate, in če transportirate izdelek na območje, ki ga boste kosili, ali z njega, motor zaustavite in počakajte, da se rezilo zaustavi.
- Naprave nikoli ne uporabljajte, če so poškodovana varovala ali zaščitne, ali če varnostne naprave, na primer deflektorji in/ali zbiralnik za travo, niso nameščene.
- Kosilnice ne nagibajte, ko zaganjate motor ali medtem ko je motor v teku. S tem bi rezilo izpostavili in povečali možnost, da bi predmeti leteli naokrog.
- Motor vklopite previdno po navodilih, roke in noge pa imejte proč od predela rezanja. Ne približujte se odprtini za praznjenje. Ne zaganjajte motorja, ko stojite pred odprtino za praznjenje.
- Roke in stopala držite stran od vrtečih se delov. Ne približujte se odprtini za praznjenje.
- Nikoli ne dvigujte ali prenašajte izdelka med delovanjem motorja.
- Ustavite motor kosilnice in odstranite blokirno napravo; v naslednjih primerih se prepričajte, da se vsi premikajoči se deli

popolnoma zaustavijo:

- kadar pustite izdelek nenadzorovan (tudi kadar odstranjujete pokošeno travo)
- pred čiščenjem blokade ali odmaševanjem cevi,
- pred preverjanjem in čiščenjem izdelka ali delom na njem,
- če zadenete ob tujek; preverite, ali se je naprava poškodovala, in popravite potrebno, preden napravo ponovno zaženete in uporabite,
- preden odstranite škatlo za travo ali preden odprete pokrov praznilne cevi za travo
- če izdelek začne nenormalno vibrirati (preverite nemudoma).
 - Pregled za morebitne poškodbe, zlasti na rezilih
 - zamenjajte ali popravite vse poškodovane dele
 - preverite, ali so kateri koli deli zrahljani in jih privijte
- Izogibajte se luknjam, brazdam, izboklinam, kamnom ali ostalim skritim predmetom. Zaradi neravnega terena vam lahko spodrsne in lahko se poškodujete.
- Vedno pazite, da se kabel z ročaja ne bi ujel v telo kosilnice, se priščipnil ali kako drugače poškodoval med nameščanjem ali zlaganjem ročaja.

PREOBREMENITVIJO IN Z ZAŠČITO PRED PREGREVANJEM

Izdelek ima pripravo za zaščito pred preobremenitvijo, če se pregreje ali pride do tokovnega viška, ki samodejno izklopi tok v izdelku. Če je zaščita proti preobremenitvi sprožena, morate sprostiti gumb za vklop in izklop. Za ponovni zagon izdelka pritisnite gumb za vklop in izklop.

Baterija ima zaščito proti pregrevanju. Prekomerne temperature bodo povzročile, da bo baterija orodje prenehalo napajati. Potipajte baterijo; če je prevroča, naj se ohladi. Če orodje še vedno ne deluje, je baterijo treba napolniti.

OPOMBA: Indikatorska lučka LED za baterijo ne deluje, če je zaščitna funkcija baterije povzročila prekinitve napajanja orodja. Sprostite sprožilec ali odstranite baterijo iz orodja, nato pa bo indikatorska lučka LED za baterijo ponovno normalno delovala.



REZIDUALNA TVEGANJA:

Tudi če izdelek uporabljate tako, kot je predpisano, še vedno ne moremo izključiti določenih preostalih dejavnikov tveganja. Med uporabo se lahko pojavijo naslednje nevarnosti, upravljavec pa naj bo pozoren na sledeče:

- Poškodbe zaradi vibracij. Vedno uporabljajte pravo orodje za opravilo, uporabite ustrezne ročaje in omejite delovni čas in izpostavljenost.
- Izpostavljenost hrupu lahko povzroči poškodbo sluha. Nosite zaščito za sluh in omejite izpostavljenost.
- Stik z rezili
- Poškodbe zaradi izvrženih predmetov.

TRANSPORT IN SHRANJEVANJE

- Ustavite motor in odstranite izolacijski ključ. Prepričajte se, da so se vsi premikajoči se deli popolnoma zaustavili: Izdelek naj se dobro ohladi, preden ga shranite ali transportirate.
- Očistite vse tujke z izdelka. Shranite jo na suhem in dobro prezračenem mestu, ki ni na dosegu otrok. Hranite proč od jedkih sredstev, kot so kemikalije za vrtnarjenje in soli za odmrzovanje. Ne shranjujte na prostem.
- Za transport zavarujte izdelek pred premiki ali padci, da preprečite poškodbe oseb ali izdelka.

⚠ OPOZORILO

Pri dviganju ali nagibanju naprave za namene vzdrževanja, čiščenja, shranjevanja ali transportiranja bodite izredno previdni. Rezilo je ostro. Dele telesa držite proč od rezila, medtem ko je rezilo izpostavljeno.

VZDRŽEVANJE

⚠ OPOZORILO

Uporabljajte le originalne rezervne dele in dodatke, ki jih priporoča proizvajalec. V nasprotnem primeru naprava lahko slabo deluje, povzroči poškodbe, garancija pa ne velja več.

⚠ OPOZORILO

Servisiranje zahteva posebno pozornost in znanje in naj jo zato opravlja samo izurjeni servisni tehnik. Servisiranje in popravila izdelka vam priporočamo pri vašem najbližjem pooblaščenem servisnem centru. Pri servisiranju uporabljajte le odobrene nadomestne dele.

- Odstranite blokirno napravo in po možnosti tudi baterijo, preden začnete s čiščenjem ali vzdrževanjem.
- Opravljati smete le nastavitve in popravila, ki so opisana v teh navodilih za uporabo. Za ostala popravila se obrnite na pooblaščenega serviserja.
- Pogosto preverjajte lovilnik trave zaradi morebitne obrabe ali poslabšanja stanja.
- Po vsaki uporabi izdelek očistite z mehko in suho krpo. Vsak poškodovani del mora ustrezno popraviti ali zamenjati pooblaščen servisni center.
- Pogosto preverjajte, ali so vse matice in vijaki dobro priviti in tako zagotovite varno delovno stanje izdelka.
- Med prilagajanjem naprave bodite previdni, da se s prsti ne ujamete med vrtljiva rezila in pritrjenimi deli naprave.
- Med servisiranjem rezil upoštevajte, da se lahko rezila premikajo, kljub temu da je naprava izključena.
- Rezilo na izdelku je ostro. Bodite previdni in nosite močne zaščitne rokavice, kadar nameščate, menjate, čistite ali preverjate pritrditve elementov na izdelku.
- Obrabljena ali poškodovana rezila in vijake zamenjajte v kompletih, da ohranite uravnoteženost naprave.

ZMANJŠANJE TVEGANJA

Ugotovljeno je bilo, da lahko pri nekaterih posameznikih vibracije ročnih orodij povzročijo Raynaudov sindrom. Simptomi so lahko mravljinici, otrplost in pobeljeni prsti, kar je običajno vidno, kadar je oseba izpostavljena mrazu. Dedni dejavniki, izpostavljenost mrazu in vlagi, dieta, kajenje in delovne navade naj bi pripomogle k razvoju teh simptomov. Za zmanjšanje učinkov vibracij lahko upravljavec upošteva naslednja navodila:

- Poskrbite, da bo vaše telo na mrazu toplo.

Med upravljanjem nosite rokavice in tako ohranajte toploto vaših dlani in zapestij.

- Po vsakem obdobju upravljanja naprave telovadite in tako pospešite krvni obtok.
- Pogosto si vzemite odmor. Omejite dnevno količino izpostavljenosti.

Če zaznavate kakršne koli simptome takšnega stanja, takoj prenehajte z uporabo naprave in se o simptomih posvetujte z zdravnikom.

⚠ OPOZORILO

Daljša uporaba orodja lahko privede do poškodb ali pa so poškodbe lahko hujše. Kadar orodje uporabljate dalj časa, si večkrat vzemite odmor.

SPOZNAJTE SVOJ IZDELEK

Glejte stran 163

Deli

1. Gumb za vklop/izklop
2. Ročaj
3. Kabel za nadzor motorja
4. Držalo kabla
5. Vrata baterije
6. Kazalnik za poln zbiralnik trave
7. Posoda za travo
8. Zadnje kolo
9. Ročica za prilagoditev višine
10. Sprednje kolo
11. Izolacijski ključ
12. Drobilni nastavek
13. Akumulator
14. Polnilec
15. Gumb Start

SIMBOLI NA IZDELKU



Pred uporabo izdelka morate prebrati in razumeti vsa navodila, upoštevati vsa opozorila in varnostne napotke.



Nosite zaščito za ušesa



Nosite zaščito za oči



Ne uporabljajte je na pobočjih z naklonom, večjim od 15°. Vedno kosite prečno po pobočjih, nikoli gor in dol.



Ne izpostavljajte ga dežju ali vlagi.



Pazite na ostra rezila. Rezila se po izklopu motorja še vrtijo – Odstranite izolacijski ključ pred vzdrževanjem.



Pazite na izvržene ali leteče predmete. Prisotni (še posebej otroci in živali) naj bodo med obratovanjem oddaljeni vsaj 15m od delovnega območja.



Pritisnite gumb start in nato gumb za vklop/izklop (A, B, C ali D) za zagon izdelka. Spustite gumb Start in še naprej gumb za vklop/izklop pritisnjen, da izdelek deluje. Spustite gumb za vkl./izkl. za zaustavitev izdelka.



Prosimo, da si pred zagonom naprave pozorno preberete navodila.



Odpadne električne izdelke odlagajte skupaj z ostalimi gospodinjskimi odpadki. Reciklažo opravljajte na predpisanih mestih. Za reciklažni nasvet se obrnite na lokalne oblasti.



Ustreza vsem predpisanim standardom v državi članici EU, kjer je bil kupljen izdelek.



EurAsian oznaka o skladnosti



Ukrajinska oznaka za skladnost



Zajamčena raven hrupa je 94 dB.

Naslednje besedne oznake in njihovi pomeni služijo za razlago stopnje tveganja pri uporabi izdelka.

⚠ NEVARNOST

Označuje neizbežno tvegano stanje, ki če se ji ne izognete lahko povzroči smrt ali resno poškodbo.

OPOZORILO

Označuje morebitno tvegano stanje, ki če se ji ne izognete lahko povzroči smrt ali resno poškodbo.

POZOR

Označuje morebitno tvegano stanje, ki če se mu ne izognete lahko povzroči manjšo ali srednje resno poškodbo.

POZOR

(Brez simbola za varnostno opozorilo)
Prikazuje situacijo, ki lahko povzroči materialno škodo.

SIMBOLI V TEM PRIROČNIKU



Deli ali dodatki so na prodaj ločeno



Odpadne električne izdelke odlagajte skupaj z ostalimi gospodinjskimi odpadki. Reciklažo opravljajte na predpisanih mestih.



Roke držite proč od rezil.



Opomba



Opozorilo



Zaustavite izdelek.

- Za čim boljše delovanje vedno odrežite tretjino celotne višine trave ali manj.
- Kadar kosite dolgo travo, hodite počasneje in s tem dovolite učinkovitejšo košnjo in ustrezen izmet odrezkov.
- Ne režite mokre trave, saj se bo prilepila na spodnji del plošče in odrezkov trave ne bo mogoče ustrezno zbirati ali jih izprazniti.
- Za košenje nove ali goste trave boste morda morali zvišati višino rezanja.
- Višja višina rezanja podaljša čas delovanja baterije.
- Če želite zbrati pokošeno travo, odstranite zaporo mlatilnega dela in pritrdite zbiralnik trave; preverite, da je zgornji poklopec ustrezno zaprt. Redno izpraznajte zbiralnik trave, sicer se bo praznilni žleb zamašil.
- Če travo samo malo prirezujete in želite pokošeno travo pustiti na trati, namestite zaporo mlatilnega dela ter zaprite zgornji poklopec, da pokrijete odprtino za praznjenje. V tem primeru ni potrebno nameščati zbiralnika trave.
- Kosilnica je oblikovana tako, da z njo upravljate in kosite najučinkoviteje, ko jo premikate naprej.

NAMIGI ZA KOŠNJO

Čas delovanja baterije je odvisen od pogojev, dolžine in gostote trave.

Nastavite višino rezanja kosilnice, da bo ustrezala trenutnemu stanju trave, ki jo boste kosili.

Lastnosti trave	Predlagana nastavitve višine		Pokritost (največ)	
	Prva faza košnje	Naslednje faze košnje	Akumulator 4 Ah	Akumulator 5 Ah
Zelo tanka/suha	3	2	200 m ²	250 m ²
Tanka/suha	4	3 → 2	150 m ²	200 m ²
Srednja/gosta	5	4 → 3	100 m ²	150 m ²

Na dosiahnutie jednoduchej obsluhy a prevádzky boli pri navrhovaní tohto akumulátorová kosačka najvyššou prioritou bezpečnosť, výkon a spoľahlivosť.

ÚČEL POUŽITIA

Tento produkt je určený len pre použitie v exteriéri.

Tento produkt je určený na domáce kosenie trávnikov. Rezné ostrie by sa malo otáčať približne rovnobežne so zemou, nad ktorou sa pohybuje. Pri kosení sa musia všetky štyri kolesá dotýkať zeme. Je to kosačka riadená pri chôdzi za produktom a určená na ručné tlačenie.

Kosačka sa nikdy nesmie používať s kolieskami mimo zeme, ale sa musí ťahať alebo viesť. Nesmie sa používať na strihanie iných ako domácich trávnikov.

VŠEOBECNÉ BEZPEČNOSTNÉ VÝSTRAHY

⚠ VAROVANIE

Pri používaní akumulátorového nástroja je potrebné dodržiavať základné bezpečnostné opatrenia, aby sa znížilo riziko vzniku požiaru, vytečenia akumulátorov a osobného poranenia. Pre vašu vlastnú bezpečnosť a bezpečnosť okolostojacich osôb si pred použitím produktu prečítajte tento návod. Odložte si tento návod na neskoršie použitie.

⚠ VAROVANIE

Tento produkt je určený na použitie s jednotkou akumulátora. Pri používaní akumulátorového nástroja je potrebné dodržiavať základné bezpečnostné opatrenia, aby sa znížilo riziko vzniku požiaru, vytečenia akumulátorov a osobného poranenia.

OSOBNÁ BEZPEČNOSŤ

- Kosačka trávy dokáže amputovať ruky a nohy a vyrážať predmety. Pochybenie pri dodržiavaní bezpečnostných pokynov tak môže spôsobiť vážny úraz alebo usmrtenie.
- S porozumením si prečítajte všetky pokyny a bezpečnostné upozornenia. Oboznámte

sa s ovládacími prvkami a správnu obsluhou produktu.

- Nikdy nedovoľte deťom alebo osobám so zníženými fyzickými, duševnými alebo zmyslovými schopnosťami alebo osobám, ktoré nie sú oboznámené s týmto návodom, obsluhovať, čistiť alebo vykonávať údržbu tohto produktu. Miestne platné predpisy môžu obmedzovať dobu použitia kosačky. Deti musia byť pod primeraným dozorom, aby sa nemohli s produktom hrať.
- Buďte opatrní, dávajte pozor na to, čo robíte, a pri práci používajte zdravý rozum. Stroj nikdy nepoužívajte, ak ste unavení, pod vplyvom liekov, alkoholu alebo drog. Po oddelení akumulátora od kosačky zapojte konektor nabíjačky do zásuvky na akumulátore.
- Noste hrubé a dlhé nohavice, dlhé rukávy, protišmykovú obuv a rukavice. Nenoste voľné pohodlné oblečenie, krátke nohavice, sandále ani nepracujte bosí. Nenoste odev, ktorý je voľný alebo má voľne visiace šnúry či pútka.
- Vždy noste bezpečnostné okuliare s bočným ochranným štítom.
- Vždy majte pevnú oporu nôh. Udržujte bezpečný postoj a rovnováhu. Chodte krokom, nikdy nebežte.
- Na svahoch vždy dbajte na pevnú oporu nôh.
- Produkt používajte na svahoch krížom, nikdy nie nahor a nadol. Ak meníte smer, buďte veľmi opatrní.
- Produkt nepoužívajte v blízkosti prudkých svahov, priekop, veľmi strmých svahov alebo násypov. Nedostatočne stabilný postoj môže byť príčinou ukľznutia a pádu.

PRACOVNÝ PRIESTOR

- Nikdy nepoužívajte produkt, keď sú v blízkosti do 15 m osoby, najmä deti alebo domáce zvieratá, z dôvodu nebezpečenstva vymrštenia objektov pri kontakte s čepeľou.
- Predmety vymrštené nožom kosačky môžu spôsobiť veľmi vážne poranenia osôb. Dôkladne skontrolujte priestor, kde sa má zariadenie používať a odstráňte všetky kamene, paličky, kov, drôty, kosti, hračky a iné cudzie predmety. Myslite na to, že do rezných zariadení sa môžu zamotať vodiče alebo vlákna.



- Vždy koste za denného svetla a lebo pri dostatočnom umelom osvetlení.
- Nepracujte so zariadením vo výbušných atmosférach, napríklad v blízkosti zápalných tekutín, plynov alebo prachu. Zariadenie vytvára iskry, ktoré môžu podpáliť takýto prach alebo výpary.
- Nepracujte so zariadením na mokrej tráve alebo v daždi.
- Nepoužívajte kosačku, keď hrozí riziko blesku.
- Užívateľ alebo obsluha stroja sú zodpovední za nehody alebo škody na majetku a za nebezpečenstvo vzniknuté pri prevádzke stroja.
- Tragické nehody môžu nastať ak nie je obsluha upozornená na prítomnosť detí. Deti sú často zaujaté strojom a kosením. Nikdy sa nespoliehajte na to, že deti ostanú tam, kde ste ich naposledy videli.
- Deti udržiajte v bezpečnej vzdialenosti od oblastí kosenia pod dohľadom zodpovedného dospelého, ktorý neobsluhuje kosačku. Dávajte pozor a ak do pracovného priestoru vstúpi dieťa, vypnite zariadenie.
- Buďte veľmi opatrní a pozorní, ak sa približujete do zarastených rohov, ku kríkom, stromom alebo k iným objektom, ktoré vám môžu zablokovať výhľad na deti.

POUŽÍVANIE AKUMULÁTORA A STAROSTLIVOSŤ OŇ

- Prečítajte si s porozumením a striktné dodržiavajte bezpečnostné pokyny, ktoré sú pribalené k akumulátoru a nabíjačke. V opačnom prípade môže dôjsť k zásahu elektrickým prúdom, požiaru alebo nebezpečným situáciám. Všetky pokyny odložte spoločne na bezpečné miesto pre prípad potreby v budúcnosti.
- Akumulátorové nástroje nemusia byť zapojené do elektrickej siete, preto sú neustále v prevádzkovom stave. Vždy, keď produkt nepoužívate, odstráňte odpojovací kľúč.
- Keď vykonávate úpravy, čistíte alebo odstraňujete materiál, vyberte jednotku akumulátora z jednotky.
- Pred vložením jednotky akumulátora skontrolujte, či je rozpojovací kľúč vybratý.
- Jednotku akumulátora možno nabíjať

len pomocou nabíjačky špecifikovanej výrobcom. Pri použití nabíjačky s nekompatibilnou jednotkou akumulátora vzniká nebezpečenstvo požiaru. Jednotku akumulátora používajte len s uvedenou nabíjačkou.

- Používajte len jednotku akumulátora určenú konkrétne pre toto zariadenie. Pri použití akýchkoľvek iných jednotiek akumulátorov vzniká riziko požiaru, úderu elektrickým prúdom alebo poranenia osôb.
- Keď sa jednotka akumulátora nepoužíva, nedávajte ju do blízkosti iných kovových objektov, ako sú papierové sponky, mince, kľúče, kince, skrutky či iné malé kovové predmety, ktoré by mohli skratovať svorky. Pri skratovaní svoriek akumulátora môže dôjsť k iskreniu, popáleninám, požiaru alebo explózii.
- Nedávajte akumulátorové zariadenia ani ich akumulátory do blízkosti ohňa alebo tepla. To zvyšuje riziko explózie a možného poranenia.
- Jednotku akumulátora neotvárajte ani nedeformujte. Vytečený elektrolyt je leptavý a môže spôsobiť poškodenie očí alebo pokožky. Pri požití môže byť toxický.
- Jednotku akumulátora chráňte pred vlhkosťou a vodou. Zariadenie nenabíjajte vo vlhkom alebo mokrom prostredí. Dodržiavaním tohto pravidla znížujete riziko úrazu elektrickým prúdom.
- Pri poškodení a nesprávnom používaní akumulátora môže dôjsť k unikaniu výparov. V prípade komplikácií zabezpečte čerstvý vzduch a vyhľadajte lekársku pomoc. Výpary môžu spôsobiť podráždenie dýchacích ciest.
- Nenechávajte akumulátorovú jednotku vo vozidle alebo exteriérovom sklade pri vysokých alebo nízkych teplotách.
- Akumulátor nespálujte.
- Za nevhodných podmienok, keď by z batérie vytekala kvapalina, predchádzajte kontaktu s ňou. Pri náhodnom kontakte opláchnite vodou. Ak tekutina zasiahne oči, dodatočne vyhľadajte lekársku pomoc. Tekutina vytečená z akumulátora môže spôsobiť podráždenie alebo popáleniny.



KOSAČKA TRÁVNÍKA – BEZPEČNOSTNÉ VÝSTRAHY

- Pred použitím vždy vizuálne skontrolujte, či ostria, maticové skrutky ostria a strihacia jednotka nie sú opotrebované alebo poškodené.
- Opotrebované alebo poškodené ostria a maticové skrutky vymieňajte v súpravách, aby sa zachovalo vyváženie.
- Ostrie na tomto produkte je veľmi ostré, pri montáži, výmene, čistení alebo kontrole zaistenia maticových skrutiek buďte veľmi opatrní a používajte pevné rukavice.
- Prineste produkt to autorizovaného servisného centra na výmenu poškodených alebo nečitateľných štítkov.
- Skontrolujte všetky skrutky, matice v častých intervaloch či sú riadne utiahnuté, aby sa zaistila bezpečná prevádzka stroja.
- Často kontrolujte zberač trávy, či nie je opotrebovaný, prederavený alebo poškodený.
- Pred použitím produktu vymeňte všetky opotrebované alebo poškodené diely.
- Produkt sa musí štartovať tak, aby užívateľ stál sa riadidlami v bezpečnej zóne obsluhy. Produkt nikdy neštartujte, ak:
 - všetky štyri kolieska nie sú na zemi,
 - vyprázdňovací žľab trávy je obnažený bez toho, aby bol chránený buď mulčovacou prípojkou a krytom vyprázdňovacieho žľabu trávy alebo skrinkou na trávu a krytom vyprázdňovacieho žľabu trávy,
 - ruky a nohy všetkých osôb nie sú mimo rezného krytu,
- Produkt nikdy nepoužívajte, ak hlavný spínač na riadidlách nespúšťa a nezastavuje produkt správne.
- Nikdy sa nepokúšajte zaistiť spínače v zapnutej polohe – je to mimoriadne nebezpečné.
- Na nástroj nevyvíjajte silu. Svoju úlohu splní lepšie a bezpečnejšie, keď s ním budete pracovať pri rýchlosti, pre ktorú je určený.
- Keď prechádzate povrchy so štrkom, zastavte ostrie.
- Produkt neťahajte dozadu, pokiaľ to nie je absolútne nevyhnutné. Ak musíte odtrhnúť zariadenie od steny alebo prekážky, najskôr sa pozrite dole a za seba, aby nedošlo k prevráteniu alebo potiahnutiu zariadenia po vašich nohách.
- Zastavte motor a počkajte, kým sa ostria nezastavia, ak je potrebné kosačku nakloniť pri prechode cez iné ako trávnaté povrchy a pri prevoze zariadenia na miesto kosenia a z neho.
- S nástrojom nikdy nepracujte, keď má poškodené vodiace lišty alebo kryty alebo nemá nasadené bezpečnostné zariadenia, napríklad odchyľovače alebo zberač trávy.
- Nenakláňajte kosačku pri štartovaní alebo počas behu motora. Odkryje sa tým ostrie a zvýši pravdepodobnosť vymrštenia predmetov.
- Podľa pokynov spustíte motor a nedávajte ruky ani nohy do blízkosti rezného priestoru. Výstupné otvory musia byť vždy čisté. Neštartujte motor, ak stojíte pred vyvrhávacím otvorom.
- Nedávajte ruky alebo nohy do blízkosti rotujúcich dielov ani pod ne. Výstupné otvory musia byť vždy čisté.
- Produkt nikdy nedvíhajte ani neprenášajte, keď motor beží.
- V nižšie uvedených situáciách zastavte motor kosačky a odstráňte blokujúce zariadenie a skontrolujte, či sa všetky pohyblivé súčasti úplne zastavili:
 - vždy, keď necháte produkt bez dozoru (aj pri likvidácii odrezkov trávy)
 - pred odstránením upchatia alebo uvoľnením žľabu,
 - pred kontrolou, čistením alebo prácou na zariadení
 - po zásahu cudzím predmetom – pred opätovným spustením a použitím zariadenia skontrolujte, či zariadenie nie je poškodené a v prípade potreby vykonajte opravy.
 - pred odpojením skrinky na trávu alebo otvorením krytu vyprázdňovacieho žľabu trávy
 - ak zariadenie začne neštandardne vibrovať (ihneď skontrolujte)
 - skontrolujte poškodenie, najmä na čepeliach,
 - všetky poškodené diely vymeňte alebo opravte
 - skontrolujte a utiahnite prípadne uvoľnené diely

- Vyhybajte sa dierám, vyjazdeným koľajám, vyvýšeninám, kameňom, alebo iným skrytým predmetom. Nerovný terén môže byť príčinou poklznutia a pádu.
- Vždy dbajte na to, aby nedošlo k zachyteniu, zovretiu či inému poškodeniu kábľa z riadiel kosačky pri montáži alebo skladaní rukoväte.

PREŤAŽENIU A OCHRANA PROTI PREHRIATIU

Tento produkt má zariadenie na ochranu proti preťaženiu, ktoré sa aktivuje pri prehriatí alebo prírodovej špičke a automaticky vypne napájanie produktu. Pri aktivovaní ochrany proti preťaženiu je potrebné uvoľniť hlavný spínač. Stlačením hlavného spínača znova spustíte produkt.

Jednotka akumulátora má ochranu pred prehriatím. Nadmerné teploty spôsobia, že akumulátor prestane napájať nástroj. Siahnite na jednotku akumulátora – ak je príliš teplá, nechajte ju vychladnúť. Ak nástroj napriek tomu nefunguje, dobite akumulátor.

POZNÁMKA: Indikátor LED jednotky akumulátora nebude fungovať, pokiaľ funkcia ochrany akumulátora spôsobila prerušenia napájania nástroja z jednotky akumulátora. Uvoľnite spínač nástroja alebo vyberte jednotku akumulátora z nástroja a indikátor LED jednotky akumulátora znova začne fungovať správne.

ZVYŠKOVÉ RIZIKÁ:

Aj keď sa nástroj používa podľa predpisu, nie je možné eliminovať určité zvyškové rizikové faktory. Pri použití vznikajú nasledujúce riziká a obsluhujúca osoba musí venovať zvláštnu pozornosť, aby nedošlo k nasledovnému:

- Zranenie spôsobené vibráciami. Vždy používajte vhodný nástroj pre danú úlohu, používajte určené rukoväte a obmedzte pracovný čas a mieru rizika.
- Vystavovanie hluku môže spôsobiť poranenie sluchu. Používajte ochranu sluchu a obmedzte expozíciu.
- Kontakt s ostrými
- Zranenie z odletujúcich objektov

PREPRAVA A SKLADOVANIE

- Zastavte motor a vyberte rozpojovací kľúč. Skontrolujte, či sa všetky pohyblivé diely

úplne zastavili. Pred uskladnením alebo prepravou nechajte produkt dostatočne vychladnúť.

- Odstráňte zo zariadenia všetky cudzie materiály. Odložte ho na suché a dobre vetrané miesto, na ktoré nemajú prístup deti. Nástroje neuskladňujte v blízkosti žieravých látok, ako napríklad v blízkosti záhradníckych chemických prípravkov alebo solí na zimný posyp komunikácií. Neskladujte v exteriéri.
- Pri preprave zaistite produkt pred pohybom alebo pádom, aby nedošlo k poraneniu osôb alebo poškodeniu produktu.

VAROVANIE

Pri dvíhaní alebo nakláňaní zariadenia za účelom údržby, čistenia, uskladnenia alebo prepravy buďte veľmi opatrní. Ostrie je ostré. Keď je ostrie odkryté, nepribližujte k nemu žiadnu časť tela.

ÚDRŽBA

VAROVANIE

Používajte len originálne náhradné diely, príslušenstvo a nástavce výrobcu. V opačnom prípade môže dôjsť k možnému poraneniu, nedostatočnému výkonu a strate platnosti záruky.

VAROVANIE

Údržba vyžaduje extrémnu starostlivosť a znalosti, a musí byť prevádzaná výhradne v autorizovanom servise. Z dôvodu servisu vám odporúčame vrátiť výrobok do najbližšieho autorizovaného servisného centra na opravu. Pri servise používajte len autorizované náhradné diely.

- Pred vykonaním akejkoľvek údržby alebo čistenia odstráňte blokovacie zariadenie a podľa možnosti aj akumulátor.
- Môžete vykonávať úpravy a opravy popísané v tejto príručke. Pri ostatných opravách sa obráťte na autorizovaného servisného zástupcu.
- Pravidelne a často kontrolujte zachytávač trávy či nie je opotrebovaný alebo poškodený.

- Po každom použití vyčistite produkt mäkkou suchou tkaninou. Akýkoľvek poškodený diel sa musí náležite opraviť alebo vymeniť v autorizovanom servisnom centre.
- Skontrolujte všetky skrutky, matice v častých intervaloch či sú riadne utiahnuté, aby sa zaistila bezpečná prevádzka produktu.
- Pri nastavovaní nástroja buďte opatrní, aby nedošlo k zachyteniu prstov medzi pohybujúce sa ostria a pevné diely nástroja.
- Pri vykonávaní servisu ostrí dávajte pozor, lebo aj keď je napájanie vypnuté, ostria sa napriek tomu môžu pohybovať.
- Čepeľ na tomto produkte je ostrá. Pri montáži, výmene, čistení alebo kontrole zaistenia maticových skrutiek buďte opatrní a používajte pevné rukavice.
- Opatrebované alebo poškodené ostria a maticové skrutky vymieňajte v súpravách, aby sa zachovalo vyváženie.

OBMEDZENIE RIZIKA

Boli hlásené prípady, kedy vibrácie z ručných nástrojov u niektorých osôb prispeli k stavu nazývanému Raynaudov syndróm. K symptómom patria: trpnutie, znecitlivenie a blednutie prstov, zvyčajne zjavné po vystavení zime. Je známe, že k vývoju týchto symptómov prispievajú: dedičné faktory, vystavovanie zime a vlhkosti, dieťa, fajčenie a pracovné návyky. Opatrenia, ktoré môže vykonať obsluhujúca osoba na možné zníženie účinkov vibrácií:

- V studenom počasí udržiavajte svoje telo v teple. Pri práci s produktom noste rukavice, aby ste mali ruky a zápästia v teple.
- Po každom určitom časovom úseku prevádzky cvičte, aby ste zlepšili krvný obeh.
- Počas práce si doprajte časté prestávky. Obmedzte počet vystavení za deň.

Ak zistíte ktorýkoľvek zo symptómov tohto stavu, okamžite prerušte používanie zariadenia, navštívte svojho lekára a povedzte mu o symptómoch.

VAROVANIE

Pri dlhodobom alebo zvýšenom používaní môže dôjsť k zraneniam. Pri používaní nástroja príliš dlhé obdobia si vždy doprajte pravidelné prestávky.

OBOZNÁMTE SA S VAŠÍM PRODUKTOM
Pozrite stranu 163.

Diely

1. Hlavný spínač
2. Rúčka
3. Ovládací kábel motora
4. Držiak kábla
5. Dvierka priečinka na akumulátor
6. Indikátor plnej skrinky na trávu
7. Zberač trávy
8. Zadné koleso
9. Páka nastavenia výšky
10. Predné koleso
11. Rozpojovací kľúč
12. Mulčovacia prípojka
13. Batéria
14. Nabíjačka
15. Spúšťače tlačidlo

SYMBOLY NA PRODUKTE



Pred použitím produktu si s porozumením prečítajte všetky pokyny a dodržiavajte výstražné a bezpečnostné upozornenia.



Používajte chrániče sluchu



Používajte chrániče zraku



Nepracujte na svahoch strmších ako 15°. Na strmých svahoch koste po vrstevniciach, nikdy nie hore a dolu svahom.



Nevystavujte dažďu ani nepoužívajte vo vlhkom prostredí.



Pozor na ostré ostria. Čepele sa naďalej točia aj po vypnutí motora – pred údržbou odstráňte rozpojovací kľúč.



Pozor na vymrštené alebo odletujúce objekty. Všetky okolostojace osoby (najmä deti a domáce zvieratá) musia stáť minimálne 15m od miesta práce



Produkt spustíte stlačením odomykacieho tlačidla a potom hlavného spínača (A, B, C, or D). Produkt spustíte uvoľnením tlačidla Start a stlačením a podržaním hlavného spínača. Uvoľnením hlavného vypínača zastavíte produkt.



Pred zapnutím zariadenia si prosím prečítajte inštrukcie.



Opotrebované elektrické zariadenia by ste nemali odhadzovať do domového odpadu. Prosíme o recykláciu ak je možné. Kontaktujte miestne úrady, alebo predajcu pre viac informácií ohľadom ekologického spracovania.



Vyhovuje všetkým regulačným normám v krajine EÚ, v ktorej bol výrobok zakúpený.



Euroázijská značka zhody



Ukrajinské označenie zhody



Garantovaná hladina akustického výkonu je 94 dB

Nasledujúce signálne slová a významy slúžia na vysvetlenie úrovni rizika súvisiacich s produktom:

⚠ NEBEZPEČENSTVO

Označuje bezprostredne nebezpečnú situáciu, ktorá môže vyústiť v smrť, alebo vážne zranenie.

⚠ VAROVANIE

Označuje potenciálne nebezpečnú situáciu, ktorá môže vyústiť v smrť, alebo vážne zranenie.

⚠ VÝSTRAHA

Označuje potenciálne nebezpečnú situáciu, ktorá môže vyústiť v ľahké, alebo stredne ťažké zranenie.

VÝSTRAHA

(Bez symbolu bezpečnostného alarmu)
Označuje situáciu, ktorá môže zapríčiniť poškodenie majetku.

SYMBOLY V TOMTO NÁVODE



Diely alebo príslušenstvo predávané samostatne



Opotrebované elektrické zariadenia by ste nemali odhadzovať do domového odpadu. Prosíme o recykláciu ak je možné.



Ruky nedávajte do blízkosti ostrí.



Poznámka



Varovanie



Zastavte zariadenie.

TIPY NA KOSENIE

Výdrž akumulátora závisí od stavu, dĺžky a hustoty trávy.

Nastavte výšku rezania kosačky podľa stavu koseného trávnik.

Stav trávy	Navrhované nastavenie výšky		Pokrytie (maximálne)	
	Prvý prechod	Následné prechody	4 Ah akumulátor	5 Ah akumulátor
Veľmi tenká / suchá	3	2	200 m ²	250 m ²
Tenká / suchá	4	3 → 2	150 m ²	200 m ²
Stredná / hustá	5	4 → 3	100 m ²	150 m ²

- Najlepší výkon dosiahnete, keď vždy odstrihnete maximálne jednu tretinu celkovej výšky trávy.
- Ak kosíte vysokú trávu, znížte rýchlosť

chôdze pre zefektívnenie kosenia a správne vysypávanie odrezkov.

- Nekoste mokrú trávu – bude sa lepíť k spodnej časti dosky a brániť správne zberu alebo vyhadzovaniu odstrižkov trávy.
- Nová alebo hustá tráva môže vyžadovať vyššiu reznú výšku.
- Väčšia výška strihania predži výdrž akumulátora.
- Ak chcete zbierať odrezky trávy za účelom likvidácie, odstráňte mulčovaciu prípojku a nasadte skrinku na trávu, pričom dbajte na to, aby bola vrchná záklopka správne zatvorená. Skrinku na trávu pravidelne vyprázdňujte, inak sa vyprázdňovací žľab upchá odrezkami trávy.
- Ak vykonávate pristrihávanie a chcete, aby odrezky trávy zostávali na trávniku, nasadte mulčovaciu prípojku a zatvorte vrchnú záklopku, aby zakrývala vyprázdňovací otvor. V tomto prípade nie je potrebné nasadzovať skrinku na trávu.
- Kosačka je určená na obsluhu a kosenie najúčinnším spôsobom pri pohybe smerom dopredu.

Безопасността, производителността и надеждността са аспектите, на които е отделен най-голям приоритет при проектирането на вашия вашия Безжична косачка.

ПРЕДНАЗНАЧЕНИЕ

Продуктът е предназначен за използване само на открито.

Този продукт е предназначен за косене на домашни тревни площи. Режещото острие трябва да се върти приблизително паралелно на земната повърхност, над която преминава. И четирите колела трябва да се докосват до земята при косене. Това е косачка, предназначена за управление от ходещ оператор, който я бутва отзад с ръце.

Косачката не трябва никога да се използва, когато колелата не са опрени в земята, не трябва да се дърпа или да качва човек върху нея. Не трябва да се използва за рязане на друго освен домашни тревни площи.

ОБЩИ ПРЕДУПРЕЖДЕНИЯ ЗА БЕЗОПАСНОСТ

▲ ПРЕДУПРЕЖДЕНИЕ

При използване на инструмент, захранван с батерия, винаги трябва да се спазват основни предпазни мерки, за да се намали рискът от пожар, течове от батерии и физическо нараняване. За осигуряване на вашата безопасност и тази на страничните наблюдатели прочетете тези инструкции, преди да работите с продукта. Съхранявайте ръководството за експлоатация на сигурно място, за да можете да го ползвате и по-късно.

▲ ПРЕДУПРЕЖДЕНИЕ

Продуктът трябва да се използва само заедно с акумулаторната батерия. При използване на инструмент, захранван с батерия, винаги трябва да се спазват основни предпазни мерки, за да се намали рискът от пожар, течове от батерии и физическо нараняване.

ЛИЧНА БЕЗОПАСНОСТ

- Косачката за трева е способна да ампутира крайници, както и да отхвърля предмети. Съблюдавайте всички инструкции за безопасност. В противен случай може да се стигне до сериозни физически наранявания или смърт.
- Прочетете и разберете инструкциите и предупрежденията за безопасност. Запознайте се с контролите за управление и правилното използване на продукта.
- Никога не позволявайте на деца, на хора с ограничени физически, сетивни или умствени способности и на хора, които не са запознати с тези инструкции, да работят и да извършват дейности по почистване и поддръжка на продукта. Местните наредби могат да налагат ограничения за възрастта на оператора. Децата трябва да бъдат внимателно надзиравани, за да се гарантира, че не си играят с продукта.
- Бъдете бдителни, внимавайте какво правите и проявявайте благоразумие, когато боравите с косачката. Не използвайте тази машина, ако сте уморени или под влиянието на наркотици, алкохол или лекарства. Миг невнимание при работа с машината може да доведе до сериозно физическо нараняване.
- Носете здрави дълги панталони, дълги ръкави, нехлъзгащи се обувки и ръкавици. Не носете широки дрехи, шорти, сандали и не ходете боси. Избягвайте носенето на широки дрехи или дрехи с висящи шнулове или вратовръзки.
- Винаги по време на работа носете защитни очила със странични екрани.
- Винаги стъпвайте внимателно и стабилно. Заемайте стабилна позиция и пазете баланс. Вървете, никога не тичайте, когато косите.
- Винаги стъпвайте внимателно и стабилно на стръмни повърхности.
- Върху наклонени терени работете с продукта на пряко спрямо повърхността, никога нагоре и надолу. Бъдете особено бдителни при смяна на посоката на наклона.



- Не използвайте уреда в близост до насипи, канавки, прекалено стръмни повърхности или диги. Нестабилността по време на работа може да доведе до подхлъзване и падане.

БЕЗОПАСНОСТ НА РАБОТНАТА ЗОНА

- Никога не използвайте продукта, докато хора (особено деца) или домашни животни са в радиус от 15 м, защото съществува риск да отхвърчат предмети в следствие на контакт с острието.
- Предмети, изхвърлени от косачката, могат да причинят сериозни наранявания. Проверете внимателно зоната, където ще се използва машината, и отстранете всички камъни, пръчки, метални предмети, кабели, кости, играчки или други чужди предмети. Не забравяйте, че в режещия механизъм могат да се заплетат върви или жици.
- Винаги косете само на дневна светлина или при добро изкуствено осветление.
- Не работете с машината в среда с повишена опасност от възникване на експлозия, в близост до леснозапалими течности, газове или прахообразни материали. По време на работа инструментът произвежда искри, които могат да възпламенят прах или пари.
- Не работете с машината върху влажна трева или при дъжд.
- Не използвайте косачката, ако има риск от мълнии.
- Трябва да знаете, че операторът или потребителят е отговорен за причиняването на злополуки или щети на други лица или имущество.
- Операторът трябва да е винаги нащрек в присъствието на деца, за да се избегнат трагични инциденти. Децата обикновено са любопитни към машините и към процеса на косене. Не мислете, че децата ще стоят дълго на мястото, където сте ги видели за последно.
- Операторът не може да се грижи за деца, докато бораи с машината. Те трябва да бъдат под опеката на друг възрастен, който да е отговорен за тях и да внимава да не навлизат в зоната на косене. Бъдете бдителни и веднага изключете уреда, ако в зоната на косене

навлезе дете.

- Бъдете особено бдителни, когато косите в близост до ъгли, храсти, дървета или други предмети, които могат да ви попречат да забележите приближаващо дете.

ИЗПОЛЗВАНЕ И ОБСЛУЖВАНЕ НА ИНСТРУМЕНТА С БАТЕРИЯ

- Прочетете, разберете и винаги следвайте инструкциите за безопасност, предоставени към вашия акумулатор и зарядно устройство. Неспазването на инструкциите може да доведе до токов удар, пожар или други опасни ситуации. Запазете всички инструкции заедно и на сигурно място за бъдещи справки.
- Не е нужно инструментите, хранвани с батерии, да бъдат включвани в електрически контакт; следователно те винаги са в работно състояние. Изваждайте ключа на изолатора, когато не работите с продукта.
- Извадете батерията, преди да извършвате каквито и да е настройки, почистване или изваждане на материали от уреда.
- Уверете се, че ключът на изолатора е отстранен, преди да поставите батерията.
- Батерията трябва да се зарежда само със зарядното устройство, посочено от производителя. Използването на зарядно устройство с несъвместима батерия може да доведе до риск от пожар. Използвайте само посоченото зарядно устройство, за да зареждате батерията.
- Използвайте само батерии, конкретно предназначени за инструмента. Използването на други батерии може да доведе до риск от пожар, токов удар или физическо увреждане.
- Когато батерията не се използва, съхранявайте я далеч от други метални обекти, като например кламери, монети, ключове, гвоздеи, гайки или други малки метални обекти, които могат да направят връзка между клемите. Евентуално късо съединение от клемите на акумулаторната батерия може да предизвика искри, изгаряния, пожар или експлозия.





- Не оставяйте продукти с батерии или техните батерии близо до огън или топлина. Това повишава опасността от експлозия и вероятността за наранявания.
- Не отваряйте и не повреждайте батерията. Освободеният електролит е разяждащ и може да доведе до увреждане на очите или кожата. Може да е отровен, ако се погълне.
- Предпазвайте батерията от влага и вода. Никога не презареждайте инструмент на мокри или влажни места. Спазването на това правило ще намали опасността от токов удар.
- В случай на повреда и неправилно използване на батерията може да се отделят изпарения. Осигурете свеж въздух и потърсете лекарска помощ в случай на оплаквания. Изпаренията може да възпалят дихателната система.
- Не оставяйте акумулаторната батерия вътре в автомобил или на открито място за съхранение, ако условията са много горещи или студени.
- Не изгаряйте батерията.
- При неправилно използване батерията може да отдели течност; избягвайте контакт. Ако случайно настъпи контакт, промийте с вода. Ако течността влезе в контакт с очите, потърсете допълнително медицинска помощ. Отделената от батерията течност може да причини възпаление или изгаряния.

ПРЕДУПРЕЖДЕНИЯ ЗА БЕЗОПАСНА РАБОТА С КОСАЧКАТА ЗА ТРЕВА

- Оглеждайте инструмента всеки път преди употреба, за да се уверите, че остриетата, болтовете им и режещия механизъм не са износени или повредени.
- Заменете износените или повредените остриета и болтове заедно, за да запазите баланса.
- Острието на продукта е много остро, бъдете изключително внимателни и носете здрави предпазни ръкавици, когато намествате, замените, почиствате или проверявате защитните болтове.
- Занесете продукта в оторизиран

сервизен център, ако е необходима замяна на повредени или нечетливи етикети.

- Периодично проверявайте дали всички гайки, болтове и винтове са правилно затегнати, за да сте сигурни, че оборудването е в изправност.
- Периодично проверявайте колектора на трева за износване, продупчвания или повреди.
- Подменяйте износените или повредените части, преди да работите с уреда.
- При стартиране на продукта потребителят трябва да е заел позиция зад ръкохватките, където е зоната за безопасност на оператора. Никога не стартирайте продукта, ако:
 - всичките четири колелета не са в пълен контакт със земната повърхност
 - улеят за изхвърляне на трева е открит и незащитен от приспособлението за мулчиране (или кутията за трева) и от капака на улея
 - ръцете и краката на всички близкостоящи лица не са на безопасно разстояние от режещия механизъм.
- Никога не работете с продукта, ако превключвателят за включване/изключване от ръкохватката не стартира и не спира правилно продукта.
- Никога не опитвайте да фиксирате превключвателите за включване/изключване така, че да са постоянно в позиция ВКЛЮЧЕНО; това е изключително опасно.
- Не насилвайте продукта. Той ще свърши работата по-добре и по-безопасно в зададения от производителя диапазон на натоварване.
- Спрете острието, когато преминавате над чакълести повърхности.
- Не дърпайте уреда назад, освен ако не е абсолютно необходимо. Ако трябва да върнете машината в обратна посока, за да избегнете стена или препятствие, първо се огледайте надолу и назад, за да избегнете спъване или дръпване на машината над краката си.
- Изключете двигателя и изчакайте



острието да спре, ако се налага да наклоните косачката, за да я транспортирате до и от мястото за косене или през места, различни от тревни площи.

- Никога не ползвайте уреда с повредени защити или странични екрани или без защитни устройства, например без монтирани отклонители или колектори за трева.
- Не наклоняйте косачката, когато стартирате двигателя или докато той работи. Това открива остриетата и увеличава риска от отхвърчане на предмети.
- Следвайте инструкциите за внимателно стартиране на двигателя и пазете ръцете и краката си далеч от зоната на рязане. Винаги стойте далеч от улея за изхвърляне. Не стартирайте двигателя, докато сте пред улея за изхвърляне на трева.
- Не поставяйте ръцете или краката си близо до или под въртящите се части. Винаги стойте далеч от улея за изхвърляне.
- Никога не вдигайте и не носете продукта, докато моторът му работи.
- Изключете двигателя на косачката и свалете блокиращото устройство, след което се уверете, че всички движещи се части са спрели напълно, преди да извършите следното:
 - когато оставяте продукта без надзор (включително, за да изхвърлите тревните отрязъци)
 - преди почистване или отпушване на улея за изхвърляне на трева
 - преди проверка, почистване или работа по уреда
 - след сблъсък с друг предмет; инспектирайте уреда за повреди и извършете необходимите поправки, преди да рестартирате машината и да я използвате отново.
 - преди да свалите кутията за трева или да отворите капака на улея за изхвърляне на трева
 - ако уредът започне да вибрира неестествено (проверете незабавно)
 - когато инспектирате за повреди, особено когато проверявате

остриетата.

- заменете или ремонтирайте всички повредени детайли
 - проверете има ли незатегнати детайли и при необходимост ги затегнете
- Избягвайте дупки, бразди, издутини, камъни или други скрити предмети. Неравният терен може да доведе до подхлъзване и падане.
 - Кабелът, преминаващ от ръкохватката към корпуса на косачката, трябва винаги да е поставен така, че да не може да бъде заклещен, преципан или повреден по друг начин.

ПРЕТОВАРВАНЕ И ЗАЩИТА ОТ ПРЕГРЯВАНЕ

Продуктът има устройство за защита от претоварване, което се активира, когато възникне прегряване или пик в тока, като автоматично изключва захранването в продукта. Ако протекторът срещу натоварване се активира, трябва да отпуснете бутона за включване/изключване. Натиснете бутона за включване/изключване, за да стартирате повторно продукта.

Акумулаторната батерия има защита против прегряване. Извънредно високите температури ще доведат до спиране на захранването на инструмента от батерията. Докоснете батерията; ако е твърде гореща, оставете я да се охлади. Ако инструментът все още не работи, презаредете батерията.

ЗАБЕЛЕЖКА: Светодиодният индикатор на батерията няма да работи, ако защитната функция на батерията е довела до спирането на захранването на инструмента от батерията. Отпуснете спусъка на инструмента или отстранете батерията от инструмента и светодиодният индикатор на батерията ще възстанови нормалното си действие.

НЕПРЕДВИДЕНИ РИСКОВЕ.

Дори когато продуктът се използва по предназначение, е невъзможно напълно да се ограничи влиянието на определени рискови фактори. Рисковете, описани по-долу, може да възникнат по време на употреба и операторът трябва да внимава

за избягването на следното:

- Нараняване, причинено от вибрация. Винаги използвайте подходящия инструмент за съответната дейност и предназначения за целта ръкохватки, като ограничавате времето на работа и излагането на рискове.
- Излагането на шум може да доведе до увреждане на слуха. Носете антифони и ограничете излагането.
- Контакт с остриетата
- Нараняване от отхвъркнали предмети

ТРАНСПОРТИРАНЕ И СЪХРАНЕНИЕ

- Спрете двигателя и извадете ключа на изолатора. Уверете се, че всички движещи се части са спрели напълно. Изчакайте продуктът да се охлади достатъчно, преди да го транспортирате или приберете за съхранение.
- Почистете продукта от всички чужди частици. Съхранявайте я на хладно, сухо и добре проветрявано място, което е недостъпно за деца. Не го оставяйте в близост до корозивни материали като градински химикали или соли за размразяване. Не съхранявайте на открито.
- Когато транспортирате продукта, го обезопасете така, че да не може да се движи или да падне, защото това може да доведе до евентуални наранявания на хора или повреди по продукта.

⚠ ПРЕДУПРЕЖДЕНИЕ

Бъдете изключително внимателни, когато повдигате или накланяте машината, за да я транспортирате или да извършвате дейности по поддръжка, почистване или съхранение. Острието е остро. Пазете всички части на тялото далече от острието, когато то е открито.

ПОДДРЪЖКА

⚠ ПРЕДУПРЕЖДЕНИЕ

Използвайте само оригинални резервни части, аксесоари и приставки от производителя. В противен случай може да се влоши работата на инструмента или да получите тежки контузии, а гаранцията ви ще стане невалидна.

⚠ ПРЕДУПРЕЖДЕНИЕ

Сервизното обслужване изисква изключително внимание и специфични познания и следва да бъде извършвано само от квалифициран техник. За сервизно обслужване и поправка препоръчваме да занесете продукта до най-близкия упълномощен цен се рвизен цен тър. При ремонт използвайте само оторизирани резервни части.

- Сваляйте блокиращото устройство, а при възможност и акумулатора, преди да извършвате дейности по почистване и поддръжка.
- Можете да правите настройки и поправки, описани в това ръководство на потребителя. За други поправки се свържете с агент на упълномощения сервиз.
- Периодично проверявайте колектора на трева за износване или повреди.
- Всеки път след употреба почиствайте продукта с мека и суха кърпа. Всяка повредена част трябва да бъде поправена или заменена от упълномощен сервизен център.
- Периодично проверявайте дали всички гайки, болтове и винтове са правилно затегнати, за да сте сигурни, че продуктът е в изправност.
- Внимавайте при регулиране на инструмента, за да предотвратите заклещването на пръстите си между движещите се остриета и неподвижните части на инструмента.
- При обслужване на остриетата трябва да знаете, че дори ако захранващия източник е изключен, остриетата все пак могат да се движат.
- Острието на продукта е много остро.

Бъдете внимателни и носете здрави предпазни ръкавици, когато затягате, подменяте, почиствате или инспектирате болтовете.

- Заменете износените или повредените остриета и болтове заедно, за да запазите баланса.

ΜΕΙΩΣΗ ΚΙΝΔΥΝΟΥ

Известно е, че вибрациите, произвеждани от ръчни инструменти може да предизвикат у някои индивиди заболяване, наречено Синдром на Рейнолд (Raynaud's Syndrome). Симптомите може да включват изтръпване, схващане и избледняване на пръстите, обикновено се забелязват при излагане на студ. Смята се, че наследствените фактори, излагането на студ и влага, диетите, пушенето и някои работни навици допринасят за развитието на тези симптоми. Могат да се вземат някои мерки, които могат да се предприемат от оператора, за да се намалят ефектите от вибрациите:

- Поддържайте телесната температура в студено време. Когато работите с продукта, носете ръкавици, за да поддържате ръцете и китките си топли.
- Правете упражнения за активизиране на кръвообращението след всеки работен цикъл.
- Редовно излизайте в почивка. Ограничете излагането на вибрации на ден.

При поява на някои от симптомите на това заболяване, незабавно прекратете употребата на инструмента и посетете лекар.

⚠ ПРЕДУПРЕЖДЕНИЕ

Продължителното използване на инструмента може да доведе до наранявания или влошаване. При използване на инструмента за продължителни периоди от време правете чести почивки.

ОПОЗНАЙТЕ ВАШИЯ ПРОДУКТ

Вж. страница 163.

Части

1. Бутон за включване/изключване
2. Ръкохватка
3. Кабел за управление на двигателя
4. Фиксатор за кабела
5. Врата за батериите
6. Индикатор за запълненост на кутията за трева
7. Кутия за трева
8. Задно колело
9. Лост с регулируема височина
10. Предно колело
11. Ключ на изолятора
12. Приспособление за мулчиране
13. Батерия
14. Зарядно устройство
15. Бутон за стартиране

СИМВОЛИ НА ПРОДУКТА



Прочетете и осмислете всички указания, преди да започнете работа с продукта; спазвайте всички предупреждения и инструкции за безопасност.



Носете антифони



Носете защитни средства за очи



Не работете по наклони над 15°. Косете наклонените повърхности напъряко, никога нагоре и надолу.



Не излагайте на дъжд и на влажни условия.



Внимавайте с остриета. Остриетата продължават да се въртят след изключване на двигателя – Извадете ключа на изолятора, преди да извършвате дейности по поддръжка



Внимавайте за изхвърлени или летящи обекти. Не допускайте странични наблюдатели, особено деца и домашни животни, на по-малко от 15 м от работната зона.



Натиснете бутона „Старт“ и след това бутона за включване/изключване (А, В, С или D), за да стартирате уреда. Освободете бутона „Старт“ и продължете да натискате бутона за включване/изключване, за да работите с уреда. Отпуснете бутона за включване и изключване, за да спрете продукта.



Прочетете инструкциите внимателно, преди да стартирате машината.



Електрическите уреди не трябва да се изхвърлят заедно с битовите отпадъци. Рециклирайте, където има възможност. Обърнете се за съвет по рециклирането към местните власти или разпространителите.



Тази машина е в съответствие с нормативната уредба на държавата от ЕС, където е била закупена.



EurAsian знак за съответствие



Украински знак за съответствие



Гарантираното ниво на шум е 94 dB.

Следните сигнални думи и техните съответни значения обясняват нивата на опасност, свързани с употребата на този продукт:

ОПАСНОСТ

Указва неминуемо опасна ситуация, която ако не бъде избегната, ще доведе до сериозни наранявания или смърт.

ПРЕДУПРЕЖДЕНИЕ

Указва потенциално опасна ситуация, която ако не бъде избегната, може да доведе до сериозни наранявания или смърт.

ВНИМАНИЕ

Указва потенциално опасна ситуация, която ако не бъде избегната, може да доведе до дребни или средни наранявания.

ВНИМАНИЕ

(Без предупредителен символ за безопасност) Указва ситуация, която може да доведе до имуществени щети.

СИМВОЛИ В НАСТОЯЩОТО РЪКОВОДСТВО



Частите или принадлежностите се продават отделно. Електрическите уреди не трябва да се изхвърлят заедно с битовите отпадъци. Рециклирайте, където има възможност.



Дръжте ръцете си далеч от остриетата.



Забележка



Предупреждение



Спрете уреда.

СЪВЕТИ ПРИ КОСЕНЕ

Времето за изтощаване на акумулатора зависи от състоянието, височината и гъстотата на тревата.

Регулирайте височината на рязане на косачката, така че да съответства на текущото състояние на тревната площ, която ще косите.

Условия на тревата	Препоръчително регулиране на височината		Площ (максимална)	
	Първо косене	Последващи окосявания	Акумулаторна Батерия 4 Ah	Акумулаторна Батерия 5 Ah
Много тънка / суха	3	2	200 m ²	250 m ²
Тънка / суха	4	3 → 2	150 m ²	200 m ²
Средна / гъста	5	4 → 3	100 m ²	150 m ²



- За най-добро изпълнение винаги режете не повече от една трета от общата височина на тревата.
- При косене на висока трева забавете хода си за по-голяма ефективност и правилно изхвърляне на отрязаната трева.
- Не косете влажна трева; тя ще залепне от долната страна на корпуса и ще попречи на правилното събиране или изхвърляне на тревните отрязъци.
- За млада или дебела трева може да се наложи по-голяма височина на рязане.
- По високата височина на рязане ще удължи времето за изтощаване на акумулатора.
- Ако искате да събирате окосената трева, свалете приспособлението за мулчиране и монтирайте кутията за трева, като не забравяйте да затворите добре горния капак. Редовно изпразвайте кутията за трева, в противен случай улеят за изхвърляне на трева ще се задръсти с тревни отрязъци.
- Ако само леко подрязвате тревата и искате тревните отрязъци да останат на ливадата, монтирайте приспособлението за мулчиране и затворете горния капак, така че улеят за изхвърляне да бъде покрит. В този случай не е необходимо да монтирате кутията за трева.
- Косачката е проектирана да работи най-ефективно, когато я предвижвате напред.



У дизайні Вашої бездротової газонокосарки першочергову увагу приділено безпеці, потужності та надійності.

ПРИЗНАЧЕННЯ

Цей продукт призначений тільки для використання на відкритому повітрі.

Цей інструмент призначено для скошування газону на присадібній ділянці. Ріжуче полотно має обертатись приблизно паралельно до поверхні скошування. Під час скошування всі чотири колеса повинні торкатися землі. Ця газонокосарка керується людиною ззаду шляхом штовхання.

Заборонено використовувати газонокосарку, якщо її колеса відірвані від поверхні землі; не слід смикати за косарку чи кататись на ній. Інструмент призначено виключно для стрижки трави на присадібних ділянках.

ЗАГАЛЬНІ ЗАХОДИ БЕЗПЕКИ

⚠ ПОПЕРЕДЖЕННЯ

При використанні продуктів з акумуляторним живленням, необхідно дотримуватися основних запобіжних заходів, щоб знизити ризик виникнення пожежі, течі акумуляторів і травм. Для вашої власної безпеки та безпеки перехожих, будь ласка, прочитайте ці інструкції перед експлуатацією виробу. Будь ласка, збережіть інструкції з безпеки для подальшого використання.

⚠ ПОПЕРЕДЖЕННЯ

Продукт повинен експлуатуватися тільки з контейнером з акумулятором. При використанні продуктів з акумуляторним живленням, необхідно дотримуватися основних запобіжних заходів, щоб знизити ризик виникнення пожежі, течі акумуляторів і травм.

ОСОБИСТА БЕЗПЕКА

■ При неналежному використанні пристрій може відрізати руки чи ступні, а також під час роботи може розкидати предмети, що падають під нього. Недотримання правил безпеки може призвести до

серйозних травмувань чи навіть летальних наслідків.

- Прочитайте і зрозумійте інструкції та попередження з техніки безпеки. Добре ознайомтеся з органами управління та правильним використанням машини.
- Ніколи не дозволяйте дітям або людям з обмеженими фізичними, сенсорними або розумовими здібностями, або незнайомим з цими інструкціями, працювати, чистити або обслуговувати машину. Місцеве законодавство може обмежувати вік оператора. Потрібно належним чином стежити за дітьми, щоб вони не грали з машиною.
- Будьте уважні, дивіться, що ви робите, і використовуйте здоровий глузд при експлуатації виробу. Не працюйте з виробом, коли ви втомлені або знаходитесь під дією наркотиків, алкоголю або медикаментів. В трата концентрації під час роботи виробу може призвести до серйозної травми.
- Обов'язково надягайте довгі штани з щільного матеріалу, одяг з довгим рукавом та міцне взуття на неслизькій підшві. Не носіть вільний одяг, шорти, ювелірні вироби будь-якого роду, або не ходіть босоніж. Уникайте носити вільний одяг, або з висячими шнурками або зав'язками.
- Завжди носіть захисні окуляри з боковими щитками.
- Завжди переконайтесь, що вашого засадах. Тримайте міцну опору і рівновагу. Ходіть, ніколи не бігайте.
- Завжди будьте впевнені в опорі на схилах.
- При скошуванні на схилах переміщуйте косарку вздовж поверхні схилу, а не вверх-вниз. Проявляйте крайню обережність при зміні напрямку на схилах.
- Не використовуйте продукт поблизу обривів, канав, надмірно крутих схилів або набережних. Погано опора може призвести до ковзання і аварійного падіння.

БЕЗПЕКА РОБОЧОГО МІСЦЯ

- Ніколи не використовуйте цей виріб, коли на відстані 15 м знаходяться люди, особливо діти, або тварини, тому що

існує небезпека, що під час контакту з лезом можуть викидатися предмети.

- Предмети, відкинуті косаркою, можуть призвести до серйозних травмувань у людей. Ретельно огляньте місце, де використовуватиметься пристрій і приберіть усі камені, великі гілки, металеві предмети, дроти, кістки, іграшки й інші сторонні предмети. Пам'ятайте, що проводи та шнури можуть заплутатися в ріжучих деталях.
- Використовуйте продукт при денному світлі або при хорошому штучному освітленні.
- Не використовуйте продукт у вибухонебезпечних атмосферах, наприклад, у присутності легко займистих рідин, газів або пилу. Під час роботи косарки виникають іскри, що можуть призвести до займання пилу або парів.
- Не використовуйте машину при мокрій траві або в дощ.
- Не використовуйте продукт, якщо є ризик блискавки.
- Майте на увазі, що оператор або користувач несе відповідальність за нещасні випадки або пошкодження спричинені іншим особам або їх майну.
- Неуважність оператора газонокосарки до присутності дітей може мати трагічні наслідки. Діти дуже цікавляться самим інструментом, і процесом скошування трави. Не слід сподіватись, що діти залишатимуться там, де Ви в останнє їх бачили.
- Не дозволяйте дітям перебувати на робочій зоні під час обрізки газону. Переконайтесь, що діти знаходяться під наглядом ще одного відповідального дорослого, окрім людини, яка використовує косарку. Слід бути уважними та вимкнути інструмент при появі дітей на території скошування.
- Слід виявити особливу уважність при роботі біля глухих кутів, чагарників, дерев, живоплотів, і т.д., що затуляють Вам огляд ділянки.

ВИКОРИСТАННЯ І ДОГЛЯД ІНСТРУМЕНТУ НА БАТАРЕЙКАХ

- Прочитайте, зрозумійте і завжди дотримуйтесь інструкцій з техніки

безпеки, що додаються до акумулятора і зарядного пристрою. Невиконання цієї вимоги може призвести до ураження електричним струмом, пожежі або інших небезпечних ситуацій. Зберігайте всі інструкції разом в надійному місці для подальшого використання.

- Машина, працююча на акумуляторі не повинна бути підключена до електричної розетки; тому, вона завжди знаходиться в робочому стані. Висуньте ключ запалення, якщо Ви не користуєтесь косаркою.
- Зніміть акумулятор перед регулюванням, очищенням або видаленням матеріалу з продукту
- Перш ніж вставити акумуляторний блок, переконайтесь, що ключ запалення вийнято.
- Акумуляторна батарея повинна бути заряджена тільки за допомогою зарядного пристрою, зазначеного виробником. Використання зарядного пристрою з несумісною акумуляторною батареєю може створити ризик загоряння. Акумулятор треба заряджати виключно за допомогою зарядного пристрою, рекомендованого виробником.
- Використовуйте лише акумуляторні батареї, спеціально призначені для цієї машини. Використання будь-яких інших акумуляторів може призвести до ризику виникнення пожежі, ураження електричним струмом або травмування осіб.
- Коли акумулятор не використовується, тримайте його подалі від металевих предметів, таких як скріпки, монети, ключі, цвяхи, шурупи, або інші дрібні металеві предмети, які можуть підключити один контакт до іншого. Замикання клем акумулятора може призвести до отримання іскор, опіків, пожежі або вибуху.
- Не залишайте акумуляторні продукти або їхні акумулятори поблизу вогню або тепла. Це збільшує ризик вибуху і, можливо, травми.
- Не відкривайте та не діформуйте акумулятор. Електроліт є агресивною рідиною і може привести до пошкодження очей або шкіри. Він може бути токсичним

при ковтанні.

- Захистіть акумуляторний блок від вологи і води. Не заряджайте виріб у вологому або мокрому місці. Дотримання цього правила знизить ризик ураження електричним струмом.
- У разі пошкодження і неправильного використання акумулятора, може виділятися пара. Забезпечіть доступ свіжого повітря і зверніться за медичною допомогою у разі скарг. Пара може подразнювати дихальні шляхи.
- Не залишайте акумуляторну батарею у газонокосарці, та не зберігайте її під відкритим небом, якщо надворі жарко або холодно.
- Не спалюйте акумулятори.
- У важких умовах експлуатації, рідина може бути випущена з батареї; уникайте контакту. При випадковому контакті змийте водою. Якщо рідина потрапила в очі, зверніться за медичною допомогою. Рідина з акумулятора може викликати роздратування або опіки.

ЗАСТЕРЕЖЕННЯ ЩОДО БЕЗПЕЧНОГО ВИКОРИСТАННЯ ГАЗОНОКОСАРКИ

- Перед використанням завжди огляньте, щоб побачити, що ріжучі елементи і ріжучі засоби не зношені або не пошкоджені.
- Замініть зношені або пошкоджені компоненти, для збереження балансу.
- Лезо косарки - гостре, будьте вкрай обережні та здійснюйте зборку, заміну запчастин, чищення чи перевірку затягування болтів у захисних рукавицях.
- Принесіть продукт в авторизований сервісний центр для заміни пошкоджених або нечитаських етикеток.
- Перевірте всі гайки, болти і гвинти після короткого проміжка часу на правильну герметичність, щоб забезпечити продукт у безпечному робочому стані.
- Регулярно перевіряйте травозбірник на наявність зносу, дірок або пошкоджень.
- Замініть зношені або пошкоджені деталі перед початком роботи продукту.
- Виріб треба запускати, коли користувач знаходиться позаду керма у безпечній зоні. Ніколи не запускайте виріб, доки:

- всі чотири колеса не будуть стояти на землі
- жолоб викидання трави не захищений пробкою мульчі та кришкою жолобу викидання трави або кришкою коробу для трави та кришкою жолобу викидання трави
- руки та ноги всіх осіб не знаходяться поріч з огороженням ріжучої зони
- Ніколи не експлуатуйте виріб, якщо вимикач живлення на кермі не вмикає та вимикає виріб належним чином.
- Ніколи не намагайтесь заблокувати перемикач в увімкненому положенні, це вкрай небезпечно.
- Не перевантажуйте продукт. Він буде виконувати роботу краще і безпечніше при швидкості, для якої він призначений.
- Зупиніть роботу леза при перетинанні ділянок, вкритих гравієм.
- Не тягніть виріб назад, тільки, якщо це абсолютно необхідно. Якщо необхідно відвести назад машину від стіни або перешкоди, перш дивіться вниз і назад, щоб уникнути відключення або протягнення машини по вашим ногам.
- Вимкніть двигун та зачекайте, доки лезо не зупиниться, якщо газонокосарку необхідно нахилити для переміщення при перетинанні інших поверхонь, окрім трави, а також при пересуванні інструмента на газон та з нього.
- Ніколи не працюйте з дефектними захистами або щитами, або без встановлених захисних пристроїв, таких як колектор сміття.
- Не нахиляйте газонокосарку, коли вмикаєте двигун, або коли він працює. При цьому відкриється лезо, отже збільшиться ризик викидання сторонніх предметів.
- Обережно запустіть двигун відповідно до інструкцій і тримайте руки і ноги подалі від зони різання. Завжди тримайтеся подалі від випускного отвору. Не вмикайте інструмент, якщо Ви стоїте перед випускним отвором.
- Не підкладайте руки або ноги під обертаючі деталі. Завжди тримайтеся подалі від випускного отвору.
- Ніколи не підіймайте або носіть пристрій під час його роботи.



- У нижченаведених випадках слід зупинити двигун косарки та вийняти ключ запалення і переконавшись, що всі обертальні частини повністю зупинилися:
 - залишати виріб без нагляду (включаючи утилізацію обрізків трави)
 - перш ніж видаляти засмічення або прочищати бункер
 - перед перевіркою, чищенням, або роботі на продукті
 - якщо інструмент натрапив на сторонній предмет огляньте пристрій на наявність пошкоджень, за необхідністю полагодьте, перш ніж продовжувати роботу.
 - перш ніж знімати травозбірник або відкривати кришку бункеру з травою
 - якщо машина починає аномально вібрувати (перевірте відразу)
 - перевірте виріб на наявність пошкоджень, особливо лез
 - замінити або відремонтувати пошкоджені деталі
 - перевірити і затягнути послаблені частини
- Уникайте ям, вибоїн, пагорбів, каменів, жердин, або інших скритих об'єктів. Використання на неровному ландшафті може спричинити падіння.
- Завжди слідкуйте, щоб дрід від керма до корпусу газонокосарки ніколи не захоплювався, не защемлювався або не пошкоджувався іншим способом під час збирання або складання ручки.

ЗАХИСТ ВІД ПЕРЕВАНТАЖЕННЯ І ПЕРЕГРІВУ

Продукт має пристрій захисту від перевантаження, який активується, коли відбувається перегрів або стрибок струму, автоматично вимикаючи електроживлення продукту. Якщо обмежувач перевантаження спрацьовує кнопка включення-виключення, повинна бути відпущена. Натисніть кнопку включення-виключення, щоб перезавантажити пристрій.

Акумулятор має захист від перегріву. Підвищення температури може призвести до зупинення живлення продукту від акумулятора. Відчайте акумулятор; якщо він занадто теплий, дайте йому охолонути,

перш ніж відновити роботу. Якщо продукт все ще не працює, замініть акумулятор.

ПРИМІТКА: СВД акумулятора не працюватиме, якщо функція захисту батареї викликала зупинку живлення продукту. Відпустіть кнопку включення-виключення або вийміть акумулятор з пристрою і СВД індикатор акумулятора відновить нормальну функцію.

ЗАЛИШКОВІ РИЗИКИ

Навіть коли продукт використовується як написано, залишається неможливим повністю усунути деякі залишкові чинники ризику. Наступні небезпеки можуть виникнути і оператор повинен звернути особливу увагу, щоб уникнути наступного:

- Травми, викликані вібрацією Завжди використовуйте правильний інструмент для роботи, використовуйте призначені ручки і обмежіть час роботи і вплив.
- Вплив шуму може призвести до пошкодження слуху. Користуйтеся засобами захисту слуху і обмежіть вплив.
- Контакт з лезами
- Травмування предметами, що відкидає косарка

ТРАНСПОРТУВАННЯ ТА ЗБЕРІГАННЯ

- Зупиніть продукт, вийміть акумулятор і дозвольте обом охолонути перед зберіганням або транспортуванням. Переконайтеся, що всі рухомі частини зупинилися. Дозвольте продукту адекватно охолонути перед зберіганням або транспортуванням.
- Очистіть всі сторонні матеріали з продукту. Зберігайте його в сухому прохолодному і добре провітрюваному місці, недоступному для дітей. Зберігати подалі від агресивних агентів, таких як садові хімікати і солей проти обледеніння. Не зберігайте на відкритому повітрі.
- При транспортуванні вийміть ключ запалення, стійко встановіть косарку, щоб уникнути травмування людей або пошкодження самого інструмента.



⚠ ПОПЕРЕДЖЕННЯ

Будьте вкрай обережні при підйомі або нахиланні косарки під час технічного обслуговування, чищення, зберігання чи транспортування. Леза дуже гострі. Тримайтеся від нього на безпечній відстані під час роботи інструмента.

ОБСЛУГОВУВАННЯ

⚠ ПОПЕРЕДЖЕННЯ

Використовуйте тільки оригінальні запасні частини, аксесуари та обладнання від виробника. Невиконання цієї вимоги може привести до можливої травми, поганої продуктивності та може призвести до втрати гарантії.

⚠ ПОПЕРЕДЖЕННЯ

Обслуговування вимагає крайньої обережності і знання і повинно бути виконане тільки кваліфікованим фахівцем. Для обслуговування, ми пропонуємо вам повернути продукт в найближчий авторизований сервісний центр для ремонту. При обслуговуванні використовуйте тільки оригінальні запасні частини виробника.

- Перед чищенням чи технічним обслуговуванням обов'язково вийміть ключ запалення, та якщо можливо - акумулятор.
- Ви можете зробити регулювання та ремонт, описані в цьому посібнику користувача. Для інших ремонтних робіт, зверніться до авторизованого сервісного агента.
- Регулярно перевіряйте травозбірник на наявність зносу або пошкоджень.
- Після кожного використання, очистіть виріб м'якою сухою тканиною. Будь-яка пошкоджена деталь, має бути правильно відремонтована або замінена в авторизованому сервісному центрі.
- Перевірте всі гайки, болти і гвинти після короткого проміжка часу на правильну герметичність, щоб забезпечити продукт

у безпечному робочому стані.

- Під час налаштування інструмента слідкуйте, щоб пальці не потрапили між лезами, що обертаються, та нерухомими частинами інструмента.
- Коли Ви оглядаєте леза, пам'ятайте вони можуть продовжувати рухатись за інерцією навіть після вимкнення інструмента.
- Лезо виробу гостре. Лезо косарки - гостре, будьте вкрай обережні та здійсніте зборку, заміну запчастин, чищення чи перевірку затягування болтів у захисних рукавицях.
- Замініть зношені або пошкоджені компоненти, для збереження балансу.

ЗНИЖЕННЯ РИЗИКУ

Повідомлялося, що вібрації від ручних інструментів у певних осіб можуть сприяти стану, який називається синдромом Рейно. Симптоми можуть включати поколювання, оніміння і збліднення пальців, як правило, очевидні при впливі холоду. Спадкові фактори, вплив холоду і вогкості, дієта, куріння і робоча практика, всі ці чинники роблять свій внесок у розвиток цих симптомів. Ці заходи можуть бути прийняті оператором, щоб можливо зменшити вплив вібрації:

- Тримайте тіло в теплі в холодну погоду . При експлуатації приладу, одягайте рукавички, щоб тримати руки і зап'ястя у теплі.
- Після кожного періоду роботи, здійсніте вправи для підвищення кровообігу.
- Робіть часті перерви в роботі. Зробіть обмеження кількості впливу на день.

Якщо ви відчуваєте будь-які з симптомів цього стану, негайно припиніть використання і зверніться до лікаря з ціми симптомами.

⚠ ПОПЕРЕДЖЕННЯ

Тривале використання інструменту може викликати або посилити травми. При використанні інструменту протягом тривалого періоду, робіть регулярні перерви.

ЗНАЙ СВІЙ ПРОДУКТ

Дивіться сторінку 163.

Частини

1. Кнопка-перемикач
2. Ручка
3. Контрольний кабель двигуна
4. Cord retainer
5. Дверцята відсіку батареї
6. Індикатор заповненого коробу для трави
7. Травозбірник
8. Заднє колесо
9. Регулятор висоти
10. Переднє колесо
11. Ключ запалення
12. Заглушка для мульчування
13. Акумулятор
14. Зарядний пристрій
15. Кнопка запуску

СИМВОЛИ НА ПРОДУКТІ



Читайте і зрозумійте всі інструкції перед експлуатацією виробу, дотримуйтесь всіх вказівок і попереджень з техніки безпеки.



Носіть захист слуху



Носіть захист для очей



Не працюйте на ухилах більше 15°. При скошуванні на схилах переміщуйте косарку вздовж поверхні схилу, а не вверх-вниз.



Не піддавайте впливу дощу або вологих умов.



Пам'ятайте, що леза - дуже гострі. Після вимикання двигуна леза продовжують обертатися - Перед проведенням технічного обслуговування витягніть ключ-роз'єднувач



Остерігайтеся кинутих або літаючих об'єктів. Тримайте всіх перехожих, особливо дітей і домашніх тварин, принаймні 15 м від робочої зони.



Для початку роботи пристрою натисніть кнопку пуску (Start), а потім кнопку-перемикач (A, B, C або D). Відпустіть кнопку пуску (Start) та продовжуйте тримати кнопку-перемикач під час роботи косарки.

Для зупинення роботи інструмента відпустіть кнопку-перемикач.



Будь ласка, уважно прочитайте інструкцію перед запуском продукту.



Відходи електротехнічної продукції не слід викидати разом із побутовими відходами. Будь ласка, переробляйте там, де наявне устаткування. Перевірте з вашим місцевим органом влади або продавцем для консультацій з приводу переробки.



Відповідає всім нормативним стандартам в країнах ЄС, де виріб було придбано.



Євразійський знак відповідності



Український знак відповідності



Гарантований рівень звукової потужності 94 дБ.

Наступні сигнальні слова і змісти призначені для пояснення рівнів ризику, пов'язаних з продуктом.

⚠ НЕБЕЗПЕКА

Вказує на неминуче небезпечну ситуацію, яка, якщо її не уникнути, може призвести до смерті або серйозних травм.

⚠ ПОПЕРЕДЖЕННЯ

Вказує на потенційно небезпечну ситуацію, яка, якщо її не уникнути, може призвести до смерті або серйозних травм.

⚠ ПОПЕРЕДЖЕННЯ

Вказує на потенційно небезпечну ситуацію, яка, якщо її не уникнути, може призвести до середньої або легкої травми.

ПОПЕРЕДЖЕННЯ

(Без попереджувального знаку безпеки)

Вказує на ситуацію, яка може призвести до пошкодження майна.

СИМВОЛИ В ЦЬОМУ КЕРІВНИЦТВІ



Запчастини та аксесуари, що продаються окремо



Відходи електротехнічної продукції не слід викидати разом із побутовими відходами. Будь ласка, переробляйте там, де наявне устаткування.



Тримайте руки подалі від лез



Примітка



Попередження



Stop the product.

ПОРАДИ СТОСОВНО СКОШУВАННЯ

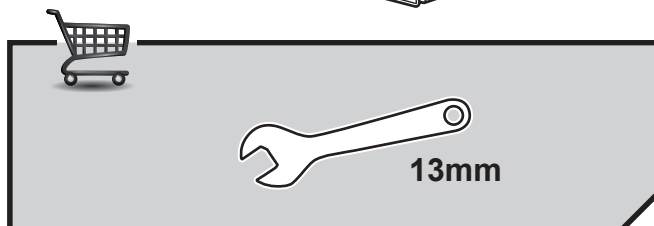
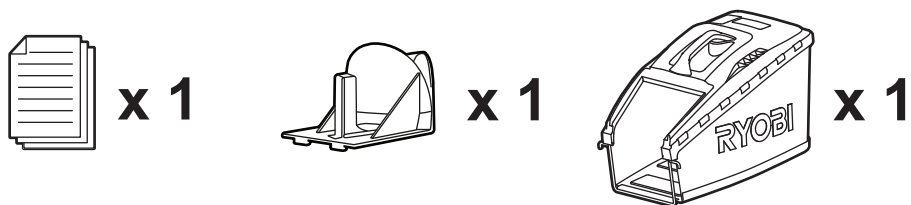
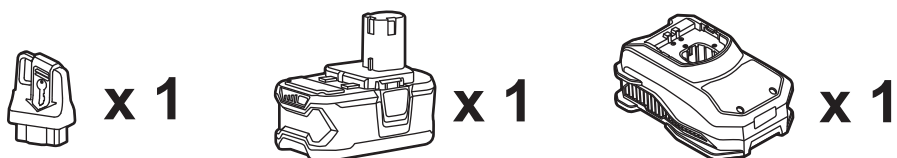
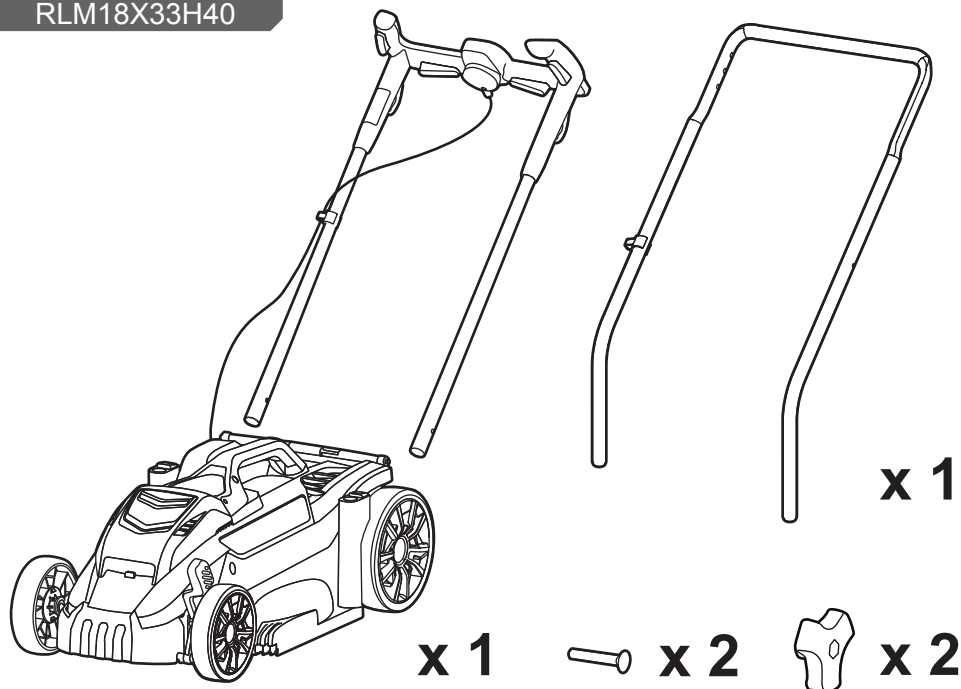
Час роботи акумулятора залежить від стану, висоти та густоти трави.

Відрегулюйте висоту обрізання газонокосарки відповідно до поточного стану ділянки, яку Ви збираєтесь обробляти.

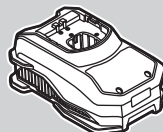
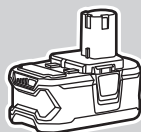
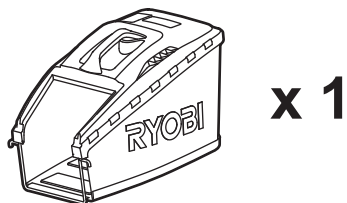
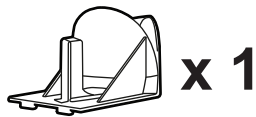
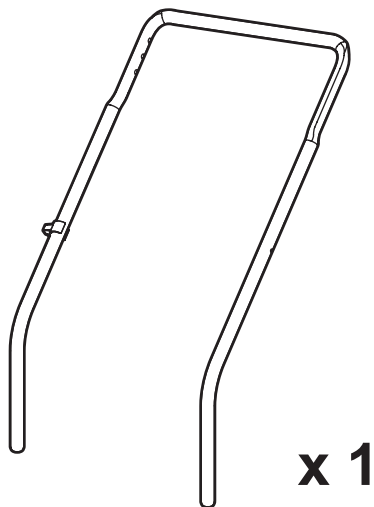
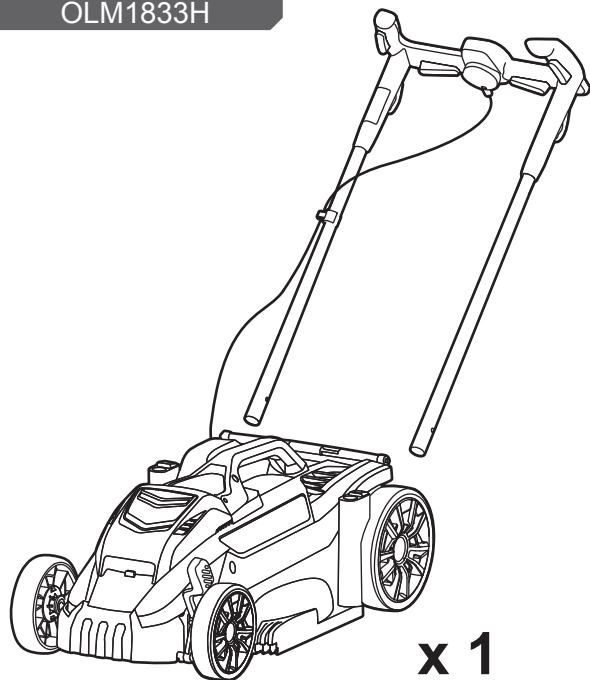
Стан трави	Рекомендована висота скошування		Площа охоплення (максимум)	
	Перший прохід	Наступні проходи	Акумулятор 4 Аг	Акумулятор 5 Аг
Дуже тонка/ Суха	3	2	200 м ²	250 м ²
Тонка/Суха	4	3 → 2	150 м ²	200 м ²
Середня/Густа	5	4 → 3	100 м ²	150 м ²

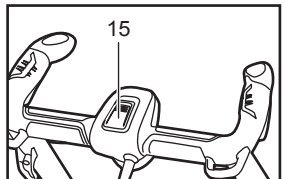
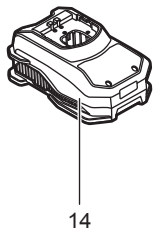
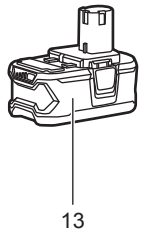
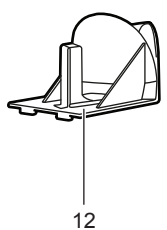
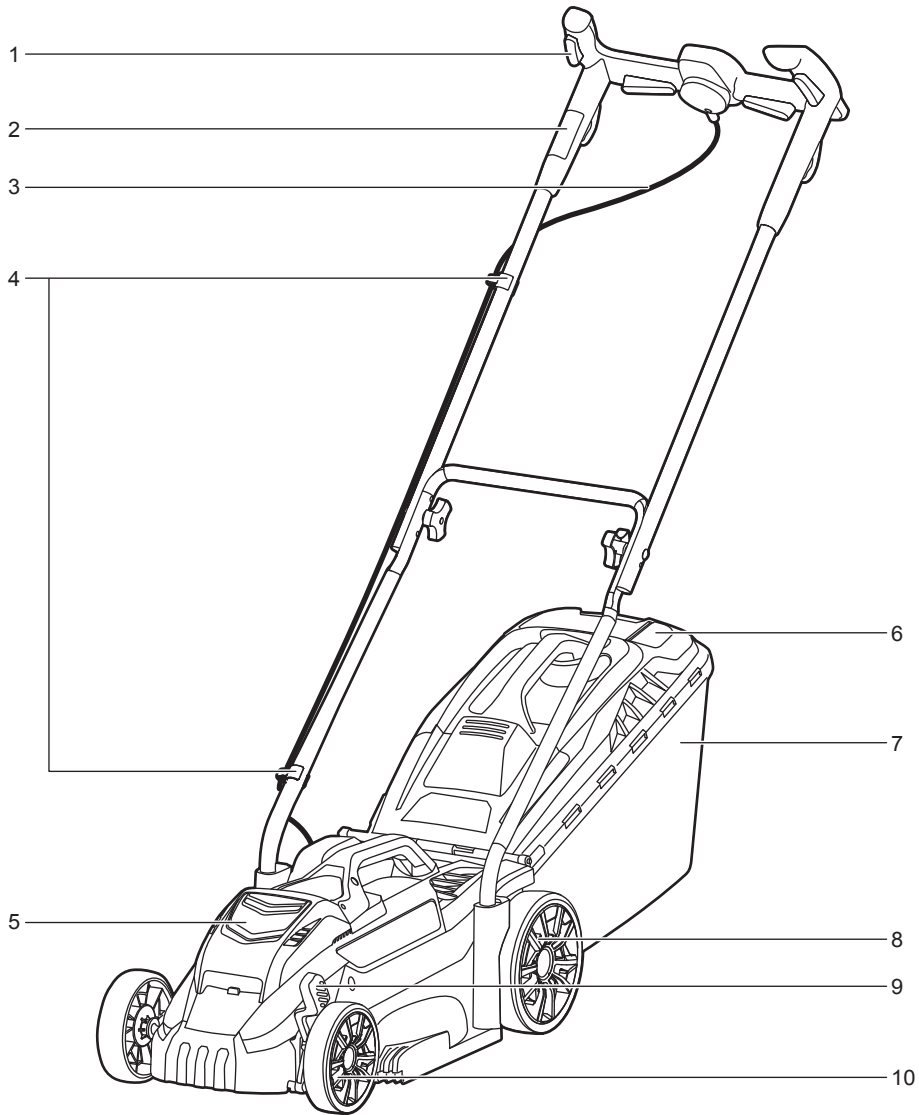
- Для забезпечення оптимальної продуктивності завжди зрізайте третину або менше від загальної висоти трави.
- При зрізанні високої трави переміщуйтеся повільніше, щоб забезпечити ефективне скошування та належне видалення скошеної трави.
- Не використовуйте пристрій на вологій траві; вона прилипне до нижньої поверхні кришки та завадить належному збору або викиданню скошеної трави.
- Для зрізання молоді В12 або густої трави необхідна більша висота скошування.
- Акумулятор працює довше при більшій висоті скошування.
- Якщо ви бажаєте зібрати обрізки трави для утилізації, зніміть пробку мульчі та встановіть короб для трави; при цьому переконайтеся, що верхня відкидна кришка замкнена належним чином. Регулярно спорожняйте короб для трави, у противному разі жолоб викидання буде забитий обрізками трави.
- Якщо ви робите невеликий зріз та бажаєте, щоб обрізки трави залишилися на газоні, встановіть пробку мульчі та закрийте верхню відкидну кришку, щоб перекрити отвір викидання. У цьому випадку короб для трави встановлювати не потрібно.
- Конструкція газонокосарки забезпечує найбільш ефективну роботу та скошування, коли вона рухається вперед.

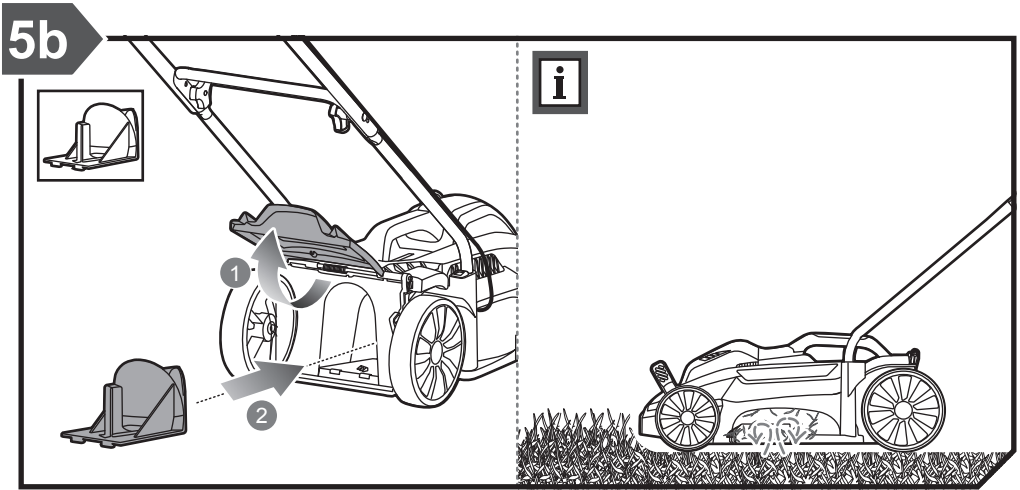
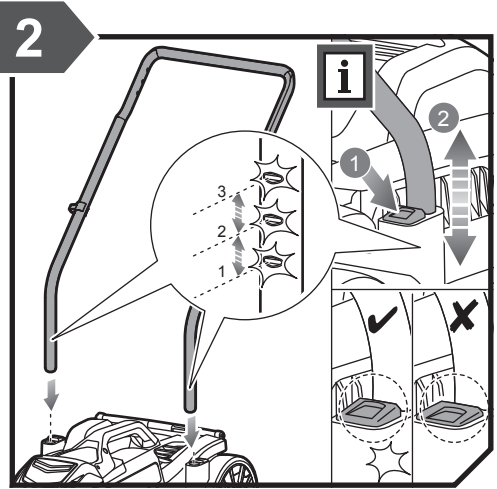
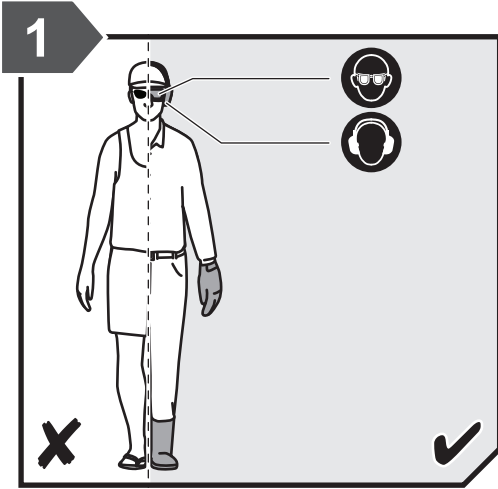
RLM18X33H40

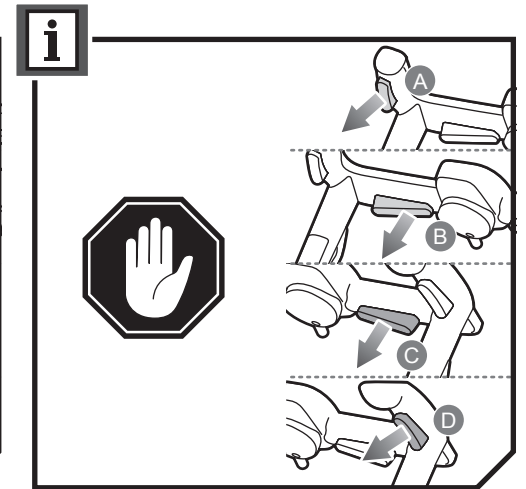
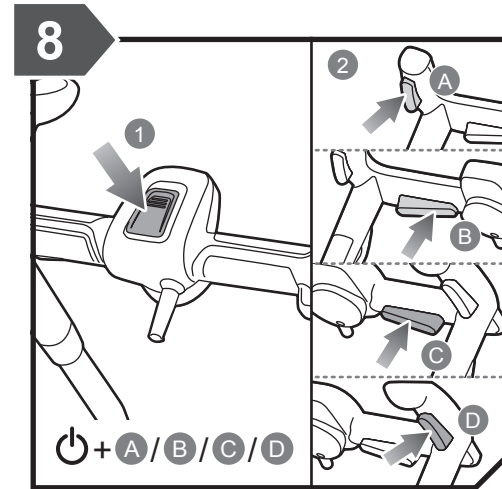
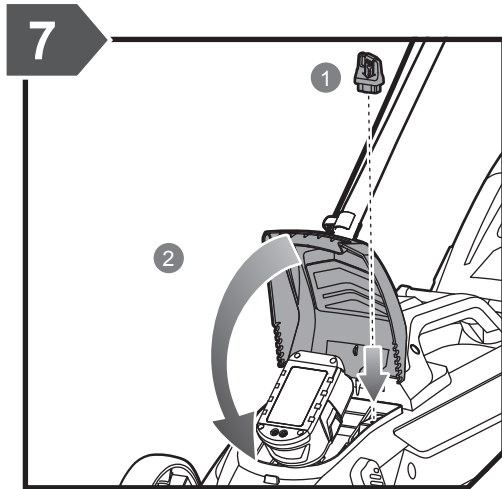
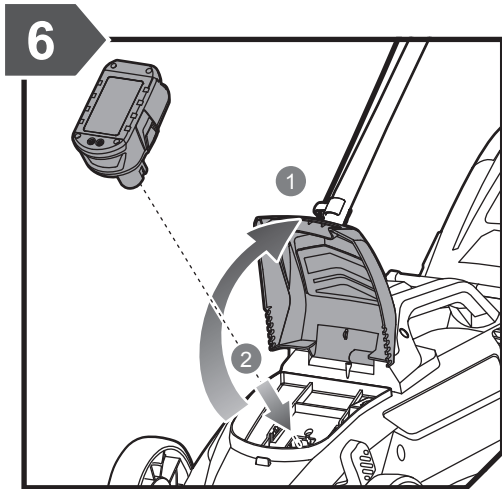
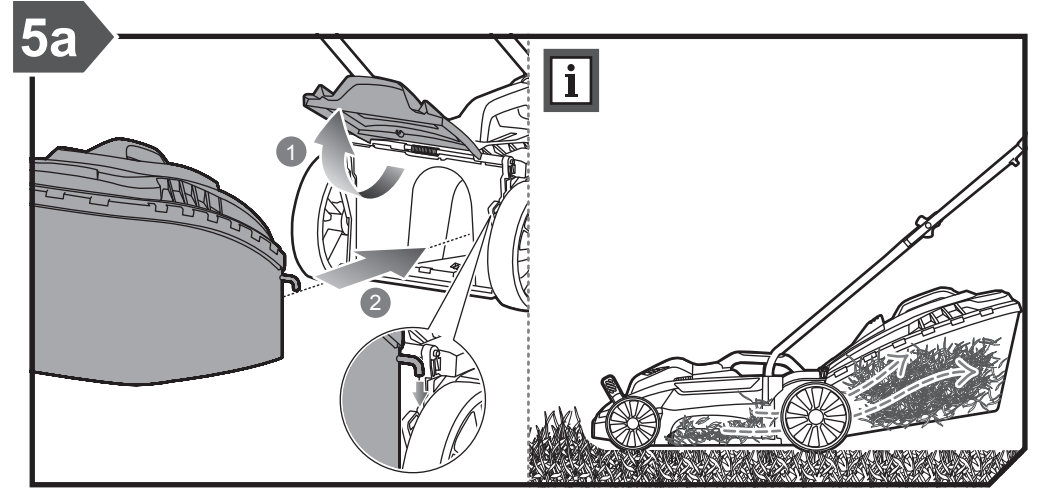
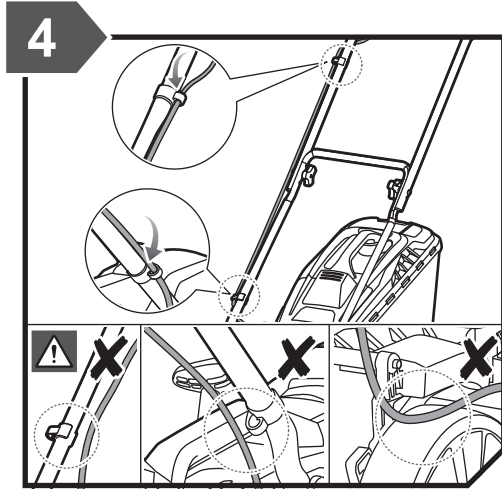
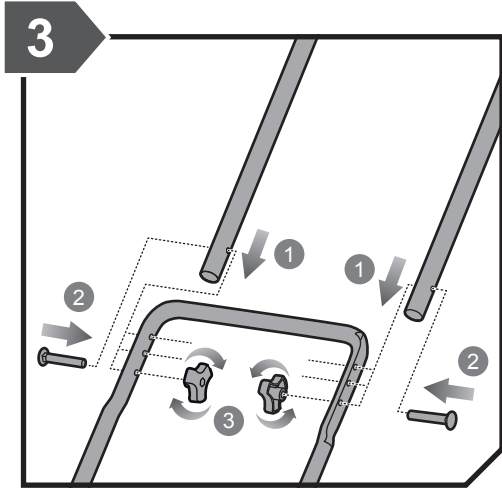


OLM1833H

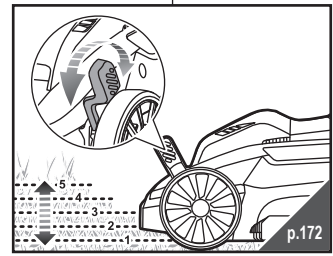
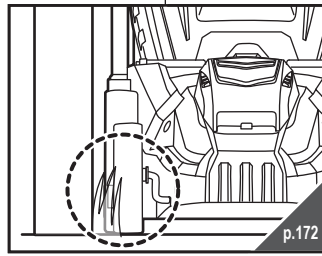
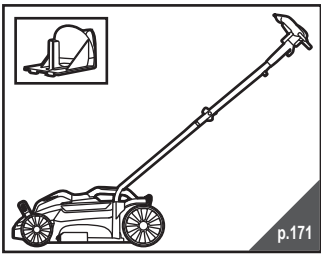
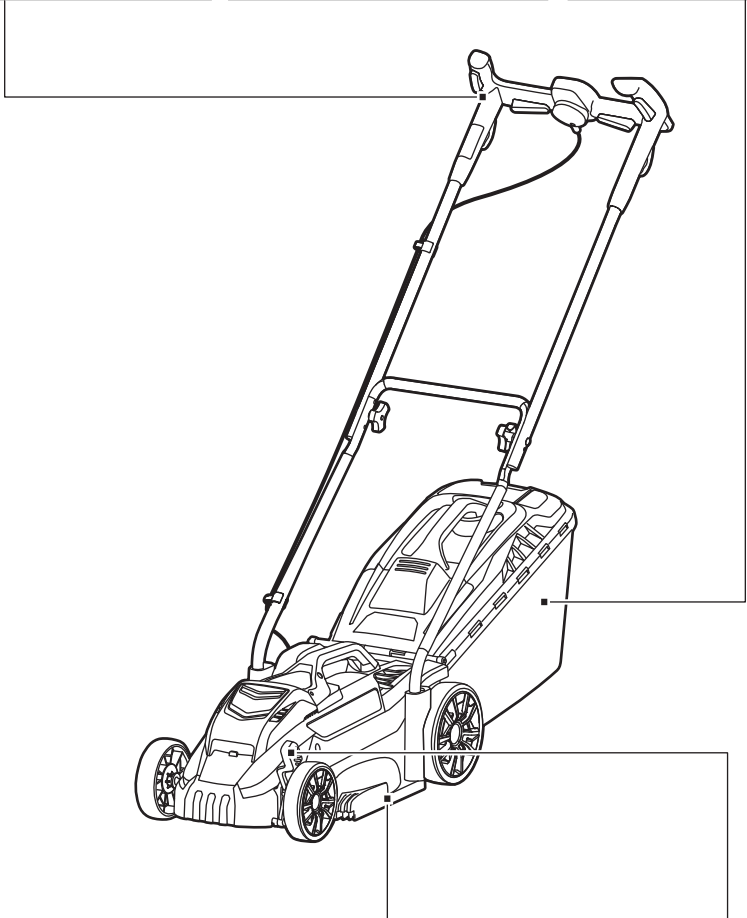
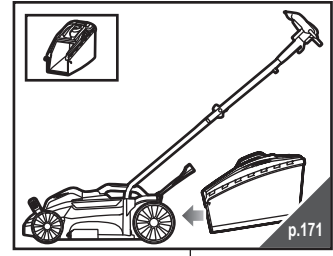
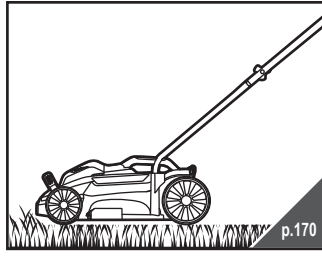
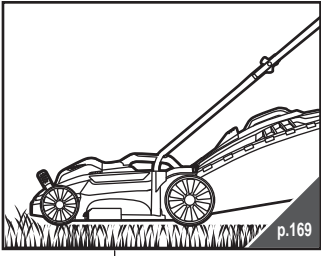


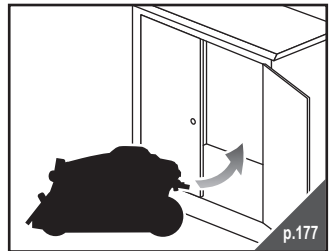
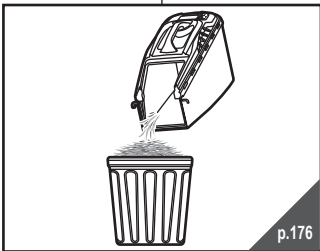
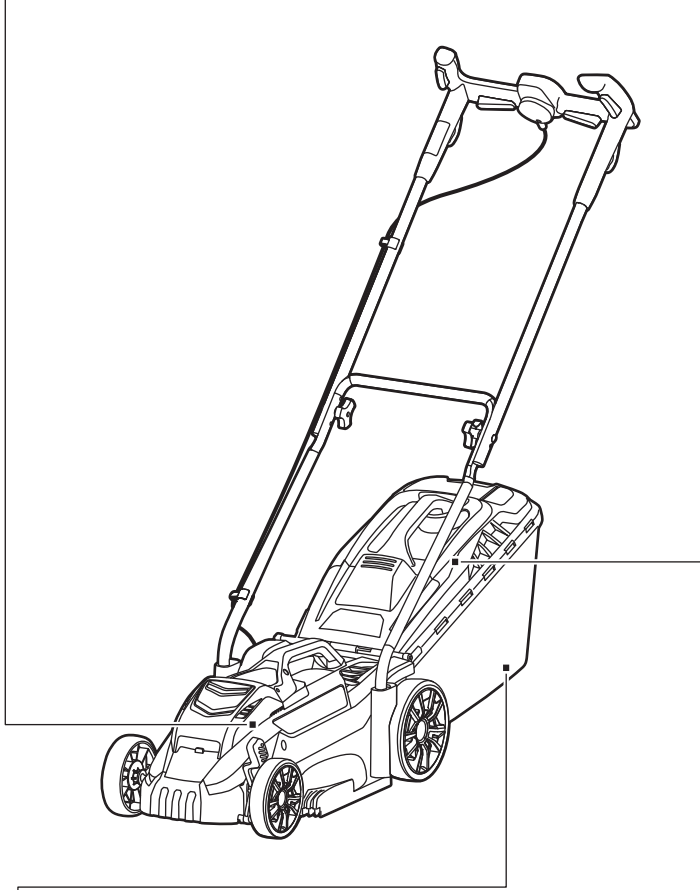
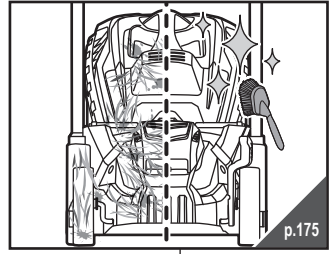
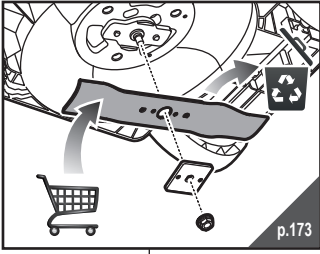


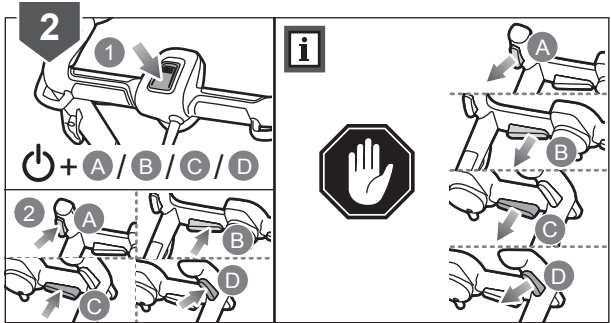
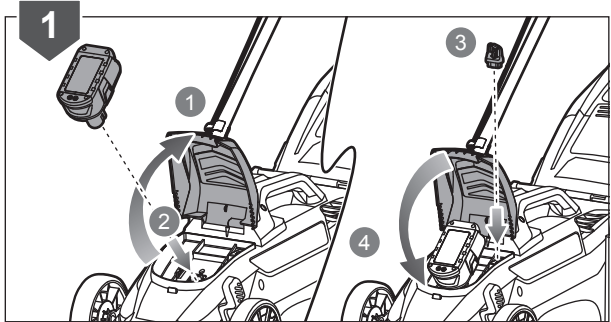
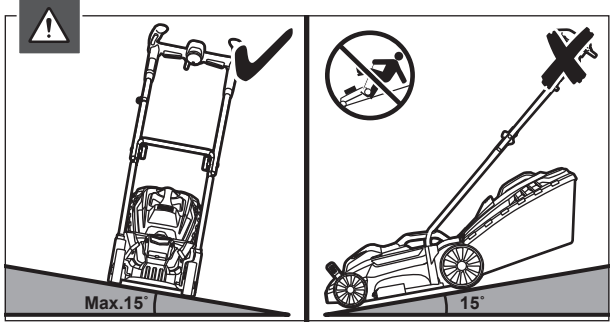
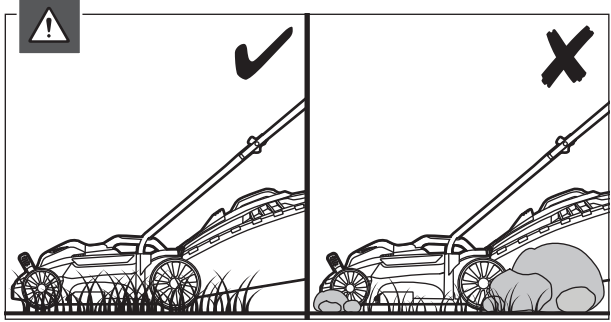
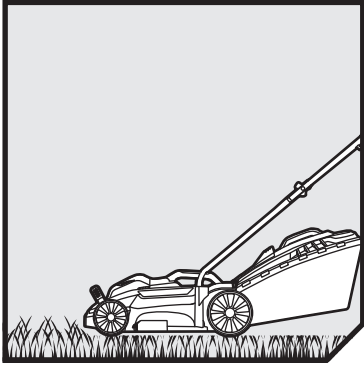


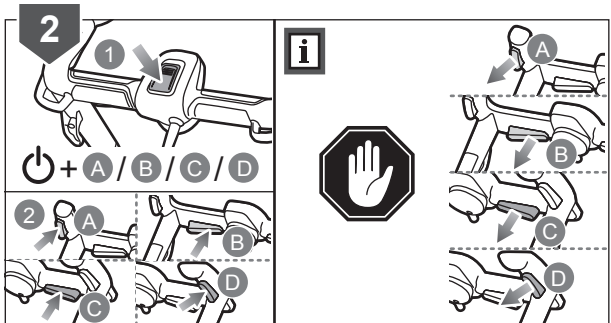
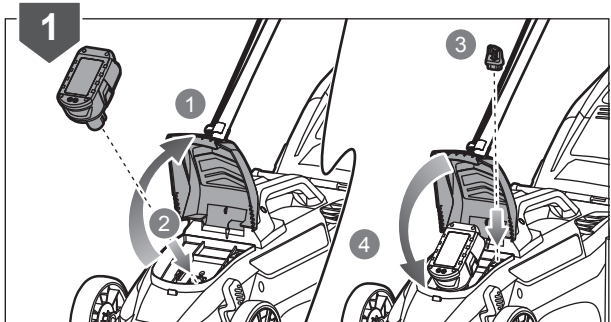
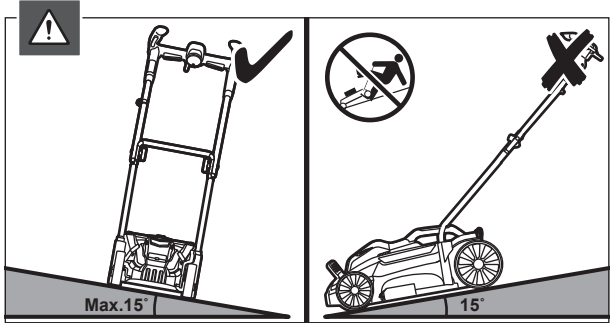
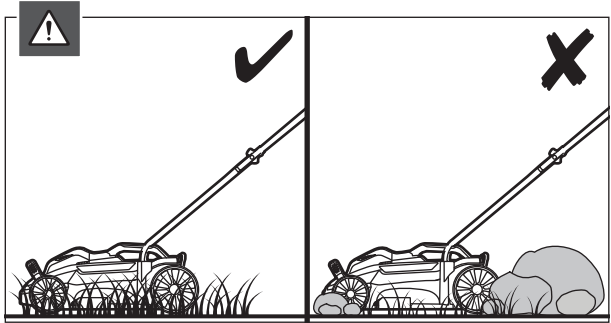
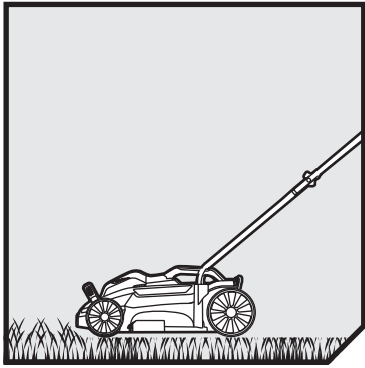


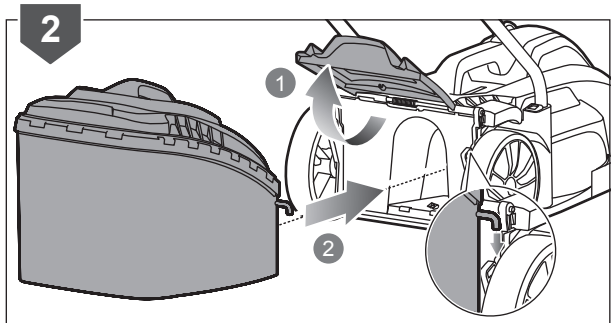
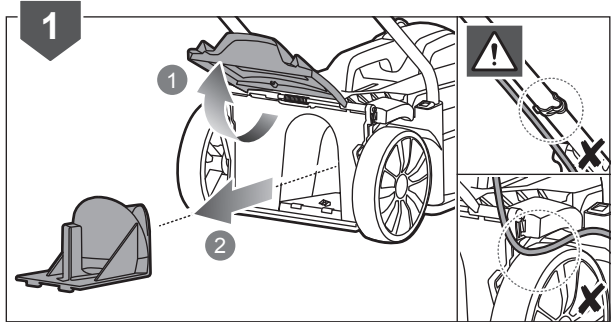
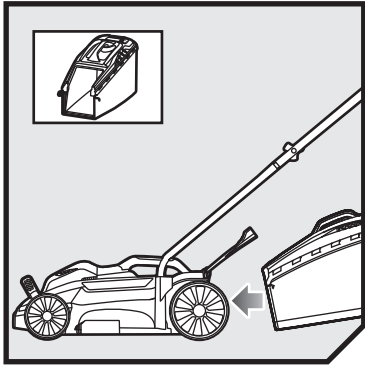
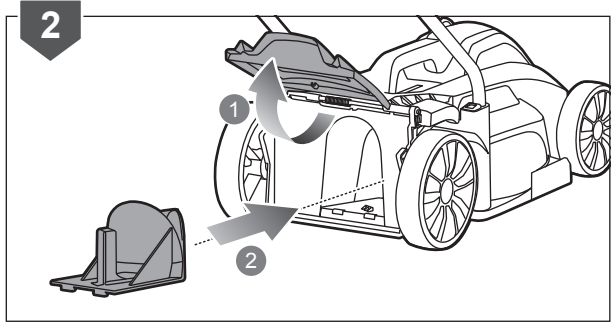
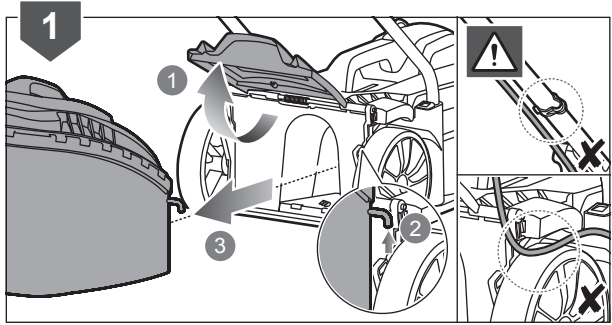
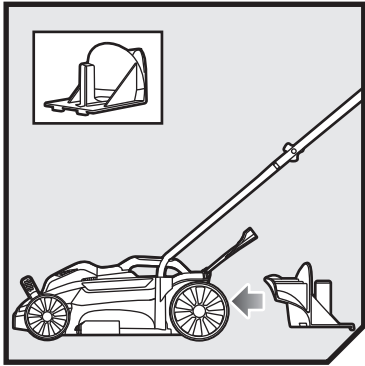


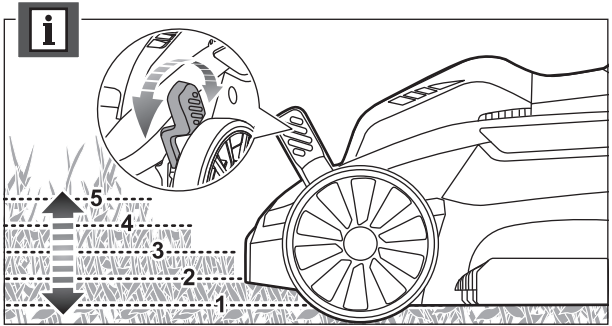
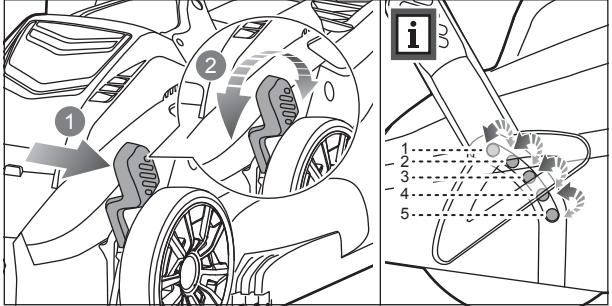
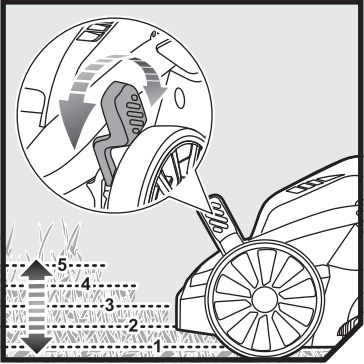
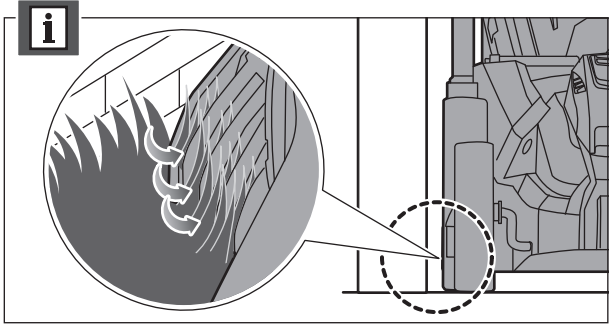
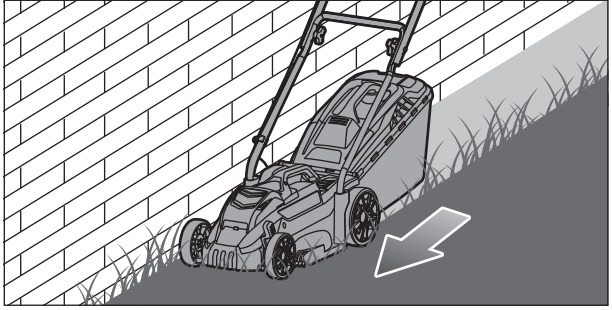
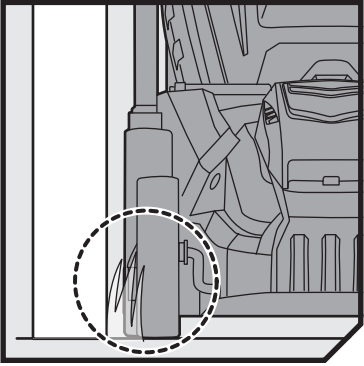


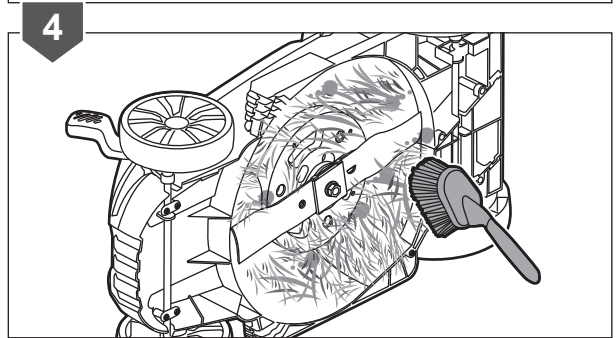
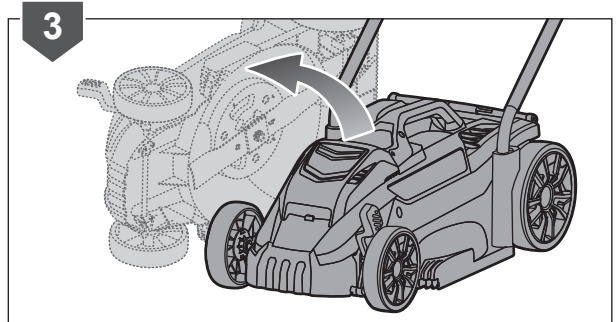
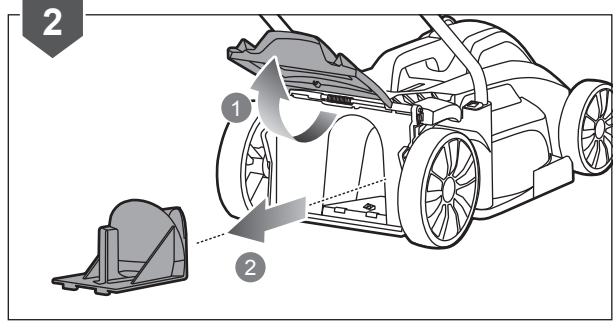
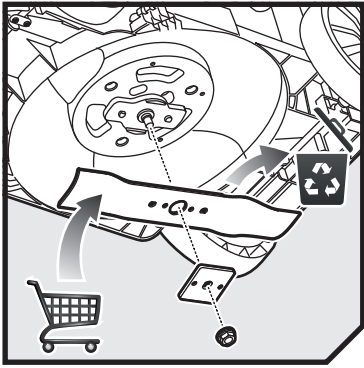


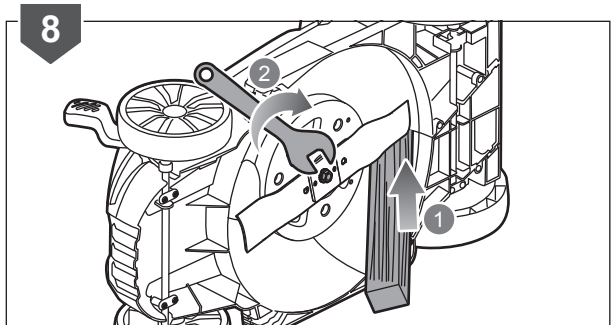
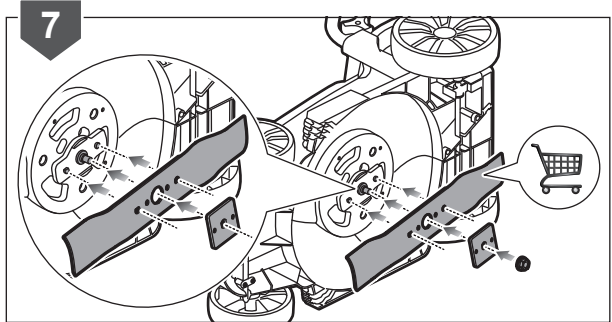
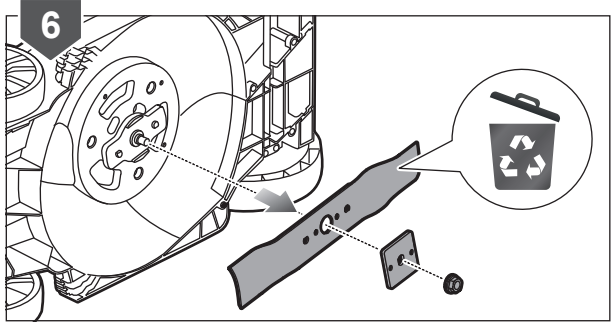
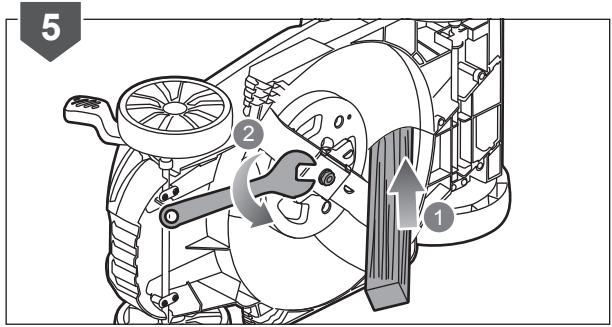


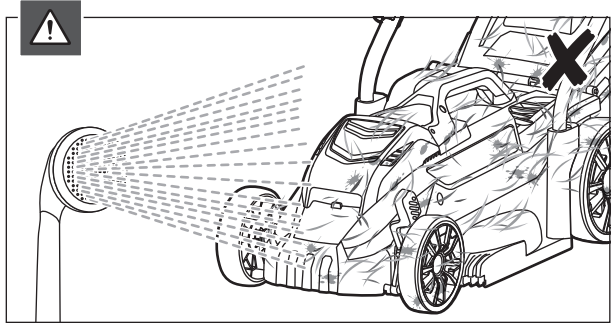
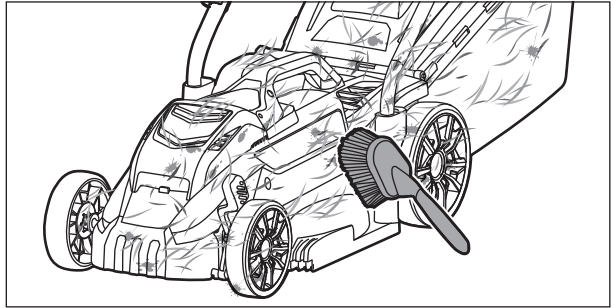
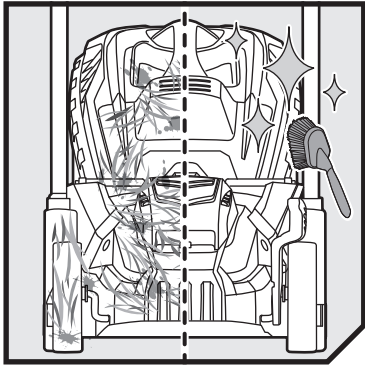


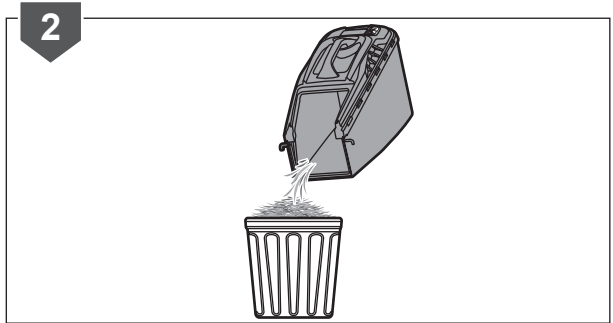
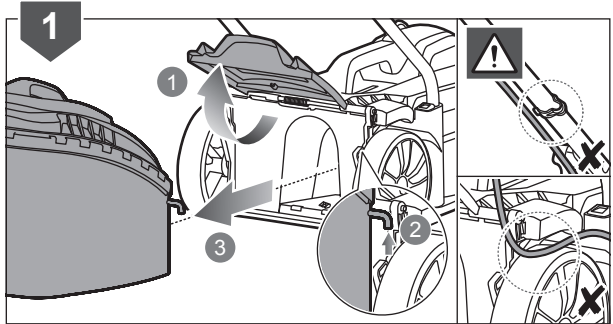
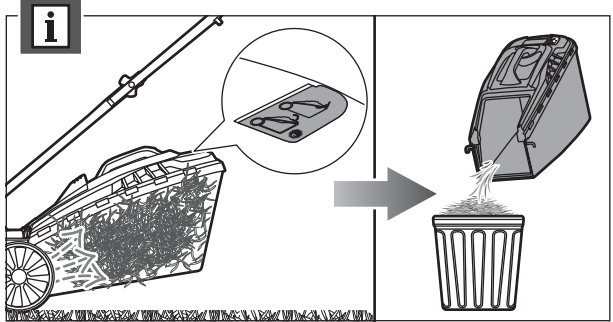
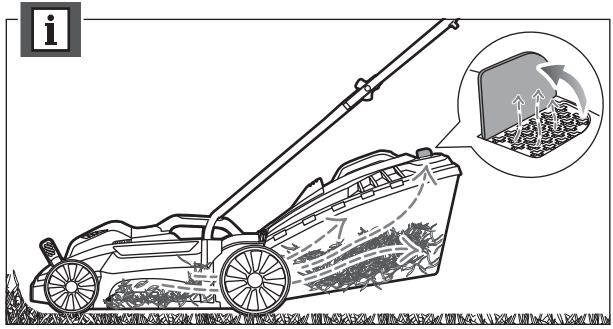
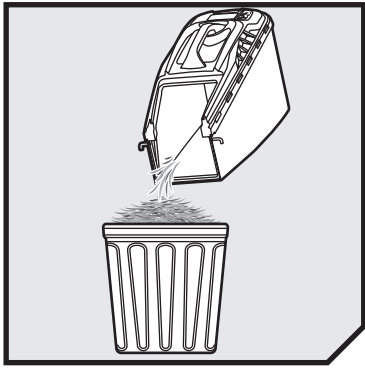


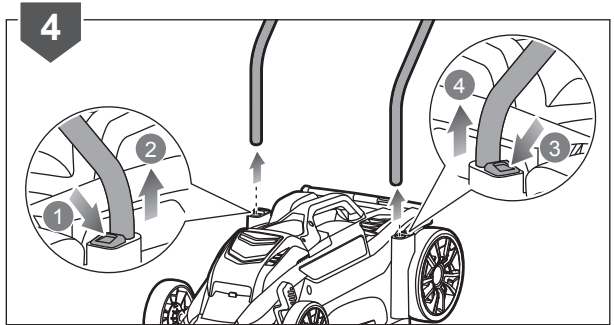
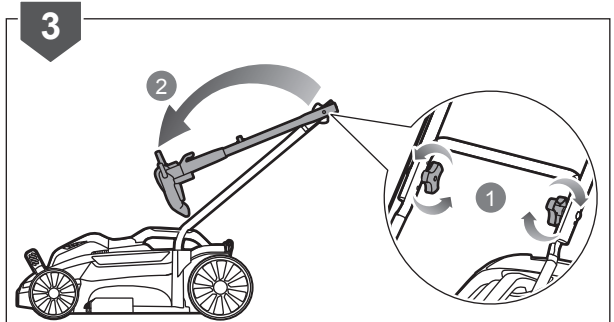
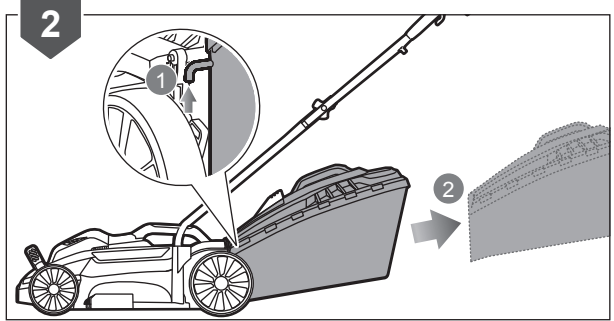
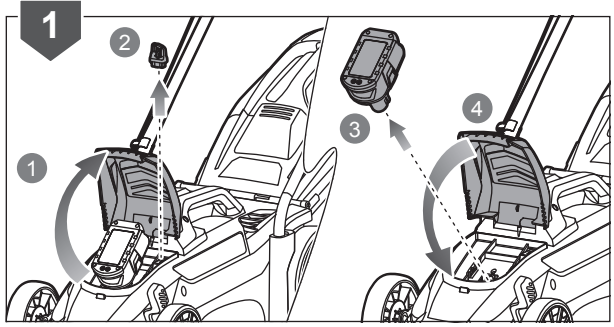
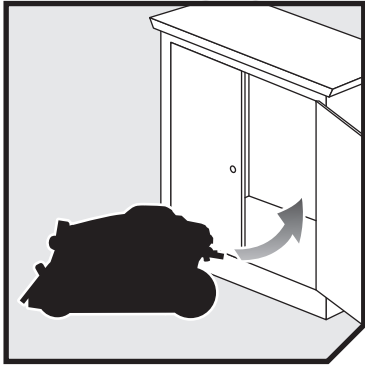


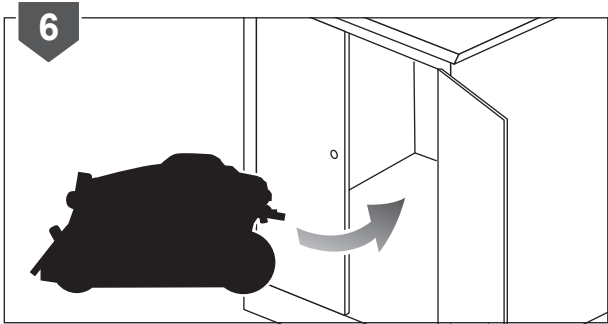
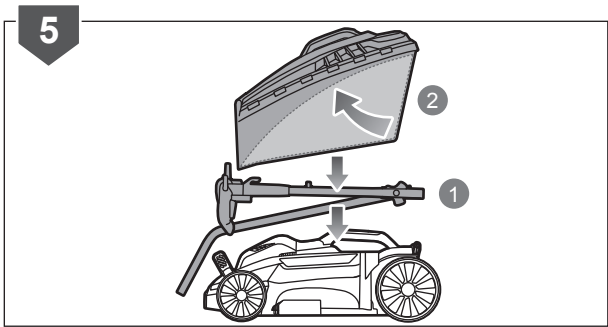
















English	Français	Deutsch	Español	Italiano	Nederlands
Product specifications	Caractéristiques produit	Produkt-Spezifikationen	Características del producto	Caratteristiche del prodotto	Productgegevens
Cordless Lawn Mower	Tondeuse à Gazon Sans-fil	Akku Rasenmäher	Cortacésped inalámbrico	Tosaerba senza cavo	Snoerloze grasmaaier
Model	Modèle	Modell	Modelo	Modello	Model
Rated voltage	Tension nominale	Nennspannung	Tensión nominal	Voltaggio nominale	Toegekende spanning
Width of cut	Largeur de coupe	Schnittbreite	Anchura de fresado	Larghezza di fresatura	Freesbreedte
Height of cut	Hauteur de coupe	Schnitthöhe	Altura del corte	Altezza del taglio	Hoogte van de snede
No-load speed	Vitesse de rotation	Leerlaufgeschwindigkeit	Velocidad sin carga	Velocità senza carico	Snelheid zonder lading
Weight (without battery pack)	Poids (Sans batterie)	Gewicht (ohne Akku)	Peso (sin la batería)	Peso (senza batterie)	Gewicht (zonder batterij)
Grassbox capacity	Contenance du panier	Grasfangkorbvolumen	Capacidad de la caja de la hierba	Capacità scatola di raccolta erba	Capaciteit grasopvangbak
Vibration level (in accordance with EN 60335-2-77 Annex FF)	Niveau de vibrations (selon l'Annexe FF de EN 60335-2-77)	Vibrationsgrad (entspricht Anhang FF von EN 60335-2-77)	Nivel de vibración (según el Anexo FF de EN 60335-2-77)	Livello di vibrazioni (Secondo quanto indicato dall'Allegato FF di EN 60335-2-77)	Trillingsniveau (in overeenstemming met bijlage FF van EN 60335-2-77)
Right handle	Poignée droite	Rechter griff	Empuñadura derecha	Manico destro	Rechter handgreep
Left handle	Poignée gauche	Linker griff	Empuñadura izquierda	Manico sinistro	Linker handgreep
Uncertainty of measurement	Incertitude de la mesure	Unsicherheit der Messung	Incertidumbre de medición	Incertezza della misurazione	Onzekerheid bij meting
Declared vibration value	Valeur déclarée des vibrations	Angegebener Vibrationswert	Valor de vibración declarado	Valore dichiarato vibrazioni	Verklaarde trillingswaarde
Noise emission level (in accordance with EN 60335-2-77 Annex GG)	Niveau d'émission sonore (selon l'Annexe GG de EN 60335-2-77)	Geräuschemission (entspricht Anhang GG von EN 60335-2-77)	Nivel de emisión de ruido (según el Anexo GG de EN 60335-2-77)	Livello di emissione rumori (Secondo quanto indicato dall'Allegato GG di EN 60335-2-77)	Niveau geluidsemisie (in overeenstemming met bijlage GG van EN 60335-2-77)
A-weighted sound pressure level at operator's position	Niveau de pression sonore pondéré A au niveau de l'opérateur	A-bewerteter Schalldruckpegel an der Position des Benutzers	Nivel de presión sonora ponderado A en la posición del operario	Livello di pressione sonora ponderata A alla posizione dell'operatore	A-gewogen geluidsdrukniveau bij positie van gebruiker
Uncertainty of measurement	Incertitude de la mesure	Unsicherheit der Messung	Incertidumbre de medición	Incertezza della misurazione	Onzekerheid bij meting
A-weighted sound power level	Niveau de puissance sonore pondéré-A	A-bewerteter Schalleistungspegel	Nivel de potencia acústica ponderada en A	Livello di potenza sonora pesato A	A-gewogen geluidsniveau
Uncertainty of measurement	Incertitude de la mesure	Unsicherheit der Messung	Incertidumbre de medición	Incertezza della misurazione	Onzekerheid bij meting





Português	Dansk	Svenska	Suomi	Norsk	Русский	
Características do aparelho	Produkt specifikationer	Produkt specifikationer	Tuotteen tekniset tiedot	Produkt spesifikasjoner	Характеристики изделия	
Corta-relva sem fios	Ledningsfri plæneklipper	Sladdlös gräsklippare	Johdoton ruohonleikkuri	Kabelfri gressklipper	Беспроводная газонокосилка	
Modelo	Model	Modell	Malli	Modell	Модель	RLM18X33H40/OLM1833H
Tensão nominal	Mærkespænding	Spänning	Nimellisjännite	Nominell spenning	Номинальное напряжение	DC 18V
Largura de fresagem	Fræsebredde	Fräsbredd	Jyrsintäleveys	Fresebredde	Ширина фрезеровки	33 cm
Altura de corte	Klippehøjde	Klipphöjd	Leikkuukorkeus	Klippehøyde	Высота стрижки	25-65 mm
Velocidade sem carga	Tomgangshastighed	Hastighet utan belastning	Nopeus ilman kuormaa	Tomgangshastighet	Холостая скорость	4.200±10% min ⁻¹
Peso (sem a bateria)	Vægt (uden batteri)	Vikt (utan batteri)	Paino (ilman akkua)	Vekt (uten batteri)	Масса (без батарей)	10.5 kg
Capacidade da caixa de relva	Græsbokskapacitet	Kapacitet för gräslåda	Ruoholaatikon tilavuus	Gressbokskapasitet	Вместимость контейнера для травы	35 L
Nível de vibração (segundo o Anexo FF da norma EN 60335-2-77)	Vibrationsniveau (i henhold til bilag FF til EN 60335-2-77)	Vibrationsnivå (enligt Annex FF i EN 60335-2-77)	Tärinätaiso (EN 60335-2-77 -standardin liitteen FF mukaan)	Vibrasjonsnivå (i samsvar med Tillegg FF til EN 60335-2-77)	Уровень вибрации (в соответствии с Приложением FF стандарта EN 60335-2-77)	
Punho direito	Højre håndtag	Höger handtag	Oikea kahva	Høyre håndtak	Правой ручки	3.1 m/s ²
Punho esquerdo	Venstre håndtag	Vänster handtag	Vasen kahva	Venstre håndtak	Левой ручки	4.2 m/s ²
Incerteza de medições	Målingsusikkerhed	Osäkerhet i mätningar	Mittausten epätarkkuus	Usikkerhet ved måling	Погрешность измерения	1.5 m/s ²
Valor de vibração declarado	Deklareret vibrationsværdi	Deklarerat vibrationsvärde	Ilmoitettu tärinäarvo	Erklært vibrasjonsverdi	Заявленное значение вибрации	5.7 m/s ²
Nível de emissão de ruído (segundo o Anexo GG da norma EN 60335-2-77)	Støjmissionsniveau (i henhold til bilag GG til EN 60335-2-77)	Bullernivå (enligt Annex GG i EN 60335-2-77)	Melutaso (EN 60335-2-77 -standardin liitteen GG mukaan)	Støyemissionsnivå (i samsvar med Tillegg GG til EN 60335-2-77)	Уровень шума (в соответствии с Приложением GG стандарта EN 60335-2-77)	
Nível de pressão sonora ponderada A na posição do operador	A-vægtet lydtryksniveau ved operatørens position	A-viktad ljudtrycksnivå vid operatörsplats	A-painotettu käyttäjään kohdistuva äänenpainetaso	Støynivåvektning ved operatørens posisjon	Амплитудно-взвешенный уровень звукового давления в рабочем месте оператора	77.7 dB(A)
Incerteza de medições	Målingsusikkerhed	Osäkerhet i mätningar	Mittausten epätarkkuus	Usikkerhet ved måling	Погрешность измерения	2.5 dB
Nível de potência sonora ponderada A	A-vægtet lydeffektniveau	A-vägd ljudeffektnivå	A-painotettu äänenteho	A-vektet lydeffektnivå	Уровень A-взвешенной звуковой мощности	89.96 dB(A)
Incerteza de medições	Målingsusikkerhed	Osäkerhet i mätningar	Mittausten epätarkkuus	Usikkerhet ved måling	Погрешность измерения	1.75 dB





Polsk	Čeština	Magyar	Română	Latviski	Lietuviškai
Parametry techniczne	Technické údaje produktu	Termék műszaki adatai	Specificațiile produsului	Produkta specifikācijas	Gaminio techninės savybės
Kosiarka bezprzewodowa	Akkumulátoros fűnyíró	Akkumulátorová sekačka trávy	Mașină de tuns gazonul fără cablu	Brezzična kosilnica	Bežična kosilica
Model	Model	Típus	Model	Modelis	Modelis
Napięcie znamionowe	Jmenovité napětí	Névleges feszültség	Tensiunea nominală	Nominālais spriegums	Nominali įtampa
Szerokość frezowania	Šířka frézování	Marási szélesség	Lățimea de frezare	Griezuma platumš	Pjovimo plotis
Wysokość cięcia	Výška sečení	Vágásmagasság	Înălțimea de tăiere	Griešanas augstums	Pjovimo aukštis
Prędkość obrotowa bez obciążenia	Rychlost naprázdno	Üresjárati fordulatszám	Viteză fără sarcină	Greitis be apkrovimo	Greitis be apkrovimo
Ciężar (bez akumulatora)	Hmotnost (bez baterie)	Tömeg (akkumulátor nélkül)	Greutate (fără acumulator)	Svars (bez baterijas)	Svoris (be laido)
Pojemność kosza na trawę	Kapacita sběrného vaku	Fűgyűjtő térfogata	Capacitate colector de iarbă	Zāles savācēja ietilpība	Žolės surinkimo dėžės talpa
Poziom drgań (zgodnie z aneksem FF normy EN 60335-2-77)	Úroveň vibrací (v souladu s přílohou FF normy EN 60335-2-77)	Vibrációs szint (az EN 60335-2-77 FF. függeléke szerint)	Nivelul vibrațiilor (în conformitate cu anexa FF din EN 60335-2-77)	Vibrācijas līmenis (saskaņā ar EN 60335-2-77 pielikumu FF)	Vibracijos lygis (pagal EN 60335-2-77 standarto FF priedą.)
Uchwył prawy	Pravá rukojeť	Jobb oldali fogantyú	Măner dreapta	Labais rokturis	Dešinė rankena
Uchwył lewy	Levá rukojeť	Bal oldali fogantyú	Măner stânga	Kreisais rokturis	Kairė rankena
Niepewność pomiaru	Nejistota měření	Mérés bizonytalansága	Incertitudine a măsurării.	Mērijuma mainīgums	Matmenų paklaida
Deklarowana wartość wibracji	Deklarovaná hodnota vibrací	Deklarált vibráció érték	Valoare de vibrație declarată	Noteikta vibrācijas vērtība	Dekaruota vibracijos vertė
Poziom emisji hałasu (zgodnie z aneksem GG normy EN 60335-2-77)	Hladina emise hluku (v souladu s přílohou GG normy EN 60335-2-77)	Zajkibocsátási szint (az EN 60335-2-77 GG. függeléke szerint)	Nivel emisie zgomot (în conformitate cu anexa GG din EN 60335-2-77)	Trokšņa emisijas līmenis (saskaņā ar EN 60335-2-77 pielikumu GG)	Triukšmo emisijų norma (pagal EN 60335-2-77 standarto G priedą.)
Poziom ciśnienia akustycznego w pozycji operatora	Hladina akustického tlaku vážená funkcí A v poloze obsluhy	A-súlyozott hangnyomásszint a kezelő helyén	Un nivel de presiune al sunetului mai tare la poziția operatorului.	Lietotāja pozīcijā ir ar A novērtēts skaņas spiediena līmenis.	A lygio svoris garso slėgis operatoriaus padėtyje.
Niepewność pomiaru	Nejistota měření	Mérés bizonytalansága	Incertitudine a măsurării.	Mērijuma mainīgums	Matmenų paklaida
A-wažony poziom nateżenia hałasu	Hladina akustického výkonu vážená funkcí A	A-súlyozott hangteljesítményszint	Nivel de putere acustică ponderată A	A-līmeņa skaņas jaudas līmenis	A svertinis garso galios lygis
Niepewność pomiaru	Nejistota měření	Mérés bizonytalansága	Incertitudine a măsurării.	Mērijuma mainīgums	Matmenų paklaida





Eesti	Hrvatski	Slovensko	Slovenčina	България	Українська	
Toote tehnilised andmed	Spetsifikacije proizvoda	Spetsifikacije izdelka	Špecifikácie produktu	Технически характеристики	Технічні характеристики продукту	
Akutoitega muruniiduk	Belaidé vejjapové	Bezvady záles plávejs	Akumulátorová kosačka	Безжична косачка	Бездротова газонокосарка	
Mudel	Model	Model	Modelis	Модел	Модель	RLM18X33H40/ OLM1833H
Nimipinge	Nazivni napon	Nazivna napetost	Menovité napätie	Номинален волтаж	Номинальна напруга	DC 18V
Lõikelaius	Širina glodanja	Širina reza	Širka rezu	Ширина на рязане	Ширина ризу	33 cm
Lõikekõrgus	Visina rezanja	Višina rezanja	Výška strihania	Височина на подрязване	Висота скошування	25-65 mm
Tühikäigukirus	Brzina bez opterećenja	Hitrost neobremenjenega motorja	Rýchlosť naprázdno	Скорост в ненатоварен режим	Швидкість без навантаження	4.200±10% min ⁻¹
Kaal (ilma akuta)	Težina (bez baterije)	Teža (brez baterije)	Hmotnosť (bez akumulátora)	Тегло (без батерията)	Вага (Без акумулятором)	10.5 kg
Rohukasti maht	Kapacitet kutije za travu	Kapaciteta posode za travo	Kapacita zberača trávy	Вместимост на кутията за трева	Ємність травозбірника	35 L
Vibratsioonitase (vastavalt standardi EN 60335-2-77 lisale FF)	Razina vibracije (u skladu s Dodatkom FF EN 60335-2-77)	Raven vibracij (v skladu z aneksom FF v EN 60335-2-77)	Úroveň vibrácií (v súlade s Dodatkom FF normy EN 60335-2-77)	Ниво на вибрация (в съответствие с приложение FF на EN 60335-2-77)	Рівень вібрації (відповідно до EN 60335-2-77 додаток FF)	
Parempoolne käepide	Desna ručica	Desni ročaj	Pravá rukoväť	Дясната ръкохватка	Права ручка	3.1 m/s ²
Vasakpoolne käepide	Lijeva ručica	Levi ročaj	Ľavá rukoväť	Лявата ръкохватка	Ліва ручка	4.2 m/s ²
Mõõtmismääratus	Neodređenost mjerenja	Negotovost meritev	Nespoľahlivosť meraní	Несигурност на измерването	Невизначеність вимірювання	1.5 m/s ²
Deklareeritud vibratsiooni väärtus	Deklarirana vrijednost vibracija	Deklarirana vrednost tresljajev	Deklarovaná hodnota vibrácií	Посочена стойност на вибрациите	Заявлене значення вібрації	5.7 m/s ²
Müraemissiooni tase (vastavalt standardi EN 60335-2-77 lisale GG)	Razina emitirane buke (u skladu s Dodatkom GG EN 60335-2-77)	Raven emisij hrupa (v skladu z aneksom GG v EN 60335-2-77)	Úroveň emisií hluku (v súlade s Dodatkom GG normy EN 60335-2-77)	Ниво на шумова емисия (в съответствие с приложение GG на EN 60335-2-77)	Рівень шуму (відповідно до EN 60335-2-77 Annex GG)	
A-kaalutud müraemissiooni rõhu tase operaatori tödkohal	A-ponderirana razina zvočnog tlaka u položaju operatera	A-izmerjena raven zvočnega tlaka pri položaju upravljavca	Vážená A hladina akustického tlaku na pozícií obsluhujúcej osoby.	Равнище А на нивото на шумовото налягане на мястото на оператора.	А-зважений рівень звукового тиску на робочому місці оператора	77.7 dB(A)
Mõõtmismääratus	Neodređenost mjerenja	Negotovost meritev	Nespoľahlivosť meraní	Несигурност на измерването	Невизначеність вимірювання	2.5 dB
A-kaalutud helivõimsuse tase	Ponderirana razina zvočne snage	A-izmerjena raven zvočne moči	Vážená A hladina akustického výkonu	Ниво на силата на шума с равнище А	А-зважений рівень звукової потужності	89.96 dB(A)
Mõõtmismääratus	Neodređenost mjerenja	Negotovost meritev	Nespoľahlivosť meraní	Несигурност на измерването	Невизначеність вимірювання	1.75 dB





English	Français	Deutsch	Español	Italiano	Nederlands	Português
Battery and charger	Batterie et chargeur	Akku und Ladegerät	Batería y cargador	Batteria e caricatore	Accu en oplader	Bateria e carregador
Model	Modèle	Model	Modelo	Modello	Model	Modelo
Battery Pack	Batterie	Akku	Batería	Batteria	Accu	Bateria
Weight	Poids	Gewicht	Peso	Peso	Peso	Gewicht
Charger	Chargeur	Ladegerät	Cargador	Caricatore	Lader	Carregador
Compatible battery packs	Packs Batterie Compatibles	Kompatible Akkus	Paquetes de batería compatibles	Gruppo batterie compatibili	Compatibele accupacks	Baterias Compatíveis
Compatible charger	Chargeur compatible	Kompatibles ladegerät	Cargador compatible	Caricatore compatibile	Kompatibel oplader	Carregador compatível
Replacement part	Pièce de rechange	Ersatzteil	Pieza de repuesto	Ricambio	Vervangonderdeel	Peça de substituição
Blade	Lame	Messer	Hoja	Lama	Zaagblad	Lâmina



Polski	Čeština	Magyar	Română	Latviski	Lietuviškai	Eesti
Akumulator i ładowarka	Nabíječka a baterie	Akkumulátor és töltő	Batería și încărcătorul	Akumulators un lādētājs	Akumulatorius ir įkroviklis	Aku ja laadija
Model	Model	Típus	Model	Modelis	Modelis	Mudel
Akumulator	Baterie	Akkumulátor	Acumulator	Akumulators	Baterija	Aku paketiga
Greutate	Waga	Bec	Tömeg	Teža	Težina	Mass
Ładowarka	Nabíječka	Töltő	Încărcător	Lādētājs	Įkroviklis	Laadija
Pasujące akumulatory	Kompatibilní akumulátory	Kompatibilis akkumulátorok	Acumulatori compatibili	Savietojami akumulatoru komplekti	Suderinami baterijos paketai	Ühilduvad akupaketid
Odpowiednia ładowarka	Kompatibilni nabíječka	Kompatibilis töltő	Încărcător compatibil	Saderīgs lādētājs	Tinkamas įkroviklis	Kasutatav laadija
Części zamienne	Náhradní díl	Cserealkatrész	Piesă de schimb	Rezerves daļa	Atsarginė dalis	Varuos
Ostrze	Nůž	Kés	Lamă	Asmens	Geležtė	Saeleht





Dansk	Svenska	Suomi	Norsk	Русский		
Batteri og oplader	Batteri och batteriladdare	Akku ja laturi	Batteri og lader	Аккумуляторная батарея и зарядное устройство		
Model	Modell	Malli	Modell	Модель	RLM18X33H40	OLM1833H
Batteri	Batteri	Akku	Batteri	Аккумулятор	RB18L40	-
Vikt	Vægt	Vekt	Paino	Нмотност	0.73 kg	-
Oplader	Batteriladdare	Laturi	Lader	Зарядное устройство	BCL14181H	-
Kompatible batterier	Kompatibla batteripaket	Yhteensopivat akut	Kompatible batteripakker	Совместимая аккумуляторная батарея	RB18L13/RB18L15/RB18L25/ RB18L26/RBL18L40/ RB18L50	
Compatibele oplader	Passande laddare	Yhteensopiva laturi	Kompatibel lader	Совместимое зарядное устройство	BCL14181H/BCL14183H	
Reservedel	Ersättningsdel	Varaosat	Erstatningsdel	Заменяемые детали		
Klinge	Blad	Terä	Blad	Пильное полотно	RAC431 (682072)	



Hrvatski	Slovensko	Slovenčina	България	Українська		
Baterija i punjač	Baterija in polnilnik	Akumulátor a nabijačka	Батерия и зарядно устройство	Акумулятор і зарядний пристрій		
Model	Model	Modelis	Модел	Модель	RLM18X33H40	OLM1833H
Baterija	Akumulator	Batéria	Батерия	Контейнер з акумулятором	RB18L40	-
Masé	Svars	Hmotnosť	Тегло	Вага	0.73 kg	-
Punjač	Polnilec	Nabijačka	Зарядно устройство	Зарядний пристрій	BCL14181H	-
Kompatibilna pakiranja baterija	Združljive baterije	Kompatibilné jednotky akumulátorov	Съвместими батерии	Сумісні акумуляторні блоки	RB18L13/RB18L15/RB18L25/ RB18L26/RBL18L40/ RB18L50	
Kompatibilni punjač	Združljiv polnilec	Kompatibilná nabijačka	Съвместимо зарядно устройство	Сумісний зарядний пристрій	BCL14181H/BCL14183H	
Zamjenski dijelovi	Nadomestni deli	Náhradné diely	Резервна част	Змінна частина		
Oštrica	Rezilo	Ostrie	Острие	Лезо	RAC431 (682072)	



EN GUARANTEE

In addition to any statutory rights resulting from the purchase, this product is covered by a guarantee as stated below.

- The guarantee period is 24 months for consumers and commences on the date when the product was purchased. This date has to be documented by an invoice or other proof of purchase. The product is designed and dedicated to consumer and private use only. So there is no guarantee provided in case of professional or commercial use.
- There is, in some cases (i.e. promotion, range of tools), a possibility to extend the warranty period over the period described above using the registration on the www.ryobitools.eu website. The eligibility of the tool is clearly displayed in stores and/or on packaging. The end user needs to register his/her newly-acquired tools online within 8 days from the date of purchase. The end user may register for the extended warranty in his country of residence if listed on the online registration form where this option is valid. Furthermore, end users must give their consent to the storage of the data which are required to enter online and they have to accept the terms and conditions. The registration confirmation receipt, which is sent out by e-mail, and the original invoice showing the date of purchase will serve as proof of the extended warranty. Your statutory rights remain unaffected.
- The guarantee covers all defects of the product during the warranty period due to defaults in workmanship or material at the purchase date. The guarantee is limited to repair and/or replacement and does not include any other obligations including but not limited to incidental or consequential damages. The warranty is not valid if the product has been misused, used contrary to the instruction manual, or being incorrectly connected. This guarantee does not apply to
 - any damage to the product that is the result of improper maintenance
 - any product that has been altered or modified
 - any product where original identification (trade mark, serial number) markings have been defaced, altered or removed
 - any damage caused by non-observance of the instruction manual
 - any non CE product
 - any product which has been attempted to be repaired by an non-qualified professional or without prior authorization by Techtronic Industries
 - any product connected to improper power supply (amps, voltage, frequency)
 - any product used with inappropriate fuel mixture (fuel, oil, percentage of oil)
 - any damage caused by external influences (chemical, physical, shocks) or foreign substances
 - normal wear and tear of spare parts
 - inappropriate use, overloading of the tool
 - use of non-approved accessories or parts
 - carburettor after 6 months, carburettor adjustments after 6 months
 - components (parts and accessories) subject to natural wear and tear, including but not limited to bump knobs, drive belts, clutch, blades of hedge trimmers or lawn mowers, harness, cable throttle, carbon brushes, power cord, tines, felt washers, hitch pins, blower fans, blower and vacuum tubes, vacuum bag and straps, guide bars, saw chains, hoses, connector fittings, spray nozzles, wheels, spray wands, inner reels, outer spools, cutting lines, spark plugs, air filters, gas filters, mulching blades, etc.
- For servicing, the product must be sent or presented to a RYOBI authorized service station listed for each country in the following list of service station addresses. In some countries your local RYOBI dealer undertakes to send the product to the RYOBI service organisation. When sending a product to a RYOBI service station, the product should be safely packed without any dangerous contents such as petrol, marked with sender's address and accompanied by a short description of the fault.
- A repair/replacement under this guarantee is free of charge. It does not constitute an extension or a new start of the guarantee period. Exchanged parts or tools become our property. In some countries delivery charges or postage will have to be paid by the sender.
- This guarantee is valid in the European Community, Switzerland, Iceland, Norway, Liechtenstein, Turkey and Russia. Outside these areas, please contact your authorized RYOBI dealer to determine if another warranty applies.

AUTHORISED SERVICE CENTRE

To find an authorised service centre near you, visit <http://uk.ryobitools.eu/header/service-and-support/service-agents>.

FR GARANTIE

En plus des droits statutaires liés à l'achat, ce produit est couvert par une garantie telle que décrite ci-dessous.

- La durée de la garantie accordée au consommateur est de 24 mois à partir de la date d'achat. Cette date doit être authentifiée par une facture ou tout autre preuve d'achat. Le produit a été conçu en vue d'une utilisation strictement privée. Aucune garantie ne s'applique donc en cas d'utilisation professionnelle ou commerciale.
- Il existe, dans certains cas (par exemple promotion, gamme d'outils), une possibilité d'étendre la période de garantie au-delà de la période précédemment décrite en utilisant le formulaire d'enregistrement présent sur le site Internet www.ryobitools.eu. L'éligibilité d'un outil est clairement affichée dans les points de vente et/ou sur l'emballage. L'utilisateur final doit enregistrer son/ses outil(s) nouvellement acheté(s) en ligne dans les 8 jours qui suivent la date d'achat. L'utilisateur a la possibilité de s'enregistrer pour l'extension de garantie dans son pays de résidence si celui-ci est listé dans le formulaire d'enregistrement en ligne où cette option est valide. L'utilisateur final doit donner son consentement pour l'enregistrement des données requises pour accéder au site et doit accepter les termes et conditions. La confirmation d'enregistrement, envoyée par courrier électronique, ainsi que la facture originale mentionnant la date d'achat serviront de preuve de l'extension de garantie. Vos droits statutaires restent inchangés.
- La garantie couvre les défauts des pièces et de main d'oeuvre du produit pendant la période de garantie à partir de la date d'achat. La garantie n'inclut aucune autre obligation, tel que, mais sans s'y limiter, les dommages accessoires ou indirects. La garantie est non valable en cas de mauvaise utilisation du produit, d'utilisation contraire aux instructions du mode d'emploi, ou en cas de branchement incorrect. Cette garantie ne s'applique pas pour :
 - tout dommage au produit résultant d'un mauvais entretien
 - tout produit ayant été altéré ou modifié
 - tout produit dont les marquages originaux d'identification (marque, numéro de série) ont été dégradés, altérés ou retirés
 - tout dommage causé par le non-respect des instructions du mode d'emploi
 - tout produit non CE
 - tout produit ayant subi une tentative de réparation par du personnel non qualifié ou sans autorisation préalable de Techtronic Industries
 - tout produit raccordé à une alimentation secteur non conforme (ampérage, voltage, fréquence)
 - tout produit utilisé avec un mélange inapproprié (essence, huile, pourcentage d'huile)
 - tout dommage causé par des influences extérieures (chimiques, physiques, chocs) ou par des substances étrangères
 - l'usure normale des pièces consommables
 - une utilisation inappropriée, une surcharge de l'outil
 - l'utilisation de pièces ou accessoires non agréés
 - les carburateurs après plus de 6 mois à compter de la date d'achat, également les réglages du carburateur après plus de 6 mois à compter de la date d'achat
 - les composants (pièces et accessoires) sujets à une usure naturelle, incluant de façon non exhaustive les têtes de fil à frapper, les courroies de transmission, les embrayages, les lames des taille-haies ou des tondeuses à gazon, les harnais, les câbles d'accélérateur, les charbons, les cordons d'alimentation, les fraises de cultivateurs, les rondelles feutre, les goupilles de fraise, les turbines et lame de broyage des souffleurs, les tubes de soufflage et d'aspiration des souffleurs, les sacs de souffleurs et leurs lanières, les guides-chaîne, les chaînes de tronçonneuses, les tuyaux et raccords, les buses et lances de nettoyeurs haute pression, les roues, les recharges de fil des têtes de coupe, les têtes de coupe, le fil de coupe, les bougies d'allumage, les filtres à air, les filtres à essence, etc.
- Si le produit doit être réparé, envoyez-le à un service après-vente agréé RYOBI dont vous trouverez ci-dessous la liste pour chaque pays. Dans certains pays, votre revendeur RYOBI se chargera d'envoyer le produit à un centre de réparation RYOBI. Lorsque vous envoyez un produit à un service après-vente RYOBI, celui-ci doit être correctement emballé, sans contenir aucun produit dangereux tel que de l'essence, et vous devez indiquer votre adresse ainsi qu'une courte description du problème.
- Une réparation / un remplacement sous garantie est gratuit(e). Ceci ne constituera pas une extension de garantie ni un nouveau départ de la période de garantie. Les pièces ou les outils remplacés deviennent notre propriété. Dans certains pays, les frais de port devront être assumés par l'expéditeur.
- Cette garantie est valable au sein de l'Europe, de la Suisse, de l'Islande, de la Norvège, du Liechtenstein, de la Turquie, de la Russie. En dehors de ces zones, veuillez contacter votre distributeur agréé RYOBI pour déterminer si une autre garantie s'applique.

SERVICE APRÈS-VENTE AGRÉÉ

Pour trouver le service après-vente agréé le plus proche, rendez-vous sur <http://fr.ryobitools.eu/header/service-and-support/service-agents>.

DE GARANTIE

Zusätzlich zu den aufgrund des Kaufs entstehenden gesetzlichen Rechten, ist dieses Produkt von der unten aufgeführten Garantie abgedeckt.

- Die Garantiezeit für Endverbraucher beträgt 24 Monate für und beginnt ab dem Kaufdatum des Produktes. Dieses Datum muss durch eine Rechnung oder einen anderen Kaufbeleg dokumentiert sein. Das Produkt ist ausschließlich für den Privatgebrauch entwickelt und bestimmt. Deshalb wird keine Garantie im Fall von professionellem oder kommerziellem Einsatz angeboten.
- In einigen Fällen (z.B. Promotion, auf eine bestimmte Produktpalette oder auf bestimmte Produkte begrenzt) besteht die Möglichkeit die Garantiezeit über den oben genannten Zeitraum, durch Registrierung auf der Webseite www.ryobitools.eu, zu verlängern. Der verlängerte Garantieanspruch für ein bestimmtes Produkt wird deutlich in den Geschäften und/oder auf der Verpackung des Produktes gezeigt. Der Endverbraucher muss seine neu verkauften Produkte innerhalb von 8 Tagen ab Kaufdatum registrieren. Der Endverbraucher kann sich für die erweiterte Garantie im Land seines permanenten Wohnsitzes registrieren, wenn diese Möglichkeit in dem Online-Formular gegeben ist. Des weiteren müssen die Endverbraucher ihr Einverständnis zur Speicherung der online angegebenen Daten geben und die Geschäftsbedingungen annehmen. Die per E-Mail verschickte Bestätigung der Registrierung und die Originalrechnung mit Kaufdatum dienen als Nachweis für die verlängerte Garantie. Ihre gesetzlichen Rechte bleiben unangetastet.
- Die Garantie deckt während der Garantiezeit ab Kaufdatum alle Produktmängel aufgrund von Material- oder Herstellungsmängeln ab. Diese Garantie ist auf Reparatur und/oder Ersatz beschränkt und enthält keine weiter Verpflichtungen einschließlich aber nicht beschränkt auf beiläufige oder resultierende Schäden. Die Garantie ist nicht gültig, wenn das Produkt missbräuchlich oder entgegen der Bedienungsanleitung benutzt, oder falsch angeschlossen wurde. Diese Garantie gilt nicht für:
 - Jegliche Schäden die an dem Produkt aufgrund falscher Wartung entstehen.
 - Jedes Produkt das verändert oder modifiziert wurde.
 - Jedes Produkt an dem die originale Identifizierung (Markenzeichen, Seriennummer) verunstaltet, verändert oder entfernt wurden.
 - Jede Beschädigung die durch Nichtbeachtung der Bedienungsanleitung verursacht wurde.
 - Jedes Produkt ohne CE Zeichen.
 - Jedes Produkt das von einer unqualifizierten Person oder ohne vorherige Genehmigung von Techtronic Industries versucht wurde zu reparieren.
 - Jedes Produkt das an eine falsche Stromversorgung (Ampere, Spannung, Frequenz) angeschlossen wurde.
 - Jedes Produkt das mit einer falschen Treibstoffmischung (Treibstoff, Öl, Prozentanteil von Öl) betrieben wurde.
 - Jede Beschädigung die von äußeren Einflüssen (chemisch, physisch, Stöße) oder fremden Substanzen verursacht wurde.
 - Normaler Verschleiß und Abnutzung von Ersatzteilen.
 - Zweckwidrige Benutzung, Überlastung des Werkzeugs.
 - Benutzung von nicht zugelassenem Zubehör oder Teilen.
 - Den Vergaser nach 6 Monaten, die Vergasereinstellung nach 6 Monaten.
 - Teile (Teile und Zubehörteile) die normalem Verschleiß unterliegen, einschließlich aber nicht beschränkt auf Fadenköpfe, Antriebsriemen, Kupplungen, Klingen von Heckenschneidern oder Rasenmähern, Gurtzeug, Gaszügen, Kohlebürsten, Netzkabel, Zinken, Filzunterlegscheiben, Anhangsstifte, Gebläse, Gebläse- und Saugschläuche, Saugbeutel und Riemen, Führungsschienen, Sägeketten, Schläuche, Anschlüsse, Sprühdüsen, Räder, Sprühdüsen, innere Rollen, äußere Spulen, Schneidfäden, Zündkerzen, Luftfilter, Treibstofffilter, Mulchmesser usw.
- Zur Wartung muss das Produkt eingeschickt werden oder einem für jedes Land in der folgenden Liste aufgeführten autorisierten RYOBI Kundendienst gebracht werden. In einigen Ländern schickt Ihr örtlicher RYOBI Händler das Produkt an den RYOBI Kundendienst. Wenn ein Produkt an den RYOBI Kundendienst geschickt wird, sollte es sicher verpackt werden, ohne gefährlichen Inhalt, wie Treibstoff, mit der Absenderadresse versehen sein und eine kurze Beschreibung des Fehlers enthalten.
- Reparatur/Ersatz unter dieser Garantie sind kostenfrei. Das stellt keine Verlängerung oder Neustart der Garantiezeit dar. Ausgewechselte Teile oder Werkzeuge treten in unseren Besitz über. In einigen Ländern müssen Lieferkosten oder Postgebühren von dem Absender getragen werden.
- Diese Garantie gilt in der Europäische Gemeinschaft, Schweiz, Island, Norwegen, Liechtenstein, Türkei und Russland. Bitte kontaktieren Sie Ihren autorisierten RYOBI-Händler, um herauszufinden ob eine andere Gewährleistung außerhalb dieser Gebiete gültig ist.

AUTORISIERTER KUNDENDIENST

Besuchen Sie <http://de.ryobitools.eu/header/service-and-support/service-agents>, um einen autorisierten Kundendienst in Ihrer Nähe zu finden.

ES GARANTÍA

Además de cualquier derecho estatutario derivado de la compra, este producto está cubierto con la siguiente garantía.

- El período de garantía es de 24 meses para los consumidores y comienza a partir de la fecha de compra del producto. Esta fecha debe demostrarse con una factura u otra prueba de compra. El producto está diseñado y destinado al consumidor y únicamente para uso privado. Por tanto, no se ofrece ninguna garantía en caso de uso profesional o comercial.
- En algunos casos (como promociones o un conjunto de herramientas) existe la posibilidad de ampliar el período de garantía hasta el período descrito anteriormente mediante el registro en el sitio web www.ryobitools.eu. La elegibilidad de la herramienta se muestra claramente en las tiendas o en el embalaje. El usuario final debe registrar sus herramientas recién adquiridas en línea en los 8 días siguientes a la fecha de compra. El usuario final podrá registrarse para ampliar la garantía en su país de residencia si éste aparece en el formulario de registro en línea en que esta opción es válida. Además, los usuarios finales deben dar su consentimiento para que se guarden los datos que se solicitan para entrar en línea y aceptar los términos y condiciones. El recibo de la confirmación de registro, que se enviará por correo electrónico, y la factura original que muestre la fecha de compra servirán como prueba de la ampliación de la garantía. Sus derechos estatutarios permanecerán intactos.
- La garantía cubre, durante el período de garantía, todos los defectos del producto que se deban a fallos de la mano de obra o a fallos del material en la fecha de compra. La garantía tiene un límite de reparación o sustitución y no incluye ninguna otra obligación se deba a, aunque sin limitarse a ello, daños accidentales o incidentales. La garantía no es válida si se ha hecho un uso inadecuado del producto, si no se ha usado siguiendo el manual de instrucciones o si se ha conectado incorrectamente. Esta garantía no se aplica a:
 - cualquier daño del producto derivado de un mantenimiento inadecuado
 - cualquier producto que haya sido alterado o modificado
 - cualquier producto en el que las marcas de identificación originales (marca comercial, número de serie) hayan sido borradas, modificadas o eliminadas
 - cualquier daño causado por el incumplimiento del manual de instrucciones
 - cualquier producto que no sea CE
 - cualquier producto que haya intentado reparar un profesional no cualificado o sin una autorización previa de Techtronic Industries
 - cualquier producto conectado a un suministro eléctrico inadecuado (amperios, tensión, frecuencia)
 - cualquier producto utilizado con una mezcla de combustible inadecuada (combustible, aceite, porcentaje de aceite)
 - cualquier daño causado por influencias externas (de productos químicos, daños físicos, descarga eléctrica) o sustancias extrañas
 - desgaste o rotura normal de las piezas de repuesto
 - uso inadecuado, sobrecarga de la herramienta
 - uso de accesorios o piezas no homologados
 - carburador después de 6 meses, ajustes del carburador después de 6 meses
 - componentes (piezas y accesorios) sujetos a un desgaste o rotura natural, incluyendo, aunque sin limitarse a ello, las perillas de las bombas, correas de transmisión, embrague, cuchillas de cortasetos o cortacésped, arnés, acelerador, escobillas de carbón, cable de alimentación, horquillas, arandelas de fieltro, pasadores de enganche, ventiladores, tubos de ventilador y de vacío, correas y bolsas de vacío, barras de guía, sierras de cadena, mangueras, accesorios de conexión, boquillas pulverizadoras, ruedas, varas rioradoras, carretes interiores y exteriores, hilos de corte, bujías, filtros de aire, filtros de gas, cuchillas de trituración, etc.
- Para el servicio, el producto debe enviarse o entregarse en un punto de servicio técnico autorizado RYOBI enumerado para cada país en la siguiente lista de direcciones de servicio técnico. En algunos países su distribuidor local RYOBI se encarga de enviar el producto a la organización del servicio de RYOBI. Al enviar un producto a un punto de servicio técnico RYOBI, el producto debe embalarse de forma segura sin que contenga ninguna sustancia peligrosa como petróleo, debe llevar la dirección del remitente e ir acompañado de una breve descripción del fallo.
- Una reparación/sustitución dentro de esta garantía se realiza de forma gratuita. No constituye una ampliación ni un reinicio del período de garantía. Las piezas o herramientas que se cambian pasan a ser de nuestra propiedad. En algunos países los gastos de envío o del franqueo deberá pagarlos el remitente.
- Esta garantía es válida en la Comunidad Europea, Suiza, Islandia, Noruega, Liechtenstein, Turquía y Rusia. Fuera de estas zonas, póngase en contacto con su distribuidor autorizado RYOBI para determinar si se aplica otra garantía.

SERVICIO TÉCNICO AUTORIZADO

Para encontrar el servicio técnico autorizado más cercano, visite <http://uk.ryobitools.eu/header/service-and-support/service-agents>.

IT GARANZIA

Oltre ai legittimi diritti derivanti dall'acquisto del prodotto, quest'ultimo è coperto da garanzia come indicato nei seguenti punti.

1. Il periodo di garanzia per il consumatore è di 24 mesi ed ha inizio dalla data in cui il prodotto è stato acquistato. Questa data deve essere documentata da una ricevuta o da altra prova d'acquisto. Il prodotto è stato disegnato e progettato solo per l'utilizzo privato del consumatore. La garanzia viene invalidata in caso di utilizzo professionale o commerciale.
2. In alcuni casi (per esempio promozioni e gamme di prodotti) esiste la possibilità di estendere il periodo di garanzia oltre il periodo indicato sopra registrandosi sul sito web www.ryobitools.eu. L'idoneità del prodotto a rievolvere tale estensione viene indicata chiaramente nei punti vendita e/o sull'imballo. L'utente finale deve registrare il suo prodotto appena acquistato online entro 8 giorni dalla data d'acquisto. L'utente finale può accedere all'offerta nel suo paese quando la stessa è valida e qualora si sia registrato online. Inoltre, gli utenti finali devono dare il proprio consenso all'archiviazione dei dati che si inseriscono online indicando che i termini e le condizioni sono stati accettati. La ricezione della conferma della registrazione verrà inviata via email e la fattura originale indicante la data d'acquisto verrà utilizzata come prova della garanzia estesa. I diritti legittimi dell'utente rimarranno invariati.
3. La garanzia copre tutti i difetti di fabbricazione del prodotto durante il periodo di garanzia a causa di guasti di fabbricazione o di materiale alla data di acquisto. La garanzia è limitata alla riparazione e/o alla sostituzione e non include altri obblighi compreso ma non limitato a danni incidentali o consequenziali. La garanzia non è valida se il prodotto non è stato utilizzato come indicato nel manuale di istruzioni o se è stato collegato in maniera non corretta. La garanzia non si applica a:
 - qualsiasi danno al prodotto che sia il risultato di una scorretta manutenzione
 - qualsiasi prodotto che sia stato alterato o modificato
 - qualsiasi prodotto sul quale l'identificazione originale (marchio registrato, numero di serie) sia stata resa illegibile, sia stata danneggiata o alterata
 - qualsiasi danno causato dalla non osservanza del manuale d'istruzioni
 - qualsiasi prodotto non contrassegnato con il marchio CE
 - qualsiasi prodotto che una persona non qualificata abbia tentato di riparare o che si è tentato di riparare senza l'autorizzazione delle Techtronisianoc Industries
 - qualsiasi prodotto collegato a un'alimentazione non corretta (per amp, voltaggio, frequenza)
 - qualsiasi prodotto utilizzato con la miscela scorretta di carburante (carburante, olio, percentuale d'olio)
 - qualsiasi danno causato da agenti esterni (chimici, fisici o shock) o da sostanze estranee
 - normale usura di parti di ricambio
 - utilizzo non appropriato, sovraccaricamento di utensili
 - utilizzo non approvato di accessori o parti
 - carburatore dopo 6 mesi, regolazioni al carburatore dopo 6 mesi
 - componenti (parti e accessori) soggetti alla normale usura, compreso ma non limitato a manopole di avviamento a spinta, cinghie di trasmissione, frizione, lame di sfondatori o tagliaerba, cablaggio, cavo dell'acceleratore, spazzole al carbonio, cavi dell'alimentazione, lancette, rondelle in feltro, perni di aggancio, ventole del soffiatore, tubi del soffiatore e dell'aspirapolvere, sacchetti e cinghie dell'aspirapolvere, barre di guida, catene della motosega, tubi, raccordi del connettore, ugelli a spruzzo, ruote, bacchette a spruzzo, bobine interne, bobine esterne, fili di taglio, candele, filtri dell'aria, filtri del gas, lame di triturazione, ecc.
4. Per servizi di manutenzione, il prodotto dovrà essere mandato o presentato presso un punto di servizio clienti autorizzato RYOBI indicato nella seguente lista. In alcune nazioni il rivenditore RYOBI si occuperà di inviare il prodotto al più vicino servizio clienti Ryobi. Quando si invia un prodotto a un servizio clienti RYOBI, il prodotto dovrà essere correttamente imballato senza eventuali contenuti pericolosi quali carburanti, e contrassegnato con l'indirizzo della persona che lo ha inviato e accompagnato da una breve descrizione del problema riscontrato.
5. Si garantisce una riparazione/sostituzione gratuita quando il prodotto è coperto da garanzia. Questa sostituzione o riparazione non costituisce una estensione o un nuovo inizio di un periodo di garanzia. Le parti o l'utensile cambiati sono di proprietà della ditta. In alcune nazioni i costi di consegna o invio dovranno essere pagati dalla persona che spedisce.
6. Questa garanzia è valida all'interno della Comunità Europea, in Svizzera, Islanda, Norvegia, Liechtenstein, Turchia e Russia. Al di fuori di queste aree, si prega di contattare il proprio gestore autorizzato RYOBI per determinare se si applica un'altra garanzia.

CENTRO SERVIZI AUTORIZZATO

Per individuare il più vicino centro servizi autorizzato, visitare il sito <http://uk.ryobitools.eu/header/service-and-support/service-agents>.

NL GARANTIE

Bovenop de statutaire rechten als gevolg van de aankoop, wordt dit product gedekt door een garantie, zoals deze hieronder wordt beschreven.

1. De garantieperiode bedraagt 24 maanden voor consumenten en begint vanaf de datum waarop het product werd aangekocht. Deze datum moet worden gedocumenteerd door een factuur of ander aankoopbewijs. Het product is uitsluitend ontworpen en bedoeld voor particuliere gebruikers. De garantie vervalt bij professioneel of commercieel gebruik.
2. In enkele gevallen (vb. promotie, gereedschapsaanbod) bestaat er een mogelijkheid om de garantieperiode te verlengen met dezelfde periode als deze hierboven beschreven met behulp van de registratie op de website www.ryobitools.eu. Of het product al of niet in aanmerking komt, is duidelijk aangegeven in winkels en/of de verpakking. De eindgebruiker dient zijn/haar nieuw werktuig binnen de 8 dagen na de aankoopdatum online registreren. De eindgebruiker kan zich aanmelden voor de uitgebreide garantie in zijn verblijfsland als dit op het online registratieformulier is opgenomen wanneer deze optie geldig is. Bovendien moet de eindgebruiker zijn toestemming geven om informatie te gebruiken die nodig is om toegang te krijgen tot de website en dient de algemene voorwaarden te accepteren. Het ontvangstbewijs van dit registratieformulier, dat via e-mail wordt verzonden, en de originele factuur die de aankoopdatum vermeldt dienen als bewijs van de uitgebreide garantie. Uw statutaire rechten blijven onveranderd.
3. De garantie dekt alle defecten van het product gedurende de garantieperiode als gevolg van fouten in het werk of materiaal op de aankoopdatum. De garantie is beperkt tot de reparatie en/of vervanging en omvat geen andere verplichtingen waaronder, maar niet beperkt tot, incidentele of gevolgschade. De garantie is niet geldig als het product werd misbruikt, in tegenspraak met de gebruiksaanwijzing werd gebruikt of foutief werd verbonden. Deze garantie geldt niet voor:
 - schade aan het product als gevolg van foutief onderhoud
 - als het product op enigerlei wijze werd gewijzigd
 - als originele markeringen ter identificatie (handelsmerk, serienummer) van het product werden verwijderd of gewijzigd
 - voor schade als gevolg van het niet in acht nemen van deze gebruiksaanwijzing
 - een niet EC-product
 - een product, waaraan een niet-gekwalificeerde vakman reparaties uitvoerde of waaraan reparaties werden uitgevoerd zonder voorafgaande toestemming van Techtronic Industries
 - een product dat werd aangesloten aan een foutieve krachtbron (amps, spanning, frequentie)
 - een product dat met een ongeschikt brandstofmengsel (brandstof, olie, oliepercentage) werd gebruikt
 - schade veroorzaakt door externe invloeden (chemische, fysieke schokken) of vreemde stoffen
 - normale slijtage van reserve-onderdelen
 - foutief gebruik, overbelasting van het werktuig
 - gebruik van niet-goedgekeurde accessoires of onderdelen
 - de carburator na 6 maanden, carburatorafstellingen na 6 maanden
 - componenten (onderdelen en accessoires) die onderworpen zijn aan slijtage, met inbegrip van, maar niet beperkt tot stookknoppen, aandrijfriemen, koppeling, snijbladen van heggentrimmers of grasmaaimachines, harnassen, versnellingskabels, koolborstels, stroomsnoeren, tanden, viltrennen, trekpenen, ventilatoren, blazer- en vacuümbuizen, stofzuigzakken en –riemen, geleiders, zaagkettingen, slangen, connectoren, sproeimodellen, wielen, sproeiërs, inwendige spoelen, uitwendige spoelen, maaialijnen, bougies, luchtfilters, gasfilters, struikruimbladen, etc.
4. Voor onderhoud moet het product naar een geautoriseerd RYOBI-onderhoudsstation worden gestuurd of gebracht. Een lijst met de adressen van deze stations per land is hier opgenomen. In bepaalde landen verzendt uw plaatselijke RYOBI-verdeler het product naar de RYOBI-onderhoudsorganisatie. Als een product naar een RYOBI-onderhoudsstation wordt gezonden, moet het product veilig zijn verpakt zonder gevaarlijke inhoud, zoals benzine, met aanduiding van het adres van de verzender en met inbegrip van een korte beschrijving van de fout.
5. Een reparatie/vervanging onder deze garantie is gratis. Dit heeft geen gevolgen voor de duur van deze garantie of betekent niet dat de garantie wordt verlengd of opnieuw begint. Vervangen onderdelen of werktuigen worden onze eigendom. In bepaalde landen moeten verzendings- of leveringskosten door de verzender worden betaald.
6. Deze garantie is geldig in de Europese Unie, Zwitserland, IJsland, Noorwegen, Liechtenstein, Turkije en Rusland. Buiten deze landen neemt u contact op met uw geautoriseerde RYOBI-verdeler om te bepalen of er een andere garantie geldt is.

GEAUTORISEERD ONDERHOUDSCENTRUM

Om een geautoriseerd onderhoudscentrum in uw buurt te vinden, surf u naar <http://uk.ryobitools.eu/header/service-and-support/service-agents>.

PT GARANTIA

Além de qualquer direito estatutário derivado da compra, este produto está coberto com a seguinte garantia.

- O período de garantia é de 24 meses para os consumidores e começa a partir da data de compra do produto. Esta data deve ser comprovada com uma factura ou outra prova de compra. O produto foi desenhado e destinado ao consumidor e apenas para uso privado. Portanto, não se oferece qualquer garantia em caso de uso profissional ou comercial.
- Em alguns casos (como promoções ou um conjunto de ferramentas) existe a possibilidade de ampliar o período de garantia até ao período descrito anteriormente através do registo no website www.ryobitools.eu. A elegibilidade da ferramenta mostra-se claramente nas lojas ou na embalagem. O utilizador final deve registar as suas ferramentas recém-adquiridas on-line nos 8 dias seguintes à data de compra. O utilizador final poderá registar-se para ampliar a garantia no seu país de residência se este aparecer no formulário de registo on-line em que esta opção é válida. Além disso, os utilizadores finais devem dar o seu consentimento para se guardarem os dados que se solicitam para entrar on-line e aceitar os termos e condições. A confirmação de registo, que será enviada por correio electrónico, e a factura original que mostre a data de compra servirão como prova da ampliação da garantia. Os seus direitos estatutários permanecerão intactos.
- A garantia cobre, durante o período de garantia, todos os defeitos do produto que se devam a falhas da mão-de-obra ou a falhas do material na data de compra. A garantia tem um limite de reparação ou substituição e não inclui qualquer outra obrigação que se deva a, embora sem se limitar a tal, danos acidentais ou incidentais. A garantia não é válida se se fez um uso inadequado do produto, se não se usou seguindo o manual de instruções ou se foi ligado incorrectamente. Esta garantia não se aplica a:
 - qualquer dado do produto derivado de uma manutenção inadequada
 - qualquer produto que tenha sido alterado ou modificado
 - qualquer produto em que as marcas de identificação originais (marca comercial, número de série) tenham sido apagadas, modificadas ou eliminadas
 - qualquer dano causado por incumprimento do manual de instruções
 - qualquer produto que não seja CE
 - qualquer produto que um profissional não qualificado tenha tentado reparar ou sem uma autorização prévia de Techtronic Industries
 - qualquer produto ligado a um fornecimento eléctrico inadequado (amperios, tensão, frequência)
 - qualquer produto utilizado com uma mistura de combustível inadequada (combustível, óleo, percentagem de óleo)
 - qualquer dano causado por influências externas (de produtos químicos, danos físicos, descarga eléctrica) ou substâncias estranhas
 - desgaste ou ruptura normal das peças de substituição
 - uso inadequado, sobrecarga da ferramenta
 - uso de acessórios ou peças não homologadas
 - carburador após 6 meses, ajustes do carburador após 6 meses
 - componentes (peças e acessórios) sujeitos a um desgaste ou ruptura natural, incluindo, embora sem se limitar a tal, os botões de embate, correias de transmissão, embraiagem, lâminas de corta-arbustos ou corta-relvas, ameses, acelerador, escovas de carvão, cabo de alimentação, forquilhas, anilhas de feltro, passadores de gancho, ventiladores, tubos de ventilador e de vácuo, correias e bolsas de vácuo, barras de guia, serras de cadeia, mangueiras, acessórios de ligação, boquilhas pulverizadoras, rodas, varas borrifadoras, carretes interiores e exteriores, fios de corte, velas, filtros de ar, filtros de gás, lâminas de trituração, etc.
- Para o serviço, o produto deve ser enviado ou entregue num ponto de serviço técnico autorizado RYOBI enumerado para cada país na seguinte lista de moradas de serviço técnico. Em alguns países o seu distribuidor local RYOBI encarrega-se de enviar o produto para a organização do serviço de RYOBI. Ao enviar um produto a um ponto de serviço técnico RYOBI, o produto deve ser embalado de forma segura sem que contenha qualquer substância perigosa como petróleo, deve levar a morada do remetente e ir acompanhado de uma breve descrição da falha.
- Uma reparação/substituição dentro desta garantia realiza-se de forma gratuita. Não constitui uma ampliação nem um reinício do período de garantia. As peças o ferramentas que se alterem passam a ser da nossa propriedade. Em alguns países os gastos de envio ou da franquia deverá pagá-los o remetente.
- Esta garantia é válida na Comunidade Europeia, Suíça, Islândia, Noruega, Liechtenstein, Turquia e Rússia. Fora destas zonas, entre em contacto com o seu distribuidor autorizado RYOBI para determinar se se aplica outra garantia.

CENTRO DE ASSISTÊNCIA AUTORIZADO

Para encontrar um centro de assistência autorizado próximo de si, visite <http://uk.ryobitools.eu/header/service-and-support/service-agents>.

DA GARANTI

Ud over de lovbestemte rettigheder ved køb, er dette produkt dækket af en garanti som angivet nedenfor.

- Garantien er 24 måneder for forbrugerne og træder i kraft den dato, hvor produktet bliver købt. Denne dato skal dokumenteres af en faktura eller andet købsbevis. Produktet er designet og beregnet til privat brug. Så der er ingen garanti i tilfælde af erhvervs-mæssig brug.
- Der er i visse tilfælde (f.eks. kampagner eller udvalgt produkter) mulighed for at forlænge garantien i perioden beskrevet ovenfor ved at registrere produktet på www.ryobitools.dk. Berettigelsen af produktet vises tydeligt i butikker og / eller på emballagen. Slutbrugeren skal registrere hans/hendes nyhvervede produkter online indenfor 8 dage fra købsdatoen. Slutbrugeren kan tilmelde sig den udvidede garanti i sit bopælsland, hvis det er opført på den online tilmeldingsformular. Desuden skal slutbrugere give deres samtykke til lagring af de data, der er nødvendige for at komme ind på nettet, og de er nødt til at acceptere vilkår og betingelser. Kvittingen på modtagelsen af registrering, som udsendes via e-mail, og den originale faktura, der angiver købsdatoen, fungerer som bevis på den udvidede garanti. Dine lovbestemte rettigheder forblive uændret.
- Garantien dækker alle fejl ved produktet i løbet af garantiperioden, som kan føres tilbage til fabrikkations- eller materialefejl på købsdatoen. Garantien begrænser sig til reparation og/eller udskidning og omfatter ikke andre forpligtelser inklusiv, men ikke begrænset til, skader eller følgeskader. Garantien er ikke gyldig, hvis produktet har været udsat for misbrug, anvendelse i strid med brugsanvisningen eller har været tilsuttet forkert. Denne garanti dækker ikke:
 - Enhver skade på produktet som følge af ukorrekt vedligeholdelse
 - Ethvert produkt, som er blevet ændret eller modificeret
 - Ethvert produkt, hvor de originale identifikationsmærker (varemærke, serienummer) er blevet ødelagt, ændret eller fjernet
 - Enhver skade, der skyldes manglende overholdelse af brugsanvisningen
 - Ethvert produkt uden CE-mærkning
 - Ethvert produkt, som har været udsat for forsøg på reparation af en uautoriseret fagmand eller uden accept fra Techtronic Industries
 - Ethvert produkt, der har været sluttet til forkert strømforsyning (ampere, spænding, frekvens)
 - Ethvert produkt, der har været anvendt med forkert brændstofblanding (brændstof, olie, olieforhold)
 - Enhver skade, der skyldes udefra kommende påvirkninger (kemisk, fysisk, stød) eller fremmedlegemer
 - Normal slitage på reservedele
 - Forkert anvendelse, overbelastning af produktet
 - Brug af ikke-godkendt tilbehør eller (reserve)dele
 - Karburator efter 6 måneder, karburatorjusteringer efter 6 måneder
 - komponenter (dele og tilbehør), der har været udsat for naturlig slitage, inklusive, men ikke begrænset til, afstandsknopper, drivremme, kobling, klinger på hækkeklippere eller plæneklippere, seler, gaskabel, kulbørster, strømforsyningskabel, knive, filtknive, låsestifte, blæseventilatorer, blæse- og indsuigningsrør, sugepose og stropper, styresværd, savkæder, slanger, tilslutningsfittings, sprøjtedyser, hjul, sprøjtetave, indvendige hjul, udvendige spoler, skæretråd, tændrør, luftfilter, gasfilter, bioklip-klinger, mv.
- Til servicering skal produktet indleveres til eller forevises et autoriseret RYOBI serviceværksted for det pågældende land. I nogle lande vil din lokale RYOBI-forhandler sende produktet til RYOBI's serviceorganisation. Når et produkt indleveres til et RYOBI serviceværksted, skal det emballeres forsvarligt uden farligt indhold (som f.eks. benzin), være forsynet med afsenderadresse og ledsaget af en kort beskrivelse af fejlen.
- Reparation/udskifning i henhold til denne garanti er gratis. Den medfører ikke forlængelse eller ny start af garantiperioden. Udskiftede dele eller værktøjer overgår til vores ejendom. I nogle lande skal leveringsomkostninger eller porto betales af afsenderen.
- Denne garanti er gyldig i EU, Schweiz, Island, Norge, Liechtenstein, Tyrkiet og Rusland. Uden for disse områder bedes man venligst kontakte sin autoriserede RYOBI-forhandler for at få opklaret, om evt. andre garantier er gældende.

AUTORISERED SERVICE/VERKSTEDER

Find nærmeste autoriserede serviceværksted på <http://dk.ryobitools.eu/header/service-and-support/service-agents>.

SV GARANTI

Förutom de lagstadgade rättigheter som följer köpet omfattas denna produkt av en garanti som anges nedan.

- Garantitiden är 24 månader för konsumenter och börjar den dag då produkten köptes. Detta datum måste kunna dokumenteras av en faktura eller annat inköpsbevis. Produkten är utformad och avsedd för konsumenter och ska endast användas för privat bruk. Det innebär att ingen garanti lämnas vid yrkesmässig eller kommersiell användning.
- I vissa fall (t.ex. marknadsföring, sortiment av verktyg), finns det en möjlighet att förlänga garantitiden under den period som beskrivs ovan genom registrering på hemsidan www.ryobitools.eu. De verktyg det gäller för framgår tydligt i butikler och/eller på förpackningen. Slut användaren måste registrera sitt nyinköpta verktyg på nätet inom 8 dagar från inköpsdatum. Slut användaren kan registrera sig för den utökade garantitiden i sitt hemland om det framgår av registreringsformuläret online där detta alternativ är giltigt. Dessutom måste slut användarna ge sitt samtycke till lagring av de uppgifter som krävs för att komma in på nätet och de måste godkänna villkoren. Registreringens mottagningsbevis som skickas ut via e-post och den ursprungliga fakturan som visar inköpsdatum fungerar som bevis på förlängd garantitid. Dina lagstadgade rättigheter påverkas inte.
- Garantin täcker alla fel på produkten under garantitiden som beror på fel i utförande eller material vid inköpsdatumet. Garantin är begränsad till reparation och/eller utbyte och inkluderar inte några andra åtaganden, inklusive men inte begränsat till oförutsedda skador eller följdskador. Garantin gäller inte om produkten har använts på fel sätt, använts på ett sätt som inte följer användarhandboken eller som har anslutits på ett felaktigt sätt. Denna garanti gäller inte för:
 - skador på produkten som beror på felaktigt underhåll
 - om produkten har ändrats eller modifierats
 - en produkt där den ursprungliga identifieringen (varumärke, serienummer) har förstörts, ändrats eller tagits bort
 - skador som orsakas av att användarhandboken inte har följts
 - alla produkter som inte följer CE-bestämmelser
 - en produkt som en icke-kvalificerad yrkesperson eller en person som inte har behörighet från Technronic Industries har försökt att reparera
 - en produkt som ansluts till eluttaget (ampere, spänning, frekvens) på fel sätt
 - en produkt som används med olämplig bränsleblandning (bränsle, olja, procent av olja)
 - skador som orsakas av yttre påverkan (kemiska, fysikaliska, stötar) eller främmande ämnen
 - normalt slitage av reservdelar
 - felaktig användning, överbelastning av verktyget
 - användning av icke-godkända tillbehör eller delar
 - förgasare efter 6 månader, justering av förgasare efter 6 månader
 - komponenter (delar och tillbehör) med förbehåll för normalt slitage, inklusive men inte begränsat till stötknappar, drivremmar, koppling, blad av häcksaxar eller gräsklippare, sele, kabelhållare, kolborstar, nätkabel, pinnar, filtbrickor, hitchkopplingar, blåsfåtkar, fläkt- och vakuurmör, vakuumväska och remmar, ledskenor, sågkedjor, slangar, anslutningar, sprutmunstycken, hjul, sprayanordningar, inre spolar, yttre spolar, skärande linjer, tändstift, luftfilter, gasfilter, marktäckningsblad, osv.
- För service, måste produkten skickas eller presenteras till en RYOBI-godkänd servicestation som anges för varje land i följande lista med adresser. I vissa länder ombesörjer den lokala RYOBI-återförsäljaren att skicka produkten till RYOBI-serviceorganisationen. När en produkt skickas till en RYOBI-servicestation, ska produkten förpackas på ett säkert sätt utan farligt innehåll som bensin, märkt med avsändarens adress tillsammans med en kort som beskriver felet.
- En reparation/utbyte som sker under denna garanti är gratis. Den utgör inte en förlängning eller en ny start på garantitiden. Utbyts delar eller verktyg blir vår egendom. I vissa länder måste leveranskostnader eller porto betalas av avsändaren.
- Denna garanti gäller i EU, Schweiz, Island, Norge, Liechtenstein, Turkiet och Ryssland. Utanför dessa områden ska du kontakta din auktoriserade RYOBI-återförsäljare för att avgöra om en annan garanti gäller.

AUKTORISERAT SERVICECENTER

Du hittar närmaste auktoriserade servicecenter genom att gå till <http://uk.ryobitools.eu/header/service-and-support/service-agents>.

FI TAKUU

Hankinnasta kuitioivien laillisten oikeuksien lisäksi tätä tuotetta hallitsee alla kuvattu takuu.

- Takuukausi on 24 kuukautta kuluttajille ja alkaa tuotteen ostopäivästä. Tämän päivän on oltava merkitty kuittiin tai muuten todisteseen hankinnasta. Tämä tuote on suunniteltu ja tarkoitettu ainoastaan kuluttajien yksityiskäyttöön. Ammatti- ja kaupalliseen käyttöön ei näin ollen ole takuuta.
- Joissain tapauksissa (kuten tarjous, laitesarja) takuukautta voidaan pidentää kuvattua kautta pidemmäksi rekisteröimällä tuote osoitteessa www.ryobitools.eu. Takuun pidentymismahdollisuus ilmoitetaan selkeästi kaupassa jätai pakkauksessa. Loppukäyttäjän on rekisteröitävä uusi laitteensa online 8 päivän sisällä sen hankkimisesta. Loppukäyttäjän voi rekisteröityä saadakseen jatkuvan takuun asuinmaassaan, jos se mainitaan online-rekisteröintilomakkeessa. Lisäksi, loppukäyttäjän on annettava suostumuksensa tallentaa syötetyt tiedot online, ja hänen on hyväksyttävä ehdot. Sähköpostitse lähetettävä rekisteröintivahvistus ja alkuuperäinen kuitti, josta ilmenee hankintapäivä, toimivat todistena takuun jatkamisesta. Lailliset oikeudet eivät muutu.
- Takuu kattaa takuusaikana kaikki tuotteen viat, jotka johtuvat valmistus- tai materiaaliavista hankintapäivänä. Takuu rajoittuu korjaukseen ja/ tai vaihtoon eikä sisällä mitään muita velvoitteita, mukaan lukien mm. satunnaiset ja seuraamukselliset vauriot. Takuu ei ole voimassa, jos tuotetta on väärinkäytetty tai käytetty käyttöoppaan vastaisesti tai se on kytketty virheellisesti. Takuu ei kata seuraavia:
 - tuotteelle koituneet vahingot, jotka johtuvat virheellisestä ylläpidosta
 - tuote, jota on muunneltu
 - tuote, jossa alkuuperäiset tunnisteen (tavaramerkki, sarjanumero) ovat turmeltuneet tai niitä on muutettu tai ne on poistettu
 - käyttöoppaan laiminlyönnistä johtuvat vauriot
 - ei-EC-tuotteet
 - tuotteet, jolla on yrittänyt korjata ei-pätevä asentaja tai jonka korjaukselle ei ole saatu Technronic Industriesiltä hyväksyntää etukäteen
 - tuotteet, jotka on kytketty vääränlaiseen virtalähteeseen (virta, jännite, taajuus)
 - tuote, jossa on käytetty virheellistä polttoaineseosta (polttoaine, öljy, öhlyn osuus)
 - vauriot, jotka johtuvat ulkoisista syistä (kemikaalit, fyysiset tekijät, iskut) tai vieraista aineista
 - normaali varaosien kuluminen
 - virheellinen käyttö, laitteen ylikuormitus
 - muiden kuin hyväksytyjen lisävarusteiden ja osien käyttö
 - kaasutin 6 kuukauden jälkeen, kaasuttimen säätö 6 kuukauden jälkeen
 - komponentit (osat ja lisävarusteet), joihin kohdistuu luonnollista kulumista, mukaan lukien mm. napautusnupit, vetohihnat, kytkin, pensastrimmeriden ja ruohonleikkurien terät, valjaat, kaapelikaasutin, hiilijarhat, virtajohto, piikit, huopavälilevyt, sokat, puhallimet, puhallin- ja imuputket, polynimurin pussit ja hihnat, terälevyt, teräketjut, letkut, liittimet, suuttimet, pyörät, suihkuputket, sisäkelat, ulkoiset kelat, leikkusuimat, syytystulpat, ilmansuodattimet, polttoainesuodattimet, silppuriterät jne.
- Huollon saaminen edellyttää, että tämä tuote lähetetään tai viedään RYOBI:n valtuuttamaan huoltoon, jotka luetaan maittain seuraavassa huoltojen osoiteluettelossa. Joissain maissa paikallinen RYOBI-jälleenmyyjä hoitaa tuotteen lähettämisen RYOBI-huoltoon. Kun tuote lähetetään RYOBI-huoltoon, se on pakattava turvallisesti ilman mitään vaarallista sisältöä, kuten bensiniä, siihen on merkittävä lähettäjän osoite ja sen mukana on lähetettävä vian kuvaus.
- Tämän takuun puitteissa tapahtuva korjaaminen/vaihto on ilmaista. Se ei merkitse takuujakson jatkamista tai uuden kauden alkua. Vaihdetuista osista ja laitteista tulee meidän omaisuuttamme. Joissain maissa lähettäjän on maksettava toimituskulut tai postimaksu.
- Tämä takuu on voimassa Euroopan Yhteisössä, Sveitsissä, Islannissa, Norjassa, Liechtensteinissa, Turkissa ja Venäjällä. Jos olet näiden alueiden ulkopuolella, ota yhteys valtuutettuun RYOBI-jälleenmyyjään, joka voi kertoa, onko joku muu takuu voimassa.

VALTUUTETTU HUOLTO

Valitse lähimmän valtuutetun huollon sivulta <http://fi.ryobitools.eu/header/service-and-support/service-agents>.

NO GARANTI

I tillegg til enhver lovbestemt rettighet som følge av dette kjøpet er dette produktet dekket av en garanti som beskrevet nedenfor.

- Garantitiden er 24 måneder for forbrukere, og starter på produktets kjøpsdato. Denne datoen må dokumenteres av faktura eller annet kjøpsbevis. Produktet er konstruert og beregnet på forbrukere og kun privat bruk. Det gis ingen garanti ved profesjonell eller kommersiell bruk.
- Det er, i noen tilfeller, (dvs. markedsføring, serie av verktøy), mulig å utvide garantitiden ut over den perioden som er nevnt ovenfor ved bruk av registrering på nettstedet www.ryobitools.eu/Verktoys_garantiberegtigelse vises klart i butikkene og/eller på emballasjen. Sluttbruker må registrere sitt nylig innkjøpte verktøy på nettet innen 8 dager etter kjøpsdatoen. Sluttbruker kan registrere seg for utvidet garanti i det landet hvor vedkommende bor hvis dette landet er ført opp på nettregistreringsskjemaet hvor dette alternativet er gyldig. Sluttbruker må også gi sin tillatelse til lagring av de data som er påkrevet å registrere på nettet, og må akseptere vilkår og betingelser. Registreringsbekreftelsen, som sendes som epost, og den originale kvitteringen som viser kjøpsdatoen, vil gjelde som bevis på den utvidede garantien. Dine lovbestemte rettigheter vil fortsatt gjelde.
- Garantien gjelder alle defekter på produktet i garantitiden som følge av feil på arbeid eller materialer på kjøpsdatoen. Garantien er begrenset til reparasjon og/eller utskifting av produktet, og inkluderer ingen annen forpliktelse, inklusive men ikke begrenset til tilfældige eller direkte eller indirekte følgeskader. Garantien gjelder ikke dersom produktet er misbrukt, brukt i strid med brukermanualens instruksjoner eller vært feilaktig tilkoblet. Denne garantien gjelder ikke:
 - enhver skade på produktet som følge av utilstrekkelig vedlikehold
 - et produkt som er endret eller modifisert
 - ethvert produkt hvor original identifikasjonsmerke (varemerke, serienummer) er tildekket, endret eller fjernet
 - enhver skade som følge av at instruksjoner i brukermanualen ikke er fulgt
 - ethvert ikke-CE-produkt
 - ethvert produkt som er forsøkt reparert av en ukvalifisert person, eller uten forutgående tillatelse av Techtronic Industries
 - ethvert produkt som er tilkoblet uriktig strømkilde (ampere, spenning, frekvens)
 - ethvert produkt som er brukt med feil drivstoffblanding (drivstoff, olje, prosentvis andel olje)
 - enhver skade forårsaket av eksterne påvirkninger (kjemiske, fysiske eller slag) eller fremmede substanser
 - normal slitasje på reservedeler
 - feilaktig bruk, overbelastning av verktøyet
 - bruk av ikke godkjent tilbehør eller reservedeler
 - forgasser etter 6 måneder, forgasserjusteringer etter 6 måneder
 - komponenter (deler og tilbehør) gjenstand for naturlig slitasje, inklusive men ikke begrenset til dunkeknotter, drivreimer, clutch, kniver på hekklippere eller gressklippere, seler, gasswire, karbonborster, elektriske ledninger, tenner, filtpakninger, skaftpinner, blåseviser, blåse- og sugeslangar, oppsamlingsposer, motorsagsverd, sagkjeder, slanger, tilkoblingsdeler, spraytøysdyser, hjul, spraytestaver, innvendige ruller, utvendige spoler, klippesnorer, tennplugger, luftfiltere, gassfiltere, oppkappingsblader, etc.
- For ettersyn og reparasjoner må produktet leveres til et RYOBI-autorisert servicesenter ført opp for det enkelte land i følgende liste av servicesentersadresser. I noen land vil din lokale RYOBI-forhandler sørge for å sende produktet til RYOBI's serviceorganisasjon. Når et produkt sendes til en RYOBI servicesentersom må produktet være forsvarlig emballert uten farlig innhold som bensin, merket med senders navn og adresse og medsendt en kort beskrivelse av feilen.
- En reparasjon/utskifting i henhold til denne garantien er gratis. Den representerer ikke en forlengelse av garantiperioden eller en ny start på garantiperioden. Utskiftede deler eller verktøy blir vår eiendom. I noen land vil leveringskostnader eller porto måtte betales av sender.
- Denne garantien er gyldig i EU, Sveits, Island, Norge, Liechtenstein, Tyrkia og Russland. Utenfor disse områdene ber vi om at du kontakter en autorisert Ryobi-forhandler for å finne ut om en annen garanti gjelder.

AUTORISERT SERVICESENTER

For å finne et autorisert servicesenter i nærheten, gå til <http://no.ryobitools.eu/header/service-and-support/service-agents>.

RU ГАРАНТИЯ

В дополнение к законным правам, вытекающим из факта покупки, на данный продукт распространяются следующие гарантийные обязательства.

- Гарантийный период составляет 24 месяца для покупателей и начинается с даты приобретения продукта. Дата приобретения подтверждается документально товарным чеком или другим доказательством покупки. Данный продукт предназначен для использования только в личных целях. Гарантия не предоставляется в случае профессионального или коммерческого использования данного продукта.
- В некоторых случаях (например, при продвижении продукта, приобретении некоторых видов инструментов) возможно продление гарантийного срока при регистрации продукта на веб-сайте www.ryobitools.eu. Применительно к продукту разъясняется в магазинах при продаже и/или на упаковке продукта. Конечному пользователю следует зарегистрировать вновь приобретенный инструмент через Интернет в течение 8 дней с даты покупки. Конечный пользователь может зарегистрировать продукт для получения расширенной гарантии в стране проживания, если данная возможность предоставляется интернет-формой регистрации. Также, конечный пользователь должен дать свое согласие на хранение данных, требуемых при заполнении формы через Интернет, и принять условия соглашения. Уведомление о подтверждении регистрации, отправляемое по электронной почте, и оригинальный товарный чек с датой покупки служат доказательством расширенной гарантии. Законные права потребителя при этом остаются в силе.
- Данная гарантия распространяется на все дефекты продукта, связанные с производственным браком или браком материалов в момент приобретения, в течение гарантийного периода. Данная гарантия ограничивается ремонтом и/или заменой и не включает другие обязательства, в том числе, связанные с побочным или косвенным ущербом. Гарантия недействительна в случае ненадлежащего использования, использования с нарушением инструкций руководства по эксплуатации или неправильного подключения продукта. Гарантия недействительна, если:
 - повреждение продукта вызвано ненадлежащим техническим обслуживанием
 - продукт подвергся изменениям или был модифицирован
 - оригинальная маркировка (товарный знак, заводской номер) неудобночитаема, изменена или удалена
 - повреждение вызвано несоблюдением инструкций данного руководства
 - отсутствует маркировка CE
 - была попытка отремонтировать продукт неквалифицированным лицом или без предварительного согласования с компанией Techtronic Industries
 - продукт подключался к ненадлежащему источнику питания (ненадлежащая сила тока, напряжение, частота)
 - продукт использовался с недопустимой топливной смесью (топливо, масло, процент содержания масла)
 - повреждение вызвано внешним воздействием (химические, физические, удары) или посторонними веществами
 - это связано с нормальным износом заменяемых деталей
 - это связано с ненадлежащим использованием, перегрузкой инструмента
 - это связано с использованием нереккомендованных принадлежностей или деталей
 - карбюратор использовался свыше 6 месяцев, регулировка карбюратора после 6 месяцев
 - компоненты (детали и принадлежности) подверженные естественному износу, в том числе, колпачки, приводные ремни, муфта, режущие полотна шапалерных ножиц или газонокосилок, крепежные ремни, тросик дроссельной заслонки, угольные щетки, кабель питания, фрезы, фетровые прокладки, шпильки, крыльчатки, выпускные и всасывающие трубки, мешок для мусора и решетки, пыльные шины, пыльные щели, шланги, соединительные фитинги, распылительные насадки, колеса, распылители, внутренние бобины, внешние бобины, режущие струны, свечи зажигания, воздушные фильтры, газовые фильтры, механизмы для мульчирования и т.п.
- Для проведения технического обслуживания продукт следует представить в официальный центр технического обслуживания компании RYOBI в соответствии со списком по каждой стране. В некоторых странах дилерам компании RYOBI требуется пересылка продукта в соответствующий сервисный центр компании RYOBI. При отправке продукта в центр технического обслуживания RYOBI, продукт следует упаковать надлежащим образом без содержания любых опасных веществ (таких как бензин) с указанием адреса отправителя и кратким описанием неисправности.
- Ремонт/замена продукта по условиям данной гарантии осуществляются бесплатно. В данном случае не предусмотрено продление срока гарантии или начало нового гарантийного периода. Заменяемые детали или инструмент становятся собственностью компании. В некоторых странах оплата доставки и почтовые расходы ложатся на отправителя.
- Данная гарантия действительна в странах ЕС, Швейцарии, Исландии, Норвегии, Лихтенштейне, Турции и России. Для получения информации о применении данной гарантии в других регионах обращайтесь к официальному дилеру компании RYOBI.

УПОЛНОМОЧЕННЫЙ СЕРВИСНЫЙ ЦЕНТР

Чтобы найти ближайший уполномоченный сервисный центр, обратитесь к веб-сайту <http://uk.ryobitools.eu/header/service-and-support/service-agents>.

PL GWARANCJA

Oprócz wszelkich praw ustawowych wynikających z zakupu, ten produkt jest objęty gwarancją jak podano poniżej.

- Okres gwarancji wynosi 24 miesiące dla konsumentów i rozpoczyna się w dniu, w którym produkt został zakupiony. Ta data musi być udokumentowana przez fakturę lub inny dowód zakupu. Produkt został zaprojektowany i jest przeznaczony wyłącznie do użytku konsumenckiego i prywatnego. W związku z tym gwarancja nie jest udzielana w przypadku zastosowań profesjonalnych i komercyjnych.
- Nie ma, w niektórych przypadkach (promocja tj. zakres narzędzi), możliwość przedłużenia okresu gwarancji w okresie opisanym powyżej przy rejestracji na stronie internetowej www.ryobitools.eu. Kwalifikowalność narzędzia jest wyraźnie określona w sklepach oraz/lub na opakowaniu. Użytkownik końcowy musi zarejestrować swoje nowe zakupione narzędzia online w ciągu 8 dni od daty zakupu. Użytkownik końcowy może zarejestrować się w celu rozszerzenia gwarancji w swoim kraju zamieszkania, jeśli jest on wymieniony w formularzu rejestracji online, kiedy ta opcja jest ważna. Ponadto użytkownicy końcowi muszą wyrazić zgodę na przechowywanie danych, które są wymagane do zalogowania online oraz muszą zaakceptować regulamin. Otrzymanie potwierdzenia rejestracji, które jest wysyłane na adres e-mail oraz oryginalna faktura z podaną datą zakupu będą służyć jako dowód przedłużonej gwarancji. Twoje prawa ustawowe pozostają nienaruszone.
- Gwarancja obejmuje wszystkie wady produktu w okresie gwarancyjnym, spowodowane usterkami w wykonaniu lub materiale w chwili nabycia. Gwarancja jest ograniczona do naprawy oraz/lub wymiany i nie obejmuje żadnych innych obowiązków w tym m.in. odpowiedzialności za szkody przypadkowe lub wtórne. Gwarancja nie jest ważna, jeśli produkt był użytkowany w niewłaściwy sposób, był wykorzystywany w sposób niezgodny z instrukcją obsługi lub był nieprawidłowo podłączony. Ta gwarancja nie obejmuje:
 - uszkodzenia produktu, które jest wynikiem nieprawidłowej konserwacji
 - produktu, który został przerobiony lub zmodyfikowany
 - produktu, w którym zniekształcono, zmieniono lub usunęto oryginalne oznaczenia (nazwę handlową, numer seryjny)
 - uszkodzeń spowodowanych nieprzestrzeganiem instrukcji obsługi produktu bez certyfikatu CE
 - produktu, który był naprawiany przez niewykwalifikowaną osobę lub bez uprzedniej autoryzacji firmy Techtronic Industries
 - produktu podłączonego do nieprawidłowego źródła zasilania (napięcie, napięcie, czystość)
 - produktu używanego z nieprawidłową mieszanką paliwa (paliwo, olej, zawartość procentowa oleju)
 - uszkodzeń spowodowanych przez przez czynniki zewnętrzne (chemiczne, fizyczne, uderzenia) lub obce substancje
 - normalnego zużycia części zamiennych
 - niewłaściwego użytkowania, przecięcia narzędzia
 - stosowania niezatwierdzonych akcesoriów lub części
 - gaźnika po 6 miesiącach, regulacji gaźnika po 6 miesiącach
 - elementów (części i akcesoriów) podlegających naturalnemu zużyciu, m.in. gałek odbojnikowych, pasów napędowych, sprężła, ostrej nożyc do żywoptłów lub kosiariek, uprząży, przepustnicy, szczołek węglowych, przewodu zasilającego, zębów, podkładek filcowych, sworzniki zaczepu, wentylatorów dmuchawy, przewodów dmuchawy i podciśnieniowych, worków próżniowych i pasków, prowadnic, łańcuchów pilarki, przewodów, mocowań złączy, dyszy rozpylających, kółek, lancy rozpylających kat., dmuchawy, dmuchawy i nury próżniowe, torebki próżniowe i paski, prowadnice, bębnow wewnętrznych, szpulki zewnętrznych, żyłki tnącej, świec zapłonowych, filtrów powietrza, filtrów gazu, ostrej do ściółkowania itp.
- W celu serwisowania produkt należy wysłać lub okazać w autoryzowanym centrum serwisowym RYOBI wymienionym dla każdego kraju na poniższej liście adresów stacji serwisowych. W niektórych krajach lokalny dealer firmy RYOBI zobowiązuje się wysłać produkt do centrum serwisowego firmy RYOBI. W przypadku wysyłki produktu do centrum serwisowego RYOBI, produkt należy dobrze zapakować, bez umieszczenia żadnych niebezpiecznych rzeczy, tj. paliwa i oznaczyć adresem nadawcy oraz krótkim opisem usterki.
- Naprawa/wymiana w ramach tej gwarancji jest bezpłatna. Nie stanowi to przedłużenia lub nowego rozporządzenia okresu gwarancji. Wymieniane części lub narzędzia stają się naszą własnością. W niektórych krajach koszty wysyłki lub pocztowe będą musiały być opłacone przez nadawcę.
- Ta gwarancja obowiązuje na terytorium Wspólnoty Europejskiej, Szwajcarii, Islandii, Norwegii, Liechtenstein, Turcji i Rosji. Poza tymi obszarami należy skontaktować się z autoryzowanym dealerem RYOBI aby sprawdzić, czy dostępna jest jeszcze inna gwarancja.

AUTORYZOWANY PUNKT SERWISOWY

Najbliższy autoryzowany punkt serwisowy można wyszukać w witrynie internetowej <http://uk.ryobitools.eu/header/service-and-support/service-agents>.

CS ZÁRUKA

Navíc k zákonným právam, které vznikají nákupem, je k výrobku poskytována záruka.

- Záruka je období 24 měsíců pro spotřebitele a začíná běžet datem nákupu produktu. Toto datum musí být zadokumentováno fakturou nebo jiným důkazem o koupi. Tento výrobek je určen a vyhrazen jen pro domácí a soukromé používání. Záruka se tedy neaplikuje pro profesionální ani komerční používání.
- Existuje, v některých případech (tj. propagace, určité nástroje), možnost prodloužení doby záruky nad výše uvedené období pomocí registrace na stránkách www.ryobitools.eu. Vhodnost nástroje je jasně vyobrazena v prodejních a/nebo na obalu. Koncový uživatel musí zaregistrovat své nové pořízené nástroje online během 8 dní od data nákupu. Koncový uživatel se může zaregistrovat k prodloužení doby záruky v zemi jeho trvalého bydliště, pokud je uvedeno v online registračním formuláři, kde je tato možnost platná. Navíc musí koncový uživatel poskytnout souhlas s uchováním údajů, které jsou zapotřebí do online registru a musí přijmout podmínky smlouvy. Přijetí potvrzení o registraci, odeslané e-mailem, a originální faktura udávající datum nákupu slouží jako důkaz prodloužené záruky. Vaše zákonná práva zůstávají nedotčena.
- Záruka pokrývá veškeré vady produktu během záruky způsobené vadami při zpracování nebo v materiálu v době nákupu. Záruka se omezuje na opravu a/nebo výměnu a nezahrnuje žádné jiné závazky včetně, ale ne omezeně na související nebo následné škody. Záruka neplatí, pokud, pokud se produkt nesprávně používal, používal v rozporu s návodem nebo byl nesprávně zapojen. Záruku nelze uplatnit v následujících případech:
 - jakákoliv škoda na výrobku v důsledku nesprávné údržby
 - jakýkoliv výrobek byl pozměněn či modifikován
 - jakýkoliv výrobek, kde byly původní identifikační značky (obchodní značka, výrobní číslo) odstraněny, pozměněny či modifikovány
 - jakákoliv škoda způsobená nedodržováním návodu k obsluze
 - výrobek nemá značku CE
 - každý výrobek, kde došlo k pokusu jej opravit nekvalifikovanou osobou nebo bez předchozího souhlasu společnosti Techtronic Industries
 - každý výrobek byl připojen nesprávnému napájení (proud, napětí, frekvence)
 - každý výrobek, který se používal s nesprávnou palivovou směsí (palivo, olej, podíl oleje)
 - veškeré škody byly způsobeny externími vlivy (chemické, fyzické, nárazy) či cizími látkami
 - běžné opotřebení a spotřební náhradní díly
 - nevhodné používání, přetěžování nástroje
 - použití neschválených doplňků nebo dílů
 - karburátor po 6 měsících, seřízení karburátoru po 6 měsících
 - komponenty (díly a doplňky) podléhající běžnému opotřebení, včetně, ale ne omezeně, nárazových tlačítek, hnacích řemenů, spojky, nožů plotostříhu či sekaček trávy, postroje, lanka škrtící klapky, uhlikových kartáčů, napájecího kabelu, plechů, plstěných podložek, závlaček, ventilátorů fukaru, hadic fukaru a vysavače, vaku vysavače a popruhu, vodičích lišt, pilových řetězů, hadic, spojovacích tvarovek, rozprašovačích trysek, kol, stříkaček trubice, vnitřních, vnějších cívek, sekacích strun, zapalovačích svíček, vzduchových filtrů, spalňových filtrů, umíčovacích nožů atd.
- Pro servis výrobku je třeba zaslat nebo předložit pověřenému servisnímu středisku RYOBI dle seznamu adres servisních středisek. V některých zemích váš místní prodejce RYOBI provádí odeslání výrobku servisní organizaci RYOBI. Při zasílání výrobku servisnímu středisku RYOBI by se měl výrobek bezpečně zabalit bez nebezpečného obsahu jako benzin, označit adresu odesílatele a přiložit list krátkým popisem vady.
- Oprava/výměna během záruky je bezplatná. Neznamená prodloužení ani začátek nového záručního období. Vyměněné díly či nástroje se stávají naším vlastnictvím. V některých zemích doručení či poštovné platí odesílatele.
- Záruka je platná v Evropské unii, Švýcarsku, Islandu, Norsku, Lichtenštejnsku, Turecku a Rusku. U ostatních oblastí prosím kontaktujte pověřeného prodejce RYOBI pro upřesnění, zda platí jiná záruka.

POVĚŘENÉ SERVISNÍ STŘEDISKO

Pro natezení nejbližšího pověřeného servisního střediska navštivte <http://uk.ryobitools.eu/header/service-and-support/service-agents>.

HU GARANCIA

A vásárlással összefüggő esetleges törvény adta jogok mellett a termékre az alábbiakban részletezett garancia vonatkozik.

1. A garancia időtartama a fogyasztók számára 24 hónap, ami a termék megvásárlásának napjától számítódik. Ezt a dátumot számlával vagy a vásárlást igazoló más dokumentummal kell igazolni. A terméket kizárólag a vevő által, személyes célokra való használatra tervezték és készítették. Ezért a garancia nem vonatkozik a profik általi vagy üzleti célokra való használatra.
2. Egyes esetekben (pl. promóció, bizonyos termékcsaládok) lehetőség van a garancia időtartamának a fent leírt garanciaperióduson túli meghosszabbítására a www.ryobitools.eu webhelyen történő regisztrációval. Az, hogy egy adott gép jogosult-e erre, egyértelműen fel van tüntetve a boltokban és/vagy a csomagoláson. A végfelhasználónak a vásárlás napjától számított 8 napon belül regisztrálnia kell az újonnan beszerzett gépet. A végfelhasználó a kiterjesztett garanciáért a lakóhelye szerinti országban regisztrálhat, ha az szerepel az online regisztrációs űrlapon. Emellett a végfelhasználónak hozzá kell járulnia az online belépéshez szükséges adatai tárolásához és el kell fogadnia a szerződési feltételeket. A regisztráció e-maiban küldött visszaigazolása, valamint a vásárlást igazoló eredeti számla szolgálják a kiterjesztett garancia érvényesítésére. A törvény adta jogai nem sérülnek.
3. A garancia a garancia időtartama alatt a termék összes olyan hibájára kiterjed, amelyek a vásárlás napján is fennálló gyártási vagy anyaghiba miatt következnek be. A garancia javításra és/vagy cserére korlátozódik, és nem tartalmaz további kötelezettséget, beleértve, de nem kizárólag a véletlenszerű vagy következetes károkra vonatkozó kötelezettségeket sem. A garancia nem érvényes a termék helytelen használatra, a használati utasításban leírtakkal ellentétes használatra vagy hibás csatlakoztatás esetén. A garancia nem vonatkozik a következőkre:
 - a termék helytelen karbantartásból eredő esetleges károsodásokra
 - átalakított vagy módosított termékekre
 - olyan termékre, melyen az eredeti azonosító jelöléseket (védjegy, sorozatszám) megrongálták, átalakították vagy eltávolították
 - a használati utasítás be nem tartásával összefüggő károkra
 - a CE minősítéssel nem rendelkező termékre
 - a nem képzett szakember által vagy a Technronic Industries előzetes jóváhagyása nélküli javított termékre
 - a nem megfelelő tápforrásokhoz (áramerősség, feszültség, frekvencia) csatlakoztatott termékre
 - a nem megfelelő üzemanyag-keverékkel (üzemanyag, olaj, olajárány) használt termékre
 - külső hatások (vegyi, fizikai, ütés) vagy idegen anyagok által okozott károsodásokra
 - a cserealkatrészek normál kopására és elhasználódására
 - helytelen használatra, a szerszám túlterhelésére
 - nem jóváhagyott tartozékok vagy alkatrészek használatára
 - a karburátorra 6 hónap elteltével, a karburátor beállításaira 6 hónap elteltével
 - Természetes elhasználódásnak és kopásnak kitett összetevőkre (alkatrészek és tartozékok), beleértve de nem kizárólag az ütközőgombokra, hajtószíjakra, tengelykapcsolóra, sóvényvágó vagy fűnyíró kecséire, vezetékkezőkre, gázkábelekre, szénkéfékre, tápkábeleire, kapákra, nemez alátétkarikákra, sasszegekre, fűvágó ventilátoraira, fűvő és vákuumszívókra, szívószálókra és szíjakra, láncvezetőkre, fűrészláncokra, tömlőkre, csatlakozókra, szűrőfejekre, kerekre, lándsákra, belső orsókra, külső orsókra, vágószálakra, gyújtógyertyákra, légszűrőkre, üzemanyagszűrőkre, tömörítő kapákra stb.
4. A szervizeléshez a terméket el kell küldeni vagy be kell mutatni valamelyik hivatalos RYOBI szervizközpontban, melyek elérhetősége az egyes országokban az alábbiakban van megadva. Egyes országokban a RYOBI kereskedő vállalja, hogy elküldi a terméket a RYOBI szervizbe. A terméknek a RYOBI szervizlátmásra való küldésekor a terméket biztonságosan be kell csomagolni, mindenféle veszélyes anyagot, pl. üzemanyagot el kell távolítani belőle, meg kell adni a feladó címét és a hiba rövid leírását.
5. A garancia keretében végzett javítás/cseréje ingyenes. Ugyanakkor ez nem jelenti a garancia időtartamának kiterjesztését vagy új garanciaperiódus kezdetét. A kicserélt alkatrészek vagy szerszámgépek a mi tulajdonunkban maradnak. Egyes országokban a szállítási vagy a postaköltségeket a feladó fizeti.
6. Ez a garancia az Európai Közösségekben, Svájcban, Izlandon, Norvégiában, Liechtensteinben, Törökországban és Oroszországban érvényes. Ezen területeken kívül az érvényes garancia-feltételeket illetően lépjen kapcsolatba a hivatalos RYOBI forgalmazóval.

HIVATALOS SZERVIZKÖZPONT

A legközelebbi hivatalos szervizközpont megtalálásához látogasson el a <http://uk.ryobitools.eu/header/service-and-support/service-agents>.

RO GARANȚIE

În plus față de alte drepturi statutare rezultând din achiziție, produsul este acoperit de o garanție ca cea menționată mai jos.

1. Perioada de garanție este de 24 de luni pentru consumatori și începe de la data la care produsul a fost achiziționat. Această dată trebuie să fie dovedită de o factură sau altă dovadă de cumpărare. Produsul este proiectat și dedicat pentru consumatori și doar pentru uz privat. Ca urmare nu există nicio garanție asigurată în caz de folosire profesională sau comercială.
2. Există, în anumite cazuri (de ex. promoții, game de produse) o posibilitate de a prelungi perioada de garanție peste perioada descrisă mai sus folosind înregistrarea pe site-ul www.ryobitools.eu. Eligibilitatea aparatului este afișată clar în magazine și/sau ambalaj. Utilizatorul final se poate înregistra pentru o garanție extinsă în țara sa de reședință dacă e listată pe formularul de înregistrare online acolo unde opțiunea este validă. Mai mult, utilizatorii finali trebuie să-și dea consimțământul cu privire la păstrarea datelor ce sunt cerute a fi introduse online și trebuie să accepte termenii și condițiile. Notificarea de confirmare a înregistrării, ce este trimisă prin email, și factura originală ce arată data achiziționării vor servi ca dovadă a garanției extinse. Drepturile dvs. statutare rămând neafectate.
3. Garanția acoperă toate defectele produsului în timpul perioadei de garanție cauzate de defecte din procesul de producție sau ale materialului la data achiziționării. Garanția este limitată la reparație și/sau înlocuire și nu include alte obligații incluzând dar nelimitându-se la pagube accidentale sau secundare. Garanția nu este validă dacă produsul a fost folosit greșit, folosit contrar instrucțiunilor din manual sau a fost conectat incorect. Această garanție nu se aplică la:
 - orice defecțiune a produsului ca rezultat a întreținerii necorespunzătoare
 - orice produs ce a fost schimbat sau modificat
 - orice produs unde marcajul original de identificare (marcă comercială, număr serie) a fost deteriorat, schimbat sau modificat
 - orice defecțiune cauzată de nerespectarea manualului de instrucțiuni
 - orice produs non CE
 - orice produs care a fost încercat să fie reparat de către o persoană necalificată sau fără autorizare în prealabil de către Technronic Industries
 - orice produs conectat necorespunzător la sursa de curent (amperi, voltaj, frecvență)
 - orice produs folosit cu amestec necorespunzător de combustibil (combustibil, ulei, procentaj de ulei)
 - orice defecțiune cauzată de influențe externe (chimice, fizice, șocuri) sau substanțe străine
 - uzura normală a pieselor de schimb
 - folosire necorespunzătoare, suprasolicitare a sculei
 - folosire de accesorii și părți neaprobate
 - carburator după 6 luni, reglări ale carburatorului după 6 luni
 - componente (părți și accesorii) subiect a uzurii naturale, incluzând dar nelimitându-se la butoane rotative, curele de distribuție, ambreiaj, lame ale aparatelor de bordurat și tuns iarba, hamuri, cabluri de accelerație, perii de carbon, cabluri electrice, dinți ale furcii, șaibe de păsli, ventilatoare și tuburi de absorbție, sac vacuum și chingi, bare de ghidare, ferăstraie cu lanț, furture, fitinguri de conectare, vergele de pulverizat, duze de pulverizat, roți, vergele de pulverizat, bobine interioare, bobine exterioare, fire pentru tăiat, buji, filtre de aer, filtre de gaz, lame protectoare, etc
4. Pentru service, produsul trebuie să fie trimis sau prezentat la un punct service RYOBI autorizat listat pentru fiecare țară în următoarea listă cu adrese ale punctelor service. În anumite țări reprezentantul dvs local RYOBI se angajează să trimită produsul la un punct de service RYOBI. Atunci când se trimite un produs la un punct service RYOBI, produsul trebuie să fie împachetat cu grijă fără a conține produse periculoase precum benzină, marcat cu adresa expeditorului și însoțit de o scurtă descriere a defecțiunii.
5. Repararea/inlocuirea în timpul garanției este fără niciun cost. Nu constituie o prelungire sau un nou început a perioadei de garanție. Părțile sau aparatele schimbate devin proprietatea noastră. În anumite țări taxele de expediere trebuie să fie plătite de către expeditor.
6. Garanția este valabilă în Uniunea Europeană, Elveția, Islanda, Norvegia, Lichtenstein, Turcia și Rusia. În afara acestor zone, vă rugăm contactați reprezentantul dvs local autorizat RYOBI pentru a determina dacă se aplică altă garanție.

CENTRU DE SERVICE AUTORIZAT

Pentru a găsi un centru de service autorizat lângă dvs., vizitați <http://uk.ryobitools.eu/header/service-and-support/service-agents>.

LV GARANTĪJA

Papildus visām likumā paredzētajām tiesībām saistībā ar iegādi šim izstrādājumam ir turpinājuma izklāstīta garantija.

1. Garantijas periods patērētājiem ir 24 mēneši, un tas sākas izstrādājuma iegādes dienā. Šim datumam ir jābūt dokumentētām rēķinā vai citā iegādi apliecinošā dokumentā. Šis izstrādājums ir izgatavots un paredzēts vienīgi patērētājam un privātai lietošanai. Profesionālais vai komerciālais lietošanas gadījumā garantija nav spēkā.
2. Atsevišķos gadījumos (piem., akcija, vairāki instrumenti) pastāv iespēja pagarināt garantijas periodu virs sešmēnešu perioda, reģistrējot to www.ryobitools.eu vietnē. Instrumenta pielietojums ir skaidri norādīts veikalos un/vai uz iepakojuma. Lietotājiem ir jāreģistrē savī jauniegūtie instrumenti tiešsaistē 8 dienu laikā no iegādes datuma. Lietotājs var reģistrēties pagarinātajai garantijai savā dzīvesvietas valstī, ja tā ir norādīta tiešsaistes reģistrācijas veidlapā, kur pieejama šī iespēja. Turklāt lietotājiem ir jāievada dati tiešsaistē, jādod piekrišana šo datus uzglabāšanai un jāpiekrīt noteikumiem. Saņemtais reģistrācijas apstiprinājums, kas izsūtīts pa e-pastu, un rēķina oriģināls, kurā redzams iegādes datums, ir pagarinātās garantijas pierādījums. Jūsu likumā paredzētās tiesības netiek ietekmētas.
3. Garantija attiecas uz visiem izstrādājuma bojājumiem, kas radušies garantijas perioda laikā iegādes dienā esošo izgatavošanas vai materiāla defektu dēļ. Garantija ir ierobežota līdz remontam un/vai nomaīgai un neietver citus pienākumus, ieskaitot, bet neaprobežojoties ar nejausiem vai netiešiem zaudējumiem. Garantija nav spēkā, ja izstrādājums ir liets nepareizi vai neievērojot rokasgrāmatas norādījumus vai ticis nepareizi savienots. Garantija netiecas uz:
 - izstrādājuma bojājumiem, kas radušies nepareizas apkopes dēļ;
 - izstrādājumiem, kas tikuši pielāgoti vai pārveidoti;
 - izstrādājumiem, kuru oriģinālais identifikācijas marķējums (preču zīme, sērijas numurs) ticis sabojāts, pārveidots vai noņemts;
 - bojājumiem, kurus izraisījuši rokasgrāmatas norādījumu neievērošana;
 - izstrādājumiem bez CE marķējuma;
 - izstrādājumiem, kurus ir mēģinājis remontēt nekvalificēts speciālists vai kuri remontēti bez Technonic Industries atļaujas;
 - izstrādājumiem, kas tikuši pievienoti neatbilstošai energopadevei (apmēri, spriegums, frekvence);
 - izstrādājumiem, kuros izmantots nepareizs degvielas maisījums (degviela, eļļa, eļļas daudzums);
 - bojājumiem, kurus izraisījuši ārēja iedarbība (ķīmiska, fiziska, triecieni) vai svešas vielas;
 - normālu detaļu nolietojumu un nodilumu;
 - instrumenta nepareizu lietošanu, pārslogoji;
 - neapstiprinātu detaļu un piederumu lietošanu;
 - karburatoru pēc 6 mēnešiem, karburatora regulējumiem pēc 6 mēnešiem;
 - komponentiem (detaļām un piederumiem), kas ir pakļauti dabiskam nodilumam un nolietojumam, ietverot, bet neaprobežojoties ar darbināšanas pogām, piedziņas siksnām, dzīvzoga trimeru un zāles plāvēji asmeņiem, plecu turētāju, kabeļa droseli, ogļekļa sukām, elektrības vadu, tapām, filca starplikām, sakabes tapām, pūteja ventilatoriem, pūteja un vakuuma caurulēm, vakuuma maisiem un lencēm, virzošajiem stieņiem, zāģa ķēdēm, šļūtenēm, savienotāja stiprinājumiem, smidzināšanas sprauslām, riteņiem, smidzināšanas nūjām, iekšējiem ruļļiem, ārējām spolēm, griešanas auklām, aizdedzes svečēm, gaisa filtriem, gāzes filtriem, mulčēšanas asmeņiem u. c.;
4. Ja nepieciešams veikt remontu, izstrādājums jānosūta vai jānodod RYOBI pilnvarotam servisa centram, kas norādīts pie attiecīgās valsts servisa centru adresu sarakstā. Atsevišķās valstīs vietējais RYOBI dīleris uzņemas nosūtīt izstrādājumu RYOBI servisa organizācijai. Nosūtīt izstrādājumu RYOBI servisa centram, izstrādājumiem jābūt droši iepakotam bez bīstama satura, piemēram, degvielas, marķētam ar sūtītāja adresi un kopā ar īsu aprakstu par defektu.
5. Remonts/nomaīga šīs garantijas ietvaros ir bez maksas. Tas nepagarina un neuzsāk jaunu garantijas periodu. Nomainītās detaļas un instrumenti nonāk mūsu īpašumā. Atsevišķās valstīs piegādes maksa un pasta izdevumi jāsedz sūtītājam.
6. Šī garantija ir derīga Eiropas Kopienā, Šveicē, Islandē, Norvēģijā, Līhtenšteinā, Turcijā un Krievijā, Ārpus šiem reģioniem, lūdzu, sazinieties ar savu pilnvaroto RYOBI dīleri, lai noskaidrotu, vai ir spēkā cita garantija.

AUTORIZĒTS APKALPOŠANAS CENTRS

Lai atrastu tuvāko autorizēto apkalpošanas centru, apmeklējiet <http://uk.ryobitools.eu/header/service-and-support/service-agents>.

LT GARANTĪJA

Beįstatymais nustatyty teisių, įgyjamų nusipirkus šį produktą, produktui taikoma toliau nurodyta garantija.

1. Pirkėjams galiojantis garantinis periodas yra 24 mėnesiai ir prasideda nuo produkto pirkimo datos. Data turi būti nurodyta sąskaitoje-faktūroje arba kitame pirkimą įrodančiame dokumente. Produktas sukurtas ir skirtas tik naudotojui ir tik asmeniniam naudojimui. Todėl garantija netaikoma produktą naudojančiam profesionaliam ar komerciniam tikslais.
2. Kai kuriais atvejais yra galimybė pratęsti garantinį laikotarpį iki toliau nurodyto laikotarpio, prieš tai užsiregistravus www.ryobitools.eu svetainėje. Įrankio tinkamumo aiškiai parodytas parduotuvėse ir (arba) ant pakuotės. Galutinis naudotojas turi užregistruoti savo naujai įsigytus įrankius internetu per 8 dienas nuo jų pirkimo datos. Galutinis naudotojas gali užsiregistruoti dėl garantijos pratęsimo savo šalyje, jei ši pateikta registracijos internetu formoje, kurioje galimas šis pasirinkimas. Be to, galutinai naudotojai privalo duoti savo sutikimą laikyti duomenis, kuriuos reikia įvesti internete, ir jie turi sutikti su sąlygomis ir nuostatomis. Registracijos patvirtinimo pranešimas, išsiunčiamas el. paštu, ir originali sąskaityta faktūra, kurioje nurodyta pirkimo data, įrodo pratęstą garantiją. Jūsų įstatymuose nurodytomis teisėms nebus pakenka.
3. Garantinis laikotarpis garantija taikoma visiems produkto trūkumams, atsiradusiems dėl prastos darbo kokybės arba prastu produkto medžiagų pirkimo dieną. Garantija taikoma tik taisymsui ir (arba) pakeltimui ir joje nenumatyti jokie kiti įsipareigojimai, įskaitant, bet neapsiribojant atsitiktine ar susijusia žala. Garantija negalioja produktą netinkamai naudojant, priešingai vadove nurodytoms instrukcijoms, arba netinkamai prijungus. Garantija netaikoma šiais atvejais:
 - produktui padaryti žalai netinkamai atliekant produkto techninę priežiūrą;
 - pakeistam arba modifikuotam produktui;
 - bet kokiems produktams, kurių originalios identifikacijos (prekės ženklas, serijos numeris) žymės buvo sugadintos, pakeistos ar pašalintos;
 - bet kokiai žalai, patirtai nesaikant naudojimo vadovo;
 - bet kokiam CE nepaženkintam produktui;
 - bet kokiam produktui, kurį bandė taisyti nekvalifikuotas specialistas, arba iš anksto negavus „Technonic Industries“ leidimo;
 - bet kokiam produktui, įjungtam į netinkamą maitinimo tinklą (amperai, įtampa, dažnis);
 - bet kokiam produktui, naudojamam su netinkamu degalų mišiniu (degalai, alyva, alyvos procentinis kiekis);
 - bet kokiai žalai, kilusiai dėl išorinio poveikio (cheminis, fizinis poveikis, smūgiai) arba pašalinių medžiagų;
 - įprastam atsarginių dalių dėvėjimuisi;
 - produktą netinkamai naudojant arba jį perkrovus;
 - naudojant nepatvirtintus priedus arba dalis;
 - karbiuratorius po 6 mėnesių, karbiuratoriaus reguliavimui po 6 mėnesių;
 - komponentams (daliims ir priedams), kurie dėvisi savaime, įskaitant, bet neapsiribojant iškiliais mygtukais, diržinėmis pavakomis, sankaba, gyvatvorės žirklių arba vejos pjovimo mašinų asmenimis, diržais, kabele droseliu, anglies šepetėliais, maitinimo laidu, virbams, veltinio poveržlėmis, traukimo kaiščiais, pūtimo ventilatoriais, pūstuvu ir siurblio vamzdžiais, siurblio maišeliu ir dirželiais, kreipiamaisiais strypais, pjūklų grandinėmis, žarnelėmis, jungtimis, purkštukais, ratais, purškimo lazdelėmis, vidiniais suktaivais, išorinėmis ritėmis, mulktintuvais, uždegimo žvakėmis, oro filtrais, dujų filtrais, mulčiavimo asmenimis ir t. t.;
4. Norint atlikti techninį aptarnavimą, produktą reikia nusiųsti arba pristatyti į vieną iš RYOBI įgaliotų techninio aptarnavimo punktų, esančių kiekvienoje šalyje toliau pateiktame aptarnavimo punktų adresų sąraše. Kai kuriose šalyse jūsų vietinis RYOBI pardavėjas gali nusiųsti produktą į RYOBI techninio aptarnavimo punktą. Siunčiant produktą į RYOBI techninio aptarnavimo punktą, produktą reikia saugiai supakuoti, prieš tai iš jo pašalinus pavojingas medžiagas, pavyzdžiui, benzina, nurodyti siuntėjo adresą ir pridėti trumpą gedimo aprašymą.
5. Pagal šią garantiją taisymsio ar keitimo darbai atliekami nemokamai. Garantijoje nenumatytas garantijos pratęsimas ar naujo garantinio laikotarpio pradėjimas. Pakeistos dalys arba įrankiai tampa mūsų nuosavybe. Kai kuriose šalyse pristatymo ar siuntimo paštu išlaidas turi padengti siuntėjas.
6. Ši garantija taikoma Europos bendrijoje, Šveicarijoje, Islandijoje, Norvegijoje, Lichtenšteine, Turkiijoje ir Rusijoje. Kitose šalyse kreipkitės į savo įgaliotą RYOBI pardavėją, norėdami sužinoti, ar taikoma kita garantija.

ĮGALIJOTAS TECHINIS PRIEŽIŪROS CENTRAS

Jei norite surasti įgaliotą techninės priežiūros centrą netoli Jūsų, apsilankykite interneto svetainėje <http://uk.ryobitools.eu/header/service-and-support/service-agents>.

ET GARANTIID

Lisaks ostu puhul kaasnevate seadusjärgsetele õigustele kehtib tootele allpool esitatud tingimustega garantiid.

- Ostja poolt ostetud tootele on kehtestatud garantiiperiood 24 kuud ja see hakkab kehtima toote ostmise kuupäeval. See kuupäev on märgitud arvele või muule ostu tõendavale dokumendile. Toode on ette nähtud ostjale ainult isiklikuks kasutamiseks. Kui toodet kasutatakse ametialasel või äriistel eesmärkidel, siis garantiid ei kehti.
- Mõnel juhul (nt reklaam, seadmete seeria) on võimalik pikendada garantiiperioodi pikemaks ajaks kui ülal mainitud, kui kasutatakse registreerimist veebisaidil www.ryobitools.eu kaudu. Registreerimise tingimused on välja pandud kauplustesse ja/või on pakendil. Lõppkasutaja peab oma uued tüüristad veebis registreerima 8 päeva jooksul alates ostukuupäevast. Lõppkasutaja võib registreerida end pikendatud garantiis oma asukohamaal, kui see on esitatud veebis registreerimise loendil, seal kus see vaik on olemas. Peale selle, lõppkasutajad peavad andma nõusoleku enda andmete salvestamiseks, mida vajatakse veebi sisenumismiseks ja nõustuma esitatud tingimustega. Pikendatud garantiid kehtivust tõendab e-postiga saadetud registreerimise kinnitusteade ja algupärane arve, millel on ostukuupäev. Teie seadusjärgsed õigused jäävad mõjutamata.
- Garantiid kehtib kõikidele ostukuupäevast kehtima hakkaval garantiiperioodil ilmnenu rike suhtes, mis on tingitud töötlemis- või materjalivigadest. Garantiid on piiratud remondi ja/või asendamise ja ei sisalda muid kohustusi, kuid mitte ainult, kaasneva või tuleneva kahju eest. Garantiid ei kehti, kui toode on väärkasutatud, kasutusjuhendis nimetatud otstarbele mittevastavalt kasutatud või toode on ebaõigesti ühendatud. See garantiid ei rakendu järgmistel juhtudel:
 - tootel on mingi vigastus, mis on põhjustatud ebaõigest kasutamisest,
 - toode on mingil viisil ümber ehitatud või muudetud,
 - toote algupärane tuvastusmarkering (kaubamärk, seerianumber) on kahjustatud, ümber tehtud või eemaldatud,
 - tootel on mingi vigastus, mis on tingitud kasutusjuhendi mittejälgimisest,
 - toode ei ole CE-märgisega,
 - toode on püüdnud parandada ebaõiged spetsialist või seda on tehtud ilma Techtron Industries volitusteta,
 - toode on ühendatud selleks mitteettnähtud elektritoitevõrguga (väär voolu tugevus, pinge või sagedus),
 - tootes on kasutatud mitteettnähtud kütusesegu (kütus, õli, väär õli vahetkord),
 - tootel on vigastus välistõmõjudest (keemilised või füüsilised mõjud või löögid),
 - toote varuosadel ilmneb tavapärane kulumine,
 - toode on ebaõigesti kasutatud või üle koormatud,
 - tootel on kasutatud mitteettnähtud tarvikuid või osi,
 - toote karburaator pärast 6 kuu möödumist, toote karburaatori säätet pärast 6 kuu möödumist,
 - toote koostesadel (osad ja tarvikud) ilmneb tavapärane kulumine järgmistel detailidel (kuid mitte ainult): etteandenu, ajamirihmad, sidur, hekiõikuri või muruniiduki terad, rakmed, gaasitross, süsinikharjad, toitejuhe, piid, viilseidid, vedrutihvid, puhumisventilaatorid, puhuri ja imuri torud, imisüsteemi kotid ja ribad, juhtvardad, saeketid, voolikud, õhendusliitmikud, düüsid, rattad, pihustustorud, siseturmid, välispoolid, lõikeõhvid, süüteküünlad, õhufiltrid, gaasifiltrid, multšimisterad jne.
- Hooldamiseks tuleb toode saata või tuua mõnda RYOBI volitatud hoolduspunkti, mis on esitatud loendis iga riigi jaoks ja milles on hoolduspunkti aadressid. Mõnes riigis kohustub RYOBI edasimüüja saatma toote RYOBI hooldusasutusse. Kui toode saadetakse RYOBI hooldusasutusse, tuleb toode turvaliselt ära pakkida ilma, et sellesse jääks õhtlikku sisu, näiteks bensiin ja pakendile tuleb märkida saatja aadress ja riike lühikirjeldus.
- Selle garantiid alusel tehtud remont/asendus on tasuta. Sellega ei kaasne garantiiperioodi pikemine või uue garantiiperioodi algus. Asendatud osad ja tüüristad jäävad meie omandusse. Mõnes riigis tuleb saate- või postikulud tasuda saatja poolt.
- See garantiid kehtib Euroopa Liidus, Šveitsis, Islandil, Norras, Liechtensteinis, Türgis ja Venemaal. Väljaspool neid riike võtke ühendust Ryobi volitatud edasimüüjaga, et teada saada teistsuguste garantiid kehtivus.

VOLITATUD HOOLDUSKESKUS

Oma volitatud hoolduskeskuse leiate veebisaidil <http://uk.ryobitools.eu/header/service-and-support/service-agents>.

HR JAMSTVO

U dodatku svih zakonskih prava koja proizlaze kao rezultat kupnje, ova proizvod pokriven je jamstvom kao što je utvrđeno u nastavku.

- Jamstveno razdoblje je 24 mjeseca za korisnike, a započinje na datum kupnje proizvoda. Ovaj datum treba biti dokumentiran računom ili nekim drugim dokazom o kupnji. Proizvod je dizajniran i namijenjen samo za korisnike i osobno korištenje. Stoga nema omogućenog jamstva u slučaju profesionalnog ili komercijalnog korištenja.
- U nekim slučajevima (primjerice promocije, paleta alata) postoji mogućnost produženog jamstvenog razdoblja preko gore navedenog razdoblja korištenjem registracije na web mjestu www.ryobitools.eu. Sukladnost alata jesno je prikazana u trgovini ili na pakiranju. Krajnji korisnik treba registrirati svoje nove pribavljene alate na mreži unutar 8 dana od datuma kupnje. Krajnji korisnik može se registrirati za produženo trajanje jamstva u svojoj zemlji stanovanja ako je navedena na mrežnom obrascu za registraciju gdje je ova opcija valjana. Nadalje, krajnji korisnici moraju dati svoje odobrenje za spremanje podatka koji su potrebni za unos na mreži i moraju prihvatiti uvjete i odredbe. primlak potvrde o registraciji, koja se šalje e-poštom i originalni račun koji prikazuje datum kupnje služe kao dokaz produženog jamstva. Vaša zakonska prava ostaju nepromijenjena.
- Jamstvo pokriva sve kvarove proizvoda tijekom jamstvenog razdoblja zbog pogreški u izradi ili materijalu na datum kupnje. Jamstvo je ograničeno na popravak ili zamjenu i ne uključuje nikakve druge obveze uključujući no ne ograničavajući se na slučajne ili posljedice štete. Jamstvo nije valjano ako je proizvod pogrešno korišten, korišten suprotno od korisničkog priručnika ili je nepravilno priključen. Ovo jamstvo se ne primjenjuje na:
 - svako oštećenje proizvoda koje je rezultat nepravilnog održavanja
 - svaki proizvod koji je izmijenjen ili modificiran
 - svaki proizvod gdje su originalne identifikacijske oznake (zaštitni znak, serijski broj) izbrisane, zamijenjene ili uklonjene
 - svako oštećenje uzrokovano neprikladnim korištenjem korisničkog priručnika
 - svaki proizvod koji nije CE
 - svaki proizvod koji je pokušao popraviti neovlašten profesionalac ili bez prethodnog odobrenja od strane Techtron Industries
 - svaki proizvod priključen na nepravilno napajanje energijom (amperi, napon, frekvencija)
 - Svaki proizvod korišten s neodgovarajućom mješavinom (gorivo, ulje, postotak ulja)
 - svako oštećenje uzrokovano vanjskim utjecajima (kemijsko, fiziko, udar) ili stranim stvarima
 - normalno trošenje i habanje rezervnih dijelova
 - nepravilno korištenje, preopterećenje alata
 - korištenje neodobrenog dodatnog pribora ili dijelova
 - rasplinjača nakon 6 mjeseci, podešavanje rasplinjača nakon 6 mjeseci
 - komponente (dijelovi i dodatni pribor) koji su predmet prirodno trošenja i habanja, uključujući no ne ograničavajući se na gumbce za otpuštanje, pogonske remene, spojku, oštrice trimera za grmlje ili kosilicu, kope, sajle gasa, ugljene četke, kabele za napajanje, nožve, podloške, ztkice za zglubnu vezu, ventilatore puhalice, cijevi za ispuhivanje i usisavanje, vakuumske vrećice i trake, vodilice, lance pile, crijeva, priključene elemente, mlaznice za raspršivanje, kotače, kopljica za raspršivanje, unutarne kolute, vanjske kaleme, flaksove, svječice, filtre za zrak, filtre za plin, oštrice za usitnjavanje itd.
- Za servisiranje, proizvod se mora poslati ili predati ovlaštenoj stanici za servis tvrtke RYOBI navedenoj za svaku zemlju u sljedećem popisu adresa stanica za servis. U nekim zemljama vaši lokalni RYOBI zastupnik obavezan je poslati proizvod u servisnu organizaciju tvrtke RYOBI. Prilikom slanja proizvoda u stanicu za servis tvrtke RYOBI, proizvod treba biti sigurno pakiran bez ikakvog opasnog sadržaja poput benzina, s označenom adresom pošiljatelja i pripadajućim kratkim opisom pogreške.
- Popravak/zamjena pod ovim jamstvom se ne naplaćuje. Ne produžuje zakonsko ili ne započinje novo jamstveno razdoblje. Zamijenjeni dijelovi ili alati postaju naše vlasništvo. U nekim zemljama pošiljatelj plaća poštarinu.
- Ovo jamstvo je valjano u Europskoj zajednici, Švicarskoj, Islandu, Norveškoj, Lichtenštajnu, Turskoj i Rusiji. Izvan ovih područja molimo vas da kontaktirate vašeg ovlaštenog zastupnika RYOBI kako biste odredili ako se primjenjuje druga jamstva.

OVLAŠTENI SERVISNI CENTAR

Za pronalaženje ovlaštenog servisnog centra pored vas posjetite <http://uk.ryobitools.eu/header/service-and-support/service-agents>.

SL GARANCIJA

Poleg kakršnih koli zakonskih pravic, ki jih pridobite z nakupom, za ta izdelek velja tudi garancija, kot je opisano spodaj.

- Garancijsko obdobje je 24 mesecev za potrošnike in se začne z datumom nakupa. Ta datum mora biti dokumentiran z računom ali drugim dokazilom o nakupu. Izdelek je namenjen in posevčen le potrošniški in zasebni uporabi. Zato garancija ne velja za profesionalno ali komercialno uporabo.
- V nekaterih primerih (npr. promocija, obseg orodij) obstaja možnost podaljšanja garancijskega obdobja prek zgoraj opisanega obdobja, kar je mogoče storiti z registracijo na spletnem mestu www.ryobitools.eu. Namen orodja je jasno označen v trgovinah in/ali na embalaži. Končni uporabnik mora svoje novo orodje registrirati prek spleta v 8 dneh od datuma nakupa. Končni uporabnik se lahko registrira za podaljšano garancijo v svoji državi, kjer ima stalno prebivališče, če je država vključena na seznam v obrazcu za registracijo, kjer je ta možnost veljavna. Poleg tega mora končni uporabnik odobriti shranjevanje podatkov, ki so potrebni za spletni vstop, in morajo sprejeti pogoje in določila. Potrdilo o registraciji, ki se pošlje po e-pošti, ter originalni račun, na katerem je naveden datum nakupa, veljata kot dokazilo o podaljšani garanciji. Vaše zakonske pravice ostanejo nespremenjene.
- Garancija krje vse okvare izdelka med garancijskim obdobjem zaradi napak v izdelavi ali materialu na datum nakupa. Garancija je omejena na popravilo/zamenjavo in ne vključuje drugih obveznosti, med drugim ne vključuje obveznosti zaradi nenamerne ali posledične škode. Garancija ni veljavna, če je bil izdelek zlorabljen, uporabljen v nasprotju z navodili za uporabo ali nepravilno priključen. Garancija ne velja:
 - za kakršno koli poškodbo izdelka, ki je posledica neprimernega vzdrževanja,
 - če je bil izdelek spremenjen ali modificiran,
 - če so originalne identifikacijske oznake (blagovna znamka, serijska številka) na izdelku poškodovane, spremenjene ali odstranjene,
 - če je do poškodbe prišlo zaradi neupoštevanja navodil za uporabo,
 - za katere koli izdelke, ki niso skladni z oznako CE,
 - če je izdelek poskusil opraviti neusposobljen strokovnjak ali brez predhodne odobritve družbe Techtronic Industries,
 - če je bil izdelek priključen na neustrezno električno omrežje (jakost, napetost, frekvenca),
 - če je bil izdelek uporabljen z neustrezno mešanico goriva (gorivo, olje, odstotek olja),
 - če je do poškodbe prišlo zaradi zunanjih vplivov (kemični, fizični, udarci) ali tujih snovi,
 - za normalno obrabo nadomestnih delov,
 - neustrezne uporabe, preobremenitve orodja,
 - uporabe neodobrenih dodatkov ali delov,
 - za uplinjač po 6 mesecih, prilagoditve uplinjača po 6 mesecih,
 - za sestavne dele (dele in dodatke), ki so podvrženi normalni obrabi, med drugim za vzmetne gume, pogonske jermene, sklopko, rezila obrezovalnikov ali kosilnic, nosilni trak, kabelske dušilke, karbonskih krtačk, napajalnega kabla, zobovje, polstene podložke, varnostne zatiče, ventilatorje, puhalne in sesalne cevi, sesalne vreče in trakove, vodila, verige za žage, gibljive cevi, nastavke priključkov, pršilne šobe, kolesa, pršilne palice, notranje kolute, zunanja vretena, rezalne nitke, vžigalne svečke, zračne filtre, plinske filtre, drobilna rezila itd.,
- Za servisiranje je treba izdelek poslati ali prinesiti v pooblaščen servisni center RYOBI, ki je za vsako državo naveden na naslednjem seznamu z naslovi servisnih centrov. V nekaterih državah pošiljanje izdelka servisnemu centru RYOBI prevzame lokalni trgovec z izdelki RYOBI. Za pošiljanje servisnemu centru RYOBI mora biti izdelek varno zapakiran, brez kakršnih koli nevarnih snovi, npr. gorivo, označen z naslovom pošiljatelja, priložen pa mora biti kratek opis napake.
- Popravilo/nadomestilo v sklopu te garancije je brezplačno. Ne pomeni podaljšanja ali novega začetka garancijskega obdobja. Zamenjani deli ali orodja postanejo naša last. V nekaterih državah mora stroške pošiljanja ali dostave poravnati pošiljatelj.
- Ta garancija je veljavna v Evropski skupnosti, Šviciji, na Islandiji, Norveškem, v Liechtensteinu, Turčiji in Rusiji. Izven teh področij stopite v stik s pooblaščenim trgovcem RYOBI, da ugotovite, ali velja katera druga garancija.

POOBLAŠČEN SERVISNI CENTER

Pooblaščen servisni center blizu vas poiščite na <http://uk.ryobitools.eu/header/service-and-support/service-agents>.

SK ZÁRUKA

Okrem zákonných práv vyplývajúcich zo zakúpenia je tento produkt pokrytý zárukou, ako je uvedené nižšie.

- Záručná doba pre spotrebiteľov je 24 mesiacov a začína dňom zakúpenia produktu. Tento dátum musí byť zdokumentovaný faktúrou alebo iným dokladom o kúpe. Tento produkt je navrhnutý a určený len na potrebné a osobné použitie. Takže v prípade profesionálneho alebo komerčného použitia neplatí žiadna záruka.
- V niektorých prípadoch (napr. reklamná akcia, rad produktov) existuje možnosť predĺženia záručnej doby nad dobu uvedenú vyššie pomocou registrácie na webovej stránke www.ryobitools.eu. Spôsobilosť nástroja je zreteľne zobrazená v obchodoch a ha obale. Koncový používateľ si musí zaregistrovať svoje novonadobudnuté nástroje online do 8 dní odo dňa zakúpenia. Koncový používateľ sa môže zaregistrovať za účelom získania predĺženej záruky vo svojej krajine, ak je uvedená v online registračnom formulári, kde je táto možnosť platná. Okrem toho musia koncoví používatelia poskytnúť súhlas k uloženiu údajov, ktoré sa zadávajú online a musia súhlasiť so zmluvnými podmienkami. Doklad s potvrdením o registrácii, ktorý posielame prostredníctvom e-mailu a originál faktúry s uvedeným dátumom zakúpenia slúžia ako dôkaz predĺženej záruky. Vaše zákonné práva ostávajú nedotknuté.
- Táto záruka pokrýva všetky poruchy produktu počas záručnej doby, ktoré vznikli následkom nedostatkov vo vypracovaní alebo materiáli v deň zakúpenia. Táto záruka je omezená na opravu alebo výmenu a nezahŕňa ďalšie povinnosti, napríklad vedľajšie alebo následné škody. Táto záruka je neplatná, ak bol produkt požívaný nesprávne, používaný v rozpore s návodom na použitie alebo nesprávne pripojený. Táto záruka sa nevzťahuje na:
 - akékoľvek poškodenie produktu, ku ktorému došlo následkom nesprávnej údržby
 - akýkoľvek produkt, ktorý bol pozmenený alebo upravený
 - akýkoľvek produkt, na ktorom boli poškodené pozmenené alebo odstránené originálne identifikačné znaky (obchodná známka, sériové číslo)
 - akékoľvek poškodenie spôsobené následkom neododržania návodu na použitie
 - akýkoľvek produkt iný ako CE
 - akýkoľvek produkt, o ktorého opravu sa pokúšal nekvalifikovaný odborník alebo v prípade opravy bez predchádzajúceho oprávnenia od spoločnosti Techtronic Industries
 - akýkoľvek produkt pripojený k nesprávnejmu napájaciemu zdroju (prúd, napätie, frekvencia)
 - akýkoľvek produkt použitý v nevhodnou palivovou zmesou (palivo, olej, percento oleja)
 - akékoľvek poškodenie spôsobené vonkajšími vplyvmi (chemické, fyzické, nárazy) alebo cudzími látkami
 - bežné opotrebenie náhradných dielov
 - nesprávne používanie a pretážovanie nástroja
 - používanie neschváleného príslušenstva alebo dielov
 - karburátor po 6 mesiacoch, úpravy karburátora po 6 mesiacoch
 - komponenty (diely a príslušenstvo), ktoré podliehajú prirodzenému opotrebeniu, napríklad pružinové tlačidlá, hnacie remene, spojka, ostria strihača živého plotu alebo kosačky trávy, postroj, ťahadlo škrťacej klapky, uhľikové kefky, napájaci kábel, končeky, plstené podložky, kolký s háčikom, ventilátory dýchadla, rúrky dýchadla a vysávača, vrecko a remene vysávača, vodiace lišty, pilové reťaze, hadice, konektorové armatúry, rozprašovače trysky, koleska, striekacie tyče, vnútorné navijaky, vonkajšie cievy, rezné drôty, zapalovače sviečky, vzduchové filtre, benzínové filtre, mulčovacie ostria a pod.
- Na servis sa musí produkt odoslať alebo predložiť autorizovanému servisnému centru RYOBI uvedenému pre každú krajinu v nasledujúcom zozname adres servisných staníc. V niektorých krajinách pošle produkt do servisnej organizácie RYOBI váš miestny predajca produktov RYOBI. Pri odosielaní produktu do servisnej stanice RYOBI musí byť produkt bezpečne zabalený bez akéhokoľvek nebezpečného obsahu, napríklad paliva, označený adresou odosielateľa a musí byť k nemu priložený krátky popis poruchy.
- Oprava či výmena v rámci tejto záruky je bezplatná. Nevplyvva z nej predĺženie či nový začiatok záručnej doby. Vymenené diely alebo nástroje sa stávajú našim majetkom. V niektorých krajinách doručovací poplatok alebo poštovné platí odosielateľ.
- Táto záruka je platná v Európskej únii, Švajčiarsku, na Islande, v Nórsku, Lichtenštajnsku, Turecku a Rusku. Mimo týchto oblastí kontaktujte autorizovaného predajcu spoločnosti Ryobi, u ktorého zistíte, či platí nejaká iná záruka.

AUTORIZOVANÉ SERVISNÉ CENTRUM

Ak chcete nájsť najbližšie autorizované servisné centrum, navštívte stránku <http://uk.ryobitools.eu/header/service-and-support/service-agents>.

BG ГАРАНЦИЯ

В допълнение към законоустановените права, произтичащи от покупката, този продукт е обхванат от гаранция, както е изложено по-долу.

- Гаранционният срок е 24 месеца за клиенти и започва да тече от деня на закупуване на продукта. Тази дата трябва да се докаже с фактура или друго доказателство за покупка. Продуктът е изработен и предназначен само за потребителска и лична употреба. Следователно не се дава гаранция в случай на използване от професионалисти или с търговска цел.
- В някои случаи (като промоция, гама инструменти) съществува възможност за удължаване на гаранционния срок след изтичането на описания тук чрез регистрация на уеб сайта www.yobitools.eu. Дали инструментът отговаря на условията за такова удължаване, ясно показано в магазини и/или върху опаковката. Крайният потребител трябва да регистрира своите новопридобити инструменти онлайн в рамките на 8 дни от датата на покупка. Крайният потребител може да се регистрира за удължена гаранция в държавата си на пребиваване, ако е посочена във формуляра за онлайн регистрация като място, където тази опция е валидна. Освен това крайните потребители трябва да дадат съгласието си за съхранение на данните, които са задължителни за ползване онлайн, и трябва да приемат общите условия. Полученото потвърждение за регистрация, изпратено по имейл, и оригиналната фактура, показваща датата на покупка, ще служат като доказателство за удължената гаранция. Законоустановените Ви права остават незаосенати.
- Гаранцията покрива всички дефекти на продукта по време на гаранционния срок, които се дължат на проблеми в изработката или материалите към момента на покупката. Гаранцията е ограничена до ремонт и/или замяна и не включва други задължения, включително, но не само, случайни или закономерни щети. Гаранцията е невалидна, ако продуктът е използван неправилно или в противоречие с ръководството с инструкции, както и ако е свързан неправилно. Тази гаранция не важи за:
 - щети по продукта в резултат на неправилна профилировка;
 - продукти, които са били изменени или модифицирани;
 - продукт, при който оригиналните маркировки за идентификация (търговска марка, серийн номер) са изтрети, променени или премахнати;
 - повреда, причинена от неспазване на ръководството с инструкции;
 - продукт без CE маркировка;
 - продукт, за който е направен опит за ремонт от невалифициран специалист или без предварително разрешение от Techtronic Industries;
 - продукт, свързан към неподходящо електрохранване (ампераж, волтаж, честота);
 - продукт, използван с неподходяща горивна смес (гориво, масло, процент масло);
 - щети, причинени от външни влияния (химични, физични, удари) или чужди вещества;
 - нормално износване на резервни части;
 - неподходяща употреба, претоварване на инструмента;
 - използване на неодобрени аксесоари или части;
 - карбуратор след 6 месеца, настройки на карбуратора след 6 месеца;
 - компоненти (част и аксесоари), подложени на естествено износване, включително, но не само, кошчета за тласкане, задвижващи ремъци, съединител, остриета на ножици за жив плет, косачки, самар, кабелен дросел, карбонови четки, захванващ кабел, остриета, фицови шайби, осигурителни цифрове, вентилатори на уреди за обдухване, тръби за обдухване и всмукване, торба за отпадъци и ремъци, водеща шпера, вериги за триони, маркучи, фитинги на конектори, дюзи, копела, пръскалки, вътрешни и външни макари, рещесто влакно, запалителни свещи, въздушни филтри, горивни филтри, остриета за мулчиране и т.н.
- За обслужване продуктът трябва да се изпрати или занесе на авторизиран сервиз на RYOBI, посочен за всяка държава в следния списък с адреси на сервиси. В някои държави местният търговец на RYOBI поема да изпрати продукта до сервизен център на RYOBI. При изпращане на продукт до сервиз на RYOBI продуктът трябва да е опакован безопасно без опасност съдържане, като бензин, да е маркиран с адреса на подателя и придружен от кратко описание на повредата.
- Ремонът или замяната по силата на тази гаранция са безплатни. Те не водят до удължаване или подновяване на гаранционния срок. Сменените части или инструменти стават наша собственост. В някои държави таксите за доставка или изпращане трябва да се платят от подателя.
- Тази гаранция е валидна в Европейската общност, Швейцария, Исландия, Норвегия, Лихтенщайн, Турция и Русия. Извън тези области се свържете с упълномощения търговец на RYOBI, за да се установи дали са приложими други гаранции.

УПЪЛНОМОЩЕН СЕРВИЗЕН ЦЕНТЪР

За да намерите упълномощен сервизен център близо до вас, посетете <http://uk.yobitools.eu/header/service-and-support/service-agents>.

UK ГАРАНТИЯ

На додаток до любих законних прав, що випливають з покупки, цей продукт покривається гарантією, як зазначено нижче.

- Гарантійний термін складає 24 місяці для споживачів і, починається з дати придбання продукту. Ця дата повинна бути задокументована рахунком або іншим документом, що підтверджує покупку. Продукт розроблений і призначений для споживача і тільки для приватного використання. Таким чином, немає ніякої гарантії, у разі професійного або комерційного використання.
- Наведені деякі випадки (наприклад, підтримка, ряд інструментів), можливості розширення гарантійного терміну протягом періоду, описаного вище, з використанням реєстрації на сайті www.yobitools.eu. Придатність інструменту чітко відображається в магазинах та / або на упаковці. Кінцевий користувач повинен зареєструвати його / її ново придбаний інструмент онлайн протягом 8 днів з моменту покупки. Кінцевий користувач може зареєструватися на розширену гарантію у своїй країні проживання, якщо ця країна є в онлайн формі реєстрації, де ця опція діє. Крім того, кінцеві користувачі повинні дати свою згоду на зберігання даних, які необхідні для онлайн входу і вони повинні прийняти терміни та умови. Квитанція підтвердження реєстрації, яка розсилається по електронній пошті, та оригінал рахунку-фактури із зазначенням дати покупки будуть служити доказом розширеної гарантії. Ваші законні права залишаються в силі.
- Гарантія покриває всі дефекти продукту протягом гарантійного періоду, пов'язані з недоліками виготовлення або матеріалу на дату покупки. Гаранція обмежується ремонтом та / або заміною, і не покриває будь-які інші зобов'язання, включаючи, але не обмежуючись випадковими або непрямими збитками. Гарантія не діє, якщо продукт неправильно використовувався всупереч інструкції, або був неправильно підключений. Ця гарантія не поширюється на:
 - будь-яке пошкодження продукту, яке є результатом неправильного технічного обслуговування
 - будь-який продукт, який був модифікований або модифікований
 - будь-який продукт, де оригінальні ідентифікаційні (торгова марка, серийний номер) маркування були зіпсовані, змінені або видалені
 - будь-який збиток, заподіяний в результаті недотримання керівництва з експлуатації
 - будь-який не CE продукт
 - будь-який виріб, який був відремонтований неваліфікованим спеціалістом або без попереднього дозволу Techtronic Industries
 - будь-який продукт підключений до неналежного живлення (підсилювачі, напруга, частота)
 - будь-який збиток, заподіяний зовнішнім впливом (хімічними, фізичними, ударами) або стороннім речовинами
 - передбачене зношення запасних частин
 - неправильне використання, перевантаження інструменту
 - використання незатверджених запасних частин або аксесуарів
 - карбуратор через 6 місяців, коригування карбуратора після 6 місяців
 - аксесоари електроінструменту надані з інструментом або куплені окремо. Такі винятки включають, але не обмежуються гвинтовою викруткою, свердлами, абразивними дисками, наждачним шпером і лезами, бичним спрямовувачим пристроєм
 - компоненти (частини та аксесоари), схильні до природного зносу, в тому числі, але не обмежуючись щітком, патроном, шнуром живлення, додатковою рукояткою, шліфувальними пластинами, мішком для пилу, витяжною трубою
- Для обслуговування виріб має бути відправлено або представлено в уповноважений RYOBI центр технічного обслуговування, перерахований для кожної країни в наступному списку адресів технічних центрів. У деяких країнах місцевий дилер RYOBI зобов'язується відправити виріб в сервісній організації RYOBI. При відправці продукту до станції технічного обслуговування RYOBI, продукт повинен бути надійно упакований, без жодного небезпечного вмісту, такого як бензин, відмічений адресною відправника і супроводжуватися коротким описом несправності.
- Ремонт / заміна по гарантії безкоштовні. Це не розширює або не починає новий гарантійний термін. Замінені частини або інструменти стають нашою власністю. У деяких країнах вартість доставки або відсилки повинні бути оплачені відправником.
- Ця гарантія дієсна в Європейському Співтоваристві, Швейцарії, Ісландії, Норвегії, Лихтенштейні, Туреччині та Росії. За межами цих областей, будь ласка, зв'яжіться з офіційним дилером RYOBI, щоб визначити, якщо поширюється інша гарантія

АВТОРИЗОВАНІ СЕРВІСНІ ЦЕНТРИ

Для отримання оновленого переліка авторизованих сервісних центрів, відвідайте <http://uk.yobitools.eu/header/service-and-support/service-agents>

EN EC DECLARATION OF CONFORMITY

Techtronic Industries GmbH
Max-Eyth-Straße 10, 71364 Winnenden, Germany

Herewith we declare that the product

Cordless Lawn Mower
Brand: Ryobi
Model number: RLM18X33H40/OLM1833H
Serial number range:
RLM18X33H40: 44464601000001 - 44464601999999
OLM1833H: 44464701000001 - 44464701999999

is in conformity with the following European Directives and harmonised standards
2006/42/EC, 2004/108/EC (until 19 April 2016), 2014/30/EU (from 20 April 2016), 2000/14/EC, 2005/88/EC, 2011/65/EU, EN 60335-1:2012+A1:2014, EN 60335-2-77:2010, EN ISO 3744:2010, EN 55014-1:2006+A1:2009+A2:2011, EN 55014-2:1997+A1:2001+A2:2008, EN 62233:2008, EN 50581:2012

Measured sound power level: 89.96 dB(A)
Garantierter sound power level: 94 dB(A)

Conformity assessment method to Annex VI Directive 2000/14/EC amended by 2005/88/EC.

The notified body involved:
Société Nationale de Certification et d'Homologation (Notified Body 0499)
Za. Kalchesbruck L-1852 Luxembourg

Andrew John Eyre (BEng, CEng, MIET)
Vice President, Regulatory & Safety
Winnenden, Dec. 18, 2015

Authorised to compile the technical file:
Alexander Krug, Managing Director
Techtronic Industries GmbH
Max-Eyth-Straße 10, 71364 Winnenden, Germany

DE EC KONFORMITÄTSERKLÄRUNG

Techtronic Industries GmbH
Max-Eyth-Straße 10, 71364 Winnenden, Germany

Hiermit erklären wir, dass die Produkte

Kabelloser Rasenmäher
Marke: Ryobi
Modellnummer: RLM18X33H40/OLM1833H
Seriennummernbereich:
RLM18X33H40: 44464601000001 - 44464601999999
OLM1833H: 44464701000001 - 44464701999999

mit den folgenden europäischen Richtlinien und harmonisierten Normen entspricht
2006/42/EC, 2004/108/EC (bis 19 April 2016), 2014/30/EU (ab 20 April 2016), 2000/14/EC, 2005/88/EC, 2011/65/EU, EN 60335-1:2012+A1:2014, EN 60335-2-77:2010, EN ISO 3744:2010, EN 55014-1:2006+A1:2009+A2:2011, EN 55014-2:1997+A1:2001+A2:2008, EN 62233:2008, EN 50581:2012

Gemessener Schalleistungspegel: 89.96 dB(A)
Garantierter Schalleistungspegel: 94 dB(A)

Konformitätsbeurteilungsmethode zu Anhang VI Richtlinie 2000/14/EC wie durch 2005/88/EC.

Benannte Stelle:
Société Nationale de Certification et d'Homologation (Benannte Stelle 0499)
Za. Kalchesbruck L-1852 Luxembourg

Andrew John Eyre (BEng, CEng, MIET)
Vizepräsident, Vorschriften und Sicherheit
Winnenden, Dec. 18, 2015

Autorisiert die technische Datei zu erstellen:
Alexander Krug, Geschäftsführer
Techtronic Industries GmbH
Max-Eyth-Straße 10, 71364 Winnenden, Germany

FR DÉCLARATION DE CONFORMITÉ EC

Techtronic Industries GmbH
Max-Eyth-Straße 10, 71364 Winnenden, Germany

Déclarons par la présente que le produit

Tondeuse à Gazon Sans-fil
Marque: Ryobi
Numéro de modèle: RLM18X33H40/OLM1833H
Étendue des numéros de série:
RLM18X33H40: 44464601000001 - 44464601999999
OLM1833H: 44464701000001 - 44464701999999

est conforme aux Directives Européennes et Normes Harmonisées suivantes
2006/42/EC, 2004/108/EC (jusqu'au 19 April 2016), 2014/30/EU (à partir du 20 April 2016), 2000/14/EC, 2005/88/EC, 2011/65/EU, EN 60335-1:2012+A1:2014, EN 60335-2-77:2010, EN ISO 3744:2010, EN 55014-1:2006+A1:2009+A2:2011, EN 55014-2:1997+A1:2001+A2:2008, EN 62233:2008, EN 50581:2012

Niveau de puissance sonore mesuré: 89.96 dB(A)
Niveau de puissance sonore garanti: 94 dB(A)

Méthode d'évaluation de conformité de l'annexe VI Directive 2000/14/EC modifiée 2005/88/EC.

L'organisme notifié titulaire:
Société Nationale de Certification et d'Homologation (L'organisme notifié 0499)
Za. Kalchesbruck L-1852 Luxembourg

Andrew John Eyre (BEng, CEng, MIET)
Vice-Président, Réglementation & Sécurité
Winnenden, Dec. 18, 2015

Autorisé à rédiger le dossier technique:
Alexander Krug, Directeur Général
Techtronic Industries GmbH
Max-Eyth-Straße 10, 71364 Winnenden, Germany

ES DECLARACIÓN EC DE CONFORMIDAD

Techtronic Industries GmbH
Max-Eyth-Straße 10, 71364 Winnenden, Germany

Por la presente declaramos que los productos

Cortacésped inalámbrico
Marca: Ryobi
Número de modelo: RLM18X33H40/OLM1833H
Intervalo del número de serie:
RLM18X33H40: 44464601000001 - 44464601999999
OLM1833H: 44464701000001 - 44464701999999

se encuentra en conformidad con las siguientes Directivas Europeas y normas armonizadas
2006/42/EC, 2004/108/EC (hasta 19 April 2016), 2014/30/EU (desde 20 April 2016), 2000/14/EC, 2005/88/EC, 2011/65/EU, EN 60335-1:2012+A1:2014, EN 60335-2-77:2010, EN ISO 3744:2010, EN 55014-1:2006+A1:2009+A2:2011, EN 55014-2:1997+A1:2001+A2:2008, EN 62233:2008, EN 50581:2012

Nivel de potencia acústica medido: 89.96 dB(A)
Nivel de potencia acústica garantizado: 94 dB(A)

Método de evaluación de conformidad con el anexo VI Directiva 2000/14/EC modificada por la 2005/88/EC.

El organismo notificado implicado:
Société Nationale de Certification et d'Homologation (Organismo notificado 0499)
Za. Kalchesbruck L-1852 Luxembourg

Andrew John Eyre (BEng, CEng, MIET)
Vicepresidente, Director General de Normativa y Seguridad
Winnenden, Dec. 18, 2015

Autorizado para elaborar la ficha técnica:
Alexander Krug, Administrador Ejecutivo
Techtronic Industries GmbH
Max-Eyth-Straße 10, 71364 Winnenden, Germany

IT DICHIARAZIONE DI CONFORMITÀ EC

Techtronic Industries GmbH
Max-Eyth-Straße 10, 71364 Winnenden, Germany

Si dichiara con la presente che il prodotto

Tosaerba Senza Cavo
Marca: Ryobi
Numero modello: RLM18X33H40/OLM1833H
Gamma numero seriale:
RLM18X33H40: 44464601000001 - 44464601999999
OLM1833H: 44464701000001 - 44464701999999

è conforme alle seguenti Direttive Europee e ai seguenti standard armonizzati

2006/42/EC, 2004/108/EC (fino a 19 Aprile 2016), 2014/30/EU (fino a 20 Aprile 2016), 2000/14/EC, 2005/88/EC, 2011/65/EU, EN 60335-1:2012+A1:2014, EN 60335-2-77:2010, EN ISO 3744:2010, EN 55014-1:2006+A1:2009+A2:2011, EN 55014-2:1997+A1:2001+A2:2008, EN 62233:2008, EN 50581:2012

Livello di potenza acustica misurato: 89.96 dB(A)
Livello di potenza sonora garantita: 94 dB(A)

Metodo di valutazione sulla conformità all'allegato VI Direttiva 2000/14/EC modificata con la 2005/88/EC.

Ente notificato responsabile:
Société Nationale de Certification et d'Homologation (L'ente notificato 0499)
Za. Kalchesbruck L-1852 Luxembourg



Andrew John Eyre (BEng, CEng, MIET)
Vice-Presidente, Dipartimento Regolazioni & Sicurezza
Winnenden, Dec. 18, 2015

Autorizzato per compilare il file tecnico:
Alexander Krug, Direttore Amministrativo
Techtronic Industries GmbH
Max-Eyth-Straße 10, 71364 Winnenden, Germany

PT DECLARAÇÃO EC DE CONFORMIDADE

Techtronic Industries GmbH
Max-Eyth-Straße 10, 71364 Winnenden, Germany

Pelo presente declaramos que os produtos

Máquina de Cortar Relva Sem Fios
Marca: Ryobi
Número do modelo: RLM18X33H40/OLM1833H
Intervalo do número de série:
RLM18X33H40: 44464601000001 - 44464601999999
OLM1833H: 44464701000001 - 44464701999999

se encontra em conformidade com as seguintes Directivas Europeias e normas harmonizadas

2006/42/EC, 2004/108/EC (até 19 Abril 2016), 2014/30/EU (desde 20 Abril 2016), 2000/14/EC, 2005/88/EC, 2011/65/EU, EN 60335-1:2012+A1:2014, EN 60335-2-77:2010, EN ISO 3744:2010, EN 55014-1:2006+A1:2009+A2:2011, EN 55014-2:1997+A1:2001+A2:2008, EN 62233:2008, EN 50581:2012

Nível de potência sonora medido: 89.96 dB(A)
Nível de potência sonora garantido: 94 dB(A)

Método de avaliação de conformidade para o anexo VI Directiva 2000/14/EC alterada por 2005/88/EC.

O organismo notificado envolvido:
Société Nationale de Certification et d'Homologation (Organismo notificado 0499)
Za. Kalchesbruck L-1852 Luxembourg



Andrew John Eyre (BEng, CEng, MIET)
Vice-Presidente, Regamentação & Segurança
Winnenden, Dec. 18, 2015

Autorizado para compilar o ficheiro técnico:
Alexander Krug, Administrador Executivo
Techtronic Industries GmbH
Max-Eyth-Straße 10, 71364 Winnenden, Germany

NL EC CONFORMITEITSVERKLARING

Techtronic Industries GmbH
Max-Eyth-Straße 10, 71364 Winnenden, Germany

Hierbij verklaren wij dat het product

Snoerloze Grasmaaimachine
Merk: Ryobi
Modelnummer: RLM18X33H40/OLM1833H
Serienummerbereik:
RLM18X33H40: 44464601000001 - 44464601999999
OLM1833H: 44464701000001 - 44464701999999

is in overeenstemming met de volgende Europese Richtlijnen en geharmoniseerde normen

2006/42/EC, 2004/108/EC (tot 19 April 2016), 2014/30/EU (vanaf 20 April 2016), 2000/14/EC, 2005/88/EC, 2011/65/EU, EN 60335-1:2012+A1:2014, EN 60335-2-77:2010, EN ISO 3744:2010, EN 55014-1:2006+A1:2009+A2:2011, EN 55014-2:1997+A1:2001+A2:2008, EN 62233:2008, EN 50581:2012

Gemeten geluidsniveau: 89.96 dB(A)
Gegarandeerd geluidsniveau: 94 dB(A)

Evaluatiemethode conformiteit volgens bijlage VI Richtlijn 2000/14/EC gewijzigd door 2005/88/EC.

Betrokken aangemelde keuringsinstantie:
Société Nationale de Certification et d'Homologation (De aangemelde instantie 0499)
Za. Kalchesbruck L-1852 Luxembourg



Andrew John Eyre (BEng, CEng, MIET)
Vice-president, Regelgeving en Veiligheid
Winnenden, Dec. 18, 2015

Afgevaardigde voor het samenstellen van de technische fiche:
Alexander Krug, Directeur
Techtronic Industries GmbH
Max-Eyth-Straße 10, 71364 Winnenden, Germany

DA EC OVERENSSTEMMELSEERKLÆRING

Techtronic Industries GmbH
Max-Eyth-Straße 10, 71364 Winnenden, Germany

Vi erklærer hermed, at produktet

Akku-plæneklipper
Brand: Ryobi
Modelnummer: RLM18X33H40/OLM1833H
Serienummerområde:
RLM18X33H40: 44464601000001 - 44464601999999
OLM1833H: 44464701000001 - 44464701999999

er i overensstemmelse med følgende EU-direktiver og harmoniserede standarder

2006/42/EC, 2004/108/EC (indtil 19 April 2016), 2014/30/EU (fra 20 April 2016), 2000/14/EC, 2005/88/EC, 2011/65/EU, EN 60335-1:2012+A1:2014, EN 60335-2-77:2010, EN ISO 3744:2010, EN 55014-1:2006+A1:2009+A2:2011, EN 55014-2:1997+A1:2001+A2:2008, EN 62233:2008, EN 50581:2012

Målt støjniveau: 89.96 dB(A)
Garanteret støjniveau: 94 dB(A)

Overensstemmelsesvurderingsmetode til bilag VI Direktiv 2000/14/EC ændret ved 2005/88/EC.

Den relevante godkendelsesinstans:
Société Nationale de Certification et d'Homologation (Relevant godkendelsesinstans 0499)
Za. Kalchesbruck L-1852 Luxembourg



Andrew John Eyre (BEng, CEng, MIET)
Vicepræsident, Regler og Sikkerhed
Winnenden, Dec. 18, 2015

Bemyndiget til at udarbejde det tekniske kartotek:
Alexander Krug, Administrerende Direktør
Techtronic Industries GmbH
Max-Eyth-Straße 10, 71364 Winnenden, Germany

SV EC-KONFORMITETSDEKLARATION

Techtronic Industries GmbH
Max-Eyth-Straße 10, 71364 Winnenden, Germany

Härmed deklarerar vi att produkterna

Sladdlös Gräsklippare
Märke: Ryobi
Modellnummer: RLM18X33H40/OLM1833H
Serienummerintervall:
RLM18X33H40: 44464601000001 - 44464601999999
OLM1833H: 44464701000001 - 44464701999999

är i enlighet med följande EU-direktiv och harmoniserade standarder
2006/42/EC, 2004/108/EC (till och med 19 April 2016), 2014/30/EU (från och med 20 April 2016), 2000/14/EC, 2005/88/EC, 2011/65/EU, EN 60335-1:2012+A1:2014, EN 60335-2-77:2010, EN ISO 3744:2010, EN 55014-1:2006+A1:2009+A2:2011, EN ISO 3744:2010, EN 55014-2:1997+A1:2001+A2:2008, EN 62233:2008, EN 50581:2012

Uppmätt ljudeffektnivå: 89.96 dB(A)
Garanterad ljudeffektnivå: 94 dB(A)

Konformitetsbedömning gjord enligt metod i VI Direktiv 2000/14/EC samt tilläggen i 2005/88/EC.
Meddelandet gällde:
Société Nationale de Certification et d'Homologation (Myndigheten 0499)
2a. Kalchesbruck L-1852 Luxembour

Andrew John Eyre (BEng, CEng, MIET)
Vice President, Regelverk och Säkerhet
Winnenden, Dec. 18, 2015

Godkänd att sammanställa den tekniska filen:
Alexander Krug, VD
Techtronic Industries GmbH
Max-Eyth-Straße 10, 71364 Winnenden, Germany

FI EC-SÄÄNNÖSTEN NOUDATTAMINEN

Techtronic Industries GmbH
Max-Eyth-Straße 10, 71364 Winnenden, Germany

Ilmoitamme täten, että tuotteet

Langaton Ruohonleikkuri
Tuotemerkki: Ryobi
Mallinumero: RLM18X33H40/OLM1833H
Sarjanumerovalue:
RLM18X33H40: 44464601000001 - 44464601999999
OLM1833H: 44464701000001 - 44464701999999

noudattaa seuraavia EU-direktiivejä ja harmonoituja standardeja
2006/42/EC, 2004/108/EC (19 April 2016 saakka), 2014/30/EU (20 April 2016 alkaen), 2000/14/EC, 2005/88/EC, 2011/65/EU, EN 60335-1:2012+A1:2014, EN 60335-2-77:2010, EN ISO 3744:2010, EN 55014-1:2006+A1:2009+A2:2011, EN ISO 3744:2010, EN 55014-2:1997+A1:2001+A2:2008, EN 62233:2008, EN 50581:2012

Mitattu äänenteho: 89.96 dB(A)
Taattu ääniteho: 94 dB(A)

Säännösten noudattaminen tarkastettu direktiivin 2000/14/EC liitteen VI mukaisesti muunnettu direktiivillä 2005/88/EC.
Ilmoituselin:
Société Nationale de Certification et d'Homologation (Ilmoittava elin 0499)
2a. Kalchesbruck L-1852 Luxembour

Andrew John Eyre (BEng, CEng, MIET)
Varatoimitusjohtaja, Säästöstenmukaisuus ja Turvallisuus
Winnenden, Dec. 18, 2015

Valtuutettu kokoamaan tekninen tiedosto:
Alexander Krug, Toimitusjohtaja
Techtronic Industries GmbH
Max-Eyth-Straße 10, 71364 Winnenden, Germany

NO EC-SAMSVARERKLÆRING

Techtronic Industries GmbH
Max-Eyth-Straße 10, 71364 Winnenden, Germany

Herved erklærer vi at produktet

Batteridrevet Gressklipper
Märke: Ryobi
Modellnummer: RLM18X33H40/OLM1833H
Serienummerseire:
RLM18X33H40: 44464601000001 - 44464601999999
OLM1833H: 44464701000001 - 44464701999999

er i samsvar med følgende europeiske direktiver og harmoniserte standarder
2006/42/EC, 2004/108/EC (til 19 April 2016), 2014/30/EU (fra 20 April 2016), 2000/14/EC, 2005/88/EC, 2011/65/EU, EN 60335-1:2012+A1:2014, EN 60335-2-77:2010, EN ISO 3744:2010, EN 55014-1:2006+A1:2009+A2:2011, EN ISO 3744:2010, EN 55014-2:1997+A1:2001+A2:2008, EN 62233:2008, EN 50581:2012

Målt lydteffektivitet: 89.96 dB(A)
Garantert lydteffektivitet: 94 dB(A)

Metode for vurdering av konformitet til Tillegg VI Direktiv 2000/14/EC endret ved 2005/88/EC.
Involvert meddelelsesorgan:
Société Nationale de Certification et d'Homologation (Teknisk kontrollorgan 0499)
2a. Kalchesbruck L-1852 Luxembour

Andrew John Eyre (BEng, CEng, MIET)
Visepresident, Forskrifter og Sikkerhet
Winnenden, Dec. 18, 2015

Autorisert til å sette sammen den tekniske filen:
Alexander Krug, Administrerende Direktør
Techtronic Industries GmbH
Max-Eyth-Straße 10, 71364 Winnenden, Germany

RU ЗАЯВЛЕНИЕ О СООТВЕТСТВИИ ТРЕБОВАНИЯМ ЕС

Techtronic Industries GmbH
Max-Eyth-Straße 10, 71364 Winnenden, Germany

Настоящим мы заявляем, что данный продукт

Беспроводная Газонокосилка
Марка: Ryobi
Номер модели: RLM18X33H40/OLM1833H
Диапазон заводских номеров:
RLM18X33H40: 44464601000001 - 44464601999999
OLM1833H: 44464701000001 - 44464701999999

соответствует требованиям следующих Директив ЕС и согласованных стандартов
2006/42/EC, 2004/108/EC (до 19 апреля 2016), 2014/30/EU (с 20 апреля 2016), 2000/14/EC, 2005/88/EC, 2011/65/EU, EN 60335-1:2012+A1:2014, EN 60335-2-77:2010, EN ISO 3744:2010, EN 55014-1:2006+A1:2009+A2:2011, EN ISO 3744:2010, EN 55014-2:1997+A1:2001+A2:2008, EN 62233:2008, EN 50581:2012

Измеренный уровень звуковой мощности: 89.96 dB(A)
Гарантируемый уровень звуковой мощности: 94 dB(A)

Способ оценки соответствия, приложение VI к директиве 2000/14/EC с изменениями 2005/88/EC.
Уведомляемый участвующий орган:
Société Nationale de Certification et d'Homologation (Нотифицированная организация 0499)
2a. Kalchesbruck L-1852 Luxembour

Andrew John Eyre (BEng, CEng, MIET)
Вице-Президент По Технике Безопасности И Стандартам
Winnenden, Dec. 18, 2015

Лицо, ответственное за подготовку технической документации:
Alexander Krug, Директор
Techtronic Industries GmbH
Max-Eyth-Straße 10, 71364 Winnenden, Germany

PL DEKLARACJA ZGODNOŚCI EC

Techtronic Industries GmbH
Max-Eyth-Straße 10, 71364 Winnenden, Germany

Niniejszym deklarujemy, że produkty

Bezprzewodowa Kosiarka Do Trawy
Marka: Ryobi
Numer modelu: RLM18X33H40/OLM1833H
Zakres numerów seryjnych:
RLM18X33H40: 44464601000001 - 44464601999999
OLM1833H: 44464701000001 - 44464701999999

jest zgodny z następującymi dyrektywami europejskimi i zharmonizowanymi normami

2006/42/EC, 2004/108/EC (do 19 April 2016), 2014/30/EU (od 20 April 2016),
2000/14/EC, 2005/88/EC, 2011/65/EU, EN 60335-1:2012+A1:2014, EN
60335-2-77:2010, EN ISO 3744:2010, EN 55014-1:2006+A1:2009+A2:2011,
EN 55014-2:1997+A1:2001+A2:2008, EN 62233:2008, EN 50581:2012

Zmierzony poziom natężenia hałasu: 89.96 dB(A)
Maksymalny poziom natężenia hałasu: 94 dB(A)

Metoda ocena zgodności zgodnie z aneksem VI Dyrektywa 2000/14/EC zmieniona
prez dyrektywę 2005/88/EC.
Zaangażowany organ do powiadomienia:
Société Nationale de Certification et d'Homologation (Jednostka notyfikowana 0499)
Za. Kalchesbruck L-1852 Luxembourg

Andrew John Eyre (BEng, CEng, MIET)
Wiceprezes ds. Zgodności Prawnej i Bezpieczeństwa
Winnenden, Dec. 18, 2015

Osoba upoważniona do sporządzenia dokumentu technicznego:
Alexander Krug, Dyrektor Zarządzający
Techtronic Industries GmbH
Max-Eyth-Straße 10, 71364 Winnenden, Germany

HU EC MEGFELELŐSÉGI NYILATKOZAT

Techtronic Industries GmbH
Max-Eyth-Straße 10, 71364 Winnenden, Germany

Ezúton kijelentjük, hogy a termékek

Akkumulátoros Fűnyíró
Márka: Ryobi
Típusszám: RLM18X33H40/OLM1833H
Sorozatszám tartomány:
RLM18X33H40: 44464601000001 - 44464601999999
OLM1833H: 44464701000001 - 44464701999999

megfelel az alábbi Európai Irányelvek és harmonizált szabványok vonatkozó rendelkezéseinek

2006/42/EC, 2004/108/EC (2016 April 19-ig), 2014/30/EU (2016 April 19-től),
2000/14/EC, 2005/88/EC, 2011/65/EU, EN 60335-1:2012+A1:2014, EN
60335-2-77:2010, EN ISO 3744:2010, EN 55014-1:2006+A1:2009+A2:2011,
EN 55014-2:1997+A1:2001+A2:2008, EN 62233:2008, EN 50581:2012

Mért hangteljesítményszint: 89.96 dB(A)
Garantált hangteljesítményszint: 94 dB(A)

A megfelelőségi értékelési eljárás a 2000/14/EC irányelv VI. függeléke szerint
történt által módosított 2005/88/EC irányelv.
A közreműködő tanúsító testület:
Société Nationale de Certification et d'Homologation (A következő tanúsító testület
0499)
Za. Kalchesbruck L-1852 Luxembourg

Za. Kalchesbruck L-1852 Luxembourg

Andrew John Eyre (BEng, CEng, MIET)
Alelnök, Megfelelőségi és Biztonsági Területek
Winnenden, Dec. 18, 2015

A műszaki dokumentáció összeállítására felhatalmazott:
Alexander Krug, Ügyvezető Igazgató
Techtronic Industries GmbH
Max-Eyth-Straße 10, 71364 Winnenden, Germany

CS PROHLÁŠENÍ O SHODĚ EC

Techtronic Industries GmbH
Max-Eyth-Straße 10, 71364 Winnenden, Germany

Tímto prohlašujeme, že výrobky

Akkumulátorová Sekačka Trávy
Značka: Ryobi
Číslo modelu: RLM18X33H40/OLM1833H
Rozsah sériových čísel:
RLM18X33H40: 44464601000001 - 44464601999999
OLM1833H: 44464701000001 - 44464701999999

že tento výrobek je v souladu s evropskými a harmonizovanými standardy

2006/42/EC, 2004/108/EC (do 19 April 2016), 2014/30/EU (od 20 April 2016),
2000/14/EC, 2005/88/EC, 2011/65/EU, EN 60335-1:2012+A1:2014, EN
60335-2-77:2010, EN ISO 3744:2010, EN 55014-1:2006+A1:2009+A2:2011,
EN 55014-2:1997+A1:2001+A2:2008, EN 62233:2008, EN 50581:2012

Změřená hladina akustického výkonu: 89.96 dB(A)
Zaručená hladina akustického výkonu: 94 dB(A)

Soulad s metodou určování pro přílohu VI směrnice 2000/14/EC upravená 2005/88/
EC.
Upozorněte patřičný orgán:
Société Nationale de Certification et d'Homologation (Úředně oznámený orgán
0499)
Za. Kalchesbruck L-1852 Luxembourg

Andrew John Eyre (BEng, CEng, MIET)
Viceprezident, Normy a Bezpečnost
Winnenden, Dec. 18, 2015

Pověření ke kompilaci technického souboru:
Alexander Krug, Generální Ředitel
Techtronic Industries GmbH
Max-Eyth-Straße 10, 71364 Winnenden, Germany

RO DECLARAȚIE DE CONFORMITATE EC

Techtronic Industries GmbH
Max-Eyth-Straße 10, 71364 Winnenden, Germany

Prin prezenta, declarăm că produsele

Mașină de Tuns iarba Cu Acumulator
Mărcă: Ryobi
Număr serie: RLM18X33H40/OLM1833H
Gamă număr serie:
RLM18X33H40: 44464601000001 - 44464601999999
OLM1833H: 44464701000001 - 44464701999999

este în conformitate cu următoarele Directive Europene și standarde armonizate
2006/42/EC, 2004/108/EC (pană la 19 April 2016), 2014/30/EU (de la 20 April
2016), 2000/14/EC, 2005/88/EC, 2011/65/EU, EN 60335-1:2012+A1:2014, EN
60335-2-77:2010, EN ISO 3744:2010, EN 55014-1:2006+A1:2009+A2:2011,
EN 55014-2:1997+A1:2001+A2:2008, EN 62233:2008, EN 50581:2012

Nivelul măsurat al puterii acustice: 89.96 dB(A)
Nivel garantat al puterii acustice: 94 dB(A)

Metoda de evaluare a conformității cu Anexa VI Directiva 2000/14/EC modificată
prin 2005/88/EC.
Organismul de notificare implicat:
Société Nationale de Certification et d'Homologation (Organismul notificat 0499)
Za. Kalchesbruck L-1852 Luxembourg

Andrew John Eyre (BEng, CEng, MIET)
Vicepreședinte, Reglementare și Siguranță
Winnenden, Dec. 18, 2015

Autorizat să completeze fișa tehnică:
Alexander Krug, Director General
Techtronic Industries GmbH
Max-Eyth-Straße 10, 71364 Winnenden, Germany

LV EC ATBILSTĪBAS DEKLARĀCIJA

Technronic Industries GmbH
Max-Eyth-Straße 10, 71364 Winnenden, Germany

Ar šo paziņojam, ka produkti

Bezvadu Zāles plaujmašīna
Zīmols: Ryobi
Modeļa numurs: RLM18X33H40/OLM1833H
Sērijas numura intervāls:
RLM18X33H40: 44464601000001 - 44464601999999
OLM1833H: 44464701000001 - 44464701999999

atbilst šādām Eiropas direktīvām un saskaņotajiem standartiem

2006/42/EC, 2004/108/EC (tīdž 19 April 2016), 2014/30/EU (no 20 April 2016),
2000/14/EC, 2005/88/EC, 2011/65/EU, EN 60335-1:2012+A1:2014, EN
60335-2-77:2010, EN ISO 3744:2010, EN 55014-1:2006+A1:2009+A2:2011,
EN 55014-2:1997+A1:2001+A2:2008, EN 62233:2008, EN 50581:2012

Izmērītās skaņas jaudas līmenis: 89,96 dB(A)
Garantētais skaņas intensitātes līmenis: 94 dB(A)

Atbilstības novērtēšanas metode pielikumam VI Direktīvai 2000/14/EC labota
2005/88/EC.
Iesaistītā pilnvarotā iestāde:
Société Nationale de Certification et d'Homologation (Pilnvarotā iestāde 0499)
2a. Kalchesbruck L-1852 Luxembourg

Andrew John Eyre (BEng, CEng, MIET)
Viceprezidents, Darba Drošības Noteikumi
Winnenden, Dec. 18, 2015



Pilnvarots sastādīt tehnisko failu:

Alexander Krug, Izpilddirektors
Technronic Industries GmbH
Max-Eyth-Straße 10, 71364 Winnenden, Germany

ET EC VASTAVUSDEKLARĀCIJĀ

Technronic Industries GmbH
Max-Eyth-Straße 10, 71364 Winnenden, Germany

Kinnitāme, et see toode

Juhtmeta Murnuiiduk
Mark: Ryobi
Modeli number: RLM18X33H40/OLM1833H
Seerianumbri vahemik:
RLM18X33H40: 44464601000001 - 44464601999999
OLM1833H: 44464701000001 - 44464701999999

vastab järgmistele Euroopa direktiividele ja harmoniseeritud standarditele

2006/42/EC, 2004/108/EC (kuni 19 April 2016), 2014/30/EU (alates 19 April
2016), 2000/14/EC, 2005/88/EC, 2011/65/EU, EN 60335-1:2012+A1:2014, EN
60335-2-77:2010, EN ISO 3744:2010, EN 55014-1:2006+A1:2009+A2:2011,
EN 55014-2:1997+A1:2001+A2:2008, EN 62233:2008, EN 50581:2012

Mõõdetud helivõimsuse tase: 89,96 dB(A)
Garanteeritud helivõimsuse tase: 94 dB(A)

Vastavushindamine vastavalt lisale VI direktiivis 2000/14/EC muudetud direktiiviga
2005/88/EC.
Kontrolliga seotud teavitatud asutus:
Société Nationale de Certification et d'Homologation (tunnustatud asutus 0499)
2a. Kalchesbruck L-1852 Luxembourg

Andrew John Eyre (BEng, CEng, MIET)
Asepresident Standardiseerimise Ja Ohutuse Alal
Winnenden, Dec. 18, 2015



Tehnilise faili koostamiseks volitatud isik:

Alexander Krug, Tegevdirektor
Technronic Industries GmbH
Max-Eyth-Straße 10, 71364 Winnenden, Germany

LT EC ATITIKTIKIES DEKLARACIJA

Technronic Industries GmbH
Max-Eyth-Straße 10, 71364 Winnenden, Germany

Mes pareiškiame, kad šie produktai

Akumulatorinė žolijaplovė
Prekės ženklas: Ryobi
Modelio numeris: RLM18X33H40/OLM1833H
Serijinio numerio diapazonas:
RLM18X33H40: 44464601000001 - 44464601999999
OLM1833H: 44464701000001 - 44464701999999

pagaminatas laikantis toliau nurodytųjų Europos Direktivyų ir darniųjų standartų

2006/42/EC, 2004/108/EC (iki 2016 m. April 19 d.), 2014/30/EU
(nuo 2016 m. April 20 d.), 2000/14/EC, 2005/88/EC, 2011/65/EU, EN
60335-1:2012+A1:2014, EN 60335-2-77:2010, EN ISO 3744:2010, EN
55014-1:2006+A1:2009+A2:2011,
EN 55014-2:1997+A1:2001+A2:2008, EN 62233:2008, EN 50581:2012

Išmatuotas akustinis lygis: 89,96 dB(A)
Garantuotas akustinis lygis: 94 dB(A)

Atitikties įvertinimo metodas pagal direktyvos 2000/14/EC, VI Priedą su pataisomis
2005/88/EC.
Įtraukta notifikuoti įstaiga:
Société Nationale de Certification et d'Homologation (Notifikuoti įstijacija 0499)
2a. Kalchesbruck L-1852 Luxembourg

Andrew John Eyre (BEng, CEng, MIET)
Kontrolės Ir Saugos Viceprezidentas
Winnenden, Dec. 18, 2015



Įgaliosas sudaryti techninį failą:

Alexander Krug, Generalinis Direktorius
Technronic Industries GmbH
Max-Eyth-Straße 10, 71364 Winnenden, Germany

HR EC IZJAVA O USKLADENOSTI

Technronic Industries GmbH
Max-Eyth-Straße 10, 71364 Winnenden, Germany

Ovimе izjavljujemo da su proizvodi

Bežični Kosilica
Marka: Ryobi
Broj modela: RLM18X33H40/OLM1833H
Raspon serijskog broja:
RLM18X33H40: 44464601000001 - 44464601999999
OLM1833H: 44464701000001 - 44464701999999

usklađen sa sljedećim Europskim Direktivama i usklađenim normama

2006/42/EC, 2004/108/EC (do 19 April 2016), 2014/30/EU (da 20 April 2016),
2000/14/EC, 2005/88/EC, 2011/65/EU, EN 60335-1:2012+A1:2014, EN
60335-2-77:2010, EN ISO 3744:2010, EN 55014-1:2006+A1:2009+A2:2011,
EN 55014-2:1997+A1:2001+A2:2008, EN 62233:2008, EN 50581:2012

Izmjerena razina zvučne snage: 89,96 dB(A)
Jamčena razina zvučne snage: 94 dB(A)

Metoda procjene usklađenosti prema Dodatku VI Direktive 2000/14/EC navedeno
u 2005/88/EC.
Uključena oznaka broja tijela:
Société Nationale de Certification et d'Homologation (Nadležno tijelo 0499)
2a. Kalchesbruck L-1852 Luxembourg

Andrew John Eyre (BEng, CEng, MIET)
Potpredsjednik za Pravila i Sigurnost
Winnenden, Dec. 18, 2015



Ovlašten da sastavi tehničku datoteku:

Alexander Krug, Direktor Upravljanja
Technronic Industries GmbH
Max-Eyth-Straße 10, 71364 Winnenden, Germany

SL IZJAVA EC O SKLADNOSTI

Techtronic Industries GmbH
Max-Eyth-Straße 10, 71364 Winnenden, Germany

Izjavljamo, da je izdelek

Brezžična Kosilnica
Znamka: Ryobi
Številka modela: RLM18X33H40/OLM1833H
Razpon serijskih števil:
RLM18X33H40: 44464601000001 - 44464601999999
OLM1833H: 44464701000001 - 44464701999999

v skladu s sledečimi evropskimi direktivami in harmoniziranimi standardi

2006/42/EC, 2004/108/EC (do 19 April 2016), 2014/30/EU (od 20 April 2016),
2000/14/EC, 2005/88/EC, 2011/65/EU, EN 60335-1:2012+A1:2014, EN
60335-2-77:2010, EN ISO 3744:2010, EN 55014-1:2006+A1:2009+A2:2011,
EN 55014-2:1997+A1:2001+A2:2008, EN 62233:2008, EN 50581:2012

Izmerjena raven zvočne moči: 89.96 dB(A)
Zajamčena raven zvočne moči: 94 dB(A)

Način ugotavljanja skladnosti z aneksom VI direktive 2000/14/EC ki je bila spremenjena z 2005/88/EC.

Priglašeni organ:

Société Nationale de Certification et d'Homologation (Priglašeni organ 0499)
2a, Kalchesbruck L-1852 Luxembourg

Andrew John Eyre (BEng, CEng, MIET)
Podpredsednik, Zakonodajne In Varnostne Zadeve
Winnenden, Dec. 18, 2015



Pooblaščen oseba za sestavo tehnične dokumentacije:
Alexander Krug, Izvršni Direktor
Techtronic Industries GmbH
Max-Eyth-Straße 10, 71364 Winnenden, Germany

BG ЕС ДЕКЛАРАЦИЯ НА ЗА СЪОТВЕТСТВИЕ

Techtronic Industries GmbH
Max-Eyth-Straße 10, 71364 Winnenden, Germany

С настоящето декларираме, че продуктите

Безжичен Косачка за трева
Марка: Ryobi
Номер на модела: RLM18X33H40/OLM1833H
Обхват на серийни номера:
RLM18X33H40: 44464601000001 - 44464601999999
OLM1833H: 44464701000001 - 44464701999999

отговаря на следните директиви на ЕС и хармонизирани стандарти

2006/42/EC, 2004/108/EC (до 19 April 2016), 2014/30/EU (от 20 April 2016),
2000/14/EC, 2005/88/EC, 2011/65/EU, EN 60335-1:2012+A1:2014, EN
60335-2-77:2010, EN ISO 3744:2010, EN 55014-1:2006+A1:2009+A2:2011,
EN 55014-2:1997+A1:2001+A2:2008, EN 62233:2008, EN 50581:2012

Измерено ниво на шум: 89.96 dB(A)
Гарантирано ниво на шум: 94 dB(A)

Метод за оценяване на съответствието с приложение VI Директива 2000/14/EC, изменена от 2005/88/EC.

Отговорен нотифициращ орган:

Société Nationale de Certification et d'Homologation (Нотифициран орган 0499)
2a, Kalchesbruck L-1852 Luxembourg

Andrew John Eyre (BEng, CEng, MIET)
Вицепрезидент, Правни Услуги И Безопасност
Winnenden, Dec. 18, 2015



Упълномощено лице за съставяне на техническия файл:
Alexander Krug, Изпълнителен Директор
Techtronic Industries GmbH
Max-Eyth-Straße 10, 71364 Winnenden, Germany

SK PREHLÁSENIE O ZHODE EC

Techtronic Industries GmbH
Max-Eyth-Straße 10, 71364 Winnenden, Germany

Týmto vyhlasujeme, že výrobok

Bežkáblová Kosačka Na Trávu
Značka: Ryobi
Číslo modelu: RLM18X33H40/OLM1833H
Rozsah sériových čísel:
RLM18X33H40: 44464601000001 - 44464601999999
OLM1833H: 44464701000001 - 44464701999999

je v súlade s nasledujúcimi Európskymi smernicami a harmonizovanými normami

2006/42/EC, 2004/108/EC (do 19 April 2016), 2014/30/EU (od 20 April 2016),
2000/14/EC, 2005/88/EC, 2011/65/EU, EN 60335-1:2012+A1:2014, EN
60335-2-77:2010, EN ISO 3744:2010, EN 55014-1:2006+A1:2009+A2:2011,
EN 55014-2:1997+A1:2001+A2:2008, EN 62233:2008, EN 50581:2012

Nameraná úroveň hluku: 89.96 dB(A)
Garantovaná úroveň hluku: 94 dB(A)

Spôsob určenia zhody podľa Dodatku VI Smernica 2000/14/EC doplnená o 2005/88/EC.

K ohlasovaniu úradom patria:

Société Nationale de Certification et d'Homologation (Oboznámený orgán 0499)
2a, Kalchesbruck L-1852 Luxembourg

Andrew John Eyre (BEng, CEng, MIET)
Viceprezident, Regulácia a Bezpečnosť
Winnenden, Dec. 18, 2015



Oprávnená osoba na zostavenie technického súboru:
Alexander Krug, Generálny Riaditeľ
Techtronic Industries GmbH
Max-Eyth-Straße 10, 71364 Winnenden, Germany

UK ЕС ДЕКЛАРАЦИЯ ПРО ВІДПОВІДНІСТЬ

Techtronic Industries GmbH
Max-Eyth-Straße 10, 71364 Winnenden, Germany

При цьому ми заявляємо, що продукт

Бездротовога газнокосарка
Марка: Ryobi
Номер на модела: RLM18X33H40/OLM1833H
Діапазон серійного номеру:
RLM18X33H40: 44464601000001 - 44464601999999
OLM1833H: 44464701000001 - 44464701999999

у відповідності з наступними європейськими директивами та гармонізованими стандартами

2006/42/EC, 2004/108/EC (до 19 квітня 2016), 2014/30/EU (від 20 квітня 2016),
2000/14/EC, 2005/88/EC, 2011/65/EU, EN 60335-1:2012+A1:2014, EN
60335-2-77:2010, EN ISO 3744:2010, EN 55014-1:2006+A1:2009+A2:2011,
EN 55014-2:1997+A1:2001+A2:2008, EN 62233:2008, EN 50581:2012

Вимірний рівень звукової потужності: 89.96 dB(A)
Гарантований рівень звукової потужності: 94 dB(A)

Метод оцінки відповідності додаток V Директива 2000/14/EC з поправками, внесеними 2005/88 / EC.

Уповноважений орган бере участь:

Société Nationale de Certification et d'Homologation (Уповноважений Орган 0499)
2a, Kalchesbruck L-1852 Luxembourg

Andrew John Eyre (BEng, CEng, MIET)
Віце-президент, регулювання і безпека
Winnenden, Dec. 18, 2015



Дозвіл на складання технічного файлу:
Alexander Krug, керуючий Директор
Techtronic Industries GmbH
Max-Eyth-Straße 10, 71364 Winnenden, Germany







Techtronic Industries GmbH
Max-Eyth-Straße 10,
71364 Winnenden, Germany