



ORIGINAL INSTRUCTIONS
Electric log splitter

RLS4A

RLS5A



Important!

It is essential that you read the instructions in this manual before operating this machine.

Subject to technical modifications.



SAFETY INSTRUCTIONS

⚠ WARNING

Read and understand all instructions. Failure to follow all instructions listed below may result in electric shock, fire and/or serious personal injury.

- **Keep work area clean.** Cluttered areas and benches invite accidents. Do not leave tools or pieces of wood on the tool while it is in operation.
- **Make sure the work area has ample lighting to see the work and that no obstructions will interfere with safe operation before performing any work using your tool.**
- **Do not use in dangerous environments.** Do not use power tools in damp or wet locations or expose to rain. Keep the work area well lit.
- **Keep the operator zone and adjacent area clear for safe, secure footing.**
- **Danger! Keep clear of moving parts.**
- **Make sure the log splitter is on a level surface.** Block the splitter as required to prevent unintended movement.
- **Make sure the log splitter and any accessories are properly installed and securely fastened.**
- **Use the proper extension cord. Make sure your extension cord is in good condition.** Use only a cord heavy enough to carry the current your product will draw. An undersized cord will cause a drop in line voltage resulting in loss of power and overheating.
- **Electrical power should be supplied via a residual current device (RCD) with a tripping current of not more than 30 mA.**
- **Keep all bystanders especially children and pets, at least 15 m from the operating area.**
- **Only one person is permitted to operate the log splitter.**
- **Before use, examine the power cord or extension cable for damage.** If there are signs of damage, it must be replaced by a qualified service technician.
- **Before use, check that there are no damaged parts.** A defective switch or any part that is damaged should be properly repaired or replaced by an authorized service facility.
- **Check damaged parts.** Before further use of the tool, a guard or other part that is damaged should be carefully checked to determine that it will operate properly and perform its intended function. Check for alignment of moving parts, binding of moving parts, breakage of parts, mounting and any other conditions that may affect its operation. A guard or other part that is damaged must be properly repaired or replaced by an authorized service center to avoid risk of personal injury.

- **Never leave tool running unattended.** Turn the power off. Do not leave tool until it comes to a complete stop.
- **Never use in an explosive atmosphere.** Normal sparking of the motor could ignite fumes.
- **Dress properly. Do not wear loose clothing, neckties, or jewellery that can get caught and draw you into moving parts.** Rubber gloves and nonskid footwear are recommended when working outdoors. Also wear protective hair covering to contain long hair.
- **Always wear safety glasses with side shields.** Everyday eyeglasses have only impact-resistant lenses, they are not safety glasses.
- **Do not operate a tool while under the influence of drugs, alcohol, or any medication.**
- **Disconnect tools.** When not in use, before servicing, or when changing attachments, blades, bits, cutters, all tools should be disconnected from power source.
- **Maintain tools with care.** Keep tools sharp and clean for better and safer performance. Follow instructions for lubricating and changing accessories.
- **Use recommended accessories.** Consult the operator's manual for recommended accessories. The use of improper accessories may result in injury.
- **Tool service must be performed only by qualified repair personnel.** Service or maintenance performed by unqualified personnel could result in a risk of injury.

INTENDED USE

You may use this product for splitting logs and freeing jammed logs.

ENVIRONMENTAL PROTECTION



Recycle raw materials instead of disposing of as waste. The machine, accessories and packaging should be sorted for environmental-friendly recycling.



SYMBOL



Wet conditions alert



Please read the instructions carefully before starting the machine.



Wear eye protection



Safety alert



Wear gloves



Wear safety footwear



Keep bystanders away



Keep hands away



Waste electrical products should not be disposed of with household waste. Please recycle where facilities exist. Check with your Local Authority or retailer for recycling advice.



Operation



Maintenance



Safety alert



Unplug



Plug in



Information



Lock



Unlock



Wear safety hand gloves



Parts or accessories sold separately

ICONS IN THIS MANUAL



Safety



Unpacking



Getting started



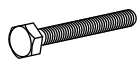
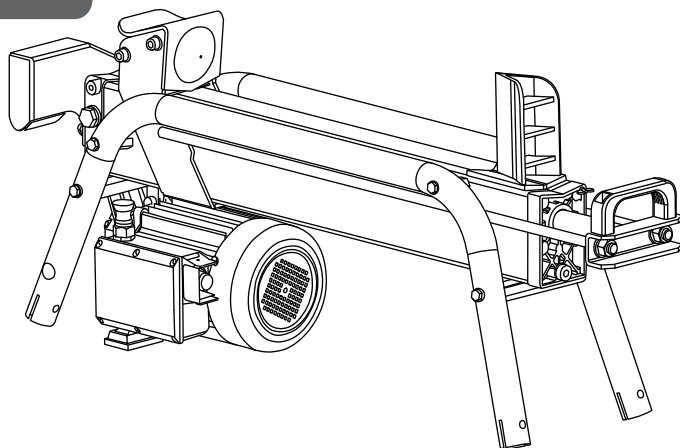
Overview



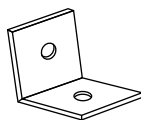
Go to page #



RLS4A



x 2



x 2



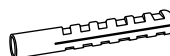
x 2



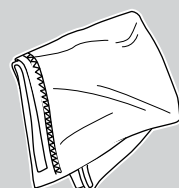
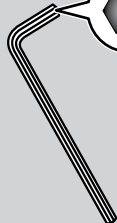
x 6



x 2

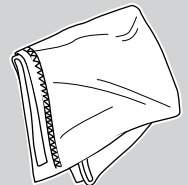
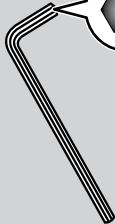
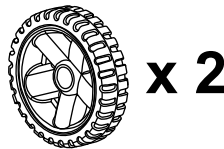
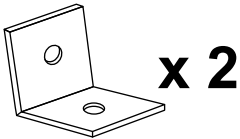
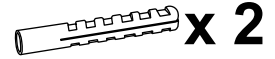
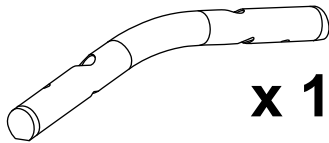
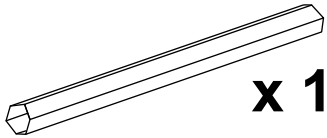
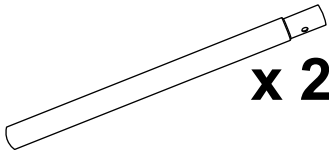
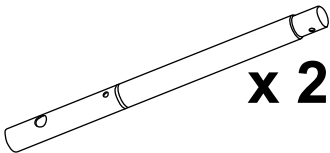
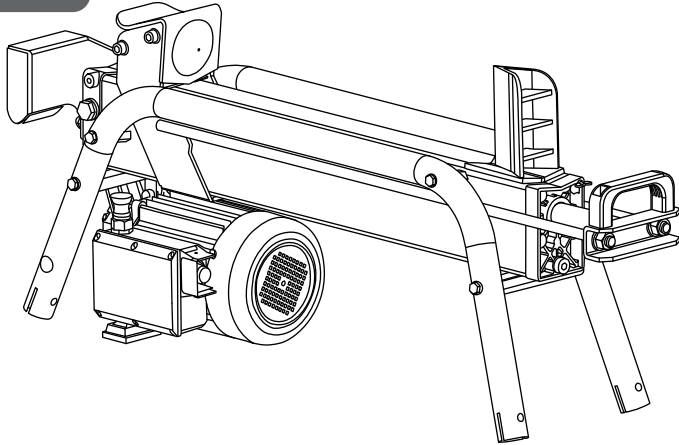


x 2





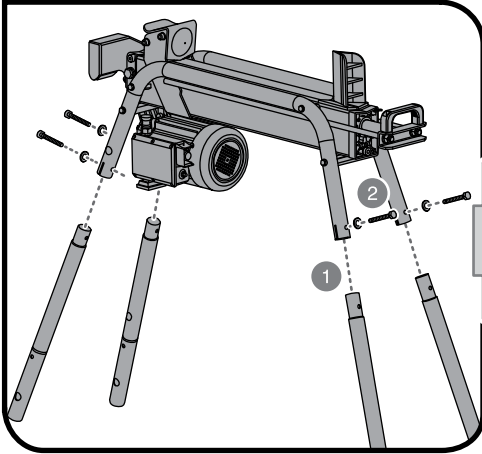
RLS5A



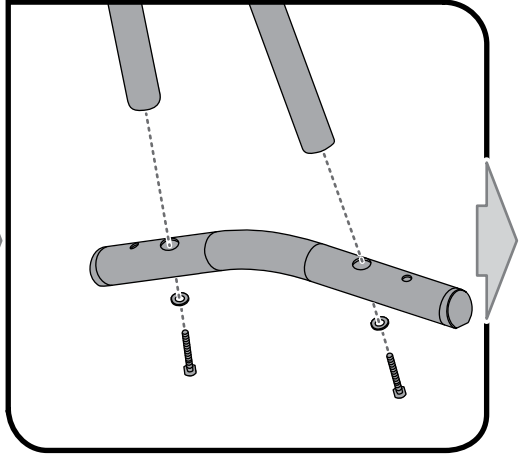


RLS5A

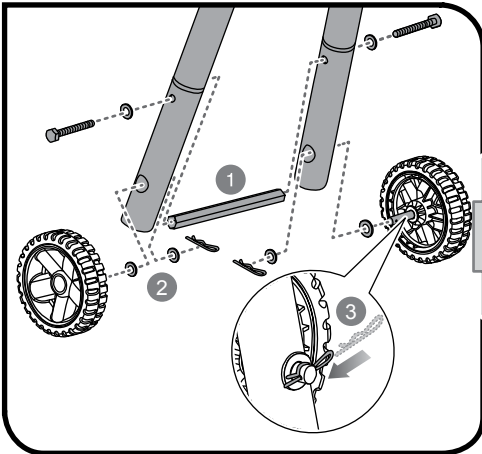
1a



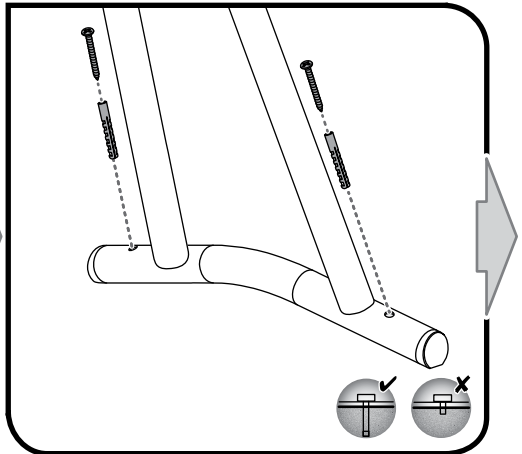
1b



1c



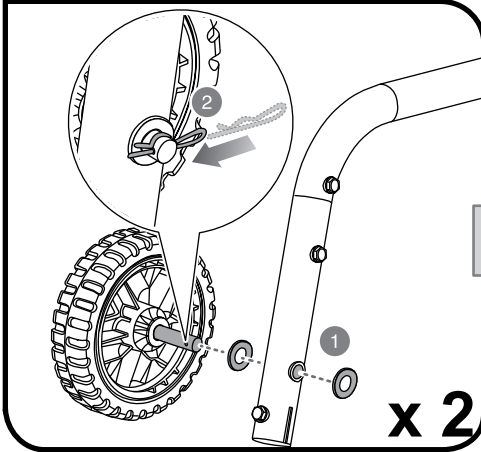
1d



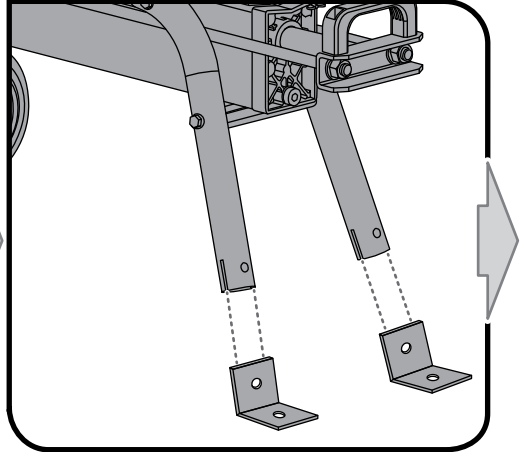


RLS4A

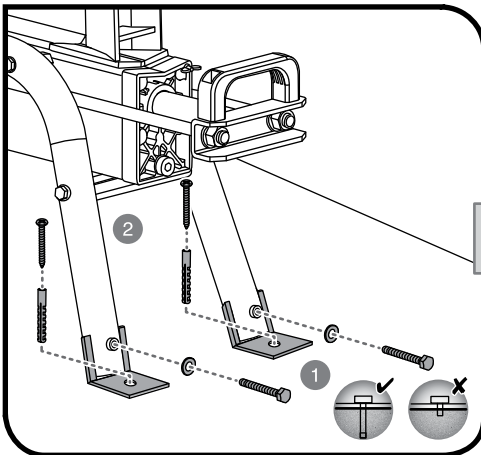
1a



1b

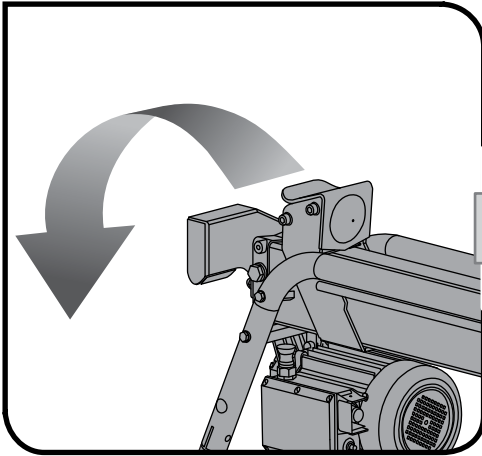


1c

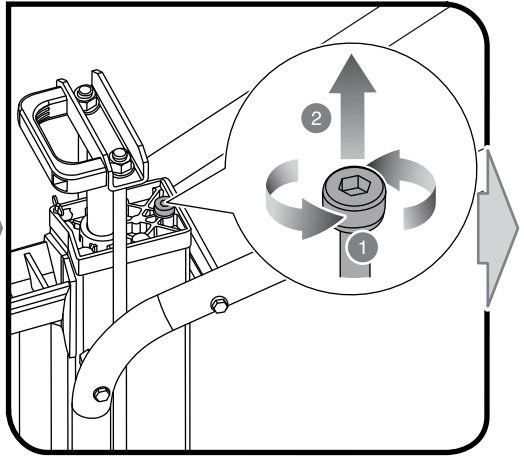




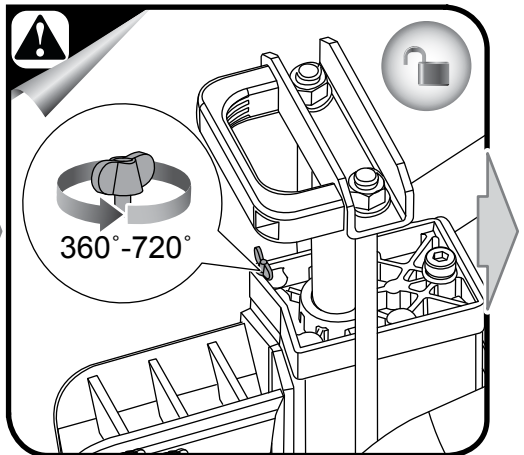
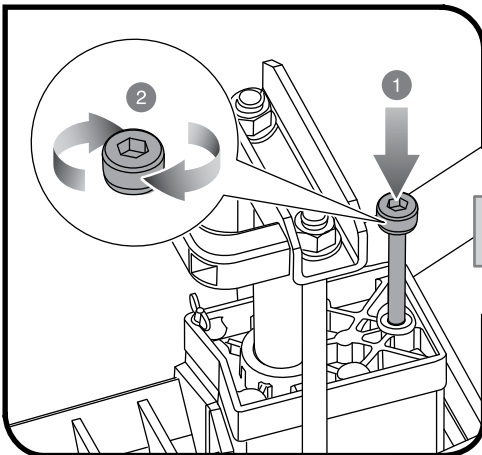
2



3

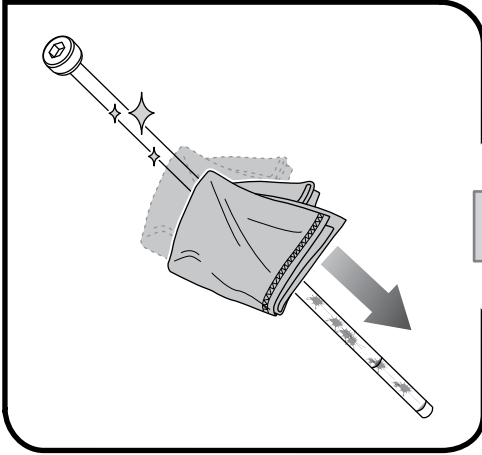


6

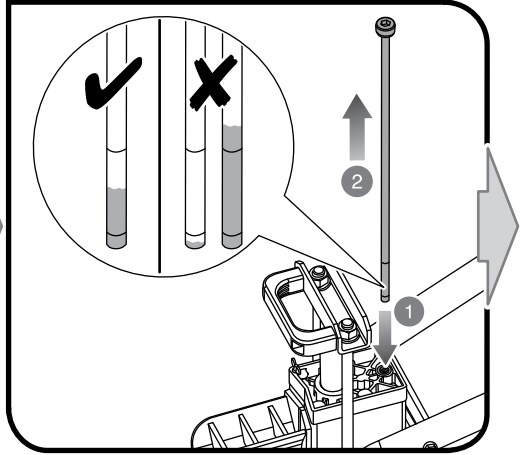




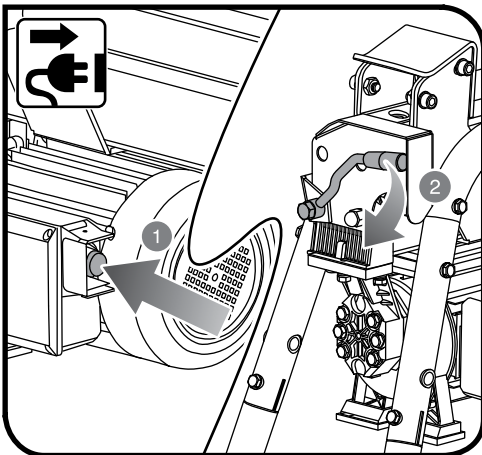
4

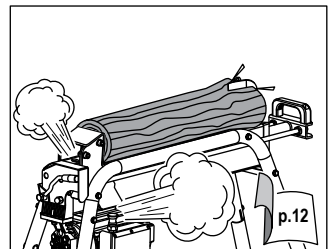
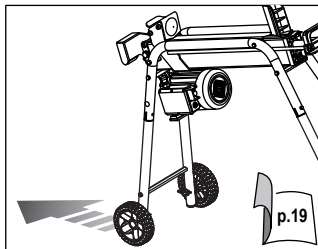
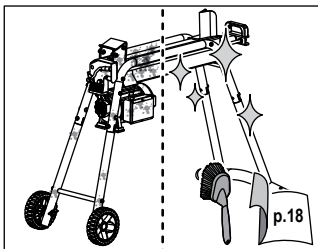
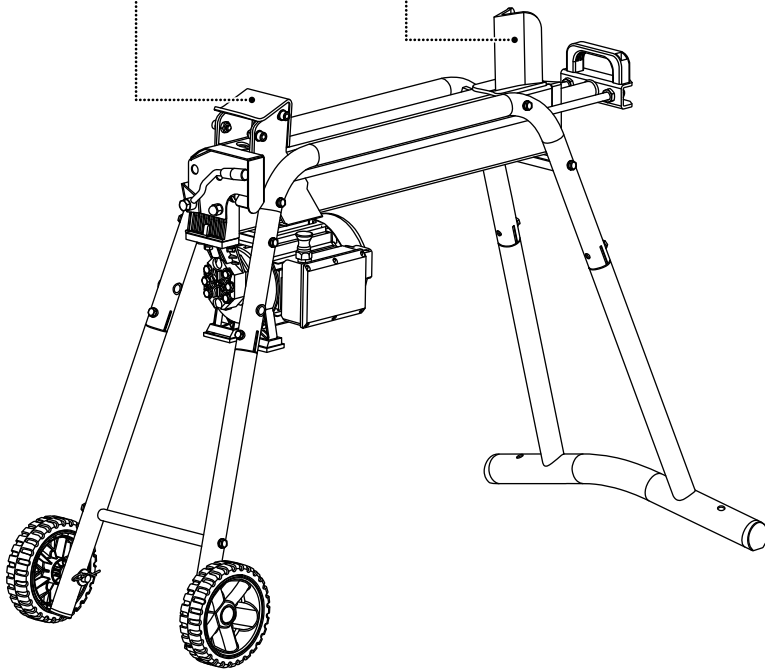
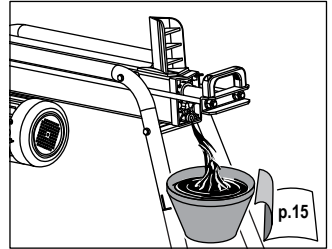
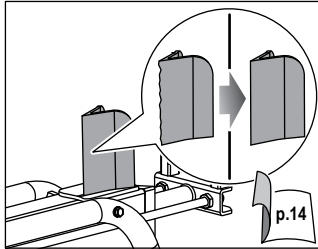
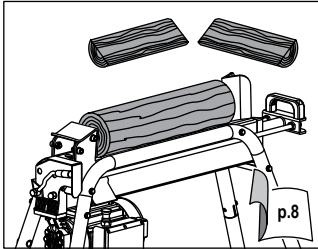


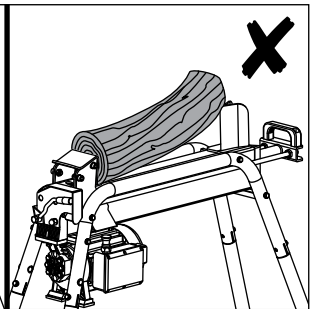
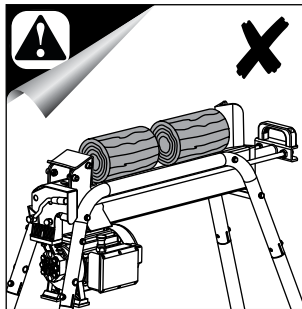
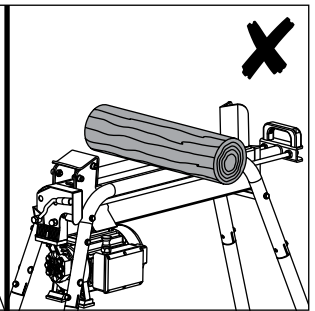
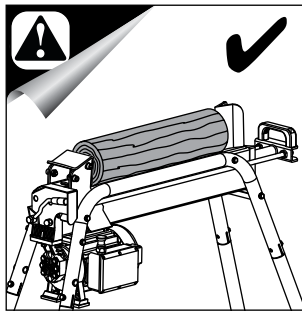
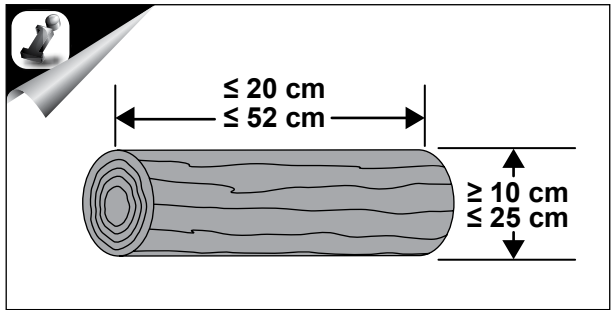
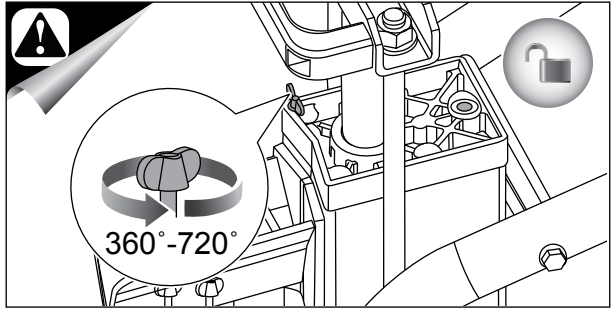
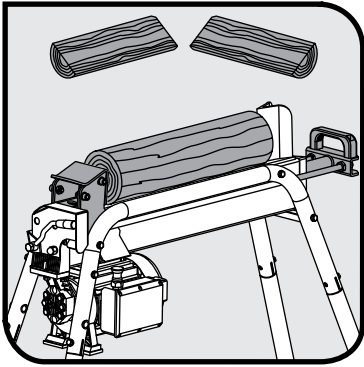
5

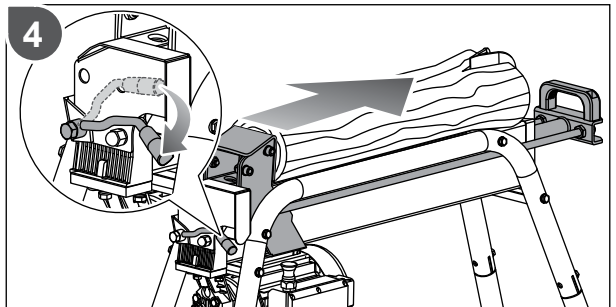
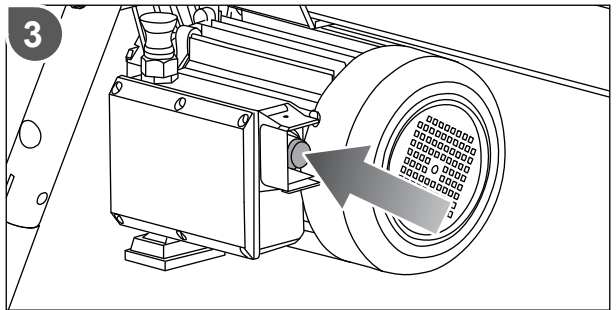
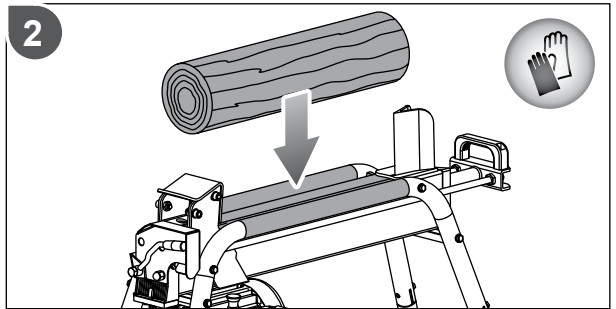
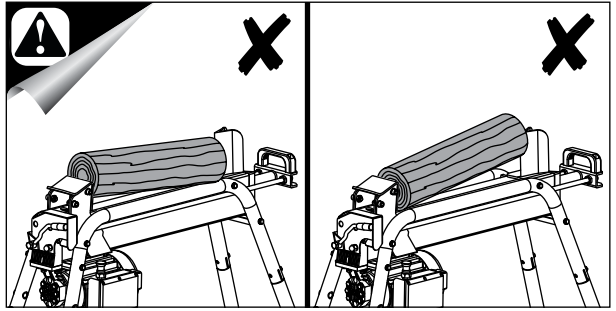


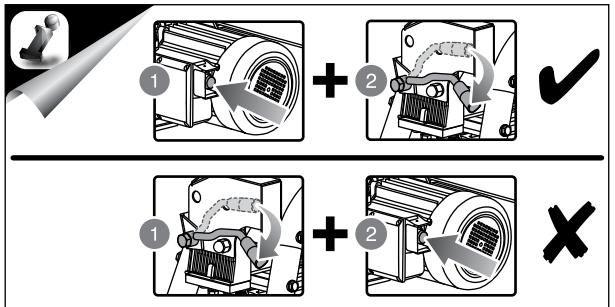
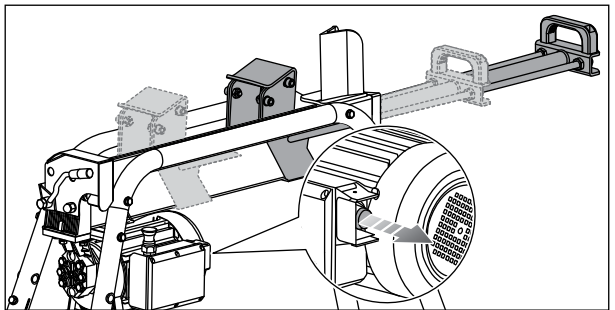
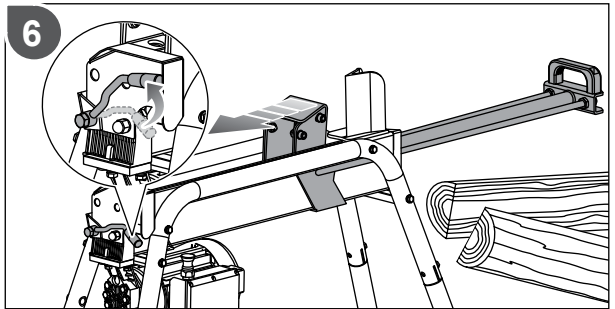
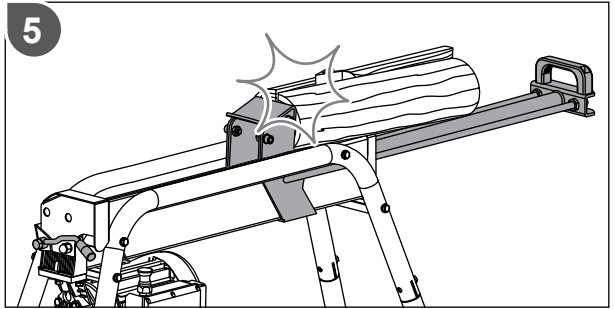
7

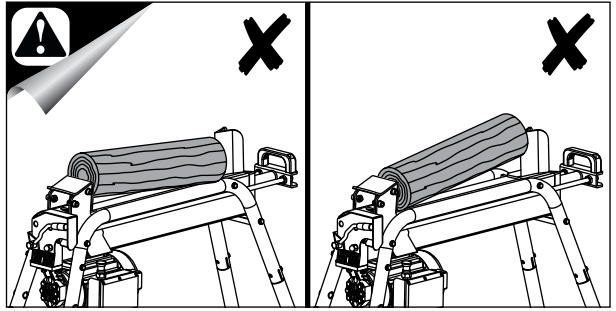


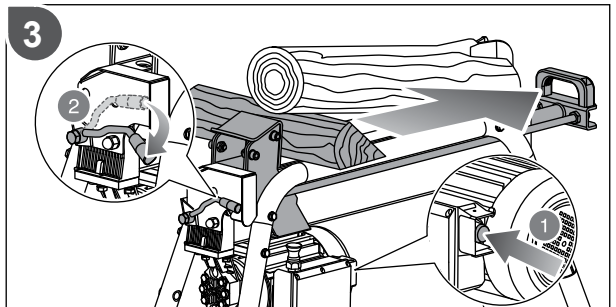
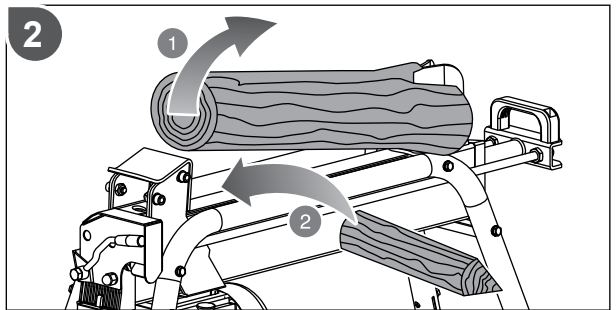
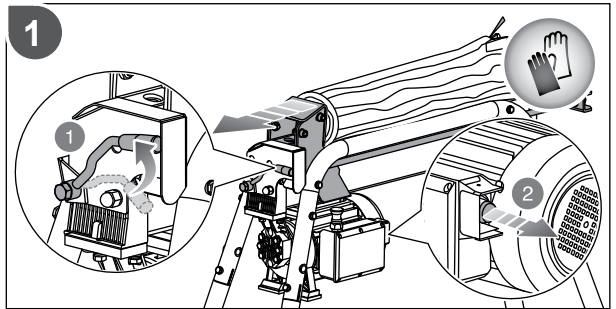
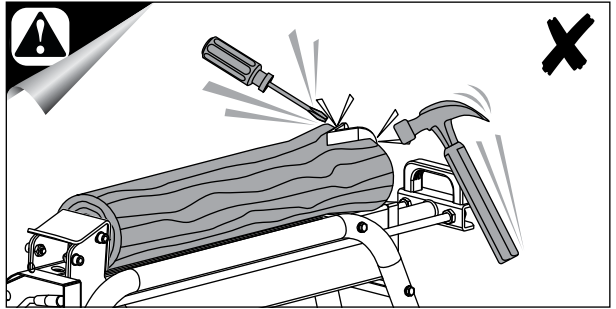
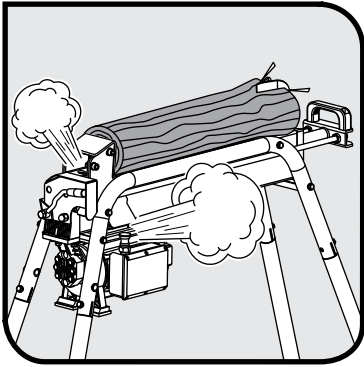


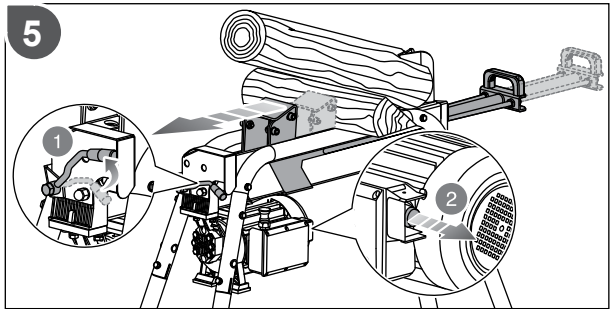
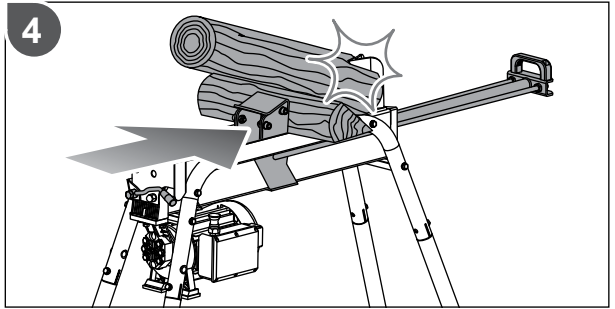


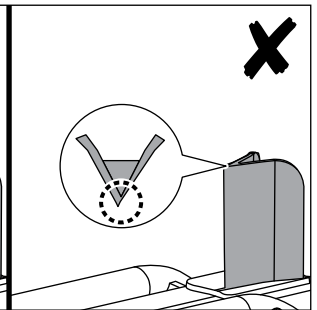
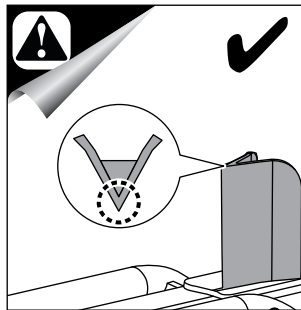
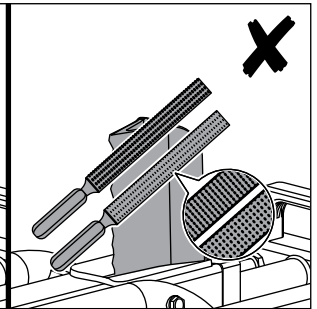
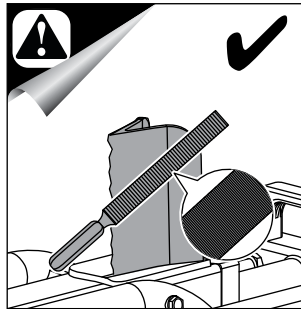
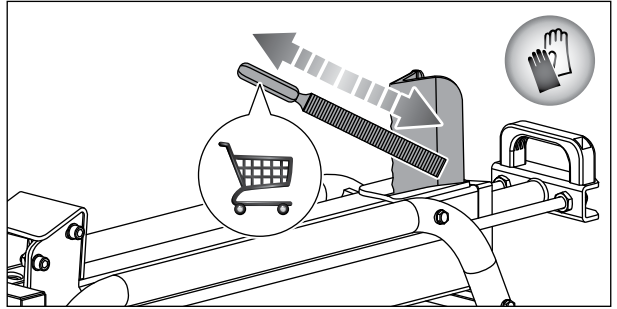
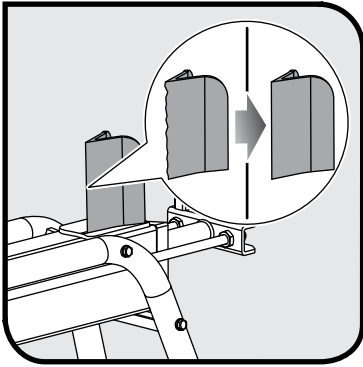


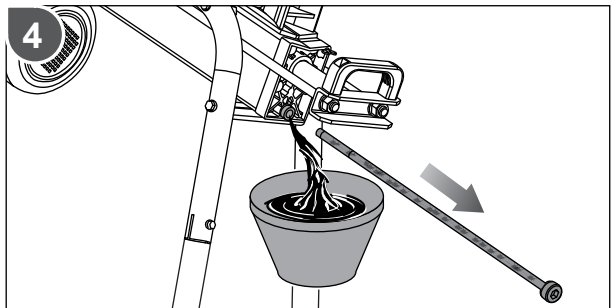
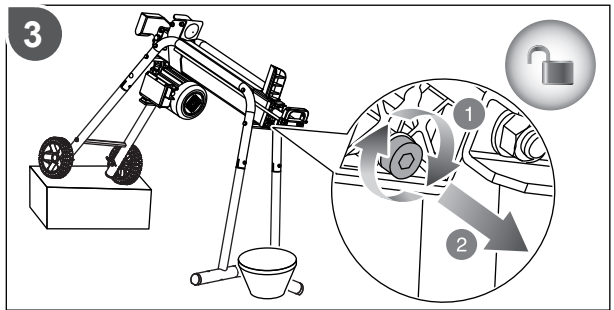
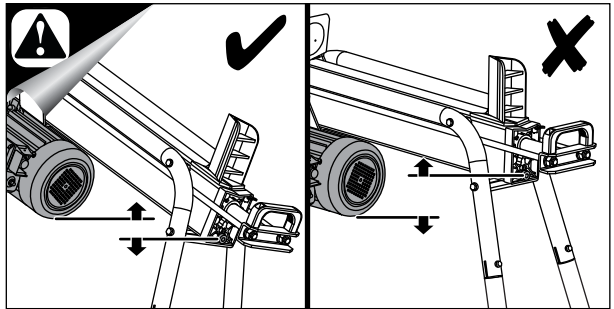
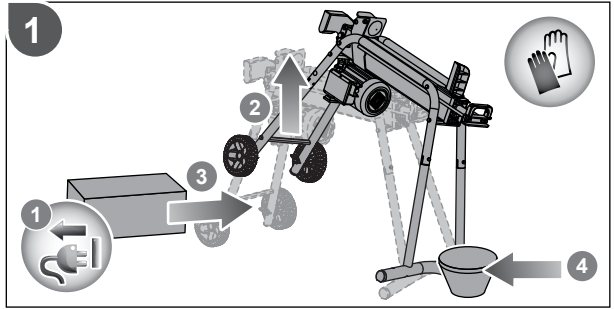
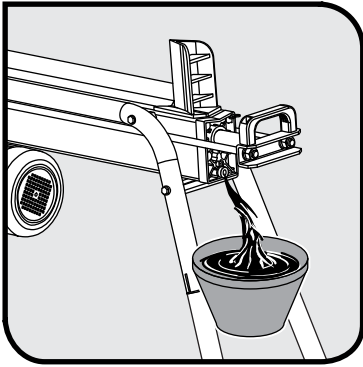


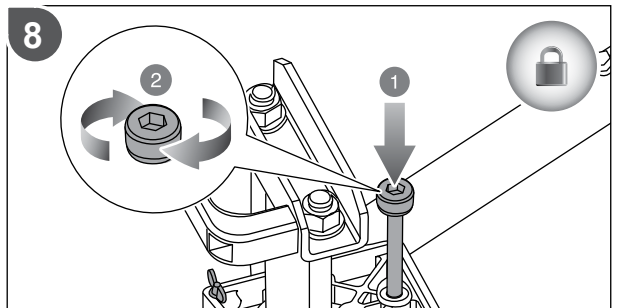
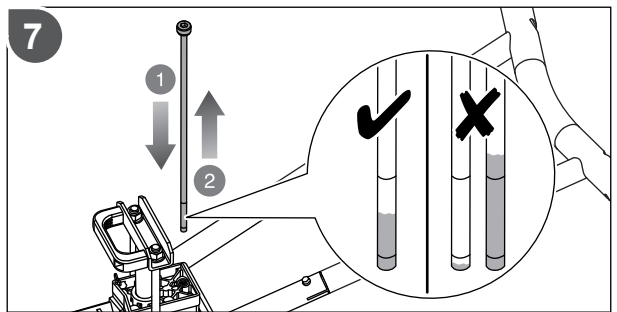
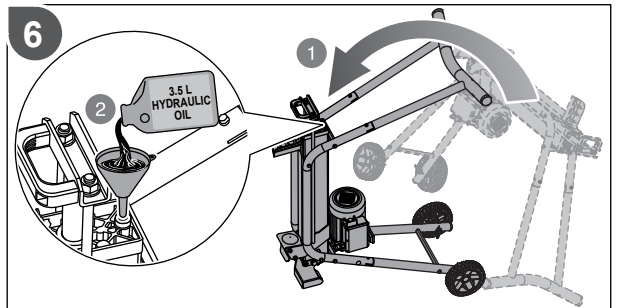
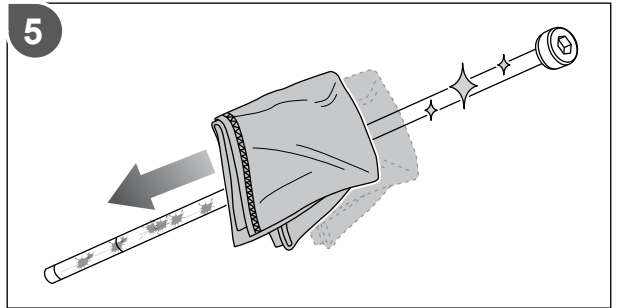


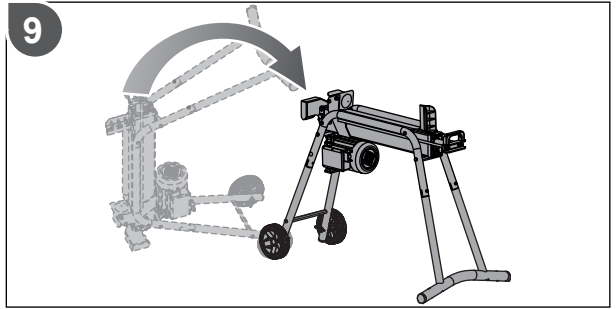


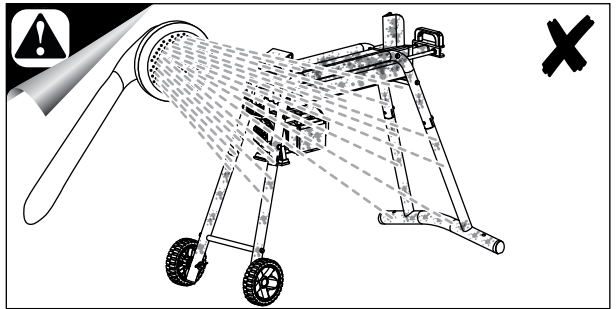
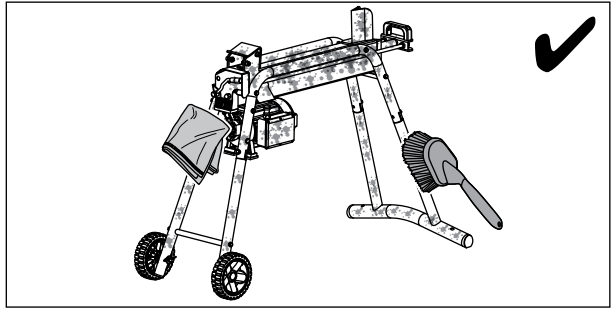
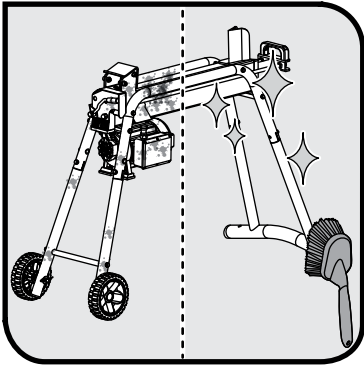


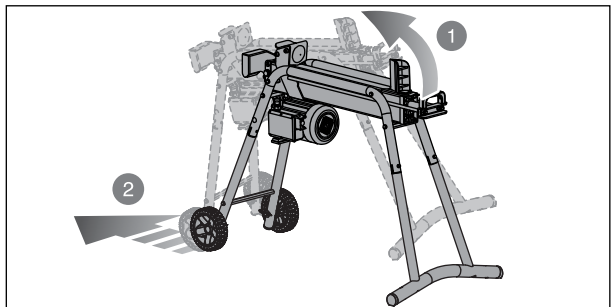
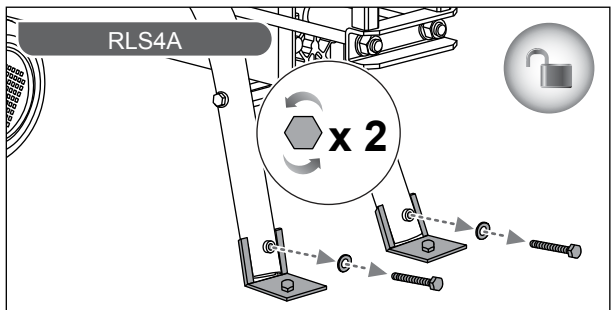
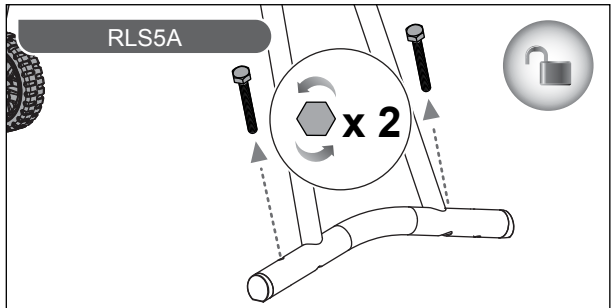
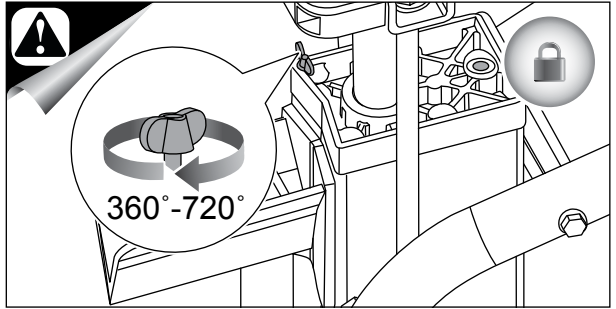
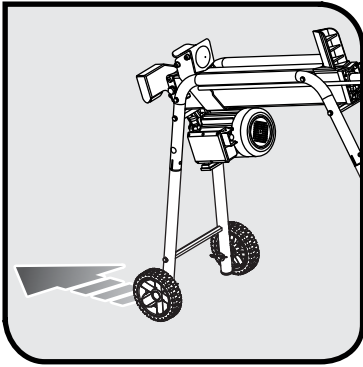












PRODUCT SPECIFICATIONS

Model	RLS4A	RLS5A
Maximum hydraulic cylinder pressure	16 Mpa	21 Mpa
Force	4 tons	5 tons
Oil capacity	3.5 L	3.5 L
Voltage	230 V ~ 50 Hz	230 V ~ 50 Hz
Input power	1,500 W	1,500 W
No-load speed	2,900 /min	2,900 /min
Measured sound power level	L _{WA} : 80.8 dB(A); K _{WA} : 3.0 dB(A)	L _{WA} : 80.8 dB(A); K _{WA} : 3.0 dB(A)
Measured sound pressure level	L _{PA} : 68.6 dB(A); K _{PA} : 3.0 dB(A)	L _{PA} : 68.6 dB(A); K _{PA} : 3.0 dB(A)
Weight	45.5 kg	50 kg
Maximum log capacity diameter	250 mm	250 mm
Minimum log capacity diameter	100 mm	100 mm
Log capacity length	520 mm	520 mm

Placeholder

LIMITED WARRANTY

TTi warrants this outdoor product to be free of defects in material and workmanship for 24 months from the date of purchase by the original purchaser, subject to the limitations below. Please keep your invoice as proof of date of purchase.

This warranty is only applicable where the product is used for personal and non-commercial purposes. This warranty does not cover damage or liability caused by / due to misuse, abuse, accidental or intentional acts by user, improper handling, unreasonable use, negligence, failure by end user to follow operating procedures outlined in the user's manual, attempted repair by non-qualified professional, unauthorized repair, modification, or use of accessories and/ or attachments not specifically recommended by authorized party. Please see your local dealer for list of authorized service centers in your area.

This warranty does not cover belts, brushes, bags, bulbs or any part which ordinary wear and tear results in required replacement during warranty period. This warranty does not cover transportation cost or consumable items such as fuses and batteries.

This limited warranty is void if the product's original identification (trade mark, serial number) Markings have been defaced, altered or removed or if product is not purchased from an authorized reseller or if product is sold as is and / or with all faults.

Where permitted, the provisions of this limited warranty are in lieu of any other written warranty, whether express or implied, written or oral, including any warranty of merchantability or fitness for a particular purpose. In no event shall we be liable for special, incidental, consequential or incidental damages. Our maximum liability shall not exceed the actual purchase price paid by you for the product.

This warranty is valid only in the european union, australia and new zealand. Outside these areas, please contact your authorized ryobi dealer to determine if another warranty applies.

AUTHORISED SERVICE CENTRE

To find an authorised service centre near you, visit ryobitools.eu.

DECLARATION OF CONFORMITY

We declare under our sole responsibility that this product is in conformity with the following standards or standardised documents.

2006/42/EC, 2006/95/EC, 2004/108/EC, 2004/14/EC, 2002/96/EC

**EN 60204-1:2006+A1:2009, EN 609-1:1999+A2:20093, EN 55014-1:2006+A1:2009,
EN 55014-2:1997+A1+A2:2009, EN 61000-3-2:2006+A1+A2:2009,
EN 61000-3-2:2006+A1+A2:2009 or EN 61000-3-3:1995+A1+A2 or EN 61000-3-11:2000
ISO 11094:1991, Fpr EN 60335-2-91:2007/FprAA:2009**

Measured sound power level: 80.8 dB(A)

Guaranteed Sound power level: 85 dB(A)

Conformity assessment method to Annex V/ Directive 2000/14/EC

Serial number: See product rating label

Year of construction: See product rating label

Machine: **ELECTRIC LOG SPLITTER**

Type: **RLS4A / RLS5A**

CE November 2011



Techtronic Industries

Techtronic Product Development Ltd.
24/F, CDW Building, 388 Castle Peak Road, Tsuen Wan, Hong Kong

A handwritten signature in black ink, appearing to read 'A. Eyre', is written over a light blue horizontal line.

Andrew John Eyre (BEng, CEng, MIET)
Vice President of Engineering

Nov 29, 2011 (**will update according final cert copy is provided by engineer**)

Authorised to compile the technical file:

Simon Del-Nevo

Director of Outdoor Power Equipment

Techtronic Industries (UK) Ltd.

Medina House, Fieldhouse Lane, Marlow, Bucks, SL7 1TB, United Kingdom

