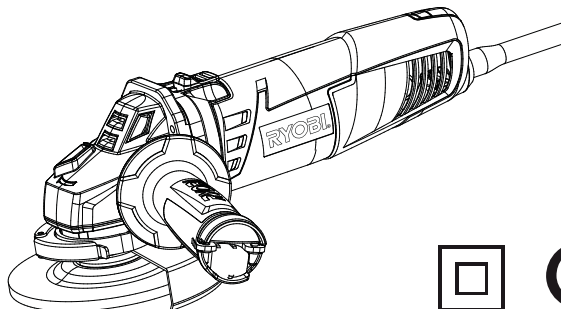


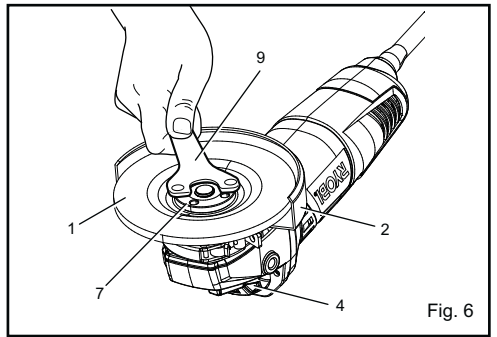
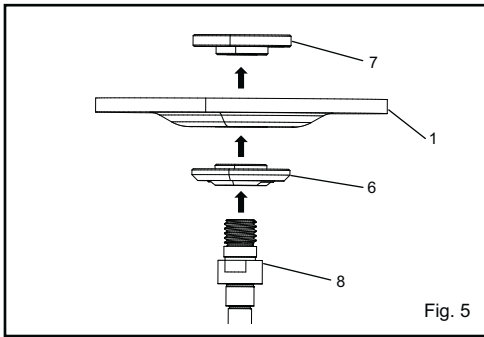
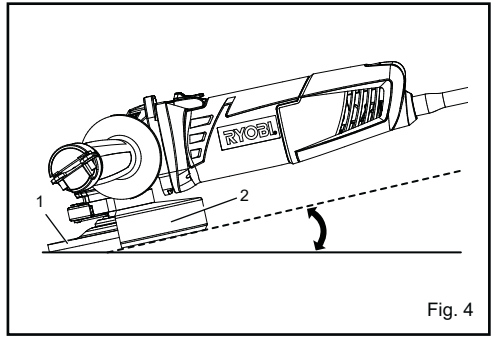
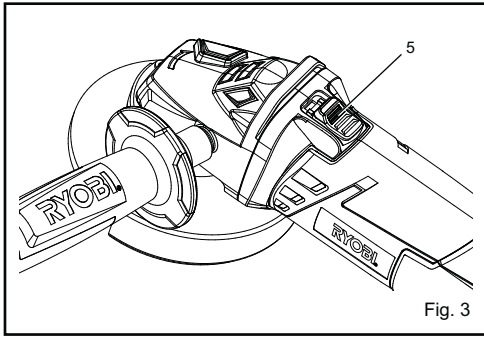
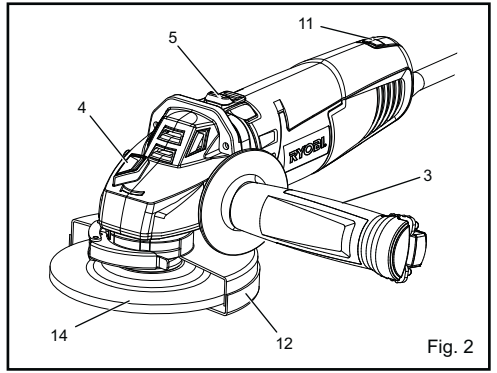
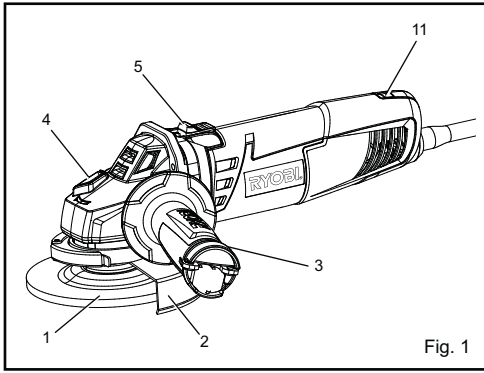
RYOBI®

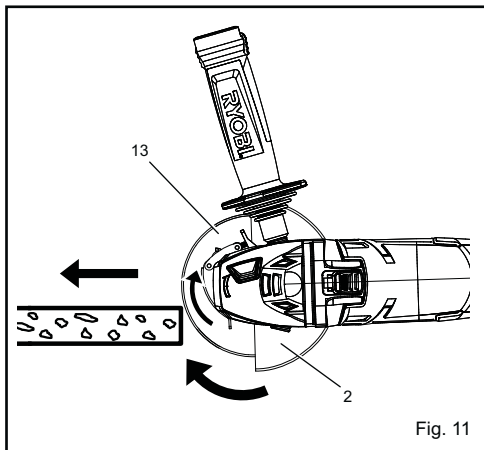
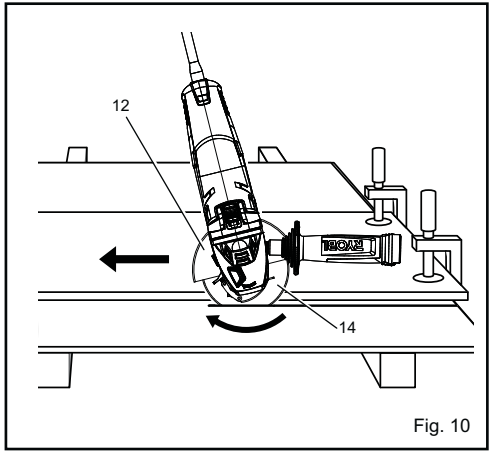
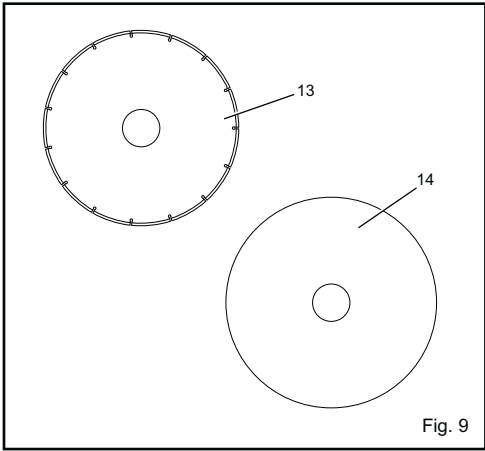
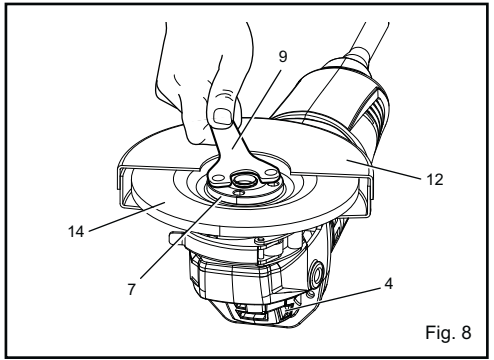
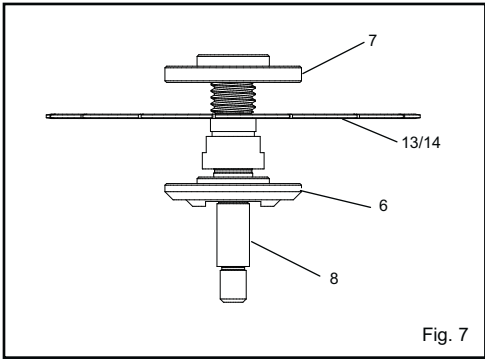
EAG950RB/EAG950RBD/EAG950RS/EAG950RSD

GB	950W 125MM/115MM ANGLE GRINDER	USER'S MANUAL	1
FR	MEULEUSE D'ANGLE 125MM/115MM 950W	MANUEL D'UTILISATION	6
DE	950W 125MM/115MM WINKELSCHLEIFER	BEDIENUNGSANLEITUNG	12
ES	REBARBADORA 125MM/115MM 950W	MANUAL DE UTILIZACIÓN	18
IT	SMERIGLIATRICE ANGOLARE DA 950W 125MM/115MM	MANUALE D'USO	24
NL	950W 125MM/115MM HAAKSE SLIJPMACHINE	GEBRUIKSHANDLEIDING	30
PT	AFIADORA ANGULAR 125MM/115MM DE 950W	MANUAL DE UTILIZAÇÃO	36
DK	950W 125MM/115MM VINKELSLIBER	BRUGERVEJLEDNING	42
SE	VINKELSLIP 125MM/115MM/950W	INSTRUKTIONSBOK	47
FI	950W 125MM/115MM KULMAHIOMAKONE	KÄYTTÄJÄN KÄSIKIRJA	52
NO	950W 125MM/115MM VINKELSLIPER	BRUKSANVISNING	57
RU	УГЛОВАЯ ШЛИФОВАЛЬНАЯ МАШИНА, 125MM/115MM, 950 BT	РУКОВОДСТВО ПО ЭКСПЛУАТАЦИИ	62
PL	SZLIFIERKA KĄTOWA 950W, 125MM/115MM	INSTRUKCJA OBSŁUGI	68
CZ	950W 125MM/115MM RUČNÍ ROZBRUŠOVAČKA	NÁVOD K OBSLUZE	74
HU	950 W-OS 125MM/115MM-ES SAROKCSISZOLÓ	HASZNÁLATI ÚTMUTATÓ	79
RO	POLIZOR UNGHUIAR 125MM/115MM 950W	MANUAL DE UTILIZARE	85
LV	950W 125MM/115MM LENĶA SLĪPMAŠĪNA	LIETOTĀJA ROKASGRĀMATA	90
LT	950W 125MM/115MM KAMPINIS ŠLIFUOKLIS	NAUDOJIMO VADOVAS	95
EE	KETASLÕIKUR 125MM/115MM 950W	KASUTAJAjuhend	100
HR	KUTNA BRUSILICA 125MM/115MM OD 950W	KORISNIČKI PRIRUČNIK	105
SI	950W 125MM/115MM KOTNI BRUSILNIK	UPORABNIŠKI PRIROČNIK	110
SK	950W 125MM/115MM UHLOVÁ ROZBRUSOVAČKA	NÁVOD NA POUŽITIE	115
GR	950W 125MM/115MM ΓΩΝΙΑΚΟΣ ΤΡΟΧΟΣ	ΟΔΗΓΙΕΣ ΧΡΗΣΗΣ	120
TR	950W 125MM/115MM AÇILI TAŞLAMA MAKİNESİ	KULLANIM KILAVUZU	126

GB ORIGINAL INSTRUCTIONS | **FR** TRADUCTION DES INSTRUCTIONS ORIGINALES | **DE** ÜBERSETZUNG DER ORIGINALANLEITUNG | **ES** TRADUCCIÓN DE LAS INSTRUCCIONES ORIGINALES | **IT** TRADUZIONE DELLE ISTRUZIONI ORIGINALI | **NL** VERTALING VAN DE ORIGINELE INSTRUCTIES | **PT** TRADUÇÃO DAS INSTRUÇÕES ORIGINAIS | **DK** OVERSÆTTELSE AF DE ORIGINALE INSTRUKTIONER | **SE** ÖVERSÄTTNING AV DE URSPRUNGLIGA INSTRUKTIONERNA | **FI** ALKUPERÄISTEN OHJEIDEN SUOMENNOS | **NO** OVERSETTELSE AV DE ORIGINALE INSTRUKSJONENE | **RU** ПЕРЕВОД ОРИГИНАЛЬНЫХ ИНСТРУКЦИЙ | **PL** TŁUMACZENIE INSTRUKCJI ORYGINALNEJ | **CZ** PŘEKLAD ORIGINÁLNÍCH POKYŇŮ | **HU** AZ EREDETI ÚTMUTATÓ FORDÍTÁSA | **RO** TRADUCEREA INSTRUCȚIUNILOR ORIGINALE | **LV** TULKOTS NO ORIGINĀLĀS INSTRUKCIJAS | **LT** ORIGINALIŲ INSTRUKCIJŲ VERTIMAS | **EE** ORIGINALJUHENDI TÕLGE | **HR** PRIJEVOD ORIGINALNIH UPUTA | **SI** PREVOD ORIGINALNIH NAVODIL | **SK** PŘEKLAD POKYŇOV V ORIGINÁLI | **GR** ΜΕΤΑΦΡΑΣΗ ΤΩΝ ΠΡΩΤΟΤΥΠΩΝ ΟΔΗΓΙΩΝ | **TR** ORJINAL TALIMATLARIN TERCÜMESİ







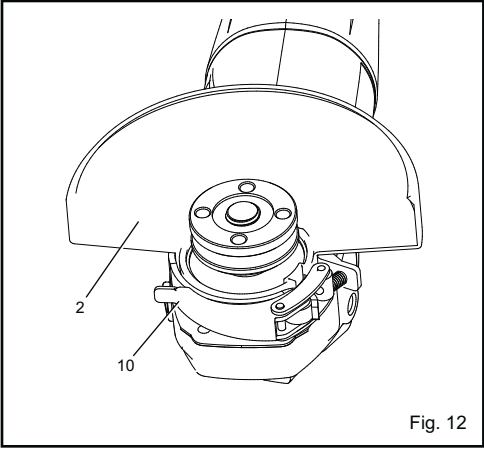


Fig. 12

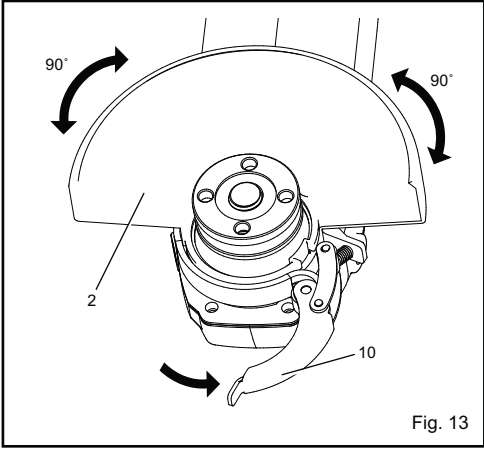


Fig. 13

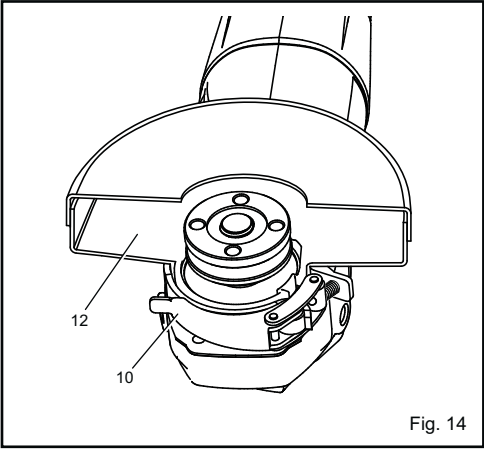


Fig. 14

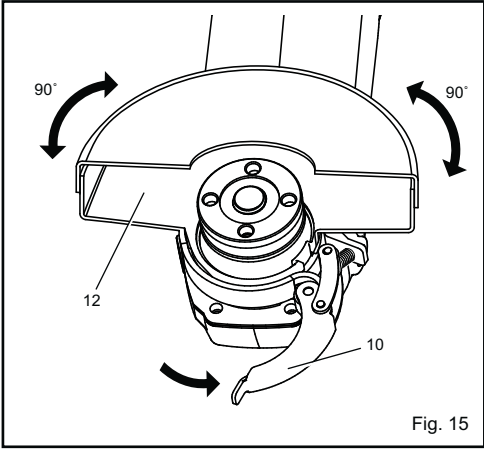


Fig. 15

Important!	It is essential that you read the instructions in this manual before operating this machine.
Attention!	Il est indispensable que vous lisez les instructions contenues dans ce manuel avant la mise en service de l'appareil.
Achtung!	Bitte lesen Sie unbedingt vor Inbetriebnahme die Hinweise dieser Bedienungsanleitung.
¡Atención!	Es imprescindible que lea las instrucciones de este manual antes de la puesta en servicio.
Attenzione!	Prima di procedere alla messa in funzione, è indispensabile leggere attentamente le istruzioni contenute nel manuale.
Let op!	Het is van essentieel belang dat u de instructies in deze gebruiksaanwijzing leest vooraleer u dit toestel in gebruik neemt.
Atenção!	É indispensável que leia as instruções deste manual antes de utilizar a máquina.
OBS!	Denne brugervejledning skal gennemlæses inden maskinen tages i brug.
Observera!	Det är nödvändigt att läsa instruktionerna i denna bruksanvisning innan användning.
Huomio!	On ehdottoman välttämätöntä lukea tässä käyttöohjeessa annetut ohjeet ennen käyttöönottoa.
Advarsel!	Det er meget vigtigt at du leser denne brukerveiledningen før du tar maskinen i bruk.
Внимание!	Перед сборкой и запуском инструмента необходимо ознакомиться с инструкцией по эксплуатации.
Uwaga!	Przed przystąpieniem do użytkowania tego urządzenia, należy koniecznie zapoznać się z zaleceniami zawartymi w niniejszym podręczniku.
Důležitě upozornění!	Nepoužívejte tento přístroj dříve, než si přečtete pokyny uvedené v tomto návodu.
Figyelem!	Feltétlenül fontos, hogy a jelen használati útmutatóban foglalt előírásokat az üzembe helyezés előtt elolvassa!
Atenție!	Este esențial să citiți instrucțiunile din acest manual înainte de operarea acestui aparat.
Uzmanību!	Svarīgi, lai jūs pirms mašīnas darbināšanas izlasītu instrukcijas šajā rokasgrāmātā.
Dėmesio!	Prieš pradėdami eksploatuoti šį prietaisą, svarbu, kad perskaitytumėte šiose instrukcijose pateiktus nurodymus.
Tähtis!	Enne trelli kasutama hakkamist tuleb käesolevas juhendis esitatud juhised kindlasti läbi lugeda.
Upozorenje!	Neophodno je da pročitate ove upute prije uporabe ovog uređaja.
Pomembno!	Pred uporabo tega stroja, obvezno preberite navodila iz tega priročnika.
Dôležité!	Pre prácou s týmto zariadením je dôležité, by ste si prečítali pokyny v tomto návode.
Προσοχή!	Είναι απαραίτητο να διαβάσετε τις συστάσεις των οδηγιών αυτών πριν και τη θέση σε λειτουργία.
Dikkat!	Cihazın çalıştırılmasından önce bu kılavuzda bulunan talimatları okumanız zorunludur.

Subject to technical modifications / Sous réserve de modifications techniques / Technische Änderungen vorbehalten /
 Sujeto a modificaciones técnicas / Con riserva di eventuali modifiche tecniche / Technische wijzigingen voorbehouden /
 Com reserva de modificações técnicas / Med forbehold for tekniske ændringer / Med förbehåll för tekniska ändringar /
 Tekniset muutokset varataan / Med forbehold om tekniske endringer / Могут быть внесены технические изменения /
 Z zastrzeżeniem modyfikacji technicznych / Změny technických údajů vyhrazeny / A műszaki módosítás jogát fenntartjuk /
 Sub rezerva modifațiilor tehnice / Paturam tiesības mainīt tehniskos raksturlielumus / Pasilieikant teisę daryti techninius pakeitimus /
 Tehnilised muudatused võimalikud / Podloženo tehničkim promjenama / Tehnične spremembe dopuščene /
 Technické zmeny vyhradené / Υπό την επιφύλαξη τεχνικών τροποποιήσεων / Teknik değışiklik hakkı saklıdır

English

DESCRIPTION

1. Grinding wheel
2. Tool-less standard wheel guard
3. Auxiliary handle
4. Spindle lock button
5. Switch
6. Disc flange
7. Clamp nut
8. Spindle shaft
9. Wrench
10. Wheel guard lock lever
11. Live tool indicator
12. Full-closed tool-less wheel guard (optional)
13. Diamond cutting wheel (optional)
14. Cutting-off wheel (optional)

SAFETY WARNINGS COMMON FOR GRINDING AND ABRASIVE CUTTING-OFF OPERATIONS

- a. **This power tool is intended to function as a grinder and cut-off tool. Read all safety warnings, instructions, illustrations and specifications provided with this power tool.** Failure to follow all instructions listed below may result in electric shock, fire and/or serious injury.
- b. **Operations for which the power tool was not designed may create a hazard and cause personal injury.**
- c. **Do not use accessories which are not specifically designed and recommended by the tool manufacturer.** Just because the accessory can be attached to your power tool, it does not assure safe operation.
- d. **The rated speed of the accessory must be at least equal to the maximum speed marked on the power tool.** Accessories running faster than their rated speed can break and fly apart.
- e. **The outside diameter and the thickness of your accessory must be within the capacity rating of your power tool.** Incorrectly sized accessories cannot be adequately guarded or controlled.
- f. **The arbour size of wheels, flanges, backing pads or any other accessory must properly fit the spindle of the power tool.** Accessories with arbour holes that do not match the mounting hardware of the power tool will run out of balance, vibrate excessively and may cause loss of control.
- g. **Do not use a damaged accessory. Before each use inspect the accessory such as abrasive wheels for chips and cracks, backing pad for cracks, tear or excess wear, wire brush for loose or cracked wires. If power tool or accessory is dropped, inspect for damage**
 - h. **Wear personal protective equipment.** Depending on application, use face shield, safety goggles or safety glasses. **As appropriate, wear dust mask, hearing protectors, gloves and workshop apron capable of stopping small abrasive or workpiece fragments.** The eye protection must be capable of stopping flying debris generated by various operations. The dust mask or respirator must be capable of filtering particles generated by your operation. Prolonged exposure to high intensity noise may cause hearing loss.
 - i. **Keep bystanders a safe distance away from work area. Anyone entering the work area must wear personal protective equipment.** Fragments of workpiece or of a broken accessory may fly away and cause injury beyond immediate area of operation.
 - j. **Hold power tool by insulated gripping surfaces only, when performing an operation where the cutting accessory may contact hidden wiring or its own cord.** Cutting accessory contacting a "live" wire may make exposed metal parts of the power tool "live" and shock the operator.
 - k. **Position the cord clear of the spinning accessory.** If you lose control, the cord may be cut or snagged and your hand or arm may be pulled into the spinning accessory.
 - l. **Never lay the power tool down until the accessory has come to a complete stop.** The spinning accessory may grab the surface and pull the power tool out of your control.
 - m. **Do not run the power tool while carrying it at your side.** Accidental contact with the spinning accessory could snag your clothing, pulling the accessory into your body.
 - n. **Regularly clean the power tool's air vents.** The motor's fan will draw the dust inside the housing and excessive accumulation of powdered metal may cause electrical hazards.
 - o. **Do not operate the power tool near flammable materials.** Sparks could ignite these materials.
 - p. **Do not use accessories that require liquid coolants.** Using water or other liquid coolants may result in electrocution or shock.

KICKBACK AND RELATED WARNINGS

Kickback is a sudden reaction to a pinched or snagged rotating wheel, backing pad, brush or any other accessory. Pinching or snagging causes rapid stalling of the rotating accessory which in turn causes the uncontrolled power tool to be forced in the direction opposite of the accessory's rotation at the point of the binding.

For example, if an abrasive wheel is snagged or pinched by the workpiece, the edge of the wheel that is entering into the pinch point can dig into the surface of the material causing the wheel to climb out or kick out. The wheel may either jump toward or away from the operator, depending on direction of the wheel's movement at the point of pinching. Abrasive wheels may also break under these conditions.

Kickback is the result of power tool misuse and/or incorrect operating procedures or conditions and can be avoided by taking proper precautions as given below.

- a. **Maintain a firm grip on the power tool and position your body and arm to allow you to resist kickback forces. Always use auxiliary handle, if provided, for maximum control over kickback or torque reaction during start-up.** The operator can control torque reactions or kickback forces, if proper precautions are taken.
- b. **Never place your hand near the rotating accessory.** Accessory may kickback over your hand.
- c. **Do not position your body in the area where power tool will move if kickback occurs.** Kickback will propel the tool in direction opposite to the wheel's movement at the point of snagging.
- d. **Use special care when working corners, sharp edges etc.**
Avoid bouncing and snagging the accessory. Corners, sharp edges or bouncing have a tendency to snag the rotating accessory and cause loss of control or kickback.
- e. **Do not attach a saw chain woodcarving blade or toothed saw blade.** Such blades create frequent kickback and loss of control.

SAFETY WARNINGS SPECIFIC FOR GRINDING AND ABRASIVE CUTTING-OFF OPERATIONS

- a. **Use only wheel types that are recommended for your power tool and the specific guard designed for the selected wheel.** Wheels for which the power tool was not designed cannot be adequately guarded and are unsafe.
- b. **The guard must be securely attached to the power tool and positioned for maximum safety, so the least amount of wheel is exposed towards the operator.** The guard helps to protect

operator from broken wheel fragments and accidental contact with wheel.

- c. **Wheels must be used only for recommended applications. For example, do not grind with the side of cut-off wheel.** Abrasive cut-off wheels are intended for peripheral grinding, side forces applied to these wheels may cause them to shatter.
- d. **Always use undamaged wheel flanges that are of correct size and shape for your selected wheel.** Proper wheel flanges support the wheel thus reducing the possibility of wheel breakage. Flanges for cut-off wheels may be different from grinding wheel flanges.
- e. **Do not use worn down wheels from larger power tools.** Wheel intended for larger power tool is not suitable for the higher speed of a smaller tool and may burst.

ADDITIONAL SAFETY WARNINGS SPECIFIC FOR ABRASIVE CUTTING-OFF OPERATIONS





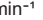
- a. **Do not "jam" the cut-off wheel or apply excessive pressure. Do not attempt to make an excessive depth of cut.** Overstressing the wheel increases the loading and susceptibility to twisting or binding of the wheel in the cut and the possibility of kickback or wheel breakage.
- b. **Do not position your body in line with and behind the rotating wheel.** When the wheel, at the point of operation, is moving away from your body, the possible kickback may propel the spinning wheel and the power tool directly at you.
- c. **When wheel is binding or when interrupting a cut for any reason, switch off the power tool and hold the power tool motionless until the wheel comes to a complete stop. Never attempt to remove the cut-off wheel from the cut while the wheel is in motion, otherwise kickback may occur.** Investigate and take corrective action to eliminate the cause of wheel binding.
- d. **Do not restart the cutting operation in the workpiece. Let the wheel reach full speed and carefully reenter the cut.** The wheel may bind, walk up or kickback if the power tool is restarted in the workpiece.
- e. **Support panels or any oversized workpiece to minimize the risk of wheel pinching and kickback.** Large workpieces tend to sag under their own weight. Supports must be placed under the workpiece near the line of cut and near the edge of the workpiece on both sides of the wheel.
- f. **Use extra caution when making a "pocket cut" into existing walls or other blind areas.** The protruding wheel may cut gas or water pipes,

English


electrical wiring or objects that can cause kickback.


ADDITIONAL SAFETY WARNINGS SPECIFIC FOR GRINDING OPERATIONS


- Check that the speed marked on the grinding wheel is equal to or greater than the rated speed of the tool.
- Ensure that the dimensions of the grinding wheel are compatible with the tool and that the wheel fits the spindle.
- Grinding wheels must be stored in a dry place.
- Do not store objects on top of the grinding wheels.
- Grinding wheels must not be used for any operation other than grinding.
- Inspect the grinding wheel before use to ensure that it is not chipped or cracked. Chips or cracks can cause the wheels to shatter, resulting in possible serious injury.
- Ensure that the grinding wheel is correctly mounted and tightened before use and run the tool at no-load speed for 30 seconds in a safe position. Stop immediately if there is considerable vibration or if other defects are detected. If this condition occurs, check the tool to determine the cause.
- Do not use separate reducing bushings or adapters to adapt large hole grinding wheels.
- Check that the workpiece is properly supported.
- Ensure that sparks resulting from use do not create a hazard e.g. do not hit people, or ignite flammable substances.
- Always use protective safety glasses and ear protectors.
- Use other personal protective equipment such as gloves, apron and helmet when necessary.
- Never place the tool on the floor or other surfaces while it is running. Grinding wheels continue to rotate after the tool is switched off. Never touch the wheel or place it on the floor or other surfaces while it is rotating.
- The flange and clamp nut must have same outer diameter.
- Use the tool only for approved applications. Never use coolants or water or use the tool as a fixed tool.
- Grip the tool securely with both hands while operating.


-  Alternating Current
 Watts
 No-load speed
 Rated speed
 min⁻¹


 CE Conformity


 Double insulation

 Wear ear protection

 Wear eye protection

 Please read the instructions carefully before starting the product.

 Waste electrical products should not be disposed of with household waste. Please recycle where facilities exist. Check with your Local Authority or retailer for recycling advice.

 Recycle raw materials instead of disposing of as waste. The machine, accessories and packaging should be sorted for environmental-friendly recycling.

SPECIFICATIONS

Model	EAG950RS / EAG950RSD	EAG950RB / EAG950RBD
Wheel diameter	115 mm (4.5 in)	125 mm (5 in)
Thickness		
Grinding wheel	6 mm	6 mm
Cutting-off wheel (optional)	3 mm	3 mm
Diamond cutting wheel (optional)	2 mm	2 mm
Voltage	230 V - 240 V ~ 50 Hz	230 V - 240 V ~ 50 Hz
Input	950 W	950 W

SYMBOL



Safety Alert

V Volts

Hz Hertz

English

Spindle thread	M14	M14
Rated speed	11,000 min ⁻¹	11,000 min ⁻¹
Overall length	310 mm	310 mm
Net weight	2.55 kg	2.6 kg

NOTE: Be sure to check the nameplate on the product, because the voltage is subject to change depending on the area in which the product is to be used.

Maximum circumferential speed of grinding wheel: 4,800 m/min.

Example of calculation

$$3.14 \times 125 \times 11,000 / 1,000 = 4,320$$

Circumferential speed of grinding wheel 4,320

Wheel diameter 125

Rated speed of grinder 11,000

STANDARD ACCESSORIES

Auxiliary handle, wrench.

A grinding wheel is included in the standard accessories for some countries.

OPERATION

See figure 4.

WARNING

Keep safety guards in place. Never cover the air vents since they must always be open for proper motor cooling.

The key to efficient operating is controlling the pressure and surface contact between the disc and workpiece. Flat surfaces are ground at an acute angle, usually 10 to 20 degrees with the workpiece. Allow the disc to reach full speed before starting to grind. Too great an angle causes concentration of pressure on a small area which may gouge or burn work surface.

FOR CUTTING METAL

See figure 9 - 10.

- Use abrasive cutting wheel with a full-closed tool-less wheel guard for cutting metal.
- When cutting, work with moderate pressure, adapted

to the material being cut. Do not exert pressure onto the cutting disc, tilt or oscillate the machine.

- Do not reduce the speed of running down cutting discs by applying sideward pressure. The machine must always work in an up-cutting motion, otherwise, there is danger of it being pushed uncontrolled out of the cut.
- When cutting profiles and square bars, it is best to start from the smallest cross section.

FOR CUTTING STONE

See figure 9, 11.

- Always work with the tool-less standard wheel guard for cutting.
- For cutting stone, it is best to use a diamond cutting disc and wear a dust protection mask.
- Switch on the machine and slide the machine with moderate pressure, adapted to the material being cut.

SWITCH

See figure 3.

- This tool is started and stopped by sliding and releasing the switch.
- For the convenience for continuous operation, slide the switch along then press the front end down to lock it.
- To release the lock, press the rear end of the switch.

CHOOSING PROTECTION GUARD

- For grinding metal, always work with the tool-less standard wheel guard.
- For cutting stone, always work with the tool-less standard wheel guard.
- For cutting metal, always work with the full-closed tool-less wheel guard.

MOUNTING THE GRINDING WHEEL

See figure 5 - 6.

- Attach the disc flange and the wheel on the spindle before fitting the clamp nut.
- Ensure that the wheel is correctly seated over the boss on the disc flange and clamp nut.
- Depress the lock button located on the right side of gear case.
- Using the wrench provided, tighten the clamp nut in a clockwise direction.

MOUNTING THE CUTTING WHEEL

See figure 7 - 8.

- Attach the disc flange and the wheel on the spindle before fitting the clamp nut.

English

- Ensure that the wheel is correctly seated over the boss on the disc flange and clamp nut, with the flat side of clamp nut facing down.
- Depress the lock button located on the right side of gear case.
- Using the wrench provided, tighten the clamp nut in a clockwise direction.

⚠ WARNING
 Check carefully whether or not there are cracks in the wheel. Replace a cracked wheel immediately.

⚠ WARNING
 To ensure safety and reliability, all repairs should be performed by an authorized service center or other qualified service organization.

TOOL-LESS STANDARD WHEEL GUARD FOR GRINDING/CUTTING STONE

See figure 12 - 13.

Release the wheel guard lock lever then turn the tool-less wheel guard to the desired position. The maximum turning angle is 90° on either side; otherwise the guard cannot be locked.

FULL-CLOSED TOOL-LESS WHEEL GUARD FOR CUTTING METAL

See figure 14 - 15.

Lock and unlock protection guard for cutting wheel.

LIVE TOOL INDICATOR

This tool features a live tool indicator which illuminates as soon as the tool is connected to the supply. This warns the user that the tool is connected and will operate when the switch is pressed.

MAINTENANCE

After use, check the tool to make sure that it is in good condition.

It is recommended that you take this tool to a Ryobi authorized service center for a through cleaning and lubrication at least once a year.

⚠ WARNING
 Do not make any adjustments while the motor is in motion.
 Always disconnect the power cord from the socket before changing removable or expendable parts (grinding disc, cutting disc etc.), before lubricating or working on the unit.

Français

DESCRIPTION

1. Meule à ébarber
2. Carter de protection sans-outil standard
3. Poignée auxiliaire
4. Bouton de verrouillage de l'arbre
5. Interrupteur
6. Flasque
7. Flasque extérieur
8. Arbre d'entraînement
9. Clé de service
10. Levier de verrouillage du carter de protection
11. Témoin de mise sous tension
12. Carter de protection sans-outil complètement fermé (en option)
13. Disque de coupe au diamant (en option)
14. Disque à tronçonner (en option)

AVERTISSEMENTS DE SÉCURITÉ COMMUNS AUX OPÉRATIONS DE DÉCOUPE ET DE MEULAGE

- a. **Le but de cet outil électrique est d'être utilisé comme une meuleuse et comme un outil de découpe. Lisez attentivement l'ensemble des avertissements, instructions et spécifications fournis avec cet outil, et reportez-vous aux illustrations.** Le non-respect des instructions présentées ci-après peut entraîner des accidents tels que des incendies, des chocs électriques et/ou des blessures corporelles graves.
- b. **Le non-respect de cette consigne peut entraîner des accidents et des blessures corporelles graves.**
- c. **N'utilisez pas des accessoires qui ne sont pas spécifiquement conçus pour cet outil et qui ne sont pas recommandés par le fabricant** Même si un accessoire peut être monté sur un outil, cela ne garantit pas que vous pourrez utiliser cet outil en toute sécurité.
- d. **La vitesse nominale de l'accessoire doit être égale ou supérieure à la vitesse maximale indiquée sur l'outil.** Les accessoires fonctionnant à une vitesse supérieure à leur vitesse nominale peuvent se casser et être éjectés.
- e. **Le diamètre extérieur et l'épaisseur de l'accessoire doivent correspondre aux caractéristiques spécifiées pour l'outil** Si les accessoires ne correspondent pas aux caractéristiques données, les systèmes de protection et de réglage de l'outil ne pourront pas fonctionner correctement.
- f. **Les meules, flasques, patins ou autres accessoires doivent être parfaitement adaptés**

à l'alésage de l'arbre de l'outil. Les accessoires non adaptés à l'arbre sur lequel ils doivent être montés ne tourneront pas correctement, vibreront de manière excessive et vous feront perdre le contrôle de l'outil.

- g. **N'utilisez pas un accessoire endommagé. Avant chaque utilisation, vérifiez que l'accessoire que vous utilisez est en bon état: assurez-vous que les disques abrasifs ne sont pas ébréchés ou fissurés, que les patins ne sont pas déchirés ou usés, que les poils des brosses métalliques ne sont pas trop usés ou cassés. En cas de chute de l'outil ou de l'accessoire, vérifiez qu'aucun élément n'est endommagé et, si besoin, installez un accessoire neuf. En cas de chute de l'outil ou de l'accessoire, vérifiez qu'aucun élément n'est endommagé et, si besoin, installez un accessoire neuf. Si l'accessoire est endommagé, il se cassera pendant ce test.**
- h. **Porter des équipements de protection individuelle.** Selon l'utilisation que vous faites de votre outil, portez un masque de protection, des lunettes de sécurité ou des lunettes de protection. Selon l'utilisation que vous faites de votre outil, portez un masque de protection, des lunettes de sécurité ou des lunettes de protection. Si besoin, portez un masque anti-poussière, des protections auditives, des gants et un tablier de protection afin de vous protéger de toute projection de corps étrangers (éléments abrasifs, copeaux de bois, etc.). Les masques anti-poussière permettent de filtrer les particules générées par l'opération que vous menez. Les masques anti-poussière permettent de filtrer les particules générées par l'opération que vous menez.
- i. **Maintenez les visiteurs à bonne distance de la zone de travail. Maintenez les visiteurs à bonne distance de la zone de travail et veillez à ce qu'ils portent un équipement de protection.** Des fragments de pièce à usiner ou d'un accessoire cassé peuvent être projetés au-delà de la zone de travail et causer des blessures corporelles graves.
- j. **Ne tenez l'outil que par les parties isolées et antidérapantes lorsque vous travaillez sur une surface pouvant cacher des fils électriques ou lorsque le travail requis est susceptible de placer le cordon d'alimentation sur la trajectoire de l'outil.** Un contact avec des fils sous tension pourrait transmettre le courant dans les parties en métal et provoquer un choc électrique.
- k. **Positionnez le cordon d'alimentation de façon à ce qu'il soit à distance de l'accessoire en**

Français

rotation. Si vous perdez le contrôle de votre outil, le cordon d'alimentation pourrait être coupé ou se coincer et votre main ou votre bras pourrait être entraîné vers l'accessoire en rotation.

- l. **Ne posez jamais votre outil avant que l'accessoire ne soit complètement arrêté.** L'accessoire en rotation pourrait entrer en contact avec la surface sur laquelle il est posé et vous faire perdre le contrôle de l'outil.
- m. **Ne faites pas fonctionner votre outil lorsque vous le transportez.** L'accessoire en rotation pourrait se prendre dans vos vêtements et vous blesser gravement.
- n. **Nettoyez régulièrement les fentes de ventilation de l'outil.** La ventilation du moteur fait pénétrer les poussières à l'intérieur du carter moteur, ce qui peut générer une accumulation excessive de particules métalliques et provoquer des chocs électriques.
- o. **N'utilisez pas votre outil à proximité de produits inflammables.** Des étincelles risqueraient de les enflammer.
- p. **N'utilisez pas d'accessoires nécessitant des fluides de refroidissement.** L'utilisation d'eau ou de liquides de refroidissement peut causer des électrocutions ou des chocs électriques.

AVERTISSEMENTS RELATIFS AU REBOND ET AUTRES RISQUES ASSOCIÉS

Le rebond est une réaction soudaine qui a lieu lorsque la meule en mouvement, le patin, la brosse ou tout autre accessoire se pince ou se tord, ce qui entraîne le blocage rapide de l'accessoire. L'outil, qui continue à fonctionner, est alors projeté dans la direction opposée au sens d'utilisation de l'accessoire.

Par exemple, si un disque abrasif se pince ou se tord dans la pièce à usiner, le tranchant du disque risque de s'enfoncer dans la surface de la pièce à usiner, ce qui fera brusquement sortir le disque de la pièce à usiner et le projettera vers l'utilisateur ou à distance, en fonction du sens de rotation du disque lorsque celui-ci s'est bloqué. En cas de rebond, le disque abrasif peut également se casser. Le rebond est donc le résultat d'une mauvaise utilisation de l'outil et/ou de procédures ou de conditions d'utilisation incorrectes.

Il peut être évité en veillant à respecter quelques précautions:

- a. **Maintenez fermement l'outil et positionnez votre corps et votre bras de façon à pouvoir contrôler un éventuel rebond.** Si l'outil dispose d'une poignée auxiliaire, veillez à toujours la tenir pour avoir un contrôle optimal de l'outil en cas de rebond ou de couple de réaction lors de la mise en marche de l'outil. Prenez les mesures

nécessaires afin de pouvoir contrôler votre outil en cas de rebond ou de couple de réaction.

- b. **Ne placez jamais votre main à proximité de l'accessoire en rotation afin d'éviter tout risque de blessures corporelles graves en cas de rebond.** Accessoire risque de rebondir sur votre main.
- c. **Ne vous placez pas dans la zone où l'outil risque d'être projeté en cas de rebond.** En cas de rebond, l'outil est projeté dans la direction opposée au sens de rotation du disque.
- d. **Faites particulièrement attention lorsque vous travaillez sur des angles, des bords tranchants, etc.** Évitez de faire déraiper ou de coincer l'accessoire. Lorsque vous travaillez sur des angles ou des bords tranchants ou lorsque vous faites déraiper l'outil, le risque est plus élevé de bloquer l'accessoire, et donc de perdre le contrôle de l'outil et provoquer un rebond.
- e. **N'utilisez jamais de lame de tronçonneuse à bois ou de lame de scie avec cet outil.** De telles lames augmentent le risque de rebond et de perte de contrôle de l'outil.

AVERTISSEMENTS DE SÉCURITÉ PARTICULIERS POUR LES OPÉRATIONS DE DÉCOUPE ET DE MEULAGE

- a. **N'utilisez que des types de meule recommandés pour votre outil électrique ainsi que la protection spécifique à la meule utilisée.** Les meules pour lesquelles l'outil électrique n'a pas été prévu ne peuvent pas être protégées de façon adéquate et présentent un danger.
- b. **La protection doit être bien fixée sur l'outil électrique et positionnée de façon à offrir la meilleure sécurité, afin que la plus petite partie possible de la meule soit dirigée vers l'opérateur.** La protection aide à protéger l'opérateur des fragments d'une meule brisée ainsi que du contact accidentel avec la meule.
- c. **Les meules ne doivent être utilisées que dans leur domaine d'application recommandé.** Par exemple, n'utilisez pas le flanc d'un disque à tronçonner pour meuler. Les disques abrasifs de découpe sont destinés à des découpes périphériques, les forces latérales y étant appliquées peuvent entraîner leur bris.
- d. **Assurez-vous de toujours utiliser des supports de disques en bon état et dont la taille et la forme sont adaptées au disque à utiliser.** Un support de disque adapté maintient le flanc du disque et réduit le risque de bris. Les supports des

Français

disques à découper peuvent être différents des supports pour meules.

- e. **N'utilisez pas de disques usés en provenance d'outils plus puissants.** Les meules destinées à un outil plus important ne sont pas adaptées à la vitesse de rotation supérieure d'un petit outil et sont susceptibles d'éclater.

AVERTISSEMENTS DE SÉCURITÉ PARTICULIERS POUR LES OPÉRATIONS DE DÉCOUPE PAR ABRASION

- a. **Ne "coincez" pas le disque de coupe et ne lui appliquez pas de pression excessive. Ne tentez pas d'effectuer des découpes d'une profondeur excessive.** Un excès de contraintes sur le disque augmente sa charge et risque de le tordre ou de le coincer dans la coupe, ce qui pourrait provoquer un rebond ou un bris du disque.
- b. **Ne positionnez votre corps ni derrière le disque en rotation ni dans son alignement.** Lorsque le disque, au cours du travail, s'éloigne de votre corps, un éventuel rebond pourrait projeter le disque ainsi que l'outil directement vers vous.
- c. **Lorsque le disque se bloque, ou lorsque vous interrompez la coupe pour une raison quelconque, arrêtez l'outil et maintenez-le immobile jusqu'à ce que le disque s'arrête complètement. Ne tentez jamais de retirer le disque à tronçonner de l'élément à couper tant que le disque est en rotation, sous peine de provoquer un effet de rebond.** Si le disque se coince, cherchez-en la cause et prenez les mesures nécessaires pour que cela ne se reproduise plus.
- d. **Ne reprenez pas la coupe dans la pièce à tronçonner. Laissez le disque atteindre sa pleine vitesse et pénétrez à nouveau dans la coupe.** Le disque peut se coincer, être entraîné ou provoquer un rebond si l'outil est redémarré dans la pièce à couper.
- e. **Supportez les panneaux et toutes les pièces de grande dimension pour minimiser les risques de rebond et de pincement du disque.** Les grandes pièces à couper ont tendance à fléchir sous leur propre poids. Les supports doivent être placés sous la pièce à proximité de la ligne de coupe ou près du bord de la pièce de chaque côté du disque.
- f. **Soyez particulièrement attentif lorsque vous effectuez une "coupe en plongée" dans des murs existants ou autres zones aveugles.** Le disque saillant est susceptible de couper les conduites d'eau ou de gaz, les câbles électriques

ou des objets pouvant provoquer un rebond.

AVERTISSEMENTS DE SÉCURITÉ PARTICULIERS POUR LES OPÉRATIONS DE MEULAGE

- a. Vérifiez que la vitesse indiquée sur la meule à ébarber est égale ou supérieure à la vitesse nominale de l'outil.
- b. Assurez-vous que le diamètre de la meule à ébarber est compatible avec l'outil et que la meule s'insère correctement sur l'arbre.
- c. Les meules à ébarber doivent être rangées dans un endroit sec.
- d. Ne placez aucun objet sur les meules.
- e. Les meules ne doivent pas être utilisées à d'autres fins que des opérations de meulage.
- f. Avant d'utiliser la meule, assurez-vous qu'elle n'est pas ébréchée ou fissurée. Si tel est le cas, la meule peut se briser, ce qui peut entraîner des blessures corporelles graves.
- g. Assurez-vous avant utilisation que la meule est correctement montée et serrée, puis faites tourner votre outil à vide pendant 30 secondes en l'orientant de telle sorte qu'il ne présente aucun danger. Arrêtez votre outil immédiatement s'il vibre excessivement ou si vous remarquez d'autres problèmes. Dans cette éventualité, contrôlez votre outil pour déterminer la cause du problème.
- h. N'utilisez pas de bagues de réduction ou d'entretoises pour réduire l'alésage de meules à grand alésage.
- i. Vérifiez que la pièce à usiner est correctement maintenue.
- j. Assurez-vous que les étincelles produites par l'utilisation de l'outil ne créent pas de situation dangereuse, par exemple qu'elles ne sont pas projetées sur des personnes ou des substances inflammables.
- k. Veillez à toujours porter des lunettes de protection et des protections auditives.
- l. Si nécessaire, utilisez d'autres équipements de protection tels que des gants, un tablier ou un casque.
- m. Ne posez jamais votre outil sur le sol ou sur d'autres surfaces lorsqu'il est en marche. Attention, la meule tourne par inertie après l'arrêt de l'outil. Vous ne devez jamais ni toucher la meule, ni la poser sur le sol ou d'autres surfaces lorsqu'elle est en rotation.
- n. Le flasque de la meule et le flasque extérieur doivent avoir le même diamètre extérieur.
- o. N'utilisez votre outil que pour les applications pour lesquelles il a été conçu. N'utilisez jamais de fluide de refroidissement ou d'eau. N'utilisez pas votre outil comme un outil fixe.

Français

p. Lorsque vous utilisez votre outil, tenez-le fermement avec les deux mains.

SYMBOLE



Alerte de Sécurité

V Volts

Hz Hertz

~ Courant alternatif

W Watts

n_o Vitesse à vide

n Vitesse nominale

min^{-1} Nombre de tours ou de mouvements par minute



Conformité CE



Double isolation



Portez une protection auditive



Portez une protection oculaire



Veillez lire attentivement les instructions avant de mettre l'appareil en marche.



Les produits électriques hors d'usage ne doivent pas être jetés avec les ordures ménagères. Recyclez-les par l'intermédiaire des structures disponibles. Contactez les autorités locales pour vous renseigner sur les conditions de recyclage.



Recyclez les matières premières au lieu de les jeter aux ordures ménagères. Pour protéger l'environnement, l'outil, les accessoires et les emballages doivent être triés.

CARACTÉRISTIQUES

Modèle	EAG950RS / EAG950RSD	EAG950RB / EAG950RBD
Diamètre de la meule	115 mm (4.5 in)	125 mm (5 in)
Épaisseur		

Meule à ébarber	6 mm	6 mm
-----------------	------	------

Disque à tronçonner (en option)	3 mm	3 mm
---------------------------------	------	------

Disque de coupe au diamant (en option)	2 mm	2 mm
--	------	------

Tension	230 V - 240 V ~ 50 Hz	230 V - 240 V ~ 50 Hz
Alimentation	950 W	950 W
Filetage de l'arbre	M14	M14
Vitesse nominale	11,000 min^{-1}	11,000 min^{-1}
Longueur totale	310 mm	310 mm
Poids net	2.55 kg	2.6 kg

NOTE: Vérifiez la plaque signalétique du produit, car la tension peut être différente en fonction de l'endroit où le produit doit être utilisé.

Vitesse périphérique maximale de la meule: 4,800 m/min.

Exemple de calcul

$$3.14 \times 125 \times 11,000/1,000 = 4\,320$$

Vitesse périphérique de la meule 4 320

Diamètre de la meule 125

Vitesse à vide de la meuleuse 11 000

ACCESSOIRES STANDARD

Poignée auxiliaire, clé.

Une meule à ébarber est fournie avec les accessoires dans certains pays.

UTILISATION

Voir figure 4.

⚠ AVERTISSEMENT

Les carters de protection doivent toujours être en place. Veillez à ne pas couvrir les fentes de ventilation pour permettre un refroidissement correct du moteur.

Français

Pour un travail efficace, il est important de bien contrôler la pression exercée sur l'outil ainsi que la surface de contact entre la meule et la pièce à usiner. Pour meuler des surfaces planes, la meuleuse doit former un angle aigu, en général entre 10° et 20°, avec la pièce à usiner. Laissez à la meule le temps d'atteindre sa vitesse maximale avant de commencer le meulage. Un angle trop grand provoque une concentration de la pression sur une petite surface ce qui peut creuser ou brûler la surface de travail.

COUPE DU MÉTAL

Voir figure 9 - 10.

- Utilisez un disque de coupe abrasif avec un carter de protection sans-outil complètement fermé pour couper le métal.
- Lors de la coupe, exercez une pression modérée, adaptée au matériau à couper. N'exercez pas de pression sur le disque de coupe, n'inclinez pas et ne faites pas osciller la machine.
- Ne faites pas ralentir les disques à tronçonner en y appliquant une pression latérale. La machine doit toujours travailler en opposition (mouvement de rotation opposé au mouvement d'avance), sinon elle pourrait se voir éjectée de la coupe de façon incontrôlée.
- Lorsque vous coupez des profilés ou des barres carrées, il est préférable de commencer par la section la plus petite.

COUPE DE LA PIERRE

Voir figure 9, 11.

- Utilisez toujours le carter de protection sans-outil standard pour couper.
- Pour la coupe de la pierre, il est préférable d'utiliser un disque au diamant et de porter un masque anti-poussières.
- Mettez la machine en marche et faites la progresser en exerçant une pression modérée, adaptée au matériau à couper.

INTERRUPTEUR

Voir figure 3.

- Pour mettre en marche ou arrêter cet outil, faites coulisser l'interrupteur vers l'avant ou relâchez-le.
- Pour pouvoir utiliser votre meuleuse en continu, appuyez sur l'extrémité avant de l'interrupteur après l'avoir fait coulisser afin de le bloquer en position marche.
- Pour débloquer l'interrupteur, appuyez sur l'extrémité arrière de l'interrupteur.

CHOIX DU CARTER DE PROTECTION

- Pour meuler du métal, travaillez toujours avec le carter de protection sans-outil standard.
- Pour couper la pierre, travaillez toujours avec le carter de protection sans-outil standard.
- Pour couper le métal, utilisez toujours le carter de protection sans-outil complètement fermé.

MONTAGE DE LA MEULE À ÉBARBER

Voir figure 5 - 6.

- Installez la bride et le disque sur la broche avant de mettre en place l'écrou de fixation.
- Assurez-vous que le disque est bien en place sur l'embossage de la rondelle d'épaulement et de l'écrou de verrouillage.
- Enfoncez le bouton de verrouillage de l'arbre situé sur le côté droit du carter moteur.
- Serrez le flasque extérieur dans le sens des aiguilles d'une montre à l'aide de la clé de service fournie.

MONTAGE DU DISQUE DE COUPE

Voir figure 7 - 8.

- Installez la bride et le disque sur la broche avant de mettre en place l'écrou de fixation.
- Assurez-vous que le disque est bien installé sur l'embossage de la rondelle d'épaulement et de l'écrou de verrouillage, la partie plate de l'écrou étant dirigé vers le bas.
- Enfoncez le bouton de verrouillage de l'arbre situé sur le côté droit du carter moteur.
- Serrez le flasque extérieur dans le sens des aiguilles d'une montre à l'aide de la clé de service fournie.

▲ AVERTISSEMENT

Vérifiez attentivement que la meule ne présente pas de fissures. Remplacez immédiatement toute meule fissurée.

CARTER DE PROTECTION SANS-OUTIL STANDARD POUR MEULER/COUPER DE LA PIERRE

Voir figure 12 - 13.

Ouvrez le levier de verrouillage du carter de protection puis placez le carter de protection dans la position souhaitée. L'angle de pivotement maximum est de 90° de chaque côté; autrement, il ne serait pas possible de verrouiller le carter de protection.

Français

CARTER DE PROTECTION SANS-OUTIL COMPLÈTEMENT FERMÉ POUR LA DÉCOUPE DU MÉTAL

Voir figure 14 - 15.

Verrouillage et déverrouillage du carter de protection du disque de coupe.

TÉMOIN DE MISE SOUS TENSION

Votre meuleuse d'angle est équipée d'un témoin de mise sous tension qui s'allume lorsque l'outil est branché. Ce témoin attire votre attention sur le fait que la meuleuse est sous tension et qu'elle se mettra en marche dès que vous ferez coulisser l'interrupteur vers l'avant.

ENTRETIEN

Après utilisation, assurez-vous que votre outil est en bon état de marche.

Nous vous recommandons d'apporter votre outil au moins une fois par an dans un Centre Service Agréé Ryobi pour une lubrification et un nettoyage complets.

⚠ AVERTISSEMENT

N'effectuez aucun réglage lorsque le moteur est en marche.

Débranchez toujours la meuleuse avant de remplacer une pièce (meule diamant, meule à ébarber, etc.), de lubrifier l'outil et avant toute opération d'entretien.

⚠ AVERTISSEMENT

Pour plus de sécurité et de fiabilité, toutes les réparations doivent être effectuées par un Centre Service Agréé Ryobi.

BESCHREIBUNG

1. Schleifscheibe
2. Werkzeuglose normale Schutzhaube
3. Seitengriff
4. Blockierknopf der Welle
5. Ein-/Aus-Schalter
6. Flansch
7. Äußere Scheibe
8. Antriebswelle
9. Bedienungsschlüssel
10. Sperrhebel des Schutzgehäuses
11. Spannungs-LED
12. Werkzeuglose rundum Schutzhaube (optional)
13. Diamant-Trennscheibe (optional)
14. Trennscheibe (optional)

GEMEINSAME SICHERHEITSHINWEISE FÜR SCHLEIF- UND TRENNSCHEIFARBEITEN

- a. **Dieses Elektrowerkzeug ist für den Einsatz als Schleif- und Trennschleifwerkzeug vorgesehen. Lesen Sie aufmerksam alle mit diesem Werkzeug gelieferten Warnungen, Anweisungen und Spezifikationen, beziehen Sie sich auf die Illustrationen.** Die Nichtbeachtung der weiter unten aufgeführten Anweisungen kann Unfälle wie Brände, Elektroschocks und/oder schwere Körperverletzungen zur Folge haben.
- b. **Die Nichtbeachtung dieser Vorschrift kann Unfälle und schwere Körperverletzungen zur Folge haben.**
- c. **Benutzen Sie kein Zubehör, das nicht speziell für dieses Werkzeug konzipiert worden ist und das nicht vom Hersteller empfohlen wird.** Selbst wenn es möglich ist, ein Zubehörteil auf ein Werkzeug zu montieren, ist dies keine Garantie dafür, dass dieses Gerät in aller Sicherheit benutzt werden kann.
- d. **Die nominale Geschwindigkeit des Zubehörs muss gleich oder schneller sein, als die maximale, auf dem Werkzeug angegebene Geschwindigkeit.** Zubehörteile, die schneller drehen als ihre Nominalgeschwindigkeit, können brechen und weggeschleudert werden.
- e. **Der Außendurchmesser und die Dicke des Zubehörteils müssen den spezifischen Eigenschaften des Werkzeuges entsprechen.** Wenn die Zubehörteile nicht den angegebenen Eigenschaften entsprechen, können die Schutz- und Einstellsysteme des Werkzeuges nicht korrekt funktionieren.
- f. **Schleifscheiben, Flansche, Schleifschuhe oder anderen Zubehörteile müssen ganz genau an die Bohrung der Werkzeugwelle angepasst sein.** Zubehörteile, die nicht für die Welle, auf die sie montiert werden sollen, geeignet sind, drehen nicht richtig, vibrieren zu stark und lassen Sie die Kontrolle über das Werkzeug verlieren.
- g. **Benutzen Sie kein beschädigtes Zubehör. Überprüfen Sie vor jeder Benutzung, ob das Zubehör, das Sie benutzen, in gutem Zustand ist: Prüfen Sie, ob die Schleifscheiben nicht brüchig oder rissig, die Kufen nicht beschädigt oder abgenutzt, die Stahlbürsten nicht zu sehr abgenutzt oder abgebrochen. Überprüfen Sie, für den Fall, dass Ihr Werkzeug oder ein Zubehörteil herunterfällt, ob kein Element beschädigt worden ist, montieren Sie bei Bedarf ein neues Zubehörteil.** Nachdem Sie den korrekten Zustand des Zubehörs geprüft und sie es montiert haben, nehmen Sie Abstand vom beweglichen Zubehörteil und lassen das Werkzeug eine Minute lang auf Höchstgeschwindigkeit laufen. Wenn das Zubehörteil beschädigt ist, bricht es bei diesem Test.
- h. **Persönliche Schutzausrüstung tragen.** Tragen Sie je nach Verwendungsart Ihres Werkzeuges eine Schutzmaske, Sicherheitsbrille, oder Schutzbrille. Tragen Sie bei Bedarf eine Staubschutzmaske, einen Gehörschutz, Handschuhe und eine Schutzschürze, um sich gegen fliegende Fremdkörper (Schleifelemente, Holzspäne, usw.) zu schützen. Die Schutzbrille soll die Augen vor Verletzung durch fliegende Teilchen schützen. Staubschutzmasken dienen dazu, die bei der durchgeführten Arbeit erzeugten Partikel zu filtern. Anhaltender, starker Lärm kann zu Gehörverlust führen.
- i. **Bitten Sie Besucher darum, sich in gebührendem Abstand vom Arbeitsbereich aufzuhalten und Schutzkleidung zu tragen.** Jeder, der den Arbeitsbereich betritt muss eine persönliche Schutzausrüstung tragen. Splitter des zu bearbeitenden Teils oder zerbrochenes Zubehör können bis außerhalb des Arbeitsbereiches geschleudert werden und schwere Verletzungen verursachen.
- j. **Halten Sie das Werkzeug nur an den isolierten und rutschsicheren Griffen fest, wenn Sie an einer Fläche arbeiten, die elektrische Leitungen verstecken könnte, oder wenn das Stromkabel auf den Arbeitsweg des Werkzeugs geraten könnte.** Der Kontakt mit unter Strom stehenden Leitungen kann Strom in die Metallteile leiten und einen Elektroschock auslösen.
- k. **Halten Sie das Stromkabel weit genug vom**

sich drehenden Zubehörteil entfernt. Falls Sie die Kontrolle über Ihr Werkzeug verlieren, könnte das Stromkabel durchtrennt oder verklemmt und Ihre Hand oder Ihr Arm vom drehenden Zubehörteil mitgerissen werden.

- l. **Legen Sie Ihr Werkzeug nie ab, bevor das Zubehörteil vollständig zum Stillstand gekommen ist.** Das drehende Zubehörteil könnte mit der Oberfläche, auf der es abgelegt wurde, in Kontakt kommen und es besteht die Gefahr, dass Sie die Kontrolle über das Werkzeug verlieren.
- m. **Lassen Sie Ihr Werkzeug nicht eingeschaltet, während Sie es transportieren.** Das sich drehende Zubehörteil könnte sich in Ihren Kleidern verfangen und Sie schwer verletzen.
- n. **Säubern Sie regelmäßig die Lüftungsspalten des Werkzeugs.** Die Motorlüftung lässt Staub ins Motorgehäuseinnere eindringen, dies kann zur Ansammlung von Metallpartikeln führen und Elektroschocks auslösen.
- o. **Benutzen Sie Ihr Werkzeug nicht in der Nähe leicht entflammbarer Produkte.** Funken könnten sie entflammen.
- p. **Benutzen Sie kein Zubehör, das Kühlwasser benötigt.** Die Benutzung von Wasser oder Kühlflüssigkeiten kann elektrische Schläge oder Elektroschocks verursachen.

RÜCKSCHLAG UND ANDERE WARNUNGEN

Der Rückprall ist eine plötzliche Reaktion, die auftreten kann, wenn die sich drehende Schleifscheibe, der Schleifschuh, die Bürste oder ein anderes Zubehörteil sich verklemmt oder verbiegt und die schnelle Blockierung des Zubehörs verursacht. Das weiter funktionierende Werkzeug schleudert das Werkzeug dann in die Richtung, die der Benutzungsrichtung des Zubehörs entgegen liegt.

Wenn zum Beispiel eine Schleifscheibe sich im zu bearbeitenden Teil verklemmt oder verbiegt, besteht die Gefahr, dass die Schnittfläche der Scheibe sich in die Oberfläche des zu bearbeitenden Teils einfrisst, was die Scheibe unvermittelt aus dem Teil schnellen lässt und es, gemäß der Drehrichtung der blockierten Scheibe, zum Benutzer hin oder weg schleudert. Die Schleifscheibe kann beim Rückprall auch brechen. Der Rückprall ist die Folge unangebrachter Benutzung des Werkzeugs und/oder des Verfahrens oder unangemessener Benutzungsbedingungen.

Er kann durch die Beachtung bestimmter Sicherheitsmaßnahmen vermieden werden:

- a. **Halten Sie das Werkzeug gut fest und positionieren Sie Ihren Körper und Ihren Arm so, dass Sie einen eventuellen Rückprall kontrollieren können. Wenn das Werkzeug über einen zusätzlichen Handgriff verfügt,**

dann halten Sie ihn stets fest, um im Falle eines Rückpralls oder eines Gegenwirkungsmoments beim Einschalten des Werkzeugs eine optimale Kontrolle über das Werkzeug zu haben. Ergreifen Sie die erforderlichen Maßnahmen, um Ihr Werkzeug im Falle eines Rückpralls oder Gegenwirkungsmoments kontrollieren zu können.

- b. **Bringen Sie Ihre Hand niemals in die Nähe des drehenden Zubehörteils, dies kann im Falle eines Rückpralls schwere Körperverletzungen vermeiden.** Zubehör kann über Ihre Hand zurückschlagen.
- c. **Stellen Sie sich nicht in den Bereich, in deren Richtung das Werkzeug im Falle eines Rückpralls geschleudert werden könnte.** Das Werkzeug wird bei einem Rückprall in die entgegen gesetzte Richtung der Scheibendrehung geschleudert.
- d. **Geben Sie besonders Acht, wenn Sie an Ecken, scharfen Kanten usw. arbeiten.** Vermeiden Sie es, mit dem Zubehörteil abzurutschen oder es einzuklemmen. Wenn Sie an Ecken oder scharfen Kanten arbeiten, oder mit dem Werkzeug abrutschen, ist das Risiko, das Zubehörteil zu blockieren, die Kontrolle über das Werkzeug zu verlieren und einen Rückprall zu verursachen, größer.
- e. **Benutzen Sie mit diesem Werkzeug niemals ein Holztrennsäge- oder Sägeblatt.** Solche Sägeblätter steigern das Rückprallrisiko und die Gefahr, die Kontrolle über das Werkzeug zu verlieren.

BESONDERE SICHERHEITSHINWEISE FÜR SCHLEIF- UND TRENNSCHEIFARBEITEN

- a. **Verwenden Sie ausschließlich die für Ihr Werkzeug empfohlenen Radarten, sowie die für das gewählte Rad vorgesehene Schutzvorrichtung.** Räder für die das Werkzeug nicht entwickelt wurde, können nicht ausreichend abgedeckt werden und sind unsicher.
- b. **Die Schutzvorrichtung muss zur Gewährleistung einer optimalen Sicherheit fest angebracht werden und so, dass der Benutzer dem Rad so wenig wie möglich ausgesetzt ist.** Die Schutzvorrichtung hilft, den Benutzer vor abgebrochenen Radfragmenten und einem versehentlichen Kontakt mit dem Rad zu schützen.
- c. **Räder dürfen nur für die empfohlenen Anwendungen verwendet werden.** Zum Beispiel, schleifen Sie nicht mit der Seite eines Schneidrades. Die Schleifräder dienen dem Radialschliff; falls seitliche Kräfte auf sie ausgeübt

- werden, können sie zerbrechen.
- d. **Verwenden Sie immer nur Radflansche in der richtigen Größe und mit der richtigen Form für das gewünschte Rad.** Ein korrekter Radflansch unterstützt das Rad, wodurch das Risiko eines Zerbrechens des Rades verringert wird. Flansche für Schneidräder können sich von denen für Schleifräder unterscheiden.
- e. **Verwenden Sie keine abgenutzten Räder von größeren Werkzeugen!** Räder, die für große Werkzeuge vorgesehen sind, sind für die höhere Geschwindigkeit des kleineren Werkzeugs nicht geeignet und können zerbrechen.

ZUSÄTZLICHE SICHERHEITSHINWEISE SPEZIELL FÜR TRENSCHLEIFARBEITEN

- a. **Achten Sie darauf, die Trennscheibe nicht zu verklemmen oder zu viel Druck auszuüben. Versuchen Sie nicht, einen übermäßig tiefen Schnitt auszuführen.** Wird die Scheibe überspannt, erhöht dies die Belastung der Scheibe und sie ist anfälliger dafür, im Schnitt zu verdrehen oder zu blockieren, für Rückschlag und dafür, zu zerbrechen.
- b. **Stellen Sie sich nie in einer Linie hinter der rotierenden Scheibe auf.** Wenn die Scheibe während des Betriebs von ihrem Körper wegbewegt wird, kann der mögliche Rückschlag dazu führen, dass sich die drehende Scheibe und das Elektrowerkzeug direkt auf sie zu bewegt.
- c. **Wenn die Scheibe festklemmt oder ein Schnitt aus irgendeinem Grund unterbrochen wird, schalten Sie das Elektrowerkzeug aus und halten Sie das Werkzeug still bis es vollkommen zum Stehen gekommen ist. Versuchen Sie niemals die Trennscheibe zu entfernen während die Scheibe sich bewegt, sonst kann ein Rückschlag auftreten.** Wenn die Scheibe sich verklemmt, suchen Sie nach der Ursache und ergreifen die erforderlichen Maßnahmen, damit dies nicht wieder geschieht.
- d. **Starten Sie den Schneidvorgang in dem Werkstück nicht erneut. Lassen Sie die Scheibe die volle Geschwindigkeit erreichen und führen Sie die Scheibe vorsichtig wieder in den Schnitt ein.** Die Scheibe kann festklemmen, nach oben laufen oder zurückschlagen, wenn das Werkzeug in dem Werkstück neu gestartet wird.
- e. **Stützen Sie Platten oder andere übergroße Werkstücke ab um die Gefahr eines Verkantens oder Rückschlages zu vermeiden.** Große Werkstücke können durch ihr eigenes Gewicht durchhängen. Werkstücke müssen in der Nähe der

Schnittlinie und an der Werkstückkante auf beiden Seiten der Scheibe abgestützt werden.

- f. **Seien Sie besonders vorsichtig bei "Taschenschnitten" in bestehende Wände oder nicht einsehbare Bereiche.** Die hervorstehende Scheibe kann Gas- oder Wasserrohre, Elektrokabel oder Gegenstände die einen Rückschlag verursachen können schneiden.

ZUSÄTZLICHE SICHERHEITSHINWEISE FÜR DEN SCHLEIFBETRIEB

- a. Prüfen Sie, ob die auf der Schleifscheibe angegebene Höchstdrehzahl mindestens der Nenndrehzahl des Geräts entspricht.
- b. Vergewissern Sie sich, dass der Durchmesser der Schleifscheibe dem Gerät entspricht und dass die Schleifscheibe einwandfrei auf der Welle sitzt.
- c. Die Schleifscheiben müssen an einem trockenen Ort aufbewahrt werden.
- d. Stellen Sie kein Objekt auf die Schleifscheiben.
- e. Die Schleifscheiben dürfen ausschließlich zur Schleifarbeiten verwendet werden.
- f. Vergewissern Sie sich vor Verwendung der Schleifscheibe, dass diese keine ausgebrochenen Stellen oder Risse aufweist. Falls dies der Fall ist, kann die Scheibe brechen und dies kann zu schweren Körperverletzungen führen.
- g. Vergewissern Sie sich vor der Verwendung, dass die Schleifscheibe korrekt montiert und angezogen ist, und lassen Sie Ihr Gerät dann während 30 Sekunden ohne Belastung laufen; halten Sie das Gerät dabei so, dass keine gefährliche Situation auftritt. Halten Sie Ihr Gerät sofort an, wenn es zu stark vibriert oder wenn Sie andere Probleme feststellen. Kontrollieren sie in diesem Fall Ihr Gerät, um die Ursache des Problems festzustellen.
- h. Verwenden Sie keine Reduzierringe oder Zwischenstücke, um die Bohrung von Schleifscheiben mit zu großer Bohrung zu verkleinern.
- i. Prüfen Sie, ob das zu bearbeitende Werkstück korrekt befestigt ist.
- j. Vergewissern Sie sich, dass die bei der Verwendung des Geräts erzeugten Funken keine gefährlichen Situationen herbeiführen, wie z. B. dass diese nicht auf Personen oder entzündliche Substanzen spritzen.
- k. Tragen Sie stets eine Schutzbrille und einen Gehörschutz.
- l. Verwenden Sie falls erforderlich andere Schutzausrüstungen, wie z. B. Handschuhe, eine Schürze oder einen Helm.
- m. Stellen Sie Ihr Gerät niemals auf den Boden oder auf andere Flächen, während es in Betrieb

Deutsch

ist. Beachten Sie, dass die Schleifscheibe nach dem Ausschalten erst nach einigen Momenten zu einem vollständigen Stillstand kommt. Sie dürfen die Schleifscheibe niemals berühren oder auf den Boden oder andere Flächen stellen, während sie rotiert.

- n. Der Flansch der Schleifscheibe und der äußere Flansch müssen denselben Außendurchmesser haben.
- o. Verwenden Sie Ihr Gerät nur für die Anwendungen, für die es entwickelt wurde. Setzen Sie Ihr Gerät niemals als ein stationäres Gerät ein. Verwenden Sie niemals Kühlfüssigkeit oder Kühlwasser.
- p. Halten Sie Ihr Gerät bei der Verwendung fest mit beiden Händen.

SYMBOL



Sicherheitswarnung

V Volt

Hz Hertz

~ Wechselstrom

W Watt

n_0 Leerlaufdrehzahl

n Nenndrehzahl

min^{-1} Anzahl Umdrehungen oder Bewegungen pro Minute



CE-Konformität



Doppelisolierung



Gehörschutz tragen



Augenschutz tragen



Bitte lesen Sie die Anweisungen sorgfältig durch, bevor Sie das Produkt einschalten.

Elektrische Geräte sollten nicht mit dem übrigen Müll entsorgt werden. Bitte entsorgen Sie diese an den entsprechenden Entsorgungsstellen. Wenden Sie sich an die örtliche Behörde oder Ihren Händler, um Auskunft über die Entsorgung zu erhalten.



Recyceln Sie die Rohstoffe anstatt sie in die Haushaltsabfälle zu geben. Zum Schutz der Umwelt müssen das Gerät, die Zubehörteile und die Verpackungen getrennt entsorgt werden.

TECHNISCHE DATEN

Modell	EAG950RS / EAG950RSD	EAG950RB / EAG950RBD
Durchmesser der Schleifscheibe	115 mm (4.5 in)	125 mm (5 in)
Dicke		
Schleifscheibe	6 mm	6 mm
Trennscheibe (optional)	3 mm	3 mm
Diamant-Trennscheibe (optional)	2 mm	2 mm
Spannung	230 V - 240 V ~ 50 Hz	230 V - 240 V ~ 50 Hz
Eingangsleistung	950 W	950 W
Gewinde der Welle	M14	M14
Nenndrehzahl	11,000 min^{-1}	11,000 min^{-1}
Gesamtlänge	310 mm	310 mm
Nettogewicht	2.55 kg	2.6 kg

BITTE BEACHTEN: Prüfen Sie das Typenschild des Geräts, denn die Spannung kann je nach Land unterschiedlich sein.

Maximale Umfangsgeschwindigkeit der Schleifscheibe: 4,800 m/min.

Berechnungsbeispiel

$3.14 \times 125 \times 11,000 / 1,000 =$	4.320
Umfangsgeschwindigkeit der Schleifscheibe	4.320
Durchmesser der Schleifscheibe	125
Leerlaufgeschwindigkeit der Schleifscheibe	11.000

STANDARDZUBEHÖR

Seitengriff, Schraubenschlüssel.

In manchen Ländern wird eine Schleifscheibe mit dem Zubehör geliefert.

BETRIEB

Siehe Abbildung 4.

⚠ WARNUNG

Die Schutzgehäuse müssen stets montiert sein. Achten Sie darauf, dass sie die Belüftungsschlitze nicht abdecken, um ein korrektes Abkühlen des Motors zu gewährleisten.

Für eine effiziente Arbeit, müssen der auf das Gerät ausgeübte Druck sowie die Kontaktfläche zwischen der Schleifscheibe und dem zu bearbeitenden Teil kontrolliert werden. Flache Flächen werden mit einem spitzen Winkel zwischen der Schleifscheibe und dem Werkstück (normalerweise zwischen 10° und 20°) bearbeitet. Warten Sie, bis die Schleifscheibe ihre maximale Geschwindigkeit erreicht hat, bevor Sie mit dem Schleifen beginnen. Ein zu großer Winkel bewirkt eine Konzentration des Druckes auf eine kleine Fläche und dies kann die Arbeitsfläche aushöhlen oder verbrennen.

ZUM SCHNEIDEN VON METALL

Siehe Abbildung 9 - 10.

- Benutzen Sie die Schleifscheibe mit der rundum Schutzhaube zum Schneiden von Metall.
- Arbeiten Sie beim Schneiden mit mäßigem, an das zu schneidende Material angepassten Druck. Üben Sie keinen Druck auf die Trennscheibe aus, kippen Sie die Maschine nicht oder wackeln mit der Maschine.
- Reduzieren Sie die Auslaufgeschwindigkeit der Trennscheibe nicht indem Sie seitlichen Druck auf die Scheibe ausüben. Das Gerät ist stets im Gegenlauf zu betrieblen, andernfalls kann das Gerät unkontrolliert aus dem Schnitt herauschlagen.
- Beim Schneiden von Profilen und eckigen Stangen ist es am Besten bei dem kleinsten Querschnitt zu starten.

ZUM SCHNEIDEN VON STEIN

Siehe Abbildung 9, 11.

- Arbeiten Sie beim Schneiden immer mit der werkzeuglosen normalen Schutzhaube.
- Zum Schneiden von Stein sollte eine Diamant-Trennscheibe benutzt und eine Staubschutzmaske getragen werden.

- Schalten Sie die Maschine an und schieben die Maschine mit mäßigem, an das zu schneidende Material angepassten Druck.

EIN-/AUS-SCHALTER

Siehe Abbildung 3.

- Zum Ein- oder Ausschalten dieses Geräts muss der Ein-/Aus-Schalter nach vorne geschoben oder freigegeben werden.
- Um Ihren Schleifer im Dauerbetrieb zu verwenden, schieben Sie den Schalter nach vorne und drücken auf das vordere Ende, um ihn in der Position 'Ein' zu sperren.
- Um den Ein-/Aus-Schalter zu entriegeln, drücken Sie auf das hintere Ende des Ein-/Aus-Schalters.

AUSWAHL DER SCHUTZHAUBE

- Arbeiten Sie beim Schleifen von Stein immer mit der werkzeuglosen normalen Schutzhaube.
- Arbeiten Sie beim Schneiden von Stein immer mit der werkzeuglosen normalen Schutzhaube.
- Arbeiten Sie beim Schneiden von Metall immer mit der werkzeuglosen rundum Schutzhaube.

MONTAGE DER SCHLEIFSCHLEIBE

Siehe Abbildung 5 - 6.

- Montieren Sie den Scheibenflansch und die Scheibe an die Spindel bevor Sie die Befestigungsmutter anschrauben.
- Stellen Sie sicher, dass die Scheibe richtig auf dem Stift des Flansches und der Befestigungsmutter sitzt.
- Drücken Sie den Blockierknopf der Welle, der sich rechts vom Motorgehäuse befindet.
- Ziehen Sie den äußeren Flansch mit dem im Lieferumfang enthaltenen Bedienschlüssel im Uhrzeigersinn an.

MONTAGE DER TRENNSCHEIBE

Siehe Abbildung 7 - 8.

- Montieren Sie den Scheibenflansch und die Scheibe an die Spindel bevor Sie die Befestigungsmutter anschrauben.
- Stellen Sie sicher, dass die Scheibe korrekt auf dem Sockel des Scheibenflansches und der Spannmutter sitzt, wobei die flache Seite der Spannmutter unten sein muss.
- Drücken Sie den Blockierknopf der Welle, der sich rechts vom Motorgehäuse befindet.
- Ziehen Sie den äußeren Flansch mit dem im Lieferumfang enthaltenen Bedienschlüssel im Uhrzeigersinn an.

⚠ WARNUNG

Prüfen Sie sorgfältig, ob die Schleifscheibe keine Risse aufweist. Ersetzen Sie alle Schleifscheiben mit Rissen sofort.

WERKZEUGLOSE NORMALE SCHUTZHAUBE ZUM SCHLEIFEN/SCHNEIDEN VON STEIN

Siehe Abbildung 12 - 13.

Öffnen Sie den Sperrhebel des Schutzgehäuses und setzen Sie das Schutzgehäuse in der gewünschten Position ein. Der maximale Drehwinkel ist auf beiden Seiten 90°; sonst kann die Schutzhaube nicht verriegelt werden.

WERKZEUGLOSE RUNDUM SCHUTZHAUBE ZUM SCHNEIDEN VON METALL

Siehe Abbildung 14 - 15.

Verriegeln und entriegeln der Schutzhaube der Trennscheibe.

SPANNUNGS-LED

Ihr Winkelschleifer ist mit einer Spannungs-LED ausgestattet, die leuchtet, wenn das Gerät an das Stromnetz angeschlossen wird. Diese LED zeigt an, dass der Winkelschleifer unter Spannung steht und in Betrieb gesetzt wird, sobald Sie den Ein-/Aus-Schalter nach vorne schieben.

WARTUNG UND PFLEGE

Vergewissern Sie sich nach der Verwendung, dass Ihr Gerät in einwandfreiem Zustand ist.

Es empfiehlt sich, Ihr Gerät mindestens einmal pro Jahr zu einem autorisierten Ryobi-Kundendienst zu bringen, um es komplett zu schmieren und zu reinigen.

⚠ WARNUNG

Nehmen sie keine einstellung vor, während der motor in betrieb ist.

Ziehen sie stets das netzkabel ab, bevor sie ein teil auswechseln (diamantscheibe, schleifscheibe usw.), das gerät schmieren sowie vor allen wartungsarbeiten am gerät.

⚠ WARNUNG

Für eine höhere Sicherheit und Zuverlässigkeit müssen alle Reparaturen von einem autorisierten Ryobi-Kundendienst durchgeführt werden.

DESCRIPCIÓN

1. Disco para desbarbar
2. Protector estándar del disco de montaje sin herramienta
3. Empuñadura auxiliar
4. Botón de bloqueo del árbol
5. Interruptor
6. Brida
7. Disco de sujeción exterior
8. Árbol de arrastre
9. Llave de servicio
10. Palanca de bloqueo del cárter de protección
11. Indicador de puesta en tensión
12. Protector del disco de montaje sin herramienta y totalmente cerrado (opcional)
13. Disco de corte adiamantado (opcional)
14. Disco de corte (opcional)

ADVERTENCIAS COMUNES DE SEGURIDAD PARA OPERACIONES DE CORTE ABRASIVO Y ESMERILADO

- a. Esta herramienta está destinada a funcionar como una herramienta de corte y esmerilado. Lea atentamente todas las advertencias, instrucciones y especificaciones suministradas con la herramienta, y consulte las ilustraciones. El incumplimiento de las instrucciones que se indican a continuación puede ocasionar diversos accidentes como incendios, descargas eléctricas y/o graves heridas corporales.
- b. El incumplimiento de esta instrucción puede ocasionar accidentes y graves heridas corporales.
- c. No utilice accesorios que no han sido específicamente diseñados para esta herramienta y que no han sido recomendados por el fabricante. Aun cuando pueda montar un accesorio en una herramienta, esto no le garantiza que pueda utilizar la herramienta con total seguridad.
- d. La velocidad nominal del accesorio debe ser igual o superior a la velocidad máxima indicada en la herramienta. Los accesorios que funcionen a una velocidad superior a su velocidad nominal pueden romperse y resultar proyectados de la herramienta.
- e. El diámetro exterior y el grosor del accesorio deben corresponder a las características especificadas para la herramienta. Si los accesorios no corresponden a las características indicadas, los sistemas de protección y ajuste de

la herramienta no podrán funcionar correctamente.

- f. Las muelas, discos de sujeción, patines y demás accesorios deben adaptarse perfectamente al diámetro interior de la herramienta. Los accesorios que no se adaptan al árbol en el que se deben montar no girarán correctamente, vibrarán en exceso y le harán perder el control de la máquina.
- g. No utilice accesorios deteriorados. Antes de cada utilización, compruebe que el accesorio que va a utilizar se encuentra en buenas condiciones: compruebe que los discos abrasivos no están mellados o agrietados, que los patines no están desgarrados o gastados, que las cerdas de los cepillos metálicos no están demasiado gastadas o rotas. Si se cae la herramienta o el accesorio, controle que ningún elemento está deteriorado y, si fuera necesario, instale un accesorio nuevo. Después de comprobar que el accesorio se encuentra en buenas condiciones y una vez que lo haya montado, manténgase a distancia del accesorio móvil y deje que la herramienta alcance su velocidad máxima durante un minuto. Si el accesorio está dañado, se romperá al realizar esta prueba.
- h. Use el equipo de protección personal. En función del uso que haga de la herramienta, lleve una máscara de protección, gafas de seguridad o de protección. Si fuera necesario, lleve una mascarilla antipolvo, protecciones auditivas, guantes y un delantal de protección para protegerse de las proyecciones de cuerpos extraños (elementos abrasivos, virutas de madera, etc.). Las gafas de protección permiten evitar las proyecciones de residuos que pueden dañar los ojos. Las mascarillas antipolvo permiten filtrar las partículas producidas por la operación que está realizando. La exposición prolongada a ruidos de fuerte intensidad puede causar una pérdida de audición.
- i. Mantenga a las demás personas a una distancia prudente de la zona de trabajo y cerciórese de que lleven un equipo de protección. Cualquiera que entre en el área de trabajo debe utilizar equipo de protección personal. Fragmentos de la pieza trabajada o de un accesorio roto pueden resultar proyectados más allá de la zona de trabajo y causar heridas graves.
- j. Sujete la máquina por sus partes aisladas y antideslizantes cuando trabaje en una superficie debajo de la cual puedan pasar cables eléctricos o cuando el trabajo que desee realizar puede hacer que el cable de

- alimentación esté en la trayectoria de la máquina. Si la máquina se pusiera en contacto con cables eléctricos en tensión, la corriente pasaría por sus partes metálicas y usted podría recibir una descarga eléctrica.
- k. **Coloque el cable de alimentación de manera que esté alejado del accesorio en movimiento.** Si pierde el control de la herramienta, el cable de alimentación puede cortarse o atascarse, y su mano o su brazo puede ser arrastrado hacia el accesorio en movimiento.
 - l. **No deje nunca la herramienta hasta que el accesorio se haya detenido completamente.** El accesorio en movimiento puede entrar en contacto con la superficie donde lo ha dejado y hacerle perder el control de la herramienta.
 - m. **No transporte la herramienta mientras está funcionando.** El accesorio en movimiento podría engancharse en su ropa y causarle heridas graves.
 - n. **Limpie con frecuencia las ranuras de ventilación de la herramienta.** La ventilación del motor arrastra el polvo hacia el cárter del motor, lo que puede producir una acumulación excesiva de partículas metálicas y provocar descargas eléctricas.
 - o. **No utilice la herramienta cerca de productos inflamables.** Las chispas podrían provocar un incendio.
 - p. **No utilice accesorios que requieran el uso de fluidos de refrigeración.** El uso de agua o de líquidos de refrigeración puede provocar electrocuciones o descargas eléctricas.

ADVERTENCIAS DE REBOTE Y SIMILARES

El rebote es una reacción repentina que se produce cuando una muela en movimiento, el patín, el cepillo o cualquier otro accesorio se atasca o se tuerce, provocando el bloqueo rápido del accesorio. La herramienta, que sigue funcionando, es entonces expulsada en el sentido opuesto al sentido de uso del accesorio.

Por ejemplo, si se atasca o se tuerce un disco abrasivo en la pieza trabajada, el filo del disco puede hundirse en la superficie de la pieza trabajada, provocando la salida brusca del disco fuera de la pieza trabajada y proyectándolo hacia el usuario o a cierta distancia, dependiendo del sentido de rotación del disco cuando éste se bloquea. El disco salte hacia o desde el operador, dependiendo de la dirección del movimiento de la rueda en el punto de pellizco. Si se produce un rebote, el disco abrasivo puede incluso romperse.

Por lo tanto, el rebote es el resultado de una mala utilización de la máquina y/o de procedimientos o condiciones de corte incorrectas. Puede evitarse cumpliendo con algunas precauciones:

- a. **Sostenga firmemente la herramienta y mantenga el cuerpo y el brazo de manera que pueda controlar un posible rebote. Si la herramienta cuenta con una empuñadura auxiliar, sosténgala siempre para tener un óptimo control de la herramienta en caso de producirse algún rebote o par de reacción al poner en marcha la herramienta.** Adopte las medidas necesarias para poder controlar la herramienta en caso de producirse algún rebote o par de reacción.
- b. **No coloque nunca las manos cerca del accesorio en movimiento para evitar el riesgo de heridas graves en caso de producirse algún rebote.** Accesorio puede contragolpe sobre la mano.
- c. **No se ponga en la zona donde la herramienta puede resultar expulsada si se produce algún rebote.** De producirse algún rebote, la herramienta sería expulsada en el sentido opuesto al sentido de rotación del disco.
- d. **Preste especial atención cuando trabaje en ángulos, bordes cortantes, etc.** Evite que el accesorio resbale o se atasque. Cuando trabaja en ángulos o bordes cortantes o cuando la herramienta resbala, aumenta el riesgo de bloqueo del accesorio, lo que le puede hacer perder el control de la herramienta y provocar un rebote.
- e. **No utilice nunca hojas de tronzadoras de madera u hojas de sierra con esta herramienta.** Este tipo de hojas aumenta el riesgo de rebote y de pérdida de control de la herramienta.

ADVERTENCIAS DE SEGURIDAD ADICIONALES ESPECÍFICAS PARA OPERACIONES DE CORTE ABRASIVO Y ESMERILADO

- a. **Utilice sólo los tipos de disco recomendados para esta herramienta eléctrica y la protección específica diseñada para el disco seleccionado.** Los discos para los que la herramienta no ha sido diseñada no pueden quedar suficientemente protegidos y seguros.
- b. **La protección debe estar firmemente sujeta a la herramienta y colocada para una seguridad máxima, de forma que se exponga la menor cantidad de disco hacia el operador.** La protección ayuda a proteger al operario de los fragmentos del disco y del contacto accidental con el disco.
- c. **Los discos sólo deben utilizarse para las aplicaciones recomendadas. Por ejemplo, no use los laterales de los discos de corte para**

amolador. Las ruedas de corte abrasivas están diseñadas para el amolado periférico, aplicar fuerzas laterales a estos discos puede provocar su rotura.

- d. **Utilice siempre bridas en perfecto estado que tengan el tamaño la y forma correctos para el disco seleccionado.** Las bridas adecuadas soportan el disco, reduciendo así la posibilidad de rotura del mismo. Las bridas para los discos de corte pueden ser diferentes a las bridas para afilar.
- e. **No use discos desgastados de herramientas de mayor potencia.** Los discos diseñados para herramientas eléctricas más grandes no son adecuados para una velocidad más alta de las herramientas más pequeñas y podrían romperse.

ADVERTENCIAS DE SEGURIDAD ADICIONALES ESPECÍFICAS PARA OPERACIONES DE CORTE ABRASIVO

- a. **Procure no "atascar" el disco de corte o aplicar una presión excesiva. No trate de hacer una excesiva profundidad de corte.** La sobrecarga del disco aumenta la carga y la susceptibilidad a la torsión o al atasco del disco en el corte y la posibilidad de contragolpes o rotura del disco.
- b. **No coloque su cuerpo en línea con o detrás del disco giratorio.** Cuando el disco está en funcionamiento y se aleja de su cuerpo, un posible contragolpe podría proyectar el disco giratorio y la herramienta en dirección a usted.
- c. **Cuando el disco se bloquee, o cuando se interrumpe un corte por cualquier razón, apague la herramienta y manténgala inmóvil hasta que el disco se detenga por completo. Nunca trate de quitar el disco del corte mientras que la rueda esté en movimiento, ya que podría provocar un rebote.** Si el disco se atasca, averigüe la causa del problema y tome las medidas necesarias para que no se repita.
- d. **No reinicie la operación de corte en la pieza de trabajo. Deje que el disco alcance la máxima velocidad y con cuidado vuelva a introducir la herramienta para realizar el corte.** El disco se puede doblar, saltar o rebotar si la herramienta se vuelve a arrancar en la pieza de trabajo.
- e. **Apoye los paneles o cualquier pieza de gran tamaño para minimizar el riesgo de que se atasque el disco o de que la unidad rebote.** Las piezas de trabajo grandes tienden a hundirse por su propio peso. Los soportes deben colocarse bajo la pieza de trabajo cerca de la línea de corte y cerca del borde de la pieza de trabajo a ambos lados del disco.

- f. **Tenga mucho cuidado al hacer un "corte de bolsillo" en paredes u otras superficies similares.** El disco que sobresale puede cortar tuberías de gas o agua, cables eléctricos u objetos que pueden causar un efecto rebote.

ADVERTENCIAS ADICIONALES DE SEGURIDAD PARA OPERACIONES DE AFILAR

- a. Verifique que la velocidad indicada en el disco para desbarbar sea igual o superior a la velocidad nominal de la herramienta.
- b. Compruebe que el diámetro del disco para desbarbar sea compatible con la herramienta y que se inserte correctamente en el árbol.
- c. Los discos para desbarbar deben guardarse en un lugar seco.
- d. No coloque ningún objeto sobre los discos.
- e. Los discos sólo se deben utilizar para las operaciones de pulido o esmerilado.
- f. Antes de utilizar el disco para desbarbar, cerciórese de que no esté mellado o fisurado. De ser así, el disco podría quebrarse produciendo graves heridas.
- g. Antes de utilizarlo, compruebe que el disco esté correctamente montado y apretado y, después, haga girar la herramienta en vacío durante 30 segundos orientándola de forma que no represente ningún peligro. Pare inmediatamente la herramienta si vibra excesivamente o si observa otros problemas. En este caso, contrólela para determinar la causa de dicho problema.
- h. No utilice anillos de reducción o distanciadores para reducir el diámetro interior de algunos discos.
- i. Verifique que la pieza trabajada esté bien sujeta.
- j. Compruebe que las chispas producidas por la utilización de la herramienta no crean una situación peligrosa, por ejemplo que no se proyectan sobre personas o sustancias inflamables.
- k. Utilice gafas de protección y dispositivos de protección auditiva.
- l. Si fuera necesario, utilice otros equipos de protección como guantes, delantales o cascos.
- m. No ponga nunca la herramienta en el suelo o sobre otras superficies cuando esté en marcha. Atención, la muela sigue girando por inercia después de que se pare la herramienta. No debe tocar nunca la muela, ni ponerla en el suelo o sobre otras superficies cuando esté girando.
- n. La brida de la muela y el disco de sujeción exterior deben tener el mismo diámetro exterior.
- o. Utilice el aparato únicamente para aquellos trabajos para los que ha sido diseñado. No utilice nunca fluido de refrigeración o agua. No utilice la herramienta como una herramienta fija.

Español

p. Cuando ponga la herramienta en marcha, sujétela bien con las dos manos.

SÍMBOLO



Alerta de seguridad

V Voltios

Hz Hertzios

~ Corriente alterna

W Vatios

n_0 Velocidad sin carga

n Velocidad nominal

min⁻¹ Número de revoluciones o movimientos por minuto



Conformidad con CE



Doble aislamiento



Utilice dispositivos de protección para los oídos



Utilice gafas de seguridad



Por favor, lea atentamente las instrucciones antes de encender el producto.



Los productos eléctricos de desperdicio no deben desecharse con desperdicios caseros. Por favor recíclelos donde existan dichas instalaciones. Compruebe con su autoridad local o minorista para reciclar.



Recicle las materias primas en lugar de tirarlas a la basura doméstica. Para proteger el medio ambiente, debe separar la herramienta, los accesorios y los embalajes.

ESPECIFICACIONES

Modelo	EAG950RS / EAG950RSD	EAG950RB / EAG950RBD
Diámetro de la muela	115 mm (4.5 in)	125 mm (5 in)
Grosor		

Disco para desbarbar 6 mm 6 mm

Disco de corte (opcional) 3 mm 3 mm

Disco de corte adiamantado (opcional) 2 mm 2 mm

Tensión 230 V - 240 V ~ 50 Hz 230 V - 240 V ~ 50 Hz

Cargador 950 W 950 W

Roscado del árbol M14 M14

Velocidad nominal 11,000 min⁻¹ 11,000 min⁻¹

Longitud total 310 mm 310 mm

Peso neto 2.55 kg 2.6 kg

NOTA: Compruebe la placa de características del producto, ya que la tensión puede ser diferente en función del lugar en el que se utilice la herramienta.

Velocidad periférica máxima de la muela: 4,800 m/min.

Ejemplo de cálculo

$$3.14 \times 125 \times 11,000 / 1,000 = 4.320$$

Velocidad periférica de la muela 4.320

Diámetro de la muela 125

Velocidad de la amoladora en vacío 11.000

ACCESORIOS ESTÁNDARES

Mango auxiliar, llave.

En algunos países, los accesorios incluyen un disco para desbarbar.

FUNCIONAMIENTO

Ver figura 4.

⚠ ADVERTENCIA

Los cárteres de protección deben estar colocados. No cubra las ranuras de ventilación para que el motor se ventile correctamente.

Español

Para un trabajo eficaz, es importante controlar bien la presión que se ejerce sobre la herramienta, así como la superficie de contacto entre la muela y la pieza trabajada. Para trabajar superficies planas, la amoladora debe formar un ángulo agudo, generalmente de 10° a 20°, con la pieza trabajada. Deje que el disco alcance su velocidad máxima antes de comenzar a trabajar. Un ángulo excesivo provoca una concentración de la presión en una superficie pequeña, lo que puede perforar o quemar la superficie de trabajo.

PARA EL CORTE DE METALES

Ver figura 9 - 10.

- Utilice el disco de corte abrasivo con un protector del disco de montaje sin herramienta y totalmente cerrado para el corte de metales.
- Al cortar, trabaje con una presión moderada, adaptada al material que se va a cortar. No ejerza presión sobre el disco de corte, ni incline ni oscile la herramienta.
- No reduzca la velocidad de los discos de corte de funcionamiento lento aplicando presión lateral. La máquina siempre debe trabajar en un movimiento a contramarcha, de lo contrario, existe el riesgo de que se la unidad se expulse bruscamente del corte.
- Al cortar barras cuadradas y de perfiles, es mejor comenzar desde la sección transversal más pequeña.

PARA EL CORTE DE PIEDRA

Ver figura 9, 11.

- Trabaje siempre con el protector estándar del disco de montaje sin herramienta para el corte.
- Para el corte de piedra, es mejor usar un disco de corte adiamantado y usar una máscara de protección contra el polvo.
- Encienda la máquina y deslícela con una presión moderada, adaptada a la pieza de trabajo.

INTERRUPTOR

Ver figura 3.

- Para poner en marcha o parar la herramienta, deslice el interruptor hacia adelante o suéltelo.
- Para utilizar la amoladora de forma continua, presione el extremo delantero del interruptor después de haberlo deslizado para bloquearlo en posición marcha.
- Para desbloquear el interruptor, presione el extremo trasero del interruptor.

ELECCIÓN DE LA CUBIERTA DE PROTECCIÓN

- Para el desbarbado de metal, trabaje siempre con el protector estándar del disco de montaje sin herramienta.

- Para la piedra de corte, trabaje siempre con el protector estándar del disco de montaje sin herramienta.
- Para el corte de metal, trabaje siempre con el protector del disco de montaje sin herramienta y totalmente cerrado.

INSTALACIÓN DEL DISCO PARA DESBARBAR

Ver figura 5 - 6.

- Coloque la brida del disco y el disco en el eje antes de colocar la tuerca de fijación.
- Asegúrese de que el disco está correctamente colocado en el cubo del árbol, en la base del disco y con la tuerca de fijación.
- Presione el botón de bloqueo del árbol situado del lado derecho del cárter del motor.
- Apriete el disco de sujeción exterior en el sentido de las agujas del reloj con la llave de servicio suministrada.

MONTAJE DEL DISCO DE CORTE

Ver figura 7 - 8.

- Coloque la brida del disco y el disco en el eje antes de colocar la tuerca de fijación.
- Asegúrese de que el disco está correctamente colocada sobre el eje, en la base del disco y con la tuerca de fijación, con el lado plano de la tuerca de fijación hacia abajo.
- Presione el botón de bloqueo del árbol situado del lado derecho del cárter del motor.
- Apriete el disco de sujeción exterior en el sentido de las agujas del reloj con la llave de servicio suministrada.

⚠ ADVERTENCIA

Verifique atentamente que el disco no tenga fisuras. Cambie inmediatamente los discos fisurados.

PROTECTOR ESTÁNDAR DEL DISCO DE MONTAJE SIN HERRAMIENTA PARA EL CORTE/DESBARBADO DE PIEDRA

Ver figura 12 - 13.

Abra la palanca de bloqueo del cárter de protección y, después, coloque el cárter de protección en la posición que desee. El máximo ángulo de giro es de 90° a ambos lados; de lo contrario la cubierta no puede bloquearse.

PROTECTOR DEL DISCO DE MONTAJE SIN HERRAMIENTA Y TOTALMENTE CERRADO PARA EL CORTE DE METAL

Ver figura 14 - 15.

Bloqueo y desbloqueo de la cubierta de protección del

disco de corte.

INDICADOR DE PUESTA EN TENSIÓN

La amoladora de ángulo cuenta con un indicador de puesta en tensión que se enciende cuando la herramienta está enchufada. Este indicador sirve para llamar su atención sobre el hecho de que la amoladora está en tensión y se pondrá en marcha cuando deslice el interruptor hacia adelante.

MANTENIMIENTO

Después de utilizar la máquina, cerciórese de que se encuentre en perfecto estado de marcha.

Le recomendamos que lleve la máquina al menos una vez al año a un Centro de Servicio Habilitado Ryobi para una lubricación y una limpieza completas.

⚠ ADVERTENCIA

No haga ningún ajuste cuando el motor esté en marcha. Desenchufe siempre la amoladora antes de cambiar cualquier pieza (disco de diamante, disco para desbarbar, etc.), antes de lubricar la herramienta y antes de cualquier operación de mantenimiento.

⚠ ADVERTENCIA

Para mayor seguridad y fiabilidad, todas las reparaciones deben realizarse en un Centro de Servicio Habilitado Ryobi.

DESCRIZIONE

1. Mola per sbavatura
2. Paralame standard regolabile senza utensili
3. Impugnatura ausiliaria
4. Pulsante di bloccaggio dell'albero
5. Interruttore
6. Flangia
7. Flangia esterna
8. Albero di trasmissione
9. Chiave di servizio
10. Leva di bloccaggio del carter di protezione
11. Spia luminosa di presenza tensione
12. Paralame regolabile senza utensili completamente chiuso (opzionale)
13. Ruote di taglio con polvere di diamante (opzionale)
14. Ruote di taglio (opzionale)

AVVERTENZE DI SICUREZZA IN COMUNE PER OPERAZIONI DI MOLATURA E TAGLIO ABRASIVO

- a. **Questo elettrotensile è in grado di funzionare come mola e dispositivo di taglio. Leggere attentamente tutte le avvertenze, le istruzioni e le specifiche fornite con l'apparecchio e fare riferimento alle illustrazioni.** La mancata osservanza delle istruzioni riportate di seguito potrebbe provocare incidenti quali incendi, scosse elettriche e/o gravi lesioni fisiche.
- b. **La mancata osservanza di questa norma può provocare incidenti e gravi lesioni fisiche.**
- c. **Non utilizzare accessori che non sono stati appositamente progettati per questo apparecchio e che non sono raccomandati dal produttore.** Anche se un accessorio può essere montato su un apparecchio, ciò non garantisce che l'apparecchio possa comunque essere utilizzato in totale sicurezza.
- d. **La velocità nominale dell'accessorio deve essere pari o superiore alla velocità massima indicata sull'apparecchio.** Gli accessori utilizzati ad una velocità superiore alla loro velocità nominale possono infatti rompersi ed essere proiettati verso l'esterno.
- e. **Il diametro esterno e lo spessore dell'accessorio devono corrispondere alle caratteristiche specificate per l'apparecchio.** Se gli accessori non corrispondono alle caratteristiche indicate, i sistemi di protezione e di regolazione dell'apparecchio non possono funzionare correttamente.
- f. **Le mole, le flange, i pattini o gli altri accessori devono essere perfettamente idonei**

all'alesaggio dell'albero dell'apparecchio. Gli accessori non adatti all'albero sul quale devono essere montati non saranno infatti in grado di girare correttamente, vibreranno in modo eccessivo e faranno perdere il controllo dell'apparecchio.

- g. **Non utilizzare un accessorio danneggiato.** Prima di ciascun impiego, assicurarsi che l'accessorio utilizzato sia in buono stato: accertarsi quindi che i dischi abrasivi non siano scheggiati né fessurati, che i pattini non siano lacerati né usurati e che le setole delle spazzole metalliche non siano eccessivamente usurate né rotte. In caso di caduta dell'apparecchio o dell'accessorio, assicurarsi che non vi siano componenti danneggiati e, all'occorrenza, installare un accessorio nuovo. Dopo avere verificato che l'accessorio è in buono stato e dopo averlo installato, tenersi a debita distanza dall'accessorio mobile ed attendere circa un minuto affinché l'apparecchio raggiunga la velocità massima. Se l'accessorio è danneggiato, si romperà durante questo test.
- h. **Indossare dispositivi equipaggiamento di protezione personale.** A seconda dell'uso a cui è destinato l'apparecchio, indossare una maschera protettiva, occhiali di sicurezza o occhiali di protezione. All'occorrenza, indossare una maschera antipolvere, dispositivi di protezione uditiva, guanti ed un grembiule di protezione per proteggersi da eventuali proiezioni di corpi estranei (elementi abrasivi, trucioli di legno, ecc.). Gli occhiali di protezione consentono di evitare le lesioni oculari dovute alle proiezioni di frammenti. Le maschere antipolvere permettono di filtrare le particelle generate dall'operazione eseguita. L'esposizione prolungata ad un rumore di forte intensità può comportare la perdita dell'udito.
- i. **Tenere le persone estranee a debita distanza dalla zona di lavoro ed assicurarsi che indossino un'attrezzatura di protezione.** Persone che entrano nella zona di lavoro deve indossare dispositivi di protezione individuale. Eventuali frammenti del pezzo da lavorare o di un accessorio rotto possono essere scagliati oltre la zona di lavoro e causare gravi lesioni fisiche.
- j. **Quando si lavora su una superficie che potrebbe nascondere fili elettrici o se il lavoro da eseguire può portare il cavo d'alimentazione a trovarsi sulla traiettoria dell'apparecchio, afferrare quest'ultimo tenendolo soltanto per le parti isolate ed antiscivolo.** Il contatto con fili sotto tensione potrebbe trasmettere corrente alle

- parti in metallo e provocare scosse elettriche.
- k. **Posizionare il cavo d'alimentazione in modo tale che si trovi a debita distanza dall'accessorio in rotazione.** Se si perde il controllo dell'apparecchio, il cavo d'alimentazione potrebbe venire tagliato o incastrarsi e la mano o il braccio dell'operatore potrebbero essere trascinati verso l'accessorio in rotazione.
 - l. **Non posare mai l'apparecchio prima che l'accessorio si sia completamente arrestato.** L'accessorio in rotazione potrebbe entrare a contatto con la superficie sulla quale è posato e fare perdere il controllo dell'apparecchio.
 - m. **Non fare funzionare l'apparecchio mentre lo si trasporta.** L'accessorio in rotazione potrebbe impigliarsi nei propri indumenti e causare gravi lesioni.
 - n. **Pulire regolarmente le aperture di ventilazione dell'apparecchio.** La ventilazione del motore fa penetrare le polveri all'interno del carter del motore, con conseguente accumulo eccessivo di particelle metalliche e possibilità di scosse elettriche.
 - o. **Non utilizzare l'apparecchio nelle vicinanze di prodotti infiammabili.** Le eventuali scintille generate rischierebbero di incendiarsi.
 - p. **Non utilizzare accessori che richiedono fluidi di raffreddamento.** L'utilizzo di acqua o di liquidi di raffreddamento può causare episodi di elettrocuzione o scosse elettriche.

RIMBALZI E AVVERTENZE CORRELATE

Il contraccolpo è una reazione improvvisa che si verifica quando la mola in movimento, il pattino, la spazzola o qualunque altro accessorio si incastra o si piega, con conseguente bloccaggio rapido dell'accessorio. L'apparecchio, che continua a funzionare, viene quindi proiettato nella direzione opposta a quella di utilizzo dell'accessorio.

Ad esempio, se un disco abrasivo si incastra o si piega nel pezzo da lavorare, il tagliente del disco rischia di penetrare nella superficie del pezzo facendo uscire bruscamente il disco dal pezzo e scagliandolo verso l'operatore o comunque a distanza, a seconda del senso di rotazione del disco nel momento in cui si è bloccato. La ruota può saltare verso o lontano dall'operatore, a seconda della direzione del movimento della ruota al punto di pizzicamento. In caso di contraccolpo, il disco abrasivo può anche rompersi.

Il contraccolpo è pertanto il risultato di un utilizzo errato dell'apparecchio e/o di procedimenti o di condizioni di impiego inappropriati. Questa evenienza può essere evitata assicurandosi di adottare alcune misure precauzionali:

- a. **Tenere l'apparecchio saldamente e posizionare il proprio corpo e il braccio in modo tale da riuscire a controllare un eventuale contraccolpo.** Se l'apparecchio dispone di un'impugnatura ausiliaria, assicurarsi sempre di afferrarla per avere il controllo ottimale dell'apparecchio in caso di contraccolpo o di controcoppia al momento della sua messa in funzione. Adottare le misure necessarie per riuscire a controllare l'apparecchio in caso di contraccolpo o di controcoppia.
- b. **Non avvicinare mai la mano all'accessorio in rotazione, onde evitare qualunque rischio di gravi lesioni fisiche in caso di contraccolpo.** Accessorio possono causare contraccolpi alla mano.
- c. **Non sistemarsi nella zona in cui l'apparecchio rischia di essere scagliato in caso di contraccolpo.** In caso di contraccolpo, l'apparecchio viene scagliato nella direzione opposta al senso di rotazione del disco.
- d. **Prestare particolare attenzione quando si lavora su angoli, bordi taglienti, ecc.** Evitare di fare slittare o di incastrare l'accessorio. Quando si lavora su angoli o bordi taglienti o si fa slittare l'apparecchio, si accentua il rischio di bloccare l'accessorio e pertanto di perdere il controllo dell'apparecchio stesso e di provocare un contraccolpo.
- e. **Non utilizzare mai lame adatte alle troncatrici per legno o lame da sega con questo apparecchio.** Queste lame aumentano infatti il rischio di contraccolpo e di perdita di controllo dell'apparecchio.

AVVERTENZE DI SICUREZZA SPECIFICHE PER OPERAZIONI DI MOLATURA E TAGLIO ABRASIVO

- a. **Utilizzare solo con il tipo di ruote indicate con questo elettrotensile e con i pararuote specifici per queste ruote.** Le ruote non indicate per questo elettrotensile non possono garantire una protezione sicura.
- b. **I pararuote devono essere collegati all'elettrotensile in modo da garantire una massima sicurezza, lasciando solo una minima parte delle ruote esposta verso l'operatore.** I pararuote aiutano a proteggere l'operatore da frammenti di ruote rotte e da contatto accidentale con le ruote.
- c. **Le ruote devono essere utilizzate solo per le applicazioni raccomandate. Per esempio, non svolgere operazioni di smerigliatura con la**

parte laterale delle ruote di taglio. Le ruote di taglio abrasive andranno utilizzate per operazioni di smerigliatura periferiche, applicare pressione laterale a queste ruote potrà farle rompere.

- d. **Utilizzare sempre flange per ruote non danneggiate delle corrette dimensioni e misure, adatte alle ruote selezionate.** Le flange per le ruote sostengono le ruote riducendo la possibilità di rottura. Le flange per le ruote di taglio possono essere diverse dalle flange delle ruote di smerigliatura.
- e. **Snon utilizzare ruote consumate per elettroutensili grandi.** Le ruote indicate per elettroutensili più grandi non sono adatte per velocità più alte di utensili più piccoli e potranno scoppiare.

AVVERTENZE DI SICUREZZA ADDIZIONALI SPECIFICHE PER OPERAZIONI DI TAGLIO ABRASIVO

- a. **Non "incastare" la ruota di taglio o applicare eccessiva pressione. Non tentare di fare un taglio eccessivamente profondo.** Applicare una eccessiva forza sulla ruota aumenterà il carico e la possibilità che la ruota si pieghi o rimanga incastrata nel taglio e la possibilità di rimbalzi o di rottura delle ruote.
- b. **Non posizionare il corpo in linea o dietro la ruota in movimento.** Quando la ruota, durante il funzionamento, si sposta dal corpo, il rimbalzo potrà spingere la ruota e l'utensile verso l'operatore.
- c. **Se la ruota rimane incastrata o quando si interrompono le operazioni di taglio per una qualsiasi ragione, scollegare l'elettroutensile e attendere fino a che la ruota non si sia bloccata completamente. Non tentare mai di rimuovere la ruota di taglio dal taglio mentre è in movimento, in caso contrario si potrà verificare un rimbalzo.** Se il disco si incastra, individuarne la causa e adottare le misure necessarie affinché ciò non si verifichi più.
- d. **Non riavviare le operazioni di taglio sul pezzo sul quale si sta lavorando. Lasciare che la ruota raggiunga la massima velocità quindi reinserire la lama nel taglio.** La ruota potrà incastrarsi, rimanere bloccata o scagliare contro l'operatore corpi estranei se l'elettroutensile viene riavviato nel pezzo sul quale si sta lavorando.
- e. **Reggere pannelli o pezzi più grandi sui quali si sta lavorando per minimizzare il rischio che la ruota rimanga incastrata e rischi di rimbalzo.** I pezzi molti grandi sui quali si lavora tendono a

cedere sotto il proprio peso. I sostegni dovranno essere posizionati sotto il pezzo sul quale si sta lavorando accanto alla linea di taglio e vicino all'estremità del pezzo sul quale si sta lavorando su entrambi i lati della ruota.

- f. **Fare ulteriore attenzione quando si svolgono "tagli di profondità" in muri o altre zone cieche.** La ruota che protrude potrà tagliare tubi del gas e dell'acqua, cavi elettrici o scagliare verso l'operatore corpi estranei.

CON ULTERIORI AVVERTENZE DI SICUREZZA PER OPERAZIONI DI TRITURAZIONE

- a. Verificare che la velocità indicata sulla mola per sbavatura sia uguale o superiore alla velocità nominale dell'apparecchio.
- b. Accertarsi che il diametro della mola per sbavatura sia compatibile con l'apparecchio e che la mola si inserisca correttamente sull'albero.
- c. Riporre le mole per sbavatura in un luogo asciutto.
- d. Non collocare alcun oggetto sopra le mole.
- e. Non utilizzare le mole per effettuare lavorazioni diverse dalla molatura.
- f. Prima di utilizzare la mola, accertarsi che non sia scheggiata o fessurata. Nel caso in cui risultasse scheggiata o fessurata, la mola potrebbe rompersi e provocare gravi lesioni fisiche.
- g. Prima dell'uso, accertarsi altresì che la mola sia montata e serrata correttamente, quindi fare girare l'apparecchio a vuoto per 30 secondi orientandolo in modo tale che non rappresenti un pericolo. Arrestare immediatamente l'apparecchio nel caso in cui vibri eccessivamente oppure se si notano altre anomalie. In tal caso, controllare l'apparecchio per determinare la causa del problema.
- h. Non utilizzare riduttori o adattatori per ridurre l'alesaggio di mole a grande alesaggio.
- i. Verificare che il pezzo da lavorare sia bloccato in modo corretto.
- j. Assicurarsi che le scintille prodotte durante l'uso dell'apparecchio non creino situazioni pericolose, quali ad esempio quelle causate dalla loro proiezione su persone o sostanze infiammabili.
- k. Indossare sempre occhiali protettivi e dispositivi di protezione uditiva.
- l. Se necessario, utilizzare altre attrezzature di protezione, come ad esempio guanti, grembiuli o caschi.
- m. Non adagiare mai l'apparecchio acceso sul pavimento o su altre superfici. Attenzione: Dopo l'arresto dell'apparecchio, la mola continua a girare per inerzia. Non toccare mai né posare a terra o su altre superfici la mola in rotazione.
- n. La flangia della mola e la flangia esterna devono

Italiano

- avere lo stesso diametro esterno.
- o. Utilizzare l'apparecchio solo per le applicazioni per cui è stato concepito. Non utilizzare mai liquido di raffreddamento o acqua. Non utilizzare l'apparecchio come un apparecchio fisso.
- p. Durante l'uso, tenere l'apparecchio ben saldo con entrambe le mani.

SIMBOLO



Allarme di sicurezza

V Volt

Hz Hertz

~ Corrente alternata

W Watt

n_o Velocità a vuoto

n Velocità nominale

min⁻¹ Numero di giri o di movimenti al minuto

Conformità CE



Doppio isolamento



Indossare cuffie di protezione



Indossare occhiali di protezione



Leggere attentamente le istruzioni prima di utilizzare il prodotto.



I prodotti elettrici non devono essere smaltiti con i rifiuti domestici. Vi sono strutture per smaltire tali prodotti. Informarsi presso il proprio Comune o rivenditore di sicurezza per smaltire adeguatamente tali rifiuti.



Riciclare le materie prime anziché gettarle tra i rifiuti domestici. Per tutelare l'ambiente, l'apparecchio, gli accessori e gli imballaggi devono essere smaltiti separatamente.

SPECIFICHE

Modello	EAG950RS / EAG950RSD	EAG950RB / EAG950RBD
---------	-------------------------	-------------------------

Diametro della mola	115 mm (4.5 in)	125 mm (5 in)
Spessore		
Mola per sbavatura	6 mm	6 mm
Ruote di taglio (opzionale)	3 mm	3 mm
Ruote di taglio con polvere di diamante (opzionale)	2 mm	2 mm
Voltaggio	230 V - 240 V ~ 50 Hz	230 V - 240 V ~ 50 Hz
Alimentazione	950 W	950 W
Filettatura dell'albero	M14	M14
Velocità nominale	11,000 min ⁻¹	11,000 min ⁻¹
Lunghezza totale	310 mm	310 mm
Peso netto	2.55 kg	2.6 kg

NOTE: Verificare la targhetta d'identificazione del prodotto, in quanto la tensione potrebbe variare in funzione del luogo in cui viene utilizzato il prodotto.

Velocità periferica massima della mola: 4,800 m/min.

Esempio di calcolo

$$3.14 \times 125 \times 11,000/1,000 = 4.320$$

Velocità periferica della mola 4.320

Diametro della mola 125

Velocità a vuoto della molatrice 11.000

ACCESSORI STANDARD

Manico ausiliario, chiave.

In alcuni paesi, tra gli accessori viene fornita in dotazione una mola per sbavatura.

FUNZIONAMENTO

Vedere la figura 4.

▲ AVVERTENZE

I carter di protezione devono sempre essere installati. Fare attenzione a non coprire le aperture di aerazione, onde consentire un adeguato raffreddamento del motore.

Per effettuare un lavoro efficace, è importante controllare attentamente la pressione esercitata sull'apparecchio e la superficie di contatto tra la mola ed il pezzo da lavorare. Per molare superfici piane, la molatrice deve formare un angolo acuto, in generale compreso tra 10° e 20°, con il pezzo da lavorare. Prima di iniziare la fase di molatura, attendere che la mola raggiunga la velocità massima. Un angolo troppo ampio provoca una concentrazione della pressione su una piccola superficie; in questo caso, la superficie di lavoro potrebbe perforarsi o bruciarsi.

PER TAGLIARE METALLO

Vedere la figura 9 - 10.

- Utilizzare la ruota di taglio abrasiva tenendo il paralame per taglio nel metallo regolabile senza utensili completamente chiuso.
- Durante le operazioni di taglio applicare una pressione moderata, adatta al materiale da tagliare. Non esercitare pressione sul disco di taglio, né inclinare o oscillare l'utensile.
- Non ridurre la velocità dei dischi di taglio appiccando una pressione laterale. Utilizzare l'utensile seguendo sempre un movimento che si sposti verso l'alto, altrimenti la ruota di taglio potrà fuoriuscire dal taglio.
- Quando si tagliano profili e barre quadrate, è meglio iniziare con una sezione piccola incrociata.

PER TAGLIARE LA PIETRA

Vedere la figura 9, 11.

- Svolgere sempre le operazioni di lavoro con il paralame standard regolabile senza utensili.
- Per tagliare la pietra utilizzare il disco di taglio con polvere di diamante e indossare una maschera anti-polvere.
- Avviare l'utensile e farlo scorrere applicando una moderata pressione, adatta al materiale da tagliare.

INTERRUTTORE

Vedere la figura 3.

- Per mettere in funzione o arrestare l'apparecchio, fare scorrere l'interruttore in avanti o rilasciarlo.
- Per utilizzare la molatrice in continuo, premere l'estremità anteriore dell'interruttore dopo averlo fatto scorrere, in modo tale da bloccarlo in posizione di marcia.

- Per sbloccare l'interruttore, premere l'estremità posteriore dell'interruttore.

SCEGLIERE LO SCHERMO DI PROTEZIONE

- Durante le operazioni di molatura del metallo, tenere sempre installato il paralame regolabile senza utensili.
- Durante le operazioni di taglio nella pietra, tenere sempre installato il paralame regolabile senza utensili.
- Durante le operazioni di taglio nel metallo, tenere sempre installato il paralame regolabile senza utensili mantenendolo completamente chiuso.

INSTALLAZIONE DELLA MOLA PER SBAVATURA

Vedere la figura 5 - 6.

- Collegare la flangia del disco e la ruota all'albero prima di inserire il dado del morsetto.
- Assicurarsi che la ruota sia correttamente montata sulla boccia sulla flangia del disco e il dado della guarnizione.
- Premere il pulsante di bloccaggio dell'albero posto sul lato destro del carter del motore.
- Mediante la chiave di servizio fornita in dotazione, serrare la flangia esterna in senso orario.

MONTAGGIO RUOTA DI TAGLIO

Vedere la figura 7 - 8.

- Collegare la flangia del disco e la ruota all'albero prima di inserire il dado del morsetto.
- Assicurarsi che la ruota sia installata correttamente sulla boccia sulla flangia del disco e sul dado del morsetto, con la parte piatta del dado del morsetto rivolta verso il basso.
- Premere il pulsante di bloccaggio dell'albero posto sul lato destro del carter del motore.
- Mediante la chiave di servizio fornita in dotazione, serrare la flangia esterna in senso orario.

▲ AVVERTENZE

Verificare attentamente che la mola non presenti fessure. Sostituire immediatamente una mola fessurata.

PARALAME STANDARD REGOLABILE SENZA UTENSILI PER OPERAZIONI DI MOLATURA/TAGLIO PIETRA

Vedere la figura 12 - 13.

Aprire la leva di bloccaggio del carter di protezione, quindi portare il carter di protezione nella posizione desiderata. L'angolo massimo di rotazione è di 90° su ciascun lato; in caso contrario lo schermo di blocco non potrà essere

bloccato.

PARALAME REGOLABILE SENZA UTENSILI COMPLETAMENTE CHIUSO PER TAGLIARE NEL METALLO

Vedere la figura 14 - 15.

Bloccare e rilasciare lo schermo di protezione per la ruota di taglio.

SPIA LUMINOSA DI PRESENZA TENSIONE

La molatrice angolare è dotata di una spia luminosa di presenza tensione, che si illumina quando l'apparecchio è collegato all'alimentazione elettrica. Questa spia attira l'attenzione dell'utilizzatore sul fatto che la molatrice è sotto tensione e si mette in funzione non appena l'interruttore viene spostato in avanti.

MANUTENZIONE

Dopo l'uso, verificare sempre lo stato dell'apparecchio.

Si raccomanda di portare l'apparecchio almeno una volta l'anno presso un Centro di Assistenza Autorizzato Ryobi per sottoporlo ad una completa lubrificazione e pulitura.

⚠ AVVERTENZE

Non effettuare alcun tipo di regolazione quando il motore è in funzione.

Scollegare sempre la molatrice dall'alimentazione elettrica prima di sostituire un componente (mola diamantata, mola per sbavatura, ecc.) O di lubrificare l'apparecchio e comunque prima di effettuare qualsiasi intervento di manutenzione.

⚠ AVVERTENZE

Per maggiore sicurezza ed affidabilità, effettuare tutte le riparazioni presso un Centro di Assistenza Autorizzato Ryobi.

Nederlands

BESCHRIJVING

1. Afbraamschijf
2. Gereedschapsloze standaard wielbeschermmer
3. Hulphandgreep
4. Asvergrendelingsknop
5. Aan-/uitschakelaar
6. Flens
7. Buitenflens
8. Aandrijfas
9. Speciale sleutel
10. Hendel van de vergrendeling van de beschermkap
11. Netspanningsverklikker
12. Volledig gesloten gereedschapsloze wielbeschermmer (optioneel)
13. Diamanten zaagwiel (optioneel)
14. Afsnijwiel (optioneel)

NORMALE VEILIGHEIDSWAARSCHUWINGEN VOOR HET SLIJPEN EN SCHERPE AFSNIJWERKEN

- a. Dit werktuig is bedoeld om als slijpmachine en afsnijwerktuig te worden gebruikt. Lees aandachtig alle waarschuwingen, aanwijzingen en specificaties die bij dit apparaat zijn meegeleverd en bestudeer de afbeeldingen. Als u onderstaande voorschriften niet opvolgt, kan dit leiden tot ongelukken zoals brand, elektrische schokken en/of ernstig lichamelijk letsel.
- b. Niet naleving van dit voorschrift kan ongelukken en ernstig lichamelijk letsel veroorzaken.
- c. Gebruik geen accessoires die niet specifiek voor dit apparaat zijn bedoeld en die niet zijn aanbevolen door de fabrikant. Ook al kan een accessoire wel op een apparaat worden gemonteerd, garandeert dit niet dat u dit apparaat geheel veilig kunt gebruiken.
- d. De nominale snelheid van het accessoire moet hoger of gelijk zijn aan de maximale snelheid die op het apparaat is aangegeven. Als accessoires op een snelheid werken die hoger is dan hun nominale snelheid, kunnen ze breken of weggeslingerd worden.
- e. De buitendiameter en de dikte van het accessoire moeten overeenkomen met de specificaties die zijn voorgeschreven voor het apparaat. Als de accessoires niet overeenkomen met de voorgeschreven specificaties, werken de beveiligings- en afstelsystemen van het apparaat mogelijk niet naar behoren.
- f. Slijpschijven, flenzen, schuurzolen en andere accessoires moeten perfect zijn aangepast aan de asdikte van het apparaat. Accessoires die niet geschikt zijn voor de as waarop ze moeten worden gemonteerd, zullen niet op de juiste manier ronddraaien, gaan overmatig trillen en kunnen u de macht over het apparaat doen verliezen.
- g. Gebruik een accessoire niet als het beschadigd is. Controleer eerst of het accessoire in goede staat is voordat u het gaat gebruiken: controleer of doorslijpschijven niet ingekeept of gescheurd zijn en of haren van staalborstels niet te veel versleten of afgebroken zijn. Controleer of er geen enkele element is beschadigd en installeer zondig een nieuw accessoire als een apparaat of accessoire gevallen is. Na te hebben gecontroleerd of het accessoire in goede staat is en na dit te hebben geïnstalleerd, zorgt u dat u op afstand blijft van het mobiele accessoire en laat u het apparaat gedurende één minuut op volle toeren draaien. Als het accessoire beschadigd is, zal het gedurende deze test breken.
- h. Draag persoonlijke beschermingsmiddelen. Afhankelijk van het gebruik dat u van uw apparaat maakt, dient u een veiligheidsmasker, veiligheidsbril of beschermbril te dragen. Draag al naar behoefte een stofmasker, gehoorbeschermers, handschoenen en een veiligheidschoort om u te beschermen tegen alle eventueel rondgeslingerde voorwerpen (slijpsel, zaagsel, stukjes hout, enz.). Een beschermbril helpt te voorkomen dat wegspattend vuil uw ogen beschadigt. Door stofmaskers worden de deeltjes weggefilterd die ontstaan door het werk dat u aan het doen bent. Langdurige blootstelling aan intens geluid kan gehoorverlies veroorzaken.
- i. Houd omstanders op redelijke afstand van de werkzone en zorg dat zij een veiligheidsuitrusting dragen. Iedereen die zich binnen de werkzone moeten dragen van persoonlijke beschermingsmiddelen. Fragmenten van het werkstuk of een accessoire kunnen buiten de werkzone worden weggeslingerd en ernstig lichamelijk letsel veroorzaken.
- j. Houd het apparaat alleen vast aan geïsoleerde en slipvrije delen als u in een oppervlak of ondergrond werkt waarin zich eventueel elektrische leidingen bevinden of als bij het uitvoeren van de werkzaamheden het netsnoer in de buurt van het werktuig zou kunnen komen. Metalen delen kunnen bij aanraking met stroomvoerende leidingen zelf onder stroom komen te staan en een elektrische schok veroorzaken.
- k. Plaats het netsnoer op zodanige wijze dat het

Nederlands

uit de buurt blijft van het draaiende accessoire. Als u de macht over het apparaat verliest, zou het netsnoer kunnen worden doorgesneden of beklemd kunnen raken en zou uw hand of arm naar het draaiende accessoire kunnen worden getrokken.

- l. **Leg het apparaat nooit neer voordat het accessoire volledig tot stilstand is gekomen.** Een nog draaiend accessoire zou in aanraking kunnen komen met het oppervlak waarop u het neerlegt en u de macht over het apparaat doen verliezen.
- m. **Laat het apparaat niet werken terwijl u het vervoert.** Het draaiende accessoire zou in uw kleding verstrikt kunnen raken en u ernstig kunnen verwonden.
- n. **Reinig regelmatig de ventilatieopeningen van het apparaat.** De ventilatie van de motor doet stof in de motorombouw binnendringen, wat een overmatige opeenhoping van metaaldeeltjes kan verwekken en elektrische schokken kan veroorzaken.
- o. **Gebruik het apparaat niet in de buurt van brandbare stoffen.** Door vonkvorming kunnen deze in brand worden gestoken.
- p. **Gebruik geen accessoires waarvoor koelvloeistoffen zijn vereist.** Het gebruik van water of koelvloeistoffen kan elektrocuties of elektrische schokken veroorzaken.

TERUGSLAG EN AANVERWANTE WAARSCHUWINGEN

Een terugslag is een plotselinge reactie die optreedt wanneer een draaiende slijpschijf, schuurvoet, borstel of ander accessoire zich vastklemt of verbuigt, wat de snelle blokkering van het accessoire veroorzaakt. Het apparaat dat nog steeds werkt, werpt dan het apparaat in de tegengestelde richting van de gebruiksrichting van het accessoire.

Als bijvoorbeeld een doorslijpschijf zich vastklemt of verbogen raakt in het werkstuk, bestaat het gevaar dat de slijpkant van de schijf zich diep in het oppervlak van het werkstuk drukt, wat de schijf plotseling uit het werkstuk doet komen en het apparaat in de richting van de gebruiker of ver weg doet springen, afhankelijk van de draairichting van de schijf op het moment dat deze geblokkeerd raakte. Het wiel kan zowel springen naar of uit de buurt van de exploitant, afhankelijk van de richting van de beweging van het wiel op de plaats van knippen. Bij een terugslag kan de doorslijpschijf ook breken.

Een terugslag is dus het gevolg van een verkeerd gebruik van het apparaat en/of van onjuiste procedures of omstandigheden. Terugslag kan vermeden worden door de volgende voorzorgen te nemen:

- a. **Houd het apparaat stevig vast en plaats uw lichaam en uw armen zo dat ze een eventuele terugslag kunnen opvangen. Als het apparaat voorzien is van een hulphandgreep, dient u deze altijd te benutten om optimale macht over het apparaat te behouden bij terugslag of reactiekoppel wanneer u het apparaat inschakelt.** Neem de nodige maatregelen om het apparaat in uw macht te kunnen houden ongeval van terugslag of reactiekoppel.
- b. **Plaats uw hand nooit in de nabijheid van het draaiende accessoire om gevaar voor ernstig lichamelijk letsel te voorkomen in geval van terugstuiten.** Accessoire kan terugslaan over je hand.
- c. **Plaats uzelf niet in het gebied waarheen het apparaat zou kunnen terugstuiten ingeval van terugslag.** Bij een terugslag wordt het apparaat in de tegenovergestelde richting van de draairichting van de schijf weggeslingerd.
- d. **Wees bijzonder waakzaam als u werkt aan de hoeken, scherpe randen, enz.** Voorkom dat het accessoire uitschiet of beklemd raakt. Wanneer u aan hoeken of scherpe randen werkt of wanneer u het apparaat laat uitschieten, is het gevaar om het accessoire te blokkeren veel groter, en om dus de macht over het apparaat te verliezen en een terugslag te veroorzaken.
- e. **Gebruik nooit een blad van een afkortschaaf met een cirkelzaagblad met dit apparaat.** Dergelijke bladen verhogen het risico voor terugslag en verlies van de macht over het apparaat.

SPECIFIEKE VEILIGHEIDSWAARSCHUWINGEN VOOR HET SLIJPEN EN SCHERPE AFSNIJWERKEN

- a. **Gebruik uitsluitend wieltypes die voor uw werktuig worden aanbevolen en de specifieke beschermer, ontworpen voor het geselecteerde wiel.** Wielen waarvoor het werktuig niet was ontworpen kunnen degelijk worden beschermd en zijn onveilig.
- b. **De beschermer moet stevig aan het werktuig worden vastgemaakt en afgesteld voor maximale veiligheid zodat zo weinig mogelijk van het wiel aan de gebruiker is blootgesteld.** De beschermer helpt de gebruiker te beschermen tegen gebroken wielfragmenten en accidenteel contact met het wiel.
- c. **Wielen mogen uitsluitend worden gebruikt voor de aanbevolen toepassingen. Bijvoorbeeld, is het verboden te slijpen met de rand van het**

Nederlands

afsnijwiel. Schurende afsnijwielen zijn bedoeld voor periferisch slijpen, zijdelingse krachten die op deze wielen worden uitgeoefend kunnen ervoor zorgen dat deze breken.

- d. **Gebruik altijd onbeschadigde wielflensen met de juiste afmetingen en vorm voor het wiel dat u heeft geselecteerd.** Degelijke wielflensen ondersteunen het wiel zodanig dat de kans dat het wiel breekt, kleiner wordt. Flensen voor afsnijwielen kunnen verschillen van flenzen voor slijpwielen.
- e. **Gebruik geen versleten wielen van grotere werktuigen.** Wielen, bedoeld voor grotere werktuigen is niet geschikt voor de hogere snelheid van een kleiner werktuig en kan breken.

BIJKOMENDE VEILIGHEIDSWAARSCHUWINGEN SPECIFIEK VOOR HARDE AFSNIJWERKEN

- a. **"Blokkeer" het afsnijwiel niet en pas geen overdreven druk uit. Probeer geen overdreven diepe insnedes te maken.** Wanneer u teveel druk op het wiel plaatst verhoogt dit de lading en gevoeligheid voor plooiën en verstrengelen van het wiel in de insnede en de mogelijkheid tot terugslag.
- b. **Plaats uw lichaam niet in lijn met en achter het draaiend wiel.** Wanneer het wiel op het moment dat het begint te werken zich weg van uw lichaam beweegt, kan een mogelijke terugslag het draaiend wiel en het werktuig in uw richting werpen.
- c. **Wanneer het wiel vastraakt of wanneer een zaagsnede voor de een of andere reden wordt onderbroken, schakelt u de aan/uit-schakelaar uit en houd u het werktuig bewegingsloos tot het wiel volledig tot stilstand komt. Probeer het afsnijwiel nooit van de zaagsnede te verwijderen terwijl het wiel in beweging is; anders kan terugslag voorkomen.** Als de schijf zich vastklemt, moet u de oorzaak daarvan opzoeken en de nodige maatregelen nemen om te voorkomen dat het opnieuw gebeurt.
- d. **Herstart de zaagwerken niet in het werkstuk. Laat het wiel op topsnelheid komen en voeg de zaag voorzichtig opnieuw in de zaagsnede.** Het wiel kan vastraken, oplopen of terugslaan als het werktuig in het werkstuk wordt herstart.
- e. **Ondersteun panelen of grote werkstukken om het risico dat het wiel vastraakt en terugslaat te minimaliseren.** Grote werkstukken hebben de neiging om onder hun eigen gewicht door te zakken. Steunen moeten onder het werkstuk aan beide zijden van het wiel nabij de zaaglijn en de rand van het werkstuk worden geplaatst.
- f. **Wees extra voorzichtig wanneer u een**

"zakinsnede" in een bestaande muur of andere blinde plaats maakt. Het uitstekende wiel kan gas- of waterleidingen, elektrische bekabeling of voorwerpen die een terugslag kunnen veroorzaken, doorzagen.

BIJKOMENDE VEILIGHEIDSWAARSCHUWINGEN SPECIFIEK VOOR SLIJPWERKZAAMHEDEN

- a. Controleer of de snelheid die op de afbraamschijf is aangegeven, minstens gelijk is aan de nominale snelheid van het apparaat.
- b. Controleer of de diameter van de afbraamschijf compatibel is met het apparaat en of de schijf goed op de opname-as past.
- c. Bewaar afbraamschijven op een droge plaats.
- d. Leg niets bovenop de schijven.
- e. Gebruik de schijven niet voor andere doeleinden dan voor afbraamwerk.
- f. Controleer vóór gebruik of er scheuren te zien zijn of dat er stukken zijn weggeslagen. De schijf zou in een dergelijk geval kunnen breken, wat ernstig lichamelijk letsel kan veroorzaken.
- g. Controleer voordat u de slijpmachine gaat gebruiken of de schijf juist is gemonteerd en goed vastzit; laat het apparaat vervolgens 30 seconden onbelast draaien en richt het daarbij zo dat het geen gevaar kan opleveren. Zet het apparaat onmiddellijk uit als het buitensporig gaat trillen of als u andere problemen opmerkt. Probeer in dit geval uit te vinden wat de oorzaak van het probleem is.
- h. Gebruik geen reduceerringen of opvulstukken om het gat te verkleinen van schijven met een te groot asgat.
- i. Zorg dat het werkstuk voldoende vastgeklemd is.
- j. Zorg dat de vonken die tijdens het gebruik van uw slijper ontstaan geen enkel gevaar kunnen opleveren en dat ze bijvoorbeeld niet naar personen of ontvlambare stoffen worden wegspatten.
- k. Zorg ervoor dat u altijd een veiligheidsbril en gehoorbescherming draagt.
- l. Gebruik zonodig ook andere persoonlijke beschermingsmiddelen, zoals handschoenen, een schort of een helm.
- m. Leg het apparaat nooit op de grond of ergens anders als het nog draait. Pas op: door inertie draait de schijf na uitschakeling van het apparaat nog een tijdje door. U mag de schijf nooit zelf aanraken of de grond of een ander oppervlak laten aanraken als hij nog draait.
- n. De flens van de schijf en de buitenflens moeten dezelfde uitwendige diameter hebben.
- o. Gebruik uw apparaat uitsluitend voor de

Nederlands

toepassingen waarvoor het bestemd is. Gebruik nooit koelvloeistof of water. Gebruik de slijper nooit in een stationaire opstelling.

- p. Houd het apparaat tijdens het gebruik altijd stevig met twee handen vast.

SYMBOOL



Veiligheidswaarschuwing

V Volt

Hz Hertz

~ Wisselstroom

W Watt

n_o Toerental bij nullast

n Nominaal toerental

min^{-1} Aantal toeren of omwentelingen per minuut



EU-conformiteit



Dubbele isolatie



Draag gehoorbescherming



Draag gezichtsbescherming



Lees zorgvuldig de instructies voor u het product start.



Elektrisch afval mag niet samen met ander huishoudafval worden weggegooid. Gelieve te recyclen indien de mogelijkheid bestaat. Neem contact op met uw lokaal bestuur of handelaar om advies te krijgen over recyclage..

Zorg dat grondstoffen gerecycleerd worden. Zet daarom een afgedankte elektrische machine niet bij het huishoudafval. Om het milieu te beschermen moeten de machine, de accessoires en de verpakking gesorteerd bij een erkend recyclingcentrum worden aangeleverd.



SPECIFICATIES

Model	EAG950RS / EAG950RSD	EAG950RB / EAG950RBD
Schijf-diameter	115 mm (4.5 in)	125 mm (5 in)

Dikte

Afbraamschijf	6 mm	6 mm
Afsnijwiel (optioneel)	3 mm	3 mm
Diamanten zaagwiel (optioneel)	2 mm	2 mm
Spanning	230 V - 240 V ~ 50 Hz	230 V - 240 V ~ 50 Hz
Input	950 W	950 W
Schroefdraad van as	M14	M14
Nominaal toerental	11,000 min^{-1}	11,000 min^{-1}
Totale lengte	310 mm	310 mm
Netto gewicht	2.55 kg	2.6 kg

OPMERKING: Controleer het kenplaatje van het product, want de spanning kan verschillen al naar gelang de plaats waar het product wordt gebruikt.

Maximum omtreksnelheid van de schijf: 4,800 m/min.

Rekenvoorbeeld

$3.14 \times 125 \times 11,000/1,000 =$	4.320
Omtreksnelheid van de schijf	4.320
Schijf-diameter	125
Onbelast toerental van de slijper	11.000

STANDAARD ACCESSOIRES

Bijkomend handvat, sleutel.

Voor sommige landen behoort ook een afbraamschijf tot de standaard accessoires.

BEDIENING

Zie afbeelding 4.

WAARSCHUWING

De beschermkappen moeten altijd op hun plaats zitten. Laat de ventilatieopeningen vrij zodat de motor voldoende koeling krijgt.

Nederlands

Voor de goede werking is het belangrijk dat u let op hoeveel druk u op het apparaat uitoefent en dat u let op het contactoppervlak tussen de schijf en het werkstuk. Om platte oppervlakken af te bramen moet de slijper onder een scherpe hoek, in het algemeen tussen 10° en 20°, staan ten opzichte van het werkstuk. Wacht tot de motor het maximale toerental heeft bereikt voordat u met slijpen begint. Door een te grote slijphoek komt er een veel druk op een klein oppervlak: dit zou het werkoppervlak kunnen doen insnijden of verbranden.

OM METAAL TE ZAGEN

Zie afbeelding 9 - 10.

- Gebruik het slijpwielt met een volledig gesloten gereedschapsloze wielbeschermmer om metaal te zagen.
- Bij het zagen moet u met middelmatige kracht werken, aangepast aan het materiaal dat moet worden gezaagd. Oefen geen druk op de zaagschijf uit, kantel of zwaai niet met de machine heen en weer.
- Verminder de snelheid van afslijtende slijpschijven niet door zijdelingse druk uit te oefenen. De machine moet altijd werken in een opwaartse snijbeweging; anders bestaat het gevaar dat deze ongecontroleerd uit de insnedde wordt geduwd.
- Wanneer zaagprofielen en vierkanten staven worden gezaagd, is het best om te beginnen met de kleinste diameter.

OM STEEN TE ZAGEN

Zie afbeelding 9, 11.

- Werk altijd met de gereedschapsloze standaard wielbeschermmer voor het zagen.
- Om steen te zagen is het meest aangewezen om een diamanten zaagschijf te gebruiken en een stofmasker te dragen.
- Schakel de machine in en schuif de machine met middelmatige kracht, aangepast aan het materiaal dat moet worden gezaagd.

AAN-/UITSCHAKELAAR

Zie afbeelding 3.

- Om dit apparaat aan of uit te zetten schuift u de knop van de schakelaar naar voren of laat u hem los.
- Als u de slijper continu wilt gebruiken, schuift u de schakelaar naar voren en drukt u daarna op het voorste gedeelte om de schakelaar in de AAN-stand te blokkeren.
- Om de blokkering op te heffen drukt u op het achterste gedeelte van de schakelaar.

BESCHERMER KIEZEN

- Om metaal te slijpen werkt u altijd met de gereedschapsloze standaard wielbeschermmer.
- Om steen te zagen werkt u altijd met de gereedschapsloze standaard wielbeschermmer.
- Om metaal te zagen werkt u altijd met de gereedschapsloze wielbeschermmer volledig gesloten.

EEN AFBRAAMSCHIJF INSTALLEREN

Zie afbeelding 5 - 6.

- Maak de schijfflens en het wiel vast op de as voor u de klemmoer bevestigt.
- Zorg ervoor dat het wiel juist over de baas is geplaatst over de schijfflens en klemmoer.
- Houd de asvergrendelingsknop die zich op het tandwielhuis bevindt, ingedrukt.
- Draai de buitenflens rechtsom vast met behulp van de bijgeleverde speciale sleutel.

ZAAGWIEL MONTEREN

Zie afbeelding 7 - 8.

- Maak de schijfflens en het wiel vast op de as voor u de klemmoer bevestigt.
- Zorg ervoor dat het wiel juist over de baas op de wielflens en de klemmoer is geplaatst met de vlakke zijde van de klemmoer naar beneden gericht.
- Houd de asvergrendelingsknop die zich op het tandwielhuis bevindt, ingedrukt.
- Draai de buitenflens rechtsom vast met behulp van de bijgeleverde speciale sleutel.

⚠ WAARSCHUWING

Controleer nauwlettend of de schijf geen scheuren vertoont. Vervang een gescheurde schijf onmiddellijk.

GEREEDSCHAPSLOZE STANDAARD WIELBESCHERMER VOOR HET SLIJPEN/ZAGEN VAN STEEN

Zie afbeelding 12 - 13.

Zet de hendel van de vergrendeling van de beschermkap open en plaats de beschermkap daarna in de gewenste stand. De maximale draaihoek is 90° aan beide zijden; anders kan de beschermmer niet worden vergrendeld.

VOLLEDIG GESLOTEN GEREEDSCHAPSLOZE WIELBESCHERMER OM METAAL TE ZAGEN

Zie afbeelding 14 - 15.

Vergrendel en ontgrendel de beschermmer voor het

zaagwiel.

NETSPANNINGSVERKLIKKER

De haakse slijper is voorzien van een netspanningsverklipper die gaat branden zodra het apparaat op een stopcontact is aangesloten. Dit controlelampje dient om u te waarschuwen dat de slijper onder spanning staat en dat het apparaat gaat werken zodra u de schakelaar naar voren schuift.

ONDERHOUD

Controleer na elk gebruik of uw machine in goede staat van werking verkeert.

Aanbevolen wordt om uw machine minstens éénmaal per jaar door een erkend Ryobi servicecentrum volledig te laten doorsmeren en schoonmaken.

⚠ WAARSCHUWING

Probeer niet om een afstelling te wijzigen als de motor draait.

Trek altijd eerst de stekker van de slijper uit het stopcontact voordat u iets vervangt (de diamantschijf, de afbraamschijf, enz.), het apparaat smeert of ander onderhoud uitvoert.

⚠ WAARSCHUWING

Alle reparaties moeten worden uitgevoerd door een Erkend Ryobi Servicecentrum om de veilige en betrouwbare werking van de machine te waarborgen.

DESCRIÇÃO

1. Disco de rebarbar
2. Protector standard do disco de montagem sem ferramenta
3. Pega auxiliar
4. Botão de bloqueio do eixo
5. Interruptor
6. Flange
7. Flange externo
8. Eixo de accionamento
9. Chave de serviço
10. Alavanca de bloqueio da tampa de protecção
11. Luz avisadora de ligação
12. Protector do disco de montagem sem ferramenta e totalmente fechado (opcional)
13. Disco de corte diamantado (opcional)
14. Disco de corte (opcional)

ADVERTÊNCIAS COMUNS DE SEGURANÇA PARA OPERAÇÕES DE CORTE ABRASIVO E ESMERILAR

- a. **Esta ferramenta está destinada a funcionar como uma ferramenta de corte e esmerilar. Leia com atenção todas as advertências, instruções e especificações fornecidas com a ferramenta, e consulte as ilustrações.** O incumprimento das instruções seguintes pode ocasionar acidentes como incêndios, choques eléctricos e/ou ferimentos graves.
 - b. **O incumprimento desta recomendação pode ocasionar acidentes e ferimentos graves.**
 - c. **Não utilize acessórios que não são concebidos especificamente para esta ferramenta e que não são recomendados pelo fabricante.** Mesmo se um acessório puder ser montado numa ferramenta, isso não garante que possa utilizar esta ferramenta com toda a segurança.
 - d. **A velocidade nominal do acessório deve ser igual ou superior à velocidade máxima indicada na ferramenta.** Os acessórios que funcionam a uma velocidade superior à sua velocidade nominal podem quebrar e ser ejectados.
 - e. **O diâmetro externo e a espessura do acessório devem corresponder às características especificadas para a ferramenta.** Se os acessórios não corresponderem às características indicadas, os sistemas de protecção e de ajuste da ferramenta não poderão funcionar correctamente.
 - f. **Os rebolos, as porcas de aperto, placas de lixar e outros acessórios devem ser perfeitamente adaptados ao furo do veio da ferramenta.** Os acessórios não adaptados ao veio em que devem ser montados não giram correctamente, vibram excessivamente e farão perder o controlo da ferramenta.
- g. **Não utilize um acessório danificado. Antes de cada utilização, verifique se o acessório que vai utilizar está em bom estado. Confirme que os discos abrasivos não estão rachados ou fissurados, que as placas de lixar não estão rasgadas ou usadas, que os pêlos das escovas metálicas não estão usados demais ou quebrados. Se a ferramenta ou o acessório cair, verifique se nenhum elemento ficou danificado e, sendo necessário, instale um acessório novo. Se a ferramenta ou o acessório cair, verifique se nenhum elemento ficou danificado e, sendo necessário, instale um acessório novo. Se o acessório estiver danificado, vai quebrar durante este teste.**
 - h. **Usar equipamento de protecção pessoal. Conforme a utilização que faz da sua ferramenta, use uma máscara de protecção, óculos de segurança ou óculos de protecção. Conforme a utilização que faz da sua ferramenta, use uma máscara de protecção, óculos de segurança ou óculos de protecção.** Se necessário, use uma máscara anti-poeira, protecções auditivas, luvas e um avental de protecção, de modo a proteger-se contra qualquer projecção de corpos estranhos (elementos abrasivos, aparas de madeira, etc.). As máscaras anti-poeira permitem filtrar as partículas criadas pela operação realizada. As máscaras anti-poeira permitem filtrar as partículas criadas pela operação realizada.
 - i. **Mantenha os visitantes a boa distância da zona de trabalho e verifique se usam equipamento de protecção. Mantenha os visitantes a boa distância da zona de trabalho e verifique se usam equipamento de protecção.** Os fragmentos da peça a trabalhar, ou de um acessório quebrado, podem ser projectados além da zona de trabalho e causar ferimentos graves.
 - j. **Segure a ferramenta unicamente pelas partes isoladas e anti-derrapantes quando trabalhar numa superfície que pode esconder fios eléctricos ou quando o trabalho requerido possa pôr o fio de alimentação na trajectória da ferramenta.** Um contacto com fios sob tensão poderia transmitir a corrente às partes metálicas e provocar choques eléctricos.
 - k. **Posicione o fio de alimentação de modo que fique distante do acessório em rotação.** Se perder o controlo da sua ferramenta, o fio de alimentação pode ser cortado ou ficar entalado, e a mão ou o braço poderia ser arrastado para o

Português

acessório em rotação.

- l. **Nunca assente a ferramenta enquanto o acessório não estiver completamente parado.** O acessório em rotação poderia entrar em contacto com a superfície onde está assente e fazer perder o controlo da ferramenta.
- m. **Não faça funcionar a ferramenta quando a transporta.** O acessório em rotação poderia prender-se nas roupas e causar ferimentos graves.
- n. **Limpe regularmente as fendas de ventilação da ferramenta.** A ventilação do motor faz penetrar as poeiras no cárter do motor, o que pode ocasionar uma acumulação excessiva de partículas metálicas e provocar choques eléctricos.
- o. **Não utilize a sua ferramenta próximo de produtos inflamáveis.** As chispas poderiam inflamá-los.
- p. **Não utilize acessórios que requerem fluidos de arrefecimento.** A utilização de água ou de líquidos de arrefecimento pode provocar electrocussões ou choques eléctricos.

RECUO E AVISOS ASSOCIADOS

O contra-golpe é uma reacção súbita que se produz quando o rebolo em movimento, a placa de lixar, a escova ou qualquer outro acessório fica entalado ou torcido, o que provoca o bloqueio repentino do acessório. A ferramenta, que continua a funcionar, é então projectada na direcção oposta ao sentido de utilização do acessório.

Por exemplo, se um disco abrasivo ficar entalado ou torcido na peça a trabalhar, o gume do disco pode encravar-se na superfície da peça a trabalhar, o que faz sair bruscamente o disco da peça a trabalhar e o projecta para o utilizador ou à distância, conforme o sentido de rotação do disco, quando este fica bloqueado. Em caso de contra-golpe, o disco abrasivo também pode quebrar. Em caso de contra-golpe, o disco abrasivo também pode quebrar.

O contra-golpe é portanto o resultado de uma má utilização da ferramenta e/ou de procedimentos ou condições de utilização incorrectas. Pode ser evitado tendo o cuidado de respeitar certas precauções.

- a. **Mantenha a ferramenta bem firme e coloque o corpo e o braço de modo a poder controlar um eventual contra-golpe.** Se a ferramenta tiver uma pega auxiliar, esta deve ser sempre utilizada para ter um óptimo controlo da ferramenta em caso de contra-golpe ou binário de reacção ao pôr a ferramenta a trabalhar. Tome as disposições necessárias de modo a poder controlar a ferramenta em caso de contra-golpe ou binário de reacção.
- b. **Nunca ponha a mão próximo do acessório em rotação, de modo a evitar qualquer risco de**

ferimentos graves no caso de contra-golpe. O acessório pode recuar mais de sua mão.

- c. **Não fique na zona onde a ferramenta pode ser projectada em caso contra-golpe.** Em caso de contra-golpe, a ferramenta é projectada na direcção oposta ao sentido de rotação do disco.
- d. **Preste uma atenção particular quando trabalha em ângulos, bordos cortantes, etc.** Evite fazer derrapar ou entalar o acessório. Quando trabalhar em ângulos ou bordos cortantes ou quando fizer derrapar a ferramenta, o risco de bloquear o acessório é maior, e por isso de perder o controlo da ferramenta e provocar um contra-golpe.
- e. **Nunca utilize uma lâmina de corte para madeira ou uma lâmina de serra com esta ferramenta.** Estas lâminas aumentam o risco de contra-golpe e de perda de controlo da ferramenta.

ADVERTÊNCIAS DE SEGURANÇA ADICIONAIS ESPECÍFICAS PARA OPERAÇÕES DE CORTE ABRASIVO E ESMERILAR

- a. **Utilize exclusivamente tipos de discos recomendados para a sua ferramenta e a protecção específica concebida para o disco seleccionado.** Os discos para os quais a ferramenta não foi concebida não podem ser devidamente protegidos pelo que não são seguros.
- b. **A protecção deve estar firmemente presa à ferramenta e posicionada para proporcionar a máxima segurança, de modo a que a menor quantidade de disco fique exposto face ao operador.** A protecção ajuda a proteger o operador de fragmentos de disco partido e de contactos accidentais com o disco.
- c. **Os discos só devem ser usados para as aplicações recomendadas. Por exemplo, não triture com a parte lateral do disco de corte.** Os discos de corte destinam-se à trituração periférica; pressões laterais sobre estes discos podem fazer com que os mesmos se partam.
- d. **Utilize sempre aletas em boas condições e do tamanho e forma correctos para o disco seleccionado.** As adequadas aletas de disco suportam o disco reduzindo, assim, a possibilidade de este se partir. As aletas dos discos de corte podem ser diferentes das aletas dos discos de trituração.
- e. **Não use discos desgastados de ferramentas eléctricas maiores.** Os discos destinados a ferramentas maiores não são adequados à velocidade superior de ferramentas mais

Português

pequenas e podem rebentar.

ADVERTÊNCIAS DE SEGURANÇA ADICIONAIS ESPECÍFICAS PARA OPERAÇÕES DE CORTE ABRASIVO

- a. **Procure não "entupir" o disco de corte ou aplicar uma pressão excessiva. Não trate de fazer uma excessiva profundidade de corte.** A sobrecarga do disco aumenta a carga e a susceptibilidade à torção ou ao entupimento do disco no corte e a possibilidade de contragolpes ou rotura do disco.
- b. **Não coloque o seu corpo em linha com ou por trás do disco giratório.** Quando o disco está em funcionamento e distancia-se do seu corpo, um eventual contragolpe poderia projectar o disco giratório e a ferramenta em direcção a si.
- c. **Quando o disco ficar preso ou quando interromper um corte por qualquer razão, desligue a ferramenta e mantenha a ferramenta sem realizar movimentos até que o disco pare completamente. Nunca tente retirar o disco de corte do corte enquanto o disco estiver em movimento, caso contrário poderá ocorrer uma força de recuo.** Se o disco ficar entalado, procure a causa e tome as medidas necessárias para que isso não volte a acontecer.
- d. **Não reinicie a operação de corte na peça a trabalhar. Permita que o disco alcance a velocidade total e volte a efectuar o corte cuidadosamente.** O disco pode prender, avançar ou recuar se a ferramenta for reiniciada na peça a trabalhar.
- e. **Apoie os painéis ou qualquer peça a trabalhar sobredimensionada para minimizar o risco de aperto do disco e consequente força de recuo.** As peças a trabalhar grandes têm tendência vergar sob o seu próprio peso. Os apoios devem ser colocados por baixo da peça a trabalhar perto da linha de corte e perto da borda da peça a trabalhar em ambos os lados do disco.
- f. **Tenha muito cuidado ao fazer um "corte de bolso" em paredes ou outras superfícies similares.** O disco saliente pode cortar tubos de gás ou água, fios eléctricos ou objectos que podem provocar uma força de recuo.

AVISOS ADICIONAIS DE SEGURANÇA ESPECÍFICOS PARA OPERAÇÕES DE ESMERILAR

- a. Verifique se a velocidade indicada no disco de rebarbar é igual ou superior à velocidade nominal da ferramenta.
- b. Certifique-se de que o diâmetro do disco de

rebarbar é compatível com a ferramenta e que o disco encaixa correctamente no eixo.

- c. Os discos de rebarbar devem ser arrumados num lugar seco.
- d. Nunca coloque nenhum objecto sobre os discos.
- e. Os discos não devem ser utilizados para fins diferentes das operações de rebarbar.
- f. Antes de utilizar o disco, confirme que não está rachado ou fissurado. Se for o caso, o disco pode quebrar, o que pode provocar ferimentos graves.
- g. Certifique-se antes da utilização que o disco está correctamente montado e apertado e em seguida ponha a sua ferramenta a trabalhar em vazio durante 30 segundos dirigindo-a de forma que não apresente nenhum perigo. Pare a sua ferramenta imediatamente se vibrar excessivamente ou se descobrir outros problemas. Se este caso ocorrer, verifique a sua ferramenta para determinar a causa do problema.
- h. Não utilize casquilhos de redução ou adaptadores para reduzir o furo de discos de grande diâmetro de furo.
- i. Verifique se a peça a trabalhar está correctamente segura.
- j. Certifique-se de que as chispas produzidas pela utilização da ferramenta não criam uma situação perigosa, como por exemplo se não são projectadas sobre pessoas ou substâncias inflamáveis.
- k. Use sempre óculos de protecção e protecções dos ouvidos.
- l. Se necessário, utilize outros equipamentos de protecção, como por exemplo luvas, avental ou capacete.
- m. Nunca ponha a sua ferramenta no chão ou sobre outras superfícies quando estiver em funcionamento. Atenção, o disco gira por inércia durante alguns momentos depois da paragem da ferramenta. Nunca deve tocar no disco, nem colocá-lo no chão ou sobre outras superfícies quando estiver em rotação.
- n. O flange do disco e o flange externo devem ter o mesmo diâmetro externo.
- o. Não utilize a ferramenta para trabalhos para os quais não foi concebida. Nunca utilize fluido de arrefecimento ou água. Não utilize a sua ferramenta como uma ferramenta fixa.
- p. Quando utilizar a sua ferramenta, segure-a firmemente com ambas as mãos.

Português

SÍMBOLO



Alerta de Segurança

V Volts

Hz Hertz

~ Corrente alterna

W Watts

n_0 Velocidade em vazio

n Velocidade Nominal

min⁻¹ Número de rotações ou movimentos por minuto



Conformidade CE



Isolamento duplo



Use protecção para os ouvidos



Use protecção para os olhos



Por favor, leia atentamente as instruções antes de acender o produto.

Os aparelhos eléctricos antigos não devem ser eliminados juntamente com o lixo doméstico. Recicle onde existem instalações para o efeito. Verifique com as suas Autoridades Locais ou revendedor para obter informações sobre reciclagem.



Recicle os materiais em vez de pô-los directamente no lixo doméstico. Para proteger o ambiente, a ferramenta, os acessórios e as embalagens devem ser seleccionados.

ESPECIFICAÇÕES

Modelo	EAG950RS / EAG950RSD	EAG950RB / EAG950RBD
Diâmetro do disco	115 mm (4.5 in)	125 mm (5 in)
Espessura		
Disco de rebarbar	6 mm	6 mm
Disco de corte (opcional)	3 mm	3 mm

Disco de corte diamantado (opcional)

2 mm

2 mm

Voltagem 230 V - 240 V ~ 50 Hz 230 V - 240 V ~ 50 Hz

Admissão 950 W 950 W

Rosca do eixo M14 M14

Velocidade Nominal 11,000 min⁻¹ 11,000 min⁻¹

Comprimento total 310 mm 310 mm

Peso líquido 2.55 kg 2.6 kg

NOTA: Verifique a placa de identificação do produto, porque a tensão pode ser diferente em função do lugar onde o produto deve ser utilizado.

Velocidade periférica máxima do disco: 4,800 m/min.

Exemplo de cálculo

$$3.14 \times 125 \times 11,000 / 1,000 = 4.320$$

Velocidade periférica do disco 4.320

Diâmetro do disco 125

Velocidade em vazio da rebarbadora 11.000

ACESSÓRIOS STANDARD

Punho auxiliar, chave.

Um disco de rebarbar é fornecido com os acessórios em certos países.

OPERAÇÃO

Ver figura 4.

AVISO

As tampas de protecção devem estar sempre colocadas. Nunca cubra as fendas de ventilação para permitir um arrefecimento correcto do motor.

Para um trabalho eficaz, é importante controlar bem a pressão exercida na ferramenta assim como a superfície de contacto entre o disco e a peça a trabalhar. Para desbastar superfícies planas, a rebarbadora deve formar um ângulo agudo, em geral entre 10° e 20°, com a peça a trabalhar. Deixe que o disco atinja a velocidade

Português

máxima antes de começar a rebarbar. Um ângulo muito grande provoca uma concentração da pressão sobre uma pequena superfície, o que pode escavar ou queimar a superfície de trabalho.

PARA CORTE DE METAL

Ver figura 9 - 10.

- Utilize o disco de corte abrasivo com um protector do disco de montagem sem ferramenta e totalmente fechado para o corte de metais.
- Quando estiver a cortar, trabalhe com uma pressão moderada, adaptada ao material que está a ser cortado. Não exerça pressão no disco de corte, incline ou faça oscilar a máquina.
- Não reduza a velocidade dos discos de corte descendentes aplicando pressão lateral. A máquina sempre deve trabalhar num movimento a contramarcha, pelo contrário, existe o risco de que a unidade se expulse bruscamente do corte.
- Quando estiver a cortar perfis e barras quadradas, é melhor começar pela secção mais pequena.

PARA CORTAR PEDRA

Ver figura 9, 11.

- Trabalhe sempre com o protector standard do disco de montagem sem ferramenta para o corte.
- Para cortar pedra, é melhor utilizar um disco de corte diamantado e usar uma máscara de protecção contra o pó.
- Ligue a máquina e faça deslizar a máquina com pressão moderada, adaptada ao material que está a ser cortado.

INTERRUPTOR

Ver figura 3.

- Para ligar ou desligar esta ferramenta, empurre o interruptor para a frente ou solte-o.
- Para poder utilizar a rebarbadora em contínuo, carregue na extremidade da frente do interruptor depois de o avançar, para o bloquear na posição ligado.
- Para desbloquear o interruptor, carregue na extremidade traseira do interruptor.

ESCOLHA DA PROTECÇÃO

- Para o desbaste de metal, trabalhe sempre com o protector standard do disco de montagem sem ferramenta.
- Para a pedra de corte, trabalhe sempre com o protector standard do disco de montagem sem ferramenta.
- Para o corte de metal, trabalhe sempre com o

protector do disco de montagem sem ferramenta e totalmente fechado.

INSTALAÇÃO DO DISCO DE REBARBAR

Ver figura 5 - 6.

- Aplique a flange e o disco no eixo antes de fixar a porca do grampo.
- Assegure-se de que o disco está correctamente colocado no tambor da árvore, na base do disco e com a porca de fixação.
- Aperte o botão de bloqueio do eixo situado no lado direito da tampa do motor.
- Aperte o flange externo no sentido dos ponteiros de um relógio com a chave de serviço fornecida.

MONTAGEM DO DISCO DE CORTE

Ver figura 7 - 8.

- Aplique a flange e o disco no eixo antes de fixar a porca do grampo.
- Assegure-se de que o disco está correctamente colocado sobre o eixo, na base do disco e com a porca de fixação, com o lado plano da porca de fixação para baixo.
- Aperte o botão de bloqueio do eixo situado no lado direito da tampa do motor.
- Aperte o flange externo no sentido dos ponteiros de um relógio com a chave de serviço fornecida.

AVISO

Verifique cuidadosamente se o disco não tem fissuras. Substitua imediatamente qualquer disco fissurado.

PROTECTOR STANDARD DO DISCO DE MONTAGEM SEM FERRAMENTA PARA O CORTE/DESBASTE DE PEDRA

Ver figura 12 - 13.

Abra a alavanca de bloqueio da tampa de protecção e coloque a tampa de protecção na posição desejada. O ângulo de viragem máximo é de 90° em ambos os lados; caso contrário a protecção não pode ser bloqueada.

PROTECTOR DO DISCO DE MONTAGEM SEM FERRAMENTA E TOTALMENTE FECHADO PARA O CORTE DE METAL

Ver figura 14 - 15.

Bloqueeie e desbloqueeie a protecção para o disco de corte.

Português

LUZ AVISADORA DE LIGAÇÃO

A rebarbadora angular está equipada com uma luz avisadora de ligação que acende quando a ferramenta está ligada. Esta luz avisadora chama a sua atenção para o facto que a rebarbadora está ligada à corrente e que ela entrará em funcionamento assim que mover o interruptor para a frente.

MANUTENÇÃO

Depois da utilização, certifique-se de que a sua ferramenta está em bom estado de funcionamento.

Recomenda-se de levar a sua ferramenta pelo menos uma vez por ano a um Centro de Serviço Autorizado Ryobi para uma lubrificação e uma limpeza completa.

AVISO

Nunca efectue nenhum ajuste quando o motor está em funcionamento.

Desligue sempre a rebarbadora da corrente antes de substituir uma peça (disco diamante, disco de rebarbar, etc.), de lubrificar a ferramenta e antes de qualquer operação de manutenção.

AVISO

Para mais segurança e fiabilidade, todas as reparações devem ser feitas por um Centro de Serviço Autorizado Ryobi.

BESKRIVELSE

1. Slibeskive
2. Værktøjsfri standard-hjulskærm
3. Hjælpehåndtag
4. Aksellåseknop
5. Start-stopknop
6. Flange
7. Yderflange
8. Drivaksel
9. Servicenøgle
10. Låsegreb for sikkerhedsafskærmning
11. Kontrollampe for strømtilslutning
12. Helt lukket værktøjsfri hjulskærm (ekstraudstyr)
13. Diamant-skærehjul (ekstraudstyr)
14. Skærehjul (ekstraudstyr)

SIKKERHEDSADVARSLER FÆLLES FOR SLIBNING OG ABRASIVT AFSKÆRINGSARBEJDE

- a. Dette elværktøj er beregnet til at fungere som slibemaskine og afskæringsværktøj. Læs alle omhyggeligt alle advarsler, anvisninger og specifikationer, som følger med maskinen, og studer illustrationerne. Hvis nedenstående forskrifter ikke overholdes, kan der ske uheld og ulykker som brand, elektrisk stød og/eller alvorlige personskader.
- b. Hvis denne regel ikke overholdes, kan der ske ulykker, så man kommer alvorligt til skade.
- c. Anvend ikke tilbehør, som ikke er specielt beregnet til dette værktøj, og som ikke anbefales af fabrikanten. Selv om en tilbehørsdel kan monteres på et værktøj, er der ingen garanti for, at det er forsvarligt at bruge værktøjet.
- d. Tilbehørets mærkehastighed skal være lig med eller højere end maksimalhastigheden anført på værktøjet. Hvis tilbehøret anvendes med en hastighed, der er højere end dets mærkehastighed, kan det knække og rive sig løs.
- e. Tilbehørets udvendige diameter og tykkelse skal svare til det for værktøjet specificerede. Hvis tilbehøret ikke svarer til de anførte specifikationer, virker værktøjets sikkerheds- og indstillingssystemer måske ikke efter hensigten.
- f. Slibeskiver, flanger, slibepuder og andet tilbehør skal passe fuldstændigt til værktøjets akselboring. Tilbehør, som ikke passer til akslen, de skal monteres på, vil ikke dreje ordentligt rundt og kan vibrere kraftigt, så man mister kontrollen over værktøjet.
- g. Brug aldrig en beskadiget tilbehørsdel. Inden værktøjet bruges, undersøges den anvendte

tilbehørsdel: se slibeskiverne efter for revner og skår, slibepuderne for flænger og slitage og metalborsterne for kraftig slitage og knækkede træde. Hvis værktøjet eller redskabet falder på gulvet, undersøges alle dele for skader, og om nødvendigt monteres nyt tilbehør. Efter tilbehøret er undersøgt for skader og monteret, holdes afstand til det roterende tilbehør, mens værktøjet kører et minut på fuld hastighed. Hvis tilbehøret er beskadiget, vil det knække under denne test.

- h. Bær personlige værnemidler. Brug beskyttelsesmaske, sikkerheds- eller beskyttelsesbriller afhængig af den pågældende opgave. Om nødvendigt bruges støvmaske, høreværn, handsker og beskyttelsesforklæde som sikring mod løsevorne fremmedlegemer (slibeelementer, spåner m.v.). Med beskyttelsesbriller undgår man øjenskader på grund af udslyngede stumper. Støvmasken filtrerer partikler dannet under arbejdet. Hvis man udsættes for kraftigt støj i længere tid, kan hørelsen tage skade.
- i. Sørg for at holde tilskuere i god afstand fra arbejdsstedet, og for at få dem til at bruge beskyttelsesudstyr. Alle kommer ind i arbejdsområdet skal bære personlige værnemidler. Stumper fra arbejdsstykket eller et knækket tilbehør kan springe langt væk fra arbejdsstedet og forårsage alvorlige ulykker.
- j. Hold udelukkende værktøjet de isolerede gribesteder ved arbejde på flader, hvor der kan ligge el-ledninger skjult, eller når den strømførende ledning kan komme til at befinde sig i værktøjets arbejdsfelt. Ved kontakt med strømførende ledninger kan metaldelene lede strømmen og give elektrisk stød.
- k. Anbring ledningen således, at den ikke kommer i nærheden af det roterende tilbehør. Hvis man mister kontrollen over værktøjet, kan ledningen blive skåret over eller sætte sig fast, og hånden eller armen kan blive trukket hen mod det roterende tilbehør.
- l. Læg ikke værktøjet ned, før tilbehøret står helt stille. Det roterende tilbehør kan gribe fat i fladen, det lægges på, så man mister kontrollen over værktøjet.
- m. Lad ikke værktøjet arbejde, mens det flyttes eller bæres. Det roterende tilbehør kan hænge fast i tøjet og forårsage alvorlige skader.
- n. Rens værktøjets ventilationsåbninger med jævne mellemrum. Motorens ventilation bevirker, at der trænger støv ind i motorkassen, og at der derfor ophobes for mange metalpartikler, som kan

Dansk

forårsage elektrisk stød.

- o. **Anvend ikke værktøjet i nærheden af brændbare stoffer.** De kan blive antændt af gnister.
- p. **Brug ikke tilbehør, som kræver kølemiddel.** Hvis der anvendes vand eller flydende kølemiddel, kan man få elektrisk stød, måske livsfarligt.

TILBAGESLAG ('KICKBACK') OG TILHØRENDE ADVARSLER

Tilbageslag er en pludselig reaktion, som opstår, når den roterende slibeskive, slibepude, børste eller andet tilbehør kommer i klemme eller vrider sig og derefter sætter sig fast. Værktøjet, som arbejder videre, bliver så kastet modsat tilbehørets driftsretning.

Hvis f.eks. en slibeskive kommer i klemme eller vrider sig i arbejdsstykket, kan skivens skær trænge ned i arbejdsstykkets overflade, hvorefter skiven pludselig springer ud af arbejdsstykket, så værktøjet bliver slynget mod brugeren eller ud i lokalet, alt efter hvilken retning, skiven drejede rundt, da den satte sig fast. Hjulet kan enten hoppe mod eller væk fra operatøren, afhængigt af hjulets bevægelse på det sted, klemmer. Ved tilbageslag kan slibeskiven tilmed knække.

Tilbageslag skyldes altså, at værktøjet bruges forkert, og/eller at fremgangsmåden eller driftsforholdene er uhensigtsmæssige. Det kan undgås, hvis der tages nogle forholdsregler.

- a. **Grib godt fat om værktøjet, og hold kroppen og armen i en stilling, hvor et eventuelt tilbageslag kan kontrolleres.** Hvis værktøjet har et hjælpehåndtag, skal det altid bruges for at kunne styre værktøjet optimalt, hvis der opstår tilbageslag eller et reaktionsmoment, når værktøjet sættes i gang. Tag de nødvendige forholdsregler for at kunne styre værktøjet, hvis der opstår tilbageslag eller et reaktionsmoment ved start.
- b. **Anbring aldrig hånden i nærheden af det roterende tilbehør for ikke at komme alvorligt til skade i tilfælde af tilbageslag.** Tilbehør kan tilbageslag over din hånd.
- c. **Stå ikke i det område, hvor værktøjet kan blive slynget hen i tilfælde af tilbageslag.** Hvis der opstår tilbageslag, bliver værktøjet kastet modsat skivens omdrejningsretning.
- d. **Vær særlig opmærksom ved bearbejdning af hjørner, skarpe kanter o.l.** Undgå, at tilbehøret skrider eller bliver klemt fast. Ved bearbejdning af hjørner eller skarpe kanter eller hvis værktøjet kommer til at skride, er der større risiko for, at tilbehøret sætter sig fast og altså for at miste kontrollen over værktøjet, så der opstår tilbageslag.

- e. **Brug aldrig skæreklinger til træ eller savklinger med dette værktøj.** Den slags klinger øger risikoen for tilbageslag og for at miste kontrollen over værktøjet.

SIKKERHEDSADVARSLER SPECIFIKT FOR SLIBNING OG ABRASIVT AFSKÆRINGSARBEJDE

- a. **Brug kun hjul typer, der er anbefalet til elværktøjet, og brug og den specifikke skærm, der er beregnet til det pågældende hjul.** Hjul, som elværktøjet ikke er beregnet til, kan ikke afbækkes tilstrækkeligt og er derfor usikre at bruge.
- b. **Skærmen skal fastgøres ordentligt til elværktøjet og positioneres for maksimal sikkerhed, således at så lille en del af hjulet er blottet for operatøren.** Skærmen hjælper til at beskytte operatøren mod afknækkede hjulsegmenter og utilsigtet kontakt med hjulet.
- c. **Hjul må kun bruges til de anbefalede anvendelsesformål. For eksempel, man ikke slibe med siden af skærehjulet.** Abrasive skærehjul er beregnet til periferislibning; hjulene kan begynde at ryste, hvis de udsættes for sidekræfter.
- d. **Brug altid uskadede hjulflanger med korrekt størrelse og form i forhold til det valgte hjul.** Ordentlige hjulflanger understøtter hjulet og reducerer dermed faren for, at hjulet knækker. Flanger til skærehjul kan være forskellige fra slibehjulsflanger.
- e. **Brug ikke udslidte hjul fra større elværktøjer.** Hjul beregnet til større elværktøjer er uegnede til de højere hastigheder på mindre værktøjer og risikerer at knække.

EKSTRA SIKKERHEDSADVARSLER SPECIFIKT FOR ABRASIVT AFSKÆRINGSARBEJDE

- a. **Undgå at "blokere" afskæringshjulet eller anvende overdrevent pres. Forsøg ikke at udføre overdrevent dybe snit.** Overbelastning af hjulet øger belastningen og tilbøjeligheden til vrid eller blokering af hjulet samt tilbageslag ("kickback") eller hjulbrud.
- b. **Anbring ikke kroppen på linje med og bag ved det roterende hjul.** Når du under arbejdet bevæger hjulet bort fra kroppen, kan et evt. tilbageslag ("kickback") bevirke, at det roterende hjul og selve elværktøjet slynges direkte ind mod dig.
- c. **Når hjulet binder, eller hvis man af en eller**

Dansk

- anden grund er nødt til at afbryde et snit, skal man slukke elværktøjet og holde det stille, indtil hjulet er fuldstændigt stoppet. Forsøg aldrig at tage skærehjulet ud af snittet, mens hjulet roterer; der er fare for tilbageslag ('kickback'). Hvis skiven sætter sig fast, skal årsagen søges og de nødvendige forholdsregler tages for at undgå, at det sker igen.
- d. **Genstart ikke skæreooperationen i emnet. Vent, til hjulet har tophastighed, og sæt det da forsigtigt ind i snittet igen.** Hjulet kan binde, kravle op eller slå tilbage, hvis elværktøjet genstartes, mens hjulet sidder i emnet.
- e. **Understøt paneler og andre større emne for at minimere faren for, at hjulet binder eller slår tilbage.** Store emner har tendens til at synke ned under egenvægten. Understøtninger skal anbringes under emnet nær skærelinjen og nær emnekanten på begge sider af hjulet.
- f. **Man skal være ekstra forsigtig under fremstilling af "lommensnit" i eksisterende vægge eller andre blinde områder.** Det udragende hjul kan skære i gas- eller vandrør, elledninger eller genstande, som kan forårsage tilbageslag ('kickback').

EKSTRA SIKKERHEDSADVARSLER FOR SLIBEARBEJDE

- a. Se efter, om hastigheden anført på slibeskiven er den samme som eller højere end værktøjets mærkehastighed.
- b. Undersøg, om slibeskivens diameter passer til værktøjet og slibeskiven til akslen.
- c. Slibeskiver skal opbevares tørt.
- d. Læg ikke genstande oven på slibeskiverne.
- e. Slibeskiverne må ikke anvendes til andre formål end slibearbejder.
- f. Inden slibeskiven tages i brug, skal den ses efter for revner og brud. Hvis slibeskiven er revnet eller skåret, kan den knække og forårsage alvorlige ulykker.
- g. Inden brug kontrolleres, at slibeskiven er monteret rigtigt og forsvarligt fastspændt, og derefter startes værktøjet i tomgang i 30 sekunder, mens det holdes, så det ikke er til fare for nogen eller noget. Stands straks værktøjet, hvis det vibrerer kraftigt eller udviser andre fejl. I så fald undersøges værktøjet for at finde årsagen.
- h. Brug aldrig reduktionsmuffer eller overgangsstykker for at tilpasse slibeskiver med større hul diameter.
- i. Sørg for, at arbejdsstykket er forsvarligt fastholdt.
- j. Vær opmærksom på, at de under slibearbejdet dannede gnister ikke fremkalder farlige situationer, at de f.eks. ikke kan springe hen på tilskuere eller

brændbare stoffer.

- k. Brug altid sikkerhedsbriller og høreværn.
- l. Eventuelt anvendes andet beskyttelsesudstyr som handsker, forklæde eller hjelm.
- m. Læg aldrig værktøjet ned på jorden eller andre flader, mens det er i drift. Pas på! Slibeskiven bliver ved med at dreje rundt, efter værktøjet er slukket, på grund af inertien. Rør aldrig ved slibeskiven, og læg aldrig maskinen ned på jorden eller andre flader, så længe skiven drejer rundt.
- n. Skiveflangen og yderflangen skal have samme udvendige diameter.
- o. Brug kun værktøjet til de formål, det er beregnet til. Brug aldrig kølevæske eller vand. Brug ikke værktøjet fastmonteret.
- p. Når der arbejdes med værktøjet, skal det holdes fast med begge hænder.

SYMBOL



Sikkerheds Varsel

V Volt

Hz Hertz

~ Vekselstrøm

W Watt

n₀ Tomgangshastighed

n Mærkehastighed

min⁻¹ Antal omdrejninger eller bevægelser pr. Minut



CE Overensstemmelse



Dobbelt-isolering



Benyt høreværn



Benyt øjenværn



Læs venligst vejledningen omhyggeligt inden start af produktet.



Elektriske affaldsprodukter bør ikke afskaffes sammen med husholdningsaffald. Genbrug venligst hvor faciliteterne tillader dette. Tjek med din lokale kommune eller forhandler for genbrugsråd.



Råmaterialerne skal genvindes og ikke bortkastes med almindeligt affald. Af hensyn til miljøet skal redskab, tilbehør og emballage sorteres.

SPECIFIKATIONER

Model	EAG950RS / EAG950RSD	EAG950RB / EAG950RBD
Slibeskivens diameter	115 mm (4.5 in)	125 mm (5 in)
Tykkelse		
Slibeskive	6 mm	6 mm
Skærehjul (ekstraudstyr)	3 mm	3 mm
Diamant-skærehjul (ekstraudstyr)	2 mm	2 mm
Spænding	230 V - 240 V ~ 50 Hz	230 V - 240 V ~ 50 Hz
Strømforsyning	950 W	950 W
Akselgevind	M14	M14
Mærkehastighed	11,000 min ⁻¹	11,000 min ⁻¹
Samlet længde	310 mm	310 mm
Nettovægt	2.55 kg	2.6 kg

BEMÆRK: Kontroller produktets mærkeplade, spændingen kan nemlig være forskellig de steder, hvor produktet skal anvendes.

Slibeskivens højeste omkredshastighed: 4,800 m/min.

Beregningseksempel

$$3.14 \times 125 \times 11,000 / 1,000 = 4.320$$

Slibeskivens omkredshastighed: 4.320

Slibeskivens diameter 125

Slibemaskinens tomgangshastighed 11.000

STANDARDTILBEHØR

Hjælpehåndtag, nøgle.

En slibeskive leveres med tilbehøret i visse lande.

BETJENING

Se figur 4.

⚠ ADVARSEL

Sikkerhedsafskærmningerne skal altid sidde på plads. Pas på ikke at dække ventilations-åbningerne til, så motoren altid bliver tilstrækkeligt afkølet.

For at arbejde effektivt er det vigtigt at styre og kontrollere trykket på værktøjet og kontaktfladen mellem slibeskiven og arbejdsstykket. Ved slibning af plane flader skal slibeskiven holdes i en spids vinkel, som regel mellem 10° og 20°, i forhold til arbejdsstykket. Lad slibeskiven komme op på fuld hastighed, inden slibningen påbegyndes. Hvis vinklen er for stor, koncentrerer trykket på en lille flade, som så bliver udhulet eller brændt.

NÅR DER SKÆRES I METAL

Se figur 9 - 10.

- Brug abrasivt skærehjul med helt lukket værktøjsfri hjulskærm ved skæring i metal.
- Ved skæring skal der udøves moderat tryk, afpasset efter det pågældende emnemateriale. Undgå at udøve pres på skæreskiven, vippe eller svinge maskinen.
- Forsøg ikke at reducere skæreskivernes kørselshastighed ved at udøve pres fra siden. Maskinen skal altid køre i en modskærende bevægelse; ellers er der fare for, at den presses ud af snittet på en ukontrolleret måde.
- Når der skæres i profiler og kvadratiske stænger, er det bedst at starte fra den mindste tværsæktion.

NÅR DER SKÆRES I STEN

Se figur 9, 11.

- Brug altid værktøjsfri standard-hjulskærm til skæring.
- Skæring i sten udføres bedst ved hjælp af en diamant-skæreskive og anvendelse af støvmaske.
- Tænd maskinen, og før den frem med moderat tryk afpasset efter det pågældende emnemateriale.

START-STOPKNAP

Se figur 3.

- For at sætte værktøjet i gang eller standse det skubbes start-stopknappen fremad eller slippes.

Dansk

- For at kunne arbejde med slibemaskinen i vedvarende drift trykkes start-stopknappens forreste ende ned, efter knappen er skubbet fremad, for at låse den i startstilling.
- For at gøre start-stopknappen fri trykkes på knappens bagerste ende.

VALG AF BESKYTTELSESSKÆRM

- Ved slibning af metal skal der altid bruges den værktøjsfri standard-hjulskærm.
- Ved skæring i sten skal der altid bruges den værktøjsfri standard-hjulskærm.
- Ved skæring i metal skal der altid bruges den helt lukkede værktøjsfri hjulskærm.

MONTERING AF SLIBESKIVE

Se figur 5 - 6.

- Montér skiveflangen og hjulet på spindlen, inden spændemøtrikken monteres.
- Kontrollér, at hjulet er monteret korrekt over knasten på skiveflangen og spændemøtrikken.
- Tryk aksellåseknappen på højre side af motor-huset ind.
- Spænd yderflangen fast ved drejning med uret ved hjælp af den medleverede servicenøgle.

MONTERING AF SKÆREHJULET

Se figur 7 - 8.

- Montér skiveflangen og hjulet på spindlen, inden spændemøtrikken monteres.
- Kontrollér, at hjulet er monteret korrekt over knasten på skiveflangen og spændemøtrikken, så spændemøtrikkens flade side vender nedad.
- Tryk aksellåseknappen på højre side af motor-huset ind.
- Spænd yderflangen fast ved drejning med uret ved hjælp af den medleverede servicenøgle.

⚠ ADVARSEL

Se slibeskiven omhyggeligt efter for revner. Hvis den har revner, skal den straks skiftes.

VÆRKTØJSFRI STANDARD-HJULSKÆRM TIL SLIBNING/SKÆRING AF STEN

Se figur 12 - 13.

Åbn sikkerhedsafskærmningens låsegreb, og sæt sikkerhedsafskærmningen i den ønskede stilling. Den maksimale drejevinkel er 90° på hver side; ellers kan skærmen ikke lukkes.

HELT LUKKET VÆRKTØJSFRI HJULSKÆRM TIL SKÆRING I METAL

Se figur 14 - 15.

Lås og løsn beskyttelsesskærm for skærehjul.

KONTROLLAMPE FOR STRØMTILSLUTNING

Vinkelsliberen har en kontrollampe for strømtilslutning, som tænder, når værktøjets stik er sat i stikkontakten. Denne kontrollampe skal minde om, at der er strøm på vinkelsliberen, og at maskinen starter, så snart start-stopknappen skubbes fremad.

VEDLIGEHOLDELSE

Efter brug skal værktøjet ses efter.

Det anbefales at aflevere værktøjet mindst en gang om året på et autoriseret Ryobi serviceværksted for grundig smøring og rensning.

⚠ ADVARSEL

Der må aldrig foretages justeringer med motoren gående.

Træk altid stikket ud af stik-kontakten inden udskiftning af dele (diamantskive, slibeskive m.v.), smøring eller vedligeholdelse af værktøjet.

⚠ ADVARSEL

Af hensyn til brugersikkerheden og drifts-sikkerheden skal reparationer udføres på et autoriseret Ryobi serviceværksted.

BESKRIVNING

1. Slipskiva
2. Verktygslöst standardskivskydd
3. Hjälpbandtag
4. Låsknapp för axeln
5. Strömbrytare
6. Fläns
7. Yttre fläns
8. Drivaxel
9. Servicenyckel
10. Låsspak för skyddskåpa
11. Indikator för nätanslutning
12. Helstängt, verktygslöst skivskydd (valfri)
13. Diamantkapskiva (valfri)
14. Kapskiva (valfri)

GEMENSAMMA SÄKERHETSVARNINGAR FÖR SLIPNING OCH SLIPANDE KAPNING

- a. Det här motordrivna verktyget är tänkt att fungera både som en slip- och kapmaskin. Läs uppmärksamt alla varningar, instruktioner och specifikationer som bifogas med detta verktyg och studera bilderna. Underlåtenhet att respektera dessa föreskrifter kan leda till olyckor som brand, elektriska stötar och/eller allvarliga kroppsskador.
- b. Underlåtenhet att följa denna föreskrift kan försäkra olyckor och allvarliga kroppsskador.
- c. Använd inte tillbehör som inte speciellt konstruerats för detta verktyg och som inte rekommenderas av tillverkaren. Även om ett tillbehör kan monteras på ett verktyg är detta ingen garanti för att du kan använda verktyget helt tryggt.
- d. Tillbehörets nominella hastighet ska vara lika med eller högre än den maximala hastighet som anges på verktyget. Tillbehör som fungerar i en hastighet som är högre än deras nominella hastighet kan brytas av och slungas ut.
- e. Tillbehörets ytterdiameter och tjocklek bör motsvara de karakteristika som getts för verktyget. Om tillbehören inte motsvarar givna karakteristika, kan det hända att verktygets skyddssystem och inställning inte fungerar normalt.
- f. Slipskivor, flänsar, slipydnor eller andra tillbehör måste vara fullständigt anpassade till spindelns håldiameter. Tillbehör som inte är anpassade till det verktyg de monteras på fungerar inte normalt, vibrerar extremt och får dig att förlora kontrollen över verktyget.
- g. Använd inte ett skadat tillbehör. Kontrollera före varje användning att tillbehöret som du använder är i gott skick: kontrollera att slipskivorna inte är kantstötta eller spruckna, att slipydnorna inte är trasiga eller slitna, att håren på metallborstarna inte är för slitna eller avbrutna. Om verktyget eller tillbehöret faller, kontrollera att ingen del har skadats och montera vid behov ett nytt tillbehör. Efter att ha kontrollerat att tillbehöret är i gott skick och efter att ha monterat det, håll dig på avstånd från det rörliga tillbehöret och låt verktyget gå i maximal hastighet under en minut. Om tillbehöret är skadat bryts det av under denna kontroll.
- h. Använd personlig skyddsutrustning. Beroende på vad du använder verktyget till bör du använda en skyddsmask, säkerhetsglasögon eller skyddsglasögon. Använd även vid behov en skyddsmask mot damm, hörselskydd, handskar och skyddsförkläde för att skydda dig mot utslungade främmande föremål (slipdelar, träspån, osv.). Skyddsglasögon hindrar att utslungat avfall skadar ögonen. Skyddsmasken mot damm filtrerar partiklarna som alstras av det arbete du utför. Långvarig exponering för kraftigt ljud kan leda till hörsel förlust.
 - i. Håll besökare på ett lämpligt avstånd från arbetsområdet och se till att de använder en skyddsutrustning. Den som kommer in i arbetsområdet måste bära personlig skyddsutrustning. Bitar av arbetsstycket eller ett trasigt tillbehör kan slungas ut från arbetsområdet och försäkra allvarliga kroppsskador.
 - j. Håll i verktyget endast i de isolerade och halksäkra delarna då du arbetar på en yta som kan dölja elektriska ledningar eller då arbetet är sådant att nätsladden kan placeras i verktygets bana. Kontakt med kablar under spänning kunde överföra ström till metalldelar och försäkra elstötar.
 - k. Placera nätsladden så att den är på avstånd från det roterande tillbehöret. Om du förlorar kontrollen över verktyget kan nätsladden skäras av eller kllas fast och din hand eller din arm kan dras emot det roterande tillbehöret.
 - l. Lagg aldrig ned verktyget innan tillbehöret stannat helt. Det roterande tillbehöret kan komma i kontakt med ytan det är ställt på och få dig att förlora kontrollen över verktyget.
 - m. Ha inte verktyget i gång medan du transporterar det. Det roterande tillbehöret skulle kunna fastna i kläderna och skada dig allvarligt.
 - n. Rengör regelbundet verktygets ventilationsöppningar. Motorventilationen gör att damm tränger in i motorhuset, vilket kan försäkra en extrem anhopning av metallpartiklar och

Svenska

framkalla elektriska stötar.

- o. **Använd inte verktyget i närheten av lättantändliga produkter.** Gnistor kan antända dem.
- p. **Använd inte tillbehör som kräver kylvätskor.** Användning av vatten eller kylvätskor kan försäkra elektriska stötar.

ÅTERKAST OCH RELATERADE VARNINGAR

Återslaget är en plötslig reaktion som inträffar då slipskivan som är i rörelse, slippydan, borsten eller ett annat tillbehör fastnar eller vrids, vilket leder till att tillbehöret snabbt låses fast. Verktyget, som fortsätter att fungera, kastar då verktyget i motsatt riktning jämfört med tillbehörets användningsriktning.

Om till exempel en slipskiva kläms ihop eller vrids inne i arbetsstycket, kan eggen på skivan tryckas in i arbetsstyckets yta, vilket gör att skivan snabbt går ut ur arbetsstycket och slungas mot användaren eller på avstånd, beroende på skivans rotationsriktning då den blockeras. I händelse av återslag kan slipskivan även brytas av. I händelse av återslag kan slipskivan även brytas av.

Ett återslag är alltså resultatet av en felaktig användning av verktyget och/eller av felaktiga arbetsmetoder eller arbetsförhållanden. Det kan undvikas genom att vidta några försiktighetsåtgärder.

- a. **Håll stadigt i verktyget och placera kroppen och armen så att du kan kontrollera ett eventuellt återslag. Om verktyget har ett hjälphanntag, håll alltid i det för att kunna kontrollera verktyget optimalt i händelse av återslag eller reaktionsmoment vid start av verktyget.** Vidta nödvändiga åtgärder för att kunna kontrollera verktyget i händelse av återslag eller reaktionsmoment.
- b. **Ha aldrig handen i närheten av det roterande tillbehöret för att undvika risker för allvarliga kroppsskador vid återslag.** Tillbehör kan kast över din hand.
- c. **Stå inte i det område dit verktyget kan slungas vid återslag.** Vid återslag slungas verktyget i motsatt riktning jämfört med skivans rotation.
- d. **Var speciellt på din vakt då du arbetar i hörn, på vassa kanter, osv.**
Låt inte tillbehöret slira eller kilas fast. Då du arbetar i hörn eller på vassa kanter eller då verktyget slirar är risken större att tillbehöret blockeras, att du förlorar kontrollen över verktyget och att ett återslag uppstår.
- e. **Använd aldrig en kapskiva för trä eller en sågklinga med detta verktyg.** Dyliga skivor eller klingor ökar risken för återslag och för att man förlorar kontrollen över verktyget.

SÄKERHETSVARNINGAR SPECIFIKT FÖR FÖR SLIPNING OCH SLIPANDE KAPNING

- a. **Använd endast skivtyper som rekommenderas till ditt verktyg och använd endast det skydd som är avsett för den valda skivtypen.** Skivor som verktyget inte är anpassat för att hantera kan inte skyddet hantera på ett tillförlitligt sätt och de är därför inte säkra att använda.
- b. **Skyddet måste sitta fast ordentligt på verktyget och vara placerat så att det erbjuder maximalt skydd där användaren exponeras för en så liten del av skivan som möjligt.** Skyddet hindrar oavsiktlig kontakt med skivan och skyddar användaren från splitter från en trasig skiva.
- c. **Skivorna får endast användas till de aktiviteter som de är avsedda för. Exempel, använd inte sidorna på en kapskiva för att slipa.** Slipande kapskivor är avsedda för yttre slipning; om du trycker dem i sidled kan de splittras.
- d. **Använd alltid oskadade skivflänsar i rätt storlek och form så att de passar den skiva du använder.** Korrekta skivflänsar stärker skivan och minskar risken att den går sönder. Flänsarna för kapskivor kan vara annorlunda än flänsarna för slipskivor.
- e. **Använd inte nedslitna skivor från större maskiner.** Skivor som är avsedda för större verktyg är inte lämpliga att använda till mindre verktyg med högre hastighet eftersom skivan kan splittras.

YTTERLIGARE SÄKERHETSVARNINGAR SPECIFIKT FÖR SLIPANDE KAPNING

- a. **"Blockera" inte skivan och lägg inte på för stort tryck. Försök inte att göra ett för djupt skär.** Överbelastning av skivan ökar påfrestningarna, och risken att skivan böjs eller fastnar i skäret ökar samtidigt som det finns risk för återkast och att skivan går sönder.
- b. **Placera inte din kropp i linje med, och bakom, den roterande skivan.** När skivan under användning roterar bort från din kropp kan ett återkast få den roterande skivan och hela maskinen att kastas mot dig.
- c. **När klingan nypas fast eller när du avbryter kapningen av någon anledning ska du slå av elverktyget och hålla det helt still tills skivan har stannat helt. Försök aldrig dra ur kapskivan ur ett kapsår medan skivan är i rörelse eftersom det kan orsaka ett våldsamt kast (kickback).** Om skivan kilas fast, ta reda på orsaken och vidta nödvändiga åtgärder för att detta inte upprepas.

- d. **Starta inte maskinen igen medan skivan sitter i arbetsstycket. Låt skivan komma upp i maximal hastighet och för sedan försiktigt in skivan i kapsparet igen.** Skivan kan nypas fast, klättra uppåt eller slungas bakåt med en våldsamt kraft om elverket startas om medan skivan sitter i arbetsstycket.
- e. **Använd stöd på undersidan av paneler eller extremt stora arbetsstycken för att minska risken att skivan nyper fast och att maskinen kastas mot dig.** Stora arbetsstycken tenderar att bägna av sin egen vikt. Placera stöd, till exempel bockar, på båda sidor av arbetsstycket; placera dem nära sågspåret och nära arbetsstyckets kanter.
- f. **Var extra försiktigt när du gör "instickssågningar" i befintliga väggar eller andra dolda områden.** En utstickande skiva kan kapa av gas- eller vattenledningar, elledningar eller föremål som kan orsaka ett våldsamt kast.

YTTRELIGARE SÄKERHETSVARNINGAR SPECIFIKT FÖR SLIPNING

- a. Kontrollera att hastigheten som anges på slipskivan är lika hög eller högre än verktygets nominella hastighet.
- b. Försäkra dig om att slipskivans diameter är förenlig med verktyget och att slipskivan fogas in korrekt i axeln.
- c. Slipskivorna skall förvaras på en torr plats.
- d. Placera inget föremål på slipskivorna.
- e. Slipskivorna får inte användas för andra arbeten än slipning.
- f. Kontrollera före användning av slipskivan att den inte är kantstött eller sprucken. Om det är fallet kan slipskivan brytas av, vilket kan förorsaka allvarliga kroppsskador.
- g. Kontrollera före användning att slipskivan är rätt monterad och åtdragen och ha verktyget att gå på tomgång i 30 sekunder inriktat på ett sådant sätt att det inte innebär någon fara. Stanna verktyget omedelbart om det vibrerar extremt mycket eller om du konstaterar andra problem. Inspektera i så fall verktyget för att fastställa orsaken till problemet.
- h. Använd inte reduktionsringar eller mellanlägg för att minska innerdiametern i slipskivor med stor diameter.
- i. Kontrollera att arbetsstycket är ordentligt fastspänt.
- j. Försäkra dig om att gnistorna som alstras vid användning av verktyget inte skapar en farlig situation. De får till exempel inte slungas mot personer eller lättantändliga ämnen.
- k. Kom ihåg att alltid använda skyddsglasögon och hörselskydd.

- l. Använd vid behov även andra skydd, som till exempel handskar, förkläde eller hjälm.
- m. Lägg aldrig ned verktyget på golvet eller andra ytor, när det är i gång. Lägg märke till att slipskivan fortsätter att rotera en stund efter att verktyget stängts av. Rör aldrig vid slipskivan och lägg inte ned den på golvet eller på andra ytor medan den roterar.
- n. Slipskivans fläns och den yttre flänsen skall ha samma ytterdiameter.
- o. Använd verktyget endast för arbeten till vilka det är anpassat. Använd aldrig kylmedel eller vatten. Använd inte verktyget som ett fast verktyg.
- p. Håll stadigt i verktyget med båda händerna när du använder det.

SYMBOL



Säkerhetsvarning

V

Volt

Hz

Hertz

~

Växelström

W

Watt

n₀

Tomgångshastighet

n

Hastighet

min⁻¹

Antal varv eller rörelser per minut



CE-konformitet



Dubbelsolivering



Bär hörselskydd.



Använd skyddsglasögon



Läs alla instruktioner noggrant innan du startar produkten.



Gamla elektroniska produkter ska inte kastas med hushållssoporna. Återvinn där sådana faciliteter finns. Kontrollera med din lokala myndighet eller säljaren för att få återvinningstips.



Råmaterialen bör återanvändas i stället för att kastas i hushållsavfallet. För att skona miljön ska verktyget, tillbehören och emballagen sorteras.

SPECIFIKATIONER

Modell	EAG950RS / EAG950RSD	EAG950RB / EAG950RBD
Slipskivans diameter	115 mm (4.5 in)	125 mm (5 in)
Tjocklek		
Slipskiva	6 mm	6 mm
Kapskiva (valfri)	3 mm	3 mm
Diamantkapskiva (valfri)	2 mm	2 mm
Spänning	230 V - 240 V ~ 50 Hz	230 V - 240 V ~ 50 Hz
Matningsspänning	950 W	950 W
Axelgångning	M14	M14
Hastighet	11,000 min ⁻¹	11,000 min ⁻¹
Totallängd	310 mm	310 mm
Nettovikt	2.55 kg	2.6 kg

NOTERA: Kontrollera produktens typskylt, för spänningen kan vara annorlunda beroende på den plats där produkten används.

Max. periferihastighet för slipskivan: 4,800 m/min.

Exempel på beräkning

$$3.14 \times 125 \times 11,000 / 1,000 = 4\,320$$

Slipskivans periferihastighet 4 320

Slipskivans diameter 125

Slipmaskinens tomgångshastighet 11 000

STANDARDTILLBEHÖR

Sekundärhandtag, skiftnyckel.

En slipskiva bifogas med tillbehör i vissa länder.

ANVÄNDNING

Se bild 4.

⚠ VARNING

Skyddskåporna måste alltid vara monterade. Kom ihåg att inte täcka över ventilationsöppningarna, för att möjliggöra en tillräcklig avkylning av motorn.

För att uppnå ett lyckat resultat är det viktigt att noga kontrollera trycket som anbringas på verktyget samt kontaktytan mellan slipskivan och arbetsstycket. Vid slipning av plana ytor skall slipmaskinen bilda en spetsig vinkel, vanligtvis mellan 10 och 20°, med arbetsstycket. Låt slipskivan uppnå maximal hastighet, innan du börjar slipa. Om vinkeln är för stor, leder det till att trycket koncentreras på en liten yta, vilket kan urholka eller bränna arbetsytan.

FÖR KAPNING AV METALL

Se bild 9 - 10.

- Använd en slipande kapskiva med ett heltstängt, verktygslöst skivskydd vid sågning i metall.
- När du kapar ska du tillämpa ett lätt tryck mot arbetsstycket och anpassa trycket efter det material som kapas. Utsätt inte kapskivan för tryck och luta eller vinkla inte maskinen.
- Försök inte stanna eller minska kapskivans hastighet genom att trycka dess sida mot något föremål. Maskinen måste alltid användas så att maskinen drar in i skäret, annars finns det en risk att maskinen trycks ut okontrollerat från skäret.
- När du kapar profiler eller fyrkantiga stänger är det bäst att starta från det smalaste tvärsnittet.

FÖR KAPNING AV STEN

Se bild 9, 11.

- Använd alltid det verktygslösa standardskyddet för kapskiva vid sågning.
- Vid kapning av sten är det bäst att använda diamantkapskivor och bära en dammskyddsmask.
- Slå på maskinen och tryck skivan mot arbetsstycket med ett lätt tryck; anpassa trycket efter det material som ska kapas.

STRÖMBRYTARE

Se bild 3.

- Sätt i gång eller stäng av verktyget genom att trycka strömbrytaren framåt eller släppa den.
- Om du vill använda slipmaskinen kontinuerligt trycker du på den främre änden av strömbrytaren efter att ha låst den i tillslaget läge.

Svenska

- För att låsa upp strömbrytaren trycker du på den bakre änden av strömbrytaren.

VÄLJA KAPSKYDD

- Arbeta alltid med det verktygslösa standardskivskyddet vid slipning av metall.
- Arbeta alltid med det verktygslösa standardskivskyddet vid sågning i sten.
- Arbeta alltid med det verktygslösa, helstängda skivskyddet vid sågning i metall.

MONTERING AV SLIPSKIVAN

Se bild 5 - 6.

- Placera skivflänsen och skivan på spindeln innan du sätter på låsmuttern.
- Kontrollera att skivan sitter ordentligt över skivflänsens nav och klämmuttern.
- Tryck in låsknappen för axeln som finns på den högra sidan av motorhuset.
- Dra åt den yttre flänsen medurs med hjälp av den bifogade servicenyckeln.

MONTERING AV KAPSKIVAN

Se bild 7 - 8.

- Placera skivflänsen och skivan på spindeln innan du sätter på låsmuttern.
- Kontrollera att skivan sitter ordentligt ovanpå skivflänsens nav och klämmuttern, där den platta sidan av klämmuttern är riktad nedåt.
- Tryck in låsknappen för axeln som finns på den högra sidan av motorhuset.
- Dra åt den yttre flänsen medurs med hjälp av den bifogade servicenyckeln.

⚠ VARNING

Kontrollera noggrant att slipskivan inte har några sprickor. Byt omedelbart ut slipskivan om den är sprucken.

VERKTYGSLÖST STANDARDSKIVSKYDD FÖR SLIPNING/SÅGNING I STEN

Se bild 12 - 13.

Öppna låsspaken för skyddskåpan och placera skyddskåpan i önskat läge. Den maximala vridvinkeln är 90° på ena eller andra sidan, annars kan inte skyddet spärras.

HELSTÄNGT, VERKTYGSLÖST SKIVSKYDD FÖR SÅGNING I METALL

Se bild 14 - 15.

Låsa och låsa upp kapskyddet för kapskivan.

INDIKATOR FÖR NÄTANSLUTNING

Vinkelslipen är utrustad med en indikator för nätanslutning som tänds då verktyget ansluts till nätet. Denna indikator gör dig uppmärksam på att vinkelslipen är spänningsatt och att den sätts i gång så fort du skjuter strömbrytaren framåt.

UNDERHÅLL

Försäkra dig om att verktyget är i gott skick efter avslutad användning.

Vi rekommenderar att lämna in verktyget för smörjning och komplett rengöring på en godkänd serviceverkstad, minst en gång per år.

⚠ VARNING

Utför ingen inställning medan motorn är i gång.

Koppla alltid ur slipmaskinen innan du byter ut en del (diamantslipskiva, slipskiva, etc.), smörjer verktyget och före alla underhållsarbeten.

⚠ VARNING

Av säkerhetsskäl är det viktigt att alla reparationer utförs på en serviceverkstad som auktoriserats av Ryobi.

KUVUAS

1. Tasoitushiomalaikka
2. Työkäluä vaatimaton laikan vakiosuojus
3. Sivukahva
4. Akselin lukintanappi
5. Katkaisin
6. Laippa
7. Ulkolaippa
8. Vetoakseli
9. Säätöävain
10. Suojakotelon lukintavipu
11. Jännitteen merkkipälo
12. Täysin umpinainen työkalua vaatimaton laikan suojuus (valinnainen)
13. Timanttinen katkaisulaikka (valinnainen)
14. Katkaisulaikka (valinnainen)

HIONTAAN JA KATKAISEMISEEN LIITTYVIÄ YLEISIÄ TURVALLISUUSVAROITUKSIA

- a. Tämä sähkötyökalu on tarkoitettu toimimaan hioma- sekä katkaisulaitteena. Lue tarkkaavaisesti kaikki tämän työkalun kanssa toimitetut varoitukset, ohjeet ja spesifikaatiot, ja katso lisäksi kuvat. Seuraavassa esitettyjen ohjeiden laiminlyönnistä saattaa olla seurauksena onnettomuus kuten tulipalot, sähköiskut ja/tai vakavia kehon vammoja.
- b. Tämän ohjeen laiminlyönnistä saattaa olla seurauksena onnettomuuksia ja vakavia kehon vammoja.
- c. Älä käytä lisälisävarusteita, joita ei ole suunniteltu juuri tälle työkalulle ja joita valmistaja ei suosittelle. Vaikka lisälisävarusteen voi mahdollisesti asentaa työkaluun, tämä ei takaa, että työkalua voi käyttää täysin turvallisesti.
- d. Lisävarusteen nimellinopeuden on oltava sama tai korkeampi kuin lisävarusteelle mainittu maksiminopeus. Yli nimellinopeudella käytetyt lisävarusteet saattavat rikkoutua ja joutuvat hyläytyksi.
- e. Lisävarusteen ulkohalkaisijan ja paksuuden on vastattava työkalun ilmoitettuja ominaisuuksia. Ellei lisävarusteiden ominaisuudet vastaa annettuja ominaisuuksia, työkalun suoja- ja säätöjärjestelmä eivät voi toimia oikein.
- f. Hiomakiekkojen, laikkojen, jalaksien tai muiden lisävarusteiden on oltava täydellisesti työkalun akselin halkaisijaan sopivia. Lisävarusteet, jotka ovat sopimattomia akselille, jolle ne pitäisi asentaa, eivät pyöri kunnolla, tärisevät liikaa ja menetät työkalun hallinnan.
- g. Älä käytä voittuneita lisävarusteita. Tarkista

ennen jokaista käyttöä, että käyttämäsi lisävaruste on hyväkuntoinen: varmista, että hiontalaikan reunat ovat ehjät eikä siinä ole halkeamia ja etteivät kengät eivät ole repeytyneet tai kuluneet, ettei metalliharjojen harjakset ole liian kuluneet tai katkeilleet. Jos työkalu tai lisävaruste putoaa, tarkista, ettei mikään niiden osa ole vioittunut ja vaihda tarvittaessa uuteen. Kun olet todennut lisävarusteen hyvän kunnon ja kun olet asentanut sen, pysy loitolla liikkuvasta lisävarusteesta sallien työkalun saavuttaa maksiminopeuden minuutin aikana. Jos lisävaruste on viallinen, se särkyä tämän kokeen aikana.

- h. Käytä henkilökohtaisia suojavarusteita. Sen mukaan, mihin käytät työkalua, pidä suojaanamaaria, turva- tai suojaaseja. Pidä tarvittaessa pölynsuojaanamaaria, kuulosuojaimia, suojakäsiineitä ja suojaesiliiniä kaikkia ulkoisten kappaleiden sinkoamista vastaan (hankaavat kappaleet, puun lastut jne.). Suojalasit estävät lentäviä jätetalasia vahingoittamasta silmiä. Pölynsuojaanamaareilla voidaan suodattaa käytetyssä työssä syntyneet hiukkaset. Pitkäaikaisesta altistuksesta kovalle melulle saattaa aiheutua kuolon huononeminen.
- i. Pidä vieraat hyvin loitolla työalueesta ja huolehdi, että heillä on suojaalisävarusteet. Jokaisella, joka tulee työalueelle on käytettävä henkilökohtaisia suojavarusteita. Työstettävistä kappaleista tai rikkoutuneesta välineestä saattaa singota palasia työalueen ulkopuolellekin aiheuttaen vakavia vammoja.
- j. Pidä työkalusta kiinni vain eristetyistä luistamattomista osista työskennellessäsi pinnalla, joka saattaa kätkeä sähköjohtoja tai milloin vaadittu ei edellyttää mahdollisesti sähköjohton asettamista työkalun liikeradalle. Kosketus jännitteessä oleviin virtajohtoihin saattaa johtaa virran metallisiin aiheuttaen sähköiskun.
- k. Aseta virtajohto niin, että se on kaukana laitteen pyöriävästä osasta. Jos menetät työkalun hallinnan, virtajohto saattaa katketa tai kiertyä käteen tai käsivarsi saattaa joutua pyöriivään terään.
- l. Älä laske työkalua koskaan kädestäsi ennen kuin lisävaruste on kokonaan pysähtynyt. Pyöriivä lisävaruste saattaa koskettaa pintaa, jolle se lasketaan ja menetät laitteen hallinnan.
- m. Älä käynnistä työkalua sitä kuljetettaessa. Pyöriivä lisävaruste saattaa takertua vaarallisiin ja aiheuttaa vakavan vamman.
- n. Puhdista säännöllisesti työkalun puhallinaukot.

Moottorin puhallin imee pölyä moottorin kuoren sisään, mistä saattaa johtua metalliliuhkusten liiallinen kertyminen aiheuttaen sähköiskuja.

- o. **Älä käytä laitetta syttyvien aineiden läheisyydessä.** Kipinät saattavat sytyttää ne.
- p. **Älä käytä lisävarusteita, jotka tarvitsevat jäähdytysnesteitä.** Vesi tai jäähdytysnesteet voivat aiheuttaa sähkösurman tai sähköiskun.

TAKAPOTKU JA SIIHEN LIITTYVÄT VAROITUKSET

Pomppaus on äkillinen reaktio, kun liikkeessä oleva hiomalaikka, kenkä, harja tai jokin muu lisävaruste tarttuu kiinni tai vääntyy, mikä aiheuttaa lisälaitteen äkillisen jumiumtumen. Edelleen käynnissä oleva työkalu linkoo tällöin lisälaitteen liikkeensä vastakkaiseen suuntaan.

Esimerkiksi, jos hiomalaikka jumiuu ta vääntyy työstettävässä kappaleessa, on vaara, että laikan hiomapinta painuu työstettävään pintaan, jolloin laikka hyppää äkinäisesti pinnasta ponnahtaen käyttäjään päin tai ulospäin kiertoliikkeen suunnasta riippuen jumiumtushetkellä. Hiomalaikka saattaa myös haljeta pomppauksen seurauksena. Hiomalaikka saattaa myös haljeta pomppauksen seurauksena.

Pomppaus on siis seurauksena väärästä käytöstä ja/ tai menetelmästä tai väärästä käyttöolosuhteesta. Sen voi välttää erällä varotoimenpiteillä:

- a. **Pidä tukevasti kiinni työkalusta ja pidä varalosi ja käsivarret niin, että voit hallita mahdollisen pomppauksen. Jos työkalussa on lisäkahva, pidä aina siitä kiinni parhaan hallinnan saamiseksi pomppauksen sattuessa tai työkalun käynnistyksessä syntyvälle reaktioväntömomentille.** Suorita tarvittavat toimenpiteet voidaksesi hallita työkalun pomppauksen tai käynnistysreaktion sattuessa.
- b. **Älä vie koskaan kättä pyörivän lisävarusteen lähelle vakavien kehonvammojen välttämiseksi pomppauksen sattuessa.** Lisälaite voidaan takapotkun aikana kätesi.
- c. **Älä asetu paikkaan, mihin työkalu mahdollisesti sinkoa pomppauksen sattuessa.** Työkalu sinkoa pomppauksessa laikan pyörimissuunnan vastaiseen suuntaan.
- d. **Ole erikoisen valpas työstäessäsi särmiä, teräviä reunoja jne.** Vältä lisävarusteen luisumista tai jumittumista. Kun työskentelet särmiällä tai terävillä reunoilla tai jos työkalu pääsee luiskahtamaan, on sen jumiumtumisvaara suurempi. Tällöin saatat menettää työkalun hallinnan ja aiheuttaa pomppauksen.
- e. **Älä käytä koskaan puun katkaisuterää tai puun sahausterää tällä työkalulla.** Sellaisilla terillä on suurempi pomppausvaara ja työkalun hallinnan menetyks.

HIONTAAN JA KATKAISEMISEEN LIITTYVIÄ ERITYISIÄ TURVALLISUUSVAROITUKSIA

- a. **Käytä ainoastaan sähkötyökalulle suositeltuja laikkoja ja kyseiselle laikalle tarkoitettua suojusta.** Laikkoja, joita ei ole tarkoitettu tälle sähkötyökalulle, ei voi suojata riittävästi, ja ne ovat vaarallisia.
- b. **Suojan on oltava tukevasti kiinnitetty sähkötyökaluun ja sijoitettu siten, että se tekee laitteesta mahdollisimman turvallisen ja että käyttäjän puolella on mahdollisimman vähän paljasta laikkaa.** Suoja suojelee käyttäjää irronneilta laikan osasilta ja estävät häntä koskettamatta laikkaa vahingossa.
- c. **Laikkoja saa käyttää ainoastaan niille tarkoitettuun käyttötarkoitukseen.** Esimerkiksi, **älä hio katkaisulaikan sivulla.** Katkaisulaikoilla hionnassa on käytettävä niiden ulkoreunaa; sivuttaisvoimat voivat saada ne murtumaan.
- d. **Käytä aina kunnossa olevia laikan laippoja, jotka vastaavat valitun laikan kokoa ja muotoa.** Asianmukaiset laipat tukevat laikkaa ja pienentävät siten mahdollisuutta, että laikka rikkoutuu. Katkaisulaikkojen laipat voivat poiketa hiomalaikkojen laipoista.
- e. **Älä käytä suurempien sähkötyökalujen kuluneita laikkoja.** Suuremmille sähkötyökaluille tarkoitettut laikat eivät sovi pienemmän laitteen suuremmalle nopeudelle, sillä ne voivat lohjeta.

KATKAISEMISEEN LIITTYVIÄ TURVALLISUUDEN LISÄVAROITUKSIA

- a. **Älä "jumita" katkaisulaikkaa tai käytä liiallista painetta. Älä yritä leikata liian syvälle.** Laikan ylikuormitus kasvattaa kuormaa ja mahdollisuutta, että laikka taittuu tai jumiuu leikkuu-uraan ja potkaisee takaisin tai rikkoutuu.
- b. **Älä asetu pyörivän laikan taakse, samaan linjaan sen kanssa.** Kun laikka liikkuu kehosta pois päin, takapotku saattaa singota laikan ja sähkötyökalun suoraan käyttäjää kohden.
- c. **Jos laikka takertuu tai kun keskeytät leikkaamisen mistään syystä, sammuta sähkötyökalu ja pitele sitä paikoillaan, kunnes laikka pysähtyy.** Älä koskaan yritä nostaa katkaisulaikkaa leikkuu-urasta laikan pyöriessä; muutoin laite voi potkaista takaisin. Älä yritä koskaan irrottaa laikkaa sen pyöriessä, se saattaa aiheuttaa pomppauksen.
- d. **Älä aloita leikkausta laikan koskettaessa työkalua.** Anna laikan saavuttaa täysi nopeus ja aseta laikka takaisin leikkuu-uraan

Suomi

- varovasti.** Laikka saattaa jumittua, kulkea ylöspäin tai potkaista takaisin, jos sähkötyökalu käynnistetään laikan ollessa kosketuksissa työkappaleeseen.
- e. **Tue paneelit ja muut suuret työkappaleet siten, että minimoit juutumisen ja takapotkun vaaran.** Suuret työkappaleet ovat taipuvaisia painumaan oman painansa ansiosta. Tuet tulee asettaa työkappaleen alle, lähelle leikkaulinjaa, ja lähelle työkappaleen reunoja, laikan molemmille puolille.
- f. **Ole erittäin varovainen tehdessäsi olemassa oleviin seinämiin tai muihin sokeisiin kohtiin niiden keskeltä alkavaa leikkausta.** Ulos työntyvä laikka voi leikata kaasuu- tai vesiputkia, sähköjohtoja tai kappaleita, jotka voivat aiheuttaa takapotkun.

HIONTAAN LIITTYVIÄ TURVALLISUUDEN LISÄVAROITUKSIA

- a. Tarkista, että tasoitushiomalaikassa oleva nopeus on tasan tai yli työkalun nimellisenopeuden.
- b. Varmista, että tasoitushiomalaikan mitat sopivat työkalulle ja että se soveltuu akselille.
- c. Tasoitusiomalaikat on varastoitava kuivaan tilaan.
- d. Älä aseta mitään hiomalaikkojen päälle.
- e. Hiomalaikkoja ei saa käyttää muuhun tarkoitukseen kuin hiomatöihin.
- f. Varmista ennen käyttöä, ettei hiomalaikassa ole säröjä tai halkeamia. Laikka voi rikkoutua, mikäli säröjä ja halkeamia on ja seurauksena on vakavia ruumiinvammoja.
- g. Varmista ennen käyttöä, että hiomalaikka on oikein asennettu ja kiristetty ja käytä sitten työkalua tyhjäkäynnillä 30 sekuntia kohdistaen sen niin, ettei se osoittaudu vaaralliseksi. Sammuta työkalu välittömästi, mikäli liiallista värinää ilmaantuu tai havaitset muita vikoja. Tässä tapauksessa, tarkista työkalu mahdollisen vian aiheuttajan löytämiseksi.
- h. Älä käytä erillisiä pelkistinrenkaita tai sovitimia isomman kaliiberin omavien hiomakiekkojen sovittamiseksi.
- i. Tarkista, että työkappale pysyy oikein paikallaan.
- j. Varmista, ettei työkalusta lähtevät kipinä aiheuta vaaratilanteita, esim. etteivät ne lennä kohti henkilöitä tai tulenarkoja aineita.
- k. Pidä aina suoalaseja ja kuulonsuojaimia.
- l. Tarvittaessa, käytä muita suojavarusteita kuten käsineitä, suojaesiliinoja tai kypärää.
- m. Älä koskaan laske työkalua maahan tai muulle pinnalle kun se on käynnissä. Hiomalaikka jatkaa pyörimistä inertian avulla työkalun sammutuksen jälkeen. Älä koskaan kosketa hiomalaikkaan, äläkä aseta sitä maahan tai muulle pinnalle kun se pyörii.

- n. Hiomalaikan laipan ja ulkolaipan ulkohalkaisijoiden on oltava samat.
- o. Älä käytä työkalua muihin kuin sille tarkoitettuihin sovelluksiin. Älä koskaan käytä jäähdystynestettä tai vettä. Älä käytä työkalua kiinteän työkalun tapaan.
- p. Kun käytät työkalua, pidä sitä tukevasti kaksin käsin.

SYMBOLI

Turvavaroitus

V

Voltti

Hz

Hertz

~

Vaihtovirta

W

Watti

n₀

Tyhjäkäyntinopeus

n

Nimellisenopeus

min⁻¹

Kierrosten tai liikkeiden määrä minuutissa



CE-vastaavuus



Kaksoiseristys



Käytä kuulonsuojaimia



Käytä suojalaseja



Lue ohjeet huolella ennen laitteen käyttöä.



Käytöstä poistettavia sähkölaitteita ei pidä hävittää talousjätteiden mukana. Ne on mahdollisuuksien mukaan pantava kiertoon. Kierrätysohjeita antavat kunnan viranomaiset ja vähittäiskauppiat.



Älä heitä raaka-aineita kotitalousjätteisiin, vaan vie ne kierrätykseen. Ympäristönsuojelun kannalta työkalu, lisäva r usteet ja pakkausmateriaali on lajiteltava.

TEKNISET TIEDOT

Malli

EAG950RS EAG950RB /
/ EAG950RSD EAG950RBD

Suomi

Hiomalaikan halkaisija	115 mm (4.5 in)	125 mm (5 in)
Paksuus		
Tasoitushiomalaikka	6 mm	6 mm
Katkaisulaikka (valinnainen)	3 mm	3 mm
Timanttinen katkaisulaikka (valinnainen)	2 mm	2 mm
Jännite	230 V - 240 V ~ 50 Hz	230 V - 240 V ~ 50 Hz
Virrankulutus	950 W	950 W
Akselin kierteitys	M14	M14
Nimellisnopeus	11,000 min ⁻¹	11,000 min ⁻¹
Kokonaispituus	310 mm	310 mm
Kokonaispaino	2.55 kg	2.6 kg

HUOM: Tarkista tuotteen arvokilpi, sillä jännite poikkeaa tuotteen käyttöpaikan mukaisesti.

Hiomalaikan maksimi kehänopeus: 4,800 m/min.

Laskentaesimerkki

$$3.14 \times 125 \times 11,000/1,000 = 4\ 320$$

Hiomalaikan kehänopeus 4 320

Hiomalaikan halkaisija 125

Hiomalaikan tyhjäkäyntinopeus 11 000

VAKIOLISÄVARUSTEET

Lisäkahva, avain.

Joissakin maissa lisävarusteiden mukana toimitetaan tasoitushiomalaikka.

OPERATION

Katso kuvaa 4.

VAROITUS

Suojakoteloiden on oltava aina paikoillaan. Älä peitä tuuletusaukkoja moottorin oikean jäähtymisen sallimiseksi.

Tehokasta työtä varten työkaluun sekä hiomalaikan ja työkalupaleen kosketuspintaan kohdistuva painovoima on hallittava tarkoin. Tasaisten pintojen hiontaa varten hiomalaikan on muodostettava yleensä 10° - 20° terävä kulma työkalupaleen kanssa. Anna moottorin saavuttaa maksimi nopeus ennen kuin aloitat hionnan. Liian suuri kulma aiheuttaa paineen keskittymistä pienelle alalle, mikä voi kovettaa tai polttaa pintaa.

METALLIN LEIKKAAMISEEN

Katso kuvaa 9 - 10.

- Käytä metallin leikkaamiseen hiovaa katkaisulaikkaa ja täysin umpinaista työkalua vaatimatonta laikan suojusta.
- Käytä leikatessasi kohtuullista painetta, joka sopii leikattavalle materiaalille. Älä kohdista katkaisulaikkaan painetta tai heiluta laitetta.
- Älä hidasta pysähtyvän katkaisulaikan nopeutta kohdistamalla siihen poikittaisrasitusta. Laitetta on käytettävä aina siten, että sitä liikutetaan laikan kiertosuuntaan nähden vastakkaiseen suuntaan; muutoin se saattaa riistäytyä pois leikkuu-urasta.
- Kun leikkaat profiilia tai kulmikasta tankoa, on paras aloittaa pienimmän halkaisijan kohdalta.

KIVEN LEIKKAAMISEEN

Katso kuvaa 9, 11.

- Käytä leikatessasi aina työkalua vaatimatonta laikan suojusta.
- Kiveä leikattaessa on parasta käyttää timanttista katkaisulaikkaa ja pölynaamaria.
- Käynnistä laite ja vedä sitä kohtuullisella paineella, joka sopii leikattavalle materiaalille.

KATKAININ

Katso kuvaa 3.

- Käynnistä ja sammuta työkalu työntämällä ja vapauttamalla käynnistyskatkaisinta.
- Kun haluat käyttää hiomakonetta keskeytymättä, työnnä katkaisinta ja lukitse se käynnistysasentoon sen etupäätä painamalla.
- Vapauta katkainin painamalla sen takapäätä.

SUOJUKSEN VALINTA

- Kun hiot metallia, käytä aina työkalua vaatimatonta laikan vakiosuojusta.
- Käytä kiveä leikatessasi aina työkalua vaatimatonta laikan suojusta.
- Kun leikkaat metallia, käytä aina täysin umpinaista työkalua vaatimatonta laikan suojusta.

Suomi

TASOITUSHIOMALAIKAN ASENTAMINEN

Katso kuvaa 5 - 6.

- Liitä laippa ja laikka akseliin ennen pinnemutterin kiinnittämistä.
- Varmista, että laikka istuu asianmukaisesti laikan laipan ja pinnemutterin keskiöllä.
- Paina akselin lukintanappia, joka sijaitsee moottorikotelon oikealla sivulla.
- Kiristä ulkolaippaa myötöpäivään mukana toimitetulla säätöavaimella.

LAIKAN ASENTAMINEN

Katso kuvaa 7 - 8.

- Liitä laippa ja laikka akseliin ennen pinnemutterin kiinnittämistä.
- Varmista, että laikka istuu asianmukaisesti laikan laipan ja pinnemutterin keskiöllä ja että pinnemutterin tasainen puoli osoittaa alaspäin.
- Paina akselin lukintanappia, joka sijaitsee moottorikotelon oikealla sivulla.
- Kiristä ulkolaippaa myötöpäivään mukana toimitetulla säätöavaimella.

VAROITUS

Tarkista hyvin, ettei hiomalaikassa ole halkeamia. Vaihda välittömästi haljennut hiomalaikka.

TYÖKALUA VAATIMATON LAIKAN VAKIOSUOJUS KIVEN HIOMISEEN/LEIKKAAMISEEN

Katso kuvaa 12 - 13.

Avaa suojakotelon lukintavipu ja asennoi sitten suojakotelo toivottuun asentoon. Suurin mahdollinen kulma on 90° molemmilla puolilla; muutoin suojusta ei voi lukita.

TÄYSIN UMPINAINEN TYÖKALUA VAATIMATON LAIKAN SUOJUS METALLIN LEIKKUUSEEN

Katso kuvaa 14 - 15.

Lukitse laikan suojus ja vapauta sen lukitus.

JÄNNITTEEN MERKKIVALO

Hiomalaikkasi on varustettu jännitteen merkkivalolla, joka syttyy, kun laite on kytketty verkkoon. Tämä merkkivalo kiinnittää huomiosi siihen, että hiomalaikassa on virtaa ja se käynnistyy heti, kun liu'utat katkaisijaa eteenpäin.

HUOLTO

Varmista käytön jälkeen, että työkalu on hyvässä kunnossa.

On suositeltavaa, että työkalu viedään vähintään kerran vuodessa valtuutettuun Ryobi-huoltokeskukseen voitelua ja puhdistusta varten.

VAROITUS

Älä tee säätöjä moottorin käydessä.

Irtikytkie hiomakone aina verkkovirrasta ennen osien (timantti, tasoitus- ym.Laikka) vaihtoa, työkalun voitelua ja huoltotöitä.

VAROITUS

Lisäturvallisuuden ja luotettavuuden takaamiseksi kaikki korjaustyöt on annettava valtuutetun Ryobi-huoltokeskuksen tehtäväksi.

BESKRIVELSE

1. Slipeskive
2. Verktøyløs standard hjulskjerm
3. Støttehåndtak
4. Spindellåseknapp
5. Strømbryter
6. Sidestykke
7. Utvendig sidestykke
8. Drivaksel
9. Skrunøkkel
10. Låsehendel til beskyttelsesdekslet
11. Strømindikator
12. Hellukket verktøyløs hjulskjerm (ekstra)
13. Diamant kappehjul (ekstra)
14. Kappehjul (ekstra)

SIKKERHETSVARSLER MED TILKNYTNING TIL VANLIGE SLIPE- ELLER KAPPEOPERASJONER

- a. **Dette elektriske verktøyet er ment brukt til slipe- og kappeoperasjoner. Les nøye gjennom alle advarslene, instruksene og spesifikasjonene som følger med verktøyet, og se på tegningene.** Hvis forskriftene nedenfor ikke overholdes, kan det forårsake ulykker som brann, elektrisk støt og/eller alvorlige personskader.
- b. **Hvis denne forskriften ikke overholdes, kan det forårsake ulykker og alvorlige personskader.**
- c. **Bruk ikke tilbehør som ikke er spesialkonstruert for dette verktøyet og som ikke er anbefalt av produsenten.** Selv om et tilbehør kan monteres på et verktøy, garanterer det ikke at du kan bruke det verktøyet på en sikker måte.
- d. **Tilbehørets nominelle hastighet skal være lik eller høyere enn maksimalhastigheten som står på verktøyet.** Tilbehørene som brukes i høyere hastighet enn sin nominelle hastighet kan brytes og slynges ut.
- e. **Tilbehørets ytre diameter og tykkelse skal svare til egenskapene som spesifiseres for verktøyet.** Hvis tilbehørene ikke svarer til de angitte egenskapene, kan ikke verktøyets beskyttelses- og innstillingssystemer virke ordentlig.
- f. **Slipeskiver, underlagsskiver, sliperondeller eller andre tilbehør skal passe nøyaktig til verktøyets spindeldiameter.** Tilbehør som ikke passer til spindelen som de skal monteres på vil ikke rotere riktig, vil vibrere for mye og føre til at du mister kontroll over verktøyet.
- g. **Bruk ikke et skadet tilbehør. Før hver bruk, skal det sjekkes at tilbehøret du bruker er i god stand:**Påse at slipeskivene ikke er sprukket eller ødelagt, at sliperondellene ikke er revnet eller slitt, at busten på metallbørstene ikke er altfor slitt eller brukket. Hvis verktøyet eller tilbehøret faller, skal du sjekke at ingenting er blitt skadet og, om nødvendig, installere et nytt tilbehør. Etter at du har kontrollert at tilbehøret er i god stand og installert det, skal du holde deg på avstand fra det bevegelige tilbehøret og la verktøyet komme opp i maksimal hastighet i ett minutt. Hvis tilbehøret er skadet, vil det brytes under denne testen.
- h. **Bruk Personlig verneutstyr.** Alt etter hva du bruker verktøyet til, skal du bruke beskyttelsesmaske, sikkerhetsbriller eller vernebriller. Bruk om nødvendig støvmaske, hørselsvern, hansker og beskyttelsesfôr for å beskytte deg mot utslynging av fremmedlegemer (slipeavfall, trespon, osv.). Vernebriller hindrer at partikler slynges ut og skader øynene dine. Støvmaske filtrerer partiklene som dannes ved arbeidsoppgaven din. Langvarig eksponering for sterkt støy kan svekke hørselen.
- i. **Hold besøkende i god avstand fra arbeidsområdet og påse at de har verneutstyr på seg. Alle som kommer inn i arbeidsområdet må bruke personlig verneutstyr.** Små elementer fra arbeidsstykket eller et brukket tilbehør kan slynges ut utenfor arbeidsområdet og forårsake alvorlige kroppsskader.
- j. **Hold verktøyet kun i de isolerte og sklisikre delene når du arbeider på en flate som kan skjule elektriske ledninger eller når arbeidet kan plassere ledningen i verktøyets bane.** Kontakt med strømførende ledninger kan føre strøm til metalldelene og forårsake elektrisk støt.
- k. **Posisjoner ledningen slik at det ligger unna det roterende tilbehøret.** Hvis du mister kontroll over verktøyet, kan ledningen kuttes eller kile seg fast og hånden eller armen din kan da trekkes mot det roterende tilbehøret.
- l. **Legg aldri fra deg verktøyet før tilbehøret har sluttet helt å rotere.** Det roterende tilbehøret kan komme i kontakt med underlaget det står på og få deg til å miste kontroll over verktøyet.
- m. **Ikke la verktøyet gå når du frakter det.** Det roterende tilbehøret kan henge seg fast i klærne dine og skade deg alvorlig.
- n. **Rengjør regelmessig verktøyets ventilasjonsspalter.** Motorens ventilasjon får støv til å komme inn i motorhuset, noe som kan medføre altfor stor oppsamling av metallpartikler og forårsake elektrisk støt.
- o. **Bruk ikke verktøyet i nærheten av brannfarlige produkter.** Gnister kan sette fyr i dem.
- p. **Bruk ikke tilbehør som krever kjølevæsker.**

Bruken av vann eller kjølevæsker kan forårsake elektrisk støt, som kan være livsfarlig.

TILBAKESLAG OG RELATERTE ADVARSLER

Tilbakeslag er en plutselig reaksjon som oppstår når den bevegende slipeskiven, sliperondellen, børsten eller et annet tilbehør klemmes fast eller vrís, noe som raskt får tilbehøret til å låses fast. Verktøyet blir da slynget ut i motsatt retning til tilbehørets bruksretning.

For eksempel, hvis en slipeskive klemmes eller vrís i arbeidsstykket, vil skivens skarpe del trenge inn i arbeidsstykket overflate, noe som vil få skiven til å komme plutselig ut av arbeidsstykket og slynges mot brukeren eller lengre unna, avhengig av skivens rotasjonsretning når denne låses fast. I tilfelle tilbakeslag, kan slipeskiven også brekkes. I tilfelle tilbakeslag, kan slipeskiven også brekkes.

Tilbakeslag er altså forårsaket av en dårlig bruk av verktøyet og/eller feil bruksprosedyrer eller –forhold. Det kan unngås ved å ta visse forholdsregler:

- Hold godt i verktøyet og still kroppen og armen din slik at du kan kontrollere et eventuelt tilbakeslag.** Hvis verktøyet har et støttehåndtak, skal du alltid holde i det så du får optimal kontroll over verktøyet i tilfelle tilbakeslag eller reaksjonskraft når verktøyet startes. Ta nødvendige foranstaltninger så du kan kontrollere verktøyet ditt i tilfelle tilbakeslag eller reaksjonskraft.
- Legg aldri hånden din i nærheten av det roterende tilbehøret for å unngå all fare for kroppsskader i tilfelle tilbakeslag.** Tilbehøret kan kast over hånden din.
- Ikke still deg i området der verktøyet kan risikere å slynges ut i i tilfelle tilbakeslag.** I tilfelle tilbakeslag slynges verktøyet ut i motsatt retning til skivens rotasjonsretning.
- Vær spesielt forsiktig når du arbeider på hjørner, skarpe kanter, osv.** Unngå at tilbehøret glir eller kiles fast. Når du arbeider på hjørner eller skarpe kanter eller når verktøyet glir, er det større fare for at tilbehøret låses fast, og dermed at du mister kontroll over verktøyet og at det oppstår tilbakeslag.
- Bruk aldri blad til kjedesag eller sagblad sammen med dette verktøyet.** De kan øke faren for tilbakeslag og tap av kontroll over verktøyet.

SIKKERHETSADVARSLER MED TILKNYTNING TIL VANLIGE SLIPE- ELLER KAPPEOPERASJONER

- Brukl kun hjultyper er anbefalt for dette verktøyet og en spesifikk skjerm som er utformet for det valgte verktøyet.** Hjul som

verktøyet ikke er konstruert for kan ikke beskyttes i tilstrekkelig grad og vil derfor kunne være utrygge.

- Skjermen må være godt festet til verktøyet og posisjonert for maksimum sikkerhet slik at minst mulig av hjulet eksponeres mot brukeren.** Skjermen bidrar til å beskytte brukeren mot avbrutte hjullfragmenter og utilsikket kontakt med hjulet.
- Hjul må kun benyttes til anbefalte applikasjoner.** For eksempel, må du ikke slippe med kanten på et kappehjul. Slipende kappehjul er ment for periferisliping, når disse hjulene utsettes for sidekrefter kan det oppstå splintring.
- Bruk alltid ubeskadigede hjullflenser som har korrekt størrelse og form for det valgte hjulet.** Korrekt hjullflens støtter hjulet og reduserer dermed muligheten for at hjulet skal brekke. Flenser for kappehjul kan skille seg fra flenser for slipehjul.
- Ikke bruk nedslitte hjul fra større elektrisk verktøy.** Hjul som er ment for større verktøy egner seg ikke for de små verktøyenes høyere hastighet og kan gå i oppløsning.

YTTRELIGERE SIKKERHETSADVARSLER SPEIELT FOR KAPPEOPERASJONER MED SLIPEKIVER

- Ikke blokker kappehjulet eller legg overdrevert trykk på verktøyet.** Ikke gjør forsøk på å utføre et ekstremt dypt kutt. Kraftig trykk mot hjulet øker belastningen og mulighet for at hjulet bendes eller blokkeres i kappesporet med tilhørende fare for tilbakeslag eller at kappehjulet brekker.
- Ikke plasser kroppen din på linje med og bak det roterende hjulet.** Når hjulet og arbeidspunktet beveger seg vekk fra kroppen din vil et mulig tilbakeslag kunne drive det roterende hjulet og verktøyet direkte mot deg.
- Når kappehjulet blokkeres eller når arbeidet med et kapp av en eller annen grunn avbrytes, slå av verktøyet og hold det helt i ro inntil kappehjulet har stanset helt.** Gjør aldri forsøk på å ta kappehjulet ut av sporet mens det fortsatt er i bevegelse, i så fall kan du oppleve tilbakeslag. Hvis skiven står fast, må du forsøke å finne årsaken og ta nødvendige foranstaltninger for at det ikke gjentar seg.
- Ikke start kappingen på nytt mens kappehjulet fortsatt står i arbeidsstykket.** La hjulet nå maksimal hastighet før du forsiktig setter det tilbake i sporet som er kappet. Hjul som blokkeres, krype ut eller slå tilbake dersom verktøyet startes mens kappehjulet står i arbeidsstykket.

Norsk

- e. **Støtt opp plater og store arbeidsstykker for å redusere faren for at kappenhjulet kommer i beknip, med tilhørende fare for tilbakeslag.** Store plater har en tendens til å sige under sin egen vekt. Støttene må legges under begge sider av platen, nær sporet som skal skjæres og nær kanten av platen.
- f. **Vær ekstra forsiktrig når du foretar et "lommekutt" inn i en eksisterende vegg eller annet blindt område.** Det utstående hjulet kan kappe gass- og vannrør, elektriske ledninger og objekter som kan føre til tilbakeslag.

YTTERLIGERE SIKKERHETSADVARSLER SPESIFIKT FOR SLIPEARBEIDER

- a. Sjekk at hastigheten som angis på slipeskiven er lik eller større enn verktøyets nominelle hastighet.
- b. Sjekk at slipeskivens diameter passer til verktøyet og at slipeskiven er lagt godt inn på spindelen.
- c. Slipeskivene skal ryddes bort på et tørt sted.
- d. Ikke legg noen gjenstand på slipeskivene.
- e. Slipeskivene skal ikke brukes til andre formål enn slipeoppgaver.
- f. Før du bruker slipeskiven, se etter at den ikke er ødelagt eller sprukket. I så fall kan den nemlig brenne, noe som kan forårsake alvorlige kroppsskader.
- g. Påse før bruk at slipeskiven er riktig montert og skrudd fast, og la verktøyet gå i tomgang i 30 sekunder samtidig som du passer på at det ikke peker i en farlig retning. Stopp verktøyet øyeblikkelig dersom det vibrerer for mye eller hvis du merker andre problemer. Kontroller i så fall verktøyet for å finne ut problemets årsak.
- h. Bruk ikke reduksjonsringer eller mellomstykker for å redusere senterhullet til slipeskiver som har stort senterhull.
- i. Se etter at arbeidsstykket er skikkelig fastpent.
- j. Sjekk at gnistene som oppstår ved bruk av verktøyet ikke skaper farlige situasjoner, for eksempel at de ikke kommer på mennesker eller brannfarlige stoffer.
- k. Bruk alltid beskyttelsesbriller og hørselsvern.
- l. Om nødvendig, bruk andre verneutstyr som hansker, forkle eller hjelm.
- m. Legg aldri verktøyet på gulvet eller på andre flater når det er i gang. Pass opp, slipeskiven går rundt av seg selv etter at verktøyet har stanset. Du må aldri verken ta i slipeskiven eller legge den på gulvet eller andre overflater når den går rundt.
- n. Slipeskivens sidestykke og ytre sidestykke må ha samme diameter.
- o. Bruk verktøyet kun til de arbeidsoppgavene som det er konstruert for. Bruk aldri kjølevæske

eller vann. Bruk ikke verktøyet som et stasjonært verktøy.

- p. Når du bruker verktøyet, hold godt i det med begge hender.

SYMBOL



Sikkerhetsalarm

V Volt

Hz Hertz

~ Vekselstrøm

W Watt

n_0 Hastighet ubelastet

n Nominell hastighet

min^{-1} Antall omdreininger eller bevegelser pr. Minutt



CE samsvar



Dobbel isolering



Bruk hørselsvern



Bruk øyebeskyttelse



Les instruksjonene nøye før apparatet tas i bruk.



Avfall fra elektriske produkter skal ikke kastes sammen med husholdningsavfall. Vennligst resirkulervedeksisterende avfallsbehandlingssted. Undersøk hos dine lokale myndigheter eller forhandler for råd om resirkulering.



Resirkuler råmaterialer istedenfor å kaste dem i søppelen. Verktøyet, tilbehørene og emballasjen bør sorteres for miljøvennlig resirkulering.

SPESIFIKASJONER

Modell	EAG950RS / EAG950RSD	EAG950RB / EAG950RBD
Slipeskivens diameter	115 mm (4.5 in)	125 mm (5 in)

Norsk

Tykkelse

Slipeskive	6 mm	6 mm
Kappehjul (ekstra)	3 mm	3 mm
Diamant kappehjul (ekstra)	2 mm	2 mm
Spenning	230 V - 240 V ~ 50 Hz	230 V - 240 V ~ 50 Hz
Input	950 W	950 W
Spindelgjenge	M14	M14
Nominell hastighet	11,000 min ⁻¹	11,000 min ⁻¹
Total lengde	310 mm	310 mm
Nettvekt	2.55 kg	2.6 kg

NB: Sjekk produktets merkeplate, da spenningen kan variere alt etter hvor produktet skal brukes.

Slipeskivens maksimum periferhastighet: 4,800 m/min.

Eksempel på beregning

$$3.14 \times 125 \times 11,000 / 1,000 = 4\ 320$$

$$\text{Slipeskivens periferhastighet} = 4\ 320$$

$$\text{Slipeskivens diameter} = 125$$

$$\text{Sliperens hastighet ubelastet} = 11\ 000$$

STANDARD TILBEHØR

Ekstra håndtak, fastnøkkel.

En slipeskive følger med tilbehørene i enkelte land.

BRUK

Se fig 4.

⚠ ADVARSEL

Beskyttelsesdekslene skal alltid være på plass. Påse at luftehullene ikke er tildekket slik at motoren får kjølnet godt.

For at verktøyet skal arbeide effektivt, er det viktig å kontrollere trykket som øves på verktøyet og kontaktoverflaten mellom slipeskiven og arbeidsstykket. For å slippe plane overflater skal sliperen danne en spiss

vinkel, som regel mellom 10° og 20°, med arbeidsstykket. La slipeskiven komme opp i full hastighet før du begynner å slippe. En for stor vinkel medfører konsentrasjon av trykket på en liten overflate, noe som kan hule ut eller brenne arbeidsoverflaten.

FOR KAPPING AV METALL

Se fig 9 - 10.

- Bruk slipenede kappehjul med hellukket verktøyløse hjulskjerm for kapping av metall.
- Bruk moderat trykk når du kapper, tilpasset materialet som kappes. Ikke legg trykk på skiven, vipp eller beveg maskinen frem og tilbake.
- Ikke reduser hastigheten på et kappehjul ved å utsette det for sideveis trykk. Maskinen må alltid brukes i en oppoverrettet bevegelse, i motsatt fall er det fare for at den kan bli skjøvet ukontrollert ut av kappesporet.
- Når du kapper profiler eller firkantbjelker er det best å starte fra den minste kryssseksjonen.

FOR KAPPING AV STEIN

Se fig 9, 11.

- Arbeid alltid med den verktøyløse standard hjulskjermen ved kapping.
- For kapping av stein er det best å bruk diamant kappeskive og anvende støvmaske.
- Slå på maskinen og la kappehullet gli inn i arbeidsstykket med moderat trykk, tilpass kappetempoet til materialet som kappes.

STRØMBRYTER

Se fig 3.

- For å starte eller stoppe verktøyet, skyv bryteren forover eller slipp den.
- For å bruke sliperen kontinuerlig, trykk på den fremre enden av bryteren etter å ha skjøvet den for å låse den i stilling på.
- For å frigjøre bryteren, trykk på den bakre enden av bryteren.

VALG AV BESKYTTELSESSKJERM

- For sliping av metall, bruk alltid den verktøyløse standard hjulskjermen.
- For kapping av stein, bruk alltid den verktøyløse standard hjulskjermen.
- For kapping av metall, bruk alltid den lukkede verktøyløse hjulskjermen.

INSTALLERING AV SLIPESKIVEN

Se fig 5 - 6.

Norsk

- Monter skiveflensen og hjulet på spindelen før du setter på klammemutteren.
- Påse at hjulet har solid anlegg mot fortykningen på skiveflensen og klammemutteren.
- Trykk inn spindellåseknappen som sitter på motorhusets høyre side.
- Stram til det ytre sidestykket med urviseren ved hjelp av skrunøkkel som følger med.

MONTERING KAPPEHJULET

Se fig 7 - 8.

- Monter skiveflensen og hjulet på spindelen før du setter på klammemutteren.
- Påse at hjulet er korrekt festet over fortykningen mot skiveflensen og festemutteren, med den flate siden på festemutteren vendt ned.
- Trykk inn spindellåseknappen som sitter på motorhusets høyre side.
- Stram til det ytre sidestykket med urviseren ved hjelp av skrunøkkel som følger med.

⚠ ADVARSEL

Se nøye etter om slipeskiven har sprekker. Skift straks ut en sprukket slipeskive.

VERKTØYLØS STANDARD HJULSKJERM FOR SLIPING/KAPPING AV STEIN

Se fig 12 - 13.

Frigjør låsehendelen til beskyttelsesdekselet og plasser dekselet i ønsket stilling. Maksimum snuvinkel er 90° på begge sider; i motsatt fall kan ikke skjermen låses.

HELLUKKET VERKTØYLØS HJULSKJERM FOR KAPPING AV METALL

Se fig 14 - 15.

Lås og lås opp beskyttelsen for kappehjulet.

STRØMINDIKATOR

Vinkelsliperen er utstyrt med en strømindikator som tennes når verktøyet er koblet til strømmen. Indikatoren gjør deg oppmerksom på at sliperen er koblet til strømmen og at den vil starte straks du skyver strømbryteren forover.

VEDLIKEHOLD

Etter bruk skal det sjekkes at verktøyet er i god arbeidsstand.

Det anbefales å bringe verktøyet minst en gang i året til

et godkjent Ryobi serviceverksted for grundig rengjøring og smøring.

⚠ ADVARSEL

Det skal ikke foretas noen innstilling mens motoren går. Kople alltid sliperen fra strømmen før du skifter ut en del (diamantskive, slipeskive, osv.), smører verktøyet og før enhver vedlikeholdsprosedyre.

⚠ ADVARSEL

For større sikkerhet og pålitelighet skal alle reparasjoner foretas av et godkjent Ryobi serviceverksted.

ОПИСАНИЕ

1. Шлифовальный круг
2. Стандартное защитное устройство отрезного круга, предназначенное для установки без использования инструментов
3. Вспомогательная рукоятка
4. Блокировка шпинделя кнопки
5. Выключатель
6. Внешняя щетка
7. Зажим гайки
8. Вал шпинделя
9. Гаечный ключ
10. Защитный кожух диска рычаг блокировки
11. жить индикатором инструмент
12. Полностью закрытое защитное устройство отрезного круга, предназначенное для установки без использования инструментов (в комплект поставки не входит)
13. Отрезной круг с алмазной режущей кромкой (в комплект поставки не входит)
14. Отрезной круг (в комплект поставки не входит)

ТЕХНИКА БЕЗОПАСНОСТИ ПРИ ОПЕРАЦИЯХ ШЛИФОВАНИЯ И АБРАЗИВНОЙ ОТРЕЗКЕ

- a. Данный инструмент предназначен для операций шлифования и отрезки. Прочтите все указания, инструкции, иллюстрации и спецификации, поставляемый с этим электроинструментом. Несоблюдение всех инструкций, указанных ниже, может привести к поражению электрическим током, пожару и / или серьезным травмам.
- b. **Операции, для которых власть Программа не рассчитана может создавать опасность и привести к травме.**
- c. **Не используйте аксессуары, которые не являются специально разработаны и рекомендованы производителем инструмента.** Просто потому, что аксессуар может быть подключен к вашей власти инструмент, он не обеспечивает безопасную эксплуатацию.
- d. **Номинальная скорость аксессуар должен быть по меньшей мере равную максимальной скорости отмечается электроинструмента.** Аксессуары работает быстрее, чем их номинальная скорость может привести к поломке и развалится.
- e. **Наружный диаметр и толщина ваших аксессуаров должна быть в пределах возможностей рейтинг вашего электроинструмента.** Неправильно размера

принадлежности не может быть адекватно охраняется или контролировать.

- f. **Беседка размер колес, фланцы, бэк-прокладками или любой другой принадлежности должны надлежащим образом соответствовать шпиндель электроинструмента.** Аксессуары с беседкой отверстия, которые не совпадают с крепежом из электроинструмент бежать из состояния равновесия, вибрирует чрезмерно и может привести к потере управления.
- g. **Не используйте поврежденный аксессуар. Перед каждым использованием проверяйте рабочее состояние аксессуара, которым собираетесь работать: проверьте, чтобы абразивные диски не были треснувшими или разбитыми, чтобы полшвы не были порваны или изношены, чтобы волосы металлических щеток не были сильно изношены или сломаны. Если инструмента или аксессуара упал, проверьте, за повреждение или установки неповрежденных аксессуар. После осмотра и установки устройства, позиционировать себя и окружающих от плоскости вращающегося принадлежности и запуска инструмента при максимальной скорости без нагрузки в течение одной минуты. Поврежденные аксессуары, как правило, развалится в течение этого времени испытания.**
- h. **Использовать средства индивидуальной защиты. В зависимости от приложения, используйте маску, защитные очки или защитные очки. В случае необходимости надевайте маску от пыли, защитными наушниками, перчатки и фартук семинар, способных остановить малых абразивные или заготовки фрагментов.** Для защиты глаз должны быть в состоянии остановить полеты мусора в различных операций. Респиратор или противогаз должен быть способен фильтрации частиц, созданных на операцию. Длительное воздействие высокой интенсивности шума может привести к потере слуха.
- i. **Держите прохожих на безопасном расстоянии от рабочей области. Лица, которые прибывают области работы должны носить средства индивидуальной защиты.** Фрагменты заготовки или сломанный инструмент может улететь и стать причиной травм вне непосредственной близости от места работы.
- j. **Держите электрические инструменты за изолированные поверхности только при**

Русский

выполнении операций, когда режущий инструмент может контактировать со скрытой проводкой или с собственным проводом. Резка аксессуар, обратившись в "живой" провод может сделать открытые металлические части электроинструмента и ведет к оператору.

- k. **Позиция шнур подальше от вращающегося устройства.** Если вы потеряете контроль, мозг может сократить или зацепил и рукой или рукой может быть втянута в прядильных аксессуар.
- l. **Никогда не лежал электрический инструмент, пока аксессуар пришла к полной остановке.** Прядильных инструмент может захватить поверхность и вытащить из розетки вне вашего контроля.
- m. **Не запускайте электроинструмента при проведении его на вашей стороне.** Случайный контакт с прядильных аксессуар может загвоздка одежду, потянув за принадлежность в ваше тело.
- n. **Регулярно очищайте воздушные силы инструмента отверстия.** Вентилятор двигателя будет опираться пыли внутри корпуса и чрезмерное накопление сухого металла может привести к опасности поражения электрическим током.
- o. **Не работайте с электроинструментом вблизи легковоспламеняющихся материалов.** Искры могут воспламенить эти материалы.
- p. **Не используйте аксессуары, которые требуют жидких хладагентов.** Использование воды или других жидких хладагентов может привести к поражению электрическим током или удара.

МЕРЫ ПРЕДОСТОРОЖНОСТИ, СВЯЗАННЫЕ С ОТСКОКОМ ИНСТРУМЕНТА

Отдача является внезапная реакция пережат или зацепил вращающееся колесо, бак-панели, кистью или любой другой принадлежности. Щемящие или непредусмотренные причины быстрого срыва вращающегося принадлежности, которые в свою очередь вызывает неконтролируемый инструмент власти будут вынуждены в сторону, противоположную от аксессуар в поворот в точке силы.

Например, если абразивные колеса зацепил не зажимали по заголке, край колеса, которое вступает в щелочку точка может врезаться в поверхность материала вызывает колесо вылезти или выбить. Колесо может либо переходить к наблюдателю или от оператора, в зависимости от направления движения колеса в точке защемления. Абразивные круги могут сломать и в этих условиях.

Отдача является результатом злоупотребления властью инструмента и / или неправильный оперативных процедур или условий, и ее можно избежать путем принятия надлежащих мер предосторожности, которые приводятся ниже.

- a. **Поддержание крепко электроинструмент и положение тела и рук, чтобы вас не поддаваться отдачи сил. Всегда используйте дополнительную ручку, если это предусмотрено для максимального контроля над отдачи или крутящего момента реакции во время запуска.** Оператор может контролировать крутящий момент реакции или отдачи сил, если соответствующие меры предосторожности приняты.
- b. **Никогда не кладите руки вблизи вращающегося устройства.** Аксессуары могут откат за руку.
- c. **Не размещайте тела в районе, где власти инструмент будет двигаться, если откат происходит.** Отдача будет двигать этот инструмент в направлении, противоположном движению колеса в точке зацепления.
- d. **Использование специальных осторожны при работе с углах, острых краев т.д. Избегайте подпрыгивая и непредусмотренные аксессуар.** Уголки, острых кромок или подпрыгивая имеют тенденцию к толпая вращающиеся принадлежности и привести к потере контроля и отдачи.
- e. **Не подключайте цепи пилы дереву лезвия или зубчатой пилы.** Такие лопасти создают частые отдачи и потери контроля.

СПЕЦИАЛЬНЫЕ УКАЗАНИЯ ПО ЕХНИКЕ БЕЗОПАСНОСТИ ПРИ ОПЕРАЦИЯХ ШЛИФОВАНИЯ И АБРАЗИВНОЙ ОТРЕЗКЕ

- a. **Рекомендуется использование кругов, предназначенных для вашего инструмента, а также защитных экранов соответствующего размера.** При использовании не предназначенных для инструмента кругов невозможно обеспечить достаточную защиту и безопасность.
- b. **Экран должен быть надежно прикреплен к инструменту и расположен так, чтобы обеспечить наибольшую безопасность - чтобы оператору была открыта наименьшая часть круга.** Защитный экран предназначен для защиты оператора от разлета осколков и случайного контакта с кругом.
- c. **Круги должны использоваться только**

Русский

- для рекомендуемого применения. Ниже приведены примеры, не допускается шлифование боковыми поверхностями отрезного круга. Абразивные отрезные круги предназначены для работы периферией круга и боковое усилие, приложенное к нему, может привести к обламыванию краев.
- d. **Не допускается использование кругов с поврежденной рубашкой, всегда используйте круги, подходящие по размеру и форме.** Соответствующие рубашки дисков поддерживают диски, препятствуя их разрушению. Рубашки отрезных кругов могут отличаться от рубашек шлифовальных кругов.
- e. **Не допускается использование изношенных кругов от более мощных и крупных устройств.** Круги, предназначенные для использования с более мощным инструментом, не подходят для более высоких скоростей малых инструментов и могут при работе разрушиться.

ДОПОЛНИТЕЛЬНЫЕ ПРЕДУПРЕЖДЕНИЯ ПО ТЕХНИКЕ БЕЗОПАСНОСТИ ПРИ ОПЕРАЦИЯХ ПО АБРАЗИВНОЙ ОТРЕЗКЕ

- a. **Не зажимайте отрезной диск и не прилагайте чрезмерных усилий. Не делайте разрезы чрезмерной глубины.** Перенапряжение режущего диска увеличивает нагрузку и подвергает его скручиванию или защемлению диска в разрезе, что может привести к отскоку или повреждению диска.
- b. **Не стойте по линии резания или позади вращающегося диска.** Когда режущий диск при работе перемещается от вашего тела, возможный отскок может отбросить вращающийся диск может и инструмент прямо на вас.
- c. **При заклинивании отрезного круга или прекращении резания, по какой-либо причине, выключите электроинструмент и дождитесь полной остановки вращения отрезного круга. Никогда не пытайтесь вынимать отрезной круг из разреза на ходу, так как может произойти отскок.** Расследовать и принять меры по исправлению положения, чтобы устранить причину колеса обязательно.
- d. **Не возобновляйте резание, если круг находится в заготовке. Дождитесь, пока диск не наберет полную скорость, и осторожно вводите круг в обрабатываемую деталь.** Если электроинструмент повторно запускается,

когда отрезной круг находится в заготовке, то круг может заклинить, податься на оператора или отскочить.

- e. **Поддерживайте панели и любые подпогабаритные заготовки, чтобы уменьшить опасность заклинивания круга и отскока.** Большие заготовки могут прогибаться под собственным весом. Опоры следует размещать под панелью, рядом с линией пропила и ближе к краю панели с обеих сторон круга.
- f. **Соблюдайте предельную осторожность при выполнении врезок в существующие стены или другие глухие зоны.** Рельефный круг можно использовать для отрезания газовых и водопроводных труб, электрических проводов или предметов, могущих вызвать отскок.

ДОПОЛНИТЕЛЬНЫЕ ПРЕДУПРЕЖДЕНИЯ ПО БЕЗОПАСНОСТИ СПЕЦИАЛЬНО ДЛЯ ОПЕРАЦИЙ ШЛИФОВАНИЯ

- a. Убедитесь, что скорость отчается шлифовального круга равна или превышает номинальную скорость инструмента.
- b. Убедитесь, что размеры шлифовального круга, совместимых с инструментом и, что колесо подходит шпинделя.
- c. Круги должны храниться в сухом месте.
- d. Не храните предметы на шлифовальных кругов.
- e. Круги не должны использоваться для любой операции, кроме шлифования.
- f. Проверьте шлифовального круга до использования, чтобы она не сколы или трещины. Фишки или трещин может привести к колесам, чтобы разрушить, в результате возможных серьезных травм.
- g. Убедитесь, что шлифовального круга правильно установлена и устойчиво перед началом работы и запустить данное средство на холостом ходу в течение 30 секунд в безопасном положении. Немедленно остановитесь, если есть значительные вибрации или других дефектов обнаружено. Если это условие имеет место, проверить инструмент, чтобы определить причину.
- h. Не используйте отдельные сокращения втулки или адаптеры адаптировать большое отверстие шлифовальных кругов.
- i. Убедитесь, что обрабатываемая деталь должную поддержку.
- j. Убедитесь, что искры в результате использования не создают опасности, например, не попали люди, или возгорания горячих веществ.

Русский

- k. Всегда используйте защитные очки безопасности и защиты слуха.
- l. Использование других средств индивидуальной защиты, таких как перчатки, фартук и шлем, когда это необходимо.
- m. Никогда не кладите инструмент на пол или другие поверхности во время его работы. Круги продолжать вращаться после того, инструмент выключен. Никогда не прикасайтесь к колеса или разместить его на полу или другой поверхности во время его вращения.
- n. Фланец и гайку зажима должен иметь ту же наружный диаметр.
- o. Используйте инструмент только для утвержденных заявок. Никогда не используйте охлаждающие воды или использовать средство в виде фиксированной инструмент.
- p. При работе крепко держите инструмент обеими руками.

СИМВОЛ



Внимание

V Вольт

Hz Герц

~ Переменный ток

W Ватт

n_o Скорость на холостом ходу

n Номинальная скорость

min⁻¹ Оборотов или возвратно-поступательных движений в минуту

Соответствие требованиям CE



Двойная изоляция



Применяйте средства защиты органов слуха



Применяйте средства защиты органов зрения



Внимательно прочтите данные инструкции перед использованием продукта.



Отработанная электротехническая продукция должна уничтожаться вместе с бытовыми отходами. Утилизируйте, если имеется специальное техническое оборудование. По вопросам утилизации проконсультируйтесь с местным органом власти или предприятием розничной торговли.



Не выбрасывайте сырье. Сдавайте его в переработку. Машина, аксессуары и упаковка должны быть отсортированы.

ТЕХНИЧЕСКИЕ ХАРАКТЕРИСТИКИ

Модель	EAG950RS / EAG950RSD	EAG950RB / EAG950RBD
Диаметр колеса	115 mm (4.5 in)	125 mm (5 in)
Толщина		
Шлифовальный круг	6 mm	6 mm
Отрезной круг (в комплект поставки не входит)	3 mm	3 mm
Отрезной круг с алмазными режущей кромкой (в комплект поставки не входит)	2 mm	2 mm
Напряжение	230 V - 240 V ~ 50 Hz	230 V - 240 V ~ 50 Hz
Питание	950 W	950 W
Резьба шпинделя	M14	M14
Номинальная скорость	11,000 min ⁻¹	11,000 min ⁻¹
Общая длина	310 mm	310 mm
Вес нетто	2.55 kg	2.6 kg

ПРИМЕЧАНИЕ: Не забудьте проверить паспортные о продукте, так как напряжение может изменяться в зависимости от района, в которой продукт будет

использоваться.

Максимальная окружная скорость шлифовального круга: 4,800 m/min.

Пример расчета

$$3.14 \times 125 \times 11,000/1,000 = 4\,320$$

Окружная скорость
шлифовального круга 4 320

Диаметр колеса 125

Номинальная скорость
точильщик 11 000

СТАНДАРТНАЯ КОМПЛЕКТАЦИЯ

Вспомогательная ручка, гаечный ключ.

Шлифовальный круг входит в стандартную комплектацию для некоторых стран.

ЭКСПЛУАТАЦИЯ

См. рис. 4.

⚠ ОСТОРОЖНО

Держите предохранительных на месте. Никогда не накрывайте вентиляционные отверстия, так как они должны быть всегда открыты для охлаждения двигателя.

Ключ к эффективной операционной контроля давления и поверхности контакта между диском и обрабатываемой детали. Плоские поверхности шлифуются под острым углом, как правило, от 10 до 20 градусов с заготовкой. Разрешить диск для достижения полной скорости, прежде чем начать молоть. Слишком большой угол причины концентрации давления на небольшой площади, которые могут обманывать или записать рабочей поверхности.

ДЛЯ РЕЗАНИЯ МЕТАЛЛА

См. рис. 9 - 10.

- Для резки металла используйте абразивный отрезной круг с полностью закрытым защитным устройством.
- При резании умеренно надавливайте на инструмент, в зависимости от свойств разрезаемого материала. Не прилагайте чрезмерных усилий к отрезному кругу, не наклоняйте и не трясите инструмент.

- Не уменьшайте скорость останавливающегося отрезного круга, прилагая боковое давление. Инструмент должен всегда работать в режиме резания вверх, иначе, существует опасность неконтролируемого выталкивания из разреза.

- При отрезании профиля или прута прямоугольного сечения лучше всего начинать с наименьшего сечения.

ДЛЯ РЕЗАНИЯ КАМНЯ

См. рис. 9, 11.

- Во время работы всегда используйте стандартное защитное устройство отрезного круга, предназначенное для установки без использования инструментов.
- При резании камня лучше всего использовать отрезной круг с алмазной режущей кромкой и применять пылезащитную маску.
- Включите инструмент и двигайте его, умеренно надавливая, в зависимости от свойств разрезаемого материала.

ВЫКЛЮЧАТЕЛЬ

См. рис. 3.

- Эта программа запущена и остановить скольжение и выпуск коммутатора.
- Для удобства непрерывной работы, слайд-переключатель вдоль нажмите передний край, чтобы зафиксировать его.
- Для снятия блокировки нажмите задней панели коммутатора.

ВЫБОР ЗАЩИТНОГО ЩИТКА

- Для шлифования металла всегда используйте стандартное защитное устройство отрезного круга, предназначенное для установки без использования инструментов.
- Для резки камня всегда используйте стандартное защитное устройство отрезного круга, предназначенное для установки без использования инструментов.
- Для резки металла всегда используйте полностью закрытое защитное устройство отрезного круга, предназначенное для установки без использования инструментов.

МОНТАЖ ШЛИФОВАЛЬНОГО КРУГА

См. рис. 5 - 6.

- Перед установкой зажимной гайки наденьте на вал фланец диска и круг.
- Обеспечьте правильную установку диска на втулку

фланца диска и затяните гайку.

- Нажмите на кнопку блокировки, расположенный на правой стороне коробки передач.
- Использование гаечного ключа, затянуть гайку зажима по часовой стрелке.

МОНТАЖ ОТРЕЗНОГО КРУГА

См. рис. 7 - 8.

- Перед установкой зажимной гайки наденьте на вал фланец диска и круг.
- Обеспечьте правильную установку диска на втулку фланца диска, а зажимную гайку установите плоской стороной вниз.
- Нажмите на кнопку блокировки, расположенный на правой стороне коробки передач.
- Использование гаечного ключа, затянуть гайку зажима по часовой стрелке.

⚠ ОСТОРОЖНО

Проверьте внимательно или не Есть трещины в колеса. Заменить треснувший колеса сразу.

СТАНДАРТНОЕ ЗАЩИТНОЕ УСТРОЙСТВО ОТРЕЗНОГО КРУГА, ПРЕДНАЗНАЧЕННОЕ ДЛЯ УСТАНОВКИ БЕЗ ИСПОЛЬЗОВАНИЯ ИНСТРУМЕНТОВ ИСПОЛЬЗУЕМОЕ ПРИ ШЛИФОВАНИИ ИЛИ РЕЗКЕ КАМНЯ

См. рис. 12 - 13.

Выпуск защитный кожух фиксирующий рычаг, то включите инструмент менее защитный кожух в нужное положение. Наибольший угол поворота в обе стороны составляет 90°, иначе щиток не будет зафиксирован.

ПОЛНОСТЬЮ ЗАКРЫТОЕ ЗАЩИТНОЕ УСТРОЙСТВО ОТРЕЗНОГО КРУГА, ПРЕДНАЗНАЧЕННОЕ ДЛЯ УСТАНОВКИ БЕЗ ИСПОЛЬЗОВАНИЯ ИНСТРУМЕНТОВ ИСПОЛЬЗУЕМОЕ ПРИ РЕЗКЕ МЕТАЛЛА

См. рис. 14 - 15.

Фиксация и открепление защитного щитка отрезного круга.

ЖИТЬ ИНДИКАТОРОМ ИНСТРУМЕНТ

В этом инструменте есть индикатор питания, загорающийся при подключении инструмента к сети питания. Он предупреждает, что инструмент подключен и будет работать при нажатии выключателя.

ТЕХНИЧЕСКОЕ ОБСЛУЖИВАНИЕ

После использования, проверить инструмент, чтобы убедиться, что он находится в хорошем состоянии.

Мы рекомендуем Вам принять этот инструмент Ryobi Авторизованный Сервисный Центр, путем очистки и смазки не реже одного раза в год.

⚠ ОСТОРОЖНО

Не следует вносить корректировки в то время как двигатель находится в движении.

Всегда отсоединяйте шнур питания из розетки перед заменой съемным или расходные материалы (шлифовка, Ådisc, резка, Ådisc и т.д.), прежде, Ålubricating или работающих на единицу.

⚠ ОСТОРОЖНО

Для обеспечения безопасности и надежности, все ремонтные работы должны выполняться в авторизованный сервисный центр или другие организации квалифицированного обслуживания.

OPIS

1. Tarcza zdzierająca (ściernica)
2. Szybkołączna standardowa osłona tarczy
3. Uchwyt pomocniczy (dodatkowa rękojeść)
4. Przycisk blokady wrzeciona
5. Właznik
6. Kołnierz oporowy
7. Zewnętrzny kołnierz oporowy
8. Wał napędowy
9. Kluczyk
10. Dźwignia blokady pokrywy ochronnej
11. Lampka kontrolna podłączenia pod napięcie
12. Całkowicie zamknięta szybkozaskawkowa osłona tarczy (opcja)
13. Diamentowa tarcza tnąca (opcja)
14. Tarcza tnąca (opcja)

OGÓLNE OSTRZEŻENIA W ZAKRESIE BEZPIECZEŃSTWA DOTYCZĄCE SZLIFOWANIA I CIĘCIA

- a. **To elektronarzędzie jest przeznaczone do szlifowania i cięcia. Prosimy o uważne zapoznanie się z ostrzeżeniami, instrukcjami i specyfikacjami dostarczonymi z tym narzędziem oraz z zawartymi w nich ilustracjami.** Nie przestrzeganie przedstawionych nizej zaleceń mogłoby pociągnąć za sobą wypadki takie jak pożary, porażenia prądem elektrycznym i /lub poważne obrażenia ciała.
- b. **Nie zastosowanie się do tego wymogu może spowodować wypadki lub też ciężkie obrażenia ciała.**
- c. **Nie należy używać akcesoriów, które nie zostały zaprojektowane specjalnie do tego urządzenia i które nie są zalecane przez producenta.** Nawet jeżeli da się zamontować jakąś przystawkę na narzędziu, nie oznacza to, że można bezpiecznie używać narzędzia z tą przystawką.
- d. **Prędkość znamionowa przystawki powinna być równa lub większa od prędkości maksymalnej oznaczonej na narzędziu.** Przystawki (akcesoria) funkcjonujące przy prędkości większej od ich prędkości znamionowej, mogą się połamać i zostać odrzucone.
- e. **Średnica zewnętrzna i grubość akcesoria powinny odpowiadać charakterystyce podanej dla narzędzia.** Jeżeli akcesoria nie są zgodne z podaną charakterystyką, systemy zabezpieczenia i ustawiania narzędzia nie będą należycie funkcjonowały.
- f. **Ściernice, kołnierze oporowe, płyty oporowe czy inne akcesoria powinny być doskonale**

dostosowane do otworu mocującego wrzeciona. Akcesoria nie dostosowane do wrzeciona, na którym mają być zamontowane nie będą się należycie obracały, będą nadmiernie wibrowały i mogą spowodować utratę kontroli nad narzędziem.

- g. **Nie należy używać uszkodzonych akcesoriów. Przed każdym użyciem należy sprawdzić czy narzędzie jest w dobrym stanie: upewnijcie się, że tarcze ściernie nie są wyszczerbione lub pęknięte, że płyty szlifierskie nie są rozerwane lub zużyte, że druty szczonek metalowych nie są zbyt zużyte czy połamane.** Kiedy narzędzie czy akcesoria spadną na ziemię, należy sprawdzić czy żadna część nie została uszkodzona i w razie potrzeby, zainstalować nowe akcesoria. Po sprawdzeniu, że przystawka jest w dobrym stanie i po jej zainstalowaniu, należy pozostać na dystans od ruchomych przystawek i poczekać przez minutę, aż narzędzie osiągnie maksymalną prędkość. Jeżeli przystawka jest uszkodzona, połamie się ona podczas tego testu.
- h. **Stosować środki ochrony osobistej. W zależności od tego do czego używanie wasze narzędzie, załóżcie maskę zabezpieczającą, lub okulary zabezpieczające. W razie potrzeby, załóżcie maskę przeciwpyłową, ochronniki słuchu, rękawice i fartuch ochronny, które zabezpieczają przed odrzutem ciał obcych (opiółki, wióry, itd.).** Okulary ochronne umożliwiają uniknąć skaleczenia oczu spowodowanego odrzutem odpadów. Maski przeciwpyłowe służą do filtrowania mikroskopijnych cząstek wydzielających się podczas wykonywanych prac. Wystawienie na wysoki poziom hałasu, może spowodować utratę słuchu.
- i. **Wszystkie osoby wizytujące powinny nosić wyposażenie ochronne i zostawać w odpowiedniej odległości od strefy roboczej.** Każdy, kto wchodzi do strefy roboczej musi nosić sprzęt ochrony osobistej. Elementy połamanego przedmiotu do obróbki czy akcesoria, mogą być odrzucone poza zakres strefy roboczej i spowodować poważne obrażenia cielesne.
- j. **Kiedy pracujecie na powierzchni mogącej ukrywać przewody elektryczne, lub gdy podczas pracy przewód zasilający może być na trasie cięcia, trzymajcie narzędzie wyłącznie za izolowane i nieśliskie części.** Kontakt z przewodami pod napięciem mógłby przewodzić prąd do części metalowych i spowodować porażenie prądem elektrycznym.
- k. **Należy umieścić przewód zasilający w taki sposób, by nie stykał się z obracającymi**

się akcesoriami. W przypadku utraty kontroli nad narzędziem, może dojść do przecięcia lub pochwylenia przewodu zasilającego i wciągnięcia dłoni czy ramienia do obracającego się akcesoria.

- l. **Nie odkładajcie narzędzia zanim przystawka nie będzie zupełnie zatrzymana.** Obracająca się przystawka mogłaby się zetknąć z powierzchnią, na którą ją położono i doprowadzić do utraty kontroli nad narzędziem.
- m. **Nie należy używać narzędzia podczas transportu.** Obracająca się przystawka mogłaby zostać pochwycona przez ubranie i doprowadzić do poważnego zranienia.
- n. **Należy regularnie czyścić szeliny wentylacyjne narzędzia.** Wentylacja silnika wprowadza kurz wewnątrz obudowy silnika, co może być przyczyną nadmiernego nagromadzenia cząsteczek stałych i spowodować porażenie prądem elektrycznym.
- o. **Nigdy nie używajcie waszego narzędzia w pobliżu produktów łatwopalnych.** Iskry mogłyby spowodować podpalenie narzędzia.
- p. **Nie używajcie akcesoriów wymagających płynów chłodzących.** Używanie wody czy płynów chłodzących może spowodować porażenie prądem elektrycznym, nawet śmiertelne.

ZJAWISKO ODBICIA I ZWIĄZANE Z NIM OSTRZEŻENIA

Odbicie (odrzut) jest nagłą reakcją, występującą podczas ruchu ściernicy kiedy dochodzi do pochwylenia czy wygięcia płyty szlifierskiej, szczotki czy innego akcesoria, powodującego szybkie zablokowanie akcesoria. Narzędzie dalej działa, powodując odrzut w kierunku odwrotnym do kierunku użytkowania akcesoria.

Przykładowo, jeżeli tarcza ścierna zostanie pochwycona lub wygięta przez przedmiot do obróbki, zachodzi ryzyko że krawędź tnąca tarczy wgłębii się w powierzchnię przedmiotu do obróbki, powodując gwałtowne wyskoczenie tarczy z przedmiotu do obróbki i odrzucenie jej w stronę użytkownika czy też na odległość w zależności od kierunku obrotów tarczy podczas zablokowania. W przypadku odbicia, tarcza ścierna może również się polamać. W przypadku odbicia, tarcza ścierna może również się polamać.

Odbicie jest wynikiem złego użycia narzędzia i /lub niepoprawnej procedury i/ lub niepoprawnych warunków obsługi. Można go uniknąć podejmując środki ostrożności.

- a. **Trzymajcie mocno narzędzie dwoma rękami i ustawcie ciało i ramię tak, by móc skontrolować ewentualne odbicie.** Posługujcie się uchwytem pomocniczym, jeżeli jest na wyposażeniu waszego narzędzia; zapewni to optymalną kontrolę w przypadku odbicia czy sprzężenia zwrotnego podczas uruchamiania

narzędzia. Należy podjąć odpowiednie środki, by móc panować nad narzędziem w przypadku odbicia czy sprzężenia zwrotnego.

- b. **Nie należy umieszczać ręki w pobliżu obracającego się akcesoria, celem uniknięcia poważnych obrażeń ciała w przypadku odrzutu.** Akcesoria mogą odrzucić rękę.
- c. **Nie należy znajdować się w strefie, do której mogłoby zostać odrzucone narzędzie w przypadku odbicia.** W przypadku odbicia, narzędzie odrzucane jest w kierunku odwrotnym do kierunku obrotów tarczy.
- d. **Należy zwracać szczególną uwagę przy obrabianiu kątów, ostrych krawędzi, itd. Unikaj wpadnięcia w poślizg lub pochwylenia akcesoria.** Przy obrabianiu kątów, ostrych krawędzi, czy wpadnięciu w poślizg narzędzia, zachodzi większe ryzyko zablokowania akcesoria, co może doprowadzić do utraty panowania nad narzędziem i odrzutu.
- e. **Nie należy używać z tym narzędziem tarczy precyzyjarki do drewna czy tarczy piły.** Mogłoby to spowodować ryzyko odrzutu i utratę kontroli nad narzędziem.

SPECJALNE OSTRZEŻENIA W ZAKRESIE BEZPIECZEŃSTWA DOTYCZĄCE SZLIFOWANIA I CIĘCIA

- a. **Stosować wyłącznie tarcze przeznaczone do tego narzędzia i osłonę bezpieczeństwa przeznaczoną do wybranej tarczy.** Tarcze nieprzeznaczone do tego urządzenia nie będą prawidłowo osłonięte i mogą zagrażać bezpieczeństwu.
- b. **Osłona musi być w bezpieczny sposób przymocowana do elektronarzędzia i ustawiona tak, aby zapewnić maksymalne bezpieczeństwo; tarcza powinna być jak w najmniejszym stopniu odsłonięta w stronę operatora.** Osłona pomaga chronić operatora przed fragmentami pękniętej tarczy i przypadkowym kontaktem z tarczą.
- c. **Tarczy należy używać wyłącznie do zalecanych zastosowań. Na przykład, nie należy szlifować bocznią powierzchnią tarczy tnącej.** Tarcze ścierne przeznaczone są do szlifowania obwodowego, przyłożenie siły bocznej do tarczy grozi jej uszkodzeniem.
- d. **Należy stosować kołnierze tarcz w dobrym stanie technicznym, o właściwym rozmiarze i kształcie dopasowanym do wybranej tarczy.** Odpowiedni kołnierz tarczy podpira ją, zmniejszając ryzyko pęknięcia tarczy. Kołnierze do

tarcz tnących mogą być inne niż kołnierze do tarcz ściernych.

- e. **Nie używać zużytych tarcz z większych elektronarzędzi.** Tarcze przeznaczone do większych elektronarzędzi nie nadają się do współpracy z mniejszym elektronarzędziem pracującym z wyższą prędkością i mogą ulec pęknięciu.

DODATKOWE OSTRZEŻENIA W ZAKRESIE BEZPIECZEŃSTWA DOTYCZĄCE CIĘCIA

- a. **Nie blokować tarczy tnącej i nie dociskać za mocno. Nie próbować ciąć materiału zbyt głęboko.** Nadmierne dociskanie tarczy zwiększa obciążenie i ryzyko skrzywienia lub zakleszczenia tarczy w ciętym materiale, co może spowodować szarpnięcie lub pęknięcie tarczy.
- b. **Ciało nie może znajdować się w jednej linii z obracającą się tarczą ani za tarczą.** Gdy tarcza podczas pracy porusza się w kierunku przeciwnym do ciała operatora, to w chwili odskoczenia siła odrzutu może spowodować przesunięcie narzędzia w stronę operatora.
- c. **Jeśli tarcza zablokuje się lub jeśli cięcie zostanie przerwane z innego powodu, należy odłączyć elektronarzędzie od źródła zasilania i przytrzymać elektronarzędzie, aż do chwili całkowitego zatrzymania. Nie wolno usiłować zdejmować tarczy tnącej, gdy tarcza się obraca, ponieważ może dojść do odrzutu lub odskoczenia urządzenia.** Kiedy tarcza się zaklinuje, szukajcie przyczyny i podejmijcie środki zapobiegawcze, by to się już nie powtórzyło.
- d. **Nie wznawiać cięcia, gdy urządzenie styka się z ciętym materiałem. Należy poczekać aż tarcza nabierze pełnej prędkości i ostrożnie przyłożyć tarczę do szczeliny cięcia.** Tarcza może zaklinować się, wykonać gwałtowny ruch lub odskoczyć, jeśli elektronarzędzie zostanie uruchomione w chwili kontaktu z obiektem.
- e. **Podeprzeć panele lub inne cięższe obrabiane obiekty, aby ograniczyć ryzyko zakleszczenia tarczy i odrzutu.** Duże obiekty mogą zalać się/uciąć pod własnym ciężarem. Podpory muszą być umieszczone pod obrabianym materiałem blisko linii cięcia i blisko krawędzi materiału, po obu stronach tarczy.
- f. **Należy zachować szczególną ostrożność w przypadku wykonywania cięcia kieszeniowego w istniejących ścianach lub innych strukturach nieprzelotowych.** Wystająca tarcza może przeciąć przewody instalacji gazowej lub wodnej, przewody elektryczne lub obiekty, które mogą

spowodować odrzut.

DODATKOWE ZNAKI OSTRZEGAWCZE, SPECYFICZNE DLA DZIAŁAŃ ZWIĄZANYCH ZE ŚCIERANIEM

- a. Należy sprawdzić czy prędkość wskazana na tarczy zdzierającej jest równa lub większa od prędkości nominalnej narzędzia.
- b. Upewnijcie się, że wymiary tarczy zdzierającej są odpowiednie dla waszego narzędzia, oraz czy tarcza zdzierająca dobrze osadza się na wrzecionie.
- c. Tarcze zdzierające powinny być przechowywane w suchym miejscu.
- d. Nie kładźcie żadnego przedmiotu na tarcze szlifierskie.
- e. Tarcze szlifierskie powinny być używane jedynie w celu wykonywania szlifowania.
- f. Przed użyciem tarczy, należy się upewnić czy nie jest ona wyszczerbiona lub pęknięta. W takiej sytuacji mogłaby się ona połamać, co może pociągnąć za sobą poważne obrażenia cieleśne.
- g. Przed użyciem upewnijcie się, że tarcza szlifierska jest poprawnie zamontowana i dokręcona a następnie obracajcie ją na na biegu jałowym przez 30 sekund, skierowując ją w taki sposób, aby nie stwarzała zagrożenia. Jeżeli wasze narzędzie wibruje zbyt mocno, lub gdy stwierdzicie inne problemy, należy natychmiast wyłączyć narzędzie. Jeżeli zajdzie taka sytuacja, skontrolujcie wasze narzędzie w celu znalezienia przyczyny zaistniałego problemu.
- h. Nie używajcie złączek zwęzkowych czy rozpórek w celu zmniejszenia otworu w tarczach o dużym otworze.
- i. Sprawdźcie czy obrabiany przedmiot jest poprawnie podtrzymywany.
- j. Upewnijcie się, że iskry tworzące się w trakcie używania narzędzia nie powodują niebezpiecznej sytuacji, na przykład czy nie spadają one na osoby lub na palne substancje.
- k. Należy zawsze nosić okulary ochronne i ochronniki słuchu.
- l. Jeżeli zachodzi potrzeba, używajcie innego wyposażenia ochronnego, jak rękawice, fartuch czy kask.
- m. Nigdy nie kładźcie waszego narzędzia na ziemi czy innych powierzchniach, kiedy jest ono w trakcie działania. Uwaga, tarcza szlifierska obraca się bezwład-nościowo po wyłączeniu narzędzia. Nigdy nie należy dotykać tarczy szlifierskiej, ani jej kłaść na ziemi czy innych powierzchniach, kiedy tarcza się obraca.
- n. Kołnierz oporowy tarczy i kołnierz zewnętrzny

Polski

muszą mieć zawsze taką samą średnicę zewnętrzną.

- o. Używajcie tego narzędzia jedynie do zastosowań zgodnych z przeznaczeniem. Nigdy nie używajcie płynu chłodzącego czy wody. Nie używajcie waszego przenośnego narzędzia jak narzędzia stacjonarnego.
- p. Podczas użytkowania narzędzia, należy je mocno trzymać dwoma rękami.

SYMBOL



Alarm bezpieczeństwa

V Wolt

Hz Herc

~ Prąd przemienny

W Wat

n_o Prędkość bez obciążenia

n Prędkość znamionowa

min^{-1} Ilość obrotów czy ruchów na minutę



Zgodność CE



Podwójna izolacja



Stosować środki ochrony słuchu



Stosować środki ochrony wzroku



Przed uruchomieniem produktu należy dokładnie przeczytać te instrukcje.



Zużyte produkty elektryczne nie powinny być utylizowane z odpadami domowymi. Prosimy poddawać recyklingowi w odpowiednich miejscach. Informacje o właściwych metodach recyklingu można uzyskać u władz lokalnych lub sprzedawcy.



Surowce należy oddawać do recyklingu zamiast wyrzucać je na śmieci. Z myślą o ochronie środowiska, narzędzie, akcesoria i opakowania powinny być sortowane.

PARAMETRY TECHNICZNE

Model	EAG950RS / EAG950RSD	EAG950RB / EAG950RBD
Średnica tarczy	115 mm (4.5 in)	125 mm (5 in)
Grubość		
Tarcza zdzierająca (ściernica)	6 mm	6 mm
Tarcza tnąca (opcja)	3 mm	3 mm
Diamentowa tarcza tnąca (opcja)	2 mm	2 mm
Napięcie	230 V - 240 V ~ 50 Hz	230 V - 240 V ~ 50 Hz
Zasilanie	950 W	950 W
Gwint wrzeciona	M14	M14
Prędkość znamionowa	11,000 min^{-1}	11,000 min^{-1}
Całkowita długość	310 mm	310 mm
Masa netto	2.55 kg	2.6 kg

UWAGA: Sprawdźcie tabliczkę znamionową produktu, gdyż napięcie może być różne w zależności od miejsca, w którym używa się produktu.

Maksymalna prędkość obwodowa tarczy szlifierskiej: 4,800 m/min.

Przykład wyliczenia

$$3.14 \times 125 \times 11,000/1,000 = 4\,320$$

Prędkość obwodowa tarczy szlifierskiej 4 320

Średnica tarczy 125

Bieg jałowy szlifierki 11 000

AKCESORIA STANDARDOWE

Dodatkowy uchwyt, klucz.

W niektórych krajach tarcza zdzierająca dostarczana jest wraz z akcesoriami.

OBSŁUGA

Zobacz rysunek 4.

⚠ OSTRZEŻENIE

Pokrywy ochronne muszą być zawsze na swoim miejscu. Nie należy zakrywać otworów wentylacyjnych aby umożliwić poprawne chłodzenie silnika.

Aby praca była wydajna, istotnym jest poprawne kontrolowanie siły nacisku na narzędzie oraz powierzchni styku tarczy z obrabianym przedmiotem. Aby szlifować powierzchnie płaskie, szlifierka musi być pod kątem ostrym, zazwyczaj między 10° i 20° w stosunku do obrabianego przedmiotu. Zanim przystąpicie do szlifowania, należy czekać aż tarcza szlifierska osiągnie maksymalną prędkość. Zbyt duży kąt powoduje skupienie nacisku na małej powierzchni, co może wydrążyć lub spalić powierzchnię pracy.

DO CIĘCIA METALU

Zobacz rysunek 9 - 10.

- Używać tarczy ścierej do cięcia z całkowicie zamkniętą szybkozaciskową osłoną tarczy do cięcia metalu.
- Podczas cięcia nie należy zbyt mocno dociskać urządzenia - należy dostosować docisk do ciętego materiału. Nie dociskać tarczy tnącej oraz nie przechylać lub wykonywać ruchów okrężnych urządzenia.
- Nie spowalniać obracających się tarczy tnących, wywierając nacisk boczny. Maszyna zawsze musi poruszać się w górę cięcia, ponieważ w przeciwnym razie może dojść do niekontrolowanego gwałtownego szarpnięcia.
- W przypadku cięcia profili i prętów o przekroju kwadratowym, najlepiej zacząć od najmniejszego przekroju.

DO CIĘCIA KAMIENIA

Zobacz rysunek 9, 11.

- Prace należy wykonywać wyłącznie z założoną szybkozłączną standardową osłoną do cięcia.
- W przypadku cięcia kamienia najlepiej zastosować diamentową tarczę tnącą i założyć maskę przeciwpyłową.
- Włączyć urządzenie i przesuwać je, dociskając w umiarkowany sposób, w zależności od typu ciętego materiału.

WŁĄCZNIK

Zobacz rysunek 3.

- W celu uruchomienia lub zatrzymania narzędzia, przesuniecie włącznik do przodu lub zwolnicie go.
- Aby móc używać szlifierki w trybie ciągłym, naciśnijcie na przednią końcówkę włącznika po uprzednim przesunięciu go w celu zablokowania go w pozycji włączone.
- Aby odblokować włącznik, naciśnijcie na tylną końcówkę włącznika.

WYBÓR OSŁONY ZABEZPIEZAJĄCEJ

- W przypadku szlifowania metalu czynności robocze należy zawsze wykonywać z szybkozaciskową standardową osłoną tarczy.
- W przypadku cięcia kamienia czynności robocze należy zawsze wykonywać z szybkozaciskową standardową osłoną tarczy.
- W przypadku cięcia metalu czynności robocze należy zawsze wykonywać z całkowicie zamkniętą szybkozaciskową osłoną tarczy.

ZAINSTALOWANIE TARCZY ZDZIERAJĄCEJ

Zobacz rysunek 5 - 6.

- Przed nakręceniem nakrętki dociskowej nałożyć na wrzeciono kolnierz tarczy i tarczę.
- Upewnić się, że tarcza jest prawidłowo dopasowana do występu kolnierza tarczy i nakrętki dociskowej.
- Wciśnijcie przycisk blokady wrzeciona usytuowany po prawej stronie obudowy silnika.
- Dokręćcie zewnętrzny kolnierz oporowy zgodnie z ruchem wskazówek zegara przy pomocy dostarczonego klucza.

MONTAŻ TARCZY TNĄCEJ

Zobacz rysunek 7 - 8.

- Przed nakręceniem nakrętki dociskowej nałożyć na wrzeciono kolnierz tarczy i tarczę.
- Upewnić się, że tarcza jest prawidłowo dopasowana do występu kolnierza tarczy i nakrętki dociskowej, a płaska strona nakrętki dociskowej jest skierowana w dół.
- Wciśnijcie przycisk blokady wrzeciona usytuowany po prawej stronie obudowy silnika.
- Dokręćcie zewnętrzny kolnierz oporowy zgodnie z ruchem wskazówek zegara przy pomocy dostarczonego klucza.

⚠ OSTRZEŻENIE

Sprawdźcie dokładnie czy tarcza szlifierska nie ma pęknięć powierzchniowych. Wymieńcie natychmiast pękniętą tarczę.

**SZYBKOZŁĄCZNA STANDARDOWA OSŁONA
TARCZY DO SZLIFOWANIA/CIĘCIA KAMIENIA**

Zobacz rysunek 12 - 13.

Otwórzcie dźwignię blokady pokrywy ochronnej a następnie ustawcie pokrywę ochronną w pożądanej pozycji. Maksymalny kąt obrotu wynosi 90° z każdej strony, w przeciwny razie zablokowanie osłony nie będzie możliwe.

**CAŁKOWICIE ZAMKNIĘTA SZYBKOZACISKOWA
OSŁONA TARCZY DO CIĘCIA METALU**

Zobacz rysunek 14 - 15.

Blokowanie i odblokowanie osłony zabezpieczającej tarczy tnącej.

**LAMPKA KONTROLNA PODŁĄCZENIA POD
NAPIĘCIE**

Waszą szlifierka kątowna wyposażona jest w lampkę kontrolną podłączenia pod napięcie, która zaświeca się, gdy narzędzie jest podłączone do zasilania. Kontrolka ta zwraca uwagę na fakt, że szlifierka jest pod napięciem i że się uruchomi gdy tylko przesuńecie włącznik do przodu.

KONSERWACJA

Po użyciu upewnijcie się, że wasze narzędzie jest sprawne.

Zalecamy zanieśenie waszego narzędzia, przynajmniej raz w roku, do Autoryzowanego Punktu Serwisowego Ryobi w celu dokonania smarowania i kompletnego czyszczenia.

⚠ OSTRZEŻENIE

Kiedy silnik jest w trakcie działania nie wolno wykonywać żadnych regulacji.

Należy zawsze odłączyć wasze narzędzie od zasilania zanim przystąpicie do wymiany części (tarczy diamentowej czy zdzierającej itd.) Smarowania narzędzia, czy do prac konserwacyjnych.

⚠ OSTRZEŻENIE

Dla większego bezpieczeństwa i pewności działania, wszystkie naprawy powinny być wykonywane w Autoryzowanym Punkcie Serwisowym Ryobi.

Čeština

POPIS

1. Brusný kotouč
2. Beznástrojový standardní kryt kotouče
3. Přídavná rukojeť
4. Tlačítko pro aretaci vřetene
5. Spínač
6. Příruba
7. Vnější příruba
8. Vřeteno pohonu
9. Servisní uťahovací klíč
10. Blokační páčka ochranného krytu
11. Světelný indikátor napětí
12. Plně uzavřený beznástrojový kryt kotouče (volitelně)
13. Diamantový řezný kotouč (volitelně)
14. Řezný kotouč (volitelně)

BEZPEČNOSTNÍ VAROVÁNÍ PRO ČINNOSTI S ŘEZNÝM A BRUSNÝM KOTOUČEM

- a. Tento elektrický nástroj je určen k funkci brusky a řezání. Přečtete si pozorně upozornění, pokyny a technické specifikace dodané s nářadím a prohlédněte si ilustrace. Nedodržení uvedených pokynů může způsobit požár, úraz elektrickým proudem a/nebo jiné vážné zranění.
- b. **Nedodržení tohoto pokynu může způsobit vážné zranění či materiální škody.**
- c. **Nepoužívejte příslušenství, které není vyrobeno pro tento nástroj a které není doporučeno výrobcem.** I když lze příslušenství jiných výrobců nasadit na nářadí, neznamená to, že je jeho používání bezpečné.
- d. **Jmenovitá rychlost příslušenství musí být stejná nebo vyšší než je maximální rychlost uvedená na nářadí.** Příslušenství, které pracuje vyšší rychlostí, než je jeho jmenovitá rychlost, se může rozlomit a vymrštit z nářadí.
- e. **Vnější průměr a tloušťka příslušenství musí odpovídat technickým údajům pro dané nářadí.** Pokud příslušenství neodpovídá technickým údajům, ochranný systém nebude pracovat správně a nářadí nebude dobře seřízené.
- f. **Brusné kotouče, příruby, brusné desky a ostatní příslušenství musí být voleno v souladu s velikostí upínacího otvoru vřetena.** Příslušenství, které nelze dobře nasadit na hřídel, se nebude správně otáčet, bude nadměrně kmitat a může vést ke ztrátě kontroly nad nářadím.
- g. **Nepoužívejte poškozené příslušenství. Po každém použití nářadí zkontrolujte, zda je příslušenství, které jste používali, v dobrém stavu: ujistěte se, že brusné kotouče nejsou tupé nebo prasklé, brusné desky opotřebované**

nebo roztržené a že hroty kovových kartáčů nejsou tupé nebo zlomené. V případě pádu nářadí nebo příslušenství zkontrolujte, zda žádný prvek nářadí nebyl poškozen a v případě nutnosti, použijte nové příslušenství. Po provedení kontroly stavu příslušenství a po jeho nasazení na nářadí se postavte do bezpečné vzdálenosti a počkejte, dokud nářadí nedosáhne své maximální rychlosti. Nechte nářadí běžet na maximální otáčky zhruba po dobu jedné minuty. Pokud je příslušenství poškozené, během této zkoušky dojde k jeho rozbití.

- h. **Používejte osobní ochranné pomůcky.** V závislosti na používání nářadí, noste bezpečnostní nebo uzavřené ochranné brýle, nebo ochranné brýle s bočními kryty. V případě potřeby používejte protiprášný respirátor, sluchovou ochranu, ochranné rukavice a ochrannou zástěru s laclem, abyste se chránili před odlétajícími kusky obráběného materiálu (kovový prach a piliny, třísky apod.). Ochranné brýle chrání před vniknutím cizích těles do očí, které může způsobit zranění. Protiprášný respirátor filtruje částice prachu vytvářející se při práci. Dlouhodobá expozice vysokému hluku může způsobit poškození sluchu.
- i. **Dbejte, aby se přihlížející osoby zdržovaly v dostatečné vzdálenosti a aby byly vybaveny osobními ochrannými prostředky. Všechny osoby vstupující na pracoviště musí používat osobní ochranné prostředky.** Úlomky obráběného materiálu nebo rozlomené příslušenství může být vymršteno i mimo pracovní zónu a způsobit vážný úraz.
- j. **Držte nářadí pouze za izolované části s protiskluzovou úpravou, pokud pracujete s materiálem, ve kterém mohou být elektrické kabely nebo pokud pracujete v poloze, při které by se napájecí kabel mohl dostat do trasy řezu.** Při náhodném kontaktu s vodiči pod napětím jsou pod proudem i kovové části nářadí (viz hledem k elektrické vodivosti) a můžete dostat elektrickou ránu.
- k. **Napájecí kabel ved'te tak, aby byl v bezpečné vzdálenosti od otáčejícího se příslušenství.** V případě ztráty kontroly nad nářadím by mohlo dojít k přeřznutí elektrického kabelu nebo k jeho zablokování. Ruka nebo paže uživatele by tak mohly přijít do kontaktu s otáčejícím se příslušenstvím.
- l. **Nikdy nepokládejte nářadí, pokud se příslušenství ještě otáčí. Nikdy nepokládejte nářadí, pokud se příslušenství ještě otáčí.**

Čeština

- m. **Při přenášení nářadí vypněte.** Otáčející se příslušenství by se mohlo zachytit o váš oděv a způsobit vám závažný úraz.
- n. **Pravidelně čistěte větrací otvory v nářadí.** Při větrání motoru se pod kryt motoru dostává prach, proto je nutné větrací otvory pravidelně čistit, aby nedocházelo k usazování kovových částic, které by mohly způsobit úraz elektrickým proudem.
- o. **Nepoužívejte nářadí v blízkosti hořlavých předmětů.** Jiskřením by mohlo dojít k jejich vznícení.
- p. **Nepoužívejte příslušenství, které si vyžaduje chladicí médium.** Používání vody nebo chladicí kapaliny může způsobit úraz elektrickým proudem nebo elektrickou ránu.

ZPĚTNÝ VRH A SOUVISEJÍCÍ VAROVÁNÍ

Zpětný ráz je prudká reakce nářadí, ke které dojde, když se otáčející kotouč, brusný kotouč, kartáč či jiné příslušenství ohne, uvízne či zablokuje v obráběném materiálu. Nářadí se nezastaví a stále se otáčí, tím vyvíjí tlak v opačném směru, než je pracovní směr zablokováného příslušenství.

Například pokud uvízne brusný kotouč v obráběném dílu nebo se kotouč ohne, řezná hrana kotouče se zanoří do obráběného dílu a dojde k prudké reakci kotouče, který „vyskočí“ nekontrolovaně ze své dráhy směrem k uživateli, v závislosti na směru otáčení kotouče před jeho zablokováním. Kotouč může vyskočit buď směrem k nebo od operátora, v závislosti na směru kola hnutí v místě skřípnutí. Při zpětném rázu se brusný kotouč může zlomit.

Zpětný ráz je tudíž způsoben nesprávným používáním nářadí a/nebo nevhodným postupem při řezání, případně nevhodnými podmínkami řezání. Zpětnému rázu lze předcházet dodržováním několika základních opatření.

- a. **Držte nářadí pevně a postavte se tak, abyste mohli kontrolovat případný zpětný ráz nářadí. Pokud je nářadí vybaveno pomocnou rukojetí, vždy držte nářadí oběma rukama.** Tím se usnadní kontrola nad nářadím v případě zpětného rázu nebo reakčního momentu při spuštění nářadí. Při zpětném rázu nebo reakčním momentu je třeba přijmout odpovídající opatření.
- b. **Nikdy nepřibližujte ruce do blízkosti otáčejícího se příslušenství, abyste si nezpůsobili vážné zranění v případě zpětného rázu.** Příslušenství může odskočit zpět přes vaše ruce.
- c. **Nestavte se do místa možného zpětného rázu nářadí.** V případě zpětného rázu je nářadí vymrštno opačným směrem, než je směr otáčení kotouče.
- d. **Postupujte opatrně při práci v rozích, při opracování ostrých hran apod. Dávejte pozor, aby se vám nářadí nevysmeklo a aby se příslušenství nezablokovalo.** Při práci

v rozích a při opracování ostrých hran se zvyšuje nebezpečí vysmeknutí nářadí a zablokování příslušenství, které mají za následek ztrátu kontroly a zpětný ráz.

- e. **Toto nářadí nepoužívejte s kotoučem, který je určen pro zkracovací či jinou pilu na řezání dřeva.** Tyto kotouče zvyšují riziko zpětného rázu a ztráty kontroly nad nářadím.

ZVLÁŠTNÍ BEZPEČNOSTNÍ VAROVÁNÍ PRO ČINNOSTI S ŘEZNÝM A BRUSNÝM KOTOUČEM

- a. **Používejte pouze typy kotoučů, které jsou doporučeny pro váš elektrický nástroj a určený kryt navržený pro zvolený kotouč.** Kotouče nenavržené pro danou brusku nelze dostatečně chránit a jsou nebezpečné.
- b. **Kryt musí být bezpečně připojen k elektrickému nástroji a umístěn pro maximální bezpečnost, tím je obsluha vystavena minimální plocha kotouče.** Kryt pomáhá obsluhu chránit před rozbitými fragmenty kotouče a kontaktem s kotoučem.
- c. **Kotouče se smí používat pouze pro doporučená použití.** Například, nebruste stranou brusného kotouče. Hrubé rozbrušovací kotouče jsou určeny pro okrajová broušení, boční síly použité na tyto kotouče mohou způsobit jejich poškození.
- d. **Vždy používejte nepoškozené okolky kotouče se správnou velikostí a tvarem pro váš vybraný kotouč.** Správné okolky kotouče podporují kotouč, čímž snižují možnost zaseknutí kotouče. Okolky pro rozbrušovací kotouče mohou být jiné než okolky brusných kotoučů.
- e. **Nepoužívejte opotřebované kotouče z větších nástrojů.** Kotouč zvolený pro větší nástroj je nevhodný pro vysoké rychlosti malého nástroje a může prasknout.

DOPLŇKOVÉ BEZPEČNOSTNÍ VAROVNÉ PŘEDPISY PRO ČINNOSTI S ŘEZNÝM KOTOUČEM

- a. **„Neblokujte“ řezný kotouč ani nepoužívejte nadměrný tlak.** Nezkoušejte se provádět nadměrně hluboké řezy. Namáhání kotouče zvyšuje zátěž a náchylnost ke stočení nebo uváznutí kotouče v řezu a možnost zpětného vrhu nebo zlomení kotouče.
- b. **Nestavte své tělo do linie a za rotující kotouč.** Pokud kotouč, v místě použití, se pohybuje směrem od vašeho těla, může možný zpětný vrh odhodit rotující kotouč a elektrický nástroj přímo na Vás.

Čeština

- c. **Když kotouč uvízne, nebo když se řezání přeruší z jakéhokoli důvodu, vypněte elektrický nástroj a držte jej nehybně v materiálu, až se kotouč zcela zastaví. Nikdy se nepokoušejte přemísťovat řezný kotouč z místa řezání, když se kotouč pohybuje, jinak nastane zpětný vrh.** Pokud kotouč uvízne v řezaném materiálu, pokuste se nalézt příčinu a proveďte nápravu, aby k zablokování kotouče již nemohlo dojít.
- d. **Neobnovujte řezání přímo v obrobku. Nechte kotouč dosáhnout plné rychlosti a opatrně znovu vstupte do řezaného místa.** Když je kotouč uvízlý, může z obrobku vyskočit nebo být zpětně vržen, když se znovu spustí v obrobku.
- e. **Podepřete velké panely nebo velké obrobky pro minimalizaci nebezpečí sevření kotouče a zpětného vržení.** Velké obrobky mají sklon se prohýbat vlastní tíhou. Podpory musí být umístěny pod obrobkem po obou stranách blízko linie řezu a blízko okrajů obrobku.
- f. **Buďte velmi opatrní, když děláte „zářez“ do dané zdi nebo jiných slepých oblastí.** Vyčnívající kotouč může přezézat potrubí vedoucí plyn či vodu, elektrické vodiče či předměty, které způsobují zpětný vrh.

DOPLŇKOVÉ BEZPEČNOSTNÍ VAROVNÉ PŘEDPISY BROUŠENÍ

- a. Zkontrolujte, zda rychlost otáček uvedená na brusném kotouči souhlasí s jmenovitou rychlostí brusky.
- b. Zkontrolujte, zda je průměr brusného kotouče kompatibilní s nářadím a se závitem na vřetenou.
- c. Brusné kotouče je nutné skladovat v suchu.
- d. Na brusné kotouče nepokládejte žádný předmět.
- e. Brusné kotouče se nesmí používat k jiným účelům než k broušení materiálu.
- f. Než začnete používat brusný kotouč, zkontrolujte, zda není tupý nebo prasklý. Prasklý kotouč se může rozlomit a být příčinou vážného úrazu.
- g. Před použitím brusky zkontrolujte správné nasazení a utažení brusného kotouče, pak ponechte brusku pracovat naprázdno zhruba po dobu 30 sekund. Bruska musí být přítom nasměrována tak, abyste neohrozili sami sebe a své okolí. Pokud je slyšitelné podezřelé chvění kotouče nebo je patrný jakýkoliv jiný problém, brusku okamžitě vypněte. Brusku pečlivě prohlédněte, abyste odhalili příčinu problému.
- h. Nepoužívejte redukce ani adaptéry, abyste mohli nasadit brusný kotouč na velký upínací průměr.
- i. Zkontrolujte správné upevnění opracovávaného materiálu.
- j. Dávejte pozor, aby jiskření, které vzniká při

používání nářadí, nevytvářelo nebezpečné situace, například že jiskry nemohou zasáhnout osoby ve Vaší blízkosti nebo přijít do styku s hořlavými předměty.

- k. Při práci noste ochranné brýle a sluchovou ochranu.
- l. V případě potřeby používejte i další osobní ochranné prostředky, jako jsou ochranné rukavice, ochranný pracovní oděv nebo přilba.
- m. Pokud je nářadí v provozu, nikdy je nepokládejte na zem ani neodkládejte na jinou plochu. Vlivem setrvačnosti se kotouč ještě chvíli otáčí i po vypnutí nářadí. Pokud je bruska v provozu, nikdy se nedotýkejte brusného kotouče, brusku nepokládejte na zem ani na žádnou jinou plochu.
- n. Příruba brusného kotouče a vnější příruba musí mít stejný vnější průměr.
- o. Nářadí používejte pouze k předepsaným účelům. Ke zchlazení kotouče nikdy nepoužívejte chladící kapalinu nebo vodu. Nepoužívejte nářadí jako pevný nástroj.
- p. Při práci držte nářadí pevně oběma rukama.

SYMBOL



Bezpečnostní výstraha

V

Volt

Hz

Hertz

~

Střídavý proud

W

Watt

n₀

Otáčky naprázdno

n

Jmenovitá rychlost

min⁻¹

Počet otáček nebo pohybů (kmitů) za minutu



Shoda CE



Dvojitá izolace



Noste ochranu sluchu



Noste ochranu očí



Před použitím přístroje si prosím řádně přečtěte tyto pokyny.

Čeština



Odpad elektrických výrobků se nesmí likvidovat v domovním odpadu. Recyklujte prosím na sběrných místech. Ptejte se u místních úřadů nebo prodejce na postup při recyklaci.



V rámci možností neodhazujte vysloužilý výrobek nebo jeho části do domovního odpadu a snažte se o jejich recyklaci. V souladu s předpisy na ochranu životního prostředí odkládejte vysloužilé nářadí, příslušenství i obalový materiál do tříděného odpadu.

TECHNICKÉ ÚDAJE

Model	EAG950RS / EAG950RSD	EAG950RB / EAG950RBD
Průměr brusného kotouče	115 mm (4.5 in)	125 mm (5 in)
Tloušťka		
Brusný kotouč	6 mm	6 mm
Řezný kotouč (volitelně)	3 mm	3 mm
Diamantový řezný kotouč (volitelně)	2 mm	2 mm
Elektrické napětí	230 V - 240 V ~ 50 Hz	230 V - 240 V ~ 50 Hz
Vstup	950 W	950 W
Závit na vřetenu	M14	M14
Jmenovitá rychlost	11,000 min ⁻¹	11,000 min ⁻¹
Celková délka	310 mm	310 mm
Čistá hmotnost	2.55 kg	2.6 kg

POZNÁMKA: Zkontrolujte údaje na typovém štítku nářadí, napětí elektrické sítě se může různit podle místa používání nářadí.

Maximální rychlost otáčení brusného kotouče: 4,800 /min.

Příklad výpočtu

$$3.14 \times 125 \times 11,000/1,000 = 4\,320$$

Rychlost otáčení brusného kotouče 4 320

Průměr brusného kotouče	125
Otáčky brusky naprázdno	11 000

STANDARDNÍ PŘÍSLUŠENSTVÍ

Pomocná rukojeť, klíč.

V některých zemích je v příslušenství dodáván další brusný kotouč.

OBSLUHA

Viz obrázek 4.

VAROVÁNÍ

Ochranné kryty musí být vždy nasazeny. Dávejte pozor, abyste nezakryli větrací otvory, které slouží k přirozenému chlazení motoru.

Aby Vaše práce byla efektivní, na brusku se nesmí tlačit a je nutné kontrolovat místo záběru mezi brusným kotoučem a opracovávaným materiálem. Při broušení rovných ploch musí bruska svírat ostrý úhel s opracovávaným materiálem, obvykle v rozmezí od 10° do 20°. Než začnete brousit, počkejte, než motor dosáhne své plné rychlosti. Příliš velký úhel může vytvořit nadměrný tlak na malou plochu. To může vést k vybroušení plochy nebo k jejímu spálení.

PRO ŘEZÁNÍ KOVU

Viz obrázek 9 - 10.

- Používejte brusné a řezné kotouče s plně uzavřeným beznástrojovým krytem kotouče pro řezání železa.
- Při řezání pracujte s mírným tlakem přizpůsobenému řezanému materiálu. Netlačte silně na řezný kotouč, nenaklápejte či nekmítejte s nástrojem.
- Nesnižujte rychlost zajiždějících brusných kotoučů do materiálu použitím bočního tlaku. Stroj musí vždy pracovat ve vzestupném řezacím pohybu směrem nahoru, jinak je zde nebezpečí že dojde k nekontrolovanému vytlačení mimo řez.
- Při řezání profilů a čtvercových tyčí je nejlepší začít z nejmenšího průřezu.

PRO ŘEZÁNÍ KAMENE

Viz obrázek 9, 11.

- Vždy pracujte s beznástrojovým standardním krytem kotouče pro řezání.
- Pro řezání kamene se ideálně hodí diamantový řezný kotouč a je doporučeno nosit respirátor.

Čeština

- Zapněte nástroj a posuňte jej mírným tlakem přizpůsobenému řezanému materiálu.

SPÍNAČ

Viz obrázek 3.

- Pokud chcete nářadí vypnout nebo zapnout, posuňte spínač dopředu a pusťte ho.
- Pokud chcete s bruskou pracovat bez přerušeni delší dobu, posuňte spínač dopředu a zamáčkněte ho, aby se zablokoval v zapnuté poloze.
- Pokud chcete spínač odblokovat, stiskněte zadní část spínače.

VOĽBA OCHRANNÉHO KRYTU

- Při broušení kovu vždy pracujte s beznástrojovým standardním krytem kotouče.
- Při řezání kamene vždy pracujte s beznástrojovým standardním krytem kotouče.
- Při řezání kovu vždy pracujte s plně uzavřeným beznástrojovým krytem kotouče.

INSTALACE BRUSKY

Viz obrázek 5 - 6.

- Přiložte přírubu kotouče a kotouč na vřeteno před namontováním upínací matice.
- Zajistěte, aby byl kotouč správně nasazen přes výčnělek na přírubě disku a upínací matiči.
- Zamáčkněte blokovací tlačítko vřetene, které se nachází na pravé straně krytu.
- Pomocí dodaného utahovacího klíče utáhněte přírubu ve směru hodinových ručiček.

MONTÁŽ ŘEZNÉHO KOTOUČE

Viz obrázek 7 - 8.

- Přiložte přírubu kotouče a kotouč na vřeteno před namontováním upínací matice.
- Zajistěte, aby byl kotouč správně nasazen přes výčnělek na přírubě disku a upínací matiči, plochou stranou upínací matice dolů.
- Zamáčkněte blokovací tlačítko vřetene, které se nachází na pravé straně krytu.
- Pomocí dodaného utahovacího klíče utáhněte přírubu ve směru hodinových ručiček.

VAROVÁNÍ

Pečlivě zkontrolujte, zda brusný kotouč není prasklý. Prasklý kotouč okamžitě vyměňte.

BEZNÁSTROJOVÝ STANDARDNÍ KRYT KOTOUČE PRO BROUŠENÍ/ŘEZÁNÍ KAMENE

Viz obrázek 12 - 13.

Otevřete blokační páčku ochranného krytu a nastavte ochranný kryt do požadované polohy. Maximální úhel natočení je na každé straně 90°; jinak se kryt neuzamkne.

PLNĚ UZAVŘENÝ BEZNÁSTROJOVÝ KRYT KOTOUČE PRO ŘEZÁNÍ KOVU

Viz obrázek 14 - 15.

Zamkněte a odemkněte ochranný kryt pro řezný kotouč.

SVĚTELNÝ INDIKÁTOR NAPĚTÍ

Úhlová bruska je vybavena světelným indikátorem napětí, který se rozsvítí, jakmile je bruska připojena ke zdroji napětí. Tato kontrolka upozorňuje uživatele nářadí, že je bruska pod napětím a že se uvede do provozu při přepnutí přepínače do přední pozice.

ÚDRŽBA

Po skončení práce zkontrolujte, zda je nářadí v dobrém stavu.

Doporučuje se nechat nářadí zkontrolovat alespoň jedenkrát ročně v některém z autorizovaných servisních středisek výrobků Ryobi a nechat nářadí kompletně vyčistit a namazat.

VAROVÁNÍ

Neprovádějte žádná seřizování, pokud je motor v provozu.

Před výměnou dílů (diamantového kotouče, brusného kotouče apod.), před mazáním a údržbou vždy odpojte brusku ze zásuvky elektrické sítě.

VAROVÁNÍ

Z bezpečnostních důvodů a pro zajištění spolehlivosti nářadí musí být veškeré opravy prováděny v autorizované servisní opravě výrobků Ryobi.

LEÍRÁS

1. Csiszolókorong (tárcsa)
2. Szerszám nélkül felszerelhető standard tárcsavédő
3. Kiegészítő fogantyú
4. Tengely reteszgomb
5. Kapcsológomb
6. Alátét
7. Külső alátét
8. Hajtótengely
9. Szorítókulcs
10. Védőlemez reteszelő kar
11. Működésjelző lámpa
12. Teljesen zárt, szerszám nélkül felszerelhető tárcsavédő (opcionális)
13. Gyémánt vágótárcsa (opcionális)
14. Vágótárcsa (opcionális)

**A CSISZOLÁSI ÉS VÁGÁSI MŰVELETEKRE
VONATKOZÓ ÁLTALÁNOS BIZTONSÁGI
FIGYELMEZTETÉSEK**

- a. **A gép csiszolóként és vágóként is használható.** Figyelmesen olvassa el az ehhez a szerszámhoz mellékelte összes figyelmeztetést, utasítást és műszaki adatokat, valamint tanulmányozza az ábrákat is. Az alább részletezett előírások be nem tartása olyan baleseteket okozhat, mint pl. tűz, áramütés és/vagy súlyos testi sérülések.
- b. **Ezen előírás be nem tartása baleseteket és súlyos testi sérüléseket okozhat.**
- c. **Ne használjon olyan tartozékokat, amelyeket nem speciálisan ehhez a szerszámhoz terveztek és a gyártó által nincs előírva a használatuk.** Még ha egy tartozékot fel is lehet a szerszámra szerelni / helyezni, ez nem jelenti azt, hogy teljes biztonságban is lehetne ezt a szerszámot ily módon használni.
- d. **A tartozék névleges sebessége (fordulatszáma) nagyobb vagy egyenlő kell hogy legyen, mint a szerszámon jelölt maximális sebesség (fordulatszám).** A saját névleges sebességüknél nagyobb sebességen üzemelő tartozékok eltérhetnek és kidobódhatnak / kirepülhetnek a szerszámból.
- e. **A tartozék külső átmérője és vastagsága meg kell hogy feleljen a szerszám megjelölt műszaki adatainak.** Amennyiben a tartozékok nem felelnek meg a megadott adatoknak, akkor a szerszám védelmi- és beállítási rendszerei nem képesek megfelelőképp működni.
- f. **A csiszolókorongok (tárcsák), alátétek, talpak és egyéb tartozékok meg kell hogy feleljenek a szerszámtengely furatátmérőjének.** A

meghajtó-tengelyeknek nem megfelelő tartozékok nem fognak megfelelőképp fogogni, túlságosan vibrálnak és általuk elveszíti a szerszám felett az uralmát.

- g. **Ne használjon sérült tartozékokat.** Minden használat előtt ellenőrizze, hogy a használt tartozék jó állapotban van-e: bizonyosodjon meg arról, hogy a csiszoló korongok nem csorbultak / deformálódtak vagy repedtek, a talpak nem szakadtak vagy kopottak, valamint hogy a drótfekék sörtei nem túlságosan kopottak vagy töröttek. Amennyiben a szerszám vagy a tartozék leesett, ellenőrizze hogy semelyik alkatelen nem sérült, szükség esetén pedig szereljen / tegyen fel egy új tartozékokat. Miután leellenőrizte, hogy a tartozék jó állapotban van, és felszerelte / felhelyezte azt, akkor helyezkedjen el biztonságos távolságban a mozgó tartozéktól és hagyja hogy a szerszám egy percig maximális fordulatszámon működjön. Ha a tartozék sérült, akkor el fog törni e teszt során.
- h. **Viseljen személyi védőfelszerelést.** Aszerint, hogy mire használja a szerszámot, viseljen védőmaszkot, biztonsági- vagy védőszemüveget. Szükség esetén hordjon porvédő maszkot, hallásvédő eszközt (fülvédőt, fül dugót), kesztyűt, védőkötenyt az idegen testek (súroló darabok, faforgács stb.) becsapódása elleni védelem érdekében. A védőszemüveg lehetővé teszi, hogy a kipattogó törmelék ne sértsen meg a szemet. A porvédő maszk lehetővé teszi a munkafolyamat által keltett részecskék kiszűrését. Halláskárosodást okozhat, ha erős zajnak hosszabb időn keresztül ki van téve.
- i. **A munkát szemléelőket tartsa megfelelő távolságban a munkaterülettől és ügyeljen arra, hogy hordjanak megfelelő védőfelszerelést.** Bárki beléphet a munkaterületen kell viselniük egyéni védőeszközöket. A munkadarab ill. egy sérült tartozék töredékei a munkaterületen túlra repülhetnek és súlyos testi sérüléseket okozhatnak.
- j. **A szerszámot kizárólag a szigetelt, csúszásgátló részénél fogja, ha olyan felületen dolgozik, amelyben elektromos vezeték lehet, vagy amikor olyan munkát kell végeznie, melynek során a tápvezeték a szerszám útjába kerülhet.** A feszültség alatt lévő villanyvezetékek történő érintkezés által a szerszám fém részeibe vezetődhét az áram, ami áramütést okozhat.
- k. **Oly módon vezesse a hálózati tápvezetékét, hogy távol maradjon a forgásban lévő**

Magyar

- tartozéktól.** Ha elveszíti uralmát a szerszám felett, a tápvezeték elszakadhat vagy becsipődhet és a keze ill. a karja a forgó tartozék felé mozdulhat el.
- Soha ne tegye le addig a szerszámot, amíg a tartozék teljesen le nem áll.** A forgó tartozék érintkezésbe léphet azzal felülettel, amelyre helyezték, emiatt elveszítheti a szerszám felett az uralmát.
 - Szállítás közben soha ne működtesse a szerszámot.** A forgó tartozék bekaphatja a ruháját és súlyos sérülést okozhat.
 - Rendszeresen tisztítsa a szerszám szellőzőnyílásait.** A motor légáramlása a motorház belsejébe szívja a port, ami által felhalmozódhatnak ott a fémrészcsekék és ez áramütést idézhet elő.
 - Ne használja a szerszámot gyúlékony, tűzveszélyes anyagok közelében.** A szerszám által keltett szikrák meggyújtják ezeket.
 - Ne használjon hűtőfolyadékkal működő tartozékokat.** A víz ill. a hűtőfolyadékok használata áramütést okozhat.

VISSZARÚGÁS ÉS AHHOZ KAPCSOLÓDÓ FIGYELMEZTETÉSEK

A megugrás egy olyan hirtelenszerű reakció, amely akkor léphet fel, ha a mozgásban lévő csiszolókorong, talp, drótkéfe vagy egyéb tartozék beszorul vagy elgörbül, ami az adott tartozék gyors blokkolásában nyilvánul meg. A szerszám tovább működik, így a tartozék használati irányával ellenkező irányban megdobja a szerszámot.

Például, ha egy vágótárcsa beszorul vagy elgörbül a munkadarabban, akkor a tárcsa éle belemélyülhet a munkadarab felületébe, ami a tárcsát a munkadarabról hirtelen a szerszámot használó személy irányába ill. – a leblokkolt tárcsa forgásirányának függvényében – távolra is vetheti. A kerék akkor sem ugrik irányába, vagy távol az üzemeltető, attól függően, irány a kerék mozgását ponton csipkedte. Megugrás esetén a vágótárcsa el is törhet.

A megugrás ily módon a szerszám nem megfelelő használatának és/vagy a helytelen használati módoknak / körülményeknek az eredménye. Néhány óvintézkedés meghozatalával ill. figyelmes betartásával azonban elkerülhető ez a veszélyes jelenség.

- Tartsa erősen a szerszámot és oly módon pozicionálja a testét és a kezeit, hogy egy esetleges megugrást kontrollálni tudjon. Ha a szerszámon segédfogantyú van, mindig ügyeljen a fogására. Ekkor optimális kontroll alatt tartja a szerszámot egy esetleges megugrás vagy a szerszám beindítása során jelentkező ellenhatás-nyomaték esetén.** Hozza meg a szükséges intézkedéseket ahhoz, hogy uralma alatt maradjon a szerszám megugrás vagy

ellenhatás-nyomaték esetén.

- Soha ne helyezze a kezét a forgó tartozék közelébe, a súlyos testi sérülések veszélyének elkerülése érdekében.** Tartozékok kezein át.
- Ne helyezkedjen abba a térrészbe, ahova a szerszám kidobódhat egy esetleges megugrás esetén.** Megugrás esetén a szerszám a tárcsa forgásirányával ellentétes irányba repül ki.
- Különös figyelemmel járjon el, ha sarkokon, éles peremeken stb. dolgozik.** Kerülje a tartozék megcsúszását és beszorulását. Amikor sarkokon, éles peremeken dolgozik, vagy megcsúszik a szerszám, akkor a tartozék blokkolásának – ily módon az uralom elvesztésének és a szerszám megugrásának – nagyobb a veszélye.
- Soha ne használjon ezzel a szerszámmal fadaraboló- és fűrész-tárcsát.** Az ilyen típusú tárcsák növelik a szerszám megugrásának és uralomvesztésének veszélyét.

A CSISZOLÁSI ÉS VÁGÁSI MŰVELETEKRE VONATKOZÓ SPECIÁLIS BIZTONSÁGI FIGYELMEZTETÉSEK

- Csak a géphez javasolt tárcsákat használja, melyekhez van speciális védőburkolat.** Azok a tárcsák, melyeknek használatára a gép nincs felkészítve, nem védhetők megfelelően és ezért nem biztonságosak.
- A védőt biztosan kell rögzíteni a gépen, és úgy kell beállítani, hogy a maximális biztonságot nyújtsa, azaz a tárcsa lehető legkisebb nem védett része nézzen a kezelő felé.** A védőburkolat megvédi a kezelőt a szétört tárcsa darabjaitól és a tárcsával való véletlen érintkezéstől.
- A tárcsákat csak a javasolt alkalmazásokra szabad használni.** Például, ezért ne csiszoljon a vágótárcsa oldalával. A csiszoló vágótárcsák oldalirányú csiszolásra valók, ezért nagy oldalsó erőknek vannak kitéve, melyek akár a tárcsa összetörését is okozhatják.
- Mindig sérülésektől mentes tárcsarögzítő peremeket használjon, melyek mérete és alakja megfelelő a kiválasztott tárcsához.** A tárcsarögzítő peremek megtámasztják a tárcsát, így csökkentik a tárcsa eltörésének veszélyét. A vágótárcsák rögzítőperemei különbözhetnek a csiszolókorongokhoz szükséges peremektől.
- Ne használjon nagyobb gépekről származó elhasználtott tárcsákat.** A nagyobb szerszámgépekhez való tárcsa a kisebb gép nagyobb fordulatszáma miatt nem használható, mert szétrobbanhat.

A CSISZOLÓVAL VÉGZETT VÁGÁSOKKAL KAPCSOLATOS TOVÁBBI BIZTONSÁGI FIGYELMEZTETÉSEK

- Ne "csípje be" a vágótárcsát, és ne fejtse ki túlzott nyomást. Ne próbálkozzon túl mélyen vágni.** A tárcsa feszítése növeli a terhelést és a tárcsa hajlamosságát a csavarodásra vagy görbülésre a vágásjáratban, valamint a visszarágás és a tárcsa törésének veszélyét.
- Ne helyezze a testét forgó tárcsa síkjába.** Amikor a tárcsa a megmunkálási pontban az Ön testétől elfelé mozog, az esetleges visszarágás megperdítheti a forgó tárcsát, és Ön felé lendítheti a szerszámgépet.
- A tárcsa beakadásakor, vagy ha bármilyen okból megszakítja a vágást, kapcsolja ki a szerszámgépet, és tartsa mozdulatlanul mindaddig, amíg a tárcsa teljesen meg nem áll. Ne próbálja eltávolítani a vágótárcsát a vágásból, ha a tárcsa forog, máskülönbén visszarágás történhet.** Soha ne próbálja a még forgó tárcsát levenni, ez megugrást idézhet elő.
- Ne kezdje újra a vágást a munkadarabban.** Hagyja, hogy a vágótárcsa teljes fordulatszámra gyorsuljon, majd óvatosan engedje be a vágásba. A tárcsa beakadhat, felemelkedhet vagy visszarághat, ha a gépet a munkadarabban indítja be.
- A paneleket és a túlméretes munkadarabokat támassza alá, hogy csökkentse a tárcsa becsipődésének és visszarágásának kockázatát.** A nagyméretű munkadarabok a saját súlyuk alatt behajolhatnak. A támasztékokat a vágásvonal közelében, valamint a munkadarab széléhez közel is el kell helyeznie a tárcsa mindkét oldalán.
- Különös figyelemmel járjon el, ha "beszűrő vágást" végez egy már meglévő falban vagy más előre nem látható területen.** A kiálló tárcsa gáz- vagy vízcsoveket, illetve elektromos vezetékeket vagy más tárgyakat vághat el, ami visszarágást okozhat.

A CSISZOLÁSI MŰVELETRE VONATKOZÓ TOVÁBBI BIZTONSÁGI FIGYELMEZTETÉSEK

- Ellenőrizze, hogy a csiszolókorongon feltüntetett fordulatszám-érték nagyobb vagy egyenlő legyen, mint a szerszám névleges fordulatszám-értéke.
- Bizonyosodjon meg arról, hogy a csiszolókorong méretei (átmérő) megfelelőek legyenek a szerszámhoz és hogy a korong tökéletesen illeszkedjen a tengelyre.
- A csiszolókorongokat száraz helyen tárolja.

- Soha ne tegyen semmilyen tárgyat a korongokra.
- A csiszolókorongokat kizárólag csiszolásra szabad használni.
- A csiszolókorong használata előtt bizonyosodjon meg arról, hogy a korong ne legyen csorbitva vagy repedt. Ilyen esetben a korong eltörhet és ez súlyos testi sérüléssel járó balesetet eredményezhet.
- A sarokcsiszoló használata előtt bizonyosodjon meg arról, hogy a korongot jól tette-e fel és rendesen megszorította-e. Ezután használja a szerszámot üresjáraton 30 másodpercig, eközben tartsa úgy, hogy az ne legyen senkire és semmire nézve veszélyes. Ha a készülék túlságosan vibrál ill. ha bármilyen más problémát észlel, azonnal állítsa le a készüléket. Ilyenkor ellenőrizze a készüléket és keresse meg a probléma okát.
- Nem szabad szűkítő közgyűrűvel, támcsavarral stb. nagyobb lyukátmérőjű, a készülékekhez nem alkalmas korongot használni.
- Ellenőrizze, hogy a munkadarab / megmunkálandó felület kellő módon rögzítve legyen.
- Bizonyosodjon meg arról, hogy a készülék használatakor keletkező szikrák ne idézzenek elő veszélyes helyzetet, vagyis hogy például ne pattan hassanak emberekre vagy gyúlékony anyagokra.
- Munka közben viseljen mindig védőszemüveget és fülvédőt.
- Amennyiben szükséges, használjon más olyan személyes védőfelszereléseket is, mint pl. védőkesztyű, -kötény vagy -sisak.
- Soha ne tegye a bekapcsolt készüléket földre ill. más felületre. A sarokcsiszoló kikapcsolása után a korong még lendületből forog pár másodpercig. Soha ne érintse és ne tegye le a földre ill. bármilyen más felületre a csiszolót forgó koronggal.
- A korong alátét ill. a külső alátét külső átmérője meg kell hogy egyezzen.
- A szerszámot kizárólag olyan munkálatokra használja, amelyre azt tervezték. Soha ne használjon hűtővizet vagy hűtőfolyadékot. Ne használja a szerszámot fixen kitámasztva vagy befogva.
- A sarokcsiszolót két kézzel szilárdan fogva használja.

SZIMBÓLUM




Biztonsági figyelmeztetés


V Volt
Hz Hertz


Magyar


~	Váltóáram (AC)
W	Watt
n_0	Üresjáratú fordulatszám
n	Névleges fordulatszám
min^{-1}	Fordulatok ill. löketek száma percenként

 CE megfelelés

 Kettős szigetelés

 Viseljen fülvédőt

 Viseljen szemvédőt

 Kérjük, olvassa át gondosan ezt az útmutatót a termék beindítása előtt.



A kiselejtezett elektromos termékeket nem szabad a háztartási hulladékkal együtt kidobni. Ezeket újra kell hasznosítani, ha van rá lehetőség. Az újrahasznosítással kapcsolatban érdeklődjön a helyi önkormányzatnál vagy a termék forgalmazójánál.

Segítse elő az alapanyagok újrahasznosítását azzal, hogy nem helyezi el őket a háztartási szemétkben. Környezetvédelmi megfontolásból a kiszolgált berendezést, tartozékokat és csomagolóanyagokat szelektív módon kell elhelyezni.



MŰSZAKI ADATOK

Típus	EAG950RS / EAG950RSD	EAG950RB / EAG950RBD
Korong átmérője	115 mm (4.5 in)	125 mm (5 in)
Vastagság		
Csiszolókorong (tárcsa)	6 mm	6 mm
Vágótárcsa (opcionális)	3 mm	3 mm
Gyémánt vágótárcsa (opcionális)	2 mm	2 mm
Feszültség	230 V - 240 V ~ 50 Hz	230 V - 240 V ~ 50 Hz

Bemenet	950 W	950 W
Tengely csavarmenet	M14	M14
Névleges fordulatszám	11,000 min^{-1}	11,000 min^{-1}
Teljes hossz	310 mm	310 mm
Nettó tömeg	2.55 kg	2.6 kg

MEGJEGYZÉS: Ellenőrizze a készülék típusábráját, mivel a hálózati feszültségérték ott, ahol a szerszámot használják más lehet.

Korong maximális kerületi sebessége: 4,800 m/min.

Számítási példa

$$3.14 \times 125 \times 11,000/1,000 = 4\,320$$

Korong kerületi sebessége 4 320

Korong átmérője 125

A sarokcsiszoló üresjáratú fordulatszám 11 000

MELLÉKELT TARTOZÉKOK

Kisegítő fogantyú, kulcs.

Bizonyos országokban egy csiszolókorong még standard tartozékként mellékelve van.

HASZNÁLAT

Lásd 4. ábrát.

FIGYELEM

A védőlemezeknek mindig a helyükön kell lenniük. Ügyeljen arra, hogy a szellőző réseket ne takarja semmi, mert ezeken keresztül biztosított a motor megfelelő hűtése.

A hatékony munkavégzéshez mindenképpen megfelelően kontrollálni kell a sarokcsiszolóra kifejtett nyomást ill. az érintkezési felületet a korong és a megmunkálandó munkadarab között. Sík felületek csiszolásánál a sarokcsiszolóknak hegyesszögben (általában 10° - 20°-ban) kell állni a megmunkálandó felületre. Várja meg, amíg a szerszám motorja eléri a maximális fordulatszámot és csak ezután kezdjen el csiszolni. Amennyiben túl nagy szögben tartja a szerszámot, akkor kis felületen túl nagy nyomás jelentkezik, ami kivághatja vagy megpörkölteti a

Magyar

munkafelületet.

FÉM VÁGÁSÁHOZ

Lásd 9 - 10. ábrá.

- A csiszoló vágótárcsát fém vágásához a teljesen zárt, szerszám nélkül felszerelhető tárcsavédővel használja.
- Vágáskor közepes nyomást kifejtve nyomja a vágandó anyaghoz a szerszámot. Ne gyakoroljon nyomást a vágótárcsára, ne döntse meg és ne tolja ide-oda a gépet.
- Ne csökkentse a leálló vágótárcsa fordulatszámát valamely oldalirányú nyomás alkalmazásával. A gépnek mindig felfelé vágva kell működnie, máskülönben előfordulhat, hogy irányíthatatlanul kilökődik a vágásjáratból.
- Profilok és zártszelvények vágásakor a legjobb, ha a legkisebb keresztmetszettől kezdi a vágást.

KŐ VÁGÁSÁHOZ

Lásd 9, 11. ábrá.

- Vágáskor mindig a szerszám nélkül felszerelhető standard tárcsavédővel dolgozzon.
- Kő vágásához legjobb gyémánt vágótárcsát használni, emellett porvédő maszk viselete is javasolt.
- Kapcsolja be a gépet, és közepes nyomással csúsztassa végig a gépet a vágandó anyagon.

KAPCSOLÓGOMB

Lásd 3. ábrá.

- A sarokcsiszoló be- és kikapcsolásához tolja a kapcsológombot előre ill. engedje el.
- A sarokcsiszoló folyamatos használatához a kapcsológomb eltolása után nyomja meg annak elülső végét, ezzel tudja indulási állásba helyezni.
- A kapcsológomb kioldásához nyomja meg annak hátsó végét.

VÉDŐBURKOLAT KIVÁLASZTÁSA

- Fém csiszolásakor mindig a szerszám nélkül felszerelhető standard tárcsavédővel dolgozzon.
- Kő vágásakor mindig a szerszám nélkül felszerelhető standard tárcsavédővel dolgozzon.
- Fém vágásakor mindig a teljesen zárt, szerszám nélkül felszerelhető tárcsavédővel dolgozzon.

A CSISZOLÓKORONG FELTÉTELE

Lásd 5 - 6. ábrá.

- Helyezze fel a tárcsarögzítő peremet és a tárcsát az orsóra a rögzítő csavaranya felhelyezése előtt.

- Ellenőrizze, hogy a tárcsa megfelelően felfekszik a tengelyre a lemez peremén és a rögzítő csavaranyán.
- Nyomja be a hajtóműszekrény jobboldalán lévő tengelyrögzítő gombot.
- A tartozékként mellékelte szorítókulcs segítségével az óramutató járásával megegyező irányban szorítsa meg a külső alátétet.

A VÁGÓTÁRCSA FELSZERELÉSE

Lásd 7 - 8. ábrá.

- Helyezze fel a tárcsarögzítő peremet és a tárcsát az orsóra a rögzítő csavaranya felhelyezése előtt.
- Ellenőrizze, hogy a tárcsa megfelelően felfeküdt a tengelyre a lemez peremén és a rögzítő csavaranyán, és a rögzítő csavaranya lapos része lefelé néz.
- Nyomja be a hajtóműszekrény jobboldalán lévő tengelyrögzítő gombot.
- A tartozékként mellékelte szorítókulcs segítségével az óramutató járásával megegyező irányban szorítsa meg a külső alátétet.

FIGYELEM

Figyelmesen ellenőrizze, hogy a korong anyagában ne legyenek repedések. Minden repedt korongot haladéktalanul cseréljen ki.

SZERSZÁM NÉLKÜL FELSZERELHETŐ TÁRCSAVÉDŐ CSISZOLÁSHOZ/KŐ VÁGÁSÁHOZ

Lásd 12 - 13. ábrá.

Nyissa ki a védőlemez reteszelőkarját, majd állítsa a védőlemezt a kívánt állásba. A maximális elfordítási szög 90° mindkét oldalra, máskülönben a védőburkolat nem rögzíthető.

TELJESEN ZÁRT, SZERSZÁM NÉLKÜL FELSZERELHETŐ TÁRCSAVÉDŐ FÉM VÁGÁSÁHOZ

Lásd 14 - 15. ábrá.

Rögzíti és kioldja a vágótárcsa védőburkolatát.

MŰKÖDÉSJELZŐ LÁMPA

A sarokcsiszolót egy működésjelző lámpával látták el, mely akkor kezd el világítani, amikor a szerszám csatlakoztatva lett az elektromos hálózatra. Ez a lámpa arra figyelmeztet, hogy a sarokcsiszoló feszültség alatt van, és be fog indulni, amint a kapcsolót előre csúsztatja.

KARBANTARTÁS

Használat után ellenőrizze, hogy a készülék jó, üzemképes állapotban van-e.

Tanácsos évente legalább egyszer egy hivatalos, szerződött Ryobi Szervizközpontba vinni a készüléket általános tisztításra és olajozásra.

⚠ FIGYELEM

Semmilyen beállítást ne végezzen a készüléken, ha a motor üzemben van.

Alkatrészcsere (gyémánt vágótárcsa, csiszolókorong, stb.), olajozás és minden karbantartási művelet előtt mindig áramtalanítsa a sarokcsiszolót!

⚠ FIGYELEM

A biztonság és megbízhatóság érdekében minden javítási munkálatot egy hivatalos, szerződött Ryobi Szervizközpontban végeztessen el.

Română

DESCRIERE

1. Disc de polizare
2. Apărătoare de disc standard
3. Mâner auxiliar
4. Buton de blocare a axului
5. Întrerupător
6. Flanșă
7. Flanșă exterioară
8. Ax de antrenare
9. Cheie de serviciu
10. Mâner de blocare a capacului de protecție
11. Indicator de punere sub tensiune
12. Apărătoare de disc complet închisă (opțional)
13. Disc de tăiere cu diamant (opțional)
14. Disc de tăiere (opțional)

AVERTIZĂRI DE SIGURANȚĂ COMUNE OPERĂȚILOR DE POLIZARE ȘI DE TĂIERE ABRAZIVĂ

- a. Această mașină electrică este destinată funcționării ca polizor și ca unealtă de debitare. Citiți, cu atenție, toate avertizările, instrucțiunile și specificațiile furnizate împreună cu aparatul, și consultați ilustrațiile. Nerespectarea instrucțiunilor prezentate în continuare poate provoca accidente cum ar fi incendii, electrocutare și/sau vătămări corporale grave.
- b. Nerespectarea acestei reguli poate produce accidente și vătămări corporale grave.
- c. Nu utilizați accesorii care nu sunt concepute special pentru acest aparat și care nu sunt recomandate de către producător. Chiar dacă un accesoriu se poate monta pe aparat, acesta nu garantează că veți putea utiliza aparatul în deplină siguranță.
- d. Viteza nominală a accesoriului trebuie să fie egală sau mai mare decât viteza maximă indicată pe aparat. Accesoriile care funcționează la o viteză mai mare decât viteza lor nominală se pot rupe și pot fi aruncate.
- e. Diametrul exterior al accesoriului și grosimea acestuia trebuie să corespundă caracteristicilor specificate pentru aparat. În cazul în care accesoriile nu corespund caracteristicilor date, sistemele de protecție și de reglare ale aparatului nu vor putea funcționa corect.
- f. Polizoarele, flanșele, tâlpile sau alte accesorii trebuie să fie perfect adaptate la diametrul axului aparatului. Accesoriile neadaptate la axul pe care trebuie să fie montate nu se vor roti corect, vor vibra excesiv și vă vor face să pierdeți controlul

aparaturii.

- g. Nu utilizați accesorii deteriorate. Înainte de fiecare utilizare, verificați dacă accesoriul pe care-l utilizați este în stare corespunzătoare: asigurați-vă că discurile abrazive nu sunt știrbite sau fisurate, că tâlpile nu sunt crăpate sau uzate, că firele periiilor metalice nu sunt foarte uzate sau rupte. În cazul căderii aparatului sau accesoriului, verificați ca niciun element să nu fie deteriorat și, dacă este nevoie, instalați un accesoriu nou. După ce ați verificat că accesoriul este în stare corespunzătoare și după ce l-ați instalat, îndepărtați-vă de accesoriul mobil și lăsați aparatul timp de un minut să ajungă la viteza maximă. În cazul în care accesoriul este deteriorat, acesta se va rupe în timpul acestui test.
- h. Purtați echipament de protecție personală. În funcție de utilizarea aparatului dumneavoastră, purtați o mască de protecție, ochelari de siguranță sau ochelari de protecție. Dacă este necesar, purtați o mască antipraf, protecții auditive, mănuși și un șorț pentru a vă proteja de proiectarea de corpuri străine (elemente abrazive, așchii de lemn, etc.). Ochelarii de protecție vă permit să evitați ca proiectiile de resturi să vă rănească ochii. Măștile antipraf permit filtrarea particulelor generate de operația pe o care o faceți. Expunerea prelungită la un zgomot de intensitate mare poate duce la pierderea auzului.
- i. Țineți vizitatorii la o distanță suficientă de zona de lucru și asigurați-vă că aceștia poartă echipament de protecție. Oricine intră în zona de lucru trebuie să poarte echipament personal de protecție. Este posibil ca fragmente din piesele de prelucrat sau de la un accesoriu rupt să fie proiectate dincolo de zona de lucru și să provoace vătămări corporale grave.
- j. Nu țineți aparatul decât de părțile izolate și antiderapante când lucrați pe o suprafață care poate ascunde fire electrice sau când lucrarea de efectuat poate aduce cablul de alimentare pe traiectoria aparatului. Un contact cu firele sub tensiune poate transmite curentul spre părțile metalice și poate provoca un șoc electric.
- k. Așezați cablul de alimentare în așa fel încât să fie la distanță de accesoriul în rotație. În cazul în care pierdeți controlul aparatului, cablul de alimentare ar putea fi tăiat sau s-ar putea agăța, iar mâna sau brațul dumneavoastră ar putea fi antrenată spre accesoriul în rotație.
- l. Nu așezați niciodată aparatul înainte ca accesoriul să se fi oprit complet. Accesoriul în rotație ar putea intra în contact cu suprafața pe

Română

care este așezat, ducând la pierderea controlului asupra aparatului.

- m. **Nu lăsați aparatul în funcțiune când îl transportați.** Accesoriul în rotație ar putea să se agațe în îmbrăcămintea dumneavoastră și v-ar putea răni grav.
- n. **Curățați în mod regulat orificiile de ventilație ale aparatului.** Ventilația motorului face ca praful să pătrundă în interiorul carcasei motorului, ceea ce poate produce o acumulare excesivă de particule metalice și poate provoca șocuri electrice.
- o. **Nu utilizați aparatul în apropiere de produse inflamabile.** Scânteile ar risca să le aprindă.
- p. **Nu utilizați accesorii care necesită lichide de răcire.** Utilizarea apei sau a lichidelor de răcire poate cauza electrocutări sau șocuri electrice.

REculul ȘI ALTE AVERTIZĂRI ASOCIATE

Recul este o reacție bruscă, care are loc când discul în mișcare, talpa, peria sau orice alt accesoriu se agață sau se îndoiaie, ceea ce antrenează blocarea rapidă a accesoriului. Aparatul, care continuă să funcționeze, proiectează atunci aparatul în direcția opusă sensului de utilizare a accesoriului.

De exemplu, dacă un disc abraziv se agață sau se îndoiaie în piesa de prelucrat, există riscul ca tăișul discului să intre în suprafața piesei de prelucrat, ceea ce va face ca discul să iasă brusc din aceasta și va fi proiectat către utilizator sau la distanță, în funcție de sensul de rotație al discului când acesta este blocat. Discul poate sări sau nu către din partea operatorului, în funcție de direcția de mișcare roata de la punctul de blocare. În caz de recul, discul abraziv se poate și rupe.

Recul este deci rezultatul unei utilizări incorecte a aparatului și/sau al procedurilor sau al condițiilor de utilizare incorecte. Reculul poate fi evitat printr-o atenție deosebită acordată respectării unor precauțiuni:

- a. **Țineți aparatul cu putere și poziționați-vă corpul și brațele astfel încât să puteți controla un eventual recul.** Dacă aparatul are un mâner auxiliar, țineți-l întotdeauna pentru a avea un control optim asupra aparatului în caz de recul sau cuplu de reacție când puneți aparatul în funcțiune. Luați măsurile necesare pentru a putea controla aparatul în caz de recul sau de cuplu de reacție.
- b. **Nu vă așezați mâna niciodată în apropierea accesoriului în rotație pentru a evita orice risc de răni corporale grave în caz de recul.** Accesoriul poate recula peste mâna dumneavoastră.
- c. **Nu vă așezați în zona în care există riscul ca aparatul să fie proiectat în caz de recul.** În caz de recul, aparatul este proiectat în direcția opusă

sensului de rotație al discului.

- d. **Fiți foarte atenți când lucrați pe unghiuri, muchii tăioase, etc.**
Evitați deraparea sau blocarea accesoriului. Când lucrați pe unghiuri sau muchii tăioase sau când aparatul derapează, există un risc mai mare de blocare a accesoriului și deci de pierdere a controlului asupra aparatului și de provocare a unui recul.
- e. **Nu utilizați niciodată lamă de ferăstrău cu lanț pentru lemn sau lamă de ferăstrău cu acest aparat.** Astfel de lame măresc riscul de recul și de pierdere a controlului asupra aparatului.

AVERTIZĂRI DE SIGURANȚĂ SPECIFICE OPERAȚIILOR DE POLIZARE ȘI DE TĂIERE ABRAZIVĂ

- a. **Utilizați numai flanșele recomandate pentru unealta dvs. electrică și elementul de apărare specifi proiectat pentru unealta selectată.** Pietrele pentru care această unealtă electrică nu este destinată, nu pot fi protejată și securizată adecvat.
- b. **Elementul de apărare trebuie atașat în siguranță la unealta electrică și poziționat pentru o siguranță maximă, astfel încât doar o mică parte din piatră să fie expusă înspere operator.** Elementul de apărare ajută la protejarea operatorului de fragmentele de piatră sfărmată și de contact accidental cu piatra.
- c. **Pietrele trebuie folosite numai pentru aplicațiile recomandate. De exemplu, nu șlefuiți cu partea laterală a pietre abrazive.** Pietrele abrazive pentru retezare sunt destinate șlefuirii periferice, forțele laterale aplicate acestor pietre putând conduce la sfărmașarea lor.
- d. **Întotdeauna utilizați flanșe nedeteriorate, având mărimea și forma corecte pentru piatra selectată.** Flanșele corespunzătoare sprijină piatra, reducând astfel posibilitatea sfărării pietrei. Flanșele pentru pietrele abrazive de retezare pot diferi de flanșele discurilor de rectificare.
- e. **Nu utilizați pietre uzate aparținând altor unelte electrice mai mari.** Pietrele destinate uneltelor electrice mai mari nu se potrivesc cu viteza mare a uneltelor mai mici și se pot sfărma.

AVERTIZĂRI DE SIGURANȚĂ SUPLIMENTARE SPECIFICE OPERAȚIILOR DE TĂIERE ABRAZIVĂ

- a. **Nu blocați discul de tăiere și nu aplicați presiune excesivă. Nu încercați să efectuați o**

Română

- adâncitură de tăiere excesivă.** Suprasolicitarea discului crește sarcina și probabilitatea răsucirii sau îndoirii discului în tăietură și posibilitatea de recul sau de spargere a discului.
- b. **Nu poziționați corpul în dreptul și în spatele discului rotativ.** Când discul, în punctul de funcționare, se îndepărtează de corp, reculul posibil poate proiecta discul rotativ și unealta electrică direct spre dvs.
- c. **Când discul se gripează sau când tăierea este întreruptă din orice motiv, opriți unealta electrică și țineți unealta electrică nemișcată până când discul se oprește complet. Nu încercați niciodată să scoateți discul de tăiere din tăietură în timp ce discul este în mișcare, altfel poate apărea reculul.** Dacă discul se blochează, căutați cauza și luați măsurile necesare pentru ca acest lucru să nu se mai repete.
- d. **Nu reporniți operația de tăiere în piesa de prelucrat. Lăsați discul să ajungă la viteza maximă și pătrundeți din nou cu atenție în tăietură.** Discul se poate gripa, poate urca sau poate provoca recul, dacă unealta electrică este repornită în piesa de prelucrat.
- e. **Sprjiți panourile sau orice piesă de prelucrat de dimensiuni mari pentru a minimiza riscul de ciupire și recul al discului.** Piese de prelucrat mari au tendința să se lase sub propria greutate. Suporturile trebuie să fie plasate sub piesa de prelucrat, lângă linia de tăiere și lângă marginea piesei de prelucrat pe ambele părți ale roții.
- f. **Aveți grijă când efectuați o "tăiere îngropată" în pereți sau în alte zone fără vizibilitate.** Discul prominent poate tăia conducte de gaz sau de apă, cabluri electrice sau obiecte care pot provoca un recul.

AVERTIZĂRI DE SIGURANȚĂ SUPLIMENTARE PENTRU OPERAȚII DE POLIZARE

- a. Verificați dacă viteza indicată pe discul de polizare este egală sau mai mare decât viteza nominală a utilajului.
- b. Asigurați-vă că diametrul discului de polizare este compatibil cu utilajul și că discul se inserează corect pe ax.
- c. Discurile de polizare trebuie păstrate într-un loc uscat.
- d. Nu așezați nici un obiect pe discuri.
- e. Discurile nu trebuie folosite în alte scopuri decât pentru operațiuni de polizare.
- f. Înainte de a utiliza discul de polizare, asigurați-vă că acesta nu este știrbit sau fisurat. În cazuri de răniri corporale grave.

- g. Înainte de a utiliza polizorul, asigurați-vă că discul de polizare este montat și strâns corect, apoi lăsați utilajul să meargă în gol timp de 30 de secunde orientându-l în așa fel încât să nu prezinte nici un pericol. Opriți imediat utilajul dacă acesta vibrează excesiv sau dacă observați alte anomalii. În acest caz, controlați utilajul pentru a determina cauza problemei.
- h. Nu utilizați inele reductoare sau adaptoare pentru a reduce diametrul de prindere a discurilor cu orificii largi.
- i. Asigurați-vă că piesa de prelucrat este fixată corect.
- j. Asigurați-vă că scânteile produse de utilizarea aparatului nu produc situații periculoase, că nu sunt proiectate asupra persoanelor sau a unor substanțe inflamabile.
- k. Purtați întotdeauna ochelari de protecție și protecții auditive.
- l. Dacă este necesar, utilizați și alte mijloace de protecție individuală, cum ar fi mănuși, șorțuri sau căști.
- m. Nu puneți niciodată utilajul pe sol sau pe alte suprafețe atunci când acesta este în funcțiune. Polizorul se învârtă din inerție după oprirea utilajului. Nu atingeți niciodată polizorul și nu îl puneți pe sol sau pe alte suprafețe atunci când este în mișcare.
- n. Flanșa și șurubul de strângere trebuie să aibă același diametru exterior.
- o. Folosiți aparatul numai pentru lucrările pentru care a fost conceput. Nu utilizați niciodată lichid de răcire sau apă. Nu utilizați polizorul ca utilaj fix.
- p. Atunci când utilizați aparatul, țineți-l ferm cu două mâini.

SIMBOL



Avertizare de siguranță

V

Volți

Hz

Herți

~

Curent alternativ

W

Wați

n_o

Viteză în gol

n

Turație/viteză nominală

min⁻¹

Număr de rotații sau de mișcări pe minut



Conform CE

Română



Izolarea dublă



Purtați echipamente de protecție a auzului



Purtați echipamente de protecție a vederii



Citiți instrucțiunile cu atenție înainte de pomirea produsului.



Deșeurile produselor electrice nu trebuie sc în lăturate împreună cu deșeurile casnice. Vă rugăm reciclați acolo unde există facilități. Verificați la autoritatea dvs locală sau la vânzător pentru sfaturi privind reciclarea.



Reciclați materiile prime în loc să le aruncați la gunoi, împreună cu deșeurile menajere. Pentru a proteja mediul înconjurător, mașina, accesoriile acesteia și ambalajele trebuie triate.

SPECIFICAȚII

Model	EAG950RS / EAG950RSD	EAG950RB / EAG950RBD
Diametrul polizorului	115 mm (4.5 in)	125 mm (5 in)
Grosime		
Disc de polizare	6 mm	6 mm
Disc de tăiere (opțional)	3 mm	3 mm
Disc de tăiere cu diamant (opțional)	2 mm	2 mm
Tensiune	230 V - 240 V ~ 50 Hz	230 V - 240 V ~ 50 Hz
Intrare	950 W	950 W
Filetul axului motor	M14	M14
Turație/viteză nominală	11,000 min ⁻¹	11,000 min ⁻¹
Lungimea totală	310 mm	310 mm
Greutate netă	2.55 kg	2.6 kg

NOTĂ: Verificați placa descriptivă a produsului, deoarece tensiunea poate fi diferită în funcție de locul în care va fi utilizat produsul.

Viteza periferică maximă a polizorului: 4,800 m/min.

Exemplu de calcul

$$3.14 \times 125 \times 11,000 / 1,000 = 4.320$$

Viteza periferică a polizorului 4.320

Diametrul polizorului 125

Viteza în gol a polizorului 11.000

ACCESORII STANDARD

Mâner auxiliar, cheie.

Pentru unele țări, un disc de polizat este inclus în accesoriile standard.

OPERAREA

A se vedea figura 4.

⚠ AVERTISMENT

Capacele de protecție trebuie să fie montate în permanentă. Aveți grijă să nu acoperiți fantele de ventilație care permit răcirea corectă a motorului.

Pentru a lucra eficient, este important să controlați presiunea exercitată pe polizor și pe suprafața de contact dintre polizor și piesa de prelucrat. Pentru a poliza suprafețe plane, polizorul trebuie să formeze un unghi ascuțit, în general între 10° și 20°, cu piesa de prelucrat. Lăsați polizorul timpul de a atinge viteza maximă înainte de a începe polizarea. Cu un unghi de polizare prea mare, veți exercita prea multă presiune pe o suprafață redusă, ceea ce poate găuri sau arde suprafața de lucru.

CÂND TĂIAȚI METALE

A se vedea figura 9 - 10.

- Utilizați discul de tăiere abraziv cu o apărătoare de disc complet închisă pentru tăierea metalului.
- Când tăiați, lucrați cu presiune moderată, adaptată la materialul care este tăiat. Nu exercitați presiune pe discul de tăiere, nu înclinați sau balansați unealta.
- Nu reduceți viteza de funcționare a discurilor de tăiere prin aplicarea unei presiuni laterale. Mașina trebuie să funcționeze întotdeauna într-o mișcare de tăiere în sus, altfel, există pericolul de a fi împinsă necontrolat afară din tăietură.
- Atunci când tăiați profiluri și bare pătrate, este cel mai

Română

bine să începeți la cea mai mică secțiune transversală.

CÂND TĂIAȚI PIATRA

A se vedea figura 9, 11.

- Lucrați întotdeauna cu apărătoarea discului standard pentru tăiere.
- Când tăiați piatra, cel mai bine este să utilizați un disc de tăiere cu diamant și purtați o mască de protecție anti-praf.
- Porniți unealta și glesați unealta cu presiune moderată, adaptată la materialul de tăiat.

ÎNTRERUPĂTOR

A se vedea figura 3.

- Pentru a porni sau opri utilajul, apăsați sau relaxați întrerupătorul.
- Pentru a putea utiliza polizorul în mod continuu, apăsați pe extremitatea anterioară a întrerupătorului după ce ați făcut-o să culiseze pentru a o bloca în poziția de funcționare.
- Pentru a debloca întrerupătorul, apăsați pe extremitatea posterioară a acestuia.

ALEGEREA APĂRĂTORII DE PROTECȚIE

- Pentru polizarea metalului, lucrați întotdeauna cu apărătoarea de disc standard.
- Pentru tăierea pietrei, lucrați întotdeauna cu apărătoarea de disc standard.
- Pentru tăierea metalului, lucrați întotdeauna cu apărătoarea de disc complet închisă.

MONTAREA UNUI DISC DE POLIZARE

A se vedea figura 5 - 6.

- Atașați flanșa de disc și discul pe ax înainte de montarea piuliței de strângere.
- Asigurați-vă că discul este așezat corect pe bosajul de pe flanșa discului și pe piulița de strângere.
- Apăsați butonul de blocare a axului motor situat pe partea dreaptă a carterului de angrenaj.
- Strângeți cele două șuruburi de blocare a blocului în sensul acelor de ceas cu ajutorul cheii de servici.

MONTAREA DISCULUI DE TĂIERE

A se vedea figura 7 - 8.

- Atașați flanșa de disc și discul pe ax înainte de montarea piuliței de strângere.
- Asigurați-vă că roata este poziționată corect deasupra bosajului de pe flanșa discului și piulița de fixare, cu partea plată a piuliței de fixare îndreptată în jos.
- Apăsați butonul de blocare a axului motor situat pe

partea dreaptă a carterului de angrenaj.

- Strângeți cele două șuruburi de blocare a blocului în sensul acelor de ceas cu ajutorul cheii de servici.

A AVERTISMENT

Verificați cu atenție ca discul să nu prezinte fisuri. Înlocuiți imediat orice disc fisurat.

APĂRĂTOARE DE DISC STANDARD PENTRU POLIZAREA/TĂIEREA PIETREI

A se vedea figura 12 - 13.

Deschideți pârghia de închidere a capacului de protecție apoi așezați capacul de protecție în poziția dorită. Unghiul maxim de cotitură este la 90° pe oricare dintre părți; altfel apărătoarea nu poate fi blocată.

APĂRĂTOARE DE DISC COMPLET ÎNCHISĂ PENTRU TĂIEREA METALULUI

A se vedea figura 14 - 15.

Blocați și deblocați apărătoarea de protecție a discului de tăiere.

INDICATOR DE PUNERE SUB TENSIUNE

Polizorul unghiular este echipat cu un indicator de punere sub tensiune care se aprinde atunci când aparatul este conectat la priză. Acest indicator vă atrage atenția asupra faptului că polizorul este sub tensiune și că va porni imediat ce glesați întrerupătorul în față.

ÎNȚEȚINEREA

După utilizare, asigurați-vă vizual că mașina este în bună stare de funcționare.

Este recomandat să aduceți aparatul o dată pe an la un Centru Service Agreat Ryobi pentru ungere și curățare completă.

A AVERTISMENT

Nu efectuați nici un reglaj când motorul este în mișcare. Scoateți de fiecare dată polizorul din priză înainte de a înlocui o piesă (disc diamant, disc de tăiere, etc.), de a unge aparatul și înaintea oricărei operațiuni de întreținere.

A AVERTISMENT

Pentru mai multă siguranță și fiabilitate, toate reparațiile trebuie efectuate de către un Centru Service Agreat Ryobi.

Latviski

APRAKSTS

1. Slīpriņa
2. Bezinstrumenta standarta diska aizsargs
3. Papild rokturis
4. Vārpstas bloķēšanas poga
5. Slēdzis
6. Diska atloks
7. Fiksācijas uzgrieznis
8. Vārpsta
9. Uzgrieznis
10. Ripas aizsarga fiksācijas svira
11. Barošanas indikators
12. Pilnīgi aizvērts bezinstrumenta diska aizsargs (papildierīce)
13. Dimanta griezējdiskis (papildierīce)
14. Griezējdiskis (papildierīce)

VISPĀRĒJI DROŠĪBAS BRĪDINĀJUMI, KAS ATTIECAS UZ SLĪPĒŠANU UN ABRAZĪVU GRIEŠANU

- a. Šīs elektroinstrumentus ir paredzēts slīpēšanai un griešanai. Izlasiet visus drošības brīdinājumus, instrukcijas, specifikācijas un apskatiet attēlus šī elektroinstrumenta dokumentācijā. Visu uzskaitīto instrukciju neievērošana ir bīstama; tā var izraisīt elektrisko triecienu, aizdegšanos un/vai nopietnas traumas.
- b. Veikt darbus, kuriem šīs elektroinstrumentus nav paredzēts, ir bīstami, un tas var izraisīt traumas.
- c. Neizmantojiet griezēj-/slīpinstrumentus, kas nav speciāli paredzēti un ražotāja ieteikti šim instrumentam. Tas, ka griezēj-/slīpinstrumentu var piestiprināt jūsu elektroinstrumentam, nenozīmē, ka tā lietošana ir droša.
- d. Griezē j-/slīpinstrumenta nominālajiem apgriezieniem jābūt vismaz vienādiem ar maksimālajiem apgriezieniem, kas ir norādīti uz elektroinstrumenta. Griezēj-/slīpinstrumenti, kas kustās ātrāk par nominālo ātrumu, var sadalīties daļās, kas var pārvietoties ar lielu ātrumu un ir bīstamas.
- e. Griezēj-/slīpinstrumenta ārējam diametram un biežumam jāatbilst jūsu elektroinstrumenta specifikācijām. Nepareiza izmēra griezēj-/slīpinstrumentus nevar atbilstoši nodrošināt un kontrolēt.
- f. Disku, atloku, atbalstu vai jebkuru citu griezēj-/slīpinstrumentu iekšējam diametram jāatbilst elektroinstrumenta vārpstai. Griezēj-/slīpinstrumenti, kuru iekšējais diametrs neatbilst elektroinstrumenta montāžas ietaisēm, nonāks

disbalansā, pārmērīgi vibrēs un var izraisīt kontroles zudumu.

- g. Nelietojiet bojātus griezēj-/slīpinstrumentus. Pirms katras lietošanas reizes pārbaudiet griezēj-/slīpinstrumentu, piemēram, abrazīvos disku, vai tam nav atlūzu, plaisu, vai atbalstam nav plaisu vai pārlieka nodiluma, vai stieplju sukai nav vaļīgu vai salauztu sariņu. Ja elektroinstrumenta griezēj-/slīpinstruments nokrīt zemē, pārbaudiet, vai tas nav bojāts vai uzstādīti nebojātu griezēj-/slīpinstrumentu. Pēc griezēj-/slīpinstrumenta pārbaudes un uzstādīšanas nostājieties pats un nostādiat citus tuvumā esošos prom no rotējošā griezēj-/slīpinstrumenta ass, un vienu minūti darbiniet elektroinstrumentu ar maksimālo bezslodzes ātrumu. Bojāti griezēj-/slīpinstrumenti šīs pārbaudes laikā parasti sadalīsies daļās.
- h. Valkājiet individuālos aizsarglīdzekļus. Atkarībā no pielietojuma valkājiet sejas aizsargu vai aizsargbrilles. Ja nepieciešams, valkājiet putekļu masku, dzirdes aizsargus, cimdus un darba priekšautu, kas var apturēt mazus abrazīvā materiāla vai sagataves fragmentus. Acu aizsargiem jāspēj apturēt dažādu darbu radītie lidojošie gruži. Putekļu maskai vai respiratoram jāspēj filtrēt daļiņas, kas rodas attiecīgā darba gaitā. Ilgstoša atrašanās ļoti intensīvā troksnī var izraisīt dzirdes traucējumus.
- i. Tuvumā esošajām personām jāatrodas drošā attālumā no darba vietas. Visiem, kas tuvojas darba zonai, jāvalkā individuālie aizsarglīdzekļi. Sagataves vai bojāta griezēj-/slīpinstrumenta daļas var lidot un radīt traumas ārpus tiešās darba zonas.
- j. Darbos, kuros griezēj-/slīpinstruments var saskarties ar slēptiem vadiem vai savu barošanas vadu, turiet instrumentu tikai aiz izolētajām satveršanas virsmām. Griezēj-/slīpinstrumenta saskare ar strāvu vadošajām vietām var padarīt arī atklātās metāla daļas vadošas un radīs operatoram elektrisko triecienu.
- k. Novietojiet vadu atstātus no griezē j - /slīpinstrumenta. Ja jūs zaudēsiet kontroli, vadu var pārzāgēt vai paraut, pievelkot jūsu roku rotējošam griezēj-/slīpinstrumentam.
- l. Nenolieciet elektroinstrumentu, līdz griezēj-/slīpinstruments nav pilnībā apstājies. Rotējošais griezēj-/slīpinstruments var aizķerties aiz virsmas un izraut elektroinstrumentu no rokām.
- m. Nedarbiniet elektroinstrumentu, nesot to sev blakus. Nejausa saskare ar rotējošu griezēj-/slīpinstrumentu var ieraut drēbes, pievelkot griezēj-/slīpinstruments pie jūsu ķermeņa.

Latviski

- n. **Regulāri tīriet elektroinstrumenta ventilācijas atveres.** Motora ventilators ievilkus putekļus korpusā, un pārāk liela metāla pulvera koncentrācija var izraisīt elektrisko bīstamību.
- o. **Nelietojiet elektroinstrumentu uzliesmojošu materiālu tuvumā.** Dzirksteles var aizdedzināt šos materiālus.
- p. **Nelietojiet griezēj-/slīpinstrumentus, kam nepieciešami dzesēšanas šķidrumi.** Ūdens vai cita šķidra dzesēšanas līdzekļa lietošana var izraisīt elektrisko triecienu vai nāvi.

ATSITIENS UN SAISTĪTIE BRĪDINĀJUMI

Atsitiens ir pēkšņa reakcija uz diska, atbalsta, sukas vai cita griezēj-/slīpinstrumenta iespēšanu vai aizķeršanos. Iespēšana izraisa strauju rotējošā griezēj-/slīpinstrumenta bloķēšanos, kas var likt elektroinstrumentam atbrīvoties no kontroles un virzīties pretēji griezēj-/slīpinstrumenta rotācijas virzienam saskares punktā.

Piemēram, ja griezējdisku iespēž sagatavē vai tas aizķeras aiz tās, disks var izcelties no griezuma vietas un virzīties pa virsmu vai atsities atpakaļ. Disks var pārlekt uz priekšu vai prom no operatora atkarībā no diska rotācijas virziena iespēšanas vietā. Abrazīvie diski šādos apstākļos var arī salūzt.

Atsitiens rodas no elektroinstrumenta nepareizas lietošanas un/vai nepareizas darba procedūras vai apstākļiem; no tā var izvairīties, veicot pareizus drošības pasākumus:

- a. **Turiet elektroinstrumentu stingri un novietojiet ķermeni un rokas tā, lai tie pretotos atsitienu spēkiem.** Ja tāds ir, vienmēr izmantojiet papildu rokturi, lai palaišanas laikā nodrošinātu maksimālu kontroli pār atsitienu vai griezes reakciju. Operators var kontrolēt griezes reakciju vai atsitienu spēkus, ja ir veikti atbilstošie drošības pasākumi.
- b. **Nenovietojiet rokas rotējošā griezē j - / slīpinstrumenta tuvumā.** Piederums var atsities pāri jūsu rokai.
- c. **Nenovietojiet ķermeni tur, kur virzītos elektroinstrumenta atsitienu gadījumā.** Atsitiens virzīs instrumentu pretēji diska kustības virzienam iespēšanas punktā.
- d. **Esiet sevišķi uzmanīgs, kad strādājat pie stūriem, asām malām utt.** Izvairieties no griezēj-/slīpinstrumenta lēkāšanas un iespēšanas. Stūriem, asām malām vai lēkāšanai ir tendence iespiest rotējošo griezēj-/slīpinstrumentu, kas var izraisīt kontroles zaudēšanu vai atsitienu.
- e. **Nepiestipriniet ķēdi, koka griešanas asmeni vai zāģlenti.** Šie griezējinstrumenti rada biežus atsitienu un kontroles zaudēšanu.

DROŠĪBAS BRĪDINĀJUMI, KAS ĪPAŠI ATTIECAS UZ SLĪPŠANU UN ABRAZĪVU GRIEŠANU

- a. **Izmantojiet tikai tāda veida diskus, kas paredzēti jūsu elektroinstrumentam, un speciālos aizsargus, kas paredzēti izvēlētajam diskam.** Diskiem, kuriem elektroinstrumentam nav paredzēts, nav atbilstošu aizsargelementu, tādēļ tie ir bīstami.
- b. **Aizsargam jābūt droši piestiprinātam elektroinstrumentam un novietotam maksimālai drošībai tā, lai pret operatoru būtu atklāta pēc iespējas mazāka diska daļa.** Aizsargs palīdz pasargāt operatoru no salūzuša diska fragmentiem un nejaušas saskares ar disku.
- c. **Diskus drīkst lietot tikai tam paredzētajiem darbiem. Piemēram, neslīpējiet ar griezējdiska sāniem.** Abrazīvie griezējdiski ir paredzēti perifērai slīpēšanai; pielietojot sānu spēku uz diskkiem, tie var saplīst.
- d. **Obligāti izmantojiet nebojātus disku atlokus ar pareizu izmēru un formu, kas piemērota attiecīgajam diskam.** Pareizi disku atloki atbalsta disku, samazinot diska salūšanas iespēju. Griezējdisku atloki var atšķirties no slīpēšanas disku atlokiem.
- e. **Neizmantojiet nodilušus diskus no lielākiem elektroinstrumentiem.** Disks, kas paredzēts lielākam elektroinstrumentam, nav piemērots mazāka instrumenta lielākiem apgriezieniem un var saplīst.

PAPILDU DROŠĪBAS BRĪDINĀJUMI, KAS ĪPAŠI ATTIECAS UZ ABRAZĪVU GRIEŠANU

- a. **Neļaujiet griešanas diskam iestrēgt un nelietojiet pārmērīgu spēku. Nemēģiniet griezt pārmērīgi dziļi.** Pārslogojot disku, palielinās slodze un risks, ka disks var nokļūt vērpē vai tikt saliekts, kas var izraisīt atsitienu vai diska salūšanu.
- b. **Neatrodieties vienā līmenī ar griešanas disku vai aiz tā.** Kad disks griešanas punktā virzās prom no jūsu ķermeņa, iespējama atsitiens var virzīt griešanās ratu un elektroinstrumentu tieši pret jums.
- c. **Ja disks ir iekļējis vai jūs kāda iemesla dēļ pārtraucat griešanu, izslēdziet elektroinstrumentu un turiet to nekustīgi, līdz disks pilnīgi apstājas.** Nemēģiniet noņemt griezējdisku no griezuma, kamēr disks griežas, citādi varat saņemt atsitienu. Izpētiēt, kādi iemesli izraisa diska ķeršanos, un novērsiet tos.
- d. **Neatsāciet griešanu sagatavē. Ļaujiet diskam**

Latviski

- sasniegt pilnu ātrumu un uzmanīgi ievietojiet iegriezumā. Disks var iekļīlēties, novirzīties vai dot atsienu, ja elektroinstrumentu tiek iedarbināts sagatavē.
- e. **Atbalstiet jebkuru lielizmēra sagatavi, lai samazinātu diska iespīšanas un atsietna risku.** Lielām sagatavēm ir tendence liekties zem pašu svāra. Atbalsti ir jānovieto zem sagataves, tuvu griešanas līnijai un tuvu sagataves malai abās diska pusēs.
- f. **Īpaši uzmanieties, veicot kabatas veida griezumus ēku sienās vai citās apslēptās vietās.** Izvirzījuma disks var griezt gāzes vai ūdens caurules, elektroinstalāciju, kas var radīt pretsienu.

PAPILDU DROŠĪBAS BRĪDINĀJUMI TIEŠI SLĪPŠANAS DARBIEM

- a. Pārbaudiet, vai ātrums, kas atzīmēts uz slīpripas, atbilst vai ir lielāks par instrumenta nominālo ātrumu.
- b. Pārliedcinieties, ka slīpripas izmēri atbilst instrumentam un ka disks atbilst vārpstas izmēram.
- c. Slīpripas jāglabā sausā vietā.
- d. Neglabājiet priekšmetus uz slīpripām.
- e. Slīpripas nedrīkst izmantot nedrīkst izmantot citiem darbiem, izņemot slīpšanu.
- f. Pirms lietošanas pārbaudiet slīpripu, lai pārliedcinātos, ka tā nav sākusī dalīties vai iekļīlējusī. Dalīšanās (skaidās) vai plaisas var izraisīt diska saplīšanu, kas var radīt nopietnas traumas.
- g. Pirms lietošanas pārbaudiet, vai slīpripa ir pareizi uzstādīta un pievilka, un drošā pozīcijā darbiniet instrumentu bezslodzes ātrumā 30 sekundes. Ja instruments sāk pastiprināti vibrēt vai ja pamanāt citus defektus, nekavējoties apturiet darbu. Ja kas tāds ir atgadījies, pārbaudiet instrumentu, lai noteiktu iemeslu.
- h. Neizmantojiet atsevišķus ieliktnus vai adapterus, lai pielāgotu slīpripas ar lielāku iekšējo diametru.
- i. Pārbaudiet, vai sagatave tiek pareizi balstīta.
- j. Pārliedcinieties, lai dzirksteles, kas rodas no lietošanas, neradītu bīstamību, piemēram, atsitoties pret cilvēkiem vai aizdedzinot uzliesmojošas vielas.
- k. Vienmēr izmantojiet aizsargbrilles un ausu aizsargus.
- l. Izmantojiet citus individuālos aizsarglīdzekļus, piemēram, cimdus, priekšautu un ķiveri, ja nepieciešams.
- m. Nenovietojiet instrumentu uz grīdas vai citām virsmām, kamēr tas darbojas. Slīpripas turpina rotēt arī pēc instrumenta izslēgšanas. Nepieskarieties

diskam un novietojiet to uz grīdas vai citām virsmām, kamēr tas griežas.

- n. Atlokam un stiprinājuma uzgriežņiem jābūt vienam ārējam diametram.
- o. Izmantojiet instrumentu tikai tā paredzētajam pielietojumam. Neizmantojiet dzesēšanas šķidrumus vai ūdeni un neizmantojiet šo kā stacionāru instrumentu.
- p. Darba laikā droši satveriet instrumentu ar abām rokām.

SIMBOLS



Drošības brīdinājums

V

Volti

Hz

Herci

~

Maiņstrāva

W

Vati

n₀

Apgrīzieni bez slodzes

n

Nominālais ātrums

min⁻¹

Apgrīzieni minūtē



CE atbilstība



Dubultā izolācija



Lietojiet dzirdes aizsargus



Valkājiet acu aizsarglīdzekļus



Pirms iedarbināt izstrādājumu, lūdzu, uzmanīgi izlasiet norādījumus.



Izlietotie elektroprodukti nedrīkst tikt izmesti kopā ar mājaiemniecības atkritumiem. Lūdzu, nododiet tos attiecīgajās atkārtošanas iestādēs. Sazinieties ar savu vietējo varas pārstāvi vai izplatītāju, lai noskaidrotu, kur iespējama atkārtota pārstrāde.



Tā vietā, lai materiālus izmestu, nododiet tos atkārtotai realizācijai. Mašīna, aksesuāri un iepakojums ir jāsašķiro un jānodod videi draudzīgā atkārtotās pārstrādes vietā.

Latviski

SPECIFIKĀCIJAS

Modelis	EAG950RS / EAG950RSD	EAG950RB / EAG950RBD
Diska diametrs	115 mm (4.5 in)	125 mm (5 in)
Biezums		
Slīpriņa	6 mm	6 mm
Griezējdisks (papildierīce)	3 mm	3 mm
Dimanta griezējdisks (papildierīce)	2 mm	2 mm
Spriegums	230 V - 240 V ~ 50 Hz	230 V - 240 V ~ 50 Hz
Ieeja	950 W	950 W
Vārpstas vītne	M14	M14
Nominālais ātrums	11,000 min ⁻¹	11,000 min ⁻¹
Kopējais garums	310 mm	310 mm
Svars neto	2.55 kg	2.6 kg

PIEZĪME: Pārbaudiet instrumenta datu plāksnīti, jo spriegums var mainīties atkarībā no vietas, kur izstrādājumu lieto.

Maksimālais slīpriņas aploces ātrums: 4,800 m/min.

Aprēķina piemērs

$$3.14 \times 125 \times 11,000 / 1,000 = 4\,320$$

$$\text{Slīpriņas aploces ātrums} = 4\,320$$

$$\text{Diska diametrs} = 125$$

$$\text{Slīpmašīnas bezslodzes ātrums} = 11\,000$$

STANDARTA PIEDERUMI

Papildu rokturis, uzgriežņu atslēga.

Dzāšs valstis slīpriņa ir iekļauta standarta komplektācijā.

EKSPLUATĀCIJA

Skatiet 4. attēlu.

⚠ BRĪDINĀJUMS

Aizsargiem jābūt savās vietās. Nekad neapsedziet ventilācijas atveres, jo tām visu laiku jābūt atvērtām atbilstoši ventilācijai.

Efektīvai lietošanai nepieciešams kontrolēt spiedienu un virsmas kontaktu starp ripu un sagatavi. Plakanas virsmas slīpē nelielā leņķī, parasti 10 līdz 20 pret sagataves virsmu. Ļaujiet ripai sasniegt pilnu ātrumu, pirms sākt slīpēšanu. Pārāk liels leņķis koncentrē spiedienu mazā laukumā, kas var radīt pārāk dziļu iedobumu vai apdedzināt darba virsmu.

METĀLA GRIEŠANAI

Skatiet 9 - 10. attēlu.

- Izmantojiet abrazīvu griešanas disku ar pilnīgi aizvērtu bezinstrumentu diska aizsargu metāla griešanai.
- Griežot strādājiet ar vidēju ātrumu, piemērotu griežamajam materiālam. Nespiediet uz griezējdisku, nelieciet un nesvārstiet ierīci.
- Nesamaziniet griezējdiska darbības ātrumu, pielietojot sānu spiedienu. Ar iekārtu vienmēr jāgriež augšupvērstā kustībā, lai tā nevarētu tikt nekontrolēti izstumta no griezumta vietas.
- Griežot profilu un kvadrātiskus stieņus, ir labāk sākt no mazākā šķērsriezuma.

AKMENS GRIEŠANAI

Skatiet 9, 11. attēlu.

- Vienmēr strādājiet ar griešanai paredzēto bezinstrumenta standarta diska aizsargu.
- Akmens griešanai vislabāk lietot dimanta griezējdisku un izmatot putekļu aizsargmasku.
- Ieslēdziet ierīci un virziet to ar vidēju ātrumu, piemērotu griežamajam materiālam.

SLĒDZIS

Skatiet 3. attēlu.

- Šo instrumentu iedarbina un aptur, pavirzot un atlaižot slēdzi.
- Strādājot nepārtraukti, ērtībai pavirziet slēdzi un nospiediet priekšdaļu uz leju, lai nofiksētu to.
- Lai atlaistu slēdzi, nospiediet slēdža aizmugurējo daļu.

AIZSARGA IZVĒLE

- Veicot metāla slīpēšanu, vienmēr strādājiet ar bezinstrumenta standarta diska aizsargu.
- Veicot akmens griešanu, vienmēr strādājiet ar bezinstrumenta standarta diska aizsargu.
- Veicot metāla griešanu, vienmēr strādājiet ar pilnīgi

Latviski

aizvērtu bezinstrumenta diska aizsargu.

SLĪPRIPAS UZSTĀDĪŠANA

Skatiet 5 - 6. attēlu.

- Pirms spaiļu uzgriežņa montāžas piestipriniet diska atloku un disku uz vārpstas.
- Diskam ir jābūt pareizi atbalstītam pret izcilni uz diska atloka un stiprinājuma uzgriežņa.
- Nospiediet bloķēšanas pogu, kas atrodas korpusa labajā pusē.
- Ar komplektā iekļauto uzgriežņatslēgu pievelciet stiprināšanas uzgriezni pulksteņrādītāja kustības virzienā.

GRIEZĒJDISKA MONTĀŽA

Skatiet 7 - 8. attēlu.

- Pirms spaiļu uzgriežņa montāžas piestipriniet diska atloku un disku uz vārpstas.
- Pārliecinieties, ka disks ir pareizi ievietots virs izliekuma uz diska atloka un skavas uzmavas, kas atrodas ar tās plato pusi uz leju.
- Nospiediet bloķēšanas pogu, kas atrodas korpusa labajā pusē.
- Ar komplektā iekļauto uzgriežņatslēgu pievelciet stiprināšanas uzgriezni pulksteņrādītāja kustības virzienā.

⚠ BRĪDINĀJUMS

Uzmanīgi pārbaudiet, vai uz ripas nav plaisu.
Nekavējoties nomainiet iepļūsušo ripu.

BEZINSTRUMENTA STANDARTA DISKA AIZSARGS AKMENS SLĪPĒŠANAI/GRIEŠANAI

Skatiet 12 - 13. attēlu.

Atlaidiet diska aizsarga sviru pēc tam pagrieziet aizsargu vajadzīgajā pozīcijā. Maksimālais pagrieziens leņķis ir 90° no visām pusēm, citādi aizsargs nevar tikt noslēgts.

PILNĪGI AIZVĒRTS BEZINSTRUMENTA DISKA AIZSARGS METĀLA GRIEŠANAI

Skatiet 14 - 15. attēlu.

Nofiksējiet un atbrīvojiet griezējdiska aizsargu.

BAROŠANAS INDIKATORS

Šim instrumentam ir elektropadeves indikators, kas iedegas, līdzko instruments ir pievienots barošanas padevei. Tas brīdina lietotāju par to, ka instruments ir pievienots un sāks darboties pēc slēdža nospiešanas.

APKOPE

Pēc lietošanas pārbaudiet instrumentu, lai pārliecinātos, ka tas ir labā tehniskā kārtībā.

Vismaz vienreiz gadā ieteicams nogādāt šo instrumentu Ryobi pilnvarotā servisa centrā vispārējai tīrīšanai un eļļošanai.

⚠ BRĪDINĀJUMS

Neveiciet nekādus regulēšanas darbus, kamēr motors kustās.

Vienmēr atvienojiet barošanas vadu no kontaktligzdas, pirms mainīt daļas vai darbinstrumentus (zāģi, urbji utt.), eļļot vai veicot darbus ar ierīci.

⚠ BRĪDINĀJUMS

Lai nodrošinātu drošību un uzticamību, visi remontdarbi jāveic PILNVAROTĀ SERVISA CENTRĀ vai citā KVALIFICĒTĀ SERVISA ORGANIZĀCIJĀ.

Lietuviškai

APRAŠYMAS

1. Šlifavimo diskas
2. Standartinis disko apsauginis gaubtas
3. Pagalbinė rankena
4. Ašies užrakinimo mygtukas
5. Jungiklis
6. Disko antbriaunis
7. Suspaudimo veržlė
8. Varomasis velenas
9. Veržliaraktis
10. Disko apsauginio gaubto užrakinimo svirtis
11. Įjungto įrankio indikatorius
12. Visiškai nuleistas disko apsauginis gaubtas (pasirinktina)
13. Deimantinis pjovimo diskas (pasirinktina)
14. Pjovimo diskas (pasirinktina)

IŠPĖJIMAI DĖL SAUGOS, TAIKOMI ŠLIFAVIMO IR ABRAZYVINIO PJOVIMO DARBAMS

- a. Šis elektrinis įrankis yra skirtas naudoti kaip šlifuoklis ir prietaisas nupjovimo darbams atlikti. Perskaitykite visus saugos įspėjimus, visas instrukcijas, paveikslėlius ir techninius reikalavimus, pateikiamus su šiuo elektriniu įrankiu. Apačioje išdėstytų instrukcijų nesilaikymas gali sukelti elektros smūgį, gaisrą ir (ar) sunkius sužeidimus.
- b. Atliekant veiksmus, kuriems elektrinis įrankis nėra skirtas, galima sudaryti pavojų ir sukelti sunkius sužeidimus.
- c. Nenaudokite tokių priedų, kurie šiam darbiui specialiai nėra skirti ir įrankio gamintojo nerekomenduoti. Vien tik tai, kad priedą galima pritvirtinti prie Jūsų elektrinio įrankio, saugaus darbo neužtikrina.
- d. Priedo nustatytas greitis turi būti lygus bent didžiausiam greičiui, pažymėtam ant elektrinio įrankio. Priedai, kurie sukasi didesniu nei jų nustatytu greičiu, gali sulūžti, atsiskirti ir skrieti į šonus.
- e. Priedo išorinis skersmuo ir storis turi būti Jūsų įrankio nustatytos galios ribose. Neteisingo dydžio priedų atitinkamai apsaugoti ar suvaldyti neįmanoma.
- f. Diskų, jungių, pagalbinio padelio ar kitų priedų dydis turi visiškai atitikti elektrinio įrankio ašį. Priedai su ašies anga, nepritaikyti pagal elektrinio įrankio montavimo detales, praras pusiausvyrą, pradės labai smarkiai vibruoti ir dėl to įrankio galite nesuvaldyti.
- g. Nenaudokite pažeistų priedų. Prieš kiekvieną naudojimą priedą patikrinkite, ar diskai

nėra nudužę ir įtrūkę, pagalbinis padelis įtrūkęs, detalės smarkiai nusidėvėjusios, metalinio šepetėlio vielutės atsilaisvinusios ar sutrūkusios. Elektrinį įrankį ar priedą nemetus, būtina patikrinti, ar jie nepažeisti arba pakeisti priedą nepažeistu. Patikrinus ir pakeitus priedą, nuo besisukančio priedo plokštės būtina pasitraukti toliau bei neleisti žiūrovams artį jo stovėti. Po to elektrinį įrankį reikia įjungti ir leisti jam vieną minutę veikti didžiausiu greičiu. Šio patikrinimo metu, pažeisti priedai paprastai sulūžta.

- h. **Dėvėkite asmenines apsaugos priemones. Priklausomai nuo darbo paskirties, naudokite veido kaukę, apsauginius didesnius akinius ar saugos akinius. Jei taikytina, dėvėkite kaukę nuo dulkių, ausų apsaugą, pirštines ir darbinę prijuostę, atlaikančią mažas, šlifavimo metu susidariusias ar nuo ruošinio daleles.** Apsauginiai akiniai turi apsaugoti akis, kad į jas nepatektų įvairaus darbo operacijų metu skriejančių dalelių. Kaukė nuo dulkių ar dujųkaukė turi filtruoti darbo metu susidariusias daleles. Dėl neapsaugotų ausų nuo didelio triukšmo ilgesnį laiką, galite klausą prarasti.
- i. **Išitinkinkite, kad atstumas tarp įrankio ir pašalinių asmenų yra saugus. Visi asmenys, esantys darbo zonoje, privalo dėvėti asmenines apsaugos priemones.** Dalelės nuo ruošinio ar sulūžusio priedo gali skrieti į šalis ir jus sužeisti, jei stovite šalia apdirbamo ruošinio.
- j. **Elektrinį įrankį laikykite tik izoliavę sukibimo paviršius, kad darbo metu pjovimo įrankio priedas nesusiliestų su paslėptais laidais ar paties šlifuoekliu laidu.** Pjovimo metu priedas, prisilietęs prie laido, įjungto į maitinimo šaltinį, gali aktyvuoti metalines elektrinio įrankio dalis ir sukelti operatoriui elektros smūgį.
- k. **Laidą laikykite kuo toliau besisukančio įrankio priedo.** Nesuvaldžius įrankio, jis laidą gali perpjauti ar jį užkabinti, bei jūsų ranką ar plaštaką įtraukti į besisukančią priedą.
- l. **Niekada nedėkite įrankio žemyn, kol jo priedas visiškai nesustojo.** Besisukantis įrankio priedas gali pagriebti paviršius ir dėl to galite įrankio nesuvaldyti.
- m. **Elektrinį prietaisą nešdami šone, prieš tai jį išjunkite.** Besisukančiam įrankio priedui atsitiktinai prisilietus prie Jūsų, jis gali pagriebti drabužius ir priedas gali būti įtrauktas į Jūsų kūną.
- n. **Reguliariai valykite elektrinio įrankio oro ventiliacijos aneles.** Variklio ventiliatorius įsiurbia į korpuso vidų dulkes ir per didelės susikaupusių metalo dalelių kiekius gali kelti su

Lietuviškai

elektra susijusius pavojus.

- p. **Nenaudokite elektrinio įrankio šalia degių medžiagų.** Kibirkštys gali šias medžiagas uždegti.
- p. **Nenaudokite tokių priedų, kuriems reikalingas aušinimo skystis.** Naudojant vandenį ar kitą aušinimo skystį galima sukelti elektros smūgį ar nuo elektros žūtį.

ATATRANKA IR SU JA SUSIJĘ ĮSPĖJIMAI

Atgalinis smūgis yra staigi reakcija į sugnybtą ar užkabintą besisukantį diską, pagalbinių padėlių, šepetėlių ar bet kokią kitą įrankio priedą. Sugnybus ar užkabinus, besisukantis priedas greitai prigesta, o dėl to nevaldomas įrankis atšoksta priešinga įrankio priedui sukimosi kryptimi sukibimo vietoje.

Pavyzdžiui, jei abrazyvinį diską sugnybia ar užkabina ruošinys, tas disko kraštas, kuris prisiliečia prie sugnybimo taško, gali įlysti į medžiagos paviršių, ir dėl to diskas išlenda ar iššoksta atgal. Diskas gali iššokti link operatoriaus arba nuo jo, priklausomai nuo sugnybimo taško disko sukimosi krypties. Tokiais atvejais, abrazyviniai diskai gali taip pat sulūžti.

Atatranka yra netinkamo naudojimo elektrinio įrankio ir (ar) klaidingo darbo proceso ar sąlygų rezultatas. Jos galima išvengti laikantis atitinkamų žemiau išdėstytų apsaugos priemonių.

- a. **Pjūklą tvirtai laikykite rankomis, o ranką ir kūną laikykite taip, kad jie išlaikytų atgalinį smūgio jėgą. Visada naudokite pagalbines rankenas (jei ji pridedama), kad atgalinį smūgį ar sukimo momentą užvedimo metu galėtumėte geriausiai suvaldyti.** Jei operatorius laikosi tinkamų atsargumo priemonių, jis sūtkio reakcijos ir atgalinio smūgio jėgas gali suvaldyti.
- b. **Rankų niekada nedėkite šalia besisukančio įrankio priedo.** Priedas gali atšokti atgal į Jūsų ranką.
- c. **Nestovėkite tokioje zonoje, į kurią elektrinis įrankis atgalinio smūgio metu būtų nusviestas.** Atgalinio smūgi metu po užkabinimo įrankis nustumiamas kryptimi, priešinga disko sukimuisi.
- d. **Apdirbdami kampus, smailius kraštus ir t. t., būkite ypač atsargūs. Stenkitės priedo neužkabinti ir neatlikti tokių veiksmų, kad priedas šokinėtų.** Kampai, smailūs kraštai ar šokinėjimas dažnai užkabina besisukantį įrankio priedą, ir dėl to įrankis nesuvaldomas ar įvyksta atgalinis smūgis.
- e. **Netvirtinkite grandininio pjūklo medžio drožinėjimo geležtės ar dantytos pjūklo geležtės.** Tokios geležtės dažnai sukelia atgalinį smūgį ar dėl jų įrankis nesuvaldomas.

ĮSPĖJIMAI DĖL SAUGOS, SKIRTI TIK ŠLIFAVIMO IR ABRAZYVINIO PJOVIMO DARBAMS

- a. **Naudokite tik tokius diskų tipus, kurie rekomenduojami Jūsų elektriniam įrankiui ir kai pasirinktam diskui yra pagamintas specialus apsauginis gaubtas.** Diskų, kuriems elektrinis įrankis nėra specialiai pritaikytas, negalima tinkamai apsaugoti, todėl jie nėra saugūs naudoti.
- b. **Apsauginį gaubtą būtina tvirtai pritvirtinti prie elektrinio įrankio ir nustatyti saugiausioje padėtyje taip, kad būtų neuždengta tik mažiausia disko dalis prie operatoriaus.** Apsauginis gaubtas apsaugo operatorių nuo atskilusių nuo disko dalelių ir atsitiktinio prisilietimo prie disko.
- c. **Diskus galima naudoti tik rekomenduojamiems darbams atlikti. Pavyzdžiui, nešlifukite nupjovimo disko šonu.** Abrazyviniai nupjovimo diskai yra skirti periferiniam šlifavimui, dėl šiuos diskus veikiančių šoninių jėgų, jie gali sulūžti.
- d. **Visada naudokite nepažeistas diskų junges, teisingo dydžio ir formos Jūsų pasirinktam diskui.** Tinkamos diskų jungės atremia diską, dėl to sumažėja disko sulūžimo tikimybė. Nupjovimo diskų jungės gali skirtis nuo šlifavimo diskų jungių.
- e. **Nenaudokite nusidėvėjusių diskų nuo didesnių elektrinių įrankių.** Diskas, skirtas didesniam elektriniam įrankiui, nėra tinkamas didesnio greičio mažesniai įrankiui ir gali sulūžti.

PAPILDOMI ĮSPĖJIMAI DĖL SAUGOS TIK ABRAZYVINIO PJOVIMO DARBAMS

- a. **Nedirbkite taip, kad nupjovimo diskas užsikirstų arba įrankio per stipriai nespauškite žemyn. Nebandykite pjauti per daug giliai.** Naudojant per didelę jėgą aprova diskui padidėja, taip pat pjaunant diskas greičiau gali sulinkti, užsikirsti ar sulūžti, ar įvykti atatranka.
- b. **Nestovėkite vienoje linijoje su besisukančiu disku ar už jo.** Jei darbo metu diskas sukasi nuo kūno kryptimi, gali įvykti atatranka, kuri gali nusviesti besisukantį diską ir visą įrankį tiesiai į Jus.
- c. **Jei diskas užkliūna ar trukdo normaliam pjovimui dėl tam tikros priežasties, elektrinį įrankį išjunkite ir jį nejudindami laikykite tol, kol diskas visiškai nustoja sukstis.** Diskui sukantis niekada nebandykite nupjovimo disko nuimti, nes sukelsite atatranką. Nustatykite disko kirtimosi priežastis ir imkitės tinkamų veiksmų joms pašalinti.
- d. **Pjovimo metu įrankiui esant ruošinyje, įrankio**

Lietuviškai

- iš naujo neužveskite. Leiskite diskui išvystyti visą greitį ir jį iš naujo atsargiai įveskite į įpjovą. Jei elektrinį įrankį iš naujo užvesite diskui esant ruošinyje, diskas gali užkliūti, pasislinkti, ar atšokti atgal.
- e. **Dideles plokštes ar kitus labai didelius ruošinius paremkite, kad išvengtumėte disko suspaudimo ir atatrakos.** Dėl savo svorio dideli ruošiniai paprastai įlinksta. Atramas būtina padėti iš abiejų disko pusių po ruošiniu, šalia pjovimo linijos bei ruošinio kraštų.
- f. **Atlikdami vidinį pjovimą esančiose sienose ar kitose nematomose srityse, būkite ypač atsargūs.** Atsikisęs diskas gali nupjauti dujų ar vandens vamzdžius, elektros laidus ar objektus, kurie gali sukelti atatraką.

PAPILDOMI ĮSPĖJIMAI DĖL SAUGOS ATLIEKANT TIK ŠLIFAVIMO DARBUS

- a. Patikrinkite, ar greitis, pažymėtas ant šlifavimo disko, lygus ar didesnis negu greitis, nurodytas ant šlifuko.
- b. Patikrinkite, ar disko šlifavimo disko matmenys atitinka šlifuką ir diskas telpa ant ašies.
- c. Šlifavimo diskus būtina laikyti sausoje vietoje.
- d. Nelaikykite jokių daiktų virš šlifavimo diskų.
- e. Šlifavimo diskus galima naudoti tik šlifavimo darbams.
- f. Prieš naudodami, apžiūrėkite šlifavimo diską, ar jis neapdaužytas ar įskilęs. Apdaužyti ar įskilę diskai gali sulūžti bei Jūs sunkiai sužeisti.
- g. Užtikrinkite, kad šlifuko prieš naudojimą yra teisingai sumontuotas ir pritvirtintas, ir paleiskite jį laisva eiga 30 sekundžių saugioje padėtyje. Jeigu jaučiama didelė vibracija ar pastebimi kiti defektai, diską nedelsdami sustabdykite. Jei tai kartojasi, patikrinkite įrankį, kad nustatytumėte gedimų priežastį.
- h. Nenaudokite atskirų mažinančių įdėklų ar adapterių, norėdami pritaikyti didelės angos šlifavimo diską.
- i. Patikrinkite, kad ruošinys būtų tinkamai paremtas.
- j. Užtikrinkite, kad kibirkštys, kylančios šlifavimo metu, nesukeltų pavojaus, pvz., neatsitrenktų į žmones ar neuždegtų degių medžiagų.
- k. Visada dėvėkite apsauginius akinius ir ausų apsaugą.
- l. Taip pat būtina dėvėti kitas asmenines apsaugos priemones, pvz. pirštines, prijuostę ir šalmą, kai būtina.
- m. Niekada nedėkite įrankio ant grindų ar kitų paviršių, kai jis įjungtas. Įrankį išjungus, šlifavimo diskas ir toliau sukasi. Niekada nelieskite disko ir nedėkite jo ant grindų ar kitų paviršių, kai jis sukasi.

- n. Jungė ir spaustuvo išorinis skersmuo turi būti vienodas.
- o. Įrankį naudokite tik leistinai paskirčiai. Niekada nenaudokite aušinimo skysčių ar vandens bei nenaudokite įrankio stacionariai.
- p. Dirbdami, tvirtai laikykite įrankį abiejomis rankomis.

SIMBOLIAI



Pranešimas apie saugumą

V Voltai

Hz Hercai

~ Kintamoji srovė

W Vata

n₀ Greitis be apkrovimo

n Nominalus greitis

min⁻¹ Apsukos ar judėjimas per minutę



CE suderinimas



Dviguba izoliacija



Dėvėkite klausos apsaugos priemones



Dėvėkite akių apsaugos priemones



Prieš pradėdami naudoti šį prietaisą, prašome atidžiai perskaityti šias instrukcijas.



Elektrinių produktų atliekos neturi būti metamos kartu su namų ūkio atliekomis. Prašome perdirbti jas ten, kur yra tokios perdirbimo bazės. Dėl perdirbimo patarimo kreipkitės į savo vietinę savivaldybę ar pardavėją.



Žaliavines medžiagas perdirbkite pakartotinai, o ne išmeskite kaip atliekas. Mechanizmas, priedai ir pakuotės turi būti laikomi pakartotinai perdirbti aplinkai nekenksmingu būdu.

TECHNINIAI REIKALAVIMAI

Modelis	EAG950RS / EAG950RSD	EAG950RB / EAG950RBD
Disko skersmuo	115 mm (4.5 in)	125 mm (5 in)

Lietuviškai

Storumas

Šlifavimo diskas	6 mm	6 mm
Pjovimo diskas (pasirinktina)	3 mm	3 mm
Deimantinis pjovimo diskas (pasirinktina)	2 mm	2 mm
Įtampa	230 V - 240 V ~ 50 Hz	230 V - 240 V ~ 50 Hz
Įvestis	950 W	950 W
Veleno sriegis	M14	M14
Nominalus greitis	11,000 min ⁻¹	11,000 min ⁻¹
Visas ilgis	310 mm	310 mm
Neto svoris	2.55 kg	2.6 kg

PASTABA: Būtinai patikrinkite vardinę produkto plokštelę, nes įtampa priklausomai nuo įrankio darbo zonos, gali keistis.

Didžiausias periferinis šlifavimo disko greitis: 4,800 m/min.

Apskaičiavimo pavyzdys

3.14 x 125 x 11,000/1,000 = 4.320

Periferinis šlifavimo disko greitis 4.320

Disko skersmuo 125

Šlifuklio greitis be apkrovimo 11.000

STANDARTINIAI PRIEDAI

Papildoma rankena, veržliaraktis.

Kai kurioms šalims šlifavimo diskas yra pridedamas kaip standartinis priedas.

VEIKIMAS

Žr. 4 pav.

⚠ ĮSPĖJIMAS

Apsauginiai gaubtai visada turi būti pritvirtinti. Vietoje ir oro ventilacijos angos neuždengtos, kad variklis būtų gerai aušinamas.

Norint pasiekti geriausių darbo rezultatų, būtina reguliuoti spaudimą ir paviršiaus kontaktą tarp disko ir ruošinio. Horizontalius paviršius reikia šlifuoti smailiu kampu, paprastai nuo 10 iki 20 laipsnių iki ruošinio. Prieš pradėdami šlifuoti, leiskite diskui išvystyti visą greitį. Šlifuodami per dideliu kampu, mažam plotui suteikiate per didelį spaudimą, dėl to darbo paviršių galite išskaptuoti ar nudeginti.

PJAUTI METALĄ

Žr. 9 - 10 pav.

- Pjaudami metalą naudokite abrazyvinį pjovimo diską su visiškai nuleistu apsauginiu gaubtu.
- Pjaudami įrankį spauskite tik vidutine jėga pagal pjaunamo ruošinio rūšį. Nedarykite spaudimo pjovimo diskui, įrankio nekelkite ir jo nesvyrkuokite.
- Nesumažinkite pjovimo diskų greičio juos iš šono spausdami. Prietaisas visada turi būti naudojamas pjovimo judesiu į viršų, priešingu atveju kyla pavojus, kad įrankis įpjovoje gali būti nekontroliuojamas.
- Atliekant vertikalius pjūvius ir pjaunant kvadratinis strypus geriausia pradėti nuo mažiausios kryžminės dalies.

PJAUTI AKMENĮ

Žr. 9, 11 pav.

- Visada dirbdami naudokite disko apsauginį pjovimo gaubtą.
- Pjaunant akmenį geriausia naudoti deimantinį pjovimo diską ir dėvėti apsauginę kaukę nuo dulkių.
- Įjunkite prietaisą bei jį stumkite vidutiniškai spausdami jį pagal pjaunamo ruošinio rūšį.

JUNGIKLIS

Žr. 3 pav.

- Šis įrankis įjungiamas ir išjungiamas paslenkant ir atleidžiant jungiklį.
- Jei norite, kad gražtas veiktų nepertraukiamai, pastumkite jungiklį, po to jo priekinį galą nuspauskite žemyn, kad jungiklį užrakintumėte.
- Jei norite jungiklį atrakinti, paspauskite galinę jungiklio dalį.

Lietuviškai

APSAUGINIO GAUBTO PASIRINKIMAS

- Šlifudami metalą visada naudokite disko apsauginį gaubtą.
- Pjaudami akmenį visada naudokite disko apsauginį gaubtą.
- Pjaudami metalą visada naudokite visiškai nuleistą disko apsauginį gaubtą.

ŠLIFAVIMO DISKO MONTAVIMAS

Žr. 5 - 6 pav.

- Prieš užverždami suspaudimo veržlę, ant veleno uždėkite disko antriauinį ir diską.
- Patikrinkite, ar diskas yra teisingai įstatytas ant įvorės ant disko antriauinio, ir veržlę užspauskite.
- Nuspauskite užrakinimo mygtuką, esantį dešinėje pavaros korpuso pusėje.
- Pridedamu veržliarakčiu, suspaudimo veržlę priveržkite sukdami pagal laikrodžio rodyklę.

PJOVIMO DISKO MONTAVIMAS

Žr. 7 - 8 pav.

- Prieš užverždami suspaudimo veržlę, ant veleno uždėkite disko antriauinį ir diską.
- Patikrinkite, ar diskas yra teisingai įstatytas ant įvorės ant disko antriauinio, ir veržlę užspauskite taip, kad plokščioji veržlės pusė būtų nukreipta žemyn.
- Nuspauskite užrakinimo mygtuką, esantį dešinėje pavaros korpuso pusėje.
- Pridedamu veržliarakčiu, suspaudimo veržlę priveržkite sukdami pagal laikrodžio rodyklę.

⚠ ĮSPĖJIMAS

Atidžiai patikrinkite, ar diskas nėra įtrūkęs. Įtrūkusį diską nedelsdami pakeiskite.

STANDARTINIS DISKO APSAUGINIS GAUBTAS AKMENIUI ŠLIFUOTI / PJAUTI

Žr. 12 - 13 pav.

Atleiskite disko apsauginio gaubto užrakinimo svirtį, po to pasukite disko apsauginį gaubtą, jį nustatydami į reikiamą padėtį. Didžiausias pasukimo ašies kampas yra 90° į bet kurią pusę, priešingu atveju, gaubtas neužfiksuojamas.

VISIŠKAI NULEISTAS DISKO APSAUGINIS METALO PJOVIMO GAUBTAS

Žr. 14 - 15 pav.

Pjovimo disko apsauginį gaubtą užrakininkite ir atrakininkite.

ĮJUNGTO ĮRANKIO INDIKATORIUS

Šiame įrankyje yra įmontuotas įjungto įrankio indikatorius, kuris iš karto šviečia, kai įrankis prijungiamas prie maitinimo šaltinio. Tuo būdu vartotojas išpėjamas, kad įrankis jungtas ir nuspaudus jungiklį jis pradės veikti.

PRIEŽIŪRA

Po naudojimo įrankį patikrinkite, kad įsitikintumėte, ar jis geros būklės.

Rekomenduojama bent vieną kartą per metus šį įrankį pristatyti į įgaliotą „Ryobi“ techninės priežiūros centrą, kad jo darbuotojai įrankį gerai išvalytų ir suteptų.

⚠ ĮSPĖJIMAS

Kai variklis jungtas, įrankio jokiais būdais nereguliokite.

Prieš keisdami nuimamas ar ištraukiamas detales (šlifavimo diską, nupjovimo diską ir t. t.), įrankį sutepdami ar dirbdami su objektu, visada ištraukite maitinimo laidą iš elektros maitinimo šaltinio.

⚠ ĮSPĖJIMAS

Siekiant užtikrinti saugumą ir įrankio patikimumą, visi remonto darbai turi būti atliekami ĮGALIOJAME TECHNINĖS PRIEŽIŪROS CENTRE ar kitoje KVALIFIKUOTOJE TECHNINĖS PRIEŽIŪROS ĮMONĖJE.

KIRJELDUS

1. Lihvketas
2. Kiirkinnitav tava-kettakaitse
3. Lisakäepide
4. Spindli lukustusnupp
5. Lüliiti
6. Ketta äärük
7. Survemutter
8. Spindli ots
9. Vöti
10. Kettakaitse kinnitushoob
11. Toiteoleku märgutuli
12. Täielikult suletud, kiirkinnitav kettakaitse (lisavarustus)
13. Teemantliikeketas (lisavarustus)
14. Mahalõikeketas (lisavarustus)

LIHVIMIS- JA ABRASIIVMAHALÕIKEOPERATSIOONIDE TAVA-OHUHOIATUSED

- a. Seade on ette nähtud lihvimiseks ja mahalõikamiseks. Lugege läbi kõik mehaanilise tööriista kohta esitatud ohuhoiatused ning tutvuge tööriista jooniste ja tehniliste andmetega. Alpool esitatud hoiatuste ja juhiste eiramise puhul on oht saada elektrilööki või raskeid kehavigastusi ning/või tekitada tulekahju.
- b. Operatsioonid, milleks tööriist ei ole ette nähtud, võivad luua ohuolukorra ja põhjustada kehavigastusi.
- c. Ärge kasutage mingeid kettaid ja kettasarnaseid tööorganeid (edaspidi: tarvikuid), mis ei ole tööriista tootja poolt spetsiaalselt välja töötatud ja soovitatud. Asjaolu, et tarvikut on võimalik mehaanilisele tööriistale kinnitada, ei taga selle tarvikuga töötamisel ohutust.
- d. Tarviku lubatud nimikiirus peab olema vähemalt võrdne mehaanilisele tööriistale märgitud maksimaalse kiirusega. Tarvikud, mis ületavad nendele ettenähtud kiiruse, võivad puruneda ja tükkiideks lennata.
- e. Kasutatava tarviku välisläbimõõt ja paksus peab vastama teie tööriista nimiandmetele. Valedel mõõtetega tarvikuid ei ole võimalik nüetekohaselt turvata ja kontrolli all hoida.
- f. Ketaste, äärükute, tugipatjade ja muude tarvikute mõõtmised peavad mehaanilise tööriista spindli mõõtetega täpselt kokku sobima. Ketas, mille völliava ei sobi mehaanilise tööriista kinnitusvarustusega kokku, kaldub tasakaalust välja, hakkab tugevasti vibreerima ja võib kontrolli alt väljuda.

- g. Ärge kasutage vigastatud tarvikuid. Enne iga kasutamist kontrollige tarvikud, näiteks abrasiivkettad üle kildumisele ja pragunemisele, tugikettad pragunemisele ja kulumisele, traatharjad lahtiste ja murdunud harjastele. Kui mehaaniline tööriist või tööriist on maha kukkunud, siis vaadake tööriista vigastused üle või asendage uue tarvikuga. Pärast tarviku ülevaatamist ja paigaldamist hoidke ennast ning kõrvalseisjad pöörleva tarviku pöörlemistasapinnast eemal ja käitage tööriista ühe minuti jooksul maksimaalsel pöörlemiskiirusel ilma koormuseta. Vigastatud tarvik puruneb selle aja jooksul tavaliselt tükkiideks.
- h. Kandke isikukaitsevahendeid. Olenevalt töö iseloomust kandke näovisiiri, kaitsemaski või kaitseprille. Vajaduse korral kandke tolmu- ja kuulmiskaitseid, kaitsekindaid ja kaitsepõlle, mis kaitsevad teid abrasiivkettast või toorikust lähtuvate osakeste eest. Silmakaitsevahendid peavad kaitsma töötlemisjäätike eest, mis erinevate tööoperatsioonide juures välja paiskuvad. Tolmu- ja respirator peavad tööoperatsioonidel tekkivaid osakesi piisavalt filtreerima. Pikaajaline viibimine kõrge müratasemega piirkonnas võib põhjustada kuulmishäireid.
- i. Hoidke kõrvalised isikud tööpiirkonnast ohutul kaugusel. Iga tööpiirkonda siseneja peab kandma isikukaitsevahendeid. Tooriku töötlemisjäätmed või purunenud tarvikud võivad välja lennata ja põhjustada kehavigastusi ka väljapool vahetatud tööpiirkonda.
- j. Töötamisel kohtades, kus lõikeriist võib kokku puutuda varjatud elektrijuhmetega, hoidke tööriista kinni ainult isoleeritud käepidemetest. Sattudes kokkupuutesse pingele all olevate juhtmetega, jäävad tööriista isoleerimata metallosal pingele alla ja kasutaja võib saada elektrilöögi.
- k. Hoidke juhete pöörlevatest tarvikutest eemal. Kontrolli kadumise korral võtte juhtme läbi lõigata või see võib haakuda ja teie käsi või käsivars võidakse tõmmata pöörleva tarviku vastu.
- l. Ärge pange tööriista enne maha, kui tarvik on täielikult peatunud. Pöörlev tarvik võib pinnaga haarduda ja selle tagajärjel võib tööriist väljuda teie kontrolli alt.
- m. Ärge käitage tööriista siis, kui te seda küljel hoiate. Juhuslik kontakt pöörleva tarvikuga võib põhjustada riitesse kinnijäämise ja selle tulemusena võib tarviku tungida teie kehasse.
- n. Puhastage regulaarselt tööriista ventilatsioonipilusid. Mootori ventilaator tõmbab

Eesti

tolmu korpusesse ja metalliosakesi sisaldava tolmu kogunemine põhjustab elektrivooluga seotud ohtusid.

- o. **Ärge kasutage tööriista süttivate materjalide läheduses.**Sädemed võivad need materjalid süüdata. Sädemed võivad need materjalid süüdata.
- p. **Ärge kasutage tarvikud, mis nõuavad jahutusvedelike kasutamist.** Kasutades vett või muud vedelikku jahutusvedelikud võib põhjustada elektrilöögi või šokk.

TAGASILÖÖK JA SELLEGA SEOTUD HOIATUSED

Tagasilöök on ootamatu reaktsioon, mis järgneb pöörleva ketta, tugiketta, terasharja või muu tarviku kinnijäämisele või haardumisele. Kinnikiilumine või haardumine põhjustab pöörleva tarviku kiire peatumise, mis omakorda põhjustab kinnijäämise punktis vastassuunaliste kontrollimatute jõudude mõjumise tarviku pöörlemisele vastassuunas.

Näiteks juhul, kui abrasiivketas on toorikuga haardunud või sellesse kinni jäänud, võib ketta sisenev serv kinnijäämise punktis materjali pinna sisse kaevuda ja põhjustada ketta väljaronimise või tagasilöögi. Ketas võib hüpata operatori suunas või temast eemale, sõltuvalt ketta liikumissuunast kinnijäämise punktis. Abrasiivkettad võivad selliste tingimuste korral puruneda.

Tagasilöök on tööriista väära kasutamise, ebaõigete tööõvõtete või tööks mittevastavate töötingimuste tulemus ja seda saab vältida alpool esitatud ettevaatusabinõude rakendamisega.

- a. **Tagasilöögist tulenevate jõudude vastuvõtmiseks kasutage oma keha ja käsivart ning hoidke tööriistast tugevasti kinni.** Kasutage alati kompleksits olevat lisakäepidet, et hoida tagasilööki või puutereaktsioonist tingitud reaktsiooni kontrolli all. Operaatoril on võimalik puutereaktsioone ja tagasilöögist tekkivaid jõudusid hallata, kui selleks vastavaid meetmeid võtta.
- b. **Ärge hoidke mingil juhul oma kätt pöörleva tarviku läheduses.** Tarvik võib tagasilöögiga tabada teie kätt.
- c. **Ärge olge oma kehaga seal, kuhu tööriist võib tagasilöögi ajal liikuda.** Tagasilöök paiskab kinnijäämise kohas tööriista vastuspidisesse suunda ketta pöörlemisele.
- d. **Olge eriti ettevaatlik töötamisel nurkades, teravatel servadel jne.** Vältige tarviku pörkumist ja kinnijäämist. Nurkades ja teravatel servadel või pörkumisel on kalduvus pöörlevat tarvikut kinni kiiluda ja põhjustada sellega kontrolli kadumist või tagasilööki.
- e. **Ärge kinnitage tööriistale kettsaega ketast**

või hammastega saeketast. Selliste ketaste kasutamisel ilmneb tihti tagasilööki ja kontrolli kadumist.

LIHVIMIS- JA ABRASIIVMAHALÖIKEOPERATSIOONIDE ERI-OHUHOIATUSED

- a. **Kasutage ainult sellist tüüpi kettaid, mis on selle tööriista jaoks ette nähtud ja ainult neile spetsiaalselt ettenähtud kaitsekatteid.** Kettaid, mille kasutamiseks tööriist ei ole ette nähtud, ei saa kaitsekattega katta ja seetõttu on need ebatavalised.
- b. **Kaitsekate peab olema tööriistale ohutult kinnitatud ja paigutatud maksimaalse ohutuse saavutamiseks nii, et võimalikult väike osa kettast on kasutaja suunas nähtav.** Kaitsekate kaitseb kasutajat purunenud kettatükkide ja juhusliku kontakti eest kettaga.
- c. **Kettaid tohib kasutada ainult neile ettenähtud otstarveteks.** Näiteks, ärge lihvige mahalöikeketta küljega. Abrasiiv-mahalöikekettad on ette nähtud läbilõikamiseks; kui neile rakendada külgjõudusid, siis võivad need kildudeks puruneda.
- d. **Kasutage valitud kettale mõõtetel ja kujult sobivaid ning vigastamata kettaäärkuid.** Õigesti valitud äärkuid toetavad kettast ja vähendavad sellega ketta purunemisohtu. Mahalöikeketta äärkuid võivad erineda lihvketaste äärkudest.
- e. **Ärge kasutage suurtel tööriistadel järelejäänud kulunud kettaid.** Suurte tööriistade kettad ei ole ette nähtud väikeste tööriistade suurte kiirustel, sest siis võivad need kettad puruneda.

TÄIENDAVAD OHUHOIATUSED ABRASIIV-MAHALÖIKEOPERATSIOONIDEL

- a. **Ärge laske löikekettal kinni jääda ega suruge sellele liigselt peale.** Ärge püüdke kasutada liiga suurt löikesügavust. Liigse jõu avaldamine suurendab ketta koormust, väändumist või kinnijäämist lõiketees ning suurendab tagasilöögi või ketta purunemise tõenäosust.
- b. **Ärge seiske tööriista taga pöörleva ketta tasapinnas.** Kui ketas liigub oma tööpunkti kehast eemale, siis pöörleva ketta võimalik tagasilöök võib suunata tööriista otse teie suunas.
- c. **Kui ketas jääb kinni või lõikamine katkeb mingil muul põhjusel, lülitage tööriist välja ja hoidke seda liikumatuna seni, kui ketas täielikult seiskub.** Ärge püüdke võtta löikeketast löikekohast välja ketta pöörlemise

Eesti

- ajal, muidu võib ilmnedagi tagasilöökk. Uurige ketta kinnijäämise põhjus välja ja võtke meetmeid selle kõrvaldamiseks.
- d. **Ärge alustage lõikamisoperatsiooni uuesti siis, kui ketas on tooriku sees. Laske kettal saavutada täiskiirus ja pange ketas uuesti lõikekohta.** Kui lõikamist jätkata ilma, et ketas oleks välja võetud, siis võib see kinni jääda, üles tõusta või anda tagasilöögi.
- e. **Toetage lõigatavaid plaate ja suuremõtmelisi toorikuid, et minimeerida ketta kinnijäämise ning tagasilöögi ohtu.** Suurtel toorikutel on kalduvus oma raskuse all läbi vajuda. Toetage toorikuid altpoolt lõikejoone lähedal ja serva lähedal mõlemal pool lõikejoont.
- f. **Olge pesa lõikamisel seina sisse või varjatud kohtadesse ettevaatlik.** Väljuv ketas võib lõigata läbi gaasi- või veetoru, elektrijuhtmed või muud objektid ja need võivad põhjustada tagasilööki.

TÄIENDAVAD ERIHOIATUSED
LIHVIMISOPERATSIOONIDE LÄBIVIIMISEL

- a. Kontrollige, et lihvkettale märgitud lubatud kiirus on suurem või võrdne kui tööriista nimikiirus.
- b. Veenduge, et lihvketta mõõtmelised tööriistaga kokku sobivad ja ketta ava spindlile sobib.
- c. Lihvkettaid tuleb hoida kuivas kohas.
- d. Ärge ladustage mingeid esemeid lihvkettaste peale.
- e. Lihvkettaid ei tohi kasutada muudeks töödeks peale lihvimise.
- f. Kontrollige lihvketas enne kasutamist üle ja veenduge, et see ei ole kildunud ega pragunenud. Kildunud kohad ja praod võivad põhjustada ketaste kildudeks purunemise, mis võib tekitada raske kehavigastuse.
- g. Veenduge enne kasutamist, et lihvimisketas on nõuetekohaselt paigaldatud ja pingutatud ning laske tööriistal ilma koormuseta töötada 30 sekundi jooksul ilma koormuseta. Kui tunnete märgatavat vibratsiooni või avastate muid rikkeid, siis peatage töötamine viivitamatult. Selliste ilmingute korral kontrollige tööriist üle, et teha põhjus kindlaks.
- h. Ärge kasutage suurema avaga lihvketta kinnitamiseks täiendavaid sobituspukse või üleminekudetaile.
- i. Kontrollige, et toorik oleks nõuetekohaselt toestatud.
- j. Veenduge, et tekkivad sädemed ei oleks ohtlikud, näiteks ei taba inimesi või ei süüta põlevaineid.
- k. Kasutage alati kaitseprille ja kuulmiskaitseid.
- l. Kasutage vajaduse korral ka muid isikukaitsevahendeid, näiteks töökindaid, kaitsepõlle ja kiivrit.
- m. Ärge pange pöörlevat tööriista mingil juhul

- pörandale või muudele pindadele. Lihvketas pöörleb edasi ka siis, kui tööriist on välja lülitatud. Ärge puudutage pöörlevat ketast ega pange töötavat tööriista pörandale või muudele pindadele.
- n. Äärik ja survemutter peavad olema sama välisläbimõõduga.
- o. Kasutage tööriista ainult heakskiidetud kasutusotstarveteks. Ärge mingil juhul kasutage jahutusvedelikku või vett ega kasutage tööriista paikselt kinnitatud olekus.
- p. Haarake töötamisel tööriistast mõlema käega.

SÜMBOL



Ohutusala teave

V

Volt

Hz

Hertz

~

Vahelduvvool

W

Watt

n_o

Kiirus ilma koormuseta

n

Nimikiirus

min⁻¹

Pöörete või löökide arv minutis



CE vastavus



Topeltisolatsioon



Kandke kuulmise kaitsevahendeid



Kandke silmade kaitsevahendeid



Lugege enne masina kasutamist juhised hoolikalt läbi.



Mittekasutatavaid elektritöoteid ei tohi visata olmejäätmete hulka. Vaid tuleb viia vastavas kogumispunkti. Vajadusel küsige sellekohast nõu oma edasimüüjalt või vastavalt kohaliku omavalitsuse institutsioonilt.



Toomaterjalid utiliseerige jäätmetega koos. Masin, selle liseseadmed ja pakend tuleb jäätmekäitluseks keskkonnasõbralikult sorteerida.

Eesti

TEHNILISED ANDMED

Mudeli tähis	EAG950RS / EAG950RSD	EAG950RB / EAG950RBD
Ketta läbimõõt	115 mm (4.5 in)	125 mm (5 in)
Paksus		
Lihvketas	6 mm	6 mm
Mahalõikeketas (lisavarustus)	3 mm	3 mm
Teemantlõikeketas (lisavarustus)	2 mm	2 mm
Pinge	230 V - 240 V ~ 50 Hz	230 V - 240 V ~ 50 Hz
Vooluvõrk	950 W	950 W
Spindli keere	M14	M14
Nimikiirus	11,000 min ⁻¹	11,000 min ⁻¹
Gabariitpikkus	310 mm	310 mm
Netomass	2.55 kg	2.6 kg

MÄRKUS: Kontrollige toitepinge andmed tööriista tehasesildilt üle, sest pinge võib olenevalt tööriista kasutamise asukohast erineda.

Lihvketta maksimaalne puutujasuuniline joonkiirus: 4,800 m/min.

Arvutusnäide

3.14 x 125 x 11,000/1,000 = 4 320

Lihvketta puutujasuuniline joonkiirus 4 320

Ketta läbimõõt 125

Lihvija pöörlekiirus ilma koormuseta 11 000

PÕHIVARUSTUSE TARVIKUD

Lisakäepide, mutrivõti.

Mõnedesse maadesse tarnimisel on tavavarustuses ka lihvketas.

KASUTAMINE

Vaata joonist 4.

⚠ HOIATUS

Hoidke kaitsekate oma kohal. Ärge mingil juhul katke ventilatsioonipilusid kinni, sest need peavad mootori piisavaks jahutamiseks olema avatud.

Tõhusa töötamise eelduseks on kontrollida ketta ja tooriku vahelisele pinnale avaldatavat survet. Tasapindasid lihvitakse teravnurga all, tavaliselt on ketta ja tooriku vaheline nurk 10° kuni 20°. Enne lihvimise alustamist laske kettal saavutada oma maksimaalne pöörlemiskiirus. Liiga suur nurk põhjustab surve kontsentreerumist väikestele alale, mis võib tööpinnale vagusid jätta või seda põletada.

METALLI LÕIKAMINE

Vaata joonist 9 - 10.

- Metallide lõikamisel kasutage alati abrasiv-lõikeketast koos täielikult suletud, kiirkinnitatavat kettakaitset.
- Lõikamisel rakendage mõõdukat survet, vastavalt lõigatava materjali tüübile. Ärge avaldage lõikekettale survet, ärge kallutage ega võngutage ketaslõikurit.
- Ärge püüdke alandada seismajäeva lõikeketta kiirust külgsurve rakendamisega. Ketaslõikuriga lõikamisel peab alati liikuma edasisuunas, muidu on oht, et ketas paiskub lõiketeest kontrollimatult välja.
- Profiiliterase ja nelikantmaterjalide lõikamiseks on parem alustada väiksemast ristlõikest.

KIVI LÕIKAMINE

Vaata joonist 9, 11.

- Kasutage töötamise ajal alati kiirkinnitatavat lõikeketta kaitsekate.
- Kivi lõikamiseks sobib kõige paremini teemantlõikeketas ja lõikamise ajal tuleb kanda tolmukaitsemaski.
- Lülitage ketaslõukur sisse ja nihutage seda kergelt surudes, vastavalt lõigatava materjali tüübile.

LÜLITI

Vaata joonist 3.

- Tööriista saab käivitada ja peatada lüliti nihutamiseega.
- Pidevtöötamiseks nihutage lüliti ette ja vajutage selle esiosti lukustamiseks alla.
- Lukusti vabastamiseks vajutage lüliti tagaotsale.

KAITSEKATTE VALIMINE

- Metallide lihvimisel kasutage lõikekettal alati kiirkinnitatavat tava-kettakaitset.
- Kivitoodete lõikamisel kasutage lõikekettal alati kiirkinnitatavat tava-kaitsekate.
- Metallide lõikamisel kasutage lõikekettal alati

Eesti

kiirkinnitatavat, täielikult suletud kaitsekate.

LIHVKETTA PAIGALDAMINE

Vaata joonist 5 - 6.

- Pange spindlile ketta äärik, lihvketas ja seejärel survemutter.
- Veenduge, et lõikeketas on kinnitusaäriku astmelise istepinna ja surumutri suhtes õigesti paigaldatud.
- Vajutage lukustusnupule, mis asub reduktori korpuse paremal poolel.
- Komplektis olevat võtit kasutades keerake survemutter päripäeva kinni.

LÕIKEKETTA PAIGALDAMINE

Vaata joonist 7 - 8.

- Pange spindlile ketta äärik, lihvketas ja seejärel survemutter.
- Veenduge, et lõikeketas on kinnitusaäriku astmelise istepinna ja surumutri suhtes õigesti paigaldatud ja surumutri astmeta pind on suunatud alla.
- Vajutage lukustusnupule, mis asub reduktori korpuse paremal poolel.
- Komplektis olevat võtit kasutades keerake survemutter päripäeva kinni.

⚠ HOIATUS

Kontrollige lõikeketas tähelepanelikult üle, et selles ei ole pragusid. Asendage vigastatud ketas viivitamatult.

KIIRKINNITAV TAVA-KETTAKAITSE KIVITOODETE LIHVIMISEKS/LÕIKAMISEKS

Vaata joonist 12 - 13.

Lõdvendage kettakaitse lukustushoob ja seejärel pöörake tööriistata kinnitatav kaitsekate soovitud asendisse. Maksimaalne pööramisnurk on 90°, vastasel juhul ei saa kaitsekate lukustada.

TÄIELIKULT SULETUD, KIIRKINNITAV KETTAKAITSE METALLIDE LÕIKAMISEKS

Vaata joonist 14 - 15.

Lõikeketta kaitsekate lukustamine ja lahti lukustamine.

TOITEOLEKU MÄRGUTULI

Lihvmasinal on toite märgutuli, mis lihvmasina toitevõrguga ühendamisel kohe süttib. See hoiatab kasutajat, et lihvmasin on elektrivõrku ühendatud ja lihvmasin hakkab lülitil sissevajatamisel tööle.

HOOLDUS

Pärast kasutamist kontrollige, et tööriist on heas tööseisundis.

Soovitav on lasta tööriista vähemalt üks kord aastas RYOBI volitatud hoolduskeskuses põhjalikult ära puhastada ja määrada.

⚠ HOIATUS

Ärge püüdke teha mingeid reguleertoiminguid sel ajal, kui mootor töötab.

Enne vahetatavate osade või tarvikute (lõiketera, puur jne) vahetamist, masina määrimist või sellel töötamist ühendage toitejuhe lahti.

⚠ HOIATUS

Ohutuse ja töökindluse tagamiseks tuleb parandustööd lasta teha VOLITATUD HOOLDUSKESKUSES või MUUS PÄDEVAS HOOLDUSETTEVÕTTES.

OPIS

1. Brus
2. Standardni polukružni štitičnik rezne ploče
3. Pomoćna ručka
4. Gumb za zaključavanje osovine
5. Sklopka
6. Prirubnica
7. Vanjska prirubnica
8. Osovina
9. Iščašenje
10. Štitičnik kotača zaključavanje polugom
11. Signalno svjetlo za napon
12. Potpuno zatvoreno polukružni štitičnik rezne ploče (opcionarno)
13. Rezna ploča s otvorima (opcionarno)
14. Rezna ploča (opcionarno)

ČESTA SIGURNOSNA UPOZORENJA ZA RADOVE BRUŠENJA I ABRAZIVNOG REZANJA

- a. **Ovaj električni alat namijenjen je da radi kao brusilica i rezni alat. Pažljivo pročitajte sva upozorenja, upute i specifikacije priložene uz alat i pogledajte crteže.** Nepoštivanje svih uputa može dovesti do električnog udara, požara i / ili teške ozljede.
- b. **Operacije za koju električni alat nije osmišljen predstavlja opasnost i prouzročiti ozljede.**
- c. **Ne koristite dodatke koji nisu namijenjeni ovom alatu i koji nije preporučio proizvođač.** Samo zato što pribor može biti priključen na vaš električni alat, to ne osigurava siguran rad.
- d. **Okretaja od pribora mora biti najmanje jednaka maksimalnu brzinu označen na električni alat.** Dodaci koji rade na višim brzinama od njihove nominalne brzine mogu se slomiti ili izletjeti s alata.
- e. **Vanjskog promjera i debljine vašeg pribora mora biti unutar ocjenjivanja sposobnosti vašeg uređaja.** Pogrešno veličine pribor se ne može adekvatno čuvano ili kontrolirati.
- f. **Brusevi, brusne ploče, podložne pločice ili drugi dodaci moraju savršeno prijanjati na otvor tijela alata.** Dodaci koji ne odgovaraju tijelu na koje ih je potrebno ugraditi neće se dobro okretati, pretjerano će vibrirati te postoji mogućnost da izgubite nadzor nad alatom.
- g. **Nemojte koristiti oštećeni pribor. Prije svake upotrebe provjerite jesu li svi dodaci koje koristite u dobrom stanju: provjerite da brusne ploče nisu oštećene ili okrnute, da podložne pločice nisu polomljene ili pohabane, da niti metalne četke nisu previše istrošene ili polomljene. Ako uređaj ili pribor pao, provjerite**

štetu ili uvesti dodatne opreme neoštećeni. Ako je potrebno, stavite i masku protiv prašine, zaštitu od buke, rukavice i zaštitnu ploču kako biste se zaštitili od izlijetanja dijelova komada kojeg obrađujete (brusni dijelovi, komadići drveta itd.). Ako je dodatak oštećen, tijekom ove provjere će se slomiti.

- h. **Nosite osobnu zaštitnu opremu. Ovisno o primjeni, koristiti lice štitičnik, zaštitne naočale i zaštitne naočale. Ako je potrebno, stavite i masku protiv prašine, zaštitu od buke, rukavice i zaštitnu ploču kako biste se zaštitili od izlijetanja dijelova komada kojeg obrađujete (brusni dijelovi, komadići drveta itd.).** Zaštita očiju mora biti sposoban zaustavljanja letećih krhotina generirani od strane različitih operacija. Maska protiv prašine filtrirat će prašinu koja se stvara tijekom rada. Duže izlaganje jakoj buci može dovesti do gubitka sluha.
- i. **Držite nazočnima sigurnoj udaljenosti od područja rada. Svatko tko bi stupio u radno područje, mora nositi osobnu zaštitnu opremu.** Krhotine izratka ili slomljena mogu odletjeti i uzrokovati ozljede i izvan neposrednog područja djelovanja.
- j. **Držite uređaj po izoliranim ručkama površina samo pri obavljanju operacije u kojoj rezanje skrivene ožičenja ili vlastiti kabel.** Kontakt sa žicama pod naponom mogao bi prenijeti struju na metalne dijelove i izazvati strujni udar.
- k. **Kabel napajanja uvijek postavite tako da bude udaljen od dijela alata koji se vrti.** Ako izgubite nadzor nad uređajem, kabel napajanja može bit presječen ili se zaplesti i povući vašu šaku ili ruku prema rotirajućem dijelu alata.
- l. **Nikad ne odlazite alat prije nego što se pokretni dijelovi sasvim ne zaustave.** Predenje alata mogu zgrabite i povucite površinu uređaja izvan vaše kontrole.
- m. **Ne mali uređaj dok ga nosite uz sebe.** Rotirajući dodatak može se zaplesti u vašu odjeću i ozbiljno vas ozlijediti.
- n. **Redovno čistite ventilacijske otvore alata.** Kroz ventilacijske otvore u unutrašnjost kućišta motora može dospjeti prašina što može uzrokovati pretjerano nakupljanje metalnih komadića i uzrokovati strujni udar.
- o. **Ne koristite uređaj u blizini zapaljivih tvari.** U slučaju otkakivanja, alat se odbacuje u smjeru suprotnom od smjera rotacije ploče.
- p. **Ne koristite pribor koji zahtijevaju tekućih sredstava za hlađenje.** Korištenje vode ili druge tekućine rashladne može dovesti do električnog udara ili.

UPOZORENJA NA POVRATNI UDAR I DRUGE VEZANE OPASNOSTI

Bakšiš je iznenadna reakcija ili kvrgav stegnut rotirajućeg kotača, prateći pad, četkom ili bilo koji drugi pribor. Štipanje ili snagging uzroka brzog odugovlačenje od rotirajućeg pribora što opet uzrokuje nekontrolirani uređaja biti prisiljeni u smjeru suprotno od dodatne opreme rotacije na mjestu vezanja.

Na primjer, ako brusnom je kvrgav ili bez novca od strane izratka, rub kotač koji ulazi u stezati točka može ukopati površine materijala uzrokuje kotača za uspon out ili izbaciti. Kotača ili može skočiti prema ili od operatora, ovisno o smjeru kotača pokreta na mjestu štipanje. U slučaju odsakivanja može doći i do lomljenja brusne ploče.

Bakšiš je rezultat električnog alata zlorporabe i / ili neispravnog operativnih postupaka ili stanja i može se izbjeći uzimanjem odgovarajuće mjere opreza kao što je dano u nastavku.

- a. **Održavati čvrst zahvat na električni alat i položaj vašeg tijela i ruke kako bi Vam omogućiti da se odupre silama povratnog udara. Ako alat ima pomoćnu ručku, svakako je držite kako biste imali optimalni nadzor nad alatom u slučaju odsakivanja ili da možete odgovarajuće reagirati u trenutku uključivanja uređaja.** Poduzmite potrebne mjere kako biste alat mogli kontrolirati u slučaju odsakivanja ili jakog okretnog momenta.
- b. **Nikada ne stavljajte ruku u blizini rotirajuće pribor.** Alata mogu bakšiš preko vaše ruke.
- c. **Ne poziciju vaše tijelo na području gdje se električni alat će se pomaknuti ako dođe do povratnog udara.** Bakšiš će pokrenuti alat u smjeru suprotnom kotača pokreta na mjestu snagging.
- d. **Koristite posebna njega kod rada kutova, oštiri rubova i sl.**
Nemojte alat zaglavljivati ili ispuštati iz ruku. Uglovi, oštiri rubova i odsakivanje imaju tendenciju da uloviti rotirajuće pribor i dovesti do gubitka kontrole ili povratnog udara.
- e. **Ne lijepite vidio lanac woodcarving pile ili nazubljeni list pile.** Takve oštrice povećavaju rizik od odsakivanja i gubitka nadzora na alatom.

SPECIFIČNA SIGURNOSNA UPOZORENJA ZA RADOVE BRUŠENJA I ABRAZIVNOG REZANJA

- a. **Koristite samo vrste kotača koji se preporučuju za vaš električni alat i posebni štitnik namijenjen za odabrani kotač.** Kotači koji nisu namijenjeni za električni alat ne mogu se odgovarajuće zaštititi i nisu sigurni.

- b. **Štitnik mora biti čvrsto postavljen i pozicioniran na električni alat radi maksimalne sigurnosti, tako da je minimalna količina kotača izložena prema rukovatelju.** Štitnik pomaže zaštititi rukovatelja od dijelica slomljenog kotača i slučajnog kontakta s kotačem.
- c. **Kotači se moraju koristiti samo za preporučene primjene. Na primjer, nemojte brusiti s bočnom stranom reznog kotača.** Abrazivni rezni kotači namijenjeni su za površinsko brušenje, primjena bočnih sila na ove kotače može dovesti do njihovog pucanja.
- d. **Za vaš odabrani kotač uvijek koristite neoštećene pribornice kotača koje su točne veličine i oblika.** Pravilna pribornica kotača podupire kotač te stoga smanjuje mogućnost lomljenja kotača. Pribornice za rezne kotače mogu se razlikovati od pribornice za brusne kotače.
- e. **Nemojte koristiti istrošene kotače za alate velike snage.** Kotač namijenjen za alat velike snage nije prikladan za velike brzine manjeg alata i može prsnuti.

DODATNA SIGURNOSNA UPOZORENJA SPECIFIČNA ZA RADOVE ABRAZIVNIM REZANJEM

- a. **Nemojte „zaglavljivati“ reznu ploču ili primjenjivati prekomjerni pritisak. Nemojte pokušavati učiniti pređubok rez.** Prekomjerno naprezanje ploče povećava opterećenje i mogućnost uvrtnja ili savijanja ploče prilikom reza i mogućnost povratnog udara ili pucanje ploče.
- b. **Nemojte postavljati tijelo u liniju s i iza ploče za rezanje.** Kad se rezna ploča, u točki rada odmiče od vašeg tijela, može doći do mogućeg povratnog udara rotirajuće ploče i električnog alata prema vama.
- c. **Kad se rezna ploča savije ili kod prekida reza iz bilo kojeg razloga, isključite električni alat i držite alat bez kretanja kako bi se rezna ploča potpuno zaustavila. Nikada ne pokušavajte ukloniti reznu ploču iz reza dok je ploča u pokretu, u suprotnom može doći do povratnog udara.** Istražiti i poduzeti korektivne akcije kako bi se uklonili uzrok kotača obvezujuće.
- d. **Nemojte ponovno pokretati radnju rezanja u izratku. Neka rezna ploča dostigne punu brzinu i pažljivo ponovno nastavite rezati.** Ploča se može saviti, iskliznuti ili odskočiti unatrag ako se električni alat ponovno pokreće u izratku.
- e. **Poduprite ploču ili bilo koji izradak velikih dimenzija kako biste smanjili prignjećenje i povratni udar rezne ploče.** Veliki izratci se uvijek

Hrvatski

pod svojom vlastitom težinom. Potpornji se moraju postaviti ispod izratka na obim stranama, blizu crte rezanja i pored ruba izratka.

- f. **Budite izrazito oprezni kada radite „prividni rez“ u postojećim zidovima ili područjima u kojima ne vidite rez.** Ploča koja izviruje može odrezati cijevi od plina ili vode, električne žice ili predmete koji mogu uzrokovati povratni udar.

DODATNA SIGURNOSNA UPOZORENJA SPECIFIČNA ZA RADOVE BRUŠENJA

- Provjerite je li brzina označena na brusu jednaka ili viša od nominalne brzine alata.
- Provjerite je li promjer brusa usklađen s alatom te je li brus pravilno umetnut na osovinu.
- Bruseve treba spremati na suho mjesto.
- Ne stavljajte predmete na brusove.
- Bruseve treba upotrebljavati samo za brušenje, a ne u druge svrhe.
- Prije uporabe brusa uvjerite se da nije okrnjen te da na njemu nema pukotina. U protivnom brus može puknuti, što može dovesti do teških tjelesnih ozljeda.
- Prije uporabe provjerite je li brus ispravno postavljen i stegnut, zatim neka se alat okreće u prazno oko 30 sekundi te ga usmjerite tako da ne predstavlja opasnost. Odmah zaustavite alat ako preterano vibrira ili ako primjećujete druge probleme. Ako je ovaj uvjet dogodi, provjerite alat odrediti uzrok.
- Ne upotrebljavajte prstenove za redukciju ili umetke kako biste smanjili promjer bruseva velikog promjera.
- Provjerite je li komad koji obrađujete dobro učvršćen.
- Pobrinite se da iskre proizlaze iz uporabe ne predstavlja opasnost, primjerice, ne udariti ljudi, ili zapaliti zapaljive tvari.
- Uvijek nosite sigurnosne naočale i štitnike za uši.
- Koristite druge osobne zaštitne opreme kao što su rukavice, pregaču i kacigu kada je to potrebno.
- Nikada ne postavljajte alat na podu ili drugim površinama tijekom rada. Pažnja, brus se zbog inercije okreće i kad isključite stroj. Nikada ne dodirujte kotača ili ga staviti na pod ili druge površine, dok se rotirajući.
- Prirubnica brusa i vanjska prirubnica moraju imati isti vanjski promjer.
- Koristite alat samo za odobrene aplikacije. Nikad ne koristite rashladne ili vode ili koristite alat kao fiksni alat.
- Dok upotrebljavate alat, čvrsto ga držite objema rukama.

SIMBOL



Sigurnosno upozorenje

- V Volti
 Hz Herzi
 ~ Izmjenična struja
 W Wati
 n₀ Brzina bez opterećenja
 n Nazivna brzina
 min⁻¹ Broj okreta ili pokreta u minuti



Sukladno CE



Dvostruka izolacija



Nosite zaštitu za sluh



Nosite zaštitu za vid



Molimo vas da prije pokretanja uređaja pažljivo pročitate upute.



Otpadni električni proizvodi ne treba da se odlažu s otpadom iz domaćinstva. Molimo da reciklirate gdje je to moguće. Potražite savjet od lokalnih vlasti ili prodavca kako reciklirati.



Sirovine reciklirajte, umjesto da ih bacate među kućni otpad. Kako biste zaštitili okoliš, alat, dodatke i ambalažu treba odvojeno bacati u otpad.

SPECIFIKACIJE

Model	EAG950RS / EAG950RSD	EAG950RB / EAG950RBD
Promjer kotača	115 mm (4.5 in)	125 mm (5 in)
Debljina		
Bрус	6 mm	6 mm
Rezna ploča (opcionalno)	3 mm	3 mm

Hrvatski

Rezna ploča s otvorima (opcionalno)	2 mm	2 mm
Napon	230 V - 240 V ~ 50 Hz	230 V - 240 V ~ 50 Hz
Ulaz	950 W	950 W
Navoj osovine	M14	M14
Nazivna brzina	11,000 min ⁻¹	11,000 min ⁻¹
Ukupna dužina	310 mm	310 mm
Neto težina	2.55 kg	2.6 kg

NAPOMENA: Provjerite što piše na pločici s opisom proizvoda jer napon može biti različit ovisno o mjestu gdje se proizvod koristi.

Maksimalna periferna brzina brusa: 4,800 m/min.

Primjer izračuna

3.14 x 125 x 11,000/1,000 = 4.320

Obodne brzine brusa 4.320

Promjer kotača 125

Nazivna brzina brusilica 11.000

STANDARDNI DODACI

Pomoćna ručka, ključ.

U nekim zemljama brus se isporučuje s dodacima.

RAD

Pogledajte sliku 4.

⚠ UPOZORENJE

Zaštitna kućišta treba uvijek postaviti na mjesto. Nikad ne pokrivaju usisnici zraka jer mora uvijek biti otvorena za pravilno hlađenje motora.

Za učinkovit rad važno je da dobro kontrolirate pritisak na alat, kao i na kontaktnu površinu između brusa i komada koji obrađujete. Za brušenje ravnih površina, brus mora činiti šiljati kut, obično između 10° i 20°, s komadom koji obrađujete. Ostavite da brus sam dosegne svoju maksimalnu brzinu prije početka brušenja. Prevelik kut uzrokuje koncentraciju pritisak na malom području koje može podvaliti ili izgorjeti radnoj površini.

ZA REZANJE METALA

Pogledajte sliku 9 - 10.

- Za rezanje metala koristite abrazivnu reznu ploču sa potpuno zatvorenim polukružnim štitičnikom.
- Prilikom rezanja radite odmjerenim pritiskom, prilagođenim prema materijalu koji se reže. Nemojte prekomjerno pritiskati na reznu ploču, naginjati ili mijenjati brzinu uređaja.
- Nemojte smanjivati brzinu pokrenute rezne ploče na način da primjenjujete bočni pritisak. Uređaj uvijek mora raditi u kretanju rezanja prema gore, u suprotnom postoji opasnost da bude nekontrolirano gurnut izvan reza.
- Prilikom rezanja profila i kvadratnih traka najbolje je početi od najmanjih poprečnih presjeka.

ZA REZANJE KAMENA

Pogledajte sliku 9, 11.

- Uvijek radite sa standardnim polukružnim štitičnikom za rezanje.
- Za rezanje kamena najbolje je koristiti reznu ploču s otvorima i nosite masku za zaštitu od prašine.
- Uključite uređaj i pomičite ga umjerenim pritiskom, prilagođeno materijalu koji se reže.

SKLOPKA

Pogledajte sliku 3.

- Ovaj alat je započeo i zaustavio pomicanjem i puštanjem šiba.
- Za praktičnost za stalni rad, gurnite prekidač uz zatim pritisnite prednji kraj prema dolje kako bi sjeo.
- Za oslobađanje zaključavanje, pritisnite stražnji kraj prekidača.

ODABIR ŠTITNIKA

- Prilikom brušenja metala, uvijek radite sa standardnim polukružnim štitičnikom rezne ploče.
- Prilikom rezanja kamena, uvijek radite sa standardnim polukružnim štitičnikom rezne ploče.
- Prilikom rezanja metala, uvijek radite s potpuno zatvorenim polukružnim štitičnikom rezne ploče.

POSTAVLJANJE BRUSA

Pogledajte sliku 5 - 6.

- Prije učvršćivanja matice stezaljke na osovinu priključite pribornicu i reznu ploču.
- Osigurajte da je ploča pravilno nasjela preko glavne pribornice i matice za pritezanje.
- Pritisnuti tipku za zaključavanje nalazi na desnoj strani mjenjača brzine.

Hrvatski

- Pomoću ključa pod uvjetom, zategnite matice spona u smjeru kazaljke na satu.

MONTIRANJE REZNE PLOČE

Pogledajte sliku 7 - 8.

- Prije učvršćivanja matice stezaljke na osovinu priključite prirubnicu i reznu ploču.
- Osigurajte da je ploča pravilno nasjela preko preko glavne prirubnice i matice za pritezanje, s ravnom površinom matice za pritezanje prema dolje.
- Pritisnuti tipku za zaključavanje nalazi na desnoj strani mjenjač brzine.
- Pomoću ključa pod uvjetom, zategnite matice spona u smjeru kazaljke na satu.

⚠ UPOZORENJE

Pažljivo provjerite da na brusu nema napuklina. Odmah zamijenite sve napuknute bruseve.

STANDARDNI POLUKRUŽNI ŠTITNIK REZNE PLOČE ZA BRUŠENJE/REZANJE KAMENA

Pogledajte sliku 12 - 13.

Otvorite polugu za zaključavanje zaštitnog kućišta zatim postavite zaštitno kućište u željeni položaj. Maksimalni kut zakretanja na obje strane je 90°; u suprotnom se štitnik ne može zaključati.

POTPUNO ZATVOREN POLUKRUŽNI ŠTITNIK REZNE PLOČE ZA REZANJE METALA

Pogledajte sliku 14 - 15.

Zabravite i otključajte štitnik za reznu ploču.

SIGNALNO SVJETLO ZA NAPON

Ovaj alat opremljen je s pokazivačem napajanja alata koji svijetli čim je alat priključen na napajanje. Ovo upozorava korisnika da je alat priključen i da će raditi kad se pritisne sklopka za pokretanje.

ODRŽAVANJE

Nakon uporabe provjerite je li alat u dobrom radnom stanju.

Preporuča se da alat najmanje jednom godišnje odnesete u ovlaštenu Ryobi servis radi cjelokupnog podmazivanja i čišćenja.

⚠ UPOZORENJE

Dok motor radi, ne obavljajte nikakva podešavanja. Brusilicu uvijek isključite iz struje prije zamjene dijelova (dijamantni brus, brus itd.), podmazivanja alata i prije svih postupaka održavanja.

⚠ UPOZORENJE

Kako bi se osigurala sigurnost i pouzdanost, sve popravke mora obaviti ovlaštenu servisni centar ili druge stručne usluge organizacije.

OPIS

1. Brusni kolut
2. Standardno varovalo koluta
3. Pomožna ročica
4. Gumb za blokado vretena
5. Stikalo
6. Kolutna prirobnica
7. Zunanja prirobnica
8. Pogonsko vreteno
9. Ključ
10. Ročica za blokado ščitnika koluta
11. Signalna luč za orodje pod napetostjo
12. Polno zaprt varovalo koluta (izbirno)
13. Diamantni rezalni kolut (izbirno)
14. Rezalni kolut (izbirno)

VARNOSTNA OPOZORILA ZA BRUŠENJE IN BRUSILNO REZANJE

- a. **To električno orodje je zasnovano kot orodje za brušenje in rezanje. Preberite vsa varnostna opozorila, navodila, ilustracije in specifikacije, ki so priložene temu električnemu orodju.** Če ne upoštevate opozoril in navodil, lahko pride do električnega udara, ognja in/ali hudih poškodb.
- b. **Operacije, za katere električno orodje ni bilo predvideno, so lahko tvegane in lahko povzročijo telesne poškodbe.**
- c. **Ne uporabljajte dodatkov, ki jih proizvajalec orodja izrecno ne priporoča.** Samo dejstvo, da je dodatek mogoče priključiti na vaše električno orodje, ne zagotavlja varnega delovanja.
- d. **Označena hitrost dodatka mora biti najmanj enaka maksimalni hitrosti, označeni na električnem orodju.** Dodatki, ki delujejo hitreje, kot je njihova označena hitrost, se lahko polomijo in razletijo.
- e. **Zunanji premer in debelina vašega dodatka morata biti znotraj oznake zmogljivosti vašega električnega orodja.** Dodatek nepravilne velikosti ne boste mogli ustrezno nadzorovati.
- f. **Velikost nastavka na kolesih, prirobnicah, podpornih blazinicah ali katerihkoli drugih dodatkih se mora ujemati z vretenom električnega orodja.** Dodatki z odprtim nastavkom, ki ne ustreza okovju za pritrditev električnega orodja, bodo izgubili ravnovesje ali preveč vibrirali in lahko nad njimi izgubite nadzor.
- g. **Ne uporabljajte poškodovanih dodatkov. Pred vsako uporabo preglejte dodatke: preverite, če so na brusnih kolesih okrušena mesta ali razpoke, na podpornih blazinicah razpoke, raztrganine ali prevelika obraba oz. na žičnih**

ščetkah nepritrjene ali polomljene žice. Če vam električno orodje ali dodatek padeta iz rok, preverite, če se nista poškodovala, oz. namestite nepoškodovan dodatek. Potem ko ste pregledali in namestili dodatek, poskrbite, da boste vi sami in morebitne druge osebe stali dovolj stran od vrtečega se dodatka, ter poženite električno orodje s polno hitrostjo brez obremenitve za eno minuto. Poškodovani dodatki običajno v takem testnem času odletijo.

- h. **Nosite osebno varovalno opremo. Glede na uporabo orodja nosite obrazno masko in varnostna očala. Po potrebi nosite proti-prašno masko, zaščito za sluh, rokavice in delovni predpasnik, ki lahko zadrži drobne ostanke brušenja ali drobne delce obdelovanca.** Očesna zaščita mora biti zadostna, da ustavi leteče drobce, ki nastajajo pri različnih operacijah. Proti-prašna maska ali dihalni aparat morata biti sposobna filtriranja delcev, ki nastajajo pri vašem delu. Daljša izpostavljenost zelo intenzivnemu hrupu lahko povzroči okvaro sluha.
- i. **Pazite, da bodo morebitni gledalci dovolj oddaljeni od delovnega območja. Vsaka oseba, ki vstopi v delovno območje, mora nositi sredstva za osebno zaščito.** Delci obdelovanega kosa ali odlomljen dodatek lahko poletijo po zraku in povzročijo poškodbe izven neposrednega območja dela.
- j. **Ko izvajate operacijo, pri kateri lahko dodatek za rezanje pride v stik s skritim ožičenjem ali s svojim lastnim kablom, držite električno orodje le na izoliranih površinah, predvidenih za držanje.** Dodatki za rezanje, ki pridejo v stik z »živo« žico, lahko spravijo izpostavljene kovinske dele električnega orodja pod napetost in lahko stresejo osebo, ki orodje uporablja.
- k. **Umaknite kabel od vrtečih se dodatkov.** Če izgubite nadzor nad orodjem, lahko le-to prereže kabel ali se zaplete in vašo roko lahko potegne v vrteči se dodatek.
- l. **Nikoli ne odlagajte električnega orodja, dokler se dodatek ni popolnoma ustavil.** Vrteči se dodatek lahko zgrabi površino in izgubili boste nadzor nad orodjem.
- m. **Ne vključujte električnega orodja, kadar ga nosite ob telesu.** Vrteče se orodje lahko nehote pride v stik z vašim oblačilom in potegne dodatek proti vam.
- n. **Redno čistite zračne odprtine na električnem orodju.** Ventilator motorja bo potegnil prah v ohišje, preveliko nabiranje kovinskega prahu pa lahko povzroči električno tveganje.
- o. **Ne uporabljajte električnega orodja v bližini**

vnetljivih materialov. Zaradi iskric se ti materiali lahko vžgejo.

- p. **Ne uporabljajte dodatkov, pri katerih je potreba hladilna tekočina.** Pri uporabi vode ali drugih hladilnih tekočin lahko pride do električnega udara.

OPOZORILA GLEDE POVRATNIH UDARCEV IN PODOBNIH PRIMEROV

Povratni udarec je nenadna reakcija zataknenega ali zagozdenega vrtečega se kolesa, podporne blazinice, krtače ali kateregakoli drugega dodatka. Zagozdenje ali zatikanje povzroči nenadno blokado vrtečega se dodatka, ki zaradi tega povzroči nekontrolirano premikanje električnega orodja v nasprotno smer od rotacije dodatka.

Na primer, če se brusno kolo zatakne ali zagodi na obdelovancu, se lahko rob kolesa, ki vstopa v točko zatikanja, zakopje v površino materiala, kar povzroči, da se kolo nenadoma pomakne navzven. Brusna kolesa lahko v takih pogojih tudi počijo. Brusna kolesa lahko v takih pogojih tudi počijo.

Povratni udarec je rezultat napačne uporabe električnega orodja in/ali nepravilnega delovnega postopka ali pogojev. Izognemo se mu lahko tako, da upoštevamo ustrezne previdnostne ukrepe, ki so navedeni v nadaljevanju.

- Trdno držite električno orodje in postavite svoje telo in roko tako, da boste lahko kljubovali sili povratnega udarca.** Vedno uporabljajte pomožni ročaj, če je na voljo, saj boste imeli na ta način večji nadzor nad povratnim udarcem ali protivrtilnim momentom v času zagona. Uporabnik lahko nadzira protivrtilni moment ali silo povratnega udarca, če se je nanje pravilno pripravil.
- Nikoli ne približujte roke vrtečemu se dodatku.** Dodatek lahko zaradi povratnega udarca sune v vašo roko.
- Ne postavljajte se s telesom v območje, kamor se bo premaknilo električno orodje, če pride do povratnega udarca.** Povratni udarec bo potisnil orodje v nasprotni smeri od premikanja kolesa v trenutku zagozditve.
- Posebej bodite previdni pri obdelavi vogalov, ostrih robov itd.** Izogibajte se poskakovanju in zaletavanju dodatka. Zaradi vogalov, ostrih robov ali poskakovanja se lahko vrteči se dodatek zaleti, zaradi česar izgubite nadzor nad njim ali pride do povratnega udarca.
- Ne pritrjujte verižne žage, rezila za obdelavo lesa ali zobatega rezila žage.** Taka rezila pogosto povzročijo povratni udarec in izgubo nadzora.

VARNOSTNA OPOZORILA, SPECIFIČNA ZA BRUŠENJE IN BRUSILNO REZANJE

- Uporabljajte le vrste kolotov, ki so priporočene za vaše orodje in specifična varovala, ki so zasnovana za izbrani kolot.** Kolotov, za katere orodje ni bilo izdelano, ni mogoče ustrezno zaščititi, zato jih ni varno uporabljati.
- Varovalo mora biti trdno pritrjeno na orodje in nameščeno v takem položaju, da zagotavlja najboljšo zaščito tako, da je upravljavcu izpostavljen čim manjši del koluta.** Varovalo ščiti upravljavca pred delci, ki se odlomijo od koluta, in pred nenamernim stikom s kolotom.
- Kolute smete uporabljati le za priporočeno uporabo. Na primer, zato ne brusite s stranjo rezilnega kolobata.** Brusilno rezilni koluti so namenjeni obrobnemu brušenju; stranske sile, ki delujejo na kolute lahko povzročijo, da se koluti zdobijo.
- Vedno uporabljajte nepoškodovane prirobnice kolotov pravilne velikosti in oblike za izbrani kolot.** Ustrezne prirobnice kolotov podpirajo kolot in tako zmanjšujejo možnost, da se kolot zlomi. Prirobnice rezilnih kolotov so lahko drugačne od prirobnic brusilnih kolotov.
- Ne uporabljajte obrabljenih kolotov večjih orodij.** Koluti, namenjeni za uporabo z večjimi orodji, niso primerni za višje hitrosti manjših orodij in se lahko razletijo.

DODATNA VARNOSTNA OPOZORILA ZA BRUŠILNO REZANJE

- Rezalnega koluta ne zagozdite in ne pritiskajte premočno. Ne poskušajte prekomerno zarezati v globino.** Prekomeren pritisk na kolot poveča obremenjenost in s tem dovzetnost za upogibanje ali zvijanje koluta v rezu ter možnost povratnega udarca ali zloma koluta.
- Telesa ne postavljajte v linijo z vrtečim se kolutom ali za kolot.** Ko se kolot med delovanjem pomika proč od vašega telesa, lahko možen povraten udarec vrže vrteči se kolot in orodje naravnost v vas.
- Če se kolot upogiba ali če rezanje prekinete zaradi kateregakoli vzroka, izklopite orodje in ga držite v mirovanju, dokler se kolot popolnoma ne ustavi.** Rezalnega koluta nikoli ne poskušajte odstraniti iz reza, medtem ko se kolot premika, saj lahko pride do povratnega udarca. Preiščite situacijo in ukrepajte tako, da boste odstranili vzrok za ustavitve kolesa.
- Rezanja obdelovanca ne začnite znova.**

Slovensko

- Kolut naj doseže polno hitrost, nato pa previdno ponovite rez.** Kolut se lahko upogne, nenadzorovano premakne ali udari nazaj, če električno orodje ponovno zaženete v obdelovancu.
- e. **Plošče ali prevelike obdelovance ustrezno podprite, da zmanjšate tveganje za stiskanje koluta in povratni udarec.** Veliki obdelovanci se lahko zaradi svoje lastne teže upognejo. Podpore morajo biti nameščene pod obdelovanec na obeh straneh, blizu linije rezanja in na robu obdelovanca.
- f. **Pri potopnem rezanju v obstoječo steno ali druge polne površine bodite posebej pazljivi.** Štrleči del koluta lahko reže plinske ali vodne cevi, električne žice ali predmete, ki lahko povzročijo povratni udarec.

DODATNA VARNOSTNA OPOZORILA ZA BRUŠENJE

- a. Prepričajte se, da je hitrost, ki je navedena na brusnem kolutu, enaka ali večja kot nominalna hitrost orodja.
- b. Prepričajte se, da so dimenzije brusnega koluta združljive z orodjem in da se kolut prilega vretenu.
- c. Brusne kolute hranite na suhem mestu.
- d. Ne odlagajte predmete na brusne kolute.
- e. Brusne kolute uporabljajte izključno za brušenje.
- f. Pred uporabo preglejte brusni kolut in se prepričajte, da ni odkrušen ali počen. Odkrušeni deli in razpoke lahko povzročijo, da se kolut zdrobi in povzroči resne poškodbe.
- g. Pred uporabo se prepričajte, da je brusni kolut pravilno montiran in pritegnjen, nato pa vklopite orodje za 30 sekund s hitrostjo brez obremenitve v varnem položaju. Če se pojavijo upoštevanja vredni tresljaji ali druge napake, orodje takoj ustavite. V tem primeru preglejte orodje in ugotovite vzrok za težave.
- h. Ne uporabljajte dodatnih kovinskih ploščic ali adapterjev, da bi pritrtili brusne kolute s preveliko luknjo.
- i. Prepričajte se, da je obdelovanec ustrezno pritrjen.
- j. Zagotovite, da iskre, ki nastajajo pri delu, ne bodo zadele ljudi ali vžgale vnetljivih snovi.
- k. Vedno nosite zaščitna očala in zaščito za sluh.
- l. Ko je potrebno, uporabljajte osebno zaščitno opremo, kot so rokavice, predpasnik in čelada.
- m. Nikoli ne postavite orodja na tla ali drugo površino, med tem ko deluje. Brusni koluti se vrtijo tudi po tem, ko ste orodje že izklopili. Nikoli ne dotikajte koluta ali ga postavite na tla ali drugo površino, med tem ko se vrti.
- n. Prirobnica in prirobna matica morata imeti enak zunanji premer.
- o. Orodje uporabljajte le za opravila, za katera je namenjeno. Nikoli ne uporabljajte hladilnih

sredstev ali vode in ga ne uporabljajte kot pritrjeno orodje.

- p. Ko delate, orodje držite trdno z obema rokama.

SIMBOL



Varnostni alarm

V

Volti

H

Hertz

~

Izmenični tok

W

Watt

n₀

Hitrost brez obremenitve

n

Nazivna hitrost

min⁻¹

Vrtljajev ali nihajev na minuto



Skladnost CE



Dvojna izolacija



Nosite zaščito za ušesa



Nosite zaščito za oči



Pred zagonom naprave pozorno preberite navodila.



Odpadne električne izdelke odlagajte skupaj z ostalimi gospodinjskimi odpadki. Reciklažo opravljajte na predpisanih mestih. Za reciklažni nasvet se obrnite na lokalne oblasti.



Namesto, da napravo zavržete, reciklirajte surovine. Napravo, pribor in embalažo je treba sortirati za okolju prijazno recikliranje.

SPECIFIKACIJE

Model	EAG950RS / EAG950RSD	EAG950RB / EAG950RBD
Premer koluta	115 mm (4.5 in)	125 mm (5 in)
Debelina		
Brusni kolut	6 mm	6 mm

Slovensko

Rezalni kolot (izbirno)	3 mm	3 mm
Diamantni rezalni kolot (izbirno)	2 mm	2 mm
Napetost	230 V - 240 V ~ 50 Hz	230 V - 240 V ~ 50 Hz
Vhod	950 W	950 W
Navoj vretena	M14	M14
Nazivna hitrost	11,000 min ⁻¹	11,000 min ⁻¹
Skupna dolžina	310 mm	310 mm
Neto teža	2.55 kg	2.6 kg

OPOMBA: Preglejte identifikacijsko ploščo, saj se napetost spreminja glede na področje, kjer boste uporabljali izdelek.

Največja obodna hitrost brusnega koluta: 4,800 m/min.

Primer izračuna

$$3.14 \times 125 \times 11,000/1,000 = 4.320$$

Obodna hitrost brusnega koluta 4.320

Premer koluta 125

Hitrost brusilnika brez obremenitve 11.000

STANDARDNI PRIBOR

Pomožni ročaj, ključ.

V nekaterih državah je kot standardni pribor vključen brusni kolot.

DELOVANJE

Glejte sliko 4.

⚠ OPOZORILO

Varnostne ščitnike imejte vedno nameščene. Nikoli ne prekrijte rež za zračenje, saj so nujno potrebne za hlajenje motorja.

Skrivnost uspešnega dela je v tem, da nadzorujete pritisk in stično površino med kolutom in obdelovancem. Ravne površine brusite pod ostrim kotom, običajno 10

do 20 stopinj glede na obdelovavec. Preden začnete z brušenjem, počakajte, da kolot doseže polno hitrost. Če brusite pod prevelikim kotom, se ves pritisk prenese na majhno površino, kar lahko izdolbe ali ožge površino.

ZA REZANJE KOVINE

Glejte sliko 9 - 10.

- Za rezanje kovine uporabljajte abrazivni rezalni kolot z polno zaprtim varovalom koluta.
- Pri rezanju uporabljajte zmeren pritisk, prilagodjen rezanemu materialu. Na rezalni disk ne izvajajte pritiska, ne nagibajte naprave in ne nihajte z njo.
- Ne zmanjšajte hitrosti ustavljaljočih se rezalnih diskov tako, da pritiskate od strani. Z napravo režite vedno v smeri navzgor, drugače lahko napravo nenadzorovano vrže ven iz reza.
- Ko režete profile in kvadratne palice, je najbolje, da začnete pri najmanjšem preseku.

ZA REZANJE KAMNA

Glejte sliko 9, 11.

- Pri delu vedno uporabljajte standardno zaščito koluta za rezanje.
- Pri rezanju kamna je najbolje uporabiti diamantne rezalne diske, nositi morate tudi masko za zaščito proti prahu.
- Vklpite napravo in jo potisnite z rahlim pritiskom, prilagojenim rezanemu materialu.

STIKALO

Glejte sliko 3.

- Orodje vklopite in izklopite, če potisnete oziroma sprostite stikalo.
- Če želite, da brusilnik deluje neprekinjeno, potisnite stikalo, nato pa njegov sprednji del pritisnite navzdol, da ga zaklenete.
- Ko želite stikalo odkleniti, pritisnite na njegov zadnji del.

IZBIRA ZAŠČITE

- Za brušenje kovine vedno uporabljajte standardna varovala koluta.
- Za rezanje kamna vedno uporabljajte standardna varovala koluta.
- Za rezanje kovine vedno uporabljajte polno zaprta varovala koluta za rezanje.

NAMEŠČANJE BRUSNEGA KOLUTA

Glejte sliko 5 - 6.

- Prirobnico diska in kolo vretena namestite na vreteno,

Slovensko

preden namestite matico.

- Kolut mora biti pravilno nameščen preko pesta na prirobnici diska in matici.
- Pritisnite na gumb za blokado, ki se nahaja na desni strani ohišja.
- S priloženim ključem privijte prirobno matico v smeri urinega kazalca.

NAMEŠČANJE REZALNEGA KOLUTA

Glejte sliko 7 - 8.

- Prirobnico diska in kolo vretena namestite na vreteno, preden namestite matico.
- Kolut mora biti pravilno nameščen čez pesto na prirobnici diska in matici, ploska stran matice pa mora biti obrnjena navzdol.
- Pritisnite na gumb za blokado, ki se nahaja na desni strani ohišja.
- S priloženim ključem privijte prirobno matico v smeri urinega kazalca.

⚠ OPOZORILO

Dobro preglejte, ali so v kolutu razpoke. Počen kolut takoj zamenjajte.

STANDARDNO VAROVALO KOLUTA ZA BRUŠENJE/ REZANJE KAMNA

Glejte sliko 12 - 13.

Sprostite ročico za blokado ščitnika koluta in obrnite nastavljeni ščitnik koluta na zeleni položaj. Na vsaki strani je največji kot obračanja 90°; v nasprotnem primeru se varovalo ne more zakleniti.

POLNO ZAPRTO VAROVALO KOLUTA ZA REZANJE KOVINE

Glejte sliko 14 - 15.

Zaklenite in odklenite zaščito za rezalni kolut.

SIGNALNA LUČ ZA ORODJE POD NAPETOSTJO

To orodje ima indikator "live tool", ki zasveti takoj, ko orodje priključite na napajanje. To uporabnika opozori, da je orodje priključeno in da bo delovalo, ko boste pritisnili na gumb.

VZDRŽEVANJE

Po vsaki uporabi preglejte orodje in se prepričajte, da je v brezhibnem stanju.

Priporočamo vam, da to orodje vsaj enkrat letno odnesete

v pooblaščen servisni center Ryobi, kjer ga bodo temeljito očistili in podmazali.

⚠ OPOZORILO

Ne spreminjajte nobenih nastavitvev, ko motor deluje.

Preden se lotite menjave pribora ali nadomestnih delov (diamantno rezilo, brusni kolut, i t d.), podmazovanja ali popravila orodja, vedno izključite napajalni kabel iz omrežja.

⚠ OPOZORILO

Vsa popravila naj izvede pooblaščen servisni center ali druga kvalificirana servisna organizacija, ki vam bo zagotovila varnost in zanesljivost.

POPIS

1. Brúsny kotúč
2. Univerzálny štandardný kryt kotúča
3. Pomocná rukoväť
4. Tlačidlo blokovania vretena
5. Spinač
6. Príruba disku
7. Upinacia matica
8. Hriadeľ vretena
9. Kľúč
10. Uzamykacia páčka krytu kotúča
11. Indikátor nástroja pod prúdom
12. Plne uzatvorený univerzálny kryt kotúča (voľiteľný)
13. Diamantový rezací kotúč (voľiteľný)
14. Rozbrusovací kotúč (voľiteľný)

BEZPEČNOSTNÉ VÝSTRAHY ŠPECIFICKÉ PRE BRÚSENIE A ABRAZÍVNE ROZBRUSOVANIE

- a. Tento nástroj slúži ako brúska a rozbrusovačka. **Prečítajte si všetky výstrahy, pokyny, vyobrazenia a špecifikácie dodané k tomuto elektrickému nástroju.** Pri nedodržaní týchto výstrah a pokynov môže dôjsť k úrazu elektrickým prúdom, požiaru a/alebo závažnému poraneniu.
- b. **Pri vykonávaní operácií, pre ktoré nie je tento elektrický nástroj určený, vzniká riziko vzniku poranenia osôb.**
- c. **Nepoužívajte príslušenstvo, ktoré nie je konkrétne určené a odporúčané výrobcom nástroja.** To, že príslušenstvo sa dá nasadiť na váš elektrický nástroj, ešte neznamená, že bude pri tom zaistená bezpečná prevádzka.
- d. **Menovitá rýchlosť príslušenstva musí byť aspoň rovná maximálnej rýchlosti vyznačenej na elektrickom nástroji.** Príslušenstvo pracujúce na vyššej ako svojej menovitej rýchlosti, sa môže rozbiť a rozpadnúť.
- e. **Vonkajší priemer a hrúbka vášho príslušenstva musí byť v rozmedzí menovitej kapacity elektrického nástroja.** Príslušenstvo nepravnej veľkosti nie je možné primerane viesť a ovládať.
- f. **Veľkosť trňa kotúčom, prírub, oporných podložiek či akéhokoľvek iného príslušenstva, musí správne sadnúť na vreteno elektrického nástroja.** Príslušenstvo s otvormi na hriadeľ, ktoré nezodpovedajú montážnemu náradiu elektrického nástroja, sa dostanú mimo rovnováhu, spôsobia nadmerné vibrácie a môžu spôsobiť stratu kontroly.
- g. **Nepoužívajte poškodené príslušenstvo. Pred každou kontrolou príslušenstva, napríklad abrazívnych kotúčom, skontrolujte, či neobsahuje úlomky alebo praskliny, oporné**

podložky, či neobsahujú praskliny, nie sú zodraté alebo nadmerne opotrebované, drôtené kotúče, či nie sú uvoľnené alebo nemajú popraskané vlákna. Ak elektrický nástroj alebo príslušenstvo spadnú, skontrolujte prípadné poškodenie alebo namontuje nepoškodené príslušenstvo. Po skontrolovaní a namontovaní príslušenstva sa postavte vy aj okolostojaci mimo roviny rotujúceho príslušenstva a na jednu minútu spustite elektrický nástroj na maximálnu rýchlosť bez záťaže. Poškodené príslušenstvo sa zvyčajne počas tohto testu rozpadne.

- h. **Používajte osobné ochranné prostriedky. V závislosti od použitia používajte chránič na tvár, ochranné alebo bezpečnostné okuliare. Podľa potreby používajte protiprachovú masku, chrániče sluchu, rukavice a pracovnú zásteru schopnú zachytiť malé úlomky brusiva alebo obrodku.** Chránič zraku musí byť schopný zastaviť odletujúce úlomky vytvárané pri rôznych úkonoch. Protiprachová maska alebo respirátor musia byť schopné filtrovať častičky vytvárané pri vašej činnosti. Dlhodobé vystavovanie hluku môže spôsobiť stratu sluchu.
- i. **Okolostojacich udržiavajte v bezpečnej vzdialenosti od pracoviska. Každá osoba, ktorý vstúpi do oblasti pracoviska, musí mať osobné ochranné pomôcky.** Úlomky obrodku alebo poškodené príslušenstvo môže odletieť a spôsobiť poranenie aj mimo bezprostredného miesta práce.
- j. **Pri vykonávaní operácie, kedy môže rezacie príslušenstvo prísť do kontaktu so skrytým vedením alebo vlastným káblom, držte nástroj za izolované úchopné miesta.** Pri kontakte rezacieho príslušenstva so „živým“ vodičom budú obnažené kovové diely pod prúdom a spôsobia obsluhujúcemu úder.
- k. **Kábel umiestnite mimo dosahu rotujúceho príslušenstva.** Ak stratíte kontrolu, kábel sa môže prerazať alebo zachytiť a vašu ruku alebo rameno môže vtiahnuť do otáčajúceho sa príslušenstva.
- l. **Nikdy elektrický nástroj neodkladajte, kým sa príslušenstvo úplne nezastavilo.** Otáčajúce sa príslušenstvo môže zachytiť a stiahnuť elektrický nástroj mimo vašu kontrolu.
- m. **Nikdy nespúšťajte elektrický nástroj, keď ho nosíte na boku.** Pri náhodnom kontakte s otáčajúcim sa príslušenstvom by vám mohlo zachytiť odev a stiahnuť príslušenstvo smerom na vaše telo.
- n. **Pravidelne čistite vzduchové prieduchy elektrického nástroja.** Ventilátor motora vŕhaje prach dovnútra a nadmerné nahromadenie

Slovenčina

práškového kovu môže spôsobiť ohrozenie elektrickým prúdom.

- o. **Nepracujte s elektrickým nástrojom v blízkosti zápalných materiálov.** Iskry mohli spôsobiť vznietenie týchto materiálov.
- p. **Nepoužívajte príslušenstvo, ktoré vyžadujú tekuté chladivá.** Pri použití vody alebo iného tekutého chladiva by mohlo dôjsť k usmrteniu alebo úderu elektrickým prúdom.

SPÄTNÝ NÁRAZ A SÚVIASICE VÝSTRAHY

Spätný náraz je náhla reakcia na zovretý alebo pritlačený rotujúci kotúč, opornú podložku, kečku alebo iné príslušenstvo. Zoškrtenie alebo pritlačenie spôsobí náhle spomalenie otáčajúceho sa príslušenstva, čo zase spôsobí nekontrolované uskočenie elektrického nástroja v opačnom smere ako otáčanie príslušenstva v momente zovretia.

Napríklad, ak obrobok priškrtí alebo pritlačí rozbrusovací kotúč, okraj kotúča vstupujúceho do bodu priškrtienia môže spôsobiť vrytie sa do povrchu materiálu, čo spôsobí vytiahnutie alebo vykopnutie kotúča. Kotúč môže buď vyskočiť dopredu alebo dozadu od obsluhujúcej osoby, v závislosti od smeru pohybu kotúča v momente priškrtienia. Za týchto podmienok môžu tiež prasknúť abrazívne kotúče.

Spätný náraz je výsledok nesprávneho používania nástroja a/alebo nesprávnych prevádzkových postupov a možno mu predchádzať vykonávaním príslušných predbežných opatrení uvedených nižšie.

- a. **Udržiavajte pevný úchop elektrického nástroja a vaše telo a rameno v polohe, ktorá vám umožní odolávať sile spätného nárazu. Vždy používajte aj pomocnú rukoväť, ak je namontovaná, aby ste dosiahli maximálnu kontrolu nad spätným nárazom alebo momentovou reakciou pri spustení.** Sily spätného nárazu alebo momentových reakcií môže obsluhujúca osoba ovládnuť, ak vykoná príslušné protipatrenia.
- b. **Nikdy nedávajte ruku do blízkosti otáčajúceho sa príslušenstva.** Príslušenstvo môže vykonať spätný náraz do vašej ruky.
- c. **Nepribližujte sa telom do oblasti, kam sa pohne elektrický nástroj, keď nastane spätný náraz.** Spätný náraz odhodí nástroj opačným smerom od smeru pohybu kotúča v momente priškrtienia.
- d. **Pri opracovávaní rohov, ostrých hrán a pod. buďte zvlášť opatrní.** Zabránite odskakovaniu a zdrhávaniu príslušenstva. Rohy, ostré hrany alebo odskakovanie majú tendenciu zdrhnúť príslušenstvo a spôsobiť stratu kontroly alebo spätný náraz.
- e. **Nenasadzujte rezbárske ostrie na reťazovú pilu**

alebo ozubené pílové ostrie. Takéto ostria často spôsobujú spätný náraz a stratu kontroly.

BEZPEČNOSTNÉ VÝSTRAHY ŠPECIFICKÉ PRE BRÚSENIE A ABRAZÍVNE ROZBRUSOVANIE

- a. **Používajte len typy kotúčov odporúčané pre váš elektrický nástroj a špecifický ochranný kryt pre zvolený kotúč.** Kotúče, pre ktoré nie je tento elektrický nástroj určený, nie je možné primerane viesť a nie sú bezpečné.
- b. **Ochranný kryt musí byť bezpečne nasadený na elektrickom nástroji a v polohe zaručujúcej maximálnu bezpečnosť, aby smerom k obsluhujúcemu bola vystavená čo najmenšia časť kotúča.** Kryt chráni obsluhujúceho od odletených úlomkov kotúča a zabraňuje neodmyselnému kontaktu s kotúčom.
- c. **Kotúče možno používať len pre odporúčané aplikácie.** Napríklad, nebrúste s bočnou stranou rozbrusovacieho kotúča. Abrazívne rozbrusovacie kotúče sú určené pre periférne brúsenie, inak by bočné sily aplikované na tieto kotúče mohli zapríčiniť ich rozloženie.
- d. **Vždy používajte nepoškodené príruby kotúčov správnej veľkosti a tvaru pre váš zvolený kotúč.** Správne príruby kotúčov podopierajú kotúč, a tým znižujú pravdepodobnosť zlomenia kotúča. Príruby pre rozbrusovacie kotúče môžu byť odlišné od prírub pre brúsne kotúče.
- e. **Nepoužívajte vydraté kotúče z väčších elektrických nástrojov.** Kotúče určené pre väčšie elektrické nástroje nie sú vhodné pre vyššie rýchlosti menších nástrojov a môžu prasknúť.

ĎALŠIE BEZPEČNOSTNÉ VÝSTRAHY ŠPECIFICKÉ PRE ABRAZÍVNE ROZBRUSOVANIE

- a. **Dbajte na to, aby nedošlo k „zaseknutiu“ rozbrusovacieho kotúča ani naň nevyvíjajte nadmerný tlak.** Nevykonávajte rezy nadmernej hĺbky. Preťažovanie kotúča zvyšuje zataženie a náchylnosť ku skrúteniu alebo zovretiu kotúča v reze a pravdepodobnosť spätného nárazu alebo prasknutia kotúča.
- b. **Nepribližujte sa telom do línie a za otáčajúci sa kotúč.** Keď sa kotúč v bode operácie pohybuje smerom od vášho tela, prípadný spätný náraz môže odhodíť otáčajúci sa kotúč a elektrický nástroj priamo do vás.
- c. **Keď sa kotúč zoviera alebo sa rezanie z akéhokoľvek dôvodu preruší, vypnite elektrický nástroj a podržte ho nehybne, kým sa kotúč úplne nezastaví.** Nikdy sa nepokúšajte

Slovenčina

- vybrať rozbrusovací kotúč z rezu, kým sa tento pohybuje, inak môže dôjsť k spätnému nárazu.** Zistíte a vykonajte nápravné kroky a eliminujete príčinu zovierania kotúča.
- d. **Nespúšťajte znova rezanie v obrobru. Počkajte, kým kotúč dosiahne maximálnu rýchlosť a potom znova vojdite do rezu.** Pri opätovnom spustení elektrického nástroja v obrobru sa kotúč môže zovrieť, vysunúť alebo späťne naraziť.
- e. **Panele či iné nadmerné obrobrky podoprite, aby sa minimalizovalo riziko zovretia kotúča a spätného nárazu.** Veľké obrobrky sa zvyknú prehýbať pod vlastnou váhou. Podpery sa musia umiestniť pod obrobrak v blízkosti línie rezania a v blízkosti okraja obrobrku na oboch stranách kotúča.
- f. **Pri vykonávaní „vreckového rezu“ do existujúcich stien či iných neprehľadných povrchov.** Prečnievajúci kotúč môže prerezať plynové alebo vodovodné potrubie, elektrické vedenie alebo objekty, ktoré môžu zapríčiniť spätný náraz.

ĎALŠIE BEZPEČNOSTNÉ VÝSTRAHY ŠPECIFICKÉ PRE BRÚSENIE

- a. Skontrolujte, či rýchlosť vyznačená na brúsnom kotúči je rovná alebo vyššia ako menovitá rýchlosť nástroja.
- b. Skontrolujte, či rozmery brúsneho kotúča sú kompatibilné s nástrojom a či je kotúč kompatibilný s vretenom.
- c. Brúsne kotúče je potrebné skladovať na suchom mieste.
- d. Na brúsne kotúče nepokladajte žiadne predmety.
- e. Brúsne kotúče sa nesmú používať pre žiadne iné činnosti ako brúsenie.
- f. Pred použitím skontrolujte brúsny kotúč, či nie je prasknutý alebo vyštrbený. Vyštrbenia alebo praskliny môžu spôsobiť rozlomenie kotúča a následné závažné poranenie.
- g. Pred použitím skontrolujte, či je brúsny kotúč správne namontovaný a utiahnutý a spustíte nástroj na 30 sekúnd v rýchlosti bez záťaže v bezpečnej polohe. Ak dochádza k výrazným vibráciám alebo zistíte iné poruchy, okamžite ho zastavte. V takom prípade skontrolujte nástroj a zistíte príčinu.
- h. Nepoužívajte samostatné redukčné zdiery alebo adaptéry na prispôsobenie brúsnym kotúčom s veľkým otvorom.
- i. Skontrolujte, či je obrobrak správne podoprený.
- j. Dbajte na to, aby iskry vznikajúce pri práci nespôsobili žiadne riziko, napr. nelietali do iných osôb či nevznietili horľavé materiály.
- k. Vždy používajte bezpečnostné ochranné okuliare

a chrániče uší.

- l. Podľa potreby používajte aj ostatné ochranné pomôcky ako rukavice, zásteru a helmú.
- m. Nikdy nepokladajte nástroj na dlážku či iné povrchy, keď je spustený. Brúsne kotúče sa ďalej točia aj po vypnutí nástroja. Nikdy sa nedotýkajte kotúča, ani ho nepokladajte na dlážku či iné povrchy, keď sa otáča.
- n. Príruba a upínacia svorka musia mať rovnaký vonkajší priemer.
- o. Nástroj používajte len pre schválené aplikácie. Nikdy nepoužívajte chladivá alebo vodu, ani nepoužívajte nástroj ako prípevnený nástroj.
- p. Pri práci držte nástroj pevne oboma rukami.

ZNAČKY



Výstražná značka

V

Volty

Hz

Hertz

~

Striedavý prúd

W

Watty

n_0

Rýchlosť bez záťaže

n

Menovitá rýchlosť

min⁻¹

Otáčky alebo striedanie za minútu



CE konformita



Dvojitá izolácia



Noste ochranu sluchu



Noste ochranu zraku



Pred spustením zariadenia si pozorne prečítajte tento návod.



Opotrebované elektrické zariadenia by ste nemali odhadzovať do domového odpadu. Prosíme o recykláciu ak je možné. Kontaktujte miestne úrady, alebo predajcu pre viac informácií oňľadom ekologického spracovania.



Surové materiály recyklujte, namiesto toho, aby ste ich zlikvidovali ako odpad. Stroji, príslušenstvo a obaly by sa mali triedene recyklovať spôsobom šetrným k životnému prostrediu.

Slovenčina

TECHNICKÉ ÚDAJE

Model	EAG950RS / EAG950RSD	EAG950RB / EAG950RBD
Priemer kotúča	115 mm (4.5 in)	125 mm (5 in)
Hrúbka		
Brúsny kotúč	6 mm	6 mm
Rozbrusovací kotúč (voliteľný)	3 mm	3 mm
Diamantový rezací kotúč (voliteľný)	2 mm	2 mm
Napätie	230 V - 240 V ~ 50 Hz	230 V - 240 V ~ 50 Hz
Vstup	950 W	950 W
Závit vretena	M14	M14
Menovitá rýchlosť	11,000 min ⁻¹	11,000 min ⁻¹
Celková dĺžka	310 mm	310 mm
Netto hmotnosť	2.55 kg	2.6 kg

POZNÁMKA: Vždy skontrolujte firemný štítok na produkte, lebo napätie sa môže líšiť v závislosti od regiónu, pre ktorý je produkt určený.

Maximálna obvodová rýchlosť brúsneho kotúča: 4,800 m/min.

Príklad výpočtu

$$3.14 \times 125 \times 11,000/1,000 = 4\ 320$$

Obvodová rýchlosť brúsneho kotúča 4 320

Priemer kotúča 125

Rýchlosť brúsky bez záťaže 11 000

ŠTANDARDNÉ PRÍSLUŠENSTVO

Pomocná rukoväť, kľúč.

Brúsny kotúč je v niektorých krajinách súčasťou štandardného príslušenstva.

PREVÁDZKA

Pozrite si obrázok 4.

VAROVANIE

Bezpečnostné kryty neodstraňujte. Nikdy nezakrývajte vetracie otvory. Tieto musia byť neustále otvorené, aby sa motor dostatočne chladil.

Kľúčom k efektívnej prevádzke je ovládanie tlaku a kontaktu povrchu medzi diskom a obrobkom. Ploché povrchy sa brúšia v ostrom uhle, zvyčajne 10 až 20 stupňov k obrodku. Pred zahájením brúsenia počkajte, kým disk nedosiahne maximálnu rýchlosť. Príliš veľký uhol spôsobí sústredenie tlaku na malej ploche, čo môže vydríeť alebo spáliť povrch obrodku.

PRI REZANÍ KOVU

Pozrite si obrázok 9 - 10.

- Použite abrazívny rezací kotúč s plne uzatvoreným univerzálnym krytom kotúča na rezanie kovu.
- Pri rezaní používajte mierny prítlak, ktorý prispôbobe rezanému materiálu. Na rezacie disky nevyvíjajte tlak, nenakláňajte ani nekmitajte nástrojom.
- Neznížujte rýchlosť dobiehajúcich diskov aplikovaným bočného prítlaku. Nástroj musí vždy pracovať s rezaním smerom nahor, inak vzniká nebezpečenstvo, že nekontrolovane vyskočí z rezu.
- Pri rezaní profilov a štvorcových tyčí je najlepšie začať od najmenšieho prierezu.

PRI REZANÍ KAMEŇA

Pozrite si obrázok 9, 11.

- Pri rezaní vždy pracujte s univerzálnym štandardným krytom kotúča.
- Pri rezaní kameňa je najlepšie použiť diamantový rezací disk a nosiť protiprachovú masku.
- Zapnite nástroj a posúvajte ho pomocou mierneho tlaku, ktorý prispôbobe rezanému materiálu.

SPÍNAČ

Pozrite si obrázok 3.

- Tento nástroj sa spúšťa a zastavuje posúvaním a uvoľnením spínača.
- Pre pohodlnú nepretržitú prevádzku posuňte spínač dopredu a potom stlačte predný koniec a uzamkne sa.
- Záмок uvoľníte stlačením zadnej časti spínača.

VOĽBA OCHRANNEJ LIŠTY

- Pri brúsení kovu vždy používajte plne uzavretý univerzálny štandardný kryt kotúča.
- Pri rezaní kameňa vždy používajte plne univerzálny štandardný kryt kotúča.
- Pri rezaní kovu vždy používajte plne uzavretý

Slovenčina

univerzálny kryt kotúča.

MONTÁŽ BRÚSNEHO KOTÚČA

Pozrite si obrázok 5 - 6.

- Pred nasadením upínacej svorky nasadte na vreteno prírubu disku a kotúč.
- Skontrolujte, či je kotúč správne nasadený na výčnelok príruby disku a upínanie svorku.
- Zatláčajte zaistovacie tlačidlo nachádzajúce sa na pravej strane skrinky prevodovky.
- Pomocou priloženého kľúča utiahnite upínanie svorku v smere pohybu hodinových ručičiek.

MONTÁŽ REZACIEHO KOTÚČA

Pozrite si obrázok 7 - 8.

- Pred nasadením upínacej svorky nasadte na vreteno prírubu disku a kotúč.
- Skontrolujte, či je kotúč správne nasadený na výčnelok príruby disku a upínanie svorku tak, aby plochá strana svorky smerovala nadol.
- Zatláčajte zaistovacie tlačidlo nachádzajúce sa na pravej strane skrinky prevodovky.
- Pomocou priloženého kľúča utiahnite upínanie svorku v smere pohybu hodinových ručičiek.

VAROVANIE

Dôkladne skontrolujte či na kotúči nie sú praskliny. Prasknutý kotúč okamžite vymeňte.

UNIVERZÁLNY ŠTANDARDNÝ KRYT KOTÚČA NA BRÚSENIE/REZANIE KAMEŇA

Pozrite si obrázok 12 - 13.

Uvoľnite uzamykaciu páčku krytu kotúča, potom otočte univerzálny kryt kotúča do požadovanej polohy. Maximálny uhol otočenia je 90° na každej strane, inak sa ochranná lišta nedá zaistiť.

PLNE UZATVORENÝ UNIVERZÁLNY KRYT KOTÚČA NA REZANIE KOVU

Pozrite si obrázok 14 - 15.

Zaistite a odistite ochrannú lištu pre rezací kotúč.

INDIKÁTOR NÁSTROJA POD PRÚDOM

Tento nástroj je vybavený indikátorom zariadenia pod prúdom, ktorý sa rozsvieti, akonáhle pripojíte nástroj do elektrickej siete. Varuje tak používateľa, že nástroj je pripojený a po stlačení spínača sa spustí.

ÚDRŽBA

Po použití skontrolujte, či je nástroj v dobrom stave.

Raz ročne sa odporúča odovzdať nástroj do autorizovaného servisného strediska spoločnosti Ryobi na dôkladné vyčistenie a namazanie.

VAROVANIE

Kým sa motor pohybuje, nevykonávajte žiadne nastavenia.

Pred výmenou odnímateľného alebo odoberateľného alebo vymeniteľného dielu (brúsne kotúče, rezné kotúče a pod.), mazaním alebo prácou na jednotke, vždy odpojte napájací kábel zo zásuvky.

VAROVANIE

Na zaistenie bezpečnosti a spoľahlivosti musí všetky opravy vykonávať **AUTORIZOVANÉ SERVISNÉ STREDISKO** alebo **KVALIFIKOVANÁ SERVISNÁ ORGANIZÁCIA**.

Ελληνικά

ΠΕΡΙΓΡΑΦΗ

1. Δίσκος ξακρίσματος
2. Προστατευτικό τροχού χωρίς εργαλεία
3. Βοηθητική λαβή
4. Πλήκτρο ασφάλισης του άξονα
5. Διακόπτης
6. Φλάντζα
7. Εξωτερική φλάντζα
8. Άξονας μετάδοσης κίνησης
9. Κλειδί
10. Διάταξη ασφάλισης του προστατευτικού κάρτερ
11. Φωτεινή ένδειξη θέσης του τάση
12. Απόλυτα κλειστό προστατευτικό τροχού χωρίς εργαλεία (προαιρετικό)
13. Τροχός κοπής διαμαντιού (προαιρετικό)
14. Τροχός αποκοπής (προαιρετικό)

**ΚΟΙΝΕΣ ΠΡΟΕΙΔΟΠΟΙΗΣΕΙΣ ΑΣΦΑΛΕΙΑΣ ΓΙΑ
ΛΕΙΤΟΥΡΓΙΕΣ ΚΟΠΗΣ ΑΚΟΝΙΣΜΑΤΟΣ ΚΑΙ
ΛΕΙΑΝΣΗΣ**

- a. Το εργαλείο διατίθεται για χρήση ως εργαλείο λείανσης / ακονίσματος και κοπής. Διαβάστε προσεκτικά όλες τις προειδοποιήσεις, οδηγίες και προδιαγραφές που παρέχονται με το εργαλείο και ανατρέξτε στις εικόνες. Η μη τήρηση των ακόλουθων οδηγιών μπορεί να επιφέρει ατυχήματα όπως πυρκαγιές, ηλεκτροπληξίες ή και σοβαρό σωματικό τραυματισμό.
- b. Η μη τήρηση της σύστασης αυτής μπορεί να επιφέρει ατυχήματα και σοβαρό σωματικό τραυματισμό.
- c. Μην χρησιμοποιείτε αξεσουάρ που δεν έχουν σχεδιαστεί ειδικά γι' αυτό το εργαλείο και δεν συνιστώνται από τον κατασκευαστή. Ακόμα κι αν ένα αξεσουάρ μπορεί να τοποθετηθεί σε εργαλείο, αυτό δεν διασφαλίζει ότι μπορείτε να χρησιμοποιείτε το εργαλείο εκείνο με απόλυτη ασφάλεια.
- d. Η ονομαστική ταχύτητα του αξεσουάρ πρέπει να είναι ίση ή μεγαλύτερη από την μέγιστη ταχύτητα που αναγράφεται στο εργαλείο. Τα αξεσουάρ που λειτουργούν με ταχύτητα μεγαλύτερη από την ονομαστική ταχύτητα μπορεί να σπασούν και να εκτιναχθούν.
- e. Η εξωτερική διάμετρος και το πάχος του αξεσουάρ πρέπει να αντιστοιχούν στα τεχνικά χαρακτηριστικά του εργαλείου. Όταν τα αξεσουάρ δεν αντιστοιχούν στα δεδομένα χαρακτηριστικά, δεν μπορούν να λειτουργήσουν σωστά τα συστήματα προστασίας και ρύθμισης του εργαλείου.
- f. Οι τροχοί, φλάντζες, πέλματα ή άλλα αξεσουάρ

πρέπει να ταιριάζουν απόλυτα στην εσωτερική διάμετρο και τον άξονα του εργαλείου. Τα αξεσουάρ που δεν είναι κατάλληλα για τον άξονα στον οποίο πρέπει να τοποθετηθούν δεν δουλεύουν κανονικά, δονούνται υπερβολικά και σας κάνουν να χάνετε τον έλεγχο του εργαλείου.

- g. Μην χρησιμοποιείτε χαλασμένο αξεσουάρ. Πριν από κάθε χρήση, να βεβαιώνεστε ότι είναι σε καλή κατάσταση το αξεσουάρ που χρησιμοποιείτε: να σιγουρευέστε ότι οι λειαντικοί τροχοί δεν είναι φαγωμένοι ή ραγισμένοι, ότι τα πέλματα δεν είναι σχισμένα ή φθαρμένα, ότι οι τρίχες των μεταλλικών βουρτσών ότι οι τρίχες των μεταλλικών βουρτσών δεν είναι πολύ φθαρμένες ή σπασμένες. Σε περίπτωση πτώσης του εργαλείου ή του αξεσουάρ, βεβαιωθείτε ότι δεν έχει χαλάσει κανένα στοιχείο, και αν χρειαστεί, τοποθετήστε καινούργιο αξεσουάρ. Αφού βεβαιωθείτε ότι το αξεσουάρ είναι σε καλή κατάσταση και αφού το τοποθετήσετε, κρατηθείτε σε απόσταση από το κινητό αξεσουάρ και αφήστε το εργαλείο να φθάσει στη μέγιστη ταχύτητά του για ένα λεπτό. Αν είναι χαλασμένο το αξεσουάρ, θα σπάσει κατά την δοκιμή.
- h. Να φοράτε μέσα ατομικής προστασίας. Ανάλογα με την χρήση του εργαλείου σας, φοράτε προστατευτική μάσκα, γυαλιά ασφαλείας ή προστατευτικά γυαλιά. Αν χρειαστεί, φορέστε μάσκα κατά της σκόνης, ωατοσπίδες, γάντια και προστατευτική ποδιά για να προφυλαχτείτε από οιαδήποτε εκτίναξη ξένων σωμάτων (λειαντικά στοιχεία, ροκανίδια κλπ). Τα προστατευτικά γυαλιά αποτρέπουν την εκτίναξη θραυσμάτων και τον τραυματισμό των ματιών. Οι μάσκες κατά της σκόνης φιλτράρουν τα σωματίδια που δημιουργούνται από την εργασία που κάνετε. Η παρατεταμένη έκθεση στο δυνατό θόρυβο μπορεί να προκαλέσει απώλεια της ακοής.
- i. Κρατάτε τους επισκέπτες σε αρκετή απόσταση από την ζώνη εργασίας και φροντίστε να φορούν προστατευτικό εξοπλισμό. Κάθε άτομο που εισέρχεται στο χώρο εργασίας πρέπει να φορούν εξοπλισμό ατομικής προστασίας. Μπορεί να εκτιναχθούν θραύσματα κατεργαζόμενου τεμαχίου ή σπασμένου αξεσουάρ πέρα από την ζώνη εργασίας και να προκαλέσουν σοβαρό σωματικό τραυματισμό.
- j. Κρατάτε το εργαλείο μόνο από τα μονωμένα και αντιολισθητικά τμήματα όταν εργάζεστε σε επιφάνεια η οποία μπορεί να κλύβει ηλεκτρικά καλώδια ή όταν η εργασία που θα πραγματοποιήσετε κινδυνεύει να φέρει το

Ελληνικά

- καλώδιο παροχής ρεύματος στην διαδρομή του εργαλείου.** Η επαφή με καλώδια υπό τάση θα μπορούσε να μεταδώσει το ρεύμα μέσα στα μεταλλικά τμήματα και να προκαλέσει ηλεκτροπληξία.
- κ. Τοποθετήστε το καλώδιο τροφοδότησης με τρόπο ώστε να βρίσκεται σε κάποια απόσταση από το περιστρεφόμενο αξεσουάρ.** Αν χάσετε τον έλεγχο του εργαλείου σας, το καλώδιο τροφοδότησης μπορεί να κοπεί ή να μαγκώσει και το χέρι σας ή το μπράτσο σας να παρασυρθεί προς το περιστρεφόμενο αξεσουάρ.
- l. Μην εναποθέτετε ποτέ το εργαλείο σας πριν σταματήσει τελείως το αξεσουάρ.** Το περιστρεφόμενο αξεσουάρ μπορεί να έλθει σε επαφή με την επιφάνεια στην οποία είναι τοποθετημένο και να σας κάνει να χάσετε τον έλεγχο του εργαλείου.
- m. Μην βάζετε ποτέ το εργαλείο σας σε λειτουργία όταν το μεταφέρετε.** Το περιστρεφόμενο αξεσουάρ μπορεί να πιαστεί στα ρούχα σας και να σας τραυματίσει σοβαρά.
- n. Καθαρίζετε τακτικά τις σχισμές αερισμού του εργαλείου.** Ο αερισμός του μοτέρ αφήνει να διεισδύουν σκόνες στο εσωτερικό του περιβλήματος μοτέρ, με αποτέλεσμα να δημιουργείται υπερβολική συσσώρευση μεταλλικών σωματιδίων με κίνδυνο την ηλεκτροπληξία.
- o. Μην χρησιμοποιείτε το εργαλείο σας κοντά σε εύφλεκτα υλικά.** Οι σπίθες κινδυνεύουν να προκαλέσουν ανάφλεξη.
- p. Μην χρησιμοποιείτε αξεσουάρ που χρειάζονται ψυκτικά ρευστά.** Η χρήση νερού ή ψυκτικών υγρών μπορεί να προκαλέσει ηλεκτροπληξία.

ΕΠΙΣΤΡΟΦΗ ΚΑΙ ΣΧΕΤΙΚΕΣ ΕΙΔΟΠΟΙΗΣΕΙΣ

Το αναπήδημα είναι μια ξαφνική αντίδραση η οποία λαμβάνει χώρα όταν ο κινούμενος τροχός, το πέλμα, η βούρτσα ή οιοδήποτε άλλο αξεσουάρ μαγκώσει ή στρεβλώσει, με αποτέλεσμα το άμεσο μπλοκάρισμα του αξεσουάρ. Το εργαλείο, το οποίο συνεχίζει να λειτουργεί, εκτινάσσει τότε το αξεσουάρ προς την αντίθετη κατεύθυνση από την φορά χρήσης του αξεσουάρ.

Για παράδειγμα, αν ένας λειαντικός τροχός μαγκώσει ή στρεβλώσει μέσα στο κατεργαζόμενο τεμάχιο, η κόψη του τροχού κινδυνεύει να καρφώσει στην επιφάνεια του κατεργαζόμενου τεμαχίου, με αποτέλεσμα ο τροχός να βγει απότομα από το κατεργαζόμενο τεμάχιο, ανάλογα με την φορά περιστροφής του τροχού την στιγμή που αυτός μπλοκάρει. Σε περίπτωση αναπήδηματος, ο λειαντικός τροχός μπορεί ακόμα και να σπάσει. Το αναπήδημα είναι συνεπώς το αποτέλεσμα λανθασμένης χρήσης του εργαλείου ή και λανθασμένων διαδικασιών ή συνθηκών κοπής.

Μπορεί ωστόσο να αποφευχθεί τηρώντας ορισμένες προφυλάξεις:

- Κρατάτε σταθερά το εργαλείο και φέρετε το σώμα σας και το μπράτσο σας σε κατάλληλη θέση ώστε να μπορείτε να ελέγχετε τυχόν αναπήδημα. Αν το εργαλείο διαθέτει βοηθητική λαβή, φροντίστε να την κρατάτε πάντα για να έχετε άριστο έλεγχο του εργαλείου σε περίπτωση αναπήδηματος ή ζεύγους αντίδρασης κατά την έναρξη λειτουργίας του εργαλείου.** Παίρνετε τα απαραίτητα μέτρα για να μπορείτε να ελέγχετε το εργαλείο σας σε περίπτωση αναπήδηματος ή ζεύγους αντίδρασης.
- Μην βάζετε ποτέ το χέρι σας κοντά στο περιστρεφόμενο αξεσουάρ για να αποτρέψετε τον κίνδυνο σοβαρού σωματικού τραυματισμού σε περίπτωση αναπήδηματος.** Εξάρτημα μπορεί να κλωστήσει επάνω από το χέρι σας.
- Μην στέκεστε μέσα στη ζώνη όπου κινδυνεύει να εκτιναχτεί το εργαλείο σε περίπτωση αναπήδηματος.** Σε περίπτωση αναπήδηματος, το εργαλείο εκτινάσσεται προς την αντίθετη κατεύθυνση από την φορά περιστροφής του τροχού.
- Προσέχετε ιδιαίτερα όταν εργάζεστε σε γωνίες, κοψέρες άκρες κλπ.**
Φροντίστε να μην σας πλαγιολισθήσει ή να σας μαγκώσει το αξεσουάρ. Όταν εργάζεστε σε γωνίες ή κοψέρες άκρες ή όταν σας πλαγιολισθήσει το εργαλείο, ο κίνδυνος είναι πιο μεγάλος να μπλοκάρει το αξεσουάρ και να χάσετε τον έλεγχο του εργαλείου προκαλώντας αναπήδημα.
- Μην χρησιμοποιείτε ποτέ λάμα αλυσοπρίονο ή λάμα πριονιού με αυτό το εργαλείο.** Αυτού του είδους οι λάμες αυξάνουν τον κίνδυνο αναπήδηματος και απώλειας ελέγχου του εργαλείου.

ΣΥΓΚΕΚΡΙΜΕΝΕΣ ΠΡΟΕΙΔΟΠΟΙΗΣΕΙΣ ΑΣΦΑΛΕΙΑΣ ΓΙΑ ΛΕΙΤΟΥΡΓΙΕΣ ΚΟΠΗΣ ΑΚΟΝΙΣΜΑΤΟΣ ΚΑΙ ΛΕΙΑΝΣΗΣ

- Χρησιμοποιείτε μόνο τύπους τροχών που προτείνονται για το ηλεκτροκίνητο εργαλείο σας και το συγκεκριμένο προστατευτικό που έχει σχεδιαστεί για τον επιλεγμένο τροχό.** Τροχοί για τους οποίους δεν έχει σχεδιαστεί το ηλεκτροκίνητο εργαλείο, δεν μπορούν να προστατευτούν επαρκώς και δεν είναι ασφαλείς.
- Το προστατευτικό πρέπει να βρίσκεται πάντα τοποθετημένο στο ηλεκτροκίνητο εργαλείο και στη σωστή θέση για μέγιστη ασφάλεια, έτσι ώστε να εκτίθεται όσο γίνεται μικρότερος βαθμός του τροχού προς τον χειριστή. Το**

Ελληνικά

- προστατευτικό βοηθά στην προστασία του χειριστή από κομμάτια σπασμένων τροχών και τυχαία επαφή με τον τροχό.
- c. **Οι τροχοί πρέπει να χρησιμοποιούνται μόνο για τις προτεινόμενες εφαρμογές. Για παράδειγμα, μην εκτελείτε εργασίες ακονίσματος / λείανσης με την πλευρά του τροχού αποκοπής.** Οι λειαντικοί τροχοί αποκοπής διατίθενται για περιφερειακό ακόνισμα - εάν ασκηθεί πλευρική πίεση σε αυτούς τους τροχούς ενδέχεται να θρυμματιστούν.
- d. **Χρησιμοποιείτε πάντα φλάντζες τροχών σε άριστη κατάσταση και με σωστό μέγεθος και σχήμα για τον επιλεγμένο τροχό.** Οι σωστές φλάντζες τροχών στηρίζουν τον τροχό και μειώνουν την πιθανότητα σπασίματός του. Οι φλάντζες για τους τροχούς αποκοπής μπορεί να διαφέρουν από τις φλάντζες τροχών ακονίσματος.
- e. **Μην χρησιμοποιείτε φαρμένους τροχούς από μεγαλύτερα ηλεκτροκίνητα εργαλεία.** Τροχοί για μεγαλύτερα ηλεκτροκίνητα εργαλεία δεν είναι κατάλληλοι για τις υψηλότερες ταχύτητες που αναπτύσσουν τα μικρότερα εργαλεία και ενδέχεται να σπάσουν.

ΕΠΙΠΡΟΣΘΕΤΕΣ ΠΡΟΕΙΔΟΠΟΙΗΣΕΙΣ ΑΣΦΑΛΕΙΑΣ ΓΙΑ ΛΕΙΤΟΥΡΓΙΕΣ ΛΕΙΑΝΣΗΣ ΑΠΟΚΟΠΗΣ

- a. **Μην "φρακάρετε" τον τροχό αποκοπής και μην ασκείτε υπερβολική πίεση. Μην προσπαθείτε να κάνετε υπερβολικά βαθιές κοπές.** Αν πιέσετε υπερβολικά τον τροχό, αυξάνεται το φορτίο και η πιθανότητα συστροφής ή πιασίματος του τροχού στην κοπή, μαζί με την πιθανότητα επιστροφής ή σπασίματος του τροχού.
- b. **Μην τοποθετείτε το σώμα σας στην ίδια σειρά με και πίσω από τον περιστρεφόμενο τροχό.** Όταν ο τροχός, στο σημείο λειτουργίας, μετακινείται μακριά από το σώμα σας, η πιθανή επιστροφή μπορεί να εκτινάξει τον περιστρεφόμενο τροχό μαζί με το εργαλείο κατευθείαν προς εσάς.
- c. **Αν ο τροχός πιαστεί ή όταν διακόπτετε μια κοπή για οποιονδήποτε λόγο, απενεργοποιείτε το εργαλείο και κρατάτε το ακίνητο μέχρι ο τροχός να σταματήσει τελειώς. Μην προσπαθείτε ποτέ να αφαιρέσετε τον τροχό αποκοπής από την κοπή όσο αυτός κινείται, διαφορετικά μπορεί να προκληθεί επιστροφή.** Αν ο δίσκος μαγκώσει, αναζητήστε την αιτία και λάβετε τα απαραίτητα μέτρα ούτως ώστε να μην επαναληφθεί.
- d. **Μην ξεκινάτε απ' την αρχή την εργασία κοπής στο τεμάχιο όπου εργάζεστε. Αφήστε τον τροχό να φτάσει στην πλήρη ταχύτητά του και κάντε προσεκτικά ξανά την κοπή.** Ο τροχός μπορεί

να πιαστεί, να μετακινηθεί ή να κάνει επιστροφή, αν γίνει νέα εκκίνηση του εργαλείου πάνω στο τεμάχιο.

- e. **Στηρίξτε πλαίσια ή ευμεγέθη τεμάχια για να ελαχιστοποιήσετε τον κίνδυνο πιασίματος του τροχού και επιστροφής.** Τα μεγάλα πλαίσια τείνουν να κρεμάνε από το βάρος τους. Τα υποστηρίγματα πρέπει να τοποθετηθούν κάτω από το τεμάχιο, κοντά στη γραμμή της κοπής και κοντά στην άκρη του τεμαχίου και στις δύο πλευρές του τροχού.
- f. **Προσέξτε ιδιαίτερα όταν κάνετε μία "κοπή θυλάκωσης" σε υπάρχοντα τοιχώματα ή άλλες περιοχές χωρίς ορατότητα.** Η προεξέχων τροχός μπορεί να κόψει αγωγούς αερίου ή νερού, ηλεκτρικά σύρματα ή αντικείμενα που μπορούν να προκαλέσουν επιστροφή.

ΕΠΙΠΡΟΣΘΕΤΕΣ ΠΡΟΕΙΔΟΠΟΙΗΣΕΙΣ ΑΣΦΑΛΕΙΑΣ ΓΙΑ ΛΕΙΤΟΥΡΓΙΕΣ ΛΕΙΑΝΣΗΣ / ΑΚΟΝΙΣΜΑΤΟΣ

- a. Βεβαιωθείτε πως η ταχύτητα που ενδείκνυται επάνω στο δίσκο ξακρίσματος είναι ίδια ή μεγαλύτερη από την ονομαστική ταχύτητα του εργαλείου.
- b. Βεβαιωθείτε πως η διάμετρος του δίσκου ξακρίσματος είναι συμβατή με το εργαλείο και πως ο δίσκος προσαρμόζεται σωστά στον άξονα.
- c. Οι δίσκοι πρέπει να τακτοποιούνται σε μέγρο ξηρό.
- d. Μην τοποθετείτε κανένα αντικείμενο επάνω στους δίσκους.
- e. Οι δίσκοι δεν πρέπει να χρησιμοποιούνται για άλλο σκοπό από τις ενέργειες τροχίσματος.
- f. Πριν χρησιμοποιήσετε τον δίσκο, βεβαιωθείτε πως δεν έχει ραγίσει ή δε φέρει ρωγμές. Σε τέτοια περίπτωση, ο δίσκος μπορεί να σπάσει, γεγονός που μπορεί να προκαλέσει σοβαρό σωματικό τραυματισμό.
- g. Βεβαιωθείτε πριν τη χρήση πως ο δίσκος είναι σωστά τοποθετημένος και σφιγμένος, έπειτα λειτουργήστε το εργαλείο σας στο κενό για 30 δευτερόλεπτα προσανατολιζοντάς το έτσι ώστε να μην παρουσιάζει κανέναν κίνδυνο. Σταματήστε αμέσως το εργαλείο σας αν δονείται υπερβολικά ή αν παρατηρήσετε άλλα προβλήματα. Στην περίπτωση αυτή, ελέγξτε το εργαλείο σας για να προσδιορίσετε την αιτία του προβλήματος.
- h. Μη χρησιμοποιείτε δακτυλίδια οδηγού ή αποστάτες για να μειώσετε την κυλινδρική οπή κάποιου δίσκου με μεγάλη κυλινδρική οπή.
- i. Ελέγξτε πως το προς επεξεργασία αντικείμενο συγκρατείται σωστά.
- j. Βεβαιωθείτε πως οι δημιουργούμενες από τη χρήση του εργαλείου σπίθες δεν προκαλούν επικίνδυνες καταστάσεις, παραδείγματος χάρι

Ελληνικά

πως δεν εκτοξεύονται προς άτομα ή εύφλεκτες ουσίες.

- κ. Φροντίστε να φοράτε πάντα προστατευτικά γυαλιά και ωασιπίδες.
- λ. Αν χρειάζεται, χρησιμοποιήστε και άλλους προστατευτικούς εξοπλισμούς, όπως γάντια, ποδιά ή κράνος.
- μ. Μην ακουμπάτε ποτέ το εργαλείο σας στο έδαφος ή σε άλλες επιφάνειες όταν βρίσκεται σε λειτουργία. Προσοχή, ο δίσκος περιστρέφεται με τη δύναμη της αδράνειας μετά τη στάση του εργαλείου. Δεν πρέπει ποτέ ούτε να αγγίζετε το δίσκο, ούτε να τον ακουμπάτε στο έδαφος ή σε άλλες επιφάνειες όταν περιστρέφεται.
- ν. Η φλάντζα του δίσκου και η εξωτερική φλάντζα πρέπει να έχουν την ίδια εξωτερική διάμετρο.
- ο. Μη χρησιμοποιείτε το εργαλείο σας για εφαρμογές για τις οποίες δεν προορίζεται. Μη χρησιμοποιείτε ποτέ ψυκτικό υγρό ή νερό. Μη χρησιμοποιείτε το εργαλείο σας σαν σταθερό εργαλείο.
- π. Όταν χρησιμοποιείτε το εργαλείο σας, κρατάτε το γερά με τα δύο χέρια.

ΠΣΥΜΒΟΛΟ



Προειδοποίηση ασφάλειας

- V Βλτ
- Hz ερτς
- ~ Εναλλασσμεν ρεύμα
- W Βατ
- n_ο Ταύτητα στ κεν
- n Βαθμονομημένη ταχύτητα
- min⁻¹ Αριθμς στρών ή κινήσεων ανά λεπτ



Συμμόρφωση CE



Διπλη μονωση



Φοράτε προστατευτικά αυτιών



Φοράτε προστατευτικά ματιών



Παρακαλούμε διαβάστε προσεκτικά τις οδηγίες πριν χρησιμοποιήσετε το προϊόν.



Τα ηλεκτρικά προϊόντα προς απόρριψη δεν θα πρέπει να απορρίπτονται μαζί με τα οικιακά απόβλητα. Παρακαλούμε ανακυκλώστε όπου υπάρχουν οι αντίστοιχες εγκαταστάσεις. Μιλήστε με τις τοπικές αρχές ή τον πωλητή για να σας ενημερώσουν σχετικά με τα προγράμματα ανακύκλωσης.



Ανακυκλώνετε τις πρώτες ύλες αντί να τις πετάτε στον κάδο οικιακών απορριμμάτων. Για την προστασία του περιβάλλοντος, πρέπει να γίνεται ι διαλογή του εργαλείου, των εξαρτημάτων και των συσκευασιών του.

ΠΡΟΔΙΑΓΡΑΦΕΣ

Μοντέλο	EAG950RS / EAG950RSD	EAG950RB / EAG950RBD
Διάμετρος δίσκου	115 mm (4.5 in)	125 mm (5 in)
Πάχος		
Δίσκος ξακρίσματος	6 mm	6 mm
Τροχός αποκοπής (προαιρετικό)	3 mm	3 mm
Τροχός κοπής διαμαντιού (προαιρετικό)	2 mm	2 mm
Τάση	230 V - 240 V ~ 50 Hz	230 V - 240 V ~ 50 Hz
Είσοδος ρεύματος	950 W	950 W
Σπείρωμα του άξονα	M14	M14
Βαθμονομημένη ταχύτητα	11,000 min ⁻¹	11,000 min ⁻¹
Συνολικό μήκος	310 mm	310 mm
Καθαρό βάρος	2.55 kg	2.6 kg

ΣΗΜΕΙΩΣΗ: Ελέγξτε την πλάκα προδιαγραφών του προϊόντος διότι η τάση μπορεί να είναι διαφορετική ανάλογα με το μέρος στο οποίο πρέπει να χρησιμοποιηθεί το προϊόν.

Μέγιστη περιφερειακή ταχύτητα του δίσκου: 4,800 m/min.

Παράδειγμα υπολογισμού

Ελληνικά

3.14 x 125 x 11,000/1,000 =	4.320
Περιφερειακή ταχύτητα του δίσκου	4.320
Διάμετρος δίσκου	125
Ταχύτητα στο κενό του γωνιακού τροχού	11.000

ΣΤΑΝΤΑΡ ΕΞΑΡΤΗΜΑΤΑ

Βοηθητική λαβή, κλειδί.

Σε ορισμένες χώρες μαζί με τα εξαρτήματα παρέχεται ένας δίσκος ξακρίσματος.

ΛΕΙΤΟΥΡΓΙΑ

Βλ. Σχήμα 4.

ΠΡΟΕΙΔΟΠΟΙΗΣΗ

Τα προστατευτικά κάρτερ πρέπει πάντα να βρίσκονται στη θέση τους. Φροντίστε να μην σκεταζετε πίσω σπασο αερισμού για να επιτραπεί η σωστή ψύξη του κινητήρα.

Για μια αποτελεσματική εργασία είναι σημαντικό να ελέγχετε καλά την πίεση που ασκείται στο εργαλείο καθώς και στην επιφάνεια επαφής μεταξύ του δίσκου και του προς επεξεργασία αντικειμένου. Για να τροχίσετε επίπεδες επιφάνειες, ο γωνιακός τροχός πρέπει να σχηματίζει μυτερή γωνία, συνήθως μεταξύ 10° και 20°, με το προς επεξεργασία αντικείμενο. Αφήστε χρόνο στο δίσκο ώστε να φτάσει στη μέγιστη ταχύτητά του πριν αρχίσετε το τρόχισμα. Μια υπερβολικά μεγάλη γωνία θα προκαλέσει συγκέντρωση της πίεσης σε μικρή επιφάνεια γεγονός που μπορεί να σκάψει ή να κάψει την επιφάνεια εργασίας.

ΓΙΑ ΚΟΠΗ ΜΕΤΑΛΛΟΥ

Βλ. Σχήμα 9 - 10.

- Χρησιμοποιείτε τον λειαντικό τροχό κοπής με απόλυτα κλειστό προστατευτικό τροχού χωρίς εργαλεία, στην κοπή μετάλλου.
- Κατά την κοπή, εργάζεστε με μέτρια πίεση και προσαρμόστετε στο υλικό που κόβεται. Μην ασκείτε πίεση στον δίσκο κοπής και μην λυγίζετε ή ταλαντεύετε το μηχάνημα.
- Μην μειώνετε την ταχύτητα ή σταματάτε τους δίσκους κοπής ασκώντας πλευρική πίεση. Το μηχάνημα θα πρέπει πάντα να λειτουργεί κόβοντας προς τα πάνω, διαφορετικά υπάρχει κίνδυνος να χάσετε τον έλεγχο της κοπής.

- Όταν κόβετε προφίλ και τετράγωνες μπάρες, ξεκινήστε καλύτερα από τη μικρότερη διατομή.

ΓΙΑ ΚΟΠΗ ΠΕΤΡΑΣ

Βλ. Σχήμα 9, 11.

- Δουλεύετε πάντα με το προστατευτικό τροχού χωρίς εργαλεία στις εργασίες κοπής.
- Για κοπή πέτρας, χρησιμοποιείτε καλύτερα έναν δίσκο κοπής διαμαντιού και φοράτε μάσκα προστασίας.
- Ενεργοποιήστε το μηχάνημα και στρώστε το με ελαφριά πίεση ώστε να προσαρμοστεί στο υλικό που κόβεται.

ΔΙΑΚΟΠΤΗΣ

Βλ. Σχήμα 3.

- Για να θέσετε το εργαλείο αυτό σε λειτουργία ή εκτός λειτουργίας, στρώστε το διακόπτη προς τα μπροστά ή απελευθερώστε τον.
- Για να μπορέσετε να χρησιμοποιήσετε το γωνιακό σας τροχό συνεχόμενα, πιέστε το μπροστινό άκρο του διακόπτη αφού τον στρώσετε ώστε να τον ακινητοποιήσετε στην θέση λειτουργίας.
- Για να απελευθερώσετε το διακόπτη, πιέστε το πίσω άκρο του διακόπτη.

ΕΠΙΛΟΓΗ ΠΡΟΣΤΑΤΕΥΤΙΚΟΥ

- Στη λείανση μετάλλου, δουλεύετε πάντα με το προστατευτικό τροχού χωρίς εργαλεία.
- Στην κοπή πέτρας, δουλεύετε πάντα με το προστατευτικό τροχού χωρίς εργαλεία.
- Στην κοπή μετάλλου, δουλεύετε πάντα με το προστατευτικό τροχού χωρίς εργαλεία απόλυτα κλειστό.

ΤΟΠΟΘΕΤΗΣΗ ΤΟΥ ΔΙΣΚΟΥ ΞΑΚΡΙΣΜΑΤΟΣ

Βλ. Σχήμα 5 - 6.

- Συνδέστε τη φλάντζα δίσκου και τον τροχό στην άτρακτο πριν εφαρμόσετε το παξιμάδι σφιγκτήρα.
- Βεβαιωθείτε ότι ο τροχός έχει τοποθετηθεί σωστά πάνω από τον αφαλό στην φλάντζα δίσκου και το περικόχλιο σφιγκτήρα.
- Πιέστε το διακόπτη ασφάλισης του άξονα που βρίσκεται στη δεξιά πλευρά του κάρτερ του κινητήρα.
- Σφίξτε την εξωτερική φλάντζα με τη φορά των δεικτών του ρολογιού με το παρεχόμενο κλειδί.

ΤΟΠΟΘΕΤΗΣΗ ΤΡΟΧΟΥ ΚΟΠΗΣ

Βλ. Σχήμα 7 - 8.

- Συνδέστε τη φλάντζα δίσκου και τον τροχό στην άτρακτο πριν εφαρμόσετε το παξιμάδι σφιγκτήρα.

Ελληνικά

- Βεβαιωθείτε ότι ο τροχός έχει καθίσει καλά πάνω από τον ομφαλό στην φλάντζα δίσκου και το παξιμάδι σφιγκτήρα, με την επίπεδη πλευρά του παξιμαδιού να κοιτάζει προς τα κάτω.
- Πιέστε το διακόπτη ασφάλισης του άξονα που βρίσκεται στη δεξιά πλευρά του κάρτερ του κινητήρα.
- Σφίξτε την εξωτερική φλάντζα με τη φορά των δεικτών του ρολογιού με το παρεχόμενο κλειδί.

⚠ ΠΡΟΕΙΔΟΠΟΙΗΣΗ

Ελέγξτε προσεκτικά πως ο δίσκος δεν παρουσιάζει ραγίσματα. Αντικαθιστάτε αμέσως τους φθαρμένους δίσκους.

ΠΡΟΣΤΑΤΕΥΤΙΚΟ ΤΡΟΧΟΥ ΧΩΡΙΣ ΕΡΓΑΛΕΙΑ ΓΙΑ ΛΕΙΑΝΣΗ / ΚΟΠΗ ΠΕΤΡΑΣ

Βλ. Σχήμα 12 - 13.

Ανοίξτε το μοχλό ασφάλισης του προστατευτικού κάρτερ και τοποθετήστε το προστατευτικό κάρτερ στην επιθυμητή θέση. Η μέγιστη γωνία στροφής είναι 90° σε κάθε πλευρά, διαφορετικά το προστατευτικό δεν κλειδώνει.

ΑΠΟΛΥΤΑ ΚΛΕΙΣΤΟ ΠΡΟΣΤΑΤΕΥΤΙΚΟ ΤΡΟΧΟΥ ΧΩΡΙΣ ΕΡΓΑΛΕΙΑ ΓΙΑ ΚΟΠΗ ΜΕΤΑΛΛΟΥ

Βλ. Σχήμα 14 - 15.

Κλειδώστε και ξεκλειδώστε το προστατευτικό για τον τροχό κοπής.

ΦΩΤΕΙΝΗ ΕΝΔΕΙΞΗ ΘΕΣΗΣ ΥΠΟ ΤΑΣΗ

Ο γωνιακός τροχός σας είναι εξοπλισμένος με μια φωτεινή ένδειξη θέσης υπό τάση η οποία ανάβει μόλις το εργαλείο συνδεθεί. Η ένδειξη αυτή εφιστά την προσοχή σας στο γεγονός ότι ο τροχός βρίσκεται υπό τάση και θα τεθεί σε λειτουργία μόλις θα σπρώξετε το διακόπτη προς τα μπροστά.

ΣΥΝΤΗΡΗΣΗ

Μετά τη χρήση, βεβαιωθείτε πως το εργαλείο σας βρίσκεται σε καλή κατάσταση λειτουργίας.

Συνιστάται να φέρετε το εργαλείο σας τουλάχιστον μια φορά το χρόνο σε κάποιο εξουσιοδοτημένο Κέντρο Τεχνικής Εξυπηρέτησης Ryobi για πλήρη λίπανση και καθάρισμα.

⚠ ΠΡΟΕΙΔΟΠΟΙΗΣΗ

Μην πραγματοποιείτε καμία ρυθμίση όταν ο κινητήρας βρίσκεται σε λειτουργία.

Αποσυνδέετε πάντα το γωνιακό τροχό πριν αντικαταστήσετε κάποιο εξαρτημα (αδαμαντοδίσκος, δίσκος ξακρισματος, κλπ), λιπανετε το εργαλειο και πριν απο οποιαδηποτε ενεργεια συντηρησης.

⚠ ΠΡΟΕΙΔΟΠΟΙΗΣΗ

Για μεγαλύτερη ασφάλεια και αξιοπιστία, όλες οι επιδιορθώσεις πρέπει να πραγματοποιούνται από εγκεκριμένο Κέντρο Τεχνικής Εξυπηρέτησης Ryobi.

AÇIKLAMA

1. Temizleme taşı
2. Aletsiz standart çark koruması
3. Yardımcı tutamak
4. Mil kilitleme düğmesi
5. Akım anahtarı
6. Kapak
7. Dış kapak
8. Çalıştırma mili
9. Servis anahtarı
10. Koruma karteri kilitleme kolu
11. Akım verme gösterge lambası
12. Tam kapalı aletsiz çark koruması (opsiyonel)
13. Elmastan kesme çarkı (opsiyonel)
14. Kesme çarkı (opsiyonel)

TAŞLAMA VE AŞINDIRICILI KESME İŞLEMLERİNE YÖNELİK GENEL GÜVENLİK UYARILARI

- a. **Bu elektrikli alet taşlama makinesi ve kesme aleti olarak kullanılmak üzere tasarlanmıştır. Bu aletle birlikte verilen tüm uyarı, talimat ve özellikleri dikkatlice okuyunuz ve resimli açıklamalara bakınız.** Aşağıda belirtilen talimatlarla uyulmaması, yangın, elektrik çarpması ve/veya ciddi bedensel yaralanmalar gibi kazalar sebep olabilir.
- b. **Bu talimata uyulmaması kazalara ve ciddi bedensel yaralanmalara sebep olabilir.**
- c. **Bu alet için özel olarak tasarlanmış olmayan ve üretici tarafından önerilmeyen aksesuarları kullanmayın.** Bir aksesuar bir alet üzerine takılabilirse bile, bu, cihazı güvenlik içerisinde kullanabileceğiniz anlamına gelmemektedir.
- d. **Aksesuarın nominal hızının, alet üzerinde belirtilen azami hızla eşit veya üzerinde olması gerekmektedir.** Nominal hızlarından daha yüksek bir hızda çalışan aksesuarlar kırışabilir veya fırlayabilir.
- e. **Aksesuarın dış çapı ve kalınlığının, cihaz için belirtilen özelliklere tekabül etmesi gerekmektedir.** Eğer aksesuarlar verilen özelliklere uymuyor ise, aletin koruma ve ayarlama sistemleri doğru olarak çalışamazlar.
- f. **Taşlama diskleri, flençler, patenler ve diğer aksesuarların, aletin mil çapına kusursuz bir şekilde uymalıdır.** Takılmaları gereken mil üzerine uymayan aksesuarlardaki olarak dönmeyen, aşırı şekilde titreşirler ve cihazın kontrolünün kaybedilmesine sebep olurlar.
- g. **Hasar görmüş bir aksesuarı kullanmayın. Her kullanımdan önce, kullandığınız aksesuarın**

iyi durumda olmasını kontrol edin: aşındırıcı disklerin çizilmiş veya çatlamış olmasına, patenlerin yırtılmış veya yıpranmış olmasına, metalik fırçaların kıllarının çok yıpranmış veya kırılmış olmamasında emin olun. Aletin veya aksesuarın düşmesi durumunda, hiçbir unsurun hasar görmemiş olmasını kontrol edin ve gerekirse yeni bir aksesuar takın. Aksesuarın iyi durumda olmasını kontrol ettikten ve aksesuarı taktıktan sonra, hareketli aksesuardan uzak durun ve bir dakika boyunca aletin azami hızına erişmesini bekleyin. Eğer aksesuar hasar görmüş ise, bu test esasında kırılacaktır.

- h. **Kişisel koruyucu donanımlar kullanın. Aletinizi kullandığınız şekle göre, bir koruma maskesi, güvenlik gözlüklü veya koruma gözlüklü takın. Gerekirse, toz önleyici bir maske, sese karşı koruyucular, eldivenler ve her türlü yabancı madde (aşındırıcı unsurlar, ağaç talaşı, vs.) sıçramasına karşı kendinizi korumak için bir koruma tablası kullanın.** Koruma gözlükleri, sıçrayan parçaların gözlerinizi yaralamamasını sağlar. Toz önleyici maske, yaptığınız işlemin ürettiği partiküllerin filtrelenmesini sağlar. Uzun süre çok yoğun bir gürültüye maruz kalınması, duyma kaybına sebep olabilir.
- i. **Ziyaretçileri çalışma alanına uzak bir mesafede tutun ve bir koruma ekipmanı takmalarına dikkat edin. Herkes Çalışma alanınıza giren kişisel koruyucu donanımlar giymek gerekir.** Üretilecek parçanın veya kırılmış bir aksesuarın kalıntıları çalışma alanının dışına fırlayabilir ve ciddi bedensel yaralanmalara sebep olabilir.
- j. **Elektrik kablolarını gizleyen bir yüzey üzerinde çalıştığınızda veya yapılan çalışmanın elektrik kablosunu aletin yürümesine getirmeye elverişli olduğunda cihazı sadece yalıtımlı ve kaymaz kısımlarından tutun.** Elektrik yükü kablolarla temas halinde, akımı metal kısımlara iletilir ve bir elektrik çarpmasına sebep olabilir.
- k. **Elektrik kablosunu, dönen aksesuardan uzak bir mesafeye yerleştirin.** Eğer aletinizin kontrolünü kaybederseniz, elektrik kablosu kesilebilir veya sıkışabilir ve eliniz veya kolunuz dönen aksesuara doğru itilebilir.
- l. **Aksesuar tamamen durmadan aleti asla bırakmayın.** Dönen aksesuar, konulduğu yere temas edebilir ve sizin aletin kontrolünü kaybetmenize sebep olabilir.
- m. **Taşırken aletinizi çalıştırmayın.** Dönen aksesuar çıkartmalarını kapabilir ve sizi ciddi bir şekilde yaralayabilir.
- n. **Aletin havalandırma boşluklarını düzenli**

Türkçe

- olarak temizleyin. Motorun havalandırılması, motor karteri içerisine toz girmesine sebep olur ve bu da metalik partiküllerini aşırı şekilde toplanmasına elektrik çarpmalarına sebep olabilir.
- Aletinizi yanıcı unsurların yanında kullanmayın.** Kıvılcıklar bunların tutuşmasına sebep olabilir.
 - Soğutma sıvıları gerektiren aksesuarlar kullanmayın.** Su veya soğutma sıvısını kullanılması, elektrik çarpmasına veya buna bağlı ölümlere sebep olabilir.

GERİ TEPME VE İLGİLİ UYARILAR

Sıçrama, taşlama makinesi hareket halinde iken, paten, fırça veya diğer aksesuarlar delerken veya keserken gerçekleşen ani bir tepkidir ve sonucunda aksesuar hızla bloke edilir. Alet, çalışmaya devam eder, bu durumda aleti aksesuarın kullanıldığı yönün aksi yönüne doğru sıçratır.

Örneğin, aşındırıcı bir disk üretecek ürün üzerinde delim veya kesim yapıyor, diskin kesicisinin üretilen parçanın yüzeyine batması riski bulunmaktadır, bu da diskin üretilen parça üzerinden ani bir şekilde çıkmasına sebep olacaktır ve diskin bloke olduğu andaki dönüş yönüne göre diski kullanıcıya doğru veya uzağına doğru fırlatacaktır. Tekerek ya doğru ya da uzağına operatörünüzden, tekerlek hareketi yönüne pinching noktasında başlı atlama olabilir. Sıçrama olması durumunda, aşındırıcı disk ayrıca kırılabilir de.

Dolayısıyla sıçrama, aletin yanlış olarak kullanılmasının ve/veya hatalı kullanım yöntem ve koşullarının sonucunda oluşur. Birkaç tedbire uyarak bu önenebilir:

- Aleti sıkıca tutun ve vücudunuzu ve kolunuzu, olası bir sıçramayı kontrol edebileceğiniz şekilde yerleştirin. Eğer aletin yardımcı bir kolu varsa, sıçrama veya aletin çalıştırıldığı anda reaksiyon momenti olması durumunda aleti daha iyi kontrol edebilmek için her zaman bu yardımcı kolu tutun.** Sıçrama veya reaksiyon momenti olması durumunda aletinizi kontrol edebilmek için gerekli tedbirleri alın.
- Sıçrama anında meydana gelebilecek her türlü bedensel yaralanmayı önlemek için - Elinizi asla dönen aksesuarın yakınına koymayın Elinizi yere Aksesuar olabilir komisyon.**
- Sıçrama halinde aletini fırlatılma riskinin olduğu bölgede durmayın.** Sıçrama olması durumunda, alet, diskin dönme yönünün aksi istikametine fırlatılır.
- Özellikle köşelerde, keskin kenarlarda, vs çalışırken dikkatli olun.** Aksesuarı kaydırmamaya veya sıkıştırmamaya özen gösterin. Aksesuarı kaydırmamaya veya sıkıştırmamaya özen gösterin. köşelerde veya keskin kenarlarda çalışırken veya aleti kaydırırken, aksesuarın bloke olma riski ve dolayısıyla aletin

kontrolünü kaybetme ve bir sıçramaya sebep olma riski daha fazladır.

- Bu alet ile asla ağaç kesme bıçağını veya testere bıçağını kullanmayın.** Bu tür bıçaklar sıçrama ve aletin kontrolünü kaybetme riskini artırmaktadır.

TAŞLAMA VE AŞINDIRICILI KESME İŞLEMLERİNE YÖNELİK ÖZEL GÜVENLİK UYARILARI

- Sadece elektrikli aletinizi için tavsiye edilen dişli türlerini ve seçilen dişli için tasarlanmış özel korumayı kullanınız.** Elektrikli alet için tasarlanmamış olan dişlilerde yeterli seviyede koruma sağlanamaz ve kullanılması güvenli değildir.
- Koruma, elektrikli alete güvenli bir şekilde bağlanmalı ve maksimum güvenlik sağlayacak şekilde konumlandırılmalıdır, böylece operatör dişliye minimum miktarda maruz kalır.** Koruma, operatörü kırılan dişli parçalarından ve dişliyle kazayla temas etmekten korumaya yardımcı olur.
- Dişliler sadece tavsiye edilen uygulamaları için kullanılmalıdır. Örneğin, kesme dişlilerinin yanlarıyla taşlama yapmayın.** Aşındırıcı kesici dişliler çevresel taşlama için tasarlanmıştır, bu dişlilere uygulama yanal kuvvetler parçalanmalarına neden olabilir.
- Seçtiğiniz dişliniz için her zaman doğru boyutta ve şekilde zarar görmemiş dişli flanşları kullanın.** Uygun dişli flanşları dişliyi destekleyerek dişli kırılması olasılığını azaltırlar. Kesme dişlileri için flanşlar taşlama dişli flanşlarından farklı olabilir.
- Daha büyük elektrikli aletlerin aşındırılması dişlilerini kullanmayın.** Daha büyük elektrikli aletler için tasarlanan dişliler daha küçük bir aletin daha yüksek hıza uygun değildir ve patlayabilir.

AŞINDIRICILI KESME İŞLEMLERİNE ÖZEL İLAVE GÜVENLİK UYARILARI

- Kesme çarkının sıkışmamasına ya da çarka aşırı baskı uygulamamaya dikkat edin. Fazla derin kesmeye çalışmayın.** Çarka aşırı baskı uygulamak, kesme sırasında çarkın yükü ile bükülme ya da sıkışmaya karşı hassasiyetini ve geri tepme ya da çarkın kırılma olasılığını artırır.
- Gövdenizin pozisyonu dönen çarkla aynı doğrultuda ve arkasında olmasın.** İşlem esnasında çark gövdenizden uzaklaştığında, olası geri tepme kayan çarkı ve elektrikli aleti doğrudan size doğru itebilir.

Türkçe

- c. **Çark sıkıştığına ya da herhangi bir nedenle kesik yerlerden birine müdahale durumunda aleti kapatın ve çark tamamen durana kadar aleti tutun. Kesme çarkını hareket halindeyken kesik yerden çıkarmaya çalışmayın, yoksa geri tepmeye neden olabilir.** Eğer disk sıkışırsa, sebebini araştırın ve bunun yeniden olmaması için gerekli tedbirleri alın.
- d. **İş parçası üzerinde keme işlemini yeniden başlatmayın. Çarkın tam hızına ulaşmasını bekleyin ve ardından kesik yere dikkatli bir şekilde tekrar girin.** Elektrikli alet iş parçası üzerinde yeniden başlatıldığında çark sıkışabilir, yanaşabilir ya da geri tepebilir.
- e. **Çark sıkışması ya da geri tepme riskini en aza indirmek için panelleri ya da büyük boylardaki iş parçalarını destekleyin.** Büyük iş parçaları kendi ağırlıkları altında eğilip bükülebilmektedirler. Destekler iş parçasının altına çarkın her iki tarafına kesme hattının yani ile iş parçasının kenarına yerleştirilmelidir.
- f. **Duvar ya da dış duvarda "keserek delme" işlemi gerçekleştirecekseniz çok dikkatli olun.** Çıkmış çark gaz ya da su borularını, elektrik kablolarını ya da nesnelere kesebilir ve bu geri tepmelere neden olabilir.

TAŞLAMA İŞLEMLERİ İÇİN İLAVE GÜVENLİK UYARILARI

- a. Temizleme taşı üzerinde belirtilen hızın aletin nominal hızına eşit veya ondan yüksek olup olmadığını kontrol ediniz.
- b. Temizleme taşının çapının aletle uyumlu olup olmadığını ve temizleme taşının mil üzerine doğru şekilde oturup oturmadığından emin olunuz.
- c. Temizleme taşları kuru bir yerde muhafaza edilmelidir.
- d. Bileği taşlarının üzerine hiçbir eşya koymayınız.
- e. Taşlar taşlama işlemleri dışındaki işler için kullanılmamalıdır.
- f. Taşları kullanmadan önce, aşınmış veya çatlamış olmamasına dikkat ediniz. Böyle bir durum söz konusuysa, taş çatlayabilir ve bu da önemli fiziki yaralanmalara yol açabilir.
- g. Kullanmadan önce, taşın düzgün şekilde monte edildiğinden ve sıkıldığından emin olunuz, daha sonra aleti hiçbir tehlike oluşturmayacak şekilde çevirerek yaklaşık 30 saniye boyunca boşta çeviriniz. Aşırı derecede titreşimler varsa veya başka sorunlar görüyorsanız aletinizi derhal durdurunuz. Bu olasılığa karşı, problemin nedenini belirlemek için aletinizi kontrol ediniz.
- h. Taşların büyük iç perdahını küçültmek için küçültme halkaları veya tespit burçları kullanmayınız.

- i. Üzerinde çalışılacak parçanın düzgün şekilde tutulduğundan emin olunuz.
- j. Aletin kullanımından doğan kısıtlımları insan veya yanıcı madde üzerine sıçramaları gibi tehlikeli durum oluşturmadığından emin olunuz.
- k. Her zaman koruma gözlükleri takmaya ve kulaklarınızı sese karşı korumaya özen gösteriniz.
- l. Gerekliyse, eldiven, önlük veya kask gibi başka koruyucular kullanın.
- m. Çalışma durumundayken, aletinizi yere veya başka yüzeyler üzerine bırakmayınız. Dikkat, taş alet durduktan sonra da biraz döner. Döndüğü sırada, taşla asla dokunmamalısınız veya başka zeminler üzerine bırakmamalısınız.
- n. Taşın kapağı ve dış kapak aynı dış çapa sahip olmalıdır.
- o. Aletinizi sadece yapım amacına uygun işlemlerde kullanınız. Asla soğutma suyu veya su kullanmayınız. Aletinizi sabit bir alet gibi kullanmayınız.
- p. Aletinizi kullandığınızda, iki elinizle sıkıca tutunuz.

SEMBOL



Güvenlik Uyarısı

V

Volt

Hz

Hertz

~

Alternatif akım

W

Watt

n_o

Bota hız

n

Nominal hız

min⁻¹

Saniyede devir veya hareket sayısı



CE Uygunluğu



Çift yalıtım



Koruyucu kulaklık kullanın



Koruyucu gözlük kullanın



Ürünü çalıştırmadan önce, lütfen aşağıdaki talimatları dikkatlice okuyun.

Türkçe



Atık elektrikli ürünler evsel atıklarla birlikte atılmamalıdır. Tesis bulunuyorsa lütfen geri dönüşüme verin. Geri dönüşümle ilgili tavsiye için Yerel Makamlarla veya bayi ile irtibat kurun.



Ham maddeleri ev çöpleri ile birlikte atmak yerine geri dönüştürün. Çevreyi korumak için, alet, aksesuarlar ve ambalajlar tasnif edilmelidir.

Taşlama makinesi boşta hız 11.000

STANDART AKSESUARLAR

Yardımcı tutamak, anahtar.

Bazı ülkelerde bir temizleme taşı aksesuarlarla birlikte verilmektedir.

ÇALIŞTIRMA

Şekle bakınız 4.

⚠ UYARI

Koruma karterleri her zaman yerine takılmalıdır. Motorun doğru şekilde soğumasını sağlamak için havalandırma fanlarının üstünü örtmeyin.

ÖZELLİKLER

Model	EAG950RS / EAG950RSD	EAG950RB / EAG950RBD
Taşın çapı	115 mm (4.5 in)	125 mm (5 in)
Kalınlık		
Temizleme taşı	6 mm	6 mm
Kesme çarkı (opsiyonel)	3 mm	3 mm
Elmasta kesme çarkı (opsiyonel)	2 mm	2 mm
Gerilim	230 V - 240 V ~ 50 Hz	230 V - 240 V ~ 50 Hz
Giriş	950 W	950 W
Mil dişleri	M14	M14
Nominal hız	11,000 min ⁻¹	11,000 min ⁻¹
Toplam uzunluk	310 mm	310 mm
Net ağırlık	2.55 kg	2.6 kg

NOT: Aletin kullanılacağı yere göre gerilim değişebileceğinden, aletin üzerinde yer alan bilgi plakasını kontrol ediniz.

Taşın maksimum çevresel hızı: 4,800 m/min.

Hesaplama örneği

$$3.14 \times 125 \times 11,000 / 1,000 = 4.320$$

$$\text{Taşın çevresel hızı} = 4.320$$

$$\text{Taşın çapı} = 125$$

Daha etkili bir çalışma için, alet üzerine ve temizleme taşı ve çalışılacak parça arasındaki temas yüzeyinde uygulanan basıncı kontrol etmek önemlidir. Düz yüzeyleri taşlamak için, taşlama makinesi genelde üzerinde çalışılacak parçayla 10° ve 20° olan dar bir açı oluşturmalıdır. Taş işleme işlemine başlamadan önce taşlama makinesine maksimum hıza ulaşma zamanı tanıyınız. Çok büyük bir açı küçük bir yüzeyde basınç konsantrasyonuna neden olmaktadır ve bu da üzerinde çalışılan yüzeyin aşınmasına veya yanmasına neden olabilir.

METAL KESMEK İÇİN

Şekle bakınız 9 - 10.

- Metali kesmek için aşındırıcı kesme çarkını tam lapalı aletsiz çark koruması ile kullanın.
- Kesme işlemi yaparken, kesilecek malzemeye uygun orta basınçla çalışın. Keme diski üzerine baskı uygulamayın, makineyi yana eğmeyin ya da sallamayın.
- Yan taraflara baskı uygulayarak kesme disklerinin çalışma hızını düşürmeyin. Makine her zaman yüksek kesme hızı ile çalışmalıdır, yoksa kesik yerinden kontrolsüz olarak geri tepme riski vardır.
- Profil ve kare çubuklar keserken en küçük enine kesitten başlamak en iyisidir.

TAŞ KESMEK İÇİN

Şekle bakınız 9, 11.

- Her zaman kesme işlemi için aletsiz standart çark koruması ile çalışın.
- Taş kesmek için en iyi yöntem elmasta keme diski kullanmaz ve toz maskesi takmaktır.
- Makineyi çalıştırın ve kesilen malzemeye uygun

Türkçe

olacak şekilde orta basınçla makineyi kaydırın.

AKIM ANAHTARI

Şekle bakınız 3.

- Aleti çalıştırmak veya durdurmak için, akım anahtarını öne çekiniz veya bırakınız.
- Taşlama makinesini sürekli olarak kullanabilmek için, çalışma konumunda sıkıştırmak için ittikten sonra akım anahtarının ön ucuna basınız.
- Akım anahtarının blokajını açmak için, akım anahtarının arka ucuna basınız.

KORUMALIK SEÇMEK

- Metal taşlamak için, her zaman aletsiz standart çark koruması ile çalışın.
- Taş kesmek için, her zaman aletsiz standart çark koruması ile çalışın.
- Metal kesmek için, her zaman tam kapalı aletsiz çark koruması ile çalışın.

BİLEĞİTAŞI TEMİZLEYİCİSİNİN MONTAJI

Şekle bakınız 5 - 6.

- Kelepçe somununu sabitlemeden önce disk flanşını ve çarkı mile geçirin.
- Çarkın disk flanş ve kelepçe somununun üzerindeki topuza iyice oturduğundan emin olun.
- Motor karterinin sağ tarafında yer alan mil kilitleme düğmesine basınız.
- Verilmiş olan servis anahtarı yardımıyla dış kapağı saat yönüne çeviriniz.

KEME ÇARKININ MONTAJI

Şekle bakınız 7 - 8.

- Kelepçe somununu sabitlemeden önce disk flanşını ve çarkı mile geçirin.
- Çarkın, kelepçe somununun düz kısmı aşağı bakacak şekilde disk flanş ve kelepçe somununun üzerindeki topuza iyice oturduğundan emin olun.
- Motor karterinin sağ tarafında yer alan mil kilitleme düğmesine basınız.
- Verilmiş olan servis anahtarı yardımıyla dış kapağı saat yönüne çeviriniz.

⚠ UYARI

Taş üzerinde çatlama olmadığına dikkat ediniz.
Çatlamış olan tüm taşları hemen değiştiriniz.

TAŞ TAŞLAMA/KESME İŞLEMİ İÇİN ALETSİZ ÇARK KORUMASI

Şekle bakınız 12 - 13.

KORUMA KARTERİ Koruma karterinin kilitleme kolunu açın ve daha sonra koruma karterini istenilen konuma getiriniz. Maksimum dönme açısı her iki tarafta da 90°'dir, yoksa korumalık yerine oturmaz.

METAL KESMEK İÇİN TAM KAPALI ALETSİZ ÇARK KORUMASI

Şekle bakınız 14 - 15.

Kesme çarkı için korumalığı kilitleyip açın.

AKIM VERME GÖSTERGE LAMBASI

Açı taşlama makineniz, alet beslemeye takılı olduğunda yanar akım verme gösterge lambasıyla donatılmıştır. Bu gösterge lambası, taşlama makinesinin besleme altında olduğundan ve akım anahtarını öne doğru çekeceğinizde çalışacağı konusuna dikkatinizi çekmektedir.

BAKIM

Kullanımdan sonra, aletinizin doğru çalıştığından emin olun.

Yağlama ve komple temizleme için aletinizi yılda bir kere Ryobi Yetkili Servis Merkezine getirmeniz önerilir.

⚠ UYARI

Motor çalıştığına hiçbir ayarlama gerçekleştirmeyin.
Bir parça değiştirmeden önce, aleti yağlamadan önce ve tüm bakım işlemlerinden önce temizleme taşlama makinesinin beslemesini kesiniz (elmas disk, temizleme diski, vs).

⚠ UYARI

Daha fazla güvenlik için, tüm onarımlar Ryobi Yetkili Servis Merkezinde gerçekleştirilmelidir.



- (GB) Conformance to technical regulations
- (FR) Conformité aux normes techniques
- (DE) Konformität mit technischen Vorschriften
- (ES) Conformidad con las normativas técnicas
- (IT) Conforme a norme tecniche
- (NL) Overeenstemming met technische reglementen
- (PT) Conformidade com as normas técnicas
- (DK) CE Overensstemmelse
- (SE) Bär Överensstämmelse med de tekniska reglerna.
- (FI) Teknisten sää'dösten noudattaminen
- (NO) Samsvarer med tekniske forskrifter
- (RU) Соответствие техническому регламенту
- (PL) Zgodność z normami technicznymi
- (CZ) Podléhá technickým nařízením
- (HU) Megfelelőség a műszaki előírásoknak
- (RO) Conformitate cu reglementările tehnice
- (LV) Atbilstība tehniskiem noteikumiem
- (LT) Techninių reikalavimų atitikimas
- (EE) Enne seadme kasutamist lugege palun kasutusjuhend hoolega läbi.
- (HR) Sukladno tehničkim propisima
- (SI) Skladnost s tehničnimi predpisi
- (SK) Pred zapnutím zariadenia si prosím prečítajte inštrukcie
- (GR) Συμμόρφωση με τεχνικούς κανονισμούς
- (TR) Teknik yönetmeliklere uyum

GB WARRANTY - STATEMENT

All Ryobi products are guaranteed against manufacturing defects and defective parts for a period of twenty four (24) months from the date stated on the original invoice drawn up by the retailer and given to the end user.

Deterioration caused by normal wear and tear, unauthorised or improper use or maintenance, or overload are excluded from this guarantee as are accessories such as battery packs, light bulbs, blades, fittings, bags, etc. In the event of malfunction during the warranty period, please take the **NON-DISMANTLED** product, along with the proof of purchase, to your retailer or nearest Authorised Ryobi Service Centre.

This warranty in no way affects your legal rights concerning defective products.

FR GARANTIE - CONDITIONS

Ce produit Ryobi est garanti contre les vices de fabrication et les pièces défectueuses pour une durée de vingt-quatre (24) mois, à compter de la date faisant foi sur l'original de la facture établie par le revendeur à l'utilisateur final.

Les détériorations provoquées par l'usure normale, par une utilisation ou un entretien anormal ou non autorisé, ou par une surcharge sont exclues de la présente garantie de même que les accessoires tels que batteries, ampoules, lames, embouts, sacs, etc.

En cas de mauvais fonctionnement au cours de la période de garantie, veuillez envoyer le produit **NON DÉMONTÉ** avec la preuve d'achat à votre fournisseur ou au Centre Service Agréé Ryobi le plus proche de chez vous.

Vos droits légaux se rapportant aux produits défectueux ne sont pas remis en cause par la présente garantie.

DE GARANTIE - BEDINGUNGEN

Für alle Ryobi-Produkte gilt eine Garantie gegen Material- und Verarbeitungsfehler für einen Zeitraum von vierundzwanzig (24) Monaten ab dem Datum der vom Wiederverkäufer für den Endbenutzer ausgestellten Originalrechnung.

Fehler, die auf Grund einer normalen Abnutzung, einer unberechtigten oder falschen Wartung oder Handhabung oder durch eine Überbelastung auftreten, sind von der Garantie ausgeschlossen. Dies gilt auch für Zubehörteile wie Batterien, Glühlampen, Sägeblätter, Ansatzstücke, Beutel usw.

Senden Sie das Produkt im Fall eines Defekts innerhalb des Garantiezeitraumes in **NICHT ZERLEGTEM** Zustand zusammen mit dem Kaufnachweis an Ihren Händler oder Ihr nächstes Ryobi-Kundendienstzentrum zurück.

Diese Garantie hat keine Auswirkungen auf Ihre gesetzlichen Rechte in Bezug auf fehlerhafte Produkte.

ES GARANTÍA - CONDICIONES

Este producto Ryobi está garantizado contra los defectos de fabricación y las piezas defectuosas por un periodo de veinticuatro (24) meses, a partir de la fecha que figura en el original de la factura establecida por el distribuidor al usuario final.

Se excluyen de la presente garantía los deterioros provocados por un desgaste normal, una utilización o mantenimiento incorrecto o no autorizado, y una sobrecarga, así como los diversos accesorios: baterías, bombillas, hojas, puntas, bolsas, etc.

En caso de funcionamiento incorrecto durante el período de la garantía, envíe el producto **SIN DESMONTAR** con la prueba de compra a su proveedor o al Centro de Servicio Acreditado Ryobi más cercano a su domicilio.

Los derechos legales relacionados con los productos defectuosos no son cuestionados por la presente garantía.

IT GARANZIA - CONDIZIONI

Questo prodotto Ryobi è garantito contro tutti i difetti di fabbricazione e pezzi difettosi per una durata di ventiquattro (24) mesi, a partire dalla data indicata sull'originale della fattura compilata dal rivenditore e consegnata all'utente finale.

Il deterioramento provocato dall'usura normale, da un utilizzo o una manutenzione non conformi o non autorizzati, o da un sovraccarico, è escluso dalla presente garanzia. La garanzia è esclusa anche per gli accessori come batterie, lampadine, lame, punte, borse, ecc.

In caso di malfunzionamento nel corso del periodo di garanzia, riportare il prodotto **NON SMONTATO** corredato della prova d'acquisto al fornitore o al più vicino Centro di Assistenza Autorizzato Ryobi.

I diritti legali relativi ai prodotti difettosi non sono rimessi in causa dalla presente garanzia.

NL GARANTIEVOORWAARDEN

Dit Ryobi product is gewaarborgd tegen fabricagefouten en defecte onderdelen gedurende een periode van vierentwintig (24) maanden, te rekenen vanaf de officiële datum op het origineel van de door de wederverkoper aan de eindgebruiker uitgeschreven rekening.

Beschadigingen veroorzaakt door normale slijtage, door abnormaal of ongeoorloofd gebruik of onderhoud, of door overbelasting vallen niet onder deze garantie, evenmin als accu's, lampen, bits, snijbladen, zakken enz.

In geval van slechte werking tijdens de garantieperiode, wordt u verzocht het **NIET GEDEMONTEERDE** product samen met de koopbon aan uw leverancier of aan het dichtstbijzijnde Ryobi servicecentrum te sturen.

Deze garantie doet niet af aan uw wettelijke rechten met betrekking tot defecte producten.

PT GARANTIA - CONDIÇÕES

Este produto Ryobi está garantido contra os vícios de fabrico e as peças defeituosas por um prazo de vinte e quatro (24) meses, a contar da data que faz fé no original da factura emitida pelo vendedor ao utilizador final.

As deteriorações provocadas pelo desgaste normal, por uma utilização ou uma manutenção anormal ou não autorizada, ou por uma sobrecarga ficam excluídas da presente garantia assim como os acessórios tais como baterias, lâmpadas, lâminas, ponteiros, sacos, etc.

No caso de mau funcionamento durante o período de garantia, queira enviar o produto **NÃO DESMONTADO** com a prova de compra ao seu fornecedor ou ao Centro de Serviço Autorizado Ryobi mais próximo.

Os seus direitos legais relativos aos produtos defeituosos não são prejudicados pela presente garantia.

DK GARANTI - REKLAMATIONSRET

Der er reklameretsret på dette Ryobi produkt for fabriktionsfejl og defekte dele i fireogtyve (24) måneder fra gyldighedsdatoen på originalfakturaen udstedt af forhandleren til slutbrugeren.

Skader opstået på grund af almindeligt slid, unormal eller ikke tilladt anvendelse, forkert vedligeholdelse eller overbelastning er ikke dækket af denne reklameretsret, det samme gælder tilbehør som batterier, pærer, klinger, indsætter, poser osv.

I tilfælde af driftsfejl i garantiperioden skal produktet afleveres **IKKE DEMONTERET** med købebevis til forhandleren eller nærmeste autoriserede Ryobi serviceværksted.

De lovestemte rettigheder i forbindelse med defekte produkter forringes ikke af denne reklameretsret.

SE GARANTI - VILLKOR

Ryobi garanterar denna produkt mot fabriktionsfel och defekta delar under tjugofyra (24) månader, räknat från det datum som anges på originalfakturan fastställt av återförsäljaren och överlämnad till slutanvändaren.

Denna garanti täcker inte skador som förorsakas av normalt slitage, av normal eller otillåten användning eller skötsel, eller av överbelastning. Den täcker inte heller tillbehör som batterier, glödlampor, blad, ändstycken, påsar, osv.

I händelse av felaktig funktion medan garantin är i kraft skall produkten sändas **UTAN ATT DEMONTERAS** tillsammans med inköpsbeviset till leverantören eller till närmaste servicecenter som auktoriserats av Ryobi.

De rättigheter som lagen ger i förhållande till defekta produkter ifrågasätts inte av denna garanti.

FI TAKUUEHDOT

Tällä Ryobi-tuotteella on valmistusvial tai vialliset osat kattava vuoden (24 kk) takuu alkuperäiseen ostokäyttöön tai laskuun merkittystä ostopäivästä lukien.

Takuu ei kata normaalia kulumisesta, epänormaalia tai kielletystä käytöstä tai vialluisuudesta aiheutuneita vahinkoja eikä lisävarusteita kuten akkuja, polttimoita, teriä, pusseja jne.

Mikäli takuuajana ilmaantuu toimintahäiriöitä, vie **PURKAMATON** tuote ostodistustuksineen myyjäliikkeeseen tai lähimpään Ryobi-keskushuoltoamoon.

Tämä takuu ei vaikuta viallisia tuotteita koskeviin lakiperusteisiin oikeuksiin.

NO GARANTI - VILKÅR

Dette Ryobi produktet er garantert mot fabriksjonsfeil og defekte deler i tjuogefire (24) måneder fra datoen som står på fakturaen utstedt av forhandleren til sluttbrukeren.

Garantien bortfaller dersom skadene er forårsaket av normal slitasje, unormal eller uautorisert bruk, eller overbelastning, og gjelder ikke tilbehør som batterier, lyspærer, blad, bits, poser, osv.

I tilfelle funksjonsfeil under garantiperioden, skal produktet leveres i **UDEMONTERET** tilstand sammen med kjøpsbeviset til forhandler eller til nærmeste autoriserte Ryobi servicecenter.

Dine lovmessige rettigheter med hensyn til defekte produkter er ikke påvirket av denne garantien.

RU ГАРАНТИЯ – УСЛОВИЯ

Настоящая продукция RYOBI гарантирована от дефектов производства и дефектов изделий на 2 года со дня официального оформления покупки, указанного на оригинале счета, выписанного продавцом покупателю.

Повреждения, полученные в результате обычного износа, ненормального или запрещенного использования или обслуживания, а также перегрузкой, — не покрываются настоящей гарантией, также как и аксессуары, такие как батареи, лампочки, докли, патроны, мешки и т.д.

В случае поломки или неисправности в гарантийный период отнесите продукцию **НЕРАЗОБРАННОЙ** с подтверждением покупки Вашему продавцу или в ближайший Центр Технического Обслуживания Ryobi.

Настоящая гарантия не влияет на Ваши законные права, по отношению к дефектной продукции.

PL WARUNKI GWARANCJI

Na niniejszy produkt Ryobi udzielona jest dwuletnia gwarancja na ukryte wady fabryczne oraz na zdeformowane części. Okres gwarancji dwudziestu czterech (24) miesięcy, zaczyna się od wiążącej daty widniejącej na oryginalne faktury wystawionej przez sprzedawcę dla ostatecznego nabywcy.

Gwarancja ta nie obejmuje zniszczenia wynikającego z normalnego zużycia, czy też uszkodzeń spowodowanych nadmierną eksploatacją, lub niewłaściwą konserwacją, czy nieodpowiednim użytkowaniem niezgodnym z przeznaczeniem. Wyłączone są z niej również akcesoria tj. akumulatory, żarówki, ostrza, końcówki, worki, itd.

W wypadku stwierdzenia złego funkcjonowania podczas okresu gwarancyjnego, prosimy o skierowanie **NIE ZDEMONTOWANEGO** produktu, wraz z dowodem zakupu do waszego dostawcy lub do najbliższego Autoryzowanego Punktu Serwisowego Ryobi.

Niniejsza gwarancja nie podważa przysługujących Państwu uprawnień dotyczących wadliwych produktów.

CZ ZÁRUKA – ZÁRUČNÍ PODMÍNKY

Na tento výrobek značky Ryobi se poskytuje záruka po dobu 24 (dvacet čtyř) měsíců od data uvedeného na faktúře nebo pokladním bloku, který koncový uživatel obdržel v prodejní při nákupu výrobku. Záruka se vztahuje na výrobní vady a vadné díly.

Záruka se nevztahuje na poškození výrobku způsobené jeho běžným opotřebením, nesprávným nebo neschváleným použitím, nesprávnou údržbou nebo přetížením. Uvedené záruční podmínky se nevztahují na příslušenství, jako akumulátory, žárovky, pilové listy, nástavce, vaky apod.

V případě provozních problémů u výrobku v záruce kontaktujte nejbližší autorizovanou servisní opravnu výrobků Ryobi. K opravě je nutné předložit **NEDEMONTOVANÝ** výrobek spolu s faktúrou nebo pokladním blokem.

Tato záruka nevylučuje případná další Vaše spotřebitelská práva týkající se výrobních závad, v souladu s platnými legislativními předpisy.

HU GARANCIA FELTÉTELEI

Ezt a Ryobi termékemet huszonegy (24) hónapig garanzáljuk a gyártáshibák, valamint a készülékben található alkatrészek miatt jelentkező meghibásodás ellen. A garancia az eladó által, a vásárló számarra készített, eredeti adás-vétel szerződésen feltüntetett dátumtól érvényes.

A normális igénybevételből fakadó elhasználódás, a nem rendeltetésnek megfelelő használat vagy karbantartási művelet miatt fellépő, túlterhelés által okozott meghibásodásra nem terjed ki a garancia. A tartozékokra, mint például az akkumulátorra, izóckora, fűfűfejekre, táskára, stb., a garancia szintén nem vonatkozik.

A garancia periódus alatt fellépő meghibásodás esetén, juttassa el **NEM SZÉTSZERELT ÁLLAPOTBAN** a Ryobi termékét a vásárlást és annak dátumát igazoló dokumentum kíséretében az eladóhoz vagy az Önökhöz legközelebbi Ryobi Szerviz Központba.

A jelen garancia nem zárja ki a fogyasztási eszközökre vonatkozó jogszabályok által elrendelteteket.

RO GARANȚIE – CONDIȚII

Acest produs Ryobi este garantat în cazul viciilor de fabricație și pieselor cu defecte pentru o durată de douăzecișipatru (24) de luni, începând cu data facturii originale emisă de către comerciantul utilizatorului final.

Deteriorările provocate prin uzură normală, printr-o utilizare sau întreținere anormală sau neautorizată, sau prin fortarea utilajului sunt excluse din prezenta garanție acestea aplicându-se și accesoriilor ca baterii, becuri, lame, capete, saci, etc.

În caz de funcționare defectuoasă în perioada de garanție, vă rugăm să trimiteți produsul **NEDEMONTAT** împreună cu factura de cumpărare furnizorului dumneavoastră sau la Centrul Service Acreditat Ryobi cel mai apropiat de dumneavoastră. Drepturile dumneavoastră legale privind produsele defectuoase nu sunt alterate prin prezenta garanție.

LV GARANTIJAS PAZIŅOJUMS

Šī produkta izejmateriālu un ražošanas defektus divdesmit četrus (24) mēnešus sedz garantija, kas stājas spēkā no rēķina vai piegādes dokumenta izrakstīšanas datuma.

Normālas nolietošana, nepilnvarotas/nepareizas apkopes/apiešanās vai pārslodzes radītos defektus garantija nesedz; garantija neattiecas arī uz akumulatoriem, spuldzēm, asmeņiem, kaltiem utt.

Ja garantijas periods laikā radusies kļūme, atgrieziet **NEIZJAUKTU** produktu ar iegādātiem dokumentiem savam dēlīnim vai tuvākajai Ryobi servisa centram.

Garantija neskar ar likumu noteiktās tiesības attiecībā uz defektiem produktiem.

LT GARANTINIS PAREIŠKIMAS

Garantuojame, kad šiame prietaise 24 mėnesius, pradadedant nuo pirmojo pirkimo ar pristatymo datos, nurodytos ant kvito, nebus medžiagu ir gamybos defektu.

Defektai dėl įprasto naudojimo ir nusidėvėjimo, netinkamo ir neleistino naudojimo ir priežiūros ar perkrovų į garantijos apimtį neįeina. Taip pat garantija neteikiama tokiems priedams kaip baterijos, lempučių, antgaliai ir pan.

Gedimo atveju garantiniui laikotarpiu **NEIŠARDYTA** prietaisą su pirkimo datos įrodymu grąžinkite pardavėjui arba į artimiausią „Ryobi“ techninio aptarnavimo centrą.

Jūsų statutinės teisės gedimų turinčių produktų atžvilgiu garantijos nėra apribojamos.

EE GARANTIAVALDUS

Ryobi garanteerib, et tootel ei ilmne materjalidefekte ega t otlemisvigu kahek umne nelja (24) kuu jooksul alates originaalarve v i saatelehe v ljaandmise kuup evast.

Defektid, mis on p ohnjatatud loomulikust kulumisest, volitamata ja v araast hooldamisest v i k asitsemisest v i  ulekoormamisest, ei ole k esoleva garantiikohustusega kaetud. Garantii ei laiene akudele, p imidele, l iketeradele, otsakutele ja muudele tarvikutele.

Kui garantiperioodi ajal ilmneb rike, siis palun tuua toode LAHTIMONTEERIMATA KUJUL koos ostudokumendiga oma edasim ijajale v i Ryobi hooldusettev ttesse.

Teie seadusj rgsed  igused rikkis toote suhtes j avad garantii poolt m ojustamata.

HR UVJETI GARANCIJE

Ovaj Ryobi proizvod je pod garancijom za sve nedostatke unutar dvadeset i  etiri (24) mjeseca od datuma koji se nalazi na originalnom ra unu koji je prodava  izdao krajnjem korisniku.

Oštećenja uzrokovana normalnom uporabom, neprikladnim ili nedozvoljenim korištenjem ili odr avanjem ili pak prevelikim opterećenjem nisu uklju ena u ovu garanciju, kao ni dodaci poput baterija,  arulja, no eva, vrhova, torbi itd.

U slu aju da tijekom garancijskog razdoblja alat radi neispravno, proizvod koji **NISTE RASTAVLJALI** zajedno s dokazom o kupnji po aljite vašem dobavlja u ili najbli em Ovlaštenom Ryobi servisu. Vaša prava koja se odnose na neispravne proizvode ovom se garancijom ne dovode u pitanje.

SI GARANCIJSKA IZJAVA

Vsi izdelki znamke Ryobi imajo garancijo za napake v izdelavi in neustrezne sestavne dele za obdobje 24-ih mesecev od datuma, ki je naveden na originalnem ra unu, ki ga je prodajalec izdal kon nemu uporabniku.

Staranje, ki ga povzro a običajna raba in obraba izdelka, njegova nepooblaš ena ali neustrezna uporaba ali vzdr evanje, ali preobremenitev, je izvzeto iz te garancije. Enako velja tudi za dodatno opremo kot so baterijski vlo ki,  arnice, rezila, pribor, vre ke, ipd.

 e pride v garancijskem roku do napake v delovanju izdelka, vas prosimo, da ga **NERAZSTAVLJENEGA**, skupaj z dokazilom o nakupu, odnesete va emu prodajalcu ali v najbli ji Ryobi servisni center.

Ta garancija nikakor ne vpliva na va e pravice, ki vam jih v zvezi z neustreznimi izdelki daje zakon.

SK  ARUKA –PREHL SENIE

Tehto produkt prich adza so  aruku na chyby v materi li a spracovan  v d lke 24 mesiacov od d tumu k py, alebo dodania.

Chyby s p soben m norm lным optrebovan m, nedovolenou / nespr vnou  dr bou / nar ban m, alebo prel a en m, s  z tejto  aruky vyl u en  podobne ako prisluslenstvo ako bateriov e  l anky,  epele a hrotov atd.

V pr pade poruchy v obdobi  aruky, prinesite prosim **NEROZOBRAVN ** s dokladom o k pe va mu predajcovi, alebo do najbli šieho servisn ho centra Ryobi.

Va e z konn  pr va ohladom po kodeneho v robku nie s  ovplyvnen  touto  arukou.

GR OPOI EΓΓΥΗΣΗ

Aut  to pro ion Ryobi f erei eγγ ηση kat  twn kataσκευαστικ wn eλαττωματικ wn kai twn eλαττωματικ wn τμηματων για μια d r keia eikostees s r wn (24) μην wn, ap  twn hmeromn ia pou αναφ rεται sto πρωτοτυπο του τιμολογίου που καταρτίστηκε ap  ton μεταπωλητ  για τον τελικό χρ στη.

Oi φυσιολογικές φθορές   εκείνες που θα προκληθούν ap  μη φυσιολογική   μη επιτρεπτή χρ ση   συντήρηση,   ap  υπερφορτίση δεν καλυπτονται ap  την παρούσα eγγ ηση καθώς και τα εξαρτήματα  πως μπαταρίες, λάμπες, μύτες, σακούλες κλπ.

Σε περίπτωση κακής λειτουργίας kat  twn per odo eγγ ησης, παρακαλείστε να απευθύνετε to pro ion ΧΩΡΙΣ ΝΑ ΤΟ ΑΝΟΙΞΕΤΕ, με την απ δειξη αγορ ς, στον προμηθευτή σας   στο κοντιότερο Κέντρο Τεχνικής Εξυπηρέτησης Ryobi.

Τα νόμιμα δικαιώματά σας που αφορούν στα eλαττωματικά pro ionτα δεν αμφισβητούνται ap  την παρούσα eγγ ηση.

TR GARANTİ -  ARTLAR

Bu Ryobi  r n ,  retim hatalarına ve kusurlu par alara kar ı satıcı tarafından son kullanıcılara verilmiş olan orijinal fatura tarihinden itibaren yirmi d rt (24) ay boyunca garantilidir.

Normal kullanım sonucunda yıpranmalar, anormal ya da izin verilmeyen kullanım ya da bakım, ya da aşırı y klenme ve ayrıca bataryalar, ampuller, bı aklar, rakorlar, torbalar gibi aksesuarlar s zkonusu garantinin dı ındadır.

Garanti d nemi s resinde meydana gelen bir arıza durumunda,  r n  **S KMEĐEN** satınalma belgesi ile yetkili satıcınıza ya da size en yakın Ryobi Yetkili Servis Merkezine g nderiniz. Bu garanti, defolu mallara ili kin yasal haklarınızı hi bir şekilde etkilemez.

(GB) WARNING

The vibration emission level given in this information sheet has been measured in accordance with a standardised test given in EN 60745 and may be used to compare one tool with another. It may be used for a preliminary assessment of exposure. The declared vibration emission level represents the main applications of the tool. However if the tool is used for different applications, with different accessories or poorly maintained, the vibration emission may differ. This may significantly increase the exposure level over the total working period.

An estimation of the level of exposure to vibration should also take into account the times when the tool is switched off or when it is running but not actually doing the job. This may significantly reduce the exposure level over the total working period. Identify additional safety measures to protect the operator from the effects of vibration such as: maintain the tool and the accessories, keep the hands warm, organisation of work patterns.

(FR) AVERTISSEMENT

Le niveau d'émission des vibrations indiqué dans cette feuille d'information a été mesuré en concordance avec un test normalisé fourni par EN60745 et peut être utilisé pour comparer un outil à un autre. Il peut être utilisé pour une évaluation préliminaire de l'exposition. Le niveau déclaré d'émission des vibrations s'applique à l'utilisation principale de l'outil. Toutefois, si l'outil est utilisé pour des applications différentes, avec des accessoires différents, ou mal entretenu, l'émission de vibrations peut être différente. Le niveau d'exposition peut en être augmenté de façon significative tout au long de la période de travail.

Une estimation du niveau d'exposition aux vibrations doit aussi prendre en compte les périodes où l'outil est arrêté ainsi que les périodes où il fonctionne sans vraiment travailler. Le niveau d'exposition pendant la durée totale du travail peut en être réduit de façon significative. Prenez en considération les mesures additionnelles de sécurité à prendre pour protéger l'opérateur des effets des vibrations telles que: maintien de l'outil et de ses accessoires, maintien des mains au chaud, organisation du travail.

(DE) WARNUNG

Der in diesem Informationsblatt genannte Schwingungspegel wurde entsprechend dem standardisierten Test von EN60745 gemessen und kann benutzt werden um das Werkzeug mit anderen zu vergleichen. Er kann benutzt werden, um eine vorausgehende Einschätzung der Exposition durchzuführen. Der genannte Schwingungspegel repräsentiert den Haupteinsatzbereich des Werkzeugs. Jedoch kann das Werkzeug für verschiedene Einsatzbereiche benutzt werden. Mit unterschiedlichen Zusatzgeräten oder bei schlechter Wartung kann der Schwingungspegel unterschiedlich sein. Dadurch kann die Expositionshöhe über die gesamte Arbeitszeit signifikant erhöht werden.

Eine Einschätzung der Exposition zu Schwingungen sollte auch die Zeiten wenn das Werkzeug angeschaltet ist, oder wenn es angeschaltet aber nicht in Betrieb ist, in Betracht ziehen. Dadurch kann die Expositionshöhe über die gesamte Arbeitszeit signifikant reduziert werden. Identifizieren Sie zusätzliche Sicherheitsmaßnahmen um die Bedienungsperson vor den Effekten der Schwingungen zu schützen, wie zum Beispiel: Das Werkzeug und Zusatzgeräte warten, Hände warmhalten und Organisation der Arbeitszeiten.

(ES) ADVERTENCIA

El nivel de emisión de las vibraciones que figura en esta hoja de información se ha medido según una prueba estandarizada que figura en EN60745 y puede ser utilizado para comparar una herramienta con otra. Puede ser utilizado para una evaluación preliminar de la exposición. El nivel de emisión de las vibraciones declarado representa las principales aplicaciones de la herramienta. No obstante, si la herramienta se utiliza para diferentes aplicaciones, con diferentes accesorios o no recibe el mantenimiento adecuado, la emisión de las vibraciones puede ser diferente. Esto puede aumentar significativamente el nivel de exposición durante el periodo de trabajo total.

Una estimación del nivel de exposición a la vibración también debe tener en cuenta el tiempo en el que la herramienta está desconectada o cuando está conectada pero no está realizando ningún trabajo. Esto puede reducir significativamente el nivel de exposición durante el periodo de trabajo total. Identificar las medidas de seguridad adicionales para proteger al operador de los efectos de las vibraciones, tales como: mantenimiento de la herramienta y de los accesorios, y la organización de los patrones de trabajo.

(IT) AVVERTENZE

Il livello di vibrazioni indicato in questo foglio informativo è stato misurato seguendo un test svolto secondo i requisiti indicati dallo standard EN60745 e potrà essere utilizzato per paragonare un utensile con un altro. Potrà essere utilizzato per una valutazione preliminare dell'esposizione a vibrazioni. Il livello dichiarato di emissioni di vibrazioni viene indicato tenendo conto delle applicazioni principali dell'utensile. Comunque se l'utensile viene utilizzato per applicazioni diverse con accessori diversi o non viene correttamente conservato, il livello delle vibrazioni potrà variare. Ciò potrà significativamente aumentare il livello di esposizione alle vibrazioni durante il periodo di lavoro totale.

Una valutazione del livello di esposizione alle vibrazioni dovrà inoltre prendere in considerazione i tempi in cui l'utensile viene spento o è acceso ma non viene utilizzato. Ciò potrà significativamente ridurre il livello di esposizione in un periodo totale di funzionamento. Ulteriori misure di sicurezza per proteggere l'operatore dagli effetti delle vibrazioni come: conservare correttamente l'utensile e i suoi accessori, tenere le mani calde e organizzare i tempi di lavoro.

(NL) WAARSCHUWING

Het trillingsemisniveau dat op dit informatieblad was gegeven, is gemeten in overeenstemming met een gestandaardiseerde test, vastgelegd in EN60745 en mag worden gebruikt om machines met elkaar te vergelijken. Het verklaarde trillingsemisniveau geeft de hoofdtoepassing van het gereedschap weer. Als de machine echter voor andere toepassingen of met andere accessoires wordt gebruikt of slecht wordt onderhouden, kan de trillingsemisnieverschillen. Dit kan de blootstelling gedurende de gehele werkduur aanzienlijk verhogen.

Bij een schatting van het niveau van blootstelling aan trillingen moet ook rekening worden gehouden met het aantal keren dat de machine wordt uitgeschakeld of draait, maar niet wordt gebruikt. Dit kan het niveau van blootstelling gedurende de gehele werkduur aanzienlijk verlagen. Stel bijkomende veiligheidsmaatregelen op om de gebruiker tegen de gevolgen van trillingen te beschermen: zoals onderhouden het gereedschap en de accessoires, houd de handen warm, de organisatie van werkpatronen.

(PT) AVISO

O nível de emissão de vibrações fornecido nesta folha de informações foi medido em conformidade com o teste uniformizado descrito em EN60745 e pode ser usado para comparar uma ferramenta com outra. Este pode ser usado para uma avaliação preliminar da exposição. O nível de emissão de vibração declarado refere-se à aplicação principal da ferramenta. Contudo, se a ferramenta for usada para aplicações diferentes, com acessórios diferentes ou não for devidamente mantida, a emissão de vibrações pode diferir. Isto pode fazer aumentar significativamente o nível de exposição ao longo do período de trabalho total.

Uma estimativa do nível de exposição às vibrações deve ter, também, em consideração o tempo durante o qual a ferramenta está desligada ou em que está ligada mas não está a realizar qualquer trabalho. Isto pode reduzir significativamente o nível de exposição durante o período total de trabalho. Identifique medidas adicionais de segurança que protejam o operário dos efeitos da vibração como a manutenção da ferramenta e dos acessórios, a manutenção das mãos quentes e a organização de padrões de trabalho.

(DK) ADVARSEL

Det angivne niveau for vibrationsemission på denne oplysnings side er blevet målt iht. en standardtest ifølge EN60745 og kan bruges til at sammenligne værktøjer indbyrdes. Det kan bruges til en foreløbig eksponeringsvurdering. Det opgivne niveau for vibrationsemission gælder, når værktøjet bruges til sit hovedformål. Men hvis værktøjet bruges til andre formål, med forskelligt eller med dårligt vedligeholdt ekstraudstyr, kan vibrationsemissionen variere. Dette kan medføre en betragtelig stigning i eksponeringsniveauet set over hele arbejdsperioden.

Et skøn over niveauet for vibrationseksponering bør også tage højde for de perioder, hvor værktøjet er slukket, eller hvor det er tændt uden faktisk at være i brug. Dette kan medføre en betragtelig reduktion i eksponeringsniveauet set over hele arbejdsperioden. Træf ekstra sikkerhedsforanstaltninger til beskyttelse af operatøren mod virkningerne fra vibrationen som fx: vedligeholde værktøjet og ekstraudstyr, hold de hænderne varme, organiser arbejdsmanøvre.

SE**VARNING**

Vibrationsnivåerna som uppges i det här dokumentet har uppmåts i enlighet med ett standardiserat test som beskrivs i EN60745 och som kan användas för att jämföra verktyg. Det kan användas som en preliminär bedömning av den vibration som användaren utsätts för. De deklarerade vibrationsvärdena motsvarar de som uppstår när verktyget används i sitt huvudsyfte. Om verktyget används i andra syften, med andra tillbehör eller om verktyget är dåligt underhållet kan vibrationsnivåerna vara anorlunda. Det kan kraftigt öka vibrationsnivåerna över den totala arbetsperioden.

En uppskattning av vibrationsnivåerna som användaren utsätts för ska också ta hänsyn till de stunder då verktyget är avstängt och när det går på tomgång. Detta kan kraftigt minska vibrationsnivåerna över den totala arbetsperioden. Andra säkerhetsåtgärder som kan skydda användaren från effekterna av vibrationer är: underhållning av verktyget och tillbehören, hålla händerna varma och organisera arbetssättet.

FI**VAROITUS**

Tämän tiedotteen tärinätoa on mitattu EN60745-standardien mukaisilla testeilillä, ja niitä voidaan käyttää verrattaessa laitteita toiseen. Sitä voidaan käyttää arvioitaessa tärinävaikutusta. Ilmoitettu tärinätoa vastaa laitteen pääasiallissa käyttöolosuhteissa. Jos laitetta kuitenkin käytetään muuhun tarkoitukseen, muilla lisälaitteilla tai huonosti huollettuina, tärinätoa saattaa poiketa ilmoitetusta arvosta. Tämä voi kasvatella kokonaisaltistumista huomattavasti koko työjakson kuluessa.

Tärinän altistumistasoa arvioitaessa tulee huomioida ajat, jolloin laite on sammutettu tai kun se on käynnissä, mutta sitä ei käytetä varsinaiseen työskentelyyn. Tämä voi vähentää kokonaisaltistumista huomattavasti koko työjakson kuluessa. Käytä muitakin suojauskeinoja turvataksesi käyttäjän tärinävaikutukselta, kuten: huolla laite ja lisälaitteet, pidä kätesi lämpiminä, organisoï työnuksuu.

NO**ADVARSEL**

Nivået på vibrasjonsutsnittet som oppgis på dette informasjonarket er målt i henhold til en standardisert test gitt i EN60745 og kan brukes til å sammenligne et verktoy med et annet. Det kan brukes til en foreløpig vurdering av eksponering. Det erklærer nivået på vibrasjonsutslipp representerer hovedanvendelsen for verktoyet. Dersom verktoyet brukes for andre anvendelser, med forskjellig tilbehør eller med dårlig vedlikehold, kan vibrasjonsutslipp kunne være annerledes. Det kan gi en betydelig økning av eksponeringsnivået over den totale arbeidsperioden.

En beregning av nivået for eksponering til vibrasjoner må også ta hensyn til den tiden verktoyet er slått av eller er i gang men ikke i faktisk bruk for å utføre den tiltenkte oppgaven. Dette kan gi en betydelig økning av eksponeringsnivået over den totale arbeidsperioden. Identifiser ytterligere sikkerhetstiltak for å beskytte den som bruker verktoyet fra virkningen av vibrasjoner, tiltak som: Vedlikehold verktoyet og tilbehøret, hold hendene varme, organiser arbeidsmetodene.

RU**ОСТОРОЖНО!**

Уровень вибрации, приведенный в данном справочном листе, измерен согласно стандартизованным испытаниям, определенным в EN60745 и может использоваться для сравнения различных инструментов. Значение уровня может использоваться для предварительной оценки влияния вибрации. Заявленный уровень вибрации действителен для основного применения инструмента. Однако, если инструмент используется для других целей, с другими приспособлениями, или плохо обслуживается, уровень вибрации может отличаться от указанного. Это может значительно увеличить величину воздействия за общее время работы.

При оценке уровня воздействия вибрации следует также принять во внимание время простоев и холостой ход (когда инструмент выключен и когда включен, но работа не производится). Эти факторы могут значительно уменьшить величину воздействия вибрации за общее время работы. Определите дополнительные меры безопасности, защищающие работающего от влияния вибрации: техническое обслуживание инструмента и принадлежностей, недопущение охлаждения рук, соответствующие приемы и распорядок работы.

PL**OSTRZEŻENIE**

Deklarowany poziom drgań został zmierzony za pomocą standardowej metody pomiaru określonej normą EN60745 i jego wyniki mogą służyć do porównywania tego urządzenia z innymi. Deklarowana wartość drgań może służyć do wstępnej oceny narażenia operatora na drgania. Deklarowany poziom drgań dotyczy podstawowych zastosowań urządzenia. Jednak w przypadku użycia urządzenia do innych zastosowań, z innymi przysawkami lub w przypadku niewłaściwego stanu technicznego urządzenia poziom drgań może odbiegać od deklarowanego. Może być to przyczyną zwiększenia stopnia narażenia operatora na drgania w całym okresie wykonywania pracy.

Podczas oceny narażenia na drgania należy również uwzględnić czas wyłączenia urządzenia oraz czas, w którym urządzenie jest włączone, jednak praca nie jest wykonywana. Czasy te mogą znacznie zmniejszyć stopień narażenia operatora na drgania w całym okresie wykonywania pracy. Należy określić dodatkowe środki ochrony operatora przed skutkami drgań, przykładowo: dbać o stan techniczny urządzenia i przysawek, dbać o zachowanie ciepłoty dłoni, odpowiednio zorganizować harmonogram wykonywania prac.

CZ**VAROVÁNÍ**

Hodnoty vibračních emisí uvedené v tomto informačním listu byla naměřena standardizovaným testem podle EN60745 a je použit k porovnání s hodnotami jiných nástrojů. Může se používat k předběžnému odhadu vystavování vibračím. Uznána hodnota vibračních emisí reprezentuje hlavní použití nástroje. Nicméně pokud se nástroj používá pro jiné použití, s různými doplňky nebo se nedostatečně neudržuje, mohou se vibrační emise lišit. Toto může výrazně zvýšit úroveň vystavení nad celkové pracovní období.

Odhad úrovně vystavení vibračím by měl vzít taktéž v potaz čas, kdy je chvění vypnuté, nebo když přístroj běží, ale nevykonává práci. Toto může výrazně snížit úroveň vystavení nad celkové pracovní období. Určete doplňující bezpečnostní opatření pro ochranu obsluhy před různými vibračím, například: Udržujte nástroj a doplňky, udržujte ruce v teple, organizujte pracovní schéma.

HU**FIGYELMEZTÉS**

A vibráció-kibocsátás adatlapon megadott értéke az EN60745 által meghatározott szabványosított mérési eljárás szerint lett megmértve, amely lehetővé teszi a különböző szerzők közötti összehasonlítást. Használható a kitetségek előzetes felmérésére is. A nyilatkozatban szereplő kibocsátási érték a szerzők főbb alkalmazási területeire vonatkozik. Ugyanakkor, ha a szerzőmást más alkalmazásokra, más kiegészítőkkel használják vagy rosszul tartják karban, a vibráció-kibocsátás értéke ettől eltérő is lehet. Ez jelentősen növelheti a kitetségek szintjét a gép teljes használati időtartama során.

A vibrációnak való kitetségek szintjének becslésekor figyelembe kell venni azokat az időintervallumokat is, amikor a szerzőmást nem használja, vagy működik, de nem végeznek munkát vele. Ez jelentősen csökkentheti a kitetségek szintjét a gép teljes használati időtartama során. Tegyén további óvintézkedéseket a kezelő vibračióval szembeni megvédése érdekében: tartsa karban a szerzőmást és a tartozékokat, tartsa melegben a kezét, tervezz meg a munkafolyamatot.

RO**AVERTISMENT**

Nivelul emisiilor de vibrații prezentat în cadrul acestei fișe cu informații a fost măsurat în conformitate cu un test standardizat furnizat în EN60745 și poate fi folosit la a compara o uneltă cu o alta. Poate fi folosit la o evaluare preliminară a expunerii. Nivelul declarat al emisiilor de vibrații reprezintă aplicațiile principale ale uneltei. Cu toate acestea, în cazul în care uneltă este utilizată pentru aplicații diferite, cu accesorii diferite sau întreținute necorespunzător, emisiile de vibrații pot diferi. Acestea pot crește semnificativ nivelul de expunere pe întreaga perioadă de lucru.

O estimare a nivelului de expunere la vibrații trebuie, de asemenea, să țină cont de faptul în care uneltă este oprită sau de faptul în care aceasta funcționează fără a efectua propriu-zis sarcina de lucru. Acestea pot reduce semnificativ nivelul de expunere pe întreaga perioadă de lucru. Identificați măsuri de siguranță suplimentare pentru a proteja operatorul de efectele vibrațiilor, precum: întreținerea uneltei și a accesoriilor, păstrarea mâinilor calde, organizarea de modele de lucru.

LV

BRĪDĪNĀJUMS

Šajā datu lapā dotā vibrāciju emisijas vērtība ir mērīta saskaņā ar standartizēto testu, kas dots EN60745 un kuru var izmantot, lai salīdzinātu vienu instrumentu ar citu. To var izmantot aptuvenam ekspozīcijas novērtējumam. Deklarētās vibrāciju emisijas līmenis atbilst galvenajiem instrumenta pielietojumiem. Tomēr, ja instrumentu lieto citiem pielietojumiem, ar citiem piederumiem vai tas tiek slēgti apkopts, vibrāciju emisijas vērtība var atšķirties. Tas var ievērojami palielināt ekspozīcijas līmeni visa darba perioda laikā.

Vibrāciju ekspozīcijas līmeņa novērtējumam jāņem vērā laiks, kad instruments ir izslēgts vai ir ieslēgts, bet nevienc nekādu darbu. Tas var ievērojami samazināt ekspozīcijas līmeni visā darba periodā. Identificējiet papildu drošības pasākumus, lai aizsargātu operatoru no vibrāciju iedarbības, piemēram, veiciet instrumenta un piederumu apkopi, turiet rokas siltas un pielāgojiet darba grafiku.

LT

ISPĒJĪMAS

Šīma lape nurodytas vibrācijas emisijos lygis buvo išmatuotas pagal standartinį testą, aprašytą EN60745, ir gali būti naudojamas vieno įrankio su kitu palyginimui. Jis gali būti naudojamas preliminariam pavojaus įvertinimui. Deklaruotą vibracijos emisijos lygį priskiriamas pagrindinėms įrankio taikymo srityms. Tačiau, jei įrankis naudojamas kitems tikslams, su kitokiais priedais ar įrankis prastai prižiūrimas, vibracijos emisija gali skirtis. Per visą darbo laikotarpį tai gali žymiai padidinti vibracijos keliamą pavojų.

Nustatant vibracijos keliamą pavojų taip pat būtina atsižvelgti į tai, kiek kartų įrankis yra išjungtas ar kai jis veikia, bet juo iš tikrųjų nedirbama. Per visą darbo laikotarpį tai gali žymiai sumažinti vibracijos keliamą pavojų. Naudokite papildomas apsaugos priemones dirbančiam asmeniui apsaugoti nuo vibracijos poveikio, pvz.: prižiūrėti įrankį jo priedus, rankas laikyti šiltai, organizuoti darbo sesijas.

EE

HOIATUS

Sellei inehilte esitatud vibratsioonitaseme väärtus on mõeldud standardis EN60745 kirjeldatud katsemõetodiga ja seda võib kasutada tööriistade omavaheliseks võrdlemiseks. Seda võib kasutada vibratsioonimõju eelhindamiseks. Deklareeritud vibratsioonitaseme väärtus kehtib tööriista tavakasutamisel. Kui aga kasutate tööriista muudeks kasutusotstarveteks, eriotstarbeliste tarvikutega või kui tööriist on puudulikult hooldatud, siis võib vibratsiooniväärtus erineda. Sellistel juhtudel võib tööperioodi summaarne vibratsioonitaseme suurendada märgatavalt.

Vibratsiooniväärtuse taset tuleb arvesse võtta ka sel ajal, kui tööriist on välja lülitatud või kui tööriist tööle, kuid ei tee tööperioodi. Sellistel juhtudel võib tööperioodi ajal summaarne vibratsioonitaseme väheneda märgatavalt. Määrake kindlaks täiendavad ohutusmeetmed, et kaitsta operaatrit vibratsioonimõjude eest – tööriistade ja tarvikute hooldamine, kätte soojas hoidmine ja töövahetuste organiseerimine.

HR

UPOZORENJE

Razina vrijednosti vibracija data u ovoj tablici s informacijama mjerenja je sukladno normiranom testu pruženom u EN60745 i može se koristiti za usporedbu jednog alata s drugim. Može se koristiti u početnom uskladjivanju izloženosti. Objavljena razina vrijednosti vibracija predstavlja glavnu primjenu alata. Međutim, ako se alat koristi za druge primjene, s različitim dodatnim priborom ili je slabo održavan, vrijednost vibracija može se razlikovati. Ovo može značajno povećati razinu izloženosti tijekom ukupnog radnog razdoblja.

U procjeni razine izloženosti na vibraciju također treba uzeti u obzir vrijeme kada je alat isključen ili kada je pokrenut no ne i stvarno vrijeme rada. Ovo može značajno smanjiti razinu izloženosti tijekom ukupnog radnog razdoblja. Odredite dodatne sigurnosne mjere za zaštitu operatera od učinaka vibracije poput: održavanje alata i pribora, održavanje toplih ruku, organizacija obrabaca za rad.

SI

OPOZORILO

Nivo emisij vibracij, naveden v tem informacijskem listu, je bil izmerjen v skladu s standardiziranimi testom, ki je podan v EN60745, podatek pa se lahko uporablja za primerjavo enega orodja z drugim. Uporablja se ga lahko za predhodno oceno izpostavljenosti. Navedeni nivo emisij vibracij predstavlja glavne uporabe orodja. Vendar, če se orodje uporablja v druge namene in z različnimi nastavki oz. če je orodje slabo vzdrževano, se lahko emisije vibracij razlikujejo. To lahko občutno poveča nivo izpostavljenosti v skupnem delovnem času.

Ocena nivoja izpostavljenosti vibracijam bi morala prav tako upoštevati, koliko krat je orodje bilo izključeno ali je v delovanju in pravzaprav ne opravlja svojega dela. To lahko občutno zmanjša nivo izpostavljenosti v skupnem delovnem času. Upoštevajte dodatne varnostne ukrepe, da bi upravljavca zaščitili pred vplivom vibracij, kot je: vzdržujte orodje in nastavke, pazite, da so roke tople, organizirajte delovne ure.

SK

VAROVANIE

Uroveň emisie vibrácií, uvedená v tomto informačnom hárku bola nameraná v súlade so standardizovaným testom, daný normou EN60745 a môže sa použiť na porovnanie jedného nástroja s druhým. Môže sa použiť na predbežné určenie miery vystavenia sa vibráciám. Uvedená úroveň emisie vibrácií predstavuje hlavnú aplikáciu nástroja. Avšak keď sa nástroj používa na iné aplikácie, s rôznym príslušenstvom alebo má zvl' štrbu, úroveň vibrácií sa môže líšiť. Týmto sa môže výrazne zvýšiť úroveň vystavenia sa vibráciám počas celkového času práce.

Odhad úrovn'e vystavenia sa vibráciám by sa mal brať tiež do úvahy, v'zdy, keď sa nástroj vypne, alebo potom, keď beží ale v skutočnosti sa nevykonáva práca. Týmto sa môže výrazne znížiť úroveň vystavenia sa vibráciám počas celkového času práce. Nasledovné doplnujúce bezpečnostné opatrenia pomáhajú chrániť operátora od účinkov vibrácií: udržiava nástroja a príslušenstva, udržiavanie teplých držiadiel, organizácia práce.

GR

ΠΡΟΕΙΔΟΠΟΙΗΣΗ

Τα επίπεδα έκθεσης κραδασμών που παρέχονται στο παρόν ενημερωτικό φυλλάδιο, έχουν μετρηθεί βάσει τυποποιημένης δοκιμής που προβλέπεται στο EN60745 και μπορούν να συγκριθούν για τη σύγκριση του εργαλείου με άλλα. Μπορούν επίσης να χρησιμοποιηθούν για προκαταρκτική αξιολόγηση της έκθεσης. Τα δηλωμένα επίπεδα έκθεσης κραδασμών αφορούν τις βασικές εφαρμογές του εργαλείου. Ωστόσο, αν το εργαλείο χρησιμοποιείται για διαφορετικές εφαρμογές, με διαφορετικά εξαρτήματα ή με κακή συντήρηση, η έκπομη κραδασμών μπορεί να διαφέρει. Αυτό μπορεί να αυξήσει σημαντικά το επίπεδο έκθεσης στη συνολική περίοδο εργασίας.

Η εκτίμηση των επιπέδων έκθεσης σε κραδασμούς θα πρέπει επίσης να λαμβάνει υπ' όψη τις χρονικές περιόδους κατά τις οποίες το εργαλείο είναι απενεργοποιημένο ή λειτουργεί χωρίς να χρησιμοποιείται σε συγκεκριμένη εργασία. Αυτό μπορεί να μειώσει σημαντικά το επίπεδο έκθεσης στη συνολική περίοδο εργασίας. Εφαρμοστέ επιπρόσθετα μέτρα ασφαλείας για την προστασία του χειριστή από τις επιπτώσεις των κραδασμών, όπως τα εξής: συντηρείτε το εργαλείο και τα εξαρτήματα, διατηρείτε τα χέρια ζεστά, οργανώστε μοτίβα εργασίας.

TR

UYARI

Bu bilgi sayfasında verilen titreşim emisyon seviyesi, EN60745 standardında belirtilen standartlaştırılmış bir teste uygun olarak ölçülmüş ve bir aleti diğerleriyle karşılaştırmak için kullanılabilir. Ancak kalma tespit için kullanılabilir. Beyan edilen titreşim emisyon seviyesi aletin asıl uygulama alanları temsil etmemektedir. Ancak alet, farklı aksesuarlarla veya yetersiz bakımlı olarak farklı uygulamalar için kullanılırsa titreşim emisyonu değişebilir. Bu durum toplam çalışma süresi boyunca kalma tespiti önemli ölçüde artırır.

Titreşime maruz kalma seviyesinin değerlendirilmesi aynı zamanda alet kapalı ve arızadan çıkarılır ancak gerekçeniz anladığı yapıldığı zamanlar da göz önünde bulundurulmalıdır. Bu durum toplam çalışma süresi boyunca kalma tespiti önemli ölçüde azaltır. Operatörü titreşimden etkilenen korumak için ilave güvenlik önlemleri belirleyin, örneğin: aletin ve aksesuarlarının bakımını yapın, operatörün ellerini sık tutun, çalışma modellerini organize etme.

GB DECLARATION OF CONFORMITY

We declare under our sole responsibility that this product is in conformity with the following standards or standardized documents: 2006/42/EC, 2004/108/EC, EN55014-1, EN55014-2, EN61000-3-2, EN61000-3-3, EN60745-1, PrEN60745-2-3/A1:2010, EN62233.

Noise level [K=3dB(A)]: Lp=87dB(A) Lw=98dB(A)

Vibration level (grinding mode) [K=1.5m/s²]: ah=5.2m/s²

Vibration level (cutting-off mode) (For EAG950RBD/EAG950RSD only) [K=1.5m/s²]: ah=2.8m/s²

FR DÉCLARATION DE CONFORMITÉ

Nous déclarons sous notre propre responsabilité que ce produit est en conformité avec les normes ou documents normalisés suivants:

2006/42/EC, 2004/108/EC, EN55014-1, EN55014-2, EN61000-3-2, EN61000-3-3, EN60745-1, PrEN60745-2-3/A1:2010, EN62233.

Niveau de bruit [K=3dB(A)]: Lp=87dB(A) Lw=98dB(A)

Niveau de vibration (mode meulage) [K=1.5m/s²]: ah=5.2m/s²

Niveau de vibration (mode découpe) (For EAG950RBD/EAG950RSD uniquement) [K=1.5m/s²]: ah=2.8m/s²

DE KONFORMITÄTSERKLÄRUNG

Wir erklären in alleiniger Verantwortung, dass dieses Produkt mit den folgenden Normen oder normativen Dokumenten übereinstimmt:

2006/42/EC, 2004/108/EC, EN55014-1, EN55014-2, EN61000-3-2, EN61000-3-3, EN60745-1, PrEN60745-2-3/A1:2010, EN62233.

Geräuschpegel [K=3dB(A)]: Lp=87dB(A) Lw=98dB(A)

Vibrationsgrad (Schleifmodus) [K=1.5m/s²]: ah=5.2m/s²

Vibrationsgrad (Trennmodus) (Nur für EAG950RBD/EAG950RSD) [K=1.5m/s²]: ah=2.8m/s²

ES DECLARACIÓN DE CONFORMIDAD

Declaramos bajo nuestra exclusiva responsabilidad que este producto es conforme a las siguientes normas o documentos normalizados:

2006/42/EC, 2004/108/EC, EN55014-1, EN55014-2, EN61000-3-2, EN61000-3-3, EN60745-1, PrEN60745-2-3/A1:2010, EN62233.

Nivel de ruido [K=3dB(A)]: Lp=87dB(A) Lw=98dB(A)

Nivel de vibración (modo de afilado) [K=1.5m/s²]: ah=5.2m/s²

Nivel de vibración (modo de corte) (Solo para EAG950RBD/EAG950RSD) [K=1.5m/s²]: ah=2.8m/s²

IT DICHIARAZIONE DI CONFORMITÀ

Dichiariamo, assumendo la piena responsabilità di tale dichiarazione, che il prodotto è conforme alle seguenti normative e ai relativi documenti:

2006/42/EC, 2004/108/EC, EN55014-1, EN55014-2, EN61000-3-2, EN61000-3-3, EN60745-1, PrEN60745-2-3/A1:2010, EN62233.

Livello di rumore [K=3dB(A)]: Lp=87dB(A) Lw=98dB(A)

Livello di vibrazioni (modalità di molatura) [K=1.5m/s²]: ah=5.2m/s²

Livello di vibrazioni (modalità di taglio) (Solo per EAG950RBD/EAG950RSD) [K=1.5m/s²]: ah=2.8m/s²

NL CONFORMITEITSVERKLARING

Wij verklaren op onze eigen verantwoordelijkheid dat dit product voldoet aan de volgende normen of normatieve documenten.

2006/42/EC, 2004/108/EC, EN55014-1, EN55014-2, EN61000-3-2, EN61000-3-3, EN60745-1, PrEN60745-2-3/A1:2010, EN62233.

Geluidsniveau [K=3dB(A)]: Lp=87dB(A) Lw=98dB(A)

Trillingsniveau (slijpmodus) [K=1.5m/s²]: ah=5.2m/s²

Trillingsniveau (afsnijmodus) (Uitsluitend voor EAG950RBD/EAG950RSD) [K=1.5m/s²]: ah=2.8m/s²

PT DECLARAÇÃO DE CONFORMIDADE

Declaramos, sob nossa exclusiva responsabilidade, que este produto cumpre as seguintes normas ou documentos normativos.

2006/42/EC, 2004/108/EC, EN55014-1, EN55014-2, EN61000-3-2, EN61000-3-3, EN60745-1, PrEN60745-2-3/A1:2010, EN62233.

Nível de ruído [K=3dB(A)]: Lp=87dB(A) Lw=98dB(A)

Nível de vibração (modo de esmerlar) [K=1.5m/s²]: ah=5.2m/s²

Nível de vibração (modo de corte) (Para EAG950RBD/EAG950RSD apenas) [K=1.5m/s²]: ah=2.8m/s²

DK KONFORMITETSERKLÆRING

Vi erklærer på eget ansvar, at dette produkt er i overensstemmelse med følgende standarder eller standardiseringsdokumenter:

2006/42/EC, 2004/108/EC, EN55014-1, EN55014-2, EN61000-3-2, EN61000-3-3, EN60745-1, PrEN60745-2-3/A1:2010, EN62233.

Støjniveau [K=3dB(A)]: Lp=87dB(A) Lw=98dB(A)

Vibrationsniveau (slibemodus) [K=1.5m/s²]: ah=5.2m/s²

Vibrationsniveau (afskæringsmodus) (Kun for EAG950RBD/EAG950RSD) [K=1.5m/s²]: ah=2.8m/s²

SE FÖRSÄKRAN

Vi intygar och ansvarar för, att denna produkt överensstämmer med följande normer och dokument.

2006/42/EC, 2004/108/EC, EN55014-1, EN55014-2, EN61000-3-2, EN61000-3-3, EN60745-1, PrEN60745-2-3/A1:2010, EN62233.

Bullernivå [K=3dB(A)]: Lp=87dB(A) Lw=98dB(A)

Vibrationsnivå (slipningsläge) [K=1.5m/s²]: ah=5.2m/s²

Vibrationsnivå (kapningsläge) (Endast för EAG950RBD/EAG950RSD) [K=1.5m/s²]: ah=2.8m/s²

FI TODISTUSTUS STANDARDIN-MUKAISUUDESTA

Todistamme täten ja vastaamme yksin siitä, että tämä tuote on alla lueteltujen standardien ja standardoimis-asiakirjojen vaatimusten mukainen.

2006/42/EC, 2004/108/EC, EN55014-1, EN55014-2, EN61000-3-2, EN61000-3-3, EN60745-1, PrEN60745-2-3/A1:2010, EN62233.

Melutaso [K=3dB(A)]: Lp=87dB(A) Lw=98dB(A)

Tärinätaso (hiontilalla) [K=1.5m/s²]: ah=5.2m/s²

Tärinätaso (latkaisulla) (Ainoastaan mallille EAG950RBD/EAG950RSD) [K=1.5m/s²]: ah=2.8m/s²

NO SAMSVARERKLÆRING

Vi erklærer på eget ansvar at dette produkt er i samsvar med følgende standarder og normative dokumenter:

2006/42/EC, 2004/108/EC, EN55014-1, EN55014-2, EN61000-3-2, EN61000-3-3, EN60745-1, PrEN60745-2-3/A1:2010, EN62233.

Støynivå [K=3dB(A)]: Lp=87dB(A) Lw=98dB(A)

Vibrasjonsnivå (slipemodus) [K=1.5m/s²]: ah=5.2m/s²

Vibrasjonsnivå (kappemodus) (Kun for EAG950RBD/EAG950RSD) [K=1.5m/s²]: ah=2.8m/s²

RU ЗАВЯЩЕНИЕ О СООТВЕТСТВИИ СТАНДАРТАМ

Мы со всей ответственностью заявляем, что настоящая продукция соответствует ниже следующим нормам и документам:

2006/42/EC, 2004/108/EC, EN55014-1, EN55014-2, EN61000-3-2, EN61000-3-3, EN60745-1, PrEN60745-2-3/A1:2010, EN62233.

Уровень шума [K=3dB(A)]: Lp=87dB(A) Lw=98dB(A)

Уровень вибрации (режим шлифования) [K=1.5m/s²]: ah=5.2m/s²

Уровень вибрации (режим резки) (Только для модели EAG950RBD/EAG950RSD) [K=1.5m/s²]: ah=2.8m/s²

PL DEKLARACJA ZGODNOŚCI

Z całą odpowiedzialnością oświadczamy, że niniejszy produkt jest zgodny z normami czy też znormalizowanymi dokumentami wymienionymi poniżej:

2006/42/EC, 2004/108/EC, EN55014-1, EN55014-2, EN61000-3-2, EN61000-3-3, EN60745-1, PrEN60745-2-3/A1:2010, EN62233.

Poziom hałas [K=3dB(A)]: Lp=87dB(A) Lw=98dB(A)

Poziom drgań (tryb szlifowania) [K=1.5m/s²]: ah=5.2m/s²

Poziom drgań (tryb cięcia) (Dotyczy wyłącznie modelu EAG950RBD/EAG950RSD) [K=1.5m/s²]: ah=2.8m/s²

CZ PROHLÁŠENÍ O SHODĚ

Prohlášíme na svou zodpovědnost, že tento výrobek splňuje požadavky níže uvedených norem a závazných předpisů:

2006/42/EC, 2004/108/EC, EN55014-1, EN55014-2, EN61000-3-2, EN61000-3-3, EN60745-1, PrEN60745-2-3/A1:2010, EN62233.

Hladina hluku [K=3dB(A)]: Lp=87dB(A) Lw=98dB(A)

Úroveň vibrací (broušící režim) [K=1.5m/s²]: ah=5.2m/s²

Úroveň vibrací (řezací režim) (Pouze pro EAG950RBD/EAG950RSD) [K=1.5m/s²]: ah=2.8m/s²

HU SZABVÁNY RENDELKEZÉSEK

Felölősségünk teljes tudatában kijelentjük, hogy a jelen termék megfelel a következő szabványoknak és előírásoknak:

2006/42/EC, 2004/108/EC, EN55014-1, EN55014-2, EN61000-3-2, EN61000-3-3, EN60745-1, PrEN60745-2-3/A1:2010, EN62233.

Zajszint [K=3dB(A)]: Lp=87dB(A) Lw=98dB(A)

Vibráció szint (csiszolás üzemmód) [K=1.5m/s²]: ah=5.2m/s²

Vibráció szint (vágás üzemmód) (Csak EAG950RBD/EAG950RSD típus) [K=1.5m/s²]: ah=2.8m/s²

RO DECLARAȚIE DE CONFORMITATE

Declaram în propria răspundere că acest produs este conform cu normele sau documentele normative următoare:

2006/42/EC, 2004/108/EC, EN55014-1, EN55014-2, EN61000-3-2, EN61000-3-3, EN60745-1, PrEN60745-2-3/A1:2010, EN62233.

Nivelul de zgomot [K=3dB(A)]: Lp=87dB(A) Lw=98dB(A)

Nivelul vibrațiilor (mod polizare) [K=1.5m/s²]: ah=5.2m/s²

Nivelul vibrațiilor (mod tăiere) (Numai pentru EAG950RBD/EAG950RSD) [K=1.5m/s²]: ah=2.8m/s²

(LV) ATBILSTĪBAS PAZIŅOJUMS

Mēs uz savu atbildību paziņojam, ka šis produkts atbilst šādiem standartiem vai standartizācijas dokumentiem.
 2006/42/EC, 2004/108/EC, EN55014-1, EN55014-2, EN61000-3-2, EN61000-3-3, EN60745-1, PrEN60745-2-3/A1:2010, EN62233.
 Trokšņa līmenis [K=3dB(A)]: Lp=87dB(A) Lw=98dB(A)
 Vibrācijas līmenis (slīpēšanas režīms) [K=1.5m/s²]: ah=5.2m/s²
 Vibrācijas līmenis (nogrīšanas režīms) [Tikai EAG950RBD/EAG950RSD] [K=1.5m/s²]: ah=2.8m/s²

(LT) ATITIKTIES DEKLARACIJA

Prisilindami visą atsakomybę, pareiškiame, kad produktas atitinka žemiau išvardintus standartus ar standartų dokumentus.
 2006/42/EC, 2004/108/EC, EN55014-1, EN55014-2, EN61000-3-2, EN61000-3-3, EN60745-1, PrEN60745-2-3/A1:2010, EN62233.
 Triukšmo lygis [K=3dB(A)]: Lp=87dB(A) Lw=98dB(A)
 Vibracijos lygis (slifavimo režimas) [K=1.5m/s²]: ah=5.2m/s²
 Vibracijos lygis (nupjovimo režimas) [Skirtai tik EAG950RBD/EAG950RSD] [K=1.5m/s²]: ah=2.8m/s²

(EE) VASTAVUSDEKLARATSIOIN

Kinnitame oma ainuvastutust, et see toode on vastavuses järgmistele standardide või standardiseeritud dokumentidega.
 2006/42/EC, 2004/108/EC, EN55014-1, EN55014-2, EN61000-3-2, EN61000-3-3, EN60745-1, PrEN60745-2-3/A1:2010, EN62233.
 Muratase [K=3dB(A)]: Lp=87dB(A) Lw=98dB(A)
 Vibratsioonitase (lihvimisrežiim) [K=1.5m/s²]: ah=5.2m/s²
 Vibratsioonitase (mahalõikerežiim) [Ainul mudelil EAG950RBD/EAG950RSD] [K=1.5m/s²]: ah=2.8m/s²

(HR) DEKLARACIJA O USKLA-ENOSTI

Odgovorno izjavljujemo da je ovaj proizvod u skladu sa sljedećim normama ili normiranim dokumentima:
 2006/42/EC, 2004/108/EC, EN55014-1, EN55014-2, EN61000-3-2, EN61000-3-3, EN60745-1, PrEN60745-2-3/A1:2010, EN62233.
 Razina buke [K=3dB(A)]: Lp=87dB(A) Lw=98dB(A)
 Razina vibracije (način rada brušenja) [K=1.5m/s²]: ah=5.2m/s²
 Razina vibracije (način rada rezanja) [Samo za EAG950RBD/EAG950RSD] [K=1.5m/s²]: ah=2.8m/s²

(SI) IZJAVA O SKLADNOSTI

Z lastno odgovornostjo izjavljamo, da je ta izdelek skladen z zahtevami sledecih standardov ali standardiziranih dokumentov:
 2006/42/EC, 2004/108/EC, EN55014-1, EN55014-2, EN61000-3-2, EN61000-3-3, EN60745-1, PrEN60745-2-3/A1:2010, EN62233.
 Stopnja hrupa [K=3dB(A)]: Lp=87dB(A) Lw=98dB(A)
 Stopnja vibracij (brusilni način) [K=1.5m/s²]: ah=5.2m/s²
 Stopnja vibracij (rezalni način) [Samo za EAG950RBD/EAG950RSD] [K=1.5m/s²]: ah=2.8m/s²

(SK) PREHLÁSENIE O ZHODE

Vyhlasujeme našu výhradnú zodpovednosť za produkt, ktorý spĺňa nasledovné štandardy alebo štandardizované dokumenty.
 2006/42/EC, 2004/108/EC, EN55014-1, EN55014-2, EN61000-3-2, EN61000-3-3, EN60745-1, PrEN60745-2-3/A1:2010, EN62233.
 Hladina hluku [K=3dB(A)]: Lp=87dB(A) Lw=98dB(A)
 Hladina vibrácií (režim brúsenia) [K=1.5m/s²]: ah=5.2m/s²
 Hladina vibrácií (režim rozbrušenia) [Len pre model EAG950RBD/EAG950RSD] [K=1.5m/s²]: ah=2.8m/s²

(GR) ΔΗΛΩΣΗ ΣΥΜΜΟΡΦΩΣΗΣ

Δηλώνουμε υπευθύνως ότι το προϊόν αυτό συμμορφούται προς τα ακόλουθα πρότυπα ή τυποποιημένα έγγραφα:
 2006/42/EC, 2004/108/EC, EN55014-1, EN55014-2, EN61000-3-2, EN61000-3-3, EN60745-1, PrEN60745-2-3/A1:2010, EN62233.
 Επίπεδο θορύβου [K=3dB(A)]: Lp=87dB(A) Lw=98dB(A)
 Επίπεδο κραδασμών (λειτουργία λείανσης / ακονίσματος) [K=1.5m/s²]: ah=5.2m/s²
 Επίπεδο κραδασμών (λειτουργία αποκοπής) [Μόνο για EAG950RBD/EAG950RSD] [K=1.5m/s²]: ah=2.8m/s²

(TR) UYGUNLUK BELGESİ

Bu ürünün aşağıdaki normlar ya da norm belgeleri ile uyumlu olduğunu kendi sorumluluğumuzla ortaya koyarak beyan ederiz:
 2006/42/EC, 2004/108/EC, EN55014-1, EN55014-2, EN61000-3-2, EN61000-3-3, EN60745-1, PrEN60745-2-3/A1:2010, EN62233.
 Gürültü seviyesi [K=3dB(A)]: Lp=87dB(A) Lw=98dB(A)
 Titreşim seviyesi (taşlama modu) [K=1.5m/s²]: ah=5.2m/s²
 Titreşim seviyesi (kesme modu) [EAG950RBD/EAG950RSD için sadece] [K=1.5m/s²]: ah=2.8m/s²

Machine: **ANGLE GRINDER**Type: **EAG950RB / EAG950RBD / EAG950RS / EAG950RSD****CE** Dec 2010


Techtronic Industries

Name of company: **TECHTRONIC INDUSTRIES CO. LTD.**
 Address: **24/F, CDW BUILDING, 388 CASTLE PEAK ROAD, TSUEN WAN, HONG KONG.**
 Web: **www.ttigroup.com**
 Name/Title: **Brian Lee / Vice President - Engineering**

Signature:  Dec 15, 2010

Technical File at

Name of company: **TTI EMEA**
 Address: **MEDINA HOUSE, FIELDHOUSE LANE, MARLOW, BUCKS, SL7 1TB, UNITED KINGDOM.**
 Web: **www.ttigroup.com**
 Name/Title: **Carl A. Jeffries / Head of Ryobi Product Marketing**

Signature: 

Trademarks:
 The use of the trademark Ryobi is pursuant to a license granted by Ryobi Limited.