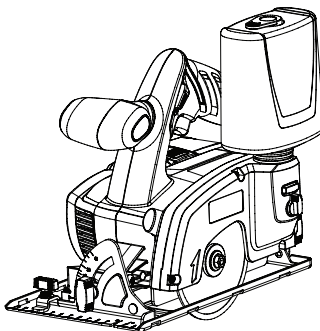


RYOBI®

LTS180

(GB) 18 VOLT WET / DRY TILE SAW	USER'S MANUAL	1
(FR) SCIE COUPE-CARRELAGE À EAU / À SEC 18 VOLT	MANUEL D'UTILISATION	6
(DE) 18 VOLT NASS / TROCKEN FLIESENSCHNEIDER	BEDIENUNGSANLEITUNG	12
(ES) SIERRA HÚMEDA/SECA DE 18 VOLT PARA AZULEJOS	MANUAL DE UTILIZACIÓN	18
(IT) TAGLIERINA PER PIASTRELLE DA 18V PER TAGLIO UMIDO/A SECCO	MANUALE D'USO	24
(NL) 18 VOLT NATTE / DROGE TEGELZAAGMACHINE	GEBRUIKERSHANDLEIDING	30
(PT) SERRA PARA LADRILHO A HÚMIDO / SECO DE 18 VOLTS	MANUAL DE UTILIZAÇÃO	36
(DK) 18 VOLT VÅD/TØR FLISESAV	BRUGERVEJLEDNING	42
(SE) 18 VOLT VÅT-/TORRKAKELKAP	INSTRUKTIONSBOK	47
(FI) 18 VOLTIN MÄRKÄ/KUIVA TIILISAHA	KÄYTTÄJÄN KÄSIKIRJA	52
(NO) 18 VOLT VÅT / TØRR FLISSAG	BRUKSANVISNING	57
(RU) ПИЛА ДЛЯ РЕЗАНИЯ ПЛИТКИ (СУХОГО И СО СМАЧИВАНИЕМ), 18 В	РУКОВОДСТВО ПО ЭКСПЛУАТАЦИИ	62
(PL) 18V AKUMULATOROWA PIŁA DO CIĘCIA PŁYTEK (NA SUCHO I MOKRO)	INSTRUKCJA OBSŁUGI	68
(CZ) 18 VOLTOVÁ PÍLA PRO SUCHÉ/MOKRÉ ŘEZÁNÍ DLAŽDIC	NÁVOD K OBSLUZE	74
(HU) 18 VOLTOS SZÁRAZ/NEDVES CSEMPEVÁGÓ	HASZNÁLATI ÚTMUTATÓ	79
(RO) MAȘINĂ DE TĂIAT CU DISC DIAMANTAT UMED / USCAT DE 18 VOLȚI	MANUAL DE UTILIZARE	84
(LV) 18 V MITRU/SAUSU FLĪŽU ZĀĢIS	LIETOTĀJA ROKASGRĀMATA	89
(LT) 18 VOLTŲ PLYTELĖJŲ PJOVIMO STAKLĖS PJOVIMUI SAUSU / ŠLAPIU BŪDU	NAUDOJIMO VADOVAS	94
(EE) PLAADI MÄRG / KUIVSAAG 18 VOLTI	KASUTAJAJUHEND	99
(HR) MOKRO/SUHA PILA ZA PLOČICE OD 18 VOLTI	KORISNIČKI PRIRUČNIK	104
(SI) 18-VOLTNI MOKRA / SUHA ŽAGA ZA PLOŠČICE	UPORABNIŠKI PRIROČNIK	109
(SK) 18 V PÍLA NA DLAŽDICE PRE MOKRÉ / SUCHÉ REZANIE	NÁVOD NA POUŽITIE	114
(GR) ΚΟΠΤΗΣ ΥΓΡΩΝ / ΣΤΕΓΝΩΝ ΠΛΑΚΑΚΙΩΝ 18 VOLT	ΟΔΗΓΙΕΣ ΧΡΗΣΗΣ	119
(TR) 18 VOLT ISLAK / KURU FAYANS TESTERESİ	KULLANIM KILAVUZU	125

GB ORIGINAL INSTRUCTIONS **FR** TRADUCTION DES INSTRUCTIONS ORIGINALES **DE** ÜBERSETZUNG DER ORIGINALANLEITUNG **ES** TRADUCCIÓN DE LAS INSTRUCCIONES ORIGINALES **IT** TRADUZIONE DELLE ISTRUZIONI ORIGINALI **NL** VERTALING VAN DE ORIGINELE INSTRUCTIES **PT** TRADUÇÃO DAS INSTRUÇÕES ORIGINAIS **DK** OVERSÆTTELSE AF DE ORIGINALE INSTRUKTIONER **SE** ÖVERSÄTTNING AV DE URSPRUNGLIGA INSTRUKTIONERNA **FI** ALKUPERÄISTEN OHJEIDEN SUOMENNOS **NO** OVERSETTELSE AV DE ORIGINALE INSTRUKSJONENE **RU** ПЕРЕВОД ОРИГИНАЛЬНЫХ ИНСТРУКЦИЙ **PL** TŁUMACZENIE INSTRUKCJI ORYGINALNEJ **CZ** PŘEKLAD ORIGINÁLNÍCH POKYNŮ **HU** AZ EREDETI ÚTMUTATÓ FORDÍTÁSA **RO** TRADUCEREA INSTRUCȚIUNILOR ORIGINALE **LV** TULKOTS NO ORIGINĀLĀS INSTRUKCIJAS **LT** ORIGINALIŲ INSTRUKCIJŲ VERTIMAS **EE** ORIGINALJUHENDI TOLGE **HR** PRIJEVOD ORIGINALNIH UPUTA **SI** PREVOD ORIGINALNIH NAVODIL **SK** PŘEKLAD POKYNOV V ORIGINÁLI **GR** ΜΕΤΑΦΡΑΣΗ ΤΩΝ ΠΡΩΤΟΤΥΠΩΝ ΟΔΗΓΙΩΝ **TR** ORJUNAL TALIMATLARIN TERCÜMESİ



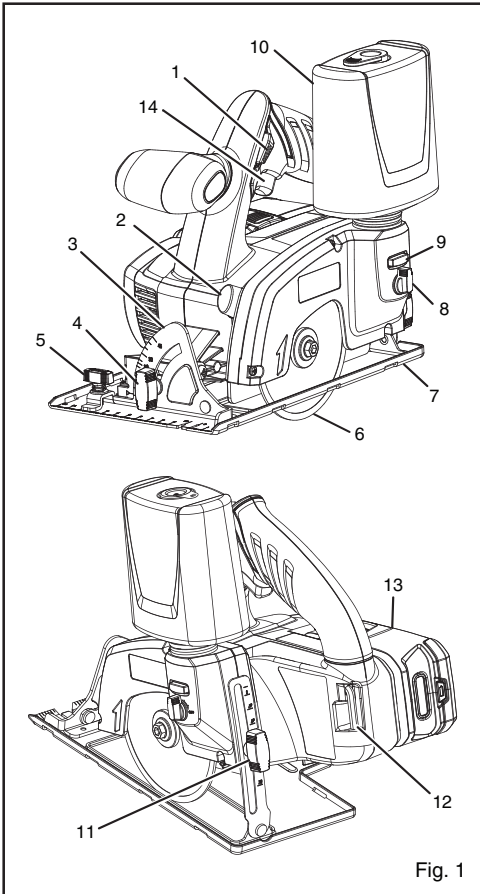


Fig. 1

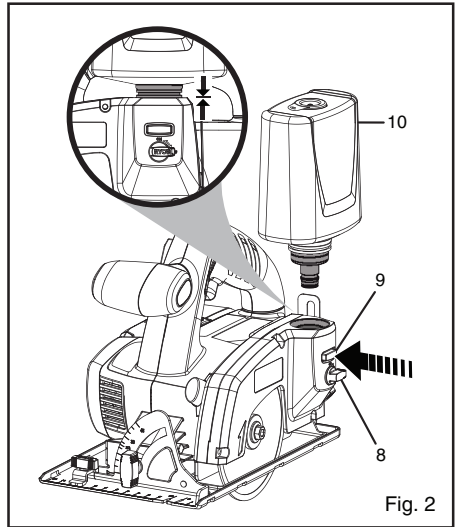


Fig. 2

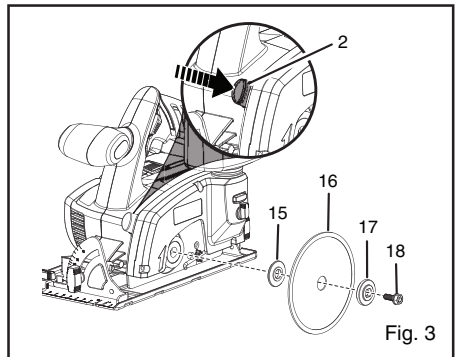


Fig. 3

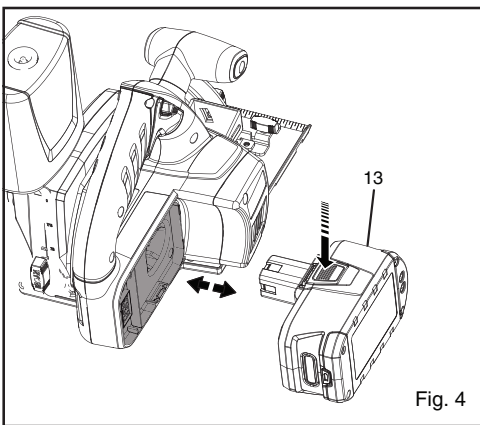


Fig. 4

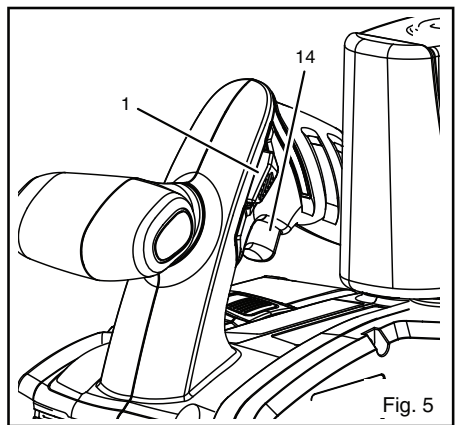


Fig. 5

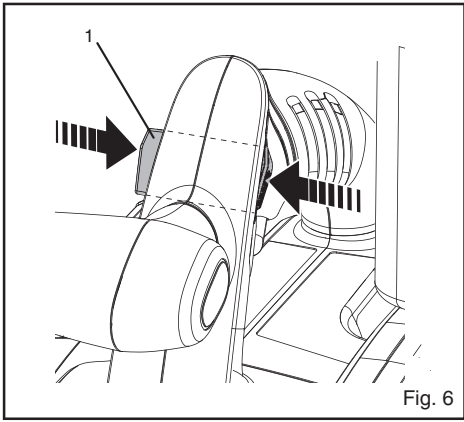
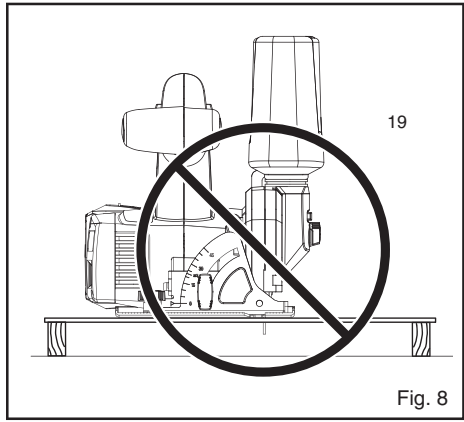


Fig. 6



19

Fig. 8

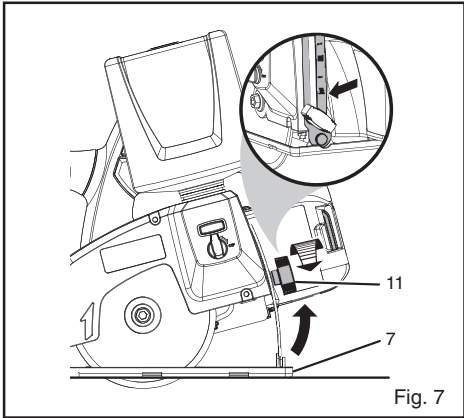
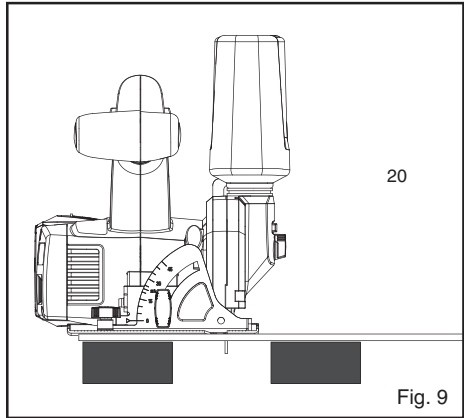


Fig. 7



20

Fig. 9

Important!	It is essential that you read the instructions in this manual before operating this machine.
Attention !	Il est indispensable que vous lisiez les instructions contenues dans ce manuel avant la mise en service de l'appareil.
Achtung!	Bitte lesen Sie unbedingt vor Inbetriebnahme die Hinweise dieser Bedienungsanleitung.
¡Atención!	Es imprescindible que lea las instrucciones de este manual antes de la puesta en servicio.
Attenzione!	Prima di procedere alla messa in funzione, è indispensabile leggere attentamente le istruzioni contenute nel manuale.
Let op !	Het is van essentieel belang dat u de instructies in deze gebruiksaanwijzing leest vooraleer u dit toestel in gebruik neemt.
Atenção!	É indispensável que leia as instruções deste manual antes de utilizar a máquina.
OBS!	Denne brugsanvisning skal læses igennem inden ibrugtagning.
Observera!	Det är nödvändigt att läsa instruktionerna i denna bruksanvisning innan användning.
Huomio!	On ehdottoman välttämätöntä lukea tässä käyttöohjeessa annetut ohjeet ennen käyttöönottoa.
Advarsel!	Det er meget vigtigt at du leser denne brøkerveiledningen før du tar maskinen i bruk.
Внимание!	Перед сборкой и запуском инструмента необходимо прочесть инструкции из настоящего руководства.
Uwaga!	Przed przystąpieniem do użytkowania tego urządzenia, należy koniecznie zapoznać się z zaleceniami zawartymi w niniejszym podręczniku.
Dôležité upozornění!	Nepoužívejte tento přístroj dříve, než si přečtete pokyny uvedené v tomto návodu.
Figyelem!	Feltétlenül fontos, hogy a jelen használati útmutatóban foglalt előírásokat az üzembe helyezés előtt elolvassa!
Atenție!	Este esențial să citiți instrucțiunile din acest manual înainte de operarea acestui aparat.
Uzmanību!	Svarīgi, lai jūs pirms mašīnas darbināšanas izlasītu instrukcijas šajā rokasgrāmātā.
Dēmesio!	Prieš pradėdami eksploatuoti šį prietaisą, svarbu, kad perskaitytumėte šiose instrukcijose pateiktus nurodymus.
Tähtis!	Enne trelli kasutama hakkamist tuleb käesolevas juhendis esitatud juhised kindlasti läbi lugeda.
Upozorenje!	Neophodno je da pročitate ove upute prije uporabe ovog uređaja.
Pomembno!	Pred uporabo tega stroja, obvezno preberite navodila iz tega priročnika.
Dôležit!	Pre prácou s týmto zariadením je dôležité, by ste si prečítali pokyny v tomto návode.
Προσοχή!	Είναι απαραίτητο να διαβάσετε τις συστάσεις των οδηγιών αυτών πριν και τη θέση σε λειτουργία.
Dikkat!	Cihazın çalıştırılmasından önce bu kılavuzda bulunan talimatları okumanız zorunludur.

Subject to technical modifications / Sous réserve de modifications techniques / Technische Änderungen vorbehalten /
 Sujeto a modificaciones técnicas / Con riserva di eventuali modifiche tecniche / Technische wijzigingen voorbehouden /
 Com reserva de modificações técnicas / Med forbehold for tekniske ændringer / Med förbehåll för tekniska ändringar /
 Tekniset muutokset varataan / Med forbehold om tekniske ændringer / Могут быть внесены технические изменения /
 Z zastrzeżeniem modyfikacji technicznych / Změny technických údajů vyhrazeny / A műszaki módosítás jogát fenntartjuk /
 Sub rezerva modificărilor tehnice / Paturam tiesības mainīt tehniskos raksturielumus / Pasilikant teisę daryti techninius pakeitimus /
 Tehnilised muudatused võimalikud / Podložno tehničkim promjenama / Tehnične spremembe dopuščene/
 Technické zmeny vyhradené / Υπό την επιφύλαξη τεχνικών τροποποιήσεων / Teknik değışiklik hakki saklıdır

English

SPECIFIC SAFETY RULES

- **DANGER! Keep hands away from cutting area and the blade. Keep your second hand on auxiliary handle, or motor housing.** If both hands are holding the saw, they cannot be cut by the blade.
 - **Do not reach underneath the workpiece.** The guard cannot protect you from the blade below the workpiece.
 - **Adjust the cutting depth to the thickness of the workpiece.** Less than a full tooth of the blade teeth should be visible below the workpiece.
 - **Never hold piece being cut in your hands or across your leg. Secure the workpiece to a stable platform.** It is important to support the work properly to minimize body exposure, blade binding, or loss of control.
 - **Hold power tool by insulated gripping surfaces when performing an operation where the cutting tool may contact hidden wiring or its own cord.** Contact with a "live" wire will also make exposed metal parts of the power tool "live" and shock the operator.
 - **When ripping always use a rip fence or straight edge guide.** This improves the accuracy of cut and reduces the chance of blade binding.
 - **Always use blades with correct size and shape (diamond versus round) of arbour holes.** Blades that do not match the mounting hardware of the saw will run eccentrically, causing loss of control.
 - **Never use damaged or incorrect blade washers or bolts.** The blade washers and bolt were specially designed for your saw, for optimum performance and safety of operation.
 - **Causes and operator prevention of kickback:**
 - kickback is a sudden reaction to a pinched, bound or misaligned saw blade, causing an uncontrolled saw to lift up and out of the workpiece toward the operator;
 - when the blade is pinched or bound tightly by the kerf closing down, the blade stalls and the motor reaction drives the unit rapidly back toward the operator;
 - If the blade becomes twisted or misaligned in the cut, the teeth at the back edge of the blade can dig into the top surface of the wood causing the blade to climb out of the kerf and jump back toward the operator.
- Kickback is the result of saw misuse and/or incorrect operating procedures or conditions and can be avoided by taking proper precautions as given below.
- **Maintain a firm grip with both hands on the saw and position your arms to resist kickback forces. Position your body to either side of the blade, but**

not in line with the blade. Kickback could cause the saw to jump backwards, but kickback forces can be controlled by the operator, if proper precautions are taken.

- **When blade is binding, or when interrupting a cut for any reason, release the trigger and hold the saw motionless in the material until the blade comes to a complete stop. Never attempt to remove the saw from the work or pull the saw backward while the blade is in motion or kickback may occur.** Investigate and take corrective actions to eliminate the cause of blade binding.
- **When restarting a saw in the workpiece, centre the saw blade in the kerf and check that saw teeth are not engaged into the material.** If saw blade is binding, it may walk up or kickback from the workpiece as the saw is restarted.
- **Support large panels to minimize the risk of blade pinching and kickback.** Large panels tend to sag under their own weight. Supports must be placed under the panel on both sides, near the line of cut and near the edge of the panel.
- **Do not use dull or damaged blades.** Unsharpened or improperly set blades produce narrow kerf causing excessive friction, blade binding and kickback.
- **Blade depth and bevel adjusting locking levers must be tight and secure before making cut.** If blade adjustment shifts while cutting, it may cause binding and kickback.
- **Use extra caution when making a "plunge cut" into existing walls or other blind areas.** The protruding blade may cut objects that can cause kickback.
- **Check lower guard for proper closing before each use. Do not operate the saw if lower guard does not move freely and close instantly. Never clamp or tie the lower guard into the open position.** If saw is accidentally dropped, lower guard may be bent. Raise the lower guard with the retracting handle and make sure it moves freely and does not touch the blade or any other part, in all angles and depths of cut.
- **C heck the operation of the lower guard spring. If the guard and the spring are not operating properly, they must be serviced before use.** Lower guard may operate sluggishly due to damaged parts, gummy deposits, or a build-up of debris.
- **Lower guard should be retracted manually only for special cuts such as "plunge cuts" and "compound cuts."** Raise lower guard by retracting handle and as soon as blade enters the material, the lower guard must be released. For all other sawing, the lower guard should operate automatically.

English

SPECIFIC SAFETY RULES

- Always observe that the lower guard is covering the blade before placing saw down on bench or floor. An unprotected, coasting blade will cause the saw to walk backwards, cutting whatever is in its path. Be aware of the time it takes for the blade to stop after switch is released.

DESCRIPTION

1. Lock-off button
2. Spindle lock
3. Bevel scale
4. Bevel lock knob
5. Edge guide lock knob
6. Cutting wheel
7. Base
8. Flow adjustment knob
9. Water bottle release button
10. Water bottle
11. Depth lock knob
12. Wheel wrench storage
13. Battery pack (not included)
14. Switch trigger
15. Inner wheel washer
16. Wheel
17. Outer wheel washer
18. Wheel screw
19. Incorrect method of support
20. Correct method of support

ASSEMBLY

ATTACHING GRAVITY FEED WATER BOTTLE

See Figure 2.

The gravity feed water bottle has a built in air vent that equalizes pressure and allows water to flow more freely.

- Remove the battery.
- Unscrew the nozzle assembly.
- Fill water bottle to desired level. Do not overfill.
- Replace nozzle assembly.
- Hold water bottle so that nozzle faces down.

NOTE: Water will not escape the bottle unless the tip of the nozzle is depressed.

- Insert the water bottle as shown. Gently press down on the bottle until it clicks into place.
- To remove water bottle, depress the water bottle release button.

NOTE: For dry cutting, leave water bottle installed to prevent dust and debris from clogging the water supply system.



CAUTION

Water bottle is designed for water only. Use of any other fluid may cause damage to the tool.



WARNING

A 101.6 mm wheel is the maximum wheel capacity of the saw. Also, never use a wheel that is too thick to allow outer wheel washer to engage with the flat on the spindle. Larger wheels will come in contact with the wheel guards, while thicker wheels will prevent wheel screw from securing wheel on spindle. Either of these situations could result in a serious accident.



WARNING

Do not use cutting wheels rated less than the no load speed of this tool. Failure to heed this warning could result in personal injury. Do not use wheel with cracks, gaps, or teeth.



WARNING

Do not use toothed or segmented wheels. Use only continuous rimmed diamond wheels suited for masonry materials.

INSTALLING CUTTING WHEEL

See Figure 3.

- Remove the battery pack from the saw.
- Remove the wheel wrench (5 mm hex key) from the storage area.
- Depress the spindle lock button and remove the wheel screw and outer wheel washer.

NOTE: Turn the wheel screw clockwise to remove.



CAUTION

To prevent damage to the spindle or spindle lock, always allow motor to come to a complete stop before engaging spindle lock.

NOTE: Do not run the saw with spindle lock engaged.

- Wipe a drop of oil onto the inner wheel washer and outer wheel washer where they contact the wheel.



WARNING

If inner wheel washer has been removed, replace it before placing cutting wheel on spindle. Failure to do so could cause an accident since wheel will not tighten properly.

- Replace the outer wheel washer.

English

ASSEMBLY


- Depress the spindle lock button, then replace the wheel screw. Tighten the wheel screw securely by turning it counterclockwise.
 - Return the wheel wrench to the storage area.
- NOTE:** Never use a cutting wheel that is too thick to allow the outer wheel washer to engage with the flats on the spindle.


SPECIFICATIONS


Voltage	18 V ---
Wheel Diameter	102 mm
Wheel Arbor	15.9 mm
Cutting Depth at 0°	22.2 mm
Cutting Depth at 45°	15.9 mm
No Load Speed	4,500 min ⁻¹
Wheel Type	Continuous Rim Diamond Wheel
Weight (not incl. battery pack)	2.6 Kg

MODEL	BATTERY PACK (not included)	COMPATIBLE CHARGER (not included)
LTS180	BPL-1820 BPL-1815	BCL-1800 BCS618 BCL1418 BCL1418%< BCL1418' <
	BPP-1815 BPP-1815M BPP-1817 BPP-1817M	BCA-180 BC-1815S BC-1800 BCL-1800 BCS618 BCL1418 BCL1418%< BCL1418' <

OPERATION

 **WARNING**
Always wear a dust mask when operating tile saws. Failure to do so could result in serious injury.

 **WARNING**
Always wear safety goggles or safety glasses with side shields when operating products. Failure to do so could result in objects being thrown into your eyes, resulting in possible serious injury.

 **WARNING**
Do not use any attachments or accessories not recommended by the manufacturer of this product. The use of attachments or accessories not recommended can result in serious personal injury.

- APPLICATIONS**
You may use this product for the purposes listed below:
- Wet cross cutting, rip cutting, and bevel cutting of man-made tile, pavers, and natural stone tile materials.
 - For dry cutting of the above materials, a special cutting wheel is required (not provided).

This product will accept Ryobi One+ 18V lithium-ion battery packs and Ryobi One+ 18V nickel-cadmium battery packs.

For complete charging instructions, refer to the Operator's Manuals for your Ryobi One+ battery pack and charger models.

BATTERY PROTECTION FEATURES
RYOBI 18 V lithium-ion batteries are designed with features that protect the lithium-ion cells and maximize battery life. Under some operating conditions, these built-in features may cause the battery and the tool it is powering to act differently from nickel-cadmium batteries.

During some applications, the battery electronics may signal the battery to shut down, and cause the tool to stop running. To reset the battery and tool, release the trigger and resume normal operation.

NOTE: To prevent further shut down of the battery, avoid forcing the tool.

If releasing the trigger does not reset the battery and tool, the battery pack is depleted. If depleted, the battery pack will begin charging when placed on the lithium-ion charger.

INSTALLING THE BATTERY PACK
See Figure 4.

- Place the battery pack in the saw. Align the raised rib on the battery pack with the groove inside the saw, then slide the battery pack into the saw.
- Make sure the latches on each side of your battery pack snap into place and the battery pack is secured in the saw before beginning operation.

English

OPERATION



WARNING

Always remove battery pack from your tool when you are assembling parts, making adjustments, cleaning, or when not in use. Removing battery pack will prevent accidental starting that could cause serious personal injury.

REMOVING THE BATTERY PACK

See Figure 4.

- Locate the latches on the side of the battery pack and depress them to release the battery pack from the saw.
- Remove battery pack from the saw.

CUTTING WHEELS

The best of cutting wheels will not cut efficiently if they are dull or badly worn. Using a dull wheel will place a heavy load on the saw. Keep extra wheels on hand, so that sharp wheels are always available.

STARTING/STOPPING THE SAW

See Figure 5.

To start the saw:

- Depress the lock-off button.
- Depress the switch trigger.

Always let the wheel reach full speed, then guide the saw into the workpiece.

To stop the saw:

Release the switch trigger. After you release the switch trigger, allow the wheel to come to a complete stop. DO NOT remove the saw from the workpiece while the wheel is moving.

LOCK-OFF BUTTON

See Figure 6.

The lock-off button reduces the possibility of accidental starting. The lock-off button is located on the handle above the switch trigger. The lock-off button must be depressed before you pull the switch trigger. The lock resets each time the trigger is released.

NOTE: You can depress the lock-off button from either the left or right side.

ADJUSTING WHEEL DEPTH

See Figure 7.

Always keep correct wheel depth setting. The correct wheel depth setting for all cuts should not exceed 6.35 mm below the material being cut. More wheel depth will increase the chance of kickback and cause the cut to be rough. For more depth of cut accuracy, a scale is located on the rear bracket.

- Loosen the depth adjustment knob.
- Determine the desired depth of cut.
- Locate the depth of cut scale on the rear bracket.
- Hold the base flat against the workpiece and raise or lower the saw until the indicator mark on bracket aligns with the notch on the wheel guard.
- Tighten the depth adjustment knob securely.

OPERATING THE SAW

See Figure 8 - 9.

It is important to understand the correct method for operating the saw. Refer to the figures in this section to learn the correct and incorrect ways for handling the saw.



WARNING

When lifting the saw from the workpiece, the wheel is exposed on the underside of the saw.

To make the best possible cut:

- Hold the saw firmly with both hands.
- Avoid placing your hand on the workpiece while making a cut.
- Support the workpiece so that the cut (kerf) is always to your side.
- Support the workpiece near the cut.
- Clamp the workpiece securely so that the workpiece will not move during the cut.
- Always place the saw on the workpiece that is supported, not the "cut off" piece.
- Place the workpiece with the "good" side down.
- Draw a guideline along the desired line of cut before beginning your cut.

MAKING CUTS

Always draw the line to be cut on the tile using a marker or grease pencil. If the tile is shiny and hard-to-mark, place masking tape on the tile and mark the tape.

A common problem when cutting tile is straying from the marked line. Once you've strayed from the mark, you can not force the wheel back to the line by twisting the tile. Instead, back up and recut the tile slicing off a small amount of tile until the wheel is back on track.

To avoid this problem, use a straight edge guide whenever possible for making cross cuts and miter cuts.

If wet cutting is desired, it should be performed outside.

MAINTENANCE



WARNING

When servicing, use only identical RYOBI replacement parts. Use of any other parts may create a hazard or cause product damage.

English

MAINTENANCE

Avoid using solvents when cleaning plastic parts. Most plastics are susceptible to damage from various types of commercial solvents and may be damaged by their use. Use clean cloths to remove dirt, dust, oil, grease, etc.



WARNING

Do not at any time let brake fluids, gasoline, petroleum-based products, penetrating oils, etc., come in contact with plastic parts. Chemicals can damage, weaken or destroy plastic which may result in serious personal injury.

Do not abuse power tools. Abusive practices can damage tool as well as workpiece.



WARNING

Do not attempt to modify this tool or create accessories not recommended for use with this tool. Any such alteration or modification is misuse and could result in a hazardous condition leading to possible serious personal injury.

ENVIRONMENTAL PROTECTION



Recycle raw materials instead of disposing as waste. The machine, accessories and packaging should be sorted for environmental-friendly recycling.

SYMBOLS



Safety Alert



Volts



Revolutions or reciprocations per minute



Direct current



CE Conformity



Please read the instructions carefully before starting the machine.



Wear ear protection



Wear eye protection



Recycle unwanted



Waste electrical products should not be disposed of with household waste. Please recycle where facilities exist. Check with your Local Authority or retailer for recycling advice.

RÈGLES PARTICULIÈRES DE SÉCURITÉ

- **DANGER ! Eloignez vos mains du disque et de la zone de coupe. Gardez votre deuxième main sur la poignée auxiliaire ou sur le carter moteur.** Si vos deux mains maintiennent la scie, elles ne peuvent pas se faire couper par le disque.
- **Ne tentez pas d'atteindre le dessous de l'élément à couper.** Le carter de protection ne peut pas vous protéger du disque qui dépasse de l'élément à couper.
- **Ajustez la profondeur de coupe à l'épaisseur de l'élément à couper.** Il ne doit pas dépasser plus d'une dent entière du disque sous l'élément à couper.
- **Ne maintenez jamais l'élément à couper dans vos mains ou entre vos jambes. Fixez-le sur un plan de travail stable.** Il est important que le travail soit bien supporté pour minimiser les risques de blessures, de blocage du disque et de perte de contrôle.
- **Maintenez l'outil électrique par ses surface de préhension isolées lorsque vous effectuez des opérations susceptibles de faire entrer en contact l'accessoire de coupe avec des câbles cachés ou avec le propre câble d'alimentation de l'outil.** Le contact avec un fil "sous tension" pourrait véhiculer cette tension électrique vers les parties métalliques de l'outil et exposer l'opérateur à un choc électrique.
- **Lorsque vous effectuez une coupe longitudinale, utilisez toujours le guide latéral ou le guide de coupe.** La précision de la coupe en sera améliorée et le disque aura moins de chances d'être tordu.
- **Utilisez toujours des disques dont la forme de l'ouverture centrale (en forme de diamant contrairement à ronde) correspond à la broche.** Les disques qui ne correspondent pas au système de fixation de l'outil tourneront de façon excentrée et entraîneront une perte de contrôle.
- **N'utilisez jamais des boulons ou rondelles de disque qui seraient endommagés.** Les rondelles et le boulon du disque ont été spécialement conçus pour votre scie, afin de procurer des performances et une sécurité optimales.
- **Causes et prévention du rebond:**
 - le rebond est une réaction soudaine au pincement, au blocage ou au mauvais alignement d'un disque, qui entraîne, s'il n'est pas contrôlé, un soulèvement de la scie par rapport à l'élément à couper en direction de l'opérateur;
 - lorsque le disque est fortement pincé ou coincé dans le trait de coupe qui se resserre, il se bloque et la réaction du moteur projette rapidement l'appareil vers l'arrière en direction de l'opérateur;

- si le disque se coince ou perd son alignement avec la coupe, les dents situées à l'arrière du disque peuvent mordre dans la face supérieure de l'élément à couper et entraîner un rebond de la scie vers l'opérateur.

Le rebond est le résultat d'une utilisation incorrecte de la scie et/ou de mauvaises procédures ou conditions d'utilisation, et il peut être évité en prenant les précautions indiquées ci-dessous.

- **Maintenez fermement la scie des deux mains et positionnez vos bras de façon à pouvoir résister aux forces de rebond. Positionnez votre corps d'un côté ou de l'autre du disque de coupe, et non dans son alignement.** Le rebond peut entraîner un saut de la scie vers l'arrière, mais les forces de rebond peuvent être contrôlées par l'opérateur si des précautions appropriées sont prises.
- **Lorsque le disque se bloque, ou lorsque vous interrompez la coupe pour une raison quelconque, relâchez l'interrupteur et maintenez la scie immobile dans le matériau jusqu'à ce que la lame s'arrête complètement. Ne tentez jamais d'enlever la scie de l'élément à couper ou de la faire reculer tant que le disque continue de tourner, sous peine de provoquer un rebond.** Examinez le travail et effectuez les corrections adéquates pour éliminer la cause du blocage du disque.
- **Lorsque vous redémarrez la scie dans l'élément à couper, centrez le disque dans le trait de coupe et vérifiez que ses dents ne mordent pas dans le matériau.** Si le disque se coince, il est susceptible d'être entraîné ou de rebondir par rapport à l'élément à couper au moment du redémarrage.
- **Supportez les grands carreaux pour minimiser les risques de pincement et de rebond.** Les grands carreaux ont tendance à s'affaisser sous leur propre poids. Supportez les carreaux des deux côtés, à proximité du trait de coupe et près du bord du carreau.
- **N'utilisez pas de disques émoussés ou endommagés.** Des disques émoussés ou endommagés produisent des traits de coupe étroits, ce qui entraîne un frottement excessif, un coincement du disque et un rebond.
- **Les leviers de verrouillage des réglages de profondeur et d'angle de coupe de la lame doivent être bien serrés avant de commencer la coupe.** Si les réglages changent pendant la coupe, un blocage du disque et un rebond peuvent se produire.
- **Soyez particulièrement attentif lorsque vous effectuez une «coupe en plongée» dans des murs existants ou autres zones aveugles.** La partie du disque qui dépasse peut couper des éléments et provoquer un rebond.

RÈGLES PARTICULIÈRES DE SÉCURITÉ

- **Vérifiez que le carter inférieur de protection se referme bien avant chaque utilisation. N'utilisez pas la scie si le mouvement de la protection inférieure n'est pas libre et si elle ne se referme pas instantanément. Ne bloquez jamais la protection inférieure en position ouverte.** Si la scie chute de façon accidentelle, la protection inférieure peut s'en trouver tordue. Soulevez la protection inférieure à l'aide de sa poignée de rétractation et assurez-vous qu'elle fonctionne librement et qu'elle ne touche pas le disque ni aucun autre élément, à tous les angles et toutes les profondeurs de coupe.
- **Vérifiez le fonctionnement du ressort de rappel de la protection inférieure. Si la protection ainsi que son ressort ne fonctionnent pas correctement, ils doivent être réparés avant utilisation.** La protection inférieure peut fonctionner de façon lente si des éléments sont endommagés, en cas de dépôts gommeux, ou en cas d'accumulation de débris.
- **Le carter de protection inférieure ne doit être rétracté à la main que pour des coupes spéciales telles que les «coupes plongeantes» et les «coupes combinées».** Soulevez le carter de protection inférieure à l'aide de sa poignée de rétractation dès que le disque pénètre dans le matériau, la protection devant être soulevée. Pour toutes les autres coupes, le carter de protection doit toujours fonctionner automatiquement.
- **Vérifiez toujours que le carter de protection inférieure recouvre le disque de coupe avant de poser la scie sur un plan de travail ou sur le sol.** Un disque non protégé et toujours en rotation fera se déplacer la scie vers l'arrière, et coupera tout ce qui se trouvera sur son chemin. Soyez conscient du temps nécessaire à l'arrêt du disque une fois l'interrupteur relâché.

DESCRIPTION

1. Bouton de verrouillage
2. Blocage de broche
3. Echelle d'inclinaison
4. Bouton de blocage de l'angle de coupe
5. Bouton de verrouillage du guide
6. Disque de coupe
7. Semelle
8. Bouton de réglage de l'écoulement
9. Bouton de déverrouillage du réservoir d'eau
10. Réservoir d'eau
11. Bouton de blocage de la profondeur
12. Logement de la clé de disque

13. Pack batterie (non compris)
14. Gâchette-interrupteur
15. Rondelle intérieure de disque
16. Disque
17. Rondelle extérieure de disque
18. Boulon de disque
19. Méthode incorrecte pour supporter le carreau
20. Méthode correcte pour supporter le carreau

MONTAGE**MONTAGE DU RÉSERVOIR D'ALIMENTATION EN EAU PAR GRAVITÉ**

Voir Figure 2.

Le réservoir d'alimentation en eau par gravité comporte une mise à l'air libre qui égalise la pression et permet à l'eau se s'écouler plus librement.

- Retirez la batterie.
 - Dévissez l'embout.
 - Remplissez le réservoir avec de l'eau jusqu'au niveau désiré. Ne le remplissez pas trop.
 - Remettez l'embout en place.
 - Maintenez le réservoir de façon que l'embout soit dirigé vers le bas.
- NOTE:** L'eau ne s'écoulera pas du réservoir tant que l'extrémité de l'embout ne sera pas enfoncée.
- Mettez le réservoir en place tel qu'illustré. Appuyez doucement sur le réservoir jusqu'à ce qu'il s'emboîte en place.
 - Pour retirer le réservoir, appuyez sur le bouton de déverrouillage du réservoir.

NOTE: Lorsque vous coupez à sec, laissez le réservoir d'eau en place pour éviter que la poussière et les débris ne bouchent le système d'alimentation en eau.

**ATTENTION**

Le réservoir n'est conçu pour contenir de l'eau. L'utilisation de tout autre liquide peut endommager l'outil.

**AVERTISSEMENT**

Le diamètre maximal de disque que la scie peut utiliser est de 101.6 mm. De plus, n'utilisez jamais de disque trop épais qui empêcherait la rondelle extérieure du disque de s'insérer dans la partie aplatie de l'axe de broche. Les disques de trop grand diamètre entreraient en contact avec les protections, tandis que les disques trop épais empêcheraient le boulon de bien bloquer le disque sur la broche. L'une comme l'autre de ces situations est susceptible de causer des accidents graves.

Français

MONTAGE



AVERTISSEMENT

N'utilisez pas de disques de coupe dont la vitesse maximale de rotation est inférieure à la vitesse de rotation à vide de l'outil. Le non respect de cet avertissement peut entraîner des blessures. N'utilisez pas de disques fêlés ou comportant des espaces ou des dents.



AVERTISSEMENT

N'utilisez pas de disques segmentés ou à dents. N'utilisez que des disques au diamant à jante lisse prévus pour les travaux de maçonnerie.

MONTAGE DU DISQUE DE COUPE

Voir Figure 3.

- Retirez le pack batterie de la scie.
- Sortez la clé de montage (clé hexagonale de 5 mm) de son logement.
- Enfoncez le bouton de blocage de broche et dévissez le boulon puis retirez la rondelle extérieure du disque.

NOTE: Tournez le boulon dans le sens des aiguilles d'une montre pour le dévisser.



ATTENTION

Pour éviter d'endommager la broche ou le blocage de broche, laissez toujours le moteur s'arrêter complètement avant de bloquer la broche.

NOTE: Ne mettez pas la scie en marche avec le blocage de broche enfoncé.

- Déposez une goutte d'huile sur la rondelle intérieure et sur la rondelle extérieure du disque à l'endroit où elles entrent en contact avec le disque.



AVERTISSEMENT

Si la rondelle extérieure a été retirée, remettez-la en place avant de mettre le disque en place sur la broche. Le non respect de cet avertissement peut entraîner un accident car le disque ne serait pas bien serré.

- Remettez la rondelle extérieure en place.
- Enfoncez le bouton de blocage de broche, puis revissez le boulon de serrage du disque. Serrez fermement le boulon en le tournant dans le sens inverse des aiguilles d'une montre.
- Remettez la clé en place dans son logement.

NOTE: N'utilisez jamais de disque de coupe trop large qui empêcherait la rondelle extérieure de s'insérer dans la partie aplatie de l'axe de broche.

CARACTÉRISTIQUES

Tension	18 V ---
Diamètre du disque	102 mm
Axe de broche	15.9 mm
Profondeur de coupe à 0°	22.2 mm
Profondeur de coupe à 45°	15.9 mm
Vitesse à vide	4,500 tr.mn ⁻¹
Type de disque	A jante lisse Au diamant
Poids (sans pack batterie)	2.6 Kg

MODÈLE	BATTERIE (non fournie)	CHARGEUR (non fournie)
LTS180	BPL-1820 BPL-1815	BCL-1800 BCS618 BCL1418 BCL1418%< BCL1418' <
	BPP-1815 BPP-1815M BPP-1817 BPP-1817M	BCA-180 BC-1815S BC-1800 BCL-1800 BCS618 BCL1418 BCL1418%< BCL1418' <

UTILISATION



AVERTISSEMENT

Portez toujours un masque anti-poussières lorsque vous coupez du carrelage. Si vous ne le faites pas vous pouvez subir de graves blessures.



AVERTISSEMENT

Portez toujours des lunettes de sécurité ou des lunettes de protection équipées de volets latéraux lorsque vous coupez des matériaux. Dans le cas contraire, des objets pourraient être projetés vers vos yeux et provoquer de graves blessures.



AVERTISSEMENT

N'utilisez pas d'accessoires non recommandés par le fabricant de ce produit. L'utilisation d'accessoires non recommandés peut entraîner de graves blessures.

UTILISATION**APPLICATIONS**

Vous pouvez utiliser ce produit pour les applications suivantes:

- Coupes à l'eau transversales, longitudinales, et d'angle de carrelages, dalles, et carreaux en pierre naturelle.
- Pour la coupe à sec des matériaux ci-dessus, un disque de coupe spécial est nécessaire (non fourni).

Cet appareil peut utiliser les packs batterie Ryobi One+ 18V lithium-ion et Ryobi One+ 18V cadmium-nickel.

Reportez-vous au Mode d'Emploi de votre pack batterie Ryobi One+ et de votre chargeur pour des instructions complètes sur la méthode de charge.

DISPOSITIFS DE PROTECTION DE LA BATTERIE

Les batteries RYOBI lithium-ion de 18 V incorporent des dispositifs de protection des éléments lithium-ion qui maximisent la durée de vie des batteries. Sous certaines conditions d'utilisation, ces dispositifs incorporés peuvent entraîner un comportement différent de la batterie et de l'outil qu'elle alimente par rapport aux batteries cadmium-nickel.

Lors de certaines opérations, l'électronique de la batterie peut la déconnecter, entraînant l'arrêt de l'outil. Pour remettre à zéro la batterie ainsi que l'outil, relâchez l'interrupteur et reprenez le travail.

NOTE: Pour éviter que la batterie ne se remette en protection, évitez de faire forcer l'outil.

Si après avoir relâché l'interrupteur la batterie et l'outil ne se sont pas remis à zéro, alors le pack batterie est déchargé. S'il est déchargé, le pack batterie se mettra en charge une fois placé sur le chargeur lithium-ion.

MISE EN PLACE DU PACK BATTERIE

Voir Figure 4.

- Insérez le pack batterie dans la scie. Alignez les languettes du pack batterie avec les rainures à l'intérieur de la scie, puis faites glisser le pack batterie dans la scie.
- Assurez-vous que les languettes de chaque côté du pack batterie se verrouillent bien et que le pack batterie est bien en place dans la scie avant de commencer l'opération..

**AVERTISSEMENT**

Retirez toujours le pack batterie de votre outil lorsque vous-y montez des accessoires, lorsque vous effectuez des réglages, lorsque vous le

nettoyez ou lorsque vous ne l'utilisez pas. Le retrait du pack batterie évitera toute mise en marche accidentelle qui pourrait entraîner de graves blessures.

RETRAIT DU PACK BATTERIE

Voir Figure 4.

- Repérez les loquets sur le côté du pack batterie et enfoncez-les pour retirer le pack batterie de la scie.
- Retirez le pack batterie de la scie.

DISQUES DE COUPE

Le meilleur disque de coupe ne pourra pas couper efficacement s'il est usé ou émoussé. L'utilisation d'un disque usé fera fortement forcer la scie. Ayez des disques de rechange sous la main, afin de toujours avoir un disque affûté de disponible.

MISE EN MARCHÉ/ARRÊT DE LA SCIE

Voir Figure 5.

Pour démarrer la scie:

- Enfoncez le bouton de verrouillage.
- Appuyez sur la gâchette-interrupteur.

Laissez toujours le temps au moteur d'atteindre sa pleine vitesse de rotation, puis guidez la scie dans l'élément à couper.

Pour arrêter la scie: Relâchez la gâchette-interrupteur.

Après avoir relâché l'interrupteur, laissez le disque s'arrêter complètement. **NE RETIREZ PAS** la scie de l'élément à couper tant que le disque tourne.

BOUTON DE VERROUILLAGE

Voir Figure 6.

Le bouton de verrouillage réduit les risques de mise en marche accidentelle. Le bouton de verrouillage est situé sur la poignée au dessus de l'interrupteur. Le bouton de verrouillage doit être enfoncé avant que vous enfoncez la gâchette-interrupteur. Le verrouillage se bloquera chaque fois que vous relâcherez l'interrupteur.

NOTE: Vous pouvez enfoncer le bouton de verrouillage par la gauche ou par la droite.

RÉGLAGE DE LA PROFONDEUR DE COUPE

Voir Figure 7.

Le réglage de profondeur de coupe doit toujours être correct. Le réglage correct de la profondeur de coupe ne doit pas permettre que le disque dépasse de plus de 6.35 mm sous l'élément à couper. Une plus grande profondeur augmenterait les risques de rebond et rendrait la coupe plus grossière. Pour une plus grande précision, une règle graduée est située sur le support arrière.

- Desserrez le bouton de réglage de la profondeur.
- Déterminez la profondeur de coupe désirée.
- Repérez la règle graduée de profondeur de coupe sur le support arrière.

Français

UTILISATION

- Maintenez la semelle à plat contre l'élément à couper puis abaissez ou remontez la scie jusqu'à ce que la valeur sur la règle soit alignée avec l'encoche du carter de protection du disque.
- Serrez fermement le bouton de verrouillage du réglage de profondeur.

UTILISATION DE LA SCIE

Voir Figures 8 - 9.

Il est important de bien comprendre le maniement correct de la scie. Reportez-vous aux illustrations de ce chapitre pour apprendre les bonnes et les mauvaises façons d'utiliser la scie.



AVERTISSEMENT

Lorsque vous soulevez la scie de l'élément à couper, le disque est exposé sans protection sous la scie.

Pour effectuer la meilleure coupe possible:

- Maintenez fermement la scie des deux mains.
- Evitez de placer votre main sur l'élément à couper pendant que vous effectuez la coupe.
- Supportez l'élément à couper de façon que le trait de coupe soit toujours de votre côté.
- Supportez l'élément à couper près de la coupe.
- Fixez fermement l'élément à couper afin qu'il ne bouge pas au cours de la coupe.
- Placez toujours la scie sur la partie de l'élément à couper qui est soutenue, pas sur la partie «à couper».
- Orientez l'élément à couper avec la bonne face (la face visible) vers le bas.
- Tracez un trait de repère le long de la coupe désirée avant de commencer la coupe.

COUPE

Tracez toujours un trait de repère sur le carreau à l'aide d'un marqueur ou d'un crayon gras. Si le carreau est brillant et difficile à marquer, collez du ruban de masquage sur le carreau et tracez le trait sur ce ruban.

Un problème courant lors de la coupe d'un carreau est la divergence par rapport au trait tracé. Une fois que vous vous êtes éloigné du repère, vous ne pouvez pas forcer sur la scie pour la faire revenir dans l'axe. Il vous faut plutôt reculer et recouper le carreau en enlevant une fine partie jusqu'à ce que vous soyez revenu dans l'axe.

Pour éviter ce problème, utilisez un guide latéral lorsque cela est possible pour effectuer les coupes longitudinales et les coupes d'onglet.

Les coupes à l'eau doivent être effectuées à l'extérieur.

ENTRETIEN



AVERTISSEMENT:

N'effectuez les réparations qu'à l'aide de pièces détachées RYOBI identiques. L'utilisation de toute autre pièce détachée représente un danger et peut causer des dommages matériels.

Evitez d'utiliser des solvants pour nettoyer les parties en plastique. La plupart des plastiques sont susceptibles d'être endommagés par différents types de solvants du commerce.

Utilisez des chiffons propres pour retirer la saleté, les poussières, l'huile, la graisse, etc.



AVERTISSEMENT:

Ne laissez jamais du liquide de frein, de l'essence, des produits pétroliers, des huiles pénétrantes, etc. entrer en contact avec les parties en plastique. Les produits chimiques peuvent endommager, affaiblir ou détruire les plastiques, ce qui pourrait entraîner de graves blessures.

Ne maltraitez pas les outils électriques. Les pratiques abusives peuvent endommager l'outil ainsi que la pièce à travailler.



AVERTISSEMENT:

Ne tentez pas de modifier cet outil ou de fabriquer des accessoires non recommandés pour l'utilisation avec cet outil. Toute altération ou modification de la sorte constitue un mésusage et peut entraîner des situations risquées pouvant entraîner de graves blessures.

PROTECTION DE L'ENVIRONNEMENT



Recyclez les matières premières au lieu de les jeter aux ordures ménagères. Pour protéger l'environnement, l'outil, les accessoires et les emballages doivent être triés.

SYMBOLE







Alerte de Sécurité

V Volts

min⁻¹ Tours ou coups par minute

Français

SYMBOLE

-  Courant continu
-  Conformité CE
-  Veuillez lire attentivement le mode d'emploi avant de démarrer la machine.
-  Portez une protection auditive



Portez une protection oculaire



Recyclez les machines électriques hors d'usage



Les produits électriques hors d'usage ne doivent pas être jetés avec les ordures ménagères. Recyclez-les par l'intermédiaire des structures disponibles. Contactez les autorités locales pour vous renseigner sur les conditions de recyclage.

Deutsch

BESONDERE SICHERHEITSREGELN

- **GEFAHR! Halten Sie Hände und Füße vom Schnittbereich und der Klinge fern! Halten Sie mit der zweiten Hand den Seitengriff oder das Motorgehäuse!** Wenn beide Hände die Säge festhalten, können sie nicht durch die Klinge verletzt werden.
 - **Greifen Sie nicht unter das Werkstück!** Unterhalb des Werkstücks bietet die Schutzvorrichtung keinen Schutz vor der Klinge.
 - **Stellen Sie die Schnittiefe auf die Stärke des Werkstücks ein!** Es sollte weniger als ein ganzer Zahn der Schneidscheibe unterhalb des Werkstücks sichtbar sein.
 - **Halten Sie niemals ein zu schneidendes Stück in Ihren Händen oder auf Ihren Beine! Sichern Sie das Werkstück auf einem stabilen Unterbau!** Zur Reduzierung der Verletzungsgefahr und um ein Verklemmen der Klinge bzw. einen Kontrollverlust zu vermeiden, ist es wichtig das Werkstück richtig zu stützen.
 - **Halten Sie das Werkzeug bei Arbeiten bei denen das Schneidwerkzeug in Kontakt mit versteckten Drähten oder seinem eigenen Kabel geraten könnte an den isolierten Griffteilen fest.** Kontakt mit einem unter Strom stehenden Draht, setzt auch freiliegende Metallteile des Werkzeugs unter Strom und kann so dem Anwender einen Stromschlag versetzen.
 - **Verwenden Sie beim Längsschnitt immer einen Parallelanschlag oder die Anlagekante.** Das verbessert die Genauigkeit des Schnitts und verringert das Risiko eines Verklemmens der Scheibe.
 - **Verwenden Sie ausschließlich Scheiben mit der richtigen Größe und Form (Diamant / rund) der Spindelöffnung.** Klingen, die nicht zu der Befestigungsvorrichtung eines Werkzeugs passen, laufen außermittig, was zu einem Kontrollverlust führt.
 - **Verwenden Sie niemals beschädigte oder falsche Scheibenunterlegscheiben oder -schrauben!** Die Scheibenunterlegscheiben und -schrauben wurden speziell für Ihre Säge entwickelt und sorgen für eine optimale Leistung und Betriebssicherheit.
 - **Gründe für einen Rückschlag und wie man einen Rückschlag vermeidet:**
 - Ein Rückschlag ist eine plötzliche Reaktion auf ein gequetschtes, verklemmtes oder versetztes Sägeblatt und verursacht, dass eine unzureichend kontrollierte Säge sich in die Höhe und aus dem Werkstück heraus auf den Anwender richtet.
 - Wenn das Blatt gequetscht wird oder sich durch ein Schließen des Schnitts verklemt, blockiert das Blatt und die Motorleistung treibt das Gerät in einer plötzlichen Reaktion zurück und auf den Anwender zu.
 - Falls das Sägeblatt sich im Schnitt verdreht oder falls es versetzt wird, können die Zähne auf der Rückseite des Sägeblatts sich in die Oberfläche des Werkstücks fressen, was dazu führt, dass das Blatt sich aus dem Schnitt herausbewegt und zurück in die Richtung des Anwenders springt.
- Ein Rückschlag ist die Folge einer falschen Verwendung des Werkzeugs und/oder einer falschen Arbeitsweise bzw. falschen Arbeitsbedingungen und kann durch Ergreifen der folgenden Vorsichtsmaßnahmen vermieden werden:
- **Achten Sie darauf, dass Sie die Säge fest mit beiden Händen halten und richten Sie Ihre Arme so aus, dass sie den Kräften eines Rückschlags widerstehen. Achten Sie darauf, dass Ihr Körper sich seitlich von der Schneidscheibe befindet und nicht genau dahinter.** Ein Rückschlag kann dazu führen, dass die Säge nach hinten springt. Die Auswirkungen des Rückschlags können jedoch vom Anwender kontrolliert werden, sofern die richtigen Vorsichtsmaßnahmen getroffen wurden.
 - **Sollte die Schnittscheibe sich verklemmen, oder falls Sie einen Schnitt aus welchem Grund auch immer unterbrechen, lassen Sie zunächst den Auslöser los und halten Sie dann die Säge bewegungslos im Material, bis die Scheibe komplett angehalten hat. Versuchen Sie niemals die Säge aus dem Werkstück zu entfernen oder nach hinten herauszuziehen, während die Scheibe sich noch in Bewegung befindet. Ansonsten kann ein Rückschlag auftreten!** Untersuchen Sie auf und beheben Sie Mängel, um die Gründe für ein Verklemmen der Scheibe zu beseitigen.
 - **Wenn Sie eine Säge in einem Werkstück neu starten, richten Sie das Sägeblatt in der Mitte des Schnitts aus und prüfen Sie, dass die Zähne in das Material greifen.** Falls sich ein Sägeblatt verklemt hat, könnte es sich beim erneuten Starten der Säge nach oben fressen, oder zurückschlagen.
 - **Stützen Sie größere Werkstücke, um das Risiko eines Quetschens des Sägeblatts und eines Rückschlags zu minimieren.** Größere Werkstücke tendieren dazu, sich unter ihrem eigenen Gewicht durchzubiegen. Das Werkstück muss an beiden Seiten von unten gestützt werden, einmal in der Nähe der Schnittlinie und in der Nähe der Kante des Werkstücks.
 - **Verwenden Sie keine stumpfen oder beschädigten Sägeblätter!** Unzureichend geschärfte und nicht richtig eingesetzte Blätter führen zu einem engen Schnitt, was übermäßige Reibung, ein Verklemmen des Sägeblatts und Rückschlag führt.

Deutsch

BESONDERE SICHERHEITSGESETZ

- **Die Sperrknöpfe für Schnittiefe und Stellwinkel müssen vor dem Sägen festgezogen und gesichert werden!** Falls die Sägeblatteinstellung sich während des Sägens ändert, kann dies zu einem Verklemmen und Rückschlag führen.
- **Seien Sie bei „Einstechschnitten“ in bestehende Wände oder andere, nicht-einsehbare Bereiche besonders vorsichtig!** Das hervorstehende Sägeblatt könnte in Objekte schneiden, was zu einem Rückschlag führen kann.
- **Prüfen Sie vor jedem Gebrauch die untere Schutzvorrichtung darauf, dass sie ordnungsgemäß geschlossen ist! Verwenden Sie das Werkzeug nicht, falls die untere Schutzvorrichtung sich nicht frei bewegen lässt und sofort schließt! Klemmen oder binden Sie die untere Schutzvorrichtung niemals in der offenen Position fest!** Falls das Werkzeug versehentlich herunterfällt könnte die untere Schutzvorrichtung verbogen werden. Heben Sie die untere Schutzvorrichtung mit dem zurückziehbaren Griff an und vergewissern Sie sich, dass sie sich bei allen Winkeln und Schnittiefen frei bewegen lässt und nicht das Sägeblatt oder ein anderes Teil berührt.
- **Prüfen Sie die Funktion der Feder der unteren Schutzvorrichtung! Falls Schutzvorrichtung und Feder nicht ordnungsgemäß funktionieren, müssen Sie vor der Verwendung repariert werden!** Die untere Schutzvorrichtung kann sich aufgrund beschädigter Teile, Harzrückstände oder Ablagerungen schwerfällig bewegen lassen.
- **Die untere Schutzvorrichtung sollte ausschließlich für spezielle Schnitte, wie „Einstechschnitte“ und „Verbindungsschnitte“ von Hand zurückgezogen werden! Heben Sie die untere Schutzvorrichtung an, indem Sie den Griff zurückziehen. Sobald das Sägeblatt sich in das Material frisst, muss die untere Schutzvorrichtung gelöst werden.** Für alle anderen Sägearbeiten muss die untere Schutzvorrichtung automatisch bedient werden.
- **Achten Sie darauf, dass die untere Schutzvorrichtung immer das Sägeblatt abdeckt, bevor Sie die Säge auf der Werkbank oder dem Boden absetzen.** Ein ungeschütztes Sägeblatt verursacht, dass die Säge sich nach hinten bewegt und dabei in alles schneidet, was in ihrem Weg liegt. Sie sollten die Zeitspanne, die zwischen dem Lösen des Auslösers und dem vollständigen Stillstand des Sägeblatts vergeht, kennen.

BESCHREIBUNG

1. Entsperrenknopf
2. Spindelsperre
3. Stellwinkelskala
4. Stellwinkel-Sperrknopf
5. Anlegekante-Sperrknopf
6. Schneidscheibe
7. Basis
8. Knopf zur Einstellung des Durchflusses
9. Knopf zum Lösen der Wasserflasche
10. Wasserflasche
11. Knopf zur Einstellung der Schnittiefe
12. Halterung für Scheibenschlüssel
13. Akku (nicht im Lieferumfang enthalten)
14. Auslöser
15. Innere Scheibenunterlegscheibe
16. Schneidscheibe
17. Äußere Scheibenunterlegscheibe
18. Scheibenschraube
19. Falscher Stützaufbau
20. Richtiger Stützaufbau

ZUSAMMENBAU

ANBRINGEN DER SCHWERKRAFTBESCHICKTEN WASSERFLASCHE

Siehe Abbildung 2.

- Die schwerkraftbeschickte Wasserflasche verfügt über ein eingebautes Luftventil, das den Druck ausgleicht und für einen besseren Wasserfluss sorgt.
- Den Akku entfernen.
- Die Auslassvorrichtung abschrauben.
- Die Wasserflasche bis zum gewünschten Stand füllen. Nicht überfüllen.
- Auslassvorrichtung wieder anbringen.
- Halten Sie die Wasserflasche so, dass der Ausfluss nach unten gerichtet ist.
BITTE BEACHTEN: Aus der Flasche tritt kein Wasser aus bis die Spitze des Auslasses heruntergedrückt wird.
- Die Wasserflasche wie gezeigt einsetzen. Drücken Sie die Flasche langsam nach unten bis sie einrastet.
- Drücken Sie zum Entnehmen der Flasche den Knopf zum Lösen der Wasserflasche.

BITTE BEACHTEN: Lassen Sie beim Trockenschneiden die Wasserflasche im Werkzeug, um zu vermeiden, dass Staub und Schnittabfälle das Wasserversorgungssystem verstopfen.

Deutsch

ZUSAMMENBAU



ACHTUNG

Die Wasserflasche ist ausschließlich für Wasser vorgesehen! Die Verwendung anderer Flüssigkeiten kann das Werkzeug beschädigen.



WARNUNG

Die maximale Scheibengröße der Säge beträgt 101,6 mm. Verwenden Sie außerdem niemals eine Scheibe, deren Stärke so hoch ist, dass es nicht möglich ist, die äußere Scheibenunterlegscheibe auf der Gewindespitze der Spindel anzubringen. Größere Scheiben geraten in Kontakt mit der Scheibenschutzvorrichtung. Scheiben mit höherer Stärke verhindern, dass die Scheibe sicher mit der Scheibenschraube an der Spindel befestigt werden kann. Beide Situationen können zu schweren Unfällen führen!



WARNUNG

Verwenden Sie keine Schneidscheiben, die für eine geringere Leerlaufdrehzahl, als die, die dieses Werkzeug aufweist, ausgelegt sind. Die Nichtbeachtung dieser Warnung kann zu Verletzungen führen. Verwenden Sie keine Scheiben mit Rissen, Lücken oder Zähnen!



WARNUNG

Verwenden Sie keine gezahnten oder segmentierten Scheiben! Verwenden Sie ausschließlich für Steinmetzarbeiten geeignete Diamantscheiben mit Endlosrand.

ANBRINGEN DER SCHNEIDSCHLEIBE

Siehe Abbildung 3.

- Den Akku aus dem Schneider entfernen.
- Entnehmen Sie den Scheibenschlüssel (5 mm Sechskantschlüssel) aus der Halterung.
- Drücken Sie den Spindelsperrenknopf herunter und entfernen Sie die Scheibenschraube und die äußere Scheibenunterlegscheibe.

BITTE BEACHTEN: Drehen Sie die Scheibenschraube im Uhrzeigersinn, um sie zu entfernen.

ACHTUNG

Um eine Beschädigung der Spindel oder der Spindelsperre zu vermeiden, lassen Sie den Motor immer erst vollständig zum Stillstand kommen, bevor Sie die Spindelsperre betätigen.

BITTE BEACHTEN: Verwenden Sie den Schneider nicht mit aktivierter Spindelsperre.

- Verteilen Sie einen Tropfen Öl auf der inneren und der äußeren Scheibenunterlegscheibe dort, wo diese Kontakt mit der Scheibe haben.

WARNUNG

Falls die innere Scheibenunterlegscheibe abgenommen wurde, setzen Sie sie wieder auf, bevor Sie die Schneidscheibe auf die Spindel setzen. Ein Versäumnis kann einen Unfall verursachen, da die Scheibe nicht richtig befestigt wird!

- Äußere Scheibenunterlegscheibe anbringen.
- Drücken Sie den Spindelsperrenknopf und bringen Sie dann die Scheibenschraube an. Ziehen Sie die Scheibenschraube durch Drehen gegen den Uhrzeigersinn fest.
- Führen Sie den Scheibenschlüssel wieder in die Halterung.

BITTE BEACHTEN: Verwenden Sie niemals eine Schneidscheibe, deren Stärke so hoch ist, dass es nicht möglich ist, die äußere Scheibenunterlegscheibe auf der Gewindespitze der Spindel anzubringen.

TECHNISCHE DATEN

Elektrische Spannung	18 V ---
Scheibendurchmesser	102 mm
Scheibenhalterung	15,9 mm
Schnitttiefe bei 0°	22,2 mm
Schnitttiefe bei 45°	15,9 mm
Leerlaufgeschwindigkeit	4,500 min ⁻¹
Scheiben Typ	Endlosrand Diamantscheibe
Gewicht (ohne Akkupack)	2,6 Kg

MODELL	AKKU PACK (nicht im Lieferumfang enthalten)	KOMPATIBLES LADEGERÄT (nicht im Lieferumfang enthalten)
LTS180	BPL-1820 BPL-1815	BCL-1800 BCS618 BCL1418 BCL1418* <
	BPP-1815 BPP-1815M BPP-1817 BPP-1817M	BCA-180 BCL-1800 BCS618 BCL1418 BC-1815S BC-1800 BCL1418* < BCL1418* <

Deutsch

BETRIEB



WARNUNG

Tragen Sie bei der Arbeit mit Fliesenschneidern immer eine Staubmaske! Falls Sie das nicht tun kann dies zu schweren Verletzungen führen.



WARNUNG

Tragen Sie bei der Verwendung von Werkzeugen immer eine Schutzbrille mit Seitenschutz.

Ein Versäumnis dies zu tun kann dazu führen, dass Fremdkörper in Ihre Augen geraten, was möglicherweise zu einer schweren Verletzung führen kann.



WARNUNG

Verwenden Sie keine Aufsätze oder Zubehör, das nicht durch den Hersteller dieses Produkts empfohlen wird. Die Verwendung nicht empfohlener Aufsätze oder nicht empfohlenen Zubehörs führen kann zu schweren Verletzungen führen.

ANWENDUNGEN

Sie können dieses Produkt für die unten aufgeführten Zwecke verwenden:

- Nasses Querschneiden, Längsschneiden und Schrägschneiden von künstlich hergestellten Fliesen, Fußbodenplatten und Fliesenmaterialien aus Naturstein.
- Für Trockenschneiden der o.a. Materialien wird eine spezielle Schneidscheibe benötigt (nicht im Lieferumfang enthalten).

Dieses Gerät arbeitet mit Ryobi One+ 18V Lithium-Ionen-Akkupacks und Ryobi One+ 18V Nickel-Cadmium-Akkupacks.

Für vollständige Anweisungen zum Laden lesen Sie bitte die Bedienungsanleitung Ihres Ryobi One+ Akku- und Ladegerätmodells.

VORRICHTUNGEN ZUM SCHUTZ DES AKKUS

RYOBI 18V Lithium-Ionen-Akkus wurden mit Vorrichtungen entwickelt, die die Lithium-Ionen Zellen schützen und die Lebensdauer des Akkus maximieren. Unter bestimmten Betriebsbedingungen veranlassen diese integrierten Vorrichtungen den Akku und das Werkzeug, das durch den Akku betrieben wird, dazu sich anders zu Verhalten als Nickel-Cadmium-Akkus.

Bei einigen Anwendungen kann die Akkuelektronik den Akku anweisen sich abzuschalten, was dazu führt, dass das Werkzeug aufhört zu laufen. Lösen Sie den Auslöser um Akku und Werkzeug wieder neu zu starten und den Normalbetrieb fortzusetzen.

BITTE BEACHTEN: Vermeiden Sie es, um ein weiteres Abschalten zu verhindern, das Werkzeug mit Gewalt einzusetzen.

Sollte ein Lösen des Auslösers Akku und Werkzeug nicht neu starten ist das Akkupack erschöpft. Wenn erschöpft, wird das Akkupack mit dem Aufladen beginnen sobald es auf das Lithium-Ionen-Ladegerät gesetzt wird.

AKKUPACK EINSETZEN

Siehe Abbildung 4.

- Setzen Sie den Akku in die Säge ein. Richten Sie den erhöhten Steg des Akkus auf die Nut innerhalb der Säge aus. Schieben Sie dann den Akku in die Säge.
- Lassen Sie die Laschen auf beiden Seiten des Akkus einrasten und vergewissern Sie sich vor der Benutzung, dass der Akku sicher in der Säge sitzt.

WARNUNG

Entfernen Sie vor der Montage von Teilen, dem Vornehmen von Einstellungen, dem Reinigen oder bei Nichtgebrauch immer den Akku aus dem Werkzeug. Das Entfernen des Akkus verhindert ein unbeabsichtigtes Einschalten, das schwere Verletzungen verursachen könnte.

AKKUPACK ENTFERNEN

Siehe Abbildung 4.

- Suchen Sie die Laschen an der Seite des Akkus und drücken Sie sie ein, um den Akku aus der Säge zu lösen.
- Nehmen Sie den Akku aus der Säge.

SCHNEIDSCHLEIBEN

Selbst die besten Schneidscheiben arbeiten nicht effizient, wenn sie stumpf oder stark abgenutzt sind. Die Verwendung einer stumpfen Scheibe belastet die Säge stark. Halten Sie zusätzliche Scheiben bereit, so dass Ihnen jederzeit scharfe Scheiben zur Verfügung stehen.

EINSCHALTEN/AUSSCHALTEN DES SCHNEIDERS

Siehe Abbildung 5.

Die Säge einschalten:

- Drücken Sie den Sperrknopf herunter.
- Drücken Sie den Auslöserknopf.

Lassen Sie die Scheibe immer erst Höchstgeschwindigkeit erreichen bevor Sie das Werkzeug dann in das Werkstück einführen.

Die Säge ausschalten: Lassen Sie den Auslöserknopf los.

Lassen Sie die Scheibe, nachdem Sie den Auslöserschalter losgelassen haben, vollständig zum Halt kommen. Ziehen Sie die Säge NICHT aus dem Werkstück während die Scheibe sich noch in Bewegung befindet.

BETRIEB**SPERRKNOPF**

Siehe Abbildung 6.

Der Sperrknopf verringert das Risiko eines versehentlichen Starts. Der Sperrknopf befindet sich am Griff, oberhalb des Auslösers. Der Sperrknopf muss gedrückt werden, bevor Sie den Auslöser drücken. Die Sperre wird jedes Mal ausgelöst, wenn der Auslöser losgelassen wird.

BITTE BEACHTEN: Sie können den Sperrknopf sowohl von der rechten, als auch der linken Seite drücken.

SCHNEIBENTIEFE EINSTELLEN

Siehe Abbildung 7.

Arbeiten Sie immer mit der richtigen Scheibentiefeeinstellung! Die korrekte Scheibentiefeeinstellung sollte für alle Schnitte 6,35 mm unter dem zu schneidenden Material nicht überschreiten. Eine größere Scheibentiefe erhöht die Gefahr eines Rückschlags und verursacht einen groben Schnitt. Für höhere Schnitttiefengenauigkeit ist eine Skala an der hinteren Klammer angebracht.

- Lösen Sie den Tiefeneinstellknopf.
- Legen Sie die gewünschte Schnitttiefe fest.
- Suchen Sie die Schnitttiefenskala an der hinteren Klammer.
- Halten Sie die Basis flach gegen das Werkstück und führen Sie die Säge nach oben bzw. nach unten, bis die Anzeigemarkierung der Klammer auf die Kerbe auf der Scheibenschutzvorrichtung ausgerichtet ist.
- Ziehen Sie den Knopf der Tiefeneinstellung fest an.

BETRIEB DER SÄGE

Siehe Abbildung 8 - 9.

Es ist wichtig, die richtige Arbeitsweise mit der Säge zu kennen. Schauen Sie sich die Abbildungen in diesem Abschnitt an, um zu sehen, wie mit der Säge richtig und falsch umgegangen werden kann.

**WARNING**

Beim Anheben der Säge vom Werkstück liegt die Schneidscheibe an der Unterseite der Säge frei.

Um den bestmöglichen Schnitt zu erhalten:

- Halten Sie die Säge fest mit beiden Händen.
- Vermeiden Sie es, ihre Hand beim Schneiden auf das Werkstück zu legen.
- Stützen Sie das Werkstück, so dass der Schnitt (Schnittfuge) immer auf Ihrer Seite liegt.
- Stützen Sie das Werkstück in der Nähe des Schnitts.
- Klammern Sie das Werkstück gut fest, so dass es sich während des Schnitts nicht bewegt.

- Setze Sie die Säge am Werkstück immer dort an, wo es gestützt wird, nicht am „Schnittstück“.
- Legen Sie das Werkstück mit der „guten“ Seite nach unten.
- Markieren Sie bevor Sie mit dem Schnitt beginnen eine Linie entlang der gewünschten Schnittrichtung.

SCHNEIDEN

Zeichnen Sie den Schnitt immer erst mit einem Markier- oder Fettstift vor. Falls die Fliese glänzend und nur schwer zu markieren ist, kleben Sie Abklebeband auf die Fliese und markieren Sie dann das Klebeband.

Ein häufiges Problem beim Schneiden ist das Abweichen von der markierten Linie. Wenn Sie von der Markierung abweichen können Sie die Scheibe nicht wieder in die gewünschte Richtung führen, indem Sie die Fliese drehen. Ziehen Sie stattdessen das Werkzeug zurück und schneiden Sie die Fliese erneut, indem Sie ein kleines Stück der Fliese abschneiden bis die Scheibe wieder auf der Linie liegt.

Verwenden Sie zur Vermeidung dieses Problems bei Quer- und Gehrungsschnitten wann immer möglich eine Anlagantenführung.

Falls Sie nass Schneiden möchten, sollten Sie dies im Freien tun.

WARTUNG**WARNING**

Verwenden Sie für die Wartung nur RYOBI Originalersatzteile. Die Verwendung anderer Teile kann gefährlich sein oder eine Beschädigung des Produkts verursachen. Vermeiden Sie die Verwendung von Lösungsmitteln beim Reinigen der Plastikteile. Die meisten Kunststoffe sind anfällig gegen Lösungsmittel und können durch ihre Verwendung beschädigt werden. Verwenden Sie saubere Tücher um Verunreinigungen wie Staub, Öl, Schmierstoffe usw. zu entfernen.

Verwenden Sie keine Lösemittel zum Reinigen der Kunststoffteile. Die meisten Kunststoffe können durch die Verwendung von bestimmten im Handel verkaufter Lösungsmittel beschädigt werden. Verwenden Sie einen sauberen Lappen für die Entfernung von Schmutz, Staub, Öl, Fett usw.

**WARNING**

Lassen Sie niemals Bremsflüssigkeiten, Benzin, Produkte auf Erdölbasis, Penetrieröle usw. mit den Plastikteilen in Kontakt geraten. Chemikalien können Plastik beschädigen, aufweichen oder zerstören, was zu schweren Verletzungen führen kann.

Deutsch

WARTUNG

Gebrauchen Sie motorbetriebene Werkzeuge nicht falsch! Eine falsche Verwendungsweise kann sowohl das Werkzeug, als auch das Werkstück beschädigen.



WARNUNG

Versuchen Sie nicht, dieses Werkzeug zu verändern oder mit Zubehör zu verwenden, das nicht zur Verwendung mit diesem Werkzeug empfohlen ist. Solche Veränderungen oder Modifikationen stellen eine missbräuchliche Verwendung dar und können gefährliche Arbeitsbedingungen schaffen, die möglicherweise zu schweren Verletzungen führen.

UMWELTSCHUTZ



Recyceln Sie die Rohstoffe anstatt sie in die Haushaltsabfälle zu geben. Zum Schutz der Umwelt müssen das Gerät, die Zubehörteile und die Verpackungen getrennt entsorgt werden.

SYMBOL



Sicherheitswarnung

V

Volt

min⁻¹

Umdrehungen und Bewegungen in der Minute



Gleichstrom



CE-Konformität



Bitte lesen Sie die Anweisungen sorgfältig, bevor Sie das Gerät einschalten.



Gehörschutz tragen



Augenschutz tragen



Entsorgen Sie unerwünschtes Material



Elektrische Geräte sollten nicht mit dem übrigen Müll entsorgt werden. Bitte entsorgen Sie diese an den entsprechenden Entsorgungsstellen. Wenden Sie sich an die örtliche Behörde oder Ihren Händler, um Auskunft über die Entsorgung zu erhalten.

NORMAS DE SEGURIDAD ESPECÍFICAS

- **PELIGRO! Mantenga las manos alejadas del área de corte y de la cuchilla. Mantenga su segunda mano en la empuñadura auxiliar, o en la carcasa del motor.** Si ambas manos están sosteniendo la sierra, no podrán ser alcanzados por la cuchilla.
- **No introduzca las manos por debajo de la pieza de trabajo.** El dispositivo de protección no puede protegerle de la cuchilla por debajo de la pieza de trabajo.
- **Ajuste la profundidad de corte al grosor de la pieza de trabajo.** Sólo deberá ser visible menos de un diente completo de los dientes de la cuchilla por debajo de la pieza de trabajo.
- **Nunca sostenga la pieza que está cortando en sus manos o piernas. Fije la pieza de trabajo en una plataforma estable.** Es importante apoyar la pieza de trabajo correctamente para minimizar la exposición del cuerpo, que la cuchilla quede atascada, o la pérdida de control de la herramienta.
- **Sujete la herramienta motorizada por las superficies de agarre aisladas al realizar una operación en la que la herramienta de corte pueda estar en contacto con el cableado oculto o con su propio cable.** Si la herramienta entra en contacto con un cable con corriente, ésta pasará a las piezas de metal expuestas y el operario sufrirá una descarga eléctrica.
- **A la hora de cortar, utilice siempre un tope paralelo o guía de borde recto.** Esto mejora la precisión de corte y reduce la posibilidad que la cuchilla quede atascada.
- **Utilice siempre cuchillas del tamaño y la forma apropiados para los agujeros del portaherramientas (diamante o redonda).** Las cuchillas que no coincidan con los mecanismos de montaje de la sierra funcionarán de forma excéntrica, causando la pérdida de control.
- **Nunca use arandelas o tornillos en la cuchilla que estén dañados o no sean los correctos.** Las arandelas y el perno de la cuchilla se han diseñado especialmente para su sierra, para obtener un rendimiento óptimo y seguridad a la hora de utilizar al herramienta.
- **Causas y prevención de retroceso:**
 - la acción de retroceso es una reacción repentina producida en una cuchilla mal alineada, atascada o enganchada, que causa que una sierra incontrolada se levante y salga de la pieza de trabajo y salte hacia el operario;
 - Cuando la hoja se engancha o queda atrapada debido a que el corte de la sierra se cierra, la cuchilla se atasca y la reacción del motor impulsa la unidad

rápidamente hacia atrás y contra el operador

- Si la cuchilla se tuerce o queda mal alineada en el corte, los dientes del borde posterior de la sierra pueden clavarse en la superficie superior de la madera haciendo que la hoja se salga del corte y salte hacia atrás y contra el operador.

El retroceso es el resultado de un uso incorrecto de la sierra y/o de condiciones o procedimientos de manejo incorrectos, y se puede evitar tomando las precauciones necesarias según lo indicado abajo:

- **Mantenga la sierra bien agarrada con ambas manos y coloque los brazos de tal forma que pueda resistir la fuerza de la acción de retroceso. Coloque el cuerpo a cualquier lado de la cuchilla, pero no alineado con ella.** La acción de retroceso podría causar que la sierra saltara hacia atrás, pero la fuerza de la acción de retroceso puede ser controlada por el operario si toma las precauciones apropiadas
- **Cuando la cuchilla está atascada o cuando se interrumpe un corte por cualquier razón, deje de pulsar el gatillo y sujete la sierra en el material hasta que la cuchilla se pare completamente. Nunca intente retirar la cuchilla de la pieza de trabajo ni tire de la sierra mientras la cuchilla está en movimiento o podría producirse una acción de retroceso.** Investigue y tome medidas correctivas para eliminar la causa de atasco de la hoja.
- **Cuando vuelva poner en marcha una cuchilla en la pieza de trabajo, centre la cuchilla de la sierra en el corte y compruebe que los dientes de la sierra no estén enganchados en el material.** Si la cuchilla de la sierra está atascada, puede salirse o producir un acción de retroceso desde la pieza de trabajo cuando la sierra se vuelva a poner en marcha.
- **Coloque los paneles grandes en un soporte para minimizar el riesgo de que la cuchilla se enganche y produzca una acción de retroceso.** Los paneles tienden a hundirse bajo su propio peso; Por lo tanto deberían colocarse soportes debajo del panel en ambos lados, cerca de la línea del corte y del borde del panel.
- **No utilice cuchillas embotadas o dañadas.** Las hojas sin afilar o colocadas incorrectamente producen un corte
- **Las palancas de ajuste de profundidad y biselado de la cuchilla deben estar apretadas y seguras antes de realizar el corte.** Si el ajuste de la cuchilla cambia durante el corte, puede causar atascos y acción de retroceso en la cuchilla.
- **Extreme las precauciones cuando realice un corte profundo en paredes existentes u otras áreas ciegas.** La cuchilla que sobresale puede cortar objetos que pueden causar acción de retroceso.

NORMAS DE SEGURIDAD ESPECÍFICAS

- **Compruebe que la protección inferior se cierra correctamente antes de cada utilización. No utilice la sierra si la protección inferior no se mueve libremente y no se cierra instantáneamente. No sujete nunca la protección inferior en la posición de apertura.** Si la sierra cae accidentalmente, la protección inferior podría doblarse; Levante la protección inferior con el asa de retracción y asegúrese de que se mueva libremente y que no haga contacto con la cuchilla ni ninguna otra pieza en todos los ángulos y profundidades de corte.
- **Compruebe el funcionamiento del resorte de la protección inferior. Si la protección y el resorte no funcionan correctamente, debería llevar la herramienta a un centro de servicio autorizado antes de utilizarlos.** Es posible que la protección no funcione bien debido a piezas dañadas, acumulación de residuos pegajosos y otros desechos.
- **La protección inferior debe retraerse manualmente solamente para cortes especiales como cortes profundos y cortes compuestos. Levante la protección inferior retrayendo el asa y tan pronto como la cuchilla entre en el material, suelte la protección inferior.** Para todos los otros tipos de aserrado, la protección inferior debería funcionar automáticamente.
- **Compruebe siempre que la protección inferior cubra la cuchilla antes de colocar la sierra sobre un banco de trabajo o en el suelo.** Una cuchilla sin protección que no esté completamente parada puede desplazarse hacia atrás cortando todo lo que encuentre a su paso. Tenga en cuenta el tiempo que la cuchilla tarda en pararse completamente después de que se ha dejado de pulsar el interruptor de activación.

DESCRIPCIÓN

1. Botón de bloqueo
2. Bloqueo del eje
3. Escala en bisel
4. Botón de bloqueo en bisel
5. Botón de bloqueo de la guía de bordes
6. Disco de corte
7. Base
8. Botón de ajuste de flujo
9. Botón de liberación de la botella de agua
10. Botella de agua
11. Botón de bloqueo de profundidad
12. Almacenamiento de la llave para tuercas
13. Batería (no incluida)

14. Gatillo interruptor
15. Arandela del disco interior
16. Rueda
17. Arandela del disco exterior
18. Tornillo del disco
19. Método incorrecto de apoyo
20. Método correcto de apoyo

MONTAJE**INSTALACIÓN DE LA BOTELLA DE AGUA DE ALIMENTACIÓN POR GRAVEDAD**

Véase la Figura 2.

La botella de agua de alimentación por gravedad incluye una salida de aire que iguala la presión y permite que el agua fluya más libremente.

- Retire la batería.
- Desenrosque el conjunto de la boquilla.
- Llene la botella de agua al nivel deseado. No llene en exceso.
- Reemplace el conjunto de la boquilla.
- Sostenga la botella de agua de tal modo que la boquilla apunte hacia abajo.
NOTA: El agua no se saldrá de la botella a menos que presione la punta de la boquilla.
- Inserte la botella de agua como se muestra. Presione suavemente hacia abajo en la botella hasta que encaje en su lugar.
- Para quitar la botella de agua, pulse el botón de liberación de la botella de agua.

NOTA: Para realizar un corte en seco, deje la botella de agua instalada para evitar que el polvo y los residuos se obstruyan en el sistema de abastecimiento de agua.

**PRECAUCIÓN**

La botella de agua está diseñada sólo para utilizar con agua. El uso de cualquier otro líquido puede causar daños en la herramienta.

**ADVERTENCIA**

Un disco de 101,6 mm es la capacidad máxima para la sierra. Nunca debe usar un disco que sea demasiado grueso y que, por tanto, pueda hacer que la arandela exterior se acople con la parte plana del eje. Los discos más grandes entrarán en contacto con los protectores del disco, mientras que los discos más gruesos evitarán que el tornillo del disco se afloje en el eje. Cualquiera de estas situaciones podría resultar en un grave accidente.

Español

MONTAJE



ADVERTENCIA

No utilice discos de corte nominal inferior a la velocidad sin carga de esta herramienta. No prestar atención a esta advertencia podría resultar en lesiones personales. No use el disco con grietas, huecos, o dientes.



ADVERTENCIA

No use discos dentados o segmentados. Utilice sólo discos continuos con borde de diamante, adecuadas para los materiales de albañilería.

INSTALACIÓN DEL DISCO DE CORTE

Véase la Figura 3.

- Retire la batería de la sierra.
- Retire la llave para tuercas (llave hexagonal de 5 mm) de la zona de almacenamiento.
- Presione el botón de bloqueo del eje y retire el tornillo del disco y la arandela exterior.

NOTA: Gire el tornillo del disco hacia la derecha para quitarlo.



PRECAUCIÓN

Para evitar daños en el bloqueo del eje o en el mismo eje, deje que el motor llegue a detenerse completamente antes de activar el bloqueo del eje.

NOTA: No utilice la sierra con el eje de bloqueo activado.

- Limpie cualquier gota de aceite de la arandela interior y la arandela exterior del disco, donde entran en contacto con el disco.



ADVERTENCIA

Si la arandela interior se ha extraído, sustitúyala antes de colocar el disco de corte en el eje. Si no lo hace podría causar un accidente ya que el disco no se ajustará adecuadamente.

- Coloque la arandela exterior.
- Presione el botón de bloqueo del eje, y a continuación, coloque el tornillo del disco. Apriete el tornillo del disco de forma segura girando en sentido antihorario.
- Vuelva a colocar la llave en su lugar.

NOTA: Nunca use un disco de corte que sea lo suficientemente grueso como para que la arandela exterior se acople a las partes planas del eje.

ESPECIFICACIONES

Tensión	18 V ---
Diámetro del disco	102 mm
Mandril de sujeción del disco	15,9 mm
Profundidad de corte a 0°	22,2 mm
Profundidad de corte a 45°	15,9 mm
Velocidad en vacío	4.500 min ⁻¹
Tipo de disco	Borde continuo de diamante
Peso (sin batería)	2,6 Kg

MODELO	BATERÍA (no incluido)	CARGADOR COMPATIBLE (no incluido)
LTS180	BPL-1820 BPL-1815	BCL-1800 BCS618 BCL1418 BCL1418%< BCL1418' <
	BPP-1815 BPP-1815M BPP-1817 BPP-1817M	BCA-180 BC-1815S BC-1800 BCL-1800 BCS618 BCL1418 BCL1418%< BCL1418' <

FUNCIONAMIENTO



ADVERTENCIA

Utilice siempre una mascarilla cuando esté trabajando con azulejo. Si no lo hace podría haber un riesgo de lesiones graves.



ADVERTENCIA

Use siempre gafas de seguridad con protectores laterales cuando esté manipulando productos.

Si no sigue estas recomendaciones, podrían entrar objetos extraños en los ojos y podría sufrir lesiones graves.



ADVERTENCIA

No utilice conexiones ni accesorios que no estén recomendados por el fabricante de este producto. El uso de conexiones o accesorios no recomendados puede causar graves daños personales.

FUNCIONAMIENTO**APLICACIONES**

Puede utilizar este producto para los fines que figuran a continuación:

- Cortes transversales húmedos, cortes en dirección de la veta y cortes diagonales de azulejos artesanales, adoquines, tejas y materiales de piedra natural.
- Para el corte en seco de los materiales antes mencionados, es necesaria un disco de corte especial (no incluida).

Este producto es compatible con baterías de ión-litio Ryobi One+ de 18V y baterías de níquel-cadmio Ryobi One+ de 18V.

Para completar las instrucciones de carga, consulte los manuales del operador para su modelo de Ryobi One + batería.

CARACTERÍSTICAS DE PROTECCIÓN DE LA BATERÍA

Las baterías de ión-litio 18 V de RYOBI están diseñadas con características que protegen las celdas de ión-Litio y maximizan la vida de la batería. Dependiendo de las condiciones de funcionamiento, los elementos incluidos pueden hacer que la batería y la herramienta a la que suministra energía, actúen de forma diferente a las baterías de níquel-cadmio.

En algunas aplicaciones, la batería electrónica puede señalar que la batería está agotada y detener el funcionamiento de la herramienta. Para reiniciar la batería y la herramienta, suelte el gatillo y vuelva a encender normalmente.

NOTA: Para evitar una nueva inactividad de la batería, evite forzar la herramienta.

Si al soltar el gatillo no se reinicia el funcionamiento de la batería y herramienta, significará que la batería está agotada. Si es así, la batería comenzará a cargarse cuando se coloque en el cargador de ión-litio.

INSTALACIÓN DE LA BATERÍA

Véase la Figura 4.

- Coloque la batería en la sierra. Alinee la pestaña elevada de la batería con la ranura de la sierra y, a continuación, deslice la batería en la sierra.
- Asegúrese de que los cierres que se encuentran a cada lado de la batería encajen en su lugar y de que la batería esté fijada en la sierra antes de comenzar a utilizarla.

**ADVERTENCIA**

Retire siempre la batería de la herramienta cuanto esté instalando piezas, haciendo ajustes, limpiando o cuando no esté en uso. Retirar la batería evitará un arranque accidental que puede provocar lesiones personales graves.

EXTRACCIÓN DE LA BATERÍA

Véase la Figura 4.

- Localice los pestillos en el lateral de la batería y presiónelos para extraer la batería de la sierra.
- Retire la batería de la sierra.

DISCOS DE CORTE

Los mejores discos de corte no cortarán de manera eficiente está embotados o muy desgastados. Con un disco embotado colocará una carga pesada en la sierra. Mantenga los discos extra a mano, de modo que disponga siempre de discos afilados.

INICIAR/DETERENER LA SIERRA

Véase la Figura 5.

Para iniciar la sierra:

- Presione el botón de bloqueo.
- Presione el gatillo-interruptor.
- Deje siempre que el disco alcance la velocidad máxima y, a continuación, guíe la sierra sobre la pieza de trabajo.

Para detener la sierra: Suelte el gatillo-interruptor.

Después de soltar el gatillo-interruptor, deje que el disco se detenga completamente. NO retire la sierra de la pieza de trabajo mientras que el disco está en movimiento.

BOTÓN DE BLOQUEO

Véase la Figura 6.

El botón de bloqueo reduce la posibilidad de un arranque accidental. El botón de bloqueo está situado en el mango por encima del gatillo-interruptor. El botón de bloqueo debe estar presionado antes de apretar el gatillo-interruptor. El bloqueo se restablece cada vez que suelte el gatillo-interruptor.

NOTA: Puede soltar el botón de bloqueo que se encuentra a cada lado de la herramienta.

AJUSTE DE LA PROFUNDIDAD DE LOS DISCOS

Véase la Figura 7.

Mantenga siempre la profundidad correcta del disco. La profundidad adecuada del disco para cualquier tipo de corte no debe exceder los 6,35 mm por debajo del material a cortar. Una mayor profundidad aumentará las posibilidades de retroceso y dificultará el corte. Para más exactitud en la profundidad de corte, dispone de una escala localizada en la abrazadera trasera.

FUNCIONAMIENTO

- Afloje el botón de ajuste de profundidad.
- Determine la profundidad de corte deseada.
- Localice la escala de profundidad de corte en la abrazadera trasera.
- Sostenga la base plana contra la pieza de trabajo y eleve o baje la sierra hasta que la marca de indicador o la abrazadera se alinee con la muesca de la protección de los discos.
- Apriete el botón de ajuste de profundidad de forma segura.

FUNCIONAMIENTO DE LA SIERRA

Véase la figura 8 - 9.

Es importante entender el método correcto para utilizar la sierra. Consulte las cifras de esta sección para aprender las formas correctas e incorrectas de utilizar la sierra.

**ADVERTENCIA**

Al levantar la sierra de la pieza de trabajo, el disco se expone por la parte inferior de la sierra.

Para hacer el corte lo mejor posible:

- Sostenga la sierra firmemente con ambas manos.
- Evite colocar su mano sobre la pieza de trabajo mientras realiza un corte.
- Apoye la pieza de trabajo de modo que el corte (vía de sierra) esté siempre a su lado.
- Apoye la pieza de trabajo cerca de la corte.
- Sujete la pieza de trabajo de forma segura con una abrazadera para que la pieza no se mueva durante el corte.
- Coloque siempre la sierra sobre la pieza de trabajo que esté apoyada, no la pieza "cortada".
- Coloque la pieza de trabajo con el "lado bueno" hacia abajo.
- Dibuje una línea-guía a lo largo de la línea de corte deseada antes de comenzar su corte.

HACER CORTES

Trace siempre la línea a cortar en el azulejo con un marcador o un lápiz litográfico. Si el azulejo es brillante y difícil de marcar, coloque cinta adhesiva sobre el azulejo y realice la marca en la cinta.

Un problema común al cortar azulejo es desviarse de la línea marcada. Una vez que se haya desviado de la marca, no debe forzar el disco trasero a la línea girando el azulejo. En su lugar, vuelva hacia atrás y vuelva a cortar el azulejo cortando por la línea correcta.

Para evitar este problema, utilice una guía de borde recto

siempre que sea posible para hacer cortes transversales y cortes a inglete.

Si desea realizar un corte húmedo, debería realizarlo en el exterior.

MANTENIMIENTO**ADVERTENCIA:**

Utilice sólo piezas de recambio idénticas RYOBI en la herramienta. El uso de otras piezas puede ocasionar riesgos o daños en el producto. Evite el uso de disolventes para limpiar las piezas de plástico. La mayoría de los plásticos son susceptibles a diversos tipos de disolventes comerciales y pueden dañarse por su uso. Use un paño limpio para limpiar la suciedad, polvo, aceite, grasa, etc. de la herramienta.

No utilice disolventes para limpiar las piezas de plástico. La mayor parte de los plásticos pueden resultar dañados con los disolventes que se venden en el comercio. Utilice un paño limpio para retirar las impurezas, el polvo, el aceite, la grasa, etc.

**ADVERTENCIA:**

No permita en ningún momento que las piezas de plástico entren en contacto con líquido de frenos, gasolina, productos derivados del petróleo, aceites penetrantes, etc. Los productos químicos pueden dañar, destruir o debilitar el plástico, lo que puede ocasionar graves daños personales.

No fuerce las herramientas eléctricas. Las prácticas abusivas pueden dañar la herramienta al igual que la pieza de trabajo.

**ADVERTENCIA**


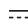


No intente modificar esta herramienta o crear accesorios no recomendados para utilizar con esta herramienta. Cualquier alteración o modificación es un uso incorrecto del producto, lo que podría ocasionar situaciones peligrosas y, por tanto, graves daños personales.





PROTECCIÓN DEL MEDIO AMBIENTE

Recicle las materias primas en lugar de tirarlas a la basura doméstica. Para proteger el medio ambiente, debe separar la herramienta, los accesorios y los embalajes.

Español

SÍMBOLO

-  Alerta de seguridad
- V Voltios
- min⁻¹ Revoluciones o reciprocidades por minuto
-  Corriente directa
-  Conformidad con CE
-  Por favor lea las instrucciones detenidamente antes de arrancar la máquina.

-  Utilice dispositivos de protección para los oídos
-  Utilice gafas de seguridad
-  Reciclado no deseado
-  Los productos eléctricos de desperdicio no deben desecharse con desperdicios caseros. Por favor reciclelos donde existan dichas instalaciones. Compruebe con su autoridad local o minorista para reciclar.

NORME SPECIFICHE DI SICUREZZA

- **PERICOLO! Tenere le mani lontane dall'area di taglio e dalla lama. Tenere una mano sull'utensile e l'altra sul manico secondario o sulla sede del motore.** Se entrambe le mani reggono la taglierina, l'operatore non correrà il rischio di tagliarsi con la lama.
- **Non abbassarsi sotto la parte da tagliare.** Il paralame non è in grado di proteggere dalla lama l'operatore che si abbassa sotto la parte da tagliare.
- **Regolare la profondità di taglio secondo lo spessore della parte da tagliare.** Dalla parte da tagliare dovrebbe sporgere meno di un dente della lama.
- **Non reggere mai con le mani la parte da tagliare, nè poggiarla sulle gambe. Posizionarla sempre su una superficie stabile.** È importante reggere correttamente il pezzo che si sta tagliando per minimizzare l'esposizione del corpo, l'eventuale blocco delle lame o la perdita di controllo.
- **Reggere l'utensile dalle parti in gomma quando si svolgono operazioni durante le quali l'utensile potrà entrare in contatto con cavi nascosti o con il suo stesso cavo.** Il contatto con un cavo "vivo" potrà trasformare le parti in metallo in conduttrici di elettricità e causare scosse elettriche all'operatore.
- **Quando si eseguono tagli longitudinali utilizzare sempre una tracciatrice o una guida che indichi la linea di taglio.** Ciò aiuterà a migliorare l'accuratezza del taglio riducendo la possibilità che la lama si ingolfi.
- **Utilizzare sempre lame con fori per l'albero di dimensioni e forme corrette (fori a diamante vs fori rotondi).** Le lame con fori non corrispondenti alla struttura della taglierina gireranno eccentricamente, causando una perdita di controllo.
- **Non utilizzare mai rondelle per lame o dadi danneggiati o non corretti.** Le rondelle delle lame e i dadi sono stati disegnati specificatamente per permettere alla taglierina di garantire massimo rendimento e sicurezza dell'operatore.
- **Cause e prevenzione del rimbalzo:**
 - Il rimbalzo consiste in una reazione improvvisa a una lama che si incastra, rimane bloccata o non è correttamente allineata, e causa alla taglierina una perdita di controllo e la conseguente fuoriuscita dalla parte che si sta tagliando e il rimbalzo dell'utensile verso l'operatore;
 - quando la lama rimane impigliata o bloccata nel taglio, la lama si ingolfia e il motore fa scattare l'utensile verso l'operatore;
 - se la lama si piega o non è allineata correttamente

nel taglio, i denti nella parte posteriore della lama potranno scavare nella superficie del legno facendo scattare la lama al di fuori del taglio e verso l'operatore.

Il rimbalzo è il risultato di un utilizzo scorretto e/o improprio delle procedure e condizioni di funzionamento e può essere evitato prendendo le dovute precauzioni come indicato di seguito.

- **Mantenere una presa salda con entrambe le mani sulla taglierina e posizionare le braccia in modo da resistere alle forze del rimbalzo. Posizionare il corpo lateralmente rispetto alla lama, ma non lungo la stessa linea della lama.** Il rimbalzo potrà far scattare indietro la taglierina, ma le forze del rimbalzo potranno essere controllate dall'operatore se verranno prese le dovute precauzioni.
- **Quando la lama si incastra o quando si interrompe un taglio per una qualsiasi ragione, rilasciare il grilletto e reggere la taglierina senza muoverla all'interno del materiale fino a che la lama non si fermi completamente. Non tentare mai di rimuovere la taglierina dalla parte che si sta tagliando nè tirarla indietro mentre la lama si muove, in caso contrario si potrà verificare un rimbalzo.** Controllare e prendere le dovute precauzioni per eliminare la causa del blocco lame.
- **Quando si riavvia una taglierina nella parte da tagliare, centrare la lama nel taglio e controllare che i denti non siano bloccati nel materiale.** Se la lama si blocca, potrà continuare a tagliare o fuoriuscirà dalla parte che si sta tagliando provocando un rimbalzo mentre la taglierina viene riavviata.
- **Reggere i pannelli di materiale più grande per minimizzare il rischio di blocco lame e rimbalzo.** I pannelli ampi tendono a piegarsi sotto il loro peso. I sostegni dovranno essere inseriti sotto il pannello da entrambi i lati, vicino alla linea di taglio e accanto all'estremità del pannello.
- **Non utilizzare lame smussate o danneggiate.** Lame non affilate o montate scorrettamente producono tagli stretti che potranno causare una eccessiva frizione, il blocco delle lame e il rimbalzo.
- **La profondità di taglio e le leve della regolazione smussatura dovranno essere serrate e assicurate prima di procedere con il taglio.** Se la regolazione delle lame si sposterà mentre si taglia, potrà causare un blocco e un rimbalzo.
- **Fare la massima attenzione quando si fa un "taglio in profondità" in muri o in altre zone in cui la visibilità non è ottima.** Le lame che fuoriescono potranno tagliare oggetti che potranno essere scagliati contro l'operatore.

Italiano

NORME SPECIFICHE DI SICUREZZA

- **Controllare che i paralame inferiori si chiudano correttamente. Non mettere in funzione l'utensile se i paralame inferiori non si muovono liberamente e non si riescono a chiudere. Non serrare o bloccare i paralame inferiori nella posizione di apertura.** Se la taglierina cade accidentalmente, il paralame inferiore potrà piegarsi. Alzare il paralame inferiore con il manico retraibile e assicurarsi che si muova liberamente e che non tocchi la lama o qualsiasi altra parte in tutti gli angoli e le profondità di taglio.
- **Controllare il funzionamento della molla del paralame inferiore. Se il paralame e la molla non funzionano correttamente, dovranno essere riparati prima del loro utilizzo.** Il paralame inferiore potrà funzionare lentamente a causa di parti danneggiate, depositi di sporco o macerie accumulate.
- **Il paralame inferiore dovrebbe essere retrato manualmente solo in caso di tagli speciali come "tagli di profondità" e "tagli composti". Alzare il paralame inferiore retraendo il manico appena la lama entra nel materiale, il paralame inferiore dovrà essere rilasciato.** Per tutte le altre operazioni di taglio, il paralame inferiore dovrà funzionare automaticamente.
- **Fare sempre in modo che il paralame inferiore copra la lama prima di poggiare la taglierina sulla panchina o sul pavimento.** Una lama protetta che gira per inerzia, farà funzionare la taglierina al contrario, tagliando tutto ciò che incontrerà sul proprio cammino. Fare attenzione al tempo che la lama impiega per fermarsi una volta rilasciato l'interruttore.

DESCRIZIONE

1. Tasto di blocco
2. Blocco asse
3. Indicatore di smussatura
4. Manopola blocco smussatura
5. Manopola blocco guida
6. Ruota di taglio
7. Base
8. Manopola di regolazione flusso
9. Tasto rilascio bottiglia dell'acqua
10. Bottiglia dell'acqua
11. Manopola blocco di profondità
12. Vano di riponimento chiave vuoto
13. Gruppo batterie (non incluso)
14. Interruttore a grilletto
15. Rondella ruota interna

16. Ruota
17. Rondella ruota esterna
18. Vite ruota
19. Metodo scorretto di supporto
20. Metodo corretto di supporto

MONTAGGIO

COLLEGAMENTO BOTTIGLIA D'ACQUA AD ALIMENTAZIONE A GRAVITÀ

Vedere la Figura 2.

La bottiglia d'acqua ad alimentazione a gravità è dotata di una ventola dell'aria integrata che equalizza la pressione e permette all'acqua di scorrere liberamente.

- Rimuovere la batteria.
- Svitare il blocco ugello.
- Riempire la bottiglia dell'acqua al livello desiderato. Non sovraccaricare.
- Sostituire il gruppo ugello.
- Reggere la bottiglia dell'acqua in modo che l'ugello sia rivolto verso il basso.
NOTE: L'acqua non fuoriuscirà dalla bottiglia a meno che la punta dell'ugello non venga premuta.
- Inserire la bottiglia dell'acqua come indicato. Premere la bottiglia delicatamente fino a che non venga inserita al suo posto.
- Per rimuovere la bottiglia dell'acqua, premere il tasto per rilasciare la bottiglia dell'acqua.

NOTE: Per tagliare a secco, lasciare la bottiglia dell'acqua installata per prevenire che polvere e macerie blocchino il sistema di ricarica acqua.



ATTENZIONE

La bottiglia dell'acqua andrà utilizzata solo per l'acqua. Utilizzare qualsiasi altro fluido potrà causare danni all'utensile.



AVVERTENZE

La capacità massima della ruota della taglierina è di 101.6 mm. Non utilizzare una ruota troppo spessa che potrà grippare la rondella della ruota esterna con il piatto dell'asse. Ruote più grandi potranno entrare in contatto con i paralame mentre ruote più spesse non permetteranno alla vite di assicurare la ruota correttamente sull'asse. In questi due casi si potranno verificare gravi incidenti e lesioni.

Italiano

MONTAGGIO



AVVERTENZE

Non utilizzare ruote di taglio con una velocità senza carico inferiore a quella indicata per questo utensile. La mancata osservanza di questa norma potrà causare gravi lesioni personali. Non utilizzare una ruota danneggiata, scheggiata o dentata.



AVVERTENZE

Non utilizzare ruote dentate o segmentate. Utilizzare solo ruote continue cerchiata con affilatura al diamante adatte per materiali edili.

INSTALLAZIONE RUOTA DI TAGLIO

Vedere la Figura 3.

- Rimuovere il gruppo batterie dalla taglierina.
- Rimuovere la chiave della ruota (chiave esagonale da 5 mm) dalla zona di riponimento.
- Premere il tasto di blocco dell'asse e rimuovere la vite della ruota e la rondella della ruota esterna.

NOTE: Girare la vite della ruota in senso orario per rimuoverla.



ATTENZIONE

Per prevenire danni all'asse o al dispositivo di blocco dell'asse, lasciare sempre che il motore si fermi completamente prima di inserire il dispositivo di blocco dell'asse.

NOTE: Non far girare la taglierina con il dispositivo di blocco inserito.

- Rimuovere le gocce d'olio dalla rondella della ruota interna ed esterna dove potranno entrare in contatto con la ruota.



AVVERTENZE

Se la rondella interna della ruota viene rimossa, sostituirla prima di posizionare la ruota di taglio sull'asse. La mancata osservanza di questa norma potrà causare un incidente se la ruota non è assicurata correttamente.

- Sostituire la rondella esterna della ruota.
- Premere il tasto di blocco dell'asse, quindi sostituire la vite della ruota. Assicurare la vite della ruota girandola in senso antiorario.
- Rimettere la chiave della ruota nella zona di riponimento.

NOTE: Non utilizzare una ruota di taglio troppo spessa per evitare che la rondella della ruota esterna rimanga grippata nelle parti piatte dell'asse.

SPECIFICHE

Voltaggio	18 V ---
Diametro ruota	102 mm
Alberto ruota	5.9 mm
Profondità di taglio a 0°	22.2 mm
Profondità di taglio a 45°	15.9 mm
Velocità senza carico	4,500 min ⁻¹
Tipo ruota	Cerchiatura continua Ruota con affilatura al
diamante	
Peso (senza gruppo batterie)	2.6 Kg

MODELLO	GRUPPO BATTERIE (non incluso)	CARICATORE COMPATIBILE (non incluso)
LTS180	BPL-1820 BPL-1815	BCL-1800 BCS618 BCL1418 BCL1418%< BCL1418' <
	BPP-1815 BPP-1815M BPP-1817 BPP-1817M	BCA-180 BCL-1800 BCS618 BCL1418 BCL1418%< BCL1418' < BC-1815S BC-1800

FUNZIONAMENTO



AVVERTENZE

Indossare sempre una maschera per la polvere quando si utilizza la taglierina per piastrelle. La mancata osservanza di tale norma potrà risultare in gravi lesioni personali.



AVVERTENZE

Indossare occhiali o visiere di sicurezza con schermi laterali quando si mette in funzione questo prodotto.

La mancata osservanza di tale norma potrà provocare il rimbalzo di oggetti verso gli occhi dell'operatore e causare lesioni personali.



AVVERTENZE

Non utilizzare accessori o complementi non raccomandati dalla ditta produttrice. L'utilizzo di eventuali accessori e complementi non raccomandati potrà causare gravi lesioni personali.

FUNZIONAMENTO**APPLICAZIONI**

È possibile utilizzare questo prodotto per gli scopi indicati di seguito:

- Tagli incrociati umidi, tagli longitudinali e smussature di piastrelle, lastre o piastrelle in pietra naturale.
- Per tagliare a secco i materiali di cui sopra, utilizzare una ruota di taglio speciale (non fornita).

Questo prodotto funziona con gruppi batteria Ryobi One+ agli ioni di litio da 18V e Ryobi One+ al nichel-cadmio da 18V.

Per completare le istruzioni di carica, far riferimento al Manuale d'Istruzioni per il gruppo batterie Ryobi One+ e i modelli con caricatore.

CARATTERISTICHE PROTEZIONE BATTERIA

Le batterie RYOBI agli ioni di litio da 18 V sono dotate di caratteristiche che proteggono le celle agli ioni di litio e ottimizzano la durata della batteria. In alcune condizioni di funzionamento, queste caratteristiche integrate potranno causare alla batteria e all'utensile che funziona con la stessa di comportarsi in modo diverso dalle batterie al nichel-cadmio.

Durante alcune applicazioni, le parti elettroniche delle batterie potranno segnalare alla batteria di spegnersi facendo fermare l'utensile. Per resettare la batteria e l'utensile, rilasciare il grilletto e riavviare le normali operazioni.

NOTE: Per evitare che la batteria si blocchi, evitare di forzare l'utensile.

Se rilasciare il grilletto non resetta la batteria e l'utensile, il gruppo batterie è scarico. In questo caso inizierà a caricarsi quando posizionato sul caricatore agli ioni di litio.

INSTALLAZIONE DEL GRUPPO BATTERIE

Vedere la Figura 4.

- Posizionare il gruppo batterie nella taglierina. Allineare la costoletta sul gruppo batterie con il solco all'interno della taglierina e far scivolare il gruppo batterie all'interno della taglierina.
- Assicurarsi che le linguette su ciascun lato del gruppo batterie siano correttamente inserite al loro posto e che il gruppo batterie sia assicurato nella taglierina prima di iniziare le operazioni di lavoro.

**AVVERTENZE**

Rimuovere sempre il gruppo batterie dall'utensile mentre si montano le parti, si svolgono le operazioni di regolazione, pulizia o quando l'utensile non è in uso. Rimuovere il gruppo batterie eviterà l'avviamento accidentale che potrà causare gravi lesioni personali.

RIMOZIONE DEL GRUPPO BATTERIE

Vedere la Figura 4.

- Individuare le linguette su ciascun lato del gruppo batterie e premerle per sganciare il gruppo batterie dalla taglierina.
- Rimuovere il gruppo batterie dalla taglierina.

RUOTE DI TAGLIO

Le migliori ruote di taglio non taglieranno efficacemente se sono smussate o non affilate correttamente. Utilizzare una ruota non affilata posizionerà un carico pesante sulla taglierina. Tenere ruote extra a portata di mano in modo che siano sempre disponibili.

AVVIO/ARRESTO DELLA TAGLIERINA

Vedere la Figura 5.

Per avviare la taglierina:

- Premere il tasto di blocco.
 - Premere l'interruttore a grilletto.
- Lasciare che la ruota raggiunga la massima velocità, guidarla quindi nella parte sulla quale si deve lavorare.

Per arrestare la taglierina: Rilasciare l'interruttore.

Una volta rilasciato l'interruttore a grilletto attendere fino a che la ruota non si sia fermata completamente. **NON** rimuovere la taglierina dalla parte sulla quale si sta lavorando mentre la ruota si muove.

TASTO DI BLOCCO

Vedere la Figura 6.

Il tasto di blocco riduce la possibilità di avviamento accidentale. Il tasto di blocco è situato sul manico sull'interruttore a grilletto. Il tasto di blocco deve essere premuto prima di attivare l'interruttore a grilletto. Il dispositivo di blocco si resetterà ogni volta che il grilletto verrà rilasciato.

NOTE: È possibile premere il tasto di blocco da sinistra o da destra.

REGOLAZIONE PROFONDITÀ DI TAGLIO

Vedere la Figura 7.

Mantenere sempre una corretta profondità di taglio. La corretta profondità di taglio per tutti i tagli non deve superare i 6.35 mm al di sotto del materiale da tagliare. Una maggiore profondità di taglio aumenterà la possibilità che si verifichino rimbalzi e provocherà dei tagli imprecisi. Per una maggiore accuratezza per la profondità di taglio, utilizzare l'indicatore di smussatura accanto alla staffa posteriore.

- Allentare la manopola di regolazione profondità.
- Determinare la profondità di taglio desiderata.
- Individuare la profondità di taglio sulla scala nella parte posteriore della staffa.

FUNZIONAMENTO

- Reggere la base contro la parte sulla quale si sta lavorando e alzare o abbassare la taglierina fino a quando l'indicatore sulla staffa non sia allineato con la tacca sul paralame.
- Assicurare la manopola di regolazione profondità.

FUNZIONAMENTO TAGLIERINA

Vedere le Figure 8 - 9.

È importante comprendere il metodo corretto di funzionamento della taglierina. Far riferimento alle figure nella presente sezione per individuare quali siano i metodi corretti e incorretti per gestire la taglierina.



AVVERTENZE

Quando si alzerà la taglierina dalla parte sulla quale si sta lavorando, la ruota fuoriuscirà dalla parte inferiore della taglierina.

Per prestazioni ottimali:

- Reggere la taglierina con entrambe le mani.
- Non posizionare la mano sulla parte da tagliare mentre si svolgono le operazioni di taglio.
- Reggere la parte che si sta tagliando in modo che il taglio venga sempre effettuato lateralmente rispetto all'operatore.
- Reggere la parte sulla quale si sta lavorando vicino alla zona di taglio.
- Assicurarla saldamente in modo che non si sposti durante le operazioni di taglio.
- Posizionare sempre la taglierina sulla parte da tagliare, e non sulla parte che verrà "tagliata".
- Posizionare sempre la parte da tagliare con il lato "buono" rivolto verso il basso.
- Delineare la linea di taglio con una guida prima di procedere con le operazioni di taglio.

OPERAZIONI DI TAGLIO

Tracciare la linea da tagliare sulle piastrelle utilizzando un pennarello o una matita. Se la piastrella è lucida ed è difficile da segnare, applicare del nastro adesivo sulla mattonella e contrassegnarla.

Un problema comune quando si tagliano le piastrelle è rappresentato dal seguire la linea di taglio. Se si esce dalla linea di taglio non si potrà forzare la ruota a ritornare nella linea indicata girando la mattonella. Tornare indietro e tagliare una piccola parte della piastrella mentre la ruota torna al suo posto.

Per evitare questo problema, utilizzare una guida dritta quando possibile per fare tagli incrociati e tagli ad angolo. Svolgere eventuali operazioni di taglio umido all'esterno.

MANUTENZIONE



AVVERTENZA

Quando si svolgono le operazioni di manutenzione, utilizzare solo ricambi identici RYOBI. Utilizzare ricambi diversi potrà causare rischi e danni al prodotto. Non utilizzare solventi per pulire le parti in plastica. La maggior parte delle plastiche sono soggette a danni da solventi commerciali e potranno essere danneggiate.

Utilizzare un panno pulito per rimuovere sporco, polvere, olio, grasso, ecc.

Non utilizzare solventi per pulire le parti in plastica. La maggior parte dei materiali plastici rischia di essere danneggiata dall'uso dei solventi disponibili in commercio. Utilizzare un panno pulito per rimuovere lo sporco, la polvere, l'olio, il grasso, ecc.



AVVERTENZA

Evitare che sostanze quali liquidi per i freni, benzina, prodotti a base di petrolio, oli penetranti, ecc. entrino in contatto con parti metalliche. Le sostanze chimiche potranno danneggiare, indebolire o distruggere la plastica, il che potrà risultare in gravi lesioni personali.

Utilizzare l'utensile per gli scopi per i quali è stato disegnato. Forzare l'utensile potrà danneggiare lo stesso e danneggiare il pezzo sul quale si sta lavorando.



AVVERTENZA

Non tentare di modificare questo utensile o di creare accessori non raccomandati per l'utilizzo con questo prodotto. Qualsiasi modifica o alterazione sarà considerata un rischio e potrà causare gravi lesioni alla persona.

TUTELA DELL'AMBIENTE



Riciclare le materie prime anziché gettarle tra i rifiuti domestici. Per tutelare l'ambiente, l'apparecchio, gli accessori e gli imballaggi devono essere smaltiti separatamente.

SIMBOLO



Allarme di sicurezza

V

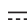



Volt

min⁻¹

Rivoluzioni o giri al minuto

Italiano

SIMBOLO

-  Corrente diretta
-  Conformità CE
-  Leggere attentamente le istruzioni prima di avviare l'utensile.
-  Indossare cuffie di protezione



Indossare occhiali di protezione



Non riciclabile



I prootti elettrici non devono essere smaltiti con i rifiuti domestici, vi sono strutture per smaltire tali prodotti. Informarsi presso il proprio Comune o rivenditore di sicurezza per smaltire adeguatamente tali rifiuti.

Nederlands

SPECIFIEKE VEILIGHEIDSGEGEVENS

- **GEVAAR! Houd uw handen weg van het zaagberek en het zaagblad. Klem uw tweede hand op het extra handvat of de motorbehuizing.** Als u met beide handen de zaag vasthoudt, kunt u niet door het zaagblad worden gesneden.
- **Grijp niet onder het werkstuk.** De beschermkap kan u onder het werkstuk niet beschermen tegen het zaagblad.
- **Pas de zaagdiepte aan de dikte van het werkstuk aan.** Minder dan een volledige tandhoogte mag onder het werkblad zichtbaar zijn.
- **Houd het stuk dat wordt gezaagd in uw handen of op uw been vast. Klem het werkstuk op een stabiele ondergrond vast.** Het is belangrijk dat het werkstuk stevig wordt ondersteund om blootstelling aan het lichaam, het vastklemmen van het zaagblad of controleverlies te minimaliseren.
- **Houd de machine vast aan de geïsoleerde greepvlakken als u werkzaamheden uitvoert waarbij het zaagblad in aanraking kan komen met een verborgen stroomleiding of het eigen snoer.** Contact met een leiding „onder spanning“ zal er ook toe leiden dat de zichtbare metalen onderdelen van de machine „onder spanning“ komen en leidt tot een elektrische schok.
- **Gebruik bij het schulpen altijd een parallelaanslag of een langsegeleider.** Dit verhoogt de nauwkeurigheid van de zaagsnede en verkleint de kans dat het zaagblad vastklemt.
- **Gebruik altijd zaagbladen met de juiste maat en vorm (stervormig versus rond) van het asgat.** Zaagbladen die niet passen bij de montagedelen van de zaagmachine zullen niet rond lopen, wat leidt tot controleverlies.
- **Gebruik nooit beschadigde of verkeerde sluitringen of borgbouten voor het zaagblad.** De sluitringen en borgbout voor het zaagblad zijn speciaal voor deze machine ontworpen, voor optimaal vermogen en gebruiksveiligheid.
- **Oorzaken en voorkomen van een terugslag:**
 - terugslag is de plotselinge reactie als gevolg van een vasthakend, klemmend of verkeerd afgesteld zaagblad, waardoor een ongecontroleerde zaagmachine uit het werkstuk omhoogkomt en in de richting van de gebruiker beweegt;
 - als het zaagblad in de zich sluitende zaagsnede vasthaakt of vastklemt, valt het snijblad stil en slaat de motorkracht de machine snel in de richting van de gebruiker terug;

- als het zaagblad wordt gedraaid of verkeerd in de zaagsnede wordt gericht, kunnen de tanden van de achterste zaagbladrand zich in de bovenste houtlaag vasthaken, waardoor het zaagblad uit de zaagsnede beweegt en achteruitspringt in de richting van de gebruiker.

Terugslag is het gevolg van het verkeerd gebruik en/of onjuiste gebruikprocedures of omstandigheden van de zaagmachine en kan worden voorkomen door de juiste voorzorgsmaatregelen te nemen, zoals hieronder beschreven.

- **Houd de zaagmachine met beide handen stevig vast en houd uw armen zo dat u stand kunt houden ten opzichte van de terugslagkrachten. Plaats uw lichaam aan eender welke zijde van het zaagblad, maar niet in één lijn met het zaagblad.** Terugslag kan ertoe leiden dat de zaagmachine achteruit springt, maar terugslagkrachten kunnen door de gebruiker worden beheerst, wanneer goede voorzorgen worden getroffen.
- **Als het zaagblad vastklemt of het zagen om een andere reden wordt onderbroken, laat u de aan-/uitschakelaar los en houdt u de zaagmachine in het materiaal stil tot het zaagblad volledig tot stilstand is gekomen. Probeer de zaagmachine nooit uit het werkstuk te verwijderen of de machine achteruit te trekken terwijl het zaagblad beweegt of een terugslag kan optreden.** Spoor de oorzaak van het klemmen op en neem maatregelen om de oorzaak te voorkomen.
- **Als u een zaagmachine die in het werkstuk steekt weer wilt starten, centreert u het zaagblad in de zaagsnede en controleert u of de zaagtanden niet in het materiaal zijn vastgehaakt.** Als het zaagblad klemt, kan het uit het werkstuk bewegen of een terugslag veroorzaken als de zaagmachine opnieuw wordt gestart.
- **Ondersteun grote platen om het risico van een terugslag door een klemmend zaagblad te beperken.** Grote platen hebben de neiging door te hangen onder hun eigen gewicht. Platen moeten aan beide zijden worden ondersteund, in de buurt van de zaagsnede en de rand van de plaat.
- **Gebruik geen stompe of beschadigde zaagbladen.** Stompe of foutief afgestelde zaagbladen maken een te smalle zaagsnede, wat leidt tot onnodige wrijving, het vastklemmen van het zaagblad of terugslag.
- **De vergrendelhendels voor de zaagbladdiepte en voor het afstellen van de zaaghoek moeten vast zitten voor u de zaagsnede maakt.** Als de zaagbladafstelling tijdens het zagen verschuift, kan het zaagblad vastklemmen en kan een terugslag optreden.

Nederlands

SPECIFIEKE VEILIGHEIDSRREGELS

- **Wees extra voorzichtig bij het maken van een "invalzaagsnede" in een bestaande wand of een ander verborgen gedeelte.** Het invallend zaagblad kan voorwerpen raken waardoor een terugslag kan optreden.
- **Controleer voor elk gebruik of de onderste beschermkap correct sluit. Gebruik de zaagmachine niet als de onderste beschermkap niet vrij kan bewegen en niet onmiddellijk sluit. Klem of bind de onderste beschermkap nooit in de geopende stand vast.** Als de zaagmachine per ongeluk valt, kan de onderste beschermkap gebogen worden. Open de onderste beschermkap met de terugtrekhandel en zorg ervoor dat hij vrij beweegt en het zaagblad of andere onderdelen niet raakt bij alle zaaghoeken en zaagdieptes.
- **Controleer de werking van de veer voor de onderste beschermkap. Als de beschermkap en de veer niet goed functioneren, moeten ze voor het gebruik worden nagekeken.** De onderste beschermkap kan langzaam werken omwille van beschadigde onderdelen, plakkende aanslag of ophoping van puin.
- **Open de onderste beschermkap alleen met de hand bij bijzondere zaagwerkzaamheden, zoals "invalzagen" en "haaks zagen". Open de onderste beschermkap met de terugtrekhandel en laat hem los zodra het zaagblad in het werkstuk is binnengedrongen.** Bij alle andere zaagwerkzaamheden moet de onderste beschermkap automatisch werken.
- **Let er altijd op dat de onderste beschermkap het zaagblad bedekt voordat u de zaagmachine op een werkbank of op de vloer legt.** Een onbeschermd, uitlopend zaagblad beweegt de zaagmachine tegen de zaagrichting en zaagt alles wat in de weg ligt. Let op de tijd die het zaagblad nodig heeft om stil te vallen nadat de schakelaar is losgelaten.

BESCHRIJVING

1. Ontgrendelknop
2. Asblokkering
3. Afschuinschaal
4. Afschuinvergrendelknop
5. Randgeleidingsvergrendelknop
6. Zaagwiel
7. Basis
8. Toevoerafstelingsknop
9. Ontgrendelknop waterfles
10. Waterfles

11. Dieptevergrendelknop
12. Wielsleutelopslag
13. Accu (niet inbegrepen)
14. Aan-/uitschakelaar
15. Binnenste wielsluitring
16. Wiel
17. Buitenste wielsluitring
18. Wielschroef
19. Foutieve steunmethode
20. Juiste steunmethode

MONTAGE

WATERFLESDRUPPELAAR VASTMAKEN

Zie afbeelding 2.

De waterflesdruppelaar heeft een ingebouwd luchtventiel dat de druk gelijk maakt en het water vrijer laat stromen.

- Verwijder de accu.
- Schroef het mondstuk los.
- Vul de waterfles tot het gewenste niveau. Vul de fles niet overmatig.
- Plaats het mondstuk terug.
- Houd de waterfles zo dat het mondstuk naar beneden wijst.

OPMERKING: Het water zal niet uit de fles ontsnappen tenzij de top van het mondstuk wordt ingedrukt.

- Breng de waterfles in zoals getoond. Druk zachtjes op de fles tot deze op haar plaats klikt.
- Om de waterfles te verwijderen, drukt u op de waterflesontgrendelknop.

OPMERKING: Voor droog zagen, laat u de waterfles geïnstalleerd om te vermijden dat stof en afval het watertoevoersysteem verstoppen.



WAARSCHUWING

De waterfles is uitsluitend ontworpen voor water. Het gebruik van enige andere vloeistof kan schade aan de machine veroorzaken.



WAARSCHUWING

Een 101,6 mm wiel is de maximum wielcapaciteit van de zaagmachine. Gebruik dus nooit een wiel dat te dik is om toe te laten dat de buitenste wielsluitring aan de strip op de as wordt gekoppeld. Grotere wielen zullen in aanraking komen met de wielbeschermkappen, terwijl dikkere wielen zullen voorkomen dat de wielschroef het wiel op de as vasthoudt. Beide situaties kunnen leiden tot ernstige ongevallen.

Nederlands

MONTAGE



WAARSCHUWING

Gebruik geen zaagwielen, waarvan de nominale waarde lager ligt dan het onbelast toerental van deze machine. Wanneer u deze waarschuwing niet in acht neemt, kan dit leiden tot lichamelijk letsel. Gebruik geen wielen met barsten, gaten of tanden.



WAARSCHUWING

Gebruik geen getande of gesegmenteerde wielen. Gebruik alleen naadloze stervormige wielen die geschikt zijn voor steenwerk.

ZAAGWIEL INSTALLEREN

Zie afbeelding 3.

- Verwijder de accu uit de zaag.
- Verwijder de wielsleutel (5 mm inbussleutel) uit het opbergplaats.
- Druk op de asvergrendelknop en verwijder de wielschroef en de buitenste wielsluitring.

OPMERKING: Draai de wielschroef in de richting van de wijzers van de klok om te verwijderen.



WAARSCHUWING

Om schade aan de as of asvergrendeling te voorkomen, moet u de motor altijd volledig tot stilstand laten komen voor u de asvergrendelknop inschakelt.

OPMERKING: Laat de zaagmachine niet draaien terwijl de asvergrendeling ingeschakeld is.

- Veeg een oliedruppel op de binnenste wielsluitring en de buitenste wielsluitring waar zij in aanraking komen met het wiel.



WAARSCHUWING

Als de binnenste wielsluitring is verwijderd, moet u het terug plaatsen voor u het zaagwiel op de as plaatst. Wanneer u dit niet doet, kan dit een ongeval veroorzaken aangezien het wiel niet goed vast zal zitten.

- Plaats de buitenste wielsluitring terug.
- Druk de asvergrendelknop in en plaats dan de wielschroef terug. Maak de wielschroef stevig vast door deze tegen de richting van de wijzers van de klok te draaien.
- Plaats de wielsleutel terug in de opbergplaats.

OPMERKING: Gebruik nooit een zaagwiel dat te dik is om toe te laten dat de buitenste wielsluitring aan de strips op de as wordt gekoppeld.

SPECIFICATIES

Spanning	18 V ---
Wieldiameter	102 mm
Wielasgat	15.9 mm
Zaagdiepte bij 0°	22.2 mm
Zaagdiepte bij 45°	15.9 mm
Onbelast toerental	4,500 min ⁻¹
Wieltype	Naadloos Stervormig

wiel

Gewicht (excl. accu) 2.6 Kg

MODEL	ACCU (niet inbegrepen)	GESCHIKTE LADER (niet inbegrepen)
LTS180	BPL-1820 BPL-1815	BCL-1800 BCS618 BCL1418 [%] < BCL1418' ^{<}
	BPP-1815 BPP-1815M BPP-1817 BPP-1817M	BCA-180 BCL-1800 BCS618 BCL1418 [%] < BCL1418' ^{<} BC-1815S BC-1800

WERKING



WAARSCHUWING

Draag altijd een stofmasker wanneer u tegelzaagmachines gebruikt. Als u dit niet doet, kan dit leiden tot ernstig lichamelijk letsel.



WAARSCHUWING

Draag altijd een veiligheidsbril met zijdelingse bescherming wanneer u machines bedient. Als u dit niet doet, kan dit ertoe leiden dat voorwerpen in uw ogen terecht komen, wat oorzaak kan zijn voor ernstige lichamelijke letsels.



WAARSCHUWING

Gebruik geen accessoires of opzetstukken die niet door de fabrikant van dit product zijn aanbevolen. Het gebruik van accessoires of opzetstukken die niet zijn aanbevolen kan leiden tot ernstige lichamelijke letsels.

Nederlands

WERKING

TOEPASSINGEN

U kunt dit product gebruiken voor onderstaande doeleinden:

- Nat dwars zagen, schulpen en afschuiven van handgemaakte tegels, straatstenen en natuursteenmaterialen.
- Voor droog zagen van de bovenstaande materialen is een speciaal zaagwiel nodig (niet voorzien).

Dit product zal Ryobi One+ 18V lithium-ion batterijen en Ryobi One+ 18V nickel-cadmium batterijen aanvaarden. Voor volledige laadinstructies, verwijzen wij naar de gebruiksaanwijzing van uw Ryobi One Plus accu's en laders.

EIGENSCHAPPEN VAN DE ACCUBESCHERMING

RYOBI 18 V lithium-ion accu's zijn ontworpen met eigenschappen die de lithium-ion cellen beschermen en de levensduur van de accu maximaliseren. In bepaalde werkomstandigheden kunnen deze ingebouwde eigenschappen ertoe leiden dat de accu en het gereedschap dat ermee wordt aangedreven, zich anders gedragen dan nikkelcadmium accu's.

Tijdens enkele toepassingen kan de accu-elektronica de accu het signaal geven om stil te vallen en ervoor zorgen dat het gereedschap stopt met werken. Om de accu en de machine te resetten, laat u de snelheidsschakelaar los en herneemt u de normale werking.

OPMERKING: Om te voorkomen dat de accu nog afsluit, mag u het gereedschap niet forceren.

Als het loslaten van de aan-/uitschakelaar de accu en het gereedschap niet reset, is de accu ontladen. Indien ontladen, zal de accu beginnen opladen wanneer deze in de lithium-ion lader wordt geplaatst.

ACCU INSTALLEREN

Zie afbeelding 4.

- Plaats de accu in de machine. Lijn de opgeheven rib op de accu af met de groef in de zaagmachine en schuif de accu dan in de zaagmachine.
- Zorg ervoor dat de knipsluitingen aan elke zijde van uw accu op hun plaats klikken en de accu veilig in de machine steekt voor u begint te werken.



WAARSCHUWING

Verwijder de accu altijd uit uw gereedschap wanneer u onderdelen monteert, de machine

afstelt, schoonmaakt of niet gebruikt. Het verwijderen van de accu zal voorkomen dat de machine ongewild start, wat kan leiden tot ernstige lichamelijke letsels.

ACCU VERWIJDEREN

Zie afbeelding 4.

- Neem de knipsluitingen aan de zijkant van de accu vast en druk ze in om de accu van de zaagmachine te verwijderen.
- Verwijder de accu uit de machine.

ZAAGWIELEN

De meeste zaagwielen zullen niet efficiënt zagen als ze stomp of sterk versleten zijn. Het gebruik van een stom mes betekent een zware belasting voor de zaagmachine. Houd extra zaagwielen bij de hand zodat er altijd scherpe zaagwielen beschikbaar zijn.

MACHINE STARTEN/STOPPEN

Zie afbeelding 5.

Zaag starten:

- Druk de ontgrendelknop in.
- Druk de aan-/uitschakelaar in.

Laat het zaagwiel altijd haar volledige snelheid bereiken en plaats de zaagmachine dan in het werkstuk.

Machine stoppen: Laat de aan-/uitschakelaar los.

Nadat u de aan-/uitschakelaar heeft losgelaten, laat u het wiel volledig tot stilstand komen. Verwijder de machine NIET uit het werkstuk terwijl het zaagwiel beweegt.

ONTGRENDELKNOP

Zie afbeelding 6.

De ontgrendelknop verkleint de kans op ongewild starten. De ontgrendelknop bevindt zich op de handgreep boven de aan-/uitschakelaar. De ontgrendelknop moet worden ingedrukt voor u aan de aan-/uitschakelaar trekt. Het slot reset telkens de schakelaar wordt losgelaten.

OPMERKING: U kunt de ontgrendelknop indrukken van de linker- of rechterzijde.

WIELDIEPTE AFSTELLEN

Zie afbeelding 7.

Bewaar altijd de juiste afstelling van de wioldiepte. De juiste afstelling van de wioldiepte voor alle zaagsnedes mag niet groter zijn dan 6,35 mm onder het materiaal dat wordt gezaagd. Meer wioldiepte vergroot de kans op een terugslag en kan ertoe leiden dat de zaagsnede ruw is. Voor meer diepte van de zaagnaauwkeurigheid, bevindt er zich een schaal aan de achterste beugel.

- Maak de diepteafstellingsknop los.
- Bepaal de gewenste diepte van de zaagsnede.

Nederlands

WERKING

- Plaats de diepte van de zaagschaal op de achterste beugel.
- Houd de basisstrip tegen het werkstuk en hef de zaagmachine op of laat zakken tot de indicator op de beugel in lijn ligt met de pal op de wielbeschermkap.
- Maak de diepteafstellingsknop stevig vast.

ZAAGMACHINE GEBRUIKEN

Zie afbeelding 8 - 9.

Het is belangrijk dat u de juiste methode voor het gebruik van de machine begrijpt. Wij verwijzen hierbij naar de gegevens in dit onderdeel om de juiste en foute manieren om de zaagmachine te hanteren, aan te leren.



WAARSCHUWING

Wanneer u de zaagmachine uit het werkstuk optilt, wordt het wiel aan de onderkant van de zaagmachine blootgesteld.

Om de best mogelijke zaagsnede te maken:

- Houd de machine stevig vast met beide handen.
- Voorkom dat u uw hand op het werkstuk plaatst terwijl u zaagt.
- Ondersteun het werkstuk zodat de zaagsnede zich altijd aan uw zijde bevindt.
- Ondersteun het werkstuk dichtbij de zaagsnede.
- Klem het werkstuk stevig vast zodat het niet kan bewegen tijdens het zagen.
- Plaats de zaagmachine altijd op het werkstuk dat wordt ondersteund, niet op het stuk dat wordt afgezaagd.
- Plaats het werkstuk met de "goede" zijde naar beneden.
- Teken een geleidlijn langs de gewenste zaaglijn voor u begint te zagen.

ZAAGSNEDES MAKEN

Teken altijd met een markeerstift of vetpotlood een lijn waarlangs de tegel moet worden gezaagd. Als de tegel glanzend is en moeilijk te markeren, brengt u afdektape en markeert u het plakband.

Een vaak voorkomend probleem bij het zagen van tegels is afwijken van de gemarkeerde lijn. Zodra u van de lijn bent afgeweken, kunt u het wiel niet terug in lijn forceren door de tegel te draaien. In plaats daarvan gaat u terug en zaagt u de tegel opnieuw en zaagt u daarbij een klein stukje van de tegel tot de tegel terug in lijn zit.

Om dit probleem te vermijden gebruikt u zoveel mogelijk een langsgelieder voor dwarssnedes en versteksnedes. Bij nat zagen is het wenselijk om dit buiten uit te voeren.

ONDERHOUD



WAARSCHUWING

Gebruik alleen originele RYOBI onderdelen voor het onderhoud. Het gebruik van andere onderdelen kan gevaarlijk zijn of productschade veroorzaken. Vermijd het gebruik van oplosmiddelen wanneer u kunststof onderdelen schoonmaakt. De meeste kunststof onderdelen kunnen gemakkelijk beschadigd raken door het gebruik van verschillende soorten commerciële schoonmaakmiddelen. Gebruik schone doeken om vuil, stof, olie, vet enz. te verwijderen.

Gebruik geen oplosmiddelen om kunststof onderdelen te reinigen. De meeste kunststoffen kunnen beschadigd raken door het gebruik van bepaalde in de handel verkochte oplosmiddelen. Gebruik een schone doek om vuil, stof, olie, vet en dergelijke te verwijderen.



WAARSCHUWING

V voorkom steeds dat remvloeistoffen, benzine, petroleumproducten, kruipolie enz. in contact komen met kunststof onderdelen. Chemicaliën kunnen kunststof beschadigen, verzwakken of verwoesten, wat kan leiden tot ernstig letsel.

Misbruik het gereedschap niet. Misbruik kan zowel schade toebrengen aan het gereedschap als aan het werkstuk.



WAARSCHUWING

Probeer dit product niet te wijzigen of toebehoren te creëren die niet geschikt zijn voor gebruik met dit product. Elke dergelijke verandering of wijziging wordt beschouwd als misbruik en kan leiden tot een gevaarlijke situatie die mogelijk ernstige verwondingen kan veroorzaken.

MILIEUBESCHERMING



Zorg dat grondstoffen gerecycleerd worden. Zet daarom een afgedankte elektrische machine niet bij het huishoudafval. Om het milieu te beschermen moeten de machine, de accessoires en de verpakking gesorteerd bij een erkend recyclingcentrum worden aangeleverd.

Nederlands

SYMBOOL



Veiligheidswaarschuwing

V

Volt

min⁻¹

Toeren of omwentelingen per minuut

Gelijkstroom



EU-conformiteit



Gelieve de instructies zorgvuldig te lezen voordat u de machine in gebruik neemt.



Draag gehoorbescherming



Draag gezichtsbescherming



Recycleer ongewenste producten



Elektrisch afval mag niet samen met ander huishoudafval worden weggegooid. Gelieve te recyclen indien de mogelijkheid bestaat. Neem contact op met uw lokaal bestuur of handelaar om advies te krijgen over recyclage.

Português

NORMAS DE SEGURANÇA ESPECÍFICAS

- **PERIGO! Mantenha as mãos afastadas da área de corte e da lâmina. Mantenha a sua outra mão na pega auxiliar ou na estrutura do motor.** Se ambas as mãos estiverem a segurar a serra, estas não correrão o risco de ser cortadas pela lâmina.
- **Não tente alcançar a parte inferior da peça de trabalho.** A protecção não pode protegê-lo da lâmina por baixo da peça de trabalho.
- **Ajuste a profundidade de corte à espessura da peça de trabalho.** Menos de um dente completo dos dentes da lâmina deve estar visível abaixo da peça de trabalho.
- **Nunca segure a peça a ser cortada nas suas mãos ou apoiada na perna. Fixe a peça de trabalho a uma plataforma estável.** É importante apoiar o trabalho adequadamente para minimizar a exposição do corpo, o emperramento da lâmina ou a perda de controlo.
- **Pegue na ferramenta eléctrica pelas partes isoladas sempre que executar uma operação em que a ferramenta de corte possa entrar em contacto com fios eléctricos escondidos ou com o seu próprio cabo de alimentação.** O contacto com um fio "electrificado" também fará com que as peças de metal da ferramenta eléctrica em funcionamento fiquem electrificadas e causam choque no operador.
- **Ao serrar ao comprimento, utilize sempre uma barreira para serrar ou uma guia de borda recta.** Isto melhora a precisão do corte e reduz a possibilidade de emperramento da lâmina.
- **Utilize sempre lâminas com o tamanho e forma correctos (diamante versus redondo) de furos do veio.** As lâminas que não são compatíveis com o equipamento de montagem da serra irão funcionar de forma excêntrica, causando a perda de controlo.
- **Nunca utilize arruelas ou parafusos de lâmina danificados ou incorrectos.** As arruelas e o parafuso da lâmina foram especialmente concebidos para a sua serra, para um óptimo desempenho e segurança de operação.
- **Causas e prevenção do utilizador do ricochete:**
 - o ricochete é uma reacção repentina a uma lâmina de serra comprimida, presa ou desalinhada, fazendo com que uma serra descontrolada se levante e saia fora da peça de trabalho em direcção ao utilizador;
 - quando a lâmina fica comprimida ou presa firmemente pelo corte da serra, a lâmina pára e a reacção do motor conduz a unidade rapidamente para trás em direcção ao utilizador;
- Se a lâmina ficar torcida ou desalinhada durante o corte, os dentes na extremidade traseira da lâmina podem escavar a superfície superior da madeira fazendo com que a lâmina suba para fora do nó e salte para trás em direcção ao utilizador.

O ricochete é o resultado de uma má utilização da serra e/ou condições ou procedimentos de operação incorrectos e pode ser evitado tomando as precauções apropriadas conforme indicado abaixo:
- **Mantenha um aperto firme com ambas as mãos na serra e posicione os seus braços de forma a resistir às forças do ricochete. Posicione o seu corpo para qualquer um dos lados da lâmina, mas não em linha com a lâmina.** O ricochete poderia fazer com que a serra salte para trás, mas as forças do ricochete podem ser controladas pelo utilizador, se forem tomadas as devidas precauções.
- **Quando a lâmina está presa, ou quando interrompe um corte por qualquer motivo, liberte o gatilho e segure a serra imóvel sobre o material até que a lâmina pare totalmente. Nunca tente remover a serra da peça de trabalho ou puxar a serra para trás enquanto a lâmina estiver em movimento ou poderá ocorrer um ricochete.** Inspeccione e tome acções correctivas para eliminar a causa do emperramento da lâmina.
- **Ao reiniciar uma serra na peça de trabalho, centre a lâmina da serra no nó e certifique-se que os dentes não estão engatados no material.** Caso a lâmina da serra esteja emperrada, esta poderá subir ou causar ricochete da peça de trabalho, quando a serra é reiniciada.
- **Suporte painéis grandes para minimizar o risco de compressão e ricochete da lâmina.** Os painéis grandes tendem a ceder sob o seu próprio peso. Devem colocar-se suportes sob o painel em ambos os lados, perto da linha de corte e próximo da extremidade do painel.
- **Não utilize lâminas embotadas ou danificadas.** As lâminas não afiadas ou impropriamente ajustadas produzem um corte estreito que causa a fricção excessiva, o emperramento da lâmina e ricochete.
- **As alavancas de bloqueio da profundidade da lâmina e regulação do bisel devem estar apertadas e seguras antes de realizar o corte.** Se o ajuste da lâmina se deslocar ao cortar, tal pode causar o emperramento e ricochete.
- **Tenha extrema cautela ao realizar um "corte profundo" em paredes existentes ou em outras áreas cegas.** A lâmina saliente pode cortar objectos que podem provocar ricochete.

Português

NORMAS DE SEGURANÇA ESPECÍFICAS

- **Verifique a protecção inferior para um fecho adequado antes de cada utilização. Não utilize a serra caso a protecção inferior não se mova livremente e se feche instantaneamente. Nunca aperte ou amarre a protecção inferior na posição aberta.** Caso deixe cair a serra acidentalmente, a protecção inferior poderá ficar dobrada. Levante a protecção inferior com a pega retráctil e certifique-se que se move livremente e não toca na lâmina ou em qualquer outra parte, em todos os ângulos e profundidades de corte.
- **Verifique o funcionamento da mola da protecção inferior. Caso a protecção e a mola não estejam a funcionar correctamente, estas devem ser alvo de serviços de manutenção antes de as utilizar.** A protecção inferior pode funcionar lentamente devido a peças danificadas, aos depósitos pegajosos ou a uma acumulação de detritos.
- **Uma protecção inferior deve ser retraído manualmente apenas para cortes especiais tais como os “cortes profundos” e os “cortes combinados”. Levante a protecção inferior retraíndo a pega e assim que a lâmina se introduz no material, a protecção inferior deve ser libertada.** Para a restante serragem, a protecção inferior deve utilizar-se automaticamente.
- **Tenha sempre em atenção que a protecção inferior está a cobrir a lâmina antes de pousar a serra no banco ou no soalho.** Uma lâmina desprotegida, em movimento fará com que a serra ande para trás, cortando tudo o que estiver ao seu alcance. Esteja ciente do tempo que demora para a lâmina parar depois de o interruptor ser libertado.

DESCRIÇÃO

1. Botão de desbloqueio
2. Bloqueio do eixo
3. Escala do bisel
4. Botão de bloqueio do bisel
5. Botão de bloqueio do guia de pontas
6. Roda de corte
7. Base
8. Botão de ajuste do fluxo
9. Tecla de libertação do reservatório de água
10. Reservatório de água
11. Botão de bloqueio da profundidade
12. Arrumação da chave da roda
13. Bateria (não incluída)
14. Interruptor de ligação

15. Arruela interna da roda
16. Roda
17. Arruela externa da roda
18. Parafuso da roda
19. Método incorrecto de apoio
20. Método correcto de apoio

MONTAGEM

INSTALAR O RESERVATÓRIO DE ÁGUA DE ALIMENTAÇÃO DA GRAVIDADE

Observe a Figura 2.

O reservatório de água de alimentação da gravidade possui uma abertura de ar que iguala a pressão e permite que a água flua mais livremente.

- Remova a bateria.
- Desaparafuse o conjunto do bocal.
- Encha o reservatório de água ao nível desejado. Não encha em demasia.
- Volte a colocar o conjunto do bocal.
- Segure o reservatório de água de modo a que o bocal fique para baixo.

NOTA: A água não sairá do reservatório a menos que a ponta do bocal seja premada.

- Introduza o reservatório de água conforme apresentado. Comprima delicadamente no reservatório até que se encaixe novamente no lugar.
- Para remover o reservatório de água, prima a tecla de libertação do reservatório de água.

NOTA: Para um corte a seco, deixar a reservatório de água instalado para impedir que a poeira e os detritos obstruam o sistema de fornecimento de água.



ATENÇÃO!

O reservatório de água é concebido apenas para conter a água. A utilização de qualquer outro líquido pode causar danos à ferramenta.



AVISO

Uma roda de 101,6 mm é a capacidade máxima da roda da serra. Além disso, nunca utilize uma roda que seja demasiado grossa para permitir que a arruela externa da roda acople com o plano no eixo. As rodas maiores entrarão em contacto com as protecções da roda, enquanto as rodas mais grossas impedirão que o parafuso da roda fixe a roda no eixo. Qualquer uma destas situações pode conduzir a um acidente grave.

Português

MONTAGEM



AVISO

Não utilize rodas de corte com potência inferior do que a velocidade sem carga desta ferramenta. A inobservância deste aviso pode resultar em graves ferimentos. Não utilize a roda com rachaduras, fendas ou dentes.



AVISO

Não utilize rodas dentadas ou segmentadas. Utilize somente rodas com borda de diamante contínuas adequadas para materiais de alvenaria.

INSTALAR A RODA DE CORTE

Observe a Figura 3.

- Remova a bateria da serra.
- Remova a chave da roda (chave hexagonal de 5 mm) da área de arrumação.
- Prima o botão de bloqueio do eixo e remova o parafuso da roda e a arruela externa da roda.

NOTA: Rode o parafuso da roda no sentido dos ponteiros do relógio para o remover.



ATENÇÃO!

Para impedir danos no eixo ou no bloqueio do eixo, deixe sempre que o motor pare totalmente antes de engatar o bloqueio do eixo.

NOTA: Não opere a serra com o bloqueio do eixo engatado.

- Limpe uma gota de óleo na arruela interna da roda e na arruela externa da roda onde entram em contacto com a roda.



AVISO

Caso a arruela interna da roda tenha sido removida, volte a instalá-la antes de colocar a roda de corte no eixo. O incumprimento desta instrução pode causar um acidente dado que a roda não ficará correctamente apertada.

- Volte a colocar a arruela externa da roda.
- Prima o botão de bloqueio do eixo e, em seguida, volte a colocar o parafuso da roda. Aperte o parafuso da roda firmemente rodando-o no sentido contrário ao dos ponteiros do relógio.
- Volte a colocar a chave da roda na área de arrumação.

NOTA: Nunca utilize uma roda que seja demasiado grossa para permitir que a arruela externa da roda acople com o plano no eixo.

ESPECIFICAÇÕES

Voltagem	18 V ~
Diâmetro da Roda	102 mm
Eixo da Roda	15.9 mm
Profundidade do Corte a 0°	22.2 mm
Profundidade do Corte a 45°	15.9 mm
Sem carga de velocidade	4,500 min ⁻¹
Tipo de Roda	Arco Contínuo
	Roda de Diamante
Peso (não inclui bateria)	2.6 Kg

MODELO	BATERIA (não incluída)	CARREGADOR (não incluída)
LTS180	BPL-1820 BPL-1815	BCL-1800 BCS618 BCL1418%< BCL1418' <
	BPP-1815 BPP-1815M BPP-1817 BPP-1817M	BCA-180 BCL-1800 BCS618 BCL1418%< BCL1418' < BCL1418 BC-1815S BC-1800

OPERAÇÃO



AVISO

Utilize sempre uma máscara contra o pó ao utilizar serras de esquadria. O incumprimento desta instrução pode conduzir a lesões graves.



AVISO

Use sempre óculos de protecção ou óculos de segurança com protecções laterais quando utilizar os produtos.

Não cumprir com esta prática pode fazer com que os objectos sejam projectados para os seus olhos, causando possíveis lesões graves.



AVISO

Não utilize quaisquer equipamentos complementares ou acessórios não recomendados pelo fabricante deste produto. O uso de equipamentos complementares ou acessórios não recomendados pode provocar graves ferimentos físicos.

APLICAÇÕES

Deve utilizar este produto para os fins indicados a seguir:

Português

OPERAÇÃO

- Corte transversal a húmido, corte ao comprimento, corte de ladrilhos sintéticos, blocos de pavimento e materiais de azulejo de pedra natural.
- Para um corte a seco dos materiais acima indicados, é necessária uma roda de corte especial (não fornecida).

Este produto é compatível com baterias de ião de lítio 18V Ryobi One+ e baterias de níquel-cádmio 18V Ryobi One+.

Para instruções de carregamento completas, consulte os Manuais do Utilizador para os seus modelos de bateria e carregador de bateria Ryobi One+.

CARACTERÍSTICAS DE PROTECÇÃO DA BATERIA

As baterias de iões de lítio RYOBI 18V são concebidas com características que protegem as células de iões de lítio e maximizam o tempo de vida da bateria. Sob determinadas condições de funcionamento, estas características podem fazer com que a bateria e a ferramenta que alimenta actuem de modo diferente das baterias de níquel-cádmio.

Em determinadas aplicações, os elementos electrónicos da bateria podem dar sinal à bateria para se desligar e fazer com que a ferramenta deixe de funcionar. Para reiniciar a bateria e a ferramenta liberte o interruptor e retome o normal funcionamento.

NOTA: Para evitar que a bateria volte a desligar-se, evite forçar a ferramenta.

Se a libertação do interruptor não reiniciar a bateria e a ferramenta, é porque a bateria está descarregada. Se descarregada, a bateria começará a carregar quando colocada no carregador de iões de lítio.

INSTALAR A BATERIA

Observe a Figura 4.

- Coloque a bateria na serra. Alinhe o friso elevado na bateria com a ranhura no interior da serra, em seguida, deslize a bateria na serra.
- Certifique-se que os trincos em cada lado do compartimento da bateria deslizam correctamente e que a bateria se encontra firme na serra antes de começar a operação.



AVISO

Retire sempre a bateria da sua ferramenta quando estiver a colocar peças, a efectuar ajustes, limpar ou quando não estiver a

ser utilizado. A remoção da bateria evitará o funcionamento accidental da ferramenta que poderá provocar ferimentos graves.

RETIRAR A BATERIA

Observe a Figura 4.

- Localize os trincos na parte lateral da bateria e prima-os para libertar a bateria da serra.
- Remova a bateria da serra.

RODAS DE CORTE

As rodas de corte não cortarão de forma eficiente caso as mesmas se encontrem embotadas ou demasiado gastas. Utilizar uma roda embotada irá criar uma carga pesada na serra. Mantenha rodas suplementares à mão, para que as rodas afiadas se encontrem sempre disponíveis.

INICIAR/PARAR A SERRA

Observe a Figura 5.

Para iniciar a serra:

- Prima o botão de bloqueio.
 - Prima o gatilho interruptor.
- Deixe sempre a roda alcançar a velocidade total, a seguir guie a serra na peça de trabalho.

Para parar a serra:

Liberte o gatilho interruptor. Depois de ter libertado o gatilho interruptor, deixe que a roda pare totalmente. **NÃO** remova a serra da peça de trabalho quando a roda se mover.

BOTÃO DE BLOQUEIO

Observe a Figura 6.

O botão de bloqueio reduz a possibilidade de um arranque accidental. O botão de bloqueio localiza-se na pega em cima do gatilho interruptor. O botão de bloqueio deve ser premido antes de puxar o gatilho interruptor. O bloqueio reinicia-se cada vez que o gatilho é libertado.

NOTA: Pode premir o botão de bloqueio tanto a partir do lado esquerdo como do direito.

AJUSTAR A PROFUNDIDADE DA RODA

Observe a Figura 7.

Mantenha sempre o ajuste de profundidade da roda correcto. O ajuste correcto da profundidade da roda para todos os cortes não deve exceder 6,35 mm abaixo do material que está a ser cortado. Mais profundidade da roda aumentará a possibilidade de ricochete e fará com que o corte seja áspero. Para mais profundidade com precisão de corte, localiza-se uma escala no suporte traseiro.

- Desaperte o botão de ajuste da profundidade.
- Determine a profundidade de corte desejada.
- Localize a profundidade da escala de corte no suporte traseiro.

Português

OPERAÇÃO

- Mantenha a base lisa contra a peça de trabalho e levante ou baixe a serra até que a marca indicadora no suporte se alinhe com o entalhe na protecção da roda.
- Aperte o botão de ajuste da profundidade firmemente.

UTILIZAR A SERRA

Veja as Figuras 8 - 9.

É importante compreender o método correcto para utilizar a serra. Consulte as figuras nesta secção para aprender as formas correctas e incorrectas de segurar a serra.



AVISO

Ao levantar a serra da peça de trabalho, a roda fica exposta na parte inferior da serra.

Para efectuar o melhor corte possível:

- Segure a serra firmemente com ambas as mãos.
- Evite colocar a sua mão na peça de trabalho ao realizar um corte.
- Apoie a peça de trabalho de modo que o corte (kerf) seja sempre para o seu lado.
- Apoie a peça de trabalho perto do corte.
- Aperte a peça de trabalho firmemente de modo que a peça de trabalho não se mova durante o corte.
- Coloque sempre a serra na peça de trabalho que se encontra apoiada, não sobre a parte "eliminada".
- Coloque a peça de trabalho com o lado "bom" para baixo.
- Desenhe uma linha orientadora ao longo da linha de corte desejada antes de começar o seu corte.

EFFECTUAR CORTES

Desenhe sempre a linha a ser cortada no ladrilho utilizando um marcador ou lápis de graxa. Caso o ladrilho seja brilhante e difícil de marcar, coloque fita adesiva sobre o ladrilho e faça a marcação sobre a fita.

Um problema comum ao cortar o ladrilho consiste em afastar-se da linha marcada. Uma vez que se tenha afastado da marca, não pode forçar a roda a voltar à linha rodando o ladrilho. Em vez disso, recue e volte a cortar o ladrilho recortando uma pequena quantidade do ladrilho até que a roda se encontra de novo na linha certa.

Para evitar este problema, utilize uma guia de borda recta sempre que possível para realizar cortes transversais e cortes de esquadria.

Caso pretenda um corte a húmido, este deve ser realizado ao ar livre.

MANUTENÇÃO



AVISO

Utilize unicamente peças sobresselentes de origem quando fizer substituições. A utilização de qualquer outra peça pode apresentar um perigo ou danificar a sua ferramenta.

Não utilize solventes para limpar as peças de plástico. A maioria dos plásticos pode ser danificada pelos solventes vendidos no comércio. Utilize um pano limpo para retirar as sujidades, o pó, o óleo, a massa, etc.



AVISO

Os elementos de plástico nunca devem entrar em contacto com líquido de travões, gasolina, produtos à base de petróleo, óleos penetrantes, etc. Estes produtos químicos contêm substâncias que podem danificar, deteriorar ou destruir o plástico, o que poderia provocar ferimentos graves.

Não exija demasiado das suas ferramentas. As utilizações abusivas podem danificar a sua ferramenta assim como a peça a trabalhar.



AVISO

Não tente modificar a sua ferramenta nem acrescentar acessórios não recomendados. Estas transformações ou modificações são consideradas como um mau uso e podem provocar situações perigosas com possibilidade de ferimentos graves.

PROTECÇÃO DO AMBIENTE



Recicle os materiais em vez de pô-los directamente no lixo doméstico. Para proteger o ambiente, a ferramenta, os acessórios e as embalagens devem ser seleccionados.

SÍMBOLO



Alerta de Segurança

V

Voltagem

min⁻¹

rotações ou movimentos alternados por minuto



Corrente directa



Conformidade CE

Português

SÍMBOLO



Agradecemos que leia atentamente as instruções antes de iniciar a máquina.



Use protecção para os ouvidos



Use protecção para os olhos



Reciclagem indesejável



Os aparelhos eléctricos antigos não devem ser eliminados juntamente com o lixo doméstico. Recicle onde existem instalações para o efeito. Verifique com as suas Autoridades Locais ou revendedor para obter informações sobre reciclagem.

Dansk

SPECIFIKKE SIKKERHEDSREGLER

- **FARE! Hold hænderne på afstand af skæreområde og klinger.** Anbring den anden hånd på støttehåndtaget eller motorhuset. Hvis begge hænder bruges til at holde saven, kan de ikke blive skåret af klingens.
 - **Ræk ikke hånden ind under emnet.** Skærmen kan ikke beskytte din hånd mod klingens under emnet.
 - **Indstil skæredybden i forhold til emnetykkelsen.** Under emnet må der kunne ses mindre end en hel savtand.
 - **Man må aldrig holde emnet i hænderne eller mellem benene under skæring. Emnet skal fastgøres til en stabil platform.** Det er vigtigt, at emnet er ordentligt understøttet for at minimere faren for, at kroppen udsættes for fare, klingens sætter sig fast, eller at man mister kontrollen.
 - **Når der udføres arbejde, hvor der er fare for, at de skærende dele kommer i kontakt med skjulte elledninger, skal man holde det elektriske værktøj i isolerede håndtag.** Kontakt med en strømførende ledning vil også gøre udsatte metaldele af det elektriske værktøj strømførende og dermed give operatøren elektrisk stød.
 - **Ved længdeskæring skal der altid anvendes et parallelanslag eller et retskinne-anslag.** Herved bliver snittet mere præcist, og samtidigt reduceres faren for, at klingens kører fast.
 - **Brug altid klinger, hvor akselhullerne har den rigtige størrelse og form (diamant kontra rund).** Klinger, som ikke passer til savens monteringsdele, vil køre excentrisk med tab af kontrol til følge.
 - **Der må aldrig bruges beskadigede eller forkerte klinge-spændeskiver eller -bolte.** Klinge-spændeskiverne og -boltene er specialdesignet til saven for optimal ydelse og sikker drift.
 - **Årsager til og operator-foranstaltninger mod tilbageslag ("kickback"):**
 - Med tilbageslag eller "kickback" menes en pludselig reaktion på en fastklemt, blokeret eller fejlljusteret savklinge, hvorved saven ukontrolleret kravler op og ud af emnet i retning mod operatøren;
 - hvis klingens fastklemmes eller blokeres hårdt, ved at savefugen indsnævres, stopper klingens, og motorreaktionen kaster enheden hurtigt tilbage mod operatøren;
 - Hvis klingens bliver fordrejet eller kommer til at sidde skævt i snittet, kan tænderne på klingens bagkant grave sig ind i træets overflade, hvorved klingens kravler ud af savefugen og springer tilbage mod operatøren.
- Tilbageslag er resultatet af forkert brug af saven og/eller forkerte arbejdsmetoder eller -forhold og kan

undgås ved at træffe nedenstående forholdsregler.

- **Hold godt fast i saven med begge hænder, og anbring armene, så de kan modstå evt. tilbageslagskræfter. Anbring kroppen på den ene side af klingens, men ikke i klingens bevægelsesretning.** Tilbageslag kan bevirke, at saven springer tilbage; men operatøren kan kontrollere tilbageslagskræfterne ved at træffe de rigtige forholdsregler.
- **Hvis klingens sætter sig fast, eller hvis man af en eller anden grund er nødt til at afbryde et savesnit, slipper man udløseren og holder saven stille i materialet, indtil klingens er stoppet fuldstændigt. Man må aldrig forsøge at tage saven ud af emnet eller trække saven tilbage, så længe klingens er i bevægelse, da der ellers er fare for tilbageslag.** Undersøg situationen, og afhjælp årsagen til, at klingens har sat sig fast.
- **Når saven skal genstartes, mens den sidder i emnet, centrerer man klingens i savefugen og kontrollerer, at savtænderne ikke er i indgreb i emnematerialet.** Hvis sav klingens sidder fast, risikerer man, at den kravler op eller slår tilbage fra emnet, når saven genstartes.
- **Større emner skal understøttes for at minimere faren for blokering af klingens og tilbageslag.** Store emner har tendens til at synke ned under egen vægten. Der skal anbringes understøttelser under emnet i begge sider, tæt på saveinjen og i nærheden af emnekanten.
- **Der må ikke bruges uskarpe eller beskadigede savklinger.** Uskarpe eller forkert monterede klinger giver en smal savefuge, hvilket giver meget friktion, der igen medfører klingebløking og tilbageslag.
- **Låsehåndtagene til indstilling af klinge dybde og smignit skal være spændte og sikrede, før der foretages et snit.** Hvis klingens indstillinger ændrer sig under savningen, er der risiko for klingebløking og tilbageslag.
- **Man skal være ekstra forsigtig under fremstilling af "lommensnit" i eksisterende vægge eller andre blinde områder.** Den gennemtrængende klinge kan save sig ind i genstande, der kan forårsage tilbageslag.
- **Inden saven tages i brug, skal man kontrollere, at den nederste skærm lukker ordentligt. Saven må ikke betjenes, hvis den nederste skærm ikke kan bevæge sig frit og lukker omgående. Man må aldrig tvinge eller fastlåse den nederste skærm i åben position.** Hvis man kommer til at tabe saven, risikerer man, at den nederste skærm bliver bøjet. Løft den nederste skærm op med tilbagetrækshåndtaget, og kontrollér, at skærmen kan bevæge sig frit og ikke rører ved klingens eller andre maskindele, uanset smigvinkel og snitdybde.

Dansk

SPECIFIKKE SIKKERHEDSREGLER

- **Kontrollér, at den nederste skærmfjeder virker korrekt. Hvis skærmen og fjederen ikke virker ordentligt, skal den/de repareres før brug.** Den nederste skærm kan gå trægt pga. beskadigede dele, gummirester eller ophobning af affald.
- **Den nederste skærm må kun trækkes manuelt tilbage til udførelse af specielle snit såsom "lommensnit" og "sammensatte snit". Løft den nederste skærm med tilbagetrækshåndtaget, og så snart klingene trænger ind i materialet, slipper man den nederste skærm.** Ved alle andre savemetoder skal den nederste skærm fungere automatisk.
- **Man skal altid kontrollere, at den nederste skærm dækker savklingen, før man anbringer saven på bordet eller gulvet.** En ubeskyttet, roterende klinge kan få saven til at vandre baglæns og save i alt, hvad der måtte være i dens bane. Værk opmærksom på, at der går et stykke tid, fra man har sluppet udløsekontakten, til klingerotationen stopper.

BESKRIVELSE

1. Låseknop
2. Spindellås
3. Smigskala
4. Smiglåseknop
5. Kantstyr-låseknop
6. Skærehjul
7. Sål
8. Flowjusteringsknop
9. Vandflaske-udløseknop
10. Vandflaske
11. Dybdelåseknop
12. Opbevaringsrum til hjulnøgle
13. Batteri (medfølger ikke)
14. Udløseknop
15. Indvendig hjulspændeskive
16. Hjul
17. Udvendig hjulspændeskive
18. Hjulskruer
19. Forkert understøttelsesmetode
20. Korrekt understøttelsesmetode

MONTERING

MONTERING AF GRAVITY FEED-VANDFLASKE

Se figur 2.

Gravity feed-vandflasken har en indbygget luftventil, der udligner trykket og gør det muligt for vandet at løbe mere frit.

- Fjern batteriet.
- Skru dysemodulet af.

- Fyld vandflasken op til det ønskede niveau. Flasken må ikke overfyldes.
- Montér atter dysemodulet.
- Hold vandflasken, så dysen vender nedad.
BEMÆRK: Vandet kan først løbe ud af flasken, når dysespidsen trykkes ind.
- Indsæt vandflasken som vist. Pres flasken forsigtigt ned, til den går i indgreb.
- Man fjerner vandflasken ved at trykke på dens udløseknop.

BEMÆRK: Ved tørskæring lader man vandflasken sidde, så der ikke kommer støv og affald ind i vandtilførselsystemet med tilstopning til følge.



GIV AGT

Vandflasken er kun beregnet til vand. Brug af andre væsker kan ødelægge værktøjet.



ADVARSEL

Et hjul på 101,6 mm er savens maksimale hjulkapacitet. Desuden må der aldrig bruges et hjul, der er så tykt, at den udvendige hjulspændeskive ikke kan gå i indgreb med den flade del af spindlen. Større hjul vil røre ved hjulskærmene, mens tykkere hjul vil forhindre, at hjulskruen kan låse hjulet ordentligt fast til spindlen. Begge disse situationer kan medføre alvorlige ulykker.



ADVARSEL

Der må ikke bruges skærehjul med lavere normering end dette værktøjs tomgangshastighed. Manglende overholdelse af denne advarsel kan medføre personskader. Der må ikke bruges hjul med revner, huller eller tænder.



ADVARSEL

Der må ikke bruges tandhjul eller segmenthjul. Der må kun bruges diamanthjul med kontinuerlig kant beregnet til murværk.

INSTALLATION AF SKÆREHJUL

Se figur 3.

- Fjern batteriet fra saven.
- Fjern hjulnøglen (5 mm unbrakonøgle) fra opbevaringsrummet.
- Pres spindellåseknappen ind, og fjern hjulskruen og den udvendige hjulspændeskive.

BEMÆRK: Hjulskruen fjernes ved at dreje den med uret.



GIV AGT

For at undgå at ødelægge spindlen eller spindellåsen skal man altid sikre sig, at motoren er helt stoppet, inden spindellåsen aktiveres.

Dansk

MONTERING

BEMÆRK: Saven må ikke startes med aktiveret spindellås.

- Gnid en dråbe olie på den indvendige og den udvendige hjulspændeskive på det sted, hvor skiven er i kontakt med hjulet.



ADVARSEL

Hvis man har fjernet den indvendige hjulspændeskive, skal den monteres igen, inden skærehjulet sættes på spindlen. Gør man ikke det, er der fare for ulykker, da hjulet ellers ikke kan spændes ordentligt fast.

- Montér atter den udvendige hjulspændeskive.
- Pres spindellåseknappen ind, og sæt hjulskruen på igen. Spænd hjulskruen ordentligt til ved at dreje den imod uret.
- Læg hjulnøglen tilbage i opbevaringsrummet.

BEMÆRK: Der må aldrig bruges et hjul, der er så tykt, at den udvendige hjulspændeskive ikke kan gå i indgreb med den flade del af spindlen.

SPECIFIKATIONER

Spænding	18 V \pm
Hjuldiameter	102 mm
Hjulaksel	15,9 mm
Skæredybde ved 0°	22,2 mm
Skæredybde ved 45°	15,9 mm
Tomgangshastighed	4500 min ⁻¹
Hjultype	Kontinuerlig kant Diamanthjul
Vægt (ekskl. batteri)	2,6 kg

MODEL	BATTERI (delete -ENHED)	KOMPATIBEL OPLADER (medfølger ikke)
LTS180	BPL-1820 BPL-1815	BCL-1800 BCS618 <small>BCL1418%< BCL1418' <</small> BCL1418
	BPP-1815 BPP-1815M BPP-1817 BPP-1817M	BCA-180 BCL-1800 BCS618 <small>BCL1418%< BCL1418' <</small> BCL1418 BC-1815S BC-1800

BETJENING



ADVARSEL

Der skal altid bæres støvmaske under arbejde med flisesave. Gør man ikke det, er der fare for alvorlige personskader.



ADVARSEL

Der skal altid bæres sikkerhedsbriller med sideskjolde under betjening af produkterne.

Gør man ikke det, risikerer man at få genstande slynget ind i øjnene med evt. alvorlige personskader til følge.



ADVARSEL

Der må ikke bruges tilbehør eller ekstraudstyr, som ikke anbefales af producenten af dette produkt. Brug af tilbehør eller ekstraudstyr, som ikke anbefales, kan medføre alvorlige personskader.

ANVENDELSE

Man kan bruge dette produkt til nedenstående anvendelsesformål:

- Våd tværskæring, længdeskæring og smigskæring af menneskeskabte fliser, stenplader og naturlige stenflisematerialer.
- Til tørskæring af ovennævnte materialer kræves et specielt skærehjul (medfølger ikke).

Til dette produkt skal bruges batterier af typen Ryobi One+ 18V lithium-ion og Ryobi One+ 18V nikkel-cadmium.

For vejledning til fuldstændig opladning henvises til betjeningsvejledningen til Ryobi One+ batteriet og opladermodellen.

BATTERIBESKYTTENDE EGENSKABER

RYOBI's 18 V lithium-ion-batterier har egenskaber, som beskytter lithium-ion-cellerne og maksimerer batteriets levetid. Under visse driftsbetingelser kan disse indbyggede egenskaber bevirke, at batteriet (og det heraf drevne værktøj) opfører sig anderledes end nikkel-cadmium-batterier.

Under visse anvendelser kan batterielektronikken sende signal til batteriet om at lukke ned og få værktøjet til at holde op med at køre. Man nulstiller (resetter) batteriet og værktøjet ved at slippe udløseknappen og genoptage normal drift.

BEMÆRK: Man forhindrer yderligere nedlukning af batteriet ved at undlade at tvinge værktøjet.

BETJENING

Hvis batteriet og værktøjet ikke nulstilles ved, at man slipper udløseknappen, betyder det, at batteriet er afladet. Et afladet batteri påbegynder opladning, så snart det anbringes i lithium-ion-opladeren.

INDSÆTTELSE AF BATTERIET

Se figur 4.

- Indsæt batteriet i saven. Sørg for, at kilen på batteriet går ind i kilesporet i saven.
- Inden værktøjet tages i brug, skal man sikre sig, at låsemekanismen på begge sider af batteriet er i indgreb, så batteriet sidder ordentligt fast.

**ADVARSEL**

Man skal altid fjerne batteriet fra værktøjet under montering af dele, indjustering og rengøring af værktøjet, eller når værktøjet ikke er i brug. Ved at fjerne batteriet forhindrer man utilsigtet start af værktøjet, hvilket kan medføre alvorlige personskader.

UDTAGNING AF BATTERIET

Se figur 4.

- Find låsemekanismerne på siden af batteriet, og pres dem ind, så batteriet løsnes fra saven.
- Fjern batteriet fra saven.

SKÆREHJUL

Selv de bedste skærehjul kan ikke skære effektivt, hvis de er uskarpe eller meget slidte. Brug af uskarpe hjul vil belaste saven kraftigt. Sørg for at have ekstra hjul på lager, så man altid har skarpe hjul ved hånden.

START/STOP AF SAVEN

Se figur 5.

Sådan startes saven:

- Tryk låseknappen ind.
- Tryk udløsekontakten ind.

Vent, til hjulet kører med fuld hastighed, inden saven sættes an mod emnet.

Sådan stoppes saven: Slip udløsekontakten.

Når man har sluppet udløsekontakten, skal man vente, til hjulet er fuldstændigt stoppet. **MAN MÅ IKKE** fjerne saven fra emnet, så længe hjulet kører.

LÅSEKNAP

Se figur 6.

Låseknappen reducerer risikoen for, at saven startes utilsigtet. Låseknappen findes på håndtaget oven over udløsekontakten. Låseknappen skal trykkes ind, inden man aktiverer udløsekontakten. Låsen genaktiveres, hver gang udløseren slippes.

BEMÆRK: Låseknappen kan trykkes ind fra enten venstre eller højre side.

INDSTILLING AF HJULDYBDE

Se figur 7.

Sørg altid for, at hjuldybden er indstillet korrekt. Med korrekt indstillet hjuldybde for alle snit bør hjulet ikke rage mere end 6,35 mm ned under emnematerialet under skæring. Større hjuldybde vil øge risikoen for tilbageslag og give et ujævnt snit. På bagbeslaget findes en skala, med hvilken skæredybden kan indstilles mere præcist.

- Løsn dybdeindstillingsknoppen.
- Indstil den ønskede skæredybde.
- Find skæredybde-skalaen på bagbeslaget.
- Hold sålen plant mod emnet, og løft eller sænk saven, indtil indikatormærket på beslaget flugter med hakket i hjulskærmen.
- Spænd dybdeindstillingsknoppen godt til.

BETJENING AF SAVEN

Se figur 8 - 9.

Det er vigtigt, at man forstår savens korrekte betjeningsmetode. Se figurerne i dette afsnit for at lære de rigtige og forkerte måder til håndtering af saven.

**ADVARSEL**

Når man løfter saven op fra emnet, blottes hjulet på savens underside.

Sådan udføres det bedst mulige snit:

- Hold godt fast i saven med begge hænder.
- Undgå at anbringe hånden på emnet under skæringen.
- Understøt emnet, så snittet (savefugen) altid er ved siden af dig.
- Understøt emnet i nærheden af snittet.
- Spænd emnet godt fast, så det ikke kan bevæge sig under skæringen.
- Anbring altid saven på den understøttede emnedel - ikke på den del, der skal skæres af.
- Anbring emnet med den „gode“ side nedad.
- Inden skæringen påbegyndes, tegnes en føringslinje langs den ønskede skærelinje.

UDFØRELSE AF SKÆRING

Tegn altid den linje, der skal skæres efter på flisen, med en tuschpen eller farveblyant. Hvis flisen er blank og svær at tegne på, anbringer man et stykke afdækningstape på flisen og tegner på tapen.

Et typisk problem under fliseskæring er, at savefugen kommer bort fra den optegnede linje. Er man først kommet bort fra den optegnede linje, er det ikke muligt at tvinge hjulet tilbage til linjen ved at dreje flisen. I stedet trækker man saven baglæns og skærer flisen igen (så der afskives en lille smule flise), indtil hjulet er tilbage på sporet.

Dansk

BETJENING

Man kan undgå dette problem ved så vidt muligt at bruge et retskinne-anslag, når der udføres tvær- og geringssnit. Hvis man ønsker vådskæring, bør dette ske udendørs.

VEDLIGEHOLDELSE



ADVARSEL

Ved udskiftning må der kun anvendes originale reservedele. Det kan være farligt at bruge andre dele, eller værktøjet kan blive ødelagt.

Brug ikke opløsningsmidler til at rense plastdele. De fleste plasttyper kan blive ødelagt, hvis de renses med almindelige gængse opløsningsmidler. Fjern snavs, støv, olie, fedt m.v. med en ren klud.



ADVARSEL

Plastelementer må aldrig komme i berøring med bremsevæske, benzin, olie- eller petroleumsbaserede produkter, rustløsnende olie o.l. Disse kemiske produkter indeholder stoffer, som kan beskadige, mørne eller ødelægge plastmaterialet, så man risikerer at komme alvorligt til skade.

Misbrug og pres ikke værktøjet. Hvis værktøjet anvendes til uegnede formål, kan det blive beskadiget og arbejdsstykket ødelagt.



ADVARSEL

Forsøg ikke at ombygge værktøjet eller montere tilbehør, som ikke anbefales til denne maskine. Sådanne ombygninger eller ændringer betragtes som misbrug og kan være årsag til, at der opstår farlige situationer med deraf følgende alvorlige ulykker.

MILJØBESKYTTELSE



Råmaterialerne skal genvindes og ikke bortkastes med almindeligt affald. Af hensyn til miljøet skal redskab, tilbehør og emballage sorteres.

SYMBOL



Sikkerhedsadvarsel

V

Volt (Spænding)

min⁻¹

Omdrejninger eller slag pr. minut



Jævnstrøm



CE overensstemmelse



Læs venligst vejledningen grundigt igennem før maskinen tages i brug.



Benyt høreværn



Benyt øjenværn



Genbrug uønsket



Elektriske affaldsprodukter bør ikke afskaffes sammen med husholdningsaffald. Genbrug venligst hvor faciliteterne tillader dette. Tjek med din lokale kommune eller forhandler for genbrugsråd.

SPECIFIKA SÄKERHETSANVISNINGAR

- **FARA! Håll dina händer borta från skärområdet och klingan. Håll den andra handen på extrahandtaget eller motorkåpan.** Om du använder båda händerna för att hålla i kapen undviker du att komma i kontakt med skärklingan.
 - **Stoppa inte in händerna under arbetsstycket.** Skyddet som är monterat på kapen skyddar dig inte från klingan under arbetsstycket.
 - **Justera skärdjupet så att det passar tjockleken hos ditt arbetsstycke.** Mindre än en hel tand ska vara synlig på undersidan av arbetsstycket.
 - **Håll aldrig i det föremål du ska kapa och lägg det inte på dina ben under tiden du kapar. Dra fast arbetsstycket i en stabil plattform.** För att undvika skaderisk, nypning och kontrollförlust är det viktigt att du stödjer arbetsstycket ordentligt underifrån.
 - **Greppa verktyget i dess isolerade delar när du utför arbeten där det kan komma i kontakt med dolda elkablar eller sin egen strömsladd.** Kontakt med en strömförande kabel strömsätter även exponerade metalldelar på verktyget och kan ge dig en stöt.
 - **Använd alltid ett klyvstöd eller en styrlinjal när du klyver.** Det gör klyvningen mer exakt och minskar risken att klingan nyper fast.
 - **Använd alltid klingor som har rätt storlek och rätt form (diamant- och rundformade finns) på spindelhålen.** Klingor som inte passar till maskinen kommer att uppträda oregelbundet och kan göra så att du tappar kontrollen över kapen.
 - **Använd aldrig skadade eller felaktiga klingor eller skruvar.** Brickorna och skruvarna till klingan är specialanpassade till din kap. Det ökar prestandan och säkerheten när du använder den.
 - **Orsaker till återkast och hur de förebyggs:**
 - återkast är en plötslig reaktion som uppstår då klingan nyps fast, fastnar eller är felinriktad. Resultatet blir att maskinen kastas upp och bort från arbetsstycket mot dig.
 - när klingan nyps fast helt eller trycks samman när kapspåret stängs stannar klingan och motorn får maskinen att snabbt kastas bakåt mot dig.
 - om klingan vrids eller hamnar snett kan tänderna på den bakre delen av klingan greppa tag i överdelen av arbetsstycket. Det får maskinen att plötsligt leta sig upp ur kapspåret och hoppa tillbaka mot dig.
- Återkast är ett resultat av felanvändning och kan undvikas om du följer de anvisningar som finns nedan.
- **Håll alltid maskinen med båda händerna i ett stadigt grepp och placera dina armar så att de**

kan stå emot återkast. Positionera din kropp på någon sida av klingan; inte i linje med den. Återkast kan få klingan att hoppa upp och bakåt mot dig, men du kan kontrollera återkast om du tar lämpliga åskyddsåtgärder.

- **När klingan nyps fast eller när du avbryter kapningen av någon anledning ska du släppa avtryckaren och hålla kapen helt tills klingan har stannat helt. Försök aldrig att ta bort kapen från arbetsstycket och försök aldrig att dra kapen bakåt när den är igång. Dessa två saker kan orsaka återkast.** Undersök varför klingan nyper fast och utför de åtgärder som behövs för att undvika det i framtiden.
- **Vid återstart av kapen ska klingan placeras i mitten av kapspåret. Kontrollera att inte tänderna ligger emot arbetsstycket.** Om klingan är fastnyppt kan maskinen resa sig eller kastas bort från arbetsstycket när du återstartar den.
- **Använd stöd på undersidan av stora arbetsstycken för att minska risken att klingan nyper fast och att maskinen kastas mot dig.** Stora arbetsstycken tenderar att vika sig under sin egen vikt. Stöden måste placeras under arbetsstycket på bägge sidor om kapspåret och i närheten av kanterna.
- **Använd inte slitna eller skadade klingor.** Slöa eller felaktigt monterade klingor gör smala kapspår vilket ökar friktionen och risken för fastnypning och återkast.
- **Vreden för djupjustering och fasnivå måste vara åtdragna ordentligt innan du börjar kapa.** Om justeringen av klingan ändras under pågående kapning kan klingan nypa fast och maskinen kan drabbas av återkast.
- **Var extra försiktig när du gör "instickssågningar" i befintliga väggar eller andra dolda områden.** Klingan kan komma i kontakt med föremål som får maskinen att kastas mot dig.
- **Kontrollera, före varje användning, att det nedre skyddet stängs ordentligt. Använd inte kapen om det nedre skyddet inte kan röra sig helt fritt eller stänga omedelbart. Spänn eller nyp aldrig fast det nedre skyddet i ett öppet läge.** Om maskinen tappas kan det nedre skyddet böjas. Dra tillbaka det nedre skyddet med spaken och kontrollera att det kan röra sig fritt och att det inte kommer åt klingan eller någon annan del vid alla kombinationer av vinklar och djup.
- **Kontrollera att fjädern för det nedre skyddet fungerar. Om skyddet eller fjädern inte fungerar som de ska behöver de lagas innan du kan använda maskinen.** Det nedre skyddet kan röra sig trögt om någon del är skadad eller om skräp eller något kladdigt har fastnat.

Svenska

SPECIFIKA SÄKERHETSANVISNINGAR

- Det nedre skyddet får endast dras tillbaka manuellt vid speciella sågningar som exempelvis "instickssågningar" och "sammansatta geringssågningar". Dra tillbaka det nedre skyddet med spaken. Så fort som klingan kommer i kontakt med materialet måste det nedre skyddet släppas. Vid alla andra typer av sågningar ska det nedre skyddet arbeta automatiskt.
- Kontrollera alltid att det nedre skyddet alltid täcker klingan innan du lägger ned maskinen på en bänk eller ett golv. En oskyddad, frikopplad klinga gör att kapen vandrar bakåt och kapar allting som kommer i dess väg. Var medveten om den tid det tar för klingan att stanna efter att du har släppt avtryckaren.

BESKRIVNING

1. Låsknapp
2. Spindellås
3. Fasvinkel
4. Låsvred för fasvinkel
5. Låsvred för kantmarkör
6. Skärklinga
7. Platta
8. Justeringsvred för vattenflöde
9. Knapp för att lossa vattenbehållaren
10. Vattenbehållare
11. Låsvred för djupinställning
12. Förvaringsplats för klingnyckeln
13. Batteripack (inte inkluderat)
14. Avtryckare
15. Inre bricka för skärklinga
16. Skärklinga
17. Yttre bricka för skärklinga
18. Skruv för skärklinga
19. Felaktigt stöd
20. Korrekt stöd

MONTERING

MONTERA DEN GRAVITATIONSDRIVNA VATTENBEHÅLLAREN

Se figur 2.

Den gravitationsdrivna vattenbehållaren har en inbyggd luftventil som utjämnar trycket i behållaren och låter vattnet rinna lättare.

- Ta bort batteriet.
- Skruva loss munstycket.
- Fyll på vattenbehållaren till önskad nivå. Överfyll inte.
- Sätt tillbaka munstycket.

- Håll vattenbehållaren så att munstycket är riktat nedåt.
NOTERA: Inget vatten kommer att rinna ur behållaren om inte spetsen på munstycket trycks in.
- Sätt i vattenbehållaren enligt figur. Tryck försiktigt ned behållaren tills den klickar fast.
- Tryck på knappen för att släppa upp vattenbehållaren om du vill ta bort den.
NOTERA: Låt vattenbehållaren sitta på plats även vid torrkapning för att förhindra att damm och skräp sätter igen vattensystemet.



FÖRSIKTIGHET

Vattenbehållaren är endast avsedd för vatten. Om du använder andra vätskor i den kan du skada maskinen.



VARNING

Kapen kan använda klingor med en maxstorlek på 101,6 mm. Använd aldrig en för tjock klinga. Den yttre brickan för klingan måste få kontakt med den platta delen på spindeln. Större klingor kommer i kontakt med skydden och tjockare klingor gör det omöjligt för skruven att ordentligt fästa klingan på spindeln. Båda dessa situationer kan resultera i en allvarlig olycka.



VARNING

Använd aldrig klingor som inte klarar av den hastighet som anges för den här maskinen när den körs utan belastning. Om du inte följer den här varningen kan du orsaka allvarlig skada. Använd inte klingor med sprickor, hål eller tänder.



VARNING

Använd inte tandade eller segmenterade klingor. Använd endast helbelagda diamantklingor avsedda för murbruk.

MONTERA SKÄRKLINGAN

Se figur 3.

- Ta bort batteripacket från kapen.
- Ta bort nyckeln till klingan (5 mm sexkantsnyckel) från förvaringsutrymme.
- Tryck in spindellåsknappen och ta bort skruven till klingan och den yttre brickan till klingan.

NOTERA: Vrid skruven för klingan medsols för att ta bort.



FÖRSIKTIGHET

För att undvika att skada spindeln och spindellåset ska motorn alltid stanna helt innan du trycker in spindellåset.

Svenska

MONTERING

NOTERA: Kör inte kapen med spindellåset intryckt.

- Smeta ut en droppe olja på den inre och yttre brickan där de kommer i kontakt med klingan.



VARNING

Sätt tillbaka den inre brickan, om den har tagits bort, innan du sätter på skärklingan på spindeln. Om du inte gör det kan det orsaka en olycka eftersom klingan inte dras åt ordentligt.

- Sätt tillbaka den yttre brickan.
- Släpp upp spindellåsknappen och sätt tillbaka skruven för klingan. Dra åt skruven ordentligt genom att vrida den motsols.
- Sätt tillbaka nyckeln till klingan i förvaringsområdet.

NOTERA: Använd aldrig en för tjock klinga. Den yttre brickan för klingan måste få kontakt med den platta delen på spindeln.

SPECIFIKATIONER

Spänning	18 V ---
Diameter hos skärklinga	102 mm
Spindel skärklinga	15,9 mm
Kapdjup vid 0°	22,2 mm
Kapdjup vid 45°	15,9 mm
Hastighet utan belastning	4,500 min ⁻¹
Typ av skärklinga	Helbelagd yta Diamantskärklinga
Vikt (utan batteripack)	2,6 Kg

MODELL	BATTERI PACK (inte inkluderat)	PASSANDE LADDARE (inte inkluderat)
LTS180	BPL-1820 BPL-1815	BCL-1800 BCS618 BCL1418%< BCL1418' < BCL1418
	BPP-1815 BPP-1815M BPP-1817 BPP-1817M	BCA-180 BCL-1800 BCS618 BCL1418%< BCL1418' < BCL1418 BC-1815S BC-1800

ANVÄNDNING



VARNING

Använd alltid en ansiktsmask när du använder en kakelkap. Om du inte gör det kan det resultera i allvarlig skada.



VARNING

Använd alltid skyddsglasögon, eller skyddsglas med sidovisir, när du använder produkten.

Om du inte använder dessa skydd kan föremål kastas upp i dina ögon och orsaka allvarliga skador.



VARNING

Använd inga tillbehör till den här produkten som inte rekommenderas av tillverkaren. Användning av sådana tillbehör kan resultera i allvarlig personskada.

ANVÄNDNINGSSOMRÅDEN

Du får använda produkten i följande syften:

- Våtkapning, klyvning och vinkelkapning av kakel, sten och naturliga stenplattor.
- En speciell skärklinga krävs för torrkapning av ovanstående material (ingår ej).

Denna produkt kan använda Ryobi One+ 18V litiumjonbatteripack och Ryobi One+ 18V nickelkadmiumbatteripack.

Se användarmanualen till ditt Ryobi One+-batteripack och din laddare för fullständiga återuppladdningsinstruktioner.

BATTERISKYDDSFUNKTIONER

RYOBI 18 V litiumjonbatterier är utrustade med en funktion som skyddar litiumjoncellerna och maximerar batterilivstiden. Under vissa användningssituationer kan dessa inbyggda funktioner få batteriet, och verktyget, att bete sig annorlunda än vid användning av nickelkadmiumbatterier.

I vissa fall kan batteriets elektronik signalera till batteriet att stänga av vilket får verktyget att stanna. Släpp upp avtryckaren och återgå till normal användning för att nollställa batteriet och verktyget.

NOTERA: För att undvika ytterligare avstängningar av batteriet ska verktyget inte pressas.

Om inte batteriet och verktyget nollställs genom att släppa upp avtryckaren så är batteripacket urladdat. Om det är urladdat kommer det att påbörja återuppladdning när det placeras i litiumjonbatteriladdaren.

ANVÄNDNING

SÄTT DIT BATTERIPACKET

Se figur 4.

- Placera batteripacket i kapen. Rikta in de upphöjda delarna på batteripacket med motsvarande nedsänkningar i kapen och skjut in batteripacket.
- Kontrollera att hakarna på varje sida på batteripacket knäpper fast och att batteripacket sitter ordentligt i kapen innan du påbörjar arbetet.



VARNING

Ta alltid bort batteripacket från ditt verktyg när du monterar delar, utför justeringar, rengör eller när du inte ska använda det. Genom att ta bort batteripacket minskar du risken för att oavsiktligt starta maskinen och orsaka skador.

TA BORT BATTERIPACKET

Se figur 4.

- Hitta hakarna på batteripackets sidor och tryck in dem för att lossa batteripacket från kapen.
- Ta bort batteripacket från kapen.

SKÄRKLINGOR

Även den bästa skärklingen skär dåligt om den är slö eller väldigt nedsliten. Om du använder en väldigt nedsliten klinga ökar du belastningen på kapen. Ha alltid extra klingor hemma så att du när som helst kan byta till en ny och välslipad klinga.

STARTA/STOPPA KAPEN

Se figur 5.

Starta kapen:

- Tryck in låsknappen.
- Tryck in avtryckaren.

Låt alltid klingan nå maximal hastighet innan du styr ner kapen i arbetsstycket.

Stoppa kapen: Släpp upp avtryckaren.

Låt klingan stanna helt efter att du har släppt avtryckaren. Ta INTE bort sågen från arbetsstycket innan klingan har stannat helt.

LÅSKNAPP

Se figur 6.

Låsknappen minskar risken för oavsiktliga starter. Knappen är placerad på handtaget ovanför avtryckaren. Låsknappen måste tryckas in innan du kan trycka in avtryckaren. Låset nollställs varje gång du släpper avtryckaren.

NOTERA: Du kan trycka in låsknappen från både höger och vänster.

JUSTERA DJUPET PÅ KLINGAN

Se figur 7.

Använd alltid rätt djupinställning på klingan. För korrekt inställning vid all kapning ska klingan inte sticka ut mer

än 6,35 mm under arbetsstycket. Ett för stort djup ökar risken för återkast och grova kappspår. En mätsticka är placerad på det bakre fästet för att hjälpa dig att ställa in djupet mer exakt.

- Lossa justeringsvredet för djupet.
- Avgör vilket djup du önskar.
- Lokalisera mätstickan på det bakre fästet.
- Håll plattan plant mot arbetsstycket och höj eller sänk kapen tills indikatormärket på fästet hamnar i linje med hacken på skärklingen.
- Dra åt justeringsvredet ordentligt.

ANVÄNDA KAPEN

Se figur 8-9.

Det är viktigt att du förstår hur kapen ska användas på rätt sätt. Titta på figurerna i det här avsnittet för att lära dig mer om korrekt och inkorrekt hantering av kapen.



VARNING

När du lyfter upp kapen från arbetsstycket är den nedre delen av klingan exponerad.

För att göra den bästa möjliga kapningen:

- Håll i kapen ordentligt med båda händerna.
- Undvik att lägga din hand på arbetsstycket när du kapar.
- Stöd arbetsstycket så att kappspåret alltid är på någon sida av dig.
- Stöd arbetsstycket i närheten av kappspåret.
- Sätt fast arbetsstycket ordentligt så att det inte flyttar sig under kapningen.
- Placera alltid kapen på den delen av arbetsstycket som har stöd och inte den delen som ska kapas bort.
- Lägg arbetsstycket med den "bra sidan" nedåt.
- Rita en hjälplinje längst med det önskade kappspåret innan du påbörjar kapningen.

KAPA

Dra alltid en linje på kakelplattan med en markör där du vill ha ditt kappspår. Sätt ut maskeringstejp på kakelplattan och rita på tejp en linje på kakelplattan och rita på tejp en linje på kakelplattan och rita på tejp en linje på kakelplattan och rita på tejp en linje på kakelplattan.

Ett vanligt problem vid kakelkapning uppstår om du går ifrån din markerade linje. Om du kommer ifrån din markerade linje kan du inte tvinga tillbaka skärklingen genom att vrida kapen. Dra istället tillbaka kapen en bit och kapa av en liten kakelbit så att klingan kommer på rätt spår igen.

Använd alltid ett hjälpmedel för raka kanter, om det är möjligt, när du kapar och gör geringssnitt.

Om våtkapning ska utföras bör det ske utomhus.

Svenska

UNDERHÅLL



VARNING

Endast identiska originaldelar får användas vid byte. Användning av andra delar kan innebära en fara eller skada verktyget.

Använd inte lösningsmedel för att rengöra plastdelar. Flertalet plaster kan skadas vid användning av vissa lösningsmedel som säljs i affärerna. Använd en ren tygtrasa för att torka bort smuts, damm, olja, fett, osv.



VARNING

Se till att plastdelarna aldrig kommer i kontakt med bromsvätska, bensin, produkter med petroleumbas, penetrerande oljor, osv. Dessa kemiska produkter innehåller ämnen som kan skada, försvaga eller förstöra plasten, vilket kunde förorsaka allvarliga kroppsskador.

Begär inte för mycket av dina verktyg. En felaktig användning kan skada både verktyget och arbetsstycket.



VARNING

Försök inte ändra verktyget eller montera tillbehör vars användning inte rekommenderas med den. Dylig ombyggnad eller dyliga ändringar anses som felaktig användning och kan leda till farliga situationer som kan förorsaka allvarliga kroppsskador.

MILJÖSKYDD



Råmaterialen bör återanvändas i stället för att kastas i hushållsavfallet. För att skona miljön ska verktyget, tillbehören och emballagen sorteras.

SYMBOL



Säkerhetsvarning

V

Volt

min⁻¹

Rotationer eller rörelser fram och tillbaka per minut



Likström



CE-konformitet



Läs instruktionerna ordentligt innan start av maskinen.



Bär hörselskydd.



Använd skyddsglasögon.



Återvinn oönskade



Gamla elektroniska produkter ska inte kastas med hushållssoporna. Återvinn där sådana faciliteter finns. Kontrollera med din lokala myndighet eller säljaren för att få återvinningstips.

ERITYISET TURVALLISUUSÄÄNNÖT

- **VAARA! Älä kosketa leikkuualuetta tai terää. Pidä toinen käsi lisäkavalla tai moottorin kotelon päällä.** Jos pitele sahaa molemmin käsin, et voi leikata niitä terässä.
 - **Älä kurota työkappaleen alle.** Suojus ei voi suojata sinua terältä työkappaleen alla.
 - **Säädä leikkuvyvyys vastaamaan työkappaleen paksuutta.** Työkappaleen alla tulee olla näkyvissä vähemmän kuin yksi hammas.
 - **Älä koskaan pitele sahattavaa kappaletta käsissäsi tai jalkasi päällä. Kiinnitä työkappale tukevalle alustalle.** Työkappale on tärkeää tukea kunnolla, jotta et vahingossa kosketa terään, terä ei takerru eikä laite riistäydy hallinnasta.
 - **Pitele sähkötyökalua eristetyistä tartuntapinnoista, kun teet työtä, jossa leikkuri voi koskettaa piilossa olevaa johtoa tai omaa sähköjohtoaan.** Jos sähkötyökalu koskettaa sähköistettyä johtoa, työkalun metalliosat voivat sähköistyä ja aiheuttaa käyttäjälle sähköiskun.
 - **Kun sahaat kuituja pitkin, käytä aina ohjauslaitetta tai suoraa reunaohjainta.** Tämä parantaa leikkauksen tarkkuutta ja pienentää terän juuttumisen mahdollisuutta.
 - **Käytä aina jyrinnässä oikeankokoisia ja -muotoisia teriä (timantti vs. pyöreä).** Terät, jotka eivät vastaa sahan asennusosia, pyörivät epäkeskosti eikä niitä voi hallita.
 - **Älä koskaan käytä voittuneita tai vääriä terän priikkoja tai pultteja.** Terän prikat ja pultit on erityisesti suunniteltu sahaa varten ja ne takaavat optimaalisen suorituskyvyn ja turvallisen käytön.
 - **Takapotkun syyt ja sen esto**
 - takapotku on äkkireaktio terän joutuessa puristuksiin, takertuessa tai taittuessa, jolloin saha ponnahtaa työkappaleesta käyttäjää kohden;
 - jos terä jää puristuksiin tai tarttuu sulkeutuvaan uurrekseen, terä pysähtyy ja moottorin reaktio heittää laitteen äkillisesti käyttäjää kohden;
 - jos terä taittuu tai taipuu leikkauksen aikana, terän takaosan hampaat voivat upota puun yläpintaan ja saada terän kiipeämään ylös urasta ja ponnahtamaan käyttäjää kohden.
- Takapotku johtuu sahan väärinkäytöstä ja/tai virheellisistä käyttömenetelmistä tai huonoista käyttöolosuhteista ja voidaan välttää ryhtymällä alla lueteltuihin varotoimiin:
- **Pitele sahaa tukevasti molemmin käsin ja aseta kätesi siten, että pystyt vastustamaan takapotkun**

voimaa. Asetu terän jommalle kummalle puolelle, ei samaan linjaan sen kanssa. Takapotku voi saada sahan ponnahtamaan taaksepäin, mutta käyttäjä pystyy hallitsemaan takapotkun voiman, jos hän ryhtyy asianmukaisiin varotoimiin.

- **Jos terä tarttuu tai leikkuu keskeyty jostain syystä, vapauta liipaisin ja pitele sahaa paikoillaan leikkukappaleessa, kunnes terä pysähtyy täysin. Älä koskaan yritä irrottaa sahaa työkappaleesta tai vedä sahaa taaksepäin terän pyöriessä. Muutoin voit aiheuttaa takapotkun.** Jos terä takertuu, paikanna ja korjaa sen syy.
- **Kun työkappaleen sahausta jatketaan, aseta terä uurreksen keskelle ja tarkista, että sahan hampaat eivät kosketa materiaalia.** Jos sahan terä takertuu, se voi kiivetä ylös työkappaletta tai ponnahtaa takaisin, kun saha käynnistetään.
- **Tue suuret paneelit minimoidaksesi terän puristumisen ja takapotkun riski.** Suurilla paneeleilla on taipumus taipua alaspäin oman painonsa ansiosta. Tuet on asetettava paneelin molemmille puolille leikkulinjan lähelle sekä lähelle paneelin reunoja.
- **Älä käytä tylsiä tai vaurioituneita teriä.** Teroitamattomat ja väärin asennetut terät tekevät uurrekseen kapean, mikä aiheuttaa liiallista kitkaa ja saa terän takertumaan ja potkaisemaan takaisin.
- **Terän syvyys- ja kaltevuussäädön lukitusvivun on oltava ennen leikkuuta kireällä ja tiukasti kiinni.** Jos terän säätö muuttuu leikkauksen aikana, se voi saada terän jumittumaan ja potkaisemaan takaisin.
- **Ole erittäin varovainen upposahattessasi seinää tai muuta aluetta, jonka taustapuoli ei ole näkyvässä.** Terä voi koskettaa kappaleita, jotka aiheuttavat takapotkun.
- **Tarkista aina ennen käyttöä, että alasuoja sulkeutuu asianmukaisesti. Älä käytä sahaa, jos alasuoja ei pääse liikkumaan vapaasti eikä sulkeudu välittömästi. Älä koskaan purista tai sido alasuojaa auki.** Jos saha putoaa, alasuoja saattaa taittua. Nosta alasuojaa kahvalla ja tarkista, että se pääsee liikkumaan vapaasti eikä kosketa terää ja muita osia missään kulmassa ja millään leikkuvyvytydellä.
- **Tarkista alasuojan jousen toiminta. Jos suoja ja jousi eivät toimi asianmukaisesti, ne on huollettava ennen käyttöä.** Alasuoja voi toimia hitaasti vioittumisen, tahmeiden jäämien ja roskakeräymien takia.
- **Alasuoja tulee vetää sisään manuaalisesti ainoastaan erikoistapauksessa, kuten tehtäessä uppo- tai yhdistelmäleikkauksia. Nosta alasuoja vetämällä kahva taakse. Alasuoja on vapautettava heti, kun terä uppoaa materiaaliin.** Alasuojan tulee toimia automaattisesti kaikissa muissa sahausissa.

Suomi

ERITYISET TURVALLISUUSÄÄNNÖT

- Tarkista aina ennen sahan asettamista penkille tai lattialle, että alasuoja peittää terän. Suojaamaton pyörivä terä saa sahan liikkumaan takaisinpäin ja leikkaamaan kaiken tielle tulevan. Huomaa, että terän pysähtyminen vaatii hetken aikaa.

KUVAUS

1. Lukituspainike
2. Karan lukitus
3. Kaltevuusasteikko
4. Kaltevuuden lukitusnappi
5. Reunaohjaimen lukitusnappi
6. Leikkuuterä
7. Alusta
8. Virtauksen säätönappi
9. Vesipullon vapautuspainike
10. Vesipullo
11. Syvyyden lukitusnappi
12. Leikkuuterän avaimen säilytystila
13. Akku (ei kuulu pakettiin)
14. Liipaisin
15. Leikkuuterän sisäpriikka
16. Leikkuuterä
17. Leikkuuterän ulkopriikka
18. Leikkuuterän ruuvi
19. Virheellisesti tuettu
20. Oikein tuettu

KOKOAMINEN

OMAPAINOISELLA SYÖTÖLLÄ TOIMIVAN VESIPULLON ASENTAMINEN

Katso kuvaa 2.

Omapainoisella syötöllä toimivassa vesipullossa on ilmaventtiili, joka tasaa paineen ja sallii veden virtaavan vapaammin.

- Irrota akku laitteesta.
- Ruuvaa suutinkokoonpano irti.
- Täytä pullo halutulle tasolle. Älä ylitäytä.
- Asenna suutinkokoonpano paikoilleen.
- Pitele vesipulloa suutin alapäin.

HUOM. Pullosta ei vuoda vettä, ellei suuttimen kärkeä paineta.

- Aseta vesipullo kuvan osoittamalla tavalla. Paina pullo varoen alas siten, että se loksauttaa paikoilleen.
- Voit irrottaa vesipullon painamalla sen vapautuspainiketta.

HUOM. Pidä kuivaleikkuussakin vesipullo asennettuna, jotta pöly tai lika ei pääse tukkimaan vesikanavia.



VAROITUS

Vesipullossa saa käyttää vain vettä. Muiden nesteiden käyttö saattaa vioittaa laitetta.



VAROITUS

Sahassa saa käyttää enintään 101,6 mm terää. Älä myöskään käytä terää, joka on niin paksu, että terän ulkopriikka ei pääse koskettamaan karan tasapintaa. Tätä suuremmat terät koskettavat teräsuojusta ja paksimmat terät estävät terän ruuvia kiinnittämästä terää karaan. Kummassakin tapauksessa seuraus voi olla vakava onnettomuus.



VAROITUS

Älä käytä leikkuuterää, jonka luokitus on vähemmän kuin laitteen kuormaton nopeus. Muutoin seurauksena voi olla vakava loukkaantuminen. Älä käytä teriä, joissa on halkeamia, lovia tai hampaita.



VAROITUS

Älä käytä teriä, joissa on hampaat tai joka on jaettu segmentteihin. Käytä ainoastaan tiilien leikkaamiseen sopivia jatkuvareunuksisia timanttiteriä.

LEIKKUUTERÄN ASENTAMINEN

Katso kuvaa 3.

- Irrota akku sahasta.
- Ota terän avain (5 mm kuusioavain) säilytystilasta.
- Paina karan lukituspainiketta ja irrota terän ruuvi ja ulkopriikka.

HUOM. Terän ruuvi aukeaa myötöpäivään.



VAROITUS

Jotta kara tai sen lukitus ei vioittuisi, anna moottorin aina pysähtyä täysin ennen karan lukituksen kytkemistä päälle.

HUOM. Älä käytä sahaa karan lukituksen ollessa päällä.

- Levitä öljytippa terän sisä- ja ulkopriikan sille pinnalle, joka on kosketuksissa terän kanssa.



VAROITUS

Jos terän sisäpriikka on irrotettu, asenna se paikoilleen ennen leikkuuterän asettamista karalle. Muutoin laite voi aiheuttaa onnettomuuden, koska terä ei ole tarpeeksi kireällä.

- Asenna terän ulkopriikka.
- Paina karan lukituspainiketta ja asenna terän ruuvi. Kiristi terän ruuvi tiukalle kiertämällä sitä vastapäivään.
- Palauta terän avain säilytyspaikkaansa.

Suomi

KOKOAMINEN

HUOM. Älä koskaan käytä terää, joka on niin paksu, että terän ulkoprika ei pääse koskettamaan karan tasapintaa.

TEKNISET TIEDOT

Jännite	18 V ~
Terän halkaisija	102 mm
Terän akseli	15.9 mm
Leikkuusyvyys kulmassa 0°	22.2 mm
Leikkuusyvyys kulmassa 45°	15.9 mm
Kuormaton nopeus	4500 min ⁻¹
Terätyyppi	Jatkuvareunainen Timanttiterä
Paino (ilman akkua)	2.6 kg

MALLI	AKKU (ei mukana)	YHTEENSOPIVA LATURI (ei mukana)
LTS180	BPL-1820 BPL-1815	BCL-1800 BCS618 <small>BCL1418%< BCL1418' <</small> BCL1418
	BPP-1815 BPP-1815M BPP-1817 BPP-1817M	BCA-180 BCL-1800 BCS618 <small>BCL1418%< BCL1418' <</small> BC-1815S BC-1800

KÄYTTÖ

**VAROITUS**

Käytä polynaamaria aina tiilisahaan käyttäessäsi. Muutoin seurauksena voi olla vakava loukkaantuminen.

**VAROITUS**

Käytä aina konetta käyttäessäsi sivuilta suojattuja suojalaseja. Muutoin esineitä saattaa iskeytyä silmiin ja aiheuttaa vakavia vammoja.

**VAROITUS**

Älä käytä muita kuin tämän tuotteen valmistajan suosittelemia lisälaitteita. Muiden lisälaitteiden käyttäminen saattaa aiheuttaa vakavan vamman.

KÄYTTÖKOHEET

Tätä tuotetta saa käyttää alla lueteltuihin tarkoituksiin:

- Märkä tiilien, pinnoitteiden ja luonnonkivestä valmistettujen tiilien kuitujen poikkisahaus, kuituja pitkin sahaus ja viistosahaus
- Yllä mainittujen materiaalien kuivasahaus; vaatii erityisen leikkuterän (ei mukana)

Tämä tuote toimii Ryobi One+ 18V V litium-ioniakkujen ja Ryobi One+ 18V nikkeli-kadmium-akkujen kanssa.

Täydet latausohjeet on Ryobi One+ -akun ja -laturin käyttöohjeissa.

AKKIJEN SUOJAUSOMINAISUUDET

Ryobi 18 V litiumioniakut sisältävät ominaisuuksia, jotka suojaavat litiumionikenoja ja maksimoivat akun käyttöiän. Joissain käyttöolosuhteissa nämä integroidut ominaisuudet saavat akun ja siihen kytketyn laitteen käyttäytymään eri lailla kuin nikkeli-kadmiumakuilla.

Akun sähkölaitteet voivat joissain tapauksissa sammuttaa akun, jolloin työkalu lakkaa toimimasta. Voit nollata akun ja työkalun vapauttamalla liipaisimen ja jatkamalla normaalikäyttöä.

HUOM. Vältä työkalun pakottamista, jotta akku ei sammuisi.

Jos liipaisimen vapauttaminen ei nollaa akkua ja työkalua, akku on tyhjä. Jos akku on tyhjä, se alkaa ladata heti kun se asetetaan litium-ionilaturiin.

AKUN ASENTAMINEN/IRROTTAMINEN

Katso kuvaa 4.

- Aseta akku sahaan. Kohdista akun harjanne sahan uran kanssa ja työnä akku sahaan.
- Varmista, että akun sivuilla olevat salvat napsahtavat paikoilleen ja että akku istuu sahassa tukevasti ennen käytön aloittamista.

**VAROITUS**

Irrota akku työkalusta aina kun kokoat osia, teet säätöjä, puhdistat sitä ja kun se ei ole käytössä. Akun irrottaminen estää laitetta käynnistymättä vahingossa, jolloin vältytään mahdollisilta vakavilta vammoilta.

AKUN IRROTTAMINEN

Katso kuvaa 4.

- Paina akun sivuilla olevia salpoja siten, että se irtoaa sahasta.
- Irrota akku sahasta.

Suomi

KÄYTTÖ**LEIKKUUTERÄT**

Paraskaan leikkuuterä ei leikkaa hyvin, jos se on tylsä tai pahasti kulunut. Tylsän terän käyttö kuormittaa sahaa paljon. Pidä ylimääräisiä teriä saatavilla, jotta voit aina käyttää terävää terää.

SAHAN KÄYNNISTÄMINEN/PYSÄYTTÄMINEN

Katso kuvaa 5.

Sahan käynnistys:

- Paina lukituspainiketta
- Paina liipaisinta.

Anna terän aina saavuttaa täysi nopeus ja ohjaa se sitten työkappaleeseen.

Sahan pysäyttäminen: Vapauta liipaisin.

Kun olet vapauttanut liipaisimen, anna terän pysähtyä täysin. **ÄLÄ** nosta sahaa irti työkappaleesta terän pyöriessä.

LUKITUSPAINIKE

Katso kuvaa 6.

Lukituspainike pienentää vahingossa tapahtuvan käynnistuksen riskiä. Lukituspainike sijaitsee kahvassa liipaisimen yläpuolella. Lukituspainiketta on painettava ennen liipaisimen painamista. Lukitus kytkeytyy päälle aina kun liipaisin vapautetaan.

HUOM. Voit painaa lukituspainiketta joko vasemmalta tai oikealta puolelta.

TERÄN SYVYYDEN SÄÄTÄMINEN

Katso kuvaa 7.

Pidä terän syvyysasetus aina oikeana. Terän syvyysasetuksen ei tule ylittää 6.35 mm leikattavan materiaalin alapuolella. Suurempi syvyys kasvattaa takapotkun riskiä ja tekee leikkuujäljestä karkean. Syvyys voidaan säätää tarkasti laitteen takana olevan asteikon avulla.

- Avaa syvyysäätonuppi.
- Määritä toivottu leikkuusyvyys.
- Paikanna leikkuusyvyys laitteen takana olevalta asteikolta.
- Pidä alustaa tasaisesti työkappaleen vasten ja nosta tai laske sahaa, kunnes tuen osoitin on terän suojuksen loven kohdalla.
- Kiristä syvyydensäätonuppi tiukasti.

SAHAN KÄYTTÖ

Katso kuvia 8-9.

Sahan oikea käyttö on tärkeä ymmärtää. Tämän kappaleen kuvat esittävät oikeita ja vääriä tapoja käsitellä sahaa.

**VAROITUS**

Kun nostat sahan työkappaleesta, terä on näkyvässä sahan alapuolella.

Paras mahdollinen leikkaus:

- Pitele sahaa tukevasti molemmin käsin.
- Älä aseta kättäsi työkappaleen päälle sahaamisen aikana.
- Tue työkappale siten, että leikkauks jälki (uurros) on aina käyttäjän puolella.
- Tue työkappale leikkauksen läheltä.
- Kiinnitä työkappale tukevasti siten, että se ei pääse liikkumaan leikkauksen aikana.
- Aseta saha aina tuetun työkappaleen, ei poisleikattavan osan, päälle.
- Aseta työkappale "hyvä" puoli alaspäin.
- Piirrä ennen leikkausta haluamasi leikkuulinjat.

LEIKKUU

Piirrä tiileen aina viiva leikkuulinjaa pitkin huopakynällä tai tussilla. Jos tiili on kiiltävä tai vaikea merkitä, liimaa tiileen maalarinteippiä ja piirrä teippiin.

Yleinen ongelma tiilien leikkaamisessa on poikkeaminen merkitystä linjasta. Jos poikkeat linjasta, terää ei voi pakottaa takaisin linjalle kääntämällä tiiltä. Palaa sen sijaan takaisinpiäin ja leikkaa tiili uudelleen leikkaamalla sitä sen verran, että terä palaa taas linjalle.

Voit välttää tämän ongelman asettamalla suoran ohjaimen tehdeksi suoria ja viistoleikkauksia.

Leikkuu tulee tehdä ulkona, jos se tehdään märkänä.

HUOLTO**VAROITUS**

Käytä vaihdossa yksinomaan alkuperäisiä Ryobi-varaosia. Muunlaisten varaosien käyttö voi osoittautua vaaralliseksi ja vaurioittaa laitetta.

Älä käytä liuotteita muoviosien puhdistukseen. Yleensä muovit eivät siedä markkinoilla olevia määrättyjä liuotteita, jotka vahingoittavat niitä. Käytä puhdasta riepua lian, pölyn, öljyn, rasvan jne. puhdistukseen.

**VAROITUS**

Muoviosat eivät saa koskaan joutua kosketukseen jarrunesteeseen, bensiiniin, petroli johdannaisten, ruosteenirrotusöljyn jne. kanssa. Nämä kemialliset tuotteet sisältävät aineita, jotka voivat vaurioittaa, heikentää tai tuhota muovin minkä seurauksena voi aiheutua vakavia ruumiinvammoja.

Suomi

HUOLTO

Älä vaadi työkalulta liikaa. Kohtuuton käyttö voi vaurioittaa työkalua sekä työkalappaletta.



VAROITUS

Älä yritä tehdä muutoksia työkaluun tai liittää siihen lisävarusteita, joita ei ole suositeltu sen kanssa käytettäviksi. Tämän tyyppiset muutokset ovat kohtuutonta käyttöä ja ne voivat johtaa vaaratilanteisiin aiheuttaen vakavia ruumiinvammoja.

YMPÄRISTÖNSUOJELU



Älä heitä raaka-aineita kotitalousjätteisiin, vaan vie ne kierrätykseen. Ympäristönsuojelun kannalta työkalu, lisävarusteet ja pakkausmateriaali on lajiteltava.

SYMBOLI



Turvavaroitus

V

Voltit

min⁻¹

Kierrokset tai edestakaisliike per minuutti



Tasavirta



CE-vastaavuus



Lue ohjeet huolellisesti ennen laitteen käynnistämistä.



Käytä kuulosuojaimia



Käytä suojalaseja



Kierrättäminen ei-toivottua



Käytöstä poistettavia sähkölaitteita ei pidä hävittää talousjätteiden mukana. Ne on mahdollisuuksien mukaan pantava kiertoon. Kierrätysohjeita antavat kunnan viranomaiset ja vähittäiskauppiat.

SPESIELLE SIKKERHETSREGLER

- **FARE: Hold hendene vekke fra skjæreområdet og skjærebladet. Hold den andre hånden på det ekstra håndtaket eller motorhuset.** Hvis begge hender holder sagen kan de ikke skades av skjærebladet.
 - **Ikke berør området under arbeidsstykket.** Skjoldet kan ikke beskytte deg mot skjærebladet under arbeidsstykket.
 - **Juster skjæredybden til tykkelsen på arbeidsstykket.** Mindre enn en full tann skal være synlig under arbeidsstykket.
 - **Hold aldri materialet som skal skjæres i hendene eller over bena dine. Fest arbeidsstykket på en stabil plattform.** Det er viktig å støtte arbeidsstykket korrekt for å redusere kroppseksponering, fare for låsing av skjærebladet eller tap av kontroll over sagen.
 - **Hold i elektroverktøyet på de isolerte gripeflatene når du foretar arbeid der skjæreverktøyet kan treffe på skjulte elektriske ledninger eller sin egen strømkabel.** Kontakt med en strømførende ledning vil også gjøre de synlige metalldelene på verktøyet strømførende og gi brukeren elektrisk støt.
 - **Når du skal dele en lang flis på langs bør du alltid bruke en kantlinjal.** Det forbedrer nøyaktigheten og reduserer faren for at skjærebladet blokkeres.
 - **Bruk alltid blader med korrekt størrelse og form (diamant vs rundt) med korrekt akselhulldimensjon.** Skjæreblader som ikke stemmer med festeanordningen på sagen vil kunne bevege seg eksentrisk og føre til tap av kontroll.
 - **Bruk aldri skadede eller feil skjærebladpakninger eller bolter.** Skjærebladpakningene og boltene er spesielt utformet for din sag, for optimale ytelser og trygg bruk.
 - **Årsaker til og hindring av tilbakeslag:**
 - tilbakeslag er en brå reaksjon på et blokkert eller skjevt innstilt skjæreblad, noe som fører til at sagen løftes opp, ut av arbeidsstykket og mot brukeren;
 - når bladet blokkeres ved at sagsporet presses nedover stopper bladet og motorreaksjonen presser enheten hurtig bakover mot brukeren;
 - Hvis skjærebladet blir vridd eller skjevinnstilt i skjæresporet vil tennene på den bakre kanten av bladet kunne hogge inn i den øvre overflaten av trevirket slik at bladet klatrer ut av sporet og hopper tilbake mot brukeren.
- Tilbakeslag er et resultat av misbruk av sagen og/eller feil bruk eller arbeidsforhold, og kan unngås ved å ta forholdsreglene som er beskrevet nedenfor:
- **Hold sagen i et fast grep med begge hender og plasser armene slik at de vil kunne motvirke kreftene i et tilbakeslag. Plasser kroppen på en av sidene av bladet,**

men ikke i rett linje med bladet. Tilbakeslag kan føre til at sagen kastes bakover, men kreftene i tilbakeslaget kan kontrolleres av brukeren med passende forholdsregler.

- **Hvis bladet blokkeres eller sagingen av en eller annen grunn avbrytes, slipp På/Av-bryteren og hold sagen stille i materialet inntil sagbladet stopper helt. Forsøk aldri å fjerne sagen fra arbeidsstykket eller trekke den bakover mens skjærebladet fortsatt er i bevegelse. Dette vil kunne føre til tilbakeslag.** Undersøk og gjennomfør korrigerende tiltak for å eliminere årsaken(e) til at bladet blokkeres.
- **Når du restarter en sag i arbeidsstykket, påse at skjærebladet står midt i sagsporet og at tennene ikke har kontakt med materialet.** Hvis skjærebladet er blokkert kan det klatre ut av arbeidsstykket eller gi tilbakeslag når sagen startes.
- **Støtt opp store plater for å redusere faren for at skjærebladet blokkeres med tilhørende tilbakeslag.** Store plater har en tendens til å sige under sin egen vekt. Støttene må legges under begge sider av platen, nær sporet som skal skjæres og nær enden av platen.
- **Ikke bruk sløve eller skadede skjæreblader.** Uskarpe og feilaktig innstilte skjæreblader skaper smale sagspor, som fører til ekstra friksjon, mulighet for blokkering av skjærebladet og tilbakeslag.
- **Låsespakene for innstilling av skjæredybde og eventuell gjæringsvinkel må være godt tilstrammet før skjæringen starter.** Hvis bladjusteringen endrer seg under skjæring kan dette føre til blokkering og tilbakeslag.
- **Vær ekstra forsiktig når du foretar et "dypkutt" inn i en vegg eller annet område der du ikke kan se baksiden.** Bladet kan treffe på gjenstander som kan gi tilbakeslag.
- **Sjekk det nedre skjoldet for korrekt lukking før hver gangs bruk. Ikke bruk sagen dersom det nedre skjoldet ikke beveger seg fritt og lukker øyeblikkelig etter hvert kutt. Blokker aldri det nedre skjoldet i åpen posisjon.** Dersom sagen ved et uheld mistes kan det nedre skjoldet bli bøyd. Hev det nedre skjoldet med håndtaket og påse at det beveger seg fritt og ikke berører hverken skjærebladet eller andre deler av sagen i noen del av bevegelsen fra lukket til helt åpen.
- **Kontroller funksjonen på fjæren i det nedre skjoldet. Dersom skjoldet og/eller fjæren ikke virker tilfredsstillende må de utbedres før sagen benyttes.** Det nedre skjoldet kan bevege seg tungt som følge av skadede deler, avleiringer eller oppbygging av avfall.
- **Det nedre skjoldet skal kun trekkes tilbake for hånd ved spesielle oppgaver, som "dypkutt" og "Kombinertkutt."** Hev det nedre skjoldet med håndtaket. Så snart skjærebladet har gått inn i materialet må skjoldet løses ut. For alle andre former for saging må skjoldet bevege seg automatisk.

Norsk

SPESIELLE SIKKERHETSREGLER

- Påse alltid at det nedre skjoldet dekker sagbladet før saken settes på en benk eller gulvet. Et ubeskyttet sagblad som er i bevegelse vil føre til at saken beveger seg bakover og kuttet alt som kommer i dens vei. Vær bevisst på hvor mye tid som medgår før sagbladet står helt stille etter at På/Av-bryteren er løst ut.

BESKRIVELSE

1. Låseknapp
2. Spindellås
3. Skala for gjæringsvinkel
4. Låseknapp for gjærings
5. Låseknapp for kantguide
6. Skjæreblad
7. Sokkel
8. Flytjusteringsknott
9. Utløserknapp for vannflaske
10. Vannflaske
11. Låseknott for skjæredybde
12. Oppbevaring av fastnøkkel til skjæreblad
13. Batteripakke (ikke inkludert)
14. På/Av-bryter
15. Innvendig pakning for skjære
16. Skjæreblad
17. Utvendig pakning for skjæreblad
18. Festeskruer for skjæreblad
19. Feil metode for støtte av flis
20. Korrekt metode for støtte av flis

MONTERING

MONTERING AV VANNFLASKE FOR GRAVITASJONSMATING

Se Fig. 2.

Flasken for gravitasjonsmating av vann har en innebygget luftventil som jevner ut trykket og gjør det mulig for vannet å strøme friere.

- Fjern batteriet.
- Skru løs dyseenheten.
- Fyll vannflasken til ønsket nivå. Ikke overfyll.
- Sett dyseenheten tilbake på plass.
- Hold vannflasken slik at dysen peker nedover.

NB: Vann kan ikke renne ut av flasken så lenge dysen ikke er trykket inn.

- Sett inn vannflasken som vist. Trykk flasken forsiktig nedover inntil den kommer på plass med et klikk.
- For å ta flasken ut, trykk på flaskens utløserknapp.

NB: Ved tørrskjæring la flasken stå på plass for å hindre at støv og annet avfall tetter vanntilførselen.



ADVARSEL

Vannflasken er kun ment for vann. Bruk av annen væske kan påføre verktøyet skade.



ADVARSEL

Et 101,6 mm skjæreblad er maksimal bladdimensjon for saken. Bruk aldri et skjæreblad som er så tykt at ikke den ytre pakningene kan ligge flatt mot bladet etter at den er tredd inn på spindelen. Større skjæreblad vil komme i kontakt med dekslet, mens for tykke skjæreblad vil hindre hjulskruen fra å feste bladet forsvarlig på spindelen. Begge deler kan føre til alvorlige ulykker.



ADVARSEL

Ikke bruk skjæreblader som er beregnet for hastigheter mindre enn verktøyets ubelastede hastighet. Å ikke følge denne advarselen kan føre til personskade. Ikke bruk skjæreblader med sprekker, hull eller tenner.



ADVARSEL

Ikke bruk tannede eller segmenterte skjæreblader. Anvend bare diamant skjæreblader med hel ramme til murmaterialer.

MONTERING AV SKJÆREBLAD

Se Fig. 3.

- Fjern batteripakken fra saken.
- Fjern fastnøkkel (5 mm unbraconøkkel) fra oppbevaringsrommet.
- Trykk inn spindellåseknappen og fjern hjulskruen og den ytre skjærebladpakningen.
- **NB:** Drei skjærebladskruen mot høyre for å skru ut.



ADVARSEL

Påse at motoren står helt stille før spindellåsen kobles til for å unngå skade på spindelen eller spindellåsen.

NB: Ikke kjøp saken med spindellåsen koblet inn.

- Tørk en dråpe olje på indre og ytre skjærebladpakning der de får kontakt med skjærebladet.



ADVARSEL

Dersom innvendig pakning er tatt av, påse at den settes tilbake på plass for skjærebladet settes på spindelen. Å unnlate å gjøre dette kan føre til en ulykke siden skjærebladet ikke vil kunne strammes tilstrekkelig.

- Sett tilbake på plass utvendig skjærebladpakning.
- Trykk inn spindellåsen og sett dernest inn bladskruen. Stram bladskruen godt til ved å dreie den mot venstre.
- Legg fastnøkkel for skjærebladet tilbake i oppbevaringsrommet.

Norsk

MONTERING

NB: Bruk aldri et skjæreblad som er så tykt at ikke den ytre pakningene kan ligge flatt mot bladet etter at den er tredd inn på spindelen.

SPESIFIKASJONER

Spenning	18 V $\overline{\text{---}}$
Skjærebladdiameter	102 mm
Akselhull	15,9 mm
Skjæredybde ved 0°	22,2 mm
Skjæredybde ved 45°	15,9 mm
Hastighet uten belastning	4.500 o/min ⁻¹
Skjærebladtype	Sammenhengende kant Diamantskjæreblad
Vekt (uten batteripakke)	2,6 Kg

MODELL	BATTERI PAKKE (ikke inkludert)	KOMPATIBEL LADER (ikke inkludert)
LTS180	BPL-1820 BPL-1815	BCL-1800 BCS618 BCL1418%< BCL1418 BCL1418' <
	BPP-1815 BPP-1815M BPP-1817 BPP-1817M	BCA-180 BCL-1800 BCS618 BCL1418%< BCL1418 BCL1418' < BC-1815S BC-1800

BRUK



ADVARSEL

Anvend alltid støvmaske når du bruker en flissag. Å unnlate å gjøre det kan føre til alvorlig personskade.



ADVARSEL

Anvend alltid beskyttelsesbriller eller sikkerhetsbriller når du bruker sagen. Unnlattelse av å gjøre dette kan føre til at ting treffer øynene dine og føre til mulig alvorlig skade.



ADVARSEL

Ikke bruk tilkoblet utstyr eller tilbehør som ikke er anbefalt av produsenten av dette verktøyet. Bruken av tilkoblet utstyr eller tilbehør som ikke er anbefalt kan føre til alvorlig personskade.

ANVENDELSER

Du kan bruke dette produktet til oppgaver som er listet opp nedenfor:

- Våt kryss-skjæring, deling eller skråskjæring av menneskelagde fliser, brostein og fliser laget av natursteinmaterialer.
- For tørrskjæring av materialene som er nevnt ovenfor kreves det spesielle skjæreblader (medfølger ikke).

Dette produktet kan bruke RYOBI One+ 18V lithium-ion batteripakke og RYOBI One+ 18V nickel-cadmium batteripakker.

For fullstendige instruksjoner om lading, se brukermanualen for Ryobi One+ batteripakke og ladermodeller.

BATTERIBESKYTTELSE

Ryobi 18V lithium-ion-batterier har egenskaper som beskytter lithium-ion-cellene og maksimerer batteriets levetid. Under visse driftsforhold kan de innebygde egenskapene føre til at batteriet og verktøyet det driver oppføre seg annerledes enn med nickel-cadmium batterier.

Under visse bruksforhold kan batteriets elektronikk sende signaler til batteriet om å slå seg av og dermed føre til at verktøyet stopper. For å nullstille batteriet og verktøyet løs ut På/Av-bryteren og klem den inn i igjen for å fortsett arbeidet.

NB: For å unngå ytterligere avstengning av batteriet, unngå å presse verktøyet.

Hvis det å slippe På/Av-bryteren ikke nullstiller batteriet og verktøyet, kan batteripakken være utladet. Hvis batteripakken er utladet vil den begynne å lade når den settes i lithium-ion-laderen.

INSTALLERING AV BATTERIPAKKEN

Se Fig. 4.

- Plasser batteripakken i sagen. Sett de hevede ribbene i batteripakken på linje med sporene på sagen, Skyv deretter batteripakken inn i sagen.
- Påse at sperrehakene på begge sider av batteripakken er i inngrep og at batteripakken er sikret i laderen før lading påbegynnes



ADVARSEL

Fjern alltid batteripakken fra verktøyet når du monterer deler, foretar justeringer, rengjør eller når verktøyet ikke er i bruk. Ved å fjerne batteripakken hindres utilsiktet start av verktøyet, som kan føre til alvorlig personskade.

FJERNING AV BATTERIPAKKEN

Se Fig. 4.

- Finn sperrehakene på siden av batteripakken og trykk dem inn for å frigjøre batteripakken fra sagen.
- Fjern bateripakken fra sagen.

Norsk

BRUK

SKJÆREBLADENE

Selv de beste skjærebladene vil ikke skjære effektivt dersom de er sløve eller brukes på feil måte. Bruk av sløve skjæreblader vil utsette sagen for store belastninger. Sørg for å ha ekstra skjæreblader for hånden slik at du alltid har skarpe skjæreblader tilgjengelig.

STARTING/STOPPING AV SAGEN

Se Fig. 5.

Å starte sagen:

- Trykk inn låseknappen.
 - Trykk inn På/Av-bryteren.
- La alltid skjærebladet oppnå full hastighet før du setter sagen mot arbeidsstykket.

Å stoppe sagen: Løs ut På/Av-bryteren.

Etter at du har løst ut På/Av-bryteren la skjærebladet stoppe helt. IKKE fjern skjærebladet fra arbeidsstykket så lenge bladet beveger seg.

LÅSEKNAPP

Se Fig. 6.

Låseknappen reduserer muligheten for utilsiktet start av sagen. Låseknappen befinner seg på håndtaket, over På/Av-bryteren. Låseknappen må trykkes inn før du trykker inn Av/På-bryteren. Låsen tilbakestilles hver gang du slipper På/Av-bryteren.

NB: Du kan trykke inn låseknappen både fra høyre og venstre side.

JUSTERING AV SKJÆREDYBDEN

Se Fig. 7.

Ha alltid korrekt innstilling av skjæredybde. Korrekt innstilling av dybden på skjærebladet skal ikke overstige 6,35 mm under materialet som skjæres. Større skjæredybde vil øke faren for tilbakeslag og føre til at skjæresporet kan bli grovere. For mer presis skjæredybde, se skalaen på den bakre braketten.

- Løse justeringsknappen for dybdejustering.
- Bestem ønsket dybde.
- Se skalaen for skjæredybde på bakre brakett.
- Hold sokkelen flatt mot arbeidsstykket og hev eller senk sagen inntil indikatormerket på braketten er på linje med hakket i skjærebladdekslet.
- Stram til justeringsknappen for dybdejustering.

BRUKEN AV SAGEN

Se Fig. 8 - 9.

Det er viktig å forstå korrekt metode for bruk av sagen. Se tegningene i denne seksjonen og lær korrekt og feil måte å håndtere sagen.



ADVARSEL

Når du løfter sagen fra arbeidsstykket vil skjærebladet være eksponert på undersiden av sagen.

For å gjøre det best mulige kuttet:

- Hold sagen fast med begge hender.
- Unngå å plassere hånden på arbeidsstykket mens det skjæres.
- Støtt arbeidsstykket slik at skjæret alltid er på din side.
- Støtt arbeidsstykket nær skjæresporet.
- Fest arbeidsstykket med tvinger eller på annen måte slik at det ikke kan komme i bevegelse mens det skjæres.
- Plasser alltid sagen på den delen av arbeidsstykket som er støttet, aldri på den delen som skal skjæres av.
- Plasser arbeidsstykket med den "gode" siden ned.
- Trekk en hjelpelinje langs det ønskede skjæresporet før du begynner å skjære.

LAGE ET KUTT

Tegn alltid en linje med en tusj penn eller fettstift på flisen der det skal skjæres. Hvis flisen er blank og det er vanskelig å tegne, bruk maskeringstape og tegn på tapen.

Et vanlig problem når det skjæres er å følge den optegnede skjærelinjen. Dersom du har beveget deg vekk fra linjen kan du ikke tvinge skjærebladet tilbake ved å presse sagen eller flisen. I stedet kan du gå tilbake og skjære av tynne biter av flisen inntil du er tilbake i sporet.

For å unngå dette problemet kan du, når det er mulig, bruke en rettkantet guide for rette kutt eller gjæringskutt.

Hvis det er ønskelig å foreta våt skjæring, bør dette gjøres utendørs.

VEDLIKEHOLD



ADVARSEL

Ved bytting av deler skal kun originale reservedeler brukes. Bruken av andre deler kan være farlig eller skade verktøyet.

Bruk ikke løsningsmidler til å rengjøre plastdeler. De fleste plastmaterialene kan skades ved bruk av løsningsmidlene som fås i handelen. Bruk en ren klut til å fjerne smuss, støv, olje, fett, osv.



ADVARSEL

Plastdeler må aldri komme i kontakt med bremsevæske, bensin, petroleumsholdige produkter, penetrerende oljer, osv. Slike kjemiske produkter inneholder stoffer som kan skade, svekke eller ødelegge platen, noe som kan medføre alvorlige kroppsskader.

Ikke krev for mye av verktøyene dine. Hvis de misbrukes, kan det skade både verktøyet og arbeidsstykket.

Norsk

MONTERING



ADVARSEL

Ikke forsøk å forandre dette verktøyet eller å tilføye tilbehør som det ikke er anbefalt å bruke sammen med dette verktøyet. Sådanne forandringer eller endringer er det samme som å misbruke verktøyet og kan skape farlige situasjoner som kan forårsake alvorlige kroppsskader.

MILJØVERN



Resirkuler råmaterialer istedenfor å kaste dem i søppelen. Verktøyet, tilbehørene og emballasjen bør sorteres for miljøvennlig resirkulering.



SYMBOL



Sikkerhetsalarm

V Volt

min⁻¹ Omdreiningar eller pendelbevegelse pr minutt



Likestrøm



CE samsvar



Vennligst les instruksjonene nøye før du starter maskinen.



Bruk hørselsvern



Bruk øyeskyttelse



Resirkulering uønsket



Avfall fra elektriske produkter skal ikke kastes sammen med husholdningsavfall. Vennligst resirkuler ved eksisterende avfallsbehandlingssted. Undersøk hos dine lokale myndigheter eller forhandler for råd om resirkulering.



ОСОБЫЕ ПРАВИЛА БЕЗОПАСНОСТИ

■ **ОПАСНО ДЛЯ ЖИЗНИ! Не держите руки в области резания и режущего диска. Держите вторую руку на дополнительной рукоятке или коже двигателя.** Если обеими руками держаться за пилу, режущий диск не повредит их.

■ **Не протягивайте руки под обрабатываемую деталь.** Защитное устройство не сможет защитить ваши руки от режущего диска, если они попадут под обрабатываемую деталь.

■ **Отрегулируйте глубину резания по толщине обрабатываемой детали.** Выступающая часть зуба режущего диска внизу обрабатываемой детали не должна превышать полной длины зуба.

■ **Никогда не держите обрабатываемую деталь в руках или на колене. Зафиксируйте обрабатываемую деталь на устойчивой поверхности.** Важно надежно зафиксировать деталь, чтобы минимизировать соприкосновение с частями тела, заклинивание режущего диска или вероятность потери управляемости.

■ **При работе держите инструмент за электроизолирующие поверхности, так как режущая часть может наткнуться на скрытую проводку или сетевой кабель инструмента.** В результате контакта открытых металлических деталей инструмента с проводом, находящимся под напряжением, они могут также оказаться под напряжением и привести к поражению работающего электрическим током.

■ **При резании всегда пользуйтесь направляющей планкой или прямой боковой направляющей.** Это повысит точность резания и уменьшит вероятность заклинивания режущего диска.

■ **Всегда используйте режущие диски по размеру и форме (ромбоидальные, а не круглые) отверстия вала.** Режущие диски, которые не соответствуют установочным деталям инструмента пилы, будут вращаться с отклонением от круговой траектории, что может привести к потере управляемости.

■ **Никогда не используйте поврежденные или ненадлежащие шайбы или болты.** Шайбы для диска и болт были специально разработаны для пилы, чтобы обеспечить оптимальную работу и безопасность эксплуатации.

■ **Причины отскоков и меры защиты от них работающего:**

- отскок - это неожиданная реакция на защемление, заклинивание или смещение режущего диска пилы, которая приводит к его неуправляемому выскакиванию из обрабатываемой детали по направлению к работающему;

- если режущий диск защемляется или заклинивается в пропили, диск останавливается, а двигатель по инерции отбрасывает устройство назад по направлению к работающему;

- Если режущий диск изгибается или смещается в пропили, зубья задней грани диска могут проникнуть в верхнюю часть деревянной поверхности, вытолкнуть диск из пропила и привести к отскоку в направлении работающего.

Отскок является результатом неправильного использования пилы и (или) нарушений правил или условий ее эксплуатации. Этого следует избегать, соблюдая следующие меры предосторожности.

■ **Держите пилу крепко, двумя руками, расположите руки так, чтобы противодействовать усилию отбрасывания пилы. Расположите части тела по обе стороны от режущего диска, не по линии резания.** Отскок может привести к отбрасыванию пилы назад, но усилия отбрасывания пилы можно контролировать, если соблюдать соответствующие правила безопасности.

■ **При заклинивании режущего диска или прекращении резания по какой-либо причине отпустите переключатель и дождитесь полной остановки вращения режущего диска, не вынимая инструмент из материала. Никогда не пытайтесь вынуть пилу из обрабатываемой детали или потянуть пилу назад при вращающемся диске, так как это может привести к отскоку.** Изучите проблему и предпримите правильные действия, чтобы устранить причину заклинивания режущего диска.

■ **При повторном включении пилы на обрабатываемой детали установите режущий диск пилы по центру пропила так, чтобы зубья пилы не попали в материал.** Если диск пилы заклинит, при повторном включении пилы он может пойти вверх и отскочить от обрабатываемой детали.

■ **Используйте большие панели, чтобы уменьшить опасность заклинивания диска и отскока.** Большие панели могут прогибаться под собственным весом. Опоры следует размещать под панелью с обеих сторон, рядом с линией пропила и ближе к краю панели.

■ **Не пользуйтесь тупыми и поврежденными режущими дисками.** Тупые или неправильно установленные режущие диски делают слишком узкий разрез и приводят к чрезмерному трению, заклиниванию и отскоку диска.

■ **Ручки фиксации регулятора глубины резания и линейки должны надежно затянуты перед выполнением резания.** Если регулировки режущего диска нарушаются при резании, может произойти заклинивание и отскок.

■

ОСОБЫЕ ПРАВИЛА БЕЗОПАСНОСТИ

- **Соблюдайте предельную осторожность при выполнении “врезок” в существующие стены или другие “глухие” зоны.** Режущий диск может попасть на объекты, которые могут вызвать отскок.
- **Проверяйте надежность срабатывания нижнего защитного устройства перед каждым использованием инструмента. Не работайте с пилой, если нижнее защитное устройство не перемещается свободно и не сразу срабатывает. Никогда не фиксируйте и не переводите нижнее защитное устройство в открытое положение.** Если пила случайно упала, нижнее защитное устройство может погнуться. Поднимите нижнее защитное устройство выдвижной ручкой и добейтесь, чтобы оно перемещалось свободно и не касалось режущего диска и других деталей при всех углах и глубине резания.
- **Проверьте работу пружины нижнего защитного устройства. Если защитное устройство и пружина не работают должным образом, выполните их техническое обслуживание перед использованием.** Нижнее защитное устройство может медленно срабатывать из-за поврежденных деталей, вязкости материала или накопившихся отходов.
- **Нижнее защитное устройство можно отводить вручную только при резании особого вида, например, “врезок” и сложных разрезов. Поднимите нижнее защитное устройство выдвижной ручкой и, как только режущий диск войдет в материал, нижнее защитное устройство следует отпустить.** Во всех других случаях резания нижнее защитное устройство должно срабатывать автоматически.
- **Всегда проверяйте, закрывает ли нижнее защитное устройство режущий диск, прежде чем укладывать пилу на скамейку или пол.** Незащищенный вращающийся по инерции режущий диск может привести к отбрасыванию пилы назад и резанию всего, что попадет на ее пути. Учитывайте время, требуемое для остановки вращения режущего диска после отпускания переключателя.

ОПИСАНИЕ

1. Кнопка снятия блокировки
2. Блокировка шпинделя
3. Масштабная линейка
4. Ручка фиксации линейки
5. Ручка фиксации боковой направляющей
6. Отрезной диск
7. Основание
8. Ручка регулировки подачи воды
9. Кнопка открытия емкости с водой
10. Емкость для воды
11. Ручка фиксации глубины резки

12. Место хранения ключа для диска
13. Аккумуляторная батарея (в комплект поставки не входит)
14. Курковый переключатель
15. Внутренняя шайба диска
16. Диск
17. Внешняя шайба диска
18. Болт крепления диска
19. Неправильный способ установки опор
20. Правильный способ установки опор

СБОРКА**УСТАНОВКА ЕМКОСТИ ДЛЯ ВОДЫ (С ПОДАЧЕЙ ВОДЫ САМОТЕКОМ)**

См. рис. 2.

Емкость для воды с подачей воды самотеком имеет встроенный воздушный вентилятор, который выравнивает давление и обеспечивает более свободное движение воды.

- Снимите аккумуляторную батарею.
- Отверните насадку.
- Заполните емкость водой до желаемого уровня. Не прикладывайте чрезмерных усилий.
- Установите насадку на место.
- Поверните емкость для воды насадкой вниз.

ПРИМЕЧАНИЕ. Вода не будет вытекать из емкости, пока не будет нажат конец насадки.

- Установите емкость для воды, как показано на рисунке. Осторожно нажмите на емкость до ее фиксации на месте.
- Чтобы снять емкость для воды, нажмите кнопку освобождения емкости.

ПРИМЕЧАНИЕ. В режиме сухого резания не снимайте емкость для воды, чтобы предотвратить засорение системы подачи воды от пыли и мусора.

**ВНИМАНИЕ!**

Емкость для воды предназначена для использования только с водой. Использование какой-либо другой жидкости может привести к поломке инструмента.

**ОСТОРОЖНО!**

В пиле могут использоваться режущие диски диаметром не более 101,6 мм. Также никогда не используйте слишком толстые режущие диски, чтобы внешняя шайба диска могла быть установлена на шпиндель. Режущие диски большего диаметра будут задевать за ограждение диска, а диски большей, чем надо, толщины могут помешать креплению диска на шпинделе болтом крепления. Любая из данных ситуаций может привести к несчастному случаю с серьезными последствиями.

СБОРКА**ОСТОРОЖНО!**

Не используйте режущие диски, рассчитанные на скорость вращения меньшей скорости холостого хода инструмента. Пренебрежение данным предупреждением может привести к травме. Не используйте режущие диски с трещинами, сколами или зазубринами.

**ОСТОРОЖНО!**

Не используйте зазубренные или расколотые диски. Используйте только диски с алмазной режущей кромкой, пригодные для каменной кладки.

УСТАНОВКА РЕЖУЩЕГО ДИСКА

См. рис. 3.

- Снимите аккумуляторную батарею с инструмента.
- Извлеките ключ для диска (шестигранный, 5 мм) из места его хранения.
- Нажмите кнопку блокировки шпинделя, отверните болт крепления диска и снимите внешнюю шайбу диска.

ПРИМЕЧАНИЕ. Болт крепления диска отворачивайте по часовой стрелке.

**ВНИМАНИЕ!**

Чтобы не повредить шпиндель или блокировку шпинделя, перед блокировкой шпинделя дождитесь полной остановки двигателя.

ПРИМЕЧАНИЕ. Не запускайте пилу с заблокированным шпинделем.

- Вытрите масло с внутренней и внешней шайб в места их контакта с диском.

**ОСТОРОЖНО!**

Если внутренняя шайба была снята, перед установкой диска установите ее на место. Несоблюдение данного указания может привести к несчастному случаю, так как диск не будет затянут должным образом.

- Установите на место внешнюю шайбу диска.
- Нажмите кнопку блокировки шпинделя и заверните болт крепления диска. Поворачивая болт крепления диска против часовой стрелки, надежно его затяните.
- Поместите ключ для диска в место его хранения.

ПРИМЕЧАНИЕ. Никогда не используйте слишком толстые режущие диски, чтобы внешняя шайба диска могла быть установлена на фаски шпинделя.

ТЕХНИЧЕСКИЕ ХАРАКТЕРИСТИКИ

Напряжение	18 В ---
Диаметр диска	102 мм
Вал диска	15,9 мм
Глубина резания при 0°	22,2 мм
Глубина резания при 45°	15,9 мм
Скорость вращения без нагрузки	4500 мин ⁻¹
Тип диска	С алмазной режущей кромкой
Вес (без аккумуляторной батареи)	2,6 кг

МОДЕЛЬ	АККУМУЛЯТОРНАЯ БАТАРЕЯ (не входит в комплект поставки)	СОВМЕСТИМОЕ ЗАРЯДНОЕ УСТРОЙСТВО (не входит в комплект поставки)
LTS180	BPL-1820 BPL-1815	BCL-1800 BCS618 BCL1418 BCL1418* BCL1418' <
	BPP-1815 BPP-1815M BPP-1817 BPP-1817M	BCA-180 BCL-1800 BCS618 BCL1418 BCL-1815S BC-1800 BCL1418* BCL1418' <

ЭКСПЛУАТАЦИЯ**ОСТОРОЖНО!**

При работе с пилой всегда надевайте пылезащитную маску. Невыполнение данного требования может привести к серьезной травме.

**ОСТОРОЖНО!**

Всегда надевайте предохранительные или защитные очки с боковыми защитными экранами при работе с данным устройством.

Несоблюдение данного требования может привести к попаданию в глаза каких-либо предметов и стать причиной других серьезных травм.

**ОСТОРОЖНО!**

е используйте какие-либо приспособления и принадлежности, не рекомендованные изготовителем данного изделия. Использование не рекомендованных приспособлений и принадлежностей может стать причиной серьезной травмы.

ОБЛАСТЬ ПРИМЕНЕНИЯ

Данное изделие можно использовать для перечисленных ниже целей.

ЭКСПЛУАТАЦИЯ

- Поперечное резание со смачиванием, продольное резание и резание с скосом кафеля, напольной плитки и материалов из натурального камня.
- Для резания без смачивания перечисленных выше материалов требуется специальный режущий диск (не предусмотрен).

В данном устройстве можно использовать литий-ионные аккумуляторные батареи Ryobi One+ напряжением 18 В и никель-кадмиевые аккумуляторные батареи Ryobi One+ напряжением 18 В.

Подробную информацию по их зарядке см. в руководствах пользователей аккумуляторных батарей Ryobi One+ и зарядных устройств.

ФУНКЦИИ ЗАЩИТЫ БАТАРЕИ

Литий-ионные аккумуляторные батареи напряжением 18 В компании RYOBI оснащены функциями защиты литий-ионных аккумуляторных элементов, что увеличивает срок службы батареи. При определенных рабочих условиях эти встроенные функции могут привести к тому, что данная батарея и оснащенный ей инструмент будут при работе вести себя по другому, чем при оснащении устройства никель-кадмиевыми аккумуляторными.

При некоторых видах работ электронная схема батареи может подать сигнал на отключение батареи и инструмент перестанет работать. Чтобы восстановить работу батареи и инструмента, отпустите курковый выключатель и возобновите нормальную работу.

ПРИМЕЧАНИЕ. Чтобы предотвратить дальнейшую разрядку аккумуляторной батареи, избегайте работы с инструментом в форсированном режиме.

Если при опускании спускового переключателя работа батареи и инструмента не восстанавливается, значит батарея разряжена. Разряженная батарея начинает заряжаться при подключении к зарядному устройству для литий-ионных аккумуляторов.

УСТАНОВКА И СНЯТИЕ АККУМУЛЯТОРНОЙ БАТАРЕИ

См. рис. 4.

- Установите аккумуляторную батарею в инструмент. Совместите выступающую контактную колодку аккумуляторной батареи с гнездом на инструменте и вставьте в него батарею.
- Перед началом работы убедитесь, что защелки на каждой стороне аккумуляторной батареи защелкнулись на месте, а аккумуляторная батарея закреплена на инструменте.

**ОСТОРОЖНО!**

Всегда снимайте аккумуляторную батарею с инструмента при сборке деталей, выполнении регулировок, очистке и когда инструмент не

используется. Снятие аккумуляторной батареи предотвращает случайный пуск, который может стать причиной травмы.

СНЯТИЕ АККУМУЛЯТОРНОЙ БАТАРЕИ

См. рис. 4.

- Найдите защелки по бокам аккумуляторной батареи и нажмите на них, чтобы извлечь батарею из инструмента.
- Снимите аккумуляторную батарею с инструмента.

РЕЖУЩИЕ ДИСКИ

Самые лучшие режущие диски не будут работать эффективно, если они затупились или сильно изношены. Использование затупившегося диска приведет к повышенной нагрузке на инструмент. Имейте запасные режущие диски, чтобы у вас всегда был под рукой работоспособный инструмент.

ЗАПУСК/ОСТАНОВ ПИЛЫ

См. рис. 5.

Запуск пилы.

- Нажмите кнопку снятия блокировки.
 - Нажмите курковый переключатель.
- Всегда дожидайтесь, пока диск не наберет полную скорость, а затем вводите пилу в обрабатываемую деталь.

Останов пилы. Отпустите курковый переключатель.

Отпустив курковый переключатель, дождитесь полного прекращения вращения диска. НЕ снимайте пилу с обрабатываемой детали при вращении режущего диска.

КНОПКА СНЯТИЯ БЛОКИРОВКИ

См. рис. 6.

Данная кнопка уменьшает вероятность случайного запуска инструмента. Кнопка снятия блокировки расположена на рукоятке над курковым переключателем. Перед нажатием куркового переключателя следует нажать кнопку снятия блокировки. Блокировка восстанавливается каждый раз при отпусчении куркового переключателя.

ПРИМЕЧАНИЕ. Кнопку снятия блокировки можно нажать как с левой, так и с правой стороны.

РЕГУЛИРОВКА ГЛУБИНЫ ОПУСКАНИЯ РЕЖУЩЕГО ДИСКА

См. рис. 7.

Всегда устанавливайте правильную глубину опускания режущего диска. Правильная глубина опускания режущего диска для всех видов резания должна превышать 6,35 мм нижней поверхности обрабатываемого материала. Большая глубина опускания диска повышает вероятность отскока а пропила может оказаться неровным. Для точности резания на тыльной части основания находится шкала.

- Ослабьте винт регулировки глубины.
- Определите требуемую глубину резания.
- Определите глубину резания по шкале (на тыльной части основания).

ЭКСПЛУАТАЦИЯ

- Удерживая плоскость основания напротив обрабатываемой детали, поднимите или опустите пилу, пока метка на шкале не совместится с меткой на защитном устройстве режущего диска.
- Надежно затяните винт регулировки глубины.

РАБОТА С ПИЛОЙ

См. рис. 8 и 9.

Важно понять правильный прием работы с пилой. См. рисунки в данном разделе, чтобы изучить верные и неверные приемы работы с пилой.

**ОСТОРОЖНО!**

При извлечении пилы из обрабатываемой детали, диск не защищен в нижней части пилы.

Как выполнить резание наилучшим образом.

- Крепко удерживайте пилу обеими руками.
- Не помещайте руки на обрабатываемую деталь во время резания.
- Уложите обрабатываемую деталь таким образом, чтобы разрез (пропил) всегда был на вашей стороне.
- Поддерживайте обрабатываемую деталь вблизи разреза.
- Надежно закрепите обрабатываемую деталь, чтобы она не перемещалась в процессе резания.
- Всегда пилите обрабатываемую деталь, лежащую на опоре; не разрезайте деталь "на весу".
- Укладывайте обрабатываемую деталь лицевой стороной вниз.
- Проведите разметочную линию перед разрезанием.

РАЗРЕЗАНИЕ

Всегда наносите разметочную линию на разрезаемую плитку с помощью маркера или воскового карандаша. Если плитка отполирована и на ней трудно выполнить разметку, наклейте на плитку липкую ленту и нанесите метку на ленте.

Обычная проблема при резании плитки заключается в отклонении от разметочной линии. Если вы отклонились от разметочной линии, не следует пытаться силой вернуть режущий диск на линию, вращая плитку. Вместо этого, вернитесь к прежнему положению и заново начните резание плитки, отрезая небольшие куски плитки, пока режущий диск не установится в положение разметки.

Во избежание данной проблемы пользуйтесь прямой боковой направляющей всегда, когда требуется выполнить поперечное резание и резание под углом. Резание со смачиванием следует выполнять с лицевой стороны.

ОБСЛУЖИВАНИЕ**ПРЕДУПРЕЖДЕНИЕ**

В случае ремонта пользуйтесь только марочными запчастями Ryobi. Использование любых других запчастей может представлять опасность или повредить инструмент.

Никогда не пользуйтесь растворителями для чистки пластмассовых деталей. Большинство пластмасс может повредиться от обычных растворителей. Для снятия грязи, масла, жира, пыли и т.д. пользуйтесь чистой тряпкой.

**ПРЕДУПРЕЖДЕНИЕ**

Пластмассовые детали нельзя чистить тормозной жидкостью, бензином, нефтепродуктами, едкими маслами и т.д. Эти химикаты содержат вещества, которые могут испортить, ослабить или разрушить пластмассу. Это ведет к тяжелым травмам.

Не будьте чрезмерно требовательными к инструменту. Форсирование инструмента может повредить его или заготовку.

**ПРЕДУПРЕЖДЕНИЕ**

Не пытайтесь изменять инструмент или приспособлять к нему аксессуары, не рекомендованные изготовителем. Подобные модификации и преобразования представляют собой неправильное использование инструмента и могут создать опасные ситуации, влекущие за собой тяжелые телесные травмы.

ЗАЩИТА ОКРУЖАЮЩЕЙ СРЕДЫ

Не выбрасывайте сырье. Сдавайте его в переработку. Машина, аксессуары и упаковка должны быть отсортированы.

СИМВОЛ

Сигнал опасности

V

Вольт

min⁻¹

Оборотов или возвратно-поступательных движений в минуту

Постоянный ток

Русский

СИМВОЛ



Соответствие требованиям CE



Перед использованием прибора внимательно ознакомьтесь с данной инструкцией.



Применяйте средства защиты органов слуха



Применяйте средства защиты органов зрения



Утилизация нежелательна



Отработанная электротехническая продукция должна уничтожаться вместе с бытовыми отходами. Утилизируйте, если имеется специальное техническое оборудование. По вопросам утилизации проконсультируйтесь с местным органом власти или предприятием розничной торговли.

SPECYFICZNE ZASADY BEZPIECZEŃSTWA

- **NIEBEZPIECZEŃSTWO! Trzymać dłonie z dala od miejsca cięcia i tarczy tnącej. Drugą rękę trzymać na uchwycie pomocniczym lub korpusie silnika.** Trzymanie przecinarki dwiema rękami zapobiega możliwości zranienia rąk tarczą tnącą.
- **Nie sięgać pod obrabiany przedmiot.** Osłony nie chronią przed zranieniem przez wirującą tarczę w jej części pod obrabianym przedmiotem.
- **Dopasować głębokość cięcia do grubości obrabianego przedmiotu.** Poniżej obrabianego przedmiotu powinien być widoczny niecały jeden ząb tarczy tnącej.
- **Nie wolno pod żadnym pozorem trzymać przecinanego przedmiotu w rękach ani między nogami. Obrabiany przedmiot zamocować na stabilnej podstawie.** Ważne jest, aby odpowiednio podeprzeć obrabiany przedmiot. Pozwoli to zminimalizować ryzyko obrażeń, bicia boczne tarczy i ryzyko utraty kontroli.
- **Urządzenie należy trzymać za izolowany uchwyt podczas gdy zachodzi ryzyko przecięcia przewodu pod napięciem lub własnego przewodu zasilania.** Kontakt z przewodem pod napięciem spowoduje przepływ prądu przez metalowe elementy urządzenia i porażenie operatora.
- **Przy cięciach wzdłużnych używać zawsze oporu lub prowadnicy równoległej.** Pozwoli to zwiększyć dokładność cięcia i zmniejsza ryzyko wygięcia tarczy tnącej.
- **Należy stosować tarcze tnące o odpowiedniej średnicy i kształcie (diamentowe, okrągłe) otworu na trzpień.** Tarcze tnące niezgodne ze sposobem mocowania zastosowanym w tym urządzeniu nie będą wirować centralnie, co grozi utratą kontroli nad narzędziem.
- **Nie wolno używać uszkodzonych lub nieodpowiednich tarcz, podkładek ani śrub.** Podkładki i śruba mocująca są dopasowane specjalnie dla danego modelu urządzenia. Ich stosowanie zapewni optymalną wydajność i bezpieczną pracę urządzenia.
- **Przyczyny i zapobieganie zjawisku odbicia:**
 - Odbicie to gwałtowna reakcja na haczenie, zakleszczenie lub niewłaściwe wyrównanie tarczy tnącej względem obrabianego przedmiotu. Dochodzi wtedy do niekontrolowanego poderwania piły, jej wysunięcia z przecinanego przedmiotu i pociągnięcia w stronę operatora.
 - zablokowanie tarczy tnącej w zaciskającym się rzazie powoduje gwałtowną reakcję silnika, który pociąga piłę w kierunku operatora.
 - przy zwichrowanej lub źle ustawionej względem linii cięcia tarczy, ząb znajdujący się na tylnej krawędzi tarczy może się zagłębić w powierzchni przecinanego materiału, powodując wyrzucenie piły z rzazu, w kierunku operatora.

Zjawisko odrzutu spowodowane jest niewłaściwym użytkowaniem piły i/lub niewłaściwymi procedurami obsługi albo warunkami roboczymi. Można go uniknąć, zachowując odpowiednie środki ostrożności, przedstawione poniżej.

- **Zapewnić pewny uchwyt piły obiema dłońmi. Ręce ustawić tak aby móc stawić opór sile odrzutu. Stanąć z jednej lub z drugiej strony tarczy; nie wolno stawać w linii tarczy.** Przy odbiciu piła może odskoczyć do tyłu, jednak siły odbicia można kontrolować, zachowując niezbędne środki ostrożności.
- **Gdy dochodzi do zakleszczenia tarczy lub zachodzi potrzeba przerwania cięcia, zwolnić przycisk uruchamiający pracę i trzymać piłę nieruchomo, zagłębioną w materiale, aż do całkowitego zatrzymania tarczy. Nie wolno próbować wyciągać piły z obrabianego materiału podczas gdy tarcza tnąca jeszcze się obraca. Grozi to wystąpieniem zjawiska odrzutu.** Skontrolować i usunąć przyczynę zakleszczenia się tarczy.
- **W celu wznowienia pracy, ustawić piłę wzdłuż rzazu, sprawdzić, czy zęby tarczy nie zahaczają o materiał.** W przypadku zakleszczenia tarczy, po ponownym uruchomieniu piły może dojść do jej wysunięcia z materiału lub odbicia.
- **Duże panele należy podparć, zmniejszając w ten sposób ryzyko zakleszczenia i odrzutu.** Duże panele mają tendencję do uginania się pod własnym ciężarem. Konieczne jest rozmieszczenie wsporników po obu stronach paneli, wzdłuż linii cięcia i w pobliżu krawędzi paneli.
- **Nie używać stępionych ani uszkodzonych tarcz tnących.** Tarcze nienaostrzone lub mające źle ustawione zęby tworzą wąskie rzazy powodujące nadmierne tarcie, zakleszczanie tarczy i zjawisko odrzutu.
- **Dźwignie regulacji głębokości i skosu cięcia muszą być dobrze dokręcone i zabezpieczone, przed rozpoczęciem cięcia.** Zmiana ustawienia tarczy podczas cięcia może być przyczyną zakleszczenia i odrzutu.
- **Zachować szczególną ostrożność podczas wykonywania cięć wglębnych w istniejących ścianach lub innych przeszkodach.** Wystające ostrze piły może natrafić na przedmiot, który może spowodować odrzut.
- **Przed każdym użyciem piły należy sprawdzić, czy osłona dolna zamyka się prawidłowo. Nie wolno uruchamiać piły w przypadku, gdy osłona dolna nie porusza się swobodnie i nie zamyka się natychmiast. Zabrania się blokowania lub mocowania osłony dolnej w pozycji otwartej.** W przypadku upuszczenia piły, mogłoby dojść do pocięcia osłony dolnej. Unieść osłonę dolną za pomocą dźwigni. Sprawdzić, czy osłona porusza się swobodnie i czy nie dotyka ostrza ani żadnego innego elementu, we wszystkich ustawieniach kąta i głębokości cięcia.

SPECYFICZNE ZASADY BEZPIECZEŃSTWA

- **Sprawdzić funkcjonowanie sprężyny osłony dolnej. Jeśli osłona i sprężyna nie działają prawidłowo, piłę należy oddać do naprawy a do tego czasu nie należy z niej korzystać.** Pracę osłony dolnej może utrudniać kleisty osad, zanieczyszczenia lub uszkodzone elementy.
- **Oslonę dolną należy wycofywać ręcznie wyłącznie w szczególnych przypadkach, jak np. do wykonania cięcia wgłębnego lub cięć złożonych. Unieść osłonę dolną za pomocą dźwigni. Po zagłębieniu się tarczy w materiale, osłonę należy opuścić.** W każdym innym zastosowaniu, osłona dolna powinna działać automatycznie.
- **Zawsze przed odłożeniem piły na stół lub podłogę należy sprawdzać, czy osłona dolna zakrywa tarczę tnącą.** Jeśli tarcza nie zostanie zabezpieczona osłoną, piła będzie się przemieszczać po powierzchni, na którą ją odłożono, tnąc wszystko na swojej drodze. Należy pamiętać o tym, że piła potrzebuje trochę czasu na całkowite zatrzymanie po zwolnieniu przycisku uruchamiającego.

OPIS

1. Przycisk zwolnienia blokady
2. Blokada wrzeczona
3. Miarka kąta cięcia
4. Pokrętko blokady kąta cięcia
5. Pokrętko blokady przewodnicy krawędziowej
6. Tarcza tnąca
7. Podstawa
8. Pokrętko regulacji dopływu wody
9. Przycisk zwolnienia pojemnika na wodę
10. Pojemnik na wodę
11. Pokrętko blokady głębokości
12. Miejsce na klucz do tarczy tnącej
13. Akumulator (nie dołączony)
14. Przycisk uruchamiający
15. Wewnętrzna podkładka tarczy tnącej
16. Tarcza tnąca
17. Zewnętrzna podkładka tarczy tnącej
18. Śruba tarczy tnącej
19. Nieprawidłowy sposób podparcia
20. Prawidłowy sposób podparcia

MONTAŻ**MONTAŻ POJEMNIKA NA WODĘ Z ZASILANIEM GRAWITACYJNYM**

Zobacz rysunek 2.

Pojemnik na wodę z zasilaniem grawitacyjnym jest wyposażony w odpowietrzenie, ułatwiające wyrównywanie ciśnienia i swobodny przepływ wody.

- Wyjąć akumulator.
- Wykręcić zespół dyszy.
- Napęlić pojemnik z wodą dożądanego poziomu. Nie wlewać zbyt dużej ilości wody.
- Założyć z powrotem zespół dyszy.
- Trzymać pojemnik z wodą tak, aby dysza była skierowana w dół.

UWAGA: Woda nie będzie wydostawać się z pojemnika aż do naciśnięcia końcówki dyszy.

- Umieścić pojemnik w urządzeniu w sposób przedstawiony na rysunku. Delikatnie docisnąć pojemnik, aż do jego zatrzasknięcia na swoim miejscu.
- Aby wyjąć pojemnik na wodę, należy nacisnąć przycisk zwolnienia pojemnika.

UWAGA: Nawet w przypadku cięcia na sucho pojemnik z wodą powinien być założony, aby uniknąć zatykania dopływu wody przez kurz i inne zanieczyszczenia.

**UWAGA**

Pojemnik jest przeznaczony wyłącznie do wody. Użycie innego płynu grozi uszkodzeniem urządzenia.

**OSTRZEŻENIE**

Maksymalna dopuszczalna średnica tarczy tnącej to 101,6 mm. Nie wolno stosować zbyt grubych tarcz tnących, zewnętrzna podkładka tarczy musi mieścić się na spłaszczeniu wrzeczona. Większe tarcze tnące będą kolidować z osłonami tarczy, grubsze tarcze uniemożliwią prawidłowe zabezpieczenie tarczy na wrzeczonie za pomocą śruby. Obydwie sytuacje mogą być przyczyną poważnego wypadku.

**OSTRZEŻENIE**

Nie używać tarcz o niższej prędkości roboczej niż prędkość robocza tego urządzenia. W przeciwnym wypadku może dojść do poważnych obrażeń. Nie używać tarcz stępionych, zdeformowanych ani pękniętych.

**OSTRZEŻENIE**

Nie wolno używać tarcz poszczerbionych lub rozwarstwionych. Stosować wyłącznie tarcze diamentowe o pełnym obwodzie, przeznaczone do cięcia materiałów budowlanych.

MONTAŻ TARCZY TNĄCEJ

Zobacz rysunek 3.

- Odłączyć akumulator od piły.

MONTAŻ

- Wyjąć klucz do tarczy tnącej (klucz sześciokątny 5 mm) z wnęki w urządzeniu.
- Wcisnąć przycisk blokady wrzeczona i wyjąć śrubę mocującą tarczę oraz podkładkę zewnętrzną.

UWAGA: Śrubę mocującą tarczę należy obrócić w prawo w celu jej demontażu.



UWAGA

Aby zapobiec uszkodzeniu wrzeczona lub blokady wrzeczona, należy odczekać na całkowite zatrzymanie obrotów silnika przed włączeniem blokady wrzeczona.

UWAGA: Nie wolno uruchamiać urządzenia z włączoną blokadą wrzeczona.

- Przetrzeć podkładkę wewnętrzną i zewnętrzną tarczy tnącej szmatką z odrobiną oleju, tam gdzie dotykają one tarczy.



OSTRZEŻENIE

Jeśli podkładka wewnętrzna była zdejmowana, należy ją założyć zanim zamontowana będzie tarcza tnąca. W przeciwnym wypadku tarcza nie będzie prawidłowo zamocowana, co grozi wypadkiem.

- Założyć podkładkę zewnętrzną tarczy tnącej.
- Wcisnąć przycisk blokady wrzeczona i wykręcić śrubę mocującą tarczę. Dokręcić śrubę tarczy tnącej przekręcając ją w lewo.
- Umieścić klucz tarczy tnącej na swoim miejscu w urządzeniu.

UWAGA: Nie wolno stosować zbyt grubych tarcz tnących, zewnętrzna podkładka tarczy musi mieścić się na spłaszczeniu wrzeczona.

SPECYFIKACJA TECHNICZNA

Napięcie	18 V ---
Średnica tarczy	102 mm
Średnica trzpienia tarczy tnącej	15,9 mm
Głębokość cięcia pod kątem 0°	22,2 mm
Głębokość cięcia pod kątem 45°	15,9 mm
Prędkość bez obciążenia	4 500 min ⁻¹
Typ tarczy tnącej	obwód ciągły Tarcza diamentowa
Ciężar (bez akumulatora)	2,6 kg

MODEL	AKUMULATOR (nie dołączony)	ODPOWIEDNIA ŁADOWARKA (nie dołączona)
LTS180	BPL-1820 BPL-1815	BCL-1800 BCS618 BCL1418%< BCL1418' <
	BPP-1815 BPP-1815M BPP-1817 BPP-1817M	BCA-180 BCL-1800 BCS618 BCL1418%< BCL1418' < BCL1418 BC-1815S BC-1800

OBŚLUGA



OSTRZEŻENIE

Podczas pracy zakładać maskę przeciwpyłową. W przeciwnym wypadku może dojść do poważnego zranienia.



OSTRZEŻENIE

Podczas pracy z narzędziami elektrycznymi należy koniecznie zakładać gogle lub okulary ochronne z osłonami bocznymi.

W przeciwnym wypadku może dojść do uszkodzenia wzroku przez uderzenie obcym przedmiotem.



OSTRZEŻENIE

Nie wolno używać przystawek ani akcesoriów nie zalecanych przez producenta tego urządzenia. Stosowanie jakichkolwiek przystawek lub akcesoriów nie wymienionych w tej instrukcji grozi wypadkiem!

ZASTOSOWANIE

Dopuszcza się użytkowanie tego produktu w celach wymienionych poniżej:

- Cięcie na mokro wzdłużne, poprzeczne i wgłębne glazury, płyt chodnikowych, płyt z kamienia naturalnego.
- Do cięcia na sucho wymienionych materiałów konieczne jest zastosowanie specjalnej tarczy tnącej (nie dostarczana).

Urządzenie jest przystosowane do współpracy z akumulatorami Ryobi One+ 18 V Li-Ion i akumulatorami Ryobi One+ 18 V Ni-Cd.

Szczegółowe informacje dotyczące ładowania znajdują się w instrukcji obsługi akumulatora lub ładowarki Ryobi One+.

OBŚLUGA**FUNKCJE ZABEZPIECZENIA AKUMULATORA**

Akumulatory RYOBI 18 V Li-Ion wyposażone są w funkcje zabezpieczające ogniwa Li-Ion i pozwalające wydłużyć ich żywotność. W określonych warunkach roboczych, te wbudowane funkcje mogą powodować, że urządzenie zasilane takim akumulatorem zachowywać się będzie odmiennie niż w przypadku zasilania akumulatorem Ni-Cd.

W przypadku niektórych zastosowań, układ elektroniczny akumulatora może odłączyć zasilanie, powodując zatrzymanie pracy urządzenia. Aby zresetować baterię i ponownie uruchomić urządzenie w normalnym trybie pracy, należy zwolnić przycisk uruchamiający.

UWAGA: Aby zapobiec kolejnemu wyłączeniu akumulatora, należy unikać forsowania urządzenia.

Jeśli zwolnienie przycisku uruchamiającego nie resetuje akumulatora i urządzenia, oznacza to, że akumulator jest rozładowany. Rozładowany akumulator rozpocznie ładowanie po umieszczeniu go w ładowarce Li-Ion.

MONTAŻ AKUMULATORA

Zobacz rysunek 4.

- Umieścić akumulator w urządzeniu. Wyrównać wypust na akumulatorze z rowkiem gniazda na akumulator i wsunąć akumulator do gniazda w urządzeniu.
- Przed rozpoczęciem pracy upewnić się, że zatrzaski po obu stronach akumulatora trafiły na swoje miejsce w gnieździe akumulatora i akumulator jest dobrze zamocowany.

**OSTRZEŻENIE**

Przed przystąpieniem do montażu podzespołów, regulacji, czyszczenia lub w przypadku przerwy w użytkowaniu urządzenia należy odłączyć akumulator. Odłączenie akumulatora zapobiegnie przypadkowemu uruchomieniu urządzenia, co groziłoby poważnym zranieniem.

WYJMOWANIE AKUMULATORA

Zobacz rysunek 4.

- Aby wyjąć akumulator z urządzenia, należy nacisnąć zatrzaski po obydwu stronach akumulatora.
- Wyjąć akumulator z urządzenia.

TARCZE TNĄCE

Nawet najlepsza tarcza tnąca nie umożliwi wydajnego cięcia, jeśli jest stępiona lub zużyta. Praca tępą tarczą nadmiernie obciąża urządzenie. Należy mieć przy sobie kilka tarczy zapasowych, aby zapewnić ciągłość pracy przy użyciu ostrej tarczy tnącej.

URUCHAMIANIE/ZATRZYMYWANIE PIŁY

Zobacz rysunek 5.

Uruchamianie piły:

- Nacisnąć przycisk zwolnienia blokady.
 - Nacisnąć przycisk uruchamiający.
- Odczekać, aż tarcza osiągnie pełną prędkość roboczą, następnie dosunąć piłę do obrabianego przedmiotu.

Zatrzymywanie piły: Zwolnić przycisk uruchamiania.

Po zwolnieniu przycisku uruchamiającego, odczekać na całkowite zatrzymanie obrotów tarczy tnącej. **NIE WOLNO** wysuwać piły z obrabianego przedmiotu jeśli tarcza tnąca nadal się obraca.

PRZYCISK ZWOLNIENIA BLOKADY

Zobacz rysunek 6.

Przycisk zwolnienia blokady pozwala zmniejszyć ryzyko przypadkowego uruchomienia urządzenia. Przycisk zwolnienia blokady znajduje się na uchwycie, powyżej przycisku uruchamiającego. Przycisk zwolnienia blokady należy nacisnąć przed naciśnięciem przycisku uruchamiającego. Blokada zostanie włączona ponownie po zwolnieniu przycisku uruchamiającego.

UWAGA: Przycisk zwolnienia blokady można nacisnąć zarówno z lewej jak i z prawej strony.

REGULACJA GŁĘBOKOŚCI TARCZY TNĄCEJ

Zobacz rysunek 7.

Należy zawsze nastawić odpowiednią głębokość cięcia. We wszystkich zastosowaniach, głębokość tarczy nie powinna przekraczać 6,35 mm poniżej obrabianego materiału. Zwiększenie głębokości zwiększy ryzyko odrzutu i pogorszy parametry cięcia. Dokładne ustawienie głębokości cięcia ułatwia podziałka na wsporniku tylnym.

- Poluzować pokrętko regulacji głębokości.
- Ustalić żądaną głębokość cięcia.
- Odszukać podziałkę na wsporniku tylnym.
- Przystawiając podstawę płasko do obrabianego elementu ustawić wysokość tarczy tak, aby nacięcie na osłonie tarczy było zgodne z punktem na podziałce.
- Dokręcić dokładnie pokrętko regulacji głębokości.

OBŚLUGA PIŁY

Patrz rysunek 8 - 9.

Ważne jest, aby zrozumieć sposób obsługi tego urządzenia. Należy zapoznać się z rysunkami zamieszczonymi w tej części podręcznika, ilustrującymi nieprawidłowy i prawidłowy sposób trzymania urządzenia.

**OSTRZEŻENIE**

Podczas wyjmowania piły z obrabianego przedmiotu, część tarczy wystająca od spodu piły nie jest osłonięta.

OBSŁUGA**Jak osiągnąć najlepsze efekty cięcia:**

- Piłę trzymać mocno obiema rękami.
- Unikać możliwości dotykania obrabianego przedmiotu podczas jego przecinania.
- Przecinany element należy odpowiednio podeprzeć, tak, aby rżaz (linia cięcia) znajdowała się od strony operatora.
- Obrabiany element należy podeprzeć w pobliżu linii cięcia.
- Obrabiany przedmiot musi być odpowiednio zamocowany, aby nie poruszał się podczas obróbki.
- Piłę należy umieszczać na tej części obrabianego przedmiotu, która jest podparta, nie na tej która odpadnie po odcięciu.
- Obrabiany przedmiot należy umieścić „dobrą” stroną w dół.
- Przed rozpoczęciem cięcia, narysować linię wzdłuż linii cięcia.

WYKONYWANIE CIĘCIA

Należy pamiętać o narysowaniu za pomocą pisaka lub odpowiedniego ołówka linii wyznaczającej linię cięcia. W przypadku płytek o dużym połysku lub trudnych do zaznaczenia, na płytce należy nakleić taśmę malarską, i na niej narysować linię.

Najczęstszym problemem podczas przecinania płytki jest odchylenie rżazu od narysowanej linii. Po zejściu z wyznaczonej linii nie można wymuszać powrotu przez naciskanie na płytkę. Należy wycofać tarczę, i rozpocząć cięcie ponownie, odcinając mały fragment płytki, aż tarcza powróci na wytyczoną linię.

Aby uniknąć tego problemu, zawsze tam, gdzie to możliwe w przypadku cięcia poprzecznego lub ukośnego, należy stosować prowadnicę.

Cięcie na mokro należy wykonywać na zewnątrz pomieszczeń.

KONSERWACJA**OSTRZEŻENIE**

Do wymiany należy używać tylko oryginalnych części zamiennych Ryobi. Użycie jakiegokolwiek innej części może spowodować zagrożenie lub też uszkodzić wasze narzędzie.

Nie używajcie rozpuszczalników do mycia części plastikowych. Większość tworzyw sztucznych, mogłyby zostać uszkodzone przez użycie niektórych rozpuszczalników dostępnych w sprzedaży. Używajcie czystej szmatki do

usunięcia zabrudzeń, pyłu, oleju, smaru, itd.

**OSTRZEŻENIE**

Elementy plastikowe nigdy nie powinny być w kontakcie z płynem hamulcowym, benzyną, czy produktami na bazie ropy naftowej, przenikliwymi olejami itd. Te produkty chemiczne zawierają substancje, które mogłyby uszkodzić, osłabić lub zniszczyć plastik, co mogłoby spowodować poważne zranienie.

Nie wymagajcie zbyt wiele od waszych narzędzi. Błędne użycie może uszkodzić wasze narzędzie oraz obrabiany przedmiot.

**OSTRZEŻENIE**

Nie próbujcie modyfikować tego narzędzia czy też tworzyć akcesorii, których zastosowanie z tym narzędziem nie jest zalecane. Tego typu przekształcenia czy modyfikacje kwalifikuje się do błędnego użycia i mogą one pociągać za sobą niebezpieczne sytuacje grożące poważnymi obrażeniami ciała.

OCHRONA ŚRODOWISKA

Surowce należy oddawać do recyklingu zamiast wyrzucać je na śmieci. Z myślą o ochronie środowiska, narzędzie, akcesoria i opakowania powinny być sortowane.

SYMBOL

Alarm bezpieczeństwa

V

Napięcie

min⁻¹

Ilość cykli lub obiegów na minutę



Prąd stały



Zgodność CE



Przed uruchomieniem urządzenia prosimy uważnie przeczytać instrukcję



Stosować środki ochrony słuchu

SYMBOL



Stosować środki ochrony wzroku



Po wykorzystaniu poddawać recyklingowi



Zużyte produkty elektryczne nie powinny być utylizowane z odpadami domowymi. Prosimy poddawać recyklingowi w odpowiednich miejscach. Informacje o właściwych metodach recyklingu można uzyskać u władz lokalnych lub sprzedawcy.

ZVLÁŠTNÍ BEZPEČNOSTNÍ PŘEDPISY

- **NEBEZPEČÍ! Udržujte ruce mimo oblast řezání a kotouč. Mějte druhou ruku na doplňkové rukojeti nebo krytu motoru.** Pokud obě ruce drží pilu, nemohou být pořežány pilou.
 - **Nesahejte pod obrobek.** Kryt vás nemůže ochránit před kotoučem pod obrobkem.
 - **Nastavujte hloubku řezání na tloušťku obrobku.** Pod obrobkem by měl být vidět celý zub řezného kotouče a méně.
 - **Nikdy nedržte obrobek pro řezání rukama ani si jej nepokládejte na nohy. Zabezpečte obrobek na stabilní plošině.** Podpora je velmi důležitá pro práci, minimalizuje se zasažení těla, uvíznutí kotouče nebo ztráta kontroly.
 - **Držte elektrický poháněný nástroj za izolované úchopové plochy, když nástroj používáte, protože může dojít ke styku se skrytými vodiči nebo vlastním kabelem nástroje.** Kontakt s „živým“ vodičem může také způsobit, že kovové části elektrického nástroje se stanou také „živými“ a způsobí elektrický úraz obsluze.
 - **Při lištovacím řezání vždy používejte lištovací ohrádku nebo průměrné pravítko.** Zlepšuje to přesnost řezání a snižuje možnost uvíznutí kotouče.
 - **Vždy používejte kotouče se správnou velikostí a ostrostí (hrana versus zakulacení).** Kotouče, které nesouhlasí s montážním materiálem pily, budou pracovat nevystředěně, což způsobí ztrátu kontroly.
 - **Nikdy nepoužívejte poškozené nebo poškozené podložky kotouče nebo šrouby.** Podložky kotouče a šroub byly speciálně navrženy pro vaši pilu, pro optimální výkon a bezpečnou obsluhu.
 - **Příčiny a prevence zpětnému vrhu:**
 - zpětný vrh je náhlá reakce na přivření, uvíznutí nebo vyosení řezného kotouče, což způsobuje nekontrolované zvednutí pily nahoru a ven z obrobku směrem k obsluze;
 - pokud se kotouč pevně přivře nebo uvízne při řezu blízko spodní části, kotouč se zastaví a reakce motoru uvede přístroj rychle zpět k obsluze;
 - pokud se kotouč zkroutí nebo vychýlí při řezání, zub na zadním okraji kotouče pily se může zakousnout do horní vrstvy dřeva, což způsobí vynešení kotouče z řezu a skok zpět směrem k obsluze.
- Zpětný vrh je následkem nesprávného používání pily a/ nebo nesprávných pracovních postupů nebo podmínek a lze se jim vyhnout prováděním správných opatření, viz níže.
- **Udržujte pevný úchop, palce a prsty obepínají rukojeti pily a rozestavte ruce tak, abyste odolávali silám zpětného vrhu. Postavte se nalevo nebo napravo od kotouče, ale ne v linii kotouče.** Zpětný vrh způsobuje

skoky směrem vzad, ale síly zpětného vrhu mohou být ovládnány obsluhou, pokud provede správná opatření.

- **Když kotouč uvízne, nebo když se řezání přeruší z jakéhokoliv důvodu, uvolněte spoušť a držte pilu nehybně v materiálu, až se kotouč zcela zastaví. Nikdy se nepokoušejte pilu odtáhnout od obrobku nebo táhnout pilu zpět, když je kotouč v pohybu nebo nastane zpětný vrh.** Zjistěte a proveďte opravné akce pro odstranění příčiny uvíznutí kotouče.
- **Pokud znovu spouštíte pilu v obrobku, vystředte pilový kotouč v řezu a zkontrolujte, že zuby pily nejsou zařaty do materiálu.** Pokud je pilový kotouč uvízlý, může z obrobku vyskočit nebo být zpětně vržen, když se pila znovu spustí.
- **Podepřete velké panely pro minimalizaci nebezpečí sevření a zpětného vržení.** Velké panely mají sklon se prohýbat vlastní tíhou. Podpory musí být umístěny pod panel po obou stranách blízko linie řezu a blízko okrajů panelu.
- **Nepoužívejte tupé nebo poškozené kotouče.** Neostré nebo nesprávně nastavené kotouče vytvářejí zužování řezu, které způsobuje uvíznutí kotouče, nadměrné tření a zpětný vrh.
- **Hloubka kotouče a zamykací páky nastavení pokosu musí být utaženy a zabezpečeny před provedením řezu.** Pokud se při řezání posunují nastavení kotouče, může to způsobit uvíznutí a zpětný vrh.
- **Budte velmi opatrní, když děláte „zářez“ do dané zdi nebo jiných slepých oblastí.** Vyčnívající kotouč může řezat předměty, které způsobují zpětný vrh.
- **Zkontrolujte spodní kryt na řádné uzavření před každým použitím. Neprovazujte pilu, pokud se spodní kryt nepohybuje volně a ihned nezavírá. Nikdy spodní kryt neupevňujte či nesvírejte do otevřené polohy.** Pokud pila náhodně upadne, může se spodní kryt ohnout. Zvedněte spodní kryt za zasouvací rukojeť a ujistěte se, že se bez potíží pohybuje a nedotýká se kotouče nebo jiného dílu, ve všech úhlech a hloubkách řezu.
- **Zkontrolujte funkci pružiny spodního krytu. Pokud kryt nebo pružina správně nefungují, musí se před použitím seřídit.** Spodní kryt může fungovat liknavě z důvodu poškození dílů, lepivých usazenin nebo nahromadění nečistot.
- **Spodní kryt by se měl zasouvat ručně pouze pro speciální řezy, například „zářezy“ a „kombinované řezy“.** Zvedněte spodní kryt za zasouvací rukojeť, a jakmile kotouč vstoupí do materiálu, musí se spodní kryt uvolnit. Pro všechna další řezání by měl spodní kryt fungovat automaticky.
- **Vždy si všimněte, že spodní kryt zakrývá kotouč před umístěním pily dolů na stůl či podlahu.** Nechráněný, dobíhající kotouč způsobí chod pily směrem zpět, přičemž řeže vše co má v cestě. Uvědomte si čas, po který pila zastavuje po uvolnění spínače.

POPIS

1. Tlačítko zamknutí
2. Uzamčení vřetena
3. Pokosová stupnice
4. Knoflík uzamknutí pokosu
5. Knoflík uzamknutí průměrného pravítka
6. Řezný kotouč
7. Podstavec
8. Seřizovací knoflík průtoky
9. Uvolňovací tlačítko nádrže pro vodu
10. Nádrž pro vodu
11. Knoflík uzamknutí hloubky
12. Úložisko klíče kotouče
13. Akumulátorový modul (nepřibalen)
14. Spínač spouště
15. Vnitřní podložka kotouče
16. Kotouč
17. Vnější podložka kotouče
18. Šroub kotouče
19. Nesprávné podpírání
20. Správné podpírání

MONTÁŽ**PŘÍPEVNĚNÍ NÁDRŽE PRO VODU SE SPÁDOVÝM NAPÁJENÍM**

Viz obrázek 2.

Nádrž pro vodu se spádovým napájením má vestavěný vzduchový ventil, který vyrovnává tlak a umožňuje vodě samovolně téci.

- Vyjměte akumulátorový modul.
- Odšroubujte montáž trysky.
- Doplňte nádrž do požadované úrovně. Nepřeplňujte.
- Našroubujte montáž trysky.
- Držte nádrž tak, že tryska směřuje dolů.

POZNÁMKA: Voda nebude z nádrže vytékat, pokud se špička trysky nestlačí.

- Vložte nádrž pro vodu dle vyobrazení. Zlehka tlače na nádrž, dokud nezaklapne do své polohy.
- Pro sundání nádrže pro vodu stiskněte uvolňovací tlačítko nádrže pro vodu.

POZNÁMKA: Pro suché řezání ponechte nádrž pro vodu nainstalovanou, abyste zabránili prachu a nečistotám ucpat systém napájení vodou.

**POZOR**

Nádrž pro vodu je navržena pouze pro vodu. Použití jakékoliv jiné kapaliny může způsobit poškození nástroje.

**VAROVÁNÍ**

101,6 mm kotouč je maximální kapacita kotouče

pily. Nikdy také nepoužívejte kotouč, který je příliš silný, vnější podložka kotouče by jej pak nezajistila k ploše vřetena. Větší kotouče by přišly do kontaktu s krytem kotouče, zatímco silnější kotouče budou bránit šroubu kotouče v zajištění kotouče na vřeteno. Kterákoliv událost by mohla vést k vážné nehodě.

**VAROVÁNÍ**

Nepoužívejte řezné kotouče, které jsou dimenzovány na menší otáčky, než jsou volnoběžné otáčky tohoto nástroje. Nedodržení tohoto varování by mohlo způsobit vážné osobní poranění. Nepoužívejte kotouč s prasklinami, mezerami nebo zuby.

**VAROVÁNÍ**

Nepoužívejte zoubkované nebo článkované kotouče. Používejte souvisle lemované diamantové kotouče vhodné pro kamenné materiály.

INSTALACE ŘEZNÉHO KOTOUČE

Viz obrázek 3.

- Vyjměte z pily akumulátorový modul.
- Sundejte klíč kotouče (5 mm šestihřanný klíč) z úložiště.
- Stiskněte tlačítko uzamknutí vřetena a sundajte šroub kotouče a vnější podložku kotouče.

POZNÁMKA: Pro sundání otáčejte šroubem kotouče ve směru otáčení hodinových ručiček.

**POZOR**

Abyste nepoškodili vřeteno nebo uzamčení vřetena, vždy počkejte, až se motor úplně zastaví před aktivací uzamčení vřetena.

POZNÁMKA: Nespouštějte motor pily, pokud je uzamčení vřetena aktivováno.

- Setřete olej na vnější a vnitřní podložce kotouče, kde kontaktují kotouč.

VAROVÁNÍ

Pokud se vnitřní podložka kotouče sundá, vraťte ji před nasunutím kotouče na vřeteno. Při nedodržení tohoto požadavku byste mohli zapříčinit havárii kotoučem, který není dobře utažen.

- Nasadte vnější podložku kotouče.
- Stiskněte tlačítko uzamknutí vřetena, pak namontujte šroub kotouče. Bezpečně utáhněte šroub kotouče šroubováním proti směru otáčení hodinových ručiček.
- Vraťte klíč kotouče do úložiště.

POZNÁMKA: Nikdy nepoužívejte řezný kotouč, který je příliš silný, vnější podložka kotouče by jej pak nezajistila k ploše vřetena.

TECHNICKÉ ÚDAJE

Elektrické napětí	18 V ---
Průměr kotouče	102 mm
Vřetenno kotouče	15,9 mm
Hloubka řezu při 0°	22,2 mm
Hloubka řezu při 45°	15,9 mm
Rychlost naprázdno	4 500 min ⁻¹
Typ kotouče	Souvislý lem Diamantový kotouč
Hmotnost (bez akumulátorového modulu)	2,6 Kg

MODEL	AKUMULÁTOROVÝ MODUL (nepřibalen)	KOMPATIBILNÍ NABÍJEČKA (nepřibalen)
LTS180	BPL-1820 BPL-1815	BCL-1800 BCS618 BCL1418% BCL1418' <
	BPP-1815 BPP-1815M BPP-1817 BPP-1817M	BCA-180 BCL-1800 BCS618 BCL1418% BCL1418' < BC-1815S BC-1800

OBSLUHA

**VAROVÁNÍ**

Noste vždy respirátor při práci s pilou pro řezání dlaždic. Pochybení tak může způsobit vážné osobní poranění.

**VAROVÁNÍ**

Vždy noste bezpečnostní brýle nebo bezpečnostní brýle s postranními štítky, když obsluhujete výrobek. Zanedbání tak může způsobit vniknutí cizího tělesa do očí a způsobit vážná poranění osob.

**VAROVÁNÍ**

Nepoužívejte s tímto zařízením příslušenství nebo doplňky, které nejsou doporučeny výrobcem. Používání doplňků a příslušenství nedoporučených výrobcem mohou způsobit vážná poranění osob.

POUŽITÍ

Výrobek lze používat pro níže uvedené účely:

- Mokré přerezávání, lištovací řezání a pokosové řezání betonových dlaždic, dlažebních kostek a dlaždic

z přírodního kamene.

- Pro suché řezání výše uvedených materiálů je nutný speciální řezný kotouč (nepřibalen).

Tento výrobek spolupracuje s Ryobi One+ 18 V lithium-iontovými akumulátorovými moduly a Ryobi One+ 18 V nikl-kadmiovými akumulátorovými moduly. Pro úplné pokyny k nabíjení viz návod k obsluze pro váš akumulátorový modul Ryobi One+ a modely nabíječek.

FUNKCE OCHRANY AKUMULÁTOROVÉHO MODULU

RYOBI 18 V lithium-iontové akumulátorové moduly jsou navrženy s funkcí, která chrání lithium-iontové články a maximalizuje životnost akumulátorového modulu. Za některých provozních podmínek tato vestavěná funkce může působit na akumulátor a nářadí je pak poháněno rozdílně od nikl-kadmiových akumulátorů.

Během některých prací může elektronika akumulátoru signalizovat vypínání a způsobit tak vyřazení akumulátoru. Pro vynulování akumulátoru a nářadí uvolněte spoušť a obnovte normální funkci.

POZNÁMKA: Pro zabránění dalšího vyřazení akumulátoru se vyhněte přetěžování nářadí.

Pokud uvolnění spouště nevyvnuje akumulátor a nářadí, je akumulátorový modul vybit. Je-li vybit, začne se akumulátor nabíjet, když se vloží na nabíječku lithium-iontových akumulátorů.

INSTALACE AKUMULÁTOROVÉHO MODULU

Viz obrázek 4.

- Vložte do pily akumulátorový modul. Srovnejte vystouplé žebro na akumulátorovém modulu s drážkou v pile, pak nasuňte akumulátorový modul do pily.
- Zajistěte akumulátorový modul zaklapnutím blokovacích pojistek na každé straně akumulátorového modulu do své polohy a ujistěte se, že je akumulátorový modul zajištěn v pile před započetím provozu.

**VAROVÁNÍ**

Vždy vyndávejte z vašeho nástroje akumulátorový modul, když montujete díly, provádíte seřizování, čistíte, nebo když se nástroj nepoužívá. Vyndáním akumulátorového modulu předejdete náhodnému spuštění a tím možnému vážnému poranění osob.

VYNDÁNÍ AKUMULÁTOROVÉHO MODULU

Viz obrázek 4.

- Nalezněte západky po stranách akumulátorového modulu a zatlačte je pro uvolnění akumulátorového modulu z pily.
- Vyjměte z pily akumulátorový modul.

OBSLUHA**ŘEZNÝ KOTOUČ**

Ani nejlepší řezné kotouče nebudou řezat účinně, pokud budou tupé či opotřebené. Používání tupého kotouče bude velmi pilu zatěžovat. Mějte náhradní kotouče po ruce, takže budete mít vždy dostupné ostré kotouče.

SPUŠTĚNÍ/ZASTAVENÍ PILY

Viz obrázek 5.

Pro spuštění pily:

- Stisknete tlačítko zamknutí.
- Stisknete spínač spouště.

Kotouč vždy uveďte do plné rychlosti, pak navedte pilu do obrobku.

Pro zastavení pily: Uvolněte spouštěcí spínač.

Po uvolnění spínače spouště nechejte kotouč zcela zastavit. NEVYNDÁVEJTE pilu z obrobku, když se kotouč točí.

TLAČÍTKO ZAMKNUTÍ

Viz obrázek 6.

Tlačítko zamknutí snižuje možnost náhodného zapnutí. Tlačítko zamknutí je umístěno na rukojeti nad spínačem spouště. Tlačítko zamknutí je třeba před stisknutím spínače spouště zatlačit. Uzamknutí se vždy vynuluje po stisknutí spouště.

POZNÁMKA: Tlačítko zamknutí můžete stisknout zleva nebo zprava.

SEŘÍZENÍ HLOUBKY KOTOUČE

Viz obrázek 7.

Vždy udržujte správné nastavení hloubky kotouče. Správné nastavení hloubky kotouče pro všechny řezy by nemělo přesahovat 6,35 mm pod řezaným materiálem. Větší hloubka kotouče zvýší šanci zpětného vrhu a dělá řez zubatým. Pro větší přesnost hloubky řezu je umístěno pravítko na zadní sorce.

- Povolte šroub seřízení hloubky.
- Zjistěte požadovanou hloubku řezu.
- Zjistěte hloubku řezu na pravítku na zadní sorce.
- Držte základní plochu proti obrobku a zvedejte či snižujte pilu, až se značka ukazatele na sorce srovná s výstupkem na krytu kotouče.
- Bezpečně utáhněte šroub seřízení hloubky.

OBSLUHA PILY

Viz obrázek 8 - 9.

Je důležité, abyste správně pochopily způsob obsluhy pily. Podívejte se na obrázky v této části, abyste se dověděli o správném a nesprávném držení pily.

**VAROVÁNÍ**

Při zvedání pily z obrobku je na spodní straně pily obnažen kotouč.

Pro dosažení nejlepšího možného řezu:

- Nástroj pevně držte oběma rukama.
- Vyhybejte se umisťování ruky na obrobek během řezání.
- Podepřete obrobek tak, aby byl řez (zářez) vždy veden při boku podpory.
- Podepřete obrobek blízko řezu.
- Obrobek upněte bezpečně tak, že se obrobek nebude během řezání pohybovat.
- Pilu umístějte na obrobek, který je podepřen, ne na „odřezek“.
- Obrobek umístěte „dobrou“ stranou dolů.
- Nakreslete vodící čáru podél požadované čáry řezu před započetím řezání.

PROVÁDĚNÍ ŘEZŮ

Vždy kreslete čáru, která se má řezat na dlaždicí pomocí fixy nebo voskovky. Je-li dlaždice lesklá a obtížně se na ni kreslí, umístěte na ni lepicí pásku a označte pásku.

Běžným problémem při řezání dlaždice je odbočení z vyznačené čáry. Jakmile odbočíte z čáry, nemůžete tlačít kotouč zpět na čáru natáčením dlaždice. Místo toho se vraťte zpět a začněte znovu řezat dlaždicí odřezáním malého kousku dlaždice, až se kotouč vrátí zpět na čáru.

Abyste se vyhnuli tomuto problému, používejte přiměřené pravítko kdykoliv je to možné pro přezávání a pokosové řezy.

Vyžaduje-li se mokré řezání, mělo by se provádět ve venkovním prostoru.

ÚDRŽBA**UPOZORNĚNÍ:**

Při výměně částí nářadí je nutné použít pouze originální náhradní díly značky Ryobi. Použití neznámkových dílů může nejen poškodit nářadí, ale způsobit i vážné zranění.

K čištění plastových dílů nepoužívejte rozpouštědla. Většina ředidel běžně dostupných v obchodní síti se nehodí k čištění plastových částí, neboť narušuje povrch plastů. K odstranění nečistot, prachu, oleje, maziv apod. používejte čistý hadr.

**UPOZORNĚNÍ**

Plastové části nářadí nesmí nikdy přijít do styku s brzdovou kapalinou, benzinem, produkty na bázi ropy, regenerovanými mazivými oleji apod. Tyto výrobky obsahují chemikálie, které mohou poškodit, oslabit nebo zničit plastové části, případně snížit jejich životnost a být příčinou úrazu.

Nářadí zásadně nepřetěžujte. Přetěžování může poškodit nejen materiál, ale také nářadí.

Čeština

ÚDRŽBA



UPOZORNĚNÍ:

Na nářadí neprovádějte žádné úpravy a používejte pouze doporučené příslušenství. Nepovolené úpravy nářadí či změny v používání příslušenství mohou vytvořit nebezpečné situace, které mohou vést k velmi závažnému zranění.

OCHRANA ŽIVOTNÍHO PROSTŘEDÍ



V rámci možností neodhazujte vysloužilý výrobek nebo jeho části do domovního odpadu a snažte se o jejich recyklaci. V souladu s předpisy na ochranu životního prostředí odkládejte vysloužilé nářadí, příslušenství i obalový materiál do tříděného odpadu.

SYMBOL



Bezpečnostní výstraha

V Volty

min⁻¹ Otáčky nebo výměny za minutu



Stejnoseměrný proud



Shoda CE



Před spuštěním přístroje si řádně přečtěte pokyny.



Noste ochranu sluchu



Noste ochranu očí



Recyklujte nepotřebné



Odpad elektrických výrobků se nesmí likvidovat v domovním odpadu. Recyklujte prosím na sběrných místech. Ptejte se u místních úřadů nebo prodejce na postup při

SPECIÁLIS BIZTONSÁGI ELŐÍRÁSOK

- **VIGYÁZAT!** A kezét tartsa távol a vágási területtől és a tárcsától. A másik kezét tartsa a kiegészítő fogantyún vagy a motor burkolatán. Ha mindkét kezével a vágót tartja, nem vághatja el a kezét a tárcsával.
 - **Ne nyúljon a munkadarab alá.** A védőburkolat nem védi a tárcsától a munkadarab alatt.
 - **A vágási mélységet állítsa be a munkadarab vastagságának megfelelően.** A munkadarab alatt a tárcsa egy nem teljes fogának kell láthatónak lennie.
 - **Ne tartsa a vágandó munkadarabot a kezében vagy keresztbe fektetve a lábán. A munkadarabot rögzítse egy stabil felületre.** Fontos a munkadarab megfelelő megtámasztása, hogy a testével való érintkezésnek, a tárcsa beakadásának és az irányítás elvesztésének veszélye minimális legyen.
 - **A szerszámgépet a szigetelő fogófelületeinél fogja, ha olyan műveletet végez, melynek során a vágószerszám rejtett vezetékkel érintkezhet vagy a saját tápkábelét vághatja el.** Az "élő" vezetékkel való érintkezés következtében a szerszámgépet alkatrészei is áram alá kerülnek, és a kezelőt áramütés érheti.
 - **Egyenes keresztvágáskor mindig használjon vezetősínt vagy egyenes szélvezetőt.** Ez növeli a vágás pontosságát és csökkenti a tárcsa megszorulásának esélyét.
 - **Mindig a helyes méretű és alakú (gyémánt vagy kerek) középső furattal rendelkező tárcsát használjon.** A vágó rögzítőeszközeivel nem egyező vágótárcsák excentrikusan fognak forogni, ami az irányítás elvesztését okozza.
 - **Ne használjon sérült vagy nem megfelelő tárcsaalátéteket és csavarokat.** A tárcsaalátétek és csavarok speciálisan a vágóhoz lettek kialakítva, hogy biztonságos az optimális teljesítményt és a biztonságos használatot.
 - **A visszarúgás okai és a kezelő megóvása:**
 - a visszarúgás a becsípődött, beakadt vagy rosszul beigazított vágótárcsa hirtelen reakciója, ami az irányíthatatlanná váló vágó felemelkedését és a kezelő felé való kivetődését okozza a munkadarabból;
 - amikor a tárcsa becsípődött vagy beakadt a vágójárat lefelé menő oldalán, a tárcsa megáll és a motor reakciója a gépet hirtelen hátra, a kezelő felé löki;
 - Ha a tárcsa megcsavarodik vagy rossz a beirányíttósága, a tárcsa foga és hátsó éle bevájódhat a munkadarab felső felületébe, minek következtében a tárcsa kiugorhat a vágójáratból és a kezelő felé lökődhet.
- A visszarúgás a vágó helytelen használatának és/vagy a nem megfelelő használati eljárások vagy körülmények alkalmazásának eredménye, és megelőzhető az alábbi utasítások betartásával.

- **Mindkét kezével erősen tartsa a vágót, és kezeit úgy irányítsa, hogy ellenálljanak a visszarúgáskor fellépő erőnek.** Álljon a tárcsa valamelyik oldalára, de sohasem a tárcsa síkjába. A visszarúgás a vágó hátraugrását okozhatja, de a visszarúgáskor fellépő erőket a kezelő kontrollálhatja, ha betartja a megfelelő óvintézkedéseket.
- **A kés beakadásakor, vagy ha bármilyen okból megszakítja a vágást, engedje fel a kioldót és tartsa mozdulatlanul a vágót az anyagban mindaddig, amíg a tárcsa teljesen meg nem áll. Ne próbálja eltávolítani a vágót a munkadarabból vagy visszahúzni a vágót, miközben a tárcsa még mozgásban van, vagy visszarúgás történhet.** Térképezze fel a tárcsa elakadásának okát és tegye meg a szükséges műveleteket annak megszüntetésére.
- **Ha újraindítja a vágót a munkadarabban, helyezze középre a tárcsát a vágatban és ellenőrizze, hogy a tárcsa nincs-e beakadva az anyagba.** Ha a fűrészlap beakad, felemelkedhet vagy visszarúghat a munkadarabból a vágó újraindításakor.
- **A nagyméretű panelekkel támassza alá, hogy minimalizálja a kés becsípődésének és a visszarúgásának a kockázatát.** A nagyméretű lapok a saját súlyuk alatt behajolhatnak. Támasztékokat kell helyezni a lap alá mindkét oldalon, a vágásvonal közelében és a lap széléhez is.
- **Ne használjon tompa vagy sérült tárcsákat.** Az életlen vagy helytelenül beállított tárcsák keskeny vágójáratot vágnak, ezzel túlzott súrlódást, a kés beakadását és visszarúgást okozva.
- **A tárcsa mélységét és a ferdevágást állító karokat meg kell húzni és rögzíteni kell a vágás előtt.** Ha a tárcsa beállítása vágás közben elmozdul, az beakadást és visszarúgást okozhat.
- **Különös figyelemmel járjon el, ha "beszűrő vágást" végez egy már meglévő falban vagy más előre nem látható területen.** A kiálló tárcsa tárgyakat vághat el, ami visszarúgást okozhat.
- **Minden használat előtt ellenőrizze az alsó védőburkolat megfelelő zárását. Ne működtesse a vágót, ha az alsó védőburkolat nem mozog szabadon és nem zár azonnal. Ne szorítsa le és ne is kötözze ki az alsó védőburkolatot nyitott állásban.** Ha a vágót véletlenül leejtik, az alsó védőburkolat elhajolhat. Emelje fel az alsó védőburkolatot a széthúzó fogantyúval, és ellenőrizze, hogy könnyen mozog és egyik szögbeállítás és vágási mélység esetében sem érintkezik a tárcsával vagy más alkatrésszel.
- **Ellenőrizze az alsó védőburkolat rugójának működését. Ha a védőburkolat és a rugó nem működik megfelelően, használat előtt meg kell javíttatni.** Az alsó védőburkolat nehézkesen mozoghat sérült alkatrészek, gumiszerű lerakódások vagy a túl sok lerakódott szennyeződés miatt.

SPECIÁLIS BIZTONSÁGI ELŐÍRÁSOK

- Az alsó védőburkolatot manuálisan is vissza lehet húzni, de ez csak a speciális vágásokhoz, például "beszűrő vágásokhoz" és "kombinált vágásokhoz" engedélyezett. Emelje fel az alsó védőburkolatot a széthúzó fogantyúval, és amint a tárcsa behatolt az anyagba, az alsó védőburkolatot azonnal engedje fel. Minden más vágás esetében az alsó védőburkolatnak automatikusan kell működnie.
- Mindig figyelje, hogy az alsó védőburkolat befedi-e a kést, mielőtt leteszi a vágót a munkapadra vagy a padlóra. A nem védett forgó tárcsa a vágó hátrafelé történő elmozdulását okozza, minek során bármit elvághat, ami az útjába kerül. Figyeljen oda arra az időre, ami a tárcsa megáll a kioldó felengedése után.

LEÍRÁS

1. Kireteszelő gomb
2. Tengelyreteszelő
3. Ferdevágás skála
4. Ferdevágás rögzítőgomb
5. Szélvezető rögzítőgomb
6. Vágótárcsa
7. Alapzat
8. Áramlásszabályozó gomb
9. Víz tartály kioldógomb
10. Víz tartály
11. Mélységrögzítő gomb
12. Tárcsa kulcsának tartója
13. Akkumulátor (nem tartozék)
14. Kioldókapcsoló
15. Belső tárcsaalátét
16. Tárcsa
17. Külső tárcsaalátét
18. Tárcsa csavarja
19. Helytelen megtámasztási mód
20. Helyes megtámasztási mód

ÖSSZESZERELÉS

AZ EJTŐTARTÁLYOS ADAGOLÁSÚ VÍZTARTÁLY FELSZERELÉSE

Lásd 2. ábra.

Az ejtőtartályos adagolású víztartály beépített szellőzőnyílással van felszerelve, ami kiegyenlíti a nyomást és a lehetővé teszi a víz szabadabb folyását.

- Vegye ki az akkumulátort.
- Csavarja ki a fúvókaszerelékét.
- Töltse fel a víztartályt a kívánt szintig vízzel. Ne töltse túl.
- Helyezze vissza a fúvókaszerelékét.
- Úgy tartsa a víztartályt, hogy a fúvóka lefelé nézzen.

MEGJEGYZÉS: A víz nem fog kifolyni a tartályból

mindaddig, amíg a fúvóka hegyét meg nem nyomják.

- Az ábrán látható módon helyezze be a víztartályt. Enyhén nyomja le a víztartályt, amíg a helyére nem kattán.
- A víztartály eltávolításához nyomja be a víztartály kioldógombját.

MEGJEGYZÉS: Száras vágáskor is hagyja fenn a víztartályt, hogy megakadályozza vízadagoló rendszer eltömődését a por és a szennyeződések miatt.



VIGYÁZAT

A víztartály csak víz tárolására alkalmas. Más folyadék használata a szerszám károsodását okozhatja.



FIGYELEM!

A 101,6 mm-es tárcsa a vágó maximális tárcsakapacitását jelenti. Ne használjon olyan tárcsát, amely túl vastag ahhoz, hogy a külső tárcsaalátét beakadjon a tengely lapjába. A nagyobb méretű tárcsák érintkezhetnek a védőburkolatokkal, a vastagabb tárcsák pedig meggátolják a csavar felszavarását a tengelyre. Bármelyik szituáció komoly balesetet eredményezhet.



FIGYELEM!

Ne használjon nem megfelelő fordulatszámú vágótárcsát a szerszámon. Ezen figyelmeztetés figyelmen kívül hagyása személyi sérülést eredményezhet. Ne használjon repedezett, hézagos vagy fogazott tárcsákat.



FIGYELEM!

Ne használjon fogazott vagy szegmentált tárcsákat. Csak kőből készült anyagokhoz alkalmas folyamatosan peremezett gyémánttárcsát használjon.

A VÁGÓTÁRCSA FELSZERELÉSE

Lásd 3. ábra.

- Vegye ki az akkumulátort a vágóból.
- Vegye ki a tárcsa kulcsát (5 mm-es imbuszkulcs) a tárolóból.
- Nyomja be a tengelyrögzítő gombot és távolítsa el a tárcsa csavarját és a külső tárcsaalátétet.

MEGJEGYZÉS: A tárcsa csavarját az áramutató járásának irányába forgatva távolíthatja el.



VIGYÁZAT

A tengely és a tengelyretesz károsodásának elkerülése érdekében mindig hagyja teljesen leállni a motort a tengelyrögzítő benyomása előtt.

MEGJEGYZÉS: Ne működtesse a vágót benyomott tengelyrögzítővel.

- Kenjen egy csepp olajat a belső és a külső tárcsaalátétre, arra az oldalra ahol a tárcsával érintkeznek.

Magyar

ÖSSZESZERELÉS



FIGYELEM!

Ha a belső tárcsaalátétet eltávolították, a vágótárcsa tengelyre való visszahelyezése előtt helyezze vissza azt. Ennek elmulasztása balesetet okozhat, mivel a tárcsa nem lesz megfelelően meghúzva.

- Helyezze vissza a külső tárcsaalátétet.
- Nyomja be a tengelyreteszelő gombot, és tegye vissza a tárcsa csavarját. Az óramutató járásával ellentétes irányba forgatva erősen húzza be a tárcsa csavarját.
- Tegye vissza a tárcsa kulcsát a tárolóhelyére.

MEGJEGYZÉS: Ne használjon olyan vágótárcsát, amelyik túl vastag ahhoz, hogy a külső tárcsaalátét beakadjon a tengely lapjába.

MŰSZAKI ADATOK

Feszültség	18 V ---
Vágótárcsa átmérője	102 mm
Tárcsa furata	15,9 mm
Vágási mélység 0°-nál	22,2 mm
Vágási mélység 45°-nál	15,9 mm
Üresjáratú fordulatszám	4500 min ⁻¹
Tárcsa típusa	Folyamatosan peremezett Gyémánttárcsa
Tömeg (akkumulátor nélkül)	2,6 kg

TÍPUS	AKKUMULÁTOR (nem tartozék)	KOMPATIBILIS TÖLTŐ (nem tartozék)
LTS180	BPL-1820 BPL-1815	BCL-1800 BCS618 BCL1418%< BCL1418* < BCL1418
	BPP-1815 BPP-1815M BPP-1817 BPP-1817M	BCA-180 BCL-1800 BCL1418%< BCS618 BCL1418* < BCL1418 BC-1815S BC-1800

HASZNÁLAT



FIGYELEM!

A csempévágó használatakor mindig viseljen pormaszkot. Ennek elmulasztása súlyos sérülést eredményezhet.



FIGYELEM!

A termék használatakor mindig viseljen védőszemüveget vagy oldalellenzővel rendelkező védősisakot.

Ennek elmulasztása ahhoz vezethet, hogy valamilyen tárgy kerülhet a szemébe, ami súlyos sérülést eredményezhet.



FIGYELEM!

Ne használjon semmilyen a gyártó által a termékhez nem ajánlott kiegészítőt vagy tartozékot. A nem ajánlott tartozékok vagy kiegészítők használata súlyos személyi sérülést eredményezhet.

MŰVELETEK

A terméket az alábbi listában felsorolt műveletek végzésére használhatja:

- Csempék, burkolókövek és természetes kőből készült burkolólapok nedves keresztvágása, vágása és ferdevágása.
- A fenti anyagok száraz vágásához speciális vágótárcsa szükséges (nem tartozék).

A termék Ryobi One+ 18V lítium-ion akkumulátorokkal és Ryobi One+ 18V nikkel-kadmium akkumulátorokkal működik.

A feltöltésre vonatkozó teljes útmutatót a Ryobi One+ akkumulátorok és töltők Használati utasításában olvashatja el.

AKKUMULÁTOR-VÉDELMI FUNKCIÓK

A RYOBI 18 V lítium-ion akkumulátorok olyan funkciókkal vannak ellátva, amik megóvják a lítium-ion cellákat és maximalizálják az akkumulátor élettartamát. Bizonyos használati körülmények fellépése esetén ezek a beépített funkciók az akkumulátor és az általa működtetett szerszám nikkel-kadmium akkumulátoroknál megszokottól különböző viselkedését okozhatják.

Bizonyos alkalmazások során az akkumulátor elektronikája az akkumulátor kikapcsolását kezdeményezheti, ami a szerszám megállását okozza. Az akkumulátor és a szerszám visszaállításához engedje fel a kioldókapcsolót és folytassa a normál használatot.

MEGJEGYZÉS: Az akkumulátor későbbi leállítását megelőzendő kerülje a szerszám erőltetését.

Ha a kioldókapcsoló felengedése nem állítja vissza az akkumulátort és a szerszámot, akkor az akkumulátor lemerült. Ha lemerült, az akkumulátor elkezd feltöltődni, amint a lítium-ion töltőre helyezi.

HASZNÁLAT

AZ AKKUMULÁTOR BEHELYEZÉSE

Lásd 4. ábra.

- Helyezze be az akkumulátort a vágóba. Az akkumulátoron található kiemelkedő bordát igazítsa a vágóban található vágathoz, majd csúsztassa be az akkumulátort a vágóba.
- A használat megkezdése előtt ellenőrizze, hogy az akkumulátor két oldalán található rögzítőfülek bepattantak a helyükre és az akkumulátor rögzítve van a vágóban.



FIGYELEM!

Alkatrészek felszerelésekor, beállítások végzésekor, tisztítás vagy használaton kívül mindig vegye ki az akkumulátort a szerszámból. Az akkumulátor kivétele megakadályozza a véletlen bekapcsolódást, ami súlyos személyi sérülést okozhat.

AZ AKKUMULÁTOR KIVÉTELE

Lásd 4. ábra.

- Keresse meg az akkumulátoron található rögzítőfüleket és nyomja be. Ezzel kioldja az akkumulátort a vágóból.
- Vegye ki az akkumulátort a vágóból.

VÁGÓTÁRCSÁK

A legjobb vágótárcsa sem fog hatékonyan vágni, ha életlen vagy nagyon elkopott. Életlen tárcsa használatakor a vágó terhelése megnövekedik. Tartson cseretárcsát a keze ügyében, hogy bármikor éles tárcsát használhasson.

A VÁGÓ BEINDÍTÁSA/LEÁLLÍTÁSA

Lásd 5. ábra.

A vágó elindítása:

- Nyomja be kireteszelő gombot.
- Nyomja be a kioldókapcsolót.

Mindig hagyja a vágótárcsát teljes fordulatszámra gyorsulni, csak ezután vezesse be a vágót a munkadarabba.

A vágó leállítás: Engedje fel a kioldókapcsolót.

A kioldókapcsoló felengedése után hagyja, hogy a vágótárcsa teljesen megálljon. NE vegye ki a vágót a munkadarabból, amíg a tárcsa forog.

KIRETESZELŐ GOMB

Lásd 6. ábra.

A kireteszelő gomb meggátolja a gép véletlen beindítását. A kireteszelő gomb a fogantyún, a kioldókapcsoló felett található. A kireteszelő gombot a kioldókapcsoló meghúzása előtt be kell nyomni. A retesz a kioldó minden kiengedésekor visszaáll.

MEGJEGYZÉS: A kireteszelő gombot bal vagy jobb oldalról is benyomhatja.

A TÁRCSAMÉLYSÉG BEÁLLÍTÁSA

Lásd 7. ábra.

Mindig a helyes tárcsamélység-beállítást alkalmazza. A helyes tárcsamélység-beállítás egyik vágás esetében sem haladhatja meg a 6,35 mm-t a vágandó anyag alatt. A nagyobb tárcsamélység növeli a visszarúgás veszélyét és a vágás szélének kitöredezését okozza. A vágás nagyobb pontossága érdekében egy skála található a hátsó kereten.

- Lazítsa meg a mélységbeállító gombot.
- Határozza meg a kívánt vágási mélységet.
- A hátsó kereten keresse meg a vágási mélység skálát.
- Tartsa az alapzatot a munkadarab felületéhez, és emelje fel vagy engedje le a vágót annyira, hogy a kereten lévő jelzés egybeessen a tárcsa védőburkolaton található bevágással.
- Erősen húzza meg a mélységbeállító gombot.

A VÁGÓ HASZNÁLATA

Lásd 8 - 9. ábra.

Fontos tisztában lenni a vágó működtetésének helyes módjával. Az ebben a részben található ábrák bemutatják a vágó kezelésének helyes és helytelen módját.



FIGYELEM!

A vágó a munkadarabból történő kiemelésékor, a tárcsa a vágó alsó része szabadon marad.

A lehető legjobb vágás elérése érdekében:

- Mindkét kezével erősen tartsa a vágót.
- Kerülje el, hogy a kezeit a munkadarabra helyezze vágás közben.
- Úgy támassza meg a munkadarabot, hogy a vágás (járat) mindig Ön felé essen.
- A vágás közelében támassza meg a munkadarabot.
- Rögzítse szilárdan a munkadarabot, hogy vágás közben ne mozdulhasson el.
- A vágót mindig a munkadarab megtámasztott részére helyezze, ne a „levágandó” részre.
- A munkadarabot a „jó” oldalával lefelé helyezze el.
- A kívánt vágóvonal mentén rajzoljon egy vezetővonalat a vágás megkezdése előtt.

VÁGÁS

Egy jelölő vagy zsírkérra segítségével mindig rajolja fel a vágási vonalat. Ha a csempe fényes vagy nehezen jelölhető, helyezzen egy szalagot a csempe, és azt jelölje meg.

Csempevágáskor általános probléma, hogy eltérnek a megjelölt vonaltól. Ha eltért a vonaltól, ne a csempe elforgatásával próbálja visszaerőltetni a tárcsát a vonalra. Ehelyett menjen vissza és vágja újra a csempét egy kis darabot levágva, amíg vissza nem tér a kijelölt vonalra.

Ezen probléma elkerülése érdekében használjon szélvezetőt a kereszt- és a górvágásokhoz, ha lehetséges.

A nedves vágást a szabadban végezze.

Magyar

KARBANTARTÁS



FIGYELMEZTETÉS:

Alkatrészcsere esetén kizárólag eredeti, Ryobi pótalkatrészszel szabad a régít helyettesíteni. Minden más alkat elem használata veszéllyel járhat, és a szerszám megrongálását okozhatja.

Ne használjon oldószert (hígítót) a műanyagból készült részek tisztításához. A kereskedelmi forgalomban kapható oldószerek bizonyos része rongáló hatással lehet a műanyagból készült alkat elemekre. A por, olaj, zsír és egyéb szennyeződések tisztítására használjon tiszta törlőruhát.



FIGYELMEZTETÉS

Óvja a műanyagból készült részeket fékolajtól, benzintől, és minden egyéb, kőolaj alapú terméktől. Ezek a vegyszerek olyan vegyületeket tartalmaznak, melyek megrongálhatják, meglágyíthatják vagy lebonthatják a műanyagból készült részeket, ami súlyos testi sérüléseket is okozhat.

Ne terhelje túl a szerszámokat. A túlterhelés károsíthatja a szerszámot és megrongálhatja a munkadarabot is.



FIGYELMEZTETÉS

Ne próbáljon a szerszámon módosítást / átalakítást végrehajtani, és ne használjon a gyártó által a szerszámhoz nem előírt tartozékot. Az ilyen átalakítások és módosítások végrehajtása helytelen, nem rendeltetés szerű használatnak minősül, veszélyes helyzeteket idézhet elő és súlyos testi sérülésekkel járó balesetet vonhat maga után.

KÖRNYEZETVÉDELEM



Segítse elő az alapanyagok újrahasznosítását azzal, hogy nem helyezi el őket a háztartási szemétkben. Környezetvédelmi megfontolásból a kiszolgált berendezést, tartozékokat és csomagolóanyagokat szelektív módon kell elhelyezni.

SZIMBÓLUM



Biztonsági figyelmeztetés

V

Voltok

min⁻¹

Fordulat vagy ciklus percenként



Egyenáram



CE megfeleléség



A gép bekapcsolása előtt figyelmesen olvassa el az útmutatót.



Viseljen fülvédőt



Viseljen szemvédőt



Felelőssé vált termékek újrahasznosítása



A kiselejtezett elektromos termékeket nem szabad a háztartási hulladékkal együtt kidobni. Ezeket újra kell hasznosítani, ha van rá lehetőség. Az újrahasznosítással kapcsolatban érdeklődjön a helyi önkormányzatnál vagy a termék forgalmazójánál.

Română

REGULI DE SIGURANȚĂ SPECIFICE

- **PERICOLI! Țineți mâinile la distanță de zona și lama de tăiere. Țineți-vă cealaltă mână pe mânerul lateral sau pe carcasa motorului.** Dacă țineți mașina de tăiat cu ambele mâini, evitați ca acestea să fie tăiate de lamă.
 - **Nu puneți mâinile sub piesa de lucru.** Dispozitivul de protecție nu vă poate proteja de lama aflată sub piesa de lucru.
 - **Reglați adâncimea de tăiere în funcție de grosimea piesei de lucru.** Sub piesa de lucru trebuie să fie vizibilă o porțiune mai mică de un dinte al zimților lamei.
 - **Nu țineți niciodată piesa care urmează a fi tăiate cu mâna sau pe picioare. Fixați în siguranță piesa de lucru pe o platformă stabilă.** Este important să efectuați lucrul în mod corespunzător pentru a minimiza expunerea corpului, griparea lamei sau pierderea controlului.
 - **În cazul în care efectuați operații în locuri în care unealta de tăiat poate intra în contact cu cabluri ascunse sau cu propriul cablu de alimentare, țineți unealta electrică de suprafețele de prindere izolate.** Contactul cu un fir sub tensiune va expune de asemenea și părțile metalice ale unelei electrice aflate sub tensiune și operatorul se poate electrocuta.
 - **Atunci când realizați operații de tăiere, folosiți o riglă de ghidare a tăierii sau o linie de ghidare.** Aceasta îmbunătățește precizia tăierii și reduce posibilitatea de gripare a lamei.
 - **Utilizați întotdeauna lamele împreună cu orificiile axului de dimensiunea și forma corespunzătoare (diamant versus rotund).** Lamele care nu se potrivesc cu mijloacele de fixare ale mașinii vor funcționa excentric, conducând la pierderea controlului.
 - **Nu utilizați niciodată șaibe sau bolțuri deteriorate sau necorespunzătoare.** Șaibele și bolțul discului au fost special proiectate pentru mașina dumneavoastră de tăiat, în vederea obținerii unei performanțe optime și a unei operări în siguranță.
 - **Cauze și anticiparea de către operator a reculului:**
 - reculul este o reacție bruscă la o lamă de tăiere aliniată necorespunzător, gripată sau supratensionată, care determină o mașină de tăiat necontrolată să ridice și să scoată piesa de lucru din mașină înspre operator;
 - atunci când lama este supratensionată sau gripată prin închiderea fantei, lama se blochează și acțiunea motorului împinge rapid unitatea înspre operator;
 - dacă lama se îndoaie sau se descentrează în tăietură, zimții din spate ai lamei pot pătrunde în suprafața superioară a lemnului determinând lama să se ridice din fanta de tăiere și să fie aruncată înspre operator.
- Recul este rezultatul utilizării necorespunzătoare a unelei și/sau procedurilor sau condițiilor de operare incorecte și poate fi evitat prin luarea unor măsuri de precauție adecvate, după cum este specificat mai jos.

- **Țineți ferm și strâns cu ambele mâini și poziționați-vă brațele astfel încât să puneți opune rezistență forțelor de recul. Poziționați-vă corpul pe oricare dintre părțile laterale ale lamei, dar nu paralel cu lama.** Reculul poate determina ca unealta să fie aruncată înapoi, dar forțele de recul pot fi controlate de către operator dacă sunt luate măsuri de precauție.
- **Atunci când lama se gripează sau când întrerupeți procesul de tăiere, indiferent de motiv, eliberați declanșatorul și țineți unealta fără a o mișca în material până când lama se oprește. Nu încercați niciodată să îndepărtați unealta din cadrul piesei de lucru sau să o trageți atâta timp cât lama este în mișcare. În caz contrar, poate apărea reculul.** Investigați și efectuați acțiuni de corecție pentru a elimina cauza gripării lamei.
- **Atunci când reporniți mașina de tăiat în piesa de lucru, centrați lama uneltei în fantă și asigurați-vă că zimții nu sunt angrenați în material.** Dacă lama uneltei se gripează, se poate ridica sau poate sări din piesa de lucru în momentul repornirii uneltei.
- **Fixați stâlpi de sprijin de dimensiuni mari pentru a minimiza riscul de descentrare sau recul al lamei.** Stâlpii de dimensiuni mari tind să se îndoaie sub propria greutate. Aceștia trebuie plasați sub panou, de ambele părți, în apropierea liniei de tăiere și a marginii panoului.
- **Nu folosiți lame deteriorate sau tocite.** Lamele neascuțite sau fixate necorespunzător pot conduce la îngustarea fantei rezultând în fricțiune excesivă, griparea sau reculul lamei.
- **Manetele de blocare și reglare a înclinăției și adâncimii lamei trebuie fixate strâns și în siguranță înainte de a începe tăierea.** Dacă reglajul lamei se deplasează în timpul tăierii, poate conduce la griparea și reculul lamei.
- **Fiți foarte atent atunci când efectuați o "tăietură în adâncime" în pereții sau în alte zone moarte existente.** Lama proeminentă poate tăia obiecte, care pot genera forțe de recul.
- **Asigurați-vă că dispozitivul de protecție inferior este închis corespunzător înainte de fiecare utilizare. Nu operați unealta dacă dispozitivul de protecție inferior nu se mișcă liber și nu se închide imediat. Nu strângeți și nu prindeți dispozitivul de protecție inferior în poziție deschisă.** Dacă unealta este scăpată accidental, dispozitivul de protecție inferior se poate îndoi. Ridicați protecția inferioară prin mânerul de retragere și asigurați-vă că aceasta se mișcă liber și că nu atinge lama sau orice altă parte, în toate unghiurile și adâncimile de tăiere.
- **Verificați operarea arcului protecției inferioare. Dacă protecția și arcul nu operează corespunzător, acestea trebuie reparate înainte de utilizare.** Protecția inferioară poate opera încet din cauza unor componente deteriorate, a unor depuneri lipicioase sau a reziduurilor depuse.

Română

REGULI DE SIGURANȚĂ SPECIFICE

- **Protecția inferioară trebuie retrasă manual numai pentru tăieturile speciale, precum pentru "tăieturile în adâncime" și pentru cele "compuse". Ridicați protecția inferioară prin retragerea mânerului și imediat ce lama pătrunde în material, protecția inferioară trebuie eliberată.** Pentru toate celelalte operații de tăiere, protecția inferioară trebuie să opereze automat.
- **Asigurați/vă întotdeauna că protecție inferioară acoperă lama înainte de a pune unealta jos pe banc sau podea.** O lamă neprotejată, nesecurizată poate determina unelta să se deplaseze înapoi și să taie tot ce întâlnește în cale. Fiți atent la durata necesară lamei să se oprească după eliberarea comutatorului.

DESCRIERE

1. Buton de blocare
2. Blocare ax
3. Gradație pentru tăierea oblică
4. Buton rotativ de blocare a tăierii oblice
5. Buton rotativ de blocare a liniei de ghidare
6. Disc de tăiere
7. Suport
8. Buton rotativ de reglare a fluxului de operare
9. Buton de eliberare a rezervorului de apă
10. Rezervor de apă
11. Buton rotativ de blocare a adâncimii de tăiere
12. Depozitare cheie de disc
13. Acumulator (neinclus)
14. Declanșator comutator
15. Șaiba interioară a discului
16. Disc
17. Șaiba exterioară a discului
18. Șurub inbus
19. Metodă incorectă de fixare
20. Metodă corectă de fixare

ASAMBLARE

ATAȘAREA REZERVORULUI DE ALIMENTARE CU APĂ PRIN CURGERE LIBERĂ

A se vedea Figura 2.

Rezervorului de alimentare cu apă prin curgere liberă dispune de un canal de aer încastrat care egalizează presiunea și permite apei să circule mai liber.

- Scoateți acumulatorul.
- Deșurubați ansamblul duzei.
- Umpleți rezervorul cu apă până la nivelul dorit. Nu umpleți excesiv.

- Înlocuiți ansamblul duzei.
- Fixați rezervorul cu apă astfel încât duza să fie orientată în jos.

NOTĂ: Apa nu va curge din rezervor, cu excepția cazului în care vârful duzei este apăsat.

- Instalați rezervorul cu apă după cum este prezentat. Apăsăți ușor pe rezervor până când se înclichetează în poziție.
- Pentru a îndepărta rezervorul cu apă, apăsați butonul de eliberare al acestuia.

NOTĂ: Pentru tăierea uscată, păstrați rezervorul cu apă instalat pentru a preveni depunerea de praf și reziduuri în sistemul de alimentare cu apă.



PRECAUȚIE

Rezervorul cu apă a fost proiectat numai pentru alimentarea cu apă. Utilizarea oricărui alt lichid poate conduce la deteriorarea uneltei.



AVERTISMENT

Capacitatea maximă a discului unei mașini de tăiat este de 101,6 mm. De asemenea, nu utilizați niciodată un disc care este prea gros pentru a putea permite șaibei exterioare a discului să se cupleze cu suprafața plană a axului. Discurile mai mari vor veni în contact cu protecțiile discului, în timp ce discurile mai groase vor împiedica șurubul inbus să securizeze discul de ax. Oricare dintre aceste situații poate conduce la accidente grave.



AVERTISMENT

Nu utilizați discurile de tăiere evaluate ca având o valoare mai mică decât turația la mers în gol a acestei unelte. Nerespectarea acestui avertisment poate conduce la rănirea personală. Nu utilizați discuri cu crăpături, goluri sau zimți.



AVERTISMENT

Nu utilizați discuri segmentate sau prevăzute cu zimți. Utilizați numai discuri diamantate fără asperități potrivite pentru materialele de zidărie.

INSTALAREA DISCULUI DE TĂIERE

A se vedea Figura 3.

- Scoateți acumulatorul din unelță.
- Îndepărtați cheia de disc (cheie hexagonală de 5 mm) din zona de depozitare.
- Apăsăți butonul de blocare a axului și îndepărtați șurubul inbus și șaiba exterioară a discului.

NOTĂ: Răsuciți șurubul inbus în sens invers acelor de ceasornic pentru a-l scoate.

Română

ASAMBLARE



PRECAUȚIE

Pentru a preveni deteriorarea sau blocarea axului, permiteți întotdeauna motorului să se oprească înainte de a acționa blocajul axului.

NOTĂ: Nu rulați unealta cu blocajul axului apăsat.

- Ștergeți cu puțin ulei șaiba interioară și pe cea exterioară a discului, în locul în care intră în contact cu discul.



AVERTISMENT

Dacă șaiba interioară a discului a fost îndepărtată, înlocuiți-o înainte de a fixa discul de tăiere pe ax. Nerespectarea acestui lucru poate conduce la accidente, deoarece discul nu va fi fixat corespunzător.

- Înlocuiți șaiba exterioară a discului.
- Apăsăți butonul de blocare a axului, apoi înlocuiți șurubul inbus. Strângeți șurubul inbus în siguranță răscindul în sens invers acelor de ceasornic.
- Plasați cheia de disc înapoi în zona de depozitare.

NOTĂ: Nu utilizați niciodată un disc care este prea gros pentru a putea permite șaibei exterioare a discului să se cupleze cu suprafețele plane ale axului.

SPECIFICAȚII

Tensiune	18 V $\overline{\text{---}}$
Diametrul discului	102 mm
Axul discului	15,9 mm
Adâncimea de tăiere la 0°	22,2 mm
Adâncimea de tăiere la 45°	15,9 mm
Turația la mers în gol	4.500 min ⁻¹
Tip disc	Fără asperități Disc diamantat
Greutate (fără acumulator)	2,6 Kg

MODEL	ACUMULATOR (neinclus)	ÎNCĂRCĂTOR COMPATIBIL (neinclus)
LTS180	BPL-1820 BPL-1815	BCL-1800 BCS618 BCL1418%< BCL1418' <
	BPP-1815 BPP-1815M BPP-1817 BPP-1817M	BCA-180 BCL-1800 BCS618 BCL1418%< BCL1418' < BC-1815S BC-1800

OPERAREA



AVERTISMENT

Purtați întotdeauna o mască împotriva prafului atunci când operați astfel de unelte. Nerespectarea acestor indicații poate avea ca rezultat rănirea gravă.



AVERTISMENT

Purtați întotdeauna ochelari de protecție sau ochelari cu protecții laterale atunci când operați astfel de produse.

În caz contrar, vă expuneți riscului ca anumite obiecte să vă fie aruncate în ochi și să rezulte în posibile răniiri grave.



AVERTISMENT

Nu utilizați niciun atașament sau accesoriu care nu este recomandat de producătorul acestui dispozitiv. Utilizarea atașamentelor sau accesoriile nerecomandate poate conduce la rănirea dumneavoastră gravă.

APLICAȚII

Puteți utiliza acest produs în scopurile descrise mai jos:

- Tăierea încrucișată umedă, tăierea prin spintecare și tăierea oblică a plăcilor fabricate manual și a materialelor naturale folosite la fabricarea plăcilor de faianță.
- Pentru tăierea uscată a materialelor anterior menționate, este necesară folosirea unui disc de tăiere special (care nu este furnizat).

Acest produs va suporta acumulatorii Li-ion Ryobi One+ de 18 V și acumulatorii Ni-Cad Ryobi One+ de 18 V.

Pentru instrucțiuni privind încărcarea completă, consultați Manualele de utilizare ale modelelor de încărcător și ale acumulatorilor Ryobi One+.

CARACTERISTICI DE PROTECȚIE A ACUMULATORULUI

Acumulatorii Li-ion RYOBI de 18 V sunt proiectați cu caracteristici care protejează celulele de Li-ion și maximizează durata de viață a acumulatorului. În anumite condiții de operare, aceste caracteristici integrate pot face ca acumulatorul și unealta pe care o alimentează să se comporte diferit față de acumulatorii Ni-Cad.

Pe parcursul unor aplicații, componentele electronice ale acumulatorului în pot transmite acestuia din urmă un semnal de oprire, ceea ce va face ca unealta să se oprească din funcționare. Pentru a reseta acumulatorul și unealta, eliberați declanșatorul și reluați operația normală.

Română

OPERAREA

NOTĂ: Pentru a preveni pe viitor oprirea acumulatorului, evitați forțarea uneltei.

În cazul în care eliberarea declanșatorului nu resetează acumulatorul și unealta, acumulatorul este complet descărcat. În cazul în care este descărcat, acumulatorul va începe să se încarce în momentul în care este plasat pe încărcătorul Li-ion.

INSTALAREA ACUMULATORULUI

A se vedea Figura 4.

- Plasați acumulatorul în unealtă. Aliniați nervura ridicată de pe acumulator cu canelura din interiorul uneltei, apoi glisați acumulatorul în unealtă.
- Asigurați-vă că elementele de blocare de pe fiecare parte a acumulatorului s-au înclinat în poziție și că acumulatorul este securizat în unealtă înainte de începerea utilizării.



AVERTISMENT

Atunci când asamblați piesele componente, realizați proceduri de reglare și curățare sau atunci când dispozitivul nu este în funcțiune, îndepărtați întotdeauna acumulatorul din cadrul uneltei dumneavoastră. Îndepărtarea acumulatorului previne pornirea accidentală care poate conduce la rănirea dumneavoastră gravă.

ÎNDEPĂRTAREA ACUMULATORULUI

A se vedea Figura 4.

- Identificați elementele de blocare de pe părțile laterale ale acumulatorului și apăsați-le pentru a elibera acumulatorul din unealtă.
- Scoateți acumulatorul din unealtă.

DISCURI DE TĂIERE

Cele mai bune discuri de tăiere nu vor tăia eficient dacă sunt tocite sau foarte uzate. Utilizarea unui disc tocit va pune o mare presiune pe unealtă. Păstrați la îndemână discuri suplimentare, astfel încât să aveți permanent la dispoziție discuri ascuțite.

PORNIREA/OPRIREA UNELTEI

A se vedea Figura 5.

Pentru a porni unealta:

- Apăsați butonul de blocare.
 - Apăsați declanșatorul comutator.
- Permiteți întotdeauna discului să atingă viteza maximă, apoi ghidați unealtă în piesa de lucru.

Pentru a porni unealta:

Eliberați declanșatorul comutator. După eliberarea declanșatorului comutator, permiteți discului să se oprească. NU scoateți unealta din piesa de lucru

în timp ce discul este în mișcare.

BUTONUL DE BLOCARE

A se vedea Figura 6.

Butonul de blocare reduce posibilitatea unei porniri accidentale. Butonul de blocare este situat pe mânerul de deasupra declanșatorului comutator. Butonul de blocare trebuie apăsat înainte de a trage declanșatorul comutator. Blocajul se resetează de fiecare dată când declanșatorul este eliberat.

NOTĂ: Puteți apăsa butonul de blocare fie de pe partea dreaptă, fie de pe partea stângă.

REGLAREA ADÂNCIMII DE TĂIERE A DISCULUI

A se vedea Figura 7.

Păstrați întotdeauna setarea adâncimii de tăiere a discului la valoarea corespunzătoare. Setarea corectă a adâncimii de tăiere a discului pentru toate tăieturile nu trebuie să depășească 6,35 mm sub cea a materialului ce urmează a fi tăiat. O adâncime de tăiere mai mare va amplifica posibilitatea producerii acțiunii de recul și va face ca tăietura să fie nefinisată. Pentru o mai mare precizie a adâncimii de tăiere, pe consola din spate se găsește o gradație.

- Eliberați butonul de reglare a adâncimii.
- Determinați adâncimea de tăiere dorită.
- Identificați gradația pentru adâncimea de tăiere de pe consola din spate.
- Împingeți suprafața plană a suportului înspre piesa de lucru și ridicați și coborâți unealta până când semnul indicatorului de pe consolă se aliniază cu officul protecției discului.
- Strângeți butonul rotativ pentru reglarea adâncimii în mod securizat.

OPERAREA MAȘINII DE TĂIAT

A se vedea Figura 8 - 9.

Este importantă înțelegerea metodei corecte de operare a mașinii de tăiat. Consultați imaginile din această secțiune pentru a afla modalitățile corecte și incorecte de manipulare a acestei unelte.



AVERTISMENT

Când ridicați unealta din piesa de lucru, discul este expus pe partea inferioară a uneltei.

Pentru a efectua cea mai bună tăietură posibilă:

- Țineți unealta ferm cu ambele mâini.
- Evitați să puneți mâna pe piesa de lucru în timpul efectuării unei tăieturi.
- Susțineți piesa de lucru astfel încât tăietura (fanta) să fie întotdeauna pe partea dumneavoastră.
- Susțineți piesa de lucru în apropierea locului de tăiere.
- Prindeți în siguranță piesa de lucru astfel încât aceasta să nu se deplaseze în timpul tăierii.
- Întotdeauna plasați unealta pe piesa de lucru care este susținută, nu pe suportul de "tăiere".

Română

OPERAREA

- Plasați piesa de lucru cu partea "bună" cu fața în jos.
- Trasați o linie de ghidare de-a lungul liniei dorite de tăiere înainte de a începe să tăiați.

EFFECTUAREA TĂIETURILOR

Trasați întotdeauna linie pe care va fi făcută tăietura utilizând un marker sau un creion. Dacă placa este lucioasă și greu de marcat, plasați o bandă de acoperire pe placă și marcați banda.

O problemă des întâlnită atunci când sunt tăiate plăci o constituie abaterea de la linia marcată. Dacă v-ați abătut de la marcaj, nu puteți forța discul înapoi pe linie prin răscucirea plăcii. Însă, reluați și tăiați din nou placa îndepărtând partea mică a plăcii până când discul revine pe linia dorită.

Pentru a evita această problemă, utilizați o riglă de ghidare ori de câte ori este posibil pentru a face tăieturi încrucișate sau îmbinate.

Dacă se dorește tăierea umedă, această operați trebuie efectuată în aer liber.

ÎNTREȚINERE



AVERTISMENT

Nu utilizați decât piese de schimb originale Ryobi în cazul reparațiilor. Utilizarea altor piese poate prezenta pericol sau poate deteriora aparatul.

Nu utilizați solvenți pentru curățarea pieselor din plastic. Majoritatea materialelor plastice pot fi deteriorate prin utilizarea unor solvenți vânduți în comerț. Utilizați o cârpă curată pentru a curăța murdăriile, praful, urmele de ulei și de vaselină etc.



AVERTISMENT

Elementele din plastic nu trebuie să intre niciodată în contact cu lichid de frână, benzină, produse petroliere, uleiuri etc. Aceste produse chimice conțin substanțe care pot distruge, fragiliza sau deteriora plasticul.

Nu cereți prea multe de la mașinile dumneavoastră. Utilizările abuzive pot defecta mașina precum și piesa pe care o prelucrați.



AVERTISMENT

Nu încercați să modificați aparatul sau să-i adăugați accesorii a căror utilizare nu este recomandată. Astfel de transformări sau modificări reprezintă o utilizare abuzivă și sunt susceptibile să creeze situații periculoase care pot provoca răniri corporale grave.

PROTECȚIA MEDIULUI ÎNCONJURĂTOR



Reciclați materiile prime în loc să le aruncați la gunoi, împreună cu deșeurile menajere. Pentru a proteja mediul înconjurător, mașina, accesoriile acesteia și ambalajele trebuie triate.

SIMBOL



Avertizare de siguranță

V

Volți

min⁻¹

Rotații sau mișcări rectilinii alternative pe minut



Curent continuu



Conform CE



Vă rugăm citiți instrucțiunile cu atenție înainte de pornirea aparatului.



Purtați echipamente de protecție a auzului



Purtați echipamente de protecție a vederii



Reciclare nedorită



Deșeurile produselor electrice nu trebuie sc în lăturate împreună cu deșeurile casnice. Vă rugăm reciclați acolo unde există facilități. Verificați la autoritatea dvs locală sau la vânzător pentru sfaturi privind reciclarea.

Latviski

SPECIFISKIE DROŠĪBAS NOTEIKUMI

- **BĪSTAMI!** Turiet rokas atstātus no zāgēšanas zonas un ripas. Turiet savu otru roku uz papildu roktura vai motora korpusa. Ja abas rokas tur zāģi, tad tajās nevar iezāģēt ar ripu.
- **Nesniedzieties zem sagataves.** Aizsargs nevar pasargāt jūs no ripas zem sagataves.
- **Noregulējiet griešanas dziļumu līdzvērtīgi sagataves biežumam.** Zem sagataves jābūt redzamam mazāk par pilnu zobu.
- **Nekādā gadījumā neturiet zāģējamo sagatavi rokās vai pāri kājām.** Piestipriniet sagatavi pietabilas pamatnes. Ir svarīgi pareizi atbalstīt sagatavi, lai mazinātu ķermeņa atsegu, ripas ķeršanos vai kontroles zaudēšanu.
- **Darbos, kuros instruments var saskarties ar slēptiem vadiem un savu barošanas vadu, turiet instrumentu tikai aiz izolētajām satveršanas virsmām.** Saskaņā ar strāvu vadošajām vietām padarīs arī atklātās metāla daļas vadošas un radīs operatoram elektrisko triecienu.
- **Zāģējot šķērseņiski, izmantojiet vadlīnēlu vai vadotni ar taisnu malu.** Tas uzlabo griezuma precizitāti un mazina ripas ķeršanos risku.
- **Obligāti izmantojiet pareiza izmēra un formas (rombeida vai trīsstūrveida zobu) zobus.** Ripas, kuru forma neatbilst zāģa stiprināšanas ietaisēm, kustēsies ekscentriski, kas mazina kontroli pār zāģi.
- **Nedrīkst izmantot bojātas vai nepareizas paplāksnes vai skrūves.** Ripas paplāksnes un skrūves ir speciāli izstrādātas šim zāģim optimālam sniegunam un drošībai.
- **Atsitiens iemesli un tā novēršana:**
 - atsitiens ir pēkšņa reakcija uz iespiestu, ieliektu vai nepareizi noregulētu zāģa ripu, kas var pasist nepietiekami labi novadītu zāģi uz augšu un ārā no sagataves pret operatoru;
 - kad ripu iespiež vai ieliec iegriezuma saspiešanās, ripa tiek bremzēta, un motora reakcija strauji virza instrumentu atpakaļ pret operatoru;
 - ja ripa tiek saliekta vai izregulējas griezumā, ripas zobi var iecirsties materiāla augšējā virsmā, liekot tai izlekt no griezuma pret operatoru.
- Atsitiens rodas no zāģa nepareizas lietošanas un/vai nepareizas darba procedūras vai apstākļiem; no tā var izvairīties, veicot pareizus drošības pasākumus.
- **Turiet zāģi stingri un novietojiet rokas tā, lai tās noturētu pret potenciālo atsitienu.** Novietojiet ķermeni abās ripas pusēs, bet ne vienā līnijā ar ripu. Atsitiens var likt zāģim atlekt atpakaļ, bet operators var kontrolēt tā spēkus, ja tiek veikti pareizi drošības pasākumi.
- **Kad ripa ķeras vai zāģēšana tiek pārtraukta kādu citu iemeslu dēļ, atļaidiet slēdža mēlīti un turiet zāģi nekustīgi materiālā, līdz ripa pilnībā apstājas.** Nekādā gadījumā nedrīkst izcelt zāģi no sagataves vai likt

zāģi atpakaļ, kamēr ripa kustās, jo tas var izraisīt atsitienu. Izpētiet, kādi iemesli izraisa ripas ķeršanos, un novērsiet tos.

- **Kad atkārtoti ieslēdzat zāģi, kas atrodas sagatavē, centrējiet ripu griezumā un pārbaudiet, vai ripas zobi nav ieķērušies materiālā.** Ja zāģripa ieķeras, zāģi atkal iedarbinot, tā var plāksnes vai atlekt atpakaļ no sagataves.
- **Atbalstiet lielas plāksnes, lai mazinātu risku, ka ripa ieķersies griezumā un atstīsies atpakaļ.** Lielas plāksnes parasti liecas no sava svara. Balstu jānovieto zem plāksnes abās pusēs zāģējuma līnijai un plāksnes malas tuvumā.
- **Nelietojiet ripas ar neasinātiem zobiem vai bojātas ripas.** Neasinātas vai nepareizi iestatītas ripas rada šauru zāģējuma eju, kas rada pārāk lielu berzi, ripas ķeršanos un atsitienu.
- **Ripas dziļumu un leņķa regulēšanas fiksatoriem jābūt droši pievilktiem, pirms sākt zāģēšanu.** Ja zāģēšanas procesā ripas ieregulējums novirzās, tā var saķerties un atstīsies atpakaļ.
- **Veicot "iegremdējošus zāģējumus" sienās vai citu plakānu virsmu vidū, esiet sevišķi uzmanīgs.** Izvirzījusies ripa var atdurties pret objektiem, kas var izraisīt atsitienu.
- **Pirms katras izmantošanas pārbaudiet, vai kustīgais aizsargs pareizi aizveras. Nelietojiet zāģi, ja kustīgais aizsargs brīvi nekustas un uzreiz neaizveras.** Nekādā gadījumā nefiksējiet kustīgo aizsargu atvērta pozīcijā. Ja zāģis nejauši nokrīt, kustīgais aizsargs var saliekties. Paceliet kustīgo aizsargu ar atvelkamo rokturi un pārbaudiet, vai tas kustās brīvi un nepieskaras ripai vai citai daļai – jebkurā leņķī un griezuma dziļumā.
- **Pārbaudiet kustīgā aizsarga atsperes darbību. Ja aizsargs un atsperē nedarbojas pareizi, tiem pirms lietošanas jāveic apkope.** Kustīgais aizsargs var darboties lēni dēļ bojātām daļām, sveķu nosēdumiem vai grūžu uzkrāšanās.
- **Apakšējo aizsargu var drīkst manuāli nolaist tikai speciāliem zāģējiem, piemēram, "iegremdēšanas" un "kombinēto leņķu" zāģējiem.** Paceliet kustīgo aizsargu ar atvelkamo rokturi un, tiklīdz ripa iekļūst materiālā, atļaidiet kustīgo aizsargu. Visiem citiem zāģēšanas darbiem kustīgajam aizsargam jāļauj atvirzīties pašam.
- **Vienmēr pārliecinieties, vai kustīgais aizsargs apsedz ripu, pirms novietot zāģi uz sola vai gridas.** Nenosegta, kustīga ripa tiks zāģim virzīties atpakaļ, iezāģējot visā, kas gadsies tā ceļā. Nemiet vērā laiku, kas nepieciešams, lai ripa pēc slēdža mēlītes atlaišanas apstātos.

APRAKSTS

1. Drošinātāja poga
2. Vārpstas bloķētājs
3. Leņķa lineāla skala

Latviski

APRAKSTS

4. Leņķa fiksators
5. Malas vadotnes fiksators
6. Zāgrīpa
7. Paliktnis
8. Plūsmas regulators
9. Ūdens pudeles atbrīvošanas poga
10. Ūdens pudele
11. Dzijuma fiksators
12. Ripas uzgriežņa glabātuve
13. Akumulators (nav kompl.)
14. Slēdža mēlīte
15. Iekšējā ripas paplāksne
16. Ripa
17. Ārējā ripas paplāksne
18. Ripas skrūve
19. Nepareizs atbalstīšanas paņēmieni
20. Pareizs atbalstīšanas paņēmieni

MONTĀŽA

ŪDENS PUDELES AR GRAVITĀCIJAS PADEVI PIESTIPRINĀŠANA

Skatiet 2. att.

Gravitācijas padeves ūdens pudelei ir iebūvēts ventilis, kas izlīdzina spiedienu un ļauj ūdenim plūst brīvāk.

- Atvienojiet akumulatoru.
- Izskrūvējiet sprauslas mezglu.
- Uzpildiet ūdens pudeli līdz vajadzīgajam līmenim. Neuzpildiet par daudz.
- Nomainiet sprauslas mezglu.
- Turiet ūdens pudeli tā, lai sprausla būtu vērsta uz leju.

PIEZĪME: Ūdens neizklūs no pudeles, izņemot, ja tiek nospiests sprauslas uzgalis.

- Ievietojiet ūdens pudeli, kā parādīts attēlā. Maigi uzspiediet uz pudeles, līdz tā ar klikšķi nofiksējas savā vietā.
- Lai izņemtu ūdens pudeli, nospiediet ūdens pudeles atbrīvošanas pogu.

PIEZĪME: Veicot sauso zāģēšanu, atstājiet ūdens pudeli uzstādītu, lai putekļi un gruži nenosprosto ūdens padeves sistēmu.



UZMANĪBU!

Ūdens pudele ir paredzēta tikai ūdenim. Jebkura cita šķidruma izmantošana var izraisīt instrumenta bojājumus.



BRĪDINĀJUMS

101,6 mm ir maksimālais šī zāga ripas izmērs. Kā arī nekādā gadījumā neizmantojiet zāgrīpu, kas ir pārāk bieza un neļauj ārējai ripas paplāksnei saķerties ar vārpstu. Lielākas ripas saskarsies ar ripas aizsargu,

bet biežākas ripas neļaus ripas skrūvei piestiprināt ripu pie vārpstas. Abas šīs situācijas var izraisīt nopietnas traumas.



BRĪDINĀJUMS

Neizmantojiet zāgrīpas, kuru nomināls ir mazāks par šī instrumenta apgriezieniem. Šī brīdinājuma neievērošana var izraisīt traumas. Neizmantojiet ripas ar plaisām, iedobumiem vai zobiem.



BRĪDINĀJUMS

Neizmantojiet zobu vai segmentu ripas. Izmantojiet tikai gludu malu dimanta ripas, kas piemēroti būvniecības materiāliem.

ZĀGRĪPAS UZSTĀDĪŠANA

Skatiet 3. att.

- Atvienojiet akumulatoru no zāga.
- Izņemiet no glabātuves ripas stienātslēgu (5 mm).
- Nospiediet vārpstas bloķēšanas pogu un noskrūvējiet ripas skrūvi un noņemiet ārējo ripas paplāksni.

PIEZĪME: Grieziet ripas skrūvi pulksteņrādītāja virzienā, lai noskrūvētu.



UZMANĪBU!

Lai izvairītos no vārpstas vai tās bloķētāja bojāšanās, ļaujiet, lai motors pilnībā apstātos, pirms ieslēgt vārpstas bloķētāju.

PIEZĪME: Nedarbiniet ripzāģi, kamēr vārpstas bloķētājs ir ieslēgts.

- Iesmērējiet eļļas pili uz ripas iekšējās un ārējās paplāksnes vietās, kur tās saskaras ar ripu.

BRĪDINĀJUMS

Ja iekšējā ripas paplāksne ir noņemta, uzlieciet to, pirms uzstādīt uz vārpstas ripu. Ja tas netiks izdarīts, pastāv traumatisma bīstamība, jo ripa netiks pareizi piestiprināta.

- Uzlieciet ārējo ripas paplāksni.
- Nospiediet vārpstas bloķēšanas pogu, pēc tam uzskrūvējiet ripas skrūvi. Droši pievelciet ripas skrūvi, griežot pretēji pulksteņrādītāja kustības virzienam.
- Nolieciet ripas stienātslēgu atpakaļ glabātavē.

PIEZĪME: Nekādā gadījumā neizmantojiet zāgrīpu, kas ir pārāk bieza un neļauj ārējai ripas paplāksnei saķerties ar vārpstu.

SPECIFIKĀCIJAS

Spriegums	18 V ---
Ripas diametrs	102 mm
Ripas vārpsta	15,9 mm
Zāģēšanas dziļums 0° leņķī	22,2 mm
Zāģēšanas dziļums 45° leņķī	15,9 mm

Latviski

SPECIFIKĀCIJAS

Apgrīzieni bez slodzes	4500 apgr./min
Ripas tips	Gludas virsmas dimanta ripa
Svars (bez akumulatora)	2,6 kg

MODELIS	AKUMULATORS (nav kompl.)	SADERĪGS LĀDĒTĀJS (nav kompl.)
LTS180	BPL-1820 BPL-1815	BCL-1800 BCS618 BCL1418%< BCL1418 BCL1418* <
	BPP-1815 BPP-1815M BPP-1817 BPP-1817M	BCA-180 BCL-1800 BCL1418%< BCS618 BCL1418* < BCL1418 BC-1815S BC-1800

EKSPLUATĀCIJA



BRĪDINĀJUMS

Strādājot ar flīžu zāģiem vienmēr valkājiet putekļu masku. Ja tas netiek izdarīts, var rasties nopietnas traumas.



BRĪDINĀJUMS

Strādājot ar produktu, obligāti valkājiet aizsargbrilles ar sānu aizsargiem. Šīs instrukcijas neizpildīšanas rezultātā jūsu acīs var nonākt no urbja lidojošie priekšmeti, kas var izraisīt nopietnas acu traumas.



BRĪDINĀJUMS

Neizmantojiet piederumus, kas nav paredzēti lietošanai ar šo produktu. Šim produktam neparedzētu piederumu lietošana var izraisīt nopietnas traumas.

PIELIETOJUMS

Jūs varat izmantot šo produktu šeit uzskaitītajiem mērķiem:

- Mitrā šķēršeniskā zāģēšana, gareniskā zāģēšana un zāģēšana leņķī – ražotām flīzēm, bruģakmeņiem un dabiskā akmens flīzēm.
- Iepriekšminēto materiālu sausai zāģēšanai nepieciešama speciāla zāģripa (nav kompl.).

Šis produkts darbosies ar Ryobi One+ 18V litija jonu akumulatoriem un Ryobi One+ 18 V niķeļa-kadmija akumulatoriem.

Skatiet pilnas lādēšanas instrukcijas sava Ryobi One+ akumulatora un lādētāja modeļu lietošanas rokasgrāmatas.

AKUMULATORA AIZSARGIETAISĒS

RYOBI 18 V litija jonu akumulatoriem ir ietaises, kas aizsargā litija jonu elementus un maksimāli palielina akumulatoru kalpošanas mūžu. Noteiktos darba apstākļos šīs iebūvētās ietaises var likt akumulatoram un tā barotajam instrumentam darboties citādi kā niķeļa-kadmija akumulatoriem.

Noteiktos apstākļos akumulatora elektroniskā sistēma var dot tam signālu izslēgties, kas apturēs instrumenta darbību. Lai atiestatītu akumulatoru un instrumentu, atļaidiet mēlīti un turpiniet normālu darbību.

PIEZĪME: Lai nepieļautu atkārtotu akumulatora izslēgšanos, nepārslogojiet instrumentu.

Ja slēdža atlaišana neatiestata akumulatoru un instrumentu, akumulators izlādējas. Ja tas ir izlādējies, pēc pieslēgšanas litija jonu lādētājam sāksies akumulatora uzlāde.

AKUMULATORA UZSTĀDĪŠANA

Skatiet 4. att.

- Pievienojiet akumulatoru zāģim. Savietojiet akumulatora izcilni ar zāģa gropi, pēc tam pievienojiet akumulatoru zāģim.
- Pārliedzieties, ka fiksācijas mēlītes abās akumulatora pusēs ir pareizi nofiksētas, un akumulators pirms lietošanas ir droši nostiprināts pie zāģa.



BRĪDINĀJUMS

Kad montējat kādas daļas, veicat regulēšanas darbus, veicat tīrīšanu vai nelietojat izstrādājumu, obligāti jāatvieno no izstrādājuma akumulators. Akumulatora atvienošana novērsīs nejašu iedarbināšanu, kas varētu izraisīt nopietnas traumas.

AKUMULATORA NOŅĒMŠANA

Skatiet 4. att.

- Atrodiet mēlītes abās akumulatora pusēs un nospiediet tās abas, lai atvienotu akumulatoru no zāģa.
- Atvienojiet akumulatoru no zāģa.

ZĀĢRIPAS

Pat labākās zāģripas nezāģēs efektīvi, ja tās būs trulas vai nodilušas. Trulas ripas lietošana radīs ļoti lielu slodzi uz zāģa. Glabājiet rezerves ripas, lai jums vienmēr būtu pieejamas asas ripas.

Latviski

EKSPLUATĀCIJA

ZĀGA IESLĒGŠANA/IZSLĒGŠANA

Skatiet 5. att.

Lai ieslēgtu zāgi:

- Nospiediet drošības pogu.
- Nospiediet slēdža mēlīti.

Vienmēr atļaujiet ripai sasniegt pilnus apgriezienus un tikai tad virziet to sagatavē.

Lai izslēgtu zāgi: Atļaidiet slēdža mēlīti.

Pēc tam, kad esat atļaidis slēdža mēlīti, ļaujiet ripai pilnībā apstāties. NEIŽŅĒMIET zāgi no sagataves, kamēr ripa kustās.

DROŠĪBAS POGA

Skatiet 6. att.

Drošības poga mazina nejaušas ieslēgšanas risku. Tā atrodas uz roktura virs slēdža mēlītes. Drošības poga jānospiež, pirms nospieš slēdža mēlīti. Drošības sistēma atiestatās katru reizi, kad tiek atlaista mēlīte.

PIEZĪME: Jūs varat nospiegt drošības pogu no kreisās vai labās puses.

RIPAS DZIĻUMA REGULĒŠANA

Skatiet 7. att.

Vienmēr noregulējiet pareizu ripas dziļumu. Pareizs ripas dziļuma iestatījums nekādiem zāgēšanas darbiem nedrīkst pārsniegt 6,35 mm zem zāgētā materiāla. Lielāks zāgēšanas dziļums palielina atsitiena risku un padara zāgējumu rupjāku. Lai uzlabotu zāgējuma dziļuma precizitāti, uz aizmugurējā kronšteina atrodas dziļuma lineāls.

- Palaidiet valīgāk dziļuma regulēšanas fiksatoru.
- Nosakiet vajadzīgo zāgējuma dziļumu.
- Nosakiet zāgējuma dziļumu uz aizmugurējā kronšteina lineāla.
- Novietojiet pamatni plakaniski uz sagataves un paceliet vai nolaidiet zāgi, līdz atzīme uz kronšteina atrodas pret atzīmi uz ripas aizsarga.
- Pievelciet dziļuma regulēšanas fiksatoru.

ZĀGA EKSPLUATĀCIJA

Skatiet 8-9. att.

Svarīgi izprast, kā pareizi lietot zāgi. Apskatiet šīs sadaļas attēlus, lai izprastu, kā pareizi un nepareizi rīkoties ar zāgi.



BRĪDINĀJUMS

Kad paceljat zāgi no sagataves, ripa zāga apakšpusē ir atsegtā.

Lai zāgējums būtu pēc iespējas kvalitatīvs:

- Turiet zāgi stingri abās rokās.
- Izvairieties no rokas likšanas uz sagataves zāgēšanas laikā.
- Atbalstiet sagatavi tā, lai atgriezums vienmēr atrastos jūsu pusē.
- Atbalstiet sagatavi griezuma vietas tuvumā.

- Droši piestipriniet sagatavi ar spilēm, lai zāgēšanas laikā tā neizkustētos.
- Vienmēr novietojiet zāgi uz atbalstītās sagataves, nevis uz nozāgētās daļas.
- Novietojiet sagatavi ar „smuko” pusi uz leju.
- Pirms zāgēšanas atzīmējiet vēlamu zāgējuma trajektoriju ar līniju.

ZĀGĒŠANA

Vienmēr novelciet uz flizes zāgēšanas līniju, izmantojot marķieri vai vaska zīmuli. Ja flīze ir glancēta, un uz tās ir grūti atstāt atzīmes, uzlīmējiet uz tās līplenti un veiciet atzīmi uz tās.

Raksturīga problēma, zāgējot flizes, ir novirzīšanās no atzīmētās līnijas. Ja esat novirzījies no atzīmes, nav iespējas atgriezt ripu atpakaļ pie atzīmes, sagriežot flīzi. Tā vietā pavelciet zāgi atpakaļ un zāgējiet no jauna, nozāgējot nelielu gabaliņu flizes, līdz zāgējums atkal atbilst atzīmei.

Lai izvairītos no šīs problēmas, pēc iespējas izmantojiet taisnas malas vadotni, veicot šķērszāgējumus un garenzāgējumus.

Ja vēlams veikt mitro zāgēšanu, tā jāveic ārā.

APKOPE



BRĪDINĀJUMS:

Kad apkalpojat, izmantojiet tikai identiskas Ryobi rezerves daļas. Jebkādu citu daļu lietošana var radīt bīstamību vai izraisīt izstrādājuma bojājumu.

Izvairieties lietot šķīdinātājus, kad tirāt plastmasas daļas. Vairums plastmasu ir jūtīgas pret dažāda veida rūpnieciskajiem šķīdinātājiem un var tikt sabojātas tos lietojot. Izmantojiet tīru audumu, lai noņemtu netīrumus, putekļus, eļļu, ziedes utt.



BRĪDINĀJUMS:

Neļaujiet jebkurā laikā bremžu šķidrums, gāzoliem, naftas produktiem, asām eļļām utt. nonākt saskarē ar plastmasas daļām. Ķīmikālijas var sabojāt, novājināt vai iznīcināt plastmasu, kas var izraisīt nopietnas personīgās traumas.

Nelietojiet elektroierīces ļaunprātīgi. Ļaunprātīga rīcība var sabojāt ierīci, kā arī apstrādājamo gabalu.



BRĪDINĀJUMS:

Nemēģiniet pārveidot šo rīku vai izveidot piederumus, kas nav ieteikti lietošanai ar šo rīku. Jebkura tāda pārveidošana vai pārveidošana ir nepareiza lietošana un var izraisīt bīstamus apstākļus, kas var novest pie iespējamām nopietnām personīgām traumām.

Latviski

VIDES AIZSARDZĪBA



Tā vietā, lai materiālus izmestu, nododiet tos atkārtotai realizācijai. Mašīna, aksesuāri un iepakojums ir jāsašķiro un jānodod videi draudzīgā atkārtotas pārstrādes vietā.



SIMBOLS



Drošības brīdinājums

V Volti

min⁻¹ Apgriezieni vai riņņojumi minūtē

⎯⎯⎯ Līdzstrāva



CE atbilstība



Pirms iedarbināt mašīnu, lūdzu rūpīgi izlasiet instrukcijas.



Lietojiet dzirdes aizsargus



Valkājiet acu aizsarglīdzekļus



Pārstrādājiet nevajadzīgos izstrādājumus



Izlietotie elektroprodukti nedrīkst tikt izmesti kopā ar mājāsaimniecības atkritumiem. Lūdzu, nododiet tos attiecīgajās atkārtotas izmantošanas vietās. Sazinieties ar savu vietējo varas pārstāvi vai izplatītāju, lai noskaidrotu, kur iespējama atkārtota pārstrāde.

Lietuviškai

SPECIALIOS SAUGOS TAISYKLĖS

- **PAVOJUS!** Rankas laikykite toliau nuo pjovimo zonos ir geležtės. Kitą ranką laikykite ant papildomos rankenos ar variklio korpuso. Jei abiejomis rankomis laikysite pjūklą, pjovimo diskas rankų neįpjaus.
 - **Rankų neikiškite po ruošiniu.** Apsauginis gaubtas jūsų rankų nuo disko po ruošiniu apsaugoti negali.
 - **Pjovimo gylį nustatykite pagal ruošinio storį.** Po ruošiniu turi būti matomas ne visas disko dantukas
 - **Niekada pjaunamo ruošinio nelaikykite rankose ar ant kojų.** Ruošinį pritvirtinkite prie stabilaus darbo paviršiaus. Ruošinį svarbu gerai atremti, siekiant sumažinti pavojų jūsų kūnui, geležčių sukibimą ar pjūklo nesuvaldymą.
 - **Elektrinį įrankį laikykite už izoliuotų laikymo paviršių, kad darbo metu pjovimo įrankis nesusiliestų su paslėptais laidais ar paties pjūklo laidu.** Kontaktas su prijungtu prie maitinimo šaltinio laidu taip pat aktyvuoja metalines įrankio detales ir gali sukelti operatoriui elektros smūgį.
 - **Pjaunant išilgai būtina visada naudoti išilginio pjovimo kreiptuvą ar tiesų kraštų kreiptuvą.** Tokiu būdu užtikrinamas pjovimo tikslumas ir sumažinamas disko užsikirtimas.
 - **Visada naudokite veleno angų diskus tinkamo dydžio ir formos (rombo formos, o ne apvalių).** Diskai, nepritaikyti pagal pjūklo montavimo detales, suksis ekscentriškai, dėl to pjūklo nesuvaldysite.
 - **Niekada nenaudokite pažeistų ar neteisingų diskų poveržlių ar varžtų.** Disko poveržlės ir varžtai yra specialiai pagaminti jūsų pjūklui, siekiant geriausių pjovimo rezultatų ir saugumo pjaunant.
 - **Atatranks priežastis ir operatoriaus apsauga:**
 - atatranka yra staigi reakcija į suspaustą, šokinėjantį ir nelygų diską, kai nevaldomas pjūklas pakeliamas nuo ruošinio link operatoriaus;
 - kai diskas smarkiai suspaudžiamas ar priveržtas įpjovai užsidarant, diskas įstringa ir variklis pjūklą veda staiga atgal link operatoriaus;
 - jei diskas išsikreipia ar tampa nelygus pjaunant, galinio krašto disko dantukai gali įpjauti viršutinį medienos sluoksnį, tokiu būdu paversdami diską išslysti iš prapjovos ir staiga pasislinkti atgal link operatoriaus.
- Atatranka yra netinkamo pjūklo naudojimo ir (ar) klaidingo darbo proceso ar sąlygų rezultatas. Jos galima išvengti laikantis atitinkamų žemiau išdėstytų apsaugos priemonių.
- **Pjūklą tvirtai laikykite abiem delnais, o rankas laikykite taip, kad jos išlaikytų atatrankso jėgą. Stovėkite vienoje ar kitoje disko pusėje, bet ne vienoje linijoje su disku.** Dėl atatrankso pjūklas gali atšokti atgal,

tačiau atgalinio smūgio jėgą operatorius gali suvaldyti, jei jis imasi tinkamų apsaugos priemonių.

- **Jei diskas kertasi ar dėl kitos priežasties trukdo normaliam pjovimui, atleiskite perjungiklį ir pjūklą ruošinyje laikykite jo nejudindami tol, kol diskas visiškai sustos.** Diskui sukantis niekada nebandykite pjūklo iš ruošinio ištraukti ar jo traukti atgal, nes sukelsite atatranką. Nustatykite disko kirtimosi priežastis ir imkitės tinkamų veiksmų joms pašalinti.
- **Jei pjūklą ruošinyje paleidžiate iš naujo, diską nustatykite prapjovos viduryje ir patikrinkite, ar dantukai nėra įlindę į ruošinį.** Jei pjūklo diskas kertasi, iš naujo paleidus pjūklą, jis iš ruošinio gali iššokti ar smogti atgal.
- **Didelės plokštės paremkite, kad išvengtumėte disko suspaudimo ir atgalinio smūgio.** Dėl savo svorio didelės plokštės paprastai įlįnksta. Atramas būtina padėti iš abiejų plokštės pusių po plokštėmis, šalia pjovimo linijos bei plokštės kraštų.
- **Nenaudokite atšipusių ir pažeistų diskų.** Negaląsti ar netinkamai nustatyti diskai pjauna siaurą prapjovą, taip sukeldami per didelės trinties disko sukibimą ir atgalinį smūgį.
- **Prieš pradėdami pjauti, disko gylį ir kampainio užrakinimo rankenėles turi būti tvirtos ir saugios.** Jei pjovimo metu disko nustatymai pasikeičia, diskas gali užsikirsti ir sukelti atatranką.
- **Atlikdami vidinį pjovimą esančiose sienose ar kitose nematomose srityse, būkite ypač atsargūs.** Atsikišęs diskas gali įpjauti objektus, kurie gali sukelti atgalinį smūgį.
- **Prieš pradėdami darbą visada patikrinkite, ar apatinis apsauginis gaubtas tinkamai užspaustas.** Jei šis apatinis apsauginis gaubtas laisvai nejuda ir iškart uždaromas, pjūklo nenaudokite. Apatinio apsauginio gaubto niekada neužspauskite ar pritvirtinkite atviroje padėtyje. Jei pjūklą atsitiktinai numesite, apatinis apsauginis gaubtas gali sulinkti. Apatinį apsauginį gaubtą pakelkite ištraukiama rankena bei užtikrinkite, kad jis laisvai juda ir nesiliečia į diską ar bet kurią kitą detalę visais pjovimo kampais ir gyliais.
- **Patikrinkite apatinio apsauginio gaubto spyruoklės veikimą.** Jei gaubtas ir spyruoklė tinkamai neveikia, prieš naudojimą būtina atlikti jų techninę priežiūrą. Apatinis apsauginis gaubtas gali lėtai veikti dėl pažeistų detalių, sakų sankaupų ar susikaupusių atliekų.
- **Apatinį apsauginį gaubtą ištraukti rankomis reikia tik specialiam pjovimui, pvz. „vidiniam pjovimui“ ir „sudurtiniam pjovimui“.** Apatinį apsauginį gaubtą pakelkite, ištraukdami rankeną ir kai tik diskas įlenda į ruošinį, apatinį gaubtą atleiskite. Visiems kitiems pjovimo būdams, apatinis apsauginis gaubtas turi veikti automatiiniu būdu.

Lietuviškai

SPECIALIOS SAUGOS TAISYKLĖS

- **Prieš padėdami pjūklą ant suolelio ar grindų, visada patikrinkite, ar apatinis apsauginis gaubtas dengia diską.** Dėl neapsaugoto, laisvai besisukančio disko pjūklas gali slinkti atbula kryptimi bei pjauti visus jo kelyje esančius daiktus. Atminkite, kad atleidus jungiklį, diskui reikia laiko visiškai nustoti sukitis.

APRAŠYMAS

1. Blokavimo mygtukas
2. Veleno užraktas
3. Kampainio skalė
4. Kampainio užrakinimo rankenėlė
5. Briaunos kreiptuvo užrakinimo rankenėlė
6. Pjovimo diskas
7. Pagrindas
8. Srauto reguliavimo rankenėlė
9. Vandens butelio atleidimo mygtukas
10. Vandens butelis
11. Gylio užfiksavimo rankenėlė
12. Disko veržliarakčio laikymo skyrelis
13. Baterijos paketas (nepriedama)
14. Perjungiklis
15. Vidinė disko poveržlė
16. Ratas
17. Išorinė disko poveržlė
18. Disko varžtas
19. Neteisingas atramos metodas
20. Teisingas atramos metodas

MONTAVIMAS**GRAVITACINIO TIEKIMO VANDENS BUTELIO TVIRTINIMAS**

Žr. 2 pav.

Gravitacinio tiekimo vandens butelis yra pritvirtintas oro ventilacijos angoje, kuris išlygina slėgį ir leidžia vandeniui laisviau tekėti.

- Išimkite bateriją.
- Atsukite purkštuką.
- Vandens butelį pripildykite vandeniu iki pageidaujamo lygio. Nepripildykite per daug vandens.
- Įsukite butelio purkštuką.
- Vandens butelį laikykite taip, kad purkštukas būtų nukreiptas žemyn.

PASTABA: vanduo iš butelio neištekės, jei purkštuko galas yra nuspaustas.

- Vandens butelį įkiškite, kaip parodyta. Butelį lengvai spauskite žemyn, kol jis užsifiksuoja vietoje.
- Jei norite butelį išimti, paspauskite butelio atleidimo mygtuką.

PASTABA: atliekant pjovimą sausu būdu, vandens butelį palikite pritvirtintą, kad dulksė ir atliekos neužkištų vandens tiekimo sistemos.

**ATSARGIAI**

Vandens butelis yra skirtas tik pilti vandenį. Kitų skysčių naudojimas gali sugadinti įrankį.

**ĮSPĖJIMAS**

101,6 mm diskas yra didžiausias tinkamas diskas šioms pjovimo staklėms. Niekada nenaudokite per storo disko, dėl kurio išorinė disko poveržlė negali sukibti su ašies plokštuma. Didesni diskai liečiasi į disko apsauginį gaubtą, o storesnis diskas neleidžia jo varžtui tvirtai priveržti disko ant ašies. Bet kuri iš šių situacijų gali sukelti sunkų sužeidimą.

**ĮSPĖJIMAS**

Nenaudokite pjovimo diskų, kurių duomenys yra mažesni nei šio įrankio duomenys veikiant be apkrovos. Nepaisydami šių įspėjimų, galite sunkiai susižeisti. Nenaudokite įtrūkusių diskų ar diskų su plyšiais.

**ĮSPĖJIMAS**

Nenaudokite krumpliuotų ar segmentuotų diskų. Naudokite tik vientisus, ratlankinius deimantinius diskus, tinkamus naudoti mūro darbams.

PJOVIMO DISKO MONTAVIMAS

Žr. 3 pav.

- Išimkite iš įrankio baterijos paketą.
- Ištraukite disko veržliaraktį (5 mm šešiakampį raktą) iš jo laikymo skyrelio.
- Nuspauskite ašies užrakinimo mygtuką, ištraukite disko varžtą ir išorinę disko poveržlę.

PASTABA: disko varžtą ištraukti, jį sukite pagal laikrodžio rodyklę.

**ATSARGIAI**

Kad nesugadintumėte ašies ir jos užrakto, visada leiskite varikliui visiškai sustoti prieš užrakinami ašies užraktą.

PASTABA: pjūklą nenaudokite, kai ašies užraktas įjungtas.

- Ant vidinės ir išorinės disko poveržlių, toje vietoje, kur jos liečiasi į diską, užlašinkite lašelį alyvos.

**ĮSPĖJIMAS**

Jei vidinė disko poveržlė nuimta, prieš dėdami diską atgal ant ašies, poveržlę užmaukite atgal į jos vietą. **Ne padarę galite sunkiai susižeisti, nes diskas nebus tvirtai priveržtas.**

- Uždėkite išorinę disko poveržlę.

Lietuviškai

MONTAVIMAS

- Nuspauskite ašies užrakinimo mygtuką, tada vėl užsukite disko varžtą. Disko varžtą tvirtai priveržkite jį sukdamai prieš laikrodžio rodyklę.
 - Disko veržliaraktį įdėkite atgal į jo laikymo skyrelį.
- PASTABA:** niekada nenaudokite per storo disko, dėl kurio išorinė disko poveržlė negali sukibti su ašies plokštuma.

TECHNINIAI REIKALAVIMAI

Įtampa	18 V ---
Disko skersmuo	102 mm
Disko ašis	15,9 mm
Pjovimo gylis 0° kampu	22,2 mm
Pjovimo gylis 45° kampu	15,9 mm
Greitis be apkrovos	4,500 min ⁻¹
Disko tipas	Vientisas ratlankis Deimantinis diskas
Svoris (be baterijos paketo)	2,6 kg

MODELIS	BATERIJOS PAKETAS (nepriedama)	TINKAMAS ĮKROVIKLIS (nepriedama)
LTS180	BPL-1820 BPL-1815	BCL-1800 BCS618 BCL1418%< BCL1418 BCL1418' <
	BPP-1815 BPP-1815M BPP-1817 BPP-1817M	BCA-180 BCL-1800 BCS618 BCL1418%< BCL1418 BCL1418' < BC-1815S BC-1800

VEIKIMAS



ĮSPĖJIMAS

Dirbdami su plytelių pjovimo staklėmis, visada dėvėkite kaukę nuo dulkių. Priešingu atveju, galite sunkiai susižeisti.



ĮSPĖJIMAS

Darbo metu visada dėvėkite apsauginius akinius arba akinius su šonine apsauga. Nepasirūpinus tinkama akių apsauga, į jūsų akis gali patekti nuolaužų, kurios gali sunkiai sužeisti.



ĮSPĖJIMAS

Nenaudokite jokių priedų ar papildomų detalių, kurių nerekomenduoja šio produkto gamintojas. Naudodami nerekomenduojamas detales ar priedus, galite sunkiai susižeisti.

NAUDOJIMO SRITYS

Šį produktą galima naudoti šiems tikslams:

- Kryžminiame pjovime išlapiu būdu, išilginiam pjovimui, rankų darbo plytelių, akmens plytelių, natūralaus akmens plytelių pjovimui įstrižiniu būdu.
- Aukščiau nurodytų medžiagų pjovimui sausu būdu būtina naudoti specialų pjovimo diską (nepriedamas).

Šiam produktui tinka „Ryobi One+“ 18V ličio – jonų ir „Ryobi One+“ 18V nikelio – kadmio baterijų paketai.

Visos įkrovimo instrukcijos pateikiamos „Ryobi One+“ baterijos paketo ir įkroviklio modelių vartotojo vadovuose.

BATERIJOS APSAUGOS SAVYBĖS

„Ryobi“ 18V ličio-jonų baterijos pasižymi tokiomis savybėmis, kurios apsaugo ličio-jonų elementus ir prailgina baterijos tinkamumo naudoti laiką. Tam tikromis naudojimo sąlygomis šios baterijų savybės gali skirtis ir prietaisais, kuriame įmontuota tokia baterija, gali veikti kitaip, nei nikelio–kadmio baterija.

Kai kurių darbų metu baterijos elektroninis valdymas gali išjungti bateriją, todėl prietaisais taip pat nustos veikęs. Bateriją atstatyti į pradinę padėtį ir prietaisą vėl įjungti, atleiskite perjungiklį ir nustatykite normalų darbo režimą.

PASTABA: kad baterija dar kartą neišsijungtų, dirbdami su prietaisais, nenaudokite jėgos.

Jei atleidus perjungiklį, baterija ir prietaisai negrįžta į pradinę padėtį, baterija yra išsikrovusi. Jei baterija yra išsikrovusi, ją įkrausite, padėję ant ličio-jonų įkroviklio.

BATERIJOS PAKETO TVIRTINIMAS

Žr. 4 pav.

- Baterijos paketą įdėkite į pjūklą. Baterijos iškilniąją dalį nustatykite vienoje linijoje su pjūklo vidaus griovelėliu, po to bateriją įstumkite į pjūklą.
- Prieš pradėdami darbą, patikrinkite, ar fiksatoriai abiejose baterijos pusėse gerai užspausti ir ar baterija gerai įdėta į įrankį.



ĮSPĖJIMAS

Visada ištraukite bateriją iš prietaiso, kai surenkate detales, reguliuojate, valote prietaisą arba jo nenaudojate. Ištraukus bateriją, įrankis negalės atsitiktinai išjungti, nes tai galėtų jus sunkiai sužaloti.

BATERIJOS PAKETO IŠĖMIMAS

Žr. 4 pav.

- Nuspauskite abu fiksatorius, esančius abiejose baterijos paketo pusėse, kad bateriją iš įrankio galėtumėte išimti.

Lietuviškai

VEIKIMAS

- Išimkite iš įrankio baterijos paketą.

PJOVIMO DISKAI

Net ir geriausi pjovimo diskai tinkamai nepjaua, jei jie yra buki ar smarkiai nusidėvėję. Naudojant atbukusį diską, pjūklui nukreipiama per didelė apkrova. Visada šalia turėkite atsarginių aštrių pjovimo diskų.

PJŪKLO ĮJUNGIMAS IR IŠJUNGIMAS

Žr. 5 pav.

Pjūklą įjungti:

- Nuspauskite atrakinimo mygtuką.
- Nuspauskite perjungiklį.

Diskui visada leiskite išvystyti visą greitį, po to pjūklą įkiškite į ruošinį.

Pjūklo išjungimas: atleiskite perjungiklį.

Atleidę perjungiklį, palaukite, kol diskas visiškai nustos sukstis. Kol diskas sukasi, pjūklui ruošinio NEIŠTRAUKITE.

UŽRAKINIMO MYGTUKAS

Žr. 6 pav.

Užrakinimo mygtukas yra skirtas sumažinti atsiktinio įsijungimo tikimybę. Atrakinimo mygtuką yra ant rankenėlės virš perjungiklio. Atrakinimo mygtuką būtina nuspausti prieš įjungiant perjungiklį. Užraktas nustatomas iš naujo perjungiklį kiekvieną kartą atleidus.

PASTABA: atrakinimo mygtuką galite nuspausti iš kairės arba dešinės pusės.

DISKO PJOVIMO GYLIO NUSTATYMAS

Žr. 7 pav.

Teisingas disko pjovimo gylis turi būti visada nustatytas. Teisingas disko pjovimo gylis bet kokiam pjovimui niekada neturi viršyti 6,35 mm žemiau pjaunamo ruošinio. Didėnis disko pjovimo gylis padidina atatrakos tikimybę, o taip pat pjovimas yra nelygus. Siekiant pjovimo gylį tiksliau nustatyti, galiniame laikiklyje yra pritvirtinta matavimo skalė.

- Atlaisvinkite pjovimo gylio nustatymo rankenėlę.
- Nustatykite reikiamą pjovimo gylį.
- Galiniame laikiklyje suraskite matavimo skalę.
- Padą laikykite ant ruošinio horizontaliai ir pjūklą nuleiskite ar pakelkite, kol laikiklio žymeklis sulyginamas su grioveliu ant disko apsauginio gaubto.
- Pjovimo gylio nustatymo rankenėlę tvirtai priveržkite.

DARBAS SU PJOVIMO STAKLĖMIS

Žr. 8 - 9 pav.

Svarbu suprasti teisingą pjovimo staklių naudojimo būdą. Teisingus ir neteisingus darbo su pjovimo staklėmis būdus rasite šių vartotojo instrukcijų paveikslėliuose.

**ĮSPĖJIMAS**

Pjūklą keliant nuo pjaunamo ruošinio, pjovimo diskas yra atviras ir neapsaugotas pjūklo apačioje.

Kaip atlikti patį geriausią pjovimą:

- Pjūklą tvirtai laikykite abiem rankomis.
- Pjovimo metu niekada nedėkite rankų ant ruošinio.
- Ruošinį paremkite taip, kad pjovimo vieta (prapjova) būtų jūsų pusėje.
- Ruošinį prie pjovimo vietos visada paremkite.
- Ruošinį tvirtai suspauskite gnybtais taip, kad pjovimo metu jis nejudėtų.
- Pjūklą visada dėkite tik ant paremto ruošinio, o ne ant nupjautos dalies.
- Ruošinį padėkite jo gerąja puse žemyn.
- Prieš pradėdami pjauti, visada nubrėžkite liniją pagal reikiamą pjauti liniją.

KAIP ATLIKTI PJOVIMĄ

Žymekliu ar riebaliniu pieštuku nubrėžkite ant plytelės liniją, pagal kurią atliksite pjovimą. Jei plytelė blizgi ir ją sunku pažymėti, ant jos užklijuokite maskavimo juostą ir liniją nubrėžkite ant jos.

Dažna problema pjaunant plyteles yra nukrypimas nuo pažymėtos linijos. Nuo žymos nukrypus, disko jėga negalima grąžinti į pjovimo liniją pasukant plytelę. Vietoj to, stumkite pjūklą atbuline eiga ir plytelę pjaukite iš naujo, pašalindami tą mažą plytelės dalelę tol, kol diskas grįžta į pjovimo liniją.

Siekiant šios problemos išvengti, atlikdami kryžminį ar nuožambų pjovimą, jei tik įmanoma, naudokite tiesųjį briaunos kreiptuvą.

Jei norite atlikti pjovimą šlapiu būdu, tai darykite lauke.

TECHNINĖ PRIEŽIŪRA**ĮSPĖJIMAS**

Remontuodami, naudokite tik tokias pačias „Ryobi“ atsargines detales. Naudojant kitokias detales, išskyla pavojus ir galima sugadinti įrankį.

Valydami plastines dalis, nenaudokite tirpiklių. Daugumą plastikų galima sugadinti įvairiais komerciniais tirpikliais ir jų naudoti nebebus galima. Purvui, dulkešms, tepalui, alyvai ir pan. nuvalyti naudokite švarius audinius.

**ĮSPĖJIMAS**

Būkite atsargūs, kad ant plastikinių detalių nepatektų stabdžių skysčio, benzino, naftos turinčių produktų, tepalo ir pan. Juose yra chemikalų, kurie gali sugadinti, pažeisti arba susilpninti plastiką..

Neardykite elektros įrankių. Išardytos dalys gali sugadinti įrankį ir darbinę detalę.

**ĮSPĖJIMAS**

Nebandykite pakeisti šio įrankio konstrukcijos arba pridėti priedų, kurie nėra rekomenduojami naudoti su šiuo įrankiu. Tokie pakeitimai arba modifikacijos yra laikomi netinkamu naudojimu ir gali sukelti grėsmę smarkiai susižaloti.

Lietuviškai

APLINKOS APSAUGA



Žaliavines medžiagas perdirbkite pakartotinai, o ne išmeskite kaip atliekas. Mechanizmas, priedai ir pakuotės turi būti laikomi pakartotinai perdirbti aplinkai nekenksmingu būdu.

SIMBOLIAI

V	Voltai
min ⁻¹	Apsisukimai ar pasikeitimai per minutę
---	Nuolatinė srovė



CE suderinimas



Atidžiai perskaitykite instrukcijas prieš pradėdami naudoti mechanizmą.



Dėvėkite klausos apsaugos priemones



Dėvėkite akių apsaugos priemones



Perdirbkite nereikalingus daiktus



Elektrinių produktų atliekos neturi būti metamos kartu su namų ūkio atliekomis. Prašome perdirbkite jas ten, kur yra tokios perdirbimo bazės. Dėl perdirbimo patarimo kreipkitės į savo vietinę savivaldybę ar pardavėją.

Eesti

OHUTUSE ERINÕUDED

- **OHT! Hoidke käed saagimispiirkonnast ja saekettast eemal. Hoidke oma teist kätt lisakäepidemel või mootori korpusel.** Kui saagi hoida kahe käega, siis ei saa oma käsi ohtu seada.
 - **Ärge sirutage oma kätt tooriku alla.** Kaitse ei saa teid kaitsta löikeketta eest tooriku all.
 - **Reguleerige löikesügavust välja vastavalt tooriku paksumusele.** Tooriku alt peaks löikekettast välja paistma vähem kui ühe hamba kõrgus.
 - **Ärge mingil juhul hoidke lõigatavat detaili oma käes või jala peal. Kinnitage toorik kindlale alusele.** Kinnitamine on väga oluline selleks, et vältida kehaga kokkupuutumise või haakumise ohtu ja kontrolli kaotamist sae üle.
 - **Töötamisel kohtades, kus löikeketas võib kokku puutuda süvistatud elektrijuhtmetega, hoidke tööriista kinni ainult isoleeritud käepidemetest.** Sattudes kontakti pingele all olevate juhtmetega, jäävad sae isoleerimata metallosad samuti pingele alla ja kasutaja võib saada elektrilöögi.
 - **Pikisaagimisel kasutage alati juhtjoonlauda või servajuhikut.** Sellega paraneb löiketäpsus ja väheneb võimalus löikeketta kinnijäämiseks.
 - **Kasutage ainult õiget mõõtu ja õige (teemantketta, mitte saeketta) völliavaga saeketast.** Sae kinnitusdetailidega mittesobivad löikekettad pöörlevad ekstsentriliselt ja põhjustavad sellega kontrolli kadumist sae üle.
 - **Ärge kasutage mingil juhul vigastatud või mittesobivaid kettaäärkuid või polte.** Ainult kompleksis olevad kettaäärkud ja polt on sellele saele sobivad ning need tagavad optimaalse tootluse ja tööohutuse.
 - **Tagasilöökide põhjused ja juhised nende vältimiseks:**
 - tagasilöök on löikeketta ootamatu reaktsioon, mis on tingitud kinnijäämisest, haardumisest või ekstsentrilisusest ja põhjustab sae toorikust väljatõusmist kasutaja poole;
 - kui löikeketas on kinni jäänud või haardunud saetee kitsenemise tõttu, siis löikeketas seiskub ja mootori jõumoment paiskab sae kiiresti tagasi kasutaja suunas;
 - kui löikeketas saetees vändub või sellest hällib, siis võib löikeketta hamba tagaserv siseneda materjali ülapiinna sisse ja põhjustada löikeketta saetee ülestõusmise ning paiskuda kasutaja suunas.
- Tagasilöök on sae väära kasutamise, ebaõigete töövõtete või tööks mittevastavate töötingimuste tulemus ja seda saab vältida allpool esitatud ettevaatusabinõude rakendamisega.
- **Hoidke sae mõlemast käepidemest tugevasti kinni ja seadke käsivarred tagasilöögiõududele vastuvõtmiseks sobivasse asendisse. Seiske löikeketta kõrvale, mitte löikeketta suunas.** Tagasilöök võib

põhjustada sae tagasipaikumise, aga kasutaja saab õigeid ettevaatusabinõusid rakendades tagasilöögiõudusid siiski hallata.

- **Kui löikeketas jääb kinni või lõikamine mingil muul põhjusel katkeb, vabastage lüliti ja hoidke saagi liikumatuna tooriku sees seni kui löikeketas täielikult seiskub. Ärge püüdke võtta löikekettast toorikust välja või tõmmata saagi tagasi löikeketta liikumise ajal, muidu võib ilmnedagi tagasilöök.** Uurige löikeketta kinnijäämise põhjusi välja ja võtke meetmeid selle kõrvaldamiseks.
- **Kui tooriku sees oleva sae uuesti käivitade, seadke löikeketas saetee teljele ja kontrollige, et saehambad ei ole tooriku materjalis kinni.** Kui löikeketas on sae uuesti käivitamisel kinni, siis võib saag üles tõusta või anda toorikult tagasilöögi.
- **Toetage suuri plaate, et minimeerida löikeketta kinnijäämise ning tagasilöögi riski.** Suurtel plaatidel on kalduvus oma raskuse all läbi vajuda. Toed tuleb paigutada plaadi alla, mõlemale küljele löikejoone lähedale ja plaadi äärte alla.
- **Ärge kasutage nüri või vigastatud löikekettast.** Nürid või valesti paigaldatud löikekettad lõikavad kitsa saetee, mis põhjustab ülemääraast hõõrdumist, löikeketta kinnijäämist ja tagasilööki.
- **Löikeketta sügavuse ja kalde reguleerimishoovad tuleb enne lõikamise alustamist tugevasti ning kindlalt kinni keerata.** Kui löikeketta seadistamise seadised saagimise ajal liiguvad, siis võib löikeketas kinni jääda või anda tagasilöögi.
- **Olge seina sisse või muudes varjatud kohtades väga lõikamisel väga ettevaatlik.** Löikeketta väljaulatuv osa võib lõikuda tundmatu objekti sisse ja põhjustada tagasilöögi.
- **Enne kasutamist kontrollige, et alumine kaitse sulgub nõuetekohaselt. Ärge kasutage saagi, kui alumine kaitse vabalt ei liigu ja koheselt ei sulgu. Ärge kinnitage või siduge alumist kaitset kunagi avatud asendisse.** Kui saag kukub kogemata maha, siis võib alumine kaitse kõverduda. Tõstke alumine kaitse tagastushoovast haarates üles ja veenduge, et see liigub vabalt ning ei puuduta saeketast ega mõnda muud osa mitte ühegi nurga all ega löikesügavusel.
- **Kontrollige üle alumise kaitse vedru. Kui kaitse ja vedru nõuetekohaselt ei tööta, siis tuleb need enne kasutamist parandada.** Vigastatud osad, kleepunud sadestis ja kogunenud tolmu võivad muuta alumise kaitse liikumise aeglaseks.
- **Alumist kaitset tuleb käsitsi tõsta vaid erilõigete, näiteks avade ning mitmes tasapinnas olevate lõigete saagimisel. Tõstke alumine kaitse tagastushoovast üles ja niipea, kui saeketas materjali sisse siseneb, vabastage alumine kaitse.** Kõikide muude lõigete saagimisel peab laskma alumisel kaitsele automaatselt liikuda.

Eesti

OHUTUSE ERINÕUDED

- **Jälgige alati, et alumine kaitse katab löikeketast selle tööpingile või põrandale asetamisel.** Kaitsmata tühikäigul töötav löikeketas põhjustab sae tagurpidi liikumahakkamist, löigates kõike, mis teele jääb. Olge ettevaatlik ja võtke arvesse aega, mille jooksul löikeketas pärast lülitit vabastamist peatub.

■

KIRJELDUS

1. Vabastusnupp
2. Võlli lukusti
3. Kalde skaala
4. Kalde lukustusnupp
5. Piiraja lukustusnupp
6. Löikeketas
7. Alusplaat
8. Pealevoolu reguleernupp
9. Veenõu vabastusnupp
10. Veenõu
11. Löikesügavuse lukustusnupp
12. Kettavõtme hoiukoht
13. Akupakett (ei kuulu komplekti)
14. Lülitusnupp
15. Ketta siseäärik
16. Ketas
17. Ketta välisäärik
18. Ketta polt
19. Vale toetusviis
20. Õige toetusviis

KOKKUPANEK

ISEVOOLUGA VEENÕU KINNITAMINE

Vt joonist 2.

Isevooluga veenõu asub ventilaatoril, mis võrdsustab rõhu ja sellega võimaldab veel vabamalt voolata.

- Võtke aku maha.
- Keerake düüsisõlm lahti.
- Täitke veenõu ettenähtud tasemeni. Ärge üle täitke.
- Pange düüsisõlm oma kohale tagasi.
- Hoidke veenõud nii, et düüs on suunatud alla.

MÄRKUS. Vesi ei tule veenõust enne välja kui düüs on alla surutud.

- Pange veenõu tagasi nagu joonisel näidatud. Suruge veenõud alla kuni see klõpsab oma kohale.

- Veenõu vabastamiseks vajutage veenõu vabastusnupule.

MÄRKUS. Kui vaagimise ajaks jätkate veenõu oma kohale, et vältida tolmu ja prahi sisenemist vee etteandesüsteemi.



ETTEVAATUST

Veenõu on ette nähtud vaid vee jaoks. Ükskõik missuguse muu vedeliku kasutamine võib põhjustada tööriista vigastumise.



HOIATUS

Saele paigaldatava löikeketta maksimaalne läbimõõt on 101,6 mm. Ärge kasutage mingil juhul löikeketast, mille paksus ei võimalda löikeketast kettaäärikutega völliile kinni suruda. Suuremad löikekettad satuvad kokkupuutesse kettakaitsetega ja paksemad löikekettad ei võimalda ketta kinnituspõldil ketast völliile ohutult kinnitada. Mõlemal juhul võib tagajärjeks olla raske vigastus.



HOIATUS

Ärge kasutage löikekettaid, mille nimikiirus on väiksem kui selle tööriista koormuseta kiirus. Selle hoiatuse eiramine võib põhjustada kehavigastusi. Ärge kasutage pragunenud, astmetega või hammastunud löikekettaid.



HOIATUS

Ärge kasutage hammastunud või ebahütlaselt kulunud löikekettaid. Kasutage vaid keraamilistele materjalidele ettenähtud südamikuga löikekettaid.

LÖIKEKETTA PAIGALDAMINE

Vt joonist 3.

- Võtke akupakett sae pesast välja.
- Võtke löikeketta võti (kuuskantvõti 5 mm) hoidikust välja.
- Vajutage spindli lukusti nupule ja keerake löikeketta polt välja ja välisäärik maha.

MÄRKUS. Keerake reguleermitrit pingutamiseks päripäeva.



ETTEVAATUST

Spindli või spindlilukusti vigastumise vältimiseks laske enne lukusti vabastamist mootoril täielikult peatuda.

MÄRKUS. Ärge käivitage saagi siis kui lukusti on rakendatud.

- Pühkige välis- ja siseäärikud löikekettaga kokkupuutekohtades puhtaks.



HOIATUS

Kui seesmine kettaäärik oli maha võetud, siis pange see enne löikeketta kohalepanekut völliile tagasi. Muidu põhjustab see õnnetuse, sest löikeketas ei ole nõuetekohaselt kinnitatud.

- Pange väline kettaäärik oma kohale tagasi.
- Vajutage völli lukustusnupp alla ja keerake ketta kinnituspolt oma kohale tagasi. Keerake löikeketta kinnituspolt vastupäeva kinni.
- Pange löikeketta võti hoidikusse tagasi.

Eesti

KOKKUPANEK

MÄRKUS. Ärge mingil juhul kasutage löikeketast, mis on nii paks, et väline kettaäär ik ei suru seda völliile kinni.

TEHNILISED ANDMED

Pinge	18 V ---
Ketta läbimööt	102 mm
Ketta siseläbimööt	15,9 mm
Löikesügavus kaldel 0°	22,2 mm
Löikesügavus kaldel 45°	15,9 mm
Kiirus ilma koormuseta	4500 min ⁻¹
Ketta tüüp	katkestusteta alusplaat Teemantketas
Mass (ilma akupaketita)	2,6 kg

MUDEL	AKUPAKETT (ei ole komplektis)	KASUTATAV LAADIJA (ei ole komplektis)
LTS180	BPL-1820 BPL-1815	BCL-1800 BCS618 BCL1418%< BCL1418' < BCL1418
	BPP-1815 BPP-1815M BPP-1817 BPP-1817M	BCA-180 BCL-1800 BCS618 BCL1418%< BCL1418' < BCL1418 BC-18155 BC-1800

KASUTAMINE



HOIATUS

Plaatide saagimisel kandke alati tolumumaski. Muidu võite saada raske kehavigastuse.



HOIATUS

Kandke alati sellist kaitsemaski või kaitseprille, mis kaitsevad töötamisel silmi ka külgedelt. Vastasel juhul võib teile midagi silma lennata ja sellega põhjustada raske vigastuse.



HOIATUS

Ärge kasutage mingeid liseseadmeid või tarvikuid, mis ei ole tööriista tootja poolt soovitatud. Soovitamata liseseadmete või tarvikute kasutamine võib põhjustada tõsise kehavigastuse.

KASUTUSOTSTARVE

Seda seadet võib kasutada järgmisteks otstarveteks:

- Kunstkivi-plaatide, kõnniteeplaatide ning looduslike

plaatide piki, risti ja kaldu märgsaagimiseks.

- Ülal nimetatud materjalide kuivsaagimiseks on vaja spetsiaalset löikeketast (ei ole komplektis).

Saega võib kasutada Ryobi One+ 18 V liitium-ioon akupakette ja Ryobi One+ 18 V nikkel-kaadmium akupakette. Lisateavet laadimise kohta saate Ryobi One+ akupaketi ja laadija kasutusjuhendist.

AKU KAITSEFUNKTSIOONID

RYOBI 18 V liitiumioonakudel on funktsioonid, mis kaitsevad liitiumioonaku elemente ja pikendavad aku tööiga. Mõnedes töötingimustes mõjub kaitsefunktsioon aku ja sellega ühendatud tööriista käitumist teisiti, kui see on nikkel-kaadmiumaku puhul.

Mõne rakenduse puhul võib aku elektroonikasüsteem anda signaali aku väljalülitamiseks ja sellega põhjustada tööriista pöörlemise katkemise. Aku ja tööriista lähtestamiseks vabastage käivitusnupp ja alustage tavapäraselt töötamist seejärel taas.

MÄRKUS. Aku väljalülitamise vältimiseks vältige tööriista ülekoormamist.

Kui lüliti akut ja tööriista ei lähtesta, siis on akupakett tühjenenud. Tühjenenud akupaketti hakatakse laadima, kui see on ühendatud liitiumioonaku laadimiseks ettenähtud laadijasse.

AKUPAKETI PAIGALDAMINE

Vt joonist 4.

- Ühendage aku saele. Seadke aku ribi kohakuti soonega ja lükake aku sae akupessa sisse.
- Sisselükkamise järel veenduge, et mõlema poole lukustid lukustuvad akul olevatesse pesadesse.



HOIATUS

Võtke akupakett tööriista pesast alati välja, kui te osi paigaldate, tööriista reguleerite, puhastate või tööriista ei kasuta. Aku eemaldamine väldib tööriista tahtmatu käivitumise, mis võib põhjustada raske kehavigastuse.

AKUPAKETI VÄLJAVÕTMINE

Vt joonist 4.

- Vajutage aku mõlemal poolel olevatele lukustitele, et vabastada aku sae küljest.
- Võtke aku sae pesast välja.

LÖIKEKETTAD

Ka parimad löikekettad ei löika efektiivselt kui need on nürid või kulunud. Nüri löikeketas koormab sae liigselt üle. Hoidke varukettad alati käepärast, et neid saaks alati vajadusel kasutada.

Eesti

KASUTAMINE**SAE KÄIVITAMINE/SEISKAMINE**

Vt joonist 5.

Sae käivitamiseks tehke järgmist.

- Vajutage vabastusnupule.
- Vajutage lülitusnupule.

Laske kettal saavutada täiskiirus ja pange ketas seejärel plaadi löikekohta.

Sae peatamiseks tehke järgmist: vabastage lülitusnupp, pärast lülitusnupu vabastamist laske löikekettal täielikult seisma jääda. **ÄRGE VÕTKE** saagi plaadist välja kui löikeketas pöörleb.

VABASTUSNUPP

Vt joonist 6.

Vabastusnupp vähendab juhusliku käivitamise võimalust. Vabastusnupp asetseb lülitusnupu kohal. Enne lülitusnupu vajutamist tuleb vajutada vabastusnupule. Pärast lülitusnupu vabastamist lukustub see uuesti.

MÄRKUS. Lülitusnuppu saab vabastada vabastusnupule vajutamisega vasakult või paremalt poolelt.

LÖIKESÜGAVUSE REGULEERIMINE

Vt joonist 7.

Kasutage alati õiget löikesügavust. Löikeketas ei tohi ühegi löike korral olla lõigatavast materjalist allpool rohkem kui 6,35 mm. Suurema ketta sügavuse korral suureneb võimalus tagasilöögiks ja see võib põhjustada löikepinna kvaliteedi halvenemist. Löikesügavuse täpsaks seadmiseks on sae taga seadeskaala.

- Lõdvendage löikesügavuse reguleernupp.
- Määrake soovitatav löikesügavus.
- Seadke löikesügavus sobivaks tagaosas asuva skaala järgi.
- Hoidke alusplaati vastu lõigatavat plaati ja tõstke või langetage saagi kuni viit ühtib märgiga rattakaitsel.
- Keerake löikesügavuse reguleernupp tugevasti kinni.

SAE KASUTAMINE

Vt joon 8 ja 9.

Tähtis on aru saada saega töötamise õigetest tööviisidest. Sae kasutamisel juhinduge käesolevas osas olevatest joonistest, et aru saada sae kasutamise õigetest ja valedest töövõtetest.

**HOIATUS**

Kui saag plaadilt üles tõsta, siis on löikeketas selle allosas ligipääsetav.

Parima löike saavutamiseks toimige järgmiselt.

- Hoidke saagi tugevasti mõlema käega.
- Ärge pange löikamise ajal kätt lõigatavale plaadile.
- Paigutage lõigatav plaat nii, et saetee on alati teie poolel.

- Toetage lõigatavat plaati löike lähedalt.
- Kinnitage lõigatavat plaati kindlalt, nii et see ei hakka löikamise ajal liikuma.
- Pange saag lõigatavale plaadi sellele poolele, mis on toetatud, mitte aga ärälõigatavale osale.
- Pange lõigatav plaat nii, et viimistletud pool jääb allapoole.
- Enne löikamise alustamist tõmmake saetee märgistamiseks joon.

LÖIKAMINE

Enne löikamise alustamist märkige plaadile löikejoon markeri või rasvpliitsiga. Kui plaat on läikiv ja seda on raske markerida, siis pange plaadile teip ja märkige joon sellele. Tihtiesinev probleem plaatide löikamisel on markeeritud joonelt kõrvalekaldumine. Kui olete markeeritud joonelt kõrvale kaldunud, siis ärge suruge löikeketast jõuga joonele tagasi plaadi keeramisega. Selle asemel tõmbuge tagasi ja lõigake ära väike osa plaadist kuni löikeketas on joonelt tagasi.

Selle probleemi vältimiseks kasutage võimaluse korral alati sirge serva juhikut, tehke ristlöikeid ja täisnurkseid löikeid. Kui soovite teha märgilõikamist, siis tehke seda väljas.

HOOLDUS**HOIATUS**

Kui hooldate, kasutage ainult identseid Ryobi varuosid. Muude osade kasutamine võib luua ohuolukorra või põhjustada toote kahjustumist.

Plastikosasid puhastades vältige lahusteid. Enamik plastikuud on erinevat tüüpi poes müüdavate lahuste kahjustuste suhtes altd ja võivad saada neid kasutades kahjustatud. Kasutage mustuse, tolmu, õli, määrdet jne eemaldamiseks puhast riidet.

**HOIATUS**

Ärge lubage mitte kunagi pidurivedelikel, bensiinil, petrooleumist valmistatud toodetel, immutusõlidel jne puutuda kokku plastikosadega. Kemikaalid võivad kahjustada, nõrgendada või hävitada plastiku, mis võib omakorda põhjustada vigastusi kasutajale.

Ärge väärkasutage mootortööriistu. Valed töövõtted võivad kahjustada tööriista ja töödeldavat eset.

**HOIATUS**

Ärge üritage seda tööriista ümber ehitada ega luua lisaseadmeid, mida pole soovitatud selle tööriistaga koos kasutada. Iga selline muutmise või ümberehitus on väärkasutamine ja võib põhjustada ohtliku olukorra ja viia võimaliku tõsise vigastuseni.

Eesti

KESKONNAKAITSE



Toomaterjalid utiliseerige jäätmetega koos. Masin, selle lisaseadmed ja pakend tuleb jäätmekäitluseks keskkonnasõbralikult sorteerida.

SÜMBOL



Ohutusalane teave

V Volt

min⁻¹ Pöördeid või edasi-tagasi liikumise kordi minutis

--- Alalisvool



CE vastavus



Enne seadme kasutamist lugege palun kasutusjuhend hoolega läbi.



Kandke kuulmise kaitsevahendeid



Kandke silmade kaitsevahendeid



Tekkivad jäätmed tuleb suunata taaskäitlemisse.



Mittekasutatavaid elektritooteid ei tohi visata olmejäätmete hulka, vaid tuleb viia vastavasse kogumispunkti. Vajadusel küsige sellekohast nõu oma edasimüüjalt või vastavalt kohaliku omavalitsuse institutsioonilt.

Hrvatski

POSEBNA SIGURNOSNA PRAVILA

- **OPASNOST! Držite ruke dalje od područja rezanja i oštrice. Držite drugu ruku na pomoćnoj ručki ili kućištu motora.** Ako obje ruke drže pilu, ne mogu biti odrezane oštricom.
 - **Ne posežite ispod izratka.** Štitnik vas ne može zaštititi od oštrice ispod izratka.
 - **Podesite dubinu rezanja prema debljini izratka.** Manje od cijelog zuba oštrice treba biti vidljivo ispod izratka.
 - **Nikada nemojte držati komad koji će se rezati u ruci ili preko koljena. Osigurajte izradak na stabilnom postolju.** Vrlo je važno pravilno podložiti izradak kako bi minimalizirali izloženost tijela, savijanje oštrice ili gubitak kontrole.
 - **Kad izvodite radove na mjestima gdje rezni alat može doći u kontakt sa skrivenim ožičenjem ili svojim vlastitim kabeom, držite alat za izoliranu površinu za hvatanje.** Kontakt s žicom pod naponom izložit će metalne dijelove alata naponu i dovesti do strujnog udara na operatera.
 - **Kada režete uvijek koristite a reznu letvu ili vodilicu ravnog ruba.** Ovo poboljšava točnost reza i smanjuje mogućnost savijanja oštrice.
 - **Uvijek koristite oštrice s točnom veličinom i oblikovanim otvorom za vratilo (verzija u obliku karoa).** Oštrice koje ne odgovaraju montaži na kućište pile pokretat će se ekscentrično, uzrokujući gubitak kontrole.
 - **Nikada nemojte koristiti oštećene ili neispravne podloške ili vijke oštrice.** Podloške i vijak oštrice posebno su namijenjeni za pilu, radi optimalne učinkovitosti i sigurnosti u radu.
 - **Uzroci i mjere operatera za sprečavanje povratnog udara:**
 - povratni udar je iznenadna reakcija na prignječenu, odbačenu ili pogrešno poravnatu oštricu pile, uzrokujući da se nekontrolirana pila podigne i izvuče iz izratka prema operateru;
 - kada je oštrica čvrsto prignječena ili odbačena zasjekom koji vuče prema dolje, oštrica zastaje i reakcija motora pogoni jedincu brzo unatrag prema operateru;
 - ako se oštrica počne zakretati ili pogrešno poravnati u rezu, zub na stražnjem rubu oštrice može se ukopati u površinu drva uzrokujući da se oštrica popne iz zasjeka i poskoči unatrag prema operateru.
- Povratni udar je rezultat nepravilnog korištenja pile i/ili nepravilnih radnih postupaka ili uvjeta i može se izbjeći tako da se poduzmu pravilne mjere opreza navedene u nastavku.
- **Održavajte čvrsti stisak s obje ruke na pili i u položaju ramena koji vam omogućuje otpor silama povratnog udara. Postavite tijelo na jednu stranu oštrice, no ne**

u liniji s oštricom. Povratni udar može uzrokovati da pila poskoči unatrag, no ako su poduzete pravilne mjere opreza sile povratnog udara mogu biti kontrolirane od strane operatera.

- **Kada je oštrica savijena ili kod prekida reza iz bilo kojeg razloga, otpustite sklopku za pokretanje i držite pilu nepomično u materijalu sve dok se oštrica potpuno ne zaustavi. Nikada ne pokušavajte ukloniti pilu iz izratka ili povlačiti pilu unatrag dok se oštrica miče ili može doći do povratnog udara.** Otkrijte uzrok i poduzmite radnje za ispravak kako biste eliminirali uzrok savijanja oštrice.
- **Kada ponovno pokrećete pilu u izratku, centrirajte oštricu pile u zasjeku i provjerite da zub pile nije zahvaćen u materijal.** Ako je oštrica pile savijena, može iskočiti ili odskočiti povratnim udarom iz izratka kad se pila ponovno pokrene.
- **Poduprite velike ploče kako biste minimalizirali opasnost od prignječanja oštrice i povratnog udara.** Velike ploče se uvijaju pod svojom težinom. Potpurnji se moraju postaviti ispod ploče na obim stranama, blizu crte rezanja i pored ruba ploče.
- **Nemojte koristiti tupe ili oštećene oštrice.** Nenaoštrene ili nepravilno postavljene oštrice stvaraju uži zasjek dovodeći do povećanog trenja, savijanja oštrice i povratnog udara.
- **Poluge za blokiranje dubine oštrice i podešavanje nagiba moraju biti pritegnute i osigurane prije vršenja reza.** Ako se podešanje oštrice mijenjaju tijekom rezanja, može doći do savijanja i povratnog udara.
- **Budite izrazito oprezni kada radite „prividni rez“ u postojećim zidovima ili područjima u kojima ne vidite rez.** Oštrica koja proviruje može rezati predmete koji mogu dovesti do povratnog udara.
- **Prije svakog korištenja povjerite donji štitnik na pravilno zatvaranje. Nemojte raditi s pilom ako se donji štitnik slobodno ne kreće i odmah ne zatvara. Nikada ne spajate ili ne vežite donji štitnik u otvoreni položaj.** Ako pila slučajno ispadne, može doći do savijanja donjeg štitnika. Podignite donji štitnik s ručkom za uvlačenje i provjerite da se slobodno kreće i da u nijednom dijelu ne dodiruje oštricu ili neki drugi dio u svim kutovima i dubinama reza.
- **Provjerite radi li opruga donjeg štitnika. Ako štitnik i opruga ne rade pravilno, moraju se servisirati prije korištenja.** Donji štitnik može raditi polagano uslijed oštećenja dijelova, naslaga ljepljivosti ili nakupina ostataka.
- **Donji štitnik treba biti ručno uvučen samo za posebne rezove kao što su „prividni rezovi“ i „složeni rezovi“.** Podignite donji štitnik ručkom za uvlačenje i čim oštrica uđe u materijal, donji štitnik mora se osloboditi. Za svako drugo piljenje donji štitnik treba raditi automatski.

Hrvatski

POSEBNA SIGURNOSNA PRAVILA

- **Prije nego što odložite pilu na stalak ili pod, uvijek pazite da donji štitičnik pokriva oštricu.** Nezaštićena, oštrica koja se još kreće dovodi do kretanja pile unazad, režući sve što joj se nađe na putu. Pazite na vrijeme koje je potrebno da se oštrica zaustavi nakon što je sklopka otpuštena.

OPIS

1. Gumb za blokiranje
2. Blokada osovine
3. Nagibna skala
4. Gumb za blokiranje nagiba
5. Gumb za blokiranje vodilice ruba
6. Rezna ploča
7. Postolje
8. Gumb za podešavanje protoka
9. Gumb za oslobađanje boce s vodom
10. Boca s vodom
11. Gumb za blokiranje dubine
12. Prostor za čuvanje ključa rezne ploče
13. Baterija (nije uključena)
14. Sklopka za pokretanje
15. Unutarnja podloška rezne ploče
16. Ploča
17. Vanjska podloška rezne ploče
18. Vijak rezne ploče
19. Nepravilan način podlaganja
20. Pravilan način podlaganja

SASTAVLJANJE

PRIKLJUČIVANJE BOCE VODE SA SLOBODNIM PADOM

Pogledajte sliku 2.

Boca vode sa slobodnim padom ugrađena je u ventilacijski otvor koji izjednačava tlak i omogućuje slobodniji potok vode.

- Uklonite bateriju.
- Odrvnite sklop mlaznice.
- Napunite bocu s vodom do željene razine. Nemojte prepuniti.
- Ponovno postavite sklop mlaznice.
- Držite bocu s vodom tako da je mlaznica okrenuta prema dolje.

NAPOMENA: Voda neće izlaziti iz boce osim ako nije otpušten vrh mlaznice.

- Umetnite bocu s vodom kao što je prikazano. Lagano pritisnite na bocu sve dok ne uskoči na mjesto.
- Za uklanjanje boce s vodom, otpustite gumb za oslobađanje boce s vodom.

NAPOMENA: Za suho rezanje ostavite montiranu bocu s vodom kako biste spriječili prašina i ostaci začepi sustav dovoda vode.

**OPREZ**

Boca s vodom namijenjena je samo za vodu. Korištenje bilo kakve druge tekućine može oštetiti alat.

**UPOZORENJE**

Rezna ploča od 101,6 mm je maksimalni kapacitet rezne ploče pile. Isto tako, nikada nemojte koristiti reznu ploču koja je predebelja kako bi se omogućilo da se vanjska podloška rezne ploče aretira sa zaravnjanjem na osovini. Velike brusne ploče dolaze u kontakt sa štitičnicima brusne ploče, dok će deblja rezna ploča spriječiti vijak rezne ploče da pričvrsti ploču na osovinu. Svaka od ovih situacija dovodi do ozbiljnih nesreća.

**UPOZORENJE**

Nemojte koristiti rezne ploče označene za manje brzine bez opterećenja ovog alata. Nepoštovanje ovog upozorenja može dovesti do osobnih ozljeda. Nemojte koristiti rezne ploče s puknućima, razmacima ili zubima.

**UPOZORENJE**

Nemojte koristiti nazubljene ili segmentirane rezne ploče. Koristite samo dijamantne rezne ploče punog obruba prikladne za zidarske materijale.

INSTALACIJA REZNE PLOČE

Pogledajte sliku 3.

- Uklonite bateriju iz pile.
- Uklonite ključ za reznu ploču (5 mm imbus ključ) iz prostora za pohranu.
- Otpustite gumb za blokiranje osovine i uklonite ploču i vanjsku podlošku rezne ploče.

NAPOMENA: Za uklanjanje zakrenite vijak ploče u smjeru kretanja kazaljki na satu.

**OPREZ**

Za sprečavanje oštećenja osovine ili blokade osovine, uvijek dopustite motoru da se potpuno zaustavi prije uključivanja blokade osovine.

NAPOMENA: Nemojte pokretati pilu dok je uključena blokada osovine.

- Obrisite iskapano ulje na unutrašnjoj i vanjskoj podlošci rezne ploče gdje dodiruju ploču.

**UPOZORENJE**

Ako je unutarnja podloška rezne ploče uklonjena, ponovno je postavite prije postavljanja rezne ploče na osovinu. Nepridržavanje ove upute može dovesti do nesreće budući da ploča nije pravilno pritegnuta.

- Ponovno postavite vanjsku podlošku rezne ploče.

Hrvatski

SASTAVLJANJE

- Otpustite gumb za blokiranje osovine te potom ponovno postavite vijak ploče. Pritegnite čvrsto vijak rezne ploče zakrećući ga u smjeru suprotnom od kretanja kazaljki na satu.
 - Vratite ključ za reznu ploču u prostor za pohranu.
- NAPOMENA:** Nikada nemojte koristiti reznu ploču koja je predebelja kako bi se omogućilo da se vanjska podloška rezne ploče aretiraju sa zaravnjanjem na osovini.

SPECIFIKACIJE

Napon	18 V $\overline{\text{---}}$
Promjer rezne ploče	102 mm
Vratilo rezne ploče	15,9 mm
Dubina rezanja pri 0°	22,2 mm
Dubina rezanja pri 45°	15,9 mm
Brzina bez opterećenja	4.500 min ⁻¹
Vrsta rezne ploče	Neprekidan rub
	Dijamantna rezna ploča
Težina (bez baterije)	2,6 Kg

MODEL	BATERIJA (nije uključeno)	KOMPATIBILNI PUNJAČ (nije uključeno)
LTS180	BPL-1820 BPL-1815	BCL-1800 BCS618 BCL1418 BCL1418% BCL1418' <
	BPP-1815 BPP-1815M BPP-1817 BPP-1817M	BCA-180 BCL-1800 BCS618 BCL1418 BC-1815S BC-1800 BCL1418% BCL1418' <

RAD



UPOZORENJE

Prilikom rada s pilama za pločice uvijek nosite masku za prašinu. Nepoštivanje ove upute može dovesti do ozbiljnih osobnih ozljeda.



UPOZORENJE

Prilikom rada s uređajem uvijek nosite zaštitne naočale ili zaštitne naočale s bočnim štيتnicima. Nepoštivanje ove upute može dovesti do toga da predmeti budu odbačeni u vaše oči, dovodeći do mogućih osobnih ozljeda.



UPOZORENJE

Nemojte koristiti nikakve priključke ili dodatni pribor

koji nije preporučeno od strane proizvođača uređaja. Korištenje priključaka ili dodatnih pribora koji nisu preporučeni može izazvati ozbiljne osobne ozljede.

PRIMJENE

Ovaj proizvod možete koristiti za svrhe koje su navedene u nastavku:

- Mokro rezanje u koso, rezanje s letvom i nagibno rezanje ručno izrađenih pločica i pločica od materijala prirodnog kamena.
- Za suho rezanje navedenih materijala, potrebna je posebna rezna ploča (nije isporučena).

Uz ovaj uređaj možete primijeniti Ryobi One+ 18 V litij-ionsku bateriju i Ryobi One+ 18 V nikal-kadmijusku bateriju. Za cjelovite upute punjenja pogledajte upute za uporabu za baterije Ryobi One+ i modele punjača.

ZNAČAJKE ZAŠTITE BATERIJE

Ryobi litij-ionske baterije od 18 V su dizajnirane s funkcijom zaštite litij-ionskih ćelija i maksimiziranja vijeka trajanja baterije. Pod nekim radnim uvjetima, ugradnja ove baterije stoga može uzrokovati da se baterija i alat drugačije napajaju za rad od nikal-kadmijuskih baterija.

Tijekom nekih primjena, elektronika baterije može signalizirati bateriji da se isključi i time prouzročiti da se alat prestane pokretati. Za ponovno postavljanje baterije i alata otpustite sklopku za pokretanje i nastavite normalno raditi.

NAPOMENA: Za sprečavanje budućeg isključivanja baterije, izbjegavajte siliti alat.

Ako otpuštanje sklopke za pokretanje nije ponovno postavilo bateriju i alat, baterija je prazna. Ako je prazna, baterija će se početi puniti kad se postavi na punjač za litij-ionsku bateriju.

INSTALACIJA BATERIJE

Pogledajte sliku 4.

- Postavite bateriju u pilu. Poravnajte povišeni rub na bateriji s utovorom u pilu, te potom umetnite bateriju u pilu.
- Prije početka rada provjerite jesu li jezičci na obim stranama baterije nasjeli u mjesto i da li je baterija učvršćena na pilu.



UPOZORENJE

Uvijek uklonite bateriju iz alata kad sklapate dijelove, vršite podešavanja, čistite ili kad se alat ne koristi. Uklanjanje baterije sprečava slučajno pokretanje koje može dovesti do ozbiljne osobne ozljede.

UKLANJANJE BATERIJE

Pogledajte sliku 4.

- Pronađite jezičke na stranama baterije i otpustite ih kako biste otpustili bateriju iz pile.
- Uklonite bateriju iz pile.

Hrvatski

RAD

REZNE PLOČE

Najbolje rezne ploče neće učinkovito rezati ako su tupe ili jako istrošene. Korištenje tupih reznih ploča teško opterećuje pilu. Držite dodatne ploče pri ruci tako da su oštre ploče uvijek na raspolaganju.

POKRETANJE/ZAUSTAVLJANJE PILE

Pogledajte sliku 5.

Za pokretanje pile:

- Otpustite gumb za blokiranje.
- Pritisnite sklopku za pokretanje.

Uvijek dopustite ploči da dostigne najveću brzinu i potom uvedite pilu u izradak.

Za zaustavljanje pile Otpustite sklopku za pokretanje.

Nakon što ste otpustili sklopku za pokretanje dopustite ploči da se potpuno zaustavi. NEMOJTE uklanjati pilu iz izratka dok se ploča pokreće.

GUMB ZA BLOKIRANJE

Pogledajte sliku 6.

Gumb za blokiranje smanjuje mogućnost nehotičnog pokretanja. Gumb za blokiranje nalazi se na ručki iznad sklopke za pokretanje. Prije povlačenja sklopke za pokretanje mora se otpustiti gumb za blokiranje. Blokada se postavlja svaki puta kad je sklopka otpuštena.

NAPOMENA: Možete otpustiti gumb za blokadu ili s lijeve ili s desne strane.

PODEŠAVANJE DUBINE REZNE PLOČE

Pogledajte sliku 7.

Uvijek održavajte točno postavljenu dubinu ploče. Točna postavka dubine ploče za sve rezove ne smije premašivati 6,35 mm ispod materijala koji se reže. Veća dubina ploče povećava šansu za povratnim udarom i dovodi do grubog reza. Za veću točnost dubine reza, tablica se nalazi na stražnjem nosaču.

- Olabavite gumb za podešavanje dubine.
- Odredite željenu dubinu reza.
- Pronađite dubinu na reznjoj tablici na stražnjem nosaču.
- Držite ravnu površinu postolja naspram izratka i podignite ili smanjite pilu sve dok se pokazivačka oznaka na nosaču na poravna s zarezom na štitniku rezne ploče.
- Čvrsto pritegnite gumb za podešavanje dubine.

RAD S PILOM

Pogledajte slike 8 - 9.

Vrlo je važno da shvatite točan način za rad s pilom. Pogledajte slike u ovom poglavlju kako biste saznali pravilne i nepravilne načine za rukovanje s pilom.



UPOZORENJE

Kada dižete pilu s izratka, ploča je izložena na donjoj strani pile.

Za najbolje moguće rezove:

- Čvrsto držite pilu s obje ruke.
- Izbjegavajte tijekom rezanja postavljati ruku na izradak.
- Poduprite izradak tako da je rez (zasjek) uvijek na vašoj strani.
- Poduprite izradak pored reza.
- Stegnite čvrsto izradak tako da se ne miče tijekom rezanja.
- Uvijek postavite pilu na izradak koji je oslonjen, ne na dio „koji se reže“.
- Postavite izradak s “dobrom” stranom prema dolje.
- Prije početka nacrtajte liniju uzduž željene linije rezanja.

REZANJE

Pomoću markera ili obične olovke uvijek na pločici nacrtajte liniju koja će se rezati. Ako je pločica sjajna i teško se označava, postavite markirajuću traku na pločicu i označite traku.

Najčešći problem prilikom rezanja pločice je držanje označene linije. Kad jednom skrenete s linije, ne možete siliti rezu ploču natrag na liniju na način da uvijate pilu. Umjesto toga, vratite se i ponovno režite pločicu odrezujući malu količinu pločice sve dok se pila ne vrati na liniju.

Za izbjegavanje ovog problema, za vršenje rezanja u koso i miter rezanja koristite ravnu vodilicu za rub gdje got je moguće.

Ako režemo po želji, to treba vršiti na otvorenom.

ODRŽAVANJE



UPOZORENJE

Prilikom servisiranja koristite samo identične zamjenske dijelove tvrtke RYOBI. Korištenje nekih drugih dijelova može dovesti do opasnosti ili uzrokovati oštećenje uređaja.

Prilikom čišćenja plastičnih dijelova izbjegavajte koristiti kemijska sredstva. Većina plastika je podložna oštećenju od različitih vrsta komercijalnih kemijskih sredstava za čišćenje i mogu se oštetiti prilikom njihovog korištenja. Za uklanjanje prljavštine, prašine, ulja, masnoće itd., koristite čistu krpu.



UPOZORENJE:

Nikada ne dopustite kontakt plastičnih dijelova s tekućinom za kočnice, benzinom, proizvodima na bazi benzina, sredstvima za odmašćivanje, idr. Kemikalije mogu oštetiti, oslabiti ili uništiti plastiku što može dovesti do ozbiljnih osobnih ozljeda.

Nemojte zlorabiti električni alat. Postupci zlorabljenja mogu oštetiti alat kao i izradak.



UPOZORENJE:

Nemojte pokušavati modificirati ovaj alat ili izraditi dodatni pribor koji nije preporučen za korištenje uz ovaj alat. Svaki takav dodatak ili modifikacija je pogrešna uporaba i može rezultirati opasnim stanjem dovodeći do mogućih ozbiljnih osobnih ozljeda.

Hrvatski

ZAŠTITA OKOLIŠA



Sirovine reciklirajte, umjesto da ih bacate među kućni otpad. Kako biste zaštitili okoliš, alat, dodatke i ambalažu treba odvojeno bacati u otpad.

SIMBOL



Sigurnosno upozorenje

V Volti

min⁻¹ Obrtaja ili gibanja u minutu

— Istosmjerna struja



Sukladno CE



Molimo da pažljivo pročitate upute prije pokretanja stroja.



Nosite zaštitu za sluh



Nosite zaštitu za vid



Reciklaža nepoželjna



Otpadni električni proizvodi ne treba da se odlažu s otpadom iz domaćinstva. Molimo da reciklirate gdje je to moguće. Potražite savjet od lokalnih vlasti ili prodavca kako reciklirati.

SPECIFIČNA VARNOSTNA PRAVILA

- **NEVARNOST! Roke vedno držite proč od območja rezanja in od rezila. S svojo drugo roko držite dodatni ročaj ali ohišje motorja.** Če z obema rokama držite žago, se ne morete porezati po rokah z rezilom.
 - **Ne segajte pod obdelovanec.** Varovalni okrov vas pod obdelovancem ne bo zaščetil.
 - **Prilagodite globino reza glede na debelino obdelovanca.** Iz obdelovanca naj sega manj kot cel zob.
 - **Obdelovanca, ki ga režete, nikoli ne držite v rokah ali preko nog. Obdelovanec namestite na stabilno površino.** Da med delom čim manj izpostavljate telo, da zmanjšate možnost zaustavitve žaginega lista ali izgubo nadzora, mora biti obdelovanec položen na stabilno podlago.
 - **Električno orodje držite za izolirane držalne površine, ko bi se pri uporabi pripomoček za rezanje lahko dotikal skrite žice ali lastnega kabela.** Če se z orodjem dotaknete žice, ki je pod električno napetostjo, lahko izpostavljati kovinski deli električnega orodja postanejo »živin« in povzročijo električni udar.
 - **Pri vzdolžnem žaganju vedno uporabljajte stransko vodilo ali vzdolžno letev.** S tem izboljšate natančnost žaganja in zmanjšate stiskanje žaginega lista.
 - **Vedno uporabljajte žagine liste pravilne velikosti in oblike pritrilne izvrtine (romboidna ali okrogla).** Neustrezna izvrtina glede na pritrilni pribor lahko povzroči ekscentričen tek žaginega lista in izgubo nadzora.
 - **Nikoli ne uporabljajte neustrezne podloške žaginega lista in pritrilnega vijaka.** Podložki in vijak so konstrukcijsko prilagojeni vaši žagi za varno in učinkovito uporabo.
 - **Vzroki povratnih udarov in njihovo preprečevanje:**
 - Povratni udar je nenadna reakcija stisnjene, zvitega ali nevporednega žaginega lista, ki povzroči nekontroliran dvig žage iz obdelovanca proti uporabniku.
 - Če se žagin list zatakne v obdelovancu med vzdolžnim žaganjem, se zaustavi, motor pa še vedno deluje in zato povzroči sunkovit odziv žage proti upravljavcu.
 - Če se med žaganjem žagin list zvije ali prične rezati nevporedno, se lahko zobje na zadnji strani žaginega lista začno zajedati v zgornjo površino obdelovanca. To povzroči, da se žaga dvigne iz obdelovanca in odrine v smeri upravljavca.
- Protiudarec je rezultat nepravilne uporabe žage in/ali nepravilnih delovnih postopkov ali okoliščin in se mu ob ustreznih varnostnih ukrepih, kot so navedeni v nadaljevanju, lahko izogne:
- **Žago trdno držite z obema rokama tako, da bosta roki nudili zadosten upor proti povratnemu udarcu. Med delom stojte ob strani žage, oziroma tako, da položaj vašega telesa ne bo na liniji žaginega lista.**

Povratni udarec lahko preprečite, ali ga lahko kontrolirate z ustreznimi varnostnimi ukrepi in pripravljenostjo

- **V primeru blokade žaginega lista ali prekinitve rezanja zaradi kateregakoli vzroka, takoj spustite gumb stikala in pustite, da se žagin list popolnoma zaustavi v obdelovancu. Nikoli ne poskušajte odmakniti žage z obdelovanca ali povleči žago nazaj, ko se žagin list še vrti, saj lahko to privede do nevarnega povratnega udarca.** Raziščite vzrok zaustavitve in ga odpravite. Izogibajte se rezanju žebeljev ali vijakov.
- **Pri ponovnem vklopu žage v obdelovancu, se mora žagin list nahajati v zarezi, zobje pa se ne smejo dotikati obdelovanca.** Če je žagin list stisnjen v obdelovancu, bo ob vklopu žage nastal povratni udar.
- **Široke plošče ustrezno podprite. S tem preprečite stiskanje lista in povratni udarec.** Široke plošče, ki niso ustrezno podprte, se zaradi njihove lastne teže upognejo. Podpora mora biti nameščena pod ploščo na obeh straneh, blizu linije rezanja in na robu plošče.
- **Ne uporabljajte topih ali poškodovanih žaginskih listov.** Skrhani ali neustrezni listi povzročajo ozek rez, prekomerno trenje, zapiranje lista in povratni udarec.
- **Nastavite globine in kota reza morajo biti pred začetkom žaganja trdne in zategnjene.** Premik nastavitve med rezanjem lahko povzroči zaporo lista in povratni udarec.
- **Pri potopnem žaganju v obstoječo steno ali druge polne površine bodite posebej pazljivi.** Zarezovanje v material lahko povzroči povratni udarec.
- **Pred vsako uporabo preverite, če se nihajni ščitnik pravilno zapira. Ne pričnite z delom, kadar se nihajni ščitnik zatika ali nemudoma ne vrača v zaprt položaj. Nikoli ne blokirajte nihajnega ščitnika v odprtem položaju.** Če vam po nesreči pade žaga na tla, se varovalni okrov lahko skrivi. Preverite brezhibnost njegovega gibanja na vseh nastavitvah globine žaganja in kotov. Varovalni okrov se ne sme dotikati žaginega lista ali kakega drugega dela žage.
- **Preverite delovanje zapiralne vzmeti nihajnega ščitnika. Če nihajni ščitnik in vzmet ne delujeta ustrezno, morate pred ponovno uporabo izdelek servisirati.** Nihajni ščitnik se lahko zapira prepočasi zaradi poškodovanih delov, ostankov smole ali žaganja.
- **Odpiranje nihajnega ščitnika z roko izvajate le pri posebnih vrstah žaganja, kot npr. pri potopnem žaganju oz. sestavljenem žaganju.** Dvignite ga s pomočjo ročice na vrhu nihajnega ščitnika in ga spustite takoj, ko se žagin list dotakne obdelovanca. Za vse ostale vrste žaganja pustite, da se nihajni ščitnik odpira samostojno.
- **Vedno pazite, da se nihajni ščitnik popolnoma zapre, preden krožno žago odložite na podlago ali na tla.** Nezaščiten žagin list povzroči, da žaga steče vzvratno po podlagi in reže vse, kar se nahaja na njeni poti. Upoštevajte, da ko spustite vklopni gumb stikala, se žagin list ne ustavi takoj.

Slovensko

OPIS

1. Gub za zaklepanje
2. Zaklep vretena
3. Poševna skala
4. Gumb za nastavitve nagiba
5. Gumb za nastavitve robnega vodila
6. Rezilni žagin list
7. Osnova
8. Gumb za nastavitve pretoka
9. Gumb za odprtje posode z vodo
10. Posoda z vodo
11. Gumb za nastavitve globine
12. Prostor za shranjevanje ključa za žagin list
13. Baterija (ni priložena)
14. Sprožilec
15. Notranja podložka žaginega lista
16. Žagin list
17. Zunanja podložka žaginega lista
18. Vijak za žagin list
19. Nepravilen način podpore
20. Pravilen način podpore

MONTAŽA

NAMEŠČANJE GRAVITACIJSKO POLNJENE POSODE Z VODO

Glejte sliko 2.

Gravitacijsko polnjena posoda z vodo ima vgrajen zračnik, ki uravnava tlak in omogoča, da voda teče bolj prosto.

- Odstranite baterijo.
- Odvijte sestav šobe.
- Napolnite posodo z vodo do zelenega nivoja. Ne natočite preveč vode.
- Ponovno namestite sestav šobe.
- Držite posodo z vodo tako, da je šoba usmerjena navzdol.
- **OPOMBA:** Voda iz posode ne bo uhajala, razen če pritisnete konec šobe.
- Vstavite posodo z vodo, kot je prikazano. Posodo nežno pritisnite, tako da se zaskoči na mesto.
- Če želite sneti posodo z vodo, pritisnite gumb za sprostitve posode.

OPOMBA: Za suho rezanje, pustite vodo nameščeno, da se na dovajalnem sistemu za vodo ne naberejo smeti in prah, ki bi sistem zamašili.

**POZOR**

Posoda za vodo je narejena le za vodo. Ob uporabi katere koli druge tekočine, lahko poškodujete orodje.

**OPOZORILO**

Največja velikost žaginega lista za to žago je 101,6 mm. Nikoli ne uporabljajte lista, ki je predebel, da bi pritrdili zunanjo podložko na vreteno. Večji listi pridejo v stik z varovali rezila, medtem ko širši listi povzročijo, da vijaka ni mogoče dobro pritrditi na vreteno. V takšnih primerih lahko pride do hude nesreče.

**OPOZORILO**

Ne uporabljajte žaginih listov razreda, ki je manjši kot je št. vrtljajev brez obremenitve tega orodja. Če tega opozorila ne upoštevate, lahko pride do telesnih poškodb. Ne uporabljajte počenih ali deformiranih žaginih listov.

**OPOZORILO**

Nikoli ne uporabljajte ozobljenih ali segmentiranih listov. Uporabite le stalno obrobljene diamantne liste, ki so primerni za zidne materiale.

NAMEŠČANJE ŽAGINEGA LISTA

Glejte sliko 3.

- Baterijo vzemite iz žage.
- Iz prostora za ključ vzemite ključ za žagin list (5 mm šestkotni ključ).
- Pritisnite gumb za zaklep vretena in odstranite vijak žaginega lista in zunanjo podložko lista.

OPOMBA: Vijak lista zavrtite v smeri urinega kazalca in ga tako odvijte.

**POZOR**

Da bi preprečili, da se vreteno in zaklep vretena poškodujeta, vedno počakajte, da se motor popolnoma zaustavi, preden zaklep vretena aktivirate.

OPOMBA: Žage ne zaganjajte, kadar je aktiviran zaklep vretena.

- Nanesite kapljico olja na notranjo in zunanjo podložko lista, kjer se ga dotikata.

**OPOZORILO**

Če je bila notranja podložka lista odstranjena, jo nadomestite, preden žagin list namestite na vreteno. Če tega ne upoštevate, lahko pride do nesreče, saj list ne bo pravilno pritrjen.

- Ponovno namestite zunanjo podložko lista.
- Pritisnite gumb za zaklep vretena in nato ponovno privijte vijak lista. Vijak trdno privijte, tako da ga vrtite proti smeri urinega kazalca.
- Ključ za list vrnite na njegovo mesto.

OPOMBA: Nikoli ne uporabljajte žaginega lista, ki je predebel, da bi pritrdili zunanjo podložko na vreteno.

Slovensko

SPECIFIKACIJE

Napetost	18 V ---
Premer lista	102 mm
Izvrtna v listu	15,9 mm
Globina reza pri 0°	22,2 mm
Globina reza pri 45°	15,9 mm
Št. vrtljajev v prostem teku	4.500 min ⁻¹
Vrsta lista	kontinuiran obroč diamantni list
Teža (brez baterije)	2,6 kg

MODEL	BATERIJA (ni priložen)	ZDRUŽLJIVI POLNILNIKI (ni priložen)
LTS180	BPL-1820 BPL-1815	BCL-1800 BCS618 BCL1418 BCL1418% BCL1418' <
	BPP-1815 BPP-1815M BPP-1817 BPP-1817M	BCA-180 BCL-1800 BCS618 BCL1418 BC-1815S BC-1800 BCL1418% BCL1418' <

DELO



OPOZORILO

Pri delu z žago za ploščice vedno nosite protiprašno masko. Neupoštevanje tega nasveta se lahko odrazi v hudih poškodbah.



OPOZORILO

Vedno nosite zaščitna očala s stranskimi ščitniki, ko uporabljate izdelke.

Če tega ne storite, vam lahko v oči letijo predmeti, kar lahko privede do resne poškodbe.



OPOZORILO

Ne uporabljate priključkov ali dodatkov, ki jih proizvajalec tega izdelka ne priporoča. Uporaba priključkov ali dodatkov, ki niso priporočeni, lahko privede do resnih osebnih poškodb.

UPORABA

Ta izdelek lahko uporabljate za:

- Moko navzkrižno žaganje, vzdolžno žaganje in poševno žaganje keramičnih ploščic, tlakovcev in ploščic iz naravnega kamna.

- Za suho rezanje zgornjih materialov potrebujete poseben žagin list (ni priložen).

V izdelek lahko vstavite 18 V litij-ionsko baterijo Ryobi One+ in 18 V nikelj-kadmijso baterijo Ryobi One+.

Za popolna navodila o polnjenju glejte Priročnik za upravljalca za svoje baterije in polnilnik baterij Ryobi One+.

ZAŠČITNE LASTNOSTI BATERIJE

18 V litij-ionske baterije RYOBI imajo lastnosti, ki ščitijo litij-ionske celice in podaljšujejo življenjsko dobo baterije. V nekaterih okoliščinah delovanja te lastnosti lahko povzročijo, da se baterija in orodje, ki ga baterija napaja, obnašata različno kot z nikelj-kadmijskimi baterijami.

V nekaterih primerih rabe lahko elektronika baterije bateriji da signal, da se ugasne, s tem pa naprava preneha delovati. Če želite ponastaviti baterijo in orodje, sprostite sprožilec in nadaljujte z običajnim delovanjem.

OPOMBA: V izogib nadaljnjim izklopom baterije orodja ne uporabljajte na silo.

Če se s sprostitvijo sprožilca baterija in orodje ne povrne v prvotni položaj, je baterija izpraznjena. Če je izpraznjena, se bo baterija začela polniti, ko jo postavite na litij-ionski polnilnik.

NAMEŠČANJE BATERIJE

Glejte sliko 4.

- Baterijo vstavite v žago. Poravnajte dvignjen jeziček baterije z utorom v žagi in nato potisnite baterijo v žago.
- Zapaha na vsaki strani baterije se morata zaskočiti na svoje mesto. Pred začetkom dela zagotovite, da je baterija dobro nameščena v žagi.



OPOZORILO

Ko sestavljate dele, prilagajate napravo, jo čistite ali ko je ne uporabljate, baterijo vedno odstranite. Če odstranite baterijo, se naprava ne bo mogla zagnati sama od sebe in zaradi tega ne bo prišlo do hudih telesnih poškodb.

ODSTRANJEVANJE BATERIJE

Glejte sliko 4.

- Poglejte, kje se nahajata zapaha na obeh straneh baterije, in ju pritisnite ter tako odstranite baterijo iz polnilnika.
- Baterijo vzemite iz žage.

ŽAGINI LISTI

Tudi najboljši žagini listi ne bodo rezali učinkovito, če so topi ali izrabljeni. Z uporabo topega žaginega lista boste povzročili precejšnjo obremenitev žage. Vedno imejte na razpolagi dodatne liste, da bodo ostri listi vedno pri roki.

Slovensko

DELO

ZAGON/USTAVITEV ŽAGE

Glejte sliko 5.

Za zagon žage:

- Pritisnite gumb za zaklep.
- Pritisnite sprožilno stikalo.

Vedno počakajte, da list doseže polno hitrost in nato vodite žago v obdelovanec.

Za ustavitev žage: Spustite sprožilno stikalo.

Potem ko sprožilno stikalo spustite, počakajte, da se list popolnoma zaustavi. NE odstranite žage iz obdelovanca, medtem ko se list vrti.

GUMB ZA ZAKLEPANJE

Glejte sliko 6.

Gumb za zaklep zmanjša možnost nenamernega zagona. Gumb za zaklep se nahaja na ročaju nad stikalom sprožila. Gumb za zaklep morate pritisniti preden pritisnete na stikalo sprožila. Zaklep se povrne v prvotni položaj vsakokrat, ko sprožilec sprostite.

OPOMBA: Gumb za zaklep lahko pritisnete z leve ali z desne strani.

NASTAVITEV GLOBINE LISTA

Glejte sliko 7.

Vedno pazite, da bo nastavitev globine pravilna. Nastavitev globine lista za kakršno koli rezanje ne sme presežati 6,35 mm pod materialom, ki ga režete. Večja globina lista bo povečala možnost povratnega udara in povzročila, da je rez pregrob. Za večjo natančnost globine reza se na zadnjem okviru nahaja skala.

- Odvijte gumb za nastavitev globine.
- Določite želeno globino reza.
- Poiščite skalo za globino reza na zadnjem okviru.
- Osnovo držite ravno na obdelovancu in dvignite ali spustite žago, tako da se oznaka na okviru poravnava z zarezo na vodilu lista.
- Gumb za nastavitev globine dobro privijte nazaj.

UPRAVLJANJE ŽAGE

Glejte slike 8 - 9.

Pomembno je, da razumete pravilen način za upravljanje žage. Glejte slike v tem poglavju, da bi se naučili pravilnega in nepravilnega načina za rokovanje z žago.

**OPOZORILO**

Ko žago dvigujete z obdelovanca, je žagin list na spodnji strani žage izpostavljen.

Za najboljši možen rez:

- Trdno držite žago z obema rokama.
- Izogibajte se polaganju roke na obdelovanec, medtem ko ga režete.

- Obdelovanec podprite tako, da je rez (zareza) vedno v smeri proti vam.
- Obdelovanec podprite blizu reza.
- Obdelovanec trdno ukleščite, tako da se med rezom ne more premakniti.
- Žago vedno namestite na obdelovanec, ki je podprt, ne na del, ki bo odrezan.
- Obdelovanec položite z »lepo« stranjo navzdol.
- Preden začnete z rezanjem, narišite vodilno črto, kjer želite, da rez poteka.

REZANJE

S flomastrom ali debelim svinčnikom na ploščico vedno narišite črto, kjer bo potekal rez. Če ima ploščica sijaj in je ni lahko označiti, nanjo namestite maskirni trak in črto narišite na trak.

Običajna težava pri rezanju je, da ploščica uide iz začrtane črte. Če se to zgodi, žaginega lista ne morete več prisiliti nazaj na črto z obračanjem ploščice. Namesto tega povlecite žago nazaj in ploščico ponovno odrežete, tako da odrežete majhen del ploščice, dokler ni list zopet v pravi liniji.

Da bi se tej težavi izognili, kadar je mogoče uporabite vodilo z ravnimi robovi za navzkrižne reze in reze pod kotom 45 stopinj.

Mokro rezanje je potrebno izvajati na prostem.

VZDRŽEVANJE

**OPOZORILO**

Pri vzdrževanju orodja uporabljajte le enake nadomestne dele Ryobi. Če uporabite kak drug del, lahko povzročite nevarnost ali okvaro izdelka.

Izogibajte se uporabi topil za čiščenje plastičnih delov. Večina plastičnih materialov je občutljiva na mnoge vrste komercialno dostopnih topil in jih ta lahko poškodujejo. Za odstranjevanje umazanije, prahu, olja, masti in podobnega uporabljajte čisto krpo.

**OPOZORILO**

Pazite, da zavorne tekočine, bencin, izdelki na petrolejski osnovi, olja za penetriranje, ipd. nikoli ne pridejo v stik z plastičnimi deli. Kemikalije lahko poškodujejo, oslabijo ali uničijo plastiko, kar lahko ima za posledico tudi resne telesne poškodbe.

Ne ravnajte grobo z električnimi orodji. Grobo ravnanje lahko poškoduje orodje in obdelovanec.

**OPOZORILO**

Ne poskušajte spreminjati orodja ali izdelovati pripomočkov, za katere ta naprava ni predvidena. Take spremembe so primer napačne uporabe in lahko povzročijo nevarnost in težke telesne poškodbe.

Slovensko

ZAŠČITA OKOLJA



Namesto, da napravo zavržete, reciklirajte surovine. Napravo, pribor in embalažo je treba sortirati za okolju prijazno recikliranje.

SIMBOL



Varnostni alarm

V Volti

min⁻¹ Vrtljaji ali nihaji na minuto

--- Enosmerni tok



Skladnost CE



Prosimo, da si pred zagonom naprave pozorno preberete navodila



Nosite zaščito za ušesa



Nosite zaščito za oči



Reciklaža ni potrebna



Odpadne električne izdelke odlagajte skupaj z ostalimi gospodinjskimi odpadki Reciklažo opravljajte na predpisanih mestih Za reciklažni nasvet se obrnite na lokalne oblasti.

Slovenčina

ŠPECIFICKÉ BEZPEČNOSTNÉ PREDPISY

- **NEBEZPEČENSTVO! Majte ruky preč od oblasti rezania a čepele. Majte druhú ruku na pomocnom držadle alebo puzdre motora.** Ak obidvomi rukami držíte pílk, nemôžete sa porezať čepeľou.
 - **Nesiahajte pod obrobok.** Chránič vám nemôže chrániť od čepele po obrobkom.
 - **Hĺbku revania nastavte na hrúbku obrobku.** Pod obrobkom by mal byť viditeľný menej ako jeden zub čepele.
 - **Nikdy nerežte obrobok tak, že ho držíte v rukách alebo pozdĺž nohy. Obrobok zaistite na stabilnej podložke.** Je dôležité, aby sa práca vykonávala správne a minimalizovalo sa vystavenie tela, ohýbanie čepele alebo strata kontroly.
 - **Elektrický nástroj držte za izolované úchytné plochy, keď vykonávate operáciu, kde sa môže rezacie príslušenstvo dostať do kontaktu so skrytou kabelážou alebo svojim vlastným napájacím káblom.** Kontakt so „živým“ vodičom môže spôsobiť, že kovové časti nástroja budú pod prúdom a spôsobia to zranenie operátora.
 - **Pri rezaní vždy používajte rezáciu mriežku alebo chránič okrajá.** Týmto sa zlepší presnosť rezu a zníži sa možnosť ohnutia čepele.
 - **Vždy používajte čepele správnej veľkosti a tvaru (diamantové verzus okrúhle).** Čepele, ktoré sa nezhodujú s montážnym zariadením pítky budú pracovať excentricky a spôsobovať stratu kontroly.
 - **Nikdy nepoužívajte poškodené alebo nesprávne podložky alebo skrutky čepele.** Podložky alebo skrutky čepele boli špeciálne skonštruované pre pítku na zaručenie optimálneho výkonu a bezpečnosť prevádzky.
 - **Príčiny a prevencia operátora pred spätným rázom:**
 - spätný ráz je náhla reakcia na zovretie, uviaznutie alebo vyskočenie rezacej čepele, čo spôsobí nekontrolované zdvihnutie pítky a odhodenie od obrobku smerom k operátorovi;
 - keď je čepeľ tesne zovretá a uviaznutá v záreze, zastaví sa a reakcia motora hodí jednotku prudko späť smerom k operátorovi;
 - Ak sa čepeľ skrúti alebo skrív v reze, zub na zadnej hrane čepele môže vniknúť do vrchnej časti povrchu dreva a spôsobiť, že čepeľ vyskočí zo zárezu smerom k operátorovi.
- Spätný ráz je výsledkom nesprávneho použitia pítky alebo nesprávnych prevádzkových postupov a podmienok a môžete sa mu vyhnúť vykonaním opatrení, ktoré sú uvedené nižšie.
- **Udržiavajte pevné uchopenie pítky obidvomi rukami a svoje ruky dajte tak, aby odolávali silám spätného rázu. Svoje telo dajte tak, aby bolo na jednej strane čepele a nie v jednej línii s čepeľou.** Spätný ráz môže spôsobiť, že píłka skočí späť, ale sily spätného rázu môžu

byť kontrolované operátorom, ak sa vykonajú správne opatrenia.

- **Ak sa čepeľ ohýba alebo ak sa preruší rez z akéhokoľvek dôvodu, uvoľnite spúšťač a pítku držte bez pohybu v materiáli, kým sa čepeľ úplne nezastaví. Nikdy sa nepokúšajte vybrať pítku z obrobku alebo ju vytiahnuť späť, kým je čepeľ v pohybe, pretože sa môže vyskytnúť spätný ráz.** Skontrolujte a spravte opravné kroky na eliminovanie príčiny ohýbania čepele.
- **Keď reštartujete pítku v obrobku, vycentrujte čepeľ pítky v obrobku a skontrolujte, či zuby pítky nie sú zachytené v materiáli.** Ak sa čepeľ pítky ohýba, môže sa posúvať hore alebo sa môže vyskytnúť spätný ráz od obrobku, keď pítku reštartujete.
- **Podoprite veľké panely, aby sa minimalizovalo riziko uviaznutia čepele a spätný ráz.** Veľké panely majú tendenciu prevísať pod svojou vlastnou váhou. Podpery sa musia umiestniť pod panelom na obidvoch stranách, v blízkosti línie rezu a v blízkosti okraja panelu.
- **Nepoužívajte tupé alebo poškodené čepele.** Nenaostrené alebo nesprávne nastavené čepele produkujú úzky rez, čo spôsobuje prílišné trenie, ohýbanie čepele a spätný ráz.
- **Hĺbka čepele a uzamknacie páčky nastavenia úkosu musia byť tesne a pevne zaistené pred rezaním.** Ak sa nastavenie čepele počas rezania zmení, môže to spôsobiť jej ohýbanie a spätný ráz.
- **Dávajte zvlášť pozor, keď robíte “rez so sklonom” na stenách alebo v iných oblastiach.** Vychýňajúca čepeľ môže prerezať predmety, čo môže spôsobiť spätný ráz.
- **Skontrolujte spodný chránič, či je pred každým použitím správne uzavretý. Pítku neprevádzkujte, ak sa spodný chránič nepohybuje voľne a tesne nedosadá. Nikdy neupínajte ani nedávajte spodný chránič do otvorenej polohy.** Ak píłka náhodou spadne, spodný chránič môže byť ohnutý. Zafahovacím držadlom zvýšte spodný chránič a ubezpečte sa, či sa voľne hýbe a nedotýka sa čepele alebo inej časti vo všetkých uhloch a hĺbkach rezu.
- **Skontrolujte funkčnosť pružiny spodného chrániča. Ak chránič a pružina nepracujú správne, pred použitím sa musia opraviť.** Spodný chránič môže pracovať pomaly v dôsledku poškodených častí, gumovitých nánosov alebo vytvárania sutiny.
- **Spodný chránič sa môže vytiahnuť manuálne len pri špeciálnych rezoch, ako “rezy so sklonom” a “zložené rezy”.** Zdvihnite spodný chránič zatiahnutím držadla a hneď ako sa čepeľ dotkne materiálu sa musí spodný chránič uvoľniť. U všetkých iných pílok by mal spodný chránič pracovať automaticky.
- **Vždy dbajte, aby spodný chránič zakrýval čepeľ predtým, ako pítku dáte na stôl alebo podlahu.** Nechránená, voľná čepeľ môže spôsobiť že sa posunie späť a prereže všetko, čo má v ceste. Dbajte na čas, potrebný na to, aby sa píłka zastavila po uvoľnení spínača.

Slovenčina

POPIS

1. Tlačidlo poistky
2. Uzamknutie vretena
3. Merítko úkosu
4. Tlačidlo uzamknutia úkosu
5. Tlačidlo uzamknutia vodidla okraja
6. Rezací kotúč
7. Základňa
8. Tlačidlo nastavenia prietoku
9. Tlačidlo uvoľnenia vodnej fľaše
10. Vodná fľaša
11. Tlačidlo uzamknutia hlčky
12. Uzavretie kľúča kotúča
13. Súprava batérií (nedodáva sa)
14. Spínač spúšťača
15. Vnútrná podložka kotúča
16. Kotúč
17. Vonkajšia podložka kotúča
18. Skrutka kotúča
19. Nesprávny spôsob podopierania
20. Správny spôsob podopierania

MONTÁŽ

PRIPEVNÖVANIE VODNEJ FĽAŠE SO SPÄDOVÝM NAPÄJANÍM

Pozrite si obr. 2.

Fľaša so spädoovým napájaním má zabudovaný ventil, ktorý vyrovnáva tlak a umožňuje vode pretekať voľnejšie.

- Vyberte súpravu batérií.
- Odskrutkujte súpravu trysiek.
- Naplňte fľašu vodou do požadovanej hladiny. Nepreplňte ju
- Založte znova súpravu trysiek.
- Fľašu s vodou držte tak, aby boli trysky smerom dole.

POZNÁMKA: Voda z fľaše nebude unikať, kým špička trysky nie je stlačená.

- Fľašu s vodou založte podľa obrázku. Fľašu jemne zatlačte, kým nezapadne na svoje miesto.
- Ak chcete fľašu s vodou vybrať, stlačte tlačidlo na uvoľnenie fľaše.

POZNÁMKA: Pri suchom rezaní nechajte fľašu s vodou nainštalovanú, aby sa predišlo prášeniu a usadzovaniu nánosov a upchaniu rozvodného systému vody.



UPOZORNENIE

Fľaša je určená len na použitie s vodou. Použitie akejkoľvek inej kvapaliny môže spôsobiť poškodenie nástroja.



VAROVANIE

Kotúč 101,6 mm je maximálnou kapacitou pilky.

Tiež nikdy nepoužívajte kotúč, ktorý je piliš hrubý, aby vonkajšia podložka kotúča zapadla na vreteno. Väčšie kotúče prídu do kontaktu s chráničom kotúča, kým hrubšie kotúče zabráni skrutke kotúča, aby zaistila kotúč na vretene. Ktorákoľvek z týchto situácií môže mať za následok vážnu nehodu.



VAROVANIE

Nepoužívajte rezacie kotúče s hodnotou menšou, ako je rýchlosť tohto nástroja bez záťaže. Ignorovanie tohto varovania môže spôsobiť vážne osobné zranenie. Nepoužívajte kotúč s prasklinami, medzerami alebo zubami.



VAROVANIE

Nepoužívajte ozubené alebo segmentované kotúče. Použite len kotúče so spojitým diamantovým okrajom, vhodné na murárske materiály.

INŠTALÁCIA REZACIEHO KOTÚČA

Pozrite si obr. 3.

- Vyberte súpravu batérií z pilky.
- Vyberte kľúč na kotúč (5 mm šesťhranný kľúč) z úložného priestoru.
- Stlačte tlačidlo uzamknutia vretena a vyberte skrutku kotúča a vonkajšiu podložku kotúča.

POZNÁMKA: Otáčaním skrutki kotúča v smere hodinových ručičiek ju povolíte.



UPOZORNENIE

Aby ste predišli poškodeniu vretena alebo uzamknutiu vretena, nechajte motor vždy, aby sa úplne zastavil pred zaistením poistky vretena.

POZNÁMKA: Pilku neprevádzkujte so zaistenou poistkou vretena.

- Na vnútornú podložku kotúča a vonkajšiu podložku kotúča, kde môžu prísť do kontaktu s kotúčom kvapnite trochu oleja.



VAROVANIE

Ak bola vnútorná podložka kotúča odstránená, pred založením rezacieho kotúča na vreteno ju opäť založte. Ak tak neurobíte, môže to spôsobiť nehodu, pretože kotúč nebude správne dotiahnutý.

- Založte vonkajšiu podložku kotúča.
- Stlačte tlačidlo na uzamknutie vretena, potom založte skrutku kotúča. Dobré zatahnite skrutku kotúča jej otáčaním proti smeru hodinových ručičiek.
- Kľúč na kotúč vráťte do úložného priestoru.

POZNÁMKA: Tiež nikdy nepoužívajte kotúč, ktorý je piliš hrubý, aby vonkajšia podložka kotúča zapadla na vreteno.

Slovenčina

ŠPECIFIKÁCIE

Napätie	18 V $\overline{\text{---}}$
Priemer kotúča	102 mm
Upínací trň kotúča	15,9 mm
Rezacia hĺbka pri 0°	22,2 mm
Rezacia hĺbka pri 45°	15,9 mm
Rýchlosť pri nulovej záťaži	4,500 min ⁻¹
Typ kotúča	Kotúč so spojitým diamantovým okrajom
Hmotnosť (bez súpravy batérie)	2,6 Kg

MODEL	JEDNOTKA AKUMULÁTORA (nie je súčasťou balenia)	KOMPATIBILNÁ NABÍJAČKA (nie je súčasťou balenia)
LTS180	BPL-1820 BPL-1815	BCL-1800 BCS618 BCL1418 BCL1418% \leq BCL1418' <
	BPP-1815 BPP-1815M BPP-1817 BPP-1817M	BCA-180 BC-1815S BC-1800 BCL-1800 BCS618 BCL1418 BCL1418% \leq BCL1418' <

PREVÁDZKA



VAROVANIE

Vždy používajte proti prachovú masku, keď prevádzkujete píly na dlaždice. Ak takto neurobíte, môže to mať za následok vážne zranenie osôb.



VAROVANIE

Pri práci s výrobkami vždy noste bezpečnostné okuliare s bočnými chráničmi.

Ak tak neurobíte, môže to spôsobiť, že úlomky odletia do vašich očí, čo môže spôsobiť vážne zranenie.



VAROVANIE

Nepoužívajte žiadne nadstavce alebo príslušenstvo, ktoré nie je odporúčané výrobcom tohto produktu. Použitie nadstavcov alebo príslušenstva, ktoré neodporúča výrobca môže spôsobiť vážne osobné zranenie.

APLIKÁCIE

Toto zariadenie môžete použiť na účely uvedené nižšie:

- Mokré priečne rezanie, štiepavé rezanie a rezanie pod

sklonom ručne vyrobených obkladačiek, dlaždíc a dlaždicových materiálov z prírodného kameňa.

- Pre suché rezanie vyššie uvedených materiálov sa vyžaduje špeciálny rezací kotúč (nedodáva sa).

V tomto výrobku sa používajú súpravy lítium-iónových batérií Ryobi One+ 18V a súpravy nikel-kadmiových batérií Ryobi One+ 18V.

Ak chcete úplné inštrukcie týkajúce sa nabíjania, pozrite si návod na prevádzku pre súpravu batérií Ryobi One+ a modely nabíjačky.

OCHRANNÉ VLASTNOSTI BATÉRIE

Lítiovo-iónové batérie RYOBI 18 V sú navrhnuté tak, aby sa chránili lítium-iónové články a maximalizovala životnosť batérií. Za určitých prevádzkových podmienok tieto zabudované vlastnosti môžu spôsobiť, že batéria a nástroj, ktorý poháňa sa môže spávať inak, ako pri použití nikel-kadmiových batérií.

Počas niektorých aplikácií elektronika batérie môže vypnúť batériu a spôsobiť zastavenie nástroja. Ak chcete resetovať batériu a nástroj, uvoľnite spínač a pokračujte v normálnej prevádzke.

POZNÁMKA: Aby ste predišli ďalšiemu vypnutiu batérie, vyhýbajte sa presilovaniu nástroja.

Keď uvoľníte spínača neresetuje batériu a nástroj, súprava batérií je vybitá. Ak je súprava batérií vybitá, začne sa nabíjať, keď ju položíte na nabíjač lítium-iónových batérií.

INŠTALÁCIA SÚPRAVY BATÉRIÍ

Pozrite si obr. 4.

- Zložte súpravu batérií do píly. Vyrovnajte vyvýšený výstupok na súprave batérií s drážkou vnútri píly, portom zasuňte súpravu batérií do píly.
- Ubezpečte sa, či západky na každej strane súpravy batérie zapadnú na svoje miesto a či je súprava batérie zaistená v nástroji pred začatím prevádzky.



VAROVANIE

Vždy vyberte súpravu batérie z nástroja, keď montujete diely, robíte nastavenia, čistíte nástroj alebo keď ho nepoužívate. Vybráním súpravy batérií sa predchádza náhodnému spusteniu, ktoré môže spôsobiť vážne osobné zranenie.

VYBERANIE SÚPRAVY BATÉRIÍ

Pozrite si obr. 4.

- Nájdite západky na boku súpravy batérie a stlačte ich, čím sa uvoľní súprava batérií z píly.
- Vyberte súpravu batérií z píly.

Slovenčina

PREVÁDZKA

REZACIE KOTÚČE

Ani najlepšie rezacie kotúče nebudú rezať účinne, ak sú tupé alebo veľmi opotrebované. Používanie tupého kotúča znamená veľkú záťaž na pilku. Vždy majte náhradné kotúče poruke, aby ste vždy mali ostré kotúče.

SPŮŠŤANIE/ZASTAVOVANIE PÍLKY

Pozrite si obr. 5.

Spustenie pilky:

- Stlačte tlačidlo poistky.
- Stlačte spúšťací spínač.

Vždy nechajte kotúč dosiahnuť plnú rýchlosť, potom zavedte pilku do obrobku.

Zastavenie pilky: Uvoľnite spúšťací spínač.

Po uvoľnení spúšťacieho spínača nechajte kotúč úplne zastaviť. NEVYBERAJTE pilku z obrobku, kým sa kotúč hýbe.

TLAČIDLO POISTKY

Pozrite si obr. 6.

Tlačidlo poistky znižuje možnosť náhodného spustenia. Tlačidlo poistky sa nachádza na držadle nad spínačom spúšťača. Tlačidlo poistky sa musí stlačiť predtým, ako zatiahnete spínač spúšťača. Poistka sa resetuje zakaždým, keď sa uvoľní spúšťač.

POZNÁMKA: Tlačidlo poistky môžete stlačiť buď zľava alebo sprava.

NASTAVENIE HLĚBKY KOTÚČA

Pozrite si obr. 7.

Vždy zachovajte správne nastavenie hĺbky kotúča. Správne nastavenie hĺbky kotúča pre všetky rezy by nemalo prekročiť 6,35 mm pod rezaným materiálom. Väčšia hĺbka kotúča zvýši možnosť spätného rázu a môže spôsobiť, že rez bude hrubý. Pre zvýšenie presnosti nastavenia hĺbky rezu je na zadnej podpere mierka.

- Povoľte tlačidlo nastavenia hĺbky.
- Určite požadovanú hĺbku rezu.
- Nájdite mierku hĺbky rezu na zadnej podpere.
- Držte plochu základne oproti obrobku a zvýšte alebo znížte pilku, kým indikačná značka na podpere nebude v jednej rovine s vrubom na chrániči kotúča.
- Tlačidlo nastavenia hĺbky pevne dotiahnite.

PREVÁDZKOVANIE PÍLKY

Pozrite si obr. 8. - 9.

Je dôležité pochopiť správny spôsob prevádzkovania pilky. Pozrite si obrázky v tejto sekcii, aby ste sa naučili aké sú správne a nesprávne spôsoby narábania s pilkou.



VAROVANIE

Keď dvíhate pilku z obrobku, kotúč na spodnej strane pilky je nechránený.

Ako spraviť čo najlepší rez:

- Pilku držte pevne obidvomi rukami.
- Pri rezaní nedávajte ruku na obrobok.
- Podoprite obrobok, aby bol rez (zárez) vždy na vašej strane.
- Podoprite obrobok v blízkosti rezu.
- Obrobok bezpečne upnite, aby sa počas rezania nehýbal.
- Pilku dajte vždy na obrobok, ktorý je podopretý, nerežte kusy.
- Obrobok položte "lícom" dole.
- Nakreslite si požadovanú líniu rezu predtým, ako ho budete robiť.

REZANIE

Na dlaždicu si pomocou popisovača alebo ceruzkou vždy nakreslite líniu rezu. Ak je dlaždica lesklá a ťažko sa na ňu píše, dajte na ňu maskovaciu pásku a označte pásku.

Všeobecným problémom pri rezaní dlaždice je, že odklon od naznačenej línie. Keď sa odchýlite od naznačenej línie, nemôžete posunúť kotúč nasilu späť na líniu jeho stočením. Namiesto toho sa vráťte späť a reže znova, odrežte malý kus dlaždice, kým kotúč nie je späť vo svojej dráhe.

Aby ste sa vyhlili problému, používajte rovné vodidlo vždy, keď je to možné, keď robíte priečne rezy a rezy pod náklonom. Ak sa vyžaduje mokré rezanie, malo by sa vykonávať zvonku.

ÚDRŽBA



VAROVANIE

Pri údržbe používajte len identické náhradne diely od spoločnosti Ryobi. Použitie odlišných môže mať za následok zranenie, alebo poškodenie výrobku.

Pri čistení plastových dielov sa vyhňte použitiu rozpúšťadiel. Mnoho plastov je náchylných na poškodenie pri použití rôznych typov komerčných rozpúšťadiel. Na čistenie od špiny, prachu, maziva a masti používajte čisté handry.



VAROVANIE

Nikdy nedovoľte kontaktu plastových dielov s brzdovou kvapalinou, benzínom, minerálnym olejom, agresívnym mazivami atď. Chemikálie môžu poškodiť, oslabiť, alebo zničiť plastové časti a tak spôsobiť vážne zranenie.

Nepresilujte náradie. Takéto konanie môže poškodiť náradie a aj opracovaný materiál.



VAROVANIE

Nepokúšajte sa modifikovať produkt, alebo vytvoriť príslušenstvo, ktoré nie je odporúčané pre použitie s týmto produktom. Ignorovanie tohto upozornenia môže viesť k nebezpečným podmienkam a následným vážnym zraneniam.

Slovenčina

OCHRANA ŽIVOTNÉHO PROSTREDIA



Surové materiály recyklujte, namiesto toho, aby ste ich zlikvidovali ako odpad. Stroj, príslušenstvo a obaly by sa mali triedene recyklovať spôsobom šetrným k životnému prostrediu.

ZNAČKY



Výstražná značka

V Volty

min⁻¹ Otáčky, alebo kmity za sekundu

↔ Jednosmerný prúd



CE konformita



Pred zapnutím zariadenia si prosím prečítajte inštrukcie



Noste ochranu sluchu



Noste ochranu zraku



Recyklujte



Opotrebované elektrické zariadenia by ste nemali odhadzovať do domového odpadu. Prosíme o recykláciu ak je možné. Kontaktujte miestne úrady, alebo predajcu pre viac informácií ohľadom ekologického spracovania.

Ελληνικά

ΣΥΓΚΕΚΡΙΜΕΝΟΙ ΚΑΝΟΝΕΣ ΑΣΦΑΛΕΙΑΣ

- **ΚΙΝΔΥΝΟΣ! Διατηρείτε τα χέρια σας μακριά από την περιοχή κοπής και τη λεπίδα. Κρατάτε το δεύτερο χέρι σας στη βοηθητική λαβή ή το περίβλημα του κινητήρα.** Αν και τα δυο χέρια κρατάνε τον κόπτη, δεν μπορούν να κοπούν από τη λεπίδα.
- **Μην τεντώνεστε κάτω από το τεμάχιο στο οποίο δουλεύετε.** Το προστατευτικό δεν μπορεί να σας προφυλάξει από τη λεπίδα κάτω από το τεμάχιο.
- **Ρυθμίστε το βάθος κοπής στο πάχος του τεμαχίου στο οποίο δουλεύετε.** Λιγότερο από ένα γεμάτο δόντι της λεπίδας θα πρέπει να είναι ορατό κάτω από το τεμάχιο στο οποίο δουλεύετε.
- **Μην κρατάτε ποτέ το κομμάτι που κόβετε στα χέρια σας ή κατά μήκος των ποδιών σας. Ασφαλίστε το τεμάχιο στο οποίο δουλεύετε σε μια σταθερή πλατφόρμα.** Είναι σημαντικό να υποστηρίζετε την εργασία σας καλά ώστε να ελαχιστοποιείται η έκθεση του σώματός σας, το πιάσιμο της λεπίδας ή η απώλεια ελέγχου.
- **Κρατάτε το εργαλείο από τις μονωμένες επιφάνειες λαβής όταν εκτελείτε εργασίες στις οποίες το εξάρτημα κοπής μπορεί να έρθει σε επαφή με κρυμμένες καλωδιώσεις ή το δικό του καλώδιο.** Η επαφή με «ζωντανό» καλώδιο θα ηλεκτροδοτήσει και τα εκτεθειμένα μεταλλικά τμήματα του εργαλείου, προκαλώντας ηλεκτροπληξία στον χειριστή.
- **Όταν σκίζετε, χρησιμοποιείτε πάντα προστατευτικό ή οδηγό ίσων άκρων.** Έτσι βελτιώνετε την ακρίβεια της κοπής και μειώνετε τον κίνδυνο πιασίματος της λεπίδας.
- **Χρησιμοποιείτε πάντα λεπίδες με σπές ατράκτου που έχουν σωστό μέγεθος και σχήμα (διαμαντιού σε σχέση με τις στρογγυλές).** Λεπίδες που δεν ταιριάζουν στο υλικό του πριονιού κινούνται έκκεντρα, προκαλώντας απώλεια ελέγχου.
- **Μην χρησιμοποιείτε ποτέ φθαρμένες ή σφαλμένες ροδέλες ή μπουλόνια λεπίδας.** Οι ροδέλες και τα μπουλόνια λεπίδας έχουν σχεδιαστεί ειδικά για τον κόπτη σας, για βέλτιστη απόδοση και ασφάλεια χρήσης.
- **Αιτίες και αποφυγή επιστροφής:**
 - η επιστροφή είναι μια ξαφνική αντίδραση σε συμπίεσμένη, πιασμένη ή σφαλμένη ευθυγραμμισμένη λεπίδα κόπτη, που προκαλεί την ανεξέλεγκτη ανύψωση του κόπτη, μακριά από το τεμάχιο και προς τον χειριστή
 - όταν η λεπίδα είναι συμπίεσμένη ή πιασμένη σφιχτά από την εγκοπή που κλείνει, η λεπίδα στολάρει και η αντίδραση του κινητήρα οδηγεί τη μονάδα γρήγορα προς τον χειριστή
 - Αν η λεπίδα μπλεχτεί ή έχει λάθος ευθυγράμμισης στην κοπή, τα δόντια στην πίσω άκρη της μπορούν να εισέλθουν στην πάνω επιφάνεια του ξύλου, βγάζοντας την από την εγκοπή και σπρώχνοντάς την προς τον χειριστή.

Η επιστροφή είναι το αποτέλεσμα κακής χρήσης του κόπτη και / ή εσφαλμένων διαδικασιών λειτουργίας ή συνθηκών και μπορεί να αποτραπεί λαμβάνοντας τις κατάλληλες προφυλάξεις που αναφέρονται παρακάτω.

- **Διατηρείτε καλό κράτημα και με τα δύο χέρια στον κόπτη και τοποθετήστε τους βραχιονές σας έτσι ώστε να αντιστέκονται στις δυνάμεις επιστροφής. Τοποθετήστε το σώμα σας στις δύο πλευρές τις λεπίδας, όχι όμως ευθυγραμμισμένο με αυτήν.** Η επιστροφή μπορεί να προκαλέσει κλώστισμα του κόπτη προς τα πίσω, αλλά οι δυνάμεις της μπορούν να ελεγχθούν από τον χειριστή, αν ληφθούν οι κατάλληλες προφυλάξεις.
- **Όταν η λεπίδα πλένεται ή όταν διακόπτετε μια κοπή για οποιοδήποτε λόγο, αφήστε τον διακόπτη και κρατήστε τον κόπτη ακίνητο στο υλικό μέχρι η λεπίδα να σταματήσει τελείως. Μην προσπαθείτε ποτέ να αφαιρέσετε τον κόπτη από την εργασία ή να τον τραβήξετε προς τα πίσω όσο η λεπίδα κινείται, γιατί μπορεί να προκληθεί επιστροφή.** Διερευνήστε και λάβετε διορθωτικές ενέργειες για να σταματήσετε την αιτία πιασίματος της λεπίδας.
- **Όταν ξεκινάτε ξανά μια κοπή το τεμάχιο, κεντράρετε τη λεπίδα του κόπτη στην εγκοπή και ελέγξτε ότι τα δόντια του δεν έχουν μπει στο υλικό.** Αν η λεπίδα του κόπτη πλένεται, μπορεί να προχωρήσει ή να κάνει επιστροφή από το τεμάχιο όταν θα τον ξεκινήσετε ξανά.
- **Στηρίξτε τα μεγάλα πλαίσια για να ελαχιστοποιήσετε τον κίνδυνο πιασίματος και επιστροφής της λεπίδας.** Τα μεγάλα πλαίσια τείνουν να κρεμάνε από το βάρος τους. Πρέπει να τοποθετήσετε υποστηρίγματα κάτω από το πλαίσιο και στις δυο πλευρές, κοντά στη γραμμή της κοπής και κοντά στην άκρη του πλαισίου.
- **Μην χρησιμοποιείτε αμβλίες ή φθαρμένες λεπίδες.** Οι λεπίδες που δεν έχουν ακονιστεί ή που τοποθετούνται λάθος, παράγουν στενή εγκοπή προκαλώντας υπερβολική τριβή, πιάσιμο και επιστροφή της λεπίδας.
- **Οι μοχλοί κλειδώματος βάθους λεπίδας και προσαρμογής λοξότμησης πρέπει να είναι σφιχτοί και ασφαλείς πριν εκτελέσετε μια κοπή.** Αν η ρύθμιση της λεπίδας μετατοπιστεί κατά την κοπή, μπορεί να προκληθεί πιάσιμο και επιστροφή.
- **Προσέχετε ιδιαίτερα όταν κάνετε «βαθιά κοπή» σε υπάρχοντες τοίχους ή άλλες περιοχές χωρίς ορατότητα.** Η λεπίδα που προεξέχει μπορεί να κψει αντικείμενα, προκαλώντας επιστροφή.
- **Ελέγχετε το κάτω προστατευτικό για να βεβαιωθείτε ότι έχει κλείσει καλά πριν από κάθε χρήση. Μην χρησιμοποιήσετε τον κόπτη αν το κάτω προστατευτικό δεν κινείται ελεύθερα και δεν κλείνει αμέσως. Μη σφίγγετε ή δένετε ποτέ το κάτω προστατευτικό στην ανοιχτή θέση.** Αν ο κόπτης πέσει κάτω κατά λάθος, το κάτω προστατευτικό μπορεί να στραβώσει. Ανασκήψετε το κάτω προστατευτικό με την συσταλή λαβή και βεβαιωθείτε ότι κινείται ελεύθερα και δεν αγγίζει τη λεπίδα ή άλλο εξάρτημα, σε κάθε γωνία και βάθος της κοπής.

Ελληνικά

ΣΥΓΚΕΚΡΙΜΕΝΟΙ ΚΑΝΟΝΕΣ ΑΣΦΑΛΕΙΑΣ

- **Ελέγξτε τη λειτουργία του ελατηρίου στο κάτω προστατευτικό. Αν το προστατευτικό και το ελατήριο δεν λειτουργούν σωστά, θα πρέπει να επιδιορθωθούν πριν τη χρήση.** Το κάτω προστατευτικό μπορεί να λειτουργεί αργά σε περίπτωση φθαρμένων εξαρτημάτων, κομμωσιών αποθέσεων ή συσώρευσης υπολειμμάτων.
- **Το κάτω προστατευτικό πρέπει να τραβιέται μη αυτόματα μόνο για ειδικές κοπές όπως «βαθιές κοπές» και «σύνθετες κοπές». Ανασηκώστε το κάτω προστατευτικό τραβώντας τη λαβή και μόλις η λεπίδα εισέλθει στο υλικό, αφήστε το κάτω προστατευτικό.** Για κάθε άλλη χρήση κοπής, το κάτω προστατευτικό λειτουργεί αυτόματα.
- **Προσέχετε πάντα το κάτω προστατευτικό να καλύπτει τη λεπίδα πριν τοποθετήσετε τον κόπτη σε πάγκο ή δάπεδο.** Αν η λεπίδα είναι απροστάτευτη και κινείται ελεύθερα, ο κόπτης θα μεταφερθεί προς τα πίσω, κόβοντας οτιδήποτε συναντά στην διαδρομή του. Προσέχετε για τον χρόνο που χρειάζεται μέχρι η λεπίδα να σταματήσει αφού αφήσετε τον διακόπτη.

ΠΕΡΙΓΡΑΦΗ

1. Κουμπί απεμπλοκής
2. Κλειδίωμα ατράκτου
3. Κλίμακα λοξότμησης
4. Κουμπί κλειδώματος λοξότμησης
5. Κουμπί κλειδώματος οδηγού άκρων
6. Τροχός κοπής
7. Βάση
8. Κουμπί ρύθμισης ροής
9. Κουμπί απελευθέρωσης φιάλης νερού
10. Φιάλη νερού
11. Κουμπί κλειδώματος βάθους
12. Αποθήκευση κλειδιού τροχού
13. Μπαταρία (δεν περιλαμβάνεται)
14. Διακόπτης
15. Ροδέλα εσωτερικού τροχού
16. Τροχός
17. Ροδέλα εξωτερικού τροχού
18. Βίδα τροχού
19. Εσφαλμένη μέθοδος υποστήριξης
20. Σωστή μέθοδος υποστήριξης

ΣΥΝΑΡΜΟΛΟΓΗΣΗ

ΤΟΠΟΘΕΤΗΣΗ ΦΙΑΛΗΣ ΝΕΡΟΥ ΒΑΡΥΤΗΤΑΣ

βλ. Σχήμα 2.

Η φιάλη νερού βαρύτητας έχει ενσωματωμένο εξαεριστήρα

που ισορροπεί την πίεση και επιτρέπει στο νερό να ρέει πιο ελεύθερα.

- Αφαιρέστε την μπαταρία.
- Ξεβιδώστε τη διάταξη του ακροφύσιου.
- Γεμίστε τη φιάλη νερού μέχρι το επιθυμητό επίπεδο. Μην την παραγεμίσετε.
- Τοποθετήστε τη διάταξη ακροφύσιου.
- Κρατήστε τη φιάλη νερού έτσι ώστε το ακροφύσιο να κοιτάζει προς τα κάτω.
- **ΣΗΜΕΙΩΣΗ:** Το νερό δεν φεύγει από τη φιάλη, εκτός αν πιεστεί η άκρη του ακροφύσιου.
- Τοποθετήστε τη φιάλη νερού όπως φαίνεται. Πιέστε απαλά προς τα κάτω τη φιάλη μέχρι να κλειδώσει στη θέση της.
- Για να αφαιρέσετε τη φιάλη νερού, πιέστε το κουμπί απελευθέρωσής της.

ΣΗΜΕΙΩΣΗ: Για στεγνές κοπές, αφήστε τη φιάλη νερού στη θέση της ώστε να μην μπουκώσουν η σκόνη και τα υπολείμματα το σύστημα παροχής νερού.



ΠΡΟΣΟΧΗ

Η φιάλη νερού είναι σχεδιασμένη μόνο για νερό. Η χρήση οποιουδήποτε άλλου υγρού μπορεί να προκαλέσει ζημιές στο εργαλείο.



ΠΡΟΕΙΔΟΠΟΙΗΣΗ

Τροχοί 101,6 mm είναι οι μέγιστοι που μπορούν να χρησιμοποιηθούν στον κόπτη. Επίσης, μην χρησιμοποιείτε ποτέ τροχούς που είναι υπερβολικά μεγάλοι ώστε να εμποδίζουν την εμπλοκή της ροδέλας τροχού με το επίπεδο της ατράκτου. Μεγαλύτεροι τροχοί θα έρθουν σε επαφή με τα προστατευτικά τροχών, ενώ τροχοί με μεγαλύτερο πάχος εμποδίζουν τη βίδα τροχού από το να κλειδώσει τον τροχό στην άτρακτο. Και οι δύο αυτές περιπτώσεις μπορούν να προκαλέσουν σοβαρό ατύχημα.



ΠΡΟΕΙΔΟΠΟΙΗΣΗ

Μην χρησιμοποιείτε τροχούς κοπής με βαθμονόμηση μικρότερη από την ταχύτητα του εργαλείου χωρίς φορτίο. Διαφορετικά μπορεί να προκληθεί τραυματισμός. Μην χρησιμοποιείτε τροχούς με ρωγμές, κενά ή δόντια.



ΠΡΟΕΙΔΟΠΟΙΗΣΗ

Μην χρησιμοποιείτε οδοντωτούς ή κατατηρημένους τροχούς. Χρησιμοποιείτε μόνο συνεχόμενους, κυκλικούς τροχούς διαμαντιού, κατάλληλους για υλικά τοιχοποιίας.

Ελληνικά

ΣΥΝΑΡΜΟΛΟΓΗΣΗ

ΤΟΠΟΘΕΤΗΣΗ ΤΡΟΧΟΥ ΚΟΠΗΣ

Βλ. Σχήμα 3.

- Αφαιρέστε την μπαταρία από τον κόπτη.
- Αφαιρέστε το κλειδί τροχού (5 mm εξαγωνικό κλειδί) από τη θέση φύλαξης.
- Πιέστε το κουμπί κλειδώματος ατράκτου και αφαιρέστε τη βίδα τροχού και την εξωτερική ροδέλα τροχού.

ΣΗΜΕΙΩΣΗ: Γυρίστε τη βίδα τροχού δεξιόστροφα για να την αφαιρέσετε.

**ΠΡΟΣΟΧΗ**

Για να μην προκληθούν ζημιές στην άτρακτο ή το κλειδώμα της, περιμένετε πάντα να σταματήσει τελείως ο κινητήρας πριν βάλετε το κλειδώμα.

ΣΗΜΕΙΩΣΗ: Μην λειτουργείτε τον κόπτη με την άτρακτο κλειδωμένη.

- Ρίξτε μια σταγόνα λάδι στην εσωτερική ροδέλα τροχού και την εξωτερική ροδέλα τροχού, στο σημείο που έρχονται σε επαφή με τον τροχό.

**ΠΡΟΕΙΔΟΠΟΙΗΣΗ**

Αν η εσωτερική ροδέλα τροχού έχει αφαιρεθεί, τοποθετήστε την πριν τοποθετήσετε τον τροχό κοπής στην άτρακτο. Διαφορετικά μπορεί να προκληθεί ατύχημα αφού ο τροχός δεν θα σφίγγει σωστά.

- Τοποθετήστε την εξωτερική ροδέλα τροχού.
- Πιέστε το κουμπί κλειδώματος ατράκτου και τοποθετήστε τη βίδα τροχού. Σφίξτε τη βίδα τροχού καλά, στρίβοντάς την αριστερόστροφα.
- Επιστρέψτε το κλειδί τροχού στη θέση φύλαξης.

ΣΗΜΕΙΩΣΗ: Μην χρησιμοποιείτε ποτέ τροχούς που είναι υπερβολικά μεγάλοι ώστε να εμποδίζουν την εμπλοκή της ροδέλας τροχού με το επίπεδο της άτρακτου.

ΠΡΟΔΙΑΓΡΑΦΕΣ

Τάση	18 V ---
Διάμετρος τροχού	102 mm
Άξονας τροχού	15,9 mm
Βάθος κοπής σε 0°	22,2 mm
Βάθος κοπής σε 45°	15,9 mm
Ταχύτητα χωρίς φορτίο	4.500 min ⁻¹
Τύπος τροχού	Συνεχόμενος Κυκλικός Τροχός διαμαντιού
Βάρος (χωρίς την μπαταρία)	2,6 Kg

ΜΟΝΤΕΛΟ	ΔΙΑΤΑΞΗ ΜΠΑΤΑΡΙΑΣ (δεν περιλαμβάνεται)	ΣΥΜΒΑΤΟΣ ΦΟΡΤΙΣΤΗΣ (δεν περιλαμβάνεται)
LTS180	BPL-1820 BPL-1815	BCL-1800 BCS618 BCL1418%< BCL1418' < BCL1418
	BPP-1815 BPP-1815M BPP-1817 BPP-1817M	BCA-180 BCL-1800 BCS618 BCL1418%< BCL1418' < BCL1418 BC-1815S BC-1800

ΛΕΙΤΟΥΡΓΙΑ

**ΠΡΟΕΙΔΟΠΟΙΗΣΗ**

Φοράτε πάντα μάσκα κατά της σκόνης όταν χρησιμοποιείτε κόπτες πλακακίων. Διαφορετικά μπορεί να προκληθεί σοβαρός τραυματισμός.

ΠΡΟΕΙΔΟΠΟΙΗΣΗ

Φοράτε πάντα προστατευτικά γυαλιά ή γυαλιά ασφαλείας με πλαϊνές ασπίδες κατά τον χειρισμό προϊόντων.

Διαφορετικά μπορεί να εκτιναχθούν αντικείμενα στα μάτια σας, προκαλώντας πιθανό σοβαρό τραυματισμό.

**ΠΡΟΕΙΔΟΠΟΙΗΣΗ**

Μην χρησιμοποιείτε εξαρτήματα ή μέρη που δεν προτείνονται από τον κατασκευαστή του προϊόντος. Η χρήση εξαρτημάτων ή μερών που δεν προτείνονται, μπορεί να οδηγήσει σε σοβαρό τραυματισμό.

ΕΦΑΡΜΟΓΕΣ

Μπορείτε να χρησιμοποιήσετε το προϊόν για τους παρακάτω σκοπούς:

- Σταυρωτές υγρές κοπές, κοπή απόσχισης και λοξότμηση πλακακίων, πλακόστρωτων επιφανειών και υλικών από φυσική πέτρα.
- Για στεγνή κοπή των παραπάνω υλικών, απαιτείται ειδικός τροχός κοπής (δεν παρέχεται).

Το προϊόν δέχεται μπαταρίες λιθίου - ιόντων Ryobi One+ 18V και νικελ-καδμίου Ryobi One+ 18V.

Για οδηγίες φόρτισης, συμβουλευτείτε το Εγχειρίδιο Χρήσης για τη μπαταρία Ryobi One+ και τα μοντέλα φορτιστών που διαθέτετε.

Ελληνικά

ΛΕΙΤΟΥΡΓΙΑ

ΧΑΡΑΚΤΗΡΙΣΤΙΚΑ ΠΡΟΣΤΑΣΙΑΣ ΜΠΑΤΑΡΙΑΣ

Οι μπαταρίες λιθίου-iónτων της RYOBI 18V είναι σχεδιασμένες με χαρακτηριστικά που προστατεύουν τα στοιχεία λιθίου-iónτων και μεγιστοποιούν τη διάρκεια ζωής της μπαταρίας. Σε ορισμένες συνθήκες λειτουργίας, αυτά τα ενσωματωμένα χαρακτηριστικά μπορεί να προκαλέσουν διαφορετική συμπεριφορά στην μπαταρία και το εργαλείο απ' ό,τι συμβαίνει με τις μπαταρίες νίκελ-καδμίου.

Σε ορισμένες εφαρμογές, τα ηλεκτρονικά της μπαταρίας μπορεί να της δώσουν σήμα να τερματίσει, προκαλώντας τη διακοπή της λειτουργίας του εργαλείου. Για να κάνετε επανεκκίνηση σε μπαταρία και εργαλείο, αφήστε τον διακόπτη και συνεχίστε κανονικά τη λειτουργία.

ΣΗΜΕΙΩΣΗ: Για να αποφύγετε τον τερματισμό της μπαταρίας, μην πιέζετε το εργαλείο.

Αν αφήνοντας τον διακόπτη δεν γίνεται επανεκκίνηση σε μπαταρία και εργαλείο, η μπαταρία έχει αδειάσει. Σε αυτήν την περίπτωση, θα ξεκινήσει να φορτίζει όταν την τοποθετήσετε στον φορτιστή λιθίου-iónτων.

ΤΟΠΟΘΕΤΗΣΗ ΜΠΑΤΑΡΙΑΣ

Βλ. Σχήμα 4.

- Τοποθετήστε την μπαταρία στον κόπτη. Ευθυγραμμίστε το ανασηκωμένο πλευρό της μπαταρίας με το αυλάκι μέσα στον κόπτη και γλιστρήστε την μπαταρία μέσα στον κόπτη.
- Βεβαιωθείτε ότι τα άγκιστρα σε κάθε πλευρά της μπαταρίας κομπώνουν στη θέση τους και ότι η μπαταρία είναι καλά τοποθετημένη στο εργαλείο πριν αρχίσετε τη χρήση.

**ΠΡΟΕΙΔΟΠΟΙΗΣΗ**

Αφαιρείτε πάντα την μπαταρία από το εργαλείο σας όταν συναρμολογείτε εξαρτήματα, κάνετε προσαρμογές, το καθαρίζετε ή δεν το χρησιμοποιείτε. Η αφαίρεση της μπαταρίας εμποδίζει την τυχαία έναρξη του εργαλείου που μπορεί να προκαλέσει σοβαρό τραυματισμό.

ΑΦΑΙΡΕΣΗ ΜΠΑΤΑΡΙΑΣ

Βλ. Σχήμα 4.

- Βρείτε τα άγκιστρα στο πλάι της μπαταρίας και πιέστε τα για να αφαιρέσετε την μπαταρία από τον κόπτη.
- Αφαιρέστε την μπαταρία από τον κόπτη.

ΤΡΟΧΟΙ ΚΟΠΗΣ

Ακόμη και οι καλύτεροι τροχοί κοπής δεν κόβουν καλά αν έχουν αμβλυνθεί ή φθαρθεί. Η χρήση τροχού που έχει αμβλυνθεί ασκεί μεγάλη πίεση στον κόπτη. Έχετε ανταλλακτικούς τροχούς, ώστε να χρησιμοποιείτε πάντα τους καλά ακονισμένους.

ΕΝΑΡΞΗ / ΔΙΑΚΟΠΗ ΚΟΠΤΗ

Βλ. Σχήμα 5.

Για να ξεκινήσετε τον κόπτη:

- Πιέστε το κουμπί κλειδώματος.
- Πιέστε τον διακόπτη.

Αφήνετε πάντα τον τροχό να φτάσει στην πλήρη ταχύτητα και στη συνέχεια οδηγήστε τον στο τεμάχιο στο οποίο εργάζεστε.

Για να σταματήσετε τον κόπτη: Αφήστε τον διακόπτη.

Αφού αφήσετε τον διακόπτη, περιμένετε μέχρι ο τροχός να σταματήσει τελείως. ΜΗΝ αφαιρείτε τον κόπτη από το τεμάχιο στο οποίο εργάζεστε όσο ο τροχός κινείται ακόμη.

ΚΟΥΜΠΙ ΚΛΕΙΔΩΜΑΤΟΣ

Βλ. Σχήμα 6.

Το κουμπί κλειδώματος μειώνει την πιθανότητα τυχαίας έναρξης. Βρίσκεται στη λαβή, πάνω από τον διακόπτη. Θα πρέπει να το πιέσετε πριν τραβήξετε τον διακόπτη. Το κλειδώμα κάνει επανεκκίνηση κάθε φορά που αφήνετε τον διακόπτη.

ΣΗΜΕΙΩΣΗ: Μπορείτε να πιέσετε το κουμπί κλειδώματος από την αριστερή ή τη δεξιά πλευρά.

ΠΡΟΣΑΡΜΟΓΗ ΒΑΘΟΥΣ ΤΡΟΧΟΥ

Βλ. Σχήμα 7.

Διατηρείτε πάντα τη σωστή ρύθμιση βάθους τροχού. Η σωστή ρύθμιση βάθους τροχού για όλες τις κοπές δεν πρέπει να ξεπερνάει τα 6,35 mm κάτω από το υλικό που κόβεται. Μεγαλύτερο βάθος τροχού αυξάνει τις πιθανότητες επιστροφής και προκαλεί τραχιά κοπή. Για περισσότερη ακρίβεια στην επιλογή του βάθους, βρίσκεται μια κλίμακα στον πίσω βραχίονα.

- Ξεσφίξτε το κουμπί προσαρμογής βάθους.
- Επιλέξτε το επιθυμητό βάθος κοπής.
- Βρείτε την κλίμακα βάθους κοπής στον πίσω βραχίονα.
- Κρατήστε τη βάση επίπεδη κόντρα στο τεμάχιο στο οποίο εργάζεστε και ανασηκώστε ή χαμηλώστε τον κόπτη μέχρι η ένδειξη στον βραχίονα να ευθυγραμμιστεί με την εσοχή στο προστατευτικό τροχού.
- Σφίξτε καλά το κουμπί προσαρμογής βάθους.

ΧΡΗΣΗ ΚΟΠΤΗ

Βλ. Σχήμα 8-9.

Είναι σημαντικό να κατανοήσετε καλά τη σωστή μέθοδο χρήσης του κόπτη. Συμβουλευτείτε τα σχήματα σε αυτήν την ενότητα για να μάθετε τους σωστούς και λάθος τρόπους για τον χειρισμό του.

**ΠΡΟΕΙΔΟΠΟΙΗΣΗ**

Όταν ανασηκώνετε τον κόπτη από το τεμάχιο στο οποίο εργάζεστε, ο τροχός εκτίθεται στην κάτω πλευρά του κόπτη.

Ελληνικά

ΛΕΙΤΟΥΡΓΙΑ

Για να κάνετε την καλύτερη δυνατή κοπή:

- Κρατήστε τον κόπτη καλά με τα δυο σας χέρια.
- Αποφύγετε να τοποθετήσετε το χέρι σας στο τεμάχιο στο οποίο εργάζεστε όσο πραγματοποιείτε την κοπή.
- Υποστηρίξτε το τεμάχιο στο οποίο εργάζεστε, ώστε η κοπή (εγκοπή) να βρίσκεται πάντα προς το μέρος σας.
- Υποστηρίξτε το τεμάχιο στο οποίο εργάζεστε κοντά στην κοπή.
- Σφίξτε το τεμάχιο καλά ώστε να μην μετακινηθεί κατά τη διάρκεια της κοπής.
- Τοποθετείτε πάντα το πριόνι στο τεμάχιο που υποστηρίζεται και όχι στο κομμάτι «αποκοπής».
- Τοποθετήστε το τεμάχιο με την «καλή» πλευρά προς τα κάτω.
- Σχεδιάστε μια γραμμή κατά μήκος της κατεύθυνσης που θέλετε να κόψετε πριν ξεκινήσετε την κοπή.

ΚΟΠΕΣ

Σχεδιάζετε πάντα τη γραμμή που θα κόψετε πάνω στο πλακάκι με έναν μαρκαδόρο ή μολύβι γράσου. Αν το πλακάκι είναι πολύ γυαλιστερό και μαρκάρεται δύσκολα, τοποθετήστε ταινία πάνω του και μαρκάρετε την ταινία.

Ένα συννηθισμένο πρόβλημα στην κοπή πλακακιών είναι όταν ξεφεύγουμε από τη μαρκαρισμένη γραμμή. Αν ξεφύγετε από τη γραμμή, δεν μπορείτε να πιέσετε τον τροχό να επιστρέψει σε αυτήν γυρίζοντας το πλακάκι. Αντίθετα, κάντε πίσω και ξανακόψτε το πλακάκι αφαιρώντας μια μικρή ποσότητα του, μέχρι ο τροχός να επιστρέψει στη σωστή θέση.

Για να αποφύγετε αυτό το πρόβλημα, χρησιμοποιείτε έναν οδηγό με ευθείες άκρες όπου μπορείτε για να κάνετε σταυρωτές και λοξές κοπές.

Αν επιθυμείτε να κάνετε υγρή κοπή, εκτελέστε την σε εξωτερικό χώρο.

ΣΥΝΤΗΡΗΣΗ



ΠΡΟΕΙΔΟΠΟΙΗΣΗ

Σε περίπτωση αντικατάστασης πρέπει να χρησιμοποιούνται αποκλειστικά γνήσια ανταλλακτικά Ryobi. Η χρήση οποιουδήποτε άλλου ανταλλακτικού μπορεί να παρουσιάσει κίνδυνο ή να προκαλέσει ζημιά στο προϊόν.

Μην χρησιμοποιείτε διαλύτες για να καθαρίσετε τα πλαστικά τμήματα. Τα περισσότερα πλαστικά κινδυνεύουν να πάθουν ζημιά με τη χρήση ορισμένων διαλυτών που διατίθενται στο εμπόριο. Χρησιμοποιήστε ένα καθαρό πανάκι για να απομακρύνετε τις ακαθαρσίες, τη σκόνη, το λάδι, το γράσο, κλπ.



ΠΡΟΕΙΔΟΠΟΙΗΣΗ

Μην αφήνετε ποτέ υγρά φρένων, βενζίνη, προϊόντα με βάση το πετρέλαιο, διεισδυτικά έλαια, κλπ να έρθουν σε επαφή με τα πλαστικά τμήματα. Αυτά τα χημικά προϊόντα περιέχουν ουσίες οι οποίες μπορούν να προξενήσουν ζημιά, να μειώσουν ή να καταστρέψουν το πλαστικό.

Μην έχετε υπερβολικές απαιτήσεις από τα εργαλεία σας. Η εντατική χρήση μπορεί να προκαλέσει ζημιά στο εργαλείο καθώς και στο προς επεξεργασία αντικείμενο.



ΠΡΟΕΙΔΟΠΟΙΗΣΗ

Μην προσπαθήσετε να τροποποιήσετε το εργαλείο σας ή να προσθέσετε εξαρτήματα η χρήση των οποίων δε συνιστάται. Τέτοιου είδους μετατροπές ή τροποποιήσεις αποτελούν ακατάλληλη χρήση και μπορούν να επιφέρουν επικίνδυνες καταστάσεις με συνέπεια το σοβαρό σωματικό τραυματισμό.

ΠΡΟΣΤΑΣΙΑ ΤΟΥ ΠΕΡΙΒΑΛΛΟΝΤΟΣ



Ανακυκλώνετε τις πρώτες ύλες αντί να τις πετάτε στον κάδο οικιακών απορριμμάτων. Για την προστασία του περιβάλλοντος, πρέπει να γίνεται διαλογή του εργαλείου, των εξαρτημάτων και των συσκευασιών του.

ΠΣΥΜΒΟΛΟ



Προειδοποίηση ασφάλειας

V

Βολτ

min⁻¹

Περιστροφές ή παλινδρομήσεις ανά λεπτό

Συνεχές ρεύμα



Συμμόρφωση CE



Παρακαλούμε διαβάστε τις οδηγίες προσεκτικά πριν ξεκινήσετε το μηχάνημα.



Φοράτε προστατευτικά αυτιών

Ελληνικά

ΠΣΥΜΒΟΛΟ



Φοράτε προστατευτικά ματιών



Ανακυκλώστε τα απορρίμματα



Τα ηλεκτρικά προϊόντα προς απόρριψη δεν θα πρέπει να απορρίπτονται μαζί με τα οικιακά απόβλητα. Παρακαλούμε ανακυκλώστε όπου υπάρχουν οι αντίστοιχες εγκαταστάσεις. Μιλήστε με τις τοπικές αρχές ή τον πωλητή για να σας ενημερώσουν σχετικά με τα προγράμματα ανακύκλωσης.

Türkçe

ÖZEL GÜVENLİK KURALLARI

- **TEHLİKE! Ellerinizi kesim bölgesinden ve bıçaktan uzak tutun. İkinci elinizi yardımcı tutamak veya motor gövdesi üzerinde tutun.** Her iki elinizi de testereyi tutarsa bıçak tarafından kesilmezler.
 - **İş parçasının altına dokunmayın.** Muhafaza sizi, iş parçasının altında bıçaktan koruyamaz.
 - **Kesme derinliğini iş parçasının kalınlığına ayarlayın.** Bıçak dişlerinin tam dışından daha azı iş parçasının altında görünmelidir.
 - **Asla kesilecek iş parçasını ellerinizde veya bacağınızın üzerinde tutmayın. İş parçasını sabit bir platforma sabitleyin.** Bu durum işi tam anlamıyla desteklemek üzere vücudunuzun tehlikelere maruz kalmasını, bıçak sıkışmasını veya kontrol kaybını en aza indirmek için önemlidir.
 - **Kesici alet gizli kablo tesisatına veya kendi kablosuna temas edebileceği yerlerde bir çalışmaya geçerken motorlu aleti izolasyonlu tutma yüzeylerinde tutun.** "Elektrik" taşıyan bir tele temas edilmesi motorlu aletin metal parçalarının da elektrikleşmesini sağlayacak ve kullanıcının "elektriğe" çarpılmasına neden olacaktır.
 - **Kesim işlemleri gerçekleştirirken daima bir kesim bariyeri veya düz kenarlı kılavuz kullanın.** Bunu yapmak kesimin doğruluğunu artırır ve bıçağın sıkışma şansını azaltır.
 - **Her zaman doğru mil delikleri büyüklüğüne ve şekline (elmas ve yuvarlak) sahip bıçakları kullanın.** Testerenin montaj donanımına uymayan bıçaklar kontrol kaybına neden olarak merkezden kaçık şekilde dönecektir.
 - **Asla hasar görmüş veya yanlış bıçak pullarını ya da civatalarını kullanmayın.** En iyi performans ve çalışma güvenliği için, bıçak pulları ve civatası testereniz için özel olarak tasarlanmıştır.
 - **Geri tepme nedenleri ve kullanıcı önlemleri:**
 - geri tepme, iş parçasından çıkarak kullanıcıya doğru giden kontrolsüz bir testereye neden olarak sıkışmış, seken veya yanlış ayarlanmış testere bıçağına ani bir reaksiyondur;
 - bıçak, iş parçasındaki kesme oluşunun kapanmasıyla sıkıştığında veya sektiğinde, bıçağın hızı düşer ve motorun reaksiyonu cihazı hızla kullanıcıya doğru yönlendirir;
 - Bıçak kesik içinde bükülmüş hale gelirse veya yanlış hizalanırsa, bıçağın kesme oluşunun dışına çıkmasına ve kullanıcıya doğru geriye fırlamasına neden olan ve bıçağın arka ağzında bulunan dişler iş parçasının yüzeyine saplanabilir.
- Geri tepme, yanlış testere kullanımı ve/veya doğru olmayan kullanma işlemleri veya koşullarının bir sonucudur ve aşağıda verilen doğru önlemlerin alınmasıyla önlenabilir.
- **Testereyi her iki elinizle sıkı şekilde tutun ve geri tepme kuvvetlerine karşı koyabilecek şekilde konumlandırın.**

Vücudunuzu bıçakla aynı ekseninde değil her iki tarafında olacak şekilde konumlandırın. Geri tepme, testerenin geriye fırlamasına neden olabilir, ancak gerekli önlemler alınırsa geri tepme kuvvetleri kullanıcı tarafından kontrol edilebilir.

- **Bıçak sıkıştığında veya herhangi bir sebepten kesim işlemi yarıda kesildiğinde tetiği bırakın ve bıçak tam olarak durana kadar testereyi kesilen malzemede hareketsiz tutun.** Bıçak hareket halindeyken asla testereyi iş parçasından çıkarmaya veya geri çekmeye çalışmayın aksi durumda geri tepme meydana gelebilir. Bıçak sıkışmasını ortadan kaldırmak için nedeni araştırın ve düzeltici işlemler yapın.
- **Testereyi iş parçasının içinde yeniden çalıştırırken testere bıçağını kesme oluğunda ortalayın ve testere dişlerinin kesilen malzemeye geçmediğini kontrol edin.** Testere bıçağı sıkıştırsa, testere çalıştığında iş parçasından geri tepebilir.
- **Bıçak sıkışma ve geri tepme riskini en aza indirmek için büyük panelleri destekleyin.** Büyük paneller kendi ağırlıkları altında bükülmeye eğilimlidirler. Destekler panelin her iki yanının altına, kesim çizgisinin yanına ve panelin kenarının yanına yerleştirilmelidir.
- **Kör veya hasar görmüş bıçakları kullanmayın.** Keskin olmayan veya yanlış takılmış bıçaklar, aşırı sürtünmeye, bıçak sıkışmasına ve geri tepmesine neden olan dar kesim oluğu meydana getirir.
- **Kesim işlemi yapmadan önce bıçak derinliği ve açısı ayar kilitleme kolları sıkı ve sağlam olmalıdır.** Kesim işlemi esnasında bıçak ayarı kayarsa sıkışmaya ve geri tepmeye neden olabilir.
- **Mevcut duvarlarda veya diğer bölgelerde "daldırma kesim" yaparken daha fazla dikkat edin.** Çıkkık bıçak nesnelere keserken geri tepmeye neden olabilir.
- **Her kullanımdan önce alt muhafazanın tam olarak kapandığını kontrol edin.** Alt muhafaza serbest olarak hareket etmiyorsa ve hemen kapanmıyorsa testereyi çalıştırmayın. Alt muhafazayı asla açık konumda kelepçelemeyin veya bağlamayın. Testere yanlışlıkla düşürülürse alt muhafaza eğilebilir. Geri çekme tutmağıyla alt muhafazayı kaldırın ve serbestçe hareket ettirdiğinden ve tüm kesim açıklarında ve derinliklerinde bıçağa veya diğer parçalar değmediğinden emin olun.
- **Alt muhafaza yayının çalışmasını kontrol edin.** Muhafaza ve yay doğru olarak çalışmıyorsa kullanımdan önce bakıma alınmalıdır. Alt muhafaza hasarlı parçalardan, yapışkan kalıntılardan, veya birikmiş kalıntılardan dolayı yavaş çalışabilir.
- **Alt muhafaza sadece "daldırma kesimler" ve "birleşik kesimler" gibi özel kesimler için elle kapatılmalıdır.** Tutamayı geri çekerek alt muhafazayı kaldırın, bıçak malzemeye girer girmez alt muhafaza bırakılmalıdır. Diğer tüm testereyle kesme işlemlerinde alt muhafaza otomatik olarak kullanılmalıdır.

Türkçe

ÖZEL GÜVENLİK KURALLARI

- **Daima testereyi tezgaha veya yere koymadan önce alt muhafazanın bıçağı kapattığını kontrol edin.** Muhafazasız ve açıldaki bıçak yolunda bulunan her şeyi keserek testerenin geriye doğru yürütmesine neden olacaktır. Düşme bırakıldıktan sonra bıçağın tam olarak durması için gereken zamanın farkında olun.

AÇIKLAMA

1. Kilitleme düğmesi
2. Mil kilidi
3. Açılı ölçüğü
4. Açılı kilitleme düğmesi
5. Kınar kılavuz kilitleme düğmesi
6. Kesme diski
7. Taban
8. Akış ayarlama düğmesi
9. Su şişesini serbest bırakma düğmesi
10. Su şişesi
11. Derinlik kilitleme düğmesi
12. Kesme diski anahtarı saklama yeri
13. Batarya kutusu (dahil değildir)
14. Tetik anahtar
15. İç kesme diski pulu
16. Kesme diski
17. Dış kesme diski pulu
18. Kesme diski vidası
19. Hatalı destek yöntemi
20. Doğru destek yöntemi

MONTAJ

DOĞAL AKIŞLI BESLEME SU ŞİŞESİNİN TAKILMASI

Bakınız Şekil 2.

Doğal akışlı besleme su şişesi basıncı dengeleyen ve suyun daha serbest akmasına olanak veren yerleşik bir hava deliğine sahiptir.

- Bataryayı çıkarın.
 - Ağzılık grubunu sökün.
 - Su şişesini istediğiniz seviyede doldurun. Aşırı seviyede doldurmayın.
 - Ağzılık grubunu yerine takın.
 - Ağzılığı aşağıya bakacak şekilde su şişesini tutun.
- NOT:** Ağzılığın ucuna basılmadıkça su şişeden akmayacaktır.
- Su şişesini gösterildiği gibi takın. Yerine oturana kadar hafifçe şeyeyi aşağıya doğru bastırın.
 - Su şişesini çıkarmak için su şişesini bırakma düğmesine basın.

NOT: Kuru kesim için tozun ve kalıntıların su sağlama sisteminin tıkanmasını önlemek için su şişesini takılı bırakın.



DİKKAT

Su şişesi sadece su için tasarlanmıştır. Diğer sıvıların kullanılması aletin hasar görmesine neden olabilir.



UYARI

101,6 mm kesici disk testerenin en fazla disk kapasitesidir. Aynı zamanda, dış kesme diski pulunun mil üzerindeki düz kısımına birbirine oturmasını sağlamak için asla çok kalın kesici disk kullanmayın. Kalın kesici diskler disk vidasının diski mil üzerinde sıkmasını önlerken büyük kesici diskler disk muhafazasına temas eder. Bu her iki durum da ciddi kazalara neden olabilir.



UYARI

Bu aletin yüksüz hızından daha az olarak sınıflandırılmış kesici diskleri kullanmayın. Bu uyarıyı dikkate almamak kişisel yaralanmalara neden olabilir. Çatlak, yarık veya dişli kesici diskleri kullanmayın.



UYARI

Dişli veya parçalanmış kesici diskleri kullanmayın. Sadece duvar malzemeleriyle uyumlu kesintisiz çerçeveli elmas kesici diskler kullanın.

KESİCİ DİSKİN TAKILMASI

Bakınız Şekil 3.

- Batarya kutusunu testereden çıkarın.
- Saklama bölgesinden kesici disk anahtarını (5 mm alyen) çıkarın.
- Mil kilidi düğmesine basın ve disk vidasıyla dış kesici disk pulunu çıkarın.

NOT: Disk vidasını çıkarmak için saat yönünde döndürün.



DİKKAT

Milin veya mil kilidinin hasar görmesini önlemek için her zaman mil kilidini kilitmeden önce testere motorunun tamamen durmasına izin verin.

NOT: Mil kilidi kilitliken testereyi çalıştırmayın.

- Kesici diskle temas ettikleri yerlerde iç kesici disk pulu ve dış kesici disk pulu üzerine damlayan yağları silin.



UYARI

İç kesici disk pulu çıkarılmışsa kesici diski yerleştirmeden önce yerine takın. Bunu yapmamak kesici disk tam olarak sıkılmadığı için bir kazaya neden olabilir.

- Dış kesici disk pulunu yerine takın.
- Mil kilidi düğmesine basın ardından kesici disk vidasını yerine takın. Saat yönünün tersinde döndürerek kesici disk vidasını iyice sıkın.
- Kesici disk anahtarını saklama bölgesine koyun.

Türkçe

MONTAJ

NOT: Dış kesme diski pulunun mil üzerindeki düz kısımlarla birbirine oturmasını sağlamak için asla çok kalın kesici disk kullanmayın.

TEKNİK ÖZELLİKLER

Voltaj	18 V ---
Disk Çapı	102 mm
Disk Mili	15,9 mm
0°de Kesme Derinliği	22,2 mm
45°de Kesme Derinliği	15,9 mm
Yüksüz Hız	4,500 dakika ⁻¹
Kesici Disk Türü	Kesintisiz Çerçevesi Elmas Kesici Disk
Ağırlık (batarya kutusu hariç)	2,6 Kg

MODEL	BATARYA KUTUSU (dahil değildir)	UYUMLU ŞARJ CİHAZI (dahil değildir)
LTS180	BPL-1820 BPL-1815	BCL-1800 BCS618 BCL1418%< BCL1418' <
	BPP-1815 BPP-1815M BPP-1817 BPP-1817M	BCA-180 BCL-1800 BCS618 BCL1418%< BCL1418' < BC-1815S BC-1800

ÇALIŞTIRMA



UYARI

Fayans testeresini kullanırken her zaman toz maskesi takın. Buna uyulmaması ciddi yaralanmalara neden olabilir.



UYARI

Ürünü kullanırken yanları kapalı koruyucu gözlükler takın.

Buna uymamak ciddi yaralanmalara yol açabilecek nesnelere gözlerinizin fırlamasına neden olabilir.



UYARI

Bu ürünün üreticisi tarafından tavsiye edilmeyen herhangi bir parça ya da aksesuar kullanmayın. Tavsiye edilmeyen parça ya da aksesuarların kullanılması ciddi kişisel yaralanmalara neden olabilir.

UYGULAMALAR

Bu ürünün aşağıda listelenen amaçlar için kullanabilirsiniz:

- Fayans, yol taşı ve doğal karo taşı ıslak enine kesimi, kademeli kesimi ve açılı kesimi.
- Yukarıdaki malzemelerin kuru kesimi için özel bir kesici disk gereklidir (ürünle birlikte verilmez).

Bu ürün Ryobi One+18 V lityum-iyon batarya kutuları ve Ryobi One+18 V nikel-kadmiyum batarya kutularıyla çalışır. Ayrıntılı şarj talimatları için Ryobi One+ batarya kutusu ve şarj cihazı modellerinin Kullanıcı Kulavuzlarına bakın.

BATARYA KORUMA ÖZELLİKLERİ

RYOBI 18 V lityum iyon bataryaları lityum iyon hücrelerini koruyan ve batarya ömrünü artıran özelliklerle tasarlanmıştır. Bazı çalışma koşullarında, bu yerleşik özellikler bataryanın ve aletin nikel-kadmiyum bataryalardan farklı olarak hareket etmesine neden olabilir.

Bazı uygulamalar esnasında batarya elektroniği bataryaya kapanma sinyali gönderebilir ve bu durum aletin çalışmasını durdurur. Bataryayı ve aleti sıfırlamak için tetik anahtarı bırakın ve işleme kaldığınız yerden devam edin.

NOT: Bataryanın daha fazla kapanmasını önlemek için aleti zorlamaktan kaçınınız.

Tetik anahtarı bırakmak bataryayı ve aleti sıfırlamıyorsa batarya kutusu bitmiştir. Batarya boşalmışsa, lityum-iyon şarj cihazına takıldığında şarj olmaya başlayacaktır.

BATARYA KUTUSUNUN TAKILMASI

Bakınız Şekil 4.

- Bataryakutusunu testereye takın. Bataryakutusu üzerindeki kabarık dişleri testere içindeki oluklarla hizalayın ardından batarya kutusunu testerenin içine kaydırın.
- İşleme başlamadan önce batarya kutusunun her iki tarafında bulunan mandalların yerine oturduğundan ve batarya kutusunun testereye sağlam şekilde takılı olduğundan emin olun.



UYARI

Parçalarını ayırırken, ayarlama yaparken, temizlik esnasında ya da alet kullanılmazken batarya kutusunu daima aletten çıkarın. Batarya kutusunu çıkarmak, ciddi kişisel yaralanmalara neden olabilecek aletin yanlışlıkla çalışma riskini ortadan kaldırır.

BATARYA KUTUSUNUN ÇIKARILMASI

Bakınız Şekil 4.

- Batarya kutusunu testereden çıkarmak için kutunun kenarında bulunan mandalların yerlerini belirleyin ve bunlara basın.
- Batarya kutusunu testereden çıkarın.

Türkçe

ÇALIŞTIRMA

KESİCİ DİSKLER

Kör veya kötü şekilde aşınmışlarsa kesici disklerin en iyisi etkili şekilde kesmeyecektir. Kör bir kesici diskin kullanılması testere üzerinde ağır bir yük oluşturacaktır. Yedek kesici disk bulundurun böylece keskin kesici tekerlekler her zaman mevcut olacaktır.

TESTERENİN ÇALIŞTIRILMASI/DURDURULMASI

Bakınız Şekil 5.

Testereyi çalıştırmak için:

- Kilitleme düğmesine basın.
- Tetik anahtara basın.

Daima testerenin tam hıza ulaşmasını bekleyin ardından testereyi iş parçasına yönlendirin.

Testereyi durdurmak için: Tetik anahtarı bırakın.

Tetik anahtarı bıraktıktan sonra kesici diskin tamamen durmasını bekleyin. Kesici disk dönyorken testereyi iş parçasından ÇIKARMAYIN.

KİLİTLEME DÜĞMESİ

Bakınız Şekil 6.

Kilitleme düğmesi yanlışlıkla çalıştırma olasılığını düşürür. Kilitleme düğmesi tetik anahtarın üstündeki tutamakta bulunur. Kilitleme düğmesine tetik anahtarı çekmeden önce basın. Kilit tetiğinin her bırakılmasında sıfırlanır.

NOT: Kilitleme düğmesine hem sol hem de sağ taraftan basabilirsiniz.

KESİCİ DİSK DERİNLİĞİNİN AYARLANMASI

Bakınız Şekil 7.

Her zaman doğru kesici disk derinliğini koruyun. Tüm kesimler için doğru kesici disk derinliği ayarı kesilecek malzemenin altını 6,35 mm'yi aşmamalıdır. Daha fazla kesici disk derinliği geri tepme şansını artıracak ve kesimin pürüzlü olmasına neden olacaktır. Kesim hassasiyetinin daha fazla derinliği için arka braket üzerinde bir ölçek bulunur.

- Derinlik ayar düğmesini gevşetin.
- Gerekli kesim derinliğini belirleyin.
- Kesim derinlik ölçeğini yerini belirleyin.
- Taban lamasını iş parçasına dayalı tutun ve braket üzerindeki gösterge işareti kesici disk muhafazası üzerindeki çentikle aynı hizada olana kadar testereyi kaldırın veya indirin.
- Derinlik ayar düğmesini iyice sıkın.

TESTERENİN KULLANILMASI

Bakınız Şekil 8 - 9.

Testerenin kullanıma yönteminin anlaşılması önemlidir. Testerenin doğru ve yanlış kullanım yollarını öğrenmek için bu bölümde bulunan şekillere bakın.



UYARI

Testereyi iş parçasından kaldırıırken kesici disk testerenin alt tarafında görünür olmalı.

En iyi olası kesimi yapmak için:

- Testereyi her iki elinizle sıkıca tutun.
- Kesim yaparken elinizi iş parçasının üzerine koymaktan kaçının.
- Kesik (kesim oluşu) daima sizin tarafınızda olacak şekilde iş parçasını destekleyin.
- İş parçasını kesişe yakın destekleyin.
- Kesim işlemi esnasında oynamayacak şekilde iş parçasını iyice sıkıştırın.
- Testereyi "kapan" parça üzerine değil desteklenen iş parçası üzerine yerleştirin.
- İş parçasını "sağlam" tarafı aşağıda olacak şekilde yerleştirin.
- Kesim işlemine başlamadan önce istenen kesim hattı boyunca bir kılavuz çizgi çizin.

KESİM YAPMA

Daima bir işaret veya yağlı boya kalemli kullanarak kesilecek fayansın üzerine bir çizgi çizin. Fayans parlaksa ve işaretlenmesi zorsa fayansa maskeleyen bandı yapıştırın ve bandın üzerine çizin.

Fayans kesimi esnasındaki genel problem işaretlenen çizgiden sapmadır. İşaretten saptığımızda fayansı döndürerek kesici diski çizgiye dönmeye iş zorlayamazsınız. Bunun yerine geri gidin ve kesici disk çizgiye dönene kadar fayansın küçük bir miktarını yeniden kesin.

Bu problemi önlemek üzere enine kesim ve gönye kesimlerde mümkün olduğunda düz kenarlı bir kılavuz kullanın.

Islak kesim gerekliyse kesme işlemi dışarıda gerçekleştirilmelidir.

BAKIM



UYARI

Yerine başkasını kullanma durumunda, sadece Ryobi orijinal yedek parçalar kullanılmalıdır. Tüm başka parçaların kullanılması tehlike oluşturabilir ya da ürüne zarar verebilir.

Plastik parçaları temizlemek için uçucu maddeler kullanmayınız. Plastiklerin çoğu ticari kullanımlı uçucu maddeler karşı hassastır. Tozu, yağı, gresi ve lekeleri temizlemek için temiz bir bez kullanınız.



UYARI

Fren yağlarını, benzini, petrol esaslı ürünleri, delici yağları, vb plastik parçalara temas edecek şekilde bırakmayınız. Bu kimyasal ürünler plastik parçaları zara verebilir; kırabilir ya da bozabilir.

Türkçe

BAKIM

Aletlerinizden mümkün olandan fazlasını beklemeyiniz. Aşırı kullanımlar aleti ya da üzerinde çalışılan malzemeyi bozabilir.



UYARI

Aletinize kullanılması tavsiye edilmeyen aksesuarlar eklemeye ve değişiklikler yapmaya çalışmayınız. Değişiklikler ya da eklemeler yasal kullanımı ortadan kaldırır ve ciddi fiziksel yaralanmalara yol açma tehlikesi içerir.

ÇEVRENİN KORUNMASI



Ham maddeleri ev çöpleri ile birlikte atmak yerine geri dönüştürün. Çevreyi korumak için, alet, aksesuarlar ve ambalajlar tasnif edilmelidir.

SEMBOL



Güvenlik Uyarısı

V

Volt

min⁻¹

Dakikada devir veya piston hareketi



Doğru akım



CE Uygunluğu



Makineyi çalıştırmadan talimatları dikkatlice okuyun.



Koruyucu kulaklık kullanın



Koruyucu gözlük kullanın



Geri dönüşüme verin



Atık elektrikli ürünler evsel atıklarla birlikte atılmamalıdır. Tesis bulunuyorsa lütfen geri dönüşüme verin. Geri dönüşümle ilgili tavsiye için Yerel Makamlarla veya bayi ile irtibat kurun.



- (GB) Conformance to technical regulations
- (FR) Conformité aux normes techniques
- (DE) Konformität mit technischen Vorschriften
- (ES) Conformidad con las normativas técnicas
- (IT) Conforme a norme tecniche
- (NL) Overeenstemming met technische reglementen
- (PT) Conformidade com as normas técnicas
- (DK) CE Overensstemmelse
- (SE) Bär Överensstämmelse med de tekniska reglerna.
- (FI) Teknisten sää'dösten noudattaminen
- (NO) Samsvarer med tekniske forskrifter
- (RU) Соответствие техническому регламенту
- (PL) Zgodność z normami technicznymi
- (CZ) Podléhá technickým nařizením
- (HU) Megfelelőség a műszaki előírásoknak
- (RO) Conformitate cu reglementările tehnice
- (LV) Atbilstība tehniskiem noteikumiem
- (LT) Techninių reikalavimų atitikimas
- (EE) Enne seadme kasutamist lugege palun kasutusjuhend hoolega läbi.
- (HR) Sukladno tehničkim propisima
- (SI) Skladnost s tehničnimi predpisi
- (SK) Pred zapnutím zariadenia si prosím prečítajte inštrukcie
- (GR) Συμμόρφωση με τεχνικούς κανονισμούς
- (TR) Teknik yönetmeliklere uyum

GB**WARRANTY - STATEMENT**

All Ryobi products are guaranteed against manufacturing defects and defective parts for a period of twenty four (24) months from the date stated on the original invoice drawn up by the retailer and given to the end user.

Deterioration caused by normal wear and tear, unauthorised or improper use or maintenance, or overload are excluded from this guarantee as are accessories such as battery packs, light bulbs, blades, fittings, bags, etc. In the event of malfunction during the warranty period, please take the **NON-DISMANTLED** product, along with the proof of purchase, to your retailer or nearest Authorised Ryobi Service Centre.

This warranty in no way affects your legal rights concerning defective products.

FR**GARANTIE - CONDITIONS**

Ce produit Ryobi est garanti contre les vices de fabrication et les pièces défectueuses pour une durée de vingt-quatre (24) mois, à compter de la date faisant foi sur l'original de la facture établie par le revendeur à l'utilisateur final.

Les détériorations provoquées par l'usure normale, par une utilisation ou un entretien anormal ou non autorisé, ou par une surcharge sont exclues de la présente garantie de même que les accessoires tels que batteries, ampoules, lames, embouts, sacs, etc.

En cas de mauvais fonctionnement au cours de la période de garantie, veuillez envoyer le produit **NON DÉMONTÉ** avec la preuve d'achat à votre fournisseur ou au Centre Service Agréé Ryobi le plus proche de chez vous.

Vos droits légaux se rapportant aux produits défectueux ne sont pas remis en cause par la présente garantie.

DE**GARANTIE - BEDINGUNGEN**

Für alle Ryobi-Produkte gilt eine Garantie gegen Material- und Verarbeitungsfehler für einen Zeitraum von vierundzwanzig (24) Monaten ab dem Datum der vom Wiederverkäufer für den Endbenutzer ausgestellten Originalrechnung.

Fehler, die auf Grund einer normalen Abnutzung, einer unberechtigten oder falschen Wartung oder Handhabung oder durch eine Überbelastung auftreten, sind von der Garantie ausgeschlossen. Dies gilt auch für Zubehörteile wie Batterien, Glühbirnen, Sägeblätter, Ansatzstücke, Beutel usw.

Senden Sie das Produkt im Fall eines Defekts innerhalb des Garantiezeitraumes in **NICHT ZERLEGTEM** Zustand zusammen mit dem Kaufnachweis an Ihren Händler oder Ihr nächstes Ryobi-Kundendienstzentrum zurück.

Diese Garantie hat keine Auswirkungen auf Ihre gesetzlichen Rechte in Bezug auf fehlerhafte Produkte.

ES**GARANTÍA - CONDICIONES**

Este producto Ryobi está garantizado contra los defectos de fabricación y las piezas defectuosas por un período de veinticuatro (24) meses, a partir de la fecha que figura en el original de la factura establecida por el distribuidor al usuario final.

Se excluyen de la presente garantía los deterioros provocados por un desgaste normal, una utilización o mantenimiento incorrecto o no autorizado, y una sobrecarga, así como los diversos accesorios: baterías, bombillas, hojas, puntas, bolsas, etc.

En caso de funcionamiento incorrecto durante el período de la garantía, envíe el producto **SIN DESMONTAR** con la prueba de compra a su proveedor o al Centro de Servicio Acreditado Ryobi más cercano a su domicilio.

Los derechos legales relacionados con los productos defectuosos no son cuestionados por la presente garantía.

IT**GARANZIA - CONDIZIONI**

Questo prodotto Ryobi è garantito contro tutti i difetti di fabbricazione e pezzi difettosi per una durata di ventiquattro (24) mesi, a partire dalla data indicata sull'originale della fattura compilata dal rivenditore e consegnata all'utente finale.

Il deterioramento provocato dall'usura normale, da un utilizzo o una manutenzione non conformi o non autorizzati, o da un sovraccarico, è escluso dalla presente garanzia. La garanzia è esclusa anche per gli accessori come batterie, lampadine, lame, punte, borse, ecc.

In caso di malfunzionamento nel corso del periodo di garanzia, riportare il prodotto **NON SMONTATO** corredato della prova d'acquisto al fornitore o al più vicino Centro di Assistenza Autorizzato Ryobi.

I diritti legali relativi ai prodotti difettosi non sono rimessi in causa dalla presente garanzia.

NL**GARANTIEVOORWAARDEN**

Dit Ryobi product is gewaarborgd tegen fabricagefouten en defecte onderdelen gedurende een periode van vierentwintig (24) maanden, te rekenen vanaf de officiële datum op het origineel van de door de wederverkoper aan de eindgebruiker uitgeschreven rekening.

Beschadigingen veroorzaakt door normale slijtage, door abnormaal of ongeoorloofd gebruik of onderhoud, of door overbelasting vallen niet onder deze garantie, evenmin als accu's, lampen, bits, snijbladen, zakken enz.

In geval van slechte werking tijdens de garantieperiode, wordt u verzocht het **NIET GEDEMONTEERDE** product samen met de koopbon aan uw leverancier of aan het dichtstbijzijnde Ryobi servicecentrum te sturen.

Deze garantie doet niet af aan uw wettelijke rechten met betrekking tot defecte producten.

PT**GARANTIA - CONDIÇÕES**

Este produto Ryobi está garantido contra os vícios de fabrico e as peças defeituosas por um prazo de vinte e quatro (24) meses, a contar da data que faz fé no original da factura emitida pelo vendedor ao utilizador final.

As deteriorações provocadas pelo desgaste normal, por uma utilização ou uma manutenção anormal ou não autorizada, ou por uma sobrecarga ficam excluídas da presente garantia assim como os acessórios tais como baterias, lâmpadas, lâminas, ponteiros, sacos, etc.

No caso de mau funcionamento durante o período de garantia, queira enviar o produto **NÃO DESMONTADO** com a prova de compra ao seu fornecedor ou ao Centro de Serviço Autorizado Ryobi mais próximo.

Os seus direitos legais relativos aos produtos defeituosos não são prejudicados pela presente garantia.

DK**GARANTI - REKLAMATIONSRET**

Der er reklamationsret på dette Ryobi produkt for fabrikationsfejl og defekte dele i fireogtyve (24) måneder fra gyldighedsdatoen på originalfakturaen udstedt af forhandleren til slutbrugeren.

Skader opstået på grund af almindeligt slid, unormal eller ikke tilladt anvendelse, forkert vedligeholdelse eller overbelastning er ikke dækket af denne reklamationsret, det samme gælder tilbehør som batterier, pærer, klinger, indsatsler, poser osv.

I tilfælde af driftsfejl i garantiperioden skal produktet afleveres **IKKE DEMONTERET** med købebevis til forhandleren eller nærmeste autoriserede Ryobi serviceværksted.

De lovbestemte rettigheder i forbindelse med defekte produkter forringes ikke af denne reklamationsret.

SE**GARANTI - VILLKOR**

Ryobi garanterar denna produkt mot fabriktionsfel och defekta delar under tjugofyra (24) månader, räknat från det datum som anges på originalfakturan fastställt av återförsäljaren och överlämnad till slutanvändaren.

Denna garanti täcker inte skador som förorsakas av normalt slitage, av onormal eller otillåten användning eller skötsel, eller av överbelastning. Den täcker inte heller tillbehör som batterier, glödlampor, blad, ändstycken, påsar, osv.

I händelse av felaktig funktion medan garantin är i kraft skall produkten sändas **UTAN ATT DEMONTERAS** tillsammans med inköpsbeviset till leverantören eller till närmaste servicecenter som auktoriserats av Ryobi.

De rättigheter som lagen ger i förhållande till defekta produkter ifrågasätts inte av denna garanti.

FI**TAKUUEHDOT**

Tällä Ryobi-tuotteella on valmistusvial tai vialliset osat kattava vuoden (24 kk) takuu alkuperäiseen ostokutiltiin tai laskuun merkitystä ostopäivästä lukien.

Takuu ei kata normaalista kulumisesta, epänormaalia tai kielletystä käytöstä tai ylikuormituksesta aiheutuneita vahinkoja eikä lisävarusteita kuten akkuja, polttimoita, teriä, pusseja jne.

Mikäli takuuaikana ilmaantuu toimintahäiriöitä, vie **PURKAMATON** tuote ostotodistuksineen myyjäiliikkeen tai lähimpään Ryobi-keskushuoltoon.

Tämä takuu ei vaikuta viallisia tuotteita koskeviin lakiperusteisiin oikeuksiin.

NO**GARANTI - VILKÅR**

Dette Ryobi produktet er garantert mot fabriksjonstfel og defekte deler i tjuogfire (24) måneder fra datoen som står på fakturaen utstedt av forhandleren til sluttbrukeren.

Garantien bortfaller dersom skadene er forårsaket av normal slitasje, unormal eller uautorisert bruk, eller overbelastning, og gjelder ikke tilbehør som batterier, lyspærer, blad, bits, poser, osv.

I tilfelle funksjonsfeil under garantiperioden, skal produktet leveres i **UDEMONTERT** tilstand sammen med kjøpsbeviset til forhandler eller til nærmeste autoriserte Ryobi servicecenter.

Dine lovmessige rettigheter med hensyn til defekte produkter er ikke påvirket av denne garantien.

RU**ГАРАНТИЯ – УСЛОВИЯ**

Настоящая продукция RYOBI гарантирована от дефектов производства и дефектов изделий на 2 года со дня официального оформления покупки, указанного на оригинале счета, выписанного продавцом покупателю.

Повреждения, полученные в результате обычного износа, ненормального или запрещенного использования или обслуживания, а также перегрузкой, – не покрываются настоящей гарантией, также как и аксессуары, такие как батареи, лампочки, цокли, патроны, мешки и т.д.

В случае поломки или неисправности в гарантийный период отослите продукцию **НЕРАЗОБРАННОЙ** с подтверждением покупки Вашему продавцу или в ближайший Центр Технического Обслуживания Ryobi.

Настоящая гарантия не влияет на Ваши законные права, по отношению к дефектной продукции.

PL**WARUNKI GWARANCJI**

Na niniejszy produkt Ryobi udzielona jest dwuletnia gwarancja na ukryte wady fabryczne oraz na zdefektowane części. Okres gwarancji dwudziestu czterech (24) miesięcy, zaczyna się od wiążącej daty widniejącej na oryginalne faktury wystawionej przez sprzedawcę dla ostatecznego nabywcy.

Gwarancja ta nie obejmuje zniszczenia wynikającego z normalnego zużycia, czy też uszkodzeń spowodowanych nadmierną eksploatacją, lub niewłaściwą konserwacją, czy nieodpowiednim użytkowaniem niezgodnym z przeznaczeniem. Wyłączone są z niej również akcesoria tj. akumulatory, żarówki, ostrza, końcówki, worki, itd.

W wypadku stwierdzenia złego funkcjonowania podczas okresu gwarancyjnego, prosimy o skierowanie **NIE ZDEMONTOWANEGO** produktu, wraz z dowodem zakupu do waszego dostawcy lub do najbliższego Autoryzowanego Punktu Serwisowego Ryobi.

Niniejsza gwarancja nie podważa przysługujących Państwu uprawnień dotyczących wadliwych produktów.

CZ**ZÁRUKA – ZÁRUČNÍ PODMÍNKY**

Na tento výrobek značky Ryobi se poskytje záruka po dobu 24 (dvacetí čtyř) měsíců od data uvedeného na fakturě nebo pokladním bloku, který koncový uživatel obdržel v prodejní při nákupu výrobku. Záruka se vztahuje na výrobní vady a vadné díly.

Záruka se nevztahuje na poškození výrobku způsobené jeho běžným opotřebením, nesprávným nebo neschváleným použitím, nesprávnou údržbou nebo přetížením. Uvedené záruční podmínky se nevztahují na příslušenství, jako akumulátory, žárovky, pilové listy, nástavce, vaky apod.

V případě provozních problémů u výrobku v záruce kontaktje nejbližší autorizovanou servisní opravnu výrobků Ryobi. K opravě je nutné předložit **NEDEMONTOVANÝ** výrobek spolu s fakturou nebo pokladním blokem.

Tato záruka nevylučuje případně další Vaše spotřebitelská práva týkající se výrobních závad, v souladu s platnými legislativními předpisy.

HU**A GARANCIA FELTÉTELEI**

Ezt a Ryobi termékét huszonnégy (24) hónapig garántáljuk a gyártáshibák, valamint a készülékekben található alkatrészek miatt jelentkező meghibásodás ellen. A garancia az eladó által, a vásárló számára készített, eredeti adás-vételi szerződésen feltüntetett dátumtól érvényes.

A normális igénybevételből fakadó elhasználódás, a nem rendeltetésnek megfelelő használat vagy karbantartási művelet miatt fellépő, túlterhelés által okozott meghibásodásra nem terjed ki a garancia. A tartozékokra, mint például az akkumulátorra, izzókra, fűrófejekre, táskára, stb., a garancia szintén nem vonatkozik.

A garancia periódus alatt fellépő meghibásodás esetén, juttassa el **NEM SZÉTSZERELT ÁLLAPOTBAN** a Ryobi terméket a vásárlást és annak dátumát igazoló dokumentum kíséretében az eladóhoz vagy az Önhöz legközelebbi Ryobi Szerviz Központba.

A jelen garancia nem zárja ki a fogyasztási eszközökre vonatkozó jogszabályok által elrendelteteket.

RO**GARANȚIE – CONȚIȚII**

Acest produs Ryobi este garantat în cazul viciilor de fabricație și pieselor cu defecte pentru o durată de douăzecișipatru (24) de luni, începând cu data facturii originale emisă de către comerciant utilizatorului final.

Deteriorările provocate prin uzură normală, printre-o utilizare sau întreținere anormală sau neautorizată, sau prin fortarea utilizajului sunt excluse din prezenta garanție acestea aplicându-se și accesoriilor ca baterii, becuri, lame, capete, sacl, etc.

În caz de funcționare defectuoasă în perioada de garanție, vă rugăm să trimiteți produsul **NEDEMONTAT** împreună cu factura de cumpărare furnizorului dumneavoastră sau la Centrul Service Agreat Ryobi cel mai apropiat de dumneavoastră.

Drepturile dumneavoastră legale privind produsele defectuoase nu sunt alterate prin prezenta garanție.

LV GARANTIJAS PAZIŅOJUMS

Šī produkta izejmateriālu un ražošanas defektus divdesmit četrus (24) mēnešus sedz garantija, kas stājas spēkā no rēķina vai piegādes dokumenta izrakstīšanas datuma.

Normālas nolietošanas, nepilnvarotas/ nepareizas apkopes/apiešanās vai pārslodzes radītos defektus garantija nesedz; garantija neattiecas arī uz akumulatoriem, spuldzītēm, asmeņiem, kaltiem utt.

Ja garantijas periods laikā radusies kļūme, atgrieziet **NEIZJUKTU** produktu ar iegādi apstiprinātiem dokumentiem savam dīlerim vai tuvākajā Ryobi servisa centrā.

Garantija neskar ar likumu noteiktās tiesības attiecībā uz defektīviem produktiem.

LT GARANTINIS PAREIŠKIMAS

Garantuojame, kad šiame prietaise 24 mėnesius, pradendant nuo pirmojo pirkimo ar pristatymo datos, nurodytos ant kvito, nebus medžiagu ir gamybos defektų.

Defektai dėl įprasto naudojimo ir nusidėvėjimo, netinkamo ir neleistino naudojimo ir priežiūros ar perkrovų į garantijos apimtį neįeina. Taip pat garantija neteikiama tokiems priedams kaip baterijos, lemputės, antgaliai ir pan.

Gedimo atveju garantiniu laikotarpiu **NEIŠARDYTA** prietaisą su pirkimo datos įrodymu grąžinkite pardavėjui arba į artimiausią „Ryobi“ techninio aptarnavimo centrą.

Jūsų statutinės teisės gedimų turinčių produktų atžvilgiu garantijos nėra apribojamos.

EE GARANTIIAVALDUS

Käesoleva toote garantii katab kahekümne nelja (24) kuu jooksul materjali ja tootevalmistamise defektid, mis hakkab kehtima ning mis tõestatakse arve või saatehale kuupäevast.

Tavalise kasutamise ja kulumise, volitamata/väära hooldamise või ülekoormuse käigus tekkinud defektid käesoleva garantii alla ei kuulu, nagu ei kuulu garantii alla ka lisavarustus, sh akud, pirnid, terad, osakesed jne.

Garantiiperioodil esineva tõrke korral tagastage toode palun LAHTI VÖTMATA ning koos ostu tõendava

dokumentiga oma kohaliku edasimüüjale või lähimasse Ryobi hoolduskeskusesse.

Garantii ei mõjuta teie seaduslikke õigusi defektsete toodete suhtes.

HR UVJETI GARANCIJE

Ovaj Ryobi proizvod je pod garancijom za sve nedostatke unutar dvadeset i četiri (24) mjeseca od datuma koji se nalazi na originalnom računu koji je prodavač izdao krajnjem korisniku.

Oštećenja uzrokovana normalnom uporabom, neprikladnim ili nedozvoljenim korištenjem ili održavanjem ili pak prevelikim opterećenjem nisu uključena u ovu garanciju, kao ni dodaci poput baterija, žarulja, noževa, vrhova, torbi itd.

U slučaju da tijekom garancijskog razdoblja alat radi neispravno, proizvod koji **NISTE RASTAVLJALI** zajedno s dokazom o kupnji pošaljite vašem dobavljaču ili najbližem Ovlaštenom Ryobi servisu. Vaša prava koja se odnose na neispravne proizvode ovom se garancijom ne dovode u pitanje.

SI GARANCIJSKA IZJAVA

Vsi izdelki znamke Ryobi imajo garancijo za napake v izdelavi in neustrezne sestavne dele za obdobje 24-ih mesecev od datuma, ki je naveden na originalnem računu, ki ga je prodajalec izdal končnemu uporabniku.

Staranje, ki ga povzroča običajna raba in obraba izdelka, njegova nepooblaščen ali neustrezna uporaba ali vzdrževanje, ali preobremenitev, je izvzeto iz te garancije. Enako velja tudi za dodatno opremo kot so baterijski vložki, žarnice, rezila, pribor, vrečke, ipd.

Če pride v garancijskem roku do napake v delovanju izdelka, vas prosimo, da ga **NERAZSTAVLJENEGA**, skupaj z dokazilom o nakupu, odnesete vašemu prodajalcu ali v najbližji Ryobi servisni center.

Ta garancija nikakor ne vpliva na vaše pravice, ki vam jih v zvezi z neustreznimi izdelki daje zakon.

SK ZÁRUKA –PREHLÁSENIE

Tento produkt pričádza zo zárukou na chyby v materiáli a spracovaní v dĺžke 24 mesiacov od dátumu kúpy, alebo dodania.

Chyby spôsobené normálnym opotrebovaním, nedovolenou / nesprávnou údržbou / narábaním, alebo preťažením, sú z tejto záruky vylúčené podobne ako prislušenstvo ako batérieové články, čepele a hrotov atď.

V prípade poruchy v období záruky, prineste prosím **NEROZOBRAŇÝ** s dokladom o kúpe väšmu predajcovi, alebo do najbližšieho servisného centra Ryobi.

Väše zákonné práva ohľadom poškodeného výrobku nie sú ovplyvnené touto zárukou.

GR ΟΡΟΙ ΕΓΓΥΗΣΗΣ

Αυτό το προϊόν Ryobi φέρει εγγύηση κατά των κατασκευαστικών ελαττωμάτων και των ελαττωματικών τμημάτων για μια διάρκεια εικοσιτεσσάρων (24) μηνών, από την ημερομηνία που αναφέρεται στο πρωτότυπο του τιμολογίου που καταρτίστηκε από τον μεταπωλητή για τον τελικό χρήστη.

Οι φυσιολογικές φθορές ή εκείνες που θα προκληθούν από μη φυσιολογική ή μη επιτρεπτή χρήση ή συντήρηση, ή από υπερφόρτιση δεν καλύπτονται από την παρούσα εγγύηση καθώς και τα εξαρτήματα όπως μπαταρίες, λάμπες, μύτες, σασκούλες κλπ.

Σε περίπτωση κακής λειτουργίας κατά την περίοδο εγγύησης, παρακαλείστε να απευθύνετε το προϊόν **ΧΩΡΙΣ ΝΑ ΤΟ ΑΝΟΙΞΕΤΕ**, με την απόδειξη αγοράς, στον προμηθευτή σας ή στο κοντινότερο Κέντρο Τεχνικής Εξυπηρέτησης Ryobi.

Τα νόμια δικαιώματά σας που αφορούν στα ελαττωματικά προϊόντα δεν αμφισβητούνται από την παρούσα εγγύηση.

TR GARANTİ – ŞARTLAR

Bu Ryobi ürünü, üretim hatalarına ve kusurlu parçalara karşı satıcı tarafından son kullanıcısına verilmiş olan orijinal fatura tarihinden itibaren yirmi dört (24) ay boyunca garantilidir.

Normal kullanım sonucunda yıpranmalar, anormal ya da izin verilmeyen kullanım ya da bakım, ya da aşırı yüklenme ve ayrıca bataryalar, ampuller, bıçaklar, rakorlar, torbalar gibi aksesuarlar sözkonusu garantinin dışındadır. Garanti dönemi süresinde meydana gelen bir arıza durumunda, ürünü **SÖKMEĐEN** satınalma belgesi ile yetkili satıcınıza ya da size en yakın Ryobi Yetkili Servis Merkezi'ne gönderiniz. Bu garanti, defolu mallara ilişkin yasal haklarınızı hiçbir şekilde etkilemez.

(GB)**WARNING**

The vibration emission level given in this information sheet has been measured in accordance with a standardised test given in EN 60745 and may be used to compare one tool with another. It may be used for a preliminary assessment of exposure. The declared vibration emission level represents the main applications of the tool. However if the tool is used for different applications, with different accessories or poorly maintained, the vibration emission may differ. This may significantly increase the exposure level over the total working period.

An estimation of the level of exposure to vibration should also take into account the times when the tool is switched off or when it is running but not actually doing the job. This may significantly reduce the exposure level over the total working period. Identify additional safety measures to protect the operator from the effects of vibration such as: maintain the tool and the accessories, keep the hands warm, organisation of work patterns.

(FR)**AVERTISSEMENT**

Le niveau d'émission des vibrations indiqué dans cette feuille d'information a été mesuré en concordance avec un test normalisé fourni par EN60745 et peut être utilisé pour comparer un outil à un autre. Il peut être utilisé pour une évaluation préliminaire de l'exposition. Le niveau déclaré d'émission des vibrations s'applique à l'utilisation principale de l'outil. Toutefois, si l'outil est utilisé pour des applications différentes, avec des accessoires différents, ou mal entretenu, l'émission de vibrations peut être différente. Le niveau d'exposition peut en être augmenté de façon significative tout au long de la période de travail.

Une estimation du niveau d'exposition aux vibrations doit aussi prendre en compte les périodes où l'outil est arrêté ainsi que les périodes où il fonctionne sans vraiment travailler. Le niveau d'exposition pendant la durée totale du travail peut en être réduit de façon significative. Prenez en considération les mesures additionnelles de sécurité à prendre pour protéger l'opérateur des effets des vibrations telles que: maintien de l'outil et de ses accessoires, maintien des mains au chaud, organisation du travail.

(DE)**WARNUNG**

Der in diesem Informationsblatt genannte Schwingungspegel wurde entsprechend dem standardisierten Test von EN60745 gemessen und kann benutzt werden um das Werkzeug mit anderen zu vergleichen. Er kann benutzt werden, um eine vorausgehende Einschätzung der Exposition durchzuführen. Der genannte Schwingungspegel repräsentiert den Haupteinsatzbereich des Werkzeugs. Jedoch kann das Werkzeug für verschiedene Einsatzbereiche benutzt werden. Mit unterschiedlichen Zusatzgeräten oder bei schlechter Wartung kann der Schwingungspegel unterschiedlich sein. Dadurch kann die Expositionshöhe über die gesamte Arbeitszeit signifikant erhöht werden.

Eine Einschätzung der Exposition zu Schwingungen sollte auch die Zeiten wenn das Werkzeug ausgeschaltet ist, oder wenn es angeschaltet aber nicht in Betrieb ist, in Betracht ziehen. Dadurch kann die Expositionshöhe über die gesamte Arbeitszeit signifikant reduziert werden. Identifizieren Sie zusätzliche Sicherheitsmaßnahmen um die Bedienungsperson vor den Effekten der Schwingungen zu schützen, wie zum Beispiel: Das Werkzeug und Zusatzgeräte warten, Hände warmhalten und Organisation der Arbeitszeiten.

(ES)**ADVERTENCIA**

El nivel de emisión de las vibraciones que figura en esta hoja de información se ha medido según una prueba estandarizada que figura en EN60745 y puede ser utilizado para comparar una herramienta con otra. Puede ser utilizado para una evaluación preliminar de la exposición. El nivel de emisión de las vibraciones declarado representa las principales aplicaciones de la herramienta. No obstante, si la herramienta se utiliza para diferentes aplicaciones, con diferentes accesorios o no recibe el mantenimiento adecuado, la emisión de las vibraciones puede ser diferente. Esto puede aumentar significativamente el nivel de exposición durante el periodo de trabajo total.

Una estimación del nivel de exposición a la vibración también debe tener en cuenta el tiempo en el que la herramienta está desconectada o cuando está conectada pero no está realizando ningún trabajo. Esto puede reducir significativamente el nivel de exposición durante el periodo de trabajo total. Identificar las medidas de seguridad adicionales para proteger al operador de los efectos de las vibraciones, tales como: mantenimiento de la herramienta y de los accesorios, y la organización de los patrones de trabajo.

(IT)**AVVERTENZE**

Il livello di vibrazioni indicato in questo foglio informativo è stato misurato seguendo un test svolto secondo i requisiti indicati dallo standard EN60745 e potrà essere utilizzato per paragonare un utensile con un altro. Potrà essere utilizzato per una valutazione preliminare dell'esposizione a vibrazioni. Il livello dichiarato di emissioni di vibrazioni viene indicato tenendo conto delle applicazioni principali dell'utensile. Comunque se l'utensile viene utilizzato per applicazioni diverse con accessori diversi o non viene correttamente conservato, il livello delle vibrazioni potrà variare. Ciò potrà significativamente aumentare il livello di esposizione alle vibrazioni durante il periodo di lavoro totale.

Una valutazione del livello di esposizione alle vibrazioni dovrà inoltre prendere in considerazione i tempi in cui l'utensile viene spento o è acceso ma non viene utilizzato. Ciò potrà significativamente ridurre il livello di esposizione in un periodo totale di funzionamento. Ulteriori misure di sicurezza per proteggere l'operatore dagli effetti delle vibrazioni come: conservare correttamente l'utensile e i suoi accessori, tenere le mani calde e organizzare i tempi di lavoro.

(NL)**WAARSCHUWING**

Het trillingsemissieniveau dat op dit informatieblad wordt gegeven, is gemeten in overeenstemming met een gestandaardiseerde test, vastgelegd in EN60745 en mag worden gebruikt om machines met elkaar te vergelijken. Het verklaarde trillingsemissieniveau geeft de hoofdtoepassing van het gereedschap weer. Als de machine echter voor andere toepassingen of met andere accessoires wordt gebruikt of slecht wordt onderhouden, kan de trillingsmissie verschillen. Dit kan de blootstelling gedurende de gehele werkduur aanzienlijk verhogen.

Bij een schatting van het niveau van blootstelling aan trillingen moet ook rekening worden gehouden met het aantal keren dat de machine wordt uitgeschakeld of draait, maar niet wordt gebruikt. Dit kan het niveau van blootstelling gedurende de gehele werkduur aanzienlijk verlagen. Stel bijkomende veiligheidsmaatregelen op om de gebruiker tegen de gevolgen van trillingen te beschermen: zoals onderhoud het gereedschap en de accessoires, houd de handen warm, de organisatie van werkpatronen.

(PT)**AVISO**

O nível de emissão de vibrações fornecido nesta folha de informações foi medido em conformidade com o teste uniformizado descrito em EN60745 e pode ser usado para comparar uma ferramenta com outra. Este pode ser usado para uma avaliação preliminar da exposição. O nível de emissão de vibração declarado refere-se à aplicação principal da ferramenta. Contudo, se a ferramenta for usada para aplicações diferentes, com acessórios diferentes ou não for devidamente mantida, a emissão de vibrações pode diferir. Isto pode fazer aumentar significativamente o nível de exposição ao longo do período de trabalho total.

Uma estimativa do nível de exposição às vibrações deve ter, também, em consideração o tempo durante o qual a ferramenta está desligada ou em que está ligada mas não está a realizar qualquer trabalho. Isto pode reduzir significativamente o nível de exposição durante o período total de trabalho. Identifique medidas adicionais de segurança que protejam o operário dos efeitos da vibração como a manutenção da ferramenta e dos acessórios, a manutenção das mãos quentes e a organização de padrões de trabalho.

(DK)**ADVARSEL**

Det angivne niveau for vibrationsemission på denne oplysningside er blevet målt iht. en standardtest ifølge EN60745 og kan bruges til at sammenligne værktøjer indbyrdes. Det kan bruges til en foreløbig eksponeringsvurdering. Det opgivne niveau for vibrationsemission gælder, når værktøjet bruges til sit hovedformål. Men hvis værktøjet bruges til andre formål, med forskelligt eller med dårligt vedligeholdt ekstraudstyr, kan vibrationsemissionen variere. Dette kan medføre en betragtelig stigning i eksponeringsniveauet set over hele arbejdsperioden.

Et skøn over niveauet for vibrationseksponering bør også tage højde for de perioder, hvor værktøjet er slukket, eller hvor det er tændt uden faktisk at være i brug. Dette kan medføre en betragtelig reduktion i eksponeringsniveauet set over hele arbejdsperioden. Træf ekstra sikkerhedsforanstaltninger til beskyttelse af operatøren mod virkningerne fra vibrationen som fx: vedligeholdelse værktøjet og ekstraudstyr, hold de hænderne varme, organiser arbejdsmonstre.

SE**VARNING**

Vibrationsnivåerna som uppges i det här dokumentet har uppmäts i enlighet med ett standardiserat test som beskrivs i EN60745 och som kan användas för att jämföra verktyg. Det kan användas som en preliminär bedömning av den vibration som användaren utsätts för. De deklarerade vibrationsvärdena motsvarar de som uppstår när verktyget används i sitt huvudsyfte. Om verktyget används i andra syften, med andra tillbehör eller om verktyget är dåligt underhållet kan vibrationsnivåerna vara annorlunda. Det kan kraftigt öka vibrationsnivåerna över den totala arbetsperioden.

En uppskattning av vibrationsnivåerna som användaren utsätts för ska också ta hänsyn till de stunder då verktyget är avstängt och när det går på tomgång. Detta kan kraftigt minska vibrationsnivåerna över den totala arbetsperioden. Andra säkerhetsåtgärder som kan skydda användaren från effekterna av vibrationer är: underhållning av verktyget och tillbehören, hålla händerna varma och organisera arbetssättet.

FI**VAROITUS**

Tämän tiedotteen tärinänoto on mitattu EN60745-standardien mukaisilla testeillä, ja niitä voidaan käyttää verrattaessa laitetta toiseen. Sitä voidaan käyttää arvioitaessa tärinävaikutusta. Ilmoitettu tärinänoto vastaa laitteen pääasiallista käyttöä tarkoituksella. Jos laitetta kuitenkin käytetään muuhun tarkoitukseen, muilla lisälaitteilla tai huonosti huollettuina, tärinänoto saattaa poiketa ilmoitetusta arvosta. Tämä voi kasvattaa kokonaisaltistumista huomattavasti koko työjakson kuluessa.

Tärinän altistumistasoa arvioitessa tulee huomioida ajat, jolloin laite on sammutettu tai kun se on käynnissä, mutta sitä ei käytetä varsinaiseen työskentelyyn. Tämä voi vähentää kokonaisaltistumista huomattavasti koko työjakson kuluessa. Käytä muitakin suojaajainoja turvatekniikka käyttäjän tärinävaikutukselta, kuten: huolla laite ja lisälaitteet, pidä kätesi lämpiminä, organisi työnkuulla.

NO**ADVARSEL**

Nivået på vibrasjonsutslippet som oppgis på dette informasjonsarket er malt i henhold til en standardisert test gitt i EN60745 og kan brukes til å sammenligne ett verktøy med et annet. Det kan brukes til en foreløpig vurdering av eksponering. Det erklærte nivået på vibrasjonsutslipp representerer hovedvurderelsen for verktøyet. Dersom verktøyet brukes for andre anvendelser, med forskjellige tilbehør eller med dårlig vedlikehold, vil vibrasjonsutslippet kunne være annerledes. Det kan gi en betydelig økning av eksponeringsnivået over den totale arbeidsperioden.

En beregning av nivået for eksponering til vibrasjoner må også ta hensyn til den tiden verktøyet er slått av eller er i gang men ikke i faktisk bruk for å utføre den tiltenkte oppgaven. Dette kan gi en betydelig økning av eksponeringsnivået over den totale arbeidsperioden. Identifiser ytterligere sikkerhetstiltak for å beskytte den som bruker verktøyet fra virkningen av vibrasjoner, tiltak som: Vedlikehold verktøyet og tilbehøret, hold hendene varme, organiser arbeidsmetodene.

RU**ОСТОРОЖНО!**

Уровень вибрации, приведенный в данном справочном листе, измерен согласно стандартизованным испытаниям, определенным в EN60745 и может использоваться для сравнения различных инструментов. Значение уровня может использоваться для предварительной оценки влияния вибрации. Заявленный уровень вибрации действителен для основного применения инструмента. Однако, если инструмент используется для других целей, с другими приспособлениями, или плохо обслуживается, уровень вибрации может отличаться от указанного. Это может значительно увеличить величину воздействия за общее время работы.

При оценке уровня воздействия вибрации следует также принять во внимание время простоев и холостой ход (когда инструмент выключен и когда включен, но работа не производится). Эти факторы могут значительно уменьшить величину воздействия вибрации за общее время работы. Определите дополнительные меры безопасности, защищающие работающего от влияния вибрации: техническое обслуживание инструмента и принадлежностей, недопущение охлаждения рук, соответствующие приемы и распорядок работы.

PL**OSTRZEŻENIE**

Deklarowany poziom drgań został zmierzony za pomocą standardowej metody pomiaru określonej normą EN60745 i jego wyniki mogą służyć do porównywania tego urządzenia z innymi. Deklarowana wartość drgań może służyć do wstępnej oceny narażenia operatora na drgania. Deklarowany poziom drgań dotyczy podstawowych zastosowań urządzenia. Jednak w przypadku użycia urządzenia do innych zastosowań, z innymi przystawkami lub w przypadku niewłaściwego stanu technicznego urządzenia poziom drgań może odbiegać od deklarowanego. Może być to przyczyną zwiększenia stopnia narażenia operatora na drgania w całym okresie wykonywania pracy.

Podczas oceny narażenia na drgania należy również uwzględnić czas wyłączenia urządzenia oraz czas, w którym urządzenie jest włączone, jednak praca nie jest wykonywana. Czasy te mogą znacznie zmniejszyć stopień narażenia operatora na drgania w całym okresie wykonywania pracy. Należy określić dodatkowe środki ochrony operatora przed skutkami drgań, przykładowo: dbać o stan techniczny urządzenia i przystawek, dbać o zachowanie ciepłoty dłoni, odpowiednio zorganizować harmonogram wykonywania prac.

CZ**VAROVÁNÍ**

Hodnota vibračních emisí uvedená v tomto informačním listu byla naměřena standardizovaným testem podle EN60745 a ji použít k porovnání s hodnotami jiných nástrojů. Může se používat k předběžnému odhadu vystavování vibračím. Uznána hodnota vibračních emisí reprezentuje hlavní použité nástroje. Nicméně pokud svůj nástroj používá pro jiné použití, s různými doplňky nebo se nedostatečně neudržuje, mohou se vibrační emise lišit. Toto může výrazně zvýšit úroveň vystavení nad celkové pracovní období.

Odhad úrovně vystavení vibračím by měl vzít taktéž v potaz časy, kdy je chvění vypnuté, nebo když přístroj běží, ale nevykonává práci. Toto může výrazně snížit úroveň vystavení nad celkové pracovní období. Určete doplňující bezpečnostní opatření pro ochranu obsluhy před úrazy vibračím, například: Udržujte nástroj a doplňky, udržujte ruce v teple, organizujte pracovní schéma.

HU**FIGYELMEZTÉTEL**

A vibráció-kibocsátás adatai alapján megadott értékek az EN60745 által meghatározott szabványosított mérési eljárás szerint lettek megmértve, amely lehetővé teszi a különböző szerszámok összehasonlítását. Használható a kitettség előzetes felmérésére is. A nyilatkozatban szereplő kibocsátási érték a szerszám főbb alkalmazási területeire vonatkozik. Ugyanakkor, ha a szerszámot más alkalmazásokra, más kiegészítővel használják vagy rosszul tartják karban, a vibráció-kibocsátás értéke ettől eltérő is lehet. Ez jelentősen növelheti a kitettség szintjét a gép teljes használati időtartama során.

A vibrációnak való kitettség szintjének becslésekor figyelembe kell venni azokat az időintervallumokat is, amikor a szerszám ki van kapcsolva, vagy működik, de nem végeznek munkát vele. Ez jelentősen csökkentheti a kitettség szintjét a gép teljes használati időtartama során. Tegyünk további óvintézkedéseket a kezelő vibrációval szembeni megvédeése érdekében: tartsa karban a szerszámot és a tartozékokat, tartsa melegen a kezét, tervezzé meg a munkafolyamatot.

RO**AVERTISMENT**

Nivelul emisiilor de vibrații prezentat în cadrul acestei fișe cu informații a fost măsurat în conformitate cu un test standardizat furnizat în EN60745 și poate fi folosit la a compara o unealtă cu o alta. Poate fi folosit la o evaluare preliminară a expunerii. Nivelul declarat al emisiilor de vibrații reprezintă aplicațiile principale ale unelei. Cu toate acestea, în cazul în care unealta este utilizată pentru aplicații diferite, cu accesorii diferite sau întreținute necorespunzător, emisiile de vibrații pot diferi. Acestea pot crește semnificativ nivelul de expunere pe întreaga perioadă de lucru.

O estimare a nivelului de expunere la vibrații trebuie, de asemenea, să țină cont de câtă vreme în care unealta este oprită sau de câtă vreme în care aceasta funcționează fără a efectua propriu-zis sarcina de lucru. Acestea pot reduce semnificativ nivelul de expunere pe întreaga perioadă de lucru. Identificați măsuri de siguranță suplimentare pentru a proteja operatorul de efectele vibrațiilor, precum: întreținerea unelei și a accesorilor, păstrarea mâinilor calde, organizarea de modele de lucru.

LV

BRĪDINĀJUMS

Sajā datu lapā dotā vibrāciju emisijas vērtība ir mērīta saskaņā ar standartizēto testu, kas dots EN60745 un kuru var izmantot, lai salīdzinātu vienu instrumentu ar citu. To var izmantot aptuvenam ekspozīcijas novērtējumam. Deklarētais vibrāciju emisijas līmenis atbilst galvenajiem instrumenta pielietojumiem. Tomēr, ja instrumentu lieto citiem pielietojumiem, ar citiem piederumiem vai tas tiek silti apkopts, vibrāciju emisijas vērtība var atšķirties. Tas var ievērojami palielināt ekspozīcijas līmeni visā darba periodā.

Vibrāciju ekspozīcijas līmeņa novērtējumam jāņem vērā laiks, kad instruments ir izslēgts vai ir ieslēgts, bet nevis nekādu darbu. Tas var ievērojami samazināt ekspozīcijas līmeni visā darba periodā. Identificējiet papildu drošības pasākumus, lai aizsargātu operatoru no vibrāciju iedarbības, piemēram, veiciet instrumenta un piederumu apkopi, turiet rokas siltas un pielāgojiet darba grafiku.

LT

ISPĒJIMAS

Šiame lapē nurodytas vibracijos emisijos lygis buvo išmatuotas pagal standartinį testą, aprašytą EN60745, ir gali būti naudojamas vieno įrankio su kitu palyginimui. Jis gali būti naudojamas preliminariam pavojaus įvertinimui. Deklaruotas vibracijos emisijos lygis priskiriamas pagrindinėms įrankio taikymo sritims. Tačiau, jei įrankis naudojamas kitiems tikslams, su kitokiais priedais ar įrankis prastai prižiūrimas, vibracijos emisija gali skirtis. Per visą darbo laikotarpį tai gali žymiai padidinti vibracijos keliamą pavojų.

Nustatant vibracijos keliamą pavojų taip pat būtina atsižvelgti į tai, kiek kartų įrankis yra išjungtas ar kai jis veikia, bet juo iš tikrųjų nedirbama. Per visą darbo laikotarpį tai gali žymiai sumažinti vibracijos keliamą pavojų. Naudokite papildomas apsaugos priemones dirbančiam asmeniui apsaugoti nuo vibracijos poveikio, pvz.: prižiūrėti įrankį ir jo priedus, rankas laikyti šiltai, organizuoti darbo sesijas.

EE

HOIATUS

Sellel infolehel esitatud vibratsioonitaseme väärtused on mõõdetud standardis EN60745 kirjeldatud katsemeetodiga ja seda võib kasutada tööriistade omavaheliseks võrdlemiseks. Seda võib kasutada vibratsioonimõju eelhindamiseks. Deklareeritud vibratsioonitaseme väärtused kehtib tööriista tavakasutamisel. Kui aga kasutate tööriista muudeks kasutusotstarveteks, eriotstarbeliste tarvikutega või kui tööriist on puudulikult hooldatud, siis võib vibratsiooniväärtused erineda. Sellistel juhtudel võib tööperioodi summaarne vibratsioonitaseme suurendada märgatavalt.

Vibratsiooniväärtuse taset tuleb arvesse võtta ka sel ajal, kui tööriist on välja lülitatud või kui tööriist tööle, kuid ei tee tööoperatsiooni. Sellistel juhtudel võib tööperioodi ajal summaarne vibratsioonitaseme vähendada märgatavalt. Määrake kindlaks täiendavad ohutusmeetmed, et kaitsa operaatorit vibratsioonimõjude eest – tööriistade ja tarvikute hooldamine, kätte soojas hoidmine ja töövahetuste organiseerimine.

HR

UPOZORENJE

Razina vrijednosti vibracija data u ovoj tablici s informacijama mjerena je sukladno normiranom testu pruženom u EN60745 i može se koristiti za usporedbu jednog alata s drugim. Može se koristiti u početnom uskladjivanju izloženosti. Objavljena razina vrijednosti vibracija predstavlja glavnu primjenu alata. Međutim, ako se alat koristi za druge primjene, s različitim dodatnim priborom ili je slabo održavan, vrijednost vibracija može se razlikovati. Ovo može značajno povećati razinu izloženosti tijekom ukupnog radnog razdoblja.

U procjeni razine izloženosti na vibraciju također treba uzeti u obzir vrijeme kada je alat isključen ili kada je pokrenut no ne i stvarno vrijeme rada. Ovo može značajno smanjiti razinu izloženosti tijekom ukupnog radnog razdoblja. Odredite dodatne sigurnosne mjere za zaštitu operatera od učinaka vibracije poput: održavanje alata i pribora, održavanje toplih ruku, organizacija obraza za rad.

SI

OPOZORILO

Nivo emisij vibracij, naveden v tem informacijskem listu, je bil izmerjen v skladu s standardiziranim testom, ki je podan v EN60745, podatek pa se lahko uporablja za primerjavo enega orodja z drugim. Uporablja se ga lahko za predhodno oceno izpostavljenosti. Naveden nivo emisij vibracij predstavlja glavne uporabe orodja. Vendar, če se orodje uporablja v druge namene in z različnimi nastavitvami oz. če je orodje slabo vzdrževano, se lahko emisije vibracij razlikujejo. To lahko občutno poveča nivo izpostavljenosti v skupnem delovnem času.

Ocena nivoja izpostavljenosti vibracijam bi morala prav tako upoštevati, koliko krat je orodje bilo izključeno ali je v delovanju in pravzaprav ne opravlja svojega dela. To lahko občutno zmanjša nivo izpostavljenosti v skupnem delovnem času. Upoštevajte dodatne varnostne ukrepe, da bi upravljavca zaščitili pred vplivom vibracij, kot je: vzdržujte orodje in nastavke, pazite, da so roke tople, organizirajte delovne vzorce.

SK

VAROVANIE

Úroveň emisie vibrácií, uvedená v tomto informačnom hárku bola nameraná v súlade so štandardizovaným testom, daný normou EN60745 a môže sa použiť na porovnanie jedného nástroja s druhým. Môže sa použiť na predbežné určenie miery vystavenia sa vibráciám. Uvedená úroveň emisie vibrácií predstavuje hlavné aplikácie nástroja. Avšak keď sa nástroj používa na iné aplikácie, s rôznymi prislúšenstvami alebo má zlé údržbu, úroveň vibrácií sa môže líšiť. Týmto sa môže výrazne zvýšiť úroveň vystavenia sa vibráciám počas celkového času práce.

Odhad úrovne vystavenia sa vibráciám by sa mal brať tiež do úvahy, vzhľad, keď sa nástroj vypne, alebo potom, keď beží ale v skutočnosti sa nevykonáva práca. Týmto sa môže výrazne znížiť úroveň vystavenia sa vibráciám počas celkového času práce. Nasledovné doplnujúce bezpečnostné opatrenia pomáhajú chrániť operátora od účinkov vibrácií: údržba nástroja a prislúšenstva, udržiavanie teplých držiadiel, organizácia práce.

GR

ΠΡΟΕΙΔΟΠΟΙΗΣΗ

Τα επίπεδα εκπομπών κραδασμών που παρέχονται στο παρόν ενημερωτικό φυλλάδιο, έχουν μετρηθεί βάσει τυποποιημένης δοκιμής που προβλέπεται στο EN60745 και μπορούν να συγκριθούν για τη σύγκριση του εργαλείου με άλλα. Μπορούν επίσης να χρησιμοποιηθούν για προκαταρκτική αξιολόγηση της έκθεσης. Τα δηλωμένα επίπεδα εκπομπών κραδασμών αφορούν τις βασικές εφαρμογές του εργαλείου. Ωστόσο, αν το εργαλείο χρησιμοποιείται για διαφορετικές εφαρμογές, με διαφορετικά εξαρτήματα ή με κακή συντήρηση, η εκπομπή κραδασμών μπορεί να διαφέρει. Αυτό μπορεί να αυξήσει σημαντικά το επίπεδο έκθεσης στη συνολική περίοδο εργασίας.

Η εκτίμηση των επιπέδων έκθεσης σε κραδασμούς θα πρέπει επίσης να λαμβάνει υπόψη τις χρονικές περιόδους κατά τις οποίες το εργαλείο είναι απενεργοποιημένο ή λειτουργεί χωρίς να χρησιμοποιείται σε συγκεκριμένη εργασία. Αυτό μπορεί να μειώσει σημαντικά το επίπεδο έκθεσης στη συνολική περίοδο εργασίας. Εφαρμόστε προεπιβλεπόμενα μέτρα ασφαλείας για την προστασία του χειριστή από τις επιπτώσεις των κραδασμών, όπως τα εξής: συντηρήστε το εργαλείο και τα εξαρτήματα, διατηρήστε τα χέρια ζεστά, οργανώστε μετρία εργασίας.

TR

UYARI

Bu bilgi sayfasında verilen titreşim emisyon seviyesi, EN60745 standardında belirtilen standartlaştırılmış bir teste uygun olarak ölçülmüş ve bir aleti diğeryle karşılaştırmak için kullanılabilir. Bu durum topları çalışma süresi boyunca maruz kalma seviyesini önemli ölçüde artırır.

Titreşime maruz kalma seviyesinin değerlendirilmesi aynı zamanda alet kapalı ve arızadan çıkarılıncak ancak anladış yapılmadık zamanlar da göz önünde bulundurulmalıdır. Bu durum toplam çalışma süresi boyunca maruz kalma seviyesini önemli ölçüde azaltır. Operatörü titreşim etkilerinden korumak için ilave güvenlik önlemleri belirlenmelidir, örneğin: aletin ve aksesuarlarının bakımını yapmak, operatörün ellerinin sıcak tutmak, çalışma modellerini organize etmek.

GB**DECLARATION OF CONFORMITY**

We declare under our sole responsibility that this product is in conformity with the following standards or standardized documents.

2011/65/EU, 2006/42/EC, 2004/108/EC, EN 60745-1:2009+A11:2010, EN 60745-2-22:2011, EN 55014-1:2006+A1:2009+A2:2011

7@''''#&Zs,#+) Ł 3S, S''''

Sound pressure level (K=3 dB(A)) 88 dB(A)
Sound power level (K=3 dB(A)) 99 dB(A)

The vibration total values(triax vector sum) determined according to EN60745:

Weighted root mean square acceleration value (k=1.5 m/s²) 1.6 m/s²

FR**DÉCLARATION DE CONFORMITÉ**

Nous déclarons sous notre propre responsabilité que ce produit est en conformité avec les normes ou documents normalisés suivants:

2011/65/EU, 2006/42/EC, 2004/108/EC, EN 60745-1:2009+A11:2010, EN 60745-2-22:2011, EN 55014-1:2006+A1:2009+A2:2011

7@''''#&Zs,#+) Ł 3S, S''''

Niveau de pression acoustique (K=3 dB(A)) 88 dB(A)
Niveau de puissance acoustique (K=3 dB(A)) 99 dB(A)

La valeur totale des vibrations (somme vectorielle triaxiale) est déterminée selon EN60745:

Yüksüz hız 1.6 m/s²(k=1.5 m/s²)

DE**KONFORMITÄTSEKTLÄRUNG**

Wir erklären in alleiniger Verantwortung, dass dieses Produkt mit den folgenden Normen oder normativen Dokumenten übereinstimmt:

2011/65/EU, 2006/42/EC, 2004/108/EC, EN 60745-1:2009+A11:2010, EN 60745-2-22:2011, EN 55014-1:2006+A1:2009+A2:2011

7@''''#&Zs,#+) Ł 3S, S''''

Schalldruckpegel (K=3 dB(A)) 88 dB(A)
Schalleistungspegel (K=3 dB(A)) 99 dB(A)

Schwingungsgesamtwerte (Vektorsumme dreier Richtungen) ermittelt entsprechend EN 60745:

Beschleunigung des quadratischen gewogenen Mittelwerts (k=1.5 m/s²) 1.6 m/s²

ES**DECLARACIÓN DE CONFORMIDAD**

Declaramos bajo nuestra exclusiva responsabilidad que este producto es conforme a las siguientes normas o documentos normalizados:

2011/65/EU, 2006/42/EC, 2004/108/EC, EN 60745-1:2009+A11:2010, EN 60745-2-22:2011, EN 55014-1:2006+A1:2009+A2:2011

7@''''#&Zs,#+) Ł 3S, S''''

Nivel de presión acústica (K=3 dB(A)) 88 dB(A)
Nivel de potencia acústica (K=3 dB(A)) 99 dB(A)

Los valores de vibración total (suma de vectores triax), determinado según la norma EN60745:

Valor de aceleración de la media cuadrática ponderada (k=1.5 m/s²) 1.6 m/s²

IT**DICHIARAZIONE DI CONFORMITÀ**

Dichiariamo, assumendo la piena responsabilità di tale dichiarazione, che il prodotto è conforme alle seguenti normative e ai relativi documenti:

2011/65/EU, 2006/42/EC, 2004/108/EC, EN 60745-1:2009+A11:2010, EN 60745-2-22:2011, EN 55014-1:2006+A1:2009+A2:2011

7@''''#&Zs,#+) Ł 3S, S''''

Livello di pressione acustica (K=3 dB(A)) 88 dB(A)
Livello di potenza acustica (K=3 dB(A)) 99 dB(A)

I valori totali delle vibrazioni (somma di vettori in tre direzioni) misurati conformemente alla norma EN 60745:

Valore d'accelerazione della media quadratica ponderata (k=1.5 m/s²) 1.6 m/s²

NL**CONFORMITEITSVERKLARING**

Wij verklaren op onze eigen verantwoordelijkheid dat dit product voldoet aan de volgende normen of normatieve documenten.

2011/65/EU, 2006/42/EC, 2004/108/EC, EN 60745-1:2009+A11:2010, EN 60745-2-22:2011, EN 55014-1:2006+A1:2009+A2:2011

7@''''#&Zs,#+) Ł 3S, S''''

Geluidsrukniveau (K=3 dB(A)) 88 dB(A)
Geluidsvermogensniveau (K=3 dB(A)) 99 dB(A)

De totale trillingswaarden (triaxiale vectorsom) zoals vastgesteld volgens EN60745:

Versnellingswaarde van de gewogen effectieve waarde (k=1.5 m/s²) 1.6 m/s²

PT**DECLARAÇÃO DE CONFORMIDADE**

Declaramos, sob nossa exclusiva responsabilidade, que este produto cumpre as seguintes normas ou documentos normativos.

2011/65/EU, 2006/42/EC, 2004/108/EC, EN 60745-1:2009+A11:2010, EN 60745-2-22:2011, EN 55014-1:2006+A1:2009+A2:2011

7@''''#&Zs,#+) Ł 3S, S''''

Nível de pressão acústica (K=3 dB(A)) 88 dB(A)
Nível de potência acústica (K=3 dB(A)) 99 dB(A)

Os valores totais de vibração (soma do vector triax) são determinados em conformidade com a EN60745:

Valor da aceleração da média quadrática ponderada(k=1.5 m/s²) 1.6 m/s²

DK**KONFORMITETSEKTLÆRING**

Vi erklærer på eget ansvar, at dette produkt er i overensstemmelse med følgende standarder eller standardiseringsdokumenter:

2011/65/EU, 2006/42/EC, 2004/108/EC, EN 60745-1:2009+A11:2010, EN 60745-2-22:2011, EN 55014-1:2006+A1:2009+A2:2011

7@''''#&Zs,#+) Ł 3S, S''''

Lydtrykkniveau (K=3 dB(A)) 88 dB(A)
Lydstyrkeniveau (K=3 dB(A)) 99 dB(A)

De samlede vibrationsværdier (triax vector sum) bestemt i henhold til EN60745:

Accelerationsværdi for væglet kvadratmiddeltal (k=1.5 m/s²) 1.6 m/s²

SE**FÖRSÄKRAN**

Vi intygar och ansvarar för, att denna produkt överensstämmer med följande normer och dokument.

2011/65/EU, 2006/42/EC, 2004/108/EC, EN 60745-1:2009+A11:2010, EN 60745-2-22:2011, EN 55014-1:2006+A1:2009+A2:2011

7@''''#&Zs,#+) Ł 3S, S''''

Ljudtrycksnivå (K=3 dB(A)) 88 dB(A)
Ljudeffektnivå (K=3 dB(A)) 99 dB(A)

De totala vibrationsvärdena (treaxliga) är fastställda enligt EN60745:

Accelerationsvärde för viktat kvadratiskt medeltal (k=1.5 m/s²) 1.6 m/s²

FI**TODISTUS STANDARDIN-MUKAISUUESTIA**

Todistamme täten ja vastaamme yksin siitä, että tämä tuote on alla laetettujen standardien ja standardoimis-asiakirjojen vaatimusten mukainen.

2011/65/EU, 2006/42/EC, 2004/108/EC, EN 60745-1:2009+A11:2010, EN 60745-2-22:2011, EN 55014-1:2006+A1:2009+A2:2011

7@''''#&Zs,#+) Ł 3S, S''''

Äänenpainetaso (K=3 dB(A)) 88 dB(A)
Äänen tehotaso (K=3 dB(A)) 99 dB(A)

Tärinään kokonaisumma (kolmiakselinen vektorisumma) määritetään standardin EN60745 mukaan

Painotettu kiihdytyksen tehollisarvo (k=1.5 m/s²) 1.6 m/s²

NO**SAMSVARSEKTLÆRING**

Vi erklærer på eget ansvar at dette produktet er i samsvar med følgende standarder og normative dokumenter:

2011/65/EU, 2006/42/EC, 2004/108/EC, EN 60745-1:2009+A11:2010, EN 60745-2-22:2011, EN 55014-1:2006+A1:2009+A2:2011

7@''''#&Zs,#+) Ł 3S, S''''

Lydtrykknivå (K=3 dB(A)) 88 dB(A)
Lydstyrkenivå (K=3 dB(A)) 99 dB(A)

De totale vibrasjonsverdiene (triax vektorsum) ble bestemt ifølge EN60745:

Veid kvadratisk middelverdi av akselerasjonsverdiene (k=1.5 m/s²) 1.6 m/s²

RU**ЗАЯВЛЕНИЕ О СООТВЕТСТВИИ СТАНДАРТАМ**

Мы со всей ответственностью заявляем, что настоящая продукция соответствует ниже следующим нормам и документам:

2011/65/EU, 2006/42/EC, 2004/108/EC, EN 60745-1:2009+A11:2010, EN 60745-2-22:2011, EN 55014-1:2006+A1:2009+A2:2011

7@''''#&Zs,#+) Ł 3S, S''''

Уровень акустического давления (k=3 dB(A)) 88 dB(A)
Уровень акустической мощности (k=3 dB(A)) 99 dB(A)

Общий уровень вибрации (сумма векторов вибрации в трех направлениях) определен в соответствии с EN60745:

Величина ускорения средней умеренной квадратической (k=1.5 м/сек²) 1.6 м/сек²

PL

DEKLARACJA ZGODNOŚCI

Z całą odpowiedzialnością oświadczamy, że niniejszy produkt jest zgodny z normami czy też znormalizowanymi dokumentami wymienionymi poniżej:
2011/65/EU, 2006/42/EC, 2004/108/EC, EN 60745-1:2009+A11:2010, EN 60745-2-22:2011, EN 55014-1:2006+A1:2009+A2:2011

70''''#825,#+) Ł3\$,S''''
Poziom ciśnienia akustycznego (K=3 dB(A)) 88 dB(A)
Poziom mocy akustycznej (K=3 dB(A)) 99 dB(A)
Wartość całkowita vibracji (suma wektorowa przyspieszeń) określona zgodnie z normą EN60745:
Wartość skuteczna przyspieszenia
średnia kwadratowa ważona (k=1.5 m/s²) 1.6 m/s²

CZ

PROHLÁŠENÍ O SHODĚ

Prohlašujeme na svou zodpovědnost, že tento výrobek splňuje požadavky níže uvedených norem a závazných předpisů:

2011/65/EU, 2006/42/EC, 2004/108/EC, EN 60745-1:2009+A11:2010, EN 60745-2-22:2011, EN 55014-1:2006+A1:2009+A2:2011

70''''#825,#+) Ł3\$,S''''
Hladina akustického tlaku (K=3 dB(A)) 88 dB(A)
Hladina akustického výkonu (K=3 dB(A)) 99 dB(A)
Celkové hodnoty vibrací (třísosy vektorový součet) určené v souladu s EN60745:
Vážená efektivní hodnota zrychlení (k=1.5 m/s²) 1.6 m/s²

HU

SZABVÁNY RENDELKEZÉSEK

Felhasználóinkat teljes tudatában kijelentjük, hogy a jelen termék megfelel a következő szabványoknak és előírásoknak:

2011/65/EU, 2006/42/EC, 2004/108/EC, EN 60745-1:2009+A11:2010, EN 60745-2-22:2011, EN 55014-1:2006+A1:2009+A2:2011

70''''#825,#+) Ł3\$,S''''
Hangnyomás szint (K=3dB (A)) 88 dB(A)
Hangerő szint (K=3dB (A)) 99 dB(A)
A vibráció teljes értéke (háromtengelyű vektorösszeg), az EN60745 szerint meghatározva:
A gyorsítás négyzetes súlyozott átlag értéke (k=1.5 m/s²) 1.6 m/s²

RO

DECLARAȚIE DE CONFORMITATE

Declarăm pe propria răspundere că acest produs este conform cu normele sau documentele normative următoare:

2011/65/EU, 2006/42/EC, 2004/108/EC, EN 60745-1:2009+A11:2010, EN 60745-2-22:2011, EN 55014-1:2006+A1:2009+A2:2011

70''''#825,#+) Ł3\$,S''''
Nivel de presiune acustică (K=3dB (A)) 88 dB(A)
Nivel de putere acustică (K=3dB (A)) 99 dB(A)
Valorile totale ale vibrației (suma vectorială a trei direcții) au fost determinate conform EN60745:
Valoarea accelerației medii
pătratică ponderate (K=1.5 m/s²) 1.6 m/s²

LV

ATBILSTĪBAS PAZIŅOJUMS

Mēs uz savu atbildību paziņojam, ka šis produkts atbilst šādiem standartiem vai standartizācijas dokumentiem.

2011/65/EU, 2006/42/EC, 2004/108/EC, EN 60745-1:2009+A11:2010, EN 60745-2-22:2011, EN 55014-1:2006+A1:2009+A2:2011

70''''#825,#+) Ł3\$,S''''
Skaņas spiediena līmenis (K=3dB (A)) 88 dB (A)
Skaņas jaudas līmenis (K=3dB (A)) 99 dB (A)
Vibrāciju kopējās vērtības (trīsasu vektoru summa) tiek noteiktas atbilstoši EN60745.
Vidējā svārstās kvadrātskaņes vērtība
Paātrinājuma kvadrātā vērtība (trīs asiņ, K=1.5 m/s²) 1.6 m/s²

LT

ATITIKTIES DEKLARACIJA

Prisiimdami visą atsakomybę, pareiškiame, kad produktas atitinka žemiau išvardintus standartus ar standartų dokumentus.

2011/65/EU, 2006/42/EC, 2004/108/EC, EN 60745-1:2009+A11:2010, EN 60745-2-22:2011, EN 55014-1:2006+A1:2009+A2:2011

70''''#825,#+) Ł3\$,S''''
Garso slėgio lygis (K=3 dB(A)) 88 dB(A)
Garso galingumo lygis (K=3 dB(A)) 99 dB(A)
Išmatuota reikšmė kvadratu
Vibracijos bendrosios reikšmės (erdvinių vektorių suma) apskaičiuotos pagal EN60745:
Kvadratinė įsibėgėjimo greičio reikšmė (tysis ašys, K=1.5 m/s²) 1.6 m/s²

EE

VASTAVUSDEKLARATSIOON

Kinnitame oma ainuavastustusel, et see toode on vastavuses järgmistele standardidele või standardiseeritud dokumentidega.

2011/65/EU, 2006/42/EC, 2004/108/EC, EN 60745-1:2009+A11:2010, EN 60745-2-22:2011, EN 55014-1:2006+A1:2009+A2:2011

70''''#825,#+) Ł3\$,S''''
Helirõhutaseme (K=3 dB(A)) 88 dB (A)
Helivõimsuse tase (K=3 dB(A)) 99 dB (A)
Vibratsiooni koguväärtused (triaksiaalsed summaarsed vektorialväärtused) on vastavalt standardile EN 60745 määratud järgmiselt
Korrigeeritud viibrokiirendus
Ruutkeskmise väärtus (kolm telge, K=1.5 m/s²) 1.6 m/s²

HR

DEKLARACIJA O USKLA-ENOSTI

Odgovorno izjavljujemo da je ovaj proizvod u skladu sa sljedećim normama ili normiranim dokumentima:

2011/65/EU, 2006/42/EC, 2004/108/EC, EN 60745-1:2009+A11:2010, EN 60745-2-22:2011, EN 55014-1:2006+A1:2009+A2:2011

70''''#825,#+) Ł3\$,S''''
Razina akustičnog pritiska (K=3dB (A)) 88 dB(A)
Razina jačine zvuka (K=3dB (A)) 99 dB(A)
Ukupne vrijednosti vibracija (troosni vektorski zbir) određuju se u skladu s EN60745:
Ponderirana vrijednost ubrzanja RMS-a (k=1.5 m/s²) 1.6 m/s²

SI

IZJAVA O SKLADNOSTI

Z lastno odgovornostjo izjavljamo, da je ta izdelek skladen z zahtevami sledečih standardov ali standardiziranih dokumentov:

2011/65/EU, 2006/42/EC, 2004/108/EC, EN 60745-1:2009+A11:2010, EN 60745-2-22:2011, EN 55014-1:2006+A1:2009+A2:2011

70''''#825,#+) Ł3\$,S''''
Nivo zvočnega pritiska (K=3dB (A)) 88 dB(A)
Nivo zvočne moči (K=3dB (A)) 99 dB(A)
Skupna vrednost vibracij (vsota vektorja triax) je določena s standardom EN60745:
Efektivna vrednost uteženega pospeška (k=1.5 m/s²) 1.6 m/s²

SK

PREHLÁŠENIE O ZHODE

Vyhlasujeme našu výhradnú zodpovednosť za produkt, ktorý spĺňa nasledovné štandardy alebo štandardizované dokumenty.

2011/65/EU, 2006/42/EC, 2004/108/EC, EN 60745-1:2009+A11:2010, EN 60745-2-22:2011, EN 55014-1:2006+A1:2009+A2:2011

70''''#825,#+) Ł3\$,S''''
Hladina akustického tlaku (K=3dB(A)) 88 dB(A)
Hladina akustického výkonu (K=3dB(A)) 99 dB(A)
Celková hodnota vibrácií (súhrn vektora triax), určená podľa normy EN60745:
Stredná hodnota kvadratického zrychlenia (tri osi, K=1.5m/s²) 1.6 m/s²

GR

ΔΗΛΩΣΗ ΣΥΜΜΟΡΦΩΣΗΣ

Δηλώνουμε υπευθύνως ότι το προϊόν αυτό συμμορφούται προς τα ακόλουθα πρότυπα ή τυποποιημένα έγγραφα:

2011/65/EU, 2006/42/EC, 2004/108/EC, EN 60745-1:2009+A11:2010, EN 60745-2-22:2011, EN 55014-1:2006+A1:2009+A2:2011

70''''#825,#+) Ł3\$,S''''
Επίπεδο ακουστικής πίεσης (K=3dB(A)) 88 dB(A)
Επίπεδο ακουστικής ισχύος (K=3dB(A)) 99 dB(A)
Η συνολική τιμή της δόνησης (δύναμησμητικό άθροισμα triax) καθορίζεται σύμφωνα με το EN60745
Τιμή επιτάχυνσης της σταθμισμένης μέσης τετραγωνικής τιμής (k=1.5 m/s²) 1.6 m/s²

TR

UYGUNLUK BELGESİ

Bu ürünün aşağıdaki normlar ya da norm belgeleri ile uyumlu olduğunu kendi sorumluluğumuzla ortaya koyarak beyan ederiz:

2011/65/EU, 2006/42/EC, 2004/108/EC, EN 60745-1:2009+A11:2010, EN 60745-2-22:2011, EN 55014-1:2006+A1:2009+A2:2011

70''''#825,#+) Ł3\$,S''''
Akustik basınç düzeyi (K=3dB(A)) 88 dB(A)
Ses gücü seviyesi (K=3dB(A)) 99 dB(A)
Vibrasyon toplam değeri (triax vektör toplamı) EN60745 standardına göre belirlenmiştir:
Ortalama temel vasat ağırlıklı hızlanma değeri (k=1.5 m/s²) 1.6 m/s²

Machine: 18 VOLT WET / DRY TILE SAW

Type: LTS180

CE DEC 2009



Techtronic Industries

Techtronic Product Development Limited
24/F, CDW Building, 388 Castle Peak Road, Tsuen Wan, Hong Kong

A handwritten signature in black ink, appearing to read 'B. Ellis', is positioned above the printed name.

Brian Ellis
Vice President - Engineering
Dec. 15, 2009

Authorised to compile the technical file:
James Dickinson
Techtronic Industries (UK) Limited
Medina House, Fieldhouse Lane, Marlow, Bucks, SL7 1TB, United Kingdom

