

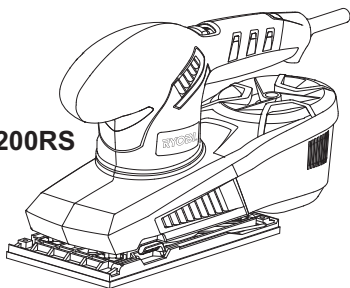
## ESS200RS/ESS280RV

<b>GB</b>	1/3 SHEET SANDER
<b>FR</b>	PONCEUSE VIBRANTE 1/3 DE FEUILLE
<b>DE</b>	1/3 SCHWINGSCHLEIFER
<b>ES</b>	LIJADORA DE HOJA 1/3
<b>IT</b>	LEVIGATRICE A FOGLI DA 1/3
<b>NL</b>	1/3 BLADSCHUURMACHINE
<b>PT</b>	LIXADORA DE FOLHA 1/3
<b>DK</b>	1/3 RYSTEPUDSER
<b>SE</b>	MULTISLIP 1/3
<b>FI</b>	1/3 TASOHIOMAKONE
<b>NO</b>	1/3 PLANSLIPER
<b>RU</b>	ЛЕПТОЧНЫЙ ШЛИФОВАЛЬНЫЙ СТАНОК, 1/3
<b>PL</b>	SZLIFIERKA OSCYLACYJNA, 1/3 ARKUSZA
<b>CZ</b>	BRUSKA 1/3 OHYBEM BRUSNÉHO PAPIRU
<b>HU</b>	1/3-ÍVES CSISZOLÓGÉP
<b>RO</b>	MAȘINĂ DE ȘLEFUIT TABLĂ 1/3
<b>LV</b>	1/3 LOKŠŅU SLĪPMAŠĪNA
<b>LT</b>	1/3 LAKŠTINIS ŠLIFUOTUVAS
<b>EE</b>	1/3-LEHT LIHVASIN
<b>HR</b>	OSCILATORNA BRUSILICA OD 1/3
<b>SI</b>	1/3 TRAČNI BRUSILNIK
<b>SK</b>	BRÚSKA NA 1/3 LISTY
<b>GR</b>	1/3 ΤΡΙΒΕΙΟ ΦΥΛΛΩΝ
<b>TR</b>	1/3 YAPRAK ZIMPARA MAKINESI

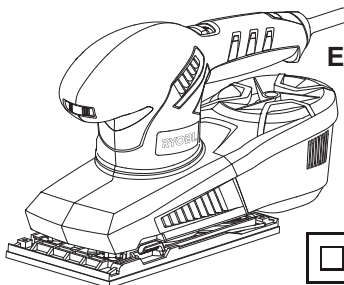
USER'S MANUAL	1
MANUEL D'UTILISATION	6
BEDIENUNGSANLEITUNG	11
MANUAL DE UTILIZACIÓ	16
MANUALE D'USO	21
GEBRUIKSHANDLEIDING	26
MANUAL DE UTILIZAÇÃO	31
BRUGERVEJLEDNING	36
INSTRUKTIONSBOK	41
ΚΑΥΤΤΆΓΆΝ ΚΆSΙΚΙΡJΑ	46
BRUKSANVISNING	51
РУКОВОДСТВО ПО ЭКСПЛУАТАЦИИ	56
INSTRUKCJA OBSŁUGI	61
NÁVOD K OBSLUZE	66
HASZNÁLATI ÚTMUTATÓ	71
MANUAL DE UTILIZARE	76
LIETOTĀJA ROKASGRĀMATA	81
NAUDOJIMO VADOVAS	86
KÄSUTAJAJUHEND	91
KORISNIČKI PRIRUČNIK	96
UPORABNIŠKI PRIROČNIK	101
NÁVOD NA POUŽITIE	106
ΟΔΗΓΙΕΣ ΧΡΗΣΗΣ	111
KULLANIM KILAVUZU	116

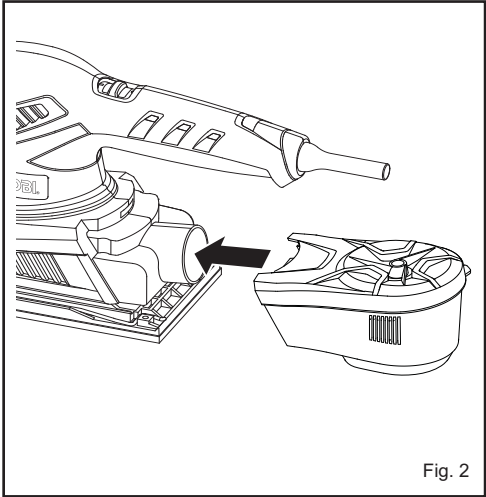
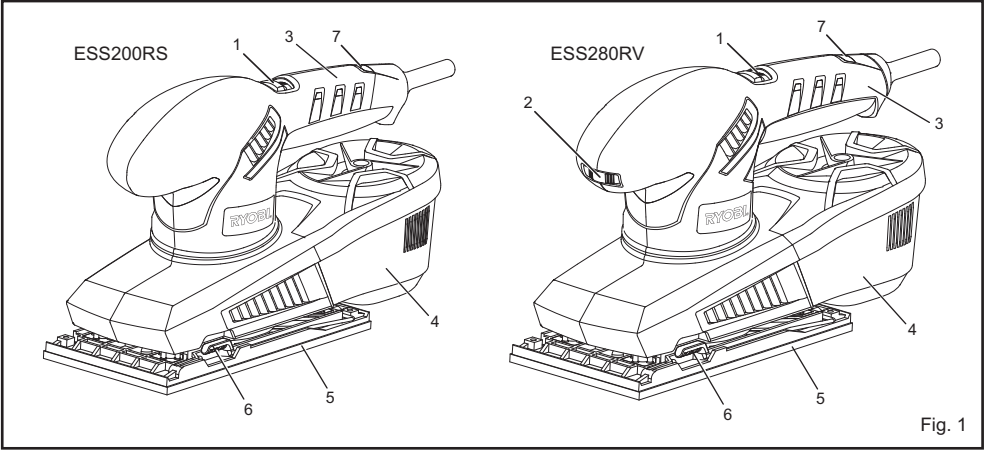
GB ORIGINAL INSTRUCTIONS | FR TRADUCTION DES INSTRUCTIONS ORIGINALES | DE ÜBERSETZUNG DER ORIGINALANLEITUNG | ES TRADUCCIÓN DE LAS INSTRUCCIONES ORIGINALES | IT TRADUZIONE DELLE ISTRUZIONI ORIGINALI | NL VERTALING VAN DE ORIGINELE INSTRUCTIES | PT TRADUÇÃO DAS INSTRUÇÕES ORIGINAIS | DK ÖVERSÆTTELSE AF DE ORIGINALE INSTRUKTIONER | SE ÖVERSÄTTNING AV DE URSPRUNGLIGA INSTRUKTIONERNA | FI ALKUPERÄISTEN OHJEIDEN SUOMENNOS | NO OVERSETTELSE AV DE ORIGINALE INSTRUKSJONENE | RU ПЕРЕВОД ОРИГИНАЛЬНЫХ ИНСТРУКЦИЙ | PL TŁUMACZENIE INSTRUKCJI ORYGINALNEJ | CZ PŘEKLAD ORIGINALNÍCH POKYNŮ | HU AZ EREDETI ÚTMUTATÓ FORDÍTÁSA | RO TRADUCEREA INSTRUCȚIUNILOR ORIGINALE | LV TULKOTS NO ORIGINĀLĀS INSTRUKCIJAS | LT ORIGINALIŲ INSTRUKCIJŲ VERTIMAS | EE ORIGINALJUHENDI TOLGE | HR PRIJEVOD ORIGINALNIH UPUTA | SI PREVOD ORIGINALNIH NAVODIL | SK PREKLAD POKYNOV V ORIGINALI | GR ΜΕΤΑΦΡΑΣΗ ΤΩΝ ΠΡΩΤΟΤΥΠΩΝ ΟΔΗΓΙΩΝ | TR ORJINAL TALIMATLARIN TERCÜMESİ

ESS200RS



ESS280RV





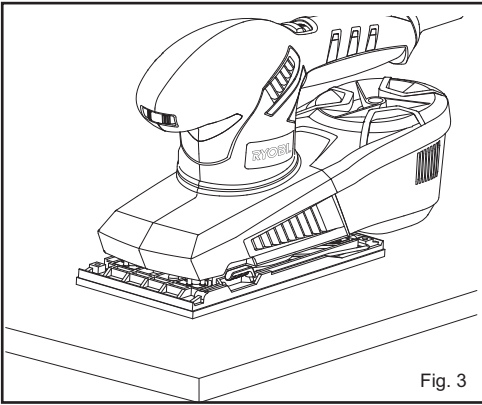


Fig. 3

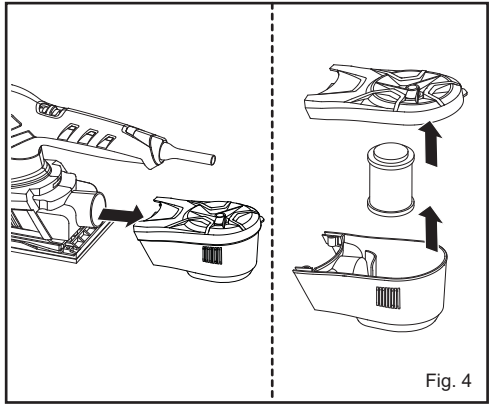


Fig. 4

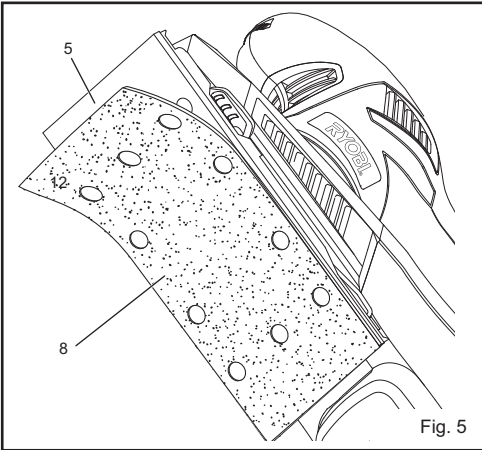


Fig. 5

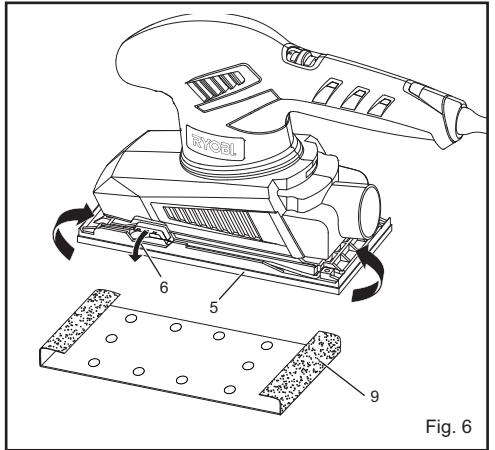


Fig. 6

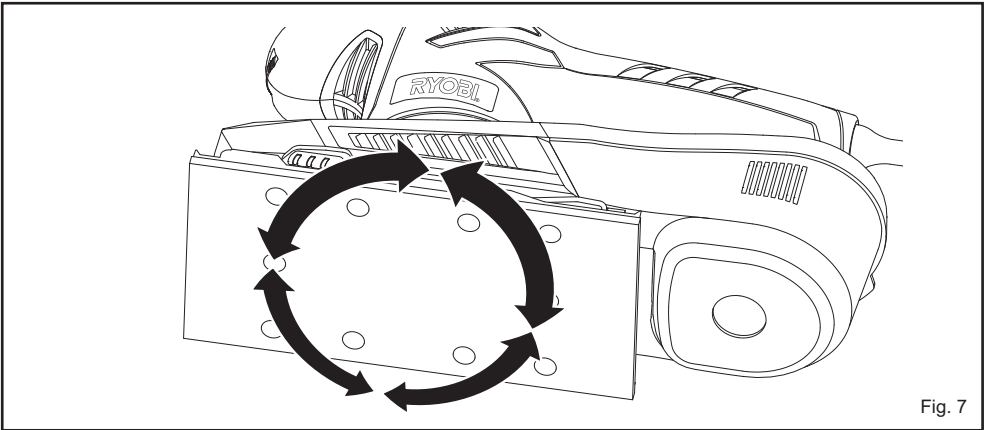


Fig. 7

<b>Important!</b>	It is essential that you read the instructions in this manual before operating this machine.
<b>Attention!</b>	Il est indispensable que vous lisez les instructions contenues dans ce manuel avant la mise en service de l'appareil.
<b>Achtung!</b>	Bitte lesen Sie unbedingt vor Inbetriebnahme die Hinweise dieser Bedienungsanleitung.
<b>¡Atención!</b>	Es imprescindible que lea las instrucciones de este manual antes de la puesta en servicio.
<b>Attenzione!</b>	Prima di procedere alla messa in funzione, è indispensabile leggere attentamente le istruzioni contenute nel manuale.
<b>Let op!</b>	Het is van essentieel belang dat u de instructies in deze gebruiksaanwijzing leest vooraleer u dit toestel in gebruik neemt.
<b>Atenção!</b>	É indispensável que leia as instruções deste manual antes de utilizar a máquina.
<b>OBS!</b>	Denne brugervejledning skal gennemlæses inden maskinen tages i brug.
<b>Observera!</b>	Det är nödvändigt att läsa instruktionerna i denna bruksanvisning innan användning.
<b>Huomio!</b>	On ehdottoman välttämätöntä lukea tässä käyttöohjeessa annetut ohjeet ennen käyttöönottoa.
<b>Advarsel!</b>	Det er meget vigtigt at du leser denne brukerveiledningen før du tar maskinen i bruk.
<b>Внимание!</b>	Перед сборкой и запуском инструмента необходимо ознакомиться с инструкцией по эксплуатации.
<b>Uwaga!</b>	Przed przystąpieniem do użytkowania tego urządzenia, należy koniecznie zapoznać się z zaleceniami zawartymi w niniejszym podręczniku.
<b>Důležitě upozornění!</b>	Nepoužívejte tento přístroj dříve, než si přečtete pokyny uvedené v tomto návodu.
<b>Figyelem!</b>	Feltétlenül fontos, hogy a jelen használati útmutatóban foglalt előírásokat az üzembe helyezés előtt elolvassa!
<b>Atenție!</b>	Este esențial să citiți instrucțiunile din acest manual înainte de operarea acestui aparat.
<b>Uzmanību!</b>	Svarīgi, lai jūs pirms mašīnas darbināšanas izlasītu instrukcijas šajā rokasgrāmātā.
<b>Dėmesio!</b>	Prieš pradėdami eksploatuoti šį prietaisą, svarbu, kad perskaitytumėte šiose instrukcijose pateiktus nurodymus.
<b>Tähtis!</b>	Enne trelli kasutama hakkamist tuleb käesolevas juhendis esitatud juhised kindlasti läbi lugeda.
<b>Upozorenje!</b>	Neophodno je da pročitate ove upute prije uporabe ovog uređaja.
<b>Pomembno!</b>	Pred uporabo tega stroja, obvezno preberite navodila iz tega priročnika.
<b>Dôležité!</b>	Pre prácou s týmto zariadením je dôležité, by ste si prečítali pokyny v tomto návode.
<b>Προσοχή!</b>	Είναι απαραίτητο να διαβάσετε τις συστάσεις των οδηγιών αυτών πριν και τη θέση σε λειτουργία.
<b>Dikkat!</b>	Cihazın çalıştırılmasından önce bu kılavuzda bulunan talimatları okumanız zorunludur.

Subject to technical modifications / Sous réserve de modifications techniques / Technische Änderungen vorbehalten /  
 Sujeto a modificaciones técnicas / Con riserva di eventuali modifiche tecniche / Technische wijzigingen voorbehouden /  
 Com reserva de modificações técnicas / Med forbehold for tekniske ændringer / Med förbehåll för tekniska ändringar /  
 Tekniset muutokset varataan / Med forbehold om tekniske ændringer / Могут быть внесены технические изменения /  
 Z zastrzeżeniem modyfikacji technicznych / Změny technických údajů vyhrazeny / A műszaki módosítás jogát fenntartjuk /  
 Sub rezerva modifațiilor tehnice / Paturam tiesības mainīt tehniskos raksturlielumus / Pasilieikant teisę daryti techninius pakeitimus /  
 Tehnilised muudatused võimalikud / Podložno tehničkim promjenama / Tehnične spremembe dopuščene /  
 Technické zmeny vyhradené / Υπό την επιφύλαξη τεχνικών τροποποιήσεων / Teknik değışiklik hakkı saklıdır

# English

## DESCRIPTION

1. Switch trigger
2. Variable speed control selector
3. Overmold handle
4. Dust collection box
5. Sanding pad
6. Paper clamp
7. Live tool indicator
8. Hook and loop sandpaper
9. Non-adhesive sandpaper

## SPECIFIC SAFETY INSTRUCTIONS FOR SANDERS

- **Always wear safety goggles and a dust mask when sanding, especially sanding over-head.**
- **The machine is not suitable for wet sanding.**
- **Do not use sanding paper larger than needed.** Extra paper extending beyond the sanding pad can also cause serious lacerations.
- **The dust collection box shall be equipped with the tool.** It should be emptied frequently. To connect dust collection box, insert the adapter of dust box to the dust-collection opening on the rear end of the sander.

### ⚠ WARNING

Do not throw sanding dust on an open fire because materials in fine particle form may be explosive.

### ⚠ WARNING

A suitable breathing respirator must be worn while sanding lead paint, some woods and metal to avoid breathing the harmful/toxic dust or air.

## SPECIFICATIONS

Model	ESS200RS	ESS280RV
Power	200 W	280 W
Voltage	230 V - 240 V ~ 50 Hz	230 V - 240 V ~ 50 Hz
No-load speed	12000 min <sup>-1</sup>	7000-12000 min <sup>-1</sup>
Orbital diameter	2.0 mm	2.0 mm
Weight	1.5 kg	1.7 kg

## FEATURES

See Figure 1.

Your sander is suitable for sanding with coarse, medium and fine grit sandpaper. It will produce a fine, scratch free finish when used to sand with the grain on wood surfaces. It has been designed so that flush corner sanding on three sides of the sander is possible.

Your sander has a comfortable palm grip handle that provides maximum one-hand comfort and reduces operator fatigue during continuous sanding operations.

Before using this product, familiarize yourself with all operating features and safety requirements. However, do not let familiarity with the tool make you careless.

## SWITCH

### Electronic speed control

The electronic speed control allows the operator to adjust speed to meet a variety of sanding material from tough heavy grained timber to delicate veneer.

This tool is equipped with a simple switch control.

- Turn on the sander: Slide the switch to "I".
- Turn off the sander: Slide the switch to "O".

### ⚠ WARNING

Do not allow familiarity with tools to make you careless. Remember, a careless fraction of a second is sufficient to inflict severe injury.

## DUST COLLECTION BOX

The dust collection box attaches to the sander and keeps dust to a minimum.

## VARIABLE SPEED (MODEL - ESS280RV)

Your sander has advanced electronic features, designed to assist you in getting the maximum use from your sander. By making proper speed selections, your tool can be adjusted to specific sanding needs.

The electronic feature of your tool introduces the flexibility of adjusting the motor speed to required job conditions. An electronic speed control module senses the load applied to the motor and increases or decreases motor voltage to compensate for and maintain desired RPM. Speed can be set according to the sanding purpose or the surface of the workpiece you will be using.

Select clockwise to increase speed for rough surfaces or for quick removal of stock and anti-clockwise to decrease speed for the smaller, delicate sanding applications.

## English

### ASSEMBLY

#### WARNING

The tool should never be connected to a power supply when you are assembling parts, making adjustments, cleaning, performing maintenance, or when the tool is not in use. Disconnecting the tool will prevent accidental starting that could cause serious injury.

### SANDPAPER SELECTION

Selecting the correct size, grit and type of sand paper is an extremely important step in achieving a high quality sanded finish. Aluminum oxide, silicon carbide, and other synthetic abrasives are best for power sanding. Natural abrasives, such as flint and garnet are too soft for economical use in power sanding.

In general, coarse grit will remove the most material and finer grit will produce the best finish in all sanding operations. The condition of the surface to be sanded will determine which grit will do the job. If the surface is rough, start with a coarse grit and sand until the surface is uniform. Medium grit may then be used to remove scratches left by the coarser grit and finer grit used for finishing of the surface. Always continue sanding with each grit until surface is uniform.

#### WARNING

Do not use sander without sandpaper, doing so will damage the cushion.

### Sheet/pad recommended use

80-grit sanding sheet	Coarse sanding
120-grit sanding sheet	Light sanding
150-grit sanding sheet	Light sanding

### ATTACHING THE DUST COLLECTION BOX

See *Figure 2*.

The dust collection box provides a dust collection system for the sander. Sanding dust is drawn up through the holes of the sanding disc and collected in the dust collection box during sanding.

1. Unplug the sander.
2. Using a slight twisting motion, firmly slide the dust collection box assembly in the blower exhaust on the sander.

#### WARNING

Exercise caution when using this tool. Careless actions, for even a fraction of a second, can result in serious personal injury.

### APPLICATIONS

You may use the sander for the purposes listed below:

- sanding on wood surfaces
- removing rust from and sanding steel surfaces
- polishing and scrubbing porcelain and metal

#### CAUTION

Keep the cord away from the sanding pad and position the cord so that it will not be caught on lumber, tools, or other objects during sanding.

#### WARNING

Always wear safety goggles or safety glasses with side shields when operating this tool. Failure to do so could result in dust, shavings, or loose particles being thrown into your eyes, resulting in possible serious injury.

### OPERATION

#### INSTALLING SANDPAPER

Inspect sandpaper before installing. Do not use if broken or defective.

#### Hook and loop sandpaper

See *Figure 5*.

1. Unplug the sander.
2. Align holes in hook and loop type sanding disc with holes in pad, then carefully press fuzzy side of sanding disc against pad as tightly as possible.

**NOTE:** It is recommended that you keep the sanding disc backing pad clean to provide for best adhesion. Clean occasionally by brushing lightly with a small brush.

#### WARNING

Failure to unplug the tool could result in accidental starting causing possible serious injury.

#### Non-adhesive sandpaper

See *Figure 6*.

1. Unplug the sander.

## English

2. Release the paper clamp. Remove used sandpaper, if any.
3. Insert the new sandpaper under the paper clamp.
4. Clamp the sandpaper in place.

### TURNING THE SANDER ON/OFF

See Figure 1.

- Turn on the sander: Slide the switch to "I".
- Turn off the sander: Slide the switch to "O".

### OPERATING THE SANDER

See Figure 3.

1. Secure the workpiece to prevent it from moving under the sander.

#### ⚠ WARNING

Unsecured workpieces could be thrown towards the operator, causing injury.

#### ⚠ WARNING

Keep your head away from the sander and the sanding area. Your hair could be drawn into the sander causing serious injury.

2. Place the sander on the workpiece so that all of the sanding disc surface is in contact with the workpiece.

#### ⚠ CAUTION

Avoid damaging the motor from overheating; be careful not to let your hand cover the air vents.

3. Turn on the sander and move it slowly over the workpiece.

**NOTE:** Hold the sander in front and away from you, keeping it clear of the workpiece. Start sander and let the motor build to its maximum speed, then gradually lower the sander onto the workpiece. Move the sander slowly across the workpiece using small circular motions.

**Do not force.** The weight of the unit supplies adequate pressure, so let the sanding disc and sander do the work. Applying additional pressure only slows the motor, rapidly wears sanding disc and greatly reduces sander speed. Excessive pressure will overload the motor causing possible damage from motor overheating and can result in inferior work. Any finish or resin on wood may soften from the frictional heat.

Do not allow sanding on one spot too long as the sander's rapid action may remove too much material, making the surface uneven.

Extended periods of sanding may tend to overheat the

motor. If this occurs, turn sander off and wait until sanding disc comes to a complete stop, then remove it from workpiece. Remove your hand from vent area, remove sanding disc, then with your hand removed from vent area, turn sander on and run it free without a load to cool motor.

### EMPTYING THE DUST COLLECTION BOX

See Figure 4.

For more efficient operation, empty the dust collection box when it is no more than half full. Always empty and clean the dust collection box thoroughly upon completion of a sanding operation and before placing the sander in storage.

#### ⚠ WARNING

Collected sanding dust from sanding surface coatings such as polyurethanes, linseed oil, etc., can self-ignite in your sander dust collection box or elsewhere and cause fire. To reduce the risk of fire always empty your dust collection box frequently (10-15 minutes) while sanding and never store or leave a sander without totally emptying its dust collection box. Also follow the recommendations of the coatings manufacturers.

1. Unplug the sander.

#### ⚠ WARNING

Failure to unplug the tool could result in accidental starting causing possible serious injury.

2. Remove the dust collection box from the sander.
3. Shake out the dust.
4. Reattach the dust collection box to the sander.

**NOTE:** For a more thorough cleaning of the dust collection box, remove dust collection box from frame and shake out dust. Replace dust collection box over frame then install dust collection box assembly on sander.

### ORBITAL MOTION

See Figure 7.

Orbital motion is ideal for fast cutting action when removing old finishes, smoothing rough wood, cutting stock down to required dimensions or for finishing surfaces to be painted. The sandpaper moves in tiny circles at a very high speed, allowing the sander to move easily.

### LIVE TOOL INDICATOR

This tool features a live tool indicator which illuminates as soon as the tool is connected to the supply. This warns the user that the tool is connected and will operate when the

## English

switch is pressed.

### MAINTENANCE

#### WARNING

The tool should never be connected to a power supply when you are assembling parts, making adjustments, cleaning, performing maintenance, or when the tool is not in use. Disconnecting the tool will prevent accidental starting that could cause serious injury.

#### WARNING

When servicing use only identical replacement parts. Use of any other parts may create a hazard or cause product damage.

### GENERAL

Avoid using solvents when cleaning plastic parts. Most plastics are susceptible to various types of commercial solvents and may be damaged by their use. Use clean cloths to remove dirt, carbon dust, etc.

#### WARNING

Do not at any time let brake fluids, gasoline, petroleum-based products, penetrating oils, etc., come in contact with plastic parts. They contain chemicals that can damage, weaken or destroy plastic.

Electric tools used on fiberglass material, wallboard, spackling compounds, or plaster are subject to accelerated wear and possible premature failure because the fiberglass chips and grindings are highly abrasive to bearings, brushes, commutators, etc.. Consequently, we do not recommend that this tool be used for extended work on these types of materials. However, if you do work with any of these materials, it is extremely important to clean the tool using compressed air.

#### WARNING

Always wear safety goggles or safety glasses with side shields during power tool operation or when blowing dust. If operation is dusty, also wear a dust mask.

### LUBRICATION

All of the bearings in this tool are lubricated with a sufficient amount of high grade lubricant for the life of the unit under normal operating conditions. Therefore, no further lubrication is required.

### CLEANING THE SCRUBBING PADS

To ensure longer life and optimum performance, periodically clean all sanding residue and foreign materials from the scrubbing pads. This can be done simply by rinsing the pad with warm water until all foreign material has been washed away. After cleaning, gently squeeze the pad to remove excess water and allow pad to dry. Always store pads and sanding sheets flat in a cool dry location.

### CLEANING THE SANDING SHEETS

The sanding sheets that came with your sander are made to be re-used. Therefore, it is important that they be cleaned periodically to remove sanding residue and foreign material that can accumulate over time.

To clean sanding sheets, rub the sheets with a hard rubber block. You can also use the clean rubber sole of a shoe.

#### WARNING

Always remove scrubbing or sanding pad from sander before cleaning. Failure to do so could cause serious personal injury.

### ENVIRONMENTAL PROTECTION



Recycle raw materials instead of disposing of as waste. The machine, accessories and packaging should be sorted for environmental-friendly recycling.

### SYMBOL



Safety Alert

V

Volts

Hz

Hertz

~

Alternating Current

W

Watts

n<sub>0</sub>

No-load speed

min<sup>-1</sup>

Revolutions or reciprocations per minute



Orbital diameter



CE Conformity



Double insulation



## English



Wear ear protection



Wear eye protection



Please read the instructions carefully before starting the machine.



Waste electrical products should not be disposed of with household waste. Please recycle where facilities exist. Check with your Local Authority or retailer for recycling advice.

## Français

### DESCRIPTION

1. Interrupteur
2. Variateur de vitesse
3. Poignée surmoulée
4. Boîtier collecteur de poussières
5. Patin
6. Pince
7. Témoin de mise sous tension
8. Feuille abrasive velcro
9. Papier abrasif standard

### CONSIGNES DE SÉCURITÉ SPÉCIFIQUES AUX PONCEUSES

- **Mettez toujours des lunettes de sécurité et un masque anti-poussière lorsque vous poncez, en particulier lorsque vous tenez la ponceuse au-dessus de votre tête.**
- **N'utilisez jamais votre ponceuse sur des surfaces humides.**
- **La feuille de papier abrasif ne doit pas être trop grande.** Si vous laissez le papier abrasif dépasser du patin, vous vous exposez à des risques de blessures graves.
- **Le sac à poussières doit être installé sur l'outil et vidé régulièrement.** Il doit être vidé fréquemment. Pour installer le sac à poussières, emboîtez la bague du sac sur la buse d'évacuation située à l'arrière de la ponceuse en la tournant vers la droite jusqu'à ce que le sac soit correctement fixé.

### ⚠ AVERTISSEMENT

Ne jetez pas les poussières provenant du ponçage dans un feu ouvert car les matériaux sous forme de fines particules peuvent être explosifs.

### ⚠ AVERTISSEMENT

Vous devez porter un masque anti-poussière adéquat lorsque vous poncez des surfaces recouvertes de peinture à base de plomb ainsi que certains bois et métaux pour éviter d'inhaler de la poussière ou des vapeurs toxiques.

### CARACTÉRISTIQUES

Modèle	ESS200RS	ESS280RV
Puissance	200 W	280 W
Tension	230 V - 240 V ~ 50 Hz	230 V - 240 V ~ 50 Hz

Vitesse à vide	12000 min <sup>-1</sup>	7000-12000 min <sup>-1</sup>
Diamètre orbital	2.0 mm	2.0 mm
Poids	1.5 kg	1.7 kg

### FONCTIONNALITÉS

Voir figure 1.

Votre ponceuse s'utilise avec des papiers abrasifs de grains différents (gros, moyens ou fins). Sur du bois, le passage de la ponceuse dans le sens de la fibre donne un ponçage lisse, sans éraflures.

Cette ponceuse est conçue pour permettre le ponçage bord à bord sur trois côtés.

Votre ponceuse est équipée d'une poignée offrant une bonne prise en main et un grand confort d'utilisation. Les risques de fatigue faisant suite à une utilisation prolongée sont ainsi réduits.

Avant d'utiliser cet outil, familiarisez-vous avec toutes ses fonctionnalités et ses spécificités sur le plan de la sécurité. Toutefois, ne relâchez pas votre vigilance une fois familiarisé avec votre ponceuse.

### INTERRUPTEUR

#### Variateur électronique de vitesse

Le variateur de vitesse électronique vous permet de régler la vitesse de ponçage en fonction du type de surface à poncer (du bois de construction lourd et résistant au bois de placage délicat).

Cette ponceuse est équipée d'un simple interrupteur.

- Pour mettre la ponceuse en marche: Glissez l'interrupteur en position " I ".
- Pour arrêter la ponceuse: Glissez l'interrupteur en position " O ".

### ⚠ AVERTISSEMENT

Ne laissez pas l'habitude de l'utilisation des outils amoindrir votre vigilance. N'oubliez jamais qu'il suffit d'une seconde d'inattention pour vous blesser gravement

### BOÎTIER COLLECTEUR DE POUSSIÈRES

Le boîtier collecteur des poussières se fixe à la ponceuse et permet de réduire les poussières à un minimum.

### VITESSE VARIABLE (MODÈLE - ESS280RV)

Votre ponceuse est équipée d'un variateur électronique de vitesse qui vous permet d'utiliser votre outil de façon optimale. En réglant correctement sa vitesse, votre

## Français

outil peut être réglé pour des opérations de ponçage spécifiques.

L'électronique intégrée à votre outil permet d'ajuster la vitesse du moteur aux conditions du travail à effectuer. Le système électronique du variateur évalue la charge exercée sur le moteur puis augmente ou réduit la puissance du moteur afin que la vitesse reste constante. La vitesse peut être ajustée en fonction de la nature du travail à effectuer ou du type de surface à poncer.

Pour des surfaces rugueuses ou pour un travail rapide de dégrossissement, tournez le variateur vers la droite pour augmenter la vitesse.

### MONTAGE

#### **⚠ AVERTISSEMENT**

Votre ponceuse ne doit jamais être branchée à une prise lorsque vous montez des pièces, effectuez des réglages, lorsque vous nettoyez votre outil ou lorsque vous ne l'utilisez pas. Le fait de débrancher l'outil évitera toute mise en marche accidentelle susceptible de provoquer des blessures graves.

### CHOIX DU PAPIER ABRASIF

Le choix de la taille, du grain et du type de papier abrasif est extrêmement important si l'on veut obtenir un ponçage de qualité. Pour un dégrossissage, nous vous recommandons d'utiliser des abrasifs synthétiques tels que l'alumine ou le carbure de silicium. Les abrasifs naturels tels que le silex ou le grenat sont en effet trop mous pour être utilisés de façon économique pour un ponçage de dégrossissage.

De manière générale, un gros grain permet de retirer le plus gros du matériau, tandis qu'un grain fin permet d'obtenir un ponçage de finition. L'état de la surface à poncer permet de déterminer la taille du grain à utiliser. Si la surface est rugueuse, commencez le ponçage avec un papier à gros grain jusqu'à ce que la surface soit uniforme. Vous pouvez ensuite utiliser un papier à grain moyen pour éliminer les éraflures laissées par le papier à gros grain, et enfin un papier à grain fin pour polir la surface. Poncez avec chaque taille de grain jusqu'à ce que la surface soit uniforme.

#### **⚠ AVERTISSEMENT**

N'utilisez PAS la ponceuse sans papier abrasif pour ne pas endommager le patin.

### Recommandations quant au choix des Tampons/Feuilles

Papier abrasif grain Ø 80	Ponçage grossier
Papier abrasif grain Ø 120	Ponçage léger
Papier abrasif grain Ø 150	Ponçage léger

### FIXATION DU BOÎTIER COLLECTEUR DE POUSSIÈRES

Voir figure 2.

Le boîtier collecteur des poussières procure un système d'aspiration des poussières à la ponceuse. Au cours du ponçage, la poussière est aspirée à travers les trous du disque abrasif et collectée par le boîtier collecteur des poussières.

1. Débranchez la ponceuse.
2. A l'aide d'un léger mouvement de torsion, faites glisser fermement le boîtier collecteur des poussières sur le conduit d'évacuation de la ponceuse.

#### **⚠ AVERTISSEMENT**

Restez vigilant lorsque vous utilisez cette ponceuse. Une action imprudente, ne serait-ce que pendant une fraction de seconde, peut entraîner de graves blessures.

### APPLICATIONS

Vous pouvez utiliser votre ponceuse pour les applications mentionnées ci-après:

- Ponçage du bois.
- Retrait de la rouille et ponçage de l'acier.
- Polissage et ponçage de porcelaine et de métaux.

#### **⚠ ATTENTION**

Veillez à maintenir le cordon d'alimentation éloigné de la trajectoire du patin et à le positionner de telle sorte qu'il ne se prenne pas dans des pièces de bois, des outils ou tout autre objet pendant le ponçage.

#### **⚠ AVERTISSEMENT**

Portez toujours des lunettes de sécurité ou des lunettes de protection munies d'écrans latéraux lorsque vous utilisez des outils. Le non-respect de cette consigne peut entraîner la projection de corps étrangers, de poussière ou de copeaux dans vos yeux et provoquer des lésions oculaires graves.

## Français

### UTILISATION

#### MISE EN PLACE DU PAPIER ABRASIF

Vérifiez l'état du papier abrasif avant de le mettre en place. N'utilisez PAS de papier abrasif défectueux ou déchiré.

#### Feuille abrasive velcro

Voir figure 5.

1. Débranchez la ponceuse.
2. Alignez les trous du papier ou patin abrasif avec les trous du patin de la ponceuse, puis collez avec précaution le côté velcro du papier au patin, le plus fermement possible.

**NOTE:** Nous vous recommandons de maintenir les papiers et patins abrasifs propres afin qu'ils adhèrent mieux au patin de la ponceuse. Nettoyez-les régulièrement à l'aide d'une petite brosse.

### ⚠ AVERTISSEMENT

Si la ponceuse n'est pas débranchée, un démarrage involontaire peut se produire et provoquer des blessures corporelles graves.

#### Papier abrasif standard

Voir figure 6.

1. Débranchez la ponceuse.
2. Desserrez l'attache pour papier de verre. Retirez la feuille abrasive usagée, le cas échéant.
3. Insérez la nouvelle feuille abrasive sous l'attache pour papier de verre.
4. Accrochez la feuille abrasive.

#### MISE EN MARCHÉ / ARRÊT DE LA PONCEUSE

Voir figure 1.

- Pour mettre la ponceuse en marche: Glissez l'interrupteur en position "I".
- Pour arrêter la ponceuse: Glissez l'interrupteur en position "O".

### UTILISATION

Voir figure 3.

1. Fixez la pièce à usiner de façon à ce qu'elle ne puisse pas glisser sous la ponceuse.

### ⚠ AVERTISSEMENT

Si vous ne fixez pas la pièce à usiner, celle-ci peut être projetée vers l'utilisateur et provoquer des blessures graves.

### ⚠ AVERTISSEMENT

Veillez à maintenir votre visage éloigné de la ponceuse et de la zone de ponçage. Protégez vos cheveux afin que ceux-ci ne se prennent pas dans la ponceuse, ce qui pourrait occasionner des blessures graves.

2. Placez la ponceuse sur la surface de travail de sorte que toute la surface du patin soit en contact avec la pièce à usiner.

### ⚠ ATTENTION

Prenez garde de ne pas obstruer les fentes de ventilation avec vos mains car cela entraînerait une surchauffe du moteur.

3. Mettez votre ponceuse en marche et déplacez-la lentement sur la pièce à usiner.

**NOTE:** Tenez votre ponceuse devant vous et à bonne distance pour bien voir la pièce à usiner. Mettez votre ponceuse en marche et attendez que le moteur atteigne sa vitesse maximale. Dirigez ensuite lentement le patin de la ponceuse vers la pièce à usiner. Une fois le patin en contact avec la pièce à usiner, déplacez la ponceuse sur la surface en décrivant de petits cercles.

**Ne forcez surtout pas la ponceuse.** Le poids de la ponceuse exerce une pression suffisante sur la pièce à usiner. Ce sont la ponceuse et le papier abrasif qui doivent faire tout le "travail". En exerçant une pression supplémentaire sur la ponceuse, vous risquez de ralentir le moteur, d'utiliser plus rapidement le papier abrasif et de réduire considérablement la vitesse de ponçage. De plus, une pression excessive peut surcharger le moteur et entraîner une surchauffe pouvant endommager le moteur et nuire au bon fonctionnement de l'outil. Attention, la chaleur due au frottement peut ramollir le vernis ou la résine recouvrant du bois.

Veillez à ne pas poncer trop longtemps une même partie de la pièce à usiner car l'action abrasive de la ponceuse peut user rapidement le matériau et rendre la surface irrégulière.

Des périodes prolongées de ponçage peuvent entraîner une surchauffe du moteur. Si cela se produit, arrêtez la ponceuse et attendez que le disque abrasif se soit complètement arrêté, puis retirez-le du matériau. Retirez votre main de devant les fentes de ventilation, retirez le papier abrasif, puis remettez la ponceuse en marche et faites-la tourner à vide pour refroidir le moteur.

#### VIDAGE DU BOÎTIER COLLECTEUR DES POUSSIÈRES

Voir figure 4.

Pour plus d'efficacité, videz le sac à poussière dès qu'il est

## Français

à moitié plein. Videz et nettoyez toujours soigneusement le boîtier collecteur de poussières après avoir terminé une opération de ponçage et avant de ranger la ponceuse.

### ⚠ AVERTISSEMENT

L'accumulation de particules suite au ponçage de surfaces enduites de produits hautement inflammables tels que le polyuréthane, l'huile de lin, etc. peut conduire à l'inflammation du sac à poussière ou d'autres parties de la ponceuse et déclencher ainsi un incendie. Pour réduire le risque d'incendie, videz fréquemment votre boîtier collecteur des poussières (toutes les 10-15 minutes) lorsque vous poncez et ne laissez ou ne rangez jamais une ponceuse avant d'en avoir complètement vidé le boîtier collecteur des poussières. Lisez attentivement les recommandations des fabricants de revêtements.

1. Débranchez la ponceuse.

### ⚠ AVERTISSEMENT

Si la ponceuse n'est pas débranchée, un démarrage involontaire peut se produire et provoquer des blessures corporelles graves.

2. Retirez le boîtier collecteur des poussières de la ponceuse.
3. Secouez le sac à poussière pour le vider.
4. Réinstallez le boîtier collecteur des poussières sur la ponceuse.

**NOTE:** Pour un nettoyage plus en profondeur du boîtier collecteur des poussières, retirez la boîte du cadre et secouez-la pour évacuer la poussière. Remettez le boîtier collecteur des poussières en place sur le cadre puis l'ensemble sur la ponceuse.

### MOVEMENT PENDULAIRE

*Voir figure 7.*

Le mouvement excentrique est idéal pour les actions de ponçage rapides (élimination des vieux revêtements, polissage des bois bruts, aplanissement de surfaces à une épaisseur donnée) et les travaux de finition (préparation d'une surface avant peinture). Le papier abrasif effectue des petits cercles à grande vitesse, octroyant ainsi une grande mobilité à la ponceuse.

### TÉMOIN DE MISE SOUS TENSION

Cet outil est équipé d'un témoin d'alimentation qui s'allume lorsque l'outil est branché sur le secteur. Ceci attire votre attention sur le fait que l'outil est sous tension et qu'il se mettra en marche si vous en enfoncez l'interrupteur.

## ENTRETIEN

### ⚠ AVERTISSEMENT

Votre ponceuse ne doit jamais être branchée à une prise lorsque vous montez des pièces, effectuez des réglages, lorsque vous nettoyez votre outil ou lorsque vous ne l'utilisez pas. Le fait de débrancher l'outil évitera toute mise en marche accidentelle susceptible de provoquer des blessures graves.

### ⚠ AVERTISSEMENT

N'effectuez les réparations qu'en utilisant des pièces détachées identiques. L'utilisation de toute autre pièce détachée représente un danger et peut endommager l'appareil.

## CONSIGNES D'ORDRE GÉNÉRAL

Evitez d'utiliser des solvants pour nettoyer les parties en plastique. La plupart des plastiques sont susceptibles d'être endommagés par les solvants disponibles dans le commerce. Utilisez un chiffon propre pour essuyer les impuretés, la poussière, etc.

### ⚠ AVERTISSEMENT

Ne laissez jamais du liquide de frein, de l'essence, des produits pétroliers, des huiles pénétrantes, etc. entrer en contact avec les parties en plastique. Ces produits chimiques contiennent des substances qui peuvent endommager, fragiliser ou détruire le plastique.

Les outils électriques utilisés sur des équipements en fibre de verre, des plaques de plâtre, des panneaux de revêtement ont tendance à s'user plus rapidement et à présenter des défaillances prématurées. Les copeaux et la sciure provenant de ces matériaux sont en effet très abrasifs pour les pièces des outils électriques comme les engrenages, les brosses, les interrupteurs, etc. Par conséquent, l'utilisation prolongée d'un outil sur de la fibre de verre, des panneaux de revêtement, de l'enduit de rebouchage ou du plâtre est fortement déconseillée. Toutefois, si vous devez poncer ces matériaux, il est extrêmement important de nettoyer votre ponceuse à l'aide d'air comprimé.

## Français

### ⚠ AVERTISSEMENT

Portez toujours un masque oculaire ou des lunettes de protection à volets latéraux lorsque vous utilisez l'outil électrique ou lorsque vous soufflez de la poussière. Si l'opération génère des poussières, portez également un masque anti-poussières.

### LUBRIFICATION

Tous les roulements de cette machine sont suffisamment lubrifiés avec de l'huile de haute qualité pour toute la durée de vie de la machine sous des conditions d'utilisation normales. Par conséquent, aucune lubrification supplémentaire n'est nécessaire.

### NETTOYAGE DES PATINS ABRASIFS

Pour une durée de vie prolongée et une efficacité optimale des patins abrasifs, nettoyez-les régulièrement. Vous pouvez retirer toutes les particules étrangères en rinçant simplement le patin à l'eau tiède. Une fois le patin nettoyé, essorez-le doucement pour retirer l'excédent d'eau et laissez-le sécher. Rangez toujours les patins abrasifs à plat dans un endroit sec et frais.

### NETTOYAGE DES PAPIERS ABRASIFS

Les papiers abrasifs fournis avec votre ponceuse sont réutilisables. Il est donc important de les nettoyer régulièrement afin de retirer la poussière et les particules qui s'accumulent sur la surface au cours des différentes opérations de ponçage.

Pour nettoyer les papiers abrasifs, frottez-les à l'aide d'un bloc compact de caoutchouc. Vous pouvez par exemple utiliser une semelle de chaussure propre.

### ⚠ AVERTISSEMENT

Retirez toujours le papier ou le patin abrasif du patin de la ponceuse avant de le nettoyer. Le non-respect de cette consigne peut provoquer des blessures corporelles graves.

### PROTECTION DE L'ENVIRONNEMENT



Recyclez les matières premières au lieu de les jeter aux ordures ménagères. Pour protéger l'environnement, l'outil, les accessoires et les emballages doivent être triés.

### SYMBOLE



Alerte de Sécurité

V Volts

Hz Hertz

~ Courant alternatif

W Watts

no Vitesse à vide

min<sup>-1</sup> Nombre de tours ou de mouvements par minute



Diamètre orbital



Conformité CE



Double isolation



Portez une protection auditive



Portez une protection oculaire



Veuillez lire attentivement le mode d'emploi avant de démarrer la machine.



Les produits électriques hors d'usage ne doivent pas être jetés avec les ordures ménagères. Recyclez-les par l'intermédiaire des structures disponibles. Contactez les autorités locales pour vous renseigner sur les conditions de recyclage.

## Deutsch

### BESCHREIBUNG

1. Ein-/Aus-Schalter
2. Drehzahlregler
3. Ummantelter Griff
4. Staubsammelbox
5. Schleifschuh
6. Klemme
7. Spannungs-LED
8. Klettverschluss-Sandpapier
9. Standard-Schleifpapier

### SPEZIFISCHE SICHERHEITSVORSCHRIFTEN FÜR SCHLEIFMASCHINEN

- **Tragen Sie stets eine Sicherheitsbrille und eine Staubschutzmaske während Sie schleifen, vor allem, wenn Sie die Schleifmaschine über Ihrem Kopf halten.**
- **Verwenden Sie Ihre Schleifmaschine nie auf feuchten Flächen.**
- **Das Schleifpapier darf nicht zu groß sein.** Wenn das Schleifpapier über den Schleifschuh hinausragt, kann es zu schweren Verletzungen kommen.
- **Der Staubbeutel muss am Gerät befestigt sein und regelmäßig geleert werden.** Es wird so häufig geleert werden. Zur Installation des Staubbeutels muss der Ring des Beutels auf die Absaugdüse aufgesetzt werden, die sich am hinteren Teil der Schleifmaschine befindet.

#### **⚠️ WARNUNG**

Werfen Sie den Schleifstaub nie in ein offenes Feuer, denn die Bestandteile können in Form von feinen Partikeln explosiv sein.

#### **⚠️ WARNUNG**

Tragen Sie eine geeignete Staubschutzmaske, wenn Sie Flächen schleifen, die mit einer bleihaltigen Farbe lackiert sind, sowie beim Schleifen bestimmter Holzarten und Metalle, um zu vermeiden, dass Sie giftige Staube oder Dämpfe einatmen.

### TECHNISCHE DATEN

Modell	ESS200RS	ESS280RV
Leistung	200 W	280 W
Elektrische Spannung	230 V - 240 V ~ 50 Hz	230 V - 240 V ~ 50 Hz

Leerlaufdrehzahl	12000 min <sup>-1</sup>	7000-12000 min <sup>-1</sup>
Orbitaldurchmesser	2.0 mm	2.0 mm
Gewicht	1.5 kg	1.7 kg

### PRODUKTMERKMALE

*Siehe Abbildung 1.*

Ihre Schleifmaschine wird mit Schleifpapier mit unterschiedlichem Korn verwendet (grob, mittel oder fein). Durch Verwendung der Schleifmaschine auf Holz in Faserrichtung wird ein glattes, rillenfreies Schleifen erzielt. Dieser Schleifer ist für das Schleifen von kante zu auf drei Seiten konzipiert.

Ihre Schleifmaschine ist mit einem Griff ausgestattet, der eine gute Handhabung und einen großen Bedienungskomfort bietet. Dadurch werden die Ermüdungsrisiken bei einem längeren Einsatz reduziert.

Vor der Verwendung dieses Geräts sollten Sie sich stets mit all seinen Funktionen und den Merkmalen in Bezug auf die Sicherheit vertraut machen. Bleiben Sie jedoch, auch nachdem Sie sich mit Ihrer Schleifmaschine vertraut gemacht haben, stets wachsam.

### EIN-/AUS-SCHALTER

#### Elektronischer drehzahlregler

Dank dem elektronischen Drehzahlregler können Sie die Schleifgeschwindigkeit je nach Art der zu schleifenden Fläche (schweres Bauholz und gegen empfindliches Furnierholz resistent) einstellen.

Diese Schleifmaschine ist mit einem einfachen Ein-/Aus-Schalter ausgestattet.

- So schalten Sie Ihre Schleifmaschine ein: Schieben Sie den Schalter auf "I".
- So schalten Sie Ihre Schleifmaschine aus: Schieben Sie den Schalter auf "O".

#### **⚠️ WARNUNG**

Achten Sie darauf, dass Vertrautheit mit Werkzeugen Sie nicht nachlässig werden lässt! Denken Sie daran, dass eine sekundenslange Unkonzentriertheit genügen kann, um eine schwere Verletzung zu verursachen.

### STAUBSAMMELBOX

Die Staubbox wird an der Schleifmaschine befestigt und beschränkt die Staubeentwicklung auf ein Minimum.

**VARIABLE GESCHWINDIGKEIT (MODELL - ESS280RV)**

Ihre Schleifmaschine ist mit einem elektronischen Drehzahlregler ausgestattet, mit dem Sie Ihr Gerät optimal nutzen können. Durch die Einstellung der richtigen Geschwindigkeit können Sie das Werkzeug auf bestimmte Schleifsituationen einstellen.

Die Elektronikfunktion Ihres Werkzeugs bietet die Flexibilität, die Motorgeschwindigkeit auf die erforderlichen Arbeitsbedingungen einzustellen. Das elektronische System des Reglers misst die auf den Motor ausgeübte Last und erhöht oder verringert die Motorleistung, so dass die Drehzahl konstant bleibt. Die Drehzahl kann je nach der Art der durchzuführenden Arbeit oder des Typs der zu schleifenden Fläche eingestellt werden.

Drehen Sie bei rauen Flächen oder bei einer schnellen Vorarbeit den Drehzahlregler nach rechts, um die Drehzahl zu erhöhen.

**ZUSAMMENBAU****⚠ WARNUNG**

Ihre Schleifmaschine darf niemals an eine Steckdose angeschlossen sein, wenn Sie Teile montieren, Einstellungen vornehmen, Ihr Gerät reinigen oder wenn Sie es zur Zeit nicht verwenden. Dadurch, dass das Werkzeug vom Stromkreis getrennt wird, wird ein unbeabsichtigtes Einschalten, das schwere Verletzungen verursachen könnte, verhindert.

**WAHL DES SCHLEIFPAPIERS**

Die Wahl der Größe, des Korns und des Typs des Schleifpapiers ist sehr wichtig, um ein qualitativ hochwertiges Schleifergebnis zu erzielen. Für das Rohschleifen empfehlen wir Ihnen die Verwendung von synthetischem Schleifpapieren, wie z. B. Aluminiumoxid oder Siliziumkarbid. Natürliche Schleifpapiere, wie Silex oder Granat, sind zu weich für ein effizientes Schleifen oder Rohschleifen.

Im Allgemeinen kann mit einem groben Korn das größte Material entfernt werden, während ein feines Korn einen Feinschliff ermöglicht. Die Größe des zu verwendenden Kornes richtet sich nach dem Zustand der zu schleifenden Fläche. Bei einer rauen Fläche schleifen Sie zunächst mit einem grobkörnigen Papier, bis die Fläche einheitlich ist. Anschließend können Sie ein Papier mit mittlerem Korn verwenden, um die vom grobkörnigen Papier hinterlassenen Kratzer zu entfernen und zuletzt ein feinkörniges Papier zum Polieren der Fläche. Schleifen Sie mit allen Korngrößen so lange, bis die Fläche einheitlich ist.

**⚠ WARNUNG**

Verwenden Sie die Schleifmaschine NICHT ohne Schleifpapier, um den Schleifschuh nicht zu beschädigen.

**Empfohlene Papier/Pad Verwendung**

Schleifpapier Korn Ø 80	Grobes Schleifen
Schleifpapier Korn Ø 120	Leichtes Schleifen
Schleifpapier Korn Ø 150	Leichtes Schleifen

**ANBRINGEN DER STAUBBOX**

*Siehe Abbildung 2.*

Die Staubbox ist ein Staubsammelsystem für die Schleifmaschine. Schleifstaub wird während des Schleifens durch die Öffnungen der Schleifscheibe gesaugt und in der Staubbox gesammelt.

1. Ziehen Sie den Netzstecker der Schleifmaschine ab.
2. Schieben Sie die Staubbox mit einer leicht drehenden Bewegung fest in den Gebläseausslass der Schleifmaschine.

**⚠ WARNUNG**

Blieben während der Verwendung dieser Schleifmaschine stets wachsam. Jede Unachtsamkeit - selbst für nur den Bruchteil einer Sekunde - kann zu schweren Verletzungen führen.

**ANWENDUNGSBEREICHE**

Sie können Ihre Schleifmaschine für die unten aufgeführten Arbeiten verwenden:

- Schleifen von Holzoberflächen.
- Entfernen von Rost und Schleifen von Stahl.
- Polieren und Schleifen von Porzellan und Metallen.

**⚠ ACHTUNG**

Achten Sie darauf, dass das Stromkabel nicht in die Bahn des Schleifschuhs gerät und positionieren Sie es so, dass es während dem Schleifen nicht an den Holzteilen, Werkzeugen oder anderen Objekten hängen bleiben kann.



## Deutsch

### ⚠️ WARNUNG

Tragen Sie stets eine Sicherheits- oder Schutzbrille mit Seitenschutz, wenn Sie mit Geräten arbeiten. Die Missachtung dieser Sicherheitsvorschrift kann dazu führen, dass Fremdkörper, Staub oder Späne in Ihre Augen spritzen und schwere Augenverletzung verursacht werden.

### BETRIEB

#### EINSATZ DES SCHLEIFPAPIERS

Prüfen Sie den Zustand des Schleifpapiers bevor Sie es einsetzen. Verwenden Sie KEIN defektes oder gerissenes Schleifpapier.

#### Klettverschluss-Sandpapier

Siehe Abbildung 5.

1. Ziehen Sie den Netzstecker der Schleifmaschine ab.
2. Richten Sie die Löcher des Papiers oder Schleifschuhs mit den Löchern des Schleifschuhs der Schleifmaschine aus und kleben Sie die Velcro-Seite des Schleifpapiers vorsichtig und so fest wie möglich auf den Schleifschuh.

**BITTE BEACHTEN:** Wir empfehlen Ihnen, die Schleifpapiere und -schuhe stets sauber zu halten, so dass Sie besser am Schuh der Schleifmaschine haften. Reinigen Sie sie regelmäßig mit einer kleinen Bürste.

### ⚠️ WARNUNG

Wenn der Netzstecker der Schleifmaschine nicht abgezogen wird, kann es zu einem unbeabsichtigten Einschalten des Geräts kommen und dies kann schwere Körperverletzungen herbeiführen.

#### Standard-Schleifpapier

Siehe Abbildung 6.

1. Ziehen Sie den Netzstecker der Schleifmaschine ab.
2. Lösen Sie die Klammer für das Papier. Entfernen Sie abgenutztes Sandpapier, sofern sich welches in der Maschine befinden sollte.
3. Führen Sie einen frischen Bogen Sandpapier unter die Klemme für das Papier.
4. Klemmen Sie das Sandpapier fest.

#### EINSCHALTEN / ANHALTEN DER SCHLEIF-MASCHINE

Siehe Abbildung 1.

- So schalten Sie Ihre Schleifmaschine ein: Schieben Sie den Schalter auf "I".

- So schalten Sie Ihre Schleifmaschine aus: Schieben Sie den Schalter auf "O".

#### VERWENDUNG

Siehe Abbildung 3.

1. Befestigen Sie das Werkzeug so, dass es nicht unter die Schleifmaschine rutschen kann.

### ⚠️ WARNUNG

Wenn Sie das Werkstück nicht befestigen, kann es zum Benutzer geschleudert werden und schwere Verletzungen verursachen.

### ⚠️ WARNUNG

Halten Sie Ihr Gesicht von der Schleifmaschine und vom Schleifbereich entfernt. Schützen Sie Ihre Haare, so dass sich diese nicht in der Schleifmaschine verfangen können, denn dies kann schwere Verletzungen verursachen.

2. Stellen Sie die Schleifmaschine auf die Arbeitsfläche, so dass die gesamte Fläche des Schleifschuhs mit dem Werkstück in Kontakt ist.

### ⚠️ ACHTUNG

Achten Sie darauf, dass Sie die Ventilations-schlitze nicht mit Ihren Händen abdecken, denn dies kann zu einer Überhitzung des Motors führen.

3. Schalten Sie Ihre Schleifmaschine ein und bewegen Sie sie langsam zum Werkstück.

**BITTE BEACHTEN:** Halten Sie die Schleifmaschine in ausreichendem Abstand so vor Ihrem Körper, dass das Werkstück gut sichtbar bleibt. Schalten Sie Ihre Schleifmaschine ein und warten Sie, bis der Motor seine Höchstdrehzahl erreicht hat. Führen Sie den Schleifschuh der Schleifmaschine anschließend langsam zum Werkstück. Sobald der Schleifschuh am Werkstück ansetzt, verschieben Sie die Schleifmaschine auf der Fläche, indem Sie kleine Kreise beschreiben.

**Drücken Sie auf keinen Fall zu stark auf die Schleifmaschine.** Das Gewicht der Schleifmaschine übt einen ausreichenden Druck auf das Werkstück aus. Die gesamte "Arbeit" wird von der Schleifmaschine und vom Schleifpapier ausgeführt. Ein zu hoher Druck auf die Schleifmaschine kann dazu führen, dass sich die Motordrehzahl verlangsamt, das Schleifpapier schneller abnutzt und die Schleifgeschwindigkeit erheblich verringert wird. Außerdem kann der Motor durch einen zu hohen Druck überbeansprucht und überhitzt werden. Dies kann zu einer Beschädigung des Motors und einer

## Deutsch

Beeinträchtigung des einwandfreien Betriebs des Geräts führen. Die auf Grund der Reibung entstehende Wärme kann den Lack- oder Harzbelag des Holzes aufweichen.

Achten Sie darauf, dass Sie nicht zu lange auf dem selben Bereich des Werkstücks schleifen, denn die Schleifwirkung der Schleifmaschine kann zu einer schnellen Abnutzung des Materials und einer unregelmäßigen Fläche führen.

Bei längeren Schleifarbeiten ohne Unterbrechung kann es zu einer Überhitzung des Motors kommen. Falls dies geschieht, schalten Sie die Schleifmaschine aus und warten Sie, bis die Schleifscheibe ganz zum Halten gekommen ist; nehmen Sie sie dann vom Werkstück. Halten Sie Ihre Hand nicht über den Belüftungsschlitzen, entfernen Sie das Schleifpapier, schalten Sie die Schleifmaschine wieder ein und lassen Sie sie im Leerlauf laufen, so dass der Motor abkühlt.

### ENTLEEREN DER STAUBBOX

*Siehe Abbildung 4.*

Um eine höhere Effizienz zu gewährleisten, sollten Sie den Staubbeutel leeren, sobald er zur Hälfte gefüllt ist. Entleeren und reinigen Sie die Staubbox jedes Mal gründlich nachdem Sie mit den Schleifarbeiten fertig sind und bevor Sie die Schleifmaschine einlagern.

#### ⚠️ WARNUNG

Die Staubanhäufung, die beim Schleifen von Flächen mit einem Belag aus hoch entzündlichen Produkten entsteht (wie z. B. Polyurethan, Leinöl usw.), kann zu einer Entzündung des Staubbeutels oder anderer Teile der Schleifmaschine führen und dadurch einen Brand verursachen. Entleeren Sie zur Verringerung der Feuergefahr die Staubbox während des Schleifens regelmäßig (alle 10-15 Minuten) und lagern bzw. lassen Sie eine Schleifmaschine niemals mit nicht komplett geleerter Staubbox zurück. Lesen Sie die Empfehlungen der Belaghersteller gründlich durch.

1. Ziehen Sie den Netzstecker der Schleifmaschine ab.

#### ⚠️ WARNUNG

Wenn der Netzstecker der Schleifmaschine nicht abgezogen wird, kann es zu einem unbeabsichtigten Einschalten des Geräts kommen und dies kann schwere Körperverletzungen herbeiführen.

2. Entfernen Sie die Staubbox von der Schleifmaschine.
3. Schütteln Sie den Staubbeutel aus, um ihn zu entleeren.
4. Bringen Sie die Staubbox wieder an der Schleifmaschine an.

**BITTE BEACHTEN:** Entfernen Sie für eine gründlichere

Reinigung der Staubbox die Staubbox aus ihrem Rahmen und schütteln Sie den Staub aus. Setzen Sie die Staubbox wieder über den Rahmen ein und bringen Sie sie dann an der Schleifmaschine an.

### UMLAUFBEWEGUNG

*Siehe Abbildung 7.*

Die exzentrische Bewegung eignet sich ausgezeichnet für schnelle Schleifaktionen (Entfernung alter Beläge, Schleifen von Rohholz, Egalisieren von Flächen mit einer gegebenen Stärke) und Endbearbeitungen (Vorbereiten einer Fläche vor der Lackierung). Das Schleifpapier führt kleine Kreise mit hoher Geschwindigkeit aus und dies bewirkt eine große Mobilität der Schleifmaschine.

### SPANNUNGS-LED

Ihr Werkzeug ist mit einer Spannungs-LED ausgestattet, die leuchtet, wenn das Gerät an das Stromnetz angeschlossen wird. Das warnt den Benutzer, dass das Werkzeug angeschlossen ist und in Betrieb gesetzt wird, wenn der Schalter betätigt wird.

### WARTUNG UND PFLEGE

#### ⚠️ WARNUNG

Ihre Schleifmaschine darf niemals an eine Steckdose angeschlossen sein, wenn Sie Teile montieren, Einstellungen vornehmen, Ihr Gerät reinigen oder wenn Sie es zur Zeit nicht verwenden. Dadurch, dass das Werkzeug vom Stromkreis getrennt wird, wird ein unbeabsichtigtes Einschalten, das schwere Verletzungen verursachen könnte, verhindert.

#### ⚠️ WARNUNG

Verwenden Sie für die Wartung nur Originalersatzteile. Die Verwendung anderer Teile kann gefährlich sein oder eine Beschädigung des Produkts verursachen.

### ALLGEMEINE ANWEISUNGEN

Vermeiden Sie beim Reinigen der Plastikteile den Einsatz von Lösungsmitteln. Die meisten Kunststoffe können durch im Handel erhältliche Lösungsmittel beschädigt werden. Verwenden Sie einen sauberen Lappen für die Reinigung von Verschmutzungen, Karbonstaub usw.

## Deutsch

### ⚠️ WARNUNG

Lassen Sie niemals Bremsflüssigkeiten, Benzin, Produkte auf Erdölbasis, Penetrieröle usw. mit den Plastikteilen in Kontakt geraten. Diese chemischen Produkte enthalten Substanzen, die den Kunststoff beschädigen, schwächen oder zerstören können.

Elektrische Geräte, die an Glasfasermaterial, Gipsplatten und Verkleidungsplatten verwendet werden, haben die Tendenz schneller abzunutzen und vorzeitig Defekte aufzuweisen. Die Späne und Sägespäne von diesen Materialien haben für die Teile von elektrischen Geräten, wie Zahnräder, Bürsten, Schalter usw. eine sehr abrasive Wirkung. Von einer längeren Verwendung eines Geräts an Glasfaser, Verkleidungsplatten, Spachtelmasse oder Gips wird daher dringend abgeraten. Falls Sie dennoch diese Art von Materialien schleifen, müssen Sie Ihre Schleifmaschine unbedingt mit Druckluft reinigen.

### ⚠️ WARNUNG

Tragen Sie beim Arbeiten mit motorbetriebenen Werkzeugen oder beim Wegblasen von Staub immer eine Schutzbrille mit Seitenschutz. Tragen Sie außerdem bei staubigen Arbeiten eine Atemschutzmaske.

### ÖLEN

Alle Lagerelemente in diesem Werkzeug sind mit genug qualitativ hochwertigem Schmiermittel für die gesamte Lebensdauer unter normalen Betriebsbedingungen geölt. Es ist daher keine zusätzliche Schmierung erforderlich.

### REINIGUNG DER SCHLEIFSCHUHE

Um eine lange Lebensdauer und optimale Effizienz der Schleifschuhe zu gewährleisten, müssen Sie diese regelmäßig reinigen. Sie können alle Fremdkörper entfernen, indem Sie den Schleifschuh einfach mit warmem Wasser abspülen. Nachdem der Schleifschuh gereinigt wurde, trocknen Sie ihn vorsichtig und lassen ihn vollständig trocknen. Bewahren Sie die Schleifschuhe stets flach liegend an einem trockenen und kühlen Ort auf.

### REINIGUNG DER SCHLEIFPAPIERE

Die mit Ihrer Schleifmaschine gelieferten Schleifpapiere sind wiederverwendbar. Sie müssen daher regelmäßig gereinigt werden, um den Staub und die Partikel zu entfernen, die sich bei den verschiedenen Schleifoperationen auf der Fläche ansammeln können.

Reiben Sie die Schleifpapiere zur Reinigung mit einem kompakten Kautschukblock ab. Sie können hierfür beispielsweise eine saubere Schuhsohle verwenden.

### ⚠️ WARNUNG

Entfernen Sie das Schleifpapier oder den Schleifschuh vor der Reinigung stets vom Schuh der Schleifmaschine. Die Missachtung dieser Vorschrift kann zu schweren Körperverletzungen führen.

### UMWELTSCHUTZ



Recyceln Sie die Rohstoffe anstatt sie in die Haushaltsabfälle zu geben. Zum Schutz der Umwelt müssen das Gerät, die Zubehörteile und die Verpackungen getrennt entsorgt werden.

### SYMBOL



Sicherheitswarnung

V Volt

Hz Hertz

~ Wechselstrom

W Watt

n<sub>o</sub> Leerlaufdrehzahl

min<sup>-1</sup> Anzahl Umdrehungen oder Bewegungen pro Minute



Orbitaldurchmesser



CE-Konformität



Doppelisolierung



Gehörschutz tragen



Augenschutz tragen



Bitte lesen Sie die Anweisungen sorgfältig, bevor Sie das Gerät einschalten.



Elektrische Geräte sollten nicht mit dem übrigen Müll entsorgt werden. Bitte entsorgen Sie diese an den entsprechenden Entsorgungsstellen. Wenden Sie sich an die örtliche Behörde oder Ihren Händler, um Auskunft über die Entsorgung zu erhalten.

## Español

**DESCRIPCIÓN**

1. Interruptor
2. Variador de velocidad
3. Asa sobremolde
4. Caja de recogida de polvo
5. Patín
6. Pinza
7. Indicador de puesta en tensión
8. Papel de lija de bucle y de gancho
9. Papel abrasivo estándar

**CONSIGNAS DE SEGURIDAD ESPECÍFICAS PARA LAS LIJADORAS**

- **Use siempre gafas de seguridad herméticas y una máscara contra el polvo cuando utilice la lijadora, especialmente en los trabajos en los que deba sujetar la lijadora por encima de su cabeza.**
- **No utilice en ningún caso la lijadora en superficies húmedas.**
- **La hoja de papel abrasivo de lija no debe ser demasiado grande.** Si la hoja de lija rebasa el patín, podrá sufrir heridas graves.
- **El saco para el polvo debe estar instalado cuando trabaje con la máquina y se lo debe vaciar con regularidad.** Se procederá al vaciado de frecuencia. Para colocar el saco para el polvo, inserte el anillo del saco en la boquilla de salida que se encuentra en la parte trasera de la lijadora, haciéndolo girar hacia la derecha hasta que el saco quede firmemente sujeto.

**⚠ ADVERTENCIA**

No tire el polvo recogido en el saco en un fuego que no esté protegido porque las finas partículas del material pueden producir una explosión.

**⚠ ADVERTENCIA**

Debe utilizar una máscara facial con filtro cuando lije superficies cubiertas con pintura a base de plomo, al igual que cuando trabaje ciertas maderas o metales, para evitar la inhalación de polvo o de vapores tóxicos.

**ESPECIFICACIONES**

Modelo	ESS200RS	ESS280RV
Potencia	200 W	280 W
Tensión	230 V - 240 V ~ 50 Hz	230 V - 240 V ~ 50 Hz

Velocidad sin carga	12000 min <sup>-1</sup>	7000-12000 min <sup>-1</sup>
Diámetro orbital	2.0 mm	2.0 mm
Peso	1.5 kg	1.7 kg

**CARACTERÍSTICAS**

Ver figura 1.

La lijadora puede utilizarse con diferentes granos de papel abrasivo (grueso, medio o fino). Al lijar madera, la aplicación de la lijadora en el sentido de la fibra produce un lijado liso y sin marcas.

Esta lijadora es óptima para lijar de borde a borde en tres caras.

La empuñadura de la lijadora permite sujetarla correctamente y ofrece un gran confort de uso. De este modo, se reduce la fatiga cuando deba trabajar con la máquina de forma prolongada.

Antes de utilizar la lijadora, familiarícese con todas sus funciones y características relativas a la seguridad. Aún cuando esté familiarizado con la lijadora no deje de estar atento.

**INTERRUPTOR****Variador electrónico de velocidad**

El variador electrónico de velocidad le permite ajustar la velocidad de lijado en función de la superficie que deba lijar (de la madera de construcción, pesada y resistente, a la madera de acabado más delicada).

La lijadora está equipada con un interruptor simple.

- Para poner en marcha la lijadora: Coloque el interruptor en la posición "I" (encendido).
- Para parar la lijadora: Coloque el interruptor en la posición "O" (apagado).

**⚠ ADVERTENCIA**

No permita que la familiaridad con las herramientas le haga ser descuidado. No olvide nunca que basta con un segundo de inatención para herirse gravemente.

**CAJA DE RECOGIDA DE POLVO**

La caja de recogida de polvo se instala en la lijadora y reduce el polvo al mínimo.

**VELOCIDAD VARIABLE (MODELO - ESS280RV)**

La lijadora está equipada con un variador electrónico de velocidad que le permite utilizar su herramienta de forma óptima. Seleccionando la velocidad apropiada, la herramienta se puede ajustar a las necesidades

específicas de lijado.

La característica electrónica de la herramienta introduce la flexibilidad de ajuste de la velocidad del motor a las condiciones de trabajo necesarias. El sistema electrónico del variador pondera la carga que soporta el motor y aumenta o reduce la potencia del motor para mantener una velocidad constante. La velocidad puede ajustarse en función del tipo de trabajo que se vaya a realizar o de la superficie que se vaya a lijar.

Para superficies rugosas o para un trabajo rápido de desbaste, gire el variador hacia la derecha para aumentar la velocidad.

## MONTAJE

### **⚠ ADVERTENCIA**

No enchufe nunca la lijadora a la toma de corriente cuando monte piezas, realice ajustes, limpie la herramienta o incluso cuando no la utilice. Desconectar la herramienta evitará el arranque accidental que podría causar lesiones graves.

## ELEGIR EL PAPEL ABRASIVO ADECUADO

Elegir el tamaño, el grano y el tipo de papel abrasivo adecuado es sumamente importante para obtener un lijado de calidad. Para las operaciones de desbaste, le recomendamos que emplee papel de lija con abrasivo sintético tal como alúmina o carburo de silicio. En efecto, los abrasivos naturales como por ejemplo el sílex o el granate son demasiado blandos para ser utilizados de manera económica para un lijado de desbaste.

De manera general, un grano grueso permite retirar el grueso del material, mientras que un grano fino permite obtener un lijado de acabado. El estado de la superficie que va a lijar permite determinar el tamaño de grano que deberá utilizar. Si la superficie es rugosa, empiece a lijar con un papel de grano grueso hasta que la superficie se vuelva uniforme. Después, puede utilizar un papel de grano medio para eliminar las raspaduras provocadas por el papel de grano grueso y, para terminar, emplee un papel de grano fino para pulir la superficie. Lije con cada tamaño de grano hasta que la superficie se vuelva uniforme.

### **⚠ ADVERTENCIA**

NO utilice la lijadora sin papel abrasivo para no dañar el patín.

**Uso recomendado de hoja/  
almohadilla**

Papel abrasivo grano Ø 80 Lijado basto

Papel abrasivo grano Ø 120 Lijado ligero

Papel abrasivo grano Ø 150 Lijado ligero

## COLOCACIÓN DE LA CAJA DEL POLVO

Ver figura 2.

La caja de recogida de polvo ofrece un sistema de recogida de polvo para la lijadora. El polvo del lijado se introduce por los agujeros del disco de lijado y se recoge en la caja de recogida de polvo durante el lijado.

1. Desenchufe la lijadora.
2. Con un ligero movimiento de giro, deslice con firmeza la caja de recogida de polvo en el ventilador aspirante de la lijadora.

### **⚠ ADVERTENCIA**

Permanezca atento mientras utilice esta lijadora. Las acciones descuidadas, incluso durante una fracción de segundo, puede resultar en lesiones personales graves.

## APLICACIONES

Utilice la herramienta únicamente para las aplicaciones que se indican a continuación.

- Lijar superficies de madera.
- Lijar y sacar el óxido en elementos de hierro.
- Pulir y lijar porcelana y metales.

### **⚠ PRECAUCIÓN**

Procure mantener alejado el cable de alimentación de la trayectoria del patín y colocarlo de manera que no entre en contacto con las piezas de madera, las herramientas o cualquier otro objeto durante el lijado.

### **⚠ ADVERTENCIA**

Lleve siempre gafas de seguridad o gafas de protección con pantallas laterales cuando utilice herramientas eléctricas. El incumplimiento de esta recomendación puede hacer que resulten proyectados cuerpos extraños a sus ojos y provocarle graves lesiones oculares.

**FUNCIONAMIENTO****COLOCACIÓN DEL PAPEL ABRASIVO**

Controle el estado del papel abrasivo antes de colocarlo. NO utilice papeles abrasivos defectuosos o desgarrados.

**Papel de lija de bucle y de gancho**

Ver figura 5.

1. Desenchufe la lijadora.
2. Haga coincidir los orificios del papel o del patín abrasivo con los orificios del patín de la lijadora, y pegue con precaución el lado velcro del papel al patín, lo más firmemente posible.

**NOTA:** Le recomendamos que mantenga limpios los papeles y patines abrasivos para que se adhieran mejor al patín de la lijadora. Límpielos regularmente con un pequeño cepillo.

**⚠ ADVERTENCIA**

Si la lijadora no está desenchufada, podría ponerse en marcha inadvertidamente y provocar heridas corporales graves.

**Papel abrasivo estándar**

Ver figura 6.

1. Desenchufe la lijadora.
2. Suelte la abrazadera de papel. Retire el papel de lija usado, si lo hubiera.
3. Inserte el papel de lija nuevo bajo la abrazadera.
4. Sujete el papel de lija en su lugar.

**PUESTA EN MARCHA / PARADA DE LA LIJADORA**

Ver figura 1.

- Para poner en marcha la lijadora: Coloque el interruptor en la posición "I" (encendido).
- Para parar la lijadora: Coloque el interruptor en la posición "O" (apagado).

**UTILIZACIÓN**

Ver figura 3.

1. Fije la pieza trabajada de manera que no pueda deslizarse debajo de la lijadora.

**⚠ ADVERTENCIA**

Si no fija la pieza trabajada, ésta puede ser proyectada hacia el usuario y provocar heridas graves.

**⚠ ADVERTENCIA**

Procure mantener la cara alejada de la lijadora y de la zona de lijado. Protéjase el pelo para que no entre en contacto con la lijadora, lo que podría ocasionar heridas graves.

2. Coloque la lijadora en la superficie de trabajo de manera que toda la superficie del patín esté en contacto con la pieza trabajada.

**⚠ PRECAUCIÓN**

Procure no obstruir las ranuras de ventilación con las manos ya que esto provocaría un recalentamiento del motor.

3. Ponga la lijadora en marcha antes de que esté en contacto con la pieza trabajada.

**NOTA:** Mantenga la lijadora delante suyo y a cierta distancia de su cuerpo y de la pieza trabajada. Ponga la lijadora en marcha y espere que el motor haya alcanzado la velocidad máxima. Dirija entonces lentamente el patín de la lijadora hacia la pieza trabajada. Cuando el patín entre en contacto con la pieza trabajada, desplace la lijadora en la superficie haciendo pequeños círculos.

**Tenga cuidado de no forzar la lijadora.** El peso de la lijadora ejerce una presión suficiente en la pieza trabajada. La lijadora y el papel abrasivo deben hacer todo el "trabajo". Ejerciendo una presión adicional en la lijadora el motor funcionará más lentamente, el papel abrasivo se gastará más rápidamente y la velocidad de lijar se reducirá considerablemente. Además, una presión excesiva puede sobrecargar el motor, produciendo un recalentamiento que podría dañar el motor y perjudicar el buen funcionamiento de la máquina. Atención, el calor resultante de la fricción puede ablandar el barniz o la resina que cubre la madera.

No lije durante demasiado tiempo en el mismo lugar ya que la acción abrasiva de la lijadora puede gastar rápidamente el material obteniendo un resultado irregular o desparejo.

Los períodos prolongados de lijado pueden provocar un recalentamiento del motor. Si ocurre esto, desconecte la lijadora y espere hasta que el disco de lijado se detenga totalmente, luego retírelo de la pieza de trabajo. Retire la mano de las ranuras de ventilación, saque el papel abrasivo, vuelva a poner en marcha la lijadora y hágala funcionar sin carga para enfriar el motor.

**VACIADO DE LA CAJA DEL POLVO**

Ver figura 4.

Para trabajar con más eficacia, vacíe la bolsa para el polvo cuando esté llena hasta la mitad. Vacíe y limpie la

## Español

caja de polvo a fondo al terminar una operación de lijado y antes de colocar la lijadora en el almacenamiento.

### **⚠ ADVERTENCIA**

La acumulación de polvo resultante de lijar superficies que tienen productos altamente inflamables, como poliuretano, aceite de lino, etc., puede inflamarse el saco para el polvo o alguna otra parte de la lijadora, produciendo un incendio. Para reducir el riesgo de incendio, vacíe siempre la caja de recogida de polvo con frecuencia (10-15 minutos) al lijar y nunca almacene ni deje una lijadora sin vaciar completamente la caja de recogida de polvo. Lea atentamente las recomendaciones de los fabricantes de revestimientos.

1. Desenchufe la lijadora.

### **⚠ ADVERTENCIA**

Si la lijadora no está desenchufada, podría ponerse en marcha inadvertidamente y provocar heridas corporales graves.

2. Retire la caja de recogida de polvo de la lijadora.
3. Sacuda el saco para el polvo para vaciarlo.
4. Vuelva a colocar la caja de recogida de polvo en la lijadora.

**NOTA:** Para una limpieza más a fondo de la caja colectora de polvo, quite la caja de polvo del marco, y sacuda el polvo. Vuelva a colocar la caja de recogida de polvo en el marco e instale la caja en la lijadora.

### **MOVIMIENTO ORBITAL**

Ver figura 7.

El movimiento excéntrico es ideal para lijados rápidos (eliminar revestimientos antiguos, lijar madera bruta, aplanar superficies hasta obtener un grosor determinado) y para los trabajos de acabado (preparar una superficie para pintarla). El papel abrasivo describe pequeños círculos a gran velocidad, con lo cual la lijadora tiene mucha movilidad.

### **INDICADOR DE PUESTA EN TENSIÓN**

Esta herramienta cuenta con un indicador de presencia de tensión eléctrica que se enciende cuando la herramienta está enchufada. Esto avisa al usuario de que la herramienta está conectada y de que se pondrá en marcha en cuanto pulse el interruptor.

## **MANTENIMIENTO**

### **⚠ ADVERTENCIA**

No enchufe nunca la lijadora a la toma de corriente cuando monte piezas, realice ajustes, limpie la herramienta o incluso cuando no la utilice. Desconectar la herramienta evitará el arranque accidental que podría causar lesiones graves.

### **⚠ ADVERTENCIA**

Utilice solo piezas de recambio idénticas cuando esté realizando labores de mantenimiento de la máquina. El uso de otras piezas puede ocasionar riesgos o daños en el producto.

## **INSTRUCCIONES GENERALES**

Evite el uso de disolventes para limpiar las piezas de plástico. La mayor parte de los plásticos pueden resultar dañados con los disolventes que se venden en el comercio. Utilice un paño limpio para quitar las impurezas, el polvo, etc.

### **⚠ ADVERTENCIA**

No permita en ningún momento que las piezas de plástico entren en contacto con líquido de frenos, gasolina, productos derivados del petróleo, aceites penetrantes, etc. Estas sustancias químicas contienen componentes que pueden deteriorar, debilitar o destruir el plástico.

Las herramientas eléctricas empleadas con equipos de fibra de vidrio, placas de yeso o paneles de revestimiento suelen desgastarse más rápidamente y tener fallos o averías prematuramente. La viruta y el serrín resultantes de estos materiales son muy abrasivos para las piezas mecánicas de las herramientas como engranajes, cepillos, interruptores, etc. Por lo tanto, se desaconseja totalmente usar de forma prolongada esta herramienta para trabajar con fibra de vidrio, paneles de revestimiento, enlucidos o yeso. Si tiene que lijar este tipo de materiales, es sumamente importante que limpie la lijadora con aire comprimido.

**⚠ ADVERTENCIA**

Siempre use gafas de seguridad o gafas de seguridad con protección lateral durante el funcionamiento de la herramienta eléctrica o cuando ésta desprenda polvo. Si la superficie de trabajo es polvorienta, use también una careta específica.

**LUBRICACIÓN**

Todos los rodamientos de esta herramienta están lubricados con cantidad suficiente de lubricante de grado alto para toda la vida de la unidad en condiciones de funcionamiento normales. Por lo tanto, no es menester prever ninguna lubricación adicional.

**LIMPIEZA DE LAS ALMOHADILLAS DE FREGAR**

Para asegurar una vida más larga y un rendimiento óptimo, limpie periódicamente todos los residuos del lijado y materiales extraños de las almohadillas de fregar. Esto puede hacerse simplemente mediante la plataforma de lavado con agua tibia hasta que todo el material extraño ha sido arrebataada. Después de limpiar, apretar suavemente el teclado para eliminar el exceso de agua y permita que el colchón se seque. Siempre guarde y almohadillas de lijado hojas planas en un lugar fresco y seco.

**LIMPIEZA DE HOJAS DE LIJA**

Las hojas de lija que viene con la lijadora se hacen para ser reutilizados. Por lo tanto, es importante que una limpieza periódica para eliminar residuos de lijado y material extraño que puede acumularse con el tiempo. Para limpiar las hojas de lija, frotar las hojas con un bloque de goma dura. También puede utilizar la goma limpia suela de un zapato.

**⚠ ADVERTENCIA**

Siempre retire la almohadilla de lijado o lavado de la lijadora antes de limpiarlo. De lo contrario podría causar lesiones personales graves.

**PROTECCIÓN DEL MEDIO AMBIENTE**

Recicle las materias primas en lugar de tirarlas a la basura doméstica. Para proteger el medio ambiente, debe separar la herramienta, los accesorios y los embalajes.

**SÍMBOLO**

Alerta de seguridad

V

Voltios

Hz

Hertzios

~

Corriente alterna

W

Vatios

no

Velocidad sin carga

min<sup>-1</sup>

Número de revoluciones o movimientos por minuto



Diámetro orbital



Conformidad con CE



Doble aislamiento



Utilice dispositivos de protección para los oídos



Utilice gafas de seguridad



Por favor lea las instrucciones detenidamente antes de arrancar la máquina.



Los productos eléctricos de desperdicio no deben desecharse con desperdicios caseros. Por favor recíclelos donde existan dichas instalaciones. Compruebe con su autoridad local o minorista para reciclar.



## Italiano

**DESCRIZIONE**

1. Interruttore
2. Variatore di velocità
3. Manico in gomma
4. Sacchetto di raccolta polvere
5. Pattino
6. Pinza
7. Spia luminosa di presenza tensione
8. Carta abrasiva con sistema gancio e anello
9. Carta abrasiva standard

**NORME DI SICUREZZA SPECIFICHE PER LE LEVIGATRICI**

- **Indossare sempre occhiali di sicurezza ed una maschera antipolvere quando si leviga, ed in particolare quando si tiene la levigatrice al di sopra del capo.**
- **Non utilizzare mai la levigatrice su superfici umide.**
- **Il foglio di carta abrasiva non deve essere troppo grande.** Se la carta abrasiva fuoriesce dal pattino, ci si espone a rischi di gravi ferite.
- **Il sacchetto raccogli polvere deve essere applicato sull'apparecchio e svuotato periodicamente.** Esso è svuotato di frequente. Per installare il sacchetto raccogli polvere, incastrare l'anello del sacchetto sull'ugello di scarico situato sul retro della levigatrice, ruotandolo verso destra sino a quando il sacchetto non risulterà fissato correttamente.

**⚠ AVVERTENZE**

Non gettare mai nel fuoco la polvere prodotta dalla levigatura, in quanto i materiali in forma di piccole particelle possono essere esplosivi.

**⚠ AVVERTENZE**

Indossare una maschera antipolvere adeguata quando si levigano superfici ricoperte di pittura al piombo nonché alcuni tipi di legno o di metallo, al fine di non inalare polveri o vapori tossici.

**SPECIFICHE**

Modello	ESS200RS	ESS280RV
Alimentazione	200 W	280 W
Voltaggio	230 V - 240 V ~ 50 Hz	230 V - 240 V ~ 50 Hz
Velocità a vuoto	12000 min <sup>-1</sup>	7000-12000 min <sup>-1</sup>

Diametro orbitale	2.0 mm	2.0 mm
Peso	1.5 kg	1.7 kg

**CARATTERISTICHE**

*Vedere la figura 1.*

Questa levigatrice può essere utilizzata con carta abrasiva a grana di vario tipo (grossa, media o fine). Sul legno il passaggio della levigatrice nel senso della fibra consente di ottenere una levigatura liscia, senza graffi.

Questa levigatrice è stata progettata per consentire la levigatura testa a testa su tre lati.

La levigatrice è dotata di un'impugnatura in grado di offrire una buona presa e un notevole comfort in fase di utilizzo. Ciò consente pertanto di ridurre i rischi di affaticamento dovuti ad un impiego prolungato dell'apparecchio.

Prima di procedere all'utilizzo dell'apparecchio, acquisire dimestichezza con tutte le sue funzionalità e specificità in termini di sicurezza. Fare comunque sempre attenzione, anche dopo avere acquisito dimestichezza con la levigatrice.

**INTERRUTTORE****Variatore elettronico di velocità**

Il variatore elettronico di velocità consente di regolare la velocità di levigatura in funzione del tipo di superficie da levigare (dal legname da costruzione pesante e resistente al delicato legno per impiallacciatura).

Questa levigatrice è dotata di un semplice interruttore.

- Per mettere in funzione la levigatrice: Far scorrere l'interruttore su "I".
- Per arrestare la levigatrice: Far scorrere l'interruttore su "O".

**⚠ AVVERTENZE**

Non permettere che l'eventuale familiarità con l'utensile renda disattenti. Non dimenticare mai che basta un secondo di distrazione per ferirsi in modo grave.

**SACCHETTO DI RACCOLTA POLVERE**

Il sacchetto per la polvere si collega alla levigatrice e riduce al minimo la fuoriuscita di polvere.

**VELOCITÀ VARIABILE (MODELLO - ESS280RV)**

Questa levigatrice è dotata di un variatore elettronico di velocità, che consente di utilizzare l'apparecchio in modo ottimale. Selezionando le velocità più adatte, l'utensile potrà essere regolato a seconda delle proprie necessità.

## Italiano

Il dispositivo elettronico dell'utensile permette di regolare la velocità del motore a seconda delle condizioni del lavoro da svolgere. Il sistema elettronico del variatore valuta il carico esercitato sul motore e quindi aumenta o diminuisce la potenza del motore, in modo tale da mantenere costante la velocità. Quest'ultima può essere regolata in funzione della natura del lavoro da eseguire o del tipo di superficie da levigare.

Per superfici ruvide o per un lavoro di sgrossatura rapida, ruotare il variatore verso destra per aumentare la velocità.

### MONTAGGIO

#### **⚠ AVVERTENZE**

Durante il montaggio di componenti, l'esecuzione di regolazioni, le operazioni di pulizia dell'apparecchio o quando non viene utilizzata, la levigatrice non deve mai essere collegata alla presa di corrente. Scollegare l'utensile preverrà l'avvio accidentale che potrà causare gravi lesioni personali.

### SCelta DELLA CARTA ABRASIVA

La scelta del formato, della grana e del tipo di carta abrasiva è estremamente importante se si desidera ottenere una levigatura di qualità. Per le operazioni di sgrossatura, si raccomanda di utilizzare abrasivi sintetici come l'allumina o il carburo di silicio. Gli abrasivi naturali, come la selce o il granato, sono infatti troppo teneri e pertanto il loro impiego per la levigatura di sgrossatura non sarebbe economico.

In linea generale, una grana grossa consente di rimuovere la quantità di materiale più consistente, mentre una grana fine permette di ottenere una levigatura di finitura. Lo stato della superficie da levigare consente di scegliere il formato della grana da utilizzare. Se la superficie appare ruvida, iniziare la levigatura con una carta a grana grossa sino ad ottenere una superficie uniforme. In seguito, è possibile utilizzare una carta a grana media per eliminare le scalfitture lasciate dalla carta a grana grossa e terminare con una carta a grana fine per lucidare la superficie. Levigare con ogni formato di carta sino a quando la superficie non risulta uniforme.

#### **⚠ AVVERTENZE**

NON utilizzare la levigatrice senza carta abrasiva, onde evitare di danneggiare il pattino.

**Utilizzo raccomandato del  
foglio/cuscinetto di levigatura**

Carta abrasiva con grana Ø 80	Levigatura grossolana
Carta abrasiva con grana Ø 120	Levigatura leggera
Carta abrasiva con grana Ø 150	Levigatura leggera

### MONTARE IL SACCHETTO DI RACCOLTA POLVERE

*Vedere la figura 2.*

Il sacchetto della polvere fornisce una sistema sicuro di raccolta polvere per la levigatrice. La polvere della levigatura viene aspirata attraverso i fori del disco di levigatura e raccolta nel sacchetto di raccolta polvere durante le operazioni di levigatura.

1. Scollegare la levigatrice dall'alimentazione elettrica.
2. Con solo un leggero movimento rotatorio, far scorrere il sacchetto per la polvere sullo scarico del soffiatore sulla levigatrice.

#### **⚠ AVVERTENZE**

Prestare sempre attenzione mentre si utilizza la levigatrice. Azioni sconsiderate, anche per una frazione di un secondo, potranno causare gravi lesioni personali.

### APPLICAZIONI

Questa levigatrice può essere utilizzata per le applicazioni di seguito indicate:

- Levigatura delle superfici in legno.
- Rimozione della ruggine e levigatura dell'acciaio.
- Lucidatura e levigatura della porcellana e dei metalli.

#### **⚠ ATTENZIONE**

Allontanare il cavo d'alimentazione dalla traiettoria del pattino e collocarlo in modo tale che, durante la levigatura, non rimanga impigliato nei pezzi di legno, in altri apparecchi o in qualunque altro oggetto.

#### **⚠ AVVERTENZE**

Durante l'uso di un utensile, indossare sempre occhiali di sicurezza o occhiali di protezione muniti di schermi laterali. La mancata osservanza di questa norma può comportare la proiezione di corpi estranei, polvere o trucioli negli occhi e provocare gravi lesioni oculari.

**FUNZIONAMENTO****INSTALLAZIONE DELLA CARTA ABRASIVA**

Verificare lo stato della carta abrasiva prima di applicarla all'apparecchio. **NON** utilizzare carta abrasiva difettosa o lacerata.

**Carta abrasiva con sistema gancio e anello**

Vedere la figura 5.

1. Scollegare la levigatrice dall'alimentazione elettrica.
2. Allineare i fori della carta o del pattino abrasivo con i fori del pattino della levigatrice, quindi incollare con cautela il lato a velcro della carta al pattino, fissandolo il più saldamente possibile.

**NOTE:** Si raccomanda di mantenere i fogli di carta e i pattini abrasivi puliti, in modo tale che aderiscano meglio al pattino della levigatrice. Pulirli regolarmente servendosi di una piccola spazzola.

**⚠ AVVERTENZE**

Se la spina non è disinserita dalla presa di corrente, la levigatrice può avviarsi involontariamente e provocare gravi lesioni fisiche.

**Carta abrasiva standard**

Vedere la figura 6.

1. Scollegare la levigatrice dall'alimentazione elettrica.
2. Rilasciare il morsetto per la carta. Rimuovere la carta abrasiva utilizzata, se necessario.
3. Inserire un nuovo foglio di carta abrasiva sotto il morsetto per la carta.
4. Assicurare la carta abrasiva con il morsetto.

**MESSA IN FUNZIONE / ARRESTO DELLA LEVIGATRICE**

Vedere la figura 1.

- Per mettere in funzione la levigatrice: Far scorrere l'interruttore su "I".
- Per arrestare la levigatrice: Far scorrere l'interruttore su "O".

**UTILIZZO**

Vedere la figura 3.

1. Fissare il pezzo da lavorare in modo tale che non possa scorrere sotto la levigatrice.

**⚠ AVVERTENZE**

Se il pezzo da lavorare non viene fissato, potrebbe venire scagliato verso l'utilizzatore provocando gravi lesioni.

**⚠ AVVERTENZE**

Prestare attenzione a mantenere il viso lontano dalla levigatrice e dall'area di levigatura. Proteggere i capelli in modo tale che non rimangano impigliati nella levigatrice, onde evitare gravi lesioni.

2. Posizionare la levigatrice sulla superficie di lavoro, in modo tale che l'intera superficie del pattino sia a contatto con il pezzo da lavorare.

**⚠ ATTENZIONE**

Prestare attenzione a non ostruire le aperture di aerazione con le mani, onde evitare di causare il surriscaldamento del motore.

3. Mettere in funzione la levigatrice e spostarla lentamente sul pezzo da lavorare.

**NOTE:** Tenere la levigatrice davanti a sé, mantenendola a debita distanza dal proprio corpo in modo da vedere chiaramente il pezzo. Mettere in funzione la levigatrice ed attendere che il motore abbia raggiunto la velocità massima. In seguito, dirigere lentamente il pattino della levigatrice verso il pezzo da lavorare. Quando il pattino entrerà a contatto con il pezzo da lavorare, spostare la levigatrice sulla superficie descrivendo piccoli cerchi.

**Non esercitare forza sulla levigatrice.** Il peso della levigatrice esercita una pressione sufficiente sul pezzo da lavorare. Esercitando un'ulteriore pressione sulla levigatrice, si rischia di rallentare il motore, di usurare più rapidamente la carta abrasiva e di ridurre notevolmente la velocità di levigatura. Inoltre, una pressione eccessiva può sovraccaricare il motore e causare un surriscaldamento che potrebbe danneggiare il motore stesso e compromettere il corretto funzionamento dell'apparecchio. Il calore dovuto allo sfregamento può ammorbidire la vernice o la resina di copertura del legno.

Prestare attenzione a non levigare troppo a lungo una stessa parte del pezzo da lavorare, in quanto l'azione abrasiva della levigatrice può usurare rapidamente il materiale e rendere irregolare la superficie.

Tempi di levigatura prolungati possono causare il surriscaldamento del motore. Se ciò si verifica, spegnere la levigatrice e attendere sino a che il disco di levigatura non si sia fermato completamente, quindi rimuoverlo dal pezzo sul quale si sta lavorando. Togliere la mano dalle aperture di aerazione, rimuovere la carta abrasiva, quindi rimettere in funzione la levigatrice e farla girare a vuoto per raffreddare il motore.

**SVUOTARE IL SACCHETTO DI RACCOLTA POLVERE**

Vedere la figura 4.

Per effettuare l'operazione in modo più efficace, svuotare

## Italiano

il sacchetto raccogli polvere quando è pieno per metà. Svuotare sempre e pulire il sacchetto di raccolta polvere attentamente una volta completate le operazioni di levigatura e prima di riporre la levigatrice.

### **⚠ AVVERTENZE**

L'accumulo di particelle in seguito alla levigatura di superfici trattate con prodotti altamente infiammabili, come il poliuretano, l'olio di lino, ecc., può dare luogo alla combustione del sacchetto raccolto polvere o di altre parti della levigatrice e scatenare un incendio. Per ridurre il rischio di incendi, svuotare sempre il sacchetto della polvere (10-15 minuti) mentre si svolgono operazioni di levigatura e non riporre mai o lasciare la levigatrice senza aver svuotato completamente il sacchetto della polvere. Leggere attentamente le raccomandazioni dei fabbricanti dei prodotti di rivestimento.

1. Scollegare la levigatrice dall'alimentazione elettrica.

### **⚠ AVVERTENZE**

Se la spina non è disinserita dalla presa di corrente, la levigatrice può avviarsi involontariamente e provocare gravi lesioni fisiche.

2. Rimuovere il sacchetto della polvere dalla levigatrice.
3. Scuotere il sacchetto per vuotarlo.
4. Ricollegare il sacchetto per la polvere alla levigatrice.

**NOTE:** Per una pulizia approfondita del sacchetto di raccolta polvere, rimuovere il sacchetto dall'utensile e scuotere la polvere. Riposizionare il sacchetto della polvere e quindi installare il gruppo sacchetto della polvere sulla levigatrice.

### **MOVIMENTO ORBITALE**

*Verdere la figura 7.*

Il movimento orbitale è ideale per le operazioni di levigatura rapide (rimozione di vecchi rivestimenti, lucidatura di legno grezzo, livellamento di superfici ad un determinato spessore) e i lavori di finitura (preparazione di una superficie prima della verniciatura). La carta abrasiva effettua piccoli movimenti circolari ad alta velocità, conferendo pertanto alla levigatrice una notevole mobilità. Le frese piccole si rompono facilmente quando vengono sottoposte a pressioni laterali eccessive.

### **SPIA LUMINOSA DI PRESENZA TENSIONE**

Questo utensile è dotato di una spia luminosa di presenza tensione, che si illumina quando l'apparecchio è collegato all'alimentazione elettrica. Questa spia attira l'attenzione dell'utilizzatore sul fatto che la molatrice è sotto tensione

e si mette in funzione non appena l'interruttore viene spostato in avanti.

### **MANUTENZIONE**

#### **⚠ AVVERTENZE**

Durante il montaggio di componenti, l'esecuzione di regolazioni, le operazioni di pulizia dell'apparecchio o quando non viene utilizzata, la levigatrice non deve mai essere collegata alla presa di corrente. Scollagare l'utensile preverrà l'avvio accidentale che potrà causare gravi lesioni personali.

#### **⚠ AVVERTENZE**

Quando si svolgono operazioni di manutenzione, utilizzare solo ricambi identici. Utilizzare qualsiasi altra parte potrà costituire un rischio o causare danni al prodotto.

### **NORME DI CARATTERE GENERALE**

Evitare di utilizzare solventi quando si puliscono le parti in plastica. La maggior parte dei materiali plastici rischia di essere danneggiata dall'uso dei solventi disponibili in commercio. Utilizzare un panno pulito per rimuovere lo sporco, la polvere, ecc.

#### **⚠ AVVERTENZE**

Evitare che sostanze quali liquidi per i freni, benzina, prodotti a base di petrolio, oli penetranti, ecc. entrino in contatto con parti metalliche. Tali prodotti chimici contengono infatti sostanze che possono danneggiare, indebolire o distruggere le materie plastiche.

Gli apparecchi elettrici utilizzati su prodotti in fibra di vetro, lastre di gesso o pannelli di rivestimento tendono ad usurarsi più rapidamente e a presentare precoci problemi di funzionamento. I trucioli e la segatura prodotti da tali materiali risultano infatti molto abrasivi nei confronti dei componenti di apparecchi elettrici quali gli ingranaggi, le spazzole, gli interruttori, ecc. Di conseguenza, si sconsiglia vivamente l'utilizzo prolungato di un apparecchio sulla fibra di vetro, su pannelli di rivestimento e su stucco o gesso. Tuttavia, qualora si debba procedere alla levigatura di questi materiali, è estremamente importante pulire la levigatrice con aria compressa.

**⚠ AVVERTENZE**

Indossare sempre occhiali di sicurezza o occhiali di sicurezza con schermi laterali durante le operazioni con l'elettrotensile o quando si aspira della polvere. Nel caso in cui si preveda che le operazioni di lavoro causeranno polvere, indossare sempre una maschera anti-polvere.

**LUBRIFICAZIONE**

Tutti i cuscinetti di questo utensile sono stati lubrificati con una quantità sufficiente di lubrificante di alta qualità per garantire l'ottimo funzionamento dell'utensile. Di conseguenza, non è necessario effettuare alcuna lubrificazione supplementare.

**PULIZIA DEI PATTINI ABRASIVI**

Per garantire una durata prolungata e un'efficacia ottimale dei pattini abrasivi, pulirli regolarmente. Per rimuovere tutte le particelle estranee, è sufficiente risciacquare il pattino con acqua tiepida. Dopo avere pulito il pattino, strizzarlo delicatamente per rimuovere l'acqua in eccesso e lasciarlo asciugare. Riporre sempre i pattini abrasivi distesi in orizzontale in un luogo fresco e asciutto.

**PULIZIA DEI FOGLI DI CARTA ABRASIVA**

I fogli di carta abrasiva forniti in dotazione con questa levigatrice sono riutilizzabili. È pertanto importante pulirli regolarmente per rimuovere la polvere e le particelle che si accumulano sulla superficie nel corso delle diverse operazioni di levigatura.

Per pulire i fogli di carta abrasiva, strofinarli con un pezzo di gomma dura. Si può utilizzare, ad esempio, la suola di una scarpa pulita.

**⚠ AVVERTENZE**

Rimuovere sempre la carta o il pattino abrasivo dal pattino della levigatrice prima di pulirli. La mancata osservanza di questa norma potrebbe comportare gravi lesioni fisiche.

**TUTELA DELL'AMBIENTE**

Riciclare le materie prime anziché gettarle tra i rifiuti domestici. Per tutelare l'ambiente, l'apparecchio, gli accessori e gli imballaggi devono essere smaltiti separatamente.

**SIMBOLO**

Allarme di sicurezza

V Volt

Hz Hertz

~ Corrente alternata

W Watt

no Velocità a vuoto

min<sup>-1</sup> Numero di giri o di movimenti al minuto



Diametro orbitale



Conformità CE



Doppio isolamento



Indossare cuffie di protezione



Indossare occhiali di protezione



Leggere attentamente le istruzioni prima di avviare l'utensile.



I prodotti elettrici non devono essere smaltiti con i rifiuti domestici. Vi sono strutture per smaltire tali prodotti. Informarsi presso il proprio Comune o rivenditore di sicurezza per smaltire adeguatamente tali rifiuti.

## Nederlands

### BESCHRIJVING

1. Aan-/uitschakelaar
2. Snelheidsregelaar
3. Bekleed handvat
4. Stofverzameldoos
5. Schuurvoet
6. Spantang
7. Netspanningsverklikker
8. Haak- en lusband schuurpapier
9. Standaard schuurpapier

### SPECIEFIEKE VEILIGHEIDSVORSCHRIFTEN VOOR SCHUURMACHINES

- **Draag altijd een veiligheidsbril en een stofmasker tijdens het schuren, vooral wanneer u de schuurmachine boven uw hoofd houdt.**
- **Gebruik uw schuurmachine nooit op vochtige oppervlakken.**
- **Het vel schuurpapier mag niet te groot zijn.** Als u het schuurpapier over de randen van de schuurvoet laat uitsteken, stelt u zich bloot aan het gevaar voor lichamelijk letsel.
- **De stofzak moet op de machine zijn geïnstalleerd en regelmatig worden geleegd.** Het wordt vaak worden geleegd. U plaatst de stofzak door deze over de steuning van de zak te schuiven en deze op het afvoermondstuk aan de achterkant van de schuurmachine te draaien (rechtsom) totdat de zak goed vastzit.

### ⚠ WAARSCHUWING

Gooi geen schuurstof in een open vuur, want materiaal in de vorm van fijne deeltjes kan explosief zijn.

### ⚠ WAARSCHUWING

Draag een geschikt stofmasker tijdens het schuren van oppervlakken bedekt met verf op loodbasis en bij het schuren van bepaalde houtsoorten en metalen om te voorkomen dat u giftige stof of giftige dampen inademt.

### SPECIFICATIES

Model	ESS200RS	ESS280RV
Aan/Uit	200 W	280 W
Spanning	230 V - 240 V ~ 50 Hz	230 V - 240 V ~ 50 Hz
Toerental bij nullast	12000 min <sup>-1</sup>	7000-12000 min <sup>-1</sup>

Diameter cirkelbeweging	2.0 mm	2.0 mm
Gewicht	1.5 kg	1.7 kg

### EIGENSCHAPPEN

Zie afbeelding 1.

Uw schuurmachine kan met schuurpapier met verschillende korrelgrootte (grof, medium of fijn) worden gebruikt. Op hout geeft schuren met de schuurmachine in de richting van de vezels een gladde afwerking, zonder strepen.

Deze schuurmachine is ook uitstekend geschikt om aan drie zijkanten geheel tot aan de rand door te schuren.

De schuurmachine is uitgerust met een handgreep waarmee u het apparaat goed en zeer comfortabel kunt vasthouden. Daarom loopt u minder kans om vermoeid te raken bij langdurig gebruik.

Maak uzelf, voordat u dit apparaat gaat gebruiken, eerst vertrouwd met alle functies en specifieke kenmerken wat betreft de veiligheid. Laat uw waakzaamheid echter niet verslappen als u eenmaal vertrouwd bent geraakt met uw schuurmachine.

### AAN-/UITSCHAKELAAR

#### Elektronische snelheidsregelaar

Met de elektronische snelheidsregelaar kunt u de schuursnelheid afstellen al naar gelang het type oppervlak dat u wilt schuren (van grof en stug bouwhout tot zacht fineerhout).

Deze schuurmachine is uitgerust met een eenvoudige aan-/uitschakelaar.

- Om de schuurmachine AAN: Zet de schakelaar op "I".
- Om de schuurmachine UIT: Zet de schakelaar op "O".

### ⚠ WAARSCHUWING

Laat uw vertrouwdheid met werktuigen u niet zorgeloos maken. Vergeet niet dat zelfs één seconde onoplettendheid ernstig lichamelijk letsel kan veroorzaken.

### STOFVERZAMELDOOS

De stofdoos kan aan de schuurmachine worden gehecht en houdt het stof tot een minimum.

### VARIABLE SNELHEID (MODEL - ESS280RV)

De schuurmachine is voorzien van een elektronische snelheidsregelaar zodat u het apparaat optimaal

## Nederlands

kunt gebruiken. Door de juiste snelheid in te stellen, kan uw werktuig worden aangepast aan specifieke schuurbehoeften.

De elektronische eigenschap van uw werktuig stelt u in staat om de motorsnelheid flexibel af te stellen volgens de vereiste werkomstandigheden. Het elektronische systeem van de regelaar meet de belasting van de motor en verhoogt of verlaagt de kracht van de motor daarna zodanig dat de snelheid constant blijft. De snelheid kan worden bijgesteld al naar gelang het soort uit te voeren werk of het type oppervlak dat u wilt schuren.

Voor ruwe oppervlakken of voor een eerste snelle grove schuurbeurt draait u de regelaar rechtsom om de snelheid te verhogen.

### MONTAGE

#### ⚠ WAARSCHUWING

De stekker van de schuurmachine mag niet in het stopcontact zitten als u onderdelen monteert, afstellingen wijzigt, de machine schoonmaakt of de klaar bent met u werk. Wanneer u het werktuig ontkoppelt, voorkomt dit accidenteel starten, wat ernstige letsels kan veroorzaken.

### SCHUURPAPIER KIEZEN

De keuze van de maat en het type schuurpapier en de juiste korrelgrootte is zeer belangrijk als u kwaliteitswerk wilt leveren. Voor een voorbewerking raden wij aan schuurpapier met een synthetische schuurlaag te gebruiken, bijvoorbeeld aluminiumoxide of siliciumcarbide. Natuurlijke schuurmiddelen zoals silex of granaat zijn namelijk als materiaal te zacht om rendabel voor voorbewerkingen te kunnen worden gebruikt.

Algemeen kan worden gesteld dat grofkorrelig papier dient om het grootste gedeelte van het af te schuren oppervlak te verwijderen en dat een fijnere korrel dient voor de eindafwerking. De staat waarin het te schuren oppervlak zich bevindt is bepalend voor de te gebruiken korrelgrootte. Als het oppervlak oneffen is, begint u eerst met een grofkorrelig papier totdat u een gelijkmatig oppervlak hebt verkregen. Daarna kunt u met medium grof papier de krassen weghalen die door het grove papier zijn achtergelaten, en daarna gebruikt u fijner schuurpapier om het oppervlak mooi af te werken. Schuur met elke korrelgrootte totdat u een gelijkmatig oppervlak hebt verkregen.

#### ⚠ WAARSCHUWING

Gebruik de schuurmachine niet zonder schuurpapier want dat zou de schuurvoet kunnen beschadigen.

#### Schuurblad/pad aanbevolen gebruik

Schuurpapier met korrel Ø 80	Grof schuurwerk
Schuurpapier met korrel Ø 120	Licht schuurwerk
Schuurpapier met korrel Ø 150	Licht schuurwerk

#### STOFDOOS VASTMAKEN

Zie afbeelding 2.

De stofdoos voorziet in een stofverzamelsysteem voor de schuurmachine. Schuursel wordt door de openingen van de schuurschijf opgezogen en in de stofdoos verzameld tijdens het schuren.

1. Trek de stekker van de schuurmachine uit het stopcontact.
2. Met een lichte draai beweging schuift u de stofdoos stevig in de blazeruitlaat op de schuurmachine.

#### ⚠ WAARSCHUWING

Blijf waakzaam tijdens het gebruik van de schuurmachine. Zorgeloze handelingen, al duren ze maar een fractie van een seconde, kunnen leiden tot ernstige letsels.

#### TOEPASSINGEN

U mag de schuurmachine uitsluitend voor de hieronder vermelde toepassingen gebruiken:

- Schuren op houten oppervlakken.
- Verwijderen van roest en schuren van staal.
- Polijsten en schuren van porselein en metalen.

#### ⚠ LET OP

Houd het snoer uit de buurt van de schuurzone en leg het zo dat het tijdens het schuren niet beklemd kan raken tussen de houtstukken, gereedschappen of andere voorwerpen.

#### ⚠ WAARSCHUWING

Draag altijd een veiligheidsbril of een beschermbril met zijschotjes wanneer u met gereedschap werkt. Als u zich hier niet aan houdt, kunnen wegsplattende deeltjes, stof en spanen in uw ogen komen en ernstig oogletsel veroorzaken.

## Nederlands

### BEDIENING

#### SCHUURPAPIER INSTALLEREN

Controleer regelmatig of de verlengsnoeren in goede staat verkeren. Gebruik GEEN beschadigd of gescheurd schuurpapier.

#### Haak- en lusband schuurpapier

Zie afbeelding 5.

1. Trek de stekker van de schuurmachine uit het stopcontact.
2. Zorg dat de gaten van het schuurpapier of de schuurzool zijn uitgelijnd met de gaten in de voet van de schuurmachine en plak daarna voorzichtig het papier met de kant met de klitbevestiging op de voet vast en druk dit zo stevig mogelijk aan.

**OPMERKING:** Wij raden u aan om het schuurpapier en de schuurzolen steeds schoon te maken zodat ze zo goed mogelijk aan de voet van de schuurmachine hechten. Reinig de hechtvlakken regelmatig met een borsteltje.

#### ⚠ WAARSCHUWING

Als u de stekker van de schuurmachine niet uit het stopcontact trekt, kan de machine ongewild in werking treden en ernstig lichamenlijk letsel veroorzaken.

#### Standaard schuurpapier

Zie afbeelding 6.

1. Trek de stekker van de schuurmachine uit het stopcontact.
2. Laat de papierklem los. Indien er schuurpapier aanwezig is, verwijdert u dit.
3. Steek de zijgeleider in de gaten van de voetplaat van de bovenfreemACHINE.
4. Klem het schuurpapier op zijn plaats.

#### SCHUURMACHINE AAN- EN UITZETTEN

Zie afbeelding 1.

- Om de schuurmachine AAN: Zet de schakelaar op "I".
- Om de schuurmachine UIT: Zet de schakelaar op "O".

#### GBRUIK

Zie afbeelding 3.

1. Zet het werkstuk zodanig vast dat het niet onder de schuurmachine kan wegglijden.

#### ⚠ WAARSCHUWING

Als u het werkstuk niet vastzet, bestaat de kans dat het naar u toe wordt geslingerd en ernstig letsel veroorzaakt.

#### ⚠ WAARSCHUWING

Blijf met uw gezicht uit de buurt van de schuurmachine en de schuurzone. Bescherm uw haar zodat het niet wordt meegetrokken in de schuurmachine aangezien dit ernstig lichamenlijk letsel kan veroorzaken.

2. Plaats de schuurmachine zodanig op het werkstuk dat het gehele zooloppervlak in contact is met het werkstuk.

#### ⚠ LET OP

Zorg dat u met uw handen de ventilatiegloeuen niet afdekt, want dat zou kunnen leiden tot een oververhitting van de motor.

3. Zet de schuurmachine aan en verplaats hem langzaam over het werkstuk.

**OPMERKING:** Houd de schuurmachine op een redelijke afstand voor u uit zodat u het werkstuk goed kunt zien. Zet de schuurmachine aan en wacht tot de motor de maximumsnelheid bereikt. Breng de voet van de schuurmachine daarna langzaam naar het werkstuk. Zodra de zool in contact met het werkstuk is gekomen, verplaatst u de schuurmachine over het oppervlak met kleine cirkelbewegingen.

**Vooral de schuurmachine niet overbelasten.** Het gewicht van de schuurmachine oefent voldoende druk op het werkstuk uit. Laat de schuurmachine en het schuurpapier al het "werk" doen. Als u zelf ook op de schuurmachine drukt, zou de motor langzamer kunnen gaan draaien, het schuurpapier sneller kunnen versleten en de schuursnelheid aanzienlijk lager kunnen worden. Bovendien kan door overmatige druk de motor overbelast raken en door oververhitting beschadigd worden, wat schadelijk is voor de goede werking van het apparaat. door de wrijvingswarmte kan het vernis of de lak zacht worden waarmee het hout bedekt is.

Zorg ervoor dat u niet te lang op hetzelfde deel van het werkstuk blijft schuren, omdat de schurende werking van de schuurmachine binnen korte tijd diep in het materiaal kan inslijten en onregelmatige plekken in het oppervlak veroorzaakt.

Als u de schuurmachine lang achter elkaar gebruikt, kan de motor oververhit raken. Als dit voorkomt, schakelt u de schuurmachine uit tot de schuurschijf volledig stilvalt en verwijdert u het dan van het werkstuk. Haal uw hand



## Nederlands

weg van de ventilatiegoleuven, verwijder het schuurpapier en zet vervolgens de schuurmachine aan en laat hem zo onbelast draaien om de motor af te koelen.

### STOFDOOS LEEGMAKEN

Zie afbeelding 4.

Voor een efficiënte stofafzuiging dient u de zak te legen als deze halfvol is. Maak de stofdoos altijd leeg en maak deze grondig schoon wanneer u een schuuroopdracht heeft voltooid en voor u de schuurmachine opbergt.

#### **⚠ WAARSCHUWING**

De ophoping van kleine deeltjes na het schuren van oppervlakken die bedekt zijn met zeer ontvlambare producten zoals polyurethaan, lijnolie, enz. Om het risico p brand te vermijden, maakt u de stofdoos regelmatig leeg (10-15 minuten) terwijl u schuurt en laat u een schuurmachine nooit staan of bergt u ze nooit op zonder de stofdoos helemaal leeg te maken. Lees zorgvuldig de aanbevelingen van de producenten van verf en coatings.

1. Trek de stekker van de schuurmachine uit het stopcontact.

#### **⚠ WAARSCHUWING**

Als u de stekker van de schuurmachine niet uit het stopcontact trekt, kan de machine ongewild in werking treden en ernstig lichamelijk letsel veroorzaken.

2. Verwijder de stofdoos van de schuurmachine.
3. Schud de stofzak uit om hem te legen.
4. Maak de stofdoos opnieuw aan de schuurmachine vast.

**OPMERKING:** Voor een grondiger schoonmaak van de stofdoos, haalt u de stofdoos uit het kader en schudt u het stof uit. Plaats de stofdoos over het kader terug en installeer dan de stofdoos op de schuurmachine.

### ORBITALE BEWEGING

Zie afbeelding 7.

De excentrische beweging is ideaal voor snelle schuuracties (oude deklagen verwijderen, ruw hout polijsten, afschuren tot een bepaalde dikte) en voor afwerken (een oppervlak voorbereiden voor schilderen). Het schuurpapier beweegt met hoge snelheid in kleine cirkels, waardoor de schuurmachine zeer mobiel is.

### NETSPANNINGSVERKLIKKER

Dit werktuig is voorzien van een netspanningsverklikker die gaat branden van zodra het apparaat op een

stopcontact is aangesloten. Dit waarschuwt de gebruiker dat het werktuig onder spanning staat en gaat werken zodra u de schakelaar indrukt.

### ONDERHOUD

#### **⚠ WAARSCHUWING**

De stekker van de schuurmachine mag niet in het stopcontact zitten als u onderdelen monteert, afstellingen wijzigt, de machine schoonmaakt of de klaar bent met u werk. Wanneer u het werktuig ontkoppelt, voorkomt dit accidenteel starten, wat ernstige letsels kan veroorzaken.

#### **⚠ WAARSCHUWING**

Gebruik voor het onderhoud enkel identieke vervangonderdelen. Het gebruik van andere onderdelen kan een gevaar betekenen of schade aan het product veroorzaken.

### ALGEMENE VOORSCHRIFTEN

Vorkom het gebruik van oplosmiddelen wanneer u kunststof onderdelen reinigt. De meeste kunststoffen kunnen worden beschadigd door de in de handel zijnde oplosmiddelen. Gebruik een schone doek om vuil of stof te verwijderen.

#### **⚠ WAARSCHUWING**

Vorkom steeds dat remvloeistoffen, benzine, petroleumproducten, kruipolie enz. in contact komen met kunststof onderdelen. Deze chemicaliënbevatten namelijk stoffen die kunststof kunnenbeschadigen, verzakken of aantasten.

Gereedschap dat voor bewerking van glasvezeldelen, gipsplaten of bekledingsplaten wordt gebruikt, loopt meer risico om voortijdig te verslijten of defect te raken. Het zaagsel en slijpsel dat uit deze materialen ontstaat, heeft een zeer schurende werking op bepaalde onderdelen van elektrisch gereedschap, zoals overbrengingen, borstels, schakelaars, enz. Het gebruik van een machine voor glasvezelmateriaal, bekledingsplaten, bouwpleister of gips wordt daarom sterk afgeraden. Als u dit soort materiaal toch moet schuren, is het uiterst belangrijk om de schuurmachine regelmatig met perslucht te reinigen.

## Nederlands

### ⚠ WAARSCHUWING

Drag altijd een veiligheidsbril of gezichtsbescherming met zijdelingse bescherming terwijl u het werktuig gebruikt of wanneer u stof blaast. Als de werking stof veroorzaakt, draag dan ook een stofmasker.

### SMERING

Alle lagers in dit gereedschap zijn gesmeerd met een voldoende hoeveelheid smeermiddel van hoge kwaliteit, wat moet volstaan voor de levensduur van de machine onder normale gebruiksomstandigheden. Extra smering is daarom niet noodzakelijk.

### SCHUURZOLEN REINIGEN

Maak de schuurzolen regelmatig schoon om hun levensduur te verlengen en optimale resultaten te behouden. U kunt alle ongerechtigheden verwijderen door de losse zool af te spoelen met lauw water. Nadat u de zool hebt gereinigd, wringt u hem een beetje uit om het overtollige water te verwijderen en legt u hem te drogen. Leg schuurzolen altijd plat weg op een koele en geventileerde plaats.

### SCHUURPAPIER REINIGEN

De stukken schuurpapier die bij de schuurmachine worden geleverd zijn geschikt voor hergebruik. Het is daarom belangrijk om ze regelmatig te reinigen door het stof en de materiaaldeeltjes te verwijderen die zich op het oppervlak hebben opgehoopt tijdens de verschillende schuurbewerkingen.

Om het schuurpapier te reinigen kunt u het afschrobben met een massief stuk rubber. Daarvoor kunt u bijvoorbeeld een schone schoenzool gebruiken.

### ⚠ WAARSCHUWING

Haal altijd eerst het schuurpapier of de schuurzool van de voet van de schuurmachine af voordat u het gaat reinigen. Niet-naleving van dit voorschrift kan ernstig lichamelijk letsel veroorzaken.

### MILIEUBESCHERMING



Zorg dat grondstoffen gerecycleerd worden. Zet daarom een afgedankte elektrische machine niet bij het huishoudafval. Om het milieu te beschermen moeten de machine, de accessoires en de verpakking gesorteerd bij een erkend recyclingcentrum worden aangeleverd.

### SYMBOOL



Veiligheidswaarschuwing

V Volt

Hz Hertz

~ Wisselstroom

W Watt

n<sub>0</sub> Toerental bij nullast

min<sup>-1</sup> Aantal toeren of omwentelingen per minuut



Diameter cirkelbeweging



EU-conformiteit



Dubbele isolatie



Drag gehoorbescherming



Drag gezichtsbescherming



Gelieve de instructies zorgvuldig te lezen voordat u de machine in gebruik neemt.



Elektrisch afval mag niet samen met ander huishoudafval worden weggegooid. Gelieve te recycleren indien de mogelijkheid bestaat. Neem contact op met uw lokaal bestuur of handelaar om advies te krijgen over recyclage.

## Português

### DESCRIÇÃO

1. Interruptor
2. Variador de velocidade
3. Pega ergonómica
4. Caixa colectora de pó
5. Placa de lixar
6. Pinça
7. Luz avisadora de ligação
8. Papel de lixa de prender e engatar
9. Folha de lixa standard

### INSTRUÇÕES DE SEGURANÇA ESPECÍFICAS ÀS LIXADEIRAS

- **Use sempre óculos de segurança e uma máscara anti-poeira durante as operações de lixar, em particular quando segura a lixadeira por cima da cabeça.**
- **Nunca utilize a lixadeira sobre superfícies húmidas.**
- **A folha de lixa não deve ser grande demais.** Se deixar a folha de lixa ultrapassar o prato, fica exposto a ferimentos graves.
- **O saco de pó deve ser instalado na ferramenta e despejado regularmente.** Deve ser esvaziada com frequência. Para instalar o saco do pó, encaixe o anel do saco no bico de evacuação situado atrás da lixadeira rodando-o para a direita até que o saco fique correctamente fixado.

#### AVISO

Não despeje o pó proveniente da lixagem num fogo aberto porque os materiais na forma de partículas finas podem ser explosivos.

#### AVISO

Deve usar uma máscara anti-pó adequada quando lixar superfícies revestidas com tinta à base de chumbo assim como certas madeiras e metais, para evitar inalar poeiras ou vapores tóxicos.

### ESPECIFICAÇÕES

Modelo	ESS200RS	ESS280RV
Potência	200 W	280 W
Voltagem	230 V - 240 V ~ 50 Hz	230 V - 240 V ~ 50 Hz
Velocidade em vazio	12000 min <sup>-1</sup>	7000-12000 min <sup>-1</sup>

Diâmetro orbital 2.0 mm 2.0 mm

Peso 1.5 kg 1.7 kg

### CARACTERÍSTICAS

Ver figura 1.

A sua lixadeira utiliza-se com folhas de lixa de diversos grãos (grosso, médio ou fino). Na madeira, a passagem da lixadeira no sentido da fibra dá um lixamento liso, sem escoriações.

Esta lixadeira está concebida para lixar bordo a bordo nos três lados.

A sua lixadeira está equipada com uma pega que proporciona uma boa prensão e um grande conforto de utilização. Os riscos de fadiga devidos a uma utilização prolongada são assim reduzidos.

Antes de utilizar a sua lixadeira, familiarize-se com todas as suas funcionalidades e especificidades no plano da segurança. Não diminua a sua vigilância mesmo depois de se ter familiarizado com a sua lixadeira.

### INTERRUPTOR

#### Variador electrónico de velocidade

O variador electrónico de velocidade permite-lhe regular a velocidade de lixamento em função do tipo da superfície a lixar (desde a madeira para construção pesada e resistente até ao folheado de madeira delicado).

Esta lixadeira está equipada com um simples interruptor.

- Para ligar a lixadeira: Coloque o interruptor na posição "I" (ligado).
- Para desligar a lixadeira: Coloque o interruptor na posição "O" (desligado).

#### AVISO

Não permita que a familiaridade com as ferramentas o deixem descuidado. Nunca se esqueça que basta um segundo de falta de atenção para se ferir gravemente.

### CAIXA COLECTORA DE PÓ

A caixa do pó liga-se à lixadora e minimiza a poeira.

### VELOCIDADE VARIÁVEL (MODELO - ESS280RV)

A lixadeira está equipada com um variador electrónico de velocidade para poder utilizar a ferramenta de modo ideal. Seleccionando a velocidade apropriada, a ferramenta pode ser ajustada às necessidades específicas de lixagem.

A característica electrónica da sua ferramenta introduz a flexibilidade de ajustar a velocidade do motor às

## Português

condições de trabalho necessárias. O sistema electrónico do variador avalia a carga exercida no motor e em seguida aumenta ou reduz a potência do motor, de modo que a velocidade permaneça constante. A velocidade pode ser ajustada consoante a natureza do trabalho a efectuar ou o tipo de superfície a lixar.

Para superfícies rugosas ou para um trabalho rápido de desbaste, rode o variador para a direita de modo a aumentar a velocidade.

### MONTAGEM

#### **▲ AVISO**

A sua lixadeira nunca deve ser ligada a uma tomada de corrente quando montar peças, efectuar ajustes, quando limpar a sua ferramenta ou quando não a utilizar. Desligar a ferramenta irá prevenir o arranque acidental que poderia causar graves lesões.

### ESCOLHA DA FOLHA DE LIXA

A escolha do tamanho correcto, do grão e do tipo de folha de lixa é extremamente importante se quiser obter um lixamento de qualidade. Para um lixamento de desbaste, é aconselhável utilizar abrasivos sintéticos como a alumina ou o carboneto de silício. Os abrasivos naturais tais como o sílex ou a granada são muito macios para que possam ser utilizados de maneira económica para um lixamento de desbaste.

De um maneira geral, um grão grosso permite retirar mais material, enquanto que um grão fino permite obter um melhor acabamento. O estado da superfície a lixar permite determinar o tamanho do grão a utilizar. Se a superfície for rugosa, comece o lixamento com uma folha de lixa de grão grosso até que a superfície fique uniforme. Pode utilizar em seguida uma folha de lixa de grão médio para eliminar os arranhões deixados pela folha de lixa de grão grosso e por fim uma folha de lixa de grão fino para polir a superfície. Lixe sempre com cada tamanho de grão até que a superfície fique uniforme.

#### **▲ AVISO**

NÃO utilize a lixadeira sem folha de lixa para não danificar o prato.

#### Utilização Recomendada da Folha / Almofada

Folha de lixa grão Ø 80

Lixamento grosseiro

Folha de lixa grão Ø 120

Lixamento ligeiro

Folha de lixa grão Ø 150

Lixamento ligeiro

### INSTALAR A CAIXA DE PÓ

Ver figura 2.

A caixa do pó fornece um sistema de recolha do pó para a lixadora. A serradura acumula-se nos orifícios do disco de lixa e é recolhido na caixa de pó durante a lixagem.

1. Desligue a lixadeira da corrente.
2. Usando um movimento de ligeira torção, deslize firmemente a caixa colectora de pó para os gases de escape da ventoinha sobre a lixadora.

#### **▲ AVISO**

Tenha o máximo de cuidado quando utilizar esta lixadeira. Acções descuidadas, mesmo por uma fracção de segundo, podem resultar em graves lesões pessoais.

### APLICAÇÕES

Utilize a sua ferramenta unicamente para as aplicações mencionadas abaixo:

- Lixar sobre superfícies de madeira.
- Remoção da ferrugem e lixamento do aço.
- Polimento e lixamento da porcelana e de metais.

#### **▲ ATENÇÃO**

Conserva o cabo de alimentação afastado da trajectória da placa e posicioná-lo de forma que não seja agarrado por tábuas, ferramentas ou por qualquer outro objecto durante o lixamento.

#### **▲ AVISO**

Use sempre óculos de segurança ou óculos de protecção munidos de resguardos laterais quando utilizar ferramentas. A falta de cumprimento desta instrução pode ocasionar a projecção de corpos estranhos para os seus olhos e provocar lesões oculares graves.

### ESPECIFICAÇÕES

#### COLOCAÇÃO DA FOLHA DE LIXA

Verifique o estado da folha de lixa antes de colocá-la. NÃO utilize folhas de lixa defeituosas ou rasgadas.

#### Papel de lixa de prender e engatar

Ver figura 5.

## Português

1. Desligue a lixadeira da corrente.
2. Alinhe os furos da folha de lixa ou a placa de lixa com os furos da placa da lixadeira e em seguida faça pressão com cuidado no lado velcro da folha de lixa contra a placa, o mais firmemente possível.

**NOTA:** Recomendamos-lhe que conserve as folhas de lixa e as placas de lixa limpas para melhorar a adesão à placa da lixadeira. Limpe-as regularmente com uma pequena escova.

### **⚠ AVISO**

Se a lixadeira não estiver desligada da corrente, pode ocorrer um arranque por descuido e provocar ferimentos graves.

### Folha de lixa standard

Ver figura 6.

1. Desligue a lixadeira da corrente.
2. Solte a braçadeira do papel. Remova o papel de lixa usado, se houver.
3. Introduza o novo papel de lixa sob a braçadeira de papel.
4. Prenda o papel de lixa no seu lugar.

### COLOCAÇÃO EM FUNCIONAMENTO / PARAGEM DA LIXADEIRA

Ver figura 1.

- Para ligar a lixadeira: Coloque o interruptor na posição "I" (ligado).
- Para desligar a lixadeira: Coloque o interruptor na posição "O" (desligado).

### UTILIZAÇÃO

Ver figura 3.

1. Fixe a peça a trabalhar de maneira que não possa deslizar sob a lixadeira.

### **⚠ AVISO**

Se não fixar a peça a trabalhar, esta pode ser projectada na direcção do utilizador e provocar ferimentos graves.

### **⚠ AVISO**

Conserve a sua cara afastada da lixadeira e da zona de lixamento. Proteja os cabelos para que não possam ser agarrados pela lixadeira, o que poderia ocasionar ferimentos graves.

2. Coloque a lixadeira na superfície de trabalho de forma que toda a superfície da placa fique em contacto com

a peça a trabalhar.

### **⚠ ATENÇÃO**

Tenha o cuidado de não obstruir as fendas de ventilação com as suas mãos porque isso provocaria um aquecimento excessivo do motor.

3. Ponha a sua lixadeira em funcionamento antes de aplicá-la na peça a trabalhar.

**NOTA:** Segure a sua lixadeira em frente de si e a uma boa distância do corpo e da peça a trabalhar. Ponha a lixadeira em funcionamento e espere que o motor atinja a sua velocidade máxima. Dirija em seguida lentamente a placa da lixadeira para a peça a trabalhar. Uma vez a placa em contacto com a peça a trabalhar, mova a lixadeira sobre a superfície descrevendo pequenos círculos.

**Não force a lixadeira.** O peso da lixadeira exerce uma pressão suficiente sobre a peça a trabalhar. Deixe a lixadeira e a folha de lixa fazerem todo o "trabalho". A aplicação de uma pressão suplementar na lixadeira pode provocar o abrandamento do motor, desgastar mais rapidamente a folha de lixa e reduzir consideravelmente a velocidade de lixamento. Além disso, uma pressão excessiva pode sobrearrastar o motor e provocar um aquecimento excessivo que pode danificar o motor e prejudicar o bom funcionamento da ferramenta. Cuidado, o calor devido à fricção pode amolecer o verniz ou a resina que cobre a madeira.

Não lixar durante muito tempo a mesma parte da peça a trabalhar porque a acção abrasiva da lixadeira pode remover demasiado material e tornar a superfície irregular.

Longos períodos de lixamento podem provocar um aquecimento excessivo do motor. Se isso ocorrer, desligue a lixadora e aguarde até que o disco de lixa pare completamente e, em seguida, remova-o da mesa de trabalho. Retire a sua mão das fendas de ventilação, remova a folha de lixa, e em seguida ponha a lixadeira em funcionamento e faça-a trabalhar em vazio para arrefecer o motor.

### ESVAZIAR A CAIXA DE PÓ

Ver figura 4.

Para maior eficácia, esvazie o saco colector de pó quando estiver meio cheio. Esvazie e limpe sempre a caixa do pó muito bem depois da conclusão de uma operação de lixagem e antes de guardar a lixadora em armazém.

## Português

### **⚠ AVISO**

A acumulação de partículas quando lixa superfícies revestidas com produtos altamente inflamáveis como, por exemplo, o poliuretano, o óleo de linho, etc. Para reduzir o risco de incêndio, esvazie sempre frequentemente a sua caixa de pó (10-15 minutos) enquanto lixa e nunca armazene ou deixe uma lixadora sem esvaziar totalmente a sua caixa de poeira. Leia atentamente as recomendações dos fabricantes de revestimentos.

1. Desligue a lixadeira da corrente.

### **⚠ AVISO**

Se a lixadeira não estiver desligada da corrente, pode ocorrer um arranque por descuido e provocar ferimentos graves.

2. Remova a caixa de pó da lixadora.
3. Sacuda o saco do pó para esvaziá-lo.
4. Ligue novamente a caixa de pó à lixadora.

**NOTA:** Para uma limpeza mais exaustiva da caixa de pó, remova a mesma da estrutura e abane o pó. Substitua a caixa de pó sobre a estrutura e, em seguida, instale a caixa colectora de pó na lixadora.

### **MOVIMENTO ORBITAL**

Ver figura 7.

O movimento excêntrico é ideal para as acções rápidas de lixar (eliminação dos revestimentos, polimento de madeira bruta, aplainamento de superfícies segundo uma determinada espessura) e os trabalhos de acabamento (preparação de uma superfície antes da pintura). A folha de lixa efectua pequenos círculos a grande velocidade, permitindo assim uma grande mobilidade da lixadeira.

### **LUZ AVISADORA DE LIGAÇÃO**

A ferramenta está equipada com uma luz avisadora de ligação que acende quando a ferramenta está ligada. Esta luz avisa o utilizador que a ferramenta se encontra ligada à corrente e que entrará em funcionamento assim que premir o interruptor.

### **MANUTENÇÃO**

#### **⚠ AVISO**

A sua lixadeira nunca deve ser ligada a uma tomada de corrente quando montar peças, efectuar ajustes, quando limpar a sua ferramenta ou quando não a utilizar. Desligar a ferramenta irá prevenir o arranque acidental que poderia causar graves lesões.

#### **⚠ AVISO**

Ao realizar a manutenção utilize apenas peças de substituição idênticas. O uso de quaisquer outras peças pode criar perigo ou causar danos ao aparelho.

### **INSTRUÇÕES DE ORDEM GERAL**

Evite usar solventes ao limpar as peças de plástico. A maioria dos plásticos pode ser danificada pelos solventes vendidos no comércio. Utilize um pano limpo para remover as sujidades, o pó, etc.

#### **⚠ AVISO**

Os elementos de plástico nunca devem entrar em contacto com líquido de travões, gasolina, produtos à base de petróleo, óleos penetrantes, etc. Estassubstâncias contêm produtos químicos que podem danificar, enfraquecer ou destruir o plástico.

As ferramentas eléctricas utilizadas nos equipamentos de fibra de vidro, nas placas de gesso, nos painéis de revestimento têm tendência a usar-se mais rapidamente e a apresentar falhas prematuras. As aparas e a serradura provenientes destes materiais são com efeito muito abrasivas para as peças das ferramentas eléctricas como por exemplo as engrenagens, as escovas, os interruptores, etc. Por conseguinte, a utilização prolongada desta ferramenta em fibra de vidro, painéis de revestimento, massa de reboco ou gesso é fortemente desaconselhada. Se, porém, tiver que lixar estes materiais, é extremamente importante que limpe a sua lixadeira com ar comprimido.

## Português

### AVISO

Use sempre óculos de protecção ou óculos de segurança com protecções laterais durante a operação da ferramenta eléctrica ou quando estiver a levantar poeira no ar. Caso a operação seja poeirenta, use também uma máscara contra o pó.

### LUBRIFICAÇÃO

Todos os rolamentos desta ferramenta estão lubrificados com um montante suficiente de lubrificante de elevado nível, de acordo com a duração de vida da unidade em condições normais de funcionamento. Por conseguinte, não requer nenhuma lubrificação suplementar.

### LIMPEZA DAS PLACAS DE LIXA

Para assegurar uma vida mais longa e uma excelente eficácia das placas de lixa, limpe-as regularmente. Pode retirar todas as impurezas lavando simplesmente a placa com água morna. Depois da lavagem, deve torcê-la suavemente para retirar o excesso de água e deixe-a secar. Arrume sempre as placas de lixa horizontalmente num local seco e fresco.

### LIMPEZA DAS FOLHAS DE LIXAS

As folhas de lixas fornecidas com a sua lixadeira podem ser reutilizadas. É portanto importante que as limpe regularmente para retirar o pó e as partículas que se acumulam na superfície durante as diversas operações de lixamento.

Para limpar as folhas de lixas, esfregue-as com um bloco compacto de borracha. Pode utilizar, por exemplo, uma sola de sapatos limpa.

### AVISO

Retire sempre a folha de lixa ou a placa de lixa da placa da lixadeira antes de limpá-la. O não cumprimento desta instrução pode ocasionar ferimentos graves.

### PROTECÇÃO DO AMBIENTE



Recicle os materiais em vez de pô-los directamente no lixo doméstico. Para proteger o ambiente, a ferramenta, os acessórios e as embalagens devem ser seleccionados.

### SÍMBOLO



Alerta de Segurança

V Volts

Hz Hertz

~ Corrente alterna

W Watts

no Velocidade em vazio

min<sup>-1</sup> Número de rotações ou movimentos por minuto



Diâmetro orbital



Conformidade CE



Isolamento duplo



Use protecção para os ouvidos



Use protecção para os olhos



Agradecemos que leia atentamente as instruções antes de iniciar a máquina.



Os aparelhos eléctricos antigos não devem ser eliminados juntamente com o lixo doméstico. Recicle onde existem instalações para o efeito. Verifique com as suas Autoridades Locais ou revendedor para obter informações sobre reciclagem.

## Dansk

### BESKRIVELSE

1. Start-stopknap
2. Hastighedsvariator
3. Overmold-håndtag
4. Støvopsamlingsboks
5. Bundplade
6. Klemme
7. Kontrollampe for strømtilslutning
8. Burrebånds-sandpapir
9. Standard slibepapir

### SÆRLIGE SIKKERHEDSFORSKRIFTER FOR SLIBEMASKINER

- **Brug altid beskyttelsesbriller og støvmaske, når du sliber - især ved slibning over hovedhøjde.**
- **Maskinen er ikke egnet til vådslibning.**
- **Brug ikke større stykker sandpapir end nødvendigt.** Ekstra papir, der stikker ud over bundpladen, kan også forårsage alvorlige flænger.
- **Støvposen skal sidde på maskinen.** Sørg for at tømme den regelmæssigt. For at montere støvposen skal du sætte støvposens adapter i åbningen til støvopsamling bag på slibemaskinen.

#### ⚠ ADVARSEL

Smid ikke slibestøv på åben ild, da materialer i finpartikelform kan være eksplosive.

#### ⚠ ADVARSEL

Der skal benyttes et egnet åndedrætsværn ved slibning af blyholdig maling, visse trætyper og metal for at undgå indånding af skadeligt/giftigt støv eller luft.

### SPECIFIKATIONER

Model	ESS200RS	ESS280RV
Effekt	200 W	280 W
Spænding	230 V - 240 V ~ 50 Hz	230 V - 240 V ~ ~ 50 Hz
Tomgangshastighed	12000 min <sup>-1</sup>	7000-12000 min <sup>-1</sup>
Kredsbandediameter	2.0 mm	2.0 mm
Vægt	1.5 kg	1.7 kg

### FUNKTIONER

Se figur 1.

Slibemaskinen er egnet til slibning med groft, medium og fint sandpapir. Den giver en fin, ridsefri finish, når den bruges til slibning af træoverflader.

Denne rystepudser er konstrueret til at slibe kant mod kant på tre sider.

Slibemaskinen har et komfortabelt greb, der giver maksimal komfort ved brug af én hånd og mindsker træthed hos brugeren i forbindelse med længere slibeopgaver.

Inden værktøjet tages i brug, er det vigtigt at sætte sig ind i virkemåden og de sikkerhedsmæssige specifikationer. Men slibemaskinen skal stadig håndteres med omtanke, selv om man er blevet fortrolig med den.

### START-STOPKNAP

#### Elektronisk hastighedsvariator

Med den elektroniske hastighedsregulering kan slibehastigheden afpasses efter den flade, der skal slibes (lige fra tungt grovåret bygningstræ til sart finer).

Denne maskine betjenes ved hjælp af en enkelt afbryder.

- For at sætte slibemaskinen i gang: Forskyd kontakten til " I ".
- For at standse slibemaskinen: Forskyd kontakten til " O ".

#### ⚠ ADVARSEL

Man må på intet tidspunkt forfalde til uforsigtighed under arbejdet, blot fordi man føler sig fortrolig med værktøjet. Glem aldrig, at man blot skal være uopmærksom en brøkdal af et sekund for at komme alvorligt til skade.

### STØVOPSAMLINGSBOKS

Støvboksen fastgøres til slibemaskinen og holder støvet nede på et minimum.

### VARIABEL HASTIGHED (MODEL - ESS280RV)

Slibemaskinen har elektronisk hastighedsregulering, således at værktøjet efter de ønskede arbejdsforhold. Ved at vælge den rigtige hastighed kan man indstille værktøjet til specifikke slibebøvhov.

Værktøjets elektronik giver fleksibilitet mht. indstilling af motorhastigheden efter de ønskede arbejdsforhold. Variatorens elektroniske system vurderer belastningen på motoren og sætter motorkraften op eller ned, således at hastigheden er konstant. Hastigheden kan indstilles efter det arbejde, der skal udføres, og den type flade, der skal slibes.

Til ru flader eller hurtigt grovslibning drejes regulatoren mod højre for at sætte hastigheden op.



## Dansk

### MONTERING

#### ⚠ ADVARSEL

Slibemaskinen må aldrig være tilsluttet stikkontakten under montering af dele, indstilling, rensning, eller når den ikke er i brug. Ved at afbryde forbindelsen til strømforsyningen forhindrer man utilsigtet start af produktet, hvilket kan medføre alvorlige personskader.

### VALG AF SLIBEPAPIR

Det er meget vigtigt at vælge den rigtige størrelse og type slibepapir og den rigtige finhedsgrad for at opnå et godt resultat. Til grovslibning anbefales syntetiske slibemidler såsom aluminiumoxid eller siliciumkarbid. Naturlige slibemidler som kisel eller granat er for bløde og ikke økonomiske i brug til grovslibning.

Som hovedregel anvendes groft slibepapir først til at fjerne de groveste partier og finere slibepapir til den afsluttende slibning. Overfladens beskaffenhed bestemmer, hvilken finhedsgrad der skal anvendes. Hvis fladen er ru, startes med groft slibepapir, indtil fladen er jævn. Derefter anvendes mellemfint slibepapir til at fjerne de ridser, det grove slibepapir har efterladt, og til sidst pudses efter med det fine slibepapir. Slib med hver finhedsgrad, indtil fladen er ensartet.

#### ⚠ ADVARSEL

BRUG IKKE slibemaskinen uden sandpapir, da det kan beskadige bundpladen.

#### Sandpapir/slibeplade anbefalet brug

Slibepapir finhed Ø 80	Grovslibning
Slibepapir finhed Ø 120	Lettere slibning
Slibepapir finhed Ø 150	Lettere slibning

### MONTERING AF STØVBOKSEN

Se figur 2.

Støvboksen tilvejebringer et støvopsamlingssystem for slibemaskinen. Under slibningen trækkes slibestøvet op gennem hullerne i slibeskiven og opsamles i støvboksen.

1. Træk slibemaskinens stik ud af stikkontakten.
2. Støvboksmodulert vrikkes og skubbes helt ind i blæseluftudstødningen på slibemaskinen.

#### ⚠ ADVARSEL

Vær opmærksom under arbejdet med slibemaskinen. Uforsigtige handlinger, selv i brøkdeler af sekunder, kan medføre alvorlige personskader.

### ANVENDELSE

Slibemaskinen kan anvendes til nedenstående formål:

- Slibning af træflader.
- Afrensning af rust og slibning af stål.
- Polering, pudsning og slibning af porcelæn og metal.

#### ⚠ ADVARSEL

Sørg for at holde den strømførende ledning væk fra bundpladens slibebane, og læg den således, at den ikke griber fat i træstykke, værktøj eller andre genstande under slibningen.

#### ⚠ ADVARSEL

Brug altid sikkerhedsbriller eller beskyttelsesbriller med sideafskærmning, når der arbejdes med redskaber og værktøj. Hvis denne regel ikke overholdes, kan man få fremmedlegemer, støv eller spåner i øjnene og komme alvorligt til skade.

### BETJENING

#### PÅSÆTNING AF SANDPAPIR

Undersøg sandpapiret, før du monterer det. BRUG IKKE sandpapir, der er itu eller defekt.

#### Burrebånds-sandpapir

Se figur 5.

1. Træk slibemaskinens stik ud af stikkontakten.
2. Ret hullerne i slibepapiret eller slibepuden ind efter hullerne i maskinens bundplade, og hæft omhyggeligt papirets burrebånd fast på bundpladen, og tryk godt fast.

**BEMÆRK:** Det anbefales at holde slibepapir og -puder rene, så sidder de bedre fast på maskinens bundplade. Rens dem jævnligt med en lille børste.

#### ⚠ ADVARSEL

Hvis stikforbindelsen ikke afbrydes, kan slibemaskinen starte ved et uheld og forårsage alvorlige ulykker.

## Dansk

### Standard slibepapir

Se figur 6.

1. Træk slibemaskinens stik ud af stikkontakten.
2. Løs papirklemmen. Fjern evt. brugt sandpapir.
3. Indsæt det nye sandpapir under papirklemmen.
4. Spænd sandpapiret fast.

### IGANGÆTNING/STANDSNING AF SLIBEMASKINEN

Se figur 1.

- For at sætte slibemaskinen i gang: Forskyd kontakten til "I".
- For at standse slibemaskinen: Forskyd kontakten til "O".

### ANVENDELSE

Se figur 3.

1. Spænd arbejdsstykket fast, så det ikke glider under slibemaskinen.

#### ⚠ ADVARSEL

Hvis arbejdsstykket ikke spændes fast, kan det bliver slynget ud mod brugeren, som kan komme alvorligt til skade.

#### ⚠ ADVARSEL

Hold ansigtet i god afstand fra slibemaskinen og slibestedet. Dæk håret, så det ikke hænger fast i slibemaskinen, hvilket kan føre til alvorlige ulykker.

2. Anbring slibemaskinen med hele bundpladefluden i kontakt med arbejdsstykket.

#### ⚠ ADVARSEL

Pas på ikke at lukke for ventilationsåbningerne med hænderne, ellers kan motoren blive overophedet.

3. Sæt slibemaskinen i gang, og før den langsom hen over emnet.

**BEMÆRK:** Hold slibemaskinen foran og væk fra kroppen, så arbejdsstykket tydeligt kan ses. Start slibemaskinen, og lad motoren komme op på fuld hastighed. Før derefter langsomt bundpladen ned mod emnet. Når bundpladen er i berøring med arbejdsstykket, føres slibemaskinen hen over fladen i små cirkelbevægelser.

**Pres aldrig slibemaskinen.** Maskinens egenvægt sikrer tilstrækkeligt tryk mod arbejdsstykket. Det er maskinen og slibepapiret, der skal gøre "arbejdet". Hvis der trykkes yderligere på maskinen, risikerer motorens hastighed at falde, slibepapiret bliver hurtigere slidt, og slibehastigheden nedsættes betydeligt. Desuden vil for

hårdt tryk overbelaste og overophede motoren, så den bliver ødelagt og værktøjets effektivitet forringes. Pas på gnidnings-varmen, som kan blødgøre lak og harpiks på træet.

Lad være med at slibe for længe samme sted på arbejdsstykket, maskinens slibevirkning kan nemlig hurtigt slide materialet og gøre overfladen ujævn.

Langvarig slibning kan bevirke overophedning af motoren. Hvis dette sker, slukker man for slibemaskinen og venter, til slibeskiven er helt stoppet, før man fjerner den fra emnet. Tag hånden væk fra ventilationsåbningerne, fjern slibepapiret, start slibemaskinen igen, og lad den gå ubelastet for at køle motoren af.

### TØMNING AF STØVBOKSEN

Se figur 4.

For at virke effektivt skal støvposen tømmes, når den er halvt fuld. Støvposen skal altid tømmes og renses grundigt efter en slibeopgave, og inden slibemaskinen stilles til opbevaring.

#### ⚠ ADVARSEL

Opsamlede støvpartikler fra afslebne overfladebelæggninger som f.eks. polyuretan, linolie osv. kan selvantændes i støvposen eller andre steder i maskinen og forårsage brand. For at reducere brandfaren skal man huske at tømme støvboksen hyppigt (10-15 minutter) under slibning og aldrig opbevare eller efterlade en slibemaskine uden fuldstændigt tørt støvboks. Læs belægningsproducentens anvisninger omhyggeligt igennem.

1. Træk slibemaskinens stik ud af stikkontakten.

#### ⚠ ADVARSEL

Hvis stikforbindelsen ikke afbrydes, kan slibemaskinen starte ved et uheld og forårsage alvorlige ulykker.

2. Fjern støvboksen fra slibemaskinen.
3. Ryst støvet ud.
4. Montér atter støvboksen på slibemaskinen.

**BEMÆRK:** For en grundigere rengøring af støvboksen kan man fjerne den fra rammen og ryste støvet ud. Anbring atter støvboksen over rammen, og montér støvboksmodul på slibemaskinen.

### ORBITAL BEVÆGELSE

Se figur 7.

Cirkelbevægelse er ideelt til hurtig slibning ved fjernelse af gammel finish, slibning af groft træ, nedslibning til krævede mål eller efterbehandling af overflader, som skal males.

## Dansk

Sandpapiret kører i små cirkler ved meget høj hastighed, hvilket betyder, at slibemaskinen kører nemt og frit.

### KONTROLLAMPE FOR STRØMTILSLUTNING

Dette værktøj har en kontrollampe for strømtilslutning, som lyser, når værktøjets stik er sat i stikkontakten. Denne advarer brugeren om, at der er strøm på værktøjet, og at den starter, så snart knappen trykkes ind.

### VEDLIGEHOJDELSE

#### ▲ ADVARSEL

Slibemaskinen må aldrig være tilsluttet stikkontakten under montering af dele, indstilling, rensning, eller når den ikke er i brug. Ved at afbryde forbindelsen til strømforsyningen forhindrer man utilsigtet start af produktet, hvilket kan medføre alvorlige personskader.

#### ▲ ADVARSEL

I forbindelse med servicearbejde må der kun bruges originale reservedele. Brug af alternative dele kan forårsage farlige situationer eller ødelægge produktet.

### ALMINDELIGE REGLER

Undgå brug af opløsningsmidler til rengøring af plastdele. De fleste plasttyper bliver ødelagt, hvis de renses med almindelige gængse opløsningsmidler. Fjern snavs, støv m.v. med en ren klud.

#### ▲ ADVARSEL

Plastelementer må aldrig komme i berøring med bræmsevæske, benzin, olie- eller petroleumsbaserede produkter, rustløsende olie o.l. Disse kemiske produkter indeholder stoffer, som kan beskadige, mørne eller ødelægge plastmaterialet.

Elektriske værktøjer, som bruges på glasfiber, gipsplader og beklædningsplader har tendens til at blive slidt hurtigere og få flere driftsproblemer. Spåner og savsmuld fra disse materialer har nemlig en kraftig slibevirkning på det elektriske værktøjs dele, f.eks. tandhjulsforbindelser, kulkontakter, omskiftere osv. Derfor frarådes det stærkt at anvende værktøjet i længere tid på glasfiber, beklædningsplader, puds og spartelmasse eller gips. Men hvis der skal slibes denne type materialer, er det yderst vigtigt at rense slibemaskinen med trykluft.

#### ▲ ADVARSEL

Bær altid sikkerhedsbriller med sideskjolde under betjening af elværktøjet eller ved støv-ophvirvling. Hvis der ophvirvles støv under arbejdet, bæres også støvmaske.

### SMØRING

Alle lejerne i dette værktøj er smurt for produktets levetid under normale driftsbetingelser med en tilstrækkelig mængde højkvalitetssmøremiddel. Det er derfor ikke nødvendigt med yderligere smøring.

### RENGØRING AF SLIBEPUDER

For at forlænge slibepudernes levetid og effektivitet skal de rengøres med jævne mellemrum. Alle fremmedlegemer kan fjernes, hvis puden skylles med lunkent vand. Når slibepuden er ren, slynges eller rystes vandet forsigtigt af, og puden lægges til tørre. Slibepuderne skal altid opbevares liggende fladt et tørt og køligt sted.

### RENGØRING AF SLIBEPAPIR

Slibepapiret leveret med denne slibemaskine kan genbruges. Det er derfor vigtigt at rense det regelmæssigt for støv og partikler ophobet på fladen under de forskellige slibearbejder.

Slibepapiret renses ved gnidning mod en kompakt gummiflade. F.eks. kan der anvendes et ren skosål.

#### ▲ ADVARSEL

Tag altid slibepapiret eller slibepuden af maskinens bundplade inden rengøring eller rensning. Hvis denne regel ikke overholdes, kan man komme alvorligt til skade.

### MILJØBESKYTTELSE



Råmaterialerne skal genvindes og ikke bortkastes med almindeligt affald. Af hensyn til miljøet skal redskab, tilbehør og emballage sorteres.

### SYMBOL



Sikkerheds Varsel

V Volt

Hz Hertz

~ Vekselstrøm

## Dansk

W Watt

$n_0$  Tomgangshastighed

$\text{min}^{-1}$  Antal omdrejninger eller bevægelser pr.Minut



Kredsbanediameter



CE Overensstemmelse



Dobbelt-isolering



Benyt høreværn



Benyt øjenværn



Læs venligst vejledningen grundigt igennem før maskinen tages i brug.



Elektriske affaldsprodukter bør ikke afskaffes sammen med husholdningsaffald. Genbrug venligst hvor faciliteterne tillader dette. Tjek med din lokale kommune eller forhandler for genbrugsråd.

## Svenska

## BESKRIVNING

1. Strömbrytare
2. Hastighetsvariator
3. Överdraget handtag
4. därför måste du rengöra den.Dammlåda
5. Fot
6. Klämma
7. Indikator för nätanslutning
8. Sandpapper med kardborrefäste
9. Standard slippapper

## SPECIFIKA SÄKERHETSFORESKRIFTER FÖR SLIPMASKINER

- Använd alltid skyddsglasögon och en skyddsmask mot damm då du slipar, i synnerhet om du håller slipmaskinen ovanför huvudet.
- Använd aldrig slipmaskinen på fuktiga ytor.
- Sandpappret får inte vara för stort. Om sandpappret är större än slipdynan, kan du skada dig allvarigt.
- Dampmåsen ska placeras på verktyget och tömmas regelbundet. Det ska tömmas ofta. Montera måsen så här: för in påsringen i munstycket som finns baktill på slipmaskinen och vrid den till höger ända tills måsen sitter stadigt fast.

## ⚠ VARNING

Kasta inte damm som alstrats av slipningen i öppen eld, för ämnena i form av små partiklar kan vara explosiva.

## ⚠ VARNING

Du bör använda en lämplig skyddsmask mot damm då du slipar ytor som är täckta med blybaserad färg eller vissa träslag och metaller, för att inte andas in damm eller giftiga ångor.

## SPECIFIKATIONER

Modell	ESS200RS	ESS280RV
Ström	200 W	280 W
Spänning	230 V - 240 V ~ 50 Hz	230 V - 240 V ~ 50 Hz
Tomgångshastighet	12000 min <sup>-1</sup>	7000-12000 min <sup>-1</sup>
Bandiameter	2.0 mm	2.0 mm
Vikt	1.5 kg	1.7 kg

## FUNKTIONER

Se bild 1.

Din slipmaskin används med sandpapper med olika kornstorlek (grov-, medel- eller finkornigt). Om man för slipmaskinen på trä i fiberns riktning, får man en slät yta, utan repor.

Denna slipmaskin är även konstruerad för att tillåta kant i kant-slipning på tre sidor.

Din slipmaskin är utrustad med ett handtag som ger ett gott grepp och hög komfort vid användningen. Detta reducerar riskerna för att bli trött vid ett längre arbetspass. Innan du använder sågen bör du bekanta dig med alla dess funktioner och speciella detaljer i fråga om säkerhet. Fortsätt ändå att vara vaksam även efter att du har blivit van vid din slipmaskin.

## STRÖMBRYTARE

## Hastighetsvariator

Med den elektroniska hastighetsvariatorn kan du ställa in slipningshastigheten beroende på den typ av yta som ska bearbetas (från tungt och kraftigt byggtill till ömtåligt fäner).

Denna slipmaskin är utrustad öed en enkel strömbrytare.

- Sätt i gång slipmaskinen så här: Skjut brytaren till läget "I".
- Stäng av slipmaskinen så här: Skjut brytaren till läget "O".

## ⚠ VARNING

Tillåt dig inte att bli oförsiktig när du har bekantat dig med maskinen. Glöm inte att om du är ouppmärksam bara bråkdelen av en sekund kan du skada dig allvarligt.

## DÄRFÖR MÅSTE DU RENGÖRA DEN.DAMMLÅDA

Dammlådan ansluts till slipmaskinen och minimerar dammandet.

## VARIABEL HASTIGHET (MODELL - ESS280RV)

Slipmaskinen har en elektronisk hastighetsreglering, så att du ska kunna använda verktyget på bästa sätt. Du kan justera hastigheten så att den passar alla typer av sliparbeten.

Den elektroniska justeringsfunktionen på ditt verktyg gör arbetet flexibelt eftersom du kan justera motorhastigheten beroende på vilken typ av arbete som ska utföras. Variatorns elektroniska system uppskattar den belastning som utövas på motorn och ökar eller minskar motorns effekt, så att hastigheten förblir konstant. Hastigheten kan justeras beroende på den typ av arbete som ska utföras eller den typ av yta som ska slipas.

## Svenska

På ojämna ytor eller vid snabb grovslipning, vänd variatorn mot höger för att öka hastigheten.

### HOPSÄTTNING

#### ⚠ VARNING

Mallen skall ha en tjocklek på minst 5 mm, så att schablonen kan skjuta ut nedanför bordet. Slipmaskinen får aldrig vara nätansluten då du monterar komponenter, utför inställningar, rengör verktyget eller då du inte använder det. Om du kopplar ur verktyget från eluttaget så förhindrar du oavsiktlig start som kan resultera i allvarliga skador.

### VAL AV SANDPAPPER

Valet av storlek, korn och typ av slippapper är ytterst viktigt för att erhålla ett högklassigt resultat. För grovbearbetning rekommenderar vi att använda syntetiska slipmedel som alunin eller kiselkarbid. Naturliga slipmedel som flinta eller granat är nämligen för mjuka för att vara ekonomiska vid grovbearbetning.

Allmänt taget är ett grovt slipmedel lämpligt för grovarbete och ett fint slipmedel för finpolering. Det är materialets yta som avgör hurdant slipmedel som bör användas. Om ytan är skrovlig är det skäl att börja slipningen med ett grovt slippapper, ända tills ytan är jämn. Sedan kan du använda mediumtyp för att eliminera de repor som lämnats kvar av det grova slippappret och slutligen ett fint slippapper för att polera ytan. Slipa med varje typ av slippapper, ända tills ytan är helt jämn.

#### ⚠ VARNING

Använd INTE slipmaskinen utan sandpapper, för att inte skada slipdynam.

#### Rekommenderad användning av ark/papper

Slippapper, kornstorlek Ø 80	Grov slipning
Slippapper, kornstorlek Ø 120	Lätt slipning
Slippapper, kornstorlek Ø 150	Lätt slipning

### MONTERA DAMMLÅDAN

Se bild 2.

Dammlådan samlar upp damm när du använder slipmaskinen. Slipdamm dras upp genom hålen i slipskivan och samlas i dammlådan under slipning.

1. Koppla ur slipmaskinen.
2. Använd en något vridande rörelse och skjut in dammlådan i dammutblåset på slipmaskinen.

#### ⚠ VARNING

Var på din vakt då du använder slipmaskinen. En bråkdel av en sekunds oaktsamhet kan resultera i allvarlig personskada.

### ANVÄNDNINGSSOMRÅDEN

Använd slipmaskinen endast för nedanstående ändamål:

- Slipning av trätor.
- Borttagning av rost och slipning av stål.
- Polering och slipning av porslin och metaller.

#### ⚠ FÖRSIKTIGHET

Kom ihåg att hålla nätsladden på avstånd från slipbanan och placera den på ett sådant sätt att den inte fastnar i trästycken, verktyg eller andra föremål under arbetet.

#### ⚠ VARNING

Använd alltid säkerhetsglasögon eller skyddsglasögon försedda med sidoskydd vid arbete med verktyg. Underlåtenhet att följa denna föreskrift kan leda till att främmande partiklar, damm eller spån slungas mot ögonen och framkallar allvarliga ögonskador.

### ANVÄNDNING

#### FASTSÄTTNING AV SLIPPAPPRET

Kontrollera sandpapprets skick innan du sätter fast det. Använd INTE defekt eller trasigt sandpapper.

#### Sandpapper med kardborrefäste

Se bild 5.

1. Koppla ur slipmaskinen.
2. Placera hålen i slippappret eller slipdynam mitt för hålen i slipmaskinens fot och limma sedan försiktigt papprets kardborresida på foten, så stadigt som möjligt.

**NOTERA:** Vi rekommenderar att hålla slippappren och slipdynorna rena, så att de häftar bättre vid slipmaskinen. Rengör dem regelbundet med en liten borste.

#### ⚠ VARNING

Om slipmaskinen inte är urkopplad, kan den sättas i gång oavsiktligt och förorsaka allvarliga kroppsskador.

#### Standard slippapper

Se bild 6.

## Svenska

1. Koppla ur slipmaskinen.
2. Öppna pappersklämman. Ta bort det använda sandpappret, om det finns något sådant.
3. Sätt fast ett nytt sandpapper under pappersklämman.
4. Sätt fast sandpappret på plats.

### STARTA / STOPPA SLIPMASKINEN

Se bild 1.

- Sätt i gång slipmaskinen så här: Skjut brytaren till läget "I".
- Stäng av slipmaskinen så här: Skjut brytaren till läget "O".

### ANVÄNDNING

Se bild 3.

1. Fäst arbetsstycket så att det inte kan glida under slipmaskinen.

#### ⚠ VARNING

Om arbetsstycket inte är fäst, kan det slungas mot användaren och förorsaka allvarliga skador.

#### ⚠ VARNING

Tänk på att hålla ansiktet på avstånd från slipmaskinen och slipningsområdet. Skydda håret så att det inte fastnar i slipmaskinen, för det kunde förorsaka allvarliga skador.

2. Placera slipmaskinen på arbetsytan så att hela foten är i kontakt med arbetsstycket.

#### ⚠ FÖRSIKTIGHET

Se till att du inte täpper till ventilationsöppningarna med händerna, för det skulle leda till en överhettning av motorn.

3. Sätt i gång slipmaskinen och flytta den långsamt på arbetsstycket.

**NOTERA:** Håll slipmaskinen framför dig på lämpligt avstånd för att kunna se arbetsstycket. Sätt i gång slipmaskinen och vänta tills motorn nått sin maximala hastighet. Rikta sedan långsamt slipmaskinens fot mot arbetsstycket. Då slipmaskinen är i kontakt med arbetsstycket flyttar du den på arbetsytan med små cirkelformiga rörelser.

**Tryck framför allt inte för hårt på slipmaskinen.** Slipmaskinen vikt anbringat ett tillräckligt tryck på arbetsstycket. Det är slipmaskinen och slippappret som ska göra allt "arbete". Om du trycker extra hårt på slipmaskinen kan det hända att motorn börjar gå långsammare, att

slippappret slits snabbare och att sliphastigheten minskar märkbart. Dessutom kan ett extremt tryck överbelasta motorn och förorsaka en överhettning som kan skada motorn och påverka verktygets funktion. Se upp: värmen som beror på friktionen kan mjuka upp fernissan eller hartsen som täcker träet.

Tänk på att inte slipa för länge på samma del av arbetsstycket, för slipmaskinens slipande verkan kan slita snabbt på ämnet och ge ett oregelbundet resultat.

Långvarigt sliparbete kan förorsaka överhettning av motorn. Om det händer, stäng av slipmaskinen och vänta tills slipskivorna har stannat helt och ta bort den från arbetsstycket. Ta bort handen från ventilationsöppningarna, ta loss slippappret, sätt åter i gång slipmaskinen och ha den att gå på tomgång för att avkyla motorn.

### TÖMMA DAMMLÅDAN

Se bild 4.

För ännu större effektivitet kan du tömma dammpåsen så fort den blir halvfull. Töm alltid ur, och rengör, dammlådan ordentligt efter att du har slipat och innan du lägger undan slipmaskinen.

#### ⚠ VARNING

Anhopning av partiklar på grund av slipning av ytor som varit belagda med högst lättantändliga produkter som t. ex. polyuretan, linolja, etc. kan antända dammpåsen eller andra delar av slipmaskinen och förorsaka brand. Töm alltid dammlådan ofta (10-15 minuter) för att undvika brand när du slipar, och förvara eller lämna aldrig slipmaskinen utan att helt tömma dammlådan först. Läs noga de rekommendationer som lämnats av fabrikanterna som tillverkat beläggningarna.

1. Koppla ur slipmaskinen.

#### ⚠ VARNING

Om slipmaskinen inte är urkopplad, kan den sättas i gång oavsiktligt och förorsaka allvarliga kroppsskador.

2. Ta bort dammlådan från slipmaskinen.
3. Skaka om dammpåsen för att tömma den.
4. Sätt tillbaka dammlådan på slipmaskinen.

**NOTERA:** Ta bort dammlådan från ramen och skaka ur allt damm om du vill rengöra den mer noggrant. Sätt tillbaka dammlådan över ramen och montera på slipmaskinen.

### RUNDGÅENDE RÖRELSE

Se bild 7.

Den excentriska rörelsen är idealisk för snabb slipning (borttagning av gammal beläggning, polering av obearbetat

## Svenska

trä, avslipning av ytor till en viss tjocklek) och ytbehandling (förberedning av en yta före målning). Sandpappret gör små cirkelrörelser i mycket hög hastighet, vilket ger slipmaskinen en stor rörlighet.

### INDIKATOR FÖR NÄTANSLUTNING

Det här verktyget är utrustat med en indikator för nätanslutning som tänds då verktyget ansluts till nätet. Detta gör användaren uppmärksam på att verktyget är spänningssatt och att det sätts i gång så fort strömbrytaren trycks ned.

### UNDERHÅLL

#### ⚠ VARNING

Mallen skall ha en tjocklek på minst 5 mm, så att schablonen kan skjutas ut nedanför bordet. Slipmaskinen får aldrig vara nätansluten då du monterar komponenter, utför inställningar, rengör verktyget eller då du inte använder det. Om du kopplar ur verktyget från eluttaget så förhindrar du oavsiktlig start som kan resultera i allvarliga skador.

#### ⚠ VARNING

Använd endast identiska originaldelar när du servar maskinen. Användning av andra delar kan orsaka fara eller produktskada.

### ALLMÄNNA FÖRESKRIFTER

Undvik att använda lösningsmedel vid rengöring av plastdelar. Flertalet plaster kan skadas vid användning av vissa lösningsmedel som säljs i affärerna. Använd en ren tygtrasa för att torka bort smuts, damm, osv.

#### ⚠ VARNING

Se till att plastdelarna aldrig kommer i kontakt med bromsvätska, bensin, produkter med petroleumbas, penetrerande oljor, osv. Dessaämnen innehåller kemiska produkter som kanskada, försvaga eller förstöra plasten.

Elektriska verktyg som används på glasfiber, gipsplattor eller beklädnadspaneler tenderar att slitas snabbare och få funktionsavbrott i förtid. Spån och sågspån som härstammar från dessa material angriper nämligen vissa komponenter i elektriska verktyg, som t. ex. kugghjul, elborstar, strömbrytare, osv. Följaktligen råder vi användarna att låta bli långvarig användning av detta

verktyg på glasfiber, beklädnadspaneler, ytbeläggning för igenfyllning eller gips. Om du emellertid måste slipa dessa material är det ytterst viktigt att rengöra slipmaskinen med tryckluft.

#### ⚠ VARNING

Använd alltid skyddsglasögon när du använder verktyget eller när du blåser damm. Använd en ansiktsmask om det dammar mycket.

### SMÖRJNING

Alla lager i det här verktyget är smörjda med tillräckligt mycket högkvalitativt smörjmedel för att räcka under maskinens hela livslängd, vid en normal användning. Därför behövs ingen ytterligaresmörjning.

### RENGÖRING AV SLIPDYNORNA

Rengör slipdynorna regelbundet, för en längre livslängd och en optimal effektivitet. Du kan avlägsna alla främmande partiklar genom att bara skölja slipdynan med ljummet vatten. Då slipdynan är ren, vrids du varsamt ur den för att få bort överflödigt vatten och låter den torka. Förvara alltid slipdynorna utbredda på en torr och sval plats.

### RENGÖRING AV SLIPPAPPREN

Slippappren som bifogas med slipmaskinen kan återanvändas. Därför är det viktigt att rengöra dem regelbundet, för att få bort damm och partiklar som hopar sig på ytan under olika sliparbeten.

För att rengöra slippappren kan du gnugga dem med en kompakt gummibit. Du kan använda till exempel en ren skosula.

#### ⚠ VARNING

Ta alltid bort slippappret eller slipdynan från slipmaskinens fot innan du rengör dem. Underlåtenhet att följa denna föreskrift kan försäkra allvarliga kroppsskador.

### MILJÖSKYDD



Råmaterialen bör återanvändas i stället för att kastas i hushållsavfallet. För att skona miljön ska verktyget, tillbehören och emballagen sorteras.



## SYMBOL



Säkerhetsvarning

V Volt

Hz Hertz

~ Växelström

W Watt

n<sub>o</sub> Tomgångshastighetmin<sup>-1</sup> Antal varv eller rörelser per minut

Bandiameter



CE-konformitet



Dubbelisolering



Bär hörselskydd.



Använd skyddsglasögon



Läs instruktionerna ordentligt innan start av maskinen.



Gamla elektroniska produkter ska inte kastas med hushållssoporna. Återvinn där sådana faciliteter finns. Kontrollera med din lokala myndighet eller säljaren för att få återvinningstips.

## Suomi

### KUVAUS

1. Katkaisin
2. Nopeusvaraattori
3. Valettu kahva
4. Pölynkeruusäiliö
5. Luistin
6. Pihti
7. Jännitteen merkkivalo
8. Haka ja silmukka -hiomapaperi
9. Vakio hiomapaperi

### HIOMAKONEITA KOSKEVAT ERITYISET TURVAOHJEET

- Käytä aina suojalaseja ja pölynaamaria hioessasi, erityisesti pään yläpuolella hioessasi.
- Tämä laite ei sovi märkähiontaan.
- Älä käytä liian suurta hiekkapaperia. Hiomalaikan reunojen yli ulottuva ylimääräinen paperi saattaa aiheuttaa vakavia haavoja.
- Työkaluun on kiinnitettävä pölypussi, ja se on tyhjennettävä säännöllisesti. Se on tyhjennettävä usein. Liitä pölypussi asettamalla pölypussin sovitin hiomakoneen takaosassa olevaan pölyaukkoon.

#### ⚠ VAROITUS

Älä heitä hiontapölyä avotuleen, koska pieninä hiukkasina olevat materiaalit saattavat olla räjähdysherkkiä.

#### ⚠ VAROITUS

Työhön sopivaa hengityssuojainta on käytettävä, kun hiotaan liijymaalia, joitain puupintoja ja metallia, jotta vältetään haitallisen/myrkyllisen pölyn tai ilman hengittämiseltä.

### TEKNISET TIEDOT

Malli	ESS200RS	ESS280RV
Teho	200 W	280 W
Jännite	230 V - 240 V ~ 50 Hz	230 V - 240 V ~ 50 Hz
Tyhjäkäyntinopeus	12000 min <sup>-1</sup>	7000-12000 min <sup>-1</sup>
Radan halkaisija	2.0 mm	2.0 mm
Paino	1.5 kg	1.7 kg

### OMINAISUUDET

Katso kuva 1.

Hiomakone sopii hiomiseen karkealla, keskikarkealla ja hienolla hiekkapaperilla. Tuloksena on sileä ja naarmuton pinta, kun puupintoja hiotaan puun syiden suuntaisesti.

Tämä hiomakone on suunniteltu reuna-reunassa hiontaan kolmelta sivultaan.

Hiomakoneessa on miellyttävä kämmeneen sopiva kahva, joka tarjoaa parhaan mahdollisen yhden käden käyttömukavuuden ja vähentää käyttäjän väsymistä pitkissä hiontatöissä.

Perehdy työkalun toimintoihin ja turvallisuutta koskeviin erikoisuuksiin ennen sen käyttöä. Älä unohda valppautta kun olet oppinut hiomakoneen käytön.

### KATKAISIN

#### Elektroninen nopeudensäädin

Elektroninen nopeudensäädin mahdollistaa hiontanopeuden sovittamisen hiottavan pinnan mukaisesti (raskaasta ja kestävästä rakennuspuusta kevyeen vaneriin).

Tässä työkalussa on yksinkertainen katkaisin.

- Hiomakoneen käynnistäminen: Työnnä kytkin asentoon " I".
- Hiomakoneen katkaisu: Työnnä kytkin asentoon " O".

#### ⚠ VAROITUS

Älä tule varomattomaksi sen takia, että tunnet laitteen. Muista aina, että hetken kestävä huolimattomuus voi johtaa vakavaan loukkaantumiseen.

### PÖLYNKERUUSÄILIÖ

Pölysäiliö voidaan kiinnittää hiomalaitteeseen, ja se pitää pölyn määrän minimissä.

### SÄÄDETTÄVÄ NOPEUS (MALLI - ESS280RV)

Hiomakoneessa on elektroninen nopeudensäädin, joka mahdollistaa työkalun optimaalisen käytön. Oikealla nopeussäädöllä laite voidaan säätää sopimaan tiettyyn hiomatehtävään.

Laitteen sähköinen ominaisuus auttaa säätämään moottorin nopeuden vastaamaan työoloja. Elektroninen nopeudensäätöjärjestelmä arvioi moottorin kohdistuvan kuormituksen ja kohottaa tai laskee moottorin tehoa niin, että pyörintänopeus pysyy vakiona. Nopeus voidaan sovittaa työn luonteen tai hiottavan pinnan mukaisesti.

Käännä nopeudensäädintä oikealle, kun haluat kohottaa nopeutta karhean pinnan hiontaa tai nopeaa esihiontaa

## Suomi

varten.

**KOKOAMINEN****VAROITUS**

Hiomakonetta ei saa koskaan kytkeä verkkovirtaan kun asennat osia, teet säätö- ja puhdistustöitä tai kun et käytä sitä. Laitteen irrottaminen pistorasiasta estää sitä käynnistymättä vahingossa, jolloin vältetään mahdollisilta vakavilta vammoilta.

**HIOMAPAPERIN VALINTA**

Sopivan hiomapaperikoon ja -tyypin sekä sen karheuden valinta on tehtävä huolellisesti mikäli haluat saada laadukkaan tuloksen. Esihionnassa suosittelemme synteettisen kuten alumiinioksid- tai piikarbidipäälysteisen hiomapaperin käyttöä. Luonnolliset piikivi- tai kranaattipäälysteiset hiomapaperit ovat pehmeitä ja niiden käyttö esihionnassa ei ole taloudellista.

Yleensä karkeaa hiomapaperia käytetään materiaalin irrottamiseen ja hionoa hiomapaperia viimeistelytyöhön. Käytettävä hiomapaperilaatu määritellään hiottavan pinnan mukaisesti. Jos hiottava pinta on epätasainen, hio ensin karkealla hiomapaperilla kunnes pinta on tasainen. Käytä sitten medium-paperia jäljellä olevien naarmujen poistamiseksi ja kiilloita lopuksi pinta hienolla hiomapaperilla. Jatka hiontaa kullakin paperilaadulla kunnes pinta on tasainen.

**VAROITUS**

ÄLÄ KÄYTÄ hiomakonetta ilman hiekkapaperia. Muuten tyyny vaurioituu.

**Laikan/tyynyn suositeltu käyttötarkoitus**

Hiomapaperi Ø 80	Esihionta
Hiomapaperi Ø 120	Kevyt hionta
Hiomapaperi Ø 150	Kevyt hionta

**PÖLYSÄILIÖN ASENTAMINEN**

Katso kuvaa 2.

Pölysäiliö on hiomalaitteen pölynkeräysjärjestelmä. Hiomapöly imetään hiomalaikan reikiin läpi ja kerätään pölysäiliöön hiomisen aikana.

1. Irroita hiomakone verkkovirrasta.
2. Työnnä pölysäiliökokoonpano hiomakoneen puhaltimen poistoaukkoon sitä lievästi kääntäen.

**VAROITUS**

Pysytele valppaana kun käytät hiomakonetta. Varomaton toiminta – vaikka vain sekunnin murto-osan ajan – voi aiheuttaa vakavan loukkaantumisen.

**KÄYTTÖKOHEET**

Voit käyttää työkalua alla esitetyihin käyttötarkoituksiin:

- Puupintojen hiominen.
- Ruosteen poisto ja teräksen hionta.
- Posliinin ja metallin kiillotus ja hionta.

**VAROITUS**

Pidä liitäntäjohto kaukana luistimen kulkureitiltä ja aseta se siten, ettei se pääse tarttumaan puukappaleisiin, työkaluihin tai muihin esineisiin työn aikana.

**VAROITUS**

Käytä aina tavanomaisia tai sivusuojilla varustettuja suojalaseja, kun käytät työkaluja. Tämän ohjeen laiminlyönti voi aiheuttaa sirpaleiden, pölyn tai roskien sinkoutumisen silmiin käytön aikana ja aiheuttaa täten vakavia silmävammoja.

**OPERATION****HIOMAPAPERIN ASENTAMINEN**

Tarkasta hiekkapaperi ennen asentamista. ÄLÄ KÄYTÄ rikkiinistä tai viallista hiekkapaperia.

**Haka ja silmukka -hiomapaperi**

Katso kuvaa 5.

1. Irroita hiomakone verkkovirrasta.
2. Linjaa paperissa olevat reiät hiomakoneen luistimessa oleville rei'ille ja liimaa paperin tarraosivä huolellisesti ja tukevasti luistimelle.

**HUOM:** Hiomapaperit ja –luistimet on hyvä pitää puhtaina, että ne pysyisivät paremmin hiomakoneen luistimella. Puhdista ne pienellä harjalla.

**VAROITUS**

Jos hiomakonetta ei ole irroitettu verkkovirrasta, epähuomiossa tapahtuva käynnistys voi aiheuttaa vakavia ruumiinvammoja.

**Vakio hiomapaperi**

Katso kuvaa 6.

## Suomi

1. Irroita hiomakone verkkovirrasta.
2. Vapautta paperipuristin. Poista käytetty hiomapaperi, jos sitä on.
3. Aseta paperipuristimen alle uusi hiekkapaperi.
4. Kiinnitä hiekkapaperi puristimella.

### HIOMAKONEEN KÄYNNISTYS/KATKAISU

Katso kuvaa 1.

- Hiomakoneen käynnistäminen: Työnnä kytkin asentoon " I ".
- Hiomakoneen katkaisu: Työnnä kytkin asentoon " O ".

### KÄYTTÖ

Katso kuvaa 3.

1. Kiinnitä työkappale niin, ettei se pääse luistamaan hiomakoneen alla.

#### ⚠ VAROITUS

Jos et kiinnitä työkappaletta, se voi sinkoutua päällesi ja aiheuttaa vakavia ruumiinvammoja.

#### ⚠ VAROITUS

Pidä kasvat kaukana hiomakoneesta ja hionta-alueesta. Kiinnitä hiukset niin, etteivät ne pääse tarttumaan hiomakoneeseen aiheuttaen vakavia ruumiinvammoja.

2. Aseta hiomakone työstettävälle pinnalle niin, että luistin lepää kokonaan työkappaleella.

#### ⚠ VAROITUS

Varo, etteivät kädet peitä tuuletusaukkoja sillä vaarana on moottorin ylikuumentuminen.

3. Käynnistä hiomakone ja kuljeta sitä hitaasti työkappaleella.

**HUOM:** Pidä hiomakone edessäsi ja riittävän kaukana, jolloin työkappale pysyy hyvin näkyvillä. Käynnistä hiomakone ja anna moottorin saavuttaa maksiminopeus. Kohdista sitten luistin hitaasti työkappaletta kohti. Kun luistin koskettaa työkappaleeseen, kuljeta hiomakonetta työstettävällä pinnalla pienin pyöriiikkein.

**Älä missään tapauksessa pakota hiomakonetta.** Hiomakoneen paino kohdistaa riittävän painovoiman työkappaleeseen. Hiomakoneen ja paperin on annettava tehdä "työ" yksin. Liiallinen hiomakoneen painaminen voi hidastaa moottoria, kuluttaa ennenaikaisesti hiomapaperia ja heikentää huomattavasti hiontanopeutta. Lisäksi liiallinen painaminen voi rasittaa moottoria ja aiheuttaa sitä välttävää ylikuumentumista ja vaikuttaa haitallisesti työkalun tehokkuuteen. Muista, että kitkan aiheuttama lämpö voi pehmentää puun pinnalla olevaa

lakkaa tai pihkaa.

Vältä hiomasta samaa kohtaa liian kauan aikaa sillä hiomakoneen hiomapaperi voi kuluttaa pintaa nopeasti ja tehdä siitä epätasaisen.

Pitkään kestävä hiontajaksot voivat aiheuttaa moottorin ylikuumentumista. Jos näin tapahtuu, sammuta hiomakone ja odota, kunnes hiomalaikka pysähtyy täysin, a nosta se sitten pois työkappaleen päältä. Poista käsi tuuletusaukoilta, irroita hiomapaperi ja käynnistä sitten hiomakone uudelleen ja anna sen käydä tyhjänä moottorin jäähdyttämiseksi.

### PÖLYSÄILIÖN TYHJENTÄMINEN

Katso kuvaa 4.

Paranna tehokkuutta tyhjentämällä pölypussi kun se on puolillaan. Tyhjennä ja puhdista pölysäiliö aina huolella hiontatyön lopussa ennen hiomalaitteen varastointia.

#### ⚠ VAROITUS

Erittäin tulenaroilla tuotteilla, kuten polyuretaaneilla, pellavaöljyllä jne. käsiteltyjen pintojen hionnan yhteydessä kerääntyneet hiukkaset voivat aiheuttaa pölypussin tai hiomakoneen jonkun muun osan syttymisen, jonka seurauksena voi olla tulipalo. Jotta tulipalon vaara olisi pienempi, tyhjennä pölysäiliö säännöllisesti (10-15 minuutin välein) hioessaasi, äläkä koskaan varastoi hiomakonetta tai jätä sitä tyhjentämättä pölysäiliötä täysin. Lue verhoilun valmistajan antamat suositukset huolellisesti.

1. Irroita hiomakone verkkovirrasta.

#### ⚠ VAROITUS

Jos hiomakonetta ei ole irroitettu verkkovirrasta, epähuomiossa tapahtuva käynnistys voi aiheuttaa vakavia ruumiinvammoja.

2. Irrota pölysäiliö hiomakoneesta.
3. Ravistele pussia sen tyhjentämiseksi.
4. Asenna pölysäiliö takaisin hiomakoneeseen.

**HUOM:** Kun haluat puhdistaa pölysäiliön huolellisemmin, irrota se kehyksestä ja ravista pöly pois. Asenna pölysäiliö kehyksen päälle ja asenna pölysäiliökokoonpano hiomalaitteeseen.

### YMPYRÄLIIKE

Katso kuvaa 7.

Epäkesko liike sopii parhaiten nopeaan hiomiseen, kun poistetaan vanhoja pinnoitteita, tasoitetaan epätasaista puuta, hiotaan tukkeja sopivan mittaisiksi tai kun hiotaan maalattavia pintoja. Hiekkapaperi liikkuu pieninä kehinä

## Suomi

erittäin nopeasti, jolloin hiomakonetta on helppo liikuttaa.

**JÄNNITTEEN MERKKIVALO**

Tämä laite on varustettu jännitteen merkkivalolla, joka syttyy heti, kun laite kytketään verkkoon. Tämä varoittaa käyttäjää siitä, että laitteessa virta ja että se käynnistyy heti, kun kytöntä painetaan.

**HUOLTO****VAROITUS**

Hiomakonetta ei saa koskaan kytkeä verkkovirtaan kun asennat osia, teet säätö- ja puhdistustöitä tai kun et käytä sitä. Laitteen irrottaminen pistorasiasta estää sitä käynnistymättä vahingossa, jolloin vältetään mahdollisilta vakavilta vammoilta.

**VAROITUS**

Huollossa tulee käyttää ainoastaan identtisiä varaosia. Muunlaisten osien käyttö voi aiheuttaa vaaran tai vioittaa laitetta.

**YLEISOHJEITA**

Älä puhdista muoviosia liuottimilla. Suurin osa muoveista ei siedä markkinoilla olevia määrättyjä liuotteita, jotka vahingoittavat niitä. Käytä puhdasta riepua lian, pölyn jne. puhdistukseen.

**VAROITUS**

Muoviosat eivät saa koskaan joutua kosketukseen jarrunesteeseen, bensiiniin, petrolijohdannaisiin, nesteisiin, kemialliset aineet voivat vaurioittaa, heikentää tai tuhotamuovin.

Lasikuidun, kipsin ja pinnoitteiden käsittelyyn käytetyillä sähkökäyttöisillä työkaluilla on taipumusta kulua nopeammin ja niissä havaitaan enemmän ennenaikaisia toimintahäiriöitä. Näistä materiaaleista lähtevät hakeet, jätteet ja sahajauhut kuluttavat sähkötyökalun osia kuten esimerkiksi hammaspyöriä, harjoja, katkaisimia jne. Tästä syystä tämän työkalun pitkäaikaista käyttöä ei suositella lasikuidun, pinnoitteiden, huokostäytteiden ja kipsin työstöön. Mikäli kuitenkin hiot tämäntyyppistä materiaalia, hiomakone on ehdottomasti puhdistettava säännöllisin väliajoin paineilmapuhaltimeilla.

**VAROITUS**

Käytä aina sähkölaitetta käyttäessäsi tai pölyä puhaltaessasi suojalaseja, joissa on sivusuojaimet. Käytä lisäksi pölynaamaria, jos työ on pölyistä.

**VOITELU**

Kaikki laitteen laakerit on voideltu laitteen eliniäksi normaaliolosuhteissa riittävällä määrällä korkealaatuista voiteluainetta. Tästä syystä työkalu ei kaipaa lisävoitelua.

**HIOMALUISTIMEN PUHDISTAMINEN**

Kestoiän pidentämiseksi ja optimaalisen tehokkuuden saamiseksi hiomalustin on puhdistettava säännöllisin väliajoin. Poista kaikki roskat ja hiukkaset huuhtelemalla luistin lämpimällä vedellä. Kun luistin on puhdistettu, puriste liika vesi pois ja anna sen kuivua. Varasto hiomaluistimet tasaisesti kuivaan paikkaan.

**HIOMAPAPERIN PUHDISTAMINEN**

Hiomakoneen mukana toimitettuja hiomapapereita voidaan käyttää uudelleen. Näin ollen on erittäin tärkeää, että niiden pinnalle kertynyt pöly ja hiukkaset poistetaan säännöllisin väliajoin.

Puhdista hiomapaperin pinta hankaamalla kovalla kumityynyllä. Voit esimerkiksi käyttää puhdasta kengänpohjaa.

**VAROITUS**

Irrota hiomapaperi tai -luistin hiomakoneesta aina ennen puhdistusta. Tämän ohjeen laiminlyönti voi aiheuttaa vakavia ruumiinvammoja.

**YMPÄRISTÖNSUOJELU**

Älä heitä raaka-aineita kotitalousjätteisiin, vaan vie ne kierrätykseen. Ympäristönsuojelun kannalta työkalu, lisävä r usteet ja pakkausmateriaali on lajiteltava.

**SYMBOLI**

Turvavaroitus

V	Voltti
Hz	Hertz
~	Vaihtovirta
W	Watti
no	Tyhjäkäyntinopeus

min<sup>-1</sup> Kierrosten tai liikkeiden määrä minuutissa



Radan halkaisija



CE-vastaavuus



Kaksoiseristys



Käytä kuulosuojaimia



Käytä suojalaseja



Lue ohjeet huolellisesti ennen laitteen käynnistämistä.



Käytöstä poistettavia sähkölaitteita ei pidä hävittää talousjätteiden mukana. Ne on mahdollisuuksien mukaan pantava kiertoon. Kierrätysohjeita antavat kunnan viranomaiset ja vähittäiskauppiat.

## Norsk

### BESKRIVELSE

1. Strømbryter
2. Hastighetsvariator
3. Formstøpt håndtak
4. Støvpopsamlingsboks
5. Såle
6. Klemme
7. Strømindikator
8. Krok- og løkke-sandpapir
9. Standard slipepapir

### SPESIELLE SIKKERHETSFRSKRIFTER FOR PLANSLIPERE

- **Ta alltid på sikkerhetsbriller og støvmaske når du sliper, særlig hvis du holder sliperen høyere enn hodet.**
- **Bruk aldri sliperen på fuktige flater.**
- **Slipepapiret må ikke være for stort.** Hvis slipepapiret stikker ut av sålen, risikerer du alvorlige kroppsskader.
- **Oppsamlerposen skal installeres på verktøyet, og tømmes regelmessig.** Den skal tømmes hyppig. For å installere oppsamler-posen fester du posens adapter på stussen bak på sliperen og dreier mot høyre til den er godt festet.

#### ⚠ ADVARSEL

Kast ikke støvet som dannes av slipingen på åpen ild, da materialer i form av fine partikler kan være eksplosive.

#### ⚠ ADVARSEL

Du må bruke en egnet støvmaske når du sliper flater som er dekket med blyholdig maling og enkelte treslag og metaller, for ikke å puste inn giftig støv eller damp.

### SPESIFIKASJONER

Modell	ESS200RS	ESS280RV
Effekt	200 W	280 W
Spenning	230 V - 240 V ~ 50 Hz	230 V - 240 V ~ 50 Hz
Hastighet ubelastet	12000 min <sup>-1</sup>	7000-12000 min <sup>-1</sup>
Omkretdiameter	2.0 mm	2.0 mm
Vekt	1.5 kg	1.7 kg

### FUNKSJONER

Se fig. 1.

Sliperen brukes med slipepapir av forskjellig korning (grov, middels eller fin). På tre gir sliperen en glatt sliping uten riper i fiberretningen.

Denne sliperen er konstruert for å kunne slippe med tre sider i vanskelig tilgjengelige steder.

Sliperen er utstyrt med et håndtak som gir et sikkert grep på verktøyet og god brukskomfort. Dermed reduseres tretthet ved bruk i lengre tid.

For du bruker verktøyet, må du bli kjent med alle dens funksjoner og sikkerhetskrav. Men vær alltid like forsiktig, selv når du er blitt kjent med sliperen.

### STRØMBRYTER

#### Elektronisk hastighetsvariator

Den elektroniske hastighetsvariatoren gjør det mulig å stille inn slipehastigheten i forhold til hva slags flate som skal slipes (fra tungt og motstandsdyktig konstruksjonstre til fint finér).

Denne sliperen er utstyrt med en enkel strømbryter.

- For å starte sliperen: Skyv bryteren til " I ".
- For å stoppe sliperen: Skyv bryteren til " O ".

#### ⚠ ADVARSEL

Sørg for at fortrolighet med produktet ikke fører til at du blir skjedesløs. Husk at uforsiktighet i en brøkdel av et sekund er nok til at du kan skade deg selv alvorlig.

### STØVOPPSAMLINGSBOKS

Støvboxen festes til slipemaskinen og gir et minimalt utslipp av støv.

### VARIABEL HASTIGHET (MODELL - ESS280RV)

Sliperen er utstyrt med en elektronisk hastighetsregulator slik at verktøyet kan brukes optimalt. Ved å velge korrekt hastighet kan verktøyet tilpasses spesifikke slipeoppgaver.

Den elektroniske funksjonen på verktøyet gir fleksibiliteten ved å kunne justere motorhastigheten til arbeidet som skal utføres. Regulatorens elektronikkssystem vurderer belastningen på motoren og øker eller minker motorens styrke slik at hastigheten blir konstant. Hastigheten kan justeres i forhold til typen arbeid som skal utføres og til typen overflate som skal slipes.

For ujevne overflater eller for et raskt grovarbeid, vri regulatoren til høyre for å øke hastigheten.

## Norsk

### MONTERING

#### ⚠ ADVARSEL

Sliperen skal aldri være koplet til en stikkontakt når du monterer deler, foretar innstillinger, gjør rent verktøyet eller når du ikke bruker det. Ved å fjerne batteripakken hindres utilsiktet start som kan føre til alvorlig personskade.

### VALG AV SLIPEPAPIR

Det er meget viktig å velge riktig størrelse, korn og type på slipepapiret for å oppnå en tilfredsstillende sliping. Til grov sliping anbefaler vi bruken av syntetiske slipemidler som aluminiumoksid eller karborundum. Naturlige slipemidler som flint og granat er for milde og det ville ikke være økonomisk å bruke dem til grovsliping.

Som regel brukes grovkornet papir til å fjerne det grovste, mens en fin korning egner seg til slutt pussing. Tilstanden til overflaten som skal slipes bestemmer hvilken korning du skal bruke. Hvis overflaten er ru, begynner å slipe med et grovkornet papir helt til overflaten er jevn. Deretter kan du bruke middels korning til å få bort riper etter det grovkornede papiret og til slutt et finere papir til å polere overflaten. Slip med hver kornstørrelse helt til overflaten er jevn.

#### ⚠ ADVARSEL

Sliperen må **ALDRI** brukes uten slipepapir - dette kan skade sålen.

### Ark/pute anbefalt bruk

Slipepapir korning Ø 80	Grovsliping
Slipepapir korning Ø 120	Lett sliping
Slipepapir korning Ø 150	Lett sliping

### MONTERING AV STØVBOKSEN

Se fig. 2.

Støvboxen gir støvopsamling for slipemaskinen. Slipestøv trekkes opp gjennom hullene i slipeskiven og samles i støvkassen under sliping.

1. Kople sliperen fra strømmettet.
2. Ved å bruke en svakt vridende bevegelse skyv støvboksenheten forsvarlig på plass ved slipemaskinens eksosåpning.

#### ⚠ ADVARSEL

Vær på vakt når du bruker denne sliperen. Tankeløse handlinger i bare en brøkdelen av et sekund kan føre til alvorlige personskader.

### BRUK

Sliperen kan brukes til følgende arbeidsoppgaver:

- Sliping av treoverflater.
- Fjerning av rust og sliping av stål.
- Polering og sliping av porselen og metaller.

#### ⚠ ADVARSEL

Sørg for å holde kabelen unna sålens bane og plasser den slik at den ikke fanges av trestykker, verktøy eller annen gjenstand under sliping.

#### ⚠ ADVARSEL

Bruk alltid sikkerhetsbriller eller vernebriller med sidebeskyttelse når du bruker verktøy. Hvis denne forskriften ikke overholdes, kan det medføre utslynging av fremmedlegemer, støv eller spon i øynene dine og forårsake alvorlige øyenskader.

### BRUK

#### SETTE I SLIPEPAPIR

Kontroller at slipepapiret er i god stand før du setter det i. **IKKE** bruk defekt eller revet slipepapir.

#### Krok- og løkke-sandpapir

Se fig. 5.

1. Kople sliperen fra strømmettet.
2. Still hullene i slipepapiret eller –skiven på hullene i sliperens såle og fest papirets borrelåsside forsiktig på sålen, så godt som mulig.

**NB:** Vi anbefaler å holde slipepapirene og –skivene så rene som mulig slik at de sitter bedre på sliperens såle. Gjør dem rene regelmessig med en liten børste.

#### ⚠ ADVARSEL

Hvis sliperen ikke er koplet fra strømmen, kan den starte utilsiktet og forårsake alvorlige kroppsskader.

#### Standard slipepapir

Se fig. 6.



## Norsk

1. Kople sliperen fra strømmettet.
2. Løs ut papirklemmen. Fjern brukt sandpapir.
3. Sett inn det nye sandpapiret under papirklemmen.
4. Klem sandpapiret på plass.

### STARTE / STOPPE SLIPEREN

Se fig.

- For å starte sliperen: Skyv bryteren til " I ".
- For å stoppe sliperen: Skyv bryteren til " O ".

### BETJENING

Se fig. 3.

1. Fest arbeidsstykket slik at det ikke kan gli under sliperen.

#### ⚠ ADVARSEL

Hvis du ikke fester arbeidsstykket, kan dette slynges ut mot brukeren og forårsake alvorlige skader.

#### ⚠ ADVARSEL

Hold ansiktet unna sliperen og slipeområdet. Beskytt håret ditt slik at det ikke fanges opp av sliperen, noe som kan forårsake alvorlige skader.

2. Plasser sliperen på arbeidsflaten slik at hele såleflaten er i kontakt med arbeidsstykket.

#### ⚠ ADVARSEL

Pass på at du ikke dekker til lufthullene med hendene dine, da det kan forårsake overoppheting av motoren.

3. Sett sliperen i gang og flytt den langsomt bortover på arbeidsstykket.

**NB:** Hold sliperen foran deg og på god avstand slik at du ser arbeidsstykket godt. Start sliperen og vent til motoren kommer opp i full hastighet. Før deretter sliperens såle langsomt mot arbeidsstykket. Når sålen er kommet i kontakt med arbeidsstykket skal sliperen beveges på flaten med små sirkelbevegelser.

**Trykk for all del ikke for hardt på sliperen.** Sliperens vekt utøver tilstrekkelig trykk på arbeidsstykket. Det er sliperen og slipepapiret som skal gjøre jobben. Hvis du trykker mer på sliperen, kan du redusere motorhastigheten, slite slipepapiret raskere og redusere slipehastigheten vesentlig. I tillegg kan et for sterkt trykk overbelaste motoren og forårsake overoppheting, noe som kan skade motoren og svekke verktøyetts effektive drift. Varmen som oppstår på grunn av gnidningen kan mykne treetts lakk- eller harpiksbelegg.

Pass på at du ikke sliper for lenge på samme del av

arbeidsstykket, da slipingens fort kan slite materialet og gi uregelmessig sliping.

Lange slipeperioder kan forårsake overoppheting av motoren. Hvis dette skjer, slå av slipemaskinen og vent til slipeskiven har stoppet helt, derest kan den fjernes fra arbeidsstykket. Ta hånden din vekk fra lufthullene, ta bort slipepapiret og start sliperen igjen for å la den gå i tomgang slik at motoren kjøler.

### TØMMING AV STØVBOKSEN

Se fig. 4.

For at slipingens skal være mer effektiv, bør du tømme oppsamlerposen straks den er halvfull. Tøm, og rengjør støvboksen grundig etter hver slipejobb og før slipemaskinen settes vekk.

#### ⚠ ADVARSEL

Oppsamlingen av partikler etter sliping av flater satt inn med høyantennelige stoffer som f.eks. polyuretan, linolje osv., kan føre til antenning av oppsamlerposen eller andre deler av sliperen og brann. For å unngå fare for brann, tøm støvboksen jevnlig (10-15 minutter) når du sliper og sett ikke bort eller forlat slipemaskinen uten at støvboksen er tømt. Les nøye anbefalingene fra beleggproduzentene.

1. Kople sliperen fra strømmettet.

#### ⚠ ADVARSEL

Hvis sliperen ikke er koplet fra strømmen, kan den starte utilsiktet og forårsake alvorlige kroppsskader.

2. Fjern støvboksen fra slipemaskinen.
3. Tøm oppsamlerposen ved å riste den.
4. Sett tilbake støvboksen på slipemaskinen.

**NB:** For en grundigere rengjøring av støvoppsamlingsboksen må boksen fjernes fra rammen og ristes tom for støv. Erstatt støvboksen over rammen, installer deretter støvboksettet på slipemaskinen.

### ORBITAL BEVEGELSE

Se fig. 7.

Den eksentriske bevegelsen passer ideelt til raske slipeaksjoner (eliminering av gamle belegg, pussing av ubehandlet tre, utjevning av flater ned til en gitt tykkelse) og etterbehandlingsarbeider (forberedelse av en flate før maling). Slipepapiret utfører små sirkler med stor hastighet, og gir dermed sliperen stor mobilitet.

## Norsk

### STRØMINDIKATOR

Vinkelsliperen er utstyrt med en strømindikator som tennes når verktøyet er koblet til strømmettet. Indikatoren varslar brukeren om at sliperen er koblet til strømmen og at den vil starte når strømbryteren trykkes inn.

### VEDLIKEHOLD

#### ⚠ ADVARSEL

Sliperen skal aldri være koblet til en stikkontakt når du monterer deler, foretar innstillinger, gjør rent verktøyet eller når du ikke bruker det. Ved å fjerne batteripakken hindres utilsiktet start som kan føre til alvorlig personskade.

#### ⚠ ADVARSEL

For servicearbeider bruk kun originale reservedeler tilsvarende den som skiftes. Bruk av andre deler kan skape fare eller føre til skade på produktet.

### ALMENNE FORSKRIFTER

Unngå bruk av løsemidler når du rengjør plastdelene. De fleste plastmaterialene kan skades ved bruk av løsningsmidlene som fås i handelen. Bruk en ren klut til å tørke bort smuss, støv osv.

#### ⚠ ADVARSEL

Plastdeler må aldri komme i kontakt med bremsevæske, bensin, petroleumsholdige produkter, penetrerende oljer, osv. Disse kjemiske produktene inneholder stoffer som kanskje, svekke eller ødelegge platen.

Elektroverktøy som brukes på glassfiberutstyr, i gipsplater og belysningspaneler slites hurtigere og svikter tidlig. Flis og spon fra disse materialene er nemlig meget slitende for enkelte deler av elektriske verktøy som lagere, børster, brytere osv. Det frarådes derfor sterkt å foreta langvarige arbeidsoppgaver på glassfiber, veggkledninger, sparkel eller gips. Hvis du allikevel må slippe disse materialene, er det meget viktig at du gjør ren sliperen med trykkluft.

#### ⚠ ADVARSEL

Bruk alltid vernebriller eller sikkerhetsbriller med sidebeskyttelse ved bruk av elektrisk verktøy eller når det blåses støv. Hvis arbeidet utløser støv, bruk også en støvmaske.

### SMØRING

Alle lagere i verktøyet er smurt med en passende mengde høykvalitets smøring for maskinens levetid under normale driftsforhold. Det er derfor unødvendig med tilleggssmøring.

### RENGJØRING AV SLIPESKIVENE

Gjør ren slipeskivene regelmessig for å forlenge deres levetid og oppnå best effektivitet. Fremmedpartiklene kan fjernes ved å skylle sålen i lunkent vann. Når skiven er gjort ren, vri den lett for å få ut vann og la den tørke. Rydd alltid slipeskivene på et tørt og kjølig sted og la dem ligge flatt.

### RENGJØRING AV SLIPEPAPIRENE

Slipepapirene som følger med sliperen kan brukes igjen. Det er derfor viktig å gjøre dem rene regelmessig for å få bort støv og partikler som samler seg opp på overflaten under slipearbeidene.

For å rengjøre slipepapirene, gni dem med en kompakt gummiblokk. Du kan for eksempel bruke sålen på en ren sko.

#### ⚠ ADVARSEL

Ta alltid slipepapiret eller –skiven av sliperen før du gjør den ren. Hvis denne forskriften ikke overholdes, kan det forårsake alvorlige kroppsskader.

### MILJØVERN



Resirkuler råmaterialer istedenfor å kaste dem i søppelen. Verktøyet, tilbehørene og emballasjen bør sorteres for miljøvennlig resirkulering.

### SYMBOL



Sikkerhetsalarm

V Volt

Hz Hertz

## Norsk

- ~ Vekselstrøm
- W Watt
- $n_0$  Hastighet ubelastet
- $\text{min}^{-1}$  Antall omdreininger eller bevegelser pr.Minutt



Omkretsdiameter



CE samsvar



Dobbel isolering



Bruk hørselsvern



Bruk øyebeskyttelse



Vennligst les instruksjonene nøye før du starter maskinen.



Avfall fra elektriske produkter skal ikke kastes sammen med husholdningsavfall. Vennligst resikulervedeksisterende avfallsbehandlingssted. Undersøk hos dine lokale myndigheter eller forhandler for råd om resirkulering.

## Русский

### ОПИСАНИЕ

1. Двухпозиционный выключатель
2. Переменные выбора контроля скорости
3. Литая рукоятка
4. Контейнер для сбора пыли
5. Лодошва
6. Зажим
7. жить индикатором инструмент
8. Наждачная бумага на "липучке"
9. Стандартная шлифовальная бумага

### СПЕЦИАЛЬНЫЕ ИНСТРУКЦИИ ПО ТЕХНИКЕ БЕЗОПАСНОСТИ ДЛЯ ШЛИФОВАЛЬНЫХ ИНСТРУМЕНТОВ

- Во время шлифования, особенно при шлифовании выше уровня головы, всегда надевайте защитные очки и пылезащитную маску.
- Инструмент не предназначен для влажного шлифования.
- Не используйте шлифовальную бумагу дольше, чем нужно. Кроме того, шлифовальная бумагой, выступающей за рамки шлифовальной накладки, можно серьезно пораниться.
- На инструменте должен быть установлен пылесборник. Он должен быть очищены часто. Для подключения пылесборника вставьте его переходник в пылесборное отверстие с задней стороны шлифовального инструмента.

### **⚠ ОСТОРОЖНО**

Не допускайте попадания образующейся при работе пыли в открытый огонь, так как мелкие частицы материалов могут быть взрывоопасны.

### **⚠ ОСТОРОЖНО**

Во время шлифования поверхностей, покрытых свинцовыми белилами, некоторых пород древесины и металлических изделий необходимо надевать подходящий респиратор, чтобы предотвратить вдыхание вредной/токсичной пыли или воздуха.

### ТЕХНИЧЕСКИЕ ХАРАКТЕРИСТИКИ

Модель	ESS200RS	ESS280RV
Мощность	200 W	280 W
Напряжение	230 V - 240 V ~ 50 Hz	230 V - 240 V ~ 50 Hz

скорость на холостом ходу	12000 min <sup>-1</sup>	7000-12000 min <sup>-1</sup>
Диаметра орбиты	2.0 mm	2.0 mm
Вес	1.5 kg	1.7 kg

### ФУНКЦИИ

См. рис. 1.

Шлифовальная машина работает на бумаге крупного, среднего или тонкого зерна. Для гладкой шлифовки дерева, без заусенцев, велите машину по направлению волокон дерева.

Шлифовальная машина предусмотрена для шлифования от края до края с трех сторон.

Шлифовальная машина оснащена удобной рабочей ручкой.

Перед использованием данного устройства ознакомьтесь со всеми режимами работы и требованиями техники безопасности. Однако знание инструмента не должно служить поводом для беспечности.

### ВЫКЛЮЧАТЕЛЬ

#### Электронный регулятор скорости

Электронный регулятор скорости позволяет менять скорость шлифовки в зависимости от типа обрабатываемой поверхности (от тяжелого и крепкого строительного дерева до тонкого облицовочного).

Машина оснащена простым выключателем.

- Включение шлифовального инструмента: Переведите выключатель в положение "I".
- Выключение шлифовального инструмента: Переведите выключатель в положение "O".

### **⚠ ОСТОРОЖНО**

Будьте внимательны при работе с устройством, даже если хорошо знакомы с ним. Помните, что достаточно секунды невнимания, чтобы получить тяжелую травму.

### КОНТЕЙНЕР ДЛЯ СБОРА ПЫЛИ

Пылесборник крепится к шлифовальному инструменту и сводит запыленность к минимуму.

### ФУНКЦИЯ ИЗМЕНЕНИЯ СКОРОСТИ (МОДЕЛЬ - ESS280RV)

Она предупреждает усталость при продолжительной работе. Для оптимальной производительности

## Русский

шлифовальная машина оснащена электронным регулятором скорости. Выбором надлежащей скорости инструмент можно отрегулировать для определенных условий шлифования.

Функции электроники инструмента обеспечивают гибкость регулировки скорости двигателя, необходимой по условиям работы. Электронная система замеряет нагрузку на мотор и поддерживает его скорость постоянной. Скорость настраивается в зависимости от типа предстоящей работы и шлифуемой поверхности. Для шершавой поверхности или для быстрой черновой шлифовки поверните регулятор вправо, чтобы увеличить скорость.

### СБОРКА

#### ⚠ ОСТОРОЖНО

Во время сборки деталей, выполнения настройки, чистки, технического обслуживания, а также когда инструмент не используется, необходимо обязательно отключить его от источника питания. Отключение устройства от сети предотвращает случайный запуск, который может привести к тяжким телесным повреждениям.

### НАЖДАЧНАЯ БУМАГА

Выбор нужного размера, зернистости и типа шлифовальной бумаги является необычайно важным шагом для обеспечения высококачественной отделки при шлифовании. Для машинного шлифования более всего подходит окись алюминия, карбид кремния и синтетические абразивы. Природные абразивы, такие, как кремень и гранат, слишком мягки для экономичного использования при машинном шлифовании.

В целом при использовании крупнозернистой бумаги удаляется максимальное количество материала, а при мелкой зернистости достигается наилучшая отделка в любых операциях шлифования. Зернистость используемой для шлифования бумаги определяется состоянием обрабатываемой поверхности. Если поверхность грубая, начните работу с крупнозернистой бумаги и производите шлифование до тех пор, пока поверхность не станет однородной. Для удаления царапин, оставленных крупнозернистой шлифовальной бумагой, можно использовать бумагу средней зернистости, а затем использовать бумагу мелкой зернистости для окончательной отделки поверхности. Всегда продолжайте шлифование абразивом соответствующей зернистости, пока поверхность не будет однородной.

#### ⚠ ОСТОРОЖНО

Чтобы не повредить рабочую колодку, НЕ ПОЛЬЗУЙТЕСЬ шлифовальной машиной без бумаги.

#### Рекомендуемые шлифовальные листы/накладки

80-зернистости шлифовальных листов	Грубый шлифовальный
120-зернистости шлифовальных листов	Свет шлифовальный
150-зернистости шлифовальных листов	Свет шлифовальный

#### КРЕПЛЕНИЕ ПЫЛЕСБОРНИКА

См. рис. 2.

Пылесборник представляет собой систему пылеудаления шлифовального инструмента. Во время шлифования шлифовальная пыль вытягивается через отверстия в шлифовальном диске и собирается в пылесборнике.

1. Отключите шлифовальный инструмент от электросети.
2. Слегка подкручивая, надежно установите пылесборник на выпускное отверстие воздуха на шлифовальном инструменте.

#### ⚠ ОСТОРОЖНО

Соблюдайте осторожность при использовании этого инструмента. Даже секундная неосторожность может привести к тяжким телесным повреждениям.

#### ОБЛАСТЬ ПРИМЕНЕНИЯ

Данный инструмент можно использовать для перечисленных ниже целей:

- Шлифование деревянных поверхностей.
- Удаление ржавчины с и шлифования стальных поверхностей.
- Полировки и очистки фарфора и металла.

#### ⚠ ВНИМАНИЕ

Не приближайте кабель к шлифовальной накладке и расположите его таким образом, чтобы во время шлифования он не зацепился за посторонние предметы, инструменты или другие предметы.

**▲ ОСТОРОЖНО**

При работе всегда пользуйтесь защитными очками с боковыми протекторами. Несоблюдение данного требования может привести к попаданию в глаза пыли, стружки или других частиц и стать причиной телесных повреждений.

**ЭКСПЛУАТАЦИЯ****УСТАНОВКА ШЛИФОВАЛЬНОЙ БУМАГИ**

Перед установкой проверьте состояние шлифовальной бумаги. НЕ ПОЛЬЗУЙТЕСЬ испорченной или рваной шлифовальной бумагой.

**Наждачная бумага на "липучке"**

См. рис. 5.

1. Отключите шлифовальный инструмент от электросети.
2. Совместите отверстия в крючок и петля типа шлифовального диска с отверстиями в блокнот, затем осторожно пресс нечетких стороны шлифовального диска с площадки как можно плотнее.

**ПРИМЕЧАНИЕ:** Рекомендуется содержать в чистоте опорную накладку шлифовального диска для обеспечения наилучшего сцепления. Периодически производите очистку, слегка обрабатывая поверхность щеточкой.

**▲ ОСТОРОЖНО**

Если не отключить инструмент от электросети, это может привести к его случайному запуску и вследствие этого – к тяжким телесным повреждениям.

**Стандартная шлифовальная бумага**

См. рис. 6.

1. Отключите шлифовальный инструмент от электросети.
2. Откройте зажим для бумаги. Удалите использованную наждачную бумагу (при ее наличии).
3. Вставьте в зажим новую наждачную бумагу.
4. Зажмите наждачную бумагу на нужном месте.

**ВКЛЮЧЕНИЕ/ВЫКЛЮЧЕНИЕ ШЛИФОВАЛЬНОГО ИНСТРУМЕНТА**

См. рис. 1.

- Включение шлифовального инструмента: Переведите выключатель в положение "I".

- Выключение шлифовального инструмента: Переведите выключатель в положение "O".

**РАБОТА СО ШЛИФОВАЛЬНЫМ ИНСТРУМЕНТОМ**

См. рис. 3.

1. Зафиксируйте обрабатываемое изделие, чтобы предотвратить его перемещение под шлифовальным инструментом.

**▲ ОСТОРОЖНО**

Если обрабатываемое изделие не закрепить, его может отбросить в направлении работающего, что приведет к телесным повреждениям.

**▲ ОСТОРОЖНО**

Не приближайте голову к шлифовальному инструменту и области шлифования. Волосы может затянуть в шлифовальный инструмент, что приведет к тяжким телесным повреждениям.

2. Прижмите шлифовальный инструмент к обрабатываемому изделию таким образом, чтобы вся поверхность диска находилась в контакте с изделием.

**▲ ВНИМАНИЕ**

Не допускайте перегрева двигателя, что может привести к его повреждению, также не допускайте перекрытия рукой вентиляционных отверстий.

3. Включите шлифовальный инструмент и медленно перемещайте его по обрабатываемому изделию.

**ПРИМЕЧАНИЕ:** Держите шлифовальный инструмент впереди себя и на некотором расстоянии, не поднося его вплотную к обрабатываемому изделию. Запустите шлифовальный инструмент и дайте двигателю набрать максимальное число оборотов, затем постепенно опустите шлифовальный инструмент на обрабатываемое изделие. Небольшими круговыми движениями медленно перемещайте шлифовальный инструмент вдоль обрабатываемого изделия.

**Не прикладывайте чрезмерных усилий.**

Устройство своим весом оказывает соответствующее давление на обрабатываемое изделие, поэтому пусть шлифовальный диск и шлифовальный инструмент естественным образом выполняют свою работу. Увеличение давления лишь замедляет работу двигателя, приводит к быстрому износу шлифовального диска и существенно снижает скорость шлифовального инструмента. Чрезмерное давление приведет к перегрузке двигателя, что может привести к его повреждению вследствие перегрева,

## Русский

а в результате этого – к снижению качества работы. Любое отделочное покрытие или смола, нанесенная на поверхность дерева, может размякаться за счет теплоты, выделяющейся при трении.

Избегайте слишком продолжительного шлифования в одном месте, так как при большой скорости работы шлифовального инструмента может быть снят слишком большой слой материала и поверхность будет неровной.

Продолжительное шлифование может привести к перегреву двигателя. Если это произойдет, выключите шлифовальный инструмент, дождитесь полной остановки наждачного круга, а затем снимите его с заготовки. Уберите руку с участка вентиляции, снимите шлифовальный диск, затем рукой, убранный с участка вентиляции, включите шлифовальный инструмент и дайте ему поработать без нагрузки для охлаждения двигателя.

### ОПОРОЖНЕНИЕ ПЫЛЕСБОРНИКА

*См. рис. 4.*

Для более эффективной работы, пустой мешок для пыли, когда это не более, чем наполовину. Всегда опорожняйте и тщательно очищайте пылесборник после завершения операции шлифования и перед помещением шлифовального станка на хранение.

#### **⚠ ОСТОРОЖНО**

Пыль из материала покрытия (полиуретан, масляная краска и т.п.), образующаяся в результате шлифования поверхности, собирающаяся в пылесборнике или каком-либо другом месте шлифовального инструмента, может самопроизвольно воспламениться, что приведет к возгоранию. Для исключения опасности возгорания периодически (каждые 10-15 минут) опустошайте пылесборник и никогда не оставляйте и не храните шлифовальный инструмент с не полностью опустошенным пылесборником. Также выполняйте рекомендации производителей покрытий шлифуемой поверхности.

1. Отключите шлифовальный инструмент от электросети.

#### **⚠ ОСТОРОЖНО**

Если не отключить инструмент от электросети, это может привести к его случайному запуску и вследствие этого – к тяжким телесным повреждениям.

2. Снимите пылесборник со шлифовального

инструмента.

3. Вытряхните пыль.
4. Установите пылесборник на шлифовальный инструмент.

**ПРИМЕЧАНИЕ:** Для более тщательной очистки пылесборника отсоедините пылесборник от корпуса и вытряхните из него пыль. Установите пылесборник на раму, затем установите его на шлифовальный инструмент.

### КРУГОВЫЕ ДВИЖЕНИЯ

*См. рис. 7.*

Эксцентрический режим идеально подходит для грубой шлифовки (снятие старого покрытия, шлифовка необработанного дерева, выравнивание поверхностей на заданную толщину) и для облицовочных работ (подготовка покрытий под покраску). Шлифовальная бумага прodelывает маленькие круги на большой скорости, придавая машине высокую мобильность.

### ЖИТЬ ИНДИКАТОРОМ ИНСТРУМЕНТ

Данный инструмент оснащен индикатором питания, который загорается при подключении инструмента к сети питания. Он предупреждает, что инструмент подключен и будет работать при нажатии выключателя.

### ТЕХНИЧЕСКОЕ ОБСЛУЖИВАНИЕ

#### **⚠ ОСТОРОЖНО**

Во время сборки деталей, выполнения настройки, чистки, технического обслуживания, а также когда инструмент не используется, необходимо обязательно отключить его от источника питания. Отключение устройства от сети предотвращает случайный запуск, который может привести к тяжким телесным повреждениям.

#### **⚠ ОСТОРОЖНО**

При проведении текущего ремонта используйте только идентичные запчасти. Использование любых других запчастей может создать опасность или стать причиной выхода изделия из строя.

### ОБЩАЯ ИНФОРМАЦИЯ

При чистке пластмассовых деталей запрещается использовать растворители. Многие пластмассы чувствительны к воздействию различных бытовых растворителей и в результате их использования могут разрушиться. Для снятия грязи, пыли и пр. пользуйтесь чистой тряпкой.

**Русский****⚠ ОСТОРОЖНО**

Пластмассовые детали нельзя чистить тормозной жидкостью, бензином, нефтепродуктами, едкими маслами и т.д. Они содержат химические вещества, которые могут ухудшить свойства пластмассы, повредить или разрушить ее.

Электрический инструмент быстрее изнашивается от работы по стекловолокну, гипсу, облицовочным панелям. Стружка от этих материалов очень абразивная, она портит подшипники, щетки, выключатели и т.д. Следовательно, мы не рекомендуем использовать этот инструмент для расширенной работы по этим видам материалов. Однако при работе с любым из этих материалов необычайно важно производить чистку инструмента с помощью сжатого воздуха.

**⚠ ОСТОРОЖНО**

Всегда надевайте предохранительные или защитные очки с боковыми защитными экранами при работе с данным инструментом или сдувании пыли. Если во время работы образуется много пыли, также надевайте пылезащитную маску.

**СМАЗКА**

Все трущиеся детали данного инструмента смазаны достаточным количеством высококачественной смазки на весь срок использования устройства при нормальных условиях эксплуатации. Поэтому дополнительная смазка не требуется.

**ОЧИСТКА ОЧИСТКА КОЛОДКИ**

Для продления срока службы и обеспечения оптимальной работы необходимо периодически удалять с накладок для зачистки все остатки, образующиеся при обработке, а также посторонние вещества. Достаточно просто ополоснуть накладку теплой водой, чтобы смыть все посторонние вещества. После очистки, слегка сжать панели, чтобы удалить избыток воды и высушите площадку для просушки. Не храните площадок и шлифовальных листа квартиру в прохладном сухом месте.

**ОЧИСТКА ШЛИФОВАЛЬНЫХ ЛИСТОВ**

Шлифовальные листы, прилагающиеся к шлифовальному инструменту, можно использовать повторно. Поэтому важно, чтобы они были очищены периодически удалять шлифовальной вычетов и зарубежных материалов, которые могут накапливаться с течением времени.

Чтобы очистить шлифовальные листы, потрите их

твердой резиновой пластиной. Вы также можете использовать чистые резиновые подошвы обуви.

**⚠ ОСТОРОЖНО**

Всегда вынимайте очистки или шлифовки площадку от шлифовального перед очисткой. Невыполнение этого требования может привести к серьезной травме.

**ЗАЩИТА ОКРУЖАЮЩЕЙ СРЕДЫ**

Не выбрасывайте сырье. Сдавайте его в переработку. Машина, аксессуары и упаковка должны быть отсортированы.

**СИМВОЛ**

Внимание

V

Вольт

Hz

Герц

~

Переменный ток

W

Ватт

n<sub>0</sub>

скорость на холостом ходу

min<sup>-1</sup>

Оборотов или возвратно-поступательных движений в минуту



Диаметра орбиты



Соответствие требованиям CE



Двойная изоляция



Применяйте средства защиты органов слуха



Применяйте средства защиты органов зрения



Перед использованием прибора внимательно ознакомьтесь с данной инструкцией.

Отработанная электротехническая продукция должна уничтожаться вместе с бытовыми отходами. Утилизируйте, если имеется специальное техническое оборудование. По вопросам утилизации проконсультируйтесь с местным органом власти или предприятием розничной торговли.





## Polski

### OPIS

1. Włącznik
2. Przekładnia zmiany prędkości
3. Rękojeść z nadlewem
4. Pojemnik na pył
5. Płyta szlifierska
6. Zacisk
7. Lampka kontrolna podłączenia pod napięcie
8. Papier ścierny mocowany na rzepę
9. Standardowy papier ścierny

### WYMOGI BEZPIECZEŃSTWA SPECYFICZNE DLA SZLIFIEREK

- Zakładajcie zawsze szczelne okulary ochronne i maskę przeciwpyłową podczas szlifowania, a w szczególności kiedy trzymacie szlifierkę nad głową.
- Nigdy nie używajcie waszej szlifierki na powierzchniach wilgotnych.
- Arkusz okładziny ściernej nie powinien być za duży. Jeżeli zostawicie okładzinę ścierną o większym wymiarze niż płyta szlifierska, narażacie się na poważne okaleczenie.
- Worek na pył powinien być zainstalowany na narzędziu i regularnie opróżniany. Jest ona często opróżniana. W celu zainstalowania worka na pył, należy umieścić obejmę worka na przyłączu do odciągu pyłu znajdującego się z tyłu szlifierki, obracając w prawą stronę, aż worek będzie poprawnie zamocowany.

### ⚠ OSTRZEŻENIE

Nie wyrzucajcie pyłów pochodzących ze szlifowania do wolnego ognia, gdyż materiały w formie drobnych cząsteczek mogą być wybuchowe.

### ⚠ OSTRZEŻENIE

Kiedy szlifujecie powierzchnie pokryte farbą na bazie ołowiu, czy niektóre drewna i metale, powinniście zakładać odpowiednią maskę przeciwpyłową w celu uniknięcia wdychania pyłu czy toksycznych oparów.

### PARAMETRY TECHNICZNE

Model	ESS200RS	ESS280RV
Moc	200 W	280 W
Napięcie	230 V - 240 V ~ 50 Hz	230 V - 240 V ~ 50 Hz

Prędkość bez obciążenia	12000 min <sup>-1</sup>	7000-12000 min <sup>-1</sup>
Mimośrodowość	2.0 mm	2.0 mm
Waga	1.5 kg	1.7 kg

### CECHY

Zobacz rysunek 1.

Z waszą szlifierką używa się okładzin ściernych o różnej ziarnistości (grube, średnie i małe ziarna.) Na drewnie, przejście szlifierki w kierunku włókien drewna daje gładki szlif, bez powstawania rys.

Niniejsza szlifierka została zaprojektowana, tak by umożliwić szlifowanie blisko krawędzi z trzech stron.

Wasza szlifierka wyposażona jest w uchwyt umożliwiający pewny chwyt narzędzia i bardzo wygodną obsługę. W ten sposób maleje również ryzyko zmęczenia w następstwie przedłużonego posługiwania się narzędziem.

Przed użyciem tego narzędzia należy zapoznać się z wszelkimi funkcjami oraz ich specyfiką w zakresie bezpieczeństwa. Jednakże, nawet po dokładnym zaznajomieniu się z waszą szlifierką, bądźcie ostrożni.

### WŁĄCZNIK

#### Elektroniczna przekładnia zmiany prędkości

Elektroniczna przekładnia zmiany prędkości umożliwiająca ustawienie prędkości szlifowania w zależności od typu obrabianej powierzchni (od ciężkiego i odpornego drewna konstrukcyjnego po delikatną okleinę).

Szlifierka ta wyposażona jest w zwyczajny wyłącznik.

- W celu uruchomienia szlifierki: Przeważić przełącznik w położenie „I”.
- W celu zatrzymania szlifierki: Przeważić przełącznik w położenie „O”.

### ⚠ OSTRZEŻENIE

Nie wolno dopuścić do tego, aby fakt zapoznania się z tym urządzeniem zmniejszył ostrożność operatora. Nigdy nie zapomnijcie, że wystarczy ułamek sekundy nieuwagi, aby doszło do poważnego zranienia.

### POJEMNIK NA PYŁ

Worek na pył montuje się do szlifierki, pozwala on zmniejszyć zapylenie do minimum.

### REGULACJA PRĘDKOŚCI OBROTOWEJ (MODEL - ESS280RV)

Wasza szlifierka wyposażona jest w elektroniczną przekładnię prędkości, byście mogli używać tego

## Polski

narzędzia w optymalny sposób. Dobierając odpowiednią prędkość roboczą można dostosować parametry robocze szlifierki do określonych zadań szlifowania.

Elektroniczny regulator prędkości roboczej pozwala dopasować prędkość silnika do rodzaju wykonywanego zadania. Elektroniczny system wariatora oszczędza obciążenie silnika a następnie zwiększa lub zmniejsza moc silnika w celu zachowania stałej prędkości obrotowej. Prędkość może być dostosowana do rodzaju pracy do wykonania oraz typu powierzchni do szlifowania.

Przy powierzchniach chropowatych czy do szybkich prac wstępnych, w celu zwiększenia prędkości, obróćcie przekładnię zmiany prędkości w prawo.

### MONTAŻ

#### **▲ OSTRZEŻENIE**

Wasza szlifierka nie powinna być podłączona do gniazdka elektrycznego, kiedy zakładacie części, wykonujecie regulacje, podczas jej czyszczenia bądź kiedy jej nie używacie. Odłączenie urządzenia zapobiegnie jego przypadkowemu uruchomieniu, które groziłoby poważnym zranieniem.

### WYBÓR OKŁADZINY SZLIFIERSKIEJ

Wybór rozmiaru, typu okładziny ścierniej i odpowiedniej grubości ziarna jest bardzo istotny dla uzyskania szliflu dobrej jakości. Do zdzierania zalecamy Państwu używanie syntetycznych materiałów ściernych, jak tlenek glinowy czy węgiel krzemu. Naturalne materiały ścierne, jak krzemień czy granat są zbyt miękkie by móc je stosować oszczędnie do szlifowania zgrubnego.

Ogólnie mówiąc, okładziny gruboziarniste pozwalają zeszlifować materiał zgrubszą a drobnoziarnistymi uzyskuje się szlifowanie wykańczające. W zależności od stanu powierzchni do szlifowania określamy wielkość ziarna okładziny ścierniej, której użyjemy. Jeżeli powierzchnia jest chropowata, zacznijcie szlifować przy użyciu okładziny gruboziarnistej aż do uzyskania jednolitej powierzchni. Później możecie użyć papieru średnioziarnistego w celu zatarcia rys pozostawionych po okładzinie gruboziarnistej, następnie papieru drobnoziarnistego do polerowania. Szlifujcie każdym rozmiarem ziarna aż do uzyskania jednolitej powierzchni.

#### **▲ OSTRZEŻENIE**

NIE WOLNO używać szlifierki bez okładziny ścierniej, aby nie uszkodzić płyty szlifierskiej.

### Zalecane arkusze/poduszki szlifierskie

Papier ścierny ziarnistość Ø 80	Zgrubne szlifowanie
Papier ścierny ziarnistość Ø 120	Lekkie szlifowanie
Papier ścierny ziarnistość Ø 150	Lekkie szlifowanie

### MONTAŻ WORKA NA PYŁ

Zobacz rysunek 2.

Pojemnik na kurz jest systemem usuwania kurzu ze szlifierki. Pył powstający podczas szlifowania jest wciągany przez otwory w tarczy szlifierskiej i gromadzony w pojemniku na pył.

1. Odłączcie od sieci waszą szlifierkę.
2. Lekko pokręcając, wsunąć pojemnik na pył do komory wyrzutowej dmuchawy.

#### **▲ OSTRZEŻENIE**

Podczas użytkowania waszej szlifierki, zachowajcie czujność. Należy pamiętać o tym, że nieostrożność trwająca nawet ułamek sekundy może być powodem bardzo poważnych obrażeń.

### ZASTOSOWANIE

Używajcie waszej szlifierki tylko zgodnie z poniższymi zastosowaniami:

- Szlifowanie powierzchni drewnianych.
- Usuwanie rdzy i szlifowania stali.
- Polerowanie i szlifowanie porcelany i metali.

#### **▲ UWAGA**

Przewód zasilający powinien być zawsze oddalony od drogi płyty i umieszczony w taki sposób, by nie był pochwycony przez drewniany element, narzędzia czy jakiegokolwiek inny przedmiot podczas szlifowania.

#### **▲ OSTRZEŻENIE**

Kiedy używacie narzędzi, zakładajcie zawsze okulary ochronne lub okulary zabezpieczające wyposażone w boczne osłony. Nie spełnienia tych wymagań może pociągnąć za sobą dostanie się do oczu obcych ciał, pyłu czy wiórów, co grozi poważnym skałeczeniem oka.

**OBSŁUGA****ZAKŁADANIE OKŁADZINY ŚCIERNEJ**

Przed założeniem okładziny ściernej, należy sprawdzić w jakim jest stanie. NIE WOLNO używać okładziny ściernej uszkodzonej czy rozerwanej.

**Papier ścierny mocowany na rzepę**

Zobacz rysunek 5.

1. Odłączcie od sieci waszą szlifierkę.
2. Wyrównajcie otwory papieru lub okładziny ściernej z otworami podstawy szlifierki a następnie przyklejcie ostrożnie stronę z rzepami do papieru lub okładziny najmocniej jak to możliwe.

**UWAGA:** Zalecamy Państwu utrzymywanie papieru i okładzin w czystości, tak by miały lepszą przyczepność do płyty szlifierki. Czyścić je regularnie przy pomocy małej szcoteczki.

**▲ OSTRZEŻENIE**

Jeżeli szlifierka nie została odłączona, może dojść do przypadkowego włączenia, grożącego poważnymi obrażeniami ciała.

**Standardowy papier ścierny**

Zobacz rysunek 6.

1. Odłączcie od sieci waszą szlifierkę.
2. Zwolnić zacisk papieru. Usunąć zużyty papier ścierny.
3. Umieścić nowy papier ścierny pod zaciskiem.
4. Zaciśnąć papier ścierny na swoim miejscu.

**URUCHOMIENIE /ZATRZYMANIE SZLIFIERKI**

Zobacz rysunek 1.

- W celu uruchomienia szlifierki: Przesłać przelącznik w położenie „I”.
- W celu zatrzymania szlifierki: Przesłać przelącznik w położenie „O”.

**SPOSÓB UŻYCIA**

Zobacz rysunek 3.

1. Należy umieścić przedmiot do obróbki w taki sposób, by nie mógł się on ześliznąć pod szlifierkę.

**▲ OSTRZEŻENIE**

Jeżeli nie przymocujecie przedmiotu do obróbki, może on zostać odrzucony w stronę użytkownika i spowodować poważne obrażenia cieleśne.

**▲ OSTRZEŻENIE**

Dopilnujcie by wasza twarz była zawsze oddalona od szlifierki i strefy szlifowania. Spinajcie włosy, tak by uniknąć pochwylenia waszych włosów przez szlifierkę, gdyż mogłoby to stać się przyczyną poważnych ran.

2. Umieście szlifierkę na powierzchni roboczej, tak by cała powierzchnia płyty oporowej stykała się z obrabianym przedmiotem.

**▲ UWAGA**

Uważajcie, by nie zatkać waszymi rękami otworów wentylacyjnych, gdyż to mogłoby doprowadzić do przegrzania silnika.

3. Uruchomcie waszą szlifierkę i przesunąć ją powoli na przedmiot do obróbki.

**UWAGA:** Trzymajcie waszą szlifierkę przed wami i na odpowiedni dystans, tak by dobrze widzieć przedmiot do obróbki. Uruchomcie szlifierkę i zaczekajcie aż silnik osiągnie maksymalną prędkość. Następnie skierujcie powoli płytę oporową szlifierki w stronę przedmiotu do obróbki. Już kiedy płyta oporowa jest w kontakcie z obrabianym przedmiotem, przesunąć szlifierkę na powierzchnię roboczą opisując małe okręgi.

**Przed wszystkim, nie forsujcie szlifierki.** Ciężar szlifierki wywiera wystarczający nacisk na obrabiany przedmiot. Całą "robotę" mają wykonać szlifierka i okładzina ścierna. Wykonując dodatkowy nacisk na szlifierkę, ryzykujecie zwolnienie obrotów silnika, szybsze zużycie okładziny ściernej i znaczne zmniejszenie prędkości szlifowania. Ponadto, jeżeli nacisk na szlifierkę jest zbyt mocny, może dojść do przegrzania silnika, co grozi uszkodzeniem silnika i ujemnie wpływa na sprawność działania narzędzia. Uwaga, ciepło wydzielające się przy tarciu może zmiękczyć lakier lub żywicę pokrywającą drewno.

Nie należy szlifować zbyt długo tej samej części przedmiotu do obróbki, gdyż akcja ścierania szlifierki może szybko zużyć materiał, co daje powierzchnię nieregularnie oszlifowaną.

Przedłużone okresy szlifowania mogą spowodować przegrzanie silnika. W takim przypadku należy wyłączyć zasilanie, odczekać, aż tarcza szlifierska całkowicie się zatrzyma i zdjąć ją z obrabianego przedmiotu. Zdejmijcie ręce z przedniej części szczelin wentylacyjnych, zdejście okładzinę ścierną a następnie uruchomcie ponownie szlifierkę i aby ochłodzić silnik, dajcie jej popracować na puście (bez obciążenia).

**OPRÓŻNIANIE POJEMNIKA NA PYŁ**

Zobacz rysunek 4.

## Polski

Dla większej wydajności, opróżniajcie worek na pył, gdy jest wypełniony do połowy. Na zakończenie pracy, przed odłożeniem urządzenia na miejsce przechowywania należy opróżnić i oczyścić worek na pył.

### **⚠ OSTRZEŻENIE**

Nagromadzenie się pyłów w wyniku szlifowania powierzchni pokrytych produktami łatwopalnymi, takimi jak poliuretan, olej lniany itd. może doprowadzić do zapalenia worka na pył, czy innych części szlifierki i wywołać w ten sposób pożar. Aby zmniejszyć ryzyko pożaru, należy systematycznie opróżniać worek na pył (co 10-15 minut) podczas pracy, nie należy też pozostawiać ani przechowywać szlifierki bez uprzedniego opróżnienia worka. Przeczytajcie uważnie zalecenia producentów powłok.

1. Odłączcie od sieci waszą szlifierkę.

### **⚠ OSTRZEŻENIE**

Jeżeli szlifierka nie została odłączona, może dojść do przypadkowego włączenia, grożącego poważnymi obrażeniami ciała.

2. Zdjąć worek na pył.
3. Potrzebujecie workiem na pył, aby go opróżnić.
4. Założyć z powrotem worek na pył.

**UWAGA:** Aby oczyścić pojemnik bardziej dokładnie, należy wyjąć pojemnik z ramy i wytrzeć pył. Umieścić worek na pył w ramie, następnie założyć cały zespół do szlifierki.

## RUCH POSUWISTO-ZWROTNY

Zobacz rysunek 7.

Ruch mimośrodowy jest idealny do wykonywania szybkiego szlifowania (usuwanie starych powłok, polerowanie nieobrobionego drewna, obróbki powierzchni wypukłych) i prac wykończeniowych (przygotowanie powierzchni przed nałożeniem farby). Okładzina ścierna wykonuje małe kółka przy dużej prędkości, co daje dużą ruchliwość szlifierki.

## LAMPKA KONTROLNA PODŁĄCZENIA POD NAPIĘCIE

Narzędzie jest wyposażone w kontrolkę, które świeci się, gdy urządzenie jest podłączone do źródła zasilania. Ostrzega użytkownika o tym, że urządzenie jest podłączone do zasilania i zostanie uruchomione po naciśnięciu przycisku.

## KONSERWACJA

### **⚠ OSTRZEŻENIE**

Wasza szlifierka nie powinna być podłączona do gniazdka elektrycznego, kiedy zakładacie części, wykonujecie regulacje, podczas jej czyszczenia bądź kiedy jej nie używacie. Odłączenie urządzenia zapobiegnie jego przypadkowemu uruchomieniu, które groziłoby poważnym zranieniem.

### **⚠ OSTRZEŻENIE**

Do napraw używaj wyłącznie oryginalnych części zamiennych. Stosowanie nieoryginalnych części zamiennych może stwarzać zagrożenie dla zdrowia użytkownika lub spowodować uszkodzenie urządzenia.

## ZALECENIA OGÓLNE

Nie stosować rozpuszczalników do czyszczenia elementów plastikowych. Większość tworzyw sztucznych, mogłyby zostać uszkodzone przez użycie rozpuszczalników dostępnych w sprzedaży. Używajcie czystszej szmatki do mycia zabrudzeń, pyłu, itd.

### **⚠ OSTRZEŻENIE**

Elementy plastikowe nigdy nie powinny być w kontakcie z płynem hamulcowym, benzyną, czy produktami na bazie ropy naftowej, przenikliwymi olejami itd. Substancje te zawierają produkty chemiczne, które mogłyby uszkodzić, osłabić lub zniszczyć plastik.

Elektronarzędzia używane na wyposażeniu z włókna szklanego, płytach gipsowych, płytach pokryciowych mają skłonności do szybszego zużywania się i przedwczesnych usterek. Wióry i opiłki z materiałów mają wpływ bardzo ścierający na części elektronarzędzi jak: koła zębate, szczotki, wyłączniki itd. W związku z tym przedłużone używanie tego narzędzia na włóknie szklanym, na płytach pokryciowych, powłokach do szpachlowania lub gipsie jest zdecydowanie odradzane. Gdybyście jednak musieli szlifować te materiały, jest wyjątkowo ważne regularne mycie szlifierki strumieniem sprężonego powietrza.

**⚠ OSTRZEŻENIE**

Podczas użytkowania elektronarzędzi lub wydmuchiwania pyłu należy zawsze nosić okulary ochronne z osłonami bocznymi. Jeśli wykonywanej pracy towarzyszy powstawanie pyłu, należy również stosować maskę przeciwpyłową.

**SMAROWANIE**

Wszystkie łożyska urządzenia zostały nasmarowane odpowiednią ilością smaru o wysokiej jakości, który powinien zapewnić odpowiednie smarowanie tych części przez cały okres żywotności urządzenia. W wyniku czego, nie zachodzi potrzeba dodatkowego smarowania.

**CZYSZCZENIE OKŁADZIN ŚCIERNYCH**

W celu zapewnienia przedłużonej żywotności i optymalnej wydajności okładzin ściernych, czyszczenie je regularnie. Możecie pozbyć się wszystkich ciał obcych zwyczajnie splukując okładzinę letnią wodą. Po umyciu okładziny, wykręćcie ją lekko, by pozbyć się nadmiaru wody i zostawcie ją do wysuszenia. Przechowujcie zawsze okładziny ścierne na płasko, w chłodnym i suchym miejscu.

**CZYSZCZENIE OKŁADZIN ŚCIERNYCH**

Okładziny ścierne dostarczone z waszą szlifierką można ponownie użyć. Ważne jest ich regularne czyszczenie w celu usunięcia pyłu i cząsteczek, które nagromadziły się na powierzchni w trakcie różnych czynności szlifowania.

Aby wyczyścić okładziny szlifierskie, pocierajcie je kawałkiem zbitego kauczuku. Możecie na przykład użyć czystej podeszwy buta.

**⚠ OSTRZEŻENIE**

Przed czyszczeniem szlifierki należy zawsze zdjąć papier czy okładzinę ścierną z płyty oporowej szlifierki. Nie zastosowanie się do tego wymogu może spowodować ciężkie obrażenia ciała.

**OCHRONA ŚRODOWISKA**

Surowce należy oddawać do recyklingu zamiast wyrzucać je na śmieci. Z myślą o ochronie środowiska, narzędzie, akcesoria i opakowania powinny być sortowane.

**SYMBOL**

Alarm bezpieczeństwa

V Volt

Hz Herc

~ Prąd przemienny

W Wat

no Prędkość bez obciążenia

min<sup>-1</sup> Ilość obrotów czy ruchów na minutę

Mimośrodowość



Zgodność CE



Podwójna izolacja



Stosować środki ochrony słuchu



Stosować środki ochrony wzroku



Przed uruchomieniem urządzenia prosimy uważnie przeczytać instrukcję



Zużyte produkty elektryczne nie powinny być utylizowane z odpadami domowymi. Prosimy poddawać recyklingowi w odpowiednich miejscach. Informacje o właściwych metodach recyklingu można uzyskać u władz lokalnych lub sprzedawcy.

## Čeština

### POPIS

1. Spínač/vypínač
2. Regulátor rychlosti
3. Tvarovaná rukojeť
4. Sběrná nádoba prachu
5. Brusná plocha
6. Svorka pro uchycení brusného papíru
7. Světelný indikátor napětí
8. Zavěste a upevněte brusný papír
9. Standardní brusný papír

### BEZPEČNOSTNÍ POKYNY PŘI PRÁCI S BRUSKOU

- Při broušení použijte bezpečnostní brýle a obličejový štít, zejména pokud používáte brusku k práci nad hlavou.
- Brusku nikdy nepoužívejte k broušení vlhkých ploch.
- Nikdy nepoužívejte příliš velký brusný papír. Pokud brusný papír přesahuje brusný talíř, vystavujete se nebezpečí vážného úrazu.
- Sáček na prach je třeba nasadit na nářadí a pravidelně ho vyprazdňovat. To se vyprazdňuje často. Sáček na prach se připevní tak, že se uzávěr sáčku nasadí na odsávací hrdlo umístěné na zadní straně brusky a otočí se doprava.

### ⚠ VAROVÁNÍ

Prach z odbroušeného materiálu neodhazujte do otevřeného ohně, neboť jemné částice odpadního materiálu mohou být výbušné.

### ⚠ VAROVÁNÍ

Při broušení barev s obsahem olova, při opracovávání povrchu dřeva a při leštění kovu používejte vhodný protiprašný respirátor, abyste nevdechovali prach z odbroušeného materiálu, který může být u některých druhů dřeva a kovů toxický.

### TECHNICKÉ ÚDAJE

Model	ESS200RS	ESS280RV
Výkon	200 W	280 W
Elektrické napětí	230 V - 240 V ~ 50 Hz	230 V - 240 V ~ 50 Hz
Otáčky naprázdno	12000 min <sup>-1</sup>	7000-12000 min <sup>-1</sup>

Průměr upínání 2.0 mm 2.0 mm

Hmotnost 1.5 kg 1.7 kg

### VLASTNOSTI

Viz obrázek 1.

Bruska se používá s brusným papírem (hrubým, středním nebo jemným). Pokud chcete dosáhnout jemného opracování povrchu dřeva bez rýh, je nutné brousit po vlákne.

Tato bruska umožňuje jemné rovinné broušení hran v jednom pracovním postupu.

Bruska je vybavena ergonomickou rukojetí umožňující dobré uchopení nářadí a vysoký uživatelský komfort. Tím je sníženo nebezpečí únavy v důsledku dlouhotrvajícího používání nářadí.

Než začnete nářadí používat, seznámte se s jeho provozem a bezpečnostními pokyny, které je nutné při práci dodržovat. I když se dobře seznámíte s bruskou, nikdy nepřestávejte být opatrní.

### SPÍNAČ

#### Elektronická regulace pro nastavení optimálního počtu brusných kmitů

Elektronický regulátor umožňuje nastavit počet brusných kmitů v závislosti na typu broušené plochy (od mohutného a odolného stavebního dřeva až po citlivý povrch dýhy).

Bruska je vybavena spínačem k ovládní chodu nářadí.

- Pokud chcete brusku zapnout: Přesuňte přepínač do „I“.
- Pokud chcete brusku vypnout: Přesuňte přepínač do „O“.

### ⚠ VAROVÁNÍ

Neseznamujte se s tímto výrobkem tak, abyste ztratili opatrnost. Nezapomeňte, že i pouhý okamžik nepozornosti může být příčinou závažného úrazu.

### SBĚRNÁ NÁDOBA PRACHU

Nádoba pro prach se připojuje k brusce a udržuje prach na minimu.

### PROMĚNNÁ RYCHLOST (MODEL - ESS280RV)

Bruska je vybavena elektronickým regulátorem rychlosti, který umožňuje nastavit optimální otáčky motoru. Provedením výběrů správné rychlosti se váš nástroj seřídí na specifické potřeby.

Elektronická funkce vašeho nástroje představuje flexibilitu seřízení rychlosti motoru na požadované pracovní

## Čeština

podmínky. Elektronický systém regulátoru rychlosti vhodnoti namáhání motoru vzhledem k prováděné práci a buď zvýší nebo sníží rychlost motoru, aby byla dosažena konstantní pracovní rychlost. Otáčky se upraví podle povahy práce a materiálu, ve kterém se brousí.

Při broušení hrubých ploch nebo pokud potřebujete rychle brousit, otočte regulátor doprava a zvýšte otáčky.

### MONTÁŽ

#### ⚠ VAROVÁNÍ

Při nasazování příslušenství, čištění nebo seřizování brusky vždy brusku odpojte od elektrické sítě. Stejně musí být bruska odpojená od elektrické sítě, pokud brusku nepoužíváte. Odpojením předejdete náhodnému spuštění a tím vážnému osobnímu poranění.

### VÝBĚR BRUSNÉHO PAPIŘU

Správný výběr velikosti, hrubosti a typu brusného papíru je velmi důležitý pro kvalitní brusný výkon. Pro hrubé broušení se doporučuje použít syntetické brusné přípravky na bázi kyslíčnicku hlinitého nebo karbidu křemíku. Přírodní brusné látky jako sílex nebo granát jsou příliš měkké a jejich používání s bruskou není ekonomické.

U všech brusných prací platí, že hrubý brusný papír se používá k největšímu úběru materiálu, jemný brusný papír k jemnému dokončovacímu broušení. Hrubost brusného papíru je třeba vybírat v závislosti na stavu broušené plochy. Pokud je broušená plocha nerovná, je třeba začít brousit hrubým brusným papírem a srovnat povrch broušené plochy. Pak můžete pokračovat v práci se středně hrubým brusným papírem a zarovnat rýhy po hrubozrnném brusném papíru. Dokončovací broušení a vyleštění plochy proveďte jemnozrnným brusným papírem. Postupně vystřídejte brusné papíry s různou hrubostí, aby byla plocha rovnoměrně zbrusovaná.

#### ⚠ VAROVÁNÍ

NEPOUŽÍVEJTE brusku bez brusného papíru, abyste nepoškodili brusný talíř.

#### Doporučené použití podložky/ listu

Brusný papír s průměrem zrna Ø 80	Hrubé broušení
Brusný papír s průměrem zrna Ø 120	Jemné broušení

Brusný papír s průměrem zrna  
Ø 150

Jemné broušení

### PŘÍPEVNĚNÍ NÁDOBY PRO PRACH

Viz obrázek 2.

Nádoba pro prach poskytuje sběrný systém prachu pro brusku. Prach po broušení proniká otvory v brusném disku a zachytává se během broušení v nádobě pro prach.

1. Odpojte brusku z elektrické sítě.
2. Pomocí lehkého šroubovacího pohybu pevně nasuňte montáž nádoby pro prach do vyfukovače na brusce.

#### ⚠ VAROVÁNÍ

Při práci s bruskou buďte opatrní. Nedbalosti, dokonce na zlomek vteřiny, mohou vést dokonce k vážnému poranění.

### POUŽITÍ

Brusku použijte pouze k uvedeným účelům:

- Broušení dřevěných ploch.
- Odstraňování rzi a leštění kovů.
- Broušení a leštění porcelánu a kovů.

#### ⚠ POZOR

Prodlužovací šňůra musí zůstat v dostatečné vzdálenosti od brusné desky a musí být vedena tak, aby nemohla při broušení zachytit o dřevo, nástroje nebo jakýkoliv jiný předmět.

#### ⚠ VAROVÁNÍ

Z bezpečnostních důvodů používejte při práci uzavřené ochranné brýle (s boční ochranou). Nedodržení tohoto bezpečnostního pokynu může způsobit vniknutí cizích těles, prachu nebo třísek do očí a být příčinou vážného poškození zraku.

### OBSLUHA

#### NASAZENÍ BRUSNÉHO PAPIŘU

Před upevněním brusného papíru zkontrolujte jeho stav. Nepoužívejte poškozený nebo natržený brusný papír.

#### Zavěste a upevněte brusný papír

Viz obrázek 5.

1. Odpojte brusku z elektrické sítě.
2. Nasaďte brusný papír na brusnou desku tak, aby byly otvory v brusném papíru v zákrytu s brusnou deskou,

## Čeština

pak přitlačte brusný papír k brusné desce, suchý zip musí směřovat k brusné desce.

**POZNÁMKA:** Doporučujeme Vám udržovat brusné papíry i brusnou desku v čistotě, aby brusný papír dokonale přilnul k brusné desce. K čištění používejte kartáček.

### VAROVÁNÍ

Pokud bruska není odpojena od elektrické sítě, existuje riziko nechtěného spuštění nářadí, které může být příčinou závažného úrazu.

### Standardní brusný papír

Viz obrázek 6.

1. Odpojte brusku z elektrické sítě.
2. Uvolněte svorku papíru. Sundejte použitý brusný papír, je-li nějaký.
3. Vložte nový brusný papír pod svorku papíru.
4. Upněte brusný papír do polohy.

### ZAPNUTÍ / VYPNUTÍ BRUSKY

Viz obrázek 1.

- Pokud chcete brusku zapnout: Přesuňte přepínač do „I“.
- Pokud chcete brusku vypnout: Přesuňte přepínač do „O“.

### POUŽÍVÁNÍ NÁŘADÍ

Viz obrázek 3.

1. Obráběný materiál upevněte tak, aby se pod brusku neprosmykoval.

### VAROVÁNÍ

Pokud broušený materiál není upevněn, může dojít k jeho vyvrstvení směrem k uživateli. Tato situace je velmi nebezpečná, neboť může být zdrojem vážného úrazu.

### VAROVÁNÍ

Nepřibližujte tvář brusce ani k broušenému materiálu. Chraňte si vlasy, aby se nemohly zachytit v brusce a způsobit Vám úraz.

2. Při práci držte brusku tak, aby byla brusná deska v kontaktu s opracovávanou plochou.

### POZOR

Dávejte pozor, abyste při práci nepokládali ruce na větrací otvory, začal by se přehřívat motor.

3. Brusku nejdříve zapněte, pak teprve ji uvedte do záběru s opracovávaným materiálem.

**POZNÁMKA:** Držte brusku před sebou v dostatečné vzdálenosti, abyste na opracovávaný materiál dobře viděli. Zapněte brusku a počkejte, dokud motor nedosáhne své maximální rychlosti. Pak pomalu navedte brusku do záběru s opracovávaným materiálem. Jakmile je bruska v kontaktu s opracovávaným materiálem, malými kruhovými pohyby pohybuje po materiálu.

**Na brusku zásadně netlačte násilím.** Vlastní váha brusky vykonává dostatečný tlak na broušený nebo leštěný materiál. Pokud budete na brusku tlačit, dojde ke zpomalení motoru, rychlejšímu opotřebení brusného papíru a snížení rychlosti brusky. Nadměrný tlak na brusku může vést k přetížení motoru, jeho nadměrnému zahřívání a následně k poškození motoru a narušení funkčnosti nářadí. Pozor, teplo vznikající při broušení dřeva může vést ke změknutí laku nebo pryskyřice.

Dávejte pozor, abyste nebroušili stejnou část materiálu příliš dlouho. Bruska by mohla materiál poškodit nebo brousit nerovnoměrně.

Dlouhotrvající broušení může být příčinou přehřívání motoru. Nastane-li toto vypněte brusku a počkejte, dokud se disk kompletně nezastaví, pak ji sundejte z obrobku. Pokud bylo přehřátí motoru způsobeno nesprávným držetím brusky, zakrývajícím větrací otvory, přemístěte ruce, zapněte brusku naprázdno a počkejte, dokud se motor nezchladí.

### VYPRAZDŇOVÁNÍ NÁDOBY PRO PRACH

Viz obrázek 4.

Vyšší účinnosti odsávání dosáhnete, pokud prachový vak budete plnit pouze do poloviny a pak ho vyprázdníte. Vždy řádně vyprázdňujte a čistěte nádobu pro prach při dokončování broušení a před uskladněním brusky.

### VAROVÁNÍ

Nahromaděný prach vznikající při broušení povrchu může být nebezpečný, neboť zbytky hořlavých látek, jako např. polyuretan, lněný olej apod. mohou být příčinou vznícení prachového sáčku nebo jiných částí nářadí. Pro snížení nebezpečí požáru vždy pravidelně vyprázdňujte nádobu pro prach (10-15 minut) během broušení a nikdy neskladujte nebo neodkládejte brusku bez úplného vyprázdnění prachu. Pečlivě si přečtěte doporučení výrobce opracovávané plochy.

1. Odpojte brusku z elektrické sítě.



## Čeština

### ⚠ VAROVÁNÍ

Pokud bruska není odpojena od elektrické sítě, existuje riziko nechtěného spuštění nářadí, které může být příčinou závažného úrazu.

2. Odpojte nádobu pro prach od brusky.
3. Vyprázdněte vak a zatřepete jím.
4. Znovu připojte nádobu pro prach k brusce.

**POZNÁMKA:** Pro důkladnější čištění nádoby pro prach jej sundejte z rámu a vytřepajte prach. Uložte nádobu pro prach přes rám a nainstalujte sestavu nádoby pro prach na brusku.

### VIBRAČNÍ POHYB

Viz obrázek 7.

Excentrický pohyb je ideální pro rychlé broušení (zbroušení starých nátěrů, opracovávání povrchu dřeva, zbroušení materiálu podle požadovaného úběru) i jemné broušení (například příprava povrchu pro nátěry). Brusný papír provádí kruhový pohyb vysokou rychlostí.

### SVĚTELNÝ INDIKÁTOR NAPĚTÍ

Nástroj je vybaven světelným indikátorem napětí, který se rozsvítí, jakmile se nástroj připojí ke zdroji napětí. Tato kontrolka upozorňuje uživatele nářadí, že je pod napětím a že se uvede do provozu při stisknutí přepínače.

### ÚDRŽBA

### ⚠ VAROVÁNÍ

Při nasazování příslušenství, čištění nebo seřizování brusky vždy brusku odpojte od elektrické sítě. Stejně musí být bruska odpojena od elektrické sítě, pokud brusku nepoužíváte. Odpojením předejdete náhodnému spuštění a tím vážnému osobnímu poranění.

### ⚠ VAROVÁNÍ

Při údržbě používejte pouze stejné náhradní díly. Použití jakýchkoliv jiných dílů může vytvořit nebezpečí nebo způsobit poškození výrobku.

### VŠEOBECNÉ POKYNY

Vyhýnejte se používání rozpouštědel, když čistíte plastové díly. Většina ředidel běžně dostupných v obchodní síti se nehodí k čištění plastových částí, neboť narušuje povrch plastů. K odstranění nečistot, prachu apod. používejte čistý hadr.

### ⚠ VAROVÁNÍ

Plastové části nářadí nesmí nikdy přijít do styku s brzdovou kapalinou, benzínem, produkty na bázi ropy, regenerovanými maznými oleji apod. Tyto výrobky obsahují chemikálie, které mohou poškodit, oslabit nebo zničit plastové části, případně snížit jejich životnost.

Elektrické nářadí používané k opracování materiálu ze skleněného vlákna, sádrových desek, obkladových desek se snadněji opotřebovává a má kratší životnost. Třísky a kovové piliny vznikající při řezání kovů odírají některé díly elektronářadí, jako jsou převody, kartáče, spouštěče apod. Z tohoto důvodu se nedoporučuje dlouhodobé používání nářadí k řezání skleněného vlákna, obkladových desek, vyrovnávacích nebo sádrových desek. Pokud brousíte tento typ materiálu, je nutné po práci vyčistit nářadí proudem stlačeného vzduchu.

### ⚠ VAROVÁNÍ

Vždy noste bezpečnostní brýle nebo bezpečnostní brýle s postranními štítky, když obsluhujete elektrický poháněný nástroj nebo při rozdmýchávání (tvorbě) prachu. Pokud pracujete v prachu, noste také respirátor.

### MAZÁNÍ

Veškerá ložiska nářadí byla výrobcem namazána dostatečným množstvím vysoce účinného maziva, které stačí na celou dobu životnosti nářadí při normálních podmínkách používání. Žádné další mazání nářadím není nutné.

### ČIŠTĚNÍ BRUSNÉ DESKY

Pravidelné čištění brusné desky je předpokladem její dlouhodobé životnosti a optimální účinnosti. Veškeré cizí částice můžete odstranit opláchnutím brusné desky ve vlažné vodě. Po opláchnutí setřete opatrně z brusné desky kapky vody a nechte brusnou desku uschnout. Brusné desky vždy pokládejte naležato a skladujte je na suchém a chladném místě.

### ČIŠTĚNÍ BRUSNÝCH PAPIRŮ

Brusné papíry dodávané s Vaší bruskou lze opakovaně použít. Je proto důležité je pravidelně čistit a odstraňovat prach a částice, které se na brusném papíru usazují při broušení.

K čištění brusného papíru použijte např. kus pryže. Můžete např. použít čisté gumové podrážky u boty.

**⚠ VAROVÁNÍ**

Než začnete brusnou desku nebo brusný papír čistit, sundejte je z brusky. Nedodržení tohoto pokynu může způsobit vážné zranění.

**OCHRANA ŽIVOTNÍHO PROSTŘEDÍ**

V rámci možností neodhazujte vysloužilý výrobek nebo jeho části do domovního odpadu a snažte se o jejich recyklaci. V souladu s předpisy na ochranu životního prostředí odkládejte vysloužilé nářadí, příslušenství i obalový materiál do tříděného odpadu.

**SYMBOL**

Bezpečnostní výstraha

V Volt

Hz Hertz

~ Střídavý proud

W Watt

$n_0$  Otáčky naprázdno

$\text{min}^{-1}$  Počet otáček nebo pohybů (kmitů) za minutu



Průměr upínání



Shoda CE



Dvojitá izolace



Noste ochranu sluchu



Noste ochranu očí



Před spuštěním přístroje si řádně přečtěte pokyny.



Odpad elektrických výrobků se nesmí likvidovat v domovním odpadu. Recyklujte prosím na sběrných místech. Ptejte se u místních úřadů nebo prodejce na postup při recyklaci.

## Magyar

### LEÍRÁS

1. Be - ki kapcsológomb
2. Fordulatszám szabályozó
3. Fröccsöntött fogantyú
4. Porgyűjtő tartály
5. Csiszolótalp
6. Kapocs
7. Működésjelző lámpa
8. Akassza be és hurkolja fel a csiszolópapírt
9. Standard csiszolópapír

### A CSISZOLÓKRA VONATKOZÓ SPECIÁLIS BIZTONSÁGI ELŐÍRÁSOK

- **Hordjon mindig álarcot és légálló szemüveget csiszolás közben, különös képen ha magasban, a gépet a feje felett tartva dolgozik.**
- **Soha ne használja a készüléket nedves felület csiszolására.**
- **Ügyeljen arra, hogy a csiszolópapír mérete ne legyen túl nagy.** A túl nagy csiszolópapír balesetet okozhat.
- **Szerelje a helyére a porsákat és rendszeresen ürítse ki.** Ki kell üríteni gyakran. Illessze a porsákat a csiszoló hátsó részén található porszívó fúvókára.

### ⚠ FIGYELEM

Ne dobja nyílt tűzbe a csiszolásból származó port mert a finom port képző anyag robbanásveszélyes.

### ⚠ FIGYELEM

Hordjon a célnak megfelelő (gáz)álarcot ha ólmot tartalmazó festékekkel fedett tárgyat, illetve ha bizonyos fa- vagy fémterméket csiszol.

### MŰSZAKI ADATOK

Típus	ESS200RS	ESS280RV
Teljesítmény	200 W	280 W
Feszültség	230 V - 240 V ~ 50 Hz	230 V - 240 V ~ 50 Hz
Üresjárat fordulatszám	12000 min <sup>-1</sup>	7000-12000 min <sup>-1</sup>
Átmérő (orbitális)	2.0 mm	2.0 mm
Tömeg	1.5 kg	1.7 kg

### FUNKCIÓ

Lásd 1. ábrát.

Az Ön csiszolója több fajta csiszolópapírral használható (durva, közepes, finom). Facsiszolás esetén, ha az erzet irányába dolgozik, akkor sima és karcmentes lesz az eredmény.

A rezgőcsiszolónak olyan a kialakítása, hogy lehetőségében álljon három oldalon széltől-szélig csiszolni (a talp szélesebb a felette lévő résznél).

Az Ön csiszolóját felszereltük egy jó fogást és ez által kényelmes munkavégzést biztosító markolattal. Ebből kifolyólag, a hosszabb idejű használatból fakadó elfáradás veszélye csökkentett.

A szerszám használatbavétele előtt tanulmányozza az alkalmazási lehetőségeit, valamint a biztonsággal kapcsolatos jellegzetességeit. Mindezek ellenére a készülék kiismerése ne készítse figyelmének csökkentésére.

### KAPCSOLÓGOMB

#### Elektronikus fordulatszám-szabályozó

Az elektronikus fordulatszám-szabályozó lehetővé teszi, hogy beállítsa a csiszolás sebességét a csiszolásra kerülő felület típusa szerint (a nehéz, ellenálló épületfától kezdve a finom furnérlemezig).

Ez a csiszoló egy szimpla kapcsolóval van ellátva.

- A csiszoló beindításához: Állítsa a kapcsolót „ I ” állásba.
- A csiszoló leállításához: Állítsa a kapcsolót „ O ” állásba.

### ⚠ FIGYELEM

Ne engedje, hogy a gép mind alaposabb ismerete figyelmetlenné tegye. Soha ne feledje, hogy egy pillanatnyi figyelmetlenség is elegendő ahhoz, hogy súlyosan megsérüljön.

### PORGYŰJTŐ TARTÁLY

A portartály a csiszolóra csatlakoztatható, és minimális szinten tartja a port.

### VÁLTOZTATHATÓ FORDULATSZÁM (TÍPUS - ESS280RV)

A csiszológép egy elektronikus fordulatszám-szabályozóval rendelkezik, hogy a szerszámot optimális módon tudja használni. A megfelelő sebesség kiválasztásával a gépet az adott csiszolási műveletnek megfelelően állíthatja be.

A gép elektronikus funkciói segítségével a motor fordulatszáma rugalmasan változtatható, az adott

feladat szükségleteinek megfelelően. A szabályozó elektronikus rendszere kiértékeli a motorra ható terhelést, és növeli vagy csökkenti a motor teljesítményét úgy, hogy a fordulatszám állandó maradjon. A sebességet a vérehajtandó munka természetének és a csiszolásra kerülő felület típusának megfelelően kell beállítani.

Érdes felületek és gyors, nagyoló csiszolás esetén fordítsa jobbra a szabályozót a sebesség növeléséhez.

## ÖSSZESZERELÉS

### ▲ FIGYELEM

Soha ne tartsa a csiszológépet hálózatra csatlakoztatott állapotban a tartozékok felszerelése, beállítások, tisztítások alkalmával, ill. ha nem használja a gépet. A szerszám hálózatról történő leválasztása megakadályozza a véletlen bekapcsolódást, ami súlyos sérülést okozhat.

## A CSISZOLÓPAPÍR MEGVÁLASZTÁSA

Ha jó minőségű csiszolást szeretne elérni, rendkívül fontos, hogy a csiszolópapír méretét, típusát és szemcseméretét jól válassza meg. Durvább, nagyoló csiszoláshoz szintetikus, mint pl. alumíniumoxid- vagy szilíciumkarbid alapú csiszolópapírt kell használni. A természetes alapú papírok - mint pl. a szilícium-dioxid- (flint) vagy gránát (garnet) alapúak - nagyon puhák, így nagyoló csiszoláshoz való használatuk nem gazdaságos. Általánosan megfogalmazva a nagyobb szemcsét az anyag nagyjának leválasztásához, míg a kisebbet a finommegmunkáláshoz (finiselés) használják. A csiszolandó felület anyaga és minősége szerint meg lehet választani a használt papír / lap szemcseméretét. Amennyiben a felület érdes, egyenetlen, akkor kezdje a csiszolást egy nagy szemcsés papírral, amíg egyenletes felületet nem kap. Ezután egy közepes szemcseméretű papírt kell használni, mely a nagy szemcsék által hagyott karcolásokat ("árkokat") tünteti el, a finom szemcseméretű papírral pedig a végén polírozhatja a felületet. A csiszolást tehát a több szemcsemérettel kell végezni, amíg a felület megfelelőképp egyenletes nem lesz.

### ▲ FIGYELEM

Ne használja a csiszolót csiszolópapír nélkül. Ellenkező esetben megrongálja a talpazatot.

## Lemez/Párna javasolt használata

Csiszolópapír, szemcseméret  
Ø 80

Durva, nagyoló  
csiszolás

Csiszolópapír, szemcseméret  
Ø 120

Közepes,  
finomabb  
csiszolás

Csiszolópapír, szemcseméret  
Ø 150

Közepes,  
finomabb  
csiszolás

## A PORGYÚJTÓ FELHELYEZÉSE

Lásd 2. ábrát.

A portartály porgyújtó rendszert biztosít a csiszolóhoz. A csiszolópor áthalad a polírozó lemez furatain, és csiszoláskor a portartályba gyűlik össze.

- Húzza ki a csiszoló vezetékét az aljzatból.
- Enyhén ide-oda forgatva csúsztassa be a portartály szerelvényt a csiszoló kifújó nyílásába.

### ▲ FIGYELEM

A háromszög csiszoló használata közben legyen óvatos. A figyelmetlen műveletek akár egy másodperc töredéke alatt is súlyos személyi sérülést eredményezhetnek.

## MŰVELETEK

Az alább felsorolt alkalmazásokra használhatja a csiszológépet:

- Fa felületek csiszolása.
- Rozsdaeltávolítás és acél csiszolása.
- Porcelán és különböző fémek csiszolása, fényesítése, polírozása.

### ▲ VIGYÁZAT

Ügyeljen arra, hogy az elektromos talpvezeték soha ne essen a csiszolótalp útjába, valamint hogy csiszolás közben mindig úgy tartsa a gépet, hogy ne kapjon fából készült tárgyakba, szerszámokba vagy egyéb tárgyakba.

### ▲ FIGYELEM

Viseljen mindig biztonsági szemüveget vagy oldallappal ellátott védőszemüveget, amikor valamilyen szerszámot használ. Ennek az előírásnak a be nem tartása súlyos szemsérüléssel járó balesetet okozhat, mert idegen test, por, forgács stb. pattanhat a szemébe.

## Magyar

### HASZNÁLAT

#### A CSISZOLÓPAPÍR FELHELYEZÉSE

A beszerelés előtt, ellenőrizze a csiszolópapír állapotát. NE használjon beszakadt vagy elhasznált csiszolópapírt.

#### Akassza be és hurkolja fel a csiszolópapírt

Lásd 5. ábrát.

- Húzza ki a csiszoló vezetékét az aljzatból.
- Hozza egybe a csiszoló talpán lévő porelszívó lyukakat a csiszolópapíron ill.-lapon lévőekkel, majd nyomja óvatosan és a lehető legerősebben az öntapadó oldal felületét a talpra.

**MEGJEGYZÉS:** A csiszolópapírokat és -lapokat tisztán kell tartani, hogy jobban tapadjanak a csiszoló talpára. Rendszeresen tisztítsa meg őket egy kis kefe vagy ecset segítségével.

### ▲ FIGYELEM

Ha nem húzza ki az aljzatból a csiszoló vezetékét, akkor egy véletlenszerű beindítás következtében súlyos testi sérülésekkel járó balesetet okozhat.

#### Standard csiszolópapír

Lásd 6. ábrát.

- Húzza ki a csiszoló vezetékét az aljzatból.
- Engedje fel a papírszorítót. Vegye le a használt csiszolópapírt, ha van.
- Helyezze az új csiszolópapírt a papírszorító alá.
- Rögzítse a csiszolópapírt a helyére.

#### A CSISZOLÓ BE- ÉS KIKAPCSOLÁSA

Lásd 1. ábrát.

- A csiszoló beindításához: Állítsa a kapcsolót „ I ” állásba.
- A csiszoló leállításához: Állítsa a kapcsolót „ O ” állásba.

### HASZNÁLAT

Lásd 3. ábrát.

- Rögzítse a munkadarabot oly módon, hogy ne tudjon mozogni a csiszoló alatt.

### ▲ FIGYELEM

Amennyiben nem rögzíti a munkadarabot megfelelőképp, a gép kilökheti a használót felé és ez súlyos testi sérüléseket idézhet elő.

### ▲ FIGYELEM

Ügyeljen arra, hogy tartsa távol az arcát a háromszög csiszolótól és a csiszolandó felülettől. Védje, takarja el a haját, hogy a csiszológép ne kaphassa be, mivel ez súlyos testi sérüléseket idézhet elő.

- Helyezze a csiszolót a munkafelületre oly módon, hogy a talp teljes felülete a munkadarabra fekdőjön.

### ▲ VIGYÁZAT

Vigyázzon arra, hogy ne fedje le a szellőzőnyílásokat a kezével, mivel ez a motor túlmelegedéséhez vezethet.

- Kapcsolja be a háromszögcsiszolót és mozgassa lassan a munkadarabon.

**MEGJEGYZÉS:** Tartsa a csiszolót megfelelő távolságra maga előtt, hogy jól láthassa a munkadarabot is. Kapcsolja be a szerszámot, majd várja meg, amíg a motor el nem éri a maximális fordulatszámát. Helyezze ezután a csiszoló talpát lassan a munkadarab felé. Amint a talp érintkezésbe került a munkadarabbal, mozgassa a csiszolót a felületen kis köröket leírva.

**Soha ne erőltesse a csiszológépet.** A csiszoló súlya megfelelő nyomást gyakorol önmagában is a felületre. Hagyja, hogy a csiszoló és a csiszolópapír "dolgozzon". Ha a csiszolót ezentúl még le is nyomja, akkor a motor lelassulhat, a csiszolópapír gyorsabban kopik és a csiszolás ideje jelentősen megnő. Ezentúl ez túl is terheli a motort, miáltal túlmelegedhet és ez árt a szerszám működésének. Felhívjuk a figyelmét arra, hogy a csiszolás által keltett hő meglágyíthatja / megolvaszthatja a fa lakk- vagy gyanta bevonatát.

Ügyeljen arra, hogy ne csiszoljon túl hosszú ideig ugyanazon a helyen, mert kikoptathatja a csiszolással az anyagot és a csiszolt felület egyenetlen lesz.

A hosszabb időtartamon keresztül végzett csiszolás a motor túlmelegedését idézheti elő. Ha ez történik, kapcsolja ki a csiszolót és várjon, amíg a polírozó lemez teljesen megáll, majd távolítsa el a munkadarabról. Vegye el a kezét a szellőzőnyílásoktól, vegye ki a csiszolópapírt, majd kapcsolja be újra a gépet és üzemeltesse üresjárásban, amíg a motor le nem hűl.

#### A PORGYÚJTÓ TARTÁLY KIÜRÍTÉSE

Lásd 4. ábrát.

A teljesítmény növelése érdekében, amikor a porzsák félig megtelt, ürítse ki. A csiszolás után és a csiszoló elrakása előtt mindig ürítse ki és alaposan tisztítsa ki a porgyűjtőt.

## Magyar

### ▲ FIGYELEM

Egyes nagyon gyúlékony anyagokkal - mint például a poliuretán, lenolaj stb.- bevont felületek csiszolásából összegyűlt portól a porzsák vagy a szerszám más részei begyulladhatnak, és így ez tüzet okozhat. A tűzveszély csökkentése érdekében csiszolás közben gyakran ürítse ki a portartályt (10-15 percenként), és soha ne tegye el vagy hagyja ott a csiszolót addig, amíg teljesen ki nem ürítette a portartályt. Figyelmesen olvassa el a bevonóanyag gyártójának előírásait.

1. Húzza ki a csiszoló vezetékét az aljzatból.

### ▲ FIGYELEM

Ha nem húzza ki az aljzattól a csiszoló vezetékét, akkor egy véletlenszerű beindítás következtében súlyos testi sérülésekkel járó balesetet okozhat.

2. Távolítsa el a portartályt a csiszolóról.
3. Rázza ki a porzsákat.
4. Helyezze vissza a portartályt a csiszolóra.

**MEGJEGYZÉS:** A portartályt még alaposabb kitisztításához távolítsa el a portartályt a keretből, és rázza ki a port. Helyezze vissza a portartályt a keretre, majd szerelje fel a portartály szerelvényt a csiszolóra.

### KÖRKÖRÖS MOZGÁS

Lásd 7. ábrát.

Az excentrikus forgás ideálisan alkalmas a gyors csiszoláshoz (régiből elcsiszolása, nyers fa csiszolás, felület simítás egy adott méretre) és a végmunkákhoz (felület végmegmunkálása festés előtt). A csiszolópapír köröket ír le nagy sebességgel, ami rendkívül mozgékonyvá teszi a csiszolót.

### MŰKÖDÉSJELZŐ LÁMPA

A gépet egy működésjelző lámpával látták el, mely akkor kezd el világitani, amikor azt csatlakoztatják az elektromos hálózatra. Ez a lámpa arra figyelmeztet, hogy a gép feszültség alatt van, és be fog indulni, amint a kapcsolót megnyomják.

## KARBANTARTÁS

### ▲ FIGYELEM

Soha ne tartsa a csiszológépet hálózatra csatlakoztatott állapotban a tartozékok felszerelése, beállítások, tisztítások alkalmával, ill. ha nem használja a gépet. A szerszám hálózathoz történő leválasztása megakadályozza a véletlen bekapcsolódást, ami súlyos sérülést okozhat.

### ▲ FIGYELEM

Szervizeléskor csak azonos cserealkatrészeket használjon. Bármilyen más alkatrész használata veszélyt vagy a termék károsodását okozhatja.

## ÁLTALÁNOS ELŐÍRÁSOK

A műanyag részek tisztításakor tartózkodjon a tisztítószer használataától. A kereskedelmi forgalomban kapható oldószerek rongáló hatással vannak a műanyagból készült elemek többségére. A por és egyéb szennyeződések stb. tisztítására használjon egy tiszta ruhadarabot.

### ▲ FIGYELEM

Óvja a műanyagból készült részeket fékolajtól, benzintől, és minden egyéb, kőolaj alapú terméktől. Ezek a vegyszerek olyan vegyületeket tartalmaznak, melyek megromlíthatják, meglágyíthatják vagy lebontják a műanyagból készült részeket.

Azok az elektromos szerszámok, amelyeket üvegszál- vagy gipszkarton anyagokon, különféle burkolatoknál használnak, hajlamosak gyorsabban elhasználni és idő előtt meghibásodni. Az említett anyagok megmunkálásából származó por ill. forgács nagyon súlyos hatású a szerszám alkatrészeire, mint pl. fogaskerekek, szénkefék, kapcsolók stb. Ebből kifolyólag a szerszámot tilos üvegszál anyag, burkolólap, tömítő- / szigetelőanyag, gipszkarton hosszabb ideig történő megmunkálására használni. Amennyiben mégis elkerülhetetlen, hogy ilyen anyagokon dolgozzon, akkor feltétlenül szükséges, hogy minden használat után sűrített levegővel tisztítsa meg a szerszámot.

**▲ FIGYELEM**

Elektromos szerszámgépek használatakor vagy a por kifúvásakor mindig viseljen védőszemüveget vagy oldalellenzővel rendelkező védősisakot. Ha a használat poros környezetben történik, vegyen fel egy pormaszkot is.

**KENÉS**

A szerszámban lévő összes csapágy a gép teljes élettartamára elegendő kenőanyaggal van feltöltve, normál körülmények közötti használat esetén. Ebből kifolyólag nincs szükség arra, hogy a szerszám belső részeit kenje.

**A CSISZOLÓLAPOK TISZTÍTÁSA**

Élettartamuk megnövelése és hatékonyságuk megőrzése érdekében rendszeresen tisztítsa meg a csiszolólapokat. A lapokról eltávolíthatja az idegen részecskéket úgy, hogy egyszerűen langyos vízzel leöblíti őket. Tisztítás után óvatosan csavarja ki a vizet belőlük és hagyja őket megszáradni. A csiszolólapokat száraz, hűvös helyen fekve tárolja.

**A CSISZOLÓPAPIROK TISZTÍTÁSA**

A szerszámhoz mellékelt csiszolópapírok újrafelhasználhatók. Emiatt fontos az, hogy rendszeresen tisztítsa őket, azaz hogy a különböző csiszolási műveletek során a felületen összegyűlt port és részecskéket eltávolítsa.

A csiszolópapírok tisztításához dörzsölje le őket egy kemény gumival. Ehhez a művelethez egy tiszta cipő talpát is használhatja.

**▲ FIGYELEM**

Tisztítás előtt mindig vegye le a csiszolólapírt ill. -lapot a csiszoló talpáról. Ezen előírás be nem tartása súlyos testi sérüléssel járó balesetet okozhat.

**KÖRNYEZETVÉDELEM**

Segítse elő az alpanyagok újrahasznosítását azzal, hogy nem helyezi el őket a háztartási szemétkben. Környezetvédelmi megfontolásból a kiszolgált berendezést, tartozékokat és csomagolóanyagokat szelektív módon kell elhelyezni.

**SZIMBÓLUM**

Biztonsági figyelmeztetés

V Volt

Hz Hertz

~ Váltóáram (AC)

W Watt

no Üresjáratú fordulatszám

min<sup>-1</sup> Fordulatok ill. löketek száma percenként



Átmérő (orbitális)



CE megfelelés



Kettős szigetelés



Viseljen fülvédőt



Viseljen szemvédőt



A gép bekapcsolása előtt figyelmesen olvassa el az útmutatót.



A kiselejtezett elektromos termékeket nem szabad a háztartási hulladékkal együtt kidobni. Ezeket újra kell hasznosítani, ha van rá lehetőség. Az újrahasznosítással kapcsolatban érdeklődjön a helyi önkormányzatnál vagy a termék forgalmazójánál.

## Română

### DESCRIERE

1. Întrerupător
2. Variator de viteză
3. Mâner turnat
4. Cutie de colectare a prafului
5. Talpă
6. Clemă de fixare
7. Indicator de punere sub tensiune
8. Hârtie abrazivă cu sistem de prindere cu arici
9. Hârtie abrazivă standard

### MAȘURI DE SECURITATE SPECIFICE MAȘINILOR DE ȘLEFUIT

- **Utilizați întotdeauna ochelari de protecție etanși și o mască de protecție contra prafului atunci când șlefuiți, în special dacă șlefuiți deasupra capului.**
- **Nu utilizați niciodată mașina de șlefuit pe suprafețe umede.**
- **Foaia de hârtie abrazivă nu trebuie să fie prea mare.** Dacă lăsați hârtia abrazivă să depășească talpa, vă expuneți riscului de răniri grave.
- **Sacul de praf trebuie să fie instalat pe aparat și golit frecvent.** Acesta trebuie golite în mod frecvent. Pentru a instala sacul de praf, cuplați inelul sacului la buza de evacuare situată în spatele mașinii răsucindu-l spre dreapta până ce sacul este fixat corect.

### ⚠ AVERTISMENT

Nu aruncați praful ce provine de la șlefuire în foc deoarece particulele fine de materiale inflamabile pot fi explozive.

### ⚠ AVERTISMENT

Trebuie să folosiți o mască de respirat adecvată când șlefuiți suprafețe acoperite cu vopsea pe bază de plumb și de asemenea pentru anumite tipuri de lemn sau de metal pentru a evita să inhalați praf sau vapori toxici.

### SPECIFICAȚII

Model	ESS200RS	ESS280RV
Alimentare	200 W	280 W
Tensiune	230 V - 240 V ~ 50 Hz	230 V - 240 V ~ 50 Hz
Viteză în gol	12000 min <sup>-1</sup>	7000-12000 min <sup>-1</sup>
Diametrul orbital	2.0 mm	2.0 mm

Greutate 1.5 kg 1.7 kg

### FUNCȚII

A se vedea figura 1.

Mașina de șlefuit se utilizează cu hârtie abrazivă de granulație diferită (mare, mijlocie sau fină). Pe lemn, șlefuirea în sensul fibrei dă o suprafață netedă, fără defecte.

Această mașină de șlefuit este concepută pentru a permite șlefuirea până la margine pe trei părți.

Mașina de șlefuit este echipată cu un mâner ce permite o priză foarte bună și foarte confortabil. Astfel se reduce riscul oboselii în urma unei utilizări prelungite.

Înainte de a folosi mașina, familiarizați-vă cu toate funcționalitățile și specificațiile acesteia cu privire la siguranță. Totuși, nu slăbiți vigilența odată ce vă simțiți familiarizat cu mașina de șlefuit.

### ÎNTRERUPĂTOR

#### Variator electronic de viteză

Variatorul electronic de viteză vă permite să reglați viteza de șlefuire în funcție de tipul suprafeței de șlefuit (de la lemnul de construcție greu și rezistent până la lemnul de placaj delicat).

Această mașină este echipată cu un întrerupător simplu.

- Pentru a porni mașina de șlefuit: Glisați comutatorul în poziția " I " (Pornit).
- Pentru a opri mașina de șlefuit: Glisați comutatorul în poziția " O " (Oprit).

### ⚠ AVERTISMENT

Nu permiteți ca familiaritatea cu uneltele să vă diminueze atenția acordată. Nu uitați, niciodată, că o secundă de neatenție este suficientă pentru a vă răni foarte grav.

### CUTIE DE COLECTARE A PRAFULUI

Cutia de praf se atașează mașinii de șlefuit și menține praful la un nivel minim.

### VITEZĂ VARIABILĂ (MODEL - ESS280RV)

Mașina de șlefuit este echipată cu un variator electronic de viteză astfel încât vă puteți folosi mașina de manieră optimă. Făcând selecțiile de viteză corespunzătoare, unealta dumneavoastră poate fi ajustată nevoile specifice de șlefuire.

Funcțiile electronice ale unelei dumneavoastră introduce flexibilitatea ajustării vitezei motorului la condițiile de activitate necesare. Sistemul electronic al variatorului



## Română

evaluează sarcina exercitată asupra motorului și apoi mărește sau reduce puterea motorului pentru ca viteza să rămână constantă. Viteza poate fi ajustată în funcție de natura lucrării de efectuat sau a tipului de suprafață de șlefuit.

Pentru suprafețele ruгоase sau pentru o lucrare rapidă de degroșare, rotiți variatorul spre dreapta pentru a mări viteza.

### ASAMBLAREA

#### **⚠ AVERTISMENT**

Mașina de șlefuit nu trebuie niciodată să fie conectată la priză atunci când montați piese, efectuați reglaje, curățați mașina sau atunci când nu o utilizați. Deconectarea unelei previne pornirea accidentală care poate conduce la rănirea gravă.

### ALEGEREA HÂRTIEI ABRAZIVE

Alegerea dimensiunii, granulației și a tipului de hârtie abrazivă este foarte importantă dacă doriți să obțineți o șlefuire de calitate. Pentru șlefuirea brută, vă recomandăm să utilizați abrazivi sintetici cum ar fi alumina sau carbura de siliciu. Abrazivii naturali, cum ar fi silixul sau granatul, sunt prea moi pentru a putea fi folosiți eficient la șlefuirea brută.

În general, o granulație mare vă permite să îndepărtați o cantitate mare de material, în timp ce o granulație fină vă permite să obțineți o șlefuire de finisare. Starea suprafeței de șlefuit permite determinarea mărimii granulației care se va utiliza. Dacă suprafața este ruгоasă, începeți șlefuirea cu o hârtie cu granulație mare până când suprafața este uniformă. Apoi puteți folosi o hârtie cu granulație medie pentru a elimina zgârieturile lăsate de hârtia cu granulație mare, și în final o hârtie cu granulație fină pentru a șlefui suprafața. Șlefuiți cu fiecare mărime a granulației până când suprafața este uniformă.

#### **⚠ AVERTISMENT**

Nu utilizați mașină fără hârtie abrazivă pentru a nu deteriora talpa.

#### Utilizare recomandată pentru foaie/arıpioară

Hârtie abrazivă cu granulație 80	Șlefuire brută
Hârtie abrazivă cu granulație 120	Șlefuire ușoară
Hârtie abrazivă cu granulație 150	Șlefuire ușoară

### ATAȘAREA CUTIEI DE PRAF

*A se vedea figura 2.*

Cutia de praf asigură un sistem de colectare a prafului pentru mașina de șlefuit. Praful de șlefuire este tras prin găurile discului de șlefuire și colectat în cutia de praf în timpul șlefuirii.

1. Scoateți mașina de șlefuit din priză.
2. Utilizând o mișcare ușoară de răsucire, glisați ferm ansamblul cutiei de praf în evacuarea suflantei de pe mașina de șlefuit.

#### **⚠ AVERTISMENT**

Fiți vigilenți în timp ce utilizați mașina de șlefuit. Acțiunile neglijente, chiar și pentru o fracțiune de secundă, pot conduce la rănirea gravă.

### APLICAȚII

Puteți utiliza mașina de șlefuit pentru aplicațiile menționate mai jos:

- Șlefuirea pe suprafețe lemnoase.
- Îndepărtarea ruginii și șlefuirea oțelului.
- Lustruirea și șlefuirea porțelanului și a metalelor.

#### **⚠ PRECAUȚIE**

Aveți grijă să mențineți cablul de alimentare la distanță de traiectoria tălpii și să îl așezați în așa fel încât acesta să nu se agațe în piesele de lemn, în unele sau în orice alt obiect în timpul șlefuirii.

#### **⚠ AVERTISMENT**

Purtați întotdeauna ochelari de siguranță sau ochelari de protecție cu ecrane laterale atunci când utilizați mașini electrice. Nerespectarea acestor măsuri se poate solda cu leziuni oculare grave provocate de corpurile străine, praful sau talașul ce vă pot intra în ochi.

### OPERAREA

#### INSTALAREA HÂRTIEI ABRAZIVE

Verificați starea hârtiei abrazive înainte de a o monta. Nu utilizați hârtie abrazivă ruptă sau în stare proastă.

#### Hârtie abrazivă cu sistem de prindere cu arici

*A se vedea figura 5.*

1. Scoateți mașina de șlefuit din priză.
2. Aliniați orificiile hârtiei sau ale tălpii abrazive cu

## Română

orificiile de pe talpa mașinii de șlefuit, apoi lipiți cu atenție partea cu scai a hârtiei pe talpă, cât mai ferm posibil.

**NOTĂ:** Vă recomandăm să păstrați hârtiile și tălpile abrazive curate pentru ca acestea să se prindă mai bine pe talpa mașinii de șlefuit. Curățați-le regulat cu ajutorul unei perii mici.

### ⚠️ AVERTISMENT

Dacă mașina de șlefuit nu este scoasă din priză, se poate produce o pornire accidentală care poate provoca răni corporale grave.

### Hârtie abrazivă standard

A se vedea figura 6.

1. Scoateți mașina de șlefuit din priză.
2. Desfaceți clema pentru hârtie. Îndepărtați hârtia abrazivă utilizată, dacă există.
3. Introduceți noua hârtie abrazivă sub clema pentru hârtie.
4. Fixați hârtia abrazivă în poziție.

### PORNIREA / OPRIREA MAȘINII DE ȘLEFUIT

A se vedea figura 1.

- Pentru a porni mașina de șlefuit: Glisați comutatorul în poziția " I " (Pornit).
- Pentru a opri mașina de șlefuit: Glisați comutatorul în poziția " O " (Oprit).

### UTILIZARE

A se vedea figura 3.

1. Fixați piesa de prelucrat astfel încât aceasta să nu poată aluneca sub mașina de șlefuit.

### ⚠️ AVERTISMENT

Dacă nu fixați piesa de prelucrat, aceasta poate fi proiectată spre utilizator și să provoace răni grave.

### ⚠️ AVERTISMENT

Aveți grijă să vă mențineți fața la distanță de mașina de șlefuit și de zona de șlefuire. Protejați-vă părul pentru ca acesta să nu se prindă în mașina de șlefuit, lucru care ar putea provoca răni grave.

2. Așezați mașina de șlefuit pe suprafața de lucru astfel încât toată suprafața tălpii să fie în contact cu piesa de prelucrat.

### ⚠️ PRECAUȚIE

Aveți grijă să nu acoperiți fantele de ventilație cu mâinile deoarece acest lucru poate duce la supraîncălzirea motorului.

3. Porniți mașina de șlefuit și deplasați-o încet pe piesa de prelucrat.

**NOTĂ:** Țineți mașina de șlefuit în fața dumneavoastră la o distanță adecvată pentru a vedea bine piesa de prelucrat. Porniți mașina de șlefuit și așteptați ca motorul să își atingă viteza maximă. Dirijați apoi încet talpa mașinii de șlefuit spre piesa de prelucrat. După ce talpa este în contact cu piesa de prelucrat, deplasați mașina de șlefuit pe suprafață descriind mici cercuri.

**Nu forțați în nici un caz mașina de șlefuit.** Greutatea mașinii exercită o presiune suficientă pe piesa de prelucrat. Mașina de șlefuit și hârtia abrazivă sunt cele ce trebuie să "lucreze". Exercițiind o presiune suplimentară pe mașina de șlefuit, riscați să încetiniți motorul, să uzați mai repede hârtia abrazivă și să reduceți considerabil viteza de șlefuire. În plus, o presiune excesivă poate suprasolicita motorul și să provoace o supraîncălzire care să ducă la deteriorarea motorului și să dăuneze bunei funcționări a mașinii. Atenție, căldura datorată frecării poate înmuia lacul sau rășina care acoperă lemnul.

Aveți grijă să nu șlefuiți prea mult timp aceeași parte a piesei de prelucrat deoarece acțiunea abrazivă a mașinii de șlefuit poate uza rapid materialul și să facă suprafața neregulată.

Perioadele de șlefuire prelungită pot duce la supraîncălzirea motorului. Dacă aceasta se întâmplă, opriți mașina de șlefuit și așteptați până ce discul de șlefuire se oprește complet, apoi îndepărtați-l din piesa de lucru. Luați mâna de pe fantele de ventilație, scoateți hârtia abrazivă, apoi porniți din nou mașina și lăsați-o să meargă în gol pentru a răci motorul.

### GOLIREA CUTIEI DE PRAF

A se vedea figura 4.

Pentru a crește eficacitatea, goliți sacul de praf atunci când este umplut pe jumătate. Goliți și curățați foarte bine întotdeauna cutia de praf după finalizarea operației de șlefuire și înainte de depozitarea mașinii de șlefuit.

## Română

### ⚠ AVERTISMENT

Acumularea de particule în urma șlefuirii suprafețelor acoperite cu produse foarte inflamabile, cum ar fi poliuretanol, uleiul de in etc. Pentru a reduce riscul de incendii, goliți întotdeauna în mod frecvent cutia de praf (10-15 minute) în timp ce șlefuiți și nu depozitați sau părașiți mașina de șlefuit fără a goli complet cutia sa de praf. Citiți cu atenție recomandările producătorilor de substanțe de acoperire.

1. Scoateți mașina de șlefuit din priză.

### ⚠ AVERTISMENT

Dacă mașina de șlefuit nu este scoasă din priză, se poate produce o pornire accidentală care poate provoca răniri corporale grave.

2. Îndepărtați cutia de praf de pe mașina de șlefuit.
3. Scuturați sacul de praf pentru a-l goli.
4. Reașezați cutia de praf mașinii de șlefuit.

**NOTĂ:** Pentru o curățare mai riguroasă a cutiei de praf, îndepărtați cutia din cadru și scuturați praful. Reamplasați cutia de praf pe cadru, iar apoi instalați ansamblul cutiei de praf pe mașina de șlefuit.

### MIȘCARE ORBITALĂ

*A se vedea figura 7.*

Mișcarea excentrică este ideală pentru șlefuii rapide (eliminarea vopselei vechi, șlefuirea lemnului brut, netezirea suprafețelor la o grosime dorită) și pentru finisaje (prepararea unei suprafețe înainte de vopsire). Hârtia abrazivă face mici cercuri la viteză mare și conferă în același timp o mare mobilitate a mașinii de șlefuit.

### INDICATOR DE PUNERE SUB TENSIUNE

Această unealtă este echipată cu un indicator de punere sub tensiune care se aprinde atunci când unealta este conectată la priză. Acesta avertizează utilizatorul că unealta este sub tensiune și că va porni când este apăsat întrerupătorul.

### ÎNȚREȚINEREA

### ⚠ AVERTISMENT

Mașina de șlefuit nu trebuie niciodată să fie conectată la priză atunci când montați piese, efectuați reglaje, curățați mașina sau atunci când nu o utilizați. Deconectarea uneltei previne pornirea accidentală care poate conduce la rănirea gravă.

### ⚠ AVERTISMENT

În cadrul lucrărilor de reparație, utilizați doar piese de schimb de același tip. Utilizarea oricărui alt tip de piese poate genera o situație de pericol sau poate deteriora produsul.

### REGULI DE ORDIN GENERAL

Evitați utilizarea solvenților atunci când curățați piesele din plastic. Majoritatea materialelor plastice pot să fie deteriorate prin utilizarea unor solvenți vânduți în comerț. Utilizați o cârpă curată pentru a curăța murdăriile, praful etc.

### ⚠ AVERTISMENT

Elementele din plastic nu trebuie să intre niciodată în contact cu lichid de frână, benzină, produse petroliere, uleiuri etc. Aceste produse chimice conțin substanțe care pot afecta, slăbi sau distruge plasticul.

Mașinile electrice utilizate pe echipamente din fibră de sticlă, plăci de ipsos, panouri de acoperire au tendința de a se uza mai rapid și prezintă defecțiuni premature. Așchile și rumegușul provenind de la aceste materiale sunt foarte abrazive pentru piesele mașinilor electrice cum ar fi angrenajele, periile, întrerupătoarele, etc. În consecință, utilizarea prelungită a acestei mașini pe fibră de sticlă, pe panouri de acoperire, chit sau ipsos, este neindicată. Totuși, dacă trebuie să șlefuiți aceste materiale, este foarte important să curățați mașina de șlefuit cu aer comprimat.

### ⚠ AVERTISMENT

Atunci când operați scula electrică sau când îndepărtați praful, purtați întotdeauna ochelari de protecție sau ochelari de protecție cu apărători laterale. Dacă mediu de lucru este plin de praf, purtați întotdeauna o mască împotriva prafului.

### LUBRIFIEREA

Toate componentele acestei unelte sunt lubrificate cu o cantitate suficientă de lubrifiant de înaltă calitate ce vizează durata de viață a unității în condiții de operare obișnuite. În consecință, nici o ungere suplimentară nu este necesară.

### CURĂȚAREA TĂLPILOR ABRAZIVE

Pentru a asigura o durată de viață prelungită și o eficacitate optimă a tălpilor abrazive, curățați-le regulat. Puteți îndepărta toate particulele străine clătind talpa

## Română

cu apă caldută. După ce talpa este curățată, stoarceți-o ușor pentru a îndepărta excedentul de apă și lăsați-o să se usuce. Depozitați întotdeauna tălpile abrazive pe orizontală într-un loc uscat și răcoros.

### CURĂȚAREA HĂRTIILOR ABRAZIVE

Hărțile abrazive furnizate cu mașina de șlefuit sunt reutilizabile. Este important deci să le curățați regulat pentru a îndepărta praful și particulele care se acumulează pe suprafață în timpul diferitelor operațiuni de șlefuire.

Pentru a curăța hărțile abrazive, frecăți-le cu un bloc compact de cauciuc. Puteți folosi, de exemplu, talpa curată a unui pantof.

### ⚠️ AVERTISMENT

Scoateți întotdeauna hârtia abrazivă de pe talpa mașinii de șlefuit înainte de a o curăța. Nerespectarea acestei măsuri poate provoca răniri corporale grave.

### PROTECȚIA MEDIULUI ÎNCONJURĂTOR



Reciclați materiile prime în loc să le aruncați la gunoi, împreună cu deșeurile menajere. Pentru a proteja mediul înconjurător, mașina, accesoriile acesteia și ambalajele trebuie triate.

### SIMBOL



Avertizare de siguranță

V Volți

Hz Herți

~ Curent alternativ

W Wați

$n_0$  Viteză în gol

$\text{min}^{-1}$  Număr de rotații sau de mișcări pe minut



Diametrul orbital



Conform CE



Izolarea dublă



Purtați echipamente de protecție a auzului



Purtați echipamente de protecție a vederii



Vă rugăm citiți instrucțiunile cu atenție înainte de pornirea aparatului.



Deșeurile produselor electrice nu trebuie să fie înălțurate împreună cu deșeurile casnice. Vă rugăm reciclați acolo unde există facilități. Verificați la autoritatea dvs locală sau la vânzător pentru sfaturi privind reciclarea.

## Latviski

### APRAKSTS

- Slēdža mēlīte
- Variējama ātruma regulators
- Rokturis ar lietu pārklājumu
- Putekļu savākšanas tvertne
- Slīpēšanas pamatne
- Papīra skava
- Barošanas indikators
- Āķa un cilpas smilšpapīrs
- Nelīpošais smilšpapīrs

### SLĪPMAŠĪNU SPECIFISKIE DROŠĪBAS NORĀDĪJUMI

- Slīpēšanas laikā vienmēr nēsājiet aizsargbrilles un putekļu masku, it īpaši slīpējot virs galvas.
- Šī ierīce nav piemērota mitra slīpēšanas darbībai.
- Neizmantojiet smilšpapīru, kas ir lielāks kā nepieciešams. Ja papīrs ir lielāks par slīpēšanas uzliktni, tas var izraisīt nopietnus plīsumus.
- Instrumenti ir jāaprīko ar putekļu tvertni. Tā ir bieži jāiztukšo. Lai pievienotu putekļu tvertni, putekļu tvertnes adapteri ievietojiet putekļu savākšanas atverē, kas atrodas slīpmašīnas aizmugurējā galā.

### ⚠ BRĪDINĀJUMS

Nemetiet slīpēšanas putekļus uz atklātas liesmas, jo materiāls, kuru veido smalkas daļiņas, var būt sprādzienbīstams.

### ⚠ BRĪDINĀJUMS

Lai izvairītos no kaitīgu/toksisku putekļu vai gaisa ieelpošanas, svina krāsas, dažu kokmateriālu un metāla slīpēšanas laikā ir jāizmanto piemērots elpošanas respirators.

### SPECIFIKĀCIJAS

Modelis	ESS200RS	ESS280RV
Strāva	200 W	280 W
Spriegums	230 V - 240 V ~ 50 Hz	230 V - 240 V ~ 50 Hz
Apgrīzieni bez slodzes	12000 min <sup>-1</sup>	7000-12000 min <sup>-1</sup>
Orbitālā Diametrs	2.0 mm	2.0 mm
Svars	1.5 kg	1.7 kg

### FUNKCIJAS

#### Skatiet 1. attēlu.

Jūsu slīpmašīna ir paredzēta darbam ar rupju, vidēji rupju un smalku slīppapīru. Uz koka virsmām tā nodrošinās smalki apstrādātu virsmu bez skrāpējumiem.

Tā ir izstrādāta tā, lai trijās pusēs būtu iespējama slīpēšana līdz pat virsmu malām/stūriem.

Šai slīpmašīnai ir ērti satverams rokturis, kas sniedz maksimālu komfortu vienai rokai un mazina operatora nogurumu ilgstošas slīpēšanas laikā.

Pirms izmantot šo produktu, iepazīstieties ar visām darbības funkcijām un drošības prasībām. Tomēr pēc iepazīšanās ar instrumentu nepieļaujiet bezrūpīgu izturēšanos.

### SLĒDZIS

#### Elektroniskais ātruma regulators

Elektroniskā ātruma kontrole ļauj operatoram regulēt ātrumu, lai pielāgotos slīpējamam materiālam, – no cietas šķiedras koksnēm līdz mīkstum saplāksnim.

Šis instruments ir aprīkots ar vienkāršu slēdža vadību.

- Ieslēdziet slīpmašīnu: Pabīdīet slēdzi uz "I".
- Izslēdziet slīpmašīnu: Pabīdīet slēdzi uz "O".

### ⚠ BRĪDINĀJUMS

Kaut arī labi pārzināt instrumentus, rīkojieties uzmanīgi. Aterieties, ka bezrūpīga sekundes daļa ir pietiekama, lai izraisītu nopietnas traumas.

### PUTEKĻU SAVĀKŠANAS TVERTNE

Putekļu tvertne tiek piestiprināta pie slīpmašīnas un samazina putekļu daudzumu līdz minimumam.

### MAINĪGS ĀTRUMS (MODELIS - ESS280RV)

Jūsu slīpmašīnai ir modernas elektroniskās funkcijas, ar kuru palīdzību var nodrošināt maksimālu lietderību. Izvēloties pareizo ātrumu, instrumentu var pielāgot dažādiem slīpēšanas darbiem.

Instrumenta elektroniskās funkcijas palielina pielietojuma elastību, pielāgojot motora apgrīzienus darba apstākļiem. Elektroniskās ātruma regulēšanas modulis uzver motora noslodzi un palielina vai samazina motora spriegumu, lai kompensētu slodzi un saglabātu vajadzīgos apgrīzienus. Ātrumu var iestatīt atbilstoši slīpēšanas mērķim vai izmantojamās detaļas virsmai.

Palieliniet ātrumu raupjām virsmām vai ātrai materiāla noņemšanai un samaziniet to, veicot mazākus, smalkākus slīpēšanas darbus.

## Latviski

### MONTĀŽA

#### **⚠ BRĪDINĀJUMS**

Instrumentu nekad nevajadzētu pievienot barošanas padevei, veicot daļu montāžu, regulēšanu, tīrīšanu vai apkopi vai arī laikā, kad instruments netiek izmantots. Atslēdzot instrumentu, tiek novērsta nejausa ieslēgšanās, kas varētu izraisīt nopietnu traumu.

### SLĪPPAPĪRA IZVĒLE

Lai noslīpētā apdare būtu ļoti kvalitatīva, īpaši svarīgi ir izvēlēties pareizā lieluma un veida smilšpapīru ar pareiza raupjuma smiltīm. Spēcīgai slīpēšanai vispiemērotākais ir alumīnija oksīds, silikona karbīds un citas sintētiskās abrazīvās vielas. Dabiski abrazīvi materiāli, piemēram, krams un granāts, ir pārāk mīksti, lai tos ekonomiski izmantotu spēcīgai slīpēšanai.

Parasti ar rupju smilšpapīru tiks noņemta lielākā daļa materiāla, bet ar smalkāku - izveidota vislabākā apdare visu slīpēšanas darbību laikā. Izmantojamo smilšpapīru nosaka slīpējamās virsmas stāvoklis. Ja virsma ir raupja, sāciet ar raupju smilšpapīru un slīpējiet, līdz virsma ir līdzena. Pēc tam, lai likvidētu rupjākā smilšpapīra atstātās skrambas, var izmantot vidēji rupju, bet virsmas apdarei - smalkāku smilšpapīru. Vienmēr turpiniet slīpēšanu ar katru smilšpapīru, līdz virsma ir līdzena.

#### **⚠ BRĪDINĀJUMS**

NE lietojiet slīpmašīnu bez slīppapīra. Tas bojās slīpēšanas pamatni.

### Loksnes/paliktņa ieteicamā izmantošana

80-grants smiltīm lapa	Rupjiem smiltīm
120-grants smiltīm lapa	Gaismas smiltīm
150-grants smiltīm lapa	Gaismas smiltīm

### PUTEKĻU TVERTNES PIEVIENOŠANA

Skatiet 2. attēlu.

Putekļu tvertne nodrošina slīpmašīnas putekļu savākšanas sistēmu. Slīpēšanas radītie putekļi tiek vilkti augšup caur slīpēšanas diska atverēm un slīpēšanas laikā savākti putekļu tvertnē.

1. Atslēdziet slīpmašīnu.
2. Ar vieglu griešanas kustību stingri iebīdīet putekļu tvertnes montāžu slīpmašīnas pūtēja izejā.

#### **⚠ BRĪDINĀJUMS**

Izmantojot šo instrumentu, rīkojieties uzmanīgi. Neuzmanīga rīcība, pat ja tā ilgst tikai daļu sekundes, var izraisīt nopietnu traumu.

#### **PIELIETOJUMS**

Šo slīpmašīnu var izmantot tālāk norādītajiem mērķiem:

- Slīpēšana uz koka virsmām.
- Noņemot rūsa un no smiltīm tērauda virsmām.
- Pulēšanas un attīrīšanas porcelāna un metāla.

#### **⚠ UZMANĪBU**

Turiet vadu pietiekamā atstatumā no slīpēšanas uzliktņa un novietojiet tā, lai tas slīpēšanas laikā neieķertos kokmateriālos, instrumentos vai citos priekšmetos.

#### **⚠ BRĪDINĀJUMS**

Strādājot ar produktiem, vienmēr valkājiet drošības brilles vai aizsargbrilles ar sānu aizsargiem. Pretējā gadījumā rodas putekļi, skaidas vai brīvas daļiņas, kuras var iekļūt acīs, izraisot nopietnu traumu.

### EKSPLUATĀCIJA

#### SMILŠPAPĪRA UZSTĀDĪŠANA

Pārbaudiet slīppapīru pirms piespīrināšanas. Nelietojiet, ka tas ir saplīsis vai bojāts.

#### Āķa un cilpas smilšpapīrs

Skatiet 5. attēlu.

1. Atslēdziet slīpmašīnu.
2. Salāgojiet āķa un cilpas veida slīpēšanas diska atveres ar uzliktņa atverēm, pēc tam slīpēšanas diska atbalsta paliktņim ir vienmēr jābūt tīram. Regulāri notīriet, viegli noslaukiet ar nelielu suku.

**PIEZĪME:** Lai nodrošinātu labāku saķeri, slīpēšanas diska atbalsta paliktņim ir vienmēr jābūt tīram. Regulāri notīriet, viegli noslaukiet ar nelielu suku.

#### **⚠ BRĪDINĀJUMS**

Ja instruments netiek atslēgts, tas var nejauši ieslēgties un izraisīt nopietnu traumu.

#### Nelīpošais smilšpapīrs

Skatiet 6. attēlu.

## Latviski

1. Atslēdziet slīpmašīnu.
2. Atlaidiet papīra skavu. Noņemiet izlietoto smilšpapīru (ja ir).
3. Zem papīra skavas ievietojiet jaunu smilšpapīru.
4. Nostipriniet vietā smilšpapīru.

### SLĪPMAŠĪNAS IESLĒGŠANA/IZSLĒGŠANA

Skatiet 1. attēlu.

- Ieslēdziet slīpmašīnu: Pabīdīet slēdzi uz "I".
- Izslēdziet slīpmašīnu: Pabīdīet slēdzi uz "O".

### SLĪPMAŠĪNAS IZMANTOŠANA

Skatiet 3. attēlu.

1. Nostipriniet apstrādājamo detaļu, lai tā neizkustētos no slīpmašīnas apakšas.

#### BRĪDINĀJUMS

Ja apstrādājamās detaļas nav nostiprinātas, tās var tikt mestas pret operatoru, izraisot traumas.

#### BRĪDINĀJUMS

Turiet galvu pietiekamā atstatumā no slīpmašīnas un slīpēšanas zonas. Mati var tikt ierauti slīpmašīnā, izraisot nopietnu traumu.

2. Novietojiet slīpmašīnu uz detaļas tā, lai ar to saskartos visa slīpēšanas diska virsma.

#### UZMANĪBU

Lai pārkaršanas rezultātā nesabojātu motoru, rīkojieties uzmanīgi un neaizsedziet ventilācijas atveres ar roku.

3. Ieslēdziet slīpmašīnu un lēnām pārvietojiet to pār apstrādājamo detaļu.

**PIEZĪME:** Turiet slīpmašīnu sev priekšā un atstatu no sevis, pietiekamā attālumā no apstrādājamās detaļas. Ieslēdziet slīpmašīnu un palaidiet motoru darboties ar maksimālo ātrumu, pēc tam slīpmašīnu pakāpeniski nolaidiet uz detaļas. Lēnām pārvietojiet slīpmašīnu pār detaļu ar nelielām apļveida kustībām.

**Nespiediet ar spēku.** Ierīces svars nodrošina atbilstošu spiedienu, tāpēc ļaujiet slīpēšanas diskam un slīpmašīnai veikt savu darbu. Ja tiek piemērots papildu spiediens, tas tikai palēnina motora darbību, paātrina slīpēšanas diska nodilumu un lielā mērā samazina slīpmašīnas ātrumu. Pārmērīgs spiediens pārlogo motoru, bet motora pārkaršana var izraisīt bojājumus un pazemināt darba kvalitāti. Berzes radītā siltuma ietekmē jebkura koka apdare vai sveķi var kļūt mīksti.

Ne pieļaujiet pārāk ilgu slīpmašīnas darbību vienā vietā,

jo ātras slīpmašīnas darbības rezultātā var tikt noņemts pārāk daudz materiāla, padarot virsmu nelīdzenu.

Ilgstoši slīpēšanas periodi var izraisīt motora pārkaršanu. Šādā gadījumā izslēdziet slīpmašīnu un pagaidiet, līdz slīpēšanas disks pilnīgi apstājas, pēc tam noņemiet no detaļas. Izņemiet roku no ventilācijas zonas, noņemiet slīpēšanas disku, pēc tam, kad roka ir izņemta no ventilācijas zonas, ieslēdziet slīpmašīnu un palaidiet to brīvi, bez slodzes, lai atdzesētu motoru.

### PUTEKĻU TVERTNES IZTUKŠOŠANA

Skatiet 4. attēlu.

Efektīvāku darbību, tukšu putekļu maisiņu, kad tas ir ne vairāk kā pusi pilna. Pēc slīpēšanas darbības pabeigšanas un pirms slīpmašīnas novietošanas glabātuvē vienmēr iztukšojiet un iztīriet putekļu tvertni.

#### BRĪDINĀJUMS

Dažu slīpējamo virsmu pārklājuma, piemēram, poliuretāna un linsēklu eļļas, radītie slīpēšanas putekļi var paši aizdegties slīpmašīnas putekļu tvertnē vai kādā citā vietā un izraisīt ugunsgrēku. Lai samazinātu aizdegšanās risku, slīpēšanas laikā vienmēr bieži iztukšojiet putekļu tvertni (10-15 minūtes) un nekad neuzglabājiet un neatstājiet slīpmašīnu, ja tās putekļu tvertne nav pilnīgi iztukšota. Ievērojiet arī pārklājumu ražotāju ieteikumus.

1. Atslēdziet slīpmašīnu.

#### BRĪDINĀJUMS

Ja instruments netiek atslēgts, tas var nejauši ieslēgties un izraisīt nopietnu traumu.

2. Putekļu tvertni noņemiet no slīpmašīnas.
3. Izkratiet putekļus.
4. Putekļu tvertni atkal piestipriniet pie slīpmašīnas.

**PIEZĪME:** Lai pamatīgāk iztīrītu putekļu tvertni, izņemiet to no karkasa un izkratiet putekļus. Uzlieciet putekļu tvertni virs rāmja, pēc tam slīpmašīnai uzstādiel putekļu tvertnes montāžu.

### ORBITĀLA KUSTĪBA

Skatiet 7. attēlu.

Orbitālā kustība ir ideāli piemērota ātrai slīpēšanai, kad jānoņem veci pārklājumi, jānogludina nelīdzena koksne, materiāla pielīdzināšanai līdz vajadzīgajam izmēram vai virsmu apstrādei pirms krāsošanas. Slīppapīrs kustās ar nelielos apļos ļoti lielā ātrumā, kas ļauj slīpmašīnai viegli kustēties.

## Latviski

### BAROŠANAS INDIKATORS

Šim instrumentam ir elektropadeves indikators, kas iedegas, līdzko instruments ir pievienots barošanas padevei. Tas brīdina lietotāju par to, ka instruments ir pievienots un sāks darboties pēc slēdža nospiešanas.

### APKOPE

#### ⚠ BRĪDINĀJUMS

Instrumentu nekad nevajadzētu pievienot barošanas padevei, veicot daļu montāžu, regulēšanu, tīrīšanu vai apkopi vai arī laikā, kad instruments netiek izmantots. Atslēdzot instrumentu, tiek novērsta nejauša ieslēgšanās, kas varētu izraisīt nopietnu traumu.

#### ⚠ BRĪDINĀJUMS

Apkopi izmantojiet tikai identiskas rezerves daļas. Jebkādi citu detaļu izmantošana var izraisīt bīstamību vai produkta bojājumus.

### VISPĀRĪGI

Tīrot plastmasas daļas, izvairieties no šķīdinātāju lietošanas. Vairums plastmasu ir jutīgas pret dažāda veida pārdošanu esošajiem šķīdinātājiem un to izmantošanas rezultātā var tikt bojātas. Izmantojiet tīru drānu, lai notīrītu netīrumus, ogļkļa putekļus utt.

#### ⚠ BRĪDINĀJUMS

Neļaujiet jebkurā laikā bremžu šķidrumam, gazolīnam, naftas produktiem, asām eļļām utt. nonākt saskarē ar plastmasas daļām. Tie satur ķīmiskas vielas, kuras var sabojāt, pavājināt vai iznīcināt plastmasu.

Elektroinstrumenti, ko izmanto stikla šķiedras materiālu, tepes, ģipša plākšņu vai apmetuma apstrādei, paātrināti nodilst, un var notikt pāragra atteice, jo šo materiālu skaidas un putekļi ir ļoti abrazīvi gultņiem, ieliktniem, komutatoriem utt. Tātad, mums nav ieteicama, izmantojot šo rīku pagarināts darbu pie šiem materiālu veidiem. Ja tomēr strādājat ar kādu no šiem materiāliem, ārkārtīgi svarīgi ir notīrīt instrumentu ar saspiesta gaisa palīdzību.

#### ⚠ BRĪDINĀJUMS

Elektroinstrumenta darbības vai putekļu pūšanas laikā vienmēr izmantojiet aizsargbrilles vai drošības brilles ar sānu aizsargiem. Ja darbība ir saistīta ar putekļu rašanos, uzlieciet arī putekļu masku.

### EĻĻOŠANA

Visi gultņi šajā instrumentā tiek eļļoti ar pietiekamu daudzumu augstas kvalitātes smērvielas, lai ierīce normālas lietošanas režīmā kalpotu visu darbмūžu. Tāpēc papildu eļļošana nav nepieciešama.

### TĪRĪŠANA SKRUBERA SPILVENTIŅI

Lai nodrošinātu ilgāku darbмūžu un optimālu veiktspēju, no beršanas uzliktniem periodiski notīriet visus slīpēšanas pārpalikumus un svešķermeņus. To var izdarīt, vienkārši skalojot uzliktni ar siltu ūdeni, līdz noskaloti visi svešķermeņi. Pēc tīrīšanas, maigi saspiediet tamponu izņemot lieko ūdeni un ļauj spilventiņu nožūt. Vienmēr uzglabāt spilventiņi un smiltīm lapas dzīvokli vēsā sausā vietā.

### TĪRĪŠANA SLĪPĒŠANAS LOKSNES

Slīpmašīnas komplektā iekļautās slīpēšanas loksnes ir paredzētas atkārtotai izmantošanai. Tādēļ ir svarīgi, lai tie būtu jātīra regulāri, lai novērstu smiltņicas atlikumu un ārzemju materiālus, kas var uzkrāties laikā.

Lai notīrītu slīpēšanas loksnes, noberziet tās ar cietu gumijas klucīti. Var izmantot arī tīru gumijas zoli kurpes.

#### ⚠ BRĪDINĀJUMS

Vienmēr noņemiet skruberu vai slīpēšanas spilventiņu no Sander pirms tīrīšanas. Neievērošana var radīt nopietnus miesas bojājumus.

### VIDES AIZSARDZĪBA



Tā vietā, lai materiālus izmestu, nododiet tos atkārtotai realizācijai. Mašīna, aksesuāri un iepakojums ir jāsašķiro un jānodod videi draudzīgā atkārtotas pārstrādes vietā.

### SIMBOLS



Drošības brīdinājums

V Volti

Hz Herci



## Latviski

- ~ Maiņstrāva  
 W Vati  
 n<sub>0</sub> Apgriezieni bez slodzes  
 min<sup>-1</sup> Apgriezieni minūtē



Orbitālā Diametrs



CE atbilstība



Dubultā izolācija



Lietojiet dzirdes aizsargus



Valkājiet acu aizsarglīdzekļus



Pirms iedarbināt mašīnu, lūdzu rūpīgi izlasiet instrukcijas.



Izlietotie elektroprodukti nedrīkst tikt izmesti kopā ar mājsaimniecības atkritumiem. Lūdzu, nododiet tos attiecīgajās atk ār tolas izmantošanas vietās. Sazinieties ar savu vietējo varas pārstāvi vai izplatītāju, lai noskaidrotu, kur iespējama atkārtota pārstrāde.

## Lietuviškai

## APRAŠYMAS

1. Perjungiklis
2. Kintamo greičio valdiklis
3. Išlenkta rankena
4. Dulkių surinktuvas
5. Šlifavimo padas
6. Popieriaus spaustuvus
7. Įjungto įrankio indikatorius
8. Lipduku pritvirtinamas švitrinis popierius
9. Nelipnus švitrinis popierius

## SPECIFINĖS SAUGOS INSTRUKCIJOS DARBUI SU ŠLIFUOTUVU

- Šlifavimo metu, ypač kai šlifujete virš galvos, visada dėvėkite apsauginius akinius ir kaukę nuo dulkių.
- Prietaisas netinkamas šlifavimui drėgnuoju būdu.
- Nenaudokite didesnio švitrinio popieriaus nei reikia. Iš šlifavimo pado išsikišęs popierius gali smarkiai draskyti paviršius.
- Dulkių surinkimo talpą reikia pritvirtinti prie įrankio. Jį reikia dažnai ištuštinti. Norėdami pritvirtinti dulkių surinkimo talpą, įstatykite dulkių talpos adapterį į šliuoklio užpakalinėje dalyje esančią dulkių surinkimo angą.

## ⚠ ĮSPĖJIMAS

Nemeskite nuo šlifavimo likusių dulkių į atvirą ugnį, kadangi smulkintose dalelėse esančios medžiagos gali sprogti.

## ⚠ ĮSPĖJIMAS

Šlifudami švino dažus, tam tikras medienos rūšis ir metalų dėvėkite respiratorių, kad neįkvėptumėte nuodingų / žalingų dulkių arba oro.

## TECHNINIAI REIKALAVIMAI

Modelis	ESS200RS	ESS280RV
Galia	200 W	280 W
Įtampa	230 V - 240 V ~ 50 Hz	230 V - 240 V ~ 50 Hz
Greitis be apkrovimo	12000 min <sup>-1</sup>	7000-12000 min <sup>-1</sup>
Orbitinis skersmuo	2.0 mm	2.0 mm

Svoris 1.5 kg 1.7 kg

## SAVYBĖS

Žr. 1 pav.

Jūsų šliuotuvus tinkamas naudojant šlifuoti rupiu, vidutiniu ir smulkaus rupumo popieriumi. Naudodami tokį popierių, šliuodami grūdingos struktūros medienos paviršius išgausite lygią, be įbrėžimų apdailą.

Įrankis sukonstruotas taip, kad galima vienodai kampu šlifuoti trimis šliuotuvo pusėmis.

Šliuotuvus turi patogią rankeną, kurią patogų laikyti viena ranka, bei kuri ilgo šlifavimo metu sumažina operatoriaus nuovargį.

Prieš naudodami šį gaminį, susipažinkite su visomis įrankio savybėmis ir saugumo taisyklėmis. Tačiau būkite atsargūs, net jei puikiai pažįstate įrankį.

## JUNGIKLIS

## Elektrinis greičio valdymas

Elektrinio greičio valdymo pagalba šlifodamas įvairių medžiagų paviršių – nuo labai rupios medienos iki švelnios faneros, operatorius gali reguliuoti greitį.

Įrankyje veikia lengvai valdomas jungiklis.

- Šliuoklio įjungimas: Perjunkite jungiklį į „I“ padėtį.
- Šliuoklio išjungimas: Perjunkite jungiklį į „O“ padėtį.

## ⚠ ĮSPĖJIMAS

Būkite atsargūs, net jei puikiai pažįstate įrankį. Prisiminkite, kad dėl sekundės neatsargumo galite patirti sunkių sužalojimų.

## DULKIŲ SURINKTUVAS

Prie šliuoklio prijungiamas dulkių surinktuvas išlaiko mažiausią drožlių kiekį.

## KINTAMAS GREITIS (MODELIS - ESS280RV)

Jūsų šliuoklis pasižymi pažangiomis elektroninėmis funkcijomis, kurios padės jums optimaliai naudotis įrankiu. Pasirinkę atitinkamą greitį, savo įrankį galite sureguliuoti pagal konkrečius šlifavimo poreikius.

Naudodami elektronines savo įrankio funkcijas, variklio greitį galėsite lengvai pritaikyti reikalingoms darbo sąlygoms. Elektroninis greičio valdymo modulis jaučia variklio apkrovą bei padidina arba sumažina variklio įtampą, siekiant kompensuoti ar išlaikyti reikiamus sukumus per minutę. Greitį galima nustatyti pagal šlifavimo tikslą arba jūsų naudojamos darbo detalės paviršius.

Šiurkštiems paviršiams arba norėdami greitai nuimti

## Lietuviškai

sankaupas padidinkite greitį, o mažesniems ir trapiems šlifuojamiems paviršiams sumažinkite greitį.

### MONTAVIMAS

#### ⚠ ĮSPĖJIMAS

Nelaikykite įrankio prijungto prie elektros maitinimo šaltinio, kai montuojate detales, reguliuojate, valote, atliekate priežiūros darbus ar kai įrankis nėra naudojamas. Atjungus įrankį sumažėja galimybė, kad jis netikėtai užsives ir ką nors sunkiai sužeis.

### ŠVITRINIO POPIERIAUS PASIRINKIMAS

Siekiant pasiekti aukštos kokybės šlifavimo rezultatų, labai svarbu pasirinkti teisingo rupumo, dydžio ir tipo šlifavimo popierių. Elektriniam šlifavimui labiausiai tinka aliuminio oksido, silikono karbido ir kitos sintetinės šlifavimo medžiagos. Natūralios šlifavimo medžiagos, pvz. titnagas ar granatas, yra per minkšti, kad būtų ekonomiškai naudojami šlifuojant elektriniu būdu.

Apskritai, šiurkštus rupumas pašalina didžiąją medžiagos dalį, o smulkus rupumas visose šlifavimo operacijose suteikia geriausių rezultatų. Pagal šlifuojamo paviršiaus būklę galima nustatyti, koks rupumas labiausiai tinka. Jei paviršius yra grublėtas, pradėkite nuo šiurkštaus rupumo ir šlifukite tol, kol paviršius taps lygus. Tada naudokite vidutinį rupumą, kad pašalintumėte įbrėžimus, kuriuos palieka šiurkštesnis rupumas, o smulkesnis rupumas naudojamas paviršių apdailai. Visada naudokite kiekvieno rupumo šlifavimo būdą tol, kol paviršius taps lygus.

#### ⚠ ĮSPĖJIMAS

**NENAUDOKITE** šlifuotuvo be švitrinio popieriaus. Tai sugadins padėklą.

### Lakšto / padelio rekomenduojamas naudojimas

80-smėlio barstymo lapas	Šiurkščiavilnių smėlio barstymo
120-smėlio barstymo lapas	Šviesos šlifavimas
150-smėlio barstymo lapas	Šviesos šlifavimas

### DULKIŲ SURINKTUVO TVIRTINIMAS

Žr. 2 pav.

Dulkių surinktuve yra šlifuotuvo dulkių surinkimo sistema. Šlifavimo metu susikaupusios dulkės išmetamos per šlifavimo disko angas bei šlifavimo metu surenkamos dulkių surinktuve.

1. Išjunkite šlifuotuvą iš maitinimo šaltinio.

2. Lengvu sukamuoju judesiu dulkių surinktą tvirtai stumkite į šlifuotuvo pūstuvą.

#### ⚠ ĮSPĖJIMAS

Su šiuo įrankiu dirbkite atsargiai. Neatsargūs veiksmai, net ir mažiausią sekundę, gali sukelti sunkius sužeidimus.

### TAIKYMO SRITYS

Šlifuotuvą galima naudoti šiems tikslams:

- Šlifuoti medinius paviršius.
- Šalinama rūdis nuo ir šlifavimo plieno paviršių.
- Šlifavimo ir šveitimo porceliano ir metalo.

#### ⚠ ATSARGIAI

Laidą laikykite toliau nuo šlifavimo padelio ir laidą nustatykite taip, kad šlifavimo metu jis nesuspažintų su pjautine mediena, įrankiais ir kitais objektais.

#### ⚠ ĮSPĖJIMAS

Visada užsidėkite apsauginius akinius arba akinius su šoniniais skydais, kai dirbate su šiuo įrankiu. Neparūpinus tinkama akių apsauga, į jūsų akis gali patekti dulkių, nuolaužų ar laisvų dalelių, kurios gali sunkiai sužaloti.

### VEIKIMAS

#### ŠLIFAVIMO POPIERIAUS ĮDĖJIMAS

Prieš švitrinį popierių tvirtindami, jį patikrinkite. Jo **NENAUDOKITE**, jei jis pažeistas ar suplyšęs.

#### Lipduku pritvirtinamas švitrinis popierius

Žr. 5 pav.

1. Išjunkite šlifuotuvą iš maitinimo šaltinio.
2. Šlifavimo diske su kabliukais ir kilpelėmis sulgyinkite angeles su pado angelėmis, po to atsargiai kuo tvirčiau prispauskite nelygi! šlifavimo disko pusę prie pado.

**PASTABA:** Siekiant išlaikyti geriausią sukibimą, rekomenduojame šlifavimo disko pagalbinį padelį visuomet laikyti švarų. Kartais jį nuvalykite lengvai braukdami nedideliu šepetėliu.

#### ⚠ ĮSPĖJIMAS

Neišjungus įrankio iš elektros maitinimo šaltinio, variklis gali atsitiktinai užsivesti bei jus sunkiai sužeisti.

## Lietuviškai

### Nelipnus švitrinis popierius

Žr. 6 pav.

1. Išjunkite šlifuotuvą iš maitinimo šaltinio.
2. Atleiskite popieriaus gnybtą. Ištraukite panaudotą šlifavimo popierių, jei yra.
3. Po gnybtu įdėkite naują šlifavimo popierių.
4. Pritvirtinkite šlifavimo popierių.

### ŠLIFUOKLIO ĮJUNGIMAS / IŠJUNGIMAS (ON / OFF)

Žr.1 pav.

- Šlifukolio įjungimas: Perjunkite jungiklį į „I“ padėtį.
- Šlifukolio išjungimas: Perjunkite jungiklį į „O“ padėtį.

### DARBAS SU ŠLIFUOKLIU

Žr. 3 pav.

1. Ruošinį pritvirtinkite taip, kad jis po šlifukoliu nejudėtų.

#### ⚠ ĮSPĖJIMAS

Nepritvirtinti ruošiniai gali būti nusviesti į operatorių ir jį sužeisti.

#### ⚠ ĮSPĖJIMAS

Laikykite galvą toliau nuo šlifukolio ir šlifavimo zonos. Jūsų plaukus šlifukoelis gali įtraukti ir sukelti sunkius sužeidimus.

2. Šlifukoklį uždėkite ant ruošinio taip, kad visas šlifavimo disko paviršius liestųsi į ruošinį.

#### ⚠ ATSARGIAI

Kad variklis nesugestų nuo perkaitimo, rankomis neuždenkite oro ventiliacijos angų.

3. Šlifukoklį įjunkite ir jį lėtai judinkite ant ruošinio paviršiaus.

**PASTABA:** Laikykite savo šlifukoklį priešais ir toliau nuo savęs, nuo ruošinio jį laikydami saugiu atstumu. Įjunkite šlifukoklį ir leiskite varikliui išvystyti savo didžiausią greitį. Po to palaipsniui leiskite šlifukoklį žemyn link ruošinio paviršiaus. Mažais apskritais judesiais šlifukoklį lėtai stumkite ruošinio paviršiumi.

**Nenaudokite jėgos.** Įrankio svoris duoda atitinkamą spaudimą, tokiu būdu leiskite švitriniam diskui ir šlifukokliui patiems atlikti darbą. Papildomas spaudimas tik lėtina variklį, dėl jo šlifavimo diskas greičiau nusidėvi ir labai sumažinamas šlifukolio greitis. Per didelis spaudimas gali variklį perkrauti, dėl to variklis gali perkaisti ir sugesti, bei darbas bus atliktas nekokybiškai. Nuo trinties karščio bet kokia apdaila ar medienos sakai gali suminkštėti.

Nešlifukite per ilgai vienoje vietoje, kadangi greitai

šlifuotuvo veiksmi gali pašalinti per daug medžiagos, todėl paviršius taps nelygus.

Dėl ilgesnio šlifavimo laikotarpio variklis gali perkaisti. Tokiu atveju, šlifukoklį išjunkite ir palaukite, kol šlifavimo diskas visiškai sustos; tada šlifukoklį nuimkite nuo ruošinio. Nuimkite ranką nuo ventiliacijos angos, išimkite šlifavimo diską, tuomet ta ranka, kurią nuėmėte nuo ventiliacijos angos, šlifukoklį įjunkite ir leiskite jam dirbti laisva eiga be apkrovos, kad variklis atvėstų.

### DULKIŲ SURINKTUVO IŠVALYMAS

Žr. 4 pav.

Daugiau efektyvų veikimą, tuščias dulkių maišelio, kai jis yra ne daugiau nei perpus. Pabaigę šlifavimo darbus ir prieš padėdami šlifuotuvą saugoti visada kruopščiai išpurtykite ir išvalykite dulkių surinktuvą.

#### ⚠ ĮSPĖJIMAS

Susikaupę šlifavimo dulkės nuo šlifuito paviršiaus dangos, tokios kaip poliuretanas, sėmenių aliejus ir t. t., jūsų šlifuotuvo dulkių maiše ar kitur gali savaime užsidedti ir sukelti gaisrą. Kad būtų sumažintas gaisro pavojus, šlifavimo metu dažnai ištuštinkite dulkių dulkių surinktuvą (kas 10-15 minučių) bei niekada nelaikykite ir nepalikite šlifuotuvo visiškai neištuštinę dulkių surinktuvos. Taip pat laikykitės padengimo medžiagų gamintojų rekomendacijų.

1. Išjunkite šlifuotuvą iš maitinimo šaltinio.

#### ⚠ ĮSPĖJIMAS

Neišjungus įrankio iš elektros maitinimo šaltinio, variklis gali atsitiktinai užsivesti bei jus sunkiai sužeisti.

2. Nuo šlifuotuvo nuimkite dulkių surinktuvą.
3. Išpurtykite dulkes.
4. Prie šlifuotuvo pritvirtinkite dulkių surinktuvą.

**PASTABA:** Norint dulkių surinktuvą kruopščiai išvalyti, dulkių surinktuvą nuimkite nuo rėmo ir dulkes išpurtykite. Dulkių surinktuvą uždėkite ant rėmo ir dulkių surinktuvos korpūsą pritvirtinkite prie šlifuotuvo.

### JUDESIAI APSKRITIMU

Žr. 7 pav.

Orbitinis judėjimas yra idealus greito pjovimo metu, kai nuimama sena apdaila, sulyginama grublėta mediena, žaliava supjaunama pagal reikalingus matmenis ar atliekant dažymui paruoštų paviršių apdailą. Švitrinis popierius juda mažais ratais labai dideliu greičiu, taip leisdamas šlifuotuvui lengvai judėti.

## Lietuviškai

### JUNGTO ĮRANKIO INDIKATORIUS

Šiame įrankyje yra įmontuotas prijungto įrankio indikatorius, kuris pradeda šviesti, kai įrankis prijungiamas prie maitinimo šaltinio. Tokiu būdu vartotojas įspėjamas, kad įrankis prijungtas prie maitinimo šaltinio ir nuspaudus jungiklį jis pradės veikti.

### PRIEŽIŪRA

#### ⚠ ĮSPĖJIMAS

Nelaikykite įrankio prijungto prie elektros maitinimo šaltinio, kai montuojate detales, reguliuojate, valote, atliekate priežiūros darbus ar kai įrankis nėra naudojamas. Atjungus įrankį sumažėja galimybė, kad jis netikėtai užsives ir ką nors sunkiai sužeis.

#### ⚠ ĮSPĖJIMAS

Sugedusias detales keiskite tik originaliomis atsarginėmis detalėmis. Kitų detalių naudojimas gali sukelti pavojų ar sugadinti įrankį.

### PAGRINDINIAI NURODYMAI

Valydami plastikines detales, nenaudokite tirpiklių. Daugelis plastikų jautrūs įvairių tipų komerciniams tirpikliams ir juos naudojant galima pažeisti plastikines detales. Valydami purvą, anglies dulkes ir kt. naudokite švarią šluostę.

#### ⚠ ĮSPĖJIMAS

Būkite atsargūs, kad ant plastikinių detalių nepatektų stabdžių skysčio, benzino, naftos turinčių produktų, tepalo ir pan. Juose esantys chemikalai gali pažeisti, susilpninti ar sunaikinti plastiką.

Su stiklo pluošto medžiagomis, sieninėmis plokštėmis, kibirkščiuojančiais junginiais ar tinku darbo metu naudojami elektriniai įrankiai greitai susidėvi ir sugenda todėl, kad stiklo pluošto atplaišos ir šlifavimo likučiai agresyviai veikia guolius, šepetčius, komutatorius, ir t. t. Todėl mes Nerekomenduojama naudoti šį įrankį, ilgą darbą šių žaliavų rūšys. Tačiau, jei jūs tikrai dirbate su kuria nors iš šių medžiagų, labai svarbu valyti įrankį naudojant suspaustą orą.

#### ⚠ ĮSPĖJIMAS

Dirbdami su elektriniu įrankiu ar kai pučiamos dulkės, visada dėvėkite apsauginius akinius ar akinius su šonine apsauga. Jei darbo metu kyla dulkės, taip pat dėvėkite kaukę nuo dulkių.

#### SUTEPIMAS

Kad įrankis ilgai veiktų normaliomis darbo sąlygomis, visi šio įrankio guoliai tepami užpilant pakankamą kiekį aukštos kokybės tepalo. Todėl daugiau jo tepti nebereikia.

#### VALYMO PLOVIMO PAGALVĖLĖS

Norėdami prailginti įrankio naudojimo laiką ir pasiekti geriausių darbo rezultatų, nuo šveitimo padelių reguliariai nuvalykite visas po šlifavimo likusias atliekas ir pašalines medžiagas. Tai atliekama labai paprastai - skalaujant padelį šiltu vandeniu tol, kol nuplaunamos visos atliekos. Po valymo, švelniai išspausiti trin kelėmis pašalinti vandens perteklių ir leidžia pad išdžiūti. Visada laikykite pagalvėlės ir šlifavimo lakštų butas vėsioje, sausoje vietoje.

#### VALYMO ŠLIFAVIMO LAKŠTŲ

Kartu su šlifuotuvu esantis švitrinis popierius pagamintas taip, kad jį būtų galima naudoti kelis kartus. Todėl svarbu, kad jie būtų periodiškai valoma pašalinti šlifavimo atliekos ir užsienio medžiaga, kuri gali kaupiasi laikui bėgant.

Šlifavimo lakštus nuvalyti, juos nutrinkite kietu guminiu blokeliu. Taip pat galite naudoti švarios gumos padais iš batų.

#### ⚠ ĮSPĖJIMAS

Visada išimkite šveitimo arba šlifavimo iš Sander prieš valymą. To nepadarius, gali sukelti rimtų sužalojimų.

#### APLINKOS APSAUGA



Žaliavines medžiagas perdirbkite pakartotinai, o ne išmeskite kaip atliekas. Mechanizmas, priedai ir pakuotės turi būti laikomi pakartotinai perdirbti aplinkai nekenksmingu būdu.

#### SIMBOLIAI



Pranešimas apie saugumą

V Voltai

Hz Hercai

~ Kintamoji srovė

## Lietuviškai

W Vatai  
 $n_0$  Greitis be apkrovimo  
 $\text{min}^{-1}$  Apsukos ar judėjimas per minutę



Orbitinis skersmuo



CE suderinimas



Dviguba izoliacija



Dėvėkite klausos apsaugos priemones



Dėvėkite akių apsaugos priemones



Atidžiai perskaitykite instrukcijas prieš pradėdami naudoti mechanizmą.



Elektrinių produktų atliekos neturi būti metamos kartu su namų ūkio atliekomis. Prašome perdirbkite jas ten, kur yra tokios perdirbimo bazės. Dėl perdirbimo patarimo kreipkitės į savo vietinę savivaldybę ar pardavėją.

## Eesti

## KIRJELDUS

1. Lülitusnupp
2. Käigukiiruse valits
3. Pehmendatud käepide
4. Tolmukogumiskarp
5. Lihvtaldmik
6. Paberiklemm
7. Toiteoleku märgutuli
8. Takjastüüpi kinnitusega lihvpaper
9. Mittekleepuv lihvpaper

## LIHVASINA ERIOHUTUSJUHISED

- **Kasutage töötamisel alati kaitseprille ja tolumumaski – eriti tähtis on see lihvimisel pea kohal.**
- **Masin ei ole ette nähtud märglihvimiseks.**
- **Ärge kasutage lihvimisel suuremat lihvpaperit, kui vaja.** Lihvimistalast üleulatav lihvpaperi osa võib põhjustada kehavigastusi.
- **Töötamine ilma nõuetekohaselt paigaldatud tolmuakarbita ei ole lubatud.** Seda tuleb regulaarselt tühjendada. Tolmukarbi ühendamiseks pange tolmuakarbi ühendusmuhv lihvmasina tagaosas asuvalle tolmuogumisotsakule.

## ⚠ HOIATUS

Ärge visake lihvimistolmu tulle, sest tolmu peenosakesed võivad plahvatada.

## ⚠ HOIATUS

Kandke nõuetekohast respiraatorit kui lihvite tina sisaldavaid värve, kõva puitu või metalle, et ohtlikku/mürgist tolmu või õhku mitte sisse hingata.

## TEHNILISED ANDMED

Mudeli tähis:	ESS200RS	ESS280RV
Võimsus	200 W	280 W
Pinge	230 V - 240 V ~ 50 Hz	230 V - 240 V ~ 50 Hz
Kiirus ilma koormuseta	12000 min <sup>-1</sup>	7000-12000 min <sup>-1</sup>
Orbitaal Lähimõõt	2.0 mm	2.0 mm
Mass	1.5 kg	1.7 kg

## FUNKTSIOONID

Vaata joonist 1.

Lihvmasin on sobiv lihvimiseks jämeda, keskmise ja peene teraga lihvpaperiga. Sellega saab jämedalt töödeldud puitpinnad lihvida peenkrimustusteta lihvitud pindadeks.

Lihvmasina konstruktsioon võimaldab lihvida siledete pindadega nurka kolmes suunas.

Lihvmasinal on käepide, mis on maksimaalselt mugav ühe käega töötamiseks ja ei väsita pikaajalisel töötamisel kätt.

Enne seadme kasutama hakkamist, tutvuge selle kõikide tööomaduste ja ohutusnõuetega. Pärast tööriistaga tutvumist ärge muutuge hooletuks.

## LÜLITI

## Elektrooniline kiirusregulaator

Elektroonilise kiirusregulaatoriga saab reguleerida lihvimiskiirust, et seada see vastavusse nii jämeda löikepinnaga puidu kui peenviimistlusega vineeri nõuetele.

Lihvmasin on lihtsalt lülitatava lülitiiga.

- Lihvmasina sisselülitamine: Lükake lüliti asendisse "I".
- Lihvmasina väljalülitamine: Lükake lüliti asendisse "O".

## ⚠ HOIATUS

Peale tööriistadega tutvumist ärge muutuge hooletuks. Pidage meeles, et hetkeline hooletus, võib olla piisav tõsise vigastuse tekitamiseks.

## TOLMUKOGUMISKARP

Lihvmasinale saab kinnitada tolmuogumiskarbi, mis hoiab tolmu levimist minimaalsel tasemel.

## KIIRUSEVAHEMIKUD (MUDELI TÄHIS - ESS280RV)

Lihvmasinal on elektroonilised funktsioonid, mis on ette nähtud teie abistamiseks, et saaksite lihvmasinat võimalikult hästi kasutada. Kiiruse valimisega saate kohandada lihvmasina oma vajadustele.

Lihvmasina elektrooniline funktsioon võimaldab mootori kiirust paindlikult reguleerida vastavusse töötingimustega. Elektroonilise kiirusregulaatori moodul tuvastab mootori koormuse ja vastavalt sellele tõstab ja langetab mootori pinget, et koormust kompenseerida ning hoiab pöörete arvu nõutaval tasemel. Kiirus tuleb seadistada vastavalt lihvimisotstarbeks või tooriku pinnale.

Jämedakoelise pinna jaoks või paksu kihi kiireks eemaldamiseks tuleb kiirust tõsta ja väiksemateks lihvimisotstarbeks kiirust alandada.

## Eesti

## KOKKUPANEK

**⚠ HOIATUS**

Masina kokkupanekul, reguleerimisel, puhastamisel, hooldamisel ja töövaheaegadel tuleb lihvmasin elektrivõrgust lahti ühendada. Lihvmasina elektrivõrgust lahtiühendamine väldib selle tahtmatu käivitumise, mis võib põhjustada raske kehavigastuse.

## LIHVABERI VALIMINE

Lihvpaberi tera õige suuruse ja tüübi valimine on äärmiselt tähtis, et saavutada lihvitud pinna kõrge kvaliteet. Masinlihvimisel on kõige parem kasutada sünteetilisi abrasiive, mis on alumiiniumoksiidi, ränikarbiidi või teiste materjalide põhised. Looduslikud abrasiivid, näiteks räni või mineraalid, on efektiivseks masinlihvimiseks liiga pehmed.

Tavaliselt eemaldab jämedateraline lihvpaper rohkem materjali ja peeneteraline lihvpaper loob parema viimistluspinna kõikides lihvimisoperatsioonides. Töötamisel määrab tera suuruse ära lihvitava pinna seisund. Kui pind on jämedakoeline, siis alustage lihvimist jämedateralise lihvpaperiga ja lihvige seni, kui pind on sile. Keskmise tera suurusega lihvpaperit võib kasutada nende kriimustuste mahalihvimiseks, mis on jäänud jämelihvimisest ning peenema teraga lihvpaperit võib kasutada pindade lõppviimistluseks. Kasutage järjest väiksemat terasuurst kuni pind on ühtlaselt sile.

**⚠ HOIATUS**

ÄRGE PÜÜDKE kasutada lihvmasinat ilma lihvpaperita. Sellisel juhul saab taldmiku padi vigastada.

**Lihvpaberi/taldmiku kasutussoovitused**

80 liivapaberiga lihvimine lehel	Jäme lihvimine
120 liivapaberiga lihvimine lehel	Light lihvimine
150 liivapaberiga lihvimine lehel	Light lihvimine

## TOLMUKARBI KINNITAMINE

Vaata joonist 2.

Tolmukarp on ette nähtud lihvmasinasse kogunenud tolmu kogumiseks. Lihvimise ajal tekkinud tolmu tõmmatakse lihvpaperi avadest sisse ja kogutakse tolmukarpi.

1. Võtke pistik pistikupesast välja.
2. Pöörake veidi ja lükake tolmukarp lihvmasina puhuri väljalaskeavale.

**⚠ HOIATUS**

Olge selle tööriistaga töötamisel ettevaatlik. Pidage meeles, mürdosa sekundist piisab, et saada raske kehavigastus.

## KASUTUSOTSTARVE

Seda seadet tohib kasutada järgmisteks otstarveteks:

- Puitpindade lihvimine.
- Eemaldamine rooste välja ja lihvimine terasest pindadele.
- Poleerimine ja küürimise portselan ja metall.

**⚠ ETTEVAATUST**

Hoidke toitejuhe lihvimistaldmikult eemal ja paigutage juhe nii, et see ei takerdu töötamise ajal tooriku, tööriistade või muude objektide külge.

**⚠ HOIATUS**

Kandke toodet kasutades küljekaitsetega ohutusvõi kaitseprille. Muidu võib teile tolmu, laastud või muud lahtised kübemed silma lennata ja sellega põhjustada raske vigastuse.

## KASUTAMINE

## LIHVABERI PAIGALDAMINE

Enne lihvpaperi paigaldamist kontrollige see üle. ÄRGE KASUTAGE katkist või rikkega lihvpaperit.

## Takjastüüpi kinnitusega lihvpaper

Vaata joonist 5.

1. Võtke pistik pistikupesast välja.
2. Ühitage takjastüüpi lihvpaperi avad taldmiku avadega ja suruge lihvpaperi ebemeline külg seejärel vastu taldmiku nii tihedalt kui võimalik.

**MÄRKUS:** Hoidke taldmiku kinnituspadi parima nakke saavutamiseks puhas. Puhastage perioodiliselt kerge harjamisega.

**⚠ HOIATUS**

Pistiku mitte-eemaldamisel võib toimuda lihvmasina juhuslik sisselülitumine, mis võib põhjustada tõsise kehavigastuse.

## Mittetekleepuv lihvpaper

Vaata joonist 6.



## Eesti

1. Võtke pistik pistikupesast välja.
2. Lõdvendage paberikinniti. Kui paber on kasutatud, siis võtke see ära.
3. Pange uus lihvpaper paberikinniti alla.
4. Kinnitage lihvpaper oma kohale.

### LIHVMASINA SISSE-VÄLJALÜLITAMINE

Vaata joonist 1.

- Lihvmasinasse sisselülitamine: Lükake lüliti asendisse " I".
- Lihvmasinasse väljalülitamine: Lükake lüliti asendisse " O".

### LIHVMASINA KASUTAMINE

Vaata joonist 3.

1. Kinnitage toorik, et vältida selle liikumahakkamist lihvmasina all.

#### HOIATUS

Kinnitamata toorik võib põhjustada selle paiskumise töötaja suunas ja põhjustada kehavigastuse.

#### HOIATUS

Hoidke pead lihvimasinast ja lihitava ala ohupiirkonnast eemal. Juuksed võivad lihvmasinasse kinni jääda ja põhjustada sellega raske kehavigastuse.

2. Pange lihvmasin toorikule nii, et lihvpaper on toorikuga täies ulatuses kontaktis.

#### ETTEVAATUST

Mootori vigastumise vältimiseks vaadake ette, et te koorpuse ventilatsiooniasvid käega kinni ei kata.

3. Lülitage lihvmasin sisse ja liigutage seda toorikul aeglaselt edasi-tagasi.

**MÄRKUS:** Hoidke lihvmasinat enda ees ja endast eemal, tooriku kohal. Käivitage lihvmasin ja laske masinal saavutada täiskiiirus ning pange lihvmasin seejärel sujuvalt toorikule. Liigutage lihvmasinat aeglaselt piki toorikut kasutades väikese raadiusega ringliigutusi.

**Ärge liigselt peale suruge.** Seadme mass on piisav, et rakendada pinnale nõuetekohast survet, seega laske lihvpaperil ja lihvmasinal endal teha oma tööd. Täiendav pealesurumine aeglustab mootori tööd, kulutab lihvmasinakaarti kiiresti läbi ja vähendab suurel määral lihvmasinakaarti. Lõigake surve koormab mootori üle ja põhjustab sellega mootori ülekuumenemise ja võib halvendada kvaliteeti. Hõõrdumisel tekkiva kuumuse mõjul võib puidul olev viimistluskiht või vaik pehmeneda.

Ärge hoidke lihvmasinat liiga kaua ühel kohal, sest lihvmasina kiire liikumine võib eemaldada liiga palju materjali, mis teeb pinna ebatasaseks.

Pikaajalisel töötamisel võib mootor üle kuumeneda. Kui see ilmneb, lülitage lihvmasin välja ja laske sellel täielikult peatuda, enne kui toorikut üles tõstate. Hoides oma käsi õhusavadele eemal võtke lihvpaper ära, lülitage lihvmasin sisse ning laske sellel ilma koormuseta töötada, et mootor maha jahtuks.

### TOLMUKOGUMISKARBI TÜHJENDAMINE

Vaata joonist 4.

Tõhusamat toimimist, tühjad tolmuks, kui ta ei ole rohkem kui pooltäis. Tühjendage ja puhastage tolmuks alati põhjalikult pärast lihvimise lõpetamist ja enne lihvmasina hoistamist.

#### HOIATUS

Polüuretaani, linaseemneõli jne põhiste pinnaviimistlusmaterjalide lihvimisel võib tolmuks või mujale koguneda isesüttiv tolm, mis võib põhjustada tulekahju. Tuleohtu vähendamiseks tühjendage tolmuks regulaarselt (10-15 minuti järel) ja ärge pange lihvmasinat kõrvale või hoiustage seda ilma, et tolmuks oleks tühjendatud. Juhendage pinnaviimistlusmaterjalide tootjate soovist.

1. Võtke pistik pistikupesast välja.

#### HOIATUS

Pistiku mitte-eemaldamisel võib toimuda lihvmasina juhuslik sisselülitumine, mis võib põhjustada tõsise kehavigastuse.

2. Eemaldage lihvmasinalt tolmuks.
3. Raputage tolm välja.
4. Pange tolmuks lihvmasinale tagasi.

**MÄRKUS:** Tolmuksit tühjendamiseks võtke see raamil lahti ja puistake tolm välja. Pange tolmuks raamile ja paigaldage tolmuksit sõlm lihvmasinale tagasi.

### ORBITAALLIIKUMINE

Vaata joonist 7.

Orbitaallikumist on väga otstarbekas kasutada vana viimistluskihi eemaldamiseks, jämedakoelise puidu tasandamiseks, puidu mõõtlühvimiseks või värvialuse pinna viimistlemiseks. Lihvpaper on väga suurel kiirusel väikeses ringliikumises, mis võimaldab lihvmasinat hõlpsalt liigutada.

**Eesti****TOITEOLEKU MÄRGUTULI**

Tööriistal on toite märgutuli, mis tööriista toitevõrku ühendamisel kohe süttib. See hoiatab kasutajat, et lihvmasin on elektrivõrku ühendatud ja hakkab lüliti sissevajutamisel tööle.

**HOOLDUS****⚠ HOIATUS**

Masina kokkupanekul, reguleerimisel, puhastamisel, hooldamisel ja töövaheajadel tuleb lihvmasin elektrivõrgust lahti ühendada. Lihvmasina elektrivõrgust lahtiühendamine väldib selle tahtmatu käivitumise, mis võib põhjustada raske kehavigastuse.

**⚠ HOIATUS**

Kasutage teenindamisel ainult täpselt sobivaid varuosi. Muude osade kasutamine võib tekitada ohuolukorra ja põhjustada seadme vigastumise.

**KIRJELDUS**

Vältige plastosade puhastamisel lahustite kasutamist. Enamik plaste on tundlikud kaubandusvõrgust saadaolevate lahustite suhtes ja võivad nende mõjul oma omadusi kaotada. Tolmust, õlist, määrdest ja muust mustusest puhastamiseks kasutage puhast riidelappi.

**⚠ HOIATUS**

Ärge lubage mitte kunagi pidurivedelikel, bensiinil, petrooleumist valmistatud toodetel, immutusõlidel jne puutuda kokku plastikosadega. Need sisaldavad kemikaale, mis võivad plaste rikkuda, nõrgendada või hävitavalt mõjutada.

Klaaskiudmaterjali, seinaplaatide, pahtlisegu või kipsi töötlemisel elektritööriistadega võib kaasnedes masinaosade kiirenenud kulumine ning võimalikud rikked, sest klaaskiududest ja teistest peenosakestest koosnev väga abrasiivne lihvistolm kulutab laagreid, kollektori harju, kommutaatorit ja teisi mootoriosi. Järelikult me ei soovitata selle tööriista kasutamisest laiendatud töö liiki materjalid. Kui te siiski mõnda nimetatud materjali lihvite, tuleb tööriist tingimata pärast tööd suruõhuga puhtaks puhuda.

**⚠ HOIATUS**

Töötamisel ja tolmu ärapuhumisel kandke alati silmamaski või küljekaitsetega kaitseprille. Kui töötlemine on tolmune, siis kandke tolmu maski.

**MÄÄRIMINE**

Kõik selle tööriista laagrid on tehases täidetud piisava hulga kvaliteetse määrdega, mis tagab tavatingimustes nende töövõime kogu kasutusea jooksul. Seetõttu ei ole täiendav määrimine vajalik.

**PUHASTUS PUHASTAMINE PADJAD**

Poleerimispatjade tööea pikendamiseks ning lihvmasina tootlikuks tööks hoidke need lihvimisjäätmetest ja vöörkehast puhas. Vöörkosakeste padjalt täielikuks eemaldamiseks kasutage sooja vett. Pärast puhastamist örnalt pigistada pad Liigse vee eemaldamiseks ja lastakse pad kuivada. Hoidke patjadele ja lihvimine lehed korter jahedas ja kuivas kohas.

**PUHASTUS LIHVIMINE LEHED**

Lihvmasina komplektis olevad lihvpaperi lehed on korduvkasutatavad. Seetõttu on oluline, et need tuleb puhastada korrapäraselt, et kõrvaldada lihvimine jääkide ja välisriikide materjalidele, mis võivad aja jooksul akumuleerub.

Lihvpaperi lehtede puhastamiseks hõõruge seda kõva kummiklotsiga. Võite kasutada ka puhta kummist ainus jalatsi.

**⚠ HOIATUS**

Eemaldage alati küürides või lihvimine padjake sander enne puhastamist. Kui seda ei tehta, võivad põhjustada tõsisene vigastusi.

**KESKKONNAKAITSE**

Toormaterjalid utiliseerige jäätmetega koos. Masin, selle lisaseadmed ja pakend tuleb jäätmekäitluseks keskkonnasöbralikult sorteerida.

**SÜMBOL**

Ohutusalane teave

V Volt

Hz Hertz

## Eesti

- ~ Vahelduvvool  
 W Watt  
 n<sub>0</sub> Kiirus ilma koormuseta  
 min<sup>-1</sup> Pöörete või löökide arv minutis



Orbital Lämimõõt



CE vastavus



Topeltisolatsioon



Kandke kuulmise kaitsevahendeid



Kandke silmade kaitsevahendeid



Enne seadme kasutamist lugege palun kasutusjuhend hoollega läbi.



Mittekasutatavaid elektritooteid ei tohi visata olmejäätmete hulka. Vaid tuleb viia vastavasse kogumispunkti. Vajadusel küsige sellekohast nõu oma edasimüüjalt või vastavalt kohaliku omavalitsuse institutsioonilt.

## Hrvatski

### OPIS

1. Sklopka za pokretanje
2. Promjenljivi kontrola brzine selektor
3. Preklopna ručka
4. Kutija za prikupljanje prašine
5. Brusna ploča
6. Kvačica
7. Signalno svjetlo za napon
8. Kuka i traka s čičkom za brusni papir
9. Jednostavni brusni papir

### POSEBNE UPUTE O SIGURNOSTI ZA BRUSILICE

- **Uvijek nosite zaštitne naočale i zaštitnu masku prilikom brušenja, pogotovo prilikom brušenja iznad glave.**
- **Uređaj nije prikladan za mokro brušenje.**
- **Nemojte koristiti veći brusni papir od potrebnog.** Dodatni produljeni papir iza podloge brusilice također može uzrokovati ozbiljne ozljede.
- **Kutija za prašinu treba biti u opremi s alatom.** Treba ga često prazniti. Za priključivanje kutije za prašinu, umetnite adapter kutije za prašinu na otvor za prikupljanje prašine na stražnjem kraju brusilice.

#### **⚠ UPOZORENJE**

Nemojte bacati brusnu prašinu u otvoreni plamen jer materijali u obliku finih čestica mogu biti eksplozivni.

#### **⚠ UPOZORENJE**

Mora se nositi prikladan respirator za disanje tijekom brušenja boje, nekih drva i metala kako bi se izbjeglo udisanje štetne/otrovne prašine ili zraka.

### SPECIFIKACIJE

Model	ESS200RS	ESS280RV
Napajanje	200 W	280 W
Napon	230 V - 240 V ~ 50 Hz	230 V - 240 V ~ 50 Hz
Brzina bez opterećenja	12000 min <sup>-1</sup>	7000-12000 min <sup>-1</sup>
Promjer putanje	2.0 mm	2.0 mm
Težina	1.5 kg	1.7 kg

### ZNAČAJKE

Pogledajte sliku 1.

Vaša brusilica koristi se s brusnim papirima različite finoće (grubo, srednje ili fino). Na drvetu prijelaz brusilicom u smjeru žila daje glatko brušenje bez ogrebotina.

Ova brusilica osmišljena je za brušenje od ruba do ruba na tri strane.

Vaša brusilica sadrži ručku zahvaljujući kojoj alat možete dobro držati u ruci te ga udobno rabiti.

Prije korištenja ovog uređaja upoznajte se sa svim radnim svojstvima i sigurnosnim zahtjevima. Međutim, nemojte dopustiti da vas poznavanje alata učini neopreznim.

### SKLOPKA

#### Elektronička sklopka za odabir brzine

Elektronička sklopka za odabir brzine omogućava vam podešavanje brzine brušenja ovisno o vrsti površine koju brusite (od teškog i otpornog drveta za konstrukcije do finog drveta za oblaganje).

Ova brusilica opremljena je jednostavnim prekidačem.

- Uključite brusilicu: Pomaknite prekidač na „I“.
- Isključite brusilicu: Pomaknite prekidač na „O“.

#### **⚠ UPOZORENJE**

Opuštanje u radu s alatom dovodi vas do nepažljivog rada. Uvijek imajte na umu da je dovoljna samo jedna sekunda nepažnje kako biste se teško ozlijedili.

#### KUTIJA ZA PRIKUPLJANJE PRAŠINE

Priključuje kutiju za prašinu i održava prašinu na minimumu.

#### PROMJENJIVA BRZINA (MODEL - ESS280RV)

Vaša brusilica opremljena je elektroničkom sklopkom za odabir brzine kako biste alat mogli upotrebljavati na optimalan način. Odabirom pravilne brzine, vaš alat može se podesiti za specifične potrebe brušenja.

Elektronička značajka vašeg alata uvodi fleksibilnost kod podešavanja brzine motora za potrebne uvjete rada. Električni sustav sklopke ocjenjuje pritisak na motor i zatim povećava ili smanjuje snagu motora kako bi brzina ostala konstantna. Brzinu se može podesiti ovisno o vrsti posla koji obavljate ili vrsti površine koju brusite.

Za hrave površine ili za brzi posao skidanja površine, okrenite sklopku prema desno kako biste povećali brzinu.

## Hrvatski

## SASTAVLJANJE

**⚠ UPOZORENJE**

Alat nikad ne smije biti priključen na izvor napajanja kada sastavljate dijelove, vršite podešenja, čistite, izvodite održavanje ili kada se alat ne koristi. Iskapčanje alata sprječava slučajno pokretanje koje može dovesti do ozbiljnih osobnih ozljeda.

## ODABIR BRUSNOG PAPIRA

Odabir točne veličine, gradacije i vrste brusnog papira vrlo je važan korak u dostizanju visoko kvalitetnog brusnog završetka. Aluminijski oksid, silikonski karbid i drugi sintetički abrazivni materijali su najbolji za električno brušenje. Prirodni abrazivi, kao što je kremen ili granit su premekani za ekonomično korištenje s električnom brusilicom.

Općenito, gruba gradacija će ukloniti većinu materijala, a finija gradacija će proizvesti najbolju završnu obradu u svim radovima brušenja. Stanje površine koja će se brusiti određuje s kojom gradacijom će se raditi. Ako je površina gruba, započnite s grubom gradacijom i brusite dok površina ne bude jednaka. Potom se može koristiti srednja gradacija za uklanjanje preostalih ogrebotina od grube gradacije, a fina gradacija za finiisanje površine. Uvijek nastavite brušenje s istom gradacijom sve dok površina na postane jednaka.

**⚠ UPOZORENJE**

NE rabite brusilicu bez brusnog papira kako ne biste oštetili brusnu ploču.

**Preporučeno korištenje lista jastučica**

Zrnat brusni papir Ø 80	Grubo brušenje
Zrnat brusni papir Ø 120	Lagano brušenje
Zrnat brusni papir Ø 150	Lagano brušenje

## PRIKLJUČIVANJE KUTIJE ZA PRAŠINU

*Pogledajte sliku 2.*

Kutija za prašinu pruža sustav za prikupljanje prašine za brusilicu. Tijekom brušenja prašina od brušenja usisava se kroz otvore brusne ploče i sakuplja u vrećici za prašinu.

1. Odspojite brusilicu.
2. Izrada utora, oblikovanje rubova, slobodnih oblika te drugi postupci pri obradi drveta. Korištenjem blagih pokreta savijanja, čvrsto nametnite sklop kutije za prašinu u izlaz pihalice na brusilici.

**⚠ UPOZORENJE**

Budite pažljivi kada koristite ovaj alat. Nepažljive radnje čak i za djelić sekunde mogu dovesti do teških osobnih ozljeda.

## PRIMJENE

Brusilicu možete koristiti za svrhe koje su navedene u nastavku:

- Brušenje drvenih površina.
- Skidanje rđe i brušenje čelika.
- Brušenje hrđavih površina i poliranje metala.

**⚠ OPREZ**

Držite kabel dalje do podloge brusilice, te postavite kabel tako da ne može biti zahvaćen na rubu, alatu ili drugom objektu tijekom brušenja.

**⚠ UPOZORENJE**

Dok upotrebljavate uređaj uvijek nosite sigurnosne naočale ili zaštitne naočale opremljene bočnim štitičima. Nepoštivanje ove upute može dovesti do toga da prašina, strugotine ili labave čestice budu odbačeni u vaše oči, dovodeći do mogućih osobnih ozljeda.

## RAD

## POSTAVLJANJE BRUSNOG PAPIRA

Provjerite stanje brusnog papira prije nego što ga postavite na mjesto. NE RABITE brusni papir koji je oštećen ili potrgan.

**Kuka i traka s čičkom za brusni papir**

*Pogledajte sliku 5.*

1. Odspojite brusilicu.
2. Poravnajte otvore u kuki i disku za brušenje s otvorima u podlozi, potom pažljivo pritisnite neravnu stranu diska za brušenja prema podlozi što je moguće bliže.

**NAPOMENA:** Preporučujemo da stražnju podlogu diska za brušenje održavate čistom kako bi vam omogućila najbolje prianjanje. Povremeno očistite tako da iščetkate malom četkom.

**⚠ UPOZORENJE**

Neisključivanje alata može izazvati slučajno pokretanje uzrokujući moguće ozbiljne ozljede.

## Hrvatski

### Jednostavni brusni papir

Pogledajte sliku 6.

1. Odspojite brusilicu.
2. Otpustite spojnicu za papir. Uklonite svaki iskorišteni brusni papir.
3. Umetnite novi brusnipapir ispod spojnice za papir.
4. Učvrstite brusni papir na mjesto.

### UKLJUČIVANJE/ISKLUČIVANJE BRUSILICE

Pogledajte sliku 1.

- Uključite brusilicu: Pomaknite prekidač na „I“.
- Isključite brusilicu: Pomaknite prekidač na „O“.

### RAD S BRUSILICOM

Pogledajte sliku 3.

1. Učvrstite izradak kako biste spriječili da se pomiče ispod brusilice.

#### ⚠ UPOZORENJE

Nepričvršćeni izratci mogu biti odbačeni prema operatoru uzrokujući ozljede.

#### ⚠ UPOZORENJE

Držite glavu dalje od brusilice i područja brušenja. Vaša kosa može biti povučena u brusilicu uzrokujući ozbiljne ozljede.

2. Postavite brusilicu na izradak tako da je disk za brušenje cijelom površinom u dodiru s izratkom.

#### ⚠ OPREZ

Izbjegavajte oštećivanje motora pregrijavanjem, pazite da rukama ne prekrijete otvore za ventilaciju.

3. Uključite brusilicu i lagano je pomičite preko izratka.

**NAPOMENA:** Držite brusilicu ispred i dalje od vas držeći je dalje od izratka. Pokrenite brusilicu i pustite da motor dostigne maksimalnu brzinu, potom postepeno spuštajte brusilicu na izradak. Polako pomičite brusilicu preko izratka u malim kružnim pokretima.

**Nemojte alat koristiti iznad njegovih mogućnosti.** Masa alata dovoljan je pritisak, stoga pustite disk za brušenje i brusilicu da rade. Primjena dodatnog pritiska samo usporava motor, ubrzano trošeći disk za brušenje i umnogome smanjujuće brzinu brusilice. Pretjerani pritisak će preopteretiti motor uzrokujući moguću štetu od pregrijavanja motora i može rezultirati u lošijem radu. Svaka završna obrada ili smola može omekšati od topline trenja.

Nemojte dugo brusiti na jednoj točki jer brzi rad brusilice

može skinuti previše materijala čineći površinu neravnom.

Razdoblja duljeg brušenja mogu izazvati pregrijavanje motora. Ako dođe do ovog isključite brusilicu i pričekajte dok se brusna ploča potpuno ne zaustavi, potom je uklonite iz izratka. Maknite ruku s područja ventilatora, uklonite disk za brušenje, potom s rukom koju ste maknuli s područja ventilatora uključite i isključite brusilicu bez opterećenja kako biste ohladili motor.

### PRAŽNENJE KUTIJE ZA PRAŠINU

Pogledajte sliku 4.

Za veću učinkovitost ispraznite vreću za prašinu čim je napola puna. Uvijek temeljito ispraznite i očistite kutiju za prašinu po završetku brušenja i prije spremanje brusilice.

#### ⚠ UPOZORENJE

Prikupljena brusna prašina od brušenja površina kao što su poliuretani, ulja lana itd., mogu se samozapaliti u vašoj kutiji za prašinu u brusilici ili negdje drugdje i dovesti do požara. Za smanjenje opasnosti od požara uvijek često tijekom brušenja praznite kutiju s prašinom (10-15 minuta) i nikada ne spremajte ili ne ostavljajte brusilicu bez potpuno ispražnjene kutije za prašinu. Također, slijedite preporuke proizvođača obloga.

1. Odspojite brusilicu.

#### ⚠ UPOZORENJE

Neisključivanje alata može izazvati slučajno pokretanje uzrokujući moguće ozbiljne ozljede.

2. Uklonite kutiju za prašinu s brusilice.
3. Istresite prašinu.
4. Ponovno priključite kutiju za prašinu na brusilicu.

**NAPOMENA:** Za temeljitije čišćenje kutije za pražnjenje uklonite prašinu s okvira i istresite prašinu. Ponovno postavite okvir preko kutije za prašinu potom ugradite sklop kutije za prašinu na brusilicu.

### ORBITALNO KRETANJE

Pogledajte sliku 7.

Ekscentrični pokret idealan je za brze radne brušenja (skidanje starih premaza, poliranje sirovog drveta, poravnavanje površina na određenu debljinu) te za završne radove (priprema površine prije bojanja). Brusni papir čini male krugove pri velikoj brzini te tako brusilica dobiva veliku pokretljivost.

#### SIGNALNO SVJETLO ZA NAPON

Ovaj alat opremljen je s pokazivačem napajanja alata koji svijetli čim je alat priključen na napajanje. Ovo upozorava

## Hrvatski

korisnika da je alat priključen i da će raditi kad se pritisne sklopka za pokretanje.

### ODRŽAVANJE

#### ⚠ UPOZORENJE

Alat nikad ne smije biti priključen na izvor napajanja kada sastavljate dijelove, vršite podešenja, čistite, izvodite održavanje ili kada se alat ne koristi. Iskapanje alata sprječava slučajno pokretanje koje može dovesti do ozbiljnih osobnih ozljeda.

#### ⚠ UPOZORENJE

Prilikom servisiranja koristite samo identične zamjenske dijelove. Korištenje nekih drugih dijelova može dovesti do opasnosti ili uzrokovati oštećenje uređaja.

### OPČENITO

Prilikom čišćenja plastičnih dijelova izbjegavajte koristiti kemijska sredstva. Većina plastika je podložna različitim vrstama komercijalnih kemijskih sredstava za čišćenje i mogu se oštetiti prilikom njihovog korištenja. Za uklanjanje nečistoća, prašine, ulja masti i drugog upotrebljavajte čistu krpu.

#### ⚠ UPOZORENJE

Nikada ne dopustite kontakt plastičnih dijelova s tekućinom za kočnice, benzinom, proizvodima na bazi benzina, sredstvima za odmašćivanje, idr. Oni sadrže kemikalije koje mogu oštetiti, oslabiti ili uništiti plastiku.

Električni alat koji se koristi na opremi od staklene vune, gipsanim pločama ili daskama za oblaganje brže se uništava i ranije kvari. Strugotine i piljevina koji dolaze od tih materijala vrlo abrazivno djeluju na sastavne dijelove električnih alata poput zupčanika, četki, prekidača itd. Zbog toga, duža upotreba na opremi od staklene vune, gipsanim pločama ili daskama za oblaganje ne savjetuje se. Međutim, ako radite s bilo kojim od ovih materijala, vrlo je važno da alat očistite komprimiranim zrakom.

#### ⚠ UPOZORENJE

Uvijek tijekom rada s električnim alatom ili prilikom ispuhivanja prašine nosite zaštitne naočale i zaštitne naočale s bočnim štitnicima. Ako radite u prašini nosite i masku za zaštitu od prašine.

### PODMAZIVANJE

Svi ležajevi u ovom alatu podmazani su s dovoljnom količinom visokokvalitetnog sredstva za podmazivanje za životni vijek uređaja u normalnim radnim uvjetima. Stoga nije potrebno daljnje podmazivanje.

### ČIŠĆENJE BRUSNIH PLOČA

Za osiguranje duljeg vijeka trajanja i optimalne učinkovitosti, povremeno očistite sve ostatke brušenja i strane materijale s podloge za četkanje. Ovo se može učiniti jednostavnim ispiranjem podloge s toplom vodom sve dok strani materijali ne budu isprani. Nakon što ste podlogu očistili, lagano je otriesite kako biste uklonili višak vode i ostavite je da se osuši. ploče uvijek držite na ravnoj podlozi, na suhom i hladnom mjestu.

### ČIŠĆENJE BRUSNIH PAPIRA

Brusni listovi koji su isporučeni s vašom brusilicom izrađeni su za višekratno korištenje. Važno je redovito ih čistiti kako biste uklonili prašinu i nečistoću koja se skuplja na površini tijekom raznih postupaka brušenja. Za čišćenje brusnog lista, iščetkajte listove s tvrdim gumenim blokom. Primjerice, možete upotrijebiti đon na čistoj cijeli.

#### ⚠ UPOZORENJE

Prije čišćenja uvijek uklonite brusni papir ili brusnu ploču s brusilice. Nepoštivanje ovog pravila može dovesti do teških tjelesnih ozljeda.

### ZAŠTITA OKOLIŠA



Sirovine reciklirajte, umjesto da ih bacate među kućni otpad. Kako biste zaštitili okoliš, alat, dodatke i ambalažu treba odvojeno bacati u otpad.

### SIMBOL



Sigurnosno upozorenje

V Volti

## Hrvatski

- Hz Herzi  
~ Izmjenična struja  
W Wati  
 $n_0$  Brzina bez opterećenja  
 $\text{min}^{-1}$  Broj okreta ili pokreta u minuti



Promjer putanje



Sukladno CE



Dvostruka izolacija



Nosite zaštitu za sluh



Nosite zaštitu za vid



Molimo da pažljivo pročitate upute prije pokretanja stroja.



Otpadni električni proizvodi ne treba da se odlažu s otpadom iz domaćinstva. Molimo da reciklirate gdje je to moguće. Potražite savjet od lokalnih vlasti ili prodavca kako reciklirati.



## Slovensko

## OPIS

1. Sprožilo
2. Gumb za spreminjanje hitrosti
3. Oblečen ročaj
4. Posoda za zbiranje prahu
5. Brusna podloga
6. Sponka za papir
7. Signalna luč za orodje pod napetostjo
8. Zataknite in navijte brusilni papir
9. Nelepljiv brusni papir

## SPECIFIČNA VARNOSTNA NAVODILA ZA BRUSILNIKE

- **Pri brušenju, še posebej nad glavo, vedno nosite zaščitna očala in protiprašno masko.**
- **Stroj ni primeren za mokro brušenje.**
- **Ne uporabljajte večjega brusilnega papirja, kot ga potrebujete.** Če papir sega preko brusilne blazinice, se lahko resno poškodujete.
- **Na orodju mora biti nameščena posoda za prah.** Pogosto izpraznite. Za priklop posode za prah vstavite njen adapter v odprtino za zbiranje prahu na zadnjem delu brusilnika.

## ⚠ OPOZORILO

Ne mečite brusilnega prahu v odprt ogenj, saj so lahko materiali v prahu eksplozivni.

## ⚠ OPOZORILO

Med brušenjem svinčene barve, nekaterih vrst lesa in kovine nosite ustreznih dihalni aparat, da se izognete vdihavanju škodljivega/strupenega prahu ali zraka.

## SPECIFIKACIJE

Model	ESS200RS	ESS280RV
Napajanje	200 W	280 W
Napetost	230 V - 240 V ~ 50 Hz	230 V - 240 V ~ 50 Hz
Hitrost brez obremenitve	12000 min <sup>-1</sup>	7000-12000 min <sup>-1</sup>
Orbitálnej Priemer	2.0 mm	2.0 mm
Teža	1.5 kg	1.7 kg

## LASTNOSTI

*Glejte sliko 1.*

Vaša brusilka je primerna za brušenje z grobim, srednje grobim in finim brusnim papirjem. Pri uporabi za brušenje lesenih površin boste z njo dosegli fino dodelavo brez prask.

Načrtovana je tako, da omogoča poravnano kotno brušenje s treh strani brusilke.

Brusilka ima ročaj s priročnim oprijemom, ki omogoča maksimalno udobno uporabo z eno roko in zmanjšuje utrujenost uporabnika med dolgotrajnimi postopki brušenja.

Pred uporabo izdelka se seznanite z njegovimi lastnostmi in varnostnimi zahtevami. Četudi se dodobra seznanite s tem orodjem, pri uporabi ne postanite neprevidni.

## STIKALO

## Elektronsko krmiljenje hitrosti

Elektronsko krmiljenje hitrosti omogoča takšne nastavitve hitrosti, ki ustrezajo različnemu materialu za brušenje, od trdega in težkega stavbnega lesa do občutljivega furnirja. Orodje je opremljeno z varnostnim stikalnim sistemom.

- Vklpite brusilnik: Stikalo potisnite na »I«.
- Izklpite brusilnik: Stikalo potisnite na »O«.

## ⚠ OPOZORILO

Četudi se dodobra seznanite s tem orodjem, pri uporabi ne postanite neprevidni. Zapomnite si, da lahko že trenutek nepazljivosti povzroči težko poškodbo.

## POSODA ZA ZBIRANJE PRAHU

Posodo za prah namestite na brusilnik, namenjena pa je zmanjševanju količine prahu.

## SPREMENLJIVA HITROST (MODEL - ESS280RV)

Vaš brusilnik je opremljen z naprednimi elektronskimi možnostmi, ki so namenjene za doseganje maksimalne storilnosti brusilnika. Orodje lahko prilagodite za različne vrste uporabe, tako da nastavite ustrezno hitrost.

Elektronska funkcija orodja omogoča fleksibilnost nastavljanja hitrosti motorja, tako da se prilagodi posebnim pogojem dela. Elektronski modul za reguliranje hitrosti zaznava obremenitev motorja in poveča oz. zmanjša napetost motorja za vzdrževanje ustreznega nivoja števila vrtljajev na minuto (RPM). Hitrost lahko nastavimo glede na namen brušenja ali površino uporabljenega obdelovanca.

Izbirno stikalo obračajte sournu, za povečanje hitrosti pri grobih površinah ali za hitro odstranjevanje materiala, in

## Slovensko

protiurno, za zmanjšanje hitrosti pri manjših zahtevnih postopkih brušenja.

## MONTAŽA

## ⚠ OPOZORILO

Ko sestavljate dele, prilagajate, čistite ali vzdržujete orodje, ali ko orodje ne uporabljate, ga nikoli ne imejte priključenega na vir napajanja. Če odklopite orodje, se naprava ne more po nesreči sama zagnati, kar bi sicer lahko povzročilo hude poškodbe.

## IZBIRA BRUSNEGA PAPIRJA

Izbira pravilne velikosti, granulacije in vrste brusilnega papirja je izredno pomemben korak za doseganje visokokakovostne končne obdelave. Za strojno brušenje so najboljši aluminijev oksid, silicijev karbid in druga sintetična brusila. Naravna brusila, kot sta npr. kremen in granat, so premeška za ekonomično rabo pri strojnem brušenju.

Na splošno je pri brušenju tako, da boste z bolj grobo granulacijo odstranili večino materiala, z bolj fino granulacijo pa dosegli najboljšo končno obdelavo. Stanje površine brušenja določa, kakšna granulacija je potrebna za dobro opravljeno delo. Če je površina zelo hrapava, začnite z bolj grobo granulacijo in brusite, dokler ni površina enotna. Srednjo granulacijo lahko uporabite za odstranitev prask, ki ste jih naredili z grobo granulacijo, fino granulacijo pa nato uporabite za končno obdelavo podlage. Nadaljujte z brušenjem z vsemi granulacijami, dokler ni površina enotna.

## ⚠ OPOZORILO

NE uporabljajte brusilke brez brusnega papirja. V nasprotnem primeru se bo poškodovala blazinica.

Priporočena uporaba lista/  
blazinice

80-drvina brúsneho listu	Hrubé brúsenie
120-drvina brúsneho listu	Lahké pieskovanie
150-drvina brúsneho listu	Lahké pieskovanie

## PRITRJEVANJE POSODE ZA PRAH

Glejte sliko 2.

Posoda za prah je sistem za zbiranje prahu brusilnika. Med brušenjem naprava prah posesa skozi luknjne na brusilnem disku in ga zbere v posodo za prah.

1. Odklopite brusilnik.
2. Z rahlim obračanjem dobro namestite posodo za prah

na izpušno odprtino brusilnika.

## ⚠ OPOZORILO

Med uporabo orodja bodite pazljivi. Neprevidna dejanja, ki lahko trajajo le delček sekunde, lahko povzročijo hude poškodbe.

## UPORABA

Brusilnik lahko uporabljate za spodaj navedene namene:

- Brušenje lesenih površin.
- Odstranovanje hrde z ocele a brúsenie povrchov.
- Leštenie a drhnútia porcelánu a kovu.

## ⚠ POZOR

Kabel držite proč od brusilne blazinice in ga speljite tako, da se med brušenjem ne bo zapletel v les, orodje ali druge predmete.

## ⚠ OPOZORILO

Pri delu z napravo vedno uporabljajte varovalne naočnike ali varnostna očala s stranskimi ščitniki. Če tega ne storite, vam lahko v oči prileti prah, oblanci ali drugi prosti delci, kar lahko povzroči resne poškodbe.

## DELOVANJE

## NAMESTITEV BRUSNEGA PAPIRJA

Pred nameščanjem brusnega papirja ga preglejte. NE uporabljajte pretrganega ali pomanjkljivega brusnega papirja.

## Zatakните in navijte brusilni papir

Glejte sliko 5.

1. Odklopite brusilnik.
2. Poravnate luknje na brusilnem disku z luknjami na blazinici, nato pa previdno, vendar čim bolj, pritisnite puhasto stran brusilnega diska ob blazinico.

**OPOMBA:** Priporočamo, da blazinico brusilnega diska ohranjate čisto in tako poskrbite za čim boljše pritrditev papirja. Občasno očistite z nežnim ščetkanjem z majhno ščetko.

## ⚠ OPOZORILO

Če orodja ne izklopite iz vtičnice, se naprava lahko nehotе vključi in povzroči hude osebne poškodbe.

**Nelepljiv brusni papir**

Glejte sliko 6.

1. Odklopite brusilnik.
2. Sprostite priključek za papir. Odstranite uporabljeni brusilni papir, če je nameščen.
3. Vstavite nov brusilni papir v priključek za papir.
4. Zataknite brusilni papir na mesto.

**VKLOP/IZKLOP BRUSILNIKA**

Glejte sliko 1.

- Vklonite brusilnik: Stikalo potisnite na »I«.
- Izklonite brusilnik: Stikalo potisnite na »O«.

**UPRAVLJANJE BRUSILNIKA**

Glejte sliko 3.

1. Zavarujte delovni material in preprečite, da bi se med brušenjem premikal.

**⚠ OPOZORILO**

Nezavarovani delovni materiali lahko poletijo proti uporabniku in povzročijo poškodbe.

**⚠ OPOZORILO**

Glavo držite proč od brusilnika in brusilnega območja. Lasje se vam lahko ujamajo v brusilnik, kar lahko povzroči hude poškodbe.

2. Postavite brusilnik na delovni material tako, da je celotna površina brusilnega diska v stiku z delovnim materialom.

**⚠ POZOR**

Pazite, da z roko ne prekrivate prezračevalnih odprtin, sicer se lahko motor pregreje in poškoduje.

3. Vklonite brusilnik in ga počasi premikajte preko delovne površine.

**OPOMBA:** Brusilnik držite pred sabo in proč od sebe, ter dovolj daleč stran od delovnega materiala. Vključite brusilnik in počakajte, da motor doseže največjo hitrost, nato pa počasi spustite brusilnik na delovni material. Brusilnik počasi premikajte preko delovnega materiala z majhnimi krožnimi gibi.

**Ne preobremenjujte.** Teža samega orodja omogoča zadosten pritisk, zato pustite, da brusilni disk in brusilnik opravi svoje delo. Dodatno pritiskanje samo upočasnjuje motor, hitreje obrabi brusilni papir in močno zmanjša hitrost brusilnika. Pretirano pritiskanje bo preobremenilo motor in lahko povzroči poškodbe motorje zaradi pregrevanja, posledica pa je lahko tudi slabše opravljeno delo. Kakršen

koli premaz ali smola na lesu se lahko zaradi vročine, nastale pri brušenju, omehča.

Ne brusite na enem mestu predolgo, sicer lahko hitro gibanje brusilnika odstrani preveč materiala in površina ne bo enakomerna.

Daljša neprekinjena obdobja brušenja lahko povzročijo pregrevanje motorja. Če se to zgodi, izklonite brusilnik in počakajte, da se disk popolnoma ustavi, nato pa ga odstranite z delovnega materiala. Odstranite roko s prezračevalnega območja, odstranite brusilni disk, nato pa vklonite brusilnik in ga pustite delovati brez obremenitve, da se motor ohladi (pazite, da z roko ne prekrivate prezračevalnih odprtin).

**PRAZNENJE POSODE ZA PRAH**

Glejte sliko 4.

Pre učinkovitejšie fungovanje, prázndny sáčok, keď je viac než z polovice plná. Po končanem brušenju in pred shranitvijo brusilne naprave vedno temeljito izpraznite in očistite posodo za prah.

**⚠ OPOZORILO**

Nakopičen brusilni prah s premazov površin, ki jih brusite, kot so npr. poliuretani, laneno olje ipd., se lahko v posodi za prah (ali drugje) vname in povzroči požar. Za zmanjšanje nevarnosti požara med brušenjem pogosto praznite posodo za prah (vsakih 10-15 minut) in nikoli ne shranjujte ali puščajte brusilnika, brez da bi izpraznili posodo za prah. Sledite tudi priporočilom proizvajalcev premazov.

1. Odklopite brusilnik.

**⚠ OPOZORILO**

Če orodja ne izklonite iz vtičnice, se naprava lahko nehote vključi in povzroči hude osebne poškodbe.

2. Z brusilnika odstranite posodo za prah.
3. Iztesite prah.
4. Na brusilnik ponovno namestite posodo za prah.

**OPOMBA:** Če želite temeljito očistiti posodo za prah, jo odstranite z okvirja in stresite prah iz nje. Posodo za prah ponovno namestite preko okvirja in celoten sestav namestite na brusilnik.

**KROŽNO GIBANJE**

Glejte sliko 7.

Krožno gibanje je idealno za hitro rezanje pri odstranjevanju stare dodelave, poliranju grobega lesa, rezanju hloda na zeleno dimenzijo ali za dodelavo površin, ki se bodo barvale. Brusni papir se premika v majhnih krožcih z veliko

## Slovensko

hitrostjo, kar omogoča gladko premikanje brusilke.

**SIGNALNA LUČ ZA ORODJE POD NAPETOSTJO**

To orodje ima indikator "live tool", ki zasveti takoj, ko orodje priključite na napajanje. To uporabnika opozori, da je orodje priključeno in da bo delovalo, ko boste pritisnili na gumb.

**VZDRŽEVANJE****⚠ OPOZORILO**

Ko sestavljate dele, prilagajate, čistite ali vzdržujete orodje, ali ko orodje ne uporabljate, ga nikoli ne imejte priključenega na vir napajanja. Če odklopite orodje, se naprava ne more po nesreči sama zagnati, kar bi sicer lahko povzročilo hude poškodbe.

**⚠ OPOZORILO**

Pri servisiranju uporabljajte le identične nadomestne dele. Uporaba drugih delov je tvegana in lahko povzroči škodo na izdelku.

**SPLOŠNO**

Pri čiščenju plastičnih delov se izogibajte topilom. Večina vrst plastik se lahko pri uporabi različnih komercialnih topil poškoduje. Za odstranjevanje umazanije, saj in podobnega uporabljajte čisto krpo.

**⚠ OPOZORILO**

Pazite, da zavorne tekočine, bencin, izdelki na petrolejski osnovi, olja za penetriranje, ipd. nikoli ne pridejo v stik z plastičnimi deli. Ti vsebujejo kemikalije, ki lahko poškodujejo, oslabijo ali uničijo plastiko.

Če električna orodja uporabljate na materialih iz steklenih vlaken, predelnih stenah, sredstvih za kitanje ali gipsu, pride do pospešene obrabe in morda do prezgodnje okvare, saj so okruški steklenih vlaken zelo agresivni do ležajev, krtač, komutatorjev itd. Preto sme sa neodporuča používat' tento nástroj pre rozšírenú prácu na tieto druhy materiálů. Če delate s katerim koli izmed teh materialov, je izredno pomembno, da orodje očistite s stisnjenim zrakom.

**⚠ OPOZORILO**

Vedno nosite zaščitna očala s stranskimi ščitniki, ko uporabljate električna orodja ali ko spuhujete prah. Če pri delu nastaja prah, nosite tudi zaščitno masko proti prahu.

**MAZANJE**

Vsi ležaji na tej napravi so namazani z dovolj kakovostnega maziva, tako da mazanje do konca življenjske dobe naprave ni več potrebno, če le-to normalno uporabljate. Zato dodatno mazanje ni potrebno.

**ČISTENJE ČISTENJE PODLOŽKY**

Za zagotavljanje daljše življenjske dobe in optimalne zmogljivosti redno očistite blazinice za ribanje vseh ostankov in tujkov, ki so nastali pri brušenju. To lahko storite tako, da enostavno splaknete blazinico s toplo vodo, dokler ne odplaknete vseh tujkov. Po očistenju jemne stlačiti pad odstraniti prebytočnú vodu a nechajte podložka na suchu. Vždy ukladat' podložky a brúsnymi papieri mi v chladnom a suchom mieste.

**ČISTENJE BRÚSNEHO PAPIERA**

Brusilni papirji, ki ste jih dobili skupaj z brusilnikom, so primerni za ponovno uporabo. Preto je dôležité, aby mali byt' čistené pravidelne odstraňovat' zvyšky piesku a zahraničných materiálů, ktoré môžu časom kumulovat'. Za čišćenje brusilnega papirja uporabljajte kladu iz trde gume. Můžete tiež použiť čistú gumenou podrážkou z topánky.

**⚠ OPOZORILO**

Vždy odstránit' drhnutie alebo brúsny pad z brúsku pred čistením. Ak tak neurobite, môže spôsobiť vážne zranenia.

**ZAŠČITA OKOLJA**

Namesto, da napravo zavržete, reciklirajte surovine. Napravo, pribor in embalažo je treba sortirati za okolju prijazno recikliranje.








**SIMBOL**

Varnostni alarm

V Volti

Hz Hertz

## Slovensko

- ~ Izmenični tok
- W Watt
- $n_0$  Hitrost brez obremenitve
- $\text{min}^{-1}$  Vrtljajev ali nihajev na minuto
-  Orbitálnej Priemer
-  Skladnost CE
-  Dvojna izolacija
-  Nosite zaščito za ušesa
-  Nosite zaščito za oči
-  Prosimo, da si pred zagonom naprave pozorno preberete navodila
-  Odpadne električne izdelke odlagajte skupaj z ostalimi gospodinjstskimi odpadki. Reciklažo opravljajte na predpisanih mestih. Za reciklažni nasvet se obrnite na lokalne oblasti.

## Slovenčina

### POPIS

1. Sprožilec stikala
2. Volič premenlivej rýchlosti
3. Formovacia rukoväť
4. Kazeta na zber prachu
5. Brúsna podložka
6. Upínač papiera
7. Indikátor nástroja pod prúdom
8. Zahákните a upevnite brúsny papier slučkou
9. Neadhezívny brúsny papier

### POSEBNA VARNOSTNA NAVODILA ZA BRUSILKE

- Med brušenjem vedno nosite zaščitna očala in protiprašno masko, posebej pri brušenju nad glavo.
- Stroj ni primeren za mokro brušenje.
- Ne uporabljajte večjega brusnega papirja, kot je potrebno. Tudi prevelik papir, ki sega preko brusne podloge, lahko povzroči resne poškodbe.
- Orodje mora biti opremljeno z lovilec prahu. Pogosto ga morate izprazniti. Za priključitev lovilca prahu vstavite adapter lovilca v odprtino za zbiranje prahu na zadnji strani brusilke.

### ⚠ VAROVANJE

Praha, ki nastane pri brušenju, ne mečite v odprti ogenj, ker so drobni delci materiala lahko eksplozivni.

### ⚠ VAROVANJE

Med brušenjem svinčene barve, nekaterih vrst lesa in kovin morate nositi ustrezen dihalni aparat, da preprečite vdihavanje škodljivega/ strupenega praha ali zraka.

### TEHNIČKE ÚDAJE

Model	ESS200RS	ESS280RV
Napájanie	200 W	280 W
Napätie	230 V - 240 V ~ 50 Hz	230 V - 240 V ~ 50 Hz
Rýchlosť bez záťaže	12000 min <sup>-1</sup>	7000-12000 min <sup>-1</sup>
Orbitálni premer	2.0 mm	2.0 mm
Hmotnosť	1.5 kg	1.7 kg

### FUNKCIE

*Pozrite si obrázok 1.*

Táto brúska je vhodná na brušenie hrubozrnným, strednozrnným aj jemnozrnným brúsnym papierom. Pri použití drevených povrchov v smere vlákien vytvára jemnú povrchovú úpravu bez škrabancov.

Je skonštruovaná tak, že je možné na jej troch stranách obrusovať rohy.

Táto brúska má pohodlnú rukoväť do dlane, ktorá zaistí vaše maximálne pohodlné držanie jednou rukou a znižuje únavu obsluhujúceho počas operácií brušenia.

Pred uporabo tega orodja, se spoznajte z vsemi njegovimi delovnimi značilnostmi in varnostnimi zahtevami. Kljub temu pa bodite pri delu pazljivi, tudi ko ste orodje že dobro spoznali.

### SPÍNAČ

#### Elektronické riadenie rýchlosti

Elektronické riadenie rýchlosti umožňuje obsluhujúcemu nastaviť rýchlosť tak, aby vyhovovala rôznym brúseným materiálom, od silne žilnatého dreva až po jemnú preglejku.

Tento nástroj je vybavený jednoduchým ovládaním pomocou spínača.

- Vklap brusilke: Prepnite spínač do polohy „I“.
- Izklap brusilke: Prepnite spínač do polohy „O“.

### ⚠ VAROVANJE

Dbajte na to, aby vaša blízka znalosť tohto zariadenia nespôsobilá nedbalé používanie. Zapamätajte si, že sekunda nepozornosti môže spôsobiť vážne zranenie.

### KAZETA NA ZBER PRACHU

Kazeta na prach sa nasadzuje na brúska a minimalizuje šírenie prachu.

### PREMENLIVÉ OTÁČKY (MODEL - ESS280RV)

Táto brúska má pokročilé elektronické funkcie, ktorých úlohou je uľahčiť vám získať z brúsky maximum. Nastavením príslušných rýchlostí môžete nastaviť nástroj podľa konkrétnych potrieb brušenia.

Elektronické funkcie nástroja prinášajú flexibilitu pri nastavovaní rýchlosti motora podľa požadovaných pracovných podmienok. Modul elektronického ovládania rýchlosti sníma zaťaženie vyvíjané na motor a zvyšuje alebo znižuje napätie motora, čím kompenzuje a udržiava požadované otáčky za minútu. Rýchlosť možno nastaviť podľa účelu brušenia alebo povrchu obrobku, ktorý budete spracúvať.

## Slovenčina

Pri hrubých povrchoch zvyšte rýchlosť, rýchlejšie tak odstráňte materiál a pri menšom a jemnejšom brúsení znížte rýchlosť.

### MONTÁŽ

#### VAROVANIE

Orodje izključite iz električne napetosti, vedno ko nameščate pribor, spreminjate nastavitve, ga čistite, vzdržujete ali ko orodja ne uporabljate. Pri odpojenji nástroja zabranite náhodnému spusteniu, ktoré by mohlo spôsobiť závažné poranenie.

### VÝBER BRÚSNEHO PAPIERA

Izbira pravilne velikosti, granulácie in vrste brusnega papirja je izjemno pomemben korak do kakovostnega brušenja. Za strojno brušenje so najprimernejši materiali aluminijev oxid, silicijev karbid in drugi sintetični abrazivi. Naravna abrazijska sredstva kot sta kremen in granat, so premeška za ekonomično strojno brušenje.

V splošnem bo pri vsakem brušenju grob brusni papir odstranil veliko materiala, finejši pa dal fino brušeno površino. Stanje površine, ki jo morate obrusiti, bo določalo izbiro najprimernejše granulácie papirja. Če je površina neravna, začnite z grobim papirjem in brusite, dokler se površina ne izravna. Potem s papirjem srednje granulácie odstranite raze, ki jih je na površini pustil grobi brusni papir. Brušenje s papirjem določene granulácie nadaljujte, dokler ni vsa površina enakomerno gladka.

#### VAROVANIE

NEPOUŽÍVAJTE brúsku bez brúsneho papiera. Inak poškodíte podušku.

### Odporúčané použitie listov/ podložiek

80-brusni papir	Grobo brušenje
120-brusni papir	Fino brušenje
150-brusni papir	Fino brušenje

### NASADENIE KAZETY NA PRACH

Pozrite si obrázok 2.

Kazeta na prach zabezpečuje pre brúsku systém na zachytávanie prachu. Prach z brúsenia sa počas brúsenia ženie cez otvory brúsneho disku a zhromažďuje v kazete na prach.

1. Izključite vtič brusilke.
2. Jemnými točivými pohybmi pevne nasuňte jednotku prachového vrečka na výfuk dýchadla na brúske.

#### VAROVANIE

Med uporabo tega orodja bodite previdni. Nedbalosť, aj keď len na zlomok sekundy, môže spôsobiť vážne osobné poranenie.

#### APLIKÁCIE

To brusilko lahko uporabljate za naslednja opravila:

- Brúsenie drevených povrchov.
- Odstránjanje rže iz jekla in brušenje površín.
- Poliranje in ribanje porcelan in kovine.

#### UPOZORNENIE

Pazite, da napajalni kábel ne príde v blížino brusilne podloge. Položite ga tako, da se med brušenjem ne more zapletú v les, orodja ali druge predmete.

#### VAROVANIE

Pri práci s výrobkami vždy noste bezpečnostné okuliare s bočnými chráničmi. Če tega ne boste storili, vam lahko prah, oblanci ali prosti delci priletijo v oči, kar lahko povzroči resne poškodbé.

### PREVÁDZKA

#### INŠTALÁCIA BRÚSNEHO PAPIERA

Pred namontovaním brúsny papir skontrolujte. Ak je pretrhnutý alebo poškodený, NEPOUŽITE HO.

#### Zaháknite a upevnite brúsny papir slučkou

Pozrite si obrázok 5.

1. Izključite vtič brusilke.
2. Luknje v Hook & Loop brusnem disku poravnajte z luknjami v podlogi, nato previdno čím tesneje pritisnite vlaknasto stran brusnega papirja na podlogo.

**POZNÁMKA:** Priporočamo, da skrbíte za čistočo hrbtne strani brusnega papirja in tako zagotavljate dober oprijem. Občasno jo očistite tako, da jo narahlo skrtáchte z majhno krtačko.

#### VAROVANIE

Če naprave ne boste izključili, se ta lahko po nesreči vklopi in povzroči resne poškodbé.

#### Neodhézivny brúsny papir

Pozrite si obrázok 6.

## Slovenčina

1. Izključite vtič brusilke.
2. Uvoľnite svorku na papier. Ak zostal nejaký použitý brúsny papier, odstráňte ho.
3. Vložte nový brúsny papier pod svorku na papier.
4. Uchyťte brúsny papier na miesto.

### VKLOP / IZKLOP BRUSILKE - ON/OFF

Pozrite si obrázok 1.

- Vklp brusilke: Prepnite spínač do polohy „I“.
- Izklp brusilke: Prepnite spínač do polohy „O“.

### POSEBNOSTI UPORABA BRUSILKE

Pozrite si obrázok 3.

1. obdelovavec pridríte, da se ne bo mogel pod brusilko premikati.

#### **VAROVANIE**

Nepritrjene obdelovance lahko vrže v uporabnika, ki se lahko poškoduje.

#### **VAROVANIE**

Glave ne približujte brusilki in brušeni površini. Brusilka lahko vsesa vaše lase in vas resno poškoduje.

2. Brusilko položite na obdelovavec tako, da je z njim v stiku celotna površina brusnega diska.

#### **UPOZORNENIE**

Pazite, da z roko ne prekrijete rež z zračno hlajenje motorja.

3. Pregrevanje ga lahko poškoduje.

**POZNÁMKA:** Vklpote brusilko in jo počasi premikajte po površini obdelovanca. Brusilko držite pred seboj in stran od telesa, naj ne bo v stiku z obdelovancem. Poženite brusilko in počakajte, da motor doseže polno hitrost, potem jo počasi spustite na površino obdelovanca. Brusilko počasi, z majhnimi krožnimi gibi, pomikajte po površini obdelovanca.

**Ne potiskajte je na silo.** Teža naprave zagotavlja dovolj pritiska, torej pustite, da brusni disk in brusilka opravita svoje delo. Dodatno pritiskanje samo zmanjšuje hitrost motorja, močno pospešuje obrabo brusnega diska in zmanjšuje hitrost brušenja. Prekomerni pritisk preobremenjuje motor, zaradi česar se lahko ta pregreje, in zmanjšuje kakovost dela. Površinska obdelava ali smola na površini lesa se lahko zaradi toplote trenja zmeha.

Ne brusite predolgo posameznega mesta, saj lahko hitro delovanje brusilke odstrani preveč materiala, kar povzroči neravno površino.

Predolgotrajno brušenja lahko povzroči pregrevanje motorja. V takom prípade vypnite brusku a počakajte, kým sa brúsny disk úplne nezastaví, potom ju vyberte z obrobku. Roko odmaknite od prezačevalnih rež, odstranite brusni disk, potom brusilko spet vključite in jo pustite, da deluje brez obremenitve, kar ohladi motor.

### VYPRÁZDNIENIE KAZETY NA PRACH

Pozrite si obrázok 4.

Za učinkovitejšie delovanie izpraznite vrečko za prah, ko je le-ta polna do polovice. Kazetu na prach vždy vyprázdníte a dôkladne vyčistíte po dokončení brušenia a pred odložením brusky.

#### **VAROVANIE**

Prah, ki se je nabral pri brušenju prevlek površin, ki vsebujejo poliuretane, laneno olje itd., se lahko samodejno vžge v vrečki za prah vaše brusilke ali drugje in povzroči požar. Na zniženie rizika požiaru vždy pravidelne vysypajte obsah kazety na prach (10-15 minút) počas brušenia a nikdy brusku neodkladajte, kým jej kazetu na prach úplne nevyprázdníte. Uspoševajte tudi priporočila proizvajalcev prevlek.

1. Izključite vtič brusilke.

#### **VAROVANIE**

Če naprave ne boste izključili, se ta lahko po nesreči vklopi in povzroči resne poškodbe.

2. Odpojte kazetu na prach z brusky.
3. Iztesite prah.
4. Znova nasadite kazetu na prach na brusku.

**POZNÁMKA:** Ak chcete dôkladnejšie vyčistiť kazetu na prach, vyberte kazetu na prach z rámu a vytraste prach. Znova nasadte kazetu na prach na rám a potom namontujte jednotku kazety na prach na brusku.

### KRUHOVÝ POHYB

Pozrite si obrázok 7.

Kruhový pohyb je ideálny na rýchle brušenie pri odstraňovaní starých povrchov, vyhladzovaní drsného dreva, skracovaní materiálu na požadovaný alebo na finálnu úpravu povrchov určených na natieranie. Brúsny papier sa pohybuje v malých kruhoch pri veľmi vysokých otáčkach, takže umožňuje jednoduchý pohyb brusky.

### INDIKÁTOR NÁSTROJA POD PRÚDOM

Tento nástroj je vybavený indikátorom zariadenia pod prúdom, ktorý sa rozsvieti, akonáhle pripojíte nástroj do elektrickej siete. Varuje tak používateľa, že nástroj je



## Slovenčina

pripojený a po stlačení spínača sa spustí.

### ÚDRŽBA

#### ⚠ VAROVANIE

Orodje izkľučíte iz električne napetosti, vedno ko nameščate pribor, spreminjate nastavitve, ga čistite, vzdržujete ali ko orodja ne uporabljate. Pri odpojenji nástroja zabraníte náhodnému spusteniu, ktoré by mohlo spôsobiť závažné poranenie.

#### ⚠ VAROVANIE

Pri servise používajte len identické náhradné diely. Použitím iných dielov riskujete poškodenie zariadenia.

### VŠEOBECNÉ POKYNY

Vyhýbajte sa použitiu rozpúšťadiel pri čistení plastových častí. Večina plastických materialov je občutliva na različne vrste komercialno dostupnih topil in jih z njihovo uporabo lahko poškodujemo. Na odstránenie špiny, uhlíkového prachu a pod. použite čisté tkaniny.

#### ⚠ VAROVANIE

Nikdy nedovoľte kontaktu plastových dielov s brzdovou kvapalinou, benzínom, minerálnym olejom, agresívnym mazivami atď. Obsahujú chemikálie, ktoré môžu poškodiť, oslabiť alebo zničiť plasty.

Elektrické nástroje používané na sklolaminátové materiály, obkladové dosky, tmelové zmesi alebo sadru podliehajú rýchlejšiemu opotrebeniu a možnej predčasnej poruche, lebo úlomky a brusivo sklolaminátu sú pre ložiská, kefký, komutátory a pod. vysoko abrazívne. Zato vam ne doporučamo, da to orodje uporabljate dolgo časa na materialih te vrste. Če orodje kljub temu uporabite za te materiale, je zelo pomembno, da ga očistíte s stisnjenim zrakom.

#### ⚠ VAROVANIE

Pri práci s mechanickým nástrojom alebo ofukovaní prachu vždy používajte ochranné okuliare alebo ochranné okuliare s bočnými chráničmi. Ak pri práci vzniká prach, používajte aj protiprachovú masku.

### MAZANIE

Všetky ložiská v nástroji sa mažu dostatočným množstvom mazadla s vysokou kvalitou, kvôli dlhej životnosti jednotky

za normálnych prevádzkových podmienok. Pretonie je potrebné žiadne ďalšie mazanie.

### ČIŠČENJE BRUSNIH BLAZINIC

Daljšo življenjsko dobo in optimálno delovanie brusnih blaziníc zagotovite tako, da občasno počistíte vse ostanke brušenia in vključke. To storite enostavno tako, da blazinico sperete z mlačno vodo, dokler ni čista. Po čiščenju blazinico nežno ožmite in pustite, da se posuší. Blazinice in brusne papirje vedno shranjujte poravnane na hladnem in suhem prostoru.

### ČIŠČENJE BRUSNIH PAPIRJEV

Brusni papirji, ki ste jih prešli z brusilko, so namenjeni večkratni uporabi. Zato je pomembno, da jih občasno očistíte tako, da odstraníte vse ostanke brušenia in vključke, ki so se nabrali na papirju.

Papirje očistíte tako, da jih otrete z blokom iz trde gume. Uporabite lahko tudi čist, gumijast podplat čevlja.

#### ⚠ VAROVANIE

Kračno ali brusno blazinico pred čiščenjem vedno odstranite z brusilke. Če tega ne storite, lahko pride do resne telesne poškodbe.

### OCHRANA ŽIVOTNÉHO PROSTREDIA



Surové materiály recyklujte, namiesto toho, aby ste ich zlikvidovali ako odpad. Stroj, príslušenstvo a obaly by sa mali triedene recyklovať spôsobom šetrným k životnému prostrediu.

### ZNAČKY



Výstražná značka

V Volty

Hz Hertz

~ Striedavý prúd

W Watty

no Rýchlosť bez záťaže

min<sup>-1</sup> Otáčky alebo striedanie za minútu



Orbitální premer



CE konformita

## Slovenčina



Dvojitá izolácia



Noste ochranu sluchu



Noste ochranu zraku



Pred zapnutím zariadenia si prosím prečítajte inštrukcie



Opotrebované elektrické zariadenia by ste nemali odhadzovať do domového odpadu. Prosíme o recykláciu ak je možné. Kontaktujte miestne úrady, alebo predajcu pre viac informácií ohľadom ekologického spracovania.

## Ελληνικά

## ΠΕΡΙΓΡΑΦΗ

1. Διακόπτης
2. Μεταβολέας ταχύτητας
3. Λαβή με επικάλυψη
4. Κουτί συλλογής πριονιδιών
5. Πέλμα
6. Λαβίδα
7. Φωτεινή ένδειξη θέσης υπό τάση
8. Πιάστε και περάστε το γυαλόχαρτο
9. Στάνταρ γυαλόχαρτο

## ΣΥΣΤΑΣΕΙΣ ΑΣΦΑΛΕΙΑΣ ΤΩΝ ΤΡΙΒΕΙΩΝ

- Κατά τη λείανση φοράτε πάντα προστατευτικά γυαλιά και μάσκα κατά της σκόνης, ιδίως όταν κρατάτε το τριβείο πάνω από το κεφάλι σας.
- Μη χρησιμοποιείτε ποτέ το τριβείο σας σε υγρές επιφάνειες.
- Το φύλλο γυαλόχαρτου δεν πρέπει να περισσεύει. Αν αφήσετε το γυαλόχαρτο να περισσεύει από το πέλμα, εκτίθεστε σε κίνδυνο σοβαρού τραυματισμού.
- Ο σάκος συλλογής σκόνης πρέπει να τοποθετηθεί επάνω στο εργαλείο και να αδειάζεται τακτικά. Θα πρέπει να εκκενώνονται συχνότερα. Για να τοποθετήσετε το σάκο συλλογής σκόνης, εισάγετε το δακτύλιο του σάκου στο στόμιο εκκένωσης που βρίσκεται στο πίσω μέρος του τριβείου στρέφοντας τον προς τα δεξιά μέχρι να στερεωθεί σωστά ο σάκος.

## ⚠ ΠΡΟΕΙΔΟΠΟΙΗΣΗ

Μην πετάτε τις προερχόμενες από τη λείανση σκόνης σε ανοικτή φωτιά διότι τα υπό μορφή λεπτών μορίων υλικά μπορεί να είναι εκρηκτικά.

## ⚠ ΠΡΟΕΙΔΟΠΟΙΗΣΗ

Πρέπει να φοράτε κατάλληλη μάσκα κατά της σκόνης όταν λειανείτε επιφάνειες καλυμμένες με χρώμα με βάση το μόλυβδο καθώς και ορισμένα ξύλα και μέταλλα ώστε να μην εισπνέετε τοξικές σκόνες ή αέρια.

## ΠΡΟΔΙΑΓΡΑΦΕΣ

Μοντέλο	ESS200RS	ESS280RV
Ισχύς	200 W	280 W
Τάση	230 V - 240 V ~ 50 Hz	230 V - 240 V ~ 50 Hz
Ταύτητα στ κεν	12000 min <sup>-1</sup>	7000-12000 min <sup>-1</sup>

Τροχιακή διάμετρος	2.0 mm	2.0 mm
Βάρος	1.5 kg	1.7 kg

## ΧΑΡΑΚΤΗΡΙΣΤΙΚΑ

Βλ. Σχήμα 1.

Το τριβείο σας χρησιμοποιείται με διάφορα γυαλόχαρτα:χοντρού, μέτριου και λεπτού κόκκου. Επάνω σε ξύλο, το πέρασμα του τριβείου με τη φορά της ίνας, προσδίδει ένα λείο τρίψιμο, χωρίς αμυχές.

Το τριβείο αυτό έχει σχεδιαστεί για να επιτρέπει το τρίψιμο από τρεις πλευρές.

Το τριβείο σας είναι εξοπλισμένο με μια λαβή που προσφέρει καλή λήψη και μεγάλη άνεση στη χρήση. Μειώνεται έτσι ο κίνδυνος κούρασης που επέρχεται μετά από παρατεταμένη χρήση.

Πριν χρησιμοποιήσετε το εργαλείο αυτό, εξοικειωθείτε με όλες τις λειτουργίες και ιδιαιτερότητές του όσον αφορά την ασφάλεια. Ωστόσο, μη χαλαρώσετε την προσοχή σας αφού εξοικειωθείτε με το τριβείο σας.

## ΔΙΑΚΟΠΤΗΣ

## Ηλεκτρονικός ρυθμιστής ταχύτητας

Ο ηλεκτρονικός ρυθμιστής ταχύτητας σας επιτρέπει να ρυθμίσετε την ταχύτητα λείανσης ανάλογα με τον τύπο επιφάνειας προς λείανσης (από το βαρύ και ανθεκτικό ξύλο κατασκευής μέχρι τον ευαίσθητο καπλαμά).

Το τριβείο αυτό είναι εξοπλισμένο με έναν απλό διακόπτη.

- Για να θέσετε το τριβείο σε λειτουργία: Γυρίστε τον διακόπτη στο " I ".
- Για να σταματήσετε το τριβείο: Γυρίστε τον διακόπτη στο " O ".

## ⚠ ΠΡΟΕΙΔΟΠΟΙΗΣΗ

Καθώς θα εξοικειώνεστε με τα εργαλεία, διατηρείτε την προσοχή σας. Μην ξεχνάτε ποτέ πως ένα δευτερόλεπτο απροσεξίας αρκεί για να τραυματιστείτε σοβαρά.

## ΚΟΥΤΙ ΣΥΛΛΟΓΗΣ ΠΡΙΟΝΙΔΙΩΝ

Το κουτί πριονιδιών συνδέεται στον λειαντήρα και διατηρεί τα πριονίδια σε ελάχιστο επίπεδο.

## ΜΕΤΑΒΛΗΤΗ ΤΑΧΥΤΗΤΑ (ΜΟΝΤΕΛΟ - ESS280RV)

Το τριβείο σας είναι εξοπλισμένο με ηλεκτρονικό ρυθμιστή ταχύτητας ο οποίος σας επιτρέπει να χρησιμοποιείτε το εργαλείο σας με το βέλτιστο τρόπο. Επιλέγοντας τη σωστή ταχύτητα, μπορείτε να προσαρμόσετε το εργαλείο σε συγκεκριμένες ανάγκες λείανσης.

## Ελληνικά

Τα ηλεκτρονικά χαρακτηριστικά του εργαλείου παρέχουν την ευελιξία προσαρμογής της ταχύτητας του κινητήρα, σύμφωνα με τις συνθήκες κάθε εργασίας. Το ηλεκτρονικό σύστημα του ρυθμιστή εκτιμά το φόρτο επί του κινητήρα και αυξάνει ή μειώνει την ισχύ του κινητήρα ώστε η ταχύτητα να παραμένει σταθερή. Για τραχιές επιφάνειες ή για γρήγορη εργασία ξεχονδρίσματος, γυρίστε το ρυθμιστή προς τα δεξιά για να αυξήσετε την ταχύτητα.

Για πιο ευαίσθητες εφαρμογές λείανσης, σε μικρές επιφάνειες, γυρίστε το ρυθμιστή προς τα αριστερά για να μειώσετε την ταχύτητα.

### ΣΥΝΑΡΜΟΛΟΓΗΣΗ

#### ⚠ ΠΡΟΕΙΔΟΠΟΙΗΣΗ

Το τριβείο σας δεν πρέπει ποτέ να είναι συνδεδεμένο με πρίζα την ώρα που τοποθετείτε εξαρτήματα, πραγματοποιείτε ρυθμίσεις, όταν καθαρίζετε το εργαλείο ή όταν δεν το χρησιμοποιείτε. Η αποσύνδεση του εργαλείου εμποδίζει την τυχαία εκκίνηση ή που θα μπορούσε να προκαλέσει σοβαρό τραυματισμό.

### ΕΠΙΛΟΓΗ ΤΟΥ ΓΥΑΛΟΧΑΡΤΟΥ

Η επιλογή του μεγέθους, του κόκκου και του τύπου γυαλόχαρτου είναι εξαιρετικά σημαντική αν θέλουμε να πετύχουμε ποιοτική λείανση. Για αρχική κατεργασία, σας συνιστούμε τη χρήση συνθετικών λειαντικών όπως η αλουμίνα ή το καρβίδιο πυριτίου. Πράγματι, τα φυσικά λειαντικά όπως ο πυριτόλιθος ή η γρανάτη είναι πολύ μαλακά για να χρησιμοποιηθούν οικονομικά για τρίψιμο προλείανσης.

Κατά γενικό κανόνα, ο χοντρός κόκκος χρησιμεύει στο ξεχόνδρισμα ενώ ο λεπτός σας επιτρέπει να πετύχετε μια λείανση φινιρίσματος. Η κατάσταση της προς λείανση επιφάνειας θα καθορίσει το μέγεθος του κόκκου που πρέπει να χρησιμοποιηθεί. Σε τραχιές επιφάνειες, αρχίστε το τρίψιμο με χοντρό κόκκο μέχρι να πετύχετε μια ομοιόμορφη επιφάνεια. Μπορείτε έπειτα να χρησιμοποιήσετε γυαλόχαρτο μέτριου κόκκου για να εξαλείψετε τις χαραγματιές που άφησε ο χοντρός κόκκος και τέλος γυαλόχαρτο λεπτού κόκκου για την λείανση της επιφάνειας. Τρίψτε με κάθε μέγεθος κόκκου μέχρι η επιφάνεια να γίνει ομοιόμορφη.

#### ⚠ ΠΡΟΕΙΔΟΠΟΙΗΣΗ

ΜΗΝ χρησιμοποιείτε το τριβείο χωρίς γυαλόχαρτο για να μη χαλάσετε το πέλμα.

Προτεινόμενη χρήση φύλλων / επιθεμάτων

Γυαλόχαρτο κόκκος Ø 80	Τραχύ τρίψιμο
Γυαλόχαρτο κόκκος Ø 120	Ελαφρύ τρίψιμο
Γυαλόχαρτο κόκκος Ø 150	Ελαφρύ τρίψιμο

### ΣΥΝΔΕΣΗ ΚΟΥΤΙΟΥ ΠΡΙΟΝΙΔΙΩΝ

Βλ. Σχήμα 2.

Το κουτί πριονιδιών παρέχει ένα σύστημα συλλογής πριονιδιών στον λειαντήρα. Τα πριονίδια από τη λείανση τραβιούνται μέσα από τις οπές του δίσκου λείανσης και μαζεύονται στο κουτί πριονιδιών κατά τη λείανση.

1. Αποσυνδέστε το τριβείο.
2. Στριβοντας ελαφριά, γλιστρήστε καλά τη διάταξη κουτιού πριονιδιών στην εξάτμιση φωσίματος στον λειαντήρα.

#### ⚠ ΠΡΟΕΙΔΟΠΟΙΗΣΗ

Παραμένετε προσεκτικοί όταν χρησιμοποιείτε το τριβείο αυτό. Η απροσεξία, ακόμη και για ένα κλάσμα του δευτερολέπτου, μπορεί να οδηγήσει σε σοβαρό τραυματισμό.

### ΕΦΑΡΜΟΓΕΣ

Μπορείτε να χρησιμοποιήσετε το τριβείο σας για τις παρακάτω αναφερόμενες εφαρμογές:

- Λείανση σε επιφάνειες ξύλου.
- Αφαίρεση σκουριάς και τρίψιμο χάλυβα.
- Στίλβωση και λείανση πορσελάνης και μετάλλων.

#### ⚠ ΠΡΟΣΟΧΗ

Φροντίστε να διατηρείτε το καλώδιο παροχής ρεύματος μακριά από τη διαδρομή του πέλματος και να το τοποθετείτε έτσι ώστε να μην μπλέκεται στα ξύλινα τμήματα, τα εργαλεία ή σε οποιοδήποτε άλλο αντικείμενο κατά τη διάρκεια της λείανσης.

#### ⚠ ΠΡΟΕΙΔΟΠΟΙΗΣΗ

Φοράτε πάντα γυαλιά ασφαλείας ή προστατευτικά γυαλιά με πλαϊνά ελάσματα όταν χρησιμοποιείτε εργαλεία. Η μη τήρηση της παρούσας σύστασης μπορεί να προκαλέσει την προβολή ξένων σωμάτων, σκόνης ή ριτισμάτων στα μάτια σας προξενώντας σοβαρές οφθαλμικές ζημιές.

## Ελληνικά

### ΛΕΙΤΟΥΡΓΙΑ

#### ΤΟΠΟΘΕΤΗΣΗ ΤΟΥ ΓΥΑΛΟΧΑΡΤΟΥ

Ελέγξτε την κατάσταση του γυαλόχαρτου πριν το τοποθετήσετε. ΜΗΝ χρησιμοποιείτε ελαττωματικό ή σκισμένο γυαλόχαρτο.

#### Πιάστε και περάστε το γυαλόχαρτο

Βλ. Σχήμα 5.

1. Αποσυνδέστε το τριβείο.
2. Ευθυγραμμίστε τις τρύπες του γυαλόχαρτου ή του λειαντικού πέλματος με τις τρύπες του πέλματος του τριβείου και κολλήστε προσεκτικά και όσο πιο γερά γίνεται στο πέγμα την πλευρά του γυαλόχαρτου που έχει το velcro.

**ΣΗΜΕΙΩΣΗ:** Σας συνιστούμε να διατηρείτε τα γυαλόχαρτα και λειαντικά πέγματα καθαρά ώστε να έχουν καλύτερη πρόσφυση στο πέγμα του τριβείου. Καθαρίζετέ τα τακτικά τα με μια μικρή βούρτσα.

### ⚠ ΠΡΟΕΙΔΟΠΟΙΗΣΗ

Αν δεν αποσυνδέσετε το τριβείο, μπορεί να επέλθει τυχαίο ξεκίνημα και να προκαλέσει σοβαρό σωματικό τραυματισμό.

#### Στάνταρ γυαλόχαρτο

Βλ. Σχήμα 6.

1. Αποσυνδέστε το τριβείο.
2. Ελευθερώστε τον σφικτήρα χαρτιού. Αφαιρέστε το χρησιμοποιημένο γυαλόχαρτο όπου υπάρχει.
3. Εισάγετε το νέο γυαλόχαρτο κάτω από τον σφικτήρα χαρτιού.
4. Πιάστε το γυαλόχαρτο στη θέση του.

#### ΘΕΣΗ ΣΕ ΛΕΙΤΟΥΡΓΙΑ / ΔΙΑΚΟΠΗ ΤΟΥ ΤΡΙΒΕΙΟΥ

Βλ. Σχήμα 1.

- Για να θέσετε το τριβείο σε λειτουργία: Γυρίστε τον διακόπτη στο " I ".
- Για να σταματήσετε το τριβείο: Γυρίστε τον διακόπτη στο " O ".

#### ΧΡΗΣΗ

Βλ. Σχήμα 3.

1. Στερεώστε το προς επεξεργασία αντικείμενο έτσι ώστε να μην μπορεί να γλιστρήσει κάτω από το τριβείο.

### ⚠ ΠΡΟΕΙΔΟΠΟΙΗΣΗ

Αν δεν στερεώσετε το προς επεξεργασία αντικείμενο, μπορεί να εκτοξευτεί προς το μέρος του χρήστη και να προκαλέσει σοβαρό τραυματισμό.

### ⚠ ΠΡΟΕΙΔΟΠΟΙΗΣΗ

Φροντίστε να κρατάτε το πρόσωπό σας μακριά από το τριβείο και από τη ζώνη τριψίματος. Προστατεύετε τα μαλλιά σας ώστε να μην πιαστούν στο τριβείο, γεγονός που θα μπορούσε να προκαλέσει σοβαρό τραυματισμό.

2. Ακουμπήστε το τριβείο στην επιφάνεια εργασίας έτσι ώστε όλη η επιφάνεια του πέλματος να βρίσκεται σε επαφή με το προς επεξεργασία αντικείμενο.

### ⚠ ΠΡΟΣΟΧΗ

Φροντίστε να μην φράζετε τις όπες αερισμού με τα χέρια σας διότι αυτό θα προκαλούσε υπερθέρμανση του κινητήρα.

3. Θέστε το τριβείο σας σε λειτουργία και μετακινήστε το αργά επάνω στο προς επεξεργασία αντικείμενο.

**ΣΗΜΕΙΩΣΗ:** Κρατάτε το τριβείο σας μπροστά σας και σε αρκετή απόσταση ώστε να βλέπετε καλά το προς επεξεργασία αντικείμενο. Θέστε το τριβείο σε λειτουργία και περιμένετε ο κινητήρας να φτάσει στην μέγιστη ταχύτητά του. Έπειτα κατευθύνετε αργά το πέγμα του τριβείου προς το προς επεξεργασία αντικείμενο. Αφού το πέγμα έρθει σε επαφή με το προς επεξεργασία αντικείμενο, μετακινήστε το τριβείο επάνω στην επιφάνεια σχηματίζοντας μικρούς κύκλους.

**Προσέξτε να μη ζορίσετε το τριβείο.** Το βάρος του τριβείου ασκεί αρκετή πίεση στο προς επεξεργασία αντικείμενο. Το τριβείο και το γυαλόχαρτο θα κάνουν όλη τη "δουλειά". Ασκώντας μεγαλύτερη πίεση στο τριβείο, κινδυνεύετε να επιβραδύνετε τον κινητήρα, να φθείρετε συντομότερα το γυαλόχαρτο και να μειώσετε σημαντικά την ταχύτητα λείανσης. Επιπλέον, η υπερβολική πίεση μπορεί να υπερφορτίσει τον κινητήρα και να δημιουργήσει υπερθέρμανση η οποία μπορεί να προκαλέσει ζημιά στον κινητήρα βλάπτοντας την καλή λειτουργία του εργαλείου. Προσοχή, η οφειλόμενη στην τριβή θερμότητα μπορεί να μαλακώσει το βερνίκι ή τη ρητίνη που καλύπτει το ξύλο.

Φροντίστε να μην τριβετε για πολύ ώρα στο ίδιο σημείο του προς επεξεργασία αντικείμενου διότι η λειαντική δράση του τριβείου μπορεί να φθείρει γρήγορα το υλικό και να έχει ως αποτέλεσμα μια μη ομαλή επιφάνεια.

Μια παρατεταμένη περίοδος λείανσης μπορεί να επιφέρει υπερθέρμανση του κινητήρα. Σε περίπτωση που συμβεί αυτό, απενεργοποιήστε τον λειαντήρα και περιμένετε μέχρι ο δίσκος λείανσης να σταματήσει τελείως, πριν τον αφαιρέσετε από το τεμάχιο στο οποίο εργάζεστε. Βγάλτε το χέρι σας από τις όπες αερισμού, αφαιρέστε το γυαλόχαρτο και θέστε πάλι το τριβείο σε λειτουργία κάνοντας το να γυρίσει στο κενό ώστε να κρυώσει ο κινητήρας.

## Ελληνικά

### ΑΔΕΙΑΣΜΑ ΚΟΥΤΙΟΥ ΠΡΙΟΝΙΔΙΩΝ

Βλ. Σχήμα 4.

Για μεγαλύτερη αποτελεσματικότητα, αδειάζετε το σάκο συλλογής σκόνης μόλις είναι μισογεμάτος. Αδειάζετε και καθαρίζετε πάντα το κουτί πριονιδιών καλά όταν ολοκληρώνετε εργασίες λείανσης / τριβής και πριν φυλάξετε τον λειαντήρα.

#### ⚠ ΠΡΟΕΙΔΟΠΟΙΗΣΗ

Η συσσώρευση σωματιδίων μετά τη λείανση επιφανειών επικαλυμμένων με πολύ εύφλεκτα προϊόντα όπως η πολυουρεθάνη, το λινέλαιο, κλπ μπορεί να προκαλέσει την ανάφλεξη του σάκου συλλογής σκόνης ή άλλων τμημάτων του τριβείου προκαλώντας πυρκαγιά. Για να μειώσετε τον κίνδυνο φωτιάς, αδειάζετε τακτικά το κουτί πριονιδιών (10-15 λεπτά) κατά τη λείανση και μην φυλάσετε ή αφήνετε ποτέ τον λειαντήρα χωρίς να έχετε αδειάσει τελείως το κουτί πριονιδιών του. Διαβάστε προσεκτικά τις συστάσεις των κατασκευαστών επενδύσεων.

1. Αποσυνδέστε το τριβείο.

#### ⚠ ΠΡΟΕΙΔΟΠΟΙΗΣΗ

Αν δεν αποσυνδέσετε το τριβείο, μπορεί να επέλθει τυχαίο ξεκίνημα και να προκαλέσει σοβαρό σωματικό τραυματισμό.

2. Αφαιρέστε το κουτί πριονιδιών από τον λειαντήρα.
3. Τινάζτε το σάκο συλλογής σκόνης για να τον αδειάσετε.
4. Συνδέστε ξανά το κουτί πριονιδιών στον λειαντήρα.

**ΣΗΜΕΙΩΣΗ:** Για πληρέστερο καθαρισμό του κουτιού πριονιδιών, αφαιρέστε το από το πλαίσιο και ανακινήστε για να αδειάσει. Τοποθετήστε το κουτί πριονιδιών πάνω από το πλαίσιο και στη συνέχεια συνδέστε τη διάταξη κουτιού πριονιδιών στον λειαντήρα.

### ΤΡΟΧΙΑΚΗ ΚΙΝΗΣΗ

Βλ. Σχήμα 7.

Η έκκεντρη κίνηση είναι ιδανική για γρήγορη λείανση (αφαίρεση παλιών επενδύσεων, λείανση ακατέργαστου ξύλου, ισοπέδωση επιφανειών σε δεδομένο πάχος) και εργασίες φινιρίσματος (προετοιμασία επιφανείας πριν το βάψιμο). Το γυαλόχαρτο πραγματοποιεί μικρές κυκλικές κινήσεις σε μεγάλη ταχύτητα, παρέχοντας έτσι στο τριβείο μεγάλη κινητικότητα.

#### ΦΩΤΕΙΝΗ ΕΝΔΕΙΞΗ ΘΕΣΗΣ ΥΠΟ ΤΑΣΗ

Το εργαλείο σας είναι εξοπλισμένο με μια φωτεινή ένδειξη θέσης υπό τάση η οποία ανάβει μόλις το εργαλείο συνδεθεί. Η ένδειξη αυτή εφιστά την προσοχή σας στο

γεγονός ότι το εργαλείο είναι συνδεδεμένο και θα τεθεί σε λειτουργία μόλις πιέσετε τον διακόπτη.

### ΣΥΝΤΗΡΗΣΗ

#### ⚠ ΠΡΟΕΙΔΟΠΟΙΗΣΗ

Το τριβείο σας δεν πρέπει ποτέ να είναι συνδεδεμένο με πρίζα την ώρα που τοποθετείτε εξαρτήματα, πραγματοποιείτε ρυθμίσεις, όταν καθαρίζετε το εργαλείο ή όταν δεν το χρησιμοποιείτε. Η αποσύνδεση του εργαλείου εμποδίζει την τυχαία εκκίνηση του που θα μπορούσε να προκαλέσει σοβαρό τραυματισμό.

#### ⚠ ΠΡΟΕΙΔΟΠΟΙΗΣΗ

Κατά τις επιδιορθώσεις, χρησιμοποιείτε μόνο πανομοιότυπα ανταλλακτικά. Η χρήση άλλων εξαρτημάτων μπορεί να προκαλέσει κίνδυνο ή ζημιά στο προϊόν.

### ΓΕΝΙΚΕΣ ΣΥΣΤΑΣΕΙΣ

Αποφύγετε τη χρήση διαλυτών κατά τον καθαρισμό πλαστικών εξαρτημάτων. Τα περισσότερα πλαστικά μπορούν να υποστούν ζημιά από τη χρήση ορισμένων διαλυτών που διατίθενται στο εμπόριο. Χρησιμοποιήστε ένα καθαρό πανάκι για να καθαρίσετε τις ακαθαρσίες, τη σκόνη, κλπ.

#### ⚠ ΠΡΟΕΙΔΟΠΟΙΗΣΗ

Μην αφήνετε ποτέ υγρά φρένων, βενζίνη, προϊόντα με βάση το πετρέλαιο, διεισδυτικά έλαια, κλπ να έρθουν σε επαφή με τα πλαστικά τμήματα. Τα προϊόντα αυτά περιέχουν χημικές ουσίες που μπορούν να προξενήσουν ζημιά, να μειώσουν ή να καταστρέψουν το πλαστικό.

Τα ηλεκτρικά εργαλεία που χρησιμοποιούνται σε εξοπλισμούς από φάμππεργκλας, σε γυφωσανίδες, και σε πανό επένδυσης έχουν την τάση να φθειρόνται γρηγορότερα και να παρουσιάζουν πρόωρες βλάβες. Πράγματι, τα ριπίσματα και το πριονίδι που προέρχονται από τα υλικά αυτά είναι πολύ λειαντικά για τα εξαρτήματα των ηλεκτρικών εργαλείων όπως τα γρανάζια, οι βούρτσες, οι διακόπτες κλπ. Συνεπώς, σας αποτρέπουμε από την παρατεταμένη χρήση ενός εργαλείου επάνω σε φάμππεργκλας, πανό επένδυσης, στόκο ή γύψο. Ωστόσο, αν πρέπει να τρίψετε τα υλικά αυτά, είναι εξαιρετικά σημαντικό να καθαρίσετε το τριβείο σας με πεπιεσμένο αέρα.

## Ελληνικά

**⚠ ΠΡΟΕΙΔΟΠΟΙΗΣΗ**

Φοράτε πάντα προστατευτικά γυαλιά ή γυαλιά ασφαλείας με πλαϊνές ασπίδες κατά τον χειρισμό μηχανοκίνητων εργαλείων ή σε εργασίες με σκόνη. Αν η εργασία προκαλεί σκόνη, φοράτε και ειδική μάσκα.

**ΛΙΠΑΝΣΗ**

Όλα τα έδρανα στο εργαλείο έχουν λιπανθεί με επαρκή ποσότητα λιπαντικού υψηλού τύπου που αρκεί για τη διάρκεια ζωής της μονάδας σε συνθήκες κανονικής χρήσης. Συνεπώς, δε χρειάζεται καμία επιπλέον λίπανση.

**ΚΑΘΑΡΙΣΜΑ ΤΩΝ ΛΕΙΑΝΤΙΚΩΝ ΠΕΛΜΑΤΩΝ**

Για παρατεταμένη διάρκεια ζωής και βέλπστη αποτελεσματικότητα των λειαντικών πελμάτων, καθαρίζετε τα τακτικά. Μπορείτε να αφαιρέσετε όλα τα ξένα σωματίδια ξεπλένοντας απλά το πέλμα με χλιαρό νερό. Αφού καθαρίσετε το πέλμα, στύψτε το απαλά για να φύγει η περίσσεια νερού και αφήστε το να στεγνώσει. Τακτοποιείτε πάντα τα πέλματα λείανσης επίπεδα σε μέρος δροσερό και στεγνό.

**ΚΑΘΑΡΙΣΜΑ ΤΩΝ ΓΥΑΛΟΧΑΡΤΩΝ**

Τα γυαλόχαρτα που παρέχονται με το τριβείο σας είναι επαναχρησιμοποιήσιμα. Είναι συνεπώς σημαντικό να τα καθαρίζετε τακτικά ώστε να αφαιρέτε τη σκόνη και τα σωματίδια που συσσωρεύονται στην επιφάνεια κατά τη διάρκεια των διάφορων εργασιών λείανσης.

Για να καθαρίσετε τα γυαλόχαρτα, τρίψτε τα με ένα συμπαγές μπλοκ από καουτσούκ. Μπορείτε παραδείγματος χάρη να χρησιμοποιήσετε μια καθαρή όλα παπουτσιού.

**⚠ ΠΡΟΕΙΔΟΠΟΙΗΣΗ**

Αφαιρέτε πάντα το γυαλόχαρτο ή το πέλμα λείανσης από το τριβείο πριν το καθαρίσετε. Η μη τήρηση της σύστασης αυτής μπορεί να προκαλέσει σοβαρό σωματικό τραυματισμό.

**ΠΡΟΣΤΑΣΙΑ ΤΟΥ ΠΕΡΙΒΑΛΛΟΝΤΟΣ**

Ανακυκλώνετε τις πρώτες ύλες αντί να τις πετάτε στον κάδο οικιακών απορριμμάτων. Για την προστασία του περιβάλλοντος, πρέπει να γίνεται η διαλογή του εργαλείου, των εξαρτημάτων και των συσκευασιών του.

**ΠΣΥΜΒΟΛΟ**

Προειδοποίηση ασφαλείας

V Βλτ

Hz ερτς

~ Εναλλασσμεν ρεύμα

W Βατ

no Ταύτητα στ κεν

min<sup>-1</sup> Αριθμς στρwn ή κινήσεων ανά λεπττ



Τροχιακή διάμετρος



Συμμόρφωση CE



Διπλη μονωση



Φοράτε προστατευτικά αυτιών



Φοράτε προστατευτικά ματιών



Παρακαλούμε διαβάστε τις οδηγίες προσεκτικά πριν ξεκινήσετε το μηχάνημα.



Τα ηλεκτρικά προϊόντα προς απόρριψη δεν θα πρέπει να απορρίπτονται μαζί με τα οικιακά απόβλητα. Παρακαλούμε ανακυκλώστε όπου υπάρχουν οι αντίστοιχες εγκαταστάσεις. Μιλήστε με τις τοπικές αρχές ή τον πωλητή για να σας ενημερώσουν σχετικά με τα προγράμματα ανακύκλωσης.

## Türkçe

### AÇIKLAMA

1. Alter
2. Hız değiştiricisi
3. Döküm tutamak
4. Toz toplama kutusu
5. Paten
6. Pense
7. Akım verme gösterge lambası
8. Cırt bantlı zımpara kağıdı
9. Düz zımpara kağıdı

### ZIMPARAYA ÖZEL GÜVENLİK TALİMATLARI

- Zımpara işlemini gerçekleştirdiğinizde, özellikle zımparayı başınızın üzerinde bir seviyede tuttuğunuzda bir toz koruma maskesini ve bir güvenlik gözlüğü takınız.
- Zımparanızı asla nemli yüzeyler üzerinde kullanmayınız.
- Zımpara kağıdı çok büyük olmamalıdır. Zımpara kağıt pateni aşarsa, ciddi yaralanma riskleriyle karşılaşabilirsiniz.
- Toz torbası alet üzerinde yer almalıdır ve düzenli olarak boşaltılmalıdır. Sık sık boşaltılmalı olacaktır. Toz torbasını yerleştirmek için, torbanın doğru şekilde tespit edilene kadar torba halkasını zımparanın arkasında yer alan tahliye ağzını sağa doğru çeviriniz.

### ⚠ UYARI

Zımparadan kaynaklanan tozları açık ateşe atmayınız çünkü ince zerre şeklindeki malzemeler yanıcı olabilir.

### ⚠ UYARI

Toz ve zehirli buharlar solumayı önlemek için kurşun bazlı boya kaplı yüzeyler veya bazı ahşap ve metal yüzeyleri zımparaladığınızda uygun toz önleyici bir maske takınız.

### ÖZELLİKLER

Model	ESS200RS	ESS280RV
Güç	200 W	280 W
Gerilim	230 V - 240 V ~ 50 Hz	230 V - 240 V ~ 50 Hz
Bota hız	12000 min <sup>-1</sup>	7000-12000 min <sup>-1</sup>
Yörünge çapı	2.0 mm	2.0 mm
Ağırlık	1.5 kg	1.7 kg

### ÖZELLİKLER

Şekle bakınız 1.

Zımpara aletiniz değişik taneli zımpara kağıtları (büyük, orta veya ince) ile kullanılır. Ahşap üzerinde, zımpara aletinin lif yönüne doğru geçişi pürüzsüz ve çıkıntısız bir zımparalama sağlar.

Bu zımpara aleti üç taraf üzerinde kenardan kenara zımparalamayı sağlar.

Zımpara aletiniz iyi bir kavrama sağlayan bir kol ve yüksek bir kullanım konforuna sahiptir.Uzun kullanımdan kaynaklanan yorgunluk riskleri böylece azaltılmış olur.

Bu aleti kullanmadan önce, güvenlik alanındaki tüm işlevler ve özelliklerle aşına olun. Yine de, zımpara makinenizle aşına olduktan sonra yine de dikkatli olmaya devam edin.

### AKIM ANAHTARI

#### Elektronik hız değiştiricisi

Elektronik hız değiştiricisi, zımparalanacak yüzey tipine göre zımpara hızını ayarlamayı sağlar (ağır inşaat tahtası ve hassas ahşaba dayanıklı).

Bu zımpara tek bir çalıştırma düğmesiyle donanımlıdır.

- Zımpara aletini çalıştırmak için: Düğmeyi "I" konuma getirin.
- Zımpara aletini durdurmak için: Düğmeyi "O" konuma getirin.

### ⚠ UYARI

Sizi dikkatsiz yapacak aletle ilgili alışkanlıklarınıza izin vermeyin. Ciddi şekilde yaralanmanız için bir saniyelik dikkatsizliğin bile yeterli olduğunu asla unutmayın.

### TOZ TOPLAMA KUTUSU

Toz kutusu zımpara makinesine takılır ve tozu minimum seviyede tutar.

### DEĞİŞKEN HIZLI (MODEL - ESS280RV)

Zımpara aletinizi en yüksek performansta kullanabilmeniz için elektronik hız değiştiricisi ile donatılmıştır. Doğru hız ayarları yaparak aletiniz belirli zımparalama ihtiyaçlarına göre ayarlanabilir.

Aletinizin elektronik özelliği motor hızı ayarının esnekliğini gerekli iş şartlarına uygular. Değiştiricinin elektronik sistemi motor üzerine uygulanan yükü değerlendirir ve hızın sabit kalması için motor gücünü artırır veya azaltır. Hız, gerçekleştirilecek işlem tipine veya zımpara yapılacak yüzey tipine göre ayarlanır.

Zor yüzeyler için veya hızlı bir yumuşatma işi için, hızı arttırmak için değiştiriciyi sağa doğru çeviriniz.Küçük



## Türkçe

yüzeylerde daha hassas zımpara uygulamaları için, hızı azaltmak için değiştiriciyi sola doğru çeviriniz.

### MONTAJ

#### ⚠ UYARI

Rehberin masanın altından geçmesi için gabari minimum 5 mm kalınlığa sahip olmalıdır. Parçaları taktığınızda zımpara makinesini asla prize bağlı olmamalıdır, aleti temizlediğinizde veya artık kullanmadığınızda ayarları gerçekleştirin. Cihazın fişini prizden çekmek, ciddi kişisel yaralanmalara neden olabilecek aletin yanlışlıkla çalışma riskini ortadan kaldırır.

### ZİMPARA KAĞIDININ SEÇİMİ

İyi kalitede bir zımparalama elde etmek için, parlatıcı kağıdın tanecik ve tip seçimi son derece önemlidir. Kabasını alma için, alüminyum oksit yada silisyum karbür gibi sentetik bir parlatıcı kağıt seçmenizi tavsiye ediyoruz. Çakmaktaşı yada grena gibi doğal parlatıcılar, kabasını alma zımparası için ekonomik şekilde kullanım için çok yumuşaktırlar.

Genel anlamda, büyük tanecik, malzemenin büyük kısmını alır, buna karşın ince tanecik son bir zımparalama yapmaya yarar. Zımparalama yapılacak yüzeyin durumu, kullanılacak tanecik iriliğini belirlemeye yardımcı olur. Şayet yüzey pütürlü ise, yüzeyin düzgün hale gelmesi için zımparalamaya önce iri tanecikli zımpara kağıdı ile başlarsınız. Ardından, iri tanecikli kağıttan kalan çizikleri ortadan kaldırmak için orta irilikte tanecikli zımpara kağıdı kullanabilirsiniz, ve son olarak, yüzeyi cilalamak için ince tanecikli kağıt kullanınız. Yüzey düzgün olana dek her boy tanecikli kağıt ile zımparalayınız.

#### ⚠ UYARI

Patene zarar vermemek için zımpara aletini zımpara kağıdı olmadan KULLANMAYINIZ.

### Önerilen tabaka/ped kullanımı

Zımpara kağıdı tane Ø 80	Kabaca parlatma
Zımpara kağıdı tane Ø 120	Hafif parlatma
Zımpara kağıdı tane Ø 150	Hafif parlatma

### TOZ KUTUSUNUN TAKILMASI

Şekle bakınız 2.

Toz kutusu, zımpara makinesi için bir toz toplama sistemi sağlar. Zımpara tozu, zımparalama disklerinin delikleri vasıtasıyla çekilir ve zımparalama işlemi boyunca toz kutusunda toplanır.

1. Zımparayı devre dışı bırakınız.
2. Hafif bir döndürme hareketi kullanarak toz kutusu grubunu üfleyci egzoz sitemine takın.

#### ⚠ UYARI

Bu zımpara makinesini kullandığınızda dikkatinizi dağıtmayınız. Dikkatsiz hareketler, hatta bir anlığına bölünme bile ciddi kişisel yaralanmalara neden olabilir.

### UYGULAMALAR

Zımpara makinesini sadece aşağıda belirtilen uygulamalarda kullanınız:

- Ahşap yüzeyleri zımparalama.
- Pas temizleme ve çelik zımparalama.
- Porselen ve metal parlatma ve zımparalama.

#### ⚠ DİKKAT

Besleme kordonunu daima paten geçişinden uzak tutun ve çalışma sırasında ahşaplar, aletler ve diğer nesnelere girmemesi için konumuna dikkat edin.

#### ⚠ UYARI

Aletler kullanırken daima güvenlik gözlükleri veya yan ekranlı koruma gözlükleri kullanın. Bu aletin kullanım talimatlarına aykırı kullanımı gözlerinize yabancı cisim, toz ve talaş kaçmasına ve ciddi göz lezyonlarına yol açabilir.

### ÇALIŞTIRMA

### ZİMPARA KAĞIDININ YERLEŞTİRİLMESİ

Yerine takmadan önce zımpara kağıdının durumunu kontrol ediniz. Aşınmış veya yırtılmış zımpara kağıdı KULLANMAYINIZ.

### Cırt bantlı zımpara kağıdı

Şekle bakınız 5.

1. Zımparayı devre dışı bırakınız.
  2. Zımpara kağıdının deliklerini zımpara aletinin paten delikleriyle hizalandırınız, daha sonra kağıdın düz tarafını en sıkı şekilde, dikkatlice patene yapıştırınız.
- NOT:** Zımpara aletinin patenine daha iyi tutmaları için temiz zımpara kağıtları öneririz. Küçük bir fırça ile, düzenli olarak temizleyiniz.

## Türkçe

**⚠ UYARI**

Zımpara aleti fişten çekilmemiş ise, istem dışı çalışma meydana gelebilir ve ciddi yaralanmalara sebep olabilir.

**Düz zımpara kağıdı**

Şekle bakınız 6.

1. Zımparayı devre dışı bırakınız.
2. Kağıt kısıcını serbest bırakın. Varsa eski zımpara kağıdını çıkarın.
3. Yeni zımpara kağıdını kağıt kısıcının altına takın.
4. Zımpara kağıdını yerine sıkıştırın.

**ZİMPARA MAKİNESİNİN ÇALIŞTIRILMASI AÇIK / KAPALI**

Şekle bakınız 1.

- Zımpara aletini çalıştırmak için: Düğmeyi "I" konuma getirin.
- Zımpara aletini durdurmak için: Düğmeyi "O" konuma getirin.

**KULLANİM**

Şekle bakınız 3.

1. Üzerinde çalışılacak parçayı kaymayacak şekilde konumlandırın.

**⚠ UYARI**

Çalışılacak parçayı tespit etmezseniz, kullanıcıya doğru sıçrayabilir ve ciddi yaralanmalara neden olabilir.

**⚠ UYARI**

Yüzünüzü zımpara aletinden ve çalışma alanından uzak tutmaya özen gösteriniz. Saçlarınızın zımpara aletinin içine çekilmemesi için koruyunuz, ki bu ciddi yaralanmalara sebep olabilir.

2. Zımpara makinesini çalışma alanına patenin üzerinde çalışılacak parça ile temas ettirecek şekilde yerleştirin.

**⚠ DİKKAT**

Havalandırma fanlarını ellerinizle tıkamamaya dikkat ediniz çünkü bu motorun aşırı ısınmasına neden olabilir.

3. Zımpara makinesini çalıştırın ve çalışılacak parçaya doğru yavaşça hareket ettirin.

**NOT:** Zımpara aletini önünüzde, çalışılacak parçadan uygun bir mesafede tutunuz. Zımpara makinesini çalıştırınız ve motorun maksimum hıza ulaşmasını bekleyiniz. Daha sonra zımpara makinesinin patenini

çalışılacak parçaya doğru yönlendirin. Paten çalışılacak parçaya temas ettikten sonra, zımpara makinesini küçük dairelerle yüzeye yaklaşırın.

**Zımpara aletini kesinlikle bastırmayınız.** Zımpara aletinin ağırlığı üzerinde çalışılacak parça üzerinde yeterli basınç uygulamaktadır. Bütün "iş" zımpara aleti ile zımpara kağıdı yapmak durumundadır. Zımpara aletinin üzerine fazladan bastırarak, motoru yavaşlatacaksınız, zımpara kağıdı daha hızlı aşınacak ve zımparalama hızı fark edilir şekilde azalacaktır. Ayrıca, aşırı bastırma, motorun yükünü artırabilir ve motoru bozabilecek fazla ısınmaya ve aletin düzgün işlemini bozmaya sebep olabilir. Dikkat, sürtünmeden doğan ısı, ahşabı kaplayan vernik ya da reçineyi yumuşatabilir.

Zımpara aletinin parlatma işlemi, malzemeyi hızlı bir şekilde yıpratabileceği ve yüzeyi gayri düzgün yapabileceği için, zımparalanacak eşyanın aynı bölgesini çok uzun süre zımparalamamaya dikkat ediniz.

Uzun zımparalama süreleri motorun fazla ısınmasına sebep olabilir. Bu durum meydana gelirse zımpara makinesini kapatın ve zımparalama diski tamamen durana kadar bekleyin ardından iş parçasından çıkarın. Elinizi havalandırma çıkışlarından çekin ve zımpara kağıdını çıkarın daha sonra zımpara makinesini yeniden çalıştırın ve motoru soğutmak için boşta çalıştırın.

**TOZ KUTUSUNUN BOŞALTIMASI**

Şekle bakınız 4.

Daha fazla etki elde etmek için, toz torbasını yarısı dolar dolmaz boşaltınız. Zımparalama işleminin tamamlanmasından sonra ve zımpara makinesini depoya koymadan önce toz kutusunu daima boşaltın ve iyice temizleyin.

**⚠ UYARI**

Poliüretan, keten yağı, vs gibi yüksek tutuşma özelliğine sahip ürünler uygulanan yüzeylerin zımparalanmasından sonra partikül birikimi toz torbasının veya zımpara aletinin tutuşmasına ve bir yangına yol açabilir. Yangın tehlikesini azaltmak için zımpara işlemi yaparken toz kutunuzu daima düzenli aralıklarda boşaltın (10-15 dakikada bir) ve toz torbasını tamamen boşaltmadan zımpara makinesini saklamayın veya bu şekilde bırakmayın. Kaplama üreticilerin talimatlarını dikkatlice okuyunuz.

1. Zımparayı devre dışı bırakınız.

**⚠ UYARI**

Zımpara aleti fişten çekilmemiş ise, istem dışı çalışma meydana gelebilir ve ciddi yaralanmalara sebep olabilir.

## Türkçe

2. Toz kutusunu zımpara makinesinden çıkarın.
3. Boşaltmak için toz torbasını sallayınız.
4. Toz kutusunu zımpara makinesine geri takın.

**NOT:** Toz kutusunun daha iyi temizlenmesi için toz kutusunu çerçevesinden çıkarın ve sallayarak tozları temizleyin. Toz kutusunu çerçeveye takın ardından toz kutusu grubunu zımpara makinesine takın.

### YÖRÜNGESEL HAREKET

*Şekle bakınız 7.*

Tek merkezli hareket hızlı zımparalama (eski kaplamaların çıkarılması, kaba aşıların parlatılması, yüzeylerin belirli bir kalınlıkta düzleştirilmesi) ve sonlandırma işlemleri (bir yüzeyin boyaya hazırlanması) için idealdir. Zımpara kağıdı yüksek hızlı küçük daireye gerçekleştirilir böylece zımpara aletine büyük bir hareketlilik sağlar.

### AKIM VERME GÖSTERGE LAMBASI

Makineniz, alet elektrik kaynağına takıldığında yanan akım göstergesiyle donatılmıştır. Bu, kullanıcıyı aletin elektrige bağlı olduğu ve düğmeye basıldığında çalışacağı konusunda uyarır.

### BAKIM

#### ▲ UYARI

Rehberin masanın altından geçmesi için gabari minimum 5 mm kalınlığa sahip olmalıdır. Parçaları taktığınızda zımpara makineniz asla prize bağlı olmamalıdır, aleti temizlediğinizde veya artık kullanmadığınızda ayarları gerçekleştirin. Cihazın fişini prizden çekmek, ciddi kişisel yaralanmalara neden olabilecek aletin yanlışlıkla çalışma riskini ortadan kaldırır.

#### ▲ UYARI

Servis hizmetinde sadece aynı yedek parçaları kullanın. Başka parça kullanmak tehlike yaratabilir ya da hasara neden olabilir.

### GENEL TALİMATLAR

Plastik parçaları temizlerken çözültüleri kullanmaktan kaçının. Plastiklerin çoğu ticari kullanımlı uçucu maddeler karşı hassastır. Lekeleri, tozu, vb. temizlemek için temiz bir bez kullanınız.

#### ▲ UYARI

Fren yağlarını, benzini, petrol esaslı ürünleri, delici yağları, vb plastik parçalara temas edecek şekilde bırakmayınız. Bu kimyasal ürünler, plastiğe zararverecek, bozacak ya da yok edecek maddeler içermektedir.

Cam lifi donanımlar, alçı plakaları, kaplama panoları üzerinde kullanılan elektrikli aletler daha hızlı aşınabilir ve daha önceden bozulmalara neden olabilir. Bu malzemenin oluşturduğu talaş ve kesim artıkları elektrikli aletlerin dişler, fırçalar, şalterler gibi parçaları için aşındırıcıdır. Dolayısıyla aletin cam lifi, kaplama panelleri, alçılar üzerinde uzun süre kullanılması önerilmez. Yine de, bu malzemeleri zımparalamanız gerekirse, sıkıştırılmış havayla zımpara makinesini temizlemeniz gereklidir.

#### ▲ UYARI

Elektrikli aletlerle çalışma veya toz üfleme işlemi esnasında daima yan siperlikleri bulunan koruyucu gözlükler kullanın. İşlem tozu olacaksa aynı zamanda bir toz maskesi de kullanın.

### YAĞLAMA

Normal işleme koşulları için, cihazın tüm yuvaları yüksek kalite yağlarla ömür boyu yağlanmıştır. Buna göre, fazladan yağlama yapılmasına gerek yoktur.

### ZİMPARA KAĞITLARININ TEMİZLENMESİ

Zımpara kağıtlarının uzun ömürleri ve optimal verimlilikleri için, düzenli olarak temizleyiniz. Zımpara kağıdını ılık su ile durulayarak üzerinde bulunan yabancı maddeleri temizleyebilirsiniz. Temizlendikten sonra, zımpara kağıdının üzerinde kalan fazla suyu alın ve kurumaya bırakınız. Daima kuru ve serin bir yere yatay şekilde bırakınız.

### PARLATICI KAĞITLARIN TEMİZLENMESİ

Zımpara aletiniz ile verilen parlatıcı kağıtlar tekrar tekrar kullanılabilir. Dolayısı ile, değişik zımparalama işlemleri sırasında yüzeylerinde kalan tozu ve zericikleri almak için düzenli olarak temizlemek önemlidir.

Cıtalama kağıtlarını temizlemek için, kauçuk bir blok ile sürtünüz. Örneğin, temiz bir ayakkabı tabanı kullanabilirsiniz.

#### ▲ UYARI

Temizlemeden önce zımpara yada cıtalama kağıdını zımpara aletinden çıkartınız. Bu uyarıya uymama, ciddi beden yaralanmalarına sebep olabilir.

## ÇEVRENİN KORUNMASI



Ham maddeleri ev çöpleri ile birlikte atmak yerine geri dönüştürün. Çevreyi korumak için, alet, aksesuarlar ve ambalajlar tasnif edilmelidir.

## SEMBOL



Güvenlik Uyarısı

V Volt

Hz Hertz

~ Alternatif akım

W Watt

$n_o$  Bota hız

$\text{min}^{-1}$  Saniyede devir veya hareket sayısı



Yörünge çapı



CE Uygunluğu



Çift yalıtım



Koruyucu kulaklık kullanın



Koruyucu gözlük kullanın



Makineyi çalıştırmadan talimatları dikkatlice okuyun.



Atık elektrikli ürünler evsel atıklarla birlikte atılmamalıdır. Tesis bulunuyorsa lütfen geri dönüşüme verin. Geri dönüşümle ilgili tavsiye için Yerel Makamlarla veya bayi ile irtibat kurun.



- (GB) Conformance to technical regulations
- (FR) Conformité aux normes techniques
- (DE) Konformität mit technischen Vorschriften
- (ES) Conformidad con las normativas técnicas
- (IT) Conforme a norme tecniche
- (NL) Overeenstemming met technische reglementen
- (PT) Conformidade com as normas técnicas
- (DK) CE Overensstemmelse
- (SE) Bär Överensstämmelse med de tekniska reglerna.
- (FI) Teknisten sää'dösten noudattaminen
- (NO) Samsvarer med tekniske forskrifter
- (RU) Соответствие техническому регламенту
- (PL) Zgodność z normami technicznymi
- (CZ) Podléhá technickým nařízením
- (HU) Megfelelőség a műszaki előírásoknak
- (RO) Conformitate cu reglementările tehnice
- (LV) Atbilstība tehniskiem noteikumiem
- (LT) Techninių reikalavimų atitikimas
- (EE) Enne seadme kasutamist lugege palun kasutusjuhend hoolega läbi.
- (HR) Sukladno tehničkim propisima
- (SI) Skladnost s tehničnimi predpisi
- (SK) Pred zapnutím zariadenia si prosím prečítajte inštrukcie
- (GR) Συμμόρφωση με τεχνικούς κανονισμούς
- (TR) Teknik yönetmeliklere uyum

## GB WARRANTY - STATEMENT

All Ryobi products are guaranteed against manufacturing defects and defective parts for a period of twenty four (24) months from the date stated on the original invoice drawn up by the retailer and given to the end user.

Deterioration caused by normal wear and tear, unauthorised or improper use or maintenance, or overload are excluded from this guarantee as are accessories such as battery packs, light bulbs, blades, fittings, bags, etc. In the event of malfunction during the warranty period, please take the

**NON-DISMANTLED** product, along with the proof of purchase, to your retailer or nearest Authorised Ryobi Service Centre.

This warranty in no way affects your legal rights concerning defective products.

## FR GARANTIE - CONDITIONS

Ce produit Ryobi est garanti contre les vices de fabrication et les pièces défectueuses pour une durée de vingt-quatre (24) mois, à compter de la date faisant foi sur l'original de la facture établie par le revendeur à l'utilisateur final.

Les détériorations provoquées par l'usure normale, par une utilisation ou un entretien anormal ou non autorisé, ou par une surcharge sont exclues de la présente garantie de même que les accessoires tels que batteries, ampoules, lames, embouts, sacs, etc.

En cas de mauvais fonctionnement au cours de la période de garantie, veuillez envoyer le produit **NON DÉMONTÉ** avec la preuve d'achat à votre fournisseur ou au Centre Service Agréé Ryobi le plus proche de chez vous.

Vos droits légaux se rapportant aux produits défectueux ne sont pas remis en cause par la présente garantie.

## DE GARANTIE - BEDINGUNGEN

Für alle Ryobi-Produkte gilt eine Garantie gegen Material- und Verarbeitungsfehler für einen Zeitraum von vierundzwanzig (24) Monaten ab dem Datum der vom Wiederverkäufer für den Endbenutzer ausgestellten Originalrechnung.

Fehler, die auf Grund einer normalen Abnutzung, einer unberechtigten oder falschen Wartung oder Handhabung oder durch eine Überbelastung auftreten, sind von der Garantie ausgeschlossen. Dies gilt auch für Zubehörteile wie Batterien, Glühlampen, Sägeblätter, Ansatzstücke, Beutel usw.

Senden Sie das Produkt im Fall eines Defekts innerhalb des Garantiezeitraumes in **NICHT ZERLEGTEM** Zustand zusammen mit dem Kaufnachweis an Ihren Händler oder Ihr nächstes Ryobi-Kundendienstzentrum zurück.

Diese Garantie hat keine Auswirkungen auf Ihre gesetzlichen Rechte in Bezug auf fehlerhafte Produkte.

## ES GARANTÍA - CONDICIONES

Este producto Ryobi está garantizado contra los defectos de fabricación y las piezas defectuosas por un periodo de veinticuatro (24) meses, a partir de la fecha que figura en el original de la factura establecida por el distribuidor al usuario final.

Se excluyen de la presente garantía los deterioros provocados por un desgaste normal, una utilización o mantenimiento incorrecto o no autorizado, y una sobrecarga, así como los diversos accesorios: baterías, bombillas, hojas, puntas, bolsas, etc.

En caso de funcionamiento incorrecto durante el período de la garantía, envíe el producto **SIN DESMONTAR** con la prueba de compra a su proveedor o al Centro de Servicio Acreditado Ryobi más cercano a su domicilio.

Los derechos legales relacionados con los productos defectuosos no son cuestionados por la presente garantía.

## IT GARANZIA - CONDIZIONI

Questo prodotto Ryobi è garantito contro tutti i difetti di fabbricazione e pezzi difettosi per una durata di ventiquattro (24) mesi, a partire dalla data indicata sull'originale della fattura compilata dal rivenditore e consegnata all'utente finale.

Il deterioramento provocato dall'usura normale, da un utilizzo o una manutenzione non conformi o non autorizzati, o da un sovraccarico, è escluso dalla presente garanzia. La garanzia è esclusa anche per gli accessori come batterie, lampadine, lame, punte, borse, ecc.

In caso di malfunzionamento nel corso del periodo di garanzia, riportare il prodotto **NON SMONTATO** corredato della prova d'acquisto al fornitore o al più vicino Centro di Assistenza Autorizzato Ryobi.

I diritti legali relativi ai prodotti difettosi non sono rimessi in causa dalla presente garanzia.

## NL GARANTIEVOORWAARDEN

Dit Ryobi product is gewaarborgd tegen fabricagefouten en defecte onderdelen gedurende een periode van vierentwintig (24) maanden, te rekenen vanaf de officiële datum op het origineel van de door de wederverkoper aan de eindgebruiker uitgeschreven rekening.

Beschadigingen veroorzaakt door normale slijtage, door abnormaal of ongeoorloofd gebruik of onderhoud, of door overbelasting vallen niet onder deze garantie, evenmin als accu's, lampen, bits, snijbladen, zakken enz.

In geval van slechte werking tijdens de garantieperiode, wordt u verzocht het **NIET GEDEMONTEERDE** product samen met de koopbon aan uw leverancier of aan het dichtstbijzijnde Ryobi servicecentrum te sturen.

Deze garantie doet niet af aan uw wettelijke rechten met betrekking tot defecte producten.

## PT GARANTIA - CONDIÇÕES

Este produto Ryobi está garantido contra os vícios de fabrico e as peças defeituosas por um prazo de vinte e quatro (24) meses, a contar da data que faz fé no original da factura emitida pelo vendedor ao utilizador final.

As deteriorações provocadas pelo desgaste normal, por uma utilização ou uma manutenção anormal ou não autorizada, ou por uma sobrecarga ficam excluídas da presente garantia assim como os acessórios tais como baterias, lâmpadas, lâminas, ponteiros, sacos, etc.

No caso de mau funcionamento durante o período de garantia, queira enviar o produto **NÃO DESMONTADO** com a prova de compra ao seu fornecedor ou ao Centro de Serviço Autorizado Ryobi mais próximo.

Os seus direitos legais relativos aos produtos defeituosos não são prejudicados pela presente garantia.

## DK GARANTI - REKLAMATIONSRET

Der er reklameretsret på dette Ryobi produkt for fabriktionsfejl og defekte dele i fireogtyve (24) måneder fra gyldighedsdatoen på originalfakturaen udstedt af forhandleren til slutbrugeren.

Skader opstået på grund af almindeligt slid, unormal eller ikke tilladt anvendelse, forkert vedligeholdelse eller overbelastning er ikke dækket af denne reklameretsret, det samme gælder tilbehør som batterier, pærer, klinger, indsætter, poser osv.

I tilfælde af driftsfejl i garantiperioden skal produktet afleveres **IKKE DEMONTERET** med købebevis til forhandleren eller nærmeste autoriserede Ryobi serviceværksted.

De lovbestemte rettigheder i forbindelse med defekte produkter forringes ikke af denne reklameretsret.

## **(SE)** GARANTI - VILLKOR

Ryobi garanterar denna produkt mot fabriktionsfel och defekta delar under tjugofyra (24) månader, räknat från det datum som anges på originalfakturan fastställt av återförsäljaren och överlämnad till slutanvändaren.

Denna garanti täcker inte skador som förorsakas av normalt slitage, av normal eller otillåten användning eller skötsel, eller av överbelastning. Den täcker inte heller tillbehör som batterier, glödlampor, blad, ändstycken, påsar, osv.

I händelse av felaktig funktion medan garantin är i kraft skall produkten sändas **UTAN ATT DEMONTERAS** tillsammans med inköpsbeviset till leverantören eller till närmaste servicecenter som auktoriserats av Ryobi.

De rättigheter som lagen ger i förhållande till defekta produkter ifrågasätts inte av denna garanti.

## **(FI)** TAKUUEHDOT

Tällä Ryobi-tuotteella on valmistusvial tai vialliset osat kattava vuoden (24 kk) takuu alkuperäiseen ostokäyttöön tai laskuun merkittystä ostopäivästä lähtien.

Takuu ei kata normaalista kulumisesta, epänormaalista tai kielletystä käytöstä tai ylikuormituksesta aiheutuneita vahinkoja eikä lisävarusteita kuten akkuja, polttimoita, teriä, pusseja jne.

Mikäli takuuaikana ilmaantuu toimintahäiriöitä, vie **PURKAMATON** tuote ostodistustukseen myyjäiliikkeeseen tai lähimpään Ryobi-keskushuoltoamoon.

Tämä takuu ei vaikuta viallisia tuotteita koskeviin lakiperusteisiin oikeuksiin.

## **(NO)** GARANTI - VILKÅR

Deite Ryobi produktet er garantert mot fabrikkasjonsfeil og defekte deler i tjuueogfire (24) måneder fra datoen som står på fakturaen utstedt av forhandleren til sluttbrukeren.

Garantien bortfaller dersom skadene er forårsaket av normal slitasje, unormal eller uautorisert bruk, eller overbelastning, og gjelder ikke tilbehør som batterier, lyspærer, blad, bits, poser, osv.

I tilfelle funksjonsfeil under garantiperioden, skal produktet leveres i **UDEMENTERT** tilstand sammen med kjøpsbeviset til forhandler eller til nærmeste autoriserte Ryobi servicecenter.

Dine lovmessige rettigheter med hensyn til defekte produkter er ikke påvirket av denne garantien.

## **(RU)** ГАРАНТИЯ - УСЛОВИЯ

Настоящая продукция RYOBI гарантирована от дефектов производства и дефектов изделий на 2 года со дня официального оформления покупки, указанного на оригинале счета, выписанного продавцом покупателю.

Повреждения, полученные в результате обычного износа, ненормального или запрещенного использования или обслуживания, а также перегрузкой, — не покрываются настоящей гарантией, также как и аксессуары, такие как батареи, лампочки, цокли, патроны, мешки и т.д.

В случае поломки или неисправности в гарантийный период отшлите продукцию **НЕРАЗОБРАННОЙ** с подтверждением покупки Вашему продавцу или в ближайший Центр Технического Обслуживания Ryobi.

Настоящая гарантия не влияет на Ваши законные права, по отношению к дефектной продукции.

## **(PL)** WARUNKI GWARANCJI

Na niniejszy produkt Ryobi udzielona jest dwuletnia gwarancja na ukryte wady fabryczne oraz na zdeformowane części. Okres gwarancji dwudziestu czterech (24) miesięcy, zaczyna się od wiążącej daty widniejącej na oryginalne faktury wystawionej przez sprzedawcę dla ostatecznego nabywcy.

Gwarancja ta nie obejmuje zniszczenia wynikającego z normalnego zużycia, czy też uszkodzeń spowodowanych nadmierną eksploatacją, lub niewłaściwą konserwacją, czy nieodpowiednim użytkowaniem niezgodnym z przeznaczeniem. Wyłączone są z niej również akcesoria tj. akumulatory, żarówki, ostrza, końcówki, worki, itd.

W wypadku stwierdzenia złego funkcjonowania podczas okresu gwarancyjnego, prosimy o skierowanie **NIE ZDEMONTOWANEGO** produktu, wraz z dowodem zakupu do zdemowanego dostawcy lub do najbliższego Autoryzowanego Punktu Serwisowego Ryobi.

Niniejsza gwarancja nie podważa przysługujących Państwu uprawnień dotyczących wadliwych produktów.

## **(CZ)** ZÁRUKA - ZÁRUČNÍ PODMÍNKY

Na tento výrobek značky Ryobi se poskytuje záruka po dobu 24 (dvaceti čtyř) měsíců od data uvedeného na faktúře nebo pokladním bloku, který koncový uživatel obdržel v prodejní při nákupu výrobku. Záruka se vztahuje na výrobní vady a vadné díly.

Záruka se nevztahuje na poškození výrobku způsobené jeho běžným opotřebením, nesprávným nebo neschváleným použitím, nesprávnou údržbou nebo přetížením. Uvedené záruční podmínky se nevztahují na příslušenství, jako akumulátory, žárovky, pilové listy, nástavce, vaky apod.

V případě provozních problémů u výrobku v záruce kontaktujte nejbližší autorizovanou servisní opravnu výrobků Ryobi. K opravě je nutné předložit **NEDEMONTOVANÝ** výrobek spolu s fakturou nebo pokladním blokem.

Tato záruka nevylučuje případná další Vaše spotřebitelská práva týkající se výrobních závad, v souladu s platnými legislativními předpisy.

## **(HU)** A GARANCIA FELTÉTELEI

Ezt a Ryobi terméket huszonnégy (24) hónapig garantáljuk a gyártáshibák, valamint a készlelékben található alkatrészek miatt jelentkező meghibásodás ellen. A garancia az eladó által, a vásárló százára készített, eredeti adás-vételi szerződésen feltüntetett dátumtól érvényes.

A normális igénybevételből fakadó elhasználódás, a nem rendeltetésnek megfelelő használat vagy karbantartási művelet miatt fellépő, túlterhelés által okozott meghibásodásra nem terjed ki a garancia. A tartozékokra, mint például az akkumulátorra, izóckra, fűrőfejekre, táskára, stb., a garancia szintén nem vonatkozik.

A garancia periódus alatt fellépő meghibásodás esetén, juttassa el **NEM SZÉTSZERELT ÁLLAPOTBAN** a Ryobi terméket a vásárlást és annak dátumát igazoló dokumentum kíséretében az eladóhoz vagy az Önöz legközelebbi Ryobi Szerviz Központba.

A jelen garancia nem zárja ki a fogyasztási eszközökre vonatkozó jogszabályok által elrendelteteket.

## **(RO)** GARANȚIE - CONDIȚII

Acest produs Ryobi este garantat în cazul viciilor de fabricație și pieselor cu defecte pentru o durată de douăzecișipatru (24) de luni, începând cu data facturii originale emisă de către comerciantul utilizatorului final.

Deteriorările provocate prin uzură normală, printr-o utilizare sau întreținere anormală sau neautorizată, sau prin forțarea utilajului sunt excluse din prezenta garanție acestea aplicându-se și accesoriilor ca baterii, becuri, lame, capete, saci, etc.

În caz de funcționare defectuoasă în perioada de garanție, vă rugăm să trimiteți produsul **NEDEMONTAT** împreună cu factura de cumpărare furnizorului dumneavoastră sau la Centrul Service Acreditat Ryobi cel mai apropiat de dumneavoastră.

Drepturile dumneavoastră legale privind produsele defectuoase nu sunt alterate prin prezenta garanție.

## LV GARANTIJAS PAZIŅOJUMS

Šī produkta izejmateriālu un ražošanas defektus divdesmit četrus (24) mēnešus sedz garantija, kas stājas spēkā no rēķina vai piegādes dokumenta izrakstīšanas datuma.

Normālas nolietošana, nepilnvarotas/nepareizas apkopes/apiešanās vai pārslozdes radīts defektus garantija nesedz; garantija neattiecas arī uz akumulatoriem, spuldzēm, asmeņiem, kaltiem utt.

Ja garantijas periods laikā radusies kļūme, atgrieziet **NEIZJAUKTU** produktu ar iegādātajiem dokumentiem savam dēlīrī vai tuvākajā Ryobi servisa centrā.

Garantija neskar ar likumu noteiktās tiesības attiecībā uz defektiem produktiem.

## LT GARANTINIS PAREIŠKIMAS

Garantuojame, kad šiame prietaise 24 mėnesius, pradaded nuo pirmojo pirkimo ar pristatymo datos, nurodytos ant kvito, nebus medžiagu ir gamybos defektų.

Defektai dėl įprasto naudojimo ir nusidėvėjimo, netinkamo ir neleistino naudojimo ir priežiūros ar perkrovų į garantijos apimtį neįeina. Taip pat garantija neteikiama tokiems priedams kaip baterijos, lempučių, antgaliai ir pan.

Gedimo atveju garantiniui laikotarpiu **NEIŠARDYTA** prietaisą su pirkimo datos įrodymu grąžinkite pardavėjiui arba į artimiausią „Ryobi“ techninio aptarnavimo centrą.

Jūsų statutinės teisės gedimų turinčių produktų atžvilgiu garantijos nėra apribojamos.

## EE GARANTIAVALDUS

Ryobi garanteerib, et tootel ei ilmne materjalidefekte ega töötlemisvigu kahekuümne nelja (24) kuu jooksul alates originaalarve või saatelehe väljandmise kuupäevast.

Defektid, mis on põhjustatud loomulikust kulumisest, volitatama ja vääraast hooldamisest või käsitsemisest või ülekoormamisest, ei ole käesoleva garantiikohustusega kaetud. Garantii ei laiene akudele, pinnidele, lõiketeradele, otsakutele ja muudele tarvikutele.

Kui garantiiperioodi ajal ilmneb rike, siis palun tuua toode LAHTIMONTEERIMATA KUJUL koos ostudokumendiga oma edasimüüjale või Ryobi hooldusettevõttesse.

Teie seadusjärgsed õigused riikis toote suhtes jäävad garantii poolt mõjustamata.

## HR UVJETI GARANCIJE

Ovaj Ryobi proizvod je pod garancijom za sve nedostatke unutar dvadeset i četiri (24) mjeseca od datuma koji se nalazi na originalnom računu koji je prodavač izdao krajnjem korisniku.

Oštećenja uzrokovana normalnom uporabom, neprikladnim ili nedozvoljenim korištenjem ili održavanjem ili pak prevelikim opterećenjem nisu uključena u ovu garanciju, kao ni dodaci poput baterija, žarulja, noževa, vrhova, torbi itd.

U slučaju da tijekom garancijskog razdoblja alat radi neispravno, proizvod koji **NISTE RASTAVLJALI** zajedno s dokazom o kupnji pošaljite vašem dobavljaču ili najbližem Ovlaštenom Ryobi servisu. Vaša prava koja se odnose na neispravne proizvode ovom se garancijom ne dovode u pitanje.

## SI GARANCIJSKA IZJAVA

Vsi izdelki znamke Ryobi imajo garancijo za napake v izdelavi in neustrezne sestavne dele za obdobje 24-ih mesecev od datuma, ki je naveden na originalnem računu, ki ga je prodajalec izdal končnemu uporabniku.

Staranje, ki ga povzroča običajna raba in obraba izdelka, njegova nepooblaščen ali neustrezna uporaba ali vzdrževanje, ali preobremenitev, je izvzeto iz te garancije. Enako velja tudi za dodatno opremo kot so baterijski vložki, žarnice, rezila, pribor, vrečke, ipd.

Če pride v garancijskem roku do napake v delovanju izdelka, vas prosimo, da ga **NERAZSTAVLJENEGA**, skupaj z dokazilom o nakupu, odnesete vašemu prodajalcu ali v najbližji Ryobi servisni center.

Ta garancija nikakor ne vpliva na vaše pravice, ki vam jih v zvezi z neustreznimi izdelki daje zakon.

## SK ŽÁRUKA –PREHLÁSENIE

Tento produkt prichádza so zárukou na chyby v materiáli a spracovaní v dĺžke 24 mesiacov od dátumu kúpy, alebo dodania.

Chyby spôsobené normálnym opotrebovaním, nedovolenou / nesprávnou údržbou / narábaním, alebo preťažením, sú z tejto záruky vylúčené podobne ako prislušenstvo ako batériové články, čepele a hrotov atď.

V prípade poruchy v období záruky, prineste prosím **NEROZOBRAŇY** s dokladom o kúpe vášmu predajcovi, alebo do najbližšieho servisného centra Ryobi.

Vaše zákonné práva ohľadom poškodeného výrobku nie sú ovplyvnené touto zárukou.

## GR ΟΡΟΙ ΕΓΓΥΗΣΗΣ

Αυτό το προϊόν Ryobi φέρει εγγύηση κατά των κατασκευαστικών ελαττωμάτων και των ελαττωματικών μνημάτων για μια διάρκεια εικοσιτεσσάρων (24) μηνών, από την ημερομηνία που αναφέρεται στο πρωτότυπο του τιμολογίου που καταρτίστηκε από τον μεταπωλητή για τον τελικό χρήστη.

Οι φυσιολογικές φθορές ή εκείνες που θα προκληθούν από μη φυσιολογική ή μη επιτρεπτή χρήση ή συντήρηση, ή από υπερφόρτιση δεν καλύπτονται από την παρούσα εγγύηση καθώς και τα εξαρτήματα όπως μπαταρίες, λάμπες, μύτες, σακούλες κλπ.

Σε περίπτωση κακής λειτουργίας κατά την περίοδο εγγύησης, παρακαλέστε να απευθύνετε το προϊόν ΧΩΡΙΣ ΝΑ ΤΟ ΑΝΟΙΞΕΤΕ, με την απόδειξη αγοράς, στον προμηθευτή σας ή στο κοντιότερο Κέντρο Τεχνικής Εξυπηρέτησης Ryobi.

Τα νόμιμα δικαιώματά σας που αφορούν στα ελαττωματικά προϊόντα δεν αμφισβητούνται από την παρούσα εγγύηση.

## TR GARANTİ - ŞARTLAR

Bu Ryobi ürünü, üretim hatalarına ve kusurlu parçalara karşı satıcı tarafından sunu kullancısına verilmiş olan orijinal fatura tarihinden itibaren yirmi dört (24) ay boyunca garantilidir.

Normal kullanım sonucunda yıpranmalar, anormal ya da izin verilmeyen kullanım ya da bakım, ya da aşırı yüklenme ve ayrıca bataryalar, ampuller, bıçaklar, rakorlar, torbalar gibi aksesuarlar sözkonusu garantinin dışındadır. Garanti döne mi süresinde meydana gelen bir arıza durumunda, ürünü **SÖKMEĐEN** satınalma belgesi ile yetkili satıcınıza ya da size en yakın Ryobi Yetkili Servis Merkezine gönderiniz. Bu garanti, defolu mallara ilişkin yasal haklarınızı hiçbir şekilde etkilemez.



**(GB) WARNING**

The vibration emission level given in this information sheet has been measured in accordance with a standardised test given in EN 60745 and may be used to compare one tool with another. It may be used for a preliminary assessment of exposure. The declared vibration emission level represents the main applications of the tool. However if the tool is used for different applications, with different accessories or poorly maintained, the vibration emission may differ. This may significantly increase the exposure level over the total working period.

An estimation of the level of exposure to vibration should also take into account the times when the tool is switched off or when it is running but not actually doing the job. This may significantly reduce the exposure level over the total working period. Identify additional safety measures to protect the operator from the effects of vibration such as: maintain the tool and the accessories, keep the hands warm, organisation of work patterns.

**(FR) AVERTISSEMENT**

Le niveau d'émission des vibrations indiqué dans cette feuille d'information a été mesuré en concordance avec un test normalisé fourni par EN60745 et peut être utilisé pour comparer un outil à un autre. Il peut être utilisé pour une évaluation préliminaire de l'exposition. Le niveau déclaré d'émission des vibrations s'applique à l'utilisation principale de l'outil. Toutefois, si l'outil est utilisé pour des applications différentes, avec des accessoires différents, ou mal entretenu, l'émission de vibrations peut être différente. Le niveau d'exposition peut en être augmenté de façon significative tout au long de la période de travail.

Une estimation du niveau d'exposition aux vibrations doit aussi prendre en compte les périodes où l'outil est arrêté ainsi que les périodes où il fonctionne sans vraiment travailler. Le niveau d'exposition pendant la durée totale du travail peut en être réduit de façon significative. Prenez en considération les mesures additionnelles de sécurité à prendre pour protéger l'opérateur des effets des vibrations telles que: maintien de l'outil et de ses accessoires, maintien des mains au chaud, organisation du travail.

**(DE) WARNUNG**

Der in diesem Informationsblatt genannte Schwingungspegel wurde entsprechend dem standardisierten Test von EN60745 gemessen und kann benutzt werden um das Werkzeug mit anderen zu vergleichen. Er kann benutzt werden, um eine vorausgehende Einschätzung der Exposition durchzuführen. Der genannte Schwingungspegel repräsentiert den Haupteinsatzbereich des Werkzeugs. Jedoch kann das Werkzeug für verschiedene Einsatzbereiche benutzt werden. Mit unterschiedlichen Zusatzgeräten oder bei schlechter Wartung kann der Schwingungspegel unterschiedlich sein. Dadurch kann die Expositionshöhe über die gesamte Arbeitszeit signifikant erhöht werden.

Eine Einschätzung der Exposition zu Schwingungen sollte auch die Zeiten wenn das Werkzeug ausgeschaltet ist, oder wenn es angeschaltet aber nicht in Betrieb ist, in Betracht ziehen. Dadurch kann die Expositionshöhe über die gesamte Arbeitszeit signifikant reduziert werden. Identifizieren Sie zusätzliche Sicherheitsmaßnahmen um die Bedienungsperson vor den Effekten der Schwingungen zu schützen, wie zum Beispiel: Das Werkzeug und Zusatzgeräte warten, Hände warmhalten und Organisation der Arbeitszeiten.

**(ES) ADVERTENCIA**

El nivel de emisión de las vibraciones que figura en esta hoja de información se ha medido según una prueba estandarizada que figura en EN60745 y puede ser utilizado para comparar una herramienta con otra. Puede ser utilizado para una evaluación preliminar de la exposición. El nivel de emisión de las vibraciones declarado representa las principales aplicaciones de la herramienta. No obstante, si la herramienta se utiliza para diferentes aplicaciones, con diferentes accesorios o no recibe el mantenimiento adecuado, la emisión de las vibraciones puede ser diferente. Esto puede aumentar significativamente el nivel de exposición durante el periodo de trabajo total.

Una estimación del nivel de exposición a la vibración también debe tener en cuenta el tiempo en el que la herramienta está desconectada o cuando está conectada pero no está realizando ningún trabajo. Esto puede reducir significativamente el nivel de exposición durante el periodo de trabajo total. Identificar las medidas de seguridad adicionales para proteger al operador de los efectos de las vibraciones, tales como: mantenimiento de la herramienta y de los accesorios, y la organización de los patrones de trabajo.

**(IT) AVVERTENZE**

Il livello di vibrazioni indicato in questo foglio informativo è stato misurato seguendo un test svolto secondo i requisiti indicati dallo standard EN60745 e potrà essere utilizzato per paragonare un utensile con un altro. Potrà essere utilizzato per una valutazione preliminare dell'esposizione a vibrazioni. Il livello dichiarato di emissioni di vibrazioni viene indicato tenendo conto delle applicazioni principali dell'utensile. Comunque se l'utensile viene utilizzato per applicazioni diverse con accessori diversi o non viene correttamente conservato, il livello delle vibrazioni potrà variare. Ciò potrà significativamente aumentare il livello di esposizione alle vibrazioni durante il periodo di lavoro totale.

Una valutazione del livello di esposizione alle vibrazioni dovrà inoltre prendere in considerazione i tempi in cui l'utensile viene spento o è acceso ma non viene utilizzato. Ciò potrà significativamente ridurre il livello di esposizione in un periodo totale di funzionamento. Ulteriori misure di sicurezza per proteggere l'operatore dagli effetti delle vibrazioni come: conservare correttamente l'utensile e i suoi accessori, tenere le mani calde e organizzare i tempi di lavoro.

**(NL) WAARSCHUWING**

Het trillingsemisniveau dat op dit informatieblad wordt gegeven, is gemeten in overeenstemming met een gestandaardiseerde test, vastgelegd in EN60745 en mag worden gebruikt om machines met elkaar te vergelijken. Het verklaarde trillingsemisniveau geeft de hoofdtoepassing van het gereedschap weer. Als de machine echter voor andere toepassingen of met andere accessoires wordt gebruikt of slecht wordt onderhouden, kan de trillingsemisnieverschillen. Dit kan de blootstelling gedurende de gehele werkduur aanzienlijk verhogen.

Bij een schatting van het niveau van blootstelling aan trillingen moet ook rekening worden gehouden met het aantal keren dat de machine wordt uitgeschakeld of draait, maar niet wordt gebruikt. Dit kan het niveau van blootstelling gedurende de gehele werkduur aanzienlijk verlagen. Stel bijkomende veiligheidsmaatregelen op om de gebruiker tegen de gevolgen van trillingen te beschermen: zoals onderhouden het gereedschap en de accessoires, houd de handen warm, de organisatie van werkpatronen.

**(PT) AVISO**

O nível de emissão de vibrações fornecido nesta folha de informações foi medido em conformidade com o teste uniformizado descrito em EN60745 e pode ser usado para comparar uma ferramenta com outra. Este pode ser usado para uma avaliação preliminar da exposição. O nível de emissão de vibração declarado refere-se à aplicação principal da ferramenta. Contudo, se a ferramenta for usada para aplicações diferentes, com acessórios diferentes ou não for devidamente mantida, a emissão de vibrações pode diferir. Isto pode fazer aumentar significativamente o nível de exposição ao longo do período de trabalho total.

Uma estimativa do nível de exposição às vibrações deve ter, também, em consideração o tempo durante o qual a ferramenta está desligada ou em que está ligada mas não está a realizar qualquer trabalho. Isto pode reduzir significativamente o nível de exposição durante o período total de trabalho. Identifique medidas adicionais de segurança que protejam o operário dos efeitos da vibração como a manutenção da ferramenta e dos acessórios, a manutenção das mãos quentes e a organização de padrões de trabalho.

**(DK) ADVARSEL**

Det angivne niveau for vibrationsemmission på denne oplysnings side er blevet målt iht. en standardtest ifølge EN60745 og kan bruges til at sammenligne værktøjer indbyrdes. Det kan bruges til en foreløbig eksponeringsvurdering. Det opgivne niveau for vibrationsemmission gælder, når værktøjet bruges til sit hovedformål. Men hvis værktøjet bruges til et andre formål, med forskelligt eller med dårligt vedligeholdt ekstraudstyr, kan vibrationsemmissionen variere. Dette kan medføre en betragtelig stigning i eksponeringsniveauet set over hele arbejdsperioden.

Et skøn over niveauet for vibrationseksponering bør også tage højde for de perioder, hvor værktøjet er slukket, eller hvor det er tændt uden faktisk at være i brug. Dette kan medføre en betragtelig reduktion i eksponeringsniveauet set over hele arbejdsperioden. Træf ekstra sikkerhedsforanstaltninger til beskyttelse af operatøren mod virkningerne fra vibrationen som fx: vedligeholde værktøjet og ekstraudstyr, holde hænderne varme, organisere arbejdsmonstre.

**SE****VARNING**

Vibrationsnivåerna som uppges i det här dokumentet har uppmått i enlighet med ett standardiserat test som beskrivs i EN60745 och som kan användas för att jämföra verktyg. Det kan användas som en preliminär bedömning av den vibration som användaren utsätts för. De deklarerade vibrationsvärdena motsvarar de som uppstår när verktyget används i sitt huvudsyfte. Om verktyget används i andra syften, med andra tillbehör eller om verktyget är dåligt underhållet kan vibrationsnivåerna vara annorlunda. Det kan kraftigt öka vibrationsnivåerna över den totala arbetsperioden.

En uppskattning av vibrationsnivåerna som användaren utsätts för ska också ta hänsyn till de stunder då verktyget är avstängt och när det går på tomgång. Detta kan kraftigt minska vibrationsnivåerna över den totala arbetsperioden. Andra säkerhetsåtgärder som kan skydda användaren från effekterna av vibrationer är: underhållning av verktyget och tillbehören, hålla händerna varma och organisera arbetssättet.

**FI****VAROITUS**

Tämän tiedotteen tärinätoaso on mitattu EN60745-standardien mukaisilla testeilillä, ja niitä voidaan käyttää verrattaessa laitteita toiseen. Sitä voidaan käyttää arvioitaessa tärinävaikutusta. Ilmoitettu tärinätoaso vastaa laitteen pääasiallista käyttötarkoitusta. Jos laitetta kuitenkin käytetään muuhun tarkoitukseen, muilla lisälaitteilla tai huonosti huollettuina, tärinätoaso saattaa poiketa ilmoitetusta arvosta. Tämä voi kasvattaa kokonaisaltistumista huomattavasti koko työjakson kuluessa.

Tärinän altistumistasoa arvioitaessa tulee huomioida ajat, jolloin laite on sammutettu tai kun se on käynnissä, mutta sitä ei käytetä varsinaiseen työskentelyyn. Tämä voi vähentää kokonaisaltistumista huomattavasti koko työjakson kuluessa. Käytä muitakin suojauskeinoja turvatakseesi käyttäjän tärinävaikutukselta, kuten: huolla laite ja lisälaitteet, pidä kätesi lämpiminä, organisoi työnkulku.

**NO****ADVARSEL**

Nivået på vibrasjonsutslippet som oppgis på dette informasjonarket er målt i henhold til en standardisert test gitt i EN60745 og kan brukes til å sammenligne ett verktoy med et annet. Det kan brukes til en foreløpig vurdering av eksponering. Det erklærte nivået på vibrasjonsutslipp representerer hovedanvendelsen for verktoyet. Dersom verktoyet brukes for andre anvendelser, med forskjellige tilbehør eller med dårlig vedlikehold, vil vibrasjonsutslippet kunne være annerledes. Det kan gi en betydelig økning av eksponeringsnivået over den totale arbeidsperioden.

En beregning av nivået for eksponering til vibrasjoner må også ta hensyn til den tiden verktoyet er slått av eller er i gang men ikke i faktisk bruk for å utføre den tiltenkte oppgaven. Dette kan gi en betydelig økning av eksponeringsnivået over den totale arbeidsperioden. Identifiser ytterligere sikkerhetstiltak for å beskytte den som bruker verktoyet fra virkningen av vibrasjoner, tiltak som: Vedlikehold verktoyet og tilbehøret, hold hendene varme, organiser arbeidsmetodene.

**RU****ОСТОРОЖНО!**

Уровень вибрации, приведенный в данном справочном листе, измерен согласно стандартизованным испытаниям, определенным в EN60745 и может использоваться для сравнения различных инструментов. Значение уровня может использоваться для предварительной оценки влияния вибрации. Заявленный уровень вибрации действителен для основного применения инструмента. Однако, если инструмент используется для других целей, с другими приспособлениями, или плохо обслуживается, уровень вибрации может отличаться от указанного. Это может значительно увеличить величину воздействия за общее время работы.

При оценке уровня воздействия вибрации следует также принять во внимание время простоя и холостой ход (когда инструмент выключен и когда включен, но работа не производится). Эти факторы могут значительно уменьшить величину воздействия вибрации за общее время работы. Определите дополнительные меры безопасности, защищающие работающего от влияния вибрации: техническое обслуживание инструмента и принадлежностей, недопущение охлаждения рук, соответствующие приемы и распорядок работы.

**PL****OSTRZEŻENIE**

Deklarowany poziom drgań został zmierzony za pomocą standardowej metody pomiaru określonej normą EN60745 i jego wyniki mogą służyć do porównywania tego urządzenia z innymi. Deklarowana wartość drgań może służyć do wstępnej oceny narażenia operatora na drgania. Deklarowany poziom drgań dotyczy podstawowych zastosowań urządzenia. Jednak w przypadku użycia urządzenia do innych zastosowań, z innymi przystawkami lub w przypadku niewłaściwego stanu technicznego urządzenia poziom drgań może być odbiegać od deklarowanego. Może być to przyczyną zwiększenia stopnia narażenia operatora na drgania w całym okresie wykonywania pracy.

Podczas oceny narażenia na drgania należy również uwzględnić czas wyłączenia urządzenia oraz czas, w którym urządzenie jest włączone, jednak praca nie jest wykonywana. Czasy te mogą znacznie zmniejszyć stopień narażenia operatora na drgania w całym okresie wykonywania pracy. Należy określić dodatkowe środki ochrony operatora przed skutkami drgań, przykładowo: dbać o stan techniczny urządzenia i przystawek, dbać o zachowanie ciepłoty dłoni, odpowiednio zorganizować harmonogram wykonywania prac.

**CZ****VAROVÁNÍ**

Hodnota vibračních emisí uvedená v tomto informačním listu byla naměřena standardizovaným testem podle EN60745 a je použit k porovnání s hodnotami jiných nástrojů. Může se používat k předběžnému odhadu vystavování vibračím. Uznaná hodnota vibračních emisí reprezentuje hlavní použití nástroje. Nicméně pokud se nástroj používá pro jiné použití, s různými doplňky nebo se nedostatečně neudržuje, mohou se vibrační emise lišit. Toto může výrazně zvýšit úroveň vystavení nad celkové pracovní období.

Odhad úrovně vystavení vibračím by měl vzít taktéž v potaz čas, kdy je chvění vypnuté, nebo když přístroj běží, ale nevykonává práci. Toto může výrazně snížit úroveň vystavení nad celkové pracovní období. Určete doplňující bezpečnostní opatření pro ochranu obsluhy před různými vibračím, například: Udržujte nástroj a doplňky, udržujte ruce v teple, organizujte pracovní schéma.

**HU****FIGYELMEZTETÉS**

A vibráció-kibocsátás adatai alapján megadott értékek az EN60745 által meghatározott szabványosított mérési eljárás szerint lett megmértve, amely lehetővé teszi a különböző szerzők közötti összehasonlítást. Használható a kitettség előzetes felmérésére is. A nyilatkozatban szereplő kibocsátási érték a szerzőzám főbb alkalmazási területeire vonatkozik. Ugyanakkor, ha a szerzőzám más alkalmazásokra, más kiegészítővel használják vagy rosszul tartják karban, a vibráció-kibocsátás értéke ettől eltérő is lehet. Ez jelentősen növelheti a kitettség szintjét a gép teljes használati időtartama során.

A vibrációnak való kitettség szintjének becslésekor figyelembe kell venni azokat az időintervallumokat is, amikor a szerzőzám ki van kapcsolva, vagy működik, de nem végeznek munkát vele. Ez jelentősen csökkentheti a kitettség szintjét a gép teljes használati időtartama során. Tegyén további óvintézkedéseket a kezelő vibrációs szembeli megvédése érdekében: tartsa karban a szerzőzámot és a tartozékokat, tartsa melegén a kezét, tervezze meg a munkafolyamatot.

**RO****AVERTISMENT**

Nivelul emisiilor de vibrații prezentat în cadrul acestei fișe cu informații a fost măsurat în conformitate cu un test standardizat furnizat în EN60745 și poate fi folosit la a compara o uneltă cu o alta. Poate fi folosit la o evaluare preliminară a expunerii. Nivelul declarat al emisiilor de vibrații reprezintă aplicațiile principale ale uneltei. Cu toate acestea, în cazul în care uneltă este utilizată pentru aplicații diferite, cu accesorii diferite sau întreținute necorespunzător, emisiile de vibrații pot diferi. Acestea pot crește semnificativ nivelul de expunere pe întreaga perioadă de lucru.

O estimare a nivelului de expunere la vibrații trebuie, de asemenea, să țină cont de tălile în care uneltă este oprită sau de tălile în care aceasta funcționează fără a efectua propriu-zis sarcina de lucru. Acestea pot reduce semnificativ nivelul de expunere pe întreaga perioadă de lucru. Identificați măsuri de siguranță suplimentare pentru a proteja operatorul de efectele vibrațiilor, precum: întreținerea uneltei și a accesoriilor, păstrarea mâinilor calde, organizarea de modele de lucru.

LV

**BRĪDINĀJUMS**

Šajā datu lapā dotā vibrāciju emisijas vērtība ir mērķta saskaņā ar standartaēto testu, kas dots EN60745 un kuru var izmantot, lai salīdzinātu vienu instrumentu ar citu. To var izmantot aptuvenam eksponēcijas novērtējumam. Deklarētais vibrāciju emisijas līmenis atbilst galvenajiem instrumenta pielietojumiem. Tomēr, ja instrumentu lieto citiem pielietojumiem, ar citiem piederumiem vai tas tiek silti apkopts, vibrāciju emisijas vērtība var atšķirties. Tas var ievērojami palielināt eksponēcijas līmeni visa darba periodā.

Vibrāciju eksponēcijas līmena novērtējumam jāņem vērā laiks, kad instruments ir ieslēgts vai ir ieslēgts, bet neviencēkādu darbu. Tas var ievērojami samazināt eksponēcijas līmeni visa darba periodā. Identificējiet papildu drošības pasākumus, lai aizsargātu operatoru no vibrāciju iedarbības, piemēram, veiciet instrumenta un piederumu apkopi, turiet rokas siltas un pielāgojiet darba grafiku.

LT

**ISPĒJĪMAS**

Šīame lape nurodytas vibrācijas emisijos lygis buvo išmatuotas pagal standartinį testą, aprašytą EN60745, ir gali būti naudojamas vieno įrankio su kitu palyginimui. Jis gali būti naudojamas preliminariam pavojaus įvertinimui. Deklaruotame vibracijos emisijos lygis priskiriamas pagrindiniams įrankio taikymo srityms. Tačiau, jei įrankis naudojamas kitems tikslams, su kitokiais priedais ar įrankis prastai prižiūrimas, vibracijos emisija gali skirtis. Per visą darbo laikotarpį tai gali žymiai padidinti vibracijos keliamą pavojų.

Nustatant vibracijos keliamą pavojų taip pat būtina atsižvelgti į tai, kiek kartų įrankis yra išjungtas ar kai jis veikia, bet juo iš tikrųjų nedirbama. Per visą darbo laikotarpį tai gali žymiai sumažinti vibracijos keliamą pavojų. Naudokite papildomas apsaugas priemones dirbančiam asmeniui apsaugoti nuo vibracijos poveikio, pvz.: prižiūrėti įrankį ir jo priedus, rankas laikyti šiltai, organizuoti darbo sesijas.

EE

**HOIATUS**

Sellei infolehel esitatud vibratsioonisatuse väärtused on moodetud standardis EN60745 kirjeldatud katsemeetodiga ja seda võib kasutada tööstistade omavaheliseks võrdlemiseks. Seda võib kasutada vibratsioonisõjude eelhindamiseks. Deklareeritud vibratsioonisatuse väärtused kehtib tööriista tavakasutamisel. Kui aga kasutate tööriista muudeks kasutusotstarveteks, eriotstarbeliste tarvikutega või kui tööriist on puudulikult hooldatud, siis võib vibratsioonisatuse erineda. Sellistel juhtudel võib tööperioodi summaarne vibratsioonisatuse suurendada märgatavalt.

Vibratsioonisatuse taset tuleb arvesse võtta ka sel ajal, kui tööriist on välja lülitatud või kui tööriist tööle, kuid ei tee tööoperatsiooni. Sellistel juhtudel võib tööperioodi ajal summaarne vibratsioonisatuse väheneda märgatavalt. Märake kindlaks täiendavad ohutusmeetmed, et kaitsa operaatorit vibratsioonisõjude eest – tööstistade ja tarvikute hooldamine, kätte soojas hoidmine ja töövahetuste organiseerimine.

HR

**UPOZORENJE**

Razina vrijednosti vibracija data u ovoj tablici s informacijama mjerenja je sukladno normiranom testu pruženom u EN60745 i može se koristiti za usporedbu jednog alata s drugim. Može se koristiti u početnom usklađivanju izloženosti. Objavljena razina vrijednosti vibracija predstavlja glavnu primjenu alata. Međutim, ako se alat koristi za druge primjene, s različitim dodatnim priborom ili je slabo održavan, vrijednost vibracija može se razlikovati. Ovo može značajno povećati razinu izloženosti tijekom ukupnog radnog razdoblja.

U procjeni razine izloženosti na vibraciju također treba uzeti u obzir vrijeme kada je alat isključen ili kada je pokrenut no ne i stvarno vrijeme rada. Ovo može značajno smanjiti razinu izloženosti tijekom ukupnog radnog razdoblja. Odredite dodatne sigurnosne mjere za zaštitu operatera od učinaka vibracije poput: održavanje alata i pribora, održavanje toplih ruku, organizacija obrabaca za rad.

SI

**OPOZORILO**

Nivo emisij vibracij, naveden v tem informacijskem listu, je bil izmerjen v skladu s standardiziranimi testom, ki je podan v EN60745, podatek pa se lahko uporablja za primerjavo enega orodja z drugim. Uporablja se ga lahko za predhodno oceno izpostavljenosti. Naveden nivo emisij vibracij predstavlja glavne uporabe orodja. Vendar, če se orodje uporablja v druge namene in z različnimi nastavki oz. če je orodje slabo vzdrževano, se lahko emisije vibracij razlikujejo. To lahko občutno poveča nivo izpostavljenosti v skupnem delovnem času.

Ocena nivoja izpostavljenosti vibracijam bi morala prav tako upoštevati, koliko krat je orodje bilo izključeno ali je v delovanju in pravzaprav ne opravljajo svojega dela. To lahko občutno zmanjša nivo izpostavljenosti v skupnem delovnem času. Upoštevajte dodatne varnostne ukrepe, da bi upravljalca zaščitili pred vplivom vibracij, kot je: vzdržujte orodje in nastavke, pazite, da so roke tople, organizirajte delovne vzorce.

SK

**VAROVANIE**

Uroveň emisie vibrácií, uvedená v tomto informačnom hárku bola namameraná v súlade so štandardizovanými testom, daný nora EN60745 a môže sa použiť na porovnanie jedného nástroja s druhým. Môže sa použiť na predbežné určenie mieri vystavenia sa vibráciám. Uvedená úroveň emisie vibrácií predstavuje hlavnú aplikáciu nástroja. Avšak keď sa nástroj používa na iné aplikácie, s rôznym príslušenstvom alebo má zvl' údržbu, úroveň vibrácií sa môže líšiť. Týmto sa môže výrazne zvýšiť úroveň vystavenia sa vibráciám počas celkového času práce.

Odhad úroveň vystavenia sa vibráciám by sa mal brať tiež do úvahy, vždy, keď sa nástroj vypne, alebo potom, keď beží ale v skutočnosti sa nevykonáva práca. Týmto sa môže výrazne znížiť úroveň vystavenia sa vibráciám počas celkového času práce. Nasledovné doplnujúce bezpečnostné opatrenia pomôhajú chrániť operátora od účinkov vibrácií: údržba nástroja a príslušenstva, udržiavanie teplých držíadli, organizácia práce.

GR

**ΠΡΟΕΙΔΟΠΟΙΗΣΗ**

Τα επίπεδα εκπομπών κραδασμών που παρέχονται στο παρόν ενημερωτικό φυλλάδιο, έχουν μετρηθεί βάσει τυποποιημένης δοκιμής που προβλέπεται στο EN60745 και μπορούν να συγκριθούν για τη σύγκριση του εργαλείου με άλλα. Μπορούν επίσης να χρησιμοποιηθούν για προκαταρκτική αξιολόγηση της έκθεσης. Τα δηλωμένα επίπεδα εκπομπών κραδασμών αφορούν τις βασικές εφαρμογές του εργαλείου. Ωστόσο, αν το εργαλείο χρησιμοποιείται για διαφορετικές εφαρμογές, με διαφορετικά εξαρτήματα ή με κακή συντήρηση, η εκπομπή κραδασμών μπορεί να διαφέρει. Αυτό μπορεί να αυξήσει σημαντικά το επίπεδο έκθεσης στη συνολική περίοδο εργασίας.

Η εκτίμηση των επιπέδων έκθεσης σε κραδασμούς θα πρέπει επίσης να λαμβάνει υπ' όψη τις χρονικές περιόδους κατά τις οποίες το εργαλείο είναι απενεργοποιημένο ή λειτουργεί χωρίς να χρησιμοποιείται σε συγκεκριμένη εργασία. Αυτό μπορεί να μειώσει σημαντικά το επίπεδο έκθεσης στη συνολική περίοδο εργασίας. Εφαρμοστέ επιπρόσθετα μέτρα ασφαλείας για την προστασία του χειριστή από τις επιπτώσεις των κραδασμών, όπως τα εξής: συντηρήστε το εργαλείο και τα εξαρτήματα, διατηρήστε τα χέρια ζεστά, οργανώστε μετρία εργασία.

TR

**UYARI**

Bu bilgi sayfasında verilen titreşim emisyon seviyesi, EN60745 standardında belirtilen standartlaştırılmış bir teste uygun olarak ölçülmüş ve bir alet dıęeriyle karşılaştırmak için kullanılabilir. Aneak alet, farklı aksesuarlarla veya yetersiz bakımli olarak farklı uygulamalar için kullanılırsa titreşim emisyonu deęişebilir. Bu durum toplam çalıřma süresi boyunca kalma kalma seviyesini önemli ölçüde artırır.

Titreşime maruz kalma seviyesinin deęerlendirilmesi aynı zamanda alet kapalı ve arızadan çalıřır ancak gerekçen anlamıdır iş yapmadığı zamanlar da göz önünde bulundurulmalıdır. Bu durum toplam çalıřma süresi boyunca kalma kalma seviyesini önemli ölçüde azaltır. Operatörü titreşimin etkilerinden korumak için ilave güvenliç önlemleri belirleyin, örneğin: aletin ve aksesuarlarının bakımını yapın, operatörün ellerini sık tutun, çalıřma modellerini organize etmeç.

**(GB) DECLARATION OF CONFORMITY**

We declare under our sole responsibility that this product is in conformity with the following standards or standardized documents: 2006/42/EC, 2004/108/EC, EN55014-1, EN55014-2, EN61000-3-2, EN61000-3-3, EN60745-1, EN60745-2-4, EN62233.

Noise level [K=3dB(A)]: ESS200RS Lp=91.3dB(A) Lw=102.3dB(A), ESS280RV Lp=93.1dB(A) Lw=104.1dB(A)

Vibration level [K=1.5m/s<sup>2</sup>]: ESS200RS ah=8.6m/s<sup>2</sup>, ESS280RV ah=8.7m/s<sup>2</sup>

**(FR) DÉCLARATION DE CONFORMITÉ**

Nous déclarons sous notre propre responsabilité que ce produit est en conformité avec les normes ou documents normalisés suivants:

2006/42/EC, 2004/108/EC, EN55014-1, EN55014-2, EN61000-3-2, EN61000-3-3, EN60745-1, EN60745-2-4, EN62233.

Niveau de bruit [K=3dB(A)]: ESS200RS Lp=91.3dB(A) Lw=102.3dB(A), ESS280RV Lp=93.1dB(A) Lw=104.1dB(A)

Niveau de vibration [K=1.5m/s<sup>2</sup>]: ESS200RS ah=8.6m/s<sup>2</sup>, ESS280RV ah=8.7m/s<sup>2</sup>

**(DE) KONFORMITÄTSPERKLÄRUNG**

Wir erklären in alleiniger Verantwortung, dass dieses Produkt mit den folgenden Normen oder normativen Dokumenten übereinstimmt:

2006/42/EC, 2004/108/EC, EN55014-1, EN55014-2, EN61000-3-2, EN61000-3-3, EN60745-1, EN60745-2-4, EN62233.

Geräuschpegel [K=3dB(A)]: ESS200RS Lp=91.3dB(A) Lw=102.3dB(A), ESS280RV Lp=93.1dB(A) Lw=104.1dB(A)

Vibrationsgrad [K=1.5m/s<sup>2</sup>]: ESS200RS ah=8.6m/s<sup>2</sup>, ESS280RV ah=8.7m/s<sup>2</sup>

**(ES) DECLARACION DE CONFORMIDAD**

Declaramos bajo nuestra exclusiva responsabilidad que este producto es conforme a las siguientes normas o documentos normalizados:

2006/42/EC, 2004/108/EC, EN55014-1, EN55014-2, EN61000-3-2, EN61000-3-3, EN60745-1, EN60745-2-4, EN62233.

Nivel de ruido [K=3dB(A)]: ESS200RS Lp=91.3dB(A) Lw=102.3dB(A), ESS280RV Lp=93.1dB(A) Lw=104.1dB(A)

Nivel de vibración [K=1.5m/s<sup>2</sup>]: ESS200RS ah=8.6m/s<sup>2</sup>, ESS280RV ah=8.7m/s<sup>2</sup>

**(IT) DICHIARAZIONE DI CONFORMITÀ**

Dichiariamo, assumendo la piena responsabilità di tale dichiarazione, che il prodotto è conforme alle seguenti normative e ai relativi documenti:

2006/42/EC, 2004/108/EC, EN55014-1, EN55014-2, EN61000-3-2, EN61000-3-3, EN60745-1, EN60745-2-4, EN62233.

Livello di rumore [K=3dB(A)]: ESS200RS Lp=91.3dB(A) Lw=102.3dB(A), ESS280RV Lp=93.1dB(A) Lw=104.1dB(A)

Livello di vibrazione [K=1.5m/s<sup>2</sup>]: ESS200RS ah=8.6m/s<sup>2</sup>, ESS280RV ah=8.7m/s<sup>2</sup>

**(NL) CONFORMITEITSVERKLARING**

Wij verklaren op onze eigen verantwoordelijkheid dat dit product voldoet aan de volgende normen of normatieve documenten.

2006/42/EC, 2004/108/EC, EN55014-1, EN55014-2, EN61000-3-2, EN61000-3-3, EN60745-1, EN60745-2-4, EN62233.

Geluidsniveau [K=3dB(A)]: ESS200RS Lp=91.3dB(A) Lw=102.3dB(A), ESS280RV Lp=93.1dB(A) Lw=104.1dB(A)

Trillingsniveau [K=1.5m/s<sup>2</sup>]: ESS200RS ah=8.6m/s<sup>2</sup>, ESS280RV ah=8.7m/s<sup>2</sup>

**(PT) DECLARAÇÃO DE CONFORMIDADE**

Declaramos, sob nossa exclusiva responsabilidade, que este produto cumpre as seguintes normas ou documentos normativos.

2006/42/EC, 2004/108/EC, EN55014-1, EN55014-2, EN61000-3-2, EN61000-3-3, EN60745-1, EN60745-2-4, EN62233.

Nível de ruído [K=3dB(A)]: ESS200RS Lp=91.3dB(A) Lw=102.3dB(A), ESS280RV Lp=93.1dB(A) Lw=104.1dB(A)

Nível de vibração [K=1.5m/s<sup>2</sup>]: ESS200RS ah=8.6m/s<sup>2</sup>, ESS280RV ah=8.7m/s<sup>2</sup>

**(DK) KONFORMITETSPERKLÆRING**

Vi erklærer på eget ansvar, at dette produkt er i overensstemmelse med følgende standarder eller standardiseringsdokumenter:

2006/42/EC, 2004/108/EC, EN55014-1, EN55014-2, EN61000-3-2, EN61000-3-3, EN60745-1, EN60745-2-4, EN62233.

Støjniveau [K=3dB(A)]: ESS200RS Lp=91.3dB(A) Lw=102.3dB(A), ESS280RV Lp=93.1dB(A) Lw=104.1dB(A)

Vibrationsniveau [K=1.5m/s<sup>2</sup>]: ESS200RS ah=8.6m/s<sup>2</sup>, ESS280RV ah=8.7m/s<sup>2</sup>

**(SE) FÖRSÄKRAN**

Vi intygar och ansvarar för, att denna produkt överensstämmer med följande normer och dokument.

2006/42/EC, 2004/108/EC, EN55014-1, EN55014-2, EN61000-3-2, EN61000-3-3, EN60745-1, EN60745-2-4, EN62233.

Bullernivå [K=3dB(A)]: ESS200RS Lp=91.3dB(A) Lw=102.3dB(A), ESS280RV Lp=93.1dB(A) Lw=104.1dB(A)

Vibrationsnivå [K=1.5m/s<sup>2</sup>]: ESS200RS ah=8.6m/s<sup>2</sup>, ESS280RV ah=8.7m/s<sup>2</sup>

**(FI) TODISTUS STANDARDIN-MUKAISUDESTA**

Todistamme täten ja vastaamme yksin siitä, että tämä tuote on alla lueteltujen standardien ja standardoimis-asiakirjojen vaatimusten mukainen.

2006/42/EC, 2004/108/EC, EN55014-1, EN55014-2, EN61000-3-2, EN61000-3-3, EN60745-1, EN60745-2-4, EN62233.

Melutaso [K=3dB(A)]: ESS200RS Lp=91.3dB(A) Lw=102.3dB(A), ESS280RV Lp=93.1dB(A) Lw=104.1dB(A)

Tärinätasot [K=1.5m/s<sup>2</sup>]: ESS200RS ah=8.6m/s<sup>2</sup>, ESS280RV ah=8.7m/s<sup>2</sup>

**(NO) SAMSVARSPERKLÆRING**

Vi erklærer på eget ansvar at dette produktet er i samsvar med følgende standarder og normative dokumenter:

2006/42/EC, 2004/108/EC, EN55014-1, EN55014-2, EN61000-3-2, EN61000-3-3, EN60745-1, EN60745-2-4, EN62233.

Støynivå [K=3dB(A)]: ESS200RS Lp=91.3dB(A) Lw=102.3dB(A), ESS280RV Lp=93.1dB(A) Lw=104.1dB(A)

Vibrasjonsnivå [K=1.5m/s<sup>2</sup>]: ESS200RS ah=8.6m/s<sup>2</sup>, ESS280RV ah=8.7m/s<sup>2</sup>

**(RU) ЗАЯВЛЕНИЕ О СООТВЕТСТВИИ СТАНДАРТАМ**

Мы со всей ответственностью заявляем, что настоящая продукция соответствует ниже следующим нормам и документам: 2006/42/EC, 2004/108/EC, EN55014-1, EN55014-2, EN61000-3-2, EN61000-3-3, EN60745-1, EN60745-2-4, EN62233.

Уровень шума [K=3dB(A)]: ESS200RS Lp=91.3dB(A) Lw=102.3dB(A), ESS280RV Lp=93.1dB(A) Lw=104.1dB(A)

Уровень вибрации [K=1.5m/s<sup>2</sup>]: ESS200RS ah=8.6m/s<sup>2</sup>, ESS280RV ah=8.7m/s<sup>2</sup>

**(PL) DEKLARACJA ZGODNOŚCI**

Z całą odpowiedzialnością oświadczamy, że niniejszy produkt jest zgodny z normami czy też znormalizowanymi dokumentami wymienionymi poniżej:

2006/42/EC, 2004/108/EC, EN55014-1, EN55014-2, EN61000-3-2, EN61000-3-3, EN60745-1, EN60745-2-4, EN62233.

Poziom hałas [K=3dB(A)]: ESS200RS Lp=91.3dB(A) Lw=102.3dB(A), ESS280RV Lp=93.1dB(A) Lw=104.1dB(A)

Poziom drgań [K=1.5m/s<sup>2</sup>]: ESS200RS ah=8.6m/s<sup>2</sup>, ESS280RV ah=8.7m/s<sup>2</sup>

**(CZ) PROHLÁSENÍ O SHODĚ**

Prohlášíme na svou zodpovědnost, že tento výrobek splňuje požadavky níže uvedených norem a závazných předpisů:

2006/42/EC, 2004/108/EC, EN55014-1, EN55014-2, EN61000-3-2, EN61000-3-3, EN60745-1, EN60745-2-4, EN62233.

Hladina hluku [K=3dB(A)]: ESS200RS Lp=91.3dB(A) Lw=102.3dB(A), ESS280RV Lp=93.1dB(A) Lw=104.1dB(A)

Uroveň vibrací [K=1.5m/s<sup>2</sup>]: ESS200RS ah=8.6m/s<sup>2</sup>, ESS280RV ah=8.7m/s<sup>2</sup>

**(HU) SZABVÁNY RENDELKEZÉSEK**

Felétősségünk teljes tudatában kijelentjük, hogy a jelen termék megfelel a következő szabványoknak és előírásoknak:

2006/42/EC, 2004/108/EC, EN55014-1, EN55014-2, EN61000-3-2, EN61000-3-3, EN60745-1, EN60745-2-4, EN62233.

Zajszint [K=3dB(A)]: ESS200RS Lp=91.3dB(A) Lw=102.3dB(A), ESS280RV Lp=93.1dB(A) Lw=104.1dB(A)

Vibráció szint [K=1.5m/s<sup>2</sup>]: ESS200RS ah=8.6m/s<sup>2</sup>, ESS280RV ah=8.7m/s<sup>2</sup>

**(RO) DECLARAȚIE DE CONFORMITATE**

Declarăm pe propria răspundere că acest produs este conform cu normele sau documentele normative următoare:

2006/42/EC, 2004/108/EC, EN55014-1, EN55014-2, EN61000-3-2, EN61000-3-3, EN60745-1, EN60745-2-4, EN62233.

Nivelul de zgomot [K=3dB(A)]: ESS200RS Lp=91.3dB(A) Lw=102.3dB(A), ESS280RV Lp=93.1dB(A) Lw=104.1dB(A)

Nivelul vibrațiilor [K=1.5m/s<sup>2</sup>]: ESS200RS ah=8.6m/s<sup>2</sup>, ESS280RV ah=8.7m/s<sup>2</sup>

**(LV) ATBILSTĪBAS PAZIŅOJUMS**

Mēs uz savu atbildību paziņojam, ka šis produkts atbilst šādiem standartiem vai standartizācijas dokumentiem.  
 2006/42/EC, 2004/108/EC, EN55014-1, EN55014-2, EN61000-3-2, EN61000-3-3, EN60745-1, EN60745-2-4, EN62233.  
 Trokšņa līmenis [K=3dB(A)]: ESS200RS Lp=91.3dB(A) Lw=102.3dB(A)  
 Lw=102.3dB(A), ESS280RV Lp=93.1dB(A) Lw=104.1dB(A)  
 Vibrācijas līmenis [K=1.5m/s<sup>2</sup>]: ESS200RS ah=8.6m/s<sup>2</sup>, ESS280RV ah=8.7m/s<sup>2</sup>

**(LT) ATITIKTIES DEKLARACIJA**

Prisimdami visą atsakomybę, pareiškiame, kad produktas atitinka žemiau išvardintus standartus ar standartų dokumentus.  
 2006/42/EC, 2004/108/EC, EN55014-1, EN55014-2, EN61000-3-2, EN61000-3-3, EN60745-1, EN60745-2-4, EN62233.  
 Triukšmo lygis [K=3dB(A)]: ESS200RS Lp=91.3dB(A) Lw=102.3dB(A), ESS280RV Lp=93.1dB(A) Lw=104.1dB(A)  
 Vibracijos lygis [K=1.5m/s<sup>2</sup>]: ESS200RS ah=8.6m/s<sup>2</sup>, ESS280RV ah=8.7m/s<sup>2</sup>

**(EE) VASTAVUSDEKLARATSIOIN**

Kinnitame oma ainuvastutusel, et see toode on vastavuses järgmistele standarditele või standardiseeritud dokumentidega.  
 2006/42/EC, 2004/108/EC, EN55014-1, EN55014-2, EN61000-3-2, EN61000-3-3, EN60745-1, EN60745-2-4, EN62233.  
 Müratase [K=3dB(A)]: ESS200RS Lp=91.3dB(A) Lw=102.3dB(A), ESS280RV Lp=93.1dB(A) Lw=104.1dB(A)  
 Vibratsioonitase [K=1.5m/s<sup>2</sup>]: ESS200RS ah=8.6m/s<sup>2</sup>, ESS280RV ah=8.7m/s<sup>2</sup>

**(HR) DEKLARACIJA O USKLA-ENOSTI**

Odgovorno izjavljujemo da je ovaj proizvod u skladu sa sljedećim normama ili normiranim dokumentima:  
 2006/42/EC, 2004/108/EC, EN55014-1, EN55014-2, EN61000-3-2, EN61000-3-3, EN60745-1, EN60745-2-4, EN62233.  
 Razina buke [K=3dB(A)]: ESS200RS Lp=91.3dB(A) Lw=102.3dB(A), ESS280RV Lp=93.1dB(A) Lw=104.1dB(A)  
 Razina vibracije [K=1.5m/s<sup>2</sup>]: ESS200RS ah=8.6m/s<sup>2</sup>, ESS280RV ah=8.7m/s<sup>2</sup>

**(SI) IZJAVA O SKLADNOSTI**

Z lastno odgovornostjo izjavljamo, da je ta izdelek skladen z zahtevami sledečih standardov ali standardiziranih dokumentov:  
 2006/42/EC, 2004/108/EC, EN55014-1, EN55014-2, EN61000-3-2, EN61000-3-3, EN60745-1, EN60745-2-4, EN62233.  
 Stopnja hrupa [K=3dB(A)]: ESS200RS Lp=91.3dB(A) Lw=102.3dB(A), ESS280RV Lp=93.1dB(A) Lw=104.1dB(A)  
 Stopnja vibracij [K=1.5m/s<sup>2</sup>]: ESS200RS ah=8.6m/s<sup>2</sup>, ESS280RV ah=8.7m/s<sup>2</sup>

**(SK) PREHLÁSENIE O ZHODE**

Vyhlasujeme našu výhradnú zodpovednosť za produkt, ktorý spĺňa nasledovné štandardy alebo štandardizované dokumenty.  
 2006/42/EC, 2004/108/EC, EN55014-1, EN55014-2, EN61000-3-2, EN61000-3-3, EN60745-1, EN60745-2-4, EN62233.  
 Hladina hluku [K=3dB(A)]: ESS200RS Lp=91.3dB(A) Lw=102.3dB(A), ESS280RV Lp=93.1dB(A) Lw=104.1dB(A)  
 Hladina vibrácií [K=1.5m/s<sup>2</sup>]: ESS200RS ah=8.6m/s<sup>2</sup>, ESS280RV ah=8.7m/s<sup>2</sup>

**(GR) ΔΗΛΩΣΗ ΣΥΜΜΟΡΦΩΣΗΣ**

Δηλώνουμε υπευθύνως ότι το προϊόν αυτό συμμορφούται προς τα ακόλουθα πρότυπα ή τυποποιημένα έγγραφα:  
 2006/42/EC, 2004/108/EC, EN55014-1, EN55014-2, EN61000-3-2, EN61000-3-3, EN60745-1, EN60745-2-4, EN62233.  
 Επίπεδο θορύβου [K=3dB(A)]: ESS200RS Lp=91.3dB(A) Lw=102.3dB(A), ESS280RV Lp=93.1dB(A) Lw=104.1dB(A)  
 Επίπεδο κραδασμών [K=1.5m/s<sup>2</sup>]: ESS200RS ah=8.6m/s<sup>2</sup>, ESS280RV ah=8.7m/s<sup>2</sup>

**(TR) UYGUNLUK BELGESİ**

Bu ürünüñ aşağıdaki normlar ya da norm belgeleri ile uyumlu olduğunu kenđi sorumluluğumuzuz ortaya koyarak beyan ederiz:  
 2006/42/EC, 2004/108/EC, EN55014-1, EN55014-2, EN61000-3-2, EN61000-3-3, EN60745-1, EN60745-2-4, EN62233.  
 Gürültü seviyesi [K=3dB(A)]: ESS200RS Lp=91.3dB(A) Lw=102.3dB(A), ESS280RV Lp=93.1dB(A) Lw=104.1dB(A)  
 Titreşim seviyesi [K=1.5m/s<sup>2</sup>]: ESS200RS ah=8.6m/s<sup>2</sup>, ESS280RV ah=8.7m/s<sup>2</sup>

Machine: 1/3 SHEET SANDER

Type: ESS200RS/ESS280RV

CE Jul 2010




Techtronic Industries

Name of company: TECHTRONIC INDUSTRIES CO. LTD.  
 Address: 24/F, CDW BUILDING, 388 CASTLE PEAK ROAD, TSUEN WAN, HONG KONG.  
 Web: www.ttigroup.com  
 Name/Title: Brian Ellis / Vice President - Engineering

Signature:  Jul 15, 2010

**Technical File at**

Name of company: TTI EMEA  
 Address: MEDINA HOUSE, FIELDHOUSE LANE, MARLOW, BUCKS, SL7 1TB, UNITED KINGDOM.  
 Web: www.ttigroup.com  
 Name/Title: Carl A. Jeffries / Head of Ryobi Product Marketing

Signature: 

Trademarks:  
 The use of the trademark Ryobi is pursuant to a license granted by Ryobi Limited.