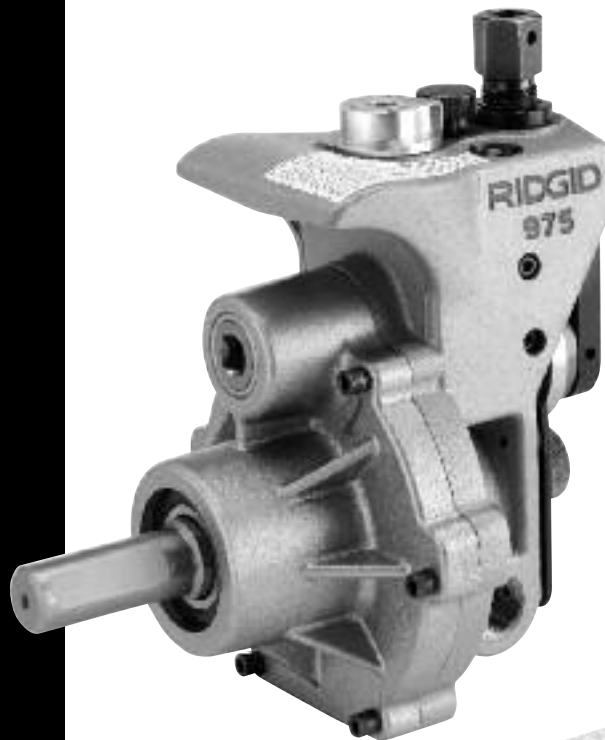


# Combo Roll Groover

# RIDGID®

GB	p.1
FR	p.23
ES	p.47
DE	p.70
NL	p.92
IT	p.114
PT	p.136
SV	p.158
DA	p.180
FI	p.202
NO	p.224
RU	p.246
HR	p.268
RO	p.290
CZ	p.312
HU	p.334
EL	p.356
PL	p.378
TU	p.400
SL	p.422
SK	p.444
SB	p.466



RIDGE TOOL COMPANY

975

# Combo Roll Groover




**RIDGID**<sup>®</sup>


## Table of Contents

<b>Safety Symbols</b> .....	2
<b>General Safety Rules</b>	
Work Area Safety.....	2
Electrical Safety.....	2
Personal Safety.....	3
Tool Use and Care.....	3
Service.....	3
<b>Specific Safety Information</b>	
Roll Groover Safety.....	4
Roll Groover Safety When Used With A Power Drive/Threading Machine.....	4
Roll Groover Safety When Used In Place.....	4
<b>Description, Specifications and Standard Equipment</b>	
Description.....	4
Specifications.....	5
Standard Equipment.....	5
<b>Roll Groover Inspection</b> .....	5
<b>Machine and Work Area Set-Up For Power Driven Applications</b>	
Mounting The 975 Combo Groover Onto A RIDGID 300 Power Drive.....	7
Mounting The 975 Combo Groover Onto A RIDGID 300 Compact Threading Machine.....	7
Completing Set Up.....	8
Pipe Preparation.....	9
Pipe Set Up In Roll Groover.....	10
<b>Operating The 975 Combo Roll Groover With A Power Drive/Threading Machine</b>	
Setting/Measuring The Groove Diameter.....	10
Forming The Roll Groove.....	11
Setting The Groove Diameter For Copper Tubing.....	12
975 Combo Roll Groover Tracking Tips.....	12
<b>Machine and Work Area Set Up For In Place Applications</b>	
Pipe Preparation.....	14
Mounting The Roll Groover To The Pipe.....	14
<b>Operating The 975 Combo Roll Groover In Place</b>	
Setting/Measuring The Groove Diameter.....	15
Forming The Roll Groove.....	16
<b>Maintenance Instructions</b>	
Lubrication.....	16
Cleaning.....	17
Changing Roll Sets.....	17
<b>Accessories</b> .....	18
<b>Machine Storage</b> .....	18
<b>Service and Repair</b> .....	18
<b>Table I. Standard Roll Groove Specifications</b> .....	19
<b>Table II. Pipe Maximum and Minimum Wall Thickness</b> .....	19
<b>Table III. Copper Roll Groove Specifications</b> .....	20
<b>Troubleshooting</b> .....	20-21
<b>Lifetime Warranty</b> .....	Back Cover


## Safety Symbols

In this operator's manual and on the product, safety symbols and signal words are used to communicate important safety information. This section is provided to improve understanding of these signal words and symbols.

 This is the safety alert symbol. It is used to alert you to potential personal injury hazards. Obey all safety messages that follow this symbol to avoid possible injury or death.

 **DANGER** DANGER indicates a hazardous situation which, if not avoided, will result in death or serious injury.

 **WARNING** WARNING indicates a hazardous situation which, if not avoided, could result in death or serious injury.

 **CAUTION** CAUTION indicates a hazardous situation which, if not avoided, could result in minor or moderate injury.

**NOTICE** NOTICE indicates information that relates to the protection of property.



This symbol means read the operator's manual carefully before using the equipment. The operator's manual contains important information on the safe and proper operation of the equipment.



This symbol means always wear safety glasses with side shields or goggles when handling or using this equipment to reduce the risk of eye injury.



This symbol indicates the risk of fingers and hands being crushed between the groove rolls.



This symbol indicates the risk of hands, fingers, legs, clothes and other objects catching and/or wrapping on rotating shafts causing crushing or striking injuries.



This symbol indicates that a drill, impact tool, or other power tool should not be used to drive this device when used in place.



This symbol indicates the risk of machine tipping, causing striking or crushing injuries.



This symbol means always use a foot switch when using a threading machine/power drive.



This symbol means wear a hard hat when working overhead to reduce the risk of head injury.

## General Safety Rules

### **WARNING**

Read and understand all instructions. Failure to follow all instructions listed below may result in electric shock, fire, and/or serious personal injury.

### **SAVE THESE INSTRUCTIONS!**

The term "power tool" in the warnings refers to your mains-operated (corded) power tool or battery-operated (cordless) power tool.

### Work Area Safety

- **Keep your work area clean and well lit.** Cluttered or dark areas invite accidents.
- **Do not operate power tools in explosive atmospheres, such as in the presence of flammable liquids, gases, or dust.** Power tools create sparks which may ignite the dust or fumes.
- **Keep children and by-standers away while operating a power tool.** Distractions can cause you to lose control.

- **Keep floors dry and free of slippery materials such as oil.** Slippery floors invite accidents.
- **Guard or barricade the area when work piece extends beyond machine.** A guard or barricade that provides a minimum of three (3) feet clearance around the work piece will reduce the risk of entanglement.

### Electrical Safety

- **Power tool plugs must match the outlet. Never modify the plug in any way. Do not use any adapter plugs with earthed (grounded) power tools.** Unmodified plugs and matching outlets will reduce risk of electric shock.
- **Avoid body contact with earthed or grounded surfaces such as pipes, radiators, ranges and refrigerators.** There is an increased risk of electrical shock if your body is earthed or grounded.
- **Do not expose power tools to rain or wet conditions.** Water entering a power tool will increase the risk of electrical shock.

- **Do not abuse the cord. Never use the cord for carrying, pulling or unplugging the power tool. Keep cord away from heat, oil, sharp edges or moving parts.** Damaged or entangled cords increase the risk of electric shock.
- **When operating a power tool outdoors, use an extension cord suitable for outdoor use.** Use of a cord suitable for outdoor use reduces the risk of electric shock.
- **If operating a power tool in a damp location is unavoidable, use a ground fault circuit interrupter (GFCI) protected supply.** Use of an GFCI reduces the risk of electric shock.

### Personal Safety

- **Stay alert, watch what you are doing and use common sense when operating a power tool. Do not use a power tool while you are tired or under the influence of drugs, alcohol, or medication.** A moment of inattention while operating power tools may result in serious personal injury.
- **Use personal protective equipment. Always wear eye protection.** Protective equipment such as dust mask, non-skid safety shoes, hard hat, or hearing protection used for appropriate conditions will reduce personal injuries.
- **Prevent unintentional starting. Ensure the switch is in the off-position before connecting to power source and/or battery pack, picking up or carrying the tool.** Carrying power tools with your finger on the switch or energizing power tools that have the switch on invites accidents.
- **Remove any adjusting key or wrench before turning the power tool on.** A wrench or a key left attached to a rotating part of the power tool may result in personal injury.
- **Do not overreach. Keep proper footing and balance at all times.** This enables better control of the power tool in unexpected situations.
- **Dress properly. Do not wear loose clothing or jewelry. Keep your hair, clothing, and gloves away from moving parts.** Loose clothes, jewelry, or long hair can be caught in moving parts.
- **If devices are provided for the connection of dust extraction and collection facilities, ensure these are connected and properly used.** Use of dust collection can reduce dust-related hazards.

### Tool Use and Care

- **Do not force tool. Use the correct tool for your application.** The correct tool will do the job better and safer at the rate for which it is designed.
- **Do not use tool if the switch does not turn it ON and OFF.** Any tool that cannot be controlled with the switch is dangerous and must be repaired.
- **Disconnect the plug from the power source and/or the battery pack from the tool before making any adjustments, changing accessories, or storing tools.** Such preventive safety measures reduce the risk of starting the tool accidentally.
- **Store idle tools out of the reach of children and do not allow persons unfamiliar with the tool or these instructions to operate the tool.** Tools are dangerous in the hands of untrained users.
- **Maintain tools. Check for misalignment or binding of moving parts, breakage of parts and any other condition that may affect the tool's operation. If damaged, have the tool repaired before use.** Many accidents are caused by poorly maintained tools.
- **Use only accessories that are recommended for your tool.** Properly maintained cutting tools with sharp cutting edges are less likely to bind and are easier to control.
- **Keep handles dry and clean; free from oil and grease.** Allows for better control of the tool.

### Service

- **Have your tool serviced by a qualified repair person using only identical replacement parts.** This will ensure that the safety of the tool is maintained.

### Specific Safety Information

#### **⚠ WARNING**

**This section contains important safety information that is specific to this tool.**

**Read these precautions carefully before using the 975 Combo Roll Groover to reduce the risk of serious personal injury.**

#### **SAVE THESE INSTRUCTIONS!**

Contact Ridge Tool Technical Service Department at (800) 519-3456 or techservices@ridgid.com if you have any questions.

## Roll Groover Safety

- **Do not wear loose clothing. Keep sleeves and jackets buttoned. Do not reach across the machine or pipe.** Clothing can be caught by the pipe or other rotating parts, resulting in entanglement and serious injury.
- **Keep hands away from grooving rolls. Do not groove pipe shorter than specified. Do not wear loose fitting gloves.** Fingers can be crushed between groove rolls or between groove roll and pipe.
- **Keep hands away from ends of pipe. Do not reach inside pipe.** Burrs and sharp edges can catch and cut. Fingers can be crushed between groove rolls or between groove roll and pipe.
- **Properly prepare and handle pipe.** Burrs and sharp edges can catch and cut.
- **Properly support the pipe.** This will help to prevent the tipping of the pipe and equipment.
- **Read and understand this operator's manual, the appropriate power drive or threading machine operator's manual, the fitting manufacturer's installation instructions and the instructions for any other equipment used with this tool before operating the RIDGID® 975 Combo Roll Groover.** Failure to follow all instructions may result in property damage and/or serious personal injury.
- **Always wear appropriate personal protective equipment while setting up and using the RIDGID 975 Combo Roll Groover.** Appropriate personal protective equipment always includes eye protection and may include equipment such as tight fitting leather gloves, steel toed footwear, and a hardhat.
- **Only use roll groover to groove pipe of recommended sizes and types according to these instructions.** Other uses or modifying the roll groover for other applications may increase the risk of injury.

## Roll Groover Safety When Used With A Power Drive/Threading Machine

- **Only use the RIDGID 300 Power Drive or the 300 Compact Threading Machine with this 975 Combo Roll Groover.** Use of other power sources will result in improper set up and could cause tipping or other issues.
- **Do not use this roll groover with a power drive or threading machine that does not have a foot switch. Never block a foot switch so that it does not control the power drive.** A foot switch provides better control by letting you shut off the power drive motor by removing your foot. If clothing should become

caught in the machine and power is maintained to the motor, the clothing will be pulled into the machine. This machine has high torque and can cause the clothing to bind around your arm or other body parts with enough force to crush or break bones or cause striking or other injuries.

- **One person must control both the grooving process and the foot switch. Do not operate with more than one person.** In case of entanglement, the operator must be in control of the foot switch.
- **Only use power drives and threading machines with a rotational speed of 57 rpm or less.** Higher speed machines increase the risk of injury.
- **Be sure the roll groover is properly set up and secured to the power drive/threading machine. Be sure the machine, stand, groover and pipe are stable.** This will help prevent tipping of the equipment and pipe.

## Roll Groover Safety When Used In Place

- **Only drive manually when used for in place applications. Do not use powered devices (such as drills or impact tools) to drive the roll groover when used in place.** Use of powered devices can damage the Groove and increase the risk of injury.
- **When working overhead, all personnel should wear hard hats and be clear of the area below.** Prevents serious injuries if roll groover, pipe or other objects fall.

## Description, Specifications and Standard Equipment

### Description

The RIDGID® 975 Combo Roll Groover forms rolled grooves in steel, aluminum and PVC pipe and will groove 1¼" to 6" diameter pipe, schedule 10 and schedule 40. It is also designed to groove 1¼" to 6" schedule 10 and 1¼" to 2" schedule 40 stainless steel pipe. It can also be adapted for 2" - 8" Type K, L,M and DWV copper tube with a roll set change. The grooves are formed by mechanically advancing a grooving roll into the pipe which is supported by a drive roll. The only adjustment necessary is for the depth of the groove.

The unit is specifically designed to be used either in place or with the RIDGID Model 300 Power Drive (38 and 57 RPM Models). With the appropriate adapter (cat. #67662), the unit can work with the RIDGID Model 300 Compact Threading Machine. The 975 Combo Roll Groover includes a patented groove depth gauge to aid in groove set up and patented features to improve tracking during use.

The 975 Combo Roll Groover is a portable unit intended for occasional use on the job site and should not be used for high volume work or for production work in a pipe fabrication shop.

**NOTICE** When properly used, the Model 975 Combo Roll Groover makes grooves 2" - 6" that are dimensionally within the specifications of AWWA C606-06. Selection of appropriate materials and joining methods is the responsibility of the system designer and/or installer. Before any installation is attempted, careful evaluation of the specific service environment, including chemical environment and service temperature, should be completed.

**Specifications**

- Capacity .....1 1/4" – 6" Schedule 10 and Schedule 40 Steel Pipe  
With Roll Change: 2" - 8" Copper Tube, Type K, L, M & DWV
- Groove Diameter Adjustment .....Adjusting Screw And Groove Depth Gauge
- Actuation .....Feed Screw with 1/2" Ratchet Wrench
- Power Drive Mounting...RIDGID 300 Power Drive (38 and 57 RPM Model Only)  
RIDGID 300 Compact Threading Machine (with adapter)
- Weight.....27.6 lbs.

The 975 Combo Roll Groover is protected under U.S. and International patents, including patents 6,272,895 and 6,591,652.

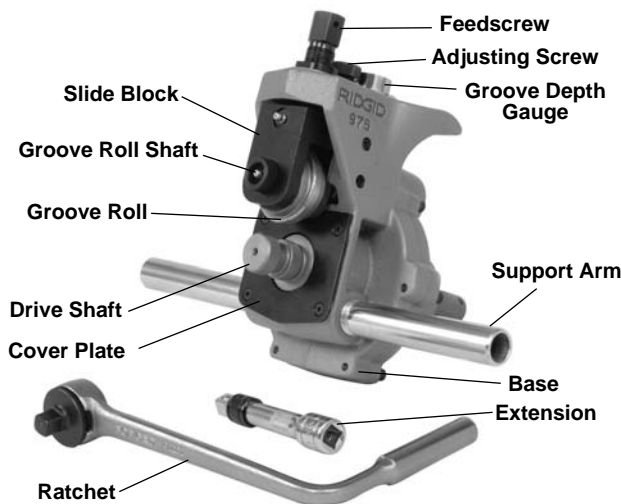


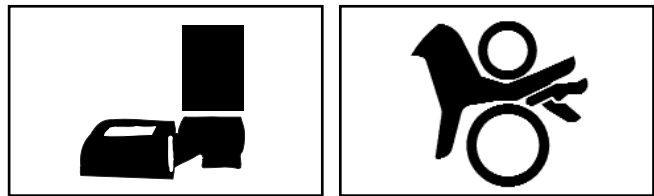
Figure 1 – 975 Combo Roll Groover

**Standard Equipment**

- 1 1/4" – 6" Schedule 10 & 40 Groove and Drive Rolls
- Ratchet Wrench (1/2" Drive) with Button Release
- Locking Extension Drive
- Support Arms
- Integral Index Depth Gauge

**Roll Groover Inspection**

**⚠ WARNING**



**Before each use, inspect your roll groover and correct any problems to reduce the risk of serious injury from crushing injuries and other causes and prevent roll groover damage.**

**Do not use this roll groover with a power drive/threading machine that does not have a foot switch.**

1. If the roll groover is installed on a power drive or threading machine, make sure that the machine is unplugged and that the REV/OFF/FOR switch is in the OFF position. Inspect and maintain the power drive/threading machine as directed in the machine’s operator’s manual. Failure to properly inspect and maintain equipment can result in serious injury and property damage. Make sure that that a foot switch is present and properly operating. Do not use this roll groover without a foot switch.
2. Clean any oil, grease or dirt from the roll groover, including the carry handle, and the ratchet used to activate the roll groover. This reduces the risk of injury due to the groover or ratchet slipping from your grip during use and allows easier inspection.
3. Make sure that the support arms are tight in the body of the roll groover.
4. Inspect the roll groover for any broken, missing, misarranged or binding parts or any other condition that may prevent the safe and normal operation. Make sure that the groove roll and drive shaft turn freely.
5. Check that the warning label is present and firmly attached. See Figure 2 for the location of the warning label.
6. If the drive shaft knurls are dirty, clean with a wire brush. Dirty knurls can cause pipe slippage and tracking issues during grooving.

7. Inspect the groove roll and drive shaft for cracks, wear or other signs of damage. Damaged groove rolls and drive shafts can cause pipe slippage, poor quality grooves, or cause failure during use.
8. Inspect the ratchet and extension for proper operation. Make sure that the ratchet operates smoothly and consistently in both directions. Press the release button in the center of the ratchet head and install on the feedscrew. The ratchet should firmly lock into position. The ratchet should also lock securely into the extension and the extension should securely lock into the manual drive square at the back of the roll groover. This helps to prevent the ratchet and extension from coming loose from the roll groover in use. If using a different ratchet, wrench or extension that does not lock to the roll groover, be aware that it could come loose during use.

If any problems are found, do not use the machine until the problems have been corrected.

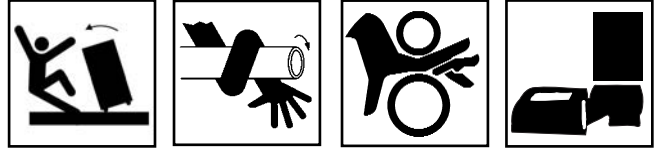
9. Lubricate the roll groover per the maintenance instructions in this manual. Wipe any excess grease from the roll groover.
10. If any other equipment is being used, inspect and maintain to make sure it is functioning properly.



**Figure 2 – 975 Combo Roll Groover Warning Label**

## Machine and Work Area Set-Up For Power Driven Applications

### ⚠ WARNING



**Always wear eye protection to protect your eyes against dirt and foreign objects. Wear steel toe footwear to protect feet from tipping tools and falling pipe.**

**Do not use this roll groover with a power drive or threading machine that does not have a foot switch. Never block a foot switch so that it does not control the power drive. A foot switch provides better control by letting you shut off the power drive motor by removing your foot. If clothing should become caught in the machine and power is maintained to the power drive motor, the clothing will be pulled into the machine. This machine has high torque and can cause the clothing to bind around your arm or other body parts with enough force to crush or break bones or cause striking or other injuries.**

**Set up the roll groover and the work area according to these procedures to reduce the risk of injury from electric shock, fire, machine tipping, entanglement, crushing and other causes, and prevent roll groover damage.**

1. Locate a work area that has the following:
  - Adequate lighting.
  - No flammable liquids, vapors or dust that may ignite. If present, do not work in area until sources have been identified and corrected. Power Drives and threading machines are not explosion proof, and can cause sparks.
  - Clear, level, stable and dry location for all of the equipment and the operator. Do not use the equipment while standing in water.
  - Properly grounded electrical outlet. A three prong or GFCI outlet may not be properly grounded. If in doubt, have outlet inspected by a licensed electrician.
  - Clear path to the electrical outlet that does not contain any potential sources of damage to the power cord.
2. Clean up the work area prior to setting up any equipment. Always wipe up any oil that may be present.
3. Inspect the pipe to be grooved and confirm that the 975 Combo Roll Groover is the correct tool for the job. The 975 Combo Roll Groover is designed to groove schedule 10 and 40 steel, aluminum, and PVC pipe in 1¼" to 6" sizes. It is also designed to groove 1¼" to 6"



schedule 10 and 1 $\frac{1}{4}$ " to 2" schedule 40 stainless steel pipe. With a roll set change, it can be used to groove 2" - 8" Type K, L, M and DWV copper tube.

The 975 Combo Roll Groover can be used for in place applications (pipe that is in place or mounted in a vise) or with a RIDGID 300 Power Drive or 300 Compact Threading Machine for powered applications on the job site. The 975 Combo Roll Groover is not intended for production type applications.

Roll groovers for other applications can be found by consulting the Ridge Tool catalog, on line at [www.RIDGID.com](http://www.RIDGID.com), or by calling Ridge Tool Technical Services at 800-519-3456.

**NOTICE** Use of roll sets (groove roll and driveshaft) on both carbon and stainless steel pipe can lead to contamination of the stainless steel material. This contamination could cause corrosion and premature pipe failure. To prevent ferrous contamination of stainless steel pipe, use roll sets dedicated for stainless steel roll grooving. Alternately, a stainless steel wire brush may be used to thoroughly clean the roll set when switching between materials.

4. Make sure the power drive/threading machine has been inspected per it's manual. Confirm the presence of a foot switch and make sure that the FOR/OFF/-REV switch is in the OFF position. Set up the power drive/threading machine as directed in it's manual. Make sure that the machine and stand are stable and do not wobble.
5. Fully open the chuck of the power drive/threading machine.
6. Confirm that the 975 Combo Roll Groover has been inspected and has the appropriate roll set installed.

### Mounting The 975 Combo Groover Onto A RIDGID 300 Power Drive

1. If the power drive to be used is equipped with a carriage or other attachments, remove them from the power drive. Make sure the power drive support arms are fully forward and fixed in position.
2. Place the support arms of the roll groover onto the support arms of the power drive and the end of the roll groover driveshaft in the chuck of the machine. Close and tighten the power drive chuck onto the flats of the driveshaft. Make sure that the driveshaft is centered in the chuck. Use repeated and forceful counter-clockwise spins of the speed chuck hammerwheel to securely grip the driveshaft (*Figure 3*).

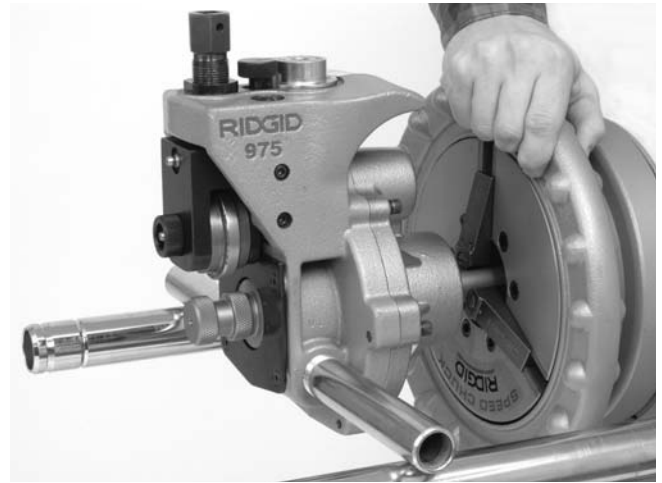


Figure 3 – Mounting 975 Combo Roll Groover Into 300 Power Drive Chuck

### Mounting The 975 Combo Groover Onto A RIDGID 300 Compact Threading Machine

When using the 975 Combo Roll Groover with a 300 Compact Threading Machine, an adapter kit (Catalog Number 67662) must be used. This adapter kit properly positions the 975 Combo Roll Groover relative to the threading machine and stand and to allow the complete range of sizes to be grooved. Do not try to use the 975 Combo Groover with any other threading machine, as tipping or other issues may result.

1. Install the drive bar adapter onto the roll groover drive shaft (*See Figure 4*). Align set screws with the flats on the roll groover drive shaft and firmly tighten.

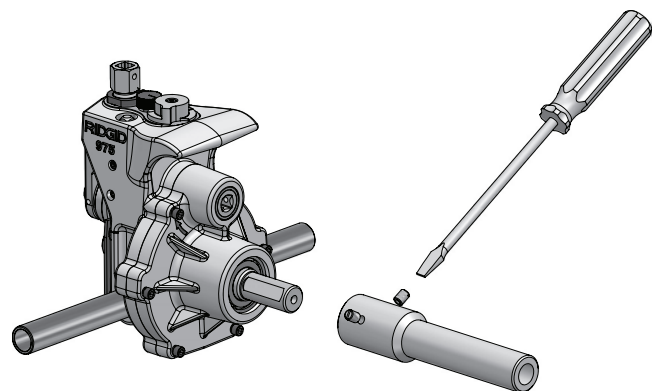
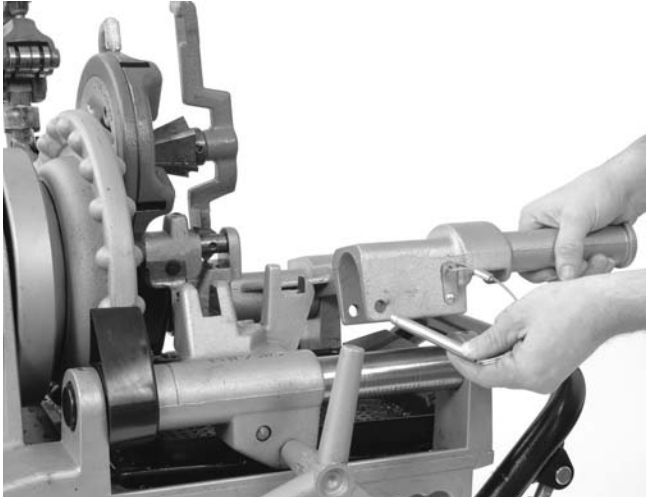


Figure 4 – Installing Drive Bar Adapter

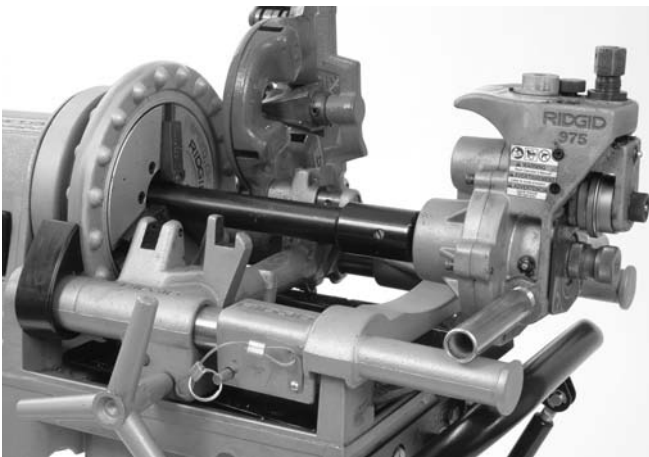
2. Move carriage on the 300 Compact Threading Machine as close to the machine chuck as possible. Move the cutter, reamer and die head in to the position away from the operator, so they are out of the way. Position reamer cone inside of die head.

- Place the adapter bracket over the end of rails of the 300 Compact (as shown in Figure 5) and lock into place with the attached pin



**Figure 5 – Installing Adapter Bracket**

- Place the 975 support arms on the arms of the adapter bracket with the drive bar adapter in the chuck of the machine. Close and tighten the threading machine chuck onto the drive bar adapter. Make sure that the drive bar is centered in the chuck. Use repeated and forceful counterclockwise spins of the speed chuck hammerwheel to securely grip the drive bar.



**Figure 6 – 975 Combo Roll Groover Properly Mounted On 300 Compact Threading Machine**

### Completing Set Up

- Position the foot switch so that the operator can control the power drive/threading machine, the roll groover and the pipe to be grooved. As shown in Figure 6, the position should allow the operator to:
  - Stand facing the roll groover with access to (on the same side as) the FOR/OFF/REV switch.

- Control the ON/OFF action of the foot switch and quickly release the foot switch if needed.
- Have convenient access to the roll groover, pipe and ratchet wrench without reaching over the roll groover.



**Figure 7 – Operator Position**

- Run the power cord along the previously identified clear path. With dry hands plug the power drive into the properly grounded outlet. Keep all connections dry and off the ground. If the power cord is not long enough use an extension cord that :
  - Is in good condition
  - Has a three prong plug similar to that on the power drive
  - Is rated for outdoor use and contains a W or W-A in the cord designation (i.e. SOW)
  - Has sufficient wire size (14 AWG for 25' or less, 12 AWG for 25' – 50' long). Undersized wires can overheat, melting the insulation or causing a fire or other damage.
- Check the power drive/threading machine to make sure that it is operating correctly:
  - Move the switch to the FOR (Forward) position. Press and release the foot switch. Confirm that the driveshaft rotates in a counter-clockwise direction as you face the front chuck. If the unit does not

rotate in the correct direction or the foot switch does not control the machine operation, do not use the machine until it has been repaired.

- Depress and hold the foot switch. Check the rotational speed of the unit. Inspect the moving parts for misalignment, binding, odd noises or any other unusual conditions. Release foot switch. If the rotational speed exceeds 57 rpm, do not use the unit for roll grooving. Higher speeds may increase the risk of injury. If unusual conditions are found, do not use the equipment until it has been repaired.
- Move the switch to the REV (reverse) position. Press and release the foot switch. Confirm that the driveshaft rotates in a clockwise direction as you face the front of the chuck. If the unit does not rotate in the correct direction, do not use the machine until it has been repaired.
- Move the switch to the OFF position. With dry hands unplug the machine.

### Pipe Preparation

**NOTICE** These are generalized instructions. Always follow grooved coupling manufacturer’s specific recommendations for pipe end preparation. Failure to follow the grooved coupling manufacturer’s recommendations may lead to an improper connection and cause leaks.

1. Cut pipe to proper length. Be aware of the minimum lengths of pipe that can be grooved for each size of pipe (See Chart A). Grooving pipe shorter than minimum length increases the risk of injury from crushed fingers and entanglement.

Make sure pipe end is cut square and free of burrs. Burrs can catch or cut gloves or fingers during grooving. Cut off method and large burrs can effect the quality of the groove made and the tracking of the Groove. Do not attempt to groove pipe that has been cut with a torch.

2. All internal/external weld beads, flash, or seams must be ground flush at least 2" back from the end of the pipe. Do not cut flats into gasket seat area, this could cause leaks.
3. Remove all scale, dirt, rust and other contaminants at least 2" back from the end of the pipe. Contaminants can clog the drive knurls and prevent proper driving and tracking of the pipe while grooving.

### Pipe Set Up In Roll Groover

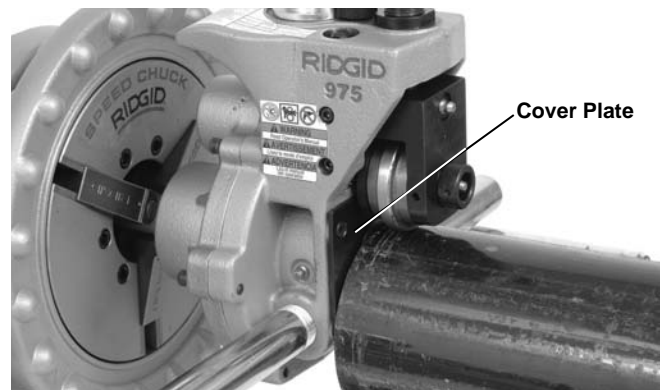
1. Confirm that the power drive switch/threading machine is in the OFF position.

2. Make sure to have appropriate support available for the pipe you are going to be grooving. Chart A lists the maximum length of pipe to be grooved using a single pipe stand. Longer lengths of pipe should be supported with at least two pipe stands. Failure to properly support the pipe may allow the pipe or the pipe and machine to tip and fall. Do not groove pipe shorter than the minimum length.

Nom. Size	Min. Length	Max. Length	Nom. Size	Min. Length	Max. Length
1	8	36	4	8	36
1¼	8	36	4½	8	32
1½	8	36	5	8	32
2	8	36	6 O.D.	10	30
2½	8	36	6	10	28
3	8	36			
3½	8	36			

**Chart A – Minimum/Maximum Pipe Length To Be Grooved With One Stand (All Dimensions In Inches)**

3. Place the required pipe stands in front of the roll groover. For lengths supported by a single stand, the stand should be placed slightly more than half the length of the pipe from the roll groover cover plate. For lengths of pipe requiring more than one stand, the stands should be placed ¼ of the pipe length from the ends of the pipe. It may be appropriate to use more stands in some situations. Stand height should be adjusted so that the pipe can fit over the drive roll.
4. Make sure that the groove roll has been retracted enough to allow the pipe to be placed over the drive shaft. If needed, turn the feedscrew counter-clockwise to raise the groove roll.
5. Place the pipe end over the driveshaft and set the pipe down onto the pipe stand(s). Make sure the pipe is stable.

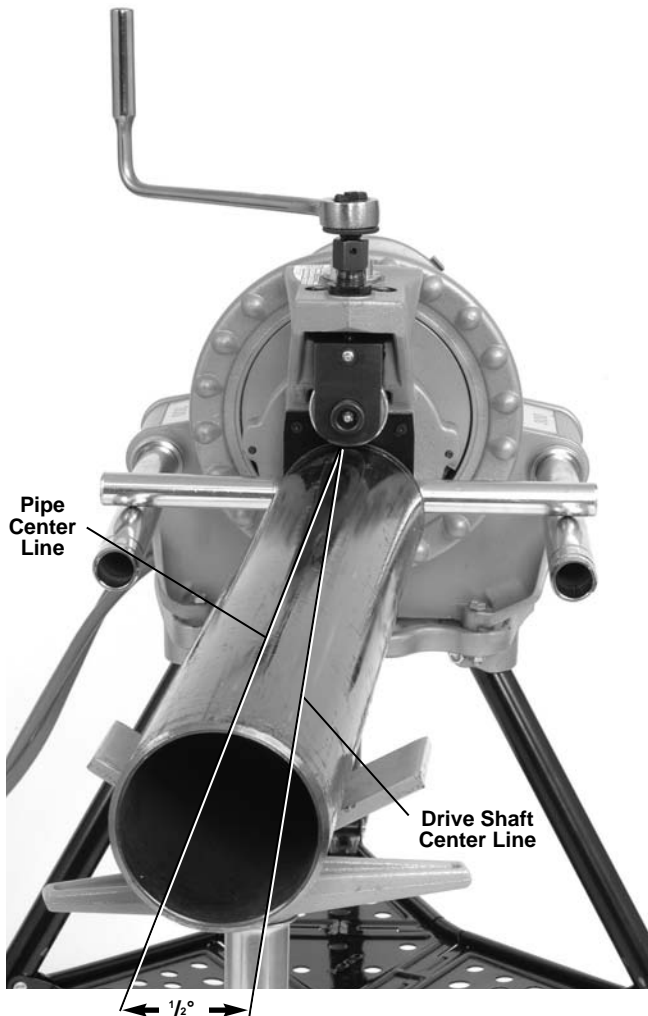


**Figure 8 – Placing Pipe Over Driveshaft and Flush To Cover Plate**

6. Adjust pipe and pipe stands so that the end of the pipe is flush to the roll groover cover plate and that the inside of the pipe contacts the top of the driveshaft

(Figure 7). The centerline of the pipe and the centerline of the drive shaft should be parallel to one another. One way to do this is to level both the pipe and the power drive/threading machine.

7. Slightly offset the pipe and pipe stands approximately 1/2 degree (about 1" over at 10 feet from the roll groover) towards the operator. Proper alignment of the pipe and roll groover helps to insure proper tracking of the pipe while grooving. (See Figure 9.)



**Figure 9 – Offsetting The Pipe 1/2° Towards Operator (Exaggerated)**

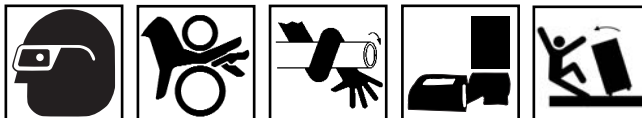
8. Turn the feedscrew clockwise to bring the groove roll down in contact with the pipe outside diameter, then turn the feedscrew one quarter additional turn. The adjusting screw may need to be loosened (turned counter-clockwise) to allow the groove roll to contact pipe. The pipe and roll groover should be secure to each other at this point.
9. Evaluate the work area and determine if any barriers are required to keep people other than the operator

away from the equipment and pipe. Guards or barricades should be used to create a minimum of three (3) feet of clearance around the power drive and pipe. This “safety zone” prevents others from accidentally contacting the machine or pipe and causing tipping or becoming entangled in the rotating parts.

10. With dry hands, plug the machine into the properly grounded outlet.

## Operating The 975 Combo Roll Groover With A Power Drive/Threading Machine

### ⚠ WARNING



**Do not wear loose clothing when operating the roll groover. Keep sleeves and jackets buttoned. Do not reach across the machine or pipe. Loose clothing can become entangled in rotating parts and cause crushing injuries.**

**Keep hands away from grooving rolls. Do not groove pipes shorter than specified. Do not wear loose fitting gloves. Fingers can be crushed between groove rolls or between groove roll and pipe.**

**Keep hands away from ends of pipe. Do not reach inside pipe. Burrs and sharp edges can catch and cut. Fingers can be crushed between groove rolls or between groove roll and pipe.**

**Always wear eye protection to protect your eyes against dirt and foreign objects. Wear steel toe footwear to protect feet from tipping tools and falling pipe.**

**Follow operating instructions to reduce the risk of injury from crushing, tipping, striking and other causes.**

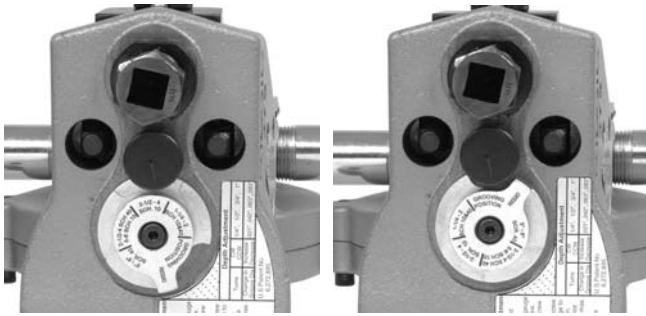
### Setting/Measuring The Groove Diameter

**NOTICE** Due to differing pipe characteristics, a test groove should always be performed before the first groove of the day or when changing pipe size, schedule or material. Groove diameter setting gauges are approximate only and the groove diameter must be measured to confirm proper size.

1. Confirm that the equipment and pipe is properly set up. Improper pipe preparation can effect the accurate set up of the groove depth gauge. The groove roll should be touching the pipe.
2. Adjust the groove depth gauge so that the correct step of the gauge is under the head of the adjusting screw (Figure 10A). The groove depth gauge is

designed for use with pipe. See "Setting The Groove Diameter For Copper Tube" for use with copper tube.

- Turn the adjusting screw clockwise until the head touches the step of the depth gauge. Turn the groove depth gauge to the grooving position (Figure 10B). If the gauge is not in the grooving position it will prevent grooving and may be damaged.



**Figure 10A – Place Correct Step of Gauge Under Adjusting Screw Head**

**Figure 10B – Gauge In Grooving Position**

- Prepare a test groove (follow the steps for "Forming the Roll Groove").
- Measure the groove diameter. The best method for measuring groove diameter is the use of a diameter tape (see Accessories Section). Snugly wrap the diameter tape around the pipe in the groove. Make sure that the tape sits flat in the bottom of the groove, and read the groove diameter. (See Figure 11.)



**Figure 11 – Checking Groove Diameter With A Diameter Tape**

- Compare the measured groove diameter to the required groove diameter as shown in Table I or III or as specified by the groove fitting manufacturer. If the measured groove is outside of the required groove

diameter, the adjusting screw must be repositioned to give the correct groove diameter.

- To increase groove diameter, turn the adjusting screw clockwise.
  - To decrease groove diameter, turn the adjusting screw counter-clockwise.
  - Each 1/4 turn of the adjusting screw changes the groove diameter approximately 0.02".
- Repeat steps 4-6 until the groove diameter is within specifications. If the groove is too large, the groover can be adjusted and the groove made smaller. If the groove is too small, another groove will need to be made. Proper groove diameter is important to insure connection performance. Out of specification grooves could cause joint failure.

### Forming The Roll Groove

- Confirm that the equipment and pipe are properly set up.



**Figure 12 – Roll Groover Operating Position**

- Assume a proper operating position. Position the power drive foot switch so that the operator can control the power drive, the roll groover and the pipe to be grooved. As shown in Figure 12, the position should allow the operator to:

- Stand facing the roll groover with access to (on the same side as) the FOR/OFF/REV switch.
  - Control the ON/OFF action of the foot switch and quickly release the foot switch if needed.
  - Have convenient access to the groover and ratchet wrench without reaching over the roll groover.
  - Place right hand on pipe being grooved if needed.
  - Have good footing and proper balance.
3. Move the FOR/OFF/REV switch to the REV (reverse position). **Do not run the 975 Combo Roll Groover in the FOR (forward). Because of the design of the 975 Combo Roll Groover, this will cause the pipe to “spiral” out of the roll groove rolls and may allow the pipe to fall.**
  4. Place one hand on the on the head of the ratchet/top of the feedscrew and the other hand on the end of the ratchet.
  5. Press the foot switch to start the power drive. Watch the pipe rotate and be sure that the face of the pipe stays in contact with the cover plate of the roll groover. If the pipe starts to move away from the roll groover cover plate, release the foot switch to prevent the pipe from spiraling off and falling. If needed, re-set up the pipe (see *Pipe Set Up Section*). If the pipe end is deformed, it will need to be cut off and a new groove prepared.
  6. As the pipe completes a full rotation, tighten the feedscrew another 1/4 turn. Continue to monitor the pipe end to make sure that it is in contact with the cover plate. Do not tighten the feedscrew more than 1/4 turn per pipe rotation. Aggressive tightening of the feedscrew can cause excessive groove flare or cause the pipe to spiral off the drive shaft.
  7. Continue tightening the feedscrew 1/4 turn per pipe revolution until the head of the adjusting screw stops against the top of the roll groover. Do not continue tightening the feedscrew after the adjusting screw reaches the top of the roll groover, this can damage the adjusting screw. Allow the pipe to rotate at least two more full rotations in this position to insure uniform groove depth.
  8. Release the foot switch and move the FOR/OFF/REV switch to the OFF position.
  9. Turn the feedscrew counter-clockwise and raise the groove roll so that the pipe can be removed from the machine.
  10. Inspect the groove.
    - Make sure that the groove is fully formed.

- Check the groove diameter and make sure it is within specification.
- Check any other items required by the fitting manufacturer.

If any problems are found, the groove cannot be used.

### Setting The Groove Diameter For Copper Tubing

When using the 975 Combo Roll Groover for copper tube, the groove depth gauge on the groover cannot be used. It will give incorrect groove diameters.

1. Turn the feedscrew clockwise to bring the groove roll down in contact with the pipe outside diameter, then turn the feedscrew one quarter additional turn. The adjusting screw may need to be loosened (turned counter-clockwise) to allow the groove roll to contact pipe. The pipe and roll groover should be secure to each other at this point.
2. Make sure the groove depth gauge is in the grooving position. (*Figure 10B*)
3. Turn the adjusting screw until it is flush with the top plate of the groover.
4. Find the diameter and type of pipe to be grooved on Table B and back the adjusting screw off the top plate the corresponding number of turns. For example, for 4" Sch. L copper, back the adjustment screw 1 1/4 turns.

#### Depth Adjustment for Roll Grooving Copper Tubing (Adjusting Screw Turns)

Dia.	K	L	M	DWV
2-2.5"	7/8	7/8	5/8	5/8
3"	1 1/16	1 1/16	1 1/16	1 1/16
4"	1 1/4	1 1/4	1 1/4	1 1/8
5"	1 1/2	1 1/2	1 1/2	1 1/2
6"	1 13/16	1 3/4	1 3/4	1 3/4
8"	2 1/2	2 3/8	2 1/8	2 1/8

**Chart B – Depth Adjustment for Roll Grooving Copper Tubing**

5. Go to step 4 of “Setting/Measuring The Groove Diameter”.

### 975 Combo Roll Groover Tracking Tips

The main issue users encounter when roll grooving is the pipe “spiraling” or “walking off” the driveshaft or not “tracking” properly. For good tracking, it is important that all of the instructions are followed. If, even after following all instructions, the pipe will not properly track, there are several other options to improve tracking.

- Slightly increase the offset of the pipe towards the operator (increase from  $\frac{1}{2}$  degree to 1 degree) (See *Figure 9*).
- The operator may need to apply slight force on the pipe while grooving to maintain tracking. This is usually only needed on shorter sections of pipe. To do this, the operator should wear a leather glove in good condition and cup their hand around the middle of the pipe as shown in *Figure 13*. This may require that the stand to which the power drive/threading machine is mounted be fixed to the floor to prevent movement during grooving. To prevent crushing injuries, keep hand away from the groove roll and the ends of the pipe, and do not groove pipe shorter than recommended.



**Figure 13 – Applying Force To Pipe While Grooving To Maintain Tracking**

- Additionally, see the *Troubleshooting Section* for a complete list of reasons for and solutions to tracking issues.

## Machine and Work Area Set-Up For In Place Applications

### ⚠ WARNING



**Always wear eye protection to protect your eyes against dirt and foreign objects. Wear steel toe footwear to protect feet from tipping and falling pipe and tools. When working in place, wear a hard hat.**

**Set up roll groover and work area according to these procedures to reduce the risk of injury from machine tipping, crushing and other causes, and prevent roll groover damage.**

1. Locate a work area that has the following:
  - Adequate lighting.
  - No flammable liquids, vapors or dust that may ignite. If present, do not work in area until sources have been identified and corrected.
  - Clear, level, stable and dry location with adequate space for all of the equipment and the operator.
2. Clean up the work area prior to setting up any equipment. Always wipe up any oil that may be present.
3. Inspect the pipe to be grooved and confirm that the 975 Combo Roll Groover is the correct tool for the job. The 975 Combo Roll Groover is designed to groove schedule 10 and 40 steel, aluminum, and PVC pipe in  $1\frac{1}{4}$ " to 6" sizes. It is also designed to groove  $1\frac{1}{4}$ " to 6" schedule 10 and  $1\frac{1}{4}$ " to 2" schedule 40 stainless steel pipe. With a roll set change, it can be used to groove 2" - 8" Type K, L, M and DWV copper tube.
 

The 975 Combo Roll Groover can be used for in place applications (pipe that is in place or mounted in a vise) or with a RIDGID 300 Power Drive or 300 Compact Threading Machine for powered applications on the job site. The 975 Combo Roll Groover is not intended for production type applications.
4. When grooving in place, make sure that there will be enough space for the 975 Combo Roll Groover to fit and be operated. The roll groover will orbit around the solidly mounted pipe and requires:
  - A minimum of  $6\frac{1}{2}$ " clear space around the pipe to be grooved
  - A minimum of  $2\frac{1}{2}$ " pipe extending past an obstruction such as a wall

- A minimum opening of 9 1/2" to fit the roll groover onto the pipe

Roll groovers for other applications can be found by consulting the Ridge Tool catalog, on line at [www.RIDGID.com](http://www.RIDGID.com), or by calling Ridge Tool Technical Services at 800-519-3456.

**NOTICE** Use of roll sets (groove roll and driveshaft) on both carbon and stainless steel pipe can lead to contamination of the stainless steel material. This contamination could cause corrosion and premature pipe failure. To prevent ferrous contamination of stainless steel pipe, use roll sets dedicated for stainless steel roll grooving. Alternately, a stainless steel wire brush may be used to thoroughly clean the roll set when switching between materials.

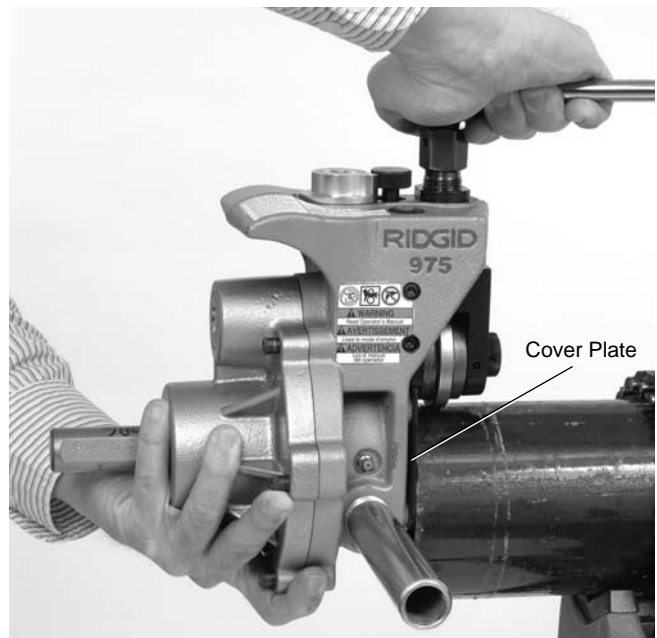
### Pipe Preparation

**NOTICE** These are generalized instructions. Always follow grooved coupling manufacturer's specific recommendations for pipe end preparation. Failure to follow the grooved coupling manufacturer's recommendations may lead to an improper connection and cause leaks.

1. If grooving in place on an existing piping, make sure that the system has been depressurized and emptied of contents. Know what the contents are and any hazards associated with them.
2. Cut pipe to proper length.  
Make sure pipe end is cut square and free of burrs. Burrs can catch or cut gloves or fingers during grooving. Cut off method and large burrs can effect the quality of the groove made and the tracking of the Groove. Do not attempt to groove pipe that has been cut with a torch.
3. All internal/external weld beads, flash, or seams must be ground flush at least 2" back from the end of the pipe. Do not cut flats into gasket seat area, this could cause leaks.
4. Remove all scale, dirt, rust and other contaminants at least 2" back from the end of the pipe. Contaminants can clog the drive knurls and prevent proper driving and tracking of the pipe while grooving.
5. Make sure that the pipe to be grooved is solidly mounted. The pipe must be able to withstand the weight of the roll groover (28 pounds), and the force and torque required for grooving without moving. For pipe that is in place, it may make sense to remove the pipe and groove at a pipe vise. In other cases, it may be necessary to add other temporary or permanent pipe supports. When using a pipe vise, make sure that it is secure and will not tip during use. For longer lengths of pipe, use appropriate pipe stands to support the extra length.

### Mounting The Roll Groover To The Pipe

1. Confirm that the 975 Combo Roll Groover has been inspected and has the appropriate roll set installed. Make sure that the support arms are tight in the body of the roll groover or remove them completely for better access in tight spaces. Next, install the ratchet into the feedscrew and install the extension into the manual drive square at the back of the roll groover. Make sure both the ratchet and extension are securely installed.
2. Make sure that there is enough space between the groove roll and drive shaft for the pipe wall. If needed, turn the feedscrew counter-clockwise to retract the groove roll.
3. Securely grasp the roll groover. Do not lift with the ratchet. Place the driveshaft into the pipe and make sure that the cover plate is tight to the end of the pipe (*Figure 14*). Tighten the feedscrew to bring the groove roll into contact with the outside of the pipe. Once the feedscrew is hand tight, use the ratchet to tighten the feedscrew an additional 1/4 turn. Confirm that the roll groover is securely attached to the pipe and the cover plate is flush to the end of the pipe. If not, repeat procedure. Always make sure groover is secure when used in place to prevent it from falling.



**Figure 14 – Holding the Roll Groover In Place While Tightening the Feedscrew**



## Operating The 975 Combo Roll Groover In Place

### ⚠ WARNING



**Only drive manually when used for in place applications. Do not use powered devices (such as drills or impact tools) to drive the roll groover when used in place. Use of powered devices can damage the groover and increase the risk of injury.**

**Do not wear loose clothing when operating the roll groover. Keep sleeves and jackets buttoned. Do not reach across the machine or pipe. Loose clothing can become entangled in rotating parts and cause crushing injuries.**

**Keep hands away from grooving rolls. Do not groove pipes shorter than specified. Do not wear loose fitting gloves. Fingers can be crushed between groove rolls or between groove roll and pipe.**

**Keep hands away from ends of pipe. Do not reach inside pipe. Burrs and sharp edges can catch and cut. Fingers can be crushed between groove rolls or between groove roll and pipe.**

**Always wear eye protection to protect your eyes against dirt and foreign objects. Wear steel toe footwear to protect feet from tipping tools and falling pipe. When working in place, wear a hard hat.**

**Follow operating instructions to reduce the risk of injury from crushing, tipping, striking and other causes.**

### Setting/Measuring The Groove Diameter

**NOTICE** Due to differing pipe characteristics, a test groove should always be performed before the first groove of the day or when changing pipe size, schedule or material. Groove diameter setting gauges are approximate only and the groove diameter must be measured to confirm proper size.

1. Confirm that the equipment and pipe are properly set up. Improper pipe preparation can effect the accurate set up of the groove depth gauge. The groove roll should be touching the pipe.
2. Adjust the groove depth gauge so that the correct step of the gauge is under the head of the adjusting screw (Figure 15A). The groove depth gauge is designed for use with pipe. See "Setting The Groove Diameter For Copper Tube" for use with copper tube.
3. Turn the adjusting screw clockwise until the head

touches the step of the depth gauge. Turn the groove depth gauge to the grooving position (Figure 15B). If gauge is not in the grooving position it will prevent grooving and may be damaged.



Figure 15A – Place Correct Step of Gauge Under Adjusting Screw Head



Figure 15B – Gauge In Grooving Position

4. Prepare a test groove (follow the steps for "Forming the Roll Groove").
5. Measure the groove diameter. The best method for measuring groove diameter is the use of a diameter tape (See Accessories Section). Snugly wrap the diameter tape around the pipe in the groove. Make sure that the tape sits flat in the bottom of the groove, and read the groove diameter (See Figure 16).



Figure 16 – Measuring The Groove Diameter With A Diameter Tape

6. Compare the measured groove diameter to the required groove diameter as shown in Table I or III or as specified by the groove fitting manufacturer. If the measured groove is outside of the required groove diameter, the adjusting screw must be repositioned to give the correct groove diameter.
  - To increase groove diameter, turn the adjusting screw clockwise.

- To decrease groove diameter, turn the adjusting screw counter-clockwise.
  - Each 1/4 turn of the adjusting screw changes the groove diameter approximately 0.02".
7. Repeat steps 4-6 until the groove diameter is within specifications. If the first groove is too large, the Groove can be adjusted and the groove made smaller. If the groove is too small, another groove will need to be made. Proper groove diameter is important to insure connection performance. Out of specification grooves could cause joint failure.

### Forming The Roll Groove

1. Confirm that the equipment and pipe are properly set up.
2. Assume a proper operating position. Make sure that your footing is good and you are well balanced.
3. Make sure that the feedscrew has been tightened 1/4 turn.
4. Remove the ratchet from the feedscrew and securely install in the extension. (In close quarters applications, the extension does not need to be used.)
5. Turn the ratchet clockwise as viewed from the back of the roll groover (this will match the arrows cast into the back of the roll groover, *see Figure 17*). Watch the groover rotate and be sure that the cover plate of the roll groover stays in contact with the end of the pipe. If the roll groover starts to move away from the pipe end, stop rotating the ratchet to prevent the roll groover from spiraling off the pipe end and falling. The roll groover support arms can be pushed on to help bring the cover plate back in contact with the pipe end. If needed, re-mount the roll groover to the pipe. (*see "Mounting Roll Groover to Pipe" section*). If the pipe end is deformed, it will need to be cut off and a new groove prepared.

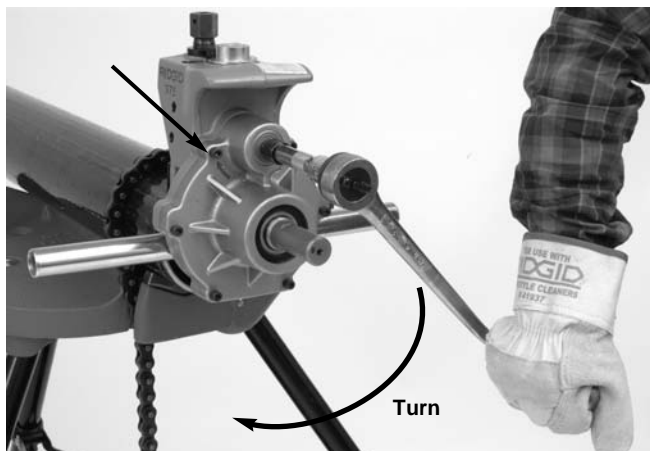


Figure 17 – Turning the Ratchet in the Direction of the Arrows

6. Continue rotating the ratchet until the roll groover completes at least a full rotation around the pipe. Remove the ratchet from the extension and attach to the feedscrew. Tighten the feedscrew another 1/4 turn. Remove the ratchet from the feedscrew and securely attach to the extension. Do not tighten the feedscrew more than 1/4 turn per pipe rotation. Aggressive tightening of the feedscrew can cause excessive groove flare and can cause the roll groover to walk off the pipe. Continue rotating the ratchet to drive the roll groover around the pipe while monitoring the position of the cover plate to the end of the pipe.
7. Continue tightening the feedscrew 1/4 turn per groove revolution around pipe until the head of the adjusting screw stops against the top of the roll groover. Do not continue tightening the feedscrew after the adjusting screw reaches the top of the roll groover, this can damage the adjusting screw. Rotate the roll groover at least two more full rotations around the pipe after the adjusting screw reaches the top of the roll groover to insure uniform groove depth.
8. Move the ratchet to the feedscrew. Securely grasp the roll groover. Turn the feedscrew counter-clockwise and retract the groove roll so that the roll groover can be removed from the pipe. Do not drop the roll groover.
9. Inspect the groove.
  - Make sure that the groove is fully formed.
  - Check the groove diameter and make sure it is within specification.
  - Check any other items required by the fitting manufacturer.

If any problems are found, the groove cannot be used.

### Maintenance Instructions

#### **⚠ WARNING**

**Make sure the power drive switch is in the OFF position and the unplugged before performing any maintenance or making any adjustments.**

#### Lubrication

Lubricate the 975 Combo Roll Groover with a good general purpose grease once a month.

- Grease fittings are located on the side of the operator's side of the base, the front of the slide block, and the end of the groove roll shaft (*See Figure 2*). Add grease until a small amount is pushed out.
- Apply a light coat of grease to the feedscrew.

- The gear box of the 975 Combo Roll Groover is greased for life and does not require the addition of any grease unless the gear box is opened.

See Inspection Section for other information on maintenance.

### Cleaning

Clean the driveshaft knurls with a wire brush on a daily basis or more often if needed.

### Changing Roll Sets

**NOTICE** When changing roll set parts, always make sure drive and groove roll markings match. Mismatched parts can make improper grooves and cause leaks.

Remove the roll groover from the power drive or threading machine and place on a stable work bench.

Required Tools:

- 3/8" Hex Wrench
- 3/32" Hex Wrench
- .070" External Retaining Ring Pliers

### Removing and Installing Drive Roll

1. Remove 6 screws that hold rear cover to the housing.
2. Remove the rear cover (See Figure 18).

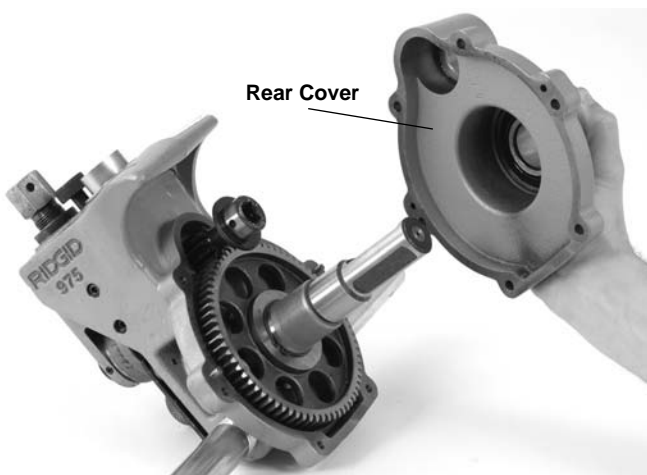


Figure 18 – Removing Rear Cover

3. Remove pinion.
4. Remove the driveshaft assembly out of the back of the 975 Roll Groover.
5. Remove retaining ring from driveshaft and slide gear off. (See Figure 19.)

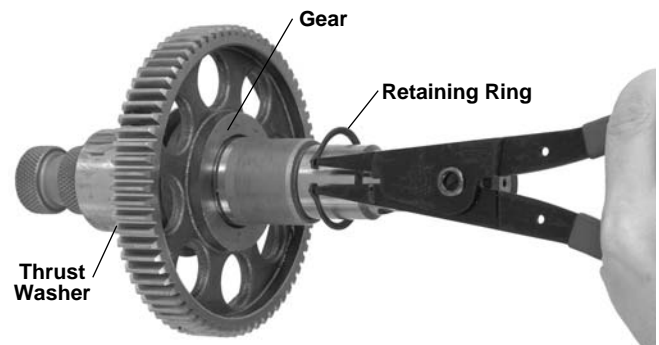


Figure 19 – Removing Retaining Ring

6. Remove key and then thrust washer.
7. Slide thrust washer onto new driveshaft.
8. Insert key and install gear.
9. Install retaining ring into driveshaft groove.
10. Place driveshaft assembly into main housing.
11. Grease from the gearbox may have been lost during the driveshaft change. Make sure the bearings and gear teeth are coated sufficiently with a good general purpose grease.
12. Insert pinion and reinstall rear cover. Tighten screws to 12-16 ft\*lbs of torque.

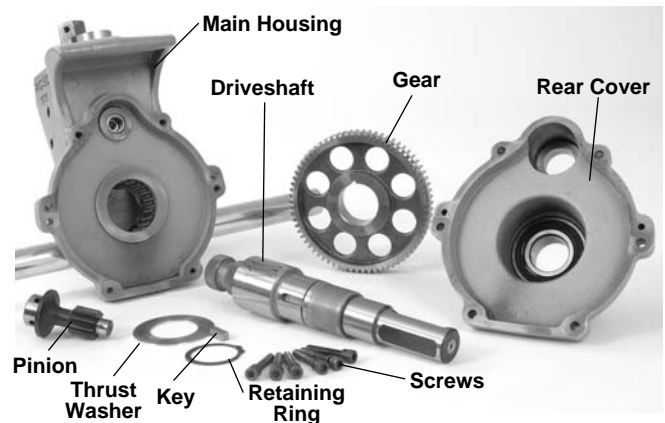


Figure 20 – 975 Combo Roll Groover Parts Diagram

### Removing and Installing Groove Roll

1. Remove the setscrew that holds the groove roll shaft in place.
2. Pull the groove roll shaft out of the slide block and remove the groove roll and thrust washer.
3. Insert the thrust washer and new groove roll into the slide block. Ensure that the internal retaining ring in the groove roll is closest to the main housing, and that the groove roll is between the thrust washer and main housing.

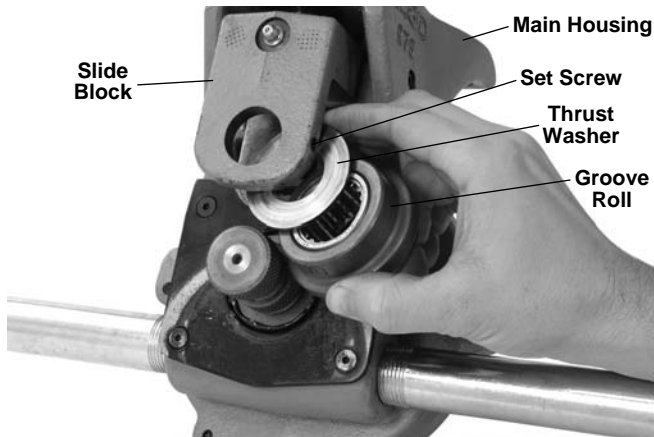


Figure 21

4. Replace the groove roll shaft and the set screw.
5. Visually inspect the alignment between the groove roll and the drive roll. If they are not aligned, check orientation of groove roll and thrust washer.
6. Grease as directed in Lubrication Section of manual.

## Accessories

**⚠ WARNING**

The following RIDGID products have been designed to function with the 975 Combo Roll Groover. Other accessories suitable for use with other tools may be hazardous when used on the 975 Combo Roll Groover. To reduce the risk of serious injury, only use accessories specifically designed and recommended for use with the 975 Combo Roll Groover, such as those listed in the chart.

Cat. Number	Description
41855	300 Power Drive, 115V 25-60Hz 38RPM
75075	300 Power Drive, 115V 23-60Hz 57RPM
42360	1206 Stand for 300 Power Drive
66947	300 Compact, 115V 50/60Hz 38RPM
73447	300 Compact, 115V 50/60Hz 52RPM
67662	Adapter Bracket for 300 Compact
67657	250 Folding Wheel Stand for 300 Compact
72037	460 Portable TRISTAND Chain Vise
56662	VJ-99 VHead High Pipe Stand
76822	Inch Diameter Tape
76827	Metric Diameter Tape
30708	Extension, 1/2" Drive, Locking
30703	Ratchet, 1/2" Drive With 90° bend
32833	Groove and Drive Rolls for 2" - 8" Copper Tube Type K, L, M and DWV

## Machine Storage

**⚠ WARNING** Store the tool in a locked area that is out of reach of children and people unfamiliar with roll groover equipment. This tool can cause serious injury in the hands of untrained users.

## Service and Repair

**⚠ WARNING**

**Improper service or repair can make machine unsafe to operate.**

The "Maintenance Instructions" will take care of most of the service needs of this machine. Any problems not addressed by this section should only be handled by an authorized RIDGID service technician.

Tool should be taken to a RIDGID Independent Authorized Service Center or returned to the factory.

When servicing this machine, only identical replacement parts should be used. Use of other parts may create a risk of serious injury.

If you have any questions regarding the service or repair of this machine, call or write to:

Ridge Tool Company  
 Technical Service Department  
 400 Clark Street  
 Elyria, Ohio 44035-6001  
 Tel: (800) 519-3456  
 E-mail: TechServices@ridgid.com

For name and address of your nearest Independent Authorized Service Center, contact the Ridge Tool Company at (800) 519-3456 or www.RIDGID.com

**Table I. Standard Roll Groove Specifications For Pipe of IPS Dimensions**

NOTE! All Dimensions are in Inches.

NOM. PIPE SIZE	PIPE DIAMETER		T MIN. WALL THK.	A GASKET SEAT +.015/- .030	B GROOVE WIDTH +.030/- .015	C GROOVE DIAMETER		D NOM. GROOVE DEPTH (Ref.) (2)
	O.D.	TOL.				O.D.	TOL.	
1 <sup>1</sup> / <sub>4</sub>	1.660	+ .016 - .016	.065	.625	.344	1.535	+ .000 - .015	.063
1 <sup>1</sup> / <sub>2</sub>	1.900	+ .016 - .016	.065	.625	.344	1.775	+ .000 - .015	.063
2 <sup>(1)</sup>	2.375	+ .024 - .016	.065	.625	.344	2.250	+ .000 - .015	.063
2 <sup>1</sup> / <sub>2</sub> <sup>(1)</sup>	2.875	+ .029 - .016	.083	.625	.344	2.720	+ .000 - .015	.078
3 <sup>(1)</sup>	3.50	+ .030 - .018	.083	.625	.344	3.344	+ .000 - .015	.078
3 <sup>1</sup> / <sub>2</sub> <sup>(1)</sup>	4.00	+ .030 - .018	.083	.625	.344	3.834	+ .000 - .015	.083
4 <sup>(1)</sup>	4.50	+ .035 - .020	.083	.625	.344	4.334	+ .000 - .015	.083
5 <sup>(1)</sup>	5.563	+ .056 - .022	.109	.625	.344	5.395	+ .000 - .015	.084
6 <sup>(1)</sup>	6.625	+ .050 - .024	.109	.625	.344	6.455	+ .000 - .015	.085

(1) As per AWWA C606-06

(2) Nominal Groove Depth is provided as a reference dimension only. Do not use groove depth to determine acceptability of a groove.

**Table II. Pipe Maximum and Minimum Wall Thickness**

NOTE! All Dimensions are in Inches.

Pipe Size	CARBON STEEL OR ALUMINUM PIPE OR TUBE		STAINLESS STEEL PIPE OR TUBE		PVC PIPE	
	Wall Thickness		Wall Thickness		Wall Thickness	
	Min.	Max.	Min.	Max.	Min.	Max.
1 <sup>1</sup> / <sub>4</sub> "	.065	.140	.065	.140	.140	.140
1 <sup>1</sup> / <sub>2</sub> "	.065	.145	.065	.145	.145	.200
2"	.065	.154	.065	.154	.154	.154
2 <sup>1</sup> / <sub>2</sub> "	.083	.203	.083	.188	.203	.276
3"	.083	.216	.083	.188	.216	.300
3 <sup>1</sup> / <sub>2</sub> "	.083	.226	.083	.188	.226	.300
4"	.083	.237	.083	.188	.237	.300
5"	.109	.258	.109	.188	.258	.300
6"	.109	.280	.109	.188	.280	.300

**Table III. Copper Roll Groove Specifications**

1	2		3	4	5	6	7	8
Nom. Size Inches	Tubing Outside Diameter O.D.		A Gasket Seat A ±0.03	B Groove Width +.03 -.000	C Groove Dia. +.00 -.02	D Groove Depth Ref. <sup>1</sup>	T Min. Allow. Wall Thick.	Max. Allow. Flare Dia.
	Basic	Tolerance						
2"	2.125	±0.002	0.610	0.300	2.029	0.048	DWV	2.220
2½"	2.625	±0.002	0.610	0.300	2.525	0.050	0.065	2.720
3"	3.125	±0.002	0.610	0.300	3.025	0.050	DWV	3.220
4"	4.125	±0.002	0.610	0.300	4.019	0.053	DWV	4.220
5"	5.125	±0.002	0.610	0.300	5.019	0.053	DWV	5.220
6"	6.125	±0.002	0.610	0.300	5.999	0.063	DWV	6.220
8"	8.125	+0.002/-0.004	0.610	0.300	7.959	0.083	DWV	8.220

1. Nominal Groove Depth is provided as a reference dimension. Do not use groove depth to determine groove acceptability.

## Troubleshooting

SYMPTOM	POSSIBLE REASONS	SOLUTION
Roll groove too narrow or too wide.	Grooving roll and/or driving shaft worn.	Replace grooving roll and/or drive shaft.
Rolled groove not perpendicular to pipe axis.	Pipe length not straight. Pipe end not square with pipe axis.	Use straight pipe. Cut pipe end square.
Pipe will not track while grooving/Groover will not track on pipe while grooving.	Pipe and drive shaft not parallel. Pipe axis not offset ½ degree from driving roll axis. Driving roll knurl plugged or worn flat. Feedscrew not tight. Turning ratchet wrong direction. Inside of pipe has too much scale. Excessive weld seam. Not applying pressure to pipe. Pipe end not square/deburr. Feedscrew too tight.	Adjust stand to make pipe parallel. Offset pipe ½ degree. Clean or replace drive roll. Tighten feedscrew with ratchet for every revolution as per directions. Turn ratchet in proper direction. Clean inside of pipe. Grind weld seam flush 2" from end of pipe. Apply pressure to pipe. (See Figure 10.) Properly prep end of pipe. Only advance feedscrew in ¼ turn increments.
Pipe flared at grooved end.	Pipe and drive shaft not parallel. Feedscrew too tight.	Adjust stand to make pipe parallel. Only advance feedscrew 1/4 turn.

**Troubleshooting (continued)**

<b>SYMPTOM</b>	<b>POSSIBLE REASONS</b>	<b>SOLUTION</b>
Pipe drifts back and forth on driving roll axis while grooving.	Pipe length not straight. Pipe end not square with pipe axis.	Use straight pipe. Cut pipe end square.
Pipe rocks from side to side on driving roll while grooving.	Pipe stand is too close to end of pipe. Pipe end flattened or damaged. Hard spots in pipe material or weld seams harder than pipe. Grooving roll feed rate too slow. Power drive speed exceeds 57 RPM. Pipe supports stand not in correct location.	Move pipe stand in to match set-up Instructions. Cut off damaged pipe end. Use different pipe. Feed grooving roll into pipe faster. Reduce speed to 57 RPM. Position pipe stand rollers correctly.
Groover will not roll groove in pipe.	Maximum pipe wall thickness exceeded. Pipe material too hard. Adjustment screw not set. Power drive does not supply required minimum torque.	Check pipe capacity chart. Replace pipe. Set depth. Use RIDGID No. 300, 38-RPM Power Drive.
Groover will not roll groove to required diameter.	Maximum pipe diameter tolerance exceeded. Depth adjustment screw not set correctly. Pipe too hard.	Use correct diameter pipe. Adjust depth setting. Use different pipe.
Pipe slips on driving roll.	Grooving roll feed rate too slow. Driving roll knurls plugged with metal or worn flat.	Feed grooving roll into pipe faster. Clean or replace driving roll.
Groover will not rotate pipe while grooving.	Power drive does not supply minimum required torque. Chuck not closed on drive shaft flats.	Use RIDGID No. 300, 38 RPM Power Drive. Close chuck.
Pipe rises or tends to tip Groover over backwards.	Pipe support stand not properly set up.	Properly set up stands.





975

# Rainureuse à galets mixte



## AVERTISSEMENT

Lisez soigneusement ce manuel avant d'utiliser l'appareil. Le manque d'assimilation ou le non-respect des consignes ci-devant augmenteraient les risques de choc électrique, d'incendie et/ou de blessure corporelle grave.

## Table des matières

<b>Symboles de sécurité</b> .....	25
<b>Consignes générales de sécurité</b>	
Sécurité des lieux.....	25
Sécurité électrique .....	25
Sécurité individuelle .....	26
Utilisation et entretien de l'appareil .....	26
Service après-vente .....	27
<b>Consignes de sécurité spécifiques</b>	
Sécurité de la rainureuse .....	27
Sécurité de la rainureuse sur système d'entraînement ou fileteuse .....	27
Sécurité de la rainureuse sur chantier .....	28
<b>Description, caractéristiques techniques et équipements de base</b>	
Description .....	28
Caractéristiques techniques.....	28
Équipements de base .....	28
<b>Inspection de la rainureuse</b> .....	29
<b>Préparation de l'appareil et des locaux lors de l'utilisation d'un système d'entraînement</b>	
Montage de la rainureuse mixte n° 975 sur système d'entraînement RIDGID 300 .....	31
Montage de la rainureuse mixte n° 975 sur fileteuse RIDGID Compact .....	31
Derniers préparatifs .....	32
Préparation des tuyaux .....	33
Présentation des tuyaux .....	33
<b>Utilisation de la rainureuse 975 sur système d'entraînement ou fileteuse</b>	
Réglage et vérification du diamètre de rainurage .....	34
Façonnage des rainures .....	35
Réglage du diamètre de rainurage sur tuyaux cuivre .....	36
Pour mieux assurer des rainures concentriques avec la rainureuse mixte n° 975 .....	37
<b>Préparation de l'appareil et des lieux lors d'une utilisation sur chantier</b>	
Préparation des tuyaux .....	38
Montage de la rainureuse sur tuyau existant .....	38
<b>Utilisation de la rainureuse à galets sur chantier</b>	
Réglage et vérification du diamètre de rainurage .....	39
Façonnage des rainures .....	40
<b>Consignes d'entretien</b>	
Lubrification .....	41
Nettoyage.....	41
Remplacement des galets .....	41
<b>Accessoires</b> .....	42
<b>Stockage de l'appareil</b> .....	43
<b>Révisions et réparations</b> .....	43
<b>Tableau I : Spécifications de rainurage standard</b> .....	44
<b>Tableau II : Limites d'épaisseur des parois de tuyau</b> .....	44
<b>Tableau III : Spécifications de rainurage pour cuivre</b> .....	45
<b>Dépannage</b> .....	45-46
<b>Garantie à vie</b> .....	Page de garde

## Symboles de sécurité

Des symboles et mots clés spécifiques, utilisés à la fois dans ce mode d'emploi et sur l'appareil lui-même, servent à signaler d'importants risques de sécurité. Ce qui suit permettra de mieux comprendre la signification de ces mots clés et symboles.



Ce symbole sert à vous avertir aux dangers physiques potentiels. Le respect des consignes qui le suivent vous permettra d'éviter les risques de blessures graves ou mortelles.

### **DANGER**

Le terme DANGER signifie une situation dangereuse potentielle qui, faute d'être évitée, provoquerait la mort ou de graves blessures corporelles.

### **AVERTISSEMENT**

Le terme AVERTISSEMENT signifie une situation dangereuse potentielle qui, faute d'être évitée, serait susceptible d'entraîner la mort ou de graves blessures corporelles.

### **CAUTION**

Le terme CAUTION signifie une situation dangereuse potentielle qui, faute d'être évitée, serait susceptible d'entraîner des blessures corporelles légères ou modérées.

### **AVIS IMPORTANT**

Le terme AVIS signifie des informations concernant la protection des biens.



Ce symbole indique la nécessité de lire le manuel soigneusement avant d'utiliser le matériel. Le mode d'emploi renferme d'importantes informations concernant la sécurité d'utilisation du matériel.



Ce symbole indique le port obligatoire de lunettes de sécurité intégrales lors de la manipulation ou utilisation du matériel.



Ce symbole indique un risque d'écrasement des doigts ou des mains par les galets de rainurage.



Ce symbole indique un risque d'écrasement et/ou de lésion des mains, doigts, jambes vêtements ou autres objets en cas d'entraînement par les arbres rotatifs de l'appareil.



Ce symbole met en garde contre l'utilisation d'une perceuse, clé choc ou autre appareil électrique comme moyen d'entraînement lorsque l'appareil est utilisé sur chantier.



Ce symbole indique un risque de lésion ou d'écrasement en cas de renversement de l'appareil.



Ce symbole impose l'emploi systématique d'une pédale de commande lors de l'utilisation d'une fileteuse ou d'un système d'entraînement.



Ce symbole impose le port du casque lors des travaux en surélévation.

## Consignes générales de sécurité

### **AVERTISSEMENT**

Familiarisez-vous avec l'ensemble du mode d'emploi. Le non-respect des consignes ci-après augmenterait les risques de choc électrique, d'incendie et/ou de grave blessure corporelle.

### **CONSERVEZ CES INSTRUCTIONS !**

Le terme «appareil électrique» utilisé dans les consignes de sécurité s'applique à la fois aux appareils sur secteur et aux appareils à piles (sans fils).

### Sécurité des lieux

- **Assurez-vous de la propreté et du bon éclairage des lieux.** Les zones encombrées ou mal éclairées sont une invitation aux accidents.
- **N'utilisez pas d'appareils électriques en présence de matières explosives telles que liquides, gaz ou poussières combustibles.** Les appareils électriques produisent des étincelles susceptibles d'enflammer les poussières et émanations combustibles.

- **Éloignez les enfants et les curieux lors de l'utilisation d'un appareil électrique.** Les distractions risquent de vous faire perdre le contrôle de l'appareil.
- **Assurez la propreté des sols et l'absence de toutes matières visqueuses (huile, etc.).** Les sols glissants sont une invitation aux accidents.
- **Signalez ou barricadez les lieux lorsque les pièces façonnées saillissent de l'appareil.** Des panneaux ou des barricades assurant un dégagement d'au moins un mètre sur le pourtour de l'ouvrage permettront de limiter les risques d'enchevêtrement.

### Sécurité électrique

- **La fiche électrique de l'appareil doit correspondre à la prise de courant utilisée. Ne tentez jamais de modifier la fiche. N'utilisez jamais d'adaptateur sur une fiche électrique avec terre.** Les fiches intactes et adaptées aux prises de courant utilisées limitent les risques de choc électrique.
- **Évitez tout contact avec les objets reliés à la terre tels que canalisations, radiateurs, cuisinières et**

**réfrigérateurs.** Tout contact avec la terre augmenterait les risques de choc électrique.

- **N'exposez pas l'appareil à la pluie ou aux intempéries.** Toute pénétration d'eau à l'intérieur d'un appareil électrique augmenterait les risques de choc électrique.
- **Ne maltraitez pas le cordon d'alimentation de l'appareil. Ne jamais utiliser le cordon d'alimentation pour porter, tirer ou débrancher l'appareil. Éloignez le cordon d'alimentation des sources de chaleur, de l'huile, des objets tranchants et des mécanismes.** Les cordons d'alimentation endommagés ou enchevêtrés augmentent les risques de choc électrique.
- **Lors de l'utilisation d'un appareil électrique à l'extérieur, prévoyez une rallonge électrique adaptée.** L'utilisation d'une rallonge électrique homologuée pour usage extérieur limitera les risques de choc électrique.
- **S'il est nécessaire d'utiliser un appareil électrique dans des lieux mouillés, prévoyez une source d'alimentation protégée par disjoncteur différentiel.** L'utilisation d'un disjoncteur différentiel réduit les risques de choc électrique.

### Sécurité individuelle

- **Soyez attentif, faites attention à ce que vous faites et faites preuve de bon sens lors de l'utilisation d'un appareil électrique. N'utilisez pas d'appareil électrique lorsque vous êtes sous l'influence de drogues, de l'alcool ou de médicaments.** Lors de l'utilisation d'un appareil électrique, un instant d'inattention risque d'entraîner de graves lésions corporelles.
- **Prévoyez les équipements de protection individuelle nécessaires. Portez systématiquement une protection oculaire.** Le port d'équipements de protection tels que masque à poussière, chaussures antidérapantes, casque de chantier et protecteurs d'oreilles limite les risques de lésions corporelles.
- **Évitez les démarrages accidentels en vous assurant que l'interrupteur marche/arrêt de l'appareil se trouve en position «arrêt» avant de le brancher, d'y introduire le bloc-piles ou de prendre l'appareil en main.** Le fait de porter un appareil électrique avec son doigt sur la gâchette, voire de le brancher lorsque son interrupteur se trouve en position «marche» serait une invitation aux accidents.
- **Retirez toutes clés de réglage éventuelles avant de mettre l'appareil en marche.** Une clé laissée sur un élément rotatif quelconque de l'appareil risque de provoquer des accidents.

- **Ne vous mettez pas en porte-à-faux. Maintenez une bonne position de travail et un bon équilibre à tout moment.** Cela vous permettra de mieux contrôler l'appareil en cas d'imprévu.
- **Habillez-vous de manière appropriée. Ne portez ni vêtements amples ou bijoux. Éloignez vos cheveux, vos vêtements et vos gants des mécanismes.** Les vêtements flottants, les bijoux et les cheveux longs risquent d'être entraînés par les éléments rotatifs de l'appareil.
- **En présence d'un système de récupération et d'évacuation de poussière, assurez-vous que celui-ci est correctement raccordé et utilisé.** L'emploi de récupérateurs de poussière sert à limiter les risques sanitaires liés à la présence de poussières.

### Utilisation et entretien de l'appareil

- **Ne forcez pas l'appareil. Prévoyez l'appareil approprié en fonction des travaux envisagés.** L'appareil approprié fera le travail plus efficacement et avec un plus grand niveau de sécurité lorsqu'il tourne au régime prévu.
- **N'utilisez pas d'appareil électrique dont l'interrupteur ne contrôle pas la mise en marche ou l'arrêt.** Tout appareil électrique qui ne peut pas être contrôlé par son interrupteur est dangereux et doit être réparé.
- **Débranchez l'appareil et/ou retirez son bloc-piles avant tout réglage, stockage ou changement d'accessoires.** De telles mesures préventives limiteront les risques de démarrage accidentel de l'appareil.
- **Rangez tout appareil non utilisé hors de la portée des enfants et des individus qui n'ont pas été familiarisés avec ce type de matériel ou son mode d'emploi.** Les appareils électriques sont dangereux entre les mains d'utilisateurs non initiés.
- **Veillez à l'entretien de l'appareil. Examinez-le pour signes de grippage, de bris et de toute autre anomalie qui risquerait de nuire à son bon fonctionnement. Le cas échéant, faire réparer l'appareil avant de l'utiliser.** De nombreux accidents sont provoqués par des appareils mal entretenus.
- **N'utilisez que les accessoires spécifiquement prévus pour l'appareil en question.** Des outils de coupe bien entretenus et bien affûtés sont moins susceptibles de se gripper et sont plus faciles à manipuler.
- **Veillez à la propreté des poignées de l'appareil, notamment à l'absence d'huile et de graisse.** Cela permettra de mieux contrôler l'appareil.

## Révisions

- Lors de sa révision, confiez l'appareil à un réparateur qualifié se servant exclusivement de pièces de rechange d'origine. Cela sera garant de la sécurité opérationnelle de l'appareil.

## Consignes de sécurité particulières

### ⚠ AVERTISSEMENT

Cette section contient d'importantes consignes de sécurité applicables à cet appareil en particulier.

Lisez ces précautions soigneusement avant de vous servir de la rainureuse à galets mixte type 975 afin de limiter les risques de choc électrique et d'accident grave.

### CONSERVEZ CES INSTRUCTIONS !

Veillez adresser toutes questions éventuelles aux services techniques de la Ridge Tool Company en composant le (800) 519-3456 ou par mail adressé à : techservice@ridgid.com.

## Sécurité de la rainureuse à galets

- **Ne portez pas de vêtements amples. Boutonnez vos manches et vos blousons. Ne vous penchez pas sur l'appareil ou les tuyaux.** Les vêtements risquent d'être entraînés par un tuyau ou par le mécanisme de l'appareil, s'y embobiner, et provoquer de graves blessures.
  - **Éloignez vos mains des galets de rainurage. Ne tentez pas de rainurer de tuyau plus court que spécifié. Ne portez pas de gants trop grands.** Vos doigts risqueraient d'être écrasés entre les galets de rainurage ou entre l'un d'entre eux et le tuyau.
  - **Éloignez vos mains des extrémités du tuyau. Ne les mettez pas à l'intérieur du tuyau.** D'éventuelles bavures ou coupes tranchantes risquent de les accrocher et vous couper. Vos doigts risquent d'être écrasés entre les galets de rainurage ou entre l'un d'entre eux et le tuyau.
  - **Préparez et manipulez les tuyaux de manière appropriée.** D'éventuelles bavures ou coupes tranchantes risquent de les accrocher et vous couper.
  - **Soutenez le tuyau de manière appropriée.** Cela aidera à éviter son renversement éventuel, ainsi que celui du matériel.
  - **Avant d'utiliser la rainureuse à galets mixte RIDGID 975, familiarisez-vous avec son mode d'emploi,**
- celui du fabricant des raccords, et ceux de tout matériel accessoire utilisé. Le non-respect des consignes correspondantes augmenterait les risques de dégâts matériels et/ou de graves blessures corporelles.
  - **Prévoyez les équipements de protection individuelle préconisés lors de l'installation et de l'utilisation de la rainureuse à galets mixte RIDGID 975.** Les équipements prévus comprennent une protection oculaire, et éventuellement des gants de cuir, des chaussures de sécurité à coquille d'acier, un casque de chantier, etc.
  - **N'utilisez cette rainureuse à galets que pour le rainurage des sections et types de tuyaux préconisés dans le mode d'emploi.** Toute autre utilisation ou modification de la rainureuse en vue d'applications non prévues augmenterait les risques d'accident.

## Sécurité d'une rainureuse montée sur système d'entraînement

- **La rainureuse à galets mixte RIDGID 975 ne peut utiliser que le système d'entraînement RIDGID 300 ou la fileteuse 300 Compact.** Toute tentative d'adaptation à un autre type de système d'entraînement augmenterait, entre autres, les risques de renversement.
- **N'utilisez pas la rainureuse sur un système d'entraînement démuné de sa pédale de commande. Ne jamais bloquer la pédale de commande afin de la neutraliser.** La pédale de commande permet de mieux contrôler l'appareil en vous permettant d'arrêter le système d'entraînement en levant le pied. Les vêtements qui se prennent dans une rainureuse en marche seront entraînés dans le système. L'appareil dispose d'un couple suffisant pour entortiller les vêtements autour d'un bras ou autre partie du corps avec suffisamment de force pour briser les os et créer d'autres types de lésions.
- **Un seul individu doit commander à la fois le processus de rainurage et la pédale de commande du système d'entraînement. Ne pas se mettre à plusieurs pour utiliser cet appareil.** En cas d'enchevêtrement, l'utilisateur doit aussi pouvoir contrôler la pédale de commande.
- **N'utilisez que des systèmes d'entraînement ou fileteuses disposant d'un régime de rotation maximum de 57 t/min.** Une vitesse de rotation supérieure augmenterait les risques d'accident.
- **Assurez-vous de la bonne installation de la rainureuse et de son bon raccordement au système d'entraînement/fileteuse. Assurez-vous également**

de la stabilité de l'ensemble du système de rainurage et des tuyaux à rainurer. Cela limitera les risques de renversement du matériel et du tuyau.

### Sécurité de la rainureuse à galets sur chantier

- **Sur chantier, la rainureuse doit être utilisée manuellement. Ne tentez pas d'utiliser de perceuses, clés chocs, etc. pour la mouvoir.** Ce type d'appareil risquerait d'endommager les rainures et augmenter les risques d'accident.
- **Lors des travaux en élévation, l'ensemble du personnel environnant doit porter le casque et s'éloigner de la zone de chute potentielle de l'appareil.** Cela évitera de graves blessures corporelles en cas de chute de la rainureuse, des tuyaux ou autres éléments environnants.

## Description, caractéristiques techniques et équipements de base

### Description

La rainureuse à galets mixte RIDGID 975, prévue pour le rainurage des tuyaux acier, aluminium et PVC, permet notamment le rainurage de tuyaux acier Série 10 et 40 de 1 1/4" à 6" de diamètre, ainsi que celui des tuyaux en acier inoxydable Série 10 de 1 1/4" à 6" et Série 40 de 1 1/4" à 2" de diamètre. Les rainures sont formées par la pression mécanique d'un galet de rainurage appliqué contre un tuyau soutenu par un galet de roulement. La profondeur de rainure est le seul réglage nécessaire.

Cet appareil a été spécifiquement conçu pour une utilisation sur chantier ou sur système d'entraînement RIDGID 300 à 38 ou 57 t/min. Équipé de l'adaptateur approprié (réf. 67662), l'appareil peut également utiliser une fileteuse RIDGID 300 Compact. La rainureuse à galets mixte type 975 incorpore une jauge de profondeur de rainurage brevetée qui permet d'améliorer le contrôle du rainurage en cours d'opération.

La rainureuse à galets mixte type 975, appareil portatif destiné aux interventions ponctuelles sur chantier, n'est pas prévue pour les travaux grand volume ou les travaux en atelier.

**AVIS IMPORTANT** Utilisée de manière appropriée, la rainureuse à galets mixte modèle 975 assure un rainurage sur tuyaux de 2" à 6" de diamètre conforme à la norme AWWA C606-06. Cela dit, le concepteur et/ou installateur du réseau reste responsable de la sélection des matériaux et moyens de raccordement appropriés. Il convient donc, avant toute installation, d'étudier soigneusement le réseau concerné (composition chimique, température, etc.).

### Caractéristiques techniques

Capacité : .....Tuyaux acier Ø 1 1/4" à 6", séries 10 et 40 Avec changement de galets : tuyaux cuivre Ø 2" à 4" types K, L, M et DWV

Réglage de diamètre de rainure .....Vis de réglage et jauge de profondeur

Mécanisme .....Vis d'avancement avec clé à cliquet de 1/2"

Systèmes d'entraînement : .....Système RIDGID 300 (en 38 et 57 t/min uniquement)  
Fileteuse RIDGID 300 Compact (avec adaptateur)

Poids.....27,6 livres

La rainureuse à galets mixte n° 975 est protégée par plusieurs brevets américains et internationaux, notamment les brevets n° 6,272,895 et n° 6,591,652.

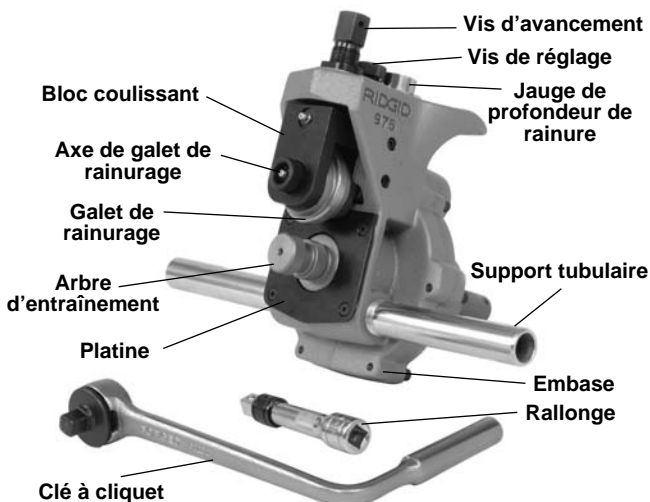


Figure 1 – Rainureuse à galets mixte n° 975

### Équipements de base

Galets de rainurage et d'entraînement pour séries 10 et 40 de 1 1/4" à 6"

Clé à cliquet avec bouton de verrouillage (carré de 1/2")

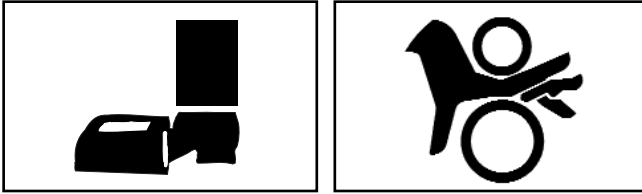
Rallonge d'entraînement à verrouillage

Supports tubulaires

Jauge de profondeur graduée incorporée

## Inspection de la rainureuse à galets

### ⚠ AVERTISSEMENT



**Examinez la rainureuse à galets avant chaque utilisation afin de corriger les problèmes éventuels et réduire les risques d'écrasement ou autres blessures, voire la détérioration de l'appareil.**

**Ne pas utiliser cette rainureuse à galets avec un système d'entraînement dépourvu de sa pédale de commande.**

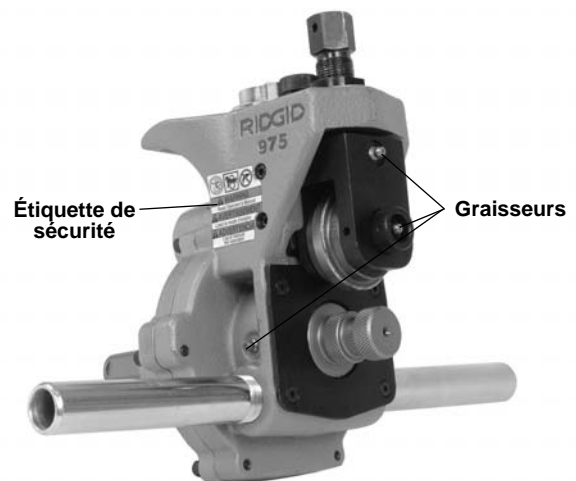
1. Si la rainureuse est montée sur système d'entraînement ou fileteuse, assurez-vous que ce dernier est débranché et que son interrupteur FOR/OFF/REV (marche avant/arrêt/marche arrière) se trouve en position OFF (arrêt). Inspectez et entretenez le système d'entraînement/fileteuse selon les consignes du mode d'emploi correspondant. Toute négligence au niveau de l'inspection ou de l'entretien du système d'entraînement augmenterait les risques de graves blessures corporelles et de dégâts matériels. Vérifiez la présence et le bon fonctionnement de la pédale de commande du système d'entraînement. Ne montez pas la rainureuse à galets sur un système d'entraînement dépourvu de sa pédale de commande.
2. Éliminez toutes traces d'huile, de graisse et de crasse apparentes sur la rainureuse à galets, sa poignée de transport et la clé à cliquet servant à l'activation de la rainureuse. Cela évitera à l'appareil ou à la clé de s'échapper de vos mains en cours d'utilisation et limitera les risques de blessures consécutives.
3. Assurez-vous que les supports tubulaires de la rainureuse sont vissés à fond.
4. Examinez la rainureuse pour signes d'éléments brisés, manquants, mal installés ou grippés qui pourraient nuire au bon fonctionnement et à la sécurité de l'appareil. Vérifiez la libre rotation du galet de rainurage et de l'arbre d'entraînement.
5. Assurez-vous de la présence et de la bonne fixation de l'étiquette de sécurité. Reportez-vous à la Figure 2 pour l'emplacement de l'étiquette de sécurité.
6. Lorsque les bossages de l'arbre d'entraînement s'encrassent, nettoyez-les avec une brosse métallique. Des bossages encrassés peuvent entraîner des pro-

blèmes de dérapage longitudinal et transversal en cours de rainurage.

7. Examinez le galet de rainurage et l'arbre d'entraînement pour signes de fissuration, d'usure ou autre détérioration. Des galets de rainurage et arbres d'entraînement endommagés risquent de produire un rainurage de mauvaise qualité ou provoquer la défaillance de l'appareil en cours d'utilisation.
8. Assurez-vous du bon fonctionnement de la clé à cliquet et de sa rallonge. Vérifiez que la clé fonctionne sans accrocs dans les deux sens. Appuyez sur le bouton de déverrouillage au centre de la clé, puis engagez-la sur le carré de la vis d'avancement. La clé doit alors se verrouiller en position. La clé doit aussi s'engager et se verrouiller sur sa rallonge, de même que cette dernière sur le carré du système d'entraînement manuel qui se trouve au dos de la rainureuse. Ce dispositif empêche le déboîtement accidentel de la clé et de sa rallonge en cours d'utilisation. Si vous utilisez une clé simple ou une clé à cliquet et rallonge sans dispositif de verrouillage, sachez que celles-ci risquent de se déboîter en cours d'utilisation.

En présence d'une anomalie quelconque, n'utilisez pas l'appareil avant sa rectification.

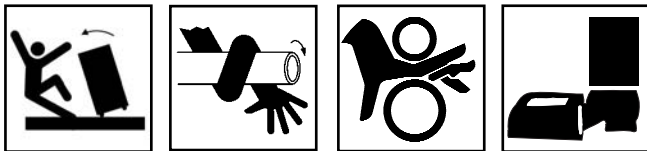
9. Lubrifiez la rainureuse à galets selon les consignes d'entretien du mode d'emploi, puis essuyez le galet de rainurage pour éliminer toutes traces de graisse résiduelle.
10. Examinez et entretenez l'ensemble du matériel accessoire éventuellement utilisé afin de vous assurer de son bon fonctionnement.



**Figure 2 – Étiquette de sécurité de la rainureuse à galets mixte n° 975**

## Préparation de l'appareil et des lieux pour l'utilisation d'un système d'entraînement

### ⚠ AVERTISSEMENT



**Portez systématiquement une protection oculaire pour protéger vos yeux contre la projection de débris. Portez des chaussures à coquille d'acier pour protéger vos pieds en cas de renversement de l'appareil ou des tuyaux.**

**Ne pas utiliser cette rainureuse à galets avec un système d'entraînement ou fileteuse dépourvus de pédale de commande. Ne jamais bloquer la pédale de commande afin de l'empêcher de contrôler le système d'entraînement. La pédale de commande est un dispositif de sécurité qui vous permet d'arrêter le système d'entraînement en lâchant le pied. Si des vêtements se prennent dans l'appareil pendant que le système d'entraînement continu à tourner, ils seront entraînés dans l'appareil. Cet appareil dispose d'un couple suffisamment élevé pour entortiller les vêtements autour d'un bras ou autre membre avec suffisamment de force pour écraser ou briser les os, voire provoquer d'autres blessures.**

**Préparez la rainureuse et les lieux selon les consignes suivantes afin de limiter les risques de blessure par choc électrique, incendie, renversement de l'appareil, entortillement, écrasement ou autres causes, et afin d'éviter d'endommager la rainureuse à galets.**

1. Assurez-vous que les lieux présentent les caractéristiques suivantes :
  - Suffisamment d'éclairage.
  - L'absence de liquides, émanations ou poussières potentiellement inflammables. Le cas échéant, ne travaillez pas dans le secteur avant d'avoir identifié et éliminé leur source. Les systèmes d'entraînement et fileteuses ne sont pas blindés et risquent de produire des étincelles.
  - Un emplacement débarrassé, de niveau et au sec pour l'utilisateur et l'ensemble du matériel. Ne pas utiliser ce matériel lorsque vous avez les pieds dans l'eau.
  - Une prise de courant avec terre appropriée. Toute prise avec terre ou disjoncteur différentiel n'est pas nécessairement correctement reliée à la terre. En cas de doute, faire vérifier l'installation par un électricien.

- Un passage dégagé jusqu'à la prise de courant qui ne contient rien qui puisse endommager le cordon d'alimentation.

2. Nettoyez les lieux avant d'installer le matériel. Essayez toutes traces d'huile au sol.
3. Examinez le tuyau à rainurer afin de confirmer que la rainureuse à galet mixte n° 975 convient aux travaux envisagés. La rainureuse à galets mixte n° 975 est prévue pour le rainurage des tuyaux Ø 1 1/4" à 6" en acier séries 10 et 40, aluminium ou PVC. Elle permet également le rainurage des tuyaux en acier inoxydable série 10 en Ø 1 1/4" à 6", et de série 40 en Ø 1 1/4" à 2" et, avec un changement de galets, celui des tuyaux cuivre Ø 2" à 8" types K, L, M et DWV.

La rainureuse à galets mixte n° 975 peut servir in situ (sur tuyaux déjà posés ou tenus dans un étau) ou sur chantier avec un système d'entraînement type RIDGID 300, voire une rainureuse type 300 Compact, pour les applications motorisées. La rainureuse à galets mixte n° 975 n'est pas prévue pour les travaux industriels.

Des rainureuses à galets prévues pour d'autres types d'application se trouvent dans le catalogue Ridge Tool, en ligne au [www.RIDGID.com](http://www.RIDGID.com) ou auprès des services techniques de la Ridge Tool Company en composant le 800-519-3456.

**AVIS IMPORTANT** L'utilisation d'un même jeu de galets (rainurage et arbre d'entraînement) à la fois sur des tuyaux en acier au carbone et en acier inoxydable risque de contaminer l'acier inoxydable. Une telle contamination pourrait entraîner la corrosion et la défaillance prématurée des tuyaux. Afin d'éviter les risques de contamination ferreuse des tuyaux en acier inoxydable, utilisez des jeux de galets spécifiquement réservés au rainurage des tuyaux inox. A défaut, une brosse en acier inoxydable peut servir à soigneusement nettoyer les galets entre le rainurage de ces deux matériaux.

4. Effectuez l'inspection préalable du système d'entraînement ou de la fileteuse selon les consignes du manuel correspondant. Vérifiez la présence de sa pédale de commande et assurez-vous que son interrupteur FOR/OFF/REV se trouve en position « OFF ». Préparez le système d'entraînement ou la fileteuse selon les consignes du manuel correspondant. Assurez-vous de la stabilité de l'appareil et de son trépied.
5. Ouvrez le mandrin du système d'entraînement (ou fileteuse) complètement.
6. Une fois l'inspection préalable de la rainureuse à galets mixte n° 975 terminée, vérifiez qu'elle est équipée des galets de rainurage appropriés.



### Montage de la rainureuse à galets mixte n° 975 sur système d'entraînement RIDGID 300

1. Lorsque le système d'entraînement utilisé est déjà équipé d'un chariot ou autres accessoires, déposez-les. Vérifiez que les supports tubulaires du système d'entraînement sont complètement déployés et verrouillés.
2. Positionnez les supports tubulaires de la rainureuse sur les supports tubulaires du système d'entraînement et, à l'extrémité de l'arbre d'entraînement de la rainureuse, dans le mandrin de l'appareil. Serrez le mandrin du système d'entraînement sur les plats de l'arbre en vérifiant le centrage de l'arbre dans le mandrin. Tournez le volant de serrage du mandrin rapide sèchement à gauche à plusieurs reprises pour assurer la retenue de l'arbre d'entraînement (Figure 3).



Figure 3 – Montage de la rainureuse à galets mixte n° 975 sur mandrin de système d'entraînement n° 300.

### Montage de la rainureuse mixte n° 975 sur fileteuse RIDGID Compact

L'entraînement de la rainureuse par fileteuse 300 Compact nécessite l'utilisation d'un adaptateur spécial (réf. 67662). Cet adaptateur assure l'alignement de la 975 vis-à-vis de la fileteuse et son trépied, permettant ainsi le rainurage de gamme entière des tuyaux prévus. Afin d'éviter les risques de renversement ou autres accidents, ne jamais tenter d'utiliser la rainureuse 975 avec d'autres types de fileteuse.

1. Montez l'adaptateur sur l'arbre d'entraînement de la rainureuse (Figure 4) en serrant à fond ses vis de blocage sur les plats de l'arbre de la rainureuse.

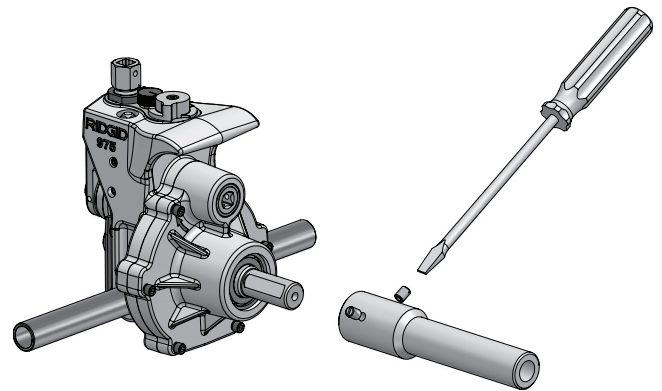


Figure 4 – Montage de l'adaptateur d'arbre d'entraînement

2. Amenez le chariot de la fileteuse 300 Compact aussi près que possible du mandrin de l'appareil. Relevez le coupe-tubes, l'alésoir et la tête de filière de l'appareil pour les dégager. Positionnez le cône de l'alésoir dans la tête de filière.
3. Positionnez l'adaptateur sur les rails de la 300 Compact, puis verrouillez-le en place à l'aide de la broche attachée.

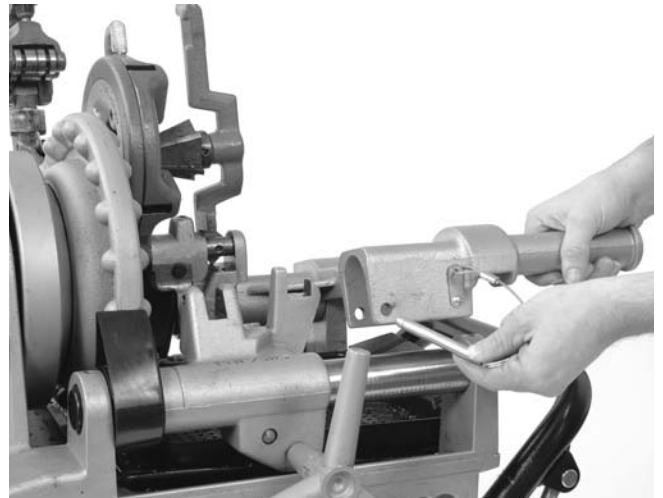


Figure 5 – Montage de l'adaptateur

4. Posez les tubulures de la 975 sur celles de l'adaptateur en positionnant la rallonge de l'arbre d'entraînement dans le mandrin de l'appareil. Fermez et serrez le mandrin de l'appareil sur la rallonge de l'arbre d'entraînement. Assurez-vous que l'arbre d'entraînement est bien centré dans le mandrin. Tournez le volant du mandrin rapide sèchement à gauche à plusieurs reprises pour assurer que l'arbre d'entraînement est bien tenu.

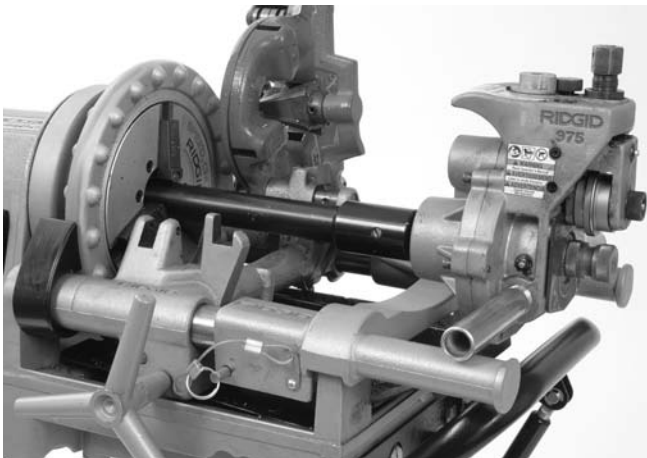


Figure 6 – Rainureuse à galets mixte n° 975 montée sur fileteuse 300 Compact

### Derniers préparatifs

1. Positionnez la pédale de commande de manière à pouvoir simultanément contrôler le système d'entraînement ou fileteuse, la rainureuse et le tuyau à rainurer. Comme indiqué à la Figure 7, cette position doit permettre à l'utilisateur de :



Figure 7 – Position de travail

- Se tenir face à la rainureuse du côté de son interrupteur FOR/OFF/REV.

- Pouvoir contrôler la fonction marche/arrêt de la pédale de commande et pouvoir rapidement en retirer son pied en cas de besoin.
  - Pouvoir accéder facilement à la fois à la rainureuse, au tuyau et à la clé à cliquet sans avoir à se pencher sur la rainureuse.
2. Passez le cordon d'alimentation le long du passage dégagé décrit précédemment. Avec les mains sèches, branchez le système d'entraînement sur la prise avec terre appropriée. Maintenez toutes connexions électriques au sec et surélevées. Si le cordon d'alimentation n'est pas suffisamment long, prévoyez une rallonge électrique :
    - En bon état
    - Disposant d'une fiche à trois barrettes semblable à celle du système d'entraînement
    - Homologuée pour utilisation à l'extérieur et comportant l'inscription W ou W-A dans sa désignation (ex., SOW) indiquant son homologation pour usage à l'extérieur
    - D'une section suffisante (14 AWG jusqu'à 25 pieds de longueur, et 12 AWG de 25 à 50 pieds). Une rallonge ayant des fils conducteurs de section insuffisante risque de surchauffer, faire fondre sa gaine isolante, et provoquer un incendie ou autres dégâts.
  3. Vérifiez le bon fonctionnement du système d'entraînement de la manière suivante :
    - Mettez l'interrupteur du système d'entraînement en position FOR (marche avant). Appuyez momentanément sur la pédale de commande en faisant face à l'appareil pour vérifier que l'arbre d'entraînement tourne bien à gauche. Si le système d'entraînement tourne en sens inverse ou que la pédale de commande ne contrôle pas son fonctionnement, n'utilisez pas l'appareil avant sa réparation.
    - Appuyez sur la pédale de commande le temps de vérifier le régime de rotation de l'appareil et examiner le mécanisme pour signes de désalignement, grippage bruits anormaux ou autres anomalies potentielles. Lâchez la pédale de commande. Si le régime de rotation du système d'entraînement est supérieur à 57 t/min, ne l'utilisez pas pour le rainurage. Un régime de rotation trop élevé augmenterait les risques d'accident. En cas d'anomalie quelconque, n'utilisez pas ce matériel avant sa réparation.
    - Mettez l'interrupteur du système d'entraînement en position REV (marche arrière). Appuyez momentanément sur la pédale de commande en faisant face à l'appareil pour vérifier que l'arbre d'entraînement tourne bien à droite. Si le système d'entraînement tourne en sens inverse, n'utilisez pas l'appareil avant sa réparation.

- Ramenez l'interrupteur du système d'entraînement à la position OFF (arrêt) puis, avec les mains sèches, débranchez l'appareil.

### Préparation des tuyaux

**AVIS IMPORTANT** Les consignes suivantes sont universelles. Reportez-vous aux instructions du fabricant du système de raccordement utilisé pour les consignes de préparation spécifiquement applicables à son produit. Le non-respect des consignes du fabricant du système de raccordement risque de nuire à la qualité et à l'étanchéité des raccords.

1. Coupez le tuyau à longueur. Respectez les indications du Tableau A visant les longueurs minimales pour chaque section de tuyau utilisé. Le rainurage de tuyaux de longueur insuffisante augmenterait les risques d'écrasement des doigts et d'enchevêtrement.

Assurez-vous d'une coupe bien d'équerre et de l'absence de bavures. Lors du rainurage, des bavures éventuelles risqueraient d'accrocher ou de couper vos gants et vos doigts. La méthode de coupe utilisée et la présence de bavures peuvent influencer la qualité et l'alignement des rainures. Ne jamais tenter de rainurer un tuyau qui a été coupé au chalumeau.

2. Toutes soudures, bavures et coutures externes ou internes doivent être meulées à fleur de tuyau sur un minimum de 2" à partir de l'extrémité du tuyau. Ne créez pas de plats dans la zone d'assise du joint afin d'éviter les problèmes d'étanchéité.
3. Éliminez toutes traces de calamine, crasse, rouille ou autre contamination sur un minimum de 2" à partir de l'extrémité du tuyau. La moindre contamination risque de colmater les bossages d'entraînement pour nuire à l'avancement et à l'alignement du tuyau en cours de rainurage.

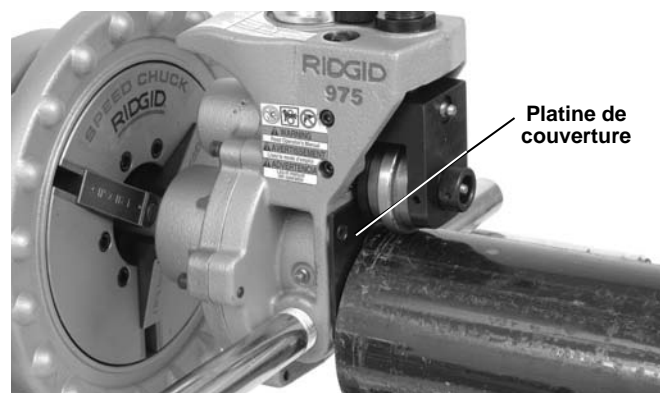
### Présentation des tuyaux

1. Vérifiez que l'interrupteur du système d'entraînement se trouve bien en position OFF.
2. Assurez-vous de pouvoir soutenir le tuyau de manière appropriée. Le *Tableau A* indique les longueurs maximales de tuyau pouvant être rainurées à l'aide d'un seul porte-tubes. Les tuyaux de longueur supérieure devront être soutenus par un minimum de deux porte-tubes. Un manque de soutien pourrait entraîner le renversement du tuyau et de l'appareil. Ne tentez pas de rainurer de tuyaux plus courts que les longueurs minimales indiquées.

Ø nominal	Longueur mini	Longueur maxi	Ø nominal	Longueur mini	Longueur maxi
1	8	36	4	8	36
1¼	8	36	4½	8	32
1½	8	36	5	8	32
2	8	36	Ø 6 ext.	10	30
2½	8	36	6	10	28
3	8	36			
3½	8	36			

**Tableau A – Longueurs de tuyau minimales et maximales pouvant être rainurées à l'aide d'un seul porte-tubes (toutes dimensions en pouces)**

3. Positionnez les porte-tubes nécessaires devant la rainureuse. Lorsqu'un seul porte-tubes est utilisé, positionnez-le à un peu plus de la moitié de la longueur du tuyau (en partant de la platine de couverture de la rainureuse). Lors de l'utilisation de plusieurs porte-tubes, ceux-ci devraient être placés au quart de la longueur du tuyau depuis chaque extrémité de ce dernier. Dans certains cas, des porte-tubes supplémentaires risquent d'être nécessaires. La hauteur des porte-tubes doit être réglée de manière à permettre au tuyau de s'engager sur le galet d'entraînement.
4. Assurez-vous que le galet de rainurage est suffisamment retiré pour permettre l'engagement du tuyau sur l'arbre d'entraînement. Au besoin, dévissez la vis d'avancement pour relever le galet de rainurage.
5. Après avoir enfilé le tuyau sur l'arbre d'entraînement, posez-le sur le ou les porte-tubes. Vérifiez la stabilité du tuyau.



**Figure 8 – Positionnement du tuyau sur l'arbre d'entraînement et contre la platine de couverture.**

6. Ajustez le tuyau et les porte-tubes de manière à ce que l'extrémité du tuyau s'appuie contre la platine de couverture et que l'intérieur du tuyau repose sur l'arbre d'entraînement (*Figure 7*). L'axe du tuyau doit être aligné avec celui de l'arbre d'entraînement. Pour ce faire, il s'agit de niveler à la fois le système d'entraînement/fileteuse et le tuyau.

7. Déportez légèrement l'extrémité du tuyau et les portetubes vers l'utilisateur pour obtenir une dérivation d'environ 0,5 degrés (voire, 25 mm à 3 mètres de la rainureuse). Ce léger déport aidera à aligner le tuyau en cours de rainurage (Figure 9).

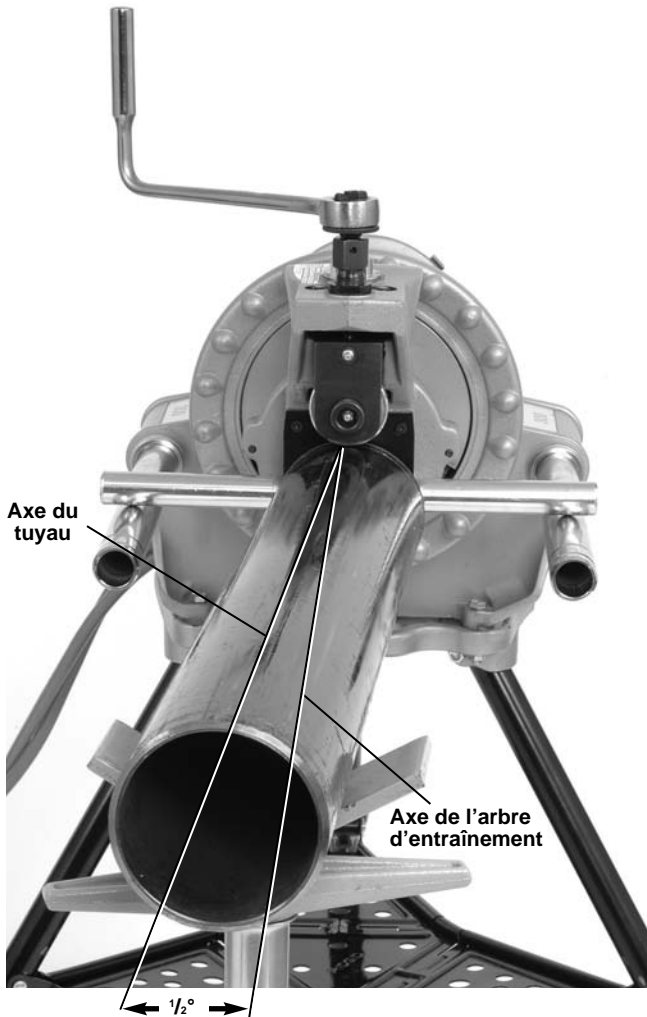


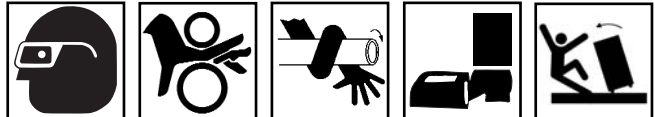
Figure 9 – Déport du tuyau de 0,5 degrés vers l'opérateur (schématisé)

8. Serrez la vis d'avancement pour amener le galet de rainurage contre le tuyau, puis ajoutez-y un quart de tour de plus. Il sera peut-être nécessaire de desserrer la vis de réglage pour permettre au galet de rainurage de contacter le tuyau. A ce stade, la rainureuse et le tuyau devraient être fermement engagés.
9. Examinez les lieux pour déterminer s'il est nécessaire de les barricader afin d'éloigner autrui du matériel et du tuyau. Des barrières ou barricades devraient être prévues pour créer un périmètre de sécurité d'au moins un mètre autour du système d'entraînement et du tuyau. Ce périmètre de sécurité empêchera aux passants de heurter accidentellement l'appareil et le tuyau, évitant ainsi les risques de renversement et d'entrave.

10. Avec les mains sèches, branchez le cordon d'alimentation de l'appareil sur une prise avec terre appropriée.

## Utilisation de la rainureuse à galets mixte n° 975 sur système d'entraînement ou fileteuse

### ⚠ AVERTISSEMENT



**Ne portez pas de vêtements amples lors de l'utilisation de la rainureuse. Gardez vos manches et blousons boutonnés. Ne vous penchez pas sur l'appareil ou sur le tuyau. Les vêtements amples risquent de s'entortiller dans le mécanisme et provoquer des blessures par écrasement.**

**Éloignez vos mains des galets de rainurage. Ne tentez pas de rainurer des tuyaux plus courts que spécifiés. Ne portez pas de gants trop grands. Vos doigts risquent d'être écrasés par les galets de rainurage ou entre galet de rainurage et tuyau.**

**Éloignez vos mains de l'extrémité du tuyau. Ne passez pas votre main à l'intérieur du tuyau. Les bavures et rebords tranchants pourraient les accrocher et les couper. Vos doigts risquent d'être écrasés par les galets de rainurage ou entre galet de rainurage et tuyau.**

**Portez systématiquement une protection oculaire afin de protéger vos yeux contre les projections de débris éventuelles. Portez des chaussures à coquille d'acier pour protéger vos pieds en cas de renversement de l'appareil ou du tuyau.**

**Respectez les consignes du mode d'emploi afin de limiter les risques de blessure par écrasement, renversement, contusion ou autres causes.**

## Réglage et vérification du diamètre de rainurage

**AVIS IMPORTANT** En raison des variations dans les caractéristiques physiques des tuyaux, un rainurage d'essai s'impose avant le premier rainurage du jour, et lors de chaque changement de section, série ou composition de tuyau. Dans la mesure où la jauge de diamètre de rainure ne donne qu'une indication approximative du diamètre réel, ce dernier doit être mesuré et confirmé.

1. Vérifiez l'installation du matériel et du tuyau. Une mauvaise préparation de tuyau risquerait de nuire à la précision initiale de la jauge de profondeur. Le galet de rainurage doit alors toucher le tuyau.
2. Réglez la jauge de profondeur de rainurage de façon à amener la graduation applicable sous la tête de la vis de réglage (Figure 10A). Cette jauge de pro-

fondeur est prévue pour les tuyaux acier. Consultez la section *Contrôle de la profondeur de rainurage sur tuyaux cuivre lors du rainurage du cuivre*.

3. Serrez la vis de réglage jusqu'à ce que sa tête touche la graduation de la jauge de profondeur. Tournez la jauge de profondeur de rainurage à la position de rainurage (Figure 10B). Si la jauge n'est pas en position de rainurage, elle empêchera le rainurage et risque d'être endommagée.



Figure 10A – Amenez la graduation applicable de la jauge sous de la tête de la vis de réglage



Figure 10B – Jauge en position de rainurage

4. Effectuez un échantillon de rainure selon les indications de la section *Façonnage des rainures*.
5. Mesurez le diamètre de la rainure. La mesure du diamètre d'une rainure se fait le plus souvent à l'aide d'un ruban de circonférence (voir la section «Accessoires»). Enveloppez le ruban bien à plat autour du fond de la rainure pour mesurer le diamètre de la rainure (Figure 11).



Figure 11 – Vérification du diamètre de rainure à l'aide d'un ruban de circonférence

6. Comparez le diamètre de rainurage ainsi mesuré à celui indiqué au *Tableau 1* ou à celui précisé par le fabricant du joint d'étanchéité en question. Si le dia-

mètre de rainure se trouve au-delà des limites prescrites, il sera nécessaire de jouer sur la vis de réglage pour obtenir le diamètre voulu.

- Pour augmenter le diamètre de la rainure, serrez la vis de réglage.
  - Pour réduire le diamètre de la rainure, desserrez la vis de réglage.
  - Chaque quart de tour de la vis de réglage modifie le diamètre de rainurage par approximativement 0,02".
7. Répétez les étapes 4 à 6 jusqu'à ce que le diamètre de la rainure se trouve dans les limites acceptables. Si la rainure initiale est trop importante, la Rainure peut être réglée afin de la réduire. Si la rainure est trop petite, il sera nécessaire de façonner une autre rainure. La précision diamétrale des rainures est indispensable à l'étanchéité. Des rainures hors normes pourraient entraîner la défaillance des joints d'étanchéité.

### Façonnage des rainures

1. Vérifiez l'installation du matériel et du tuyau.



Figure 12 – Position de travail

2. Tenez-vous dans la position de travail indiquée. Positionnez la pédale de commande du système d'entraînement de manière à pouvoir contrôler simultanément le système d'entraînement, la rainreuse et

le tuyau. Comme indiqué à la *Figure 12*, cette position de travail doit permettre à l'utilisateur :

- De se positionner face à la rainureuse et accéder à l'interrupteur FOR/OFF/REV.
  - De commander la fonction marche/arrêt de la pédale de commande, et, au besoin, de la lâcher instantanément.
  - D'accéder sans encombre à la rainureuse et à la clé à cliquet sans avoir à se pencher sur l'appareil.
  - De stabiliser le tuyau à l'aide de sa main droite si nécessaire.
  - De maintenir une bonne assise et un bon équilibre.
3. Mettez l'interrupteur FOR/OFF/REV en position REV (marche arrière). **N'utilisez pas la rainureuse à galets mixte n° 975 en position FOR (marche avant). En raison de la conception de la rainureuse n° 975, cela aurait pour effet d'envoyer le tuyau en spirale et risque de le faire tomber de la rainureuse.**
  4. Mettez une main sur la tête de la clé à cliquet ou la molette de la vis d'avancement, tout en tenant sa poignée de l'autre.
  5. Appuyez sur la pédale de commande pour lancer le système d'entraînement. Observez la rotation du tuyau en vous assurant qu'il reste plaqué contre la platine de couverture de la rainureuse. Si le tuyau commence à s'éloigner de la platine, lâchez la pédale de commande afin d'éviter que le tuyau parte en spirale et qu'il tombe de l'appareil. Au besoin, préparez le tuyau à nouveau selon les indications de la section *Préparation des tuyaux*. Si l'extrémité du tuyau est déformée, il sera nécessaire de la tronçonner à nouveau et de préparer une nouvelle rainure.
  6. Après une rotation complète du tuyau, serrez la vis d'avancement d'un quart de tour supplémentaire. Continuez à observer l'extrémité du tuyau pour vous assurer qu'elle reste plaquée contre la platine de couverture. Ne serrez pas la vis d'avancement de plus d'un quart de tour par rotation. Le serrage trop agressif de la vis d'avancement risque de trop évaser la rainure ou faire partir le tuyau en spirale et le déloger de l'arbre d'entraînement.
  7. Continuez de serrez la vis d'avancement d'un quart de tour par rotation jusqu'à ce que la tête de la vis d'avancement bute contre le sommet de la rainureuse. Arrêtez de serrer la vis d'avancement dès qu'elle atteint le sommet de la rainureuse afin d'éviter d'endommager la vis de réglage. Laissez tourner le tuyau sur deux rotations complètes supplémentaires en cette position afin d'assurer l'uniformité de la profondeur de rainure. tations in this position to insure uniform groove depth.

8. Lâchez la pédale de commande et mettez l'interrupteur FOR/OFF/REV en position OFF.
9. Dévissez la vis d'avancement afin de ramener le galet de rainurage suffisamment pour retirer le tuyau de l'appareil.
10. Examinez la rainure.
  - Assurez-vous que le rainurage est complet.
  - Vérifiez le diamètre de la rainure afin de vous assurer de sa conformité aux normes prévues.
  - Vérifiez tout autre point de contrôle demandé par le fabricant du joint.

En cas d'anomalie, cette rainure ne pourra pas être utilisée.

### Réglage du diamètre de rainure pour tuyaux en cuivre

La jauge de profondeur de rainure de la 975 ne peut pas servir à la vérification de profondeur de rainure sur les tuyaux en cuivre. Elle donnerait de fausses indications de diamètre.

1. Vissez la vis d'avancement jusqu'à amener le galet de rainurage contre le tuyau, puis ajoutez-y un quart de tour supplémentaire. Il sera peut-être nécessaire de desserrer la vis de réglage afin de permettre au galet de rainurage de descendre jusqu'au tuyau. Le tuyau et la rainureuse devrait alors être solidaires l'un de l'autre.
2. Assurez-vous que la jauge de profondeur de rainure se trouve en position de rainurage (*Figure 10B*).
3. Tournez la vis de réglage jusqu'à ce qu'elle arrive à fleur de la platine supérieure de la rainureuse.
4. Consultez le Tableau B pour déterminer le nombre de tours qu'il faudra ramener la vis de réglage en fonction du diamètre et type du tuyau en question. Pour un tuyau en cuivre série « L » de 4 pouces de diamètre, par exemple, il sera nécessaire de ramener la vis de réglage de 1<sup>1</sup>/<sub>4</sub> tours.

### Réglage de profondeur pour le rainurage des tuyaux en cuivre

(Tours de vis)

Dia.	K	L	M	DWV
2-2.5"	<sup>7</sup> / <sub>8</sub>	<sup>7</sup> / <sub>8</sub>	<sup>5</sup> / <sub>8</sub>	<sup>5</sup> / <sub>8</sub>
3"	1 <sup>1</sup> / <sub>16</sub>	1 <sup>1</sup> / <sub>16</sub>	1 <sup>1</sup> / <sub>16</sub>	1 <sup>1</sup> / <sub>16</sub>
4"	1 <sup>1</sup> / <sub>4</sub>	1 <sup>1</sup> / <sub>4</sub>	1 <sup>1</sup> / <sub>4</sub>	1 <sup>1</sup> / <sub>8</sub>
5"	1 <sup>1</sup> / <sub>2</sub>	1 <sup>1</sup> / <sub>2</sub>	1 <sup>1</sup> / <sub>2</sub>	1 <sup>1</sup> / <sub>2</sub>
6"	1 <sup>13</sup> / <sub>16</sub>	1 <sup>3</sup> / <sub>4</sub>	1 <sup>3</sup> / <sub>4</sub>	1 <sup>3</sup> / <sub>4</sub>
8"	2 <sup>1</sup> / <sub>2</sub>	2 <sup>3</sup> / <sub>8</sub>	2 <sup>1</sup> / <sub>8</sub>	2 <sup>1</sup> / <sub>8</sub>

**Tableau B – Réglage de profondeur pour le rainurage des tuyaux en cuivre**

5. Revenez à l'article 4 de la section « Réglage et mesure des diamètres de rainure ».

### Conseils visant les problèmes d'alignement avec la rainureuse à galets mixte n° 975

Les problèmes les plus souvent rencontrés lors du rainurage d'un tuyau sont sa tendance à partir en spirale, à «trotter» ou à se désaligner. Le maintien de l'alignement du tuyau dépend du respect absolu de l'ensemble des instructions données. Si, même en respectant ces instructions, le tuyau se désaligne toujours, il existe plusieurs options pour y remédier.

- Augmentez légèrement de déport axial du tuyau de 1/2 degré à 1 degré (Figure 9).
- Appuyez légèrement sur le tuyau durant le rainurage pour maintenir son alignement. Cela n'est généralement nécessaire que sur les petites longueurs de tuyau. Pour ce faire, portez un gant en cuir intact afin tenir le centre du tuyau comme indiqué à la Figure 13. Il sera peut-être alors nécessaire d'arrimer le trépied du système d'entraînement/fileteuse au sol afin d'éviter qu'il bouge durant le rainurage. Afin d'éviter les risques de blessure par écrasement, éloignez vos mains du galet de rainurage et des extrémités du tuyau, et ne tentez pas de rainurer de tuyaux plus courts que recommandé.



Figure 13 – Appuyer sur le tuyau pour maintenir son alignement durant le rainurage.

- Consultez par ailleurs la section Dépannage pour une liste complète des causes de désalignement et les solutions correspondantes.

### Préparation de l'appareil et du chantier pour les interventions in situ.

#### ⚠ AVERTISSEMENT



**Portez systématiquement une protection oculaire pour protéger vos yeux contre la projection de débris. Portez des chaussures à coquille d'acier pour protéger vos pieds en cas de renversement de l'appareil ou des tuyaux. Portez le casque lorsque vous travaillez sur chantier.**

**Préparez la rainureuse et le chantier selon les consignes suivantes afin de limiter les risques de blessure par choc électrique, incendie, renversement de l'appareil, entortillement, écrasement ou autres causes, et afin d'éviter d'endommager la rainureuse à galets.**

1. Assurez-vous que les lieux présentent les caractéristiques suivantes :
  - Suffisamment d'éclairage.
  - L'absence de liquides, émanations ou poussières potentiellement inflammables. Le cas échéant, ne travaillez pas dans le secteur avant d'avoir identifié et éliminé leur source. Le système d'entraînement RIDGID 300 Power Drive n'est pas blindé et risque de produire des étincelles.
  - Un emplacement débarrassé, de niveau et au sec pour l'utilisateur et l'ensemble du matériel. Ne pas utiliser ce matériel lorsque vous avez les pieds dans l'eau.
2. Nettoyez les lieux avant d'installer le matériel. Essuyez toutes traces d'huile au sol.
3. Examinez le tuyau à rainurer afin de confirmer que la rainureuse à galet mixte n° 975 convient aux travaux envisagés. La rainureuse à galets mixte n° 975 est prévue pour le rainurage des tuyaux Ø 1/4" à 6" en acier séries 10 et 40, aluminium ou PVC. Elle permet également le rainurage des tuyaux en acier inoxydable de la série 10 en Ø 1/4" à 6", et de la série 40 en Ø 1/4" à 2".

La rainureuse à galets mixte n° 975 peut servir sur chantier (sur tuyaux déjà posés ou tenus dans un

étau) ou avec un système d'entraînement type RIDGID 300 ou fileteuse 300 Compact pour les applications motorisées. La rainureuse à galets mixte n° 975 n'est pas prévue pour les travaux industriels.

4. Lors des rainurages in situ, assurez-vous qu'il y aura suffisamment de place pour permettre à la rainureuse à galets mixte n° 975 d'évoluer. Pour que la rainureuse puisse tourner autour d'un tuyau solidement soutenu, il lui faut :
  - Un minimum de 6,5 pouces d'espace libre autour du tuyau à rainurer.
  - Une saillie de tuyau d'au moins 2,5 pouces par rapport aux obstacles éventuels (murs, etc.).
  - Un recul d'au moins 9,5 pouces pour permettre le montage de la rainureuse sur le tuyau.

Des rainureuses à galets prévues pour d'autres types d'application se trouvent dans le catalogue Ridge Tool, en ligne au [www.RIDGID.com](http://www.RIDGID.com) ou auprès des services techniques de la Ridge Tool Company en composant le 800-519-3456.

**AVIS IMPORTANT** L'utilisation d'un même jeu de galets (rainurage et arbre d'entraînement) à la fois sur des tuyaux en acier au carbone et en acier inoxydable risque de contaminer l'acier inoxydable. Une telle contamination pourrait entraîner la corrosion et la défaillance prématurée des tuyaux. Afin d'éviter les risques de contamination ferreuse des tuyaux en acier inoxydable, utilisez des jeux de galets spécifiquement réservés au rainurage des tuyaux inox. À défaut, une brosse en acier inoxydable peut servir à soigneusement nettoyer les galets entre le rainurage de ces deux matériaux.

### Préparation des tuyaux

**AVIS IMPORTANT** Il s'agit ici de consignes généralisées. Reportez-vous systématiquement aux instructions du fabricant du système de raccordement utilisé pour les consignes de préparation de tuyau applicables. Le non-respect des consignes du fabricant du système de raccordement risque de nuire à la qualité et à l'étanchéité des raccords produits.

1. Lors du rainurage d'un tuyau sur canalisation existante, assurez-vous que le réseau est vide et dépressurisé. Renseignez-vous sur son contenu et sur les risques éventuels que celui-ci représente.
2. Coupez le tuyau à longueur.

Assurez-vous d'une coupe bien d'équerre et de l'absence de bavures. Lors du rainurage, des bavures éventuelles risqueraient d'accrocher ou de couper vos gants et vos doigts. La méthode de coupe utilisée et la présence de bavures peuvent influencer la qualité et l'alignement des rainures. Ne jamais tenter de rainurer un tuyau qui a été coupé au chalumeau.

3. Toutes soudures, bavures et coutures internes ou externes éventuelles doivent être meulées à fleur de tuyau sur un minimum de 2" à partir de l'extrémité du tuyau. Ne créez pas de plats dans la zone d'assise du joint afin d'éviter les problèmes d'étanchéité.
4. Éliminez toutes traces de calamine, crasse, rouille ou autre contamination sur un minimum de 2" à partir de l'extrémité du tuyau. La moindre contamination risque de colmater les bossages d'entraînement pour nuire à l'avancement et à l'alignement du tuyau en cours de rainurage.
5. Assurez-vous que le tuyau à rainurer est solidement monté. Le tuyau doit pouvoir supporter, sans bouger, le poids de la rainureuse (28 livres), ainsi que l'effort et le couple produits par le rainurage. Dans certains cas, il sera peut-être préférable de retirer le tuyau et le rainurer sur un étau. Dans d'autres cas, il sera peut-être nécessaire de renforcer ses supports de manière temporaire ou permanente. Lors de l'utilisation d'un étau à tuyaux, assurez-vous qu'il est bien arrimé et qu'il ne risque pas de se renverser en cours de rainurage. Pour les tuyaux de grande longueur, prévoyez les porte-tubes appropriés pour les soutenir.

### Montage de la rainureuse sur le tuyau

1. Vérifiez que la rainureuse à galets mixte n° 975 a bien été inspectée. Assurez-vous que les supports tubulaires sont bien vissés à fond dans le bâti de la rainureuse ou, le cas échéant, enlevez-les pour mieux accéder aux endroits exigus. Ensuite, installez la clé à cliquet sur la vis d'avancement, puis la rallonge dans le carré d'entraînement manuel qui se trouve au dos de la rainureuse. Assurez-vous que la clé et la rallonge sont bien engagées.
2. Assurez-vous qu'il y a suffisamment d'espace entre le galet de rainurage et l'arbre d'entraînement pour accommoder l'épaisseur du tuyau. Au besoin, dévissez la vis d'avancement pour ramener le galet de rainurage.
3. Tenez la rainureuse fermement entre vos mains. Ne tentez pas de la soulever par la clé à cliquet. Positionnez l'arbre d'entraînement dans le tuyau en vous assurant que la platine de couverture vient bien à buter contre l'extrémité du tuyau (*Figure 14*). Serrez la vis d'avancement manuellement jusqu'à ce que le galet de rainurage vienne s'appuyer contre le tuyau, puis ajoutez-y un quart de tour à l'aide de la clé à cliquet. Assurez-vous que la rainureuse est fermement accroché et que sa platine de couverture est plaquée contre l'extrémité du tuyau. Sinon, répétez le processus. Lors des travaux in situ, vérifiez systéma-



tiquement la bonne tenue de la rainureuse afin de l'empêcher de tomber.

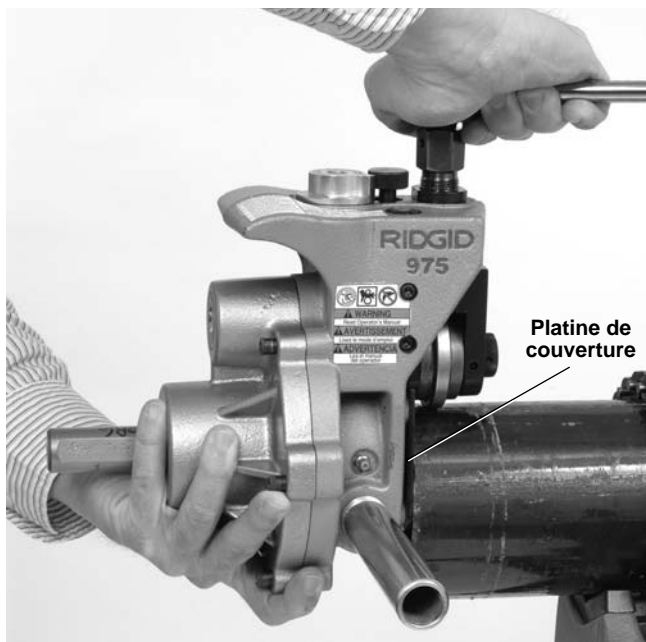


Figure 14 – Tenez la rainureuse fermement en position lors du serrage de la vis d'avancement.

## Utilisation in situ de la rainureuse à galets mixte n° 975

### ⚠ AVERTISSEMENT



**N'utilisez que le système d'entraînement manuel lors des rainurages à pied d'œuvre. Ne jamais utiliser de système d'entraînement mécanique (perceuse électrique, clés choc, etc.) pour la mouvoir in situ. L'utilisation de moyens mécaniques risquerait d'endommager la rainureuse et augmenterait les risques d'accident.**

**Ne portez pas de vêtements amples lors de l'utilisation de la rainureuse. Gardez vos manches et blousons boutonnés. Ne vous penchez pas sur l'appareil ou sur le tuyau. Les vêtements amples risquent de s'entortiller dans le mécanisme et provoquer des blessures par écrasement.**

**Éloignez vos mains des galets de rainurage. Ne tentez pas de rainurer des tuyaux plus courts que spécifiés. Ne portez pas de gants trop grands. Vos doigts risquent d'être écrasés par les galets de rainurage ou entre galet de rainurage et tuyau.**

**Éloignez vos mains de l'extrémité du tuyau. Ne passez pas votre main à l'intérieur du tuyau. Les bavures et rebords tranchants pourraient les accrocher et les couper. Vos doigts risquent d'être écrasés par les galets de rainurage ou entre galet de rainurage et tuyau.**

**Portez systématiquement une protection oculaire afin de protéger vos yeux contre les projections de débris éventuelles. Portez des chaussures à coquille d'acier pour protéger vos pieds en cas de renversement de l'appareil ou du tuyau.**

**Respectez les consignes du mode d'emploi afin de limiter les risques de blessure par écrasement, renversement, contusion ou autres causes.**

## Réglage et vérification du diamètre de rainurage

**AVIS IMPORTANT** En raison des variations dans les caractéristiques physiques des tuyaux, un rainurage d'essai s'impose avant le premier rainurage du jour, et lors de chaque changement de section, série ou composition de tuyau. Dans la mesure où la jauge de diamètre de rainure ne donne qu'une indication approximative du diamètre réel, ce dernier doit être mesuré et confirmé.

1. Vérifiez l'installation du matériel et du tuyau. Une mauvaise préparation de tuyau risquerait de nuire à la précision initiale de la jauge de profondeur. Le galet de rainurage doit alors toucher le tuyau.
2. Réglez la jauge de profondeur de rainurage de façon à amener la graduation applicable sous la tête de la vis de réglage (Figure 15A). La jauge de profondeur est prévue pour les tuyaux en acier. Reportez-vous à la section « *Diamètre de rainurage pour tuyaux cuivre* » lors du rainurage des tuyaux en cuivre.
3. Serrez la vis de réglage jusqu'à ce que sa tête touche la graduation de la jauge de profondeur. Tournez la jauge de profondeur de rainurage à la position de rainurage (Figure 15B). Si la jauge n'est pas en position de rainurage, elle empêchera le rainurage et risque d'être endommagée.



Figure 15A – Amenez la graduation applicable de la jauge sous de la tête de la vis de réglage



Figure 15B – Jauge en position de rainurage

4. Effectuez un échantillon de rainure selon le processus décrit à la section *Façonnage des rainures*.
5. Mesurez le diamètre de la rainure. La mesure du diamètre d'une rainure se fait le plus souvent à l'aide d'un ruban à circonférence (voir la section «Accessoires»). Enveloppez le ruban bien à plat autour du fond de la rainure pour mesurer le diamètre de la rainure (Figure 16).



Figure 16 – Vérification du diamètre de rainure à l'aide d'un ruban à circonférence

6. Comparez le diamètre de rainurage ainsi mesuré à celui indiqué au *Tableau 1* ou à celui précisé par le fabricant du joint d'étanchéité en question. Si le diamètre de rainure se trouve au-delà des limites prescrites, il sera nécessaire de jouer sur la vis de réglage pour obtenir le diamètre voulu.
  - Pour augmenter le diamètre de la rainure, serrez la vis de réglage.
  - Pour réduire le diamètre de la rainure, desserrez le vis de réglage.
  - Chaque quart de tour de la vis de réglage modifie le diamètre de rainurage par approximativement 0,02".
7. Répétez les étapes 4 à 6 jusqu'à ce que le diamètre de la rainure se trouve dans les limites acceptables. Si la rainure initiale est trop importante, la Rainure peut être réglée afin de la réduire. Si la rainure est trop petite, il sera nécessaire de façonner une autre rainure. La précision diamétrale des rainures est indispensable à l'étanchéité. Des rainures hors normes pourraient entraîner la défaillance des joints d'étanchéité.

## Façonnage des rainures

1. Vérifiez l'installation appropriée du matériel et du tuyau.
2. Mettez-vous en position de travail en répartissant bien votre poids et en maintenant un bon équilibre.
3. Vérifiez que la vis d'avancement a bien été serrée d'un quart de tour.
4. Enlevez la clé à cliquet de la vis d'avancement et installez-y la rallonge. A noter que l'on peut se dispenser de la rallonge dans les endroits étriqués.
5. Tournez la clé à droite (vu de l'arrière de la rainureuse), dans le sens des flèches estampées au dos de la rainureuse (Figure 17). Observez la rotation de la rainureuse en vérifiant que sa platine de couverture reste bien plaquée contre l'embout du tuyau. Si la rainureuse commence à s'éloigner du tuyau, arrêtez de tourner la clé à cliquet afin d'éviter que la rainureuse parte en spirale et tombe du tuyau. Appuyez sur le support tubulaire de la rainureuse pour aider à ramener sa platine de couverture contre l'embout du tuyau. Au besoin, réinstallez la rainureuse sur le tuyau selon les indications de la section *Montage de la rainureuse sur le tuyau*. Si l'embout du tuyau a été déformé, il sera nécessaire de le tronçonner à nouveau et de préparer une nouvelle rainure.

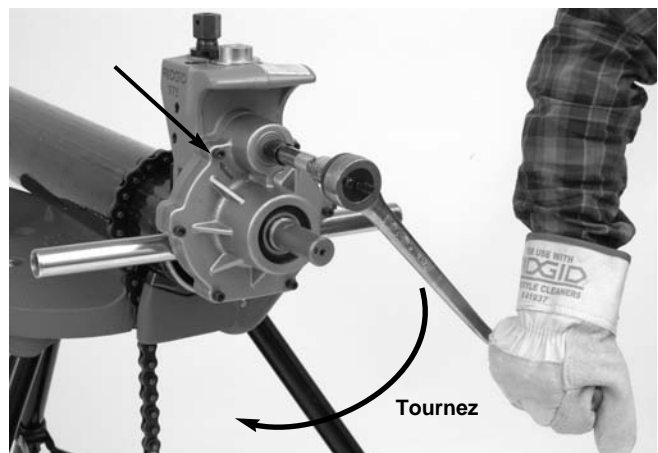


Figure 17 – Tournez la clé dans le sens des flèches

6. Continuez de tourner la clé jusqu'à ce que la rainureuse ait achevée au moins une rotation complète autour du tuyau. Enlevez la clé de l'extension, puis engagez la sur la vis d'avancement. Ne serrez pas la vis d'avancement de plus d'un quart de tour par révolution de la rainureuse. Le serrage agressif de la vis d'avancement risquerait d'évaser la rainure de manière excessive et faire trotter la rainureuse jusqu'à ce qu'elle tombe du tuyau. Continuez d'actionner la clé pour faire tourner la rainureuse autour du tuyau,

tout en contrôlant la position de la platine de couverture par rapport à l'extrémité du tuyau.

7. Continuez de serrer la vis d'avancement d'un quart de tour par révolution de la rainureuse autour du tuyau jusqu'à ce que la tête de la vis de réglage bute contre le sommet de la rainureuse. Arrêtez de serrer la vis d'avancement dès qu'elle atteint le sommet de la rainureuse afin d'éviter d'endommager la vis de réglage. Laissez tourner le tuyau sur deux révolutions complètes supplémentaires en cette position afin d'assurer l'uniformité de la profondeur de rainure.
8. Ramenez la clé à cliquet sur la vis d'avancement. Tenez fermement la rainureuse, puis tournez la vis d'avancement à gauche pour éloigner le galet de rainurage du tuyau. Ne laissez pas tomber la rainureuse.
9. Examinez la rainure.
  - Assurez-vous que le rainurage est complet.
  - Vérifiez le diamètre de la rainure afin de vous assurer qu'elle tombe dans les limites prévues.
  - Vérifiez tout autre article demandé par le fabricant du joint.

En cas d'anomalie, n'utilisez pas la rainure.

## Consignes d'entretien

### **⚠ AVERTISSEMENT**

**Assurez-vous que l'interrupteur du système d'entraînement se trouve en position OFF et que l'appareil a été débranché avant toute intervention ou réglage.**

### Lubrification

Lubrifiez la rainureuse à galets mixte n° 975 mensuellement à l'aide d'une graisse universelle de qualité.

- Les graisseurs se trouvent du côté «opérateur» de l'embase, devant le bloc coulissant, et en bout de l'axe du galet de rainurage (Figure 2). Graissez-les à refus (voire, jusqu'au premier signe de dégorgeement de graisse).
- Appliquez une légère couche de graisse sur la vis d'avancement.
- La boîte d'engrenages de la rainureuse à galets mixte n° 975 est étanche et ne nécessitera pas de graissage tant qu'elle n'aura pas été ouverte.

Reportez-vous à la section *Inspection de l'appareil pour des renseignements complémentaires visant son entretien.*

### Nettoyage de l'appareil

Nettoyez les bossages de l'arbre d'entraînement au moins quotidiennement, et plus souvent si nécessaire, à l'aide d'une brosse métallique.

### Remplacement des galets

**⚠ AVERTISSEMENT** Lors du remplacement des galets ou des éléments associés, vérifiez que les repères des galets de rainurage et d'entraînement correspondent. Des éléments dépareillés peuvent nuire à la qualité du rainurage et à l'étanchéité du raccord.

Retirez la rainureuse du système d'entraînement ou de la fileuse et posez-la sur un établi stable.

Outillage nécessaire :

- Clé 6-pans de  $\frac{3}{8}$ "
- Clé 6-pans de  $\frac{3}{32}$ "
- Pince à cerclip de 0,070"

### Dépose et montage du galet d'entraînement

1. Retirez les 6 vis de retenue du carter.
2. Retirez le carter (Figure 18).

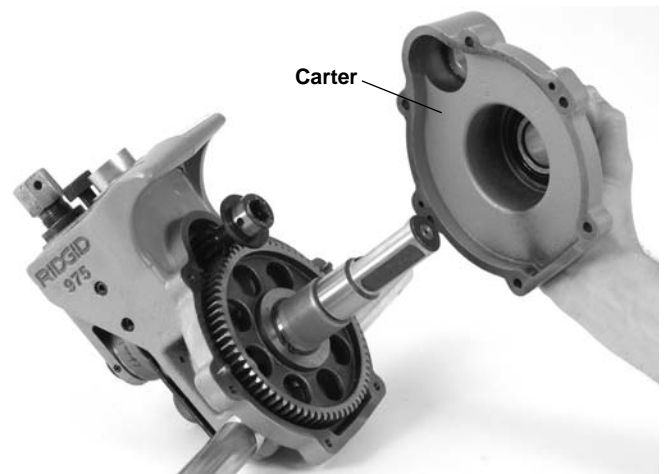


Figure 18 – Retrait du carter

3. Retirez le pignon.
4. Retirez l'arbre d'entraînement via l'arrière de la rainureuse 975.
5. Enlevez le cerclip de l'arbre d'entraînement et retirez la couronne dentée (Figure 19).

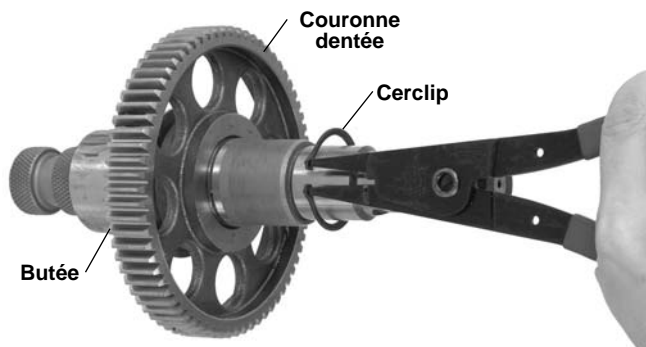


Figure 19 – Retrait du cerclip

6. Retirez la clavette, puis la butée.
7. Enfilez la butée sur le nouvel arbre d'entraînement.
8. Enfoncez la clavette, puis montez la couronne dentée.
9. Installez le cerclip dans la rainure de l'arbre d'entraînement.
10. Positionnez l'arbre d'entraînement assemblé dans le bâti de la rainureuse.
11. Enduisez les paliers et les dents de la couronne d'une copieuse couche de graisse universelle de bonne qualité.
12. Introduisez le pignon et remontez le carter. Serrez les vis du carter à un couple de 12 à 16 ft-lbs.

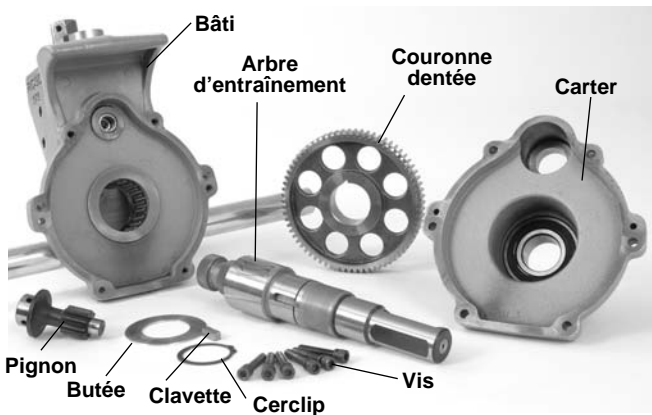


Figure 20 – Composants de la rainureuse à galets n° 975

### Dépose et montage du galet de rainurage

1. Retirez la vis de retenue de l'axe du galet de rainurage.
2. Retirez l'axe du galet de rainurage de l'étrier, puis enlevez le galet de rainurage et la butée.
3. Introduisez la nouvelle butée et le galet de rainurage de remplacement dans l'étrier, tout en vérifiant que le cerclip intérieur du galet de rainurage est face au bâti de la rainureuse, et que le galet de rainurage se trouve entre la butée et le bâti.

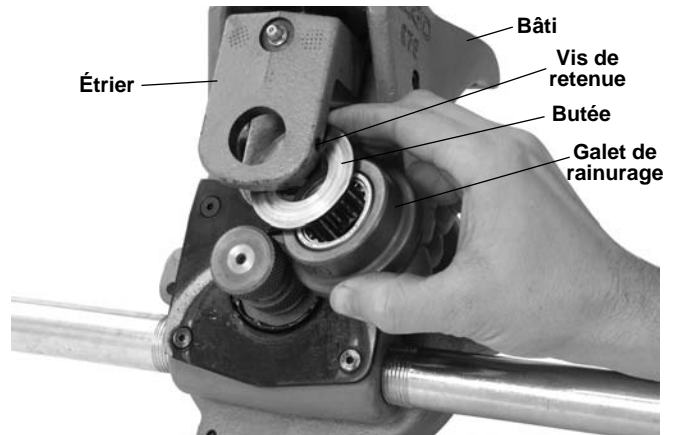


Figure 21

4. Remontez l'axe du galet de rainurage et sa vis de retenue.
5. Vérifiez l'alignement des galets de rainurage et d'entraînement. S'ils ne s'alignent pas, vérifiez l'orientation du galet de rainurage et de la butée.
6. Graissez l'ensemble selon les indications de la section *Lubrification*.

## Accessoires

### ⚠ AVERTISSEMENT

**Les produits suivants sont les seuls à être compatibles avec la rainureuse à galet mixte n° 975. Toute tentative d'utilisation d'accessoires compatibles avec d'autres types d'appareil risque de compromettre la sécurité de fonctionnement de la rainureuse à galets mixte n° 975. Afin de limiter les risques d'accident grave, n'utilisez que les accessoires spécifiquement prévus pour fonctionner avec la rainureuse à galets mixte n° 975, tels que ceux répertoriés ci-après.**

Réf. catalogue	Description
41855	Système d'entraînement type 300 Power Drive, 115V, 25 à 60 Hz, 38 t/min
75075	Système d'entraînement type 300 Power Drive, 115V, 23 à 60 Hz, 57 t/min
42360	Support n° 1206 pour système d'entraînement type 300
66947	300 Compact, 115V, 23 à 60 Hz, 38 t/min
73447	300 Compact, 115V, 23 à 60 Hz, 52 t/min
67662	Adaptateur pour 300 Compact
67657	Support pliant n° 250 pour 300 Compact
72037	Étau à chaîne portable n° 480 sur trépied
56662	Porte-tubes en V surélevé type VJ-99
76822	Ruban à circonférence (impérial)
76827	Ruban à circonférence (métrique)
30708	Rallonge à verrouillage, carré de 1/2"
30703	Clé à cliquet avec carré de 1/2" et poignée à 90°
32833	Galets de rainurage et d'entraînement pour tuyaux cuivre type K, L, M et DWV de 2" à 8"

## Stockage de l'appareil

**⚠ AVERTISSEMENT** Remisez l'appareil dans un local sous clé hors de la portée des enfants et autres individus non familiarisés avec le fonctionnement des rainureuses à galets. Cet appareil peut devenir dangereux entre les mains d'utilisateurs novices.

## Service après-vente

### **⚠ AVERTISSEMENT**

**Une intervention mal exécutée risque de rendre ce type d'accessoire dangereux.**

La rubrique « Entretien de l'appareil » devrait couvrir la majorité des besoins d'entretien de cet appareil. Veuillez adresser tout problème qui n'est pas couvert sous cette rubrique à un réparateur RIDGID agréé.

Aucunes pièces de rechange ne sont disponibles pour ces accessoires. En cas de besoin de pièces, Tout accessoire ayant besoin de pièces de rechange devrait être mis au rebut et remplacé par un élément neuf.

Veuillez adresser toutes questions éventuelles visant l'entretien ou la réparation de ce matériel aux coordonnées suivantes :

Ridge Tool Company  
Technical Service Department  
400 Clark Street  
Elyria, Ohio 44035-6001  
Tél. (800) 519-3456  
E-mail: TechServices@ridgid.com

Pour obtenir les coordonnées du réparateur autorisé le plus proche, veuillez consulter la Ridge Tool Company au (800) 519-3456 ou [www.RIDGID.com](http://www.RIDGID.com).

## Tableau I – Spécifications pour rainures normalisées

NOTA ! Toutes dimensions en pouces (système impérial).

Ø TUYAU (nominal)	Ø TUYAU		T Ep. mini des parois	A Fond de joint +.015/-0.030	B Largeur de rainure +.030/-0.015	C Diamètre de rainure		D Profondeur de rainure (nominale) (2)
	Ext.	Int.				Ext.	Int.	
1 <sup>1</sup> / <sub>4</sub>	1.660	+0.016 -0.016	.065	.625	.344	1.535	+0.000 -0.015	.063
1 <sup>1</sup> / <sub>2</sub>	1.900	+0.016 -0.016	.065	.625	.344	1.775	+0.000 -0.015	.063
2 <sup>(1)</sup>	2.375	+0.024 -0.016	.065	.625	.344	2.250	+0.000 -0.015	.063
2 <sup>1</sup> / <sub>2</sub> <sup>(1)</sup>	2.875	+0.029 -0.016	.083	.625	.344	2.720	+0.000 -0.015	.078
3 <sup>(1)</sup>	3.50	+0.030 -0.018	.083	.625	.344	3.344	+0.000 -0.015	.078
3 <sup>1</sup> / <sub>2</sub> <sup>(1)</sup>	4.00	+0.030 -0.018	.083	.625	.344	3.834	+0.000 -0.015	.083
4 <sup>(1)</sup>	4.50	+0.035 -0.020	.083	.625	.344	4.334	+0.000 -0.015	.083
5 <sup>(1)</sup>	5.563	+0.056 -0.022	.109	.625	.344	5.395	+0.000 -0.015	.084
6 <sup>(1)</sup>	6.625	+0.050 -0.024	.109	.625	.344	6.455	+0.000 -0.015	.085

(1) Selon la norme AWWA C606-87

(2) La profondeur nominale des rainures n'est donnée qu'à titre indicatif. Ne pas baser la conformité d'une rainure sur sa profondeur.

## Tableau II – Épaisseur maxi/mini des parois de tuyau

NOTA ! Toutes dimensions en pouces (système impérial)

Ø tuyau	Tuyau ou tube acier au carbone ou aluminium		Tuyau ou tube acier inoxydable		Tuyau PVC	
	Épaisseur des parois		Épaisseur des parois		Épaisseur des parois	
	Mini	Maxi	Mini	Maxi	Mini	Maxi
1 <sup>1</sup> / <sub>4</sub> "	.065	.140	.065	.140	.140	.140
1 <sup>1</sup> / <sub>2</sub> "	.065	.145	.065	.145	.145	.200
2"	.065	.154	.065	.154	.154	.154
2 <sup>1</sup> / <sub>2</sub> "	.083	.203	.083	.188	.203	.276
3"	.083	.216	.083	.188	.216	.300
3 <sup>1</sup> / <sub>2</sub> "	.083	.226	.083	.188	.226	.300
4"	.083	.237	.083	.188	.237	.300
5"	.109	.258	.109	.188	.258	.300
6"	.109	.280	.109	.188	.280	.300

**Tableau III – Spécifications de rainurage pour cuivre**

1 Ø nominal (pouces)	2 Ø ext.		3 A Siège joint A ±0.03	4 B Largeur rainure +.03 -.000	5 C Ø rainure +.00 -.02	6 D Prof. rainure nom. <sup>1</sup>	7 T Ép. mini des parois	8 Évasement maxi
	Norme	Tolérance						
2"	2.125	±0.002	0.610	0.300	2.029	0.048	DWV	2.220
2½"	2.625	±0.002	0.610	0.300	2.525	0.050	0.065	2.720
3"	3.125	±0.002	0.610	0.300	3.025	0.050	DWV	3.220
4"	4.125	±0.002	0.610	0.300	4.019	0.053	DWV	4.220
5"	5.125	±0.002	0.610	0.300	5.019	0.053	DWV	5.220
6"	6.125	±0.002	0.610	0.300	5.999	0.063	DWV	6.220
8"	8.125	+0.002/-0.004	0.610	0.300	7.959	0.083	DWV	8.220

1. La profondeur nominale de rainurage n'est donnée qu'à titre indicatif. Ne pas utiliser cette profondeur pour déterminer la conformité du rainurage.

## Dépannage

SYMPTÔME	CAUSE POSSIBLE	REMÈDE
<b>Rainure trop étroite ou trop large.</b>	Usure du galet de rainurage ou de l'arbre d'entraînement.	Remplacer le galet de rainurage et/ou l'arbre d'entraînement.
<b>La rainure obtenue n'est pas perpendiculaire à l'axe du tuyau.</b>	Tuyau tordu. Coupe d'embout en faux équerre.	Utiliser un tuyau rectiligne. Couper l'embout du tuyau d'équerre.
<b>Le tuyau ne suit pas la rainureuse durant le rainurage ou, le cas échéant, la rainureuse ne suit pas le tuyau.</b>	Tuyau et arbre d'entraînement désaxés. Axe du tuyau non dévoyé de ½ degré par rapport à l'axe du galet d'entraînement. Bossages du galet d'entraînement colmatés ou complètement usés. Vis d'avancement desserrée. Clé tournant dans mauvais sens. Excès de calamine à l'intérieur du tuyau. Couture de soudure excessive. Manque de pression sur le tuyau. Embout de tuyau en faux équerre ou mal ébarbé. Vis d'avancement trop serrée.	Régler le porte-tubes pour aligner le tuyau. Décaler le tuyau de ½ degré. Nettoyer ou remplacer le galet d'entraînement. Serrer la vis d'avancement avec la clé à chaque rotation. Tourner la clé dans le bon sens. Nettoyer l'intérieur du tuyau. Meuler la couture à fleur sur une distance de 2". Appuyer sur le tuyau (Figure 10). Préparer l'embout du tuyau convenablement. Ne tourner la vis d'avancement qu'un quart de tour à la fois.
<b>L'extrémité rainurée du tuyau est évasée.</b>	Tuyau et arbre d'entraînement désalignés. Vis d'avancement trop serrée.	Régler le porte-tubes pour aligner le tuyau. Ne tourner la vis d'avancement qu'un quart de tour à la fois.
<b>En cours de rainurage, le tuyau navigue latéralement sur l'axe du galet d'entraînement.</b>	Tuyau tordu. Embout de tuyau en faux équerre.	Utiliser un tuyau droit. Couper l'embout du tuyau d'équerre.

## Dépannage (suite)

SYMPTÔME	CAUSE POSSIBLE	REMÈDE
En cours de rainurage, le tuyau bascule d'un côté à l'autre du galet d'entraînement.	Porte-tubes trop près de l'embout du tuyau. Embout de tuyau aplati ou endommagé. Points durs ou soudages plus résistants que la paroi du tuyau. Avancement du galet de rainurage trop lent.	Rapprocher le porte-tubes selon les instructions. Couper la partie endommagée du tuyau. Changer de tuyau.
La rainureuse n'entame pas le tuyau.	Epaisseur de paroi excessive. Tuyau de composition trop dure. Vis de réglage mal réglée. Insuffisance de couple du système d'entraînement.	Se reporter au tableau des limites d'épaisseur de parois. Remplacer le tuyau. Régler la profondeur. Utiliser un système d'entraînement RIDGID 300 à 38 t/min.
La rainureuse ne produit pas le diamètre de rainure nécessaire.	Tuyau d'un diamètre excessif. Vis de réglage de profondeur mal réglée. Tuyau de composition trop dure.	Utiliser un tuyau de diamètre approprié. Régler la profondeur. Changer de type de tuyau.
Le tuyau s'échappe du galet d'entraînement.	Avancement du galet de rainurage trop lent. Bossages du galet d'entraînement colmatés ou complètement usés.	Faire avancer le galet de rainurage plus rapidement. Nettoyer ou remplacer le galet d'entraînement.
La rainureuse n'assure pas la rotation du tuyau en cours de rainurage.	Insuffisance de couple du système d'entraînement. Mandrin non serré sur les plats de l'arbre d'entraînement.	Utiliser un système d'entraînement RIDGID 300 Power Drive en 38 t/min. Serrer le mandrin.
Le tuyau se soulève ou a tendance à renverser la rainureuse en arrière.	Porte-tubes mal positionnés.	Positionner le porte-tubes de manière appropriée.



# Modelo 975

## Ranuradora a rodillos combinada



### ADVERTENCIA


Antes de utilizar este aparato, lea detenidamente su Manual del Operario. Pueden ocurrir descargas eléctricas, incendios y/o graves lesiones si no se comprenden y siguen las instrucciones de este manual.


## Índice


<b>Simbología de seguridad</b> .....	49
<b>Reglas de seguridad general</b>	
Seguridad en la zona de trabajo .....	49
Seguridad eléctrica .....	49
Seguridad personal .....	50
Uso y cuidado de la máquina.....	50
Servicio .....	50
<b>Información de seguridad específica</b>	
Seguridad de la Ranuradora a rodillos .....	51
Seguridad de la Ranuradora a rodillos cuando se la usa con el Accionamiento Motorizado No. 300 o Roscadora ....	51
Seguridad de la Ranuradora a rodillos cuando se ranura un tubo inmóvil .....	51
<b>Descripción, especificaciones y equipo estándar</b>	
Descripción .....	52
Especificaciones .....	52
Equipo estándar.....	52
<b>Inspección de la Ranuradora a Rodillos</b> .....	52
<b>Preparación de la máquina y de la zona de trabajo para el ranurado con accionamiento motorizado</b>	
Montaje de la Ranuradora Combinada No. 975 en un Accionamiento Motorizado No. 300 de RIDGID.....	54
Montaje de la Ranuradora Combinada No. 975 en una Máquina Roscadora Compact No. 300 de RIDGID .....	55
Últimos preparativos. ....	55
Preparación del tubo .....	56
Montaje del tubo en la Ranuradora a Rodillos.....	57
<b>Funcionamiento de la Ranuradora a rodillos con un Accionamiento Motorizado o una Roscadora</b>	
Regulación y medición del diámetro de la ranura .....	58
Formación de la ranura .....	59
Regulación del diámetro de la ranura en tubos de cobre .....	60
Consejos para una buena trayectoria de ranurado con la Ranuradora No. 975 .....	61
<b>Preparación de la máquina y de la zona de trabajo para el ranurado de un tubo instalado o fijo</b>	
Preparación del tubo .....	62
Montaje de la Ranuradora en el tubo.....	62
<b>Funcionamiento de la Ranuradora a Rodillos No. 975 sobre un tubo inmóvil</b>	
Regulación y medición del diámetro de la ranura .....	63
Formación de la ranura .....	64
<b>Instrucciones de mantenimiento</b>	
Lubricación.....	65
Limpieza.....	65
Reemplazo de los juegos de rodillos .....	65
<b>Accesorios</b> .....	66
<b>Almacenamiento de la máquina</b> .....	66
<b>Servicio y reparaciones</b> .....	66
<b>Tabla I. Especificaciones de ranuras estándar</b> .....	67
<b>Tabla II. Grosor máximo y mínimo de pared de tubos</b> .....	67
<b>Tabla III. Especificaciones para ranuras en cobre</b> .....	68
<b>Detección de averías</b> .....	68-69
<b>Garantía vitalicia</b> .....	carátula posterior


## Simbología de seguridad


En este manual del operario y en la máquina misma encontrará símbolos y palabras de advertencia que comunican importante información de seguridad. En esta sección se describe el significado de estos símbolos.

 Este es el símbolo de una alerta de seguridad. Sirve para prevenir al operario de las lesiones corporales que podría sufrir. Obedezca todas las instrucciones que acompañan a este símbolo de alerta para evitar lesiones o muertes.

 Este símbolo de PELIGRO advierte de una situación de riesgo o peligro que, si no se evita, ocasionará la muerte o graves lesiones.

 Este símbolo de ADVERTENCIA advierte de una situación de riesgo o peligro que, si no se evita, podría ocasionar la muerte o lesiones graves.

 Este símbolo de CUIDADO previene de una situación de riesgo o peligro que, si no se evita, podría ocasionar lesiones leves o menores.

 Un AVISO advierte de la existencia de información relacionada con la protección de un bien raíz o propiedad.



Este símbolo significa que, antes de usar una máquina o equipo, es necesario leer detenidamente el manual del operario. Su manual contiene importante información acerca del funcionamiento apropiado y seguro del equipo.



Este símbolo señala que, al hacer funcionar esta máquina, el operario debe ponerse gafas o anteojos de seguridad con viseras laterales para reducir el riesgo de daños a los ojos.



Este símbolo señala que entre los rodillos de la máquina pueden aplastarse manos y dedos.



Este símbolo advierte que manos, dedos, piernas, ropa y otros objetos podrían engancharse y/o envolverse en los ejes rotatorios de la máquina y causar graves lesiones, golpes o aplastamientos.



Este símbolo señala que no debe usarse un taladro eléctrico, una llave de impacto ni otra herramienta motorizada para accionar esta máquina in situ.



Este símbolo indica que la máquina podría volcarse y causar lesiones, golpearlo o aplastarlo.



Este símbolo significa que siempre debe utilizar un interruptor de pie para hacer funcionar una máquina roscadora y accionamiento motorizado.



Este símbolo señala que debe usarse un casco duro para prevenir lesionarse la cabeza.

## Reglas de seguridad general

### ADVERTENCIA

Lea y comprenda todas las instrucciones. Pueden ocurrir descargas eléctricas, incendios y/o lesiones corporales graves si no se siguen todas las instrucciones detalladas a continuación.

### **¡GUARDE ESTAS INSTRUCCIONES!**

El término "máquina o aparato motorizado", empleado a lo largo de las advertencias de este manual, se refiere a la herramienta de trabajo que funciona ya sea enchufada a un tomacorriente o con pila (inalámbrica).

### Seguridad de la zona de trabajo

- **Mantenga su zona de trabajo limpia y bien iluminada.** Los bancos de trabajo desordenados y las zonas oscuras invitan a que se produzcan accidentes.
- **No haga funcionar máquinas o aparatos eléctricos en atmósferas explosivas, como por ejemplo en la presencia de líquidos, gases o polvos inflamables.** Los motores eléctricos generan chispas que pueden encender el polvo o los gases.
- **Cuando haga funcionar una máquina, mantenga**

**apartados a niños y transeúntes.** Las distracciones pueden hacerle perder el control de la máquina.

- **Mantenga el piso seco y libre de materiales resbaladizos, como aceites.** Los suelos resbalosos provocan accidentes.
- **Cuando la pieza de trabajo (tubo) se extienda más allá de la máquina, rodee la zona con barricadas.** Si se provee un espacio libre de por lo menos tres pies alrededor de la pieza de trabajo, se reduce el riesgo de que algo se enganche o enrede en ella.

### Seguridad eléctrica

- **El enchufe de la máquina debe corresponder al tomacorriente. Jamás modifique el enchufe de la máquina. Cuando emplee una máquina motorizada provista de conexión a tierra, no utilice un enchufe adaptador.** Así se evita el riesgo de que ocurran descargas eléctricas.
- **Evite el contacto de su cuerpo con artefactos conectados a tierra tales como cañerías, radiadores, estufas o cocinas, y refrigeradores.** Aumenta el riesgo de que se produzca una descarga eléctrica cuando su cuerpo ofrece conducción a tierra.

- **No exponga los aparatos motorizados a la lluvia o a condiciones mojadas.** Cuando agua penetra en un aparato a motor, aumenta el riesgo de que se produzcan descargas eléctricas.
- **No maltrate el cordón eléctrico del aparato. Nunca transporte el aparato tomándolo de su cordón ni jale del cordón para desenchufarlo del tomacorriente. Mantenga el cordón lejos del calor, aceite, bordes cortantes o piezas móviles.** Un cordón enredado o en mal estado aumenta el riesgo de que se produzcan descargas eléctricas.
- **Al hacer funcionar un aparato motorizado a la intemperie, emplee un cordón de extensión fabricado para uso exterior.** Los alargadores diseñados para su empleo al aire libre reducen el riesgo de que se produzcan choques eléctricos.
- **Si resulta inevitable el empleo de una herramienta a motor en un sitio húmedo, enchúfela en un tomacorriente GFCI (dotado de un Interruptor del Circuito de Pérdida a Tierra).** El interruptor GFCI reduce el riesgo de descargas eléctricas.

## Seguridad personal

- **Manténgase alerta, preste atención a lo que está haciendo y use sentido común cuando trabaje con una máquina a motor. No la use si está cansado o se encuentra bajo la influencia de drogas, alcohol o medicamentos.** Sólo un breve descuido mientras hace funcionar una máquina a motor puede resultar en lesiones personales graves.
- **Use el equipo de protección personal que corresponda. Siempre use protección para sus ojos.** Al usar mascarilla para el polvo, calzado de seguridad antideslizante, casco duro o protección para los oídos, según las circunstancias, usted evitará lesionarse.
- **Evite echar a andar la máquina sin querer. Antes de enchufarla a la electricidad o a pilas, de levantarla o transportarla, asegure que su conmutador se encuentre en la posición OFF (apagado).** Se producen accidentes cuando se enchufan máquinas que tienen su conmutador en la posición de encendido o cuando se las traslada de lugar con su dedo sobre el conmutador.
- **Extraiga todas las llaves de regulación antes de encender la máquina.** Una llave mecánica u otra herramienta de ajuste que se haya dejado acoplada a una pieza giratoria de la máquina puede ocasionar lesiones corporales.
- **No trate de extender su cuerpo para alcanzar algo. Mantenga sus pies firmes en tierra y un buen equilibrio en todo momento.** Al mantener el equilibrio y los pies firmes, tendrá mejor control sobre la máquina en situaciones inesperadas.
- **Vístase adecuadamente. No lleve ropa suelta ni joyas. Amarre una cabellera larga. Mantenga su cabello, ropa y guantes apartados de las piezas en movimiento.** La ropa suelta, las joyas o el pelo largo pueden engancharse en la piezas móviles.
- **Si con la máquina se proveen dispositivos para la aspiración o extracción del polvo, conéctelos correctamente a la máquina antes de ponerla en uso.** Así se evitan los peligros respiratorios.

## Uso y cuidado de la máquina

- **No fuerce el aparato. Use el aparato correcto para el trabajo que realizará.** El aparato adecuado hará el trabajo mejor y de manera más segura, a la velocidad para la cual fue diseñado.
- **Si el interruptor del aparato no lo enciende o no lo apaga, no use el aparato.** Cualquier herramienta motorizada que no pueda ser controlada mediante su interruptor es peligrosa y debe ser reparada.
- **Desenchufe el aparato antes de efectuarle trabajos de regulación, de cambiar accesorios o de almacenarlo.** Este tipo de seguridad preventiva reduce el riesgo de poner el aparato en marcha involuntariamente.
- **Almacene los aparatos que no estén en uso fuera del alcance de niños y no permita que los hagan funcionar personas sin capacitación para usarlos o que no hayan leído estas instrucciones.** Las herramientas motorizadas son peligrosas en manos inexpertas.
- **Hágale buen mantenimiento a su aparato motorizado. Revísele sus piezas móviles por si están desalineadas o agarrotadas. Cerciórese de que no tiene piezas quebradas y que no existe alguna condición que pueda afectar su buen funcionamiento. Si está dañado, antes de usarlo, hágalo componer.** Los aparatos en malas condiciones causan accidentes.
- **Solamente use los accesorios recomendados para su máquina.** Los accesorios que son los adecuados para una máquina pueden resultar peligrosos acoplados a otra máquina.
- **Mantenga los mangos limpios y secos, libres de aceite y grasa.** Esto permite un mejor control de la máquina.

## Servicio

- **Los trabajos de servicio a la máquina sólo deben ser efectuados por personal de reparación calificado.** Sólo así se asegura que su máquina funcionará en forma segura.

## Información de seguridad específica

### ⚠ ADVERTENCIA

Esta sección contiene información de seguridad específica para esta máquina.

Lea las siguientes instrucciones detenidamente antes de usar la Ranuradora a Rodillos Combinada No. 975 con el fin de prevenir lesiones personales graves.

### ¡GUARDE ESTAS INSTRUCCIONES!

Si tiene cualquier pregunta, llame al Departamento de Servicio Técnico de Ridge Tool Company al (800) 519-3456 o escriba a techservices@RIDGID.com

### Seguridad de la Ranuradora a Rodillos

- **No vista ropa suelta. Mantenga las mangas y las chaquetas abotonadas. No extienda su cuerpo sobre la máquina ni el tubo.** La ropa se le puede enganchar o enredar en el tubo u otras piezas giratorias y provocarle graves lesiones.
- **Mantenga sus manos apartadas de los rodillos ranuradores. No ranure tubos de menor longitud que la especificada. No se ponga guantes que le queden sueltos.** Sus dedos pueden quedar aprisionados entre los rodillos ranuradores o entre los rodillos y el tubo.
- **Mantenga sus manos apartadas de los extremos del tubo. No las meta dentro del tubo.** Sus dedos pueden pescarse o cortarse en las rebabas y bordes cortantes en su interior.
- **Prepare y manipule el tubo como se debe.** Las rebabas y los bordes afilados pueden cortar o pescarle sus dedos.
- **Soporte o apoye el tubo como se indica.** Así no se volcará la máquina ni caerá el tubo.
- **Antes de hacer funcionar la Ranuradora a Rodillos No. 975 de RIDGID®, lea y comprenda este Manual del Operario, el manual del Accionamiento Motorizado o Roscadora, las instrucciones del fabricante de los acoplamientos y las de cualquier otro equipo que se use en conjunción con esta máquina.** Si no se respetan estas instrucciones, podrían ocurrir daños materiales y/o graves lesiones personales.
- **Use siempre el equipo de protección personal apropiado mientras monta y emplea la Ranuradora a Rodillos No. 975 de RIDGID.** El equipo de protección personal adecuado siempre incluye protección para los ojos y podría exigir el uso de guantes de cuero, calzado con punteras de acero y un casco duro.
- **Emplee esta Ranuradora exclusivamente para ranurar tubos del tipo y tamaño indicados en**

estas instrucciones. Aumenta el riesgo de lesiones cuando se somete esta máquina a otros usos o se la modifica para efectuar otras aplicaciones.

### Seguridad de la Ranuradora cuando se la usa con un Accionamiento Motorizado o Roscadora

- **Emplee esta Ranuradora a Rodillos Combinada No. 975 únicamente con un Accionamiento Motorizado No. 300 de RIDGID o la Roscadora Compact No. 300 de RIDGID.** El montaje a otras fuentes de accionamiento no será idóneo y podría, entre otros, volcar la máquina.
- **No use esta Ranuradora con un Accionamiento Motorizado o Roscadora que no tiene su interruptor de pie. Jamás bloquee el interruptor de pie para que no pueda controlar el accionamiento motorizado.** El interruptor de pie le permite apagar el motor del accionamiento motorizado con sólo retirar su pie del pedal. Si se le llegase a pescar la ropa en la máquina y usted no puede detenerla, la ropa lo arrastrará hacia la máquina. Ésta tiene un alto par de torsión que puede hacer que la ropa envuelva su brazo u otra parte de su cuerpo con tal fuerza que podría quebrarle sus huesos o lesionarlo gravemente.
- **Sólo una persona debe controlar el proceso de ranurado y el interruptor de pie. No haga funcionar la máquina con más de un operario.** Si su ropa se enreda, usted debe ser capaz de detener la máquina retirando de inmediato su pie del interruptor.
- **Sólo use accionamientos motorizados o roscadoras que giren a velocidades inferiores a 57 rpm.** Las máquinas de mayor velocidad aumentan los riesgos de accidente.
- **Asegure que la Ranuradora esté correctamente preparada y montada correctamente al Accionamiento Motorizado o a la Roscadora. Asegure que tanto la máquina, soporte, ranuradora y tubo están estables.** Así se evita que se vuelque el equipo y el tubo.

### Seguridad de la Ranuradora a rodillos cuando se ranura sobre un tubo inmóvil

- **Acciónela manualmente cuando trabaje sobre un tubo estático. No emplee dispositivos motorizados (como taladros o llaves de impacto) para propulsar la Ranuradora sobre un tubo inmóvil.** Estos dispositivos a motor pueden dañar la Ranuradora y aumentar el riesgo de que ocurran lesiones.
- **Al trabajar en lo alto, todo el personal en la obra debe usar cascos duros y no deambular ni pasar por debajo de donde se trabaja con la Ranuradora.** La Ranuradora a Rodillos, el tubo que se ranura y otros objetos pueden caer y causar graves lesiones.

## Descripción, especificaciones y equipo estándar

### Descripción

La Máquina Ranuradora a Rodillos Combinada No. 975 de RIDGID labra ranuras en tubos de acero, aluminio y PVC, como también en tubos series 10 y 40 de 1¼ a 6 pulgadas de diámetro. También ranura tubos de acero inoxidable serie 10 de 1¼ a 6 pulgadas Ø y serie 40 de 1¼ a 2 pulgadas. Si se le adapta, también puede ranurar tubos de cobre de tipos K, L, M y DWV de 2 a 8 pulgadas. Se forman las ranuras haciendo avanzar mecánicamente un rodillo de ranurado en el tubo. Un rodillo de accionamiento sostiene el tubo mientras se le ranura. Lo único que necesita ajuste es la profundidad de la ranura.

La máquina Ranuradora ha sido específicamente diseñada para ranurar tubos inmóviles o en conjunción con el Accionamiento Motorizado No. 300 de RIDGID (modelos de 38 y 57 rpm). La Ranuradora también puede funcionar acoplada a la Roscadora Compact Modelo 300 de RIDGID, si se emplea el adaptador que lleva el No. 67662 en el catálogo. La Ranuradora 975 incluye un indicador de profundidad de la ranura patentado, y otras características patentadas que optimizan la trayectoria del ranurador durante su uso.

La Ranuradora a Rodillos Combinada No. 975 es una unidad portátil que ha sido pensada para usarse esporádicamente en el lugar de la obra; no debe utilizársela para realizar trabajos de gran volumen ni en talleres de fabricación de tubos.

**AVISO** Cuando se la utiliza correctamente, la Ranuradora a Rodillos modelo 975 forma ranuras de 2 a 6 pulgadas, cuyas dimensiones cumplen con las especificaciones de la norma AWWA C606-06. La selección de materiales y métodos de unión o junta apropiados es responsabilidad del diseñador y/o del instalador del sistema. Antes de iniciarse cualquier instalación, deben evaluarse cuidadosamente las condiciones ambientales específicas bajo las que estos materiales prestarán servicio, incluyendo las condiciones químicas y las térmicas.

### Especificaciones

Capacidad de ranurado .....	tubos de acero serie 10 de 1¼ a 6 pulgadas Ø y serie 40 de 1¼ a 2 pulgadas. Mediante el cambio de rodillo: tubos de cobre tipo K, L, M y DWV de 2 a 8 pulgadas Ø
Ajuste del diámetro de la ranura .....	tornillo de ajuste e indicador de profundidad de la ranura
Accionamiento .....	tornillo de alimentación con llave a trinquete de ½ pulg.

Accionamiento a motor ...Accionamiento Motorizado No. 300 de RIDGID (modelos de 38 y 57 rpm. exclusivamente), Roscadora Compact Modelo 300 de RIDGID (con adaptador)

Peso .....27,6 libras

La Ranuradora a Rodillos Combinada No. 975 se encuentra protegida por patentes estadounidenses e internacionales, entre ellas, las números 6,272,895 y 6,591,652.

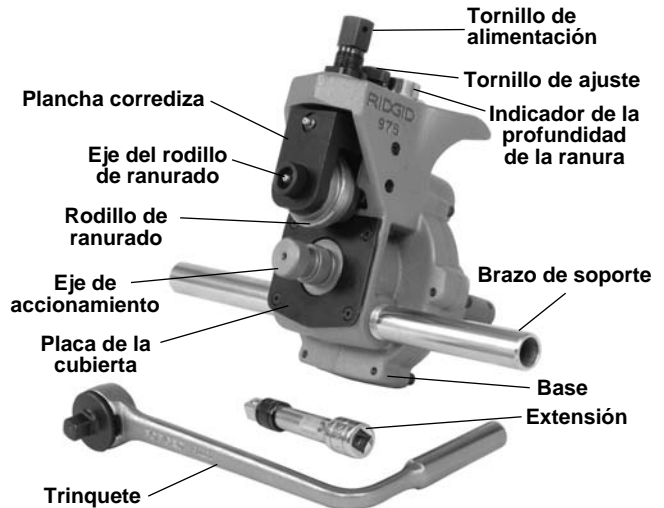


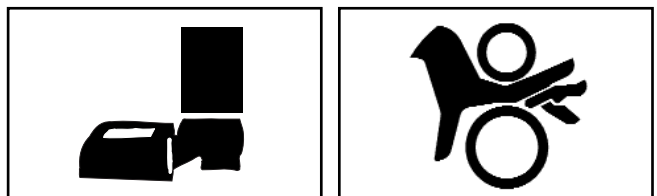
Figura 1 – Ranuradora a Rodillos Combinada No. 975

### Equipo estándar

- Rodillos de ranurado y de accionamiento, series 10 y 40, de 1¼ a 6 pulgadas Ø
- Llave a trinquete (accionamiento ½ pulg.) con botón de desenganche
- Eje de extensión del accionamiento
- Brazos de soporte
- Indicador de la profundidad de ranura incorporado

## Inspección de la Ranuradora a Rodillos

### ⚠ ADVERTENCIA



**Antes de cada uso, revise la Ranuradora a Rodillos y rectifique cualquier problema para prevenir accidentes y lesiones corporales graves, o que se dañe la máquina.**

**No use esta Ranuradora a Rodillos con un Accionamiento Motorizado o Ranuradora que no tiene su interruptor de pie.**

1. Si la Ranuradora Rodillos se encuentra montada en un accionamiento motorizado o máquina roscadora, asegure que la máquina esté desenchufada y que el interruptor de REV/OFF/FOR (reversa, apagada, adelante) se encuentra en la posición de OFF. Inspeccione y hágale mantenimiento al accionamiento o a la máquina roscadora, de acuerdo a las instrucciones de sus propios manuales. De lo contrario pueden ocurrir lesiones de gravedad y cuantiosos daños materiales. Revise que el accionamiento tenga su interruptor de pie y que éste funciona bien. No emplee esta ranuradora a rodillos sin un interruptor de pie.
2. Quite cualquier aceite, grasa o mugre de encima de la Ranuradora, incluyendo el mango de transporte y el trinquete que se emplea para activarla. Así se evita que la ranuradora o el trinquete se resbalen de sus manos durante el funcionamiento y lo lesionen.
3. Asegure que los brazos de soporte estén firmes en el cuerpo de la Ranuradora.
4. Inspeccione la Ranuradora a Rodillos por si tiene alguna pieza quebrada, faltante, mal puesta o atascada o por si existe cualquier otra condición que pueda afectar su seguro y normal funcionamiento. Asegure que el rodillo de ranurado y el eje de accionamiento giran libremente.
5. Revise que la máquina tenga la etiqueta de advertencia, bien adherida. *Vea la Figura 2* para ubicar la etiqueta.
6. Si las estrías del eje de accionamiento están sucias, límpielas con una escobilla metálica. Cuando las estrías están sucias, el tubo podría patinar o afectar la precisión de la trayectoria.
7. Inspeccione los ejes tanto del rodillo de ranurado como el del accionamiento, para asegurar que no están agrietados, desgastados o dañados. Los rodillos de ranurado y de accionamiento desgastados pueden producir el patinaje de los tubos, ranuras de mala calidad o fallar durante el uso.
8. Revise que el trinquete y la extensión trabajen bien. Asegure que el trinquete funciona suave y constantemente en ambas direcciones. Oprima el botón de desenganche en el centro del cabezal del trinquete y móntelo en el tornillo de alimentación. El trinquete debe quedar fijo en posición. El trinquete también debe quedar bien sujeto en la extensión, y la extensión dentro del cuadrado del accionamiento manual en la parte posterior de la Ranuradora. Así se evita que el rodinete y la extensión se suelten de la Ranuradora durante el funcionamiento. Si usted usa un trinquete, llave o extensión diferente de las provistas, debe tener en mente que podrían soltarse durante el uso.  
Si detecta cualquier problema, no use la máquina hasta que no hayan sido solucionados.

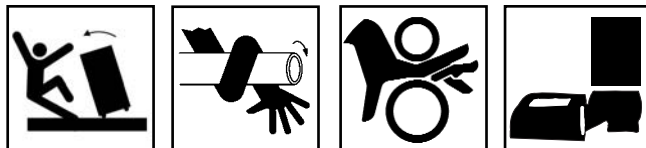
9. Lubrique la ranuradora según las instrucciones de mantenimiento de este manual. Quítele el exceso de grasa.
10. Si se está utilizando cualquier otro equipo, revíselo y efectúele el mantenimiento adecuado para asegurar que funcione bien.



Figura 2 – Etiqueta de advertencias en la Ranuradora No. 975

## Preparación de la máquina y de la zona de trabajo para el ranurado con accionamiento motorizado

### ⚠ ADVERTENCIA



**Póngase siempre protección para sus ojos para que no les entren mugre u objetos foráneos. Vista calzado con punteras de acero para proteger sus pies en caso de que se vuelque la máquina o se caiga el tubo.**

**No use esta ranuradora montada a un accionamiento motorizado o a una máquina roscadora que no tienen su interruptor de pie. Jamás bloquee el interruptor de pie para que no pueda controlar el accionamiento motorizado. El interruptor de pie le permite apagar el motor del accionamiento motorizado con sólo retirar su pie del pedal. Si se le llegase a pescar la ropa en la máquina sin que usted logre detener el motor, la máquina se tragará su ropa. Ésta posee un alto par de torsión que puede hacer que la ropa envuelva su brazo u otra parte de su cuerpo, con tal fuerza, que podría quebrar sus huesos, golpearlo o lesionarlo gravemente.**

**Prepare la ranuradora y la zona donde va a trabajar según estos procedimientos con el fin de que no**

**sufra lesiones causadas por descargas eléctricas, incendios, el vuelco de la máquina, enganches, aplastamientos u otras razones. Así evita, asimismo, averiar la máquina.**

1. Elija una zona de trabajo donde:
  - haya suficiente luz.
  - no estén presentes líquidos, vapores o polvos que puedan prenderse fuego. Si los hay, no trabaje en esa zona hasta que no hayan sido retirados o eliminados.
  - haya un lugar despejado, nivelado, estable y seco para situar todo el equipo y al operario. No use la máquina si está puesta sobre agua.
  - exista un tomacorriente conectado a tierra. Tenga en cuenta que un enchufe de tres clavijas o un tomacorriente GFCI (Interruptor del Circuito de Pérdida a Tierra) podrían no estar puestos a tierra como es debido. Si tiene dudas al respecto, consulte a un electricista calificado.
  - haya una senda despejada hasta el tomacorriente, por donde no existan condiciones que podrían dañar el cordón eléctrico.
2. Limpie la zona de trabajo antes de instalar cualquier equipo. Limpie todo aceite que encuentre.
3. Revise el tubo que va a ranurar y confirme que la Ranuradora a Rodillos Combinada No. 975 es la máquina correcta para realizar la tarea. Esta Ranuradora No. 975 fue hecha para labrar ranuras en tubos de acero, aluminio y PVC de series 10 y 40, de 1¼ a 6 pulgadas de diámetro. También es apta para ranurar tubos de acero inoxidable, serie 10, de 1¼ a 6 pulgadas Ø, y serie 40, de 1¼ a 2 pulgadas. Con un cambio del juego de rodillos, puede ranurar tubos de cobre tipos K, L, M y DWV de 2 a 8 pulgadas.

La Ranuradora a Rodillos Combinada No. 975 puede utilizarse in situ (donde la tubería se encuentra ya instalada o el tubo está montado a una prensa de tornillo) o accionada por un Accionamiento Motorizado No. 300 de RIDGID o la Roscadora Compact No. 300 de RIDGID en el lugar mismo de la obra. Esta Ranuradora no ha sido hecha para emplearla en una cadena de producción.

Para conocer las otras ranuradoras a rodillos que fabrica RIDGID y sus aplicaciones, consulte el Catálogo de Ridge Tool en línea, <http://www.RIDGID.com> o llame al Servicio Técnico de Ridge Tool a 800-519-3456.

**AVISO** El uso de juegos de rodillos (de ranurado y de accionamiento) tanto en tuberías de acero de carbono como de acero inoxidable, puede ocasionar la contaminación del material de acero inoxidable. Esta contaminación puede causar la corrosión y la falla prematura de la tubería. A fin de evitar la contaminación ferrosa de los tubos de acero inoxidable, se recomienda destinar juegos

de rodillos para usarse exclusivamente en el ranurado de tubería de acero inoxidable. O bien, emplee una escobilla metálica de acero inoxidable para limpiar a fondo el juego de rodillos cuando cambie entre materiales.

4. Asegure que ha inspeccionado el accionamiento motorizado o la máquina ranuradora según su propio manual. Confirme que, sea cual sea el que va a utilizar, cuente con su interruptor de pie y que el interruptor de FOR/OFF/REV esté en posición OFF. Instale y prepare el accionamiento que usará de acuerdo a su manual. Asegure que la máquina y su soporte están estables y no se bambolean.
5. Abra el portaherramientas del accionamiento motorizado o máquina roscadora por completo.
6. Cerciórese de que la Ranuradora a Rodillos Combinada No. 975 ha sido inspeccionada y que tiene el juego de rodillos correcto instalado.

### **Montaje de la Ranuradora a Rodillos Combinada No. 975 en un Accionamiento Motorizado No. 300 de RIDGID**

1. Si el accionamiento motorizado que se va a emplear viene provisto de carro y otros accesorios, sáquelos. Asegure que los brazos de soporte del accionamiento están completamente extendidos y fijos en posición.
2. Monte los brazos de soporte de la ranuradora sobre las barras de soporte del accionamiento motorizado. En seguida, el extremo del eje de accionamiento de la ranuradora dentro del portaherramientas del accionamiento motorizado. Cierre y apriete el portaherramientas del accionamiento motorizado sobre los planos del eje de accionamiento de la ranuradora. Gire el volante del accionamiento motorizado hacia la izquierda repetidamente con golpes fuertes para enclavar las mordazas alrededor del eje de accionamiento (Figura 3).



**Figura 3 – Montaje de la Ranuradora a Rodillos No. 975 en el portaherramientas del Accionamiento Motorizado No. 300**



## Montaje de la Ranuradora Combinada No. 975 en una Máquina Roscadora Compact No. 300 de RIDGID

Si va a emplear una Máquina Ranuradora Compact No. 300 con la Ranuradora No. 975, se necesita un kit adaptador (No. 67662 en el catálogo). El rol del kit adaptador es colocar a la Ranuradora No. 975 en posición correcta con relación a la máquina roscadora y su soporte, y permitir el ranurado de una variedad de tamaños. No intente utilizar la Ranuradora Combinada No. 975 con ninguna otra máquina roscadora, porque pueden caerse y funcionar indebidamente.

1. Instale el adaptador para la barra de accionamiento dentro del eje de accionamiento de la Ranuradora (vea la Figura 4). Alinee los tornillos de retención sobre los planos del eje de la Ranuradora. Apriételos firmemente.

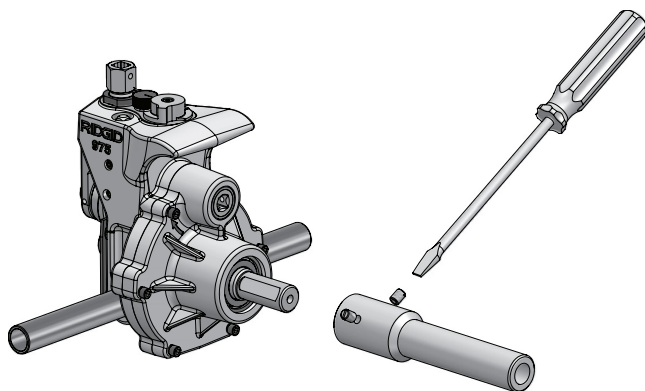


Figura 4 – Instalación del adaptador para la barra de accionamiento

2. Mueva el carro de la Roscadora Compact No. 300 lo más cerca posible del portaherramientas de la máquina. Alce la cortadora, la escariadora y el cabezal de terrajas para que no obstaculicen la operación. Coloque el cono de la escariadora dentro del cabezal de terrajas.
3. Ponga un mango adaptador sobre el extremo de cada riel de la Roscadora Compact No.300 (como se muestra en la Figura 5) y fíjelos con el pasador incorporado.

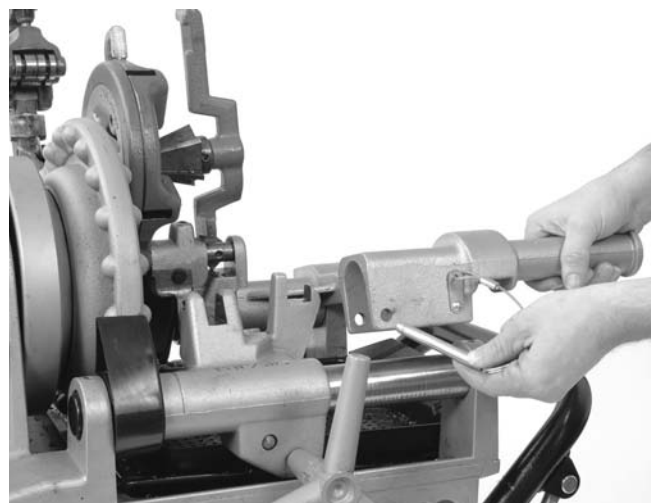


Figura 5 – Instalación del brazo adaptador

4. Monte los brazos de soporte de la No. 975 en los brazos del mango adaptador y el adaptador de la barra de accionamiento dentro del portaherramientas de la máquina Roscadora. Cierre y apriete el portaherramientas de la Roscadora sobre el adaptador de la barra de accionamiento. Asegure que la barra está centrada. Dele repetidas y enérgicas vueltas hacia la izquierda al volante para que la barra de accionamiento quede firmemente agarrada.

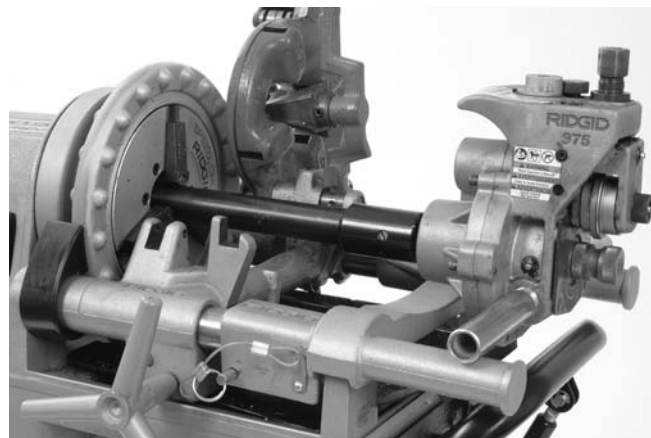


Figura 6 – Ranuradora a Rodillos Combinada No. 975 montada a una Roscadora Compact No. 300

## Últimos preparativos

1. Sitúe el interruptor de pie del accionamiento motorizado donde el operario pueda controlar el accionamiento o la máquina roscadora, la ranuradora a rodillos y el tubo que se va a ranurar. Como se muestra en la Figura 7, en esta posición el operario debe poder:
  - Pararse de frente a la ranuradora pudiendo alcanzar (en el lado de) el interruptor de FOR/OFF/REV.
  - Controlar la acción del interruptor de pie (ON/OFF) y retirar su pie rápidamente si es necesario.

- Alcanzar sin problemas la ranuradora, tubo y llave de trinquete sin tener que alargar sus manos y brazos sobre la ranuradora.



Figura 7 – Óptima postura del operario

2. Traiga el cordón eléctrico por la senda elegida previamente. Con las manos secas, enchufe el accionamiento motorizado al tomacorriente con conexión a tierra. Mantenga todas las conexiones eléctricas secas y levantadas del suelo. Si el cordón de suministro eléctrico no alcanza el tomacorriente, use un cordón de extensión que:
  - Está en buenas condiciones,
  - Tiene un enchufe de tres clavijas igual al del accionamiento motorizado,
  - Es apto para uso exterior, clasificado como W ó W-A (rotulado en el revestimiento del cordón, ej. SOW) y
  - Tener alambre del grosor suficiente (14 AWG si mide 25 pies de largo o menos, 12 AWG si mide entre 25 y 50 pies). Si su capacidad resulta insuficiente, el cordón puede recalentarse, derretirse su aislante, o causar un incendio u otros daños.
3. Revise el accionamiento motorizado o la máquina roscadora para asegurar que funciona correctamente:
  - Mueva el interruptor a la posición de FOR (adelante). Oprima y suelte el interruptor de pie. Verifique

que el eje de accionamiento gira hacia la izquierda cuando usted se encuentra de frente al portaherramientas delantero. Si el accionamiento motorizado gira en el sentido equivocado o si el interruptor de pie no controla su funcionamiento, no use la ranuradora hasta que haya sido reparada.

- Oprima y mantenga el pie sobre el pedal del interruptor. Revise la velocidad de giro de la unidad. Revise sus partes movibles por si están desalineadas o atascadas, por si emiten ruidos extraños o si detecta cualquier otra condición inusual. Suelte el interruptor de pie. Si la velocidad de giro excede las 57 revoluciones por minuto, no ranure con ella. A velocidades mayores aumenta el riesgo de que ocurran lesiones. Si nota que el equipo no funciona bien, no lo use hasta que no haya sido reparado.
- Mueva el interruptor de REV/OFF/FOR a la posición de REV (reversa). Oprima y suelte el interruptor de pie. Confirme que el eje de accionamiento gira hacia la derecha cuando usted mira la parte delantera del portaherramientas. Si el accionamiento no gira en la dirección correcta, no use la máquina hasta que haya sido reparada.
- Mueva el interruptor de REV/OFF/FOR a la posición de OFF. Con las manos secas, desenchufe la máquina.

### Preparación del tubo

**AVISO** Éstas son instrucciones de carácter general. Prepare el extremo del tubo siguiendo siempre las recomendaciones específicas del fabricante de acoplamientos de ranurado. De lo contrario pueden formarse uniones o juntas indebidas que podrían causar fugas.

1. Corte el tubo del largo deseado. Tenga en cuenta cuáles son las longitudes mínimas de tubo que pueden ser ranuradas según cada diámetro de tubo (vea la Tabla A). Cuando se ranuran tubos de menor longitud que la debida usted corre el riesgo de herirse los dedos.

Corte el tubo en ángulo recto y quítele cualquier rebaba. Las rebabas pueden pescar o cortar los guantes o sus dedos durante el ranurado. Un tubo mal cortado y con rebabas de gran tamaño podría afectar la calidad de la ranura y la trayectoria del surco. No ranure un tubo que ha sido cortado a soplete.
2. Es necesario amolar al ras todas las costuras de soldaduras, tapajuntas u otras juntas interiores o exteriores existentes en el tubo en un trecho de por lo menos 2 pulgadas a partir de su extremo. No corte los planos en las zonas donde se asientan las empaquetaduras. Esto puede causar fugas.
3. Quite el sarro, mugre, óxido y otros contaminantes hasta por lo menos 2 pulgadas desde el extremo

del tubo. Los contaminantes pueden taponar las estrías del accionamiento e impedir el avance del tubo durante el ranurado.

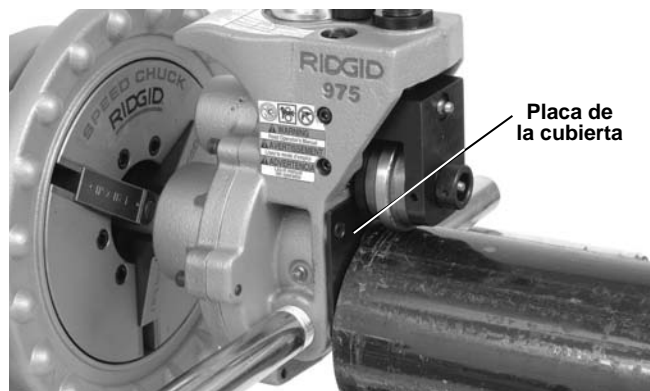
### Montaje del tubo en la Ranuradora

1. Revise que el accionamiento motorizado o la máquina roscadora se encuentre en posición de OFF.
2. Asegure que el tubo que va a ranurar esté bien sostenido por los soportes necesarios. La *Tabla A* lista la longitud máxima de tubo que puede ranurarse apoyado en un sólo portatubos. Los tubos de longitud superior a las máximas especificadas deben sostenerse con por lo menos dos soportatubos. Si no se sujeta un tubo adecuadamente, puede caerse el tubo o volcarse o caer la máquina junto con el tubo. No ranure tubos de menor longitud que las especificadas.

Ø Nominal	Longitud mín.	Longitud máx.	Nom. Size	Longitud mín.	Longitud máx.
1	8	36	4	8	36
1¼	8	36	4½	8	32
1½	8	36	5	8	32
2	8	36	6 Ø ext.	10	30
2½	8	36	6	10	28
3	8	36			
3½	8	36			

**Tabla A – Longitudes de tubo mínimas y máximas ranurables con un sólo soportatubos (en pulgadas)**

3. Coloque los soportatubos necesarios delante de la Ranuradora. En el caso de un tubo cuyo largo permite que se le soporte con un solo soportatubos, sitúelo un poco más allá de la mitad de la longitud del tubo, medido desde la placa de la cubierta. Cuando los tubos largos requieren apoyarse en más de un soportatubos, el segundo debe colocarse a un cuarto de la longitud del tubo, medido desde el extremo lejano del tubo. En algunos casos será necesario emplear más de dos soportatubos. Los soportatubos deben ajustarse a una altura que permita que el tubo se monte sin problemas sobre el rodillo de accionamiento.
4. Asegure que el rodillo de ranurado esté lo suficientemente retraído para que el tubo pueda montarse sobre el eje de accionamiento. Si es necesario, gire el tornillo de alimentación hacia la izquierda para alzar el rodillo de ranurado.
5. Monte el extremo del tubo en el eje de accionamiento y descanse el tubo en el o los soportatubos. Cerciórese de que el tubo permanece estable.



**Figura 8 – Montaje del tubo sobre el eje de accionamiento y al ras con la placa de la cubierta**

6. Ajuste el tubo y los soportatubos para que el extremo del tubo quede topando la placa de la cubierta de la Ranuradora y que el interior del tubo haga contacto con el contorno del eje de accionamiento (*Figura 8*). Las líneas imaginarias centrales del tubo y del eje de accionamiento deben quedar paralelas entre ellas. Esto se logra nivelando tanto el accionamiento motorizado o roscadora y el tubo.
7. Coloque el tubo y los portatubos levemente desplazados o desviados hacia el operario en ½ grado aproximadamente (o una pulgada a más de 10 pies de distancia de la ranuradora). Esta desviación del tubo y de la ranuradora facilita el giro del tubo mientras se ranura (*vea la Figura 9*).

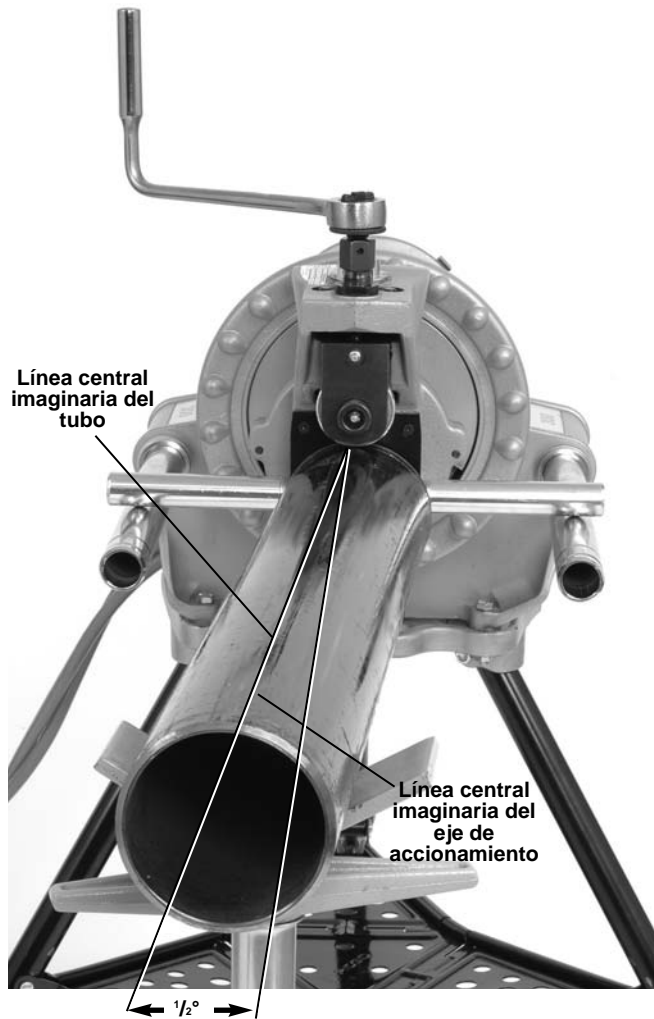


Figura 9 - Tubo desviado en 1/2 grado hacia el operario (ángulo exagerado en la foto)

8. Gire el tornillo de alimentación hacia la derecha para bajar el rodillo ranurador y ponerlo en contacto con el diámetro externo del tubo. A continuación dele otro cuarto de vuelta al tornillo de alimentación. Es posible que el tornillo de ajuste necesite aflojarse (girándolo a la izquierda) para lograr que el rodillo ranurador tome contacto con el tubo. Ahora el tubo y el rodillo ranurador deberían estar firmemente enlazados.
9. Observe su zona de trabajo y determine si necesita colocar barreras para impedir que otras personas se acerquen al equipo y al tubo. La barrera debe crear un espacio libre mínimo de tres pies alrededor del accionamiento motorizado y el tubo. Esta "zona de seguridad" impide que alguien, accidentalmente, toque la máquina o el tubo y provoque su caída.
10. Con las manos secas, enchufe la máquina a un tomacorriente puesto a tierra debidamente.

## Funcionamiento de la Ranuradora a rodillos No. 975 con un Accionamiento Motorizado o una Roscadora

### ⚠ ADVERTENCIA



No vista ropa suelta cuando haga funcionar la ranuradora a rodillos. Mantenga las mangas y las chaquetas abotonadas. No extienda su cuerpo sobre la máquina ni el tubo. La ropa se le puede enredar en alguna pieza giratoria y provocarle graves lesiones.

Mantenga sus manos apartadas de los rodillos ranuradores. No ranure tubos de menor longitud que la especificada. No se ponga guantes que le queden sueltos. Sus dedos pueden quedar aprisionados entre los rodillos ranuradores o entre los rodillos y el tubo.

Mantenga sus manos apartadas de los extremos del tubo. No las meta dentro del tubo. Sus dedos pueden pescarse o cortarse en las rebabas y bordes cortantes en su interior. Sus dedos pueden quedar aprisionados entre los rodillos ranuradores o entre los rodillos y el tubo.

Siempre use protección para sus ojos para que no les entren los entren mugre y objetos foráneos. Vista calzado con punteras de acero para proteger sus pies en caso de que se vuelque la máquina o se desprenda el tubo.

Siga fielmente las instrucciones para evitar lesiones debidas a vuelcos, aplastamientos, caídas u otras causas.

### Regulación y medición del diámetro de la ranura

**AVISO** Porque los tubos tienen diferentes características, se recomienda efectuar siempre una ranura de ensayo al comenzar la jornada de trabajo, o cuando se va a ranurar un tubo de distinto tamaño, de distinta serie, o material de fabricación. Las posiciones del indicador del diámetro de la ranura son sólo aproximadas; se debe medir el diámetro de la ranura para confirmar que ha quedado del tamaño apropiado.

1. Confirme que el equipo y el tubo hayan sido bien puestos y preparados. Si el tubo no se prepara correctamente, puede afectar la exactitud de la profundidad de la ranura. El rodillo ranurador debe quedar tocando el tubo.
2. Regule el indicador de la profundidad de la ranura de modo que la marca correcta se posicione debajo de la cabeza del tornillo de ajuste. (Figura 10A). El indicador se usa para medir ranuras en tubos de acero, acero inoxidable, aluminio y PVC. En el caso de tubos de cobre, vea la sección *Regulación del diámetro de la ranura en tubos de cobre*.

3. Gire el tornillo de ajuste hacia la derecha hasta que su cabeza toque la marca del indicador de profundidad. Gire el indicador de la profundidad de la ranura a la posición de ranurado (*Figura 10B*). Si el indicador no se encuentra en la posición de ranurado no se podrá labrar una ranura y podría dañarse.



**Figura 10A** – Coloque la marca correcta del indicador bajo la cabeza del tornillo de ajuste



**Figura 10B** – Indicador en posición de ranurado

4. Haga una ranura de ensayo (siguiendo los pasos de "Formación de la ranura").
5. Mida el diámetro de la ranura. Una cinta mide-diámetros es la más indicada para medir el diámetro de la ranura (vea la sección Accesorios). Ciña la cinta mide-diámetros alrededor de la ranura en el tubo. Debe asentarse en forma plana en el fondo de la ranura. Efectúe la medición. (*Vea la Figura 11*).



**Figura 11** – Chequeo del diámetro de la ranura con una cinta mide-diámetros

6. Compare esta medición del diámetro de la ranura con el diámetro requerido, según se indica en la *Tabla I* ó *III*, o con la medida que especifique el fabricante del acoplamiento. Si la ranura medida está fuera del diámetro de ranura requerido, el tornillo de ajuste debe reajustarse.

- Para aumentar la profundidad de la ranura, gire el tornillo de ajuste hacia la derecha.
- Para disminuir el diámetro de la ranura, gire el tornillo de ajuste hacia la izquierda.
- Por cada  $\frac{1}{4}$  de vuelta del tornillo de ajuste, el diámetro de la ranura varía en aproximadamente 0,02 pulgadas.

7. Repita los pasos 4 al 6 hasta que el diámetro de la ranura se encuentre dentro de los límites especificados. Si la primera ranura es demasiado grande, la ranuradora debe regularse para achicar la ranura. Si la ranura resulta demasiado chica, se necesitará hacer otra. Es fundamental obtener un diámetro de ranura apropiado para asegurar una conexión hermética y duradera. Las ranuras que no cumplan con las especificaciones pueden ocasionar juntas con fallas y fugas.

### Formación de la ranura

1. Confirme que el equipo y el tubo hayan sido bien puestos y preparados.



**Figura 12** – Postura correcta del operario para hacer funcionar la Ranuradora a Rodillos

2. Adopte la postura correcta para trabajar. Sitúe el interruptor de pie del accionamiento motorizado donde el operario pueda controlar el accionamiento, la ranuradora a rodillos y el tubo que se va a ranurar

Como se muestra en la *Figura 12*, en esta posición el operario podrá:

- Pararse de frente a la ranuradora en el lado del interruptor de FOR/OFF/REV, donde pueda alcanzarlo fácilmente.
  - Controlar la acción del interruptor de pie (ON/OFF) y retirar su pie del pedal rápidamente cuando sea necesario.
  - Alcanzar sin problemas la ranuradora, tubo y llave de trinquete sin tener que alargar sus manos y brazos sobre la ranuradora.
  - Poner la mano derecha sobre el tubo que se ranura, si es necesario.
  - Estar parado con los pies firmes en tierra.
3. Mueva el interruptor direccional de REV/OFF/FOR a la posición de REV (reversa). **No haga funcionar la Ranuradora No. 975 en la posición de FOR (adelante). Provocará la salida en espiral del tubo, fuera del rodillo de ranurado, y podría caerse al suelo.**
  4. Ponga una mano sobre la cabeza del trinquete y tornillo de alimentación y la otra mano en el extremo del trinquete.
  5. Oprima el interruptor de pie para echar a andar el accionamiento motorizado. Observe como gira el tubo y asegure que la superficie exterior del tubo permanezca en contacto con la placa de la cubierta de la ranuradora. Si el tubo comienza a escaparse en espiral de la placa de la cubierta, suelte el interruptor de pie para que el tubo no se salga y caiga. Si es necesario, vuelva a colocar el tubo en la máquina (vea la sección *Montaje del tubo*). Si el extremo del tubo se deforma, corte el tubo más adentro y lábrele una nueva ranura.
  6. Una vez que el tubo complete una revolución, apriete el tornillo de alimentación otro cuarto de vuelta. Continúe observando el extremo del tubo para asegurar que está siempre tocando la placa de la cubierta. No apriete el tornillo de alimentación más de un cuarto de vuelta por cada revolución del tubo. Si lo aprieta en demasía la ranura se ensanchará o provocará la caída del tubo desde el eje de accionamiento.
  7. Continúe apretando el tornillo de alimentación un cuarto de vuelta tras cada revolución del tubo, hasta que la cabeza del tornillo de ajuste se detenga contra la parte superior de la ranuradora. No continúe apretando el tornillo de alimentación después que el tornillo de ajuste alcance la parte superior de la ranuradora, porque esto podría dañar el tornillo de ajuste. Permita que el tubo dé otras dos vueltas completas en esta posición, para asegurar una profundidad de ranura pareja.

8. Suelte el interruptor de pie y ponga el interruptor de FOR/OFF/REV a la posición de OFF.
9. Gire el tornillo de alimentación hacia la izquierda y levante el rodillo ranurador para permitir la extracción del tubo.
10. Revise la ranura.
  - Asegure que la ranura esté completamente formada.
  - Chequee el diámetro de la ranura y que cumple con la especificaciones.
  - Chequee cualquier otro asunto requerido por el fabricante del acoplamiento.

Si detecta cualquier problema, la ranura es inservible.

### Regulación del diámetro de la ranura en tubos de cobre

El indicador de la profundidad de la ranura en la Ranuradora No. 975 no sirve para medir ranuras en tubos de cobre. Arrojará mediciones erróneas.

1. Gire el tornillo de alimentación hacia la derecha para bajar el rodillo ranurador y ponerlo en contacto con el diámetro externo del tubo. A continuación dele otro cuarto de vuelta al tornillo de alimentación. Es posible que el tornillo de ajuste necesite aflojarse (girándolo a la izquierda) para lograr que el rodillo ranurador tome contacto con el tubo. Ahora el tubo y el rodillo ranurador deberían estar firmemente enlazados.
2. Asegure que el indicador de la profundidad de la ranura se encuentra en la posición de ranurado. (*Figura 10B*)
3. Gire el tornillo de ajuste hasta que esté al ras con la placa superior de la Ranuradora.
4. Busque el diámetro y el tipo de tubo que desea ranurar en la Tabla B y retroceda el tornillo de ajuste alejándolo de la placa el número de vueltas que se indican. Por ejemplo, para un tubo de cobre serie L de 4 pulgadas, retroceda o afloje el tornillo de ajuste 1<sup>1</sup>/<sub>4</sub> vuelta.

### Ajuste de la profundidad para el ranurado de tubería de cobre

(Número de vueltas del tornillo de ajuste)

Ø	K	L	M	DWV
2 a 2,5 pulgs.	<sup>7</sup> / <sub>8</sub>	<sup>7</sup> / <sub>8</sub>	<sup>5</sup> / <sub>8</sub>	<sup>5</sup> / <sub>8</sub>
3 pulgs.	1 <sup>1</sup> / <sub>16</sub>	1 <sup>1</sup> / <sub>16</sub>	1 <sup>1</sup> / <sub>16</sub>	1 <sup>1</sup> / <sub>16</sub>
4 pulgs.	1 <sup>1</sup> / <sub>4</sub>	1 <sup>1</sup> / <sub>4</sub>	1 <sup>1</sup> / <sub>4</sub>	1 <sup>1</sup> / <sub>8</sub>
5 pulgs.	1 <sup>1</sup> / <sub>2</sub>	1 <sup>1</sup> / <sub>2</sub>	1 <sup>1</sup> / <sub>2</sub>	1 <sup>1</sup> / <sub>2</sub>
6 pulgs.	1 <sup>13</sup> / <sub>16</sub>	1 <sup>3</sup> / <sub>4</sub>	1 <sup>3</sup> / <sub>4</sub>	1 <sup>3</sup> / <sub>4</sub>
8 pulgs.	2 <sup>1</sup> / <sub>2</sub>	2 <sup>3</sup> / <sub>8</sub>	2 <sup>1</sup> / <sub>8</sub>	2 <sup>1</sup> / <sub>8</sub>

**Tabla B - Ajuste de la profundidad para el ranurado de tubería de cobre**

5. Vea el paso 4 del capítulo "Regulación y medición del diámetro de la ranura".

## Consejos para una buena trayectoria de ranurado

El mayor problema que enfrentan los usuarios de una ranuradora es que el tubo se “separa en espiral” o se “escapa” del eje de accionamiento, o no lleva una trayectoria adecuada. Para un buen ranurado es importante seguir las instrucciones al pie de la letra. Si se están siguiendo todas las instrucciones y el tubo aún no avanza bien, hay varias otras opciones disponibles para mejorar la trayectoria.

- Aumente levemente la desviación del tubo hacia el operario (de  $\frac{1}{2}$  grado a 1 grado) (vea la Figura 9).
- Es posible que el operario deba ejercer leve presión sobre el tubo durante el ranurado para mejorar la operación. Generalmente sólo se requiere esta acción cuando el tubo es corto. En este caso, el operario debe ponerse un guante de cuero en buenas condiciones y apoyar su mano alrededor del medio del tubo, como se muestra en la Figura 13. Esto puede requerir que el soporte, sobre el cual va montado el accionamiento motorizado o máquina roscadora, sea fijado al suelo para impedir que el equipo se mueva durante el ranurado. Mantenga sus manos apartadas del rodillo de ranurado y los extremos del tubo y no ranure tubos más cortos que los autorizados. Podría lesionarse.



Figura 13 – El operario ejerce leve presión sobre el tubo, acercándolo hacia él, para mantener una buena trayectoria

- Asimismo, consulte la sección *Detección de averías* para conocer las razones de un mal ranurado y sus soluciones.

## Preparación de la máquina y de la zona de trabajo para el ranurado de un tubo instalado o fijo

### ⚠ ADVERTENCIA



**Póngase siempre protección para sus ojos para que no les entren mugre u objetos foráneos. Vista calzado con punteras de acero para proteger sus pies en caso de que se vuelque la máquina o se caiga un tubo al suelo. Cuando ranure tuberías instaladas, póngase casco duro.**

**Prepare la ranuradora y la zona donde va a trabajar según estos procedimientos con el fin de reducir el riesgo de lesionarse debido al vuelco de la máquina, enganches, aplastamientos y otras causas. Una buena preparación protege la integridad de la máquina.**

1. Elija una zona de trabajo donde:
  - haya suficiente luz.
  - no estén presentes líquidos, vapores o polvos que puedan prender fuego. Si los hay, no trabaje en esa zona hasta que no hayan sido retirados o eliminados.
  - haya un lugar despejado, nivelado, estable y seco para situar todo el equipo y al operario. No use la máquina si está puesta sobre agua.
2. Limpie la zona de trabajo antes de instalar cualquier equipo. Limpie todo aceite que encuentre.
3. Revise el tubo que va a ranurar y confirme que la Ranuradora a Rodillos Combinada No. 975 es la máquina correcta para realizar la tarea. Esta Ranuradora No. 975 fue hecha para labrar ranuras en tubos de acero, aluminio y PVC, series 10 a 40, de  $1\frac{1}{4}$  a 6 pulgadas. También es apta para ranurar tubos de acero inoxidable, serie 10, de  $1\frac{1}{4}$  a 6 pulgadas  $\varnothing$ , y serie 40, de  $1\frac{1}{4}$  a 2 pulgadas. Cuando se le cambia el juego de rodillos, puede emplearse para ranurar tubos de cobre tipos K, L, M y DWV de 2 a 8 pulgadas.

La Ranuradora a Rodillos Combinada No. 975 puede utilizarse sobre un tubo inmóvil (la tubería se encuentra ya instalada o el tubo estará fijo sobre una prensa de tornillo) o propulsada por un Accionamiento Motori-

zado No. 300 de RIDGID o la Roscadora Compact No. 300 de RIDGID en el lugar mismo de la obra. Esta Ranuradora no ha sido hecha para emplearla en una cadena de producción.

4. Cuando ranure sobre un tubo fijo, asegure que cuenta con suficiente espacio libre para situar la Ranuradora No. 975 y hacerla funcionar. La ranuradora describirá una órbita alrededor de una tubería ya instalada y requiere:
  - Por lo menos 6 $\frac{1}{2}$  pulgadas de espacio libre alrededor del tubo que se va a ranurar.
  - Que el tubo se extienda por lo menos 2 $\frac{1}{2}$  pulgadas más allá de una obstrucción, como una pared.
  - Un claro de por lo menos 9 $\frac{1}{2}$  pulgadas por donde introducir la ranuradora en el tubo.

Para conocer las otras ranuradoras a rodillos que fabrica RIDGID y sus aplicaciones, consulte el Catálogo de Ridge Tool en línea, HYPERLINK "<http://www.RIDGID.com>" o llame al Servicio Técnico de Ridge Tool al 800-519-3456.

**AVISO** El uso de juegos de rodillos (de ranurado y de accionamiento) tanto en tuberías de acero de carbono como de acero inoxidable puede ocasionar la contaminación del material de acero inoxidable. Esta contaminación puede causar la corrosión y la falla prematura de la tubería. Con el fin de evitar la contaminación ferrosa de los tubos de acero inoxidable, se recomienda destinar juegos de rodillos para usarse exclusivamente en el ranurado de tubería de acero inoxidable. O bien, emplee una escobilla metálica de acero inoxidable para limpiar a fondo el juego de rodillos cuando cambie entre materiales.

### Preparación del tubo

**AVISO** Éstas son instrucciones de carácter general. Prepare el extremo del tubo siguiendo siempre las recomendaciones específicas del fabricante de acoplamientos de ranurado. De lo contrario pueden formarse uniones o juntas indebidas que podrían causar fugas.

1. Si efectuará ranuras en tuberías instaladas, asegúrese de que la red ha sido despresurizada y que se ha vaciado todo su contenido. Conozca qué contenía y si presenta peligros.
2. Corte el tubo del largo que desea.

Asegure que su extremo está cortado en ángulo recto y que no tiene rebabas. Las rebabas pueden pescar o cortar los guantes o sus dedos durante el ranurado. Un tubo mal cortado o con rebabas de gran tamaño podría afectar la calidad de la ranura y su trayectoria. No intente ranurar un tubo que ha sido cortado a soplete.
3. Es necesario amolar al ras todas las costuras de soldaduras, tapajuntas u otras junturas interiores o exteriores existentes en el tubo en un trecho de por lo menos 2 pulgadas a partir de su extremo. No

corte planos en las zonas donde se asientan las empaquetaduras. Esto puede causar fugas.

4. Quite el sarro, mugre, óxido y otros contaminantes hasta por lo menos 2 pulgadas desde el extremo del tubo. Los contaminantes pueden taponar las estrías del accionamiento e impedir el avance del tubo durante el ranurado.
5. Cerciórese de que el tubo que se ranurará se encuentra firmemente montado o instalado. El tubo debe ser capaz de soportar el peso de la ranuradora (28 libras), y la fuerza y par de torsión requeridos para ranurar, sin moverse. Si se ranurará una tubería instalada, aconsejamos extraer el trecho de tubería para ranurar en una prensa de tornillo. En otros casos, podría ser necesario agregar otros soportatubos temporales y hasta permanentes. Si empleará una prensa de tornillo para sujetar el tubo, asegure que se encuentra firme y estable y que no se caerá durante la operación. Los tubos de mayor longitud deben sujetarse con los soportatubos adecuados.

### Montaje de la Ranuradora en el tubo

1. Verifique que la Ranuradora a Rodillos No. 975 ha sido inspeccionada. Asegure que los brazos de soporte están firmes en el cuerpo de la Ranuradora o extráigaselos si necesita trabajar con la máquina en una zona de acceso restringido. A continuación, instale el trinquete en el tornillo de alimentación y coloque la extensión dentro del cuadrado del accionamiento manual en la parte trasera de la Ranuradora. Asegúrese de que ambos estén bien instalados.
2. Asegure que cuenta con suficiente espacio entre el rodillo ranurador y el eje de accionamiento para meter el tubo. Si es necesario, gire el tornillo de alimentación hacia la izquierda para replegar el rodillo de ranurado.
3. Agarre la ranuradora firmemente. No alce el trinquete. Meta el eje de accionamiento dentro del tubo y verifique que la placa de la cubierta toca el extremo del tubo (*Figura 14*). Apriete manualmente el tornillo de alimentación para poner el rodillo de ranurado en contacto con la pared exterior del tubo. En seguida emplee el trinquete para apretar el tornillo de alimentación otro  $\frac{1}{4}$  de vuelta. Compruebe que el rodillo ranurador esté enclavado en el tubo y que el extremo del tubo está pegado a la placa de la cubierta. De lo contrario, vuelva a repetir el procedimiento. Siempre revise a conciencia que la ranuradora se encuentra bien sujeta cuando se la usa sobre un tubo inmóvil, para que no se caiga.





Figura 14 – El operario sujeta firmemente la Ranuradora, sobre un tubo estático, mientras aprieta el tornillo de alimentación

## Funcionamiento de la Ranuradora No. 975 sobre un tubo fijo

### ⚠ ADVERTENCIA



Acciónela únicamente en forma manual, al utilizarla sobre un tubo estático o fijo. No emplee dispositivos motorizados (como taladros o llaves de impacto) para propulsar la Ranuradora sobre un tubo estático. Estos dispositivos a motor pueden dañar la Ranuradora y aumentar el riesgo de que ocurran lesiones.

No vista ropa suelta mientras la hace funcionar. Mantenga mangas y chaquetas abotonadas. No extienda su cuerpo sobre la máquina ni el tubo. La ropa se le puede enganchar o enredar en el tubo u otras piezas giratorias y provocarle graves lesiones.

Mantenga sus manos apartadas de los rodillos ranuradores. No ranure tubos de menor longitud que la especificada. No se ponga guantes que le queden sueltos. Sus dedos pueden quedar aprisionados entre los rodillos ranuradores o entre los rodillos y el tubo.

Mantenga sus manos apartadas de los extremos del tubo. No las meta dentro del tubo. Sus dedos pueden pescarse o cortarse en las rebabas y bordes cortantes en su interior. Sus dedos pueden quedar aprisionados entre los rodillos ranuradores o entre los rodillos y el tubo.

Siempre use protección para sus ojos para que no les entren mugre u objetos foráneos. Vista calzado con punteras de acero para proteger sus pies en caso de que se vuelque la máquina o se desprenda el tubo. Póngase casco duro cuando haga trabajos de ranurado sobre tubería ya instalada.

Siga fielmente las instrucciones para evitar lesiones debidas a vuelcos, aplastamientos, caídas u otras causas.

## Regulación y medición del diámetro de la ranura

**AVISO** Porque los tubos tienen diferentes características, se recomienda efectuar siempre una ranura de ensayo al comenzar la jornada de trabajo, o cuando se va a ranurar un tubo de diferente tamaño, de distinta serie, o material de fabricación. Las posiciones del indicador del diámetro de la ranura son sólo aproximadas; se debe medir el diámetro de la ranura para confirmar que ha quedado del tamaño apropiado.

1. Confirme que el equipo y el tubo hayan sido bien montados y preparados. Si el tubo no se prepara correctamente, puede afectar la exactitud de la profundidad de la ranura. El rodillo ranurador debe quedar tocando el tubo.
2. Regule el indicador de la profundidad de la ranura de modo que la marca correcta se posicione debajo de la cabeza del tornillo de ajuste (Figura 15A). El indicador se usa para medir ranuras en tubos de acero, acero inoxidable, aluminio y PVC. En el caso de tubos de cobre, vea la sección *Regulación del diámetro de la ranura en tubos de cobre*.
3. Gire el tornillo de ajuste hacia la derecha hasta que su cabeza toque la marca del indicador de profundidad. Gire el indicador de la profundidad de la ranura a la posición de ranurado (Figura 15B). Si el indicador no se encuentra en la posición de ranurado no se podrá labrar una ranura y podría dañarse.
4. Haga una ranura de ensayo (siguiendo los pasos de "Formación de la ranura").



Figura 15A – Coloque la marca correcta del indicador bajo la cabeza del tornillo de ajuste



Figura 15B – Indicador en posición de ranurado

5. Mida el diámetro de la ranura. Una cinta mide-diámetros es la más indicada para medir el diámetro de la

ranura (vea la sección *Accesorios*). Ciña la cinta mide-diámetros en el fondo de la ranura en el tubo. Debe asentarse en forma plana en el fondo de la ranura. Efectúe la medición del diámetro de la ranura. (Vea la Figura 16).



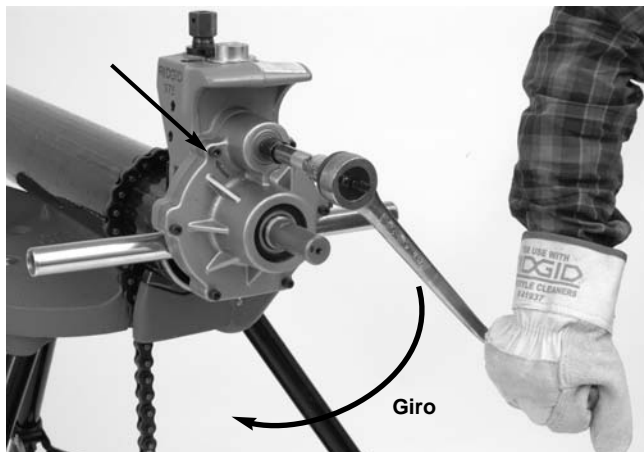
**Figura 16 – Medición del diámetro de la ranura con una cinta mide-diámetros**

6. Compare esta medición del diámetro de la ranura con el diámetro requerido, según se indica en la *Tabla I ó III*, o con la medida que especifique el fabricante del acoplamiento. Si la ranura medida está fuera del diámetro de ranura requerido, el tornillo de ajuste debe reajustarse.
  - Para aumentar la profundidad de la ranura, gire el tornillo de ajuste hacia la derecha.
  - Para disminuir el diámetro de la ranura, gire el tornillo de ajuste hacia la izquierda.
  - Por cada  $\frac{1}{4}$  de vuelta del tornillo de ajuste, el diámetro de la ranura varía en aproximadamente 0,02 pulgadas.
7. Repita los pasos 4 al 6 hasta que el diámetro de la ranura se encuentre dentro de los límites especificados. Si la primera ranura es demasiado grande, la ranuradora debe regularse para achicar la ranura. Si la ranura resulta demasiado chica, se necesitará hacer otra. Es fundamental obtener un diámetro de ranura apropiado para asegurar una conexión hermética y duradera. Las ranuras que no cumplan con las especificaciones pueden ocasionar juntas con fallas y fugas.

### Formación de la ranura

1. Confirme que el equipo y el tubo hayan sido bien puestos y preparados.
2. Adopte la postura correcta para trabajar. Párese con sus pies firmes en tierra.

3. Chequee que el tornillo de alimentación haya sido apretado en  $\frac{1}{4}$  de vuelta.
4. Extraiga el trinquete fuera del tornillo de alimentación e instálelo en la extensión. (Al trabajar en lugares estrechos, no se necesita emplear la extensión.)
5. Gire el trinquete hacia la derecha (usted se encuentra mirando la parte trasera de la ranuradora) en el sentido de las flechas grabadas en el cuerpo trasero de la ranuradora (vea la Figura 17). Observe el giro de la ranuradora y asegure que la placa de la cubierta permanece en contacto con el extremo del tubo. Si la ranuradora empieza a separarse del extremo del tubo, no le dé más vueltas al trinquete para que la ranuradora no se salga del tubo y vaya a caer. Usted puede valerse de los brazos de soporte para empujar la ranuradora hacia el tubo para que éste y la placa vuelvan a quedar en contacto. Si es necesario, nuevamente monte la máquina en el tubo (vea la sección *Montaje de la ranuradora en el tubo*). Si el extremo del tubo se deformó, corte el tubo más adentro y lábrele una nueva ranura.



**Figura 17 – Giro del trinquete en el sentido de las flechas**

6. Continúe girando el trinquete hasta que la ranuradora dé por lo menos una vuelta completa alrededor del tubo. Extraiga el trinquete fuera de la extensión y acóplelo al tornillo de alimentación. Apriete el tornillo de alimentación en otro  $\frac{1}{4}$  de vuelta. Extraiga el trinquete fuera del tornillo de alimentación y acóplelo a la extensión. No apriete el tornillo de alimentación más de  $\frac{1}{4}$  de vuelta por cada revolución del tubo. Un tornillo de alimentación que se aprieta en demasía ensancha la ranura y hace que la ranuradora se escape del tubo. Continúe girando el trinquete, propulsando la ranuradora alrededor del tubo, y en el intertanto monitoree la posición de la placa de la cubierta contra el extremo del tubo.
7. Continúe apretando el tornillo de alimentación  $\frac{1}{4}$  de vuelta por cada revolución de la ranuradora alrededor del tubo hasta que la cabeza del tornillo de ajuste se detenga contra la parte superior de la ranuradora. No continúe apretando el tornillo de alimentación des-

pués de que el tornillo de ajuste alcance la parte superior de la ranuradora, porque esto podría dañar el tornillo de ajuste. Permita que la ranuradora efectúe por lo menos otras dos vueltas completas alrededor del tubo después de que el tornillo de ajuste haya alcanzado la parte superior de la ranuradora, para asegurar una profundidad de ranura pareja.

8. Cambie el trinquete al tornillo de alimentación. Sujete la ranuradora con firmeza. Gire el tornillo de alimentación hacia la izquierda y retraiga el rodillo ranurador para permitir la extracción de la ranuradora fuera del tubo. No vaya a dejar caer la ranuradora.
9. Revise la ranura.
  - Asegure que la ranura esté completamente formada.
  - Chequee el diámetro de la ranura y que cumple con la especificaciones.
  - Chequee cualquier otro asunto requerido por el fabricante del acoplamiento.

Si detecta cualquier problema, la ranura es iservible.

## Instrucciones de mantenimiento

### ⚠ ADVERTENCIA

**Antes de hacerle cualquier mantenimiento o ajustes al equipo, asegure que el interruptor del accionamiento motorizado se encuentre en OFF y la máquina esté desenchufada.**

### Lubricación

Lubrique la Ranuradora No. 975 una vez al mes con grasa multiuso.

- Los orificios para el engrase se encuentran en el costado de la base en el lado donde se para el operario, en la parte delantera del bloque corredizo y en el extremo del eje del rodillo ranurador (vea la Figura 2). Aplique grasa hasta que asome una pequeña cantidad.
- Aplique una capa delgada de grasa sobre el tornillo de alimentación.
- La caja de engranajes de la Ranuradora de Rodillos No. 975 viene engrasada de por vida y no necesita lubricación salvo que haya sido abierta.

Para mayor información sobre el mantenimiento, vea la sección Inspección de la Ranuradora a Rodillos.

### Limpieza

Limpie las estrías del eje de alimentación con una escobilla metálica todos los días o más a menudo si fuera necesario.

## Reemplazo de los juegos de rodillos

**AVISO** Cuando reemplace algún rodillo, cerciórese de que el rodillo de accionamiento y el de ranurado tienen la misma denominación. Si no corresponden, se labrarán ranuras indebidas que causarán fugas.

Desmunte la Ranuradora a Rodillos del Accionamiento Motorizado o de la Roscadora y póngala en un banco de trabajo estable.

Herramientas necesarias:

- Llave hexagonal de  $\frac{3}{8}$  pulg.
- Llave hexagonal de  $\frac{3}{32}$  pulg.
- Alicata de 0,70 pulg. para el aro de fijación externo

### Extracción e instalación del rodillo de accionamiento

1. Extraiga los 6 tornillos que sujetan la cubierta trasera de la carcasa.
2. Extraiga la cubierta trasera (Figura 18).

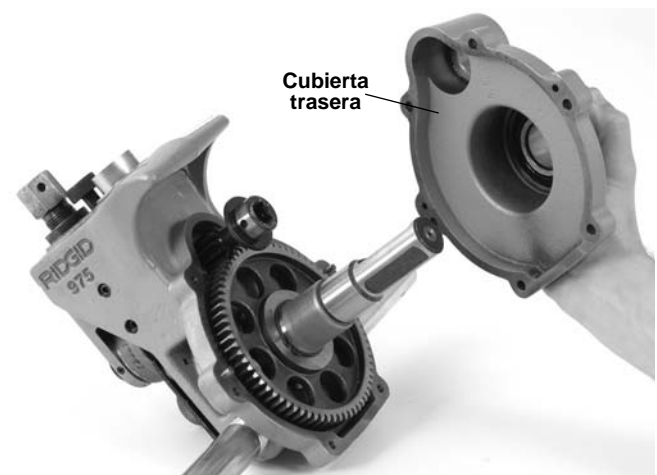


Figura 18 – Extracción de la cubierta trasera

3. Extraiga el piñón.
4. Extraiga el ensamble del eje de accionamiento desde la parte trasera de la Ranuradora No. 975.
5. Extraiga el aro de retención del eje de accionamiento y retire el engranaje (vea la Figura 19).

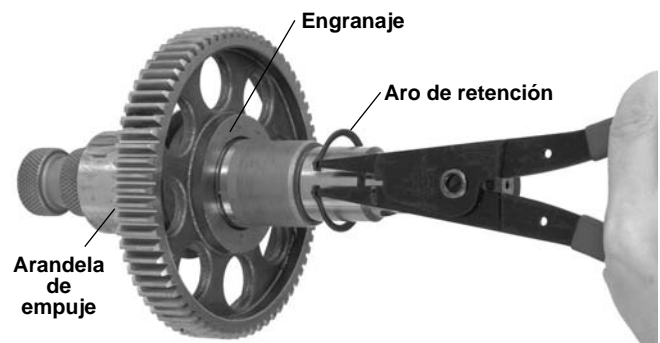


Figura 19 – Extracción del aro de retención

- Extraiga la llave y luego la arandela de empuje.
- Coloque la arandela en el nuevo eje de accionamiento.
- Introduzca la llave e instale el engranaje.
- Instale el aro de retención en la ranura del eje de accionamiento.
- Coloque el conjunto del eje de accionamiento en el alojamiento principal.
- Es posible que la caja de engranajes haya perdido grasa durante el cambio de ejes. Asegure que los cojinetes y los dientes del engranaje estén cubiertos de suficiente grasa de uso general.
- Introduzca el piñón y vuelva a colocar la cubierta trasera. Apriete los tornillos con una torsión de 12 a 16 pies\*lbs.



Figura 20 – Piezas y partes de la Ranuradora a Rodillos No. 975

**Extracción e instalación del rodillo de ranurado**

- Extraiga el tornillo de fijación que sujeta el eje del rodillo de ranurado.
- Jale el eje del rodillo de ranurado fuera del bloque corredizo y extraiga el rodillo de ranurado y la arandela de empuje.

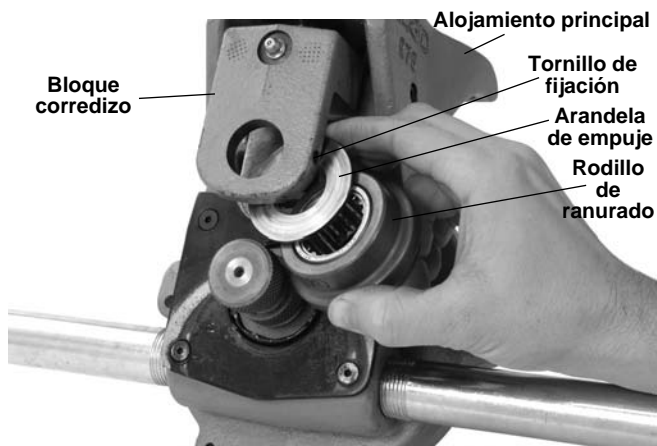


Figura 21

- Coloque la arandela de empuje y el nuevo rodillo de ranurado en el bloque corredizo. Asegure que el aro de retención interno en el rodillo de ranurado sea lo que quede más cercano al alojamiento principal y que el rodillo de ranurado se encuentre entre la arandela de empuje y el alojamiento principal.
- Vuelva a colocar el eje del rodillo de ranurado y el tornillo de fijación.
- Revise la alineación entre el rodillo de ranurado y el rodillo de alimentación. Si no están alineados, chequee la orientación del rodillo de ranurado y la arandela de empuje.
- Engrase el conjunto según la sección *Lubricación*.

**Accesorios**

**⚠ ADVERTENCIA**

Los siguientes productos RIDGID son los únicos aptos para funcionar con la Ranuradora a Rodillos No. 975. Los accesorios de otras máquinas pueden resultar peligrosos si se usan con esta Ranuradora. Para evitar lesiones de gravedad, sólo use los accesorios hechos y recomendados específicamente para usarse con la Ranuradora No. 975 como los que se listan a continuación.

No. en el catálogo	Descripción
41855	Accionamiento Motorizado No. 300, 115V, 25 a 60 Hz, 38 rpm
75075	Accionamiento Motorizado No. 300, 115V, 23 a 60 Hz, 57 rpm
42360	Soporte No. 1206 para el Accionamiento Motorizado No. 300
66947	Compact 300, 115V 50/60 Hz 38 rpm
73447	Compact 300, 115V 50/60 Hz 52 rpm
67662	Brazo adaptador para la Compact 300
67657	Soporte plegable No. 250 para la Compact 300
72037	Prensa de tornillo portátil con cadena y trípode N. 460
56662	Soportatubos en "V" para tubería en altura VJ-99
76822	Cinta mide-diámetros (medición inglesa)
76827	Cinta mide-diámetros (sistema métrico)
30708	Extensión, accionamiento de 1/2", con bloqueo
30703	Trinquete, accionamiento de 1/2", de ángulo recto
32833	Rodillos de ranurado y de accionamiento la tubos de cobre tipos K, L, M y DWV de 2 a 8 pulgs.

**Almacenamiento de la máquina**

**⚠ ADVERTENCIA** Guarde la máquina bajo llave fuera del alcance de niños y personas no capacitadas para hacer funcionar este equipo de ranurado. Esta máquina puede causar lesiones de gravedad en manos de inexpertos.

**Servicio y reparaciones**

**⚠ ADVERTENCIA**

El servicio o reparaciones inadecuados pueden tornar la máquina en una insegura de operar.

Las "Instrucciones de Mantenimiento" cubren la mayoría

de los servicios que requiere esta máquina. Cualquier problema que no haya sido comentado en esta sección debe ser resuelto únicamente por un técnico autorizado por RIDGID.

La máquina debe llevarse a un Servicentro Autorizado Independiente RIDGID o ser devuelta a la fábrica.

Sólo deben usarse piezas de recambio idénticas cuando se le hace mantenimiento a esta máquina. Si no se siguen estas instrucciones, pueden producirse lesiones graves.

Si tiene cualquier pregunta relativa al servicio o reparación de esta máquina, llame o escriba a:

Ridge Tool Company  
 Technical Service Department  
 400 Clark Street  
 Elyria, Ohio 44035-6001  
 Teléfono: (800) 519-3456  
 E-mail: TechServices@ridgid.com

Para obtener el nombre y la dirección del Servicentro Autorizado más cercano, llame al (800) 519-3456 o visítenos en [www.RIDGID.com](http://www.RIDGID.com)

### Tabla I. Especificaciones para ranuras a rodillo estándar en tubos de dimensiones IPS

¡NOTA! Todas las dimensiones se expresan en pulgadas

DIMENSIÓN NOMINAL DEL TUBO	Ø DEL TUBO		T ESPESOR MÍN. DE PARED.	A ASIENTO EMPAQUETADURA +0,015/-0,030	B ANCHO DE LA RANURA +0,030/-0,015	C Ø DE LA RANURA		D PROFUNDIDAD NOMINAL DE RANURA (Ref.) (2)
	ext.	TOL				ext.	TOL	
1¼	1,660	+0,016 -0,016	0,065	0,625	0,344	1,535	+0,000 -0,015	0,063
1½	1,900	+0,016 -0,016	0,065	0,625	0,344	1,775	+0,000 -0,015	0,063
2 <sup>(1)</sup>	2,375	+0,024 -0,016	0,065	0,625	0,344	2,250	+0,000 -0,015	0,063
2½ <sup>(1)</sup>	2,875	+0,029 -0,016	0,083	0,625	0,344	2,720	+0,000 -0,015	0,078
3 <sup>(1)</sup>	3,50	+0,030 -0,018	0,083	0,625	0,344	3,344	+0,000 -0,015	0,078
3½ <sup>(1)</sup>	4,00	+0,030 -0,018	0,083	0,625	0,344	3,834	+0,000 -0,015	0,083
4 <sup>(1)</sup>	4,50	+0,035 -0,020	0,083	0,625	0,344	4,334	+0,000 -0,015	0,083
5 <sup>(1)</sup>	5,563	+0,056 -0,022	0,109	0,625	0,344	5,395	+0,000 -0,015	0,084
6 <sup>(1)</sup>	6,625	+0,050 -0,024	0,109	0,625	0,344	6,455	+0,000 -0,015	0,085

1. Según la norma AWWA C606-87.

2. La Profundidad Nominal de Ranura se entrega como una dimensión de referencia. No use la profundidad de ranura para determinar si la ranura es aceptable.

### Tabla II. Espesores máximos y mínimos de pared de tubo

¡NOTA! Todas las dimensiones están dadas en pulgadas.

Dimensión del tubo	TUBERÍA DE ACERO DE CARBONO O DE ALUMINIO		TUBERÍA DE ACERO INOXIDABLE		TUBERÍA DE PVC	
	Espesor pared del tubo		Espesor pared del tubo		Espesor pared del tubo	
	Min.	Max.	Min.	Max.	Min.	Max.
1¼"	0,065	0,140	0,065	0,140	0,140	0,140
1½"	0,065	0,145	0,065	0,145	0,145	0,200
2"	0,065	0,154	0,065	0,154	0,154	0,154
2½"	0,083	0,203	0,083	0,188	0,203	0,276
3"	0,083	0,216	0,083	0,188	0,216	0,300
3½"	0,083	0,226	0,083	0,188	0,226	0,300
4"	0,083	0,237	0,083	0,188	0,237	0,300
5"	0,109	0,258	0,109	0,188	0,258	0,300
6"	0,109	0,280	0,109	0,188	0,280	0,300

**Tabla III. Especificaciones para ranuras en cobre**

1	2		3	4	5	6	7	8
	Ø ext. Tubo		A Asiento empaquetadura A ±0,03	B Ancho de la ranura +0,03 -0,000	C Ø de la ranura +0,00 -0,02	D Prof. de la ranura Ref. <sup>1</sup>	T Tolerancia mín. grosor pared	Tolerancia máx. Ø abocinado
Dimensión nominal pulgadas	Básico	Tolerancia						
2	2,125	±0,002	0,610	0,300	2,029	0,048	DWV	2,220
2½	2,625	±0,002	0,610	0,300	2,525	0,050	0,065	2,720
3	3,125	±0,002	0,610	0,300	3,025	0,050	DWV	3,220
4	4,125	±0,002	0,610	0,300	4,019	0,053	DWV	4,220
5	5,125	±0,002	0,610	0,300	5,019	0,053	DWV	5,220
6	6,125	±0,002	0,610	0,300	5,999	0,063	DWV	6,220
8	8,125	+0,002/-0,004	0,610	0,300	7,959	0,083	DWV	8,220

1. La Profundidad Nominal de Ranura se entrega como una dimensión de referencia. No use la profundidad de ranura para determinar si la ranura es aceptable.

## Detección de averías

PROBLEMA	POSIBLES CAUSAS	SOLUCIÓN
<b>Ranura muy angosta o muy ancha.</b>	Rodillo de ranurado y/o eje de accionamiento desgastado.	Reemplace el rodillo de ranurado y/o eje de accionamiento.
<b>La ranura no está perpendicular al eje del tubo.</b>	Tubo torcido. Extremo del tubo no se encuentra en ángulo recto respecto al eje del tubo.	El tubo debe ser recto. Corte el extremo del tubo en 90 grados.
<b>El tubo no avanza durante el ranurado, o bien, la ranuradora no avanza sobre el tubo.</b>	Tubo y eje de accionamiento no están paralelos. El eje del tubo no se ha desviado en ½ grado en relación con el eje del rodillo de accionamiento. Estrías del rodillo de accionamiento tapadas o planas por el desgaste. Tornillo de alimentación no apretado.  Trinquete se está girando en la dirección equivocada. Tubo tiene demasiadas escamas en su interior. Costura soldada es demasiado grande.  No se le está aplicando presión al tubo. El extremo del tubo no está cortado en ángulo recto o tiene rebabas. Tornillo de alimentación demasiado apretado.	Ajuste el soporte para que el tubo esté paralelo. Desvíe el tubo en ½ grado.  Limpie o reemplace el rodillo de accionamiento.  Apriete el tornillo de alimentación con el trinquete después de cada revolución del tubo, como se indica. Gire el trinquete en el sentido correcto.  Limpie el interior del tubo. Amole la costura soldada 2 pulgadas desde el extremo del tubo. Presione el tubo con su mano (vea la Figura 10). Prepare el extremo del tubo como se debe.  Gire el tornillo de alimentación sólo de a ¼ de vuelta.
<b>El tubo se abocina o acampana en el extremo ranurado.</b>	Tubo y eje de accionamiento no están paralelos. Tornillo de alimentación demasiado apretado.	Ajuste el soporte para que el tubo quede paralelo al eje de accionamiento. Sólo apriete el tornillo de alimentación de a ¼ de vuelta.

## Detección de averías (cont.)

PROBLEMA	POSIBLES CAUSAS	SOLUCIÓN
El tubo se balancea hacia atrás y hacia delante en el eje del rodillo de accionamiento durante el ranurado.	Tubo está torcido. Extremo del tubo no está e ángulo recto con respecto al eje del tubo.	Emplee un tubo recto. Corte el extremo del tubo en ángulo recto.
El tubo se mece para atrás y para adelante sobre el eje del rodillo de accionamiento durante el ranurado.	El soportatubos está puesto demasiado cerca del extremo del tubo. Extremo del tubo aplanado o dañado. Puntos duros en el material del tubo mismo o las soldaduras son más duras que el tubo. Alimentación del rodillo de ranurado muy lenta. Velocidad del accionamiento motorizado excede las 57 rpm. Soportatubos mal ubicados.	Acerque el soportatubos, situélo según instrucciones. Corte el extremo del tubo dañado. Use otro tubo. Alimente el rodillo ranurador más rápidamente sobre el tubo. Reduzca la velocidad a 57 rpm. Sitúe el portatubos donde corresponda según las instrucciones.
La Ranuradora no labra una ranura en el tubo.	Se excedió el espesor máximo de pared de tubo. Material del tubo demasiado duro. Tornillo de ajuste no se ha regulado. Accionamiento motorizado no entrega el par de torsión mínimo.	Consulte la tabla de espesores máximos de pared de tubos. Reemplace el tubo. Regule la profundidad. Emplee un Accionamiento Motorizado No. 300 de RIDGID de 38 rpm
La Ranuradora no labra la ranura según diámetro requerido.	El diámetro máximo del tubo excede lo tolerado. Tornillo de ajuste de la profundidad en posición incorrecta. Tubo demasiado duro.	Use tubería del diámetro correcto. Ajuste la profundidad. Use otro tipo de tubo.
El tubo se resbala o patina sobre el rodillo de accionamiento.	Velocidad del rodillo de ranurado muy lenta. Estrías del accionamiento tapadas de metal o aplanadas por el desgaste.	Alimente el rodillo ranurador más rápidamente sobre el tubo. Limpie o recambie el rodillo de accionamiento.
Ranuradora no hace girar el tubo durante el ranurado.	Accionamiento motorizado no entrega el par de torsión mínimo. Portaherramientas no se ha cerrado firmemente sobre los planos del eje de accionamiento.	Emplee un Accionamiento Motorizado No. 300 de RIDGID de 38 rpm Cierre bien el portaherramientas.
El tubo se levanta o inclina la Ranuradora hacia atrás.	Soportatubos mal situado.	Pare el portatubos como y donde se debe.

975

# 975 KOMBI Rollnutgerät



**RIDGID**<sup>®</sup>





## Inhaltsverzeichnis


<b>Sicherheitssymbole</b> .....	72
<b>Allgemeine Sicherheitsvorschriften</b>	
Sicherheit im Arbeitsbereich .....	72
Elektrische Sicherheit.....	72
Persönliche Sicherheit .....	73
Sachgemäßer Umgang mit dem Werkzeug .....	73
Wartung .....	73
<b>Spezielle Sicherheitshinweise</b>	
Sicherer Umgang mit dem Rollnutgerät .....	74
Sicherer Umgang mit dem Rollnutgerät, wenn es zusammen mit einem Kraftantrieb/einer Gewindeschneidmaschine verwendet wird .....	74
Sicherer Umgang mit dem Rollnutgerät, wenn es vor Ort verwendet wird .....	74
<b>Beschreibung, technische Daten und Standardausstattung</b>	
Beschreibung .....	74
Technische Daten .....	75
Standardausstattung .....	75
<b>Inspektion des Rollnutgeräts</b> .....	75
Einrichtung des Geräts und des Arbeitsbereichs für Anwendungen mit dem Kraftantrieb	
Montage des 975 KOMBI Rollnutgerät auf einen Kraftantrieb RIDGID 300 .....	77
Montage des 975 KOMBI Rollnutgerät auf eine Gewindeschneidmaschine RIDGID 1233 oder 300 Kompakt.....	77
Vorbereitung abschließen .....	78
Vorbereitung des Rohrs .....	79
Vorbereitung des Rohrs im Rollnutgerät .....	80
<b>Betrieb des 975 KOMBI Rollnutgerät mit einem Kraftantrieb/einer Gewindeschneidmaschine</b>	
Einstellen/Messen des Nutdurchmessers .....	80
Ausführen der Rollnut .....	81
Einstellen des Nutdurchmessers für Kupferrohrleitungen .....	82
Tipps zur Spurführung für das 975 KOMBI Rollnutgerät .....	82
<b>Vorbereitung des Geräts und des Arbeitsbereichs für Anwendungen vor Ort</b>	
Vorbereitung des Rohrs .....	84
Montage des Rollnutgeräts auf das Rohr.....	84
<b>Betrieb des 975 KOMBI Rollnutgerät vor Ort</b>	
Einstellen/Messen des Nutdurchmessers .....	85
Ausführen der Rollnut .....	86
<b>Wartungsanweisungen</b>	
Schmierung .....	86
Reinigen .....	87
Auswechseln der Rollensätze .....	87
<b>Zubehör</b> .....	88
Lagerung des Geräts .....	88
<b>Wartung und Reparatur</b> .....	88
<b>Tabelle I. Technische Daten für Standard-Rollnut</b> .....	89
<b>Tabelle II. Maximale und minimale Wanddicke des Rohrs</b> .....	89
<b>Tabelle III. Technische Daten für Rollnut in Kupferrohren</b> .....	90
<b>Fehlersuche</b> .....	90-91


## Sicherheitssymbole


Wichtige Sicherheitshinweise werden in dieser Bedienungsanleitung und auf dem Produkt mit bestimmten Sicherheitssymbolen und Warnungen gekennzeichnet. Dieser Abschnitt enthält Erläuterungen zu diesen Warnhinweisen und Symbolen.

 Dies ist das allgemeine Gefahren-Symbol. Es weist auf mögliche Verletzungsgefahren hin. Beachten Sie alle Hinweise mit diesem Symbol, um Verletzungs- oder Lebensgefahr zu vermeiden.

 **GEFAHR** GEFAHR weist auf eine gefährliche Situation hin, die ohne entsprechende Sicherheitsvorkehrungen zu Lebensgefahr oder schweren Verletzungen führt.

 **WARNUNG** WARNUNG weist auf eine gefährliche Situation hin, die ohne entsprechende Sicherheitsvorkehrungen zu Lebensgefahr oder schweren Verletzungen führen kann.

 **ACHTUNG** ACHTUNG weist auf eine gefährliche Situation hin, die ohne entsprechende Sicherheitsvorkehrungen zu kleineren bis mittelschweren Verletzungen führen kann.

 **HINWEIS** HINWEIS kennzeichnet Informationen, die sich auf den Schutz des Eigentums beziehen.



Dieses Symbol bedeutet, dass die Bedienungsanleitung sorgfältig durchzulesen ist, bevor das Gerät in Betrieb genommen wird. Die Bedienungsanleitung enthält wichtige Informationen für den sicheren, ordnungsgemäßen Gebrauch des Gerätes.



Dieses Symbol bedeutet, dass bei der Arbeit mit diesem Gerät immer eine Schutzbrille mit Seitenschutz oder ein Augenschutz zu verwenden ist, um Augenverletzungen zu vermeiden.



Dieses Symbol weist auf das Risiko hin, dass Finger und Hände zwischen den Nutrollen gequetscht werden können.



Dieses Symbol weist auf das Risiko hin, dass Hände, Finger, Beine, Kleider und andere Gegenstände von den drehenden Wellen erfasst werden und/oder sich um diese wickeln können, was zu Verletzungen durch Zerquetschen oder Aufprall führen kann.



Dieses Symbol zeigt an, dass kein Bohrer, Schlagwerkzeug oder anderes Elektrowerkzeug zum Antrieb dieses Geräts verwendet werden sollte, wenn es vor Ort eingesetzt wird.



Dieses Symbol weist auf das Risiko hin, dass das Gerät umkippen kann, was zu Verletzungen durch Aufprall oder Zerquetschen führen kann.



Dieses Symbol bedeutet, dass immer ein Fußschalter verwendet werden sollte, wenn eine Gewindeschneidmaschine/ein Kraftantrieb verwendet wird.



Dieses Symbol bedeutet, dass man einen Schutzhelm tragen muss, wenn über dem Kopf gearbeitet wird, um das Risiko von Kopfverletzungen zu verringern.

## Allgemeine Sicherheitsvorschriften

### **WARNUNG**

Bitte lesen Sie diese Anweisungen sorgfältig durch. Die Nichtbeachtung der nachfolgenden Anweisungen kann zu Stromschlag, Brand und/oder schweren Verletzungen führen.

### **BEWAHREN SIE DIESE ANWEISUNGEN AUF!**

Der im folgenden Text verwendete Begriff „Elektrowerkzeug“ bezieht sich auf netzbetriebene Elektrowerkzeuge (mit Netzkabel) und akkubetriebene Elektrowerkzeuge (ohne Netzkabel).

### Sicherheit im Arbeitsbereich

- Halten Sie Ihren Arbeitsbereich sauber, und sorgen Sie für eine gute Beleuchtung. Unaufgeräumte und unzureichend beleuchtete Arbeitsbereiche erhöhen das Unfallrisiko.
- Betreiben Sie Elektrowerkzeuge nicht in Umgebungen mit erhöhter Explosionsgefahr, in denen sich leicht entflammare Flüssigkeiten, Gase oder Staub befinden. Elektrowerkzeuge erzeugen im Betrieb Funken, durch die sich Staub oder Brandgase leicht entzünden können.
- Sorgen Sie beim Betrieb eines Elektrowerkzeugs dafür, dass sich keine Kinder oder sonstige Unbeteiligte in

dessen Nähe befinden. Bei Unachtsamkeit kann die Kontrolle über das Werkzeug verloren gehen.

- Halten Sie die Fußböden trocken und frei von Materialien, auf denen man ausrutschen kann, wie zum Beispiel Öl. Rutschige Fußböden erhöhen das Unfallrisiko.
- Schützen Sie den Arbeitsbereich oder sperren Sie ihn ab, wenn das Werkstück über die Maschine hinaus ragt. Eine Schutzvorrichtung oder ein Geländer in einem Mindestabstand von ca. 1 m um das Werkstück, verringert das Risiko, von diesem erfasst zu werden.

### Elektrische Sicherheit

- Die Stecker des Elektrowerkzeugs müssen passend zur verwendeten Steckdose sein. Nehmen Sie niemals Veränderungen am Stecker vor. Verwenden Sie keine Adapterstecker in Kombination mit schutzgeerdeten Geräten. Unveränderte Stecker und passende Steckdosen verringern die Gefahr eines Stromschlags.
- Vermeiden Sie Körperkontakt mit geerdeten Oberflächen, wie Rohren, Heizungen, Herden und Kühlschränken. Es besteht eine erhöhte Stromschlaggefahr, wenn Ihr Körper geerdet ist.
- Halten Sie Elektrowerkzeuge von Regen und Nässe fern. Das Eindringen von Wasser in ein Elektrowerkzeug erhöht die Stromschlaggefahr.

- **Das Netzkabel darf nicht für anderweitige Zwecke missbraucht werden. Verwenden Sie es niemals zum Tragen oder Ziehen des Werkzeugs oder zum Herausziehen des Steckers. Halten Sie das Kabel von Hitze, Öl, scharfen Kanten und beweglichen Geräteteilen fern. Beschädigte oder verwickelte Kabel erhöhen die Stromschlaggefahr.**
- **Wenn Sie mit einem Elektrowerkzeug im Freien arbeiten, verwenden Sie nur Verlängerungskabel, die für die Verwendung im Freien geeignet sind.** Die Verwendung eines geeigneten Verlängerungskabels für den Gebrauch im Freien verringert die Gefahr eines Stromschlags.
- **Wenn Sie ein Elektrowerkzeug in feuchter Umgebung einsetzen müssen, verwenden Sie eine Stromversorgung mit Erdschlussunterbrecher (RCD). Die Verwendung eines Fehlerstromschutzschalters (FI-Schutzschalters) verringert die Gefahr eines Stromschlags.**

## Persönliche Sicherheit

- **Seien Sie beim Betrieb eines Elektrowerkzeugs immer aufmerksam und verantwortungsbewusst. Verwenden Sie ein Elektrowerkzeug nicht unter Einfluss von Drogen, Alkohol oder Medikamenten.** Durch einen kurzen Moment der Unaufmerksamkeit können Sie sich selbst oder anderen erhebliche Verletzungen zufügen.
- **Tragen Sie immer Ihre persönliche Schutzkleidung. Tragen Sie stets einen Augenschutz.** Das Tragen einer Schutzausrüstung, wie Staubmaske, rutschfeste Sicherheitsschuhe, Schutzhelm oder Gehörschutz verringert das Risiko von Verletzungen und ist daher unbedingt erforderlich.
- **Verhindern Sie, dass Elektrowerkzeuge unbeabsichtigt eingeschaltet werden. Vergewissern Sie sich immer, dass sich der Schalter in der Aus-Stellung befindet, bevor Sie ein Elektrowerkzeug anheben, tragen oder an die Stromquelle bzw. einen Akku anschließen.** Wenn Sie beim Tragen des Gerätes den Finger am Schalter haben oder das Gerät eingeschaltet an die Stromversorgung anschließen, kann dies zu Unfällen führen.
- **Entfernen Sie sämtliche Einstellwerkzeuge oder Schraubenschlüssel, bevor Sie das Gerät einschalten.** Ein Werkzeug oder Schlüssel, der sich in einem drehenden Geräteteil befindet, kann zu Verletzungen führen.
- **Überschätzen Sie sich nicht. Achten Sie darauf, dass Sie stets einen festen Stand haben und das Gleichgewicht halten.** Dadurch können Sie das Gerät in unerwarteten Situationen besser kontrollieren.
- **Tragen Sie angemessene Kleidung. Tragen Sie keine weiten Kleidungsstücke oder Schmuck. Halten Sie Haare, Kleidung und Handschuhe von beweglichen Teilen fern.** Weite Kleidung, Schmuck oder lange Haare können von bewegten Teilen erfasst werden.
- **Wenn Staubabsaug- und Staubauffangeinrichtungen montiert werden können, vergewissern Sie sich, dass diese angeschlossen sind und vorschriftsmäßig verwendet werden.** Durch Verwendung von Staubauffangeinrichtungen können die durch Staub entstehenden Gefahren erheblich reduziert werden.

## Sachgemäßer Umgang mit dem Werkzeug

- **Überbeanspruchen Sie das Werkzeug nicht. Verwenden Sie immer ein für den Einsatzbereich geeignetes Werkzeug.** Mit dem richtigen Werkzeug können Sie Ihre Arbeit effektiver und sicherer ausführen.
- **Verwenden Sie das Elektrowerkzeug nicht, wenn es nicht über einen Schalter AN- und AUSGESCHALTET werden kann.** Ein Werkzeug, das sich nicht über einen Schalter ein- und ausschalten lässt, stellt eine Gefahrenquelle dar und muss repariert werden.
- **Ziehen Sie den Stecker aus der Steckdose, oder nehmen Sie den Akku aus dem Werkzeug, bevor Sie Geräteeinstellungen vornehmen, Zubehörteile wechseln oder das Gerät weglegen.** Durch solche Vorsichtsmaßnahmen wird der unbeabsichtigte Start des Werkzeugs verhindert.
- **Bewahren Sie unbenutzte Werkzeuge außerhalb der Reichweite von Kindern auf, und lassen Sie Personen, die mit dem Werkzeug nicht vertraut sind oder diese Anweisungen nicht gelesen haben, das Werkzeug nicht benutzen.** Werkzeuge sind gefährlich, wenn Sie von unerfahrenen Personen benutzt werden.
- **Werkzeuge müssen regelmäßig gewartet werden. Stellen Sie sicher, dass sich alle beweglichen und festen Teile in der richtigen Position befinden, keine Teile gebrochen sind oder sonstige Fehler vorliegen, um den reibungslosen Betrieb des Werkzeuges sicherzustellen. Bei Beschädigungen muss das Werkzeug vor einer erneuten Verwendung zunächst repariert werden.** Viele Unfälle werden durch schlecht gewartete Werkzeuge verursacht.
- **Verwenden Sie für das Werkzeug nur die empfohlenen Zubehörteile.** Sorgfältig gepflegte Schneidwerkzeuge mit scharfen Schneidkanten verklemmen seltener und sind leichter zu führen.
- **Halten Sie die Griffleisten trocken, sauber und frei von Ölen und Fetten.** Dadurch können Sie das Werkzeug besser bedienen.

## Wartung

- **Lassen Sie Ihr Werkzeug nur von qualifiziertem Fachpersonal und nur mit Original-Ersatzteilen reparieren.** Dadurch bleibt die Sicherheit des Werkzeugs gewährleistet.

## Spezielle Sicherheitshinweise

### **⚠️ WARNUNG**

**Dieser Abschnitt enthält wichtige Sicherheitshinweise, die speziell für dieses Werkzeug gelten.**

**Lesen Sie diese Sicherheitsvorkehrungen sorgfältig durch, bevor Sie mit dem 975 KOMBI Rollnutgerät arbeiten, um das Risiko schwerer Verletzungen zu reduzieren.**

### **BEWAHREN SIE DIESE ANWEISUNGEN SORGFÄLTIG AUF!**

Bei Fragen wenden Sie sich an die Abteilung Technischer Kundendienst bei Ridge Tool unter D: 0800- 5888076 oder A: 0800-677221 oder [ridgid.germany@emerson.com](mailto:ridgid.germany@emerson.com).

## Sicherer Umgang mit dem Rollnutgerät

- **Tragen Sie keine weiten Kleidungsstücke. Lassen Sie die Hemdsärmel und Jacken zugeknöpft. Greifen Sie nicht über das Gerät oder das Rohr.** Die Kleidung kann sich im Rohr oder in anderen rotierenden Teilen verfangen, wodurch Sie vom Gerät erfasst und schwer verletzt werden können.
- **Halten Sie mit Ihren Händen Abstand zu den Nutrollen. Nuten Sie das Rohr nicht kürzer als angegeben. Tragen Sie keine schlecht sitzenden Arbeitshandschuhe.** Die Finger können zwischen den Nutrollen oder zwischen der Nutrolle und dem Rohr eingequetscht werden.
- **Halten Sie mit Ihren Händen Abstand von den Rohrenden. Greifen Sie nicht in das Innere des Rohrs.** Sie können sich an Graten und scharfen Kanten verfangen und schneiden. Die Finger können zwischen den Nutrollen oder zwischen der Nutrolle und dem Rohr eingequetscht werden.
- **Achten Sie auf eine ordnungsgemäße Vorbereitung und Umgang mit dem Rohr.** Sie können sich an Graten und scharfen Kanten verfangen und schneiden.
- **Unterstützen Sie das Rohr ordnungsgemäß.** Dadurch wird ein Kippen des Rohrs und des Geräts vermieden.
- **Sie müssen diese Bedienungsanleitung, die Bedienungsanleitung des entsprechenden Kraftantriebs oder der entsprechenden Gewindeschneidmaschine, die Installationsanweisungen des Herstellers der Fittings und die Anweisungen für jedes andere Gerät, das zusammen mit diesem Werkzeug verwendet wird, sorgfältig durchlesen, bevor Sie mit dem RIDGID®-975 KOMBI Rollnutgerät arbeiten.** Die Nichtbefolgung dieser Anweisungen kann zu Sachschäden und/oder schweren Verletzungen führen.
- **Tragen Sie immer angemessene persönliche Schutzausrüstung, wenn Sie das RIDGID-975 KOMBI Rollnutgerät einrichten und mit ihm arbeiten.** Zu einer angemessenen persönlichen Schutzausrüstung gehört immer ein Augenschutz und kann auch Ausrüstungsgegenstände wie zum Beispiel gut sitzende Lederhandschuhe, Sicherheitsschuhe mit Stahlkappen und einen Schutzhelm umfassen.
- **Verwenden Sie das Rollnutgerät nur zum Nuten von Rohren mit den in diesen Anweisungen empfohlenen Größen und Ausführungen.** Eine anderweitige Verwendung und die Änderung des Rollnutgeräts für andere Anwendungen kann das Verletzungsrisiko erhöhen.

## Sicherer Umgang mit dem Rollnutgerät, wenn es zusammen mit einem Kraftantrieb/einer Gewindeschneidmaschine verwendet wird

- **Verwenden Sie zusammen mit diesem 975 KOMBI Rollnutgerät nur den Kraftantrieb RIDGID 300 oder die Gewindeschneidmaschinen 1233 und 300 Kompakt.** Eine Verwendung anderer Kraftantriebe führt zu einer unsachgemäßen Vorbereitung und kann zum Kippen des Geräts oder anderweitigen Problemen führen.
- **Verwenden Sie dieses Rollnutgerät nicht mit einem Kraftantrieb oder einer Gewindeschneidmaschine, die nicht über einen Fußschalter verfügt. Blockieren Sie niemals den Fußschalter, so dass dieser den Kraftantrieb nicht regeln kann.** Durch einen Fußschalter

können Sie den Kraftantrieb besser steuern, indem Sie den Motor durch Abnehmen des Fußes ausschalten. Falls sich Kleidungsstücke im Gerät verfangen und die Stromzufuhr zum Motor nicht unterbrochen wird, wird die Kleidung in das Gerät gezogen. Dieses Gerät hat ein starkes Drehmoment und kann die Kleidungsstücke mit genügend Kraft um Ihrem Arm oder andere Körperteile wickeln, um Knochen zu zerquetschen oder zu brechen oder Ihnen durch einen Aufprall oder anderweitig Verletzungen zufügen.

- **Sowohl der Nutvorgang als auch der Fußschalter müssen von einer Person gesteuert werden. Nicht mit mehr als einer Person daran arbeiten.** Falls sich Kleidungsstücke verfangen, muss der Bediener den Fußschalter steuern können.
- **Nur Kraftantriebe und Gewindeschneidmaschinen mit einer Drehzahl von 57 U/min oder weniger verwenden.** Bei Geräten mit höherer Drehzahl erhöht sich das Verletzungsrisiko.
- **Vergewissern Sie sich, dass das Rollnutgerät am Kraftantrieb/Gewindeschneidmaschine ordnungsgemäß vorbereitet und befestigt ist. Vergewissern Sie sich, dass der Kraftantrieb, der Ständer, das Rollnutgerät und das Rohr fest stehen.** Dadurch wird ein Kippen des Geräts und des Rohrs vermieden.

## Sicherer Umgang mit dem Rollnutgerät, wenn es vor Ort verwendet wird

- **Arbeiten Sie bei den Anwendungen vor Ort nur mit Handantrieb. Verwenden Sie keine Elektrogeräte (wie zum Beispiel Bohrer oder Schlagwerkzeuge), um das Rollnutgerät anzutreiben, wenn es vor Ort eingesetzt wird.** Die Verwendung von Elektrogeräten kann die Nut beschädigen und das Verletzungsrisiko erhöhen.
- **Bei Arbeiten über Kopf, sollten alle Arbeiter Schutzhelme tragen und sich nicht in dem darunterliegenden Bereich bewegen.** Dadurch werden schwere Verletzungen vermieden, falls das Rollnutgerät, das Rohr oder andere Gegenstände herunterfallen.

## Beschreibung, technische Daten und Standardausstattung

### Beschreibung

Das RIDGID®-975 KOMBI Rollnutgerät schneidet Rollnuten in Stahl-, Aluminium- und PVC-Rohre und nutet Rohre mit einem Durchmesser von 1¼ Zoll bis 6 Zoll, Aufstellung 10 und Aufstellung 40. Es ist ebenfalls konzipiert, Edelstahlrohre von 1¼ Zoll bis 6 Zoll, Aufstellung 10, und von 1¼ Zoll bis 2 Zoll, Aufstellung 40, zu nuten. Mit einer Änderung des Rollensatzes kann es auch für Kupferrohre von 2 Zoll - 8 Zoll, Ausführung K, L, M und DWV angepasst werden. Die Nuten werden gebildet, indem man das Rohr zwischen die Nutrolle und die Antriebsrolle schiebt. Die einzig notwendige Einstellung ist die Tiefe der Nut.

Das Gerät ist speziell dafür konzipiert, entweder vor Ort oder zusammen mit dem Kraftantrieb RIDGID Modell 300 (Modelle mit 38 und 57 U/min) verwendet zu werden. Mit dem entsprechenden Adapter (Kat. Nr. 67662) kann das Gerät zusammen mit den Gewindeschneidmaschinen RIDGID Modell 1233 und 300 Kompakt betrieben werden. Zum 975 KOMBI Rollnutgerät gehört eine patentierte Nuttiefenlehre, die Sie bei der Vorbereitung der Nut unterstützt, sowie eine patentierte Ausstattung, mit der die

Spurführung während des Betriebs verbessert wird.

Das 975 KOMBI Rollnutgerät ist ein tragbares Gerät, das für den gelegentlichen Einsatz auf der Baustelle vorgesehen ist, und sollte nicht für umfangreiche Arbeiten oder die Serienproduktion in einer Rohrwerkstatt verwendet werden.

**HINWEIS** Bei ordnungsgemäßer Anwendung, schneidet das 975 KOMBI Rollnutgerät, Nuten von 2 Zoll - 6 Zoll, die in ihrer Abmessung den Spezifikationen der AWWA C606-06 entsprechen. Die Auswahl der entsprechenden Materialien und Verfahren für die Verbindung liegt in der Verantwortung des Systemplaners und/oder Installateurs. Bevor man mit einer Installation beginnt, sollte eine sorgfältige Bewertung der speziellen Betriebsumgebung, einschließlich der chemischen Umgebung und der Betriebstemperatur, durchgeführt werden.

## Technische Daten

Kapazität.....Stahlrohre von 1 1/4 Zoll – 6 Zoll, Aufstellung 10 und Aufstellung 40, mit Austausch der Rollen: 2 Zoll - 8 Zoll Kupferrohre, Ausführung K, L, M & DWV

Nutdurchmesser  
Einstellung .....Einstellschraube und Nuttiefenlehre

Auslösung.....Vorschubspindel mit 1/2 Zoll-Ratsche

Montage des Kraftantriebs Kraftantrieb RIDGID 300 (nur Modell mit 38 und 57 U/min), Gewindeschneidmaschine RIDGID 1233 und 300 Kompakt (mit Adapter)

Gewicht .....ca. 12,5 kg.

Das 975 KOMBI Rollnutgerät ist durch US-amerikanische und internationale Patente geschützt, einschließlich der Patente 6.272.895 und 6.591.652.

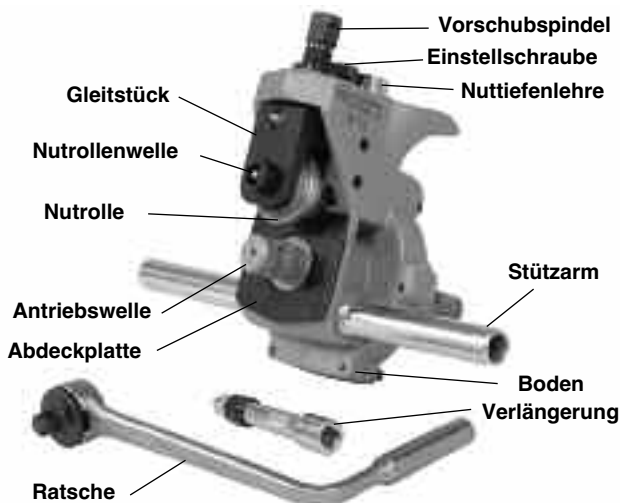


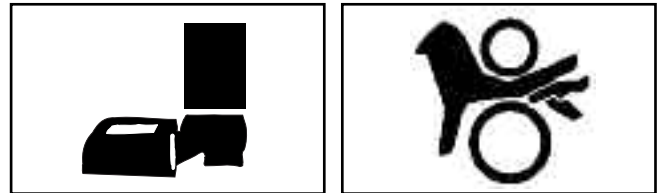
Abbildung 1: 975 KOMBI Rollnutgerät

## Standardausstattung

1 1/4" – 6 Zoll Aufstellung 10 und 40 Nut- und Antriebsrollen  
Ratsche (1/2 Zoll-Antrieb) mit Entriegelungstaste  
Sicherung der Antriebserweiterung  
Stützzarme  
Integrierte Index-Tiefenlehre

## Inspektion des Rollnutgeräts

### ⚠️ WARNUNG



**Kontrollieren Sie Ihr Rollnutgerät vor jedem Gebrauch und beheben Sie eventuelle Störungen, um die Verletzungsgefahr durch Zerquetschungen oder andere Ursachen sowie Schäden am Rollnutgerät zu vermeiden.**

**Verwenden Sie dieses Rollnutgerät nicht mit einem Kraftantrieb/einer Gewindeschneidmaschine, die nicht über einen Fußschalter verfügt.**

1. Falls das Rollnutgerät auf einem Kraftantrieb oder einer Gewindeschneidmaschine installiert ist, achten Sie darauf, dass das Gerät nicht eingesteckt ist und dass sich der Schalter "REV/OFF/FOR" in der Position "OFF" befindet. Kontrollieren und warten Sie den Kraftantrieb/die Gewindeschneidmaschine wie es in der Bedienungsanleitung für das jeweilige Gerät angegeben ist. Eine Nichtbeachtung der ordnungsgemäßen Kontrolle und Wartung des Geräts kann zu schweren Verletzungen und Sachschäden führen. Achten Sie darauf, dass ein Fußschalter vorhanden ist und dieser ordnungsgemäß funktioniert. Verwenden Sie dieses Rollnutgerät nicht ohne einen Fußschalter.
2. Reinigen Sie das Rollnutgerät einschließlich des Tragegriffs und der Ratsche, die zur Aktivierung des Rollnutgeräts verwendet wird, von Öl, Fett oder Schmutz. Dadurch wird das Verletzungsrisiko verringert, dass Ihnen das Rollnutgerät oder die Ratsche während des Betriebs aus der Hand rutscht, und die Inspektion wird erleichtert.
3. Achten Sie darauf, dass die Stützzarme fest im Gehäuse des Rollnutgeräts sitzen.
4. Kontrollieren Sie das Rollnutgerät auf gebrochene, fehlende, falsch angeordnete oder feste Teile oder auf jeden anderen Zustand, der den sicheren und normalen Betrieb verhindert. Achten Sie darauf, dass sich die Nutrolle und die Antriebswelle frei drehen können.
5. Kontrollieren Sie, ob das Schild mit den Warnhinweisen vorhanden und sicher befestigt ist. Bezüglich der Lage des Warnschilds, *siehe Abbildung 2*.
6. Wenn die Rändelung der Antriebswelle schmutzig ist, reinigen Sie diese mit einer Drahtbürste. Eine schmutzige Rändelung kann zu einem Abrutschen des Rohrs und zu Problemen bei der Spurführung während des Nutens führen.
7. Kontrollieren Sie die Nutrolle und die Antriebswelle auf Risse, Verschleiß oder Zeichen von Beschädigung.

Beschädigte Nutrollen und Antriebswellen können zu einem Rutschen des Rohrs oder zu Nuten in schlechter Qualität führen oder Störungen während des Betriebs verursachen.

8. Kontrollieren Sie die Ratsche und die Verlängerung auf ordnungsgemäße Funktion. Achten Sie darauf, dass sich die Ratsche sanft und gleichmäßig in beide Richtungen bewegen lässt. Drücken Sie den Entriegelungsknopf in der Mitte des Ratschenkopfes und setzen Sie sie auf die Vorschubspindel. Die Ratsche sollte sicher einrasten. Die Ratsche sollte ebenfalls sicher in die Verlängerung einrasten und die Verlängerung wiederum sollte sicher in den Vierkant für manuellen Antrieb an der Rückseite des Rollnutgeräts einrasten. Dadurch wird verhindert, dass sich die Ratsche und die Verlängerung während des Betriebs vom Rollnutgerät lösen. Falls Sie andere Ratschen, Schraubenschlüssel oder Verlängerungen verwenden, die nicht in das Rollnutgerät einrasten, müssen Sie darauf achten, dass diese sich während des Betriebs nicht lösen.

Falls Probleme auftreten, das Gerät solange nicht benutzen, bis die Probleme behoben worden sind.

9. Schmieren Sie das Rollnutgerät entsprechend den Wartungsanweisungen in diesem Handbuch. Wischen Sie überschüssiges Fett vom Rollnutgerät ab.
10. Falls ein anderes Gerät verwendet wird, kontrollieren und warten Sie es, um sicherzustellen, dass es ordnungsgemäß funktioniert.

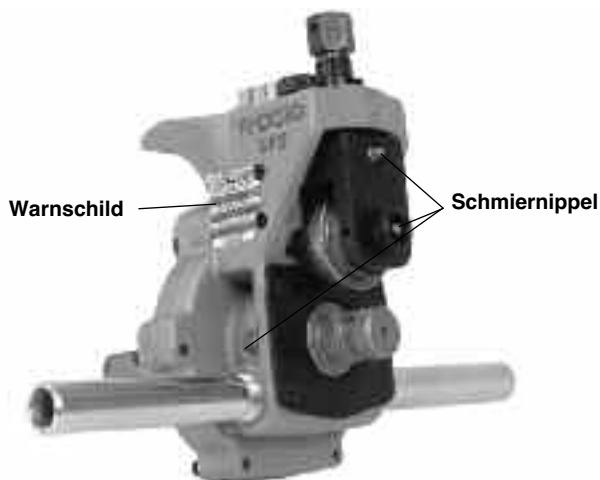
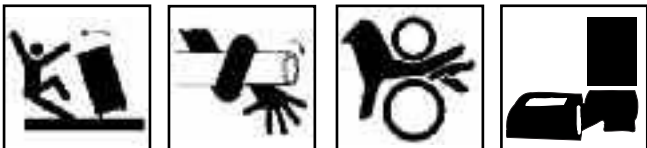


Abbildung 2: Warnschild für 975 KOMBI Rollnutgerät

## Vorbereiten des Geräts und des Arbeitsbereichs für Anwendungen mit Kraftantrieb

### ⚠️ WARNUNG



Tragen Sie stets einen Augenschutz zum Schutz der Augen vor Schmutz und Fremdkörpern. Tragen Sie

**Sicherheitsschuhe mit Stahlkappe, um die Füße vor kippenden Werkzeugen und herunterfallenden Rohren zu schützen.**

**Verwenden Sie dieses Rollnutgerät nicht mit einem Kraftantrieb oder einer Gewindeschneidmaschine, die nicht über einen Fußschalter verfügt. Blockieren Sie niemals den Fußschalter, so dass dieser den Kraftantrieb nicht regeln kann. Durch einen Fußschalter können Sie den Kraftantrieb besser steuern, indem Sie den Motor durch Abnehmen des Fußes ausschalten. Falls sich Kleidungsstücke im Gerät verfangen und die Stromzufuhr zum Motor des Kraftantriebs nicht unterbrochen wird, wird die Kleidung in das Gerät hinein gezogen. Dieses Gerät hat ein starkes Drehmoment und kann die Kleidungsstücke mit genügend Kraft um Ihrem Arm oder andere Körperteile wickeln, um Knochen zu quetschen oder zu brechen oder Ihnen durch einen Aufprall oder anderweitig Verletzungen zufügen.**

**Beachten Sie bitte diese Anweisungen für die Vorbereitung des Rollnutgeräts und des Arbeitsbereichs, um die Gefahren von Stromschlag, Feuer, Kippen des Geräts, Verfangen von Kleidungsstücken, Zerquetschungen und andere Risiken zu verringern und Schäden am Rollnutgerät zu vermeiden.**

1. Suchen Sie sich einen Arbeitsbereich, der folgende Merkmale aufweist:
  - Ausreichende Beleuchtung.
  - Keine entflammaren Flüssigkeiten, Dämpfe oder Stäube, die sich entzünden können. Sind solche Gefahrenquellen vorhanden, arbeiten Sie in diesen Bereichen erst, wenn sie erkannt und beseitigt wurden. Kraftantriebe und Gewindeschneidmaschinen sind nicht explosionssicher und können Funken verursachen.
  - Ein übersichtlicher, ebener, stabiler und trockener Ort für alle Geräte und den Bediener. Benutzen Sie das Gerät nicht, wenn Sie im Wasser stehen.
  - Ordnungsgemäß geerdeter Netzanschluss. Eine Steckdose mit drei Stiften oder eine GFCI-Steckdose ist u.U. nicht ordnungsgemäß geerdet. Aus Sicherheitsgründen sollten im Zweifelsfall entsprechende Netzanschlüsse von einem autorisierten Elektriker überprüft werden.
  - Einen freien Weg zum Netzanschluss, sodass eine mögliche Beschädigung des Netzkabels ausgeschlossen ist.
2. Arbeitsbereich aufräumen, bevor die Geräte vorbereitet werden. Wischen Sie eventuell vorhandenes Öl stets ab.
3. Kontrollieren Sie das Rohr, das genutzt werden soll, und vergewissern Sie sich, dass das 975 KOMBI Rollnutgerät das richtige Gerät für diese Arbeit ist. Das 975 KOMBI Rollnutgerät ist konzipiert zum Nuten von Stahl-, Aluminium- und PVC-Rohren der Größe 1/4 Zoll bis 6 Zoll, Aufstellung 10 und 40. Es ist ebenfalls konzipiert, Edelstahlrohre von 1/4 Zoll bis 6 Zoll, Aufstellung 10, und von 1/4 Zoll bis 2 Zoll, Aufstellung 40, zu nuten. Wenn der Rollensatz gewechselt wird, kann es auch zum Nuten von Kupferrohren der Größe 2 Zoll - 8 Zoll, Ausführung K, L, M und DWV verwendet werden.

Das 975 KOMBI Rollnutgerät kann für Anwendungen vor Ort verwendet werden (das Rohr ist eingebaut oder in einem Schraubstock befestigt) oder zusammen mit einem Kraftantrieb RIDGID 300 oder einer Gewindegewindemaschine Kompakt 300 für Anwendungen mit Antrieb auf der Baustelle. Das 975 KOMBI Rollnutgerät ist nicht für die Serienproduktion vorgesehen.

Rollnutgeräte für sonstige Anwendungen finden Sie im Katalog von Ridge Tools, online unter [www.RIDGID.eu](http://www.RIDGID.eu), oder durch Anruf beim Technischen Kundendienst von Ridge Tools unter 0800-5888076.

**HINWEIS** Die Verwendung der gleichen Rollensätze (Nutrolle und Antriebswelle) sowohl für Rohre aus unlegiertem Stahl als auch aus Edelstahl kann zu einer Verunreinigung des Edelstahls führen. Diese Verunreinigung kann zu Korrosion und vorzeitiger Beschädigung des Rohrs führen. Zur Vermeidung einer Verunreinigung der Edelstahlrohre durch Eisen verwenden Sie Rollensätze, die nur für das Rollnuten von Edelstahl vorgesehen sind. Alternativ kann eine Edelstahlbürste verwendet werden, um den Rollensatz gründlich zu säubern, wenn man zwischen den Materialien wechselt.

4. Achten Sie darauf, dass der Kraftantrieb/die Gewindegewindemaschine entsprechend dem jeweiligen Handbuch kontrolliert worden ist. Vergewissern Sie sich, dass ein Fußschalter vorhanden ist und achten Sie darauf, dass sich der Schalter "FOR/OFF/REV" in der Position "OFF" befindet. Die Vorbereitung des Kraftantriebs/der Gewindegewindemaschine erfolgt entsprechend den Anweisungen im jeweiligen Handbuch. Achten Sie darauf, dass das Gerät und der Ständer sicher stehen und nicht wackeln.
5. Öffnen Sie das Spannfutter des Kraftantriebs/der Gewindegewindemaschine vollständig.
6. Vergewissern Sie sich, dass das 975 KOMBI Rollnutgerät kontrolliert wurde und der entsprechende Rollensatz montiert worden ist.

### Montage des 975 KOMBI Rollnutgerät auf einen Kraftantrieb RIDGID 300

1. Falls der zu verwendende Kraftantrieb mit einem Schlitten oder anderen Anbauteilen ausgestattet ist, nehmen Sie diese vom Kraftantrieb ab. Achten Sie darauf, dass die Stützarme des Kraftantriebs vollständig nach vorne zeigen und in dieser Position fixiert sind.
2. Setzen Sie die Stützarme des Rollnutgeräts auf die Stützarme des Kraftantriebs und das Ende der Antriebswelle des Rollnutgeräts in das Spannfutter des Geräts. Schließen Sie das Spannfutter des Kraftantriebs und ziehen Sie es auf der Platte der Antriebswelle fest. Achten Sie darauf, dass die Antriebswelle im Spannfutter zentriert ist. Drehen Sie das Spannfutterrad (Hammerart) wiederholt und kräftig gegen den Uhrzeigersinn, um die Antriebswelle sicher greifen zu können (Abbildung 3).

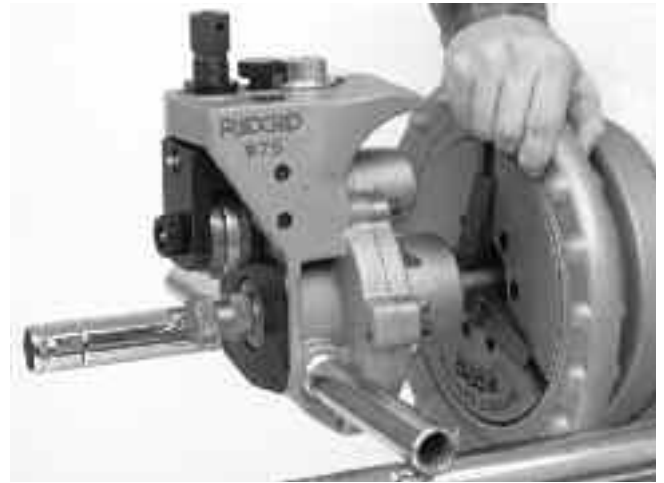


Abbildung 3: Montage des 975 KOMBI Rollnutgerät in das Spannfutter des Kraftantriebs 300

### Montage des 975 KOMBI Rollnutgerät auf eine Gewindegewindemaschine RIDGID 1233 oder 300 Kompakt

Wenn das 975 KOMBI Rollnutgerät mit einer Gewindegewindemaschine 1233 oder 300 Kompakt verwendet wird, muss ein Adaptersatz (Katalognummer 67662) verwendet werden. Dieser Adaptersatz richtet das Rollnutgerät auf die Gewindegewindemaschine und den Ständer aus und ermöglicht es, dass der gesamte Größenbereich genutzt werden kann. Versuchen Sie nicht, das 975 KOMBI Rollnutgerät mit einer anderen Gewindegewindemaschine zu verwenden, da dies zum Kippen oder zu anderen Problemen führen kann.

1. Montieren Sie den Antriebswellenadapter auf die Antriebswelle des Rollnutgeräts (siehe Abbildung 4). Richten Sie die Schrauben auf die Platte an der Antriebswelle des Rollnutgeräts aus und ziehen Sie diese gut fest.

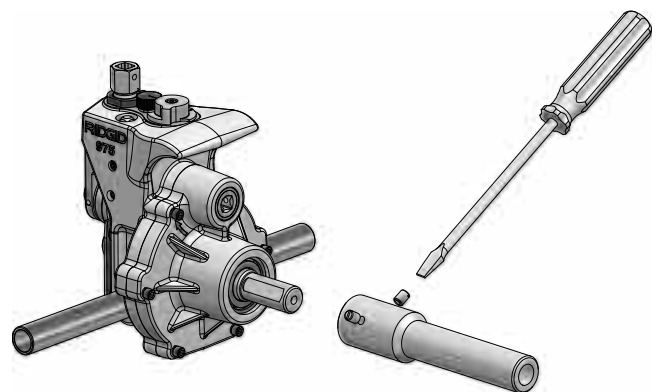


Abbildung 4: Montage des Antriebswellenadapters

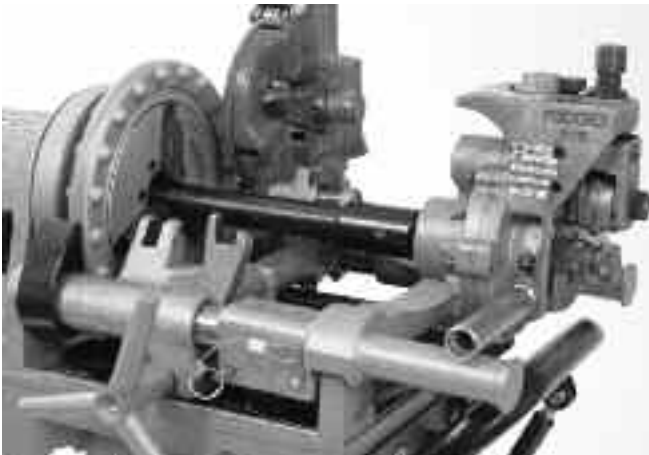
2. Bewegen Sie den Schlitten an der Gewindegewindemaschine 1233 oder Kompakt 300 so nahe wie möglich an das Spannfutter des Geräts. Bewegen Sie den Rohrabsteiner, den Entgrater und den Schneidkopf in die vom Bediener entfernte Position, so dass sie aus dem Weg sind. Positionieren Sie den Konus des Entgraters im Schneidkopf.

- Platzieren Sie die Adapterhalterung über des Ende des Werkzeugschlittens der 1233 oder 300 Kompakt (wie in *Abbildung 5* gezeigt) und verriegeln sie mit dem beige-fügten Stift



**Abbildung 5: Installation der Adapterhalterung**

- Setzen Sie die Stützarme des 975 auf die Arme der Adapterhalterung, wobei der Antriebswellenadapter im Spannfutter des Geräts sitzt. Schließen Sie das Spannfutter der Gewindeschneidmaschine und ziehen Sie es auf dem Antriebswellenadapter fest. Achten Sie darauf, dass die Antriebswelle im Spannfutter zentriert ist. Drehen Sie das Spannfutterrad (Hammer Typ) wiederholt und kräftig gegen den Uhrzeigersinn, um die Antriebswelle sicher greifen zu können.



**Abbildung 6: 975 KOMBI Rollnutgerät ordnungsgemäß auf die Gewindeschneidmaschine 300 Kompakt montiert**

### Vorbereitung abschließen

- Den Fußschalter ausrichten, so dass der Bediener den Kraftantrieb/die Gewindeschneidmaschine, das Rollnutgerät und das Rohr, das genutet werden soll, kontrollieren kann. Wie in *Abbildung 6* gezeigt, sollte die Position dem Bediener ermöglichen:
  - Mit Blick auf das Rollnutgerät zu stehen und Zugriff auf

den Schalter "FOR/OFF/REV" zu haben (auf der gleichen Seite wie dieser).

- Die Position "ON/OFF" über den Fußschalter zu steuern, und den Fußschalter schnell loslassen zu können, wenn es notwendig ist.
- Bequemen Zugang zum Rollnutgerät, zum Rohr und zur Ratsche zu haben, ohne dabei über das Rollnutgerät greifen zu müssen.



**Abbildung 7: Position des Bedieners**

- Verlegen Sie das Netzkabel in einer vorher klar festgelegten Richtung. Stecken Sie das Stromkabel des Kraftantriebs mit trockenen Händen in eine ordnungsgemäß geerdete Steckdose ein. Sorgen Sie dafür, dass sämtliche Anschlüsse trocken bleiben und sich nicht auf dem Boden befinden. Falls das Netzkabel nicht lang genug ist, verwenden Sie ein Verlängerungskabel, das:
  - In gutem Zustand ist
  - Einen Stecker mit drei Stiften hat, gleich dem, der am Kraftantrieb vorhanden ist
  - Für die Verwendung im Außenbereich zugelassen ist und ein W oder ein W-A in der Bezeichnung des Kabels enthält (z.B. SOW)
  - Die mit einem ausreichend großen Querschnitt versehen sind (14 AWG für 25' oder weniger, 12 AWG für 25' – 50' Länge). Unterdimensionierte Kabel können sich überhitzen, die Isolierung durchschmelzen oder Feuer oder sonstige Schäden anrichten.
- Kontrollieren Sie den Kraftantrieb/die Gewindeschneidmaschine, um eine korrekte Funktion sicherzustellen:
  - Schieben Sie den Schalter auf die Position "FOR" (Forward (Vorwärts)). Drücken Sie den Fußschalter und lassen Sie ihn wieder los. Vergewissern Sie sich, dass



sich die Antriebswelle im Gegenuhrzeigersinn dreht, wenn Sie dem vorderen Spannutter gegenüber stehen. Falls das Gerät sich nicht in der richtigen Richtung bewegt, oder der Betrieb des Geräts mit dem Fußschalter nicht zu steuern ist, verwenden Sie das Gerät nicht, bevor es repariert worden ist.

- Drücken Sie den Fußschalter nieder und halten Sie ihn gedrückt. Überprüfen Sie die Drehzahl des Geräts. Kontrollieren Sie die beweglichen Teile auf Versatz, Verklemmen, merkwürdige Geräusche oder andere ungewöhnliche Bedingungen. Lassen Sie den Fußschalter los. Falls die Drehzahl 57 U/min überschreitet, das Gerät nicht zum Rollnuten verwenden. Bei höheren Drehzahlen kann sich das Verletzungsrisiko erhöhen. Falls ungewöhnliche Bedingungen festgestellt werden, das Gerät nicht verwenden, bevor es repariert worden ist.
- Schieben Sie den Schalter auf die Position "REV" (Reverse (Rückwärts)). Drücken Sie den Fußschalter und lassen Sie ihn wieder los. Vergewissern Sie sich, dass sich die Antriebswelle im Uhrzeigersinn dreht, wenn Sie der Vorderseite des Spannutters gegenüber stehen. Falls sich das Gerät nicht in der richtigen Richtung dreht, das Gerät nicht verwenden, bevor es repariert worden ist.
- Schieben Sie den Schalter auf die Position "OFF". Ziehen Sie mit trockenen Händen den Stecker des Geräts aus der Steckdose.

## Vorbereitung des Rohrs

**HINWEIS** Die folgenden Anweisungen gelten allgemein. Beachten Sie immer die speziellen Empfehlungen des Herstellers des genuteten Verbindungsstücks für die Vorbereitung des Rohrendes. Eine Nichtbeachtung der Empfehlungen des Herstellers des genuteten Verbindungsstücks kann zu einer unsachgemäßen Verbindung führen und Undichtigkeiten verursachen.

1. Schneiden Sie das Rohr auf die richtige Länge. Achten Sie dabei auf die Mindestrohrlänge, die für jede Rohrgröße genutet werden kann (siehe Tabelle A). Wenn das Rohr kürzer als die Mindestlänge genutet wird, erhöht sich das Risiko, sich die Finger einzuquetschen oder sich mit den Kleidern zu verfangen.

Achten Sie darauf, dass das Rohrende rechtwinklig abgeschnitten wird und keine Grate hat. An den Graten können sich während des Nutvorgangs die Handschuhe oder Finger verfangen oder schneiden. Das Abschneidverfahren sowie starke Grate können Einfluss auf die Qualität der angefertigten Nut und der Spurführung der Nut haben. Versuchen Sie nicht, ein Rohr zu nuten, das mit dem Schweißbrenner abgeschnitten wurde.

2. Alle inneren/äußeren Schweißpunkte, Walzgrate oder Schweißnähte müssen mindestens bis zu einer Entfernung von 2 Zoll vom Ende des Rohrs plan geschliffen werden. Keine ebenen Flächen in den Bereich des Dichtungssitzes schneiden. Das könnte zu Undichtigkeiten führen.
3. Sämtliche Glühspäne, Schmutz, Rost und sonstige Verunreinigungen im Abstand von mindestens 2 Zoll vom Ende des Rohrs entfernen. Verunreinigungen können zu einem Verstopfen der Antriebsrändelung führen und einen ordnungsgemäßen Antrieb sowie die Spurführung des Rohrs während des Nutvorgangs verhindern.

## Vorbereitung des Rohrs im Rollnutgerät

1. Vergewissern Sie sich, dass sich der Schalter des Kraftantriebs/der Gewindeschneidmaschine in der Position "OFF" befindet.
2. Achten Sie darauf, dass die Abstützung für das Rohr ausreichend, das Sie nuten werden. In *Tabelle A* ist die maximale Länge des Rohrs aufgeführt, das genutet werden soll, wenn ein einziger Rohrbock verwendet wird. Längere Rohre sollten mindestens mit zwei Rohrböcken unterstützt werden. Wenn das Rohr nicht ordnungsgemäß unterstützt wird, kann das Rohr oder das Rohr und das Gerät kippen und umfallen. Nuten Sie das Rohr nicht kürzer als die Mindestlänge.

Nom. Abmessung	Min. Länge	Max. Länge	Nom. Abmessung	Min. Länge	Max. Länge
1	8	36	4	8	36
1 1/4	8	36	4 1/2	8	32
1 1/2	8	36	5	8	32
2	8	36	6 A.D.	10	30
2 1/2	8	36	6	10	28
3	8	36			
3 1/2	8	36			

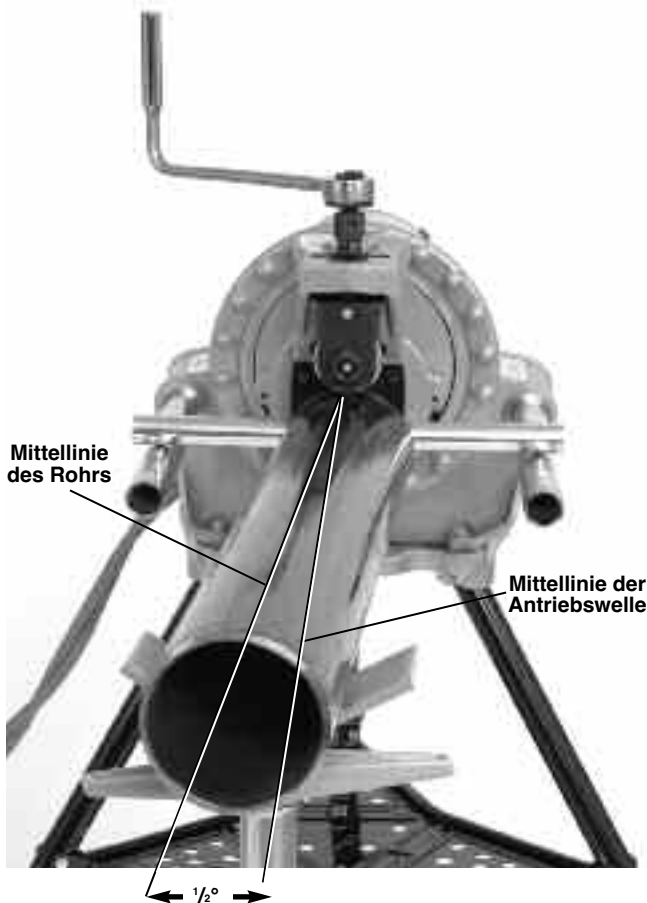
**Tabelle A: Minimale/Maximale Rohrlänge, die mit einem Bock genutet werden kann (alle Abmessungen in Zoll)**

3. Stellen Sie die erforderlichen Rohrbocke vor das Rollnutgerät. Bei Rohrlängen, die von einem einzelnen Bock gestützt werden, sollte der Bock in einem Abstand von etwas über der Hälfte der Rohrlänge von der Abdeckplatte des Rollnutgeräts aufgestellt werden. Bei Rohrlängen, für die mehr als ein Bock nötig ist, sollten die Böcke in einem Abstand von 1/4 der Rohrlänge - vom Ende des Rohrs - aufgestellt werden. In manchen Fällen kann es angemessen sein, mehrere Böcke zu verwenden. Die Höhe des Bocks sollte so eingestellt sein, dass das Rohr über die Antriebsrolle passt.
4. Achten Sie darauf, dass die Nutrolle weit genug zurückgezogen ist, damit das Rohr über die Antriebswelle gelegt werden kann. Drehen Sie die Vorschubspindel ggf. gegen den Uhrzeigersinn, um die Nutrolle anzuheben.
5. Legen Sie das Rohrende über die Antriebswelle und senken Sie das Rohr auf den/die Rohrbock/-böcke ab. Achten Sie darauf, dass das Rohr sicher liegt.



**Abbildung 8: Aufsetzen des Rohrs auf die Antriebswelle und bündig mit der Abdeckplatte**

6. Stellen Sie das Rohr und den Rohrbock so ein, dass das Ende des Rohrs bündig mit der Abdeckplatte des Rollnutgeräts ist und dass die Innenseite des Rohrs die Oberseite der Antriebswelle berührt (Abbildung 7). Die Mittellinie des Rohrs und die Mittellinie der Antriebswelle sollten parallel zu einander sein. Eine Möglichkeit dafür ist, sowohl das Rohr als auch den Kraftantrieb/die Gewindeschneidmaschine auszurichten.
7. Verschieben Sie das Rohr und den Rohrbock ein wenig, um ca. 1/2 Grad (ungefähr 1 Zoll auf eine Länge von ca. 3 m vom Rollnutgerät) hin zum Bediener. Durch eine ordentliche Ausrichtung des Rohrs und des Rollnutgeräts wird eine ordnungsgemäße Spurführung des Rohrs während des Nutvorgangs sichergestellt. (Siehe Abbildung 9).



**Abbildung 9: Versetzen des Rohrs um 1/2 Zoll in Richtung des Bedieners (übertrieben)**

8. Drehen Sie die Vorschubspindel im Uhrzeigersinn, um die Nutrolle unten in Kontakt mit dem Rohraußendurchmesser zu bringen. Drehen Sie anschließend die Vorschubspindel um eine zusätzliche Viertelumdrehung. Eventuell muss die Einstellschraube gelöst werden (gegen den Uhrzeigersinn drehen), damit die Nutrolle mit dem Rohr in Kontakt kommt. Das Rohr und das Rollnutgerät sollten zu diesem Zeitpunkt gegeneinander gesichert sein.
9. Beurteilen Sie den Arbeitsbereich und entscheiden Sie, ob Absperrungen erforderlich sind, damit andere Leute außer dem Bediener von den Geräten und dem Rohr fern gehalten werden. Schutzvorrichtungen oder Absperrungen sollten verwendet werden, um einen Mindestabstand von

ca. einem (1) Meter um den Kraftantrieb und das Rohr zu schaffen. Diese "Sicherheitszone" verhindert, dass andere Leute unbeabsichtigt mit dem Gerät oder dem Rohr in Berührung kommen und dies dadurch kippt oder sich ihre Kleidung in den rotierenden Teilen verfängt.

10. Stecken Sie das Stromkabel des Geräts mit trockenen Händen in eine ordnungsgemäß geerdete Steckdose ein.

## Betrieb des 975 KOMBI Rollnutgerät mit einem Kraftantrieb/ einer Gewindeschneidmaschine

### ! WARNUNG



**Tragen Sie beim Bedienen des Rollnutgeräts keine weiten Kleidungsstücke. Lassen Sie die Hemdsärmel und Jacken zugeknöpft. Greifen Sie nicht über das Gerät oder das Rohr. Weite Kleidung kann sich in den rotierenden Teilen verfangen und Quetschverletzungen verursachen.**

**Halten Sie mit Ihren Händen Abstand zu den Nutrollen. Nuten Sie die Rohre nicht kürzer als angegeben. Tragen Sie keine schlecht sitzenden Arbeitshandschuhe. Die Finger können zwischen den Nutrollen oder zwischen der Nutrolle und dem Rohr eingequetscht werden.**

**Halten Sie mit Ihren Händen Abstand von den Rohrenden. Greifen Sie nicht in das Innere des Rohrs. Sie können sich an Graten und scharfen Kanten verfangen und schneiden. Die Finger können zwischen den Nutrollen oder zwischen der Nutrolle und dem Rohr eingequetscht werden.**

**Tragen Sie stets einen Augenschutz zum Schutz der Augen vor Schmutz und Fremdkörpern. Tragen Sie Sicherheitsschuhe mit Stahlkappe, um die Füße vor kippenden Werkzeugen und herunterfallenden Rohren zu schützen.**

**Halten Sie sich an die Bedienungsanweisungen, um die Verletzungsgefahr durch Quetschen, Kippen, Aufprall oder andere Risiken zu verringern.**

### Einstellen/Messen des Nutdurchmessers

**WICHTIG** Aufgrund der unterschiedlichen Rohreigenschaften, sollte vor dem Arbeitsbeginn am Anfang des Tages oder bei Änderung von Rohrgröße, Aufstellung oder Material immer zuerst eine Probenut angefertigt werden. Die Lehren für die Einstellung des Nutdurchmessers sind nur ungefähre Angaben, und der Nutdurchmesser muss zur Bestätigung der genauen Größe gemessen werden.

1. Vergewissern Sie sich, dass das Gerät und das Rohr ordnungsgemäß vorbereitet ist. Eine unsachgemäße Vorbereitung des Rohrs kann die genaue Einrichtung der Nuttieflenre beeinflussen. Die Nutrolle sollte das Rohr berühren.
2. Stellen Sie die Nuttieflenre so ein, dass sich der richtige Ansatz der Lehre unter dem Kopf der Einstellschraube befindet (Abbildung 10A). Die Nuttieflenre ist für die

Verwendung mit dem Rohr konzipiert. Bei einer Verwendung mit Kupferrohren, siehe "Einstellen des Nutdurchmessers für Kupferrohre".

3. Drehen Sie die Einstellschraube im Uhrzeigersinn, bis der Kopf den Ansatz der Tiefenlehre berührt. Drehen Sie die Nuttiefenlehre in die Position "Nuten" (Abbildung 10B). Falls die Lehre sich nicht in der Position "Nuten" befindet, verhindert sie das Nuten und kann beschädigt werden.



**Abbildung 10A:** Den richtigen Ansatz der Lehre unter den Kopf der Einstellschraube bringen



**Abbildung 10B:** Lehre in Position "Nuten"

4. Fertigen Sie eine Probenut an (folgen Sie den Schritten unter "Ausführen der Rollennut").
5. Messen Sie den Nutdurchmesser. Die beste Methode zum Messen des Nutdurchmessers ist die Verwendung eines Durchmesser-Maßbands (siehe Abschnitt "Zubehör"). Wickeln Sie das Durchmesser-Maßband in der Nut bequem um das Rohr. Achten Sie darauf, dass das Maßband flach auf dem Nutboden sitzt und lesen Sie den Nutdurchmesser ab. (Siehe Abbildung 11).



**Abbildung 11:** Überprüfen des Nutdurchmessers mit einem Durchmesser-Maßband

6. Vergleichen Sie den gemessenen Nutdurchmesser mit dem erforderlichen Nutdurchmesser wie in der *Tabelle I oder III* gezeigt oder entsprechend den technischen Daten des Herstellers des Nutfittings. Falls die gemessene Nut außerhalb des erforderlichen Nutdurchmessers liegt, muss die Einstellschraube neu positioniert werden, um den korrekten Nutdurchmesser anzugeben.

- Zur Vergrößerung des Nutdurchmessers, drehen Sie die Einstellschraube im Uhrzeigersinn.
  - Zur Verkleinerung des Nutdurchmessers, drehen Sie die Einstellschraube gegen den Uhrzeigersinn.
  - Jede Umdrehung der Einstellschraube um  $\frac{1}{4}$  verändert den Nutdurchmesser um ungefähr 0,02 Zoll.
7. Die Schritte 4 - 6 wiederholen, bis der Nutdurchmesser den Spezifikationen entspricht. Falls die Nut zu groß ist, kann das Rollnutgerät so eingestellt werden, dass eine kleinere Nut erzeugt werden kann. Falls die Nut zu klein ist, muss eine neue Nut gefräst werden. Ein ordnungsgemäßer Nutdurchmesser ist wichtig, um eine gute Verbindung zu gewährleisten. Wenn die Spezifikationen der Nut nicht eingehalten werden, kann dies zu einem Problem beim Anschluss führen.

### Ausführen der Rollnut

1. Vergewissern Sie sich, dass das Gerät und das Rohr ordnungsgemäß vorbereitet sind.



**Abbildung 12:** Position für den Betrieb des Rollnutgeräts

2. Nehmen Sie eine ordnungsgemäße Arbeitsposition ein. Positionieren Sie den Fußschalter für den Kraftantrieb, damit der Bediener den Kraftantrieb, das Rollnutgerät und das Rohr, das genutet werden soll, bedienen kann. Wie in *Abbildung 12* gezeigt, sollte die Position dem Bediener ermöglichen:
  - Mit Blick auf das Rollnutgerät zu stehen und Zugriff auf den Schalter "FOR/OFF/REV" zu haben (auf der gleichen Seite wie dieser).

- Die Position "ON/OFF" über den Fußschalter zu steuern, und den Fußschalter schnell loslassen zu können, wenn es notwendig ist.
- Bequemen Zugang zum Rollnutgerät und zur Ratsche zu haben, ohne dabei über das Rollnutgerät greifen zu müssen.
  - Ggf. die rechte Hand auf das Rohr, das genutet werden soll, legen zu können.
  - Einen festen Stand zu haben und das Gleichgewicht halten zu können.
- 3. Schieben Sie den Schalter "FOR/OFF/REV" auf die Position "REV" (Reverse (Rückwärts)). **Lassen Sie das 975 KOMBI Rollnutgerät nicht in der Richtung "FOR" (forward (vorwärts)) laufen. Aufgrund der Konstruktion des 975 KOMBI Rollnutgerät führt dies dazu, dass sich das Rohr aus den Nutrollen windet und herabfallen kann.**
- 4. Legen Sie eine Hand auf den Kopf der Ratsche/oben auf die Vorschubspindel und die andere Hand ans Ende der Ratsche.
- 5. Drücken Sie den Fußschalter, um den Kraftantrieb zu starten. Beobachten Sie, wie sich das Rohr dreht und achten Sie darauf, dass die Stirnseite des Rohrs in Kontakt mit der Abdeckplatte des Rollnutgeräts bleibt. Falls das Rohr beginnt, sich von der Abdeckplatte des Rollnutgeräts weg zu bewegen, lassen Sie den Fußschalter los, um zu verhindern, dass sich das Rohr herauswindet und herunterfällt. Falls notwendig, richten Sie das Rohr neu ein (*siehe Abschnitt "Vorbereitung des Rohrs"*). Falls das Rohrende verformt ist, muss es abgeschnitten und eine neue Nut gefräst werden.
- 6. Während das Rohr eine komplette Umdrehung macht, drehen Sie die Vorschubspindel um eine weitere 1/4-Umdrehung ein. Beobachten Sie das Rohrende weiter, um sicherzustellen, dass es mit der Abdeckplatte in Kontakt ist. Drehen Sie die Vorschubspindel nicht weiter ein als eine 1/4-Umdrehung pro Rohrumdrehung. Ein stärkeres Eindrehen der Vorschubspindel kann zu einer übermäßigen Aufweitung der Nut führen oder dazu, dass sich das Rohr aus der Antriebswelle herauswindet.
- 7. Drehen Sie die Vorschubspindel weiter um eine 1/4-Umdrehung pro Rohrumdrehung fest, bis der Kopf der Einstellschraube an der Oberkante des Rollnutgeräts anschlägt. Drehen Sie die Vorschubspindel nicht weiter fest, nachdem die Einstellschraube die Oberkante des Rollnutgeräts erreicht hat. Die Einstellschraube kann sonst beschädigt werden. Lassen Sie das Rohr in dieser Position mindestens zwei weitere vollständige Umdrehungen weiterdrehen, damit eine gleichmäßige Nuttiefe erreicht wird.
- 8. Lassen Sie den Fußschalter los und bewegen Sie den Schalter "FOR/OFF/REV" in die Position "OFF".
- 9. Drehen Sie die Vorschubspindel gegen den Uhrzeigersinn und heben Sie die Nutrolle an, so dass das Rohr aus dem Gerät entnommen werden kann.
- 10. Kontrollieren Sie die Nut.
  - Achten Sie darauf, dass die Nut vollständig geformt wird.
  - Kontrollieren Sie den Nutdurchmesser und stellen Sie sicher, dass er den Spezifikationen entspricht.
  - Kontrollieren Sie alle anderen Punkte, die vom Hersteller des Fittings vorgeschrieben sind.

Falls Probleme auftreten, kann die Nut nicht verwendet werden.

## Einstellen des Nutdurchmessers für Kupferrohrleitungen

Wenn Sie das 975 KOMBI Rollnutgerät für Kupferrohre verwenden, kann die Nuttieflenhe am Rollnutgerät nicht verwendet werden. Sie liefert falsche Nutdurchmesser.

1. Drehen Sie die Vorschubspindel im Uhrzeigersinn, um die Nutrolle unten in Kontakt mit dem Rohraußendurchmesser zu bringen. Drehen Sie anschließend die Vorschubspindel um eine zusätzliche Viertelumdrehung. Eventuell muss die Einstellschraube gelöst werden (gegen den Uhrzeigersinn drehen), damit die Nutrolle mit dem Rohr in Kontakt kommt. Das Rohr und das Rollnutgerät sollten zu diesem Zeitpunkt gegeneinander gesichert sein.
2. Achten Sie darauf, dass die Nuttieflenhe in der Position "Nuten" steht. (*Abbildung 10B*)
3. Drehen Sie die Einstellschraube bis sie mit der oberen Platte des Rollnutgeräts bündig ist.
4. Suchen Sie den Durchmesser und die Rohrart, die genutet werden soll, in der Tabelle B und drehen Sie die Einstellschraube aus der oberen Platte die entsprechende Anzahl Umdrehungen heraus. Zum Beispiel für 4 Zoll Aufst. L Kupfer, drehen Sie die Einstellschraube 1 1/4-Umdrehungen zurück.
5. Gehen Sie zu Schritt 4 von "Einstellen/Messen des Nutdurchmessers".

## Tipps zur Spurführung für das 975 KOMBI Rollnutgerät

Das Hauptproblem, das sich den Benutzern beim Rollnuten stellt, ist das Rohr, das sich aus der Antriebswelle "herauswindet" oder von ihr "herunterwandert" oder nicht ordnungsgemäß geführt wird. Um eine gute Spurführung zu erreichen ist es wichtig, dass alle Anweisungen eingehalten werden. Falls das

### Tiefeneinstellung für das Rollnuten von Kupferrohren (Umdrehungen der Einstellschraube)

Durchm.	K	L	M	DWV
2-2.5"	7/8	7/8	5/8	5/8
3"	1 1/16	1 1/16	1 1/16	1 1/16
4"	1 1/4	1 1/4	1 1/4	1 1/8
5"	1 1/2	1 1/2	1 1/2	1 1/2
6"	1 13/16	1 3/4	1 3/4	1 3/4
8"	2 1/2	2 3/8	2 1/8	2 1/8

**Tabelle B: Tiefeneinstellung für das Rollnuten von Kupferrohren**

Rohr trotz Einhaltung aller Anweisungen nicht ordentlich geführt wird, gibt es verschiedene andere Möglichkeiten, die Spurführung zu verbessern.

- Verschieben Sie das Rohr etwas weiter in Richtung des Bedieners (Erhöhung von 1/2 Grad auf 1 Grad) (*siehe Abbildung 9*).
- Der Bediener kann während des Nutens sanfte Kraft auf das Rohr ausüben, um die Spurführung beizubehalten. Dies ist normalerweise nur bei kürzeren Rohrabchnitten notwendig. Dafür sollte der Bediener Lederhandschuhe in gutem Zustand tragen und mit seiner Hand um die Mitte des Rohrs greifen, wie in *Abbildung 13* gezeigt. Dafür

kann es erforderlich sein, das Untergestell oder den Ständer, an den der Kraftantrieb/die Gewindeschneidmaschine montiert ist, am Boden zu befestigen, damit er sich während des Nutvorgangs nicht bewegt. Um Quetschverletzungen zu vermeiden, halten Sie Ihre Hände von der Nutrolle und den Rohrenden entfernt und nutzen Sie das Rohr nicht kürzer als empfohlen.



**Abbildung 13: Ausüben von Kraft auf das Rohr während des Nutens, um die Spurführung beizubehalten**

- Schlagen Sie außerdem im *Abschnitt Fehlersuche* nach. Dort finden Sie eine komplette Liste mit Gründen für und Lösungen zu Problemen mit der Spurführung.

## Vorbereitung des Geräts und des Arbeitsbereichs für die Anwendungen vor Ort

### ⚠️ WARNUNG



**Tragen Sie stets einen Augenschutz zum Schutz der Augen vor Schmutz und Fremdkörpern. Tragen Sie Sicherheitsschuhe mit Stahlkappe, um die Füße vor kippenden und herunterfallenden Rohren und**

**Werkzeugen zu schützen. Wenn Sie vor Ort arbeiten, tragen Sie einen Schutzhelm.**

**Beachten Sie bitte diese Anweisungen für die Vorbereitung des Rollnutgeräts und des Arbeitsbereichs, um die Gefahren durch Kippen des Geräts, Zerquetschungen und andere Risiken zu verringern und Schäden am Rollnutgerät zu vermeiden.**

1. Suchen Sie sich einen Arbeitsbereich, der folgende Merkmale aufweist:
  - Ausreichende Beleuchtung.
  - Keine entflammaren Flüssigkeiten, Dämpfe oder Stäube, die sich entzünden können. Sind solche Gefahrenquellen vorhanden, arbeiten Sie in diesen Bereichen erst, wenn sie erkannt und beseitigt wurden.
  - Ein übersichtlicher, ebener, stabiler, und trockener Ort mit ausreichend Raum für alle Geräte und den Bediener.
2. Arbeitsbereich aufräumen, bevor die Geräte vorbereitet werden. Wischen Sie eventuell vorhandenes Öl stets ab.
3. Kontrollieren Sie das Rohr, das genutet werden soll, und vergewissern Sie sich, dass das 975 KOMBI Rollnutgerät das richtige Gerät für diese Arbeit ist. Das 975 KOMBI Rollnutgerät ist konzipiert zum Nuten von Stahl-, Aluminium- und PVC-Rohren der Größe 1 1/4 Zoll bis 6 Zoll, Aufstellung 10 und 40. Es ist ebenfalls konzipiert, Edelstahlrohre von 1 1/4 Zoll bis 6 Zoll, Aufstellung 10, und von 1 1/4 Zoll bis 2 Zoll, Aufstellung 40, zu nuten. Wenn der Rollensatz gewechselt wird, kann es auch zum Nuten von Kupferrohren der Größe 2 Zoll - 8 Zoll, Ausführung K, L, M und DWV verwendet werden.

Das 975 KOMBI Rollnutgerät kann für Anwendungen vor Ort verwendet werden (das Rohr ist eingebaut oder in einem Schraubstock befestigt) oder zusammen mit einem Kraftantrieb RIDGID 300 oder einer Gewindeschneidmaschine 1233 oder 300 Kompakt für Anwendungen mit Antrieb auf der Baustelle. Das 975 KOMBI Rollnutgerät ist nicht für die Serienproduktion vorgesehen.

4. Wenn das Rohr vor Ort genutet werden soll, achten Sie darauf, dass genügend Platz bleibt, um das 975 KOMBI Rollnutgerät anzubringen und mit ihm zu arbeiten. Das Rollnutgerät dreht sich um das fest montierte Rohr und benötigt:
  - Mindestens 6 1/2 Zoll freien Raum um das Rohr, das genutet werden soll
  - Noch mindestens 2 1/2 Zoll Rohr, das über ein Hindernis, zum Beispiel eine Wand, hinaus reicht
  - Eine Mindestöffnung von 9 1/2 Zoll, um das Rollnutgerät auf das Rohr aufzusetzen

Rollnutgeräte für sonstige Anwendungen finden Sie im Katalog von Ridge Tools, online unter [www.RIDGID.eu](http://www.RIDGID.eu), oder durch Anruf beim Technischen Kundendienst von Ridge Tools unter 0800-5888076.

**SEHNITT** Die Verwendung der gleichen Rollensätze (Nutrolle und Antriebswelle) sowohl für Rohre aus unlegiertem Stahl als auch aus Edelstahl kann zu einer Verunreinigung des Edelstahls führen. Diese Verunreinigung kann zu Korrosion und vorzeitiger Beschädigung des Rohrs führen. Zur Vermeidung einer Verunreinigung der Edelstahlrohre durch Eisen verwenden Sie Rollensätze, die nur für das Rollnuten von Edelstahl vorgesehen sind. Alternativ kann eine Edelstahlbürste verwendet werden, um

den Rollensatz gründlich zu säubern, wenn man zwischen den Materialien wechselt.

## Vorbereitung des Rohrs

**HINWEIS** Die folgenden Anweisungen gelten allgemein. Beachten Sie immer die speziellen Empfehlungen des Herstellers des genuteten Verbindungsstücks für die Vorbereitung des Rohrendes. Eine Nichtbeachtung der Empfehlungen des Herstellers des genuteten Verbindungsstücks kann zu einer unsachgemäßen Verbindung führen und Undichtigkeiten verursachen.

1. Wenn eine Nut vor Ort an einem eingebauten Rohr geschnitten wird, achten Sie darauf, dass der Druck aus dem System abgelassen und der Inhalt entleert wurde. Sie sollten den Inhalt und eventuelle Gefahren kennen, die davon ausgehen.
2. Schneiden Sie das Rohr auf die richtige Länge ab.  
Achten Sie darauf, dass das Rohrende rechtwinklig abgeschnitten wird und keine Grate hat. An den Graten können sich während des Nutvorgangs die Handschuhe oder Finger verletzen oder schneiden. Das Abschneidverfahren sowie starke Grate können Einfluss auf die Qualität der angefertigten Nut und der Spurführung der Nut haben. Versuchen Sie nicht, ein Rohr zu nuten, das mit dem Schweißbrenner abgeschnitten wurde.
3. Alle inneren/äußeren Schweißpunkte, Walzgrate oder Schweißnähte müssen mindestens bis zu einer Entfernung von 2 Zoll vom Ende des Rohrs plan geschliffen werden. Keine ebenen Flächen in den Bereich des Dichtungssitzes schneiden. Das könnte zu Undichtigkeiten führen.
4. Sämtliche Glühspäne, Rost und sonstige Verunreinigungen im Abstand von mindestens 2 Zoll vom Ende des Rohrs entfernen. Verunreinigungen können zu einem Verstopfen der Antriebsrändelung führen und einen ordnungsgemäßen Antrieb sowie die Spurführung des Rohrs während des Nutvorgangs verhindern.
5. Achten Sie darauf, dass das Rohr, das genutet werden soll, fest montiert ist. Das Rohr muss dem Gewicht des Rollnutgeräts (ca. 12,25 kg) sowie der Kraft und dem Drehmoment, das für den Nutvorgang erforderlich ist, standhalten können, ohne sich zu bewegen. Bei Rohren, die eingebaut sind, kann es sinnvoll sein, sie auszubauen und auf einem Rohrschraubstock zu nuten. In anderen Fällen kann es notwendig sein, zusätzliche vorläufige oder dauerhafte Rohrböcke zu verwenden. Achten Sie bei der Verwendung eines Rohrschraubstocks darauf, dass dieser sicher steht und während des Gebrauchs nicht kippt. Verwenden Sie für längere Rohre angemessene Rohrböcke, um die zusätzliche Länge zu unterstützen.

## Montage des Rollnutgeräts auf das Rohr

1. Vergewissern Sie sich, dass das 975 KOMBI Rollnutgerät kontrolliert wurde und der entsprechende Rollensatz installiert worden ist. Achten Sie darauf, dass die Stützarme fest im Gehäuse des Rollnutgeräts sitzen oder entfernen Sie diese komplett, um an engen Stellen besseren Zugang zu haben. Setzen Sie dann die Ratsche auf die Vorschubspindel und stecken die Verlängerung auf den Vierkant für den manuellen Antrieb auf der Rückseite des Rollnutgeräts. Achten Sie dabei darauf, dass sowohl die Ratsche als auch die Verlängerung richtig sitzen.

2. Achten Sie darauf, dass zwischen der Nutrolle und der Antriebswelle genug Platz für die Rohrwand bleibt. Drehen Sie die Vorschubspindel ggf. gegen den Uhrzeigersinn, um die Nutrolle zurück zu ziehen.
3. Fassen Sie das Rollnutgerät sicher. Heben Sie es nicht mit der Ratsche an. Setzen Sie die Antriebswelle in das Rohr und achten Sie darauf, dass die Abdeckplatte fest am Ende des Rohrs anliegt (Abbildung 14). Ziehen Sie die Vorschubspindel fest, damit die Nutrolle in Kontakt mit der Außenseite des Rohrs gelangt. Sobald die Vorschubspindel handfest angezogen ist, ziehen Sie sie mit der Ratsche zusätzlich um eine 1/4-Umdrehung fest. Vergewissern Sie sich, dass das Rollnutgerät sicher am Rohr angebracht ist und die Abdeckplatte bündig mit dem Rohrende abschließt. Falls dies nicht der Fall ist, wiederholen Sie den Vorgang. Achten Sie immer darauf, dass das Rollnutgerät gesichert ist, wenn es vor Ort verwendet wird, um zu verhindern, dass es herunterfällt.

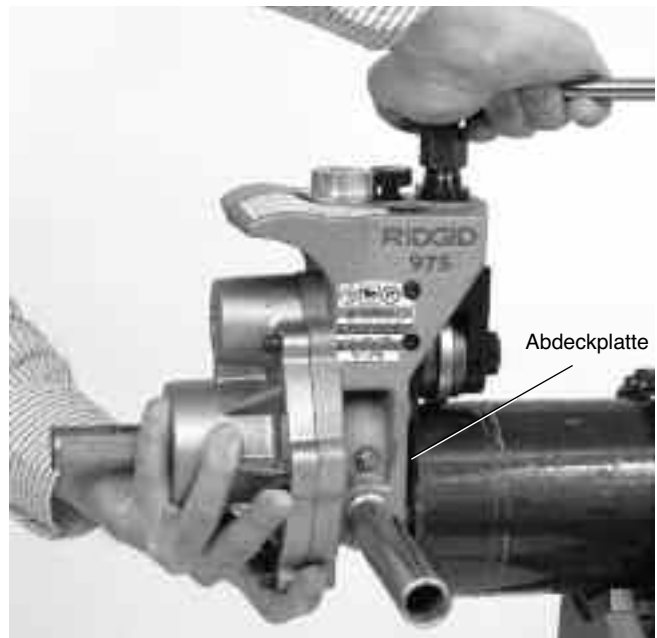


Abbildung 14: Halten des Rollnutgeräts während die Vorschubspindel festgezogen wird

## Betrieb des 975 KOMBI Rollnutgerät vor Ort

### ⚠️ WARNUNG



**Arbeiten Sie bei Anwendungen vor Ort nur mit Handantrieb. Verwenden Sie keine Elektrogeräte (wie zum Beispiel Bohrer oder Schlagwerkzeuge), um das Rollnutgerät anzutreiben, wenn es vor Ort eingesetzt**

wird. Durch die Verwendung von Elektrogeräten kann das Rollnutgerät beschädigt und das Verletzungsrisiko erhöht werden.

Tragen Sie beim Bedienen des Rollnutgeräts keine weiten Kleidungsstücke. Lassen Sie die Hemdsärmel und Jacken zugeknöpft. Greifen Sie nicht über das Gerät oder das Rohr. Weite Kleidung kann sich in den rotierenden Teilen verfangen und Quetschverletzungen verursachen.

Halten Sie mit Ihren Händen Abstand zu den Nutrollen. Nuten Sie die Rohre nicht kürzer als angegeben. Tragen Sie keine schlecht sitzenden Arbeitshandschuhe. Die Finger können zwischen den Nutrollen oder zwischen der Nutrolle und dem Rohr eingequetscht werden.

Halten Sie mit Ihren Händen Abstand von den Rohrenden. Greifen Sie nicht in das Innere des Rohrs. Sie können sich an Graten und scharfen Kanten verfangen und schneiden. Die Finger können zwischen den Nutrollen oder zwischen der Nutrolle und dem Rohr eingequetscht werden.

Tragen Sie stets einen Augenschutz zum Schutz der Augen vor Schmutz und Fremdkörpern. Tragen Sie Sicherheitsschuhe mit Stahlkappe, um die Füße vor kippenden Werkzeugen und herunterfallenden Rohren zu schützen. Wenn Sie vor Ort arbeiten, tragen Sie einen Schutzhelm.

Halten Sie sich an die Bedienungsanweisungen, um die Verletzungsgefahr durch Quetschen, Kippen, Aufprall oder andere Risiken zu verringern.

### Einstellen/Messen des Nutdurchmessers

**HINWEIS** Aufgrund der unterschiedlichen Rohreigenschaften, sollte vor dem Arbeitsbeginn am Anfang des Tages oder bei Änderung von Rohrgröße, Aufstellung oder Material immer zuerst eine Probenut angefertigt werden. Die Lehren für die Einstellung des Nutdurchmessers sind nur ungefähre Angaben, und der Nutdurchmesser muss zur Bestätigung der genauen Größe gemessen werden.

1. Vergewissern Sie sich, dass das Gerät und das Rohr ordnungsgemäß vorbereitet sind. Eine unsachgemäße Vorbereitung des Rohrs kann die genaue Einrichtung der Nuttiefenlehre beeinflussen. Die Nutrolle sollte das Rohr berühren.
2. Stellen Sie die Nuttiefenlehre so ein, dass sich der richtige Ansatz der Lehre unter dem Kopf der Einstellschraube befindet (Abbildung 15A). Die Nuttiefenlehre ist für die Verwendung mit dem Rohr konzipiert. Bei einer Verwendung mit Kupferrohren, siehe "Einstellen des Nutdurchmessers für Kupferrohre".
3. Drehen Sie die Einstellschraube im Uhrzeigersinn, bis der Kopf den Ansatz der Tiefenlehre berührt. Drehen Sie die Nuttiefenlehre in die Position "Nuten" (Abbildung 15B). Falls die Lehre sich nicht in der Position "Nuten" befindet, verhindert sie das Nuten und kann beschädigt werden.



Abbildung 15A: Den richtigen Ansatz der Lehre unter den Kopf der Einstellschraube bringen



Abbildung 15B: Lehre in Position "Nuten"

4. Fertigen Sie eine Probenut an (folgen Sie den Schritten unter "Ausführen der Rollennut").
5. Messen Sie den Nutdurchmesser. Die beste Methode zum Messen des Nutdurchmessers ist die Verwendung eines Durchmesser-Maßbands (siehe Abschnitt "Zubehör"). Wickeln Sie das Durchmesser-Maßband in der Nut bequem um das Rohr. Achten Sie darauf, dass das Maßband flach auf dem Nutboden sitzt und lesen Sie den Nutdurchmesser ab (siehe Abbildung 16).



Abbildung 16: Messen des Nutdurchmessers mit einem Durchmesser-Maßband

6. Vergleichen Sie den gemessenen Nutdurchmesser mit dem erforderlichen Nutdurchmesser wie in der Tabelle I oder III gezeigt oder entsprechend den technischen Daten des Herstellers des Nutfittings. Falls die gemessene Nut außerhalb des erforderlichen Nutdurchmessers liegt, muss die Einstellschraube neu positioniert werden, um den korrekten Nutdurchmesser anzugeben.
  - Zur Vergrößerung des Nutdurchmessers, drehen Sie die Einstellschraube im Uhrzeigersinn.
  - Zur Verkleinerung des Nutdurchmessers, drehen Sie die Einstellschraube gegen den Uhrzeigersinn.
  - Jede Umdrehung der Einstellschraube um  $\frac{1}{4}$  verändert den Nutdurchmesser um ungefähr 0,02 Zoll.

- Die Schritte 4 - 6 wiederholen, bis der Nutdurchmesser den Spezifikationen entspricht. Falls die erste Nut zu groß ist, kann das Rollnutgerät eingestellt werden und eine kleinere Nut gefräst werden. Falls die Nut zu klein ist, muss eine neue Nut gefräst werden. Ein ordnungsgemäßer Nutdurchmesser ist wichtig, um eine gute Verbindung zu gewährleisten. Wenn die Spezifikationen der Nut nicht eingehalten werden, kann dies zu einem Problem beim Anschluss führen.

## Ausführen der Rollnut

- Vergewissern Sie sich, dass das Gerät und das Rohr ordnungsgemäß vorbereitet sind.
- Nehmen Sie eine ordnungsgemäße Arbeitsposition ein. Achten Sie auf einen festen Stand und ein gutes Gleichgewicht.
- Achten Sie darauf, dass die Vorschubspindel um eine 1/4-Umdrehung festgezogen wurde.
- Nehmen Sie die Ratsche von der Vorschubspindel ab und setzen Sie diese sicher auf die Verlängerung auf. (Bei Anwendungen mit wenig Platz muss die Verlängerung nicht verwendet werden).
- Drehen Sie die Ratsche im Uhrzeigersinn - von der Rückseite des Rollnutgeräts aus gesehen (dadurch werden die Pfeile aufeinander ausgerichtet, die an der Rückseite des Rollnutgeräts eingegossen sind, *siehe Abbildung 17*). Beobachten Sie, wie sich das Rollnutgerät dreht und vergewissern Sie sich, dass die Abdeckplatte des Rollnutgeräts in Kontakt mit dem Ende des Rohrs bleibt. Falls das Rollnutgerät sich vom Rohrende weg bewegt, drehen Sie die Ratsche nicht weiter, damit sich das Rollnutgerät nicht vom Rohrende windet und herunterfällt. Die Stützarme des Rollnutgeräts können weiter geschoben werden und helfen so, die Abdeckplatte wieder in Kontakt mit dem Rohrende zu bringen. Das Rollnutgerät ggf. neu auf das Rohr aufsetzen. (*siehe Abschnitt "Montage des Rollnutgeräts auf das Rohr"*). Falls das Rohrende verformt ist, muss es abgeschnitten und eine neue Nut gefräst werden.

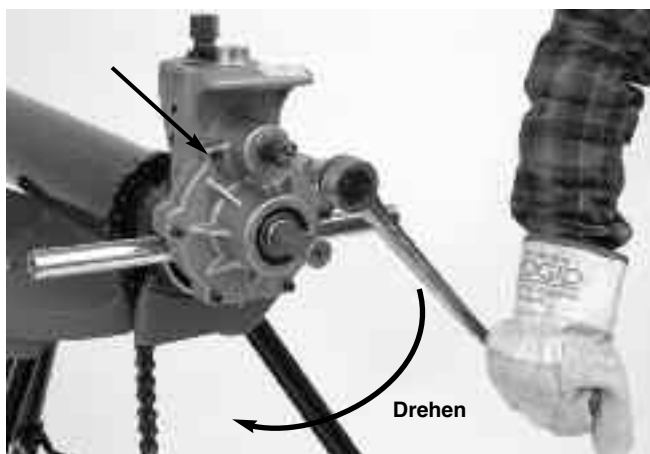


Abbildung 17: Drehen der Ratsche in Pfeilrichtung

- Drehen Sie die Ratsche solange weiter bis das Rollnutgerät mindestens eine vollständige Umdrehung um das Rohr abgeschlossen hat. Nehmen Sie die Ratsche von der Verlängerung ab und setzen Sie sie auf die

Vorschubspindel. Ziehen Sie die Vorschubspindel eine weitere 1/4-Umdrehung fest. Nehmen Sie die Ratsche von der Vorschubspindel ab und setzen Sie sie fest auf die Verlängerung. Drehen Sie die Vorschubspindel nicht weiter ein als eine 1/4-Umdrehung pro Rohrumdrehung. Ein zu festes Anziehen der Vorschubspindel kann zu einer übermäßigen Aufweitung der Nut führen sowie dazu, dass das Rollnutgerät vom Rohr "herunterwandert". Drehen Sie die Ratsche weiter, um das Rollnutgerät um das Rohr zu bewegen, und beobachten Sie dabei die Position der Abdeckplatte gegenüber dem Ende des Rohrs.

- Drehen Sie die Vorschubspindel weiter um eine 1/4-Umdrehung pro Nutumdrehung um das Rohr fest, bis der Kopf der Einstellschraube an der Oberkante des Rollnutgeräts anschlägt. Drehen Sie die Vorschubspindel nicht weiter fest, nachdem die Einstellschraube die Oberkante des Rollnutgeräts erreicht hat. Die Einstellschraube kann sonst beschädigt werden. Drehen Sie das Rollnutgerät mindestens zwei weitere vollständige Umdrehungen um das Rohr, nachdem die Einstellschraube die Oberkante des Rollnutgeräts erreicht hat, um eine gleichmäßige Nuttiefe sicherzustellen.
- Setzen Sie die Ratsche auf die Vorschubspindel. Fassen Sie das Rollnutgerät sicher. Drehen Sie die Vorschubspindel gegen den Uhrzeigersinn und ziehen Sie die Nutrolle zurück, so dass das Rollnutgerät vom Rohr abgenommen werden kann. Lassen Sie das Rollnutgerät nicht fallen.
- Kontrollieren Sie die Nut.
  - Achten Sie darauf, dass die Nut vollständig geformt wird.
  - Kontrollieren Sie den Nutdurchmesser und stellen Sie sicher, dass er den Spezifikationen entspricht.
  - Kontrollieren Sie alle anderen Punkte, die vom Hersteller des Fittings vorgeschrieben sind.

Falls Probleme auftreten, kann die Nut nicht verwendet werden.

## Wartungsanweisungen

### ⚠️ WARNUNG

**Achten Sie darauf, dass der Schalter des Kraftantriebs in der Position "OFF" steht und das Gerät nicht eingesteckt ist, bevor Sie Wartungsarbeiten durchführen oder Änderungen vornehmen.**

### Schmierung

Schmieren Sie das 975 KOMBI Rollnutgerät einmal im Monat mit einem guten Universalfett.

- Schmiernippel sind seitlich an der Bedienerseite des Bodens, an der Vorderseite des Gleitstücks und am Ende der Nutrollenwelle angebracht (*siehe Abbildung 2*). Fett nachfüllen bis eine kleine Menge herausgedrückt wird.
- Tragen Sie eine leichte Fettschicht auf die Vorschubspindel auf.
- Das Getriebe des 975 KOMBI Rollnutgerät ist für die Lebensdauer gefettet und muss nicht nachgefettet werden, es sei denn, das Getriebegehäuse wird geöffnet.



Zu weiteren Informationen bezüglich der Wartung schlagen Sie im Abschnitt "Wartung" nach.

## Reinigen

Reinigen Sie die Rändelung der Antriebswelle täglich, oder wenn nötig auch öfter, mit einer Drahtbürste.

## Auswechseln der Rollensätze

**HINWEIS** Wenn Sie Teile des Rollensatzes auswechseln, achten Sie immer darauf, dass die Markierungen an der Antriebs- und Nutrolle übereinstimmen. Teile, die nicht zusammenpassen, können unsachgemäße Nuten produzieren und Undichtigkeiten verursachen.

Nehmen Sie das Rollnutgerät vom Kraftantrieb oder der Gewindefräsmaschine ab und legen Sie es auf eine stabile Werkbank.

Erforderliche Werkzeuge:

- $\frac{3}{8}$  Zoll-Inbusschlüssel
- $\frac{3}{32}$  Zoll-Inbusschlüssel
- 0,070 Zoll-Zange für äußeren Sicherungsring

### Demontage und Montage der Antriebsrolle

1. Die 6 Schrauben herausdrehen, die die hintere Abdeckung des Gehäuses halten.
2. Die hintere Abdeckung abnehmen (siehe Abbildung 18).

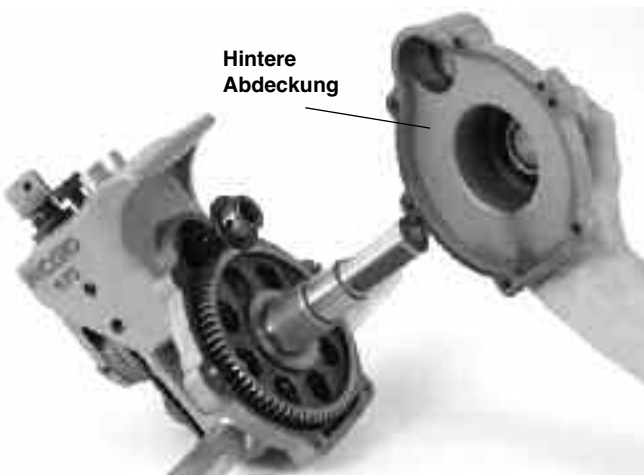


Abbildung 18: Hintere Abdeckung abnehmen

3. Ritzel abnehmen.
4. Die Antriebswellenbaugruppe aus der Rückseite des 975 KOMBI Rollnutgerät herausnehmen.
5. Den Sicherungsring von der Antriebswelle abnehmen und das Zahnrad abziehen. (Siehe Abbildung 19).

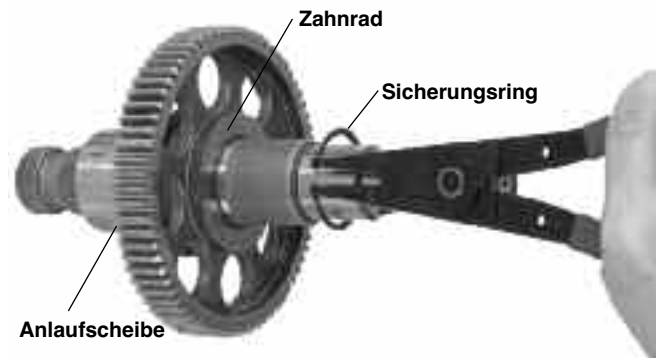


Abbildung 19: Sicherungsring abnehmen

6. Den Stift und anschließend die Anlaufscheibe abnehmen.
7. Die Anlaufscheibe auf die neue Antriebswelle schieben.
8. Den Stift einsetzen und das Zahnrad installieren.
9. Den Sicherungsring in die Nut auf der Antriebswelle einsetzen.
10. Die Antriebswellenbaugruppe in das Hauptgehäuse einsetzen.
11. Während des Wechsels der Antriebswelle kann evtl. Fett aus dem Getriebe ausgetreten sein. Achten Sie darauf, dass die Lager und Zahnradzähne mit einer ausreichenden Menge gutem Universalfett überzogen sind.
12. Das Ritzel aufschieben und die hintere Abdeckung wieder anschrauben. Die Schrauben mit einem Drehmoment von ca. 16,3 - 21,7 Nm festziehen.

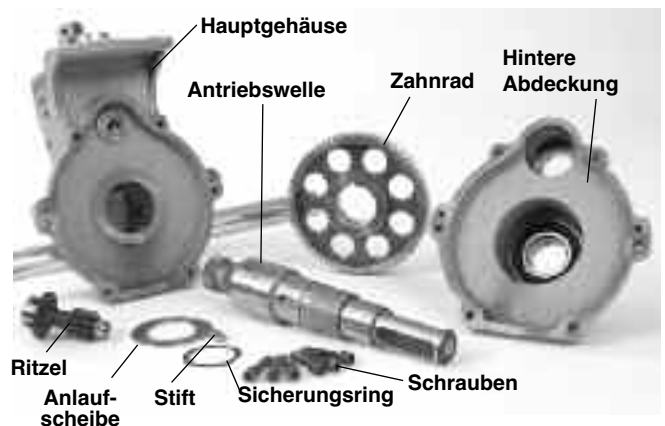


Abbildung 20: Schaubild der Teile des 975 KOMBI Rollnutgerät

### Demontage und Montage der Nutrolle

1. Die Einstellschraube, die die Nutrollenwelle hält, entfernen.
2. Die Nutrollenwelle aus dem Gleitstück herausziehen und die Nutrollen und die Anlaufscheibe herausnehmen.
3. Die Anlaufscheibe und die neue Nutrolle in das Gleitstück einsetzen. Stellen Sie sicher, dass der innere Sicherungsring in der Nutrolle so nah wie möglich am Hauptgehäuse sitzt und dass sich die Nutrolle zwischen der Anlaufscheibe und dem Hauptgehäuse befindet.

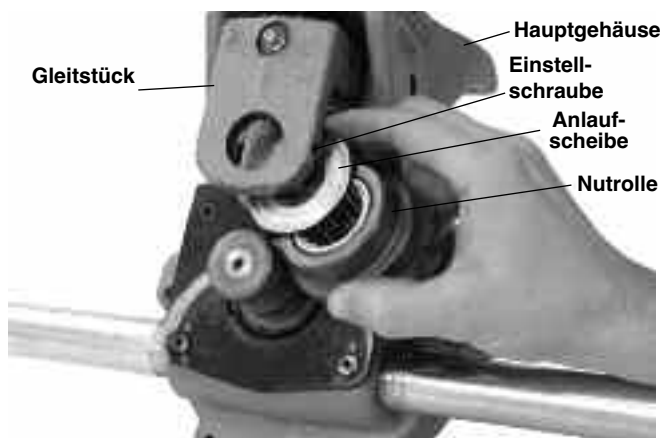


Abbildung 21

4. Die Nutrollenwelle und die Einstellschraube auswechseln.
5. Die Ausrichtung zwischen der Nutrolle und der Antriebsrolle einer Sichtprüfung unterziehen. Falls sie nicht ausgerichtet sind, die Lage der Nutrolle und der Anlaufscheibe kontrollieren.
6. Entsprechend den Anweisungen im Abschnitt "Schmierung" des Handbuchs einfetten.

## Zubehör

### ⚠️ WARNUNG

**Die folgenden RIDGID-Produkte wurden für den Betrieb zusammen mit dem 975 KOMBI Rollnutgerät entworfen. Die Verwendung anderer Zubehörteile mit dem 975 KOMBI Rollnutgerät kann zu Gefährdungen führen. Um Verletzungsgefahr zu vermeiden, sind nur die speziell für das 975 KOMBI Rollnutgerät entwickelten und empfohlenen Zubehörteile zu verwenden, die in der folgenden Tabelle aufgeführt sind.**

Bestell Nr.	Beschreibung
60082	Kraftantrieb 300, 230 V 25-60Hz
60077	Kraftantrieb 300, 115 V 25-60 Hz
42360	1206 Ständer für Kraftantrieb 300
50697	Kompakt 300, 230 V 25-60Hz
50692	Kompakt 300, 115V 25-60Hz
20391	Kompakt 300, 230 V 25-60Hz (DK)
67662	Adapterhalterung für 1233 oder Kompakt 300
58077	250 zusammenklappbares Untergestell für 1233 oder 300 Kompakt
72037	460 Tragbarer Dreibein-Kettenschraubstock
56662	VJ-99 Hohe Rohrstütze mit V-förmigem Aufsatz
76822	Nut-Maßband, Zoll
76827	Nut-Maßband, metrisch
30708	Verlängerung, 1/2-Zoll Antrieb, verriegelnd
30703	Ratsche, 1/2-Zoll Antrieb mit 90°-Krümmung
33043	Nut- und Antriebsrolle für 2-8-Zoll Kupferrohre, Ausführung K, L, M und DWV

## Lagerung des Geräts

**⚠️ WARNUNG** Das Gerät in einem verschlossenen Bereich lagern, der Kindern und anderen Personen unzugänglich ist, die im Umgang mit dem Rollnutgerät nicht geübt sind. Wenn dieses Werkzeug in die Hände von nicht geschulten Benutzern gelangt, kann es schwere Verletzungen verursachen.

## Wartung und Reparatur

### ⚠️ WARNUNG

**Die Betriebssicherheit des Geräts kann durch unsachgemäße Wartung oder Reparatur beeinträchtigt werden.**

In den "Wartungsanweisungen" sind die meisten der Wartungsanforderungen für dieses Gerät erläutert. Alle Probleme, die in diesem Abschnitt nicht erwähnt werden, sollten von einem qualifizierten RIDGID-Wartungstechniker behoben werden.

Das Gerät ist für die Wartung zu einem anerkannten RIDGID Kundendienst-Center zu bringen oder an den Hersteller einzuschicken.

Für die Wartung des Geräts dürfen nur Original-Ersatzteile verwendet werden. Die Verwendung anderer Teile kann zu schweren Verletzungen führen.

Bei Fragen zur Wartung oder Reparatur des Geräts wenden Sie sich an:

Ridge Tool GmbH & Co. oHG  
 Technischer Service  
 Haßlinghauser Str. 150  
 58285 Gevelsberg  
 Tel.: 0800-5888076  
 E-Mail: ridgid.germany@emerson.com

Falls Sie Informationen zu einem RIDGID Kundendienst-Center in Ihrer Nähe benötigen oder Fragen zu Service oder Reparatur haben

Wenden Sie sich an Ihren örtlichen RIDGID Händler

Unter [www.RIDGID.com](http://www.RIDGID.com) oder [www.RIGID.eu](http://www.RIGID.eu) finden Sie Ihre örtliche Ridge Tool Kontaktstelle.

Wenden Sie sich an die Abteilung Technischer Kundendienst von Ridge Tool unter [techservices@emerson.com](mailto:techservices@emerson.com) oder in den USA und Kanada telefonisch unter (800) 519-3456.

## Tabelle I. Technische Daten für Standard-Rollnuten für Rohre mit IPS-Abmessungen

HINWEIS! Alle Abmessungen sind in Zoll angegeben.

NENN-ROHR-GRÖSSE	ROHR-DURCHMESSER		T MIN. WAND-Stärke	A DICHTUNGS-SITZ +.015/-030	B NUT-BREITE +.030/-015	C NUT-DURCHMESSER		D NENN-NUT-TIEFE (Anm.) (2)
	A.D.	TOL.				A.D.	TOL.	
1¼	1.660	+0.016 -.016	.065	.625	.344	1.535	+0.000 -.015	.063
1½	1.900	+0.016 -.016	.065	.625	.344	1.775	+0.000 -.015	.063
2 <sup>(1)</sup>	2.375	+0.024 -.016	.065	.625	.344	2.250	+0.000 -.015	.063
2½ <sup>(1)</sup>	2.875	+0.029 -.016	.083	.625	.344	2.720	+0.000 -.015	.078
3 <sup>(1)</sup>	3.50	+0.030 -.018	.083	.625	.344	3.344	+0.000 -.015	.078
3½ <sup>(1)</sup>	4.00	+0.030 -.018	.083	.625	.344	3.834	+0.000 -.015	.083
4 <sup>(1)</sup>	4.50	+0.035 -.020	.083	.625	.344	4.334	+0.000 -.015	.083
5 <sup>(1)</sup>	5.563	+0.056 -.022	.109	.625	.344	5.395	+0.000 -.015	.084
6 <sup>(1)</sup>	6.625	+0.050 -.024	.109	.625	.344	6.455	+0.000 -.015	.085

(1) Entsprechend AWWA C606-06

(2) Die Nuttentiefe wird nur als Bezugsgröße angegeben. Die Nuttiefe nicht für die Entscheidung über die Annehmbarkeit einer Nut heranziehen.

## Tabelle II. Maximale und minimale Wandstärke des Rohrs

HINWEIS! Alle Abmessungen sind in Zoll angegeben.

Rohrgröße	UNLEGIERTES STAHL- ODER ALUMINIUMROHR ODER -LEITUNG		EDELSTAHL-ROHR ODER LEITUNG		PVC-ROHR	
	Wandstärke		Wandstärke		Wandstärke	
	Min.	Max.	Min.	Max.	Min.	Max.
1¼"	.065	.140	.065	.140	.140	.140
1½"	.065	.145	.065	.145	.145	.200
2"	.065	.154	.065	.154	.154	.154
2½"	.083	.203	.083	.188	.203	.276
3"	.083	.216	.083	.188	.216	.300
3½"	.083	.226	.083	.188	.226	.300
4"	.083	.237	.083	.188	.237	.300
5"	.109	.258	.109	.188	.258	.300
6"	.109	.280	.109	.188	.280	.300

**Tabelle III. Technische Daten für Rollnut in Kupferrohren**

1	2		3	4	5	6	7	8
Nenn- Abmessung Zoll	Rohr-Außen- durchmesser, A.D.		A Dichtungs- sitz A ±0.03	B Nut- breite +.03 -.000	C Nut- durchm. +.00 -.02	D Nut- tiefe Anm. <sup>1</sup>	T Min. Spiel Wand- stärke	Max. Spiel Aufweitungs- durchm.
	Grundwert	Toleranz						
2"	2.125	±0.002	0.610	0.300	2.029	0.048	DWV	2.220
2 1/2"	2.625	±0.002	0.610	0.300	2.525	0.050	0.065	2.720
3"	3.125	±0.002	0.610	0.300	3.025	0.050	DWV	3.220
4"	4.125	±0.002	0.610	0.300	4.019	0.053	DWV	4.220
5"	5.125	±0.002	0.610	0.300	5.019	0.053	DWV	5.220
6"	6.125	±0.002	0.610	0.300	5.999	0.063	DWV	6.220
8"	8.125	+0.002/-0.004	0.610	0.300	7.959	0.083	DWV	8.220

1. Die Nutnentiefe wird als Bezugsgröße angegeben. Die Nuttiefe nicht für die Entscheidung über die Annehmbarkeit einer Nut heranziehen.

## Fehlersuche

SYMPTOM	MÖGLICHE URSACHEN	ABHILFE
Rollnut zu schmal oder zu breit.	Nutrolle und/oder Antriebswelle verschlissen.	Nutrolle und/oder Antriebswelle austauschen.
Rollnut nicht senkrecht zur Rohrachse.	Rohr nicht gerade. Rohrende nicht rechtwinklig zur Rohrachse.	Gerades Rohr verwenden. Rohrende rechtwinklig abschneiden.
Rohr führt während des Nutvorgangs nicht nach/Rollnutgerät führt während des Nutvorgangs nicht auf dem Rohr nach.	Rohr und Antriebswelle nicht parallel. Rohrachse weicht nicht 1/2 Grad von der Achse der Antriebsrolle ab. Rändelung der Antriebsrolle verstopft oder abgenutzt. Vorschubspindel nicht festgezogen. Drehen der Ratsche in die falsche Richtung. Im Inneren des Rohrs sind zu viele Glühspäne. Übermäßig dicke Schweißnähte. Kein Druck auf das Rohr ausüben. Rohrende nicht rechtwinklig/entgratet. Vorschubspindel zu stark festgezogen.	Bock ausrichten, so dass das Rohr parallel verläuft. Rohr um 1/2 Grad verschieben. Antriebsrolle reinigen oder austauschen. Vorschubspindel bei jeder Umdrehung mit der Ratsche um den vorgeschriebenen Wert anziehen. Ratsche in die richtige Richtung drehen. Rohr innen reinigen. Schweißnaht in einer Entfernung von 2 Zoll vom Rohrende bündig schleifen. Druck auf das Rohr ausüben. (Siehe Abbildung 10). Rohrende ordnungsgemäß vorbereiten. Vorschubspindel nur in Schritten von einer 1/4-Umdrehung anziehen.
Rohr am genutzten Ende aufgeweitet.	Rohr und Antriebswelle nicht parallel. Vorschubspindel zu stark festgezogen.	Bock ausrichten, so dass das Rohr parallel verläuft. Vorschubspindel nur eine 1/4-Umdrehung anziehen.

**Fehlersuche (Fortsetzung)**

<b>SYMPTOM</b>	<b>MÖGLICHE URSACHEN</b>	<b>ABHILFE</b>
<b>Rohr bewegt sich während des Nutens auf der Achse der Antriebsrolle vor und zurück.</b>	Rohr nicht gerade. Rohrende nicht rechtwinklig zur Rohrachse.	Gerades Rohr verwenden. Rohrende rechtwinklig abschneiden.
<b>Rohr schwankt während des Nutens von einer Seite zur anderen.</b>	Rohrbock steht zu nah am Rohrende. Rohrende flachgedrückt oder beschädigt. Harte Stellen im Rohrmaterial oder Schweißnähte sind härter als das Rohr. Vorschubgeschwindigkeit der Nutrolle zu gering. Drehzahl des Kraftantriebs überschreitet 57 U/min. Rohrböcke nicht an der richtigen Stelle.	Rohrbock näher rücken, um die Anweisungen für die Vorbereitung zu erfüllen. Beschädigtes Rohrende abschneiden. Anderes Rohr verwenden. Vorschubgeschwindigkeit der Nutrolle erhöhen. Drehzahl auf 57 U/min reduzieren. Rollen des Rohrbocks korrekt ausrichten.
<b>Rollnutgerät nutet keine Nut in das Rohr.</b>	Maximale Wandstärke des Rohrs überschritten. Rohrmaterial zu hart. Einstellschraube nicht eingestellt. Kraftantrieb liefert nicht das erforderliche Mindestdrehmoment.	In der Tabelle für die Rohrkapazität nachsehen. Rohr austauschen. Tiefe einstellen. Kraftantrieb RIDGID Nr. 300, 1233 oder Kompakt 300 verwenden.
<b>Rollnutgerät nutet nicht mit dem erforderlichen Durchmesser.</b>	Maximale Toleranz des Rohrdurchmessers überschritten. Einstellschraube für die Nuttiefe nicht richtig eingestellt. Rohr zu hart.	Rohr mit dem richtigen Durchmesser verwenden. Einstellung der Tiefe anpassen. Anderes Rohr verwenden.
<b>Rohr rutscht auf der Antriebsrolle.</b>	Vorschubgeschwindigkeit der Nutrolle zu gering. Rändelung der Antriebsrolle mit Metallspänen verstopft oder abgenutzt.	Nutrolle schneller in das Rohr einschieben. Antriebsrolle reinigen oder austauschen.
<b>Rollnutgerät dreht das Rohr während des Nutens nicht.</b>	Kraftantrieb liefert nicht das erforderliche Mindestdrehmoment. Spannfutter an den Antriebswellenplatten nicht geschlossen.	Kraftantrieb RIDGID Nr. 300, 1233 oder Kompakt 300 verwenden. Spannfutter schließen.
<b>Rohr stellt sich auf oder versucht das Rollnutgerät nach hinten zu kippen.</b>	Rohrbock nicht ordnungsgemäß aufgestellt.	Böcke ordnungsgemäß aufstellen.

975

# Combo rolgroever




**RIDGID**<sup>®</sup>


## Inhoudsopgave


<b>Veiligheidssymbolen</b> .....	94
<b>Algemene veiligheidsvoorschriften</b>	
Veiligheid op de werkplek .....	94
Elektrische veiligheid .....	94
Persoonlijke veiligheid .....	95
Gebruik en onderhoud van het gereedschap .....	95
Service .....	95
<b>Specifieke veiligheidsinformatie</b>	
Veiligheid van de rolgroever .....	96
Veiligheid van de rolgroever bij gebruik met een aandrijfeenheid/draadsnijmachine .....	96
Veiligheid van de rolgroever bij gebruik ter plaatse .....	96
<b>Beschrijving, specificaties en standaarduitrusting</b>	
Beschrijving .....	96
Specificaties .....	97
Standaarduitrusting .....	97
<b>Controleren van de rolgroever</b> .....	97
Opstellen van de machine en inrichten van de werkplek voor aangedreven toepassingen	
975 Combo rolgroever monteren op een RIDGID 300-aandrijfeenheid .....	99
Combo rolgroever 975 op een RIDGID 300 Compact/1233 draadsnijmachine monteren .....	99
Opstelling voltooien .....	100
Voorbereiden van de pijp .....	101
Pijp in de rolgroever plaatsen .....	102
<b>De 975 Combo rolgroever gebruiken met een aandrijfeenheid/draadsnijmachine</b>	
De rolgroefdiameter instellen/meten .....	102
Een rolgroef maken .....	103
De rolgroefdiameter instellen voor koperen buizen .....	104
Aligneertips voor de 975 Combo rolgroever .....	104
<b>Opstellen van de machine en inrichten van de werkplek voor toepassingen ter plaatse</b>	
Voorbereiden van de pijp .....	106
Rolgroever op de pijp monteren .....	106
<b>De 975 Combo rolgroever ter plaatse gebruiken</b>	
De rolgroefdiameter instellen/meten .....	107
Een rolgroef maken .....	108
<b>Onderhoudsinstructies</b>	
Smeren .....	108
Reinigen .....	109
Rolsets vervangen .....	109
<b>Toebehoren</b> .....	110
Machine opbergen .....	110
<b>Service en reparatie</b> .....	110
<b>Tabel I. Specificaties standaardrolgroever</b> .....	111
<b>Tabel II. Maximale en minimale pijpwanddikte</b> .....	111
<b>Tabel III. Rolgroefspecificaties voor koperen buizen</b> .....	112
<b>Problemen oplossen</b> .....	112-113


## Veiligheidssymbolen


In deze gebruiksaanwijzing en op het product worden veiligheidssymbolen en bepaalde woorden gebruikt om de aandacht te vestigen op belangrijke veiligheidsinformatie. Deze waarschuwingssymbolen en -teksten worden in dit hoofdstuk nader toegelicht.


 Dit is het veiligheidsalarmsymbool. Het wordt gebruikt om u te waarschuwen voor gevaar voor persoonlijk letsel. Volg alle veiligheidsinstructies bij dit symbool op om ernstig of fataal letsel te voorkomen.


 **GEVAAR** GEVAAR verwijst naar een gevaarlijke situatie die, als deze niet wordt vermeden, zal leiden tot ernstig of fataal letsel.

 **WAARSCHUWING** WAARSCHUWING verwijst naar een gevaarlijke situatie die, als deze niet wordt vermeden, kan leiden tot ernstig of fataal letsel.


 **VOORZICHTIG** VOORZICHTIG verwijst naar een gevaarlijke situatie die, als deze niet wordt vermeden, kan leiden tot licht of matig letsel.


 **KENNISGEVING** KENNISGEVING verwijst naar informatie over de bescherming van eigendommen.

 Dit symbool geeft aan dat u de handleiding zorgvuldig moet doorlezen voordat u de apparatuur gebruikt. De handleiding bevat belangrijke informatie over de veilige en correcte bediening van de apparatuur.

 Dit symbool geeft aan dat u altijd een veiligheidsbril moet dragen als u deze apparatuur gebruikt of bedient om het risico op oogletsel te beperken.


 Dit symbool geeft aan dat handen en vingers tussen de groefrollen geplet kunnen worden.

 Dit symbool geeft aan dat handen, vingers, benen, kleren en andere voorwerpen gekneld en/of verstrikt kunnen raken tussen draaiende assen waardoor kneuzingen of verwondingen door stoten kunnen ontstaan.

 Dit symbool geeft aan dat een boormachine, slaggereedschap, of ander elektrisch gereedschap niet gebruikt mag worden om dit toestel aan te drijven wanneer het ter plaatse gebruikt wordt.

 Dit symbool geeft aan dat de machine kan omkantelen waardoor verwondingen door stoten of kneuzingen kunnen ontstaan.

 Dit symbool betekent dat er altijd een voetschakelaar gebruikt moet worden wanneer er een draadsnijmachine/aandrijfeenheid wordt gebruikt.

 Dit symbool betekent dat er altijd een veiligheidshelm gedragen moet worden wanneer boven het hoofd gewerkt wordt om het risico op hoofdletsel te verkleinen.

## Algemene veiligheidsvoorschriften

### WAARSCHUWING

Lees deze instructies en zorg dat u ze begrijpt. Het niet opvolgen van een van onderstaande instructies kan leiden tot een elektrische schok, brand en/of ernstig persoonlijk letsel.

### **BEWAAR DEZE HANDLEIDING!**

De term "elektrisch gereedschap" in de waarschuwingen heeft betrekking op uw op netvoeding aangesloten elektrisch gereedschap (met snoer) of uw op batterijen werkend (snoerloos) elektrisch gereedschap.

### Veiligheid op de werkplek

- **Zorg voor een schone en goed verlichte werkplek.** Op een rommelige of donkere plek doen zich eerder ongelukken voor.
- **Gebruik elektrisch gereedschap niet in een explosieve omgeving, bijvoorbeeld in de aanwezigheid van brandbare vloeistoffen, gassen of stof.** Elektrisch gereedschap geeft vonken af die stof of dampen kunnen doen ontbranden.
- **Houd kinderen en omstanders op afstand terwijl u met elektrisch gereedschap werkt.** U kunt de controle over het gereedschap verliezen als u zich laat afleiden.

- **Houd vloeren droog en vrij van glibberige stoffen zoals olie.** Op glibberige vloeren doen zich sneller ongelukken voor.
- **Beveilig of zet de werkplek af wanneer een werkstuk buiten de machine uitsteekt.** Een afscherming of versperding die minimaal een meter ruimte creëert rond het werkstuk vermindert het risico op verstriking.

### Elektrische veiligheid

- **De stekker van het elektrisch gereedschap moet passen op het gebruikte stopcontact. Pas de stekker nooit aan. Gebruik in combinatie met geaard elektrisch gereedschap geen verloopstekkers.** Het gebruik van ongemodificeerde stekkers en bijpassende stopcontacten verkleint het risico op elektrische schokken.
- **Vermijd lichamelijk contact met geaarde oppervlakken zoals buizen, radiatoren, fornuizen en koelkasten.** Het risico op elektrische schokken is groter als uw lichaam geaard is.
- **Stel elektrisch gereedschap niet bloot aan regen of vochtige omstandigheden.** Als er water in het elektrisch gereedschap komt, neemt het risico op elektrische schokken toe.
- **Gebruik het snoer alleen waarvoor het bedoeld is.**



Gebruik het snoer nooit om het elektrisch gereedschap te dragen, te verslepen of om de stekker uit het contact te trekken. Houd het snoer uit de buurt van warmtebronnen, olie, scherpe randen en bewegende onderdelen. Als het snoer wordt beschadigd of in de knoop raakt, neemt het risico op elektrische schokken toe.

- **Als u elektrisch gereedschap buiten gebruikt, dient u een verlengsnoer te gebruiken dat geschikt is voor buitengebruik.** Het gebruik van een snoer dat geschikt is voor buitengebruik, verkleint de kans op elektrische schokken.
- **Als u gedwongen bent het elektrisch gereedschap op een vochtige plek te gebruiken, moet de voeding beveiligd zijn met een lekstroomschakelaar.** Door het gebruik van een aardlekschakelaar wordt het risico op elektrische schokken beperkt.

## Persoonlijke veiligheid

- **Wees alert, let op wat u doet en gebruik uw gezond verstand bij het gebruik van elektrisch gereedschap. Gebruik geen elektrisch gereedschap wanneer u moe bent of onder invloed van drugs, alcohol of geneesmiddelen.** Als u ook maar even niet oplet tijdens het gebruik van elektrisch gereedschap, kan dat resulteren in ernstig persoonlijk letsel.
- **Gebruik persoonlijke beschermingsmiddelen. Draag altijd een veiligheidsbril.** Het gebruik van beschermingsmiddelen zoals een stofmasker, veiligheidsschoenen met antislipzool, een veiligheidshelm en/of oorbescherming naargelang de omstandigheden kan de kans op persoonlijk letsel verkleinen.
- **Voorkom onopzettelijk opstarten. Controleer of de schakelaar uit staat voordat u de voeding en/of het batterijpakket aansluit, en voordat u het gereedschap oppakt of verplaatst.** Als u elektrisch gereedschap draagt met uw vinger op de schakelaar of de stroom aansluit van elektrisch gereedschap waarvan de schakelaar aan staat, kunnen er zich ongelukken voordoen.
- **Verwijder eventueel aanwezige stelsleutels en andere sleutels voordat u het elektrisch gereedschap inschakelt.** Een sleutel bevestigd aan een draaiend onderdeel van een elektrisch gereedschap kan persoonlijk letsel veroorzaken.
- **Reik niet te ver. Plaats uw voeten altijd stevig op de grond en zorg dat u goed in balans staat.** Zo hebt u meer controle over het elektrisch gereedschap wanneer zich een onverwachte situatie voordoet.
- **Draag geschikte kleding. Draag geen loszittende kleding of sieraden. Houd haren, kleding en handschoenen uit de buurt van bewegende delen.** Loszittende kleding, sieraden of lang haar kunnen vast komen te zitten in bewegende delen.
- **Als het gereedschap voorzien is van aansluitingen voor stofafzuiging en -opvang, zorg dan dat die zijn aangesloten en gebruik ze op de voorgeschreven wijze.** Door gebruik van stofopvang kunnen risico's als gevolg van de aanwezigheid van stof worden vermeden.

## Gebruik en onderhoud van het gereedschap

- **Forceer het gereedschap niet. Gebruik het juiste gereedschap voor uw werkzaamheden.** Het juiste gereedschap werkt beter en veiliger als u het gebruikt tegen het tempo waarvoor het is ontworpen.
- **Gebruik het gereedschap niet als u het niet IN EN UIT kunt schakelen met de schakelaar.** Gereedschap dat niet met de schakelaar kan worden in- of uitgeschakeld, is gevaarlijk en moet worden gerepareerd.
- **Trek de stekker uit het stopcontact en/of koppel het batterijpakket los van het gereedschap voordat u afstellingen verricht, accessoires verwisselt of het gereedschap opbergt.** Deze preventieve veiligheidsmaatregelen verkleinen het risico dat het gereedschap per ongeluk wordt gestart.
- **Bewaar ongebruikt gereedschap buiten het bereik van kinderen en laat personen die onbekend zijn met het gereedschap of met deze instructies niet met het gereedschap werken.** Gereedschap is gevaarlijk in de handen van ongeschoolde gebruikers.
- **Onderhoud het gereedschap goed. Controleer op verkeerd aangesloten en vastgelopen bewegende delen, defecte onderdelen en andere omstandigheden die gevolgen kunnen hebben voor de werking van het gereedschap. Als het gereedschap is beschadigd, moet u het laten repareren voordat u het weer in gebruik neemt.** Veel ongelukken worden veroorzaakt door slecht onderhouden apparatuur.
- **Gebruik alleen accessoires die aanbevolen worden voor het gereedschap.** Goed onderhouden snij- en zaaggereedschap met een scherpe snij- of zaagrand loopt minder snel vast en is beter beheersbaar.
- **Houd handgrepen droog en schoon; vrij van olie en vet.** Hierdoor houdt u meer controle over het apparaat.

## Service

- **Laat uw gereedschap onderhouden en repareren door een bevoegde hersteldienst die uitsluitend identieke vervangingsonderdelen gebruikt.** Zo wordt de veiligheid van het gereedschap gewaarborgd.

## Specifieke veiligheidsinformatie

### ⚠ WAARSCHUWING

**Dit hoofdstuk bevat belangrijke veiligheidsinformatie speciaal voor dit gereedschap.**

**Lees aandachtig de voorzorgsmaatregelen door voordat u de 975 Combo rolgroever gebruikt om het risico op ernstig lichamelijk letsel te verminderen.**

### BEWAAR DEZE INSTRUCTIES!

Als u vragen hebt, kunt u contact opnemen met de serviceafdeling van Ridge Tool op het nummer (800) 519-3456 of via [techservices@ridgid.com](mailto:techservices@ridgid.com).

## Veiligheid van de rolgroever

- **Draag geen loszittende kleding. Zorg dat mouwen en jaszjes dichtgeknoopt zijn. Ga niet over de machine of pijp hangen.** Kleding kan vast komen te zitten aan de pijp of tussen andere draaiende delen. Dit kan verstrikking of ander ernstig letsel tot gevolg hebben.
- **Raak de groefrollen niet met uw handen aan. Breng geen groeven aan op pijpen die korter zijn dan aangegeven. Draag geen loszittende handschoenen.** Vingers kunnen gekneld raken tussen groefrollen of tussen groefrol en pijp.
- **Raak de uiteinden van de pijp niet aan met uw handen. Steek uw hand niet in de pijp.** U kunt blijven haken en uzelf snijden aan bramen en scherpe randen. Vingers kunnen gekneld raken tussen groefrollen of tussen groefrol en pijp.
- **Behandel de pijp correct en bereid hem goed voor.** U kunt blijven haken en uzelf snijden aan bramen en scherpe randen.
- **Ondersteun de pijp op correcte wijze.** Dit helpt voorkomen dat de pijp en de apparatuur omkantelen.
- **Lees deze handleiding, de handleiding van een geschikte aandrijfeenheid of draadsnijmachine, de montage-instructies van de fittingfabrikant en de instructies voor andere apparatuur die in combinatie met dit gereedschap wordt gebruikt en zorg dat u de handleidingen begrijpt voordat u de 975 Combo rolgroever van RIDGID® gebruikt.** Als u zich niet houdt aan deze instructies kan dit leiden tot materiële schade en/of ernstig lichamelijke letsel.
- **Draag altijd geschikte persoonlijke beschermingsmiddelen wanneer u de 975 Combo rolgroever van RIDGID opstelt of gebruikt.** Geschikte persoonlijke beschermingsmiddelen bestaan altijd uit een veiligheidsbril en eventueel uit beschermingsmiddelen zoals nauwaansluitende leren handschoenen, veiligheidsschoenen met stalen neuzen en een veiligheidshelm.
- **Gebruik de rolgroever alleen om groeven te maken in pijpen met de afmetingen en van het type die aanbevolen worden in deze instructies.** Andere gebruiksdoeleinden of veranderingen aan de rolgroever voor andere toepassingen kunnen het risico op letsel vergroten.

## Veiligheid van de rolgroever bij gebruik met een aandrijfeenheid/draadsnijmachine

- **Gebruik alleen de RIDGID 300 aandrijfeenheid of de 300 Compact draadsnijmachine in combinatie met de 975 Combo rolgroever.** Het gebruik van andere externe voedingen heeft een verkeerde opstelling tot gevolg en kan leiden tot omkantelen of andere problemen.
- **Gebruik deze rolgroever niet met een aandrijfeenheid of draadsnijmachine die geen voetschakelaar heeft. Blokkeer een voetschakelaar nooit zodat deze de aandrijfeenheid niet regelt.** Met een voetschakelaar heeft u meer controle over het toestel omdat u de motor van de aandrijfeenheid kunt uitschakelen door uw voet op te tillen. Als

kleding in de machine vast komt te zitten en de motor nog stroomt krijgt, wordt de kleding in de machine getrokken. Deze machine heeft een hoog draaimoment en hierdoor kan kleding met zoveel kracht rond uw arm of een ander lichaamsdeel gedraaid worden dat beknelling of botbreuken of letsel door stoten of andere verwondingen ontstaan.

- **Eén persoon moet zowel het groefproces als de voetschakelaar bedienen. De machine mag maar door één persoon bediend worden.** In geval van verstrikking, moet de gebruiker de controle hebben over de voetschakelaar.
- **Gebruik alleen aandrijfeenheden en draadsnijmachines met een rotatiesnelheid van 57 omwentelingen per minuut of minder.** Machines met hogere snelheden verhogen het risico op letsel.
- **Zorg dat de rolgroever goed opgesteld en veilig aangesloten is op de aandrijfeenheid/draadsnijmachine. Zorg dat de machine, steun, groever en pijp stabiel staan.** Dit helpt voorkomen dat de apparatuur en de pijp omvallen.

## Veiligheid van de rolgroever bij gebruik ter plaatse

- **Bedien de machine handmatig voor toepassingen ter plaatse. Gebruik geen elektrische apparatuur (zoals boormachines of slaggereedschap) om de rolgroever aan te drijven bij gebruik ter plaatse.** Het gebruik van elektrische apparatuur kan de groef beschadigen en verhoogt het risico op letsel.
- **Wanneer u boven uw hoofd werkt dienen alle werknemers veiligheidshelmen te dragen en moet het gebied eronder vrij zijn van obstakels.** Dit voorkomt ernstig letsel wanneer de rolgroever, de pijp of ander voorwerpen vallen.

## Beschrijving, specificaties en standaarduitrusting

### Beschrijving

De RIDGID® 975 Combo rolgroever maakt gerolde groeven in pijpen van staal, aluminium en PVC met een diameter van 1¼" tot 6", schedule 10 en schedule 40. De rolgroever is ook ontworpen om rvs pijpen van 1¼" tot 6" van schedule 10 en 1¼" tot 2" van schedule 40 te groeven. Door de rolset te vervangen, kan de rolgroever ook gebruikt worden voor koperen buizen met een diameter van 2" - 8" van het type K, L, M en DWV. De groeven worden gemaakt door de groefrol mechanisch in de pijp voort te bewegen. De pijp wordt ondersteund door een aandrijfrol. Alleen de diepte van de groef moet ingesteld worden.

Dit toestel is speciaal ontworpen om ter plaatse gebruikt te worden of in combinatie met aandrijfeenheid model 300 (modellen met 38 en 57 omw./min) van RIDGID. Met de geschikte adapter (cat. #67662) is de RIDGID model 300 Compact draadsnijmachine compatibel met dit toestel. De 975 Combo rolgroever beschikt over een gepatenteerde groefdiepte-instelknop die helpt om de groef in te stellen en beschikt over gepatenteerde eigenschappen om beter te aligneren tijdens gebruik.

De 975 Combo rolgroever is een draagbaar toestel voor occasionele rolgroeftoepassingen op het werkterrein en mag niet

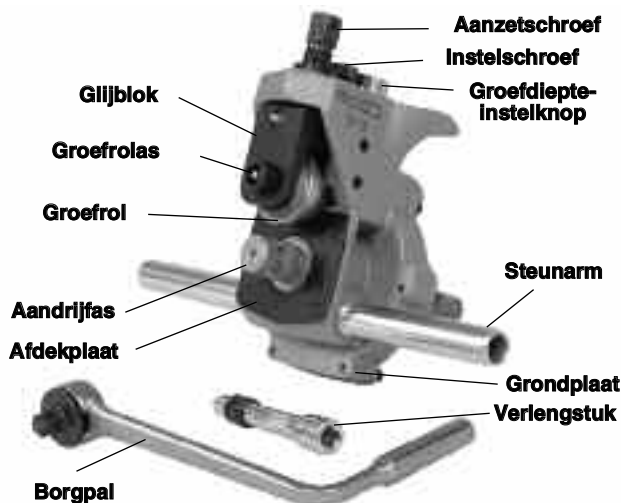
gebruikt worden voor grote volumes of voor productiewerk in een werkplaats waar pijpen geproduceerd worden.

**KENNISGEVING** Bij correct gebruik maakt Combo rolgroever model 975 groeven van 2" - 6" die wat betreft afmetingen voldoen aan de specificaties van AWWA C606-06. De ontwerper van het systeem en/of de installateur is verantwoordelijk voor de keuze van de geschikte materialen en verbindingstechnieken. Voor elke installatie dient de werkruimte, inclusief de omgevingsfactoren en de temperatuur, zorgvuldig gecontroleerd te worden.

### Specificaties

Capaciteit.....	1 1/4" - 6" schedule 10 en schedule 40 stalen pijp met rolsetvervanging: 2" - 8" koperen buis, type K, L, M & DWV
Groefdiameter	
Instelling .....	Instelschroef en groefdiepte-instelknop
Bediening.....	Aanzetschroef met 1/2" ratelsleutel
Montage aandrijfeenheid ...	RIDGID 300 aandrijfeenheid (alleen modellen met 38 en 57 omw./min) RIDGID 300 Compact draadsnijmachine (met adapter)
Gewicht .....	12,50 kg.

De 975 Combo rolgroever wordt beschermd door Amerikaanse en internationale octrooien, met inbegrip van octrooien 6.272.895 en 6.591.652.



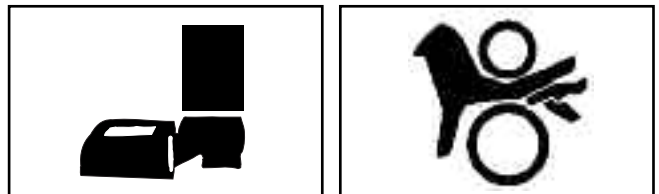
Figuur 1 – 975 Combo rolgroever

### Standaarduitrusting

- Groef- en aandrijfrollen voor 1 1/4" – 6" schedule 10 & 40 staal Ratelsleutel (1/2" aandrijving) met ontgrendelknop
- Verlengstuk met vergrendeling voor aandrijving
- Steunarmen
- Geïntegreerde index-diepte-instelknop

### Controleren van de rolgroever

#### ⚠ WAARSCHUWING

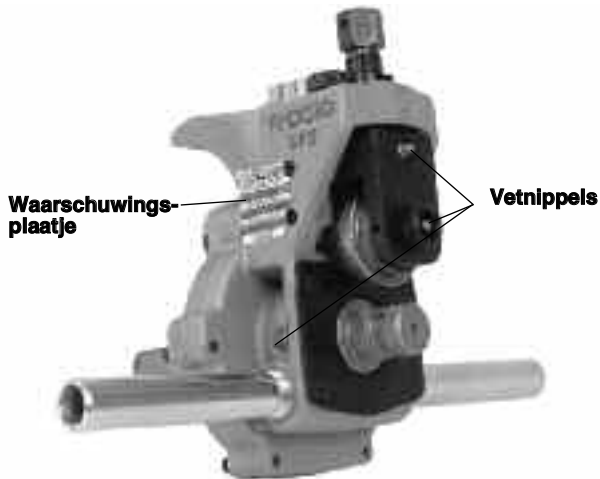


**Telkens voor gebruik dient u uw rolgroever te controleren en eventuele problemen te verhelpen om het risico op ernstig letsel ten gevolge van kneuzingen en andere oorzaken te beperken en beschadiging van de rolgroever te voorkomen.**

**Gebruik deze rolgroever niet met een aandrijfeenheid/-draadsnijmachine die geen voetschakelaar heeft.**

1. Als de rolgroever aangesloten is op een aandrijfeenheid of draadsnijmachine, dient u ervoor te zorgen dat de stekker van de machine niet in het stopcontact zit en dat de REV/OFF/FOR-schakelaar in de OFF-stand staat. Controleer en onderhoud de aandrijfeenheid/draadsnijmachine zoals beschreven in de handleiding van de machine. Als de apparatuur niet goed gecontroleerd en onderhouden wordt, kan dit leiden tot ernstig letsel en materiële schade. Zorg dat er een voetschakelaar aanwezig is en dat deze correct werkt. Gebruik deze rolgroever niet zonder voetschakelaar.
2. Verwijder olie, vet of vuil van de rolgroever, ook van de draaghendel en de borgpal die gebruikt wordt om de rolgroever te activeren. Dit verlaagt het risico op letsel doordat de groefer of de borgpal uit uw handen schiet tijdens gebruik en vergemakkelijkt de controle.
3. Controleer of de steunarmen stevig aan de rolgroever bevestigd zijn.
4. Controleer de rolgroever op kapotte, ontbrekende en slecht zittende of vastgelopen delen of andere factoren die een veilige en normale werking in de weg staan. Zorg dat de groefrol en aandrijfas vrij kunnen draaien.
5. Controleer of het waarschuwingsplaatje aanwezig is en of het stevig vastzit. *Zie figuur 2* voor de plaats van het waarschuwingsplaatje.
6. Reinig de karteling van de aandrijfas met een metalen borstel als deze vuil is. Door een vuile karteling kan de pijp gaan slippen en kunnen er problemen van aligneren ontstaan tijdens het groeven.

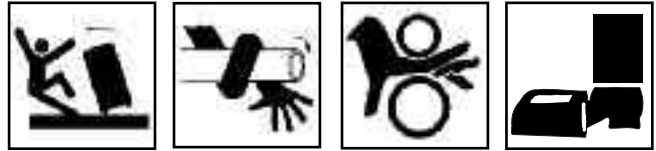
7. Controleer de groefrol en de aandrijfjas op scheuren, slijtage en andere tekenen van beschadiging. Door beschadigde groefrollen en aandrijfassen kan de pijp wegglijden, kan de machine defect raken tijdens gebruik of kunnen er groeven van slechte kwaliteit gemaakt worden.
8. Controleer of de borgpal en het verlengstuk correct werken. Zorg dat de borgpal in beide richtingen probleemloos en consistent werkt. Druk de ontgrendelknop in het midden van de kop van de borgpal in en monteer de aanzetschroef. De borgpal moet stevig op zijn plaats vastklikken. De borgpal moet ook veilig in het verlengstuk vastklikken en het verlengstuk moet veilig vergrendeld zitten in het handmatige aandrijfviervak aan de achterkant van de rolgroever. Dit helpt voorkomen dat de borgpal en het verlengstuk loskomen van de rolgroever tijdens gebruik. Als u een borgpal, sleutel of verlengstuk gebruikt die niet in de rolgroever vergrendeld kan worden, dient u er rekening mee te houden dat deze los kan schieten tijdens gebruik.  
Als u op problemen stuit, mag u de machine niet gebruiken tot de problemen verholpen zijn.
9. Smeer de rolgroever volgens de onderhoudsinstructies in deze handleiding. Veeg overtollig vet van de rolgroever.
10. Als er nog andere apparaten gebruikt worden, dient u deze te controleren en te onderhouden om te waarborgen dat ze correct werken.



**Figuur 2 – Waarschuwingsplaatje 975 Combo rolgroever**

## Opstellen van de machine en inrichten van de werkplek voor aangedreven toepassingen

### ⚠ WAARSCHUWING



**Draag altijd een veiligheidsbril om uw ogen te beschermen tegen stof en vreemde voorwerpen. Draag schoenen met stalen neuzen om uw voeten te beschermen tegen omkantelend gereedschap en vallende pijpen.**

**Gebruik deze rolgroever niet met een aandrijfeenheid of draadsnijmachine die geen voetschakelaar heeft. Blokkeer een voetschakelaar nooit zodat deze de aandrijfeenheid niet regelt. Met een voetschakelaar heeft u meer controle over het toestel omdat u de motor van de aandrijfeenheid kunt uitschakelen door uw voet op te tillen. Als kleding in de machine vast komt te zitten en de motor van de aandrijfeenheid nog stroom krijgt, wordt de kleding in de machine getrokken. Deze machine heeft een hoog draaimoment en hierdoor kan kleding met zoveel kracht rond uw arm of een ander lichaamsdeel gedraaid worden dat beknelling of botbreuken of letsel door stoten of andere verwondingen ontstaan.**

**Volg voor de afstelling van de rolgroever en de inrichting van de werkplek de onderstaande procedures om het risico op letsel door een elektrische schok, brand, omkantelende machine, verstrikking, kneuzingen of een andere onzorgvuldigheid te beperken en beschadiging van de rolgroever te voorkomen.**

1. Zoek een werkplek met de volgende eigenschappen:
  - Geschikte verlichting.
  - Zonder ontvlambare vloeistoffen, dampen of stof dat kan ontbranden. In aanwezigheid van deze stoffen mag u niet aan de slag gaan voordat de bronnen geïdentificeerd en afgesloten zijn. Aandrijvingen en draadsnijmachines zijn niet explosievast en kunnen vonken veroorzaken.
  - Een obstakelvrije, vlakke, stabiele en droge plaats voor de apparatuur en de gebruiker. Gebruik de apparatuur niet terwijl u in water staat.
  - Correct geaard stopcontact. Een driepolig stopcontact of een stopcontact met aardlekschakelaar is geen garantie dat het stopcontact ook daadwerkelijk correct geaard is. Neem in geval van twijfel contact op met een erkend elektrotechnisch installateur.
  - Houd de weg naar het stopcontact vrij van objecten die schade aan het netsnoer kunnen veroorzaken.
2. Ruim de werkplek op voordat u de apparatuur opstelt. Als er olie op de grond ligt, dient deze eerst verwijderd te worden.

- Controleer de pijp waarin een groef gemaakt moet worden en ga na of de 975 Combo rolgroever het juiste gereedschap is voor deze klus. De 975 Combo rolgroever is ontworpen om groeven te maken in pijpen van schedule 10 en 40 staal, aluminium en PVC van maat 1 1/4" tot 6". De rolgroever is ook ontworpen om pijpen van 1 1/4" tot 6" van schedule 10 rvs en 1 1/4" tot 2" van schedule 40 rvs te groeven. Door de rolset te vervangen, kan de rolgroever ook gebruikt worden voor koperen buizen van 2" - 8" van het type K, L, M en DWV.

De 975 Combo rolgroever kan gebruikt worden voor toepassingen ter plaatse (pijp die gemonteerd is of die in een bankschroef zit) of in combinatie met een RIDGID 300 aandrijving of 300 Compact draadsnijmachine voor aangedreven toepassingen op het werkteerrein. De 975 Combo rolgroever is niet ontworpen voor productieachtige toepassingen.

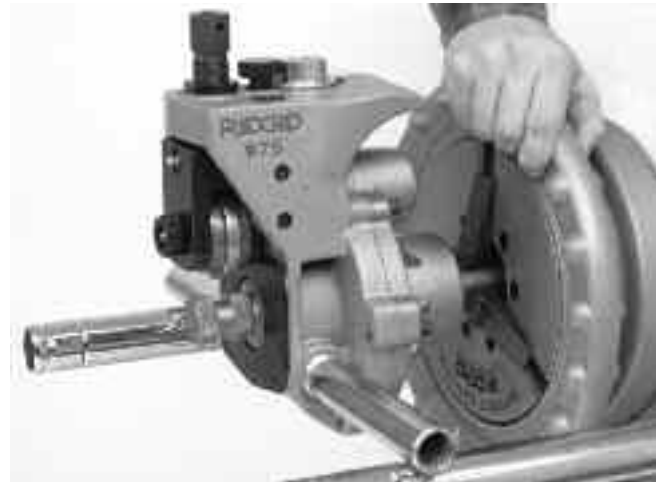
Rolgroevers voor andere toepassingen vindt u in de catalogus van Ridge Tool of op internet op [www.RIDGID.com](http://www.RIDGID.com). U kunt ook contact opnemen met de technische dienst van Ridge Tool op 800-519-3456.

**KENNISGEVING** Het gebruik van rolsets (groefrol en aandrijfas) op zowel pijpen van koolstofstaal als rvs kan leiden tot aantasting van het roestvast materiaal. Deze aantasting kan leiden tot corrosie en voortijdige defecten aan de pijp. Om te voorkomen dat rvs pijpen aangetast worden door ijzer, dient u speciale rolsets voor het rolgroeven van rvs te gebruiken. Een andere mogelijkheid is om een metalen borstel van rvs te gebruiken om de rolset grondig schoon te maken voordat van materiaal gewisseld wordt.

- Zorg dat de aandrijving/draadsnijmachine gecontroleerd is volgens de instructies in de handleiding. Zorg dat er een voetschakelaar aanwezig is en controleer of de FOR/OFF/REV-schakelaar in de OFF-stand staat. Stel de aandrijving/draadsnijmachine op volgens de instructies in de handleiding. Zorg dat de machine en de steun stevig staan en niet wiebelen.
- Open de klauwen van de klauwplaat van de aandrijving/draadsnijmachine volledig.
- Ga na of de 975 Combo rolgroever gecontroleerd is en of de juiste rolset gemonteerd is.

### 975 Combo rolgroever monteren op een RIDGID 300-aandrijving

- Als de betreffende aandrijving voorzien is van een slede of andere hulpstukken dienen deze verwijderd te worden van de aandrijving. Controleer of de steunarmen van de aandrijving volledig naar voren gericht zijn en stevig op hun plaats bevestigd zijn.
- Plaats de steunarmen van de rolgroever op de steunarmen van de aandrijving en het uiteinde van de aandrijfas van de rolgroever tussen de klauwen van de klauwplaat van de machine. Sluit de klauwen van de klauwplaat van de aandrijving rond de vlakke kanten van de aandrijfas en draai vast. Zorg dat de aandrijfas in het midden tussen de klauwen van de klauwplaat zit. Draai meerdere keren krachtig tegen de richting van de wijzers van de klok in aan het hamerwiel van de klauwplaat om de aandrijfas vast te zetten (figuur 3).

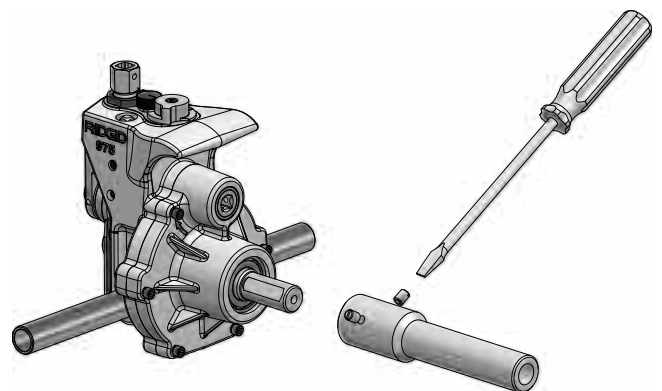


Figuur 3 – De 975 Combo rolgroever in de klauwplaat van aandrijving 300 monteren.

### Combo rolgroever 975 op een RIDGID 300 Compact/1233 draadsnijmachine monteren

Wanneer de 975 Combo rolgroever in combinatie met een 300 Compact/1233 draadsnijmachine wordt gebruikt, moet er een adapterkit (catalogusnummer 67662) worden gebruikt. Deze adapterkit plaatst de 975 Combo rolgroever in de juiste stand ten opzichte van de draadsnijmachine en de steun zodat groeven van alle afmetingen gemaakt kunnen worden. Gebruik de 975 Combo rolgroever niet in combinatie met een andere draadsnijmachine. Dit kan leiden tot omkantelen of andere problemen.

- Monteer de adapter voor de aandrijfstang op de aandrijfas van de rolgroever (zie figuur 4). Zorg dat de aanzet-schroeven op één lijn liggen met de vlakke kanten op de aandrijfas van de rolgroever en draai ze stevig vast.



Figuur 4 – Adapter van de aandrijfstang monteren

- Beweeg de slede op de 300 Compact/1233 draadsnijmachine zo dicht mogelijk naar de klauwplaat van de machine toe. Beweeg de snijder, ruimer en draadsnijkop weg van de gebruiker zodat ze niet in de weg zitten. Plaats de ruimerconus in de draadsnijkop.
- Plaats de beugel van de adapter over het uiteinde van de rail van de 300 Compact/1233 (zoals afgebeeld in figuur 5) en bevestig de adapter met de daaraan bevestigde pen.



**Figuur 5 – Beugel van de adapter monteren**

4. Plaats de steunarmen van de 975 op de armen van de adapterbeugel met de aandrijfstangadapter in de klauwplaat van de machine. Sluit de klauwen van de draadsnijmachine rond de aandrijfstangadapter en draai vast. Zorg dat de aandrijfstang in het midden van de klauwplaat zit. Draai meerdere keren krachtig tegen de richting van de wijzers van de klok in aan het hamerwiel van de klauwplaat om de aandrijfstang vast te zetten.



**Figuur 6 – 975 Combo rolgroever correct gemonteerd op 300 Compact draadsnijmachine**

### Opstelling voltooien

1. Plaats de voetschakelaar zodanig dat de gebruiker de aandrijfeenheid/draadsnijmachine, de rolgroever en de pijp kan bedienen die gerolgroefd moet worden. Zoals afgebeeld in *figuur 6* moet de gebruiker altijd zo staan dat:
  - hij met zijn gezicht naar de rolgroever staat en aan de kant van de FOR/OFF/REV-schakelaar staat zodat hij er goed bij kan.

- hij de ON/OFF-functie van de voetschakelaar kan regelen en zijn voet snel van de schakelaar kan halen indien nodig.
- hij goed bij de rolgroever, pijp en ratelsleutel kan zonder dat hij over de rolgroever moet gaan hangen.



**Figuur 7 – Plaats van de gebruiker**

2. Leg de stroomkabel op het vooraf vrijgemaakte pad. Steek de stekker van de aandrijfeenheid met droge handen in een correct geaard stopcontact. Zorg dat alle aansluitingen droog en van de grond blijven. Als de voedingskabel niet lang genoeg is, dient u een verlengsnoer te gebruiken dat:
  - in goede staat verkeert.
  - een driepolig stopcontact heeft dat hetzelfde is als dat van de aandrijfeenheid
  - geschikt is voor gebruik buitenshuis en een naam heeft waarin W of W-A voorkomt (bv. SOW)
  - de juiste kabeldikte heeft 1,5 mm<sup>2</sup> voor 5 meter of minder en 2,5 mm<sup>2</sup> voor 5 tot 15 meter). Snoeren die te dun zijn, kunnen oververhit raken waardoor het isolatiemateriaal smelt of brand of andere schade kan ontstaan.
3. Controleer de aandrijfeenheid/draadsnijmachine zodat u zeker weet dat deze correct werkt:
  - Zet de schakelaar in de stand FOR (Forward - voorwaarts). Druk de voetschakelaar in en laat hem weer los. Controleer of de aandrijfstang tegen de richting van de wijzers van de klok in draait terwijl u naar de voorkant van

de klauwplaat kijkt. Als de aandrijfeenheid niet in de juiste richting draait of als de machine niet geregeld kan worden met de voetschakelaar mag de machine niet gebruikt worden tot hij gerepareerd is.

- Houd de voetschakelaar ingedrukt. Controleer de rotatiesnelheid van de aandrijfeenheid. Controleer de bewegende delen op verkeerde aansluitingen, vastlopen, vreemde geluiden en andere abnormale omstandigheden. Laat de voetschakelaar los. Als de rotatiesnelheid hoger is dan 57 omw./min mag de aandrijfeenheid niet voor rolgroeven gebruikt worden. Hogere snelheden verhogen het risico op letsel. Als er zich abnormale omstandigheden voordoen, mag de apparatuur niet gebruikt worden totdat ze gerepareerd is.
- Zet de schakelaar in de stand REV (reverse - achterwaarts). Druk de voetschakelaar in en laat hem weer los. Controleer of de aandrijfstang in de richting van de wijzers van de klok draait terwijl u naar de voorkant van de klauwplaat kijkt. Als de aandrijfeenheid niet in de juiste richting draait, mag de machine niet gebruikt worden totdat hij gerepareerd is.
- Zet de schakelaar in de OFF-stand. Trek de stekker met droge handen uit het stopcontact.

## Vorbereiden van de pijp

**KENNISGEVING** Dit zijn algemene instructies. Volg altijd de speciale adviezen betreffende het voorbereiden van de pijpuiteinden van de fabrikant van de groefkoppelingen. Indien u de adviezen van de fabrikanten van de groefkoppelingen niet volgt, kan dit slechte verbindingen en lekkages tot gevolg hebben.

1. Snijd de pijp in de juiste lengte. Houd rekening met de minimumlengte van een pijp die gerolgroefd kan worden afhankelijk van de maat van de pijp (zie tabel A). Het maken van groeven in een pijp die korter is dan de minimumlengte verhoogt het risico op letsel door geknelde vingers en verstrikking.

Zorg dat het pijpuiteinde recht wordt afgezaagd en dat er geen bramen aan zitten. U kunt met uw handschoenen blijven haken aan bramen en uw vingers snijden tijdens het groeven. De snijmethode en grote bramen kunnen invloed hebben op de kwaliteit van de gemaakte groef en het aligeneren van de groef. Probeer geen groef te maken in een pijp die met een snijbrander doorgesneden is.

2. Alle inwendige en uitwendige lasrupsen, randen of naden moeten glad weggeslepen worden tot ten minste 5 cm vanaf het te bewerken pijpuiteinde. Zorg dat u de pakkingzitting niet beschadigt bij het slijpen, dit kan lekkages veroorzaken.
3. Verwijder alle kalkaanslag, roest en andere verontreinigingen tot ten minste 5 cm vanaf het te bewerken pijpuiteinde. Verontreinigingen kunnen de karteling van de aandrijving verstoppen waardoor de pijp tijdens het groeven niet goed wordt aangedreven en niet goed aligneert.

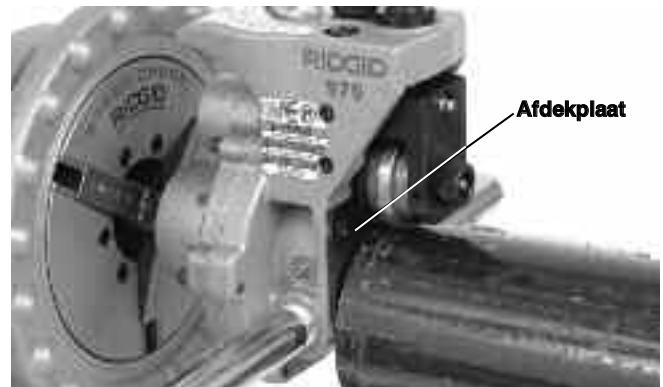
## Pijp in de rolgroever plaatsen

1. Controleer of de schakelaar van de aandrijfeenheid/draadsnijmachine in de OFF-stand staat.
2. Zorg dat er voldoende steun beschikbaar is voor de pijp die u wilt voorzien van groeven. Tabel A toont de maximumlengte van de pijp die van groeven kan worden voorzien met behulp van één pijpsteun. Langere pijplengtes moeten ondersteund worden met ten minste twee pijpsteunen. Indien de pijp niet correct wordt ondersteund, kan de pijp of de pijp en de machine omkantelen en vallen. Breng geen groeven aan op pijpen die korter zijn dan de minimumlengte.

Nom. Maat	Min. Lengte	Max. Lengte	Nom. Maat	Min. Lengte	Max. Lengte
1	8	36	4	8	36
1 1/4	8	36	4 1/2	8	32
1 1/2	8	36	5	8	32
2	8	36	6 Bu. D.	10	30
2 1/2	8	36	6	10	28
3	8	36			
3 1/2	8	36			

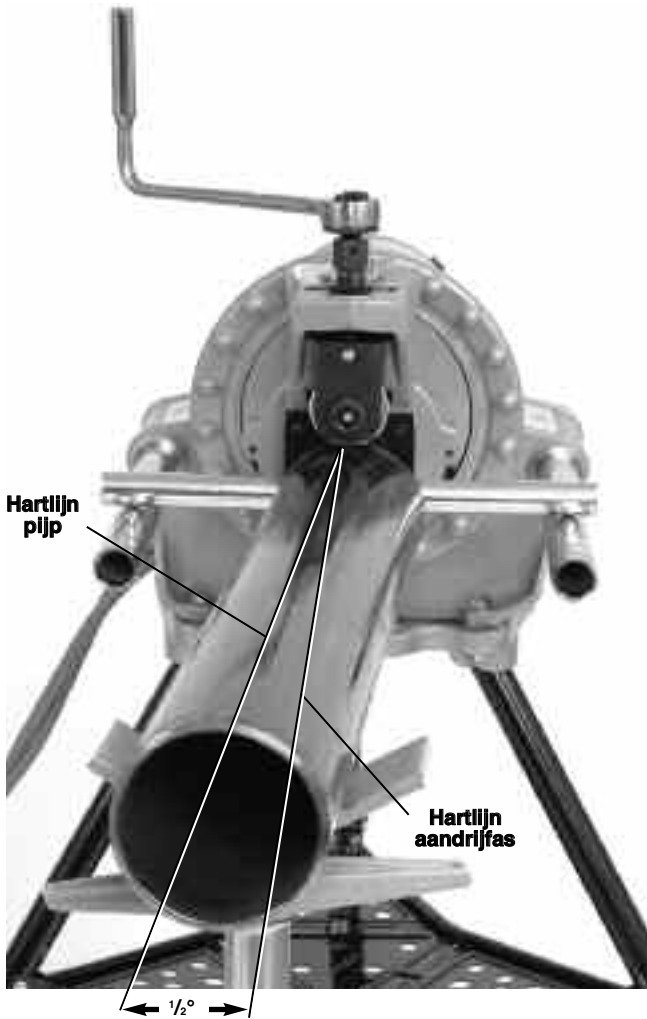
**Tabel A – Minimale/maximale groefbare pijplengte met één steun (alle afmetingen zijn in inches)**

3. Plaats de vereiste pijpsteunen vóór de rolgroever. Voor lengtes die ondersteund worden door één steun, moet de steun iets verder staan dan halverwege de lengte van de pijp vanaf de afdekplaat van de rolgroever. Voor pijplengtes waarvoor meer dan één steun nodig is, moeten de steunen op 1/4 van de pijplengte van de uiteinden van de pijp staan. In sommige situaties is het beter om meer steunen te gebruiken. De hoogte van de steun moet aangepast worden zodat de pijp rond de aandrijfrol past.
4. Zorg dat de groefrol ver genoeg ingetrokken is zodat de pijp rond de aandrijfrol geschoven kan worden. Indien nodig kunt u de aanzetschroef tegen de wijzers van de klok in draaien om de groefrol omhoog te brengen.
5. Schuif het pijpuiteinde rond de aandrijfrol en leg de pijp in de pijpsteun(en). Zorg dat de pijp stabiel ligt.



**Figuur 8 – Schuif de pijp rond de aandrijfrol en leg hem op hetzelfde niveau als de afdekplaat**

6. Stel de pijp en pijpsteunen zodanig af dat het uiteinde van de pijp op dezelfde hoogte ligt als de afdekplaat van de rolgroever en dat de binnenkant van de pijp de bovenkant van de aandrijf-as raakt (Figuur 7). De hartlijn van de pijp en de hartlijn van de aandrijf-as moeten evenwijdig liggen ten opzichte van elkaar. Dit kan door de pijp en de aandrijf-eenheid/draadsnijmachine waterpas te zetten.
7. Verplaats de pijp en pijpsteunen ongeveer 1/2 graad (ongeveer 2,5 cm op 3 m afstand van de rolgroever) in de richting van de gebruiker. Een correcte uitlijning van de pijp en rolgroever zorgt ervoor dat de pijp correct volgt tijdens het maken van de groef. (Zie figuur 9.)



Figuur 9 – De pijp 1/2° verschuiven in de richting van de gebruiker (overdreven)

8. Draai de aanzetschroef in de richting van de wijzers van de klok om de groefrol te laten zakken tot hij de buitendiameter van de pijp raakt, draai de aanzetschroef daarna nog een kwartslag. Misschien moet de instelschroef losgedraaid worden (tegen de wijzers van de klok in) zodat de groefrol de pijp kan raken. De pijp en de rolgroever zijn vanaf dit moment veilig aan elkaar bevestigd.

9. Controleer de werkplek en bepaal of deze afgeschermd dient te worden om onbevoegden uit de buurt van de apparatuur en de pijp te houden. Er moet een afscherming of versperring gemaakt worden die minimaal een meter ruimte creëert rond de aandrijfeenheid en de pijp. Deze “veiligheidszone” voorkomt dat onbevoegden de machine of de pijp per ongeluk aanraken waardoor deze omkantelt of waardoor ze verstrikt raakt in de roterende delen.
10. Steek de stekker van de machine met droge handen in een correct geaard stopcontact.

## De 975 Combo rolgroever gebruiken met een aandrijfeenheid/draadsnijmachine

### ⚠ WAARSCHUWING



**Draag geen loszittende kleding wanneer u met de rolgroever werkt. Zorg dat mouwen en jasjes dichtgeknoopt zijn. Ga niet over de machine of pijp hangen. Loszittende kleding kan vast komen te zitten in draaiende delen en letsels veroorzaken.**

**Raak de groefrollen niet met uw handen aan. Breng geen groeven aan op pijpen die korter zijn dan aangegeven. Draag geen loszittende handschoenen. Vingers kunnen gekneld raken tussen groefrollen of tussen groefrol en pijp.**

**Raak de uiteinden van de pijp niet aan met uw handen. Steek uw hand niet in de pijp. U kunt blijven haken en uzelf snijden aan bramen en scherpe randen. Vingers kunnen gekneld raken tussen groefrollen of tussen groefrol en pijp.**

**Draag altijd een veiligheidsbril om uw ogen te beschermen tegen stof en vreemde voorwerpen. Draag schoenen met stalen neuzen om uw voeten te beschermen tegen omkantelend gereedschap en vallende pijpen.**

**Volg de bedieningsinstructies om het risico op letsel door kneuzing, omkantelen, stoten of andere oorzaken te beperken.**

## De rolgroefdiameter instellen/meten

**KENNISGEVING** Aangezien de pipe eigenschappen kunnen verschillen, moet er altijd een proefbewerking worden uitgevoerd voordat de eerste groef van de dag gemaakt wordt en wanneer overgeschakeld wordt op andere pijpmaten, wanddikte of materiaal. De groefdiameter-instelknoppen werken niet 100% nauwkeurig en de rolgroefdiameter moet gemeten worden om de juiste maat te bepalen.

1. Controleer of de apparatuur en de pijp goed opgesteld zijn. Een niet goed voorbereide pijp kan een nadelige invloed hebben op een nauwkeurige instelling van de groefdiepte-instelknop. De groefrol moet de pijp raken.



2. Stel de groefdiepte-instelknop zodanig in dat het correcte streepje van de instelknop zich onder de kop van de instelschroef bevindt (figuur 10A). De groefdiepte-instelknop is ontwikkeld om gebruikt te worden voor pijpen. Zie "De rolgroefdiameter instellen voor koperen buizen" voor gebruik met koperen pijpen.
3. Draai de instelschroef in de richting van de wijzers van de klok tot de kop het streepje van de diepte-instelknop raakt. Draai de groefdiepte-instelknop in de groefstand (figuur 10B). Als de instelknop niet in de groefstand staat, kunnen er geen groeven gemaakt worden en kan de instelknop beschadigd raken.



**Figuur 10A – Het juiste streepje van de meter onder de kop van de instelschroef plaatsen**



**Figuur 10B – Meter in groefstand**

4. Bereid een proefbewerking voor (volg de stappen voor "Een rolgroef maken").
5. Meet de groefdiameter. De beste manier om de groefdiameter te meten is met een diametermeetband (zie hoofdstuk Toebehoren). Leg de meetband netjes rond de pijp in de groef. Zorg dat de meetband onderaan de groef plat zit en lees de groefdiameter af. (zie figuur 11.)



**Figuur 11 – Controleren van de groefdiameter met een diametermeetband**

6. Vergelijk de gemeten groefdiameter met de gewenste groefdiameter in tabel I of III of met de specificaties van de fittingfabrikant. Als de gemeten groef buiten de gewenste groefdiameter ligt, moet de instelschroef opnieuw ingesteld worden tot de juiste groefdiameter wordt gegeven.
  - Draai de instelschroef in de richting van de wijzers van de klok om de groefdiameter te vergroten.
  - Draai de instelschroef tegen de richting van de wijzers van de klok in om de groefdiameter te verkleinen.
  - Elke 1/4 slag van de instelschroef verandert de groefdiameter ongeveer 0,5 mm.
7. Herhaal stap 4 t/m 6 tot de groefdiameter aan de specificaties voldoet. Als de groef te groot is, kan de groefer anders ingesteld worden en de groef kleiner gemaakt worden. Als de groef te klein is, dient er een andere groef gemaakt te worden. De juiste groefdiameter is belangrijk om een goede verbinding te verkrijgen. Door groeven die niet voldoen aan de specificaties kunnen breuken ontstaan in de leidingen.

### Een rolgroef maken

1. Controleer of de apparatuur en de pijp goed opgesteld zijn.



**Figuur 12 – Werkopstelling rolgroever**

2. Stel de benodigde apparatuur correct op. Plaats de voetschakelaar van de aandrijfeenheid zo dat de gebruiker de aandrijfeenheid kan regelen, de rolgroever kan bedienen en bij de te groeven pijp kan. Zoals afgebeeld in *figuur 12* moet de gebruiker altijd zo staan dat:
  - hij met zijn gezicht naar de rolgroever staat en aan de kant van de FOR/OFF/REV-schakelaar staat zodat hij er goed bij kan.
  - hij de ON/OFF-functie van de voetschakelaar kan regelen en zijn voet snel van de schakelaar kan halen indien nodig.
  - hij goed bij de rolgroever, pijp en ratelsleutel kan zonder dat hij over de rolgroever moet gaan hangen.
  - Plaats indien nodig uw rechterhand op de te bewerken pijp.
  - Plaats uw voeten stevig op de grond en zorg dat u goed in balans staat.
3. Zet de FOR/OFF/REV-schakelaar in de REV-stand (reverse - achterwaarts). **Laat de 975 Combo rolgroever niet in de FOR-stand (forward - vooruit) draaien. Door de wijze waarop de 975 Combo rolgroever ontworpen is, zal de pijp hierdoor een spiraalvormige beweging gaan maken en uit de rolgroefrollen draaien waardoor de pijp kan vallen.**
4. Plaats een hand op de kop van de borgpal/bovenkant van de aanzetschroef en de andere hand op het uiteinde van de borgpal.
5. Druk de voetschakelaar in om de aandrijfeenheid te starten. Kijk goed naar de pijp terwijl hij draait en controleer of de voorkant van de pijp in contact blijft met de afdekplaat van de rolgroever. Als de pijp zich wegbeweegt van de afdekplaat van de rolgroever, dient u uw voet van de voetschakelaar te halen om de voorkomen dat de pijp met een spiraalvormige beweging wegglijdt en valt. Stel de pijp indien nodig opnieuw op (*zie hoofdstuk Pijp in de rolgroever plaatsen*). Als het pijpuiteinde vervormd is, moet er een stuk afgezaagd worden en een nieuwe groef worden voorbereid.
6. Als de pijp een volledige omwenteling maakt, dient u de aanzetschroef nogmaals  $\frac{1}{4}$  slag aan te draaien. Blijf controleren of het pijpuiteinde in contact is met de afdekplaat. Draai de aanzetschroef maximaal  $\frac{1}{4}$  slag per pijpomwenteling aan. Als de aanzetschroef te vast aangedraaid wordt, kan de groef te breed worden of kan de pijp met een spiraalvormige beweging van de aandrijfjas glijden.
7. Ga door met het aandraaien van de aanzetschroef met  $\frac{1}{4}$  slag per pijpomwenteling tot de kop van de instelschroef tegen de bovenkant van de rolgroever komt. Ga niet verder met het aandraaien van de aanzetschroef wanneer de instelschroef de bovenkant van de rolgroever raakt. Dit kan de instelschroef beschadigen. Laat de pijp nog minstens twee keer volledig ronddraaien in deze stand om ervoor te zorgen dat de groefdiepte overal hetzelfde is.
8. Laat de voetschakelaar los en zet de FOR/OFF/REV-schakelaar in de OFF-stand.

9. Draai de aanzetschroef tegen de richting van de wijzers van de klok in en til de groefrol op zodat de pijp verwijderd kan worden uit de machine.
10. Controleer de groef.
  - Controleer of de groef volledig af is.
  - Controleer de groefdiameter en zorg dat deze voldoet aan de specificaties.
  - Controleer alle andere eisen van de fittingfabrikant.

Als er problemen worden gevonden, kan de groef niet gebruikt worden.

## De rolgroefdiameter instellen voor koperen buizen

Wanneer de 975 Combo rolgroever wordt gebruikt voor koperen buizen, kan de groefdiepte-instelknop op de groever niet worden gebruikt. Deze geeft de verkeerde groefdiameters aan.

1. Draai de aanzetschroef in de richting van de wijzers van de klok om de groefrol te laten zakken tot hij de buitendiameter van de pijp raakt, draai de aanzetschroef daarna nog een kwartslag. Misschien moet de instelschroef losgedraaid worden (tegen de wijzers van de klok in) zodat de groefrol de pijp kan raken. De pijp en de rolgroever zijn vanaf dit moment veilig aan elkaar bevestigd.
2. Controleer of de groefdiepte-instelknop in de groefstand staat. (*figuur 10B*)
3. Draai aan de instelschroef tot deze op één lijn ligt met de bovenplaat van de groever.
4. Zoek in tabel B de diameter en de soort pijp waarin een groef gemaakt moet worden en draai de instelschroef met het aangegeven aantal slagen weer terug los. Een voorbeeld: voor 4" schedule L koper, moet de instelschroef  $1\frac{1}{4}$  slag losgedraaid worden.

### Instellen van de diepte voor het rolgroeven van koperen buizen

(aantal omwentelingen van de instelschroef)

Dia.	K	L	M	DWV
2-2.5"	$\frac{7}{8}$	$\frac{7}{8}$	$\frac{5}{8}$	$\frac{5}{8}$
3"	$1\frac{1}{16}$	$1\frac{1}{16}$	$1\frac{1}{16}$	$1\frac{1}{16}$
4"	$1\frac{1}{4}$	$1\frac{1}{4}$	$1\frac{1}{4}$	$1\frac{1}{8}$
5"	$1\frac{1}{2}$	$1\frac{1}{2}$	$1\frac{1}{2}$	$1\frac{1}{2}$
6"	$1\frac{3}{16}$	$1\frac{3}{4}$	$1\frac{3}{4}$	$1\frac{3}{4}$
8"	$2\frac{1}{2}$	$2\frac{3}{8}$	$2\frac{1}{8}$	$2\frac{1}{8}$

**Tabel B – Instellen van de diepte voor het rolgroeven van koperen buizen**

5. Ga naar stap 4 van "De rolgroefdiameter instellen/meten".

## Aligneertips voor de 975 Combo rolgroever

Het belangrijkste probleem waar gebruikers mee te maken krijgen tijdens het rolgroeven is dat de pijp met een spiraalvormige beweging van de aandrijfjas glijdt, "wegloopt" of niet goed "volgt". Om te bereiken dat de pijp goed volgt, is het belangrijk dat

alle instructies worden nageleefd. Als de pijp niet goed volgt, zelfs wanneer alle instructies in acht genomen worden, zijn er een aantal mogelijkheden om ervoor te zorgen dat de pijp beter volgt.

- Vergroot de afstand tussen de pijp en de gebruiker iets (vergroot van 1/2 graad naar 1 graad) (zie figuur 9).
- Het is mogelijk dat de gebruiker een beetje kracht moet uitoefenen op de pijp tijdens het maken van de groef om de pijp beter te laten volgen. Dit is meestal alleen nodig bij kortere stukken pijp. Om dit te doen, moet de gebruiker een leren handschoen dragen die in goede staat verkeert en zijn hand om het midden van de pijp heen leggen zoals afgebeeld is in figuur 13. Het kan nodig zijn om de steun waarop de aandrijving/draadsnijmachine gemonteerd is aan de grond te bevestigen om te voorkomen dat de apparatuur verschuift tijdens het maken van de groef. Raak de groefrol en de uiteinden van de pijp niet aan met uw hand en bewerk geen pijpen die korter zijn dan aanbevolen om kneuzingen te voorkomen.



**Figuur 13 – Kracht uitoefenen op de pijp tijdens het groeven om ervoor te zorgen dat de pijp beter volgt**

- Raadpleeg ook het hoofdstuk *Problemen oplossen* voor een complete lijst met oplossingen voor problemen met pijpen die niet goed volgen.

## Opstellen van de machine en inrichten van de werkplek voor toepassingen ter plaatse



### ⚠ WAARSCHUWING

**Draag altijd een veiligheidsbril om uw ogen te beschermen tegen stof en vreemde voorwerpen. Draag schoenen met stalen neuzen om uw voeten te beschermen tegen omkantelende en vallende gereedschappen en pijpen. Draag een veiligheidshelm wanneer u ter plaatse werkt.**

**Volg voor de afstelling van de rolgroever en de inrichting van de werkplek de onderstaande procedures om het risico op letsel door een omkantelende machine, kneuzingen of een andere onzorgvuldigheid te beperken en beschadiging van de rolgroever te voorkomen.**

1. Zoek een werkplek met de volgende eigenschappen:
  - Geschikte verlichting.
  - Zonder ontvlambare vloeistoffen, dampen of stof dat kan ontbranden. In aanwezigheid van deze stoffen mag u niet aan de slag gaan voordat de bronnen geïdentificeerd en afgesloten zijn.
  - Een obstakelvrije, vlakke, stabiele en droge plaats met voldoende ruimte voor alle apparatuur en de gebruiker.
2. Ruim de werkplek op voordat u de apparatuur opstelt. Als er olie op de grond ligt, dient deze eerst verwijderd te worden.
3. Controleer de pijp waarin een groef gemaakt moet worden en ga na of de 975 Combo rolgroever het juiste gereedschap is voor deze klus. De 975 Combo rolgroever is ontworpen om groeven te maken in pijpen van schedule 10 en 40 staal, aluminium en PVC met een maat van 1/4" tot 6". De rolgroever is ook ontworpen om pijpen van 1/4" tot 6" van schedule 10 rvs en 1/4" tot 2" van schedule 40 rvs te groeven. Door de rolset te vervangen, kan de rolgroever ook gebruikt worden voor koperen buizen van 2" - 8" van het type K, L, M en DWV.
 

De 975 Combo rolgroever kan gebruikt worden voor toepassingen ter plaatse (pijp die gemonteerd is of die in een bankschroef zit) of in combinatie met een RIDGID 300 aandrijving of 300 Compact draadsnijmachine voor aangedreven toepassingen op het werkterrein. De 975 Combo rolgroever is niet ontworpen voor productieachtige toepassingen.
4. Zorg dat u voldoende ruimte hebt om de 975 Combo rolgroever op te stellen en te bedienen wanneer u ter plaatse groeven gaat maken. De rolgroever maakt een cirkelbeweging rond de stevig gemonteerde pijp en vereist:

- een vrije ruimte van minimaal 6 1/2" rond de pijp waarin een groef gemaakt moet worden
- pijp die minimaal 2 1/2" uitsteekt uit een obstakel zoals een muur
- een opening van minimaal 9 1/2" zodat de rolgroever op de pijp past

Rolgroevers voor andere toepassingen vindt u in de catalogus van Ridge Tool of op internet op [www.RIDGID.com](http://www.RIDGID.com). U kunt ook contact opnemen met de technischendienst van Ridge Tools op 800-519-3456.

**KENNISGEVING** Het gebruik van rolsets (groefrol en aandrijfjas) op zowel pijpen van koolstofstaal als rvs kan leiden tot aantasting van het roestvast materiaal. Deze aantasting kan leiden tot corrosie en voortijdige defecten aan de pijp. Om te voorkomen dat rvs pijpen aangetast worden door ijzer, dient u speciale rolsets voor het rolgroeven van rvs te gebruiken. Een andere mogelijkheid is om een metalen borstel van rvs te gebruiken om de rolset grondig schoon te maken voordat van materiaal gewisseld wordt.

### Vorbereiden van de pijp

**KENNISGEVING** Dit zijn algemene instructies. Volg altijd de speciale adviezen betreffende het voorbereiden van de pijpuiteinden van de fabrikant van de groefkoppelingen. Indien u de adviezen van de fabrikanten van de groefkoppelingen niet volgt, kan dit slechte verbindingen en lekkages tot gevolg hebben.

1. Controleer of de druk van het systeem gelaten is en of het systeem leeg is voordat u ter plaatse een groef maakt in een bestaande pijp. U moet weten met welke stof het systeem gevuld is en welke risico's hieraan verbonden zijn.

2. Snijd de pijp in de juiste lengte.

Zorg dat het pijpuiteinde recht wordt afgezaagd en dat er geen bramen aan zitten. U kunt met uw handschoenen blijven haken aan bramen en uw vingers snijden tijdens het groeven. De snijmethode en grote bramen kunnen invloed hebben op de kwaliteit van de gemaakte groef en het aligeneren van de groef. Probeer geen groef te maken in een pijp die met een snijbrander doorgesneden is.

3. Alle inwendige en uitwendige lasrupsen, randen of naden moeten glad weggeslepen worden tot ten minste 5 cm vanaf het te bewerken pijpuiteinde. Zorg dat u de pakkingzitting niet beschadigt bij het slijpen, dit kan lekkages veroorzaken.

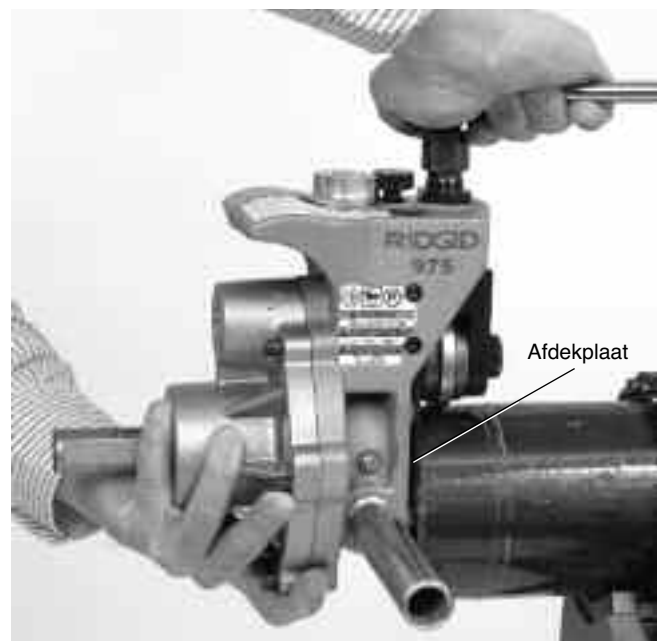
4. Verwijder alle kalkaanslag, roest en andere verontreinigingen tot ten minste 5 cm vanaf het te bewerken pijpuiteinde. Verontreinigingen kunnen de karteling van de aandrijving verstoppen waardoor de pijp tijdens het groeven niet goed wordt aangedreven en niet goed aligneert.

5. Zorg dat de pijp waarin een groef gemaakt moet worden, stevig gemonteerd is. De pijp moet bestand zijn tegen het gewicht van de rolgroever (13 kg) en de kracht en het draaimoment dat nodig is om een groef te maken zonder te bewegen. Het kan verstandig zijn om gemonteerde pijpen te verwijderen en in een pijpklem te plaatsen voordat u groeven maakt. In andere situaties is het misschien noodzake-

lijk om het pijpwerk tijdelijk of permanent te ondersteunen. Als u een pijpklem gebruikt, dient u te controleren of deze veilig is en niet omkantelt tijdens gebruik. Gebruik geschikte pijpsteunen voor langere pijplengtes zodat de extra lengte ondersteund wordt.

### Rolgroever op de pijp monteren

1. Ga na of de 975 Combo rolgroever gecontroleerd is en of de juiste rolset gemonteerd is. Controleer of de steunarmen stevig in de behuizing van de rolgroever vastzitten of verwijder ze volledig in kleine ruimtes. Monteer de borgpal daarna in de aanzetschroef en monteer het verlengstuk in het handmatige aandrijfviervak aan de achterkant van de rolgroever. Zorg ervoor dat de borgpal en het verlengstuk veilig gemonteerd zijn.
2. Zorg dat er voldoende ruimte is tussen de groefrol en de aandrijfjas voor de pijpwand. Indien nodig kunt u de aanzetschroef tegen de wijzers van de klok in draaien om de groefrol in te trekken.
3. Pak de rolgroever veilig vast. Til hem niet omhoog met de borgpal. Plaats de aandrijfjas in de pijp en zorg dat het uiteinde van de pijp de afdekplaat raakt (*figuur 14*). Draai de aanzetschroef aan zodat de groefrol tegen de buitenkant van de pijp komt. Nadat u de aanzetschroef met de hand hebt vastgedraaid, gebruikt u de borgpal om de aanzetschroef nog een 1/4 slag aan te draaien. Controleer of de rolgroever stevig aan de pijp vastzit en de afdekplaat in een lijn ligt met het uiteinde van de pijp. Herhaal deze werkwijze indien dit niet het geval is. Zorg altijd dat de groever stevig vastzit wanneer hij ter plaatse gebruikt wordt om te voorkomen dat hij valt.



**Figuur 14 – De rolgroever op zijn plaats houden tijdens het aandraaien van de aanzetschroef**

## De 975 Combo rolgroever ter plaatse gebruiken

### ⚠ WAARSCHUWING



Bedien de machine handmatig voor toepassingen ter plaatse. Gebruik geen elektrische apparatuur (zoals boormachines of slaggereedschap) om de rolgroever aan te drijven bij gebruik ter plaatse. Het gebruik van elektrische apparatuur kan de groef beschadigen en verhoogt het risico op letsel.

Draag geen loszittende kleding wanneer u met de rolgroever werkt. Zorg dat mouwen en jasjes dichtgeknoopt zijn. Ga niet over de machine of pijp hangen. Loszittende kleding kan vast komen te zitten in draaiende delen en letsels veroorzaken.

Raak de groefrollen niet met uw handen aan. Breng geen groeven aan op pijpen die korter zijn dan aangegeven. Draag geen loszittende handschoenen. Vingers kunnen gekneld raken tussen groefrollen of tussen groefrol en pijp.

Houd uw handen uit de buurt van de uiteinden van de pijp. Steek uw hand niet in de pijp. U kunt blijven haken en uzelf snijden aan bramen en scherpe randen. Vingers kunnen gekneld raken tussen groefrollen of tussen groefrol en pijp.

Draag altijd een veiligheidsbril om uw ogen te beschermen tegen stof en vreemde voorwerpen. Draag schoenen met stalen neuzen om uw voeten te beschermen tegen omkantelend gereedschap en vallende pijpen. Draag een veiligheidshelm wanneer u ter plaatse werkt.

Volg de bedieningsinstructies om het risico op letsel door kneuzing, omkantelen, stoten of andere oorzaken te beperken.

### De rolgroefdiameter instellen/meten

**KENNISGEVING** Aangezien de pipeigenschappen kunnen verschillen, moet er altijd een proefbewerking worden uitgevoerd voordat de eerste groef van de dag gemaakt wordt en wanneer overgeschakeld wordt op andere pijpmaten, wanddikte of materiaal. De groefdiameter-instelknoppen werken niet 100% nauwkeurig en de rolgroefdiameter moet gemeten worden om de juiste maat te bepalen.

1. Controleer of de apparatuur en de pijp goed opgesteld zijn. Een niet goed voorbereide pijp kan een nadelige invloed hebben op een nauwkeurige instelling van de groefdiepte-instelknop. De groefrol moet de pijp raken.
2. Stel de groefdiepte-instelknop zodanig in dat het correcte streepje van de instelknop zich onder de kop van de instelschroef bevindt (figuur 15A). De groefdiepte-instelknop is

ontwikkeld om gebruikt te worden voor pijpen. Zie "De rolgroefdiameter instellen voor koperen buizen" voor gebruik met koperen pijpen..

3. Draai de instelschroef in de richting van de wijzers van de klok tot de kop het streepje van de diepte-instelknop raakt. Draai de groefdiepte-instelknop in de groefstand (figuur 15B). Als de instelknop niet in de groefstand staat, kunnen er geen groeven gemaakt worden en kan de instelknop beschadigd raken.



Figuur 15A – Het juiste streepje van de meter onder de kop van de instelschroef plaatsen



Figuur 15B – Meter in groefstand

4. Bereid een proefbewerking voor (volg de stappen voor "Een rolgroef maken").
5. Meet de groefdiameter. De beste manier om de groefdiameter te meten is met een diametermeetband (zie hoofdstuk Toebehoren). Leg de meetband netjes rond de pijp in de groef. Zorg dat de meetband onderaan de groef plat zit en lees de groefdiameter af. (zie figuur 16).



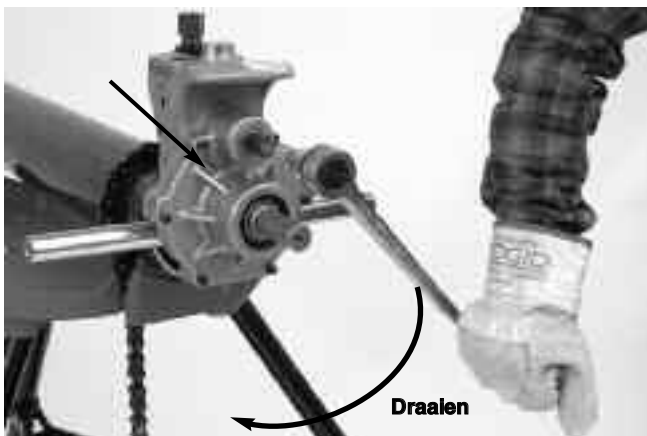
Figuur 16 – Controleren van de groefdiameter met een diametermeetband

6. Vergelijk de gemeten groefdiameter met de gewenste groefdiameter in tabel I of III of met de specificaties van de fittingfabrikanten. Als de gemeten groef buiten de gewenste groefdiameter ligt, moet de instelschroef opnieuw ingesteld worden tot de juiste groefdiameter wordt gegeven.

- Draai de instelschroef in de richting van de wijzers van de klok om de groefdiameter te vergroten.
  - Draai de instelschroef tegen de richting van de wijzers van de klok in om de groefdiameter te verkleinen.
  - Elke 1/4 slag van de instelschroef verandert de groefdiameter ongeveer 0,5 mm.
7. Herhaal stap 4 t/m 6 tot de groefdiameter aan de specificaties voldoet. Als de eerste groef te groot is, kan de groef anders ingesteld worden en de groef kleiner gemaakt worden. Als de groef te klein is, dient er een andere groef gemaakt te worden. De juiste groefdiameter is belangrijk om een goede verbinding te verkrijgen. Door groeven die niet voldoen aan de specificaties kunnen breuken ontstaan in de leidingen.

### Een rolgroef maken

1. Controleer of de apparatuur en de pijp goed opgesteld zijn.
2. Stel de benodigde apparatuur correct op. Plaats uw voeten stevig op de grond en zorg dat u goed in balans staat.
3. Zorg dat de instelschroef 1/4 slag aangedraaid is.
4. Haal de borgpal uit de aanzetschroef en monteer hem stevig in het verlengstuk. (in kleine ruimtes hoeft het verlengstuk niet gebruikt te worden)
5. Draai de borgpal in de richting van de wijzers van de klok gezien vanaf de achterkant van de rolgroever (dit stemt overeen met de pijlen die op de achterkant van de rolgroever staan, zie figuur 17). Kijk goed naar de groever terwijl hij ronddraait en controleer of de afdekplaat van de rolgroever in contact blijft met het uiteinde van de pijp. Stop met draaien aan de borgpal als de rolgroever van het pijpuiteinde wegbeweegt om te voorkomen dat de rolgroever met een spiraalvormige beweging van het pijpuiteinde glijdt en valt. Door op de steunarmen van de rolgroever te duwen kan de afdekplaat weer in contact gebracht worden met het pijpuiteinde. Monteer de rolgroever opnieuw op de pijp indien nodig. (zie het hoofdstuk "Rolgroever op de pijp monteren"). Als het pijpuiteinde vervormd is, moet er een stuk afgezaagd worden en een nieuwe groef worden voorbereid.



Figuur 17 – De borgpal in de richting van de pijlen draaien

6. Blijf aan de borgpal draaien tot de rolgroever minstens een keer helemaal rond de pijp gedraaid is. Haal de borgpal van het verlengstuk en bevestig hem op de aanzetschroef. Draai de aanzetschroef nogmaals 1/4 slag rond. Haal de borgpal van de aanzetschroef en bevestig hem stevig op het verlengstuk. Draai de aanzetschroef maximaal een 1/4 slag per pijpomwenteling aan. Als de aanzetschroef te vast aangedraaid wordt, kan de groef te breed worden en kan de rolgroever van de pijp af glijden. Blijf draaien aan de borgpal om de rolgroever rond de pijp te laten draaien terwijl u de positie van de afdekplaat aan het pijpuiteinde controleert.
7. Ga door met het aandraaien van de aanzetschroef met een 1/4 slag per groefomwenteling rond de pijp tot de kop van de instelschroef tegen de bovenkant van de rolgroever komt. Ga niet verder met het aandraaien van de aanzetschroef wanneer de instelschroef de bovenkant van de rolgroever raakt. Dit kan de instelschroef beschadigen. Draai de rolgroever nog minstens tweemaal volledig rond de pijp nadat de instelschroef de bovenkant van de rolgroever raakt om ervoor te zorgen dat de groefdiepte overal hetzelfde is.
8. Bevestig de borgpal op de aanzetschroef. Pak de rolgroever op een veilige manier vast. Draai de aanzetschroef tegen de richting van de wijzers van de klok in en trek de groefrol in zodat de rolgroever van de pijp verwijderd kan worden. Laat de rolgroever niet vallen.
9. Controleer de groef.
  - Controleer of de groef volledig af is.
  - Controleer de groefdiameter en zorg dat deze voldoet aan de specificaties.
  - Controleer alle andere eisen van de fittingfabrikant.

Als er problemen worden gevonden, kan de groef niet gebruikt worden.

## Onderhoudsinstructies

### ⚠ WAARSCHUWING

**Controleer of de schakelaar van de aandrijfeenheid in de OFF-stand staat en de stekker uit het stopcontact is voordat u onderhoudswerkzaamheden uitvoert of instellingen wijzigt.**

### Smeren

Smeer de 975 Combo rolgroever maandelijks met een goed universeel smeervet.

- De vetnippels bevinden zich aan de zijkant onderaan aan de kant van de gebruiker, de voorkant van het glijblok en het uiteinde van de groefrolas (zie figuur 2). Voeg vet toe tot er een beetje naar buiten komt.
- Breng een dunne laag vet aan op de aanzetschroef.
- De tandwielkast van de 975 Combo rolgroever heeft een levenslange smering en hoeft niet gesmeerd te worden behalve wanneer de tandwielkast geopend wordt.

Zie het hoofdstuk over *Inspectie voor meer informatie over het onderhoud.*

## Reinigen

Reinig de karteling van de aandrijfas dagelijks of indien nodig vaker met een stalen borstel.

## Rolsets vervangen

**KENNISGEVING** Wanneer u rolsetonderdelen vervangt, dient u te controleren of de opschriften van de aandrijf- en groefrollen overeenstemmen. Door onderdelen te gebruiken die niet niet bij elkaar passen kan de kwaliteit van de groeven slecht zijn en kunnen er lekkages ontstaan.

Verwijder de rolgroever van de aandrijfeenheid of draadsnijmachine en plaats hem op een stabiele werkbank.

Benodigd gereedschap:

- $\frac{3}{8}$ " inbussleutel
- $\frac{3}{32}$ " inbussleutel
- .070" tang voor buitenspannende borgringen

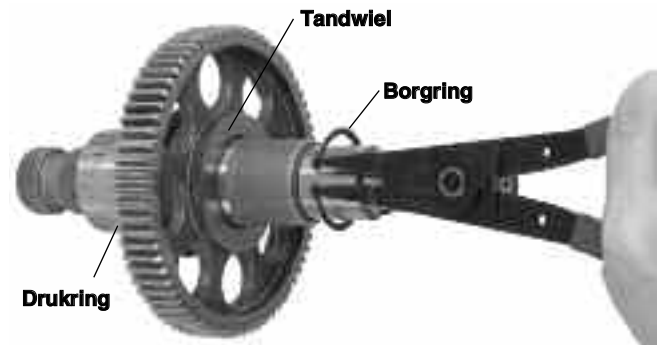
### Aandrijfrol verwijderen en monteren

1. Verwijder de 6 schroeven in de achterwand van de behuizing.
2. Verwijder de achterwand (zie figuur 18).



Figuur 18 – Achterwand verwijderen

3. Verwijder het rondsel.
4. Verwijder de volledige aandrijfas uit het achterste deel van de 975 rolgroever.
5. Verwijder de borgring uit de aandrijfas en schuif het tandwiel eraf. (Zie figuur 19.)



Figuur 19 – Verwijderen van de borgring

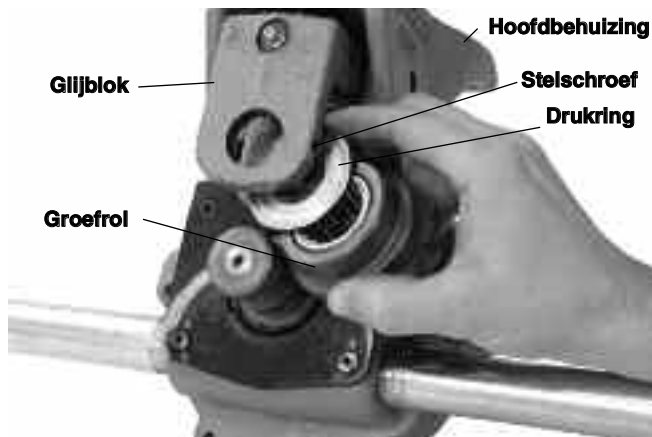
6. Verwijder de spie en daarna de drukring.
7. Schuif de drukring op de nieuwe aandrijfas.
8. Steek de spie erin en monteer het tandwiel.
9. Monteer de borgring in de groef van de aandrijfas.
10. Plaats de volledige aandrijfas in het belangrijkste deel de behuizing.
11. Het is mogelijk dat er vet gemorst wordt tijdens het vervangen van de aandrijfas. Zorg dat er een voldoende dikke laag universeel smeervet op de lagers en tandwiel-tanden zit.
12. Plaats het rondsel terug en monteer de achterwand weer. Draai de schroeven aan met een draaimoment van 16,2-21,6 Nm.



Figuur 20 – Overzicht van de onderdelen van de 975 Combo rolgroever

### Groefrol verwijderen en monteren

1. Verwijder de stelschroef die de groefrolas op zijn plaats houdt.
2. Trek de groefrolas uit het glijblok en verwijder de groefrol en de drukring.
3. Plaats de drukring en de nieuwe groefrol in het glijblok. Zorg dat de binnenspannende borgring in de groefrol het dichtst bij de hoofdbehuizing zit en dat de groefrol tussen de drukring en de hoofdbehuizing zit.



Figuur 21

4. Vervang de groefrolas en de stelschroef.
5. Controleer visueel of de groefrol en de aandrijfrol op een lijn liggen. Controleer of de groefrol en de drukring in de goede richting liggen als ze niet op een lijn liggen
6. Smeer de onderdelen zoals beschreven in het hoofdstuk "Smeren" van de handleiding.

## Toebehoren

### ⚠ WAARSCHUWING

De volgende RIDGID-producten zijn ontworpen om gebruikt te worden in combinatie met de 975 Combo rolgroever. Andere accessoires, die geschikt zijn voor ander gereedschap, kunnen gevaarlijk zijn als ze op de 975 Combo rolgroever worden gebruikt. Om het gevaar voor een ernstig letsel te beperken mag u alleen het toebehoren gebruiken dat speciaal is ontworpen en aanbevolen voor de 975 Combo rolgroever, zoals het toebehoren in onderstaande tabel.

Cat. nummer	Beschrijving
60082	300 aandrijving, 230 V 25-60 Hz
60077	300 aandrijving, 115 V 25-60 Hz
42360	1206 steun voor 300 aandrijving
50697	300 Compact, 230 V 25-60 Hz
50692	300 Compact, 115V 25-60 Hz
20391	300 Compact, 230 V 25-60 Hz (DK)
67662	Adapterbeugel voor 300 Compact/1233
58077	250 inklapbare steun voor 300 Compact/1233
72037	460 draagbare pionierwerkbank met kettingklem
56662	VJ-99 hoge pijpstandaard met V-kop
76822	Diametermeetband inch
76827	Diametermeetband meter
30708	Verlengstuk, 1/2" aandrijving, met vergrendeling
30703	Ratel, 1/2" aandrijving met een hoek van 90°
33043	Groef- en aandrijfrollen voor koperen buizen van 2" - 8" van het type K, L, M en DWV

## Machine opbergen

**⚠ WAARSCHUWING** Berg de machine op op een vergrendelde plaats, buiten het bereik van kinderen en mensen die niet vertrouwd zijn met het gebruik van groefmachines. Dit gereedschap kan ernstig letsel veroorzaken in de handen van onervaren gebruikers.

## Onderhoud en reparatie

### ⚠ WAARSCHUWING

**Gebrekkig onderhoud of een onjuiste herstelling kan het apparaat gevaarlijk maken om mee te werken.**

De "Onderhoudsinstructies" zorgen dat voldaan wordt aan de meeste onderhoudsbehoeften van deze machine. Alle problemen die niet in dit hoofdstuk behandeld worden, dienen verholpen te worden door een erkende onderhoudstechnicus van RIDGID.

Het gereedschap moet naar een erkend zelfstandig servicecentrum van RIDGID worden gebracht of worden teruggestuurd naar de fabriek.

Voor reparatie en onderhoud van deze machine mogen alleen identieke vervangingsonderdelen worden gebruikt. Door het gebruik van andere onderdelen ontstaat het risico op ernstig letsel.

Als u vragen hebt over het onderhoud of de reparatie van dit apparaat kunt u bellen of schrijven naar:

Ridge Tool Company  
Serviceafdeling  
400 Clark Street  
Elyria, Ohio 44035-6001  
Tel.: (800) 519-3456  
E-mail: TechServices@ridgid.com

Voor informatie over het dichtstbijzijnde onafhankelijke servicecentrum van RIDGID en voor alle vragen over service en reparaties.

Neem contact op met de plaatselijke Ridge Tool-distributeur.

Ga naar [www.ridgid.com](http://www.ridgid.com) of [www.ridgid.eu](http://www.ridgid.eu) om het plaatselijke Ridge Tool-contactpunt te vinden.

De serviceafdeling van Ridge Tool is te bereiken via [techservices@emerson.com](mailto:techservices@emerson.com), of in de VS en Canada op het nummer (800) 519-3456



**Tabel I. Standaard rolgroefspecificaties voor pijpen met IPS-maten**

OPMERKING! Alle afmetingen zijn in inches.

NOM. PIJP-MAAT	PIJP-DIAMETER		T MIN. WAND-DIKTE	A PAKKING-ZITTING +.015/-030	B GROEF-BREEDTE +.030/-015	C GROEF-DIAMETER		D NOM. GROEF-DIEPTE (Ref.) (2)
	BU. D.	TOL.				BU. D.	TOL.	
1 <sup>1</sup> / <sub>4</sub>	1.660	+016 -016	.065	.625	.344	1.535	+000 -015	.063
1 <sup>1</sup> / <sub>2</sub>	1.900	+016 -016	.065	.625	.344	1.775	+000 -015	.063
2 <sup>(1)</sup>	2.375	+024 -016	.065	.625	.344	2.250	+000 -015	.063
2 <sup>1</sup> / <sub>2</sub> <sup>(1)</sup>	2.875	+029 -016	.083	.625	.344	2.720	+000 -015	.078
3 <sup>(1)</sup>	3.50	+030 -018	.083	.625	.344	3.344	+000 -015	.078
3 <sup>1</sup> / <sub>2</sub> <sup>(1)</sup>	4.00	+030 -018	.083	.625	.344	3.834	+000 -015	.083
4 <sup>(1)</sup>	4.50	+035 -020	.083	.625	.344	4.334	+000 -015	.083
5 <sup>(1)</sup>	5.563	+056 -022	.109	.625	.344	5.395	+000 -015	.084
6 <sup>(1)</sup>	6.625	+050 -024	.109	.625	.344	6.455	+000 -015	.085

(1) Volgens AWWA C606-06

(2) Nominale groefdiepte is alleen bedoeld als referentiemaat. Gebruik de groefdiepte niet om de bepalen of een groef voldoet.

**Tabel II. Maximale en minimale pijpwanddikte**

OPMERKING! Alle afmetingen zijn in inches.

Pijpmaat	KOOLSTOFSTALEN OF ALUMINIUM PIPEN OF BUIZEN		ROESTVRIJSTALEN PIPEN OF BUIZEN		PVC-PIJPEN	
	Wanddikte		Wanddikte		Wanddikte	
	Min.	Max.	Min.	Max.	Min.	Max.
1 <sup>1</sup> / <sub>4</sub> "	.065	.140	.065	.140	.140	.140
1 <sup>1</sup> / <sub>2</sub> "	.065	.145	.065	.145	.145	.200
2"	.065	.154	.065	.154	.154	.154
2 <sup>1</sup> / <sub>2</sub> "	.083	.203	.083	.188	.203	.276
3"	.083	.216	.083	.188	.216	.300
3 <sup>1</sup> / <sub>2</sub> "	.083	.226	.083	.188	.226	.300
4"	.083	.237	.083	.188	.237	.300
5"	.109	.258	.109	.188	.258	.300
6"	.109	.280	.109	.188	.280	.300

**Tabel III. Rolgroefspecificaties voor koperen buizen**

1	2		3	4	5	6	7	8
Nom. Maat Duim	Buitendiameter buis bu. d.		A Pakking-zitting A	B Groef-breedte +.03 -.000	C Groef-dia. +.00 -.02	D Groef-diepte Ref. <sup>1</sup>	T Min. toegel. wand-dikte	Max. toegel. fels-dia.
	Basismaat	Tolerantie	±0.03					
2"	2.125	±0.002	0.610	0.300	2.029	0.048	DWV	2.220
2 1/2"	2.625	±0.002	0.610	0.300	2.525	0.050	0.065	2.720
3"	3.125	±0.002	0.610	0.300	3.025	0.050	DWV	3.220
4"	4.125	±0.002	0.610	0.300	4.019	0.053	DWV	4.220
5"	5.125	±0.002	0.610	0.300	5.019	0.053	DWV	5.220
6"	6.125	±0.002	0.610	0.300	5.999	0.063	DWV	6.220
8"	8.125	+0.002/-0.004	0.610	0.300	7.959	0.083	DWV	8.220

1. Nominale groefdiepte is alleen bedoeld als referentiemaat. Gebruik de groefdiepte niet om te bepalen of een groef voldoet.

## Problemen oplossen

SYMPTOOM	MOGELIJKE REDENEN	OPLOSSING
Gerolde groef te smal of te breed.	Groefrol en/of aandrijfrol versleten.	Vervang de groefrol en/of aandrijfrol.
Gerolde groef niet loodrecht op pijpas.	Pijplengte niet recht. Pijpuiteinde niet haaks op de pijpas.	Gebruik rechte pijp. Zaag het pijpuiteinde haaks af.
Pijp volgt niet tijdens het rollen van de groef/Groever wil de pijp niet volgen tijdens het rollen van de groef.	Pijp en aandrijfrol niet parallel. Pijpas vormt geen hoek van 1/2 graad met de as van de aandrijfrol. Karteling van de aandrijfrol vuil of afgesleten. Aanzetschroef niet vast. Borgpal is in de verkeerde richting gedraaid. Te veel aanslag binnenin de pijp. Te grote lasnaden. Er wordt geen kracht op de pijp uitgeoefend. Pijpuiteinde niet haaks/afgeslepen. Aanzetschroef te strak aangedraaid.	Stel de steun anders in zodat de pijp parallel loopt. Verplaats de pijp 1/2 graad. Reinig of vervang aandrijfrol. Schroef de aanzetschroef na iedere omwenteling met borgpal vast zoals aangegeven. Draai de borgpal in de juiste richting. Reinig de binnenkant van de pijp. Slijp de lasnaad glad tot ten minste 5 cm vanaf het pijpuiteinde. Oefen druk uit op de pijp. (Zie figuur 10.) Bereid het uiteinde van de pijp correct voor. Draai de aanzetschroef alleen met 1/4 slagen aan.
Pijp verwijdt aan de kant van de groef.	Pijp en aandrijfrol niet parallel. Aanzetschroef te strak aangedraaid.	Stel de steun anders in zodat de pijp parallel loopt. Draai de aanzetschroef telkens met een kwartslag aan.

**Problemen oplossen (vervolg)**

<b>SYMPTOOM</b>	<b>MOGELIJKE REDENEN</b>	<b>OPLOSSING</b>
Pijp beweegt heen en weer op de as van de aandrijfrol tijdens het rollen van de groef.	Pijplengte niet recht. Pijpuiteinde niet haaks op de pijpas.	Gebruik rechte pijp. Zaag het pijpuiteinde haaks af.
Pijp draait van de ene naar de andere kant op de aandrijfrol tijdens het rollen van de groef.	Pijpsteun staat te dicht bij het uiteinde van de pijp. Pijpuiteinde afgeplat of beschadigd. Harde delen in pijpmateriaal of lasnaden harder dan pijp. Snijsnelheid van de groefrol is te langzaam. Aandrijfsnelheid is hoger dan 57 omw./min De pijpsteunen staan niet op de juiste plaats.	Verplaats de pijpsteun zodat de opstelling voldoet aan de instructies. Snij het beschadigde pijpuiteinde eraf. Gebruik een andere pijp. Schuif de groefrol sneller in de pijp. Verlaag de snelheid naar 57 omw./min. of minder. Zet de rollen van de pijpsteun in de juiste stand.
Groever wil geen groef in de pijp rollen.	Maximale pijpwanddikte is overschreden. Pijpmateriaal te hard. Instelschroef niet ingesteld. Aandrijving levert niet het vereiste minimumdraaimoment.	Raadpleeg de tabel voor pijpcapaciteit. Vervang de pijp. Stel de diepte in. Gebruik RIDGID nr. 300, Aandrijfeenheid of 300 Compact of 1233.
Groever wil de gewenste diameter niet rollen.	Maximale tolerantie van de pijpdiameter overschreden. Diepte-instelschroef niet correct ingesteld. Pijp te hard.	Gebruik een pijp met de juiste diameter. Pas de diepte-instelling aan. Gebruik een andere pijp.
Pijp slipt op de aandrijfrol.	Snijsnelheid van de groefrol is te langzaam. Karteling van de aandrijfrol vuil of afgesleten.	Schuif de groefrol sneller in de pijp. Reinig of vervang aandrijfrol.
Tijdens het groeven draait de rolgroever de pijp niet.	Aandrijving levert niet het vereiste minimumdraaimoment. Klauwen van de klauwplaat niet gesloten op de vlakke kanten van de aandrijfrol.	Gebruik RIDGID nr. 300, Aandrijfeenheid of 300 Compact of 1233. Sluit de klauwen van de klauwplaat.
Pijp gaat omhoog of zorgt ervoor dat de groever bijna achterover kantelt.	Pijpsteun niet correct opgesteld.	Stel de steunen correct op.

975

# Scanalatrice combinata a rulli




**RIDGID**<sup>®</sup>

## Indice

<b>Simboli di sicurezza</b> .....	116
<b>Regole di sicurezza generali</b>	
Sicurezza nell'area di lavoro .....	116
Sicurezza elettrica .....	116
Sicurezza individuale .....	117
Uso e cura degli attrezzi.....	117
Manutenzione.....	117
<b>Informazioni specifiche sulla sicurezza</b>	
Sicurezza della scanalatrice a rulli .....	118
Sicurezza della scanalatrice a rulli usata con motore elettrico/filettatrice .....	118
Sicurezza della scanalatrice a rulli usata in opera .....	118
<b>Descrizione, specifiche e dotazione standard</b>	
Descrizione .....	118
Specifiche.....	119
Dotazione standard .....	119
<b>Ispezione della scanalatrice a rulli</b> .....	119
Configurazione della macchina e dell'area di lavoro per le applicazioni con motore elettrico	
Installazione della scanalatrice combinata 975 su un motore elettrico RIDGID 300 .....	121
Installazione della Scanalatrice combinata 975 su una Filettatrice RIDGID 300 Compact/1233 .....	121
Completamento della configurazione .....	122
Preparazione del tubo .....	123
Inserimento del tubo nella scanalatrice a rulli .....	124
<b>Utilizzo della Scanalatrice combinata a rulli 975 con un motore elettrico/filettatrice</b>	
Impostazione/misurazione del diametro della scanalatura .....	125
Esecuzione della scanalatura a rulli .....	125
Impostazione del diametro della scanalatura per i tubi in rame .....	126
Suggerimenti sulla tracciatura della scanalatura per la Scanalatrice combinata a rulli 975.....	126
<b>Configurazione della macchina e dell'area di lavoro per le applicazioni in opera</b>	
Preparazione del tubo .....	128
Montaggio della scanalatrice a rulli sul tubo .....	128
<b>Utilizzo della Scanalatrice combinata a rulli 975 in opera</b>	
Impostazione/misurazione del diametro della scanalatura .....	129
Esecuzione della scanalatura a rulli .....	130
<b>Istruzioni di manutenzione</b>	
Lubrificazione .....	130
Pulizia.....	131
Sostituzione del set di rulli .....	131
<b>Accessori</b> .....	132
Stoccaggio della macchina .....	132
<b>Assistenza e riparazione</b> .....	132
<b>Tabella I. Specifiche standard per la scanalatura a rulli</b> .....	133
<b>Tabella II. Spessore minimo e massimo della parete del tubo</b> .....	133
<b>Tabella III. Specifiche di scanalatura a rulli per tubi in rame</b> .....	134
<b>Risoluzione dei problemi</b> .....	134-135

## Simboli di sicurezza

Sia sul manuale che sul prodotto, i simboli di sicurezza e le indicazioni scritte sono usati per comunicare importanti informazioni di sicurezza. Questa sezione serve a migliorare la comprensione di tali indicazioni e simboli.

 Questo è un simbolo di attenzione alla sicurezza. Serve per avvertire l'utente di possibili pericoli di lesioni personali. Rispettare tutti i messaggi che presentano questo simbolo per evitare possibili lesioni anche letali.

**PERICOLO** PERICOLO indica una situazione pericolosa che, se non evitata, provoca la morte o gravi lesioni.

**AVVERTENZA** AVVERTENZA indica una situazione pericolosa che, se non evitata, può provocare la morte o gravi lesioni.

**ATTENZIONE** ATTENZIONE indica una situazione pericolosa che, se non evitata, può causare lesioni lievi o moderate.

**AVVISO** AVVISO indica informazioni relative alla protezione dello strumento.



Questo simbolo significa che occorre leggere il manuale attentamente prima di usare lo strumento. Il manuale contiene informazioni importanti sull'uso sicuro e appropriato dello strumento.



Questo simbolo significa che occorre indossare sempre gli occhiali di protezione con schermi laterali o una mascherina quando si usa lo strumento per ridurre il rischio di lesioni agli occhi.



Questo simbolo indica il rischio di schiacciamento di dita e mani tra i rulli di scanalatura.



Questo simbolo indica il rischio di intrappolamento e/o avvolgimento di mani, dita, gambe, abiti e altri oggetti su alberi rotanti, con conseguenti contusioni o schiacciamenti.



Questo simbolo indica che non deve essere usato un trapano, attrezzo a percussione o altro attrezzo elettrico per azionare questo dispositivo quando viene utilizzato in opera.



Questo simbolo indica il rischio di ribaltamento della macchina, con conseguente contusione o schiacciamento.



Questo simbolo indica di usare sempre un interruttore a pedale quando si usa un motore elettrico/filettratrice.



Questo simbolo indica di indossare un casco protettivo per il lavoro in opera in postazioni sopraelevate, per ridurre il rischio di lesioni alla testa.

## Regole di sicurezza generali

### **AVVERTENZA**

Leggere e comprendere tutte le istruzioni. La mancata osservanza delle istruzioni può causare folgorazione, incendi e/o lesioni gravi.

### **CONSERVARE IL PRESENTE MANUALE DI ISTRUZIONI.**

Il termine "attrezzo elettrico" nelle avvertenze si riferisce all'attrezzo alimentato a corrente (mediante un cavo) o a batteria (senza cavo).

### Sicurezza nell'area di lavoro

- **Mantenere l'area di lavoro pulita e ben illuminata.** Aree in disordine o al buio favoriscono gli incidenti.
- **Non utilizzare attrezzi elettrici in ambienti esplosivi, in presenza di liquidi, gas o polveri infiammabili.** Gli attrezzi elettrici producono scintille che possono incendiare la polvere o i fumi.
- **Mantenere i bambini e gli estranei lontani quando si utilizza l'attrezzo elettrico.** Qualunque distrazione può farne perdere il controllo.

- **Mantenere i pavimenti asciutti e liberi da materiali scivolosi come l'olio.** I pavimenti scivolosi favoriscono gli incidenti.

- **Proteggere o delimitare l'area in cui il pezzo sporge al di là della macchina.** Una protezione o una delimitazione di almeno novanta (90) centimetri di distanza attorno al pezzo ridurrà il rischio di intrappolamento.

### Sicurezza elettrica

- **Le spine degli attrezzi elettrici devono coincidere con le prese. Non modificare la spina in alcun modo. Non usare adattatori con attrezzi elettrici collegati a terra.** L'uso di spine integre nelle prese adatte riduce il rischio di folgorazione.
- **Evitare il contatto del corpo con superfici collegate a terra come tubature, radiatori, fornelli e frigoriferi.** Il rischio di folgorazione è maggiore se il corpo è collegato a terra.
- **Non esporre l'attrezzo elettrico alla pioggia o all'umidità.** Se penetra dell'acqua in un attrezzo elettrico, aumenta il rischio di folgorazione.

- **Fare buon uso del cavo. Non usare mai il cavo per trasportare l'attrezzo, per tirarlo o per staccare la spina. Mantenere il cavo al riparo dal calore, dall'olio, dagli spigoli e da parti in movimento.** I cavi danneggiati o aggrovigliati aumentano il rischio di folgorazione.
- **Nell'uso di un attrezzo elettrico all'aperto, utilizzare una prolunga adatta per l'uso all'aperto.** L'uso di prolunghe per esterni riduce il rischio di folgorazione.
- **Se non si può evitare di usare un attrezzo elettrico in un ambiente umido, usare una presa protetta da un interruttore differenziale (GFCI).** L'uso di un interruttore differenziale (GFCI) riduce il rischio di folgorazione.

### Sicurezza individuale

- **Non distrarsi, fare attenzione e lavorare con l'attrezzo elettrico usando il buon senso. Non usare l'attrezzo in caso di stanchezza o sotto l'effetto di droghe, alcool o farmaci.** Un attimo di distrazione durante l'utilizzo di attrezzi elettrici può causare gravi lesioni personali.
- **Usare i dispositivi di sicurezza personale. Indossare sempre occhiali protettivi con protezione laterale.** I dispositivi di sicurezza individuale, come una mascherina per la polvere, calzature di sicurezza industriali con suola antiscivolo, casco protettivo e cuffie antirumore, usati secondo le condizioni appropriate riducono il rischio di lesioni.
- **Evitare accensioni accidentali. Assicurarsi che l'interruttore sia in posizione «off» prima di collegare l'attrezzo alla presa e/o alla batteria, sollevarlo o trasportarlo.** Trasportare attrezzi elettrici con il dito sull'interruttore o collegare alla corrente attrezzi con l'interruttore su «on» favorisce gli incidenti.
- **Rimuovere tutti gli accessori di regolazione prima di accendere l'attrezzo.** Un accessorio lasciato in una parte in movimento dell'attrezzo può causare lesioni personali.
- **Non sporgersi eccessivamente. Mantenere stabilità ed equilibrio in ogni momento.** Questo permette di tenere meglio sotto controllo l'attrezzo in situazioni inattese.
- **Indossare vestiti adatti. Non indossare indumenti ampi o gioielli. Mantenere i capelli, gli indumenti e i guanti lontano dalle parti in movimento.** Gli indumenti ampi, i gioielli o i capelli lunghi possono impigliarsi nelle parti in movimento.
- **Se gli apparecchi sono dotati di connessione per dispositivi di estrazione o di raccolta della polvere, controllare che siano collegati e utilizzati correttamente.** L'uso di dispositivi per la raccolta della polvere può ridurre i pericoli derivanti dalla polvere.

### Uso e cura degli attrezzi

- **Non forzare l'attrezzo. Usare l'attrezzo adatto alla mansione da svolgere.** L'attrezzo adatto svolgerà il lavoro meglio e in modo più sicuro nelle applicazioni per le quali è stato progettato.
- **Non usare l'attrezzo se l'interruttore non lo accende (ON) o spegne (OFF).** Un attrezzo che non può essere acceso o spento è pericoloso e deve essere riparato.
- **Scollegare la spina dalla presa di corrente e/o rimuovere la batteria dall'attrezzo prima di effettuare regolazioni sullo stesso, di sostituire accessori o di riporlo.** Tali misure di sicurezza preventive riducono il rischio di far avviare l'attrezzo accidentalmente.
- **Conservare gli attrezzi inutilizzati fuori dalla portata dei bambini e non permettere a persone che non hanno familiarità con l'attrezzo o con queste istruzioni per l'uso di utilizzarlo.** Gli attrezzi sono pericolosi nelle mani di utenti inesperti.
- **Effettuare periodicamente la manutenzione degli attrezzi. Controllare che le parti in movimento non siano disallineate o bloccate, che non ci siano parti rotte o altre condizioni che possano compromettere il corretto funzionamento dell'attrezzo. Se danneggiati, fare riparare gli attrezzi prima dell'uso.** Molti incidenti sono causati da attrezzi trascurati.
- **Usare solo gli accessori consigliati per l'attrezzo.** Gli attrezzi da taglio sottoposti a regolare manutenzione e ben affilati si inceppano di meno e sono più facili da manovrare.
- **Assicurarsi che le maniglie siano asciutte, pulite e prive di olio e grasso.** Questo consente di controllare meglio l'attrezzo.

### Manutenzione

- **Fare eseguire la revisione dell'attrezzo da una persona qualificata che usi soltanto parti di ricambio originali.** Questo garantisce la sicurezza dell'attrezzo.

### Informazioni specifiche di sicurezza

#### **⚠ AVVERTENZA**

**Questa sezione contiene importanti informazioni di sicurezza specifiche per l'attrezzo.**

**Leggere con cura queste precauzioni prima di usare la Scanalatrice combinata a rulli 975 per ridurre il rischio di gravi lesioni personali.**

#### **CONSERVARE LE PRESENTI ISTRUZIONI.**

Per eventuali domande, contattate l'assistenza tecnica della Ridge Tool Company, al numero (02) 95 32 13 26 o all'indirizzo [techservice@ridgid.com](mailto:techservice@ridgid.com).

## Sicurezza della scanalatrice a rulli

- **Non indossare vestiti ampi. Tenere maniche e giacche allacciate. Non sporgersi sulla macchina o sul tubo.** Gli abiti possono impigliarsi nel tubo o altre parti rotanti, con conseguente intrappolamento e gravi lesioni personali.
- **Tenere le mani lontane dai rulli di scanalatura. Non scanalare tubi più corti di quanto specificato. Indossare guanti aderenti.** Le dita possono restare schiacciate tra i rulli di scanalatura o tra il rullo e il tubo.
- **Tenere le mani lontane dalle estremità del tubo. Non inserire le mani all'interno del tubo.** Bave e orli scabri possono impigliare e tagliare. Le dita possono restare schiacciate tra i rulli di scanalatura o tra il rullo e il tubo.
- **Preparare e maneggiare il tubo in modo corretto.** Bave e orli scabri possono impigliare e tagliare.
- **Sorreggere correttamente il tubo.** Questo aiuterà a prevenire il ribaltamento di tubi e apparecchiatura.
- **Leggere e comprendere il manuale dell'operatore, il manuale d'istruzione del motore elettrico o della filettatrice elettrica, le istruzioni di installazione del produttore di raccordi e le istruzioni per tutte le altre apparecchiature usate con questo attrezzo prima di utilizzare la Scanalatrice combinata a rulli RIDGID® 975.** La mancata osservanza di tutte le istruzioni può determinare danni alla proprietà e/o gravi lesioni personali.
- **Indossare sempre dispositivi di protezione individuale adeguati durante la predisposizione e l'uso della Scanalatrice combinata a rulli RIDGID 975.** I dispositivi di protezione individuale adeguati comprendono la protezione per gli occhi e comprendono apparecchiature come guanti in pelle aderenti, calzature con punta in acciaio e casco protettivo.
- **Usare la scanalatrice a rulli solo per scanalare tubi dei tipi e dimensioni consigliati secondo le presenti istruzioni.** Usi impropri o modifiche della scanalatrice a rulli per altre applicazioni possono aumentare il rischio di lesioni.

## Sicurezza della scanalatrice a rulli usata con motore elettrico/filettatrice

- **Usare solo il Motore elettrico RIDGID 300 o la Filettatrice RIDGID 300 Compact con questa Scanalatrice combinata a rulli 975.** L'utilizzo di altre motorizzazioni porterà ad una configurazione non corretta, potendo causare ribaltamento o altri problemi.
- **Non usare questa scanalatrice a rulli con un motore elettrico o filettatrice senza interruttore a pedale. Non bloccare mai l'interruttore a pedale in modo che non si possa controllare il motore elettrico.** Un interruttore a pedale offre un controllo migliore permettendo di scollegare il motore elettrico allontanando il piede. Se gli abiti

s'impigliano nella macchina e il motore resta alimentato, gli abiti verranno tirati dentro la macchina. Questa macchina sviluppa una coppia elevata e può far legare gli abiti attorno alle braccia o altre parti del corpo con abbastanza forza da causare fratture, contusioni o altre lesioni.

- **Una sola persona deve controllare sia il processo di scanalatura che l'interruttore a pedale. Non operare con più di una persona.** In caso di intrappolamento, l'operatore deve controllare l'interruttore a pedale.
- **Usare solo motori elettrici o filettatrici con velocità di rotazione non superiore a 57 giri/min.** Macchine a velocità maggiore aumentano il rischio di incidenti.
- **Assicurarsi che la scanalatrice a rulli sia configurata correttamente e fissata al motore elettrico/filettatrice. Assicurarsi che macchina, supporto, scanalatrice e tubo siano stabili.** Questo aiuterà a impedire il ribaltamento di apparecchiature e tubo.

## Sicurezza della scanalatrice a rulli usata in opera

- **Usare solo l'utilizzo manuale per le applicazioni in opera. Non usare dispositivi elettrici (come trapani o attrezzi a percussione) per azionare la scanalatrice a rulli quando viene usata in opera.** L'uso di dispositivi elettrici può danneggiare la scanalatura e aumentare il rischio di incidenti.
- **Quando si lavora in posizioni sopraelevate, il personale deve indossare caschi protettivi e allontanarsi dalle aree sottostanti.** Questo impedirà gravi lesioni in caso di caduta della scanalatrice, del tubo o di altri oggetti.

## Descrizione, specifiche e dotazione standard

### Descrizione

La Scanalatrice combinata a rulli RIDGID® 975 esegue scanalature su tubi di acciaio, alluminio e PVC. Utilizzabile su tubi di diametro da 1¼" a 6", Schedule 10 e Schedule 40. È progettata anche per scanalare tubi in acciaio inox da 1¼" a 6" Schedule 10 e da 1¼" a 2" Schedule 40. Può essere inoltre adattata per scanalare tubi in rame da 2" - 8" tipo K, L, M e DWV sostituendo il set di rulli. Le scanalature vengono eseguite facendo avanzare meccanicamente un rullo scanalatore nel tubo, azionato da un rullo di trasmissione. L'unica regolazione necessaria è la profondità della scanalatura.

L'unità è specificamente progettata per l'utilizzo in opera o con un motore elettrico RIDGID modello 300 (modelli 38 e 57 giri/min). Con l'adattatore appropriato (n. cat. 67662), l'unità può lavorare con la Filettatrice RIDGID modello 300 Compact. La Scanalatrice combinata a rulli 975 è dotata di un misuratore brevettato della profondità delle scanalature che facilita l'impostazione delle scanalature e caratteristiche brevettate per migliorare il controllo della lavorazione durante l'utilizzo.



La Scanaltrice combinata a rulli 975 è un'unità portatile per uso occasionale in opera e non deve essere utilizzata per lavori continuativi o per lavorazioni in un'officina di grossi quantitativi di tubi.

**AVVISO** Usata correttamente, la Scanaltrice combinata a rulli modello 975 traccia scanalature da 2" - 6" dimensionalmente entro le specifiche AWWA C606-06. La selezione dei materiali e i metodi di giunzione adeguati sono responsabilità del progettista e/o dell'installatore del sistema. Prima di effettuare installazioni, si consiglia di eseguire una valutazione accurata delle condizioni ambientali specifiche, incluso il fattore ambientale chimico e la temperatura di esercizio.

### Specifiche

Capacità .....	Tubo in acciaio da 1 1/4" - 6" Schedule 10 e Schedule 40 Con cambio di rullo: tubo in rame da 2" - 8", tipo K, L, M e DWV
Diametro delle scanalature Regolazione .....	Vite di regolazione e misuratore di profondità delle scanalature
Attuatore .....	Vite di alimentazione con chiave a cricchetto da 1/2"
Motore elettrico installato...	Motore elettrico RIDGID 300 (solo modelli da 38 e 57 giri/min), Filettatrice RIDGID 300 Compact (con adattatore)
Peso.....	12.5 kg

La Scanaltrice combinata a rulli 975 è protetta da brevetti USA e internazionali, compresi i brevetti 6.272.895 e 6.591.652.

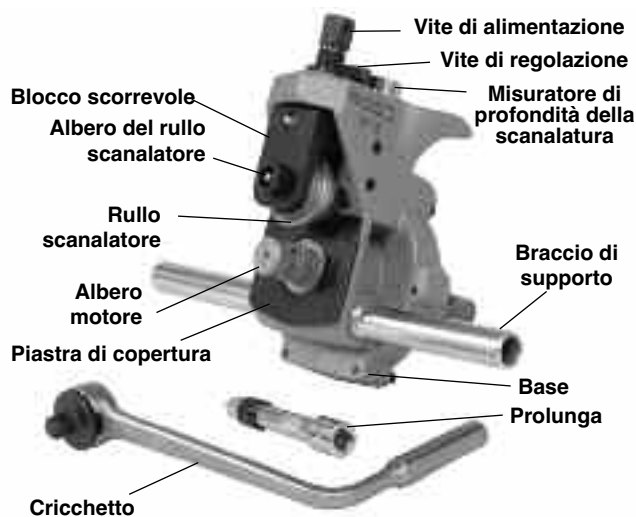


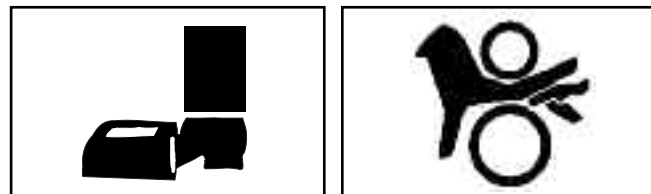
Figura 1 – Scanaltrice combinata a rulli 975

### Dotazione standard

- Rullo di scanalatura e rullo motore da 1 1/4" - 6" Schedule 10 e 40
- Chiave a cricchetto (da 1/2") con rilascio a pulsante
- Prolunga albero di trasmissione con blocco
- Bracci di supporto
- Misuratore di profondità ad indice integrale

### Ispezione della scanaltrice a rulli

#### ⚠ AVVERTENZA



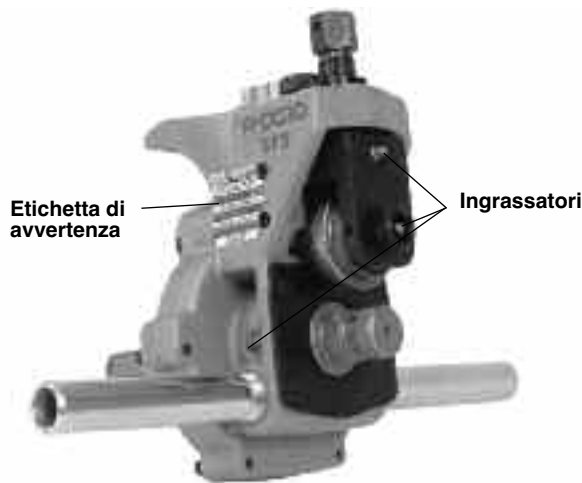
**Prima di ogni utilizzo, esaminare la scanaltrice a rulli ed eliminare eventuali problemi per ridurre il rischio di gravi lesioni dovute a schiacciamento o altre cause per prevenire danni alla scanaltrice stessa.**

**Non usare questa scanaltrice a rulli con un motore elettrico o filettatrice senza interruttore a pedale.**

1. Se la scanaltrice a rulli è installata su un motore elettrico o filettatrice, accertarsi che la macchina sia scollegata dalla corrente e che l'interruttore REV/OFF/FOR sia in posizione OFF. Ispezionare e sottoporre a manutenzione il motore elettrico/filettatrice secondo le istruzioni nel manuale d'istruzioni della macchina. Se non viene eseguita la regolare ispezione e manutenzione delle apparecchiature, potranno derivarne gravi lesioni o danni alle cose. Assicurarsi che sia presente e correttamente funzionante un interruttore a pedale. Non usare questa scanaltrice a rulli senza un interruttore a pedale.
2. Rimuovere olio, grasso o sporco dalla scanaltrice a rulli, compresa la maniglia di trasporto e il cricchetto usato per azionare la scanaltrice. Questo riduce il rischio di lesioni dovuti alla perdita della presa sulla scanaltrice o sul cricchetto durante l'uso e consente un'ispezione più semplice.
3. Assicurarsi che i bracci di supporto siano saldamente inseriti nel corpo della scanaltrice.
4. Ispezionare la scanaltrice a rulli per rilevare parti rotte, mancanti, disposte in modo incorretto o bloccate o altre condizioni che possano impedire il funzionamento sicuro e normale. Assicurarsi che il rullo scanalatore e l'albero di trasmissione ruotino liberamente.
5. Verificare che l'etichetta di avvertimento sia presente e saldamente fissata. *Vedere la Figura 2* per la posizione dell'etichetta di avvertimento.
6. Se le zigrinature dell'albero di trasmissione sono sporche, pulirle con una spazzola metallica. Zigrinature sporche

possono far scivolare il tubo e dare problemi di tenuta sul tubo durante la scanalatura.

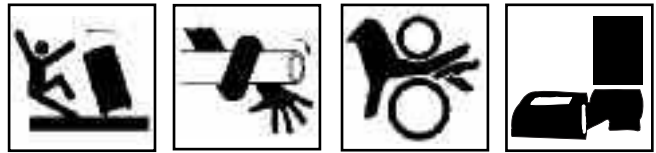
7. Verificare l'eventuale presenza di rotture, usura o altri segni di danno sul rullo scanalatore o sull'albero di trasmissione. Rulli scanalatori e alberi di trasmissione danneggiati possono causare slittamento del tubo, scanalature di bassa qualità o guasti durante l'uso.
8. Verificare che cricchetto e prolunga funzionino correttamente. Assicurarsi che il cricchetto funzioni in modo regolare e uniforme in entrambe le direzioni. Premere il pulsante di sblocco al centro della testa del cricchetto e installarlo sulla vite di alimentazione. Il cricchetto si bloccherà saldamente in posizione. Il cricchetto si fisserà inoltre saldamente nella prolunga e la prolunga dovrà fissarsi saldamente nell'attacco quadro per l'azionamento manuale nella parte posteriore della scanalatrice a rulli. Questo impedisce al cricchetto e alla prolunga di allentarsi dalla scanalatrice durante l'uso. Se il cricchetto, la chiave o la prolunga non si accoppiano esattamente alla scanalatrice, è possibile che si allentino durante l'uso.  
In caso di problemi, non usare la macchina finché non siano stati corretti.
9. Lubrificare la scanalatrice a rulli secondo le istruzioni di manutenzione del presente manuale. Rimuovere l'eventuale eccesso di grasso dalla scanalatrice.
10. Se vengono usate altre apparecchiature, ispezionarle e sottoporle a manutenzione per assicurarsi che funzionino correttamente.



**Figura 2 – Etichetta di avvertenza della Scanalatrice combinata a rulli 975**

## Configurazione della macchina e dell'area di lavoro per le applicazioni con motore elettrico

### ⚠ AVVERTENZA



**Indossare sempre occhiali protettivi contro la sporcizia e i corpi estranei. Indossare calzature con rinforzi in acciaio per proteggere i piedi dalla caduta di attrezzi e spezzoni di tubo.**

**Non usare questa scanalatrice a rulli con un motore elettrico o filettatrice senza interruttore a pedale. Non bloccare mai l'interruttore a pedale in modo che non si possa controllare il motore elettrico. Un interruttore a pedale offre un controllo migliore permettendo di scollegare il motore elettrico allontanando il piede. Se gli abiti s'impigliano nella macchina e il motore resta alimentato, gli abiti verranno tirati dentro la macchina. Questa macchina sviluppa una coppia elevata e può far legare gli abiti attorno alle braccia o altre parti del corpo con abbastanza forza da causare fratture, contusioni o altre lesioni.**

**Predisporre la scanalatrice a rulli e l'area di lavoro seguendo queste procedure per ridurre il rischio di lesioni da folgorazione, incendio, ribaltamento della macchina, intrappolamento, schiacciamento e altre cause e per evitare danni alla scanalatrice a rulli.**

1. Individuare un'area di lavoro che abbia le seguenti caratteristiche.
  - Illuminazione adeguata.
  - Assenza di liquidi, vapori o polveri infiammabili. Se presenti, non lavorare nell'area fino a quando non se ne identifica ed elimina la fonte. Motori elettrici e filettatrici non sono a prova di esplosione e possono causare scintille.
  - Postazione libera, piana, stabile e asciutta per tutte le apparecchiature e l'operatore. Non usare la macchina quando ci si trova in contatto con acqua.
  - Presa elettrica correttamente collegata a terra. Una presa a tre conduttori o GFCI può non essere ben collegata a terra. In caso di dubbio, far controllare la presa da un elettricista autorizzato.
  - Percorso sgombro fino alla presa elettrica che non presenti potenziali problemi per il cavo di alimentazione.
2. Sgombrare l'area di lavoro prima di approntare le apparecchiature. Pulire sempre l'olio eventualmente presente.
3. Ispezionare il tubo da scanalare e verificare che la Scanalatrice combinata a rulli 975 sia l'attrezzo giusto per il lavoro da eseguire. La Scanalatrice combinata a rulli 975 è progettata per scanalare tubi Schedule 10 e 40 in acciaio, alluminio e PVC con diametri da 1 1/4" a 6". È inoltre

progettata per scanalare tubi in acciaio inox da 1 1/4" a 6" Schedule 10 e da 1 1/4" a 2" Schedule 40. Sostituendo il set di rulli, può essere usata per scanalare tubi in rame 2" - 8" tipo K, L, M e DWV.

La Scanaltrice combinata a rulli 975 può essere usata per applicazioni in opera (tubi inseriti in posizione o montati in una morsa) o con un Motore elettrico RIDGID 300 o Filettatrice RIDGID 300 Compact per applicazioni a motore elettrico nel cantiere di lavoro. L'uso della Scanaltrice combinata a rulli 975 non è previsto per lavorazioni di tubi in maniera continuativa.

Scanaltrici a rulli per altre applicazioni sono disponibili consultando il catalogo Ridge Tool, on-line a [www.RIDGID.com](http://www.RIDGID.com), o chiamando l'Assistenza tecnica Ridge Tool al numero (02) 95 32 13 26.

**AVVISO** L'uso dei set di rulli (rullo scanalatore e albero di trasmissione) sia su tubi in acciaio al carbonio sia su tubi in acciaio inox può portare a contaminazioni del materiale in acciaio inox. Questa contaminazione può causare corrosione e rottura prematura dei tubi. Per prevenire la contaminazione ferrosa del tubo in acciaio inox, usare set di rulli predisposti per la scanalatura a rulli su acciaio inox. Alternativamente, è possibile usare una spazzola metallica in acciaio inox per pulire con cura il set di rulli al cambio di materiale.

- Assicurarsi che il motore elettrico/filettatrice sia stato ispezionato come da relativo manuale. Accertarsi della presenza di un interruttore a pedale e assicurarsi che l'interruttore FOR/OFF/REV sia in posizione OFF. Impostare il motore elettrico/filettatrice secondo le istruzioni del manuale. Assicurarsi che macchina e supporto siano stabili e non oscillino.
- Aprire completamente il mandrino del motore elettrico/filettatrice.
- Verificare che la Scanaltrice combinata a rulli 975 sia stata ispezionata e sia stato installato il corretto set di rulli.

### Installazione della Scanaltrice combinata 975 su un Motore elettrico RIDGID 300

- Se il motore elettrico da utilizzare è dotato di carrello o altri accessori, rimuoverli dal motore elettrico. Assicurarsi che i bracci di supporto del motore elettrico siano completamente estesi e fissati in posizione.
- Collocare i bracci di supporto della scanaltrice a rulli sui bracci di supporto del motore elettrico e l'estremità dell'albero motore del motore elettrico nel mandrino della macchina. Chiudere e serrare il mandrino del motore sulle parti piane dell'albero di trasmissione. Assicurarsi che l'albero di trasmissione sia centrato nel mandrino. Usare ripetuti movimenti secchi del volano del mandrino anteriore per fissare saldamente l'albero di trasmissione (Figura 3).

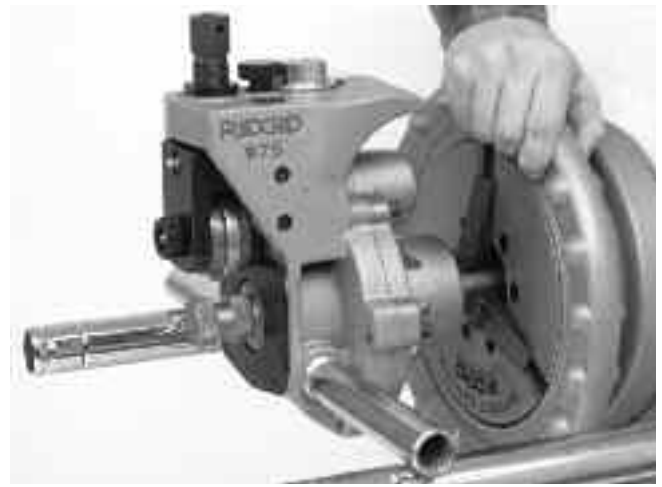


Figura 3 – Accoppiamento della Scanaltrice combinata a rulli 975 al mandrino del Motore elettrico 300

### Installazione della Scanaltrice combinata 975 su una Filettatrice RIDGID 300 Compact/1233

Quando si usa la Scanaltrice combinata a rulli 975 con una Filettatrice 300 Compact/1233, è necessario usare un kit adattatore (n. di catalogo 67662). Questo kit adattatore posiziona correttamente la Scanaltrice combinata a rulli 975 sulla filettatrice e permette di scanalare l'intera gamma dei diametri previsti. Non tentare di usare la scanaltrice combinata 975 con altre filettatrici; possono verificarsi ribaltamenti o altri problemi.

- Installare la prolunga sull'albero di trasmissione della scanaltrice a rulli (v. Figura 4). Allineare le viti di regolazione sulle parti piane dell'albero di trasmissione della scanaltrice e serrare saldamente.

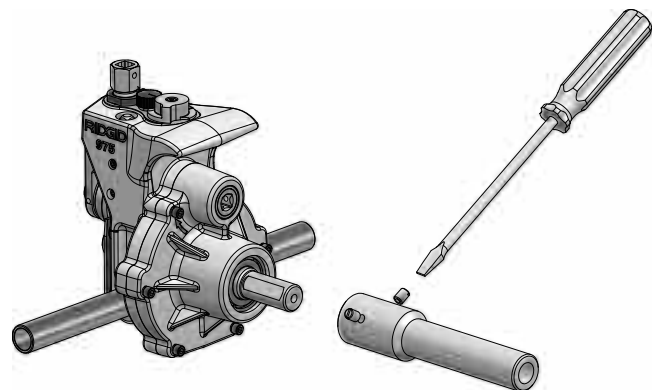


Figura 4 – Installazione della prolunga dell'albero di trasmissione

- Avvicinare il carrello della Filettatrice 300 Compact/1233 il più possibile al mandrino della macchina. Posizionare la testa portapettini, il tagliatubo e l'alesatore in posizione di riposo in modo tale che non siano di intralcio. Posizionare il cono alesatore all'interno della testa portapettini.

3. Posizionare la staffa dell'adattatore sull'estremità delle guide della Filettatrice 300 Compact/1233 (come in Figura 5) e fissarla in sede con il perno in dotazione.



**Figura 5 – Installazione della staffa adattatore**

4. Collocare i bracci di supporto dell'unità 975 sui bracci della staffa di supporto ed inserire la prolunga dell'albero di trasmissione nel mandrino della macchina. Chiudere e serrare il mandrino della filettatrice sulla prolunga dell'albero di trasmissione. Assicurarsi che la prolunga sia centrata nel mandrino. Usare ripetuti movimenti secchi del volano del mandrino anteriore per fissare saldamente la prolunga dell'albero di trasmissione.



**Figura 6 – Scanalatrice combinata a rulli 975 montata correttamente sulla Filettatrice 300 Compact**

### Completamento della messa in opera

1. Posizionare l'interruttore a pedale in modo che l'operatore possa controllare sia il motore elettrico/filettatrice, sia la scanalatrice a rulli ed il tubo da scanalare. Come illustrato in Figura 6, la posizione deve consentire all'operatore di:
  - stare di fronte alla scanalatrice a rulli ed avere accesso all'interruttore FOR/OFF/REV (sullo stesso lato);

- controllare l'azione ON/OFF dell'interruttore a pedale e rilasciare rapidamente l'interruttore a pedale se necessario;
- accedere comodamente alla scanalatrice a rulli, al tubo e alla chiave a cricchetto senza sporgersi sulla scanalatrice a rulli.



**Figura 7 – Posizione dell'operatore**

2. Svolgere il cavo di alimentazione lungo il percorso sgombrato individuato in precedenza. Con le mani asciutte, collegare il motore elettrico alla presa di corrente con collegamento a terra. Tenere tutti i collegamenti elettrici in un luogo asciutto e sollevati da terra. Se il cavo di alimentazione non è abbastanza lungo usare una prolunga:
  - in buone condizioni;
  - con spina a tre poli simile a quella del motore elettrico;
  - sia predisposta all'uso in esterni e abbia un codice W o W-A nella designazione del cavo (p. es. SOW);
  - abbia un conduttore di dimensioni sufficienti (14 AWG per 7,5 metri o meno, 12 AWG per 7,5 – 15 metri). Conduttori di sezione troppo ridotta possono surriscaldarsi e fondere l'isolamento, causare un incendio o altri danni.
3. Verificare che il motore elettrico/filettatrice funzioni correttamente.
  - Portare l'interruttore in posizione FOR (avanti). Premere e rilasciare l'interruttore a pedale. Verificare che l'albero motore ruoti in senso antiorario se osservato di fronte al

mandrino anteriore. Se l'unità non ruota nel senso corretto o l'interruttore a pedale non controlla il funzionamento della macchina, non usare la macchina finché non viene riparata.

- Premere e tenere premuto l'interruttore a pedale. Verificare la velocità di rotazione dell'unità. Ispezionare le parti in movimento per individuare eventuali errori di allineamento, parti bloccate, rumori insoliti o altre condizioni anomale. Rilasciare l'interruttore a pedale. Se la velocità di rotazione supera i 57 giri/min, non usare l'unità per la scanalatura a rulli. Macchine a velocità maggiore aumentano il rischio di incidenti. In caso di condizioni anomale, non usare l'apparecchiatura finché non viene riparata.
- Portare l'interruttore in posizione REV (indietro). Premere e rilasciare l'interruttore a pedale. Confermare che l'albero motore ruoti in senso orario se osservato di fronte al mandrino anteriore. Se l'unità non ruota nel senso corretto, non usare la macchina finché non viene riparata.
- Portare l'interruttore in posizione OFF. Con le mani asciutte, scollegare la macchina dall'alimentazione.

### Preparazione del tubo

**AVVISO** Le presenti sono istruzioni generalizzate. Seguire sempre le raccomandazioni specifiche del produttore dei raccordi scanalati per la preparazione dell'estremità del tubo. La mancata osservanza delle raccomandazioni del produttore dei raccordi scanalati può portare a un collegamento inadeguato e provocare perdite.

1. Tagliare il tubo alla lunghezza corretta. Considerare le lunghezze minime di tubo scanalabili per ciascun diametro dei tubi (v. Prospetto A). Scanalare tubi più corti della lunghezza minima aumenta il rischio di incidenti dovuti a dita schiacciate e intrappolamento.

Assicurarsi che l'estremità del tubo sia tagliata a squadra e senza bavature. Le bavature possono impigliare o tagliare guanti o dita durante la scanalatura. Il metodo di taglio e bavature di grandi dimensioni possono influire sulla qualità e la continuità della scanalatura. Non tentare di scanalare un tubo tagliato a torcia.

2. Tutti i punti, gli sfridi o le giunzioni di saldatura interni ed esterni devono essere rettificati a filo per almeno 5 cm dall'estremità del tubo. Non fresare zone piane nella futura sede della guarnizione, in quanto ciò può provocare perdite.
3. Rimuovere incrostazioni, morchie, ruggine e altri materiali contaminanti per almeno 5 cm dall'estremità del tubo. Materiali contaminanti possono otturare le zigrinature delle parti motrici e impedire il movimento e la conduzione corretta del tubo durante la scanalatura.

### Inserimento del tubo nella scanalatrice a rulli

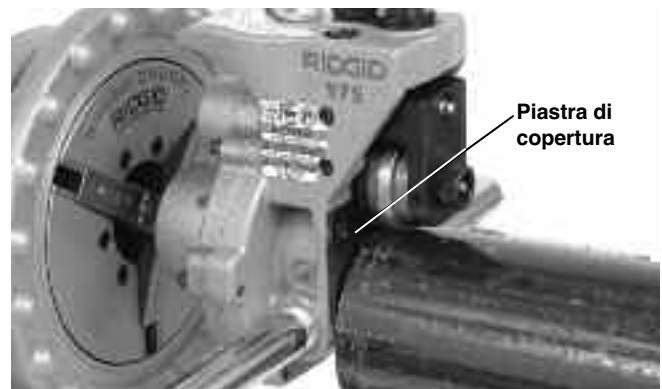
1. Verificare che il motore elettrico/filettratrice sia in posizione OFF.

2. Assicurarsi di avere a disposizione un cavalletto adeguato per i tubi da scanalare. Il *Prospetto A* elenca la lunghezza massima del tubo da scanalare con un solo cavalletto di supporto per tubo. Tratti più lunghi di tubo devono essere sorretti da almeno due cavalletti di supporto. Un errato supporto del tubo può far inclinare o cadere il tubo ed eventualmente la macchina. Non scanalare tubi più corti della lunghezza minima.

Dimensione nom.	Lunghezza min.	Lunghezza max.	Dimensione nom.	Lunghezza min.	Lunghezza max.
1	8	36	4	8	36
1 1/4	8	36	4 1/2	8	32
1 1/2	8	36	5	8	32
2	8	36	6 D.E.	10	30
2 1/2	8	36	6	10	28
3	8	36			
3 1/2	8	36			

**Prospetto A – Lunghezza minima/massima del tubo da scanalare con un cavalletto di supporto (tutte le dimensioni sono in pollici)**

3. Collocare i cavalletti di supporto per tubo necessari davanti alla scanalatrice a rulli. Per tratti di tubo retti da un solo supporto, quest'ultimo deve essere collocato leggermente più lontano dalla metà del tubo rispetto alla piastra di copertura della scanalatrice a rulli. Per spezzoni di tubo con più cavalletti di supporto, questi ultimi devono trovarsi a 1/4 della lunghezza del tubo rispetto alle due estremità. In alcune situazioni può essere necessario usare più cavalletti di supporto. L'altezza dei supporti deve essere regolata in modo che il tubo possa essere inserito sul rullo motore.
4. Assicurarsi che il rullo scanalatore sia abbastanza retrato da permettere di inserire il tubo sull'albero di trasmissione. Se necessario, ruotare la vite di alimentazione in senso antiorario per sollevare il rullo scanalatore.
5. Collocare l'estremità del tubo sull'albero di trasmissione e poggiare i tubi sul supporto o sui supporti. Assicurarsi che il tubo sia stabile.



**Figura 8 – Collocazione del tubo sull'albero di trasmissione e a filo della piastra di copertura**

6. Regolare il tubo ed i cavalletti di supporto in modo che l'estremità del tubo sia a filo con la piastra di copertura della scanaltrice a rulli e che l'interno del tubo sia a contatto con la parte superiore dell'albero di trasmissione (Figura 7). La linea di centraggio del tubo e quella dell'albero di trasmissione devono essere parallele. Un modo per ottenere questo risultato è livellare in orizzontale sia il tubo che il motore elettrico/filettrice.
7. Sfsalsare leggermente il tubo e il cavalletto di supporto di circa 1/2 gradi (circa 2,5 cm a 3 m dalla scanaltrice a rulli) verso l'operatore. L'allineamento corretto di tubo e scanaltrice a rulli contribuisce ad assicurare una buona conduzione del tubo durante la scanalatura. (v. Figura 9).

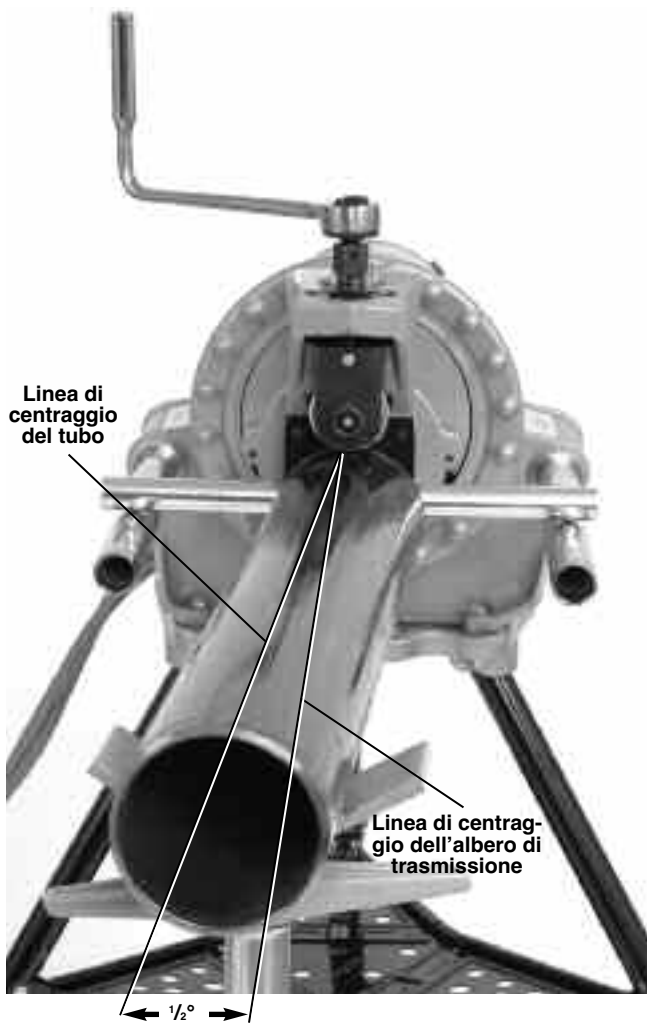


Figura 9 – Sfsalsamento del tubo di 1/2° verso l'operatore (non in scala)

8. Ruotare la vite di alimentazione in senso orario per abbassare il rullo scanalatore portandolo a contatto con il diametro esterno del tubo, quindi girare la vite di alimentazione di un altro quarto di giro. Può essere necessario allentare la vite di regolazione (ruotandola in senso antiorario) per fare in modo che il rullo scanalatore vada a contatto con il

tubo. A questo punto, il tubo e la scanaltrice a rulli sono fissati l'uno all'altra.

9. Verificare l'area di lavoro e determinare se sono necessarie barriere per mantenere il personale non addetto a distanza dall'apparecchiatura o dal tubo. Usare protezioni e barriere per mantenere uno spazio libero di almeno novanta (90) centimetri dal motore elettrico e dal tubo. Questa "zona di sicurezza" impedisce alle persone di entrare accidentalmente a contatto con la macchina ed il tubo e i conseguenti strappi o intrappolamenti nelle parti rotanti.
10. Con le mani asciutte, collegare la macchina alla presa di corrente con collegamento a terra.

## Utilizzo della Scanaltrice combinata a rulli 975 con un motore elettrico/filettrice

### ⚠ AVVERTENZA



**Non indossare indumenti ampi quando si lavora con la scanaltrice a rulli. Tenere maniche e giacche allacciate. Non sporgersi sulla macchina o sul tubo. Gli indumenti ampi possono impigliarsi nelle parti rotanti e causare lesioni.**

**Tenere le mani lontane dai rulli di scanalatura. Non scanalare tubi più corti di quanto specificato. Indossare guanti aderenti. Le dita possono restare schiacciate tra i rulli di scanalatura o tra il rullo e il tubo.**

**Tenere le mani lontane dalle estremità del tubo. Non inserire le mani all'interno del tubo. Bavature e orli scabri possono impigliare e tagliare. Le dita possono restare schiacciate tra i rulli di scanalatura o tra il rullo e il tubo.**

**Indossare sempre occhiali protettivi contro la sporcizia e i corpi estranei. Indossare calzature con rinforzi in acciaio per proteggere i piedi dalla caduta di attrezzi e spezzoni di tubo.**

**Seguire le istruzioni di funzionamento per ridurre il rischio di lesioni dovute a schiacciamento, ribaltamento, urto o altro.**

### Impostazione/misurazione del diametro della scanalatura

**AVVISO** Date le diverse caratteristiche dei tubi, è sempre consigliabile eseguire una scanalatura di prova prima della prima scanalatura o quando si cambiano dimensioni, parametro Schedule o diversa tipologia di materiale del tubo. I misuratori di impostazione del diametro della scanalatura sono solo approssimativi; il diametro della scanalatura deve essere misurato per verificare che le dimensioni siano corrette.

1. Verificare che tubo e apparecchiatura siano impostati correttamente. Una preparazione non adeguata del tubo può

influire sull'impostazione accurata del misuratore di profondità della scanalatura. Il rullo scanalatore deve essere a contatto con il tubo.

2. Regolare il misuratore di profondità della scanalatura in modo che il riferimento corretto della profondità di scanalatura sia sotto la testa della vite di regolazione (Figura 10A). Il misuratore di profondità della scanalatura è progettato per l'uso con tubi standard. Vedere "Impostazione del diametro della scanalatura per i tubi in rame" per l'uso con i tubi in rame.
3. Ruotare la vite di regolazione in senso orario finché la testa non è a contatto con il riferimento del misuratore di profondità. Ruotare il misuratore di profondità della scanalatura sulla posizione di scanalatura (Figura 10B). Se il misuratore non è in posizione di scanalatura, il processo di scanalatura non funzionerà e il tubo potrà danneggiarsi.



**Figura 10A** – Far combaciare il riferimento corretto del misuratore sotto la testa della vite di regolazione



**Figura 10B** – Misuratore in posizione di scanalatura

4. Eseguire una scanalatura di prova (seguire le istruzioni per "Esecuzione della scanalatura a rulli").
5. Misurare il diametro della scanalatura. Il metodo migliore per la misurazione del diametro della scanalatura è usare un flessometro per misurazione diametri (v. la sezione Accessori). Avvolgere strettamente il flessometro per misurazione dei diametri attorno al tubo nella scanalatura. Assicurarsi che il flessometro sia in posizione piana sul fondo della scanalatura e leggere il diametro della scanalatura. (v. Figura 11).



**Figura 11** – Verifica del diametro della scanalatura con un nastro per diametri

6. Confrontare il diametro misurato della scanalatura con il diametro richiesto della scanalatura come indicato in Tabella I o III o secondo quanto specificato dal produttore del raccordo scanalato. Se la scanalatura misurata non rientra nel diametro richiesto, la vite di regolazione deve essere riposizionata per ottenere il diametro corretto della scanalatura.
  - Per aumentare il diametro della scanalatura, ruotare la vite di regolazione in senso orario.
  - Per diminuire il diametro della scanalatura, ruotare la vite di regolazione in senso antiorario.
  - 1/4 di giro della vite di regolazione modifica il diametro della scanalatura di circa 0,5 mm.
7. Ripetere i passi 4-6 finché il diametro della scanalatura non rientra nelle specifiche. Se la scanalatura è troppo grande, il rullo scanalatore può essere regolato per ridurre la scanalatura. Se la scanalatura è troppo piccola, sarà necessario praticarne un'altra. Il diametro corretto della scanalatura è importante per le buone prestazioni del raccordo. Scanalature fuori specifica possono far cedere il raccordo.

### Esecuzione della scanalatura a rulli

1. Verificare che tubo e apparecchiatura siano impostati correttamente.



**Figura 12** – Posizione operativa per la scanalatrice a rulli

2. Assumere una posizione operativa corretta. Posizionare l'interruttore a pedale del motore elettrico in modo che l'operatore possa controllare il motore, la scanalatrice a rulli

e il tubo da scanalare. Come illustrato in *Figura 12*, la posizione deve consentire all'operatore di:

- stare di fronte alla scanalatrice a rulli con accesso all'interruttore FOR/OFF/REV (sullo stesso lato);
  - controllare l'azione ON/OFF dell'interruttore a pedale e rilasciare rapidamente l'interruttore a pedale se necessario;
  - operare comodamente utilizzando la scanalatrice a rulli e la chiave a cricchetto senza sporgersi sulla scanalatrice a rulli.
  - collocare la mano destra sul tubo da scanalare, se necessario;
  - avere un buon appoggio e un equilibrio corretto.
3. Portare l'interruttore FOR/OFF/REV in posizione REV (indietro). **Non azionare la Scanalatrice combinata a rulli 975 in posizione FOR (avanti). Data la struttura della Scanalatrice combinata a rulli 975, questo farà uscire "a vite" il tubo dai rulli scanalatori rischiando di farlo cadere.**
  4. Collocare una mano sulla testa del cricchetto/parte superiore della vite di alimentazione e l'altra mano all'estremità del cricchetto.
  5. Premere l'interruttore a pedale per avviare il motore elettrico. Osservare la rotazione del tubo e assicurarsi che la superficie trasversale del tubo resti a contatto con la piastra di copertura della scanalatrice a rulli. Se il tubo inizia ad allontanarsi dalla piastra di copertura della scanalatrice a rulli, rilasciare l'interruttore a pedale per impedire che il tubo si "sviti" e cada. Se necessario, collocare di nuovo in sede il tubo (*v. la sezione Inserimento del tubo*). Se l'estremità del tubo è deformata, dovrà essere tagliata e dovrà essere praticata una nuova scanalatura.
  6. Una volta completata la rotazione del tubo, serrare la vite di alimentazione di  $\frac{1}{4}$  di giro. Continuare a controllare l'estremità del tubo per assicurarsi che sia a contatto con la piastra di copertura. Non serrare la vite di alimentazione per più di  $\frac{1}{4}$  di giro per rotazione del tubo. Un serraggio aggressivo della vite di alimentazione può svasare eccessivamente la scanalatura o fare "svitare" il tubo dall'albero motore.
  7. Continuare a serrare la vite di alimentazione di  $\frac{1}{4}$  di giro per rotazione del tubo finché la testa della vite di regolazione non si arresta contro la parte superiore della scanalatrice a rulli. Non continuare a serrare la vite di alimentazione dopo che la vite di regolazione ha raggiunto la parte superiore della scanalatrice a rulli; questo danneggerebbe la vite di regolazione. Permettere al tubo di effettuare almeno altre due rotazioni in questa posizione per assicurare una profondità uniforme della scanalatura.
  8. Rilasciare l'interruttore a pedale e portare l'interruttore FOR/OFF/REV in posizione OFF.
  9. Ruotare la vite di alimentazione in senso antiorario e sollevare il rullo scanalatore in modo da poter rimuovere il tubo dalla macchina.
  10. Ispezionare la scanalatura.
    - Assicurarsi che sia stata completata.

- Verificare il diametro della scanalatura e accertarsi che rientri nelle specifiche.
- Verificare tutti gli altri elementi secondo quanto richiesto dal produttore del raccordo.

Se si riscontrano problemi, non usare la scanalatura.

### Impostazione del diametro della scanalatura per i tubi in rame

Quando si usa la scanalatrice combinata a rulli 975 per tubi di rame, non è possibile utilizzare il misuratore di profondità della scanalatura presente sulla scanalatrice. Fornisce diametri di scanalatura non corretti.

1. Ruotare la vite di alimentazione in senso orario per abbassare il rullo scanalatore portandolo a contatto con il diametro esterno del tubo, quindi girare la vite di alimentazione di un altro quarto di giro. Può essere necessario allentare la vite di regolazione (ruotandola in senso antiorario) per fare in modo che il rullo scanalatore vada a contatto con il tubo. A questo punto, il tubo e la scanalatrice a rulli sono fissati l'uno all'altra.
2. Assicurarsi che il misuratore di profondità della scanalatura sia in posizione di scanalatura. (*Figura 10B*)
3. Ruotare la vite di regolazione finché non è a filo con la piastra superiore della scanalatrice.
4. Individuare il diametro e il tipo di tubo da scanalare nel Prospetto B e allontanare la vite di regolazione dalla piastra superiore del numero di giri indicato. Per esempio, per un tubo di rame da 4" Sch. L, fare arretrare la vite di regolazione di  $1\frac{1}{4}$  di giro.

#### Regolazione della profondità per la scanalatura di tubi in rame (giri della vite di regolazione)

Diam.	K	L	M	DWV
2-2.5"	$\frac{7}{8}$	$\frac{7}{8}$	$\frac{5}{8}$	$\frac{5}{8}$
3"	$1\frac{1}{16}$	$1\frac{1}{16}$	$1\frac{1}{16}$	$1\frac{1}{16}$
4"	$1\frac{1}{4}$	$1\frac{1}{4}$	$1\frac{1}{4}$	$1\frac{1}{8}$
5"	$1\frac{1}{2}$	$1\frac{1}{2}$	$1\frac{1}{2}$	$1\frac{1}{2}$
6"	$1\frac{3}{16}$	$1\frac{3}{4}$	$1\frac{3}{4}$	$1\frac{3}{4}$
8"	$2\frac{1}{2}$	$2\frac{3}{8}$	$2\frac{1}{8}$	$2\frac{1}{8}$

#### Prospetto B – Regolazione della profondità per la scanalatura di tubi in rame

5. *Passare al punto 4 di "Impostazione/misurazione del diametro della scanalatura".*

### Suggerimenti di tracciamento della scanalatura per la Scanalatrice combinata a rulli 975

Il problema principale riscontrato nella scanalatura a rulli è il fatto che il tubo "si svita" o "esce" dall'albero di trasmissione e non avanza correttamente. Perché il tubo avanzi in modo corretto, è importante seguire tutte le istruzioni. Se, anche seguendo tutte



le istruzioni, il tubo non avanza correttamente, ci sono diverse altre opzioni per correggere la situazione.

- Aumentare leggermente la sfalsatura del tubo verso l'operatore (aumentare da  $1/2$  grado a 1 grado) (v. Figura 9).
- L'operatore può dover applicare una leggera forza al tubo durante la scanalatura per mantenerlo in posizione. Questo normalmente è necessario solo per i tubi più corti. Per fare questo, l'operatore dovrà indossare un guanto in pelle in buone condizioni e tenere la mano a coppa attorno al centro del tubo come illustrato in Figura 13. È possibile che sia necessario fissare a terra il cavalletto su cui è montato il motore elettrico/filettratrice per impedire che si sposti durante la scanalatura. Per evitare lesioni da schiacciamento, tenere la mano lontana dal rullo scanalatore e dalle estremità del tubo e non scanalare tubi di lunghezza inferiore a quanto consigliato.



**Figura 13 – Applicare forza al tubo durante la scanalatura per mantenere la posizione**

- Consultare anche la sezione *Risoluzione dei problemi* per un elenco completo dei motivi e le soluzioni relative ai problemi di avanzamento.

## Predisposizione della macchina e dell'area di lavoro per le applicazioni in opera

### ⚠ AVVERTENZA



**Indossare sempre occhiali protettivi contro la sporcizia e i corpi estranei. Indossare calzature con rinforzi in acciaio per proteggere i piedi dalla caduta di attrezzi e spezzoni di tubo. Per le lavorazioni in opera, indossare un casco protettivo.**

**Preparare la scanalatrice a rulli e l'area di lavoro seguendo queste procedure per ridurre il rischio di lesioni da ribaltamento della macchina, schiacciamento e altre cause ed evitare danni alla scanalatrice a rulli.**

1. Individuare un'area di lavoro che abbia le seguenti caratteristiche.
  - Illuminazione adeguata.
  - Assenza di liquidi, vapori o polveri infiammabili. Se presenti, non lavorare nell'area fino a quando non se ne identifica ed elimina la fonte.
  - Postazione libera, piana, stabile e asciutta con spazio adeguato per tutte le apparecchiature e l'operatore.
2. Sgombrare l'area di lavoro prima di predisporre le apparecchiature. Pulire sempre l'olio eventualmente presente.
3. Ispezionare il tubo da scanalare e verificare che la scanalatrice combinata a rulli 975 sia l'attrezzo giusto per il lavoro da eseguire. La Scanalatrice combinata a rulli 975 è progettata per scanalare tubi Schedule 10 e 40 in acciaio, alluminio e PVC con diametri da  $1\frac{1}{4}$ " a 6". È inoltre progettata per scanalare tubi in acciaio inox da  $1\frac{1}{4}$ " a 6" Schedule 10 e da  $1\frac{1}{4}$ " a 2" Schedule 40. Sostituendo il set di rulli, può essere usata per scanalare tubi in rame 2" - 8" tipo K, L, M e DWV.
 

La Scanalatrice combinata a rulli 975 può essere usata per applicazioni in opera (tubi già installati in opera o montati in una morsa) o con un Motore elettrico RIDGID 300 o Filettratrice RIDGID 300 Compact per applicazioni a motore elettrico per lavori in cantiere. La Scanalatrice combinata a rulli 975 non è progettata per lavorazioni continuative di tubi e per grossi quantitativi.
4. Per le scanalature in opera, assicurarsi che sia presente spazio sufficiente per installare e utilizzare la scanalatrice combinata a rulli 975. La scanalatrice combinata ruoterà attorno al tubo installato in opera e richiederà:
  - almeno 16,5 cm di spazio libero attorno al tubo da scanalare;

- almeno 6,4 cm di tubo sporgente da un ostacolo come per esempio una parete;
- almeno 24,1 cm di apertura per inserire la scanaltrice a rulli sul tubo.

Scanaltrici a rulli per altre applicazioni sono disponibili consultando il catalogo Ridge Tool, on-line a [www.RIDGID.com](http://www.RIDGID.com), o chiamando l'Assistenza tecnica Ridge Tool al numero (02) 95 32 13 26.

**AVVISO** L'uso dei set di rulli (rullo scanalatore e albero di trasmissione) sia su tubi in acciaio al carbonio sia su tubi in acciaio inox può portare a contaminazioni del materiale in acciaio inox. Questa contaminazione può causare corrosione e rottura prematura dei tubi. Per prevenire la contaminazione ferrosa del tubo in acciaio inox, usare set di rulli dedicati per la scanalatura a rulli su acciaio inox. Alternativamente, è possibile usare una spazzola metallica in acciaio inox per pulire con cura il set di rulli al cambio di materiale.

### Preparazione del tubo

**AVVISO** Queste istruzioni sono generalizzate. Seguire sempre le raccomandazioni specifiche del produttore dei raccordi scanalati per la preparazione dell'estremità del tubo. La mancata osservanza delle raccomandazioni del produttore dei raccordi scanalati può portare a un collegamento inadeguato e provocare perdite.

1. Se si esegue una scanalatura in opera su tubazioni già installate, assicurarsi che il sistema sia stato svuotato e non in pressione. Informarsi sui prodotti contenuti e sugli eventuali rischi associati.

2. Tagliare il tubo alla lunghezza corretta.

Assicurarsi che l'estremità del tubo sia tagliata a squadra e senza bavature. Le bavature possono impigliare o tagliare guanti o dita durante la scanalatura. Il metodo di taglio e bavature di grandi dimensioni possono influire sulla qualità e la continuità della scanalatura. Non tentare di scanalare un tubo tagliato a torcia.

3. Tutti i punti, gli sfridi o le giunzioni di saldatura interni ed esterni devono essere rettificati a filo per almeno 5 cm dall'estremità del tubo. Non fresare zone piane nella futura sede della guarnizione, in quanto ciò può provocare perdite.

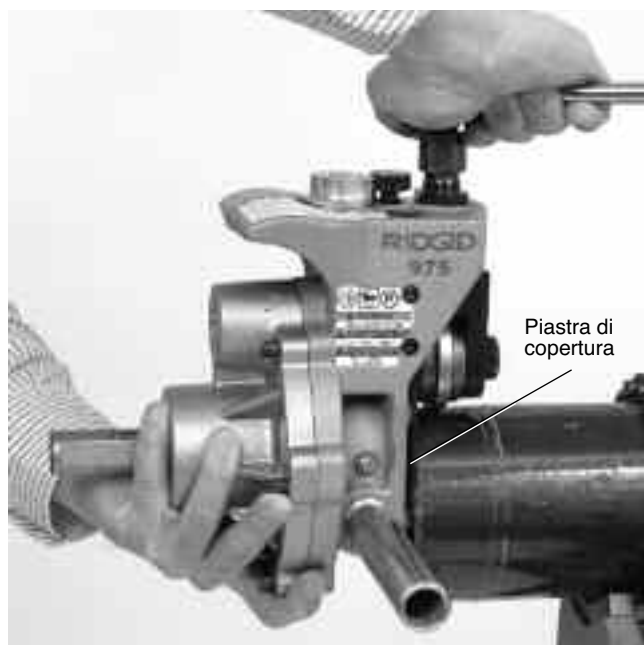
4. Rimuovere incrostazioni, morchie, ruggine e altri materiali contaminanti per almeno 5 cm dall'estremità del tubo. Materiali contaminanti possono otturare le zigrinature delle parti motrici e impedire il movimento e la conduzione corretta del tubo durante la scanalatura.

5. Assicurarsi che i tubi da scanalare siano ben saldi. Il tubo deve poter reggere l'intero peso della scanaltrice a rulli (12,7 kg) e la forza e le coppie necessarie per la scanalatura a pezzo fermo. Per un tubo fissato in opera, può essere utile rimuoverlo e fissarlo a una morsa. In altri casi, può essere necessario aggiungere altri supporti temporanei o permanenti per il tubo. Quando si usa una morsa per tubi, assicurarsi che sia ben salda e non possa ribaltarsi duran-

te l'uso. Per tubi più lunghi, usare supporti appropriati per sostenere la maggior lunghezza.

### Montaggio della scanaltrice a rulli sul tubo

1. Verificare che la scanaltrice combinata a rulli 975 sia stata ispezionata e sia stato installato il corretto set di rulli. Assicurarsi che i bracci di supporto siano saldamente fissati al corpo della scanaltrice a rulli o rimuoverli completamente per un accesso migliore in spazi ristretti. Quindi installare il cricchetto nella vite di alimentazione ed installare la prolunga nell'alloggiamento quadro di azionamento manuale sul lato posteriore della scanaltrice a rulli. Assicurarsi che cricchetto e prolunga siano saldamente inseriti in sede.
2. Assicurarsi che vi sia spazio sufficiente per lo spessore del tubo tra il rullo scanalatore e l'albero di trasmissione. Se necessario, ruotare la vite di alimentazione in senso antiorario per ritrarre il rullo scanalatore.
3. Afferrare saldamente la scanaltrice a rulli. Non sollevarla con il cricchetto. Inserire l'albero di trasmissione nel tubo e assicurarsi che la piastra di copertura sia a filo con l'estremità del tubo (*Figura 14*). Serrare la vite di alimentazione in modo da portare il rullo scanalatore a contatto con l'esterno del tubo. Una volta serrata a mano la vite di alimentazione, usare il cricchetto per serrarla di  $\frac{1}{4}$  di giro in più. Assicurarsi che la scanaltrice a rulli sia saldamente fissata al tubo e che la piastra di copertura sia a filo con l'estremità del tubo. In caso contrario, ripetere la procedura. Assicurarsi sempre che la scanaltrice sia inserita saldamente quando viene usata in opera, per impedire che cada.



**Figura 14** – Mantenere in posizione la scanaltrice a rulli durante il serraggio della vite di alimentazione

## Utilizzo della Scanaltrice combinata a rulli 975 in opera

### ⚠ AVVERTENZA



Usare solo l'utilizzo manuale per le applicazioni in opera. Non usare dispositivi elettrici (come trapani o attrezzi a percussione) per azionare la scanaltrice a rulli quando viene usata in opera. L'uso di dispositivi elettrici può danneggiare la scanaltrice e aumentare il rischio di incidenti.

Non indossare indumenti ampi quando si lavora con la scanaltrice a rulli. Tenere maniche e giacche allacciate. Non sporgersi sulla macchina o sul tubo. Gli indumenti ampi possono impigliarsi nelle parti rotanti e causare lesioni.

Tenere le mani lontane dai rulli di scanalatura. Non scanalare tubi più corti di quanto specificato. Indossare guanti aderenti. Le dita possono restare schiacciate tra i rulli di scanalatura o tra il rullo e il tubo.

Tenere le mani lontane dalle estremità del tubo. Non inserire le mani all'interno del tubo. Bavature e orli scabri possono impigliare e tagliare. Le dita possono restare schiacciate tra i rulli di scanalatura o tra il rullo e il tubo.

Indossare sempre occhiali protettivi contro la sporcizia e i corpi estranei. Indossare calzature con rinforzi in acciaio per proteggere i piedi dalla caduta di attrezzi e spezzoni di tubo. Per le lavorazioni in opera, indossare un casco protettivo.

Seguire le istruzioni di funzionamento per ridurre il rischio di lesioni dovute a schiacciamento, ribaltamento, urto o altro.

### Impostazione/misurazione del diametro della scanalatura

**AVVISO** Date le diverse caratteristiche dei tubi, è sempre consigliabile eseguire una scanalatura di prova prima della prima scanalatura o quando si cambiano dimensioni, parametro Schedule o diversa tipologia di materiale del tubo. I misuratori di impostazione del diametro della scanalatura sono solo approssimativi; il diametro della scanalatura deve essere misurato per verificare che le dimensioni siano corrette.

1. Verificare che tubo e apparecchiatura siano impostati correttamente. Una preparazione non adeguata del tubo può influire sull'impostazione accurata del misuratore di profondità della scanalatura. Il rullo scanalatore deve essere a contatto con il tubo.
2. Regolare il misuratore di profondità della scanalatura in modo che il passo corretto della scanalatura sia sotto la testa della vite di regolazione (Figura 15A). Il misuratore di profondità della scanalatura è progettato per l'uso con tubi

standard. Vedere "Impostazione del diametro della scanalatura per i tubi in rame" per l'uso con i tubi in rame.

3. Ruotare la vite di regolazione in senso orario finché la testa non è a contatto con il passo del misuratore di profondità. Ruotare il misuratore di profondità della scanalatura sulla posizione di scanalatura (Figura 15B). Se il misuratore non è in posizione di scanalatura, il processo di scanalatura non funzionerà e il tubo potrebbe danneggiarsi.



Figura 15A – Far combaciare il riferimento corretto del misuratore sotto la testa della vite di regolazione



Figura 15B – Misuratore in posizione di scanalatura

4. Eseguire una scanalatura di prova (seguire le istruzioni per "Esecuzione della scanalatura a rulli").
5. Misurare il diametro della scanalatura. Il metodo migliore per la misurazione del diametro della scanalatura è usare un flessometro per misurazione diametri (v. la sezione Accessori). Avvolgere strettamente il flessometro per misurazione dei diametri attorno al tubo nella scanalatura. Assicurarsi che il flessometro sia in posizione piana sul fondo della scanalatura e leggere il diametro della scanalatura (v. Figura 16).



Figura 16 – Misurazione del diametro della scanalatura con un nastro per diametri

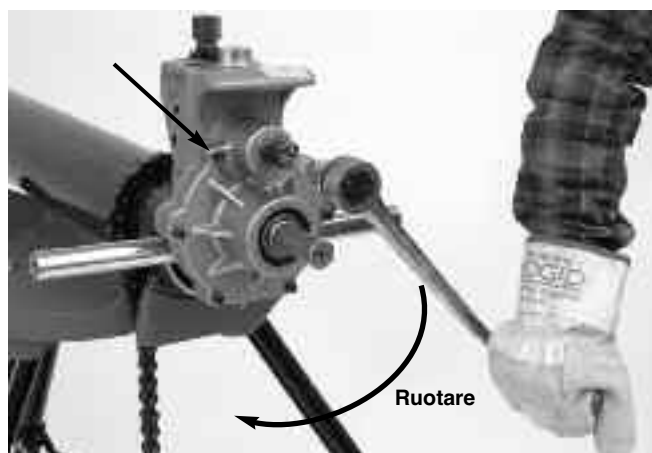
6. Confrontare il diametro misurato della scanalatura con il diametro richiesto della scanalatura come indicato in Tabella

I o III o secondo quanto specificato dal produttore del raccordo scanalato. Se la scanalatura misurata non rientra nel diametro richiesto, la vite di regolazione deve essere riposizionata per ottenere il diametro corretto della scanalatura.

- Per aumentare il diametro della scanalatura, ruotare la vite di regolazione in senso orario.
  - Per diminuire il diametro della scanalatura, ruotare la vite di regolazione in senso antiorario.
  - $\frac{1}{4}$  di giro della vite di regolazione modifica il diametro della scanalatura di circa 0,5 mm.
7. Ripetere i passi 4-6 finché il diametro della scanalatura non rientra nelle specifiche. Se la scanalatura è troppo grande, il rullo scanalatore può essere regolato per ridurre la scanalatura. Se la scanalatura è troppo piccola, sarà necessario praticarne un'altra. Il diametro corretto della scanalatura è importante per le buone prestazioni del raccordo. Scanalature fuori specifica possono far cedere il raccordo.

### Esecuzione della scanalatura a rulli

1. Verificare che tubo e apparecchiatura siano impostati correttamente.
2. Assumere una posizione operativa corretta. Assicurarsi di avere un buon appoggio e di essere in equilibrio.
3. Assicurarsi che la vite di alimentazione sia stata serrata di  $\frac{1}{4}$  di giro.
4. Rimuovere il cricchetto dalla vite di alimentazione e inserirlo saldamente nella prolunga. Utilizzata in spazi ristretti, la prolunga non è necessaria.
5. Ruotare il cricchetto in senso antiorario visto dal lato posteriore della scanalatrice a rulli (secondo quanto indicato dalle frecce nel lato posteriore della scanalatrice, v. *Figura 17*). Osservare la rotazione del tubo e assicurarsi che la superficie trasversale del tubo resti a contatto con la piastra di copertura della scanalatrice a rulli. Se la scanalatrice a rulli inizia ad allontanarsi dall'estremità del tubo, arrestare la rotazione del cricchetto per evitare che la scanalatrice a rulli



**Figura 17 – Rotazione del cricchetto nella direzione delle frecce**

“si sviti” dall'estremità del tubo e cada. È inoltre possibile spingere sui bracci di supporto della scanalatrice a rulli per riportare la piastra di copertura a contatto con l'estremità del tubo. Se necessario, montare di nuovo la scanalatrice a rulli sul tubo (v. la sezione “Montaggio della scanalatrice a rulli sul tubo”). Se l'estremità del tubo è deformata, dovrà essere tagliata e dovrà essere praticata una nuova scanalatura.

6. Continuare a ruotare il cricchetto finché la scanalatrice a rullo non compie almeno una rotazione completa attorno al tubo. Rimuovere il cricchetto dalla prolunga e fissarlo alla vite di alimentazione. Serrare ancora la vite di alimentazione di  $\frac{1}{4}$  di giro. Afferrare con sicurezza la scanalatrice a rulli. Non serrare la vite di alimentazione per più di  $\frac{1}{4}$  di giro per rotazione del tubo. Un serraggio aggressivo della vite di alimentazione può provocare una svasatura eccessiva della scanalatura e far separare la scanalatrice a rulli dal tubo. Continuare a ruotare il cricchetto per ruotare la scanalatrice a rulli attorno al tubo, monitorando la posizione della piastra di copertura rispetto all'estremità del tubo.
7. Continuare a serrare la vite di alimentazione di  $\frac{1}{4}$  di giro per rotazione della scanalatura attorno al tubo finché la testa della vite di regolazione non si arresta contro la parte superiore della scanalatrice a rulli. Non continuare a serrare la vite di alimentazione dopo che la vite di regolazione ha raggiunto la parte superiore della scanalatrice a rulli; questo danneggerebbe la vite di regolazione. Ruotare la scanalatrice a rulli di almeno altri due giri completi attorno al tubo dopo che la vite di regolazione ha raggiunto la parte superiore della scanalatrice a rulli per assicurare una profondità uniforme della scanalatura.
8. Portare il cricchetto sulla vite di alimentazione. Afferrare con sicurezza la scanalatrice a rulli. Ruotare la vite di alimentazione in senso antiorario e sollevare il rullo scanalatore in modo da poter la scanalatrice dal tubo. Non lasciare cadere la scanalatrice a rulli.
9. Ispezionare la scanalatura.
  - Assicurarsi che sia stata completata.
  - Verificare il diametro della scanalatura e accertarsi che rientri nelle specifiche.
  - Verificare tutti gli altri elementi secondo quanto richiesto dal produttore del raccordo.

Se si riscontrano problemi, non usare la scanalatura.

### Istruzioni di manutenzione

#### **⚠ AVVERTENZA**

**Assicurarsi che l'interruttore del motore elettrico sia in posizione OFF e che il cavo sia scollegato prima di eseguire interventi di manutenzione o regolazioni.**

#### **Lubrificazione**

Lubrificare la scanalatrice combinata a rulli 975 con un grasso per uso generico di buona qualità almeno una volta al mese.

- Gli ingrassatori si trovano sul fianco del lato operatore della base, davanti al blocco scorrevole e al termine dell'albero del rullo scanalatore (v. Figura 2). Aggiungere grasso finché non trabocca leggermente.
- Applicare un leggero rivestimento di grasso alla vite di alimentazione.
- La scatola degli ingranaggi della scanaltrice combinata a rulli 975 è lubrificata in fase di assemblaggio in fabbrica e non richiede ingrassaggio a meno che non venga aperta.

Vedere la sezione Ispezione per altre informazioni sulla manutenzione.

### Pulizia

Pulire le zigrinature dell'albero di trasmissione con una spazzola metallica quotidianamente o più frequentemente, se necessario.

### Sostituzione del set di rulli

**AVVISO** Quando si sostituiscono parti del set di rulli, accertarsi sempre che i contrassegni sul rullo motore e sul rullo scanalatore corrispondano. Parti non corrispondenti possono praticare scanalature non corrette e causare perdite.

Rimuovere la scanaltrice a rulli dal motore elettrico o filettatrice e collocarla su un banco di lavoro stabile.

Attrezzi richiesti:

- chiave esagonale da  $\frac{3}{8}$ ";
- chiave esagonale da  $\frac{3}{32}$ ";
- pinze da 0,070" per l'anello di ritegno esterno.

### Rimozione e installazione dell'albero di trasmissione

1. Rimuovere le 6 viti che fissano la copertura posteriore all'alloggiamento.
2. Rimuovere la copertura posteriore (v. Figura 18).

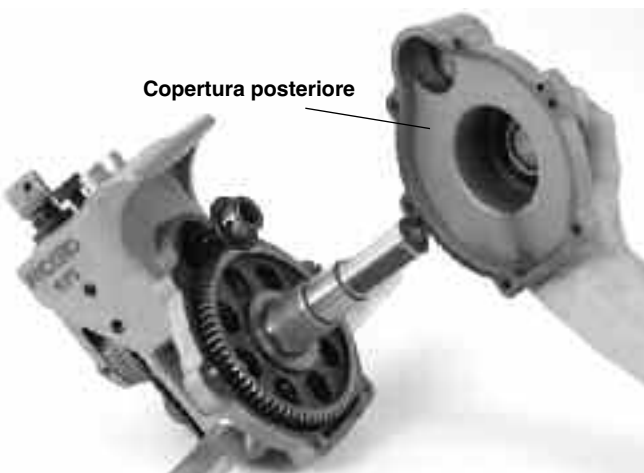


Figura 18 – Rimozione della copertura posteriore

3. Rimuovere il pignone.
4. Rimuovere l'insieme dell'albero di trasmissione dal retro della scanaltrice a rulli 975.
5. Rimuovere l'anello di ritegno dall'albero di trasmissione ed estrarre l'ingranaggio facendolo scorrere (v. Figura 19).



Figura 19 – Rimozione dell'anello di ritegno

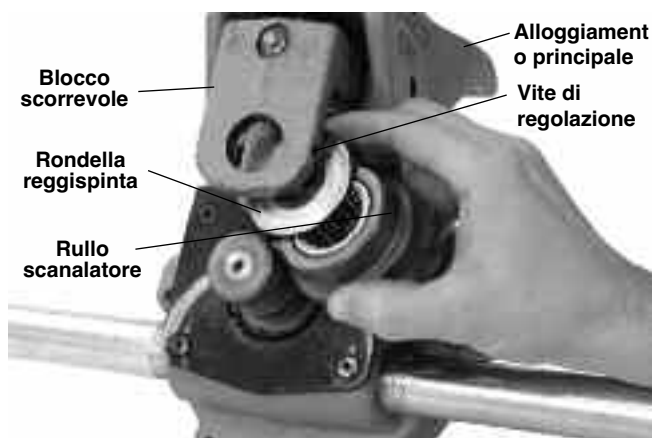
6. Rimuovere la chiavetta e la rondella reggispinta.
7. Fare scorrere la rondella reggispinta nel nuovo albero di trasmissione.
8. Inserire la chiavetta e installare l'ingranaggio.
9. Installare l'anello di ritegno nella scanalatura dell'albero di trasmissione.
10. Inserire l'insieme dell'albero di trasmissione nell'alloggiamento principale.
11. Durante la sostituzione dell'albero di trasmissione può diminuire la quantità di grasso nella scatola degli ingranaggi. Assicurarsi che i cuscinetti e i denti degli ingranaggi siano ricoperti da una quantità sufficiente di grasso di buona qualità per uso generico.
12. Inserire il pignone e reinstallare la copertura posteriore. Serrare le viti a una coppia di 16-22 N\*m.



Figura 20 – Diagramma dei componenti della scanaltrice combinata a rulli 975

### Rimozione e installazione del rullo scanalatore

1. Rimuovere la vite di regolazione che tiene in sede l'albero del rullo scanalatore.
2. Estrarre il rullo scanalatore dal blocco scorrevole e rimuovere il rullo scanalatore e la rondella reggispinta.
3. Inserire la rondella reggispinta e il nuovo rullo scanalatore nel blocco scorrevole. Assicurarsi che l'anello di ritegno interno nel rullo scanalatore sia il più vicino possibile all'alloggiamento principale e che il rullo scanalatore sia tra la rondella reggispinta e l'alloggiamento principale.


**Figura 21**

4. Inserire di nuovo in sede l'albero del rullo scanalatore e la vite di regolazione.
5. Verificare a vista l'allineamento tra rullo motore e rullo scanalatore. Se non sono allineati, verificare l'orientamento del rullo scanalatore e della rondella reggispira.
6. Ingrassare secondo quanto indicato nella sezione del manuale: Lubrificazione.

## Accessori

### ⚠️ AVVERTENZA

**I seguenti prodotti RIDGID sono progettati per l'uso con la scanaltrice combinata a rulli 975. Altri accessori adatti all'uso con altri utensili possono diventare pericolosi se utilizzati con la scanaltrice combinata a rulli 975. Per ridurre il rischio di gravi lesioni, usare esclusivamente accessori progettati espressamente e raccomandati per l'uso con la scanaltrice combinata a rulli 975, come quelli elencati nel prospetto.**

Numero cat.	Descrizione
60082	Motore Mod. 300, 230 V, 25-60 Hz
60077	Motore Mod. 300, 115 V, 25-60 Hz
42360	Cavallo Mod. 1206 per il Motore Mod. 300
50697	300 Compact, 230 V, 25-60 Hz
50692	300 Compact, 115 V, 25-60 Hz
20391	300 Compact, 230 V, 25-60 Hz (DK)
67662	Staffa di assemblaggio per 300 Compact/1233
58077	Cavallo piegabile 250 per 300 Compact/1233
72037	Cavallo con Morsa a catena Mod. 460
56662	Supporto alto per tubo con testa a V VJ-99
76822	Flessometro per misurazione diametri (in pollici)
76827	Flessometro per misurazione diametri (metrico)
30708	Prolunga con blocco per albero di trasmissione da 1/2"
30703	Leva a cricchetto, ad angolo 90° da 1/2"
33043	Kit rullo scanalatore e albero di trasmissione per tubo in rame da 2"-8" di tipo K, L, M e DWV

## Stoccaggio della macchina

**⚠️ AVVERTENZA** Stoccare l'attrezzo lontano dalla portata dei bambini e delle persone che non hanno familiarità con le scanaltrici a rulli. Questo attrezzo può provocare lesioni molto gravi se adoperato da utenti inesperti.

## Manutenzione e riparazione

### ⚠️ AVVERTENZA

**Manutenzione o riparazioni inadeguate possono rendere non sicuro il funzionamento del dispositivo.**

Le "Istruzioni di manutenzione" coprono buona parte delle necessità di manutenzione di questa macchina. Gli eventuali problemi non coperti da questa sezione devono essere gestiti da un tecnico di un Centro di Assistenza RIDGID autorizzato.

Rivolgersi esclusivamente a un Centro di Assistenza autorizzato RIDGID o al fabbricante.

Utilizzare solo ricambi originali per la manutenzione di questa macchina. L'uso di ricambi non originali può determinare un rischio di gravi lesioni.

Per qualsiasi domanda riguardo alla manutenzione o alla riparazione di questo strumento, telefonare o scrivere a:

Ridge Tool Company  
 Technical Service Department (Ufficio tecnico)  
 400 Clark Street  
 Elyria, Ohio 44035-6001  
 Tel.: (800) 519-3456  
 E-mail: TechServices@ridgid.com

La manutenzione e le riparazioni del sistema microDrain devono essere realizzate dal centro di assistenza autorizzato RIDGID contattare il proprio distributore Ridge Tool; visitare il sito [www.RIDGID.com](http://www.RIDGID.com) o [www.RIDGID.eu](http://www.RIDGID.eu) per trovare la sede Ridge Tool più vicina; contattare il servizio tecnico di Ridge Tool via e-mail all'indirizzo [techservices@emerson.com](mailto:techservices@emerson.com) oppure, in Stati Uniti e Canada, chiamare l'(800) 519-3456.

## Tabella I. Specifiche standard per la scanalatura a rulli per tubi di formato IPS

NOTA: tutte le dimensioni sono in pollici.

DIM. NOMINALI TUBO	DIAMETRO TUBO		T SPESS. MIN PARETE	A SEDE GUARNIZIONE +.015/- .030	B LARGHEZZA SCANALATURA +.030/- .015	C DIAMETRO SCANALATURA		D PROF. NOMINALE SCANAL. (Rif.) (2)
	D.E.	TOLL.				D.E.	TOLL.	
1 <sup>1</sup> / <sub>4</sub>	1.660	+ .016 - .016	.065	.625	.344	1.535	+ .000 - .015	.063
1 <sup>1</sup> / <sub>2</sub>	1.900	+ .016 - .016	.065	.625	.344	1.775	+ .000 - .015	.063
2 <sup>(1)</sup>	2.375	+ .024 - .016	.065	.625	.344	2.250	+ .000 - .015	.063
2 <sup>1</sup> / <sub>2</sub> <sup>(1)</sup>	2.875	+ .029 - .016	.083	.625	.344	2.720	+ .000 - .015	.078
3 <sup>(1)</sup>	3.50	+ .030 - .018	.083	.625	.344	3.344	+ .000 - .015	.078
3 <sup>1</sup> / <sub>2</sub> <sup>(1)</sup>	4.00	+ .030 - .018	.083	.625	.344	3.834	+ .000 - .015	.083
4 <sup>(1)</sup>	4.50	+ .035 - .020	.083	.625	.344	4.334	+ .000 - .015	.083
5 <sup>(1)</sup>	5.563	+ .056 - .022	.109	.625	.344	5.395	+ .000 - .015	.084
6 <sup>(1)</sup>	6.625	+ .050 - .024	.109	.625	.344	6.455	+ .000 - .015	.085

(1) Come da AWWA C606-06

(2) La profondità nominale della scanalatura viene indicata solo come riferimento. Non usare la profondità della scanalatura per determinare la correttezza della scanalatura.

## Tabella II. Spessore minimo e massimo della parete del tubo

NOTA: tutte le dimensioni sono in pollici.

Dim. tubo	TUBO IN ACCIAIO AL CARBONIO O ALLUMINIO		TUBO IN ACCIAIO INOX		TUBO IN PVC	
	Spessore parete		Spessore parete		Spessore parete	
	Min.	Max.	Min.	Max.	Min.	Max.
1 <sup>1</sup> / <sub>4</sub> "	.065	.140	.065	.140	.140	.140
1 <sup>1</sup> / <sub>2</sub> "	.065	.145	.065	.145	.145	.200
2"	.065	.154	.065	.154	.154	.154
2 <sup>1</sup> / <sub>2</sub> "	.083	.203	.083	.188	.203	.276
3"	.083	.216	.083	.188	.216	.300
3 <sup>1</sup> / <sub>2</sub> "	.083	.226	.083	.188	.226	.300
4"	.083	.237	.083	.188	.237	.300
5"	.109	.258	.109	.188	.258	.300
6"	.109	.280	.109	.188	.280	.300

**Tabella III. Specifiche di scanalatura a rulli per tubi in rame**

1	2		3	4	5	6	7	8
Dim. nom. in pollici	Diametro esterno del tubo (D.E.)		A Sede della guarnizione	B Larghezza della scanalatura	C Diametro della scanalatura	D Profondità della scanalatura Rif. <sup>1</sup>	T Spess. parete minimo ammesso	Diametro svasatura massimo ammesso
	Base	Tolleranza	A ±0.03	+03 -000	+00 -02			
2"	2.125	±0.002	0.610	0.300	2.029	0.048	DWV	2.220
2½"	2.625	±0.002	0.610	0.300	2.525	0.050	0.065	2.720
3"	3.125	±0.002	0.610	0.300	3.025	0.050	DWV	3.220
4"	4.125	±0.002	0.610	0.300	4.019	0.053	DWV	4.220
5"	5.125	±0.002	0.610	0.300	5.019	0.053	DWV	5.220
6"	6.125	±0.002	0.610	0.300	5.999	0.063	DWV	6.220
8"	8.125	+0.002/-0.004	0.610	0.300	7.959	0.083	DWV	8.220

1. La profondità nominale della scanalatura viene indicata come riferimento. Non usare la profondità della scanalatura per determinare l'accettabilità della scanalatura.

**Risoluzione dei problemi**

SINTOMO	POSSIBILI CAUSE	SOLUZIONE
<b>Scanalatura a rulli troppo stretta o troppo larga.</b>	Rullo scanalatore e/o albero di trasmissione usurato.	Sostituire il rullo scanalatore e/o l'albero di trasmissione.
<b>Scanalatura a rulli non perpendicolare all'asse del tubo.</b>	Tratto di tubo non dritto. Estremità del tubo non in squadra con l'asse del tubo.	Usare un tubo dritto. Tagliare l'estremità del tubo in squadra.
<b>Il tubo non avanza durante la scanalatura/ La scanalatrice non avanza sul tubo durante la scanalatura.</b>	Tubo e albero di trasmissione non paralleli. Asse del tubo non sfalsato di ½ grado dall'asse del rullo di trasmissione. Zigrinatura del rullo di trasmissione otturata o usurata. Vite di alimentazione non serrata. Cricchetto ruotato nella direzione sbagliata Eccessive incrostazioni all'interno del tubo. Saldatura eccessiva. Pressione non applicata al tubo. Estremità del tubo non in squadra o con bavature. Vite di alimentazione troppo serrata.	Regolare il cavalletto di supporto per rendere il tubo parallelo. Sfalsare il tubo di ½ grado. Pulire o sostituire il rullo dell'albero di trasmissione. Serrare la vite di alimentazione con il cricchetto ad ogni giro come indicato. Ruotare il cricchetto nella direzione corretta. Pulire l'interno del tubo. Rettificare la saldatura a filo per 5 cm dall'estremità del tubo. Applicare pressione al tubo (v. Figura 10). Preparare correttamente l'estremità del tubo. Fare avanzare la vite di alimentazione solo a incrementi di ¼ di giro.
<b>Tubo svasato all'estremità scanalata.</b>	Tubo e albero di trasmissione non paralleli. Vite di alimentazione troppo serrata.	Regolare il cavalletto di supporto per rendere il tubo parallelo. Fare avanzare la vite di regolazione solo di 1/4 di giro.



## Risoluzione dei problemi (continua)

SINTOMO	POSSIBILI CAUSE	SOLUZIONE
Il tubo si sposta avanti e indietro lungo l'asse del rullo dell'albero di trasmissione durante la scanalatura.	Tratto di tubo non diritto. Estremità del tubo non in squadra con l'asse del tubo.	Usare un tubo diritto. Tagliare l'estremità del tubo in squadra.
Il tubo oscilla lateralmente sull'asse del rullo dell'albero di trasmissione durante la scanalatura.	Supporto del tubo troppo vicino all'estremità del tubo. Estremità del tubo appiattita o danneggiata. Punti rigidi nel materiale del tubo o saldature più rigide rispetto al tubo. Avanzamento del rullo scanalatore troppo lento. Regime del motore elettrico superiore a 57 giri/min. Cavalletti di supporti del tubo in posizione non corretta.	Collocare il cavalletto di supporto del tubo secondo le istruzioni. Tagliare l'estremità danneggiata del tubo. Usare un tubo diverso. Fare avanzare più velocemente il rullo scanalatore sul tubo. Ridurre il regime a 57 giri/min. max. Posizionare correttamente i rulli di supporto del tubo.
La scanalatrice non pratica la scanalatura.	Spessore della parete del tubo superiore al massimo. Materiale del tubo troppo rigido. Vite di regolazione non regolata. Il motore elettrico non alimenta la coppia minima necessaria.	Controllare il prospetto di capacità del tubo. Sostituire il tubo. Impostare la profondità. Utilizzare il Motore elettrico RIDGID 300, 300 Compact o 1233.
La scanalatrice non pratica la scanalatura con il diametro richiesto.	Tolleranza del diametro del tubo superiore al massimo. Vite di regolazione della profondità non impostata correttamente. Tubo troppo rigido.	Usare un tubo di diametro corretto. Regolare la profondità. Usare un tubo diverso.
Il tubo slitta sul rullo dell'albero di trasmissione.	Avanzamento del rullo scanalatore troppo lento. Zigrinatura del rullo dell'albero di trasmissione sporca di metallo o usurata.	Fare avanzare più velocemente il rullo scanalatore sul tubo. Pulire o sostituire l'albero di trasmissione.
La scanalatrice non ruota durante la scanalatura.	Il motore elettrico non alimenta la coppia minima necessaria. Mandrino non chiuso sulle superfici piane dell'albero di trasmissione.	Utilizzare il Motore elettrico RIDGID 300, 300 Compact o 1233. Serrare il mandrino.
Il tubo si solleva o tende a ribaltare la scanalatrice all'indietro.	Cavalletto di supporto del tubo non disposto correttamente.	Disporre correttamente i cavalletti di supporto.

975

# Entalhadora de rolos Combo




**RIDGID**<sup>®</sup>


## Índice


<b>Símbolos de segurança</b> .....	138
<b>Regras de segurança gerais</b>	
Segurança na área de trabalho .....	138
Segurança no manejo de electricidade .....	138
Segurança pessoal .....	139
Utilização e manutenção da ferramenta .....	139
Revisão / Reparações .....	139
<b>Informações de segurança específicas</b>	
Segurança da entalhadora de rolos .....	140
Segurança da entalhadora de rolos quando utilizada com transmissão mecânica/máquina de roscar .....	140
Segurança da entalhadora de rolos quando utilizado in situ .....	140
<b>Descrição, especificações e equipamento standard</b>	
Descrição .....	140
Especificações .....	141
Equipamento standard .....	141
<b>Inspeção da entalhadora de rolos</b> .....	141
Instalação e preparação da máquina e do local de trabalho para aplicações com transmissão mecânica	
Montagem da entalhadora 975 Combo numa transmissão mecânica RIDGID 300 .....	143
Montagem da entalhadora 975 Combo numa máquina de roscar RIDGID 300 Compact/1233 .....	143
Concluir a instalação e preparação .....	144
Preparação do cano .....	145
Colocação do cano na entalhadora de rolos .....	145
<b>Operar a entalhadora de rolos 975 Combo com uma transmissão mecânica/máquina de roscar</b>	
Definir/Medir o diâmetro do sulco .....	146
Formar o sulco .....	147
Definir o diâmetro do sulco em tubos de cobre .....	148
Sugestões para manter a entalhadora de rolos 975 Combo no trilho .....	148
<b>Instalação e preparação da máquina e do local de trabalho para aplicações in situ</b>	
Preparação do tubo .....	150
Montar a entalhadora de rolos no tubo .....	150
<b>Operar a entalhadora de rolos 975 Combo in situ</b>	
Definir/Medir o diâmetro do sulco .....	151
Formar o sulco .....	151
<b>Instruções de manutenção</b>	
Lubrificação .....	152
Limpeza .....	152
Substituição dos conjuntos de rolos .....	152
<b>Acessórios</b> .....	154
Armazenamento do equipamento .....	154
<b>Assistência Técnica e Reparação</b> .....	154
<b>Quadro I. Especificações de entalhe standard</b> .....	155
<b>Quadro II. Espessuras mínima e máxima da parede dos tubos</b> .....	155
<b>Quadro III. Especificações de entalhe em tubos de cobre</b> .....	156
<b>Resolução de problemas</b> .....	156-157


## Símbolos de segurança

Neste manual de operador e no produto são utilizados símbolos de segurança e palavras de advertência para comunicar informações de segurança importantes. Esta secção é fornecida para melhorar a compreensão das palavras e símbolos de advertência.


 Este é o símbolo de alerta de segurança. É utilizado para alertar quanto a potenciais perigos de ferimentos pessoais. Respeite todas as mensagens de segurança que se seguem a este símbolo para evitar possíveis ferimentos ou morte.


 **PERIGO** PERIGO indica uma situação perigosa que, se não for evitada, resultará em morte ou ferimento grave.


 **AVISO** AVISO indica uma situação perigosa que, se não for evitada, poderá resultar em morte ou ferimento grave.


 **ATENÇÃO** ATENÇÃO indica uma situação perigosa que, se não for evitada, poderá resultar em ferimentos ligeiros a moderados.


 **NOTA** NOTA indica informações relacionadas com a protecção de propriedade.


 Este símbolo significa que deve ler o manual do operador cuidadosamente antes de utilizar o equipamento. O manual do operador contém informações importantes sobre a operação segura e adequada do equipamento.


 Este símbolo significa que deve utilizar sempre óculos de protecção com protecções laterais, ou viseiras de protecção, ao manusear este equipamento, de forma a reduzir o risco de ferimentos oculares.


 Este símbolo indica o risco de esmagamento dos dedos ou das mãos entre os rolos da entalhadora.

 Este símbolo indica o risco de mãos, dedos, pernas, roupas e outros objectos ficarem presos e/ou enrolarem-se nos eixos rotativos, causando esmagamento ou ferimentos por pancada.

 Este símbolo indica que não deve ser utilizado um berbequim, uma ferramenta de impacto ou outra ferramenta eléctrica para accionar este dispositivo, quando utilizado in situ.

 Este símbolo indica o risco da máquina tombar, causando ferimentos por pancada ou esmagamento.

 Este símbolo significa que deve utilizar-se sempre um interruptor de pedal ao utilizar uma máquina de roscar/transmissão mecânica.

 Este símbolo significa que deve utilizar-se sempre um capacete ao trabalhar em locais elevados para reduzir o risco de ferimentos na cabeça.

## Regras de segurança gerais

### **AVISO**

Leia atentamente todas as instruções. A não observância de todas as instruções pode resultar em choque eléctrico, fogo, e/ou lesões pessoais graves.

### **GUARDE ESTAS INSTRUÇÕES!**

O termo “ferramenta eléctrica” nos avisos refere-se à sua ferramenta eléctrica com ligação à corrente eléctrica (com cabo) ou alimentada por bateria (sem cabo).

### Segurança da área de trabalho

- **Mantenha a sua área de trabalho limpa e bem iluminada.** Áreas desarrumadas ou mal iluminadas podem provocar acidentes.
- **Não opere ferramentas eléctricas em atmosferas explosivas, como na presença de líquidos inflamáveis, gases, ou poeiras.** As ferramentas eléctricas criam faíscas que podem inflamar a poeira ou gás.
- **Mantenha crianças e visitantes fora do alcance enquanto opera uma ferramenta eléctrica.** As distrações podem fazê-lo perder o controlo.

- **Mantenha o piso seco e limpo de materiais escorregadios como o óleo.** Pisos escorregadios podem causar acidentes.

- **Guarde ou proteja a área de trabalho quando a peça de trabalho se estender para fora do perímetro da máquina.** Uma guarda ou barreira que estabeleça um perímetro de segurança com o mínimo de três (3) pés em volta da peça de trabalho reduz o risco de emaranhamento.

### Segurança no manejo de electricidade

- **As fichas das ferramentas eléctricas têm de corresponder adequadamente à tomada. Não modifique a ficha de modo nenhum. Não utilize adaptadores de ficha com ferramentas eléctricas com ligação à terra.** Fichas não modificadas e tomadas de parede apropriadas reduzem o risco de choque eléctrico.
- **Evite o contacto corporal com superfícies ligadas à terra, tais como tubos, radiadores, fogões e frigoríficos.** O risco de choque eléctrico aumenta se o seu corpo estiver ligado à terra.
- **Não exponha as ferramentas eléctricas à chuva ou a condições de humidade.** O risco de choque eléctrico aumenta com a entrada de água na ferramenta eléctrica.

- **Não force o cabo eléctrico.** Nunca use o cabo eléctrico para transportar, puxar ou desligar a ferramenta eléctrica da tomada. Proteja o cabo eléctrico do calor, óleo, arestas afiadas e peças móveis. Cabos danificados ou emaranhados aumentam o risco de choque eléctrico.
- **Ao utilizar a ferramenta eléctrica no exterior, use uma extensão adequada a exteriores.** O uso de um cabo adequado a exteriores reduz o risco de choque eléctrico.
- **Se tiver de operar uma ferramenta eléctrica num ambiente húmido, use um corta-circuito em caso de falha na terra (GFCI) protegido.** O uso de um GFCI reduz o risco de choque eléctrico.

## Segurança pessoal

- **Mantenha-se alerta, atento ao que está a fazer, e use o bom senso ao operar uma ferramenta eléctrica.** Não utilize uma ferramenta eléctrica se estiver cansado ou sob a influência de drogas, álcool ou medicamentos. Um momento de desatenção durante a operação de ferramentas eléctricas pode resultar em lesões pessoais graves.
- **Use equipamento de protecção pessoal. Utilize sempre protecção para os olhos.** O equipamento de protecção, como máscaras para o pó, calçado de segurança anti-derapante, capacete ou protecção auricular utilizado nas condições apropriadas reduz a ocorrência de lesões pessoais.
- **Evite a colocação em funcionamento não intencional. Assegure-se de que o interruptor está na posição desligada (off) antes de ligar o aparelho à corrente e/ou à bateria, pegar ou transportar a ferramenta.** Transportar ferramentas eléctricas com o dedo no interruptor ou fornecer energia a ferramentas eléctricas com o interruptor ligado (on) pode provocar acidentes.
- **Retire qualquer chave de ajuste ou aperto da ferramenta eléctrica antes de a ligar.** Uma chave de ajuste ou aperto deixada numa peça rotativa da ferramenta eléctrica pode resultar em lesões pessoais.
- **Não se debruce.** Mantenha uma colocação de pés adequada e o equilíbrio em todos os momentos. Isso permite um melhor controlo da ferramenta eléctrica em situações inesperadas.
- **Vista roupa adequada.** Não utilize roupa larga ou jóias. Mantenha o cabelo, roupas e luvas fora do alcance das peças móveis. As roupas largas, cabelos compridos ou jóias podem prender-se nas peças móveis.
- **Se forem fornecidos dispositivos para a ligação de sistemas de extracção e recolha de pó, assegure-se de que estes são ligados e utilizados correctamente.** A utilização de um colector de poeiras pode reduzir os perigos relacionados com o pó.

## Utilização e manutenção da ferramenta

- **Não force a ferramenta.** Utilize a ferramenta correcta para a sua aplicação. A ferramenta correcta fará sempre um trabalho melhor e mais seguro à velocidade para que foi concebida.

- **Não utilize a ferramenta eléctrica se o interruptor não a ligar (ON) e desligar (OFF).** Uma ferramenta eléctrica que não possa ser controlada com o interruptor é perigosa e tem de ser reparada.
- **Desligue a ficha da alimentação eléctrica e/ou a bateria da ferramenta eléctrica antes de fazer qualquer ajuste, mudar um acessório ou guardar as ferramentas eléctricas.** Estas medidas de prevenção reduzem o risco de ligar a ferramenta acidentalmente.
- **Guarde as ferramentas eléctricas que não estejam em utilização fora do alcance das crianças e não permita que pessoas não familiarizadas com a ferramenta eléctrica ou as respectivas instruções operem a ferramenta eléctrica.** As ferramentas são perigosas nas mãos de utilizadores sem formação profissional.
- **Mantenha as ferramentas eléctricas em bom estado.** Verifique quanto ao mau alinhamento ou bloqueio de peças móveis, danos materiais de peças e quaisquer outras condições que possam afectar a operação da ferramenta. Se a ferramenta estiver danificada, envie-a para reparação antes de a utilizar. Muitos acidentes são causados por ferramentas afectadas por má manutenção.
- **Use apenas os acessórios recomendados para a sua ferramenta.** Ferramentas de corte com manutenção adequada e bem afiadas têm menos probabilidades de prender e são mais fáceis de controlar.
- **Mantenha as pegas secas e limpas; livres de óleo e gordura.** Tal permite um melhor controlo da ferramenta.

## Revisão / Reparações

- **A sua ferramenta eléctrica deve ser reparada por um técnico qualificado, utilizando apenas peças sobresselentes idênticas.** Isso garante que a ferramenta se mantém segura.

## Informações específicas de segurança

### AVISO

**Esta secção contém informações de segurança importantes específicas desta ferramenta.**

**Leia estas precauções cuidadosamente antes de utilizar a entalhadora de rolos 975 Combo para reduzir o risco de lesões pessoais graves.**

### CONSERVE ESTAS INSTRUÇÕES

Ligue para o número (800) 519-3456 do Departamento de Assistência Técnica da Ridge Tool ou contacte a empresa no endereço de correio electrónico [techservices@ridgid.com](mailto:techservices@ridgid.com) se tiver alguma questão.

## Segurança da entalhadora de rolos

- **Não use roupas largas. Mantenha as mangas e casacos abotoados. Não se debruce sobre a máquina ou o tubo.** A roupa pode ficar presa no tubo ou noutras partes rotativas, ficando emaranhada e causando ferimentos graves.
- **Mantenha as mãos afastadas dos rolos entalhadores. Não faça entalhes em tubos mais curtos do que o especificado. Não use luvas grandes demais.** Os dedos podem ficar esmagados entre os rolos entalhadores ou entre um rolo entalhador e o tubo.
- **Mantenha as mãos afastadas das extremidades do tubo. Não coloque as mãos ou os dedos dentro do tubo.** Pode ficar preso e cortar-se e rebarbas e arestas vivas. Os dedos podem ficar esmagados entre os rolos entalhadores ou entre um rolo entalhador e o tubo.
- **Prepare e manuseie correctamente o tubo.** Pode ficar preso e cortar-se em rebarbas e arestas vivas.
- **Apoie correctamente o tubo.** Isso evitará que o tubo e o equipamento tombem.
- **Leia atentamente este manual do operador, o manual da transmissão mecânica ou máquina de roscar apropriado, as instruções de instalação do fabricante adequadas e as instruções de qualquer outro equipamento utilizado juntamente com esta ferramenta antes de operar a entalhadora de rolos RIDGID® 975 Combo.** O desrespeito de todas as instruções pode resultar em danos materiais e/ou acidentes pessoais graves.
- **Utilize sempre equipamento de protecção pessoal apropriado durante a preparação e utilização da entalhadora de rolos RIDGID 975 Combo.** O equipamento de protecção pessoal apropriado inclui sempre protecção para os olhos e pode incluir equipamento como luvas de cabedal justas, calçado com biqueira de aço e capacete.
- **Utilize a entalhadora de rolos exclusivamente para fazer sulcos em tubos com as dimensões e tipos recomendados de acordo com as presentes instruções.** Outras utilizações ou alterações à entalhadora para outras aplicações podem aumentar o risco de acidentes.

## Segurança da entalhadora de rolos quando utilizada com transmissão mecânica/máquina de roscar

- **Use apenas a transmissão mecânica RIDGID 300 ou a máquina de roscar 300 Compact com a entalhadora de rolos 975 Combo.** A utilização de outras fontes de energia resultará numa instalação incorrecta e pode fazer tombar o equipamento ou provocar outros problemas.
- **Não utilize esta entalhadora de rolos com uma transmissão mecânica ou uma máquina de roscar que não tenha interruptor de pedal. Nunca bloqueie um interruptor de pedal de modo a que este não controle a transmissão mecânica.** O interruptor de pedal oferece melhor controlo, pois permite desligar o motor da transmissão mecânica retirando o pé do pedal. No caso da roupa ficar presa na máquina e o motor continuar a funcionar, a roupa será puxada para dentro da máquina. Esta máquina tem um binário elevado e faz com que a roupa se

enrole em volta do braço ou de outra parte do corpo com força suficiente para esmagar ou partir ossos, ou para dar origem a pancadas ou outros ferimentos.

- **A mesma pessoa tem de controlar o processo de entalhe e o interruptor de pedal. Não operar com mais de uma pessoa.** No caso de ficar emaranhado, o operador tem de controlar o interruptor de pedal.
- **Utilize transmissões mecânicas e máquinas de roscar apenas com velocidades de rotação de 57 rpm ou inferiores.** Máquinas com velocidades mais altas aumentam o risco de ferimentos.
- **Assegure-se de que a entalhadora de rolos está bem instalada e fixa à transmissão mecânica/máquina de roscar. Assegure-se de que máquina, base, entalhadora e tubo estão estáveis.** Isso ajudará a evitar que o equipamento e o tubo tombem.

## Segurança da entalhadora de rolos quando utilizado in situ

- **Opere a entalhadora manualmente quando a utilizar in situ. Não utilize dispositivos eléctricos (como berbequins ou ferramentas de impacto) para operar a entalhadora de rolos quando a utilizar in situ.** A utilização de dispositivos eléctricos pode danificar a entalhadora e aumentar o risco de ferimentos.
- **Ao trabalhar em locais elevados, todo o pessoal deve utilizar capacete e afastar-se da área por baixo da zona de trabalho.** Isso evita lesões graves no caso de queda da entalhadora, do tubo ou de outros objectos.

## Descrição, especificações e equipamento standard

### Descrição

A entalhadora de rolos RIDGID® 975 Combo forma sulcos rolados em tubos de aço, alumínio e PVC, e entalha tubos com 1 1/4" a 6" de diâmetro, espessuras Schedule 10 e 40. Também foi concebida para entalhar tubos de aço de 1 1/4" a 6" Schedule 10 e de 1 1/4" a 2" Schedule 40. Também pode ser adaptada a tubo de cobre de 2" - 8" tipo K, L, M e DWV através de um conjunto de rolos de substituição. Os sulcos são formados através do avanço mecânico de um rolo entalhador contra o tubo que é suportado por um rolo accionador. A única regulação necessária é a profundidade do sulco.

A unidade foi concebida especificamente para ser utilizada in situ ou em conjunto com a transmissão mecânica RIDGID Modelo 300 (modelos de 38 e 57 RPM). Com o adaptador apropriado (cat. #67662), a unidade pode trabalhar com a máquina de roscar RIDGID Modelo 300 Compact. A entalhadora de rolos 975 Combo inclui um calibrador de profundidade do sulco patenteado que ajuda a definir as coordenadas do sulco e características patenteadas que reduzem os desvios do trilho durante a sua utilização.

A entalhadora de rolos 975 Combo é uma unidade portátil e destina-se ao uso ocasional no local da obra, não devendo ser utilizada para grandes volumes de trabalho ou para produção em massa numa oficina de fabrico de canos/tubos.

**NOTA** Quando utilizada de forma adequada, a entalhadora de rolos Modelo 975 Combo forma sulcos de 2" - 6" com dimensões que respeitam as especificações da AWWA C606-06. A selecção de materiais e métodos de união apropriados é da responsabilidade do desenhador do sistema e/ou instalador. Antes de se tentar qualquer instalação, é necessário realizar uma avaliação cuidadosa do ambiente de serviço específico, incluindo a presença de substâncias químicas no ambiente e a temperatura de serviço.

### Especificações

Capacidade .....	Cano de aço 1 1/4" - 6" Schedule 10 e Schedule 40 Com rolos de substituição: Tubo de cobre 2"- 8", Tipo K, L, M & DWV
Diâmetro do sulco	
Regulação .....	Parafuso de regulação e calibre da profundidade do sulco
Actuação.....	Fuso com chave de roquete de 1/2"
Montagem na transmissão mecânica	Transmissão mecânica RIDGID 300 (apenas modelos de 38 e 57 RPM) Máquina de roscar RIDGID 300 Compact (com adaptador)
Peso .....	27.6 lbs.

A entalhadora de rolos 975 Combo está protegida por patentes internacionais e nos EUA, incluindo as patentes n.ºs 6 272 895 e 6 591 652.

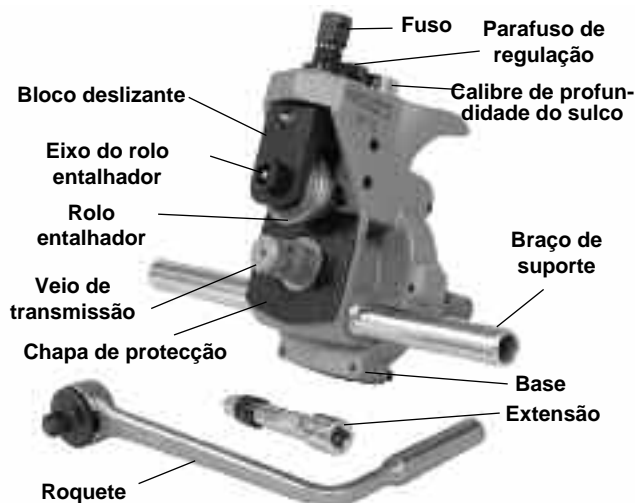


Figura 1 – Entalhadora de rolos 975 Combo

### Equipamento standard

Rolos 1 1/4" - 6" Schedule 10 & 40 e rolos accionadores  
Chave de roquete (transmissão de 1/2") com botão de desengate:  
Extensão de transmissão de engate  
Braços de suporte  
Calibre de profundidade de índice integral

### Inspecção da entalhadora de rolos

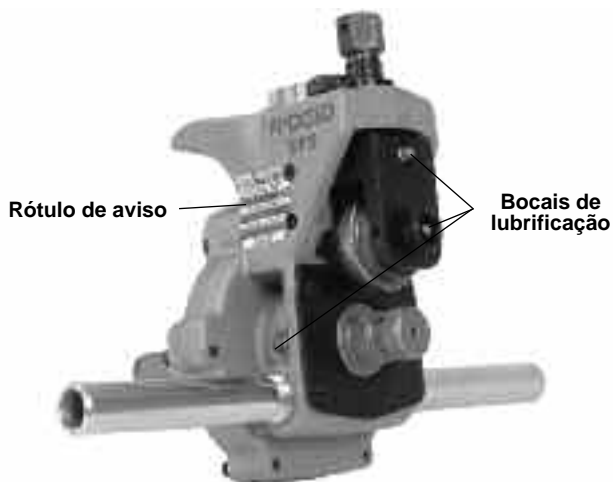


**Antes de cada utilização, inspecione a entalhadora de rolos e corrija quaisquer problemas detectados, para reduzir o risco de ferimentos graves causados por esmagamento ou outras causas e para evitar danos na entalhadora.**

**Não utilize esta entalhadora de rolos com uma transmissão mecânica/máquina de roscar que não tenha interruptor de pedal.**

1. Se a entalhadora de rolos for instalada numa transmissão mecânica ou máquina de roscar, assegure-se de que a máquina está desligada da corrente eléctrica e que o interruptor REV/OFF/FOR se encontra na posição OFF. Inspecione e proceda à manutenção da transmissão mecânica/máquina de roscar conforme indicado no manual do operador da máquina. A não observância dos procedimentos correctos de inspecção e manutenção do equipamento pode resultar em ferimentos graves e danos na propriedade. Certifique-se de que existe interruptor de pedal e de que este funciona correctamente. Não utilize esta entalhadora de rolos sem interruptor de pedal.
2. Limpe quaisquer restos de óleo, massa consistente ou sujidade da entalhadora de rolos, incluindo da pega de transporte e do dispositivo de roquete usado para accionar a entalhadora. Isso reduz o risco de ferimentos provocados por a entalhadora ou o roquete escorregar e fugir das mãos durante a sua utilização e facilita a inspecção.
3. Certifique-se de que os braços de suporte estão bem presos ao corpo da entalhadora de rolos.
4. Inspecione a entalhadora de rolos, procurando peças partidas, em falta, desalinhas ou coladas, ou qualquer outra condição que possa impedir uma operação segura e normal. Assegure-se de que a entalhadora de rolos e o veio de transmissão rodam livremente.
5. Verifique se o rótulo de aviso está presente e firmemente preso. Consulte a Figura 2 para conhecer a localização do rótulo de aviso.
6. Se as estrias do eixo de transmissão estiverem sujas, limpe-as com uma escova de arame. Estrias sujas podem fazer escorregar os canos e provocar problemas com a manutenção do trilho durante o entalhamento.

7. Inspeccione o rolo entalhador e o eixo de transmissão, procurando falhas, desgaste ou outros sinais de danos. Rolos entalhadores e eixos de transmissão danificados podem fazer escorregar os canos, formar sulcos de má qualidade ou provocar avarias durante o uso.
  8. Inspeccione o roquete e a extensão, verificando se estão em boas condições de funcionamento. Assegure-se de que o roquete opera de forma suave e consistente em ambas as direcções. Prima o botão de libertação no centro da cabeça do roquete e instale-o no fuso. O roquete deve engatar firmemente na posição. O roquete também deve engatar de forma segura na extensão, e a extensão deve engatar de forma segura no quadrado de comando manual nas costas da entalhadora de rolos. Isso ajuda a evitar que o roquete e a extensão se soltem da entalhadora de rolos durante o uso. Se utilizar um roquete, chave fixa ou extensão diferente que não engate na entalhadora de rolos, preste atenção ao facto desta se poder soltar durante a utilização.
- Se detectar algum problema, não utilize a máquina até que os problemas tenham sido corrigidos.
9. Lubrifique a entalhadora de rolos de acordo com as intruções de manutenção incluídas neste manual. Limpe o excesso de massa consistente da entalhadora de rolos.
  10. Se utilizar outro equipamento, inspeccione-o e proceda à sua manutenção, para assegurar que este funciona correctamente.



**Figura 2 – Rótulo de aviso da entalhadora de rolos 975 Combo**

## Instalação e preparação da máquina e do local de trabalho para aplicações com transmissão mecânica

### ⚠ AVISO



**Use sempre protecção ocular para proteger os seus olhos contra sujidade e objectos estranhos. Use calçado com biqueira de aço para proteger os pés de ferimentos que tombem e de canos que caiam.**

**Não utilize esta entalhadora de rolos com uma transmissão mecânica ou uma máquina de roscar que não tenha interruptor de pedal. Nunca bloqueie um interruptor de pedal de modo a que este não controle a transmissão mecânica. O interruptor de pedal oferece melhor controlo, pois permite desligar o motor da transmissão mecânica retirando o pé do pedal. No caso da roupa ficar presa na máquina e o motor da transmissão mecânica continuar a funcionar, a roupa será puxada para dentro da máquina. Esta máquina tem um binário elevado e faz com que a roupa se enrole em volta do braço ou de outra parte do corpo com força suficiente para esmagar ou partir ossos, ou para dar origem a pancadas ou outros ferimentos.**

**Prepare a entalhadora de rolos e a área de trabalho de acordo com estes procedimentos, para reduzir o risco de ferimentos por choque eléctrico, fogo, a máquina tombar, emaranhamento, esmagamento e outras causas, e para evitar danos na entalhadora.**

1. Localize uma área de trabalho com as seguintes características:
  - Iluminação adequada.
  - Ausência de líquidos inflamáveis, gases ou poeira que possam inflamar-se. Se estes estiverem presentes, não trabalhe nessa área até que as fontes dos mesmos estejam identificadas e corrigidas. Transmissões mecânicas e máquinas de roscar não são à prova de explosão e podem libertar faíscas.
  - Local desimpedido, nivelado, estável e seco para todo o equipamento e para o operador. Não utilize o equipamento enquanto está sobre água.
  - Tomada eléctrica com ligação à terra adequada. Mesmo uma tomada de três espigões ou uma tomada GFCI pode não ter ligação à terra adequada. Em caso de dúvida, peça a um electricista licenciado que inspeccione a tomada.
  - Caminho desimpedido para a tomada eléctrica que não contenha quaisquer fontes potenciais de danos para o cabo de alimentação.
2. Limpe a área de trabalho antes de instalar o equipamento. Limpe sempre qualquer óleo que possa estar presente.
3. Inspeccione o cano a entalhar e confirme que a entalhadora de rolos 975 Combo é a ferramenta correcta para a tarefa.



A entalhadora de rolos 975 Combo foi concebida para fazer sulcos em canos de espessura Schedule 10 e 40 em aço, alumínio e PVC com tamanhos compreendidos entre 1 1/4" e 6". Também foi desenhada para fazer sulcos em tubo de aço inox de 1 1/4" a 6" Schedule 10 e de 1 1/4" a 2" Schedule 40. Com um conjunto de rolos de substituição, pode ser usada para fazer sulcos em tubo de cobre de 2" - 8" Tipo K, L, M e DWV.

A entalhadora de rolos 975 Combo pode ser usada para aplicações in situ (cano que está instalado no local ou montado num torno) ou com a transmissão mecânica RIDGID 300 ou a máquina de roscar 300 Compact para aplicações mecânicas na obra. A entalhadora de rolos 975 Combo não se destina a aplicações do tipo de produção.

Pode encontrar entalhadoras de rolos para outras aplicações consultando o catálogo da Ridge Tool, disponível online em [www.RIDGID.com](http://www.RIDGID.com), ou ligando para o número 800-519-3456 do Departamento de Assistência Técnica da Ridge Tool.

**NOTA** O uso dos conjuntos de rolos (rolo entalhador e eixo de transmissão) em tubos de carbono e de aço inox pode levar à contaminação do material de aço inox. Esta contaminação pode provocar corrosão e a degradação prematura dos canos. Para prevenir a contaminação ferrosa dos canos em aço inox, use conjuntos de rolos dedicados ao entalhamento de aço inox. Em alternativa, pode utilizar uma escova de arame em aço inox para limpar escrupulosamente o conjunto de rolos sempre que mudar de material.

4. Assegure-se de que a transmissão mecânica/máquina de roscar foi inspeccionada de acordo com o respectivo manual. Confirme a presença de um interruptor de pedal e assegure-se de que o interruptor FOR/OFF/REV se encontra na posição OFF (desligado). Instale e prepare a transmissão mecânica/máquina de roscar conforme indicado no respectivo manual. Certifique-se de que a máquina e a base estão estáveis e não balançam.
5. Abra completamente o mandril do torno da transmissão mecânica/máquina de roscar.
6. Confirme que a entalhadora de rolos 975 Combo foi inspeccionada e tem o conjunto de rolos apropriado instalado.

### Montagem da entalhadora de rolos 975 Combo numa transmissão mecânica RIDGID 300

1. Se a transmissão mecânica a ser utilizada estiver equipada com carro ou outros acessórios montados, retire-os da transmissão. Certifique-se de que os braços de suporte da transmissão mecânica estão completamente para a frente e fixados na posição.
2. Coloque os braços de suporte da entalhadora de rolos nos braços de suporte da transmissão mecânica e a extremidade do eixo de transmissão da entalhadora no mandril da máquina. Feche e aperte o mandril da transmissão mecânica contra as partes planas no veio de transmissão. Certifique-se de que o veio de transmissão está centrado no mandril. Utilize rotações repetidas e com força no sentido contrário ao dos ponteiros do relógio da roda do mandril para agarrar de forma segura o veio de transmissão (Figura 3).

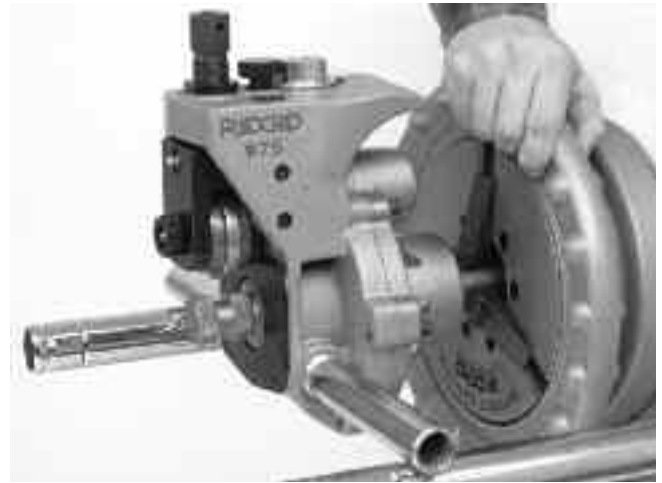


Figura 3 – Montar a entalhadora de rolos 975 Combo no mandril da transmissão mecânica 300

### Montagem da entalhadora 975 Combo numa máquina de roscar RIDGID 300 Compact/1233

Para usar a entalhadora de rolos 975 Combo com uma máquina de roscar 300 Compact/1233, é necessário um kit adaptador (ref. catálogo 67662). Este kit adaptador posiciona correctamente a entalhadora de rolos 975 Combo relativamente à máquina de roscar e à base e permite entalhar a gama completa de tamanhos. Não tente usar a entalhadora 975 Combo com outra máquina de roscar, pois isso pode resultar no tombar da máquina ou outros problemas.

1. Instale o adaptador da barra de transmissão no veio de transmissão da entalhadora de rolos (Ver Figura 4). Alinhe os parafusos de fixação com as partes planas no veio de transmissão da entalhadora de rolos e aperte firmemente.

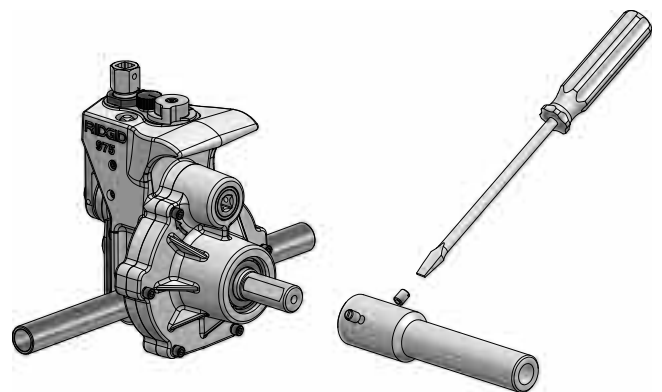


Figura 4 – Instalar o adaptador da barra de transmissão

2. Desloque o carro na máquina de roscar 300 Compact/1233 até este estar tão próximo do mandril da máquina quanto possível. Desloque o cortador, alargador e porta-tarraxa para a posição mais afastada do operador, para não atrapalharem. Posicione o cone alargador dentro do porta-tarraxa.

3. Coloque a guia adaptadora sobre a extremidade dos trilhos da máquina de roscar 300 Compact/1233 (conforme mostrado na Figura 5) e bloqueie no lugar com o pino ligado.



Figura 5 – Instalar a guia adaptadora

4. Coloque os braços de suporte da entalhadora 975 sobre os braços da guia adaptadora com o adaptador da barra de transmissão no mandril da máquina. Feche e aperte o mandril da máquina de roscar no adaptador da barra de transmissão. Certifique-se de que a barra de transmissão está centrada no mandril. Utilize rotações repetidas e com força no sentido contrário ao dos ponteiros do relógio da roda do mandril para agarrar de forma segura a barra de transmissão.



Figura 6 – Entalhadora de rolos 975 Combo correctamente montada na máquina de roscar 300 Compact

### Concluir a instalação e preparação

1. Posicione o interruptor de pedal de modo a que o operador possa controlar a transmissão mecânica/máquina de roscar, a entalhadora e o cano a ser entalhado. Conforme mostra a Figura 6, a posição deve permitir ao operador:
  - Estar de frente para a entalhadora de rolos com acesso (do mesmo lado) ao interruptor FOR/OFF/REV.

- Controlar a acção ON/OFF (ligar/desligar) do interruptor de pedal e soltar rapidamente o interruptor de pedal, se necessário.
- Ter fácil acesso à entalhadora, ao cano e à chave de roquete sem se debruçar sobre a entalhadora.



Figura 7 – Posição do operador

2. Faça passar o cabo de alimentação pelo caminho livre previamente identificado. Com as mãos secas, ligue a transmissão mecânica na tomada com ligação à terra adequada. Mantenha todas as ligações eléctricas secas e afastadas do chão. Se o cabo de alimentação não tiver o comprimento suficiente, utilize uma extensão que:
  - Esteja em bom estado
  - Tenha uma ficha de três espigões semelhante à da transmissão mecânica
  - Tenha classificação para uso no exterior e contenha a indicação W ou W-A na designação do cabo (i.e. SOW)
  - Tenha o comprimento suficiente (14 AWG para 25' ou menos, 12 AWG para 25' – 50' de comprimento). Cabos com comprimento insuficiente podem sobreaquecer, derretendo o isolamento ou provocando um incêndio ou outros danos.
3. Verifique a transmissão mecânica/máquina de roscar para se assegurar de que esta está a funcionar correctamente:
  - Coloque o interruptor na posição FOR (forward/em frente). Prima e liberte o interruptor de pedal. Confirme que o veio de transmissão roda no sentido contrário ao dos ponteiros do relógio quando está a olhar para a frente do mandril. Se a unidade não rodar na direcção correcta ou se o interruptor de pedal não controlar a operação da

máquina, não utilize a máquina até que esta tenha sido reparada.

- Prima e mantenha premido o interruptor de pedal. Verifique a velocidade de rotação da unidade. Inspeccione as partes móveis procurando peças desalinhasadas, presas, ruídos estranhos ou qualquer outra condição anormal. Solte o interruptor de pedal. Se a velocidade rotacional exceder as 57 rpm, não utilize a unidade para entalhar sulcos. Velocidades mais altas podem aumentar o risco de ferimentos. Se detectar condições anormais, não use o equipamento até que este tenha sido reparado.
- Coloque o interruptor na posição REV (reverse/marcha invertida). Prima e liberte o interruptor de pedal. Confirme que o veio de transmissão roda no sentido dos ponteiros do relógio quando está a olhar para a frente do mandril. Se a unidade não rodar na direcção correcta, não use a máquina até que esta tenha sido reparada.
- Coloque o interruptor na posição OFF (desligado). Com as mãos secas, desligue a ficha da máquina.

### Preparação do cano

**NOTA** Estas instruções são gerais. Respeite sempre as recomendações específicas do fabricante das juntas raídas relativamente à preparação das extremidades dos canos. A não observância das recomendações do fabricante das juntas raídas pode levar a uma ligação incorrecta e dar origem a fugas.

1. Corte o cano com o comprimento adequado. Atenção aos comprimentos mínimos do tubo que pode ser entalhado para cada tamanho de cano (Ver Quadro A). Entalhar um cano mais curto que o comprimento mínimo pode aumentar o risco de lesões por esmagamento de dedos e emaranhamento.  
  
Certifique-se de que a extremidade do cano é cortada a direito e sem rebarbas. As rebarbas podem prender-se ou cortar as luvas ou os dedos durante o entalhamento. O método de corte e rebarbas grandes podem afectar a qualidade do sulco formado e a manutenção no trilho do sulco. Não tente entalhar um cano cortado com um maço.
2. Todas as gotas, rebarbas ou costuras de soldar interiores/exteriores têm de ser limadas até estarem niveladas até pelo menos 2" da extremidade do cano. Não corte zonas planas na área do empanque, isso pode provocar fugas.
3. Remova qualquer incrustação, sujidade, ferrugem e outros contaminantes numa área de pelo menos 2" até à extremidade do cano. Os contaminantes podem entupir as estrias da transmissão e impedir a correcta propulsão e manutenção no trilho do cano durante o entalhamento.

### Colocação do cano na entalhadora de rolos

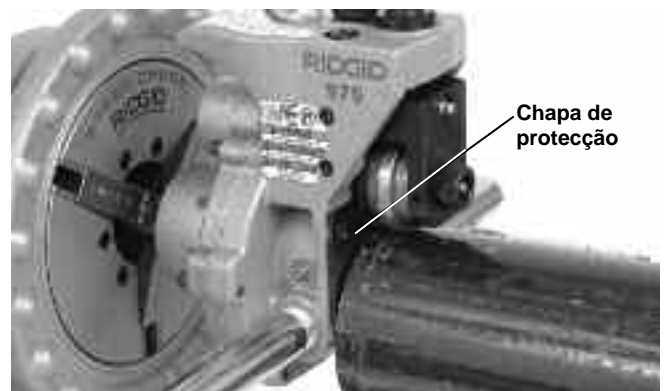
1. Confirme e o interruptor da transmissão mecânica/máquina de roscar se encontra na posição OFF (desligado).
2. Certifique-se de que tem o apoio adequado disponível para o cano que vai entalhar. O Quadro A apresenta uma lista do comprimento máximo de tubo a ser entalhado utilizando um único suporte de canos. Tubos mais compridos

devem ser suportados por pelo menos duas bases para canos. Não suportar correctamente o cano pode fazer com que o cano ou o cano e a máquina tombem e caiam. Não faça entalhes em tubos mais curtos do que o comprimento mínimo.

Tam. Nom.	Comp. Min.	Comp. Máx.	Tam. Tam.	Comp. Min.	Comp. Máx.
1	8	36	4	8	36
1 1/4	8	36	4 1/2	8	32
1 1/2	8	36	5	8	32
2	8	36	6 D.E.	10	30
2 1/2	8	36	6	10	28
3	8	36			
3 1/2	8	36			

**Quadro A – Comprimento mínimo/máximo do cano a ser entalhado com Uma Base (Todas as dimensões em polegadas)**

3. Coloque as bases para canos necessárias em frente do entalhador de rolos. Para comprimentos suportados por uma única base, esta deve ser colocada ligeiramente antes do meio do comprimento do cano a partir da placa de protecção do entalhador de rolos. Para comprimentos de tubo que necessitem mais de uma base, as bases devem ser colocadas a 1/4 do comprimento do cano a partir das extremidades do cano. Pode ser apropriado utilizar mais bases nalgumas situações. A altura da base deve ser ajustada, de modo que o cano caiba sobre o rolo accionador.
4. Assegure-se de que o rolo entalhador foi retraído o suficiente para permitir que o tubo seja colocado sobre o veio de transmissão. Se necessário, rode o fuso no sentido contrário ao dos ponteiros do relógio para elevar o rolo entalhador.
5. Coloque a extremidade do cano sobre o veio de transmissão e pouse o cano sobre a(s) base(s) do cano. Assegure-se de que o cano está estável.

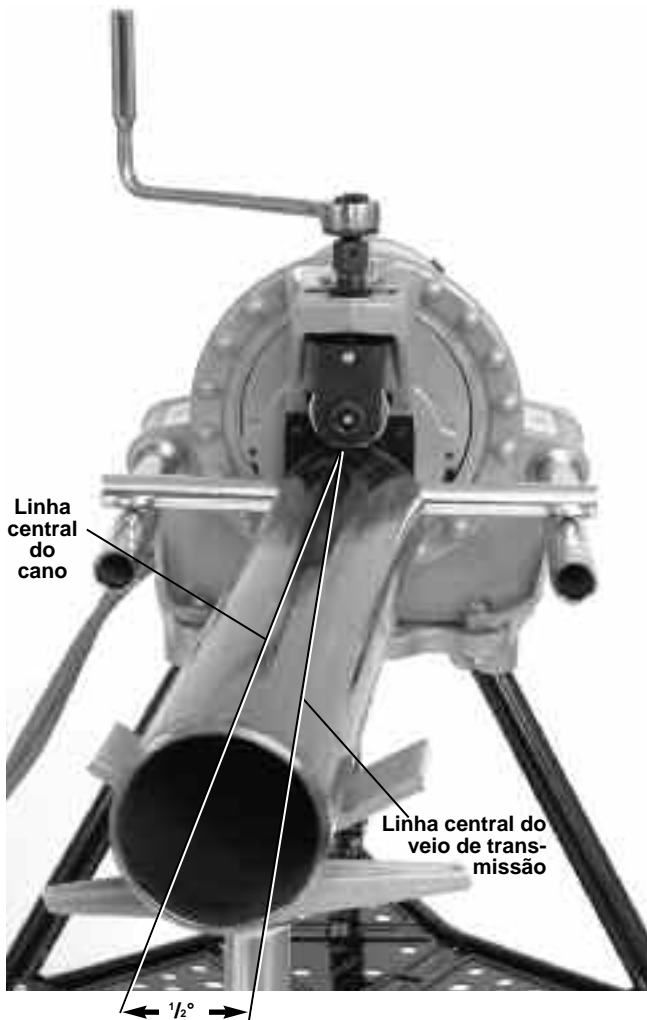


**Figura 8 – Colocar o cano sobre o veio de transmissão e alinhado com a chapa de protecção**

6. Ajuste o cano e as bases do cano de modo a que a extremidade do cano está alinhada com a chapa de protecção da entalhadora de rolos e que o interior do cano esteja em contacto com a parte de cima do veio de transmissão (Figura 7). A linha central do cano e a linha central do

veio de transmissão devem estar paralelas. Uma maneira de conseguir isso é nivelar tanto o cano como a transmissão mecânica/máquina de roscar.

- Desvie ligeiramente o cano e as bases do cano aproximadamente  $\frac{1}{2}$  grau (cerca de 1" a 10 pés da entalhadora de rolos) no sentido do operador. Um bom alinhamento do cano e da entalhadora ajuda a assegurar uma boa manutenção do cano no trilho durante o entalhamento. (Ver Figura 9)



**Figura 9 – Desviar o cano  $\frac{1}{2}^\circ$  no sentido do operador (exagerado)**

- Rode o fuso no sentido dos ponteiros do relógio para descer o rolo entalhador e colocá-lo em contacto com o diâmetro exterior do cano e, em seguida, rode o fuso mais um quarto de volta. O parafuso de regulação pode ter de ser solto (rodado no sentido contrário ao dos ponteiros do relógio) para permitir que o rolo entalhador entre em contacto com o cano. O cano e a entalhadora devem estar fixos um ao outro neste ponto.
- Análise a área de trabalho e determine se são necessárias barreiras para manter outras pessoas afastadas do equipamento e do cano. Deve utilizar guardas ou barricadas para estabelecer um perímetro de segurança com o mínimo de três (3) pés em volta da transmissão mecânica e do

cano. Esta “zona de segurança” evita que outras pessoas entrem acidentalmente em contacto com a máquina ou o cano, fazendo-a tombar ou ficando emaranhados nas peças rotativas.

- Com as mãos secas, ligue a máquina na tomada com ligação à terra adequada.

## Operar a entalhadora de rolos 975 Combo com uma transmissão mecânica/máquina de roscar

### ⚠ AVISO



**Não use roupas largas ao operar a entalhadora de rolos. Mantenha as mangas e casacos abotoados. Não se debruce sobre a máquina ou o tubo. Roupas largas podem prender-se nas partes rotativas e causar ferimentos por esmagamento.**

**Mantenha as mãos afastadas dos rolos entalhadores. Não faça entalhes em tubos mais curtos do que o especificado. Não use luvas grandes demais. Os dedos podem ficar esmagados entre os rolos entalhadores ou entre um rolo entalhador e o tubo.**

**Mantenha as mãos afastadas das extremidades do tubo. Não coloque as mãos ou os dedos dentro do tubo. Pode ficar preso e cortar-se e rebarbas e arestas vivas. Os dedos podem ficar esmagados entre os rolos entalhadores ou entre um rolo entalhador e o tubo.**

**Use sempre protecção ocular para proteger os seus olhos contra sujidade e objectos estranhos. Use calçado com biqueira de aço para proteger os pés de ferramentas que tombem e de canos que caiam.**

**Respeite as instruções de operação para reduzir o risco de ferimentos por esmagamento, tombos, pancadas e outras causas.**

### Definir/Medir o diâmetro do sulco

**NOTA** Devido às diferentes características dos tubos, deve realizar-se sempre um sulco de teste antes de efectuar o primeiro sulco do dia ou sempre que se mude de tamanho, espessura ou material do cano. Os calibres para definir o diâmetro do sulco são aproximados e o diâmetro do sulco tem de ser medido para confirmar o tamanho adequado.

- Confirme que o equipamento e o cano estão preparados correctamente. Uma preparação imprópria do cano pode afectar a correcta definição do calibre de profundidade do sulco. O rolo entalhador deve tocar no cano.
- Ajuste o calibre de profundidade do sulco de modo a que a divisão de escala correcta do calibre fique debaixo da cabeça do parafuso de regulação (Figura 10A). O calibre de profundidade do sulco foi concebido para usar com canos. Ver “Definir o diâmetro do sulco em tubos de cobre” para usar com tubo de cobre.

3. Rode o parafuso de regulação no sentido dos ponteiros do relógio até que a cabeça toque na divisão de escala do calibre de profundidade. Mude o calibre de profundidade do sulco para a posição de entalhamento (*Figura 10B*). Se o calibre não estiver na posição de entalhamento, impedirá o entalhamento e pode ficar danificado.



**Figura 10A – Colocar a divisão de escala correcta do calibre debaixo da cabeça do parafuso de regulação**



**Figura 10B – Calibre na posição de entalhamento**

4. Prepare um sulco de teste ( *siga os passos de “Formar o sulco”*).
5. Meça o diâmetro do sulco. O melhor método para medir o diâmetro do sulco é usar uma fita de diâmetro (*ver Secção de acessórios*). Envolver de forma justa a fita de diâmetro em volta do cano dentro do sulco. Certifique-se de que a fita fica bem assente no fundo do sulco e leia o diâmetro do sulco. (*Ver Figura 11*)



**Figura 11 – Verificar o diâmetro do sulco com uma fita de diâmetro**

6. Compare o diâmetro do sulco medido com o diâmetro do sulco necessário conforme mostrado no *Quadro I ou III*, ou conforme especificado pelo fabricante da junta estriada. Se o sulco medido estiver fora do diâmetro de sulco necessário, o parafuso de regulação tem de ser reposicionado de modo a dar o diâmetro de sulco correcto.

- Para aumentar o diâmetro do sulco, rode o parafuso de regulação no sentido dos ponteiros do relógio.
  - Para reduzir o diâmetro do sulco, rode o parafuso de regulação no sentido contrário ao dos ponteiros do relógio.
  - Cada  $\frac{1}{4}$  de volta do parafuso de regulação muda o diâmetro do sulco em aproximadamente 0.02”.
7. Repita os passos 4-6 até que o diâmetro do sulco corresponda às especificações. Se o sulco for grande demais, a entalhadora pode ser regulada e o sulco tornado menor. Se o sulco for pequeno demais, será necessário fazer um novo sulco. O diâmetro correcto do sulco é importante para assegurar o desempenho do empanque. Sulcos fora das especificações podem causar a falha da junta.

### Formar o sulco

1. Confirme que o equipamento e o cano estão preparados correctamente.



**Figura 12 – Posição de operação da entalhadora de rolos**

2. Assuma uma posição de operação correcta. Posicione o interruptor de pedal da transmissão mecânica de modo a que o operador possa controlar a transmissão mecânica, a entalhadora e o cano a ser entalhado. Conforme mostra a *Figura 12*, a posição deve permitir ao operador:
  - Estar de frente para a entalhadora de rolos com acesso (do mesmo lado) ao interruptor FOR/OFF/REV.

- Controlar a acção ON/OFF (ligar/desligar) do interruptor de pedal e soltar rapidamente o interruptor de pedal, se necessário.
  - Ter fácil acesso à entalhadora e à chave de roquete sem se debruçar sobre a entalhadora.
  - Coloque a mão direita no cano a ser entalhado, se necessário.
  - Deve ter os pés bem assentes e estar equilibrado.
3. Coloque o interruptor na posição REV (reverse/marcha invertida). **Não accione a entalhadora de rolos 975 Combo na posição FOR (em frente). Devido ao design da entalhadora de rolos 975 Combo, isso faria com que o tubo fizesse uma “espiral” para fora dos rolos entalhadores e pode fazer cair o cano.**
  4. Coloque uma mão na cabeça do roquete/topo do fuso e a outra mão na extremidade do dispositivo de roquete.
  5. Prima o interruptor de pedal para accionar a transmissão mecânica. Observe o cano a rodar e assegure-se de que a face do cano se mantém em contacto com a chapa de protecção da entalhadora de rolos. Se o cano começar a mover-se para longe da chapa de protecção da entalhadora de rolos, solte o interruptor de pedal para evitar que o cano faça uma espiral para fora e caia. Se necessário, volte a preparar o cano (*ver a secção colocação do cano*). Se a extremidade do cano estiver deformada, será preciso cortá-la e preparar um novo sulco.
  6. Depois de o cano fazer uma rotação completa, aperte o fuso mais 1/4 de volta. Continue a monitorizar a extremidade do cano para se certificar de que está em contacto com a chapa de protecção. Não aperte o fuso mais de 1/4 de volta por cada rotação do cano. Apertar de forma agressiva o fuso pode provocar brilho excessivo do sulco ou fazer com que o cano faça uma espiral e saia do veio de transmissão.
  7. Continue a apertar o fuso 1/4 de volta por revolução do cano até que a cabeça do parafuso de regulação páre contra o topo da entalhadora de rolos. Não continue a apertar o fuso depois de o parafuso de regulação ter atingido o topo da entalhadora de rolos, pois isso pode danificar o fuso. Deixe que o cano rode pelo menos mais duas rotações completas nesta posição, para assegurar uma profundidade de sulco uniforme.
  8. Solte o interruptor de pedal e mova o interruptor FOR/OFF/REV para a posição OFF (desligado).
  9. Rode o fuso no sentido contrário ao dos ponteiros de relógio e levante o rolo entalhador, de modo a poder remover o cano da máquina.
  10. Inspeccione o sulco.
    - Certifique-se de que o sulco está bem formado.
    - Verifique o diâmetro do sulco e assegure-se de que este respeita as especificações.
    - Verifique quaisquer outros itens exigidos pelo fabricante do empanque.

Se for detectado algum problema, o sulco não poderá ser usado.

## Definir o diâmetro do sulco em tubos de cobre

Quando utilizar a entalhadora de rolos 975 Combo em tubos de cobre, não pode usar o calibre de profundidade do sulco na entalhadora, pois originará diâmetros de sulco incorrectos.

1. Rode o fuso no sentido dos ponteiros do relógio para descer o rolo entalhador e colocá-lo em contacto com o diâmetro exterior do cano e, em seguida, rode o fuso mais um quarto de volta. O parafuso de regulação pode ter de ser solto (rodado no sentido contrário ao dos ponteiros do relógio) para permitir que o rolo entalhador entre em contacto com o cano. O cano e a entalhadora devem estar fixos um ao outro neste ponto.
2. Assegure-se de que o calibre de profundidade do sulco se encontra na posição correcta.. (*Figura 10B*)
3. Rode o parafuso de regulação até que esteja alinhado com a placa superior da entalhadora.
4. Encontre o diâmetro e o tipo de tubo a ser entalhado no Quadro B e recue o parafuso de regulação, afastando-o da placa superior o número correspondente de voltas. Por exemplo, para 4” cobre Sch. L, recue o fuso 1 1/4 de volta.

## Regulação da profundidade no entalhamento de tubos de cobre (Parafuso de regulação roda)

Dia.	K	L	M	DWV
2-2.5”	7/8	7/8	5/8	5/8
3”	1 1/16	1 1/16	1 1/16	1 1/16
4”	1 1/4	1 1/4	1 1/4	1 1/8
5”	1 1/2	1 1/2	1 1/2	1 1/2
6”	1 3/16	1 3/4	1 3/4	1 3/4
8”	2 1/2	2 3/8	2 1/8	2 1/8

## Gráfico B – Regulação da profundidade no entalhamento de tubos de cobre

5. *Vá para o passo 4 de “Definir/Medir o diâmetro do sulco”.*

## Sugestões para manter a entalhadora de rolos 975 Combo no trilho

O principal problema com que o utilizador se depara ao fazer entalhes é o tubo “fazer uma espiral” ou “afastar-se” do veio de transmissão ou não “manter-se no lugar”. Para assegurar que o tubo se mantém no lugar, é importante seguir todas as instruções seguintes. Se, apesar de respeitadas todas as instruções, o tubo continuar a entalhar incorrectamente, existem várias opções para manter o trilho.

- Aumente ligeiramente a distância do tubo na direcção do operador (aumento de 1/2 grau a 1 grau) (*ver Figura 9*).
- O operador poderá ter que aplicar uma ligeira pressão sobre o tubo enquanto realiza o processo de entalhe para manter o trilho. Normalmente, isto apenas é necessário em secções mais curtas de tubo. Para fazê-lo, o operador deve utilizar uma luva de couro em boas condições e colocar a mão em volta do meio do tubo, tal como se mostra na *Figura 13*. Isto poderá obrigar a que o suporte em que a transmissão mecânica/máquina de roscar está

montada seja fixado ao chão, de modo a evitar movimentos durante o processo de realização do entalhe. Para evitar acidentes de esmagamento, mantenha a mão afastada do rolo entalhador e das extremidades do tubo e não realize a operação em tubos mais curtos que o recomendado.



**Figura 13 – Aplicando pressão no tubo durante o entalhamento para nater o trilha**

- Adicionalmente, consulte a *Secção de Resolução de Problemas* para a lista completa de razões e soluções de problemas relacionados com a saída do trilha.

## Instalação e preparação da máquina e do local de trabalho para aplicações in situ

### ⚠ AVISO



**Use sempre protecção ocular para proteger os seus olhos contra sujidade e objectos estranhos. Use calçado com biqueira de aço para proteger os pés de ferramentas que tombem e de canos que caiam. Ao trabalhar na obra, use um capacete.**

### **Prepare a entalhadora de rolos e a área de trabalho de acordo com estes procedimentos, para reduzir o risco de a máquina tombar, esmagamento e outras causas, e para evitar danos na entalhadora.**

1. Localize uma área de trabalho com as seguintes características:
  - Iluminação adequada.
  - Ausência de líquidos inflamáveis, gases ou poeira que possam inflamar-se. Se estes estiverem presentes, não trabalhe nessa área até que as fontes dos mesmos estejam identificadas e corrigidas.
  - Local desimpedido, nivelado, estável e seco, com espaço suficiente para instalar todo o equipamento e para o operador.
2. Limpe a área de trabalho antes de instalar o equipamento. Limpe sempre qualquer óleo que possa estar presente.
3. Inspeccione o cano a entalhar e confirme que a entalhadora de rolos 975 Combo é a ferramenta correcta para a tarefa. A entalhadora de rolos 975 Combo foi concebida para fazer sulcos em canos de espessura Schedule 10 e 40 em aço, alumínio e PVC com tamanhos compreendidos entre 1 1/4" e 6". Também foi desenhada para fazer sulcos em tubo de aço inox de 1 1/4" a 6" Schedule 10 e de 1 1/4" a 2" Schedule 40. Com um conjunto de rolos de substituição, pode ser usada para fazer sulcos em tubo de cobre de 2" - 8" Tipo K, L, M e DWV.

A entalhadora de rolos 975 Combo pode ser usada para aplicações in situ (cano que está instalado no local ou montado num torno) ou com a transmissão mecânica RIDGID 300 ou a máquina de roscar 300 Compact para aplicações mecânicas na obra. A entalhadora de rolos 975 Combo não se destina a aplicações do tipo de produção.

4. Ao entalhar in situ, assegure-se de que existe espaço suficiente para a entalhadora de rolos 975 Combo caber e para conseguir operá-la. A entalhadora irá circular em torno do tubo montado e necessita de:
  - Um espaço mínimo de 6 1/2" em torno do tubo a ser entalhado
  - Um espaço mínimo de 2 1/2" para lá de uma obstrução, como por exemplo uma parede
  - Um espaço mínimo de 9 1/2" para instalar a entalhadora no tubo

Pode encontrar entalhadoras de rolos para outras aplicações consultando o catálogo da Ridge Tool, disponível online em [www.RIDGID.com](http://www.RIDGID.com), ou contactando o Departamento de Assistência Técnica da Ridge Tool no número 800-519-3456.

**NOTA** O uso dos conjuntos de rolos (rolo entalhador e eixo de transmissão) em tubos de carbono e de aço inox pode levar à contaminação do material de aço inox. Esta contaminação pode provocar corrosão e a degradação prematura dos canos. Para prevenir a contaminação ferrosa dos canos em aço inox, use conjuntos de rolos dedicados ao entalhamento de aço inox. Em alternativa, pode utilizar uma escova de arame em aço inox para limpar escurpulosamente o conjunto de rolos sempre que mudar de material.

## Preparação do cano

**NOTA** Estas instruções são gerais. Respeite sempre as recomendações específicas do fabricante das juntas raçadas relativamente à preparação das extremidades dos canos. A não observância das recomendações do fabricante das juntas raçadas pode levar a uma ligação incorrecta e dar origem a fugas.

1. Se estiver a realizar o entalhamento de um tubo existente instalado in situ, assegure-se de que o sistema foi despressurizado e esvaziado. Informe-se sobre o conteúdo do sistema e dos riscos associados.
2. Corte o cano com o comprimento adequado.  
Certifique-se de que a extremidade do cano é cortada a direito e sem rebarbas. As rebarbas podem prender-se ou cortar as luvas ou os dedos durante o entalhamento. O método de corte e rebarbas grandes podem afectar a qualidade do sulco formado e a manutenção no trilho do sulco. Não tente entalhar um cano cortado com um maçarico.
3. Todas as gotas, rebarbas ou costuras de soldar interiores/exteriores têm de ser limadas até estarem niveladas, pelo menos nas 2" da extremidade do cano. Não corte zonas planas na área do empanque, isso pode provocar fugas.
4. Remova qualquer incrustação, sujidade, ferrugem e outros contaminantes numa área de pelo menos 2" até à extremidade do cano. Os contaminantes podem entupir as estrias da transmissão e impedir a correcta propulsão e manutenção no trilho do cano durante o entalhamento.
5. Assegure-se de que o cano a ser entalhado se encontra montado de forma sólida. O cano deve conseguir suportar o peso da entalhadora de rolos (28 libras - 14 kg), e a força e o binário necessários para o entalhamento, sem se mover. Para um cano já instalado, poderá ser boa ideia retirar o cano e realizar o entalhamento num torno. Noutros casos, poderá ser necessário adicionar outros suportes para o cano, temporários ou permanentes. Ao utilizar um torno para o cano, assegure-se de que este se encontra fixo e não irá cair durante a utilização. Para canos mais compridos, utilize suportes apropriados para os apoiar.

## Montar a entalhadora de rolos no tubo

1. Confirme que a entalhadora de rolos 975 Combo foi inspeccionada e tem o conjunto de rolos apropriado instalado. Certifique-se de que os braços de suporte estão bem presos ao corpo da entalhadora de rolos ou retire-os completamente para um melhor acesso em espaços apertados. De seguida, instale o dispositivo de roquete no fuso e instale a extensão do quadrado de comando manual nas costas da entalhadora de rolos. Assegure-se de que dispositivo de roquete e extensão estão instalados de forma segura.
2. Assegure-se de que existe espaço suficiente entre a entalhadora de rolos e o veio de transmissão para a parede do tubo. Se necessário, rode o fuso no sentido contrário ao dos ponteiros do relógio para aproximar o rolo entalhador.
3. Agarre com segurança a entalhadora de rolos. Não levante com o dispositivo de roquete. Coloque o veio de transmissão no interior do cano e assegure-se de que a chapa de protecção se encontra correctamente encostada à extremidade do cano (*Figura 14*). Aperte o fuso para colo-

car o rolo de entalhamento em contacto com o exterior do cano. Depois o fuso ter sido bem apertado à mão, utilize o roquete para apertá-lo mais 1/4 de volta. Confirme que o rolo de entalhamento se encontra bem apertado no cano e que a chapa de protecção se encontra alinhada com a extremidade do tubo. Se tal não acontecer, repita o procedimento. Certifique-se sempre de que a entalhadora se encontra bem fixa, para evitar que caia.

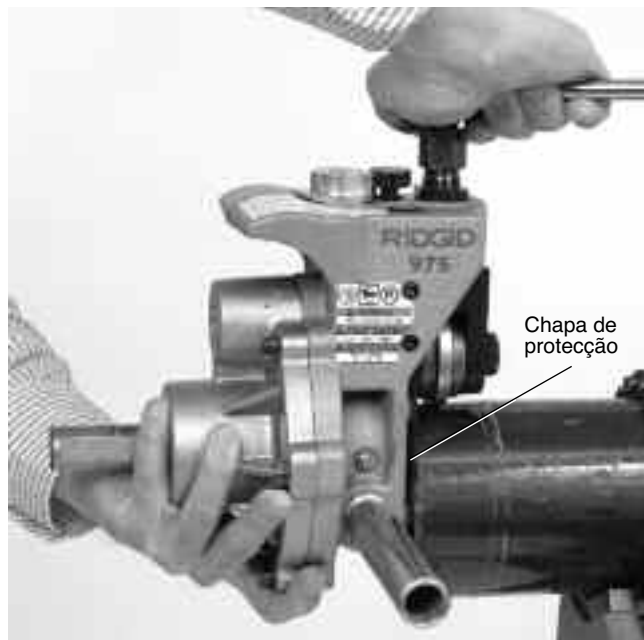


Figura 14 – Segurando a entalhadora de rolos no lugar enquanto aperta o fuso

## Operar a entalhadora de rolos 975 Combo in situ

### ⚠ AVISO



**Opere a entalhadora manualmente quando a utilizar in situ. Não utilize dispositivos eléctricos (como berbequins ou ferramentas de impacto) para operar a entalhadora de rolos quando a utilizar in situ. A utilização de dispositivos eléctricos pode danificar a entalhadora e aumenta o risco de acidentes.**

**Não use roupas largas ao operar a entalhadora de rolos. Mantenha as mangas e casacos abotoados. Não se debruce sobre a máquina ou o tubo. Roupas largas podem prender-se nas partes rotativas e causar ferimentos por esmagamento.**

**Mantenha as mãos afastadas dos rolos entalhadores. Não faça entalhes em tubos mais curtos do que o**



**especificado. Não use luvas grandes demais. Os dedos podem ficar esmagados entre os rolos entalhadores ou entre um rolo entalhador e o tubo.**

**Mantenha as mãos afastadas das extremidades do tubo. Não coloque as mãos ou os dedos dentro do tubo. Pode ficar preso e cortar-se e rebarbas e arestas vivas. Os dedos podem ficar esmagados entre os rolos entalhadores ou entre um rolo entalhador e o tubo.**

**Use sempre protecção ocular para proteger os seus olhos contra sujidade e objectos estranhos, se calçado com biqueira de aço para proteger os pés de ferramentas que tombem e de canos que caiam. Ao trabalhar na obra, use um capacete.**

**Respeite as instruções de operação para reduzir o risco de ferimentos por esmagamento, tombos, pancadas e outras causas.**

### Definir/Medir o diâmetro do sulco

**NOTA** Devido às diferentes características dos tubos, deve realizar-se sempre um sulco de teste antes de efectuar o primeiro sulco do dia ou sempre que se mude de tamanho, espessura ou material do cano. Os calibres para definir o diâmetro do sulco são aproximados e o diâmetro do sulco tem de ser medido para confirmar o tamanho adequado.

1. Confirme que o equipamento e o cano estão preparados correctamente. Uma preparação imprópria do cano pode afectar a correcta definição do calibre de profundidade do sulco. O rolo entalhador deve tocar no cano.
2. Ajuste o calibre de profundidade do sulco de modo a que a divisão de escala correcta do calibre fique debaixo da cabeça do parafuso de regulação (Figura 15A). O calibre de profundidade do sulco foi concebido para usar com canos. Ver "Definir o diâmetro do sulco em tubos de cobre" para usar com tubo de cobre.
3. Rode o parafuso de regulação no sentido dos ponteiros do relógio até que a cabeça toque na divisão de escala do calibre de profundidade. Mude o calibre de profundidade do sulco para a posição de entalhamento (Figura 15B). Se o calibre não estiver na posição de entalhamento, impedirá o entalhamento e pode ficar danificado.



**Figura 15A – Colocar a divisão de escala correcta do calibre debaixo da cabeça do parafuso de regulação**



**Figura 15B – Calibre na posição de entalhamento**

4. Prepare um sulco de teste (siga os passos de "Formar o sulco").

5. Meça o diâmetro do sulco. O melhor método para medir o diâmetro do sulco é usar uma fita de diâmetro (ver Secção de acessórios). Envolve de forma justa a fita de diâmetro em volta do cano dentro do sulco. Certifique-se de que a fita fica bem assente no fundo do sulco e leia o diâmetro do sulco (ver Figura 16).



**Figura 16 – Medir o diâmetro do sulco com uma fita de diâmetro**

6. Compare o diâmetro do sulco medido com o diâmetro do sulco necessário conforme mostrado no Quadro I ou III, ou conforme especificado pelo fabricante da junta estriada. Se o sulco medido estiver fora do diâmetro de sulco necessário, o parafuso de regulação tem de ser reposicionado de modo a originar o diâmetro de sulco correcto.
  - Para aumentar o diâmetro do sulco, rode o parafuso de regulação no sentido dos ponteiros do relógio.
  - Para reduzir o diâmetro do sulco, rode o parafuso de regulação no sentido contrário ao dos ponteiros do relógio.
  - Cada  $\frac{1}{4}$  de volta do parafuso de regulação muda o diâmetro do sulco em aproximadamente 0.02".
7. Repita os passos 4-6 até que o diâmetro do sulco corresponda às especificações. Se o sulco for grande demais, a entalhadora pode ser regulada e o sulco tornado menor. Se o sulco for pequeno demais, será necessário fazer um novo sulco. O diâmetro correcto do sulco é importante para assegurar o desempenho do empanque. Sulcos fora das especificações podem causar a falha da junta.

### Formar o sulco

1. Confirme que o equipamento e o cano estão preparados correctamente.
2. Assuma uma posição de operação correcta. Assegure-se de que está equilibrado e os pés estão bem assentes no chão.
3. Assegure-se de que o fuso foi apertado  $\frac{1}{4}$  de volta.

- Retire o roquete do fuso e instale a extensão em segurança. (Em aplicações curtas, não é necessário utilizar a extensão.)
- Rode o roquete na direcção dos ponteiros do relógio quando visto a partir da parte traseira da entalhadora de rolos (na direcção das setas gravadas na traseira da entalhadora, ver Figura 17). Observe a entalhadora a rodar e assegure-se de que a face do cano se mantém em contacto com a chapa de protecção da entalhadora de rolos. Caso a entalhadora de rolos se comece a desviar da extremidade do tubo, interrompa o movimento do roquete para evitar que o rolo de entalhamento se desvie da extremidade do tubo e caia. Os braços de suporte da entalhadora de rolos podem ser empurrados para ajudar a manter a chapa de protecção em contacto com a extremidade do tubo. Caso seja necessário, volte a montar a entalhadora de rolos no cano. (ver a secção "Montar a entalhadora de rolos no tubo"). Se a extremidade do cano estiver deformada, será preciso cortá-la e preparar um novo sulco.

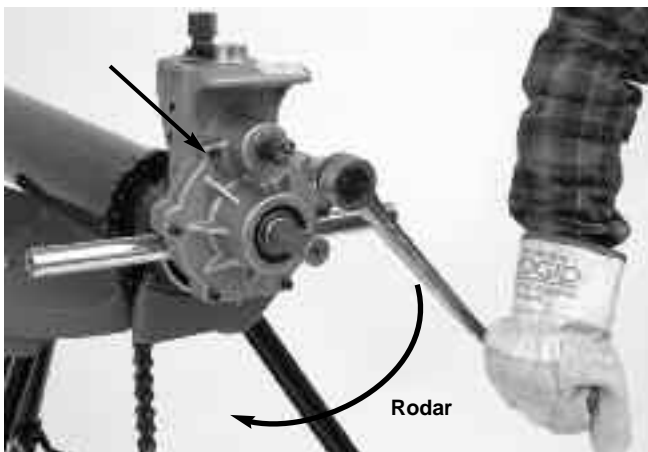


Figura 17 – Rodando o roquete na direcção das setas

- Continue a rodar o roquete até que a entalhadora de rolos complete pelo menos uma rotação completa em torno do cano. Retire o roquete da extensão e instale o fuso. Aperte o fuso mais  $\frac{1}{4}$  de volta. Retire o roquete do fuso e instale a extensão com segurança. Não aperte o fuso mais de  $\frac{1}{4}$  de volta por cada rotação do cano. Apertar de forma agressiva o fuso pode provocar brilho excessivo do sulco ou fazer com que o cano faça uma espiral e saia do veio de transmissão. Continue a rodar o roquete para mover a entalhadora em torno do cano, ao mesmo tempo que monitoriza a posição da chapa de protecção na extremidade do cano.
- Continue a apertar o fuso  $\frac{1}{4}$  de volta por revolução do cano até que a cabeça do parafuso de regulação páre contra o topo da entalhadora de rolos. Não continue a apertar o fuso depois de o parafuso de regulação ter atingido o topo da entalhadora de rolos, pois isso pode danificar o fuso. Rode a entalhadora de rolos pelo menos mais duas voltas completas em torno do cano depois do parafuso de regulação ter atingido o cimo da entalhadora de rolos, para assegurar uma profundidade uniforme do sulco.
- Mova o roquete para o fuso. Agarre com segurança a entalhadora de rolos. Rode o fuso no sentido contrário ao dos ponteiros de relógio e recue o rolo entalhador, de

modo a poder remover a entalhadora do cano. Não deixe cair a entalhadora de rolos.

- Inspeccione o sulco.
  - Certifique-se de que o sulco está bem formado.
  - Verifique o diâmetro do sulco e assegure-se de que este respeita as especificações.
  - Verifique quaisquer outros itens exigidos pelo fabricante do empanque.

Se for detectado algum problema, o sulco não poderá ser usado.

## Instruções de manutenção

### ⚠ AVISO

**Assegure-se de que o interruptor da transmissão mecânica está na posição OFF (desligado) e que a ficha está desligada antes de realizar quaisquer trabalhos de manutenção ou regulação.**

### Lubrificação

Lubrifique a entalhadora de rolos 975 Combo com um lubrificante geral de boa qualidade, uma vez por mês.

- As bocais de lubrificação encontram-se no lado da base do lado do operador, na parte frontal do bloco deslizante e no final do veio do rolo de entalhamento (ver Figura 2). Introduza lubrificante até que uma pequena quantidade comece a sair.
- Aplique uma camada de lubrificação ligeira sobre o fuso.
- A caixa de transmissão da entalhadora de rolos 975 Combo está lubrificada permanentemente e não requer a adição de mais lubrificante a não ser que seja aberta.

Ver secção de Inspeção para mais informações sobre a manutenção.

### Limpeza

Limpe os relevos do veio de transmissão com uma escova de arame diariamente, ou mais frequentemente caso seja necessário.

### Substituição dos conjuntos de rolos

**NOTA** Ao substituir as peças dos conjuntos de rolos, assegure-se sempre de que a identificação da transmissão e dos rolos são correspondentes. A utilização de peças não correspondentes podem resultar em sulcos incorrectos e causar fugas.

Retire a entalhadora da transmissão mecânica ou da máquina de roscar e coloque-a sobre uma bancada de trabalho estável.

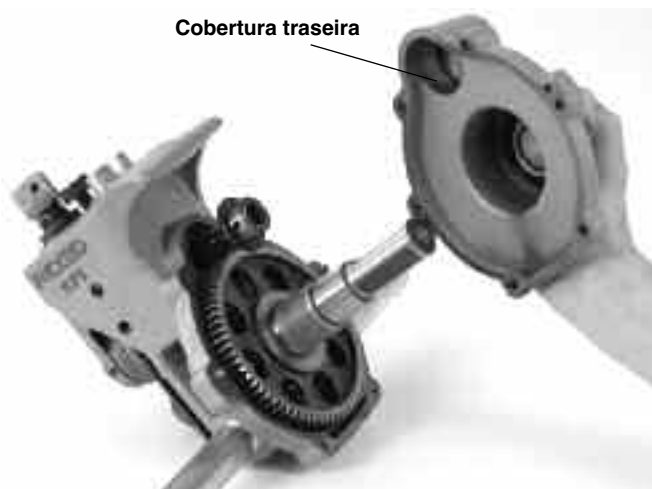
Ferramentas necessárias:

- Chave sextavada de  $\frac{3}{8}$ "
- Chave sextavada de  $\frac{3}{32}$ "
- Pinça para retirar o anel de retenção externo de .070"

### Remoção e instalação do rolo accionador

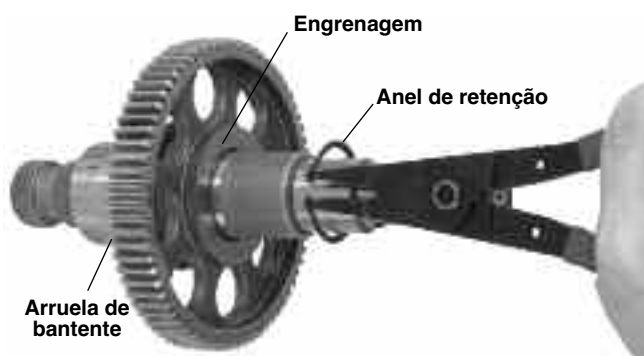
- Retire os 6 parafusos que seguram a cobertura traseira da caixa.

2. Retire a cobertura traseira (ver Figura 18).



**Figura 18 – Remover a cobertura traseira**

3. Retire o pinhão.
4. Retire o conjunto da transmissão da traseira da entalhadora de rolos 975.
5. Retire o anel de retenção da transmissão e afaste a transmissão fazendo-a deslizar para fora. (Ver Figura 19)



**Figura 19 – Remover o anel de retenção**

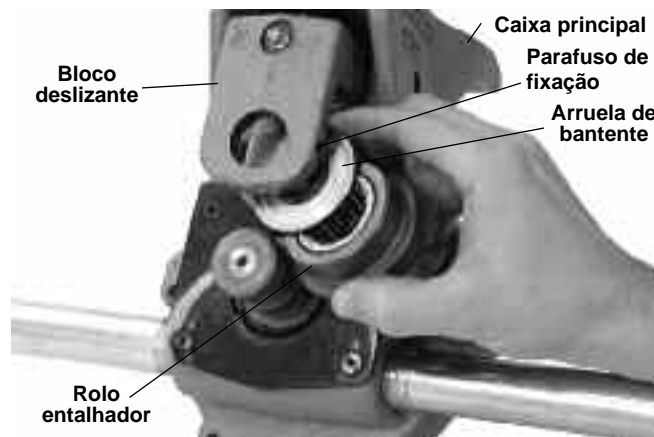
6. Retire a chave e depois a arruela de bantente.
7. Faça deslizar a arruela de bantente de modo a introduzi-la no novo veio de transmissão.
8. Insira a chave e instale a transmissão.
9. Instale o anel de retenção na ranhura que existe no veio de transmissão.
10. Coloque o conjunto da transmissão na caixa principal.
11. Durante a alteração do veio de transmissão, poderá ter sido perdido o lubrificante da caixa de transmissão. Assegure-se de que os rolamentos e os dentes da engrenagem estão suficientemente lubrificados com um lubrificante geral de boa qualidade.
12. Insira o pinhão e volte a instalar a cobertura traseira. Aperte os parafusos com um binário de 12-16 ft\*lbs.



**Figura 20 – Diagrama das peças da entalhadora de rolos 975 Combo**

### Remoção e instalação do rolo entalhador

1. Retire o parafuso de fixação do eixo do rolo entalhador.
2. Puxe o eixo do rolo entalhador para fora do bloco deslizando e retire o rolo entalhador e a arruela de bantente.
3. Introduza a arruela de bantente e um novo rolo entalhador no bloco deslizando. Assegure-se de que o anel de retenção interno no rolo entalhador está o mais próximo possível da caixa, e que o rolo entalhador se encontra entre a arruela de bantente e a caixa principal.



**Figura 21**

4. Substitua o eixo do rolo entalhador e o parafuso de fixação.
5. Inspeccione visualmente o alinhamento entre o rolo entalhador e o rolo accionador. Caso não estejam alinhados, verifique a orientação do rolo entalhador e da arruela de bantente.
6. Lubrifique conforme as instruções da secção de Lubrificação do manual.

## Acessórios

### ⚠ AVISO

Os produtos RIDGID seguintes foram concebidos para funcionamento com a entalhadora de rolos 975 Combo. Outros acessórios adequados para utilização com outras ferramentas podem tornar-se perigosos quando utilizados com a entalhadora de rolos 975 Combo. Para reduzir o risco de ferimentos graves, utilize apenas os acessórios concebidos especificamente e recomendados para utilização com a entalhadora de rolos 975 Combo Roll Groover, tais como os listados na tabela.

Ref. catálogo	Descrição
60082	300 Transmissão Mecânica, 230V 25-60Hz
60077	300 Transmissão mecânica, 115V 25-60Hz
42360	1206 Base para Transmissão Mecânica 300
50697	300 Compact, 230V 25-60Hz
50692	300 Compact, 115V 25-60Hz
20391	300 Compact, 230V 25-60Hz (DK)
67662	Guia adaptadora para 300 Compact/1233
58077	250 Base dobrável para 300 Compact/1233
72037	460 Torno de corrente Tristand portátil
56662	VJ-99 Base de canos alta VHead
76822	Fita de medição de diâmetro em polegadas
76827	Fita de medição de diâmetro métrica
30708	Extensão, transmissão 1/2", de engate
30703	Roquete, transmissão 1/2" com dobra de 90°
33043	Rolos entalhador e accionador para tubo de cobre de 2" -8" tipos K, L, M e DWV

## Armazenamento do equipamento

⚠ **AVISO** Guarde a ferramenta numa zona segura, longe do alcance de crianças e pessoas não familiarizadas com equipamento entalhador. Esta ferramenta pode causar graves lesões nas mãos de pessoas sem formação específica.

## Assistência e Reparação

### ⚠ AVISO

**Serviço ou reparação impróprios podem tornar a máquina insegura de operar.**

As "Instruções de manutenção" serão suficientes para resolver a maioria das necessidades de manutenção desta máquina. Quaisquer problemas que não sejam abordados nesta secção, apenas devem ser tratados por um técnico autorizado da RIDGID.

A ferramenta deve ser levada a um Centro de Assistência Independente Autorizado da RIDGID, ou devolvida à fábrica.

Ao fazer a manutenção desta ferramenta, apenas devem ser utilizadas peças de substituição idênticas. A utilização de outras peças pode criar um risco de acidentes graves.

Se tiver perguntas acerca da assistência ou reparação desta máquina, ligue ou escreva para:

Ridge Tool Company  
 Technical Service Department  
 400 Clark Street  
 Elyria, Ohio 44035-6001  
 Tel.: (800) 519-3456  
 E-mail: TechServices@ridgid.com

Para obter informações sobre o Centro de Assistência Independente da RIDGID mais próximo ou qualquer serviço ou perguntas acerca da reparação Contacte o seu distribuidor local Ridge Tool

Visite os sites [www.RIDGIG.com](http://www.RIDGIG.com) ou [www.RIDGID.eu](http://www.RIDGID.eu) para encontrar o seu ponto de contacto Ridge Tool local

Contacte o Departamento de Assistência Técnica da Ridge Tool pelo endereço de correio electrónico [techservices@emerson.com](mailto:techservices@emerson.com), ou no caso dos E.U.A e Canadá, ligue para (800) 519-3456

## Quadro I. Especificações de entalhe standard para canos com dimensões IPS

NOTA! Todas as dimensões estão em polegadas.

DIM. NOMINAL CANO	DIÂMETRO CANO		T ESPESS. PAREDE MÍN.	A EMPANQUE +.015/-0.030	B LARGURA SULCO +.030/-0.015	C DIÂMETRO SULCO		D PROF. NOMINAL SULCO (Ref.) (2)
	D.E.	TOL.				D.E.	TOL.	
1¼	1.660	+0.016 -0.016	.065	.625	.344	1.535	+0.000 -0.015	.063
1½	1.900	+0.016 -0.016	.065	.625	.344	1.775	+0.000 -0.015	.063
2 <sup>(1)</sup>	2.375	+0.024 -0.016	.065	.625	.344	2.250	+0.000 -0.015	.063
2½ <sup>(1)</sup>	2.875	+0.029 -0.016	.083	.625	.344	2.720	+0.000 -0.015	.078
3 <sup>(1)</sup>	3.50	+0.030 -0.018	.083	.625	.344	3.344	+0.000 -0.015	.078
3½ <sup>(1)</sup>	4.00	+0.030 -0.018	.083	.625	.344	3.834	+0.000 -0.015	.083
4 <sup>(1)</sup>	4.50	+0.035 -0.020	.083	.625	.344	4.334	+0.000 -0.015	.083
5 <sup>(1)</sup>	5.563	+0.056 -0.022	.109	.625	.344	5.395	+0.000 -0.015	.084
6 <sup>(1)</sup>	6.625	+0.050 -0.024	.109	.625	.344	6.455	+0.000 -0.015	.085

(1) De acordo com AWWA C606-06

(2) A Profundidade Nominal do Sulco é fornecida exclusivamente como dimensão de referência. Não utilize a profundidade do sulco para determinar se o sulco é aceitável.

## Quadro II. Espessuras mínima e máxima da parede dos tubos

NOTA! Todas as dimensões estão em polegadas.

Dimensões do cano	CANO OU TUBO DE AÇO DE CARBONO OU ALUMÍNIO		CANO OU TUBO DE AÇO INOX		CANO DE PVC	
	Espessura da parede		Espessura da parede		Espessura da parede	
	Mín.	Máx.	Mín.	Máx.	Mín.	Máx.
1¼"	.065	.140	.065	.140	.140	.140
1½"	.065	.145	.065	.145	.145	.200
2"	.065	.154	.065	.154	.154	.154
2½"	.083	.203	.083	.188	.203	.276
3"	.083	.216	.083	.188	.216	.300
3½"	.083	.226	.083	.188	.226	.300
4"	.083	.237	.083	.188	.237	.300
5"	.109	.258	.109	.188	.258	.300
6"	.109	.280	.109	.188	.280	.300

### Quadro III. Especificações de entalhe em tubos de cobre

1	2		3	4	5	6	7	8
Dim. Nom. Polegadas	Diâmetro exterior dos tubos D.E.		A Empanque	B Largura do sulco	C Dia. do sulco	D Prof. do sulco	T Espess. Mín. Parede Permit.	Def. Máx. Dia. Perm.
	Básico	Tolerância	A $\pm 0.03$	+03 -000	+00 -02	Ref. <sup>1</sup>		
2"	2.125	$\pm 0.002$	0.610	0.300	2.029	0.048	DWV	2.220
2 1/2"	2.625	$\pm 0.002$	0.610	0.300	2.525	0.050	0.065	2.720
3"	3.125	$\pm 0.002$	0.610	0.300	3.025	0.050	DWV	3.220
4"	4.125	$\pm 0.002$	0.610	0.300	4.019	0.053	DWV	4.220
5"	5.125	$\pm 0.002$	0.610	0.300	5.019	0.053	DWV	5.220
6"	6.125	$\pm 0.002$	0.610	0.300	5.999	0.063	DWV	6.220
8"	8.125	+0.002/-0.004	0.610	0.300	7.959	0.083	DWV	8.220

1. A Profundidade Nominal do Sulco é fornecida como dimensão de referência. Não utilize a profundidade do sulco para determinar se o sulco é aceitável.

### Resolução de problemas

SINTOMA	RAZÕES POSSÍVEIS	SOLUÇÃO
<b>Sulco demasiado estreito ou demasiado largo.</b>	Rolo entalhador e/ou veio de transmissão estão gastos.	Substituir o rolo entalhador e/ou o veio de transmissão.
<b>Sulco não está perpendicular ao eixo do cano.</b>	O cano não está direito segundo o comprimento. A extremidade do cano não está perpendicular ao eixo do cano.	Usar um cano direito. Cortar a extremidade do cano na perpendicular.
<b>O cano não fica no trilho durante o entalhamento/A entalhadora não se mantém no trilho no cano durante o entalhamento.</b>	O cano e o veio de transmissão não estão paralelos. O eixo do cano não tem um desvio de 1/2 grau em relação ao eixo do rolo accionador. Estria do rolo accionador entupida ou desgastada. O fuso não está apertado.  Rodar o roquete no sentido errado. O interior do cano está muito incrustado. Excesso de costura de soldadura.  Não aplicar pressão ao cano. A extremidade do cano não está perpendicular/eliminar rebarbas. Fuso apertado demais.	Regular a base para o cano ficar paralelo. Desviar o cano 1/2 grau.  Limpar ou substituir o rolo accionador. Apertar o fuso com o roquete para cada revolução conforme as instruções. Rodar o roquete no sentido correcto. Limpar o interior do cano. Limar a costura da soldadura para a alisar até 2" da extremidade do cano. Aplicar pressão ao cano. (Ver Figura 10) Preparar adequadamente a extremidade do cano.  Fazer avançar o fuso em incrementos de apenas 1/4 de volta.
<b>Cano deformado na extremidade entalhada.</b>	O cano e o veio de transmissão não estão paralelos. Fuso apertado demais.	Regular a base para o cano ficar paralelo.  Fazer avançar o fuso apenas 1/4 de volta.

**Resolução de problemas (continuação)**

<b>SINTOMA</b>	<b>RAZÕES POSSÍVEIS</b>	<b>SOLUÇÃO</b>
<b>O cano escorrega para trás e para a frente no rolo accionador durante o entalhamento.</b>	O cano não está direito segundo o comprimento. A extremidade do cano não está perpendicular ao eixo do cano.	Usar um cano direito. Cortar a extremidade do cano na perpendicular.
<b>O cano balança de um lado para o outro no rolo accionador durante o entalhamento.</b>	A base do cano está perto demais da extremidade do cano. A extremidade do cano está achatada ou danificada. Pontos duros no material do cano ou costuras de soldadura mais duras que o cano. Velocidade de alimentação do rolo entalhador lenta demais. Velocidade da transmissão mecânica acima das 57 RPM. Base de apoio do cano não está no local correcto.	Deslocar a base de apoio do cano de modo a respeitar as instruções de preparação. Cortar a extremidade danificada do cano. Usar um cano diferente. Alimentar o rolo entalhador mais rapidamente no cano. Reduzir a velocidade para 57 RPM ou abaixo. Posicionar os rolos da base de apoio do cano correctamente.
<b>A entalhadora não faz um sulco no cano.</b>	Espessura máxima da parede do cano excedida. Material do cano duro demais. O parafuso de regulação não está regulado. A transmissão mecânica não tem capacidade para o binário mínimo necessário.	Verificar o gráfico de capacidade dos canos. Substituir o cano. Definir a profundidade. Utilize a transmissão mecânica RIDGID N° 300 ou 300 Compact ou 1233.
<b>A entalhadora não faz um sulco com o diâmetro necessário.</b>	Tolerância do diâmetro máximo do cano excedida. Parafuso de regulação da profundidade não está regulada correctamente. Cano duro demais.	Usar um cano com o diâmetro correcto. Regular as definições de profundidade. Usar um cano diferente.
<b>O cano escorrega no rolo accionador.</b>	Velocidade de alimentação do rolo entalhador lenta demais. Estrias do rolo accionador entupidas com metal ou desgastadas.	Alimentar o rolo entalhador mais rapidamente no cano. Limpar ou substituir o rolo accionador.
<b>A entalhadora não roda o cano durante o entalhamento.</b>	A transmissão mecânica não tem capacidade para o binário mínimo necessário. O mandril não está fechado nas partes planas do veio de transmissão.	Utilize a transmissão mecânica RIDGID N° 300 ou 300 Compact ou 1233. Fechar o mandril.
<b>O cano eleva-se ou tende a tombar a entalhadora para trás.</b>	A base de apoio do cano não está colocada correctamente.	Colocar as bases correctamente.

975

# Combo Roll Groover



**RIDGID**<sup>®</sup>




## Innehållsförteckning

<b>Säkerhetssymboler</b> .....	160
<b>Allmänna säkerhetsföreskrifter</b>	
Säkerhet på arbetsplatsen .....	160
Elsäkerhet .....	160
Personlig säkerhet .....	161
Skötsel och användning av verktyg .....	161
Service .....	161
<b>Specifik säkerhetsinformation</b>	
Säkerhet vid användning av spårmaskinen .....	162
Säkerhet vid användning av spårmaskinen med ett kraftöverföringssystem eller en gängmaskin .....	162
Säkerhet vid användning av spårmaskinen på plats .....	162
<b>Beskrivning, specifikationer och standardutrustning</b>	
Beskrivning.....	162
Specifikationer .....	163
Standardutrustning.....	163
<b>Inspektion av spårmaskinen</b> .....	163
Förberedelse av maskin och arbetsområde vid användning av eldriven utrustning	
Montera 975 Combo spårmaskin på RIDGID 300 Power Drive.....	165
Montering av 975 Combo spårskärare på en RIDGID 300 Compact/1233 verkstadsmaskin för gängskärning .....	165
Slutföra installationen.....	166
Rörförberedelser .....	167
Förbereda rör i spårmaskinen .....	168
<b>Använda 975 Combo spårmaskin med ett kraftöverföringssystem eller en gängmaskin</b>	
Ställa in och mäta spårdiametern.....	167
Forma rullspåret .....	169
Ställa in spårdiametern för kopparrör .....	170
Spårningstips för 975 Combo spårmaskin .....	170
<b>Förberedelse av maskin och arbetsplats för användning på plats</b>	
Rörförberedelser .....	172
Montera spårmaskinen på röret .....	172
<b>Använda 975 Combo spårmaskin på plats</b>	
Ställa in och mäta spårdiametern.....	173
Forma rullspåret .....	174
<b>Underhållsanvisningar</b>	
Smörjning .....	174
Rengöring.....	175
Byta rulluppsättning .....	175
<b>Tillbehör</b> .....	176
Maskinförvaring.....	176
<b>Service och reparation</b> .....	176
<b>Tabell I. Standardspecifikationer för rullfrästa spår för rör (IPS-dimensioner)</b> .....	177
<b>Tabell II. Maximal och minimal rörväggstjocklek</b> .....	177
<b>Tabell III. Specifikationer för rullfrästa spår för kopparrör</b> .....	178
<b>Felsökning</b> .....	178–179

## Säkerhetssymboler

Säkerhetssymboler och signalord används i denna bruksanvisning och på produkten för att förmedla viktig säkerhetsinformation. I det här avsnittet förklaras innebörden av dessa signalord och symboler.

 Detta är säkerhetsvarningssymbolen. Den används för att göra dig uppmärksam på risker för potentiella personskador. Följ anvisningarna i alla säkerhetsmeddelanden som följer denna symbol för att undvika möjlig skada eller dödsfall.

**FARA!** FARA indikerar en riskfylld situation som leder till dödsfall eller allvarlig skada om den inte undviks.

**VARNING!** VARNING indikerar en farlig situation som kan leda till dödsfall eller allvarlig skada om den inte undviks.

**VAR FÖRSIKTIG!** VAR FÖRSIKTIG indikerar en farlig situation som kan leda till lindrig eller måttlig skada om den inte undviks.

**OBS!** OBS! indikerar information som rör skydd av egendom.



Denna symbol betyder att du bör läsa bruksanvisningen noggrant innan du använder utrustningen. Bruksanvisningen innehåller viktig information om säker och korrekt användning av utrustningen.



Denna symbol anger att du alltid måste bära skyddsglasögon med sidovisir eller svetsglasögon när du hanterar och använder denna utrustning för att minska risken för ögonskada.



Denna symbol varnar om risken att klämma fingrar eller händer mellan spårullarna.



Denna symbol varnar om att det föreligger risk för att händer, fingrar, ben, kläder och andra föremål fastnar och/eller trasslas in i roterande axlar med kross- och slagskador som följd.



Denna symbol indikerar att borrar, slagverktyg och andra elverktyg inte får användas för att driva denna enhet på plats.



Denna symbol varnar om risken för att maskinen ska välta med kross- eller slagskador som följd.



Denna symbol betyder att en fotbrytare alltid måste användas när en gängmaskin eller ett kraftöverföringssystem används.



Denna symbol betyder att skyddshjälm måste bäras när arbete sker över huvudhöjd för att minska risken för huvudskador.

## Allmänna säkerhetsföreskrifter

### **VARNING!**

Läs igenom och se till att du har förstått alla anvisningar. Underlåtelse att följa alla anvisningar som anges nedan medför risk för elektriska stötar, brand och/eller allvarliga personskador.

### **SPARA DESSA ANVISNINGAR!**

Termen "elverktyg" i varningarna avser nätanslutna (sladdanslutna) eller batteridrivna (sladdlösa) elverktyg.

### Säkerhet på arbetsplatsen

- **Håll arbetsplatsen välstädad och sörg för god belysning.** Stökiga eller dåligt upplysta arbetsplatser ökar risken för olyckor.
- **Använd inte elverktyg i miljöer där explosionsrisk föreligger, till exempel i närheten av lättantändliga vätskor, gaser eller damm.** Elverktyg ger upphov till gnistor som kan antända damm eller rökgaser.

- **Se till att barn och kringstående håller sig på behörigt avstånd när du använder elverktyg.** Om du blir distraherad kan du förlora kontrollen.
- **Håll golv torra och fria från ämnen och material som kan göra dem hala, t.ex. olja.** Hala golv ökar risken för olyckor.
- **Skydda eller skärma av området när arbetsstycket sticker ut bortom maskinen.** Skydd eller avskärmningar som ger minst en meters frigång runt arbetsstycket minskar risken för intrassling.

### Elsäkerhet

- **Elverktygets kontakter måste passa i uttaget. Kontakten får aldrig modifieras på något sätt. Använd inte adapterar tillsammans med jordade elverktyg.** Risken för elektriska stötar minskar om du använder kontakter som inte är modifierade och uttag som passar.
- **Undvik kroppskontakt med jordade ytor som rör, värmeelement, spisar och kylskåp.** Risken för elektriska stötar ökar om din kropp är jordad.
- **Utsätt inte elverktyg för regn eller väta.** Risken för elektriska stötar ökar om vatten tränger in i ett elverktyg.

- **Var inte oaktsam med sladden. Släpa eller bär aldrig elverktyget i sladden och koppla aldrig ut elverktyget genom att dra i sladden. Håll sladden på behörigt avstånd från värme, olja, vassa kanter och rörliga delar.** Skadade eller hoptrasslade sladdar ökar risken för elektriska stötar.
- **När ett elverktyg används utomhus ska en förlängningssladd som är lämplig för utomhusbruk användas.** Risken för elektriska stötar minskar om du använder en förlängningssladd som är lämplig för utomhusbruk.
- **Om ett elverktyg trots allt måste användas på en fuktig plats måste strömförsörjningen skyddas med jordfelsbrytare. Risken för elektriska stötar minskar om en jordfelsbrytare används.**

### Personlig säkerhet

- **Var uppmärksam. Tänk på vad du håller på med och använd sunt förnuft när du använder ett elverktyg. Använd aldrig ett elverktyg när du är trött eller påverkad av droger, alkohol eller läkemedel.** Ett ögonblicks ouppmärksamhet under användandet av ett elverktyg kan leda till allvarliga personskador.
- **Använd personlig skyddsutrustning. Använd alltid skyddsglasögon.** Skyddsutrustning anpassad efter omgivningen – som andningsmask, skyddsskor med halkskydd, skyddshjälm eller hörselskydd – minskar risken för personskador.
- **Förhindra oavsiktlig start. Se till att omkopplaren är frånslagen innan du ansluter verktyget till strömkällan och/eller batteriet, plockar upp verktyget eller bär verktyget.** Risken för olyckor ökar om du bär elverktyg med fingret på omkopplaren eller kopplar in elverktyg med omkopplaren tillslagen.
- **Avlägsna alla justeringsnycklar och skruvnycklar innan du slår på elverktyget.** En skruvnyckel eller justeringsnyckel som får sitta kvar i en roterande del på elverktyget kan orsaka personskador.
- **Sträck dig inte för långt. Se till att du alltid står stadigt och har god balans.** Detta ger bättre kontroll över elverktyget i oväntade situationer.
- **Klä dig rätt. Bär inte löst sittande kläder eller smycken. Håll hår, kläder och handskar på behörigt avstånd från rörliga delar.** Löst sittande kläder, smycken och långt hår kan fastna i rörliga delar.
- **Om det finns möjlighet att ansluta anordningar för utsugning och uppsamling av damm ska dessa anslutas och användas på rätt sätt.** Dammrelaterade risker kan minskas om en dammuppsamlingsanordning används.

### Skötsel och användning av verktyg

- **Använd inte verktyg på sätt som de inte är avsedda för, utan se alltid till att använda rätt verktyg för arbetssuppgiften.** Med rätt verktyg utförs jobbet bättre och säkrare samt i den takt som apparaten är avsedd för.
- **Använd inte elverktyget om det inte går att koppla PA och AV det med omkopplaren.** Ett elverktyg som inte kan regleras med omkopplaren utgör en fara och måste repareras.
- **Koppla ur kontakten från strömkällan och/eller koppla ur batteriet innan du justerar, byter tillbehör på eller lägger undan verktyg.** Sådana förebyggande säkerhetsåtgärder minskar risken för att verktyget ska startas oavsiktligt.
- **Förvara verktyg som inte används utom räckhåll för barn och låt inte personer som inte är vana vid att använda verktyget eller införstådda med dessa anvisningar använda verktyget.** Verktyg är farliga i händerna på utbildade användare.
- **Underhåll verktyg. Kontrollera om de rörliga delarna är feljusterade eller kärvar, om det finns delar som är trasiga samt andra saker som kan påverka verktygets funktion. Om elverktyget har skadats ska det repareras innan det används igen.** Många olyckor orsakas av dåligt underhållna verktyg.
- **Använd endast de tillbehör som rekommenderas för användning med verktyget.** Korrekt underhållna skärverktyg med vass egg löper mindre risk att kärva och är lättare att kontrollera.
- **Se till att alla handtag är torra och rena samt fria från olja och fett.** Detta underlättar säker hantering av verktyget.

### Service

- **Service på verktyget ska utföras av en kvalificerad reparatör och endast identiska reservdelar får användas.** Detta garanterar att verktygets säkerhet bibehålls.

### Specifik säkerhetsinformation

#### **⚠ VARNING!**

**Detta avsnitt innehåller viktig säkerhetsinformation som är specifik för detta verktyg.**

**Läs igenom dessa försiktighetsåtgärder noggrant innan du tar 975 Combo Roll Groover i bruk för att undvika risken för allvarliga personskador.**

#### **SPARA DESSA ANVISNINGAR!**

Vänd dig till Ridge Tool Companys avdelning för teknisk service på +1 800 519 3456 eller techservice@ridgid.com om du har några frågor.

## Säkerhet vid användning av spårfräsen

- **Bär inte löst sittande kläder. Se till att knappar och dragkedjor på ärmor och jackor är ordentligt knäppta och åtdragna. Sträck dig inte över maskinen eller röret.** Kläderna kan fastna i röret eller andra rörliga delar med intrassling och allvarliga skador som följd.
- **Håll händerna borta från spårfräsullarna. Spårfräs inte rör som är kortare än specifikationerna. Använd inte löst sittande handskar.** Fingrarna kan komma i kläm mellan spårullarna eller mellan spårullen och röret.
- **Håll händerna borta från rörändar. Stick inte in fingrar eller händer i rör.** Du kan fastna i och skära dig på grader eller vassa kanter. Fingrarna kan komma i kläm mellan spårfräsullarna eller mellan spårfräsullen och röret.
- **Förbered och hantera rören på rätt sätt.** Grader och vassa kanter kan leda till att du fastnar och skär dig.
- **Stötta upp röret ordentligt.** På så sätt minskar du risken för att röret och utrustningen ska välta.
- **Läs igenom och se till att du har förstått denna bruksanvisning, bruksanvisningen till kraftöverföringssystemet eller gängmaskinen, armaturtillverkarens installationsanvisningar och bruksanvisningen för övrig utrustning som används med verktyget innan RIDGID® 975 Combo Roll Groover tas i bruk.** Underlåtenhet att följa samtliga anvisningar kan leda till skador på egendom och/eller allvarliga personskador.
- **Var noga med att alltid bära personlig skyddsutrustning under installation och användning av RIDGID 975 Combo Roll Groover.** Lämplig personlig skyddsutrustning omfattar alltid skyddsglasögon och ibland även utrustning som tätt åtsittande läderhandskar, skor med stålhätta och skyddshjälm.
- **Använd endast spårmaskinen för att fräsa rör av rekommenderad storlek och typ i enlighet med dessa anvisningar.** Annan användning eller modifiering av spårmaskinen för andra användningsområden kan öka risken för skador.

## Säkerhet vid användning av spårmaskinen med ett kraftöverföringssystem eller en gängmaskin

- **Använd endast RIDGID 300 Power Drive eller 300 Compact Threading Machine med 975 Combo Roll Groover.** Användning av andra drivkällor kan leda till felaktig installation, att utrustningen välter och andra problem.
- **Använd inte denna spårmaskin med ett kraftöverföringssystem eller en gängmaskin som saknar fotbrytare. Blockera aldrig fotbrytaren så att den inte kan användas för att styra kraftöverföringssystemet.** En fotbrytare ger

bättre kontroll genom att kraftöverföringsmotorn stängs av när du släpper upp fotbrytaren. Om du råkar fastna med kläderna i maskinen och spänningsmatningen till motorn fortsätter dras kläderna in i maskinen. Denna maskin har ett högt vridmoment och kläder som fastnar i den kan dras åt om armar eller andra kroppsdelar så hårt att benet krossas eller bryts eller slagskador eller andra typer av kroppsskador uppstår.

- **En och samma person måste styra både spårfräsningen och fotbrytaren. Låt inte maskinen användas av mer än en person i taget.** I händelse av intrassling måste operatören ha kontroll över fotbrytaren.
- **Använd endast kraftöverföringssystem och gängmaskiner med ett varvtal på högst 57 rpm.** Maskiner med högre varvtal ökar skaderisken.
- **Se till att spårfräsen är ordentligt installerad och ansluten till kraftöverföringssystemet eller gängmaskinen. Se till att maskinen, stativet och fräsen står stadigt och att röret stöttats upp ordentligt.** På så sätt minskar du risken för att röret och utrustningen ska välta.

## Säkerhet vid användning av spårmaskinen på plats

- **Använd endast manuell drivning när verktyget används på plats. Använd inte eldriven utrustning (som borrar eller slagverktyg) för att driva spårfräsen när den används på plats.** Användning av eldriven utrustning kan skada spåret och öka skaderisken.
- **Vid arbete över huvudhöjd måste all personal bära skyddshjälm och hålla sig borta från det underliggande området.** På så sätt förhindras allvarliga skador om spårmaskinen, röret eller andra föremål faller ner.

## Beskrivning, specifikationer och standardutrustning

### Beskrivning

RIDGID® 975 Combo Roll Groover används för att rilla spår i stål-, aluminium och pvc-rör. Den kan användas för rördiametrar på 1¼–6", rörspecifikationsschema 10 och 40. Den är även utformad för spårfräsning av rör av rostfritt stål med en diameter på 1¼–6" för schema 10 och 1¼–2" för schema 40. Maskinen kan också anpassas för 2–8" kopparrör av typ K, L, M och DWV efter byte av rulluppsättningen. Spåren formas genom att en spårulle mekaniskt förs in i röret som stötts av en drivrulle. Endast spårdjupet behöver justeras.

Enheten är särskilt avsedd att användas på plats eller tillsammans med RIDGID 300 Power Drive (modeller med ett varvtal på 38 respektive 57 rpm). Med en lämplig adapter (kat.-nr 67662) kan enheten användas med RIDGID 300 Compact Threading Machine. Ett patenterat spårdjupsmått medföljer 975 Combo

Roll Groover för att underlätta spårinställning. Vidare är maskinen utrustad med patenterade funktioner som underlättar spårningen.

975 Combo Roll Groover är bärbar för tillfällig användning på arbetsplatsen. Den är inte avsedd för höga arbetsvolymer eller för användning i produktionen på rörfabriker.

**OBS!** När modell 975 Combo Roll Groover används korrekt rillar den spår som mäter 2–6", vilket ligger inom dimensionsspecifikationerna i AWWA C606-06. Systemutvecklaren och/eller installatören ansvarar för val av lämpliga material och sammanfogningsmetoder. Innan installation måste den specifika användningsmiljön omsorgsfullt utvärderas, inklusive kemiska förhållanden och driftstemperatur.

## Specifikationer

Kapacitet..... 1 1/4–6" stålrör, rörspecifikations-  
schema 10 och 40  
Med rullbyte: 2–8" kopparrör typ K,  
L, M och DWV

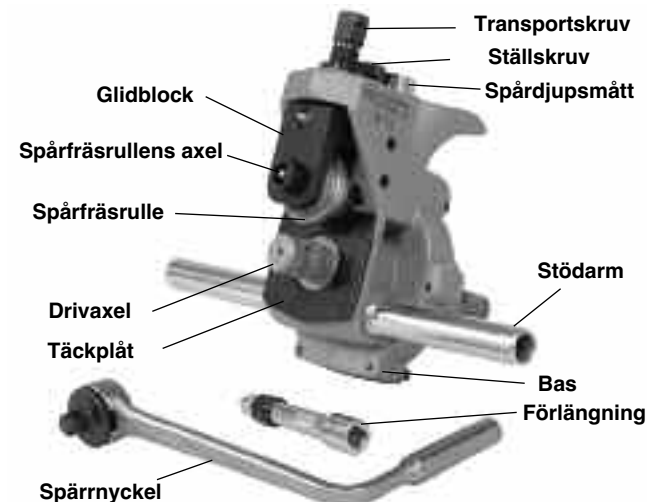
Spårdiameters-  
justering ..... Ställskruv och spårdjupsmått

Manöverdon..... Transportskruv med 1/2" spärr-  
nyckel

Montering på kraftöverföringssystem RIDGID 300 Power  
Drive (endast modeller med varv-  
tal på 38 och 57 rpm) RIDGID 300  
Compact Threading Machine  
(med adapter)

Vikt..... 12,5 kg

975 Combo Roll Groover skyddas av amerikanska och inter-  
nationella patent, inklusive patent nr 6,272,895 och 6,591,652.



Figur 1. 975 Combo Roll Groover

## Standardutrustning

1 1/4–6" spårfräs- och drivrullar för rörspecifikationschema  
10 och 40

Spärrnyckel (1/2") med utlösarknapp

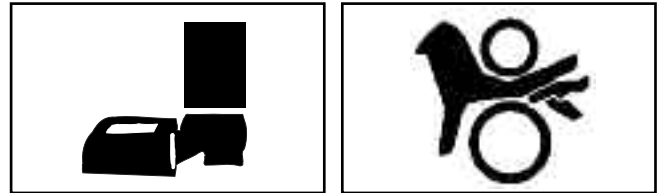
Förlängning med spärr

Stödarmar

Inbyggt indexdjupmått

## Inspektion av spårmaskinen

### ⚠ VARNING!

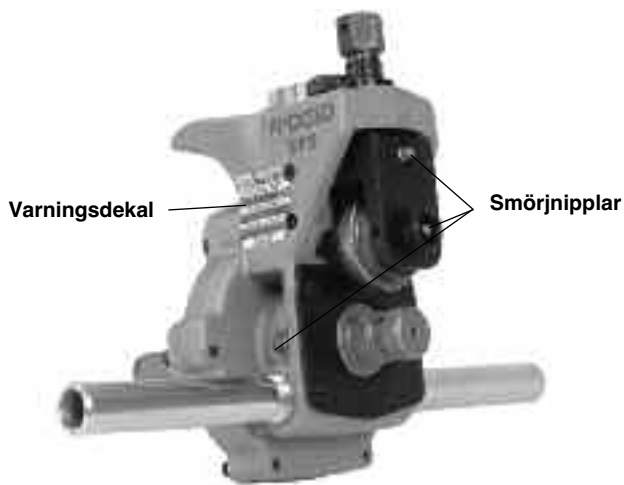


**Besiktiga spårmaskinen före varje användningstillfälle och åtgärda eventuella problem för att minska risken för krosskador och andra typer av allvarliga skador samt för att förhindra skador på verktyget.**

**Använd inte denna spårfräs med ett kraftöverföringssystem eller en gängmaskin som saknar fotbrytare.**

1. Om spårmaskinen är installerad på ett kraftöverföringssystem eller en gängmaskin ska du se till att maskinen är urkopplad och att REV/OFF/FOR-brytaren (bakåt/av/framåt) står i läge OFF (av). Inspektera och underhåll kraftöverföringssystemet och gängmaskinen i enlighet med respektive bruksanvisning. Underlåtenhet att inspektera och underhålla utrustningen ordentligt kan leda till allvarlig kropps- och egendomsskada. Kontrollera att en fotbrytare är ansluten och fungerar ordentligt. Använd inte spårfräsen utan fotbrytare.
2. Rengör spårmaskinen, inklusive bärhandtaget och spärrnyckeln som används för aktivering. Avlägsna olja, fett och smuts för att minska risken för skada på grund av att fräsen eller spärrnyckeln slinter ur ditt grepp under användning samt för att underlätta inspektioner.
3. Kontrollera att stödarmarna sitter ordentligt i spårmaskinhuset.
4. Inspektera spårmaskinen med avseende på skadade, saknade, felaktigt inriktade eller kärvande delar samt alla andra saker som kan förhindra säker och normal användning. Kontrollera att spårrollen och drivaxeln roterar fritt.
5. Kontrollera att varningsdekalen sitter ordentligt på plats. Se figur 2 för varningsdekals placering.
6. Rengör drivaxelns räfflor med en stålborste om de är smutsiga. Smutsiga räfflor kan leda till att röret slinter och spårningsproblem under fräsningen.

7. Inspektera spårrullen och drivaxeln med avseende på sprickor, slitage och andra tecken på skador. Skadade spårrullar och drivaxlar kan leda till att röret slinter, frästa spår av undermålig kvalitet eller fel på utrustningen vid användning.
  8. Kontrollera att spärrnyckeln och förlängningen fungerar ordentligt. Se till att spärrnyckeln löper smidigt och jämt i båda riktningarna. Tryck på utlösarknappen i mitten av spärrnyckelhuvudet och installera nyckeln på transportskruven. Spärrnyckeln ska låsas på plats. Spärrnyckeln ska också låsas på plats i förlängningen som i sin tur ska låsas på plats i den manuella drivaxeltappen på baksidan av spårmaskinen. På så sätt minskar du risken för att spärrnyckeln och förlängningen lossnar från spårmaskinen under användning. Om du använder en annan spärrnyckel, skruvnyckel eller förlängning som inte kan låsas på plats på spårmaskinen finns det risk för att de lossnar under användning.
- Om du stöter på några problem får maskinen inte användas förrän problemet har åtgärdats.
9. Smörj spårmaskinen i enlighet med underhållsanvisningarna i denna bruksanvisning. Torka bort allt överflödigt fett från spårmaskinen.
  10. Om du använder annan utrustning ska den inspekteras och underhållas för att se till att den fungerar tillfredsställande.



Figur 2. Varningsdekal på 975 Combo Roll Groover

## Förberedelse av maskin och arbetsområde vid användning av eldriven utrustning



**Använd alltid skyddsglasögon för att skydda ögonen mot smuts och andra främmande föremål. Bär skor med stålhätta för att skydda fötterna mot verktyg som välter eller rör som faller ner.**

**Använd inte denna spårmaskin med ett kraftöverföringssystem eller en gängmaskin som saknar fotbrytare. Blockera aldrig fotbrytaren så att den inte kan användas för att styra kraftöverföringssystemet. En fotbrytare ger bättre kontroll genom att kraftöverföringsmotorn stängs av när du släpper upp fotbrytaren. Om du råkar fastna med kläderna i maskinen och matningen till kraftöverföringsmotorn fortsätter dras kläderna in i maskinen. Den här maskinen har ett högt vridmoment och kläder som fastnar i den kan dras åt om armar eller andra kroppsdelar så hårt att benet krossas eller bryts eller orsaka slagskada eller andra typer av kroppsskada.**

**Installera spårmaskinen och ordna arbetsplatsen i enlighet med dessa anvisningar för att minska risken för skada på grund av elektriska stötar, brand, maskiner som välter, intrassling, krossolyckor och andra orsaker samt för att förhindra skada på spårmaskinen.**

1. Välj arbetsområde med avseende på följande:
  - Fullgod belysning.
  - Inga brandfarliga vätskor eller ångor och inget brandfarligt damm som kan antändas. Om detta finns i området får inget arbete utföras förrän källorna har identifierats och åtgärdats. Kraftöverföringssystem och gängmaskiner är inte explosionssäkra och kan ge upphov till gnistor.
  - Ren, plan, stabil och torr plats för användaren och all utrustning. Använd inte utrustningen medan du står i vatten.
  - Ett korrekt jordat uttag. Det är inte säkert att uttag med plats för tre stift eller jordfelsbrytare är ordentligt jordade. Låt en behörig elektriker kontrollera uttaget om du är osäker.
  - Fri väg till eluttaget som inte innehåller några potentiella risker för skador på nätsladden.
2. Städa arbetsområdet innan du installerar utrustningen. Torka upp eventuell olja.
3. Inspektera det rör som ska rillas och kontrollera att 975 Combo Roll Groover är rätt verktyg för uppgiften. 975 Combo Roll Groover är avsett för rorspecifikationsschema

10 och 40 för stål-, aluminium- och pvc-rör med en diameter på 1¼–6". Den är även avsedd för rillning av rör av rostfritt stål med en diameter på 1¼–6" för schema 10 och 1¼–2" för schema 40. Genom ett byte av rull uppsättningen kan maskinen också användas för spårfräsning av kopparrör av typ K, L, M och DWV med en diameter på 2–8".

975 Combo Roll Groover kan användas på plats (dvs. på ett rör som redan är monterat eller fastspänt i en skruvting) eller med RIDGID 300 Power Drive eller 300 Compact Threading Machine för eldrivet arbete i arbetsområdet. 975 Combo Roll Groover är inte avsedd för industriell produktion.

För information om spårmaskiner för andra användningsområden, se Ridge Tools katalog. Den är tillgänglig online på [www.RIDGID.com](http://www.RIDGID.com) eller kan beställas från Ridge Tools avdelning för teknisk service på +1 800 519 3456.

**OBS!** Om samma rull uppsättning (spårrullen och drivaxeln) används på rör av både kolstål och rostfritt stål kan det leda till kontaminering av det rostfria stålet, vilket i sin tur kan orsaka korrosion och för tidigt rörbrott. För att förhindra järnkontaminering av rostfria stålrör ska en särskild rull uppsättning användas för rillning av rostfritt stål. Alternativt kan en rostfri stålborste användas för att omsorgsfullt rengöra rull uppsättningen vid materialbyte.

4. Kontrollera att kraftöverföringssystemet eller gängmaskinen har inspekterats i enlighet med bruksanvisningen. Kontrollera att fotbrytaren är ansluten och att FOR/OFF/REV-brytaren (framåt/av/bakåt) står i läge OFF (av). Installera kraftöverföringssystemet eller gängmaskinen i enlighet med bruksanvisningen. Se till att maskinen och stativet står stabilt och inte är vingligt.
5. Öppna chucken helt på kraftöverföringssystemet eller gängmaskinen.
6. Kontrollera att 975 Combo Roll Groover har inspekterats och har rätt rull uppsättning monterad.

### Montera 975 Combo Groover på RIDGID 300 Power Drive

1. Om det kraftöverföringssystem som används är utrustat med en vagn eller andra tillbehör ska de avlägsnas. Se till att kraftöverföringssystemets stödarmar har dragits fram helt och är låsta på plats.
2. Placera spårmaskinens stödarmar på kraftöverföringssystemets stödarmar och änden på spårfräsens drivaxel i chucken på maskinen. Slut kraftöverföringschucken och dra åt den över de plana ytorna på drivaxeln. Kontrollera att drivaxeln är centrerad på chucken. Snurra hastighetschuckens hammarhjul kraftigt moturs upprepade gånger för att säkerställa ett säkert grepp om drivaxeln (se figur 3).

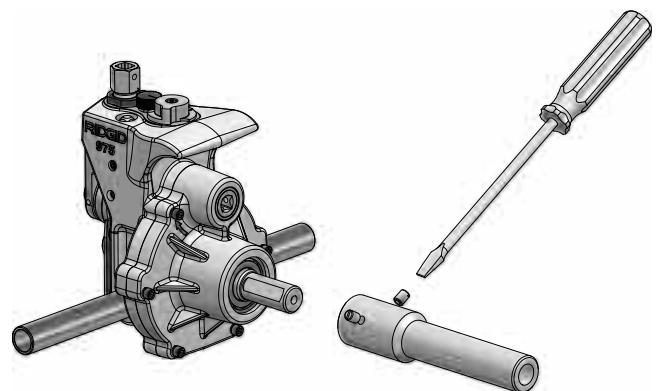


Figur 3. Montering av 975 Combo Roll Groover på 300 Power Drive-chucken

### Montering av 975 Combo spårskärare på en RIDGID 300 Compact/1233 verkstadsmaskin för gängskärning

Vid användning av 975 Combo valsspårskärare tillsammans med en 300 Compact/1233 verkstadsmaskin för gängskärning måste en adaptersats (katalognummer 67662) användas. Adaptersatsen riktar in 975 Combo Roll Groover rätt i förhållande till gängmaskinen och stativet för rillning av samtliga specificerade rördiametrar. Använd inte 975 Combo Groover med andra gängmaskiner eftersom det kan leda till att utrustningen välter eller andra problem.

1. Installera drivaxelns adapterstång på spårmaskinens drivaxel (se figur 4). Rikta in ställskruvarna mot de plana ytorna på spårmaskinens drivaxel och dra åt ordentligt.



Figur 4. Installation av drivaxelns adapterstång

2. Flytta släden på 300 Compact/1233 verkstadsmaskin för gängskärning så nära maskinens chuck som möjligt. Flytta skäret, brotschen och gänghuvudet till läget så att de är vända bort från användaren och inte är i vägen. För in brotschkonen i gänghuvudet.

- Placera adapterfästet över slutet på skenorna på 300 Compact/1233 (på det sätt som visas i figur 5) och lås det på plats med det monterade stiftet



Figur 5. Montering av adapterfäste

- Placera 975:s stödarmar på adapterfästets armar med drivaxelns adapterstång i chucken på maskinen. Slut gängmaskinens chuck över drivaxelns adapterstång och dra åt. Se till att drivaxelns adapterstång är centrerad på chucken. Snurra hastighetschuckens hammarhjul kraftigt moturs upprepade gånger för att säkerställa ett säkert grepp om drivaxelns adapterstång.



Figur 6. 975 Combo Groover korrekt monterad på 300 Compact Threading Machine

## Slutföra installationen

- Placera fotbrytaren så att användaren kan styra kraftöverföringssystemet eller gängmaskinen, spårmaskinen och det rör som ska rillas. Som figur 7 visar ska placeringen göra det möjligt för användaren att
  - stå vänd mot spårmaskinen, på samma sida som FOR/OFF/REV-brytaren (framåt/av/bakåt)

- styra fotbrytarens PÅ/AV-funktion och snabbt kunna släppa upp brytaren vid behov
- lätt kunna arbeta med spårmaskinen, röret och spärrnyckeln utan att behöva sträcka sig över fräsen.



Figur 7. Användarens ställning

- Dra nätsladden längs den tidigare identifierade fria vägen. Se till att du är torr om händerna innan du sätter i nätsladdens kontakt i ett korrekt jordat uttag. Se till att alla kontakter och anslutningar är torra och inte ligger på marken. Om nätsladden inte är tillräckligt lång ska en förlängningssladd användas. Se till att den
  - är i gott skick.
  - har en trestiftskontakt av liknande slag som på kraftöverföringssystemet.
  - är avsedd för utomhusbruk och har W eller W-A i sladdbeteckningen (t.ex. SOW).
  - har en erforderlig ledningstjocklek (14 AWG för kablar som är 7,6 m eller kortare, 12 AWG för 7,6–15,2 m långa kablar). Underdimensionerade ledningar kan överhettas vilket kan leda till att isoleringen smälter eller orsaka brand eller annan skada.
- Kontrollera kraftöverföringssystemet eller gängmaskinen för att se till att allt fungerar som det ska:
  - Ställ om brytaren till FOR-läge (framåt). Trampa ner och släpp upp fotbrytaren. Kontrollera att drivaxeln roterar



moturs när du står vänd mot den främre chucken. Om enheten inte roterar i rätt riktning eller om fotbrytaren inte styr maskinen får maskinen inte användas förrän den har reparerats.

- Håll ner fotbrytaren. Kontrollera enhetens rotationshastighet. Inspektera de rörliga delarna med avseende på felaktig inriktning, kärvning, buller eller andra ovanliga tillstånd. Släpp upp fotbrytaren. Enheten får inte användas för rillning om rotationshastigheten överstiger 57 rpm. Högre varvtal kan öka skaderisken. Om det förekommer ovanliga problem ska utrustningen inte användas förrän problemet har åtgärdats.
- Ställ om brytaren till REV-läge (bakåt). Trampa ner och släpp upp fotbrytaren. Kontrollera att drivaxeln roterar medurs när du står vänd mot den främre chucken. Om enheten inte roterar i rätt riktning får maskinen inte användas förrän den har reparerats.
- Ställ om brytaren till OFF-läge (av). Se till att du är torr om händerna innan du drar ut kontakten ur uttaget.

## Rörförberedelser

**OBS!** Dessa anvisningar är allmänt hållna. Följ alltid de specifika anvisningarna från tillverkaren av den spårförsedda kopplingen vid förberedelser av rörändar. Underlåtenhet att följa tillverkarens rekommendationer kan leda till defekta kopplingar och läckage.

1. Kapa röret till lämplig längd. Observera minimirörlängderna för rillning för respektive rörstorlek (se tabell A). Rillning av rör som understiger minimilängden ökar risken för skador såsom klämda fingrar och intrassling.

Var noga med att kapa röränden rakt och se till att den är fri från grader eftersom du annars kan fastna med handskena eller fingrarna och riva hål eller skära dig. Kapningsmetoden och stora grader kan påverka spårkvaliteten och spårningen. Rilla inte rör som har kapats med skärbrännare.

2. Alla in- och utvändiga svetssträngar, skägg eller svets-sömmar måste slipas ner helt minst 5 cm upp från röränden. Skär inte ut plana ytor i packningssätena eftersom det kan orsaka läckor.
3. Avlägsna alla avlagringar, smuts, rost och andra föroreningar minst 5 cm upp från röränden. Föroreningar kan sätta igen drivaxelns räfflor och förhindra tillfredsställande drivning och spårning av röret under fräsningen.

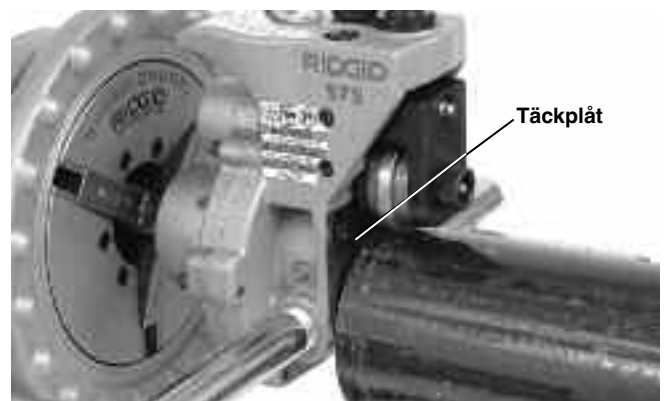
## Förbereda rör i spårmaskinen

1. Kontrollera att kraftöverföringsbrytaren eller gängmaskinen är ställd i läge OFF (av).
2. Se till att tillräckligt stöd finns på plats för det rör du ska rilla. I tabell A anges den maximala rörlängden för rillning med endast ett rörstativ. Längre rör ska stötts upp med minst två rörstativ. Om röret inte stötts upp ordentligt kan det hända att röret eller röret och maskinen välter. Rilla inte rör som är kortare än minimilängden.

Nom. dimension	Min. Längd	Max. Längd	Nom. dimension	Min. Längd	Max. Längd
1	8	36	4	8	36
1 1/4	8	36	4 1/2	8	32
1 1/2	8	36	5	8	32
2	8	36	6 u.d.	10	30
2 1/2	8	36	6	10	28
3	8	36			
3 1/2	8	36			

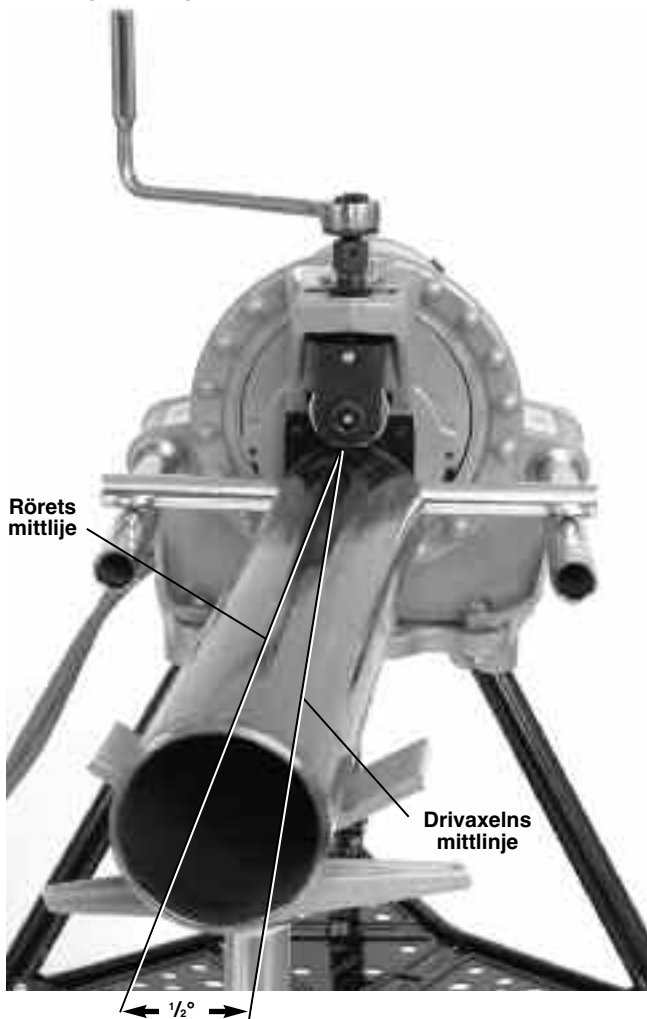
Tabell A. Minimi- och maximilängd för rör som ska rillas med ett stativ (alla dimensioner anges i tum)

3. Placera erforderligt antal rörstativ framför spårmaskinen. För rörlängder som endast fordrar ett rörstativ ska stativet placeras strax efter mitten på röret sett från spårmaskinen täckplåt. För rörlängder som behöver stötts upp med mer än ett stativ ska stativen placeras ut vid 1/4 av rörets längd räknat från rörets ändar. I vissa fall kan det vara lämpligt att använda fler stativ. Justera stativet/stativens höjd så att röret kan föras över drivrullen.
4. Kontrollera att spårrullen har dragits tillbaka tillräckligt långt för att röret ska kunna läggas över drivaxeln. Vrid vid behov transportskraven moturs för att höja spårrullen.
5. Placera rörets ände över drivaxeln och lägg röret på rörstativet/rörstativen. Se till att röret ligger stadigt.



Figur 8. Placering av röret på drivaxeln så att det ligger direkt an mot täckplåten

- Justera röret och rörstativen så att änden på röret ligger an direkt mot spårmaskinen täckplåt och röret invändigt kommer i kontakt med spetsen på drivaxeln (se figur 8). Rörets och drivaxelns mittlinjer ska vara parallella med varandra. Ett sätt att åstadkomma detta på är att se till att röret och kraftöverföringssystemet eller gängmaskinen ligger i nivå med varandra.
- Förskjut röret och rörstativen en aning mot användaren, ca  $1/2$  grad (motsvarar ca 2,5 cm förskjutning ca 3,8 meter från spårfräsen). Korrekt inriktning av röret och spårmaskinen underlättar korrekt spårning av röret under fräsningen (se figur 9).



Figur 9. Förskjutning av röret  $1/2$  grad mot användaren (överdriven i illustrationssyfte)

- Vrid transportskruven medurs så att spårfräsrullen förs ner och kommer i kontakt med röret utvändigt. Vrid därefter skruven ytterligare ett kvarts varv. Det kan vara nödvändigt att lossa ställskruven (vrida den moturs) för att spårullen ska komma i kontakt med röret. Röret och spårmaskinen ska vara ordentligt fästa i varandra i det här läget.

- Kontrollera arbetsområdet för att se om det behöver spärras av för att hålla obehöriga (alla utom användaren) borta från utrustningen och röret. Använd skydd eller avskärmningar för att skapa minst en meters frigång runt kraftöverföringssystemet och röret. Denna säkerhetszon förhindrar andra från att oavsiktligt komma i kontakt med maskinen eller röret och trassla in sig eller orsaka verktyget/röret att välta.
- Se till att du är torr om händerna innan du sätter i kontakten till maskinens nätsladd i det korrekt jordade uttaget.

## Använda 975 Combo Roll Groover med ett kraftöverföringssystem eller en gängmaskin

### ⚠️ VARNING!



Använd inte löst sittande kläder när du använder spårmaskinen. Se till att knappar och dragkedjor på armar och jackor är ordentligt knäppta och åtdragna. Sträck dig inte över maskinen eller röret eftersom löst sittande kläder kan trasslas in i rörliga delar med krosskador som följd. Håll händerna borta från spårrullarna.

Spårfräs inte rör som är kortare än specifikationerna. Bär inte löst sittande handskar. Fingrarna kan komma i kläm mellan spårrullarna eller mellan spårrullen och röret.

Håll händerna borta från rörändar. Stick inte in fingrar eller händer i rör eftersom du kan fastna och skära dig på grader och vassa kanter. Fingrarna kan komma i kläm mellan spårrullarna eller mellan spårrullen och röret.

Använd alltid skyddsglasögon för att skydda ögonen mot smuts och andra främmande föremål. Bär skor med stålhätta för att skydda fötterna mot verktyg som välter eller rör som faller ner.

Följ bruksanvisningen för att minska risken för kross- och slagskador, skador som uppstår genom att utrustningen välter och andra olyckor.

### Ställa in och mäta spårdiametern

**OBS!** På grund av olika röregenskaper ska ett testspår alltid rillas innan det första spåret varje dag eller när du byter rördimension, rörspecifikationsschema eller rörmaterial. Inställningsmått för spårdiameter är endast ungefärliga och spåret måste mätas för att kontrollera att diametern är korrekt.

- Kontrollera att utrustningen har ställts in ordentligt och att röret är korrekt förberett. Felaktiga rörförberedelser kan påverka precisionen i inställningen av spårdjupsmåttet. Spårrullen ska vidröra röret.

- Justera spårdjupsmåttet så att rätt steg på måttet står under huvudet på ställskruven (se figur 10A). Spårdjupsmåttet är avsett för stål-, aluminium- och pvc-rör (se avsnittet "Ställa in spårdiametern för kopparrör" för användning med kopparrör).
- Vrid ställskruven medurs tills huvudet vidrör steget på djupmåttet. Vrid spårdjupsmåttet till rillningsläge (se figur 10B). Om måttet inte står i rillningsläget förhindrar det rillningen, vilket kan leda till skador på måttet.



**Figur 10A. Placera rätt steg på måttet under ställskruvshuvudet**



**Figur 10B. Måttet i rillningsläge**

- Förbered ett testspår (följ anvisningarna i avsnittet "Forma rullspåret").
- Mät spårdiametern. Spårdiametern mäts lämpligen med ett diametermåttband (se avsnittet "Tillbehör"). Dra åt diametermåttbandet runt spåret i röret (måttbandet ska ligga plant i botten på spåret). Läs av spårdiametern (se figur 11).



**Figur 11. Mätning av spårdiametern med ett diametermåttband**

- Jämför den uppmätta spårdiametern med erforderlig spårdiameter enligt *tabell I eller III* eller enligt spårarmaturtillverkarens specifikationer. Om det uppmätta spåret ligger utanför erforderlig spårdiameter måste ställskruven justeras för att åstadkomma rätt spårdiameter.
  - Vrid ställskruven medurs för att öka spårdiametern.
  - Vrid ställskruven moturs för att minska spårdiametern.
  - Varje  $\frac{1}{4}$  varv på ställskruven motsvarar en förändring i spårdiametern på ca 0,02".

- Upprepa steg 4–6 tills spårdiametern uppfyller specifikationerna. Om spåret är för stort kan spårmaskinen justeras för att göra spåret mindre. Om spåret är för litet måste ett nytt spår fräsas. En korrekt spårdiameter är viktig för att säkerställa täta kopplingar. Spår som inte uppfyller specifikationerna kan leda till defekta rörskarvar.

### Forma rullspåret

- Kontrollera att utrustningen har ställts in ordentligt och att röret är korrekt förberett.



**Figur 12. Arbetsställning vid spårfräsning**

- Ställ dig i lämplig arbetsställning. Placera fotbrytaren till kraftöverföringssystemet så att du kan styra kraftöverföringssystemet, spårmaskinen och det rör som ska fräsas. Som figur 12 visar ska placeringen göra det möjligt för användaren att

- stå vänd mot spårmaskinen, på samma sida som FOR/OFF/REV-brytaren (framåt/av/bakåt)
  - styra fotbrytarens PÅ/AV-funktion och snabbt kunna släppa upp brytaren vid behov
  - lätt kunna använda spårmaskinen och spärrnyckeln utan att behöva sträcka sig över maskinen
  - lägga höger hand på röret under rillningen vid behov
  - stå stadigt och ha god balans
3. Ställ om FOR/OFF/REV-brytaren till REV (bakåt). **Kör inte 975 Combo Roll Groover i FOR-läge (framåt) eftersom konstruktionen av 975 Combo Roll Groover då gör att röret roterar ut ur spårmaskinen rullar och kan falla ner.**
  4. Placera ena handen på spärrnyckelns huvud/ovansidan av transportskruven och den andra handen på änden av spärrnyckeln.
  5. Tryck på fotbrytaren för att starta kraftöverföringssystemet. Håll rörets rotation under ständig uppsikt. Rörets ände ska hela tiden ligga an mot spårfräsens täckplåt. Släpp upp fotbrytaren om röret börjar röra sig bort från täckplåten för att förhindra att röret roterar iväg och faller ner. Sätt på röret igen vid behov (se avsnittet "Förbereda rör i spårfräsen"). Om röränden är deformerad måste du kapa den och fräsa ett nytt spår.
  6. När röret har gått ett helt varv drar du åt transportskruven ytterligare 1/4 varv. Fortsätt övervaka röränden för att se till att den ligger an mot täckplåten. Dra inte åt transportskruven mer än 1/4 varv per rörvarv. Alltför kraftig åtdragning av transportskruven kan leda till överdriven spårutvidgning eller att röret roterar av drivaxeln.
  7. Fortsätt dra åt transportskruven 1/4 varv per rörvarv tills huvudet på ställskruven når toppen på spårfräsen och det tar stopp. Sluta dra åt transportskruven när ställskruven når ovansidan av spårfräsen eftersom det annars finns risk för att ställskruven skadas. Låt röret rotera ytterligare minst två hela varv i det här läget för att se till att spår djupet blir enhetligt.
  8. Släpp upp fotbrytaren och ställ om FOR/OFF/REV-brytaren (framåt/av/bakåt) till OFF (av).
  9. Vrid transportskruven moturs och höj spårullen så att röret kan avlägsnas ur maskinen.
  10. Inspektera spåret.
    - Kontrollera att spåret är helt format.
    - Kontrollera att spårdiametern uppfyller specifikationen.
    - Kontrollera övriga punkter enligt armaturtillverkarens anvisningar.

Om du stöter på problem kan spåret inte användas.

## Ställa in spårdiametern för kopparrör

När 975 Combo Roll Groover används för kopparrör kan spår djupsmåttet på spårmaskinen inte användas eftersom det skulle ge felaktiga diametermått.

1. Vrid transportskruven medurs så att spårullen förs ner och kommer i kontakt med röret utvändigt. Vrid därefter skruven ytterligare ett kvarts varv. Det kan vara nödvändigt att lossa ställskruven (vrida den moturs) för att spårfräsullen ska komma i kontakt med röret. Röret och spårmaskinen ska vara ordentligt fästa i varandra i det här läget.
2. Kontrollera att spår djupsmåttet står i rillningsläge (se figur 10B).
3. Vrid ställskruven tills den ligger an helt mot spårmaskinens överplatta.
4. Kontrollera tabell B för den diameter och rörtyp som ska rillas och vrid tillbaka ställskruven från överplattan motsvarande antal varv. Exempel: För kopparrör på 4" i rör specifikationsschema L ska ställskruven vridas tillbaka 1 1/4 varv.

## Justering av djup för rillning av kopparrör

(varv på ställskruv)

Diam.	K	L	M	DWV
2–2,5"	7/8	7/8	5/8	5/8
3"	1 1/16	1 1/16	1 1/16	1 1/16
4"	1 1/4	1 1/4	1 1/4	1 1/8
5"	1 1/2	1 1/2	1 1/2	1 1/2
6"	1 3/16	1 3/4	1 3/4	1 3/4
8"	2 1/2	2 3/8	2 1/8	2 1/8

Tabell B. Justering av djup för rillning av kopparrör

5. *Gå vidare till steg 4 i avsnittet "Ställa in och mäta spårdiametern" och följ anvisningarna.*

## Spårningstips för 975 Combo Roll Groover

Det stora problemet som användare stöter på under spårfräsning är att röret roterar eller går av drivaxeln eller inte spårar ordentligt. För god spårning är det viktigt att samtliga anvisningar följs. Om röret inte spåras korrekt trots att du har följt alla anvisningar finns det ett antal åtgärder som kan vidtas för att förbättra spårningen.

- Öka rörets förskjutning mot användaren en aning (öka från 1/2 till 1 grad) (se figur 9).

- Användaren kan pröva att trycka lite på röret under rillningen för att upprätthålla spårningskvaliteten. Detta är normalt endast nödvändigt för kortare rörsektioner. För att göra detta måste användaren använda en oskadad läderhandske och kupa handen runt mittdelen av röret såsom visas i figur 13. Det kan hända att stativet som kraftöverföringssystemet eller gängmaskinen är monterat i måste fästas i golvet för att förhindra att utrustningen flyttar sig under spårfräsningen. Håll händerna borta från spårullen och rörändarna för att förhindra krosskador. Rilla inte rör som är kortare än rekommendationerna.



**Figur 13. Tryck på röret under rillningen för att upprätthålla spårningskvaliteten**

- Se vidare avsnittet *Felsökning* för en fullständig förteckning över orsaker till och lösningar på spårningsproblem.

## Förberedelse av maskin och arbetsplats för användning på plats

### ⚠ VARNING!



**Använd alltid skyddsglasögon för att skydda ögonen mot smuts och andra främmande föremål. Bär skor med stålhätta för att skydda fötterna mot verktyg och rör som välter och faller ner. Bär skyddshjälm vid arbete på plats.**

**Installera spårmaskinen och ordna arbetsplatsen i enlighet med dessa anvisningar för att minska risken för skada på grund av att maskinen välter, krossolyckor och skador på grund av andra orsaker samt för att förhindra skador på spårmaskinen.**

1. Välj arbetsområde med avseende på följande:
  - Fullgod belysning.
  - Inga brandfarliga vätskor eller ångor eller brandfarligt damm som kan antändas. Om detta finns i området får inget arbete utföras förrän källorna har identifierats och åtgärdats.
  - Ren, plan, stabil och torr plats med tillräckligt med utrymme för användaren och all utrustning.
2. Städa arbetsområdet innan du installerar utrustningen. Torka upp eventuell olja.
3. Inspektera det rör som ska rillas och kontrollera att 975 Combo Roll Groover är rätt verktyg för uppgiften. 975 Combo Roll Groover är avsett för rörspekifikations-schema 10 och 40 för stål-, aluminium- och pvc-rör med en diameter på 1¼–6". Den är även avsedd för rillning av rör av rostfritt stål med en diameter på 1¼–6" för schema 10 och 1¼–2" för schema 40. Genom ett byte av rulluppsättningen kan maskinen också användas för rillning av kopparrör av typ K, L, M och DWV med en diameter på 2–8".

975 Combo Roll Groover kan användas på plats (dvs. på ett rör som redan sitter monterat eller är fastspänt i en skruvtving) eller med RIDGID 300 Power Drive eller 300 Compact Threading Machine för eldrivet arbete i arbetsområdet. 975 Combo Roll Groover är inte avsedd för industriell produktion.

4. Vid rillning på plats måste du se till att det finns tillräckligt med plats för att 975 Combo Roll Groover ska kunna monteras och användas. Spårfräsen roterar runt de fastmonterade rören, vilket fordrar

- ett fritt utrymme på minst 15 cm runt röret som ska rillas
- att röret sticker ut minst 6,5 cm från eventuella hinder (som väggar)
- en öppning på minst 25 cm så att spårmaskinen kan monteras på röret.

För information om spårmaskinen för andra användningsområden, se Ridge Tools katalog. Den är tillgänglig online på [www.RIDGID.com](http://www.RIDGID.com) eller kan beställas från Ridge Tools avdelning för teknisk service på +1 800 519 3456.

**OBS!** Om samma rullupsättning (spårulle och drivaxel) används på rör av både kolstål och rostfritt stål kan det leda till kontaminering av det rostfria stålet, vilket i sin tur kan orsaka korrosion och för tidigt rörbrott. För att förhindra järnkontaminering av rostfria stålrör ska en särskild rullupsättning användas för rillning av rostfritt stål. Alternativt kan en rostfri stålborste användas för att omsorgsfullt rengöra rullupsättningen vid materialbyte.

## Rörförberedelser

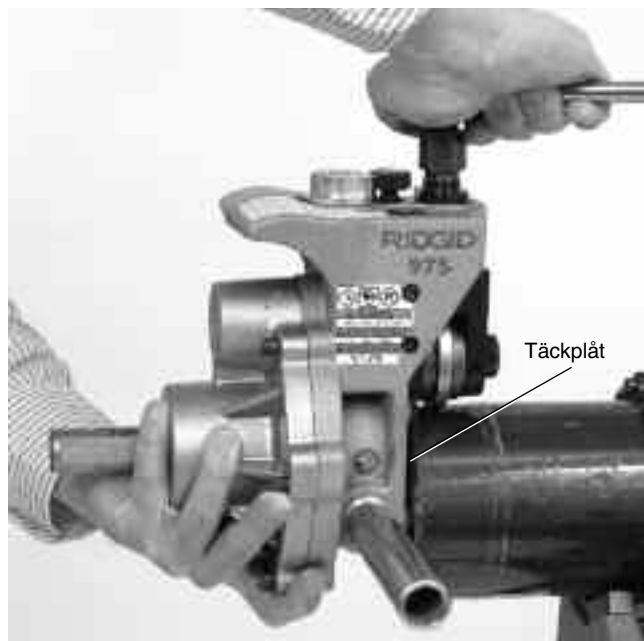
**OBS!** Dessa anvisningar är allmänt hållna. Följ alltid de specifika anvisningarna från tillverkaren av den spårförsedda kopplingen vid förberedelser av rörändar. Underlåtenhet att följa tillverkarens rekommendationer kan leda till defekta kopplingar och läckage.

1. Om rillningen ska ske på ett rör som sitter på plats måste du se till att systemet har tömts och att trycket har avlastats. Det är viktigt att känna till vad som transporteras i rörsystemet och eventuella risker som är förknippade med dessa ämnen.
2. Kapa röret till lämplig längd.  
Var noga med att kapa röränden rakt och se till att den är fri från grader eftersom du annars kan fastna med handskarna eller fingrarna och riva hål eller skära dig. Kapningsmetoden och stora grader kan påverka spårkvaliteten och spårningen. Rilla inte rör som har kapats med skärbrännare.
3. Alla in- och utvändiga svetssträngar, skägg eller svets-sömmar måste slipas ner helt minst 5 cm upp från rörets ände. Skär inte ut plana ytor i packningssätena eftersom det kan orsaka läckor.
4. Avlägsna alla avlagringar, smuts, rost och andra föroreningar minst 5 cm upp från röränden. Föroreningar kan sätta igen drivaxelns räfflor och förhindra tillfredsställande drivning och spårning av röret under rillningen.
5. Kontrollera att röret som ska rillas sitter ordentligt monterat. Röret måste kunna bära upp spårmaskinens tyngd (12,5 kg) samt de krafter och det vridmoment som det utsätts för under rillningen utan att det rubbas. Du bör överväga att

avlägsna rör som sitter monterade och rilla dem i en rörskrutvring. Om det inte är möjligt kan det vara nödvändigt att montera tillfälliga eller permanenta rörstöd. Om du använder en rörskrutvring ska du se till att den står stadigt och inte välter under användning. För längre rörlängder ska lämpliga rörstativ användas för att stötta upp den extra rörlängden.

## Montera spårmaskinen på röret

1. Kontrollera att 975 Combo Roll Groover har inspekterats och har rätt rullupsättning installerad. Kontrollera att stödarmarna sitter ordentligt i spårmaskinhuset. I trånga utrymmen kan de avlägsnas så att du kommer åt bättre. Montera därefter spärrnyckeln på transportskruven och förlängningen på den manuella drivaxeltappen på baksidan av spårfräsen. Kontrollera att både spärrnyckeln och förlängningen sitter stadigt.
2. Kontrollera att det finns tillräckligt med utrymme för rörväggen mellan spårfräsrullen och drivaxeln. Vrid vid behov transportskruven moturs för att dra tillbaka spårullen.
3. Fatta ett stadigt grepp om spårmaskinen (men håll inte i spärrnyckeln när du lyfter den). Placera drivaxeln i röret och se till att täckplåten ligger an tätt mot röränden (se figur 14). Dra åt transportskruven för hand tills spårullen kommer i kontakt med rörets utsida och dra därefter åt den ytterligare  $\frac{1}{4}$  varv med hjälp av spärrnyckeln. Kontrollera att spårmaskinen är ordentligt installerad på röret och att täckplåten ligger an mot röränden. Om inte, upprepa proceduren. Se alltid till att spårmaskinen sitter stadigt när den används på plats för att förhindra att den faller av.



Figur 14. Håll spårfräsen på plats under åtdragningen av transportskruven

## Använda 975 Combo Roll Groover på plats

### ⚠ VARNING!



Använd endast manuell drivning när verktyget används på plats. Använd inte eldriven utrustning (som borrar eller slagverktyg) för att driva spårmaskinen när den används på plats. Användning av eldriven utrustning kan skada spårmaskinen och ökar skaderisken.

Använd inte löst sittande kläder när du använder spårmaskinen. Se till att knappar och dragkedjor på ärmor och jackor är ordentligt knäppta och åtdragna. Sträck dig inte över maskinen eller röret eftersom löst sittande kläder kan trasslas in i rörliga delar med krosskador som följd. Håll händerna borta från spårullarna.

Rilla inte rör som är kortare än specifikationerna. Bär inte löst sittande handskar. Fingrarna kan komma i kläm mellan spårullarna eller mellan spårullen och röret.

Håll händerna borta från rörändar. Stick inte in fingrar eller händer i rör eftersom du kan fastna och skära dig på grader och vassa kanter. Fingrarna kan komma i kläm mellan spårullarna eller mellan spårullen och röret.

Använd alltid skyddsglasögon för att skydda ögonen mot smuts och andra främmande föremål. Bär skor med stålhätta för att skydda fötterna mot verktyg som välter eller rör som faller ner. Bär skyddshjälm vid arbete på plats.

Följ bruksanvisningen för att minska risken för kross- och slagskador, skador som uppstår genom att utrustningen välter och andra olyckor.

### Ställa in och mäta spårdiametern

**OBS!** På grund av olika röregenskaper ska ett testspår alltid rillas innan det första spåret varje dag eller när du byter rördimension, rørspecifikationsschema eller rörmaterial. Inställningsmått för spårdiameter är endast ungefärliga och spåret måste mätas för att kontrollera att diametern är korrekt.

1. Kontrollera att utrustningen har ställts in ordentligt och att röret är korrekt förberett. Felaktiga rörförberedelser kan påverka precisionen i inställningen av spårdjupsmåttet. Spårullen ska vidröra röret.
2. Justera spårdjupsmåttet så att rätt steg på måttet står under huvudet på ställskruven (se figur 15A). Spårdjupsmåttet är avsett för stål-, aluminium- och pvc-rör (se avsnittet "Ställa in spårdiametern för kopparrör" för användning med kopparrör).

3. Vrid ställskruven medurs tills huvudet vidrör steget på djupsmåttet. Vrid spårdjupsmåttet till rillningsläge (se figur 15B). Om måttet inte står i rillningsläget förhindrar det rillningen, vilket kan leda till skador på måttet.



Figur 15A. Placera rätt steg på måttet under ställskruvshuvudet



Figur 15B. Måttet i rillningsläge

4. Förbered ett testspår (följ anvisningarna i avsnittet "Forma rullspåret").
5. Mät spårdiametern. Spårdiametern mäts lämpligen med ett diametermåttband (se avsnittet "Tillbehör"). Dra åt diametermåttbandet runt spåret i röret (måttbandet ska ligga plant i botten på spåret). Läs av spårdiametern (se figur 16).



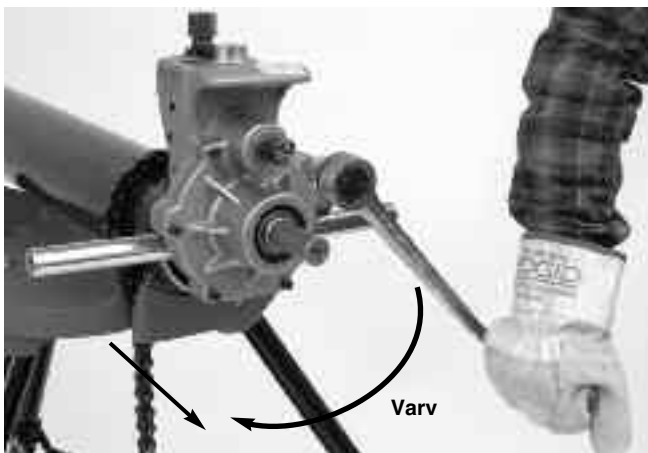
Figur 16. Mätning av spårdiameter med ett diametermåttband

6. Jämför den uppmätta spårdiametern med erforderlig spårdiameter enligt tabell I eller III eller enligt spårarmaturtillverkarens specifikationer. Om det uppmätta spåret ligger utanför erforderlig spårdiameter måste ställskruven flyttas för att åstadkomma rätt spårdiameter.
  - Vrid ställskruven medurs för att öka spårdiametern.
  - Vrid ställskruven moturs för att minska spårdiametern.
  - Varje 1/4 varv på ställskruven motsvarar en förändring i spårdiametern på ca 0,02".

- Upprepa steg 4–6 tills spårdiametern uppfyller specifikationerna. Om spåret är för stort kan spårmaskinen justeras för att göra spåret mindre. Om spåret är för litet måste ett nytt spår fräsas. En korrekt spårdiameter är viktig för att säkerställa täta kopplingar. Spår som inte uppfyller specifikationerna kan leda till defekta rörskarvar.

### Forma rullspåret

- Kontrollera att utrustningen har ställts in ordentligt och att röret är korrekt förberett.
- Ställ dig i lämplig arbetsställning. Se till att du står stadigt och har god balans.
- Kontrollera att transportskruven har dragits åt  $\frac{1}{4}$  varv.
- Avlägsna spärrnyckeln från transportskruven och installera den på förlängningen (vid arbete i trånga utrymmen behövs inte förlängningen).
- Vrid spärrnyckeln medurs (sett från spårfräsens baksida – detta matchar de gjutna pilarna på baksidan av fräsen) såsom visas i *figur 17*. Håll spårmaskinens rotation under ständig uppsikt. Spårmaskinens täckplåt ska hela tiden ligga an mot rörets ände. Sluta dra runt spärrnyckeln om spårmaskinen börjar röra sig bort från rörets ände för att förhindra att spårmaskinen roterar av röret och faller ner. Tryck på spårmaskinens stödarmar för att se till att täckplåten åter kommer i kontakt med röränden. Montera vid behov om spårmaskinen på röret (se avsnittet "Montera spårmaskinen på röret"). Om röränden är deformerad måste du kapa den och förbereda ett nytt spår.



Figur 17. Vrid spärrnyckeln i pilarnas riktning

- Fortsätt vrida spärrnyckeln tills spårfräsen har gått minst ett helt varv runt röret. Avlägsna spärrnyckeln från förlängningen och installera den på transportskruven. Dra åt transportskruven ytterligare  $\frac{1}{4}$  varv. Avlägsna spärrnyckeln från transportskruven och installera den på förlängningen igen. Dra inte åt transportskruven mer än  $\frac{1}{4}$  varv per rörvarv. Alltför kraftig åtdragning av transportskruven kan leda till

överdriven spårutvidgning eller att spårmaskinen roterar av röret. Fortsätt vrida spärrnyckeln för att driva spårmaskinen runt röret samtidigt som du ser till att täckplåten ligger an mot röränden.

- Fortsätt dra åt transportskruven  $\frac{1}{4}$  varv per rillningsvarv tills huvudet på ställskruven når ovansidan av spårmaskinen och det tar stopp. Sluta dra åt transportskruven när ställskruven når ovansidan av spårmaskinen eftersom det annars finns risk för att ställskruven skadas. Roterar spårmaskinen minst ytterligare två hela varv runt röret när ställskruven har nått ovansidan av fräsen för att se till att spårdjupet blir enhetligt.
- Flytta spärrnyckeln till transportskruven. Fatta ett stadigt grepp om spårmaskinen och vrid transportskruven moturs för att dra tillbaka spårullen så att spårmaskinen kan avlägsnas från röret. Var försiktig så att du inte tappar spårmaskinen.
- Inspektera spåret.
  - Kontrollera att spåret är helt format.
  - Kontrollera att spårdiametern uppfyller specifikationen.
  - Kontrollera övriga punkter enligt armaturtillverkarens anvisningar.

Om du stöter på problem kan spåret inte användas.

## Underhållsanvisningar

### ⚠ VARNING!

**Kontrollera att kraftöverföringsbrytaren står i läge OFF (av) och att kontakten till spårmaskinen har dragits ut ur uttaget innan du utför underhåll eller eventuella justeringar.**

### Smörjning

Smörj 975 Combo Roll Groover med ett universalsmörjfett av god kvalitet en gång i månaden.

- Smörjnipplarna sitter på sidan av basen (samma sida som användaren), framsidan av glidblocket och änden av spårfräsullens axel (se *figur 2*). Pumpa in fett tills en liten mängd börjar tränga ut.
- Bestryk transportskruven med ett tunt lager fett.
- Växellådan på 975 Combo Roll Groover är livstidssmord och behöver därför inte smörjas förutsatt att växellådan inte har öppnats.

Se avsnittet "Inspektion" för vidare information om underhåll.

### Rengöring

Rengör drivaxelns räfflor dagligen med en stålborste eller oftare vid behov.



## Byta rulluppsättning

**OBS!** Vid byte av rulluppsättningar måste du se till att markeringarna på driv- och spårfräsrullarna matchar. Delar som inte passar ihop kan leda till defekta spår och läckage.

Avlägsna spårmaskinen från kraftöverföringssystemet eller gängmaskinen och placera maskinen på en stadig arbetsbänk.

Erforderliga verktyg:

- $\frac{3}{8}$ " sexkantsnyckel
- $\frac{3}{32}$ " sexkantsnyckel
- 0,070" utvändig låsringstång

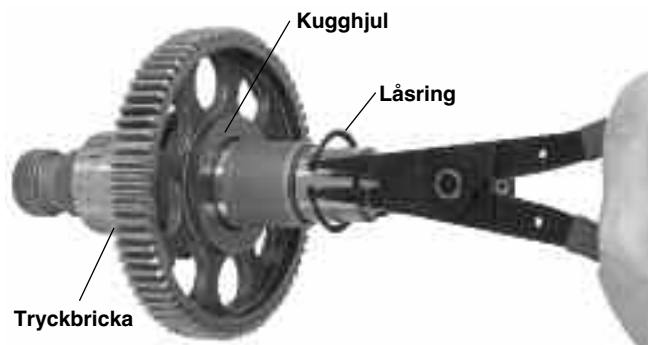
### Avlägsna och installera drivrullen

1. Avlägsna de sex skruvar som håller den bakre kåpan i huset.
2. Avlägsna den bakre kåpan (se figur 18).



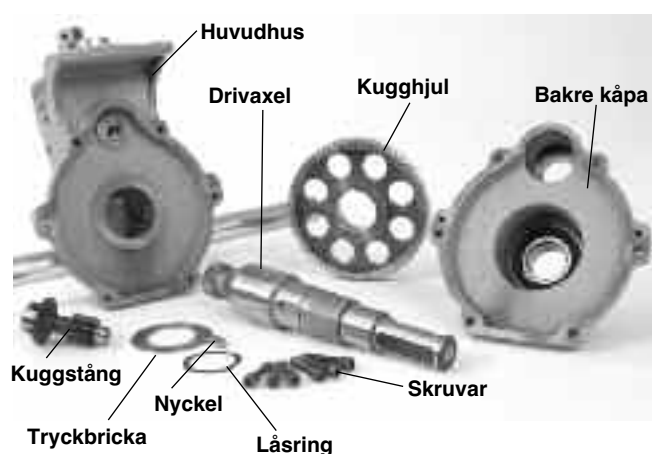
Figur 18. Avlägsnande av den bakre kåpan

3. Avlägsna kuggstången.
4. Avlägsna drivaxelenheten från baksidan av 975 Roll Groover.
5. Avlägsna låsringen från drivaxeln och dra av kugghjulet (se figur 19).



Figur 19. Avlägsnande av låsringen

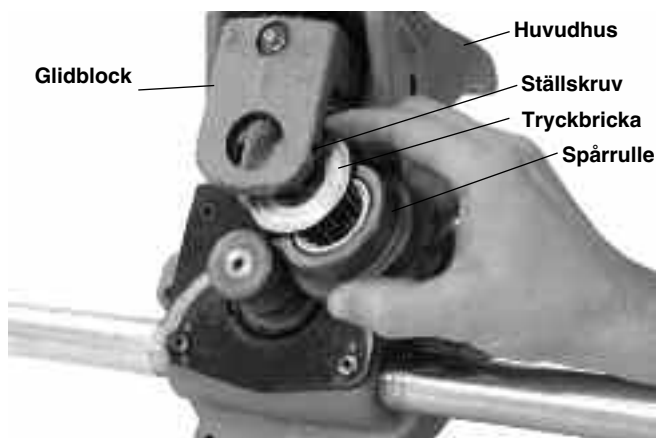
6. Avlägsna nyckeln och sedan tryckbrickan.
7. Sätt på tryckbrickan på den nya drivaxeln.
8. Installera nyckeln och kugghjulet.
9. Montera låsringen i drivaxelspåret.
10. Placera drivaxelenheten i huvudhuset.
11. Under bytet av drivaxeln kan det hända att mängden smörjett i växellådan har minskat. Bestryk lager och kuggtänder ordentligt med ett universalsmörjett av god kvalitet.
12. Installera kuggstången och sätt tillbaka den bakre kåpan. Dra åt skruvarna till ett vridmoment på 12–16 ft•lbs.



Figur 20. Komponenterna i 975 Combo Roll Groover

### Avlägsna och installera spårullen

1. Avlägsna ställskruven som håller spårullens axel på plats.
2. Dra ut spårullens axeln ur glidblocket och avlägsna spårullen och tryckbrickan.
3. Installera tryckbrickan och den nya spårullen i glidblocket. Kontrollera att den invändiga låsringen i spårullen sitter närmast huvudhuset och att spårullen sitter mellan tryckbrickan och huvudhuset.


**Figur 21**

4. Byt spårrullens axel och ställskruven.
5. Kontrollera att spårrullen och drivrullen är inriktade mot varandra. I annat fall kontrollerar du spårrullens och tryckbrickans inpassning.
6. Smörj enligt anvisningarna i avsnittet "Smörjning" ovan.

## Tillbehör

### ⚠ VARNING!

Följande RIDGID-produkter är avsedda att användas med 975 Combo Roll Groover. Användning av andra tillbehör (avsedda för andra verktyg) med 975 Combo Roll Groover kan vara riskabelt. För att minska risken för allvarliga skador ska endast tillbehör som är avsedda för 975 Combo Roll Groover (t.ex. de som tas upp i nedanstående tabell) användas.

Kat.- nr	Beskrivning
60082	300 Power Drive, 230 V 25-60 Hz
60077	300 Power Drive, 115 V 25-60 Hz
42360	1206 Stativ till 300 Power Drive
50697	300 Compact, 230 V 25-60 Hz
50692	300 Compact, 115 V 25-60 Hz
20391	300 Compact, 230 V 25-60 Hz (DK)
67662	Adapterfäste till 300 Compact/1233
58077	250 hopfällbart stativ till 300 Compact/1233
72037	460 bärbart Tristand kedjeskruvstäd
56662	VJ-99 Vhead högt rörstativ
76822	Tumdiameterband
76827	Metriskt diameterband
30708	Förlängning, 1/2" fäste, låsande
30703	Spärr, 1/2" fäste med 90° böj
33043	Spär- och drivvalsar för 2"-8" kopparrör av typ K, L, M och DWV

## Maskinförvaring

**⚠ VARNING!** Förvara verktyget i ett låst utrymme utom räckhåll för barn och personer som inte är vana vid att hantera spårmaskinsutrustning. Detta verktyg är farligt i händerna på ovana, utbildade användare.

## Service och reparation

### ⚠ VARNING!

**Felaktig service eller reparation kan göra utrustningen osäker att använda.**

Anvisningarna i avsnittet "Underhållsanvisningar" är tillräckliga för huvudparten av utrustningens servicebehov. Alla problem som inte tas upp i detta avsnitt måste hänvisas till en auktoriserad RIDGID-servicetekniker.

Verktyget ska lämnas in till ett oberoende RIDGID-auktoriserat servicecenter eller skickas tillbaka till tillverkaren.

Vid service av denna utrustning ska endast identiska reservdelar användas. Användning av andra delar kan innebära risk för allvarlig personskada.

Om du har frågor rörande service eller reparation av denna utrustning kan du ringa eller skriva till:

Ridge Tool Company  
 Technical Service Department  
 400 Clark Street  
 Elyria, Ohio 44035-6001, USA  
 Tfn: +1 800 519 3456  
 E-post: TechServices@ridgid.com

För information om närmaste RIDGID oberoende servicecenter eller svar på frågor om service eller reparation

Kontakta den lokala återförsäljaren av Ridge Tool

Besök [www.RIDGID.com](http://www.RIDGID.com) eller [www.RIDGID.eu](http://www.RIDGID.eu) för att hitta din lokala kontaktpunkt för Ridge Tool

Du kan kontakta Ridge Tool tekniska serviceavdelning på [techservices@emerson.com](mailto:techservices@emerson.com) eller ringa (800) 519-3456 i USA och Kanada

**Tabell I. Standardspecifikationer för rillade spår för rör (IPS-dimensioner)**

OBS! Alla dimensioner anges i tum.

NOM. RÖR- DIM.	RÖR- DIAMETER		T MIN. VÄGG- TJOCKLEK	A PACKNINGS- SÅTE +0,015/-0,030	B SPÅR- BREDD +0,030/-0,015	C SPÅR- DIAMETER		D NOM. SPÅR- DJUP (ref.) (2)
	U.D.	TOL.				U.D.	TOL.	
1 <sup>1/4</sup>	1,660	+0,016 -0,016	0,065	0,625	0,344	1,535	+0,000 -0,015	0,063
1 <sup>1/2</sup>	1,900	+0,016 -0,016	0,065	0,625	0,344	1,775	+0,000 -0,015	0,063
2 <sup>(1)</sup>	2,375	+0,024 -0,016	0,065	0,625	0,344	2,250	+0,000 -0,015	0,063
2 <sup>1/2</sup> ( <sup>1</sup> )	2,875	+0,029 -0,016	0,083	0,625	0,344	2,720	+0,000 -0,015	0,078
3 <sup>(1)</sup>	3,50	+0,030 -0,018	0,083	0,625	0,344	3,344	+0,000 -0,015	0,078
3 <sup>1/2</sup> ( <sup>1</sup> )	4,00	+0,030 -0,018	0,083	0,625	0,344	3,834	+0,000 -0,015	0,083
4 <sup>(1)</sup>	4,50	+0,035 -0,020	0,083	0,625	0,344	4,334	+0,000 -0,015	0,083
5 <sup>(1)</sup>	5,563	+0,056 -0,022	0,109	0,625	0,344	5,395	+0,000 -0,015	0,084
6 <sup>(1)</sup>	6,625	+0,050 -0,024	0,109	0,625	0,344	6,455	+0,000 -0,015	0,085

1) I enlighet med AWWA C606-06.

2) Nominellt spår djup anges endast i referenssyfte. Använd inte spår djupet för att fastställa spårets godtagbarhet.

**Tabell II. Maximal och minimal rörväggstjocklek**

OBS! Alla dimensioner anges i tum.

Rördimension	KOLSTÅLS- ELLER ALUMINIUMRÖR		ROSTFRITT STÅL- RÖR		PVC-RÖR	
	Väggstjocklek		Väggstjocklek		Väggstjocklek	
	Min.	Max.	Min.	Max.	Min.	Max.
1 <sup>1/4</sup> "	0,065	0,140	0,065	0,140	0,140	0,140
1 <sup>1/2</sup> "	0,065	0,145	0,065	0,145	0,145	0,200
2"	0,065	0,154	0,065	0,154	0,154	0,154
2 <sup>1/2</sup> "	0,083	0,203	0,083	0,188	0,203	0,276
3"	0,083	0,216	0,083	0,188	0,216	0,300
3 <sup>1/2</sup> "	0,083	0,226	0,083	0,188	0,226	0,300
4"	0,083	0,237	0,083	0,188	0,237	0,300
5"	0,109	0,258	0,109	0,188	0,258	0,300
6"	0,109	0,280	0,109	0,188	0,280	0,300

**Tabell III. Specifikationer för rillade spår för kopparrör**

1	2		3	4	5	6	7	8
	Grunddiam.	Tolerans	A Packnings- säte A ±0,03	B Spår- bredd +0,03 -0,000	C Spår- diam. +0,00 -0,02	D Spår- djup Ref. <sup>1</sup>	T Min. till. vägg- tjocklek	Max. till. utvidg. diam.
2"			2,125	±0,002	0,610	0,300	2,029	0,048
2 1/2"	2,625	±0,002	0,610	0,300	2,525	0,050	0,065	2,720
3"	3,125	±0,002	0,610	0,300	3,025	0,050	DWV	3,220
4"	4,125	±0,002	0,610	0,300	4,019	0,053	DWV	4,220
5"	5,125	±0,002	0,610	0,300	5,019	0,053	DWV	5,220
6"	6,125	±0,002	0,610	0,300	5,999	0,063	DWV	6,220
8"	8,125	+0,002/-0,004	0,610	0,300	7,959	0,083	DWV	8,220

1. Nominellt spår djup anges i referenssyfte. Använd inte spår djupet för att fastställa spårets godtagbarhet.

## Felsökning

SYMTOM	MOJLIGA ORSAKER	LOSNING
Spåret är för smalt eller för brett.	Spårrullen och/eller drivaxeln är sliten.	Byt spårfräsrollen och/eller drivaxeln.
Spåret är inte vinkelrätt mot rörets axel.	Röret är inte rakt. Röränden är inte vinkelrät mot rörets axel.	Använd ett rakt rör. Kapa röret så att änden blir rak.
Röret spårar inte under rillning/Spårmaskinen spårar inte på röret under rillning.	Röret och drivaxeln är inte parallella. Röraxeln har inte förskjutits 1/2 grad bort från drivrullens axel. Räfflorna på drivrullen är igensatta eller nedslitna. Transportskruven är inte åtdragen. Spärnyckeln vrids i fel riktning. Röret är alltför igenkalkat invändigt. För kraftig svetssöm.	Justera stativet så att röret ligger parallellt. Förskjut röret 1/2 grad. Rengör eller byt drivrullen. Dra åt transportskruven med spärnyckeln för varje varv enligt anvisningarna. Vrid spärnyckeln i rätt riktning. Rengör röret invändigt. Slipa svetssömmen jämn 5 cm upp från rörets ände.
Röret är utvidgat i den spårfrästa änden.	Inget tryck utövas på röret. Röränden är inte rak eller så behöver grader avlägsnas. Transportskruven är för hårt åtdragen.	Tryck på röret (se figur 10). Förbered röränden ordentligt. För endast fram transportskruven 1/4 varv i taget.
	Röret och drivaxeln är inte parallella. Transportskruven är för hårt åtdragen.	Justera stativet så att röret ligger parallellt. För endast fram transportskruven 1/4 varv.

**Felsökning (forts.)**

<b>SYM TOM</b>	<b>MOJLIGA ORSAKER</b>	<b>LOSNING</b>
Röret rör sig fram och tillbaka på drivrullens axel under rillning.	Röret är inte rakt. Röränden är inte vinkelrät mot rörets axel.	Använd ett rakt rör. Kapa röret så att änden blir rak.
Röret svänger från sida till sida på drivrullen under rillning.	Rörstativet är placerat för nära rörets ände. Rörets ände är tillplattad eller skadad. Hårda punkter i rörmaterialen eller svetssömmar som är hårdare än röret. Spårrullens matningshastighet är för låg. Kraftöverföringshastigheten överstiger 57 rpm. Rörstativet är inte placerat på rätt ställe.	Flytta rörstativet så att det motsvarar installationsanvisningarna. Kapa den skadade röränden. Använd ett annat rör. Mata in spårrullen snabbare i röret. Sänk varvtalet till 57 varv/minut eller lägre. Placera rörstativets rullar korrekt.
Spårmaskinen skär inte något spår i röret.	Den maximala rövågsgstjockleken har överskridits. Rörmaterialen är för hårt. Ställskruven är inte inställd. kraftöverföringssystemet matar inte erforderligt lägsta vridmoment.	Kontrollera rörkapacitetstabellen. Byt ut röret. Ställ in spårdjupet. Använd RIDGID nr 300, Power Drive eller 300 Compact resp. 1233.
Spårfräsen skär inte spåret till önskad diameter.	Den maximala rördiameterstoleransen har överskridits. Djupställskruven är inte korrekt inställd. Röret är för hårt.	Använd ett rör av korrekt diameter. Justera inställningen av spårdjupet. Använd ett annat rör.
Röret slinter på drivrullen.	Spårrullens matningshastighet är för låg. Räfflor på drivrullen är nedslitna eller igensatta med metallspån.	Mata in spårrullen snabbare i röret. Rengör eller byt drivrullen.
Spårmaskinen roterar inte röret under fräsning.	kraftöverföringssystemet matar inte erforderligt lägsta vridmoment. Chucken har inte slutits över drivaxelns plana ytor.	Använd RIDGID nr 300, Power Drive eller 300 Compact resp. 1233. Stäng chucken.
Röret stiger eller får spårmaskinen att tippa baklänges.	Rörstativet har inte installerats ordentligt.	Installera stativen korrekt.

975

# Combo notsikkemaskine




**RIDGID**<sup>®</sup>

## Indholdsfortegnelse

<b>Sikkerhedssymboler</b> .....	182
<b>Generelle sikkerhedsbestemmelser</b>	
Sikkerhed på arbejdsområdet .....	182
Elektrisk sikkerhed .....	182
Personsikkerhed .....	183
Værktøjets brug og vedligeholdelse .....	183
Service .....	183
<b>Særlige sikkerhedsoplysninger</b>	
Sikker brug af notsikkemaskinen .....	184
Sikker brug af notsikkemaskinen med rørdrev/gevindskæremaskine .....	184
Sikker brug af notsikkemaskinen på stedet .....	184
<b>Beskrivelse, specifikationer og standardudstyr</b>	
Beskrivelse .....	184
Specifikationer .....	185
Standardudstyr .....	185
<b>Eftersyn af notsikkemaskinen</b> .....	185
Maskin- og arbejdsområdeindretning ved maskindrevne anvendelser	
Montering af 975 Combo notsikkemaskine på et RIDGID 300 rørdrev .....	187
Montering af 975 notsikkemaskinen på en RIDGID 300 Compact/1233 gevindskæremaskine .....	187
Opsætningens gennemførelse .....	188
Klargøring af rør .....	189
Placering af rør i notsikkemaskine .....	190
<b>Betjeningen af 975 Combo notsikkemaskine med et rørdrev/gevindskæremaskine</b>	
Indstilling/måling af rillens diameter .....	190
Dannelse af valserille .....	191
Indstilling af rillediameteren til kobberrør .....	192
Springstips til 975 Combo notsikkemaskine .....	192
<b>Opsætning af maskine og arbejdsområde på stedet</b>	
Klargøring af rør .....	194
Montering af notsikkemaskinen på røret .....	194
<b>Betjening af 975 Combo notsikkemaskine på stedet</b>	
Indstilling/måling af rillens diameter .....	195
Dannelse af valserille .....	196
<b>Vedligeholdelsesvejledning</b>	
Smøring .....	196
Rengøring .....	197
Udskiftning af valesæt .....	197
<b>Tilbehør</b> .....	198
<b>Opbevaring af maskinen</b> .....	198
<b>Eftersyn og reparation</b> .....	198
<b>Tabel I. Standardspecifikationer for valserille</b> .....	199
<b>Tabel II. Rørs maksimale og minimale vægtykkelse 19</b>	
<b>Tabel III. Specifikationer for kobbervalserille</b> .....	200
<b>Fejlfinding</b> .....	200-201

## Sikkerhedssymboler

I denne brugervejledning og på produktet anvendes sikkerhedssymboler og -tekst til at formidle vigtige sikkerhedsoplysninger. Dette afsnit indeholder yderligere oplysninger om denne tekst og symboler.


 Dette er et sikkerhedsalarmsymbol. Det bruges til at gøre dig opmærksom på eventuel risiko for personskade. Følg alle sikkerhedsmeddelelser, der efterfølger dette symbol, for at undgå personskade eller død.


 **FARE** FARE angiver en farlig situation, som vil resultere i død eller alvorlig personskade, hvis den ikke undgås.


 **ADVARSEL** ADVARSEL angiver en farlig situation, som kan resultere i død eller alvorlig personskade, hvis den ikke undgås.


 **FORSIGTIG** FORSIGTIG angiver en farlig situation, som kan resultere i mindre eller moderat personskade, hvis den ikke undgås.


**BEMÆRK** BEMÆRK angiver information, der vedrører beskyttelse af ejendom.

 Dette symbol betyder, at du bør læse brugervejledningen grundigt, før du anvender udstyret. Brugervejledningen indeholder vigtige oplysninger om sikker og korrekt brug af udstyret.

 Dette symbol betyder, at du altid skal bære sikkerhedsbriller med sideværn eller beskyttelsesbriller, når du håndterer eller anvender dette udstyr, for at reducere risikoen for øjenskader.


 Dette symbol advarer om, at fingre og hænder kan blive knust mellem rilleværkerne.

 Dette symbol advarer om knusningsfare eller fare for slag, hvis hænder, fingre, ben, tøj og andre genstande kommer i klemme og/eller bliver viklet om roterende aksler.

 Dette symbol advarer om, at en boremaskine, slagværktøj eller andet eldrevet værktøj ikke bør bruges til at drive denne anordning, når der arbejdes på stedet.

 Dette symbol advarer om, at maskinen kan vælte og forårsage slag- eller knusningsskader.

 Dette symbol anbefaler, at man altid bruger en fodkontakt under betjeningen af en gevindskæremaskine/rørdrev.

 Dette symbol anbefaler, at man bruger en hjelm, når der udføres arbejde højere oppe, for at mindske risikoen for hovedkvæstelser.

## Generelle sikkerhedsbestemmelser

### **ADVARSEL**

Læs, og forstå alle vejledninger. Det kan medføre elektrisk stød, brand og/eller alvorlig personskade, hvis anvisningerne ikke følges.

### **GEM DENNE VEJLEDNING!**

Termen "maskinværktøj" i advarslerne henviser til dit eldrevne (kablede) maskinværktøj eller batteridrevne (kabellose) maskinværktøj.

### Sikkerhed på arbejdsområdet

- Hold arbejdsområdet rent og godt oplyst. Rodede eller mørke områder kan medføre ulykker.
- Brug ikke maskinværktøjer i eksplosive atmosfærer, f.eks. ved tilstedeværelse af brændbare væsker, gasser eller støv. Maskinværktøjer danner gnister, som kan antænde støv eller dampe.
- Hold børn og uvedkommende væk, når maskinværktøj bruges. Du kan miste kontrollen over værktøjet, hvis du bliver distraheret.

- Hold gulve tørre og fri for glatte materialer såsom olie. Glatte gulve kan medføre ulykker.
- Afskærm, eller afspær området, når arbejdsemnet rækker ud over maskinen. Hvis et område på 0,9 meter omkring arbejdsemnet afskærms eller afspærres, vil det reducere risikoen for sammenfaldning.

### Elektrisk sikkerhed

- Stik på maskinværktøj skal svare til udtaget. Foretag aldrig ændringer af stikket på nogen måde. Brug ikke adapterstik med jordede maskinværktøjer. Uændrede stik og tilsvarende udtag formindsker risikoen for elektrisk stød.
- Undgå kropskontakt med jordede overflader, f.eks. rør, radiatorer, komfurer og køleskabe. Der er en forøget risiko for elektrisk stød, hvis din krop får jordforbindelse.
- Udsæt ikke maskinværktøjer for regn eller våde forhold. Hvis der trænger vand ind i maskinværktøjet, forøges risikoen for elektrisk stød.
- Håndter kablet korrekt. Brug aldrig kablet til at bære, trække eller afbryde maskinværktøjet. Hold kablet væk



fra varme, olie, skarpe kanter og bevægelige dele. Beskadigede eller sammenfiltrede kabler forøger risikoen for elektrisk stød.

- **Når et maskinværktøj bruges udendørs, skal der benyttes et forlængerkabel, der er beregnet til udendørs brug.** Anvendelse af en ledning til udendørs brug formindsker risikoen for elektrisk stød.
- **Hvis et maskinværktøj absolut skal bruges på et fugtigt sted, skal der bruges en strømkilde med fejlstrømsafbryder (HFI).** Brugen af en HFI formindsker risikoen for elektrisk stød.

## Personsikkerhed

- **Vær opmærksom, hold øje med det, du foretager dig, og brug almindelig sund fornuft under betjeningen af et maskinværktøj. Brug ikke et maskinværktøj, når du er træt eller påvirket af stoffer, alkohol eller medicin.** Et øjeblik uopmærksomhed, mens du bruger maskinværktøjer, kan medføre alvorlig personskade.
- **Brug personligt sikkerhedsudstyr. Brug altid beskyttelsesbriller.** Sikkerhedsudstyr, som f.eks. støvmaske, skridsikkert sikkerhedsfodtøj, hjelm eller høreværn, der benyttes under de relevante forhold, vil reducere personskader.
- **Forebyg mod utilsigtet start. Kontrollér, at kontakten er slået fra, inden strømkilden og/eller batteriet tilsluttes, værktøjet samles op eller transporteres.** Det kan medføre ulykker at bære maskinværktøjer med fingeren på kontakten eller strømføde maskinværktøjer, hvor kontakten er slået til.
- **Fjern evt. justeringskile, inden der tændes for maskinværktøjet.** En nøgle eller kile, der efterlades fastgjort til en roterende del på maskinværktøjet, kan medføre personskade.
- **Brug ikke værktøjet i u hensigtsmæssige arbejdsstillinger. Hav altid ordentligt fodfæste og god balance.** Det giver bedre kontrol over maskinværktøjet i uventede situationer.
- **Brug fornuftigt arbejdstøj. Brug ikke løstsiddende tøj eller smykker. Hold hår, tøj og handsker væk fra bevægelige dele.** Løst tøj, smykker eller langt hår kan blive fanget i bevægelige dele.
- **Hvis der benyttes støvudsugnings- og opsamlingsenheder, skal det sikres, at disse er tilsluttet og bruges korrekt.** Brug af støvudsugning kan reducere støvrelaterede risici.

## Værktøjets brug og vedligeholdelse

- **Forsøg ikke at forcere værktøjet. Brug det korrekte værktøj til formålet.** Det korrekte værktøj udfører opgaven bedre og mere sikkert i den hastighed, som det er beregnet til.
- **Brug ikke værktøjet, hvis kontakten ikke kan slå det TIL og FRA.** Ethvert maskinværktøj, som ikke kan styres med kontakten, er farligt og skal repareres.
- **Træk stikket ud af strømforsyningen og/eller batteriet ud af værktøjet, inden der foretages justeringer eller udskiftes tilbehør, eller værktøjer lægges til opbevaring.** Disse forebyggende sikkerhedsforanstaltninger formindsker risikoen for utilsigtet start af maskinværktøjet.
- **Opbevar inaktive værktøjer utilgængeligt for børn og lad aldrig personer, som ikke er fortrolige med værktøjet eller disse anvisninger, bruge værktøjet.** Værktøjer er farlige i hænderne på uøvede brugere.
- **Vedligehold værktøjer. Kontrollér, om bevægelige dele er fejljusteret eller binder, om der er ødelagte dele og andre forhold, som kan påvirke værktøjets drift. Hvis værktøjet er beskadiget, skal det repareres inden brug.** Mange ulykker skyldes dårligt vedligeholdte værktøjer.
- **Brug kun tilbehør, der anbefales til brug med dit værktøj.** Det er mindre sandsynligt, at korrekt vedligeholdte skæreværktøjer med skarpe skær binder, og de er nemmere at kontrollere.
- **Hold håndtag tørre, rene og fri for olie og fedt.** Det giver bedre kontrol over værktøjet.

## Service

- **Få maskinværktøjet eftersat af en kvalificeret tekniker, og brug kun identiske reservedele.** Dette sikrer, at værktøjets sikkerhed opretholdes.

## Særlige sikkerhedsoplysninger

### ⚠ ADVARSEL

**Dette afsnit indeholder vigtige sikkerhedsoplysninger, der gælder specielt for dette værktøj.**

**Læs disse forholdsregler nøje, før du bruger 975 Combo notsikkemaskinen for at mindske risikoen for alvorlige personskader.**

### GEM DENNE VEJLEDNING!

Kontakt Ridge Tool Technical Service Department på tlf. 001 (800) 519-3456, eller send en e-mail til techservice@ridgid.com, hvis du har spørgsmål.

## Sikker brug af notsikkemaskinen

- **Brug ikke løstsiddende tøj.** Tilknap altid ærmer og jakker. Ræk ikke henover maskinen eller røret. Tøj kan fanges i røret eller andre roterende dele og filtreres ind med alvorlig personskade til følge.
- **Hold hænderne væk fra rillevalserne.** Lav ikke riller i rør, der er for korte. Brug ikke løstsiddende handsker. Fingre kan blive knust mellem rillevalserne eller mellem rillevalsen og røret.
- **Hold hænderne på afstand af rørets ender.** Ræk ikke ind i røret. Grater og skarpe kanter kan fange og skære. Fingre kan blive knust mellem rillevalserne eller mellem rillevalsen og røret.
- **Klargør, og håndter røret på korrekt vis.** Grater og skarpe kanter kan fange og skære.
- **Understøt røret på korrekt vis.** Dette vil forebygge mod, at røret og udstyret vælter.
- **Læs, og forstå denne brugervejledning, brugervejledningen til det korrekte rørdrev eller gevindskæremaskine, installationsvejledningen fra fittingens producent og vejledningen til alt andet udstyr, der bruges sammen med dette værktøj, før RIDGID® 975 Combo notsikkemaskine betjenes.** Hvis du ikke følger samtlige instruktioner, kan det medføre skader på ejendom og/eller alvorlig personskade.
- **Brug altid passende personligt beskyttelsesudstyr ved opsætningen og brugen af RIDGID 975 Combo notsikkemaskine.** Passende personligt beskyttelsesudstyr omfatter altid sikkerhedsbriller og kan omfatte anden beklædning såsom tætsiddende læderhandsker, stålarmet fodtøj og hjelm.
- **Brug kun notsikkemaskinen til rilning af rør med den anbefalede størrelse og af den korrekte type i henhold til denne vejledning.** Andre anvendelser eller ændringer af notsikkemaskinen til andre anvendelser kan øge risikoen for personskade.

## Sikker brug af notsikkemaskinen med rørdrev/gevindskæremaskine

- **Brug kun RIDGID 300 rørdrev eller 300 Compact gevindskæremaskine med denne 975 Combo notsikkemaskine.** Hvis der bruges andre strømkilder, vil det føre til en forkert opsætning og kan bl.a. øge risikoen for, at enheden vælter.
- **Brug ikke denne notsikkemaskine med et rørdrev eller en gevindskæremaskine uden en fodkontakt. Fodkontakten må aldrig blokeres, så den ikke styrer rørdrevet.** En fodkontakt øger kontrollen ved at slukke for rørdrevets motor, når du fjerner foden. Hvis tøj fanges i maskinen, uden at strømmen afbrydes til motoren, bliver tøjjet

trukket ind i maskinen. Denne maskine arbejder ved et højt moment og kan forårsage, at tøj vrides omkring din arm eller andre kropsdele med en kraft, der kan knuse eller brække knogler eller forårsage slagskader eller anden personskade.

- **Én person skal styre både rilningen og fodkontakten. Betjeningen må ikke udføres af flere end én person.** Ved indfiltrering skal operatøren have kontrol over fodkontakten.
- **Brug kun rørdrev og gevindskæremaskiner med en rotationshastighed på 57 o/min eller mindre.** Maskiner med en højere hastighed øger risikoen for personskade.
- **Sørg for, at notsikkemaskinens opsætning er korrekt, og at den er fæstnet til drevet/gevindskæremaskinen. Sørg for, at maskinen, understellet, notsikkemaskinen og røret står stabilt.** Dette vil modvirke, at udstyret og røret vælter.

## Sikker brug af notsikkemaskinen på stedet

- **Enheden må udelukkende betjenes manuelt, når den anvendes på stedet. Brug ikke el-drevne enheder (såsom boremaskiner eller slagværktøj) til at drive notsikkemaskinen, når den anvendes på stedet.** Hvis der bruges el-drevne enheder, kan det beskadige notsikkemaskinen og øge risikoen for personskade.
- **Når der arbejdes højere oppe, skal al personel benytte hjelm og være ryddet fra området nedenfor.** Forebygger mod alvorlig personskade, hvis notsikkemaskinen, røret eller andre genstande falder ned.

## Beskrivelse, specifikationer og standardudstyr

### Beskrivelse

RIDGID® 975 Combo notsikkemaskinen valser riller i stål-, aluminium- og PVC-rør og kan valse riller i rør på 1 1/4" til 6" diameter, specifikation 10 og specifikation 40. Den er også beregnet til at valse riller i 1 1/4" til 6" specifikation 10 og 1 1/4" til 2" specifikation 40 rør af rustfrit stål. Ved at skifte valesæt kan den også tilpasses til kobberrør på 2" - 8" af typen K, L, M og DWV. Rillerne dannes ved mekanisk at føre en rillevalse ind i røret, som er understøttet af en drevvals. Det er kun nødvendigt at justere rillens dybde.

Enheden er specielt beregnet til anvendelser enten på stedet eller med RIDGID Model 300 rørdrev (modeller på 38 og 57 o/min.). Med den korrekte adapter (kat. #67662), kan enheden betjenes med RIDGID Model 300 Compact gevindskæremaskine. 975 Combo notsikkemaskinen omfatter en patenteret rilledybde måler til indstilling af riller og patenterede funktioner til forbedring af springen under betjeningen.

975 Combo notsikkemaskinen er bærbar og beregnet til lejlighedsvis anvendelse på arbejdsområdet og bør ikke anvendes til store arbejdsmængder ved fremstillingen af rør i et produktionsværksted.

**BEMÆRK** Ved korrekt brug valser 975 Combo notsikkemaskinen riller på 2" - 6", der dimensionelt svarer til AWWA C606-06-specifikationerne. Systemdesigneren og/eller installatøren har ansvaret for valget af tilsigtede materialer og sammenføjningsmetoder. Før installationen skal det specifikke servicemiljø, herunder de kemiske omgivelser og servicetemperaturen vurderes nøje.

## Specifikationer

Kapacitet..... Stålrør på 1 1/4" – 6" med specifikation 10 og specifikation 40 med valeskift: Kobberør på 2" - 8" af typen K, L, M og DWV

Rillediameter

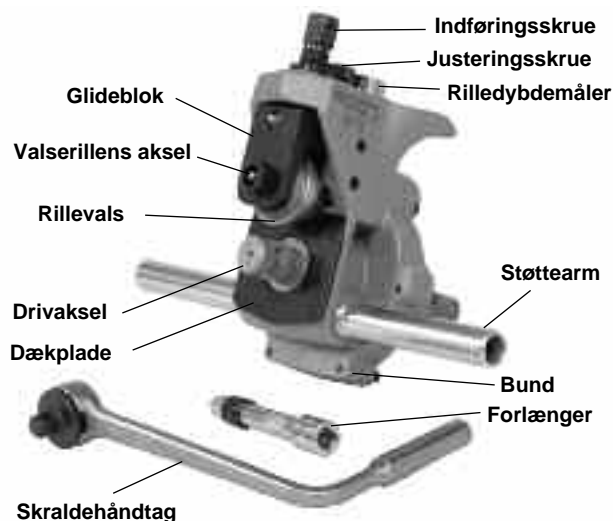
Justering ..... Justeringsskrue og rilledybde måler

Aktivering ..... Indføringskrue med 1/2" skraldenøgle

Montering af rørdrev ..... RIDGID 300 rørdrev (kun 38 og 57 o/min-model) RIDGID 300 Compact gevindskæremaskine (med adapter)

Vægt ..... 12,5 kg.

975 Combo notsikkemaskinen er patentbeskyttet i USA og internationalt, herunder af patenterne 6,272,895 og 6,591,652.



Figur 1 – 975 Combo notsikkemaskine

## Standardudstyr

1 1/4" – 6" specifikation 10 og 40 rille- og drevvalser

Skraldenøgle (1/2" drev) med knapudløsning

Låsning af forlængerdrev

Støttearme

Integreret, indekseret dybdemåler

## Eftersyn af notsikkemaskinen

### ⚠ ADVARSEL

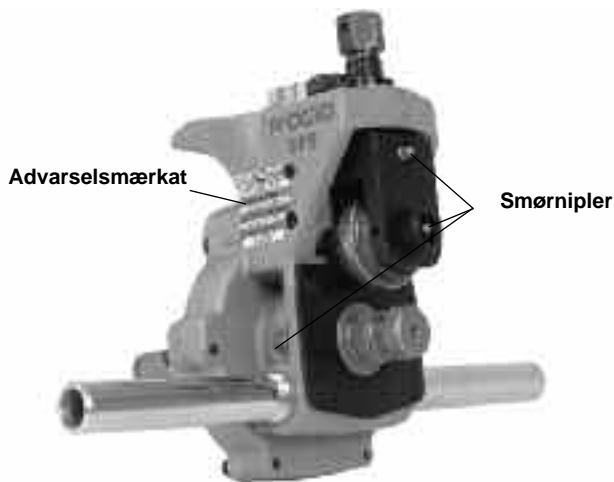


**Hver gang du tager din notsikkemaskine i brug, skal du afhjælpe eventuelle problemer for at mindske risikoen for alvorlig personskade, bl.a. knusningsskader, samt forhindre at notsikkemaskinen beskadiges.**

**Brug ikke denne notsikkemaskine med et rørdrev/en gevindskæremaskine uden en fodkontakt.**

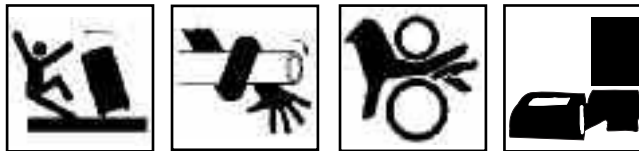
1. Hvis notsikkemaskinen monteres på et el-drev eller en gevindskæremaskine, skal maskinen være frakoblet el-nettet, og REV/OFF/FOR-kontakten skal være slået FRA (OFF). Efterse, og vedligehold rørdrevet/gevindskæremaskinen iht. maskinens brugervejledning. Hvis udstyret ikke efterses og vedligeholdes korrekt, kan det forårsage alvorlig personskade og skade på ejendom. Sørg for, at der er adgang til en fodkontakt, som fungerer ordentligt. Denne notsikkemaskine må ikke bruges uden en fodkontakt.
2. Tør olie, fedt eller snavs af notsikkemaskinen, herunder bærehåndtaget og skraldehåndtaget, der skal bruges til at aktivere notsikkemaskinen. Dette mindsker risikoen for personskade, hvis notsikkemaskinen eller skraldehåndtaget skulle glide ud af dine hænder under betjeningen, samt gør det lettere at udføre eftersyn.
3. Sørg for, at støttearmene sidder forsvarligt fast i notsikkemaskinen.
4. Kontrollér notsikkemaskinen for beskadigede, manglende, fejlplacerede eller bindende dele eller andre forhold, der kan modvirke sikker og normal betjening. Sørg for, at rillevalsen og drivakslen drejer frit.
5. Kontrollér, at advarselsmærkatens kan ses og er fæstnet forsvarligt. På figur 2 ses advarselsmærkatens placering.
6. Hvis drivakslens rifler er snavsede, skal de renses med en stålbørste. Snavsede rifler kan forårsage, at røret glider, samt spingsproblemer under rillingen.

7. Efterse rillevalserne og drivakslen for revner, slid og andre tegn på skader. Beskadede rillevalser og drivakslar kan forårsage, at røret glider, at riller bliver af ringe kvalitet eller funktionsfejl.
8. Kontrollér, at skraldehåndtag og forlænger fungerer korrekt. Sørg for, at skraldehåndtaget fungerer jævnt og konstant i begge retninger. Tryk på udløsningsknappen i midten af skraldehovedet, og monter på indføringsskruen. Skraldehåndtaget bør låse forsvarligt på plads. Skraldehåndtaget bør også låse forsvarligt ind i forlænger, og forlænger bør låse forsvarligt ind i det manuelle drevs firkant bag på notsikkemaskinen. Dette medvirker til at forhindre skraldehåndtaget og forlænger i at løsne sig fra notsikkemaskinen under betjeningen. Hvis der bruges et andet skraldehåndtag, nøgle eller forlænger, der ikke låser på notsikkemaskinen, skal man være opmærksom på, at den kan løsne sig under betjening.  
  
Hvis der findes andre problemer, må maskinen ikke bruges, før problemerne er blevet løst.
9. Smør notsikkemaskinen iht. vedligeholdelsesanvisningerne i denne brugervejledning. Tør evt. overskydende fedt af notsikkemaskinen.
10. Hvis der bruges andet udstyr, skal det efterses og vedligeholdes for at sikre, at det fungerer korrekt.



Figur 2 – 975 Combo notsikkemaskine advarselmærkat

## Maskin- og arbejdsområdeindretning ved maskindrevne anvendelser



### ⚠ ADVARSEL

**Brug altid beskyttelsesbriller for at beskytte dine øjne imod snavs og fremmedlegemer. Brug armeret fodtøj til beskyttelse af fødderne mod væltende værktøj og faldende rør.**

**Brug ikke denne notsikkemaskine med et rørdrev eller en gevindskæremaskine uden en fodkontakt. Fodkontakten må aldrig blokeres, så den ikke styrer rørdrevet. En fodkontakt øger kontrollen ved at slukke for rørdrevets motor, når du fjerner foden. Hvis tøj fanges i maskinen, uden at strømmen afbrydes til rørdrevets motor, bliver tøjet trukket ind i maskinen. Denne maskine arbejder ved et højt moment og kan forårsage, at tøj vrides omkring din arm eller andre kroppsdele med en kraft, der kan knuse eller brække knogler eller forårsage slagskader eller anden personskade.**

**Indret notsikkemaskinen og arbejdsområdet iht. disse procedurer for at mindske risikoen for personskade som følge af bl.a. elektrisk stød, brand, væltende maskine, indfiltrering, knusning og for at forebygge mod beskadigelse af notsikkemaskinen.**

1. Arbejdsområdet skal have følgende egenskaber:
  - Tilstrækkelig belysning.
  - Ingen brændbare væsker, dampe eller antændeligt støv. Hvis disse findes, skal du undlade at arbejde i området, indtil disse kilder er identificeret og fjernet. Rørdrev og gevindskæremaskiner er ikke eksplosionssikre og kan danne gnister.
  - Stedet skal være ryddet, plant, stabilt og i tørre omgivelser til alt udstyr og operatøren. Undlad at bruge udstyret, mens du står i vand.
  - Korrekt jordet elektrisk kontakt. En trebenet kontakt eller HFI-kontakt er muligvis ikke tilstrækkeligt jordet. Hvis du er i tvivl, skal du få kontakten kontrolleret af en autoriseret elektriker.
  - Fri passage til strømkontakten uden potentielle skadegilder for strømkablet.
2. Rengør arbejdsområdet før opsætning af udstyr. Tør altid evt. olie op på stedet.
3. Efterse røret, der skal rilles og bekræft, at 975 Combo notsikkemaskinen er egnet til opgaven. 975 Combo notsikkemaskinen er beregnet til rilning af specifikation-10 og -40 stål-, aluminium- og PVC-rør i størrelserne 1 1/4" til 6".

Den er også beregnet til rilning af rustfrie rør i størrelserne 1 1/4" til 6" med specifikation 10 og 1 1/4" til 2" med specifikation 40. Ved at skifte valesesæt kan den bruges til rilning af kobberør på 2" - 8" af typen K, L, M og DWV.

975 Combo notsikkemaskinen kan bruges til opgaver på stedet (rør, der er på stedet eller sidder i en skruestik) eller i sammenhæng med et RIDGID 300 rørdrev eller en 300 Compact gevindskæremaskine i forbindelse med el-drevne anvendelser på arbejdsstedet. 975 Combo notsikkemaskinen er ikke beregnet til at indgå i produktionsopgaver.

Notsikkemaskiner til andre formål kan fås ved at rådføre sig med Ridge Tool-kataloget, besøge [www.RIDGID.com](http://www.RIDGID.com) eller ved at ringe til Ridge Tool Technical Services på telefon 800-519-3456.

**BEMÆRK** Brug af valesesæt (rillevals og drivaksel) på både kulstofrør og rustfrie stålrør kan føre til kontaminering af det rustfrie stål-materiale. Denne kontaminering kan føre til korrosion og for tidlig rørfejl. For at forebygge mod jernkontaminering af rustfrie stålrør skal der bruges valesesæt, der kun er beregnet til valserilning i rustfrit stål. Alternativt kan man rengøre valesættet med en stålbørste, der er beregnet til rustfrit stål, når der skiftes mellem materialer.

4. Sørg for, at rørdrevet/gevindskæremaskinen er blevet efterset i henhold til brugervejledningen. Bekræft, at der er tilkoblet en fodkontakt, og sørg for, at FOR/OFF/REV-kontakten er slået FRA (OFF). Indstil rørdrevet/gevindskæremaskinen iht. brugervejledningens anvisninger. Sørg for, at maskinen og understellet er stabile og ikke vakler.
5. Åbn spændepatronen helt på rørdrevet/gevindskæremaskinen.
6. Kontrollér at 975 Combo notsikkemaskinen er blevet efterset og er monteret med det rette valesesæt.

### Montering af 975 Combo notsikkemaskinen på en RIDGID 300 rørdrev

1. Hvis rørdrevet, der skal bruges, er udstyret med en slæde eller andet ekstraudstyr, skal dette fjernes fra rørdrevet. Sørg for, at rørdrevets støttearme er vendt helt fremad og sidder fast.
2. Placér notsikkemaskinens støttearme på rørdrevets støttearme og notsikkemaskinens drivakselende i maskinens spændepatron. Luk, og stram rørdrevets spændepatron op på drivakslens flader. Sørg for, at drivakslen er centreret i spændepatronen. Rotér hastighedspatronens hammerhjul gentagende og kraftigt mod uret, indtil drivakslen har fået et fast greb (*figur 3*).

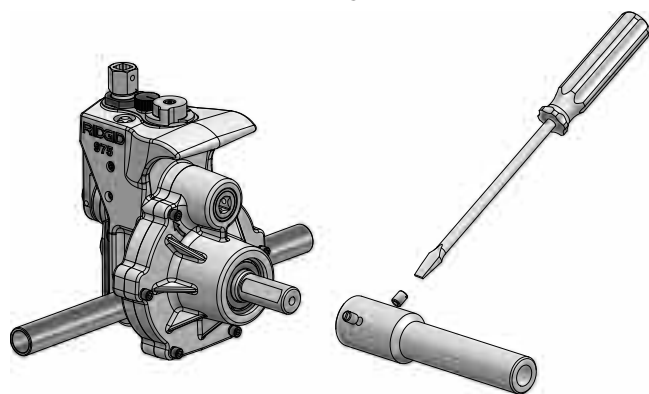


Figur 3 – Montering af 975 Combo notsikkemaskine i 300 rørdrevs spændepatron

### Montering af 975 notsikkemaskinen på en RIDGID 300 Compact/1233 gevindskæremaskine

Når 975 Combo notsikkemaskinen bruges med en 300 Compact/1233 gevindskæremaskine, skal et adaptersæt (katalognummer 67662) bruges. Med dette adaptersæt kan 975 Combo notsikkemaskine placeres korrekt i forhold til gevindskæremaskinen og understellet samt muliggøre, at alle størrelser kan rilles. 975 Combo notsikkemaskinen må ikke bruges med nogen anden gevindskæremaskine, idet dette bl.a. kan forårsage, at enheden vælter.

1. Installér drivstangsadapteren på rillevalsens drivaksel (se *figur 4*). Ret sætskruerne ind i forhold til fladerne på notsikkemaskinens drivaksel, og skru dem stramt på.



Figur 4 – Montering af drivstangsadapteren

2. Placér slæden på 300 Compact/1233 gevindskæremaskinen så tæt på maskinens spændepatron som muligt. Placér rørskæreren, fræsere og skærehovedet på afstand af operatøren, så de ikke er i vejen. Placér fræserens konus i skærehovedet.

- Placér adapterens beslag over skinneenderne på 300 Compact/1233 (som vist i figur 5), og lås den på plads med den fastgjorte stift



**Figur 5 – Montering af adapterbeslag**

- Placér 975s støttearme på adapterbeslagets arme med drivstangsadapteren siddende i maskinens spændepatron. Luk, og stram gevindskæremaskinens spændepatron op på drivstangsadapteren. Sørg for, at drivstangen er centreret i spændepatronen. Rotér hastighedspatronens hammerhjul gentagende og kraftigt mod uret, indtil drivstangen har fået et fast greb.



**Figur 6 – 975 Combo notsikkemaskinen korrekt monteret på 300 Compact gevindskæremaskine**

### Opsætningens gennemførelse

- Placér fodkontakten således, at operatøren har kontrol over rørdrev/gevindskæremaskine, notsikkemaskinen samt røret, der skal rilles. Som vist i figur 6, bør placeringen gøre operatøren i stand til:
  - at stå med front mod notsikkemaskinen med adgang til (på den samme side som) FOR/OFF/REV-kontakten.

- at slå fodkontakten TIL/FRA og om nødvendigt hurtigt at udløse fodkontakten.
- at have let adgang til notsikkemaskinen, røret og skraldenøglen uden at skulle række hen over notsikkemaskinen.



**Figur 7 – Operatørens placering**

- Før el-ledningen hen ad en ryddet og foruddefineret rute. Brug tørre hænder til at slutte rørdrevet til en korrekt jordet kontakt. Hold alle tilslutninger tørre, og lad dem ikke ligge på gulvet. Hvis el-ledningen er for kort, skal der bruges en forlængerledning, der:
  - Er i god stand
  - Har et trebenet stik svarende til rørdrevets stik
  - Er beregnet til udendørs brug og har påskriften W eller W-A (dvs. SOW)
  - Har den rette ledningsstørrelse (14 AWG til 25' eller mindre, 12 AWG til længde på 25' – 50'). For små ledninger kan overophede og smelte isoleringen, forårsage brand eller andre skader.
- Kontrollér, at rørdrev/gevindskæremaskinen fungerer korrekt:
  - Sæt kontakten i positionen FOR (frem). Tryk, og slip fodkontakten. Kontrollér at drivakslen roterer mod uret, når du står med front mod den forreste spændepatron. Hvis enheden ikke roterer i den korrekte retning, eller hvis fodkontakten ikke kontrollerer maskinens funktion, skal maskinen repareres før brug.

- Tryk fodkontakten ned, og hold den nede. Kontrollér enhedens rotationshastighed. Kontrollér, om de bevægelige dele er fejljusteret, binder, har mislyde eller for andre unormale forhold. Slip fodkontakten. Hvis rotationshastigheden overstiger 57 o/min., må enheden ikke bruges til rillevalsning. Højere hastigheder øger risikoen for personskade. Hvis unormale forhold findes, skal udstyret repareres, før det bruges.
- Sæt kontakten i positionen REV (tilbage). Tryk, og slip fodkontakten. Bekræft, at drivakslen roterer med uret, når du står med front mod den forreste spændepatron. Hvis enheden ikke roterer i den korrekte retning, skal maskinen repareres før brug.
- Sæt kontakten i positionen OFF (fra). Brug tørre hænder til at frakoble maskinen.

### Klargøring af rør

**BEMÆRK** Dette er generelle retningslinjer. Følg altid de særlige anbefalinger vedr. klargøring af rørets ende, der er udstukket af producenten af den rillede kobling. Hvis anbefalingerne, der er udstukket af producenten af den rillede kobling, ikke følges, kan det føre til, at tilslutningen bliver ukorrekt og føre til lækager.

1. Skær røret i den korrekte længde. Vær opmærksom på minimumslængder for rør, der kan rilles for hver rørs-tørrelse (se skema A) Rilning af rør, der er kortere end minimumslængden, øger risikoen for personskader såsom knuste fingre og indfiltrering.

Sørg for, at rørenden er skåret vinkelret og er fri for grater. Grater kan fange eller skære i handsker eller fingre under rilning. Afskæringsmetoden og store grater kan påvirke rillekvaliteten og -sporingen. Forsøg ikke at rille et rør, der er blevet skåret af med en brænder.

2. Alle interne/eksterne svejsevulster, -grater eller -søm skal være glatslebne i en afstand på mindst 2" fra rørenden. Skær ikke flader ind i pakningslejeområdet, idet dette kan forårsage lækager.
3. Fjern al skæl, snavs, rust og andre kontaminanter mindst 2" fra rørenden. Kontaminanter kan tilstoppe drivakslens rifler og modvirke, at røret fremføres og spores korrekt under rilning.

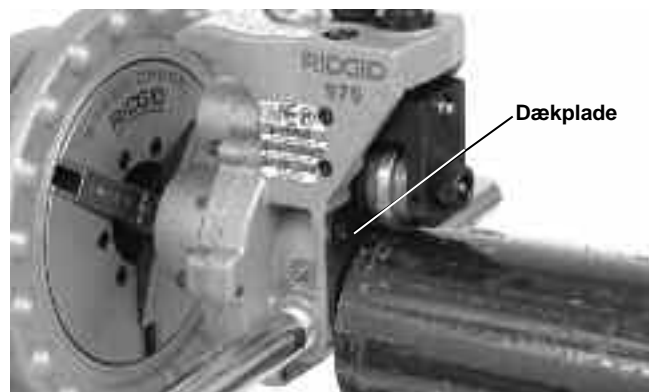
### Placering af rør i notsikkemaskinen

1. Kontrollér at kontakten til rørdrevet/gevindskæremaskinen er sat i positionen OFF (fra).
2. Sørg for, at der er korrekt støtte til røret, som skal rilles. Skema A viser en oversigt over de maksimale længder for rør, der skal rilles vha. et enkelt rørstøtte. Længere rørlængder bør understøttes med mindst to rørstøtter. Hvis rør ikke understøttes korrekt, kan det føre til, at røret eller røret og maskinen vælter eller falder. Forsøg ikke at rille rør, der er kortere end minimumslængden.

Nom. Størrelse	Min. Længde	Maks. Længde	Nom. Størrelse	Min. Længde	Maks. Længde
1	8	36	4	8	36
1 1/4	8	36	4 1/2	8	32
1 1/2	8	36	5	8	32
2	8	36	6 Y.D.	10	30
2 1/2	8	36	6	10	28
3	8	36			
3 1/2	8	36			

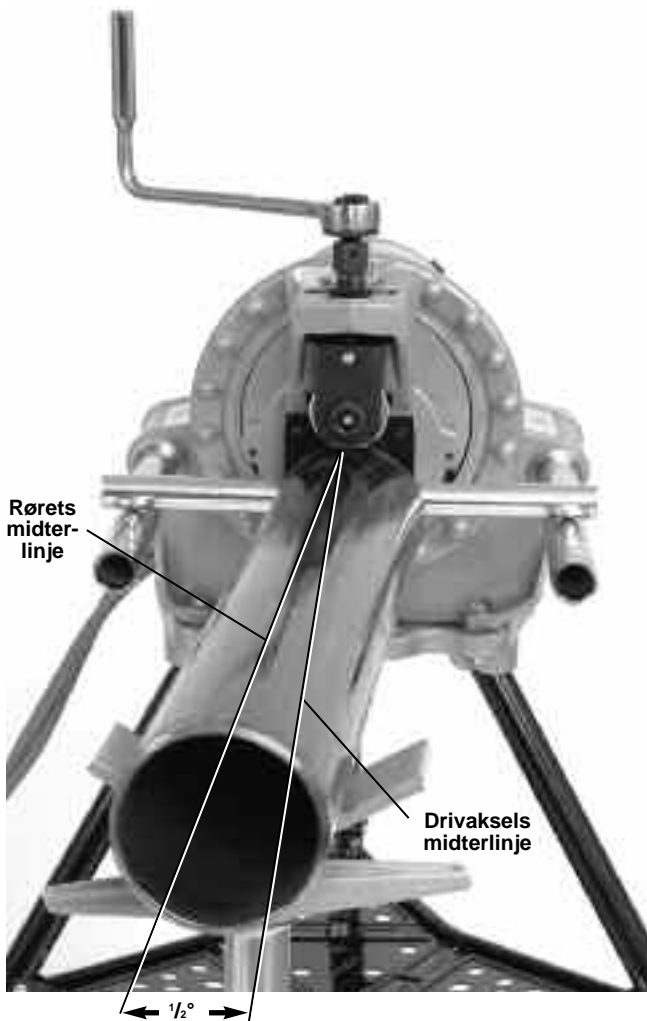
**Skema A – Minimum/Maksimum rørlængde, der kan rilles med Et understel (alle dimensioner er i tommer)**

3. Placér de nødvendige rørstøtter foran notsikkemaskinen. For længder, der understøttes af en enkelt rørstøtte, bør rørstøtten placeres lidt over halvdelen af rørets længde fra notsikkemaskinens dækplade. For rørlængder, der kræver mere end én rørstøtte, bør rørstøtterne placeres 1/4 rørlængde fra rørenderne. Det kan være nødvendigt at bruge mere end én rørstøtte i visse situationer. Højden på rørstøtten bør justeres, så røret kan placeres over drejvalsen.
4. Sørg for, at rillevalsen er blevet trukket nok tilbage til, at røret kan placeres over drivakslen. Om nødvendigt skal indføringsskrue drejes mod uret for at hæve rillevalsen.
5. Placér rørenden over drivakslen, og sæt røret ned på rørstøtten(-erne). Sørg for, at røret er stabilt.



**Figur 8 – Placering af røret over drivakslen og flugtende med dækplade**

6. Juster røret og rørstøtter således, at rørenden flugter med notsikkemaskinens dækplade, og at rørets indvendige side berører drivakslens top (figur 7). Rørets midterlinje og drivakslens midterlinje bør være placeret parallelt i forhold til hinanden. Dette kan gøres ved at nivellere både røret og rørdrevet/gevindskæremaskinen.
7. Placér røret og rørstøtterne en anelse forskudt med cirka 1/2 grad (cirka 1" over ved 3 m fra notsikkemaskinen) mod operatøren. Når røret og notsikkemaskinen er opstillet korrekt, medvirker det til en korrekt sporing af røret under rilning. (Se figur 9.)



**Figur 9 – Forskydning af røret med en 1/2° mod operatøren (overdrevet)**

8. Drej indføringsskruen med uret for at bringe rillevalsen i berøring med rørets udvendige diameter, drej derefter indføringsskruen yderligere en kvart omgang. Justeringsskruen skal muligvis løsnes (drejes mod uret), for at rillevalsen kan komme i berøring med røret. Røret og notsikkemaskinen bør nu være fæstnet til hinanden.
9. Vurder arbejdsområdet, og afgør, om området skal afskærmes for at holde uvedkommende væk fra udstyret og røret. Afskærmninger og afspærringer bør bruges for at skabe en afstand på mindst 0,9 m omkring rørdrevet og røret. Denne "sikkerhedszone" afholder andre fra utilsigtet at komme i berøring med maskinen eller røret og forårsage, at enheden vælter, eller at blive fanget i de roterende dele.
10. Brug tørre hænder til at koble maskinen til en korrekt jordet kontakt.

## Betjening af 975 Combo notsikkemaskinen med et rørdrev/gevindskæremaskine

### ⚠ ADVARSEL



Brug ikke løstsiddende tøj under betjeningen af notsikkemaskinen. Tilknap altid ærmer og jakker. Ræk ikke henover maskinen eller røret. Løstsiddende tøj kan blive viklet ind i roterende dele og forårsage knusningsskader.

Hold hænderne væk fra rillevalserne. Vals ikke riller i rør, der er for korte. Brug ikke løstsiddende handsker. Fingre kan blive knust mellem rillevalserne eller mellem rillevalsen og røret.

Hold hænderne på afstand af rørets ender. Ræk ikke ind i røret. Grater og skarpe kanter kan fange og skære. Fingre kan blive knust mellem rillevalserne eller mellem rillevalsen og røret.

Brug altid beskyttelsesbriller for at beskytte dine øjne imod snavs og fremmedlegemer. Brug armeret fodtøj til beskyttelse af fødderne mod væltende værktøj og fallende rør.

Følg brugervejledningen for at reducere risikoen for personskader bl.a. knusning, væltning og slagskader.

### Indstilling/måling af rillens diameter

**BEMÆRK** På grund af varierende røregenskaber bør man altid udføre en testrilning før dagens første rilning, eller når der skiftes rørstørrelse, -specifikationer eller -materialer. Rillediameterens indstillingsmål er kun omtrentlige, og rillediametere skal måles for at bekræfte, at størrelsen er korrekt.

1. Bekræft, at udstyret og røret er opstillet korrekt. Hvis røret ikke er ordentligt klargjort, kan det indvirke på rilledybde-målerens nøjagtighed. Rillevalsen skal berøre røret.
2. Juster rilledybdemåleren, så det korrekte trin på måleren er under justeringsskruens hoved (figur 10A). Rilledybdemåleren skal bruges sammen med rør. Se "Indstilling af rillediameteren til kobberrør" ved arbejde med kobberrør.
3. Drej justeringsskruen med uret, indtil hovedet berører trinnet på dybdemåleren. Drej rilledybdemåleren hen til rillepositionen (figur 10B). Hvis måleren ikke er placeret i rillepositionen, kan det forhindre rilning, og den kan blive beskadiget.





**Figur 10A** – Placér det korrekte trin på måleren under justeringsskruens hoved



**Figur 10B** – Måleren i rillningsposition

4. Klargør en testrilling (følg trinene for "Dannelse af valserille").
5. Mål rillediameteren. Rillediameteren måles bedst ved at bruge et diametermålebånd (se afsnittet Tilbehør) Vikl diametermålebåndet tæt omkring røret i rillen. Sørg for, at målebåndet er placeret fladt i bunden af rillen, og aflæs rillediameteren. (Se figur 11.)



**Figur 11** – Aflæsning af rillediameteren med et diametermålebånd

6. Sammenlign den målte rillediameter med den krævede rillediameter som vist i tabel I eller III, eller som angivet af rillefittings producent. Hvis den målte rille ikke svarer til den krævede rillediameter, skal justeringsskruen genjusteres, indtil den korrekte rillediameter er fundet.
  - Drej justeringsskruen med uret for at øge rillediameteren.
  - Drej justeringsskruen mod uret for at mindske rillediameteren.
  - For hver  $\frac{1}{4}$  omdrejning af justeringsskruen, ændres rillediameteren med cirka 0,02".

7. Gentag trin 4-6, indtil rillediameteren svarer til specifikationerne. Hvis rillen er for stor, kan rilleskæreren justeres, så rillen bliver mindre. Hvis rillen er for lille, skal der skæres en ny rille. En passende rillediameter er vigtig for at sikre forbindelsens ydelse. Riller, der ikke svarer til specifikationerne, kan forårsage fejl i leddene.

## Dannelse af valserille

1. Bekræft, at udstyret og røret er opstillet korrekt.



**Figur 12** – Notsikkemaskinens driftsposition

2. Indtag en passende betjeningsstilling. Placér rørdrevets fodkontakt således, at operatøren har kontrol over rørdrevet, notsikkemaskinen og røret, der skal rilles. Som vist i figur 12, bør placeringen gøre brugeren i stand til:
  - at stå med front mod notsikkemaskinen med adgang til (på den samme side som) FOR/OFF/REV-kontakten.
  - at slå fodkontakten TIL/FRA og om nødvendigt hurtigt at udløse fodkontakten.
  - at have let adgang til notsikkemaskinen og skraldenøglen uden at skulle række hen over notsikkemaskinen.
  - Placér om nødvendigt den højre hånd på røret under rilling.
  - Sørg for at have et godt fodfæste og en god balance.

3. Flyt kontakten FOR/OFF/REV til REV (positionen tilbage). **Kør ikke 975 Combo notsikkemaskinen i positionen FOR (frem). På grund af 975 Combo notsikkemaskinens design vil dette medføre, at røret "drejer" sig ud af rillevalserne, hvilket kan få røret til at falde.**
4. Placér en hånd på skraldehåndtagets hoved/toppen af indføringsskruen og den anden hånd i skraldehåndtagets ende.
5. Tryk fodkontakten ned for at starte rørdrevet. Se røret rotere, og sørg for, at rørets overflade er i konstant berøring med notsikkemaskinens dækplade. Hvis røret begynder at flytte sig væk fra notsikkemaskinens dækplade, skal du slippe fodkontakten for at forhindre røret i at dreje af og falde. Genplacér røret, om nødvendigt (se afsnittet *Placering af rør*). Hvis rørets ende er deform, skal den skæres af og klargøres til en ny riling.
6. Idet røret gennemfører en fuld rotation, skal indføringsskruen strammes med yderligere 1/4 omgang. Overvåg fortsat rørets ende for at sikre, at det er i berøring med dækpladen. Stram ikke indføringsskruen mere end 1/4 omgang for hver rotation af røret. Hvis indføringsskruen strammes for meget kan det føre til overdreven rilleudvidelse, eller føre til at røret drejer af drivakslen.
7. Fortsæt med at stramme indføringsskruen 1/4 omgang for hver rotation af røret, indtil justeringsskruens hoved stopper mod toppen af notsikkemaskinen. Fortsæt ikke med at stramme indføringsskruen, efter at justeringsskruen har ramt toppen af notsikkemaskinen. Dette kan beskadige justeringsskruen. Tillad røret at rotere mindst to yderligere rotationer i denne position, så rilledybden bliver ensartet.
8. Slip fodkontakten, og flyt kontakten FOR/OFF/REV til positionen OFF (fra).
9. Drej indføringsskruen mod uret, og hæv rillevalsen, så røret kan fjernes fra maskinen.
10. Efterse rillen.
  - Sørg for, at rillen er helt dannet.
  - Kontrollér rillediameteren, og sørg for, at den svarer til specifikationen.
  - Kontrollér alle andre forhold iht. kravene, der er udstukket af fittingens producent.

Hvis der findes andre problemer, kan rillen ikke bruges.

### Indstilling af rillediameteren til kobberør

Når 975 Combo notsikkemaskinen bruges til kobberør, kan rillens dybdemåler på notsikkemaskinen ikke bruges. Det vil give forkerte rillediameter.

1. Drej indføringsskruen med uret for at bringe rillevalsen i berøring med rørets udvendige diameter, drej derefter indføringsskruen yderligere en kvart omgang. Justeringsskruen skal muligvis løsnes (drejes mod uret), for at rillevalsen kan komme i berøring med røret. Røret og notsikkemaskinen bør nu være fæstnet til hinanden.
2. Sørg for, at rilledybdemåleren er placeret i rillepositionen. (figur 10B)
3. Drej justeringsskruen indtil den flugter med notsikkemaskinens topplade.
4. Find diameteren og rørtypen, der skal rilles i tabel B og bagdrej justeringsskruen væk fra toppladen det pågældende antal omgange. F.eks. for 4" Sch. L. kobber skal justeringsskruen bagdrejes med 1 1/4 omgang.

### Dybdejustering ved valserilning af kobberør

#### (Omgange med justeringsskrue)

Dia.	K	L	M	DWV
2-2.5"	7/8	7/8	5/8	5/8
3"	1 1/16	1 1/16	1 1/16	1 1/16
4"	1 1/4	1 1/4	1 1/4	1 1/8
5"	1 1/2	1 1/2	1 1/2	1 1/2
6"	1 13/16	1 3/4	1 3/4	1 3/4
8"	2 1/2	2 3/8	2 1/8	2 1/8

#### Skema B – Dybdejustering ved valserilning af kobberør

5. Gå til trin 4 i "Indstilling/måling af rillens diameter".

### Springtips til 975 Combo notsikkemaskinen

Under rillevalsning støder brugere ofte på problemet med at røret "drejer" eller "vandrer" af drivakslen eller ikke "sporer" ordentligt. For at sikre en god sporing er det vigtigt at følge alle anvisninger. Selv hvis røret ikke spores ordentligt, efter at alle anvisningerne er blevet fulgt, kan sporingen forbedres på flere forskellige måder.

- Øg rørets forskydning en anelse i retning mod operatøren (øg fra 1/2 grad til 1 grad) (se figur 9).

- Operatøren skal muligvis påføre røret en smule belastning under rilningen for at opretholde sporingen. Der er normalt kun behov for dette på kortere dele af røret. For at gøre dette bør operatøren iføre sig en læderhandske, der er i god stand, og lægge hånden omkring rørets midte, som vist på figur 13. Dette kan forudsætte, at stellet hvorpå rørdrevet/gevindskæremaskinen er monteret, skal fikseres til gulvet for at modvirke bevægelse under rilning. For at forebygge mod knusningsskader, skal hånden holdes væk fra rillevælsens i enden af røret, og rør, der er kortere end anbefalet, må ikke rilles.



**Figur 13 – Påførsel af belastning på røret under rilning for at opretholde sporing**

- Se også afsnittet *Fejlfinding* for at få en udtømmende oversigt over grunde til og løsninger på sporingsproblemer.

## Opsætning af maskine og arbejdsområde på stedet

### ⚠ ADVARSEL



**Brug altid beskyttelsesbriller for at beskytte dine øjne imod snavs og fremmedlegemer. Brug armeret fodtøj til beskyttelse af fødderne mod væltende og faldende rør og værktøj. Brug hjelm under arbejde på stedet.**

**Indret notsikkermaskinen og arbejdsområdet iht. disse procedurer for at mindske risikoen for personskade som følge af bl.a. væltende maskine, knusning og for at forebygge mod beskadigelse af notsikkermaskinen.**

1. Arbejdsområdet skal have følgende egenskaber:
  - Tilstrækkelig belysning.
  - Ingen brændbare væsker, dampe eller antændeligt støv. Hvis disse findes, skal du undlade at arbejde i området, indtil disse kilder er identificeret og fjernet.
  - Stedet skal være ryddet, plant, stabilt og i tørre omgivelser med tilstrækkeligt plads til alt udstyr og operatør.
2. Rengør arbejdsområdet før opsætning af udstyr. Tør altid evt. olie op på stedet.
3. Efterse røret, der skal rilles og bekræft, at 975 Combo notsikkermaskinen er egnet til opgaven. 975 Combo notsikkermaskinen er beregnet til rilning af specifikation-10 og -40 stål-, aluminium- og PVC-rør i størrelserne 1/4" til 6". Den er også beregnet til rilning af rustfrie rør i størrelserne 1/4" til 6" med specifikation 10 og 1/4" til 2" med specifikation 40. Ved at skifte vælsesæt kan den bruges til rilning af kobberør på 2" - 8" af typen K, L, M og DWV.
 

975 Combo notsikkermaskinen kan bruges til opgaver på stedet (rør der er på stedet eller sidder i en skruestik) eller i sammenhæng med en RIDGID 300 rørdrev eller en 300 Compact gevindskæremaskine i forbindelse med el-drevne anvendelser på arbejdsstedet. 975 Combo notsikkermaskinen er ikke beregnet til at indgå i produktionsopgaver.
4. Under rilning på stedet skal der være nok plads til 975 Combo notsikkermaskinen og til dens betjening. Notsikkermaskinen vil kredse omkring det forsvarligt monterede rør og forudsætter:
  - Et ryddet område på mindst 6 1/2" omkring røret, der skal rilles.
  - Et rør, der mindst når 2 1/2" forbi en blokering, såsom en væg.

- En åbning på mindst 9 1/2" så notsikkemaskinen kan placeres på røret

Notsikkemaskiner til andre formål kan fås ved at rådføre sig med Ridge Tool-kataloget, besøge [www.RIDGID.com](http://www.RIDGID.com) eller ved at ringe til Ridge Tool Technical Services på telefon 800-519-3456.

**BEMÆRK** Brug af valesæt (rillevalse og drivaksel) på både kulstofrør og rustfrie stålør kan føre til kontaminering af det rustfrie stål-materiale. Denne kontaminering kan føre til korrosion og for tidlig rørfej. For at forebygge mod jernkontaminering af rustfrie stålør skal der bruges valesæt, der kun er beregnet til valserilning i rustfrit stål. Alternativt kan man rengøre valesættet med en stålborste, der er beregnet til rustfrit stål, når der skiftes mellem materialer.

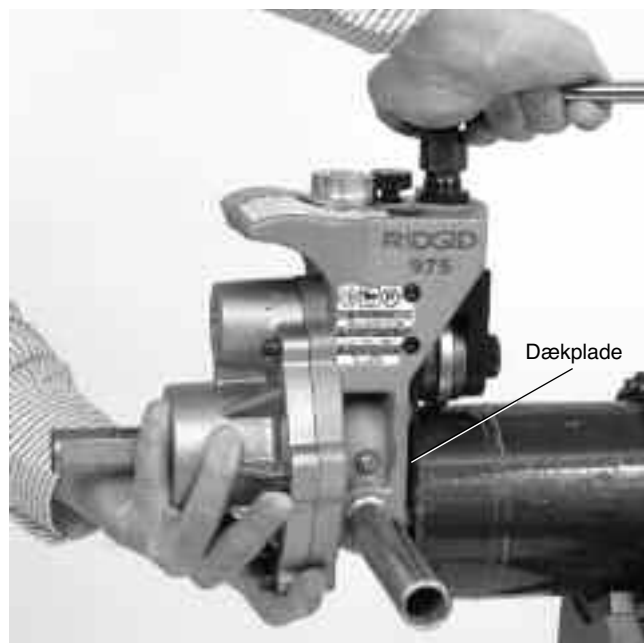
### Klargøring af rør

**BEMÆRK** Dette er generelle retningslinjer. Følg altid de særlige anbefalinger vedr. klargøring af rørets ende, der er udstukket af producenten af den rillede kobling. Hvis anbefalingerne, der er udstukket af producenten af den rillede kobling, ikke følges, kan det føre til, at tilslutningen bliver ukorrekt og føre til lækager.

1. Ved rilning på stedet af et eksisterende rør, skal trykket fjernes fra systemet, og systemet skal tømmes for indhold. Du skal vide, hvad indholdet er, og om der er tilknyttede risici.
2. Skær røret i den korrekte længde.  
Sørg for, at rørenden er skåret lige og er fri for grater. Grater kan fange eller skære i handsker eller fingre under rilning. Afskæringsmetoden og store grater kan påvirke rillekvaliteten og -sporingen. Forsøg ikke at rille et rør, der er blevet skåret af med en brænder.
3. Alle interne/eksterne svejseulster, -grater eller -søm skal være glatslebne i en afstand på mindst 2" fra rørenden. Skær ikke flader ind i pakningslejeområdet, idet dette kan forårsage lækager.
4. Fjern al skæl, snavs, rust og andre kontaminanter mindst 2" fra rørenden. Kontaminanter kan tilstoppe drivakslens rifler og modvirke, at røret fremføres og spores korrekt under rilning.
5. Sørg for, at røret, der skal rilles, er monteret forsvarligt. Røret skal kunne modstå notsikkemaskinens vægt (12,7 kg) og den krævede rilningsbelastning og -moment uden at røre sig. I relation til rør på stedet kan det være mest fornuftigt at fjerne røret og udføre rilningen i en rørholder. I andre tilfælde kan det være nødvendigt at tilføje andre midlertidige eller permanente rørstøtteanordninger. Når der bruges en rørholder, skal den være fæstnet og må ikke kunne vælte under udførelsen. For længere rør skal der bruges passende rørstøtter til støtte af den ekstra længde.

### Montering af notsikkemaskinen på røret

1. Bekræft, at 975 Combo notsikkemaskinen er blevet eftersat og er monteret med det rette valesæt. Sørg for, at støttearmene sidder forsvarligt fast i notsikkemaskinen eller fjern dem helt, hvis pladsen er trang. Indsæt derefter skraldehåndtaget i indføringsskruen, og installér forlængerens i det manuelle drevs firkant bag på notsikkemaskinen. Sørg for, at både skraldehåndtaget og forlængerens er monteret forsvarligt.
2. Sørg for, at der er nok plads til rørvæggen mellem rillevalsen og drivakslens. Om nødvendigt skal indføringsskruen drejes mod uret for at trække rillevalsen tilbage.
3. Tag forsvarligt fat i notsikkemaskinen. Løft den ikke med skraldehåndtaget. Placér drivakslens i røret og sørg for, at dækpladen sidder tæt op mod rørets ende (figur 14). Stram indføringsskruen for at bringe rillevalsen i berøring med rørets yderside. Når indføringsskruen er strammet med hånden, skal skraldehåndtaget bruges til at stramme indføringsskruen yderligere 1/4 omgang. Kontrollér at notsikkemaskinen er forsvarligt fæstnet til røret, og at dækpladen flugter med rørets ende. Hvis ikke, skal proceduren gentages. Sørg altid for, at notsikkemaskinen er fastgjort ved arbejde på stedet, så den ikke kan falde.



Figur 14 – Hold notsikkemaskinen på plads under stramning af indføringsskruen

## Betjening af 975 Combo notsikkemaskinen ved arbejde på stedet



### ⚠ ADVARSEL

Enheden må udelukkende betjenes manuelt, når den anvendes på stedet. Brug ikke el-drevne enheder (såsom boremaskiner eller slagværktøj) til at drive notsikkemaskinen, når den anvendes på stedet. Hvis der bruges el-drevne enheder, kan det beskadige notsikkemaskinen og øge risikoen for personskade.

Brug ikke løstsiddende tøj under betjeningen af notsikkemaskinen. Tilknap altid ærmer og jakker. Ræk ikke henover maskinen eller røret. Løstsiddende tøj kan blive viklet ind i roterende dele og forårsage knusningsskader.

Hold hænderne væk fra rillevalserne. Vals ikke riller i rør, der er for korte. Brug ikke løstsiddende handsker. Fingre kan blive knust mellem rillevalserne eller mellem rillevalsen og røret.

Hold hænderne på afstand af rørets ender. Ræk ikke ind i røret. Grater og skarpe kanter kan fange og skære. Fingre kan blive knust mellem rillevalserne eller mellem rillevalsen og røret.

Brug altid beskyttelsesbriller for at beskytte dine øjne imod snavs og fremmedlegemer. Brug armeret fodtøj til beskyttelse af fødderne mod væltende værktøj og faldende rør. Brug hjelm under arbejde på stedet.

Følg brugervejledningen for at reducere risikoen for personskader, bl.a. knusning, væltning og slagskader.

### Indstilling/måling af rillens diameter

**BEMÆRK** På grund af varierende røregenskaber bør man altid udføre en testrilning før dagens første rilning, eller når der skiftes rørstørrelse, -specifikationer eller -materialer. Rillediameterens indstillingsmål er kun omtrentlige, og rillediameteren skal måles for at bekræfte, at størrelsen er korrekt.

1. Bekræft, at udstyret og røret er opstillet korrekt. Hvis røret ikke er ordentligt klargjort, kan det indvirke på rilledybde-målerens nøjagtighed. Rillevalsen skal berøre røret.
2. Juster rilledybde-måleren, så det korrekte trin på måleren er under justeringsskrue's hoved (figur 15A). Rilledybde-måleren skal bruges sammen med rør. Se "Indstilling af rillediameteren til kobberrør" ved arbejde med kobberrør.
3. Drej justeringsskruen med uret, indtil hovedet berører trinnet på dybde-måleren. Drej rilledybde-måleren hen til rillepositionen (figur 15B). Hvis måleren ikke er placeret i rillepositionen, kan det forhindre rilning, og den kan blive beskadiget.



Figur 15A – Placér det korrekte trin på måleren under justeringsskrue's hoved



Figur 15B – Måleren i rilleposition

4. Klargør en testrilning (følg trinene for "Dannelse af valserille").
5. Mål rillediameteren. Rillediameteren måles bedst ved at bruge et diametermålebånd (se afsnittet Tilbehør). Vikl diametermålebåndet tæt omkring røret i rillen. Sørg for, at målebåndet er placeret fladt i bunden af rillen, og aflæs rillediameteren. (Se figur 16).



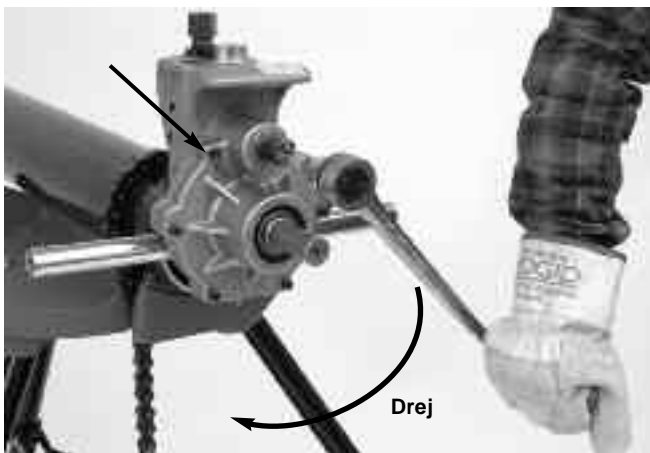
Figur 16 – Måling af rillediameteren med et diametermålebånd

6. Sammenlign den målte rillediameter med den krævede rillediameter som vist i tabel I eller III, eller som angivet af rillefittings producent. Hvis den målte rille ikke svarer til den krævede rillediameter, skal justeringsskruen genjusteres, indtil den korrekte rillediameter er fundet.
  - Drej justeringsskruen med uret for at øge rillediameteren.
  - Drej justeringsskruen mod uret for at mindske rillediameteren.
  - For hver 1/4 omdrejning af justeringsskruen ændres rillediameteren med cirka 0,02".

- Gentag trin 4-6, indtil rillediameteren svarer til specifikationerne. Hvis rillen er for stor, kan rilningen justeres, så rillen bliver mindre. Hvis rillen er for lille, skal der skæres en ny rille. En passende rillediameter er vigtig for at sikre forbindelsens ydelse. Riller, der ikke svarer til specifikationerne, kan forårsage fejl i leddene.

### Dannelse af valserille

- Bekræft, at udstyret og røret er opstillet korrekt.
- Indtag en passende betjeningsstilling. Sørg for at have godt fodfæste og god balance.
- Sørg for, at indføringsskruen er blevet strammet  $\frac{1}{4}$  omgang.
- Fjern skraldehåndtaget fra indføringsskruen, og monter den forsvarligt i forlænger. (Hvis pladsen er trang, er det ikke nødvendigt at bruge forlænger.)
- Drej skraldehåndtaget med uret set bag fra notsikkemaskinen (dette vil svare til pilene, der er støbt ind i notsikkemaskinens bagside, se figur 17). Se notsikkemaskinen rotere, og sørg for, at notsikkemaskinens dækplade forbliver i kontakt med rørets ende. Hvis notsikkemaskinen begynder at flytte sig væk fra rørenden, skal roteringen af skraldehåndtaget stoppes for at undgå, at notsikkemaskinen drejer af rørenden og falder. Notsikkemaskinens støttearme kan trykkes ned for at medvirke til at bringe dækpladen tilbage i kontakt med rørenden. Monter om nødvendigt notsikkemaskinen på røret igen. (se afsnittet "Montering af notsikkemaskinen på røret"). Hvis rørets ende er deform, skal den skæres af og klargøres til en ny rille.



Figur 17 – Drejning af skraldehåndtaget i pilenes retning

- Fortsæt med at rotere skraldehåndtaget, indtil notsikkemaskinen har gennemført mindst en fuld rotation omkring røret. Fjern skraldehåndtaget fra forlænger, og sæt det på indføringsskruen. Stram indføringsskruen yderligere  $\frac{1}{4}$  omgang. Fjern skraldehåndtaget fra indføringsskruen, og sæt det forsvarligt på forlænger. Stram ikke indføringsskruen mere end  $\frac{1}{4}$  omgang for hver rotation af røret. Hvis

indføringsskruen strammes for meget, kan det føre til overdreven rilleudvidelse og kan føre til, at notsikkemaskinen vandrer af røret. Fortsæt med at rotere skraldehåndtaget for at køre notsikkemaskinen omkring røret, mens du overvåger dækpladens placering i forhold til rørenden.

- Fortsæt med at stramme indføringsskruen  $\frac{1}{4}$  omgang for hver rillerotation omkring røret, indtil justeringsskruens hoved stopper mod toppen af notsikkemaskinen. Fortsæt ikke med at stramme indføringsskruen, efter at justeringsskruen har ramt toppen af notsikkemaskinen. Dette kan beskadige justeringsskruen. Rotér notsikkemaskinen mindst yderligere to fulde rotationer omkring røret, efter at justeringsskruen når op til toppen af notsikkemaskinen, for at sikre en ensartet rilledybde.
- Flyt skraldehåndtaget hen til indføringsskruen. Tag forsvarligt fat i notsikkemaskinen. Drej indføringsskruen mod uret, og træk rillevalsen tilbage, så notsikkemaskinen kan fjernes fra røret. Tab ikke notsikkemaskinen.
- Efterse rillen.
  - Sørg for, at rillen er helt dannet.
  - Kontrollér rillediameteren, og sørg for, at den svarer til specifikationen.
  - Kontrollér alle andre forhold iht. kravene, der er udstukket af fittingens producent.

Hvis der findes andre problemer, kan rillen ikke bruges.

## Vedligeholdelsesvejledning

### ⚠ ADVARSEL

**Sørg for, at rørdrevets kontakt er i positionen OFF og er frakoblet, før der foretages vedligeholdelse eller justeringer.**

### Smøring

Smør 975 Combo notsikkemaskinen med et godt universalsmøremiddel en gang om måneden.

- Smørenipler er placeret på siden nederst i operatørsiden, på glideblokkens forside og i enden af rillevalsens aksel (Se figur 2). Tilføj smøremiddel indtil en lille mængde skubbes ud.
- Påfør et tyndt lag smøremiddel på indføringsskruen.
- 975 Combo notsikkemaskinens gearkasse skal ikke smøres yderligere, medmindre gearkassen åbnes.

Se afsnittet Eftersyn for at få yderligere vedligeholdelsesoplysninger.

### Rengøring

Rengør dagligt drivakslens rifler med en stålbørste eller oftere om nødvendigt.

## Udskiftning af valesæt

**BEMÆRK** Når valesættets dele udskiftes, skal du altid sørge for, at mærkerne på drevet og rillevalsen matcher. Hvis delene ikke matcher, kan det føre til forkert rilning og lækager.

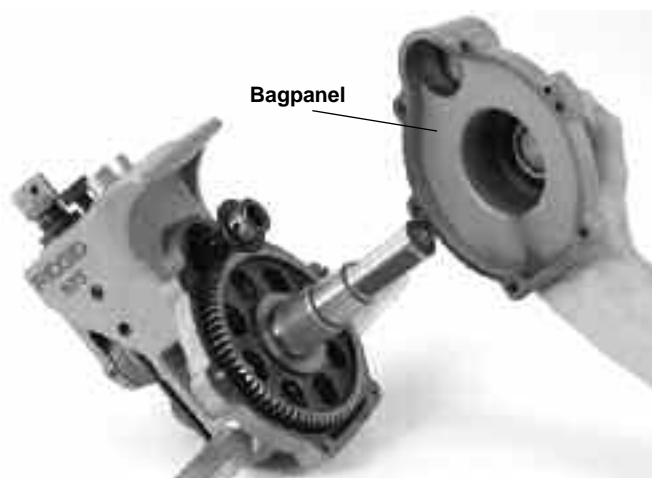
Fjern notsikkemaskinen fra rørdrevet eller gevindskæremaskinen, og placér den på en stabil arbejdsbænk.

Værktøj:

- $\frac{3}{8}$ " Unbrakonøgle
- $\frac{3}{32}$ " Unbrakonøgle
- .070" tang til ekstern holdering

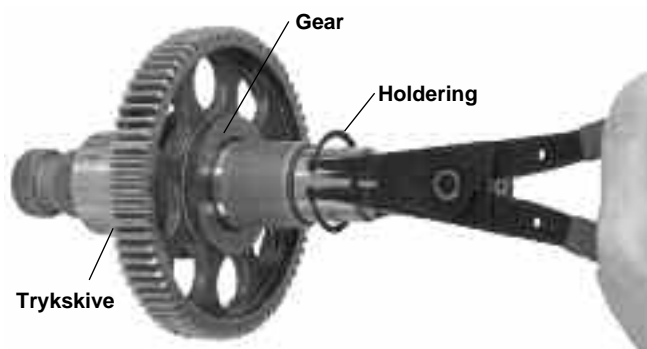
### Fjernelse og montering af drevvalser

1. Fjern 6 skruer, der fastholder bagpanelet til huset.
2. Fjern bagpanelet (se figur 18).



Figur 18 – Fjernelse af bagpanelet

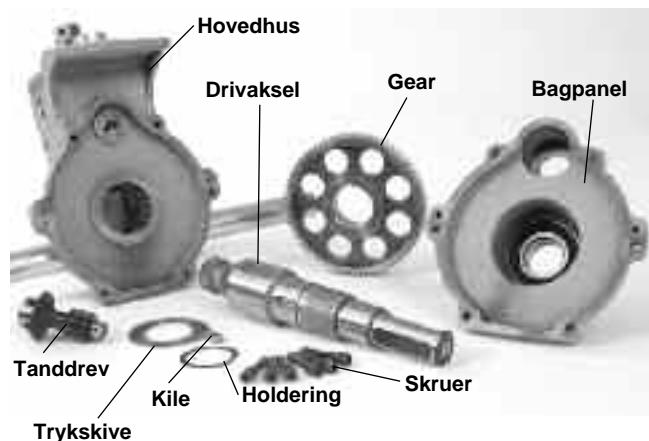
3. Fjern tanddrev.
4. Fjern drivakslens samling gennem 975 notsikkemaskinens bagside.
5. Fjern holderingen fra drivakslen, og skub gearret af. (Se figur 19.)



Figur 19 – Fjernelse af holderingen

6. Fjern kilen og derefter trykskiven.

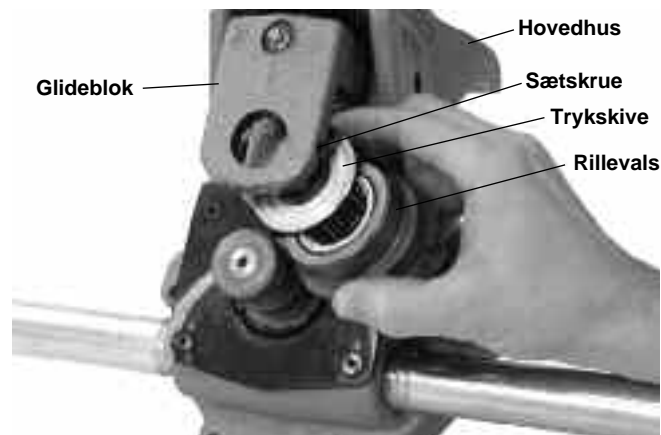
7. Skub trykskiven op på den nye drivaksel.
8. Indsæt kilen, og monter gearret.
9. Indsæt holderingen i drivakslens rille.
10. Placér drivakslens samling i hovedhuset.
11. Smøremiddel fra gearkassen kan gå tabt under udskiftningen af drivakslen. Sørg for, at lejerne og gearrets tænder er påført en tilstrækkelig mængde godt universal-smøremiddel.
12. Indsæt tanddrevet, og genmonter bagpanelet. Stram skruerne til et moment på 16-21 nm\*



Figur 20 – 975 Combo notsikkemaskinens dele

### Fjernelse og montering af rillevalsen

1. Fjern sætskruen, der holder rillevalsens aksel på plads.
2. Træk rillevalsens aksel ud af glideblokken, og fjern rillevalsen og trykskiven.
3. Indsæt trykskiven og den nye rillevals i glideblokken. Sørg for, at den indre holdering i rillevalsen er tættest på hovedhuset, og at rillevalsen er placeret mellem trykskiven og hovedhuset.



Figur 21

4. Genmonter rillevalsens aksel og den nye sætskrue.
5. Efterse justeringen mellem rillevalsen og drevvalsen. Hvis de ikke flugter, skal du kontrollere rillevalsens og trykskivens retning.
6. Påfør smøremiddel som anvist i afsnittet Smøring i brugervejledningen.

## Tilbehør

### ⚠ ADVARSEL

**De følgende RIDGID-produkter er beregnet til at fungere sammen med 975 Combo notsikkemaskinen. Andet tilbehør, der er beregnet til andet værktøj, kan være risikabelt at bruge på 975 Combo notsikkemaskinen. Brug kun tilbehør, der er særligt beregnet og anbefalet til brug med 975 Combo notsikkemaskinen, såsom dem der er nævnt i oversigten, for at mindske risikoen for personskade.**

Kat. nummer	Beskrivelse
60082	300 Rørdrev, 230V 25-60 Hz
60077	300 Rørdrev, 115V 25 - 60 Hz
42360	1206 understel til 300 rørdrev
50697	300 Compact, 230V 25 - 60 Hz
50692	300 Compact, 115V 25 - 60 Hz
20391	300 Compact, 230V 25 - 60 Hz (DK)
67662	Adapterbeslag til 300 Compact/1233
58077	250 foldestel til 300 Compact/1233
72037	460 Bærbar triland kædearbejdsbænk
56662	VJ-99 Vhead rørstøtte til rør
76822	Diametermålebånd i tommer
76827	Metrisk diameterbånd
30708	Forlænger, 1/2" drev, låsning
30703	Skraldehåndtag, 1/2" drev med 90° bøjning
33043	Rille- og drevvalser til 2" - 8" kobberrør, type K, L, M og DWV

## Maskinens opbevaring

**⚠ ADVARSEL** Opbevar værktøjet i et aflåst område og uden for børns og uvedkommende personers rækkevidde. Dette værktøj kan forårsage alvorlig personskade i hænderne på uerfarne brugere.

## Service og reparation

### ⚠ ADVARSEL

**Ukorrekt service eller reparation kan bevirke, at apparatet bliver farligt at bruge.**

I "Vedligeholdelsesvejledningen" findes oplysninger om de fleste af denne maskines servicebehov. Problemer, der ikke behandles i dette afsnit, bør kun løses af en autoriseret servicetekniker fra RIDGID.

Værktøjet bør undersøges på et autoriseret RIDGID-servicecenter eller sendes tilbage til fabrikken.

Når denne maskine serviceres, bør der kun bruges identiske reservedele. Hvis der bruges andre dele, kan det øge risikoen for personskade.

Hvis du har spørgsmål mht. service eller reparation af denne maskine, skal du ringe eller skrive til:

Ridge Tool Company  
 Technical Service Department  
 400 Clark Street  
 Elyria, Ohio 44035-6001  
 Tlf.: (800) 519-3456  
 e-mail: TechServices@ridgid.com

Oplysninger om dit nærmeste RIDGID Independent Servicecenter eller eventuelle service- eller reparationsspørgsmål fås ved kontakt til din lokale Ridge Tool-forhandler.

Besøg [www.RIDGID.com](http://www.RIDGID.com) eller [www.RIDGID.eu](http://www.RIDGID.eu) for at finde dit lokale Ridge Tool-kontaktpunkt.

Kontakt Ridge Tools tekniske serviceafdeling på [techservices@emerson.com](mailto:techservices@emerson.com), eller ring til (800) 519-3456 i USA og Canada.



**Table I. Standardspecifikationer for valserille til rør med IPS-dimensioner**

BEMÆRK! Alle dimensioner er i tommer.

NOM. RØR- STØRRELSE	RØR- DIAMETER		T MIN. VÆG- TYK.	A PAKNINGS- LEJE +.015/- .030	B RILLE- BREDDE +.030/- .015	C RILLE- DIAMETER		D NOM. RILLE- DYBDE (Ref.) (2)
	Y.D.	TOL.				Y.D.	TOL.	
1 <sup>1/4</sup>	1.660	+ .016 - .016	.065	.625	.344	1.535	+ .000 - .015	.063
1 <sup>1/2</sup>	1.900	+ .016 - .016	.065	.625	.344	1.775	+ .000 - .015	.063
2 <sup>(1)</sup>	2.375	+ .024 - .016	.065	.625	.344	2.250	+ .000 - .015	.063
2 <sup>1/2</sup> <sup>(1)</sup>	2.875	+ .029 - .016	.083	.625	.344	2.720	+ .000 - .015	.078
3 <sup>(1)</sup>	3.50	+ .030 - .018	.083	.625	.344	3.344	+ .000 - .015	.078
3 <sup>1/2</sup> <sup>(1)</sup>	4.00	+ .030 - .018	.083	.625	.344	3.834	+ .000 - .015	.083
4 <sup>(1)</sup>	4.50	+ .035 - .020	.083	.625	.344	4.334	+ .000 - .015	.083
5 <sup>(1)</sup>	5.563	+ .056 - .022	.109	.625	.344	5.395	+ .000 - .015	.084
6 <sup>(1)</sup>	6.625	+ .050 - .024	.109	.625	.344	6.455	+ .000 - .015	.085

(1) Efter AWWA C606-06

(2) Den nominelle rilledybde er udelukkende angivet som reference. Brug ikke rilledybden for at afgøre en rillings kvalitet.

**Table II. Rørs maksimale og minimale vægtykkelse**

BEMÆRK! Alle dimensioner er i tommer.

Rørstørrelse	KULSTOFSTÅL ELLER ALUMINIUMRØR ELLER LEDNING		RUSTFRIT STÅL RØR ELLER LEDNING		PVC RØR	
	Vægtykkelse		Vægtykkelse		Vægtykkelse	
	Min.	Maks.	Min.	Maks.	Min.	Maks.
1 <sup>1/4</sup> "	.065	.140	.065	.140	.140	.140
1 <sup>1/2</sup> "	.065	.145	.065	.145	.145	.200
2"	.065	.154	.065	.154	.154	.154
2 <sup>1/2</sup> "	.083	.203	.083	.188	.203	.276
3"	.083	.216	.083	.188	.216	.300
3 <sup>1/2</sup> "	.083	.226	.083	.188	.226	.300
4"	.083	.237	.083	.188	.237	.300
5"	.109	.258	.109	.188	.258	.300
6"	.109	.280	.109	.188	.280	.300

### Tabel III. Specifikationer for kobbervalserrille

1 Nom. Størrelse Tommer	2 Rørarbejde udvendigt Diameter Y.D.		3 A Paknings- leje A ±0.03	4 B Rille- bredde +0.03 -0.000	5 C Rille- dia. +0.00 -0.02	6 D Rille- dybde Ref. <sup>1</sup>	7 T Min. Tilladt Væg- tyk.	8 Maks. Tilladt. Udvid. dia.
	Grundlæggende	Tolerance						
2"	2.125	±0.002	0.610	0.300	2.029	0.048	DWV	2.220
2½"	2.625	±0.002	0.610	0.300	2.525	0.050	0.065	2.720
3"	3.125	±0.002	0.610	0.300	3.025	0.050	DWV	3.220
4"	4.125	±0.002	0.610	0.300	4.019	0.053	DWV	4.220
5"	5.125	±0.002	0.610	0.300	5.019	0.053	DWV	5.220
6"	6.125	±0.002	0.610	0.300	5.999	0.063	DWV	6.220
8"	8.125	+0.002/-0.004	0.610	0.300	7.959	0.083	DWV	8.220

1. Den nominelle rilledybde er angivet som reference. Brug ikke rilledybden for at afgøre rilningskvaliteten.

### Fejlfinding

SYMPTOMMULIGE	ARSAGER	LØSNING
Valserille for snæver eller for bred.	Rillevals og/eller drivakslen er slidt.	Udskift rillevalsen og/eller drivakslen.
Valset rille er ikke vinkelret i forhold til rørets akse.	Rørlængden er ikke lige. Rørenden er ikke retvinklet i forhold til rørets akse.	Brug lige rør. Skær rørenden vinkelret.
Rør sporer ikke under rilning/notsikkermaskinen sporer ikke på røret under rilning.	Rør og drivaksel er ikke parallelle. Rørets akse er ikke forskudt ½ grad fra drivvalsens akse. Drivvalsens rifle er tilstoppet eller nedslidt. Indføringskruen er ikke stram.	Justér understel, indtil rør er parallelt. Forskyd røret ½ grad. Rens, eller udskift drevvalsen. Stram indføringskruen med skraldehåndtaget en for hver rotation iht. anvisningerne. Drej skraldehåndtaget den rigtige vej.
Rør er udvidet ved rillet ende.	For stor skældannelse på rørets inderside. Overdrevet svejsesøm. Ikke nok belastning på rør. Rørets ende er ikke vinkelret/afgrat. Indføringskruen for stram.	Rens rørets inderside. Glatlib svejsesøm 2" fra rørenden. Påfør belastning på røret. (Se figur 10.) Klargør rørende på korrekt vis. Drej kun indføringskruen med forøgelse på ¼ omgang.
	Rør og drivaksel er ikke parallelle. Indføringskruen for stram.	Justér understel, indtil rør er parallelt. Drej kun indføringskruen 1/4 omgang.

**Fejlfinding(fortsat)**

<b>SYMPTOMMULIGE</b>	<b>ARSAGER</b>	<b>LØSNING</b>
Røret vandrer tilbage og frem på drivvalsens akse under rilning.	Rørlængden er ikke lige. Rørenden er ikke retvinklet i forhold til rørets akse.	Brug lige rør. Skær rørenden vinkelret.
Røret rykker fra side til side på drevvalsen under rilning.	Rørstøtten står for tæt på rørets ende. Rørets ende er fladtrykt eller beskadiget. Hårde punkter i rørmaterialet, eller svejsesøm er hårdere end rør. Rillevalsens indføringshastighed er for lav. Rørdrevets hastighed overstiger 57 o/min. Rørets understel er placeret forkert.	Flyt rørstøtten ind, så det svarer til opsætningsanvisningerne. Skær beskadiget rørende af. Brug et andet rør. Før rillevalsen hurtigere ind i røret. Sænk hastigheden til 57 omdrejninger pr. minut eller derunder. Placér rørstøttens valser korrekt.
Notsikkemaskine valser ikke rille i røret.	Rørets maksimale vægtykkelse er overskredet. Rørmaterialet er for hårdt. Justeringskruen er ikke indstillet. Rørdrevet leverer ikke det nødvendige minimumsmoment.	Kontrollér rørkapacitetsskemaet. Udskift rør. Indstil dybde. Brug RIDGID nr. 300 Rørdrev eller 300 Compact eller 1233.
Notsikkemaskine valser ikke rille med den krævede diameter.	Den maksimale rørdiameterolerance er overskredet. Dybdejusteringskruen er ikke indstillet korrekt. Rør er for hårdt.	Brug rør med den rette diameter. Justér dybdeindstillingen. Brug et andet rør.
Rør glider på drevvalsen.	Rillevalsens indføringshastighed er for lav. Drivvalsens rifler er tilstoppede med metal eller er nedslidte.	Før rillevalsen hurtigere ind i røret. Rens eller udskift drevvalsen.
Notsikkemaskinen roterer ikke rør under rilning.	Rørdrevet leverer ikke det nødvendige minimumsmoment. Spændepatronen er ikke lukket på drivakslens flader.	Brug RIDGID nr. 300 Rørdrev eller 300 Compact eller 1233. Luk spændepatron.
Røret hæves eller har tendens til at vælte notsikkemaskinen bagover.	Rørets understel er ikke opsat korrekt.	Opstil stel på korrekt vis.

975

# Combo Roll Groover -yhdistelmärollauri- tuslaite




**RIDGID**<sup>®</sup>

## Sisällysluettelo


<b>Turvallisuussymbolit</b> .....	204
<b>Yleisiä turvallisuussääntöjä</b>	
Työalueen turvallisuus .....	204
Sähköturvallisuus .....	204
Henkilöturvallisuus .....	205
Työkalun käyttö ja huolto .....	205
Huolto .....	205
<b>Erityisiä turvallisuustietoja</b>	
Urituslaitteen turvallisuus .....	206
Urituslaitteen turvallisuus, kun sitä käytetään käyttö-/kierteityslaitteen kanssa .....	206
Urituslaitteen turvallisuus, kun sitä käytetään paikalleen asennettuna .....	206
<b>Kuvaus, tekniset tiedot ja vakiovarusteet</b>	
Kuvaus .....	206
Tekniset tiedot .....	207
Vakiovarusteet .....	207
<b>Urituslaitteen tarkistus</b> .....	207
Laitteen ja työalueen valmistelu, kun käytössä on käyttölaite	
975 Combo Grooverin asennus RIDGID 300 Power Drive -käyttölaitteeseen .....	209
975 Combo Grooverin asennus RIDGID 300 Compact/1233 Threading Machine -kierteityslaitteeseen .....	209
Loput valmistelutoimet .....	210
Putken valmistelu .....	211
Putken asetus urituslaitteeseen .....	212
<b>975 Combo Roll Grooverin käyttö käyttö-/kierteityslaitteen kanssa</b>	
Uran läpimitan asetus/mittaus .....	212
Rullauritus .....	213
Uran läpimitan asetus kupariputkia varten .....	214
Vihjeitä 975 Combo Roll Grooverin ohjaukseen .....	214
<b>Laitteen ja työalueen valmistelu, kun urituslaitetta käytetään paikalleen asennettuna</b>	
Putken valmistelu .....	216
Urituslaitteen asennus putkeen .....	216
<b>975 Combo Roll Grooverin käyttö paikalleen asennettuna</b>	
Uran läpimitan asetus/mittaus .....	217
Rullauritus .....	218
<b>Huolto-ohjeet</b>	
Voitelu .....	218
Puhdistus .....	219
Rullasarjojen vaihto .....	219
<b>Lisävarusteet</b> .....	220
Laitteen varastointi .....	<b>220</b>
<b>Huolto ja korjaus</b> .....	220
<b>Taulukko I: Vakioasetukset IPS-mitotettujen putkien rullauritukseen</b> .....	221
<b>Taulukko II: Putkiseinämien maksimi- ja minimipaksuudet</b> .....	221
<b>Taulukko III: Asetukset kupariputkien rullauritukseen</b> .....	222
<b>Vianmääritys</b> .....	222–223


## Turvallisuussymbolit


Tässä käyttäjän käsikirjassa ja tuotteessa annetaan tärkeitä turvallisuustietoja käyttämällä turvallisuussymboleja ja merkkisanoja. Tässä kohdassa kuvataan näitä merkkisanoja ja symboleja.


 Tämä on turvallisuusasiasta varoittava symboli. Sillä varoitetaan mahdollisista loukkaantumisvaaroista. Ota huomioon kaikki tätä symbolia seuraavat, turvallisuuteen liittyvät viestit mahdollisen loukkaantumisen tai kuoleman välttämiseksi.


 **VAARA** VAARA tarkoittaa vaarallista tilannetta, josta voi olla seurauksena kuolema tai vakava loukkaantuminen.


 **VAROITUS** VAROITUS on merkki vaarallisesta tilanteesta, josta voi olla seurauksena kuolema tai vakava loukkaantuminen.


 **VARO** VARO viittaa vaaralliseen tilanteeseen, josta voi olla seurauksena lievä tai kohtalaisen vakava loukkaantuminen.


 **HUOMAUTUS** HUOMAUTUS viittaa tietoihin, jotka koskevat omaisuuden suojaamista.


 Tämä symboli tarkoittaa, että käyttäjän käsikirja on luettava huolellisesti ennen laitteen käyttämistä. Käyttäjän käsikirja sisältää tärkeitä tietoja laitteen turvallisesta ja asianmukaisesta käytöstä.


 Tämä symboli tarkoittaa, että tätä laitetta käytettäessä on aina käytettävä sivusuojuksilla varustettuja turvalaseja tai suojalaseja silmävaurioiden välttämiseksi.


 Tämä symboli osoittaa riskiä siitä, että uritusrullat voivat murskata sormet tai kädet.

 Tämä symboli osoittaa riskiä siitä, että esimerkiksi kädet, sormet, jalat tai vaatteet voivat takertua pyöriviin akseleihin ja/tai kietoutua niiden ympärille, jolloin seurauksena saattaa olla puristus- tai iskuvammoja.

 Tämä symboli varoittaa siitä, että laitteen virtalähteenä ei saa käyttää poraa, iskulaitetta tai muuta sähkötyökalua, kun sitä käytetään paikalleen asennettuna.

 Tämä symboli ilmoittaa koneen kaatumisriskistä, josta voi olla seurauksena puristus- tai iskuvammoja.

 Tämä symboli kehottaa käyttämään aina poljinta, kun käytössä on käyttö-/kierteityslaite.

 Tämä symboli kehottaa käyttämään suojakypärää pään yläpuolella työskennellessä päävammojen estämiseksi.

## Yleisiä turvallisuussääntöjä

### **VAROITUS**

Perehdy kaikkiin ohjeisiin huolellisesti. Jos kaikkia seuraavassa lueteltuja ohjeita ei noudateta, seurauksena saattaa olla sähköisku, tulipalo ja/tai vakava loukkaantuminen.

#### **SÄILYTÄ NÄMÄ OHJEET!**

Varoituksissa käytettävä termi "sähkötyökalu" viittaa sekä verkovirtakäyttöisiin sähkötyökaluihin (joissa on virtajohto) että akkukäyttöisiin sähkötyökaluihin (joissa ei ole virtajohtoa).

### Työalueen turvallisuus

- **Pidä työalue siistinä ja hyvin valaistuna.** Epäsiisti tai pimeä työalue altistaa onnettomuuksille.
- **Älä käytä sähkötyökaluja räjähdysriskissä ympäristöissä, kuten syttyvien nesteiden, kaasujen tai pölyn läheisyydessä.** Sähkötyökaluista syntyy kipinöitä, jotka saattavat sytyttää pölyn tai höyryt.
- **Älä käytä sähkötyökalua lasten tai sivullisten läheisyydessä.** Häiriötekijät saattavat johtaa hallinnan menettämiseen.

- **Pidä lattiat kuivina ja tarkista, että niillä ei ole liukkaita materiaaleja, kuten öljyä.** Liukkaat lattiat altistavat onnettomuuksille.

- **Rajaa työalue, jos työstettävä putki ulottuu laitteen reunoja pidemmälle.** Takertumisriskiä voidaan pienentää asettamalla rajat tai esteet niin, että työkappaleen ympärille jää vähintään 90 cm:n tyhjä alue.

### Sähköturvallisuus

- **Virtapistokkeen on sovittava pistorasiaan. Älä koskaan muunna pistoketta. Älä käytä sovitinpistokkeita maadoitettujen sähkötyökalujen kanssa.** Alkuperäiset, muokkaamattomat pistokkeet ja sopivat pistorasiat pienentävät sähköiskun vaaraa.
- **Vältä kosketusta maadoitettuihin pintoihin, kuten putkiin, lämpöpattereihin, liesiin ja jääkaappeihin.** Sähköiskun vaara kasvaa, jos käyttäjän keho on maadoitettu.
- **Älä altista sähkötyökaluja sateelle tai kosteille olosuhteille.** Sähkötyökaluun pääsevä vesi lisää sähköiskun vaaraa.

- **Älä vahingoita virtajohtoa.** Älä koskaan käytä virtajohtoa sähkötyökalun kantamiseen, vetämiseen tai irrottamiseen pistorasiasta. Älä altista virtajohtoa kuumuudelle, öljylle, teräville reunoille tai liikkuville osille. Vaurioitunut tai sotkeutunut johto lisää sähköiskun vaaraa.
- **Kun käytät sähkötyökalua ulkona, käytä ulkokäyttöön soveltuvaa jatkojohtoa.** Ulkokäyttöön soveltuvan jatkojohdon käyttäminen vähentää sähköiskun vaaraa.
- **Jos sähkötyökalua on käytettävä kosteissa olosuhteissa, käytä vikavirtakatkaisimella (GFCI) suojattua virtalähdettä.** Vikavirtasuojan käyttäminen vähentää sähköiskun vaaraa.

## Henkilöturvallisuus

- **Pysy tarkkaavaisena, keskity työhösi ja käytä maalaisjärkeä käyttäessäsi sähkötyökaluja.** Älä käytä sähkötyökaluja väsyneenä tai huumeiden, alkoholin tai lääkkeiden vaikutuksen alaisena. Hetkellinen tarkkaavaisuuden herpaantuminen sähkötyökaluja käytettäessä saattaa johtaa vakavaan loukkaantumiseen.
- **Käytä turvavarusteita. Käytä aina suojalaseja.** Suojavarusteiden, kuten hengityssuojaimen, liukumattomilla pohjilla varustettujen turvakengien, suojakypärän ja kuulosuojaimien käyttäminen vähentää loukkaantumisvaaraa.
- **Estä laitteen tahaton käynnistyminen. Varmista, että virtakytkin on off-asennossa, ennen kuin kytket virtalähteen ja/tai akun tai nostat tai kannat työkalua.** Onnettomuuksille altistaa esimerkiksi sähkötyökalujen kantaminen pitäen sormeja katkaisimella tai virtajohdon kytkeminen sähkötyökaluihin, joiden virtakytkin on käyttöasennossa.
- **Poista säätöavaimet tai -työkalut, ennen kuin kytket sähkötyökaluun virran.** Sähkötyökalun pyöriivään osaan kiinni jätetty säätötyökalu saattaa johtaa loukkaantumiseen.
- **Älä kurottele. Pidä jalkasi tukevalla alustalla ja pysy tasapainossa.** Näin voit tehostaa sähkötyökalun hallintaa yllättävissä tilanteissa.
- **Pukeudu asianmukaisesti. Älä käytä löysiä vaatteita tai koruja. Pidä hiukset, vaatteet ja käsineet kaukana liikkuvista osista.** Löysät vaatteet, korut tai pitkät hiukset voivat takertua liikkuviin osiin.
- **Jos laitteessa on liitántä pölynerotus- ja pölynkeräyslaitteille, varmista, että ne on kytketty ja että niitä käytetään oikein.** Pölynkeräyslaitteen käyttäminen voi vähentää pölystä aiheutuvia vaaratilanteita.

## Työkalun käyttö ja huolto

- **Älä käytä työkalua liialla voimalla.** Käytä käyttötarkoitukseen soveltuvaa sähkötyökalua. Oikea työkalu suoriutuu tehtävästä paremmin ja turvallisemmin vauhdilla, johon se on suunniteltu.
- **Älä käytä sähkötyökalua, jos sitä ei voi kytkeä PÄÄLLE ja POIS PÄÄLTÄ kytkimellä.** Jos sähkötyökalua ei voi hallita kytkimellä, se on vaarallinen. Tällöin se on korjattava.
- **Irrota pistoke virtalähteestä ja/tai akku työkalusta, ennen kuin suoritat säätöjä, vaihdat lisäosia tai varastoit sähkötyökaluja.** Nämä ennakoivat turvatoimet vähentävät työkalun tahattoman käynnistymisen riskiä.
- **Säilytä käyttämättömät työkalut lasten ulottumattomissa, äläkä salli työkalun käyttöä, jos käyttäjä ei tunne työkalua tai näitä ohjeita.** Sähkölaitteet ovat vaarallisia tottumattomien käyttäjien käsissä.
- **Pidä huolta sähkötyökaluista. Tarkista kulmavirheet ja liikkuvien osien kiinnitys, osien eheys ja muut työkalun käyttöön vaikuttavat seikat. Vaurioitunut sähkötyökalu on korjattava ennen käyttöä.** Monet onnettomuudet johtuvat huonosti huolletuista työkaluista.
- **Käytä vain lisävarusteita, joita on suositeltu työkalua varten.** Hyvä hoito ja terävänä pito ehkäisee leikkaustyökalujen jumitumista ja helpottaa niiden ohjausta.
- **Pidä kahvat puhtaina ja kuivina. Tarkista, että niissä ei ole öljyä tai rasvaa.** Tämä helpottaa työkalun ohjausta.

## Huolto

- **Anna valtuutetun korjaajan huoltaa sähkötyökalut käyttäen ainoastaan täysin samanlaisia varaosia.** Tämä varmistaa sähkötyökalun turvallisuuden.

## Erityisiä turvallisuustietoja

### VAROITUS

**Tämä kohta sisältää nimenomaan tähän työkaluun liittyviä tärkeitä turvallisuusohjeita.**

**Lue nämä varoitukset huolellisesti ennen 975 Combo Roll Groover -yhdistelmäruullaurituslaitteen käyttöä vakavan loukkaantumisen riskin vähentämiseksi.**

### SÄILYTÄ NÄMÄ OHJEET!

Jos sinulla on kysyttävää, ota yhteys Ridge Toolin tekniseen huolto-osastoon numerolla +1 800 519 3456 tai sähköpostiosoitteella techservices@ridgid.com.

## Urituslaitteen turvallisuus

- **Älä käytä löysiä vaatteita. Älä anna hihojen roikkua ja napita takit. Älä kurottele laitteen tai putken ylitse.** Vaatteet voivat takertua putkeen tai muihin pyöriviin osiin, jolloin seurauksena saattaa olla vakava loukkaantuminen.
- **Pidä kädet kaukana urarullista. Älä urita määritettyä pituutta lyhempiä putkia. Älä käytä löysiä käsineitä.** Sormet voivat puristua urarullien väliin tai urarullan ja putken väliin.
- **Pidä kädet kaukana putkien päistä. Älä kurota putken sisään.** Putken särmät ja terävät reunat saattavat takertua tai aiheuttaa viiltoja. Sormet voivat puristua urarullien väliin tai urarullan ja putken väliin.
- **Valmistele putki ja käsittele sitä asianmukaisesti.** Putken särmät ja terävät reunat saattavat takertua tai aiheuttaa viiltoja.
- **Tue putki asianmukaisesti.** Tämä auttaa estämään putken ja laitteen kaatumista tai putoamista.
- **Perehdy ennen RIDGID® 975 Combo Roll Groover -yhdistelmärullaurituslaitteen käyttöä huolellisesti tähän käyttäjän käsikirjaan, käyttö- tai kierteytyslaitteen käyttöohjeeseen, sovittimen valmistajan asennusohjeisiin sekä muiden tämän työkalun kanssa käytettävien laitteiden käyttöohjeisiin.** Näiden ohjeiden noudattamatta jättäminen voi aiheuttaa omaisuusvahinkoja ja/tai vakavan loukkaantumisen.
- **Käytä aina asianmukaisia turvavarusteita, kun valmistele ja käytät RIDGID 975 Combo Roll Groover -yhdistelmärullaurituslaitetta.** Asianmukaisiin turvavarusteisiin sisältyy aina silmäsuojat ja mahdollisesti myös napakasti istuvat nahkakäsineet, teräskärkiset turvajalkineet ja suojakypärä.
- **Käytä urituslaitetta vain suositellun kokoisten ja tyyppisten putkien uritukseen näiden käyttöohjeiden mukaan.** Muut käyttötavat tai urituslaitteen muunto muita käyttötarkoituksia varten saattaa suurentaa loukkaantumisriskiä.

## Urituslaitteen turvallisuus, kun sitä käytetään käyttö-/kierteityslaitteen kanssa

- **Käytä tämän 975 Combo Roll Groover -yhdistelmärullaurituslaitteen kanssa vain RIDGID 300 Power Drive -käyttölaitetta tai kompaktia 300 Compact Threading Machine -kierteityslaitetta.** Muiden virtalähteiden käyttö ei mahdollista asianmukaista käyttövalmistelua ja saattaa aiheuttaa laitteen kaatumisen tai muita ongelmia.
- **Älä käytä tätä urituslaitetta sellaisen käyttö- tai kierteytyslaitteen kanssa, jossa ei ole poljinta. Älä koskaan tue poljinta mihinkään asentoon niin, että sillä ei voi hallita käyttölaitetta.** Poljin helpottaa laitteen ohjausta, sillä sen

ansiosta käyttölaitteen moottorin voi pysäyttää nostamalla jalan polkimelta. Jos laitteeseen takertuu vaatekappale eikä moottoria sammuteta, laite vetää vaatekappaleen laitteeseen. Tässä laitteessa on vahva vääntömomentti, joka saattaa kiristää vaatekappaleen käsivarren tai muun kehonosan ympäri niin voimakkaasti, että seurauksena voi olla luumurtumia, iskuvammoja tai muita vammoja.

- **Saman henkilön on ohjattava sekä uritusprosessia että poljinta. Laitetta ei saa käyttää samanaikaisesti usea henkilö.** Jos laitteeseen takertuu jotain, käyttäjän on voitava hallita poljinta.
- **Käytä vain käyttö- ja kierteytyslaitteita, joiden kiertonopeus on enintään 57 kierr/min.** Tätä nopeammat kierrosnopeudet suurentavat loukkaantumisriskiä.
- **Varmista, että urituslaite on valmistettu käyttöön asianmukaisesti ja kiinnitetty käyttö-/kierteityslaitteeseen. Varmista, että laite, teline, urituslaite ja putki pysyvät vakaina.** Tämä auttaa estämään putken ja laitteen kaatumista tai putoamista.

## Urituslaitteen turvallisuus, kun sitä käytetään paikalleen asennettuna

- **Laitetta on käytettävä vain manuaalisesti, kun sitä käytetään paikalleen asennettuna. Urituslaitetta ei saa käyttää sähkötyökaluilla (kuten porilla tai iskulaitteilla), kun sitä käytetään paikalleen asennettuna.** Sähkötyökalujen käyttö saattaa vahingoittaa urituslaitetta ja suurentaa loukkaantumisriskiä.
- **Pään yläpuolella työskennellessä työntekijöiden on aina käytettävä suojakypärää ja pysyttävä poissa työskentelypaikan alapuoliselta alueelta.** Näin voidaan estää urituslaitteen, putken tai muiden esineiden putoamisen aiheuttamat vakavat loukkaantumiset.

## Kuvaus, tekniset tiedot ja vakiovarusteet

### Kuvaus

RIDGID® 975 Combo Roll Groover -yhdistelmärullaurituslaite leikkaa rullauria teräs-, alumiini- ja PVC-putkiin. Sillä voidaan urittaa putkia, joiden koko on 1,25”–6” ja vahvuus 10 tai 40. Laitteella voi myös urittaa ruostumattomasta teräksestä valmistettuja putkia, joiden koko on 1,25”–6” ja vahvuus 10, sekä 1,25”–2” ja vahvuus 40. Lisäksi laite voidaan mukauttaa tyyppien K, L, M ja DWV 2”–8”:n kupariputkien uritusta varten vaihtamalla rullasarjan. Laite leikkaa uran kuljettamalla uritusrullaa mekaanisesti putken pintaa pitkin. Putkea tukee ohjausrulla. Uran syvyys on ainoa tarpeellinen säätö.

Laite on tarkoitettu käytettäväksi paikalleen asennettuna tai RIDGIDin 300 Power Drive -käyttölaitteen avulla (kierrosnopeuden 38 ja 57 mallit). Kun käytössä on asianmukainen sovi-



tin (tuotenro 67662), laitetta voidaan käyttää RIDGIDin kompaktin 300 Compact Threading Machine -kierteityslaitteen kanssa. 975 Combo Roll Groover sisältää patentoidun urasyvyysmittarin, joka auttaa uran määrittämisessä, sekä ohjausta käytön aikana helpottavia patentoituja ominaisuuksia.

975 Combo Roll Groover on kannettava laite, joka on tarkoitettu satunnaiseen käyttöön työmaalla, eikä sitä saa käyttää suurien määrien työstössä tai putkien valmistuksessa.

**HUOMAUTUS** Oikein käytettynä 975 Combo Roll Groover -yhdistelmäruullaurituslaite leikkaa noin 5–15 cm:n uria, jotka on mitoitettu AWWA C606-06 -määritysten mukaan. Soveltuvien materiaalien valinta ja liitännämenetelmät ovat järjestelmän suunnittelijan ja/tai asentajan vastuulla. Ennen asennusta on huolellisesti arvioitava suunniteltu käyttöympäristö, mukaan lukien kemikaalit ja ympäristön lämpötila.

## Tekniset tiedot

Kapasiteetti ..... 1,25”–6”:n teräsputket, seinämä-  
vahvuus 10 tai 40  
Rullavaihdon jälkeen: 2”–8”:n  
kupariputket, tyypit K, L, M ja  
DWV

Uran läpimitta

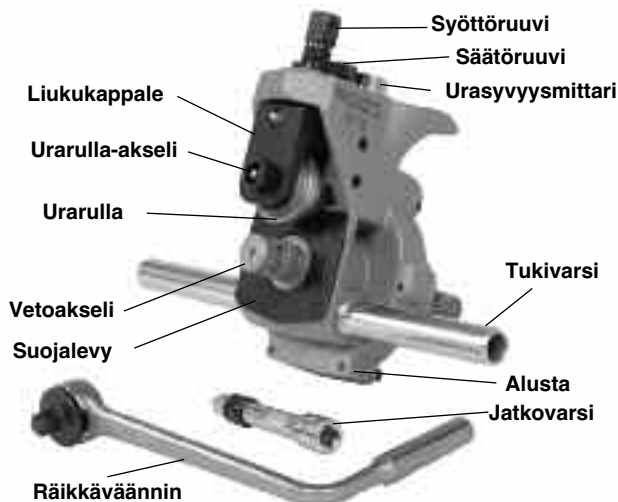
Säätö ..... Säätöruuvi ja urasyvyysmittari

Käynnistys ..... Syöttöruuvi ja 0,5”:n räikkäväännin

Käyttölaitteen asennus ..... RIDGID 300 Power Drive -käyttö-  
laite (vain kierrosnopeuksien 38 ja  
57 mallit) Kompakti RIDGID 300  
Compact Threading Machine -  
kierteityslaite (sovittimen kanssa)

Paino ..... 12,5 kg.

975 Combo Roll Groover -yhdistelmäruullaurituslaitetta suojaavat yhdysvaltalaiset ja kansainväliset patentit, mukaan lukien patentit 6,272,895 ja 6,591,652.



Kuva 1: 975 Combo Roll Groover -yhdistelmäruullaurituslaite

## Vakiovarusteet

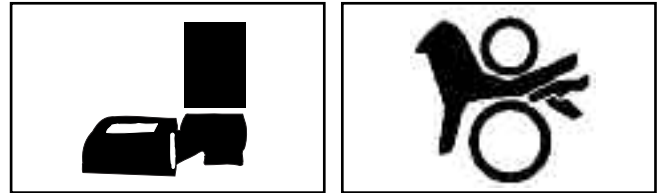
1,25”–6”, vahvuus 10 tai 40, Ura- ja ohjausrullat  
Räikkäväännin (0,5”:n kärki), vapautuspainike  
Lukittava jatkovarsi

Tukivarret

Integroitu syvyysmittari

## Urituslaitteen tarkistus

### VAROITUS



**Tarkista urituslaite ennen jokaista käyttöä ja korjaa mahdolliset ongelmat pienentääksesi puristusvammojen ja muista syistä johtuvan vakavan loukkaantumisen riskiä sekä estääksesi laitteen vaurioitumisen.**

**Älä käytä tätä urituslaitetta sellaisen käyttö- tai kierteityslaitteen kanssa, jossa ei ole poljinta.**

1. Jos urituslaite asennetaan käyttö- tai kierteityslaitteeseen, varmista, että laitteen virtajohto on irrotettu pistorasiasta ja että REV/OFF/FOR-kytkin on OFF-asennossa. Tarkista käyttö-/kierteityslaite ja huolla sitä laitteen käyttöohjeiden mukaan. Jos laitetta ei tarkisteta ja huolleta asianmukaisesti, seurauksena saattaa olla vakava loukkaantuminen tai omaisuusvahinko. Tarkista, että laitteessa on poljin ja että poljin toimii asianmukaisesti. Älä käytä tätä urituslaitetta ilman poljinta.
2. Puhdista urituslaitteesta öljy- ja rasvatahrat sekä lika. Muista puhdistaa myös kahva ja laitteen käynnistykseen käytettävä räikkäväännin. Tämä vähentää urituslaitteen tai räikkävääntimen käytön aikana luistamisesta johtuvaa loukkaantumisen riskiä ja helpottaa tarkistusta.
3. Varmista, että tukivarret on kiristetty urituslaitteen runkoon.
4. Tarkista, että urituslaitteessa ei ole rikkoutuneita, puuttuvia, väärin kohdistettuja tai jumiutuneita osia tai muuta ongelmaa, joka saattaa estää normaalin ja turvallisen käytön. Varmista, että urarulla ja vetoakseli pääsevät liikkumaan esteettä.
5. Tarkista, että varoitustarra on paikallaan ja lujasti kiinni. Kuvassa 2 näkyy varoitustarran sijainti.
6. Jos vetoakselin päällyksireuna on likainen, puhdista se teräs-harjalla. Likainen päällyksireuna saattaa saada putken luisuttamaan ja aiheuttaa ohjausongelmia urituksen aikana.

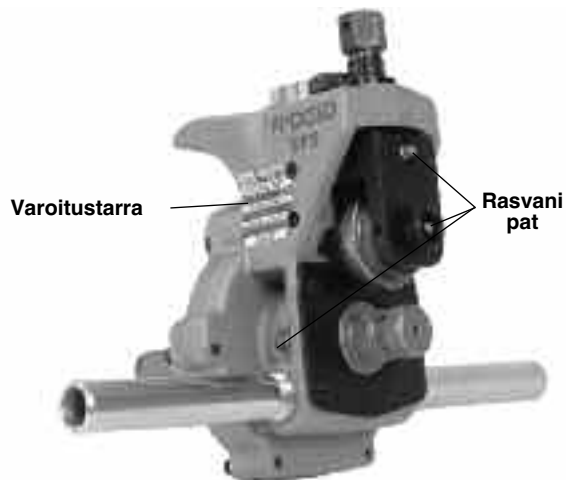
7. Tarkista, että urarullassa ja vetoakselissa ei ole murtumia, kulumia tai muita merkkejä vaurioista. Vaurioituneet urarullat ja vetoakselit voivat saada putken luistamaan, tuottaa heikkolaatuisia uria tai rikkoutua käytössä.

8. Tarkista, että räikkäväännin ja jatkovarsi toimivat asianmukaisesti. Varmista, että räikkäväännin toimii sujuvasti ja esteettä molempiin suuntiin. Paina räikkävääntimen keskellä olevaa vapautuspainiketta ja asenna syöttöruuviin. Räikkävääntimen on lukituttava paikalleen tukevasti. Räikkävääntimen on lukituttava tukevasti myös jatkovarteen ja jatkovarren urituslaitteen takana olevaan manuaalisen käyttövarren neliöliitäntään. Tämä auttaa ehkäisemään räikkävääntimen ja jatkovarren irtoamista urituslaitteesta käytön aikana. Jos käytössä on räikkäväännin, avain tai jatkovarsi, joka on erilainen eikä lukitu urituslaitteeseen, on varottava, ettei se irtoa käytössä.

Jos ongelmia esiintyy, älä käytä laitetta, kunnes ongelmat on korjattu.

9. Voitele urituslaite tämän käsikirjan huolto-ohjeiden mukaan. Pyyhi liika rasva urituslaitteesta.

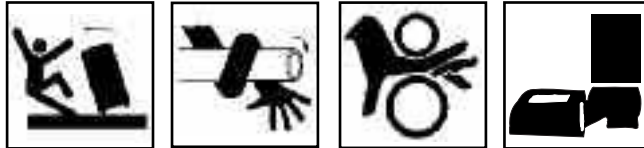
10. Jos käytössä on muita laitteita, tarkista ja huolla myös ne.



Kuva 2: 975 Combo Roll Groover -yhdistelmäruullaurituslaitteen varoitustarra

## Laitteen ja työalueen valmistelu, kun käytössä on käyttölaite

### VAROITUS



**Käytä aina suojalaseja silmien suojaamiseksi liialta ja vierailta esineiltä. Suojaa jalat putoavilta työkaluilta ja putkilta käyttämällä teräskärkisiä suojajalkineita.**

**Älä käytä tätä urituslaitetta sellaisen käyttö- tai kierteituslaitteen kanssa, jossa ei ole poljinta. Älä koskaan tue poljinta mihinkään asentoon niin, että sillä ei voi hallita käyttölaitetta. Poljin helpottaa laitteen ohjausta, sillä sen ansiosta käyttölaitteen moottorin voi pysäyttää nostamalla jalan polkimelta. Jos laitteeseen takertuu vaatekappale eikä käyttölaitteen moottoria sammuteta, laite vetää vaatekappaleen sisäänsä. Tässä laitteessa on vahva vääntömomentti, joka saattaa kiristää vaatekappaleen käsivarren tai muun kehonosan ympäri niin voimakkaasti, että seurauksena on luumurtumia, iskuvammoja tai muita vammoja.**

**Vähennä sähköiskusta, tulipalosta, laitteen kaatumisesta tai putoamisesta, takertumisesta, puristumisesta yms. johtuvien loukkaantumisten riskiä sekä estä työkalun vaurioituminen valmistelemalla urituslaite ja työalue näiden ohjeiden mukaan.**

1. Työalueen on täytettävä seuraavat vaatimukset:

- Kunnollinen valaistus
- Ei herkästi syttyviä nesteitä, höyryjä tai pölyä, joka voi syttyä palamaan. Älä työskentele alueella, ennen kuin ongelmat tunnistettu ja korjattu. Käyttö- ja kierteituslaitteet eivät ole räjähdysuojattuja, ja ne voivat synnyttää kipinöitä.
- Esteetön, tasainen, vakaa ja kuiva paikka laitteita ja käyttäjää varten. Älä käytä laitteita seistessäsi vedessä.
- Asianmukaisesti maadoitettu pistorasia. Kolmiaukkoinen tai vikavirtasuojattu pistorasia ei välttämättä ole maadoitettu. Jos et ole varma, pyydä valtuutettua sähköasentajaa tarkistamaan pistorasia.
- Pistorasiaan johtava vapaa reitti, jolla ei ole virtajohtoa mahdollisesti vioittavia esteitä.

2. Siivoa työalue ennen laitteiden asentamista. Pyyhi aina alueella olevat öljyläikät.

3. Tarkista uritettava putki ja varmista, että 975 Combo Roll Groover -yhdistelmäruullaurituslaite on oikea työkalu tehtävään. 975 Combo Roll Groover on tarkoitettu sellaisten teräs-, alumiini- ja PVC-putkien uritukseen, joiden seinämävahvuus on 10 tai 40 ja läpimitta 1,25”–6”. Sillä voi urittaa myös ruostumattomia teräsputkia, joiden läpimitta on 1,25”–6” ja vahvuus 10, sekä 1,25”–2” ja vahvuus 40. Jos

rullasarja vaihdetaan, laitteella voi urittaa myös kupariputkia, joiden läpimitta on 2”–8” ja tyyppi K, L, M tai DWV.

975 Combo Roll Groover -laitetta voi käyttää paikalleen asennettuna (puristimeen tai muutoin kiinnitettyjen putkien uritukseen) tai RIDGID 300 Power Drive -käyttölaitteen tai kompaktin 300 Compact Threading Machine -kierteityslaitteen avulla työmaalla. 975 Combo Roll Groover -laitetta ei ole tarkoitettu tuotantokäyttöön.

Muihin käyttötarkoituksiin tarkoitettuja rullaurituslaitteita on Ridge Tool -kuvastossa, joka löytyy osoitteesta [www.RIDGID.com](http://www.RIDGID.com). Niistä saa lisätietoa myös soittamalla Ridge Toolin tekniseen huoltoon numeroon +1 800 519 3456.

**HUOMAUTUS** Rullasarjojen (urarulla ja vetoakseli) käyttö sekä hiiliputkissa että ruostumattomissa teräsputkissa saattaa johtaa ruostumattoman teräsmateriaalin kontaminautumiseen. Tällainen kontaminaatio saattaa aiheuttaa korroosiota ja putken ennenaikaista rikkoutumista. Ruostumattoman teräsputken rautakontaminaatiota voidaan ehkäistä käyttämällä ruostumatonta terästä varten tarkoitettuja rullasarjoja. Rullasarjan vaihdon sijaan sarjan voi myös puhdistaa perusteellisesti teräsharjalla materiaalin vaihdon yhteydessä.

4. Varmista, että käyttö-/kierteityslaite on tarkistettu laitteen käyttöohjeiden mukaan. Varmista, että laitteessa on poljin ja että FOR/OFF/REV-kytkin on OFF-asennossa. Valmistele käyttö-/kierteityslaite käyttöön laitteen käyttöohjeiden mukaan. Varmista, että laite ja teline ovat vakaita.
5. Avaa käyttö-/kierteityslaitteen istukka kokonaan.
6. Varmista, että 975 Combo Roll Groover on tarkistettu ja että siihen on asennettu sopiva rullasarja.

### 975 Combo Grooverin asennus RIDGID 300 Power Drive -käyttölaitteeseen

1. Jos käyttölaitteessa on kelkka tai muita lisävarusteita, poista ne. Varmista, että käyttölaitteen tukivarret ovat kokonaan etuasennossa ja kiinnitetty paikoilleen.
2. Aseta urituslaitteen tukivarret käyttölaitteen tukivarsiin ja urituslaitteen vetoakselin päälle käyttölaitteen istukka. Sulje käyttölaitteen istukka vetoakselin tasaisiin kohtiin ja kiristä. Varmista, että vetoakseli on kohdistettu istukan keskikohtaan. Varmista vetoakselin pito pyöräyttämällä istukan pyörää useita kertoja napakasti vastapäivään (kuva 3).

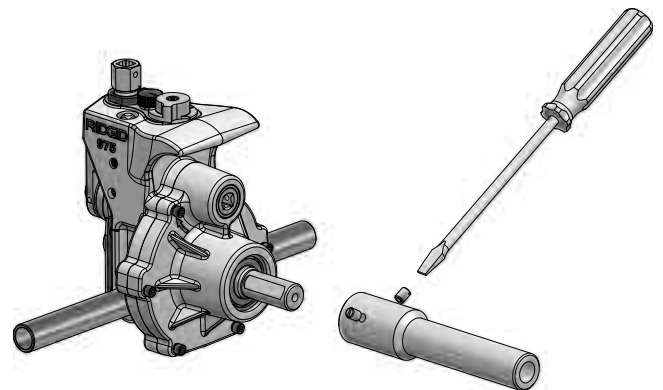


Kuva 3: 975 Combo Roll Grooverin asennus 300 Power Drive -käyttölaitteen istukkaan

### 975 Combo Grooverin asennus kompaktiin RIDGID 300 Compact Threading Machine -kierteityslaitteeseen

Kun 975 Combo Roll Groover -urituslaitetta käytetään kompaktin 300 Compact/1233 Threading Machine -kierteityslaitteen kanssa, tarvitaan myös sovitinsarja (tuotenro 67662). Sovitinsarjan avulla 975 Combo Roll Groover voidaan sijoittaa oikein suhteessa kierteityslaitteeseen ja telineeseen, jolloin laitteella voidaan urittaa kaikki mainitut putkikoot. 975 Combo Groover -urituslaitetta ei saa käyttää muiden kierteityslaitteiden kanssa, sillä seurauksena voi olla kaatuminen tai muita ongelmia.

1. Asenna vetotankosovitin urituslaitteen vetoakseliin (kuva 4). Kohdista asetusruuvit urituslaitteen vetoakselin tasaisten kohtien kohdalle ja kiristä ne tukevasti.



Kuva 4: Vetotankosovitimen asennus

2. Siirrä 300 Compact/1233 Threading Machine -kierteityslaitteen kelkka mahdollisimman lähelle laitteen istukka. Siirrä leikkuri, jyrsin ja kierteityspää pois päin käyttäjältä niin, että ne eivät ole tiellä. Sijoita jyrsin kierteityspään sisään.

3. Aseta sovitinkiinnike 300 Compact/1233 -laitteen kiskojen päähän (kuva 5) ja lukitse tapilla.



**Kuva 5: Sovitinkiinnikkeen asennus**

4. Aseta urituslaitteen tukivarret sovitinkiinnikkeen varsiin laitteen istukan vetotankosovittimen avulla. Sulje kierteityslaitteen istukka vetotankosovittimeen ja kiristä se. Varmista, että vetotanko on kohdistettu istukan keskikohtaan. Varmista vetotangon pito pyöräyttämällä istukan pyörää useita kertoja napakasti vastapäivään.



**Kuva 6: Oikein 300 Compact Threading Machine -kierteityslaitteeseen asennettu 975 Combo Roll Groover -urituslaite**

### Loput valmistelutoimet

1. Sijoita poljin niin, että käyttäjä voi hallita käyttö-/kierteityslaitetta, urituslaitetta ja uritettavaa putkea. Kuvassa 6 näytetään sijainti, jonka ansiosta käyttäjä
- voi seistä kasvat urituslaitetta kohden ja käyttää samalla FOR/OFF/REV-kytkintä (samalla puolella)
  - hallitsee ON/OFF-kytkintä polkimella ja voi vapauttaa polkimen tarvittaessa nopeasti

- ylettyä hyvin käsittelemään urituslaitetta, putkea ja räikäväännintä kurottamatta laitteen ylitse.



**Kuva 7: käyttäjän asento**

2. Reititä virtajohto aiemmassa vaiheessa valmistettua esteetöntä reittiä pitkin. Varmista, että kätesi ovat kuivat, ja kytke virtajohto maadoitettuun pistorasiaan. Pidä kaikki sähköliitännät kuivina ja irti maasta. Jos virtajohto ei ole riittävän pitkä, käytä seuraavanlaista jatkojohtoa:
- hyväkuntoinen
  - käyttölaitteen pistokkeen kaltainen kolmipiikkinen pistoke
  - hyväksytty ulkokäyttöön, W- tai W-A johdon tyyppimerkinnässä (esim. SOW)
  - riittävän kokoinen (14 AWG / enintään 7,5 m, 12 AWG / 7,5–15 m). Liian pienet johdot voivat ylikuumentaa, jolloin eriste voi sulaa tai seurauksena voi olla tulipalo tai muita vaurioita.
3. Tarkista käyttö-/kierteityslaite ja varmista, että se toimii asianmukaisesti:
- Siirrä kytkin FOR (eteenpäin) -asentoon. Paina poljinta ja vapauta se. Varmista, että vetoakseli pyörii vastapäivään, kun seisot kasvat istukan etuosaan päin. Jos pyörimissuunta ei ole oikea tai poljin ei hallitse laitteen toimintaa, älä käytä laitetta, ennen kuin se on korjattu.
  - Pidä poljinta painettuna. Tarkista laitteen pyörimisnopeus. Tarkista liikkuvat osat ja varmista, että niiden koh-

distus on oikea, kiinnitys toimii ja että epätavallisia ääniä tai muuta epätavallista ei ole. Vapauta poljin. Jos pyörimisnopeus ylittää 57 kierr/min, älä käytä laitetta rollauritukseen. Tätä nopeammat kierrosnopeudet suurentavat loukkaantumisriskiä. Jos laitteessa on jotain epätavallista, älä käytä laitetta, ennen kuin se on korjattu.

- Siirrä kytkin REV (taaksepäin) -asentoon. Paina poljinta ja vapauta se. Varmista, että vetoakseli pyörii myötäpäivään, kun seisot kasvot istukan etuosaan päin. Jos pyörimissuunta ei ole oikea, älä käytä laitetta, ennen kuin se on korjattu.
- Siirrä kytkin OFF (pois päältä) -asentoon. Varmista, että kätesi ovat kuivat, ja irrota laitteen virtajohto pistorasiasta.

## Putken valmistelu

**HUOMAUTUS** Seuraavassa on yleisohjeita. Valmistele aina putken pää uritetun liitännän valmistajan ohjeiden ja erityis-suositusten mukaan. Muutoin seurauksena voi olla virheellinen liitäntä ja vuotoja.

1. Leikkaa putki sopivan pituiseksi. Pidä mielessä, että jokaiselle putkikoolle on määritetty uritettavan putken minimipituudet (taulukko A). Minimipituutta lyhyempien putkien uritus suurentaa loukkaantumisriskiä sormien puristumis- ja takertumisvaaran vuoksi.

Varmista, että putken pää on leikattu suoraan ja että siinä ei ole särmiä. Särmit voivat takertua kiinni tai viiltää käsi- tai sormia urituksen aikana. Katkaisumenetelmä ja kookkaat särmit saattavat vaikuttaa uran laatuun ja ohjaukseen. Älä yritä urittaa putkea, joka on leikattu polttimella.

2. Sisäiset/ulkoiset hitsauspalot, -purseet ja -saumat on hiottava pinnan tasalle vähintään 5 cm:n pituudelta putken päästä. Älä leikkaa tasaisia kohtia tiivisteen istukan alueelle, sillä seurauksena voi olla vuotoja.
3. Poista karsta, lika, ruoste ja muut kontaminantit vähintään 5 cm:n pituudelta putken päästä. Kontaminantit voivat tukkia vetoakselin pyällystreunan sekä estää putken syötön ja ohjauksen urituksen aikana.

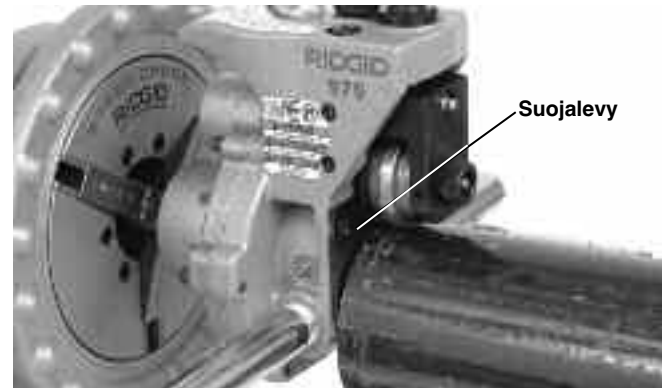
## Putken asetus urituslaitteeseen

1. Varmista, että käyttö-/kierteityslaitteen kytkin on OFF-asennossa.
2. Varmista, että käytettävissä on riittävä tuki putkelle, joka on tarkoitus urittaa. Taulukossa A on luettelo yhtä putkitelintä käyttämällä uritettavien putkien maksimipituuksista. Tätä pidemmät putket on tuettava vähintään kahdella telineellä. Muutoin putki tai putki ja laite saattavat kaatua ja pudota. Älä urita määritettyä minimipituutta lyhyempää putkea.

Nim. koko	Min. pituus	Maks. pituus	Nim. koko	Min. pituus	Maks. pituus
1	8	36	4	8	36
1 1/4	8	36	4 1/2	8	32
1 1/2	8	36	5	8	32
2	8	36	6 ULM	10	30
2 1/2	8	36	6	10	28
3	8	36			
3 1/2	8	36			

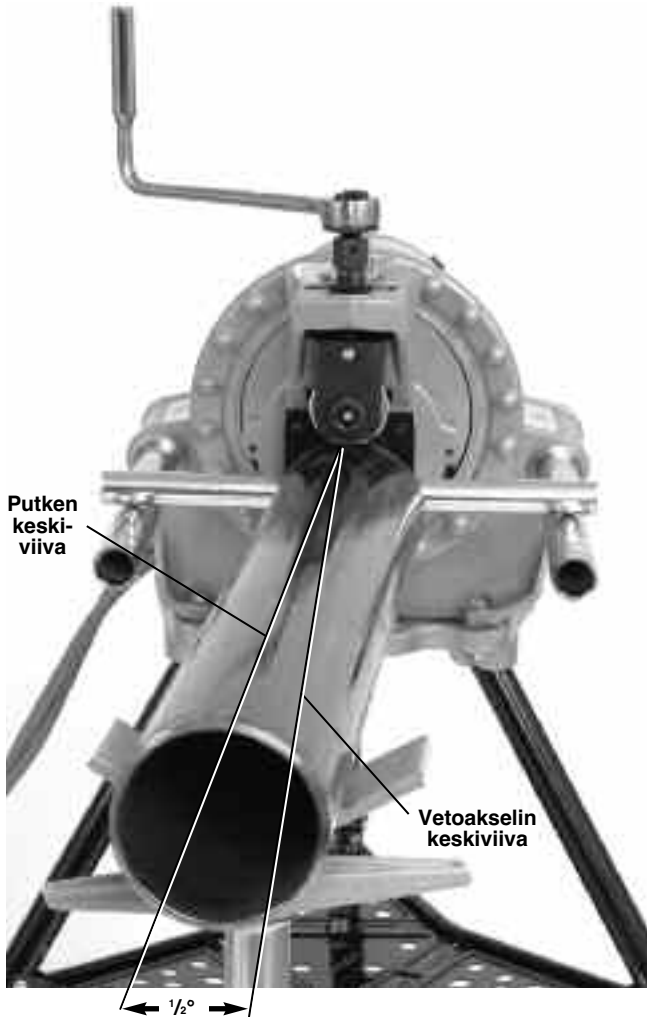
**Taulukko A: Putken minimi- ja maksimipituudet, jotka voidaan urittaa yhtä telinettä käyttämällä (mitat on ilmoitettu tuumina)**

3. Aseta tarvittavat putkitelineet urituslaitteen eteen. Jos käytössä on yksi teline, aseta se hiukan yli putken puolivälin urituslaitteen suojalevyn suhteen. Jos käytössä on useampi putkiteline, ne on asetettava putken varrelle neljäosapituuden välein putken päästä lähtien. Joskus voi olla hyvä käyttää useita telineitä. Telineen korkeus säädetään niin, että putki kohdistuu ohjauksrullan päälle.
4. Varmista, että urarulla on vedetty riittävän ylös, jotta putken voisi asettaa vetoakseliin. Nosta tarvittaessa urarullaa kääntämällä syöttöruuvia vastapäivään.
5. Aseta putken pää vetoakseliin ja laske putki telineiden varaan. Varmista, että putki on vakaa.



**Kuva 8: Putken asetus vetoakseliin ja kiinni suojalevyn**

6. Säädä putki ja putkitelineet niin, että putken pää koskettaa tasaisesti urituslaitteen suojalevyä ja putken sisäosa koskettaa vetoakselin yläpintaa (kuva 7). Putken ja vetoakselin keskiviivojen on oltava samansuuntaiset. Tämän voi varmistaa esimerkiksi vaaittamalla sekä putken että käyttö-/kierteityslaitteen.
7. Siirrä putki hiukan vinoon ja putkitelineet noin puoli astetta (noin 2,5 cm:n verran 3 metrin matkalla urituslaitteesta) kohti käyttäjää. Putken ja urituslaitteen oikea kohdistus varmistaa putken oikean ohjauksen urituksen aikana. (Katso kuva 9.)



**Kuva 9: Putken siirto puoli astetta käyttäjää kohden (suurennettuna)**

8. Laske urarulla putken ulkopinnan tasalle kääntämällä syöttöruuvia myötäpäivään. Kun rulla koskettaa putken ulkopintaa, käännä syöttöruuvia vielä neljänneskiertos. Säättöruuvia on ehkä löysättävä (kääntämällä vastapäivään), jotta urarulla koskettaisi putkea. Putken ja urituslaitteen on kosketettava toisiaan tässä pisteessä.
9. Arvioi työalue. Tarkista, onko se rajattava esteillä, jotta muut kuin käyttäjä voitaisiin pitää poissa laitteen ja putkien luota. Esteillä on rajattava vähintään 90 cm:n tyhjä alue käyttölaitteen ja putken ympärille. Tämä turva-alue estää sivullisia koskettamasta vahingossa laitetta tai putkea, sillä muutoin laite tai putki saattaisi kaatua tai pudota tai sivullinen henkilö takertua pyöriviin osiin.
10. Varmista, että kätesi ovat kuivat, ja kytke laitteen virtajohdon maadoitettuun pistorasiaan.

## 975 Combo Roll Grooverin käyttö käyttö-/kierteityslaitteen kanssa

### ⚠ VAROITUS



Älä pukeudu löysiin vaatteisiin urituslaitteen käytön aikana. Älä anna hihojen roikkua ja napita takit. Älä kurottele laitteen tai putken ylitse. Löysät vaatteet voivat takertua pyöriviin osiin ja aiheuttaa puristusvammoja.

Pidä kädet kaukana urarullista. Älä urita määritettyä pituutta lyhempiä putkia. Älä käytä löysiä käsineitä. Sormet voivat puristua urarullien väliin tai urarullan ja putken väliin.

Pidä kädet kaukana putkien päistä. Älä kurota putken sisään. Putken särmät ja terävät reunat saattavat taker-tua tai aiheuttaa viiltoja. Sormet voivat puristua urarullien väliin tai urarullan ja putken väliin.

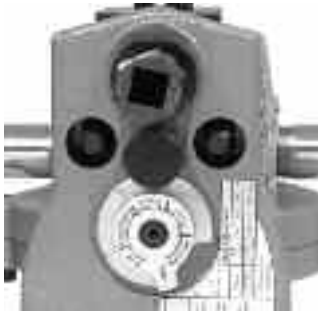
Suojaa aina silmät lialta ja vierailta esineiltä käyttämällä suojalaseja. Suojaa jalat putoavilta työkaluilta ja putkilta käyttämällä teräskärkisiä suojajalkineita.

Pienennä puristumisesta, kaatumisesta, iskuista ja muista syistä johtuvaa loukkaantumisriskiä noudattamalla käyttöohjeita.

### Uran läpimitan asetus/mittaus

**HUOMAUTUS** Putkien ominaisuuserojen vuoksi on aina tehtävä koeuritus ennen päivän ensimmäistä varsinaista uritusta tai kun putken kokoa, seinämän vahvuutta tai materiaalia vaihdetaan. Putkiläpimitan säätötulkit ovat likimääräisiä, ja siksi uran läpimitta on mitattava oikean koon määrittämiseksi.

1. Varmista, että laite ja putki on valmisteltu oikein. Jos putkea ei valmistella oikein, urasyvyysmittarilla ei ehkä voida määrittää syvyyttä tarkasti. Urarullan on kosketettava putkea.
2. Säädä urasyvyysmittari niin, että mittarin oikea aste on säättöruuvin pään alapuolella (kuva 10A). *Urasyyvyysmittari on tarkoitettu käytettäväksi putken kanssa.* Lisätietoja sen käytöstä kupariputken kanssa on kohdassa Uran läpimitan asetus kupariputkia varten.
3. Käännä säättöruuvia myötäpäivään, kunnes sen pää koskettaa urasyvyysmittarin haluttua astetta. Käännä urasyvyysmittari uritusasentoon (kuva 10B). Jos syvyysmittari ei ole uritusasennossa, se estää urituksen ja saattaa vahingoittaa.



**Kuva 10A: Aseta mittarin oikea aste säätöruuvien päälle alapuolelle**



**Kuva 10B: Mittari uritus-asennossa**

4. Valmistele koeuritus (*noudata Rullauritus-kohdan ohjeita*).
5. Mittaa uran läpimitta. Läpimittanauhan käyttö on paras tapa mitata uran läpimitta (*lisätietoja on Lisävarusteet-kohdassa*). Kiedo läpimittanauha tiiviisti putken ympäri uran kohdalla. Varmista, että nauha on tasaisesti uran pohjalla. Katso nauhasta uran läpimitta. (*Katso kuva 11.*)



**Kuva 11: Uran läpimitan tarkistus läpimittanauhalla**

6. Vertaa uran mitattua läpimittaa *taulukossa I tai III* mainittuun mittaan tai sovittimen valmistajan määrittämään mittaan. Jos mitta ei ole oikea, säätöruuvien asentoa on muutettava oikeaan läpimittaan.
  - Jos haluat suurentaa uran läpimittaa, käännä säätöruuvia myötäpäivään.
  - Jos haluat pienentää uran läpimittaa, käännä säätöruuvia vastapäivään.
  - Neljänneskierros muuttaa uran läpimittaa noin 0,5 mm.

7. Toista vaiheet 4–6, kunnes uran läpimitta on oikea. Jos ura on liian suuri, sitä voi pienentää säätämällä urituslaitetta. Jos ura on liian pieni, on tehtävä toinen ura. Oikea läpimitta on tärkeä, jotta liitännästä tulisi pitävä ja kestävä. Jos ura on mitoitettu väärin, liitäntä voi pettää.

## Rullauritus

1. Varmista, että laite ja putki on valmisteltu oikein.



**Kuva 12: Urituslaite käyttöasennossa**

2. Asetu oikeaan työskentelyasentoon. Sijoita käyttölaitteen poljin niin, että käyttäjä voi hallita käyttölaitetta, urituslaitetta ja uritettavaa putkea. *Kuvassa 12* näytetään sijainti, jonka ansiosta käyttäjä

- voi seistä kasvat urituslaitetta kohden ja käyttää samalla FOR/OFF/REV-kytkintä (samalla puolella)
- hallitsee ON/OFF-kytkintä polkimella ja voi vapauttaa polkimen tarvittaessa nopeasti
- ylettyy hyvin käsittelemään urituslaitetta, putkea ja räikkäväännintä kurottamatta laitteen ylitse
- voi asettaa oikean käden uritettavalle putkelle tarvittaessa
- voi löytää tukevan asennon ja säilyttää tasapainon.

3. Siirrä FOR/OFF/REV-kytkin REV (taaksepäin) -asentoon. **Älä käytä 975 Combo Roll Groover -urituslaitetta FOR (eteenpäin) -asennossa. 975 Combo Roll Groover -laitteen rakenteen vuoksi putki työntyisi tällöin urarullista kierteisesti ja saattaisi pudota.**
4. Aseta käsi syöttöruuvien päälle / räikkävääntimen päälle ja toinen käsi räikkävääntimen päälle.
5. Käynnistä käyttölaite painamalla poljinta. Anna putken pyöriä ja varmista, että putken pää pysyy kosketuksissa urituslaitteen suojakanteen. Jos putki lähtee siirtymään suojalevystä poispäin, estä sen kiertäminen rullista ja putoaminen vapauttamalla poljin. Aseta tarvittaessa putki uudelleen paikalleen (*katso kohta Putken asetus urituslaitteeseen*). Jos putken pää vääristyy, se on leikattava pois ja uusi ura leikattava.
6. Kun putki kiertää täyden kierroksen, kiristä syöttöruuvia neljänneskierroksen verran. Jatka putken tarkkailua ja varmista, että se pysyy kosketuksissa suojalevyyn. Älä kiristä syöttöruuvia yli neljänneskierrosta kullakin putken kierroksella. Liika kiristys saattaa levittää uraa tai saada putken kiertämään pois vetoakselista.
7. Jatka säätöruuvien kiristystä neljänneskierroksen verran jokaisella putken kierroksella, kunnes säätöruuvien pää pysähtyy urituslaitteen yläreunaan. Älä kiristä säätöruuvia enempää tämän jälkeen, sillä ruuvi saattaisi tällöin vahingoittua. Anna putken pyöriä vielä vähintään kaksi täyttä kierrosta tässä asennossa, jotta uran syvyydestä tulisi tasainen.
8. Vapauta poljin ja siirrä FOR/OFF/REV-kytkin OFF-asentoon.
9. Käännä syöttöruuvia vastapäivään ja nosta urarulla, jotta putken voisi poistaa laitteesta.
10. Tarkista ura.
  - Varmista, että se on kauttaaltaan riittävän syvä ja tasainen.
  - Tarkista uran syvyys ja varmista, että se on määritysten mukainen.
  - Tarkista myös sovittimen valmistajan muut suositukset ja ohjeet.

Jos ongelmia esiintyy, uraa ei voi käyttää.

## Uran läpimitan asetus kupariputkia varten

Kun 975 Combo Roll Groover -yhdistelmärollaurituslaitteella uritetaan kupariputkia, urituslaitteen urasyvyysmittaria ei voi käyttää. Tuloksena olisi virheellisiä uraläpimittoja.

1. Laske urarulla putken ulkopinnan tasalle kääntämällä syöttöruuvia myötäpäivään. Kun rulla koskettaa putken ulkopintaa, käännä syöttöruuvia vielä neljänneskierros. Säätöruuvia on ehkä löysättävä (kääntämällä vastapäivään), jotta urarulla koskettaisi putkea. Putken ja urituslaitteen on kosketettava toisiaan tässä pisteessä.
2. Varmista, että urasyvyysmittari on uritusasennossa (*kuva 10B*).
3. Käännä säätöruuvia, kunnes se on urituslaitteen ylälevyn tasolla.
4. Tarkista uritettavan putken läpimita ja tyyppi taulukosta B ja kierrä sitten säätöruuvia urituslaitteen ylälevystä poispäin vastaavalla kierrosmäärällä. Jos putki on esimerkiksi 4", vahvuus L ja materiaali kupari, kierrä säätöruuvia poispäin yhden täyden kierroksen ja neljänneskierroksen verran.

## Syvyyden säätö kupariputken rullauritusta varten

### (Säätöruuvien kierroksia)

Läpimita	K	L	M	DWV
2-2.5"	$\frac{7}{8}$	$\frac{7}{8}$	$\frac{5}{8}$	$\frac{5}{8}$
3"	$1\frac{1}{16}$	$1\frac{1}{16}$	$1\frac{1}{16}$	$1\frac{1}{16}$
4"	$1\frac{1}{4}$	$1\frac{1}{4}$	$1\frac{1}{4}$	$1\frac{1}{8}$
5"	$1\frac{1}{2}$	$1\frac{1}{2}$	$1\frac{1}{2}$	$1\frac{1}{2}$
6"	$1\frac{3}{16}$	$1\frac{3}{4}$	$1\frac{3}{4}$	$1\frac{3}{4}$
8"	$2\frac{1}{2}$	$2\frac{3}{8}$	$2\frac{1}{8}$	$2\frac{1}{8}$

### Taulukko B: Syvyyden säätö kupariputken rullauritusta varten

5. Siirry Uran läpimitan asetus/mittaus -kohdan vaiheeseen 4.

## Vihjeitä 975 Combo Roll Grooverin ohjaukseen

Suurin ongelma putkien rullaurituksessa on putken kiertäminen ulos rullista, putken siirtyminen vähitellen vetoakselista tai vetoakselin huonosti toimiva ohjaus. Toimiva ohjaus edellyttää, että kaikkia seuraavia ohjeita noudatetaan. Jos putken ohjaus ei toimi kunnolla, vaikka kaikkia ohjeita on noudatettu, ohjausta voi parantaa vielä useilla muilla tavoilla.

- Lisää hiukan putken vinoutta käyttäjään nähden (puolesta asteesta yhteensä asteeseen) (*kuva 9*).
- Käyttäjän on ehkä painettava putkea hiukan voimakkaammin urituksen aikana ohjauksen parantamiseksi. Tämä on yleensä tarpeen vain lyhyitä putkia uritettaessa. Tällöin käyttäjällä on oltava hyväkuntoinen nahkakäsine. Paina putkea keskikohdasta kämmenellä *kuvan 13* mukaan.



Tällöin käyttö-/kierteityslaitteen telineen on ehkä hyvä olla kiinnitetty lattiaan, jotta se ei siirtyisi urituksen aikana. Pidä käsi poissa uritusrullasta ja putken päistä puristusvammojen ehkäisemiseksi. Älä urita suositeltua pituutta lyhempää putkea.



**Kuva 13: Putken painaminen urituksen aikana ohjauksen tukemiseksi**

- Katso lisätietoja ohjausongelmista ja niiden ratkaisusta *Vianmääritys*-kohdasta.

## Laitteen ja työalueen valmistelu, kun laitetta käytetään paikalleen asennettuna

### ⚠ VAROITUS



**Käytä aina suojalaseja silmien suojaamiseksi lialta ja vierailta esineiltä. Suojaa jalat putoavilta työkaluilta ja putkilta käyttämällä teräskärkisiä suojajalkineita. Kun laitetta käytetään paikalleen asennettuna, käytä kypärää.**

**Valmistele urituslaite ja työalue näiden ohjeiden mukaan vähentääksesi koneen kaatumisesta, puristumisesta ja muista syistä johtuvien loukkaantumisten riskiä sekä estääksesi laitteen vaurioitumisen.**

1. Työalueen on täytettävä seuraavat vaatimukset:
  - Kunnollinen valaistus
  - Ei herkästi syttyviä nesteitä, höyryjä tai pölyä, joka voi syttyä palamaan. Älä työskentele alueella, ennen kuin ongelmat tunnistettu ja korjattu.
  - Esteetön, tasainen, vakaa ja kuiva alue, jossa on riittävästi tilaa laitteita ja käyttäjää varten.
2. Siivoa työalue ennen laitteiden asentamista. Pyyhi aina alueella olevat öljyläikät.
3. Tarkista uritettava putki ja varmista, että 975 Combo Roll Groover -yhdistelmäruullaurituslaite on oikea työkalu tehtävään. 975 Combo Roll Groover on tarkoitettu sellaisten teräs-, alumiini- ja PVC-putkien uritukseen, joiden seinämävahvuus on 10 tai 40 ja läpimitta 1,25"–6". Sillä voi urittaa myös ruostumattomia teräsputkia, joiden läpimitta on 1,25"–6" ja vahvuus 10, sekä 1,25"–2" ja vahvuus 40. Jos rullasarja vaihdetaan, laitteella voi urittaa myös kupariputkia, joiden läpimitta on 2"–8" ja tyyppi K, L, M tai DWV.
 

975 Combo Roll Groover -laitetta voi käyttää paikalleen asennettuna (puristimeen tai muutoin kiinnitettyjen putkien uritukseen) tai RIDGID 300 Power Drive -käyttölaitteen tai kompaktin 300 Compact Threading Machine -kierteityslaitteen avulla työmaalla. 975 Combo Roll Groover -laitetta ei ole tarkoitettu tuotantokäyttöön.
4. Kun urituslaitetta käytetään paikalleen asennettuna, varmista, että laitteelle ja sen käyttöön on riittävästi tilaa. Urituslaite kiertää kiinteästi asennetun putken ympäri. Vaatimukset:
  - Vähintään 16,5 cm tyhjää tilaa uritettavan putken ympärillä

- Vähintään 6,3 cm putkesta ylettyä seinän tai muun esteen ohi
- vähintään 24 cm:n tila urituslaitteen asentamiseksi putkeen.

Muihin käyttötarkoituksiin tarkoitettuja rollaurituslaitteita on Ridge Tool -kuvastossa, joka löytyy osoitteesta [www.RIDGID.com](http://www.RIDGID.com). Niistä saa lisätietoa myös soittamalla Ridge Toolin tekniseen huoltoon numeroon +1 800 519 3456.

**HUOMAUTUS** Rullasarjojen (urarulla ja vetoakseli) käyttö sekä hiiliputkissa että ruostumattomissa teräsputkissa saattaa johtaa ruostumattoman teräsmateriaalin kontaminoitumiseen. Tällainen kontaminaatio saattaa aiheuttaa korroosiota ja putken ennen aikaista rikkoutumista. Ruostumattoman teräsputken rautakontaminaatiota voidaan ehkäistä käyttämällä ruostumatonta terästä varten tarkoitettuja rullasarjoja. Rullasarjan vaihdon sijaan sarjan voi myös puhdistaa perusteellisesti teräsharjalla materiaalin vaihdon yhteydessä.

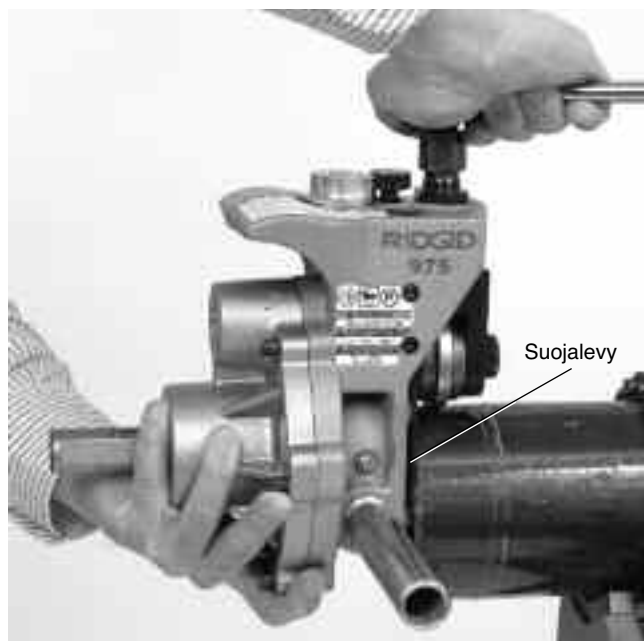
### Putken valmistelu

**HUOMAUTUS** Seuraavassa on yleisohjeita. Valmistele aina putken pää uritetun liitännän valmistajan ohjeiden ja erityissuositusten mukaan. Muutoin seurauksena voi olla virheellinen liitäntä ja vuotoja.

1. Jos tarkoituksena on urittaa jo käytössä oleva putki paikalleen asennettuna, varmista, että järjestelmästä on poistettu paine ja että sisältö on tyhjenetty. Ota selvää putken sisällöstä ja siihen liittyvistä vaaratekijöistä.
2. Leikkaa putki sopivan pituiseksi.  
Varmista, että putken pää on leikattu suoraan ja että siinä ei ole särmiä. Särmit voivat takertua kiinni tai viiltää käsi- tai sormia urituksen aikana. Katkaisumenetelmä ja kookkaat särmit saattavat vaikuttaa uran laatuun ja ohjaukseen. Älä yritä urittaa putkea, joka on leikattu polttimella.
3. Sisäiset/ulkoiset hitsauspalot, -purseet ja -saumat on hiotava pinnan tasalle vähintään 5 cm:n pituudelta putken päästä. Älä leikkaa tasaisia kohtia tiivisteen istukan alueelle, sillä seurauksena voi olla vuotoja.
4. Poista karsta, lika, ruoste ja muut kontaminantit vähintään 5 cm:n pituudelta putken päästä. Kontaminantit voivat tukkia vetoakselin pyällysreunan sekä estää putken syötön ja ohjauksen urituksen aikana.
5. Varmista, että uritettava putki on asennettu tukevasti. Putken on kestettävä siirtymättä urituslaitteen paino (12,7 kg) sekä uritukseen tarvittava voima ja vääntömomentti. Paikalleen asennetut putket kannattaa ehkä irrottaa ja urittaa putkipuristimen avulla. Muutoin on ehkä tarpeen käyttää muita väliaikaisia tai pysyviä tukia. Kun putki uritetaan puristimen avulla, on varmistettava, että se on kiinnitetty tukevasti eikä pääse putoamaan urituksen aikana. Jos putki on pitkä, se on tuettava sopivilla putkitelineillä.

### Urituslaitteen asennus putkeen

1. Varmista, että 975 Combo Roll Groover on tarkistettu ja että siihen on asennettu sopiva rullasarja. Varmista, että tukivarret on kiristetty urituslaitteen runkoon. Ne voidaan myös poistaa kokonaan, jos työskentelypaikka on ahdas. Asenna seuraavaksi räikkäväännin syöttöruuviin ja sitten jatkovarsi urituslaitteen takana olevaan manuaalisen käyttövarren neliöliitäntään. Varmista, että sekä räikkäväännin että jatkovarsi on asennettu tukevasti.
2. Varmista, että urarullan ja vetoakselin välissä on riittävästi tilaa putken seinämää varten. Nosta tarvittaessa urarullaa kääntämällä syöttöruuvia vastapäivään.
3. Tartu urituslaitteeseen tukevasti. Älä nosta sitä räikkävääntimestä. Aseta vetoakseli putkeen ja varmista, että suojalety asetuu tiiviisti putken päätä vasten (kuva 14). Kiristä syöttöruuvia niin, että urarulla koskettaa putken ulkopintaa. Kun syöttöruuvi on kiristetty käsin, kiristä sitä vielä neljänneskiertos räikkävääntimellä. Varmista, että urituslaite on kiinnitetty putkeen tukevasti ja että suojalety ja putken pää ovat samalla tasolla. Jos näin ei ole, toista toimenpide. Varmista aina putoamisen ehkäisemiseksi, että urituslaite on kiinnitetty tukevasti, kun sitä käytetään paikalleen asennettuna.



Kuva 14: Urituslaitteen pito paikallaan syöttöruuvien kiristämisen aikana

## 975 Combo Roll Grooverin käyttö paikalleen asennettuna

### VAROITUS



Laitetta on käytettävä vain manuaalisesti, kun sitä käytetään paikalleen asennettuna. Älä käytä urituslaitetta sähkötyökaluilla (kuten porilla tai iskulaitteilla), kun sitä käytetään paikalleen asennettuna. Sähkötyökalujen käyttö saattaa vahingoittaa urituslaitetta ja suurentaa loukkaantumiseriskää.

Älä pukeudu löysiin vaatteisiin urituslaitteen käytön aikana. Älä anna hihojen roikkua ja napita takit. Älä kurottele laitteen tai putken ylitse. Löysät vaatteet voivat takertua pyöriviin osiin ja aiheuttaa puristusvam-  
moja.

Pidä kädet kaukana urarullista. Älä urita määritettyä pituutta lyhempiä putkia. Älä käytä löysiä käsineitä. Sormet voivat puristua urarullien väliin tai urarullan ja putken väliin.

Pidä kädet kaukana putkien päistä. Älä kurota putken sisään. Putken särvät ja terävät reunat saattavat takertua tai aiheuttaa viiltoja. Sormet voivat puristua urarullien väliin tai urarullan ja putken väliin.

Käytä aina suojalaseja silmien suojaamiseksi lialta ja vierailta esineiltä. Suojaa jalat putoavilta työkaluilta ja putkilta käyttämällä kärkevahvistettuja suojajalkineita. Kun laitetta käytetään paikalleen asennettuna, käytä kypärää.

Pienennä puristumisesta, kaatumisesta, iskuista ja muista syistä johtuvaa loukkaantumiseriskää noudattamalla käyttöohjeita.

### Uran läpimitan asetus/mittaus

**HUOMAUTUS** Putkien ominaisuuserojen vuoksi on aina tehtävä koeuritus ennen päivän ensimmäistä varsinaista uritusta tai kun putken kokoa, seinämän vahvuutta tai materiaalia vaihdetaan. Putkiläpimitan säätötulkit ovat likimääräisiä, ja siksi uran läpimitta on mitattava oikean koon määrittämiseksi.

1. Varmista, että laite ja putki on valmisteltu oikein. Jos putkea ei valmistella oikein, urasyvyysmittarilla ei ehkä voida määrittää syvyyttä tarkasti. Urarullan on kosketettava putkea.
2. Säädä urasyvyysmittari niin, että mittarin oikea aste on säätöruuvien pää alapuolella (kuva 15A). Urasyvyysmittari on tarkoitettu käytettäväksi putken kanssa. Lisätietoja sen käytöstä kupariputken kanssa on kohdassa Uran läpimitan asetus kupariputkia varten.

3. Käännä säätöruuvia myötäpäivään, kunnes sen pää koskettaa urasyvyysmittarin haluttua astetta. Käännä urasyvyysmittari uritusasentoon (kuva 15B). Jos syvyysmittari ei ole uritusasennossa, se estää urituksen ja saattaa vahingoittaa.



Kuva 15A: Aseta mittarin oikea aste säätöruuvien pää alapuolelle



Kuva 15B: Mittari uritusasennossa

4. Valmistele koeuritus (noudata Rullauritus-kohdan ohjeita).
5. Mittaa uran läpimitta. Läpimittanauhan käyttö on paras tapa mitata uran läpimitta (lisätietoja on Lisävarusteet-kohdassa). Kiedo läpimittanauha tiiviisti putken ympäri uran kohdalla. Varmista, että nauha on tasaisesti uran pohjalla. Katso nauhasta uran läpimitta (kuva 16).



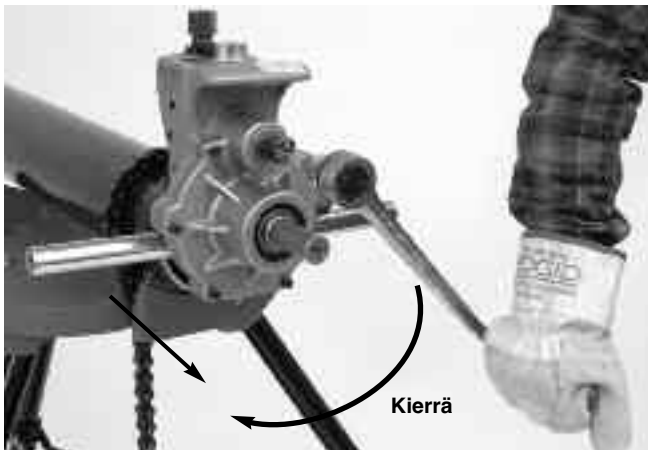
Kuva 16: Uran läpimitan mittaus läpimittanauhalla

6. Vertaa uran mitattua läpimittaa taulukossa I tai III mainittuun mittaan tai sovittimen valmistajan määrittämään mittaan. Jos mitta ei ole oikea, säätöruuvien asentoa on muutettava oikeaan läpimittaan.
  - Jos haluat suurentaa uran läpimittaa, käännä säätöruuvia myötäpäivään.

- Jos haluat pienentää uran läpimittaa, käännä säätöruuvia vastapäivään.
  - Neljänneskierros muuttaa uran läpimittaa noin 0,5 mm.
7. Toista vaiheet 4–6, kunnes uran läpimitta on oikea. Jos ensimmäinen ura on liian suuri, sitä voi pienentää säätämällä urituslaitetta. Jos ura on liian pieni, on tehtävä toinen ura. Oikea läpimitta on tärkeä, jotta liitännästä tulisi pitävä ja kestävä. Jos ura on mitoitettu väärin, liitäntä voi pettää.

## Rullauritus

1. Varmista, että laite ja putki on valmisteltu oikein.
2. Asetu oikeaan työskentelyasentoon. Varmista, että seisot tukevasti ja säilytät tasapainon.
3. Varmista, että syöttöruuvia on kiristetty neljänneskierros.
4. Irrota räikkäväännin syöttöruuvista ja asenna jatkovarsi tukevasti. (Jos työskentelytila on ahdas, jatkovarta ei tarvitse käyttää.)
5. Käännä räikkäväännintä myötäpäivään urituslaitteen takaa katsoen (urituslaitteen takaosaan merkittyjen nuolien mukaan, kuva 17). Anna urituslaitteen pyöriä ja varmista, että laitteen suojakansi pysyy kosketuksissa putken päähän. Jos urituslaite alkaa siirtyä putken päästä pois päin, lopeta räikkävääntimen kierto, jotta urituslaite ei kiertyisi putken päästä ja putoaisi. Urituslaitteen suojakannen ja putken päähän asettamista uudelleen kosketuksiin voi helpottaa työntämällä urituslaitteen tukivarsia. Tarvittaessa urituslaitteen voi asentaa putkeen uudelleen. (Katso kohta *Urituslaitteen asennus putkeen.*) Jos putken pää vääristyy, se on leikattava pois ja uusi ura leikattava.



Kuva 17: Räikkävääntimen kierto nuolien suuntaan

6. Jatka räikkävääntimen kiertoa, kunnes urituslaite kiertää vähintään yhden täyden kierroksen putken ympäri. Irrota räikkäväännin jatkovarresta ja kiinnitä se syöttöruuviin. Kiristä syöttöruuvia vielä neljänneskierros. Irrota räikkäväännin syöttöruuvista ja kiinnitä se jatkovarteen. Älä kiristä syöttöruuvia yli neljänneskierrosta kullakin putken kierroksella. Liika kiristys saattaa levittää uraa tai saada urituslaitteen siirtymään putkesta vähitellen. Jatka urituslaitteen kiertämistä putken ympäri kiertämällä räikkäväännintä tarkkaillen koko ajan suojalevyn sijaintia putken pään suhteen.
7. Jatka säätöruuvien kiristystä neljänneskierroksen verran jokaisella kierroksella putken ympäri, kunnes säätöruuvien pää pysähtyy urituslaitteen yläreunaan. Älä kiristä säätöruuvia enempää tämän jälkeen, sillä ruuvi saattaisi tällöin vahingoittua. Kun säätöruuvi on saavuttanut urituslaitteen yläreunan, kierrä urituslaitetta putken ympäri vielä vähintään kaksi täyttä kierrosta, jotta uran syvyydestä tulisi tasainen.
8. Siirrä räikkäväännin syöttöruuviin. Tartu urituslaitteeseen tukevasti. Käännä syöttöruuvia vastapäivään ja nosta urarulla, jotta urituslaitteen voisi poistaa putkesta. Älä pudota urituslaitetta.
9. Tarkista ura.
  - Varmista, että se on kauttaaltaan riittävän syvä ja tasainen.
  - Tarkista uran syvyys ja varmista, että se on määritysten mukainen.
  - Tarkista myös sovittimen valmistajan muut suositukset ja ohjeet.

Jos ongelmia esiintyy, uraa ei voi käyttää.

## Huolto-ohjeet

### ⚠ VAROITUS

**Varmista ennen huoltoa tai säätöjä, että käyttölaitteen kytkin on OFF-asennossa ja laitteen pistoke irrotettu.**

### Voitelu

Voitele 975 Combo Roll Groover -yhdistelmärollaurituslaite hyvällä yleisrasvalla kerran kuussa.

- Rasvanipat ovat alustassa käyttäjän puolella, liukukappaleen etupuolella ja urarulla-akselin päässä (kuva 2). Lisää rasvaa, kunnes nipasta tulee sitä ulos hiukan.
- Voitele syöttöruuvi kevyesti rasvalla.
- 975 Combo Roll Grooverin vaihdelaatikko on rasvattu valmiiksi koko käyttöäksi, eikä sitä tarvitse rasvata uudelleen, jos sitä ei avata.

Lisää huoltotietoja on Tarkistus-kohdassa.

## Puhdistus

Puhdista vetoakselin pyällysreuna teräsharjalla päivittäin tai tarvittaessa useammin.

## Rullasarjojen vaihto

**HUOMAUTUS** Varmista rullasarjoja vaihtaessasi, että vetoakselin ja urarullan merkinnät vastaavat toisiaan. Väärät osat tuottavat heikkolaatuisia uria ja saattavat aiheuttaa vuotoja.

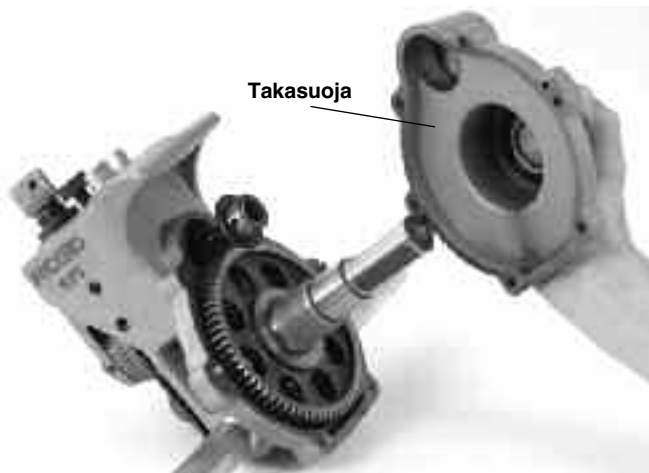
Poista urituslaite käyttö- tai kierteityslaitteesta ja aseta se vakaalle työpenkille.

Tarvittavat työkalut:

- $\frac{3}{8}$ "-n kuusiokoloavain
- $\frac{3}{32}$ "-n kuusiokoloavain
- 0,070"-n ulkoiset pidätinrengaspihdit.

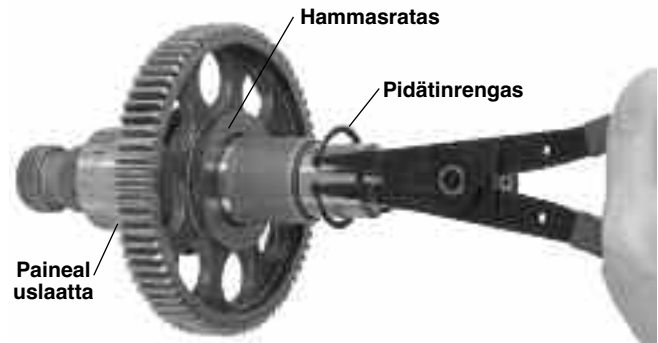
## Ohjausrullan irrotus ja asennus

1. Irrota takasuojan kiinnittävät kuusi ruuvia.
2. Irrota takasuoja (kuva 18).



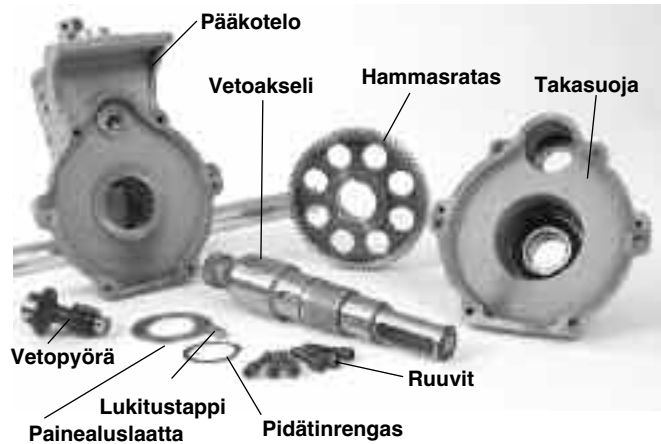
Kuva 18: Takasuojan poisto

3. Irrota vetopyörä.
4. Irrota vetoakselikokonaisuus urituslaitteen takaa.
5. Irrota pidätinrenkas vetoakselista ja vedä hammasratas pois. (Katso kuva 19.)



Kuva 19: Pidätinrenkaan poisto

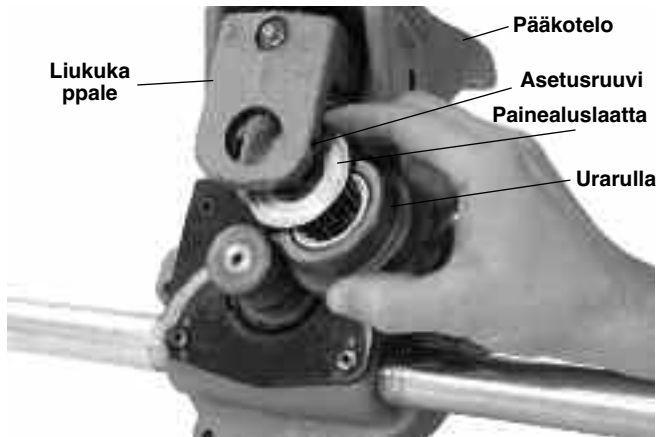
6. Irrota lukitustappi ja sitten painealuslaatta.
7. Työnnä painealuslaatta uuteen vetoakseliin.
8. Asenna lukitustappi ja sitten hammasratas.
9. Asenna pidätinrenkas vetoakselin uraan.
10. Aseta vetoakselikokonaisuus pääkoteloon.
11. Vaihdelaatikosta saattaa hävitä rasvaa vetoakselin vaihdon yhteydessä. Varmista, että laakerit ja hammasratiaan hampaat on rasvattu riittävästi hyvällä yleisrasvalla.
12. Asenna vetopyörä ja takakansi Kiristä ruuvit momenttiin 16–21 N·m.



Kuva 20: 975 Combo Roll Groover -yhdistelmärollaurituslaitteen osat

## Urarullan irrotus ja asennus

1. Irrota asetusruuvi, joka pitää urarulla-akselia paikallaan.
2. Vedä urarulla-akseli liukukappaleesta ja poista urarulla ja painealuslaatta.
3. Asenna painealuslaatta ja uusi urarulla liukukappaleeseen. Varmista, että urarullan sisäinen pidätinrenkas on lähinnä pääkoteloa ja että urarulla sijoittuu painealuslaatan ja pääkotelon väliin.



Kuva 21

4. Aseta urarulla-akseli ja asetusruuvi takaisin paikoilleen.
5. Tarkista urarullan ja ohjausrullan kohdistus silmämääräisesti. Jos ne eivät ole kohdakkain, tarkista urarullan ja painealuslaatan suunta.
6. Rasvaa Voitelu-kohdassa mainitut kohdat ohjeiden mukaan.

## Lisävarusteet

### VAROITUS

**Seuraavat RIDGID-tuotteet on tarkoitettu käytettäväksi 975 Combo Roll Groover -yhdistelmärullaurituslaitteen kanssa. Muiden työkalujen kanssa käytettäväksi tarkoitettuja lisävarusteita voivat olla vaarallisia, jos niitä käytetään 975 Combo Roll Groover -yhdistelmärullaurituslaitteen kanssa. Pienennä vakavan loukkaantumisen vaaraa käyttämällä ainoastaan lisävarusteita, jotka on tarkoitettu ja suositeltu käytettäväksi 975 Combo Roll Groover -yhdistelmärullaurituslaitteen kanssa. Tällaisia ovat esimerkiksi seuraavassa taulukossa luetellut.**

Tuotenumero	Kuvaus
60082	300 Power Drive -käyttölaite, 230 V 25-60 Hz
60077	300 Power Drive -käyttölaite, 115 V, 25-60 Hz
42360	300 Power Drive -laitteen teline 1206
50697	300 Compact, 230 V 25-60 Hz
50692	300 Compact, 115V 25-60 Hz
20391	300 Compact, 230 V 25-60 Hz (DK)
67662	300 Compact/1233 -laitteen sovitinkiinnike
58077	300 Compact/1233 -laitteen taitettava teline 250
72037	Siirrettävä Tristand-keijupuristin 460
56662	Korkea V-putkiteline VJ-99
76822	Läpimittanauha, tuumat
76827	Läpimittanauha, metrit
30708	Jatkovarsi, 0,5" vetoakseli, lukitus
30703	Räikkäväänin, 0,5" vetoakseli, 90° kulma
33043	Ura- ja ohjausrullat kupariputkille, joiden koko on 2"-8", tyypit K, L, M ja DWV

## Laitteen varastointi

**VAROITUS** Laite on varastoitava lukittuun tilaan, jossa se ei ole lasten tai sivullisten ulottuvilla. Laite voi aiheuttaa vakavia loukkaantumisia kouluttamattomien käyttäjien käytössä.

## Huolto ja korjaus

### VAROITUS

**Epätäydellisen huollon tai korjauksen jälkeen laitteen käyttö ei välttämättä ole enää turvallista.**

Huolto-ohjeet-kohdan ohjeet kattavat useimmat tämän laitteen huoltotarpeista. Jos laitteessa esiintyy ongelma, jota ei mainita tässä kohdassa, vain valtuutettu RIDGID-huoltoteknikko voi korjata sen.

Laite on vietävä itsenäiseen valtuutettuun RIDGID-huoltoliikkeeseen tai palautettava tehtaalle.

Tätä laitetta huollettaessa on käytettävä ainoastaan samanlaisia varaosia. Muiden osien käyttö voi aiheuttaa vakavan loukkaantumisen vaaran.

Jos sinulla on kysymyksiä tämän laitteen huollosta tai korjauksesta, soita seuraavaan numeroon tai kirjoita seuraavaan osoitteeseen:

Ridge Tool Company  
 Technical Service Department  
 400 Clark Street  
 Elyria, Ohio 44035-6001, USA  
 Puh. +1 (0)800 519 3456  
 Sähköposti: TechServices@ridgid.com

Tietoja lähimmästä itsenäisestä RIDGID-huoltoliikkeestä ja vastauksia huoltoon tai korjauksiin liittyviin kysymyksiin saat ottamalla yhteyttä lähimpään Ridge Toolin jälleenmyyjään.

Lähimmän Ridge Toolin edustajan löydät käymällä osoitteessa [www.RIDGID.com](http://www.RIDGID.com) tai [www.RIDGID.eu](http://www.RIDGID.eu).

Ridge Toolin tekniseen palveluosastoon saat yhteyden lähettämällä sähköpostia osoitteeseen [techservices@emerson.com](mailto:techservices@emerson.com) tai soittamalla Yhdysvalloissa ja Kanadassa numeroon (800) 519-3456

## Taulukko I: Vakioasetukset IPS-mitoitettujen putkien rollauritukseen

HUOMAA! Kaikki mitat on annettu tuumina.

PUTKEN NIM. KOKO	PUTKEN LÄPIMITTA		T SEIN. MIN. PAKS.	A TIIVISTEEN ISTUKKA +.015/-030	B URAN LEVEYS +.030/-015	C URAN LÄPIMITTA		D URAN NIM. SYVYYS (viit.) (2)
	ULM	TOL.				ULM	TOL.	
1 <sup>1</sup> / <sub>4</sub>	1.660	+0.016 -0.016	.065	.625	.344	1.535	+0.000 -0.015	.063
1 <sup>1</sup> / <sub>2</sub>	1.900	+0.016 -0.016	.065	.625	.344	1.775	+0.000 -0.015	.063
2 <sup>(1)</sup>	2.375	+0.024 -0.016	.065	.625	.344	2.250	+0.000 -0.015	.063
2 <sup>1</sup> / <sub>2</sub> <sup>(1)</sup>	2.875	+0.029 -0.016	.083	.625	.344	2.720	+0.000 -0.015	.078
3 <sup>(1)</sup>	3.50	+0.030 -0.018	.083	.625	.344	3.344	+0.000 -0.015	.078
3 <sup>1</sup> / <sub>2</sub> <sup>(1)</sup>	4.00	+0.030 -0.018	.083	.625	.344	3.834	+0.000 -0.015	.083
4 <sup>(1)</sup>	4.50	+0.035 -0.020	.083	.625	.344	4.334	+0.000 -0.015	.083
5 <sup>(1)</sup>	5.563	+0.056 -0.022	.109	.625	.344	5.395	+0.000 -0.015	.084
6 <sup>(1)</sup>	6.625	+0.050 -0.024	.109	.625	.344	6.455	+0.000 -0.015	.085

(1) AWWA C606-06 -määrittysten mukaan

(2) Uran nimellinen syvyys mainitaan vain viitemittana. Uran syvyyden mittauksella ei voida arvioida uran hyväksyttävyyttä.

## Taulukko II: Putkiseinämiä maksimi- ja minimipaksuudet

HUOMAA! Kaikki mitat on annettu tuumina.

Putken koko	HIILITERÄS- TAI ALUMIINI-PUTKI		RUOSTUMATON TERÄSPUTKI		PVC-PUTKI	
	Seinämän paksuus		Seinämän paksuus		Seinämän paksuus	
	Min.	Maks.	Min.	Maks.	Min.	Maks.
1 <sup>1</sup> / <sub>4</sub> "	.065	.140	.065	.140	.140	.140
1 <sup>1</sup> / <sub>2</sub> "	.065	.145	.065	.145	.145	.200
2"	.065	.154	.065	.154	.154	.154
2 <sup>1</sup> / <sub>2</sub> "	.083	.203	.083	.188	.203	.276
3"	.083	.216	.083	.188	.216	.300
3 <sup>1</sup> / <sub>2</sub> "	.083	.226	.083	.188	.226	.300
4"	.083	.237	.083	.188	.237	.300
5"	.109	.258	.109	.188	.258	.300
6"	.109	.280	.109	.188	.280	.300

## Taulukko III: Asetukset kupariputkien rollauritukseen

1	2		3	4	5	6	7	8
Nim. koko tuumina	Putken ulkoinen läpimitta ULM		A Tiivisteiden istukka A ±0.03	B Uran leveys +0.03 -0.000	C Uran l <sub>m</sub> +0.00 -0.02	D Uran syvyys viite <sup>1</sup>	T Sein. min. sallittu paks.	Lev. maks. sallittu l <sub>m</sub>
	Perusmitta	Toleranssi						
2"	2.125	±0.002	0.610	0.300	2.029	0.048	DWV	2.220
2 1/2"	2.625	±0.002	0.610	0.300	2.525	0.050	0.065	2.720
3"	3.125	±0.002	0.610	0.300	3.025	0.050	DWV	3.220
4"	4.125	±0.002	0.610	0.300	4.019	0.053	DWV	4.220
5"	5.125	±0.002	0.610	0.300	5.019	0.053	DWV	5.220
6"	6.125	±0.002	0.610	0.300	5.999	0.063	DWV	6.220
8"	8.125	+0.002/-0.004	0.610	0.300	7.959	0.083	DWV	8.220

1. Uran nimellinen syvyys mainitaan viitemittana. Uran syvyyden mittauksella ei voida arvioida uran hyväksyttävyyttä.

## Vianmääritys

OIRE	MAHDOLLISET SYYT	RATKAISU
<b>Rullaura on liian kapea tai leveä.</b>	Rullaura ja/tai vetoakseli on kulunut.	Vaihda urarulla ja/tai vetoakseli.
<b>Rullaura ei ole kohtisuorassa putken akselin suhteen.</b>	Putki ei ole suora. Putken pää ei ole kohtisuora putken akselin suhteen.	Käytä suoraa putkea. Leikkaa putken pää suoraan.
<b>Rutki ei ohjautu urituksen aikana / urituslaite ei ohjaa putkea urituksen aikana.</b>	Putki ja vetoakseli eivät ole samansuuntaiset. Putken akselia ei ole asetettu puolta astetta vinoon ohjauksella-akselin suhteen. Ohjauksrullan päällystreuna on tukkeutunut tai kulunut tasaiseksi. Syöttöruuvi ei ole kireällä.	Aseta putki samansuuntaiseksi säätämällä telinettä. Aseta putki puoli astetta vinoon. Puhdista tai vaihda ohjauksrulla.
<b>Putken uritettu pää on levinyt.</b>	Räikkäväännintä on kierretty väärään suuntaan. Putken sisäpinnalla on liikaa karstaa. Hitsisauma on liian koholla. Putkea ei paineta. Putken pää ei ole suora tai siitä ei ole poistettu särmiä. Syöttöruuvi on liian kireällä.	Kiristä syöttöruuvia räikkävääntimellä joka kierroksella ohjeiden mukaan. Kierrä räikkäväännintä oikeaan suuntaan. Puhdista putken sisäpinta. Hio hitsisauma tasaiseksi 5 cm:n pituudelta putken päästä. Paina putkea (katso kuva 10). Valmistelee putken pää kunnolla.
	Putki ja vetoakseli eivät ole samansuuntaiset. Syöttöruuvi on liian kireällä.	Käännä syöttöruuvia vain neljänneskierros kerrallaan. Aseta putki samansuuntaiseksi säätämällä telinettä. Käännä syöttöruuvia vain neljänneskierros.



**Vianmääritys (jatkuu)**

OIRE	MAHDOLLISET SYYT	RATKAISU
<b>Putki siirtyy edestakaisin ohjauksella-akselissa urituksen aikana.</b>	Putki ei ole suora. Putken pää ei ole kohtisuora putken akselin suhteen.	Käytä suoraa putkea. Leikkaa putken pää suoraan.
<b>Putki heiluu sivusuunnassa ohjauksella-akselissa urituksen aikana.</b>	Putkeline on liian lähellä putken päätä. Putken pää on litistynyt tai vaurioitunut. Putkimateriaalissa on kovia kohtia tai putkea kovempia hitsisaumoja. Urarullan syöttönopeus on liian hidas. Käyttölaitteen nopeus on yli 57 kierr/min. Putken tukitelineitä ei ole sijoitettu oikein.	Siirrä putkelineitä valmisteluohjeiden mukaan. Leikkaa putken vaurioitunut pää. Käytä toista putkea. Syötä urarulla putkeen nopeammin. Vähennä nopeus tasolle 57 kierr/min. tai vähemmän. Sijoita tukitelineet oikein.
<b>Urituslaite ei urita putkea.</b>	Putkiseinämän maksimipaksuus on ylitetty. Putkimateriaali on liian kova. Säätöruuvia ei ole säädetty. Käyttölaite ei tuota vaadittavaa minimivääntömomenttia.	Katso lisätietoja putkikapasiteettitaulukosta. Vaihda putki. Määritä syvyys. Käytä RIDGID-laitetta 300, Power Drive tai 300 Compact tai 1233.
<b>Urituslaite ei urita putkea haluttuun läpimittaan.</b>	Putken maksimiläpimitan toleranssi on ylitetty. Syvyydensäätöruuvia ei ole säädetty oikein. Putki on liian kova.	Käytä oikean läpimitan putkea. Sääda syvyyasetusta. Käytä toista putkea.
<b>Putki luistaa ohjauksella-akselissa.</b>	Urarullan syöttönopeus on liian hidas. Ohjauksella-akselin pyällysreuna on metallin tukkima tai tasaiseksi kulunut.	Syötä urarulla putkeen nopeammin. Puhdista tai vaihda ohjauksella-akseli.
<b>Urituslaite ei käännä putkea urituksen aikana.</b>	Käyttölaite ei tuota vaadittavaa minimivääntömomenttia. Istukkaa ei ole suljettu vetoakselin tasaisiin kohtiin.	Käytä RIDGID-laitetta 300, Power Drive tai 300 Compact tai 1233. Sulje istukka.
<b>Putki kohoaa tai melkein kaataa urituslaitteen taaksepäin.</b>	Putken tukitelineitä ei ole sijoitettu oikein.	Aseta telineet oikein.

975

# Combo Roll Groover




**RIDGID**<sup>®</sup>


## Innhold

<b>Sikkerhetssymboler</b> .....	226
<b>Generell sikkerhetsinformasjon</b>	
Sikkerhet på arbeidsstedet.....	226
Elektrisk sikkerhet .....	226
Personlig sikkerhet.....	227
Bruk og vedlikehold av verktøyet .....	227
Service .....	227
<b>Spesifikk sikkerhetsinformasjon</b>	
Rullegjengersikkerhet.....	228
Rullegjengersikkerhet ved bruk med elektrisk drev / gjengemaskin .....	228
Rullegjengersikkerhet ved bruk på stedet .....	228
<b>Beskrivelse, spesifikasjoner og standardutstyr</b>	
Beskrivelse .....	228
Spesifikasjoner.....	229
Standardutstyr .....	229
<b>Rullegjengerinspeksjon</b> .....	229
Oppsett av maskin- og arbeidsområde for bruk med elektrisk drev	
Montere 975 Combo Groover på en RIDGID 300 Power Drive .....	231
Montere 975 Combo Groover på en RIDGID 300 Compact/1233 gjengemaskin .....	231
Fullføre oppsett .....	232
Klargjøring av rør .....	233
Røroppsett i rullegjenger .....	234
<b>Bruke 975 Combo Roll Groover med et elektrisk drev / gjengemaskin</b>	
Stille inn / måle gjengediameter .....	234
Forme rullegjengen .....	235
Stille inn gjengediameter for kobberrør .....	236
Springstips for 975 Combo Roll Groover .....	236
<b>Oppsett av maskin- og arbeidsområde for bruk med elektrisk drev</b>	
Klargjøring av rør .....	238
Montere rullegjengeren til røret .....	238
<b>Bruke 975 Combo Roll Groover på stedet</b>	
Stille inn / måle gjengediameter .....	239
Forme rullegjengen .....	240
<b>Vedlikeholdsinstruksjoner</b>	
Smøring .....	240
Rengjøring .....	241
Skifte ut rullesett.....	241
<b>Tilbehør</b> .....	242
Maskinoppbevaring.....	242
<b>Service og reparasjon</b> .....	242
<b>Tabell I. Standard rullegjengespesifikasjoner</b> .....	243
<b>Tabell II. Maksimum og minimum rørvegtykkelse</b> .....	243
<b>Tabell III. Kobberrullegjengespesifikasjoner</b> .....	244
<b>Feilsøking</b> .....	244–245

## Sikkerhetssymboler

I denne bruksanvisningen og på selve produktet benyttes sikkerhetssymboler og signalord for å kommunisere viktig sikkerhetsinformasjon. Hensikten med denne delen er å gi en bedre forståelse av disse signalordene og symbolene.


 Dette er sikkerhetssymbolet. Det brukes til å varsle om mulig fare for personskade. Følg alle sikkerhetsmeldingene som følger dette symbolet for å unngå personskade eller dødsfall.

 **FARE** FARE indikerer en farlig situasjon som kan føre til dødsfall eller alvorlig personskade hvis den ikke unngås.


 **ADVARSEL** ADVARSEL indikerer en farlig situasjon som kan føre til dødsfall eller alvorlig personskade hvis den ikke unngås.


 **FORSIKTIG** FORSIKTIG indikerer en farlig situasjon som kan føre til en mindre eller moderat personskade hvis den ikke unngås.

 **MERKNAD** MERKNAD indikerer informasjon som gjelder beskyttelse av eiendeler.

 Dette symbolet betyr les bruksanvisningen nøye før utstyret tas i bruk. Bruksanvisningen inneholder viktig informasjon om trygg og korrekt bruk av utstyret.


 Dette symbolet betyr bruk alltid sikkerhetsbriller med sidebeskyttelse eller heldekkende vernebriller når du håndterer dette utstyret, for å redusere risikoen for øyeskade.

 Dette symbolet betyr risiko for at fingre og hender kan bli klemt mellom gjengerullene.

 Dette symbolet betyr risiko for at hender, fingre, bein, klær og andre objekter kan settes fast i og/eller vikles inn i roterende aksler og utsettes for klem- eller slagskader.

 Dette symbolet betyr at drill, slagverktøy eller annet el-verktøy ikke bør brukes til å drive denne enheten når den er i bruk på stedet.

 Dette symbolet betyr risiko for at maskinen kan velte og forårsake slag- eller klemskader.

 Dette symbolet betyr at du alltid må bruke en fotbryter ved bruk av gjengemaskin / elektrisk drev.

 Dette symbolet betyr at du må bruke hjelm når du jobber over hodehøyde, for å redusere risikoen for hodeskader.

## Generell sikkerhetsinformasjon

### **ADVARSEL**

Les og sett deg inn i alle instruksjoner. Unnlatelse i å følge alle instruksjonene som er oppført nedenfor, kan føre til elektrisk støt, brann og/eller alvorlig personskade.

#### **TA VARE PÅ DISSE INSTRUKSJONENE**

Uttrykket "el-verktøy" i advarslene referer til verktøy som bruker strøm, enten verktøy med ledning som er tilkoblet nettet, eller verktøy uten ledning, dvs. batteridrevet.

### Sikkerhet på arbeidsstedet

- **Hold arbeidsstedet rent og godt belyst.** Det oppstår lettere uhell på rotete eller mørke arbeidssteder.
- **Bruk ikke el-verktøy i omgivelser med eksplosive stoffer, som for eksempel i nærheten av brennbare væsker, gasser eller støv.** El-verktøy danner gnister som kan antenne støv eller damper.
- **Hold barn og andre personer på avstand mens el-verktøyet brukes.** Hvis du blir distraheret, kan du miste kontrollen.

- **Hold gulv tørre og fri for glatte materialer som olje.** Det oppstår lettere uhell på glatte gulv.
- **Gjerd inn eller sperr av området når arbeidsstykket er lengre enn maskinen.** Et gjerde eller en sperre som gir en klaring på minimum én meter rundt arbeidsstykket, reduserer risikoen for innvikling.

### Elektrisk sikkerhet

- **Støpselet til el-verktøyet må passe til stikkontakten. Støpselet må ikke modifiseres på noen måte. Bruk ikke adapterstøpsler med jordede el-verktøy.** Umodifiserte støpsler og passende stikkontakter reduserer faren for elektrisk støt.
- **Unngå kroppskontakt med jordede overflater som for eksempel rør, radiatorer, komfyrer og kjøleskap.** Det er økt fare for elektrisk støt hvis kroppen din er jordet.
- **El-verktøy må ikke eksponeres for regn eller fuktighet.** Risikoen for elektrisk støt øker hvis det kommer vann inn i et el-verktøy.
- **Strømledningen må håndteres forsiktig. Bruk ikke strømledningen til å bære eller trekke el-verktøyet, og**

trekk ikke støpselet ut av kontakten ved å dra i strømledningen. Hold strømledningen unna varme, olje, skarpe kanter og bevegelige deler. Skadde eller flokete strømledninger øker risikoen for elektrisk støt.

- Hvis el-verktøyet brukes utendørs, må det brukes en skjoteledning som er egnet for bruk utendørs. Bruk av en ledning som er egnet for bruk utendørs, reduserer risikoen for elektrisk støt.
- Hvis el-verktøyet må brukes i fuktige omgivelser, må det brukes en strømforsyning med jordfeilbryter. Dette reduserer risikoen for elektrisk støt.

## Personlig sikkerhet

- Vær årvåken og oppmerksom på det du gjør og bruk sunn fornuft når du bruker el-verktøy. Bruk ikke el-verktøy hvis du er trett eller påvirket av narkotika, alkohol eller medisiner. Et øyeblikks uoppmerksomhet når du bruker el-verktøy, kan føre til alvorlig personskade.
- Bruk personlig verneutstyr. Bruk alltid vernebriller. Bruk av verneutstyr som støvmaske, vernesko med antisklisåle, hjelm og hørselsvern der forholdene krever det, reduserer faren for personskader.
- Påse at du ikke starter utstyret utilsiktet. Påse at bryteren er i off-stilling (av) før du kobler verktøyet til strømforsyningen og/eller batteriet, og før du plukker opp eller bærer verktøyet. Faren for ulykker øker hvis du bærer el-verktøy med fingeren på bryteren eller tilfører strøm til verktøy som har bryteren slått på.
- Fjern eventuelle skiftenøkler eller skrunøkler før du slår på el-verktøyet. Dersom en skrunøkkel eller nøkkel er festet til en roterende del av el-verktøyet, kan det føre til personskade.
- Ikke strekk deg for langt. Sørg for å ha sikkert fotfeste og god balanse hele tiden. Dette gir bedre kontroll over el-verktøyet i uforutsette situasjoner.
- Kle deg riktig. Unngå løstsittende klær eller smykker. Sørg for å holde hår, klær og hansker unna bevegelige deler. Løse klær, smykker og langt hår kan fanges i bevegelige deler.
- Hvis det er mulighet for tilkobling av enheter for støvavsug og støvoppsamling, må slike enheter kobles til og brukes riktig. Bruk av støvoppsamlere kan redusere faren i forbindelse med støv.

## Bruk og vedlikehold av verktøyet

- Ikke tving verktøyet. Bruk korrekt verktøy for jobben som skal gjøres. Korrekt verktøy sikrer at jobben utføres bedre og sikrere i hastigheten det er laget for.

- Ikke bruk verktøyet hvis bryteren ikke slår verktøyet PA og AV. Verktøy som ikke kan kontrolleres med bryteren, er farlig og må repareres.
- Trekk ut støpselet fra kontakten og/eller koble batteriet fra verktøyet for du foretar noen justeringer, bytter tilbehør eller setter verktøyet til oppbevaring. Slike forebyggende sikkerhetstiltak reduserer risikoen for at verktøyet kan startes opp ved et uhell.
- Verktøy som går på tomgang, må oppbevares utenfor barns rekkevidde. Personer som ikke er kjent med bruken av verktøyet eller med disse instruksjonene, må ikke bruke verktøyet. Verktøy er farlige i hendene på brukere som ikke har fått opplæring.
- Vedlikehold verktøy. Kontroller for skjevinnstillinger eller fastkiling i bevegelige deler, at det ikke er brudd på deler eller andre forhold som kan redusere verktøyets ytelse. Hvis verktøyet er skadet, må det repareres før bruk. Mange ulykker skyldes dårlig vedlikeholdt verktøy.
- Bruk kun tilbehør som er anbefalt for ditt verktøy. Korrekt vedlikeholdt skjæreverktøy med skarpe skjærekanter reduserer risikoen for kiling og er lettere å kontrollere.
- Hold håndtakene tørre og rene, tork av olje og fett. Det gir bedre kontroll over verktøyet.

## Service

- Få verktøyet ditt undersøkt av en kvalifisert reparatør som kun bruker identiske deler ved utskifting. Dette sikrer at verktøyets sikkerhet opprettholdes.

## Spesifikk sikkerhetsinformasjon

### ⚠ ADVARSEL

Denne delen inneholder viktig sikkerhetsinformasjon som er spesifikk for dette verktøyet.

Les disse forholdsreglene nøye før bruk av 975 Combo Roll Groover for å redusere risikoen for alvorlig personskade.

### TA VARE PÅ DISSE INSTRUKSJONENE!

Ring til Ridge Tool Company, Teknisk serviceavdeling på telefonnummer 1234 800-519-3456 eller techservices@ridgid.com om du har spørsmål.

## Rullegjengersikkerhet

- Ikke bruk løstsittende klær. Knapp igjen ermer og jakke. Ikke strekk deg over maskinen eller røret. Klær kan fanges opp av røret eller andre roterende deler og kan føre til innvikling og alvorlig personskade.

- **Hold hendene unna gjengerullene. Du må ikke lage gjengene kortere enn spesifisert. Ikke bruk løstsittende hansker.** Fingre kan bli klemt mellom gjengerullene eller mellom gjengerullen og røret.
- **Hold hendene unna rørendene. Ikke før hånden inn i røret.** Du kan skade deg på ujevnheter og skarpe kanter. Fingre kan bli klemt mellom gjengerullene eller mellom gjengerullen og røret.
- **Reparer og håndter røret korrekt.** Du kan skade deg på ujevnheter og skarpe kanter.
- **Støtt røret ordentlig.** Dette vil bidra til å hindre at rør og utstyr velter.
- **Les og sett deg inn i denne bruksanvisningen, korrekt bruksanvisning for elektrisk drev eller gjengemaskin, produsentens installasjonsanvisninger og bruksanvisningene for annet utstyr som brukes med dette verktøyet, før du tar RIDGID® 975 Combo Roll Groover i bruk.** Hvis disse anvisningene ikke følges, kan det føre til skade på eiendom og/eller alvorlig personskade.
- **Bruk alltid passende personlig verneutstyr ved oppsett og bruk av RIDGID 975 Combo Roll Groover.** Passende personlig verneutstyr inkluderer alltid vernebriller og kan inkludere utstyr som tettsittende skinnhansker, vernesko med ståltupp og hjelm.
- **Bruk kun rullegjengeren til å gjenge rør med anbefalte størrelser og typer ifølge disse anvisningene.** Å bruke eller endre rullegjengeren for andre formål kan øke risikoen for personskade.

### **Rullegjengersikkerhet ved bruk med elektrisk drev / gjengemaskin**

- **Bruk kun RIDGID 300 Power drive eller 300 Compact Threading Machine med 975 Combo Roll Groover.** Bruk av andre elektriske kilder fører til feilaktig oppsett, og kan forårsake velt eller andre problemer.
- **Ikke bruk denne rullegjengeren med et elektrisk drev eller en gjengemaskin som ikke har en fotbryter. Blokker aldri en fotbryter slik at den ikke kontrollerer det elektriske drevet.** En fotbryter gir bedre kontroll fordi den kobler fra det elektriske motordrevet når du fjerner foten fra den. Hvis klær skulle sette seg fast i maskinen og motoren går, vil klærne bli dratt inn i maskinen. Denne maskinen har høyt kraftmoment, og kan vikle klær rundt en arm eller andre kroppsdeler med tilstrekkelig kraft til å knuse eller bryte bein eller forårsake slagskader eller andre skader.
- **Samme person må kontrollere både gjengeprosessen og fotbryteren. Må ikke brukes av mer enn én person.** Hvis innvikling skulle oppstå, må operatøren ha kontroll over fotbryteren.

- **Bruk kun elektriske drev og gjengemaskiner med en rotasjonshastighet på 57 o/min eller mindre.** Maskiner med høyere hastighet øker risikoen for personskade.
- **Påse at rullegjengeren settes opp korrekt og festes til elektrisk drev / gjengemaskin. Påse at maskin, stativ, gjenger og rør er stabile.** Dette vil bidra til å hindre velt av utstyr og rør.

### **Rullegjengersikkerhet ved bruk på stedet**

- **Bruk kun manuelt drev ved bruk på stedet. Ikke bruk elektriske enheter (som drill eller slagverktøy) til å drive rullegjengeren ved bruk på stedet.** Bruk av elektriske enheter kan skade gjengen og øke risikoen for personskade.
- **Ved arbeid over hodehøyde skal alt personell bruke hjelm, og ingen må stå under arbeidsområdet.** Dette hindrer alvorlige skader hvis rullegjenger, rør eller andre objekter faller.

## **Beskrivelse, spesifikasjoner og standardutstyr**

### **Beskrivelse**

RIDGID® 975 Combo Roll Groover lager rullegjenger i stål, aluminium og PVC-rør, og gjenger rør på 1¼" til 6" diameter med veggtykkelse 10 og 40. Den er også laget for å gjenge rør i rustfritt stål i størrelsen 1¼" til 6" med veggtykkelse 10 og 1¼" til 2" med veggtykkelse 40. Den kan også tilpasses for 2–8" kobberrør i type K, L, M og DWV med reserverullesett. Gjengene lages ved å føre en gjengerull mekanisk inn på røret som støttes av en drivrull. Den eneste justeringen som er nødvendig, er gjengens dybde.

Enheten er laget spesielt for bruk enten på stedet eller med RIDGID-modell 300 Power drive (modeller med 38 og 57 o/min). Med passende adapter (kat. #67662), kan enheten arbeide med RIDGID Model 300 Compact Threading Machine. 975 Combo Roll Groover inkluderer et patentert gjengedybdemål for å hjelpe med oppsett av gjenge og patenterte funksjoner for å forbedre sporing ved bruk.

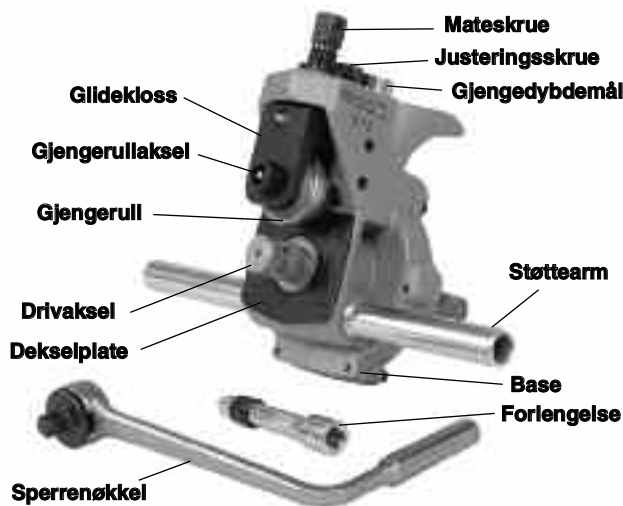
975 Combo Roll Groover er en bærbar enhet som er beregnet på sporadisk bruk på jobbstedet, og bør ikke brukes for et høyt arbeidsvolum eller for produksjonsarbeid i et rørproduksjonsverksted.

**MERKNAD** Ved korrekt bruk, lager modell 975 Combo Roll Groover gjenger på 2–5" som er dimensjonalt innenfor spesifikasjonene til AWWA C606-06. Det er systemdesigners og/eller installatørs ansvar å velge passende materialer og sammenføyingsmetoder. Før installasjon må det bestemte arbeidsmiljøet vurderes nøye, inkludert kjemisk miljø og driftstemperatur.

## Spesifikasjoner

Kapasitet.....	1¼–6" stålrør med veggtykkelse 10 og 40 Med reserverull: 2–8" kobberør, type K, L, M og DWV
Gjengediameter	
Justering .....	Justeringskrue og gjengedybdemål
Aktivering.....	Mateskrue med ½" sperrenøkkel
Montere elektrisk drev .....	RIDGID 300 Power drive (kun modeller med 38 og 57 o/min) RIDGID 300 Compact Threading Machine (med adapter)
Vekt.....	12,25 kg.

975 Combo Roll Groover er beskyttet av amerikanske og internasjonale patenter, inkludert patentene 6 272 895 og 6 591 652.



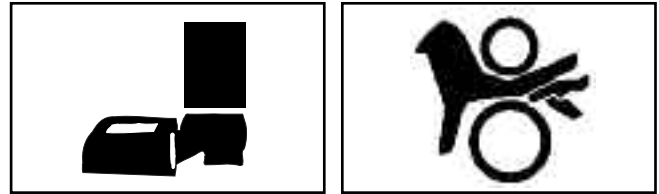
Figur 1 – 975 Combo Roll Groover

## Standardutstyr

Gjenge- og drivruller på 1¼–6" med veggtykkelse 10 og 40  
Sperrenøkkel (½" drev) med utløserknapp  
Låseforlengelsesdrev  
Støttearmer  
Integrert indeksdybdemål

## Rullegjengerinspeksjon

### ⚠ ADVARSEL



**Inspiser rullegjengeren før hver bruk, og rett opp eventuelle problemer for å redusere risikoen for alvorlige klemskader og andre personskader og forebygge skade på rullegjenger.**

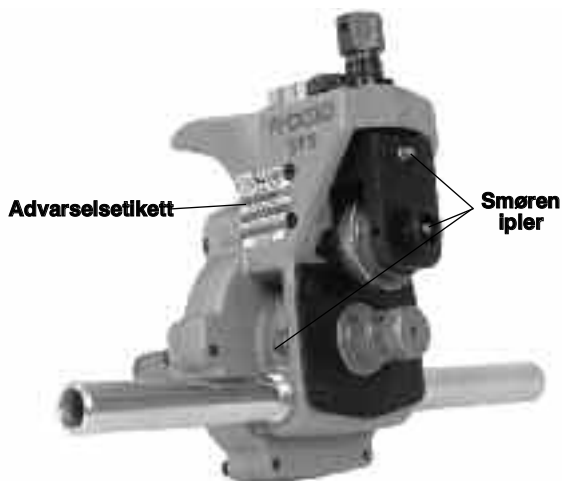
**Ikke bruk denne rullegjengeren med et elektrisk drev/ eller en gjengemaskin som ikke har en fotbryter.**

1. Hvis rullegjengeren er installert på et elektrisk drev eller en gjengemaskin, påse at maskinen er koblet fra og at REV/OFF/FOR-bryteren er i OFF-stilling (av). Inspiser og oppretthold det elektriske drevet / gjengemaskinen som anvist i brukerhåndboken. Hvis utstyret ikke inspiseres og vedlikeholdes, kan det føre til alvorlige skader på person og eiendom. Sørg for at en fotbryter er i bruk og fungerer som den skal. Ikke bruk denne rullegjengeren uten en fotbryter.
2. Tørk av eventuell olje, fett eller smuss fra rullegjengeren, inkludert bærehåndtaket og sperrenøkkelen som brukes for å aktivere rullegjengeren. Dette reduserer risiko for personskade pga. at gjengen eller sperrenøkkelen glipper fra grepet ditt ved bruk, og gjør det enklere å inspiseres.
3. Påse at støttearmene er i kontakt med rullegjengeren.
4. Inspiser rullegjengeren for eventuelle ødelagte, manglende, feilmonteerte eller fastkilte deler, eller annet som kan hindre sikker og normal drift. Påse at gjengerullen og drivakselen roterer uhindret.
5. Sjekk at advarselsetiketten er på plass og sitter godt. Se figur 2 for plassering av advarselsetiketten.
6. Hvis drivakselknottene er skitne, rengjøres de med en stålbørste. Skitne knotter kan forårsake at røret glir og gi sporingsproblemer ved gjenging.
7. Inspiser gjengerullen og drivakselen for sprekker, slitasje eller andre tegn på skade. Skadde gjengeruller og drivaksl-er kan forårsake at røret glir, gjenger av dårlig kvalitet eller feil ved bruk.
8. Inspiser om sperrenøkkel og forlengelse fungerer korrekt. Påse at sperrenøkkelen går jevnt og konsekvent i begge retninger. Trykk på utløserknappen i midten av sperrehodet, og installer mateskruen. Sperrenøkkelen skal låse seg sikkert i stilling. Sperrenøkkelen bør også låse seg sikkert på forlengelsen, og forlengelsen bør låses sikkert på det manuelle drevkvadratet på baksiden av rullegjengeren. Dette bidrar

til å hindre at sperrenøkkelen og forlengelsen løsner fra rullegjengeren ved bruk. Ved bruk av en annen sperrenøkkel, nøkkel eller forlengelse som ikke låser seg til rullegjengeren, vær oppmerksom på at den kan løsne ved bruk.

Hvis det oppstår et problem, ikke bruk maskinen før problemene har blitt rettet opp.

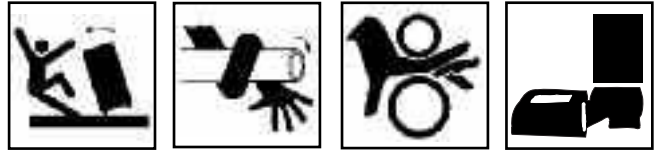
9. Smør rullegjengeren ifølge vedlikeholdsinstruksjonene i denne håndboken. Tørk av eventuelt overskytende fett fra rullegjengeren.
10. Hvis annet utstyr brukes, inspiser og vedlikehold dette for å påse at det fungerer som det skal.



Figur 2 – 975 Combo Roll Groover-advarselsetikett

## Oppsett av maskin- og arbeidsområde for bruk med elektrisk drev

### ⚠ ADVARSEL



**Bruk alltid øyebeskyttelse for å beskytte øynene dine mot smuss og fremmedlegemer. Bruk fottøy med ståltupp for å beskytte føttene mot verktøy som velt-er og rør som faller.**

**Ikke bruk denne rullegjengeren med et elektrisk drev eller en gjengemaskin som ikke har en fotbryter. Blokker aldri en fotbryter slik at den ikke kontrollerer det elektriske drevet. En fotbryter gir bedre kontroll fordi den kobler fra det elektriske motordrevet når du fjerner foten fra den. Hvis klær skulle sette seg fast i maskinen når motoren til det elektriske drevet går, blir klærne dratt inn i maskinen. Denne maskinen har høyt kraftmoment, og kan vikle klær rundt en arm eller andre kroppsdeler med tilstrekkelig kraft til å knuse eller bryte bein eller forårsake slag- eller andre skader.**

**Sett opp rullegjengeren og arbeidsområdet i henhold til disse prosedyrene for å redusere risikoen for skade fra elektrisk støt, brann, maskinvelt, innvikling, klemming og annet og forebygge skade på rullegjenger.**

1. Finn et arbeidsområde som har følgende:
  - Tilstrekkelig lys.
  - Ingen brennbare væsker, damper eller støv som kan antennes. Hvis noe av dette blir funnet, må du ikke jobbe på stedet før kildene er funnet og problemet løst. Elektriske drev og gjengemaskiner er ikke eksplosjonsbestandige, og kan forårsake gnister.
  - Ryddig, jevnt, stabilt og tørt sted for alt utstyr og operatør. Ikke bruk utstyret når du står i vann.
  - Korrekt jordet elektrisk stikkontakt. En trefaset stikkontakt eller en stikkontakt med jordfeilbryter vil kanskje ikke være korrekt jordet. Be en autorisert elektriker undersøke stikkontakten hvis du er i tvil.
  - Sørg for at det er fri passasje til stikkontakten, og at det ikke er noe der som kan skade strømledningen.
2. Rengjør arbeidsområdet før oppsett av utstyr. Tørk alltid opp eventuell olje.



- Inspiser røret som skal gjenges, og bekreft at 975 Combo Roll Groover er korrekt verktøy for jobben. 975 Combo Roll Groover er laget for å gjenge stål-, aluminiums- og PVC-rør med vegtykkelse 10 og 40 i 1/4–6"-størrelser. Det er også designet for å gjenge rør av rustfritt stål i størrelsen 1/4–6" med vegtykkelse 10 og 1/4–2" med vegtykkelse 40. Ved å bytte rullesett kan det brukes til å gjenge 2–8" kobberrør av type K, L, M og DWV.

975 Combo Roll Groover kan brukes på stedet (rør som er på plass eller festet i en skrustikke) eller med RIDGID 300 Power drive eller 300 Compact Threading Machine til bruk med elektriske drev på jobbstedet. 975 Combo Roll Groover er ikke beregnet brukt i produksjon.

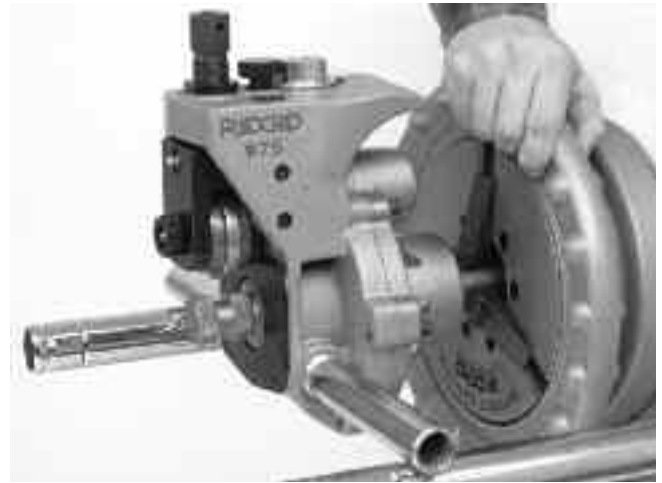
Du finner rullegjenger for andre bruksområder ved å konsultere Ridge Tool-katalogen, gå til [www.RIDGID.com](http://www.RIDGID.com) på nett, eller ringe Ridge Tool brukerstøtte på 1234 800-519-3456.

**MERKNAD** Bruk av rullesett (gjengerull og drivaksel) på rør av både karbon og rustfritt stål kan føre til kontaminasjon av materialet i rustfritt stål. Denne kontaminasjonen kan føre til korrosjon og for tidlig rørsvikt. For å hindre jernkontaminering av rør i rustfritt stål, bruk rullesett som er laget for rullegjenging av rustfritt stål. Du kan alternativt bruke en børste i rustfritt stål for å rengjøre rullesettet grundig når du bytter materiale.

- Påse at elektrisk drev / gjengemaskin har blitt inspisert ifølge respektiv håndbok. Kontroller tilstedeværelse av fotbryter og påse at FOR/OFF/REV-bryteren er i OFF-stilling. Sett opp elektrisk drev / gjengemaskin som anvist i respektiv håndbok. Påse at maskin og stativ er stabile, og at de ikke vakler.
- Åpne chuck for elektrisk drev / gjengemaskin helt opp.
- Bekreft at 975 Combo Roll Groover har blitt inspisert og har passende rullesett installert.

### Montere 975 Combo Groover på RIDGID 300 Power drive

- Hvis det elektriske drevet er utstyrt med en vogn eller annet tilbehør, fjern dette fra det elektriske drevet. Påse at støttearmene for det elektriske drevet er fullt forlenget og gjort fast i stilling.
- Plasser støttearmene til rullegjengeren på støttearmene til det elektriske drevet og enden på rullegjengeren i chucken til maskinen. Lukk og stram til det elektriske drevets chuck på flatene til drivakselen. Påse at drivakselen er sentrert i chucken. Drei hastighetschuckens hammerhjul kraftig mot klokken gjentatte ganger for å feste drivakselen sikkert (figur 3).

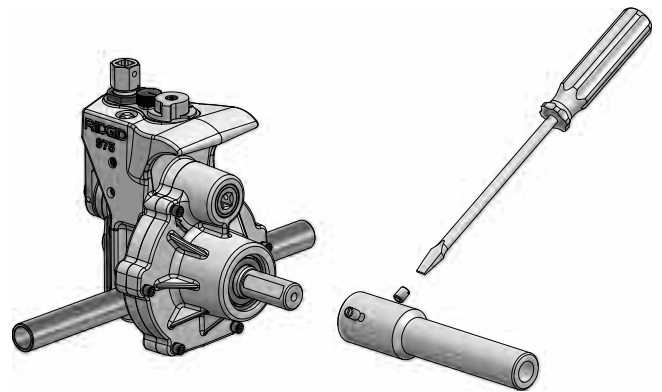


Figur 3 – Montere 975 Combo Roll Groover på 300 Power drive Chuck

### Montere 975 Combo Groover på en RIDGID 300 Compact/1233 gjengemaskin

Hvis 975 Combo Roll Groover brukes sammen med en 300 Compact/1233 gjengemaskin, må et adaptersett brukes (katalognummer 67662). Dette adaptersettet stiller 975 Combo Roll Groover korrekt i forhold til gjengemaskinen og stativet, og gjør det mulig å gjenge hele størrelsesrekken. Ikke prøv å bruke 975 Combo Groover med en annen gjengemaskin, ettersom velt eller andre problemer kan oppstå.

1. Installer drivakseladapteren på drivakselen til rullegjengeren (se figur 4). Still settskruene med flatene på linje med rullegjengerens drivaksel og stram godt til.



Figur 4 – Installere drivstangadapter

2. Flytt vognen på 300 Compact/1233 gjengemaskin så nær chucken på maskinen som mulig. Flytt freser-, brotsj- og formhodet i stilling bort fra operatør, slik at de ikke er i veien. Still brotsjkonen inni formhodet.

3. Plasser adapterbraketten over enden av skinnene på 300 Compact/1233 (som vist i figur 5), og lås den på plass med bolten



**Figur 5 – Installere adapterbrakett**

4. Plasser 975-støttearmene på armene til adapterbraketten med drivstangadapteren i chucken til maskinen. Lukk og stram til gjengemaskinchucken på drivstangadapteren. Påse at drivstangen er sentrert i chucken. Drei hastighetschuckens hammerhjul kraftig mot klokken gjentatte ganger for å feste drivstangen sikkert



**Figur 6 – 975 Combo Roll Groover korrekt montert på 300 Compact Threading Machine**

### Fullføre oppsett

1. Still fotbryteren slik at operatøren kan kontrollere elektrisk drev / gjengemaskin, rullegjenge og røret som skal gjenges. Som vist i figur 6, skal stillingen gjøre det mulig for operatøren å:
  - stå vendt mot rullegjengeren med tilgang til (på samme side som) FOR/OFF/REV-bryteren (forover/av/revers)

- kontrollere ON/OFF-handling (på/av) med fotbryter og raskt slippe fotbryter hvis nødvendig
- ha enkel tilgang til rullegjenger, rør og sperrenøkkel uten å måtte strekke seg over rullegjengeren



**Figur 7 – Operatørstilling**

2. Legg strømledningen langs den tidligere identifiserte klare banen. Koble det elektriske drevet til en korrekt jordet stikkontakt med tørre hender. Sørg for å holde alle elektriske tilkoblinger tørre og over bakken. Hvis strømledningen ikke er lang nok, bruk en skjøteledning som:
  - er i god stand
  - har et støpsel med tre ledere, som støpselet på det elektriske drevet
  - er klassifisert for utendørs bruk og inneholder en W eller W-A i ledningstildelingen (f.eks. SOW)
  - har tilstrekkelig ledningsstørrelse (14 AWG for 25" eller mindre, 12 AWG for 25–50" lang Ledninger som er for små kan bli overopphetet, isolasjonen kan smelte eller forårsake brann eller annen skade.
3. Kontroller elektrisk drev / gjengemaskin for korrekt funksjon:
  - Flytt bryteren til FOR-stilling (fremover). Trykk på og slipp fotbryteren. Bekreft at drivakselen roterer mot klokken når du står rett overfor fremre chuck. Hvis enheten ikke roterer i korrekt retning eller fotbryter ikke kontrollerer maskindriften, må ikke maskinen brukes før den har blitt reparert.

- Trykk og hold nede fotbryteren. Kontroller rotasjons-hastigheten til enheten. Inspiser bevegelige deler for skjevinnstilling, fastkiling, merkelige lyder eller andre uvanlige tilstander. Slipp opp fotbryteren. Ikke bruk enheten til rullegjenging hvis rotasjonshastigheten overskrider 57 o/min. Høyere hastigheter øker risikoen for personskade. Hvis uvanlige tilstander oppdages, må ikke utstyret brukes før det har blitt reparert.
- Flytt bryteren til REV-stilling (revers). Trykk på og slipp fotbryteren. Bekreft at drivakselen roterer med klokken når du står rett overfor fremre chuck. Hvis enheten ikke roterer i korrekt retning, må ikke maskinen brukes før den har blitt reparert.
- Flytt bryteren til OFF-stilling (av). Koble fra maskinen med tørre hender.

### Klargjøring av rør

**MERKNAD** Disse instruksjonene er generelle. Følg alltid gjengekoblingsprodusentens spesifikke anbefalinger for klar-gjøring av rørende. Hvis koblingsprodusentens anbefalinger ikke følges, kan det føre til dårlig kobling og lekkasje.

1. Kutt røret til korrekt lengde. Vær oppmerksom på minimum rørlengde som kan gjenges for hver rørstørrelse (se tabell A). Å gjenge rør som er kortere enn minimumslengden øker risikoen for personskader som knuste fingre og innvikling.

Påse at rørenden er kuttet rett og er fri for ujevnheter. Ujevnheter kan fange eller skjære hansker eller fingre ved gjenging. Avkuttingsmetode og store ujevnheter kan påvirke kvaliteten til gjengen som lages og gjengens sporing. Ikke prøv å gjenge rør som har blitt kuttet med skjærebrenner.

2. Alle interne/eksterne sveisestrenger, -punkter og -sømmer må slipes glatte minst 2" bakover fra rørenden. Ikke kutt flater i pakningens seteområde. Det kan forårsake lekkasjer.
3. Fjern all kalk, smuss, rust og andre kontaminanter minst 2" bakover fra rørenden. Kontaminanter kan tette drivknottene og hindre korrekt kjøring og sporing av røret ved gjenging.

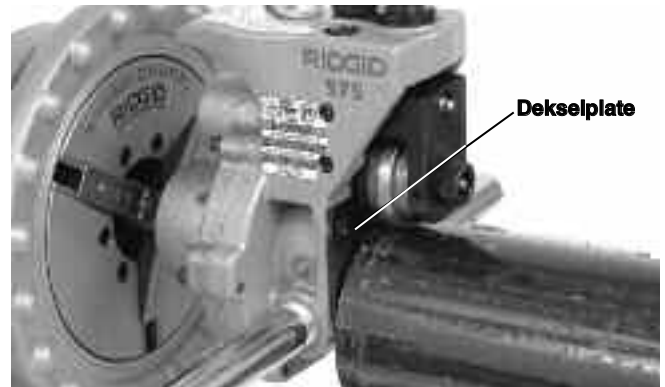
### Røroppsett i rullegjenger

1. Bekreft at bryter for elektrisk drev / gjengemaskin er i OFF-stilling.
2. Påse at du har passende støtte tilgjengelig for røret du skal gjenge. Tabell A viser maksimal rørlengde som skal gjenges, med et enkelt rørstativ. Lengre lengder bør støttes med minst to rørstativ. Hvis røret ikke støttes korrekt, kan røret eller røret og maskinen velte og falle. Du må ikke gjenge rør som er kortere enn minimumslengden.

Nom. Størrelse	Min. Lengde	Maks. Lengde	Nom. Størrelse	Min. Lengde	Maks. Lengde
1	8	36	4	8	36
1 <sup>1</sup> / <sub>4</sub>	8	36	4 <sup>1</sup> / <sub>2</sub>	8	32
1 <sup>1</sup> / <sub>2</sub>	8	36	5	8	32
2	8	36	6 Utv.diam.	10	30
2 <sup>1</sup> / <sub>2</sub>	8	36	6	10	28
3	8	36			
3 <sup>1</sup> / <sub>2</sub>	8	36			

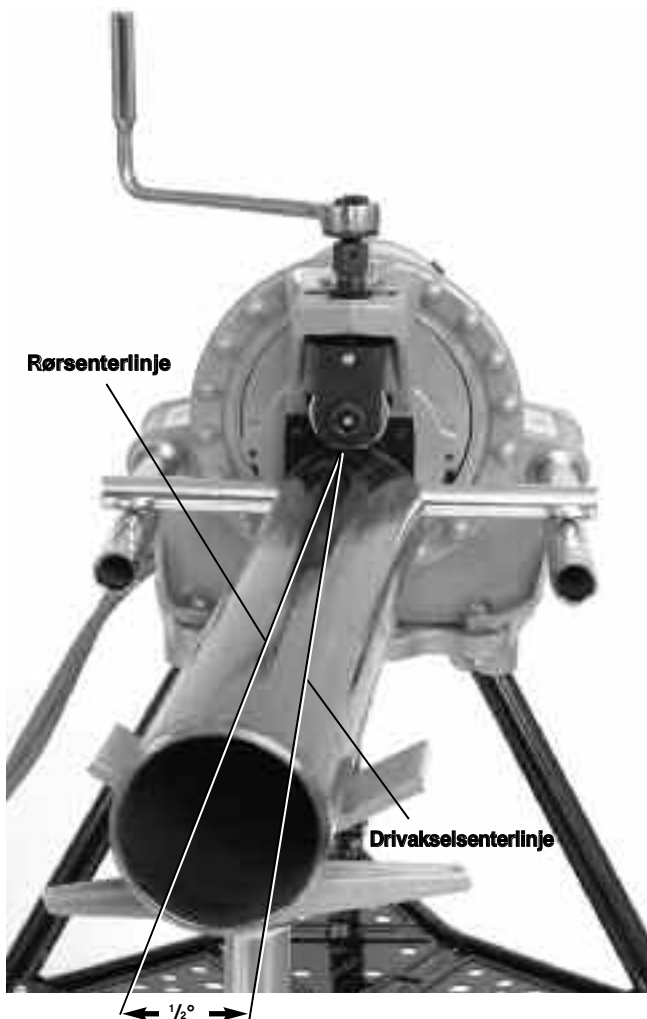
**Tabell A – Minimum/maksimum rørlengde som kan gjenges med ett stativ (alle mål er i tommer)**

3. Plasser påkrevde rørstativ foran rullegjengeren. For lengder som støttes av et enkeltstativ, bør stativet plasseres litt mer enn halve rørlengden fra rullegjengerens dekselplate. For rørlengder som trenger mer enn ett stativ, bør stativene plasseres <sup>1</sup>/<sub>4</sub> av rørlengden fra rørenden. Det kan være passende å bruke flere stativ i noen situasjoner. Stativhøyden bør justeres slik at røret kan træs over drivrullen.
4. Påse at gjengerullen har blitt trukket tilstrekkelig tilbake til å la røret bli plassert over drivakselen. Hvis nødvendig, vri mateskruen mot klokken for å heve gjengerullen.
5. Plasser rørenden over drivakselen og sett røret ned på rørstativ(-ene). Påse at røret er stabilt.



**Figur 8 – Plassere rør over drivaksel og i flukt med dekselplaten**

6. Juster røret og rørstativene slik at rørenden er i flukt med rullegjengerens dekselplate, og innsiden av røret er i kontakt med toppen av drivakselen (figur 7). Rørets og drivakselens senterlinje bør være parallelle i forhold til hverandre. En måte å gjøre dette på er å justere både rør og elektrisk drev / gjengemaskin.
7. Forskyv røret og rørstativene litt, omtrent <sup>1</sup>/<sub>2</sub> grad (omtrent 1" over ved tre meter fra rullegjengeren) mot operatøren. Korrekt justering av rør og rullegjenger bidrar til å sikre korrekt sporing av røret ved gjenging. (Se figur 9.)



Figur 9 – Forskyve røret 1/2° mot operatør (overdrevet)

## Bruke 975 Combo Roll Groover med et elektrisk drev / gjengemaskin

### ⚠ ADVARSEL



Ikke bruk løstsittende klær ved bruk av rullegjengeren. Knapp igjen ermer og jakke. Ikke strekk deg over maskinen eller røret. Løstsittende klær kan bli viklet inn i roterende deler og forårsake klemskader.

Hold hendene unna gjengerullene. Du må ikke gjenge rør som er kortere enn spesifisert. Ikke bruk løstsittende hansker. Fingre kan bli klemt mellom gjengerullene eller mellom gjengerullen og røret.

Hold hendene unna rørendene. Ikke før hånden inn i røret. Du kan skade deg på ujevnheter og skarpe kanter. Fingre kan bli klemt mellom gjengerullene eller mellom gjengerullen og røret.

Bruk alltid øyeskyttelse for å beskytte øynene dine mot smuss og fremmedlegemer. Bruk fottøy med ståltupp for å beskytte føttene mot verktøy som velter og rør som faller.

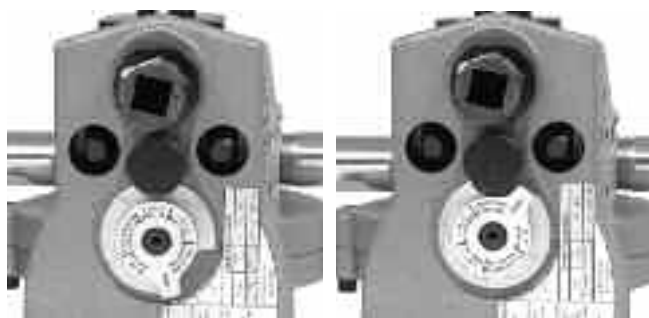
Følg bruksanvisningen for å redusere risikoen for personskade fra klem, velt, innvikling og andre årsaker.

### Stille inn / måle gjengediameter

**MERKNAD** Av hensyn til ulike røregenskaper, bør det alltid gjenges en testgjenge før dagens første gjenging eller ved endring av rørstørrelse, veggtykkelse eller materiale. Gjengediameterinnstillingsmål er kun omtrentlige og gjengediameteren må måles for å bekrefte korrekt størrelse.

1. Bekreft at utstyret og røret er korrekt oppsatt. Feilaktig klargjøring av rør kan påvirke nøyaktig oppsett av gjengedybdemålet. Gjengerullen bør være i kontakt med røret.
2. Juster gjengedybdemålet slik at korrekt måletrinn er under justeringsskruens hode (figur 10A). Gjengedybdemålet er laget for bruk med rør. Se Stille inn gjengediameter for kobberrør for bruk med kobberrør.
3. Drei justeringsskruen med klokken til hodet berører dybdemåltrinnet. Drei gjengedybdemålet til gjengestilling (figur 10B). Hvis målet ikke er i gjengestilling, hindrer dette gjenging og målet kan bli skadet.

8. Drei mateskruen med klokken for å føre gjengerullen nedover til den er i kontakt med rørets ytre diameter. Drei deretter mateskruen med en kvart omdreining ekstra. Justeringsskruen må kanskje løsnes (dreies mot klokken) for å la gjengerullen komme i kontakt med røret. Røret og rullegjenger bør være sikret til hverandre på dette tidspunktet.
9. Vurder arbeidsområdet, og avgjør om det er nødvendig med barrierer for holde andre enn operatøren på avstand fra utstyr og rør. Gjerder eller barrikader bør brukes for å gi en klaring på minimum 91,44 cm rundt det elektriske drevet og røret. Denne sikkerhetssonen hindrer at andre utstikket kommer i kontakt med maskin eller rør og forårsaker velt eller blir viklet inn i roterende deler.
10. Koble maskinen til en korrekt jordet stikkontakt med tørre hender.



**Figur 10A** – Legg korrekt måletrinn under justerings-skruhodet

**Figur 10B** – Mål i gjenge-stilling

4. Klargjør en testgjenging (følg trinnene for *Forme rulle-gjengen*).
5. Mål gjengediameteren. Den beste metoden for å måle gjengediameter er å bruke et diametermålebånd (se *delen Tilbehør*). Vikle diametermålebåndet tett rundt røret i gjengen. Påse at målebåndet ligger flatt i bunnen av gjengen, og les av gjengediameteren. (Se *figur 11*).



**Figur 11** – Kontrollere gjengediameter med et diameter-målebånd

6. Sammenlign målt gjengediameter med påkrevd gjengediameter som vist i *tabell I eller III* eller som spesifisert av gjengemonteringsprodusenten. Hvis den målte gjengen er utenfor påkrevd gjengediameter, må justeringsskruen stilles inn på nytt for å gi korrekt gjengediameter.
  - Drei justeringsskruen med klokken for å øke gjengediameteren.
  - Drei justeringsskruen mot klokken for å redusere gjengediameteren.

- En 1/4 omdreining av justeringsskruen endrer gjengediameteren med omtrent 0,02".

7. Gjenta trinn 4–6 til gjengediameteren er innenfor spesifikasjonene. Hvis gjengediameteren er for stor, kan gjengen justeres og gjengen gjøres mindre. Hvis gjengen er for liten, må det lages en ny gjenge. Korrekt gjengediameter er viktig for å sikre koblingsytelse. Gjenger som er utenfor spesifikasjon kan forårsake koblingsfeil.

## Forme rullegjengen

1. Bekreft at utstyret og røret er korrekt oppsatt.



**Figur 12** – Bruksstilling for rullegjenger

2. Innta en korrekt arbeidsstilling. Still fotbryter for elektrisk drev slik at operatøren kan kontrollere det elektriske drevet, rullegjengeren og røret som skal gjenges. Som vist i *figur 12*, skal stillingen gjøre det mulig for operatøren å:
  - stå vendt mot rullegjengeren med tilgang til (på samme side som) FOR/OFF/REV-bryteren (forover/av/revers)
  - kontrollere ON/OFF-handling (på/av) med fotbryter og raskt slippe fotbryter hvis nødvendig
  - ha enkel tilgang til gjenger og sperrenøkkel uten å måtte strekke seg over rullegjengeren

- legge høyre hånd på røret som skal gjenges hvis nødvendig
  - stå støtt og ha god balanse
3. Drei FOR/OFF/REV-bryteren til REV (reversstilling). **Ikke kjør 975 Combo Roll Groover i FOR (fremover). Utføringen til 975 Combo Roll Groover gjør at dette vil få røret til å "vri seg" ut av rullegjengerullene og falle ned.**
  4. Legg én hånd på hodet til sperrenøkkelen / toppen av mateskruen og den andre hånden på enden av sperrenøkkelen.
  5. Trykk på fotbryteren for å starte det elektriske drevet. Se på rørets rotasjon, og sørg for at rørenden forblir i kontakt med dekselplaten på rullegjengeren. Hvis røret begynner å bevege seg bort fra rullegjengerens dekselplate, må fotbryteren slippes opp for å hindre at røret vrir seg av og faller ned. Hvis nødvendig, sett opp røret på nytt (se delen om oppsett av rør). Hvis rørenden er deformert, må den kuttet av og en ny gjenge klargjøres.
  6. Når røret fullfører en hel omdreining, strammes mateskruen til med en ekstra  $\frac{1}{4}$  omdreining. Fortsett å overvåke rørenden for å påse at den er i kontakt med dekselplaten. Ikke stram mateskruen til med mer enn en  $\frac{1}{4}$  omdreining per rørrotasjon. Overdreven tilstramming av mateskruen kan forårsake overdreven gjengeutsving eller at røret vrir seg av drivakselen.
  7. Fortsett å stramme mateskruen med en  $\frac{1}{4}$  omdreining per rørrotasjon til justeringsskruens hode stopper mot toppen av rullegjengeren. Ikke fortsett å stramme mateskruen etter at justeringsskruen når toppen av rullegjengeren, dette kan skade justeringsskruen. La røret rotere minst to hele omdreininger til i denne stillingen for å sikre enhetlig gjengedybde.
  8. Utløs fotbryteren og flytt FOR/OFF/REV-bryteren til OFF-stilling.
  9. Drei mateskruen mot klokken og hev gjengerullen slik at røret kan fjernes fra maskinen.
  10. Inspiser gjengen.
    - Påse at gjengen er fullstendig formet.
    - Kontroller gjengediametere og påse at den er innenfor spesifikasjonen.
    - Kontroller eventuelle andre punkter som monteringsprodusenten krever.

Hvis du finner noen problemer, kan ikke gjengen brukes.

## Stille inn gjengediameter for kobberør

Ved bruk av 975 Combo Roll Groover med kobberør, kan ikke gjengedybdemålet på gjengeren brukes. Den vil gi feil gjengediametre.

1. Drei mateskruen med klokken for å føre gjengerullen nedover til den er i kontakt med rørets ytre diameter. Drei deretter mateskruen med en kvart omdreining ekstra. Justeringsskruen må kanskje løsnes (dreies mot klokken) for å la gjengerullen komme i kontakt med røret. Røret og rullegjenger bør være sikret til hverandre på dette tidspunktet.
2. Påse at gjengedybdemålet er i gjengestilling. (Figur 10B)
3. Drei justeringsskruen til den er i kontakt med topplaten på gjengeren.
4. Finn diameter og rørtype som skal gjenges i tabell B, og drei justeringsskruen bort fra topplaten et tilsvarende antall ganger. For eksempel, for 4" kobber med veggtykkelse L, drei justeringsskruen tilbake  $1\frac{1}{4}$  omdreining.

## Dybdejustering for rullegjenging av kobberør

### (Justeringskrueromdreininger)

Dia.	K	L	M	DWV
2-2.5"	$\frac{7}{8}$	$\frac{7}{8}$	$\frac{5}{8}$	$\frac{5}{8}$
3"	$1\frac{1}{16}$	$1\frac{1}{16}$	$1\frac{1}{16}$	$1\frac{1}{16}$
4"	$1\frac{1}{4}$	$1\frac{1}{4}$	$1\frac{1}{4}$	$1\frac{1}{8}$
5"	$1\frac{1}{2}$	$1\frac{1}{2}$	$1\frac{1}{2}$	$1\frac{1}{2}$
6"	$1\frac{3}{16}$	$1\frac{3}{4}$	$1\frac{3}{4}$	$1\frac{3}{4}$
8"	$2\frac{1}{2}$	$2\frac{3}{8}$	$2\frac{1}{8}$	$2\frac{1}{8}$

Tabell B – Dybdejustering for rullegjenging av kobberør

5. Gå til trinn 4 i Stille inn / mål gjengediameter.

## Springstips for 975 Combo Roll Groover

Hovedproblemet som brukere opplever ved rullegjenging, er at røret "vrir" eller "går" av drivakselen, eller at den ikke "sporer" korrekt. For god sporing er det viktig at alle instruksjonene følges. Hvis røret ikke sporer korrekt selv etter at du har fulgt alle instruksjonene, finnes det flere andre alternativer for å forbedre sporingen.

- Øk forskyvningen til røret litt mot operatøren (økning fra  $\frac{1}{2}$  grad til 1 grad) (se figur 9).
- Operatøren må kanskje legge litt press på røret ved gjenging for å opprettholde sporing. Dette er vanligvis kun nødvendig på kortere rørdeler. For å gjøre dette, bør operatøren bruke en skinnhanske som er i god stand og kurve hånden rundt midten av røret som vist i figur 13. Dette kan kreve at

stativet som det elektriske drevet / gjengemaskinen er montert til, må festes til gulvet for å hindre bevegelse ved gjenging. For å hindre klemskader må hånden holdes borte fra gjengerullen og rørendene, og rør som er kortere enn anbefalt, må ikke gjenges.



**Figur 13 – Legge press på røret ved gjenging for å opprettholde sporing**

- I tillegg kan du se *delen Feilsøking* for en fullstendig liste over årsaker til og løsninger på sporingsproblemer.

## Oppsett av maskin- og arbeidsområde for bruk med elektrisk drev

### ⚠ ADVARSEL



**Bruk alltid øyebeskyttelse for å beskytte øynene dine mot smuss og fremmedlegemer. Bruk fottøy med ståltupp for å beskytte føttene fra verktøy som velter og rør som faller. Bruk hjelm når du arbeider på stedet.**

**Klargjør rullegjengeren og arbeidsområdet i henhold til disse prosedyrene for å redusere risikoen for skade fra brann maskinvelt, klemming og annet og forebygge skade på rullegjenger.**

1. Finn et arbeidsområde som har følgende:
  - Tilstrekkelig lys.
  - Ingen brennbare væsker, damper og støv som kan antennes. Hvis noe av dette blir funnet, må du ikke jobbe på stedet før kildene er funnet og problemet løst.
  - Ryddig, jevnt, stabilt og tørt sted for alt utstyr og operatør.
2. Rengjør arbeidsområdet før oppsett av utstyr. Tørk alltid opp eventuell olje.
3. Inspiser røret som skal gjenges, og bekreft av 975 Combo Roll Groover er korrekt verktøy for jobben. 975 Combo Roll Groover er laget for å gjenge stål-, aluminiums- og PVC-rør med veggtykkelse 10 og 40 i 1¼–6"-størrelser. Det er også designet for å gjenge rør av rustfritt stål i størrelsen 1¼–6" med veggtykkelse 10 og 1¼–2" med veggtykkelse 40. Ved å bytte rullesett kan det brukes til å gjenge 2–8" kobberrør av type K, L, M og DWV.
 

975 Combo Roll Groover kan brukes på stedet (rør som er på plass eller festet i en skrustikke) eller med RIDGID 300 Power drive eller 300 Compact Threading Machine til bruk med elektriske drev på jobbstedet. 975 Combo Roll Groover er ikke beregnet brukt i produksjon.
4. Ved gjenging på stedet, påse at det er nok plass til å sette opp og bruke 975 Combo Roll Groover. Rullegjengeren vil kretse rundt det solid monterte røret og krever:
  - et minimum på 6½" klaring rundt røret som skal gjenges
  - et minimum på 2½" klaring for rør som går ut fra en hindring som f.eks. en vegg
  - en minimumsåpning på 9½" for å sette rullegjenger på røret

Du finner rullegjengere for annet bruk ved å konsultere Ridge Tool-katalogen, gå til [www.RIDGID.com](http://www.RIDGID.com) på nett, eller ringe Ridge Tool brukerstøtte på 1234 800-519-3456.

**MERKNAD** Bruk av rullesett (gjengerull og drivaksel) på rør av både karbon og rustfritt stål kan føre til kontaminasjon av det rustfrie stålmaterialet. Denne kontaminasjonen kan føre til korrosjon og for tidlig rørsvikt. For å hindre jernkontaminering av rør i rustfritt stål, bruk rullesett som er laget for rullegjenging av rustfritt stål. Du kan alternativt bruke en børste i rustfritt stål for å rengjøre rullesettet grundig når du bytter materiale.

### Klargjøring av rør

**MERKNAD** Disse instruksjonene er generelle. Følg alltid gjengekoblingsprodusentens spesifikke anbefalinger for klargjøring av rørende. Hvis koblingsprodusentens anbefalinger ikke følges, kan det føre til dårlig kobling og lekkasje.

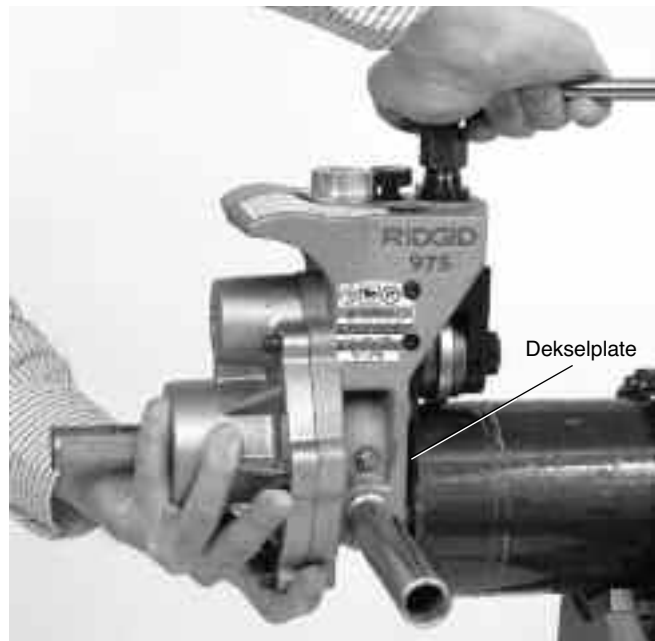
1. Ved gjenging på stedet på eksisterende rør, påse at systemet er fritt for trykk og tømt for alt innhold. Gjør deg kjent med innholdet og eventuelle farer som er forbundet med det.
2. Kutt røret til korrekt lengde.

Påse at rørenden er kuttet rett og er fri for ujevnheter. Ujevnheter kan fange eller skjære hansker eller fingre ved gjenging. Avkuttingsmetode og store ujevnheter kan påvirke kvaliteten til gjengen som lages og gjengens sporing. Ikke prøv å gjenge rør som har blitt kuttet med skjærebrenner.

3. Alle interne/eksterne sveisestrenger, -punkter og -sømmer må slipes glatte minst 2" bakover fra rørenden. Ikke kutt flat-er i paknings seteområde. Det kan forårsake lekkasje.
4. Fjern all kalk, smuss, rust og andre kontaminanter minst 2" bakover fra rørenden. Kontaminanter kan tette drivkottene og hindre korrekt kjøring og sporing av røret ved gjenging.
5. Påse at røret som skal gjenges er solid montert. Røret må kunne motstå vekten til rullegjengeren (12,7 kg), og påkrevd kraft og moment for gjenging uten å bevege seg. For rør på stedet, er det fornuftig å fjerne røret og gjenge på en rørtvinge. I andre tilfeller er det kanskje nødvendig å legge til andre midlertidige eller permanente rørstøtter. Ved bruk av rørtvinge, påse at den er godt festet og ikke vil velte ved bruk. For lengre rørlengder, bruk passende rørstøtter for å støtte den ekstra lengden.

### Montere rullegjengeren til røret

1. Bekreft at 975 Combo Roll Groover har blitt inspisert og har passende rullesett installert. Påse at støttearmene støtter rullegjengeren, eller fjern dem fullstendig for bedre tilgang på trange steder. Deretter installerer du sperrenøkkelen på mateskruen og forlengelsen på det manuelle drivkvadratet på baksiden av rullegjengeren. Påse at både sperrenøkkelen og forlengelsen er godt installert.
2. Påse at det er nok plass til rørvæggen mellom gjengerullen og drivakselen. Hvis nødvendig, vri mateskruen mot klokken for å trekke tilbake gjengerullen.
3. Grip godt om rullegjengeren. Ikke løft med sperrenøkkelen. Plasser drivakselen inn i røret og påse at dekselplaten er i kontakt med rørenden (*figur 14*). Stram til mateskruen for å få rullegjengeren i kontakt med rørets utside. Når mateskruen er håndstrammet, brukes sperrenøkkelen til å stramme mateskruen en ekstra  $\frac{1}{4}$  omdreining. Bekreft at rullegjengeren er godt festet til røret og at dekselplaten er i flukt med rørenden. Hvis ikke, gjenta prosedyren. Alltid påse at gjengeren er sikret ved bruk på stedet, for å hindre at den faller.



**Figur 14 – Holde rullegjengeren på plass mens du strammer til mateskruen**



## Bruke 975 Combo Roll Groover på stedet

### ⚠ ADVARSEL



Bruk kun manuelt drev ved bruk på stedet. Ikke bruk elektriske enheter (som drill eller slagverktøy) til å drive rullegjengeren ved bruk på stedet. Bruk av elektriske enheter kan skade gjengeren og øke risikoen for personskade.

Ikke bruk løstsittende klær ved bruk av rullegjengeren. Knapp igjen ermer og jakke. Ikke strekk deg over maskinen eller røret. Løstsittende klær kan bli viklet inn i roterende deler og forårsake klemskader.

Hold hendene unna gjengerullene. Du må ikke gjenge rør som er kortere enn spesifisert. Ikke bruk løstsittende hansker. Fingre kan bli klemt mellom gjengerullene eller mellom gjengerullen og røret.

Hold hendene unna rørendene. Ikke før hånden inn i røret. Du kan skade deg på ujevnheter og skarpe kanter. Fingre kan bli klemt mellom gjengerullene eller mellom gjengerullen og røret.

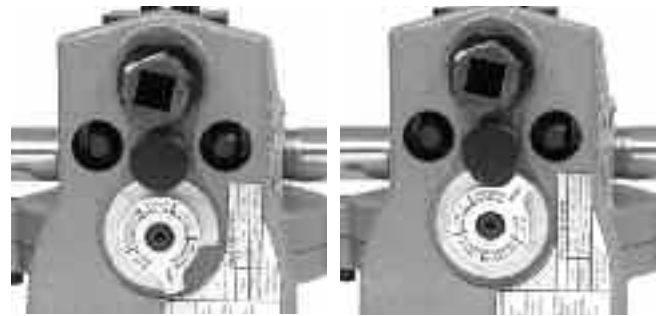
Bruk alltid øyebeskyttelse for å beskytte øynene dine mot smuss og fremmedlegemer. Bruk fottøy med ståttupp for å beskytte føttene mot verktøy som velter og rør som faller. Bruk hjelm når du arbeider på stedet.

Følg bruksanvisningen for å redusere risikoen for personskade fra klem, velt, innvikling og andre årsaker.

### Stille inn / måle gjengediameter

**MERKNAD** Av hensyn til ulike røregenskaper, bør det alltid gjenges en testgjenge før dagens første gjenging eller ved endring av rørstørrelse, veggtykkelse eller materiale. Gjengediameterinnstillingsmål er kun omtrentlige og gjengediameteren må måles for å bekrefte korrekt størrelse.

1. Bekreft at utstyret og røret er korrekt oppsatt. Feilaktig klargjøring av rør kan påvirke nøyaktig oppsett av gjengedybdemålet. Gjengerullen bør være i kontakt med røret.
2. Juster gjengedybdemålet slik at korrekt måletrinn er under justeringsskruens hode (figur 15A). Gjengedybdemålet er laget for bruk med rør. Se Stille inn gjengediameter for kobberrør for bruk med kobberrør.
3. Drei justeringsskruen med klokken til hodet berører dybdemåltrinnet. Drei gjengedybdemålet til gjengestilling (figur 15B). Hvis målet ikke er i gjengestilling, hindrer det gjenging og kan bli skadet.



Figur 15A – Legg korrekt måletrinn under justeringsskruhodet

Figur 15B – Mål i gjengestilling

4. Klargjør en testgjenging (følg trinnene for *Forme rulle-gjenger*).
5. Mål gjengediameteren. Den beste metoden for å måle gjengediameter er å bruke et diametermålebånd (se *delen Tillbehør*). Vikle diametermålebåndet tett rundt røret i gjengen. Påse at målebåndet ligger flatt i bunnen av gjengen, og les av gjengediameteren (se figur 16).



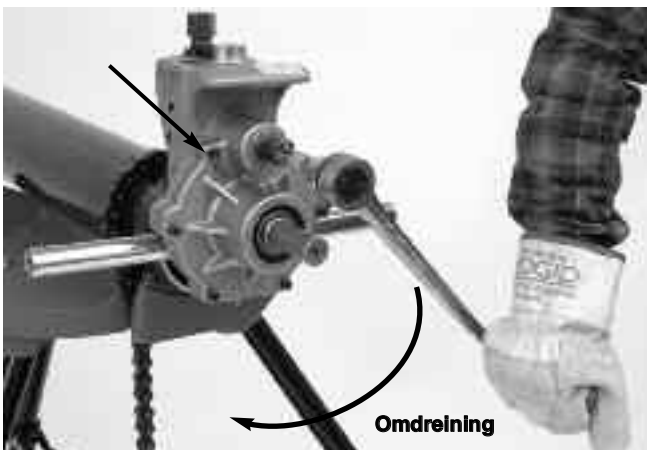
Figur 16 – Måle gjengediameter med et diametermålebånd

6. Sammenlign målt gjengediameter med påkrevd gjengediameter som vist i *tabell I eller III* eller som spesifisert av gjengemonteringsprodusenten. Hvis den målte gjengen er utenfor påkrevd gjengediameter, må justeringsskruen stilles inn på nytt for å gi korrekt gjengediameter.
  - Drei justeringsskruen med klokken for å øke gjengediameteren.
  - Drei justeringsskruen mot klokken for å redusere gjengediameteren.
  - En 1/4 omdreining av justeringsskruen endrer gjengediameteren med omtrent 0,02".

- Gjenta trinn 4–6 til gjengediameteren er innenfor spesifikasjonene. Hvis gjengediameteren er for stor, kan gjengeren justeres og gjengen gjøres mindre. Hvis gjengen er for liten, må det lages en ny gjenge. Korrekt gjengediameter er viktig for å sikre koblingsytelse. Gjenger som er utenfor spesifisering kan forårsake koblingsfeil.

## Forme rullegjengen

- Kontroller at utstyret og røret er korrekt oppsatt.
- Innta en korrekt arbeidsstilling. Påse at du står støtt og har god balanse.
- Påse at mateskruen har blitt strammet til med en  $\frac{1}{4}$  omdreining.
- Fjern sperrenøkkelen fra mateskruen og installer den sikkert i forlengelsen. (I trange områder er ikke forlengelsen nødvendig.)
- Drei sperrenøkkelen med klokken som sett fra bak rullegjengeren (dette vil stemme overens med pilene som er støpt inn i baksiden av rullegjengeren, se figur 17). Se på gjengerens rotasjon og sørg for at dekselplaten til rullegjengeren forblir i kontakt med rørenden. Hvis rullegjengeren begynner å flytte seg bort fra rørenden, stopp rotering av sperrenøkkelen for å hindre at gjengeren vrir seg av røret og faller ned. Rullegjengerens støttearm kan trykkes på for å bidra til å få dekselplaten tilbake i kontakt med rørenden. Hvis nødvendig, kan rullegjengeren monteres på røret på nytt. (se delen *Montere rullegjenger til rør*). Hvis rørenden er deformert, må den kuttes av og en ny gjenge lages.



Figur 17 – Dreie sperrenøkkelen i pilenes retning

- Fortsett å rotere sperrenøkkelen til rullegjengeren fullfører minst én hel rotasjon rundt røret. Fjern sperrenøkkelen fra forlengelsen og fest den til mateskruen. Stram til mateskruen med en  $\frac{1}{4}$  omdreining til. Fjern sperrenøkkelen fra mateskruen og fest den til forlengelsen. Ikke stram mateskruen med mer enn en  $\frac{1}{4}$  omdreining per rørrotasjon.

For mye tilstramming av mateskruen kan forårsake overdreven gjengeutsving og få rullegjengeren til å vri seg av røret. Fortsett å rotere sperrenøkkelen for å drive rullegjengeren rundt røret mens du overvåker dekselplaten stilling i forhold til rørenden.

- Fortsett å stramme mateskruen med en  $\frac{1}{4}$  omdreining per gjengerotasjon til justeringsskruens hode stopper mot toppen av rullegjengeren. Ikke fortsett å stramme mateskruen etter at justeringsskruen når toppen av rullegjengeren, dette kan skade justeringsskruen. Roter rullegjengeren med minst to hele rotasjoner til rundt røret etter at justeringsskruen når toppen av rullegjengeren for å sikre enhetlig gjengedybde.
- Flytt sperrenøkkelen til mateskruen. Grip godt om rullegjengeren. Vri mateskruen mot klokken og trekk tilbake gjengerullen slik at gjengerullen kan fjernes fra røret. Ikke mist rullegjengeren.
- Inspiser gjengen.
  - Påse at gjengen er fullstendig formet.
  - Kontroller gjengediameteren og påse at den er innenfor spesifiseringen.
  - Kontroller eventuelle andre punkter som monteringsprodusenten krever.

Hvis du finner noen problemer, kan ikke gjengen brukes.

## Vedlikeholdsinstruksjoner

### ⚠ ADVARSEL

**Påse at bryter for elektrisk drev er i OFF-stilling og at rullegjengeren er frakoblet, før du utfører vedlikehold eller justeringer.**

### Smøring

Smør 975 Combo Roll Groover med et godt universalsmørefett én gang i måneden.

- Smørenipler finnes på siden av operatørens side av basen, fronten på glidekloss og enden av gjengerullakselen (se figur 2). Tilfør fett til en liten mengde trykkes ut.
- Smør et lett lag med fett på mateskruen.
- Girkassen til 975 Combo Roll Groover er smurt for hele levetiden og trenger ikke påføring av mer fett med mindre girkassen åpnes.

Se delen *Inspeksjon for annen informasjon om vedlikehold*.

### Rengjøring

Rengjør drivakselknottene daglig med en stålbørste eller oftere hvis nødvendig.

## Skifte ut rullesett

**MERKNAD** Når du bytter rullesettdele, må det alltid påses at driv- og gjengerullmerker stemmer overens. Deler som ikke stemmer overens, kan lage dårlige gjenger og forårsake lekkasjer.

Fjern rullegjengeren fra det elektriske drevet eller gjengemaskinen, og legg den på en stabil arbeidsbenk.

Påkrevd verktøy:

- $\frac{3}{8}$ " sekskantnøkkel
- $\frac{3}{32}$ " sekskantnøkkel
- ,070" ekstern låseringtang

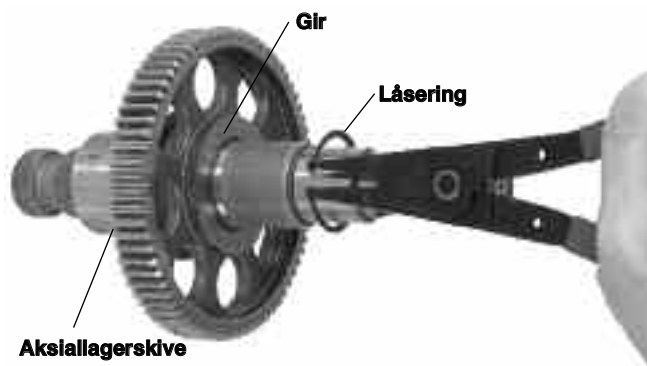
### Fjerne og installere drivrull

1. Fjern seks skruer som holder bakdekselet til huset.
2. Fjern bakdekselet (se figur 18).



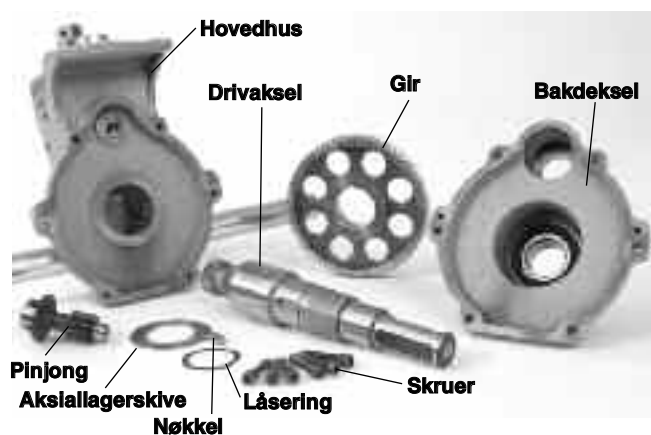
Figur 18 – Fjerne bakdekselet

3. Fjern pinjong.
4. Ta drivakselenheten ut av baksiden til 975 Roll Groover.
5. Fjern låseringen fra drivakselen og før giret av. (Se figur 19.)



Figur 19 – Fjerne låsering

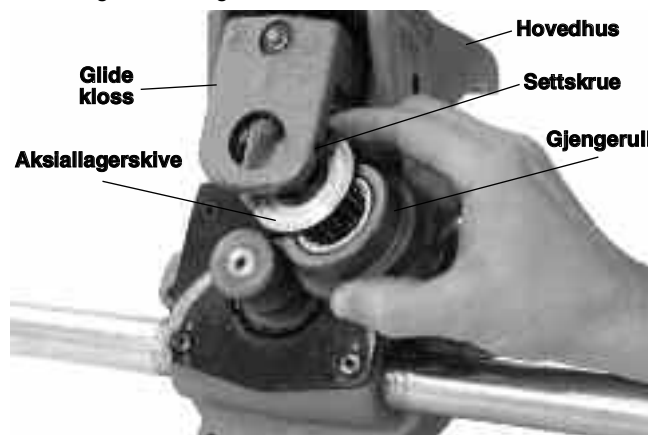
6. Fjern nøkkelen og deretter aksiallagerskiven.
7. Før aksiallagerskiven på en ny drivaksel.
8. Sett på nøkkelen og installer giret.
9. Sett låseringen på gjengerens drivaksel.
10. Plasser drivakselmonteringen i hovedhuset.
11. Fett fra girkassen kan ha gått tapt ved utskifting av drivaksel. Sørg for at lagrene og girtennene er tilstrekkelig dekt med et godt universalsmørefett.
12. Sett inn pinjongen og installer bakdekselet på nytt. Stram til skruene med et moment på 3,6–4,8 m\* kg.



Figur 20 – Delediagram for 975 Combo Roll Groover

### Fjerne og installere gjengerull

1. Fjern settskruen som holder gjengerullakselen på plass.
2. Dra gjengerullakselen ut av glideklossen og fjern gjengerullen og aksiallagerskiven.
3. Sett aksiallagerskiven og den nye gjengerullen inn i glideklossen. Påse at den interne låseringen i gjengerullen er nærmest hovedhuset, og at gjengerullen er mellom aksiallagerskiven og hovedhuset.



Figur 21

4. Skift ut gjengerullakselen og settskruen.
5. Inspiser justeringen mellom gjengerullen og drivrullen visuelt. Hvis de ikke stemmer overens, kontroller retningen til gjengerullen og aksiallagerskiven.
6. Smør som anvist i delen Smøring i håndboken.

## Tilbehør

### ⚠ ADVARSEL

Følgende RIDGID-produkter har blitt laget for bruk med 975 Combo Roll Groover. Annet tilbehør som passer for bruk med andre verktøy, kan være farlig hvis det brukes med 975 Combo Roll Groover. For å redusere risikoen for alvorlig personskade, må det kun brukes tilbehør som er spesielt laget og anbefalt for bruk med 975 Combo Roll Groover, som de som er oppført i tabellen.

Kat. Nummer	Beskrivelse
60082	300 Power Drive, 230V 25-60Hz
60077	300 Power Drive, 115V 25-60Hz
42360	1206 stativ til 300 Power Drive
50697	300 Compact, 230V 25-60Hz
50692	300 Compact, 115V 25-60Hz
20391	300 Compact, 230V 25-60Hz (DK)
67662	Adapterbrakett til 300 Compact/1233
58077	250 foldestativ til 300 Compact/1233
72037	460 portabelt stativ med kjedetvinge
56662	VJ-99 Vhead høyt rørstativ
76822	Tommer diameter bånd
76827	Metrisk diameter bånd
30708	Forlenger, 1/2" feste, låsing
30703	Skralle, 1/2" feste med 90° bend
33043	Groove og Drive Rolls til 2"-8" kobberrør type K, L, M og DWV

## Maskinoppbevaring

**⚠ ADVARSEL** Oppbevar verktøyet i et låst område som er utenfor rekkevidde for barn og personer som ikke er kjent med rullegjengeutstyr. Dette verktøyet kan forårsake alvorlig personskade i hendene på brukere som ikke har fått opplæring.

## Service og reparasjon

### ⚠ ADVARSEL

**Feil service eller reparasjon kan gjøre maskinen utrygg å bruke.**

Vedlikeholdsinstruksjoner tar for seg de fleste servicebehovene for denne maskinen. Eventuelle problemer som ikke er dekket av denne delen bør kun håndteres av en autorisert RIDGID-tekniker.

Verktøyet bør tas med til et RIDGID-autorisert servicesenter, eller returneres til fabrikken.

Ved service av dette verktøyet bør kun identiske originaldeler brukes ved utskifting. Bruk av andre deler kan forårsake risiko for alvorlig personskade.

Hvis du har spørsmål angående service eller reparasjon av denne maskinen, ring eller skriv til:

Ridge Tool Company  
 Technical Service Department  
 400 Clark Street  
 Elyria, Ohio 44035-6001, USA  
 Tlf: (800) 519-3456  
 E-post: TechServices@ridgid.com

Hvis du vil vite mer om nærmeste RIDGID servicesenter eller har andre spørsmål om service eller reparasjon,

Kontakter du den lokale Ridge Tool-distributøren

Gå til [www.RIDGID.com](http://www.RIDGID.com) eller [www.RIDGID.eu](http://www.RIDGID.eu) for å finne din lokale Ridge Tool-kontakt

Kontakt Ridge Tools tekniske serviceavdeling på e-postadressen [techservices@emerson.com](mailto:techservices@emerson.com), eller ring (800) 519-3456 i USA og Canada

**Tabell I. Standard rullegjengespesifikasjoner for rør av IPS-dimensjoner**

MERK! Alle dimensjoner er i tommer.

NOM. RØR- STØRRELSE	RØR- DIAMETER		T MIN. VEGG- TYK.	A PAKNINGS- SETE +.015/- .030	B GJENGE- BREDE +.030/- .015	C GJENGE- DIAMETER		D NOM. GJENGE- DYBDE (ref.) (2)
	UTV.DIAM.	TOL.				UTV.DIA	TOL.	
1 <sup>1</sup> / <sub>4</sub>	1.660	+ .016 - .016	.065	.625	.344	1.535	+ .000 - .015	.063
1 <sup>1</sup> / <sub>2</sub>	1.900	+ .016 - .016	.065	.625	.344	1.775	+ .000 - .015	.063
2 <sup>(1)</sup>	2.375	+ .024 - .016	.065	.625	.344	2.250	+ .000 - .015	.063
2 <sup>1</sup> / <sub>2</sub> <sup>(1)</sup>	2.875	+ .029 - .016	.083	.625	.344	2.720	+ .000 - .015	.078
3 <sup>(1)</sup>	3.50	+ .030 - .018	.083	.625	.344	3.344	+ .000 - .015	.078
3 <sup>1</sup> / <sub>2</sub> <sup>(1)</sup>	4.00	+ .030 - .018	.083	.625	.344	3.834	+ .000 - .015	.083
4 <sup>(1)</sup>	4.50	+ .035 - .020	.083	.625	.344	4.334	+ .000 - .015	.083
5 <sup>(1)</sup>	5.563	+ .056 - .022	.109	.625	.344	5.395	+ .000 - .015	.084
6 <sup>(1)</sup>	6.625	+ .050 - .024	.109	.625	.344	6.455	+ .000 - .015	.085

(1) Ifølge AWWA C606-06

(2) Nominell gjengedybde er kun oppgitt som en referansedimensjon. Ikke bruk gjengedybden for å avgjøre om en gjenge er akseptabel.

**Tabell II. Maksimum og minimum rørveggtykkelse**

MERK! Alle dimensjoner er i tommer.

Rørstørrelse	RØR I KARBONSTÅL ELLER ALUMINIMUM		RØR I RUSTFRITT STÅL		PVC-RØR	
	Veggtykkelse		Veggtykkelse		Veggtykkelse	
	Min.	Maks.	Min.	Maks.	Min.	Maks.
1 <sup>1</sup> / <sub>4</sub> "	.065	.140	.065	.140	.140	.140
1 <sup>1</sup> / <sub>2</sub> "	.065	.145	.065	.145	.145	.200
2"	.065	.154	.065	.154	.154	.154
2 <sup>1</sup> / <sub>2</sub> "	.083	.203	.083	.188	.203	.276
3"	.083	.216	.083	.188	.216	.300
3 <sup>1</sup> / <sub>2</sub> "	.083	.226	.083	.188	.226	.300
4"	.083	.237	.083	.188	.237	.300
5"	.109	.258	.109	.188	.258	.300
6"	.109	.280	.109	.188	.280	.300

## Tabell III. Kobberrullegjengespesifikasjoner

1	2		3	4	5	6	7	8
Nom. størrelse tommer	Ytre rør diameter utv.		A Pakningssete A	B Gjengebredde	C Gjengedia.	D Gjengedybde Ref. <sup>1</sup>	T Min. tillatt veggtyk.	Maks. tillatt utsvingdia.
	Grunnleggende	Toleranse	±0.03	+0.03 -0.000	+0.00 -0.02			
2"	2.125	±0.002	0.610	0.300	2.029	0.048	DWV	2.220
2½"	2.625	±0.002	0.610	0.300	2.525	0.050	0.065	2.720
3"	3.125	±0.002	0.610	0.300	3.025	0.050	DWV	3.220
4"	4.125	±0.002	0.610	0.300	4.019	0.053	DWV	4.220
5"	5.125	±0.002	0.610	0.300	5.019	0.053	DWV	5.220
6"	6.125	±0.002	0.610	0.300	5.999	0.063	DWV	6.220
8"	8.125	+0.002/-0.004	0.610	0.300	7.959	0.083	DWV	8.220

1. Nominell gjengedybde er kun oppgitt som en referansedimensjon. Ikke bruk gjengedybden til å avgjøre om gjengen er akseptabel.

## Feilsøking

SYMPTOM	MULIGE ARSAKER	LØSNING
Rullegjenge for smal eller for bred.	Gjengerull og/eller drivaksel er slitt.	Bytt gjengerull og/eller drivaksel.
Rullet gjenge er ikke vinkelrett i forhold til røraksen.	Rørstykket er ikke rett. Rørenden er ikke rett i forhold til røraksen.	Bruk et rett rør. Kutt rørenden rett.
Røret sporer ikke ved gjenging/gjengeren sporer ikke på røret ved gjenging.	Rør og drivaksel er ikke parallelle. Røraksen er ikke forskjøvet ½ grad fra drivrullaksen. drivrullknott tilstoppet eller slitt flat. Mateskrue er ikke tilstrammet. Sperrnøkkel dreid i feil retning. For mye kalk på rørets innside. Overdreven sveisesøm. Det leges ikke trykk på røret. Rørenden ikke rett/pusset. Mateskrue for stram.	Juster stativet for å gjøre røret parallelt. Forskyv røret ½ grad. Rengjør eller erstatt drivrullen. Stram til mateskruen med sperrnøkkelen for hver enkelt omdreining ifølge anvisningene. Drei sperrnøkkelen i korrekt retning. Rengjør rørets innside. Slip sveisesømmen i flukt 2" fra rørenden. Legg press på røret. (Se figur 10.) Klargjør enden av røret korrekt. Drei mateskruen kun i ¼ omdreining.
Røret svinger ut i gjenget ende.	Rør og drivaksel er ikke parallelle. Mateskrue for stram.	Juster stativet for å gjøre røret parallelt. Drei mateskruen kun en kvart omdreining.

**Feilsøking (fortsatt)**

<b>SYMPTOM</b>	<b>MULIGE ARSAKER</b>	<b>LØSNING</b>
Røret beveger seg frem og tilbake på drivrullaksen ved gjenging.	Rørstykket er ikke rett. Rørenden er ikke rett i forhold til røraksen.	Bruk et rett rør. Kutt rørenden rett.
Røret ruller fra side til side på drivrullen ved gjenging.	Rørstativet er for nært rørenden. Rørenden er flat eller skadet. Harde punkter i rørmaterialet eller sveisesøm er hardere enn røret. Gjengerullmatingen er for langsom. Det elektriske drevets hastighet overskrider 57 o/min. Rørets støttestativ er ikke korrekt plassert.	Flytt rørstativet innover for overensstemmelse med oppsettsinstruksjonene. Kutt av skadd rørende. Bruk et annet rør. Mat gjengerullen raskere på røret. Reduser hastigheten til 57 o/min eller lavere. Still rørstativrullene korrekt.
Gjengeren gjenger ikke i røret.	Overskredet maksimum rørvægtykkelse. Rørmaterialet er for hardt. Justeringskrue ikke innstilt. Elektrisk drev gir ikke korrekt minimumsmoment.	Kontroller rørkapasitetstabellen. Bytt rør. Still dybde. Bruk RIDGID nr. 300, Power Drive eller 300 Compact eller 1233.
Gjenger ruller ikke gjengen til påkrevd diameter.	Maksimum rørdiameteretoleranse overskredet. Dybdejusteringskrue er ikke korrekt innstilt. Røret er for hardt.	Bruk korrekt rørdiameter. Juster dybdeinnstilling. Bruk et annet rør.
Røret glir på drivrullen.	Gjengerullmatingen er for langsom. drivrullknotter tilstoppet med metall eller slitt flate.	Mat gjengerullen raskere inn på røret. Rengjør eller bytt drivrull.
Gjenger vil ikke rotere røret ved gjenging.	Elektrisk drev gir ikke påkrevd minimumsmoment. Chuck er ikke lukket på drivakselflatene.	Bruk RIDGID nr. 300, Power Drive eller 300 Compact eller 1233. Lukk chucken.
Røret hever seg eller har en tendens til å velte gjengeren bakover.	Rørstøttestativ er ikke korrekt oppsatt.	Sett opp stativene korrekt.

975

# Устройство для накатки желобков Combo



**RIDGID**<sup>®</sup>





## Содержание


<b>Обозначения техники безопасности</b> .....	248
<b>Общие правила по технике безопасности</b>	
Безопасность в рабочей зоне .....	248
Электробезопасность .....	248
Личная безопасность .....	249
Использование и уход .....	249
Ремонт .....	249
<b>Специфическая информация по технике безопасности</b>	
Безопасная работа с устройством для накатки желобков .....	250
Безопасная работа с устройством для накатки желобков при использовании силового привода/резьбонарезного станка .....	250
Безопасность при стационарном использовании устройства для накатки желобков .....	250
<b>Описание, характеристики и стандартное оборудование</b>	
Описание .....	250
Характеристики .....	251
Стандартное оборудование .....	251
<b>Осмотр устройства для накатки желобков</b>	
Подготовка желобонакатчика и рабочей зоны для работы с силовым приводом .....	253
Установка желобонакатчика 975 Combo на привод RIDGID 300 .....	253
Установка желобонакатчика 975 Combo на резьбонарезной станок RIDGID 300 Compact/1233 .....	253
Завершение установки .....	254
Подготовка трубы .....	255
Расположение трубы в устройстве для накатки желобков .....	256
<b>Использование устройства для накатки желобков 975 Combo с силовым приводом/резьбонарезным станком</b>	
Установка/измерение диаметра желобка .....	256
Формирование желобка .....	257
Установка диаметра желобка для медных труб .....	258
Советы по управлению устройством для накатки желобков 975 Combo .....	258
<b>Подготовка желобонакатчика и рабочей зоны для стационарной работы</b> .....	259
Подготовка трубы .....	260
Установка устройства для накатки желобков на трубе .....	260
<b>Стационарная эксплуатация устройства для накатки желобков 975 Combo</b>	
Установка/измерение диаметра желобка .....	261
Формирование желобка .....	262
<b>Инструкция по обслуживанию</b>	
Смазка .....	262
Очистка .....	263
Замена роликов .....	263
<b>Аксессуары</b> .....	264
Хранение машины .....	264
<b>Обслуживание и ремонт</b> .....	264
<b>Таблица I. Стандартные характеристики накатываемых желобков</b> .....	265
<b>Таблица II. Минимальная и максимальная толщина стенок трубы</b> .....	265
<b>Таблица III. Характеристики желобков на медных трубах</b> .....	266
<b>Поиск и устранение неисправностей</b> .....	266-267


## Обозначения техники безопасности


В данном руководстве по эксплуатации обозначения техники безопасности и сигнальные слова используются для сообщения важной информации по охране труда. В данном разделе объясняется значение этих сигнальных слов и обозначений.

 Это обозначение опасности. Оно используется для предупреждения об опасности получения травмы. Следуйте всем сообщениям по технике безопасности, которые обозначаются данным символом, чтобы предотвратить возможные травмы или летальный исход.

 **ОПАСНОСТЬ** Знак ОПАСНОСТЬ указывает на опасную ситуацию, которая, если ее не избежать, приведет к летальному исходу либо значительной травме.

 **ВНИМАНИЕ** Знак ВНИМАНИЕ указывает на опасную ситуацию, которая, если ее не избежать, может привести к летальному исходу либо значительной травме.

 **ОСТОРОЖНО** Знак ОСТОРОЖНО указывает на опасную ситуацию, которая, если ее не избежать, может привести к травме, незначительной либо средней тяжести.

 **ПРЕДУПРЕЖДЕНИЕ** Знак ПРЕДУПРЕЖДЕНИЕ указывает на информацию, относящуюся к защите имущества.



Этот символ означает «внимательно прочитайте руководство по эксплуатации перед использованием оборудования». Руководство по эксплуатации содержит важную информацию по безопасной и правильной работе оборудования.



Этот символ означает «всегда надевайте защитные очки с боковыми щитками или закрытые защитные очки при обработке либо использовании этого оборудования, чтобы снизить риск повреждения глаз».



Данный символ обозначает опасность, связанную с застреванием рук и пальцев между роликами.



Это обозначение указывает на риск того, что руки, пальцы, ноги, одежда либо другие предметы тела могут быть защемлены либо затянуты вращающимися частями устройства, что может привести к перелому или удару.



Этот символ указывает на то, что при стационарной эксплуатации устройства нельзя использовать дрель, ударный инструмент и другие силовые инструменты.



Это обозначение указывает на риск опрокидывания машины, что может привести к травмам или переломам.



Это обозначение указывает на необходимость использования педали управления с резьбонарезным станком/силовым приводом.



Это обозначение указывает на необходимость использования защитного шлема для снижения риска травмы головы.

## Общие правила по технике безопасности

### ВНИМАНИЕ

Прочитайте и изучите данную инструкцию. Результатом несоблюдения приведенных ниже инструкций может стать поражение электрическим током, пожар и/или серьезная травма.

### СОХРАНИТЕ ДАННУЮ ИНСТРУКЦИЮ!

Используемый в предупреждениях термин «электроинструмент» относится к электроинструментам с питанием от сети (со шнуром питания) и от аккумулятора (без шнура питания).

### Безопасность в рабочей зоне

- Рабочая зона должна поддерживаться в чистоте и быть хорошо освещенной. Несчастные случаи происходят, как правило, в загроможденных и слабоосвещенных зонах.
- Недопустимо пользоваться электроинструментами во взрывоопасных средах, то есть вблизи горючих жидкостей, газов или пыли. При работе с электроинструментами возникают искры, которые могут воспламенить пыль или газы.
- Не допускается присутствие детей и посторонних лиц во время работы с электроинструментом. Не отвлекайтесь от работы, чтобы не потерять управление машиной.

- Пол должен быть сухим и свободным от скользких веществ, таких как масло. Скользкий пол может стать причиной несчастного случая.
- Ограждайте или закрывайте рабочую зону в тех случаях, если обрабатываемая деталь выходит за пределы машины. Ограждение на расстоянии как минимум один (1) метр по периметру детали снижают риск запутывания.

### Электробезопасность

- Вилка электроинструмента должна соответствовать розетке. Ни в коем случае не следует видоизменять вилку. Использование адаптерной вилки для заземленных инструментов не допускается. При использовании оригинальной вилки и соответствующей розетки снижается риск поражения электрическим током.
- Не прикасайтесь к заземленным поверхностям, например, трубам, нагревателям, печам и холодильникам. В противном случае повышается риск поражения электрическим током, проходящим через тело на землю.
- Берегите инструмент от дождя и влаги. Проникновение воды внутрь инструмента увеличивает риск удара током.
- Не допускается неправильная эксплуатация шнура. Не следует использовать шнур для переноски или передвижения электроинструмента, а также для отключения его от электросети. Берегите шнур от тепла, смазочных материалов, острых краев

и движущихся деталей устройств. Повреждение или запутывание шнура увеличивает риск удара током.

- При эксплуатации электроинструмента вне помещения используйте соответствующий удлинитель. Использование удлинителя, предназначенного для работы на улице, снижает риск удара током.
- Если не удается избежать использования электроинструмента во влажном месте, используйте устройство защитного отключения (УЗО) для безопасного электропитания. Использование УЗО снижает риск поражения электротоком.

## Личная безопасность

- Следите за своими действиями, будьте внимательны и аккуратны при работе с электроинструментом. Запрещается использовать инструмент при усталости либо под воздействием лекарственных препаратов или алкоголя. Потеря концентрации при работе с электроинструментами может привести к серьезным травмам.
- Используйте индивидуальные средства защиты. При работе всегда используйте средства защиты для глаз. Такие защитные средства как пылезащитная маска, ботинки с нескользящими подошвами, каска и беруши, используемые в соответствующих условиях, снижают травмоопасность.
- Не допускайте непреднамеренного запуска электроинструмента. Прежде чем брать электроинструмент в руки, переносить его или подключать к источнику постоянного и (или) питания от батарей, удостоверьтесь, что переключатель находится в положении «выкл.». Переноска электроинструментов с пальцем на переключателе или подзарядка инструмента с переключателем в режиме «вкл.» может привести к несчастному случаю.
- Перед включением электроинструмента следует убрать любые гаечные ключи. Их наличие вблизи вращающихся частей инструмента может привести к травмам.
- Не нагибайтесь над машиной. Всегда сохраняйте устойчивую опору ног и равновесие. Это обеспечивает более уверенное владение инструментом в непредсказуемых ситуациях.
- Используйте соответствующую одежду. Не надевайте свободную одежду и украшения. Держите волосы, одежду и перчатки вдали от движущихся частей. Свободная одежда, украшения и длинные волосы могут в них попасть.
- При наличии возможности подсоединения к пылеочистителям и пылесборникам проследите за тем, чтобы они были подключены и использовались правильно. Использование пылесборников способствует снижению рисков, связанных с пылью.

## Использование и уход

- Не применяйте чрезмерное усилие при работе с инструментом. Используйте соответствующий инструмент для каждого типа работы. Правильный выбор инструмента способствует более качественному, безопасному и быстрому выполнению работы.
- Не допускается использование электроинструмента, если его переключатель не переходит в положение ВКЛ. или ВЫКЛ. Инструмент, который нельзя включить или выключить, опасен и нуждается в ремонте.

- Перед настройкой, заменой аксессуаров или передачей на хранение необходимо вынуть вилку из розетки и (или) снять аккумулятор. Подобные меры предосторожности снижают риск непреднамеренного включения электроинструмента.
- Храните неиспользуемый инструмент вдали от детей. Не допускайте использование инструмента лицами, не работавшими ранее с инструментом и не ознакомленными с данными инструкциями. Электроинструменты представляют собой опасность в руках неквалифицированных пользователей.
- Соблюдайте правила технического обслуживания инструментов. Следите за тем, чтобы движущиеся части были отрегулированы и закреплены. Устраняйте поломки частей или любые другие факторы, которые могут повлиять на работу инструмента. В случае повреждения электроинструмента устраните неполадки перед работой. Плохо отремонтированные приборы являются причиной многих несчастных случаев.
- Используйте только рекомендованные производителем аксессуары. Режущие инструменты с острыми режущими кромками, за которыми ведется надлежащий уход, реже выходят из строя и более удобны в работе.
- Следите за тем, что ручки инструмента оставались сухими и чистыми; не допускайте попадания на них масла или смазки. Это обеспечит более уверенное владение инструментом.

## Ремонт

- Ремонт электроинструментов должен осуществляться квалифицированным персоналом с использованием оригинальных запасных частей. Только таким образом гарантируется безопасность при использовании инструмента.

## Специфическая информация по технике безопасности

### ВНИМАНИЕ

Данный раздел содержит важную информацию по безопасности, имеющую отношение именно к данному инструменту.

Чтобы снизить риск получения тяжелой травмы, внимательно прочитайте данное руководство перед использованием устройства для накатки желобков 975 Combo.

### СОХРАНИТЕ ЭТУ ИНСТРУКЦИЮ!

Если у Вас возникнут какие-либо вопросы, звоните в Ridge Tool Company, Отдел технического обслуживания (800) 519-3456 либо пишите на [tech-services@ridgid.com](mailto:tech-services@ridgid.com).

## Безопасная работа с устройством для накатки желобков

- Не надевайте свободную одежду. Рукава и пуговицы на одежде должны быть застегнуты. Не нагибайтесь над машиной или трубой. Одежда может зацепиться за трубу или вращающиеся части машины, что приведет к получению серьезных травм.
- Берегите руки от попадания в ролики. Запрещается накатывать желобки на трубах, минимальная длина которых не соответствует предусмотренным значениям. Не надевайте свободные рабочие перчатки. Пальцы могут быть зажаты между роликами либо между роликом и трубой.

- **Берегите руки от контакта с концами трубы. Не прикасайтесь к внутренней части трубы.** Возможны порезы острыми краями и заусенцами трубы. Пальцы могут быть зажаты между роликами либо между роликом и трубой.
- **Подготавливайте трубу надлежащим образом, соблюдайте правила обращения с ней.** Возможны порезы острыми краями и заусенцами трубы.
- **Используйте соответствующие опоры для труб.** Это позволит предотвратить переворачивание трубы и оборудования.
- **Прочтите и соблюдайте данную инструкцию, инструкции соответствующего силового привода или резьбонарезного станка, инструкции производителя по установке фитингов и инструкции к любому другому оборудованию, используемому с данной машиной, перед началом эксплуатации устройства для накатки желобков RIDGID® 975 Combo.** Невыполнение указаний, содержащихся во всех инструкциях, может привести к материальному ущербу или к серьезным травмам персонала.
- **Всегда используйте соответствующие средства индивидуальной защиты при установке и эксплуатации устройства для накатки желобков RIDGID 975 Combo.** Используемое защитное оборудование должно включать в себя защиту для глаз и может включать такие средства как облегающие кожаные рабочие перчатки, обувь со стальными носками и защитный шлем.
- **Используйте устройство только для накатки желобков на трубах, размеры и типы которых указаны в данной инструкции.** Иное применение или модификация устройства для накатки желобков увеличивают риск получения травм.

### Безопасная работа с устройством для накатки желобков при использовании силового привода/резьбонарезного станка

- **Используйте только силовой привод RIDGID 300 или резьбонарезной станок 300 Compac с данным устройством для накатки желобков 975 Combo.** Использование других приводов приведет к некорректной установке устройства, что может стать причиной переворачивания машины и других нештатных ситуаций.
- **Запрещается использовать устройство для накатки желобков с силовым приводом или резьбонарезным станком без педали управления. Запрещается исключать педаль управления из цепи управления силовым приводом.** Педаль управления облегчает контроль машины и позволяет отключать питание двигателя простым движением ноги. Если в машину попадет одежда, при этом на двигатель будет подаваться питание, одежда будет затянута машиной. Машина имеет достаточно высокое усилие вращения, которое может затянуть одежду вокруг руки или других частей тела с силой, достаточной для перелома костей или получения других травм.
- **Педаль управления должна использоваться тем же лицом, которое выполняет процесс накатки. К управлению машиной допускается не более одного лица.** На случай запутывания оператор должен иметь доступ к педали управления.
- **Допускается использование только силовых приводов и резьбонарезных станков со скоростью вращения 57 об/мин. или ниже.** Использование устройств с более высокой скоростью вращения повышает риск получения травмы.

- **Убедитесь в надежности установки устройства для накатки желобков и его соединения с силовым приводом/резьбонарезным станком. Машина, рама, накаточный механизм и труба должны быть установлены в устойчивом положении.** Это позволит предотвратить переворачивание трубы и оборудования.

### Безопасность при стационарном использовании устройства для накатки желобков

- **При стационарном использовании устройство должно приводиться в движение только вручную. Не используйте электроинструмент (например, дрели или ударные инструменты) для вращения стационарно установленного устройства для накатки желобков.** Это может привести к повреждению машины и увеличивает риск получения травм.
- **При выполнении работ на высоте, персонал должен использовать защитные каски и находиться за пределами зоны работы машины.** Это поможет избежать серьезных травм в случае падения машины, трубы или других предметов.

## Описание, характеристики и стандартное оборудование

### Описание

Устройство для накатки желобков RIDGID® 975 Combo используется для формирования желобков в стальных, алюминиевых и ПВХ-трубах и диаметром от 1¼" до 6", сортамента 10 и сортамента 40. Машина также предназначена для накатки желобков на трубах из нержавеющей стали диаметром от 1¼" до 6", сортамент 10 и от 1¼" до 2", сортамент 40. Кроме того, устройство можно адаптировать для работы с медными трубами диаметром 2" - 8" типа K, L, M и DWV при условии установки комплекта сменных роликов. Желобки формируются вследствие механического воздействия накаточного ролика на трубу, поддерживаемую подающим роликом. Регулировке подлежит только один параметр - глубина желобка.

Устройство предназначено либо для стационарной ручной эксплуатации, либо для работы с силовым приводом RIDGID модели 300 (скорость вращения 38 или 57 об/мин). При использовании соответствующего адаптера (кат. №67662) устройство может работать с резьбонарезным станком RIDGID модели 300 Compac. В комплект поставки устройства для накатки желобков 975 Combo входит запатентованный регулятор глубины, который помогает регулировать глубину канавки, и запатентованные средства для улучшения трассировки при использовании устройства.

Устройство для накатки желобков 975 Combo - это портативный прибор, предназначенный для использования непосредственно на местах выполнения работ. Устройство не предназначено для накатки желобков в промышленных масштабах или для профессионального использования в цехах по изготовлению труб.

**ПРЕДУПРЕЖДЕНИЕ** При надлежащем использовании устройство для накатки желобков модели 975 Combo формирует желобки 2" - 6", габариты которых совпадают со спецификациями AWWA C606-06. Выбор соответствующих материалов и способов закрепления входит в обязанности проектировщика системы и/или установщика. Перед выполнением установки следует проанализировать условия в предполагаемом месте установки, включая химическое окружение, рабочую температуру.

## Характеристики

Обрабатываемые материалы.....	Стальные трубы 1 1/4" – 6" сортамент 10 и сортамент 40 С использованием комплекта сменных роликов: Медные трубы 2"- 8", тип K, L, M и DWV
Диаметр желобка Регулировка.....	Регулировочный винт и регулятор глубины
Привод .....	Подающий винт, вращаемый с помощью трещоточного (храпового) гаечного ключа 1/2"
Устанавливаемый силовой привод .....	Силовой привод RIDGID 300 (только модели со скоростью вращения 38 и 57 об/мин), резьбонарезной станок RIDGID 300 Compact (через адаптер)
Масса.....	12,5 кг.

Устройство для накатки желобков 975 Combo защищено патентами США и международными патентами, включая патенты 6,272,895 и 6,591,652.



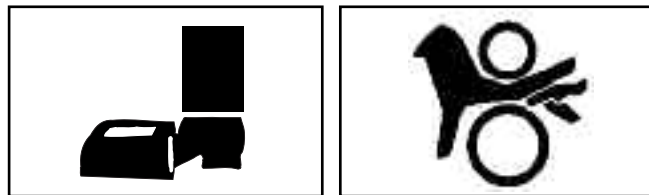
Рисунок 1 – Устройство для накатки желобков 975 Combo

## Стандартное оборудование

1 1/4" – 6" сортаменты 10 и 40 Рабочие и подающие ролики  
Трещоточный гаечный ключ (1/2") с фиксацией кнопкой  
Переходник (насадка) для привода  
Опорные рычаги  
Встроенный индексный регулятор глубины

## Осмотр устройства для накатки желобков

### ⚠ ВНИМАНИЕ



**Перед каждым использованием осматривайте устройство и устраняйте все малейшие неисправности; это поможет снизить риск тяжелой травмы и других несчастных случаев, а также предотвратить повреждение инструмента.**

**Запрещается использовать устройство для накатки желобков с силовым приводом/резьбонарезным станком без педали управления.**

1. Если к устройству для накатки желобков подключен силовой привод или резьбонарезной станок, убедитесь в том, что машина отключена от питания и переключатель REV/OFF/FOR установлен в положение OFF. Осмотр и обслуживание силового привода/резьбонарезного станка следует выполнять в соответствии с инструкцией по эксплуатации данного оборудования. Невыполнение надлежащего осмотра и обслуживания оборудования может привести к получению серьезных травм и к повреждению имущества. Убедитесь в том, что педаль управления подключена и функционирует нормально. Запрещается использовать устройство для накатки желобков без педали управления.
2. Очистите устройство, включая переносную ручку и трещоточный ключ, используемый для активации устройства, от масла, смазки и грязи. Это уменьшит вероятность получения травмы в результате выскальзывания устройства или ключа, а также упрощает осмотр.
3. Убедитесь в том, что опорные рычаги надежно зафиксированы на корпусе устройства.
4. Осмотрите устройство для накатки желобков и убедитесь в отсутствии поврежденных, изношенных, утерянных или неверно расположенных деталей или любых других неисправностей, которые могут помешать безопасной работе устройства. Убедитесь в том, что рабочий ролик и вал привода вращаются свободно.
5. Убедитесь в наличии предупредительной таблички и в надежности ее крепления. Расположение предупредительной таблички показано на Рис. 2.
6. Если насечки на приводном валу загрязнены, очистите их с помощью проволочной щетки. Загрязненные насечки могут привести к соскальзыванию трубы и стать причиной проблем при накатке желобков.
7. Осмотрите рабочий ролик и приводной вал на предмет наличия трещин, износа и других видимых следов повреждения. Поврежденные рабочие ролики и приводные валы могут привести к соскальзыванию трубы, возникновению проблем с качеством желобков или неисправностей в работе устройства.
8. Проверьте трещоточный ключ и насадку. Убедитесь в том, что трещоточный ключ вращается плавно и равномерно в обоих направлениях. Нажмите кнопку разблокировки, расположенную в центре головки трещоточного ключа и установите ключ на подающий винт. Ключ должен надежно зафиксироваться. Трещоточный ключ должен быть надежно зафиксирован на насадке, а насадка

надежно вставлена во внутренний четырехгранник на задней части устройства для накатки желобков. Это позволит предотвратить выпадение трещоточного ключа и насадки при использовании устройства для накатки желобков. При использовании нестандартного храповика, ключа или насадки, которые не фиксируются на устройстве для накатки желобков, возможно их выпадение при использовании прибора.

При обнаружении каких-либо проблем устраните их, прежде чем использовать устройство.

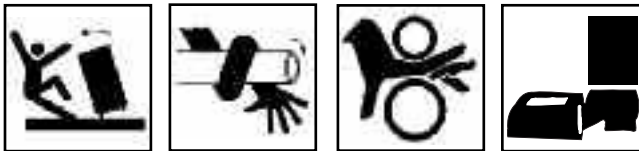
9. Выполните смазку устройства для накатки желобков как указано в соответствующем разделе настоящей инструкции. Вытрите остатки смазки на устройстве.
10. При использовании дополнительного оборудования выполните его осмотр и обслуживание и убедитесь в его надлежащем функционировании.



Рисунок 2 – Предупреждающая табличка устройства для накатки желобков 975 Combo

## Подготовка прибора и рабочей зоны для работы с силовым приводом

### ⚠ ВНИМАНИЕ



Всегда используйте средства для защиты глаз от грязи и других инородных тел. Надевайте обувь со стальными носками для защиты ног при падении инструментов или труб.

Запрещается использовать устройство для накатки желобков с силовым приводом или резьбонарезным станком без педали управления. Запрещается исключать педаль управления из цепи управления силовым приводом. Педаль управления облегчает контроль машины и позволяет отключать питание двигателя простым движением ноги. Если в машину попадет одежда, при этом на двигатель будет подаваться питание, одежда будет затянута машиной. Машина имеет достаточно высокое усилие вращения, которое может затянуть одежду вокруг руки или других частей тела с силой, достаточной для перелома костей или получения других травм.

Настройте машину для накатки желобков и организуйте рабочую зону в соответствии с настоящим руководством таким образом, чтобы снизить риск травм от удара током, возгорания, запутывания, и других причин, а также предотвратить повреждение инструмента.

1. Рабочая зона должна отвечать следующим требованиям:
  - Иметь достаточное освещение.
  - Не содержать воспламеняющихся жидкостей, паров или пыли, которые могут воспламениться. Если такие вещества присутствуют в рабочей зоне, не начинайте работу до тех пор, пока источники не будут определены и удалены. Силовые приводы и резьбонарезные станки не являются взрывобезопасными устройствами и могут давать искру.
  - Площадка для оператора должна быть чистой, ровной, устойчивой и сухим местом. Запрещается использовать прибор при нахождении в воде.
  - Электрические розетки должны быть надлежащим образом заземлены. Наличие трех штырей или УЗО в розетке не означает, что она заземлена должным образом. При возникновении сомнений розетка подлежит проверке квалифицированным электриком.
  - Обеспечьте удобство доступа к электрической розетке, убрав потенциальные источники опасности, которые способны повредить шнур питания.
2. Перед установкой любого оборудования предварительно очистите рабочую зону. При наличии следов масла их нужно обязательно вытереть.

3. Осмотрите трубу, на которой требуется сделать желобки, и убедитесь в том, что устройство для накатки желобков 975 Combo подходит для выполнения такого типа работ. Устройство для накатки желобков 975 Combo предназначено для обработки стальных, алюминиевых и ПВХ труб сортамента 10 и 40 диаметром от 1 1/4" до 6". Машина также может использоваться для обработки труб из нержавеющей стали диаметром от 1 1/4" до 6" сортамента 10 и диаметром от 1 1/4" до 2" сортамента 40. Кроме того, устройство можно адаптировать для работы с медными трубами диаметром 2" - 8" типа K, L, M и DWV при использовании комплекта сменных роликов.

Устройство для накатки желобков 975 Combo можно использовать в стационарных условиях (на смонтированных или установленных в зажимах трубах) или с силовым приводом RIDGID 300 или резьбонарезным станком 300 Compact для выполнения работ непосредственно на месте. Машина 975 Combo не предназначена для промышленного использования.

Машины для накатки желобков, подходящие для других типов применения, можно найти в каталоге инструментов Ridge или в сети Интернет по адресу [www.RIDGID.com](http://www.RIDGID.com), либо позвонив в отдел технического обслуживания Ridge Tool по тел. 800-519-3456.

**ПРЕДУПРЕЖДЕНИЕ** Использование одного комплекта роликов (рабочий ролик и приводной вал) на стальных и нержавеющей трубах может привести к загрязнению материалов из нержавеющей стали. В результате возможно развитие коррозии и преждевременный выход трубы из строя. Для предотвращения загрязнения труб из нержавеющей стали используйте отдельные комплекты роликов для обработки нержавеющей труб. В качестве альтернативы можно использовать проволочную щетку из нержавеющей стали для тщательной очистки комплекта роликов при смене материала.

4. Выполните осмотр силового привода/станка в соответствии с инструкцией. Убедитесь в наличии педали управления и проверьте, чтобы переключатель FOR/OFF/REV был установлен в положение OFF. Силовой привод и станок должны использоваться в соответствии с инструкцией. Убедитесь в том, что машина и подставка установлены надежно и не шатаются.
5. Полностью откройте фиксатор на силовом приводе/резьбонарезном станке.
6. Убедитесь в том, что устройство 975 Combo было осмотрено и был установлен соответствующий комплект роликов.

### Установка желобонакатчика 975 Combo на привод RIDGID 300

1. Если используемый силовой привод оснащен транспортными или другими приспособлениями, следует снять их с привода. Убедитесь в том, что опорные рычаги силового привода полностью выдвинуты и зафиксированы.
2. Поместите опорные рычаги устройства для прокатки желобков на опорные рычаги силового привода и вставьте конец приводного вала устройства в зажим силового привода. Закройте и затяните зажим силового привода для закрепления приводного вала. Убедитесь в том, что приводной вал расположен по центру зажима. С усилием проворачивайте зажимное колесо против часовой стрелки для надежной фиксации приводного вала (Рисунок 3).



Рисунок 3 – Установка устройства для накатки желобков 975 Combo в зажиме силового привода 300

### Установка желобонакатчика 975 Combo на резьбонарезной станок RIDGID 300 Compact/1233

При работе устройства для прокатки желобков 975 Combo с резьбонарезным станком 300 Compact/1233 следует использовать адаптер (каталожный номер 67662). Адаптер позволяет правильно расположить устройство 975 Combo относительно резьбонарезного станка и подставки и обеспечить работу с трубами всех допустимых размеров. Не пытайтесь использовать устройство 975 Combo с резьбонарезным станком другого типа, поскольку это может привести к переворачиванию машины и возникновению других проблем.

1. Установите приводной адаптер на вал устройства для прокатки желобков (См. Рисунок 4). Совместите зажимные винты с надрезами на приводном валу машины и надежно затяните их.

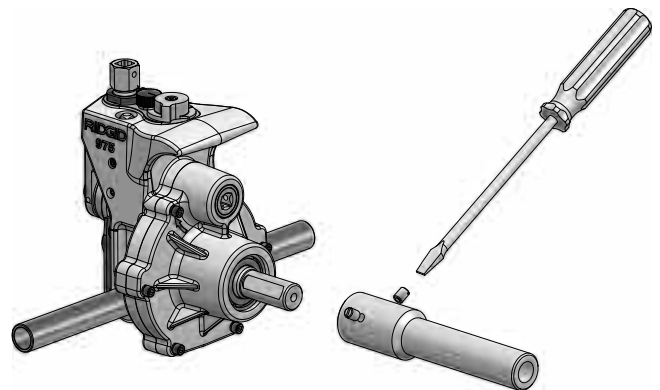


Рисунок 4 – Установка приводного адаптера

2. Пододвиньте станину резьбонарезного станка 300 Compact/1233 как можно ближе к зажиму устройства для прокатки желобков. Отведите трубобрез, резьбонарезную головку и зенковку в самую дальнюю от оператора позицию, чтобы они не мешали установке. Вставьте конус расширителя в патрон.
3. Установите скобу адаптера на рейку станка 300 Compact/1233 (как показано на Рисунке 5) и зафиксируйте ее с помощью штифта.



**Рисунок 5 – Установка скобы адаптера**

4. Разместите опорные рычаги желобонакатчика 975 на рычагах адаптера и совместите приводной адаптер с зажимом станка. Закройте и затяните зажим резьбонарезного станка для фиксации приводного адаптера. Убедитесь в том, что приводной вал расположен по центру зажима. С усилием проворачивайте зажимное колесо против часовой стрелки для надежной фиксации приводного вала.



**Рисунок 6 – желобонакатчик 975 Combo правильно установлен на резьбонарезном станке RIDGID 300 Compact**

### Завершение установки

1. Расположите педаль управления таким образом, чтобы оператор мог контролировать силовой привод/резьбонарезной станок, устройство для накатки желобков и обрабатываемую трубу. Как показано на *Рисунке 6*, выбранная позиция должна позволять оператору:
  - Стоять лицом к устройству для накатки желобков со стороны переключателя FOR/OFF/REV и иметь доступ к этому переключателю.
  - Включать/выключать привод с помощью педали управления и в случае необходимости быстро отпускать педаль управления.

- Иметь удобный доступ к устройству для накатки желобков, трубе и трещоточному ключу без необходимости наклоняться над устройством.



**Рисунок 7 – Позиция оператора**

2. Протяните шнур питания по выбранному маршруту. Сухими руками включите шнур питания в розетку с надлежащим заземлением. Следите за тем, чтобы все электрические подключения оставались сухими и не соприкасались с землей. Если шнур питания имеет недостаточную длину, используйте удлинитель, отвечающий следующим требованиям:
  - Находится в хорошем состоянии
  - Имеет трехштыревой разъем, подобный разъему силового привода
  - Предназначен для наружного использования и имеет маркировку W или W-A на обозначении провода (напр. SOW)
  - Использует провод соответствующего размера (14 AWG для длины до 0,6 м, 12 AWG для длины 0,6-1,2 м). Использование провода несоответствующего сечения приведет к его перегреву, оплавлению изоляции, что может стать причиной пожара или иных повреждений.
3. Убедитесь в правильной работе силового привода/резьбонарезного станка:
  - Установите переключатель в положение FOR (Вперед). Нажмите и отпустите педаль управления. Приводной вал должен вращаться по направлению против часовой стрелки, если смотреть на зажим спереди. Если вращение происходит в другом направлении, либо если педаль управления не контролирует работу машины, использовать устройство можно только после устранения неисправностей.



- Нажмите и удерживайте педаль управления. Проверьте скорость вращения машины. Осмотрите подвижные части на предмет перекосов, неправильного расположения, посторонних шумов и других нештатных ситуаций. Отпустите педаль управления. Запрещается выполнять накатку желобков, если скорость вращения машины превышает 57 об/мин. Более высокая скорость вращения повышает риск получения травмы. При обнаружении каких-либо проблем устраните их, прежде чем использовать устройство.
- Установите переключатель в положение REV (Реверс). Нажмите и отпустите педаль управления. Приводной вал должен вращаться по направлению по часовой стрелке, если смотреть на зажим спереди. Если вращение происходит в другом направлении, использовать устройство можно только после устранения неисправностей.
- Установите переключатель в положение OFF. Сухими руками отключите машину от питания.

## Подготовка трубы

**ПРЕДУПРЕЖДЕНИЕ** Данная инструкция является обобщенной. Всегда соблюдайте инструкции производителя муфты для пазового соединения по подготовке краев трубы. Несоблюдение таких инструкций может привести к недостаточной надежности соединения и утечкам.

1. Обрежьте трубу до нужной длины. Учитывайте минимальную длину трубы для прокатки желобков для разных диаметров трубы (См. таблицу А). Обработка трубы с меньшей длиной повышает риск травмирования пальцев и запутывания.

Убедитесь в том, что конец трубы обрезан ровно и без заусенцев. Заусенцы могут зацепить или порезать пальцы при прокатке желобков. Неправильная обрезка трубы и наличие крупных заусенцев могут повлиять на качество желобка и процесс прокатки. Запрещается прокатывать трубу, обрезанную резак.

2. Все внутренние/внешние сварные швы или оплавления следует обработать на длину как минимум 2" от края трубы. Не распиливайте трубу в зоне посадки прокладки, это может привести к утечке.
3. Удалите все отложения, грязь, ржавчину и другие посторонние вещества с трубы на расстоянии как минимум 2" от края. Наличие посторонних веществ может привести к загрязнению насечек на приводном валу и к неправильной подаче трубы при выполнении прокатки.

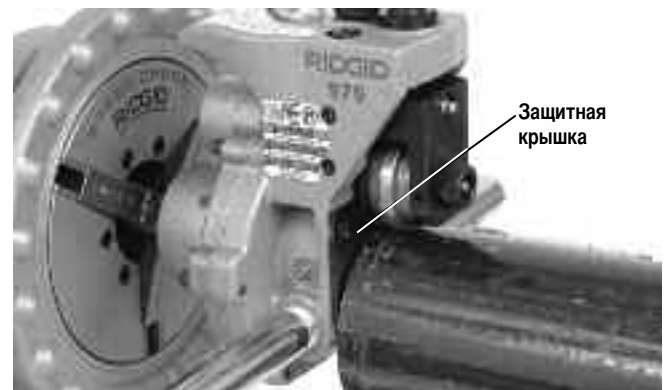
## Расположение трубы в устройстве для накатки желобков

1. Убедитесь в том, что переключатель силового привода/резьбонарезного станка установлен в положение OFF.
2. Убедитесь в наличии соответствующей опоры для обрабатываемой трубы. В Таблице А приведена максимальная длина труб, обрабатываемых с использованием одиночной опоры. Более длинные трубы должны поддерживаться минимум двумя опорами. Ненадлежащая поддержка трубы может привести к переворачиванию и падению трубы либо машины. Запрещается накачивать желобки на трубах, минимальная длина которых не соответствует предусмотренным значениям.

Ном. Размер	Мин. Длина	Макс. Длина	Ном. Размер	Мин. Длина	Макс. Длина
1	8	36	4	8	36
1 1/4	8	36	4 1/2	8	32
1 1/2	8	36	5	8	32
2	8	36	6 Внешний диаметр	10	30
2 1/2	8	36	6	10	28
3	8	36			
3 1/2	8	36			

**Таблица А – Минимальная/Максимальная длина трубы для прокатки на одной трубной раме (Все размеры приведены в дюймах)**

3. Установите опоры перед устройством для накатки желобков. Если для трубы достаточно одной опоры, она должна размещаться немного дальше середины трубы при измерении от крышки устройства для прокатки желобков. При использовании нескольких опор для поддержки трубы, трубы должны располагаться на расстоянии 1/4 от длины трубы при измерении от концов трубы. В некоторых ситуациях целесообразно использовать более одной опоры. Высота опоры должна быть настроена таким образом, чтобы труба надевалась на приводной вал.
4. Убедитесь в том, что рабочий ролик отодвинут на достаточное расстояние и труба может быть надета на приводной вал. При необходимости поверните подающий винт против часовой стрелки для перемещения рабочего ролика.
5. Наденьте конец трубы на приводной вал и опустите трубу на опору (опоры). Удостоверьтесь в надежности установки трубы.



**Рисунок 8 – Установка трубы на приводном валу вплотную к крышке**

6. Отрегулируйте трубу и опоры таким образом, чтобы труба располагалась вплотную к крышке устройства для накатки желобков и чтобы внутренняя поверхность трубы соприкасалась с верхней частью приводного вала (Рисунок 7). Центральная линия трубы и центральная линия приводного вала должны быть параллельны друг другу. Этого можно достичь выравниванием трубы и силового привода/резьбонарезного станка.
7. Немного сдвиньте трубу и опоры, приблизительно на 1/2 градуса (около 2,5 см на расстоянии 3 м от машины) в сторону оператора. Правильное расположение трубы и устройства для накатки желобков помогает обеспечить правильную подачу трубы при выполнении накатки. (См. Рис. 9).

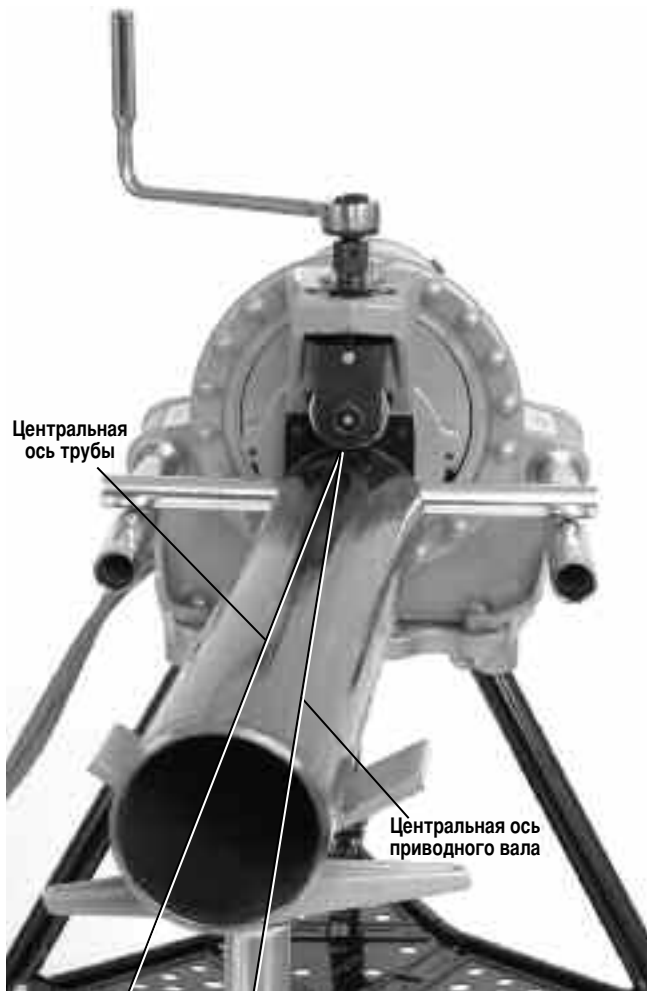


Рисунок 9 – Сдвиг трубы на 1/2° в сторону оператора (с преувеличением)

8. Поверните подающий винт по часовой стрелке до касания ролика с внешней поверхностью трубы, затем проверните подающий винт еще на 1/4 оборота. Возможно, для соприкосновения рабочего ролика с трубой потребуется отпустить (повернуть против часовой стрелки) регулировочный винт. На данном этапе труба и ролик должны быть плотно прижаты друг к другу.
9. Осмотрите рабочую зону и убедитесь в том, что при необходимости установлены заградительные барьеры для недопущения других лиц (кроме оператора) в рабочую зону. Ограждения должны обеспечивать минимум 1 м безопасного пространства вокруг силового привода и трубы. Эта "зона безопасности" предотвратит случайный контакт машины или трубы с другими лицами, что могло бы привести к падению или затягиванию вращающимися частями устройства.
10. Сухими руками включите шнур питания машины в розетку с надлежащим заземлением.

## Использование устройства для накатки желобков 975 Combo с силовым приводом/резьбонарезным станком

### ⚠ ВНИМАНИЕ



При работе с устройством для накатки желобков не надевайте свободную одежду. Рукава и пуговицы на одежде должны быть застегнуты. Не нагибайтесь над машиной или трубой. Свободная одежда может быть затянута вращающимися частями машины, что приведет к получению травм.

Берегите руки от попадания в ролики. Запрещается накатывать желобки на трубах, минимальная длина которых не соответствует предусмотренным значениям. Не надевайте свободные рабочие перчатки. Пальцы могут быть зажаты между роликами либо между роликом и трубой.

Берегите руки от контакта с концами трубы. Не прикасайтесь к внутренней части трубы. Возможны порезы острыми краями и заусенцами трубы. Пальцы могут быть зажаты между роликами либо между роликом и трубой.

Всегда используйте средства для защиты глаз от грязи и других инородных тел. Надевайте обувь со стальными носками для защиты ног при падении инструментов или труб.

Следуйте инструкции по эксплуатации, чтобы снизить риск получения травмы вследствие удара, падения или других причин.

### Установка/измерение диаметра желобка

**ПРЕДУПРЕЖДЕНИЕ** Вследствие различий в характеристиках труб, каждый день перед первой накаткой на трубе с другим диаметром, сортаментом или материалом, следует выполнять тестовую прокатку. Мерка для установки диаметра желобка используется только в информационных целях, для обеспечения требуемого диаметра желобка его следует измерять дополнительно.

1. Убедитесь в том, что оборудование и труба установлены надлежащим образом. Неправильная подготовка трубы может повлиять на точность регулятора глубины желобка. Рабочий ролик должен соприкасаться с трубой.
2. Отрегулируйте положение регулятора глубины желобка таким образом, чтобы требуемая величина находилась под головкой регулировочного винта (Рисунок 10А). Регулятор глубины желобка предназначен для использования с обычными трубами. При работе с медными трубами см. раздел "Установка диаметра желобка для медных труб".
3. Поворачивайте регулировочный болт по часовой стрелке до тех пор, пока его головка не будет указывать на требуемое значение глубины желобка. Переведите регулятор глубины желобка в положение прокатки (Рисунок 10В). Если регулятор не будет установлен в положение прокатки, обработка трубы выполняться не будет и регулятор может быть поврежден.



**Рисунок 10А – Выбор положения регулятора глубины желобка под головкой регулировочного винта**



**Рисунок 12 – Регулятор в положении прокатки**

4. Выполните тестовую прокатку (см. процедуру “Формирование желобка”).
5. Измерьте диаметра желобка. Наиболее подходящий метод измерения диаметра желобка - использование мерной ленты (см. раздел “Аксессуары”). Плотно натяните мерную ленту вокруг трубы на желобке. Убедитесь в том, что лента плотно соприкасается с нижней частью желобка и снимите показание диаметра. (См. Рисунок 11.)



**Рисунок 11 – Проверка диаметра желобка с помощью измерительной ленты**

6. Сопоставьте измеренное значение диаметра с требуемым диаметром как показано в *Таблице I или III*, либо как указано в руководстве по установке соответствующего фитинга. Если измеренное значение не совпадает с требуемым диаметром желобка, следует отрегулировать регулировочного винта для получения нужного диаметра.
  - Для увеличения диаметра желобка, поворачивайте регулировочный винт по часовой стрелке.
  - Для уменьшения диаметра желобка, поворачивайте регулировочный винт против часовой стрелки.
  - Каждая четверть ( $1/4$ ) оборота регулировочного винта соответствует изменению диаметра желобка приблизительно на 0,02" (0,5 мм).

7. Повторяйте шаги 4-6 до тех пор, пока диаметр желобка не будет соответствовать требуемым характеристикам. Если желоб слишком большой, можно отрегулировать ролик и уменьшить его размеры. Если желоб слишком маленький, следует сделать новый желоб. Соблюдение требуемого диаметра желобка имеет важное значение для надежности последующего соединения. Желобки, не соответствующие заданным характеристикам, могут привести к разрушению соединения.

### Формирование желобка

1. Убедитесь в том, что оборудование и труба установлены надлежащим образом.



**Рисунок 12 – Рабочая позиция устройства для прокатки желобков**

2. Выберите требуемую рабочую позицию. Расположите педаль управления таким образом, чтобы оператор мог контролировать силовой привод, устройство для накатки желобков и обрабатываемую трубу. Как показано на *Рисунке 12*, выбранная позиция должна позволять оператору:
  - Стоять лицом к устройству для накатки желобков со стороны переключателя FOR/OFF/REV и иметь доступ к этому переключателю.
  - Включать/выключать привод с помощью педали управления и в случае необходимости быстро отпускать педаль управления.
  - Иметь удобный доступ к устройству для накатки желобков и трещоточному ключу без необходимости наклоняться над устройством.

- При необходимости положить правую руку на обрабатываемую трубу.
  - Обеспечивать надежную стойку и хорошее равновесие.
3. Установите переключатель FOR/OFF/REV в положение REV (Реверс). **Не используйте устройство для накатки желобков 975 Combo в режиме FOR (вперед). В связи с особенностями конструкции машины 975 Combo, этот режим приведет к спиральному “выкручиванию” трубы из роликов, что может стать причиной падения трубы.**
  4. Положите одну руку на головку храповика/верхнюю часть подающего винта, а другую руку - на край храповика.
  5. Нажмите на педаль управления для включения силового привода. Труба должна вращаться, при этом лицевая часть трубы должна соприкоснуться с крышкой устройства для накатки желобков. Если труба начинает отходить от крышки устройства, отпустите педаль управления для предотвращения скручивания и падения трубы. При необходимости выполните повторную установку трубы (см. раздел “Расположение трубы”). Если труба деформирована, ее следует обрезать и сделать новый желобок.
  6. После полного оборота трубы проверните подающий винт еще на 1/4 оборота. Продолжайте следить за краем трубы, который должен соприкоснуться с крышкой машины. Не поворачивайте подающий винт более чем на 1/4 оборота на каждое вращение трубы. Слишком быстрое вращение подающего винта может привести к излишней развальцовке желобка или скручиванию трубы с приводного вала.
  7. Продолжайте затягивать подающий винт по 1/4 оборота на каждое вращение трубы до тех пор, пока головка регулировочного винта не сравняется с верхней частью механизма. Не пытайтесь повернуть подающий винт после того, как регулировочный винт достигнет верхней части механизма, это может привести к повреждению регулировочного винта. В этой позиции труба должна повернуться еще минимум на 2 оборота для формирования равномерного желобка.
  8. Отпустите педаль управления и установите переключатель FOR/OFF/REV в положение OFF.
  9. Поворачивайте подающий винт против часовой стрелки и поднимите рабочий ролик для снятия трубы с машины.
  10. Осмотрите полученный желобок.
    - Убедитесь в том, что желобок полностью накатан.
    - Проверьте соответствие диаметра желобка требуемым значениям.
    - Проверьте все другие параметры, требуемые изготовителем соответствующего фитинга.

При обнаружении каких-либо проблем с желобком его использование запрещается.

### Установка диаметра желобка для медных труб

При работе устройства для накатки желобков 975 Combo с медными трубами не следует использовать регулятор глубины желобка. В этом случае регулятор задаст неверный диаметр желобков.

1. Поверните подающий винт по часовой стрелке до касания ролика с внешней поверхностью трубы, затем проверните подающий винт еще на 1/4 оборота. Возможно, для соприкосновения рабочего ролика с трубой потребуется отпустить (повернуть против часовой стрелки) регулировочный винт. На данном этапе труба и ролик должны быть плотно прижаты друг к другу.

2. Убедитесь в том, что регулятор глубины желобка находится в положении прокатки. (Рисунок 10B)
3. Поворачивайте регулировочный винт до тех пор пока он не сравняется с верхней пластиной устройства.
4. Найдите нужный диаметр и тип трубы для прокатки в Таблице В и закрутите регулировочный винт на верхней пластине на соответствующее число оборотов. Например, для медной трубы типа Sch. L, диаметром 4” следует закрутить регулировочный винт на 1 1/4 оборота.

### Регулировка глубины для прокатки желобов в медных трубах

#### (Регулировка поворотов винта)

Диаметр	K	L	M	DWV
2-2.5”	7/8	7/8	5/8	5/8
3”	1 1/16	1 1/16	1 1/16	1 1/16
4”	1 1/4	1 1/4	1 1/4	1 1/8
5”	1 1/2	1 1/2	1 1/2	1 1/2
6”	1 13/16	1 3/4	1 3/4	1 3/4
8”	2 1/2	2 3/8	2 1/8	2 1/8

Таблица В – Регулировка глубины для прокатки желобов в медных трубах

5. Переходите к шагу 4 - “Установка/измерение диаметра желобка”.

### Советы по управлению устройством для накатки желобков 975 Combo

Проблемы, с которыми чаще всего сталкиваются пользователи при прокатке обычно заключаются в скручивании или смещении трубы с приводного вала или в неправильной прокатке желоба. Чтобы прокатка желоба получилась качественной, следует полностью придерживаться указанных инструкций. Если инструкции были выполнены, но желоб получился некачественным, процесс прокатки можно улучшить следующим образом.

- Немного сдвиньте трубу в сторону оператора (сдвиг в пределах от 1/2 градуса до 1 градуса) (См. рис. 9).
- Для лучшей прокатки возможно оператору следует немного нажать на трубу. Обычно это требуется только для коротких секций трубы. При этом оператору следует надеть кожаные рукавицы и держать трубу руками посередине, как показано на рисунке 13. Возможно потребуются привинтить раму, на которой установлен силовой привод/резьбонарезной станок к полу, чтобы избежать сдвигов во время прокатки. Во избежание тяжелых травм не подносите руки близко к рабочему ролику и концам трубы, и следите, чтобы длина трубы для накатки не была короче рекомендуемой.



Рисунок 13 – Нажим на трубу с целью улучшения прокатки

- Помимо этого, см. *Раздел диагностики неисправностей*, в котором приведен полный список причин их возникновения и решений проблем прокатки.

## Подготовка прибора и рабочей зоны для стационарной работы

### ⚠ ВНИМАНИЕ



Всегда используйте средства для защиты глаз от грязи и других инородных тел. Надевайте обувь со стальными носками для защиты ног при падении инструментов или труб. Используйте каску для защиты головы на рабочем месте.

Настройте машину для прокатки желобков и организуйте рабочую зону в соответствии с настоящим руководством таким образом, чтобы снизить риск травм от падения инструментов, ударов и других причин, а также предотвратить повреждение инструмента.

1. Рабочая зона должна отвечать следующим требованиям:
  - Иметь достаточное освещение.
  - Не содержать воспламеняющихся жидкостей, паров или пыли, которые могут воспламениться. Если такие вещества присутствуют в рабочей зоне, не начинайте работу до тех пор, пока источники не будут определены и удалены.
  - Площадка должна иметь чистое, ровное, устойчивое и сухое место для оборудования и оператора.
2. Перед установкой любого оборудования предварительно очистите рабочую зону. При наличии следов масла их нужно обязательно вытереть.
3. Осмотрите трубу, на которой требуется сделать желобки, и убедитесь в том, что устройство для накатки желобков 975 Combo подходит для выполнения такого типа работ. Устройство для накатки желобков 975 Combo предназначено для обработки стальных, алюминиевых и ПВХ труб сортамента 10 и 40 диаметром от 1 1/4" до 6". Машина также может использоваться для обработки труб из нержавеющей стали диаметром от 1 1/4" до 6" сортамента 10 и диаметром от 1 1/4" до 2" сортамента 40. Кроме того, устройство можно адаптировать для работы с медными трубами диаметром 2" - 8" типа K, L, M и DWV при использовании комплекта сменных роликов.

Устройство для накатки желобков 975 Combo можно использовать в стационарных условиях (на смонтированных или установленных в зажимах трубах) или с силовым приводом RIDGID 300 или резбонарезным станком 300 Comrac для выполнения работ непосредственно на месте. Машина 975 Combo не предназначена для промышленного использования.

4. При накатке в стационарных условиях, убедитесь, что в помещении достаточно места для установки и эксплуатации устройства для накатки желобков 975 Combo. Устройство накатывает желоб, обходя надежно закрепленную трубу по кругу; для нормальной эксплуатации машины требуется:
  - Минимум 17 см пространства вокруг трубы для выполнения прокатки.
  - Минимальное пространство ( $r_{min}$ ) для трубы, чтобы при выдвигении за границы рамы, она не наткнулась на препятствие (например, на стену).
  - Минимальное отверстие в 2,5 см, чтобы труба соответствовала размерам устройства для накатки.

Машины для накатки желобков, подходящие для других типов применения, можно найти в каталоге инструментов Ridge или в сети Интернет по адресу [www.RIDGID.com](http://www.RIDGID.com), либо позвонив в отдел технического обслуживания Ridge Tool по тел. 800-519-3456.

**ПРЕДУПРЕЖДЕНИЕ** Использование одного комплекта роликов (рабочий ролик и приводной вал) на стальных и нержавеющей трубах может привести к загрязнению материалов из нержавеющей стали. В результате возможно развитие коррозии и преждевременный выход трубы из строя. Для предотвращения загрязнения труб из нержавеющей стали используйте отдельные комплекты роликов для обработки нержавеющей труб. В качестве альтернативы можно использовать проволочную щетку из нержавеющей стали для тщательной очистки комплекта роликов при смене материала.

## Подготовка трубы

**ПРЕДУПРЕЖДЕНИЕ** Данная инструкция является обобщенной. Всегда соблюдайте инструкции производителя муфты для пазового соединения по подготовке краев трубы. Несоблюдение таких инструкций может привести к недостаточной надежности соединения и утечкам.

1. При стационарной накатке уже установленной трубы, убедитесь, что давление в системе сброшено и содержимое устранено. Определите содержимое устройства и проверьте, какие опасности с ним связаны.
2. Обрежьте трубу до нужной длины.  
Убедитесь в том, что конец трубы обрезан ровно и без заусенцев. Заусенцы могут зацепить или порезать пальцы при накатке желобков. Неправильная обрезка трубы и наличие крупных заусенцев могут повлиять на качество желобка и процесс накатки. Запрещается накатывать трубу, обрезанную резакom.
3. Все внутренние/внешние сварные швы или оплавления следует обработать на длину как минимум 5 см от края трубы. Не распилывайте трубу в зоне посадки прокладки, это может привести к утечке.
4. Удалите все отложения, грязь, ржавчину и другие посторонние вещества с трубы на расстоянии как минимум 5 см от края. Наличие посторонних веществ может привести к загрязнению насечек на приводном валу и к неправильной подаче трубы при выполнении накатки.
5. Перед накаткой убедитесь в том, что труба надежно закреплена. Труба должна выдерживать вес устройства для прокатки желобков (12,7 кг), а также нажим и усилие привода при прокатке, и остаться неподвижной. Стационарную трубу лучше снять, а затем выполнить ее накатку в трубных зажимах. В остальных случаях могут понадобиться временные или постоянные крепления для поддержки труб. При использовании трубных зажимов, проверьте, безопасно ли ими пользоваться и не упадут ли они во время использования. Для более длинных труб потребуются опоры для поддержки по длине.

## Установка устройства для накатки желобков на трубе

1. Убедитесь в том, что устройство 975 Combo было осмотрено и был установлен соответствующий комплект роликов. Убедитесь в том, что опорные рычаги надежно зафиксированы на корпусе устройства или полностью снимите их, чтобы улучшить доступ в трудных местах. Далее, установите трещоточный ключ в подающий винт и вставьте насадку во внутренний четырехгранник на задней части устройства для накатки желобков. Проверьте, чтобы трещоточный ключ и насадка были прочно установлены.
2. Убедитесь в том, что между рабочим роликом и валом привода достаточно места для стенки трубы. При необходимости поверните подающий винт против часовой стрелки для перемещения рабочего ролика.

3. Надежно возьмитесь за устройство для накатки желобков. Не поднимайте его трещоточным ключом. Поместите приводной вал внутри трубы и убедитесь, что крышка устройства плотно прилегает к краю трубы (Рисунок 14). Затяните подающий винт, чтобы обеспечить контакт рабочего ролика с внешней стороной трубы. После затягивания подающего винта вручную затяните его трещоточным ключом еще на 1/4 оборота. Убедитесь, что устройство для накатки желобков правильно установлено на трубе и его крышка находится вровень с краем трубы. В противном случае заново повторите эту процедуру. Всегда проверяйте, безопасно ли установлено устройство для накатки желобков, чтобы оно не упало.

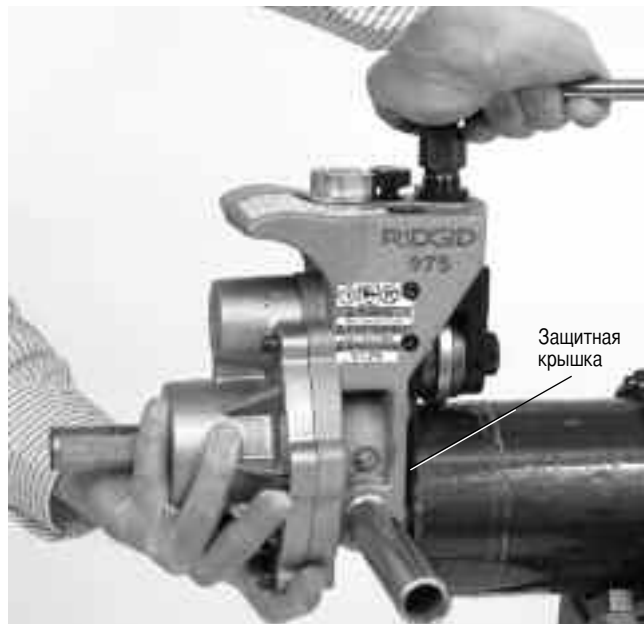


Рисунок 14 – Поддержка устройства для накатки желобков при затягивании подающего винта

## Стационарная эксплуатация устройства для накатки желобков 975 Combo

### ⚠ ВНИМАНИЕ



При стационарном использовании устройство должно приводиться в движение только вручную. Не используйте электроинструмент (например, дрели или ударные инструменты) для вращения стационарно установленного устройства для накатки желобков. Это может привести к повреждению машины и увеличивает риск получения травм.

При работе с устройством для накатки желобков не надевайте свободную одежду. Рукава и пуговицы на одежде должны быть застегнуты. Не нагибайтесь над машиной или трубой. Свободная одежда может быть затянута вращающимися частями машины, что приведет к получению травм.

Берегите руки от попадания в ролики. Запрещается накатывать желобки на трубах, минимальная длина которых не соответствует предусмотренным значениям. Не надевайте свободные рабочие перчатки. Пальцы могут быть зажаты между роликами либо между роликом и трубой.

Берегите руки от контакта с концами трубы. Не прикасайтесь к внутренней части трубы. Возможны порезы острыми краями и заусенцами трубы. Пальцы могут быть зажаты между роликами либо между роликом и трубой.

Всегда используйте средства для защиты глаз от грязи и других инородных тел. Надевайте обувь со стальными носками для защиты ног при падении инструментов или труб. Используйте каску для защиты головы на рабочем месте.

Следуйте инструкции по эксплуатации, чтобы снизить риск получения травмы вследствие удара, падения или других причин.

### Установка/измерение диаметра желобка

**ПРЕДУПРЕЖДЕНИЕ** Вследствие различий в характеристиках труб, каждый день перед первой накаткой на трубе с другим диаметром, сортаментом или материалом, следует выполнять тестовую прокатку. Регулятор для установки диаметра желобка используется только в информационных целях, для обеспечения требуемого диаметра желобка его следует измерять дополнительно.

1. Убедитесь в том, что оборудование и труба установлены надлежащим образом. Неправильная подготовка трубы может повлиять на точность регулятора глубины желобка. Рабочий ролик должен соприкасаться с трубой.
2. Отрегулируйте положение регулятора глубины желобка таким образом, чтобы требуемая величина находилась под головкой регулировочного винта (Рисунок 15А). Регулятор глубины желобка предназначен для использования с обычными трубами. См. раздел "Установка диаметра желобка для медных труб" для работы с медными трубами.
3. Поворачивайте регулировочный болт по часовой стрелке до тех пор, пока его головка не будет указывать на требуемое значение глубины желобка. Переведите регулятор глубины желобка в положение прокатки (Рисунок 15В). Если регулятор не будет установлен в положение прокатки, обработка трубы выполняться не будет и регулятор может быть поврежден.
4. Выполните тестовую прокатку (см. процедуру "Формирование желобка").

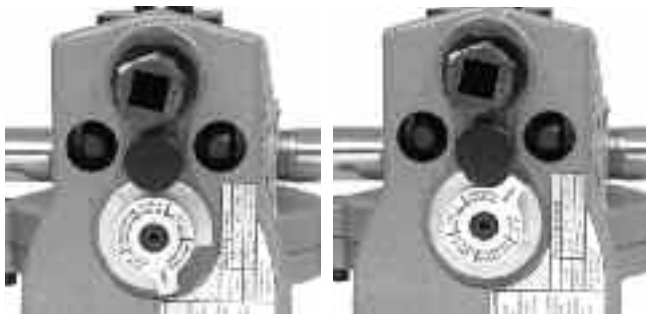


Рисунок 15А – Выбор положения регулятора глубины желобка под головкой регулировочного винта

Рисунок 15В – Регулятор в положении прокатки

5. Измерьте диаметр желобка. Наиболее подходящий метод измерения диаметра желобка - использование мерной ленты (см. раздел "Аксессуары"). Плотно натяните мерную ленту вокруг трубы на желобке. Убедитесь в том, что лента плотно соприкасается с нижней частью желобка и снимите показания диаметра (См. рис. 16).



Рисунок 16 – Проверка диаметра желобка с помощью измерительной ленты

6. Сопоставьте измеренное значение диаметра с требуемым диаметром как показано в Таблице I или III, либо как указано в руководстве по установке соответствующего фитинга. Если измеренное значение не совпадает с требуемым диаметром желобка, следует отрегулировать регулирующий винт для получения нужного диаметра.
  - Для увеличения диаметра желобка, поворачивайте регулировочный винт по часовой стрелке.
  - Для уменьшения диаметра желобка, поворачивайте регулировочный винт против часовой стрелки.
  - Каждая четверть (1/4) оборота регулировочного винта соответствует изменению диаметра желобка приблизительно на 0,5 мм.
7. Повторяйте шаги 4-6 до тех пор, пока диаметр желобка не будет соответствовать требуемым характеристикам. Если первый желобок слишком большой, можно отрегулировать ролик и уменьшить его размеры. Если желобок слишком маленький, следует сделать новый желобок. Соблюдение требуемого диаметра желобка имеет важное значение для надежности последующего соединения. Желобки, не соответствующие заданным характеристикам, могут привести к разрушению соединения.

### Формирование желобка

1. Убедитесь в том, что оборудование и труба установлены надлежащим образом.
2. Выберите требуемую рабочую позицию. Работать следует только в хорошей обуви, которая позволит поддерживать равновесие.
3. Убедитесь, что подающий винт затянут на 1/4 оборота.
4. Выньте трещоточный ключ из подающего винта и вставьте его в насадку. (При непосредственном соприкосновении насадка не нужна).

5. Поверните трещоточный ключ по часовой стрелке, если смотреть с задней стороны устройства для накатки желобков (на задней панели устройства направление указано стрелками, см. рис. 17). Устройство для накатки желобков должно вращаться, при этом крышка устройства должна соприкасаться с краем трубы. Если устройство для накатки начинает отходить от края трубы, вращать трещоточный ключ больше не следует во избежание скручивания прибора с конца трубы и падения. Чтобы обеспечить контакт крышки устройства с краем трубы, можно нажать на рычаги устройства для накатки желобков. Если необходимо, переустановите устройство для накатки желобков на трубу. (см. раздел "Установка устройства для накатки желобков на трубе"). Если труба деформирована, ее следует обрезать и сделать новый желобок.

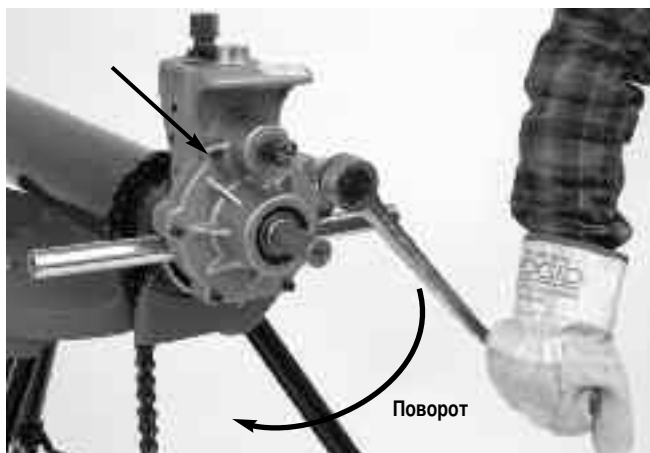


Рисунок 17 – Поворот трещоточного ключа в соответствии со стрелками

6. Поворачивайте трещоточный ключ как минимум до полного поворота вокруг трубы. Выньте трещоточный ключ из насадки и вставьте его в подающий винт. Поверните подающий винт еще на  $\frac{1}{4}$  оборота. Выньте трещоточный ключ из подающего винта и вставьте его в насадку с соблюдением мер безопасности. Не поворачивайте подающий винт более чем на  $\frac{1}{4}$  оборота на каждое вращение трубы. Слишком быстрое вращение подающего винта может привести к излишней развальцовке желобка или скручиванию трубы с приводного вала. Продолжайте поворачивать трещоточный ключ для приведения в действие устройства для накатки желобков, при этом следя за тем, чтобы крышка устройства находилась вровень с краем трубы.
7. Продолжайте затягивать подающий винт по  $\frac{1}{4}$  оборота на каждое вращение трубы до тех пор, пока головка регулировочного винта не сравняется с верхней частью механизма. Не пытайтесь повернуть подающий винт после того, как регулировочный винт достигнет верхней части механизма, это может привести к повреждению регулировочного винта. Для формирования равномерного желобка поверните устройство для накатки желобков как минимум еще на два полных оборота вокруг трубы после того как регулировочный винт достигнет устройства.
8. Передвиньте трещоточный ключ к подающему винту. Аккуратно возьмитесь за устройство для накатки желобков. Поворачивайте подающий винт против часовой стрелки и поднимите рабочий ролик для снятия трубы с машины. Избегайте падения машины.

9. Осмотрите полученный желобок.
- Убедитесь в том, что желобок полностью накатан.
  - Проверьте соответствие диаметра желобка требуемым значениям.
  - Проверьте все другие параметры, требуемые изготовителем соответствующего фитинга.

При обнаружении каких-либо проблем с желобком его использование запрещается.

## Инструкция по обслуживанию

### ⚠ ВНИМАНИЕ

Перед регулировкой и техническим обслуживанием устройства убедитесь, что выключатель силового привода находится в положении ВЫКЛ. и его питание отключено.

### Смазка

Раз в месяц смазывайте устройство для накатки желобков 975 Combo качественной смазкой общего назначения.

- Смазочные отверстия расположены сбоку в основании устройства со стороны оператора, на передней панели ползуна, и на конце вала рабочего ролика (см. рис. 2). Добавляйте смазку, пока не выступит небольшой излишек.
- Нанесите тонкий слой смазки на подающий винт.
- Редуктор устройства для накатки желобков 975 Combo содержит достаточно смазки для пожизненной эксплуатации и не требует дополнительного смазывания за исключением тех случаев, когда его необходимо открыть.

Остальная информация по техническому обслуживанию приведена в разделе диагностики.

### Очистка

Насечки на приводном валу следует чистить проволочной щеткой не реже раза в день.

### Замена роликов

**ПРЕДУПРЕЖДЕНИЕ** При замене роликов всегда обращайтесь внимание на маркировку соответствия на приводном и рабочем роликах. Детали, которые не соответствуют данному устройству, могут испортить желобки и привести к утечке.

Выньте устройство для прокатки из силового привода (резьбонарезного станка) и поместите его на устойчивую рабочую поверхность.

Необходимые инструменты:

- $\frac{3}{8}$ " Шестигранный ключ
- $\frac{3}{32}$ " Шестигранный ключ
- .070" Плоскогубцы для внешнего стопорного кольца

### Снятие и установка подающего ролика

1. Выкрутите 6 крепежных болтов на задней крышке.
2. Снимите заднюю крышку (см. рис. 18).





**Рисунок 18 – Снятие задней крышки**

3. Выньте шестерню.
4. Выньте приводной вал из задней части устройства для накатки желобков 975 Roll Groover.
5. Снимите с приводного вала стопорное кольцо и зубчатую передачу. (См. Рис. 19).



**Рисунок 19 – Снятие стопорного кольца**

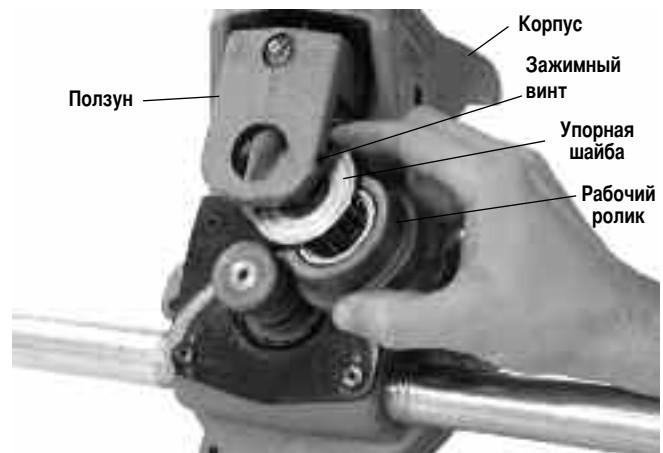
6. Снимите шпонку и упорную шайбу.
7. Наденьте упорную шайбу на новый приводной вал.
8. Вставьте шпонку и установите шестерню.
9. Вставьте стопорное кольцо в желоб приводного вала.
10. Вставьте приводной вал в основной корпус.
11. При замене приводного вала теряется часть смазки, необходимой для работы зубчатой передачи. Проверьте, чтобы подшипники и зубцы передачи были достаточно смазаны качественной смазкой общего назначения.
12. Вставьте шестерню и поставьте на место заднюю крышку. Затяните болты с усилием 12-16 футов·фунт.



**Рисунок 20 – Обозначение компонентов устройства для накатки желобков 975 Combo**

### Снятие и установка рабочего ролика

1. Выкрутите крепежные винты вала рабочего ролика.
2. Вытолкните вал рабочего ролика из ползуна и выньте рабочий ролик и упорную шайбу.
3. Вставьте в ползун упорную шайбу и новый рабочий ролик. Проверьте, чтобы внутреннее стопорное кольцо в рабочем ролике установлено вплотную к главному корпусу, и что рабочий ролик находится между упорной шайбой и корпусом.



**Рисунок 21**

4. Замените вал рабочего ролика вместе с крепежными болтами.
5. Визуально проконтролируйте расположение рабочего ролика и приводного ролика. Если они расположены не на одной линии, проверьте ориентацию рабочего ролика и упорной шайбы.
6. Смажьте устройство в соответствии с инструкциями соответствующего раздела данного руководства.

## Аксессуары

### ⚠ ВНИМАНИЕ

Перечисленные продукты RIDGID предусматривают совместное функционирование с устройством для накатки желобков 975 Combo. Другие аксессуары, подходящие для работы с другими инструментами, могут быть опасными при использовании с устройством для накатки желобков 975 Combo. Для снижения риска тяжелой травмы используйте только аксессуары, специально созданные и рекомендованные к использованию с устройством для накатки желобков 975 Combo, такие как указаны в таблице.

## Хранение машины

**⚠ ВНИМАНИЕ** Храните инструмент в закрытом, недоступном для детей и людей, незнакомых с работой устройства для прокатки желобков, месте. Этот инструмент может нанести серьезные травмы в руках неквалифицированных пользователей.

Кат. №	Описание
60082	Силовой привод 300 Power Drive, 230 В, 25-60 Гц
60077	Силовой привод 300 Power Drive, 115 В, 25-60 Гц
42360	1206 Рама для силового привода 300 Power Drive
50697	Станок 300 Compact, 230 В, 25-60 Гц
50692	Станок 300 Compact, 115 В, 25-60 Гц
20391	Станок 300 Compact, 230 В, 25-60 Гц (DK)
67662	Кронштейн адаптера для станка 300 Compact/1233
58077	Складная рама 250 Folding Stand для станка 300 Compact/1233
72037	Портативные цепные тиски 460 Tristand
56662	V-образная рама для труб VJ-99
76822	Мерная лента для измерения диаметра в дюймах
76827	Мерная лента для измерения диаметра в метрических единицах
30708	Насадка, привод 1/2", с фиксатором
30703	Храповый механизм, привод 1/2", угол наклона 90°
33043	Прокаточные и подающие ролики для медных труб 2"-8" типа K, L, M и DWV

## Обслуживание и ремонт

### ⚠ ВНИМАНИЕ

Неправильное обслуживание или ремонт могут привести к небезопасной работе прибора

"Инструкция по обслуживанию" включает в себя большинство моментов, связанных с техническим обслуживанием данной машины. Все проблемы, описание которых отсутствует в данном разделе, может разрешить только квалифицированный технический специалист компании RIDGID.

Инструмент нужно будет отнести в Независимый авторизованный сервис-центр RIDGID, либо вернуть на завод.

При обслуживании инструмента необходимо использовать только оригинальные запчасти. Использование других запчастей может привести к получению серьезных травм.

Если у вас возникли вопросы по поводу обслуживания или ремонта этого инструмента, позвоните или напишите:

Компания Ridge Tool  
 Отдел технического обслуживания  
 400 Clark Street  
 Elyria, Ohio 44035-6001  
 Тел.: (800) 519-3456  
 E-mail: TechServices@ridgid.com

Для получения информации о ближайшем независимом сервис-центре RIDGID и по любым вопросам ремонта и обслуживания обратитесь к местному дистрибутору Ridge Tool

Контакты ближайшего представительства Ridge Tool вы можете найти на сайте [www.RIDGID.com](http://www.RIDGID.com) или [www.RIDGID.eu](http://www.RIDGID.eu)

Обратитесь в Отдел технического обслуживания Ridge Tool по адресу [techservices@emerson.com](mailto:techservices@emerson.com), в США и Канаде вы также можете позвонить по номеру (800) 519-3456

## Таблица I. Характеристики стандартных роликов для труб стандарта IPS

ПРИМЕЧАНИЕ! Все размеры приведены в дюймах.

НОМ. РАЗМЕР ТРУБЫ	ДИАМЕТР ТРУБЫ		Т МИН. ТОЛЩ. СТЕНКИ	А ГНЕЗДО ПОД ПРОКЛАДКУ +.015/-0.030	В ШИРИНА ЖЕЛОБКА +.030/-0.015	С ДИАМЕТР ЖЕЛОБКА		D НОМ. ГЛУБИНА ЖЕЛОБКА (См.) (2)
	ВНЕШНИЙ	ДОПУСК				ВНЕШНИЙ	ДОПУСК	
1 <sup>1/4</sup>	1.660	+0.016 -0.016	.065	.625	.344	1.535	+0.000 -0.015	.063
1 <sup>1/2</sup>	1.900	+0.016 -0.016	.065	.625	.344	1.775	+0.000 -0.015	.063
2 <sup>(1)</sup>	2.375	+0.024 -0.016	.065	.625	.344	2.250	+0.000 -0.015	.063
2 <sup>1/2</sup> <sup>(1)</sup>	2.875	+0.029 -0.016	.083	.625	.344	2.720	+0.000 -0.015	.078
3 <sup>(1)</sup>	3.50	+0.030 -0.018	.083	.625	.344	3.344	+0.000 -0.015	.078
3 <sup>1/2</sup> <sup>(1)</sup>	4.00	+0.030 -0.018	.083	.625	.344	3.834	+0.000 -0.015	.083
4 <sup>(1)</sup>	4.50	+0.035 -0.020	.083	.625	.344	4.334	+0.000 -0.015	.083
5 <sup>(1)</sup>	5.563	+0.056 -0.022	.109	.625	.344	5.395	+0.000 -0.015	.084
6 <sup>(1)</sup>	6.625	+0.050 -0.024	.109	.625	.344	6.455	+0.000 -0.015	.085

(1) В соответствии с AWWA C606-06

(2) Номинальная глубина желобка указана только как справочная величина. При проверке на пригодность не следует ориентироваться на приводимую глубину желобка.

## Таблица II. Максимальная и минимальная толщина трубных стенок

ПРИМЕЧАНИЕ! Все размеры приведены в дюймах.

Размер трубы	СТАЛЬНЫЕ ИЛИ АЛЮМИНИЕВЫЕ ТРУБЫ		ТРУБЫ ИЗ НЕРЖАВЕЮЩЕЙ СТАЛИ		ТРУБЫ ПВХ	
	Толщина стенок		Толщина стенок		Толщина стенок	
	Мин.	Макс.	Мин.	Макс.	Мин.	Макс.
1 <sup>1/4</sup> "	.065	.140	.065	.140	.140	.140
1 <sup>1/2</sup> "	.065	.145	.065	.145	.145	.200
2"	.065	.154	.065	.154	.154	.154
2 <sup>1/2</sup> "	.083	.203	.083	.188	.203	.276
3"	.083	.216	.083	.188	.216	.300
3 <sup>1/2</sup> "	.083	.226	.083	.188	.226	.300
4"	.083	.237	.083	.188	.237	.300
5"	.109	.258	.109	.188	.258	.300
6"	.109	.280	.109	.188	.280	.300

**Таблица III. Характеристики медных роликов**

1 Ном. Размер В дюймах	2 Внешний диаметр трубы (Внеш.д.)		3 Гнездо под прокладку А	4 Ширина желобка В	5 Диаметр желобка С	6 Глубина желобка D	7 Мин. Допуст. толщ. стенок Т	8 Макс. допустимый диаметр раструба
	Основной	Допуск	±0.03	+0.03 -0.000	+0.00 -0.02	См. <sup>1</sup>		
2"	2.125	±0.002	0.610	0.300	2.029	0.048	DWV	2.220
2 1/2"	2.625	±0.002	0.610	0.300	2.525	0.050	0.065	2.720
3"	3.125	±0.002	0.610	0.300	3.025	0.050	DWV	3.220
4"	4.125	±0.002	0.610	0.300	4.019	0.053	DWV	4.220
5"	5.125	±0.002	0.610	0.300	5.019	0.053	DWV	5.220
6"	6.125	±0.002	0.610	0.300	5.999	0.063	DWV	6.220
8"	8.125	+0.002/-0.004	0.610	0.300	7.959	0.083	DWV	8.220

1. Номинальная глубина желобка указана только как справочная величина. При проверке на пригодность не следует ориентироваться на приводимую глубину желобка.

## Диагностика неисправностей

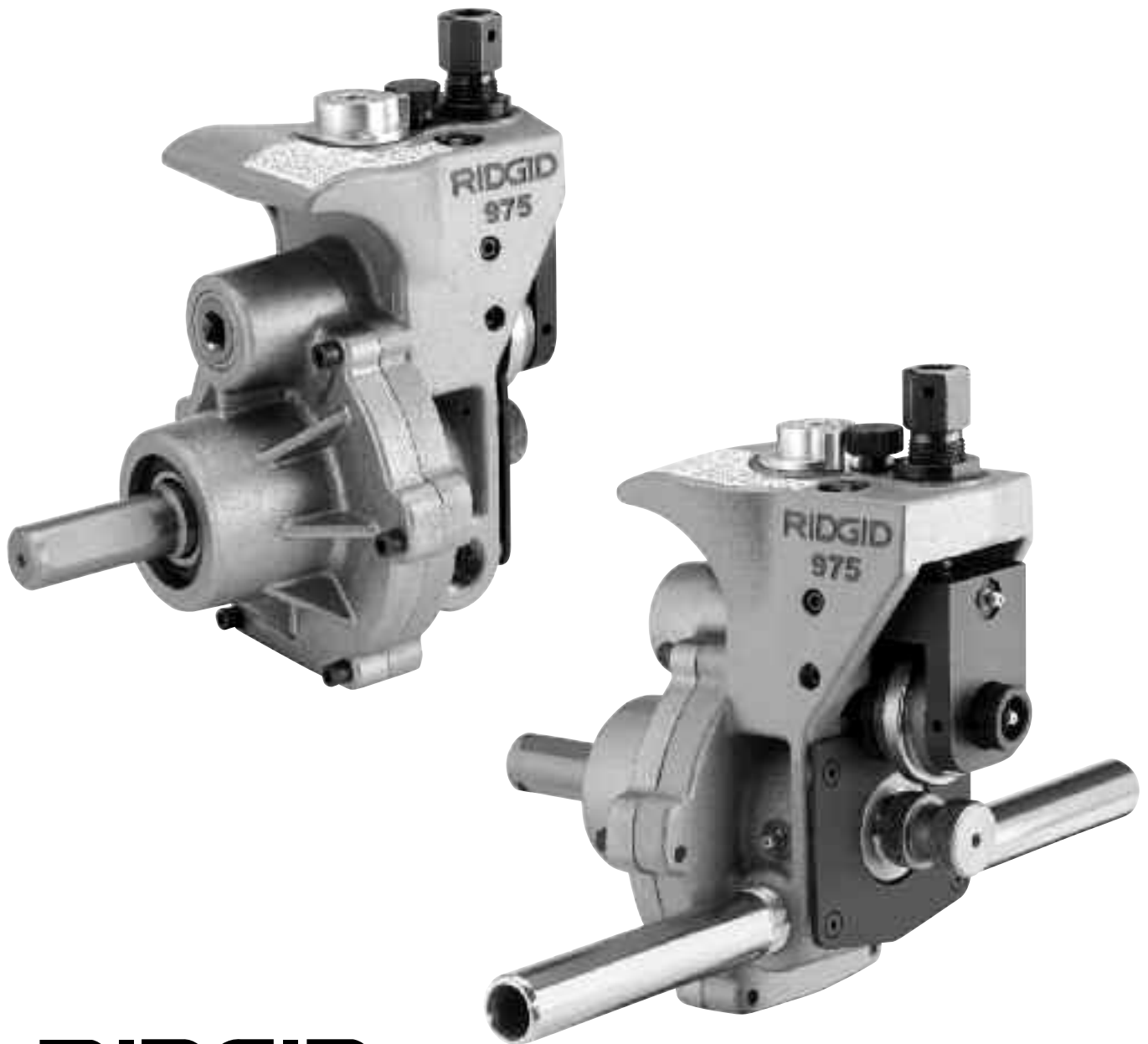
СИМПТОМЫ	ВОЗМОЖНЫЕ ПРИЧИНЫ	РЕШЕНИЕ
Ролик уже или шире положенного размера.	Износ ролика и/или приводного стержня.	Замените рабочий ролик и/или приводной стержень.
Желобок прокатан не перпендикулярно оси трубы.	Неровность по длине трубы. Конец трубы не совпадает с ее осями.	Работайте с прямыми трубами. Конец трубы следует обрезать ровно.
Во время прокатки на трубе не остается следов/Устройство для накатки желобков не оставляет на трубе след во время прокатки.	Труба и приводной стержень не параллельны друг другу. Трубные оси не отклонены на 1/2 градуса от осей подающих роликов. Насечки подающих роликов забиты металлом или истерлись. Подающий винт не затянут.	Отрегулируйте раму параллельно трубе. Наклоните трубу на 1/2 градуса. Почистите или замените подающий ролик.
	Поворот храпового механизма в неверном направлении.	Проворачивайте подающий винт с помощью трещоточного ключа на один оборот с каждым вращением.
	Забита внутренняя часть трубы. Слишком большой сварочный шов. Отсутствие нажима на трубу. Конец трубы неровный/с заусенцами.	Проворачивайте трещоточный ключ в соответствующем направлении. Прочистите трубу изнутри. Отшлифуйте сварочный шов до 5 см от края трубы. Нажмите на трубу. (См. Рис. 10).
	Подающий винт затянут слишком туго.	Тщательно подготовьте край трубы. Поверните подающий винт всего на 1/4 оборота.
Развальцовка трубы со стороны желоба.	Труба и приводной стержень не параллельны друг другу. Подающий винт затянут слишком туго.	Отрегулируйте раму параллельно трубе. Поверните подающий винт всего на 1/4 оборота.

## Диагностика неисправностей (продолжение)

СИМПТОМЫ	ВОЗМОЖНЫЕ ПРИЧИНЫ	РЕШЕНИЕ
Смещение трубы на подающих роликах взад и вперед при прокатке.	Неровность по длине трубы. Конец трубы не совпадает с ее осями.	Работайте с прямыми трубами. Конец трубы следует обрезать ровно.
Смещение трубы на подающих роликах из стороны в сторону при прокатке.	Трубная рама находится слишком близко к концу трубы. Повреждение или выравнивание конца трубы. Твердые включения в материале трубы или сварные швы тверже самой трубы. Слишком низкая скорость подачи рабочего ролика. Скорость силового привода превышает 57 об/мин. Неправильное положение трубной рамы.	Передвиньте трубную раму в соответствии с инструкциями по установке. Отрежьте поврежденный конец трубы. Возьмите другую трубу. Увеличьте скорость работы рабочего ролика. Уменьшите скорость до 57 об/мин или ниже. Правильно установите ролики трубной рамы.
Устройство не прокатывает желоб в трубе.	Превышение максимально допустимой толщины стенок труб. Слишком плотный материал трубы. Не установлен регулировочный винт. Усилие силового привода ниже требуемого минимума.	См. таблицу пропускной способности труб. Замените трубу. Задайте глубину. Работайте с силовым приводом RIDGID 300 Power Drive или станком 300 Compact/1233.
Устройство не прокатывает в трубе желоб требуемого диаметра.	Превышение максимально допустимого диаметра труб. Неправильно установлен винт регулировки глубины. Слишком твердый материал трубы.	Работайте с трубами подходящего диаметра. Отрегулируйте настройку глубины. Возьмите другую трубу.
Труба скользит на подающих роликах.	Слишком низкая скорость движения роликов прокатки. Насечки подающих роликов забиты металлом или истерлись.	Увеличьте скорость подачи рабочего ролика. Почистите или замените подающий ролик.
Устройство не вращает трубу при прокатке.	Усилие силового привода ниже требуемого минимума. Зажим на приводном стержне не защелкнут.	Работайте с силовым приводом RIDGID 300 Power Drive или станком 300 Compact/1233. Затяните зажим.
Поднятие или отклонение трубы может опрокинуть устройство прокатки желобков.	Неправильно установлена трубная рама.	Расположите опоры надлежащим образом.

975

# Kombinirani alat za izradu spojnica na cijevima




**RIDGID**<sup>®</sup>


## Sadržaj

<b>Sigurnosni simboli</b> .....	270
<b>Opća pravila sigurnosti</b>	
Sigurnost radnog prostora .....	270
Električna sigurnost .....	270
Osobna sigurnost.....	271
Korištenje i održavanje alata .....	271
Servis .....	271
<b>Specifične sigurnosne informacije</b>	
Sigurnost alata za izradu spojnica na cijevima .....	272
Sigurnost alata za izradu spojnica prilikom korištenja s pogonskim sklopom/alatom za narezivanje navoja .....	272
Sigurnost alata za izradu spojnica prilikom korištenja na instalacijama .....	272
<b>Opis, tehnički podaci i standardna oprema</b>	
Opis .....	272
Specifikacije .....	273
Standardna oprema .....	273
<b>Pregled alata za izradu spojnica na cijevima</b> .....	273
<b>Priprema stroja i radnog prostora za električne aplikacije</b>	
Postavljanje kombiniranog alata za izradu spojnica na cijevima 975 na pogonski sklop RIDGID 300 .....	275
Postavljanje uređaja 975 uređaja za izradu spojnica na cijevima na RIDGID 300 Compact/1233 alat za narezivanje navoja .....	275
Dovršetak postavljanja.....	276
Priprema cijevi .....	277
Postavljanje cijevi u alat za izradu spojnica na cijevima .....	277
<b>Rukovanje kombiniranim alatom za izradu spojnica na cijevima postavljenim na pogonski sklop/alat za narezivanje navoja</b> .....	279
Postavljanje/mjerenje dijametra spojnice.....	279
Oblikovanje spojnice cijevi .....	280
Postavljanje dijametra spojnice za bakrene cijevi .....	280
Savjeti za vođenje cijevi na kombiniranom alatu za izradu spojnica na cijevima 975 .....	280
<b>Priprema stroja i radnog prostora za primjenu alata na postavljenim instalacijama (na licu mjesta)</b>	
Priprema cijevi .....	282
Postavljanje alata za izradu spojnica na cijev .....	282
<b>Rukovanje kombiniranim alatom za izradu spojnica na cijevima na postavljenim instalacijama</b>	
Postavljanje/mjerenje dijametra spojnice.....	283
Oblikovanje spojnice cijevi .....	284
<b>Upute za održavanje</b>	
Podmazivanje.....	284
Čišćenje .....	284
Promjena setova valjaka .....	285
<b>Dodatni pribor</b> .....	286
Čuvanje alata .....	286
<b>Servisiranje i popravak</b> .....	286
<b>Tablica I. Standardne specifikacije spojnica za cijevi IPS dimenzija</b> .....	287
<b>Tablica II. Maksimalna i minimalna debljina stijenke cijevi</b> .....	287
<b>Tablica III. Specifikacije za spojnice za bakrene cijevi</b> .....	288
<b>Rješavanje problema</b> .....	288-289
<b>Doživotno jamstvo</b> .....	stražnja stranica


## Sigurnosni simboli

U ovom korisničkom priručniku, kao i na proizvodu sigurnosni simboli i signalne riječi koriste se kako bi priopćile važnu sigurnosnu obavijest. U ovom se poglavlju objašnjavaju svi takvi izrazi upozorenja i znakovi.

 Ovo je simbol sigurnosnog upozorenja. Koristi se da bi vas upozorio na opasnost od moguće tjelesne ozljede. Pridržavajte se svih sigurnosnih mjera navedenih uz ovaj znak da biste izbjegli moguću ozljedu ili smrt.

 **OPASNOST** OPASNOST označava opasnu situaciju koja će ako se ne izbjegne, dovesti do pogibije ili teške ozljede.

 **UPOZORENJE** UPOZORENJE označava opasnu situaciju koja može, ako se ne izbjegne, dovesti do pogibije ili teške ozljede.

 **OPREZ** OPREZ označava opasnu situaciju koja može ako se ne izbjegne, dovesti do manje ili umjerene ozljede.

 **OBAVIJEST** OBAVIJEST označava informaciju koja je vezana uz zaštitu imovine.



Ovaj simbol označava da prije korištenja opreme morate pažljivo pročitati korisnički priručnik. Korisnički priručnik sadrži važne informacije o sigurnom i ispravnom radu opreme.



Ovaj simbol označava da se pri rukovanju ovom opremom uvijek moraju nositi sigurnosne naočale s bočnim štitnicima ili zaštitne naočale kako bi se smanjio rizik od ozljeda oka.



Ovaj simbol označava da postoji opasnost od prignječenja prstiju ili ruku između valjaka.



Ovaj simbol označava opasnost da pokretne osovine zahvate ruke, prste, noge, odjeću i druge predmete zbog čega bi moglo doći do ozljeda uslijed nagnječenja ili udarca.



Ovaj simbol označava da za pokretanje ovog alata kada se koristi na postavljenim instalacijama ne bi trebalo koristiti bušilicu, brusilicu ili neki drugi električni alat.



Ovaj simbol označava opasnost od prevrtanja stroja zbog kojeg bi moglo doći do ozljeda uslijed udarca ili nagnječenja.



Ovaj simbol znači da se uvijek mora koristiti nožni prekidač prilikom korištenja alata za narezivanje navoja/pogonskog sklopa.



Ovaj simbol označava da se prilikom rada uvijek mora nositi zaštitna kaciga kako bi se smanjila opasnost od ozljeda glave.

## Opća pravila sigurnosti

### UPOZORENJE

Pročitajte s razumijevanjem sve upute. Nepridržavanje svih uputa navedenih u nastavku može dovesti do električnog udara, požara i/ili teških tjelesnih ozljeda.

### SAČUVAJTE OVE UPUTE!

Izraz "električni alat" u upozorenjima odnosi se na vaš električni alat koji se priključuje na izvor napona (sa kablom) ili električni aparat koji radi na baterije (bežični).

### Sigurnost radnog prostora

- **Radni prostor održavajte čistim i dobro osvijetljenim.** Nezgode se obično događaju u pretrpanim ili mračnim prostorima.
- **Nemojte raditi sa električnim alatima u eksplozivnim atmosferama, kao što su one u kojima postoje zapaljive tekućine, plinovi ili prašina.** Električni alati stvaraju iskre koje mogu zapaliti prašinu ili plinove.

- **Kada radite sa električnim alatom djecu i prolaznike držite podalje.** Zbog ometanja možete izgubiti nadzor nad svojim postupcima.
- **Pazite da su podovi čisti te da nisu pokriveni skliskim tvarima kao što je nafta.** Skliski podovi čest su uzrok nezgoda.
- **Ogradite ili zaštitite područje ako je ono na čemu radite dulje od stroja.** Ograda ili zaštita koja osigurava najmanje 1 (jedan) metar slobodnog prostora oko predmeta na kojem radite smanjit će opasnost od zahvaćanja pokretnim dijelovima.

### Električna sigurnost

- **Utikači električnog alata moraju odgovarati utičnici. Utikače nikada ne mijenjajte ni na koji način. Utikače s adapterom nemojte koristiti s uzemljenim električnim alatima.** Utikače koje niste mijenjali i odgovarajuće utičnice smanjuju opasnost od strujnog udara.
- **Izbjegavajte tjelesni dodir s uzemljenim površinama poput cijevi, radijatora, štednjaka i hladnjaka.** Ako je vaše tijelo uzemljeno postoji povećana opasnost od električnog udara.



- **Električni alat ne izlažite kiši ili mokrim uvjetima.** Ako u električni alat uđe voda povećava se opasnost od strujnog udara.
- **Nemojte kabel upotrebljavati u svrhu za koju nije namijenjen.** Kabel nemojte nikada koristiti za nošenje, vješanje alata niti za vađenje utikača iz utičnice. Kabel držite dovoljno daleko od izvora topline, ulja, oštih rubova i pokretnih dijelova. Oštećeni ili zapetljani kablovi povećavaju opasnost od strujnog udara.
- **Kada alat koristite na otvorenom, koristite produžni kabel koji je namijenjen za vanjsku uporabu.** Uporaba produžnog kabela primjerenog za uporabu na otvorenom smanjuje rizik od strujnog udara.
- **Ako nije moguće izbjeći rad sa električnim alatom na vlažnom području, koristite napajanje zaštićeno zemljospojnim prekidačem strujnog kruga (GFCI).** Korištenje GFCI prekidača smanjuje rizik od strujnog udara.

## Osobna sigurnost

- **Prilikom uporabe električnog alata budite pažljivi, pratite što radite i oslanjajte se na zdrav razum.** Električni alat nemojte koristiti ako ste umorni ili ako ste konzumirali drogu, alkohol i lijekove. Trenutak nepažnje prilikom korištenja električnog alata može za posljedicu imati ozbiljne tjelesne povrede.
- **Koristite osobnu zaštitnu opremu. Uvijek nosite zaštitne naočale.** Osobna zaštitna oprema, kao na primjer maska protiv prašine, zaštitne cipele s potplatima protiv klizanja, zaštitna kaciga ili štيتnici za uši, korištena u odgovarajućim uvjetima, umanjit će opasnost od tjelesnih ozljeda.
- **Spriječite slučajno uključivanje alata.** Prije nego što alat priključite u izvor napajanja i/ili bateriju te prije podizanja i nošenja alata provjerite nalazi li se prekidač u položaju "isključeno". Nošenje alata sa prstom na prekidaču ili aktivacija alata sa uključenim prekidačem može dovesti do nezgoda.
- **Prije uključivanja alata uklonite pribor ili ključ za podešavanje.** Ključ ili pribor koji su ostali na rotirajućem dijelu električnog alata mogu izazvati tjelesne ozljede.
- **Nemojte se previše naginjati. Pazite da ne izgubite ravnotežu.** To omogućava bolju kontrolu alata u neočekivanim situacijama.
- **Nosite odgovarajuću odjeću. Ne nosite široku odjeću ili nakit. Kosu, odjeću i rukavice držite podalje od pokretnih dijelova.** Pokretni dijelovi mogu zahvatiti široku odjeću, nakit ili dugu kosu.
- **Ako postoje uređaji sa povezivanje sa usisivačima i sakupljačima prašine provjerite jesu li dobro spojeni i koriste li se ispravno.** Uporaba takve opreme umanjuje opasnost koja nastaje nakupljanjem prašine.

## Korištenje i održavanje alata

- **Nemojte preopteretiti alat. Koristite alat koji odgovara poslu koji obavljate.** S prikladnim alatom posao ćete obaviti bolje, sigurnije i pri predviđenoj brzini.
- **Nemojte koristiti električni alat ako ga nije moguće UKLJUCITI i ISKLJUCITI pomoću prekidača.** Svaki električni alat koji se ne može kontrolirati pomoću prekidača opasan je i potrebno ga je popraviti.
- **Prije podešavanja, mijenjanja nastavaka ili spremanja alata izvadite utikač iz utičnice i/ili iz alata izvadite baterije.** Takve preventivne sigurnosne mjere smanjuju opasnost od slučajnog uključivanja alata.
- **Kada ne koristite alat, držite ga izvan dohvata djece, a osobama koje ne znaju rukovati ovim alatom ili koje nisu pročitale ove upute za uporabu nemojte dozvoljavati da ga koriste.** Električni alati su opasni ako ih koriste neobučene osobe.
- **Održavajte alate.** Provjerite jesu li pokretni dijelovi alata loše postavljeni ili spojeni, ima li slomljenih dijelova ili bilo kakvih drugih oštećenja koja bi mogla utjecati na rad alata. Prije korištenja alata oštećene dijelove dajte na popravak. Neispravno održavanje električnih alata uzrokuje mnoge nezgode.
- **Koristite samo dodatnu opremu preporučenu za vaš alat.** Rezni alati koji se redovno održavaju i imaju oštre rubove rjeđe se zaglave i lakše je njima upravljati.
- **Održavajte ručke suhim, čistim i bez tragova ulja ili maziva.** To omogućuje bolju kontrolu nad alatom.

## Servis

- **Popravak alata povjerite isključivo kvalificiranom servisnom osoblju koje koristi originalne zamjenske dijelove.** To će omogućiti da električni alat ostane siguran.

## Karakteristične informacije o sigurnosti

### UPOZORENJE

Ovaj odjeljak sadrži važne sigurnosne informacije koje su odnose posebno na ovaj alat.

Prije korištenja kombiniranog alata za izradu spojnica na cijevima 975 pažljivo pročitajte ove mjere opreza da bi se smanjila opasnost od teških tjelesnih ozljeda.

### SAČUVAJTE OVE UPUTE!

Ako imate bilo kakvih pitanja kontaktirajte tehničku službu Ridge Tool na broj (800) 519-3456 ili na adresi: techservices@ridgid.com.

## Sigurnost alata za izradu spojnica na cijevima

- **Nemojte nositi široku odjeću. Pazite da su rukavi i jakna zakopčani. Ne naginjite se preko stroja ili cijevi.** Cijev ili drugih rotirajući dijelovi mogu zahvatiti odjeću uslijed čega može doći do prignječenja i teških ozljeda.
- **Držite ruke podalje od valjaka alata. Spojnica ne smije biti kraćih dimenzija od navedenih. Nemojte nositi prevelike rukavice.** Valjci mogu zahvatiti prste ili se oni mogu zaglaviti između valjka i cijevi.
- **Držite ruke podalje od kraja cijevi. Ne stavljajte ruku unutar cijevi.** Možete se porezati na šavove i oštre rubove. Valjci alata mogu zahvatiti prste ili se oni mogu zaglaviti između valjka i cijevi.
- **Pravilno pripremite cijev i rukujte njome.** Možete se porezati na šavove i oštre rubove.
- **Pravilno poduprite cijev.** To će spriječiti prevrtanje cijevi i opreme.
- **Pročitajte s razumijevanjem ovaj korisnički priručnik, odgovarajući korisnički priručnik za pogonski sklop ili alat za narezivanje navoja, upute za postavljanje proizvođača instalacija te upute za svu drugu opremu korištenu s ovim alatom i to prije rukovanja kombiniranim alatom za izradu spojnica na cijevima RIDGID® 975.** Nepridržavanje uputa može rezultirati oštećenjem imovine i teškim tjelesnim ozljedama.
- **Uvijek nosite odgovarajuću osobnu zaštitnu opremu prilikom postavljanja i korištenja kombiniranog alata za izradu spojnica na cijevima RIDGID 975.** Prikladna osobna zaštitna oprema uvijek uključuje zaštitu za oči, a može uključivati i opremu poput uskih kožnih rukavica, obuće s čeličnom kapicom te zaštitne kacige.
- **Alat za izradu spojnica na cijevima koristite samo za cijevi preporučenih veličina i vrsta u skladu s ovim uputama.** Korištenja alata za izradu spojnica u druge svrhe ili preinake na njemu mogu povećati opasnost od ozljeda.

## Sigurnost alata za izradu spojnica prilikom korištenja s pogonskim sklopom/alatom za narezivanje navoja

- **S kombiniranim alatom za izradu spojnica na cijevima 975 koristite samo pogonski sklop RIDGID 300 ili kompaktni alat za narezivanje navoja 300.** Korištenje drugih izvora napajanja za posljedicu će imati neispravno postavljanje alata te mogu dovesti do prevrtanja ili drugih problema.
- **Ovaj alat za izradu spojnica nemojte koristiti s pogonskim sklopom ili alatom za narezivanje navoja bez nožnog prekidača. Nikad nemojte blokirati nožni prekidač tako da ne kontrolira pogonski sklop.** Nožni prekidač daje vam bolju kontrolu jer omogućuje da isključite napajanje podizanjem noge s prekidača. Ako stroj zahvati odjeću, a motor i dalje radi, odjeća će biti uvučena u stroj. Ovaj stroj ima veliki obrtni moment i odjeća se može omotati oko

vaše ruke ili drugih dijelova tijela s dovoljno snage da zdrobi ili slomi kosti ili uzrokuje ozljede kao što su one od udarca i druge ozljede.

- **Jedna osoba mora kontrolirati proces izrade spojnice na cijevi i nožni prekidač. Na stroju ne može raditi više osoba odjednom.** U slučaju zahvaćanja pokretnim dijelovima, rukovatelj uređajem mora imati kontrolu nad nožnim prekidačem.
- **Koristite samo pogonske sklopove i alate za narezivanje navoja brzinom od najviše 57 obrtaja u minuti.** Korištenjem strojeva veće brzine povećava se opasnost od ozljeda.
- **Provjerite je li alat za izradu spojnica ispravno postavljen pričvršćen na pogonski sklop/alat za narezivanje navoja. Provjerite jesu li stroj, postolje, valjci i cijev stabilni.** Tako će se spriječiti prevrtanje opreme i cijevi.

## Sigurnost alata za izradu spojnica prilikom korištenja na instalacijama (na licu mjesta)

- **Kod korištenja na postavljenim instalacijama koristite samo ručni pogon za alat. Ne koristite električne uređaje (kao što su bušilice ili brusilice) za pokretanje alata prilikom korištenja na postavljenim instalacijama.** Korištenje električnih uređaja može oštetiti alat i povećati opasnost od ozljeda.
- **Ako se radi na cijevi koja se nalazi iznad glave, sve osoblje mora nositi zaštitne kacige i raščistiti prostor ispod.** Time se sprečavaju teške ozljede zbog pada alata za izradu spojnica, cijevi ili nekog drugog predmeta.

## Opis, tehnički podaci i standardna oprema

### Opis

Kombinirani alat za izradu spojnica na cijevima RIDGID® 975 oblikuje spojnice na čeličnim, aluminijskim i PVC cijevima te izrađuje spojnice na cijevima dijametara od 1¼ do 6 inča prema standardu 10 i standardu 40. Dizajniran je i za izradu spojnica na cijevima od nehrđajućeg čelika dijametara od 1¼ do 6 inča prema standardu 10 i 1¼ do 2 inča prema standardu 40. Uz primjenu seta valjaka može se prilagoditi i za primjenu na bakrenim cijevima tipa K, L, M i DMW dijametara 2-8 inča. Spojnice se oblikuju mehaničkim pritiskanjem cijev između valjka za cijev i pogonskog valjka. Jedina prilagodba koju je potrebno izvršiti je dubina spojnice.

Jedinica je dizajnirana za korištenje na posebnom stolu ili s modelom RIDGID Model 300 Power Drive (modeli s 38 i 57 obrtaja u minuti). Uz odgovarajući prilagodnik (kat. #67662), jedinica može raditi s kompaktnim alatom za narezivanje navoja RIDGID 300. Kombinirani alat za izradu spojnica na cijevima 975 uključuje patentirani kalibar za dubinu spojnice kao pomoć pri postavljanju spojnice i patentirane značajke za poboljšanje vođenja cijevi tijekom korištenja.

Kombinirani alat za izradu spojnica cijevi 975 prenosiva je jedinica namijenjena za povremenu uporabu na lokaciji gdje se izvode radovi i ne treba se koristiti za rad većeg opsega ili za proizvodni rad u pogonu za proizvodnju cijevi.

**OBAVIJEST** Kod ispravne uporabe modela 975 kombiniranog alata za izradu spojnica na cijevima izrađuje spojnice od 2 - 6 inča koji su po dimenzijama unutar specifikacija standarda AWWA C606-06. Odabir prikladnih materijala i metoda spajanja odgovornost je dizajnera sustava i/ili instalatera. Prije bilo kakve instalacije potrebno je pažljivo procijeniti određeno servisno okruženje, što obuhvaća i kemijsko okruženje i radnu temperaturu.

### Specifikacije

Kapacitet ..... Čelična cijev dijametra 1¼– 6 inča prema standardu 10 i 40 uz promjenu valjka: bakrena cijev tipa K, L; M i DWV dijametra 2-8 inča

Dijametar spojnice

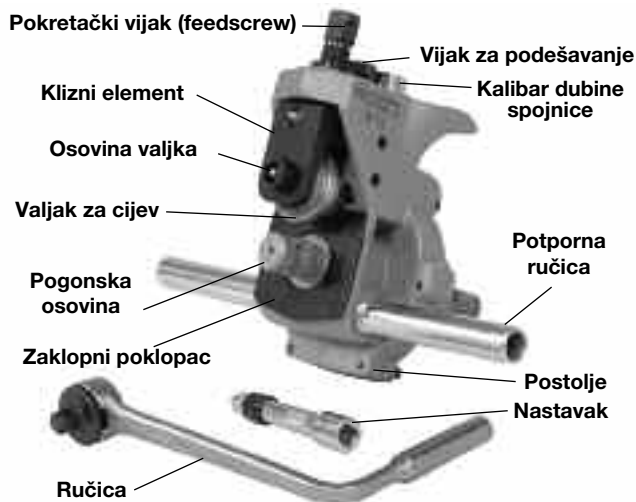
Podšavanje ..... Vijak za podešavanje i kalibar dubine spojnice

Aktuacijski ..... pokretački vijak s ½" ručicom

Postavljanje pogonskog sklopapogonski sklop RIDGID 300 (samo modeli od 38 i 57 obrtaja u minuti) kompaktni alat za narezivanje navoja RIDGID (s prilagodnikom)

Težina.....12,5 kg

Kombinirani alat za izradu spojnica na cijevima 975 zaštićen je prema američkom i međunarodnom patentu, što obuhvaća patente 6.272.895 i 6.591.652.



Slika 1 – Kombinirani alat za izradu spojnica na cijevima 975

### Standardna oprema

1¼" – 6" prema standardu 10 i 40 - spojnice i pogonski valjci

Ključ za odvrtnanje/zavrtnanje - ručica (½") s gumbom za otpuštanje

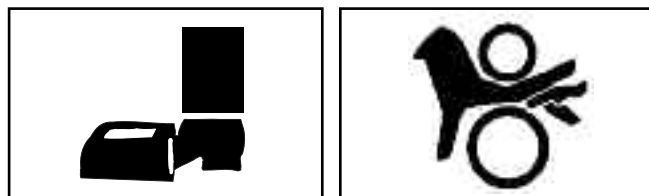
Nastavak za otključavanje

Potporne ručice

Integralni indeksni kalibar dubine

### Pregled alata za izradu spojnica na cijevima

#### ⚠ UPOZORENJE

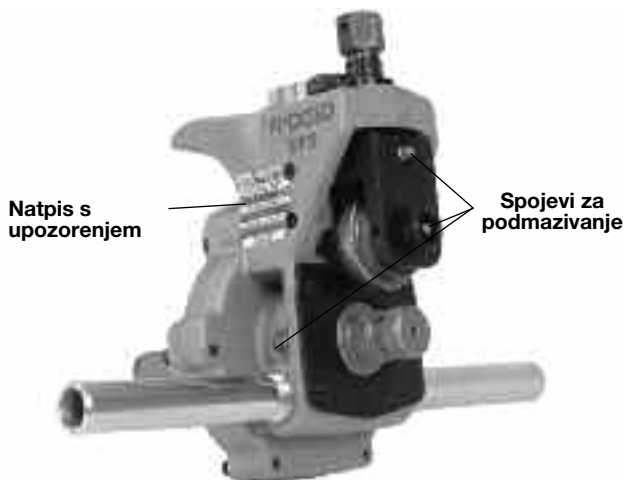


Prije svake uporabe pregledajte roll groover i ispravite sve probleme kako biste smanjili rizik od teških ozljeda uslijed prignječenja i ostalih uzroka te spriječili oštećenje alata.

Ovaj alat nemojte koristiti s pogonskim sklopom/ili alatom za narezivanje navoja bez nožnog prekidača.

1. Ako je alat za izradu spojnica na cijevima instaliran na pogonski sklop ili alat za narezivanje navoja, provjerite je li stroj isključen i struje te je li prekidač REV/OFF/FOR u položaju OFF (ISKLJUČENO). Pregledajte i održavajte pogonski sklop/alat za narezivanje navoja prema uputama u korisničkom priručniku za uređaj. Neproprisan pregledavanje i održavanje opreme za posljedicu može imati teške ozljede i oštećenje imovine. Provjerite postoji li nožni prekidač te radi li ispravno. Ne koristite alat za izradu spojnica na cijevima bez nožnog prekidača.
2. Očistite sve tragove ulja, maziva ili prljavštine s alata za izradu spojnica na cijevima, uključujući i ručku za nošenje te ključa za odvrtnanje/zavrtnanje za njegovo aktiviranje. Time se smanjuje rizik od ozljeda do kojih može doći ako vam alat ili ključ iskliznu iz ruku tijekom uporabe te omogućuje jednostavnije pregledavanje.
3. Provjerite je su li potporne ručice dobro stegnute na kućištu alata.
4. Provjerite ima li na alatu polomljenih, nedostajućih, krivo sklopljenih ili prijanjajućih dijelova ili bilo kakvih drugih oštećenja koja bi mogla spriječiti njegov siguran i normalan rad. Provjerite okreću li se slobodno valjak za izradu spojnica i pogonska osovina.
5. Provjerite postoji natpis s upozorenjem te je li dobro pričvršćen. Pogledajte sliku 2. da biste vidjeli gdje se nalazi natpis s upozorenjem.

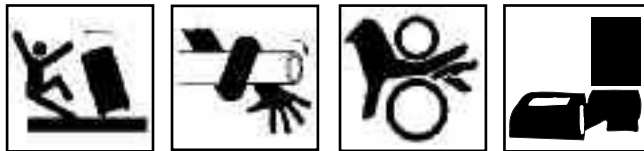
6. Ako s utori osovine prijavljuje, očistite ih pomoću žičane četkice. Zbog prljavih utora može doći do iskliznuća cijevi i problema s vođenjem cijevi tijekom izrade spojnica.
  7. Provjerite ima li na valjku i pogonskoj osovini pukotina, znakova istrošenosti ili drugih oštećenja. Zbog oštećenih valjaka i pogonskih cijevi može doći do iskliznuća cijevi, spojnica mogu biti loše kvalitete ili može doći do kvara tijekom uporabe.
  8. Provjerite rade li ključ za odvrtnje/zavrtnje (ručica) i nastavak kako treba. Ključ se mora lako i bez problema otvarati u oba smjera. Pritisnite gumb za otpuštanje u sredini glave ključa (ručice) i postavite ga na pokretački vijak. Ručica bi trebala čvrsto sjesti na svoje mjesto. Ručica bi trebala i čvrsto sjesti u nastavak, a nastavak bi trebao čvrsto sjesti u otvor za ručno pokretanje na stražnjoj strani alata. Na taj se način sprečava da se ručica i nastavak olabave tijekom korištenja alata. Ako koristite drugačiju ručicu, ključ ili nastavak koji ne sjeda čvrsto na alat, morate znati da se on može otpustiti tijekom korištenja.
- Ako utvrdite da postoji bilo kakav problem, nemojte koristiti stroj dok svi problemi nisu riješeni.
9. Podmazujte alat u skladu s uputama za održavanje u ovom priručniku. Obrišite sav višak maziva s alata.
  10. Ako se koristi bilo kakva druga oprema, pregledajte je kako biste bili sigurni da ispravno radi.



**Slika 2 – Natpis s upozorenjem za kombinirani alat za izradu spojnica na cijevima 975**

## Priprema stroja i radnog područja za električne aplikacije

### ⚠ UPOZORENJE



**Uvijek nosite zaštitu za oči kako biste zaštitili oči od prijavštine i drugih stranih predmeta. Nosite obuću sa čeličnom kapicom da biste zaštitili stopala u slučaju prevrtanja alata i padanja cijevi.**

**Ovaj alat za izradu spojnica nemojte koristiti s pogonskim sklopom ili alatom za narezivanje navoja bez nožnog prekidača. Nikad nemojte blokirati nožni prekidač tako da ne kontrolira pogonski sklop. Nožni prekidač daje vam bolju kontrolu jer omogućuje da isključite napajanje podizanjem noge s prekidača. Ako stroj zahvati odjeću, a pogonski motor i dalje radi, odjeća će biti uvučena u stroj. Ovaj stroj ima visoki obrtni moment i odjeća se može omotati oko vaše ruke ili drugih dijelova tijela s dovoljno snage da zdrobi ili slomi kosti ili uzrokuje ozljede kao što su one od udara i druge ozljede.**

**Pripremite alat za izradu spojnica na cijevi i radni prostor prema uputama u nastavku kako biste smanjili rizik od ozljeda uslijed električnog šoka, požara, prevrtanja stroja, zahvaćanja pokretnim dijelovima, prignječenja i drugih uzroka te spriječili oštećenje alata.**

1. Pronađite radni prostor koji ispunjava sljedeće uvjete:
  - Adekvatno je osvijetljen.
  - Nema zapaljive tekućine, pare ili prašine koja se može zapaliti. Ako postoji bilo što od toga, nemojte koristiti radni prostor njihov izvor te ih ne uklonite. Power drives i threading machines nisu otporne na eksploziju i mogu izazvati iskrenje.
  - Čisto, ravno, stabilno i suho mjesto za svu opremu i operatera. Ne koristite opremu dok stojite u vodi.
  - Ima ispravno uzemljenu električnu utičnicu. Tropolna ili GFCI utičnica možda nisu ispravno uzemljene. Ako sumnjate u ispravnost utičnice obratite se ovlaštenom električaru.
  - Oslobodite put do električne utičnice tako da ne postoji nikakva mogućnost oštećenja kabela za napajanje.
2. Prije postavljanja opreme očistite radni prostor. Uvijek obrišite moguće tragove ulja.
3. Pregledajte cijev za koju se izrađuju spojnica te potvrdite da je kombinirani alat za izradu spojnica na cijevima pravi alat za taj posao. Kombinirani alat za izradu spojnica na cijevima 975 dizajniran je za izradu spojnica za čelične, aluminijske i PVC cijevi prema standardu 10 i 40 u veličinama od 1¼" do 6". Dizajniran je i za izradu spojnica na nehrđajućih čeličnih cijevi veličine 1¼" do 6"

prema standardu 10 i 1/4" do 2" prema standardu 40. Uz promjenu seta valjaka pomoću njega se mogu izraditi spojnice za bakrene cijevi tipa K, L, M i DMW veličine 2 - 8".

Može se koristiti za tzv. in-place aplikacije (cijev koja je na mjestu ili postavljena u škipac) ili s pogonskim sklopom RIDGID 300 ili kompaktnim alatom za narezivanje navoja RIDGID 300 za električne aplikacije na lokaciji na kojoj se izvode radovi. Nije namijenjen za proizvodne aplikacije.

Alati za izradu spojnica na cijevima za druge namjene moguće je pronaći u katalogu tvrtke Ridge Tool, na Internetu na adresi [www.RIDGID.com](http://www.RIDGID.com) ili pozivom tehničkoj službi tvrtke na broj 800-519-3456.

**OBAVIJEST** Korištenje roll sets (valjak i pogonska osovina) na cijevima od ugljičnog i nehrđajućeg čelika može dovesti do kontaminacije materijala od nehrđajućeg čelika. Takva kontaminacija mogla bi uzrokovati koroziju i prijevremeno propadanje cijevi. Da biste spriječili kontaminaciju željezom cijevi od nehrđajućeg čelika, koristite roll sets namijenjene za izradu žljebova na cijevima od nehrđajućeg čelika. Druga je mogućnost da se pomoću četkice od čelične žice temeljito očisti roll set prilikom prelaska s jednog materijala na drugi.

4. Pripravite da su pogonski sklop/alat za narezivanja navoja pregledani u skladu s priručnikom za te uređaje. Potvrdite prisutnost nožnog prekidača te provjerite je li prekidač FOR/OFF/REV u položaju OFF (ISKLJUČENO). Postavite pogonski sklop/alat za narezivanje navoja prema uputama u priručniku za te uređaje. Provjerite jesu li uređaj i postolje stabilni i dobro učvršćeni.
5. Do kraja otvorite držač pogonskog sklopa/alata za narezivanje navoja.
6. Potvrdite da je kombinirani alat za izradu spojnica na cijevima 975 pregledan te da je instaliran odgovarajući set valjaka.

### Postavljanje kombiniranog alata za izradu spojnica na cijevima 975 na pogonski sklop RIDGID 300

1. Ako je pogonski sklop koji će se koristiti opremljen vodilicama ili drugim dodacima, uklonite ih s njega. Pripazite da su potporne ručice pogonskog sklopa u potpunosti okrenute prema naprijed i učvršćene u svom položaju.
2. Položite potporne ručice alata za izradu spojnica na cijevima na potporne ručice power drive, a kraj pogonske osovine alata u ploču-držač stroja. Zatvorite i pričvrstite držač-ploču pogonskog sklopa na na krilca pogonske osovine. Pazite da je pogonska osovina centrirana na držaču-ploči. Pomoću opetovanih i snažnih okretaja u smjeru suprotnom od kazaljke na satu dobro pričvrstite pogonsku osovinu (slika 3.)

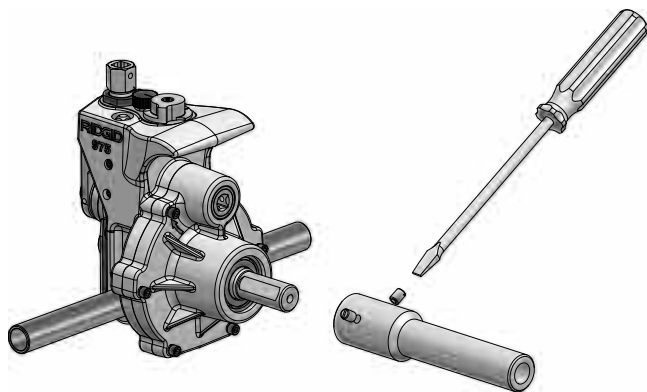


Slika 3. – Postavljanje kombiniranog alata za izradu spojnica na cijevima na držač pogonskog sklopa 300

### Postavljanje 975 kombiniranog alata za izradu spojnica na cijevima na RIDGID 300 Compact/1233 alat za narezivanje navoja

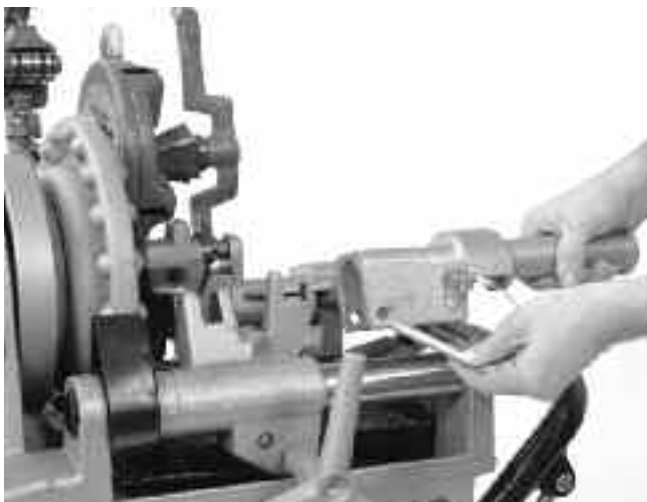
Za vrijeme uporabe alata 975 kombiniranog alata za izradu spojnica na cijevima s 300 Compact/1233 alatom za narezivanje navoja trebate upotrijebiti odgovarajući komplet (kataloški broj 67662). Ovaj prilagodni komplet pozicionira kombinirani alat za izradu spojnica na cijevima 975 u odnosu na alat za narezivanje navoja i postolje te omogućuje izradu spojnica na cijelom nizu cijevi različitih veličina. Ne pokušavajte koristiti ovaj alat s bilo kojim drugim alatom za narezivanje navoja, budući da može doći do prevrtanja uređaja i drugih problema.

1. Postavite prilagodnik pogonske poluge na pogonsku osovina alata za izradu spojnica na cijevima (pogledajte sliku 4.). Poravnajte vijke kompleta s ravninama na pogonskoj osovini alata i dobro stegnite.



Slika 4. – Postavljanje prilagodnika pogonske poluge

2. Pomaknite kolica na 300 Compact alat za narezivanje navoja što je moguće bliže držaču stroja. Pomaknite rezač, razvrtač i nareznu glavu podalje od rukovatelja kako mu ne bi smetale. Uložak razvrtača stavite unutar narezne glave.
3. Prilagodnik postavite preko kraja vodilica uređaja 300 Compact/1233 (kao što je to prikazano na sl. 5) te ga učvrstite na mjestu pomoću priloženog klina.



**Slika 5. – Postavljanje potporna prilagodnika (adapter bracket)**

4. Potporne ručice alata 975 postavite na ručice potporna prilagodnika pomoću prilagodnika pogonske poluge u držaču stroja. Zatvorite i stegnite držač alata za narezivanje navoja na prilagodnik pogonske poluge. Pazite da je pogonska poluga centrirana na držaču. Pomoću opetovanih i snažnih okretaja u smjeru suprotnom od kazaljke na satu dobro pričvrstite pogonsku polugu.



**Slika 6. – Ispravno postavljeni kombinirani alat za izradu spojnice na cijevima na kompaktnom alatu za narezivanje navoja 300**

### Dovršetak postavljanja

1. Postavite nožni prekidač tako da rukovatelj može kontrolirati pogonski sklop/alat za narezivanje navoja, alat za izradu spojnice na cijevi i cijev na kojoj se spojnice izrađuju. Kao što je prikazano na sl. 6 rukovatelj bi trebao biti u položaju koji mu omogućuje da:
  - stoji okrenut prema alatu i ima pristup (na istoj strani) kao prekidač FOR/OFF/REV.
  - kontrolira uključivanje/isključivanje nožnog prekidača te po potrebi brzo otpusti nožni prekidač.
  - ima prikladan pristup alatu, cijevi i ručici bez da se naginje preko alata.



**Slika 7 – Položaj rukovatelja**

2. Povucite kabel za napajanje preko prethodno račišćenog puta. Suhim rukama uključite power drive u ispravno uzemljenu utičnicu. Pazite da su svi električni priključci na suhom i odignuti od zemlje. Ako kabel za napajanje nije dovoljno dugačak, koristite produžni kabel koji:
  - je u dobrom stanju
  - ima tropski utikač jednak onom na pogonskom sklopu
  - namijenjen je za vanjsku uporabu te sadrži oznaku kabela W ili W-A (tj. SOW)
  - ima dovoljnu veličinu žice (14 AWG za 25' ili manje, 12 AWG za duljinu od 25' – 50'). Premale žice mogu se pregrijati, otopiti izolaciju te uzrokovati požar ili druga oštećenja.

3. Provjerite radi li ispravno pogonski sklop/alat za narezivanje navoja:

- Pomaknite prekidač u položaj FOR (eng. Forward - naprijed). Pritisnite i otpustite nožni prekidač. Provjerite okreće li se pogonska osovina u smjeru suprotnom od kazaljke na satu kada ste okrenuti prema prednjem držaču. Ako se jedinica ne okreće u pravom smjeru ili nožni prekidač ne kontrolira rad stroja, ne koristite ga dok kvar nije popravljen.
- Pritisnite i držite nožni prekidač. Provjerite brzinu okretanja jedinice. Provjerite jesu li pokretni dijelovi alata loše postavljeni, prijanjaju li jedan uz drugi, čuju li se neki čudni zvukovi ili ima nekih drugih neobičnih znakova. Otpustite nožni prekidač. Ako brzina okretanja premašuje 57 obrtaja u minuti, nemojte koristiti tu jedinicu za izradu spojnica na cijevima. Veće brzine mogu povećati opasnost od ozljeda. Ako uočite neko neobično ponašanje, nemojte koristiti otpremu dok nije popravljena.
- Pomaknite prekidač u položaj REV (eng. reverse - naprijed). Pritisnite i otpustite nožni prekidač. Provjerite okreće li se pogonska osovina u smjeru kazaljke na satu kada ste okrenuti prema prednjem držaču. Ako se jedinica ne okreće u pravom smjeru, ne koristite stroj dok kvar nije popravljen.
- Pomaknite prekidač u položaj OFF (Isključeno). Suhim rukama iskopčajte stroj iz struje.

### Priprema cijevi

**OBAVIJEST** Ovo su općenite upute. Uvijek se pridržavajte posebnih preporuka proizvođača nažlijebljenih spojeva (grooved coupling) u vezi s cijevima i njihovom pripremom. Nepridržavanje preporuka proizvođača može dovesti do izrade loših spojeva i uzrokovati istjecanje.

1. Izrežite cijev na pravu duljinu. Uzmite u obzir minimalne duljine cijevi koje se mogu grooved za svaku veličinu cijevi (pogledajte tablicu A) Izrada spojnica na cijevima kraćim od minimalne duljine povećava opasnost od ozljeda uslijed prignječenja prstiju ili zahvaćanja pokretnim dijelovima.

Pazite da je kraj cijevi izrezan ravno te da nema šavova. Rukavice ili prsti mogu zapeti o šavove tijekom izrade spojnica. Metoda rezanja i veliki šavovi mogu utjecati na kvalitetu spojnica i uvođenje spojnica na cijevi. Ne pokušavajte izraditi žlijeb na cijevi koja je izrezana pomoću let lampe.

2. Svi interni/eksterni krajevi varenja ili šavovi moraju biti ground flush barem 2 inča od kraja cijevi. Ne zarezujte u područje za brtve jer bi to moglo dovesti do propuštanja.
3. Uklonite svu prljavštinu, hrđu i druge kontaminante barem 2 inča od kraja cijevi. Kontaminanti mogu začepiti pogonske utore i spriječiti ispravno pogonjenje i vođenje cijevi prilikom izrade spojnica.

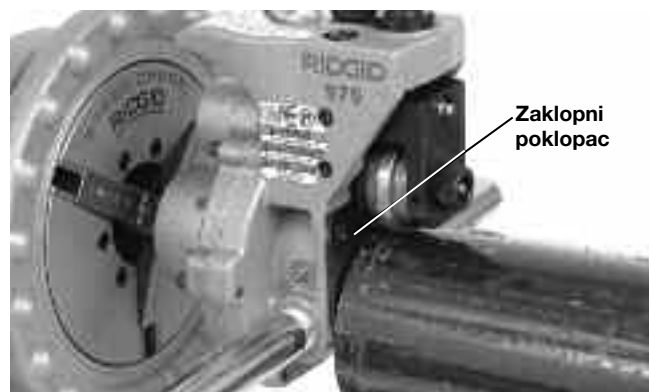
### Postavljanje cijevi u alat za izradu spojnica na cijevima

1. Provjerite je li prekidač za power drive/threading machine u položaju OFF (Isključeno).
2. Provjerite imate li odgovarajući potporanj za cijev na kojoj ćete izrađivati spojnice. *Tablica A* navodi maksimalne duljine cijevi za koje će se izrađivati spojnice pomoću jednog postolja za cijev.. Dulje cijevi trebale bi biti poduprte s barem dva postolja za cijevi. Ako cijev nije ispravno poduprta može se dogoditi da se cijev i stroj prevrnu i padnu. Nemojte izrađivati spojnicu na cijevi kraćoj od minimalne duljine.
3. Potrebna postolja za cijevi postavite ispred alata za izradu spojnica na cijevima. Za duljine cijevi kod kojih je dovoljno jedno postolje trebalo bi ga postaviti na nešto malo više od polovice cijevi od zaklopnog poklopca alata. Ako duljina cijevi zahtijeva više postolja, potrebno ih je postaviti na  $\frac{1}{4}$  duljine cijevi od njezina kraja. U nekim situacijama možda će biti potrebno koristiti više postolja. Visinu postolja treba prilagoditi tako da cijev bude iznad pogonskog valjka.

Nom. veličina	Min. duljina	Maks. duljina	Nom. veličina	Min. duljina	Maks. duljina
1	8	36	4	8	36
1 $\frac{1}{4}$	8	36	4 $\frac{1}{2}$	8	32
1 $\frac{1}{2}$	8	36	5	8	32
2	8	36	6 O.D.	10	30
2 $\frac{1}{2}$	8	36	6	10	28
3	8	36			
3 $\frac{1}{2}$	8	36			

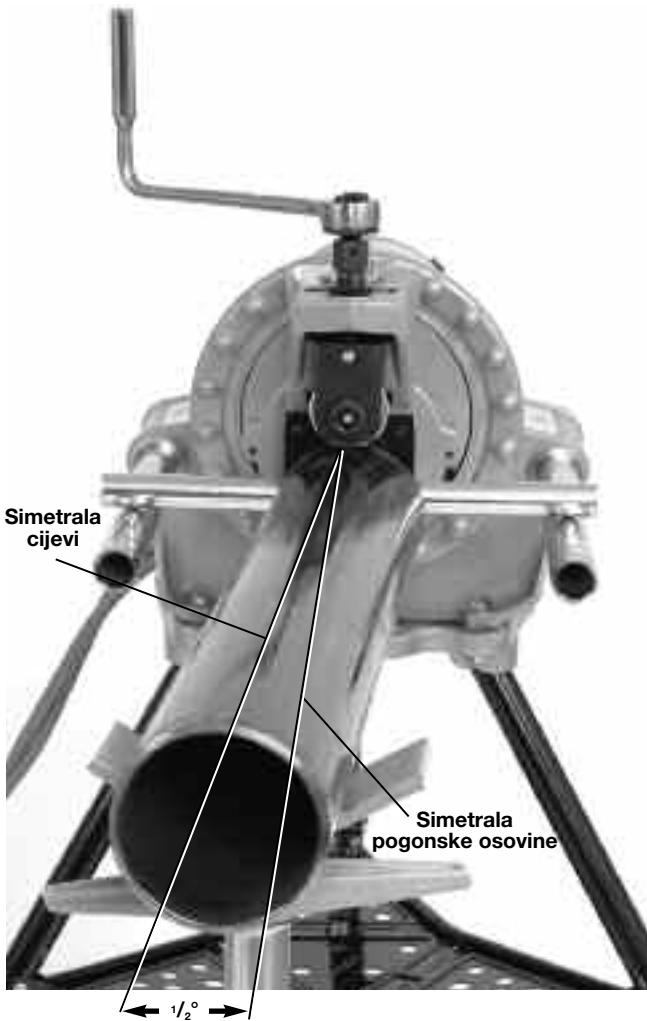
**Tablica A – Minimalna/maksimalna duljina cijevi na kojoj se može izraditi spojnica pomoću jednog postolja (sve su dimenzije u inčima)**

4. Provjerite je li valjak dovoljno uvučena da bi se cijev mogla staviti iznad pogonske osovine. Po potrebi, okrenite pokretački vijak u smjeru suprotnom na satu da biste povisili valjak.
5. Kraj cijevi položite preko pogonske osovine te je postavite na postolje(a) za cijev. Provjerite da li je cijev stabilna.



**Slika 8 – Stavljanje cijevi preko pogonske osovine i poravnane sa zaklopnim poklopcem**

6. Podesite cijev i postolja cijevi tako da je kraj cijevi bude poravnan sa zaklopnim poklopcem alata ta da unutrašnjost cijevi bude u doticaju s vrhom pogonske cijevi (slika 7) Simetrala cijevi i simetrala pogonske osovine trebale bi biti paralelne jedna s drugom. Jedan od načina da se to postigne jest da se poravnaju cijev i power drive/threading machine.
7. Lagano poravnajte cijev i postolje cijevi otprilike  $1/2$  stupnja (oko 1" na 10 stopa od alata) prema rukovatelju. Ispravno poravnanje cijevi i alata omogućuje ispravno vođenje cijevi tijekom izrade spojnica. (Pogledajte sliku 9)



Slika 9 – Pomicanje cijevi  $1/2^\circ$  prema rukovatelju (uvećani prikaz)

8. Okrenite pokretački vijak u smjeru kazaljke na satu da biste valjak postavili tako da dodiruje vanjski promjer cijevi, a zatim ga okrenite za još za jednu četvrtinu. Vijak za podešavanje možda će trebati popustiti (okrenuti u smjeru suprotnom od kazaljke na satu) da bi se valjku omogućilo da dođe u kontakt s cijevi. Cijev i alat trebali bi u ovom trenutku biti pričvršćeni jedno za drugo.
9. Procijeniti radni prostor te utvrdite je li potrebno postaviti prepreke kojima bi se druge ljude (osim rukovatelja) drža-

lo podalje od opreme i cijevi. Pomoću ograde ili zaštite trebalo stvoriti namanje jedan (1) metar slobodnog prostora oko power drive i cijevi. Ta sigurnosna zona sprečava druge da slučajno dođu u kontakt sa strojem ili cijevi, izazovu prevrtanje ili da ih zahvate pokretni dijelovi.

10. Suhim rukama uključite stroj u ispravno uzemljenu utičnicu.

## Rukovanje kombiniranim alatom za izradu spojnica na cijevima postavljenim na pogonski sklop/alat za narezivanje navoja

### ⚠ UPOZORENJE



Prilikom rada s alatom ne nosite široku odjeću. Pazite da su rukavi i jakna zakopčani. Ne naginjite se preko stroja ili cijevi. Pokretni dijelovi mogu zahvatiti široku odjeću te uzrokovati nagnječenja.

Držite ruke podalje od valjaka. Do not groove pipes shorter than specified. Nemojte nositi prevelike rukavice. Valjci mogu zahvatiti prste ili se oni mogu zaglaviti između valjka i cijevi.

Držite ruke podalje od krajeva cijevi. Ne stavljajte ruku unutar cijevi. Možete se porezati na šavove i oštre rubove. Valjci mogu zahvatiti prste ili se oni mogu zaglaviti između valjka i cijevi.

Uvijek nosite zaštitu za oči kako biste zaštitili oči od prljavštine i drugih stranih predmeta. Nosite obuću sa čeličnom kapicom da biste zaštitili stopala u slučaju prevrtanja alata i padanja cijevi.

Pridržavajte se uputa za korištenje kako biste smanjili opasnost od ozljeda uslijed nagnječenja, prevrtanja, udarca i drugih uzroka.

### Postavljanje/mjerenje dijametara groove

**OBAVIJEST** Zbog različitih karakteristika cijevi prije prve izrade spojnica u nekom danu ili prilikom promjene veličine cijevi, rasporeda ili materijala potrebno je napraviti probnu izradu žljeba na cijevi. Kalibri za postavljanje dijametara spojnica samo su približni i potrebno je izmjeriti dijametar spojnice da bi se potvrdila prava veličina.

1. Provjerite jesu li oprema i cijev ispravno postavljene. Neispravno pripremljena cijev može utjecati na točnost postavljanja kalibra dubine spojnice. Valjak bi trebao doticati cijev.
2. Podesite kalibar dubine cijevi tako je ispravan korak kalibra ispod glave vijka za podešavanje (slika 10A) Kalibar dubine spojnice dizajniran je za korištenje s cijevi. Pogledajte "Postavljanje dijametara spojnice za bakrenu cijev" za korištenje s bakrenom cijevi.



- Vijak za podešavanje okrećite u smjeru kazaljke na satu dok glava ne dodirne korak kalibra dubine. Kalibar dubine žljeba okrenite u položaj za izradu žljeba (*slika 10B*). Ako kalibar nije položaju za izradu žljeba to će spriječiti izradu žljeba i može se oštetiti.



**Slika 10A – Stavljanje ispravnog koraka kalibra ispod glave vijka za podešavanje**



**Slika 10B – Kalibar u poziciji za izradu spojnice**

- Pripremite probnu izradu žljeba (*slijedite korake za "Oblikovanje žljeba cijevi"*).
- Izmjerite dijamaetar žljeba. Najbolji način za mjerenje dijametara žljeba je korištenje vrpce za mjerenje dijametara (*pogledajte odjeljak Dodatni pribor*) Vrpca za mjerenje dijametara čvrsto omotajte oko cijevi u žljebu. Provjerite je li vrpca poravnana na dnu žljeba te očitajte koliki je dijamaetar. (*Pogledajte sliku 11*)



**slika 11 – provjera dijametara žljeba pomoću vrpce za mjerenje dijametara**

- Usporedite izmjereni dijamaetar spojnice s željenim dijamaetrom kao što je prikazano u *Tablici I ili III* ili navedeno u uputama proizvođača. Ako je izmjerena spojnica izvan željenog dijametara žljeba, vijak za prilagodbu mora se repozicionirati da bi se dobio točni dijamaetar spojnice.
  - Da biste povećali dijamaetar spojnice, okrenite vijak za podešavanje u smjeru kazaljke na satu.

- Da biste smanjili dijamaetar spojnice, okrenite vijak za prilagodbu u smjeru suprotnom od kazaljke na satu.
  - Svaki  $\frac{1}{4}$  okret vijka za prilagodbu mijenja dijamaetar spojnice za otprilike 0,02 inča.
- Ponovite korake 4-6 dok dijamaetar spojnice nije unutar specifikacija. Ako je spojnica prevelik, alat se može podesiti, a spojnicu smanjiti. Ako je spojnica premalena, potrebno je napraviti novu. Ispravan dijamaetar spojnice osigurava uspješno spajanje cijevi. Zbog žljebova koji nisu unutar specifikacija može se dogoditi da nije moguće spojiti cijevi.

## Oblikovanje žljeba cijevi

- Provjerite jesu li oprema i cijev ispravno postavljene.



**Slika 12 – Položaj za rukovanje alatom za izradu žljebova**

- Zauzmite ispravan položaj za rad. Postavite nožni prekidač tako da rukovatelj može kontrolirati pogonski sklop, alat za izradu spojnica na cijevi i cijev na kojoj se spojnica izrađuje. Kao što je prikazano na *sl. 12* rukovatelj bi trebao biti u položaju koji mu omogućuje da:
  - stoji okrenut prema alatu i ima pristup (na istoj strani) kao prekidač FOR/OFF/REV
  - kontrolira uključivanje/isključivanje nožnog prekidača te po potrebi brzo otpusti nožni prekidač
  - ima prikladan pristup alatu, cijevi i ratchet ključu bez da se naginje preko alata

- po potrebi može staviti desnu ruku na cijev na kojoj se izrađuje spojnica
  - ima stabilan položaj i održava ravnotežu
3. Pomaknite FOR/OFF/REV prekidač u položaj REV (eng. reverse - naprijed). **Ne pokrećite kombinirani alat za izradu spojnice na cijevima dok je prekidač u položaju FOR (Naprijed). Zbog dizajna kombiniranog alata za izradu spojnice na cijevima 975 cijev će "iskliznuti" s valjaka te može pasti.**
  4. Stavite jednu ruku na glavu ručice/vrh pokretačkog vijka, a drugu na kraj ručice.
  5. Pritisnite nožni prekidač da biste uključili stroj. Promatrajte kako se cijev rotira i pazite da prednja strana cijevi ostane u kontaktu s zaklopnim poklopcem alata. Ako se cijev počne pomicati od zaklopnog poklopca, otpustite nožni prekidač da cijev ne bi "pobjegla" i pala. Ako je potrebno, ponovno namjestite cijev ( *pogledajte odjeljak Postavljanje cijevi*). Ako je kraj cijevi izobličen, morat ćete ga odrezati i izraditi novu spojnicu.
  6. Nakon što se cijela cijev okrene, stegnite pokretački vijak za još jednu  $\frac{1}{4}$  okreta. Nastavite promatrati cijev kako biste bili sigurni da je u kontaktu s zaklopnim poklopcem. Nemojte stezati pokretački vijak više od  $\frac{1}{4}$  okreta za svako okretanje cijevi. Zbog prejakog stezanja pokretačkog vijka spojnica se može previše raširiti ili cijev može "pobjeći" s pogonske osovine.
  7. Nastavite stezati pokretački vijak za  $\frac{1}{4}$  okreta za svako okretanje cijevi sve dok glava vijka za prilagodbu ne ostane na vrhu alata za izradu žljebova. Nakon toga nemojte nastaviti stezati pokretački vijak jer može doći do oštećenja vijka za podešavanje. Pustite cijev da se okrene barem još dva puna kruga u ovom položaju da bi se osigurala jednolikost dubine žljeba.
  8. Otpustite nožni prekidač i pomaknite FOR/OFF/REV prekidač u položaj OFF (Isključeno).
  9. Okrenite pokretački vijak u smjeru suprotnom od kazaljke na satu i podignite valjak kako bi se cijev moglo izvaditi iz stroja.
  10. Pregledajte spojnicu.
    - Provjerite je li spojnica u cijelosti oblikovana.
    - Provjerite je li dijametar spojnice unutar specifikacija.
    - Provjerite sve druge stavke prema uputama proizvođača cijevi.

Ako ustanovite da postoji bilo kakav problem, spojnicu neće biti moguće koristiti.

## Postavljanje dijametra spojnice za bakrene cijevi

Prilikom korištenja kombiniranog alata za izradu spojnice na cijevima za bakrenu cijev nije moguće koristiti kalibar dubine na alatu. On će dati netočne dijemetre spojnice.

1. Okrenite pokretački vijak u smjeru kazaljke na satu da biste valjak postavili tako da dodiruje vanjski promjer cijevi, a zatim ga okrenite za još za jednu četvrtinu. Vijak za podešavanje možda će trebati popustiti (okrenuti u smjeru suprotnom od kazaljke na satu) da bi se valjku omogućilo da dođe u kontakt s cijevi. Cijev i alat trebali bi u ovom trenutku biti pričvršćeni jedno za drugo.
2. Provjerite je li kalibar dubine spojnice u položaju za izradu spojnice. (*Slika 10B*)
3. Okrenite vijak za prilagodbu dok nije poravnan s gornjim poklopcem alata.
4. Dijametar i vrstu cijevi potražite u tablici B i stegnite vijak za prilagodbu odgovarajući broj puta. Na primjer, za cijev 4" Sch.L bakar, vijak za prilagodbu stagnite  $1\frac{1}{4}$  okreta.

## Podešavanje dubine za izradu spojnice na bakrenoj cijevi (Okreti vijka za podešavanje)

Dija.	K	L	M	DWV
2-2.5"	$\frac{7}{8}$	$\frac{7}{8}$	$\frac{5}{8}$	$\frac{5}{8}$
3"	$1\frac{1}{16}$	$1\frac{1}{16}$	$1\frac{1}{16}$	$1\frac{1}{16}$
4"	$1\frac{1}{4}$	$1\frac{1}{4}$	$1\frac{1}{4}$	$1\frac{1}{8}$
5"	$1\frac{1}{2}$	$1\frac{1}{2}$	$1\frac{1}{2}$	$1\frac{1}{2}$
6"	$1\frac{3}{16}$	$1\frac{3}{4}$	$1\frac{3}{4}$	$1\frac{3}{4}$
8"	$2\frac{1}{2}$	$2\frac{3}{8}$	$2\frac{1}{8}$	$2\frac{1}{8}$

**Tablica B – Podešavanje dubine za izradu spojnice na bakrenoj cijevi**

5. *Idite na korak 4 u odjeljku "Postavljanje/mjerenje dijametra spojnice".*

## Savjeti za vođenje cijevi na alatu za izradu spojnice na cijevima 975

Glavni problem s kojim se korisnici susreću prilikom izrade spojnice na cijevima je "bježanje" ili "pomicanje" pogonske osovine ili neispravno "vođenje" cijevi. Da biste mogli dobro voditi cijev, važno je pridržavati se svih uputa. Ako cijev nije moguće dobro voditi čak i ako se pridržavate svih uputa, postoji nekoliko načina na koji se to može popraviti.

- Lagano pomaknite cijev prema operateru (povećanje od  $\frac{1}{2}$  stupnjeva do 1 stupnja) ( *pogledajte sliku 9*).
- Prilikom izrade spojnice operater će možda morati primijeniti laganu silu. To je obično potrebno samo na kraćim dijelovima cijevi. Da bi to mogao učiniti, rukovatelj treba nositi kožnu rukavicu u dobrom stanju i rukom obuhvatiti sredinu cijevi kao što je prikazano na *slici 13*. To će možda zahtijevati da se postolje na koje je montiran power

drive/threading machine učvrsti za pod kako bi se spriječilo pomicanje tijekom rada. Da ne bi došlo do ozljeda uslijed prignječenja, ruku držite dalje od valjka i krajeva cijevi, a spojnice se ne izrađuju na cijevima koje su kraće od preporučenih.



**Slika 13 – Primjena sile na cijev prilikom izrade spojnice za održavanje vođenja**

- Osim toga, u *odjeljku Rješavanje problema* potražite cijeli popis razloga za probleme s vođenjem i rješenja za njih.

## Priprema stroja i radnog prostora za in-place aplikacije

### ⚠ UPOZORENJE



Uvijek nosite zaštitu za oči kako biste zaštitili oči od prljavštine i drugih stranih predmeta. Nosite obuću sa čeličnom kapicom da biste zaštitili stopala u slučaju prevrtanja i padanja cijevi i alata. Prilikom rada nosite zaštitnu kacigu.

Pripremite alat za izradu spojnica na cijevi i radni prostor prema uputama u nastavku kako biste smanjili rizik od ozljeda uslijed prevrtanja stroja, prignječenja i drugih uzroka te spriječili oštećenje alata.

1. Pronađite radni prostor koji ispunjava sljedeće uvjete:
  - Adekvatno je osvijetljen.
  - Nema zapaljive tekućine, pare ili prašine koja se može zapaliti. Ako postoji bilo što od toga, nemojte koristiti radni prostor njihov izvor te ih ne uklonite.
  - Čisto, ravno, stabilno i suho mjesto s dovoljno prostora za svu opremu i rukovatelja.
2. Prije postavljanja opreme očistite radni prostor. Uvijek obrišite moguće tragove ulja.
3. Pregledajte cijev za koju se izrađuju spojnice te potvrdite da je alat za izradu spojnica na cijevima pravi alat za taj posao. Kombinirani alat za izradu spojnica na cijevima 975 dizajniran je za izradu spojnica za čelične, aluminijske i PVC cijevi prema standardu 10 i 40 u veličinama od 1 1/4" do 6" Dizajniran je i za izradu spojnica na nehrđajućih čeličnih cijevi veličine 1 1/4" do 6" prema standardu 10 i 1 1/4" do 2" prema standardu 40. Uz promjenu seta valjaka pomoću njega se mogu izrađivati spojnice za bakrene cijevi tipa K, L, M i DMW veličine 2 - 8".
 

Može se koristiti za primjenu na licu mjesta (cijev koja je instalirana ili postavljena u škripac) ili s pogonskim sklopom RIDGID 300 ili kompaktnim alatom za narezivanje navoja 300 za električne aplikacije na lokaciji na kojoj se izvode radovi. Nije namijenjen za proizvodne aplikacije.
4. Prilikom izrade spojnica na licu mjesta pripremite da ima dovoljno mjesta za postavljanje kombiniranog alata za izradu spojnica na cijevima i rukovanje njime. Alat se kreće oko dobro učvršćene cijevi i zahtijeva:
  - najmanje 6 1/2" slobodnog prostora oko cijevi na kojoj se izrađuje spojnica
  - najmanje 2 1/2-inčnu cijev kojoj ne smetaju prepreke kao što je zid???

- minimalni otvor od 9 1/2" da cijev može ući u alat???

Alate za izradu spojnica na cijevima za druge namjene moguće je pronaći u katalogu tvrtke Ridge Tool, na Internetu na adresi [www.RIDGID.com](http://www.RIDGID.com) ili pozivom tehničkoj službi tvrtke na broj 800-519-3456.

**OBAVIJEST** Korištenje setova valjaka (valjak za cijev i pogonska osovina) na cijevima od ugljičnog i nehrđajućeg čelika može dovesti do kontaminacije materijala od nehrđajućeg čelika. Takva kontaminacija mogla bi uzrokovati koroziju i prijevremeno propadanje cijevi. Da biste spriječili kontaminaciju željezom cijevi od nehrđajućeg čelika, koristite setove valjaka namijenjene za izradu spojnica na cijevima od nehrđajućeg čelika. Druga je mogućnost da se pomoću četkice od čelične žice temeljito očisti set valjaka prilikom prelaska s jednog materijala na drugi.

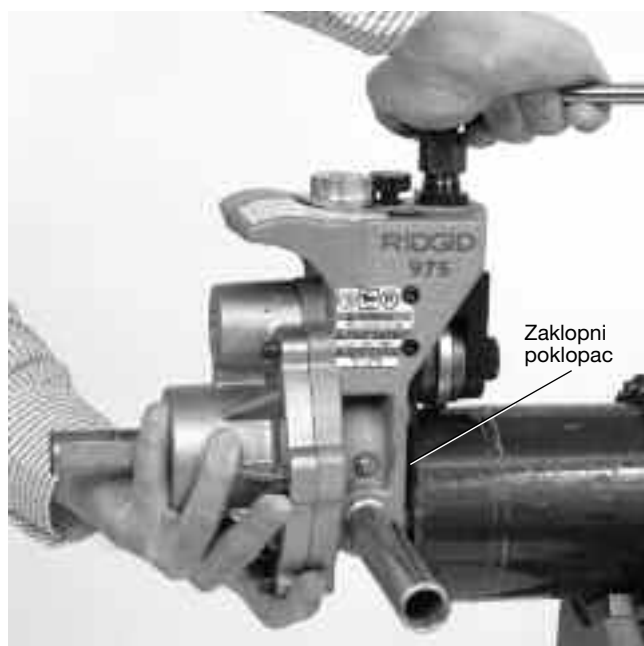
### Priprema cijevi

**OBAVIJEST** Ovo su općenite upute. Uvijek se pridržavajte posebnih preporuka proizvođača nažlijebljenih spojeva (grooved coupling) u vezi s cijevima i njihovom pripremom. Nepridržavanje preporuka proizvođača može dovesti do izrade loših spojeva i uzrokovati istjecanje.

1. Ako izrađujete spojnicu na postojećoj instalaciji na licu mjesta, obavezno provjerite da sustav nije pod tlakom te da je ispražnjen sav sadržaj cijevi. Saznajte o kakvom se sadržaju radi i svim opasnostima povezanim s njim.
2. Izrežite cijev na pravu duljinu.  
Pazite da je kraj cijevi izrezan ravno te da nema šavova. Rukavice ili prsti mogu zapeti o šavove tijekom izrade spojnica. Metoda rezanja i veliki šavovi mogu utjecati na kvalitetu spojnica i uvođenje spojnica na cijevi. Ne pokušavajte izraditi spojnicu na cijevi koja je izrezana pomoću let lampe.
3. Svi interni/eksterni krajevi varenja ili šavovi moraju biti ground flush barem 2 inča od kraja cijevi. Ne zarezujte u područje za brtve jer bi to moglo dovesti do propuštanja.
4. Uklonite svu prljavštinu, hrđu i druge kontaminante barem 2 inča od kraja cijevi. Kontaminanti mogu začepiti pogonske utore i spriječiti ispravno pogonjenje i vođenje cijevi prilikom izrade spojnice.
5. Provjerite je li cijev na kojoj se izrađuje spojnica dobro postavljena. Cijev mora moći izdržati težinu alata za izradu spojnica (oko 13 kilograma) te silu i zakretni moment potreban za izradu spojnice bez pomicanja. Kod cijevi koja je postavljena, možda bi bilo dobro izvaditi je i spojnicu izraditi u škripcu. U drugim slučajevima možda će biti potrebno dodati druge privremene ili trajne potpornje za cijev. Prilikom korištenja škripca za cijev provjerite je li dobro učvršćen kako se ne bi prevrnuo tijekom uporabe. Za dulje cijevi koristite odgovarajuća postolja za cijevi kako biste poduprli dodatnu duljinu cijevi.

### Postavljanje alata za izradu spojnica na cijev

1. Potvrdite da je kombinirani alat za izradu spojnica na cijevima pregledan te da je instaliran odgovarajući set valjaka. Provjerite jesu li potporne ručice dobro stegnute na tijelu alata ili ih u potpunosti uklonite za bolji pristup u uskim prostorima. Potom postavite ručicu na pokretački vijak i stavite nastavak u utor za ručno pokretanje na stražnjoj strani alata. Provjerite jesu li ručica i nastavak dobro pričvršćeni.
2. Provjerite ima li između valjka i pogonske osovine dovoljno prostora za stranicu cijevi. Po potrebi, okrenite pokretački vijak u smjeru suprotnom na satu da biste izvukli valjak.
3. Čvrsto primite alat Ne podižite ga pomoću ručice. Stavite pogonsku osovinu u cijev i provjerite prijanja li zaklopni poklopac čvrsto uz kraj cijevi (slika 14) Zategnite pokretački vijak da bi valjak došao u kontakt s vanjskom stranom cijevi. Nakon što je pokretački vijak zategnut tako da se više ne može okretati prstima pomoću ručice ga zategnite za dodatnih 1/4 okreta. Potvrdite da je alat za izradu spojnica dobro pričvršćen uz cijev te da je zaklopni poklopac poravnat s krajem cijevi. U suprotnom, ponovite postupak. Uvijek pazite da je alat dobro pričvršćen prilikom korištenja na licu mjestu kako biste spriječili da padne.



Slika 14 – Držanje alata za izradu spojnica na mjestu prilikom zatezanja pokretačkog vijka

## Rukovanje kombiniranim alatom za izradu spojnica na cijevima na postavljenim instalacijama

### ⚠ UPOZORENJE



Kod korištenja na postavljenim instalacijama koristite samo ručni pogon za alat. Ne koristite električne uređaje (kao što su bušilice ili brusilice) za pokretanje alata prilikom korištenja na postavljenim instalacijama. Korištenje električnih uređaja može oštetiti alat i povećati opasnost od ozljeda.

Prilikom rukovanja alatom za izradu spojnica na cijevima ne nosite široku odjeću. Pazite da su rukavi i jakna zakopčani. Ne naginjite se preko stroja ili cijevi. Pokretni dijelovi mogu zahvatiti široku odjeću te uzrokovati nagnječenja.

Držite ruke podalje od valjaka. Dimenzije spojnica ne smiju biti kraće od predviđenih. Nemojte nositi prevelike rukavice. Valjci mogu zahvatiti prste ili se oni mogu zaglaviti između valjka i cijevi.

Držite ruke podalje od krajeva cijevi. Ne stavljajte ruku unutar cijevi. Možete se porezati na šavove i oštre rubove. Valjci mogu zahvatiti prste ili se oni mogu zaglaviti između valjka i cijevi.

Uvijek nosite zaštitu za oči kako biste zaštitili oči od prljavštine i drugih stranih predmeta. Nosite obuću sa čeličnom kapičom da biste zaštitili stopala u slučaju prevrtanja alata i padanja cijevi. Prilikom rada na postavljenim instalacijama nosite zaštitnu kacigu.

Pridržavajte se uputa za korištenje kako biste smanjili opasnost od ozljeda uslijed nagnječenja, prevrtanja, udarca i drugih uzroka.

### Postavljanje/mjerenje dijametara spojnice

**OBAVIJEST** Zbog različitih karakteristika cijevi prije prve izrade spojnica u nekom danu ili prilikom promjene veličine cijevi, standarda ili materijala potrebno je napraviti probnu izradu spojnice na cijevi. Kalibri za postavljanje dijametara spojnice samo su približni i potrebno je izmjeriti dijametar spojnice da bi se potvrdila prava veličina.

1. Provjerite jesu li oprema i cijev ispravno postavljeni. Neispravno pripremljena cijev može utjecati na točnost postavljanja kalibra dubine spojnice. Valjak bi trebao doticati cijev.
2. Podesite kalibar dubine cijevi tako je ispravan korak kalibra ispod glave vijka za podešavanje (slika 15A) Kalibar dubine spojnice dizajniran je za korištenje s cijevi. Pogledajte "Postavljanje dijametara spojnice za bakrenu cijev" za korištenje s bakrenom cijevi.

3. Vijak za podešavanje okrećite u smjeru kazaljke na satu dok glava ne dodirne korak kalibra dubine. Kalibar dubine spojnice okrenite u položaj za izradu spojnice (slika 15B). Ako kalibar nije položaju za izradu spojnice to će spriječiti izradu spojnice i može se oštetiti.



Slika 15A – Stavljanje ispravnog koraka kalibra ispod glave vijka za podešavanje



Slika 15B – Kalibar u poziciji za izradu spojnice

4. Pripremite probnu izradu spojnice (slijedite korake za "Oblikovanje spojnice cijevi").
5. Izmjerite dijametar spojnice. Najbolji način za mjerenje dijametara spojnice korištenje je vrpce za mjerenje dijametara (pogledajte odjeljak Dodatni pribor) Vrpca za mjerenje dijametara čvrsto omotajte oko cijevi. Provjerite je li vrpca poravnana na dnu spojnice te očitajte koliki je dijametar (pogledajte sliku 16).



slika 16 – Mjerenje dijametara spojnice pomoću vrpce za mjerenje dijametara

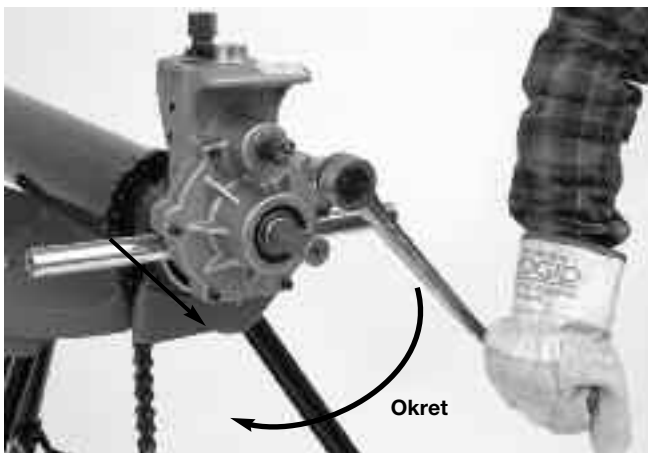
6. Usporedite izmjereni dijametar spojnice s željenim dijametrom kao što je prikazano u Tablici I ili III ili navedeno u uputama proizvođača. Ako je izmjerena spojnica izvan željenog dijametara, vijak za podešavanje mora se repositionirati da bi se dobio točni dijametar spojnice.
  - Da biste povećali dijametar spojnice, okrenite vijak za podešavanje u smjeru kazaljke na satu.

- Da biste smanjili dijametar spojnice, okrenite vijak za podešavanje u smjeru suprotnom od kazaljke na satu.
- Svaki okret vijka za podešavanje za  $\frac{1}{4}$  mijenja dijametar spojnice za otprilike 0,02 inča.

7. Ponovite korake 4-6 dok dijametar spojnice nije unutar specifikacija. Ako je spojnica prevelik, alat se može podešiti, a spojnica smanjiti. Ako je spojnica premalena, potrebno je napraviti novu. Ispravan dijametar spojnice važan je kako bi se cijevi uspješno spojile. Zbog spojnica koji nisu unutar specifikacija može se dogoditi da cijevi neće biti moguće spojiti.

### Oblikovanje spojnice cijevi

1. Provjerite jesu li oprema i cijev ispravno postavljeni.
2. Zauzmite ispravan položaj za rad. Pazite da ne izgubite ravnotežu.
3. Pazite da je pokretački vijak zategnut a  $\frac{1}{4}$  okreta.
4. Maknite ručicu sa pokretačkog vijka i dobro pričvrstite nastavak. (U malim prostorima nije potrebno koristiti extension.)
5. Okrenite ručicu u smjeru kazaljke na satu (gledano sa stražnje strane alata) - to će odgovarati strelicama na stražnjoj strani alata (pogledajte sliku 17). Promatrajte kako se alat za izradu cijevi rotira i pazite da prednja strana alata ostane u kontaktu s krajem cijevi. Ako se alat za izradu spojnice počne odmicati od kraja cijevi, zaustavite okretanje ručice da alat ne bi "skliznuo" s kraja cijevi i pao. Možete gurnuti potporne ručice alata da bi zaklopni poklopac ponovno bio u kontaktu s krajem cijevi. Ako je potrebno, ponovno namjestite alat na cijevi. (pogledajte odjeljak "Postavljanje alata za izradu spojnica na cijev"). Ako je kraj cijevi izobličen, morat ćete ga odrezati i izraditi novu spojnicu.



Slika 17 – Okretanje ručice u smjeru strelica

6. Nastavite okretati ručicu dok alat ne napravi barem jedan puni krug oko cijevi. Maknite ručicu s nastavka i pričvrstite je na pokretački vijak. Stegnite pokretački vijak za još  $\frac{1}{4}$  okreta. Uklonite ručicu s pokretačkog vijka i dobro je prič-

vrstite na nastavak. Pokretački vijak nemojte stezati više od  $\frac{1}{4}$  okreta za svako okretanje cijevi. Zbog prejakog stezanja pokretačkog vijka spojnica se može previše raširiti ili alat može "skliznuti" s cijevi. Nastavite okretati ručicu da biste nastavili pokretati alat oko cijevi, a istovremeno pratite položaj zaklopnog poklopca na kraju cijevi.

7. Nastavite stezati pokretački vijak za  $\frac{1}{4}$  okreta za svako okretanje oko cijevi sve dok se glava vijka za podešavanje ne zaustavi na vrhu alata za izradu spojnica. Nakon toga nemojte nastaviti stezati pokretački vijak jer može doći do oštećenja vijka za podešavanje. Neka alat napravi još barem dva puna kruga oko cijevi nakon što se vijak za podešavanje zaustavi na vrhu alata za izradu spojnica. Tako će se osigurati jednolika dubina spojnice.
8. Premjestite ručicu na pokretački vijak. Čvrsto primite alat za izradu spojnica. Okrenite pokretački vijak u smjeru suprotnom od kazaljke na satu i podignite valjak kako bi se alat mogao skinuti s cijevi. Pazite da vam alat za izradu spojnica ne ispadne iz ruke.
9. Pregledajte spojnicu.
  - Provjerite je li spojnica u cijelosti oblikovana.
  - Provjerite je dijametar spojnice unutar specifikacija.
  - Provjerite sve druge stavke prema uputama proizvođača instalacijskih cijevi.

Ako ustanovite da postoji bilo kakav problem, spojnicu neće biti moguće koristiti.

### Upute za održavanje

#### ⚠ UPOZORENJE

Prije održavanja ili izvršenja podešavanja provjerite je li prekidač u položaju OFF (isključeno) i je li uređaj iskopčan iz struje.

### Podmazivanje

Jednom mjesečno kombinirani alat za izradu spojnica na cijevima podmazujte dobrim univerzalnim mazivom.

- Spojevi koje je potrebno podmazivati nalaze se na podnožju alata na strani rukovatelja, prednjoj strani kliznog bloka i kraju osovine valjka (pogledajte sliku 2). Dodajte mazivo sve dok mala količina ne počne izlaziti van.
- Tanki sloj maziva nanesite na pokretački vijak.
- Upravljačka kutija za kombinirani alat za izradu spojnica na cijevima 975 doživotno je podmazana i nije je potrebno dodatno podmazivati, osim u slučaju otvaranja kutije

Više informacija o održavanju potražite u odjeljku Pregled.

### Čišćenje

Utores pogonske osovine svakodnevno čistite žičanom četkicom ili češće ako je to potrebno.

## Promjena setova valjaka

**OBAVIJEST** Prilikom mijenjanja dijelova setova valjaka uvijek provjerite poklapaju li se oznake na pogonu i valjku. Zbog nepoklapanja dijelova spojnice možda neće biti dobre te može doći do istjecanja.

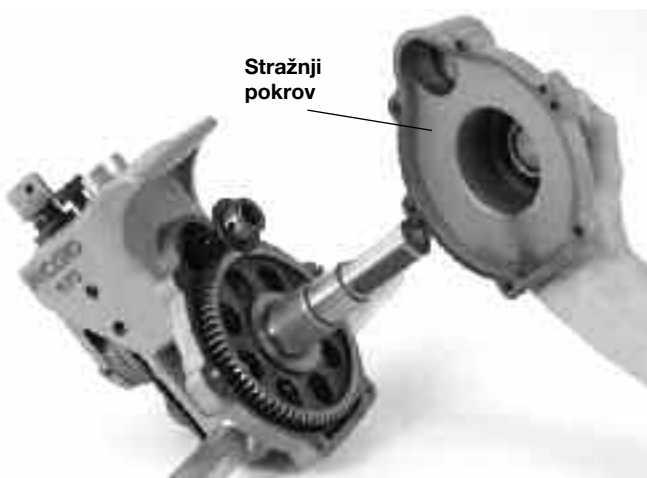
Uklonite alat s pogonskog sklopa ili alata za narezivanje navoja i stavite ga na stabilan radni stol.

Potreban alat:

- imbus ključ od  $\frac{3}{8}$  inča
- imbus ključ od  $\frac{3}{32}$  inča
- .070" Klješta s oprugom

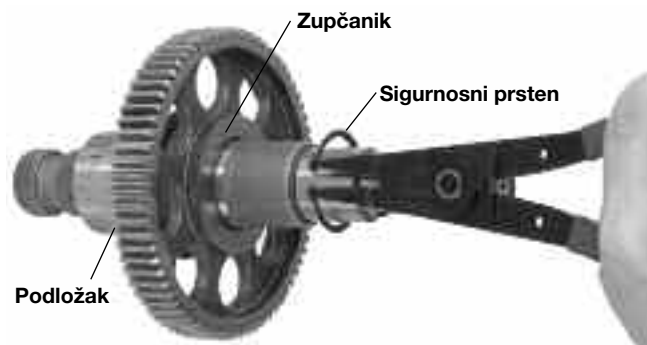
### Uklanjanje i postavljanje pogonskog valjka

1. Uklonite 6 vijaka koji drže stražnji pokrov uz kućište.
2. Uklonite stražnji pokrov (pogledajte sliku 18).



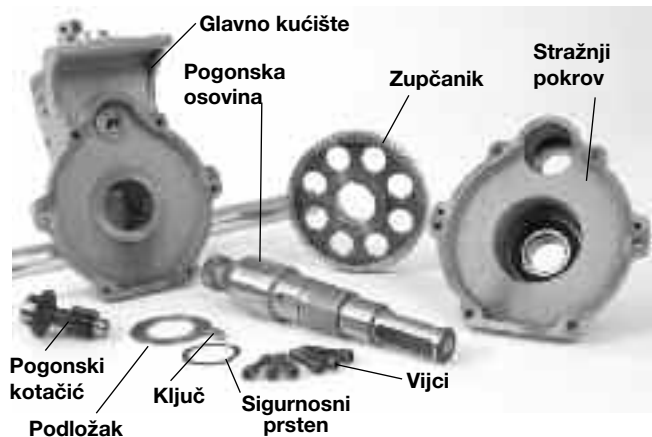
Slika 18 – Uklanjanje stražnjeg pokrova

3. Uklonite pogonski kotačić.
4. Izvadite sklop pogonske osovine sa stražnje strane alata 975 Roll Groover.
5. Uklonite sigurnosni prsten s pogonske osovine, a potom skinite gear. (Pogledajte sliku 19)



Slika 19 – Uklanjanje sigurnosnog prstena

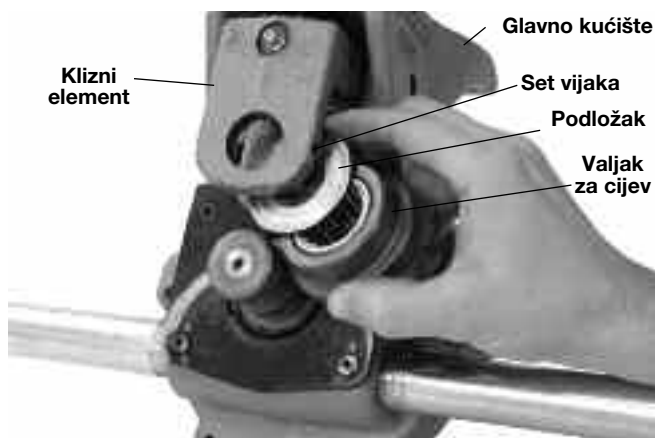
6. Uklonite ključ i podložak.
7. Stavite podložak na novu pogonsku osovinu.
8. Umetnite ključ i postavite zupčanik.
9. Postavite sigurnosni prsten u utor pogonske osovine.
10. Vratite osovinski sklop u kućište.
11. Zbog promjene pogonske osovine možda više nema maziva u upravljačkoj kutiji. Provjerite jesu li ležajevi i zupci zupčanika premazani dovoljnom količinom univerzalnog maziva.
12. Umetnite pogonski kotačić i ponovno postavite stražnji pokrov. Stegnite vijke zakretnim momentom od 12-16ft•lbs.



Slika 20 – Prikaz dijelova alata za kombinirani alat za izradu spojnice na cijevima 975

### Uklanjanje i postavljanje valjka

1. Uklonite vijke koji drže osovinu valjka na mjestu.
2. Izvucite osovinu valjka i uklonite valjak i podložak.
3. Umetnite podložak i novi valjak. Pazite da je li interni sigurnosni prsten u valjku najbliži kućištu te da se valjak nalazi između podloška i kućišta.


**Slika 21**

4. Vratite osovinu valjka i vijke na njihovo mjesto.
5. Vizualno pregledajte spoj između valjka za cijev i pogonskog valjka. Ako nisu poravnani, provjerite smjer valjka za cijev i podloška.
6. Podmažite u skladu s uputama iz odjeljka Podmazivanje u priručniku.

## Pribori

### ⚠ UPOZORENJE

Sljedeći RIDGID proizvodi dizajnirani su za korištenje s kombiniranim alatom za izradu spojnica na cijevima 975. Drugi dodatni pribor prikladan za korištenje s drugim alatima može biti opasan ako se koristi s kombiniranim alatom za izradu spojnica na cijevima 975. Kako biste smanjili rizik od teških ozljeda, koristite samo pribor koji je dizajniran i preporučeno za korištenje s kombiniranim alatom za izradu spojnica na cijevima 975, kao što su ovi navedeni u tablici koja slijedi.

Kat. Broj	Opis
60082	300 pogonski sklop, 230 V 25-60 Hz
60077	300 pogonski sklop, 115 V 25-60 Hz
42360	1206 postolje za 300 pogonski sklop
50697	300 Compact, 230 V 25-60 Hz
50692	300 Compact, 115 V 25 - 60 Hz
20391	300 Compact, 230 V 25 - 60 Hz (DK)
67662	Potporanj prilagodnika za 300 Compact/1233
58077	250 Sklopivo postolje za 300 Compact/1233
72037	460 Prenosivi paralelni škripac Tristand
56662	VJ-99 visoko postolje za cijev VHead
76822	Vrpca za mjerenje promjera u inčima
76827	Metrička vrpca za mjerenje dijametara
30708	Produžetak, 1/2-inčni pogon, zaključavanje
30703	Ručica, 1/2-inčna pod kutom od 90°
33043	Valjci za cijevi i pogonski valjci za bakrene cijevi tipa K, L, M i DMW veličine 2" - 8"

## Čuvanje alata

**⚠ UPOZORENJE** Alat čuvajte zaključan izvan doseg djece i ljudi koji ne znaju koristiti opremu kao što je alat za izradu spojnica. U rukama neobučanih korisnika ovaj alat može uzrokovati teške ozljede.

## Servisiranje i popravak

### ⚠ UPOZORENJE

**Nepropisno obavljen servis i popravak mogu alat učiniti opasnim za rad.**

“Upute za održavanje” pokrivaju većinu potreba za servisiranjem ovog alata. Ako problem nije naveden u tom odjeljku, popravak bi trebalo povjeriti ovlaštenom RIDGID serviseru.

Alat se mora odnijeti u RIDGID neovisni ovlašteni servisni centar ili ga vratiti u tvornicu.

Prilikom servisiranja alata smiju se koristiti samo identični zamjenski dijelovi. Korištenje drugih dijelova može dovesti do teških ozljeda.

Ako imate bilo kakvih pitanja u vezi servisa ili popravka ovog uređaja, zovite ili pišite na:

Ridge Tool Company  
 Tehnička služba  
 400 Clark Street  
 Elyria, Ohio 44035-6001  
 Tel: (800) 519-3456  
 E-mail: TechServices@ridgid.com

Za informacije o najbližem neovisnom RIDGID servisnom centru ili za pitanja o servisu ili popravku:

Kontaktirajte s lokalnim distributerom tvrtke Ridge Tool.

Posjetite [www.RIDGID.com](http://www.RIDGID.com) ili [www.RIDGID.eu](http://www.RIDGID.eu) da pronađete lokalni kontakt tvrtke Ridge Tool.

Kontaktirajte s tehničkim servisnim odjelom tvrtke Ridge Tool na [techservices@emerson.com](mailto:techservices@emerson.com), a u SAD-u i Kanadi nazovite (800) 519-3456.



## Tablica I. Standardne specifikacije spojnica za cijevi IPS dimenzija

NAPOMENA! Sve su dimenzije u inčima.

NOM. VELIČINA CIJEVI	DIJAMETAR CIJEVI		T MIN. DEBLJINA STIJENKE	A LEŽIŠTE BRTVE +.015/- .030	B ŠIRINA SPOJNICE +.030/- .015	C DIJAMETAR SPOJNICE		D NOM. DUBINA SPOJNICE (ref.) (2)
	O.D.	ODST.				O.D.	ODST.	
1 <sup>1</sup> / <sub>4</sub>	1.660	+ .016 - .016	.065	.625	.344	1.535	+ .000 - .015	.063
1 <sup>1</sup> / <sub>2</sub>	1.900	+ .016 - .016	.065	.625	.344	1.775	+ .000 - .015	.063
2 <sup>(1)</sup>	2.375	+ .024 - .016	.065	.625	.344	2.250	+ .000 - .015	.063
2 <sup>1</sup> / <sub>2</sub> <sup>(1)</sup>	2.875	+ .029 - .016	.083	.625	.344	2.720	+ .000 - .015	.078
3 <sup>(1)</sup>	3.50	+ .030 - .018	.083	.625	.344	3.344	+ .000 - .015	.078
3 <sup>1</sup> / <sub>2</sub> <sup>(1)</sup>	4.00	+ .030 - .018	.083	.625	.344	3.834	+ .000 - .015	.083
4 <sup>(1)</sup>	4.50	+ .035 - .020	.083	.625	.344	4.334	+ .000 - .015	.083
5 <sup>(1)</sup>	5.563	+ .056 - .022	.109	.625	.344	5.395	+ .000 - .015	.084
6 <sup>(1)</sup>	6.625	+ .050 - .024	.109	.625	.344	6.455	+ .000 - .015	.085

(1) Prema standardu AWWA C606-06

(2) Nominalna dubina spojnice navedena je samo kao referentna dimenzija. Nemojte pomoću dubine spojnice određivati njezinu prikladnost.

## Tablica II. Maksimalna i minimalna debljina stijenke cijevi

NAPOMENA! Sve su dimenzije u inčima.

Veličina cijevi	CIJEV OD UGLJIČNOG ČELIKA ILI ALUMINIJA		CIJEV OD NEHRĐAJUĆEG ČELIKA		PVC CIJEV	
	Debljina stijenke		Debljina stijenke		Debljina stijenke	
	Min.	Maks.	Min.	Maks.	Min.	Maks.
1 <sup>1</sup> / <sub>4</sub> "	.065	.140	.065	.140	.140	.140
1 <sup>1</sup> / <sub>2</sub> "	.065	.145	.065	.145	.145	.200
2"	.065	.154	.065	.154	.154	.154
2 <sup>1</sup> / <sub>2</sub> "	.083	.203	.083	.188	.203	.276
3"	.083	.216	.083	.188	.216	.300
3 <sup>1</sup> / <sub>2</sub> "	.083	.226	.083	.188	.226	.300
4"	.083	.237	.083	.188	.237	.300
5"	.109	.258	.109	.188	.258	.300
6"	.109	.280	.109	.188	.280	.300

**Tablica III. Specifikacije za spojnice za bakrene cijevi**

1	2		3	4	5	6	7	8
Nom. veličina Inči	Vanjski promjer cijevi V.P		A Ležište brtve A ±0.03	B Širina spojnice +0.03 -.000	C Dijam. spojnice +0.00 -.02	D Dubina spojnice Ref. <sup>1</sup>	T Min. dopuštena deblj. stijenke	Maks. dopušteni dijametar širenja
	Osnovno	odstupanje						
2"	2.125	±0.002	0.610	0.300	2.029	0.048	DWV	2.220
2 1/2"	2.625	±0.002	0.610	0.300	2.525	0.050	0.065	2.720
3"	3.125	±0.002	0.610	0.300	3.025	0.050	DWV	3.220
4"	4.125	±0.002	0.610	0.300	4.019	0.053	DWV	4.220
5"	5.125	±0.002	0.610	0.300	5.019	0.053	DWV	5.220
6"	6.125	±0.002	0.610	0.300	5.999	0.063	DWV	6.220
8"	8.125	+0.002/-0.004	0.610	0.300	7.959	0.083	DWV	8.220

1. Nominalna dubina spojnice navedena je samo kao referentna dimenzija. Nemojte pomoću dubine spojnice određivati njezinu prikladnost.

## Rješavanje problema

SIMPTOMMOGUCI UZROK	RJESENJE	
Spojnica cijevi je preuska ili preširoka.	Istrošen valjak za cijev i/ili pogonska osovina	Zamijenite valjak i/ili pogonsku osovinu.
Spojnica nije okomita na os cijevi.	Duljina cijevi nije ravna. Kraj cijevi nije poravnan sa osi cijevi.	Koristite ravnu cijev. Ravno izrežite kraj cijevi.
Cijev se ne okreće prilikom izrade spojnice/Alat se ne okreće po cijevi prilikom izrade spojnice.	Cijev i pogonska osovina nisu paralelni. Os cijevi nije pomaknuta za 1/2 stupnja od osi pogonskog valjka. Pogonski valjak je začepljen ili istrošen. Pokretački vijak nije dovoljno stegnut. Ručica se okreće u pogrešnom smjeru. U unutrašnjosti cijevi previše je prljavštine. Preveliki šav od zavarivanja. Nema pritiska na cijev. Kraj cijevi nije poravnan/ima oštre rubove. Pokretački je vijak previše stegnut.	Prilagodite postolje da biste cijev učinili paralelnom. Pomaknite cijev za 1/2 stupnja. Očistite ili zamijenite pogonski valjak. Za svako okretanje stegnite pokretački vijak pomoću ručice kao što je navedeno u uputama. Okrećite ručicu u pravom smjeru. Očistite unutrašnjost cijevi. Izbrusite šav od zavarivanja na 2 inča od kraja cijevi. Pritisnite cijev. (Pogledajte sliku 10) Pravilno pripremite kraj cijevi. Pokretački vijak okrećite samo u koracima od 1/4 okreta.
Cijev je proširena na kraju na kojem se nalazi spojnica.	Cijev i pogonska osovina nisu paralelni. Pokretački je vijak previše stegnut.	Prilagodite postolje da biste cijev učinili paralelnom. Pokretački vijak okrećite samo za 1/4 okreta.

## Rješavanje problema (nastavak)

SIMPTOMMOGUCI UZROK	RJESENJE	
Cijev se pomiče gore-dolje na osi pogonskog valjka prilikom izrade spojnice.	Duljina cijevi nije ravna. Kraj cijevi nije poravnan sa osi cijevi.	Koristite ravnu cijev. Ravno izrežite kraj cijevi.
Cijev se ljulja s jedne strane na drugu na pogonskom valjku prilikom izrade spojnice.	Postolje cijevi preblizu je njezinom kraju. Kraj cijevi spljošten je ili oštećen. Tvrdi dijelovi u materijalu cijevili ili šavovi od zavarivanja tvrdi su od cijevi. Valjak se presporo okreće. Brzina pogonskog motora premašuje 57 RPM. Potpornji cijevi nisu na dobrom mjestu.	Pomaknite postolje cijevi kako bi odgovaralo uputama o postavljanju. Izrežite oštećeni kraj cijevi. Koristite drugu cijev. Ubrzajte izradu spojnice na cijevi. Smanjite brzinu na 57 okretaja u minuti ili prema donjim podacima. Pravilno postavite postolja cijevi.
Alat ne urezuje spojnicu na cijevi.	Debljina stijenki cijevi veća je od dopuštene. Materijal cijevi je pretvrd. Nije postavljen vijak za podešavanje. Pogonski motor ne osigurava minimalno potrebni obrtni moment.	Provjerite tablicu s kapacitetom cijevi. Zamijenite cijev Postavite dubinu. Upotrijebite RIDGID br. 300, pogonski sklop ili 300 Compact ili 1233.
Spojnicu koja se urezuje na cijevi nije potrebnog dijametra.	Odstupanje dijametra cijevi veće je od dopuštenog. Vijak za postavljanje dubine nije pravilno postavljen. Cijev je pretvrda.	Koristite cijev ispravnog dijametra. Podesite postavku dubine. Koristite drugu cijev.
Cijev se skliže po pogonskom valjku.	Valjak se presporo okreće. Utori pogonskog valjka začepljeni su metalnim strugotinama ili istrošeni.	Ubrzajte izradu spojnice na cijevi. Očistite ili zamijenite pogonski valjak.
Alat ne vrti cijev prilikom izrade spojnice.	Pogonski motor ne osigurava minimalno potrebni obrtni moment. Ploča nije zatvorena na krilcima pogonske osovine.	Upotrijebite RIDGID br. 300, pogonski sklop ili 300 Compact ili 1233. Zatvorite ploču.
Cijev se podiže ili pokazuje sklonost da prevrne alat prema nazad.	Potporno postolje za cijev nije pravilno postavljeno.	Pravilno postavite postolja.

975

# Dispozitiv combo pentru roluit caneluri




**RIDGID**<sup>®</sup>

## Cuprins

<b>Simboluri privind siguranța</b> .....	292
<b>Reguli generale privind siguranța</b>	
Siguranța în zona de lucru .....	292
Măsuri de siguranță privind electricitatea .....	292
Siguranța personală .....	293
Utilizarea și îngrijirea uneltelor .....	293
Service .....	293
<b>Informații specifice privind siguranța</b>	
Siguranța dispozitivului de roluit caneluri .....	294
Siguranța dispozitivului de roluit caneluri, când este utilizat cu un dispozitiv de acționare electrică/de filetat.....	294
Siguranța dispozitivului de roluit caneluri, când este utilizat cu echipamente deja instalate .....	294
<b>Descriere, specificații tehnice și echipament standard</b>	
Descriere .....	294
Specificații .....	295
Echipamente standard.....	295
<b>Inspekția utilajului de roluit caneluri</b> .....	295
Instalarea dispozitivului și organizarea zonei de lucru pentru aplicațiile pe echipamente acționate electric	
Montarea dispozitivului 975 combo pentru roluit caneluri pe un utilaj RIDGID 300 de acționare electrică.....	297
Montarea dispozitivului 975 combo pentru roluit caneluri pe un utilaj compact RIDGID 300/1233 de filetat .....	297
Finalizarea instalării .....	298
Pregătirea țevilor .....	299
Instalarea țevilor în dispozitivul de roluit caneluri .....	300
<b>Utilizarea dispozitivului 975 combo pentru roluit caneluri împreună cu un utilaj de acționare electrică/de filetat</b>	
Stabilirea/măsurarea diametrului canelurii.....	300
Ștanțarea canelurii .....	301
Stabilirea diametrului canelurii pentru țevile din cupru .....	302
Sfaturi pentru alinierea dispozitivului 975 combo pentru roluit caneluri .....	302
<b>Instalarea dispozitivului și organizarea zonei de lucru pentru aplicațiile pe echipamente deja instalate</b>	
Pregătirea țevilor .....	304
Montarea dispozitivului de roluit caneluri pe țeavă .....	304
<b>Utilizarea dispozitivului 975 combo pentru roluit caneluri pe echipamente deja instalate</b>	
Stabilirea/măsurarea diametrului canelurii.....	305
Ștanțarea canelurii .....	306
<b>Instrucțiuni de întreținere</b>	
Lubrifierea .....	306
Curățarea .....	307
Înlocuirea seturilor de role .....	307
<b>Accesoriile</b> .....	308
Depozitarea dispozitivului.....	308
<b>Lucrări de service și reparații</b> .....	308
<b>Tabelul I. Specificațiile standard pentru caneluri</b> .....	309
<b>Tabelul II. Grosimea maximă și minimă a peretelui țevii</b> .....	309
<b>Tabelul III. Specificațiile canelurilor pentru țevi din cupru</b> .....	310
<b>Depanarea</b> .....	310-311


## Simboluri de siguranță

În acest manual de operare și pe produs, simbolurile privind siguranța și cuvintele de semnalare sunt utilizate pentru a comunica informații importante privind siguranța. Acest capitol este oferit pentru a înțelege mai bine aceste cuvinte și simboluri de semnalare.


 Acesta reprezintă simbolul de avertizare privind siguranța. Este utilizat pentru a vă avertiza asupra posibilelor pericole de rănire. Respectați toate mesajele de siguranță, care urmează după acest simbol, pentru a evita posibilele răniri sau decesul.


 **PERICOL** Simbolul PERICOL indică o situație periculoasă care, dacă nu este evitată, va duce la deces sau la răniri grave.


 **AVERTISMENT** Simbolul AVERTISMENT indică o situație periculoasă care, dacă nu este evitată, poate duce la deces sau la răniri grave.


 **ATENȚIE** Simbolul ATENȚIE indică o situație periculoasă care, dacă nu este evitată, ar putea duce la răniri minore sau moderate.

 **NOTIFICARE** Simbolul NOTIFICARE indică informații referitoare la protejarea proprietății.


 Acest simbol semnifică faptul că trebuie să citiți cu atenție manualul de operare, înainte de a utiliza echipamentul. Manualul de operare conține informații importante referitoare la operarea sigură și corespunzătoare a echipamentului.

 Acest simbol semnifică faptul că trebuie să purtați întotdeauna ochelari de protecție cu apărători laterale, atunci când manevrați sau utilizați acest echipament, pentru a reduce pericolul de rănire a ochilor.


 Acest simbol indică faptul că există pericolul de strivire a degetelor și a mâinilor între rolele de canelare.

 Acest simbol indică faptul că există pericolul de prindere și/sau înfășurare a mâinilor, degetelor, picioarelor, hainelor și a altor obiecte între axele rotative, ceea ce duce la rănire prin strivire sau lovire.

 Acest simbol indică faptul că, pentru acționarea acestui dispozitiv în aplicațiile pe echipamente deja instalate, nu trebuie utilizate freze, unelte cu impact sau alte unelte acționate electric.

 Acest simbol indică faptul că dispozitivul se poate răsturna, cauzând răniri prin lovire sau strivire.

 Acest simbol semnifică faptul că trebuie să utilizați un întrerupător cu pedală, atunci când utilizați un dispozitiv de filetat/de acționare electrică.

 Acest simbol semnifică faptul că trebuie să purtați cască de protecție, atunci când lucrați la echipamente suspendate, pentru a reduce pericolul de rănire a capului.

## Reguli generale privind siguranța

### AVERTISMENT

Citiți și aprofundați toate instrucțiunile. Nerespectarea tuturor instrucțiunilor prezentate mai jos poate duce la electrocutări, incendii și/sau răniri grave.

#### **PASTRAȚI ACESTE INSTRUCȚIUNI!**

Termenul „unealtă electrică” din avertismente se referă la unealta electrică alimentată (cu cablu) de la rețeaua electrică sau unealta electrică alimentată (fără cablu) de la acumulator.

### Siguranța în zona de lucru

- **Mențineți zona de lucru curată și bine luminată.** Zonele murdare sau întunecoase provoacă accidente.
- **Nu acționați uneltele electrice în medii explozive, cum ar fi în prezența lichidelor, gazelor sau prafurilor inflamabile.** Uneltele electrice produc scântei, care pot aprinde praful sau vaporii.
- **Țineți copiii și trecătorii la distanță, în timpul acționării unei unelte electrice.** Distragerea atenției vă poate face să pierdeți controlul.

- **Mențineți podelele uscate și fără materiale alunecoase, cum ar fi uleiul.** Podelele alunecoase provoacă accidente.
- **Împrejmuți zona cu dispozitive de protecție sau cu bariere, atunci când dispozitivul la care lucrați depășește utilajul.** Prin utilizarea unui dispozitiv de protecție sau al unei bariere, care oferă un spațiu liber de cel puțin trei (3) picioare în jurul dispozitivului la care lucrați, se reduce pericolul de încălcire.

### Măsuri de siguranță privind electricitatea

- **Fișele de conectare ale uneltei electrice trebuie să se potrivească prizei. Nu modificați niciodată fișa de conectare în niciun fel. Nu utilizați fișele de conectare ale adaptorului la uneltele prevăzute cu împământare (împământate).** Fișele de conectare nemodificate și prizele potrivite vor reduce pericolul de electrocutare.
- **Evitați contactul corpului cu suprafețe legate la pământ sau cu împământare, cum ar fi țevi, radiatoare, cup-toare și răcitoare.** Există un risc sporit de electrocutare în cazul în care corpul dvs. este în contact cu pământul sau conectat la împământare.
- **Nu expuneți uneltele electrice la condiții de ploaie sau umiditate.** Apa pătrunsă într-o unealtă electrică va spori riscul de electrocutare.

- **Nu utilizați cablul în mod abuziv. Nu utilizați niciodată cablul pentru transportarea, tragerea sau deconectarea unelei electrice. Mențineți cablul departe de căldură, ulei, margini ascuțite sau piese în mișcare.** Cablurile deteriorate sau încălțite sporesc pericolul de electrocutare.
- **Când utilizați o unealtă electrică în exterior, utilizați un prelungitor adecvat pentru utilizarea în exterior.** Utilizarea unui cablu potrivit pentru utilizarea în exterior reduce pericolul de electrocutare.
- **Dacă utilizarea unei unele electrice într-un loc umed nu poate fi evitată, utilizați o sursă de alimentare protejată printr-un întrerupător de circuit pentru erori la împământare (GFCI). Utilizarea unui GFCI reduce pericolul de electrocutare.**

### Siguranța personală

- **Fiți atent, urmăriți ce faceți și utilizați unealta electrică cu simț practic. Nu utilizați unelte electrice când sunteți obosit sau sub influența drogurilor, a alcoolului sau a medicamentelor.** O clipă de neatenție în timpul utilizării uneltelor electrice poate avea ca rezultat răni grave.
- **Utilizați echipamentul personal de protecție. Purtați întotdeauna ochelari de protecție.** Echipamentul de protecție, cum ar fi masca de praf, încălțăminte de protecție nederapantă, casca de protecție sau apărătoarele pentru urechi, utilizat în condiții corespunzătoare va reduce pericolul de rănire.
- **Preveniți pornirea accidentală. Asigurați-vă că întrerupătorul unelei este în poziția oprit, înainte de conectarea acesteia la o sursă de alimentare și/sau baterie, înainte de ridicarea sau de transportarea acesteia.** Transportarea uneltelor electrice, având degetul pe întrerupător sau acționarea uneltelor electrice care au întrerupătorul în poziția pornit provoacă accidente.
- **Îndepărtați orice cheie de reglare sau cheie fixă înainte de a porni uneltele electrice.** Cheile fixe sau cheile lăsate atașate la o componentă rotativă a unelei electrice pot avea ca rezultat răni.
- **Nu vă aplecați peste dispozitiv. Păstrați-vă în permanență stabilitatea și echilibrul.** Acest lucru permite un control mai bun al unelei electrice în situații neașteptate.
- **Îmbrăcați-vă corespunzător. Nu purtați haine largi sau bijuterii. Țineți părul, hainele și mănușile departe de piesele în mișcare.** Hainele largi, bijuteriile sau părul lung pot fi prinse în piesele în mișcare.
- **Dacă dispozitivele sunt prevăzute să conecteze instalațiile extractoare și colectoare de praf, asigurați-vă că acestea sunt conectate și utilizate corespunzător.** Colectarea prafului poate reduce pericolele provocate de acesta.

### Utilizarea și îngrijirea uneltelor

- **Nu forțați uneltele. Utilizați uneltele corespunzătoare pentru aplicația dvs.** Unealta potrivită va funcționa mai bine și mai sigur, la frecvența pentru care a fost concepută.

- **Nu utilizați uneltele, dacă întrerupătorul nu o PORNEȘTE și nu o OPREȘTE.** Orice unealtă, care nu poate fi controlată de întrerupător, este periculoasă și trebuie reparată.
- **Decuplați fișa de conectare de la sursa de alimentare electrică și/sau decuplați bateria de la uneltele, înainte de a efectua orice reglaj, înainte de a schimba accesoriile sau de a depozita uneltele.** Astfel de măsuri de siguranță preventive reduc riscul pornirii accidentale a unelei.
- **Nu lăsați uneltele neutilizate la îndemâna copiilor și nu permiteți persoanelor nefamiliarizate cu uneltele sau cu aceste instrucțiuni să o utilizeze.** Uneltele electrice sunt periculoase în mâinile utilizatorilor neinstruiți.
- **Întrețineți uneltele electrice. Verificați centrarea necorespunzătoare sau legăturile dintre piesele în mișcare, ruperea pieselor și orice alte condiții, care ar putea afecta funcționarea unelei electrice. Dacă este avariata, duceți uneltele electrice la reparat, înainte de utilizare.** Multe accidente au drept cauză proasta întreținere a uneltelor.
- **Utilizați doar accesoriile recomandate pentru uneltele dvs.** Uneltele pentru tăiere, cu muchii de tăiere ascuțite, întreținute corespunzător se blochează mai rar și, de asemenea, sunt mai ușor de controlat.
- **Păstrați mânerul uscat și curat, fără ulei și grăsime.** Astfel se permite controlul mai bun al dispozitivului.

### Service

- **Duceți uneltele electrice la service pentru a fi reparate de o persoană calificată, utilizând numai piese de schimb identice.** Acest lucru va asigura menținerea siguranței uneltelor electrice.

### Informații specifice privind siguranța

#### **⚠ AVERTISMENT**

Această secțiune conține informații importante despre siguranță, specifice acestei unele.

Citiți cu atenție aceste măsuri de prevedere, înainte de a utiliza dispozitivul 975 combo pentru roluit caneluri, pentru a reduce pericolul de rănire gravă.

#### **PĂSTRAȚI ACESTE INSTRUCȚIUNI!**

Dacă aveți întrebări, contactați Departamentul Tehnic al companiei Ridge Tool la numărul de telefon (800) 519-3456 sau, prin e-mail, la [techservices@ridgid.com](mailto:techservices@ridgid.com).

### Siguranța dispozitivului de roluit caneluri

- **Nu purtați îmbrăcăminte largă. Țineți mânele și jachetele încheiate. Nu vă aplecați peste dispozitiv sau peste țeavă.** Îmbrăcăminte se poate prinde de țeavă sau în alte componente rotative, se poate încălzi și poate conduce la răni grave.

- **Feriți mâinile de rolele de canelare. Nu canelați țevi mai scurte decât dimensiunile specificate. Nu purtați mănuși largi.** Degetele pot fi strivite între rolele de canelare sau între rola de canelare și țevă.
- **Feriți mâinile de capetele țevii. Nu introduceți mâinile în țevă.** Vă puteți agăța și tăia în marginile crestate și ascuțite. Degetele pot fi strivite între rolele de canelare sau între rola de canelare și țevă.
- **Pregătiți și manevrați cu grijă țeava.** Vă puteți agăța și tăia în marginile crestate și ascuțite.
- **Sprijiniți ferm țeava.** În acest fel se va preveni răsturnarea țevii și a echipamentului.
- **Citiți și aprofundați acest manual de operare, manualul de operare relevant al dispozitivului de acționare electrică sau al dispozitivului de filetat, instrucțiunile de instalare ale fabricantului fittingurilor și instrucțiunile oricăror alte echipamente, utilizate cu această unealtă, înainte de a utiliza dispozitivul combo pentru roluit caneluri RIDGID® 975.** Nerespectarea acestor indicații poate avea ca rezultat pagube materiale și/sau răni grave.
- **Când instalați și când utilizați dispozitivul combo RIDGID 975 pentru roluit caneluri, purtați întotdeauna echipament personal de protecție adecvat.** Echipamentul personal de protecție adecvat include permanent ochelari de protecție și poate include echipamente, cum ar fi mănuși din piele mulate, încălțăminte cu vârful acoperit cu oțel și cască de protecție.
- **Utilizați dispozitivul de roluit caneluri doar pentru a canela țevi cu dimensiunile și de tipurile recomandate, conform acestor instrucțiuni.** Alte utilizări sau modificarea dispozitivului pentru roluit caneluri pentru alte aplicații pot spori pericolul de rănire.

### Siguranța dispozitivului de roluit caneluri, când este utilizat cu un dispozitiv de acționare electrică/de filetat

- **Utilizați doar dispozitivul RIDGID 300 de acționare electrică sau dispozitivul compact 300 pentru filetat împreună cu acest dispozitiv 975 combo pentru roluit caneluri.** Utilizarea unei alte surse de acționare va conduce la instalarea incorectă și poate cauza răsturnarea sau alte probleme.
- **Nu utilizați acest dispozitiv de roluit caneluri împreună cu un dispozitiv de acționare electrică sau cu un dispozitiv de filetat, care nu sunt dotate cu întrerupător cu pedală. Nu blocați niciodată întrerupătorul cu pedală, astfel încât să nu mai controleze sursa de acționare electrică.** Întrerupătorul cu pedală oferă un control mai bun, permițându-vă să opriți motorul de acționare prin ridicarea piciorului. În cazul în care hainele se prind în dispozitiv, dacă se continuă alimentarea motorului, îmbrăcămintea va fi trasă în interiorul dispozitivului. Acest dispozitiv utilizează un cuplu de mare forță și poate duce la înfășurarea hainelor în jurul brațului sau al altei părți din corp cu destulă forță pentru a strivi oasele sau pentru a cauza lovituri sau alte tipuri de răni.

- **Atât procesul de canelare, cât și întrerupătorul cu pedală trebuie controlate de o singură persoană. A nu se utiliza de mai multe persoane, simultan.** În caz de încălzire, operatorul trebuie să aibă control asupra întrerupătorului cu pedală.
- **Utilizați doar dispozitive de acționare electrică și dispozitive de filetat cu viteză de rotație egală sau mai mică de 57 rot./min.** Dispozitivele cu viteze mai mari sporesc pericolul de accidentare.
- **Asigurați-vă că dispozitivul pentru roluit caneluri este corect instalat și fixat pe dispozitivul de acționare electrică/de filetat. Asigurați-vă că utilajul, suportul, dispozitivul pentru roluit caneluri și țeava sunt stabile.** În acest mod se previne răsturnarea echipamentului și a țevii.

### Siguranța dispozitivului de roluit caneluri, când este utilizat cu echipamente deja instalate

- **Acționați manual doar când se utilizează în aplicații cu echipamente deja instalate. În cazul aplicațiilor cu echipamente deja instalate, nu utilizați dispozitive acționate electric (cum ar fi freze sau unelte de impact) pentru a acționa dispozitivul pentru roluit caneluri.** Utilizarea dispozitivelor acționate electric poate deteriora dispozitivul pentru roluit caneluri și poate spori pericolul de accidentare.
- **Când lucrați la echipamente suspendate, întregul personal trebuie să poarte cască de protecție și trebuie să stea la distanță de zona de sub lucrare.** În acest mod se previn accidentările grave, în cazul în care dispozitivul de roluit caneluri, țeava sau alte obiecte cad.

## Descriere, specificații tehnice și echipament standard

### Descriere

Dispozitivul combo RIDGID® 975 pentru roluit caneluri profilează caneluri în țevi din oțel, aluminiu și PVC și ștanțează țevi cu diametre între 1¼" și 6", calibrul 10 și calibrul 40. De asemenea, este proiectat pentru a ștanța caneluri în țevi din oțel inoxidabil cu dimensiuni între 1¼" și 6", calibrul 10 și cu dimensiuni între 1¼" și 2", calibrul 40. De asemenea, poate fi adaptat pentru țevi din cupru, cu dimensiuni de 2" - 8", de tipul K, L, M și DWV, cu înlocuirea unui set de role. Canelurile sunt profilate prin deplasarea mecanică în țevă a unei role de canelare susținute de o rolă de antrenare. Singura ajustare necesară este reglarea adâncimii canelurii.

Unitatea este special proiectată pentru a fi utilizată fie în aplicații cu echipamente deja instalate, fie cu dispozitivul de acționare electrică RIDGID, model 300 (modelele cu 38 și 57 rot./min.). Cu adaptorul potrivit (cat. #67662), unitatea poate funcționa cu dispozitivul compact de filetat RIDGID, model 300. Dispozitivul 975 combo pentru roluit caneluri include un instrument patentat de măsurare a adâncimii canelurii, care ajută la configurarea canelurii, precum și caracteristici patentate, care îmbunătățesc alinierea în timpul utilizării.



Dispozitivul 975 combo pentru roluit caneluri este o unitate portabilă, destinată utilizării ocazionale pe șantierul de lucrări și nu trebuie utilizată pentru lucrări de mare anvergură sau pentru lucrări de producție într-un atelier de fabricare a țevilor.

**NOTIFICARE** Când este utilizat corect, dispozitivul combo pentru roluit caneluri model 975 ștanțează caneluri cu dimensiuni de 2" - 6", încadrate în specificațiile AWWA C606-06. Selectarea materialelor adecvate și metodele de racordare sunt responsabilitatea proiectantului și/sau a instalatorului sistemului. Înainte de instalare, trebuie efectuată o evaluare atentă a mediului de lucru specific, inclusiv compoziția chimică și temperatura de lucru.

### Specificații

Capacitate .....conductă din oțel, de 1¼" - 6",  
calibrul 10 și calibrul 40  
Cu schimb de role: Țeavă cupru  
de 2" - 8", tip K, L, M și DWV

Diametru canelură

Ajustare .....Șurub de ajustare și instrument  
de măsură pentru adâncimea  
canelurii

Aționare .....Șurub de avans cu cheie cu  
clichet, de ½"

Montare acționare electrică..Dispozitiv acționare electrică  
RIDGID 300 (doar modelul cu  
38 și 57 rot./min.) Dispozitiv  
compact RIDGID 300 pentru  
filetat (cu adaptor)

Greutate .....27.6 lbs.

Dispozitivul 975 combo pentru roluit caneluri este protejat de patentele S.U.A. și internaționale, inclusiv patentele 6,272,895 și 6,591,652.

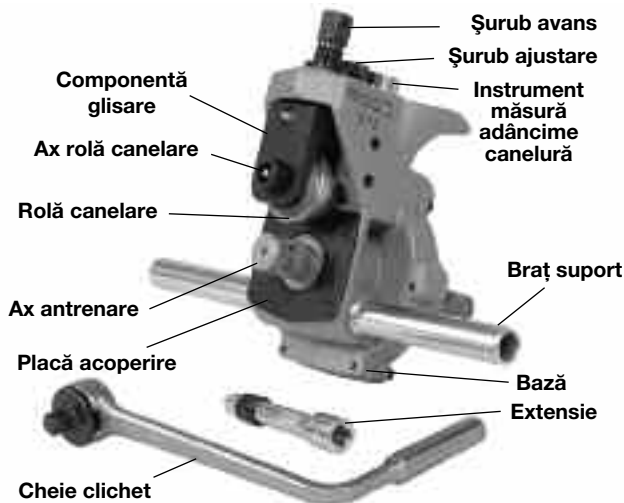


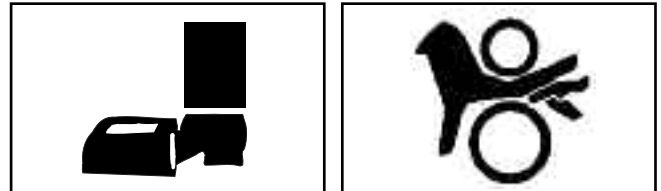
Figura 1 – Dispozitivul 975 combo pentru roluit caneluri

### Echipeamente standard

Role de canelare și antrenare de 1¼" - 6", calibrul 10 și 40  
Cheie cu clichet (acționare ½") cu buton  
Dispozitiv de antrenare, cu extensie și blocare  
Brațe de suport  
Instrument de măsură a adâncimii, cu index integral

### Inspecția utilajului de roluit caneluri

#### ⚠ AVERTISMENT

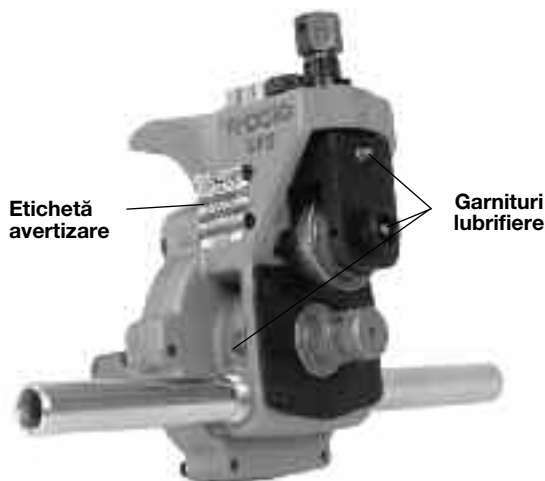


Înainte de fiecare utilizare, verificați dispozitivul de roluit caneluri și corectați toate problemele, pentru a reduce pericolul de răni grave prin strivire sau din alte cauze și pentru a preveni deteriorarea dispozitivului de roluit caneluri.

Nu utilizați acest dispozitiv de roluit caneluri împreună cu un dispozitiv de acționare electrică/dispozitiv de filetat, care nu sunt dotate cu întrerupător cu pedală.

1. Dacă dispozitivul pentru roluit caneluri este instalat pe o unitate de acționare electrică sau pe un dispozitiv de filetat, asigurați-vă că dispozitivul este deconectat de la sursa de alimentare și că întrerupătorul REV/OFF/FOR (ÎNAPOI/OPRIT/ÎNAINTE) este în poziția OFF (OPRIT). Inspectați și întrețineți dispozitivul de acționare electrică/dispozitivul de filetat, conform indicațiilor din manualul de operare al fabricantului dispozitivului. Nerespectarea instrucțiunilor privitoare la inspectarea și întreținerea echipamentului poate conduce la răni grave și la pagube materiale. Asigurați-vă că întrerupătorul cu pedală este instalat și că funcționează corect. Nu utilizați acest dispozitiv de roluit caneluri fără un întrerupător cu pedală.
2. Curățați orice urmă de ulei, grăsime sau mizerie de pe dispozitivul pentru roluit caneluri, inclusiv de pe mânerul de transport și de pe cheia cu clichet, utilizată pentru antrenarea dispozitivului pentru roluit caneluri. În acest mod se reduce pericolul de accidentare din cauza alunecării dispozitivului pentru roluit caneluri sau a cheii cu clichet, în timpul utilizării. De asemenea, astfel se ușurează inspecția.
3. Asigurați-vă că brațele de suport sunt bine fixate în corpul dispozitivului pentru roluit caneluri.
4. Inspectați dispozitivul de roluit caneluri, să nu aibă componente defecte, lipsă, incorect montate sau blocate sau să nu existe orice altă condiție, care ar putea împiedica funcționarea sigură și normală. Asigurați-vă că rola de canelare și axul de antrenare se rotesc liber.
5. Asigurați-vă că eticheta de avertizare este prezentă și bine lipită. Consultați Figura 2 pentru amplasarea etichetei de avertizare.

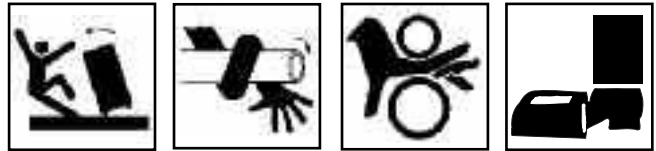
6. Dacă striatiile axului de antrenare sunt murdare, curățați-le cu o perie de sârmă. Striațiile murdare pot cauza alunecarea țevei, precum și probleme de aliniere în timpul canelării.
  7. Inspectați rola de canelare și axul de antrenare, să nu fie fisurate, uzate sau să aibă alte semne de uzură. Rolele de canelare deteriorate și axele de antrenare pot provoca alunecarea țevei, caneluri de calitate slabă sau pot cauza defecțiuni în timpul utilizării.
  8. Inspectați funcționarea adecvată a cheii cu clichet și a extensiilor. Asigurați-vă că cheia cu clichet funcționează uniform și constant, în ambele direcții. Apăsăți butonul de eliberare din centrul părții superioare a cheii cu clichet și instalați șurubul de avans. Cheia cu clichet trebuie să se fixeze ferm în poziție. De asemenea, cheia cu clichet trebuie să se fixeze bine în extensie, iar extensia trebuie să se fixeze bine în șaiba pătrată din spatele dispozitivului de roluit caneluri. Acest lucru previne desprinderea cheii cu clichet și a extensiei de pe dispozitivul de roluit caneluri, în timpul utilizării. Dacă utilizați o cheie cu clichet diferită, o cheie sau o extensie care nu se fixează pe dispozitivul pentru roluit caneluri, fiți atenți să nu se desprindă în timpul utilizării.
- Dacă apar probleme, nu utilizați dispozitivul până când respectivele probleme nu au fost remediate.
9. Lubrifiați dispozitivul de roluit caneluri conform instrucțiunilor de întreținere din acest manual. Ștergeți orice exces de grăsime de pe dispozitivul pentru roluit caneluri.
  10. Dacă se utilizează alte echipamente, inspectați-le și întrețineți-le, pentru a vă asigura că funcționează corespunzător.



**Figura 2 – Eticheta de avertizare de pe dispozitivul 975 combo pentru roluit caneluri**

## Instalarea dispozitivului și organizarea zonei de lucru pentru aplicațiile pe echipamente acționate electric

### ⚠️ AVERTISMENT



**Purtați întotdeauna ochelari de protecție, pentru a vă proteja ochii împotriva murdăriei și a altor obiecte străine. Purtați încălțăminte cu vârfuri ranforsate cu oțel, pentru a vă proteja picioarele împotriva uneltelor și a țevelor căzute.**

**Nu utilizați acest dispozitiv de roluit caneluri împreună cu un dispozitiv de acționare electrică sau cu un dispozitiv de filetat, care nu sunt dotate cu întrerupător cu pedală. Nu blocați niciodată întrerupătorul cu pedală, astfel încât să nu mai controleze sursa de acționare electrică. Întrerupătorul cu pedală oferă un control mai bun, permițându-vă să opriți motorul de acționare prin ridicarea piciorului. În cazul în care hainele se prind în dispozitiv, dacă se continuă alimentarea motorului, îmbrăcămintea va fi trasă în interiorul dispozitivului. Acest dispozitiv utilizează un cuplu de mare forță și poate duce la înfășurarea hainelor în jurul brațului sau al altei părți din corp cu destulă forță pentru a strivi oasele sau pentru a cauza lovituri sau alte tipuri de rănire.**

**Montați dispozitivul de roluit caneluri și organizați zona de lucru conform acestor proceduri, pentru a reduce pericolul de rănire prin electrocutare, incendiu, prin răsturnarea dispozitivului, prin încălcire, strivire sau din alte cauze, precum și pentru a preveni avarierea dispozitivului de roluit caneluri.**

1. Organizați zona de lucru într-o zonă cu următoarele caracteristici:
  - Iluminare corespunzătoare.
  - Fără lichide inflamabile, vapori sau praf, care se pot aprinde. Dacă există acestea, nu lucrați în zonă până când sursele nu au fost identificate și remediate. Dispozitivele de acționare electrică și dispozitivele de filetat nu sunt rezistente la explozii și pot genera scântei.
  - Există loc liber, uniform, stabil și uscat pentru toate echipamentele și pentru operator. Nu utilizați echipamentul în timp ce stați în apă.
  - Există o priză împământată corect. Este posibil ca o priză cu trei știfturi sau GFCI să nu fie corect împământată. Dacă aveți dubii, cereți unui electrician autorizat să inspecteze priza.
  - Există o cale liberă de acces la o priză, care nu conține nicio sursă potențială de deteriorare a cablului de alimentare.
2. Curățați zona, înainte de a instala orice echipament. Ștergeți întotdeauna orice urmă de ulei.
3. Inspectați țeava care urmează a fi canelată și confirmați că dispozitivul 975 combo pentru roluit caneluri este instrumentul corect pentru lucrare. Dispozitivul 975 combo pentru roluit caneluri este proiectat pentru canelarea țevelor din

oțel, aluminiu și PVC, de calibrul 10 și 40, cu dimensiuni de la 1¼" la 6". De asemenea, este proiectat pentru canelarea țevilor din oțel inoxidabil, cu dimensiuni de la 1¼" la 6", calibrul 10 și de la 1¼" la 2", calibrul 40. Cu schimbarea unui set de role, poate fi utilizat pentru canelarea țevilor din cupru, cu dimensiuni de 2" - 8", tip K, L, M și DWV.

Dispozitivul 975 combo pentru roluit caneluri poate fi utilizat în aplicații cu echipamente deja instalate (conducte instalate sau montate într-o menghină) sau cu dispozitivul RIDGID 300 de acționare electrică sau cu dispozitivul compact 300 de filetat, pentru aplicații acționate electric, pe șantier. Dispozitivul 975 combo pentru roluit caneluri nu este destinat utilizării în aplicații de producție.

Dispozitivele pentru roluit caneluri pentru alte aplicații sunt disponibile în catalogul Ridge Tool, online, la [www.RIDGID.com](http://www.RIDGID.com) sau le puteți găsi, apelând Departamentul Tehnic Ridge Tool la numărul 800-519-3456.

**NOTIFICARE** Utilizarea seturilor de role (rolă de canelare și ax de antrenare) atât pe țevile din carbon, cât și pe cele din oțel inoxidabil, poate conduce la contaminarea oțelului inoxidabil. Această contaminare poate cauza corodarea și defectarea prematură a țevii. Pentru a preveni contaminarea feroasă a țevii din oțel inoxidabil, utilizați seturi de role speciale pentru canelarea oțelului inoxidabil. Ca alternativă, puteți utiliza o perie din oțel inoxidabil, pentru a curăța temeinic setul de role, atunci când schimbați materialele.

- Asigurați-vă că unitatea de acționare electrică și cea de filetat au fost inspectate conform manualului relevant. Confirmați prezența întrerupătorului cu pedală și asigurați-vă că întrerupătorul FOR/OFF/REV (ÎNAINTE/OPRIT/ÎNAPOI) este în poziția OFF (OPRIT). Instalați unitatea de acționare electrică/de filetat, conform indicațiilor din manualul relevant. Asigurați-vă că dispozitivul și suportul său sunt stabile și nu se clatină.
- Deschideți complet mandrina dispozitivului de acționare electrică/de filetat.
- Verificați faptul că dispozitivul 975 combo pentru roluit caneluri a fost inspectat și că a fost instalat setul de role adecvat.

### Montarea dispozitivului 975 combo pentru roluit caneluri pe un dispozitiv RIDGID 300 de acționare electrică

- Dacă dispozitivul de acționare electrică este dotat cu cadru de susținere sau cu alte accesorii, demontați-le. Asigurați-vă că brațele de susținere ale unității de acționare electrică sunt complet întinse înainte și fixate în poziție.
- Plasați brațul de susținere al dispozitivului de roluit caneluri pe brațele de susținere ale unității de acționare electrică și plasați capătul axului de antrenare al dispozitivului de roluit caneluri în mandrina utilajului. Închideți și strângeți mandrina unității de acționare electrică pe suprafețele plate ale axului de antrenare. Asigurați-vă că axul de antrenare este centrat în mandrină. Rotiți puternic și repetați roata de strângere a mandrinei rapide, în sensul invers acelor de ceas, pentru a prinde puternic axul de antrenare (Figura 3).



Figura 3 – Montarea dispozitivului 975 combo pentru roluit caneluri în mandrina dispozitivului de acționare electrică 300

### Montarea dispozitivului 975 combo pentru roluit caneluri pe un utilaj compact RIDGID 300/1233 de filetat

Când utilizați dispozitivul 975 combo pentru roluit caneluri împreună cu un dispozitiv compact 300/1233 de filetat, trebuie utilizată o trusă de adaptare (nr. catalog 67662). Această trusă de adaptare poziționează corect dispozitivul 975 combo pentru roluit caneluri, relativ la dispozitivul de filetat și la suport, permițând canelarea unei game complete de dimensiuni. Nu utilizați dispozitivul 975 combo pentru roluit caneluri cu alte dispozitive de filetat, deoarece acestea se pot răsturna sau pot apărea alte probleme.

- Instalați adaptorul barei de antrenare pe axul de antrenare al dispozitivului de roluit caneluri (Consultați Figura 4). Aliniați șurubul de reglare cu suprafețele plate de pe axul de antrenare al dispozitivului pentru roluit caneluri și strângeți ferm.

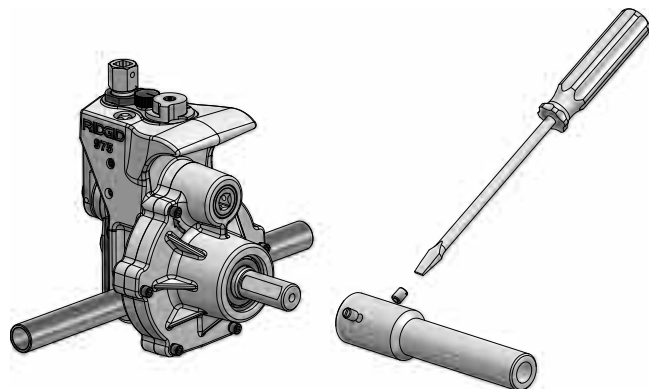


Figura 4 – Instalarea adaptorului barei de antrenare

- Deplasați cadrul de susținere al dispozitivului compact 300/1233 pentru filetat cât mai aproape posibil de mandrina utilajului. Deplasați dispozitivul de tăiere, alezorul și capul de filetat în poziție cât mai departe de operator, astfel încât să nu blocheze zona. Poziționați conul alezorului în interiorul capului de filetat.

3. Plasați suportul de adaptare deasupra capătului barelor dispozitivului compact 300/1233 (ca în Figura 5) și fixați-l în poziție cu bolțul furnizat.



**Figura 5 – Instalarea suportului de adaptare**

4. Plasați brațele de susținere ale dispozitivului 975 pe brațele suportului de adaptare, cu adaptorul barei de antrenare în mandrina utilajului. Închideți și strângeți mandrina dispozitivului de filetat pe adaptorul barei de antrenare. Asigurați-vă că bara de antrenare este centrată în mandrină. Rotiți puternic și repetat roata de strângere a mandrinei rapide, în sensul invers acelor de ceas, pentru a prinde puternic bara de antrenare.



**Figura 6 – Dispozitivul 975 combo pentru roluit caneluri montat corect pe dispozitivul compact 300 de filetat**

### Finalizarea instalării

1. Poziționați întrerupătorul cu pedală, astfel încât operatorul să poată controla dispozitivul de acționare electrică/de filetat, dispozitivul pentru roluit caneluri și țeava care urmează a fi canelată. Conform ilustrării din Figura 6, poziția trebuie să îi permită operatorului:
  - Să stea cu fața la dispozitivul pentru roluit caneluri, având acces (pe aceeași parte cu) întrerupătorul FOR/OFF/REV (ÎNAINTE/OPRIT/ÎNAPOI).

- Să controleze acțiunea de pornire/oprire a întrerupătorului cu pedală și să elibereze rapid pedala, dacă este necesar.
- Să aibă acces ușor la dispozitivul pentru roluit caneluri, la țeavă și la cheia cu clichet, fără să se aplece peste dispozitivul pentru roluit caneluri.



**Figura 7 – Poziția operatorului**

2. Treceți cablul pe ruta liberă, identificată în prealabil. Cu mâinile uscate, cuplați dispozitivul de acționare electrică la priza împământată corect. Păstrați toate conexiunile uscate și la distanță de sol. În cazul în care cablul nu este suficient de lung, utilizați un prelungitor care:
  - este în stare bună
  - are priză cu trei știfturi, similară celei de pe dispozitivul de acționare electrică
  - este evaluat pentru utilizarea în exterior include W sau W-A în inscripțiile cablului (adică, SOW)
  - Dimensiunea firului este suficientă (14 AWG pentru 25' sau mai puțin, 12 AWG pentru lungime de 25' – 50'). Firele cu dimensiuni prea mici se pot supraîncălzi, topind izolația sau cauzând un incendiu sau alte daune.
3. Verificați dispozitivul de acționare electrică/de filetat, pentru a vă asigura că funcționează corect:
  - Deplasați întrerupătorul în poziția FOR (ÎNAINTE). Apăsăți și eliberați întrerupătorul cu pedală. Stând cu fața la mandrina frontală, verificați faptul că axul de antrenare se rotește în sensul invers acelor de ceas. Dacă unitatea nu se rotește în direcția corectă sau dacă întrerupătorul cu pedală nu controlează funcționarea dispozitivului, nu utilizați dispozitivul înainte de a fi reparat.

- Țineți apăsat întrerupătorul cu pedală. Verificați viteza de rotație a unității. Inspectați componentele mobile, să nu fie nealiniat, blocate, să nu producă zgomote ciudate sau să nu existe condiții neobișnuite. Eliberați întrerupătorul cu pedală. Dacă viteza de rotație depășește 57 rot./min., nu utilizați unitatea pentru roluirea canelurilor. Vitezele mai mari sporesc pericolul de accidentare. Dacă descoperiți condiții neobișnuite, nu utilizați echipamentul, până când nu a fost reparat.
- Deplasați întrerupătorul în poziția REV (ÎNAPOI). Apăsăți și eliberați întrerupătorul cu pedală. Stând cu fața la partea frontală a mandrinei, verificați faptul că axul de antrenare se rotește în sensul acelor de ceas. Dacă unitatea nu se rotește în direcția corectă, nu utilizați dispozitivul, până când nu a fost reparat.
- Deplasați întrerupătorul în poziția OFF (OPRIT). Cu mâinile uscate, deconectați utilajul.

### Pregătirea țevilor

**NOTIFICARE** Acestea sunt instrucțiuni generale. Respectați întotdeauna instrucțiunile speciale ale fabricantului manșoanelor de cuplare cu caneluri, privitor la pregătirea capetelor țevilor. Nerespectarea recomandărilor fabricantului de manșoane de cuplare canelate poate duce la o conectare incorectă și pot apărea scurgeri.

1. Tăiați țeava pe lungimea potrivită. Rețineți instrucțiunile privitoare la lungimile minime ale secțiunilor de țeavă, care pot fi canelate pentru fiecare dimensiune de țeavă (*Consultați Diagrama A*). Canelarea unor țevi mai scurte decât lungimea minimă sporește pericolul de rănire prin strivirea degetelor și prin încălzire.

Capătul țevii trebuie tăiat drept, fără crestături. Crestăturile pot agăța sau tăia mânușile sau degetele în timpul canelării. Metoda de tăiere și crestăturile mari pot afecta calitatea canelurii și alinierea acesteia. Nu încercați să canelați țevile care au fost tăiate cu o lampă de sudură.

2. Toate bavurile interne/externe, petele de sudură sau îmbinările trebuie rectificat prin șlefuire, până la o distanță de cel puțin 2" de la capătul țevii. Nu tăiați secțiuni plate în zona suportului garniturii de etanșare, deoarece pot apărea scurgeri.
3. Eliminați zgura, mizeria, rugina și alte substanțe contaminante de pe o porțiune de cel puțin 2" de la capătul țevii. Substanțele contaminante pot bloca striatiile, împiedicând antrenarea și alinierea corecte ale țevii în timpul canelării.

### Instalarea țevilor în dispozitivul de roluit caneluri

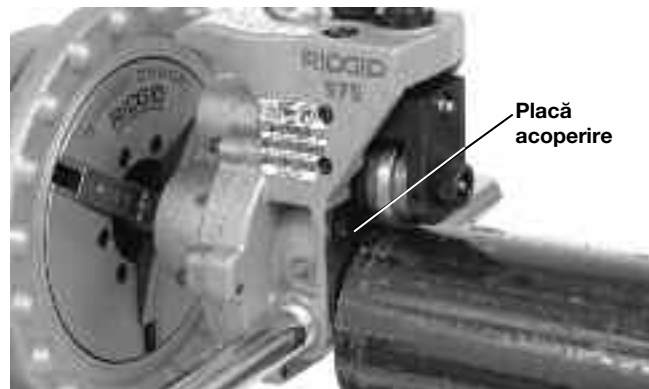
1. Asigurați-vă că întrerupătorul dispozitivului de acționare electrică/dispozitivului de filetat este în poziția OFF (OPRIT).
2. Asigurați-vă că aveți un suport adecvat pentru țeava pe care urmează să o canelați. *Diagrama A* ilustrează lungimea maximă a țevii care urmează să fi canelată, utilizând un singur suport pentru țeavă. Secțiunile de țeavă mai lungi trebuie susținute cu cel puțin două suporturi de țevi. Dacă țeava nu este susținută corect, aceasta sau ansamblul țeavă-dispozitiv se pot răsturna și pot cădea. Nu canelați țevi mai scurte decât dimensiunile minime.

3. Plasați suporturile pentru țevi în fața dispozitivului pentru roluit caneluri. Pentru secțiunile susținute de un singur suport, acesta trebuie plasat la o distanță puțin mai mică decât jumătatea țevii, față de placa de acoperire a dispozitivului pentru roluit caneluri. Pentru secțiunile de țeavă care necesită mai multe suporturi, acestea trebuie amplasate la o distanță de 1/4 din lungimea țevii față de capetele țevii. În anumite situații, poate fi necesar să utilizați mai multe suporturi. Înălțimea suportului trebuie ajustată în așa fel încât țeava să se potrivească peste rola de antrenare.

Dimensiune nomin.	Lungime min.	Lungime max.	Dimensiune nomin.	Lungime min.	Lungime max.
1	8	36	4	8	36
1 1/4	8	36	4 1/2	8	32
1 1/2	8	36	5	8	32
2	8	36	6 D.E.	10	30
2 1/2	8	36	6	10	28
3	8	36			
3 1/2	8	36			

**Diagrama A – Lungimea minimă/maximă a țevii de canelat, cu un suport (Toate dimensiunile sunt exprimate în inchi)**

4. Asigurați-vă că rola de canelare este destul de retrasă pentru a permite plasarea țevii peste axul de antrenare. Dacă este necesar, răsuciți șurubul de avans în sensul invers acelor de ceas, pentru a ridica rola de canelare.
5. Plasați capătul țevii peste axul de antrenare și așezați țeava pe suporturi. Asigurați-vă că țeava este stabilă.



**Figura 8 – Plasarea țevii peste axul de antrenare, la același nivel cu placa de acoperire**

6. Ajustați țeava și suporturile acesteia, astfel încât capătul țevii să fie la același nivel cu placa de acoperire a dispozitivului pentru roluit caneluri, iar partea interioară a țevii să atingă partea superioară a axului de antrenare (*Figura 7*). Linia mediană a țevii și linia mediană a axului de antrenare trebuie să fie paralele. Un mod de a obține acest lucru este să nivelați atât țeava, cât și dispozitivul de acționare electrică/de filetat.
7. Deviați ușor țeava și suporturile de țeavă, la aproximativ 1/2 grade (aproximativ 1" la 10 picioare față de dispozitivul de canelare) spre operator. Alinierea corectă a țevii și a dispozitivului pentru roluit caneluri ajută la asigurarea calibrării corecte a țevii în timpul canelării. (*Consultați Figura 9.*)

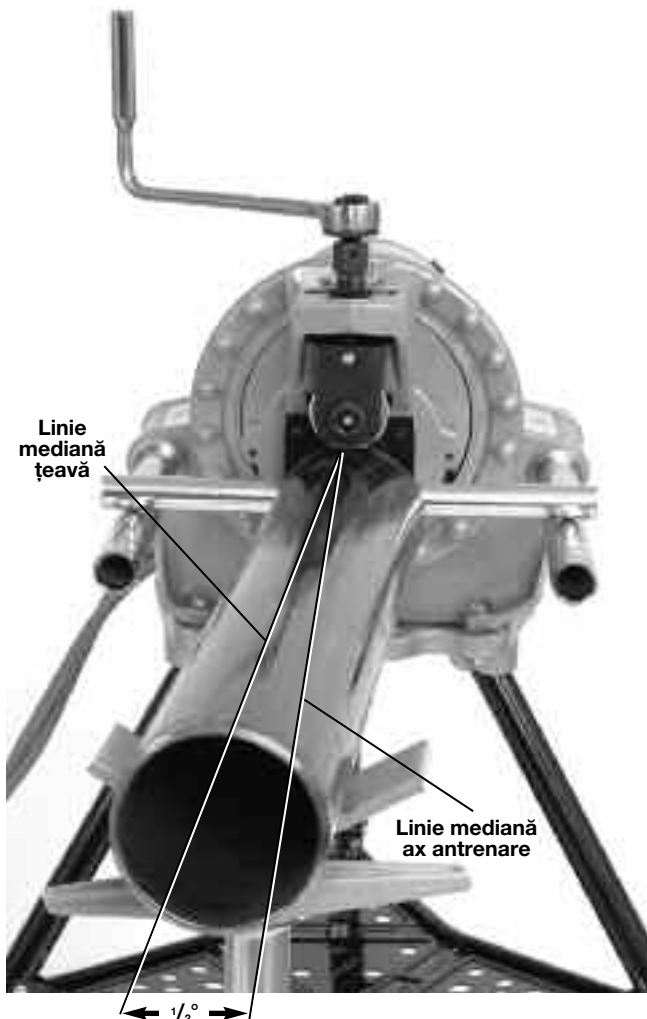


Figura 9 – Devierea țevii la 1/2° spre operator (exagerat)

8. Răsuciți șurubul de avans în sensul acelor de ceas, pentru a coborî rola de canelare, astfel încât să atingă diametrul exterior al țevii, apoi răsuciți șurubul de avans încă un sfert de rotație. Este posibil ca șurubul de ajustare să trebuiască lărgit (răsucit în sensul invers acelor de ceas), pentru a permite rolei de canelare să atingă țeava. În această fază, țeava și dispozitivul pentru roluit caneluri trebuie fixate între ele.
9. Evaluați zona de lucru și stabiliți dacă este necesar să se monteze bariere, care să țină celelalte persoane la distanță de echipament și de țeavă. Trebuie utilizate dispozitive de protecție și bariere, pentru a se crea un spațiu liber de cel puțin trei (3) picioare în jurul dispozitivului de acționare electrică și țeavă. „Zona sigură” previne atingerea accidentală a utilajului sau a țevii, prevenind și răsturnarea sau încălcirea în componentele rotative.
10. Cu mâinile uscate, cuplați utilajul la priza împământată corect.

## Utilizarea dispozitivului 975 combo pentru roluit caneluri împreună cu un utilaj de acționare electrică/de filetat

### ⚠ AVERTISMENT



Nu purtați haine largi, atunci când utilizați dispozitivul pentru roluit caneluri. Țineți mânecile și jachetele încheiate. Nu vă aplecați peste dispozitiv sau peste țeavă. Hainele largi se pot încălci în componentele rotative, cauzând rănire prin strivire.

Ferțiți mâinile de rolele de canelare. Nu canelați țevi mai scurte decât dimensiunile specificate. Nu purtați mănuși largi. Degetele pot fi strivite între rolele de canelare sau între rola de canelare și țeavă.

Ferțiți mâinile de capetele țevii. Nu introduceți mâinile în țeavă. Vă puteți agăța și tăia în marginile crestate și ascuțite. Degetele pot fi strivite între rolele de canelare sau între rola de canelare și țeavă.

Purtați întotdeauna ochelari de protecție, pentru a vă proteja ochii împotriva murdăriei și a altor obiecte străine. Purtați încălțăminte cu vârfuri ranforsate cu oțel, pentru a vă proteja picioarele împotriva uneltelor și a țevilor căzute.

Respectați instrucțiunile de operare, pentru a reduce pericolul de rănire prin electrocutare, prin încălcirea firelor și din alte cauze.

### Stabilirea/măsurarea diametrului canelurii

**NOTIFICARE** Din cauza diferitelor caracteristici ale țevilor, trebuie executată întotdeauna o canelură de testare, înainte de executarea primei caneluri a zilei de lucru sau când schimbați dimensiunea, calibrul sau materialul țevii. Dispozitivele de măsură pentru stabilirea diametrului canelurilor oferă doar valori aproximative. Diametrul canelurii trebuie măsurat, pentru a se confirma dimensiunea corectă.

1. Asigurați-vă că echipamentul și țeava sunt instalate corect. Pregătirea incorectă a țevii poate afecta precizia instalării a instrumentului de măsurare a adâncimii canelurii. Rola de canelare trebuie să atingă țeava.
2. Ajustați adâncimea canelurii, astfel încât marcajul corect al instrumentului de măsură să se afle sub capul șurubului de ajustare (Figura 10A). Instrumentul de măsurare a adâncimii canelurii este proiectat pentru utilizarea împreună cu țeava. Consultați „Stabilirea diametrului canelurii pentru țevile din cupru”, referitor la utilizarea cu țevi din cupru.
3. Răsuciți șurubul de ajustare în sensul acelor de ceas, până când capul lui atinge marcajul instrumentului de măsură pentru adâncime. Răsuciți instrumentul de măsură pentru adâncime în poziția de canelare (Figura 10B). Dacă instrumentul de măsură nu se află în poziția corectă, va împiedica activitatea de canelare și se poate defecta.



**Figura 10A – Amplasați un instrument de măsură cu marcajul corect sub capul șurubului de ajustare**



**Figura 10B – Instrument de măsură în poziție de canelare**

4. Pregătiți o canelură de testare (*parcurgeți pașii pentru „Ștanțarea canelurii”*).
5. Măsurați diametrul canelurii. Cea mai bună metodă de măsurare a diametrului canelurii este utilizarea unei rulete pentru diametru (*consultați secțiunea Accesorii*). Înfășurați bine ruleta pentru diametru în jurul țevii, în canelură. Asigurați-vă că banda ruletei este bine așezată pe fundul canelurii și citiți diametrul indicat. (*Consultați Figura 11*).



**Figura 11 – Verificarea diametrului canelurii cu o ruletă pentru diametru**

6. Comparați diametrul măsurat al canelurii cu diametrul necesar, conform indicațiilor din *Tabelul I sau III* sau conform specificațiilor fabricantului fittingurilor pentru caneluri. Dacă dimensiunea măsurată a canelurii depășește limitele impuse pentru diametru, trebuie să re poziționați șurubul de ajustare, astfel încât să obțineți diametrul corect pentru canelură.
  - Pentru a mări diametrul canelurii, răsuciți șurubul de ajustare în sensul acelor de ceas.
  - Pentru a micșora diametrul canelurii, răsuciți șurubul de ajustare în sensul invers acelor de ceas.
  - Fiecare sfert de răsucire ( $\frac{1}{4}$ ) a șurubului de ajustare modifică diametrul canelurii cu aproximativ 0,02”.

7. Repetați pașii de la 4 la 6, până când diametrul canelurii corespunde specificațiilor. În cazul în care diametrul este prea mare, dispozitivul pentru roluit caneluri poate fi ajustat, iar canelura poate fi micșorată. În cazul în care canelura este prea mică, va trebui efectuată o altă canelură. Diametrul corect al canelurii este important, pentru a se asigura o bună cuplare. Canelurile care nu corespund specificațiilor pot cauza nefuncționarea îmbinării.

## Ștanțarea canelurii

1. Asigurați-vă că echipamentul și țeava sunt instalate corect.



**Figura 12 – Poziția de operare a dispozitivului pentru roluit caneluri**

2. Poziționați-vă corect pentru lucru. Plasați întrerupătorul cu pedală, astfel încât operatorul să poată controla dispozitivul de acționare electrică, dispozitivul pentru roluit caneluri și țeava care urmează a fi canelată. Conform ilustrației din *Figura 12*, poziția trebuie să îi permită operatorului:
  - Să stea cu fața la dispozitivul pentru roluit caneluri, având acces (pe aceeași parte cu) întrerupătorului FOR/OFF/REV (ÎNAINTE/OPRIT/ÎNAPOI).
  - Să controleze acțiunea de pornire/oprire a întrerupătorului cu pedală și să elibereze rapid pedala, dacă este necesar.
  - Să aibă acces ușor la dispozitivul pentru roluit caneluri și la cheia cu clichet, fără să se aplece peste dispozitivul pentru roluit caneluri.

- Să așeze mâna dreaptă pe țeava în curs de canelare, dacă este necesar.
  - Să aibă o poziție stabilă și echilibrată.
3. Deplasați întrerupătorul FOR/OFF/REV (ÎNAINTE/OPRIT/ÎNAPOI) în poziția REV (ÎNAPOI). **Nu utilizați dispozitivul 975 combo pentru roluit caneluri pe direcția FOR (ÎNAINTE). Datorită proiectării dispozitivului 975 combo pentru roluit caneluri, prin acest mod de utilizare, țeava se va răsuci, ieșind din rolele de canelare. De asemenea, este posibil să cadă.**
  4. Așezați o mână pe partea superioară a cheii cu clichet/a șurubului de avans și cealaltă mână pe capătul cheii cu clichet.
  5. Apăsăți întrerupătorul cu pedală, pentru a porni dispozitivul de acționare electrică. Urmăriți rotirea țevii și asigurați-vă că suprafața țevii rămâne în contact cu placa de acoperire a dispozitivului pentru roluit caneluri. Dacă țeava începe să se îndepărteze de placa de acoperire a dispozitivului pentru roluit caneluri, eliberați întrerupătorul cu pedală, pentru a preveni desprinderea și căderea țevii. Dacă este necesar, instalați din nou țeava (*consultați secțiunea Instalarea țevii*). În cazul în care capătul țevii este deformat, acesta va trebui tăiat și va trebui pregătită o nouă canelură.
  6. Când țeava finalizează o rotație completă, strângeți șurubul de avans cu încă un sfert ( $1/4$ ) de răsucire. Continuați să monitorizați țeava, pentru a vă asigura că este în contact cu placa de acoperire. Nu strângeți șurubul de avans mai mult de un sfert ( $1/4$ ) de răsucire la fiecare rotație a țevii. Strângerea excesivă a șurubului de avans poate deforma excesiv canelura sau poate conduce la desprinderea țevii de pe axul de antrenare.
  7. Continuați să strângeți șurubul de avans cu un sfert ( $1/4$ ) de răsucire la fiecare rotație a țevii, până când capul șurubului de ajustare se oprește de partea superioară a dispozitivului pentru roluit caneluri. După ce șurubul de ajustare ajunge în partea superioară a dispozitivului pentru roluit caneluri, nu mai continuați să strângeți șurubul de avans. În caz contrar, șurubul de ajustare se poate deteriora. Lăsați conducta să se rotească încă cel puțin două rotații complete în această poziție, pentru a asigura uniformitatea adâncimii canelurii.
  8. Eliberați întrerupătorul cu pedală și comutați întrerupătorul FOR/OFF/REV (ÎNAINTE/OPRIT/ÎNAPOI) pe poziția OFF (OPRIT).
  9. Răsuciți șurubul de avans în sensul invers acelor de ceas și ridicați rola de canelare, astfel încât țeava să poată fi demontată de pe utilaj.
  10. Inspectați canelura.
    - Asigurați-vă că respectiva canelură este complet ștanțată.
    - Verificați diametrul canelurii și asigurați-vă că respectă specificațiile.
    - Verificați orice alte elemente indicate de fabricantul fittingului.

Dacă se descoperă vreo problemă, canelura nu trebuie utilizată.

## Stabilirea diametrului canelurii pentru țevile din cupru

Când utilizați dispozitivul 975 combo pentru roluit caneluri împreună cu țevi din cupru, instrumentul de măsură pentru adâncimea canelurii nu poate fi utilizat. Citirea diametrelor canelurilor va fi incorectă.

1. Răsuciți șurubul de avans în sensul acelor de ceas, pentru a coborî rola de canelare, astfel încât să atingă diametrul exterior al țevii, apoi răsuciți șurubul de avans încă un sfert de rotație. Este posibil ca șurubul de ajustare să trebuiască lărgit (răsucit în sensul invers acelor de ceas), pentru a permite rolei de canelare să atingă țeava. În această fază, țeava și dispozitivul pentru roluit caneluri trebuie fixate între ele.
2. Asigurați-vă că instrumentul de măsurare a adâncimii canelurii este în poziție de canelare. (*Figura 10B*)
3. Răsuciți șurubul de ajustare, până când ajunge la același nivel cu placa superioară a dispozitivului pentru roluit caneluri.
4. În Tabelul B puteți găsi diametrele și tipurile de țeavă pentru canelare. În funcție de acestea, deplasați șurubul de ajustare de pe placa superioară, aplicând numărul corespunzător de rotiri. De exemplu, pentru țevi din cupru de 4", calibrul L, deplasați șurubul de ajustare cu o răsucire și un sfert ( $1\frac{1}{4}$ ).

## Ajustarea adâncimii pentru roluitul canelurilor pe țevile din cupru (Răsuciri ale șurubului de ajustare)

Diam.	K	L	M	DWV
2-2.5"	$7/8$	$7/8$	$5/8$	$5/8$
3"	$1\frac{1}{16}$	$1\frac{1}{16}$	$1\frac{1}{16}$	$1\frac{1}{16}$
4"	$1\frac{1}{4}$	$1\frac{1}{4}$	$1\frac{1}{4}$	$1\frac{1}{8}$
5"	$1\frac{1}{2}$	$1\frac{1}{2}$	$1\frac{1}{2}$	$1\frac{1}{2}$
6"	$1\frac{3}{16}$	$1\frac{3}{4}$	$1\frac{3}{4}$	$1\frac{3}{4}$
8"	$2\frac{1}{2}$	$2\frac{3}{8}$	$2\frac{1}{8}$	$2\frac{1}{8}$

## Diagrama B – Ajustarea adâncimii pentru roluitul canelurilor pe țevile din cupru

5. *Continuați cu pasul 4 din secțiunea „Stabilirea/măsurarea diametrului canelurii”.*

## Sfaturi pentru alinierea dispozitivului 975 combo pentru roluit caneluri

Principala problemă întâlnită în timpul roluirii canelurilor este faptul că țeava „se răsucește și desprinde” sau „fuge” de pe axul de antrenare sau nu se aliniază corect. Pentru o bună aliniere, este important să respectați toate instrucțiunile. În cazul în care, deși ați respectat instrucțiunile, țeava tot nu se aliniază corect, există mai multe opțiuni pentru îmbunătățirea alinierii.

- Măriți ușor devierea țevii spre operator (măriți de la o jumătate ( $1/2$ ) de grad la 1 grad) (*Consultați Figura 9*).



- Poate fi necesar ca operatorul să apese ușor pe țevă în timpul canelării, pentru a menține alinierea. De obicei, acest lucru este necesar doar pentru secțiunile de țevă mai scurte. Pentru aceasta, operatorul trebuie să poarte mănuși din piele, în bună stare și trebuie să strângă palma în jurul mijlocului țevii, așa cum este ilustrat în *Figura 13*. Pentru aceasta, poate fi necesar ca suportul pe care este montat dispozitivul de acționare electrică/de filetat să fie fixat de podea, pentru a se preveni deplasarea în timpul canelării. Pentru a preveni rănirea prin strivire, feriți mâinile de rola de canelare și de capetele țevii și nu canelați țevi mai scurte decât dimensiunile recomandate.



**Figura 13 – Apăsarea țevii în timpul canelării, pentru menținerea alinierii**

- În plus, consultați *secțiunea Depanarea*, pentru o listă completă a motivelor și soluțiilor problemelor de aliniere.

## Instalarea dispozitivului și organizarea zonei de lucru pentru aplicațiile pe echipamente deja instalate

### ⚠ AVERTISMENT



Purtați întotdeauna ochelari de protecție, pentru a vă proteja ochii împotriva murdăriei și a altor obiecte străine. Purtați încălțăminte cu vârfuri ranforsate cu oțel, pentru a vă proteja picioarele împotriva uneltelor și a țevelor căzute. Când lucrați pe amplasamentul de instalare, purtați cască de protecție.

Montați dispozitivul de roluit caneluri și organizați zona de lucru conform acestor proceduri, pentru a reduce pericolul de rănire prin căderea utilajului, prin strivire sau din alte cauze, precum și pentru a preveni avarierea dispozitivului de roluit caneluri.

1. Organizați zona de lucru într-o zonă cu următoarele caracteristici:
  - Iluminare corespunzătoare.
  - Fără lichide inflamabile, vapori sau praf, care se pot aprinde. Dacă există acestea, nu lucrați în zonă până când sursele nu au fost identificate și remediate.
  - Există loc liber, uniform, stabil și uscat, cu spațiu suficient pentru toate echipamentele și pentru operator.
2. Curățați zona, înainte de a instala orice echipament. Ștergeți întotdeauna orice urmă de ulei.
3. Inspectați țeava care urmează a fi canelată și confirmați că dispozitivul 975 combo pentru roluit caneluri este instrumentul corect pentru lucrare. Dispozitivul 975 combo pentru roluit caneluri este proiectat pentru canelarea țevelor din oțel, aluminiu și PVC, de calibrul 10 și 40, cu dimensiuni de la 1¼" la 6". De asemenea, este proiectat pentru canelarea țevelor din oțel inoxidabil, cu dimensiuni de la 1¼" la 6", calibrul 10 și de la 1¼" la 2", calibrul 40. Cu schimbarea unui set de role, poate fi utilizat pentru canelarea țevelor din cupru, cu dimensiuni de 2" - 8", tip K, L, M și DWV.

Dispozitivul 975 combo pentru roluit caneluri poate fi utilizat în aplicații cu echipamente deja instalate (conducte instalate sau montate într-o menghină) sau cu dispozitivul RIDGID 300 de acționare electrică sau cu dispozitivul compact 300 de filetat, pentru aplicații acționate electric, pe șantier. Dispozitivul 975 combo pentru roluit caneluri nu este destinat utilizării în aplicații de producție.

4. Când executați caneluri pe amplasamentul de instalare, asigurați-vă că există suficient spațiu pentru instalarea și utilizarea dispozitivului 975 combo pentru roluit caneluri. Dispozitivul pentru roluit caneluri va orbita în jurul țevii montate fix și necesită:
  - Un spațiu liber de cel puțin 6½", în jurul țevii ce urmează a fi canelată

- O secțiune de țevă de cel puțin 2½", care să se extindă dincolo de blocaje, cum ar fi un perete
- O deschidere de cel puțin 9½", pentru montarea dispozitivului pentru roluit caneluri pe țevă

Dispozitivele pentru roluit caneluri pentru alte aplicații sunt disponibile în catalogul Ridge Tool, online, la [www.RIDGID.com](http://www.RIDGID.com) sau le puteți găsi, apelând Departamentul Tehnic Ridge Tool la numărul 800-519-3456.

**NOTIFICARE** Utilizarea seturilor de role (rolă de canelare și ax de antrenare) atât pe țevile din carbon, cât și pe cele din oțel inoxidabil, poate conduce la contaminarea oțelului inoxidabil. Această contaminare poate cauza corodarea și defectarea prematură a țevii. Pentru a preveni contaminarea feroasă a țevii din oțel inoxidabil, utilizați seturi de role speciale pentru canelarea oțelului inoxidabil. Ca alternativă, puteți utiliza o perie din oțel inoxidabil, pentru a curăța temeinic setul de role, atunci când schimbați materialele.

### Pregătirea țevilor

**NOTIFICARE** Acestea sunt instrucțiuni generale. Respectați întotdeauna instrucțiunile speciale ale fabricantului manșoanelor de cuplare cu caneluri, privitor la pregătirea capetelor țevilor. Nerespectarea recomandărilor fabricantului de manșoane de cuplare canelate poate duce la o conectare incorectă și pot apărea scurgeri.

1. Dacă executați caneluri pe amplasamentul de instalare, asigurați-vă că sistemul a fost depresurizat și golit de conținut. Informați-vă despre conținutul instalațiilor și despre pericolele asociate cu acesta.
2. Tăiați țeava pe lungimea potrivită.  
Capătul țevii trebuie tăiat drept, fără creștături. Creștăturile pot agăța sau tăia mânușile sau degetele în timpul canelării. Metoda de tăiere și creștăturile mari pot afecta calitatea canelurii și alinierea acesteia. Nu încercați să canelați țevile care au fost tăiate cu o lampă de sudură.
3. Toate bavurile interne/externe, petele de sudură sau îmbinările trebuie rectificat prin șlefuire, până la o distanță de cel puțin 2" de la capătul țevii. Nu tăiați secțiuni plate în zona suportului garniturii de etanșare, deoarece pot apărea scurgeri.
4. Eliminați zgura, mizeria, rugina și alte substanțe contaminante de pe o porțiune de cel puțin 2" de la capătul țevii. Substanțele contaminante pot bloca striatiile, împiedicând antrenarea și alinierea corecte ale țevii în timpul canelării.
5. Asigurați-vă că țeava care urmează a fi canelată este montată solid. Țeava trebuie să poată rezista, fără a se deplasa, la greutatea dispozitivului pentru roluit caneluri (28 livre) și la forța și cuplul necesare pentru canelare. Pentru țevile deja instalate, vă recomandăm să demontați țeava și să o canelați într-o menghină. În alte cazuri, poate fi necesar să adăugați alte suporturi de țevă, temporare sau permanente. Când utilizați o menghină pentru țevi, asigurați-vă că este fixată bine și că nu se va răsturna în timpul utilizării. Pentru secțiunile de țevă mai lungi, utilizați suporturi de țevi adecvate pentru a susține lungimea suplimentară.

### Montarea dispozitivului de roluit caneluri pe țevă

1. Verificați faptul că dispozitivul 975 combo pentru roluit caneluri a fost inspectat și că a fost instalat setul de role adecvat. Asigurați-vă că brațele de susținere sunt bine fixate pe corpul dispozitivului pentru roluit caneluri. Alternativ, le puteți demonta, pentru a accesa mai ușor spațiile strâmte. În continuare, instalați cheia cu clichet în șurubul de avans și instalați extensia în șaiba pătrată din spatele dispozitivului pentru roluit caneluri. Asigurați-vă că atât cheia cu clichet, cât și extensia sunt instalate corect.
2. Asigurați-vă că, între rola de canelare și axul de antrenare există spațiu suficient pentru peretele țevii. Dacă este necesar, răsuçiți șurubul de avans în sensul invers acelor de ceas, pentru a retrage rola de canelare.
3. Apucați ferm dispozitivul pentru roluit caneluri. Nu îl ridicați de cheia cu clichet. Plasați axul de antrenare în țevă și asigurați-vă că există contact ferm între placa de acoperire și capătul țevii (Figura 14). Strângeți șurubul de avans, pentru a face ca rola de canelare să vină în contact cu partea exterioară a țevii. După ce ați strâns manual șurubul de avans, utilizați cheia cu clichet, pentru a strânge șurubul de avans cu încă un sfert (¼) de răsucire. Verificați că dispozitivul pentru roluit caneluri este bine atașat pe țevă. Capacul de acoperire trebuie să fie lipit de capătul țevii. În caz contrar, repetați procedura. Asigurați-vă întotdeauna că dispozitivul pentru roluit caneluri este bine fixat, atunci când este utilizat pe sisteme deja instalate, pentru a preveni căderea acestuia.

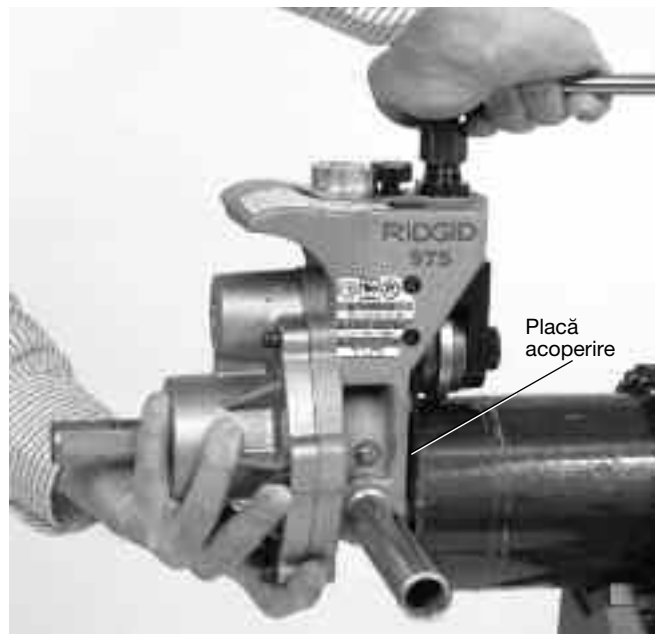


Figura 14 – Țineți dispozitivul pentru roluit caneluri fix, în timp ce strângeți șurubul de avans

## Utilizarea dispozitivului 975 combo pentru roluit caneluri pe echipamente deja instalate

### ⚠ AVERTISMENT



Acționați manual doar când se utilizează în aplicații cu echipamente deja instalate. În cazul aplicațiilor cu echipamente deja instalate, nu utilizați dispozitive acționate electric (cum ar fi freze sau unelte de impact) pentru a acționa dispozitivul pentru roluit caneluri. Utilizarea dispozitivelor acționate electric poate deteriora dispozitivul pentru roluit caneluri și poate spori pericolul de accidentare.

Nu purtați haine largi, atunci când utilizați dispozitivul pentru roluit caneluri. Țineți mâncile și jachetele încheiate. Nu vă aplecați peste dispozitiv sau peste țevă. Hainele largi se pot încălci în componentele rotative, cauzând rănire prin strivire.

Feriți mâinile de rolele de canelare. Nu canelați țevi mai scurte decât dimensiunile specificate. Nu purtați mănuși largi. Degetele pot fi strivite între rolele de canelare sau între rola de canelare și țevă.

Feriți mâinile de capetele țevii. Nu introduceți mâinile în țevă. Vă puteți agăța și tăia în marginile crestate și ascuțite. Degetele pot fi strivite între rolele de canelare sau între rola de canelare și țevă.

Purtați întotdeauna ochelari de protecție, pentru a vă proteja ochii împotriva murdăriei și a altor obiecte străine. Purtați încălțăminte cu vârfuri ranforsate cu oțel, pentru a vă proteja picioarele împotriva uneltelor și a țevilor căzute. Când lucrați pe amplasamentul de instalare, purtați cască de protecție.

Respectați instrucțiunile de operare, pentru a reduce pericolul de rănire prin electrocutare, prin încălcirea firelor și din alte cauze.

### Stabilirea/măsurarea diametrului canelurii

**NOTIFICARE** Din cauza diferitelor caracteristici ale țevilor, trebuie executată întotdeauna o canelură de testare, înainte de executarea primei caneluri a zilei de lucru sau când schimbați dimensiunea, calibrul sau materialul țevii. Dispozitivele de măsură pentru stabilirea diametrului canelurilor oferă doar valori aproximative. Diametrul canelurii trebuie măsurat, pentru a se confirma dimensiunea corectă.

1. Asigurați-vă că echipamentul și țeava sunt instalate corect. Pregătirea incorectă a țevii poate afecta precizia instalării a instrumentului de măsurare a adâncimii canelurii. Rola de canelare trebuie să atingă țeava.
2. Ajustați adâncimea canelurii, astfel încât marcajul corect al instrumentului de măsură să se afle sub capul șurubului de ajustare (Figura 15A). Instrumentul de măsurare a adâncimii canelurii este proiectat pentru utilizarea împreună cu țeava. Consultați „Stabilirea diametrului canelurii pentru țevile din cupru”, referitor la utilizarea cu țevi din cupru.

3. Răsuciți șurubul de ajustare în sensul acelor de ceas, până când capul lui atinge marcajul instrumentului de măsură pentru adâncime. Răsuciți instrumentul de măsură pentru adâncime în poziția de canelare (Figura 15B). Dacă instrumentul de măsură nu se află în poziția corectă, va împiedica activitatea de canelare și se poate defecta.



Figura 15A – Amplasați un instrument de măsură cu marcajul corect sub capul șurubului de ajustare



Figura 15B – Instrument de măsură în poziție de canelare

4. Pregătiți o canelură de testare (parcurgeți pașii pentru „Ștanțarea canelurii”).
5. Măsurați diametrul canelurii. Cea mai bună metodă de măsurare a diametrului canelurii este utilizarea unei rulete pentru diametru. (Consultați secțiunea Accesorii). Înfășurați bine ruleta pentru diametru în jurul țevii, în canelură. Asigurați-vă că banda ruletei este bine așezată pe fundul canelurii și citiți diametrul indicat (consultați Figura 16).



Figura 16 – Măsurarea diametrului canelurii cu o ruletă pentru diametru

6. Comparați diametrul măsurat al canelurii cu diametrul necesar, conform indicațiilor din Tabelul I sau III sau conform specificațiilor fabricantului fittingurilor pentru caneluri. Dacă dimensiunea măsurată a canelurii depășește limitele impuse pentru diametru, trebuie să re poziționați șurubul de ajustare, astfel încât să obțineți diametrul corect pentru canelură.

- Pentru a mări diametrul canelurii, răsuciți șurubul de ajustare în sensul acelor de ceas.
  - Pentru a micșora diametrul canelurii, răsuciți șurubul de ajustare în sensul invers acelor de ceas.
  - Fiecare sfert ( $\frac{1}{4}$ ) de răsucire a șurubului de ajustare modifică diametrul canelurii cu aproximativ 0,02”.
7. Repetați pașii de la 4 la 6, până când diametrul canelurii corespunde specificațiilor. În cazul în care prima canelură este prea mare, dispozitivul pentru roluit caneluri poate fi ajustat, iar canelura poate fi micșorată. În cazul în care canelura este prea mică, va trebui efectuată o altă canelură. Diametrul corect al canelurii este important, pentru a se asigura o bună cuplare. Canelurile care nu corespund specificațiile pot cauza nefuncționarea îmbinării.

### Ștanțarea canelurii

1. Asigurați-vă că echipamentul și țeava sunt instalate corect.
2. Poziționați-vă corect pentru lucru. Asigurați-vă că aveți o poziție stabilă și echilibrată.
3. Asigurați-vă că ați strâns șurubul de avans cu un sfert ( $\frac{1}{4}$ ) de răsucire.
4. Detașați cheia cu clichet de la șurubul de avans și instalați corect extensia. (În aplicații efectuate în spații strâmte, nu este necesară utilizarea extensiei).
5. Privind din partea posterioară a dispozitivului pentru roluit caneluri, răsuciți cheia cu clichet în sensul acelor de ceas (în acest mod, săgețile din partea posterioară a dispozitivului pentru roluit caneluri se vor potrivi; consultați Figura 17). Urmăriți rotirea dispozitivului pentru roluit caneluri și asigurați-vă că placa de acoperire a dispozitivului pentru roluit caneluri rămâne în contact cu capătul țevii. Dacă dispozitivul pentru roluit caneluri începe să se îndepărteze de capătul țevii, opriți rotirea cheii cu clichet, pentru a împiedica desprinderea și căderea dispozitivului pentru roluit caneluri de pe capătul țevii. Brațele de susținere ale dispozitivului pentru roluit caneluri pot fi împinse, pentru a aduce placa de acoperire din nou în contact cu capătul țevii. Dacă este necesar, montați din nou dispozitivul pentru roluit caneluri pe țeavă. (consultați secțiunea „Montarea dispozitivului de roluit caneluri pe țeavă”). În cazul în care capătul țevii este deformat, acesta va trebui tăiat și va trebui pregătită o nouă canelură.

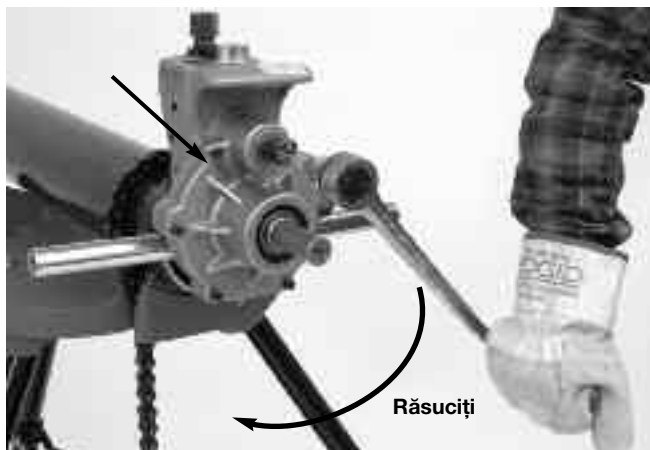


Figura 17 – Răsucirea cheii cu clichet în direcția indicată de săgeți

6. Continuați să rotiți cheia cu clichet, până când dispozitivul pentru roluit caneluri finalizează cel puțin o rotație completă în jurul țevii. Demontați cheia cu clichet de pe extensie și atașați-o la șurubul de avans. Strângeți șurubul de avans cu încă un sfert ( $\frac{1}{4}$ ) de rotație. Demontați cheia cu clichet de pe șurubul de avans și atașați-o fix la extensie. Nu strângeți șurubul de avans mai mult de un sfert ( $\frac{1}{4}$ ) de răsucire la fiecare rotație a țevii. Strângerea excesivă a șurubului de avans poate deforma excesiv canelura sau poate conduce la desprinderea dispozitivului pentru roluit caneluri de pe țeavă. Continuați să rotiți cheia cu clichet, pentru a roti dispozitivul pentru roluit caneluri în jurul țevii, în timp ce monitorizați contactul dintre placa de acoperire și capătul țevii.
7. Continuați să strângeți șurubul de avans cu un sfert ( $\frac{1}{4}$ ) de răsucire la fiecare rotire a canelurii în jurul țevii, până când capul șurubului de ajustare se oprește de partea superioară a dispozitivului pentru roluit caneluri. După ce șurubul de ajustare ajunge în partea superioară a dispozitivului pentru roluit caneluri, nu mai continuați să strângeți șurubul de avans. În caz contrar, șurubul de ajustare se poate deteriora. Rotiți dispozitivul pentru roluit caneluri încă două rotații complete în jurul țevii, după ce șurubul de ajustare ajunge la partea superioară a dispozitivului pentru roluit caneluri, pentru a asigura uniformitatea adâncimii canelurii.
8. Deplasați cheia cu clichet spre șurubul de avans. Apucați ferm dispozitivul pentru roluit caneluri. Răsuciți șurubul de avans în sensul invers acelor de ceas și retrageți rola de canelare, astfel încât dispozitivul pentru roluit caneluri să poată fi demontat de pe țeavă. Nu scăpați dispozitivul pentru roluit caneluri din mână.
9. Inspectați canelura.
  - Asigurați-vă că respectiva canelură este complet ștanțată.
  - Verificați diametrul canelurii și asigurați-vă că respectă specificațiile.
  - Verificați orice alte elemente indicate de fabricantul fittingului.

Dacă se descoperă vreo problemă, canelura nu trebuie utilizată.

### Instrucțiuni de întreținere

#### ⚠ AVERTISMENT

**Asigurați-vă că întrerupătorul dispozitivului de acționare electrică este în poziția oprit și că dispozitivul este decuplat de la sursa de alimentare, înainte de a efectua orice activități de întreținere sau de a face reglaje.**

#### Lubrifierea

Gresați dispozitivul 975 combo pentru roluit caneluri o dată pe lună, cu un lubrifiant de uz general de calitate.

- Garniturile de lubrifiere sunt amplasate pe latura bazei pe care lucrează operatorul, pe partea frontală a componente de glisare și la capătul axului rolei de canelare (consultați Figura 2). Adăugați lubrifiant, până când o cantitate mică din acesta este împinsă afară.

- Aplicați un strat subțire de lubrifiant pe șurubul de avans.
- Cutia de viteze a dispozitivului 975 combo pentru roluit caneluri este lubrifiată permanent și nu necesită gresare, decât dacă o deschideți.

Consultați secțiunea *Inspekția*, pentru informații despre întreținere suplimentare.

### Curățarea

Curățați striatiile axului de antrenare în fiecare zi sau mai des, dacă este cazul, cu o perie de sârmă.

### Înlocuirea seturilor de role

**NOTIFICARE** Când înlocuiți componentele setului de role, asigurați-vă întotdeauna că rola de antrenare corespunde cu cea de canelare. Componentele care nu se potrivesc pot duce la ștanțarea unor caneluri de slabă calitate și pot duce la apariția scurgerilor.

Demontați dispozitivul pentru roluit caneluri de pe dispozitivul de acționare electrică sau de pe cel de filetat și așezați-l pe o masă de lucru stabilă.

Uneltele necesare:

- Cheie hexagonală de  $\frac{3}{8}$ "
- Cheie hexagonală de  $\frac{3}{32}$ "
- Clești inel siguranță extern de 0,070"

### Demontarea și instalarea rolei de antrenare

1. Scoateți cele 6 șuruburi, care fixează capacul posterior de carcasă.
2. Scoateți capacul posterior (consultați Figura 18).

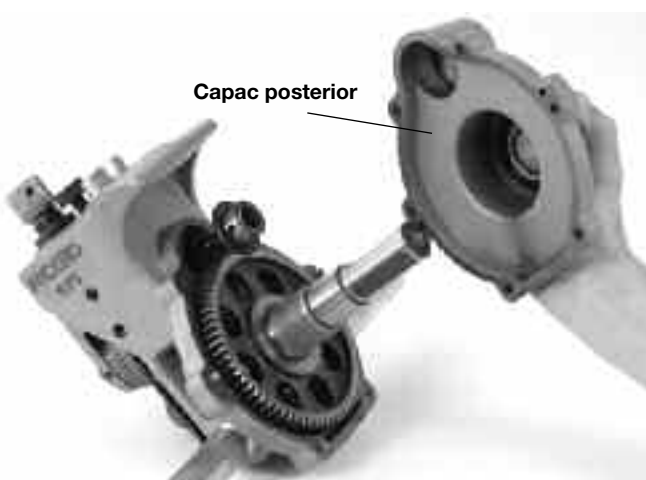


Figura 18 – Scoaterea capacului posterior

3. Demontați pinionul.
4. Scoateți ansamblul axului de antrenare din partea posterioară a dispozitivului 975 pentru roluit caneluri.
5. Scoateți inelul de siguranță de pe axul de antrenare și scoateți angrenajul prin glisare. (Consultați Figura 19.)

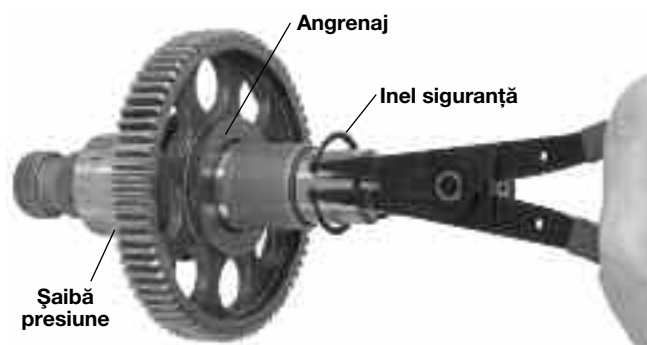


Figura 19 – Demontarea inelului de siguranță

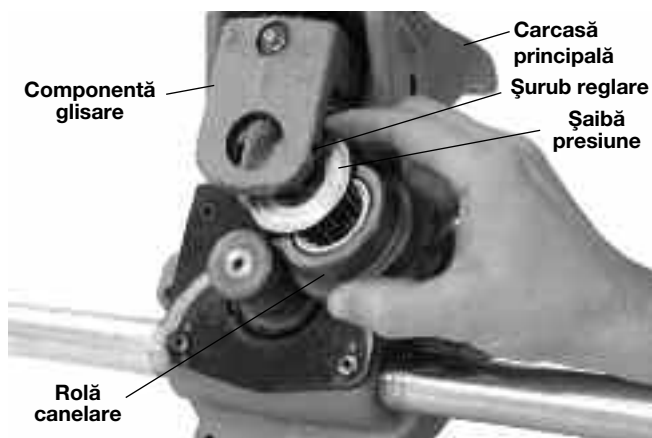
6. Scoateți cheia, apoi șaiba de presiune.
7. Glisați șaiba de presiune pe noul ax de antrenare.
8. Introduceți cheia și instalați angrenajul.
9. Instalați inelul de siguranță în canelura axului de antrenare.
10. Introduceți ansamblul axului de antrenare în carcasa principală.
11. Este posibil să se fi pierdut lubrifiant din cutia de viteze, în timpul înlocuirii axului de transmisie. Asigurați-vă că lagărele și dinții angrenajului sunt suficient acoperiți cu lubrifiant de uz general, de bună calitate.
12. Introduceți pinionul și reinstalați capacul posterior. Strângeți șuruburile la un cuplu de 12-16 ft•lbs.



Figura 20 – Diagrama pieselor pentru dispozitivul 975 combo pentru roluit caneluri

### Demontarea și instalarea rolei de canelare

1. Scoateți șurubul de reglare, care fixează axul rolei de canelare.
2. Scoateți axul rolei de canelare din componenta de glisare și demontați rola de canelare și șaiba de presiune.
3. Introduceți șaiba de presiune și noua rolă de canelare în componenta de glisare. Asigurați-vă că inelul de siguranță intern, din rola de canelare, este cel mai apropiat de carcasa principală și că rola de canelare se află între șaiba de presiune și carcasa principală.


**Figura 21**

4. Remontați axul rolei de canelare și șurubul de reglare.
5. Inspectați vizual alinierea dintre rola de canelare și cea de antrenare. Dacă nu sunt aliniate, verificați orientarea rolei de canelare și a șaibei de presiune.
6. Gresăți, conform indicațiilor din secțiunea Lubrifierea, din acest manual.

## Accesoriiile

### ⚠ AVERTISMENT

Următoarele produse RIDGID au fost proiectate să funcționeze cu dispozitivul 975 combo pentru roluit caneluri. Alte accesorii potrivite pentru utilizarea cu alte instrumente pot deveni periculoase, când sunt utilizate cu dispozitivul 975 combo pentru roluit caneluri. Pentru a reduce pericolul de răniri grave, utilizați numai accesoriiile proiectate în mod special și recomandate pentru a fi utilizate cu dispozitivul 975 combo pentru roluit caneluri, cum ar fi cele enumerate în diagramă.

60082	Dispozitiv 300 de acționare electrică, 230 V 25-60 Hz
60077	Dispozitiv 300 de acționare electrică, 115 V 25-60 Hz
42360	Suport 1206 pentru dispozitivul 300 de acționare electrică
50697	Dispozitiv compact 300, 230 V 25-60 Hz
50692	Dispozitiv compact 300, 115 V 25-60 Hz
20391	Dispozitiv compact 300, 230 V 25-60 Hz (DK)
67662	Suport adaptare pentru dispozitivul compact 300/1233
58077	Suport 250 pliabil pentru dispozitivul compact 300/1233
72037	Menghină portabilă 460 Tristand, cu lanț
56662	Suport înalt, în V, pentru țevi, model VJ-99
76822	Ruletă pentru diametru, în inchi
76827	Ruletă pentru diametru, în sistem metric
30708	Extensie, acționare 1/2", blocare
30703	Cheie cu clichet, acționare 1/2", cu cot de 90°
33043	Role de canelare și antrenare pentru țevi din cupru de 2" - 8", tip K, L, M și DWV

## Depozitarea dispozitivului

**⚠ AVERTISMENT** Depozitați dispozitivul într-o zonă blocată, în care nu se permite intrarea copiilor și a persoanelor nefamiliarizate cu echipamentul de roluit caneluri. Acest dispozitiv poate cauza răniri grave, în mâinile utilizatorilor neinstruiți.

## Service și reparații

### ⚠ AVERTISMENT

**Lucrările de service sau de reparații necorespunzătoare pot face ca aparatul să fie nesigur de utilizat.**

„Instrucțiunile de întreținere” descriu majoritatea necesităților de service ale acestui utilaj. Toate problemele, care nu sunt descrise în această secțiune, trebuie remediate doar de un tehnician de service autorizat de RIDGID.

Instrumentul trebuie dus la un Centru de service independent autorizat RIDGID sau returnat la fabrică.

Când se efectuează lucrări de service asupra acestui utilaj, trebuie utilizate numai piese de schimb identice. Utilizarea unor piese diferite poate crea pericolul de rănire gravă.

Dacă aveți întrebări referitoare la lucrările de service sau de reparații asupra acestui utilaj, contactați telefonic sau în scris:

Ridge Tool Company  
 Departamentul tehnic  
 400 Clark Street  
 Elyria, Ohio 44035-6001  
 Tel: (800) 519-3456  
 E-mail: TechServices@ridgid.com

Pentru informații despre cel mai apropiat Centru independent de service RIDGID sau în legătură cu orice întrebări referitoare la service sau reparații contactați distribuitorul local Ridge Tool.

Vizitați [www.RIDGID.com](http://www.RIDGID.com) sau [www.RIDGID.eu](http://www.RIDGID.eu) pentru a găsi reprezentanța locală Ridge Tool.

Contactați Departamentul tehnic Ridge Tool la [techservices@emerson.com](mailto:techservices@emerson.com) sau, în S.U.A. și Canada, apelați (800) 519-3456.

## Tabelul I. Specificațiile standard pentru caneluri, pentru țevi cu dimensiuni IPS (Iron Pipe Size)

NOTĂ! Toate dimensiunile sunt exprimate în inchi.

DIMENSIUNE NOMIN. ȚEAVĂ	DIAMETRU ȚEAVĂ		T GROSIME MIN. PERETE	A SUPPORT GARNITURĂ +.015/-030	B LĂȚIME CANELURĂ +.030/-015	C DIAMETRU CANELURĂ		D ADÂNCIME NOMINALĂ CANELURĂ (Ref.) (2)
	D.E.	TOL.				D.E.	TOL.	
1¼	1.660	+0.016 -0.016	.065	.625	.344	1.535	+0.000 -0.015	.063
1½	1.900	+0.016 -0.016	.065	.625	.344	1.775	+0.000 -0.015	.063
2 <sup>(1)</sup>	2.375	+0.024 -0.016	.065	.625	.344	2.250	+0.000 -0.015	.063
2½ <sup>(1)</sup>	2.875	+0.029 -0.016	.083	.625	.344	2.720	+0.000 -0.015	.078
3 <sup>(1)</sup>	3.50	+0.030 -0.018	.083	.625	.344	3.344	+0.000 -0.015	.078
3½ <sup>(1)</sup>	4.00	+0.030 -0.018	.083	.625	.344	3.834	+0.000 -0.015	.083
4 <sup>(1)</sup>	4.50	+0.035 -0.020	.083	.625	.344	4.334	+0.000 -0.015	.083
5 <sup>(1)</sup>	5.563	+0.056 -0.022	.109	.625	.344	5.395	+0.000 -0.015	.084
6 <sup>(1)</sup>	6.625	+0.050 -0.024	.109	.625	.344	6.455	+0.000 -0.015	.085

(1) Conform AWWA C606-06

(2) Adâncimea nominală a canelurii este furnizată doar ca dimensiune de referință. Nu utilizați adâncimea canelurii pentru a determina nivelul de acceptabilitate a unei caneluri.

## Tabelul II. Grosimea maximă și minimă a peretelui țevii

NOTĂ! Toate dimensiunile sunt exprimate în inchi.

Dimensiune țeavă	ȚEAVĂ SAU TUB DIN OȚEL CARBON SAU ALUMINIU		ȚEAVĂ SAU TUB DIN OȚEL INOXIDABIL		ȚEAVĂ PVC	
	Grosime perete		Grosime perete		Grosime perete	
	Min.	Max.	Min.	Max.	Min.	Max.
1¼"	.065	.140	.065	.140	.140	.140
1½"	.065	.145	.065	.145	.145	.200
2"	.065	.154	.065	.154	.154	.154
2½"	.083	.203	.083	.188	.203	.276
3"	.083	.216	.083	.188	.216	.300
3½"	.083	.226	.083	.188	.226	.300
4"	.083	.237	.083	.188	.237	.300
5"	.109	.258	.109	.188	.258	.300
6"	.109	.280	.109	.188	.280	.300

**Tabelul III. Specificațiile canelurilor pentru țevi din cupru**

1	2		3	4	5	6	7	8
	Diametru extern tubulatură D.E.		A Suport garnitură A ±0.03	B Lățime canelură +.03 -.000	C Diam. canelură +.00 -.02	D Adâncime canelură Ref. <sup>1</sup>	T Grosime perete minimă admisă	Diam. def. max. permis
Dimensiune nomin. inchi	Fundamental	Toleranță						
2"	2.125	±0.002	0.610	0.300	2.029	0.048	DWV	2.220
2 1/2"	2.625	±0.002	0.610	0.300	2.525	0.050	0.065	2.720
3"	3.125	±0.002	0.610	0.300	3.025	0.050	DWV	3.220
4"	4.125	±0.002	0.610	0.300	4.019	0.053	DWV	4.220
5"	5.125	±0.002	0.610	0.300	5.019	0.053	DWV	5.220
6"	6.125	±0.002	0.610	0.300	5.999	0.063	DWV	6.220
8"	8.125	+0.002/-0.004	0.610	0.300	7.959	0.083	DWV	8.220

1. Adâncimea nominală a canelurii este furnizată doar ca dimensiune de referință. Nu utilizați adâncimea canelurii pentru a determina nivelul de acceptabilitate a unei caneluri.

## Depanarea

SIMPTOM	CAUZA POSIBILA	SOLUTIE
<b>Canelura este prea îngustă sau prea largă.</b>	Rola de canelare și/sau axul de antrenare sunt uzate.	Înlocuiți rola de canelare și/sau axul de antrenare.
<b>Canelura nu este perpendiculară pe axa țevii.</b>	Secțiunea de țevă nu este dreaptă. Capătul țevii nu este drept, față de axa țevii.	Utilizați o țevă dreaptă. Tăiați capătul țevii drept.
<b>Țeava nu se aliniază în timpul canelării/Dispozitivul pentru roluit caneluri nu se aliniază pe țevă în timpul canelării.</b>	Țeava și axul de antrenare nu sunt paralele. Axa țevii nu este deviată la 1/2 de grad față de axa rolei de antrenare. Striația rolei de antrenare este astupată sau tocită. Șurubul de avans nu este strâns.  Direcție de rotire greșită a cheii cu clichet. Interiorul țevii este acoperit cu prea multă zgură. Cusătură de sudare excesivă.  Nu se aplică presiune pe țevă. Capătul țevii nu este drept/debavurat. Șurubul de avans este prea strâns.	Ajustați suportul, astfel încât țeava să fie paralelă. Deviați țeava cu 1/2 de grad.  Curățați sau înlocuiți rola de antrenare. Strângeți șurubul de avans cu cheia cu clichet, pentru fiecare rotire, conform instrucțiunilor. Rotiți cheia cu clichet în direcția corectă. Curățați interiorul țevii. Rectificați cusătura de sudare prin lustruire, până la 2" de la capătul țevii. Apăsați țeava. (Consultați Figura 10.) Pregătiți corect capătul țevii. Rotiți șurubul de avans doar în trepte egale cu 1/4 de rotație.
<b>Țeava este deformată la capătul canelat.</b>	Țeava și axul de antrenare nu sunt paralele. Șurubul de avans este prea strâns.	Ajustați suportul, astfel încât țeava să fie paralelă. Rotiți șurubul de avans doar cu 1/4 de rotație.



## Depanarea (continuare)

SIMPTOM	CAUZA POSIBILA	SOLUTIE
Țeava se deplasează înainte și înapoi pe axa rolei de antrenare în timpul canelării.	Secțiunea de țeavă nu este dreaptă. Capătul țevii nu este drept, față de axa țevii.	Utilizați o țeavă dreaptă. Tăiați capătul țevii drept.
Țeava se balansează lateral pe rola de antrenare în timpul canelării.	Suportul țevii este prea aproape de capătul țevii. Capătul țevii este turtit sau deteriorat. În materialul țevii există pete dure sau cusături de sudare mai dure decât țeava. Viteza de avans a rolei de canelare este prea mică. Viteza dispozitivului de acționare electrică depășește 57 rot./min. Suportul țevii nu este amplasat corect.	Mutați suportul țevii, conform instrucțiunilor de instalare. Tăiați capătul deteriorat al țevii. Utilizați o altă țeavă. Avansați rola de canelare mai rapid în țeavă. Reduceți viteza la 57 rot./min. sau mai jos. Poziționați corect roțile suportului țevii.
Dispozitivul pentru roluit caneluri nu canelează țeava.	S-a depășit grosimea maximă a peretelui țevii. Materialul țevii este prea dur. Șurubul de ajustare nu este reglat. Dispozitivul de acționare electrică nu furnizează cuplul de forță minim necesar.	Verificați diagrama cu capacitățile țevilor. Înlocuiți țeava. Stabiliți adâncimea. Utilizați dispozitivul RIDGID nr. 300, dispozitivul de acționare electrică, dispozitivul compact 300 sau 1233.
Dispozitivul pentru roluit caneluri nu canelează la diametrul specificat.	S-a depășit toleranța maximă a diametrului țevii. Șurubul de reglare a adâncimii nu este ajustat corect. Țeava este prea dură.	Utilizați o țeavă cu diametru corect. Ajustați adâncimea. Utilizați o altă țeavă.
Țeava alunecă pe rola de antrenare.	Viteza de avans a rolei de canelare este prea mică. Striația rolei de antrenare este astupată cu metal sau tocită.	Avansați rola de canelare mai rapid în țeavă. Curățați sau înlocuiți rola de antrenare.
Dispozitivul pentru roluit caneluri nu rotește țeava în timpul canelării.	Dispozitivul de acționare electrică nu furnizează cuplul de forță minim necesar. Mandrina nu este strânsă pe suprafețele plate ale axului de antrenare.	Utilizați dispozitivul RIDGID nr. 300, dispozitivul de acționare electrică, dispozitivul compact 300 sau 1233. Închideți mandrina.
Țeava se ridică sau are tendința să încline dispozitivul pentru roluit caneluri spre spate.	Suportul țevii nu este instalat corect.	Instalați corect suporturile.

975

# Combo Roll Groover




**RIDGID**<sup>®</sup>

## Obsah

<b>Bezpečnostní symboly</b> .....	314
<b>Obecná bezpečnostní pravidla</b>	
Bezpečnost v pracovní oblasti .....	314
Bezpečnost při práci s elektřinou .....	314
Osobní bezpečnost .....	315
Použití nástroje a péče o něj .....	315
Servis .....	315
<b>Specifické bezpečnostní informace</b>	
Bezpečnost při použití drážkovacího zařízení .....	316
Bezpečnost při použití drážkovacího zařízení použitého s motorovým pohonem nebo závitorezným strojem .....	316
Bezpečnost při použití drážkovacího zařízení pro nainstalovanou trubku .....	316
<b>Popis, technické údaje a standardní vybavení</b>	
Popis .....	316
Technické údaje .....	317
Standardní vybavení .....	317
<b>Kontrola drážkovacího zařízení</b> .....	317
Příprava stroje a pracovní oblasti pro motorově poháněné aplikace	
Montáž drážkovacího zařízení 975 Combo Groover na motorový pohon RIDGID 300 Power Drive .....	319
Montáž drážkovacího zařízení 975 Combo Groover na závitorezný stroj RIDGID 300 Compact/1233 Threading Machine .....	319
Dokončení přípravy .....	320
Příprava trubek .....	321
Nasazení trubky na drážkovací zařízení .....	322
<b>Použití drážkovacího zařízení 975 Combo Roll Groover s motorovým pohonem nebo závitorezným strojem</b>	
Nastavení a měření průměru drážky .....	322
Výroba válcové drážky .....	323
Nastavení průměru drážky pro měděné trubky .....	324
Typy pro vedení drážkovacího zařízení 975 Combo Roll Groover .....	324
<b>Příprava stroje a pracovní oblasti pro opracování nainstalované trubky</b>	
Příprava trubek .....	326
Montáž drážkovacího zařízení na trubku .....	326
<b>Použití drážkovacího zařízení 975 Combo Roll Groover na nainstalované trubce</b>	
Nastavení a měření průměru drážky .....	327
Výroba válcové drážky .....	328
<b>Pokyny k údržbě</b>	
Mazání .....	328
Čištění .....	329
Změna sad válců .....	329
<b>Příslušenství</b> .....	330
Skladování stroje .....	<b>330</b>
<b>Servis a opravy</b> .....	330
<b>Tabulka I. Technické údaje standardního drážkovacího stroje</b> .....	331
<b>Tabulka II. Maximální a minimální tloušťka stěny trubky</b> .....	331
<b>Tabulka III. Technické údaje drážkovacího stroje pro měděné trubky</b> .....	332
<b>Řešení potíží</b> .....	332-333


## Bezpečnostní symboly

V tomto návodu k použití a na výrobku jsou použity bezpečnostní symboly a termíny, které oznamují důležité bezpečnostní informace. Tato část umožní lépe pochopit význam těchto termínů a symbolů.


 Toto je symbol bezpečnostní výstrahy. Používá se k upozornění na potenciální nebezpečí úrazu. Dodržujte všechna bezpečnostní upozornění, která jsou uvedena za tímto symbolem, abyste předešli možnému úrazu nebo smrti.


 **NEBEZPEČÍ** NEBEZPEČÍ označuje nebezpečnou situaci, která - kdyby nastala - by mohla mít za následek smrt nebo vážný úraz.

 **VAROVANI** VAROVÁNÍ označuje nebezpečnou situaci, která - kdyby nastala - by mohla mít za následek smrt nebo vážný úraz.


 **POZOR** POZOR označuje nebezpečnou situaci, která - kdyby nastala - by mohla mít za následek menší nebo lehký úraz.


**POZNÁMKA** POZNÁMKA uvádí informace týkající se ochrany majetku.

 Tento symbol znamená, že před použitím zařízení je třeba si pečlivě přečíst návod k použití. Návod k použití obsahuje důležité informace týkající se bezpečnosti a správného používání zařízení.

 Tento symbol znamená, že při manipulaci se zařízením nebo jeho používání je vždy třeba mít nasazené bezpečnostní brýle s postranními kryty, aby bylo sníženo riziko poranění očí.


 Tento symbol označuje nebezpečí rozdrčení prstů a rukou mezi válci drážkovacího zařízení.

 Tento symbol označuje nebezpečí zachycení nebo navinutí rukou, prstů, nohou, oděvu nebo jiných objektů na rotující hřídele, což může mít za následek rozdrčení nebo pohmoždění dané části těla.

 Tento symbol označuje, že k pohonu zařízení při drážkování nainstalované trubky se nesmí použít vrtačka, vibrační zařízení nebo jiný elektrický nástroj.

 Tento symbol označuje nebezpečí převrácení stroje, což může mít za následek rozdrčení nebo pohmoždění.

 Tento symbol označuje, že při použití závitorezného stroje nebo motorového pohonu je vždy nutné použít nožní spínač.

 Tento symbol označuje, že pokud se nad vámi pracuje, musíte mít vždy nasazenou ochrannou přilbu, aby se snížilo nebezpečí úrazu hlavy.

## Obecná bezpečnostní pravidla

### **VAROVANI**

Přečtěte si celý návod a ujistěte se, že mu rozumíte. Nedodržení všech níže uvedených pokynů může mít za následek úraz elektrickým proudem, vznik požáru nebo závažnou újmu na zdraví.

#### **TYTO POKYNY SI ULOŽTE!**

Termín „elektrické nářadí“ v části varování odkazuje na elektrické nářadí napájené ze sítě (připojené kabelem) nebo dobíjené baterií (bezdrátové).

### Bezpečnost v pracovní oblasti

- **Udržujte pracovní oblast čistou a dobře osvětlenou.** V neuklizených nebo tmavých prostorách může dojít snadno k nehodám.
- **Nepoužívejte elektrické nářadí ve výbušném prostředí, například v přítomnosti hořlavých kapalin, plynů nebo prachu.** Elektrické nářadí může vytvářet jiskry, které mohou zapálit prach nebo výpary.

- **Děti a okolo stojící osoby se nesmí přibližovat k obsluze elektrického nářadí.** Rozptylování může mít za následek ztrátu kontroly.
- **Podlaha musí být suchá a nesmí být znečištěna materiálem, který by způsobil, že bude kluzká, například olejem.** Na kluzké podlaze může snadno dojít k nehodě.
- **Pokud opracováváný objekt přesahuje stroj, ohraničte pracovní oblast.** Ohraničení nebo zábrana, která zabezpečí kolem opracovávaného objektu minimálně 1 metr volného prostoru, sníží nebezpečí zachycení.

### Bezpečnost při práci s elektřinou

- **Zástrčka elektrického nástroje musí přesně pasovat do zásuvky. Zástrčku nikdy nijak neupravujte. Nepoužívejte žádný adaptér pro zástrčky s uzemněnými nástroji.** Neupravené zástrčky a vhodné zásuvky snižují riziko úrazu elektrickým proudem.
- **Zabraňte tělesnému kontaktu s uzemněnými povrchy, např. trubkami, radiátory, sporáky a chladničkami.** Pokud je vaše tělo uzemněno, existuje zvýšené riziko úrazu elektrickým proudem.

- **Nevystavujte elektrické nářadí dešti ani mokrým podmínkám.** Pokud se do elektrického nástroje dostane voda, zvýší se riziko úrazu elektrickým proudem.
- **Nepoškozte kabel. Nikdy kabel nepoužívejte pro nošení, táhnutí či vypořádání nářadí ze zásuvky. Kabel musí být v dostatečné vzdálenosti od zdrojů tepla, oleje, ostrých hran nebo pohyblivých částí.** Poškození či zamotání kabelu zvyšuje riziko úrazu elektrickým proudem.
- **Pokud používáte elektrické nářadí venku, použijte prodlužovací kabel vhodný pro použití ve venkovním prostředí.** Použitím prodlužovací šňůry vhodné pro venkovní použití se snižuje riziko úrazu elektrickým proudem.
- **Pokud je nevyhnutelné použití elektrického zařízení ve vlhkém prostředí, použijte napájení chráněné proti zemnímu spojení jističem (GFCI).** Použití proudového chrániče snižuje riziko úrazu elektrickým proudem.

## Osobní bezpečnost

- **Při používání elektrického nářadí se mějte neustále na pozoru, sledujte co děláte a používejte zdravý rozum. Nepoužívejte elektrický nástroj, pokud jste unaveni nebo pod vlivem drog, alkoholu či léků.** Stačí okamžik nepozornosti při používání nástroje a může dojít k závažné újmě na zdraví.
- **Používejte osobní ochranné prostředky. Vždy noste ochranu očí.** Ochranné prostředky, například maska proti prachu, protismyková ochranná obuv, ochranná přilba nebo chrániče uší, použité v příslušných podmínkách, sníží možnost újmy na zdraví.
- **Dávejte pozor na neúmyslné spuštění. Než připojíte zdroj elektřiny nebo baterii, nebo když nástroj zvedáte nebo přenášíte, ujistěte se, že spínač je v pozici vypnuto.** Přenášení nářadí s prstem na spínači nebo připojení k napájení elektrického nářadí se spínačem v pozici zapnuto může vést k nehodám.
- **Před zapnutím elektrického nářadí odstraňte jakýkoliv seřizovací klíč.** Klíč, který je připevněn k rotující části nástroje, může mít za následek újmu na zdraví.
- **Nenahýbejte se. Neustále pevně stůjte a držte rovnováhu.** To umožní lepší kontrolu nástroje v neočekávaných situacích.
- **Noste vhodné oblečení. Nenoste volný oděv ani šperky. Udržujte své vlasy, oděv i rukavice mimo dosah pohyblivých částí.** Volný oděv, šperky či dlouhé vlasy by mohly být zachyceny pohyblivými součástmi.
- **Pokud je nářadí opatřeno připojením k zařízením pro zachycování a hromadění prachu, ujistěte se, že jsou připojena a řádně používána.** Použití zařízení na zachycování prachu může snížit rizika spojená s prachem.

## Použití nástroje a péče o něj

- **Nepoužívejte nadměrnou sílu. Pro daný účel použijte správný nástroj.** Správný nástroj vám poslouží lépe a bezpečněji, pokud je použit způsobem, pro který byl navržen.
- **Nepoužívejte nástroj, pokud ho nelze spínačem ZAPNOUT a VYPNOUT.** Jakýkoliv nástroj, který nelze ovládat pomocí spínače, je nebezpečný a musí být opraven.
- **Předtím, než provedete jakékoliv úpravy, výměny příslušenství nebo před uložením, odpojte zástrčku ze zdroje napájení nebo z baterie nástroje.** Takové preventivní bezpečnostní opatření snižuje riziko náhodného zapnutí nástroje.
- **Nástroje, které se nepoužívají, uchovávejte mimo dosah dětí a nedovolte, aby nářadí používaly osoby, které s ním neumí zacházet nebo neznají tyto pokyny.** Nástroje jsou v rukou neproškolených uživatelů nebezpečné.
- **Provádějte údržbu nářadí. Zkontrolujte, zda jsou pohyblivé části správně seřizeny a připojeny, zda nejsou žádné části poškozeny nebo zda nevznikly jiné podmínky, které mohou mít dopad na práci s nářadím. Pokud je nástroj poškozen, nechte ho před použitím opravit.** Mnoho nehod je způsobeno nástroji, které nebyly řádně udržovány.
- **Používejte pouze příslušenství doporučená pro váš nástroj.** Správně udržované řezací nástroje s ostrými okraji mají menší pravděpodobnost zachycení a snadněji se ovládají.
- **Držadla udržujte suchá, čistá a zbavená oleje a mastnoty.** Bude tak zajištěno lepší ovládání nástroje.

## Servis

- **Servis nářadí musí provádět kvalifikovaná osoba při použití identických náhradních dílů.** Tím se zajistí, že bude dodržena bezpečnost nářadí.

## Specifické bezpečnostní informace

### VAROVANI

Tato část obsahuje důležité bezpečnostní informace, které se speciálně týkají tohoto nástroje.

Pečlivě si přečtěte tyto pokyny před použitím drážkovacího zařízení 975 Combo Roll Groover, abyste snížili nebezpečí vážného úrazu.

### TYTO POKYNY SI ULOŽTE!

Pokud máte nějaké dotazy, zavolejte do technického servisního oddělení společnosti Ridge Tool na číslo (800) 519-3456 nebo zašlete e-mail na adresu [techservices@ridgid.com](mailto:techservices@ridgid.com).

## Bezpečnost při použití drážkovacího zařízení

- **Nenoste volný oděv. Mějte zapnuté rukávy a bundy. Nenatahujte se přes stroj nebo trubku.** Oděv by mohl být zachycen trubkou nebo jinými rotujícími částmi, což může mít za následek zachycení a vážný úraz.
- **Udržujte ruce mimo dosah drážkovacích válců. Nedrážkujte trubky kratší než je specifikováno. Nenoste volné montážní rukavice.** Prsty mohou být rozdrceny mezi drážkovacími válci nebo mezi drážkovacím válcem a trubkou.
- **Udržujte ruce mimo dosah konců trubky. Nesahejte dovnitř trubky.** Můžete se zachytit a pořezat o otrěpky a ostré hrany. Prsty mohou být rozdrceny mezi drážkovacími válci nebo mezi drážkovacím válcem a trubkou.
- **Trubku řádně připravte a manipulujte s ní.** Můžete se zachytit a pořezat o otrěpky a ostré hrany.
- **Trubku řádně podepřete.** Zabráníte tím možnosti převrhnutí trubky a zařízení.
- **Před používáním drážkovacího zařízení RIDGID® 975 Combo Roll Groover si přečtěte tento návod k použití, návod k použití příslušného motorového pohonu nebo závitořezného stroje, montážní pokyny výrobce montážního materiálu a návod k libovolnému dalšímu zařízení použitému s nástrojem a ujistěte se, že jim rozumíte.** Nedodržování všech těchto pokynů může mít za následek škody na majetku nebo vážná zranění osob.
- **Při přípravě a použití drážkovacího zařízení RIDGID 975 Combo Roll Groover vždy noste odpovídající osobní ochranné pomůcky.** Odpovídající osobní ochranné pomůcky vždy zahrnují ochranu očí a mohou zahrnovat například těsné kožené montážní rukavice, obuv s ocelovými špičkami a ochrannou přilbu.
- **Drážkovací zařízení používejte pouze k drážkování trubek doporučených rozměrů a typů podle tohoto návodu k použití.** Jiné použití nebo úprava drážkovacího zařízení pro jiné účely mohou zvýšit nebezpečí úrazu.

## Bezpečnost při použití drážkovacího zařízení použitého s motorovým pohonem nebo závitořezným strojem

- **S drážkovacím zařízením 975 Combo Roll Groover používejte pouze motorový pohon RIDGID 300 Power Drive nebo závitořezný stroj 300 Compact Threading Machine.** Použití jiných zdrojů napájení způsobí chybné nastavení a může způsobit převrhnutí nebo jiné problémy.
- **Nepoužívejte toto drážkovací zařízení s motorovým pohonem nebo závitořezným strojem, které nejsou vybaveny nožním spínačem. Nikdy neblokuje nožní spínač tak, aby neovládal motorový pohon.** Nožní spínač umožňuje lepší ovládání, protože sundáním nohy ze spínače vypnete motor pohonu. Pokud by se do stroje zachytil

oděv a motor by byl stále napájen, oděv by byl vtažen do stroje. Tento stroj má vysoký točivý moment a oděv by se vám mohl namotat na paži nebo na jiné části těla s takovou silou, že by rozdrtil nebo rozlámal kosti nebo by způsobil pohmožděliny či jiná poranění.

- **Drážkování i nožní spínač musí obsluhovat jedna osoba. Obsluhu nesmí zajišťovat více osob.** V případě zachycení musí obsluha ovládat nožní spínač.
- **Používejte pouze motorové pohony a závitořezné stroje s rychlostí otáčení 57 ot./min. nebo méně.** Stroje s vyššími otáčkami zvyšují nebezpečí úrazu.
- **Drážkovací zařízení musí být správně nastaveno a připevněno k motorovému pohonu nebo závitořeznému stroji. Stroj, stojan, drážkovací zařízení a trubka musí být stabilní.** Zabrání se tím převrácení zařízení a trubky.

## Bezpečnost při použití drážkovacího zařízení pro nainstalovanou trubku

- **Při použití na nainstalované trubce používejte pouze ruční pohon. K pohonu drážkovacího zařízení při drážkování nainstalované trubky nepoužívejte elektrická zařízení (např. vrtačky nebo vibrační nástroje).** Použitím elektrických zařízení by mohlo dojít k poškození drážky a zvyšuje se nebezpečí úrazu.
- **Pokud se nad vámi pracuje, musí všichni pracovníci nosit ochrannou přilbu a nezdržovat se v prostoru, nad kterým se pracuje.** Zabrání se tím vážným poraněním v případě, kdy by došlo k pádu drážkovacího zařízení, trubky nebo jiných objektů.

## Popis, technické údaje a standardní vybavení

### Popis

Drážkovací zařízení RIDGID® 975 Combo Roll Groover slouží k vytváření válcových drážek v ocelových, hliníkových a plastových trubkách o průměru 1¼“ až 6“, schedule 10 a schedule 40. Také je určeno k drážkování nerezových trubek o průměru 1¼“ až 6“ schedule 10 a 1¼“ až 2“ schedule 40. Pomocí výměny sady válců ho lze přizpůsobit také pro měděné trubky o průměru 2“ - 8“, typ K, L, M a DWV. Drážky se vytvářejí mechanickým posouvaním drážkovacího válce do trubky, tlačeního tlačným válcem. Jediným potřebným nastavením je nastavení hloubky drážky.

Zařízení je speciálně určeno pro drážkování nainstalovaných trubek nebo pro použití s motorovým pohonem RIDGID Model 300 Power Drive (modely s 38 a 57 ot./min.). S příslušným adaptérem (kat. č. #67662) lze zařízení použít se závitořezným strojem RIDGID Model 300 Compact Threading Machine. Drážkovací zařízení 975 Combo Roll Groover obsahuje patentované měřidlo hloubky drážky, které pomáhá při nastavení

drážky a patentované funkce, které zlepšují vedení zařízení během použití.

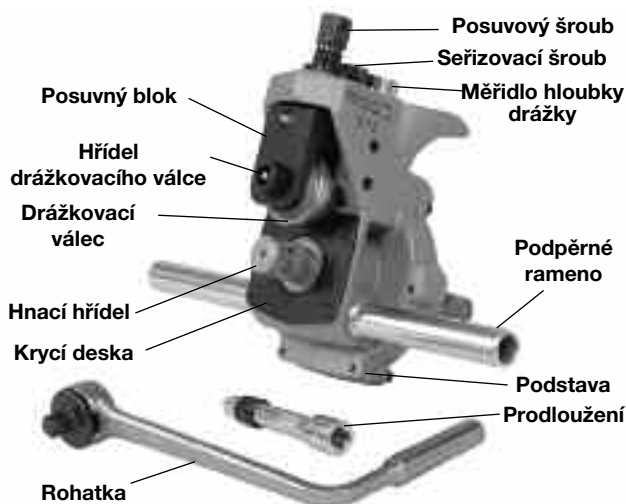
Drážkovací zařízení 975 Combo Roll Groover je přenosná jednotka určená pro občasné použití na pracovišti a neměla by být používána pro vysokoobjemové práce nebo pro výrobu v obchodě s trubkami.

**POZNAMKA** Při správném používání vytváří drážkovací zařízení Model 975 Combo Roll Groover 2" - 6" drážky s rozměry vyhovujícími specifikacím AWWA C606-06. Za výběr příslušného materiálu a spojovacích metod odpovídá návrhář systému nebo montážní pracovník. Před zahájením jakékoli instalace je třeba pečlivě vyhodnotit specifické prostředí včetně chemického prostředí a teploty.

## Technické údaje

Kapacita .....	Ocelová trubka 1 1/4" - 6" Schedule 10 a Schedule 40 Při změně válce: Měděná trubka 2" - 8", typ K, L, M a DWV
Průměr drážky	
Nastavení .....	Seřizovací šroub a měřidlo hloubky drážky
Ovládání.....	Posuvový šroub s 1/2" řehtačkovým klíčem
Motorový pohon .....	Motorový pohon RIDGID 300 Power Drive (pouze modely s 38 a 57 ot./min.) Závitořezný stroj RIDGID 300 Compact Threading Machine (s adaptérem)
Hmotnost .....	27,6 libry

Drážkovací zařízení 975 Combo Roll je chráněno americkými a mezinárodními patenty včetně patentů 6,272,895 a 6,591,652.



Obrázek 1 – Drážkovací zařízení 975 Combo Roll Groover

## Standardní vybavení

Drážkovací a tlačné válce 1 1/4" - 6" Schedule 10 a 40  
Řehtačkový klíč (1/2" posuv) s uvolňovacím tlačítkem  
Prodloužení  
Podpěrná ramena  
Integrované měřidlo hloubky

## Kontrola drážkovacího zařízení

### ⚠ VAROVANI

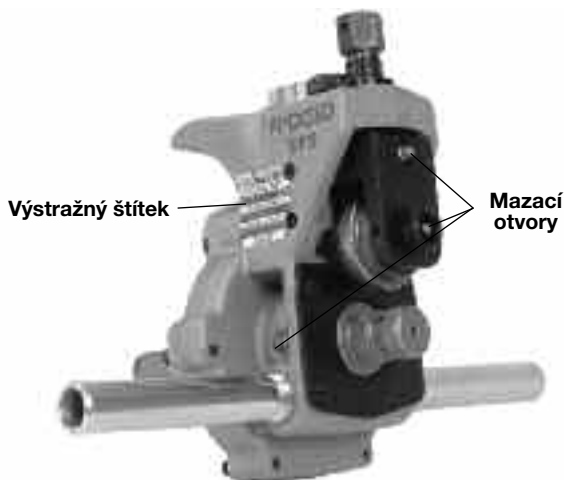


**Před každým použitím zkontrolujte drážkovací zařízení a odstraňte veškeré problémy, abyste snížili nebezpečí vážného úrazu rozdrčením či způsobeného jinými příčinami a zabránili poškození drážkovacího zařízení.**

**Nepoužívejte toto drážkovací zařízení s motorovým pohonem nebo závitořezným strojem, které nejsou vybaveny nožním spínačem.**

1. Pokud se drážkovací zařízení instaluje na motorový pohon nebo na závitořezný stroj, zkontrolujte, zda je stroj odpojen od el. sítě a zda je spínač REV/OFF/FOR v poloze OFF. Motorový pohon nebo závitořezný stroj kontrolujte a udržujte podle návodu k použití daného stroje. Nedostatečná kontrola a údržba zařízení mohou vést k vážnému úrazu a k poškození majetku. Zkontrolujte, zda je zařízení vybaveno nožním spínačem a zda je spínač funkční. Toto drážkovací zařízení bez nožního spínače nepoužívejte.
2. Odstraňte veškerý olej, mastnotu nebo nečistoty z drážkovacího zařízení včetně přenášečích držadel, a z rohatky používané k aktivaci drážkovacího zařízení. Tím snížíte nebezpečí úrazu způsobeného vyklouznutím drážkovacího zařízení nebo rohatky z ruky během použití a usnadníte kontrolu zařízení.
3. Zkontrolujte, zda jsou podpěrná ramena těsně upevněna v těle drážkovacího zařízení.
4. Zkontrolujte, zda nejsou některé části drážkovacího zařízení rozbité, nechybí, nejsou chybně umístěné nebo připojené, nebo zda nenastaly jiné okolnosti bránící bezpečnému a normálnímu použití. Zkontrolujte, zda se drážkovací válec a hnací hřídel volně otáčejí.
5. Zkontrolujte, zda jsou výstražné štítky na místě a jsou připevněné. Umístění výstražného štítku *naleznete na obr. 2*.
6. Pokud jsou vroubky hnací hřídele znečištěné, očistěte je drátěným kartáčem. Znečištěné vroubky mohou způsobit sklouznutí trubky a potíže s vedením během drážkování.

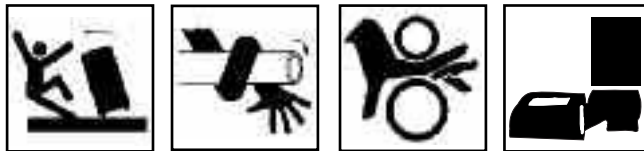
7. Zkontrolujte, zda drážkovací válec a hnací hřídel neobsahují praskliny, nejsou opotřebované nebo jinak poškozené. Poškození drážkovacího válce a hnací hřídele může způsobit sklouznutí trubky, nedostatečnou kvalitu drážek nebo poruchu během používání.
8. Zkontrolujte, zda správně funguje rohatka a prodloužení. Zkontrolujte, zda se rohatka otáčí hladce a stejnoměrně v obou směrech. Stiskněte uvolňovací tlačítko uprostřed hlavy rohatky a nainstalujte ji na posuvový šroub. Rohatka musí pevně dosednout na místo. Rohatka musí také pevně zapadnout do prodloužení a prodloužení musí pevně zapadnout do čtvercového otvoru ručního pohonu v zadní části drážkovacího zařízení. Tím zabráníte uvolnění rohatky nebo prodloužení z drážkovacího zařízení během použití. Použijete-li jinou rohatku, klíč nebo prodloužení, které nezapadnou do drážkovacího zařízení, nezapomeňte, že se mohou během práce uvolnit.  
Pokud narazíte na jakékoli potíže, nepoužívejte stroj, dokud potíže neodstraníte.
9. Namažte drážkovací zařízení podle pokynů k údržbě v tomto návodu. Z drážkovacího zařízení otřete veškeré nadbytečné mazivo.
10. Pokud použijete jakékoli jiné vybavení, kontrolujte ho a udržujte, aby byla zajištěna jeho správná funkčnost.



**Obrázek 2 – Výstražný štítek na drážkovacím zařízení 975 Combo Roll Groover**

## Příprava stroje a pracovní oblasti pro motorově poháněné aplikace

### ⚠ VAROVANI



**Vždy používejte ochranu očí a chraňte oči před vniknutím prachu a cizích objektů. Noste obuv s ocelovými špičkami, abyste si chránili nohy před převrácenými nástroji a padajícími trubkami.**

**Nepoužívejte toto drážkovací zařízení s motorovým pohonem nebo závitorezným strojem, které nejsou vybaveny nožním spínačem. Nikdy neblokuje nožní spínač, aby neovládal motorový pohon. Nožní spínač umožňuje lepší ovládání, protože sundáním nohy ze spínače vypnete motor pohonu. Pokud by se do stroje zachytil oděv a motor pohonu by byl stále napájen, oděv by byl vtažen do stroje. Tento stroj má vysoký točivý moment a oděv by se vám mohl namotat na paži nebo na jiné části těla s takovou silou, že by rozdrtil nebo rozlámal kosti nebo by způsobil pohmožděliny či jiná poranění.**

**Připravte drážkovací zařízení a pracovní oblast podle těchto pokynů, abyste snížili nebezpečí úrazu elektrickým proudem, vzniku požáru, převrácení stroje, zachycení, rozdrčení a dalších nehod a zabránili poškození drážkovacího zařízení.**

1. Vyberte pracovní oblast splňující následující podmínky:
  - Odpovídající osvětlení.
  - Nejsou přítomny hořlaviny, hořlavé páry nebo prach, které by se mohly vznítit. Pokud jsou přítomny, v prostoru nepracujte, dokud nebudou určeny a odstraněny jejich zdroje. Motorové pohony a závitorezné stroje nejsou určeny pro práci ve výbušném prostředí a mohou způsobovat jiskry.
  - Poskytuje volnou, rovnou, stabilní a suchou plochu pro zařízení i pro obsluhu. Nepoužívejte zařízení, pokud stojíte ve vodě.
  - Musí být k dispozici řádně uzemněná zásuvka. Tříkolková zásuvka nebo zásuvka chráněná proudovým jističem nemusí být správně uzemněná. V případě pochybností nechte zásuvku zkontrolovat kvalifikovaným elektroinstalátérem.
  - Uvolněte cestu k elektrické zásuvce, aby se v ní nevykytovaly žádné potenciální zdroje poškození napájecího kabelu.
2. Před instalací jakéhokoli zařízení vyklidte pracovní oblast. Vždy setřete jakékoli zbytky oleje.
3. Zkontrolujte trubku, kterou budete drážkovat a ujistěte se, že drážkovací zařízení 975 Combo Roll Groover je vhodný nástroj pro tento účel. Drážkovací zařízení 975



Combo Roll Groover je určeno pro drážkování trubek schedule 10 a 40 vyrobených z oceli, hliníku či plastu o průměrech 1¼" až 6". Také je určeno pro drážkování nerezových trubek o průměrech 1¼" až 6" schedule 10 a 1¼" až 2" schedule 40. Po výměně sady válců je určeno také pro drážkování měděných trubek o průměrech 2" - 8", typů K, L, M a DWV.

Drážkovací zařízení 975 Combo Roll Groover lze použít pro fixované trubky (nainstalovaná trubka nebo trubka upnutá ve svěráku) nebo v kombinaci s motorovým pohonem RIDGID 300 Power Drive nebo se závitorezným strojem 300 Compact Threading Machine. Drážkovací zařízení 975 Combo Roll Groover není určeno pro výrobní aplikace.

Drážkovací zařízení pro jiné použití naleznete v katalogu výrobků Ridge Tool, online na [www.RIDGID.com](http://www.RIDGID.com) nebo zavolejte do technického oddělení společnosti Ridge Tool na číslo 800-519-3456.

**POZNÁMKA** Použití válcovacích sad (drážkovací válec a hnací hřídel) na uhlíkových a nerezových trubkách může vést ke kontaminaci nerezové oceli. Tato kontaminace může způsobit korozi a zkrácení životnosti trubky. Abyste zabránili kontaminaci nerezových trubek železem, použijte válcovací sady určené pro válcové drážkování nerezových trubek. Nebo při změně materiálu trubky pomocí drátěného kartáče z nerezové oceli důkladně očistěte válcovací sadu.

- Motorový pohon nebo závitorezný stroj musí být zkontrolovány dle návodu k použití. Zkontrolujte, zda je zařízení vybaveno nožním spínačem a zda je přepínač FOR/OFF/REV v poloze OFF. Nastavte motorový pohon nebo závitorezný stroj podle návodu k použití. Zkontrolujte, zda je stroj a stojan stabilní a nekymácí se.
- Úplně povolte sklíčidlo motorového pohonu nebo závitorezného stroje.
- Ujistěte se, že byla provedena kontrola drážkovacího zařízení 975 Combo Roll Groover a zda byla nainstalována správná válcovací sada.

### Montáž drážkovacího zařízení 975 Combo Groover na motorový pohon RIDGID 300 Power Drive

- Pokud je motorový pohon, který chcete použít, vybaven vozíkem nebo jiným příslušenstvím, odmontujte je od pohonu. Zkontrolujte, zda jsou podpěrná ramena motorového pohonu plně vysunuta a pevně zafixována.
- Položte podpěrná ramena drážkovacího zařízení na podpěrná ramena motorového pohonu a zasuňte konec hnací hřídele drážkovacího zařízení do sklíčidla stroje. Zavřete a dotáhněte sklíčidlo motorového pohonu na ploškách hnací hřídele. Zkontrolujte, zda je hnací hřídel vycentrována na sklíčidle. Opakovaně a silou otáčejte proti směru pohybu hodinových ručiček sklíčidlem, dokud nedojde k pevnému sevření hnací hřídele (obr. 3).

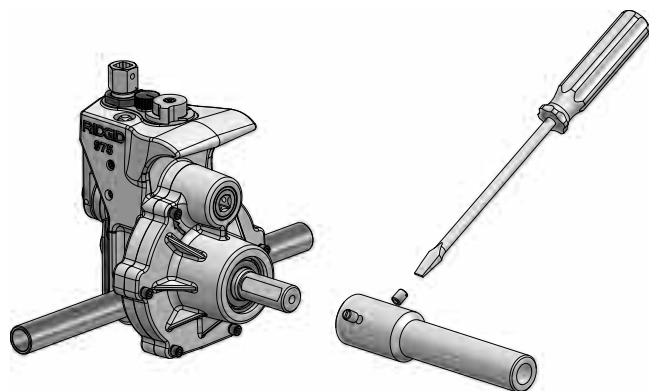


Obrázek 3 – Montáž drážkovacího zařízení 975 Combo Roll Groover na sklíčidlo motorového pohonu 300 Power Drive

### Montáž drážkovacího zařízení 975 Combo Groover na závitorezný stroj RIDGID 300 Compact/1233 Threading Machine

Při použití drážkovacího zařízení 975 Combo Roll Groover se závitorezným strojem 300 Compact/1233 Threading Machine je třeba použít adaptér (kat. č. 67662). Pomocí adaptéru se nastaví správná poloha drážkovacího zařízení 975 Combo Roll Groover vůči závitoreznému stroji a stojanu a umožní drážkovat v úplném rozsahu rozměrů. Nepoužívejte drážkovací zařízení 975 Combo Groover s žádným jiným závitorezným strojem, protože by mohlo dojít k převrácení nebo k jiným nehodám.

- Nainstalujte hnací tyč na hnací hřídel drážkovacího zařízení (viz obr. 4). Vyrovnajte stavěcí šrouby s ploškami na hnací hřídeli drážkovacího zařízení a pevně je dotáhněte.



Obrázek 4 – Instalace adaptéru hnací tyče

- Posuňte vozík na závitorezném stroji 300 Compact/1233 Threading Machine co nejlíže ke sklíčidlu stroje. Posuňte frézu, výstružník a závitovou hlavu do polohy od obsluhy, aby nepřekážely. Umístěte kužel výstružníku do závitové hlavy.

- Nasuňte držák adaptéru na konec kolejnič závitorezného stroje 300 Compact/1233 (dle obrázku 5) a pomocí připojeného čepu ho zafixujte na místě.



Obrázek 5 – Instalace držáku adaptéru

- Nasadte podpěrná ramena zařízení 975 na ramena držáku adaptéru tak, aby byl adaptér hnací tyče zasunut do sklíčidla stroje. Zavřete a utáhněte sklíčidlo závitorezného stroje na adaptéru hnací tyče. Zkontrolujte, zda je hnací tyč vycentrována na sklíčidle. Opakovaně a silou otáčejte proti směru pohybu hodinových ručiček sklíčidlem, dokud nedojde k pevnému sevření hnací tyče.



Obrázek 6 – Zařízení 975 Combo Roll Groover správně namontované na závitorezném stroji 300 Compact Threading Machine

## Dokončení přípravy

- Umístěte nožní spínač tak, aby obsluha mohla ovládat motorový pohon nebo závitorezný stroj, drážkovací zařízení a drážkovanou trubku. Správná poloha dle obr. 6 by měla obsluze umožňovat následující:
  - Stát čelem k drážkovacímu zařízení a mít přístup (stát na straně) ke spínači FOR/OFF/REV.

- Ovládat zapínání a vypínání pomocí nožního spínače a v případě potřeby rychle uvolnit nožní spínač.
- Mít pohodlný přístup k drážkovacímu zařízení, trubce a řehačkovému klíči, aniž by se musela naklánět nad drážkovací zařízení.



Obrázek 7 – Pozice obsluhy

- Vedte napájecí kabel předem stanovenou, volnou cestou. Suchými rukama zapojte motorový pohon do správně uzemněné el. zásuvky. Veškerá spojení udržujte v suchu a nenechávejte je položená na zemi. Pokud není napájecí kabel dost dlouhý, použijte prodlužovací šňůru, která:
  - je v dobrém stavu;
  - má tříkolíkovou zástrčku podobnou zástrčce motorového pohonu;
  - je určena pro použití venku a má označení W nebo W-A (tj. SOW);
  - má dostatečný průřez (14 AWG pro 7,5 m nebo kratší, 12 AWG pro 7,5 – 15 m). Poddimenzované vodiče se mohou přehřát, může dojít k roztavení izolace nebo ke vzniku požáru či jinému poškození.
- Zkontrolujte, zda motorový pohon nebo závitorezný stroj pracuje správně:
  - Přepněte spínač do polohy FOR (Dopředu). Stiskněte a uvolněte nožní spínač. Zkontrolujte, zda se hnací hřídel otáčí proti směru chodu hodinových ručiček, jestliže stojíte proti přednímu sklíčidlu. Pokud se systém neotáčí

správným směrem, nebo pokud nožní spínač neovládá chod stroje, nepoužívejte stroj, dokud nebude opraven.

- Stiskněte a držte sešlápnutý nožní spínač. Zkontrolujte rychlost otáčení systému. Zkontrolujte, zda jsou pohyblivé části správně vyrovnány, spojeny, zda nevydávají divné zvuky nebo nepozorujete něco neobvyklého. Uvolněte nožní spínač. Pokud rychlost otáčení přesahuje 57 ot./min., nepoužívejte systém pro válcové drážkování. Vyšší otáčky zvyšují nebezpečí úrazu. Pokud narazíte na něco neobvyklého, nepoužívejte zařízení, dokud nebude opraveno.
- Přepněte spínač do polohy REV (Dozadu). Stiskněte a uvolněte nožní spínač. Zkontrolujte, zda se hnací hřídel otáčí ve směru chodu hodinových ručiček, jestliže stojíte proti přední straně sklíčidla. Pokud se systém neotáčí správným směrem, nepoužívejte stroj, dokud nebude opraven.
- Přepněte spínač do polohy OFF (Vypnuto). Suchýma rukama vypojte stroj z el. zásuvky.

## Příprava trubek

**POZNÁMKA** Toto jsou obecné pokyny. Vždy dodržujte speciální doporučení výrobce pro přípravu konců trubek pro drážkované spoje. Nedodržení doporučení výrobce pro drážkované spoje může vést k vytvoření chybného spoje a k netěsnostem.

1. Uřízněte trubku na potřebnou délku. Mějte na paměti minimální délky trubek, které lze pro jednotlivé průměry trubek drážkovat (viz tabulka A). Při drážkování trubky kratší než je minimální délka se zvyšuje nebezpečí rozdrčení prstů a zachycení.

Zkontrolujte, zda je trubka uříznutá rovně a bez otřepů. O otřepy se mohou při drážkování zachytit nebo proříznout rukavice nebo prsty. Metoda řezání a velké otřepy mají vliv na kvalitu vyrobené drážky a na vedení drážkování. Nepokoušejte se drážkovat trubku, která byla uříznuta plamenem.

2. Všechny vnitřní i vnější svarové housenky nebo švy musí být zabroušeny nejméně do vzdálenosti 5 cm od konce trubky. V oblasti usazení těsnění nevyřezávejte žádné plošky, protože by mohly vzniknout netěsnosti.
3. Odstraňte veškeré usazeniny, nečistoty, rez a jiné kontaminující materiály nejméně do vzdálenosti 5 cm od konce trubky. Kontaminující látky mohou zanést vroubky pohonu a zabránit správnému posouvání a vedení trubky během drážkování.

## Nasazení trubky na drážkovací zařízení

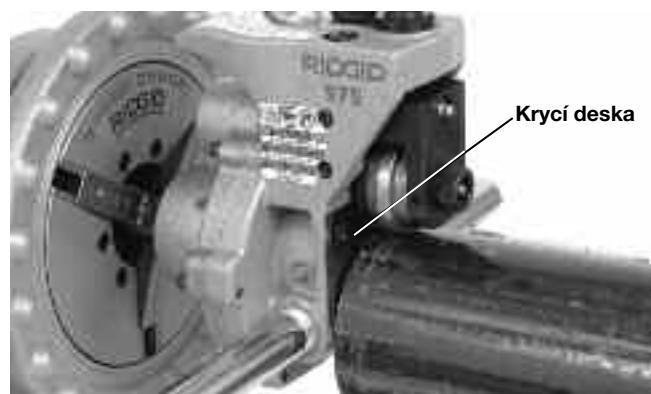
1. Motorový pohon nebo závitorezný stroj musí být vypnutý.
2. Drážkovaná trubka musí být správně podepřena. V tabulce A jsou uvedeny maximální délky trubek, které lze dráž-

kovat pomocí stojanu pro jednu trubku. Delší trubky musí být podepřeny nejméně dvěma stojany. Pokud by nebyla trubka správně podepřena, hrozí nebezpečí převrácení a pádu trubky nebo trubky a stroje. Nedrážkujte trubky kratší než je minimální stanovená délka.

Jmen. velikost	Min. délka	Max. délka	Jmen. velikost	Min. délka	Max. délka
1	8	36	4	8	36
1¼	8	36	4½	8	32
1½	8	36	5	8	32
2	8	36	6 O.D.	10	30
2½	8	36	6	10	28
3	8	36			
3½	8	36			

**Tabulka A – Minimální a maximální délky drážkovaných trubek podepřených jedním stojanem (všechny rozměry jsou uvedeny v palcích)**

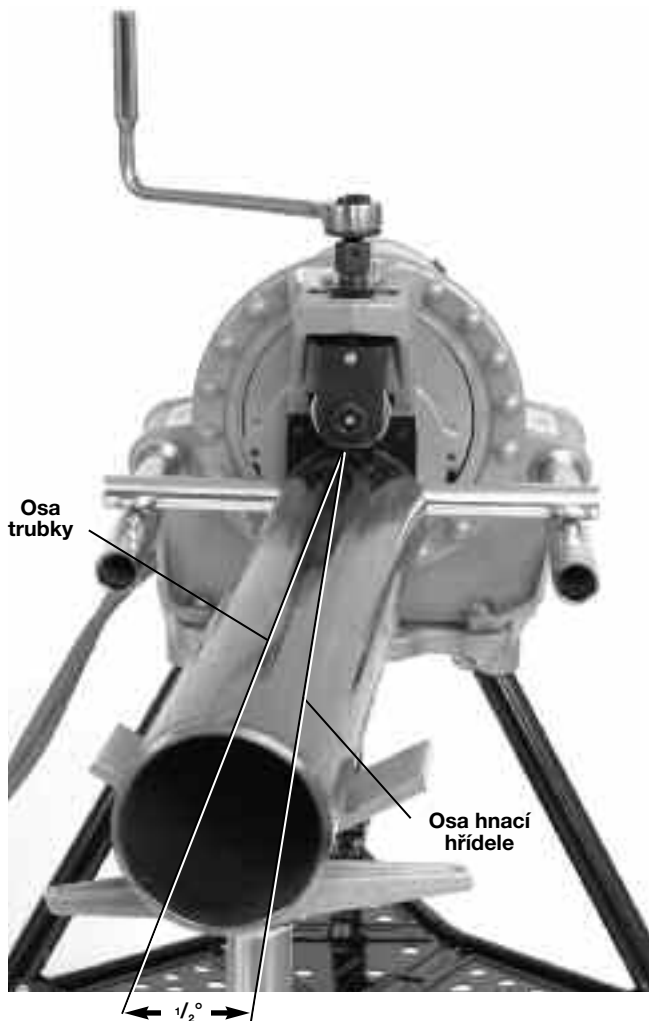
3. Umístěte požadované stojany trubky před drážkovací zařízení. U trubek podepřených jedním stojanem umístěte stojan o trochu dál, než činí polovina délky trubky, od krycí desky drážkovacího zařízení. U trubek podepřených více než jedním stojanem umístěte stojany do vzdálenosti ¼ délky trubky od konců trubky. Někdy bude vhodné použít více stojanů. Výšky stojanů nastavte tak, aby se dala trubka umístit nad tlačný válec.
4. Drážkovací válec musí být nastaven tak, aby bylo možné umístit trubku přes hnací hřídel. V případě potřeby otáčejte posuvovým šroubem proti směru chodu hodinových ručiček a drážkovací válec zvedněte.
5. Umístěte konec trubky na hnací hřídel a položte trubku na stojany. Zkontrolujte, zda je trubka stabilní.



**Obrázek 8 – Umístění trubky na hnací hřídel a vyrovnání s krycí deskou**

6. Umístěte trubku a stojany trubky tak, aby byl konec trubky vyrovnán s krycí deskou a vnitřek trubky se dotýkal horní strany hnací hřídele (obr. 7). Osa trubky a osa hnací hřídele musí být paralelní. Můžete to udělat tak, že vyrovnáte do vodováhy trubku a motorový pohon nebo závitorezný stroj.

7. Mírně posuňte trubku a stojany trubky přibližně o  $1/2$  stupně (asi 2,5 cm na 3 m od drážkovacího zařízení) směrem k obsluze. Správné vyrovnaní trubky a drážkovacího zařízení napomůže správnému vedení trubky během drážkování. (viz obrázek 9)



**Obrázek 9 – Posunutí trubky o  $1/2^\circ$  směrem k obsluze (zvětšené měřítko)**

8. Otáčejte posuvovým šroubem ve směru chodu hodinových ručiček, až se drážkovací válec dotkne vnějšího průměru trubky, a potom otočte posuvovým šroubem ještě o čtvrt otáčky. Možná bude třeba povolit seřizovací šroub (otočit proti směru chodu hodinových ručiček), aby se drážkovací válec dotkl trubky. V tomto okamžiku by měla být trubka vzájemně spojena s drážkovacím zařízením.
9. Zkontrolujte pracovní oblast a rozhodněte, zda je třeba ji nějak ohraničit, aby se k zařízení a trubce nedostal nikdo jiný kromě obsluhy. Ohraničení nebo zábrany by měly zabezpečit kolem motorového pohonu a trubky minimálně 1 metr volného prostoru. Tato „bezpečnostní zóna“ zabrání náhodnému kontaktu se strojem nebo trubkou a zabrání převrácení nebo zachycení rotujícími částmi.

10. Suchýma rukama zapojte stroj do správně uzemněné el. zásuvky.

## Použití drážkovacího zařízení 975 Combo Roll Groover s motorovým pohonem nebo závitořezným strojem

### ⚠ VAROVANI



Při práci s drážkovacím zařízením nenoste volný oděv. Mějte zapnuté rukávy a bundy. Nenatahujte se přes stroj nebo trubku. Volný oděv může být zachycen rotujícími částmi a způsobit rozdrčení části těla.

Udržujte ruce mimo dosah drážkovacích válců. Nedrážkujte trubky kratší než je specifikováno. Nenoste volné montážní rukavice. Prsty mohou být rozdrčeny mezi drážkovacími válci nebo mezi drážkovacím válcem a trubkou.

Udržujte ruce mimo dosah konců trubky. Nesahejte dovnitř trubky. Můžete se zachytit a pořezat o otřepky a ostré hrany. Prsty mohou být rozdrčeny mezi drážkovacími válci nebo mezi drážkovacím válcem a trubkou.

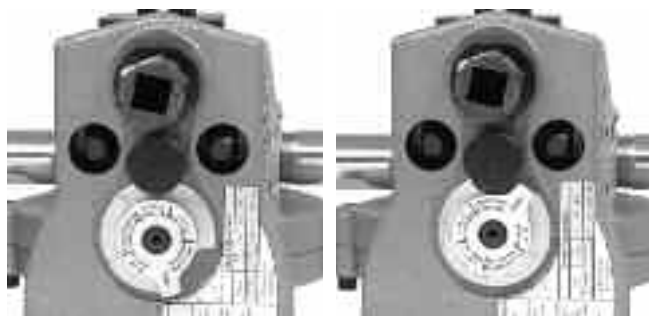
Vždy používejte ochranu očí a chraňte oči před vniknutím prachu a cizích objektů. Noste obuv s ocelovými špičkami, abyste si chránili nohy před převrácenými nástroji a padajícími trubkami.

Dodržujte pokyny v návodu k použití, abyste snížili nebezpečí úrazu rozdrčením, převrácením, úderem nebo z jiných příčin.

### Nastavení a měření průměru drážky

**POZNÁMKA** Vzhledem k rozdílným charakteristikám trubek by měl být proveden test vždy před prvním drážkováním v daný den a při změně rozměru trubky, časového plánu nebo materiálu. Měřidla nastavení průměru drážky jsou pouze přibližná a průměr drážky je třeba přesně změřit.

1. Zkontrolujte, zda jsou zařízení a trubka správně připraveny. Chybně připravená trubka může ovlivnit přesné nastavení měřidla hloubky drážky. Drážkovací válec se musí dotýkat trubky.
2. Nastavte měřidlo hloubky drážky tak, aby byl správný stupeň měřidla pod hlavou seřizovacího šroubu (obr 10A). *Měřidlo hloubky drážky je určeno pro trubky.* V případě měděných trubek si přečtěte část „Nastavení průměru drážky pro měděné trubky“.
3. Otáčejte seřizovacím šroubem ve směru chodu hodinových ručiček, až se hlava dotkne požadovaného stupně měřidla hloubky. Otočte měřidlo hloubky drážky do drážkovací polohy (obr. 10B). Pokud nebude měřidlo v drážkovací poloze, zabrání drážkování a může se poškodit.



**Obrázek 10A – Umístění správného stupně měřidla pod hlavu seřizovacího šroubu**

**Obrázek 10B – Měřidlo v drážkovací pozici**

4. Připravte se na test (*postupem Výroba válcové drážky*).
5. Změřte průměr drážky. Nejlepší metodou změření průměru drážky je použít pásový metr (*viz Příslušenství*). Omotejte metr kolem trubky v drážce. Zkontrolujte, zda metr dobře sedí v drážce, a odečtěte hodnotu průměru drážky. (*viz obrázek 11*)



**Obrázek 11 – Měření průměru drážky pásovým metrem**

6. Porovnejte změřený průměr drážky s požadovaným průměrem uvedeným v *tabulce I nebo III* nebo podle specifikace výrobce spojovacího materiálu. Pokud se naměřená velikost drážky neshoduje s požadovaným průměrem, seřizovací šroub musí být nastaven tak, aby bylo dosaženo správného průměru.
  - Pro zvětšení průměru otáčejte seřizovacím šroubem ve směru chodu hodinových ručiček.
  - Pro zmenšení průměru otáčejte seřizovacím šroubem proti směru chodu hodinových ručiček.
  - Každá čtvrtotáčka seřizovacího šroubu změní průměr drážky přibližně o 0,5 mm.

7. Opakujte kroky 4-6, dokud nebude průměr drážky ve shodě s požadavky. Je-li drážka příliš velká, drážkovací zařízení lze nastavit a drážku zmenšit. Je-li drážka příliš malá, musí se vyrobít jiná drážka. Správný průměr drážky je nezbytný pro zajištění kvality spoje. Drážky nevyhovující požadavkům mohou způsobit nekvalitní spoj.

### Výroba válcové drážky

1. Zkontrolujte, zda jsou zařízení a trubka správně připraveny.



**Obrázek 12 – Provozní poloha drážkovacího zařízení**

2. Zaujměte správnou pracovní polohu. Umístěte nožní spínač motorového pohonu tak, aby obsluha ovládala motorový pohon, drážkovací zařízení a drážkovanou trubku. Správná poloha dle *obr. 12* by měla obsluhu umožňovat následující:
  - Stát čelem k drážkovacímu zařízení a mít přístup (stát na straně) ke spínači FOR/OFF/REV.
  - Ovládat zapínání a vypínání pomocí nožního spínače a v případě potřeby rychle uvolnit nožní spínač.
  - Mít pohodlný přístup k drážkovacímu zařízení a řehťakovému klíči, aniž by se musela naklánět nad drážkovací zařízení.
  - Položit v případě potřeby pravou ruku na drážkovanou trubku.

- Mít dobrý postoj a udržovat rovnováhu.
3. Přepněte spínač FOR/OFF/REV do polohy REV (Dopředu). **Nespouštějte drážkovací zařízení 975 Combo Roll Groover v poloze FOR (Dopředu). Vzhledem ke konstrukci drážkovacího zařízení 975 Combo Roll Groover by se trubka „vyšroubovala“ z drážkovacích válců a mohla by vypadnout.**
  4. Položte jednu ruku na hlavu rohatky nebo na horní stranu posuvového šroubu a druhou ruku na konec rohatky.
  5. Sešlápnutím nožného spínače spusťte motorový pohon. Sledujte otáčení trubky a kontrolujte, zda čelo trubky zůstává v kontaktu s krycí deskou drážkovacího zařízení. Pokud se trubka začne pohybovat směrem od krycí desky, uvolněte nožní spínač, aby nedošlo k vyšroubování a pádu trubky. V případě potřeby trubku znovu usadte (viz část *Nasazení trubky*). Pokud je konec trubky deformovaný, musí se uříznout a musí se připravit nová drážka.
  6. Když se trubka otočí úplně dokola, dotáhněte posuvový šroub o další  $\frac{1}{4}$  otáčky. Dále sledujte trubku, aby zůstávala v kontaktu s krycí deskou. Neutahujte posuvový šroub o více než  $\frac{1}{4}$  otáčky na jedno otočení trubky dokola. Přílišné utahení posuvového šroubu by mohlo způsobit nadměrné rozvácování drážky nebo vyšroubování trubky z hnací hřídele.
  7. Pokračujte v utahování posuvového šroubu o  $\frac{1}{4}$  na jedno otočení trubky dokola, dokud se hlava seřizovacího šroubu nezastaví o horní stranu drážkovacího zařízení. Nepokračujte v utahování posuvového šroubu poté, co seřizovací šroub dosáhne k horní straně drážkovacího zařízení, protože by mohlo dojít k poškození seřizovacího šroubu. Nechte trubku v této poloze otočit ještě nejméně o dvě úplné otáčky, aby bylo dosaženo stejnoměrné hloubky drážky.
  8. Uvolněte nožní spínač a přepněte spínač FOR/OFF/REV do polohy OFF.
  9. Otácejte posuvovým šroubem proti směru chodu hodinových ručiček a zvedněte drážkovací válec, aby bylo možné vytáhnout trubku ze stroje.
  10. Zkontrolujte drážku.
    - Zkontrolujte, zda je drážka úplně vyrobená.
    - Zkontrolujte, zda je průměr drážky dle požadavků.
    - Zkontrolujte, zda byly splněny všechny další požadavky výrobce spojovacího materiálu.

Pokud narazíte na jakékoli potíže, drážku nelze použít.

## Nastavení průměru drážky pro měděné trubky

Při použití drážkovacího zařízení 975 Combo Roll Groover pro měděné trubky nelze použít měřidlo hloubky drážky na drážkovacím zařízení. Měřidlo udává chybné průměry.

1. Otácejte posuvovým šroubem ve směru chodu hodinových ručiček, až se drážkovací válec dotkne vnějšího průměru trubky, a potom otočte posuvovým šroubem ještě o čtvrt otáčky. Možná bude třeba povolit seřizovací šroub (otočit proti směru chodu hodinových ručiček), aby se drážkovací válec dotkl trubky. V tomto okamžiku by měla být trubka vzájemně spojena s drážkovacím zařízením.
2. Měřidlo hloubky drážky musí být v drážkovací poloze. (obr. 10B)
3. Otácejte seřizovacím šroubem, dokud nebude vyrovnán s horní deskou drážkovacího zařízení.
4. Vyhledejte průměr a typ drážkované trubky v tabulce B a zašroubujte seřizovací šroub zpět od horní desky o uvedený počet otáček. Například pro 4" měděnou trubku typu L otočte seřizovací šroub o  $1\frac{1}{4}$  otáčky.

## Nastavení hloubky pro válcové drážkování měděných trubek (otáčky seřizovacího šroubu)

Prům.	K	L	M	DWV
2-2.5"	$\frac{7}{8}$	$\frac{7}{8}$	$\frac{5}{8}$	$\frac{5}{8}$
3"	$1\frac{1}{16}$	$1\frac{1}{16}$	$1\frac{1}{16}$	$1\frac{1}{16}$
4"	$1\frac{1}{4}$	$1\frac{1}{4}$	$1\frac{1}{4}$	$1\frac{1}{8}$
5"	$1\frac{1}{2}$	$1\frac{1}{2}$	$1\frac{1}{2}$	$1\frac{1}{2}$
6"	$1\frac{13}{16}$	$1\frac{3}{4}$	$1\frac{3}{4}$	$1\frac{3}{4}$
8"	$2\frac{1}{2}$	$2\frac{3}{8}$	$2\frac{1}{8}$	$2\frac{1}{8}$

**Tabulka B – Nastavení hloubky pro válcové drážkování měděných trubek**

5. Přejděte ke kroku 4 části *Nastavení a měření průměru drážky*.

## Tipy pro vedení drážkovacího zařízení 975 Combo Roll Groover

Hlavním problémem, na který uživatelé při drážkování trubek narážejí, je „vyšroubování“ trubky z hnací hřídele nebo chybné „vedení“. Pro dosažení správného vedení je důležité dodržovat všechny pokyny. Pokud i při dodržení všech pokynů nedochází ke správnému vedení trubky, lze vedení zlepšit několika dalšími způsoby.

- Mírným posunutím trubky směrem k obsluze (změna o  $\frac{1}{2}$  až 1 stupeň) (viz obr. 9).
- Obsluha někdy musí pro zajištění správného vedení při drážkování působit na trubku mírnou silou. Obvykle je to zapotřebí pouze u kratších úseků trubek. K tomu je zapotřebí, aby obsluha měla nasazenou kvalitní koženou rukavici a přidržela střed trubky podle obr. 13. Je vhodné,

aby byl stojan motorového pohonu nebo závitorezného zařízení připevněn k podlaze, aby nedošlo během drážkování k pohybu. Držte ruku stranou od drážkovacího válce a od konců trubky, a nedrážkujte trubky kratší než doporučené, abyste předešli úrazu rozdrčením prstů nebo ruky.



**Obrázek 13 – Působení silou na trubku pro zajištění správného vedení**

- Úplný seznam důvodů chybného vedení a jejich řešení naleznete také v části *Řešení potíží*.

## Příprava stroje a pracovní oblasti pro drážkování nainstalované trubky

### ⚠ VAROVANI



Vždy používejte ochranu očí a chraňte oči před vniknutím prachu a cizích objektů. Noste obuv s ocelovými špičkami, abyste si chránili nohy před převrácenými a padajícími nástroji a trubkou. Při drážkování nainstalované trubky mějte nasazenou ochrannou přilbu.

Připravte drážkovací zařízení a pracovní oblast podle těchto pokynů, abyste snížili nebezpečí úrazu od převrácení stroje, rozdrčení a dalších nehod a zabránili poškození drážkovacího zařízení.

1. Vyberte pracovní oblast splňující následující podmínky:
  - Odpovídající osvětlení.
  - Nejsou přítomny hořlaviny, hořlavé páry nebo prach, které by se mohly vznítit. Pokud jsou přítomny, v prostoru nepracujte, dokud nebudou určeny a odstraněny jejich zdroje.
  - Poskytuje volnou, rovnou, stabilní a suchou plochu s odpovídajícím místem pro zařízení i pro obsluhu.
2. Před instalací jakéhokoli zařízení vyklidte pracovní oblast. Vždy setřete jakékoli zbytky oleje.
3. Zkontrolujte trubku, kterou budete drážkovat a ujistěte se, že drážkovací zařízení 975 Combo Roll Groover je vhodný nástroj pro tento účel. Drážkovací zařízení 975 Combo Roll Groover je určeno pro drážkování trubek schedule 10 a 40 vyrobených z oceli, hliníku či plastu o průměrech 1 1/4“ až 6“. Také je určeno pro drážkování nerezových trubek o průměrech 1 1/4“ až 6“ schedule 10 a 1 1/4“ až 2“ schedule 40. Po výměně sady válců je určeno také pro drážkování měděných trubek o průměrech 2” - 8”, typů K, L, M a DWV.
 

Drážkovací zařízení 975 Combo Roll Groover lze použít pro fixované trubky (nainstalovaná trubka nebo trubka upnutá ve svěráku) nebo v kombinaci s motorovým pohonem RIDGID 300 Power Drive nebo se závitorezným strojem 300 Compact Threading Machine. Drážkovací zařízení 975 Combo Roll Groover není určeno pro výrobní aplikace.
4. Při drážkování nainstalované trubky se ujistěte, že je kolem dostatek prostoru pro nasazení a použití drážkovacího zařízení 975 Combo Roll Groover. Drážkovací zařízení se bude kolem pevně zafixované trubky otáčet a vyžaduje následující:

- alespoň 17 cm volného prostoru kolem drážkované trubky;
- alespoň 7 cm trubky vyčnívající z překážky, např. ze stěny;
- alespoň 24cm otvor pro nasazení drážkovacího zařízení na trubku.

Drážkovací zařízení pro jiné použití naleznete v katalogu výrobků Ridge Tool, online na [www.RIDGID.com](http://www.RIDGID.com) nebo zavolejte do technického oddělení společnosti Ridge Tool na číslo 800-519-3456.

**POZNÁMKA** Použití válcovacích sad (drážkovací válec a hnací hřídel) na uhlíkových a nerezových trubkách může vést ke kontaminaci nerezové oceli. Tato kontaminace může způsobit korozi a zkrácení životnosti trubky. Abyste zabránili kontaminaci nerezových trubek železem, používejte válcovací sady určené pro válcové drážkování nerezových trubek. Nebo při změně materiálu trubky pomocí drátěného kartáče z nerezové oceli důkladně očistěte válcovací sadu.

## Příprava trubek

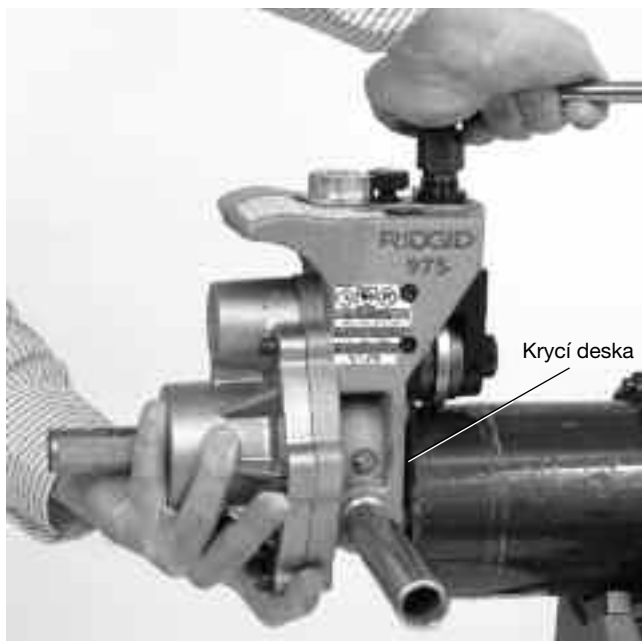
**POZNÁMKA** Toto jsou obecné pokyny. Vždy dodržujte speciální doporučení výrobce pro přípravu konců trubek pro drážkované spoje. Nedodržení doporučení výrobce pro drážkované spoje může vést k vytvoření chybného spoje a k netěsnostem.

1. Pokud budete drážkovat trubku zafixovanou na místě, zkontrolujte, zda byl ze systému vypuštěn tlak a zda byl vyprázdněn obsah. Seznamte se s obsahem a s ním spojenými riziky.
2. Uřízněte trubku na potřebnou délku.  
Zkontrolujte, zda je trubka uříznutá rovně a bez otřepů. O otřepy se mohou při drážkování zachytit nebo proříznout rukavice nebo prsty. Metoda řezání a velké otřepy mají vliv na kvalitu vyrobené drážky a na vedení drážkování. Nepokoušejte se drážkovat trubku, která byla uříznuta plamenem.
3. Všechny vnitřní i vnější svarové housenky nebo švy musí být zabroušeny nejméně do vzdálenosti 5 cm od konce trubky. V oblasti usazení těsnění nevyřezávejte žádné plošky, protože by mohly vzniknout netěsnosti.
4. Odstraňte veškeré usazeniny, nečistoty, rez a jiné kontaminující materiály nejméně do vzdálenosti 5 cm od konce trubky. Kontaminující látky mohou zanést vroubky pohonu a zabránit správnému posouvání a vedení trubky během drážkování.
5. Zkontrolujte, zda je drážkovaná trubka pevně instalovaná. Trubka musí unést hmotnost drážkovacího zařízení (12,6 kg) a vydržet sílu a moment potřebné k drážkování, aniž by se pohnula. U instalované trubky může mít smysl ji vymontovat a upevnit ji do svěráku. V jiných případech bude možná zapotřebí přidat další dočasné nebo trvalé podpěry trubky.

Při použití svěráku zkontrolujte, zda je bezpečný a nemůže se během drážkování převrátit. U delších trubek použijte vhodné stojany, kterými podepřete delší konec trubky.

## Montáž drážkovacího zařízení na trubku

1. Ujistěte se, že byla provedena kontrola drážkovacího zařízení 975 Combo Roll Groover a zda byla nainstalována správná válcovací sada. Zkontrolujte, zda jsou podpěrná ramena těsně upevněna v těle drážkovacího zařízení nebo je úplně vymontujte kvůli lepšímu přístupu v těsných prostorech. Potom nasadte rohatku na posuvový šroub a nainstalujte prodloužení do čtvercového otvoru ručního pohonu na zadní straně drážkovacího zařízení. Zkontrolujte, zda jsou rohatka i prodloužení bezpečně upevněny.
2. Zkontrolujte, zda je mezi drážkovacím válcem a hnací hřídelí dostatek místa pro stěnu trubky. V případě potřeby otáčejte posuvovým šroubem proti směru chodu hodinových ručiček a drážkovací válec zatáhněte.
3. Pevně uchopte drážkovací zařízení. Nezvedejte ho za rohatku. Zasuňte hnací hřídel do trubky a zkontrolujte, zda je krycí deska doražena na konec trubky (obr. 14). Dotažením posuvového šroubu přitáhněte drážkovací válec, až se dotkne vnějšího povrchu trubky. Když dotáhnete posuvový šroub rukou, dotáhněte ho rohatkou ještě o 1/4 otáčky. Zkontrolujte, zda je drážkovací zařízení pevně připevněno na trubku a krycí deska je zarovnána s koncem trubky. Pokud tomu tak není, postup zopakujte. Vždy se ujistěte, zda je drážkovací zařízení bezpečně připevněno, aby nemohlo spadnout.



Obrázek 14 – Způsob přidržení drážkovacího zařízení při dotahování posuvového šroubu



## Použití drážkovacího zařízení 975 Combo Roll Groover na nainstalované trubce



### ⚠ VAROVANI

Při použití na nainstalované trubce používejte pouze ruční pohon. K pohonu drážkovacího zařízení při drážkování nainstalované trubky nepoužívejte elektrická zařízení (např. vrtačky nebo vibrační nástroje). Použitím elektrických zařízení by mohlo dojít k poškození drážkovacího zařízení a zvyšuje se nebezpečí úrazu.

Při práci s drážkovacím zařízením nenoste volný oděv. Mějte zapnuté rukávy a bundy. Nenatahujte se přes stroj nebo trubku. Volný oděv může být zachycen rotujícími částmi a způsobit rozdrčení části těla.

Udržte ruce mimo dosah drážkovacích válců. Nedrážkujte trubky kratší než je specifikováno. Nenoste volné montážní rukavice. Prsty mohou být rozdrčeny mezi drážkovacími válci nebo mezi drážkovacím válcem a trubkou.

Udržte ruce mimo dosah konců trubky. Nesahejte dovnitř trubky. Můžete se zachytit a pořezat o otřepky a ostré hrany. Prsty mohou být rozdrčeny mezi drážkovacími válci nebo mezi drážkovacím válcem a trubkou.

Vždy používejte ochranu očí a chraňte oči před vniknutím prachu a cizích objektů. Noste obuv s ocelovými špičkami, abyste si chránili nohy před převrácenými nástroji a padajícími trubkami. Při drážkování nainstalované trubky mějte nasazenou ochrannou přílbu.

Dodržte pokyny v návodu k použití, abyste snížili nebezpečí úrazu rozdrčením, převrácením, úderem nebo z jiných příčin.

### Nastavení a měření průměru drážky

**POZNÁMKA** Vzhledem k rozdílným charakteristikám trubek by měl být proveden test vždy před prvním drážkováním v daný den a při změně rozměru trubky, časového plánu nebo materiálu. Měřidla nastavení průměru drážky jsou pouze přibližná a průměr drážky je třeba přesně změřit.

1. Zkontrolujte, zda jsou zařízení a trubka správně připraveny. Chybně připravená trubka může ovlivnit přesné nastavení měřidla hloubky drážky. Drážkovací válec se musí dotýkat trubky.
2. Nastavte měřidlo hloubky drážky tak, aby byl správný stupeň měřidla pod hlavou seřizovacího šroubu (obr. 15A). Měřidlo hloubky drážky je určeno pro trubky. V případě měděných trubek si přečtete část „Nastavení průměru drážky pro měděné trubky“.

3. Otáčejte seřizovacím šroubem ve směru chodu hodinových ručiček, až se hlava dotkne požadovaného stupně měřidla hloubky. Otočte měřidlo hloubky drážky do drážkovací polohy (obr. 15B). Pokud nebude měřidlo v drážkovací poloze, zabrání drážkování a může se poškodit.



Obrázek 15A – Umístění správného stupně měřidla pod hlavu seřizovacího šroubu



Obrázek 15B – Měřidlo v drážkovací pozici

4. Připravte se na test (postupem Výroba válcové drážky).
5. Změřte průměr drážky. Nejlepší metodou změření průměru drážky je použití pásový metr (viz Příslušenství). Omotejte metr kolem trubky v drážce. Zkontrolujte, zda metr dobře sedí v drážce, a odečtěte hodnotu průměru drážky (viz obr. 16).



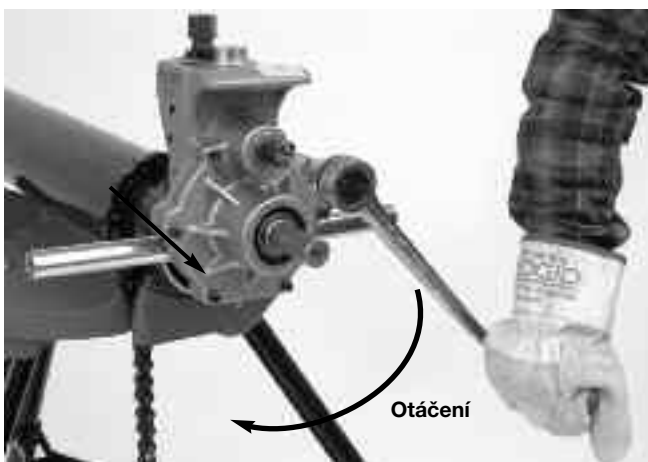
Obrázek 16 – Měření průměru drážky pásovým metrem

6. Porovnejte změřený průměr drážky s požadovaným průměrem uvedeným v tabulce I nebo III nebo podle specifikace výrobce spojovacího materiálu. Pokud se naměřená velikost drážky neshoduje s požadovaným průměrem, seřizovací šroub musí být nastaven tak, aby bylo dosaženo správného průměru.
  - Pro zvětšení průměru otáčejte seřizovacím šroubem ve směru chodu hodinových ručiček.

- Pro zmenšení průměru otáčejte seřizovacím šroubem proti směru chodu hodinových ručiček.
  - Každá čtvrtotáčka seřizovacího šroubu změní průměr drážky přibližně o 0,5 mm.
7. Opakujte kroky 4-6, dokud nebude průměr drážky ve shodě s požadavky. Je-li první drážka příliš velká, drážku lze upravit a zmenšit. Je-li drážka příliš malá, musí se vyrobit jiná drážka. Správný průměr drážky je nezbytný pro zajištění kvality spoje. Drážky nevyhovující požadavkům mohou způsobit nekvalitní spoj.

## Výroba válcové drážky

1. Zkontrolujte, zda jsou zařízení a trubka správně připraveny.
2. Zaujměte správnou pracovní polohu. Zaujměte pevný a dobře vyvážený postoj.
3. Posuvový šroub musí být dotažen o 1/4 otáčky.
4. Sundejte rohatku z posuvového šroubu a nasadte ji na prodloužení. (Ve stísněném prostoru není nutné prodloužení použít.)
5. Otáčejte rohatkou ve směru chodu hodinových ručiček z pohledu zezadu (špičky se budou zasouvat do zadní části drážkovacího zařízení, viz obr. 17). Sledujte otáčení drážkovacího zařízení a kontrolujte, zda krycí deska zařízení zůstává v kontaktu s koncem trubky. Pokud se drážkovací zařízení začne posouvat od konce trubky, přestaňte otáčet rohatkou, aby se zařízení nevyšroubovalo z konce trubky a nespadlo. Dá se zatlačit na podpěrná ramena drážkovacího zařízení, aby se krycí deska opět dotkla konce trubky. V případě potřeby drážkovací zařízení na trubku znovu namontujte. (Další informace naleznete v části *Montáž drážkovacího zařízení na trubku*.) Pokud je konec trubky deformovaný, musí se uříznout a musí se připravit nová drážka.



Obrázek 17 – Otáčení rohatkou ve směru šipek

6. Pokračujte v otáčení rohatkou, dokud se drážkovací zařízení neotočí alespoň jednou kolem trubky. Sundejte rohatku z prodloužení a nasadte ji na posuvový šroub. Dotáhněte posuvový šroub o další 1/4 otáčky. Sundejte rohatku z posuvového šroubu a nasadte ji na prodloužení. Neutahujte posuvový šroub o více než 1/4 otáčky na jedno otočení trubky dokola. Přílišné utahení posuvového šroubu by mohlo způsobit nadměrné rozvácení drážky nebo vyšroubování drážkovacího zařízení z trubky. Otáčením rohatky otáčejte drážkovací zařízení kolem trubky a přitom sledujte polohu krycí desky vůči konci trubky.
7. Pokračujte v utahování posuvového šroubu o 1/4 otáčky na jedno otočení drážkovacího zařízení dokola, dokud se hlava seřizovacího šroubu nezastaví o horní stranu drážkovacího zařízení. Nepokračujte v utahování posuvového šroubu poté, co seřizovací šroub dosáhne k horní straně drážkovacího zařízení, protože by mohlo dojít k poškození seřizovacího šroubu. Poté, co seřizovací šroub dosáhne k horní straně drážkovacího zařízení, otočte drážkovacím zařízením kolem trubky ještě nejméně o dvě úplné otáčky, aby bylo dosaženo stejnoměrné hloubky drážky.
8. Nasadte rohatku na posuvový šroub. Pevně uchopte drážkovací zařízení. Otáčejte posuvovým šroubem proti směru chodu hodinových ručiček a zatáhněte drážkovací válec, aby bylo možné sundat drážkovací zařízení z trubky. Neupustěte drážkovací zařízení na zem.
9. Zkontrolujte drážku.
  - Zkontrolujte, zda je drážka úplně vyrobená.
  - Zkontrolujte, zda je průměr drážky dle požadavků.
  - Zkontrolujte, zda byly splněny všechny další požadavky výrobce spojovacího materiálu.

Pokud narazíte na jakékoli potíže, drážku nelze použít.

## Pokyny k údržbě

### ⚠ VAROVÁNÍ

Před prováděním jakékoli údržby nebo nastavení zkontrolujte, zda je motorový pohon vypnutý a odpojený od el. sítě.

### Mazání

Jednou měsíčně promazte drážkovací zařízení 975 Combo Roll Groover kvalitním univerzálním mazivem.

- Mazací otvory jsou umístěny na boku těla zařízení na straně obsluhy, na přední straně posuvného bloku a na konci hřídele drážkovacího válce (viz obr. 2). Doplňte mazivo tak, až začne vytékat ven.
- Potřete mazivem posuvový šroub.
- Převodovka drážkovacího zařízení 975 Combo Roll Groover je naplněna olejem na celou dobu životnosti a nemusí se mazat, pokud nebude otevřena.

Další informace o údržbě naleznete v části Kontrola.

## Čištění

Vroubky hnací hřídele čistěte drátěným kartáčem denně nebo v případě potřeby častěji.

## Změna sad válců

**POZNÁMKA** Při výměně částí sady válců vždy zkontrolujte, zda si vzájemně odpovídají označení pohonu a drážkovacího válce. Pokud by si části neodpovídaly, mohlo by dojít k vytvoření chybných drážek a následným únikům.

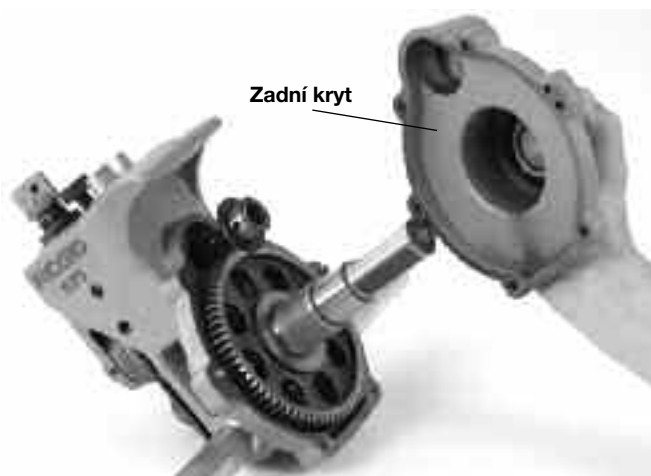
Sundejte drážkovací zařízení z motorového pohonu nebo ze závitorezného stroje a položte ho na stabilní pracovní plochu.

Požadované nástroje:

- $\frac{3}{8}$ " šestihranný klíč
- $\frac{3}{32}$ " šestihranný klíč
- Kleště na 0,070" pojistný kroužek

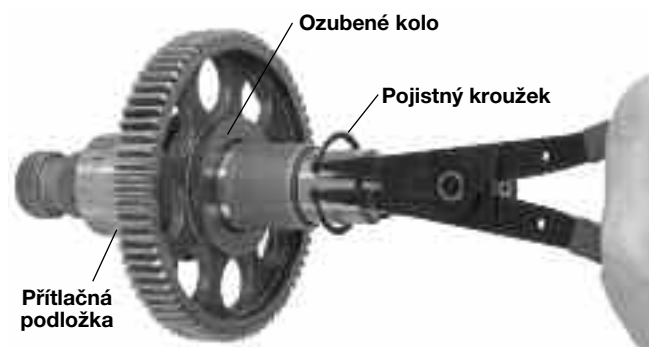
### Demontáž a instalace tlačného válce

1. Vyšroubujte 6 šroubů, kterými je připevněn zadní kryt.
2. Sundejte zadní kryt (viz obr. 18).



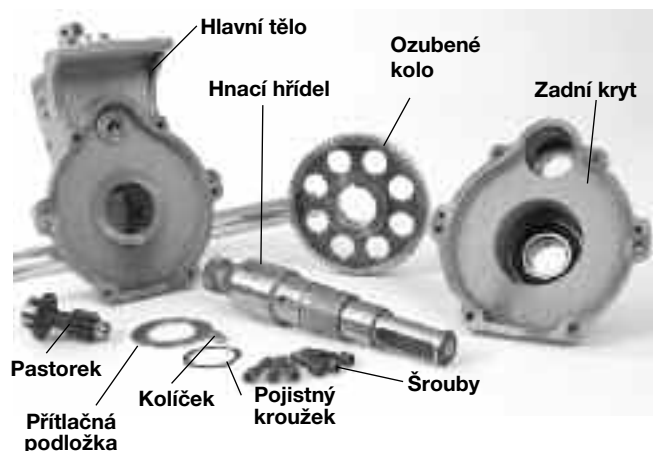
Obrázek 18 – Sundání zadního krytu

3. Vyjměte pastorek.
4. Vyjměte z drážkovacího zařízení 975 Roll Groover sestavu hnací hřídele.
5. Sundejte z hnací hřídele pojistný kroužek a stáhněte ozubené kolo. (viz obrázek 19)



Obrázek 19 – Sejmutí pojistného kroužku

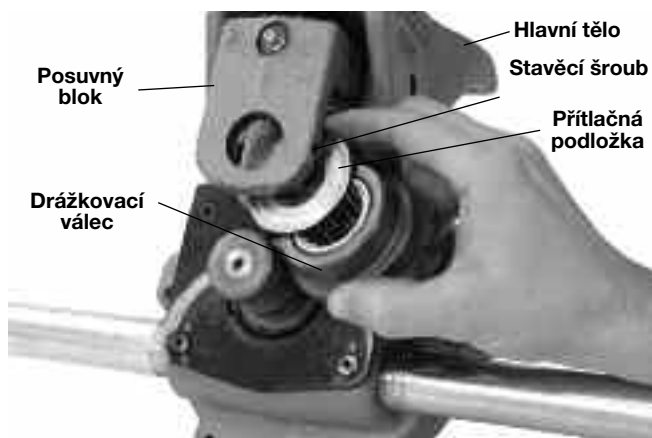
6. Sundejte čep a přitlačnou podložku.
7. Nasuňte přitlačnou podložku na novou hnací hřídel.
8. Nasadte čep a ozubené kolo.
9. Nasadte pojistný kroužek do drážky hnací hřídele.
10. Vložte hnací hřídel do těla zařízení.
11. Během výměny hnací hřídele může dojít k úniku oleje z převodovky. Zajistěte, aby ložiska a zuby ozubeného kola byly dostatečně namazány kvalitním univerzálním mazivem.
12. Nasadte pastorek a vraťte zpět zadní kryt. Dotáhněte šrouby momentem 12-16 ft\*lbs.



Obrázek 20 – Části drážkovacího zařízení 975 Combo Roll Groover

### Demontáž a instalace drážkovacího válce

1. Vyšroubujte stavěcí šroub, který drží na místě hřídel drážkovacího válce.
2. Vytáhněte hřídel drážkovacího válce z posuvného bloku a vyndejte drážkovací válec a přitlačnou podložku.
3. Vložte do posuvného bloku přitlačnou podložku a nový drážkovací válec. Vnitřní pojistný kroužek v drážkovacím válci musí být co nejbližší k tělu zařízení a drážkovací válec musí být mezi přitlačnou podložkou a tělem.


**Obrázek 21**

4. Vraťte zpět hřídel drážkovacího válce a stavěcí šroub.
5. Vizually zkontrolujte vyrovnaní drážkovacího válce a tlačného válce. Pokud nejsou vyrovnané, zkontrolujte orientaci drážkovacího válce a přítlačné podložky.
6. Provedte promazání podle pokynů v části Mazání.

## Příslušenství

### ⚠ VAROVÁNÍ

Drážkovací zařízení 975 Combo Roll Groover lze použít s následujícími výrobky společnosti RIDGID. Použití jiných příslušenství vhodných pro jiné nástroje může být nebezpečné. Abyste snížili nebezpečí vážného úrazu, používejte pouze příslušenství speciálně určené a doporučené pro použití s drážkovacím zařízením 975 Combo Roll Groover, které je uvedeno níže.

Kat. č.	Popis
60082	300 Power Drive, 230 V 25-60 Hz
60077	300 Power Drive, 115 V 25-60 Hz
42360	1206 Stojan pro 300 Power Drive
50697	300 Compact, 230 V 25-60 Hz
50692	300 Compact, 115 V 25-60 Hz
20391	300 Compact, 230 V 25-60 Hz (DK)
67662	Držák adaptéru pro 300 Compact/1233
58077	250 Folding Stand (skládací stojan) pro 300 Compact/1233
72037	460 Portable Tristand Chain Vise (přenosný svěrák - trojnožka)
56662	VJ-99 Vhead High Pipe Stand (stojan na trubku)
76822	Pásový metr (palce)
76827	Pásový metr (cm)
30708	Prodloužení, 1/2" násady, uzamykatelné
30703	Rohatka, 1/2" násady s 90° ohybem
33043	Drážkovací a tlačné válce pro 2" - 8" měděné trubky typu K, L, M a DWV

## Skladování stroje

**⚠ VAROVÁNÍ** Nástroj skladujte v uzamčeném prostoru, mimo dosah dětí a nepovolaných osob. V ruce neškolené osoby může tento nástroj způsobit vážná poranění.

## Servis a opravy

### ⚠ VAROVÁNÍ

Po nevhodném servisním zásahu nebo opravě může být stroj nebezpečný

V Pokynech k údržbě naleznete informace o většině servisních postupů potřebných při údržbě a servisu tohoto stroje. Jakékoli problémy, které nejsou v této části popsány, musí řešit autorizovaný servisní technik společnosti RIDGID.

Nástroj je třeba doručit do nezávislého autorizovaného servisního střediska RIDGID nebo vrátit výrobci.

Při opravě tohoto stroje smí být použity pouze identické náhradní díly. Použití jiných dílů by mohlo přivodit nebezpečí vážného úrazu.

Pokud máte otázky týkající se servisu nebo oprav tohoto zařízení, použijte následující spojení:

Ridge Tool Company  
 Technical Service Department  
 400 Clark Street  
 Elyria, Ohio 44035-6001  
 Tel.: (800) 519-3456  
 E-mail: TechServices@ridgid.com

Pokud hledáte nejbližší nezávislé servisní středisko pro produkty RIDGID nebo máte nějaké dotazy týkající se servisu nebo oprav:

Obráťte se na místního distributora výrobků společnosti Ridge Tool.

Navštivte [www.RIDGID.com](http://www.RIDGID.com) nebo [www.RIDGID.eu](http://www.RIDGID.eu) a vyhledejte místní kontaktní místo společnosti Ridge Tool.

Kontaktujte technické oddělení společnosti Ridge Tool na [techservices@emerson.com](mailto:techservices@emerson.com) nebo v USA a Kanadě zavolejte na číslo (800) 519-3456.

**Tabulka I. Standardní technické údaje drážkovacích válců pro trubky s rozměry IPS**

POZNÁMKA Všechny rozměry jsou uvedeny v palcích.

JMEN. VELIKOST TRUBKY	PRŮMĚR TRUBKY		T MIN. TLOUŠŤKA STĚNY	A SEDLO TĚSNĚNÍ +0,015/-0,030	B ŠÍŘKA DRÁŽKY +0,030/-0,015	C PRŮMĚR DRÁŽKY		D JMEN. HLOUBKA DRÁŽKY (Ref.) (2)
	O.D.	TOL.				O.D.	TOL.	
1¼	1,660	+0,016 -0,016	0,065	0,625	0,344	1,535	+0,000 -0,015	0,063
1½	1,900	+0,016 -0,016	0,065	0,625	0,344	1,775	+0,000 -0,015	0,063
2 <sup>(1)</sup>	2,375	+0,024 -0,016	0,065	0,625	0,344	2,250	+0,000 -0,015	0,063
2½ <sup>(1)</sup>	2,875	+0,029 -0,016	0,083	0,625	0,344	2,720	+0,000 -0,015	0,078
3 <sup>(1)</sup>	3,50	+0,030 -0,018	0,083	0,625	0,344	3,344	+0,000 -0,015	0,078
3½ <sup>(1)</sup>	4,00	+0,030 -0,018	0,083	0,625	0,344	3,834	+0,000 -0,015	0,083
4 <sup>(1)</sup>	4,50	+0,035 -0,020	0,083	0,625	0,344	4,334	+0,000 -0,015	0,083
5 <sup>(1)</sup>	5,563	+0,056 -0,022	0,109	0,625	0,344	5,395	+0,000 -0,015	0,084
6 <sup>(1)</sup>	6,625	+0,050 -0,024	0,109	0,625	0,344	6,455	+0,000 -0,015	0,085

(1) Podle AWWA C606-06

(2) Jmenovitá hloubka drážky je uvedena pouze jako referenční rozměr. Nepoužívejte hloubku drážky pro určení přijatelnosti drážky.

**Tabulka II. Maximální a minimální tloušťka stěny trubky**

POZNÁMKA Všechny rozměry jsou uvedeny v palcích.

Rozměr trubky	OCELOVÁ NEBO HLINÍKOVÁ TRUBKA		NEREZOVÁ TRUBKA		PLASTOVÁ TRUBKA	
	Tloušťka stěny		Tloušťka stěny		Tloušťka stěny	
	Min.	Max.	Min.	Max.	Min.	Max.
1¼"	0,065	0,140	0,065	0,140	0,140	0,140
1½"	0,065	0,145	0,065	0,145	0,145	0,200
2"	0,065	0,154	0,065	0,154	0,154	0,154
2½"	0,083	0,203	0,083	0,188	0,203	0,276
3"	0,083	0,216	0,083	0,188	0,216	0,300
3½"	0,083	0,226	0,083	0,188	0,226	0,300
4"	0,083	0,237	0,083	0,188	0,237	0,300
5"	0,109	0,258	0,109	0,188	0,258	0,300
6"	0,109	0,280	0,109	0,188	0,280	0,300

**Tabulka III. Technické údaje drážkovacího stroje pro měděné trubky**

1	2		3	4	5	6	7	8
Jmen. velikost v palcích	Vnější průměr trubky		A Sedlo těsnění A ±0,03	B Šířka drážky +0,03 -0,000	C Průměr drážky +0,00 -0,02	D Hloubka drážky Ref. <sup>1</sup>	T Min. povolená tloušťka stěny	Max. povolený průměr zbrošení
	Základní	Tolerance						
2"	2,125	±0,002	0,610	0,300	2,029	0,048	DWV	2,220
2 1/2"	2,625	±0,002	0,610	0,300	2,525	0,050	0,065	2,720
3"	3,125	±0,002	0,610	0,300	3,025	0,050	DWV	3,220
4"	4,125	±0,002	0,610	0,300	4,019	0,053	DWV	4,220
5"	5,125	±0,002	0,610	0,300	5,019	0,053	DWV	5,220
6"	6,125	±0,002	0,610	0,300	5,999	0,063	DWV	6,220
8"	8,125	+0,002/-0,004	0,610	0,300	7,959	0,083	DWV	8,220

1. Jmenovitá hloubka drážky je uvedena jako referenční rozměr. Nepoužívejte hloubku drážky pro určení přijatelnosti drážky.

## Řešení problémů

PRIZNAK	MOZNE DUVOHY	ŘEŠENÍ
Válcová drážka je příliš úzká nebo příliš široká.	Opotřebovaný drážkovací válec nebo hnací hřídel	Vyměňte drážkovací válec nebo hnací hřídel.
Válcové drážky nejsou kolmé k ose trubky.	Trubka není rovná. Konec trubky není kolmý k ose trubky.	Použijte rovnou trubku. Uřízněte rovně konec trubky.
Trubka se při drážkování neposouvá./Drážkovací zařízení se při drážkování neposouvá po trubce.	Trubka není rovnoběžná s osou hnací hřídele. Osa trubky není posunuta o 1/2 stupňů od osy tlačného válce. Vroubky tlačného válce jsou zanesené nebo opotřebované. Posuvový šroub není dotažen. Rohatka se otáčí špatným směrem. Trubka je uvnitř příliš zanesená. Nadměrný svarový šev Na trubku není vyvíjen tlak. Konec trubky není pravouhlý nebo nejsou odstraněny otřepy. Posuvový šroub je příliš utažený.	Upravte stojan, aby byla trubka rovnoběžná. Posuňte trubku o 1/2 stupně. Očistěte nebo vyměňte drážkovací válec. Dotáhněte posuvový šroub rohatkou podle pokynů. Otáčejte rohatkou správným směrem. Vyčistěte vnitřek trubky. Zbruste svarový šev do vzdálenosti 5 cm od konce trubky. Vyvíňte na trubku tlak. (viz obrázek 10) Správně připravte konec trubky.
Trubka je na drážkovaném konci obroušená.	Trubka není rovnoběžná s osou hnací hřídele. Posuvový šroub je příliš utažený.	Upravte stojan, aby byla trubka rovnoběžná. Otáčejte posuvovým šroubem pouze po čtvrtotáčcích.

## Řešení potíží (pokračování)

PRIZNAK	MOZNE DUVODY	ŘEŠENÍ
Trubka se během drážkování posouvá po ose tlačného válce dozadu a dopředu.	Trubka není rovná. Konec trubky není kolmý k ose trubky.	Použijte rovnou trubku. Uřízněte rovně konec trubky.
Trubka se během drážkování kývá na tlačném válci ze strany na stranu.	Stojan trubky je příliš blízko ke konci trubky. Konec trubky je zmačknutý nebo poškozený. Materiál trubky obsahuje tvrdá místa nebo svarové švy tvrdší než je trubka. Rychlost posuvu drážkovacího válce je příliš malá. Rychlost motorového pohonu převyšuje 57 ot./min. Stojan trubky není správně umístěn.	Přemístěte stojan trubky podle pokynů k instalaci. Odřízněte poškozený konec trubky. Použijte jinou trubku. Posouvejte rychleji drážkovací válec do trubky. Snižte rychlost na 57 ot./min. nebo nižší. Umístěte správně stojan trubky.
Drážkovací zařízení nevyrábí na trubce drážku.	Byla překročena maximální tloušťka stěny trubky. Materiál trubky je příliš tvrdý. Není nastaven seřizovací šroub. Motorový pohon nemá požadovaný minimální moment.	Ověřte údaje v tabulce kapacit trubek. Vyměňte trubku. Nastavte hloubku. Použijte RIDGID č. 300, Power Drive nebo 300 Compact nebo 1233.
Drážkovací zařízení nevyrábí na trubce drážku požadovaného průměru.	Byla překročena maximální tolerance průměru trubky. Není správně nastaven seřizovací šroub hloubky. Trubka je příliš tvrdá.	Použijte správný průměr trubky. Nastavte hloubku. Použijte jinou trubku.
Trubka klouže po tlačném válci.	Rychlost posuvu drážkovacího válce je příliš malá. Vroubky tlačného válce jsou zanesené kovem nebo opotřebované.	Posouvejte rychleji drážkovací válec do trubky. Očistěte nebo vyměňte tlačný válec.
Drážkovací zařízení při drážkování neotáčí trubkou.	Motorový pohon nemá požadovaný minimální moment. Sklíčidlo není zavřené na ploškách hnací hřídele.	Použijte RIDGID č. 300, Power Drive nebo 300 Compact nebo 1233. Zavřete sklíčidlo.
Trubka se zvedá nebo má tendenci převrátit drážkovací zařízení.	Není správně postaven stojan trubky.	Nastavte správně stojany.

975

# Kombinált görgős csőhornyoló



**RIDGID**<sup>®</sup>





## Tartalomjegyzék


<b>Biztonsági jelölések</b> .....	336
<b>Általános biztonsági szabályok</b>	
Munkaterület biztonsága .....	336
Elektromossági biztonság .....	336
Személyi biztonság .....	37.3
A gép használata és karbantartása .....	337
Szerviz .....	337
<b>Különleges biztonsági információk</b>	
A görgős csőhornyoló biztonsága .....	338
A gépi hajtással/menetvágó géppel használt görgős csőhornyoló biztonsága .....	338
A helyszínen használt görgős csőhornyoló biztonsága .....	338
<b>Leírás, műszaki adatok és általános felszerelés</b>	
Leírás .....	338
Műszaki adatok .....	339
Általános felszerelés .....	339
<b>A görgős csőhornyoló ellenőrzése</b> .....	339
A gép és a munkaterület előkészítése gépi meghajtású alkalmazáshoz	
A 975-ös kombinált csőhornyoló felszerelése RIDGID 300 gépi hajtásra .....	341
A 975-ös kombinált csőhornyoló felszerelése RIDGID 300 Compact/1234 menetvágó gépre .....	341
Az összerakás .....	342
A cső előkészítése .....	343
A cső felhelyezése a görgős csőhornyolóra .....	344
<b>A 975-ös kombinált görgős csőhornyoló használata gépi hajtással/menetvágó géppel</b>	
A horony átmérőjének beállítása és mérése .....	344
Horony kialakítása .....	345
Horonyátmérő beállítása rézcső esetén .....	346
Íránytartási tippek a 975-ös kombinált görgős csőhornyolóhoz .....	346
<b>A gép és a munkaterület előkészítése helyszíni alkalmazáshoz</b>	
A cső előkészítése .....	348
A görgős csőhornyoló felszerelése a csőre .....	348
<b>A 975-ös kombinált görgős csőhornyoló helyszíni használata</b>	
A horony átmérőjének beállítása és mérése .....	349
Horony kialakítása .....	350
<b>Karbantartási utasítás</b>	
Kenés .....	350
Tisztítás .....	351
Görgőkészletek cseréje .....	351
<b>Tartozékok</b> .....	352
A gép tárolása .....	352
<b>Szerviz és javítás</b> .....	352
<b>I. táblázat: Szabványos horonyspecifikációk</b> .....	353
<b>II. táblázat: Maximális és minimális csőfalvastagság</b> .....	353
<b>III. táblázat: Rézcsőhornyolóspecifikációi</b> .....	354
<b>Hibaelhárítás</b> .....	354–355


## Biztonsági jelölések

A kezelési útmutatóban és a terméken szereplő biztonsági jelölések és jelzőszavak fontos biztonsági információk közlésére szolgálnak. Az útmutató jelen része e szimbólumokat és jelzőszavakat ismerteti.

 Ez a biztonsági figyelmeztetés szimbóluma. Használatával a lehetséges személyi sérülés kockázatára hívjuk fel a figyelmet. Az esetleges – akár halálos – balesetek elkerülésének érdekében tartsa be a jelölés melletti biztonsági utasításokat.

 **VESZÉLY** VESZÉLY (DANGER) jelzi azokat a veszélyes helyzeteket, amelyek megfelelő óvintézkedések nélkül súlyos személyi sérüléssel vagy halállal végződnek.

 **FIGYELEM** FIGYELEM (WARNING) jelzi azokat a veszélyes helyzeteket, amelyek megfelelő óvintézkedések nélkül súlyos személyi sérüléssel vagy halállal végződhetnek.

 **VIGYAZAT** VIGYÁZAT (CAUTION) jelzi azokat a veszélyes helyzeteket, amelyek könnyebb vagy közepes személyi sérüléssel végződhetnek.

 **MEGJEGYZÉS** A MEGJEGYZÉS (NOTICE) szó a vagyontárgyak védelmével kapcsolatos információkat jelöli.



Ez a szimbólum azt jelenti, hogy figyelmesen olvassa el a kezelési útmutatót a készülék használata előtt. A kezelési útmutató fontos információkat tartalmaz a készülék biztonságos és megfelelő használatával kapcsolatban.



Ez a szimbólum azt jelenti, hogy a készülék használatakor mindig viseljen oldalárnyékolóval ellátott védőszemüveget vagy szemvédőt a szemsérülések elkerülése érdekében.



Ez a szimbólum az ujjak és a kéz hornyológörgők közötti összezúródásának veszélyét jelzi.



Ez a szimbólum annak a veszélyét jelzi, hogy a forgó tengelyek elkapathatják és/vagy feltekerhetik a kezét, az ujjakat, a lábat, a ruhadarabokat és egyéb objektumokat, zúzódási vagy ütési sérülést okozva.



Ez a szimbólum azt jelzi, hogy a helyszínen használt készülék meghajtására nem alkalmazható fűró, behajtógép vagy egyéb szerszámgép.



Ez a szimbólum a gép felborulásának veszélyét jelzi, ami ütési vagy zúzódási sérülést okozhat.



Ez a szimbólum azt jelzi, hogy gépi hajtás/menetvágó gép használata esetén mindig használjon lábkapcsolót.



Ez a szimbólum azt jelzi, hogy magasban végzett munkához a fejsérülés kockázatának csökkentése érdekében védősisakot kell viselni.

## Általános biztonsági szabályok

### FIGYELEM

Olvassa el és gondolja át az összes utasítást. Az utasítások be nem tartása áramütést, tüzet és/vagy súlyos személyi sérülést eredményezhet.

#### **ŐRIZZE MEG EZT AZ ÚTMUTATÓT!**

A figyelmeztetésekben a „szerszámgép” kifejezés az Ön hálózati áramforrásról működő (vezetékes) vagy akkumulátoros működésű (vezeték nélküli) szerszámgépére vonatkozik.

### Munkaterület biztonsága

- **A munkahelyet tartsa tisztán, és biztosítsa a jó megvilágítást.** A zsúfolt vagy sötét helyek vonzzák a baleseteket.
- **Ne működtesse a szerszámgépeket robbanásveszélyes környezetben, például gyúlékony folyadékok, gázok vagy por jelenlétében.** A szerszámgépek szikrái begyűjthetik a porokat és gőzöket.
- **A szerszámgép működtetése során tartsa távol a gyermekeket és az ott tartózkodókat.** Figyelmének elvonása esetén elvesztheti az uralmát a gép fölött.

- **A padló mindig legyen száraz, és csúszós anyagoktól, például olajtól mentes.** A csúszós padló vonzza a baleseteket.
- **Ha a munkadarab kinyúlik a gépből, akkor kerítse vagy torlaszolja el a munkaterületet.** Ha így legalább 90 cm-es szabad helyet biztosít a munkadarab körül, azzal csökkenti a beakadás veszélyét.

### Elektromossági biztonság

- **A szerszámgép dugaszának illeszkednie kell az aljzatba. Semmilyen módon ne módosítsa a dugaszt. Földelt szerszámgéppel ne használjon csatlakozóadaptert.** Módosítatlan dugasz és megfelelő aljzat csökkenti az áramütés kockázatát.
- **Kerülje a földelt felületek, például csövek, fűtőtestek, tűzhelyek és hűtők érintését.** Nagyobb a veszélye az áramütésnek, ha a teste le van földelve.
- **Óvja a szerszámgépeket az eső vagy nedvesség hatásától.** A gépbe jutó víz növeli az áramütés kockázatát.
- **A csatlakozózsínort kíméletesen használja. Soha ne hordozza, húzza vagy áramtalanítsa a szerszámgépet a zsinórt fogva, illetve húzva. Óvja a csatlakozózsínort a**

melegtől, olajtól, élektől és mozgó alkatrészekről. A sérült vagy összekuszálódott kábelek növelik az áramütés kockázatát.

- **Ha a szerszámgépet a szabadban használja, kültéri használatra szolgáló hosszabbítókábelt alkalmazzon.** A kültéri használatra engedélyezett hosszabbító használata csökkenti az áramütés veszélyét.
- **Ha a szerszámgépet feltétlenül nedves helyen kell használni, hibaáram-védőkapcsolóval (GFCI) védett tápot alkalmazzon.** GFCI használatával csökkenthető az áramütés kockázata.

## Személyi biztonság

- **Legyen elővigyázatos, figyeljen oda a munkára, és megfontoltan használja a szerszámgépet. Ne használja a gépet fáradtan, illetve gyógyszer, alkohol vagy kábítószer hatása alatt.** A szerszámgépek működése során egy pillanatnyi figyelmetlenség is súlyos személyi sérülést okozhat.
- **Használjon egyéni védőeszközöket. Mindig viseljen védőszemüveget.** A körülményeknek megfelelő védőeszközök, például porszűrő maszk, csúszásmentes biztonsági lábbeli, védősisak vagy fülvédő használatával csökkenthető a személyi sérülés kockázata.
- **Akadályozza meg a véletlen indítást. Áramforrás/akkumulátor csatlakoztatása, illetve a gép felemelése vagy elvitele előtt gondoskodjon róla, hogy a kapcsoló kikapcsolt állásban legyen.** Ha a szerszámgépet ujját a kapcsolón tartva hordozza, illetve ha úgy helyezni áram alá, hogy bekapcsolt állásban van a kapcsolója, az könnyen balesethez vezethet.
- **A szerszámgép bekapcsolása előtt távolítsa el minden beállítókulcsot.** Ha a szerszámgép egy forgó alkatrészén rajta marad egy kulcs, az személyi sérüléshez vezethet.
- **Ne becsülje túl a képességeit. Mindig stabilan álljon, és tartsa meg az egyensúlyát.** Így váratlan helyzetben könnyebben megőrizheti uralmát a szerszámgép fölött.
- **Gondoskodjon a megfelelő öltözékről. Ne viseljen laza ruhát vagy ékszert. Haját, ruházatát, kesztyűjét tartsa távol a mozgó alkatrészekről.** A laza ruházatot, ékszereket vagy hosszú haját bekaphatják a mozgó alkatrészek.
- **Ha csatlakoztathatók porelszívó és -gyűjtő berendezések, akkor gondoskodjon ezek megfelelő csatlakoztatásáról és használatáról.** Porgyűjtés alkalmazásával csökkenthetők a porral kapcsolatos veszélyek.

## A gép használata és karbantartása

- **Ne erőltesse a gépet. Mindig az alkalmazásnak megfelelő szerszámgépet használjon.** A megfelelő

szerszámgéppel jobban, biztonságosabban végezhető el a munka, és a gép a tervezett sebességgel fog működni.

- **Ne használja a szerszámgépet, ha az a kapcsolóval nem kapcsolható BE vagy KI.** A kapcsoló segítségével nem vezérelhető gép veszélyes, és javítást igényel.
- **Mielőtt bármilyen beállítást végezne, kiegészítőt cserélne, vagy eltenné a szerszámgépet, húzza ki annak dugaszát az elektromos aljzatból, illetve válassza le róla az akkumulátort.** Az ilyen megelőző biztonsági intézkedésekkel csökkenthető a szerszámgép véletlen beindításának veszélye.
- **A leállított szerszámgépet gyermekek elől elzárt helyen tartsa. Ne engedje, hogy olyan személy használja a gépet, aki nem ismeri jól azt vagy a jelen útmutatót.** Gyakorlatlan felhasználó kezében a szerszámgépek veszélyesek lehetnek.
- **Tartsa karban a szerszámgépeket. Ellenőrizze, jól igazodnak-e a mozgó alkatrészek, semmi sem akadályozza-e a mozgásukat, nincsenek-e eltörve az egyes alkatrészek, és ellenőrizzen minden olyan további körülményt, amely befolyásolhatja a szerszámgép működését. A sérült szerszámgépet javíttassa meg, mielőtt használná.** Sok balesetet a nem megfelelően karbantartott eszközök okoznak.
- **Kizárólag a szerszámgéphez javasolt tartozékokat használjon.** A megfelelően karbantartott, éles vágóélű vágóeszközök kisebb valószínűséggel akadnak el, és könnyebb velük dolgozni.
- **Tartsa a fogantyúkat szárazon, tisztán és olajtól, zsírtól mentesen.** Így jobban kezelheti a gépet.

## Szerviz

- **A gép javítását bízza képzett javító szakemberre, akinek az eredetivel azonos cserealkatrészeket kell használnia.** Ezzel biztosítható a gép biztonságának fenntartása.

## Különleges biztonsági információk

### **▲ FIGYELEM**

**Ez a rész kizárólag a jelen szerszámgépre vonatkozó biztonsági információkat tartalmaz.**

**A komoly személyi sérülések kockázatának csökkentése érdekében a 975-ös kombinált görgős csőhornyoló használata előtt olvassa el a jelen óvintézkedéseket.**

### **ŐRIZZE MEG EZT AZ ÚTMUTATÓT!**

Kérdéseivel a Ridge Tool technikai szolgáltató osztályához fordulhat a (800) 519-3456 számon vagy a techservices@ridgid.com címen.

## A görgős csőhornyoló biztonsága

- **Ne viseljen laza ruhát vagy ékszert. A köpenyt és a ruhaujjakat mindig tartsa begombolva. Ne nyúljon át a gépen vagy a csövön.** A cső vagy az egyéb forgó alkatrészek bekaphatják a ruhát, beakadást és súlyos sérülést okozva.
- **Kezét mindig tartsa távol a hornyológörgőktől. Ne hornyoljon a megadottnál rövidebb csövet. Ne viseljen laza kesztyűt.** Az ujjai összezúzódhatnak a hornyológörgők, illetve a görgő és a cső között.
- **Kezét tartsa távol a cső végeitől. Ne nyúljon a cső belsejébe.** A sorja és az éles peremek beakadhatnak, és vágási sérülést okozhatnak. Az ujjai összezúzódhatnak a hornyológörgők, illetve a görgő és a cső között.
- **A csövet megfelelően készítse elő és kezelje.** A sorja és az éles peremek beakadhatnak, és vágási sérülést okozhatnak.
- **Megfelelően támassa meg a csövet.** Ezzel megelőzheti a cső és a berendezés felborulását.
- **A RIDGID® 975 kombinált görgős csőhornyoló használata előtt olvassa el és gondolja át a jelen kezelési útmutatót, az adott gépi hajtás vagy menetvágó gép kezelési útmutatóját, a szerelvény gyártójának telepítési útmutatóját és a szerszámgéppel használt minden egyéb eszköz útmutatóját.** Ha nem tartja be az itt olvasható utasításokat, az dologi kárhoz, illetve súlyos személyi sérüléshez vezethet.
- **A RIDGID 975 kombinált görgős csőhornyoló előkészítése és használata során viseljen mindig megfelelő egyéni védőeszközöket.** A megfelelő egyéni védőeszközök sorába mindig beletartozik a szemvédő, és beletartozhat még például a szorosan illeszkedő bőrkesztyű, az acélbetétes lábbeli és a védősisak is.
- **A hornyolót csak a javasolt méretű és típusú csövek hornyolására használja a jelen útmutatónak megfelelően.** Az ettől eltérő használat vagy a hornyoló más alkalmazáshoz való módosítása fokozhatja a baleset kockázatát.

## A gépi hajtással/menetvágó géppel használt görgős csőhornyoló biztonsága

- **A 975-ös kombinált görgős csőhornyolóval csak RIDGID 300 gépi hajtást vagy RIDGID 300 Compact menetvágó gépet használjon.** Más meghajtás használata esetén helytelen lehet a szerelés, és ez boruláshoz vagy egyéb problémákhoz vezethet.
- **Ne használja a görgős csőhornyolót lábkapcsoló nélküli gépi hajtással vagy menetvágó géppel. Soha ne blokkolja a lábkapcsolót úgy, hogy ne lehessen vele vezérelni a gépi hajtást.** A lábkapcsoló jobb vezérlést

biztosít, amennyiben a láb felemelésének hatására leállítja a gépi hajtást. Ha a ruha beakad a gépbe, és a meghajtás a motorra van kapcsolva, akkor a gép berántja a ruhát. A nagy nyomatékmal működő gép olyan erővel tekerheti a ruhát a karra és a test egyéb részeire, hogy az zúzódást vagy csonttörést, illetve ütési vagy egyéb sérülést okozhat.

- **A hornyolási folyamatot és a lábkapcsolót egyazon személy irányítsa. Ne működjön együtt egynél több személlyel.** A kezelőnek beakadás esetére ellenőrzése alatt kell tartania a lábkapcsolót.
- **A gépi hajtást vagy menetvágó gépet legfeljebb 57 rpm fordulatszámon használja.** Nagyobb fordulatszámon fokozódik a sérülés veszélye.
- **A hornyoló megfelelően legyen felszerelve és rögzítve a gépi hajtásra vagy menetvágó gépre. A gép, az állvány, a hornyoló és a cső egyaránt stabil helyzetben legyen.** Ezzel megelőzheti a berendezés és a cső felborulását.

## A helyszínen használt görgős csőhornyoló biztonsága

- **A helyszíni alkalmazásokhoz mindig kézi meghajtás szükséges. A helyszínen ne használjon gépi eszközt (pl. fúrót vagy behajtógépet) a hornyoló meghajtására.** Gépi meghajtóeszköz használata esetén megsérülhet a hornyoló, és nagyobb a személyi sérülés veszélye.
- **Magasban végzett munka esetén minden dolgozónak védősisakot kell viselnie, és tudatában kell lennie annak, hogy mi van alatta.** Ezzel súlyos sérülések előzhetők meg a hornyoló, a cső vagy egyéb tárgyak leesése esetén.

## Leírás, műszaki adatok és általános felszerelés

### Leírás

A RIDGID® 975 kombinált görgős csőhornyoló 1¼-6" átmérőjű, SCH-10 és SCH-40 falvastagságú acél-, alumínium- és PVC-csövek hornyolására szolgál. Alkalmos még 1¼-6" átmérőjű, SCH-10 falvastagságú és 1¼-2" átmérőjű, SCH-40 falvastagságú rozsdamentesacél csövek hornyolására. A gép a görgőkészlet cseréjével 2-8" átmérőjű K, L, M és DWV típusú rézcsövek hornyolására is alkalmassá tehető. A hornyolás a hornyológörgő mechanikus előtolásával történik a hajtógörgő által megtámasztott csőbe. Csupán a horony mélységét kell beállítani.

A gép kifejezetten helyszíni használatra vagy RIDGID 300 gépi hajtással (38 és 57 RPM-es modell) történő használatra készült; megfelelő adapterrel (kat. sz. 67662) RIDGID 300 Compact menetvágó géppel is használható. A 975-ös kombinált görgős csőhornyoló szabadalmaztatott horonymélység-határolója segít a horony beállításában, és szabadalmaztatott funkciói javítják az iránytartást használat közben.

A 975-ös kombinált görgős csőhornyoló alkalmi munkahelyi használatra szolgáló hordozható gép; nem alkalmas intenzív használatra vagy gyártási munkára csőkészítő műhelyben.

**MEGJEGYZÉS** A 975-ös kombinált görgős csőhornyoló megfelelő használatával méretükben AWWA C606-06 előírásoknak megfelelő 2-6"-es (50,8-152,4 mm) hornyok készíthetők. A megfelelő anyagok és kötési módok kiválasztása a rendszertervező, illetve a szerelő felelőssége. Minden telepítés megkezdése előtt gondosan meg kell vizsgálni az adott alkalmazási környezetet, beleértve a kémiai környezetet és az alkalmazási hőmérsékletet is.

## Műszaki adatok

Kapacitás.....1 1/4"-6"-es, SCH-10 és SCH-40 falvastagságú acélcső  
Görgőcserével: 2-8"-es K, L, M és DWV típusú rézcső

Horonyátmérő

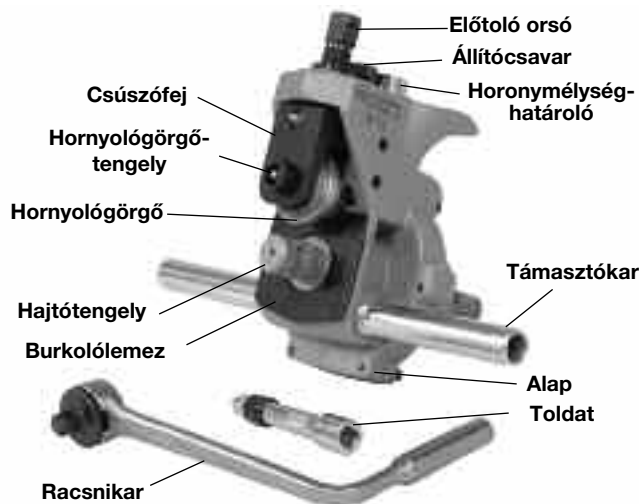
Beállítás .....Állítócsavar és horonymélység-határoló

Működtetés.....Előtoló orsó 1/2"-es racsnis kulccsal

Gépi hajtás felszerelése.....RIDGID 300 gépi hajtás (csak a 38 és 57 RPM-es modell), RIDGID 300 menetvágó gép (adapterrel)

Tömeg.....12,52 kg

A 975-ös kombinált görgős csőhornyoló egyesült államokbeli és nemzetközi szabadalmak védelme alatt áll, beleértve a 6,272,895 és a 6,591,652 számú szabadalmat.



1. ábra: 975-ös kombinált görgős csőhornyoló

## Általános felszerelés

1 1/4"-6"-es, SCH-10 és SCH-40 falvastagsághoz való hornyoló- és hajtógörgők

Racsnis kulcs (1/2"-es) kioldógombbal

Meghajtótoldal

Támasztókarok

Integrált mutató mélység-határoló

## A görgős csőhornyoló ellenőrzése



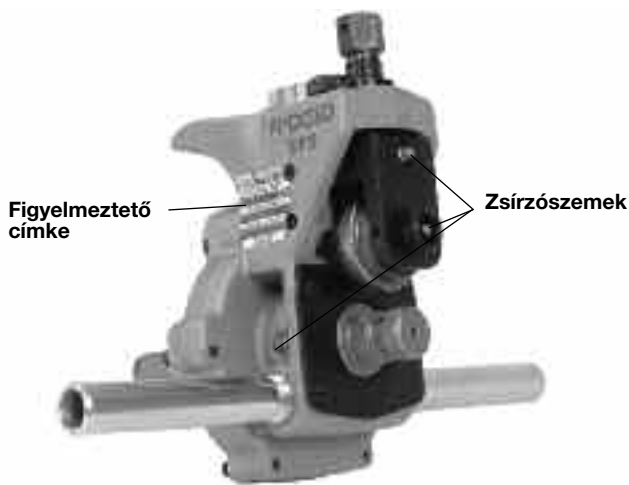
### ▲ FIGYELEM

**Minden használat előtt vizsgálja meg a hornyolót, és minden problémát hárítson el a komoly zúzódásos és egyéb sérülések, valamint a szerszám sérülésének megelőzése érdekében.**

**Ne használja a hornyolót lábkapcsoló nélküli gépi hajtással vagy menetvágó géppel.**

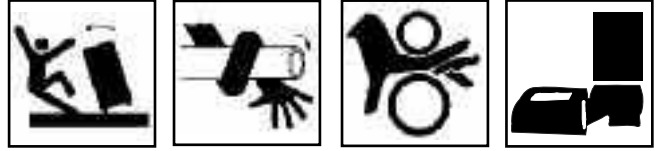
1. Ha a hornyolót gépi hajtásra vagy menetvágó gépre szereli, feltétlenül áramtalanítsa, és a REV/OFF/FOR kapcsolót állítsa OFF helyzetbe. Végezze el a gépi hajtás, illetve a menetvágó gép ellenőrzését és karbantartását az adott berendezés kezelési kézikönyve alapján. A berendezés megfelelő ellenőrzésének és karbantartásának elmulasztása súlyos személyi sérüléshez és dologi kárhoz vezethet. Ellenőrizze, jelen van-e és megfelelően működik-e a lábkapcsoló. Ne használja a hornyolót lábkapcsoló nélkül.
2. Minden olajat, zsírt, szennyeződést tisztítson le a hornyolóról, beleértve annak hordfogantyúját és a szerszámot aktiváló racsnikart is. Így csökken annak a veszélye, hogy a hornyoló vagy a kar a használat során kicsúszik a kezéből, és az ellenőrzés is egyszerűbbé válik.
3. Gondoskodjon róla, hogy a támasztókarok erősen tartsanak a hornyoló házában.
4. Vizsgálja meg a hornyolót, hogy nincs-e valamelyik alkatrésze eltörve, kiesve, rosszul beigazítva vagy beakadva, illetve nincs-e olyan egyéb körülmény, amely gátolná a gép biztonságos és normál használatát. Bizonyosodjon meg róla, hogy a hornyológörgő és a hajtótengely szabadon forgatható.
5. Ellenőrizze, hogy stabilan rögzítve van-e a helyén a figyelmeztető címke. A figyelmeztető címke elhelyezkedését a 2. ábrán láthatja.
6. Ha a tengely recézése piszkos, tisztítsa meg drótkéfével. Ha a recézés piszkos, hornyolás közben elcsúszhat a cső, és iránytartási problémák merülhetnek fel.

7. Ellenőrizze a hornyológörgőt és a hajtótengelyt, hogy nem mutatják-e repedés, elhasználódás vagy egyéb sérülés jelét. Ha a hornyológörgő vagy a hajtótengely sérült, a cső elcsúszhat, gyenge lehet a horony minősége, vagy a használat során hiba léphet fel.
  8. Ellenőrizze, megfelelően működik-e a racsnikar és a toldat. Győződjön meg róla, hogy a racsnikar mindkét irányban akadálytalanul és egyenletesen használható. Nyomja meg a kioldógombot a racsnikar fejének közepén, és illessze a kart az előtoló orsóra. A karnak szilárdan a helyére kell illeszkednie. A racsnikart a toldatba is stabilan be kell illeszteni, a toldatot pedig a hornyoló hátsó részén található négyszögletes kézi hajtónyílásba kell szilárdan bereteszni. A kar és a toldat így nem eshet le használat közben a hornyolóról. Ha másféle racsnikart, kulcsot vagy toldatot használ, amelyek nem reteszeldnek a hornyolóba, azok a használat során kilazulhatnak.
- Ha bármilyen problémát talál, annak elhárításáig ne használja a gépet.
9. Kenje meg a hornyolót az útmutatónkban olvasható karbantartási utasítások alapján. Törölje le a gépről a fölös zsírt.
  10. Ha bármilyen egyéb eszközt használ, végezze el azok ellenőrzését és karbantartását, hogy biztosan megfelelően működjenek.



**2. ábra: A 975-ös kombinált görgős csőhornyoló figyelmeztető címkéje**

## A gép és a munkaterület előkészítése gépi meghajtású alkalmazáshoz



### ⚠ FIGYELEM

**Mindig viseljen szemvédőt a szennyeződés és idegen tárgyak elleni védelem érdekében. Viseljen acéllemez lábujjvédővel ellátott lábbelit a felboruló szerszám és leeső cső elleni védelem érdekében.**

**Ne használja a csőhornyolót lábkapcsoló nélküli gépi hajtással vagy menetvágó géppel. Soha ne blokkolja a lábkapcsolót úgy, hogy ne lehessen vele vezérelni a gépi hajtást. A lábkapcsoló jobb vezérlést biztosít, amennyiben a láb felemelésének hatására leállítja a gépi hajtást. Ha a ruha beakad a gépbe, és a meghajtás a gépi hajtás motorjára van kapcsolva, akkor a gép berántja a ruhát. A nagy nyomattal működő gép olyan erővel tekerheti a ruhát a karra és a test egyéb részeire, hogy az zúzódást vagy csonttörést, illetve ütési vagy egyéb sérülést okozhat.**

**A hornyolót és a munkaterületet az alábbi eljárással készítse elő az áramütés, tűz, gépborulás, beakadás, zúzódás és egyéb okok miatti személyi sérülés kockázatának csökkentése, valamint a hornyoló sérülésének megelőzése érdekében.**

1. Olyan munkaterületet válasszon, amelyre érvényesek a következők:
  - Van megfelelő világítás.
  - Nem található a területen gyúlékony folyadék, gőz vagy por, amely könnyen lángra lobbanhat. Ha ilyenek megtalálhatók a területen, ne dolgozzon a helyszínen, míg az eredetüket nem állapította meg, és a problémát nem hárította el. A gépi hajtások és a menetvágó gépek nem robbanásállóak, és szikrát vethetnek.
  - A berendezésnek és a kezelőnek egyaránt tiszta, vízszintes, stabil és száraz helye van. Ne használja a berendezést vízben állva.
  - Van megfelelően földelt elektromos aljzat. Nem biztos, hogy a háromeres vagy GFCI-aljzatok megfelelő földeléssel rendelkeznek. Ha bizonytalan, ellenőriztesse az aljzatot szakképzett villanyszerelővel.
  - Az elektromos aljzathoz vezető út tiszta, nincs rajta olyan potenciális veszélyforrás, amely kárt tehet a csatlakozózsínokban.
2. A berendezés előkészítése előtt tisztítsa meg a munkaterületet. Az esetleges olajat mindenhol törölje fel.
3. Vizsgálja meg a hornyolni kívánt csövet, és bizonyosodjon meg arról, hogy a 975-ös kombinált görgős csőhornyoló alkalmas a munka elvégzésére. A 975-ös kombinált görgős csőhornyolóval 1¼–6" átmérőjű, SCH-10 és SCH-40

falvastagságú acél-, alumínium- és PVC-csövek hornyolhatók. A gép 1¼–6"-es SCH-10, illetve 1¼–2"-es SCH-40 rozsdamentesacél csövek hornyolásához is megfelel, és a görgőkészlet cseréjével 2–8"-es K, L, M és DWV típusú rézcsövek hornyolására is alkalmassá tehető.

A 975-ös kombinált görgős csőhornyoló használható helyszíni alkalmazásban (telepített vagy satuba fogott cső) vagy az üzemben, RIDGID 300 gépi hajtással vagy RIDGID 300 Compact menetvágó géppel meghajtott alkalmazásban. A 975-ös kombinált görgős csőhornyoló gyártási jellegű alkalmazásban nem használható.

Az egyéb alkalmazásokra szolgáló görgős hornyolókat megtalálhatja a Ridge Tool katalógusában, a [www.RIDGID.com](http://www.RIDGID.com) webhelyen, de a Ridge Tool technikai szolgáltató osztályán is érdeklődhet, a 800-519-3456-os telefonszámon.

**MEGJEGYZÉS** Ha a görgőkészleteket (hornyológörgő+hajtótengely) szénacél és rozsdamentesacél csöveken is használja, akkor a rozsdamentes acélba szennyeződés kerülhet. Ez a szennyeződés korróziót okozhat, ami a cső idő előtti meghibásodásához vezethet. A rozsdamentesacél csövek vasszennyeződésének megelőzése érdekében az ilyen csövek hornyolásához külön görgőkészleteket használjon. Megoldás lehet még a görgőkészlet alapos megtisztítása rozsdamentesacél drótkéfével, amikor más anyagú csőre tér át.

- Győződjön meg róla, hogy megtörtént a gépi hajtás/menetvágó gép ellenőrzése a megfelelő kézikönyv alapján. Bizonyosodjon meg arról, hogy a lábkapcsoló jelen van, és a FOR/OFF/REV kapcsoló OFF állásban van. Állítsa fel a gépi hajtást/menetvágó gépet a megfelelő kézikönyv alapján. Gondoskodjon róla, hogy a gép és az állvány stabilan álljon, ne billegjen.
- Teljesen nyissa ki a gépi hajtás/menetvágó gép befogóját.
- Győződjön meg róla, hogy megtörtént a 975-ös kombinált görgős csőhornyoló ellenőrzése, és hogy a megfelelő görgőkészlet van beszerelve.

### A 975-ös kombinált csőhornyoló felszerelése RIDGID 300 gépi hajtásra

- Ha a használni kívánt gépi hajtás szánnal vagy egyéb kiegészítővel rendelkezik, szerelje le ezeket a hajtásról. A gépi hajtás támasztókarjai legyenek teljesen előre hajtva, és ebben a helyzetükben rögzítve.
- Illessze a hornyoló támasztókarjait a gépi hajtás támasztókarjaira, és a hornyoló hajtótengelyének végét a gép befogójába. Szorítsa rá a gépi hajtás befogóját a hajtótengely sík felületeire. A hajtótengely központositva legyen a befogóban. Többször erősen fordítsa az óramutató járásával ellentétes irányba a gyorsbefogó kerekét a hajtótengely szilárd befogása érdekében (3. ábra).

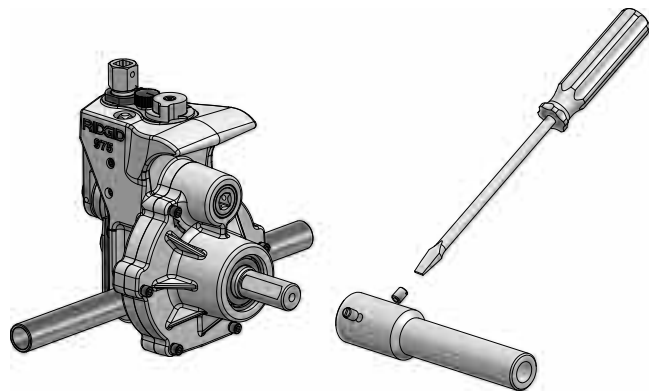


3. ábra: A 975-ös kombinált görgős csőhornyoló rögzítése a 300-as gépi hajtás befogójába

### A 975-ös kombinált csőhornyoló felszerelése RIDGID 300 Compact/1243 menetvágó gépre

A 975-ös kombinált görgős csőhornyoló egy adapterkészlet (katalógusszáma 67662) segítségével használható 300 Compact/1234 menetvágó géppel. Az adapterkészletnek köszönhetően a 975-ös kombinált görgős csőhornyoló megfelelően illeszkedik a menetvágó géphez és az állványhoz, és a specifikációkban megadott összes méretű cső hornyolható vele. Ne kísérletezzen a 975-ös kombinált görgős csőhornyoló más menetvágó géppel való használatával, mert a berendezés felborulhat, vagy egyéb probléma merülhet fel.

- Szerelje a hajtórúdadaptert a hornyoló hajtótengelyére (4. ábra). Igazítsa az állítócsavarokat a hornyoló hajtótengelyének lapos felületeihez, és erősen húzza meg őket.



4. ábra: A hajtórúdadapter felszerelése

- Húzza a 300 Compact/1234 menetvágó gép szánját minél közelebb a gép befogójához. A vágópofát, a sorjázót és a menetvágó fejet húzza minél távolabb a kezelőtől, hogy ne legyenek útban. A sorjázókúpot helyezze a menetvágó fej belsejébe.

3. Helyezze az adaptertartót a 300 Compact/1234 menetvágó gépre (5. ábra), és rögzítse a helyén a mellékelt csappal.



5. ábra: Az adaptertartó felszerelése

4. Helyezze a 975-ös támasztókarjait az adaptertartó karjaira úgy, hogy a hajtórúdadapter a gép befogójába kerüljön. Szorítsa rá a menetvágó gép befogóját a hajtórúdadapterre. A hajtórúd központosítva legyen a befogóban. Többször erősen fordítsa az óramutató járásával ellentétes irányba a gyorsbefogó kerekét a hajtórúd szilárd befogása érdekében.



6. ábra: 300 Compact menetvágó gépre helyesen felszerelt 975-ös kombinált görgős csőhornyoló

### Az összeszerelés befejezése

1. Helyezze el úgy a lábkapcsolót, hogy a gépi hajtás/menetvágó gép, a hornyoló és a hornyolni kívánt cső a kezelő ellenőrzése alatt álljon. Amint a 6. ábrán is látható, az elhelyezésnek lehetővé kell tennie a kezelő számára a következőket:
- A hornyoló felé fordulva állni úgy, hogy elérje a FOR/OFF/REV kapcsolót (ugyanazon az oldalon).

- A lábkapcsoló BE/KI funkcióját használni, és szükség esetén gyorsan felengedni a lábkapcsolót.
- Kényelmesen hozzáférni a hornyolóhoz, a csőhöz és a racsnis kulcshoz, anélkül hogy át kellene nyúlni a hornyoló felett.



7. ábra: A kezelő elhelyezkedése

2. Fektesse le a csatlakozószinórt az előzőleg meghatározott tiszta úton. Száraz kézzel csatlakoztassa az elektromos vezeték egy megfelelően földelt aljzathoz. Minden elektromos csatlakozást tartson szárazon és távol a talajtól. Ha a csatlakozószinór nem elég hosszú, használjon olyan hosszabbítókábelt, amely:
- Jó állapotban van.
  - A gépi hajtásához hasonló háromeres dugasszal rendelkezik.
  - Kültéri használatra készült, és W vagy W-A szerepel a megjelölésében (pl. SOW).
  - Megfelelő keresztmetszetű vezeték használjon (14 AWG (2,08 mm<sup>2</sup>) 7,6 m alatt, 12 AWG (3,31 mm<sup>2</sup>) 7,6 és 15,2 m között). Ha a keresztmetszet túl kicsi, a kábel túlmelegedhet, megolvadhat rajta a szigetelés, és tüzet vagy egyéb kárt okozhat.
3. Ellenőrizze a gépi hajtás/menetvágó gépet, és győződjön meg róla, hogy az helyesen működik:
- Állítsa a kapcsolót FOR (Előre) helyzetbe. Nyomja le, majd engedje fel a lábkapcsolót. Győződjön meg arról, hogy a hajtótengely az óramutató járásával ellentétes



irányban forog, ha az elülső befogó felé fordulva nézzük. Ha a forgásirány nem megfelelő, vagy a gép nem reagál a lábkapcsolóra, akkor ne használja a gépet, amíg a hibát ki nem javítják.

- Nyomja le a lábkapcsolót, és tartsa úgy. Ellenőrizze a fordulatszámot. Vizsgálja meg a mozgórészeket, hogy jól vannak-e beigazítva, nem szorulnak-e, nem adnak-e ki furcsa hangot, és nem tapasztalható-e bármi szokatlan. Engedje fel a lábkapcsolót. Ha a fordulatszám nagyobb, mint 57 rpm, akkor ne használja a berendezést görgős hornyolásra. Nagyobb fordulatszámon fokozódik a sérülés veszélye. Ha valami szokatlant tapasztal, ne használja a berendezést, amíg meg nem javítják.
- Állítsa a kapcsolót REV (hátra) helyzetbe. Nyomja le, majd engedje fel a lábkapcsolót. Győződjön meg arról, hogy a hajtótengely az óramutató járásával egyező irányban forog, ha az elülső befogó felé fordulva nézzük. Ha a forgásirány nem megfelelő, akkor ne használja a gépet, amíg a hibát ki nem javítják.
- Állítsa a kapcsolót OFF (kikapcsolva) helyzetbe. Húzza ki a gép csatlakozódugaszát száraz kézzel.

## A cső előkészítése

**MEGJEGYZÉS** Ebben a részben általános útmutatás olvasható. Mindig kövesse a csapos csatlakozó gyártójának a csővég előkészítésére vonatkozó utasításait. A csapos csatlakozó gyártója ajánlásainak figyelmen kívül hagyása esetén a csatlakozás helytelen lehet, és szivárgás keletkezhet.

1. Vágja a csövet a megfelelő hosszúságra. Ne feledkezzen meg arról, hogy minden csőméret esetében meg van adva a hornyolható cső minimális hossza (A. táblázat). A minimálisnál rövidebb cső hornyolása esetén nagyobb az ujjzúzdásból és a beakadásból származó sérülések kockázata.

A cső vége merőlegesre legyen vágva, és sorjamentes legyen. A sorja hornyolás közben beleakadhat a kezelő kesztyűjébe vagy ujjába, és vágási sérülést okozhat. A vágás módszere és a sorja mérete befolyásolhatja a horny minőségét és az iránytartást. Ne hornyoljon lángvágóval vágott csövet.

2. A cső végétől legalább 5 cm távolságban minden belső vagy külső hegesztési varratot, sorját és heget simára kell csiszolni. Ne sértse meg a tömítőgyűrű fészkét, mert ez szivárgáshoz vezethet.
3. A cső végétől legalább 5 cm távolságban távolítsa el a vízkövet, piszkot, rozsdát és az egyéb szennyeződések. A szennyeződések a hajtótengely recézésében megülvé gátolhatják a cső megfelelő hajtását és iránytartását a hornyolás során.

## A cső felhelyezése a görgős csőhornyolóra

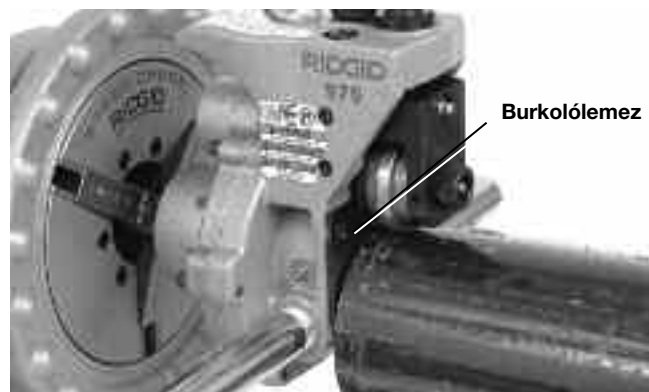
1. Állítsa a gépi hajtást/menetvágó gépet kikapcsolt (OFF) helyzetbe.

2. Készítsen elő megfelelő támaszt a hornyolni kívánt cső számára. Az A. táblázat ismerteti az egy csőtartó állvány használatával hornyolható cső maximális hosszát. A hosszabb csöveket legalább két támasszal kell megtámasztani. A nem megfelelően megtámasztott cső akár a géppel együtt is megbillenhet és leeshet. Ne hornyoljon a megadott minimális hosszúságnál rövidebb csövet.

Névl. méret	Min. hossz	Max. hossz	Névl. méret	Min. hossz	Max. hossz
1	8	36	4	8	36
1 <sup>1</sup> / <sub>4</sub>	8	36	4 <sup>1</sup> / <sub>2</sub>	8	32
1 <sup>1</sup> / <sub>2</sub>	8	36	5	8	32
2	8	36	6 OD	10	30
2 <sup>1</sup> / <sub>2</sub>	8	36	6	10	28
3	8	36			
3 <sup>1</sup> / <sub>2</sub>	8	36			

**A. táblázat: Az egy állvánnyal hornyolható csövek minimális/maximális hossza (minden méret hüvelykben megadva)**

3. Helyezze a szükséges csőtartó állványokat a hornyoló elé. Ha a cső hossza olyan, hogy elegendő egy állványt használni, akkor annak távolsága a hornyoló burkolólemeztől kissé haladja meg a cső hosszának felét. Ha a cső hossza több állvány használatát teszi szükségessé, ezeket a cső végétől <sup>1</sup>/<sub>4</sub> csőhossznyira kell elhelyezni. Bizonyos esetekben érdemes több állványt használni. Az állványok magasságát úgy kell beállítani, hogy a csövet a hajtógörgőre lehessen húzni.
4. A hornyológörgő legyen annyira visszahúzva, hogy a cső elférjen a hajtótengely fölött. Szükség esetén emelje feljebb a hornyológörgőt, az óramutató járásával ellentétes irányba forgatva az előtoló orsót.
5. Helyezze a cső végét a hajtótengelyre, és illessze a csövet a tartóállvány(ok)ba. Bizonyosodjon meg róla, hogy a cső stabil helyzetben van.

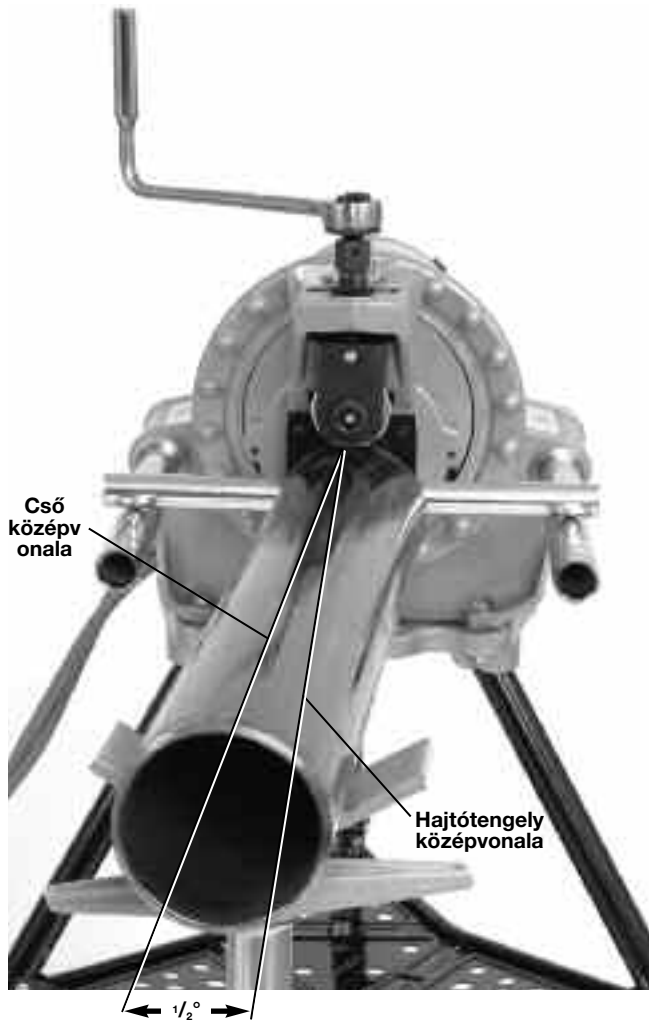


**8. ábra: A cső elhelyezése a hajtótengelyen, a burkolólemez síkjához illesztve**

6. Igazítsa úgy a csövet és a tartóállványokat, hogy a cső vége a hornyoló burkolólemezeének síkjához illeszkedjen, és a hajtótengely teteje érintse a cső belsejét (7. ábra). A cső

és a hajtótengely középvonala párhuzamos kell, hogy legyen. Ez elérhető például a cső és a gépi hajtás/menetvágó gép vízszintesbe állításával.

7. A csövet és a csőtartó állványokat egy kissé, kb.  $1/2$  fokos szögben húzza a kezelő felé (ez a hornyolótól 3 méteres távolságban kb. 2,5 cm-es kitérést jelent). A cső és a hornyoló megfelelő beállítása megkönnyíti a cső megfelelő iránytartását hornyoláskor. (Lásd a 9. ábrát.)



9. ábra: A cső  $1/2^\circ$ -os elhúzása a kezelő felé (eltúlzottan ábrázolva)

8. Az előtoló orsót az óramutató járásával egyező irányba forgatva, tolja le a hornyológörgőt úgy, hogy az érintse a cső külső felületét, majd fordítson az orsón még egy negyed fordulatnyit. Előfordulhat, hogy meg kell lazítani az állítócsavart (az óramutató járásával ellentétes irányban), hogy a hornyológörgő hozzáérjen a csőhöz. A csőnek és a hornyológörgőnek ebben a pontban szilárdan kell érintkeznie.
9. Vegye szemügyre a munkaterületet, és állapítsa meg, szükség van-e valamilyen korlátra ahhoz, hogy az a kezelőn kívül mindenki mást távol tartson a berendezéstől és a

csőtől. Úgy kerítse vagy torlaszolja el a munkaterületet, hogy a gépi hajtás és a cső körül legalább 90 cm-es szabad hely maradjon. Ez a „biztonsági zóna” annak megakadályozására szolgál, hogy valaki véletlenül a géphez vagy a csőhöz érve felborítsa azt, vagy beakadjon a forgó alkatrészekbe.

10. Száraz kézzel csatlakoztassa a gép csatlakozózsínorját egy megfelelően földelt aljzathoz.

## A 975-ös kombinált görgős csőhornyoló használata gépi hajtással/menetvágó géppel

### ⚠ FIGYELEM



Ne viseljen laza ruhát a görgős csőhornyoló kezelésekor. A köpenyt és a ruhaujjakat mindig tartsa begombolva. Ne nyúljon át a gépen vagy a csövön. A laza ruha beakadhat a forgó alkatrészekbe, és zúzódási sérülést okozhat.

Kezét mindig tartsa távol a hornyológörgőktől. Ne hornyoljon a megadottnál rövidebb csövet. Ne viseljen laza kesztyűt. Az ujjai összezúzódhatnak a hornyológörgők, illetve a görgő és a cső között.

Kezét tartsa távol a cső végeitől. Ne nyúljon a cső belsejébe. A sorja és az éles peremek beakadhatnak, és vágási sérülést okozhatnak. Az ujjai összezúzódhatnak a hornyológörgők, illetve a görgő és a cső között.

Mindig viseljen szemvédőt a szennyeződés és idegen tárgyak elleni védelem érdekében. Viseljen acéllemez lábujjvédővel ellátott lábbelit a felboruló szerszám és leeső cső elleni védelem érdekében.

Kövesse a kezelési útmutatót a zúzódásból, borulásból, ütésből és egyéb okokból származó sérülések veszélyének csökkentése érdekében.

## A horony átmérőjének beállítása és mérése

**MEGJEGYZÉS** Mivel a csövek eltérő műszaki jellemzőkkel rendelkeznek, a nap első hornyolását megelőzően, valamint eltérő méretű, falvastagságú vagy anyagú cső hornyolása előtt mindig végezzen próbahornyolást. A horonyátmérő beállítása csupán hozzávetőleges, ezért annak megfelelő méretéről méréssel kell megbizonyosodni.

1. Ellenőrizze, hogy megfelelően van-e összeállítva a felszerelés és a cső. A cső helytelen előkészítése kedvezőtlen hatással lehet a horonymélység-határoló beállításának pontosságára. A hornyológörgőnek hozzá kell érnie a csőhöz.
2. Állítsa be a horonymélység-határolót úgy, hogy a kívánt fokozata kerüljön az állítócsavar feje alá (10A. ábra). A horonymélység-határoló nem rézcsővel való használatra készült. Rézcső esetén lásd a „Horonyátmérő beállítása rézcső esetén” című részt.

3. Forgassa az állítócsavart az óramutató járásával egyező irányba mindaddig, amíg a feje hozzá nem ér a mélységhatároló adott fokozatához. Fordítsa a horonymélység-határolót hornyolási helyzetbe (10B. ábra). Ha a horonymélység-határoló nincs hornyolási helyzetben, akkor akadályozza a hornyolást, és meg is sérülhet.



**10A. ábra:**  
A mélységhatároló kívánt fokozata kerüljön az állítócsavar feje alá



**10B. ábra:**  
A mélységhatároló hornyolási helyzetben

4. Készítsen egy próbahornyot (az útmutatást lásd a „Horony kialakítása” című részben).
5. Mérje meg a horony átmérőjét. Erre a célra az átmérőmérő szalag a legalkalmasabb segédeszköz (lásd a „Tartozékok” című részt). Szorosan tekerje a csőre az átmérőmérő szalagot a horonyban. Ellenőrizze, hogy a szalag simán fekszik-e a horony fenekén, majd olvassa le a horony átmérőjének értékét. (Lásd a 11. ábrát.)



**11. ábra:** Horonyátmérő mérése átmérőmérő szalaggal

6. Hasonlítsa össze a mért és a kívánt értéket az I. vagy III. táblázat alapján vagy a csapos csatlakozó gyártója útmutatásának megfelelően. Ha a mért érték nem felel meg a kívánt horonyátmérőnek, módosítani kell az állítócsavar helyzetét, hogy az megfelelő horonyátmérőt biztosítson.

- Az átmérő növeléséhez forgassa az állítócsavart az óramutató járásával egyező irányba.
- Az átmérő csökkentéséhez forgassa az állítócsavart az óramutató járásával ellentétes irányba.
- Az állítócsavar  $\frac{1}{4}$  fordulatonyi elcsavarásával kb. 0,5 mm-t változik a horony átmérője.

7. Ismételje a 4–6. lépéseket mindaddig, amíg a horony átmérője meg nem felel a specifikációknak. Ha a horony átmérője túl nagy, a hornyoló beállítását módosítva lekicsinyítheti a meglévő horony átmérőjét. Ha a horony átmérője túl kicsi, akkor új hornyot kell kialakítani. A megfelelő csatlakozáshoz fontos a helyes horonyátmérő. Ha a horony nem felel meg a specifikációknak, akkor hibás lehet a csatlakozás.

### Horony kialakítása

1. Ellenőrizze, hogy megfelelően van-e összeállítva a felszerelés és a cső.



**12. ábra:** A görgős csőhornyoló munkahelyzete

2. Alakítson ki megfelelő munkahelyzetet. Helyezze el úgy a gépi hajtás lábkapcsolóját, hogy a kezelő ellenőrzése alatt tarthassa a hajtást, a hornyolót és a csövet. Amint a 12. ábrán is látható, az elhelyezésnek lehetővé kell tennie a kezelő számára a következőket:

- A hornyoló felé fordulva állni úgy, hogy elérje a FOR/OFF/REV kapcsolót (ugyanazon az oldalon).
  - A lábkapcsoló BE/KI funkcióját használni, és szükség esetén gyorsan felengedni a lábkapcsolót.
  - Kényelmesen hozzáférni a hornyolóhoz és a racsnis kulcshoz, anélkül hogy át kellene nyúlni a hornyoló felett.
  - Jobb kezét szükség esetén az éppen hornyolt csőre helyezni.
  - Egyensúlyát megőrizve, stabilan állni.
3. Állítsa a FOR/OFF/REV kapcsolót REV (hátra) helyzetbe. **Ne működtesse a 975-ös kombinált görgős csőhornyolót FOR (előre) állásban. A cső a 975-ös kombinált görgős csőhornyoló kialakításából adódóan így csigavonalban „lemenetelne” a hornyoló görgőiről, és leesne.**
  4. Helyezze egyik kezét a racsnikar fejére/az előtoló orsó tetejére, a másikat pedig a racsnikar végére.
  5. Indítsa be a gépi hajtást a lábkapcsoló megnyomásával. Figyelje a cső forgását, és győződjön meg róla, hogy a cső vége folyamatosan a hornyoló burkolólemezőnek síkjához illeszkedik. Ha a cső lassan eltávolodik a hornyoló burkolólemeztől, akkor engedje fel a lábkapcsolót, különben a cső csigavonalban lecsúszhat és leeshet. Ha szükséges, helyezze fel a csövet újból (lásd „A cső felhelyezése” című részt). Ha a cső vége deformálódik, akkor le kell vágni, és új hornyot kell kialakítani.
  6. Miután a cső megtett egy teljes fordulatot, újabb 1/4 fordulattal húzza meg az előtoló orsót. Továbbra is figyelje a cső végét, hogy az ne távolodjon el a burkolólemeztől. A cső minden fordulatánál csak 1/4 fordulattal húzzon az előtoló orsón. Ha túl sokat húz az orsón, akkor a horony nagyon kiöblösödhet, vagy a cső csigavonalban lecsúszhat a hajtótengelyről.
  7. Továbbra is húzzon 1/4 fordulattal az előtoló orsón a cső minden körbefordulásánál, amíg az állítócsavar feje neki nem ütközik a hornyoló tetejének. Miután az állítócsavar feje hozzáért a hornyoló tetejéhez, ne húzza tovább az orsót, mert megsérülhet az állítócsavar. A horonymélység egyenletessége érdekében várja meg, amíg a cső még legalább kétszer körbefordul ebben a helyzetben.
  8. Engedje fel a lábkapcsolót, és állítsa a FOR/OFF/REV kapcsolót OFF (kikapcsolt) helyzetbe.
  9. Az előtoló orsót az óramutató járásával ellentétes irányba forgatva, húzza fel a hornyológörgőt, hogy levehesse a csövet a gépről.
  10. Ellenőrizze a hornyot.
    - Győződjön meg róla, hogy teljesen ki van alakítva.
    - Mérje meg az átmérőjét, és győződjön meg róla, hogy az megfelel a specifikációknak.

- Hajtsa végre az illesztés gyártója által megkövetelt további ellenőrzéseket.

Ha bármilyen probléma felmerül, a horony nem használható.

### Horonyátmérő beállítása rézcső esetén

Rézcső hornyolásához ne használja a 975-ös kombinált görgős csőhornyoló horonymélység-határolóját, mert az ilyen esetben helytelen értéket ad.

1. Az előtoló orsót az óramutató járásával egyező irányba forgatva, tolja le a hornyológörgőt úgy, hogy az érintse a cső külső felületét, majd fordítson az orsón még egy negyed fordulattal. Előfordulhat, hogy meg kell lazítani az állítócsavart (az óramutató járásával ellentétes irányban), hogy a hornyológörgő hozzáérjen a csőhöz. A csőnek és a hornyológörgőnek ebben a pontban szilárdan kell érintkeznie.
2. A horonymélység-határolót állítsa hornyolási helyzetbe (10B. ábra).
3. Forgassa az állítócsavart mindaddig, amíg az el nem éri a hornyoló felső lapjának szintjét.
4. Keresse ki a B. táblázatból a hornyolni kívánt cső átmérőjét és falvastagságát, és csavarja kifelé az állítócsavart annyi fordulattal, amennyit a táblázat megad. 4"-es SCH L rézcső esetén például 1 1/4 fordulattal csavarjon kifelé.

### Mélységbeállítás rézcső hornyolásához (állítócsavar-fordulatok száma)

Átmérő	K	L	M	DWV
2-2,5"	7/8	7/8	5/8	5/8
3"	1 1/16	1 1/16	1 1/16	1 1/16
4"	1 1/4	1 1/4	1 1/4	1 1/8
5"	1 1/2	1 1/2	1 1/2	1 1/2
6"	1 3/16	1 3/4	1 3/4	1 3/4
8"	2 1/2	2 3/8	2 1/8	2 1/8

### B. táblázat: Mélységbeállítás rézcső hornyolásához

5. Folytassa az eljárást „A horony átmérőjének beállítása és mérése” című rész 4. lépésével.

### Iránytartási tippek a 975-ös kombinált görgős csőhornyolóhoz

A görgős hornyolásnál jelentkező leggyakoribb probléma az, hogy a cső csigavonalban „lemenetel” a hajtótengelyről, vagyis nem marad „irányban”. A megfelelő iránytartás érdekében fontos, hogy minden utasítást betartsunk. Ha a csőnek az összes utasítás betartása ellenére sem jó az iránytartása, akkor van néhány további lehetőség ennek javítására.

- Növelje meg egy kissé a cső elhúzását a kezelő irányába (növelje azt 1/2 fokról 1 fokra) (9. ábra).

- A kezelő esetleg kis erővel segítse a csövet hornyoláskor az iránytartásban. Erre rendszerint csak rövidebb csövek esetében van szükség. A kezelőnek jó állapotban lévő bőrkesztyűt kell viselnie, és tenyerét a csőre kell helyezni kb. annak közepén (13. ábra). Szükség lehet arra is, hogy az állvány, amelyre a gépi hajtást/menetvágó gépet felszerelték, rögzítve legyen a padlóhoz, hogy hornyoláskor ne mozogjon a berendezés. A zúzódási sérülések megelőzése érdekében tartsa távol kezét a hornyológörgőtől és a cső mindkét végétől, és ne hornyoljon olyan csövet, amely rövidebb az ajánlottnál.



**13. ábra: A cső kézzel, kis erővel történő segítése az iránytartásban hornyoláskor**

- Az iránytartási problémák okainak és megoldásainak ismertetését olvassa el a *Hibaelhárítás* című részben.

## A gép és a munkaterület előkészítése helyszíni alkalmazáshoz

### ⚠ FIGYELEM



**Mindig viseljen szemvédőt a szennyeződés és idegen tárgyak elleni védelem érdekében. Viseljen acéllemez lábujjvédővel ellátott lábbelit a felboruló és leeső gép és cső elleni védelem érdekében. A helyszínen végzett munkához viseljen védősisakot.**

**A hornyolót és a munkaterületet az alábbi eljárással készítse elő a gépborulás, zúzódás és egyéb okok miatti személyi sérülés kockázatának csökkentése, valamint a hornyoló sérülésének megelőzése érdekében.**

1. Olyan munkaterületet válasszon, amelyre érvényesek a következők:
  - Van megfelelő világítás.
  - Nem található a területen gyúlékony folyadék, gőz vagy por, amely könnyen lángra lobbanhat. Ha ilyenek megtalálhatók a területen, ne dolgozzon a helyszínen, míg az eredetüket nem állapította meg, és a problémát nem hárította el.
  - A berendezésnek és a kezelőnek egyaránt elegendő méretű tiszta, vízszintes, stabil és száraz helye van.
2. A berendezés előkészítése előtt tisztítsa meg a munkaterületet. Az esetleges olajat mindenhol törölje fel.
3. Vizsgálja meg a hornyolni kívánt csövet, és bizonyosodjon meg arról, hogy a 975-ös kombinált görgős csőhornyoló alkalmas a munka elvégzésére. A 975-ös kombinált görgős csőhornyolóval 1¼–6" átmérőjű, SCH-10 és SCH-40 falvastagságú acél-, alumínium- és PVC-csövek hornyolhatók. A gép 1¼–6"-es SCH-10, illetve 1¼–2"-es SCH-40 rozsdamentesacél csövek hornyolásához is megfelel, és a görgőkészlet cseréjével 2–8"-es K, L, M és DWV típusú rézcsövek hornyolására is alkalmassá tehető. A 975-ös kombinált görgős csőhornyoló használható helyszíni alkalmazásban (telepített vagy satuba fogott cső) vagy az üzemben, RIDGID 300 gépi hajtással vagy RIDGID 300 Compact menetvágó géppel meghajtott alkalmazásban. A 975-ös kombinált görgős csőhornyoló gyártási jellegű alkalmazásban nem használható.
4. A helyszínen végzett hornyoláskor gondoskodjon róla, hogy legyen elegendő hely a 975-ös kombinált görgős csőhornyoló felhelyezéséhez és működtetéséhez. A hornyoló körözni fog a stabilan telepített cső körül, amihez a következők szükségesek:
  - A hornyolni kívánt cső körül legyen legalább 16,5 cm szabad hely.

- A csőnek legalább 6,4 cm hosszú része nyúljon ki az akadályból, pl. falból.
- Legalább 24,1 cm-es nyílásra van szükség a hornyoló rögzítéséhez a csőre.

Az egyéb alkalmazásokra szolgáló görgős hornyolókat megtalálhatja a Ridge Tool katalógusában, a [www.RIDGID.com](http://www.RIDGID.com) web helyen, de a Ridge Tool technikai szolgáltató osztályán is érdeklődhet, a 800-519-3456-os telefonszámon.

**MEGJEGYZÉS** Ha a görgőkészleteket (hornyológörgő+hajtótengely) szénacél és rozsdamentesacél csöveken is használja, akkor a rozsdamentes acélba szennyeződés kerülhet. Ez a szennyeződés korróziót okozhat, ami a cső idő előtti meghibásodásához vezethet. A rozsdamentesacél csövek vasszennyeződésének megelőzése érdekében az ilyen csövek hornyolásához külön görgőkészleteket használjon. Megoldás lehet még a görgőkészlet alapos megtisztítása rozsdamentesacél drótkéfével, amikor más anyagú csőre tér át.

## A cső előkészítése

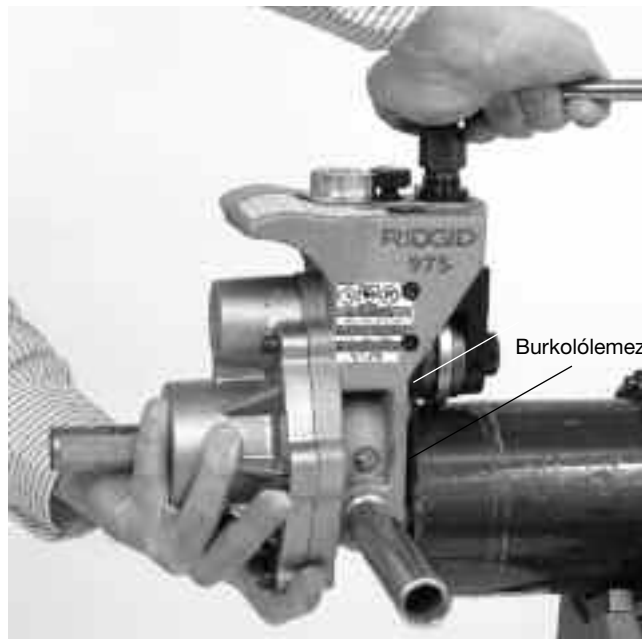
**MEGJEGYZÉS** Ebben a részben általános útmutatás olvasható. Mindig kövesse a csapos csatlakozó gyártójának a csővég előkészítésére vonatkozó utasításait. A csapos csatlakozó gyártója ajánlásainak figyelmen kívül hagyása esetén a csatlakozás helytelen lehet, és szivárgás keletkezhet.

1. Ha a helyszínen hornyol egy meglévő csővezeték, akkor győződjön meg róla, hogy a rendszert nyomásmentesítették és tartalmát kiürítették. Tudnia kell, milyen anyagot tartalmaz a rendszer, és ismernie kell az ezzel összefüggő veszélyeket.
2. Vágja a csövet a megfelelő hosszúságra.  
A cső vége merőlegesre legyen vágva, és sorjamentes legyen. A sorja hornyolás közben beleakadhat a kezelő kesztyűjébe vagy ujjába, és vágási sérülést okozhat. A vágás módszere és a sorja mérete befolyásolhatja a horony minőségét és az iránytartást. Ne hornyoljon lángvágóval vágott csövet.
3. A cső végétől legalább 5 cm távolságban minden belső vagy külső hegesztési varratot, sorját és heget simára kell csiszolni. Ne sértse meg a tömítőgyűrű fészkét, mert ez szivárgáshoz vezethet.
4. A cső végétől legalább 5 cm távolságban távolítsa el a vízkövet, piszkot, rozsdát és az egyéb szennyeződések. A szennyeződések a hajtótengely recézésében megülvé gátolhatják a cső megfelelő hajtását és iránytartását a hornyolás során.
5. Győződjön meg róla, hogy a hornyolni kívánt cső szilárdan vagy telepítve. A csőnek mozgás nélkül el kell viselnie a görgős csőhornyoló tömegét (12,7 kg), valamint a hornyolással járó erőt és forgatónyomatékat. Helyszíni hornyoláskor érdemes lehet a csövet leszerelni, és satuba fogva hornyolni. Egyéb esetekben előfordulhat, hogy ideiglenes vagy állandó csőtámaszokat kell elhelyezni. Csősatu alkalmazása esetén biztosítsa, hogy az biztonságos legyen, és használat közben ne

boruljon föl. Hosszabb csövek hornyolásához csőtartó állványokkal támassza meg a csövet.

## A görgős csőhornyoló felszerelése a csőre

1. Győződjön meg róla, hogy megtörtént a 975-ös kombinált görgős csőhornyoló ellenőrzése, és hogy a megfelelő görgőkészlet van beszerelve. Gondoskodjon róla, hogy a támasztókarok erősen tartsanak a hornyoló házában, vagy távolítsa el őket, hogy a szűk helyen jobban hozzáférjen az eszközhöz. Ezután illessze a racsnikart az előtoló orsóba, és helyezze a toldatot a hornyoló hátsó részén található négyzetes kézi hajtónyílásba. A racsnikart és a toldatot is stabilan kell felszerelni.
2. Gondoskodjon róla, hogy a hornyológörgő és a hajtótengely között elegendő hely legyen a cső fala számára. Szükség esetén húzza vissza a hornyológörgőt, az óramutató járásával ellentétes irányba forgatva az előtoló orsót.
3. Stabilan fogja meg a hornyolót. Ne a racsnikarnál fogva emelje. Helyezze a hajtótengelyt a cső belsejébe; a cső vége pontosan illeszkedjen a hornyoló burkolólemezhöz (14. ábra). Az előtoló orsó meghúzásával állítsa a hornyológörgőt olyan helyzetbe, hogy hozzáérjen a cső külső felületéhez. Az előtoló orsó kézi meghúzása után húzzon még rajta  $\frac{1}{4}$  fordulattal a racsnikar segítségével. Győződjön meg róla, hogy a hornyoló stabilan van felerősítve a csőre, és a cső vége a burkolólemez síkjához illeszkedik. Ha nem így van, ismételje meg az eljárást. Helyszíni használat esetén mindig bizonyosodjon meg a felhelyezés biztonságosságáról, nehogy a hornyoló leessen.



14. ábra: A görgős csőhornyoló tartása az előtoló orsó meghúzásában a helyszínen

## A 975-ös kombinált görgős csőhornyoló helyszíni használata

### ⚠ FIGYELEM



A helyszíni alkalmazásokhoz mindig kézi meghajtás szükséges. A helyszínen ne használjon gépi eszközt (pl. fúrót vagy behajtógépet) a hornyoló meghajtására. Gépi meghajtóeszköz használata esetén megsérülhet a hornyoló, és nagyobb a sérülésveszély.

Ne viseljen laza ruhát a görgős csőhornyoló kezelésekor. A köpenyt és a ruhaujjakat mindig tartsa begombolva. Ne nyúljon át a gépen vagy a csövön. A laza ruha beakadhat a forgó alkatrészekbe, és zúzódási sérülést okozhat.

Kezét mindig tartsa távol a hornyológörgőktől. Ne hornyoljon a megadottnál rövidebb csövet. Ne viseljen laza kesztyűt. Az ujjai összezúzódhatnak a hornyológörgők, illetve a görgő és a cső között.

Kezét tartsa távol a cső végeitől. Ne nyúljon a cső belsejébe. A sorja és az éles peremek beakadhatnak, és vágási sérülést okozhatnak. Az ujjai összezúzódhatnak a hornyológörgők, illetve a görgő és a cső között.

Mindig viseljen szemvédőt a szennyeződés és idegen tárgyak elleni védelem érdekében. Viseljen acéllemez lábujjvédővel ellátott lábbelit a felboruló szerszámgép és leeső cső elleni védelem érdekében. A helyszínen végzett munkához viseljen védősisakot.

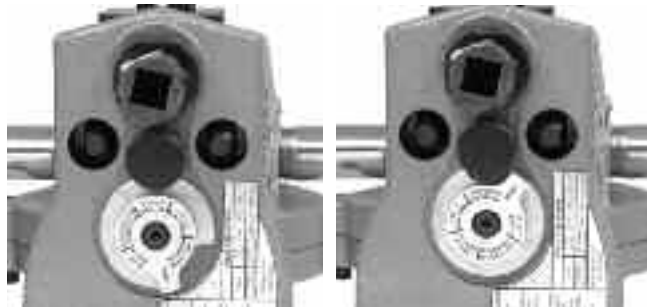
Kövesse a kezelési útmutatót a zúzódásból, borulásból, ütésből és egyéb okokból származó sérülések veszélyének csökkentése érdekében.

### A horony átmérőjének beállítása és mérése

**MEGJEGYZÉS** Mivel a csövek eltérő műszaki jellemzőkkel rendelkeznek, a nap első hornyolását megelőzően, valamint eltérő méretű, falvastagságú vagy anyagú cső hornyolása előtt mindig végezzen próbahornyolást. A horonyátmérő beállítása csupán hozzávetőleges, ezért annak megfelelő méretéről méréssel kell megbizonyosodni.

1. Ellenőrizze, hogy megfelelően van-e összeállítva a felszerelés és a cső. A cső helytelen előkészítése kedvezőtlen hatással lehet a horonymélység-határoló beállításának pontosságára. A hornyológörgőnek hozzá kell érnie a csőhöz.
2. Állítsa be a horonymélység-határolót úgy, hogy a kívánt fokozata kerüljön az állítócsavar feje alá (15A. ábra). A horonymélység-határoló nem rézcsővel való használatra készült. Rézcső esetén lásd a „Horonyátmérő beállítása rézcső esetén” című részt.
3. Forgassa az állítócsavart az óramutató járásával egyező irányba mindaddig, amíg a feje hozzá nem ér a

mélység-határoló adott fokozatához. Fordítsa a horonymélység-határolót hornyolási helyzetbe (15B. ábra). Ha a horonymélység-határoló nincs hornyolási helyzetben, akkor akadályozza a hornyolást, és meg is sérülhet.



**15A. ábra:**  
A mélység-határoló kívánt fokozata kerüljön az állítócsavar feje alá

**15B. ábra:**  
A mélység-határoló hornyolási helyzetben

4. Készítsen egy próbahornyot (az útmutatót lásd a „Horony kialakítása” című részben).
5. Mérje meg a horony átmérőjét. Erre a célra az átmérőmérő szalag a legalkalmasabb segédeszköz (lásd a „Tartozékok” című részt). Szorosan tekerje a csőre az átmérőmérő szalagot a horonyban. Ellenőrizze, hogy a szalag simán fekszik-e a horony fenekén, majd olvassa le a horony átmérőjének értékét (lásd 16. ábra).



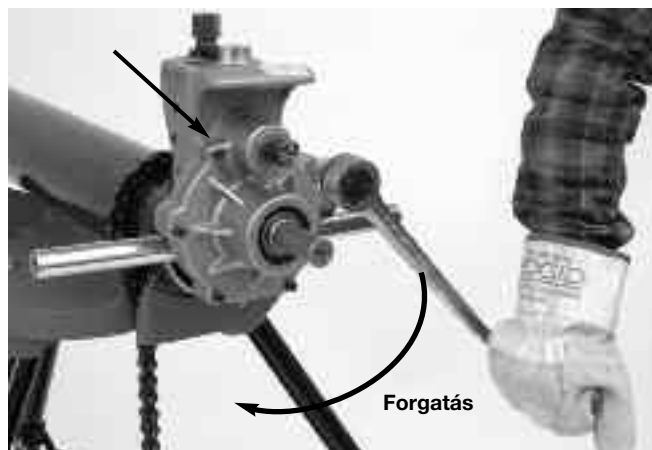
**16. ábra:** Horonyátmérő mérése átmérőmérő szalaggal

6. Hasonlítsa össze a mért és a kívánt értéket az I. vagy III. táblázat alapján vagy a csapos csatlakozó gyártója útmutatásának megfelelően. Ha a mért érték nem felel meg a kívánt horonyátmérőnek, módosítani kell az állítócsavar helyzetét, hogy az megfelelő horonyátmérőt biztosítson.
  - Az átmérő növeléséhez forgassa az állítócsavart az óramutató járásával egyező irányba.

- Az átmérő csökkentéséhez forgassa az állítócsavart az óramutató járásával ellentétes irányba.
  - Az állítócsavar  $\frac{1}{4}$  fordulatnyi elcsavarásával kb. 0,5 mm-t változik a horony átmérője.
7. Ismétlje a 4–6. lépéseket mindaddig, amíg a horony átmérője meg nem felel a specifikációknak. Ha az első horony átmérője túl nagy, a hornyoló beállítását módosítva lekicsinyítheti a meglévő horony átmérőjét. Ha a horony átmérője túl kicsi, akkor új hornyot kell kialakítani. A megfelelő csatlakozáshoz fontos a helyes horonyátmérő. Ha a horony nem felel meg a specifikációknak, akkor hibás lehet a csatlakozás.

### Horony kialakítása

1. Ellenőrizze, hogy megfelelően van-e összeállítva a felszerelés és a cső.
2. Alakítson ki megfelelő munkahelyzetet. Egyensúlyát megőrizve, stabilan álljon.
3. Győződjön meg róla, hogy az előtoló orsó meg van húzva  $\frac{1}{4}$  fordulattal.
4. Vegye le a racsnikart az előtoló orsóról, és stabilan erősítse fel a toldatot. (Ha szűkös a hely, nem kell felhelyezni a toldatot.)
5. Forgassa a racsnikart az óramutató járásával egyező irányba a hornyoló hátulja felől nézve (ezt az irányt jelzik a gép hátulján található, öntéssel kialakított nyilak, *lásd a 17. ábrát*). Figyelje a hornyoló forgását, és győződjön meg róla, hogy a hornyoló burkolólemeze folyamatosan a cső végéhez illeszkedik. Ha a hornyoló burkolólemeze lassan eltávolodik a cső végétől, akkor ne forgassa tovább a racsnikart, különben a hornyoló csigavonalban lecsúszhat a csőről és leeshet. A hornyoló támasztókarjait nyomva a burkolólemez könnyebben visszatolható a cső végéhez. Ha szükséges, szerelje fel újra a csőre a hornyolót (*lásd „A görgős csőhornyoló felszerelése a csőre” című részt*). Ha a cső vége deformálódik, akkor le kell vágni, és új hornyot kell kialakítani.



17. ábra: A racsnikar forgatása a nyíllal jelzett irányba

6. Forgassa a racsnikart mindaddig, amíg a hornyoló legalább egyszer teljesen körbe nem fordul a cső körül. Vegye le a racsnikart a toldatról, és helyezze fel az előtoló orsóra. Húzza meg az előtoló orsót újabb  $\frac{1}{4}$  fordulattal. Vegye le a racsnikart az előtoló orsóról, és stabilan erősítse a toldatra. A cső minden fordulatánál csak  $\frac{1}{4}$  fordulatnyit húzzon az előtoló orsón. Ha túl sokat húz az orsón, akkor a horony nagyon kiöblösödhet, vagy a hornyoló csigavonalban lecsúszhat a csőről. Forgassa tovább a racsnikart, hogy a hornyoló újabb kört tegyen a cső körül, de közben figyelje a burkolólemez és a csővég kölcsönös helyzetét.
7. Továbbra is húzzon  $\frac{1}{4}$  fordulatnyit az előtoló orsón a hornyoló minden körbefordulásánál, amíg az állítócsavar feje neki nem ütközik a hornyoló tetejének. Miután az állítócsavar feje hozzáért a hornyoló tetejéhez, ne húzza tovább az orsót, mert megsérülhet az állítócsavar. Ebben a helyzetben azonban még legalább kétszer hajtsa körbe a hornyolót a cső kerületén, hogy biztosítsa a horonymélység egyenletességét.
8. Helyezze át a racsnikart az előtoló orsóra. Stabilan fogja meg a hornyolót. Az előtoló orsót az óramutató járásával ellentétes irányba forgatva, húzza vissza a hornyológörgőt, hogy levehesse a gépet a csőről. Ügyeljen rá, hogy a hornyoló ne essen le.
9. Ellenőrizze a hornyot.
  - Győződjön meg róla, hogy teljesen ki van alakítva.
  - Mérje meg az átmérőjét, és győződjön meg róla, hogy az megfelel a specifikációknak.
  - Hajtsa végre az illesztés gyártója által megkövetelt további ellenőrzéseket.

Ha bármilyen probléma felmerül, a horony nem használható.

### Karbantartási utasítás

#### ⚠ FIGYELEM

**Mielőtt bármilyen karbantartási vagy beállítási műveletbe kezdene, bizonyosodjon meg róla, hogy a gépi hajtás kapcsolója OFF (kikapcsolt) állásban van, és ki van húzva a csatlakozózsínórja.**

#### Kenés

A 975-ös kombinált görgős csőhornyolót havonta egyszer kenje meg jó minőségű általános célú kenőzsírral.

- A zsírószemek az alap kezelő felőli oldalán, a csúszófej elülső oldalán, valamint a hornyológörgő tengelyének végén található (*lásd 2. ábra*). Annyi zsírt pumpáljon be, hogy egy kis mennyiség kinyomódjon.
- Az előtoló orsóra is vigyen fel vékony zsírbevonatot.
- A 975-ös kombinált görgős csőhornyoló hajtóműve élettartam-kenésű, így ha fel nem nyitják, nem kell zsírozni.



A karbantartásról az ellenőrzéssel foglalkozó részben olvashat további tudnivalókat.

## Tisztítás

Naponta, illetve szükség esetén még gyakrabban tisztítsa meg a hajtótengely recézését drótkefével.

## Görgőkészletek cseréje

**MEGJEGYZÉS** Görgőkészletek cseréjekor mindig ügyeljen arra, hogy azonos jelzésű hajtó- és hornyológörgőt helyezzen fel. Nem összeillő görgők helytelen hornyot alakíthatnak ki, ami szivárgást okozhat.

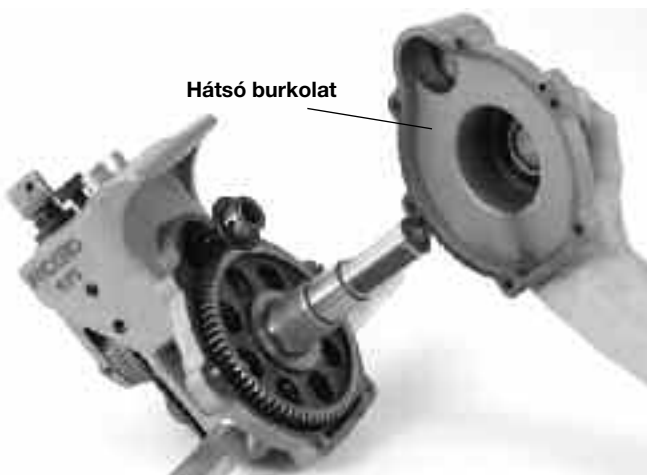
Vegye le a görgős csőhornyolót a gépi hajtásról vagy menetvágó gépről, és helyezze egy stabil munkapadra.

Szükséges szerszámok:

- $\frac{3}{8}$ "-es hatszögkulcs
- $\frac{3}{32}$ "-es hatszögkulcs
- 0,070"-es külső rögzítőgyűrű-fogó

### Hajtógörgő eltávolítása és felhelyezése

1. Csavarja ki a hátsó burkolatot a házhoz rögzítő 6 csavart.
2. Vegye le a hátsó burkolatot (18. ábra).



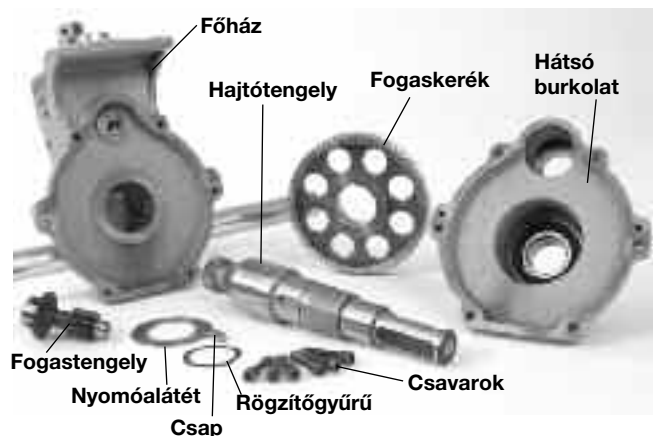
18. ábra: A hátsó burkolat eltávolítása

3. Vegye ki a fogastengelyt.
4. Húzza ki a hajtótengely-szerelvényt a 975-ös görgős csőhornyoló hátuljából.
5. Távolítsa el a rögzítőgyűrűt a hajtótengelyről, és húzza le a fogaskereket (19. ábra).



19. ábra: A rögzítőgyűrű eltávolítása

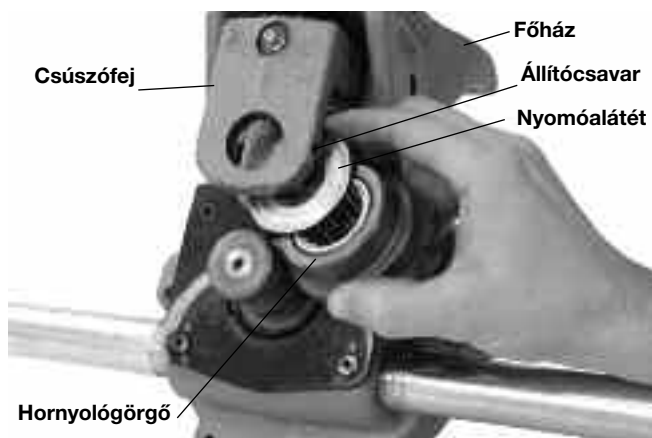
6. Távolítsa el a csapot, majd a nyomóalátétet.
7. Húzza rá a nyomóalátétet az új hajtótengelyre.
8. Illessze be a csapot, és helyezze fel a fogaskereket.
9. Illessze a rögzítőgyűrűt a hajtótengely hornyába.
10. Helyezze be a hajtótengely-szerelvényt a főházba.
11. A hajtótengely cseréjekor a hajtómű zsírt veszthet. Gondoskodjon róla, hogy a csapágyakat és a fogaskerék fogait elegendő mennyiségű jó minőségű, általános célú kenőzsír fedje.
12. Illessze be a fogastengelyt, és helyezze vissza a hátsó burkolatot. Húzza meg a csavarokat 16,2–21,6 Nm nyomatékkal.



20. ábra: A 975-ös kombinált görgős csőhornyoló alkatrészei

### Hornyológörgő eltávolítása és felhelyezése

1. Csavarja ki az állítócsavart, amely a hornyológörgő tengelyét a helyén tartja.
2. Húzza ki a csúszófejből a hornyológörgő tengelyét, majd távolítsa el a hornyológörgőt és a nyomóalátétet.
3. Helyezze be a csúszófejbe a nyomóalátétet és az új hornyológörgőt. Fontos, hogy a hornyológörgő belső rögzítőgyűrűje legyen a legközelebb a főházhoz, a hornyológörgő pedig a nyomóalátét és a főház közé kerüljön.


**21. ábra**

4. Helyezze vissza a hornyológörgő tengelyét és az állítócsavart.
5. Szemrevételezéssel ellenőrizze a hornyoló- és a hajtógörgő egymáshoz való igazodását. Ha rosszul igazodnak egymáshoz, akkor ellenőrizze a hornyológörgő és a nyomóalátét tájolását.
6. Kenje meg a gépet a „Kenés” című részben olvashatóknak megfelelően.

## Tartozékok

### ▲ FIGYELEM

Az alábbi RIDGID termékek úgy vannak kialakítva, hogy együttműködjenek a 975-es kombinált görgős csőhornyolóval. Egyéb, más szerszámgépekhez készült tartozékok használata a 975-es kombinált görgős csőhornyolóval veszélyes lehet. A komoly sérülés kockázatának csökkentése érdekében csak a 975-es kombinált görgős csőhornyolóhoz készült és ajánlott tartozékokat használja, melyek az alábbi táblázatban szerepelnek.

Kat.szám	Megnevezés
60082	300-as gépi hajtás, 230 V, 25–60 Hz
60077	300-as gépi hajtás, 115 V, 25–60 Hz
42360	1206-os állvány a 300-as gépi hajtáshoz
50697	300 Compact, 230 V, 25–60 Hz
50692	300 Compact, 115 V, 25–60 Hz
20391	300 Compact, 230 V, 25–60 Hz (DK)
67662	Adaptertartó a 300 Compact/1234 modellhez
58077	250-ös összecsuksútható állvány a 300 Compact/1234 modellhez
72037	460-as hordozható Tristand láncos satu
56662	VJ-99 V fejű magas csőtartó állvány
76822	Átmérőmérő szalag hüvelybeosztással
76827	Átmérőmérő szalag metrikus beosztással
30708	Toldal, 1/2” hajtás, reteszelés
30703	Racsnikar, 1/2” hajtás, 90°-ban meghajlítva
33043	Hornyoló- és hajtógörgők 2–8”-es K, L, M és DWV típusú rézcsőhöz

## A gép tárolása

**▲ FIGYELMEZTETÉS** A gépet zárható helyen tartsa, hogy ne kerülhessen gyermekek vagy a görgős csőhornyoló kezelésében nem jártas személyek kezébe. Gyakorlatlan felhasználó kezében a szerszám gép súlyos sérülést okozhat.

## Szerviz és javítás

### ▲ FIGYELEM

**A nem megfelelő szervizelés vagy javítás nem biztonságos üzemeltetést eredményezhet.**

A „Karbantartási utasítás” című részben a gép szükséges karbantartásának nagy része le van írva. Az olyan problémák elhárítását, amellyel az említett rész nem foglalkozik, a RIDGID hivatalos szervizének szakemberére kell bízni.

A készüléket vissza kell juttatni a RIDGID független hivatalos szervizközpontjába vagy a gyárba.

A gép javításakor csak egyező cserealkatrészek használhatók. Bármilyen más alkatrész használata komoly sérülést okozhat.

Ha bármilyen kérdése adódna a készülék szervizelésével vagy javításával kapcsolatban, forduljon hozzánk:

Ridge Tool Company  
 Technical Service Department  
 400 Clark Street  
 Elyria, Ohio 44035-6001  
 Tel.: (800) 519-3456  
 E-mail: TechServices@ridgid.com

Ha a legközelebbi RIDGID független szervizközpontot keresi, vagy bármilyen kérdése van a szervizzel és javítással kapcsolatban

Forduljon a Ridge Tool helyi forgalmazójához.

Látogasson el a [www.RIDGID.com](http://www.RIDGID.com) vagy [www.RIDGID.eu](http://www.RIDGID.eu) címre, és keresse meg a Ridge Tool helyi kapcsolati pontját.

Forduljon a Ridge Tool műszaki szolgáltatási részlegéhez a [techservices@emerson.com](mailto:techservices@emerson.com) címen, illetve az USA-ban és Kanadában a (800) 519-3456 számon.

## I. táblázat: Szabványos horonyspecifikációk IPS méretű csövekhez

FONTOS! Minden méret hüvelykben van megadva.

NÉVL. CSŐ- MÉRET	CSŐ ÁTMÉRŐJE		T MIN. FAL- VAST.	A TÖMÍTÉS FÉSZKE +0,015/-0,030	B HORONY SZÉLESS. +0,030/-0,015	C HORONY ÁTMÉRŐJE		D NÉVL. HORONY- MÉLYS. (ref.) (2)
	KÜLSŐ Ø	TÜRÉS				KÜLSŐ Ø	TÜRÉS	
1 <sup>1</sup> / <sub>4</sub>	1,660	+0,016 -0,016	0,065	0,625	0,344	1,535	+0,000 -0,015	0,063
1 <sup>1</sup> / <sub>2</sub>	1,900	+0,016 -0,016	0,065	0,625	0,344	1,775	+0,000 -0,015	0,063
2 <sup>(1)</sup>	2,375	+0,024 -0,016	0,065	0,625	0,344	2,250	+0,000 -0,015	0,063
2 <sup>1</sup> / <sub>2</sub> <sup>(1)</sup>	2,875	+0,029 -0,016	0,083	0,625	0,344	2,720	+0,000 -0,015	0,078
3 <sup>(1)</sup>	3,50	+0,030 -0,018	0,083	0,625	0,344	3,344	+0,000 -0,015	0,078
3 <sup>1</sup> / <sub>2</sub> <sup>(1)</sup>	4,00	+0,030 -0,018	0,083	0,625	0,344	3,834	+0,000 -0,015	0,083
4 <sup>(1)</sup>	4,50	+0,035 -0,020	0,083	0,625	0,344	4,334	+0,000 -0,015	0,083
5 <sup>(1)</sup>	5,563	+0,056 -0,022	0,109	0,625	0,344	5,395	+0,000 -0,015	0,084
6 <sup>(1)</sup>	6,625	+0,050 -0,024	0,109	0,625	0,344	6,455	+0,000 -0,015	0,085

(1) Az AWWA C606-06 előírásoknak megfelelően.

(2) A névleges horonymélység csupán referenciaméretként van megadva. A horony megfelelőségének megállapításakor ne vegye figyelembe a horonymélységet.

## II. táblázat: Maximális és minimális csőfalvastagság

FONTOS! Minden méret hüvelykben van megadva.

Csőméret	SZÉNACÉL VAGY ALUMÍNIUMCSŐ		ROZSDAMENTESACÉL CSŐ		PVC-CSŐ	
	Falvastagság		Falvastagság		Falvastagság	
	Min.	Max.	Min.	Max.	Min.	Max.
1 <sup>1</sup> / <sub>4</sub> "	0,065	0,140	0,065	0,140	0,140	0,140
1 <sup>1</sup> / <sub>2</sub> "	0,065	0,145	0,065	0,145	0,145	0,200
2"	0,065	0,154	0,065	0,154	0,154	0,154
2 <sup>1</sup> / <sub>2</sub> "	0,083	0,203	0,083	0,188	0,203	0,276
3"	0,083	0,216	0,083	0,188	0,216	0,300
3 <sup>1</sup> / <sub>2</sub> "	0,083	0,226	0,083	0,188	0,226	0,300
4"	0,083	0,237	0,083	0,188	0,237	0,300
5"	0,109	0,258	0,109	0,188	0,258	0,300
6"	0,109	0,280	0,109	0,188	0,280	0,300

### III. táblázat: Rézcsőhornyok specifikációi

1	2		3	4	5	6	7	8
Névl. méret (hüvelyk)	Cső külső átmérője (OD)		A Tömítés fészke A ±0,03	B Horony széless. +0,03 -0,000	C Horony átm. +0,00 -0,02	D Horony mélys. (ref.1)	T Min. megeng. fal- vast.	Max. megeng. öblös. átm.
	Névleges	Tűrés						
2"	2,125	±0,002	0,610	0,300	2,029	0,048	DWV	2,220
2½"	2,625	±0,002	0,610	0,300	2,525	0,050	0,065	2,720
3"	3,125	±0,002	0,610	0,300	3,025	0,050	DWV	3,220
4"	4,125	±0,002	0,610	0,300	4,019	0,053	DWV	4,220
5"	5,125	±0,002	0,610	0,300	5,019	0,053	DWV	5,220
6"	6,125	±0,002	0,610	0,300	5,999	0,063	DWV	6,220
8"	8,125	+0,002/-0,004	0,610	0,300	7,959	0,083	DWV	8,220

1. A névleges horonymélység csupán referenciaméretként van megadva. A horony megfelelőségének megállapításakor ne vegye figyelembe a horonymélységet.

### Hibaelhárítás

JELENSEG	LEHETSEGES OKOK	MEGOLDAS
<b>Túl keskeny vagy széles a horony.</b>	Nem megfelelő a hornyológörgő és/vagy a hajtótengely mérete.	Cserélje ki a hornyológörgőt és/vagy a hajtótengelyt.
<b>A horony nem merőleges a cső tengelyére.</b>	A cső nem egyenes. A csővég nem merőleges a cső tengelyére.	Egyenes csövet használjon. Vágja merőlegesre a cső végét.
<b>A hornyolás során a cső nem marad irányban./A hornyolás során a hornyoló nem marad irányban a csövön.</b>	A cső nem párhuzamos a hajtótengellyel. A cső tengelye nem hajlik el 1/2 foknyira a hajtógörgő tengelyétől. A hajtótengely recézése berakódott, vagy a tengely simára kopott. Az előtoló orsó nincs meghúzva. Rossz irányba forgatja a racsnikart. Túl sok a vízkő a cső belsejében. Túl nagy hegesztési varrat van a csőben. Nem nyomja a csövet. A cső vége nem merőleges/nincs lesorjázva. Túlságosan meg van húzva az előtoló orsó.	Állítsa az állványt olyan helyzetbe, hogy a cső párhuzamos legyen. Húzza el a csövet 1/2 fokos szögben. Tisztítsa meg vagy cserélje ki a hajtógörgőt. Minden fordulatnál húzza meg az előtoló orsót a racsnikarral az útmutatásnak megfelelően. A megfelelő irányba forgassa a racsnikart. Tisztítsa meg a cső belsejét. Csiszolja simára a varratot a cső végétől 5 cm hosszúságban. Nyomja a csövet. (Lásd a 10. ábrát.) Megfelelően készítse elő a cső végét. Az előtoló orsóval csak 1/4 fordulatnyi lépésekben haladjon.
<b>A cső hornyolt vége kiöblösödik.</b>	A cső nem párhuzamos a hajtótengellyel. Túlságosan meg van húzva az előtoló orsó.	Állítsa az állványt olyan helyzetbe, hogy a cső párhuzamos legyen. Az előtoló orsóval mindig csak 1/4 fordulatnyit haladjon.

## Hibaelhárítás (folytatás)

JELENSEG	LEHETSEGES OKOK	MEGOLDAS
<b>Hornyolás közben a cső előre-hátra mozog a hajtógörgő tengelyén.</b>	A cső nem egyenes. A csővég nem merőleges a cső tengelyére.	Egyenes csövet használjon. Vágja merőlegesre a cső végét.
<b>Hornyolás közben a cső kileng egyik oldalról a másikra a hajtógörgőn.</b>	A csőtartó állvány nagyon közel van a cső végéhez. A csővég be van lapítva vagy sérült. Kemény pontok vannak a cső anyagában, vagy a hegesztett varratok keményebbek a csőnél. Túl kicsi a hornyológörgő eltolási sebessége. A gépi hajtás fordulatszáma nagyobb, mint 57 RPM. Rosszul vannak elhelyezve a csőtartó állványok.	Helyezze el az állványt az útmutatónak megfelelően. Vágja le a sérült csővéget. Másféle csövet használjon. Gyorsabban tolja elő a hornyológörgőt a csőbe. Csökkentse a fordulatszámot 57 RPM vagy kisebb értékre. Megfelelően helyezze el a csőtartó állvány görgőit.
<b>A hornyoló nem hornyol a csőbe.</b>	A cső falvastagsága nagyobb a megengedettnél. A cső anyaga túl kemény. Nincs beállítva az állítócsavar. A gépi hajtás nem biztosítja a szükséges minimális nyomatékot.	Ellenőrizze a csőkapacitási táblázatot. Cseréljen csövet. Állítsa be a mélységet. RIDGID 300-as gépi hajtást vagy 300 Compact, illetve 1234-es menetvágó gépet használjon.
<b>A hornyoló nem a megfelelő átmérővel hornyol.</b>	A cső átmérője meghaladja a maximális túrést. A mélységbeállító csavar nincs megfelelően beállítva. A cső túl kemény.	Megfelelő átmérőjű csövet használjon. Módosítsa a mélység beállítását. Másféle csövet használjon.
<b>A cső csúszik a hajtógörgőn.</b>	Túl kicsi a hornyológörgő eltolási sebessége. A hajtótengely recézése fémmel berakódott, vagy a tengely simára kopott.	Gyorsabban tolja elő a hornyológörgőt a csőbe. Tisztítsa meg vagy cserélje ki a hajtógörgőt.
<b>A hornyoló nem forgatja a csövet.</b>	A gépi hajtás nem biztosítja a szükséges minimális nyomatékot. A befogó nincs rászorítva a hajtótengely lapos felületeire.	RIDGID 300-as gépi hajtást vagy 300 Compact, illetve 1234-es menetvágó gépet használjon. Szorítsa össze a befogót.
<b>A cső felemelkedik, vagy majdnem felborítja hátrafelé a gépet.</b>	Rosszul van elhelyezve a csőtartó állvány.	Helyezze el megfelelően az állványokat.

975

# Combo Roll Groover




**RIDGID**<sup>®</sup>


## Πίνακας περιεχομένων


Σύμβολα ασφαλείας .....	358
<b>Γενικοί κανόνες για την ασφάλεια</b>	
Ασφάλεια περιοχής εργασίας .....	358
Ηλεκτρολογική ασφάλεια .....	358
Ατομική ασφάλεια .....	359
Χρήση και φροντίδα εργαλείων .....	359
Σέρβις .....	359
<b>Συγκεκριμένες πληροφορίες ασφαλείας</b>	
Ασφάλεια περιμετρικού εγκοπέα .....	360
Ασφάλεια περιμετρικού εγκοπέα κατά τη χρήση με διάταξη μετάδοσης ισχύος/μηχανή σπειρωμάτων .....	360
Ασφάλεια περιμετρικού εγκοπέα κατά τη χρήση επιτόπου .....	360
<b>Περιγραφή, προδιαγραφές και βασικός εξοπλισμός</b>	
Περιγραφή .....	360
Προδιαγραφές .....	361
Βασικός εξοπλισμός .....	361
<b>Επιθεώρηση περιμετρικού εγκοπέα .....</b>	<b>361</b>
<b>Ρύθμιση μηχανήματος και χώρου εργασίας για εφαρμογές με μετάδοση ισχύος</b>	
Τοποθέτηση του περιμετρικού εγκοπέα 975 Combo Groover σε διάταξη μετάδοσης ισχύος RIDGID 300 Power Drive .....	363
Τοποθέτηση του περιμετρικού εγκοπέα 975 Combo Groover σε μηχανή σπειρωμάτων	
RIDGID 300 Compact/1233 Threading Machine .....	363
Ολοκλήρωση προετοιμασίας .....	364
Προετοιμασία σωλήνων .....	365
Τοποθέτηση σωλήνα στον περιμετρικό εγκοπέα .....	366
<b>Χειρισμός του περιμετρικού εγκοπέα 975 Combo Roll Groover με διάταξη μετάδοσης ισχύος/μηχανή σπειρωμάτων</b>	
Ρύθμιση/μέτρηση της διαμέτρου της εγκοπής .....	366
Σχηματισμός της εγκοπής .....	367
Ρύθμιση της διαμέτρου εγκοπής για χαλκοσωλήνες .....	368
Συμβουλές ελέγχου πρόσφυσης του 975 Combo Roll Groover .....	368
<b>Ρύθμιση μηχανήματος και χώρου εργασίας για εφαρμογές επιτόπου</b>	
Προετοιμασία σωλήνα .....	370
Τοποθέτηση του περιμετρικού εγκοπέα επάνω στο σωλήνα .....	370
<b>Χειρισμός του περιμετρικού εγκοπέα 975 Combo Roll Groover επιτόπου</b>	
Ρύθμιση/μέτρηση της διαμέτρου της εγκοπής .....	371
Σχηματισμός της εγκοπής .....	372
<b>Οδηγίες συντήρησης</b>	
Λίπανση .....	372
Καθαρισμός .....	373
Αλλαγή σει νυχιών .....	373
<b>Εξαρτήματα .....</b>	<b>374</b>
Αποθήκευση μηχανήματος .....	<b>374</b>
<b>Σέρβις και επισκευή .....</b>	<b>374</b>
<b>Πίνακας I. Τυπικές προδιαγραφές εγκοπής .....</b>	<b>375</b>
<b>Πίνακας II. Ελάχιστο και μέγιστο πάχος τοιχώματος σωλήνα .....</b>	<b>375</b>
<b>Πίνακας III. Προδιαγραφές εγκοπής χαλκού .....</b>	<b>376</b>
<b>Αντιμετώπιση προβλημάτων .....</b>	<b>376-377</b>


## Σύμβολα ασφαλείας

Στο παρόν εγχειρίδιο χειριστή και στο προϊόν χρησιμοποιούνται σύμβολα ασφαλείας και προειδοποιητικές ενδείξεις για την επισήμανση σημαντικών πληροφοριών ασφαλείας. Η παρούσα ενότητα παρέχεται για την καλύτερη κατανόηση αυτών των προειδοποιητικών ενδείξεων και συμβόλων.

 Αυτό είναι το σύμβολο προειδοποίησης ασφαλείας. Χρησιμοποιείται προκειμένου να σας προειδοποιήσει για πιθανούς κινδύνους σωματικής βλάβης. Ακολουθήστε πιστά όλα τα μηνύματα ασφαλείας που ακολουθούν αυτό το σύμβολο για να αποφύγετε πιθανό τραυματισμό ή θάνατο.

 **ΚΙΝΔΥΝΟΣ** Η ένδειξη ΚΙΝΔΥΝΟΣ επισημαίνει μια επικίνδυνη κατάσταση η οποία, εάν δεν αποφευχθεί, θα οδηγήσει σε θάνατο ή σοβαρό τραυματισμό.

 **ΠΡΟΕΙΔΟΠΟΙΗΣΗ** Η ένδειξη ΠΡΟΕΙΔΟΠΟΙΗΣΗ επισημαίνει μια επικίνδυνη κατάσταση η οποία, εάν δεν αποφευχθεί, θα μπορούσε να οδηγήσει σε θάνατο ή σοβαρό τραυματισμό.

 **ΠΡΟΣΟΧΗ** Η ένδειξη ΠΡΟΣΟΧΗ επισημαίνει μια επικίνδυνη κατάσταση η οποία, εάν δεν αποφευχθεί, θα μπορούσε να οδηγήσει σε μικροτραυματισμό ή μέτριας σοβαρότητας τραυματισμό.

 **ΣΗΜΕΙΩΣΗ** Η ένδειξη ΣΗΜΕΙΩΣΗ επισημαίνει πληροφορίες που σχετίζονται με την προστασία ιδιοκτησίας.



Αυτό το σύμβολο σημαίνει ότι θα πρέπει να διαβάσετε προσεκτικά το εγχειρίδιο χειριστή προτού χρησιμοποιήσετε τον εξοπλισμό. Το εγχειρίδιο χειριστή περιλαμβάνει σημαντικές πληροφορίες για την ασφαλή και κατάλληλη λειτουργία του εξοπλισμού.



Αυτό το σύμβολο σημαίνει ότι θα πρέπει να φοράτε πάντα γυαλιά ασφαλείας με πλαϊνή θωράκιση ή γυαλιά-προσωπίδες όταν χειρίζεστε ή χρησιμοποιείτε αυτόν τον εξοπλισμό ώστε να μειώνεται ο κίνδυνος τραυματισμού των οφθαλμών.



Αυτό το σύμβολο επισημαίνει τον κίνδυνο σύνθλιψης δακτύλων και χεριών μεταξύ των νυχιών.



Αυτό το σύμβολο επισημαίνει τον κίνδυνο εμπλοκής ή περιέλιξης χεριών, δακτύλων, ποδιών, ρούχων και άλλων αντικειμένων σε περιστρεφόμενους άξονες, με αποτέλεσμα την πρόκληση τραυματισμών σύνθλιψης και κρούσης.



Αυτό το σύμβολο επισημαίνει ότι δεν πρέπει να χρησιμοποιούνται δράπανα, κρουστικά εργαλεία ή άλλα ηλεκτρικά εργαλεία για τη μετάδοση κίνησης σε αυτή τη συσκευή, όταν χρησιμοποιείται επιτόπου.



Αυτό το σύμβολο επισημαίνει τον κίνδυνο ανατροπής του μηχανήματος, προκαλώντας τραυματισμό.



Αυτό το σύμβολο σημαίνει ότι θα πρέπει πάντα να χρησιμοποιείται διακόπτης ποδός κατά τη χρήση μηχανής σπειρωμάτων/διάταξης μετάδοσης κίνησης.



Αυτό το σύμβολο σημαίνει ότι πρέπει να φοράτε κράνος κατά τη διάρκεια εργασίας σε ύψος, για να περιοριστεί ο κίνδυνος πρόκλησης τραυματισμού στο κεφάλι.

## Γενικοί κανόνες για την ασφάλεια

### ΠΡΟΕΙΔΟΠΟΙΗΣΗ

Διαβάστε και κατανοήστε όλες τις οδηγίες. Η αδυναμία τήρησης όλων των οδηγιών που αναγράφονται παρακάτω ενδέχεται να οδηγήσει σε ηλεκτροπληξία, πυρκαγιά ή/και σοβαρό τραυματισμό.

### ΦΥΛΑΞΤΕ ΑΥΤΕΣ ΤΙΣ ΟΔΗΓΙΕΣ!

Ο όρος «ηλεκτρικό εργαλείο» που περιέχεται στις προειδοποιήσεις αναφέρεται σε ηλεκτρικά εργαλεία με τροφοδοσία ρεύματος (με καλώδιο) και σε ηλεκτρικά εργαλεία με τροφοδοσία μπαταρίας (χωρίς καλώδιο).

### Ασφάλεια περιοχής εργασίας

- Διατηρείτε την περιοχή εργασίας καθαρή και με καλό φωτισμό. Οι ακατάστατες ή με κακό φωτισμό περιοχές ενέχουν κίνδυνο πρόκλησης ατυχημάτων.
- Μην θέτετε σε λειτουργία ηλεκτρικά εργαλεία μέσα σε περιβάλλον με κίνδυνο ανάφλεξης/έκρηξης, όπως σε μέρη όπου υπάρχουν εύφλεκτα υγρά, αέρια ή σκόνη. Τα ηλεκτρικά εργαλεία δημιουργούν σπινθήρες οι οποίοι ενδέχεται να προκαλέσουν ανάφλεξη της σκόνης ή των αναθυμιάσεων.
- Κρατήστε τα παιδιά και τους μη μετέχοντες στην εργασία σας σε απόσταση ενώ χειρίζεστε κάποιο ηλεκτρικό εργαλείο. Η

απόσπαση της προσοχής σας μπορεί να οδηγήσει σε απώλεια ελέγχου του εργαλείου.

- Να διατηρείτε το δάπεδο στεγνό και απαλλαγμένο από ολισθηρά υλικά όπως λάδι. Το ολισθηρό δάπεδο είναι αιτία ατυχημάτων.
- Προφυλάξτε ή φράξτε την περιοχή όταν το δοκίμιο εργασίας εκκινείται πέρα από το μηχανήμα. Προφυλακτήρας ή περιφραξή που παρέχει τουλάχιστον ένα (1) μέτρο απόσταση γύρω από το δοκίμιο περιορίζει τον κίνδυνο εμπλοκής.

### Ηλεκτρολογική ασφάλεια

- Τα βύσματα σύνδεσης των ηλεκτρικών εργαλείων πρέπει να ταιριάζουν με την αντίστοιχη πρίζα παροχής. Μη διενεργείτε ποτέ και με κανένα τρόπο τροποποιήσεις στο βύσμα. Μην χρησιμοποιείτε προσαρμογείς στα βύσματα γειωμένων ηλεκτρικών εργαλείων. Τα μη τροποποιημένα βύσματα και η σύνδεσή τους στις σωστές πρίζες παροχής μειώνουν τον κίνδυνο ηλεκτροπληξίας.
- Αποφύγετε οποιαδήποτε σωματική επαφή με γειωμένες επιφάνειες, όπως σωλήνες, καλοριφέρ, ηλεκτρικές κουζίνες και ψυγεία. Σε περίπτωση γείωσης του σώματός σας, υφίσταται αυξημένος κίνδυνος ηλεκτροπληξίας.
- Μην εκθέτετε τα ηλεκτρικά εργαλεία σε βροχή ή υγρασία. Ενδεχόμενη διείσδυση νερού σε ηλεκτρικό εργαλείο θα αυξήσει τον κίνδυνο ηλεκτροπληξίας.



- Μην κακομεταχειρίζεστε το καλώδιο. Μην χρησιμοποιείτε ποτέ το καλώδιο για τη μεταφορά, την έλξη ή την αποσύνδεση από την παροχή ρεύματος του ηλεκτρικού εργαλείου. Κρατήστε το καλώδιο μακριά από θερμότητα, λάδια, αιχμηρές γωνίες ή κινούμενα μέρη του εργαλείου. Τα κατεστραμμένα ή μπερδεμένα καλώδια αυξάνουν τον κίνδυνο ηλεκτροπληξίας.
- Κατά τη χρήση του ηλεκτρικού εργαλείου σε εξωτερικό χώρο, χρησιμοποιήστε μια επέκταση καλωδίου ενδεδειγμένη για την εν λόγω χρήση. Η χρήση καλωδίου ενδεδειγμένου για χρήση σε εξωτερικούς χώρους μειώνει τον κίνδυνο ηλεκτροπληξίας.
- Εάν η χρήση του ηλεκτρικού εργαλείου σε υγρό περιβάλλον είναι αναπόφευκτη, χρησιμοποιήστε μια διάταξη με προστασία διακόπτη κυκλώματος βλάβης γείωσης (GFCI). Η χρήση διακόπτη κυκλώματος βλάβης γείωσης (GFCI) μειώνει τον κίνδυνο ηλεκτροπληξίας.

### Ατομική ασφάλεια

- Να είστε σε ετοιμότητα και εγρήγορη, συγκεντρωμένοι και προσεκτικοί με τις ενέργειές σας και λειτουργείτε με γνώμονα την κοινή λογική κατά τη χρήση οποιοδήποτε ηλεκτρικού εργαλείου. Μην χρησιμοποιείτε ηλεκτρικά εργαλεία όταν νιώθετε καταπονημένοι ή ενώ βρίσκεστε υπό την επήρεια ναρκωτικών ουσιών, αλκοόλ ή φαρμάκων. Μια στιγμή απροσεξίας κατά το χειρισμό του ηλεκτρικού εργαλείου ενδέχεται να οδηγήσει σε σοβαρό τραυματισμό.
- Χρησιμοποιείτε τον ατομικό σας προστατευτικό εξοπλισμό. Φοράτε πάντα ειδικά προστατευτικά γυαλιά. Ο εξοπλισμός προστασίας όπως η μάσκα προστασίας από τη σκόνη, τα ειδικά υποδήματα ασφαλείας με αντιολισθητικές σόλες, το κράνος ή τα προστατευτικά αυτιών που χρησιμοποιούνται σε τέτοιου είδους περιπτώσεις θα περιορίσουν τον κίνδυνο τραυματισμών.
- Αποτρέψτε τυχόν μη σκόπιμη εκκίνηση του εργαλείου. βεβαιωθείτε ότι ο διακόπτης βρίσκεται στη θέση off πριν από τη σύνδεση με την παροχή ρεύματος ή/και τη μπαταρία, την ανάρτηση ή τη μεταφορά του εργαλείου. Η μεταφορά ηλεκτρικών εργαλείων ενώ μετακινείτε τη θέση του διακόπτη ή η θέση σε λειτουργία ηλεκτρικών εργαλείων ενώ ο διακόπτης βρίσκεται στη θέση on ενέχουν κίνδυνο πρόκλησης ατυχημάτων.
- Αφαιρέστε τυχόν κλειδιά ρύθμισης πριν θέσετε το εργαλείο σε λειτουργία. Εάν κάποιο κλειδί παραμείνει προσαρτημένο σε περιστρεφόμενο μέρος του ηλεκτρικού εργαλείου ενδέχεται να προκληθεί σοβαρός τραυματισμός.
- Μην τεντώνετε περισσότερο από όσο χρειάζεται. Διατηρείτε πάντοτε σωστή στάση και την ισορροπία σας. Έτσι, μπορείτε να διατηρείτε καλύτερα τον έλεγχο του ηλεκτρικού εργαλείου σε απροσδόκητες περιστάσεις.
- Φορέστε κατάλληλη ενδυμασία. Μην φοράτε φαρδιά ενδύματα ή κοσμήματα. Κρατήστε τα μαλλιά, τα ενδύματα και τα γάντια μακριά από τα κινούμενα μέρη. Τα χαλαρά ενδύματα, κοσμήματα ή μακριά μαλλιά μπορεί να παγιδευτούν στα κινούμενα μέρη.
- Εάν παρέχονται συσκευές για τη σύνδεση των βοηθημάτων εξαγωγής και συλλογής σκόνης, βεβαιωθείτε ότι είναι συνδεδεμένες και ότι χρησιμοποιούνται σύμφωνα με τον ενδεδειγμένο τρόπο. Η χρήση μεθόδων συλλογής σκόνης μπορεί να μειώσει τους κινδύνους που έχουν άμεση σχέση με αυτή.

### Χρήση και φροντίδα εργαλείων

- Μην ασκείτε πίεση στο εργαλείο. Χρησιμοποιείτε το σωστό εργαλείο για την εκάστοτε εφαρμογή που επιθυμείτε. Χρησιμοποιώντας το σωστό εργαλείο, θα εκτελέσετε καλύτερα και ασφαλέστερα την εργασία σας και στα πρότυπα σύμφωνα με τα οποία έχει σχεδιαστεί.
- Μην χρησιμοποιείτε το εργαλείο εάν ο διακόπτης δεν μπορεί να το θέσει ΣΕ ή ΕΚΤΟΣ λειτουργίας. Κάθε εργαλείο που δεν είναι δυνατό να ελεγχθεί από το διακόπτη είναι επικίνδυνο και πρέπει να υποβάλλεται σε επισκευές.
- Αποσυνδέστε το βύσμα από την πηγή τροφοδοσίας ή/και την μπαταρία από το εργαλείο προτού διενεργήσετε τυχόν ρυθμίσεις, αλλάξετε εξαρτήματα ή αποθηκεύσετε εργαλεία. Τα εν λόγω προληπτικά μέτρα ασφαλείας μειώνουν τον κίνδυνο μη σκόπιμης εκκίνησης του εργαλείου.
- Φυλάξτε τα ανενεργά ηλεκτρικά εργαλεία μακριά από παιδιά και μην αφήνετε άτομα που δεν είναι εξοικειωμένα με το εργαλείο ή τις παρούσες οδηγίες να χειριστούν το εργαλείο. Τα εργαλεία είναι επικίνδυνα σε χέρια ανειδίκευτων χρηστών.
- Συντηρείτε τα εργαλεία. Ελέγξτε για τυχόν μη ευθυγράμμιση ή μπλοκάρισμα των κινούμενων μερών, για φθορές στα μέρη και κάθε άλλη κατάσταση η οποία ενδέχεται να επηρεάσει τη λειτουργία του εργαλείου. Εάν υπάρχουν φθορές, παραδώστε το εργαλείο για επισκευές πριν από οποιαδήποτε χρήση του. Πολλά ατυχήματα προκαλούνται από κακή συντήρηση των εργαλείων.
- Να χρησιμοποιείτε αποκλειστικά εξαρτήματα που συνιστώνται για το εργαλείο σας. Η σωστή συντήρηση των εργαλείων κοπής με αιχμηρές άκρες ελαχιστοποιεί τον κίνδυνο μπλοκαρίσματος τους και καθιστά τον έλεγχό τους ευκολότερο.
- Διατηρείτε τις λαβές στεγνές και καθαρές, απαλλαγμένες από λάδια και γράσα. Επιτρέπεται έτσι ο καλύτερος έλεγχος του εργαλείου.

### Σέρβις

- Παραδώστε το εργαλείο για εργασίες σέρβις από κάποιον πιστοποιημένο ανπρόσωπο σέρβις ο οποίος χρησιμοποιεί μόνο πανομοιότυπα ανταλλακτικά. Έτσι, θα εξασφαλιστεί η διατήρηση της ασφάλειας του εργαλείου.

### Συγκεκριμένες πληροφορίες ασφαλείας

#### **⚠ ΠΡΟΕΙΔΟΠΟΙΗΣΗ**

Η παρούσα ενότητα περιλαμβάνει σημαντικές πληροφορίες ασφαλείας που αφορούν συγκεκριμένα αυτό το εργαλείο.

Διαβάστε προσεκτικά αυτές τις προφυλάξεις προτού χρησιμοποιήσετε το 975 Combo Roll Groover, προκειμένου να περιοριστεί ο κίνδυνος σοβαρού τραυματισμού.

#### **ΦΥΛΑΞΤΕ ΑΥΤΕΣ ΤΙΣ ΟΔΗΓΙΕΣ!**

Επικοινωνήστε με το Τμήμα Τεχνικής Εξυπηρέτησης της Ridge Tool Company στο (800) 519-3456 ή στη διεύθυνση [techservice@ridgid.com](mailto:techservice@ridgid.com) εάν έχετε οποιαδήποτε ερώτηση.

## Ασφάλεια περιμετρικού εγκοπτέα

- **Μην φοράτε φαρδιά ενδύματα. Κουμπώνετε τα μανίκια και τα μπουφάν. Μην τεντώνετε πάνω από το μηχάνημα ή το σωλήνα.** Το ένδυμα μπορεί να πιαστεί από το σωλήνα ή άλλα περιστεφόμενα εξαρτήματα, με αποτέλεσμα την εμπλοκή και το σοβαρό τραυματισμό.
- **Διατηρείτε τα χέρια μακριά από τα νύχια. Μην δημιουργείτε εγκοπές σε σωλήνα με μικρότερο μήκος από την προδιαγραφή. Μην φοράτε γάντια χαλαρής εφαρμογής.** Κίνδυνος σύνθλιψης των δακτύλων μεταξύ των νυχιών ή μεταξύ του νυχιού και του σωλήνα.
- **Διατηρείτε τα χέρια μακριά από τα άκρα του σωλήνα. Μην τα θέτετε στο εσωτερικό του σωλήνα.** Γρέζια και κοφτερές άκρες μπορεί να προκαλέσουν κοψίματα. Κίνδυνος σύνθλιψης των δακτύλων μεταξύ των νυχιών ή μεταξύ του νυχιού και του σωλήνα.
- **Να προετοιμάζετε και να χειρίζεστε το σωλήνα κατάλληλα.** Γρέζια και κοφτερές άκρες μπορεί να προκαλέσουν κοψίματα.
- **Στηρίξτε το σωλήνα κατάλληλα.** Έτσι θα αποφευχθεί η ανατροπή του σωλήνα και του εξοπλισμού.
- **Διαβάστε και κατανοήστε το παρόν εγχειρίδιο χειριστή, το ανάλογο εγχειρίδιο χειριστή διάταξης μετάδοσης κίνησης ή μηχανήματος σπειρωμάτων, τις οδηγίες εγκατάστασης του κατασκευαστή εγκατάστασης και τις οδηγίες για κάθε άλλο εξοπλισμό που χρησιμοποιείται με αυτό το εργαλείο προτού χειριστείτε το RIDGID® 975 Combo Roll Groover.** Η αδυναμία τήρησης όλων των οδηγιών ενδέχεται να οδηγήσει σε ζημιά ή/και σοβαρό τραυματισμό.
- **Πάντα να φοράτε κατάλληλο εξοπλισμό ατομικής προστασίας κατά την προετοιμασία και τη χρήση του RIDGID 975 Combo Roll Groover.** Στον κατάλληλο εξοπλισμό ατομικής προστασίας περιλαμβάνεται πάντα προστασία των οφθαλμών και ενδέχεται να περιλαμβάνεται εξοπλισμός όπως δερμάτινα γάντια στενής εφαρμογής, υποδήματα με ασφάλιση μύτη και κράνος.
- **Να χρησιμοποιείτε τον περιμετρικό εγκοπτέα για την εγκοπτή αποκλειστικά σωλήνων των συνιστώμενων μεγεθών και τύπων, σύμφωνα με τις παρούσες οδηγίες.** Άλλες χρήσεις ή η τροποποίηση του περιμετρικού εγκοπτέα για άλλες εφαρμογές ενδέχεται να αυξήσουν τον κίνδυνο τραυματισμού.

## Ασφάλεια περιμετρικού εγκοπτέα κατά τη χρήση με διάταξη μετάδοσης ισχύος/μηχανή σπειρωμάτων

- **Χρησιμοποιείτε αποκλειστικά το RIDGID 300 Power Drive ή το μηχάνημα σπειρωμάτων 300 Compact Threading Machine με το 975 Combo Roll Groover.** Η χρήση άλλων πηγών ισχύος θα έχει ως αποτέλεσμα το ακατάλληλο στήσιμο και μπορεί να προκληθεί ανατροπή ή άλλα προβλήματα.
- **Μην χρησιμοποιείτε αυτόν τον περιμετρικό εγκοπτέα με διάταξη μετάδοσης ισχύος ή με μηχανήμα σπειρωμάτων το οποίο δεν διαθέτει διακόπτη ποδός. Ποτέ μην μπλοκάρτε το διακόπτη ποδός, ώστε να μην ελέγχει τη διάταξη μετάδοσης ισχύος.** Ο διακόπτης ποδός παρέχει καλύτερο έλεγχο επιτρέποντάς σας να διακόψετε τη λειτουργία του κινητήρα της διάταξης μετάδοσης ισχύος απομακρύνοντας το πόδι σας. Εάν τα ρούχα πιαστούν στο μηχάνημα και διατηρείται η παροχή ρεύματος στον κινητήρα, τα ρούχα θα τραβηχτούν στο εσωτερικό του μηχανήματος. Το μηχάνημα αυτό διαθέτει υψηλή ροπή και μπορεί να προκαλέσει το δέσιμο των ρούχων γύρω από το βραχιόνια σας ή άλλα μέλη του σώματος με αρκετή δύναμη ώστε να συνθλίψει ή να σπάσει κόκαλα ή να προκαλέσει χτυπήματα ή άλλους τραυματισμούς.

Τόσο η διαδικασία εγκοπής όσο και ο διακόπτης ποδός πρέπει να ελέγχεται από ένα άτομο. Απαγορεύεται ο χειρισμός με περισσότερα από ένα άτομα. Σε περίπτωση εμπλοκής, ο χειριστής πρέπει να ελέγχει το διακόπτη ποδός.

- **Να χρησιμοποιείτε αποκλειστικά διατάξεις μετάδοσης ισχύος και μηχανήματα σπειρωμάτων με ταχύτητα περιστροφής 57 σ.α.λ. ή μικρότερη.** Τα μηχανήματα υψηλής ταχύτητας αυξάνουν τον κίνδυνο τραυματισμού.
- **Βεβαιωθείτε ότι ο περιμετρικός εγκοπτέας έχει ετοιμαστεί κατάλληλα και έχει στερεωθεί στη διάταξη μετάδοσης ισχύος/στο μηχάνημα σπειρωμάτων. Βεβαιωθείτε ότι το μηχάνημα, το στήριγμα, ο περιμετρικός εγκοπτέας και ο σωλήνας είναι σταθερά.** Έτσι αποτρέπεται η πιθανότητα ανατροπής του εξοπλισμού και του σωλήνα.

## Ασφάλεια περιμετρικού εγκοπτέα κατά τη χρήση επιτόπου

- **Η κίνηση πρέπει να γίνεται αποκλειστικά χειροκίνητα όταν χρησιμοποιείται σε εφαρμογές επιτόπου. Μην χρησιμοποιείτε ηλεκτρικές συσκευές (όπως δράπανα ή κρουστικά εργαλεία) για την κίνηση του περιμετρικού εγκοπτέα όταν χρησιμοποιείται επιτόπου.** Η χρήση ηλεκτρικών συσκευών μπορεί να καταστρέψει την εγκοπτή και να αυξήσει τον κίνδυνο τραυματισμού.
- **Κατά τη χρήση σε ύψος, όλο το προσωπικό πρέπει να φορά κράνος και να απομακρύνεται από την περιοχή από κάτω.** Αποτρέπονται σοβαροί τραυματισμοί σε περίπτωση πτώσης του περιμετρικού εγκοπτέα, του σωλήνα ή άλλων αντικειμένων.

## Περιγραφή, προδιαγραφές και βασικός εξοπλισμός

### Περιγραφή

Το RIDGID® 975 Combo Roll Groover σχηματίζει εγκοπές σε σωλήνες χάλυβα, αλουμινίου και PVC και δέχεται σωλήνες διαμέτρου 1/4" έως 6", schedule (ειδικών χαρακτηριστικών) 10 και schedule 40. Έχει σχεδιαστεί επίσης να δέχεται σωλήνες ανοξείδωτου χάλυβα διαμέτρου 1/4" έως 6" schedule 10 και 1/4" έως 2" schedule 40. Υπάρχει επίσης δυνατότητα προσαρμογής για χαλκοσωλήνες διαμέτρου 2" - 8" τύπου K, L, M και DWV με αλλαγή σετ νυχιών. Οι εγκοπές σχηματίζονται με τη μηχανική προώθηση ενός νυχιού στον σωλήνα ο οποίος στηρίζεται από ένα νύχι κίνησης. Η μόνη απαραίτητη ρύθμιση είναι το βάθος της εγκοπής.

Η μονάδα έχει σχεδιαστεί ειδικά για τη χρήση είτε επιτόπου είτε με τη διάταξη μετάδοσης ισχύος RIDGID Model 300 Power Drive (μοντέλα 38 και 57 RPM). Με κατάλληλο προσαρμογέα (αρ. κατ. 67662), η μονάδα μπορεί να συνεργαστεί με το μηχάνημα σπειρωμάτων RIDGID Model 300 Compact Threading Machine. Το 975 Combo Roll Groover περιλαμβάνει έναν κατοχυρωμένο μετρητή βάθους εγκοπής για την διευκόλυνση της ρύθμισης της εγκοπής και κατοχυρωμένα χαρακτηριστικά για τη βελτίωση της πρόσφυσης κατά τη διάρκεια της χρήσης.

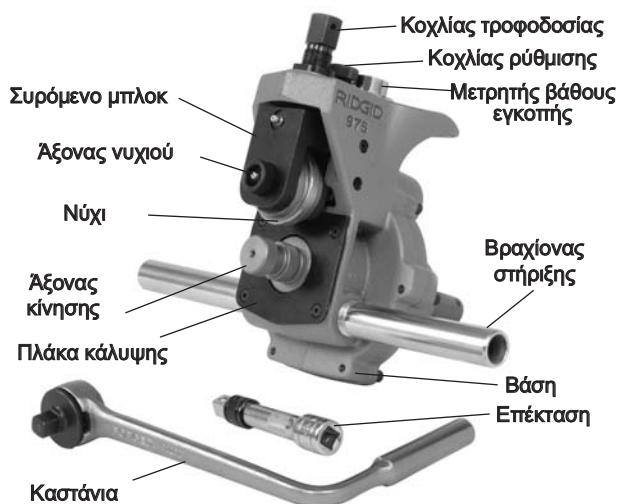
Το 975 Combo Roll Groover είναι μια φορητή μονάδα που προορίζεται για περιστασιακή χρήση στην εγκατάσταση εργασίας και δεν πρέπει να χρησιμοποιείται για μεγάλους όγκους εργασίας ή για εργασία παραγωγής σε συνεργείο κατασκευής σωλήνων.

**ΣΗΜΕΙΩΣΗ** Όταν χρησιμοποιείται κατάλληλα, το μοντέλο 975 Combo Roll Groover δημιουργεί εγκοπές 2" - 6" οι διαστάσεις των οποίων βρίσκονται εντός των προδιαγραφών AWWA C606-06. Η επιλογή κατάλληλων υλικών και μεθόδων σύνδεσης αποτελεί ευθύνη του σχεδιαστή του συστήματος ή/και του υπεύθυνου εγκατάστασης. Προτού επιχειρηθεί εγκατάσταση, αξιολογήστε προσεκτικά το συγκεκριμένο περιβάλλον χρήσης, συμπεριλαμβανομένων της χημικής σύστασης της ατμόσφαιρας και της θερμοκρασίας χρήσης.

### Προδιαγραφές

Χωρητικότητα .....	Ανοξείδωτος χάλυβας 1 1/4" - 6" schedule 10 και schedule 40 Με αλλαγή νυχιού: Χαλκοσωλήνας 2" - 8", τύπου K, L, M και DWV
Διάμετρος εγκοπής	
Ρύθμιση .....	Κοχλίας ρύθμισης και μετρητής βάθους εγκοπής
Ενεργοποίηση .....	Κοχλίας τροφοδοσίας με κλειδί με κασάνια 1/2"
Τοποθέτηση ηλεκτρικής κίνησης	RIDGID 300 Power Drive (μόνο μοντέλο 38 και 57 RPM) RIDGID 300 Compact Threading Machine (με προσαρμογέα)
Βάρος .....	12,5 κιλά

Το 975 Combo Roll Groover προστατεύεται από διπλώματα ευρεσιτεχνίας στις Η.Π.Α. και διεθνώς, συμπεριλαμβανομένων των διπλωμάτων ευρεσιτεχνίας 6,272,895 και 6,591,652.



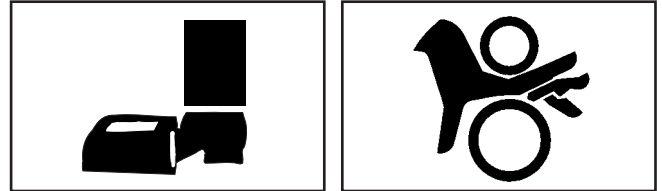
Εικόνα 1 – 975 Combo Roll Groover

### Βασικός εξοπλισμός

Νύχι εγκοπής και κίνησης 1 1/4" - 6" schedule 10 και 40  
Κλειδί με κασάνια (1/2") με κουμπί απελευθέρωσης  
Ασφαλιζόμενη επέκταση κίνησης  
Βραχίονες στήριξης  
Εσωτερικός μετρητής βάθους

### Επιθεώρηση περιμετρικού εγκοπέα

#### ⚠ ΠΡΟΕΙΔΟΠΟΙΗΣΗ

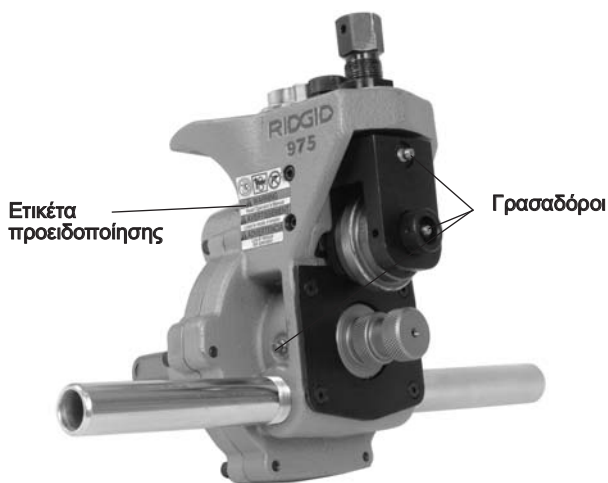


Πριν από κάθε χρήση, ελέγξτε τον περιμετρικό εγκοπέα και διορθώστε οποιαδήποτε προβλήματα ώστε να μειωθεί ο κίνδυνος σοβαρού τραυματισμού λόγω σύνθλιψης και άλλα αίτια, και να προληφθεί η βλάβη του περιμετρικού εγκοπέα.

Μην χρησιμοποιείτε αυτόν τον περιμετρικό εγκοπέα με διάταξη μετάδοσης ισχύος/μηχάνημα σπειρωμάτων το οποίο δεν διαθέτει διακόπτη ποδός.

- Εάν ο περιμετρικός εγκοπέας εγκατασταθεί σε διάταξη μετάδοσης ισχύος ή σε μηχάνημα σπειρωμάτων, βεβαιωθείτε ότι το μηχάνημα είναι αποσυνδεδεμένο από το ρεύμα και ότι ο διακόπτης REV/OFF/FOR βρίσκεται στη θέση OFF. Επιθεωρήστε και διατηρήστε τη διάταξη μετάδοσης ισχύος/μηχάνημα σπειρωμάτων με τον τρόπο που περιγράφεται στο εγχειρίδιο χειριστή. Η μη κατάλληλη επιθεώρηση και συντήρηση του εξοπλισμού μπορεί να οδηγήσει σε σοβαρό τραυματισμό και υλικές ζημιές. Βεβαιωθείτε ότι υπάρχει διακόπτης ποδός και λειτουργεί σωστά. Μην χρησιμοποιείτε αυτόν τον περιμετρικό εγκοπέα χωρίς διακόπτη ποδός.
- Καθαρίστε τυχόν λάδι, γράσο ή βρωμιά από τον περιμετρικό εγκοπέα, συμπεριλαμβανομένης της λαβής μεταφοράς και της κασάνιας που χρησιμοποιείται για την ενεργοποίηση του περιμετρικού εγκοπέα. Με αυτόν τον τρόπο μειώνεται ο κίνδυνος τραυματισμού λόγω ολίσθησης του περιμετρικού εγκοπέα ή της κασάνιας από τη λαβή σας κατά τη διάρκεια της χρήσης, και επιτρέπεται η ευκολότερη επιθεώρηση.
- Βεβαιωθείτε ότι οι βραχίονες στήριξης είναι σφικτοί στο σώμα του περιμετρικού εγκοπέα.
- Ελέγξτε τον περιμετρικό εγκοπέα για τυχόν σπασμένα, απόγνυα, μη ευθυγραμμισμένα ή κολλημένα εξαρτήματα ή κάποια άλλη συνθήκη που ενδεχομένως να αποτρέπει την ασφαλή και κανονική λειτουργία. Βεβαιωθείτε ότι το νύχι και ο άξονας κίνησης περιστρέφονται ελεύθερα.
- Ελέγξτε ότι υπάρχει η ετικέτα προειδοποίησης και ότι έχει επικολληθεί σταθερά. Ανατρέξτε στην εικόνα 2 για τη θέση της ετικέτας προειδοποίησης.
- Εάν οι οδοντώσεις του άξονα κίνησης είναι βρώμικες, καθαρίστε τις με μια συρματόβουρτσα. Βρώμικες οδοντώσεις μπορεί να προκαλέσουν ολίσθηση του σωλήνα και θέματα πρόσφυσης κατά τη δημιουργία της εγκοπής.

7. Ελέγξτε το νύχι και τον άξονα πρόσφυσης για ρωγμές, φθορά ή άλλες ενδείξεις βλάβης. Κατεστραμμένα νύχια και άξονες κίνησης μπορεί να προκαλέσουν ολίσθηση του σωλήνα, εγκοπές κακής ποιότητας ή να προκαλέσουν αστοχία κατά τη διάρκεια της χρήσης.
8. Ελέγξτε την καστάνια και την επέκταση για τη σωστή λειτουργία. Βεβαιωθείτε ότι η καστάνια λειτουργεί ομαλά και σταθερά και στις δύο κατευθύνσεις. Πατήστε το κουμπί απελευθέρωσης στο κέντρο της κεφαλής της καστανίας και τοποθετήστε την στον κοχλία τροφοδοσίας. Η καστάνια πρέπει να κλειδώνει σταθερά στη θέση της. Η καστάνια πρέπει επίσης να ασφαλίζει επάνω στην επέκταση και η επέκταση πρέπει να ασφαλίζει στο τετράγωνο χειροκίνητης οδήγησης στο πίσω μέρος του περιμετρικού εγκοπέα. Έτσι η καστάνια και η επέκταση δεν χαλαρώνουν κατά τη χρήση του περιμετρικού εγκοπέα. Εάν χρησιμοποιήσετε διαφορετική καστάνια, κλειδί ή επέκταση που δεν κλειδώνουν στον περιμετρικό εγκοπέα, έχετε υπόψη ότι υπάρχει περίπτωση χαλάρωσης του κατά τη διάρκεια της χρήσης.  
Εάν βρεθεί κάποιο πρόβλημα, μην χρησιμοποιήσετε το μηχάνημα έως ότου το πρόβλημα διορθωθεί.
9. Λιπάνετε τον περιμετρικό εγκοπέα σύμφωνα με τις οδηγίες συντήρησης σε αυτό το χειριδίδιο. Απομακρύνετε πρόσθετο γράσο από τον περιμετρικό εγκοπέα.
10. Εάν χρησιμοποιείται κάποιος άλλος εξοπλισμός, ελέγχετε και συντηρείτε τον εξοπλισμό ώστε να λειτουργεί κανονικά.



**Εικόνα 2 – Ετικέτα προειδοποίησης του 975 Combo Roll Groover**

## Ρύθμιση μηχανήματος και χώρου εργασίας για εφαρμογές με μετάδοση ισχύος



Πάντοτε να φοράτε ειδικά προστατευτικά γυαλιά για να προστατεύετε τα μάτια σας από τυχόν ακαθαρσίες και άλλα ξένα αντικείμενα. Να φοράτε υποδήματα με ασφάλινη μύτη για να προστατεύετε τα πόδια σας από ανατρεπόμενα εργαλεία ή πτώση σωλήνα.

Μην χρησιμοποιείτε αυτόν τον περιμετρικό εγκοπέα με διάταξη μετάδοσης ισχύος ή με μηχανήμα σπειρωμάτων το οποίο δεν διαθέτει διακόπτη ποδός. Ποτέ μην μπλοκάρετε το διακόπτη ποδός, ώστε να μην ελέγχει τη διάταξη μετάδοσης ισχύος. Ο διακόπτης ποδός παρέχει καλύτερο έλεγχο επιτρέποντάς σας να διακόψετε τη λειτουργία του κινητήρα της διάταξης μετάδοσης ισχύος απομακρύνοντας το πόδι σας. Εάν τα ρούχα πιαστούν στο μηχανήμα και διατηρείται η παροχή ρεύματος στον κινητήρα της διάταξης μετάδοσης κίνησης, τα ρούχα θα τραβηχτούν στο εσωτερικό του μηχανήματος. Το μηχανήμα αυτό διαθέτει υψηλή ροπή και μπορεί να προκαλέσει το δέσιμο των ρούχων γύρω από το βραχιόνά σας ή άλλα μέλη του σώματος με αρκετή δύναμη ώστε να συνθλίψει ή να σπάσει κόκαλα ή να προκαλέσει χτυπήματα ή άλλους τραυματισμούς.

Προετοιμάστε τον περιμετρικό εγκοπέα και την περιοχή εργασίας σύμφωνα με αυτές τις διαδικασίες για να περιορίσετε τον κίνδυνο τραυματισμού από ηλεκτροπληξία, πυρκαγιά, ανατροπή του μηχανήματος, εμπλοκή, σύνθλιψη και άλλες αιτίες και να αποτρέψετε βλάβη στον περιμετρικό εγκοπέα.

1. Εντοπίστε μια περιοχή εργασίας με τα παρακάτω:
  - Επαρκή φωτισμό.
  - Χωρίς εύφλεκτα υγρά, ατμούς ή σκόνη που ενδέχεται να προκαλέσουν ανάφλεξη. Εάν υπάρχει κάτι από τα παραπάνω, μην εργάζεστε στη συγκεκριμένη περιοχή έως ότου εντοπιστούν και αποκατασταθούν οι πηγές. Οι διατάξεις μετάδοσης ισχύος και τα μηχανήματα σπειρωμάτων δεν είναι προστατευμένες από εκρήξεις και ενδεχομένως να προκαλέσουν σπινθήρες.
  - Καθαρή, επίπεδη, σταθερή και ξηρή τοποθεσία για το σύνολο του εξοπλισμού και το χειριστή. Μην χρησιμοποιείτε τον εξοπλισμό ενώ στέκεστε σε νερό.
  - Κατάλληλα γειωμένη ηλεκτρική παροχή. Μια πρίζα τριών ακίδων ή GFCI ενδεχομένως να μην είναι κατάλληλα γειωμένη. Εάν έχετε αμφιβολίες, αναθέστε την επιθεώρηση της πρίζας παροχής σε έναν ειδικό ηλεκτρολόγο.
  - Καθαρίστε την δίοδο προς την ηλεκτρική πρίζα παροχής που δεν περιέχει πιθανές πηγές βλαβών για το ηλεκτρικό καλώδιο.
2. Καθαρίστε την περιοχή εργασίας πριν από το στήσιμο του εξοπλισμού. Πάντα να καθαρίζετε τυχόν λάδι που μπορεί να υπάρχει.
3. Ελέγξτε το σωλήνα για εγκοπή και βεβαιωθείτε ότι το μηχά-

νημα 975 Combo Roll Groover είναι το κατάλληλο εργαλείο για τη δουλειά. Το 975 Combo Roll Groover έχει σχεδιαστεί για την εγκοπή χαλύβδινων σωλήνων schedule 10 και 40, σωλήνων αλουμινίου, και σωλήνων PVC σε μεγέθη 1/4" έως 6". Έχει σχεδιαστεί επίσης για την εγκοπή σωλήνων ανοξείδωτου χάλυβα 1 1/4" έως 6" schedule 10 και 1 1/4" έως 2" schedule 40. Με την αλλαγή του σετ νυχιών, μπορεί να χρησιμοποιηθεί για την εγκοπή χαλκοσωλήνων 2" - 8" τύπου K, L, M και DWV.

Το 975 Combo Roll Groover μπορεί να χρησιμοποιηθεί για επιτόπιες εφαρμογές (εγκατεστημένοι σωλήνες ή σωλήνας τοποθετημένοι σε μέγερνη) ή με διάταξη μετάδοσης ισχύος RIDGID 300 Power Drive ή μηχανήμα σπειρωμάτων 300 Compact Threading Machine για ηλεκτροκίνητες εφαρμογές στις εγκαταστάσεις εργασίας. Το 975 Combo Roll Groover δεν προορίζεται για εφαρμογές παραγωγής.

Μπορείτε να βρείτε περιμετρικούς εγκοπείς για άλλες εφαρμογές απευθυνόμενοι στον κατάλογο εργαλείων της Ridge, ηλεκτρονικά στη διεύθυνση [www.RIDGID.com](http://www.RIDGID.com) ή επικοινωνώντας με την τεχνική υπηρεσία της Ridge Tool στο τηλέφωνο 800-519-3456.

**ΣΗΜΕΙΩΣΗ** Η χρήση των σετ νυχιών (νύχι και άξονας κίνησης) σε χαλύβδινους σωλήνες και σε σωλήνες ανοξείδωτου χάλυβα μπορεί να προκαλέσει επιμόλυνση του υλικού ανοξείδωτου χάλυβα. Η επιμόλυνση αυτή μπορεί να προκαλέσει διάβρωση και πρόωρη αστοχία του σωλήνα. Για να αποτρέψετε την επιμόλυνση σιδήρου των σωλήνων ανοξείδωτου χάλυβα, χρησιμοποιήστε σετ νυχιών αποκλειστικά για την εγκοπή ανοξείδωτου χάλυβα. Εναλλακτικά, μπορείτε να χρησιμοποιήσετε συρματόβουρτσα ανοξείδωτου χάλυβα για να καθαρίσετε το σετ νυχιών κατά την εναλλαγή υλικών.

4. Βεβαιωθείτε ότι η διάταξη μετάδοσης ισχύος/το μηχανήμα σπειρωμάτων έχει ελεγχθεί σύμφωνα με το χειριδίδο. Επιβεβαιώστε την ύπαρξη διακόπτη ποδός και βεβαιωθείτε ότι ο διακόπτης FOR/OFF/REV βρίσκεται στη θέση OFF. Ετοιμάστε τη διάταξη μετάδοσης ισχύος/το μηχανήμα σπειρωμάτων σύμφωνα με το χειριδίδο. Βεβαιωθείτε ότι το μηχανήμα και το στήριγμα είναι σταθερά και δεν ταλαντεύονται.
5. Ανοίξτε πλήρως το σφιγκτήρα της διάταξης μετάδοσης κίνησης/του μηχανήματος σπειρωμάτων.
6. Βεβαιωθείτε ότι το 975 Combo Roll Groover έχει ελεγχθεί και έχει τοποθετηθεί το κατάλληλο σετ νυχιών.

### Τοποθέτηση του περιμετρικού εγκοπέα 975 Combo Groover σε διάταξη μετάδοσης ισχύος RIDGID 300 Power Drive

1. Εάν η διάταξη μετάδοσης ισχύος που πρόκειται να χρησιμοποιηθεί είναι εξοπλισμένη με φορείο ή άλλες προσαρμογές, αφαιρέστε τις από τη διάταξη μετάδοσης ισχύος. Βεβαιωθείτε ότι οι βραχίονες στήριξης της διάταξης μετάδοσης ισχύος είναι πλήρως προωθημένοι και στερεωμένοι στη θέση τους.
2. Τοποθετήστε τους βραχίονες στήριξης του περιμετρικού εγκοπέα στους βραχίονες στήριξης της διάταξης μετάδοσης ισχύος και το άκρο του άξονα κίνησης του περιμετρικού εγκοπέα στο σφιγκτήρα του μηχανήματος. Κλείστε και σφίξτε το σφιγκτήρα της διάταξης μετάδοσης ισχύος επάνω στα επίπεδα τμήματα του άξονα κίνησης. Βεβαιωθείτε ότι ο άξονας κίνησης είναι κεντραρισμένος στο σφιγκτήρα. Χρησιμοποιήστε επαναλαμβανόμενες και δυνατές αριστερόστροφες περιστροφές του τροχού του σφιγκτήρα ταχύτητας για την ασφαλή σύσφιξη του άξονα κίνησης (Εικόνα 3).

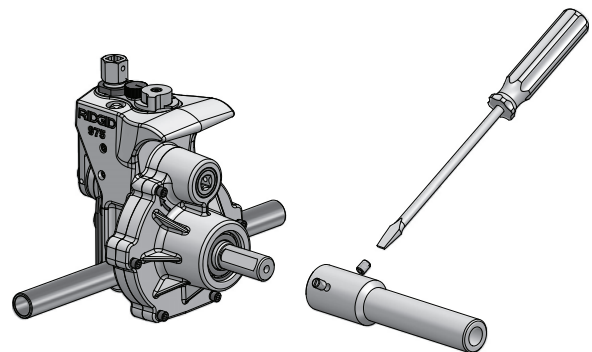


Εικόνα 3 – Τοποθέτηση του 975 Combo Roll Groover στο σφιγκτήρα του 300 Power Drive

### Τοποθέτηση του περιμετρικού εγκοπέα 975 Combo Groover σε μηχανή σπειρωμάτων RIDGID 300 Compact/1233 Threading Machine

Όταν χρησιμοποιείτε το 975 Combo Roll Groover με ένα 300 Compact/1233 Threading Machine, πρέπει να χρησιμοποιηθεί κιτ προσαρμογέα (αριθμός καταλόγου 67662). Αυτό το κιτ προσαρμογέα τοποθετεί σωστά το 975 Combo Roll Groover σε σχέση με το μηχανήμα σπειρωμάτων και το στήριγμα, και επιτρέπει την εγκοπή όλου του εύρους μεγεθών. Μην επιχειρήσετε να χρησιμοποιήσετε το 975 Combo Groover με κάποιο άλλο μηχανήμα σπειρωμάτων, καθώς μπορεί να προκληθεί ανατροπή ή άλλα προβλήματα.

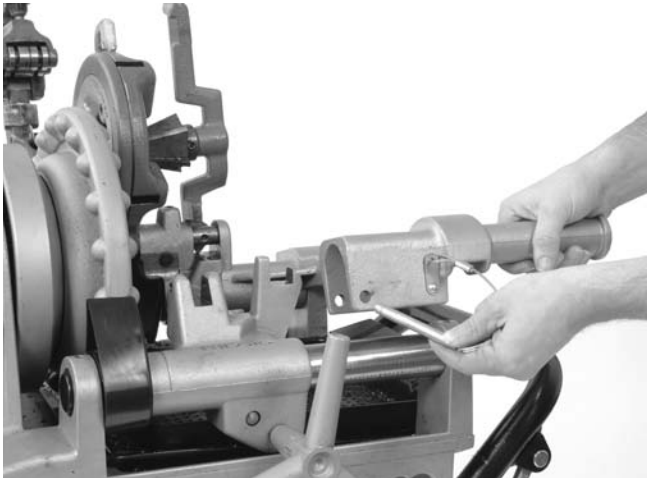
1. Τοποθετήστε τον προσαρμογέα της ράβδου κίνησης στον άξονα κίνησης του περιμετρικού εγκοπέα (βλ. Εικόνα 4). Ευθυγραμμίστε τους κοχλίες ρύθμισης με τα επίπεδα τμήματα στον άξονα κίνησης του περιμετρικού εγκοπέα και σφίξτε καλά.



Εικόνα 4 – Τοποθέτηση προσαρμογέα ράβδου κίνησης

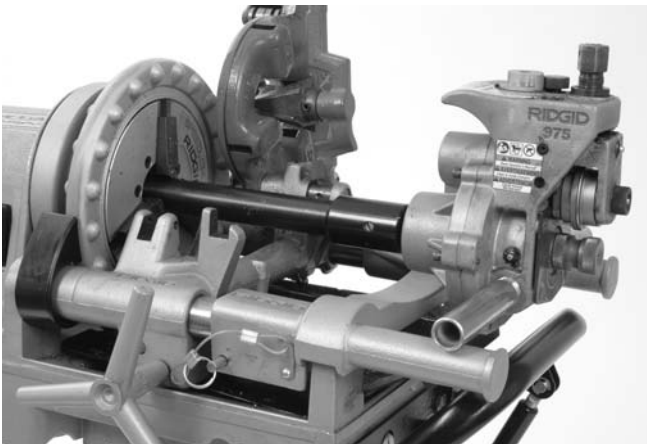
2. Μεταφέρετε το φορείο στο μηχανήμα σπειρωμάτων 300 Compact/1233 Threading Machine όσο πλησιέστερα γίνεται στο σφιγκτήρα του μηχανήματος. Μετακινήστε τον κόπτη, το γλύφανο και την κεφαλή βιδολόγου σε θέση μακριά από το χειριστή, ώστε να μην εμποδίζουν. Τοποθετήστε τον κώνο του γλυφάνου στο εσωτερικό της κεφαλής βιδολόγου.

3. Τοποθετήστε το άγκιστρο προσαρμογής στο άκρο των ραγών του 300 Compact/1233 (όπως φαίνεται στην εικόνα 5) και ασφαλίστε στη θέση με τον προσαρτημένο πείρο



**Εικόνα 5 – Τοποθέτηση του άγκιστρου προσαρμογής**

4. Τοποθετήστε τους βραχίονες στήριξης του 975 στους βραχίονες του άγκιστρου προσαρμογής με τον προσαρμογέα ράβδου κίνησης στο σφιγκτήρα του μηχανήματος. Κλείστε και σφίξτε το σφιγκτήρα του μηχανήματος σπειρωμάτων επάνω στον προσαρμογέα της ράβδου κίνησης. Βεβαιωθείτε ότι η ράβδος κίνησης είναι κεντραρισμένη στο σφιγκτήρα. Χρησιμοποιήστε επαναλαμβανόμενες και δυνατές αριστερό-στροφες περιστροφές του τροχού του σφιγκτήρα ταχύτητας για την ασφαλή σύσφιξη της ράβδου κίνησης.



**Εικόνα 6 – Το 975 Combo Roll Groover κατάλληλα τοποθετημένο στο 300 Compact Threading Machine**

## Ολοκλήρωση προετοιμασίας

1. Τοποθετήστε το διακόπτη ποδός ώστε ο χειριστής να μπορεί να ελέγξει τη διάταξη μετάδοσης κίνησης/το μηχάνημα σπειρωμάτων, τον περιμετρικό εγκοπέα και το σωλήνα προς εγκοπή. Όπως φαίνεται στην εικόνα 6, η θέση πρέπει να επιτρέπει στο χειριστή να:
  - Στέκεται στραμμένος προς τον περιμετρικό εγκοπέα με πρόσβαση (στην ίδια πλευρά) στο διακόπτη FOR/OFF/REV.

- Ελέγχει τη λειτουργία ON/OFF του διακόπτη ποδός και να μπορεί να απελευθερώσει γρήγορα το διακόπτη ποδός εάν χρειαστεί.
- Έχει άνετη πρόσβαση στον περιμετρικό εγκοπέα, στο σωλήνα και το κλειδί καστανίας χωρίς να χρειάζεται να τεντωθεί πάνω από τον περιμετρικό εγκοπέα.



**Εικόνα 7 – Θέση χειριστή**

2. Περάστε το καλώδιο ρεύματος από την αναγνωρισμένη ελεύθερη διαδρομή. Με στεγνά χέρια, συνδέστε τη διάταξη μετάδοσης ισχύος σε κατάλληλα γειωμένη πρίζα. Διατηρήστε όλες τις συνδέσεις στεγνές και μακριά από το έδαφος. Εάν το καλώδιο ρεύματος δεν είναι αρκετά μακρύ, χρησιμοποιήστε μια μπαλαντέζα που:
  - Βρίσκεται σε καλή κατάσταση
  - Διαθέτει φινιρίσματα ακίδων, παρόμοιο με αυτό της διάταξης μετάδοσης ισχύος
  - Είναι κατάλληλη για εξωτερική χρήση και περιέχει την ένδειξη W ή W-A στην προδιαγραφή καλωδίου (όπως **SO<sub>W</sub>**)
  - Διαθέτει επαρκή διατομή καλωδίου (14 AWG για μήκος 7,5 μέτρα ή λιγότερο, 12 AWG για μήκος 7,5 – 15 μέτρα). Τα καλώδια μικρότερες διατομής ενδέχεται να υπερθερμανθούν, λιώνοντας τη μόνωση ή προκαλώντας πυρκαγιά ή άλλη ζημιά.
3. Ελέγξτε τη διάταξη μετάδοσης ισχύος/το μηχάνημα σπειρωμάτων για να βεβαιωθείτε ότι λειτουργεί κανονικά:
  - Μετακινήστε το διακόπτη στη θέση FOR (εμπρός). Πιέστε και απελευθερώστε το διακόπτη ποδός. Επιβεβαιώστε ότι

ο άξονας κίνησης περιστρέφεται αριστερόστροφα καθώς κοιτάξετε τον μπροστινό σφιγκτήρα. Εάν η μονάδα δεν περιστρέφεται με τη σωστή φορά ή εάν ο διακόπτης ποδός δεν ελέγχει τη λειτουργία του μηχανήματος, μην χρησιμοποιήσετε το μηχάνημα έως ότου επισκευασθεί.

- Πατήστε και κρατήστε πατημένο το διακόπτη ποδός. Ελέγξτε την ταχύτητα περιστροφής της μονάδας. Ελέγξτε τα κινούμενα μέρη για λάθος ευθυγράμμιση, κόλλημα, παράξενους θορύβους ή άλλες μη φυσιολογικές συνθήκες. Απελευθερώστε το διακόπτη ποδός. Εάν η ταχύτητα περιστροφής υπερβεί τις 57 σ.α.λ., μην χρησιμοποιήσετε τη μονάδα για τη δημιουργία εγκοπής. Οι υψηλές ταχύτητες αυξάνουν τον κίνδυνο τραυματισμού. Εάν εντοπίσετε μη φυσιολογικές συνθήκες, μην χρησιμοποιήσετε τον εξοπλισμό έως ότου επισκευασθεί.
- Μετακινήστε το διακόπτη στη θέση REV (όπισθεν). Πιέστε και απελευθερώστε το διακόπτη ποδός. Επιβεβαιώστε ότι ο άξονας κίνησης περιστρέφεται σε δεξιόστροφη φορά καθώς κοιτάτε το μπροστινό τμήμα του σφιγκτήρα. Εάν η μονάδα δεν περιστρέφεται με τη σωστή φορά, μην χρησιμοποιήσετε το μηχάνημα έως ότου επισκευασθεί.
- Μετακινήστε το διακόπτη στη θέση OFF. Αποσυνδέστε το μηχάνημα με στεγνά χέρια.

## Προετοιμασία σωλήνων

**ΣΗΜΕΙΩΣΗ** Οι παρακάτω αποτελούν γενικές οδηγίες. Πάντα να ακολουθείτε τις συγκεκριμένες συστάσεις των κατασκευαστών συνδέσμων με αυλακώσεις για την προετοιμασία άκρου σωλήνα. Σε περίπτωση μη τήρησης των συστάσεων του κατασκευαστή συνδέσμου με αυλακώσεις ενδεχομένως η σύνδεση να είναι ακατάλληλη και να προκληθεί διαρροή.

1. Κόψτε το σωλήνα σε κατάλληλο μήκος. Έχετε υπόψη το ελάχιστο μήκος σωλήνα που μπορεί να δεχθεί εγκοπή σε κάθε μέγεθος σωλήνα (βλ. Πίνακα Α). Η εγκοπή σωλήνα κοντύτερου από το ελάχιστο μήκος αυξάνει τον κίνδυνο τραυματισμού λόγω σύνθλιψης των δακτύλων και εμπλοκής.

Βεβαιωθείτε ότι ο σωλήνας έχει κοπτεί κάθετα και δεν διαθέτει γρέζια. Τα γρέζια μπορεί να κόψουν γάντια και δάκτυλα κατά τη δημιουργία εγκοπής. Η μέθοδος κοπής και τα μεγάλα γρέζια ενδεχομένως να επηρεάσουν την ποιότητα της εγκοπής που δημιουργείται και την πρόσφυση της εγκοπής. Μην επιχειρήσετε την εγκοπή σωλήνα που έχει κοπτεί με φλόγιστρο.

2. Όλες οι εσωτερικές/εξωτερικές δοκοί συγκόλλησης, προεξοχές ή ραφές πρέπει να λειανθούν τουλάχιστον κατά 2" από το άκρο του σωλήνα. Μην κόβετε επίπεδες επιφάνειες στην περιοχή τοποθέτησης παρεμβύσματος, ενδέχεται να προκληθεί διαρροή.
3. Αφαιρέστε άλατα, σκόνη, σκουριά και άλλες επιμολύνσεις τουλάχιστον κατά 2" από το άκρο του σωλήνα. Οι επιμολύνσεις μπορεί να αποφράξουν τις οδοντώσεις κίνησης και να εμποδίσουν την κατάλληλη κίνηση και κατεύθυνση του σωλήνα κατά τη δημιουργία της εγκοπής.

## Τοποθέτηση σωλήνα στον περιμετρικό εγκοπή

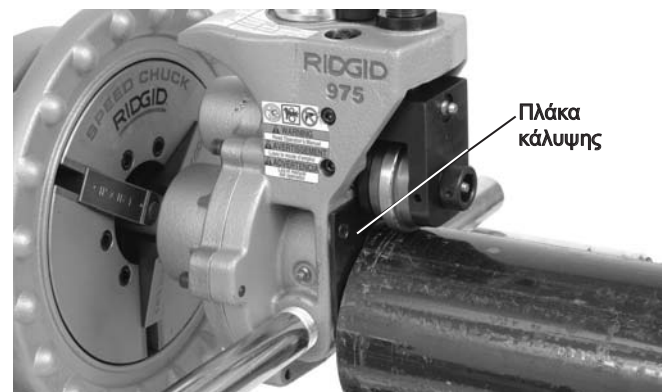
1. Βεβαιωθείτε ότι ο διακόπτης της διάταξης μετάδοσης ισχύος/του μηχανήματος σπειρωμάτων βρίσκεται στη θέση OFF.

2. Φροντίστε να διαθέσετε κατάλληλη διαθέσιμη στήριξη για το σωλήνα στον οποίο πρόκειται να δημιουργήσετε εγκοπή. Στον Πίνακα Α αναφέρεται το μέγιστο μήκος σωλήνα προς εγκοπή με τη χρήση ενός στηρίγματος σωλήνα. Οι σωλήνες μεγαλύτερου μήκους πρέπει να στηρίζονται με τουλάχιστον δύο στηρίγματα σωλήνα. Αδυναμία κατάλληλης στήριξης του σωλήνα μπορεί να επιτρέψει την ανατροπή και την πτώση του σωλήνα ή του σωλήνα και του μηχανήματος. Μην δημιουργείτε εγκοπές σε σωλήνα με μικρότερο μήκος από το ελάχιστο.

Όνομ. Μέγεθος	Ελάχ. Μήκος	Μέγ. Μήκος	Όνομ. Μέγεθος	Ελάχ. Μήκος	Μέγ. Μήκος
1	8	36	4	8	36
1¼	8	36	4½	8	32
1½	8	36	5	8	32
2	8	36	6 O.D.	10	30
2½	8	36	6	10	28
3	8	36			
3½	8	36			

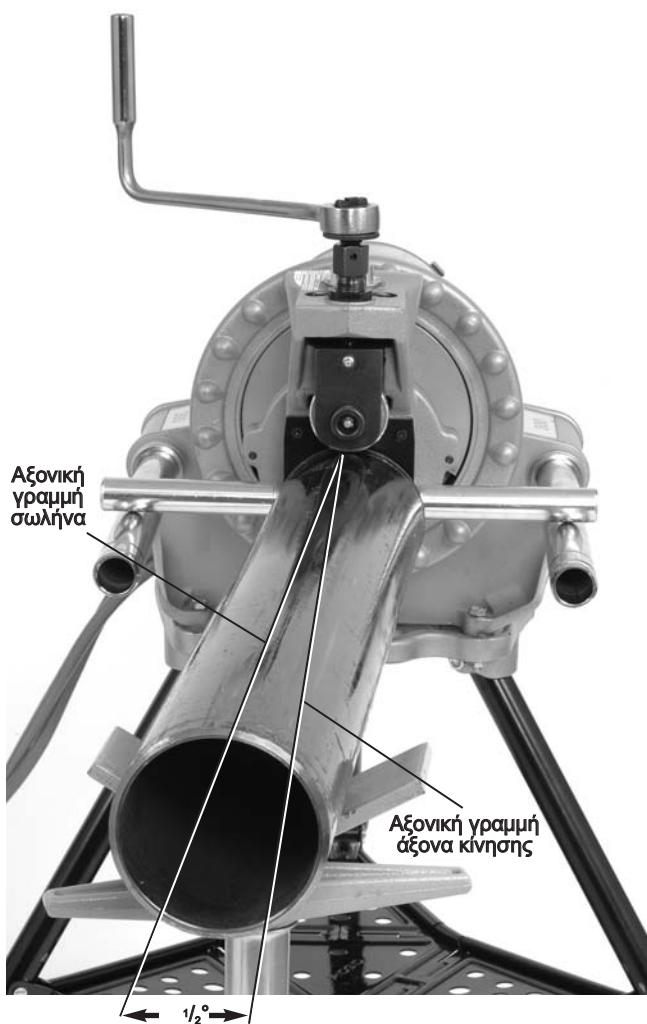
**Πίνακας Α – Ελάχιστο/μέγιστο μήκος σωλήνα για δημιουργία εγκοπής με ένα στηρίγμα (όλες οι διαστάσεις σε ίντσες)**

3. Τοποθετήστε τα απαιτούμενα στηρίγματα σωλήνα μπροστά στον περιμετρικό εγκοπή. Για μήκη που στηρίζονται με ένα στηρίγμα, το στηρίγμα πρέπει να τοποθετηθεί ελαφρώς μακρύτερα από το μισό μήκος του σωλήνα από την πλάκα κάλυψης του περιμετρικού εγκοπή. Για μήκη σωλήνα που απαιτούν περισσότερα από ένα στηρίγματα, τα στηρίγματα πρέπει να τοποθετηθούν στο ¼ του μήκους του σωλήνα από το κάθε άκρο του σωλήνα. Σε ορισμένες περιπτώσεις ενδεχομένως να απαιτούνται περισσότερα στηρίγματα. Το ύψος του στηρίγματος πρέπει να ρυθμιστεί έτσι ώστε ο σωλήνα να μπορεί να τοποθετηθεί πάνω από τον άξονα κίνησης.
4. Βεβαιωθείτε ότι το νύχι έχει υποχωρήσει αρκετά ώστε να είναι δυνατή η τοποθέτηση του σωλήνα πάνω από τον άξονα κίνησης. Εάν χρειαστεί, στρέψτε τον κοχλία τροφοδοσίας αριστερόστροφα για να ανυψώσετε το νύχι.
5. Τοποθετήστε το άκρο του σωλήνα επάνω στον άξονα κίνησης και στηρίξτε το σωλήνα επάνω στο ή στα στηρίγματα. Βεβαιωθείτε ότι ο σωλήνα είναι σταθερός.



**Εικόνα 8 – Τοποθέτηση του σωλήνα επάνω στον άξονα κίνησης και σε επαφή με την πλάκα κάλυψης**

6. Ρυθμίστε το σωλήνα και τα στηρίγματα του σωλήνα ώστε το άκρο του σωλήνα να εφάπτεται στην πλάκα κάλυψης του περιμετρικού εγκοπέα και το εσωτερικό του σωλήνα να εφάπτεται με την κορυφή του άξονα κίνησης (Εικόνα 7). Ο κεντρικός άξονας του σωλήνα και ο κεντρικός άξονας του άξονα κίνησης πρέπει να είναι παράλληλοι μεταξύ τους. Ένας τρόπος για να βεβαιωθείτε για αυτό είναι η χρήση αλφαδιού στο σωλήνα και στη διάταξη μετάδοσης ισχύος/στο μηχάνημα σπειρωμάτων.
7. Μετατοπίστε ελαφρώς το σωλήνα και τα στηρίγματα του σωλήνα περίπου 1/2 της μοίρας (περίπου 2,5 εκατοστά στα 3 μέτρα από τον περιμετρικό εγκοπέα) προς το χειριστή. Η σωστή ευθυγράμμιση του σωλήνα και του περιμετρικού εγκοπέα βοηθά στην εξασφάλιση της κατάλληλης πρόσφυσης του σωλήνα κατά τη δημιουργία της εγκοπής. (Βλ. Εικόνα 9).



Εικόνα 9 – Μετατόπιση του σωλήνα κατά 1/2° προς το χειριστή (μεγιστοποιημένη)

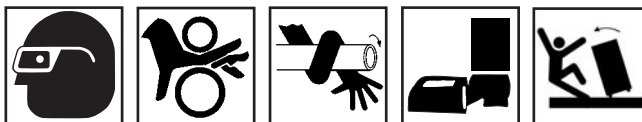
8. Στρέψτε τον κοχλία τροφοδοσίας δεξιόστροφα ώστε να κατεβάσετε το νύχι σε επαφή με την εξωτερική διάμετρο του σωλήνα και στρέψτε τον κοχλία τροφοδοσίας κατά έναν τέταρτο της στροφής επιπλέον. Ενδεχομένως να απαιτείται η χαλάρωση του κοχλία ρύθμισης (αριστερόστροφα) προκειμένου το νύχι να έρθει σε επαφή με το σωλήνα. Ο σωλήνας

και ο περιμετρικός εγκοπέας πρέπει να έχουν στερεωθεί μεταξύ τους σε αυτό το σημείο.

9. Αξιολογήστε την περιοχή εργασίας και καθορίστε εάν απαιτείται περίφραξη ώστε να απομακρύνονται άλλα άτομα εκτός του χειριστή από τον εξοπλισμό και το σωλήνα. Πρέπει να χρησιμοποιηθούν προφυλακτικές ή περιφράξεις για τη δημιουργία ασφαλούς απόστασης τουλάχιστον ενός (1) μέτρου γύρω από τη διάταξη μετάδοσης ισχύος και το σωλήνα. Η "ζώνη ασφαλείας" εμποδίζει άλλα άτομα από την ακούσια επαφή με το μηχάνημα ή το σωλήνα και την πρόκληση ανατροπής ή την εμπλοκή σε περιστρεφόμενα τμήματα.
10. Με στεγνά χέρια, συνδέστε το μηχάνημα σε κατάλληλα γειωμένη πρίζα.

## Χειρισμός του περιμετρικού εγκοπέα 975 Combo Roll Groover με διάταξη μετάδοσης ισχύος/μηχανή σπειρωμάτων

### ⚠ ΠΡΟΕΙΔΟΠΟΙΗΣΗ



Κατά το χειρισμό του περιμετρικού εγκοπέα, μην φοράτε χαλαρό ρουχισμό. Κουμπώνετε τα μανίκια και τα μπουφάν. Μην τεντώνετε πάνω από το μηχάνημα ή το σωλήνα. Ο χαλαρός ρουχισμός μπορεί να εμπλακεί στα περιστρεφόμενα τμήματα και να προκαλέσει θλιπτικούς τραυματισμούς.

Διατηρείτε τα χέρια μακριά από τα νύχια. Μην δημιουργείτε εγκοπές σε σωλήνες με μικρότερο μήκος από την προδιαγραφή. Μην φοράτε γάντια χαλαρής εφαρμογής. Κίνδυνος σύνθλιψης των δακτύλων μεταξύ των νυχιών ή μεταξύ του νυχιού και του σωλήνα.

Διατηρείτε τα χέρια μακριά από τα άκρα του σωλήνα. Μην τα θέτετε στο εσωτερικό του σωλήνα. Γρέζια και κοφτερές άκρες μπορεί να προκαλέσουν κοψίματα. Κίνδυνος σύνθλιψης των δακτύλων μεταξύ των νυχιών ή μεταξύ του νυχιού και του σωλήνα.

Πάντοτε να φοράτε ειδικά προστατευτικά γυαλιά για να προστατεύετε τα μάτια σας από τυχόν ακαθαρσίες και άλλα ξένα αντικείμενα. Να φοράτε υποδήματα με ασφάλιση μύτη για να προστατεύετε τα πόδια σας από ανατρεπόμενα εργαλεία ή πτώση σωλήνα.

Ακολουθήστε τις οδηγίες λειτουργίας για να μειώσετε τον κίνδυνο τραυματισμού από σύνθλιψη, ανατροπή, κρούση ή άλλα αίτια.

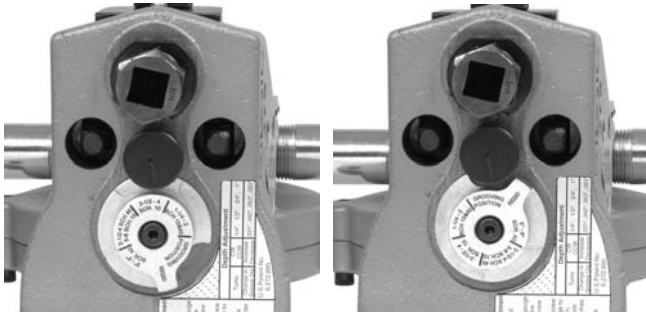
## Ρύθμιση/μέτρηση της διαμέτρου της εγκοπής

**ΣΗΜΕΙΩΣΗ** Λόγω διαφορετικών χαρακτηριστικών των σωλήνων, θα πρέπει πάντα να εκτελείται δοκιμαστική εγκοπή πριν την πρώτη εγκοπή της ημέρας ή κατά την αλλαγή μεγέθους, schedule ή υλικού σωλήνα. Οι μετρητές διαμέτρου εγκοπής παρέχουν μια κατά προσέγγιση ένδειξη μόνο και η διάμετρος της εγκοπής πρέπει να μετρηθεί για την επιβεβαίωση του κατάλληλου μεγέθους.

1. Επιβεβαιώστε ότι ο εξοπλισμός και ο σωλήνας έχουν προετοιμαστεί κατάλληλα. Η ακατάλληλη προετοιμασία του σωλήνα μπορεί να επηρεάσει την ακριβή ρύθμιση του μετρητή βάθους εγκοπής. Το νύχι πρέπει να βρίσκεται σε επαφή με το σωλήνα.



2. Ρυθμίστε το μετρητή βάθους εγκοπής ώστε το σωστό βήμα του μετρητή να βρίσκεται κάτω από την κεφαλή του ρυθμιστικού κοχλία (Εικόνα 10A). Ο μετρητής βάθους εγκοπής έχει σχεδιαστεί για χρήση με σωλήνα. Ανατρέξτε στην ενότητα "Ρύθμιση της διαμέτρου εγκοπής για χαλκοσωλήνες" για χρήση με χαλκοσωλήνες.
3. Στρέψτε τον κοχλία ρύθμισης δεξιόστροφα έως ότου η κεφαλή ακουμπήσει το βήμα του μετρητή βάθους. Στρέψτε το μετρητή βάθους εγκοπής στη θέση δημιουργίας εγκοπής (Εικόνα 10B). Εάν ο μετρητής δεν βρίσκεται στη θέση δημιουργίας εγκοπής, θα εμποδίσει τη δημιουργία εγκοπής και ενδεχομένως να καταστραφεί.



**Εικόνα 10A – Ρύθμιση σωστού βήματος μετρητή κάτω από την κεφαλή του κοχλία ρύθμισης**

**Εικόνα 10B – Μετρητής στη θέση δημιουργίας εγκοπής**

4. Προετοιμάστε μια δοκιμαστική εγκοπή (ακολουθήστε τα βήματα στην ενότητα "Σχηματισμός της εγκοπής").
5. Μετρήστε τη διάμετρο της εγκοπής. Η καλύτερη μέθοδος για τη μέτρηση της διαμέτρου της εγκοπής είναι η χρήση ταινίας διαμέτρου (ανατρέξτε στην ενότητα εξαρτημάτων). Τυλίξτε καλά την ταινία διαμέτρου γύρω από το σωλήνα στην εγκοπή. Βεβαιωθείτε ότι η ταινία εφάπτεται στο κάτω τμήμα της εγκοπής και μετρήστε τη διάμετρο της εγκοπής. (Βλ. Εικόνα 11).



**Εικόνα 11 – Έλεγχος διαμέτρου εγκοπής με ταινία διαμέτρου**

6. Συγκρίνετε την μετρημένη διάμετρο εγκοπής με την απαιτούμενη διάμετρο εγκοπής όπως φαίνεται στον Πίνακα I ή III ή όπως καθορίζεται από τον κατασκευαστή προσαρμογής με εγκοπή. Εάν η μετρημένη εγκοπή βρίσκεται εκτός της απαιτούμενης διαμέτρου εγκοπής, πρέπει να αλλάξει η θέση του κοχλία ρύθμισης ώστε να έχετε τη σωστή διάμετρο εγκοπής.
  - Για να αυξήσετε τη διάμετρο εγκοπής, στρέψτε τον κοχλία ρύθμισης δεξιόστροφα.
  - Για να μειώσετε τη διάμετρο εγκοπής, στρέψτε τον κοχλία ρύθμισης αριστερόστροφα.
  - Κάθε 1/4 της στροφής του κοχλία ρύθμισης αλλάζει τη διάμετρο της εγκοπής κατά περίπου 0,02".
7. Επαναλάβετε τα βήματα 4-6 έως ότου η διάμετρος εγκοπής να βρίσκεται εντός προδιαγραφών. Εάν η εγκοπή είναι πολύ μεγάλη, μπορείτε να ρυθμίσετε τον περιμετρικό εγκοπέα και να μειώσετε την εγκοπή. Εάν η εγκοπή είναι πολύ μικρή, θα πρέπει να εκτελεστεί άλλη εγκοπή. Η κατάλληλη διάμετρος εγκοπής είναι σημαντική για την εξασφάλιση της σωστής σύνδεσης. Οι εγκοπές εκτός προδιαγραφών μπορεί να προκαλέσουν αστοχία της σύνδεσης.

### Σχηματισμός της εγκοπής

1. Επιβεβαιώστε ότι ο εξοπλισμός και ο σωλήνας έχουν προετοιμαστεί κατάλληλα.



**Εικόνα 12 – Θέση χειρισμού περιμετρικού εγκοπέα**

2. Λάβετε κατάλληλη θέση χειρισμού. Τοποθετήστε το διακόπτη ποδός της διάταξης μετάδοσης ισχύος με τέτοιο τρόπο ώστε ο χειριστής να μπορεί να ελέγχει τη διάταξη μετάδοσης ισχύος,

τον περιμετρικό εγκοπέα και το σωλήνα για δημιουργία εγκοπής. Όπως φαίνεται στην *εικόνα 12*, η θέση πρέπει να επιτρέψει στο χειριστή να:

- Στέκεται στραμμένος προς τον περιμετρικό εγκοπέα με πρόσβαση (στην ίδια πλευρά) στο διακόπτη FOR/OFF/REV.
  - Ελέγχει τη λειτουργία ON/OFF του διακόπτη ποδός και να μπορεί να απελευθερώσει γρήγορα το διακόπτη ποδός εάν χρειαστεί.
  - Έχει άνετη πρόσβαση στον περιμετρικό εγκοπέα και το κλειδί κασάνιας χωρίς να χρειάζεται να τεντωθεί πάνω από τον περιμετρικό εγκοπέα.
  - Τοποθετηθεί το δεξί χέρι στο σωλήνα στον οποίο δημιουργείται η εγκοπή, εάν χρειαστεί.
  - Στηρίζεται καλά και να διατηρεί την ισορροπία του.
3. Μετακινήστε το διακόπτη FOR/OFF/REV στη θέση REV (όπισθεν). **Μην χειρίζεστε τον περιμετρικό εγκοπέα 975 Combo Roll Groover στη θέση FOR (εμπρός). Λόγω του σχεδιασμού του 975 Combo Roll Groover, κάτι τέτοιο θα προκαλέσει τη "σπειροειδή" έξοδο του σωλήνα από τα νύχια του περιμετρικού εγκοπέα με αποτέλεσμα την πτώση του σωλήνα.**
  4. Τοποθετήστε το ένα χέρι στην κεφαλή της κασάνιας/την κορυφή του κοχλία τροφοδοσίας και το άλλο χέρι στο άκρο της κασάνιας.
  5. Πιέστε το διακόπτη ποδός για να ξεκινήσετε τη διάταξη μετάδοσης ισχύος. Παρακολουθήστε την περιστροφή του σωλήνα και βεβαιωθείτε ότι το προφίλ του σωλήνα παραμένει σε επαφή με την πλάκα κάλυψης του περιμετρικού εγκοπέα. Εάν ο σωλήνας αρχίσει να απομακρύνεται από την πλάκα κάλυψης του περιμετρικού εγκοπέα, απελευθερώστε το διακόπτη ποδός για να αποτρέψετε την έξοδο και πτώση του σωλήνα. Εάν απαιτηθεί, προετοιμάστε και πάλι το σωλήνα (*ανατρέξτε στην ενότητα Προετοιμασία σωλήνα*). Εάν το άκρο του σωλήνα παραμορφωθεί, θα πρέπει να αποκοπεί και να προετοιμαστεί νέα εγκοπή.
  6. Καθώς ο σωλήνας ολοκληρώνει μια πλήρη περιστροφή, σφίξτε τον κοχλία τροφοδοσίας κατά  $\frac{1}{4}$  της στροφής. Συνεχίστε να παρακολουθείτε το άκρο του σωλήνα για να βεβαιωθείτε ότι βρίσκεται σε επαφή με την πλάκα κάλυψης. Μην σφίξτε τον κοχλία τροφοδοσίας περισσότερο από  $\frac{1}{4}$  της στροφής ανά περιστροφή του σωλήνα. Η έντονη σύσφιξη του κοχλία τροφοδοσίας μπορεί να προκαλέσει υπερβολική διεύρυνση της εγκοπής ή να προκαλέσει την έξοδο του σωλήνα από τον άξονα κίνησης.
  7. Συνεχίστε να σφίγγετε τον κοχλία τροφοδοσίας κατά  $\frac{1}{4}$  της στροφής ανά περιστροφή του σωλήνα, έως ότου η κεφαλή του κοχλία ρύθμισης σταματήσει επάνω στην κορυφή του περιμετρικού εγκοπέα. Μην συνεχίσετε τη σύσφιξη του κοχλία τροφοδοσίας μόλις ο κοχλίας ρύθμισης φτάσει την κορυφή του περιμετρικού εγκοπέα, υπάρχει κίνδυνος καταστροφής του κοχλία ρύθμισης. Επιτρέψτε στο σωλήνα να περιστραφεί για τουλάχιστον άλλες δύο (2) πλήρεις περιστροφές σε αυτή τη θέση για να εξασφαλίσετε ομοιόμορφο βάθος εγκοπής.
  8. Απελευθερώστε το διακόπτη ποδός και μετακινήστε το διακόπτη FOR/OFF/REV στη θέση OFF.
  9. Στρέψτε το διακόπτη τροφοδοσίας αριστερόστροφα και ανυψώστε το νύχι ώστε να είναι δυνατή η απομάκρυνση του σωλήνα από το μηχανήμα.

10. Ελέγξτε την εγκοπή.

- Βεβαιωθείτε ότι η εγκοπή έχει σχηματιστεί πλήρως.
- Ελέγξτε τη διάμετρο της εγκοπής και βεβαιωθείτε ότι βρίσκεται εντός προδιαγραφών.
- Ελέγξτε άλλα στοιχεία που απαιτούνται από τον κατασκευαστή των προσαρμογών.

Εάν εντοπιστούν προβλήματα, δεν είναι δυνατόν να χρησιμοποιήσετε την εγκοπή.

## Ρύθμιση της διαμέτρου εγκοπής για χαλκοσωλήνες

Κατά τη χρήση του 975 Combo Roll Groover για χαλκοσωλήνες, δεν είναι δυνατόν να χρησιμοποιηθεί ο μετρητής βάθους εγκοπής του περιμετρικού εγκοπέα. Αποδίδει εσφαλμένη διάμετρο εγκοπής.

1. Στρέψτε τον κοχλία τροφοδοσίας δεξιόστροφα ώστε να κατεβάσετε το νύχι σε επαφή με την εξωτερική διάμετρο του σωλήνα και στρέψτε τον κοχλία τροφοδοσίας κατά έναν τέταρτο της στροφής επιπλέον. Ενδεχομένως να απαιτείται η χαλάρωση του κοχλία ρύθμισης (αριστερόστροφα) προκειμένου το νύχι να έρθει σε επαφή με το σωλήνα. Ο σωλήνας και ο περιμετρικός εγκοπέας πρέπει να έχουν στερεωθεί μεταξύ τους σε αυτό το σημείο.
2. Βεβαιωθείτε ότι ο μετρητής βάθους εγκοπής βρίσκεται στη θέση δημιουργίας εγκοπής. (*Εικόνα 10B*)
3. Στρέψτε τον κοχλία ρύθμισης έως ότου έρθει σε επαφή με την επάνω πλακέτα του περιμετρικού εγκοπέα.
4. Βρείτε τη διάμετρο και τον τύπο του σωλήνα στον οποίο θα δημιουργηθεί η εγκοπή στον Πίνακα Β και αποσύρετε τον κοχλία ρύθμισης από την επάνω πλακέτα τον αντίστοιχο αριθμό στροφών. Για παράδειγμα, για χαλκοσωλήνα 4" τύπου L, ανασύρετε τον κοχλία ρύθμισης κατά  $1\frac{1}{4}$  στροφές.

### Ρύθμιση βάθους για τη δημιουργία εγκοπής σε χαλκοσωλήνες (Στροφές κοχλία ρύθμισης)

Διαμ.	K	L	M	DWW
2-2.5"	$\frac{7}{8}$	$\frac{7}{8}$	$\frac{5}{8}$	$\frac{5}{8}$
3"	$1\frac{1}{16}$	$1\frac{1}{16}$	$1\frac{1}{16}$	$1\frac{1}{16}$
4"	$1\frac{1}{4}$	$1\frac{1}{4}$	$1\frac{1}{4}$	$1\frac{1}{8}$
5"	$1\frac{1}{2}$	$1\frac{1}{2}$	$1\frac{1}{2}$	$1\frac{1}{2}$
6"	$1\frac{3}{16}$	$1\frac{3}{4}$	$1\frac{3}{4}$	$1\frac{3}{4}$
8"	$2\frac{1}{2}$	$2\frac{3}{8}$	$2\frac{1}{8}$	$2\frac{1}{8}$

### Πίνακας Β – Ρύθμιση βάθους για τη δημιουργία εγκοπής σε χαλκοσωλήνες

5. *Μεταβείτε στο βήμα 4 της ενότητας "Ρύθμιση/μέτρηση της διαμέτρου της εγκοπής".*

## Συμβουλές ελέγχου πρόσφυσης του 975 Combo Roll Groover

Το κύριο πρόβλημα που οι χρήστες αντιμετωπίζουν κατά τη δημιουργία εγκοπής είναι η "σπειροειδής" έξοδος του σωλήνα ή η μη κατάλληλη "πρόσφυση" του άξονα κίνησης. Για καλή πρόσφυση, είναι σημαντικό να ακολουθηθούν όλες οι οδηγίες. Εάν, ακόμη και μετά την τήρηση όλων των οδηγιών, ο σωλήνας δεν οδηγείται σωστά, υπάρχουν διάφορες άλλες επιλογές για τη βελτίωση της πρόσφυσης.

- Αυξήστε ελαφρώς τη μετατόπιση του σωλήνα προς το χειριστή (αύξηση από 1/2 της μοίρας έως 1 μοίρα) (βλ. εικόνα 9).
- Ο χειριστής ενδεχομένως να πρέπει να εφαρμόσει ελαφριά δύναμη στο σωλήνα κατά τη δημιουργία της εγκοπής για τη διατήρηση της πρόσφυσης. Αυτό συνήθως απαιτείται μόνο σε κοντά τμήματα του σωλήνα. Για αυτή την ενέργεια ο χειριστής πρέπει να φορά δερμάτινο γάντι σε καλή κατάσταση και να τοποθετεί το χέρι του γύρω από το μέσο του σωλήνα όπως φαίνεται στην εικόνα 13. Ενδεχομένως να απαιτείται το στήριγμα στο οποίο τοποθετείται η διάταξη μετάδοσης ισχύος/το μηχάνημα σπειρωμάτων να στερεωθεί στο δάπεδο ώστε να αποτραπεί η μετακίνηση κατά τη διάρκεια δημιουργίας της εγκοπής. Για να αποφύγετε θλιπτικούς τραυματισμούς, κρατάτε το χέρι μακριά από το νύχι και τα άκρα του σωλήνα και μην δημιουργείτε εγκοπές σε σωλήνες με μήκος μικρότερο από το συνιστώμενο.

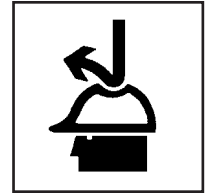


**Εικόνα 13 – Εφαρμογή δύναμης στο σωλήνα κατά τη δημιουργία εγκοπής για τη διατήρηση της πρόσφυσης**

- Επιπροσθέτως, ανατρέξτε στην *ενότητα αντιμετώπισης προβλημάτων* για μια πλήρη λίστα όλων των αιτιών και των λύσεων για τα προβλήματα πρόσφυσης.

## Ρύθμιση μηχανήματος και χώρου εργασίας για εφαρμογές επιτόπου

### ⚠ ΠΡΟΕΙΔΟΠΟΙΗΣΗ



Πάντοτε να φοράτε ειδικά προστατευτικά γυαλιά για να προστατεύετε τα μάτια σας από τυχόν ακαθαρσίες και άλλα ξένα αντικείμενα. Να φοράτε υποδήματα με ασφάλιση μύτης για να προστατεύετε τα πόδια σας από ανατρεπόμενα εργαλεία ή πτώση σωλήνα. Κατά την επιτόπια εργασία, να φοράτε κράνος.

Προετοιμάστε τον περιμετρικό εγκοπέα και την περιοχή εργασίας σύμφωνα με αυτές τις διαδικασίες για να περιορίσετε τον κίνδυνο τραυματισμού από ανατροπή του μηχανήματος, σύνθλιψη και άλλες αιτίες και να αποτρέψετε βλάβη στον περιμετρικό εγκοπέα.

1. Εντοπίστε μια περιοχή εργασίας με τα παρακάτω:
  - Επαρκή φωτισμό.
  - Χωρίς εύφλεκτα υγρά, ατμούς ή σκόνη που ενδέχεται να προκαλέσουν ανάφλεξη. Εάν υπάρχει κάτι από τα παραπάνω, μην εργάζεστε στη συγκεκριμένη περιοχή έως ότου εντοπιστούν και αποκατασταθούν οι πηγές.
  - Καθαρή, επίπεδη, σταθερή και ξηρή τοποθεσία με επαρκή χώρο για το σύνολο του εξοπλισμού και το χειριστή.
2. Καθαρίστε την περιοχή εργασίας πριν από το στήσιμο του εξοπλισμού. Πάντα να καθαρίζετε τυχόν λάδι που μπορεί να υπάρχει.
3. Ελέγξτε το σωλήνα για εγκοπή και βεβαιωθείτε ότι το μηχάνημα 975 Combo Roll Groover είναι το κατάλληλο εργαλείο για τη δουλειά. Το 975 Combo Roll Groover έχει σχεδιαστεί για την εγκοπή χαλύβδινων σωλήνων schedule 10 και 40, σωλήνων αλουμινίου, και σωλήνων PVC σε μεγέθη 1 1/4" έως 6". Έχει σχεδιαστεί επίσης για την εγκοπή σωλήνων ανοξείδωτου χάλυβα 1 1/4" έως 6" schedule 10 και 1 1/4" έως 2" schedule 40. Με την αλλαγή του σετ νυχιών, μπορεί να χρησιμοποιηθεί για την εγκοπή χαλκοσωλήνων 2" - 8" τύπου K, L, M και DWV.
 

Το 975 Combo Roll Groover μπορεί να χρησιμοποιηθεί για επιτόπιες εφαρμογές (εγκατεστημένος σωλήνας ή σωλήνας τοποθετημένος σε μέγγενη) ή με διάταξη μετάδοσης ισχύος RIDGID 300 Power Drive ή μηχανήμα σπειρωμάτων 300 Compact Threading Machine για ηλεκτροκίνητες εφαρμογές στις εγκαταστάσεις εργασίας. Το 975 Combo Roll Groover δεν προορίζεται για εφαρμογές παραγωγής.
4. Κατά τη δημιουργία εγκοπής επιτόπου, βεβαιωθείτε ότι υπάρχει αρκετός χώρος για το 975 Combo Roll Groover να τοποθετηθεί και να λειτουργήσει. Ο περιμετρικός εγκοπέας θα περιστρέφεται σταθερά γύρω από τον εγκατεστημένο σωλήνα και απαιτεί:
  - Τουλάχιστον 6 1/2" χώρο γύρω από το σωλήνα στον οποίο θα δημιουργηθεί εγκοπή
  - Τουλάχιστον 2 1/2" του σωλήνα να επεκτείνεται πέρα από ένα εμπόδιο όπως τείχος

- Ελάχιστο άνοιγμα 9/16" για την τοποθέτηση του περιμετρικού εγκοπέα στο σωλήνα

Μπορείτε να βρείτε περιμετρικούς εγκοπείς για άλλες εφαρμογές απευθυνόμενοι στον κατάλογο εργαλείων της Ridge, ηλεκτρονικά στη διεύθυνση [www.RIDGID.com](http://www.RIDGID.com) ή επικοινωνώντας με την τεχνική υπηρεσία της Ridge Tool στο τηλέφωνο 800-519-3456.

**ΣΗΜΕΙΩΣΗ** Η χρήση των σετ νυχιών (νύχι και άξονας κίνησης) σε χαλύβδινους σωλήνες και σε σωλήνες ανοξειδωτου χάλυβα μπορεί να προκαλέσει επιμόλυνση του υλικού ανοξειδωτου χάλυβα. Η επιμόλυνση αυτή μπορεί να προκαλέσει διάβρωση και πρόωρη αστοχία του σωλήνα. Για να αποτρέψετε την επιμόλυνση σιδήρου των σωλήνων ανοξειδωτου χάλυβα, χρησιμοποιήστε σετ νυχιών αποκλειστικά για την εγκοπτή ανοξειδωτου χάλυβα. Εναλλακτικά, μπορείτε να χρησιμοποιήσετε συρματόβουρτσα ανοξειδωτου χάλυβα για να καθαρίσετε το σετ νυχιών κατά την εναλλαγή υλικών.

### Προετοιμασία σωλήνων

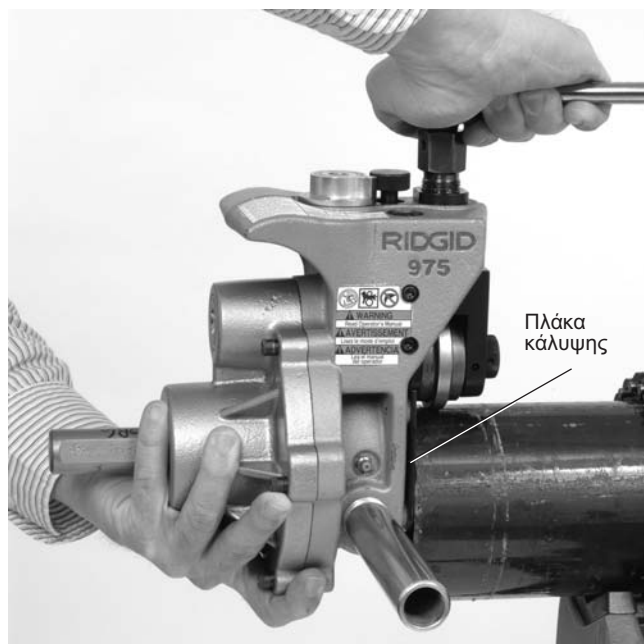
**ΣΗΜΕΙΩΣΗ** Οι παρακάτω αποτελούν γενικές οδηγίες. Πάντα να ακολουθείτε τις συγκεκριμένες συστάσεις των κατασκευαστών συνδέσμων με αυλακώσεις για την προετοιμασία άκρου σωλήνα. Σε περίπτωση μη τήρησης των συστάσεων του κατασκευαστή συνδέσμου με αυλακώσεις ενδεχομένως η σύνδεση να είναι ακατάλληλη και να προκληθεί διαρροή.

1. Εάν η δημιουργία εγκοπής επιτόπου σε υπάρχουσα σωλήνωση, βεβαιωθείτε ότι το σύστημα έχει αποσυμπιεστεί και εκκενωθεί από το περιεχόμενό του. Πρέπει να γνωρίζετε ποιο είναι το περιεχόμενο και τυχόν κινδύνους που σχετίζονται με αυτό.
2. Κόψτε το σωλήνα σε κατάλληλο μήκος.  
Βεβαιωθείτε ότι ο σωλήνας έχει κοπεί κάθετα και δεν διαθέτει γρέζια. Τα γρέζια μπορεί να κόψουν γάντια και δάκτυλα κατά τη δημιουργία εγκοπής. Η μέθοδος κοπής και τα μεγάλα γρέζια ενδεχομένως να επηρεάσουν την ποιότητα της εγκοπής που δημιουργείται και την πρόσφυση της εγκοπής. Μην επιχειρήσετε την εγκοπτή σωλήνα που έχει κοπεί με φλόγιστρο.
3. Όλες οι εσωτερικές/εξωτερικές δοκοί συγκόλλησης, προεξοχές ή ραφές πρέπει να λειανθούν τουλάχιστον κατά 2" από το άκρο του σωλήνα. Μην κόβετε επίπεδες επιφάνειες στην περιοχή τοποθέτησης παρεμβύσματος, ενδέχεται να προκληθεί διαρροή.
4. Αφαιρέστε άλατα, σκόνη, σκουριά και άλλες επιμολύνσεις τουλάχιστον κατά 2" από το άκρο του σωλήνα. Οι επιμολύνσεις μπορεί να αποφράξουν τις οδοντώσεις κίνησης και να εμποδίσουν την κατάλληλη κίνηση και κατεύθυνση του σωλήνα κατά τη δημιουργία της εγκοπής.
5. Βεβαιωθείτε ότι ο σωλήνας στον οποίο θα δημιουργηθεί η εγκοπτή είναι σταθερά τοποθετημένος. Ο σωλήνας πρέπει να έχει τη δυνατότητα να αντέξει το βάρος του περιμετρικού εγκοπέα (12,5 κιλά) και τη δύναμη και τη ροπή που απαιτείται για τη δημιουργία της εγκοπής χωρίς κίνηση. Για σωλήνα που είναι τοποθετημένος, ενδεχομένως να απαιτείται η αφαίρεση του σωλήνα και η εγκοπτή του σε μέγερνη σωλήνα. Σε άλλες περιπτώσεις, ίσως είναι απαραίτητη η προσθήκη προσωρινών ή μόνιμων στηρίγματα του σωλήνα. Κατά τη χρήση μέγερνης σωλήνα, βεβαιωθείτε ότι είναι στερεωμένη και δεν πρόκειται να

ανατραπεί κατά τη διάρκεια της χρήσης. Για μεγαλύτερο μήκος σωλήνα, χρησιμοποιήστε κατάλληλα στηρίγματα σωλήνα για την στήριξη του πρόσθετου μήκους.

### Τοποθέτηση του περιμετρικού εγκοπέα επάνω στο σωλήνα

1. Βεβαιωθείτε ότι το 975 Combo Roll Groover έχει ελεγχθεί και έχει τοποθετηθεί το κατάλληλο σετ νυχιών. Βεβαιωθείτε ότι οι βραχίονες στήριξης εφαρμόζουν στενά στο σώμα του περιμετρικού εγκοπέα ή αφαιρέστε τους πλήρως για καλύτερη πρόσβαση σε στενούς χώρους. Στη συνέχεια, τοποθετήστε την κασάνια στον κοχλία τροφοδοσίας και την επέκταση στο τετράγωνο χειροκίνητης οδήγησης στο πίσω μέρος του περιμετρικού εγκοπέα. Βεβαιωθείτε ότι τόσο η κασάνια όσο και η επέκταση έχουν τοποθετηθεί με σταθερότητα.
2. Βεβαιωθείτε ότι υπάρχει αρκετός χώρος μεταξύ του νυχιού και του άξονα κίνησης για το τοίχωμα του σωλήνα. Εάν χρειαστεί, στρέψτε τον κοχλία τροφοδοσίας αριστερόστροφα για να ανασύρετε το νύχι.
3. Πιάστε σταθερά τον περιμετρικό εγκοπέα. Μην τον ανυψώνετε με την κασάνια. Τοποθετήστε τον άξονα κίνησης μέσα στο σωλήνα και βεβαιωθείτε ότι η πλάκα κάλυψης εφάπτεται στο άκρο του σωλήνα (εικόνα 14). Σφίξτε τον κοχλία τροφοδοσίας για να φέρετε το νύχι σε επαφή με το εξωτερικό του σωλήνα. Μόλις δεν μπορείτε να σφίξετε άλλο τον κοχλία τροφοδοσίας με το χέρι, χρησιμοποιήστε την κασάνια για να σφίξετε τον κοχλία τροφοδοσίας επιπλέον 1/4 της στροφής. Βεβαιωθείτε ότι ο περιμετρικός εγκοπέας είναι σταθερά συνδεδεμένος με το σωλήνα και η πλάκα κάλυψης εφάπτεται με το άκρο του σωλήνα. Σε αντίθετη περίπτωση, επαναλάβετε τη διαδικασία. Πάντα να βεβαιώνετε ότι ο περιμετρικός εγκοπέας είναι στερεωμένος όταν χρησιμοποιείται επιτόπου, για να αποτραπεί η πτώση.



Εικόνα 14 – Συγκράτηση του περιμετρικού εγκοπέα στη θέση του κατά τη σύσφιξη του κοχλία τροφοδοσίας

## Χειρισμός του περιμετρικού εγκοπέα 975 Combo Roll Groover επιτόπου

### ⚠ ΠΡΟΕΙΔΟΠΟΙΗΣΗ



Η κίνηση πρέπει να γίνεται αποκλειστικά χειροκίνητα όταν χρησιμοποιείται σε εφαρμογές επιτόπου. Μην χρησιμοποιείτε ηλεκτρικές συσκευές (όπως δράπανα ή κρουστικά εργαλεία) για την κίνηση του περιμετρικού εγκοπέα όταν χρησιμοποιείται επιτόπου. Η χρήση ηλεκτρικών συσκευών μπορεί να καταστρέψει τον περιμετρικό εγκοπέα και να αυξήσει τον κίνδυνο τραυματισμού.

Κατά το χειρισμό του περιμετρικού εγκοπέα, μην φοράτε χαλαρό ρουχισμό. Κουμπώνετε τα μανίκια και τα μπουφάν. Μην τεντώνετε πάνω από το μηχάνημα ή το σωλήνα. Ο χαλαρός ρουχισμός μπορεί να εμπλακεί στα περιστρεφόμενα τμήματα και να προκαλέσει θλιπτικούς τραυματισμούς.

Διατηρείτε τα χέρια μακριά από τα νύχια. Μην δημιουργείτε εγκοπές σε σωλήνες με μικρότερο μήκος από την προδιαγραφή. Μην φοράτε γάντια χαλαρής εφαρμογής. Κίνδυνος σύνθλιψης των δακτύλων μεταξύ των νυχιών ή μεταξύ του νυχιού και του σωλήνα.

Διατηρείτε τα χέρια μακριά από τα άκρα του σωλήνα. Μην τα θέτετε στο εσωτερικό του σωλήνα. Γρέζια και κοφτερές άκρες μπορεί να προκαλέσουν κοψίματα. Κίνδυνος σύνθλιψης των δακτύλων μεταξύ των νυχιών ή μεταξύ του νυχιού και του σωλήνα.

Πάντοτε να φοράτε ειδικά προστατευτικά γυαλιά για να προστατεύετε τα μάτια σας από τυχόν ακαθαρσίες και άλλα ξένα αντικείμενα. Να φοράτε υποδήματα με ασφάλιση μύτη για να προστατεύετε τα πόδια σας από ανατρεπόμενα εργαλεία ή πτώση σωλήνα. Κατά την επιτόπια εργασία, να φοράτε κράνος.

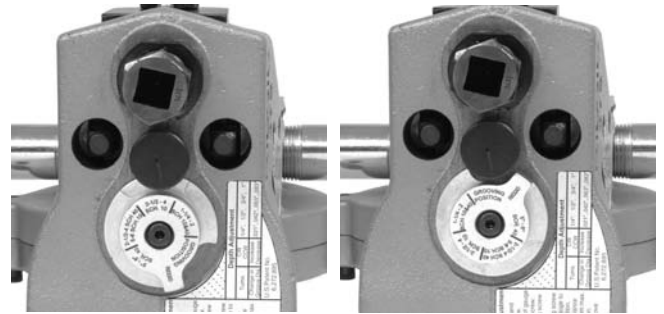
Ακολουθήστε τις οδηγίες λειτουργίας για να μειώσετε τον κίνδυνο τραυματισμού από σύνθλιψη, ανατροπή, κρούση ή άλλα αίτια.

### Ρύθμιση/μέτρηση της διαμέτρου της εγκοπής

**ΣΗΜΕΙΩΣΗ** Λόγω διαφορετικών χαρακτηριστικών των σωλήνων, θα πρέπει πάντα να εκτελείται δοκιμαστική εγκοπή πριν την πρώτη εγκοπή της ημέρας ή κατά την αλλαγή μεγέθους, schedule ή υλικού σωλήνα. Οι μετρητές διαμέτρου εγκοπής παρέχουν μια κατά προσέγγιση ένδειξη μόνο και η διάμετρος της εγκοπής πρέπει να μετρηθεί για την επιβεβαίωση του κατάλληλου μεγέθους.

1. Επιβεβαιώστε ότι ο εξοπλισμός και ο σωλήνας έχουν προετοιμαστεί κατάλληλα. Η ακατάλληλη προετοιμασία του σωλήνα μπορεί να επηρεάσει την ακριβή ρύθμιση του μετρητή βάθους εγκοπής. Το νύχι πρέπει να βρίσκεται σε επαφή με το σωλήνα.
2. Ρυθμίστε το μετρητή βάθους εγκοπής ώστε το σωστό βήμα του μετρητή να βρίσκεται κάτω από την κεφαλή του ρυθμιστικού κοχλία (Εικόνα 15A). Ο μετρητής βάθους εγκοπής έχει σχεδιαστεί για χρήση με σωλήνα. Ανατρέξτε στην ενότητα "Ρύθμιση της διαμέτρου εγκοπής για χαλκοσωλήνες" για χρήση με χαλκοσωλήνες.

3. Στρέψτε τον κοχλία ρύθμισης δεξιόστροφα έως ότου η κεφαλή ακουμπήσει το βήμα του μετρητή βάθους. Στρέψτε το μετρητή βάθους εγκοπής στη θέση δημιουργίας εγκοπής (Εικόνα 15B). Εάν ο μετρητής δεν βρίσκεται στη θέση δημιουργίας εγκοπής, θα εμποδίσει τη δημιουργία εγκοπής και ενδεχομένως να καταστραφεί.



Εικόνα 15A – Ρύθμιση σωστού βήματος μετρητή κάτω από την κεφαλή του κοχλία ρύθμισης

Εικόνα 15B – Μετρητής στη θέση δημιουργίας εγκοπής

4. Προετοιμάστε μια δοκιμαστική εγκοπή (ακολουθήστε τα βήματα στην ενότητα "Σχηματισμός της εγκοπής").
5. Μετρήστε τη διάμετρο της εγκοπής. Η καλύτερη μέθοδος για τη μέτρηση της διαμέτρου της εγκοπής είναι η χρήση ταινίας διαμέτρου (ανατρέξτε στην ενότητα εξαρτημάτων). Τυλίξτε καλά την ταινία διαμέτρου γύρω από το σωλήνα στην εγκοπή. Βεβαιωθείτε ότι η ταινία εφάπτεται στο κάτω τμήμα της εγκοπής και μετρήστε τη διάμετρο της εγκοπής (βλ. εικόνα 16).



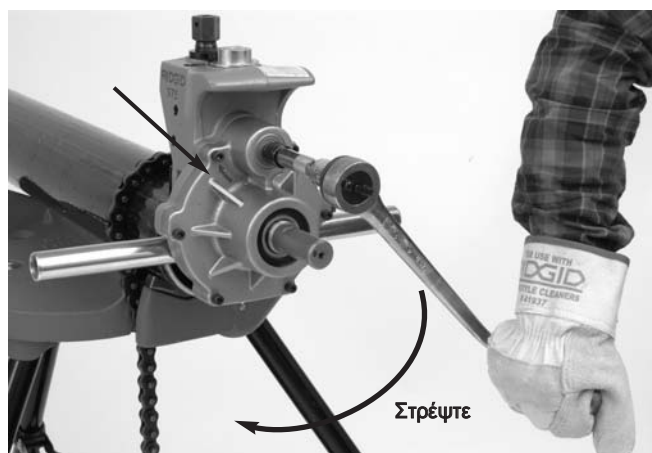
Εικόνα 16 – Μέτρηση της διαμέτρου εγκοπής με ταινία διαμέτρου

6. Συγκρίνετε την μετρημένη διάμετρο εγκοπής με την απαιτούμενη διάμετρο εγκοπής όπως φαίνεται στον Πίνακα I ή III ή όπως καθορίζεται από τον κατασκευαστή προσαρμογής με εγκοπή. Εάν η μετρημένη εγκοπή βρίσκεται εκτός της απαιτούμενης διαμέτρου εγκοπής, πρέπει να αλλάξει η θέση του κοχλία ρύθμισης ώστε να έχετε τη σωστή διάμετρο εγκοπής.
  - Για να αυξήσετε τη διάμετρο εγκοπής, στρέψτε τον κοχλία ρύθμισης δεξιόστροφα.

- Για να μειώσετε τη διάμετρο εγκοπής, στρέψτε τον κοχλία ρύθμισης αριστερόστροφα.
  - Κάθε 1/4 της στροφής του κοχλία ρύθμισης αλλάζει τη διάμετρο της εγκοπής κατά περίπου 0,02".
7. Επαναλάβετε τα βήματα 4-6 έως ότου η διάμετρος εγκοπής να βρίσκεται εντός προδιαγραφών. Εάν η πρώτη εγκοπή είναι πολύ μεγάλη, μπορείτε να ρυθμίσετε τον περιμετρικό εγκοπέα και να μειώσετε την εγκοπή. Εάν η εγκοπή είναι πολύ μικρή, θα πρέπει να εκτελεστεί άλλη εγκοπή. Η κατάλληλη διάμετρος εγκοπής είναι σημαντική για την εξασφάλιση της σωστής σύνδεσης. Οι εγκοπές εκτός προδιαγραφών μπορεί να προκαλέσουν αστοχία της σύνδεσης.

### Σχηματισμός της εγκοπής

1. Επιβεβαιώστε ότι ο εξοπλισμός και ο σωλήνας έχουν προετοιμαστεί κατάλληλα.
2. Λάβετε κατάλληλη θέση χειρισμού. Βεβαιωθείτε ότι το πάτημά σας είναι καλό και έχετε καλή ισορροπία.
3. Βεβαιωθείτε ότι ο κοχλίας τροφοδοσίας έχει σφίχτει κατά 1/4 της στροφής.
4. Αφαιρέστε την κασάνια από τον κοχλία τροφοδοσίας και τοποθετήστε την επέκταση. (Σε εφαρμογές σε περιορισμένο χώρο, δεν χρειάζεται η χρήση της επέκτασης.)
5. Στρέψτε την κασάνια δεξιόστροφα όπως κοιτάτε τον περιμετρικό εγκοπέα από πίσω (αντιστοιχεί στη φορά που υποδεικνύεται από τα βέλη που έχουν τυπωθεί στο πίσω τμήμα του περιμετρικού εγκοπέα, βλ. εικόνα 17). Παρακολουθήστε την περιστροφή του περιμετρικού εγκοπέα και βεβαιωθείτε ότι η πλάκα κάλυψης του περιμετρικού εγκοπέα εφάπτεται με το άκρο του σωλήνα. Εάν ο περιμετρικός εγκοπέας αρχίσει να απομακρύνεται από το άκρο του σωλήνα, διακόψτε την περιστροφή της κασάνιας για να αποφύγετε την σπειροειδή απομάκρυνση του εγκοπέα από το άκρο του σωλήνα και την πτώση του. Μπορείτε να ωθήσετε τους βραχίονες στήριξης του περιμετρικού εγκοπέα προκειμένου να επαναφέρετε την πλάκα κάλυψης σε επαφή με το άκρο του σωλήνα. Εάν χρειαστεί, επανατοποθετήστε τον περιμετρικό εγκοπέα στο σωλήνα. (Ανατρέξτε στην ενότητα "Τοποθέτηση του περιμετρικού εγκοπέα επάνω στο σωλήνα"). Εάν το άκρο του σωλήνα παραμορφωθεί, θα πρέπει να αποκοπεί και να προετοιμαστεί νέα εγκοπή.



Εικόνα 17 – Περιστροφή της κασάνιας στη φορά των βελών

6. Συνεχίστε την περιστροφή της κασάνιας έως ότου ο περιμετρικός εγκοπέας να ολοκληρώσει τουλάχιστον μια πλήρη περιστροφή γύρω από το σωλήνα. Αφαιρέστε την κασάνια από την επέκταση και τοποθετήστε την στον κοχλία τροφοδοσίας. Σφίξτε τον κοχλία τροφοδοσίας άλλο 1/4 της στροφής. Αφαιρέστε την κασάνια από τον κοχλία τροφοδοσίας και τοποθετήστε την στην επέκταση. Μην σφίξτε τον κοχλία τροφοδοσίας περισσότερο από 1/4 της στροφής ανά περιστροφή του σωλήνα. Η έντονη σύσφιξη του κοχλία τροφοδοσίας μπορεί να προκαλέσει υπερβολική διεύρυνση της εγκοπής και την απομάκρυνση του περιμετρικού εγκοπέα από το σωλήνα. Συνεχίστε την περιστροφή της κασάνιας για την κίνηση του περιμετρικού εγκοπέα γύρω από το σωλήνα ενώ παρακολουθείτε τη θέση της πλάκας κάλυψης επάνω στο άκρο του σωλήνα.
  7. Συνεχίστε να σφίγγετε τον κοχλία τροφοδοσίας κατά 1/4 της στροφής ανά περιστροφή του εγκοπέα γύρω από το σωλήνα, έως ότου η κεφαλή του κοχλία ρύθμισης σταματήσει επάνω στην κορυφή του περιμετρικού εγκοπέα. Μην συνεχίσετε τη σύσφιξη του κοχλία τροφοδοσίας μόλις ο κοχλίας ρύθμισης φτάσει την κορυφή του περιμετρικού εγκοπέα, υπάρχει κίνδυνος καταστροφής του κοχλία ρύθμισης. Περιστρέψτε τον περιμετρικό εγκοπέα τουλάχιστον δύο πλήρεις περιστροφές γύρω από το σωλήνα, αφότου ο κοχλίας ρύθμισης φτάσει στην κορυφή του περιμετρικού εγκοπέα, ώστε να εξασφαλίσετε ομοιόμορφο βάθος εγκοπής.
  8. Μετακινήστε την κασάνια στον κοχλία τροφοδοσίας. Πιάστε σταθερά τον περιμετρικό εγκοπέα. Στρέψτε το διακόπτη τροφοδοσίας αριστερόστροφα και ανασύρετε το νύχι ώστε να είναι δυνατή η απομάκρυνση του περιμετρικού εγκοπέα από το σωλήνα. Προσέξτε να μην πέσει ο περιμετρικός εγκοπέας.
  9. Ελέγξτε την εγκοπή.
    - Βεβαιωθείτε ότι η εγκοπή έχει σχηματιστεί πλήρως.
    - Ελέγξτε τη διάμετρο της εγκοπής και βεβαιωθείτε ότι βρίσκεται εντός προδιαγραφών.
    - Ελέγξτε άλλα στοιχεία που απαιτούνται από τον κατασκευαστή των προσαρμογών.
- Εάν εντοπιστούν προβλήματα, δεν είναι δυνατόν να χρησιμοποιήσετε την εγκοπή.

### Οδηγίες συντήρησης

#### ⚠ ΠΡΟΕΙΔΟΠΟΙΗΣΗ

Βεβαιωθείτε ότι ο διακόπτης της διάταξης μετάδοσης ισχύος βρίσκεται στη θέση OFF και η διάταξη δεν είναι συνδεδεμένη στο ρεύμα, προτού εκτελέσετε εργασίες συντήρησης ή πραγματοποιήσετε ρυθμίσεις.

#### Λίπανση

Λιπάνετε το 975 Combo Roll Groover με ένα καλό γράσο γενικής χρήσης, κάθε μήνα.

- Οι γρασαδόροι βρίσκονται στην πλευρά της βάσης στη μεριά του χειριστή, στο μπροστινό τμήμα του τμήματος ολίσθησης, και στο άκρο του άξονα του νυχιού (βλ. εικόνα 2). Προσθέστε γράσο έως ότου εξέλθει μια μικρή ποσότητα.

- Απλώστε μικρή ποσότητα γράσου στον κοχλία τροφοδοσίας.
- Το κιβώτιο γραναζιών του 975 Combo Roll Groover λιπαίνεται μία φορά στο εργοστάσιο και δεν απαιτείται η προσθήκη γράσου εκτός εάν το κιβώτιο γραναζιών ανοιχθεί.

Ανατρέξτε στην στην ενότητα *Επιθεώρηση για περισσότερες πληροφορίες σχετικά με τη συντήρηση.*

## Καθαρισμός

Καθαρίζετε τις οδοντώσεις του άξονα κίνησης με μια συρματοβουρτσα καθημερινά ή συχνότερα, εάν απαιτείται.

## Αλλαγή σει νυχιών

**ΣΗΜΕΙΩΣΗ** Κατά την αλλαγή εξαρτημάτων του σει νυχιών, να βεβαιώνετε πάντα ότι τα σημάδια του άξονα κίνησης και του νυχιού ταιριάζουν. Αταιρίαστα εξαρτήματα μπορεί να δημιουργήσουν ακατάλληλες εγκοπές και να προκληθεί διαρροή.

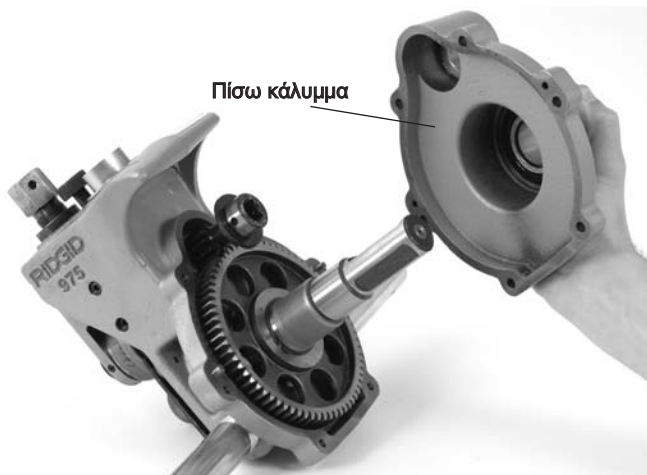
Αφαιρέστε τον περιμετρικό εγκοπέα από τη διάταξη μετάδοσης ισχύος ή το μηχάνημα σπειρωμάτων και τοποθετήστε τον σε έναν σταθερό πάγκο εργασίας.

Απαιτούμενα εργαλεία:

- $\frac{3}{8}$ " εξαγωνικό κλειδί
- $\frac{3}{32}$ " εξαγωνικό κλειδί
- 0,070" πένσα εξωτερικού δακτυλίου συγκράτησης

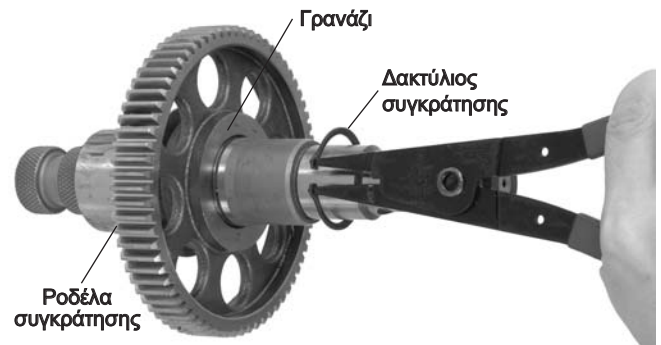
### Αφαίρεση και εγκατάσταση του άξονα κίνησης

1. Αφαιρέστε τις 6 βίδες που συγκρατούν το πίσω κάλυμμα στο περίβλημα.
2. Αφαιρέστε το πίσω κάλυμμα (βλ. εικόνα 18).



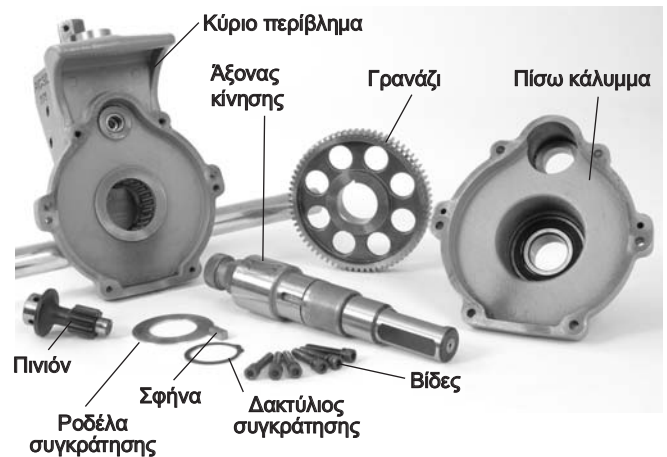
Εικόνα 18 – Αφαίρεση του πίσω καλύμματος

3. Αφαιρέστε το πινιόν.
4. Αφαιρέστε το συγκρότημα του άξονα κίνησης από το πίσω τμήμα του περιμετρικού εγκοπέα 975 Roll Groover.
5. Αφαιρέστε το δακτύλιο συγκράτησης από τον άξονα κίνησης και αφαιρέστε το γρανάτζι. (Βλ. Εικόνα 19).



Εικόνα19 – Αφαίρεση του δακτυλίου συγκράτησης

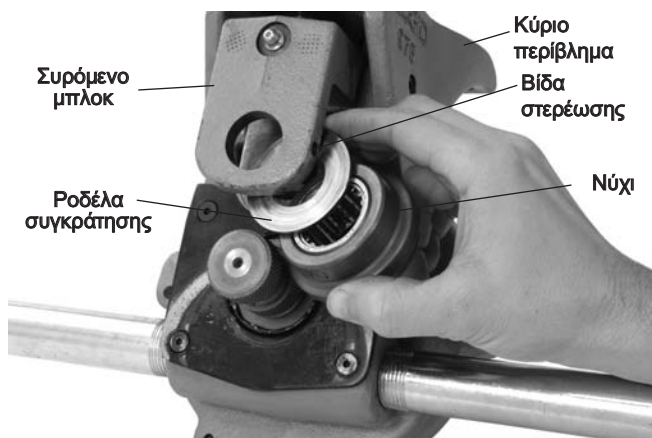
6. Αφαιρέστε τη σφήνα και, έπειτα, τη ροδέλα συγκράτησης.
7. Τοποθετήστε τη ροδέλα συγκράτησης στο νέο άξονα κίνησης.
8. Τοποθετήστε τη σφήνα και εγκαταστήστε το γρανάτζι.
9. Τοποθετήστε το δακτύλιο συγκράτησης στην εγκοπή του άξονα κίνησης.
10. Τοποθετήστε το συγκρότημα του άξονα κίνησης στο κύριο περίβλημα.
11. Ενδεχομένως να έχει χαθεί γράσο από το κιβώτιο γραναζιού κατά την αλλαγή του άξονα κίνησης. Βεβαιωθείτε ότι τα ρουλεμάν και τα δόντια των γραναζιών είναι επαρκώς καλυμμένα με καλό γράσο γενικής χρήσης.
12. Τοποθετήστε το πινιόν και επανατοποθετήστε το πίσω κάλυμμα. Σφίξτε τις βίδες με ροπή σύσφιξης 12-16 ft•lbs.



Εικόνα 20 – Διάγραμμα εξαρτημάτων του 975 Combo Roll Groover

### Αφαίρεση και εγκατάσταση του νυχιού

1. Αφαιρέστε τη βίδα που συγκρατεί τον άξονα του νυχιού στη θέση του.
2. Τραβήξτε τον άξονα του νυχιού εκτός του συρόμενου μπλοκ και αφαιρέστε το νύχι και τη ροδέλα συγκράτησης.
3. Τοποθετήστε τη ροδέλα συγκράτησης και το νέο νύχι στο συρόμενο μπλοκ. Βεβαιωθείτε ότι ο εσωτερικός δακτύλιος συγκράτησης στο νύχι βρίσκεται πλησιέστερα στο κύριο περίβλημα, και ότι το νύχι βρίσκεται μεταξύ της ροδέλας συγκράτησης και του κύριου περιβλήματος.


**Σχήμα 21**

4. Αντικαταστήστε τον άξονα του νυχιού και τη βίδα στερέωσης.
5. Ελέγξτε οπτικά την ευθυγράμμιση μεταξύ του νυχιού και του άξονα κίνησης. Εάν δεν είναι ευθυγραμμισμένα, ελέγξτε τον προσανατολισμό του νυχιού και της ροδέλας συγκράτησης.
6. Λιπάνετε σύμφωνα με τις οδηγίες της ενότητας λίπανσης του εγχειριδίου.

## Εξαρτήματα

### ⚠ ΠΡΟΕΙΔΟΠΟΙΗΣΗ

Τα επόμενα προϊόντα RIDGID έχουν σχεδιαστεί για λειτουργία με τον περιμετρικό εγκοπέα 975 Combo Roll Groover. Άλλα εξαρτήματα κατάλληλα για χρήση με άλλα εργαλεία ενδεχομένως να καταστούν επικίνδυνα όταν χρησιμοποιούνται με τον περιμετρικό εγκοπέα 975 Combo Roll Groover. Προκειμένου να μειωθεί ο κίνδυνος σοβαρού τραυματισμού, χρησιμοποιήστε μόνο τα εξαρτήματα που είναι ειδικά σχεδιασμένα και συνιστώνται για χρήση με τον περιμετρικό εγκοπέα 975 Combo Roll Groover, όπως αυτά που επισημαίνονται στον πίνακα.

Αριθμός κατ.	Περιγραφή
60082	300 Διάταξη μετάδοσης ισχύος, 230V 25-60Hz
60077	300 Διάταξη μετάδοσης ισχύος, 115V 25-60Hz
42360	1206 Βάση για τη Διάταξη μετάδοσης ισχύος 300
50697	300 Compact, 230V 25-60Hz
50692	300 Compact, 115V 25-60Hz
20391	300 Compact, 230V 25-60Hz (DK)
67662	Άγκιστρο προσαρμογής για το 300 Compact/1233
58077	250 Αναδιπλούμενη βάση για το 300 Compact/1233
72037	460 Φορητή μέγγενη αλυσίδας με τρίποδο
56662	VJ-99 Υψηλό στήριγμα σωλήνα με κεφαλή V
76822	Ταινία διαμέτρου σε ίντσες
76827	Ταινία διαμέτρου μετρικού συστήματος
30708	Επέκταση, 1/2" κίνηση, με ασφάλιση
30703	Κασάνια, 1/2" κίνηση με γωνία 90°
33043	Νύχια εγκοπής και κίνησης για χαλκοσωλήνες 2" - 8" τύπου K, L, M και DWV

## Αποθήκευση του μηχανήματος

**⚠ ΠΡΟΕΙΔΟΠΟΙΗΣΗ** Αποθηκεύστε το εργαλείο σε μια κλειδωμένη περιοχή μακριά από παιδιά και άτομα μη εξοικειωμένα με τον εξοπλισμό του περιμετρικού εγκοπέα. Αυτό το εργαλείο μπορεί να προκαλέσει σοβαρό τραυματισμό στα χέρια μη εκπαιδευμένων χρηστών.

## Σέρβις και επιδιόρθωση

### ⚠ ΠΡΟΕΙΔΟΠΟΙΗΣΗ

Η ακατάλληλη συντήρηση ή επιδιόρθωση μπορεί να καταστήσει το μηχάνημα μη ασφαλές για λειτουργία.

Οι "Οδηγίες συντήρησης" καλύπτουν τις περισσότερες ανάγκες σέρβις αυτού του μηχανήματος. Τυχόν προβλήματα που δεν αντιμετωπίζονται σε αυτήν την ενότητα θα πρέπει να ανατίθενται σε εξουσιοδοτημένο τεχνικό σέρβις της RIDGID.

Το εργαλείο θα πρέπει να μεταφέρεται στο Ανεξάρτητο Εξουσιοδοτημένο Κέντρο Σέρβις της RIDGID ή να επιστρέφεται στο εργοστάσιο.

Κατά τη συντήρηση αυτού του μηχανήματος, θα πρέπει να χρησιμοποιούνται μόνο τα ενδεδειγμένα από τον κατασκευαστή ανταλλακτικά. Η χρήση άλλων ανταλλακτικών ενδέχεται να προκαλέσουν κίνδυνο σοβαρού τραυματισμού.

Εάν έχετε οποιαδήποτε ερώτηση σχετικά με το σέρβις ή την επιδιόρθωση αυτού του μηχανήματος, καλέστε ή γράψτε στο:

Ridge Tool Company  
 Technical Service Department  
 400 Clark Street  
 Elyria, Ohio 44035-6001  
 Τηλ: (800) 519-3456  
 E-mail: TechServices@ridgid.com

Για να μάθετε ποιο Ανεξάρτητο Κέντρο Σέρβις της RIDGID βρίσκεται κοντά σας ή για οποιοσδήποτε απορίες σχετικά με το σέρβις και την επισκευή

Επικοινωνήστε με τον τοπικό διανομέα της Ridge Tool

Επισκεφθείτε τους δικτυακούς τόπους [www.RIDGID.com](http://www.RIDGID.com) ή [www.RIDGID.eu](http://www.RIDGID.eu) για να μάθετε ποιο σημείο επικοινωνίας της Ridge Tool βρίσκεται κοντά σας

Επικοινωνήστε με το Τμήμα Τεχνικού Σέρβις της Ridge Tool στην ηλεκτρονική διεύθυνση [techservices@emerson.com](mailto:techservices@emerson.com) ή από ΗΠΑ και Καναδά καλέστε (800) 519-3456



## Πίνακας Ι. Πρότυπες προδιαγραφές εγκοπής για σωλήνες διαστάσεων IPS

ΣΗΜΕΙΩΣΗ!

Όλες οι διαστάσεις δίνονται σε ίντσες.

ΟΝΟΜ. ΜΕΓΕΘΟΣ ΣΩΛΗΝΑ	ΔΙΑΜΕΤΡΟΣ ΣΩΛΗΝΑ		Τ ΕΛΑΧ. ΠΑΧΟΣ ΤΟΙΧ.	Α ΕΔΡΑ ΠΑΡΕΜΒ. +.015/- .030	Β ΠΑΧΟΣ ΕΓΚΟΠΗΣ +.030/- .015	C ΔΙΑΜΕΤΡΟΣ ΕΓΚΟΠΗΣ		D ΟΝΟΜ. ΒΑΘΟΣ ΕΓΚΟΠΗΣ (Αναφ.) (2)
	O.D.	ΑΝΟΧΗ				O.D.	ΑΝΟΧΗ	
1 <sup>1</sup> / <sub>4</sub>	1.660	+ .016 - .016	.065	.625	.344	1.535	+ .000 - .015	.063
1 <sup>1</sup> / <sub>2</sub>	1.900	+ .016 - .016	.065	.625	.344	1.775	+ .000 - .015	.063
2 <sup>(1)</sup>	2.375	+ .024 - .016	.065	.625	.344	2.250	+ .000 - .015	.063
2 <sup>1</sup> / <sub>2</sub> <sup>(1)</sup>	2.875	+ .029 - .016	.083	.625	.344	2.720	+ .000 - .015	.078
3 <sup>(1)</sup>	3.50	+ .030 - .018	.083	.625	.344	3.344	+ .000 - .015	.078
3 <sup>1</sup> / <sub>2</sub> <sup>(1)</sup>	4.00	+ .030 - .018	.083	.625	.344	3.834	+ .000 - .015	.083
4 <sup>(1)</sup>	4.50	+ .035 - .020	.083	.625	.344	4.334	+ .000 - .015	.083
5 <sup>(1)</sup>	5.563	+ .056 - .022	.109	.625	.344	5.395	+ .000 - .015	.084
6 <sup>(1)</sup>	6.625	+ .050 - .024	.109	.625	.344	6.455	+ .000 - .015	.085

(1) Κατά AWWA C606-06

(2) Το ονομαστικό βάθος εγκοπής παρέχεται ως διάσταση αναφοράς μόνο. Μην χρησιμοποιείτε το βάθος εγκοπής για να καθορίσετε την εγκυρότητα της εγκοπής.

## Πίνακας ΙΙ. Ελάχιστο και μέγιστο πάχος τοιχώματος σωλήνα

ΣΗΜΕΙΩΣΗ!

Όλες οι διαστάσεις δίνονται σε ίντσες.

Μέγεθος σωλήνα	ΣΩΛΗΝΑΣ ΧΑΛΥΒΑ Ή ΑΛΟΥΜΙΝΙΟΥ		ΣΩΛΗΝΑΣ ΑΝΟΞΕΙΔΩΤΟΥ ΧΑΛΥΒΑ		ΣΩΛΗΝΑΣ PVC	
	Πάχος τοιχώματος		Πάχος τοιχώματος		Πάχος τοιχώματος	
	Ελάχ.	Μέγ.	Ελάχ.	Μέγ.	Ελάχ.	Μέγ.
1 <sup>1</sup> / <sub>4</sub> "	.065	.140	.065	.140	.140	.140
1 <sup>1</sup> / <sub>2</sub> "	.065	.145	.065	.145	.145	.200
2"	.065	.154	.065	.154	.154	.154
2 <sup>1</sup> / <sub>2</sub> "	.083	.203	.083	.188	.203	.276
3"	.083	.216	.083	.188	.216	.300
3 <sup>1</sup> / <sub>2</sub> "	.083	.226	.083	.188	.226	.300
4"	.083	.237	.083	.188	.237	.300
5"	.109	.258	.109	.188	.258	.300
6"	.109	.280	.109	.188	.280	.300

### Πίνακας III. Προδιαγραφές εγκοπής χαλκού

1	2		3	4	5	6	7	8
Όνομ. Μέγεθος Ίτσες	Εξωτερική διάμετρος σωλήνα O.D.		A Έδρα Παρεμβ. A ±0.03	B Πλάτος Εγκοπής +.03 -.000	C Διάμ. Εγκοπής +.00 -.02	D Βάθος Εγκοπής Αναφ. <sup>1</sup>	T Ελάχ. Επιτρ. Πάχος Τοιχ. Τοιχ.	Μέγ. Επιτρ. Διάμ. Διεύρ.
	Βασική	Ανοχή						
2"	2.125	±0.002	0.610	0.300	2.029	0.048	DWV	2.220
2 1/2"	2.625	±0.002	0.610	0.300	2.525	0.050	0.065	2.720
3"	3.125	±0.002	0.610	0.300	3.025	0.050	DWV	3.220
4"	4.125	±0.002	0.610	0.300	4.019	0.053	DWV	4.220
5"	5.125	±0.002	0.610	0.300	5.019	0.053	DWV	5.220
6"	6.125	±0.002	0.610	0.300	5.999	0.063	DWV	6.220
8"	8.125	+0.002/-0.004	0.610	0.300	7.959	0.083	DWV	8.220

1. Το ονομαστικό βάθος εγκοπής παρέχεται ως διάσταση αναφοράς μόνο. Μην χρησιμοποιείτε το βάθος εγκοπής για να καθορίσετε την εγκυρότητα της εγκοπής.

### Αντιμετώπιση προβλημάτων

ΣΥΜΠΤΩΜΑ	ΠΙΘΑΝΕΣ ΑΙΤΙΕΣ	ΛΥΣΗ
Η εγκοπή είναι πολύ στενή ή πολύ πλατιά.	Φθαρμένο νύχι ή/και άξονας κίνησης.	Αντικαταστήστε το νύχι ή/και τον άξονα κίνησης.
Η εγκοπή δεν είναι κάθετη στον άξονα του σωλήνα.	Ο σωλήνας δεν είναι ευθύς σε όλο το μήκος. Το άκρο του σωλήνα δεν είναι κάθετο με τον άξονα του σωλήνα.	Χρησιμοποιήστε ευθύ σωλήνα. Κόψτε κάθετα το άκρο του σωλήνα.
Ο σωλήνας δεν παρουσιάζει πρόσφυση κατά τη δημιουργία της εγκοπής/ο περιμετρικός εγκοπής δεν έχει πρόσφυση επάνω στο σωλήνα κατά τη δημιουργία της εγκοπής.	Ο σωλήνας και ο άξονας κίνησης δεν είναι παράλληλοι. Ο άξονας του σωλήνα δεν έχει μετατοπιστεί κατά 1/2 της μοίρας από την αξονική γραμμή του άξονα κίνησης. Οι οδοντώσεις του άξονα κίνησης είναι αποφραγμένες ή φθαρμένες. Ο κοχλίας τροφοδοσίας δεν είναι σφιγμένος. Περιστροφή της καστανίας σε λάθος φορά. Υπερβολική ποσότητα αλάτων στο εσωτερικό του σωλήνα. Υπερβολική ποσότητα συγκόλλησης ραφής. Δεν εφαρμόζεται πίεση στο σωλήνα. Το άκρο του σωλήνα δεν είναι κάθετο/λειασμένο Ο κοχλίας τροφοδοσίας είναι υπερβολικά σφιγμένος.	Ρυθμίστε το στήριγμα ώστε ο σωλήνας να είναι παράλληλος. Μετατοπίστε το σωλήνα κατά 1/2 της μοίρας. Καθαρίστε ή αντικαταστήστε τον άξονα κίνησης. Σφίξτε τον κοχλία τροφοδοσίας με κασάνια για κάθε περιστροφή, σύμφωνα με τις οδηγίες. Στρέψτε την κασάνια στη σωστή φορά. Καθαρίστε το εσωτερικό του σωλήνα. Λειάνετε τη ραφή συγκόλλησης κατά 2" από το άκρο του σωλήνα. Εφαρμόστε πίεση στο σωλήνα. (Βλ. Εικόνα 10). Προετοιμάστε κατάλληλα το άκρο του σωλήνα. Να στρέψετε τον κοχλία τροφοδοσίας μόνο κατά 1/4 της στροφής κάθε φορά.
Διεύρυνση του σωλήνα στο άκρο της εγκοπής.	Ο σωλήνας και ο άξονας κίνησης δεν είναι παράλληλοι. Ο κοχλίας τροφοδοσίας είναι υπερβολικά σφιγμένος.	Ρυθμίστε το στήριγμα ώστε ο σωλήνας να είναι παράλληλος. Σφίγγετε το σωλήνα τροφοδοσίας μόνο κατά 1/4 της στροφής.

## Αντιμετώπιση προβλημάτων (συνέχεια)

ΣΥΜΠΤΩΜΑ	ΠΙΘΑΝΕΣ ΑΙΤΙΕΣ	ΛΥΣΗ
Ο σωλήνας ταλαντεύεται μπρος-πίσω επάνω στον άξονα κίνησης κατά τη διάρκεια δημιουργίας της εγκοπής.	Ο σωλήνας δεν είναι ευθύς σε όλο το μήκος. Το άκρο του σωλήνα δεν είναι κάθετο με τον άξονα του σωλήνα.	Χρησιμοποιήστε ευθύ σωλήνα. Κόψτε κάθετα το άκρο του σωλήνα.
Ο σωλήνας ταλαντεύεται πλευρικά επάνω στον άξονα κίνησης κατά τη διάρκεια δημιουργίας της εγκοπής.	Το στήριγμα του σωλήνα είναι πολύ κοντά στο άκρο του σωλήνα. Το άκρο του σωλήνα έχει διαπλατυνθεί ή καταστραφεί. Σκληρά σημεία στο υλικό του σωλήνα ή ραφές συγκόλλησης σκληρότερες από το σωλήνα. Εξαιρετικά χαμηλός ρυθμός τροφοδοσίας του νυχιού. Η ταχύτητα της διάταξης μετάδοσης ισχύος υπερβαίνει τις 57 σ.α.λ. Τα στηρίγματα του σωλήνα δεν βρίσκονται στη σωστή θέση.	Μετακινήστε το στήριγμα του σωλήνα, σύμφωνα με τις οδηγίες προετοιμασίας. Κόψτε το κατεστραμμένο άκρο του σωλήνα. Χρησιμοποιήστε διαφορετικό σωλήνα. Τροφοδοτήστε το νύχι επάνω στο σωλήνα ταχύτερα. Μειώστε την ταχύτητα στις 57 ΣΑΛ ή λιγότερο. Τοποθετήστε σωστά τα στηρίγματα του σωλήνα.
Ο εγκοπέας δεν δημιουργεί εγκοπή στο σωλήνα.	Υπερβαση του μέγιστου πάχους σωλήνα. Το υλικό του σωλήνα είναι υπερβολικά σκληρό. Δεν έχει ρυθμιστεί ο κοχλίας ρύθμισης. Η διάταξη μετάδοσης ισχύος δεν παρέχει την απαιτούμενη ελάχιστη ροπή.	Ελέγξτε τον πίνακα χωρητικότητας σωλήνα. Αντικαταστήστε το σωλήνα. Ρυθμίστε το βάθος. Χρησιμοποιήστε τα RIDGID No. 300, Διάταξη μετάδοση ισχύος ή 300 Compact ή 1233.
Ο εγκοπέας δεν δημιουργεί εγκοπή της απαραίτητης διαμέτρου.	Υπερβαση της ανοχής διαμέτρου σωλήνα. Ο κοχλίας ρύθμισης βάθους δεν έχει ρυθμιστεί σωστά. Ο σωλήνας είναι υπερβολικά σκληρός.	Χρησιμοποιήστε σωλήνα σωστής διαμέτρου. Προσαρμόστε τη ρύθμιση βάθους. Χρησιμοποιήστε διαφορετικό σωλήνα.
Ο σωλήνας ολισθαίνει επάνω στον άξονα κίνησης.	Εξαιρετικά χαμηλός ρυθμός τροφοδοσίας του νυχιού. Οι οδοντώσεις του άξονα κίνησης είναι αποφραγμένες με μέταλλο ή φθαρμένες.	Τροφοδοτήστε το νύχι επάνω στο σωλήνα ταχύτερα. Καθαρίστε ή αντικαταστήστε τον άξονα κίνησης.
Ο εγκοπέας δεν περιστρέφει το σωλήνα κατά τη διάρκεια δημιουργίας της εγκοπής.	Η διάταξη μετάδοσης ισχύος δεν παρέχει την απαιτούμενη ελάχιστη ροπή. Ο σφιγκτήρας δεν έχει κλείσει επάνω στα επίπεδα τμήματα του άξονα κίνησης.	Χρησιμοποιήστε τα RIDGID No. 300, Διάταξη μετάδοση ισχύος ή 300 Compact ή 1233. Κλείστε το σφιγκτήρα.
Ο σωλήνας ανυψώνεται ή τείνει να ανατρέψει τον εγκοπέα προς τα πίσω.	Το στήριγμα του σωλήνα δεν έχει τοποθετηθεί σωστά.	Τοποθετήστε σωστά τα στηρίγματα.

975

# Rowkarka rolkowa Combo




**RIDGID**<sup>®</sup>


## Spis treści


<b>Znaki ostrzegawcze</b> .....	380
<b>Ogólne zasady bezpieczeństwa</b>	
Bezpieczeństwo w miejscu pracy .....	80.....3
Bezpieczeństwo związane z elektrycznością.....	380
Bezpieczeństwo osobiste .....	381
Użytkowanie i konserwacja narzędzia .....	381
Serwis .....	381
<b>Specjalne informacje dotyczące bezpieczeństwa</b>	
Bezpieczeństwo związane z rowką rolkową.....	382
Bezpieczeństwo związane z rowką rolkową używaną z Power Drive/napędem/gwinciarką .....	382
Bezpieczeństwo związane z rowką rolkową używaną w pomieszczeniu .....	382
<b>Dane techniczne i standardowe wyposażenie</b>	
Opis .....	382
Dane techniczne .....	383
Standardowe wyposażenie .....	383
<b>Przegląd rowkarki rolkowej</b> .....	383
Ustawianie urządzenia i przygotowanie obszaru roboczego przy zastosowaniach z napędem mechanicznym	
Montaż Rowkarki rolkowej 975 Combo na gwinciarence RIDGID 300 Power Drive .....	385
Montaż Rowkarki rolkowej 975 Combo na gwinciarence RIDGID 300 Compact/12337.....	385
Kończenie ustawiania .....	386
Przygotowanie rury .....	387
Ustawianie rury w rowkarce rolkowej .....	388
<b>Obsługa rowkarki rolkowej 975 Combo z Power Drive/gwinciarką</b>	
Ustawianie/mierzenie średnicy rowka .....	388
Formowanie rowka.....	389
Ustawianie średnicy rowka dla rur miedzianych .....	390
Wskazówki dotyczące ustawienia toru rowkarki rolkowej 975 Combo .....	390
<b>Ustawianie urządzenia i przygotowanie obszaru roboczego przy zastosowaniach na miejscu</b>	
Przygotowanie rury .....	392
Montaż rowkarki rolkowej na rurze .....	392
<b>Obsługa rowkarki rolkowej 975 Combo na miejscu</b>	
Ustawianie/mierzenie średnicy rowka .....	393
Formowanie rowka.....	94.....3
<b>Instrukcje konserwacji</b>	
Smarowanie .....	394
Czyszczenie .....	395
Wymiana zestawów rolek .....	395
<b>Akcesoria</b> .....	396
Przechowywanie urządzenia .....	<b>396</b>
<b>Serwis i naprawa</b> .....	396
<b>Tabela I. Standardowe dane techniczne rowka</b> .....	397
<b>Tabela II. Minimalna i maksymalna grubość ścianki rury</b> .....	397
<b>Tabela III. Dane techniczne rowka w miedzi</b> .....	398
<b>Rozwiązywanie problemów</b> .....	398-399


## Symbole ostrzegawcze

W tym podręczniku obsługi oraz na produkcie są użyte znaki i słowa ostrzegawcze, które służą do podkreślania ważnych informacji dotyczących bezpieczeństwa. Ten rozdział ma na celu zwiększenie zrozumienia tych słów sygnałowych i symboli.


 To jest symbol alertu bezpieczeństwa. Jest stosowany do ostrzegania przed potencjalnym ryzykiem obrażeń ciała. Przestrzeganie wszystkich zasad bezpieczeństwa, które występują po tym symbolu, zapewnia uniknięcie obrażeń lub śmierci.


 **NIEBEZPIECZENSTWO** NIEBEZPIECZENSTWO oznacza ryzyko wystąpienia sytuacji, która, jeśli się jej nie zapobiegnie, grozi śmiercią lub poważnymi obrażeniami.

 **OSTRZEŻENIE** OSTRZEŻENIE oznacza ryzyko wystąpienia sytuacji, która, jeśli się jej nie zapobiegnie, może spowodować śmierć lub poważne obrażenia.


 **UWAGA** UWAGA oznacza ryzyko wystąpienia sytuacji, która, jeśli się jej nie zapobiegnie, może spowodować małe lub średnie obrażenia.


**NOTATKA** NOTATKA oznacza informację dotyczącą ochrony własności.


 Ten symbol oznacza, że należy dokładnie przeczytać podręcznik użytkownika, zanim zaczniesz się korzystać z urządzenia. Podręcznik obsługi zawiera ważne informacje dotyczące bezpieczeństwa i prawidłowej obsługi sprzętu.


 Ten symbol oznacza, że należy założyć okulary ochronne z bocznymi osłonami lub gogle, jeśli obsługuje się to urządzenie, aby zmniejszyć ryzyko obrażeń oczu.


 Ten symbol wskazuje na ryzyko zmiżdżenia palców i dłoni w rolkach rowkujących.

 Ten symbol wskazuje na ryzyko pochwylenia i/lub owinięcia dłoni, palców, nóg, ubrania i innych przedmiotów przez wirujące wałki co powoduje zmiżdżenia lub obrażenia udarowe.

 Ten symbol oznacza, że wiertarka, narzędzie udarowe lub inne urządzenie elektryczne nie powinno być używane do napędu tego urządzenia podczas pracy w miejscu.

 Ten symbol wskazuje na ryzyko przewrócenia urządzenia, w wyniku którego powstają obrażenia udarowe lub zmiżdżenia.

 Ten symbol oznacza, że zawsze należy używać wyłącznika nożnego podczas używania gwinciarzki/napędu mechanicznego.

 Ten symbol oznacza, że należy zakładać kask pracując na wysokości, aby zmniejszyć ryzyko obrażeń głowy.

## Ogólne zasady bezpieczeństwa

### OSTRZEŻENIE

Prosimy przeczytać i zrozumieć wszystkie instrukcje. Nie stosowanie się do poniższych instrukcji może spowodować porażenie prądem, pożar i/lub poważne obrażenia ciała.

#### **ZACHOWAĆ TE INSTRUKCJE!**

Termin „narzędzie elektryczne” występujący w ostrzeżeniach, odnosi się do urządzeń elektrycznych zasilanych z sieci (przewodowych) lub zasilanych z baterii (bezprowadowych).

### Bezpieczeństwo w miejscu pracy

- **Należy utrzymywać miejsce pracy czyste i dobrze oświetlone.** Nieuporządkowane i ciemne miejsce pracy zwiększa ryzyko wypadku.
- **Nie używać narzędzi elektrycznych w środowisku wybuchowym, czyli w pobliżu łatwopalnych cieczy, gazów lub pyłów.** Narzędzia elektryczne tworzą iskry, które mogą spowodować zapłon pyłu lub oparów.
- **Trzymać dzieci i inne osoby postronne z dala od urządzenia w trakcie pracy.** Odwrócenie uwagi może doprowadzić do utraty kontroli.

- **Zachować podłogi w suchym stanie, wolne od śliskich materiałów takich jak olej.** Śliskie podłogi zwiększają ryzyko wypadków.
- **Zabezpieczyć lub odgradzić obszar jeśli obrabiany element wystaje poza urządzenie.** Osłona lub bariera, która zapewnia minimum trzy (3) stopy (91,5 cm) wolnej przestrzeni wokół elementu obrabianego zmniejszy ryzyko zaplądania.

### Bezpieczeństwo związane z elektrycznością

- **Wtyczka narzędzia elektrycznego musi pasować do gniazdka zasilania. Nie wolno modyfikować wtyczki w żaden sposób. Nie stosować żadnych adapterów przy podłączaniu do gniazdka uziemionych narzędzi elektrycznych.** Nie zmodyfikowane wtyczki i właściwe gniazda zasilania, obniżają ryzyko porażenia prądem elektrycznym.
- **Należy unikać kontaktu ciała z powierzchniami uziemionymi, takimi jak rury, grzejniki, piekarniki i lodówki.** Ryzyko porażenia prądem wzrasta, gdy ciało ma styczność z uziemieniem.
- **Nie wystawiać narzędzi elektrycznych na działanie deszczu lub wilgoci.** Woda przedostająca się do wnętrza narzędzia elektrycznego, zwiększa ryzyko porażenia prądem elektrycznym.

- **Obchodzić się właściwie z przewodem.** Nigdy nie używać przewodu do przenoszenia, ciągnięcia lub wyjmowania z gniazdka wtyczki narzędzia elektrycznego. Nie należy wystawiać przewodu na działanie gorąca, oleju, ostrych krawędzi lub poruszających się części. Uszkodzone lub splątane przewody zwiększają ryzyko porażenia prądem elektrycznym.
- **Podczas pracy narzędziem elektrycznym na zewnątrz, należy stosować przedłużacz odpowiedni do użytku na otwartym powietrzu.** Stosowanie przedłużacza odpowiedniego do użytku na otwartym powietrzu zmniejsza ryzyko porażenia prądem.
- **Jeżeli nie można uniknąć pracy w wilgotnym środowisku, należy zastosować wyłącznik różnicowo-prądowy (GFCI) chroniący zasilanie.** Stosowanie GFCI powoduje zmniejszenie ryzyka porażenia prądem elektrycznym.

### Bezpieczeństwo osobiste

- **Podczas pracy narzędziem elektrycznym należy kierować się zdrowym rozsądkiem i zachować ostrożność.** Nie należy używać narzędzia elektrycznego w stanie zmęczenia lub pod wpływem narkotyków, alkoholu lub leków. Chwila nieuwagi, podczas pracy narzędziem elektrycznym, może doprowadzić do poważnych obrażeń.
- **Stosować środki ochrony osobistej. Zawsze należy stosować ochronę oczu.** Odpowiednie środki ochrony osobistej, takie jak maska kurzowa, bezpieczne obuwie przeciwpoślizgowe, kask lub zabezpieczenie uszu, stosowane w odpowiednich warunkach zmniejszają ryzyko obrażeń.
- **Chronić przed przypadkowym uruchomieniem.** Upewnić się że wyłącznik jest w położeniu wyłączony, przed podłączeniem do zasilania i/ lub baterii, podnoszeniem lub przenoszeniem urządzenia. Przenoszenie urządzenia z palcem na włączniku lub podłączanie do zasilania urządzenia z włącznikiem w położeniu włączony, może doprowadzić do wypadku.
- **Przed uruchomieniem narzędzia elektrycznego, należy zdjąć z niego wszystkie klucze lub narzędzia służące do jego regulacji.** Narzędzie lub klucz przytwierdzone do obracającej się części narzędzia elektrycznego, może spowodować obrażenia.
- **Nie sięgać za daleko.** Przez cały czas utrzymywać odpowiednie oparcie dla stóp i równowagę. Zapewni to lepszą kontrolę nad narzędziem elektrycznym w niespodziewanych sytuacjach.
- **Nosić odpowiednią odzież.** Nie nosić luźnych ubrań lub biżuterii. Włosy, ubrania i rękawice trzymać z dala od elementów ruchomych. Luźne ubrania, biżuteria lub długie włosy mogą zostać uchwycone przez ruchome elementy.
- **Jeżeli urządzenie jest wyposażone w złącze do odciągu pyłu i urządzenie do zbierania, upewnić się że są właściwie podłączone i używane.** Zbieranie pyłu może zmniejszyć ryzyko z nim związane.

### Użytkowanie i konserwacja narzędzia

- **Nie przeciążać narzędzia. Użyć właściwego narzędzia dla danego zastosowania.** Właściwe narzędzie wykona pracę, do której jest przeznaczone, sprawniej i bezpieczniej.
- **Nie używać narzędzia jeśli przełącznik nie WŁACZA go i nie WYŁACZA.** Każde narzędzie nie dające się kontrolować za pomocą przełącznika jest niebezpieczne i musi zostać naprawione.
- **Prze wykonaniem jakichkolwiek regulacji, wymiany akcesoriów lub składowania narzędzia, należy odłączyć go od źródła zasilania i/ lub baterii.** Takie środki ostrożności chronią przed przypadkowym uruchomieniem narzędzia.
- **Wyłączone narzędzia należy przechowywać z dala od dzieci i nie pozwalać na użytkowanie narzędzi, przez osoby nie zaznajomione z nimi lub z tymi instrukcjami.** Narzędzia się niebezpieczne w rękach niewykształconych użytkowników.
- **Konserwować narzędzia.** Sprawdzić części ruchome pod kątem nieosiowości lub ocierania czy pęknięcia części i wszystkie inne elementy, mające wpływ na pracę narzędzia. W przypadku wykrycia uszkodzenia narzędzia, należy je naprawić przed użyciem. Wiele wypadków powodowanych jest przez niewłaściwie konserwowane narzędzia.
- **Używać tylko akcesoriów zalecanych dla Twojego narzędzia.** Właściwie konserwowane narzędzia do cięcia z ostrą krawędzią tnącą są łatwiejsze do kontrolowania i nie zacinają się tak często.
- **Uchwyty utrzymywać w stanie suchym, czystym i wolne od oleju i smarów.** Umożliwi to lepszą kontrolę narzędzia.

### Serwis

- **Narzędzie może być serwisowane tylko przez wykwalifikowaną osobę przy użyciu identycznych części zapasowych.** Dzięki temu zapewnione będzie bezpieczeństwo narzędzia.

### Informacje dotyczące bezpieczeństwa

#### OSTRZEŻENIE

Ten rozdział zawiera ważne informacje dotyczące bezpieczeństwa użytkowania tego narzędzia.

Przed rozpoczęciem użytkowania Rowkarki rolkowej 975 Combo, należy dokładnie przeczytać te środki ostrożności, aby zmniejszyć ryzyko poważnych obrażeń ciała.

#### PROSIMY O ZACHOWANIE NINIEJSZEJ INSTRUKCJI!

Jeśli mają Państwo jakieś pytania, prosimy dzwonić do Ridge Tool Company, Dział Pomocy Technicznej, tel. (800) 519-3456 lub napisać na adres [techservice@ridgid.com](mailto:techservice@ridgid.com).

## Bezpieczeństwo związane z rowkarką rolkową

- **Nie zakładać luźnych ubrań. Zapinać rękawy i koszule. Nie pochylać się nad urządzeniem lub rurą.** Ubranie może zostać pochwycone przez rurę lub inne wirujące części, powodując wplątanie i poważne obrażenia ciała.
- **Trzymać dłonie z dala od rolek formujących rowek. Nie wykonywać rowków na rurze krótszej niż określona. Nie zakładać luźno dopasowanych rękawic.** Może to spowodować zmiżdżenie palców pomiędzy rolkami lub pomiędzy rolką i rurą.
- **Trzymać ręce z daleka od końców rury. Nie sięgać do wnętrza rury.** Zadziory i ostre krawędzie mogą spowodować przecięcia. Może to spowodować zmiżdżenie palców pomiędzy rolkami lub pomiędzy rolką i rurą.
- **Prawidłowo przygotować i przenosić rurę.** Zadziory i ostre krawędzie mogą spowodować przecięcia.
- **Odpowiednio podeprzeć rurę.** Pomoże to zapobiec przewróceniu rury wraz z urządzeniem.
- **Przeczytać i zrozumieć instrukcję obsługi, odpowiednią instrukcję obsługi napędu mechanicznego lub gwinciarce, instrukcje producenta dotyczące montażu i instalacji oraz instrukcje każdego innego urządzenia używanego z tym narzędziem przed rozpoczęciem pracy z Rowkarką rolkową RIDGID® 975 Combo.** Nieprzestrzeganie ich może być przyczyną poważnych uszkodzeń własności i/lub poważnych obrażeń ciała.
- **Zawsze, podczas pracy z rowkarką rolkową RIDGID 975 Combo należy stosować odpowiednie środki ochrony osobistej.** Właściwe środki ochrony osobistej zawsze obejmują ochronę oczu i mogą zawierać urządzenia takie jak dopasowane rękawice skórzane, obuwie ze stalowymi noskami i kask.
- **Używać rowkarki rolkowej wyłącznie do formowania rowków w rurach o zalecanej wielkości i rodzaju zgodnie z instrukcjami.** Inne zastosowania lub modyfikacje rowkarki rolkowej przystosowujące do innych zastosowań mogą zwiększyć ryzyko obrażeń ciała.

## Bezpieczeństwo związane z rowkarką rolkową używaną z Power Drive/napędem/gwinciarce

- **Z tą Rowkarką rolkową 975 Combo, należy używać tylko gwinciarce RIDGID 300 Power Drive lub 300 Compact.** Używanie innych źródeł napędu spowoduje nieprawidłowe ustawienie i może spowodować przewrócenie i inne problemy.
- **Nie używać tej rowkarki rolkowej z napędem mechanicznym lub gwinciarce, które nie posiadają wyłącznika nożnego. Nigdy nie blokować wyłącznika nożnego, w taki sposób, aby nie kontrolował napędu mechanicznego.** Wyłącznik nożny zapewnia lepszą kontrolę pozwalając odciąć zasilanie silnika elektrycznego przez zdjęcie stopy. Jeśli ubranie zostanie pochwycone w urządzeniu, a silnik pozostanie pod napięciem, ubranie zostanie wcią-

gnięte do urządzenia. To urządzenie ma wysoki moment obrotowy i może spowodować zawinięcie ubrania wokół ramienia lub innej części ciała z siłą wystarczającą do zgniecenia lub złamania kości lub spowodować obrażenia udarowe lub inne.

- **Jedna osoba musi sterować zarówno procesem wykonywania rowka, jak i wyłącznikiem nożnym. Urządzenia nie powinna obsługiwać więcej niż jedna osoba.** W przypadku pochwylenia operator musi sterować wyłącznikiem nożnym.
- **Używać tylko napędów mechanicznych i gwinciarek o prędkości obrotowej 57 obr./min. lub mniejszej.** Urządzenia o wyższej prędkości mogą zwiększyć ryzyko obrażeń.
- **Upewnić się, że rowkarka rolkowa jest prawidłowo ustawiona i zamocowana do napędu mechanicznego/gwinciarce. Upewnić się, że urządzenie, stojak i rura są stabilne.** Pomoże to zapobiec przewróceniu urządzenia wraz z rurą.

## Bezpieczeństwo związane z rowkarką rolkową używaną w pomieszczeniu

- **Używając do zastosowań na miejscu stosować tylko napęd ręczny. Nie używać urządzeń elektrycznych (takich jak wiertarki lub narzędzia udarowe) do napędu rowkarki rolkowej podczas używania jej na miejscu.** Stosowanie urządzeń elektrycznych może zniszczyć rowek i zwiększyć ryzyko obrażeń.
- **Pracując na wysokości, cały personel powinien zakładać kaski i oczyścić obszar poniżej.** Zapobiega to poważnym obrażeniom w przypadku upadnięcia rowkarki, rury lub innych przedmiotów.

## Opis, dane techniczne i standardowe wyposażenie

### Opis

Rowkarka rolkowa RIDGID® 975 Combo formuje za pomocą rolek rowki w rurach stalowych, aluminiowych i PVC i utworzy rowek w rurze o średnicy 1 1/4" do 6", schedule 10 i schedule 40. Jest także zaprojektowana do formowania rowków w rurach ze stali nierdzewnej 1 1/4" do 6" schedule 10 i schedule 1 1/4" do 2" schedule 40. Może być także przystosowana do rur miedzianych 2" - 8" typu K, L, M i DWV poprzez zmianę zestawu rolek. Rolki formowane są przez mechaniczny posuw rolki rowkującej w głąb rury, która podparta jest przez rolkę napędową. Jedyłą wymaganą regulacją jest regulacja głębokości rowka.

Jednostka została zaprojektowana w szczególności do użytku miejscowego lub z gwinciarce RIDGID model 300 Power Drive (modele 38 i 57 obr./min.). Z odpowiednim adapterem (nr kat. 67662), jednostka może współpracować z gwinciarce RIDGID model 300 Compact. Rowkarka rolkowa 975 Combo zawiera chroniony patentem wskaźnik głębokości rowka pomagający w jego ustawianiu oraz opatentowane funkcje poprawiające ustawienie toru podczas pracy.



Rowkarka rolkowa 975 Combo jest jednostką przenośną przeznaczoną do sporadycznego używania na miejscu budowy i nie powinna być używana do prac wysokonakładowych lub w procesie produkcyjnym zakładu fabrykującego rury.

**NOTATKA** Prawidłowo użytkowana rowkarka rolkowa model 975 Combo tworzy rowki 2" - 6", które pod względem wymiarów mieszczą się w specyfikacjach AWWA C606-06. Dobór właściwych materiałów i metod łączenia jest odpowiedzialnością projektanta i/lub instalatora systemu. Przed rozpoczęciem jakiegokolwiek instalacji, należy przeprowadzić staranną ocenę specyfiki środowiska roboczego, łącznie ze środowiskiem chemicznym i temperaturą roboczą.

### Dane techniczne

Zdolność.....Rury stalowe 1 1/4" - 6" Schedule 10 i Schedule 40  
Z wymianą rolki: 2" - 8" Rury miedziane, typu K, L, M i DWV

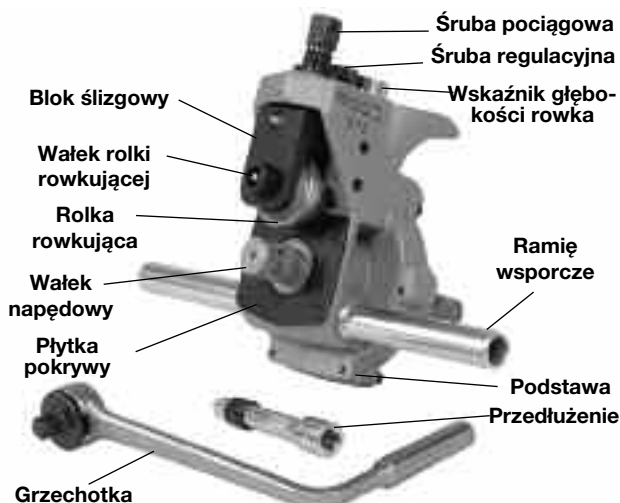
Średnica rowka  
Regulacja .....Śruba regulacyjna i wskaźnik głębokości rowka

Urządzenie uruchamiające Śruba pociągowa z kluczem grzechotkowym 1/2"

Montaż na napędzie mechanicznym RIDGID 300 Power Drive (tylko modele 38 i 57 obr./min.)  
gwinciarce RIDGID 300 Compact ing (z adapterem)

Ciężar .....27,6 funtów (ok. 12,5 kg).

Rowkarka rolkowa 975 Combo chroniona jest patentami amerykańskimi i międzynarodowymi łącznie z patentami 6,272,895 and 6,591,652.



Ilustracja 1 - Rowkarka rolkowa 975 Combo

### Standardowe wyposażenie

1 1/4" - 6" Schedule 10 i 40 Rolki rowkujące i napędowe  
Klucz grzechotkowy (napęd 1/2") z przyciskiem zwalniającym  
Blokowanym przedłużeniem napędu  
Ramionami wsporczymi  
Zintegrowanym wskaźnikiem głębokości

### Przegląd rowkarki rolkowej

#### ⚠ OSTRZEŻENIE

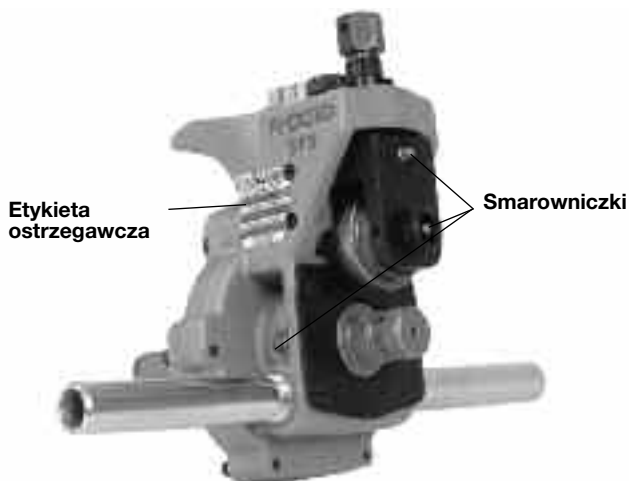


**Przed każdym użyciem należy dokonać przeglądu rowkarki rolkowej i naprawić wszelkie problemy, aby zmniejszyć ryzyko poważnego obrażenia z powodu zmiążdżenia i innych przyczyn oraz zapobiec zniszczeniu rowkarki rolkowej.**

**Nie używać tej rowkarki rolkowej z napędem mechanicznym/gwinciarce, które nie posiadają wyłącznika nożnego.**

1. Jeśli rowkarka rolkowa jest zainstalowana na napędzie mechanicznym lub gwinciarce, należy upewnić się, że urządzenie jest odłączone od źródła zasilania oraz, że przełącznik REV/OFF/FOR (cof./wył./do przodu) jest w położeniu OFF (Wył.). Wykonywać przeglądy i konserwacje napędu mechanicznego/gwinciarce zgodnie ze wskazówkami zawartymi w instrukcji obsługi urządzenia. Nie dopełnienie wymagania prawidłowego przeglądu i konserwacji urządzenia może być przyczyną poważnych obrażeń ciała i szkód materialnych. Upewnij się, że wyłącznik nożny jest obecny i działa prawidłowo. Nie używać tej rowkarki rolkowej bez wyłącznika nożnego.
2. Wyczyścić rowkarkę rolkową z wszelkiego oleju, smaru lub brudu, łącznie z uchwytem do przenoszenia i grzechotką używaną do uruchamiania rowkarki rolkowej. Zmniejszy to ryzyko obrażeń spowodowanych wyslizgnięciem się rowkarki lub grzechotki z Twojego uchwytu podczas użytkowania i umożliwi łatwiejszy przegląd.
3. Upewnić się, że ramiona wsporcze są mocno osadzone w korpusie rowkarki rolkowej.
4. Dokonać przeglądu rowkarki rolkowej pod kątem wszelkich wadliwych, brakujących, niewłaściwie ustawionych lub zacinających się części lub innych stanów, które mogą zagrozić bezpieczeństwu i przeszkodzić w normalnej pracy. Upewnij się, że rolka rowkująca i wałek napędowy obracają się swobodnie.
5. Sprawdzić, czy etykiety ostrzegawcze są obecne i mocno przytwierdzone. *Zobacz Ilustrację 2, aby sprawdzić umieszczenie etykiety ostrzegawczej.*

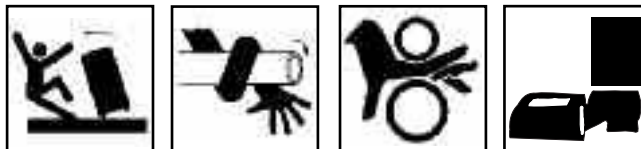
6. Jeśli radełka wałka napędowego są brudne wyczyścić je szczotką drucianą. Zabrudzone radełka mogą spowodować poślizg rury i problemy z zachowaniem toru ruchu podczas rowkowania.
7. Przejrzeć rolkę rowkującą i wałek napędowy pod kątem pęknięć, zużycia i innych oznak uszkodzenia. Uszkodzone rolki rowkujące i wałki napędowe mogą spowodować poślizg rury, słabą jakość rowków lub być przyczyną awarii w trakcie pracy.
8. Dokonać przeglądu grzechotki i przedłużenia pod kątem prawidłowego działania. Upewnić się, że grzechotka działa swobodnie i równo w obu kierunkach. Nacisnąć i zwolnić przycisk znajdujący się na środku głowicy grzechotki i zainstalować na śrubie pociągowej. Grzechotka powinna mocno zablokować się na miejscu. Grzechotka powinna także blokować się pewnie na przedłużeniu, a przedłużenie powinno blokować się pewnie na kwadracie napędu ręcznego w tylnej części rowkarki rolkowej. Pomoże to zapobiec poluznieniu się grzechotki i przedłużenia podczas pracy rowkarki rolkowej. Używając innej grzechotki, klucza lub przedłużenia, które nie blokują się na rowkarce rolkowej, należy pamiętać, że podczas pracy mogą się poluznić. W przypadku wykrycia jakichkolwiek problemów, nie należy używać urządzenia do momentu ich rozwiązania.
9. Smarować rowkarkę rolkową zgodnie z instrukcjami konserwacji zawartymi w niniejszym podręczniku. Zetrzeć nadmiar smaru z rowkarki rolkowej.
10. Jeśli używane jest jakieś inne urządzenie, dokonać jego przeglądu i konserwacji, aby upewnić się, że działa prawidłowo.



**Ilustracja 2 - Etykieta ostrzegawcza rowkarki rolkowej 975 Combo**

## Ustawianie urządzenia i przygotowanie obszaru roboczego przy zastosowaniach z napędem mechanicznym

### ⚠ OSTRZEŻENIE



Zawsze należy zakładać okulary ochronne, aby chronić oczy przed brudem i innymi ciałami obcymi. Zakładać obuwie ze stalowymi noskami chroniące stopy przed przewracającymi się narzędziami i upadającymi rurami.

Nie używać tej rowkarki rolkowej z napędem mechanicznym lub gwinciarzką, które nie posiadają wyłącznika nożnego. Nigdy nie blokować wyłącznika nożnego, w taki sposób, aby nie kontrolował napędu mechanicznego. Wyłącznik nożny zapewnia lepszą kontrolę pozwalając odciąć zasilanie silnika elektrycznego przez zdjęcie stopy. Jeśli ubranie zostanie pochwycone w urządzeniu, a silnik napędowy pozostanie pod napięciem, ubranie zostanie wciągnięte do urządzenia. To urządzenie ma wysoki moment obrotowy i może spowodować zawinięcie ubrania wokół ramienia lub innej części ciała z siłą wystarczającą do zgniecenia lub złamania kości lub spowodować obrażenia udarowe lub inne.

Przygotować rowkarkę rolkową i obszar roboczy zgodnie z poniższymi procedurami, aby zmniejszyć ryzyko obrażeń spowodowanych porażeniem prądem, powikłaniami, zmiażdżeniami i innymi przyczynami oraz chronić rowkarkę rolkową przed zniszczeniem.

1. Znaleźć obszar roboczy spełniający następujące warunki:
  - Odpowiednie oświetlenie.
  - Brak obecności łatwopalnych cieczy, oparów lub kurzu mogących spowodować zapłon. Jeśli występują, nie pracować na tym obszarze, dopóki źródła tych zanieczyszczeń nie zostaną rozpoznane i usunięte. Napędy Power Drive i gwinciarzki nie są zabezpieczone przed wybuchem i mogą wytwarzać iskry.
  - Czyste, równe, stabilne i suche miejsce dla wszystkich urządzeń i operatora. Nie obsługiwać urządzenia stojąc w wodzie.
  - Odpowiednio uziemione gniazdo elektryczne. Gniazdo trójstykowe lub gniazdo z wyłącznikiem różnicowo prądowym (GFCI) może nie być właściwie uziemione. W razie wątpliwości należy zlecić przegląd gniazdka uprawnionemu elektrykowi.
  - Przygotować ścieżkę do gniazdka elektrycznego, na której nie będzie żadnych potencjalnych źródeł uszkodzeń przewodu elektrycznego.
2. Posprzątać obszar roboczy przed ustawieniem jakiegokolwiek urządzenia. Zawsze, należy zetrzeć wszelkie występujące ślady oleju.
3. Dokonać przeglądu rury, która ma być rowkowana i potwierdzić, że rowkarka rolkowa 975 Combo jest odpo-

wiednim narzędziem dla danego zadania. Rowkarka rolkowa 975 Combo zaprojektowana jest do formowania rowków w rurach stalowych, aluminiowych i PCV schedule 10 i 40, o wymiarach 1 1/4" do 6". Jest zaprojektowana także do formowania rowków w rurach ze stali nierdzewnej 1 1/4" do 6" schedule 10 i 1 1/4" do 2" schedule 40. Po zmianie zestawu rolek może być używana do formowania rowków w rurach miedzianych 2" - 8" typu K, L, M i DWV.

Rowkarka rolkowa 975 Combo może być używana do zastosowań miejscowych (rura, która jest zamontowana na miejscu lub zamontowana w imadle) lub do współpracy z gwinciarką RIDGID 300 Power Drive lub 300 Compact do zastosowań z napędem mechanicznym na placu budowy. Rowkarka rolkowa 975 Combo nie jest przeznaczona do zastosowań typu produkcyjnego.

Rowkarki rolkowe do innych zastosowań można znaleźć w katalogu Ridge Tool, on line na stronie [www.RIDGID.com](http://www.RIDGID.com), lub dzwoniąc do Działu technicznego Ridge Tool na numer 800-519-3456.

**NOTATKA** Używanie zestawów rolek (rolki rowkującej i wałka napędowego) zarówno do rur ze stali węglowej jak i do rur ze stali nierdzewnej może prowadzić do zanieczyszczenia materiału stali nierdzewnej. Takie zanieczyszczenie może być przyczyną korozji i przedwczesnego zużycia rury. Aby zapobiec zanieczyszczeniu rur ze stali nierdzewnej żelazem, należy używać zestawów rolek przeznaczonych do rowkowania rur ze stali nierdzewnej. Alternatywnie, można zastosować szczotkę ze stali nierdzewnej do starannego wyczyszczenia zestawu rolek przy zamianie materiałów.

4. Upewnić się, że napęd mechaniczny/gwinciarzka została poddana przeglądowi zgodnie z niniejszą instrukcją. Potwierdzić obecność wyłącznika nożnego i upewnić się, że wyłącznik FOR/OFF/REV (do przodu/wył./cof.) jest ustawiony w położeniu OFF (Wył.). Ustawić napęd mechaniczny/gwinciarzka zgodnie z instrukcjami zawartymi w niniejszym podręczniku. Upewnić się, że urządzenie i stojak są stabilne i nie chwieją się.
5. Całkowicie otworzyć uchwyt napędu mechanicznego/gwinciarzki.
6. Potwierdzić, że rowkarka rolkowa 975 Combo została poddana przeglądowi i ma zainstalowany właściwy zestaw rolek.

### Montaż Rowkarki rolkowej 975 Combo na gwinciarce RIDGID 300 Power Drive

1. Jeśli napęd mechaniczny, który ma być użyty posiada suport wzdłużny lub inne nasadki, usunąć je z napędu mechanicznego. Upewnić się, że ramiona wsporcze napędu mechanicznego są całkowicie wysunięte i ustalone w tej pozycji.
2. Umieścić ramiona wsporcze rowkarki rolkowej na ramionach wsporczych napędu mechanicznego, a koniec wałka napędowego rowkarki rolkowej w uchwycie urządzenia. Zamknąć i dokręcić zacisk napędu mechanicznego na płaskich powierzchniach wałka napędowego. Upewnić się, że osie wałka napędowego i uchwytu zaciskowego są

wyrównane. Wykonać kilka zdecydowanych obrotów pokręta zaciskowego uchwytu w kierunku przeciwnym do ruchu wskazówek zegara, aby mocno zacisnąć wałek napędowy (Ilustracja 3).

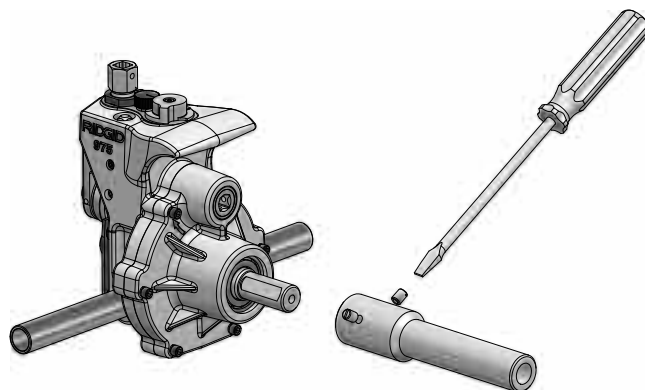


Ilustracja 3 – Montaż rowkarki rolkowej 975 Combo Roll w uchwycie 300 Power Drive

### Montaż Rowkarki rolkowej 975 Combo na gwinciarce RIDGID 300 Compact/1233

Używając rowkarki rolkowej 975 Combo z gwinciarzka 300 Compact/1233, należy użyć zestawu przejściowego (Numer katalogowy 67662). Ten zestaw przejściowy ustawia we właściwy sposób rowkarzka rolkowa 975 Combo względem gwinciarzki i stojaka i umożliwia wykonanie pełnego zakresu wielkości rowków. Nie próbować używania rowkarki 975 Combo z inną gwinciarzka, ponieważ może to spowodować przewrócenie lub inne problemy.

1. Zamontować adapter na wałku napędowym rowkarki rolkowej (Zobacz Ilustrację 4). Wyrównać śruby względem płaskich powierzchni na wałku napędowym rowkarki rolkowej i mocno dokręcić.



Ilustracja 4 – Montaż adaptera wałka napędowego

2. Przesunąć suport wzdłużny gwinciarzki 300 Compact/1233 taki blisko uchwytu urządzenia jak to możliwe. Przesunąć nóż, rozwiertak i głowicę gwinciarzki do pozycji z dala od operatora tak, aby nie przeszkadzały. Ustawić stożek rozwiertaka wewnątrz głowicy gwinciarzki.

- Umieścić wspornik adaptera na końcu prowadnic 300 Compact/1233 (jak pokazano na ilustracji 5) i zablokować na miejscu za pomocą załączonego kołka.



**Ilustracja 5 – Montaż wspornika adaptera**

- Umieścić ramiona wsporcze 975 na ramionach wspornika adaptera z prętem adaptera umieszczonym w uchwycie urządzenia. Zamknąć i zaciśnąć uchwyt gwinciarce na pręcie adaptera napędu. Upewnić się, że osie wałka napędowego i uchwytu zaciskowego są wyrównane. Wykonać kilka zdecydowanych obrotów pokrętki zaciskowego uchwytu w kierunku przeciwnym do ruchu wskazówek zegara, aby mocno zaciśnąć wałek napędowy.



**Ilustracja 6 – Rowkarka rolkowa 975 Combo prawidłowo zamontowana na gwinciarce 300 Compact**

### Kończenie ustawiania

- Ustawić wyłącznik nożny w taki sposób, aby operator mógł sterować napędem mechanicznym/gwinciarce, rowkarką rolkową i rowkowaną rurą. Jak pokazano na ilustracji 6, pozycja powinna umożliwiać operatorowi:
  - Ustawienie twarzą do rowkarki rolkowej z dostępem do (po tej samej stronie co) wyłącznika FOR/OFF/REV (do przodu/wył./cof.).

- Sterowanie czynnością WŁ./WYŁ. wyłącznika nożnego i, w razie potrzeby, szybkiego zwalniania wyłącznika nożnego.
- Wygodny dostęp do rowkarki rolkowej, rury i klucza grzechotkowego bez konieczności pochylania się nad rowkarką rolkową.



**Ilustracja 7 – Pozycja operatora**

- Poprowadzić przewód zasilający wzdłuż uprzednio określonej, wolnej od przeszkód ścieżki. Suchymi rękoma podłączyć wtyczkę napędu mechanicznego do odpowiednio uziemionego gniazda. Zachować wszystkie połączenia elektryczne w stanie suchym i z dala od podłoża. Jeśli przewód zasilający nie jest wystarczająco długi użyć przedłużacza, który:
  - Jest w dobrym stanie
  - Posiada wtyczkę trójstykową podobną do wtyczki napędu mechanicznego
  - Jest klasy pozwalającej na użycie poza budynkami i zawiera przewód oznaczony W lub W-A (tzn. SOW)
  - Ma żyły odpowiednich wymiarów (14 AWG dla 25' lub krótszych, 12 AWG dla długości 25' – 50'). Przewody o zbyt małych wymiarach mogą się przegrzewać, topiąc izolację lub powodując pożar lub inne szkody.
- Sprawdzić napęd mechaniczny/gwinciarce, aby upewnić się, że działa prawidłowo:
  - Ustawić przełącznik w położeniu FOR (Do przodu). Nacisnąć i zwolnić wyłącznik nożny. Potwierdzić, że wałek napędowy obraca się w kierunku przeciwnym do ruchu wskazówek zegara patrząc w kierunku uchwytu zaciskowego. Jeśli jednostka nie obraca się we wła-

ściwym kierunku lub wyłącznik nożny nie steruje działaniem urządzenia, nie należy używać urządzenia do momentu jego naprawy.

- Nacisnąć i przytrzymać wyłącznik nożny. Sprawdzić prędkość obrotową jednostki. Dokonać przeglądu części ruchomych pod kątem właściwego ustawienia w osi, zacinania lub nietypowych hałasów, czy innych nie-normalnych warunków. Zwolnić wyłącznik nożny. Jeśli prędkość obrotowa przekracza 57 obr./min. nie używać jednostki do rowkowania rolkowego. Wyższe prędkości mogą zwiększyć ryzyko obrażeń. W przypadku wykrycia nieprawidłowości, nie używać urządzenia do momentu jego naprawy.
- Ustawić przełącznik w położeniu REV (cofanie). Nacisnąć i zwolnić wyłącznik nożny. Potwierdzić, że wałek napędowy obraca się w kierunku przeciwnym do ruchu wskazówek zegara patrząc w kierunku uchwytu zaciskowego. Jeśli jednostka nie obraca się we właściwym kierunku, nie używać urządzenia do momentu jego naprawy.
- Ustawić przełącznik w położeniu OFF (Wyt.). Suchymi rękoma odłączyć wtyczkę urządzenia.

## Przygotowanie rury

To są instrukcje ogólne. Zawsze, należy postępować zgodnie ze szczegółowymi instrukcjami producenta połączeń rowkowych dotyczącymi przygotowania końca rury. Nie przestrzeganie zaleceń producenta połączeń rowkowych może doprowadzić do niewłaściwego połączenia i spowodować przecieki.

1. Uciąć rurę na odpowiednią długość. Pamiętać o minimalnych długościach rur, które mogą być rowkowane dla każdej wielkości rury (Zobacz tabelę A). Wykonując rowek w rurze krótszej niż minimalna długość zwiększa ryzyko obrażeń wynikających ze zmiżdżenia palców lub zaplątania.

Upewnić się, że koniec rury jest ucięty prostopadłe i nie ma zadziorów. Zadziory mogą złapać lub przeciąć rękawice lub palce w trakcie rowkowania. Metoda cięcia i duże zadziory mogą wpłynąć na jakość wykonywanego rowka oraz na ustawienie toru rowka. Nie podejmować prób formowania rowków w rurach, które były przecinane palnikiem.

2. Wszystkie wewnętrzne/zewnętrzne ścięgi spoiny, rąbki lub szwy muszą być zeszlifowane na równi z przylegającymi powierzchniami przynajmniej 2" od końca rury. Nie wycinać płaskich powierzchni w miejscu osadzenia uszczelki, może to spowodować przeciekanie.
3. Usunąć zendrę, brud, rdzę i inne zanieczyszczenia na obszarze przynajmniej 2" od końca rury. Zanieczyszczenia mogą zatkać radełko napędu i przeszkadzać w prawidłowym napędzaniu i zachowaniu właściwego toru rury podczas rowkowania.

## Ustawianie rury w rowkarce rolkowej

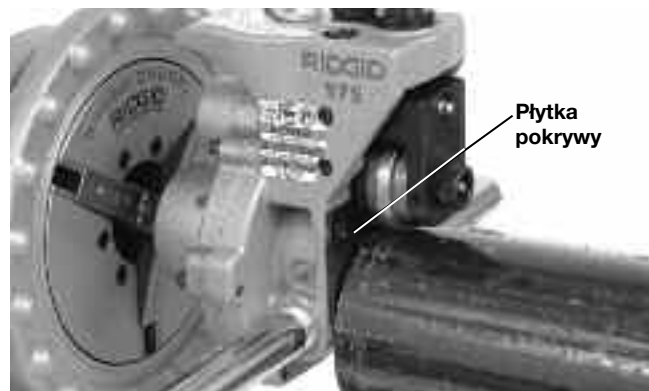
1. Potwierdzić, że wyłącznik napędu mechanicznego/gwinciarce jest w położeniu OFF (Wyt.).

2. Upewnić się, że dostępna jest odpowiednia podpora dla rury, która będzie rowkowana. Tabela A wyszczególnia maksymalne długości rur rowkowanych przy użyciu pojedynczego stojaka. Rury o większej długości powinny być podpierane przynajmniej dwoma stojakami do rur. Jeśli rura nie zostanie prawidłowo podparta może to spowodować przechylenie i upadek rury lub rury wraz z urządzeniem. Nie wykonywać rowków na rurze krótszej niż określona długość minimalna.

Nom. Rozmiar	Min. Długość	Maks. Długość	Nom. Rozmiar	Min. Długość	Maks. Długość
1	8	36	4	8	36
1¼	8	36	4½	8	32
1½	8	36	5	8	32
2	8	36	6 Śr. zewn.	10	30
2½	8	36	6	10	28
3	8	36			
3½	8	36			

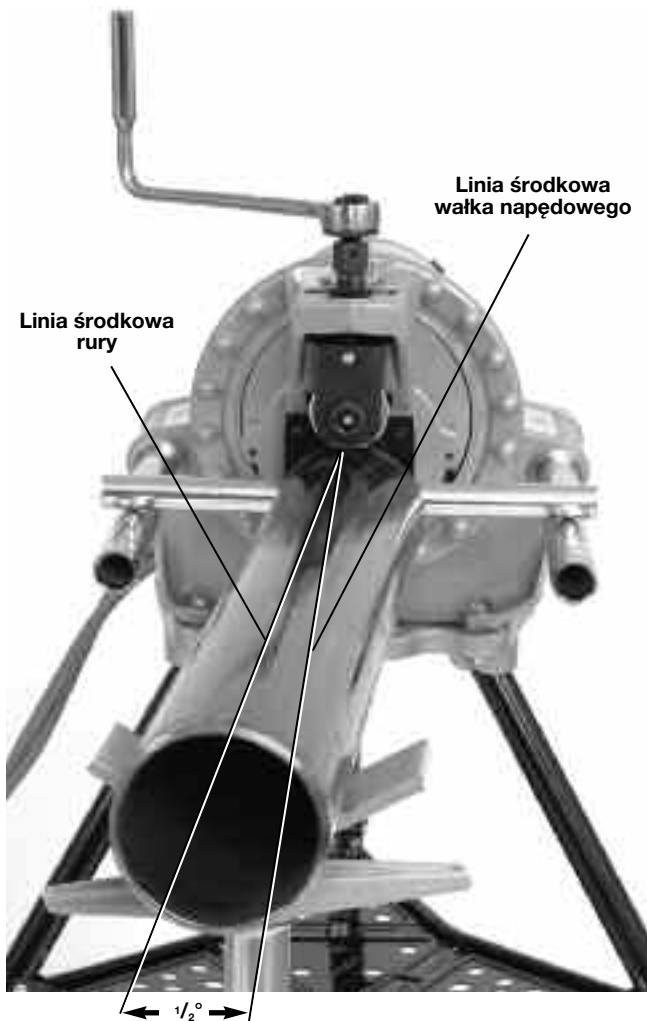
**Tabela A – Minimalne/maksymalne długości rur do rowkowania z jednym stojakiem (wszystkie wymiary w calach)**

3. Umieścić wymagane stojaki do rur przed rowkarką rolkową. W przypadku długości podpieranych pojedynczą podporą, podpora powinna być ustawiona w miejscu nieznacznie za połowę długości rury patrząc od płyty pokrywy rowkarki rolkowej. W przypadku rur o długości wymagającej więcej niż jednej podpory, stojaki powinny być umieszczone ¼ długości od każdego końca rury. W niektórych sytuacjach może zaistnieć potrzeba użycia większej ilości podpór. Wysokość stojaka powinna być tak ustawiona, aby rura znalazła się nad rolką napędową.
4. Upewnić się, że rolka rowkująca została wycofana na tyle, aby umożliwić umieszczenie rury na wałkiem napędowym. Jeśli potrzeba, obracać śrubę pociągową w kierunku przeciwnym do ruchu wskazówek zegara, aby unieść rolkę rowkującą.
5. Umieścić koniec rury nad wałkiem napędowym i umieścić ją na stojaku(-ach). Upewnić się, czy rura jest stabilna.



**Ilustracja 8 – Umieszczanie rury nad wałkiem napędowym równo z płytką pokrywy.**

6. Ustawić rurę i jej stojak w taki sposób, aby jej koniec był na jednej płaszczyźnie z płytką pokrywy rowkarki rolkującej oraz, aby wewnętrzna część rury dotykała górnej części wałka napędowego (Ilustracja 7). Linia środkowa rury i linia środkowa wałka napędowego powinny być względem siebie równoległe. Jednym ze sposobów uzyskania takiego ustawienia jest wypoziomowanie rury i napędu mechanicznego/gwinciarki.
7. Nieznacznie przesunąć rurę i jej stojaki o około 1/2 stopnia (około 1" na długości 10 stóp od rowkarki rolkowej) w stronę operatora operatora. Prawidłowe wyosiowanie rury i rowkarki rolkowej pomaga zapewnić właściwy tor ruchu rury podczas formowania rowka. (Patrz Ilustracja 9)



**Ilustracja 9 – Przesunięcie rury 1/2° w stronę operatora (przesadzone)**

8. Obracać śrubę pociągową w kierunku zgodnym z ruchem wskazówek zegara, aby przemieścić rolkę rowkującą do momentu zetknięcia z rurą na jej średnicy zewnętrznej, a następnie obrócić śrubę pociągową o dodatkowe ćwierć obrotu. Może wystąpić potrzeba poluznienia śruby regulacyjnej (obracać w kierunku przeciwnym do ruchu wskazówek zegara), aby umożliwić zetknięcie się rolki

rowkującej z rurą. Rura i rowkarka rolkowa powinny być w tym momencie połączone ze sobą.

9. Ocenić obszar roboczy i określić, czy wymagane są bariery odgradzające inne niż operator osoby od urządzenia i rury. Osłony lub bariery powinny być używane do utworzenia minimum trzech (3) stóp (ok. 91,5 cm) wolnej przestrzeni wokół napędu mechanicznego i rury. Ta „strefa bezpieczeństwa” chroni inne osoby przed przypadkowym kontaktem z urządzeniem lub rurą powodującym przechylenie lub zaplątanie w wirujące części.
10. Suchymi rękoma podłączyć wtyczkę urządzenia do odpowiednio uziemionego gniazda.

## Obsługa rowkarki rolkowej 975 Combo z Power Drive/gwinciarką

### ⚠ OSTRZEŻENIE



Nie zakładaj luźnej odzieży do pracy przy rowkarce rolkowej. Zapinać rękawy i koszule. Nie pochylać się nad urządzeniem lub rurą. Luźne ubranie może zaplątać się w wirujące części i spowodować zmiążdżenie części ciała.

Trzymać dłonie z dala od rolek formujących rowek. Nie wykonywać rowków na rurze krótszej niż określona. Nie zakładaj luźno dopasowanych rękawic. Może to spowodować zmiążdżenie palców pomiędzy rolkami lub pomiędzy rolką i rurą.

Trzymać ręce z daleka od końców rury. Nie sięgać do wnętrza rury. Zadziory i ostre krawędzie mogą spowodować przecięcia. Może to spowodować zmiążdżenie palców pomiędzy rolkami lub pomiędzy rolką i rurą.

Zawsze należy zakładać okulary ochronne, aby chronić oczy przed brudem i innymi ciałami obcymi. Zakładać obuwie ze stalowymi noskami chroniące stopy przed przewracającymi się narzędziami i upadającymi rurami.

Należy postępować zgodnie instrukcją obsługi, aby zmniejszyć obrażeń wynikających ze zmiążdżenia, przechylenia, uderzenia i innych wypadków.

### Ustawianie/mierzenie średnicy rowka

**NOTATKA** Ze względu na różne charakterystyki rur, należy zawsze wykonać rowek testowy zanim wykonany zostanie pierwszy rowek danego dnia lub przy zmianie wielkości rury, materiału lub typoszeregu (schemat). Wskaźniki ustawienia głębokości rowka służą tylko dla celów orientacyjnych, a średnicę rowka należy zmierzyć potwierdzając jej prawidłową wielkość.

1. Potwierdzić, że urządzenie i rura są prawidłowo ustawione. Nieprawidłowe przygotowanie rury może wpłynąć na dokładność ustawienia wskaźnika głębokości rowka. Rolka rowkująca powinna dotykać rury.
2. Ustawić wskaźnik głębokości rowka w taki sposób, aby prawidłowy występ wskaźnika znalazł się pod łbem śruby

regulacyjnej (Ilustracja 10A). Wskaźnik głębokości rowka przeznaczony jest do użytku z rurami. Zobacz „Ustawianie średnicy rowka dla rur miedzianych”, aby znaleźć informacje o rurach miedzianych.

- Obracać śrubę regulacyjną w kierunku zgodnym z ruchem wskazówek zegara do momentu kiedy łeb dotknie występu wskaźnika głębokości. Obrócić wskaźnik głębokości rowka do pozycji rowkowania (Ilustracja 10B). Jeśli wskaźnik nie znajduje się w pozycji rowkowania będzie przeszkadzał w formowaniu rowka i może zostać uszkodzony.



**Ilustracja 10A – Ustawić właściwy występ wskaźnika pod łbem śruby regulacyjnej**



**Ilustracja 10B – Wskaźnik w położeniu rowkowania**

- Przygotować rowek testowy (postępować według punktów „Formowanie rowka”).
- Zmierzyć średnicę rowka. Najlepszą metodą mierzenia średnicy rowka jest użycie taśmy do średnic (zobacz część Akcesoria). Owinąć ciasno taśmę mierniczą wokół rury w rowku. Upewnić się, że taśma ułożona jest płasko na dnie rowka i odczytać jego średnicę. (Patrz ilustracja 11)



**Ilustracja 11 – Sprawdzanie średnicy rowka za pomocą taśmy mierniczej**

- Porównać zmierzoną średnicę rowka ze średnicą wymaganą, jak pokazano w Tabeli I lub III lub jako określa to producent połączeń rowkowych. Jeśli zmierzony rowek nie jest zgodny z żądaną średnicą, należy zmienić położenie

śruby regulacyjnej, aby uzyskać prawidłową średnicę rowka.

- Aby zwiększyć średnicę rowka, należy obracać śrubę regulacyjną w prawo.
  - Aby zmniejszyć średnicę rowka, należy obracać śrubę regulacyjną w lewo.
  - Każda  $\frac{1}{4}$  obrotu śruby regulacyjnej zmienia średnicę rowka o ok. 0,02" (ok. 0,5 mm).
- Powtarzać kroki 4-6 do momentu uzyskania średnicy rowka zgodnej ze specyfikacjami. Jeśli rowek jest zbyt duży, można wyregulować rowkarkę i zmniejszyć rowek. Jeśli rowek jest zbyt mały, należy wykonać kolejny rowek. Prawidłowa średnica rowka jest istotna dla zapewnienia efektywnego połączenia. Rowki wykraczające poza specyfikacje mogą spowodować awarie połączenia.

### Formowanie rowka

- Potwierdzić, że urządzenie i rura są prawidłowo ustawione.



**Ilustracja 12 – Pozycja robocza rowkarki rolkowej**

- Przyjąć prawidłową pozycję roboczą. Ustawić wyłącznik nożny napędu mechanicznego w taki sposób, aby operator mógł sterować napędem, rowkarką rolkową i rowkowaną rurą. Jak pokazano na ilustracji 12, pozycja powinna umożliwiać operatorowi:
  - Ustawienie twarzą do rowkarki rolkowej z dostępem do (po tej samej stronie co) wyłącznika FOR/OFF/REV (do przodu/wył./cof.).

- Sterowanie czynnością WŁ./WYŁ. wyłącznika nożnego i, w razie potrzeby, szybkiego zwalniania wyłącznika nożnego.
  - Zapewnić wygodny dostęp do rowkarki rolkowej, rury i klucza grzechotkowego bez konieczności pochylania się nad rowkarką rolkową.
  - Jeśli potrzeba, położyć prawą rękę na rowkowanej rurze.
  - Znaleźć odpowiednie oparcie dla stóp i prawidłową równowagę.
3. Ustawić przełącznik FOR/OFF/REV w położeniu REV (cofanie). **Nie uruchamiać rowkarki rolkowej 975 Combo w położeniu FOR (do przodu). Ze względu na konstrukcję rowkarki rolkowej 975 Combo spowoduje to zejście rury ruchem spiralnym z rolek rowkujących i może spowodować jej upadek.**
  4. Położyć jedną dłoń na głowicy grzechotki/górnej części śruby pociągowej, a drugą na końcu grzechotki.
  5. Nacisnąć wyłącznik nożny, aby uruchomić napęd mechaniczny. Obserwować obroty rury i upewnić się, że powierzchnia czołowa rury pozostaje w kontakcie z płytką pokrywy rowkarki rolkowej. Jeśli rura zacznie się odsuwać od płytki rowkarki zwolnić wyłącznik nożny, aby zapobiec ruchowi spiralnemu rury na zewnątrz, a konsekwencji upadkowi. Jeśli potrzeba, ponownie ustawić rurę (zobacz część *Ustawianie rury*). Jeśli koniec rury jest zdeformowany, należy go odciąć i przygotować nowy rowek.
  6. Po wykonaniu przez rurę pełnego obrotu dokręcić śrubę pociągową o kolejne  $\frac{1}{4}$  obrotu. Ciągłe obserwować koniec rury upewniając się, że dotyka płytki pokrywy. Nie dokręcać śruby pociągowej więcej, niż  $\frac{1}{4}$  obrotu na jeden obrót rury. Agresywne dokręcanie śruby pociągowej może spowodować nadmierne rozszerzenie rowka lub spowodować zejście rury ruchem spiralnym z wałka napędowego.
  7. Kontynuować dokręcanie śruby pociągowej o  $\frac{1}{4}$  na jeden obrót rury do momentu kiedy te śruby regulacyjnej zetknie się z górną częścią rowkarki rolkowej. Nie kontynuować dokręcania śruby pociągowej po osiągnięciu przez śrubę regulacyjną górnej części rowkarki rolkowej, ponieważ może to spowodować uszkodzenie śruby regulacyjnej. Odczekać, aż rura wykona w tej pozycji przynajmniej dwa kolejne pełne obroty, aby zapewnić jednorodną głębokość rowka.
  8. Zdjąć stopę z wyłącznika nożnego i ustawić przełącznik FOR/OFF/REV (do przodu/wył./cof.) w położeniu OFF (Wył.).
  9. Obracać śrubę pociągową w lewo i unieść rolkę rowkującą tak, aby umożliwić wyjęcie rury z urządzenia.
  10. Przeprowadzić przegląd rury.
    - Upewnić się, że rowek jest w pełni uformowany.
    - Sprawdzić średnicę rowka i upewnić się, że mieści się w specyfikacjach.
    - Sprawdzić wszelkie inne elementy wymagane przez producenta połączenia.
- W przypadku wykrycia jakichkolwiek problemów nie można używać rowka.

## Ustawianie średnicy rowka dla rur miedzianych

Używając rowkarki rolkowej 975 Combo do rur miedzianych nie można korzystać ze wskaźnika głębokości rowka. Będzie on wskazywał nieprawidłowe średnice.

1. Obracać śrubę pociągową w kierunku zgodnym z ruchem wskazówek zegara, aby przemieścić rolkę rowkującą do momentu zetknięcia z rurą na jej średnicy zewnętrznej, a następnie obrócić śrubę pociągową o dodatkowe ćwierć obrotu. Może wystąpić potrzeba poluznienia śruby regulacyjnej (obracać w kierunku przeciwnym do ruchu wskazówek zegara), aby umożliwić zetknięcie się rolki rowkującej z rurą. Rura i rowkarka rolkowa powinny być w tym momencie połączone ze sobą.
2. Upewnić się, że wskaźnik głębokości rowka znajduje się w pozycji rowkowania. (*Ilustracja 10B*)
3. Obracać śrubę regulacyjną do momentu kiedy będzie na jednej płaszczyźnie z górną płytką rowkarki.
4. Znaleźć średnicę i rodzaj rowkowanej rury w Tabeli B i wycofać śrubę regulacyjną z płytki górnej o odpowiednią ilość obrotów. Na przykład dla 4" Sch. L miedzianej, wycofać śrubę regulacyjną o  $1\frac{1}{4}$  obrotu.

## Regulacja głębokości przy rowkowaniu rur miedzianych (Obroty śruby regulacyjnej)

Śr.	K	L	M	DWV
2-2.5"	$\frac{7}{8}$	$\frac{7}{8}$	$\frac{5}{8}$	$\frac{5}{8}$
3"	$1\frac{1}{16}$	$1\frac{1}{16}$	$1\frac{1}{16}$	$1\frac{1}{16}$
4"	$1\frac{1}{4}$	$1\frac{1}{4}$	$1\frac{1}{4}$	$1\frac{1}{8}$
5"	$1\frac{1}{2}$	$1\frac{1}{2}$	$1\frac{1}{2}$	$1\frac{1}{2}$
6"	$1\frac{3}{16}$	$1\frac{3}{4}$	$1\frac{3}{4}$	$1\frac{3}{4}$
8"	$2\frac{1}{2}$	$2\frac{3}{8}$	$2\frac{1}{8}$	$2\frac{1}{8}$

## Tabela B - Regulacja głębokości przy rowkowaniu rur miedzianych

5. Przejść do kroku 4 procedury „Ustawiania/mierzenia średnicy rowka”.

## Wskazówki dotyczące ustawienia toru rowkarki rolkowej 975 Combo

Głównym problemem jaki napotykać użytkownicy podczas rowkowania jest ruch spiralny lub zejście rury z wałka napędowego lub też nieprawidłowy tor ruchu. Do osiągnięcia prawidłowego toru ruchu ważne jest stosowanie się do wszystkich instrukcji. Jeśli pomimo stosowania się do instrukcji, rura nie będzie zachowywać prawidłowego toru ruchu, istnieje kilka opcji poprawienia utrzymania się w torze.

- Nieznacznie zwiększyć przesunięcie rury w stronę operatora (zwiększyć z  $\frac{1}{2}$  stopnia do 1 stopnia) (*zobacz ilustrację 9*).
- Operator musi przyłożyć do rury podczas rowkowania niewielką siłę, aby zachować tor ruchu. Jest to zazwyczaj wymagane tylko na krótszych odcinkach rury. Aby to zrobić, operator powinien założyć skórzaną rękawicę w dobrym stanie i położyć dłoń na środku rury jak pokazano



na Ilustracji 13. Może to wymagać zamocowania stojaka, na którym zamontowany jest napęd mechaniczny/gwinciarka, do podłoża, aby zapobiec ruchom podczas formowania rowka. Aby zapobiec obrażeniom związanym ze zmiżdżeniem, należy trzymać ręce z dala od rolki rowkującej i końców rury oraz nie rowkować rur krótszych niż zalecane.



**Ilustracja 13 – Przykładanie siły do rury podczas formowania rowka w celu zachowania toru ruchu**

- Dodatkowo, sprawdzić *Część Rozwiązywanie problemów*, aby uzyskać pełną listę przyczyn i rozwiązań problemów związanych z torem ruchu.

## Ustawianie urządzenia i przygotowanie obszaru roboczego przy zastosowaniach na miejscu

### ⚠ OSTRZEŻENIE



Zawsze należy zakładać okulary ochronne, aby chronić oczy przed brudem i innymi ciałami obcymi. Zakładać obuwie ze stalowymi noskami chroniące stopy przed przewracającymi się narzędziami i upadającymi rurami. Pracując na miejscu zakładać kask.

Przygotować rowkarkę rolkową i obszar roboczy zgodnie z tymi procedurami, aby zmniejszyć ryzyko obrażeń spowodowanych porażeniem prądem, powikłaniami, zmiżdżeniami i innymi przyczynami oraz chronić rowkarkę rolkową przed zniszczeniem.

1. Znaleźć obszar roboczy spełniający następujące warunki:
  - Odpowiednie oświetlenie.
  - Brak obecności łatwopalnych cieczy, oparów lub kurzu mogących spowodować zapłon. Jeśli występują, nie pracować na tym obszarze, dopóki źródła tych zanieczyszczeń nie zostaną rozpoznane i usunięte.
  - Czyste, równe, stabilne i suche miejsce o odpowiedniej powierzchni dla wszystkich urządzeń i operatora.
2. Posprzątać obszar roboczy przed ustawieniem jakiegokolwiek urządzenia. Zawsze, należy zetrzeć wszelkie występujące ślady oleju.
3. Dokonać przeglądu rury, która ma być rowkowana i potwierdzić, że rowkarka rolkowa 975 Combo jest odpowiednim narzędziem dla danego zadania. Rowkarka rolkowa 975 Combo zaprojektowana jest do formowania rowków w rurach stalowych, aluminiowych i PCV schedule 10 i 40, o wymiarach 1 1/4" do 6". Jest zaprojektowana także do formowania rowków w rurach ze stali nierdzewnej 1 1/4" do 6" schedule 10 i 1 1/4" do 2" schedule 40. Po zmianie zestawu rolek może być używana do formowania rowków w rurach miedzianych 2" - 8" typu K, L, M i DWV.
 

Rowkarka rolkowa 975 Combo może być używana do zastosowań miejscowych (rura, która jest zamontowana na miejscu lub zamontowana w imadle) lub do współpracy z gwinciarką RIDGID 300 Power Drive lub 300 Compact do zastosowań z napędem mechanicznym na placu budowy. Rowkarka rolkowa 975 Combo nie jest przeznaczona do zastosowań typu produkcyjnego.
4. Formując rowek na miejscu, należy upewnić się, że jest tam wystarczająca ilość miejsca do zamontowania i obsługi rowkarki rolkowej 975 Combo. Rowkarka rolkowa będzie orbitować wokół mocno zamontowanej rury i wymaga:
  - Minimum 6 1/2" wolnej przestrzeni wokół rury, która ma być rowkowana

- Minimum 2 1/2" rury wystającej poza przeszkodę taką jak ściana
- Minimum 9 1/2" przestrzeni do zamontowania rowkarki rolkowej na rurze

Rowkarki rolkowe do innych zastosowań można znaleźć w katalogu Ridge Tool, on line na stronie [www.RIDGID.com](http://www.RIDGID.com), lub dzwoniąc do Działu technicznego Ridge Tool na numer 800-519-3456.

**NOTATKA** Używanie zestawów rolek (rolki rowkującej i wałka napędowego) zarówno do rur ze stali węglowej jak i do rur ze stali nierdzewnej może prowadzić do zanieczyszczenia materiału stali nierdzewnej. Takie zanieczyszczenie może być przyczyną korozji i przedwczesnego zużycia rury. Aby zapobiec zanieczyszczeniom rur ze stali nierdzewnej żelazem, należy używać zestawów rolek przeznaczonych do rowkowania rur ze stali nierdzewnej. Alternatywnie, można zastosować szczotkę ze stali nierdzewnej do starannego wyczyszczenia zestawu rolek przy zamianie materiałów.

### Przygotowanie rury

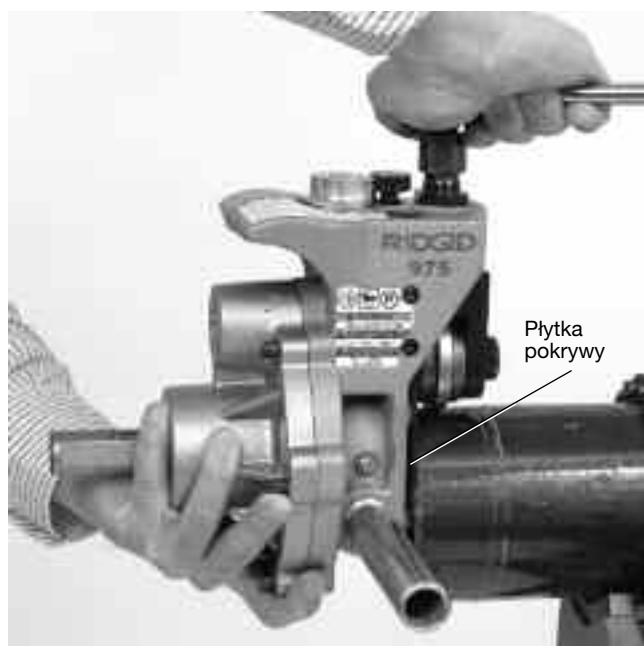
**NOTATKA** To są instrukcje ogólne. Zawsze, należy postępować zgodnie ze szczegółowymi instrukcjami producenta połączeń rowkowych dotyczącymi przygotowania końca rury. Nie przestrzeganie zaleceń producenta połączeń rowkowych może doprowadzić do niewłaściwego połączenia i spowodować przecieki.

1. Formując rowki miejscowo, na istniejącej rurze, należy się upewnić, że system został opróżniony z zawartości i zdekompresowany. Dowiedzieć się co zawierają rury i jakie zagrożenia związane są z tą zawartością.
2. Uciąć rurę na odpowiednią długość.  
Upewnij się, że koniec rury jest ucięty prostopadle i nie ma zadziorów. Zadziory mogą złapać lub przeciąć rękawice lub palce w trakcie rowkowania. Metoda cięcia i duże zadziory mogą wpłynąć na jakość wykonywanego rowka oraz na ustawienie toru rowka. Nie podejmować prób formowania rowków w rurach, które były przecinane palnikiem.
3. Wszystkie wewnętrzne/zewnętrzne ścięgi spoiny, rąbki lub szwy muszą być zeszlifowane na równi z przylegającymi powierzchniami przynajmniej 2" od końca rury. Nie wycinać płaskich powierzchni w miejscu osadzenia uszczelki, może to spowodować przeciekanie.
4. Usunąć zendrę, brud, rdzę i inne zanieczyszczenia na obszarze przynajmniej 2" od końca rury. Zanieczyszczenia mogą zatkać radełka napędu i przeszkadzać w prawidłowym napędzaniu i zachowaniu właściwego toru rury podczas rowkowania.
5. Upewnij się, że rura, w której ma być wykonany rowek jest solidnie zamontowana. Rura musi być zdolna do wytrzymania ciężaru rowkarki rolkowej (ok. 12,5 kg) oraz siły i momentu obrotowego wymaganego do wykonania rowka bez poruszenia się. W przypadku rury już zamontowanej, pomocnym może być zdemontowanie rury i zamocowanie jej w imadle na czas formowania rowka. W przeciwnym razie może zaistnieć potrzeba dodania innych, tymcza-

sowych lub stałych podpór dla rury. Używając imadła do rur, należy upewnić się, że jest stabilne i nie przechyli się podczas użytkowania. W przypadku rur o większych długościach, należy zastosować stojaki do rur podpierające dodatkową długość.

### Montaż rowkarki rolkowej na rurze

1. Potwierdzić, że rowkarka rolkowa 975 Combo została poddana przeglądowi i ma zainstalowany właściwy zestaw rolek. Upewnij się, że ramiona wsporcze są mocno osadzone w korpusie rowkarki rolkowej lub wyjąć je całkowicie dla uzyskania lepszego dostępu w ciasnej przestrzeni. Następnie, zainstalować grzechotkę na śrubie pociągowej i przedłużenie na kwadracie napędu ręcznego w tylnej części rowkarki rolkowej. Upewnij się, że grzechotka i przedłużenia są pewnie zamocowane.
2. Zapewnić przestrzeń pomiędzy rolką rowkującą i wałkiem napędowym odpowiednią do ścianki rury. Jeśli potrzeba, obracać śrubę pociągową w kierunku przeciwnym do ruchu wskazówek zegara, aby unieść rolkę rowkującą.
3. Chwycić pewnie rowkarkę rolkową. Nie unosić za grzechotkę. Umieścić wałek napędowy na rurze i upewnić się, że koniec rury dokładnie przylega do płytki pokrywy (*Ilustracja 14*). Dokręcić śrubę pociągową, aby rolka rowkująca dotknęła zewnętrznej powierzchni rury. Po dokręceniu śruby pociągowej ręką, użyć grzechotki do dokręcenia tej śruby o dodatkowe 1/4 obrotu. Potwierdzić, że rowkarka rolkowa jest pewnie zamocowana do rury, a płytka pokrywy jest wyrównana z końcem rury. Jeśli nie, powtórzyć procedurę. Zawsze należy upewnić się, że rowkarka jest stabilnie zamocowana przy zastosowaniach miejscowych, aby zapobiec przed jej upadkiem.



**Ilustracja 14 – Trzymanie rowkarki rolkowej przy dokręcaniu śruby pociągowej**

## Obsługa rowkarki rolkowej 975 Combo na miejscu

### ⚠ OSTRZEŻENIE



Używając do zastosowań na miejscu stosować tylko napęd ręczny. Nie używać urządzeń elektrycznych (takich jak wiertarki lub narzędzia udarowe) do napędu rowkarki rolkowej podczas używania jej na miejscu. Stosowanie urządzeń z napędem może zniszczyć rowkarkę i zwiększyć ryzyko obrażeń.

Nie zakładać luźnej odzieży do pracy przy rowkarce rolkowej. Zapinać rękawy i koszule. Nie pochylać się nad urządzeniem lub rurą. Luźne ubranie może zaplątać się w wirującą część i spowodować zmiążdżenie części ciała.

Trzymać dłonie z dala od rolek formujących rowek. Nie wykonywać rowków na rurze krótszej niż określona. Nie zakładać luźno dopasowanych rękawic. Może to spowodować zmiążdżenie palców pomiędzy rolkami lub pomiędzy rolką i rurą.

Trzymać ręce z daleka od końców rury. Nie sięgać do wnętrza rury. Zadziory i ostre krawędzie mogą spowodować przecięcia. Może to spowodować zmiążdżenie palców pomiędzy rolkami lub pomiędzy rolką i rurą.

Zawsze należy zakładać okulary ochronne, aby chronić oczy przed brudem i innymi ciałami obcymi. Zakładać obuwie ze stalowymi noskami chroniące stopy przed przewracającymi się narzędziami i upadającymi rurami. Pracując na miejscu zakładać kask.

Należy postępować zgodnie instrukcją obsługi, aby zmniejszyć obrażeń wynikających ze zmiążdżenia, przechylenia, uderzenia i innych wypadków.

### Ustawianie/mierzenie średnicy rowka

**NOTATKA** Ze względu na różne charakterystyki rur, należy zawsze wykonać rowek testowy zanim wykonany zostanie pierwszy rowek danego dnia lub przy zmianie wielkości rury, materiału lub typoszeregu (schedule). Wskaźniki ustawienia głębokości rowka służą tylko dla celów orientacyjnych, a średnicę rowka należy zmierzyć potwierdzając jej prawidłową wielkość.

1. Potwierdzić, że urządzenie i rura są prawidłowo ustawione. Nieprawidłowe przygotowanie rury może wpłynąć na dokładność ustawienia wskaźnika głębokości rowka. Rolka rowkująca powinna dotykać rury.
2. Ustawić wskaźnik głębokości rowka w taki sposób, aby prawidłowy występ wskaźnika znalazł się pod łbem śruby regulacyjnej (Ilustracja 15A). Wskaźnik głębokości rowka przeznaczony jest do użytku z rurami. Zobacz „Ustawianie średnicy rowka dla rur miedzianych”, aby znaleźć informacje o rurach miedzianych.

3. Obracać śrubę regulacyjną w kierunku zgodnym z ruchem wskazówek zegara do momentu kiedy łeb dotknie występu wskaźnika głębokości. Obrócić wskaźnik głębokości rowka do pozycji rowkowania (Ilustracja 15B). Jeśli wskaźnik nie znajduje się w pozycji rowkowania będzie przeszkadzał w formowaniu rowka i może zostać uszkodzony.



Ilustracja 15A – Ustawić właściwy występ wskaźnika pod łbem śruby regulacyjnej



Ilustracja 15B – Wskaźnik w położeniu rowkowania

4. Przygotować rowek testowy (postępować według punktów „Formowanie rowka”).
5. Zmierzyć średnicę rowka. Najlepszą metodą mierzenia średnicy rowka jest użycie taśmy do średnic (zobacz część Akcesoria). Owinąć ciasno taśmę mierniczą wokół rury w rowku. Upewnić się, że taśma ułożona jest płasko na dnie rowka i odczytać jego średnicę. (Zobacz Ilustrację 16).



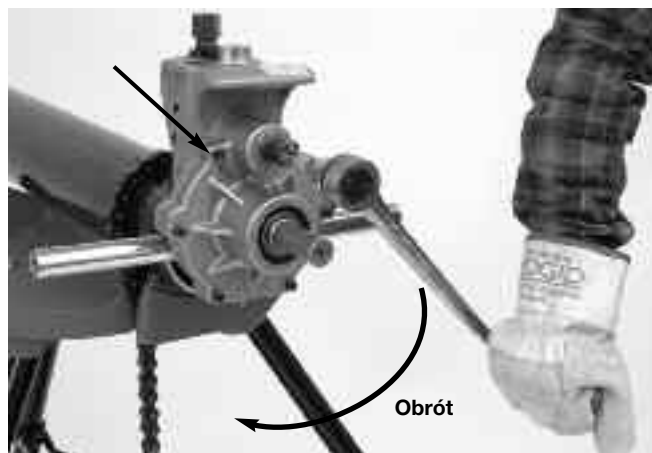
Ilustracja 16 – Mierzenie średnicy rowka za pomocą taśmy mierniczej

6. Porównać zmierzoną średnicę rowka ze średnicą wymaganą, jak pokazano w Tabeli I lub III lub jako określa to producent połączeń rowkowych. Jeśli zmierzony rowek nie jest zgodny z żądaną średnicą, należy zmienić położenie śruby regulacyjnej, aby uzyskać prawidłową średnicę rowka.
  - Aby zwiększyć średnicę rowka, należy obracać śrubę regulacyjną w prawo.

- Aby zmniejszyć średnicę rowka, należy obracać śrubę regulacyjną w lewo.
  - Każda  $\frac{1}{4}$  obrotu śruby regulacyjnej zmienia średnicę rowka o ok. 0,02" (ok. 0,5 mm).
7. Powtarzać kroki 4-6 do momentu uzyskania średnicy rowka zgodnej ze specyfikacjami. Jeśli pierwszy rowek jest zbyt duży, można wyregulować rowkarkę i zmniejszyć rowek. Jeśli rowek jest zbyt mały, należy wykonać kolejny rowek. Prawidłowa średnica rowka jest istotna dla zapewnienia efektywnego połączenia. Rowki wykraczające poza specyfikacje mogą spowodować awarie połączenia.

### Formowanie rowka

1. Potwierdzić, że urządzenie i rura są prawidłowo ustawione.
2. Przyjąć prawidłową pozycję roboczą. Upewnić się, że oparcie dla stóp jest pewne, a równowaga prawidłowa.
3. Upewnić się, że śruba pociągowa została dokręcona o  $\frac{1}{4}$  obrotu.
4. Zdjąć grzechotkę ze śruby pociągowej i pewnie zainstalować przedłużenie. (Przy zastosowaniach w ograniczonych przestrzeniach, nie trzeba używać przedłużenia.)
5. Obracać grzechotkę w prawo patrząc do tyłu rowkarki rolkowej (zgodnie z kierunkiem pokazującym przez strzałki odlane w tylnej części rowkarki, zobacz ilustrację 17). Obserwować obroty rowkarki i upewnić się, że powierzchnia czołowa rury pozostaje w kontakcie z płytą pokrywy rowkarki rolkowej. Jeśli rowkarka rolkowa zacznie odsuwać się od końca rury, przerwać obracanie grzechotki, aby zapobiec zejściu rowkarki rolkowej ruchem spiralnym z rury i upadnięciu. Ramiona wsporcze rowkarki rolkowej mogą być wciśnięte, aby pomóc w wykonaniu ponownego kontaktu płyty pokrywy z końcem rury. Jeśli potrzeba, zamontować ponownie rowkarkę rolkową na rurze. (zobacz część „Montaż rowkarki rolkowej na rurze”). Jeśli koniec rury jest zdeformowany, należy go odciąć i przygotować nowy rowek.



Ilustracja 17 – Obracanie grzechotki w kierunku zgodnym ze strzałkami

6. Kontynuować obracanie grzechotki do momentu wykonania przynajmniej jednego pełnego obrotu rowkarki rolkowej wokół rury. Zdjąć grzechotkę z przedłużenia i zamocować na śrubie pociągowej. Dokręcić śrubę pociągową o kolejne  $\frac{1}{4}$  obrotu. Zdjąć grzechotkę ze śruby pociągowej i pewnie zamocować na przedłużeniu. Nie dokręcać śruby pociągowej więcej, niż  $\frac{1}{4}$  obrotu na jeden obrót rury. Agresywne dokręcanie śruby pociągowej może spowodować nadmierne rozszerzenie rowka, lub zejście rowkarki rolkowej z rury. Kontynuować obracanie grzechotki, aby przemieszczać rowkarkę rolkową wokół rury monitorując jednocześnie położenie płyty pokrywy względem końca rury.
7. Kontynuować dokręcanie śruby pociągowej o  $\frac{1}{4}$  obrotu na jeden obrót wokół rury do momentu kiedy łeb śruby regulacyjnej zetknie się z górną częścią rowkarki rolkowej. Nie kontynuować dokręcania śruby pociągowej po osiągnięciu przez śrubę regulacyjną górnej części rowkarki rolkowej, ponieważ może to spowodować uszkodzenie śruby regulacyjnej. Obrócić rowkarkę rolkową przynajmniej o dwa pełne obroty wokół rury po tym jak śruba regulacyjna ustawi się w górnej części rowkarki rolkowej, aby zapewnić jednorodną głębokość rowka.
8. Przenieść grzechotkę na śrubę pociągową. Chwycić pewnie rowkarkę rolkową. Obracać śrubę pociągową w lewo i unieść rolkę rowkującą tak, aby umożliwić zdjęcie rowkarki rolkowej z rury. Nie upuścić rowkarki.
9. Przeprowadzić przegląd rowka.
  - Upewnić się, że rowek jest w pełni uformowany.
  - Sprawdzić średnicę rowka i upewnić się, że mieści się w specyfikacjach.
  - Sprawdzić wszelkie inne elementy wymagane przez producenta połączenia.

W przypadku wykrycia jakichkolwiek problemów nie można używać rowka.

### Instrukcje konserwacji

#### ⚠ OSTRZEŻENIE

Przed rozpoczęciem jakichkolwiek czynności konserwacyjnych lub regulacji upewnić się, że przełącznik napędu mechanicznego jest w położeniu OFF (Wył.), a napęd jest odłączony od źródła zasilania.

#### Smarowanie

Smarować rowkarkę rolkową 975 Combo dobrym smarem uniwersalnym raz w miesiącu.

- Smarowniczkę znajdują się na boku, po stronie operatora przy podstawie, w przedniej części bloku ślizgowego i na końcu wałka rolki rowkującej (zobacz ilustrację 2). Dodawać smaru do momentu wypłynięcia jego niewielkiej ilości.
- Nałożyć cienką warstwę smaru na śrubę pociągową.

- Przekładnia rowkarki rolkowej 975 Combo została nasmarowana na cały okres żywotności i nie wymaga dodatkowego smarowania, o ile przekładnia nie zostanie otwarta.

Zobacz część dotyczącą Przegladów, aby uzyskać inne informacje na temat konserwacji.

## Czyszczenie

Czyścić radełkowanie wałka napędowego za pomocą szczotki drucianej każdego dnia lub, jeśli to potrzebne, częściej.

## Wymiana zestawów rolek

**NOTATKA** Wymieniając elementy zestawu rolek, zawsze należy upewnić się, że oznaczenia rolki rowkującej i napędowej są zgodne. Niezgodne części mogą być przyczyną formowania nieprawidłowych rowków przecieków.

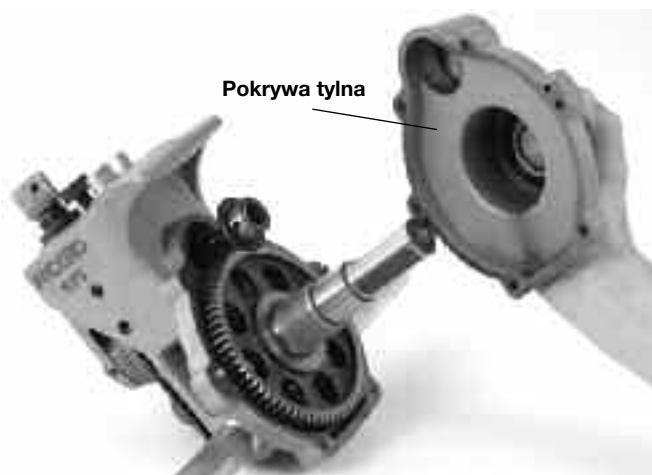
Zdemontować rowkarkę rolkową z napędu mechanicznego lub gwinciarke i umieścić ją na stabilny stół warsztatowy.

Wymagane narzędzia:

- klucz sześciokątny  $\frac{3}{8}$ "
- klucz sześciokątny  $\frac{3}{32}$ "
- Szczypce do pierścieni zewnętrznych 0,070"

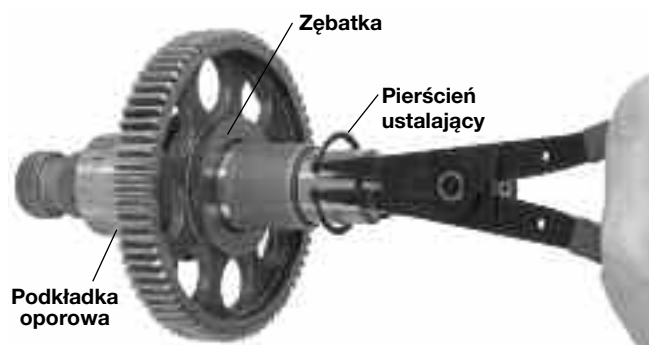
### Demontaż i instalacja rolki napędowej

1. Wykręcić 6 śrub mocujących tylną pokrywę do obudowy.
2. Zdjąć tylną pokrywę (Zobacz ilustrację 18).



Ilustracja 18 – Zdejmowanie pokrywy tylnej

3. Zdemontować wałek zębaty.
4. Wymontować zespół wałka napędowego z tylnej części rowkarki rolkowej 975.
5. Zdjąć pierścień ustalający z wałka napędowego i wysunąć zębatkę. (Patrz Ilustracja 19)



Ilustracja 19 – Demontaż pierścienia ustalającego

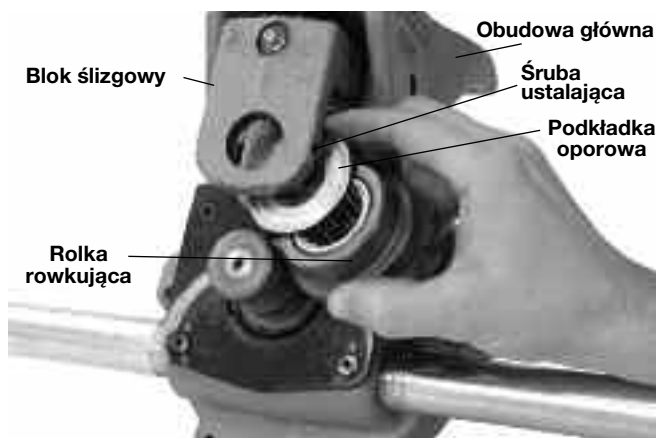
6. Wyjąć klin, a następnie podkładkę oporową.
7. Wsunąć podkładkę oporową na nowy wałek napędowy.
8. Włożyć klin i zamontować zębatkę.
9. Zamontować pierścień ustalający w rowku wałka napędowego.
10. Umieścić zespół wałka napędowego w obudowie głównej.
11. Smar z przekładni mógł zostać utracony podczas wymiany wałka napędowego. Upewnić się, że łożyska i zęby zębatek są odpowiednio pokryte dobrym smarem uniwersalnym.
12. Włożyć wałek zębaty i zamontować pokrywę. Dokręcić śruby momentem o wartości 12-16 funtów\*stopę.



Ilustracja 20 - Części rowkarki rolkowej 975 Combo

### Demontaż i instalacja rolki rowkującej

1. Wykręcić śrubę ustalającą mocującą wałek rolki rowkującej na miejscu.
2. Wyciągnąć wałek rolki rowkującej z bloku ślizgowego i wyjąć rolkę rowkującą oraz podkładkę oporową.
3. Włożyć podkładkę oporową i nową rolkę rowkującą do bloku ślizgowego. Upewnić się, że wewnętrzny pierścień ustalający znajdujący się w rolce rowkującej jest w najbliższej odległości od obudowy głównej oraz, że rolka rowkująca znajduje się pomiędzy podkładką oporową i obudową główną.


**Ilustracja 21**

4. Zamontować wałek rolki rowkujące i śrubę ustalającą.
5. Przeprowadzić przegląd wzrokowy ustawienia osi rolki rowkującej względem rolki napędowej. Jeśli nie są wyosowane, sprawdzić orientację rolki rowkującej i podkładki oporowej.
6. Nasmarować zgodnie ze wskazówkami zawartymi w części Smarowanie niniejszego podręcznika.

## Akcesoria

### ⚠ OSTRZEŻENIE

Następujące produkty firmy RIDGID zostały zaprojektowane do współpracy z rowkarką rolkową 975 Combo. Użycie innych akcesoriów, które pasują do innych narzędzi, może być niebezpieczne kiedy używane są z rowkarką rolkową 975 Combo. Aby zmniejszyć ryzyko poważnych obrażeń, należy używać tylko akcesoriów przeznaczonych i zalecanych do użytku z rowkarką rolkową 975 Combo, takich jak te wyszczególnione w tabeli.

Kat. Numer	Opis
60082	300 Power Drive, 230V 25-60Hz
60077	300 Power Drive, 115V 25-60Hz
42360	1206 Stojak do 300 Power Drive
50697	300 Compact, 230V 25-60Hz
50692	300 Compact, 115V 25-60Hz
20391	300 Compact, 230V 25-60Hz (DK)
67662	Wspornik adaptera dla 300 Compact/1233
58077	250 Składany stojak dla 300 Compact/1233
72037	460 Przenośne imadło łańcuchowe Tristand
56662	VJ-99 Wysoki stojak do rur VHead
76822	Całowa taśma do średnic
76827	Metryczna taśma do średnic
30708	Przedłużenie, napęd 1/2", z blokadą
30703	Grzechotka, napędu 1/2" wygięta 90°
33043	Rolki rowkujące i napędowe do rur miedzianych 2" - 8" typu K, L, M i DWV

## Przechowywanie urządzenia

**⚠ OSTRZEŻENIE** Przechowywać urządzenie w zamkniętym pomieszczeniu, poza zasięgiem dzieci i osób niezapoznanych z urządzeniami do formowania rowków. To narzędzie może spowodować poważne obrażenia jeśli znajdzie się w rękach niewyszkolonych użytkowników.

## Serwis i naprawa

### ⚠ OSTRZEŻENIE

Nieprawidłowe serwisowanie i naprawa mogą spowodować niebezpieczeństwo przy użytkowaniu urządzenia.

„Instrukcje konserwacji” zajmują się wszystkimi wymaganiami serwisowymi tego urządzenia. Wszelkimi problemami, które nie zostały ujęte w tej części powinni zajmować się autoryzowani technicy serwisu RIDGID.

Narzędzie powinno być przekazane do Niezależnego autoryzowanego centrum serwisowego RIDGID lub zwrócone do producenta.

Przy serwisowaniu narzędzia należy użyć tylko identycznych części zamiennych. Użycie innych części może stwarzać ryzyko poważnych obrażeń.

Jeśli mają Państwo jakieś pytania odnośnie serwisu lub naprawy tego urządzenia, proszę zadzwonić lub napisać:

Ridge Tool Company  
 Dział Pomocy Technicznej  
 400 Clark Street  
 Elyria, Ohio 44035-6001  
 Tel: (800) 519-3456  
 E-mail: TechServices@ridgid.com

Informacje dotyczące najbliższego Niezależnego centrum serwisowego RIDGID lub dowolne pytania dotyczące serwisu lub naprawy

Skontaktuj się ze swoim lokalnym dystrybutorem Ridge Tool.

Odwiedź stronę [www.RIDGID.com](http://www.RIDGID.com) lub [www.RIDGID.eu](http://www.RIDGID.eu) w celu odnalezienia lokalnego punktu kontaktowego Ridge Tool

Skontaktuj się z Działem serwisowym Ridge Tool pod adresem [techservices@emerson.com](mailto:techservices@emerson.com), lub w USA i Kanadzie zadzwoń na numer (800) 519-3456.

## Tabela I. Standardowe specyfikacje rowków dla rur o wymiarach IPS

UWAGA! Wszystkie wymiary podane są w calach.

NOM. WIELK. RURY	ŚREDNICA RURY		T MIN. GR. ŚCIANKI	A GNAZDO USZCZELKI +.015/-0.030	B SZER. ROWKA +.030/-0.015	C ŚREDN. ROWKA		D NOM. GŁĘB. ROWKA (Ref.) (2)
	ŚR. ZEWN.	TOL.				ŚR. ZEWN.	TOL.	
1¼	1.660	+0.016 -0.016	.065	.625	.344	1.535	+0.000 -0.015	.063
1½	1.900	+0.016 -0.016	.065	.625	.344	1.775	+0.000 -0.015	.063
2 <sup>(1)</sup>	2.375	+0.024 -0.016	.065	.625	.344	2.250	+0.000 -0.015	.063
2½ <sup>(1)</sup>	2.875	+0.029 -0.016	.083	.625	.344	2.720	+0.000 -0.015	.078
3 <sup>(1)</sup>	3.50	+0.030 -0.018	.083	.625	.344	3.344	+0.000 -0.015	.078
3½ <sup>(1)</sup>	4.00	+0.030 -0.018	.083	.625	.344	3.834	+0.000 -0.015	.083
4 <sup>(1)</sup>	4.50	+0.035 -0.020	.083	.625	.344	4.334	+0.000 -0.015	.083
5 <sup>(1)</sup>	5.563	+0.056 -0.022	.109	.625	.344	5.395	+0.000 -0.015	.084
6 <sup>(1)</sup>	6.625	+0.050 -0.024	.109	.625	.344	6.455	+0.000 -0.015	.085

(1) Zgodnie z AWWA C606-06

(2) Nominalna głębokość rowka podana jest tylko jako wymiar referencyjny. Nie używać głębokości rowka do określania jego dopuszczalności.

## Tabela II. Minimalna i maksymalna grubość ścianki rury

UWAGA! Wszystkie wymiary podane są w calach.

Wielkość rury	RURA LUB RURKA ZE STALI WĘGLOWEJ LUB ALUMINIUM		RURA LUB RURKA ZE STALI NIERDZEWNEJ		RURA PCV	
	Grubość ścianki		Grubość ścianki		Grubość ścianki	
	Min.	Maks.	Min.	Maks.	Min.	Maks.
1¼"	.065	.140	.065	.140	.140	.140
1½"	.065	.145	.065	.145	.145	.200
2"	.065	.154	.065	.154	.154	.154
2½"	.083	.203	.083	.188	.203	.276
3"	.083	.216	.083	.188	.216	.300
3½"	.083	.226	.083	.188	.226	.300
4"	.083	.237	.083	.188	.237	.300
5"	.109	.258	.109	.188	.258	.300
6"	.109	.280	.109	.188	.280	.300

**Tabela III. Dane techniczne rowka w miedzi**

1	2		3	4	5	6	7	8
Nom. Rozmiar Cale	Średnica zewnętrzna rurki O.D.		A Gniazdo uszczelki A ±0.03	B Szerokość rowka +.03 -.000	C Średnica rowka +.00 -.02	D Głębokość rowka Ref. <sup>1</sup>	T Min. dopuszcz. grubość ścianki	Maks. dopuszcz. średnica rozchylenia
	Podstawowy	Tolerancja						
2"	2.125	±0.002	0.610	0.300	2.029	0.048	DWV	2.220
2 1/2"	2.625	±0.002	0.610	0.300	2.525	0.050	0.065	2.720
3"	3.125	±0.002	0.610	0.300	3.025	0.050	DWV	3.220
4"	4.125	±0.002	0.610	0.300	4.019	0.053	DWV	4.220
5"	5.125	±0.002	0.610	0.300	5.019	0.053	DWV	5.220
6"	6.125	±0.002	0.610	0.300	5.999	0.063	DWV	6.220
8"	8.125	+0.002/-0.004	0.610	0.300	7.959	0.083	DWV	8.220

1. Nominalna głębokość rowka podana jest tylko jako wymiar referencyjny. Nie używać głębokości rowka do określania jego dopuszczalności.

## Rozwiązywanie problemów

OBJAW	MOZLIWE PRZYCZYNY	ROZWIAZANIE
Rowek zbyt wąski lub zbyt szeroki.	Rolkę rowkującą i/lub wałek napędowy zużyte.	Wymienić rolkę rowkującą i/lub wałek napędowy.
Formowany rowek nie jest prostopadły do osi rury.	Rura nie jest prosta. Koniec rury nie jest prostopadły do osi rury.	Użyć prostej rury. Dociąć prostopadłe koniec rury.
Rura nie porusza się po odpowiednim torze przy rowkowaniu/Rowkarka nie porusza się po odpowiednim torze na rurze przed rowkowaniem.	Rura i wałek napędowy nie są równoległe. Oś rury nie jest przesunięta o 1/2 od osi rolki napędowej. Radełkowanie rolki napędowej zapchane lub wytarte. Śruba pociągowa nie jest dokręcona.	Ustawić stojak, aby rura była równoległa. Przesunąć rurę o 1/2 stopnia. Wyczyścić lub wymienić rolkę napędową.
Rura rozchylona na rowkowanym końcu.	Zły kierunek obrotów grzechotki. We wnętrzu rury jest za dużo zendry. Za duża spoina spawana. Brak przyłożenia siły do rury. Koniec rury nie jest prostopadły/ogratowany. Śruba pociągowa dokręcona zbyt mocno.	Dokręcać śrubę pociągową za pomocą grzechotki po każdym obrocie, zgodnie z instrukcjami. Obracać grzechotkę we właściwym kierunku. Wyczyścić wnętrze rury. Zeszlifować szew spoiny na równo z otaczającą powierzchnią na długości 2" do końca rury. Przyłożyć siłę do rury. (Patrz Ilustracja 10) Właściwie przygotować koniec rury. Dokręcać śrubę pociągową tylko w przyrostach co 1/4 obrotu.
	Rura i wałek napędowy nie są równoległe. Śruba pociągowa dokręcona zbyt mocno.	Ustawić stojak, aby rura była równoległa. Dokręcać śrubę pociągową tylko o 1/4 obrotu.



## Rozwiązywanie problemów (ciąg dalszy)

OBJAW	MOZLIWE PRZYCZYNY	ROZWIĄZANIE
Rura przesuwa się do przodu i do tyłu wzdłuż osi rolki napędowej podczas formowania rowka.	Rura nie jest prosta. Koniec rury nie jest prostopadły do osi rury.	Użyć prostej rury. Dociąć prostopadłe koniec rury.
Rura przesuwa się na boki na rolce napędowej podczas formowania rowka.	Stojak rury jest zbyt blisko końca rury. Koniec rury spłaszczony lub zniszczony. Twarde miejsca w materiale rury lub szwy spoin twardsze od rury. Zbyt mała prędkość posuwu rolki rowkującej. Prędkość napędu mechanicznego przekracza 57 obr./min. Podpora rury w niewłaściwym miejscu.	Przesunąć podporę rury, aby zachować zgodność z instrukcjami ustawiania. Odciąć uszkodzony koniec rury. Użyć innej rury. Szybciej wprowadzać rolkę rowkującą w głąb rury. Zmniejszyć prędkość do 57 obr./min. lub mniej Ustawić prawidłowo rolki podpory rury.
Rowkarka nie formuje rowka w rusze.	Przekroczono maks. grubość ścianki. Materiał rury zbyt twardy. Śruba regulacyjna nie ustawiona. Napęd mechaniczny nie zapewnia minimalnego wymaganego momentu obrotowego.	Sprawdzić tabelę wielkości rur. Wymienić rurę. Ustawić głębokość. Użyć napędu RIDGID No. 300, Power Drive, 300 Compact lub 1233.
Rowkarka nie formuje rowka o żądanej średnicy.	Przekroczono tolerancję maks. średnicy rury. Śruba regulacji głębokości ustawiona nieprawidłowo. Materiał rury zbyt twardy.	Użyć rury o właściwej średnicy. Wyregulować ustawienie głębokości. Użyć innej rury.
Rura ślizga się na rolce napędowej.	Zbyt mała prędkość posuwu rolki rowkującej. Radełkowanie rolki napędowej zapchane metalem lub wytarte.	Szybciej wprowadzać rolkę rowkującą w głąb rury. Wyczyścić lub wymienić rolkę napędową.
Rowkarka nie obraca rury podczas formowania rowka.	Napęd mechaniczny nie zapewnia minimalnego wymaganego momentu obrotowego. Uchwyt nie zaciśnięty na powierzchniach płaskich wałka napędowego.	Użyć napędu RIDGID No. 300, Power Drive, 300 Compact lub 1233. Zacisnąć uchwyt.
Rura unosi się lub ma tendencje do przechyłania rowkarki to tyłu.	Podpora rury ustawiona nieprawidłowo.	Prawidłowo ustawić stojaki.

975

# Kombo Yiv Açma Aleti




**RIDGID**<sup>®</sup>


## İçindekiler


<b>Güvenlik Sembolleri</b> .....	402
<b>Genel Güvenlik Kuralları</b>	
Çalışma Alanı Güvenliği .....	402
Elektrik Güvenliği .....	402
Kişisel Güvenlik .....	403
Kullanım ve Bakım .....	403
Servis .....	403
<b>Özel Güvenlik Bilgileri</b>	
Yiv Açma Aleti Güvenliği .....	404
Yiv Açma Aleti Güvenliği (Bir Elektrikli Motor/Dış Açma Makinesi İle Birlikte Kullanıldığında) .....	404
Yiv Açma Aleti Güvenliği (Yerinde Kullanıldığında) .....	404
<b>Açıklama, Teknik Özellikler ve Standart Ekipman</b>	
Açıklama .....	404
Teknik Özellikler .....	405
Standart Ekipman .....	405
<b>Yiv Açma Aleti Muayenesi</b> .....	405
Elektrik Kullanılan Uygulamalar İçin Makine ve Çalışma Alanının Hazırlanması	
975 Kombo Yiv Açma Aleti'nin RIDGID 300 Elektrikli Motor'a Montajı .....	407
975 Kombo Yiv Açma Aleti'nin RIDGID 300 Kompakt/1233 Dış Açma Makinesi'ne Montajı .....	407
Kurulumun Tamamlanması .....	408
Borunun Hazırlanması .....	409
Borunun Yiv Açma Aleti'ne Yerleştirilmesi .....	410
<b>975 Kombo Yiv Açma Aleti'nin Bir Elektrikli Motor/Dış Açma Makinesi ile Kullanımı</b>	
Yiv Çapının Ayarlanması/Ölçümü .....	410
Yivin Açılması .....	411
Bakır Borular İçin Yiv Çapının Ayarlanması .....	412
975 Kombo Yiv Açma Aleti İlerletme İpuçları .....	412
<b>Yerinde Yapılan Uygulamalar İçin Makine ve Çalışma Alanının Hazırlanması</b>	
Borunun Hazırlanması .....	414
Yiv Açma Aleti'nin Boruya Monte Edilmesi .....	414
<b>975 Kombo Yiv Açma Aleti'nin Yerinde Kullanımı</b>	
Yiv Çapının Ayarlanması/Ölçümü .....	415
Yivin Açılması .....	416
<b>Bakım Talimatları</b>	
Yağlama .....	416
Temizlik .....	417
Silindir Setlerinin Değiştirilmesi .....	417
<b>Accessua</b> .....	418
Makinenin Depolanması .....	418
<b>Servis ve Onarım</b> .....	418
<b>Tablo I. Standart Yiv Teknik Özellikleri</b> .....	419
<b>Tablo II. Maksimum ve Minimum Boru Et Kalınlıkları</b> .....	419
<b>Tablo III. Bakır Boru Yiv Teknik Özellikleri</b> .....	420
<b>Sorun Giderme</b> .....	420-421

## Güvenlik Sembolleri


Bu kullanıcı kılavuzunda ve ürün üzerinde güvenlik sembolleri ve uyarı kelimeleri önemli güvenlik bilgilerini bildirmek için kullanılmıştır. Bu bölüm, bu uyarıların ve simgelerin daha iyi anlaşılmasını sağlamak için hazırlanmıştır.

 Bu, güvenlik uyarı sembolüdür. Sizi potansiyel kişisel yaralanma tehlikesine karşı uyarmak için kullanılır. Olası yaralanma veya ölümden sakınmak için bu simgeyi izleyen tüm güvenlik talimatlarına uyun.

 **TEHLİKE** TEHLİKE sakınılmadığı takdirde ölüm veya ciddi yaralanmayla sonuçlanacak tehlikeli bir durumu gösterir.

 **UYARI** UYARI sakınılmadığı takdirde ölüm veya ciddi yaralanmayla sonuçlanabilecek tehlikeli bir durumu gösterir.

 **DİKKAT** DİKKAT sakınılmadığı takdirde küçük veya orta derece yaralanmaya yol açabilecek tehlikeli bir durumu gösterir.

 **BİLDİRİM** BİLDİRİM eşyanın korunmasıyla ilgili bilgileri gösterir.



Bu sembol ekipmanı kullanmadan önce kullanıcı kılavuzunun dikkatlice okunması gerektiği anlamına gelir. Kullanıcı kılavuzu ekipmanın güvenli ve düzgün kullanımına dair önemli bilgiler içerir.



Bu sembol göz yaralanması riskini azaltmak için ekipmanı taşıırken veya kullanırken daima yan korumaları olan güvenlik gözlükleri veya koruyucu gözlüklerin takılması gerektiğini gösterir.



Bu sembol, parmakların ve ellerin yiv açma silindirlerinin arasında ezilme tehlikesini belirtir.



Bu sembol ellerin, parmakların, bacakların, giysilerin ve diğer nesnelerin ezilme veya çarpma sonucu oluşan yaralanmalara yol açan dönen millere yakalanma ve/veya dolanma tehlikesini belirtir.



Bu sembol bir matkap, darbeli alet veya başka bir elektrikli aletin yerinde kullanım sırasında bu aleti çalıştırmak için kullanılmaması gerektiğini belirtir.



Bu sembol makinenin devrilerek çarpma veya ezilmeden kaynaklanan yaralanmalara yol açma tehlikesi olduğunu belirtir.



Bu sembol bir diş açma makinesi/elektrikli motor kullanılırken her zaman bir pedal kullanılması gerektiğini belirtir.



Bu sembol baş seviyesinin üstünde çalışılırken yaralanma riskini azaltmak için baret takılması gerektiğini belirtir.

## Genel Güvenlik Kuralları

### UYARI

Tüm talimatları okuyun ve anladığınızdan emin olun. Aşağıda listelenen talimatların tümüne uyulmaması elektrik çarpması, yangın ve/veya ciddi kişisel yaralanmalara yol açabilir.

### **BU TALİMATLARI SAKLAYINI!**

Uyarılardaki “elektrikli alet” terimi, elektrik hattından (kablolu) ya da pil ile (kablosuz) çalışan elektrikli aletleri kapsar.

### Çalışma Alanı Güvenliği

- Çalışma alanının temiz ve iyi aydınlatılmış olmasını sağlayın. Dağınık ve karanlık alanlar kazaları davet eder.
- Elektrikli aletleri alev alabilen sıvıların, gazların ya da tozların olduğu patlayıcı ortamlarda kullanmayın. Elektrikli aletler toz ya da gazları tutuşturabilecek kıvılcımlar üretebilirler.
- Elektrikli aletleri kullanırken çocukları ve izleyenleri uzakta tutun. Dikkatinizi dağıtan öğeler kontrolü kaybetmenize sebep olabilir.

- Yerleri kuru tutun ve yağ gibi zemini kayganlaştırıcı maddelerden arındırın. Kaygan zeminler kazalara yol açabilir.
- Çalışılan parça makineden öteye uzadığında alanı koruma altına alın veya barikat kurun. Çalışılan parçanın etrafında en az bir (1) metre boş alan sağlayan bir koruma veya barikat, dolanma tehlikesini azaltacaktır.

### Elektrik Güvenliği

- Elektrikli aletlerin fişleri prizlere uygun olmalıdır. Fişleri hiçbir şekilde değiştirmeyin. Topraklanmış elektrikli aletler ile adaptör fişi kullanmayın. Değiştirilmemiş fişler ve uygun prizler elektrik çarpma tehlikesini azaltacaktır.
- Aletin gövdesini borular, radyatörler, ocaklar ve buzdolapları gibi topraklanmış yüzeylerle temas ettirmekten kaçınınız. Eğer vücudunuz topraklanmışsa elektrik çarpması ihtimali artar.
- Elektrikli aletleri yağmura ya da ıslak koşullara maruz bırakmayın. Elektrikli alete giren su, elektrik çarpması ihtimalini artırır.

- **Kabloyu kötü kullanmayın. Kabloyu kesinlikle elektrikli aleti taşımak, çekmek ya da çıkarmak için kullanmayın. Kabloyu ısıdan, yağdan, keskin kenarlardan ve hareketli parçalardan uzak tutun.** Hasarlı ve dolaşmış kablolar elektrik çarpması ihtimalini artırır.
- **Elektrikli bir aleti açık havada kullanmak için açık havada kullanıma uygun uzatma kabloları kullanın.** Açık havada kullanıma uygun kabloların kullanılması elektrik çarpması ihtimalini azaltır.
- **Elektrikli aletin nemli ortamda kullanılması kaçınılmaz ise bir toprak devre hatası kesici (GFCI) korumalı güç kaynağı kullanın.** GFCI kullanımı elektrik çarpma ihtimalini azaltır.

## Kişisel Güvenlik

- **Dikkatli olun, ne yaptığınıza dikkat edin ve elektrikli aleti kullanırken sağduyunuzu kullanın.** Yorgunken ya da uyuşturucu, alkol veya ilaçların etkisindeyken elektrikli aletler kullanmayın. Elektrikli aletin kullanımı sırasında bir anlık dikkatsizlik ağır kişisel yaralanmalara yol açabilir.
- **Koruyucu kişisel ekipmanlar kullanın. Daima koruyucu gözlük takın.** Toz maskeleri, kaymaz güvenlik ayakkabıları, baretler ve kulak korumaları gibi koruyucu ekipmanların kullanımı kişisel yaralanmaların azalmasını sağlar.
- **Aletin siz farkında olmadan çalışmaya başlamasını engelleyin. Aleti güç kaynağına ya da pile bağlamadan, kaldırmadan ya da taşımadan önce anahtarının kapalı pozisyonda olduğundan emin olun.** Parmağınız anahtarın üzerindeki taşımanız ya da anahtar açık pozisyonda iken güç kaynağına bağlamanız kazalara davetiye çıkarır.
- **Elektrikli aleti çalıştırmadan önce üzerindeki tüm ayar anahtarlarını çıkarın.** Elektrikli aletin dönen parçasına takılı bırakılan bir anahtar kişisel yaralanmalara yol açabilir.
- **Aşırı zorlamadan kullanın. Yere daima sağlam ve dengeni koruyacak şekilde basın.** Bu, beklenmedik durumlarda elektrikli aleti daha iyi kontrol etmenizi sağlar.
- **Uygun şekilde giyinin. Bol giysiler giymeyin ve takı takmayın. Saçınızı, giysilerinizi ve eldivenlerinizi hareket eden parçalardan uzak tutun.** Bol giysiler, takılar ya da uzun saçlar hareket eden parçalar tarafından kapılabilir.
- **Eğer aletler toz giderme ve tutma tertibatı ile birlikte kullanılacaksa, bu tertibatların bağlı olduğundan ve düzgün çalıştığından emin olun.** Toz tutma tertibatı kullanımı tozlardan kaynaklanan kazaları azaltabilir.

## Kullanım ve Bakım

- **Aleti zorlamayın. Yapacağınız işe uygun alet kullanın.** Doğru alet işinizi, uygun tasarlandığı oranda daha iyi ve güvenli şekilde yapar.
- **Anahtar aleti ACİP KAPATMIYORSA, aleti kullanmayın.** Anahtar ile kontrol edilemeyen aletler tehlikelidir ve tamir edilmelidir.
- **Elektrikli aleti ayarlamadan, aksesuarlarını değiştirmeden veya saklamadan önce fişini güç kaynağından çekin ya da pilini çıkarın.** Bu tür güvenlik önlemleri aletin kazayla çalıştırılması ihtimalini azaltır.
- **Kullanmadığınız aletlerinizi çocukların erişemeyeceği yerlerde saklayın ve aletleri kullanma deneyimi olmayan ya da bu talimatlardan habersiz kişilerin kullanmalarına izin vermeyin.** Aletler eğitimsiz kullanıcıların ellerinde tehlikelidir.
- **Aletlerin bakımlarını yapın. Yanlış hizalanmış ya da yanlış bağlanmış hareketli parçaları, arızalı parçaları ve aletin çalışmasını etkileyebilecek diğer durumları kontrol edin. Eğer hasarlıysa, aleti kullanmadan önce tamir ettirin.** Birçok kaza bakımsız aletlerden kaynaklanır.
- **Sadece aletin için tavsiye edilen aksesuarları kullanın.** Uygun şekilde bakımı yapılmış keskin uçlu aletlerin takılıp kalma olasılığı düşüktür ve kontrolleri daha kolaydır.
- **Tutma yerlerini kuru ve temiz tutun; yağ ve gresten arındırın.** Bu, aleti daha iyi kavramanızı sağlar.

## Servis

- **Elektrikli aletinizin onarımını yetkili tamircilere sadece orijinal yedek parçaları kullanarak yaptırın.** Bu, aletin güvenliğinin devamlılığını sağlayacaktır.

## Özel Güvenlik Bilgileri

### ⚠ UYARI

**Bu bölüm alete özel önemli güvenlik bilgileri içerir.**

**Ciddi yaralanma riskini azaltmak için 975 Kombo Yiv Açma Aleti'ni kullanmadan önce bu önlemleri dikkatlice okuyun.**

### BU TALİMATLARI SAKLAYINI!

Herhangi bir sorunuz olduğunda (800) 519-3456 numarasından Ridge Tool Teknik Servis Departmanı'nı arayın veya tech-service@ridgid.com adresine başvurun.

## Yiv Açma Aleti Güvenliği

- **Bol giysiler giymeyin. Kol düğmelerinizi ve ceketinizi ilikleyin. Makinenin veya borunun üzerinden uzanmayın.** Giysileriniz boruya veya diğer dönen parçalara kapılarak dolaşma ve ciddi yaralanmalara yol açabilir.
- **Ellerinizi yiv açma silindirlerine yaklaştırmayın. Belirtilenden daha kısa borulara yiv açmayın. Bol eldivenler giymeyin.** Parmaklarınız yiv açma silindirlerinin veya yiv açma silindiri ile boru arasında ezilebilir.
- **Ellerinizi borunun uçlarına yaklaştırmayın. Ellerinizi borunun içine sokmayın.** Çapaklar ve keskin kenarlar elinizi yakalayabilir ve kesebilir. Parmaklarınız yiv açma silindirlerinin veya yiv açma silindiri ile boru arasında ezilebilir.
- **Boruyu doğru şekilde hazırlayın ve yerleştirin.** Çapaklar ve keskin kenarlar elinizi yakalayabilir ve kesebilir.
- **Boruyu doğru şekilde destekleyin.** Bu, borunun ve ekipmanın devrilmesinin önlenmesine yardımcı olacaktır.
- **RIDGID® 975 Kombo Yiv Açma Aleti'ni kullanmadan önce bu kullanım kılavuzunu, elektrikli motor veya dış açma makinesi kullanım kılavuzunu, bağlantı parçası üreticisinin kurulum talimatlarını ve bu aletle birlikte kullanılan diğer ekipmanla ilgili talimatları okuyun ve anladığınızdan emin olun.** Talimatların tümüne uyulmaması maddi hasara ve/veya ciddi kişisel yaralanmalara yol açabilir.
- **RIDGID 975 Kombo Yiv Açma Aleti'ni yerleştirirken ve kullanırken daima uygun kişisel koruyucu ekipmanlar kullanın.** Uygun kişisel koruyucu ekipmanlar her zaman güvenlik gözlüklerini içerir ve sıkı deri eldivenler, çelik uçlu ayakkabılar ve bir baret içerebilir.
- **Yiv açma aletini sadece bu talimatlara uyan çap ve tiplerdeki borulara yiv açmak için kullanın.** Bu yiv açma aletinin başka uygulamalar için kullanılması veya üzerinde değişiklik yapılması yaralanma riskini artırabilir.

## Yiv Açma Aleti Güvenliği (Bir Elektrikli Motor/Dış Açma Makinesi İle Birlikte Kullanıldığında)

- **975 Kombo Yiv Açma Aleti ile birlikte sadece RIDGID 300 Elektrikli Motor'u veya 300 Kompakt Dış Açma Makinesi'ni kullanın.** Diğer güç kaynaklarının kullanımı yanlış kurulumla sonuçlanarak devrilmeye veya diğer sorunlara yol açabilir.
- **Bu yiv açma aletini pedalı olmayan bir elektrikli motor veya dış açma makinesi ile birlikte kullanmayın. Pedalı, elektrikli motoru kontrol etmesini önleyecek şekilde kesinlikle engellemeyin.** Pedal, ayağınızı çekerek elektrikli motoru kapatmanıza olanak sağlayarak size daha iyi bir kontrol sağlar. Giysinizi makineye kaptırmanız ve motora güç verilmeye devam edilmesi durumunda giysiniz makinenin

içine çekilecektir. Bu makine yüksek torkta çalışır ve giysilerinizin kemiklerinizi ezmesine veya kırmasına yetecek güçle kolunuzu veya vücudunuzun diğer parçalarını sıkıştırmasına neden olabilir veya çarpma veya diğer yaralanmalara yol açabilir.

- **Yiv açma işlemini ve pedalı sadece bir kişi kontrol etmelidir. Birden fazla kişi ile kullanmayın.** Dolaşma durumunda, pedalin kontrolü operatörde olmalıdır.
- **Sadece 57 dev/dk veya daha düşük dönüş hızına sahip elektrikli motorlar ve dış açma makineleri kullanın.** Daha yüksek devirli makineler yaralanma riskini artırır.
- **Yiv açma aletinin elektrikli motora/dış açma makinesine doğru şekilde bağlandığından ve sabitlendiğinden emin olun. Makinenin, tezgahın, yiv açma aletinin ve borunun sabit durduğundan emin olun.** Bu, ekipmanın ve borunun devrilmesinin önlenmesine yardımcı olacaktır.

## Yiv Açma Aleti Güvenliği (Manuel Olarak Kullanıldığında)

- **Manuel yapılan uygulamalarda aleti sadece elle çalıştırın. Manuel olarak kullanıldığında yiv açma aletini çalıştırmak için elektrikli aletler (matkap veya darbeli aletler gibi) kullanmayın.** Elektrikli aletlerin kullanımı yiv açma aletine zarar verebilir ve yaralanma riskini artırabilir.
- **Baş seviyesinin üzerinde çalışırken, tüm çalışanlar baret giymeli ve ekipmanın ve tesisatın altındaki alandan uzaklaşmalıdır.** Böylece yiv açma aletinin, borunun veya diğer nesnelere düşmesi durumunda ciddi yaralanmalar önlenecektir.

## Açıklama, Teknik Özellikler ve Standart Ekipman

### Açıklama

RIDGID® 975 Kombo Yiv Açma Aleti çelik, alüminyum ve PVC borulara yiv açmada kullanılır ve 1¼" - 6" çaplı, tarife 10 ve tarife 40 borulara yiv açabilir. Ayrıca 1¼" - 6" tarife 10 ve 1¼" - 2" tarife 40 paslanmaz çelik borulara yiv açmak için tasarlanmıştır. Bununla birlikte silindir seti değiştirilerek 2" - 8" Tip K, L, M ve DWV bakır borulara uyarlanabilir. Yivler, bir tahrik silindiri ile desteklenen borunun içine bir yiv açma silindirinin mekanik olarak ilerletilmesi ile oluşturulur. Sadece yiv derinliği için ayar yapılması gerekir.

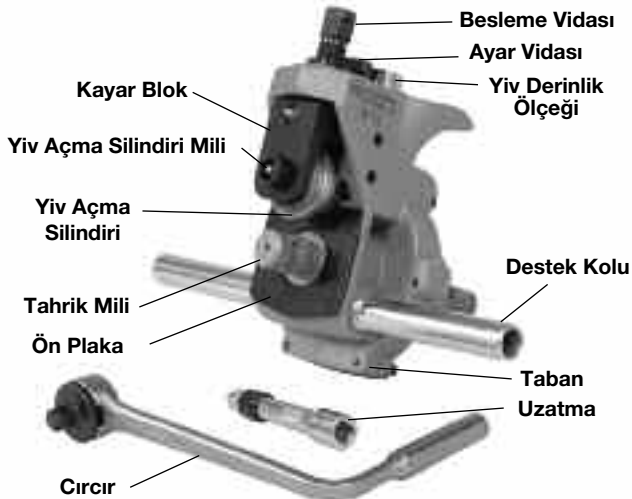
Bu ünite, RIDGID Model 300 Elektrikli Motor (38 ve 57 dev/dk modelleri) ile birlikte veya manuel kullanılmak üzere özel olarak tasarlanmıştır. Uygun adaptörle (kat. #67662), bu ünite RIDGID Model 300 Kompakt Dış Açma Makinesi ile birlikte çalışabilir. 975 Kombo Yiv Açma Aleti, yiv ayan yapılmasına yardım eden patentli bir yiv derinlik ölçeğine ve kullanım sırasında yiv açma işlemi- nin takibini daha iyi hale getiren patentli özelliklere sahiptir.

975 Kombo Yiv Açma Aleti, çalışma alanında arada sırada kullanılmak üzere tasarlanmış taşınabilir portatif bir ünedir ve yüksek hacimli işler veya bir boru üretim atölyesindeki imalat işleri için kullanılmamalıdır.

**BİLDİRİM** Model 975 Kombo Yiv Açma Aleti düzgün kullanıldığında, boyut olarak AWWA C606-06 tanımlamaları kapsamında 2" - 6" çaplı yivler açar. Uygun malzemelerin ve birleştirme yöntemlerinin seçimi sistemi tasarlayan ve/veya kurulumu yapan kişinin sorumluluğundadır. Kurulum yapılmadan önce, kimyasal koşullar ve hizmet sıcaklığı dahil belirli hizmet koşulları dikkatlice değerlendirilmelidir.

## Teknik Özellikler

Kapasite.....	1 1/4" - 6" Tarife 10 ve Tarife 40 Çelik Boru (Silindir Değişimi İle): 2" - 8" Bakır Boru, Tip K, L, M ve DWV
Yiv Çapı	
Ayar .....	Ayar Vidası ve Yiv Derinlik Ölçeği
Çalıştırma.....	Besleme Vidası, 1/2" Cırcırlı Anahtar ile birlikte
Elektrikli Motor Montajı.....	RIDGID 300 Elektrikli Motor (sadece 38 ve 57 dev/dk modeller) RIDGID 300 Kompakt Diş Açma Makinesi (adaptörlü)
Ağırlık .....	12,5 kg
975 Kombo Yiv Açma Aleti, 6272895 ve 6591652 patentleri dahil ABD patentleri ve uluslararası patentler tarafından korunmaktadır.	



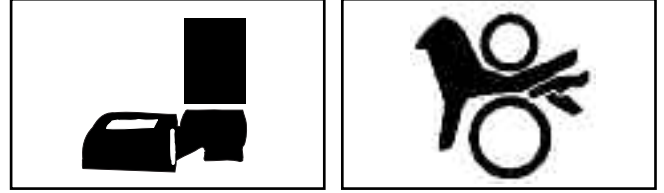
Şekil 1 - 975 Kombo Yiv Açma Aleti

## Standart Ekipman

1 1/4" - 6" Tarife 10 ve 40 Yiv Açma ve Tahrik Silindirleri  
Cırcırlı Anahtar (1/2" Tahrik), Kilit Açma Düğmeli  
Kilitleme Uzatması  
Destek Kolları  
Entegre Derinlik Ölçeği

## Yiv Açma Aleti Muayenesi

### ⚠ UYARI



**Her kullanımdan önce, ezilme ve diğer sebeplerden kaynaklanabilecek ciddi yaralanma riskini azaltmak ve yiv açma aletinin zarar görmesini önlemek için, yiv açma aletini kontrol edin ve her türlü sorunu giderin.**

**Bu yiv açma aletini, pedali olmayan bir elektrikli motor veya diş açma makinesi ile birlikte kullanmayın.**

1. Yiv açma aletinin bir elektrikli motora veya diş açma makinesine monte edilmesi durumunda, makinenin fişinin prize takılı olmadığından ve REV/OFF/FOR (GERİ/KAPALI/İLERİ) anahtarının OFF (KAPALI) konumunda olduğundan emin olun. Elektrikli motora/diş açma makinesine, makinenin kullanım kılavuzunda belirtilen şekilde muayene ve bakım yapın. Ekipmana düzgün şekilde muayene ve bakım yapılmaması ciddi yaralanma ve maddi hasar ile sonuçlanabilir. Bir pedal olduğundan ve düzgün çalıştığından emin olun. Bu yiv açma aletini bir pedal olmaksızın kullanmayın.
2. Taşıma kolu ve yiv açma aletini çalıştırmak için kullanılan cırcır dahil, yiv açma aletinin üzerindeki yağ, gres veya kirleri temizleyin. Bu, kullanım sırasında yiv açma aletinin veya cırcırın elinizden kayması nedeniyle oluşabilecek yaralanma olasılığını azaltır ve daha kolay muayene ve bakım yapmanıza olanak sağlar.
3. Destek kollarının yiv açma aletinin gövdesine sıkıca bağlı olduğundan emin olun.
4. Yiv açma aletini anızalı, eksik, yanlış takılmış veya yanlış bağlanmış parçalara veya güvenli ve normal kullanımı engelleyebilecek diğer durumlara karşı kontrol edin. Yiv açma silindirinin ve tahrik milinin serbest olarak döndüğünden emin olun.
5. Uyarı etiketinin yerinde ve sağlam şekilde durduğunu kontrol edin. Uyarı etiketinin yeri için bkz. Şekil 2.

6. Tahrik milinin tırtıkları kirliyse bir tel fırça ile temizleyin. Kirli tırtıklar yiv açma sırasında borunun kaymasına ve ilerleme sorunlarına yol açabilir.
  7. Yiv açma silindirini ve tahrik milini çatlaklara, aşınma veya diğer hasarlara karşı inceleyin. Hasarlı yiv silindirleri ve tahrik milleri borunun kaymasına, yiv kalitesinin düşmesine veya kullanım sırasında arızaya yol açabilir.
  8. Düzgün kullanım için cırcır ve uzatmayı inceleyin. Cırcırın her iki yöne sürekli ve sorunsuz olarak çalıştığından emin olun. Cırcır kafasının ortasındaki kilit açma düğmesine basın ve besleme vidasının üzerine takın. Cırcır sıkıca yerine kilitlenmelidir. Ayrıca, cırcır uzatmaya sıkıca kilitlenmeli ve uzatma da yiv açma aletinin arkasındaki kare elle çevirme yuvasına güvenli şekilde kilitlenmelidir. Bu, kullanım sırasında cırcır ve uzatmanın gevşeyerek yiv açma aletinden çıkmasının önlenmesine yardımcı olacaktır. Yiv açma aletine kilitlenmeyen farklı bir cırcır, anahtar veya uzatma kullanım sırasında yerinden çıkabilir.
- Bir sorunla karşılaşmanız durumunda, sorun giderilene kadar makineyi kullanmayın.
9. Yiv açma aletini bu kılavuздaki bakım talimatlarına göre yağlayın. Gres yağının fazlasını makinenin üzerinden temizleyin.
  10. Başka bir ekipman kullanılacaksa, düzgün olarak çalıştığından emin olmak için muayene ve bakım yapın.



Şekil 2 – 975 Kombo Yiv Açma Aleti Uyarı Etiketi

## Elektrik Kullanılan Uygulamalar İçin Makine ve Çalışma Alanının Hazırlanması

### ⚠ UYARI



**Kir ve yabancı maddelere karşı gözünüzü korumak için her zaman koruyucu gözlük takın. Ayaklarınızı devrilen aletlerden ve düşen borulardan korumak için çelik burunlu ayakkabılar giyin.**

**Bu yiv açma aletini pedali olmayan bir elektrikli motor veya diş açma makinesi ile birlikte kullanmayın. Pedali kesinlikle elektrikli motoru kontrol etmesini önleyecek şekilde engellemeyin. Pedal, ayağınızı çekerek elektrikli motoru kapatmanıza olanak sağlayarak size daha iyi bir kontrol sağlar. Giysinizi makineye kaptırmanız ve elektrikli motora güç verilmeye devam edilmesi durumunda giysiniz makinenin içine çekilecektir. Bu makine yüksek torkta çalışır ve giysilerinizin kemiklerinizi ezmesine veya kırmasına yetecek güçle kolunuzu veya vücudunuzun diğer parçalarını sıkıştırmasına neden olabilir veya çarpma veya diğer yaralanmalara yol açabilir.**

**Elektrik çarpması, yangın, makinenin devrilmesi, dolaşma, ezilme ve diğer sebeplerden kaynaklanabilecek yaralanma riskini azaltmak ve yiv açma aletinin hasar görmesini önlemek için yiv açma aletini ve çalışma alanını bu prosedürlere göre hazırlayın.**

1. Aşağıdaki koşulları sağlayan bir çalışma alanı seçin:
  - Yeterli aydınlatma olmalıdır.
  - Alev alabilecek sıvılar, buhar veya tozlar olmamalıdır. Alanda bunların olması durumunda kaynağını bulup ortadan kaldırıncaya kadar çalışma yapmayın. Elektrikli motorlar ve diş açma makineleri patlama korumalı değildir ve kıvılcımlara neden olabilir.
  - Tüm ekipman ve operatör için temiz, düz, sabit ve kuru bir yer olmalı. Cihazı suyun içinde dururken kullanmayın.
  - Düzgün topraklanmış priz olmalıdır. Üç dişli veya GFCI prizler düzgün şekilde topraklanmamış olabilir. Emin olmadığınız durumlarda prizi yetkili bir elektrik teknisyenine kontrol ettirin.
  - Elektrik prizine giden, elektrik kablosuna zarar verebilecek herhangi bir engelin olmadığı açık bir güzergâh olmalıdır.
2. Makineyi kurmadan önce çalışma alanını temizleyin. Zemindeki yağ ve benzeri maddeleri mutlaka temizleyin.
3. Yiv açılacak boruyu kontrol edin ve 975 Kombo Yiv Açma Aleti'nin yapacağınız işe uygun olduğundan emin olun. 975 Kombo Yiv Açma Aleti, 1¼" - 6" boyutlarındaki tarife 10 ve 40 çelik, alüminyum ve PVC borular için tasarlanmıştır.



Ayrıca 1¼" - 6" tarife 10 ve 1¼" - 2" tarife 40 paslanmaz çelik borulara yiv açmak için tasarlanmıştır. Silindir seti değiştirilerek 2" - 8" Tip K, L, M ve DWV bakır borulara yiv açmak için de kullanılabilir.

975 Kombo Yiv Açma Aleti, yerinde yapılması gereken tüm uygulamalarda elle (kendi yerinde sabit duran veya mengeneye bağlı boru) veya çalışma alanında elektrikli uygulamalarda RIDGID 300 Elektrikli Motor veya 300 Kompakt Diş Açma Makinesi ile birlikte kullanılabilir. 975 Kombo Yiv Açma Aleti, seri üretim yapılan uygulamalar için tasarlanmamıştır.

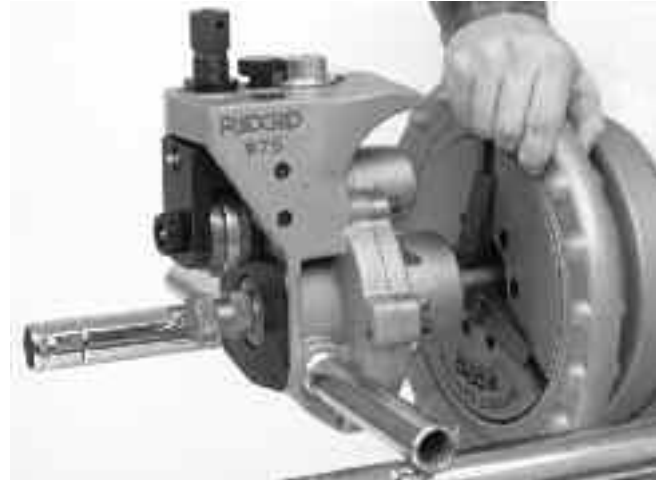
Diğer uygulamalara yönelik yiv açma makinelerine Ridge Tool kataloğundan, www.RIDGID.com.tr adresinden veya +32 (0)16 38 02 80 numaralı telefondan Ridge Tool Teknik Servisi'ni arayarak erişebilirsiniz.

**BLDİRİM** Silindir setlerinin (yiv açma silindiri ve tahrik mili) karbon ve paslanmaz çelik boruların her ikisinde de kullanılması paslanmaz çelik malzemede bulaşmaya neden olabilir. Bu bulaşma, paslanmaya ve borunun ömrünün kışalmasına yol açabilir. Paslanmaz çelik boruya demir bulaşmasını önlemek için, paslanmaz çelik borulara yiv açmak için özel silindir setleri kullanın. Bununla birlikte, faklı bir malzeme kullanılacağında silindir setini iyice temizlemek için paslanmaz çelik telli bir fırça kullanılabilir.

- Elektrikli motoru/diş açma makinesini kendi kullanım kılavuzuna göre kontrol ettiğinizden emin olun. Bir pedal bulunduğundan ve FOR/OFF/REV (İLERİ/KAPALI/GERİ) anahtarının OFF (KAPALI) konumunda olduğundan emin olun. Elektrikli motoru/diş açma makinesini kendi kılavuzunda belirtilen şekilde hazırlayın. Makine ve tezgahın sabit olduğundan ve sallanmadığından emin olun.
- Elektrikli motorun/diş açma makinesinin aynasını tamamen açın.
- 975 Kombo Yiv Açma Aleti'ni kontrol ettiğinizden ve uygun silindir setini taktığınızdan emin olun.

### 975 Kombo Yiv Açma Aleti'nin RIDGID 300 Elektrikli Motor'a Montajı

- Kullanılacak elektrikli motora taşıyıcı veya diğer ek parçalar bağlı ise bu parçaları çıkarın. Elektrikli motorun destek kollarının tamamen ileride olduğundan ve sabitlendiğinden emin olun.
- Yiv açma aletinin destek kollarını elektrikli motorun destek kollarının üzerine ve yiv açma aletinin tahrik milinin ucunu elektrikli motorun aynasına yerleştiriniz. Elektrikli motorun aynasını tahrik milinin düz kısımlarının üzerine kapatın ve sıkın. Tahrik milinin aynanın merkezinde olduğundan emin olun. Tahrik milini güvenli şekilde sabitlemek için hızlı ayna sabitleme çarkını saat yönünün tersine doğru kuvvetlice çevirin (Şekil 3).

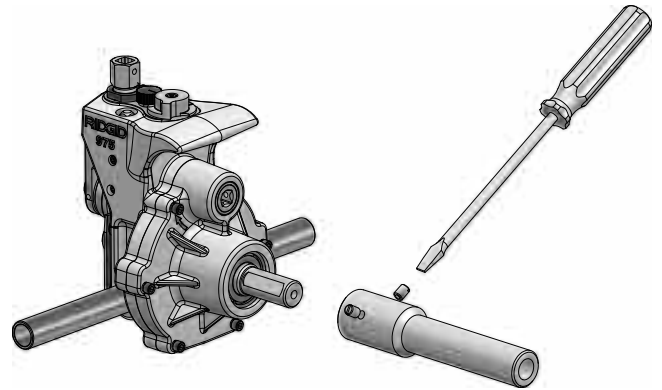


Şekil 3 – 975 Kombo Yiv Açma Aleti'nin 300 Elektrikli Motorun Aynasına Montajı

### 975 Kombo Yiv Açma Aleti'nin RIDGID 300 Kompakt/1233 Diş Açma Makinesi'ne Montajı

975 Kombo Yiv Açma Aleti, 300 Kompakt/1233 Diş Açma Makinesi ile birlikte kullanılırken bir adaptör takımı (Katalog Numarası 67662) kullanılmalıdır. Bu adaptör takımı 975 Kombo Yiv Açma Aleti'nin diş açma makinesine ve tezgaha düzgün şekilde yerleşmesine ve her boyutta boruya yiv açılmasına olanak sağlar. 975 Kombo Yiv Açma Aleti'ni diğer diş açma makineleri ile kullanmayı denemeyin, aksi takdirde devrilme veya diğer sorunlar oluşabilir.

- Tahrik çubuğu adaptörünü yiv açma aletinin tahrik miline takın (bkz. Şekil 4). Ayar vidalarını yiv açma aleti tahrik milinin düz kısımlarına hizalayın ve iyice sıkın.



Şekil 4 – Tahrik Çubuğu Adaptörünün Takılması

- 300 Kompakt/1233 Diş Açma Makinesi'nin üzerindeki taşıyıcıyı makinenin aynasına mümkün olduğunca yaklaştırın. Kesici, rayba ve pafta kafasını operatörden uzak bir yere taşıyın. Konik raybayı pafta kafasının içine yerleştirin.

- Adaptör dirseğini 300 Kompakt/1233'ün raylarının uçlarına yerleştirin (*Şekil 5'te gösterildiği gibi*) ve ilişikteki pimle yerine kilitleyin.



**Şekil 5 – Adaptör Dirseğinin Takılması**

- Tahrik çubuğu adaptörü makinenin aynasının içindeyken 975'in destek kollarını adaptör dirseğinin kollarının üzerine yerleştirin. Dış açma makinesinin aynasını tahrik çubuğu adaptörünün üzerine kapatın ve sıkın. Tahrik milinin aynanın merkezinde olduğundan emin olun. Tahrik çubuğunu güvenli şekilde sabitlemek için çark aynasını saat yönünün tersine hızlı ve kuvvetli bir şekilde çevirip, çakma işlemi gerçekleştirerek sabitleyin.



**Şekil 6 – 975 Kombo Yiv Açma Aleti'nin 300 Kompakt Dış Açma Makinesi'ne Doğru Şekilde Montajlanmış Hali**

### Kurulumun Tamamlanması

- Pedali, operatörün elektrikli motoru/dış açma makinesini, yiv açma aletini ve yiv açılacak boruyu kontrol edebileceği şekilde yerleştirin. *Şekil 7'de* gösterildiği üzere operatörün konumu aşağıdakilere olanak sağlamalıdır:

- Operatör, yiv açma aletine doğru ve FOR/OFF/REV (İLERİ/KAPALI/GERİ) anahtarına erişecek şekilde anahtar ile aynı tarafta durmalıdır.
- Operatör, pedalin ON/OFF (AÇMA/KAPATMA) hareketini kontrol edebilmeli ve gerektiğinde pedali hemen bırakabilmelidir.
- Operatör, yiv açma aletine, boruya ve cırcırlı anahtara yiv açma aletinin üzerinden uzanmasına gerek kalmadan kolayca erişebilmelidir.



**Şekil 7 – Operatör Konumu**

- Güç kablosunu önceden belirlediğiniz açık güzergâhtan geçirin. Kuru elle elektrikli motorun fişini doğru olarak topraklanmış prize takın. Tüm elektrik bağlantılarını kuru ve zeminden uzak tutun. Kablo yeterince uzun değilse aşağıdaki şartları karşılayan bir uzatma kablosu kullanın:
  - İyi durumda olmalı
  - Elektrikli motorunkine benzer bir fişi olmalı
  - Açık mekanda kullanım için tanımlanmış olmalı ve kablo tanımı bir W veya W-A (SOW) içermeli
  - Tel ölçüsü yeterli olmalı (25' veya daha iz için 14 AWG, 25' – 50' uzunluğu için 12 AWG). Küçük ölçülü teller aşırı ısınarak yalıtımı eritebilir veya yangına veya diğer hasarlara yol açabilir.

- Elektrikli motoru/dış açma makinesini kontrol ederek düzgün çalıştığından emin olun:
  - Anahtarı FOR (İLERİ) konumuna getirin. Pedala basın ve bırakın. Aynanın ön tarafına bakarken tahrik milinin saat yönünün tersine döndüğünden emin olun. Tahrik milinin doğru yönde dönmemesi veya pedalın çalışmaması durumunda, onarılan kadar makineyi kullanmayın.
  - Pedala basın ve basılı tutun. Ünitenin dönüş hızını kontrol edin. Hareketli parçaları yanlış hizalama veya yanlış bağlama, tuhaf sesler veya diğer olağan dışı durumlara karşı kontrol edin. Pedalı bırakın. Dönüş hızının 57 dev/dk'yı aşması durumunda, üniteyi yiv açmak için kullanmayın. Daha yüksek devirler yaralanma riskini artırır. Olağan dışı durumlara karşılaşmanız halinde, onarılan kadar ekipmanı kullanmayın.
  - Anahtarı REV (GERİ) konumuna getirin. Pedala basın ve bırakın. Aynanın ön tarafına bakarken tahrik milinin saat yönünde döndüğünden emin olun. Ünitenin doğru yönde dönmemesi durumunda, onarılan kadar makineyi kullanmayın.
  - Anahtarı OFF (KAPALI) konumuna getirin. Kuru elle makinenin fişini prizden çekin.

### Borunun Hazırlanması

**BİLDİRİM** Bunlar genel amaçlı talimatlardır. Daima yivli bağlantı parçası üreticisinin, boru ucunun hazırlanması ile ilgili özel tavsiyelerine uyun. Yivli bağlantı parçası üreticisinin tavsiyelerine uyulmaması, yanlış bir bağlantıya ve sızıntılara neden olabilir.

- Boruyu uygun uzunluğa kesin. Farklı çaplardaki borular için yiv açılacak en kısa boru uzunluklarına dikkat edin (bkz. Çizelge A). En kısa uzunluktan daha kısa bir boruya yiv açılması, parmaklarınızın ezilmesinden ve dolaşmadan kaynaklanabilecek yaralanma riskini artırır.  
Borunun ucunun düzgün kesildiğinden ve çapaksız olduğundan emin olun. Çapaklar yiv açma sırasında eldivenlerinizi veya parmaklarınızı yakalayabilir veya kesebilir. Kesme yöntemi ve iri çapaklar açılan yivin kalitesini ve aletin ilerletilmesini etkileyebilir. Torç ile kesilen bir boruya yiv açmaya kalkışmayın.
- Tüm iç ve dış kaynak puntaları, çapakları veya dikişleri borunun ucundan en az 5 cm geriye kadar aynı hizada taşlanmalıdır. Conta yuvasının içine düz kesikler açmayın, sızıntılara yol açabilir.
- Tüm tortu, kir ve pas ve diğer kirlenici maddeleri borunun ucundan en az 5 cm geriye kadar temizleyin. Bunlar tahrik milinin tırtıklarına dolabilir ve yiv açma sırasında borunun düzgün şekilde dönmelerini ve ilerlemelerini engelleyebilir.

### Borunun Yiv Açma Aleti'ne Yerleştirilmesi

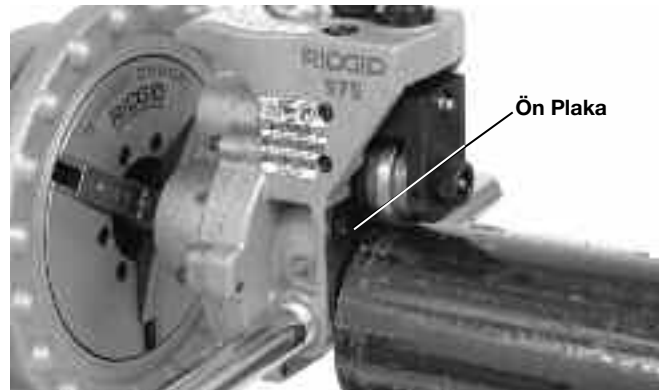
- Elektrikli motor/dış açma makinesi anahtarının OFF (KAPALI) konumunda olduğundan emin olun.

- Yiv açacağınız boruyu uygun şekilde desteklediğinizden emin olun. Çizelge A, sadece tek bir boru tutma sehpa kullanılarak yiv açılacak borunun azami uzunluğunu göstermektedir. Daha uzun borular en az iki boru tutma sehpa ile desteklenmelidir. Borunun düzgün şekilde desteklenmemesi, borunun veya boru ve makinenin birlikte devrilmesine ve düşmesine neden olabilir. Asgari uzunluktan daha kısa borulara yiv açmayın.

Nom. Ölçü	Min. Uzunluk	Maks. Uzunluk	Nom. Ölçü	Min. Uzunluk	Maks. Uzunluk
1	8	36	4	8	36
1¼	8	36	4½	8	32
1½	8	36	5	8	32
2	8	36	6 Dış Çap	10	30
2½	8	36	6	10	28
3	8	36			
3½	8	36			

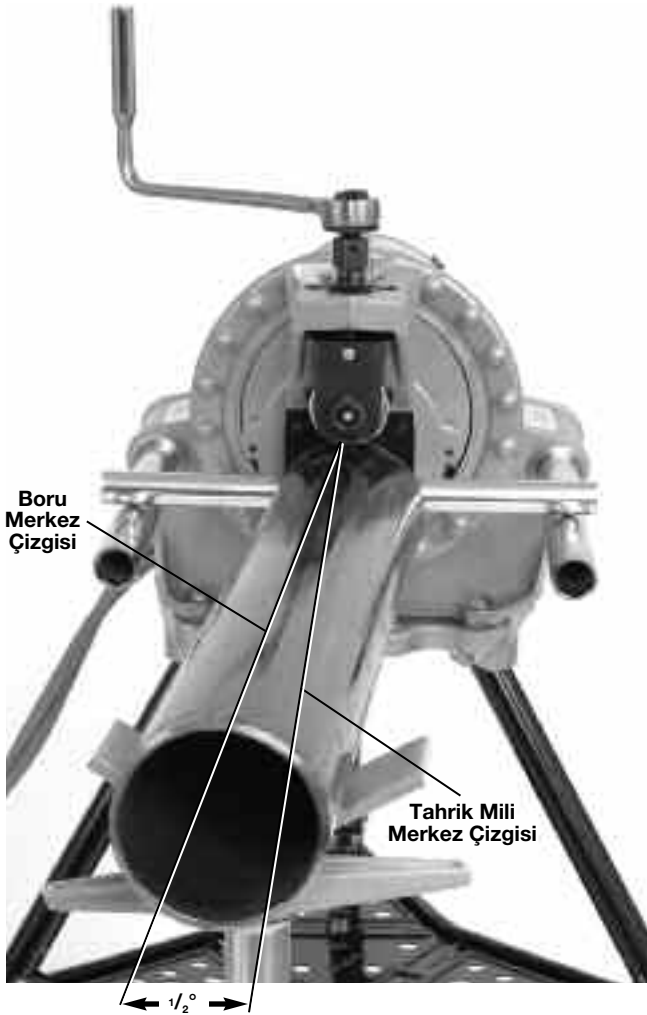
**Çizelge A – Tek Destek Sehpa ile Yiv Açılacak Minimum/Maksimum Boru Uzunluğu (Tüm Ölçüler İnç Olarak Verilmiştir)**

- Gerekli boru tutma sehpalarını yiv açma aletinin önüne yerleştirin. Sadece tek bir sehpa ile desteklenen uzunluklar için, sehpa, yiv açma aletinin ön plakasından borunun yarı uzunluğundan biraz daha uzağa yerleştirilmelidir. Birden fazla destek gerektiren boru uzunlukları için, destek sehpaları borunun uçlarından boru uzunluğunun ¼'ü uzaklığa yerleştirilmelidir. Bazı durumlarda daha fazla destek sehpa kullanılması gerekebilir. Sehpa yüksekliği, tahrik silindirin borunun tam olarak oturabileceği şekilde ayarlanmalıdır.
- Yiv açma silindirinin, borunun tahrik miline yerleştirilmesine izin verecek kadar geri çekildiğinden emin olun. Gerekirse, besleme vidasını saat yönünün tersine çevirerek yiv açma silindirini yükseltin.
- Borunun ucunu tahrik miline yerleştirin ve boruyu boru tezhah(lar)ının üzerine oturtun. Borunun sabit durduğundan emin olun.



**Şekil 8 – Borunun Tahrik Miline Yerleştirilmesi ve Ön Plakaya Yaslanması**

- Borunun ucu yiv açma aletinin ön plakasına yaslanacak şekilde ve borunun iç kısmı tahrik milinin üst tarafına temas edecek şekilde boruyu ve boru tutma sehpalarını ayarlayın (Şekil 8). Borunun merkez çizgisi ile tahrik milinin merkez çizgisi birbirine paralel olmalıdır. Bunu sağlamanın bir yolu, boruyu ve elektrikli motoru/dış açma makinesini aynı seviyeye getirmektir.
- Boruyu ve boru tutma sehpalarını yaklaşık  $1/2$  derece (yiv açma aletinden 3 metre mesafede yaklaşık 2,5 cm) operatöre doğru kaydırın. Borunun ve yiv açma aletinin doğru şekilde hizalanması, yiv açma sırasında borunun doğru şekilde ilerlemesinin sağlanmasına yardımcı olur. (Bkz. Şekil 9.)



**Şekil 9 – Borunun Operatöre Doğru  $1/2^\circ$  Kaydırılması (Büyütülmüş Gösterim)**

- Besleme vidasını saat yönünde çevirerek yiv açma silindiri borunun dış kısmına temas edecek şekilde aşağı indirin, ardından besleme vidasını çeyrek tur daha çevirin. Yiv açma silindirinin boruya temas etmesi için ayar vidasının gevşetilmesi (saat yönünün tersine çevrilmesi) gerekebilir. Bu noktada boru ve yiv açma aleti birbirine karşı güvenli şekilde sabit durmalıdır.

- Çalışma alanını kontrol edin ve gerekiyorsa operatör dışındaki kişileri ekipmandan ve borudan uzak tutmak için bariyer yerleştirin. Bariyerler, elektrikli motor ve boru çevresinde en az bir (1) metre boşluk kalacak şekilde yerleştirilmelidir. Bu “güvenli bölge”, diğer kişilerin makineye veya boruya kazara temas ederek ekipmanı devirmelerini veya dönen parçalara yakalanmalarını önler.
- Kuru elle makinenin fişini doğru olarak topraklanmış prize takın.

## 975 Kombo Yiv Açma Aleti'nin Bir Elektrikli Motor/Dış Açma Makinesi ile Kullanımı

### ⚠ UYARI



Yiv açma aletini kullanırken bol giysiler giymeyin. Kol düğmelerinizi ve ceketinizi ilikleyin. Makinenin veya borunun üzerinden uzanmayın. Bol giysiler dönen parçalara dolanarak ezilmeden kaynaklanan yaralanmalara yol açabilir.

Ellerinizi, yiv açma silindirlerine yaklaştırmayın. Belirtilenden daha kısa borulara yiv açmayın. Bol gelen eldivenler giymeyin. Parmaklarınız yiv açma silindirlerinin veya yiv açma silindiri ile boru arasında ezilebilir.

Ellerinizi borunun uçlarına yaklaştırmayın. Ellerinizi borunun içine sokmayın. Çapaklar ve keskin kenarlar elinizi yakalayabilir ve kesebilir. Parmaklarınız yiv açma silindirlerinin veya yiv açma silindiri ile boru arasında ezilebilir.

Kir ve yabancı maddelere karşı gözünüzü korumak için her zaman koruyucu gözlük takın. Ayaklarınızı devrilen aletlerden ve düşen borulardan korumak için çelik burunlu ayakkabılar giyin.

Ezilme, devrilme ve diğer sebeplerden kaynaklanabilecek yaralanma riskini azaltmak için kullanım talimatlarına uyun.

### Yiv Çapının Ayarlanması/Ölçümü

**BİLDİRİM** Farklı boru özellikleri nedeniyle, ilk yiv açılmadan önce veya farklı çapta, tarifede veya farklı malzeme ile üretilmiş bir boruya yiv açılmadan önce daima bir yiv açma denemesi yapılmalıdır. Yiv çapı ayarlama ölçekleri sadece yaklaşık değerler sağlar ve doğru çapı belirlemek için yiv çapının ölçülmesi gerekir.

- Ekipmanın ve borunun doğru şekilde hazırlandığından emin olun. Borunun yanlış hazırlanması, yiv derinlik ölçüğünün doğru şekilde ayarlanmasını etkileyebilir. Yiv açma silindiri boruya temas etmelidir.
- Doğru yiv derinlik ölçüğü kademesi ayar vidası kafasının altına gelecek şekilde ölçüğü ayarlayın (Şekil 10A). Yiv derinlik ölçüğü, standart boru ile kullanılmak üzere tasarlanmıştır. Bakır boruyla kullanım için “Bakır Borular İçin Yiv Çapının Ayarlanması” bölümüne bakınız.

3. Kafa, derinlik ölçeği kademesine temas edene kadar ayarlama vidasını saat yönünde çevirin. Yiv derinlik ölçeğini yiv açma konumuna çevirin (Şekil 10B). Ölçeğin yiv açma konumunda olmaması boruya yiv açılmasını önleyecektir ve ölçeğin zarar görmesine neden olabilir.



**Şekil 10A – Doğru Ölçek Kademesini Ayar Vidası Kafasının Altına Getirin**



**Şekil 10B – Yiv Açma Konumundaki Ölçek**

4. Deneme amaçlı bir yiv açın ("Yivin Açılması" bölümündeki adımları izleyin).
5. Yiv çapını ölçün. Yiv çapını ölçmek için en iyi yöntem bir şerit metre kullanılmasıdır (bkz. Aksesuarlar Bölümü). Şerit metreyi borunun yiv içindeki kısmına güvenli şekilde sarın. Şerit metrenin yiv tabanına düz olarak oturduğundan emin olun ve yiv çapını okuyun. (Bkz. Şekil 11.)



**Şekil 11 – Bir Şerit Metre ile Yiv Çapının Kontrol Edilmesi**

6. Ölçtüğünüz yiv çapını Tablo I veya III'te belirtilen veya yivli bağlantı parçası üreticisinin belirttiği yiv çapı ile karşılaştırın. Ölçülen yiv çapı olması gereken yiv çapından farklı ise, doğru yiv çapını elde etmek için ayar vidası yeniden konumlandırılmalıdır.

- Yiv çapını büyütme için, ayar vidasını saat yönünde çevirin.

- Yiv çapını küçültmek için, ayar vidasını saat yönünün tersine çevirin.
- Ayar vidası her 1/4 tur çevrildiğinde yiv çapı yaklaşık 0.02" değişir.

7. Belirtilen tanımlamalara uygun yiv çapını elde edene kadar 4-6 arası adımları tekrarlayın. Yivin çok büyük olması durumunda yiv açma aleti ayarlanarak yiv küçültülebilir. Yivin çok küçük olması durumunda başka bir yiv açılması gerekecektir. Yiv çapının doğru olması bağlantı performansı açısından önemlidir. Tanımlamaların dışındaki yivler bağlantı hatasına neden olabilir.

## Yivin Açılması

1. Ekipmanın ve borunun doğru şekilde hazırlandığından emin olun.



**Şekil 12 – Yiv Açma Aleti'ni Kullanma Konumu**

2. Uygun bir kullanma konumu belirleyin. Elektrikli motorun pedalını, operatörün elektrikli motoru, yiv açma aletini ve yiv açılacak boruyu rahatça kontrol edebileceği şekilde yerleştirin. Şekil 12'de gösterildiği üzere operatörün konumu aşağıdakilere olanak sağlamalıdır:

- Operatör, yiv açma aletine doğru ve FOR/OFF/REV (İLERİ/KAPALI/GERİ) anahtarına erişecek şekilde anahtar ile aynı tarafta durmalıdır.

- Operatör, pedalin ON/OFF (AÇMA/KAPATMA) hareketini rahatça kontrol edebilmeli ve gerektiğinde pedali hemen bırakabilmelidir.
  - Operatör, yiv açma aletine, boruya ve cırcırlı anahtara yiv açma aletinin üzerinden uzanmasına gerek kalmadan kolayca erişebilmelidir.
    - Gerekirse sağ elinizi yiv açacağınız borunun üzerine koyun.
    - Yere sağlam ve dengenizi koruyacak şekilde basın.
3. FOR/OFF/REV (İLERİ/KAPALI/GERİ) anahtarını REV (GERİ) konumuna getirin. **975 Kombo Yiv Açma Aleti'ni FOR (İLERİ) çalıştırmayın. 975 Kombo Yiv Açma Aleti'nin tasarımını nedeniyle, bu durum borunun yiv silindirlilerinden "spiral" yaparak çıkmasına neden olacaktır ve borunun düşmesine yol açabilir.**
  4. Bir elinizle cırcırın kafasını/besleme vidasını ve diğer elinizle cırcırın diğer ucunu tutun.
  5. Elektrikli motoru çalıştırmak için pedala basın. Borunun dönüşünü izleyin ve borunun yiv açma aletinin ön plakaya yaslandığından emin olun. Borunun yiv açma aletinin ön plakadan ayrılmaya başlaması durumunda, borunun spiral yaparak çıkmasını ve düşmesini önlemek için ayağınızı pedaldan çekin. Gerekliyse, boruyu yeniden yerleştirin (bkz. Borunun Yerleştirilmesi). Borunun ucunun şeklinin bozulması durumunda, kesilmesi ve yeni bir yiv hazırlanması gerekir.
  6. Boru bir tam dönüşü tamamladığında, besleme vidasını 1/4 tur daha sıkın. Borunun ucunun ön plakaya yaslandığından emin olmak için izlemeye devam edin. Borunun her tam dönüşünde besleme vidasını 1/4 turdan fazla sıkmayın. Besleme vidasının fazla sıkılması yiv konisinin aşırı genişlemesine veya borunun spiral yaparak tahrik milinden çıkmasına neden olabilir.
  7. Ayar vidasının kafası yiv açma aletinin tepesine dayanıp durana kadar, boru her tam dönüş yaptığında besleme vidasını 1/4 tur sıkmaya devam edin. Ayar vidası yiv açma aletinin tepesine ulaştıktan sonra besleme vidasını sıkmayın, bu durum ayar vidasına zarar verebilir. Yiv derinliğinin düzgün olmasını sağlamak için bu konumda borunun en az iki tam dönüş daha yapmasına izin verin.
  8. Pedali bırakın ve FOR/OFF/REV (İLERİ/KAPALI/GERİ) anahtarını OFF (KAPALI) konumuna getirin.
  9. Besleme vidasını saat yönünün tersine çevirin ve borunun makineden çıkarılabileceği şekilde yiv açma silindiri yükseltin.

10. Yivi kontrol edin.

- Yivin tamamen açıldığından emin olun.
- Yiv çapını kontrol edin ve tanımlamalar kapsamında olduğundan emin olun.
- Boru bağlantı parçası üreticisinin istediği diğer öğeleri kontrol edin.

Bir sorun belirlemez durumda, yiv kullanılamaz.

## Bakır Borular İçin Yiv Çapının Ayarlanması

975 Kombo Yiv Açma Aleti bakır borular için kullanılırken, yiv açma aletinin üzerindeki yiv derinlik ölçeği kullanılamaz. Yanlış yiv çapları verecektir.

1. Besleme vidasını saat yönünde çevirerek yiv açma silindiri borunun üst kısmına temas edecek şekilde aşağı indirin, ardından besleme vidasını çeyrek tur daha çevirin. Yiv açma silindirinin boruya temas etmesi için ayar vidasının gevşetilmesi (saat yönünün tersine çevrilmesi) gerekebilir. Bu noktada boru ve yiv açma aleti birbirine karşı güvenli şekilde sabit durmalıdır.
2. Yiv derinlik ölçeğinin yiv açma konumunda olduğundan emin olun. (Şekil 10B)
3. Ayar vidasını, yiv açma aletinin üst plakası ile hizalanana kadar çevirin.
4. Çizelge B'de yiv açılacak borunun çapını ve tipini bulun ve ayar vidasını belirtilen dönüş sayısı kadar ters yöne çevirerek üst plakadan geri çekin. Örneğin, 4" Tarife L bakır boru için, ayar vidasını 1 1/4 tur geri çevirin.

### Bakır Borulara Yiv Açmak İçin Derinlik Ayarı (Ayar Vidası Dönüş Sayısı)

Çap	K	L	M	DWV
2-2.5"	7/8	7/8	5/8	5/8
3"	1 1/16	1 1/16	1 1/16	1 1/16
4"	1 1/4	1 1/4	1 1/4	1 1/8
5"	1 1/2	1 1/2	1 1/2	1 1/2
6"	1 3/4	1 3/4	1 3/4	1 3/4
8"	2 1/2	2 3/8	2 1/8	2 1/8

### Çizelge B – Bakır Borulara Yiv Açmak İçin Derinlik Ayarı

5. "Yiv Çapının Ayarlanması/Ölçümü" bölümünün 4. adımına gidin.

## 975 Kombo Yiv Açma Aleti İlerletme İpuçları

Yiv açarken kullanıcıların karşılaştığı en önemli sorun borunun "spiral yaparak" veya "kaçarak" tahrik milinden ayrılması veya düzgün şekilde "ilerlememesidir". Borunun düzgün şekilde ilerlemesi için tüm talimatlara uyulması gerekir. Tüm talimatlar uygulanmasına rağmen borunun düzgün şekilde ilerlememesi durumunda borunun ilerlemesini düzeltecek diğer bazı seçenekler vardır.

- Boruyu operatöre doğru biraz daha kaydırın ( $1/2$  dereceden 1 dereceye çıkarın) (Bkz. Şekil 9).
- Yiv açılırken borunun ilerlemesini sağlamak için operatörün boruya hafif bir kuvvet uygulaması gerekebilir. Buna genellikle daha kısa boru parçalarında ihtiyaç duyulur. Bunu yapmak için operatör sağlam bir deri eldiven giymeli ve Şekil 13'te gösterildiği gibi eliyle boruyu ortasından hafifçe kavramalıdır. Bu, yiv açma sırasında elektrikli motorun/dış açma makinesinin bağlı olduğu tezgahın oynamasını önlemek için tezgahın zemine sabitlenmesini gerektirebilir. Ezilme nedeni ile oluşabilecek yaralanmaları önlemek için elinizi yiv açma silindirinden ve borunun uçlarından uzak tutun ve önerilenden daha kısa bir boruya yiv açmayın.



**Şekil 13 – Yiv Açılırken Borunun İlerlemesini Sağlamak İçin Boruya Kuvvet Uygulanması**

- Ek olarak, boru ilerleme sorunları ile ilgili sebeplerin ve çözümlerin tam listesi için *Sorun Giderme Bölümü*'ne başvurun.

## Yerinde Yapılan Uygulamalar İçin Makine ve Çalışma Alanının Hazırlanması



### ⚠ UYARI

**Kir ve yabancı maddelere karşı gözünüzü korumak için her zaman koruyucu gözlük takın. Ayaklarınızı devrilen ve düşen aletlerden ve borulardan korumak için çelik burunlu ayakkabılar giyin. Yerinde çalışırken bir baret takın.**

**Makinenin devrilmesi, ezilme ve diğer sebeplerden kaynaklanabilecek yaralanma riskini azaltmak ve yiv açma aletinin hasar görmesini önlemek için yiv açma aletini ve çalışma alanını bu prosedürlere göre hazırlayın.**

1. Aşağıdaki koşulları sağlayan bir çalışma alanı seçin:
  - Yeterli aydınlatma olmalıdır.
  - Alev alabilecek sıvılar, buhar veya tozlar olmamalıdır. Alanda bunların olması durumunda kaynağını bulup ortadan kaldıran kadar çalışma yapmayın.
  - Tüm ekipman ve operatör için temiz, düz, sabit, kuru bir yer ve yeterli çalışma alanı olmalıdır.
2. Makineyi kurmadan önce çalışma alanını temizleyin. Zemindeki yağ ve benzeri maddeleri mutlaka temizleyin.
3. Yiv açılacak boruyu kontrol edin ve 975 Kombo Yiv Açma Aleti'nin yapacağınız işe uygun olduğundan emin olun. 975 Kombo Yiv Açma Aleti,  $1\frac{1}{4}$ " - 6" boyutlarındaki tarife 10 ve 40 çelik, alüminyum ve PVC borular için tasarlanmıştır. Ayrıca  $1\frac{1}{4}$ " - 6" tarife 10 ve  $1\frac{1}{4}$ " - 2" tarife 40 paslanmaz çelik borulara yiv açmak için tasarlanmıştır. Silindir seti değiştirilerek 2" - 8" Tip K, L, M ve DWV bakır borulara yiv açmak için de kullanılabilir.

975 Kombo Yiv Açma Aleti, yerinde yapılması gereken tüm uygulamalarda elle (kendi yerinde sabit duran veya mengeneyle bağlı boru) veya çalışma alanında elektrikli uygulamalarda RIDGID 300 Elektrikli Motor veya 300 Kompakt Dış Açma Makinesi ile birlikte kullanılabilir. 975 Kombo Yiv Açma Aleti, seri üretim yapılan uygulamalar için tasarlanmamıştır.
4. Yerinde yiv açarken, 975 Kombo Yiv Açma Aleti'ni yerleştirmek ve kullanmak için yeterli alan olduğundan emin olun. Yiv açma aleti, yerinde sabit duran borunun etrafında döneceğinden aşağıdakilerin sağlanması gerekir:
  - Yiv açılacak borunun etrafında en az 16,5 cm boş alan olmalıdır

- Bir engelden (duvar gibi) geçen bir boru en az 6,5 cm dışarı uzanmalıdır
- Yiv açma aletini boruya yerleştirmek için en az 25 cm'lik bir açıklık olmalıdır

Diğer uygulamalara yönelik yiv açma makinelerine Ridge Tool kataloğundan, [www.RIDGID.com](http://www.RIDGID.com) adresinden veya 800-519-3456 numarasından Ridge Tool Teknik Servisi'ni arayarak erişebilirsiniz.

**BİLDİRİM** Silindir setlerinin (yiv açma silindiri ve tahrik mili) karbon ve paslanmaz çelik boruların her ikisinde de kullanılması paslanmaz çelik malzemede bulaşmaya neden olabilir. Bu bulaşma, paslanmaya ve borunun ömrünün kısılmasına yol açabilir. Paslanmaz çelik boruya demir bulaşmasını önlemek için, paslanmaz çelik borulara yiv açmak için özel silindir setleri kullanın. Bununla birlikte, farklı bir malzeme kullanılacağına silindir setini iyice temizlemek için paslanmaz çelik telli bir fırça kullanılabilir.

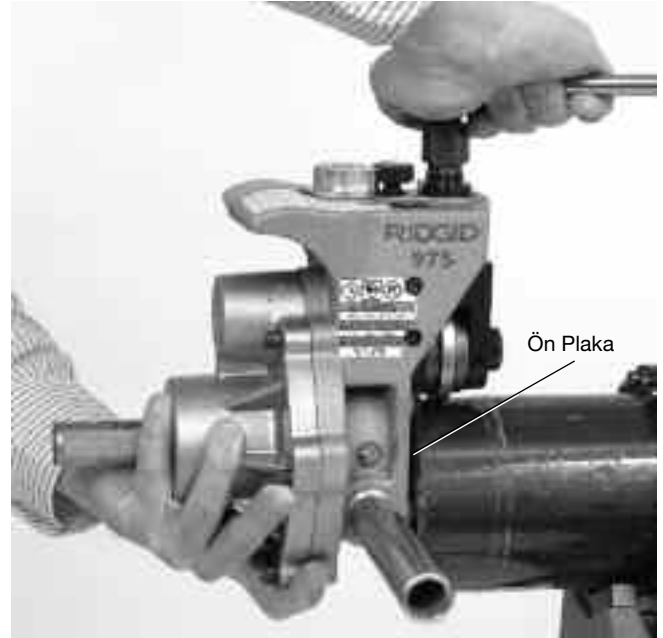
### Borunun Hazırlanması

**BİLDİRİM** Bunlar genel amaçlı talimatlardır. Daima yivli bağlantı parçası üreticisinin, boru ucunun hazırlanması ile ilgili özel tavsiyelerine uyun. Yivli bağlantı parçası üreticisinin tavsiyelerine uyulmaması, yanlış bir bağlantıya ve sızıntılara neden olabilir.

1. Mevcut bir boruya kendi yerinde yiv açılması durumunda, sistem basıncının düşürüldüğünden ve içindekilerin boşaltıldığından emin olun. Borunun içindekiler ve zararları hakkında bilgi edinin.
2. Boruyu uygun uzunluğa kesin.  
Borunun ucunun düzgün kesildiğinden ve çapaksız olduğundan emin olun. Çapaklar yiv açma sırasında eldivenlerinizi veya parmaklarınızı yakalayabilir veya kesebilir. Kesme yöntemi ve iri çapaklar açılan yivin kalitesini ve aletin ilerletilmesini etkileyebilir. Torç ile kesilen bir boruya yiv açmaya kalkışmayın.
3. Tüm iç ve dış kaynak puntaları, çapakları veya dikişleri borunun ucundan en az 5 cm geriye kadar aynı hizada taşlanmalıdır. Conta yuvasının içine düz kesikler açmayın, sızıntılara yol açabilir.
4. Tüm tortu, kir ve pas ve diğer kirletici maddeleri borunun ucundan en az 5 cm geriye kadar temizleyin. Bunlar tahrik milinin tırtıklarına dolabilir ve yiv açma sırasında borunun düzgün şekilde dönmesini ve ilerlemesini engelleyebilir.
5. Yiv açılacak borunun yerine sıkıca sabitlendiğinden emin olun. Boru, yiv açma aletinin ağırlığını (13 kg) taşıyabilmesi ve yerinden oynamaksızın yiv açmak için gereken tork ve güce dayanabilmelidir. Yerindeki borular için, borunun bir boru mengenesine taşınması anlamlı olabilir. Diğer durumlarda, diğer geçici veya sürekli boru desteklerinin eklenmesi gerekebilir. Bir boru mengenesi kullanırken sabit durduğundan ve kullanım sırasında devrilmeyeceğinden emin olun. Daha uzun borular için, ek uzunluğu desteklemek için uygun boru tutma sehpaları kullanın.

### Yiv Açma Aleti'nin Boruya Monte Edilmesi

1. 975 Kombo Yiv Açma Aleti'ni kontrol ettiğinizden ve uygun silindir setini taktığınızdan emin olun. Destek kollarının yiv açma aletinin gövdesine sıkıca bağlı olduğundan emin olun veya dar yerlere daha iyi erişmek için tamamen çıkarın. Daha sonra, cırcırı besleme vidasına takın ve uzatmayı yiv açma aletinin arkasında bulunan kare şeklindeki elle çevirme yuvasına takın. Cırcır ve uzatmanın sıkıca kilitlendiğinden emin olun.
2. Yiv açma silindiri ve tahrik mili arasında boru et kalınlığına yetecek kadar boşluk olduğundan emin olun. Gerekirse, besleme vidasını saat yönünün tersine çevirerek yiv açma silindirini geri çekin.
3. Yiv açma aletini sıkıca kavrayın. Cırcırdan tutarak kaldırmayın. Tahrik milini borunun içine yerleştirin ve ön plakanın borunun ucuna iyice yaslandığından emin olun (Şekil 14). Yiv açma silindirini borunun dış kısmına temas ettirmek için besleme vidasını sıkın. Besleme vidasını elle sıktıktan sonra cırcırı kullanarak ¼ tur daha sıkın. Yiv açma aletinin boruya güvenli şekilde bağlı olduğunu ve ön plakanın borunun ucuna yaslandığını kontrol edin. Değilse adımları tekrarlayın. Yiv açma aletini yerinde kullanırken düşmesini önlemek için daima güvenli şekilde bağlandığından emin olun.



Şekil 14 – Besleme Vidasını Sıkarken Yiv Açma Aletinin Yerinde Tutulması



## 975 Kombo Yiv Açma Aleti'nin Yerinde Kullanımı

### ⚠ UYARI



Yerinde yapılan uygulamalarda aleti sadece elle çalıştırın. Yerinde kullanıldığında yiv açma aletini çalıştırmak için elektrikli aletler (matkap veya darbeli aletler gibi) kullanmayın. Elektrikli aletlerin kullanımı yiv açma aletine zarar verebilir ve yaralanma riskini artırabilir.

Yiv açma aletini kullanırken bol giysiler giymeyin. Kol düğmelerinizi ve ceketinizi ilikleyin. Makinenin veya borunun üzerinden uzanmayın. Bol giysiler dönen parçalara dolanarak ezilmeden kaynaklanan yaralanmalara yol açabilir.

Ellerinizi, yiv açma silindirlerine yaklaştırmayın. Belirtilenden daha kısa borulara yiv açmayın. Bol gelen eldivenler giymeyin. Parmaklarınız yiv açma silindirlerinin veya yiv açma silindiri ile boru arasında ezilebilir.

Ellerinizi borunun uçlarına yaklaştırmayın. Ellerinizi borunun içine sokmayın. Çapaklar ve keskin kenarlar elinizi yakalayabilir ve kesebilir. Parmaklarınız yiv açma silindirlerinin veya yiv açma silindiri ile boru arasında ezilebilir.

Kır ve yabancı maddelere karşı gözünüzü korumak için her zaman koruyucu gözlük takın. Ayaklarınızı devrilen aletlerden ve düşen borulardan korumak için çelik burunlu ayakkabılar giyin. Yerinde çalışırken bir baret takın.

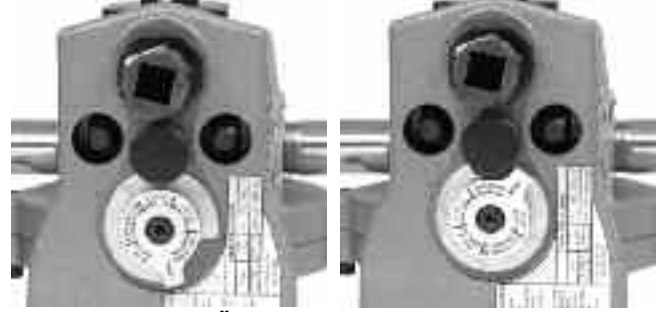
Ezilme, devrilme ve diğer sebeplerden kaynaklanabilecek yaralanma riskini azaltmak için kullanım talimatlarına uyun.

### Yiv Çapının Ayarlanması/Ölçümü

**BİLDİRİM** Farklı boru özellikleri nedeniyle, ilk yiv açılmadan önce veya farklı çapta, tarifede veya farklı malzeme ile üretilmiş bir boruya yiv açılmadan önce daima bir yiv açma denemesi yapılmalıdır. Yiv çapı ayarlama ölçekleri sadece yaklaşık değerler sağlar ve doğru çapı belirlemek için yiv çapının ölçülmesi gerekir.

1. Ekipmanın ve borunun doğru şekilde hazırlandığından emin olun. Borunun yanlış hazırlanması, yiv derinlik ölçeğinin doğru şekilde ayarlanmasını etkileyebilir. Yiv açma silindiri boruya temas etmelidir.
2. Ayar vidası kafasının altına doğru yiv derinlik ölçeği kademesi gelecek şekilde ölçeği ayarlayın (Şekil 15A). Yiv derinlik ölçeği, standart boru ile kullanılmak üzere tasarlanmıştır. Bakır boruyla kullanım için "Bakır Borular İçin Yiv Çapının Ayarlanması" bölümüne bakınız.
3. Kafa, derinlik ölçeği kademesine temas edene kadar ayarlama vidasını saat yönünde çevirin. Yiv derinlik ölçeğini yiv açma konumuna çevirin (Şekil 15B). Ölçeğin yiv açma

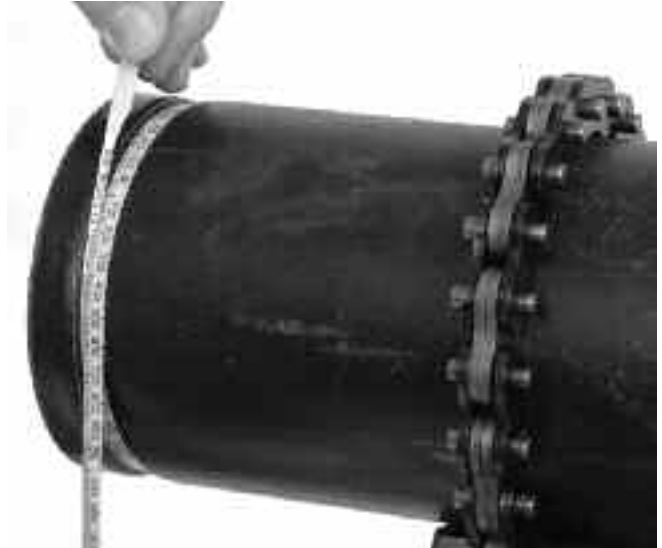
konumunda olmaması boruya yiv açılmasını önleyecektir ve ölçeğin zarar görmesine neden olabilir.



Şekil 15A – Doğru Ölçek Kademesini Ayar Vidası Kafasının Altına Getirin

Şekil 15B – Yiv Açma Konumundaki Ölçek

4. Deneme amaçlı bir yiv açın ("Yivin Açılması" bölümündeki adımları izleyin).
5. Yiv çapını ölçün. Yiv çapını ölçmek için en iyi yöntem bir şerit metre kullanılmasıdır (bkz. Aksesuarlar Bölümü). Şerit metreyi borunun yiv içindeki kısmına düzgünce sarın. Şerit metrenin yiv tabanına düz olarak oturduğundan emin olun ve yiv çapını okuyun (bkz. Şekil 16).



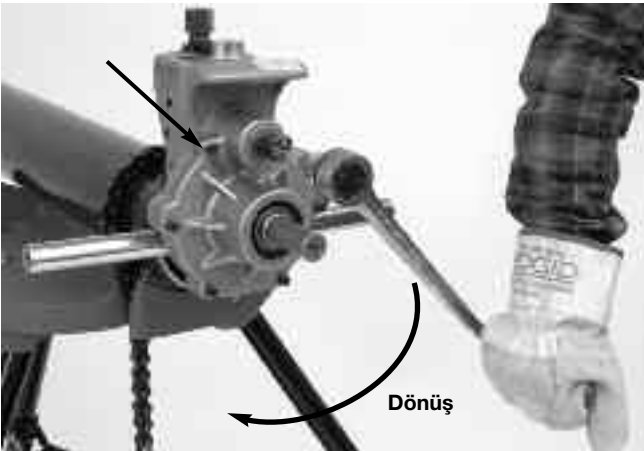
Şekil 16 – Bir Şerit Metre İle Yiv Çapının Ölçülmesi

6. Ölçtüğünüz yiv çapını Tablo I veya III'te belirtilen veya yivli bağlantı parçası üreticisinin belirttiği yiv çapı ile karşılaştırın. Ölçülen yiv çapı olması gereken yiv çapından farklı ise, doğru yiv çapını elde etmek için ayar vidası yeniden konumlandırılmalıdır.
  - Yiv çapını büyütme için, ayar vidasını saat yönünde çevirin.
  - Yiv çapını küçültme için, ayar vidasını saat yönünün tersine çevirin.
  - Ayar vidası her 1/4 tur çevrildiğinde yiv çapı yaklaşık 0.02" değişir.

7. Belirtilen tanımlamalara uygun yiv çapını elde edene kadar 4-6 arası adımları tekrarlayın. İlk yivin çok büyük olması durumunda yiv açma aleti ayarlanarak yiv küçültülebilir. Yivin çok küçük olması durumunda başka bir yiv açılması gerekecektir. Yiv çapının doğru olması bağlantı performansı açısından önemlidir. Tanımlamaların dışındaki yivler bağlantı hatasına neden olabilir.

### Yivin Açılması

1. Ekipmanın ve borunun doğru şekilde hazırlandığından emin olun.
2. Uygun bir kullanma konumu belirleyin. Yere sağlam basın ve dengeli şekilde durun.
3. Besleme vidasını  $\frac{1}{4}$  tur sıktığınızdan emin olun.
4. Cırcırı besleme vidasından çıkarın ve sıkıca uzatmaya takın. (Yakın mesafeli uygulamalarda uzatma kullanılması gerekmez.)
5. Cırcırı, yiv açma aletinin arkasından bakıldığında saat yönünde dönecek şekilde çevirin (bu, yiv açma aletinin arkasındaki okun yönüdür bkz. Şekil 17). Yiv açma aletinin dönüşünü izleyin ve ön plakanın borunun ucuyla temasta kaldığından emin olun. Yiv açma aletinin borunun ucundan uzaklaşmaya başlaması durumunda, yiv açma aletinin spiral yaparak borunun ucundan ayrılmasını ve düşmesini önlemek için cırcırı çevirmeyi durdurun. Yiv açma aletinin destek kollarından iterek ön plakanın borunun ucuna yeniden yaslanmasını sağlayabilirsiniz. Gerekirse, yiv açma aletini boruya yeniden montajlayın. (bkz. "Yiv Açma Aleti'nin Boruya Monte Edilmesi"). Borunun ucunun şeklinin bozulması durumunda, kesilmesi ve yeni bir yiv hazırlanması gerekir.



Şekil 17 – Cırcırın Ok Yönünde Çevrilmesi

6. Yiv açma aleti borunun çevresinde en az bir tam dönüş yapana kadar cırcırı çevirmeye devam edin. Cırcırı uzatmadan çıkarın ve besleme vidasına takın. Besleme vidası-

nı  $\frac{1}{4}$  tur daha sıkın. Cırcırı besleme vidasından çıkarın ve sıkıca uzatmaya takın. Borunun her tam dönüşünde besleme vidasını  $\frac{1}{4}$  turdan fazla sıkmayın. Besleme vidasının fazla sıkılması yiv konisinin aşırı genişlemesine veya yiv açma aletinin spiral yaparak borudan ayrılmasına neden olabilir. Yiv açma aletini borunun çevresinde döndürmek için, ön plakanın borunun ucuna yaslandığını kontrol ederek cırcırı çevirmeye devam edin.

7. Ayar vidasının kafası yiv açma aletinin tepesine dayanıp durana kadar, alet borunun etrafında her tam dönüş yaptığında besleme vidasını  $\frac{1}{4}$  tur sıkmaya devam edin. Ayar vidası yiv açma aletinin tepesine ulaştıktan sonra besleme vidasını sıkmayın, bu durum ayar vidasına zarar verebilir. Yiv derinliğinin düzgün olmasını sağlamak için, ayar vidası yiv açma aletinin tepesine ulaştıktan sonra yiv açma aletini en az iki tam tur daha döndürün.
8. Cırcırı çıkarıp besleme vidasına takın. Yiv açma aletini sıkıca kavrayın. Besleme vidasını saat yönünün tersine çevirin ve yiv açma aletinin borudan çıkarılabileceği şekilde yiv açma silindiri geri çekin. Yiv açma aletini düşürmeyin.
9. Yivi kontrol edin.
  - Yivin tamamen açıldığından emin olun.
  - Yiv çapını kontrol edin ve tanımlamalar kapsamında olduğundan emin olun.
  - Boru bağlantı parçası üreticisinin istediği diğer öğeleri kontrol edin.

Bir sorun belirlemeniz durumunda, yiv kullanılamaz.

### Bakım Talimatları

#### ⚠ UYARI

**Bakım veya ayar yapmadan önce elektrikli motorun anahtarının OFF (KAPALI) konumunda ve fişinin çekili olduğundan emin olun.**

#### Yağlama

975 Kombo Yiv Açma Aleti'ni iyi kalitede genel amaçlı bir gresle ayda bir yağlayın.

- Gres yuvaları tabanın operatörün olduğu tarafında, kayar bloğun ön tarafında ve yiv açma silindiri milinin ucunda bulunmaktadır (Bkz. Şekil 2). Az miktarda gres taşana kadar gresleyin.
- Besleme vidasına ince bir tabaka halinde gres uygulayın.
- 975 Kombo Yiv Açma Aleti'nin dişli kutusu tüm hizmet ömrü için greslenmiştir ve dişli kutusu açılmadıkça yeniden greslenmesi gerekmez.

Bakım ile ilgili diğer bilgiler için Muayene bölümüne başvurun.

## Temizlik

Tahrik milinin tırtıklarını tel bir fırçayla günlük olarak veya gerekirse daha sık temizleyin.

## Silindir Setlerinin Değiştirilmesi

**BİLDİRİM** Silindir seti parçalarını değiştirirken, daima tahrik ve yiv açma silindiri işaretlerinin eşleştiğinden emin olun. Uyuşmayan parçalar yivlerin yanlış açılmasına ve sızıntılara neden olabilir.

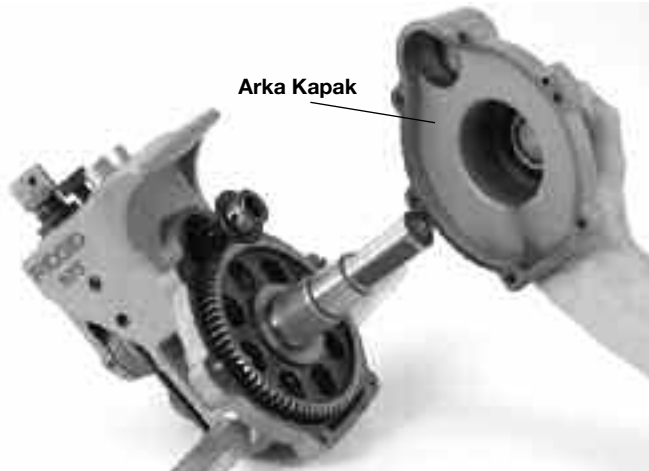
Yiv açma aletini elektrikli motordan veya diş açma makinesinden çıkarın ve sabit bir tezgahın üzerine yerleştirin.

Gerekli Aletler:

- 3/8" Allen Anahtar
- 3/32" Allen Anahtar
- .070" Dış Tespit Halkası Pensesi

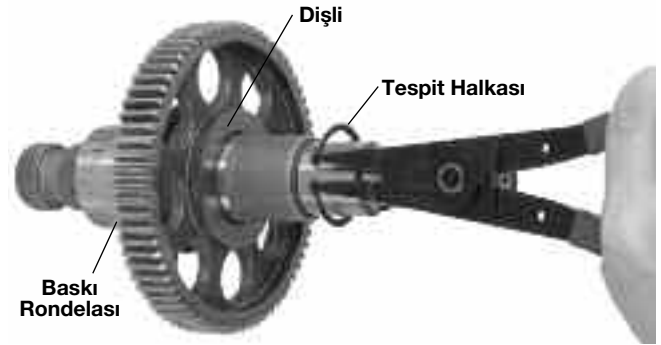
### Tahrik Silindirinin Çıkarılması ve Takılması

1. Arka kapağı gövdeye bağlayan 6 vidayı çıkarın.
2. Arka kapağı çıkarın (Bkz. Şekil 18).



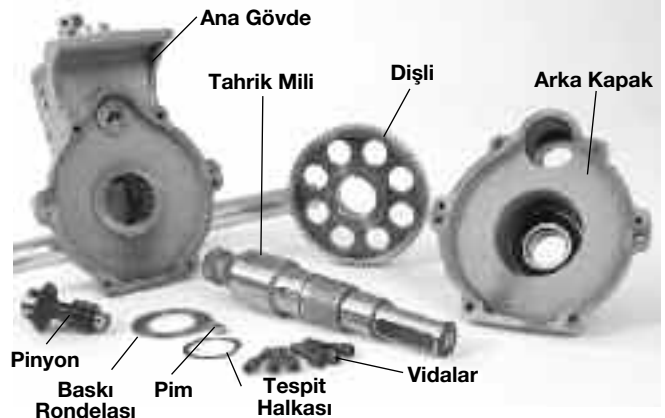
Şekil 18 - Arka Kapağın Çıkarılması

3. Pinyonu çıkarın.
4. Tahrik mili düzeneğini 975 Yiv Açma Aleti'nin arkasından çıkarın.
5. Tespit halkasını tahrik milinden çıkarın ve dişliyi kaydırarak çıkarın. (Bkz. Şekil 19.)



Şekil 19 - Tespit Halkasının Çıkarılması

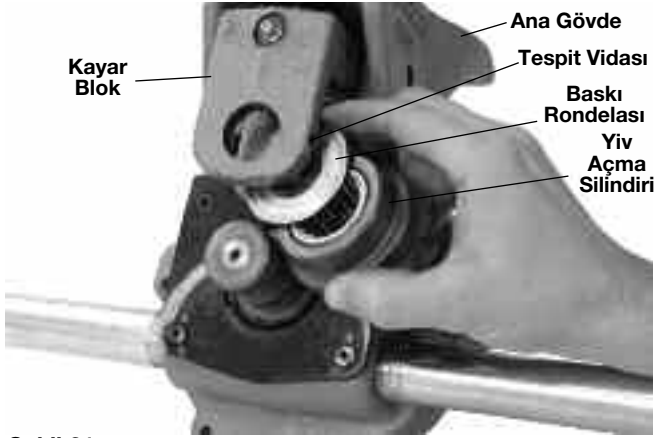
6. Pimi ve ardından baskı rondelasını çıkarın.
7. Baskı rondelasını yeni tahrik miline kaydırın.
8. Pimi yerleştirin ve dişliyi takın.
9. Tespit halkasını tahrik milinin oluğuna takın.
10. Tahrik mili düzeneğini ana gövdeye yerleştirin.
11. Tahrik mili değiştirilirken dişli kutusundaki gres azalabilir. Yatakların ve dişlinin iyi kalitede genel amaçlı bir gresle yeterince kaplandığından emin olun.
12. Pinyonu yerleştirin ve arka kapağı yerine takın. Vidaları 12-16 ft\*lbs torca sıkın.



Şekil 20 - 975 Kombo Yiv Açma Aleti'nin Parçaları

### Yiv Açma Silindirinin Çıkarılması ve Takılması

1. Yiv açma silindiri milini yerinde tutan tespit vidasını çıkarın.
2. Yiv açma silindiri milini kayar bloktan dışa doğru çekin ve yiv açma silindirini ve baskı rondelasını çıkarın.
3. Baskı rondelasını ve yeni tahrik silindirini kayar bloğa yerleştirin. Yiv açma silindirindeki iç tespit halkasının ana gövdeye en yakın duran parça olduğundan ve yiv açma silindirinin baskı rondelası ile ana gövde arasında olduğundan emin olun.



Şekil 21

4. Yiv açma silindiri milini ve tespit vidasını takın.
5. Yiv açma silindiri ile tahrik silindirinin hizalandığını görsel olarak kontrol edin. Hizalı değilse, yiv açma silindiri ve baskı rondelasının yerlerini kontrol edin.
6. Yağlama bölümünde belirtilen şekilde gres uygulayın.

## Aksesuarlar

### ⚠ UYARI

Aşağıdaki RIDGID ürünleri, 975 Kombo Yiv Açma Aleti ile birlikte çalışacak şekilde tasarlanmıştır. Başka aletler ile kullanıma uygun aksesuarların 975 Kombo Yiv Açma Aleti ile kullanılması tehlikeli olabilir. Ciddi yaralanma riskini azaltmak için, sadece 975 Kombo Yiv Açma Aleti ile birlikte kullanılmak üzere özel olarak tasarlanmış ve önerilen aksesuarları kullanın. Aşağıda bu parçaların listesi verilmiştir.

Kat. No	Açıklama
60082	300 Elektrikli Motor, 230V 25-60Hz
60077	300 Elektrikli Motor, 115V 25-60Hz
42360	1206 Tezgah (300 Elektrikli Motor için)
50697	300 Kompakt, 230V 25-60Hz
50692	300 Kompakt, 115V 25-60Hz
20391	300 Kompakt, 230V 25-60Hz (DK)
67662	Adaptör Dirseği (300 Kompakt/1233 için)
58077	250 Katlanır Tezgah (300 Kompakt/1233 için)
72037	460 Taşınabilir Üç Bacaklı Zincirli Mengene
56662	VJ-99 V Kafa Yüksek Boru Sehpa
76822	Şerit Metre (inç)
76827	Şerit Metre (metrik)
30708	Uzatma, 1/2" Tahrik, Kilitli
30703	Cırcır, 1/2" Tahrik, 90° Dirsekli
33043	Yiv Açma ve Tahrik Silindirleri (Tip K, L, M ve DWV 2" - 8" Bakır Borular için)

## Makinenin Depolanması

**⚠ UYARI** Aleti, çocukların ve yiv açma ekipmanını kullanma deneyimi olmayan kişilerin erişemeyeceği kilitli bir yerde saklayın. Bu yiv açma aleti, eğitimsiz kullanıcıların elinde, ciddi yaralanmalara sebep olabilir.

## Bakım ve Onarım

### ⚠ UYARI

**Hatalı bakım ve onarım makinenin çalışmasını güvensiz kılar.**

"Bakım Talimatları", bu makinenin bakım gereksinimlerinin çoğunu karşılayacaktır. Bu bölümde bahsedilmeyen sorunlar sadece yetkili bir RIDGID bakım teknisyeni tarafından ele alınmalıdır.

Alet bir RIDGID Yetkili Servis Merkezi'ne götürülmeli veya fabrikaya gönderilmelidir.

Bu alete bakım yapılırken, parça değişiminde aynı özelliklere sahip parçalar kullanılmalıdır. Başka parçaların kullanılması ciddi yaralanma tehlikesi oluşturabilir.

Bu makinenin bakım veya onarımıyla ilgili sorularınız için aşağıdaki telefon numarasına veya adrese başvurun:

Ridge Tool Company  
 Technical Service Department  
 400 Clark Street  
 Elyria, Ohio 44035-6001  
 Tel.: (800) 519-3456  
 E-posta: TechServices@ridgid.com

Size en yakın RIDGID Bağımsız Servis Merkezi veya servis veya onarım ile ilgili sorularınız için.

Bulduğunuz yerdeki Ridge Tool dağıtıcısı ile iletişim kurun.

Yerel Ridge Tool irtibat noktasının iletişim bilgilerine erişmek için [www.RIDGID.com.tr](http://www.RIDGID.com.tr) veya [www.RIDGID.eu](http://www.RIDGID.eu) adresini ziyaret edin.

Ridge Tool Teknik Servis Departmanı ile iletişim kurmak için [techservices@emerson.com](mailto:techservices@emerson.com) adresine yazın veya ABD ve Kanada'da (800) 519-3456 numaralı telefonu arayın.

## Tablo I. IPS Ölçülerinde Borular İçin Standart Yiv Teknik Özellikleri

NOT! Tüm ölçüler inç olarak verilmiştir.

NOM. BORU ÖLÇÜSÜ	BORU ÇAPI		T MİN. ET KALINLIĞI	A CONTA YUVASI +.015/- .030	B YİV GENİŞLİĞİ +.030/- .015	C YİV ÇAPI		D NOM. YİV DERİNLİĞİ (Ref.) (2)
	DIŞ ÇAP	TOLERANS				DIŞ ÇAP	TOLERANS	
1 <sup>1</sup> / <sub>4</sub>	1.660	+ .016 - .016	.065	.625	.344	1.535	+ .000 - .015	.063
1 <sup>1</sup> / <sub>2</sub>	1.900	+ .016 - .016	.065	.625	.344	1.775	+ .000 - .015	.063
2 <sup>(1)</sup>	2.375	+ .024 - .016	.065	.625	.344	2.250	+ .000 - .015	.063
2 <sup>1</sup> / <sub>2</sub> <sup>(1)</sup>	2.875	+ .029 - .016	.083	.625	.344	2.720	+ .000 - .015	.078
3 <sup>(1)</sup>	3.50	+ .030 - .018	.083	.625	.344	3.344	+ .000 - .015	.078
3 <sup>1</sup> / <sub>2</sub> <sup>(1)</sup>	4.00	+ .030 - .018	.083	.625	.344	3.834	+ .000 - .015	.083
4 <sup>(1)</sup>	4.50	+ .035 - .020	.083	.625	.344	4.334	+ .000 - .015	.083
5 <sup>(1)</sup>	5.563	+ .056 - .022	.109	.625	.344	5.395	+ .000 - .015	.084
6 <sup>(1)</sup>	6.625	+ .050 - .024	.109	.625	.344	6.455	+ .000 - .015	.085

(1) AWWA C606-06'ya göre

(2) Nominal Yiv Derinliği sadece referans ölçü olarak verilmiştir. Yivin kabul edilebilirliğini belirlemek için yiv derinliğini kullanmayın.

## Tablo II. Maksimum ve Minimum Boru Et Kalınlıkları

NOT! Tüm ölçüler inç olarak verilmiştir.

Boru Ölçüsü	KARBON ÇELİK VEYA ALÜMİNYUM BORU		PASLANMAZ ÇELİK BORU		PVC BORU	
	Et Kalınlığı		Et Kalınlığı		Et Kalınlığı	
	Min.	Maks.	Min.	Maks.	Min.	Maks.
1 <sup>1</sup> / <sub>4</sub> "	.065	.140	.065	.140	.140	.140
1 <sup>1</sup> / <sub>2</sub> "	.065	.145	.065	.145	.145	.200
2"	.065	.154	.065	.154	.154	.154
2 <sup>1</sup> / <sub>2</sub> "	.083	.203	.083	.188	.203	.276
3"	.083	.216	.083	.188	.216	.300
3 <sup>1</sup> / <sub>2</sub> "	.083	.226	.083	.188	.226	.300
4"	.083	.237	.083	.188	.237	.300
5"	.109	.258	.109	.188	.258	.300
6"	.109	.280	.109	.188	.280	.300

### Tablo III. Bakır Boru Yiv Teknik Özellikleri

1	2		3	4	5	6	7	8
Nom. Ölçü İnç	Boru Dış Çapı D.Ç.		A Conta Yuvası A ±0.03	B Yiv Genişliği +.03 -.000	C Yiv Çapı +.00 -.02	D Yiv Derinliği Ref. <sup>1</sup>	T Min. İzin Verilen Et Kalınlığı	Maks. İzin Verilen Koni Çapı
	Ana	Tolerans						
2"	2.125	±0.002	0.610	0.300	2.029	0.048	DWV	2.220
2 1/2"	2.625	±0.002	0.610	0.300	2.525	0.050	0.065	2.720
3"	3.125	±0.002	0.610	0.300	3.025	0.050	DWV	3.220
4"	4.125	±0.002	0.610	0.300	4.019	0.053	DWV	4.220
5"	5.125	±0.002	0.610	0.300	5.019	0.053	DWV	5.220
6"	6.125	±0.002	0.610	0.300	5.999	0.063	DWV	6.220
8"	8.125	+0.002/-0.004	0.610	0.300	7.959	0.083	DWV	8.220

1. Nominal Yiv Derinliği sadece referans ölçü olarak verilmiştir. Yivin kabul edilebilirliğini belirlemek için yiv derinliğini kullanmayın.

### Sorun Giderme

BELİRTİ	OLASI NEDENLER	ÇÖZÜM
<b>Açılan yiv çok dar veya çok geniş.</b>	Aşınmış yiv açma ve/veya tahrik mili.	Yiv açma silindirini ve/veya tahrik milini değiştirin.
<b>Açılan yiv boru eksenine dik değil.</b>	Boru düz değil. Boru ucu boru eksenine dik değil.	Düz bir boru kullanın. Borunun ucunu düzgün kesin.
<b>Yiv açma esnasında boru ilerlemiyor/Yiv açma esnasında yiv açma aleti borunun üzerinde ilerlemiyor.</b>	Boru ve tahrik mili paralel değil. Boru eksen, tahrik silindiri eksenine 1/2 derece açı ile yerleştirilmemiş. Tahrik silindirinin tırtıkları tıkanmış veya aşınmış ve düzleşmiş. Besleme vidası sıkı değil. Cırcır yanlış yöne çevriliyor. Borunun içinde çok fazla tortu var. Aşırı kaynak dikişi. Boruya kuvvet uygulanmıyor. Borunun ucu düz/çapaksız değil. Besleme vidası çok sıkı.	Boruyu paralel konuma getirmek için sehpayı ayarlayın. Boruyu 1/2 derece açı ile yerleştirin. Tahrik silindirini temizleyin veya değiştirin. Her tam dönüşte besleme vidasını talimatlara göre sıkın. Cırcır doğru yönde çevirin. Borunun içini temizleyin. Kaynak dikişini borunun ucundan geriye 5 cm aynı hizada taşıyın. Boruya kuvvet uygulayın. (Bkz. Şekil 10.) Borunun ucunu düzgün şekilde hazırlayın. Besleme vidasını sadece 1/4 turluk artışlarla ilerletin.
<b>Yiv açılan uçta boru konikleşti.</b>	Boru ve tahrik mili paralel değil. Besleme vidası çok sıkı.	Boruyu paralel konuma getirmek için sehpayı ayarlayın. Besleme vidasını sadece 1/4 tur ilerletin.

**Sorun Giderme(devamı)**

BELIRTI	OLASI NEDENLER	ÇÖZÜM
<b>Boru, yiv açılırken tahrik silindiri ekseninde ileri geri hareket ediyor.</b>	Boru düz değil. Boru ucu boru eksenine dik değil.	Düz bir boru kullanın. Borunun ucunu düzgün kesin.
<b>Boru, yiv açılırken tahrik silindiri üzerinde sağa sola sallanıyor.</b>	Boru destek sehпасı borunun ucuna çok yakın. Boru ucu yassılaşıp veya hasar görmüş. Boru malzemesindeki sert puntalar veya kaynak dikişleri borudan daha sert. Yiv açma silindirinin besleme hızı çok düşük. Elektrikli motorun hızı 57 dev/dk'nın üzerinde. Boru destek sehпасı yanlış konumda.	Boru destek sehпасını talimatlara göre yerleştirin ve ayarlayın. Hasarlı boru ucunu kesin. Farklı boru kullanın. Yiv açma silindirini boruya daha hızlı besleyin. Hızı 57 dev/dk'a veya altına düşürün. Boru destek sehпасının silindirlerini doğru şekilde konumlandırın.
<b>Yiv açma aleti, boruya yiv açmıyor.</b>	Maksimum boru et kalınlığı aşılmış. Boru malzemesi çok sert. Ayar vidası ayarlanmamış. Elektrikli motor, gereken minimum torku sağlamıyor.	Boru kapasitesi çizelgesini kontrol edin. Boruyu değiştirin. Derinliği ayarlayın. RIDGID No. 300, Elektrikli Motor veya 300 Kompakt veya 1233 kullanın.
<b>Yiv açma aleti, gereken çapta yiv açmıyor.</b>	Maksimum boru çapı toleransı aşılmış. Derinlik ayarı vidası doğru ayarlanmamış. Boru çok sert.	Doğru çapta boru kullanın. Derinlik ayarını ayarlayın. Farklı boru kullanın.
<b>Boru, tahrik silindiri üzerinde kayıyor.</b>	Yiv açma silindirinin besleme hızı çok düşük. Tahrik silindirinin tırtıkları tıkanmış veya aşınmış düzleşmiş.	Yiv açma silindirini boruya daha hızlı besleyin. Tahrik silindirini temizleyin veya değiştirin.
<b>Yiv açma aleti, yiv açma esnasında boruyu döndürmüyor.</b>	Elektrikli motor, gereken minimum torku sağlamıyor. Ayna, tahrik milinin düz kısımlarının üzerine kapanmıyor.	RIDGID No. 300, Elektrikli Motor veya 300 Kompakt veya 1233 kullanın. Aynayı kapatın.
<b>Boru, yiv açma aletini devirecek şekilde yükseliyor veya eğilim gösteriyor.</b>	Boru destek sehпасı doğru şekilde ayarlanmamış.	Destek sehпасlarını doğru şekilde yerleştirin ve ayarlayın.

975

# Kombinirani kolutni vtiskovalnik utorov



**RIDGID**<sup>®</sup>





## Vsebina


<b>Varnostni simboli</b> .....	424
<b>Splošne varnostne informacije</b>	
Varnost delovnega območja .....	424
Električna varnost.....	424
Osebna varnost .....	25-4
Uporaba in ravnanje z orodjem .....	425
Servisiranje.....	425
<b>Posebne varnostne informacije</b>	
Varnost kolutnega vtiskovalnika utorov .....	426
Varnost kolutnega vtiskovalnika utorov ob uporabi el. pogona/naprave za izdelavo navojev.....	426
Varnost kolutnega vtiskovalnika utorov ob uporabi na mestu vgradnje .....	426
<b>Opis, tehnični podatki in standardna oprema</b>	
Opis .....	426
Specifikacije .....	427
Standardna oprema .....	427
<b>Pregled kolutnega vtiskovalnika utorov</b> .....	427
Priprava naprave in delovnega območja za uporabo z električnim pogonom	
Montaža kombiniranega vtiskovalnika utorov 975 na električni pogon RIDGID 300.....	429
Montaža kombiniranega vtiskovalnika utorov 975 na kompaktno napravo za izdelavo navojev RIDGID 300 ali 1233 .....	429
Zaključne nastavitve.....	430
Priprava cevi .....	431
Namestitev cevi v kolutni vtiskovalnik utorov .....	432
<b>Upravljanje kombiniranega kolutnega vtiskovalnika utorov 975 z el. pogonom/napravo za izdelavo navojev</b>	
Nastavitev/merjenje premera utora .....	432
Oblikovanje utora .....	433
Nastavitev premera utora za bakrene cevi.....	434
Nasveti za vodenje kombiniranega kolutnega vtiskovalnika utorov 975 .....	434
<b>Priprava naprave in delovnega območja za uporabo na mestu vgradnje</b>	
Priprava cevi .....	436
Namestitev kolutnega vtiskovalnika utorov na cev .....	436
<b>Uporaba kombiniranega kolutnega vtiskovalnika utorov 975 na mestu vgradnje</b>	
Nastavitev/merjenje premera utora .....	437
Oblikovanje utora .....	438
<b>Navodila za vzdrževanje</b>	
Podmazovanje .....	438
Čiščenje .....	439
Zamenjava kompleta kolutov .....	439
<b>Dodatki</b> .....	440
Shranjevanje naprave .....	<b>440</b>
<b>Servisiranje in popravilo</b> .....	440
<b>Tabela I. Tehnični podatki za standardne uture</b> .....	441
<b>Tabela II. Maksimalna in minimalna debelina stene cevi</b> .....	441
<b>Tabela III. Tehnični podatki za uture pri bakrenih cevih</b> .....	442
<b>Odpravljanje težav</b> .....	442-443


## Varnostni simboli

V tem uporabniškem priročniku in na izdelku se uporabljajo varnostni simboli in signalne besede za posredovanje pomembnih varnostnih informacij. V tem poglavju boste spoznali pomen teh signalnih besed in simbolov.

 To je varnostni alarmni simbol. Uporablja se za opozarjanje na tveganje telesnih poškodb. Upoštevajte varnostna navodila, ki spremljajo ta simbol, da preprečite morebitno poškodbo ali smrt.

 **NEVARNOST** NEVARNOST pomeni nevarno situacijo, ki bo povzročila smrt ali težko poškodbo, če se ji ne izognete.

 **OPOZORILO** OPOZORILO pomeni nevarno situacijo, ki bi lahko povzročila smrt ali težko poškodbo, če se ji ne izognete.

 **POZOR** POZOR pomeni nevarno situacijo, ki bi lahko povzročila manjše ali zmerno težke telesne poškodbe, če se ji ne izognete.

 **OPOMBA** OPOMBA pomeni informacijo, ki se nanaša na zaščito lastnine.



Ta simbol vas opozarja, da preberete uporabniški priročnik, preden začnete uporabljati napravo. Uporabniški priročnik vsebuje pomembne informacije o varni in pravilni uporabi naprave.



Ta simbol pomeni, da je treba pri uporabi in rokovanju s to opremo vedno uporabljati varnostna očala s stranskimi ščitniki ali varovalne naočnike, da zmanjšate nevarnost poškodbe oči.



Simbol opozarja na nevarnost stisnjenja prstov ali rok med koluta vtiskovalnika utorov.



Simbol pomeni nevarnost, da se roke, prsti, noge, oblačila in drugi predmeti ujamejo in/ali zapletejo v vrteče se gredi, kar lahko povzroči poškodbe zaradi stisnjenja ali udarcev.



Simbol označuje, da se vrtalnik, udarno ali drugo orodje z električnim pogonom ne sme uporabljati za poganjanje te naprave pri uporabi na mestu vgradnje.



Simbol označuje nevarnost prevračanja naprave, ki bi lahko povzročilo poškodbe zaradi udarcev ali stisnjenja.



Simbol pomeni, da morate ob uporabi naprave za izdelavo navojev/el. pogona vedno uporabljati stopalko.



Simbol pomeni, da morate pri delu nad glavo nositi čelado, da se zmanjša nevarnost poškodb glave.

## Splošne varnostne informacije

### OPOZORILO

**Pozorno preberite in se seznanite z vsemi navodili. Neupoštevanje vseh spodaj navedenih napotkov lahko povzroči električni udar, požar in/ali hude telesne poškodbe.**

#### **TA NAVODILA SKRIBNO HRANITE!**

Izraz »električno orodje« v opozorilih se nanaša na vaše el. orodje (povezano z električnim kablom), ki se napaja iz el. omrežja, ali na el. orodje z baterijo (brez kabla).

### Varnost delovnega območja

- **Delovno območje naj bo čisto in dobro osvetljeno.** Nesreče so lahko posledica neurejenih in slabo osvetljenih delovnih prostorov.
- **Električnih orodij ne uporabljajte v eksplozivnih atmosferah, npr. v prisotnosti vnetljivih tekočin, plinov ali prahu.** Električna orodja ustvarjajo iskre, zaradi katerih se prah ali hlapi lahko vnamejo.
- **Med uporabo električne naprave naj se otroci in druge osebe ne približujejo.** Zaradi nepozornosti lahko izgubite nadzor nad orodjem.

- **Pazite, da bodo tla suha. Na njih ne sme biti spolzkih snovi, npr. olja.** Nesreče so lahko posledica spolzkih tal.
- **Če sega obdelovanec preko naprave, delovno območje zavarujte ali ogradite.** Varovalo oz. ograja, ki omogoča najmanj 90 cm (3 čevlje) prostora okrog obdelovanca, bosta zmanjšala nevarnost zapletanja.

### Električna varnost

- **Vtiči električnega orodja morajo ustrezati vtičnici. Vtiča nikoli na noben način ne prilagajajte. Vtičev prilagojevalnika ne uporabljajte z ozemljenimi električnimi orodji.** Nespremenjeni vtiči in ustrezne vtičnice zmanjšajo nevarnost električnega udara.
- **Izogibajte se stiku z ozemljenimi površinami kot so cevi, grelniki, štedilniki in hladilniki.** Če je vaše telo ozemljeno, za vas obstaja večja nevarnost električnega udara.
- **Orodja ne izpostavljajte dežju in vlažnim pogojem.** Voda, ki prodre v električno napravo, poveča možnosti električnega udara.
- **Kabla ne uporabljajte nenamensko. Kabla nikoli ne uporabljajte za prenašanje ali vlečenje oz. za izklop el.**

orodja. Kabla ne izpostavljajte vročini, olju, ostrim robovom ali gibljivim delom naprave. Poškodovani ali prepleteni kabli povečajo možnost električnega udara.

- Med uporabo el. orodja na prostem uporabljajte samo podaljške, primerne za uporabo na prostem. Uporaba kabla, primernega za uporabo na prostem, zmanjšuje možnost električnega udara.
- Če se ne morete izogniti uporabi električne naprave v vlažnih prostorih, uporabljajte stikalo za zemljostično zaščito (GFCI). Uporaba zemljostične zaščite zmanjšuje možnost električnega udara.

## Osebna varnost

- Med uporabo električnega orodja bodite pazljivi, pozorni in delajte z glavo. Električnega orodja ne uporabljajte, če ste utrujeni ali ste pod vplivom drog, alkohola ali zdravil. Trenutek nepozornosti med uporabo električnega orodja lahko povzroči hude telesne poškodbe.
- Uporabljajte opremo za osebno zaščito. Vedno nosite zaščitna očala. Zaščitna oprema, npr. zaščitna maska za prah, zaščitni čevlji z neodrsečimi podplati, čelada ali zaščitne slušalke, ki jo uporabljamo različnim delovnim pogojem ustrezno, zmanjša nevarnost poškodb.
- Izogibajte se nenamernemu vklopu orodja. Prepričajte se, da je stikalo izklopljeno, preden orodje priključite na električni vir in/ali baterijo, ga dvignete ali prestavite. Do nesreče lahko pride tudi, če imate med nošenjem orodja prste na stikalu ali če nanj pritiskate, medtem ko je orodje vklopljeno.
- Pred vklopom električnega orodja odstranite vse nastavitvene ključe ali izvijač. Izvijač ali ključ, ki ga pustite pritrjenega na vrtljiv del električnega orodja, lahko povzroči telesne poškodbe.
- Ne stegujte se. Stojte v stabilnem položaju in skušajte ohraniti ravnotežje. Tako boste v nepredvidljivih situacijah imeli boljši nadzor nad električnim orodjem.
- Bodite primerno oblečeni. Ohlapna oblačila in nakit niso primerni. Las, obleke in rokavic ne približujte gibljivim delom. Široka oblačila, nakit ali dolgi lasje se lahko ujamejo v gibljive dele.
- Če lahko namestite sesalnike in zbiralnike za prah, se prepričajte, da so ti priključeni in pravilno uporabljeni. Uporaba zbiralnikov za prah lahko zmanjša tveganja zaradi kopičenja prahu.

## Uporaba in ravnanje z orodjem

- Od orodja ne zahtevajte preveč. Uporabljajte orodje, ki je primerno za vaše delo. Z uporabo primernega orodja boste delo opravili bolje in varneje, s hitrostjo, za katero je namenjeno.

- Če s stikalom ne morete VKLOPITI in IZKLOPITI orodja, ga ne uporabljajte. Vsako orodje, ki ga ne morete krmiliti s stikalom, je nevarno in ga je treba popraviti.
- Preden boste nastavili orodje, zamenjali dodatke ali odložili orodje, izvlecite vtič iz vtičnice in/ali odstranite baterijo iz orodja. S tovrstnimi varnostnimi ukrepi boste zmanjšali tveganje zaradi nenamernega vklopa orodja.
- Orodje, ki ga ne uporabljate, hranite izven dosega otrok in ne dovolite, da bi orodje uporabljale osebe, ki ga ne poznajo ali ki niso prebrale teh navodil. Orodje je nevarno, če ga uporabljajo neizkušene osebe.
- Orodje redno vzdržujte. Preverite, ali so gibljivi deli orodja pravilno nameščeni in niso ukleščeni, preverite tudi morebitne zlome delov in vsa druga stanja, ki bi lahko vplivala na delovanje orodja. Če je orodje poškodovano, ga pred uporabo obvezno popravite. Številne nesreče so posledica slabo servisiranih orodij.
- Uporabljajte samo dodatke, ki so namenjeni za vaše orodje. Redno vzdrževana rezalna orodja z ostrimi rezili se manjkrat ukleščijo in jih je lažje upravljati.
- Ročaje vzdržujte suhe, čiste in razmaščene. Tako boste omogočili boljši nadzor orodja.

## Servisiranje

- Vaše orodje naj popravlja samo usposobljen strokovnjak in pri tem uporablja samo originalne nadomestne dele. Tako bo vaše orodje ostalo varno za uporabo.

## Posebne varnostne informacije

### **⚠ OPOZORILO**

To poglavje vsebuje pomembna varnostna navodila, značilna za to orodje.

Da bi zmanjšali nevarnost hudih poškodb, pred uporabo kombiniranega kolutnega vtiskovalnika utorov 975 skrbno preberite naslednja varnostna opozorila.

### **TA NAVODILA SKRBN OHRANITE!**

V primeru vprašanj se obrnite na oddelek za tehnične storitve Ridge Tool preko številke (800) 519-3456 ali e-poštnega naslova techservices@ridgid.com.

## Varnost kolutnega vtiskovalnika utorov

- Ne nosite ohlapnih oblačil. Rokavi in jopiči naj bodo zapeti. Ne segajte preko naprave ali cevi. Oblačila se lahko ujamejo na cev ali med druge vrteče se dele, kar lahko povzroči zapletanje in hude poškodbe.

- **Roke držite proč od utornih kolutov. Ne izdelujte utorov na ceveh, ki so krajše od navedenih. Ne nosite ohlapnih rokavic.** Prsti se lahko stisnejo med koluta vtiskovalnika utorov ali med kolut in cev.
- **Roke držite proč od koncev cevi. Ne segajte v notranjost cevi.** Na ostrih robovih ali ostružkih bi se lahko porezali. Prsti se lahko stisnejo med koluta vtiskovalnika utorov ali med kolut in cev.
- **Cev ustrezno pripravite in ravnajte z njo.** Na ostrih robovih ali ostružkih bi se lahko porezali.
- **Cev ustrezno podprite.** Tako boste preprečili prevračanje cevi in opreme.
- **Preberite in se seznanite z vsebino tega uporabniškega priročnika, uporabniškega priročnika električnega pogona ali naprave za izdelavo navojev, navodili proizvajalca za namestitve cevi in navodili za vso drugo opremo, ki se uporablja s tem orodjem, pred delom s kombiniranim kolutnim vtiskovalnikom utorov RIDGID® 975.** Neupoštevanje teh navodil lahko povzroči škodo na lastnini in/ali hude telesne poškodbe.
- **Pri nastavitvi in uporabi kombiniranega kolutnega vtiskovalnika utorov RIDGID 975 vedno uporabljajte primerno osebno zaščitno opremo.** Ustrezna osebna zaščita vedno obsega zaščitna očala, lahko pa vsebuje tudi takšno opremo kot so tesno prilagajoče se usnjene rokavice, obutev z jekleno zaščito prstov in čelada.
- **Kolutni vtiskovalnik utorov uporabljajte izključno za izdelavo utorov na ceveh, katerih velikost in vrsta ustreza priporočilom teh navodil.** Drugačna uporaba ali predelava kolutnega vtiskovalnika utorov za drugačno uporabo lahko poveča nevarnost poškodb.

### Varnost kolutnega vtiskovalnika utorov ob uporabi el. pogona/naprave za izdelavo navojev

- **S kombiniranim kolutnim vtiskovalnikom utorov uporabljajte samo električni pogon RIDGID 300 (RIDGID 300 Power Drive) ali kompaktno napravo za izdelavo navojev 300 (300 Compact Threading Machine).** Uporaba drugih pogonskih virov bo povzročila nepravilno namestitvev in lahko povzroči prevračanje ali druge težave.
- **Kolutnega vtiskovalnika utorov ne uporabljajte z el. pogonom ali napravo za izdelavo navojev brez stopalke. Stopalke nikoli ne smete blokirati tako, da ne bi mogla nadzorovati pogona.** Stopalka omogoča boljši nadzor, saj lahko električni pogon izklopite tako, da odmaknete nogo. Če se v napravo ujamejo oblačila in motor ostane v pogonu, bo oblačila povleklo v napravo. Navor te naprave je visok, zato lahko povzroči, da se ujeta oblačila zategnejo okrog vaše roke ali drugih delov telesa z zadostno silo, da

lahko povzroči stisnjenje, zlom kosti, udarce ali druge poškodbe.

- **Ena oseba mora nadzorovati tako postopek izdelave utora kot stopalko. Naprave ne sme upravljati več oseb sočasno.** V primeru zapletanja mora imeti operater nadzor nad stopalko.
- **Uporabljajte izključno pogone in naprave za izdelavo navojev z vrtilno hitrostjo 57 ali manj vrtljajev na minuto.** Naprave z višjimi hitrostmi povečujejo tveganje poškodb.
- **Prepričajte se, da je kolutni vtiskovalnik utorov pravilno nameščen in pritrjen na pogon/napravo za izdelavo navojev. Prepričajte se, da so naprava, stojalo, vtiskovalnik utorov in cev stabilno postavljeni.** Tako boste preprečili prevračanje opreme in cevi.

### Varnost kolutnega vtiskovalnika utorov ob uporabi na mestu vgradnje

- **Ročni pogon uporabljajte samo pri uporabi na mestu vgradnje. Ob uporabi na mestu vgradnje ne uporabljajte el. naprav (npr. vrtalnika ali udarnega orodja) za poganjanje kolutnega vtiskovalnika utorov.** Uporaba električnih naprav lahko povzroči poškodbe vtiskovalnika utorov in povečuje nevarnost poškodb.
- **Kadar delate na višini nad glavo, mora vso osebo nositi čelade. Pod delovnim območjem se ne sme nihče zadrževati.** Tako boste v primeru padca kolutnega vtiskovalnika utorov, cevi ali drugih predmetov preprečili hude poškodbe.

### Opis, tehnični podatki in standardna oprema

#### Opis

Kombinirani kolutni vtiskovalnik utorov RIDGID® 975 omogoča izdelavo utorov na jeklenih, aluminijastih in plastičnih ceveh premera od 1¼" do 6", debeline 10 in 40. Primeren je tudi za utore na ceveh iz nerjavnega jekla premera od 1¼" do 6" in debeline 10, ter premera od 1¼" do 2" in debeline 40. Ob zamenjavi kompleta kolutov se lahko uporablja tudi za bakrene cevi vrste K, L, M in DWV premera 2"-8". Utori se oblikujejo z mehanskim pomikanjem utornega koluta, ki ga podpira pogonski kolut, po cevi. Potrebna je samo prilagoditev globine utora.

Enota je oblikovana posebej za uporabo na mestu vgradnje ali z modelom el. pogona RIDGID 300 (modela z 38 in 57 vrt. na min). S primernim prilagojevalnikom (kat. št. 67662) se lahko uporablja z modelom naprave za izdelavo navojev RIDGID 300 Compact. Kombinirani kolutni vtiskovalnik utorov 975 premore patentirani merilnik globine utora za pomoč pri nastavitvi utora in patentirane možnosti za izboljšanje sledenja.

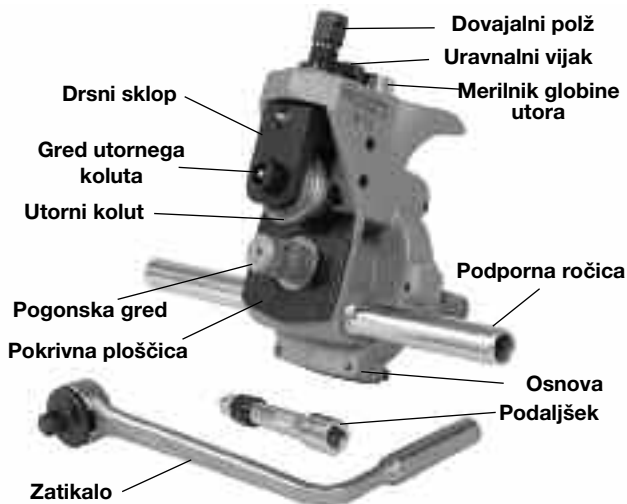
Kombinirani kolutni vtiskovalnik utorov 975 je prenosna naprava, namenjena za občasno uporabo na mestu dela, in ni primeren za močno obremenjeno uporabo ali proizvodno obdelavo cevi.

**OPOMBA** Kombinirani kolutni vtiskovalnik utorov, model 975, ob pravilni uporabi omogoča izdelavo utorov z merami 2"–6", ki so v skladu z ameriškim standardom AWWA C606-06. Za izbiro primernih materialov in načinov spajanja je odgovoren projektant sistema in/ali inštalater. Pred samo namestitvijo je potrebno izdelati temeljito oceno značilnih pogojev okolja, vključno s kemijskimi značilnostmi in delovno temperaturo.

## Specifikacije

Zmogljivost .....	jelekne cevi premera 1¼"–6", debeline 10 in 40 Ob zamenjavi kolutov: bakrene cevi 2"–8", vrste K, L, M in DWV
Premer utora	
Prilagoditev .....	uravnlalni vijak in merilnik globine utora
Pogon .....	dodajalni polž z zatikalnim klju- čem ½"
Montaža električnega pogona .....	el.pogon RIDGID 300 (samo modela 38 in 57 rpm), naprava za izd. navojev RIDGID 300 Compact (s prilagojevalnikom)
Teža .....	12,52 kg (27,6 lbs.)

Kombinirani kolutni vtiskovalnik utorov 975 je zaščiten s patenti ZDA in mednarodnimi patenti, vključno s patentoma 6.272.895 in 6.591.652.



Slika 1 – Kombinirani kolutni vtiskovalnik utorov 975

## Standardna oprema

Utorni in pogonski kolut za premer od 1¼" do 6" in debelino 10 in 40

Ključ z zatikalom (½") in gumbom za sprostitve

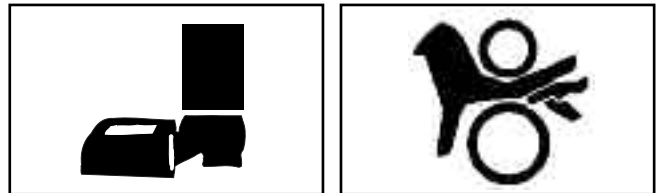
Vpenjalni podaljšek

Podporni ročici

Vgrajeni indeksni merilnik debeline

## Pregled kolutnega vtiskovalnika utorov

### ⚠ OPOZORILO

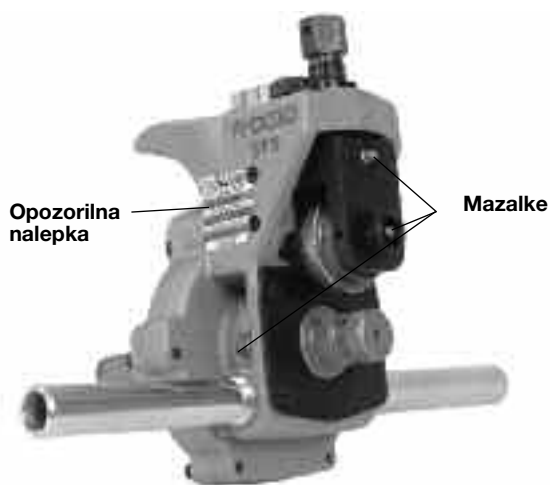


**Pred vsako uporabo preglejte kolutni vtiskovalnik utorov in odpravite morebitne težave, da se zmanjša tveganje hudih poškodb zaradi stisnjenja in iz drugih vzrokov in da se prepreči poškodba kolutnega vtiskovalnika utorov.**

**Kolutnega vtiskovalnika utorov ne uporabljajte z el. pogonom/napravo za izdelavo navojev brez stopalke.**

- Če je kolutni vtiskovalnik utorov nameščen na el. pogonu ali napravi za izdelavo navojev, se prepričajte, da je vtič izvlečen iz vtičnice, stikalo REV/OFF/FOR pa v položaju OFF (izklop). El. pogon/napravo za izdelavo navojev pregledujte in vzdržujte v skladu z uporabniškim priročnikom teh naprav. V primeru nepravilnega pregledovanja in vzdrževanja opreme lahko pride do hudih telesnih poškodb in poškodb lastnine. Prepričajte se, da je stopalka na voljo in da pravilno deluje. Tega kolutnega vtiskovalnika utorov ne uporabljajte brez stopalke.
- Očistite kolutni vtiskovalnik utorov od olja, maščob ali umazanije. Očistite tudi nosilni ročaj in zatikalno, ki se uporablja za sprožanje kolutnega vtiskovalnika utorov. Tako boste zmanjšali nevarnost, da bi vam vtiskovalnik utorov ali zatikalno med uporabo zdrsnila iz rok, in posledične poškodbe, ter olajšali pregled.
- Prepričajte se, da sta podporni ročici trdno nameščeni v ohišje kolutnega vtiskovalnika utorov.
- Preverite morebitne zlomljene, manjkajoče, nepravilno nameščene ali zatikajoče se dele, ali katero koli drugo stanje, ki bi lahko onemogočalo običajno in varno delovanje. Prepričajte se, da se utorni in pogonski kolut prosto obračata.
- Preverite, ali je opozorilna nalepka prisotna in dobro pritrjena. Na sliki 2 pogledajte, kje se opozorilna nalepka nahaja.

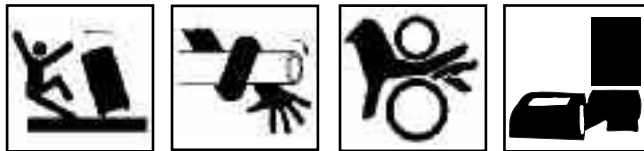
6. Če so rebra pogonske gredi umazana, jih očistite z žično krtačo. Umazana rebra lahko povzročijo zdrs cevi in težave pri sledenju utora.
  7. Preglejte morebitne razpoke, obrabo in druge znake poškodb utornega koluta in pogonske gredi. Poškodovani utorni koluti in pogonske gredi lahko povzročijo zdrs cevi, slabo kakovost utorov ali napako med uporabo.
  8. Preverite pravilno delovanje zatikala in podaljška. Prepričajte se, da zatikalo nemoteno deluje in se tekoče pomika v obeh smereh. Pritisnite gumb za sprostitvev na sredini glave zatikala in ga namestite na dovajalni polž. Zatikalo se mora varno pritrditi v položaj. Zatikalo se mora prav tako varno pritrditi v podaljšek, podaljšek pa mora biti varno pritrjen v predel ročnega pogona na zadnjem delu kolutnega vtiskovalnika utorov. Na ta način preprečite, da bi se zatikalo in podaljšek med uporabo zrahljala in izpadla iz vtiskovalnika utorov. Če uporabljate drugačno zatikalo, ključ ali podaljšek, ki ne naseda v kolutni vtiskovalnik utorov, se morate zavedati, da se lahko med uporabo zrahlja.
- V primeru kakršnih koli težav naprave ne uporabljajte, dokler jih ne odpravite.
9. Kolutni vtiskovalnik utorov podmazujte v skladu z navodili za vzdrževanje v tem priročniku. Z vtiskovalnika utorov obrišite morebitno odvečno mast.
  10. Če uporabljate kakršno koli drugo opremo, jo pregledujte in vzdržujte, da zagotovite pravilno delovanje.



**Slika 2 – Opozorilna nalepka na kombiniranem kolutnem vtiskovalniku utorov 975**

## Priprava naprave in delovnega območja za uporabo z el. pogonom

### ⚠ OPOZORILO



Vedno nosite zaščito za oči, da zaščitite svoje oči pred umazanijo in tujki. Nosite obuvala z jekleno zaščito prstov, ki vas bodo varovala v primeru prevračanja orodja in padanja cevi.

Kolutnega vtiskovalnika utorov ne uporabljajte z el. pogonom ali napravo za izdelavo navojev brez stopalke. Stopalke nikoli ne smete blokirati tako, da ne bi mogla nadzorovati pogona. Stopalka omogoča boljši nadzor, saj lahko električni pogon izklopite tako, da odmaknete nogo. Če se v napravo ujamejo oblačila in električni motor ostane v pogonu, bo oblačila povleklo v napravo. Navor te naprave je visok, zato lahko povzroči, da se ujeta oblačila zategnejo okrog vaše roke ali drugih delov telesa z zadostno silo, da lahko povzročijo stisnjenje, zlom kosti, udarce ali druge poškodbe.

Kolutni vtiskovalnik utorov in delovno območje pripravite v skladu s temi postopki, da se zmanjša nevarnost poškodb zaradi el. udara, požara, prevračanja naprave, zapletanja v gibljive dele, stisnjenja in drugih razlogov in da se prepreči jo poškodbe kolutnega vtiskovalnika utorov.

1. Izberite delovno območje z naslednjimi lastnostmi:
  - Ustrezna osvetlitev.
  - Brez vnetljivih tekočin, hlapov ali prahu, ki se lahko vžgejo. Če so te snovi prisotne, v delovnem območju ne delajte, dokler ne ugotovite oziroma odstranite njihovih virov. Električni pogoni in naprave za izdelavo navojev niso eksplozijsko varni in lahko povzročajo iskrenje.
  - Čisto, ravno, stabilno in suho mesto za vso opremo in operaterja. Opreme ne uporabljajte, če stojite v vodi.
  - Pravilno ozemljena električna vtičnica. Tripolna ali vtičnica z zemljostično zaščito (GFCI) morda ni pravilno ozemljena. Če dvomite v kakovost vtičnice, se obrnite na pooblaščenega električarja.
  - Očistite pot do električne vtičnice tako, da ne bodo prisotni nikakršni možni viri okvare napajalnega kabla.
2. Pred namestitvijo opreme očistite delovno območje. Vedno obrišite morebitne sledi olja.
3. Preglejte cev, na kateri boste izdelali utor, in se prepričajte, da je kombinirani kolutni vtiskovalnik utorov 975 ustrezno orodje za to delo. Kombinirani kolutni vtiskovalnik utorov 975 je primeren za izdelavo utorov na jeklenih, aluminijastih in plastičnih ceveh debeline 10 in 40 in velikosti od 1¼" do 6". Namenjen je tudi za izdelavo utorov na ceveh iz nerjavnega jekla vel. od 1¼" do 6" debeline 10, ter

vel. od 1¼" do 2" in debeline 40. Ob zamenjavi kompleta kolutov se lahko uporablja za bakrene cevi vrste K, L, M in DWV premera 2"-8".

Kombinirani kolutni vtiskovalnik utorov 975 se lahko uporablja na mestu vgradnje (vgrajena cev ali cev v primežu) ali z el. pogonom RIDGID 300 ali napravo za izdelavo navojev 300 Compact za uporabo z el. pogonom na mestu dela. Kombinirani kolutni vtiskovalnik utorov 975 ni namenjen za uporabo v proizvodnji.

Kolutne vtiskovalnike utorov za druge namene poiščite v katalogu orodja Ridge (Ridge Tool catalog), na spletnem mestu [www.RIDGID.com](http://www.RIDGID.com), ali preko tehnične službe Ridge Tool, tel. 800-519-3456.

**OPOMBA** Uporaba kompleta kolutov (utorni kolut in pogonska gred) tako na karbonskih kot ceveh iz nerjavnega jekla lahko povzroči onesnaženje nerjavnega jekla. Tovrstno onesnaženje lahko povzroči korozijo in skrajšanje življenjske dobe cevi. Da bi preprečili onesnaženje cevi iz nerjavnega jekla z železom, uporabljajte komplet kolutov, namenjen za izdelavo utorov na ceveh iz nerjavnega jekla. Namesto tega lahko pri zamenjavi materialov komplet kolutov temeljito očistite z žično krtačo iz nerjavnega jekla.

- Prepričajte se, da sta el. pogon/naprava za izdelavo navojev pregledana v skladu s priročnikom. Prepričajte se, da je stopalka prisotna, in da je stikalo FOR/OFF/REV v položaju OFF (izklop). El. pogon/napravo za izdelavo navojev namestite v skladu z navodili pripadajočega priročnika. Prepričajte se, da sta naprava in stojalo stabilna in brez tresljajev.
- Vpenjalo el. pogona/naprave za izdelavo navojev do konca odprite.
- Prepričajte se, da je kombinirani kolutni vtiskovalnik utorov 975 pregledan in ustrezen komplet kolutov nameščen.

### Montaža kombiniranega vtiskovalnika utorov 975 na električni pogon RIDGID 300

- Če je električni pogon, ki ga boste uporabili, opremljen z vozičkom ali drugimi dodatki, jih odstranite. Prepričajte se, da sta podporni ročici električnega pogona povsem spredaj in pritrjeni.
- Podporni ročici kolutnega vtiskovalnika utorov namestite na podporni ročici električnega pogona, konec pogonske gredi kolutnega vtiskovalnika utorov pa v vpenjalo naprave. Zaprite in zategnite vpenjalo el. pogona na ploščici pogonske gredi. Prepričajte se, da je pogonska gred v vpenjalu središčno poravnana. Z večkratnim in močnim obračanjem udarne glave hitrega vpenjala v nasprotni smeri urinega kazalca poskrbite za trden oprijem pogonske gredi (slika 3).

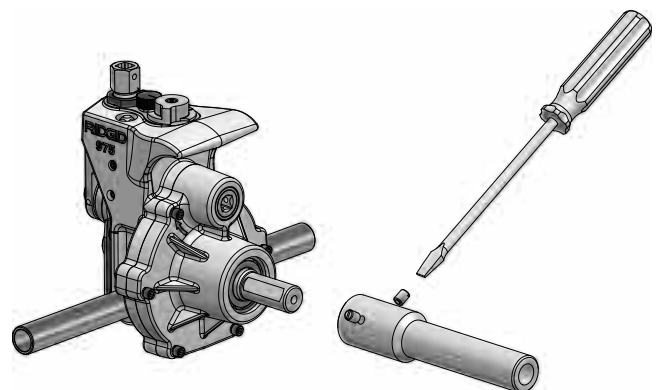


Figure 3 – Namestitev kombiniranega vtiskovalnika utorov 975 v vpenjalo električnega pogona 300

### Montaža kombiniranega vtiskovalnika utorov 975 na kompaktno napravo za izdelavo navojev RIDGID 300 ali 1233

Pri uporabi kombiniranega kolutnega vtiskovalnika utorov 975 s kompaktno napravo za izdelavo navojev 300 ali 1233 obvezno uporabite prilagoditveni komplet (kat. št. 67662). Prilagoditveni komplet omogoča pravilno postavitve kombiniranega kolutnega vtiskovalnika utorov 975 na napravo za izdelavo navojev in celoten razpon velikosti utorov. Kombiniranega kolutnega vtiskovalnika utorov 975 ne poskušajte uporabljati z drugimi napravami za izdelavo navojev, saj lahko pride do prevračanja ali drugih težav.

- Na pogonsko gred kolutnega vtiskovalnika utorov namestite prilagojevalnik pogonske ročice (glejte sliko 4). Pritrdilne vijake poravnajte s ploščicami pogonske gredi kolutnega vtiskovalnika utorov in jih tesno privijte.



Slika 4 – Namestitev prilagojevalnika pogonske ročice

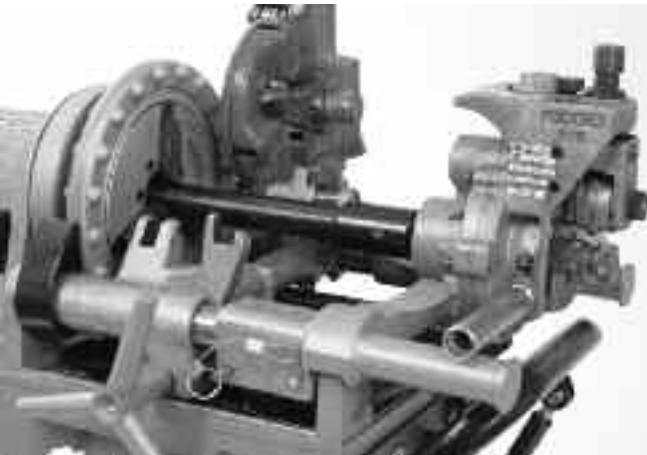
- Voziček na kompaktni napravi za izdelovanje navojev 300 ali 1233 premaknite kolikor je le mogoče blizu vpenjalu. Premaknite rezkar, posnemalo in rezalno glavo v položaj stran od operaterja, da ne bodo napoti. Posnemalno konico vstavite v rezalno glavo.

- Prilagoditveni nosilec namestite na konec vodila naprave 300 Compact ali 1233 (kot prikazuje slika 5) in pritrdite s priloženim zatičem.



Slika 5 – Namestitev prilagoditvenega nosilca

- Podporni ročici vtiskovalnika utorov 975 namestite na ročici prilagoditvenega nosilca, s prilagojevalnikom pogonske ročice v vpenjalu naprave. Zaprite in zategnite vpenjalo naprave za izdelavo navojev na prilagojevalnik pogonske ročice. Prepričajte se, da je pogonska ročica v vpenjalu središčno poravnana. Z večkratnim in močnim obračanjem udarne glave hitrega vpenjala v nasprotni smeri urinega kazalca poskrbite za trden oprijem pogonske ročice.



Slika 6 – Pravilno nameščen kombinirani kolutni vtiskovalnik utorov 975 na kompaktni napravi za izdelavo navojev 300

### Zaključne nastavitve

- Stopalko postavite tako, da operater lahko nadzoruje električni pogon/napravo za izdelavo navojev, vtiskovalnik utorov in cev, na kateri dela utore. Kot prikazuje slika 6, mora položaj operaterju omogočati naslednje:

- Stojte v smeri proti kolutnemu vtiskovalniku utorov in dostop do stikala FOR/OFF/REV (na isti strani kot stikalo).
- Nadzor preklapljanja (ON/OFF) s stopalko, po potrebi tudi hitro sprostitve stopalke.
- Pripraven dostop do kolutnega vtiskovalnika utorov, cevi in ključa z zatikalom, ne da bi moral segati preko kolutnega vtiskovalnika utorov.



Slika 7 – Položaj operaterja

- Napajalni kabel napeljite po prej opisani očiščeni poti. S suhimi rokami priključite vtič el. pogona v pravilno ozemljeno vtičnico. Vse el. povezave morajo biti suhe in nad tlemi. Če napajalni kabel ni dovolj dolg, uporabite podaljšek, ki:
  - je v dobrem stanju,
  - ima tripolni vtič, podoben vtiču električnega pogona,
  - je namenjen za zunanjo uporabo in vsebuje W ali W-A v oznaki kabla (npr. **SOW**),
  - je ustrezno dimenzioniran (AWG 14 za 7,5, AWG 12 za 7,5–15 m dolžine). Pretanke žile se lahko pregrejejo in povzročijo topljenje izolacije, požar ali drugo škodo.
- Preverite električni pogon/napravo za izdelavo navojev in se prepričajte, da pravilno deluje:
  - Stikalo premaknite v položaj FOR (naprej). Pritisnite in spustite stopalko. Preverite, ali se pogonska gred vrti v nasprotni smeri urinega kazalca, ko ste obrnjeni proti



vpenjalu. Če se enota ne vrti v pravilni smeri ali pa stopalka ne krmili delovanja naprave, naprave ne uporabljajte, dokler ne bo popravljena.

- Pritisnite in zadržite stopalko. Preverite vrtilno hitrost enote. Preverite, ali so gibljivi deli orodja pravilno nameščeni in niso ukleščeni, morebitne nenavadne zvoke in kakršne koli druge nenavadne pojave. Sprostite stopalko. Če vrtilna hitrost preseže 57 vrt. na minuto, naprave ne uporabljajte za izdelavo utorov. Pri višjih hitrostih se lahko poveča tveganje poškodb. V primeru nenavadnih stanj opreme ne uporabljajte, dokler ne bo popravljena.
- Stikalo premaknite v položaj REV (nazaj). Pritisnite in spustite stopalko. Preverite, ali se pogonska gred vrti v smeri urinega kazalca, ko ste obrnjeni proti vpenjalu. Če se enota ne vrti v pravilni smeri, naprave ne uporabljajte, dokler ne bo popravljena.
- Stikalo premaknite v položaj OFF (izklop). S suhimi rokami izvlcite vtič naprave.

## Priprava cevi

**OPOMBA** Pričujoča navodila so splošna. Vedno upoštevajte značilna navodila proizvajalcev utornih spojk za pripravo konca cevi. Neupoštevanje značilnih navodil proizvajalcev utornih spojk lahko povzroči nepravilno spajanje in puščanje.

1. Cev odrežite na primerno dolžino. Upoštevajte minimalno dolžino cevi, ki jo lahko obdelate pri posamezni velikosti cevi (glejte tabelo A). Izdelava utorov na cevi, ki je krajša od minimalne dolžine, povečuje nevarnost stisnjenja prstov in zapletanja.

Prepričajte se, da je konec cevi odrezan in posnet. Med izdelavo utorov se lahko rokavice zataknejo za ostružke ali prerežejo ali pa si porežete prste. Način odrezovanja in veliki ostružki lahko vplivajo na kakovost izdelanega utora in sledenje. Na cevi, ki je bila odrezana z gorilnikom, ne poskušajte izdelovati utorov.

2. Vso škajo, drobce zvarov ali spoje morate zunaj in znotraj gladko pobrusiti in sprati najmanj 5 cm stran od konca cevi. Ne vrezujte predela za vstavljanje tesnila, saj s tem lahko povzročite puščanje.
3. Odstranite vse obloge, umazanijo, rjo in druge onesnaževalce z dolžine najmanj 5 cm od konca cevi. Smeti lahko zamašijo pogonska rebra in onemogočijo pravilno pogonjanje in sledenje cevi med izdelavo utorov.

## Namestitev cevi v kolutni vtiskovalnik utorov

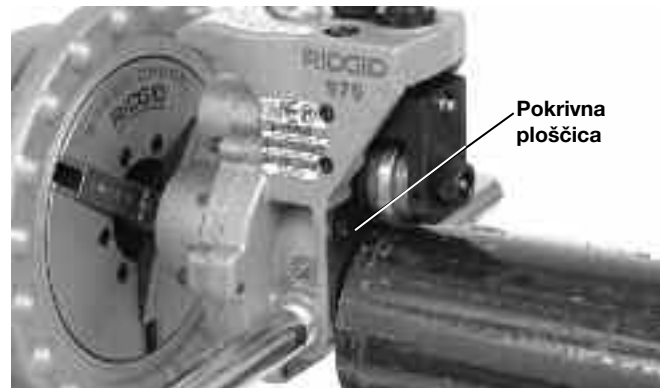
1. Preverite, ali je stikalo el. pogona/naprave za izdelavo navojev v položaju OFF.
2. Poskrbite, da boste imeli na voljo primerno podporo za cev, na kateri boste izdelovali utore. Tabela A podaja maksimalno dolžino cevi za izdelavo utorov ob uporabi enega

stojala za cev. Daljše cevi morate podpreti z najmanj dvema stojalom. Brez ustrezne podpore se cev ali cev in naprava lahko prevrneta in padeta. Ne izdelujte utorov na ceveh, ki so krajše od minimalne dolžine.

Nazivna velikost	Min. dolžina	Maks. dolžina	Nazivna velikost	Min. dolžina	Maks. dolžina
1	8	36	4	8	36
1 $\frac{1}{4}$	8	36	4 $\frac{1}{2}$	8	32
1 $\frac{1}{2}$	8	36	5	8	32
2	8	36	zun. pr. 6	10	30
2 $\frac{1}{2}$	8	36	6	10	28
3	8	36			
3 $\frac{1}{2}$	8	36			

**Tabela A – Min./maks. dolžina cevi za izd. utora z 1 stojalom (vse mere so podane v palcih)**

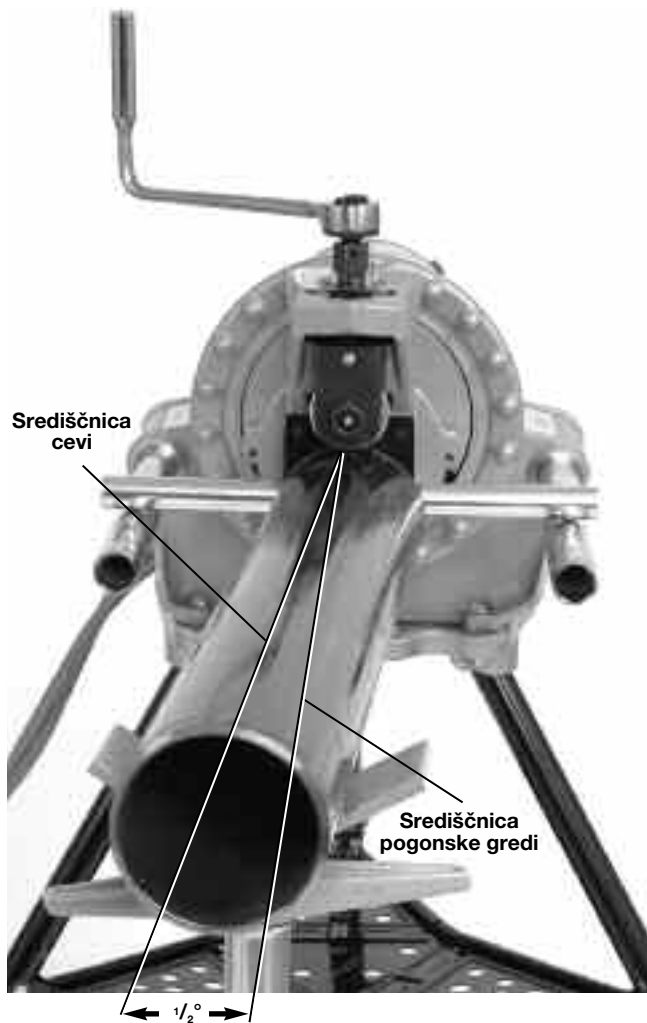
3. Potrebna stojala za cevi postavite pred kolutni vtiskovalnik utorov. Pri dolžinah, za katere se uporablja eno stojalo, morate stojalo postaviti rahlo dlje kot na polovici dolžine cevi od pokrivne ploščice kolutnega vtiskovalnika utorov. Pri dolžinah, za katere se uporablja več kot eno stojalo, morate stojala postaviti na  $\frac{1}{4}$  dolžine cevi od koncev cevi. V določenih primerih je treba uporabiti več stojal. Višino stojal prilagodite tako, da cev nalega na pogonski kolut.
4. Prepričajte se, da je utorni kolut dovolj uvlečen, da bo omogočal namestitev cevi na pogonsko gred. Po potrebi dovoljno polž obrnite v nasprotni smeri urinega kazalca, da dvignete utorni kolut.
5. Konec cevi položite preko pogonske gredi in jo naslonite na stojalo(-a) za cev. Preverite, ali je cev stabilno postavljena.



**Slika 8 – Namestitev cevi na pogonsko gred in poravnava s pokrivno ploščico**

6. Cev in konec cevi postavite tako, da je konec cevi poravnana s pokrivno ploščico kolutnega vtiskovalnika utorov in da notranjost cevi nalega na zgornji del pogonske gredi (slika 7). Središčnica cevi in središčnica pogonske gredi morata biti vzporedni med seboj. Eden od načinov, da to dosežete, je ta, da izravnate cev in napravo za izdelavo navojev.

7. Cev in stojala za cev rahlo zamaknite, za približno  $\frac{1}{2}$  stopinje (približno 25 mm na dolžini 3 m od kolutnega vtiskovalnika utorov) proti operaterju. Pravilna poravnava cevi in kolutnega vtiskovalnika utorov pomaga zagotoviti pravilno sledenje cevi med izdelavo utorov. (Glejte sliko 9.)



**Slika 9 – Zamik cevi za  $\frac{1}{2}^\circ$  proti operaterju (poudarjen prikaz)**

8. Dovajalni polž obrnite v smeri urinega kazalca, da spustite utorni kolut do stika z zunanjim premerom cevi, nato dovajalni polž obrnite še za četrto obrato. Uravnavni vijak bo morda potrebno odviti (obrniti v nasprotni smeri urinega kazalca), da omogočite stik utornega koluta s cevjo. Cev in kolutni vtiskovalnik utorov se morata nato stikati.
9. Ocenite delovno območje in ugotovite, ali je potrebna ograda, s katero boste vse, razen operaterja, obdržali stran od opreme in cevi. Z varovali oziroma ograjami zamejite najmanj 90 cm (3 čevlje) prostora okrog električnega pogona in cevi. Ta »varnostna cona« preprečuje drugim, da bi se po nesreči dotaknili naprave ali cevi in povzročili prevračanje ali se zapletli med vrteče se dele.

10. S suhimi rokami priklopite vtič naprave v pravilno ozemljeno vtičnico.

## Upravljanje kombiniranega kolutnega vtiskovalnika utorov 975 z el. pogonom/napravo za izdelavo navojev

### ⚠ OPOZORILO



Med delom s kolutnim vtiskovalnikom utorov ne nosite ohlapnih oblačil. Rokavi in jopiči naj bodo zapeti. Ne segajte preko naprave ali cevi. Ohlapna oblačila se lahko zapletejo med vrteče se dele in povzročijo poškodbe zaradi stisnjenja.

Roke držite proč od utornih kolutov. Ne izdelujte utorov na ceveh, ki so krajše od navedenih. Ne nosite ohlapnih rokavic. Prsti se lahko stisnejo med koluta vtiskovalnika utorov ali med kolut in cev.

Roke držite proč od koncev cevi. Ne segajte v notranjost cevi. Na ostrih robovih ali ostružkih bi se lahko porezali. Prsti se lahko stisnejo med koluta vtiskovalnika utorov ali med kolut in cev.

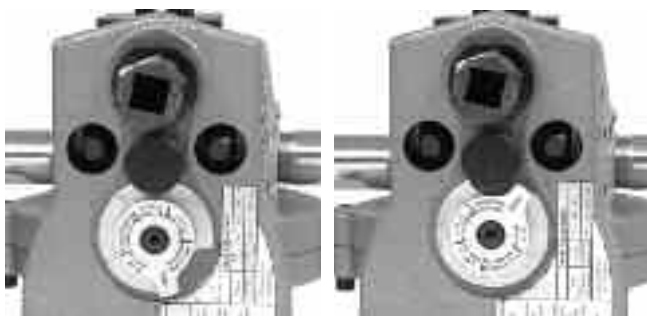
Vedno nosite zaščito za oči, da zaščitite svoje oči pred umazanijo in tuji. Nosite obuvala z jekleno zaščito prstov, ki vas bodo varovala v primeru prevračanja orodja in padanja cevi.

Upoštevajte navodila za uporabo, da zmanjšate nevarnost poškodb zaradi stisnjenja, prevračanja, udarcev in drugih razlogov.

### Nastavitev/merjenje premera utora

**OPOMBA** Zaradi različnih lastnosti cevi morate pred izdelavo prvega utora v dnevu ali kadar menjavate velikost, debelino ali material cevi vedno izdelati poskusni utor. Merilniki za nastavitev premera utora so le približno natančni, zato morate premer utora vedno izmeriti, da potrdite pravilno velikost.

1. Prepričajte se, da sta oprema in cev pravilno nameščena. Nepravilno pripravljena cev lahko vpliva na natančnost namestitve merilnika globine utora. Utorni kolut se mora dotikati cevi.
2. Merilnik globine utora prilagodite tako, da bo ustrezn korak merilnika pod glavo uravnalnega vijaka (slika 10A). Merilnik globine utora je namenjen za uporabo s cevjo. Za uporabo z bakrenimi cevmi glejte »Nastavitev premera utora za bakrene cevi«.
3. Uravnavni vijak obračajte v smeri urinega kazalca, dokler se glava ne dotakne koraka merilnika globine. Obrnite merilnik globine utora v položaj za izdelavo utora (slika 10B). Če merilnik ni v položaju za izdelavo utora, bo onemogočil izdelavo in se lahko poškoduje.



**Slika 10A – Ustrezen korak merilnika premaknite pod glavo uravnalnega vijaka**

**Slika 10B – Merilnik v položaju za izdelavo utora**

4. Izdelajte poskusni utor (*sledite korakom v poglavju »Oblikovanje utora«*).
5. Izmerite premer utora. Najboljši način za merjenje premera utora je uporaba tračnega metra (*glejte poglavje »Dodatki«*). Tračni meter za merjenje premera tesno ovijte po utoru okoli cevi. Prepričajte se, da trak nalega v brazdo in odčitajte premer utora. (*Glejte sliko 11.*)



**Slika 11 – Preverjanje premera utora s tračnim metrom**

6. Izmerjeni premer utora primerjajte z zahtevanim premerom utora, kot je prikazano v *tabeli I ali III* ali kot določa proizvajalec utornih spojk. Če je izmerjeni utor izven zahtevanega premera utora, morate uravnalni vijak nastaviti tako, da bo omogočal zahtevani premer utora.
  - Uravnalni vijak obračajte v smeri urinega kazalca, da povečate premer utora.
  - Uravnalni vijak obračajte v nasprotni smeri urinega kazalca, da zmanjšate premer utora.
  - Pri  $\frac{1}{4}$  obrata uravnalnega vijaka se premer utora spremeni za približno 0,02" (0,5 mm).

7. Ponavljajte korake 4–6, dokler premer utora ne bo ustrezal specifikacijam. Če je utor prevelik, lahko vtiskovalnik prilagodite in izdelate manjši utor. Če je utor premajhen, morate narediti nov utor. Pravilen premer utora je pomemben za ustrezne lastnosti spoja. Utori, ki ne ustrezajo specifikacijam, lahko povzročijo napake na spojih.

## Oblikovanje utora

1. Prepričajte se, da sta oprema in cev pravilno nameščena.



**Slika 12 – Delovni položaj kolutnega vtiskovalnika utorov**

2. Postavite se v ustrezen delovni položaj. Stopalko električnega pogona postavite tako, da lahko operater nadzoruje električni pogon, kolutni vtiskovalnik utorov in cev, na kateri bo izdeloval utor. Kot prikazuje *slika 12*, mora položaj operaterju omogočati naslednje:
  - Stojte v smeri proti kolutnemu vtiskovalniku utorov in dostop do stikala FOR/OFF/REV (na isti strani kot stikalo).
  - Nadzor preklapljanja (ON/OFF) s stopalko, po potrebi tudi hitro sprostitev stopalke.
  - Pripraven dostop do vtiskovalnika in ključa z zatikalom, ne da bi moral segati preko kolutnega vtiskovalnika utorov.

- Po potrebi z desno roko primite cev, na kateri izdelujete utor.
  - Pazite na stabilno stoji in ravnotežje.
- Stikalo FOR/OFF/REV premaknite v položaj REV (nazaj). **Kombiniranega kolutnega vtiskovalnika utorov 975 ne poganjajte v položaju FOR (naprej). Zaradi oblike kombiniranega kolutnega vtiskovalnika utorov 975 lahko to povzroči, da se cev spiralno izvije iz kolutov vtiskovalnika utorov, zaradi česar cev lahko pade.**
  - Eno roko postavite na glavo zatikala/vrh dovajalnega polža, drugo pa na konec zatikala.
  - Pritisnite stopalko, da zaženete električni pogon. Opazujte vrtenje cevi in se prepričajte, da robna površina cevi ostaja v stiku s pokrivno ploščico kolutnega vtiskovalnika utorov. Če se začne cev premikati stran od pokrivne ploščice kolutnega vtiskovalnika utorov, spustite stopalko, da preprečite spiralni zdrs in padec cevi. Po potrebi cev ponovno namestite (*glejte poglavje »Namestitev cevi«*). Če je konec cevi deformiran, ga je potrebno odrezati in pripraviti nov utor.
  - Ko cev zaključi poln obrat, dovajalni polž zategnite še za  $\frac{1}{4}$  obrata. Še naprej opazujte konec cevi in se prepričajte, da se dotika pokrivne ploščice. Dovajalnega polža ne zategujte za več kot  $\frac{1}{4}$  obrata pri vsakem obratu cevi. Premočno zategovanje dovajalnega polža lahko povzroči široko obrobo ali spiralni zdrs cevi s pogonske gredi.
  - Še naprej zategujte dovajalni polž za  $\frac{1}{4}$  obrata pri polnem obratu cevi, dokler se glava uravnalnega vijaka ne ustavi ob vrhu kolutnega vtiskovalnika utorov. Ko uravnalni vijak doseže vrh kolutnega vtiskovalnika utorov, dovajalnega polža ne smete več zategovati, sicer lahko poškodujete uravnalni vijak. Pustite, da se cev v tem položaju obrne vsaj še dva polna obrata, da zagotovite enovito globino utora.
  - Spustite stopalko in premaknite stikalo FOR/OFF/REV v položaj OFF (izklop).
  - Dovajalni polž obrnite v nasprotni smeri urinega kazalca in dvignite utorni kolut, da lahko cev odstranite iz naprave.
  - Preverite utor.
    - Prepričajte se, da je utor v celoti izdelan.
    - Preverite premer utora in se prepričajte, da ustreza specifikacijam.
    - Preverite morebitne druge zahteve proizvajalca spojk.

Če ugotovite kakršne koli nepravilnosti, utora ne morete uporabiti.

## Nastavitev premera utora za bakrene cevi

Kadar kombinirani utorni vtiskovalnik utorov 975 uporabljate za bakrene cevi, merilnika globine utora na kolutnem vtiskovalniku utorov ne morete uporabljati. Izmerjeni premeri utora bodo nepravilni.

- Dovajalni polž obrnite v smeri urinega kazalca, da spustite utorni kolut do stika z zunanjim premerom cevi, nato dovajalni polž obrnite še za četrto obrata. Uravnalni vijak bo morda potrebno odviti (obrniti v nasprotni smeri urinega kazalca), da omogočite stik utornega koluta s cevjo. Cev in kolutni vtiskovalnik utorov se morata nato stikati.
- Poskrbite, da bo merilnik globine utora v položaju za izdelavo utora. (*Slika 10B*)
- Uravnalni vijak obračajte, dokler ni poravnana z vrhno ploščo vtiskovalnika utorov.
- V tabeli B poiščite premer in vrsto cevi, na kateri boste izdelali utor, in odmaknite uravnalni vijak od vrhne plošče za ustrezno število obratov. Na primer, pri bakreni cevi debeline L in premera 4", uravnalni vijak odvijte za  $1\frac{1}{4}$  obrata.

## Prilagoditev globine za izdelavo utora na bakrenih cevi (obrti uravnalnega vijaka)

Premer	K	L	M	DWW
2-2.5"	$\frac{7}{8}$	$\frac{7}{8}$	$\frac{5}{8}$	$\frac{5}{8}$
3"	$1\frac{1}{16}$	$1\frac{1}{16}$	$1\frac{1}{16}$	$1\frac{1}{16}$
4"	$1\frac{1}{4}$	$1\frac{1}{4}$	$1\frac{1}{4}$	$1\frac{1}{8}$
5"	$1\frac{1}{2}$	$1\frac{1}{2}$	$1\frac{1}{2}$	$1\frac{1}{2}$
6"	$1\frac{3}{16}$	$1\frac{3}{4}$	$1\frac{3}{4}$	$1\frac{3}{4}$
8"	$2\frac{1}{2}$	$2\frac{3}{8}$	$2\frac{1}{8}$	$2\frac{1}{8}$

**Tabela B – Prilagoditev globine za izdelavo utorov na bakreni cevi (premer v palcih)**

- Pojdite na 4. korak poglavja »Nastavitev/merjenje premera utora«.

## Nasveti za vodenje kombiniranega kolutnega vtiskovalnika utorov 975

Težave, s katerimi se uporabniki največkrat srečujejo, so spiralni zdrs, snemanje cevi s pogonske gredi in nepravilno sledenje. Za pravilno sledenje je pomembno, da sledite vsem navodilom. Če sledenje cevi tudi ob upoštevanju vseh navodil ne poteka pravilno, obstaja več dodatnih možnosti za izboljšanje sledenja.

- Rahlo povečajte zamik cevi proti operaterju (s  $\frac{1}{2}$  na 1 stopinjo) (*glejte sliko 9*).
- Operater mora po potrebi uporabiti rahlo silo pri držanju cevi, medtem ko izdeluje utor, da ohrani sledenje. Običajno je to potrebno le pri krajših kosih cevi. V ta namen mora operater nositi usnjeno rokavico v dobrem stanju in z roko

oprijeti srednji del cevi, kot prikazuje *slika 13*. V tem primeru bo morda potrebno stojalo, na katerega je montiran električni pogon/naprava za izdelavo navojev, pritrčiti na tla, da preprečite premikanje med izdelavo utorov. Da bi preprečili poškodbe zaradi stisnjenja, držite roke proč od utornega koluta in konca cevi in ne izdelujte utorov na ceveh, krajših od priporočenih dolžin.



**Slika 13 – Pritisk na cev med izdelavo utora, da se ohrani sledenje**

- Celovit seznam razlogov za težave s sledenjem in možne rešitve si oglejte v poglavju *Odpravljanje težav*.

## Priprava naprave in delovnega območja za uporabo na mestu vgradnje

### ⚠ OPOZORILO



Vedno nosite zaščito za oči, da zaščitite svoje oči pred umazanijo in tujki. Nosite obuvala z jekleno zaščito prstov, ki vas bodo varovala v primeru prevračanja in padanja orodja ali cevi. Pri delu na mestu vgradnje nosite čelado.

Kolutni vtiskovalnik utorov in delovno območje pripravite v skladu s temi postopki, da se zmanjša nevarnost poškodb prevračanja naprave, stisnjenja in drugih razlogov in da se preprečijo poškodbe kolutnega vtiskovalnika utorov.

1. Izberite delovno območje z naslednjimi lastnostmi:
  - Ustrezna osvetlitev.
  - Brez vnetljivih tekočin, hlapov ali prahu, ki se lahko vžgejo. Če so te snovi prisotne, v delovnem območju ne delajte, dokler ne ugotovite oziroma odstranite njihovih virov.
  - Čisto, ravno, stabilno in suho mesto z zadostnim prostorom za vso opremo in operaterja.
2. Pred namestitvijo opreme očistite delovno območje. Vedno obrišite morebitne sledi olja.
3. Preglejte cev, na kateri boste izdelovali utor, in se prepričajte, da je kombinirani kolutni vtiskovalnik utorov 975 ustrezno orodje za to delo. Kombinirani kolutni vtiskovalnik utorov 975 je primeren za izdelavo utorov na jeklenih, aluminijastih in plastičnih ceveh debeline 10 in 40 in velikosti od 1¼“ do 6”. Namenjen je tudi za izdelavo utorov na ceveh iz nerjavnega jekla vel. od 1¼“ do 6” debeline 10, ter vel. od 1¼“ do 2” in debeline 40. Ob zamenjavi kompleta kolutov se lahko uporablja za bakrene cevi vrste K, L, M in DWV premera 2”–8”.
 

Kombinirani kolutni vtiskovalnik utorov 975 se lahko uporablja na mestu vgradnje (vgrajena cev ali cev v primežu) ali z el. pogonom RIDGID 300 ali napravo za izdelavo navojev 300 Compact za uporabo z el. pogonom na mestu dela. Kombinirani kolutni vtiskovalnik utorov 975 ni namenjen za uporabo v proizvodnji.
4. Kadar utore izdelujete na mestu vgradnje, se prepričajte, da bo na voljo dovolj prostora za kombinirani kolutni vtiskovalnik utorov 975 in delo z njim. Kolutni vtiskovalnik utorov mora obkrožiti trdno vgrajeno cev, za kar potrebujete:
  - Najmanj 6½“ (165 mm) prostega prostora okrog cevi, na kateri boste izdelali utor.

- Najmanj 2 1/2" (63 mm) cevi mora segati izven gradbene ovire, npr. stene.
- Najmanj 9 1/2" (240 mm) prostora, da na cev namestite utorni vtiskovalnik utorov.

Kolutne vtiskovalnike utorov za druge namene poiščite v katalogu orodja Ridge (Ridge Tool catalog), na spletnem mestu [www.RIDGID.com](http://www.RIDGID.com), ali preko tehnične službe, tel. 800-519-3456.

**OPOMBA** Uporaba kompleta kolutov (utorni kolut in pogonska gred) tako na karbonskih kot ceveh iz nerjavnega jekla lahko povzroči onesnaženje nerjavnega jekla. Tovrstno onesnaženje lahko povzroči korozijo in skrajšanje življenjske dobe cevi. Da bi preprečili onesnaženje cevi iz nerjavnega jekla z železom, uporabljajte komplet kolutov, namenjen za izdelavo utorov na ceveh iz nerjavnega jekla. Namesto tega lahko pri zamenjavi materialov komplet kolutov temeljito očistite z žično krtačo iz nerjavnega jekla.

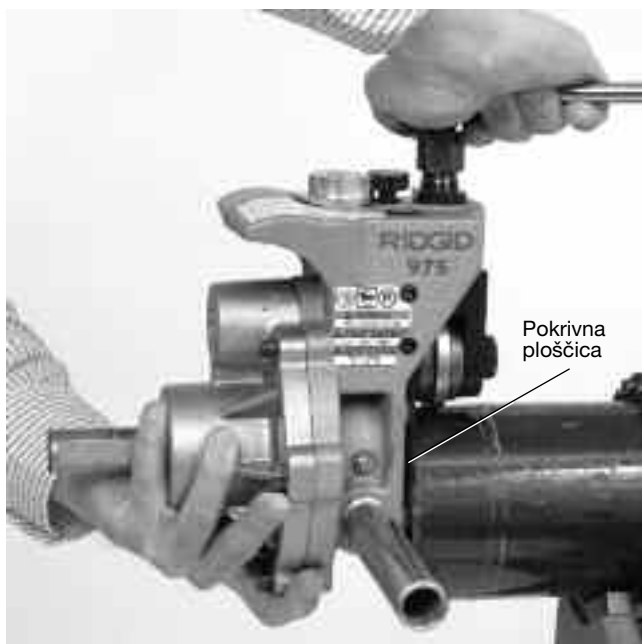
### Priprava cevi

**OPOMBA** Pričujoča navodila so splošna. Vedno upoštevajte značilna navodila proizvajalcev utornih spojk za pripravo konca cevi. Neupoštevanje značilnih navodil proizvajalcev utornih spojk lahko povzroči nepravilno spajanje in puščanje.

1. Če izdelujete utor na mestu vgradnje, na obstoječih ceveh, se prepričajte, da sistem ni pod pritiskom in da je vsebina cevi iztočena. Seznanite se z vsebino cevi in morebitnimi nevarnostmi, ki jih lahko povzročajo.
2. Cev odrežite na primerno dolžino.  
Prepričajte se, da je konec cevi odrezan in brez ostružkov. Med izdelavo utorov se lahko rokavice zataknejo za ostružke ali prerežejo ali pa si porežete prste. Način odrezovanja in veliki ostružki lahko vplivajo na kakovost izdelanega utora in sledenje. Na cevi, ki je bila odrezana z gorilnikom, ne poskušajte izdelovati utorov.
3. Vso škajo, drobce zvarov ali spoje morate zunaj in znotraj gladko pobrusiti in sprati najmanj 5 cm stran od konca cevi. Ne vrezujte predela za vstavljanje tesnila, saj s tem lahko povzročite puščanje.
4. Odstranite vse obloge, umazanijo, rjo in druge onesnaževalce z dolžine najmanj 5 cm od konca cevi. Smeti lahko zamašijo pogonska rebra in onemogočijo pravilno pogajanje in sledenje cevi med izdelavo utorov.
5. Prepričajte se, da je cev, na kateri boste izdelovali utor, trdno nameščena. Cev mora brez premikanja prenesti težo kolutnega vtiskovalnika utorov (12,7 kg) ter silo in navor, ki sta potrebna za izdelavo utora. Pri vgrajenih ceveh je smiselno cevi odstraniti in uporabiti primež za cev pri izdelavi utora. V drugih primerih bo morda potrebno dodati druge začasne ali trajne opore za cev. Kadar uporabljate primež za cev, se prepričajte, da je pritrjen in se med uporabo ne bo prevrnil. Pri daljših dolžinah cevi uporabite primerna stojala za cev, da podprete dodatno dolžino.

### Namestitev kolutnega vtiskovalnika utorov na cev

1. Prepričajte se, da je kombinirani kolutni vtiskovalnik utorov 975 pregledan in ustrezen komplet kolutov nameščen. Prepričajte se, da sta podporni ročici trdno pritrjeni na ohišje kolutnega vtiskovalnika utorov, ali pa jih popolnoma odstranite, da omogočite boljši dostop v tesnem prostoru. Nato namestite zatikalo v dovajalni polž in podaljšek v predel za ročni pogon na zadnjem delu kolutnega vtiskovalnika utorov. Prepričajte se, da sta tako zatikalo kot podaljšek varno pritrjena.
2. Prepričajte se, da je med utornim kolutom in pogonsko gredjo dovolj prostora za debelino cevi. Po potrebi dovajalni polž obrnite v nasprotni smeri urinega kazalca, da uvlečete utorni kolut.
3. Trdno primite kolutni vtiskovalnik utorov. Zatikala ne dvigujte. Pogonsko gred vstavite v cev in preverite, ali se pokrivna ploščica in konec cevi tesno stikata (slika 14). Zategnite dovajalni polž, da se bo utorni kolut dotikal zunanje površine cevi. Ko je dovajalni polž z roko tesno zategnjen, ga z zatikalom privijte še za 1/4 obrata. Preverite, ali je kolutni vtiskovalnik utorov varno pritrjen na cev in ali je pokrivna ploščica poravnana s koncem cevi. Če ni, ponovite postopek. Pri uporabi na mestu vgradnje vedno preverite, ali je utorni vtiskovalnik utorov varno pritrjen, da preprečite padanje.



Slika 14 – Pridrževanje kolutnega vtiskovalnika utorov na mestu, medtem ko zategujete dovajalni polž

## Uporaba kombiniranega kolutnega vtiskovalnika utorov 975 na mestu vgradnje

### ⚠ OPOZORILO



Ročni pogon uporabljajte samo pri uporabi na mestu vgradnje. Ob uporabi na mestu vgradnje ne uporabljajte el. naprav (npr. vrtalnika ali udarnega orodja) za poganjanje kolutnega vtiskovalnika utorov. Uporaba el. naprav lahko povzroči poškodbe kolutnega vtiskovalnika utorov in povečuje nevarnost poškodb.

Med delom s kolutnim vtiskovalnikom utorov ne nosite ohlapnih oblačil. Rokavi in jopiči naj bodo zapeti. Ne segajte preko naprave ali cevi. Ohlapna oblačila se lahko zapletejo med vrteče se dele in povzročijo poškodbe zaradi stisnjenja.

Roke držite proč od utornih kolutov. Ne izdelujte utorov na ceveh, ki so krajše od navedenih. Ne nosite ohlapnih rokavic. Prsti se lahko stisnejo med koluta vtiskovalnika utorov ali med kolut in cev.

Roke držite proč od koncev cevi. Ne segajte v notranjost cevi. Na ostrih robovih ali ostružkih bi se lahko porezali. Prsti se lahko stisnejo med koluta vtiskovalnika utorov ali med kolut in cev.

Vedno nosite zaščito za oči, da zaščitite svoje oči pred umazanijo in tujki. Nosite obuvala z jekleno zaščito prstov, ki vas bodo varovala v primeru prevračanja orodja in padanja cevi. Pri delu na mestu vgradnje nosite čelado.

Upoštevajte navodila za uporabo, da zmanjšate nevarnost poškodb zaradi stisnjenja, prevračanja, udarcev in drugih vzrokov.

### Nastavitev/merjenje premera utora

**OPOMBA** Zaradi različnih lastnosti cevi morate pred izdelavo prvega utora v dnevju ali kadar menjavate velikost, debelino ali material cevi vedno izdelati poskusni utor. Merilniki za nastavitev premera utora so le približno natančni, zato morate premer utora vedno izmeriti, da potrdite pravilno velikost.

1. Prepričajte se, da sta oprema in cev pravilno nameščena. Nepravilno pripravljena cev lahko vpliva na natančnost namestitve merilnika globine utora. Utorni kolut se mora dotikati cevi.
2. Merilnik globine utora prilagodite tako, da bo ustrezen korak merilnika pod glavo uravnalnega vijaka (slika 15A). Merilnik globine utora je namenjen za uporabo s cevjo. Za uporabo z bakrenimi cevmi glejte »Nastavitev premera utora za bakrene cevi«.

3. Uravnalni vijak obračajte v smeri urinega kazalca, dokler se glava ne dotakne koraka merilnika globine. Obrnite merilnik globine utora v položaj za izdelavo utora (slika 15B). Če merilnik ni v položaju za izdelavo utora, bo onemogočil izdelavo in se lahko poškoduje.



Slika 15A – Ustrezen korak merilnika premaknite pod glavo uravnalnega vijaka



Slika 15B – Merilnik v položaju za izdelavo utora

4. Izdelajte poskusni utor (sledite korakom v poglavju »Oblikovanje utora«).
5. Izmerite premer utora. Najboljši način za merjenje premera utora je uporaba tračnega metra (glejte poglavje »Dodatki«). Tračni meter za merjenje premera tesno ovijte po utoru okoli cevi. Prepričajte se, da trak nalega v brazdo in odčitajte premer utora (glejte sliko 16).



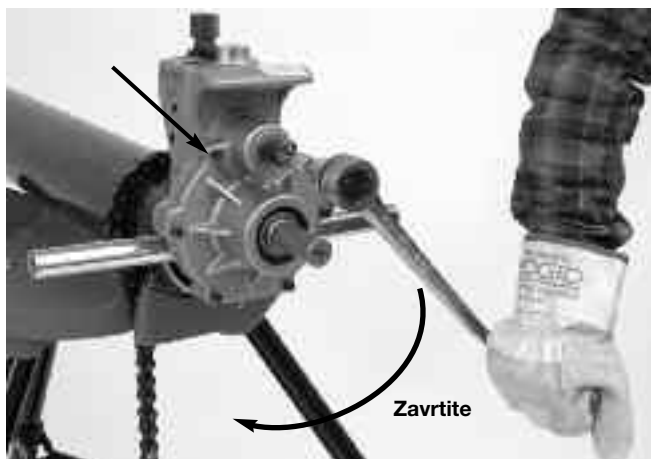
Slika 16 – Merjenje premera utora s tračnim metrom

6. Izmerjeni premer utora primerjajte z zahtevanim premerom utora, kot je prikazano v tabeli I ali III ali kot določa proizvajalec utornih spojk. Če je izmerjeni utor izven zahtevanega premera utora, morate uravnalni vijak nastaviti tako, da bo omogočal zahtevani premer utora.
  - Uravnalni vijak obračajte v smeri urinega kazalca, da povečate premer utora.

- Uravnalni vijak obračajte v nasprotni smeri urinega kazalca, da zmanjšate premer utora.
  - Pri  $\frac{1}{4}$  obrata uravnalnega vijaka se premer utora spremeni za približno 0,02" (0,5 mm).
7. Ponavljajte korake 4–6, dokler premer utora ne bo ustrezal specifikacijam. Če je prvi utor prevelik, lahko vtiskovalnik utorov prilagodite in izdelate manjši utor. Če je utor premajhen, morate narediti nov utor. Pravilen premer utora je pomemben za ustrezne lastnosti spoja. Utori, ki ne ustrezajo specifikacijam, lahko povzročijo napake na spojih.

### Oblikovanje utora

1. Prepričajte se, da sta oprema in cev pravilno nameščena.
2. Postavite se v ustrezen delovni položaj. Pazite na stabilno stoji in ravnotežje.
3. Preverite, ali je dovajalni polž zategnjen za  $\frac{1}{4}$  obrata.
4. Zatikalo odstranite iz dovajalnega polža in varno pritrdite v podaljšek. (V majhnih prostorih podaljška ni potrebno uporabljati.)
5. Zatikalo obrnite v smeri urinega kazalca s hrbtne strani kolutnega vtiskovalnika utorov (tako boste sledili puščicam, odlitim na hrbtne strani kolutnega vtiskovalnika utorov, *glejte sliko 17*). Opazujte vrtenje cevi in se prepričajte, da pokrivna ploščica kolutnega vtiskovalnika utorov ohranja stik z robno površino cevi. Če se začne kolutni vtiskovalnik utorov premikati stran od konca cevi, prenehajte z obračanjem zatikala, da preprečite spiralni zdrs kolutnega vtiskovalnika utorov s cevi in padec. Podporni ročici kolutnega vtiskovalnika utorov lahko namestite na napravo in si olajšate potiskanje pokrivne ploščice do stika s koncem cevi. Po potrebi kolutni vtiskovalnik utorov ponovno namestite na cev. (*Glejte poglavje »Namestitvev kolutnega vtiskovalnika utorov na cev«.*) Če je konec cevi deformiran, ga je potrebno odrezati in pripraviti nov utor.



Slika 17 – Obračanje zatikala v smeri puščic

6. Še naprej obračajte zatikalo, dokler kolutni vtiskovalnik utorov ne zaključi vsaj enega polnega obrata okrog cevi. Zatikalo snemite iz podaljška in namestite na dovajalni polž. Dovajalni polž zategnite še za  $\frac{1}{4}$  obrata. Zatikalo snemite iz dovajalnega polža in namestite na podaljšek. Dovajalnega polža ne zategujte za več kot  $\frac{1}{4}$  obrata pri vsakem obratu cevi. Premočno zategovanje dovajalnega polža lahko povzroči široko obrobo ali zdrs kolutnega vtiskovalnika utorov s cevi. Še naprej obračajte zatikalo in obračajte kolutni vtiskovalnik utorov okrog cevi, medtem pa opazujte položaj pokrivne ploščice glede na konec cevi.
7. Še naprej zategujte dovajalni polž za  $\frac{1}{4}$  obrata pri polnem obratu utora okrog cevi, dokler se glava uravnalnega vijaka ne ustavi ob vrhu kolutnega vtiskovalnika utorov. Ko uravnalni vijak doseže vrh kolutnega vtiskovalnika utorov, dovajalnega polža ne smete več zategovati, sicer lahko poškodujete uravnalni vijak. Ko uravnalni vijak doseže vrh kolutnega vtiskovalnika utorov, vtiskovalnik utorov obrnite vsaj še dva polna obrata okrog cevi, da zagotovite enovito globino utora.
8. Zatikalo prestavite na dovajalni polž. Trdno primite kolutni vtiskovalnik utorov. Dovajalni polž obrnite v nasprotni smeri urinega kazalca in uvlecite utorni kolut, da lahko kolutni vtiskovalnik utorov snamete s cevi. Kolutnega vtiskovalnika utorov ne izpustite iz rok.
9. Preverite utor.
  - Prepričajte se, da je utor v celoti izdelan.
  - Preverite premer utora in se prepričajte, da ustreza specifikacijam.
  - Preverite morebitne druge zahteve proizvajalca spojk.

Če ugotovite kakršne koli nepravilnosti, utora ne morete uporabiti.

### Navodila za vzdrževanje

#### **⚠ OPOZORILO**

Pred izvajanjem vzdrževanja ali prilagoditev se prepričajte, da je stikalo električnega pogona v položaju za izklop (OFF), vtič pa izvlečen.

#### Podmazovanje

Enkrat mesečno kombinirani kolutni vtiskovalnik utorov 975 podmažite s kakovostno splošno uporabno mastjo.

- Mazalke se nahajajo na strani operaterjeve strani osno-ve, na sprednji strani drsnega sklopa in na koncu gredi utornega koluta (*glejte sliko 2*). Mast dodajajte, dokler ne priteče iz nastavkov.
- Na dovajalni polž nanesite tanko plast masti.



- Ohišje zobnikov kombiniranega kolutnega vtiskovalnika utorov 975 je trajno namazano in ga ni potrebno podmazovati, razen če ga odprete.

Druge informacije o vzdrževanju poiščite v poglavju »Pregled«.

## Čiščenje

Rebra pogonske gredi dnevno očistite z žično krtačo, po potrebi tudi pogosteje.

## Zamenjava kompleta kolutov

**OPOMBA** Pri zamenjavi delov kompleta kolutov vedno pazite, da se oznake pogonskega in utornega koluta ujemajo. Deli, ki se ne ujemajo, lahko povzročijo izdelavo nepravilnih utorov in puščanje.

Kolutni vtiskovalnik utorov snemite z el. pogona ali naprave za izdelavo navojev in postavite na stabilen delovni pult.

Potrebno orodje:

- Inbus ključ  $\frac{3}{8}$ "
- Inbus ključ  $\frac{3}{32}$ "
- Klešče za varovalni obroč 0,070"

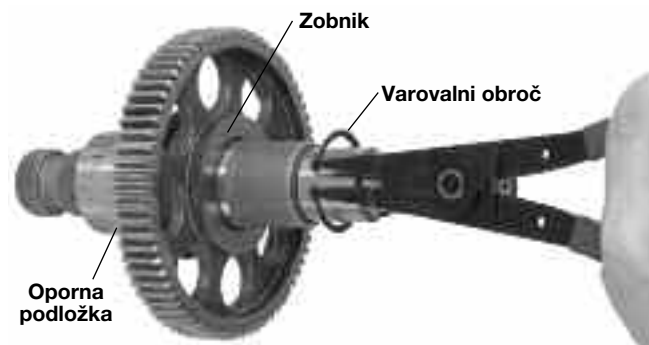
### Odstranjevanje in nameščanje pogonskega koluta

1. Odstranite 6 vijakov, s katerimi je zadnji pokrov pritrjen na ohišje.
2. Snemite zadnji pokrov (glejte sliko 18).



Slika 18 – Odstranjevanje zadnjega pokrova

3. Odstranite pastorek.
4. Odstranite sklop pogonske gredi iz hrbišča kolutnega vtiskovalnika utorov 975.
5. Odstranite varovalni obroč s pogonske gredi in snemite zobnik. (Glejte sliko 19.)



Slika 19 – Odstranjevanje varovalnega obroča

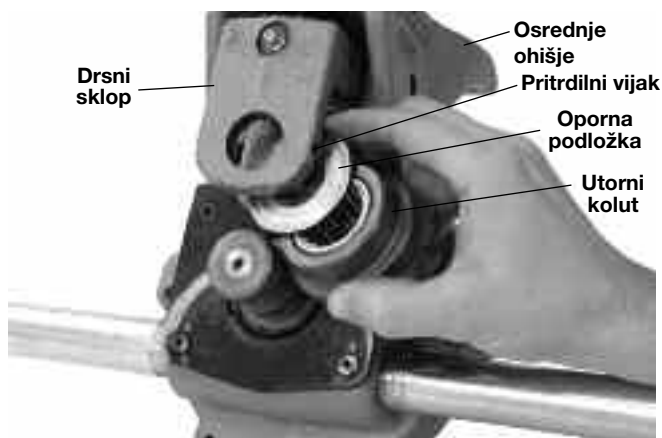
6. Odstranite sornik, nato pa tudi oporno podložko.
7. Oporno podložko natakните na novo pogonsko gred.
8. Vstavite sornik in namestite zobnik.
9. V utor pogonske gredi namestite varovalni obroč.
10. Sklop pogonske gredi namestite na osrednje ohišje.
11. Med zamenjavo pogonske gredi lahko mast izteče iz zobniškega ohišja. Poskrbite, da bodo ležaji in zobje zobnikov zadostno premazani s kakovostno večnamensko mastjo.
12. Vstavite pastorek in ponovno namestite zadnji pokrov. Vijake zategnite z navorom 16,2–21,6 Nm (12–16 ft•lbs).



Slika 20 – Pregled delov kombiniranega kolutnega vtiskovalnika utorov 975

### Odstranjevanje in nameščanje utornega koluta

1. Odstranite pritrdilni vijak, s katerim je pritrjena gred utornega koluta.
2. Gred utornega koluta izvlecite iz drsnega sklopa in odstranite utorni kolut in oporno podložko.
3. V drsni sklop vstavite oporno podložko in nov utorni kolut. Poskrbite, da bo notranji varovalni obroč utornega koluta najbližji osrednjemu ohišju in da je utorni kolut med oporno podložko in osrednjim ohišjem.


**Slika 21**

4. Zamenjajte gred utornega koluta in pritrdilni vijak.
5. Preglejte poravnavo utornega in pogonskega koluta. Če koluta nista poravnana, preverite usmeritev utornega koluta in oporne podložke.
6. Namastite v skladu z navodili priročnika v poglavju »Podmazovanje«.

## Dodatki

### ⚠ OPOZORILO

Naslednji izdelki RIDGID se lahko uporabljajo s kombiniranim kolutnim vtiskovalnikom utorov 975. Drugi dodatki, primerne za uporabo z drugimi orodji, lahko postanejo nevarni, če jih uporabljate s kombiniranim kolutnim vtiskovalnikom utorov 975. Za zmanjšanje nevarnosti hudih poškodb uporabljajte samo priporočene dodatke, navedene v spodnji tabeli, ki so oblikovani posebej za uporabo s kombiniranim kolutnim vtiskovalnikom utorov 975.

Kat. št.	Opis
60082	električni pogon 300, 230 V, 25–60 Hz
60077	električni pogon 300, 115 V, 25–60 Hz
42360	Stojalo 1206 za električni pogon 300
50697	300 Compact, 230 V, 25/60 Hz
50692	300 Compact, 115V, 25/60 Hz
20391	300 Compact, 230 V, 25/60 Hz (DK)
67662	Prilagoditveni nosilec za 300 Compact/1233
58077	Zložljivo podnožje 250 za 300 Compact/1233
72037	Prenosno stojalo 460 za verižni primež
56662	Visoko stojalo za cev z V-glavo VJ-99
76822	Palčni tračni meter za premer
76827	Metrični tračni meter za premer
30708	Podaljšek, 1/2" pogon, zaklep
30703	Zatikalo, 1/2", s krivino 90°
33043	Utorni in pogonski kolut za bakrene cevi premera 2"–8" in vrste K, L, M in DWV

## Shranjevanje naprave

**⚠ OPOZORILO** Orodje shranjujte v zaklenjenem prostoru, izven dosega otrok in oseb, ki niso seznanjene z opremo kolutnega vtiskovalnika utorov. To orodje lahko v rokah neusposobljenih uporabnikov povzroči hude poškodbe.

## Servisiranje in popravilo

### ⚠ OPOZORILO

Zaradi neustreznega servisiranja ali popravila lahko stroj postane nevaren za obratovanje.

»Navodila za vzdrževanje« pokrivajo večino potreb servisiranja te naprave. Morebitne težave, ki jih to poglavje ne obravnava, lahko odpravlja samo pooblaščen servisier družbe RIDGID.

Orodje je treba odnesti v samostojni pooblaščen servisni center RIDGID ali vrniti v tovarno.

Pri servisiranju tega orodja se lahko uporabljajo samo enaki nadomestni deli. Uporaba drugih delov lahko povzroči nevarnost hudih poškodb.

Če imate kakršna koli vprašanja v zvezi s servisiranjem ali popravilom tega stroja, pokličite ali pišite na:

Ridge Tool Company  
 Oddelek za tehnične storitve  
 400 Clark Street  
 Elyria, Ohio 44035-6001  
 Tel: (800) 519-3456  
 E-pošta: TechServices@ridgid.com

Za informacije o najbližjem pooblaščenem servisnem centru za izdelke RIDGID ter kakršnakoli vprašanja glede servisiranja in popravil

se obrnite na lokalnega distributerja za proizvode Ridge Tool.

V kolikor želite informacije o najbližji Ridge Tool kontaktni točki, obiščite [www.RIDGID.com](http://www.RIDGID.com) ali [www.RIDGID.eu](http://www.RIDGID.eu).

Servisni oddelek podjetja Ridge Tool lahko kontaktirate na naslovu [techservices@emerson.com](mailto:techservices@emerson.com), v ZDA in Kanadi pa je dosegljiv na številki (800) 519-3456.

## Tabela I. Tehnični podatki za standardne uture pri ceveh z merami IPS

PAZITE! Vse mere so podane v palcih.

Nazivna velikost cevi	Premer cevi		T Min. debelina stene	A Utor za tesnilo +.015/- .030	B Širina utora +.030/- .015	C Premer utora		D Nazivna globina utora (ref.) (2)
	Zun. premer	Tol.				Zun. premer	Tol.	
1 <sup>1</sup> / <sub>4</sub>	1.660	+ .016 - .016	.065	.625	.344	1.535	+ .000 - .015	.063
1 <sup>1</sup> / <sub>2</sub>	1.900	+ .016 - .016	.065	.625	.344	1.775	+ .000 - .015	.063
2 <sup>(1)</sup>	2.375	+ .024 - .016	.065	.625	.344	2.250	+ .000 - .015	.063
2 <sup>1</sup> / <sub>2</sub> <sup>(1)</sup>	2.875	+ .029 - .016	.083	.625	.344	2.720	+ .000 - .015	.078
3 <sup>(1)</sup>	3.50	+ .030 - .018	.083	.625	.344	3.344	+ .000 - .015	.078
3 <sup>1</sup> / <sub>2</sub> <sup>(1)</sup>	4.00	+ .030 - .018	.083	.625	.344	3.834	+ .000 - .015	.083
4 <sup>(1)</sup>	4.50	+ .035 - .020	.083	.625	.344	4.334	+ .000 - .015	.083
5 <sup>(1)</sup>	5.563	+ .056 - .022	.109	.625	.344	5.395	+ .000 - .015	.084
6 <sup>(1)</sup>	6.625	+ .050 - .024	.109	.625	.344	6.455	+ .000 - .015	.085

(1) V skladu z ameriškim standardom AWWA C606-06.

(2) Nazivna globina utora je namenjena zgolj za primerjavo. Globine utora ne uporabljajte za oceno sprejemljivosti utora.

## Tabela II. Maksimalna in minimalna debelina stene cevi

PAZITE! Vse mere so podane v palcih.

Velikost cevi	Cev iz karbonskega jekla, aluminijasta ali druga trda cev		Cev iz nerjavnega jekla ali druga trda cev		Cev PVC	
	Debelina stene		Debelina stene		Debelina stene	
	Min.	Maks.	Min.	Maks.	Min.	Maks.
1 <sup>1</sup> / <sub>4</sub> "	.065	.140	.065	.140	.140	.140
1 <sup>1</sup> / <sub>2</sub> "	.065	.145	.065	.145	.145	.200
2"	.065	.154	.065	.154	.154	.154
2 <sup>1</sup> / <sub>2</sub> "	.083	.203	.083	.188	.203	.276
3"	.083	.216	.083	.188	.216	.300
3 <sup>1</sup> / <sub>2</sub> "	.083	.226	.083	.188	.226	.300
4"	.083	.237	.083	.188	.237	.300
5"	.109	.258	.109	.188	.258	.300
6"	.109	.280	.109	.188	.280	.300

**Tabela III. Tehnični podatki za utore pri bakrenih ceveh**

1	2		3	4	5	6	7	8
Nazivna velikost v palcih	Zunanji premer cevi		A Utor za tesnilo A ±0.03	B Širina utora +0.03 -0.000	C Premer utora +0.00 -0.02	D Globina utora ref. <sup>1</sup>	T Min. dovolj. debelina stene	Maks. dovolj. premer obrobe
	Osnova	Odstopanje						
2"	2.125	±0.002	0.610	0.300	2.029	0.048	DWV	2.220
2 1/2"	2.625	±0.002	0.610	0.300	2.525	0.050	0.065	2.720
3"	3.125	±0.002	0.610	0.300	3.025	0.050	DWV	3.220
4"	4.125	±0.002	0.610	0.300	4.019	0.053	DWV	4.220
5"	5.125	±0.002	0.610	0.300	5.019	0.053	DWV	5.220
6"	6.125	±0.002	0.610	0.300	5.999	0.063	DWV	6.220
8"	8.125	+0.002/-0.004	0.610	0.300	7.959	0.083	DWV	8.220

1. Nazivna globina utora je podana za primerjavo. Globine utora ne uporabljajte za oceno sprejemljivosti utora.

## Odpravljanje napak

SIMPTOM	MOZNI RAZLOGI	RESITEV
<b>Utor koluta je preozek ali preširok.</b>	Utorni kolut in/ali pogonska gred sta obrabljena.	Zamenjajte utorni kolut in/ali pogonsko gred.
<b>Utor ni pravokoten na os cevi.</b>	Cev je po dolžini ukrivljena. Rob cevi ni pravokoten na os cevi.	Uporabite ravno cev. Pravokotno odrežite konec cevi.
<b>Cev ne sledi med izdelavo utora/kolutni vtiskovalnik utorov ne sledi cevi med izdelavo utora.</b>	Cev in pogonska gred nista vzporedna. Os cevi ni zamaknjena za 1/2 stopinje od osi pogonskega kolesa. Rebra pogonskega koluta so zamašena ali obrabljena. Dovajalni polž je ohlapen. Obračanje zatikala v napačno smer. V cevi je preveč oblog. Premočan varjeni rob. Ni pritiska na cev. Cev ni ravna/posneta. Dovajalni polž je preveč zategnjen.	Prilagodite stojalo, da bo cev vzporedna. Cev zamaknite za 1/2 stopinje. Očistite ali zamenjajte pogonski kolut. Dovajalni polž zategnite z zatikalom ob vsakem obratu, v skladu z navodili. Zatikalo obračajte v pravilni smeri. Očistite notranjost cevi. Gladko pobrusite zvarjeni rob 5 cm od konca cevi. Pritisnite cev. (Glejte sliko 10.) Pravilno pripravite konec cevi. Dovajalni polž premikajte samo v korakih po 1/4 obrata.
<b>Cev je obrobljena pri utoru.</b>	Cev in pogonska gred nista vzporedna. Dovajalni polž je preveč zategnjen.	Prilagodite stojalo, da bo cev vzporedna. Dovajalni polž premikajte samo za 1/4 obrata.

## Odpravljanje težav (nadaljevanje)

SIMPTOM	MOZNI RAZLOGI	RESITEV
Med izdelavo utora se cev pomika naprej in nazaj po osi pogonskega koluta.	Cev je po dolžini ukrivljena. Rob cevi ni pravokoten na os cevi.	Uporabite ravno cev. Pravokotno odrežite konec cevi.
Med izdelavo utora se cev nagiba z ene na drugo stran po pogonskem kolutu.	Stojalo za cev je preblizu konca cevi. Konec cevi je sploščen ali poškodovan. V materialu so vključki trdnejše snovi ali pa so zvarjeni robovi trši od cevi. Hitrost pogonskega kolesa je premajhna. Hitrost električnega pogona presega 57 vrt. na min. Podporno stojalo za cev ni pravilno postavljeno.	Približajte stojalo za cev v skladu z navodili. Odrežite poškodovani konec cevi. Uporabite drugo cev. Hitreje poganjajte pogonski kolut v cevi. Hitrost zmanjšajte na 57 vrtljajev na minuto. Stojala za cev pravilno postavite.
Kolutni vtiskovalnik utorov ne vtisne utora v cev.	Presežena maksimalna debelina cevi. Material cevi je pretrd. Uravnalni vijak ni nastavljen. El. pogon ne omogoča zahtevanega minimalnega navora.	Preverite tabelo zmogljivosti cevi. Zamenjajte cev. Nastavite globino. Uporabite el. pogon RIDGID 300, 300 Compact ali 1233.
Kolutni vtiskovalnik utorov ne vtisne utora železnega premera v cev.	Preseženo dovoljeno odstopanje maks. premera cevi. Vijak za uravnavanje globine ni pravilno nastavljen. Cev je pretrda.	Uporabite pravi premer cevi. Prilagodite nastavev globine. Uporabite drugo cev.
Cev zdrsne na pogonski kolut.	Hitrost pogonskega kolesa je premajhna. Rebra pogonskega koluta so zamašena ali obrabljena.	Hitreje poganjajte pogonski kolut v cevi. Očistite ali zamenjajte pogonski kolut.
Kolutni vtiskovalnik utorov ne obrača cevi med izdelavo utora.	El. pogon ne omogoča zahtevanega minimalnega navora. Vpenjalo ni zaprto na ploščicah pogonske gredi.	Uporabite el. pogon RIDGID 300, 300 Compact ali 1233. Zaprte vpenjalo.
Cev se dvigne ali povzroča nagibanje kolutnega vtiskovalnika utorov nazaj.	Podporno stojalo za cev ni pravilno nameščeno.	Pravilno namestite stojala.

975

# Kombinovaný valcový drážkovač



**RIDGID**<sup>®</sup>

## Obsah

<b>Bezpečnostné symboly</b> .....	446
<b>Všeobecné bezpečnostné predpisy</b>	
Bezpečnosť na pracovisku .....	446
Elektrická bezpečnosť .....	446
Bezpečnosť osôb .....	447
Použitie nástrojov a starostlivosť o ne .....	447
Služby .....	447
<b>Špecifické bezpečnostné informácie</b>	
Bezpečnosť používania valcového drážkovača .....	448
Bezpečnosť počas používania valcového drážkovača spolu s pohonnou jednotkou/závitorezným strojom .....	448
Bezpečnosť počas používania valcového drážkovača na mieste .....	48.....4
<b>Popis, Špecifikácia a Štandardné zariadenie</b>	
Popis .....	448
Špecifikácia .....	449
Štandardné zariadenie .....	449
<b>Kontrola valcového drážkovača</b> .....	449
<b>Nastavenie pracovného prostredia na prácu s aplikáciami s elektrickým pohonom</b>	
Montáž Kombinovaného drážkovača 975 na elektrický pohon RIDGID 300 .....	451
Montáž kombinovaného drážkovača 975 na závitorez RIDGID 300 Compact/1233 .....	451
Dokončenie nastavení .....	452
Príprava rúry .....	453
Nastavenie rúry vo valcovom drážkovači .....	454
<b>Prevádzka Kombinovaného valcového drážkovača 975 s pohonnou jednotkou/závitorezným strojom</b>	
Nastavenie/Meranie polomeru drážky .....	454
Vytváranie drážky .....	455
Nastavenie polomeru drážky pre medenú rúru .....	456
Tipy na drážkovanie pomocou Kombinovaného valcového drážkovača 975 .....	456
<b>Nastavenie stroja a pracovného prostredia pre prácu s aplikáciami na mieste</b>	
Príprava rúry .....	458
Montáž valcového drážkovača na rúru .....	458
<b>Prevádzka Kombinovaného valcového drážkovača 975 na mieste</b>	
Nastavenie/Meranie polomeru drážky .....	459
Vytváranie drážky .....	460
<b>Pokyny na údržbu</b>	
Mazanie .....	460
Čistenie .....	461
Výmena súprav valcov .....	461
<b>Príslušenstvo</b> .....	462
Uskladnenie zariadenia .....	462
<b>Servis a opravy</b> .....	62..4
<b>Tabuľka I.Špecifikácie štandardnej valcovej drážky<sup>19</sup></b>	
<b>Tabuľka II. Maximálna a minimálna hrúbka steny rúry</b> .....	463
<b>Tabuľka III. Špecifikácia drážky v medenom materiáli</b> .....	464
<b>Odstraňovanie porúch</b> .....	464-465
<b>Celoživotná záruka</b> Zadná strana	

## Bezpečnostné symboly

V tejto používateľskej príručke a na výrobku sú použité bezpečnostné symboly a varovné hlásenia, ktoré slúžia ako upozornenie na dôležité bezpečnostné informácie. Táto časť vysvetľuje tieto varovné hlásenia a symboly, aby ste im porozumeli.

Toto je symbol bezpečnostnej výstrahy. Upozorňuje používateľa na nebezpečenstvo možného zranenia osôb. Dodržaním všetkých pokynov z bezpečnostných hlásení, ktoré vyplývajú z tohto symbolu, môžete predísť možným úrazom alebo úrazom s následkom smrti.

**NEBEZPEČENSTVO** NEBEZPEČENSTVO indikuje nebezpečnú situáciu, ktorej ak nepredídete, bude mať za následok vážny úraz alebo úraz s následkom smrti.

**VAROVANIE** VAROVANIE poukazuje na nebezpečnú situáciu, ktorej ak nepredídete, môže mať za následok vážny úraz alebo úraz s následkom smrti.

**UPOZORNENIE** UPOZORNENIE poukazuje na nebezpečnú situáciu, ktorej ak nepredídete, môže mať za následok menej vážny alebo stredne vážny úraz.

**POZNÁMKA** POZNÁMKA poukazuje na informácie vzťahujúce sa na ochranu majetku.



Tento symbol znamená, že pred používaním zariadenia je nevyhnutné prečítať si používateľskú príručku. Používateľská príručka obsahuje informácie dôležité pre bezpečnosť a správnu prevádzku zariadenia.



Tento symbol znamená, že používateľ musí používať okuliare s bočnými krytmi alebo bezpečnostné okuliare, pomocou ktorých sa zníži nebezpečenstvo poranenia očí.



Tento symbol poukazuje na riziko poranenia prstov a rúk, ak dôjde k ich zachyteniu medzi drážkovacie valce.



Tento symbol poukazuje na riziko zachytenia rúk, prstov, nôh, oblečenia a iných predmetov a/alebo navinutia na otáčajúce sa hriadele s možným následkom rozdrvenia alebo iného vážneho poranenia.



Tento symbol poukazuje na to, že pri používaní tohto zariadenia nie je povolené použiť ako pohon vrtáčku, nárazový alebo iný elektrický nástroj.



Tento symbol poukazuje na riziko naklonenia a spadnutia stroja, ktoré môže spôsobiť pomliaždeniny alebo iné vážne zranenia.



Tento symbol znamená, že používateľ musí vždy používať nožný spínač, ak pracuje so závitorezným strojom/pohonnou jednotkou.



Tento symbol znamená povinnosť používať ochrannú prilbu pri práci nad hlavou, čím je možné predchádzať zraneniu hlavy.

## Všeobecné bezpečnostné predpisy

### **VAROVANIE**

Prečítajte si a porozumejte všetkým pokynom. Nedodržanie všetkých nižšie uvedených pokynov môže mať za následok úraz elektrickým prúdom, požiar a/alebo vážne zranenie osôb.

#### **TIETO POKYNY SI ODLOŽTE!**

Pojem „elektrické náradie“ v upozorneniach sa vzťahuje na elektrické náradie zapojené do vašej rozvodnej siete (so šnúrou) alebo elektrické akumulátorové náradie (bezšnúrové).

### Bezpečnosť na pracovisku

- **Udržujte vaše pracovisko čisté a dobre osvetlené.** Preplnené a tmavé miesta spôsobujú nehody.
- **Nepracujte s elektrickým náradím v explozívnom prostredí, ako je prostredie s horľavými tekutinami, plynmi alebo prachom.** Elektrické náradie vytvára iskrenie a môže spôsobiť vznietenie prachu alebo výparov.
- **Deti a okolostojace osoby musia byť pri práci s elektrickým náradím v dostatočnej vzdialenosti.** Rozptyľovanie môže znížiť kontrolu nad náradím.

- **Udržujte podlahy suché a bez klzkých materiálov, ako je napríklad olej.** Klzké podlahy môžu spôsobiť úraz.
- **Ak opracovaný diel presahuje za stroj, použite ochranné prvky a barikády.** Ochranný prvok alebo barikáda, ktorá poskytuje najmenej tri (3) stopy voľného priestoru okolo opracovaného dielu znižuje riziko zachytenia.

### Elektrická bezpečnosť

- **Zástrčky elektrického náradia sa musia typovo zhodovať so zásuvkami. Nikdy a žiadnym spôsobom nemodifikujte elektrické zástrčky. Nepoužívajte žiadne adaptéry, ak požívate uzemnené elektrické náradie.** Nemodifikované zástrčky a vhodné zásuvky znižujú riziko úrazu elektrickým prúdom.
- **Zabráňte telesnému kontaktu s uzemnenými povrchmi, ako sú napríklad rúry, chladiče, obvody a chladiace časti.** Ak je vaše telo uzemnené, vzniká totiž riziko úrazu elektrickým prúdom.
- **Elektrické náradie nevystavujte dažďu alebo mokrým podmienkam.** Voda, ktorá vnikne dovnútra elektrického náradia zvyšuje riziko úrazu elektrickým prúdom.



- **Nepoškodzujte napájaciu šnúru.** Nikdy nepoužívajte napájaciu šnúru na držanie, ťahanie alebo odpájanie elektrického náradia z elektrickej siete. Udržujte napájaciu šnúru mimo dosahu účinkov tepla, oleja, ostrých hrán alebo pohyblivých častí. Poškodené alebo zapletené napájacie šnúry zvyšujú riziko úrazu elektrickým prúdom.
- **Pri používaní elektrického náradia v exteriéroch používajte len predĺžovacie šnúry vhodné na externé použitie.** Použitie predĺžovacej šnúry vhodnej na použitie v exteriéroch znižuje riziko úrazu elektrickým prúdom.
- **Ak je prevádzka elektrického náradia vo vlhkom prostredí nevyhnutná, použite obvod s uzemnenou prúdovou ochranou (GFCI).** Použitie GFCI znižuje riziko úrazu elektrickým prúdom.

### Bezpečnosť osôb

- **Pri práci s elektrickým náradím buďte pozorný a sústreďte sa vždy na to, čo práve robíte.** Nepoužívajte elektrické náradie, ak ste unavený alebo pod vplyvom drog, alkoholu alebo liečiv. Chvilková nepozornosť pri práci s elektrickým náradím môže mať za následok vážne zranenie.
- **Použite prostriedky osobnej ochrany. Vždy používajte ochranu očí.** Ochranné osobné prostriedky, ako sú maska, protišmyková bezpečnostná obuv, ochranná prilba alebo ochrana sluchu, používané vo vhodných podmienkach znižujú riziko úrazu.
- **Zabráňte neočakávanému spusteniu.** Pred pripojením elektrického náradia do elektrickej siete alebo pred založením akumulátorov, prenášaním alebo údržbou sa vždy uistite, že vypínač je vo vypnutej polohe. Prenášanie elektrického náradia s prstom položeným na spínači alebo zapnutého elektrického náradia môže mať za následok úraz.
- **Pred spustením elektrického náradia odstráňte nastavovací alebo francúzsky kľúč.** Francúzsky kľúč alebo kľúč ponechaný na pohyblivej časti elektrického náradia môžu spôsobiť úraz.
- **Nedočahujte. Buďte vždy vhodne postavený a v rovnováhe.** To umožňuje lepšie ovládanie elektrického náradia v neočakávaných situáciách.
- **Vhodne sa oblečte. Neoblekajte si príliš voľné oblečenie a nenoste šperky. Udržujte vaše vlasy, oblečenie a rukavice mimo dosahu pohyblivých častí.** Voľné oblečenie, šperky alebo dlhé vlasy sa môžu ľahko zachytiť do pohyblivých častí.
- **Ak sú použité zariadenia na odsávanie a zhromažďovanie prachu, uistite sa, že sú používané správne.** Použitie zariadenia na odsávanie prachu môže zmierniť riziko spojené s prašnosťou.

### Použitie nástrojov a starostlivosť o ne

- **Náradie nepreťažujte. Použite náradie určené pre dané použitie.** Správne zvolené náradie vykoná danú prácu lepšie a bezpečnejšie, ak je použité pri správnej rýchlosti.
- **Nepoužívajte náradie, ktoré nie je možné ZAPNUT a VYPNUT vypínačom.** Každé elektrické náradie, ktoré nie je možné ovládať vypínačom je nebezpečné a je nevyhnutné ho opraviť.
- **Odpojte zástrčku z rozvodu elektrického napätia a/alebo batériu pred tým, ako začnete náradie nastavovať, vymieňať príslušenstvo alebo ho uskladniť.** Takéto preventívne bezpečnostné opatrenia znižujú riziko neočakávaného uvedenia do prevádzky.
- **Nepoužívané elektrické náradie skladujte mimo dosahu detí a osôb, ktoré nie sú dostatočne zaškolené o používaní takéhoto náradia.** Náradie je v rukách nezaškolených osôb nebezpečné.
- **Vykonávajte údržbu. Skontrolujte nastavenie, spojovacie a pohyblivé časti, poškodenie dielov a stav, ktorý by mohol ovplyvniť prevádzku náradia. Ak je náradie poškodené, je nevyhnutné ho pred ďalším použitím opraviť.** Mnoho úrazov nastáva z dôvodu nedostatočnej údržby náradia.
- **Používajte len príslušenstvo, ktoré je pre dané náradie odporúčané.** Správne udržiavané rezacie náradie s ostrými rezacími hranami je jednoduchšie použiteľné a ovládateľné.
- **Udržujte rukoväť suchú a čistú; bez oleja alebo maza-diel.** Náradie je tak lepšie ovládateľné.

### Servis

- **Servis náradia nechajte na kvalifikovaný servisný personál, ktorý používa len identické náhradné diely.** Tým zaistíte správne udržiavanie elektrického náradia.

### Špecifické bezpečnostné informácie

#### VAROVANIE

Táto časť obsahuje dôležité bezpečnostné informácie, špecifické pre toto náradie.

Pred použitím Kombinovaného valcového drážkovača 975 si dôkladne prečítajte tieto upozornenia. Zaisťte tým zníženie miery rizika úrazu.

#### TIETO POKYNY SI ODLOŽTE!

V prípade akýchkoľvek otázok kontaktujte Oddelenie technických služieb spoločnosti Ridge Tool na (800) 519-3456 alebo techservices@ridgid.com.

## Bezpečnosť počas používania valcového drážkovača

- **Nenoste voľné oblečenie. Rukávy a bundy majte vždy zapnuté. Nedočahujte predmety ponad stroj alebo rúru.** Oblečenie môže zachytiť rúra alebo otáčajúce sa časti, čo môže mať za následok zapletenie a vážne zranenie.
- **Ruky udržujte mimo drážkovacích valcov. Nikdy nedrážkujte rúru kratšiu, ako je špecifikované. Rukavice nepoužívajte voľne nasadené.** Prsty sa vám môžu zachytiť medzi drážkovacie valce alebo medzi drážkovací valec a rúru.
- **Ruky majte vždy ďalej od koncov rúry. Nevkladajte prsty dovnútra rúry.** Drsné a ostré hrany môžu prsty zachytiť a porezať. Prsty sa vám môžu zachytiť medzi drážkovacie valce alebo medzi drážkovací valec a rúru.
- **Vhodne pripravte a manipulujte s rúrou.** Drsné a ostré hrany môžu prsty zachytiť a porezať.
- **Rúru vhodne podoprite.** To umožní zabrániť nakláňaniu rúry a zariadenia.
- **Prečítajte si a riadne porozumejte tejto používateľskej príručke, používateľskej príručke pohonnej jednotky alebo závitorezného zariadenia, pokynom zhotoviteľa inštalácie a pokynom akéhokoľvek iného zariadenia použitého s týmto nástrojom ešte pred zahájením používania Kombinovaného valcového drážkovača RIDGID® 975.** Nedodržanie všetkých pokynov uvedených vyššie môže mať za následok poškodenie majetku a/alebo vážne poranenie osôb.
- **Pri nastavovaní alebo používaní Kombinovaného valcového drážkovača RIDGID 975 vždy používajte primerané osobné ochranné prostriedky.** Primerané osobné ochranné prostriedky vždy zahŕňajú ochranu očí a môžu zahŕňať prostriedky ako sú tesné kožené rukavice, bezpečnostnú obuv s ocelovou špičkou a bezpečnostnú prilbu.
- **Drážkovač používajte len na drážkovanie rúr odporúčanej veľkosti a typu, v súlade s týmito pokynmi.** Iné použitie alebo modifikácia drážkovača pre iné použitie môže mať za následok zväčšenie rizika úrazu.

## Bezpečnosť počas používania valcového drážkovača spolu s pohonnou jednotkou/závitorezným strojom

- **S Kombinovaným valcovým drážkovačom 975 používajte len pohonnú jednotku RIDGID 300 alebo závitorezný stroj Compact 300.** Použitie iných zdrojov môže mať za následok nesprávne nastavenie a môže spôsobiť nakláňanie alebo iné situácie.
- **Nepoužívajte tento valcový drážkovač s pohonnou jednotkou alebo závitorezným zariadením bez nožného spínača. Nožný spínač nikdy neblokujte tak, aby neovládol pohonnú jednotku.** Nožný spínač poskytuje lepšiu kontrolu nad zariadením tým, že po odsunutí nohy zo spínača sa pohonná jednotka zastaví. Ak dôjde k zachyteniu oblečenia do stroja a napájanie je pripojené k motoru, oble-

čenie sa vtiahne do stroja. Toto zariadenie má silný ťahovací moment a môže spôsobiť zachytenie a obtočenie oblečenia okolo ramena alebo inej časti tela a následné zlomeniny alebo iné vážne poranenia.

- **Proces drážkovania a nožný spínač musí riadiť jedna a tá istá osoba. Nikdy nesmie so zariadením pracovať viac osôb.** V momente zachytenia musí osoba ovládať nožný spínač.
- **Použite len pohonné jednotky a závitorezné zariadenia s otočnou rýchlosťou 57 ot./min. alebo menšou.** Vyššie rýchlosti zvyšujú riziko poranenia osôb.
- **Uistite sa, že valcový drážkovač je správne nastavený a zaistený k pohonnej jednotke/závitoreznému zariadeniu. Uistite sa, že stroj, stojan, drážkovač a rúra sú stabilné.** Tým sa uistíte, že nedôjde k nakláňaniu rúry alebo zariadenia.

## Bezpečnosť počas používania valcového drážkovača na mieste

- **Pri používaní na mieste používajte len manuálny pohon. Nepoužívajte elektrické pohony (ako sú vŕtačky alebo nárazové nástroje) pre poháňanie valcového drážkovača pri použití na mieste.** Použitie elektrického pohonu môže poškodiť drážku a zvýšiť riziko poranenia osôb.
- **Pri práci nad hlavou musí personál používať ochrannú prilbu a zdržiavať sa mimo priestoru pod opracovávaným dielom.** Tým sa zníži miera rizika poranenia osôb, ak rúra alebo iné predmety spadnú.

## Popis, špecifikácia a štandardné zariadenie

### Popis

Kombinovaný valcový drážkovač RIDGID® 975 vytvára drážky do ocelových, hliníkových a PVC rúr a môže drážkovať rúry s priemerom 1 1/4" až 6", typ 10 a typ 40. Je tiež určený na drážkovanie nerezových rúr 1 1/4" až 6", typ 10 a 1 1/4" až 2", typ 40. Tiež môže byť adaptovaný na medené rúry so zmenou nastavenia drážky 2" - 8" typ K, L, M a DWV. Drážky sa vytvárajú mechanickým posúvaním drážkovacieho valca do rúry, ktorá je posúvaná hnacím valcom. Jediné potrebné nastavenie je nastavenie hĺbky drážky.

Jednotka je špeciálne vyvinutá na používanie na mieste alebo s pohonnou jednotkou RIDGID Model 300 (modely s 38 a 57 ot./min.). S vhodným adaptérom (kat. č. 67662), môže jednotka pracovať aj so závitorezným zariadením RIDGID Compact 300. Kombinovaný valcový drážkovač 975 zahŕňa patentovaný ukazovateľ hĺbky drážky, ktorého úlohou je uľahčenie nastavenia a patentované funkcie, ktoré napomáhajú smerovej stabilite pri používaní.

Kombinovaný valcový drážkovač 975 je prenosná jednotka určená na príležitostné použitie pri prácach na stavbách a nie je povolené ho používať pre veľkoobjemovú prácu alebo pre výrobu v dielni pre prípravu rúr.

**UPOZORNENIE** Pri správnom použití vytvára model Kombinovaný valcový drážkovač 975 drážky 2" - 6", ktoré sú rozmermi v rámci špecifikácií AWWA C606-06. Za výber vhodných materiálov a spojovacej metódy je zodpovedný systémový projektant a/alebo zriaďovateľ. Pred inštaláciou je potrebné vykonať dôkladné zhodnotenie špecifik pracovného prostredia, vrátane chemického prostredia a pracovnej teploty.

## Špecifikácia

Kapacita ..... 1 1/4" - 6" typ 10 a typ 40, oceľová rúra  
so zmenou drážkovania: 2" - 8"  
medená rúra, typ K, L, M a DWV

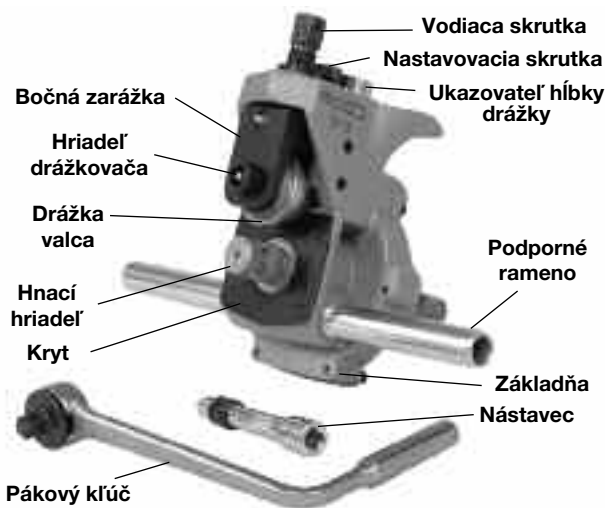
Priemer drážky  
Nastavenie ..... Nastavovacia skrutka a ukazovateľ hĺbky drážky

Spustenie ..... Vodiaca skrutka s 1/2" pákovým kľúčom

Montáž pohonnej jednotky Pohonná jednotka RIDGID 300 (len model s 38 a 57 ot./min.) RIDGID 300 Kompaktné závitorezné zariadenie (s adaptérom)

Hmotnosť ..... 27,6 libier.

Kombinovaný valcový drážkovač 975 je chránený zákonmi USA a medzinárodným patentovým zákonom, zahŕňajúcim patenty 6,272,895 a 6,591,652.



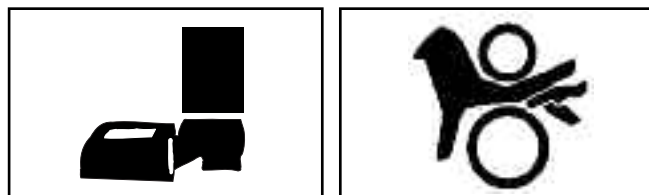
Obrázok 1 -Kombinovaný valcový drážkovač 975

## Štandardné zariadenie

1 1/4" - 6" typ 10 a 40 drážkovacie a hnacie valce  
Pákový kľúč (1/2" pohon) s uvoľňovacím tlačidlom  
Uzamykateľné predĺženie  
Podporné ramená  
Ukazovateľ hĺbky s integrovaným indexom

## Kontrola valcového drážkovača

### VAROVANIE



Pred každým použitím skontrolujte stav valcového drážkovača a všetky okolnosti, ktoré by mohli zvýšiť riziko poranenia, ako sú zlomeniny, pomliaždeniny, a ktoré by mohli spôsobiť poškodenie drážkovača.

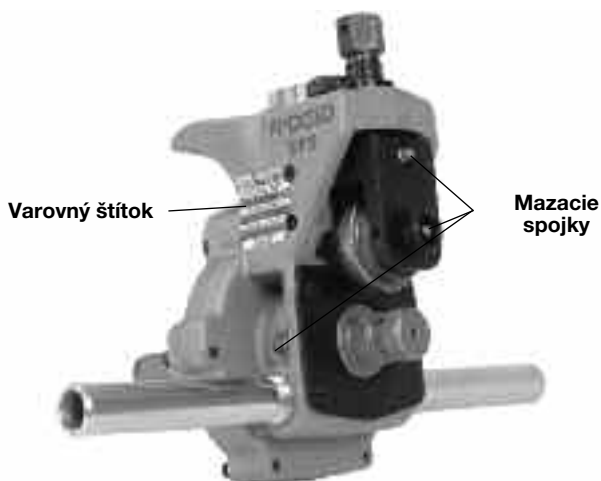
Nepoužívajte tento valcový drážkovač s pohonnou jednotkou/závitorezným zariadením bez nožného spínača.

1. Ak je valcový drážkovač nainštalovaný na pohonnej jednotke alebo na závitoreznom zariadení, uistite sa, či je stroj odpojený a či je prepínač REV/OFF/FOR (VZAD/VYP/VPRED) v polohe OFF (VYP.). Skontrolujte a udržiavajte pohonnú jednotku/závitorezné zariadenie podľa pokynov v používateľských príručkách daných zariadení. Nedostatočná kontrola a údržba zariadenia môže mať za následok vážne poranenie a škody na majetku. Uistite sa, že nožný spínač je prítomný a funguje správne. Nikdy nepoužívajte tento valcový drážkovač bez nožného spínača.
2. Vyčistite akékoľvek známky oleja, mazadla alebo nečistoty na valcovom drážkovači, vrátane prepravnej rukoväte a pákového kľúča používaného na spúšťanie valcového drážkovača. Tým znížite riziko poranenia spôsobeného skĺznutím drážkovača alebo vyklíznutím pákového kľúča z vášho zovretia a zároveň uľahčí kontrolu.
3. Uistite sa, že podporné ramená sú natesno v tele valcového drážkovača.
4. Skontrolujte, či valcový drážkovač nejaví známky poškodenia spojovacích prvkov, či tieto prvky nechýbajú, či nie sú nesprávne umiestnené, a či je v stave, v ktorom dokáže vykonávať bezpečnú a normálnu prevádzku. Skontrolujte, či sa valce drážkovača a hnací hriadeľ otáčajú voľne.
5. Skontrolujte prítomnosť a pevné uchytenie varovných štítkov. *Pozrite Obrázok 2*, kde je popísané umiestnenie varovných štítkov.
6. Ak je drážkovanie hnacieho hriadeľa znečistené, vyčistite ho drôtenou kefou. Znečistené drážkovanie môže spôsobiť preklzávanie rúry a smerovú nestabilitu počas drážkovania.
7. Skontrolujte drážkovacie valce a hnací hriadeľ, či nemajú známky prasknutia, opotrebovania alebo iné známky poškodenia. Poškodené drážkovacie valce a hnacie hriadele môžu spôsobiť preklzávanie rúry, zníženú kvalitu drážkovania alebo prevádzkovú poruchu.

8. Skontrolujte správnu prevádzku pákového kľúča a jeho predĺženia. Uistite sa, že pákový kľúč pracuje ľahko a konzistentne v oboch smeroch. Stlačte uvoľňovacie tlačidlo v strede hlavy pákového kľúča a nasadte na vodiacu skrutku. Pákový kľúč musí pevne zasadnúť na miesto. Pákový kľúč musí tiež pevne zasadnúť na predĺžovaciu časť a predĺžovacia časť musí pevne zasadnúť na výbežok pre manuálny pohon na zadnej časti valcového drážkovača. To pomôže predchádzať uvoľneniu predĺžovacej časti a pákového kľúča pri používaní valcového drážkovača. Ak použijete iný pákový kľúč, francúzsky alebo predĺžovaciu časť, ktorá pevne nezasadne do valcového drážkovača, buďte opatrný, pretože sa môže pri používaní uvoľniť.

Ak sa vyskytnú akékoľvek problémy, nepoužívajte stroj, kým nedôjde k ich úplnému odstráneniu.

9. Premažte valcový drážkovač podľa pokynov na údržbu uvedených v používateľskej príručke. Nadbytočné mazadlo na valcovom drážkovači utrite.
10. Ak sa chystáte použiť iné zariadenia, skontrolujte ich a udržujte ich v stave, v ktorom môžu spoľahlivo pracovať.



**Obrázok 2 -Kombinovaný valcový drážkovač 975 - varovný štítok**

## Nastavenie stroja a pracovného prostredia pre požitie s elektrickým pohonom



**Vždy používajte ochranu očí, ktorá zabráni vniknutiu nečistôt a cudzích predmetov do vašich očí. Používajte obuv so spevnenou oceľovou špičkou, ktorá ochráni vaše nohy pri prípadnom prevrhnutí zariadenia alebo rúry.**

**Nepoužívajte tento valcový drážkovač s pohonnou jednotkou alebo závitorezným zariadením bez nožného spínača. Nožný spínač nikdy neblokuje tak, aby neovládal pohonnú jednotku. Nožný spínač poskytuje lepšiu kontrolu nad zariadením tým, že po odsunutí nohy zo spínača sa pohonná jednotka zastaví. Ak dôjde k zachyteniu oblečenia do stroja a napájanie je pripojené k hnaciemu motoru, bude oblečenie vtiahnuté do stroja. Tento stroj má silný ťahovací moment a môže spôsobiť zachytenie a obtočenie oblečenia okolo ramena alebo inej časti tela a následné zlomeniny alebo iné vážne poranenia.**

**Nastavte valcový drážkovač a pracovné prostredie tak, aby čo najviac znížovali riziko poranenia osôb zásahom elektrickým prúdom, požiarom, spadnutím zariadenia, zachytením a následným pomliaždením častí tela a riziko poškodenia valcového drážkovača.**

- Prácu vykonávajte na nasledujúcom mieste:
  - S primeraným osvetlením.
  - Kde nie sú prítomné žiadne horľavé kvapaliny, výpary alebo prach, ktorý sa môže vznietiť. Ak sú prítomné, nepracujte v takomto prostredí, kým nie sú zdroje možného vznietenia identifikované a stav nie je napravený. Pohonné jednotky a závitorezné stroje nie sú odolné voči explózií a môžu vytvárať iskrenie.
  - Čisté, rovné, stabilné a suché miesto pre zariadenie a pre operátora. Ak stojíte vo vode, zariadenie nepoužívajte.
  - Elektrický rozvod musí byť vhodne uzemnený. Trojkontaktové alebo GFCI zásuvky nemusia byť uzemnené. Ak máte pochybnosti, nechajte zásuvku skontrolovať licencovanému elektrikárovi.
  - Vyčistite trasu k elektrickej zásuvke tak, aby na nej neboli žiadne zdroje možného poškodenia napájacej šnúry.
- Pracovný priestor vyčistite pred nastavením akéhokoľvek zariadenia. Vždy vyčistite akékoľvek známky znečistenia olejom.
- Skontrolujte rúru, ktorá má byť drážkovaná a uistite sa, či je Kombinovaný valcový drážkovač 975 správny nástroj na vykonanie danej práce. Kombinovaný valcový drážkovač 975 je navrhnutý na drážkovanie ocele typu 10 a 40, hliníka a PVC rúr v veľkosti 1 1/4" až 6". Je tiež určený na dráž-

kovanie rúr 1¼“ až 6” typu 10 a 1¼“ až 2” typu 40 z nerezovej ocele. So zmenou nastavenia valca je možné drážkovať medené rúry 2” - 8”, typ K, L, M a DWV.

Kombinovaný valcový drážkovač 975 je možné použiť aj na mieste (rúra, ktorá je zabudovaná alebo namontovaná na svojom mieste) alebo s pohonnou jednotkou RIDGID 300 alebo závitorezným zariadením Compact 300 pre použitie s elektrickým pohonom pri použití v dielni. Kombinovaný valcový drážkovač 975 nie je určený na použitie v sériovej výrobe rúr.

Valcové drážkovače pre iné použitie môžete nájsť v katalógu spoločnosti Ridge Tool, on-line na [www.RIDGID.com](http://www.RIDGID.com), alebo prostredníctvom telefonickej konzultácie s Technickými službami spoločnosti Ridge Tool na 800-519-3456.

**UPOZORNENIE** Použitie súprav valcov (drážkovací valec alebo hnací hriadeľ) na uhlíkových rúrach a rúrach z nerezovej ocele môže viesť ku kontaminácii nerezového materiálu. Táto kontaminácia môže spôsobiť koróziu a predčasné poruchy na potrubi. Ak chcete zabrániť kontaminácii nerezových rúr železitým materiálom, používajte súpravy valcov určených pre drážkovanie nerezovej ocele. Ak tak neurobíte, použite drôtenú kefu z nerezovej ocele na očistenie drážok súpravy, ak prechádzate z jedného materiálu na druhý.

4. Uistite sa, že bola vykonaná kontrola pohonnej jednotky/závitorezného zariadenia tak, ako je uvedené v používateľskej príručke. Presvedčte sa, že nožný spínač je na svojom mieste a uistite sa, že spínač FOR/OFF/REV (VPRED/VYP/VZAD) je v polohe OFF (VYP). Nastavte pohonnú jednotku/závitoreznú zariadenie tak, ako je uvedené v používateľskej príručke. Uistite sa, že zariadenie a jeho stojan sú stabilné a nehybu sa.
5. Úplne otvorte skľučovadlo pohonnej jednotky/závitorezného zariadenia.
6. Uistite sa, že bola na Kombinovanom valcovom drážkovači 975 vykonaná kontrola, a že je nainštalovaná správna valcová súprava.

### Montáž Kombinovaného valcového drážkovača 975 na zariadenie RIDGID 300 elektrický pohon

1. Ak je pohonná jednotka, ktorá má byť použitá vybavená prepravnými alebo inými pomocnými prvkami, odstráňte ich. Uistite sa, že podporné ramená pohonnej jednotky sú celkom zasunuté a na svojej pozícii.
2. Umiestnite podporné ramená valcového drážkovača do podporných ramien pohonnej jednotky a koniec hriadeľa valcového drážkovača do skľučovadla na stroji. Uzatvorte a zatiahnite skľučovadlá pohonnej jednotky na plochu hnacieho hriadeľa. Uistite sa, že hnací hriadeľ je v skľučovadle vycentrovaný. Opakovane a silno pootočte rýchle dorazové koliesko skľučovadla tak, aby bezpečne zovrel hnací hriadeľ (Obrázok 3).

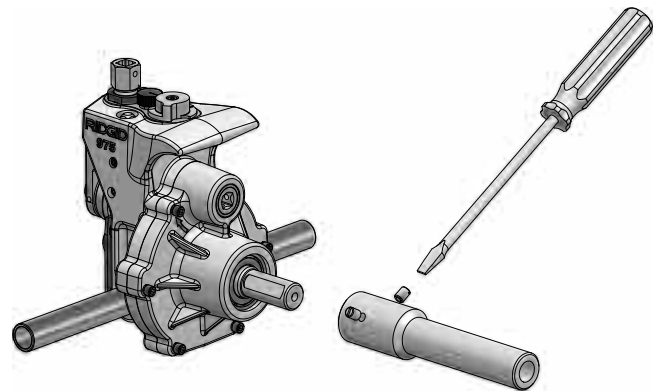


Obrázok 3 – Montáž Kombinovaného valcového drážkovača 975 na skľučovadlo pohonnej jednotky 300 Power Drive

### Montáž kombinovaného drážkovača 975 na závitorez RIDGID 300 Compact/1233

Na použitie kombinovaného drážkovača 975 na závitorez 300 Compact/1233 sa musí použiť adaptér (katalógové číslo 67662). Táto adaptérová súprava správne polohuje Kombinovaný valcový drážkovač 975 podľa závitorezného zariadenia a stojana a umožňuje kompletný rozsah veľkostí, ktoré majú byť drážkované. Nepokúšajte sa používať Kombinovaný valcový drážkovač 975 s iným závitorezným zariadením, pretože môže dôjsť k prevráteniu alebo k iným nehodám.

1. Nainštalujte adaptér hnacej tyče na hnací hriadeľ valcového drážkovača (Pozrite Obrázok 4). Zarovnajte nastavovacie skrutky s plochami na hnacom hriadeľi valcového drážkovača a pevne utiahnite.



Obrázok 4 – Inštalácia adaptéra hnacej tyče

2. Posuňte vozík na závitoreze 300 Compact/1233 čo najbližšie ku skľučovadlu stroja. Posuňte rezaciu časť, kuželovú a maticovú hlavu do polohy ďalej od operátora, tak aby bol operátor mimo dosahu. Polohujte kuželový lievik dovnútra maticovej hlavy.

- Umiestnite konzolu adaptéra nad koniec koľajničiek na stroji 300 Compact/1233 (pozri obrázok 5) a upevnite ho na miesto pripojeným čapom.



Obrázok 5 – Inštalácia konzoly adaptéra

- Umiestnite podporné ramená 975 na ramená konzoly adaptéra s adaptérom hnacej tyče v skľučovadle stroja. Uzatvorte a utiahnite skľučovadlo závitorezného stroja do adaptéra hnacej tyče. Uistite sa, že hnacia tyč je v skľučovadle vycentrovaná. Opakovane a silno pootočte rýchle dorazové koliesko skľučovadla tak, aby bezpečne zovrela hnaciu tyč.



Obrázok 6 – Kombinovaný valcový drážkovač 975 správne namontovaný na Kompaktný závitorezný stroj 300

### Dokončenie nastavení

- Umiestnite nožný spínač tak, aby mohol operátor bezpečne kontrolovať pohonnú jednotku/závitorezný stroj, valcový drážkovač a rúru, ktorá má byť drážkovaná. Tak, ako je na Obrázku 6, poloha musí operátorovi umožňovať:
  - Stáť tvárou k valcovému drážkovaču s prístupom (na tej istej strane) k spínaču FOR/OFF/REV (VPRED/VYP/VZAD).

- Kontrolovať činnosť ON/OFF (ZAP/VYP) na nožnom spínači a rýchlo uvoľniť spínač, ak je to potrebné.
- Mať primeraný prístup k valcovému drážkovaču, rúre a pákovému kľúču bez naťahovania ponad valcový drážkovač.



Obrázok 7 – Poloha operátora

- Veďte napájaciu šnúru priestorom, ktorý bol predtým na tento účel prispôbosený a vyčistený. Suchými rukami zapojte pohonnú jednotku do vhodne uzemnenej zásuvky. Udržujte všetky pripojenia suché a nad úrovňou podlahy. Ak napájací šnúra nie je dostatočne dlhá, použite predlžovaciu šnúru, ktorá:
  - Je v dobrom stave
  - Má trojkontaktnú zástrčku podobnú tej, ktorá je na pohonnej jednotke
  - Je určená na použitie v exteriéroch a má popis W alebo W-A na popise šnúry (napríklad SOW)
  - Má dostatočnú hrúbku vodičov (14 AWG na 25' alebo menej, 12 AWG na dĺžku 25' – 50'). Poddimenzovaná hrúbka vodičov môže spôsobiť prehriatie, roztavenie izolácie, následkom čoho môže dôjsť k požiaru alebo iným škodám.

3. Skontrolujte pohonnú jednotku/závitorezný stroj, či je ich prevádzka správna:
  - Prepnite prepínač do polohy FOR (Vpred). Stlačte a uvoľnite nožný spínač. Uistite sa, že ak stojíte tvárou k prednému skľučovadlu, hnací hriadeľ sa točí proti smeru hodinových ručičiek. Ak sa jednotka neotáča správnym smerom, alebo nožný spínač neovláda prevádzku stroja, nepoužívajte stroj, až kým poruchy nie sú odstránené.
  - Zatlačte a podržte nožný spínač. Skontrolujte rýchlosť otáčania jednotky. Skontrolujte pohyblivé časti, či nie sú nesprávne usporiadané, spojené, a či stroj nevydáva neobvyklé zvuky alebo nejaví iný, nezvyčajný stav. Uvoľnite nožný spínač. Ak otočná rýchlosť presahuje rýchlosť 57 ot./min., nepoužívajte jednotku pre valcové drážkovanie. Vyššie rýchlosti zvyšujú riziko poranenia osôb. Ak zistíte nezvyčajný stav, zariadenie nepoužívajte, až kým poruchy nie sú opravené.
  - Prepnite prepínač do polohy REV (Vzad). Stlačte a uvoľnite nožný spínač. Uistite sa, že ak stojíte tvárou k prednému skľučovadlu, hnací hriadeľ sa točí v smere hodinových ručičiek. Ak sa jednotka neotáča správnym smerom, nepoužívajte zariadenie, až kým nie sú poruchy odstránené.
  - Prepnite prepínač do polohy OFF (Vypnuté). Suchými rukami vyťahnite zástrčku stroja z elektrickej siete.

### Príprava rúry

**UPOZORNENIE** Toto sú všeobecné pokyny. Vždy dodržiavajte špecifické odporúčania výrobcu pre prípravu koncov drážkovaného dielu. Nedodržanie pokynov výrobcu drážkovaného dielu môžu viesť k nevyhovujúcemu spojeniu a následným únikom z rúry.

1. Odrežte primerane dlhú rúru. Dbajte pritom, aby ste dodržali minimálnu dĺžku rúry pre všetky veľkosti rúr, ktorú je možno drážkovať (Pozrite Graf A). Drážkovanie kratších rúr, ako je minimálna povolená dĺžka, zvyšuje riziko úrazu, hlavne zachytenia a pomliaždenia prstov.

Uistite sa, že rúra je odrezaná kolmo a nemá drsné hrany. Drsné hrany môžu počas drážkovania prerezať rukavice a porezať prsty. Spôsob rezania a drsné hrany môžu negatívne ovplyvniť kvalitu drážok a smerovú stabilitu drážky. Nepokúšajte sa drážkovať rúru, ktorá bola odrezaná plameňom.

2. Všetky vnútorné/vonkajšie zvyšky zvarov, švy alebo nečistoty musia byť vyhladené najmenej 2" od konca rúry. Pri brúsení dbajte, aby ste nevytvorili ploché oblasti v tesniacej časti, ktoré by mohli spôsobiť úniky.
3. Odstráňte všetky usadeniny, nečistotu, hrdzu a iné kontaminanty najmenej 2" od konca rúry. Kontaminanty môžu upchávať vrúbkovanie pohonu a brániť správne smerovému pohybu rúry pri drážkovaní.

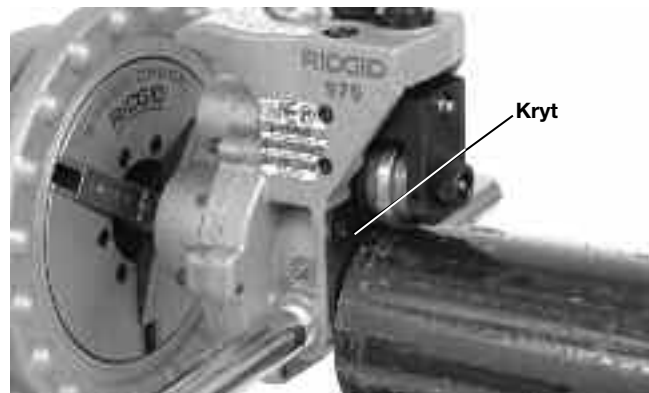
### Nastavenie rúry vo valcovom drážkovači

1. Uistite sa, že pohonná jednotka/závitorezné zariadenie je v polohe OFF (VYP).
2. Uistite sa, že máte vhodnú podporu pre rúru, ktorú sa chytáte drážkovať. Graf A uvádza maximálne dĺžky rúr, ktoré je možné drážkovať pomocou jedného stojana rúry. Väčšie dĺžky rúr musia byť podopierané najmenej dvoma stojanmi. Nezaistenie správnej podpory rúry môže spôsobiť, že rúra alebo rúra a stroj sa prevrhnú a spadnú. Nikdy nedrážkujte rúru kratšiu, ako je minimálna povolená dĺžka.

Nom. Veľkosť	Min. Dĺžka	Max. Dĺžka	Nom. Veľkosť	Min. Dĺžka	Max. Dĺžka
1	8	36	4	8	36
1 1/4	8	36	4 1/2	8	32
1 1/2	8	36	5	8	32
2	8	36	6 O.D.	10	30
2 1/2	8	36	6	10	28
3	8	36			
3 1/2	8	36			

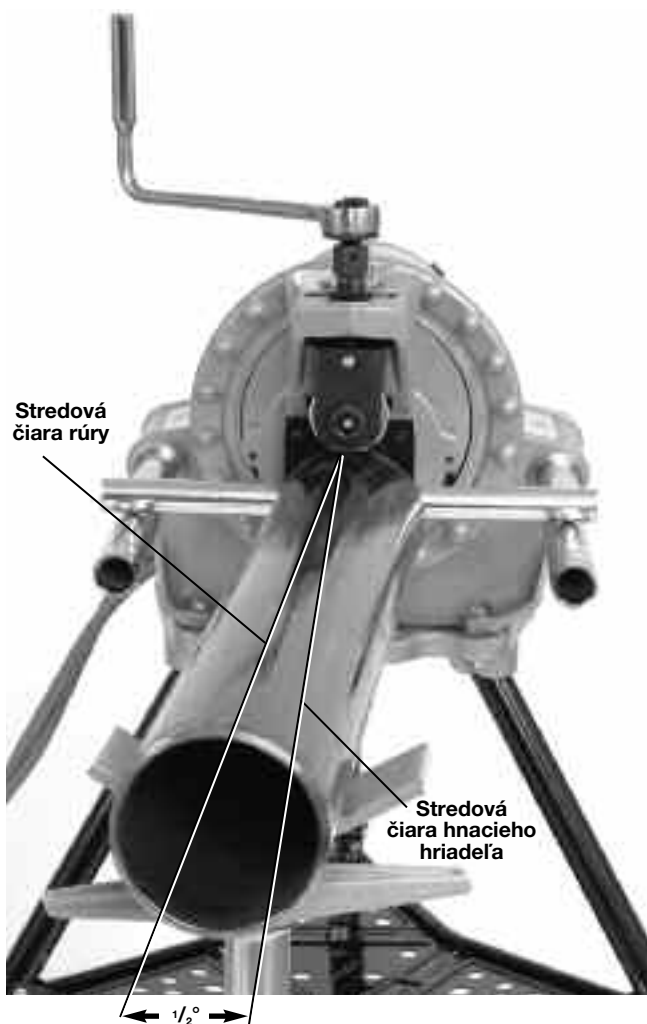
**Graf A – Minimálna/Maximálna dĺžka drážkovanej rúry s jednobodovou opierkou (všetky rozmery v coloch)**

3. Umiestnite požadovaný stojan rúry pred valcový drážkovač. Pre dĺžky podopierané jedným stojanom musí byť tento stojan o trochu viac ako o polovicu dĺžky rúry ďalej od krytu valcového drážkovača. Pre dĺžky rúr, ktoré vyžadujú viac ako jeden stojan, musia byť tieto stojany umiestnené v 1/4 rúry od koncov rúry. V niektorých situáciách je potrebné použiť viac ako dva stojany. Výška stojana musí byť nastavená tak, aby rúra mohla prechádzať nad hnacím valcom.
4. Uistite sa, že drážkovací valec bol vťahnutý dostatočne na to, aby umožnil vloženie rúry ponad hnací hriadeľ. Ak je to potrebné, pootočte vodiacu skrutku v smere hodinových ručičiek a pridvihnite drážkovací valec.
5. Umiestnite koniec rúry ponad hnací hriadeľ a nasadte rúru do stojana/stojanov. Preverte, či je rúra stabilná.



**Obrázok 8 – Umiestnenie rúry ponad hnací hriadeľ a do jednej roviny s krytom**

- Nastavte rúru a stojan rúry tak, aby koniec rúry bol v rovni s krytom valcového drážkovača, a aby sa vnútorná strana dotýkala hornej časti hnacieho hriadeľa. (Obrázok 7). Stredová čiara rúry a stredová čiara hnacieho hriadeľa musia byť rovnobežné. Jeden spôsob, ako to doceliť, je zarovnanie rúry a pohonnej jednotky/závitorezného zariadenia.
- Jemne vyrovnajte rúru a stojan rúry približne  $\frac{1}{2}$  stupňa (o 1" pri 10 stopách vzdialenosti do valcového drážkovača) smerom k operátorovi. Správne zarovnanie rúry a valcového drážkovača pomôže zaistiť správnu smerovú stabilitu rúry pri drážkovaní. (Pozrite Obrázok 9.)



Obrázok 9 – Vyrovnanie rúry o  $\frac{1}{2}$ ° smerom k operátorovi (Prehnané)

- Pootočte vodiacu skrutku v smere hodinových ručičiek a znížte úroveň drážkovacieho valca tak, aby sa dotýkal vonkajšej steny rúry, potom pootočte vodiacu skrutku o jedno dodatočné otočenie. Nastavovaciu skrutku možno bude potrebné uvoľniť (pootočiť v smere hodinových ručičiek), aby sa drážkovací valec dotýkal rúry. Rúra a valcový drážkovač je nevyhnutné zaistiť v tomto bode.

- Prípravte si pracovné miesto a determinujte potrebu vytvorenia bariér, ktoré zabránia iným osobám vstupovať do priestoru rúry a zariadenia. Zábrany a bariéry musia byť osadené najmenej tri (3) stopy od pohonnej jednotky a rúry. Táto "bezpečnostná zóna" ochráni iné osoby od náhodného kontaktu so strojom alebo rúrou, ktorý môže zapríčiniť spadnutie alebo zachytenie do pohyblivých častí.
- Suchými rukami zapojte zariadenie do vhodne uzemnenej zásuvky.

## Prevádzka Kombinovaného valcového drážkovača 975 s pohonnou jednotkou/závitorezným strojom

### VAROVANIE



Pri práci s valcovým drážkovačom nenoste voľné oblečenie. Rukávy a bundy majte vždy zapnuté. Nedočahujte predmety ponad stroj alebo rúru. Voľné oblečenie sa môže zachytiť do pohyblivých častí a spôsobiť tak zlomeniny alebo pomliaždeniny.

Ruky udrzte mimo drážkovacích valcov. Nikdy nedrážkujte rúry kratšie, ako je špecifikované. Rukavice nepoužívajte voľne nasadené. Prsty sa vám môžu zachytiť medzi drážkovacie valce alebo medzi drážkovací valec a rúru.

Ruky majte vždy ďalej od koncov rúry. Nevkladajte prsty do vnútra rúry. Drsné a ostré hrany môžu prsty zachytiť a porezať. Prsty sa vám môžu zachytiť medzi drážkovacie valce alebo medzi drážkovací valec a rúru.

Vždy používajte ochranu očí, ktorá zabráni vniknutiu nečistôt a cudzích predmetov do vašich očí. Používajte obuv so spevnenou oceľovou špičkou, ktorá ochráni vaše nohy pri prípadnom prevrhnutí zariadenia alebo rúry.

Dodržiavajte prevádzkové pokyny, znížite tým riziko úrazov s následkom zlomenín, spadnutia, či porezania.

### Nastavenie/Meranie polomeru drážky

**UPOZORNENIE** Keďže sa charakteristiky jednotlivých rúr líšia, je nevyhnutné vykonať testovacie drážkovanie vždy na začiatku dňa, keď sa má vykonávať drážkovanie, pri zmene veľkosti rúry alebo typu materiálu. Nastavovací ukazovateľ priemeru drážky je len informačný a priemer drážky je potrebné pre potvrdenie správnej veľkosti odmerať.

- Uistite sa, že zariadenie a rúra je správne nastavená. Nedostatočná príprava rúry môže mať negatívny vplyv na presnosť nastavenia ukazovateľa hĺbky drážky. Valec drážkovača sa musí dotýkať rúry.
- Nastavte ukazovateľ hĺbky drážky tak, aby bol ukazovateľ pod hlavou nastavovacej skrutky (Obrázok 10A). Ukazovateľ hĺbky drážky bol navrhnutý pre použitie s rúrou. Pozrite "Nastavenie priemeru drážky pre medenú rúru" pre použitie s medenou rúrou.



3. Pootočte nastavovaciu skrutku v smere hodinových ručičiek, až kým sa nedotkne ukazovateľa hĺbky. Pootočte ukazovateľ hĺbky drážky do drážkovacej polohy (Obrázok 10B). Ak nie je ukazovateľ v polohe drážkovania, bude brániť drážkovaniu a môže sa poškodiť.



**Obrázok 10A – Nastavte správny krok na ukazovateľ pod nastavovaciu skrutkou**



**Obrázok 10B – Ukazovateľ v polohe drážkovania**

4. Vykonajte testovacie drážkovanie (postupujte podľa krokov pre "Vytvorenie valcových drážok").
5. Odmerajte priemer drážky. Najlepšou metódou pre meranie priemeru drážky je použitie hrúbkového pásma (pozrite časť Príslušenstvo). Jemne obtočte hrúbkové pásmo okolo rúry v drážke. Uistite sa, že pásmo leží na dne drážky a odčítajte priemer drážky. (Pozrite Obrázok 11.)



**Obrázok 11 – Kontrola priemeru drážky pomocou hrúbkového pásma**

6. Porovnajme nameranú hodnotu priemeru drážky s požadovaným priemerom, ako je uvedené v *Tabuľke I alebo III* alebo podľa špecifikácií výrobcu drážkového spoja. Ak sa nameraná hodnota priemeru nezhoduje s požadovaným priemerom, je potrebné prestaviť nastavovaciu skrutku a zaistiť správny priemer drážky.

- Ak chcete zväčšiť priemer drážky, pootočte nastavovaciu skrutku v smere hodinových ručičiek.
  - Ak chcete zmenšiť priemer drážky, pootočte nastavovaciu skrutku proti smeru hodinových ručičiek.
  - Každá 1/4 otáčky nastavovacej skrutky zmení priemer drážky približne o 0,02".
7. Opakujte kroky 4-6, až kým nie je priemer drážky v rámci špecifikácií. Ak je drážka príliš veľká, je možné nastaviť drážkovač a vyrábať menšie drážky. Ak je drážka príliš malá, je nevyhnutné vyrobiť ďalšiu drážku. Správny priemer drážky je dôležitý pre zaistenie vyhovujúcich parametrov spoja. Ak je drážka mimo špecifikácií, môže zapríčiniť zlyhanie spoja.

## Vytváranie drážky

1. Uistite sa, že zariadenie a rúra je správne nastavená.



**Obrázok 12 – Prevádzková poloha valcového drážkovača**

2. Zaujmite vhodnú pracovnú pozíciu. Umiestnite nožný spínač pohonnej jednotky tak, aby mohol operátor ovládať pohonnú jednotku, valcový drážkovač a rúru, ktorá má byť drážkovaná. Tak, ako je na *Obrázku 12*, poloha musí operátorovi umožňovať:
  - Stáť tvárou k valcovému drážkovaču s prístupom (na tej istej strane) k spínaču FOR/OFF/REV (VPRED/VYP/VZAD).

- Kontrolovať činnosť ON/OFF (ZAP/VYP) na nožnom spínači a rýchlo uvoľniť spínač, ak je to potrebné.
  - Mať primeraný prístup k valcovému drážkovaču a pákovému kľúču bez načahovania ponad valcový drážkovač.
  - Ak je to potrebné, položte pravú ruku na rúru, ktorá má byť drážkovaná.
  - Postavte sa pevne tak, aby ste mali správnu rovnováhu.
3. Prepínate prepínač FOR/OFF/REV (VPRED/VYP/VZAD) do polohy REV (Vzad). **Nespúšťajte Kombinovaný valcový drážkovač 975 v režime FOR (vpred). Dizajn Kombinovaného valcového drážkovača 975 umožní rúre sa „vykrútiť“ z valcov valcového drážkovača a následne spadnúť.**
  4. Umiestnite jednu ruku na hlavu pákového kľúča/hornú časť vodiacej skrutky a druhú ruku na koniec pákového kľúča.
  5. Stlačte nožný spínač, čím spustíte pohonnú jednotku. Sledujte rotáciu rúry a uistite sa, či čelo rúry zostalo v kontakte s krytom valcového drážkovača. Ak sa rúra začala pohybovať smerom od krytu valcového drážkovača, uvoľnite nožný spínač, či zabránite možnému vykrúteniu a následnému spadnutiu rúry. Ak je to potrebné opäť nasadte rúru (*pozrite časť Nasadenie rúry*). Ak je koniec rúry zdeformovaný, bude potrebné koniec odrezat' a pripraviť nové drážkovanie.
  6. Ak sa rúra celkom otočila, utiahnite vodiacu skrutku o ďalšiu 1/4 otáčky. Pokračujte v monitorovaní konca rúry a uistite sa, či je stále v kontakte s krytom. Neuťahujte vodiacu skrutku viac ako o 1/4 na jednu otáčku rúry. Násilné uťahovanie vodiacej skrutky môže spôsobiť nadmerné rozšírenie drážky alebo vykrútenie rúry z hnacieho hriadeľa.
  7. Pokračujte v uťahovaní vodiacej skrutky o 1/4 otáčku na jednu otáčku rúry, kým sa hlava nastavovacej skrutky nezastaví oproti hornej strany valcového drážkovača. Nepokračujte v uťahovaní vodiacej skrutky, ak nastavovacia skrutka dosiahla homú časť valcového drážkovača, pretože by mohlo dôjsť k poškodeniu nastavovacej skrutky. Umožnite rúre otáčať sa najmenej dve celé otáčky v tejto polohe, zaistíte tým rovnakú hĺbku drážky.
  8. Uvoľnite nožný spínač a prepínate prepínač FOR/OFF/REV (VPRED/VYP/VZAD) do polohy OFF (VYP).
  9. Pootočte vodiacu skrutku proti smeru hodinových ručičiek a zdvihnite drážkovací valec tak, aby bolo možné vyťahnúť rúru zo stroja.
  10. Skontrolujte drážku.
    - Uistite sa, či je drážka správne formovaná.
    - Skontrolujte priemer a uistite sa, či je v rámci špecifikácie.
    - Skontrolujte iné položky vyžadované výrobcom spoja.
- Ak nájdete akékoľvek problémy, nie je možné drážku použiť.

## Nastavenie polomeru drážky pre medenú rúru

Pri použití Kombinovaného valcového drážkovača 975 pre drážkovanie medenej rúry nie je možné použiť ukazovateľ hĺbky drážky na drážkovači. V tomto prípade by poskytoval nepresné údaje o priemere drážky.

1. Pootočte vodiacu skrutku v smere hodinových ručičiek a znížte úroveň drážkovacieho valca tak, aby sa dotýkal vonkajšej steny rúry, potom pootočte vodiacu skrutku o jedno dodatočné otočenie. Nastavovaciu skrutku možno bude potrebné uvoľniť (pootočiť v smere hodinových ručičiek), aby sa drážkovací valec dotýkal rúry. Rúra a valcový drážkovač je nevyhnutné zaistiť v tomto bode.
2. Uistite sa, či je ukazovateľ hĺbky drážky v polohe drážkovania. (*Obrázok 10B*)
3. Pootočte nastavovaciu skrutku, až kým nie je v rovine s hornou doskou drážkovača.
4. Nájdite priemer a typ rúry, ktorá má byť drážkovaná v Tabuľke B a niekoľkými otáčkami vráťte nastavovaciu skrutku späť z polohy zarovnannej s hornou doskou drážkovača. Napríklad, pre 4" Sch. L meď, vráťte nastavovaciu skrutku o 1 1/4 otáčok.

## Nastavenie hĺbky pri drážkovaní medenej rúry (Otáčanie nastavovacej skrutky)

Priemer	K	L	M	DWV
2-2.5"	7/8	7/8	5/8	5/8
3"	1 1/16	1 1/16	1 1/16	1 1/16
4"	1 1/4	1 1/4	1 1/4	1 1/8
5"	1 1/2	1 1/2	1 1/2	1 1/2
6"	1 13/16	1 3/4	1 3/4	1 3/4
8"	2 1/2	2 3/8	2 1/8	2 1/8

## Graf B – Nastavenie hĺbky pre drážkovanie medenej rúry

5. *Chodte na krok 4 "Nastavenie/meranie priemeru drážky".*

## Tipy na drážkovanie pomocou Kombinovaného valcového drážkovača 975

Jedným z hlavných problémov, s ktorými sa používatelia stretávajú, je vykrútenie alebo vyskočenie mimo hnacieho hriadeľa alebo nesprávna smerová stabilita. Ak chcete zaistiť správnu smerovú stabilitu, je nevyhnutné dodržať všetky pokyny. Ak aj v prípade, že ste dodržali všetky pokyny, nemá rúra smerovú stabilitu, tu je niekoľko rád, ako zvýšiť smerovú stabilitu.

- Jemne zvýšte odchýlku smerom k operátorovi (od 1/2 stupňa do 1 stupňa) (*Pozrite Obrázok 9*).
- Operátor nebude musieť vyvíjať silu na rúru pri drážkovaní, ak chce získať smerovú stabilitu. To je potrebné spravidla len pri kratších rúrach. Ak tak chcete urobiť, musíte byť vybavený koženými rukavicami v dobrom stave a položiť ruky na približný stred rúry tak, ako je zobrazené na *Obrázku 13*. To môže vyžadovať, aby stojan, na ktorom je namontovaná pohonná jednotka/závitorezné zariadenie, bol

pripevnený k podlahe ako prevencia proti prevrhnutiu. Ak chcete predísť úrazom, ako sú zlomeniny, udržiajte si ruky mimo drážkovacieho valca a konca rúry a nikdy sa nepokúšajte drážkovať rúry kratšie, ako je odporúčané.



**Obrázok 13 – Aplikovanie sily na rúru pri drážkovaní ako opatrenie na zaistenie smerovej stability**

- Navyše si pozrite *Odsek Riešenie problémov*, kde nájdete celý zoznam dôvodov a riešení problémov pri zaistovaní smerovej stability.

## Nastavenie stroja a pracovného prostredia pre prácu s aplikáciami na mieste

### ⚠ VAROVANIE



Vždy používajte ochranu očí, ktorá zabráni vniknutiu nečistôt a cudzích predmetov do vašich očí. Používajte obuv so spevnenou ocelovou špičkou, ktorá ochráni vaše nohy pri prípadnom prevrhnutí zariadenia alebo rúry. Ak spracováivate rúru na jej pôvodnom mieste, používajte prilbu.

Nastavte valcový drážkovač a pracovné prostredie tak, aby čo najviac znižovali riziko poranenia osôb následkom spadnutia zariadenia, zachytením a následným pomliaždením častí tela a riziko poškodenia valcového drážkovača.

1. Pracovné miesto umiestnite na nasledujúce miesto:
  - S primeraným osvetlením.
  - Kde nie sú prítomné žiadne horľavé kvapaliny, výpary alebo prach, ktorý sa môže vznietiť. Ak sú prítomné, nepracujte v takomto prostredí, kým nie sú zdroje možného vznietenia identifikované a stav nie je napravený.
  - Čisté, rovné, stabilné a suché miesto s primeranou rozlohou pre zariadenie a pre operátora.
2. Pracovný priestor vyčistite pred nastavením akéhokoľvek zariadenia. Vždy vyčistite akékoľvek známky znečistenia olejom.
3. Skontrolujte rúru, ktorá má byť drážkovaná a uistite sa, či je Kombinovaný valcový drážkovač 975 správny nástroj na vykonanie danej práce. Kombinovaný valcový drážkovač 975 je navrhnutý na drážkovanie ocele typu 10 a 40, hliníka a PVC rúr v veľkosti 1¼“ až 6“. Je tiež určený na drážkovanie rúr 1¼“ až 6“ typu 10 a 1¼“ až 2“ typu 40 z nerezovej ocele. So zmenou nastavenia valca je možné drážkovať medené rúry 2” - 8”, typ K, L, M a DWV.
 

Kombinovaný valcový drážkovač 975 je možné použiť aj na mieste (rúra, ktorá je zabudovaná alebo namontovaná na svojom mieste) alebo s pohonnou jednotkou RIDGID 300 alebo závitorezným zariadením Compact 300 pre použitie s elektrickým pohonom pri použití v dielni. Kombinovaný valcový drážkovač 975 nie je určený na použitie v sériovej výrobe rúr.
4. Pri drážkovaní na pôvodnom mieste rúry sa uistite, či tu bude dostatok priestoru na prácu s Kombinovaným valcovým drážkovačom 975 a potrebnú manipuláciu. Valcový drážkovač bude vyžadovať okolo pevne zabudovanej rúry nasledujúci priestor:
  - Najmenej 6½“ voľného priestoru okolo rúry, ktoré má byť drážkovaná.

- Najmenej 2 1/2“ presahu rúry z prekážky, akou je napríklad stena
- Otvor najmenej 9 1/2“ pre osadenie valcového drážkovača na rúru

Valcové drážkovače pre iné použitie môžete nájsť v katalógu spoločnosti Ridge Tool, on-line na [www.RIDGID.com](http://www.RIDGID.com), alebo prostredníctvom telefonickej konzultácie s Technickými službami spoločnosti Ridge Tool na 800-519-3456.

**UPOZORNENIE** Použitie súprav valcov (drážkovací valec alebo hnací hriadel) na uhlíkových rúrach a rúrach z nerezovej ocele môže viesť ku kontaminácii nerezového materiálu. Táto kontaminácia môže spôsobiť koróziu a predčasné poruchy na potrubí. Ak chcete zabrániť kontaminácii nerezových rúr železitým materiálom, používajte súpravy valcov určených pre drážkovanie nerezovej ocele. Ak tak neurobíte, použite drôtenú kefu z nerezovej ocele na očistenie drážok súpravy, ak prechádzate z jedného materiálu na druhý.

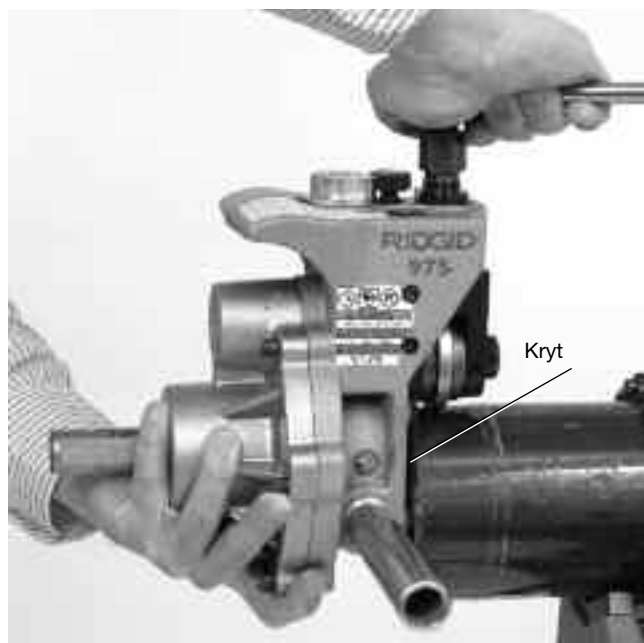
### Príprava rúry

**UPOZORNENIE** Toto sú všeobecné pokyny. Vždy dodržiavajte špecifické odporúčania výrobcu pre prípravu koncov drážkovaného dielu. Nedodržanie pokynov výrobcu drážkovaného dielu môžu viesť k nevyhovujúcemu spojeniu a následným únikom z rúry.

1. Pri drážkovaní existujúcej rúry na jej pôvodnom mieste musí byť toto potrubie vypustené a odtlakované. Zistíte, aký obsah bol v rúre a vyvodíte z toho bezpečnostné závery.
2. Odrežte premerane dlhú rúru.  
Uistite sa, že rúra je odrezaná kolmo a hrany nie sú drsné. Drsné hrany môžu počas drážkovania prerzať rukavice a porezať prsty. Spôsob rezania a drsné hrany môžu negatívne ovplyvniť kvalitu drážok a smerovú stabilitu drážky. Nepokúšajte sa drážkovať rúru, ktorá bola odrezaná plameňom.
3. Všetky vnútorné/vonkajšie zvyšky zvarov, švy alebo nečistoty musia byť vyhladené najmenej 2” od konca rúry. Pri brúsení dbajte, aby ste nevytvorili ploché oblasti v tesniacej časti, ktoré by mohli spôsobiť úniky.
4. Odstráňte všetky usadeniny, nečistotu, hrdzu a iné kontaminanty najmenej 2” od konca rúry. Kontaminanty môžu upchávať vrúbkovanie pohonu a brániť správne smerovému pohybu rúry pri drážkovaní.
5. Uistite sa, či je rúra, ktorá má byť drážkovaná pevná. Rúra musí byť dostatočne pevná na to, aby uniesla váhu drážkovača (28 libier), a aby zniesla ťahovací moment drážkovania bez posunutia. Ak je to možné, odstráňte rúru a drážkujte ju v zveráku na rúry. V iných prípadoch, ak je to potrebné, zriadte dočasnú alebo trvalú dodatočnú podporu rúry. Pri použití zveráku na rúry sa uistite, či je pevne zachytená a počas drážkovania nespadne. Pri väčších dĺžkach rúr použite primerané stojany na podporu veľkých dĺžok.

### Montáž valcového drážkovača na rúru

1. Uistite sa, či bola na Kombinovanom valcovom drážkovači 975 vykonaná kontrola, a či je nainštalovaná správna valcová súprava. Uistite sa, či sú podporné ramená tesne na tele valcového drážkovača alebo ich kvôli lepšiemu prístupu na stiesnené miesta odstráňte. Ďalej nainštalujte pákovú kľučku na vodiacu skrutku a nasadte predlžovaciu časť na manuálny hnací bod na zadnej časti valcového drážkovača. Uistite sa, či je predlžovaciu časť pákového kľúča pevne nasadený.
2. Uistite sa, či je medzi drážkovacím valcom a hnacím hriadelom dostatok miesta pre stenu rúry. Ak je to potrebné, pootočte vodiacu skrutku v smere hodinových ručičiek a pridvihnite drážkovací valec.
3. Pevne uchopte valcový drážkovač. Nezdvíhajte ho pomocou pákového kľúča. Umiestnite hnací hriadel' na do rúry a uistite sa, či kryt pevne dolieha na koniec rúry (Obrázok 14). Utiahnite vodiacu skrutku a zaistite kontakt drážkovacieho valca s vonkajšou stenou rúry. Ak ste utiahli vodiacu skrutku rukou, použite pákový kľučku na dodatočné utiahnutie o 1/4 otáčky. Presvedčte sa, či je valcový drážkovač bezpečne prichytený k rúre a kryt zarovnaný s koncom rúry. Ak nie, opakujte postup. Vždy sa uistite, či je drážkovač zaistený proti prevrhnutiu a spadnutiu.



Obrázok 14 - Držanie valcového drážkovača na mieste a súčasné ťahovanie vodiacej skrutky

## Prevádzka Kombinovaného valcového drážkovača 975 na mieste

### ⚠ VAROVANIE



Pri používaní na mieste používajte len manuálny pohon. Nepoužívajte elektrické pohony (ako sú vrtačky alebo nárazové nástroje) pre poháňanie valcového drážkovača pri použití na mieste. Použitie elektrického pohonu môže poškodiť drážkovač a zvýšiť riziko poranenia osôb.

Pri práci s valcovým drážkovačom nenoste voľné oblečenie. Rukávy a bundy majte vždy zapnuté. Nedočahujte predmety ponad stroj alebo rúru. Voľné oblečenie sa môže zachytiť do pohyblivých častí a spôsobiť tak zlomeniny alebo pomliaždeniny.

Ruky udržiavajte mimo drážkovacích valcov. Nikdy nedrážkujte rúry kratšie, ako je špecifikované. Rukavice nepoužívajte voľne nasadené. Prsty sa vám môžu zachytiť medzi drážkovacie valce alebo medzi drážkovací valec a rúru.

Ruky majte vždy ďalej od koncov rúry. Nevkladajte prsty do vnútra rúry. Drsné a ostré hrany môžu prsty zachytiť a porezať. Prsty sa vám môžu zachytiť medzi drážkovacie valce alebo medzi drážkovací valec a rúru.

Vždy používajte ochranu očí, ktorá zabráni vniknutiu nečistôt a cudzích predmetov do vašich očí. Používajte obuv so spevnenou oceľovou špičkou, ktorá ochráni vaše nohy pri prípadnom prevrhnutí zariadenia alebo rúry. Ak spracováвате rúru na jej pôvodnom mieste, používajte prilbu.

Dodržiavajte prevádzkové pokyny, znížite tým riziko úrazov s následkom zlomenín, spadnutia, či porezania.

### Nastavenie/Meranie polomeru drážky

**UPOZORNENIE** Keďže sa charakteristiky jednotlivých rúr líšia, je nevyhnutné vykonať testovacie drážkovanie vždy na začiatku dňa, keď sa má vykonávať drážkovanie, pri zmene veľkosti rúry alebo typu materiálu. Nastavovací ukazovateľ priemeru drážky je len informačný a priemer drážky je potrebné pre potvrdenie správnej veľkosti odmerať.

1. Uistite sa, či je zariadenie a rúra správne nastavená. Nedostatočná príprava rúry môže mať negatívny vplyv na presnosť nastavenia ukazovateľa hĺbky drážky. Valec drážkovača sa musí dotýkať rúry.
2. Nastavte ukazovateľ hĺbky drážky tak, aby bol ukazovateľ pod hlavou nastavovacej skrutky (Obrázok 15A). Ukazovateľ hĺbky drážky bol navrhnutý pre použitie s rúrou. Pozrite "Nastavenie priemeru drážky pre medenú rúru" pre použitie s medenou rúrou.

3. Pootočte nastavovaciu skrutku v smere hodinových ručičiek, až kým sa nedotkne ukazovateľa hĺbky. Pootočte ukazovateľ hĺbky drážky do drážkovacej polohy (Obrázok 15B). Ak nie je ukazovateľ v polohe drážkovania, bude brániť drážkovaniu a môže sa poškodiť.



Obrázok 15A – Nastavte správny krok na ukazovateľi pod nastavovaciu skrutkou



Obrázok 15B – Ukazovateľ v polohe drážkovania

4. Vykonajte testovacie drážkovanie (postupujte podľa krokov pre "Vytvorenie valcových drážok").
5. Odmerajte priemer drážky. Najlepšou metódou pre meranie priemeru drážky je použitie hrúbkového pásma (pozrite časť Príslušenstvo). Jemne obtočte hrúbkové pásmo okolo rúry v drážke. Uistite sa, či pásmo leží na dne drážky a odčítajte priemer drážky (Pozrite Obrázok 16).



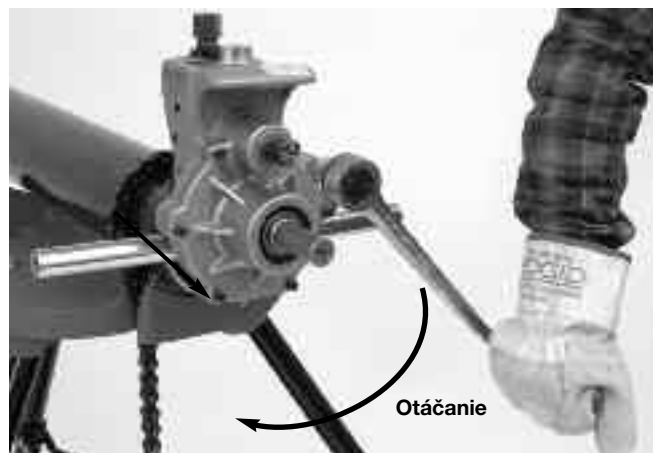
Obrázok 16 – Meranie priemeru drážky pomocou hrúbkového pásma

6. Porovnajme nameranú hodnotu priemeru drážky s požadovaným priemerom, ako je uvedené v *Tabuľke I* alebo *III* alebo podľa špecifikácií výrobcu drážkového spoja. Ak sa nameraná hodnota priemeru nezhoduje s požadovaným priemerom, je potrebné prestaviť nastavovaciu skrutku a zaistiť správny priemer drážky.
  - Ak chcete zväčšiť priemer drážky, pootočte nastavovaciu skrutku v smere hodinových ručičiek.

- Ak chcete zmenšiť priemer drážky, pootočte nastavovacou skrutkou proti smeru hodinových ručičiek.
  - Každá 1/4 otáčky nastavovacej skrutky zmení priemer drážky približne o 0,02".
7. Opakujte kroky 4-6, až kým nie je priemer drážky v rámci špecifikácií. Ak je drážka príliš veľká, je možné nastaviť drážku a vyrábať menšie drážky. Ak je drážka príliš malá, je nevyhnutné vyrobiť ďalšiu drážku. Správny priemer drážky je dôležitý pre zaistenie vyhovujúcich parametrov spoja. Ak je drážka mimo špecifikácií, môže zapríčiniť zlyhanie spoja.

## Vytváranie drážky

1. Uistite sa, či je zariadenie a rúra správne nastavená.
2. Zaujmite vhodnú prevádzkovú pozíciu. Uistite sa, či je vaša pozícia dobrá a či máte zaistenú rovnováhu.
3. Uistite sa, či bola vodiaca skrutka utiahnutá o 1/4 otáčky.
4. Odstráňte pákový kľúč z vodiacej skrutky a pevne nasadte predĺžovaciu časť. (pri použití v tesných priestoroch nie je potrebné používať predĺžovaciu časť.)
5. Pootočte pákovým kľúčom v smere hodinových ručičiek tak ako je znázornené na zadnej časti valcového drážkovača (musí sa zhodovať s vyobrazením šípky na zadnej strane valcového drážkovača, *pozrite Obrázok 17*). Sledujte rotáciu rúry a uistite sa, či čelo rúry zostalo v kontakte s krytom valcového drážkovača. Ak sa valcový drážkovač začne pohybovať smerom od konca rúry, zastavte otáčanie pákovým kľúčom, aby ste zabránili vykrúteniu rúry a jej následnému spadnutiu. Podporné ramená valcového drážkovača môžu byť zatlačené ako podpora pri udržaní kontaktu medzi krytom a koncom rúry. Ak je to potrebné, opätovne nasadte valcový drážkovač na rúru. (*pozrite "Montáž valcového drážkovača na rúru"*). Ak je koniec rúry zdeformovaný, bude potrebné koniec odrezať a pripraviť nové drážkovanie.



Obrázok 17 – Otáčanie pákovým kľúčom v smere šípky

6. Pokračujte v otáčaní pákového kľúča, kým valcový drážkovač neukončí najmenej jednu otáčku okolo rúry. Odstráňte pákový kľúč z predĺžovacej časti a pripojte na vodiacu skrutku. Uťahnite vodiacu skrutku o ďalšiu 1/4 otáčky. Odstráňte pákový kľúč z vodiacej skrutky a pripojte na predĺžovaciu časť. Neuťahujte vodiacu skrutku viac ako o 1/4 na jednu otáčku rúry. Násilné uťahovanie vodiacej skrutky môže spôsobiť nadmerné rozšírenie drážky alebo postupné vysúvanie valcového drážkovača z rúry. Pokračujte v otáčaní pákového kľúča, ako pohonu valcového drážkovača okolo rúry, pričom sledujte polohu krytu a konca rúry.
  7. Pokračujte v uťahovaní vodiacej skrutky o 1/4 otáčky na jednu otáčku drážky okolo rúry, kým sa hlava nastavovacej skrutky nezastaví oproti hornej strane valcového drážkovača. Nepokračujte v uťahovaní vodiacej skrutky, ak nastavovacia skrutka dosiahla hornú časť valcového drážkovača, pretože by mohlo dôjsť k poškodeniu nastavovacej skrutky. Otáčajte valcovým drážkovačom najmenej ďalšie dve otáčky okolo rúry po tom, ako nastavovacia skrutka dosiahne hornú časť valcového drážkovača, zaistíte tým rovnomernú hĺbku drážky.
  8. Presuňte pákový kľúč na vodiacu skrutku. Pevne uchopte valcový drážkovač. Pootočte vodiacu skrutku proti smeru hodinových ručičiek a stiahnite drážkovací valec tak, aby bolo možné vytiahnuť valcový drážkovač z rúry. Dbajte, aby vám valcový drážkovač nespadol.
  9. Skontrolujte drážku.
    - Uistite sa, či je drážka správne formovaná.
    - Skontrolujte priemer a uistite sa, či je v rámci špecifikácie.
    - Skontrolujte iné položky vyžadované výrobcom spoja.
- Ak nájdete akékoľvek problémy, nie je možné drážku použiť.

## Pokyny na údržbu

### ⚠ VAROVANIE

Pred vykonaním údržby alebo akýchkoľvek nastavení sa uistite, či je spínač elektrického pohonu v polohe OFF (VYP), a či je odpojený z elektrickej siete.

### Mazanie

Premažte Kombinovaný valcový drážkovač 975 bežne používaným univerzálnym mazadlom jedenkrát mesačne.

- Premažte maznice na bočnej strane základne operátora, prednú časť klzného bloku a koniec hriadeľa valcového drážkovača (*Pozrite Obrázok 2*). Vtláčajte mazadlo, kým nie je vytláčané späť.
- Aplikujte vrstvu mazadla na vodiacu skrutku.
- Prevodovka Kombinovaného valcového drážkovača 975 je dostatočne premazaná na celú životnosť a nevyžaduje prídanie žiadneho mazadla, kým nie je otvorená.

Viac informácií nájdete v časti Kontrola.

## Čistenie

Vyčistite drážkovanie hnacieho hriadeľa pomocou drôtenej kefy, a to denne alebo, ak je to potrebné, častejšie.

## Výmena súprav valcov

**UPOZORNENIE** Pri výmene dielov súpravy valcov sa vždy uistite, či sa zhodujú značky pohonnej jednotky a drážkovacieho valca. Nezhodné diely môžu spôsobiť nesprávne drážky a následne úniky z rúry.

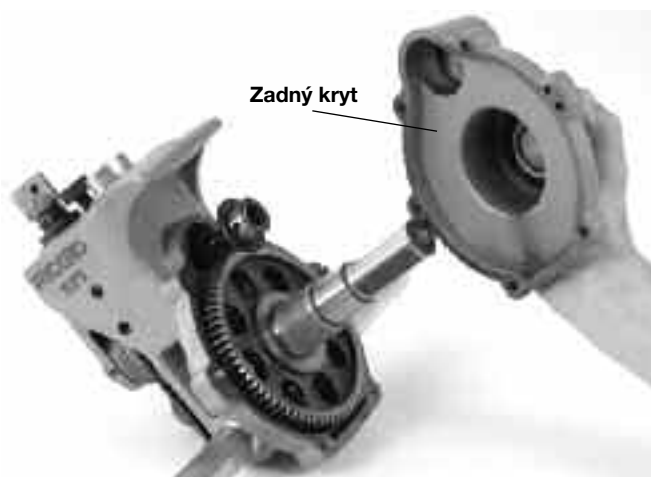
Odstráňte valcový drážkovač z elektrickej pohonnej jednotky a umiestnite ho na stabilnú pracovnú dosku.

Potrebné náradie:

- $\frac{3}{8}$ " Šesť hranný kľúč
- $\frac{3}{32}$ " Šesť hranný kľúč
- .070" Externé zadržiavacie kruhové kliešte

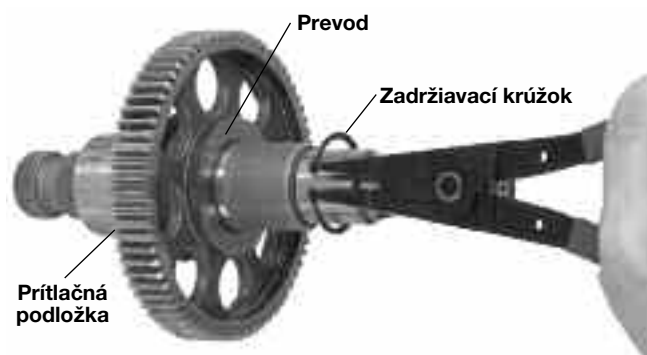
### Odstránenie a inštalácia hnacieho valca

1. Odstráňte 6 skrutiek, ktoré držia zadný kryt na puzdre.
2. Odstráňte zadný kryt (Pozrite Obrázok 18).



Obrázok 18 – Odstránenie zadného krytu

3. Odstráňte pastorok
4. Odstráňte konštrukčnú časť hnacieho hriadeľa a vytiahnite ju z Valcového drážkovača 975.
5. Odstráňte zadržiavací krúžok z hnacieho hriadeľa a vytiahnite prevod. (Pozrite Obrázok 19.)



Obrázok 19 – Odstránenie zadržiavacieho krúžku

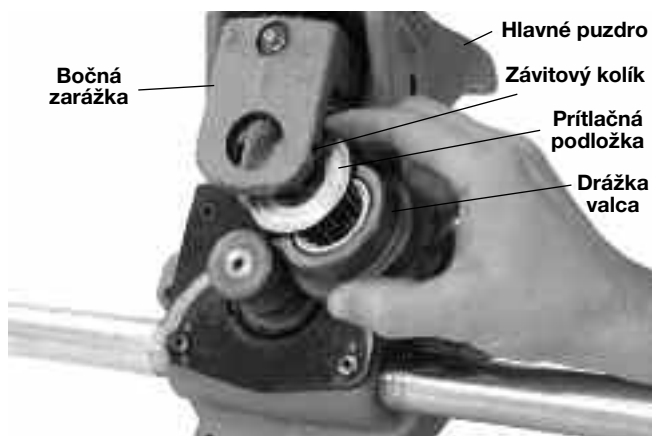
6. Odstráňte kľúč a potom opornú podložku.
7. Nasuňte opornú podložku na nový hnací hriadeľ.
8. Vložte kľúč a nainštalujte prevod.
9. Inštalujte zadržiavací krúžok na drážku hnacieho hriadeľa.
10. Umiestnite hnací hriadeľ do hlavného puzdra.
11. Mazadlo z prevodovky možno počas výmeny hnacieho hriadeľa vyteklo. Uistite sa, či sú ložiská a ozubenie prevodov dostatočne namazané vhodným univerzálnym mazadlom.
12. Vložte pastorok a nasadte späť zadný kryt. Uťahnite skrutky uťahovacím momentom 12-16 ft•lbs.



Obrázok 20 - Schéma dielov Kombinovaného valcového drážkovača 975

### Odstránenie a inštalácia drážkovacieho valca

1. Odstráňte nastavovaciu skrutku, ktorá drží hriadeľ drážkovacieho valca na svojom mieste.
2. Vytiahnite hriadeľ drážkovacieho valca z klzného bloku a odstráňte drážkovací valec a opornú podložku.
3. Vložte opornú podložku a nový drážkovací valec do klzného bloku. Uistite sa, či je interný zadržiavací krúžok na drážkovacom valci čo najbližšie k hlavnému puzdru, a či je drážkovací valec medzi opornou podložkou a hlavným puzdrom.


**Obrázok 21**

4. Vymeňte hriadeľ drážkovacieho valca a nastavovaciu skrutku.
5. Vizualne skontrolujte zarovnanie medzi drážkovacím valcom a hnacím valcom. Ak nie sú zarovnané, skontrolujte orientáciu drážkovacieho valca a opornej podložky.
6. Premažte podľa pokynov v časti Mazanie v používateľskej príručke.

## Príslušenstvo

### ⚠ VROVAVNIE

Nasledujúce produkty RIDGID boli navrhnuté na prevádzku s Kombinovaným valcovým drážkovačom 975. Iné príslušenstvo vhodné pre použitie s iným náradím môže byť nebezpečné pri použití s Kombinovaným valcovým drážkovačom 975. Ak chcete, aby bolo riziko poranenia čo najmenšie, používajte len príslušenstvo špeciálne navrhnuté a odporúčané na prevádzku s Kombinovaným valcovým drážkovačom 975, ktoré je uvedené v tabuľke.

Kat. Číslo	Popis
60082	pohon 300 Power Drive, 230 V 25-60 Hz
60077	pohon 300 Power Drive, 115 V 25-60 Hz
42360	1206 Stojan na pohon 300 Power Drive
50697	300 Compact, 230 V 25-60 Hz
50692	300 Compact, 115 V 25-60 Hz
20391	300 Compact, 230 V 25-60 Hz (DK)
67662	Adaptérová konzola pre 300 Compact/1233
58077	250 sklápací stojan pre 300 Compact/1233
72037	460 Prenosný trojnohý reťazový zverák
56662	VJ-99 vysoký stojan na rúry s hlavicou v tvare V
76822	páska s priemerom v palcoch
76827	páska s priemerom v metrických jednotkách
30708	Nadstavec, 1/2" mechanika, uzamykací
30703	rohatka, 1/2" mechanika s ohnutím 90°
33043	drážkovacie a pohonné valčeky pre 2"-8" medené rúry typu K, L, M a DWV

## Skladovanie stroja

**⚠ VROVAVNIE** Stroj skladujte v uzamknutom priestore mimo dosahu detí a osôb, ktoré nie sú zoznamované s vlastnosťami drážkovacieho zariadenia. Toto náradie môže spôsobiť vážne poranenie rúk nezaškolených osôb.

## Servis a opravy

### ⚠ VROVAVNIE

Nesprávny servis alebo opravy môžu spôsobiť nebezpečnú prevádzku zariadenia.

V časti "Pokyny k údržbe" nájdete pokyny na vykonávanie všetkých potrebných úkonov týkajúcich sa údržby na tomto stroji. Akékoľvek problémy, ktoré nie sú popísané v tejto časti môžete vyriešiť jedine prostredníctvom autorizovaného technika spoločnosti RIDGID.

Náradie je potrebné dopraviť do nezávislého autorizovaného servisného strediska spoločnosti RIDGID alebo do výrobného závodu.

Pri vykonávaní servisu na tomto stroji je možné použiť na výmenu len identické náhradné diely. Použitie iných dielov môže zvýšiť riziko vážneho poranenia.

Ak máte akékoľvek otázky k servisu alebo k oprave tohto stroja, zavolajte alebo napíšte na:

Ridge Tool Company  
 Technical Service Department  
 400 Clark Street  
 Elyria, Ohio 44035-6001  
 Tel: (800) 519-3456  
 E-mail: TechServices@ridgid.com

Pre získanie informácií o najbližšom nezávislom servisnom stredisku Ridgid alebo v prípade akýchkoľvek otázok o servise a opravách kontaktujte vášho miestneho predajcu nástrojov Ridgid.

Navštívte [www.RIDGID.com](http://www.RIDGID.com) alebo [www.RIDGID.eu](http://www.RIDGID.eu), aby ste našli váš miestny kontaktný bod pre nástroje Ridgid.

Kontaktujte oddelenie technických služieb nástrojov Ridge prostredníctvom [techservices@emerson.com](mailto:techservices@emerson.com), alebo volajte (800) 519-3456 ak ste v USA alebo Kanade.



## Tabuľka I. Štandardné špecifikácie pre drážkovanie rúr veľkosti IPS

VEZMITE NA VEDOMIE! Všetky rozmery sú v cóloch.

NOM. RÚRA VEĽKOSŤ	RÚRA PRIEMER		T MIN. STENA HRÚBKA	A TESNENIE SEDLO +.015/- .030	B DRÁŽKA ŠÍRKA +.030/- .015	C DRÁŽKA PRIEMER		D NOM. DRÁŽKA HĽBKA (Ref.) (2)
	O.D.	TOL.				O.D.	TOL.	
1¼	1.660	+ .016 - .016	.065	.625	.344	1.535	+ .000 - .015	.063
1½	1.900	+ .016 - .016	.065	.625	.344	1.775	+ .000 - .015	.063
2 <sup>(1)</sup>	2.375	+ .024 - .016	.065	.625	.344	2.250	+ .000 - .015	.063
2½ <sup>(1)</sup>	2.875	+ .029 - .016	.083	.625	.344	2.720	+ .000 - .015	.078
3 <sup>(1)</sup>	3.50	+ .030 - .018	.083	.625	.344	3.344	+ .000 - .015	.078
3½ <sup>(1)</sup>	4.00	+ .030 - .018	.083	.625	.344	3.834	+ .000 - .015	.083
4 <sup>(1)</sup>	4.50	+ .035 - .020	.083	.625	.344	4.334	+ .000 - .015	.083
5 <sup>(1)</sup>	5.563	+ .056 - .022	.109	.625	.344	5.395	+ .000 - .015	.084
6 <sup>(1)</sup>	6.625	+ .050 - .024	.109	.625	.344	6.455	+ .000 - .015	.085

(1) Podľa AWWA C606-06

(2) Nominálna hĺbka drážky je uvádzaná len ako referenčný rozmer. Nepoužívajte hĺbku drážky pre určovanie dostupnosti drážky.

## Tabuľka II. Maximálna a minimálna hrúbka steny rúry

VEZMITE NA VEDOMIE! Všetky rozmery sú v cóloch.

Veľkosť rúry	UHLÍKOVÁ OCEĽ ALEBO HLINÍKOVÁ RÚRA ALEBO TRUBKA		NEREZOVÁ OCEĽ RÚRA ALEBO TRUBKA		PVC RÚRA	
	Hrúbka steny		Hrúbka steny		Hrúbka steny	
	Min.	Max.	Min.	Max.	Min.	Max.
1¼"	.065	.140	.065	.140	.140	.140
1½"	.065	.145	.065	.145	.145	.200
2"	.065	.154	.065	.154	.154	.154
2½"	.083	.203	.083	.188	.203	.276
3"	.083	.216	.083	.188	.216	.300
3½"	.083	.226	.083	.188	.226	.300
4"	.083	.237	.083	.188	.237	.300
5"	.109	.258	.109	.188	.258	.300
6"	.109	.280	.109	.188	.280	.300

### Tabuľka III. Špecifikácie drážkovania medenej rúry

1	2		3	4	5	6	7	8
Nom. Veľkosť Cóllov	Vonkajšia strana rúry Priemer O.D.		A Tesnenie Sedlo A ±0.03	B Drážka Šírka +.03 -.000	C Drážka Priemer +.00 -.02	D Drážka Hĺbka Ref. <sup>1</sup>	T Min. Povol. Hrúbka Steny	Max. Povol. Svetlý Priemer
	Základná	Tolerancia						
2"	2.125	±0.002	0.610	0.300	2.029	0.048	DWV	2.220
2 1/2"	2.625	±0.002	0.610	0.300	2.525	0.050	0.065	2.720
3"	3.125	±0.002	0.610	0.300	3.025	0.050	DWV	3.220
4"	4.125	±0.002	0.610	0.300	4.019	0.053	DWV	4.220
5"	5.125	±0.002	0.610	0.300	5.019	0.053	DWV	5.220
6"	6.125	±0.002	0.610	0.300	5.999	0.063	DWV	6.220
8"	8.125	+0.002/-0.004	0.610	0.300	7.959	0.083	DWV	8.220

1. Nominálna hrúbka drážky je uvedená ako referenčný rozmer. Nepoužívajte hĺbku drážky pre určovanie prípustnosti drážky.

### Riešenie problémov

SYMPTOM	MOZNE PRICINY	RIESENIE
<b>Drážka je príliš úzka alebo príliš široká.</b>	Drážkovací valec a/alebo hnací hriadeľ sú opotrebované.	Vymeňte drážkovací valec a/alebo vodiaci hriadeľ.
<b>Drážka nie je kolmá k osi rúry.</b>	Rúra nie je po dĺžke rovná. Koniec rúry nie je k osi rúry pravouhlý.	Použite rovnú rúru. Odrežte koniec rúry kolmo.
<b>Rúra sa pri drážkovaní neposúva/Drážkovač sa pri drážkovaní po rúre neposúva.</b>	Rúra a hnací hriadeľ nie sú rovnobežné. Os rúry nie je vyrovnaná na 1/2 stupňa od osi hnacieho valca. Hnací valec má upchané drážkovanie alebo je obrúsený tak, že je plochý. Vodiaca skrutka nie je utiahnutá.	Nastavte stojan tak, aby bola rúra rovnobežná. Vyrovnejte rúru na 1/2 stupňa. Vyčistite alebo vymeňte hnací valec.
<b>Na drážkovanom konci je rúra rozšírená.</b>	Nesprávny smer otáčania otočnej páky. Vo vnútri rúry je príliš veľa kameňa. Šev zvaru pretŕča. Na rúru nie je vyvíjaný tlak. Koniec rúry nie je kolmý/a je drsný. Vodiaca skrutka je príliš utiahnutá.	Utiahnite vodiacu skrutku pre každú otáčku tak, ako je uvedené v pokynoch. Potočte páku v správnom smere. Vyčistite vnútro rúry. Obrúste šev zvarovania 2" od konca rúry. Nastavte tlak na rúru. (Pozrite Obrázok 10.) Vhodne pripravte koniec rúry. Uvoľnite vodiacu skrutku o 1/4 stúpania závitú.
	Rúra a hnací hriadeľ nie sú rovnobežné. Vodiaca skrutka je príliš utiahnutá.	Nastavte stojan tak, aby bola rúra rovnobežná. Uvoľnite vodiacu skrutku o 1/4 otáčky.

## Riešenie problémov (pokračovanie)

SYMPTOM	MOZNE PRICINY	RIESENIE
Rúra sa posunie pri drážkovaní späť a vpred po osi hnacieho valca.	Rúra nie je po dĺžke rovná. Koniec rúry nie je k osi rúry pravouhlý.	Použite rovnú rúru. Odrežte koniec rúry kolmo.
Rúra pri drážkovaní na hnacom valci kolíše zo strany na stranu.	Stojan rúry je príliš blízko ku koncu rúry. Rúra je sploštená alebo poškodená. Tvrde čiastočky v materiáli rúry alebo šev zvaru je tvrdší ako rúra. Rýchlosť podávania pri drážkovaní je príliš nízka. Rýchlosť elektrického pohonu je vyššia ako 57 ot./min. Podpora stojana rúry nie je správne umiestnená.	Posuňte stojan rúry podľa pokynov pri nastavení. Odrežte poškodený koniec rúry. Použite inú rúru. Posúvajte drážkovací valec do rúry rýchlejšie. Znížte rýchlosť na 57 ot./min alebo menej. Nastavte polohu valcového podávača správne.
Drážkovač do rúry nedrážkuje.	Maximálna hrúbka steny rúry je presiahnutá. Materiál rúry je príliš tvrdý. Nastavovacia skrutka nie je nastavená. Elektrický pohon nespĺňa požiadavky na minimálny ťahovací moment.	Skontrolujte graf kapacity rúry. Vymeňte rúru. Nastavte hĺbku. Použite RIDGID č. 300, pohon Power Drive alebo 300 Compact alebo 1233.
Drážkovač nedrážkuje do požadovaného priemeru.	Maximálna tolerancia priemeru rúry je presiahnutá. Nastavovacia skrutka hĺbky nie je nastavená správne. Rúra je príliš tvrdá.	Použite rúru so správnym priemerom. Zmeňte nastavenia hĺbky. Použite inú rúru.
Rúra sa kĺže po hnacom valci.	Rýchlosť valcového podávania je príliš nízka. Hnací valec má kovovými čiastočkami upchané drážkovanie alebo je opotrebovaný.	Posúvajte drážkovací valec do rúry rýchlejšie. Vyčistite alebo vymeňte drážkovací valec.
Drážkovač pri drážkovaní neotáča rúru.	Elektrický pohon nespĺňa požiadavky na požadovaný ťahovací moment. Skľučovadlo nie je uzatvorené na plochú časť hnacieho hriadeľa.	Použite RIDGID č. 300, pohon Power Drive alebo 300 Compact alebo 1233. Zatvorte skľučovadlo.
Rúra sa zdvíha alebo nakláňa drážkovač dozadu.	Podpora stojana rúry nie je správne nastavená.	Správne nastavte stojany.

975

# Kombinovaná mašina za valjanje žlebova




**RIDGID**<sup>®</sup>

## Sadržaj

<b>Bezbednosni simboli</b> .....	468
<b>Opšta bezbednosna pravila</b>	
Bezbednost radne okoline .....	468
Bezbednost od strujnog udara .....	468
Lična bezbednost.....	469
Upotreba alata i održavanje .....	469
Servisiranje.....	469
<b>Posebna bezbednosna pravila</b>	
Bezbednost mašine za valjanje žlebova .....	470
Bezbednost kombinovane mašine za valjanje žlebova kada se koristi sa pogonskom jedinicom mašine za narezivanje navoja .....	470
Bezbednost mašine za valjanje žlebova kada se koristi na svom mestu .....	470
<b>Opis, specifikacija i standardna oprema</b>	
Opis .....	470
Specifikacija .....	471
Standardna oprema .....	471
<b>Provera mašine za valjanje žlebova</b> .....	471
Postavka mašine i radne površine za aplikacije pogonske jedinice	
Montaža 975 kombinovane mašine za valjanje žlebova na A RIDGID 300 pogonsku jedinicu .....	473
Montaža 975 kombinovane mašine za valjanje žlebova na RIDGID 300 Compact/1233 za narezivanje navoja .....	473
Podešavanje mašine .....	474
Priprema cevi .....	475
Postavljanje cevi u mašinu za valjanje žlebova .....	476
<b>Rad na 975 kombinovanoj mašini za valjanje žlebova sa pogonskom jedinicom mašine za narezivanje navoja</b>	
Podešavanje/merenje prečnika žleba .....	476
Oblikovanje valjanog žleba .....	477
Postavljanje prečnika žleba za bakarne cevi .....	478
Saveti za pravljenje brazdi 975 kombinovane mašine za valjanje žlebova .....	478
<b>Postavka mašine i radne površine za aplikacije koje su na mestu</b>	
Priprema cevi .....	480
Montiranje mašine za valjanje žlebova na cev .....	480
<b>Upravljanje 975 kombinovane mašine za valjanje žlebova na licu mesta</b>	
Podešavanje/merenje prečnika žleba .....	481
Oblikovanje valjanog žleba .....	482
<b>Uputstva za održavanje</b>	
Podmazivanje.....	482
Čišćenje .....	483
Zamena setova valjaka .....	483
<b>Dodatna oprema</b> .....	484
Skladištenje mašine .....	<b>484</b>
<b>Servis i popravka</b> .....	484
<b>Tabela I. Standardne specifikacije mašine za valjanje žlebova</b> .....	485
<b>Tabela II. Maksimalna i minimalna debljina zida cevi</b> .....	485
<b>Tabela III. Specifikacije bakarnog rol žleba</b> .....	486
<b>Rešavanje problema</b> .....	486-487


## Bezbednosni simboli

U ovom uputstvu za upotrebu kao i na proizvodu, koriste se bezbednosni simboli i signalne reči, kako bi se prenela bitna informacija vezana za bezbednost. U ovom odeljku se usmerava pažnja na ove signalne reči i simbole.

 Ovo je simbol za upozorenje za bezbednost. Koristi se da bi vas upozorio na moguću opasnost od povrede. Poštujte sve mere bezbednosti koje slede ovaj simbol da biste izbegli moguću povredu ili smrt.

 **OPASNOST** OPASNOST označava opasnu situaciju koja će, ukoliko se ne izbegne, da izazove smrt ili ozbiljnu povredu.

 **UPOZORENJE** UPOZORENJE označava opasnu situaciju koja će, ukoliko se ne izbegne, da izazove smrt ili ozbiljnu povredu.

 **PAŽNJA** PAŽNJA označava opasnu situaciju koja će, ukoliko se ne izbegne, da izazove smrt ili ozbiljnu povredu.

 **OBAVEŠTENJE** OBAVEŠTENJE označava informaciju koja je vezana za zaštitu imovine.



Ovaj simbol znači da treba da pročitate pažljivo uputstvo za upotrebu pre nego što koristite opremu. Uputstvo za upotrebu sadrži bitne informacije o bezbednom i ispravnom radu opreme.



Ovaj simbol znači da uvek nosite zaštitne naočare sa štitnicima sa strane kada upravljate ili koristite opremu, da biste smanjili rizik od povrede očiju.



Ovaj simbol ukazuje na rizik od loma prstiju ili ruku između valjkova mašine za valjanje žlebova.



Ovaj simbol ukazuje na rizik da se zakače/ ili umotaju ruke, prsti, noge, odeća ili drugi objekti na vreteno koje se okreće i da tako izazovu prelom ili veće povrede.



Ovaj simbol ukazuje da na ovoj jedinici ne sme da se koristi bušilica, uređaj za udaranje ili neki drugi uređaj na struju, ukoliko se jedinica koristi na mestu.



Ovaj simbol ukazuje na rizik od nakretanja mašine, koji može da prouzrokuje udar ili prelome.



Ovaj simbol označava da uvek koristite nožni prekidač kada koristite pogonsku jedinicu mašine za narezivanje navoja.



Ovaj simbol označava da nosite šlem kada radite okrenuti naopako da biste smanjili rizik od povrede glave.

## Opšta bezbednosna pravila

### UPOZORENJE

Pročitajte i razumite sva uputstva. Ukoliko ne pratite sva uputstva koja su dole navedena, može da dođe do strujnog udara, požara i/ili ozbiljne povrede.

### SACUVAJTE OVA UPUTSTVA!

Izraz "uređaj na struju" u upozorenjima se odnosi na uređaj koji je kablom priključen na struju ili bežični uređaj koji radi na baterije.

### Bezbednost radne okoline

- **Neka vam radna površina bude čista i dobro osvetljena.** Na površinama koje su u neredu i nisu dobro osvetljene se dešavaju nezgode.
- **Nemojte da koristite uređaje na struju kada postoji rizik od eksplozije, kao što je prisustvo zapaljivih tečnosti, gasova ili prašine.** Uređaji na struju mogu da varniče i tako mogu da zapale prašinu ili isparenja.
- **Deca i posmatrači ne smeju da budu u blizini prilikom rukovanja uređajem na struju.** Ukoliko vas ometaju možete da izgubite kontrolu.

- **Neka podovi budu suvi i da nemaju klizave materije kao što je ulje.** Nezgode se dešavaju na klizavim podovima.
- **Zaštitite ili ogradite oblast kada je deo koji se obrađuje veći od mašine.** Zaštita ili ograda koja dozvoljava minimum tri (3) koraka praznog prostora oko dela koji se obrađuje, smanjuje rizik od nezgode.

### Bezbednost od strujnog udara

- **Priključci uređaja na struju moraju da odgovaraju utičnicama. Nikada nemojte da menjate priključak ni na koji način. Nemojte da koristite nikakve priključke adaptera sa uzemljenim uređajima na struju.** Neizmenjeni priključci i odgovarajuće utičnice će da smanje rizik od strujnog udara.
- **Izbegavajte kontakt telom sa uzemljenim površinama kao što su cevi, radijatori, nizovi i hladnjaci.** Rizik od strujnog udara je veći ukoliko vam je telo uzemljeno.
- **Ne izlažite uređaje na struju kiši ili mokrim uslovima.** Ukoliko uđe voda u uređaj na struju povećava se rizik od električnog udara.
- **Ne uništavajte kabl. Nikada nemojte da koristite kabl da nosite, vučete ili isključujete uređaj na struju. Neka**

kabl bude daleko od izvora toplote, ulja, oštih ivica ili pokretnih delova. Oštećeni ili zamršeni kablovi povećavaju rizik od strujnog udara.

- **Kada koristite alatke na struju napolju, koristite i produžni kabl koji je prikladan za korišćenje napolju.** Korišćenje kabla koji je prikladan za spoljašnju upotrebu smanjuje rizik od strujnog udara.
- **Ukoliko je neizbežno da koristite uređaj na struju na vlažnom mestu, onda koristite utičnicu sa uzemljenjem koja je zaštićena diferencijalnim osiguračem (GFCI).** Korišćenje GFSI smanjuje rizik od strujnog udara.

## Lična bezbednost

- **Budite na oprezu, pratite šta radite i koristite zdrav razum kada upravljate uređajem na struju. Nemojte da koristite uređaj na struju ako ste umorni ili pod uticajem droga, alkohola ili lekova.** Trenutak nepažnje za vreme upravljanja uređajem na struju može da prouzrokuje ozbiljnu povredu.
- **Koristite opremu za ličnu zaštitu. Uvek nosite zaštitu za oči.** Zaštitna oprema kao što su maska za prašinu, neklizajuća zaštitna obuća, šlem ili zaštita za uši, kada se pravilno koristi, smanjuje povredu.
- **Onemogućite slučajno pokretanje. Proverite da li je prekidač na poziciji OFF (isključeno) pre nego što povežete izvor struje i/ili bateriju, podignete ili nosite alat.** Ukoliko nosite uređaj na struju tako što vam je prst na prekidaču ili ako stavite pod napon uređaj na struju koji je uključen, izazvaćete nezgodu.
- **Uklonite sve ključeve za podešavanje ili francuski ključ pre nego što uključite uređaj na struju.** Francuski ključ ili ključ koji je ostavljen zakačen na deo uređaja na struju koji se okreće može da dovede do povrede.
- **Nemojte da podesite veći radijus dejstva. Održavajte dobru potporu i ravnotežu u svako doba.** Ovo omogućava bolju kontrolu nad uređajem na struju u neočekivanim situacijama.
- **Oblačite se prikladno. Nemojte da nosite široku odeću ili nakit. Neka vam kosa, odeća i rukavice budu dalje od pokretnih delova.** Pokretni delovi mogu da uhvate široku odeću, nakit i dugu kosu.
- **Ukoliko su uređaji namenjeni za povezivanje jedinica izvlačenje i sakupljanje prašine, uverite se da su povezane i korišćene na ispravan način.** Korišćenje jedinice za prikupljanje prašine može da smanji rizike koji su vezani za prašinu.

## Upotreba alata i održavanje

- **Nemojte da silite alat. Koristite odgovarajući alat za datu namenu.** Pravilno izabran alat će završiti posao bolje i sigurnije za potrebnu namenu.

- **Nemojte da koristite alat ukoliko ga prekidač ne okreće ON(uključeno) i OFF(isključeno).** Svaki alat koji ne možete da kontrolišete preko prekidača je opasan i mora da se popravi.
- **Iskopčajte priključak sa izvora struje i/ili baterije sa alata pre nego što vršite bilo kakve izmene, promene radnog tela ili pre nego što pakujete alat.** Ovakve preventivne bezbednosne mere smanjuju rizik da se alat slučajno pokrene.
- **Odložite alat koji ne koristite van domašaja dece i nemojte da dozvolite osobama koje nisu upoznate sa alatom ili ovim uputstvima da koriste alat.** Alat je opasan u rukama neobučanih korisnika.
- **Održavanje alata. Proverite da alat nije pogrešno poređan, da pokretni delovi nisu pogrešno ukopčani, da delovi nisu polomljeni kao i sve druge razloge koji mogu da utiču na rad alata. Ukoliko je alat oštećen, zamenite ga pre upotrebe.** Mnoge nezgode su izazvane alatom koji se ne održava dobro.
- **Koristite samo ona radna tela koja su preporučena za vaš alat.** Alat za sečenje sa oštrim ivicama koji se dobro održava je lakši za upravljanje i manja je verovatnoća da se savije.
- **Ručice treba da budu suve i čiste i da nemaju ulje ili mast.** Preporuke za bolju kontrolu alata.

## Servisiranje

- **Alat sme da servisira samo kvalifikovana osoba uz korišćenje samo identičnih rezervnih delova.** Tako ćete osigurati da se održi bezbednost alata.

## Posebne bezbednosne informacije

### UPOZORENJE

Ovo poglavlje sadrži važne bezbednosne informacije koje su svojstvene ovom alatu.

Pažljivo pročitajte ova upozorenja pre nego što koristite 975 kombinovanu mašinu za valjanje žlebova da biste smanjili rizik od opasne povrede.

### SAČUVAJTE OVA UPUTSTVA!

Kontaktirajte tehničko servisno odeljenje Ridge Tool na (800) 519-3456 ili techservices@ridgid.com, ukoliko imate bilo kakvih pitanja.

## Bezbednost mašine za valjanje žlebova

- **Nemojte da nosite široku odeću. Rukavi i jakne treba da budu zakopčani. Ne previjajte se preko mašine ili cevi.** Cev ili drugi delovi koji se okreću mogu da uhvate odeću i na taj način da dođe do nezgode ili ozbiljne povrede.

- **Držite ruke dalje od valjkova kojima se prave žlebovi. N pravite žlebove na cevi koja je kraća od predviđenog. Nemojte da nosite široke rukavice.** Možete da smrskate prste između valjaka sa žlebom ili između valjka sa žlebom i cevi.
- **Držite ruke dalje od krajeva cevi. Ne dirajte u unutrašnjost cevi.** Možete se zakačiti i poseći na hrapavim i oštrim ivicama metala. Možete da smrskate prste između valjaka sa žlebom ili između valjka sa žlebom i cevi.
- **Pripremite i rukujte cevima na odgovarajući način.** Možete se zakačiti i poseći na hrapavim i oštrim ivicama metala.
- **Poduprite cev na odgovarajući način.** Na ovaj način ćete sprečiti nakretanje cevi i opreme.
- **Pročitajte i shvatite ovo uputstvo za rukovanje, uputstvo za rukovanje odgovarajućeg uređaja na struju ili mašine za narezivanje navoja, uputstvo za instalaciju proizvođača fittinga kao i uputstva sve opreme koja se koristi sa ovim alatom pre nego što počnete da upravljate RIDGID® 975 kombinovanom mašinom za valjanje žlebova.** Ukoliko ne pratite sva uputstva to može dovesti do oštećenja imovine i/ili ozbiljne povrede.
- **Uvek nosite odgovarajuću zaštitnu opremu dok postavljate ili koristite RIDGID 975 kombinovanu mašinu za valjanje žlebova.** U prikladnu ličnu zaštitnu opremu se uvek ubraja zaštita za oči i može da sadrži i opremu kao što su uske kožne rukavice, obuća sa čelikom na prstima i šlem.
- **Koristite mašinu za valjanje žlebova da valjate na cev preporučene veličine i tipa u skladu sa ovim uputstvima.** Drugačije primene ili promene mašine za valjanje žlebova za ostale namene mogu da povećaju rizik od povrede.

### **Bezbednost kombinovane mašine za valjanje žlebova kada se koristi sa pogonskom jedinicom mašine za narezivanje navoja**

- **Koristite samo RIDGID 300 pogonsku jedinicu ili 300 Kompakt mašinu za narezivanje navoja sa ovim 975 Kombo mašinom za valjanje žlebova.** Korišćenje drugih pogonskih jedinica mogu da izazovu nepravilnu postavku i tako dovedu do nakretanja ili drugih problema.
- **Nemojte da koristite ovu mašinu za valjanje žlebova sa pogonskom jedinicom ili mašinom za narezivanje navoja koja nema nožni prekidač. Nikada nemojte da blokirate nožni prekidač tako da nema kontrolu nad pogonskom jedinicom.** Nožni prekidač vam omogućava bolju kontrolu tako što vam dozvoljava da isključite pogonsku jedinicu pomeranjem noge. Ukoliko mašina uhvati odeću i motor ima dovod struje, odeća će biti uvučena u mašinu. Ova mašina ima visok moment pritezanja i na taj način može da zavrne odeću oko vaše ruke ili delova tela toliko jako da može da polomi kosti ili izazove udar ili druge povrede.

- **Jedna osoba mora da kontroliše proces pravljenja žlebova i nožni prekidač. Nemojte da radite sa više od jednom osobom.** U slučaju nezgode radnik na mašini mora da ima kontrolu nad nožnim prekidačem.
- **Pogonske jedinice i mašine za narezivanje navoja koristite samo pri brzini okretanja od 57 obrtaja u minuti ili manjoj.** Mašine sa većim brzinama povećavaju rizik od povrede.
- **Postarajte se da je kombinovana mašina za valjanje žlebova pravilno postavljena i učvršćena na pogonsku jedinicu/mašinu za narezivanje. Postarajte se da su mašina, stalak, mašina za valjanje žlebova i cev stabilni.** Na ovaj način ćete sprečiti naginjanje opreme i cevi.

### **Bezbednost mašine za valjanje žlebova kada se koristi na svom mestu**

- **Pokrenite je samo ručno ukoliko je koristite sa jedinicama u mestu. Nemojte da koristite uređaje na struju (kao što su bušilice ili uređaji za udaranje) za puštanje u rad mašine za valjanje žlebova kada se koristi na licu mesta.** Korišćenje uređaja na struju može da ošteti mašinu za valjanje žlebova i poveća rizik od povrede.
- **Kada rade okrenuti naopako, osoblje treba da nosi šlemove i da raščisti površinu ispod.** Sprečite ozbiljne povrede ukoliko padne kombinovana mašina za valjanje žlebova, cev ili neki drugi objekat.

## **Opis, specifikacija i standardna oprema**

### **Opis**

RIDGID® 975 kombinovana mašina za valjanje žlebova pravi valjkaste žlebove u čeličnim, aluminijumskim i PVC cevima i može da užlebi od 1¼" do 6" prečnika cevi, po rasporedu 10 i rasporedu 40. Takođe je napravljena da žlebi 1¼" do 6" program 10 i 1¼" do 2" program 40 cev od nerđajućeg čelika. Može da se prilagodi za 2" - 8" tip K, L, M i DWV bakamu cev, tako što se promeni set valjaka. Žlebovi se formiraju tako što mehanički pomerite unapred valjak za žlebanje u cev koja se oslanja na pogonski valjak. Jedino neophodno podešavanje je ono za dubinu žleba.

Jedinica je posebno namenjena da se koristi u mestu ili sa pogonskom jedinicom RIDGID Modelom 300 (modelima sa 38 i 57 obrtaja u minuti). Uz odgovarajući adapter (cat. #67662), jedinica može da radi sa RIDGID Modelom 300 Kompact mašinom za navoje. 975 Kombinovana mašina za valjanje žlebova ima i patentirane instrumente za merenje dubine žleba da potpomognu postavljanje žleba i patentirane opcije da poboljšaju pravljenje brazdi tokom upotrebe.

975 kombinovana mašina za valjanje žlebova je prenosiva jedinica koja je namenjena za povremenu upotrebu na radnom mestu i ne treba je koristiti na poslovima velikog obima ili za proizvodni rad u fabrikama za cevi.

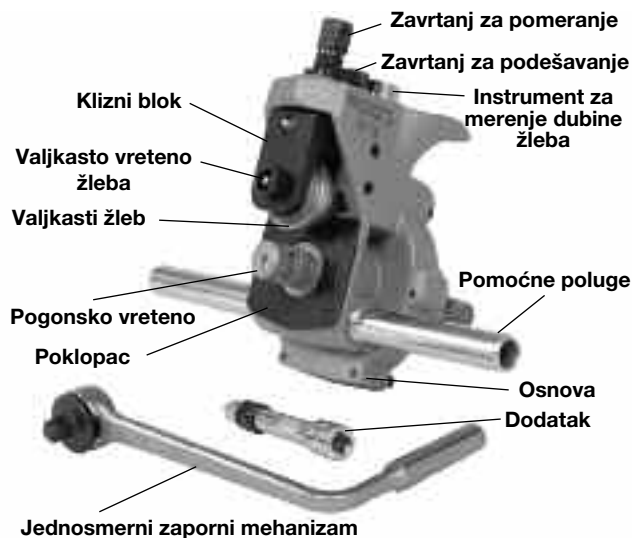


**OBAVEŠTENJE** Ukoliko se pravilno koristi model 975 kombinovane mašine za valjanje žlebova pravi žlebove 2" - 6", koji su po dimenzijama u okviru specifikacija AWWA C606-06. Izbor odgovarajućih materijala i metoda za spajanje je odgovornost projektanta sistema i/ili instalatera. Pre nego što pokušate ma kakvu instalaciju, mora se izvesti pažljivo posmatranje celokupne radne okoline, uključujući i hemijsku okolinu i radnu temperaturu.

## Specifikacija

Kapacitet .....	1 1/4" - 6" raspored 10 and raspored 40 čelična cev sa promenom valjka: 2"- 8" bakarna cev tipa K, L, M i DWV
Prečnik žleba	
Podešavanje .....	Podešavanje zavrtnja i instrumenta za merenje dubine žleba
Pokretanje .....	Ulazni zavrtnji sa 1/2" francuski ključ sa jednosmernim zapornim mehanizmom
Montiranje pogonske jedinice .....	RIDGID 300 pogonska jedinica (samo za modele sa 38 i 57 obrtaja u minuti) RIDGID 300 Compact mašina za navoje (sa adapterom)
Težina.....	27.6 lbs.

975 kombinovana mašina za valjanje žlebova je zaštićena od strane SAD i međunarodnih patenata uključujući i patente 6,272,895 i 6,591,652.



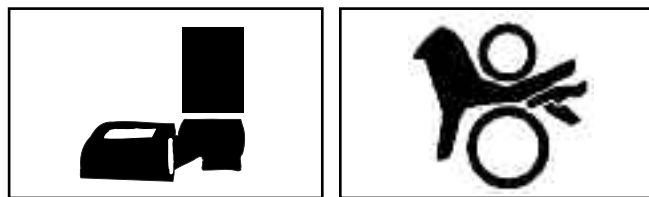
Slika 1 - 975 kombinovana mašina za valjanje žlebova

## Standardna oprema

1 1/4" - 6" raspored 10 i 40 valjci za žlebove i pogonski valjci  
Francuski ključ sa jednosmernim zapornim mehanizmom (1/2" jedinica) sa dugmetom za otpuštanje  
Zaključavanje dodatne jedinice  
Pomoćne poluge  
Instrument za merenje integralnog indeksa dubine

## Provera kombinovane mašine za valjanje žlebova

### ⚠ UPOZORENJE

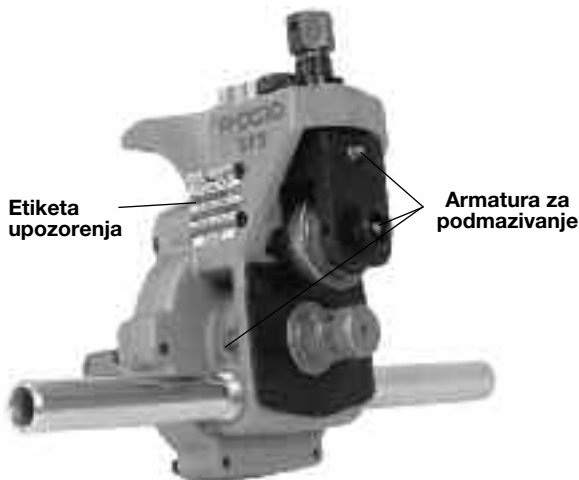


Pre svake upotrebe proverite dobro vašu kombinovanu mašinu za valjanje žlebova i ispravite sve kvarove da biste smanjili rizik ili ozbiljnu povredu od loma ili ostalih uzroka i da biste zaštitili mašinu za valjanje žlebova od oštećenja.

Nemojte da koristite ovu mašinu za valjanje žlebova sa pogonskom jedinicom/mašinom za narezivanje navoja koja nema nožni prekidač.

1. Ukoliko je kombinovana mašina za valjanje žlebova priključena na pogonsku jedinicu ili mašinu za navoje, postarajte se da je mašina isključena i da je prekidač REV/OFF/FOR na poziciji OFF (isključeno). Proverite i održavajte pogonsku jedinicu mašine za navoje onako kako propisuje uputstvo za rukovanje mašinom. Ukoliko ne proveravate i ne održavate opremu po propisima, može da dođe do ozbiljne povrede ili oštećenja imovine. Postarajte se da je nožni prekidač na mestu i da ispravno radi. Nemojte da koristite ovu kombinovanu mašinu za valjanje žlebova bez nožnog prekidača.
2. Očistite sve ulje, mast ili prašinu sa mašine za valjanje žlebova kao i sa ručke za nošenje i jednosmernog zapornog mehanizma koji se koristi da pokrene kombinovanu mašinu za valjanje žlebova. Na ovaj način se smanjuje rizik od povrede ukoliko vam mašina za valjanje žlebova ili jednosmerni zaporni mehanizam isklizne iz ruku za vreme rada a takođe može i lakše da se proveru.
3. Postarajte se da su pomoćne poluge učvršćene u kućištu Mašine za valjanje.
4. Proverite mašinu za valjanje žlebova da nema polomljene, nestale ili pogrešno postavljene ili ukopčane delove ili da joj neki drugi razlog ne ugrozi bezbedan i normalan rad. Postarajte se da se valjak mašine za valjanje žlebova i pogonsko vreteno slobodno okreću.
5. Proverite da li je etiketa za upozorenje na mestu i da li je čvrsto pričvršćena. Vidite sliku 2 na kojoj je mesto etikete za upozorenje.

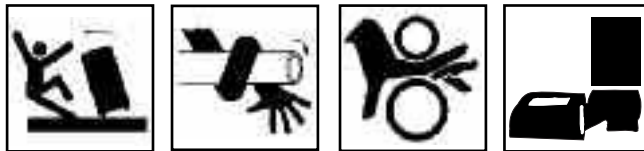
6. Ukoliko su zarezni na pogonskom vretenu prljavi, očistite ih čeličnom četkom. Prljavi zarezni mogu pa dovedu do isklizavanja cevi kao i do problema pri pravljenju brazdi za vreme žlebovanja.
  7. Proverite valjak za žlebove i pogonsko vreteno da nemaju pukotine, da nisu ishabani ili da nemaju neke druge znakove oštećenja. Oštećeni valjkovi za žlebove i pogonska vretena mogu da prouzrokuju isklizavanje cevi, žlebove lošeg kvaliteta kao i da prouzrokuju greške prilikom korišćenja.
  8. Proverite jednosmerni zaporni mehanizam i dodatke da li se ispravno koriste. Postarajte se da jednosmerni zaporni mehanizam radi glatko i dosledno u oba pravca. Pritisnite dugme za otpuštanje u sredini jednosmernog zapornog mehanizma i postavite na deo sa navojem. Jednosmerni zaporni mehanizam mora da bude čvrsto ukopčan na svom mestu. Jednosmerni zaporni mehanizam mora da bude čvrsto ukopčan na produžetak i produžetak mora da bude čvrsto ukopčan u ručni pogonski kvadrat na poleđini valjkaste mašine za pravljenje žlebova. Na ovaj način se štiti jednosmerni zaporni mehanizam da se ne olabavi sa valjkaste mašine za pravljenje žlebova dok ista radi. Ukoliko koristite drugačiji jednosmerni zaporni mehanizam, francuski ključ ili drugu ručku koja se ne kopča čvrsto na mašinu za valjanje žlebova, pazite da se ne olabavi u toku rada.
- Ukoliko uvidite bilo kakve probleme, nemojte da koristite mašinu dok se problemi ne reše.
9. Podmažite mašinu za valjanje žlebova po uputstvima za održavanje iz ovog priručnika. Obrišite svu mast koja je višak sa mašine za valjanje žlebova.
  10. Ukoliko koristite bilo kakvu opremu, proverite i održavajte je da biste bili sigurni da ispravno radi.



**Slika 2 - etкета za upozorenje.975 kombinovane mašine za valjanje žlebova**

## Postavka mašine i radne površine za aplikacije pogonske jedinice

### ⚠ UPOZORENJE



**Uvek nosite štitnike za oči da zaštitite oči od prljavštine i stranih tela. Nosite obuću sa čelikom na prstima da biste zaštitili stopala od alata koji se nakreće ili cevi koja ispada.**

**Nemojte da koristite ovu mašinu za valjanje žlebova sa pogonskom jedinicom ili mašinom za narezivanje navoja koja nema nožni prekidač. Nikada nemojte da blokirate nožni prekidač tako da nema kontrolu nad pogonskom jedinicom. Nožni prekidač vam omogućava bolju kontrolu tako što vam dozvoljava da isključite pogonsku jedinicu pomeranjem noge. Ukoliko mašina uhvati odeću i pogonska jedinica motora ima dovod struje, odeća će biti uvučena u mašinu. Ova mašina ima visok moment pritezanja i na taj način može da zavrne odeću oko vaše ruke ili delova tela toliko jako da može da polomi kosti ili izazove udar ili druge povrede.**

**Postavite mašinu za valjanje žlebova kao i radnu površinu prema ovoj proceduri da bi se smanjio rizik od povrede od strujnog udara, vatre, nakrivljenja, nezgoda, lomljenja i drugih razloga i da biste zaštitili mašinu za valjanje žlebova od štete.**

1. Pronađite radni prostor koji ima sledeće:
  - Odgovarajuće osvetljenje.
  - Nema zapaljivih tečnosti, isparenja ili prašine koja može da se zapali. Ukoliko postoje, nemojte da radite toj oblasti dok se izvori istih ne identifikuju i uklone. Nemojte da koristite ovu mašinu za valjanje žlebova sa pogonskom jedinicom ili mašinom za narezivanje navoja koja nema nožni prekidač.
  - Očistite, poravnajte, stabilizujte i osušite mesto za svu opremu i za operatera. Nemojte da koristite opremu dok stojite u vodi.
  - Ispravno uzemljen električni utikač. Utikač sa tri izlaza ili GFCI utikač možda nisu dobro uzemljeni. Ukoliko niste sigurni, neka ovlašćeni električar proveri priključak.
  - Raščistite put do električnog priključka tako da nema mogućih razloga za oštećenje strujnog kabla.
2. Raščistite radnu površinu pre nego što postavite ma kakvu opremu. Uvek obrišite ulje ako ga ima.
3. Proverite cev koju treba žlebat i uverite se da je 975 kombinovana mašina za valjanje žlebova alat koji treba da se upotrebi. 975 kombinovana mašina za valjanje žlebova je namenjena za žlebanje 10 i 40 čeličnih, aluminijumskih i PVC cevi u veličinama od 1 1/4" do 6". Takođe je namenjena za žlebanje 1 1/4" do 6" raspored 10 i 1 1/4" do 2" raspored 40 cev od nerđajućeg čelika. Ukoliko se promeni set valjaka, može da se koristi za žlebanje 2" - 8" Tip K, L, M i DWV bakarne cevi.

975 kombinovana mašina za valjanje žlebova se može koristiti za jedinice koje su u službi (cev koja se koristi ili stoji u stezi) ili sa RIDGID 300 pogonskom jedinicom ili 300 kompaktnom mašinom za narezivanje navoja za jedinice koje su priključene na radnom mestu. 975 kombinovana mašina za valjanje žlebova nije prigodna za jedinice proizvodnog tipa.

Mašina za valjanje žlebova za druge jedinice se može naći u Ridge katalogu alata, na internetu na [www.RIDGID.com](http://www.RIDGID.com) ili pozivom Ridge tehničkog servisa za alat na 800-519-3456.

**OBAVEŠTENJE** Korišćenje setova valjaka (valjci mašine za žlebove ili pogonskog vretena) kako na cevi od ugljenika tako i na cevi od nerđajućeg čelika, može da dovede do prljanja materijala od nerđajućeg čelika. Ova prljavština može da dovede do korozije i preranog kvara cevi. Da biste zaštitili prljanje gvožđa nerđajućeg čelika, koristite setove valjaka koji su namenjeni za valjanje žlebova nerđajućeg čelika. Isto tako, možete da koristite žičanu četku od nerđajućeg čelika da temeljno očistite set valjaka kada menjate materijale.

4. Pproverite pogonsku jedinicu/mašinu za narezivanje navoja po uputstvu. Potvrdite da postoji nožni prekidač i da je prekidač FOR/OFF/REV na poziciji OFF. Podesite pogonsku jedinicu/mašinu za narezivanje navoja prema priručniku. Postarajte se da su mašina kao i stalak stabilni.
5. Otvorite širom steznu glavu pogonske jedinice/mašine za narezivanje navoja.
6. Potvrdite da je 975 kombinovana mašina za valjanje žlebova pregledana i da je postavljen odgovarajući set valjaka.

### Montaža 975 kombinovane mašine za valjanje žlebova na A RIDGID 300 pogonsku jedinicu

1. Ukoliko pogonska jedinica koju treba da koristimo ima prenosne ručke ili druge jedinice, uklonite ih sa pogonske jedinice. Postarajte se da su pomoćne poluge pogonske jedinice postavljene skroz napred i pričvršćene u tom položaju.
2. Postavite pomoćne poluge mašine za valjanje žlebova na pomoćne poluge pogonske jedinice a kraj pogonskog vretena mašine za valjanje žlebova na steznu glavu mašine. Zatvorite i pritegnite steznu glavu pogonske jedinice na ravan pogonskog vretena. Postarajte se da je pogonsko vreteno centrirano u steznoj glavi. Stalnim i snažnim okretanjem brze stezne glave točka u pravcu surotnom od kazaljke na satu čvrsto zatežite pogonsku jedinicu (slika 3).

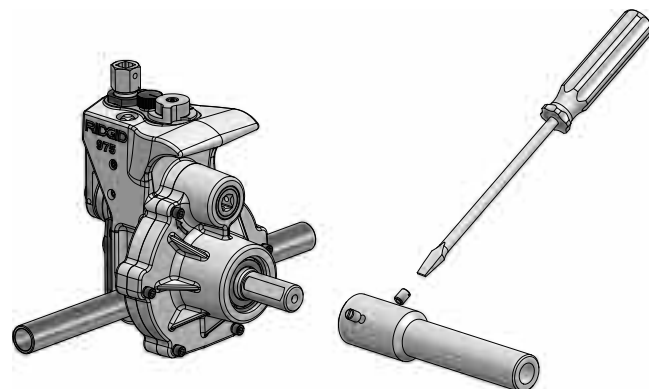


Slika 3 – Montaža 975 kombinovane mašine za valjanje žlebova na 300 steznu glavu pogonske jedinice

### Montaža 975 kombinovane mašine za valjanje žlebova na RIDGID 300 Compact/1233 za narezivanje navoja

Kada koristite 975 kombinovanu mašinu za valjanje žlebova sa 300 Compact/1233 za narezivanje navoja, morate da koristite komplet za adaptaciju (kat. br. 67662). Ovaj komplet za adaptaciju postavlja 975 kombinovanu mašinu za valjanje žlebova na pravi način u odnosu na mašinu za narezivanje navoja i stalak i na taj način omogućava da se može žlebiti čitav dijapazon veličina. Ne pokušavajte da koristite 975 kombinovanu mašinu za valjanje žlebova sa ma kojim drugom mašinom za narezivanje navoja zato što može da dođe do nakretanja ili drugih problema.

1. Postavite adapter na pogonsko vreteno mašine za valjanje žlebova (Vidite sliku 4). Poravnajte set zavrtnja sa ravni na vretenu pogonske jedinice mašine za valjanje žlebova i čvrsto zategnite.



Slika 4 – Instalacija adaptera

2. Pomerite nosač na 300 Compact/1233 za narezivanje navoja što bliže moguće steznoj glavi mašine. Pomerite rezač, odstaranjivač opiljaka i nareznu glavu na poziciju koja je daleko od operatera, tako da ne smetaju pri radu. Postavite odstranjivač opiljaka unutar narezne glave.

- Postavite okvir adaptera preko kraja šina 300 Compact/1233 (kao što je prikazano na slici 5) i pričvrstite ga ručicom koja je dodata



Slika 5 – Instalacija okvira adaptera

- Postavite 975 pomoćne poluge okvira adaptera zajedno sa adapterom pogonske trake u steznu glavu mašine. Zatvorite i pritegnite steznu glavu mašine za narezivanje navoja na adapter pogonske trake. Postarajte se da je adapter centriran u steznoj glavi. Stalnim i snažnim okretanjem stezne glave točka u pravcu suprotnom od kazaljke na satu čvrsto zategnite adapter.



Slika 6 – 975 kombinovana mašina za valjanje žlebova ispravno montirana na 300 kompakt mašinu za narezivanje navoja

### Podešavanje mašine

- Postavite nožni prekidač tako da operater može da kontroliše pogonsku jedinicu/mašinu za narezivanje navoja, mašinu za valjanje žlebova kao i cev koja treba da se žleba. Kao što se vidi na slici 6, pozicija treba da bude takva da operater može da:
  - Stoji okrenut ka mašini za valjanje žlebova i da ima pristup (na istoj strani sa) prekidaču FOR/OFF/REV.

- Kontroliše radnju nožnog prekidača ON/OFF (uključeno/isključeno) i da brzo otpusti nožno prekidač ako je to potrebno.
- Ima zgodan pristup mašini za valjanje žlebova, cevi i jednosmernom zaptivnom mehanizmu francuskog ključa bez da se naginje preko mašine za valjanje žlebova.



Slika 7 - pozicija operatera

- Neka kabl za struju bude postavljen na stazi koja je čista. Čistim rukama ukopčajte pogonsku jedinicu u utičnicu koja je adekvatno uzemljena. Neka svi priključci budu suvi i neka ne budu na zemlji. Ukoliko strujni kabl nije dovoljno dugačak, upotrebite produžni kabl koji:
  - je u dobrom stanju
  - ima utikač sa tri izlaza koji je sličan ovome koji je na pogonskoj jedinici
  - može da se koristi napolju i ima oznaku kabla W ili W-A. (npr. SOW)
  - je odgovarajuće veličine žice (14 AWG za 25' ili manje, 12 AWG za 25' – 50' duže). Žice manje veličine mogu da se pregreju i na taj način da otope izolaciju ili da izazovu požar ili drugu štetu.
- Proverite pogonsku jedinicu/mašinu za narezivanje navoja da biste se uverili da ispravno radi:
  - Pomerite prekidač na poziciju FOR (unapred). Pritisnite i otpustite nožni prekidač. Potvrdite da se pogonsko vreteno okreće u smeru suprotnom kazaljki na satu kada ste okrenuti ka prednoj steznoj glavi. Ukoliko se

jedinica ne okreće u ispravnom smeru ili nožni prekidač ne kontroliše rad mašine, nemojte da koristite mašinu dok se ne popravi.

- Pritisnite i zadržite nožni prekidač. Proverite brzinu okretanja jedinice. Proverite pokretne delove da nisu pogrešno poređani, ili pogrešno ukopčani, da nema čudnih zvukova ili nekog drugog neobičnog stanja. Otpustite nožni prekidač. Ukoliko brzina okretanja prevaziđe 57 obrtaja u minuti, nemojte da koristite jedinicu za valjanje žlebova. Veće brzine povećavaju rizik od povrede. Ukoliko uvidite neobično stanje, nemojte da koristite opremu dok se ne popravi.
- Pomerite prekidač na poziciju REV (unazad). Pritisnite i otpustite nožni prekidač. Potvrdite da se pogonsko vreteno okreće u smeru kazaljki na satu kada ste okrenuti ka prednjoj steznoj glavi. Ukoliko se jedinica ne okreće u ispravnom smeru, nemojte koristiti mašinu dok se ne popravi.
- Pomerite prekidač na poziciju OFF (isključeno). Suvim rukama iskopčajte mašinu.

## Priprema cevi

**OBAVEŠTENJE** Ovo su uopštena uputstva. Uvek pratite posebne preporuke proizvođača spojki koje su žlebovane za finalnu pripremu cevi. Ukoliko ne pratite preporuke proizvođača spojki koje su žlebovane može doći do nepravilnog spoja a to može da izazove curenje.

1. Isecite cev na odgovarajuću dužinu. Pazite na minimalnu dužinu cevi koja sme da se žleba za svaku veličinu cevi (vidi tabelu A). Ukoliko žlebate cev manje dužine od dozvoljene povećavate rizik od povrede smrskanih prstiju i nezgode.

Postarajte se da je kraj cevi kockasto isečen i da nije hrapav. Hrapave površine mogu da uhvate ili iseku rukavice ili ruke za vreme žlebanja. Metod sečenja kao i velike hrapave površine može da utiče na kvalitet napravljenog žleba i na brazdanje žleba. Ne pokušajte da žlebate cev koja je isečena plamenom.

2. Sve unutrašnje i spoljašnje varene ivice, sisanje ili ivice moraju da budu uzemljene na visini od barem 2" od kraja cevi. Nemojte da sečete ravan na zaptivaču, jer to može da izazove curenje.
3. Uklonite sav iver, prašinu, rđu i drugu prljavštinu bar 2" sa kraja cevi. Prljavština može da dovede do začepljenja zarezna na jedinici i da onemogući pravilno valjanje i brazdanje cevi za vreme žlebanja.

## Postavljanje cevi u mašinu za valjanje žlebova

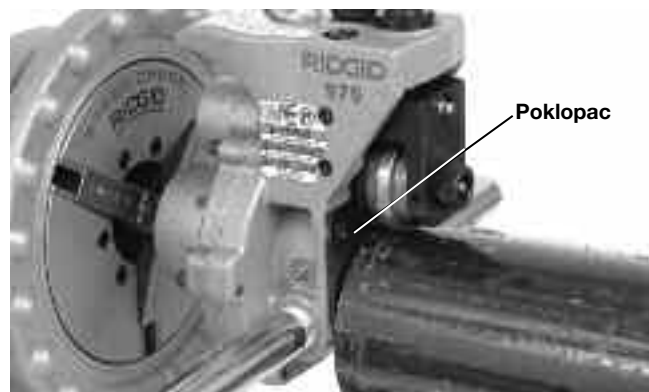
1. Potvrdite da je prekidač pogonska jedinica/mašine za narezivanje navoja na OFF (isključeno) poziciji.
2. Postarajte se da imate odgovarajuću potporu za cev koju treba da žlebate. Tabela A sadrži listu maksimalne dužine cevi koja sme da se žleba uz pomoć jednog stalka za cev. Duže cevi se moraju postaviti na barem dva stalka za

cevi. Ukoliko ne postavite pravilno cev može da se desi da se cev ili cev i mašina nakrenu i padnu. Ne pravite žlebove na cevi koja je kraća od predviđene dužine.

Nom. Veličina	Min. Dužina	Maks. Dužina	Nom. Veličina	Min. Dužina	Maks. Dužina
1	8	36	4	8	36
1 <sup>1</sup> / <sub>4</sub>	8	36	4 <sup>1</sup> / <sub>2</sub>	8	32
1 <sup>1</sup> / <sub>2</sub>	8	36	5	8	32
2	8	36	6 O.D.	10	30
2 <sup>1</sup> / <sub>2</sub>	8	36	6	10	28
3	8	36			
3 <sup>1</sup> / <sub>2</sub>	8	36			

**Tabela A – Minimalna/Maksimalna dužina cevi koja se sme žlebiti sa jednim stalkom (sve mere su u colovima)**

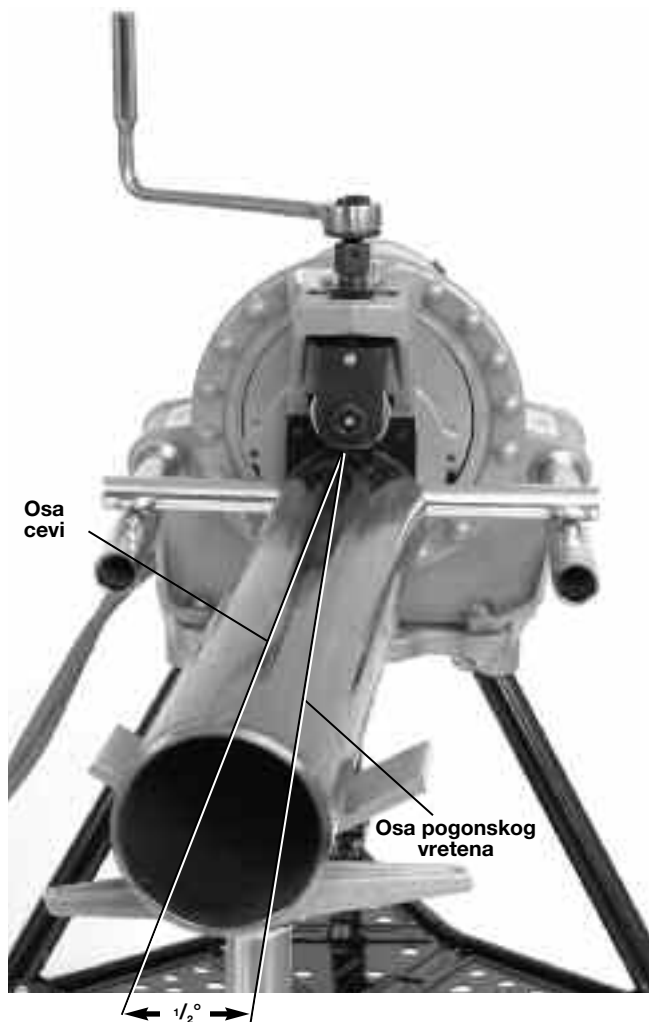
3. Postavite odgovarajuće stalke za cev ispred mašine za valjanje žlebova. Za dužine cevi koje se smeju staviti na jedan stalak, stalak treba da postavite malo više od polovine dužine cevi od poklopca mašine za valjanje žlebova. Za dužine cevi kojima je potrebno više od jednog stalka, stalke treba da postavite <sup>1</sup>/<sub>4</sub> dužine cevi od krajeva cevi. Može da bude potrebno da koristite više stalaka u nekim situacijama. Visina cevi treba da se prilagodi tako da cev može da stane preko valjka pogona.
4. Postarajte se da je valjak žleba pomeren dovoljno unazad da može cev da se namesti preko pogonskog vretena. Ukoliko je potrebno okrenite zavrtanj za pomeranje u suprotnom pravcu od okretanja kazaljke na satu da podignete valjak za žlebanje.
5. Postavite kraj cevi preko pogonskog vretena i postavite cev dole na stalak(stalkove) za cev. Uverite se da je cev stabilna.



**Slika 8 – Postavljanje cevi preko vretenastog pogona i ivice da poklopca mašine**

6. Podesite cev i stalke za cev tako da je kraj cevi do ivice od poklopca mašine za valjanje žlebova i da su unutrašnjost cevi dodiruje vrh pogonskog vretena. (slika 7). Osa cevi i osa pogonskog vretena treba da budu paralelne. Jedan od načina da to postignete je da poravnate kako cev tako i pogonsku jedinicu/mašinu za narezivanje navoja.

7. Malo pomerite cev i stalke za cev otprilike za  $\frac{1}{2}$  stepena (oko 1" preko 10 stopa od mašine za valjanje žlebova) prema operateru. Ispravna postavka cevi i mašine za valjanje žlebova pomaže da se osigura ispravno pravljenje brazdi na cevi za vreme žlebanja. (Vidite sliku 9.)



**Slika 9 – Pomeranje cevi  $\frac{1}{2}^\circ$  prema operateru (preuveličano)**

8. Okrenite zavrtnanj za pomeranje u pravcu okretanja kazaljke na satu da biste doveli valjak žleba u dodir sa spoljašnjim prečnikom cevi, a zatim okrenite zavrtnanj za pomeranje još jednu četvrtinu dodatnog kruga. Možda će trebati da se olabavi zavrtnanj za podešavanje (okrenut u suprotnom pravcu od pravca kretanja skazaljke na satu) kako bi se omogućio dodir između valjka žleba i cevi. Cev i mašina za valjanje žlebova moraju da budu u ovom trenutku pričvršćeni jedno na drugo.
9. Procenite radno mesto da biste odredili da li je potrebo postaviti štitnike kako biste onemogućili pristup svima osim operateru opremi i cevi. Treba da koristite odbojnice i barikade kako biste omogućili minimum čistog prostora od 3 stope oko pogonske jedinice i cevi. "Bezbedna zona" onemogućava druge da slučajno ne dodirnu mašinu ili

cev i na taj način izazovu nakretanje ili ih uhvate delovi koji se okreću.

10. Čistim rukama ukopčajte mašinu u utičnicu koja je adekvatno uzemljena.

## Rad na 975 kombinovanoj mašini za valjanje žlebova sa pogonskom jedinicom mašine za narezvanje navoja

### ⚠ UPOZORENJE



Nemojte da nosite široku odeću kada radite na mašini za valjanje žlebova. Rukavi i jakne treba da budu zakopčani. Ne previjajte se preko mašine ili cevi. Široka odeća može da se uhvati u delove koji se okreću i na taj način da izazove povrede sa prelomima.

Držite ruke dalje od valjkova kojima se prave žlebovi. Ne pravite žlebove na cevi koje su kraće od predviđenog. Nemojte da nosite široke rukavice. Možete da smrskate prste između valjaka sa žlebom ili između valjka sa žlebom i cevi.

Držite ruke dalje od krajeva cevi. Ne dirajte u unutrašnjost cevi. Možete se zakačiti i poseći na hrapavim i ostrim ivicama metala. Možete da smrskate prste između valjaka sa žlebom ili između valjka sa žlebom i cevi.

Uvek nosite štitnike za oči da zaštitite oči od prljavštine i stranih tela. Nosite obuću sa čelikom na prstima da biste zaštitili stopala od alata koji se nakreće ili cevi koja ispada.

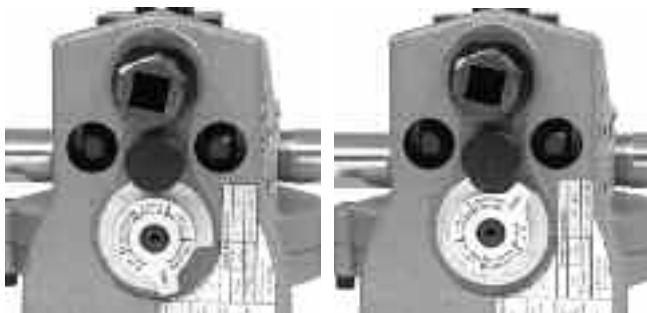
Pratite uputstva za upotrebu kako biste smanjili rizik od povrede od loma, nakretanja, udara ili drugih uzroka.

### Podešavanje/merenje prečnika žleba

**OBAVEŠTENJE** Zbog različitih karakteristika cevi, uvek napravite test žleb pre nego što napravite prvi žleb toga dana ili kada menjate veličinu cevi, raspored ili materijal. Podešavanja za mere prečnika žleba su samo približna i mora se premeriti prečnik žleba kako biste potvrdili da li je ispravne veličine.

1. Potvrdite da su oprema i cev ispravno postavljeni. Nepravilna priprema cevi može da utiče na preciznost merenja dubine žleba. Valjak za žleb treba da dodiruje cev.
2. Podesite meru dubine žleba tako da je tačna skala merenja ispod glave zavrtnja za podešavanje (slika 10A). Instrument za merenje dubine žleba je namenjen da se koristi sa cevkom. Vidite "Podešavanje prečnika žleba za bakarnu cev" sa upotrebu sa bakarnom cevi.
3. Okrenite zavrtnanj za podešavanje u pravcu kazaljke na satu dok mu glava ne dodirne skalu instrumenta za merenje dubine. Okrenite instrument za merenje dubine na poziciju

za pravljenje žleba (Figure 10B). Ukoliko instrument za merenje nije u poziciji za pravljenje žleba, može da onemogući žlebanje i da se ošteti.



**Slika 10A - Postavite odgovarajući stepen instrumenta za merenje pod glavu zavrtnja za podešavanje**

**Slika 10B - Instrument za merenje u poziciji za žlebanje**

4. Pripremite test žleb (pratite korake za "Formiranje valjanog žleba").
5. Izmerite prečnik žleba. Najbolji način za merenje prečnika žleba je uz pomoć trake za prečnik (vidite odeljak sa dodacima). Lagano obavite traku za merenje prečnika oko cevi u žleb. Postarajte se da je traka prava na dnu žleba i pročitajte prečnik žleba. (Vidite sliku 11.)



**Slika 11 – Provera prečnika žleba trakom za merenje prečnika**

6. Uporedite izmereni prečnik žleba sa potrebnim prečnikom kao što je prikazano u Tabeli I ili III ili kao što je odredio proizvođač. Ukoliko je izmereni prečnik izvan granica potrebnog prečnika žleba, zavrtnaj za podešavanje se mora postaviti na drugo mesto da bi se dobio potreban prečnik žleba.
  - Za povećanje prečnika okrenite zavrtnaj za podešavanje u pravcu kazaljke na satu.

- Za smanjenje prečnika okrenite zavrtnaj za podešavanje u pravcu suprotnom pravcu kazaljke na satu.
  - Svakim okretom za 1/4 zavrtnaja za podešavanje, prečnik žleba se menja za otprilike 0.02".
7. Ponovite korake 4-6 dok prečnik ne bude u propisanom okviru. Ukoliko je žleb preveliki, mašina za valjanje žlebova može da se podesi i na taj način se žleb smanjuje. Ukoliko je žleb premali biće potrebno da napravite drugi žleb. Bitno je da prečnik žleba bude ispravan kako biste osigurali performanse spojki. Ukoliko su žlebovi izvan predviđenih granica može doći do kvara na spojevima.

### Oblikovanje valjanog žleba

1. Potvrdite da su oprema i cev ispravno postavljeni.



**Slika 12 - Radna pozicija mašine za valjanje žlebova**

2. Pretpostavite koja je to ispravna pozicija za rad. Postavite nožni prekidač pogonske jedinice tako da operater može da kontroliše pogonsku jedinicu, mašinu za valjanje žlebova i cev na kojoj treba da se napravi žleb. Kao što se vidi na slici 12, pozicija treba da bude takva da operater može da:
  - Stoji okrenut ka mašini za valjanje žlebova i da ima pristup (na istoj strani sa) prekidaču FOR/OFF/REV.
  - Kontroliše radnju nožnog prekidača ON/OFF (uključeno/isključeno) i da brzo otpusti nožno prekidač ako je to potrebno.

- Ima zgodan pristup mašini za valjanje žlebova i jednosmernom zaptivnom mehanizmu francuskog ključa bez da se naginje preko mašine za valjanje žlebova.
  - Stavite desnu ruku na cev na kojoj se pravi žleb ukoliko je to potrebno.
  - Treba da imate dobar rad nogu i dobru ravnotežu.
3. Pomerite prekidač na poziciju REV (unazad). **Nemojte da puštate u rad 975 kombinovanu mašinu za valjanje žlebova kada je u poziciji FOR (unapred). To zato što će dizajn 975 kombinovane mašine za valjanje žlebova prouzrokovati "ispadanje" valjkova mašine za valjanje žlebova a to da dovede do ispadanja cevi.**
  4. Stavite jednu ruku na glavu jednosmernog zapornog mehanizma/vrh zavrtnja za pomeranje, a drugu na kraj jednosmernog zapornog mehanizma.
  5. Pritisnite nožni prekidač da pokrenete pogonsku jedinicu. Posmatrajte kako se cev okreće da biste se uverili da je lice cevi u dodiru sa poklopcem mašine za valjanje žlebova. Ukoliko cev počne da se pomera od poklopca mašine za valjanje žlebova, otpustite nožni prekidač da biste sprečili da se cev ne odvrta i padne. Ukoliko je to potrebno postavite ponovo cev (*vidite odeljak o postavljanju cevi*). Ukoliko se cev deformiše, biće neophodno da se iseče i pripremi novi žleb.
  6. Ukoliko cev završi punu rotaciju, pričvrstite zavrtnj za pomeranje za još  $\frac{1}{4}$  okreta. Nastavite da pratite kraj cevi kako biste se uverili da je u dodiru sa poklopcem. Nemojte da zatežete zavrtnj za pomeranje za više od  $\frac{1}{4}$  okreta po rotaciji cevi. Naglo zatezanje zavrtnja za pomeranje može da izazove naglo paljenje zavrtnja ili da izazove da se cev odvrta od pogonskog vretena.
  7. Nastavite da zatežete zavrtnj za pomeranje  $\frac{1}{4}$  okret po okretu cevi dok se glava zavrtnja za podešavanje ne zaustavi od vrh mapine za valjanje žlebova. Ne zatežite više zavrtnj za pomeranje nakon što glava zavrtnja za podešavanje ne dođe do vrha mašine za valjanje žlebova jer to može da ošteti zavrtnj za podešavanje. Dozvolite da se cev okrene bar još dva puna kruga u ovoj poziciji kako biste bili sigurni u jednakost dubine žlebova.
  8. Otpustite nožni prekidač i pomerite prekidač FOR/OFF/REV na poziciju OFF (isključeno).
  9. Okrenite zavrtnj za pomeranje u pravcu suprotnom pravcu okretanja kazaljke na satu i podignite valjak žleba tako da se cev može pomeriti sa mašine.
  10. Proverite žleb.
    - Proverite da li je žleb kompletno oformljen.
    - Proverite prečnik žleba i uverite se da je u okviru predviđenog.
    - Proverite sve ostale delove koje je proizvođač fittinga predvideo.

Ukoliko naiđete na probleme, ne može se koristiti žleb.

## Postavljanje prečnika žleba za bakarne cevi

Kad koristite kombinovanu mašinu za valjanje žlebova 975 za bakarne cevi, ne može se koristiti instrument za merenje dubine žlebova na mašini za valjanje žlebova. Dobićete netačne mere žleba.

1. Okrenite zavrtnj za pomeranje u pravcu okretanja kazaljke na satu da biste doveli valjak žleba u dodir sa spoljašnjim prečnikom cevi, a zatim okrenite zavrtnj za pomeranje još jednu četvrtinu dodatnog kruga. Možda će trebati da se olabavi zavrtnj za podešavanje (okrenut u suprotnom pravcu od pravca kretanja skazaljke na satu) kako bi se omogućio dodir između valjka žleba i cevi. Cev i mašina za valjanje žlebova moraju da budu u ovom trenutku pričvršćeni jedno na drugo.
2. Postarajte se da je instrument za merenje dubine žleba u položaju za pravljenje žlebova. (*Slika 10B*)
3. Okrenite zavrtnj za pomeranje dok nije jednak sa vrhom lima mašine za žlebove.
4. Pronađite prečnik i tip cevi kojoj treba da se napravi žleb u tabeli B i pomerite unazad zavrtnj za pomeranje sa vrha lima odgovarajući broj okreta. Na primer za 4" Sch. L bakar, pomerite unazad zavrtnj za pomeranje za  $1\frac{1}{4}$  puta.

## Podešavanje dubine za valjanje žlebova bakarnih cevi

(Zavrtnj za podešavanje se okreće)

Dia.	K	L	M	DWV
2-2.5"	$\frac{7}{8}$	$\frac{7}{8}$	$\frac{5}{8}$	$\frac{5}{8}$
3"	$1\frac{1}{16}$	$1\frac{1}{16}$	$1\frac{1}{16}$	$1\frac{1}{16}$
4"	$1\frac{1}{4}$	$1\frac{1}{4}$	$1\frac{1}{4}$	$1\frac{1}{8}$
5"	$1\frac{1}{2}$	$1\frac{1}{2}$	$1\frac{1}{2}$	$1\frac{1}{2}$
6"	$1\frac{13}{16}$	$1\frac{3}{4}$	$1\frac{3}{4}$	$1\frac{3}{4}$
8"	$2\frac{1}{2}$	$2\frac{3}{8}$	$2\frac{1}{8}$	$2\frac{1}{8}$

**Tabela B – Podešavanje dubine za valjanje žlebova bakarnih cevi**

5. *Idite na korak 4 "Podešavanja/Merenja prečnika žleba".*

## Saveti za pravljenje brazdi 975 kombinovane mašine za valjanje žlebova

Glavni problem koji korisnici uviđaju kada valjaju žlebove je "okretanje" cevi ili "isklizavanje" pogonskog vretena ili neodgovarajuće "pravljenje brazdi". Za dobro pravljenje brazdi važno je da pratite sva uputstva. Ako čak i nakon što ste pratili sva uputstva, ne možete pravilno da pravite brazde na cevi, postoji još nekoliko mogućnosti da poboljšate praćenje.

- Povećajte za malo pomeranje cevi prema operateru (povećajte sa  $\frac{1}{2}$  stepena na 1 stepen) (*vidi sliku 9*).
- Operater će možda morati da primeni manju silu na cev dok pravi žleb da bi se održalo brazdanje. Ovo je najčešće potrebno samo na manjim delovima cevi. Da biste ovo uradili, operater treba da a nosi kožne rukavice koje su u



dobrom stanju i da presavije ruku preko sredine cevi kao što je prikazano na slici 13. Možda će da bude potrebno da stalak na kome se nalazi pogonska jedinica/mašina za narezivanje navoja pričvrstite za pod kako biste sprečili njegovo pomeranje za vreme žlebovanja. Da biste sprečili povrede od smrkavanja, držite ruke sa valjka žleba na krajevima cevi i nemojte da žlebate cev koja je kraća nego što je dozvoljeno.



**Slika 13 - Primena sile na cev za vreme žlebanja da bi se održalo brazdanje**

- Vidite još i odeljak *Rešavanje problema* da biste videli kompletan spisak uzroka i rešenja za probleme sa brazdanjem.

## Postavka mašine i radne površine za aplikacije koje su na mestu

### ⚠ UPOZORENJE



**Uvek nosite štitnike za oči da zaštitite oči od prljavštine i stranih tela. Nosite obuću sa čelikom na prstima da biste zaštitili stopala od nakretanja ili cevi koja ispada. Kada radite na licu mesta nosite šlem.**

**Postavite mašinu za valjanje žlebova kao i radnu površinu prema ovoj proceduri da bi se smanjio rizik od povrede od nakrivljenja mašine, lomljenja i drugih razloga i da biste zaštitili mašinu za valjanje žlebova od štete.**

1. Pronađite radni prostor koji ima sledeće:
  - Odgovarajuće osvetljenje.
  - Nema zapaljivih tečnosti, isparenja ili prašine koja može da se zapali. Ukoliko postoje, nemojte da radite toj oblasti dok se izvori istih ne identifikuju i uklone.
  - Čisto, poravnano, stabilno i suvo mesto sa adekvatnim prostorom za svu opremu i za operatera.
2. Raščistite radnu površinu pre nego što postavite mašinu na kakvu opremu. Uvek obrišite ulje ako ga ima.
3. Proverite cev koju treba žlebat i uverite se da je 975 kombinovana mašina za valjanje žlebova alat koji treba da se upotrebi. 975 kombinovana mašina za valjanje žlebova je namenjena za žlebanje 10 i 40 čeličnih, aluminijumskih i PVC cevi u veličinama od 1 1/4" do 6". Takođe je namenjena za žlebanje 1 1/4" do 6" raspored 10 i 1 1/4" do 2" raspored 40 cev od nerđajućeg čelika. Ukoliko se promeni set valjaka, može da se koristi za žlebanje 2" - 8" Tip K, L, M i DWV bakarne cevi.
 

975 kombinovana mašina za valjanje žlebova se može koristiti za jedinice koje su u službi (cev koja se koristi ili stoji u stezi) ili sa RIDGID 300 pogonskom jedinicom ili 300 kompaktnom mašinom za narezivanje navoja za jedinice koje su priključene na radnom mestu. 975 kombinovana mašina za valjanje žlebova nije prigodna za jedinice proizvodnog tipa.
4. Kada pravite žlebove na licu mesta, postarajte se da ima dovoljno prostora da stane 975 kombinovana mašina za valjanje žlebova i da na njoj može da se radi. Mašine za valjanje žlebova će se okretati oko čvrsto postavljene cevi i potrebno joj je:
  - Minimum 6 1/2" čistog prostora oko cevi kojoj treba da se prave žlebovi
  - Minimum 2 1/2" cevi koja se pruža izvan prepreke kao što je zid
  - Minimum 9 1/2" da bi se mašina za valjanje žlebova postavila na cev

Mašina za valjanje žlebova za druge jedinice se može naći u Ridge katalogu alata, na internetu na [www.RIDGID.com](http://www.RIDGID.com) ili pozivom Ridge tehničkog servisa za alat na 800-519-3456.

**OBAVEŠTENJE** Korišćenje setova valjaka (valjci mašine za žlebove ili pogonskog vretena) kako na ugljeničnim cevima tako i na cevima od nerđajućeg čelika, može da dovede do prljanja materijala od nerđajućeg čelika. Ova prljavština može da dovede do korozije i preranog kvara cevi. Da biste zaštitili prljanje gvožđa nerđajućeg čelika, koristite setove valjaka koji su namenjeni za valjanje žlebova nerđajućeg čelika. Isto tako, možete da koristite žičanu četku od nerđajućeg čelika da temeljno očistite set valjaka kada menjate materijale.

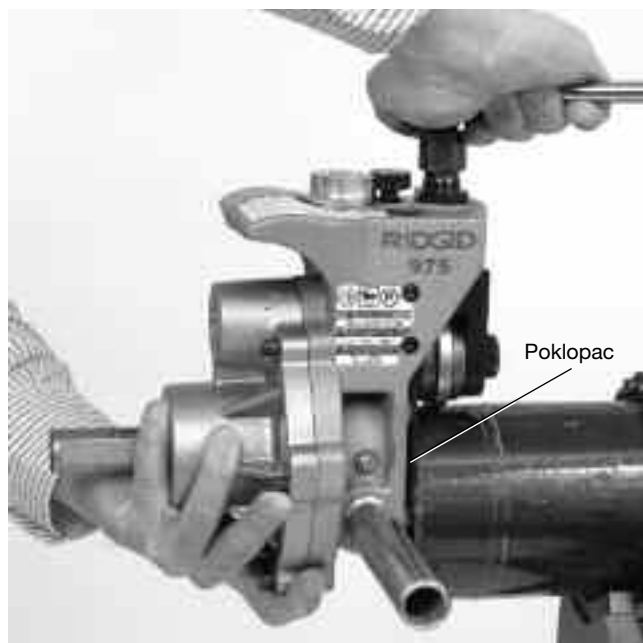
### Priprema cevi

**OBAVEŠTENJE** Ovo su uopštena uputstva. Uvek pratite posebne preporuke proizvođača spojki koje su žlebovane za finalnu pripremu cevi. Ukoliko ne pratite preporuke proizvođača spojki koje su žlebovane može doći do nepravilnog spoja a to može da izazove curenje.

1. Ukoliko se žlebovi prave na licu mesta na već montiranoj cevi, postarajte se da je otpušten pritisak sistema i da je ispražnjen sadržaj. Upoznajte se sa sadržajem i sa opasnostima koje su vezane za njega.
2. Isecite cev na odgovarajuću dužinu.  
Postarajte se da je kraj cevi kockasto isečen i da nije hrapav. Hrapave površine mogu da uhvate ili iseku rukavice ili ruke za vreme žlebanja. Metod sečenja kao i velike hrapave površine može da utiče na kvalitet napravljenog žleba i na brazdanje žleba. Ne pokušajte da žlebate cev koja je isečena plamenom.
3. Sve unutrašnje i spoljašnje varena ivice, sisanje ili ivice moraju da budu uzemljene na visini od barem 2" od kraja cevi. Nemojte da sečete ravan na zaptivaču, jer to može da izazove curenje.
4. Uklonite sav iver, prašinu, rđu i drugu prljavštinu bar 2" sa kraja cevi. Prljavština može da dovede do začepjenja zarezna na jedinici i da onemogući pravilno valjanje i brazdanje cevi za vreme žlebanja.
5. Postarajte se da je cev koja treba da se žleba pravilno namontirana. Cev mora da izdrži težinu mašine za valjanje žlebova (28 funti/12,7 kg) kao i silu i moment pritezanja koji je potreban za žlebanje bez pomeranja. Za cev koja je montirana možda će da bude potrebno da skinete cev i pravite žlebove na stegi za cev. U ostalim slučajevima, možda će da bude potrebno da dodate privremenu ili trajnu potporu za cev. Ukoliko koristite stegu za cev, postarajte se da je bezbedna i da se neće nakrenuti za vreme rada. Za duže cevi, koristite odgovarajuće stalke kako bi poduprli dodatnu dužinu.

### Montiranje mašine za valjanje žlebova na cev

1. Potvrdite da je 975 kombinovana mašina za valjanje žlebova pregledana i da je postavljen odgovarajući set valjaka. Postarajte se da su pomoćne poluge čvrsto u telu mašine za valjanje žlebova ili ih potpuno uklonite kako biste bolje mogli da pridete u uskom prostoru. Zatim, postavite jednosmerni zaporni mehanizam u zavrtnj za pomeranje i postavite dodatak na ručni pogonski kvadrat na poledini valjkaste mašine za pravljenje žlebova. Uverite se da su kako jednosmerni zaporni mehanizam tako i dodatak bezbedno postavljeni.
2. Uverite se da ima dovoljno mesta između valjka žleba i pogonskog vretena za zid cevi. Ukoliko je potrebno okrenite zavrtnj za pomeranje u suprotnom pravcu od okretanja kazaljke na satu da pomerite unazad valjak za žlebanje.
3. Čvrsto uhvatite mašinu za valjanje žlebova. Ne podižite jednosmernim zapornim mehanizmom. Postavite pogonsko vreteno u cev i postarajte se da je poklopac pričvršćen za kraj cevi (slika 14). Zategnite zavrtnj za pomeranje da biste doveli mašinu za valjanje žlebova u dodir sa spoljašnjim delom cevi. Kad je zavrtnj za pomeranje čvrsto zategnut, upotrebite jednosmerni zaporni mehanizam da pričvrstite zavrtnj za pomeranje za još jednu dodatnu  $\frac{1}{4}$  kruga. Potvrdite da je mašina za valjanje žlebova čvrsto pričvršćena na cev i da je poklopac do ivice kraja cevi. Ukoliko nije, ponovite postupak. Uvek se uverite da je mašina za valjanje žlebova bezbedna kada se koristi na licu mesta kako biste sprečili da padne.



Slika 14 – Držanje mašine za valjanje žlebova na licu mesta dok se pričvršćuje zavrtnj za pomeranje

## Upravljanje 975 kombinovane mašine za valjanje žlebova na licu mesta

### ⚠ UPOZORENJE



Pokrenite je samo ručno ukoliko je koristite sa jedinicama u mestu. Nemojte da koristite uređaje na struju (kao što su bušilice ili uređaji za udaranje) za puštanje u rad mašine za valjanje žlebova kada se koristi na licu mesta. Korišćenje uređaja na struju može da ošteti mašinu za valjanje žlebova i poveća rizik od povrede.

Nemojte da nosite široku odeću kada radite na mašini za valjanje žlebova. Rukavi i jakne treba da budu zakopčani. Ne previjajte se preko mašine ili cevi. Široka odeća može da se uhvati u delove koji se okreću i na taj način da izazove povrede sa prelomima.

Držite ruke dalje od valjkova kojima se prave žlebovi. Ne pravite žlebove na cevi koje su kraće od predviđenog. Nemojte da nosite široke rukavice. Možete da smrskate prste između valjaka sa žlebom ili između valjka sa žlebom i cevi.

Držite ruke dalje od krajeva cevi. Ne dirajte u unutrašnjost cevi. Možete se zakačiti i poseći na hrapavim i oštrim ivicama metala. Možete da smrskate prste između valjaka sa žlebom ili između valjka sa žlebom i cevi.

Uvek nosite štitičke za oči da zaštitite oči od prljavštine i stranih tela. Nosite obuću sa čelikom na prstima da biste zaštitili stopala od alata koji se nakreće ili cevi koja ispada. Kada radite na licu mesta nosite šlem.

Pratite uputstva za upotrebu kako biste smanjili rizik od povrede od loma, nakretanja, udara ili drugih uzroka.

### Podešavanje/merenje prečnika žleba

**OBAVEŠTENJE** Zbog različitih karakteristika cevi, uvek napravite test žleb pre nego što napravite prvi žleb toga dana ili kada menjate veličinu cevi, raspored ili materijal. Podešavanje za mere prečnika žleba su samo približna i mora se premeriti prečnik žleba kako biste potvrdili da li je ispravne veličine.

1. Potvrdite da su oprema i cev ispravno postavljeni. Nepravilna priprema cevi može da utiče na preciznost merenja dubine žleba. Valjak za žleb treba da dodiruje cev.
2. Podesite meru dubine žleba tako da je tačna skala merenja ispod glave zavrtnja za podešavanje (slika 15A). Instrument za merenje dubine žleba je namenjen da se koristi sa cevkom. Vidite "Podešavanje prečnika žleba za bakarnu cev" sa upotrebu sa bakarnom cevi.

3. Okrenite zavrtnj za podešavanje u pravcu kazaljke na satu dok mu glava ne dodirne skalu instrumenta za merenje dubine. Okrenite instrument za merenje dubine na poziciju za pravljenje žleba (Figure 15B). Ukoliko instrument za merenje nije u poziciji za pravljenje žleba, može da onemogući žlebanje i da se ošteti.



Slika 15A - Postavite odgovarajući stepen instrumenta za merenje pod glavu zavrtnja za podešavanje



Slika 15B - Instrument za merenje u poziciji za žlebanje

4. Pripremite test žleb (pratite korake za "Formiranje valjanog žleba").
5. Izmerite prečnik žleba. Najbolji način za merenje prečnika žleba je uz pomoć trake za prečnik (vidite odeljak sa dodacima). Lagano obavite traku za merenje prečnika oko cevi u žleb. Postarajte se da je traka prava na dnu žleba i pročitajte prečnik žleba. (vidite sliku 16).



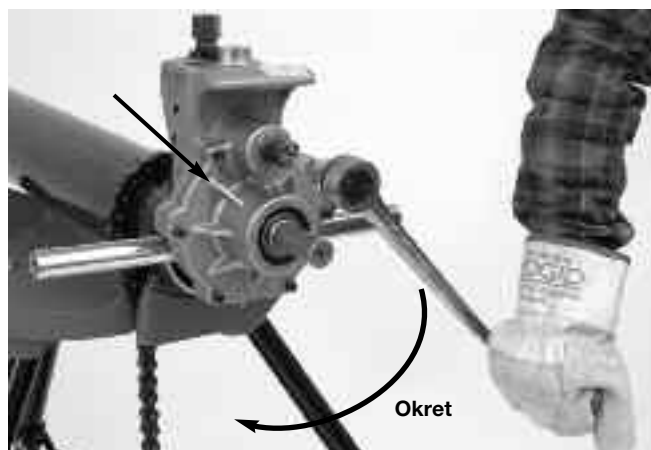
Slika 16 – Merenje prečnika žleba trakom za merenje prečnika

6. Uporedite izmereni prečnik žleba sa potrebnim prečnikom kao što je prikazano u Tabeli I ili III ili kao što je odredio proizvođač. Ukoliko je izmereni prečnik izvan granica potrebnog prečnika žleba, zavrtnj za podešavanje se mora postaviti na drugo mesto da bi se dobio potreban prečnik žleba.

- Za povećanje prečnika okrenite zavrtnj za podešavanje u pravcu kazaljke na satu.
  - Za smanjenje prečnika okrenite zavrtnj za podešavanje u pravcu suprotnom pravcu kazaljke na satu.
  - Svakim okretom za  $\frac{1}{4}$  zavrtnja za podešavanje, prečnik žleba se menja za otprilike 0.02".
7. Ponovite korake 4-6 dok prečnik ne bude u propisanom okviru. Ukoliko je žleb preveliki, mašina za valjanje žlebova može da se podesi i na taj način se žleb smanjuje. Ukoliko je žleb premali biće potrebno da napravite drugi žleb. Bitno je da prečnik žleba bude ispravan kako biste osigurali performanse spojki. Ukoliko su žlebovi izvan predviđenih granica može doći do kvara na spojevima.

### Oblikovanje valjanog žleba

1. Potvrdite da su oprema i cev ispravno postavljeni.
2. Pretpostavite koja je to ispravna pozicija za rad. Postarajte se da vam je dobar rad nogu i da imate dobru ravnotežu.
3. Uverite se da je zavrtnj za pomeranje pričvršćen  $\frac{1}{4}$  krug.
4. Uklonite jednosmerni zaporni mehanizam sa zavrtnja za pomeranje i bezbedno ga instalirajte na dodatak. (Kod jedinica kod kojih su četvrtine blizu, dodatak ne mora da se koristi.)
5. Okrenite jednosmerni zaporni mehanizam u smeru kazaljki na satu gledano sa poledine mašine za valjanje žlebova (na ovaj način će se spojiti strelice u izlivenom delu na poledini mašine za valjanje žlebova, vidite sliku 17). Posmatrajte kako se mašina za valjanje žlebova okreće da biste se uverili da je poklopac mašine za valjanje žlebova u dodiru sa krajem cevi. Ukoliko mašina za valjanje žlebova počne da se pomera od kraja cevi prekinite okretanje jednosmernog zaptivnog mehanizma da biste sprečili okretanje kraja cevi i pad. Pomoćne poluge mašine za valjanje žlebova se mogu montirati dase lakše vrati poklopac u dodir sa krajem cevi. Ukoliko je to potrebno, ponovo montirajte mašinu za valjanje žlebova na cev. (Vidite odeljak "Montiranje mašine za valjanje žlebova na cev). Ukoliko se cev deformiše, biće neophodno da se iseče i pripremi novi žleb.



Slika 17 – okretanje jednosmernog zapornog mehanizma u pravcu strelica

6. Nastavite da okrećete jednosmerni zaporni mehanizam dok se mašina za valjanje žlebova barem jednom ne okrene pun krug oko cevi. Uklonite jednosmerni zaporni mehanizam sa dodatka i dodajte ga na zavrtnj za pomeranje. Zategnite zavrtnj za pomeranje za još  $\frac{1}{4}$  kruga. Uklonite jednosmerni zaporni mehanizam sa zavrtnja za pomeranje dodajte ga na dodatak. Nemojte da zatežete zavrtnj za pomeranje za više od  $\frac{1}{4}$  okreta po rotaciji cevi. Naglo zatezanje zavrtnja za pomeranje može da izazove naglo paljenje zavrtnja i može da prouzrokuje da se mašina za valjanje zavrtnja sklizne sa cevi. Nastavite da okrećete jednosmerni zaporni mehanizma na pogonsku jedinicu mašine za valjanje žlebova oko cevi dok montirate poklopac na kraj cevi.
7. Nastavite da zatežete zavrtnj za pomeranje  $\frac{1}{4}$  okret po okretu cevi dok se glava zavrtnja za podešavanje ne zaustavi od vrh mašine za valjanje žlebova. Ne zatežite više zavrtnj za pomeranje nakon što glava zavrtnja za podešavanje ne dođe do vrha mašine za valjanje žlebova jer to može da ošteti zavrtnj za podešavanje. Okrenite mašinu za valjanje žlebova bar još dva puna kruha oko cevi nakon što zavrtnj za podešavanje dođe do vrha mašine za valjanje zavrtnja da biste se uverili da je dubina svih žlebova ista.
8. Pometite jednosmerni zaporni mehanizam u zavrtnj za pomeranje. Čvrsto uhvatite mašinu za valjanje žlebova. Okrenite zavrtnj za pomeranje u pravcu suprotnom pravcu okretanja kazaljke na satu i pomerite unazad valjak žleba tako da se cev može pomeriti sa mašine. Nemojte da bacate mašinu za valjanje žlebova.
9. Proverite žleb.
  - Proverite da li je žleb kompletno oformljen.
  - Proverite prečnik žleba i uverite se da je u okviru predviđenog.
  - Proverite sve ostale delove koje je proizvođač fittinga predvideo.

Ukoliko naidete na probleme, ne može se koristiti žleb.

### Uputstva za održavanje

#### ⚠ UPOZORENJE

Uverite se da je pogonska jedinica na poziciji OFF i da je iskopčana pre nego što krenete sa održavanjem ili podešavanjem.

#### Podmazivanje

Podmazujte 975 kombinovanu mašinu za valjanje žlebova dobrom masti za opštu upotrebu jednom mesečno.

- Armatura za podmazivanje se nalazi sa operaterove strane baze s prednje strane kliznog bloka a na kraju valjkaste poluge mašine za valjanje žlebova. (Vidite sliku 2). Dodajte mast sve dok se mala količina ne istisne napolje.

- Premažite zavrtnaj za pomeranje tankim slojem.
- Menjač 975 kombinovana mašina za valjanje žlebova je podmazan doživotno i ne treba da se dodatno podmazuje osim ako se ne otvara kutija menjača.

Pogledajte odeljak o proverama za druge informacije o održavanju.

### Čišćenje

Očistite zarez na jedinici žičanom četkom svakoga dana ili češće ukoliko je to potrebno.

### Zamena setova valjaka

**OBAVEŠTENJE** Kada menjate delove setova valjaka uvek se postarajte da se pogonska jedinica i valjak žlebova uklapaju. Delovi koji se ne uklapaju će praviti nepravilne žlebove i mogu da izazovu curenje.

Uklonite mašinu za valjanje žlebova sa pogonske jedinice ili mašine za narezvanje navoja i stavite je na stabilnu radnu površinu.

Potreban alat:

- $\frac{3}{8}$ " Šestougaoni francuski ključ
- $\frac{3}{32}$ " Šestougaoni francuski ključ
- .070" Kružna klešta koja se zadržavaju od spolja

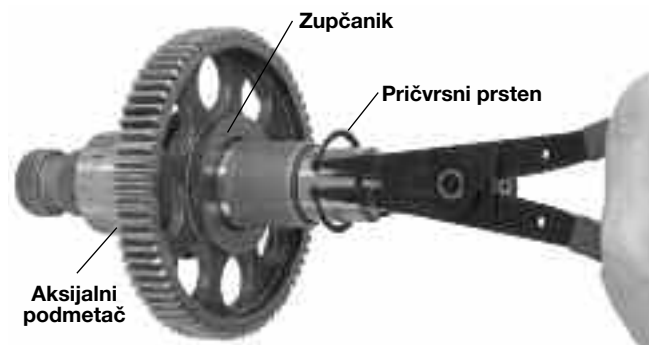
### Uklanjanje i instalacija pogonskog valjka

1. Uklonite 6 zavrtnja koji drže zadnji poklopac kućišta.
2. Uklonite zadnji poklopac (vidite sliku 18).



slika 18 - uklanjanje zadnjeg poklopca

3. Uklonite glavasti zupčanik.
4. Uklonite sklop pogonskog vretena sa poleđine 975 mašine za valjanje žlebova.
5. Uklonite zadržne prstenove sa pogonskog vretena i skliznite zupčanik. (Vidite sliku 19.)



Slika 19 - Uklanjanje zadržnog prstena

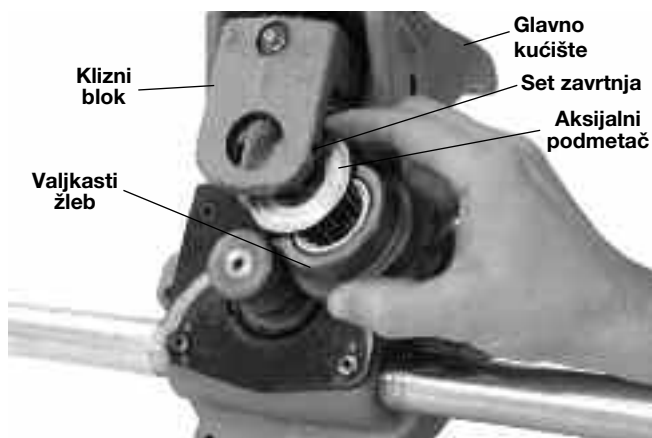
6. Uklonite prvo ključ a zatim aksijalni podmetač.
7. Stavite aksijalni podmetač u novo pogonsko vreteno.
8. Ubacite ključ i postavite zupčanik.
9. Postavljanje zadržnog prstena na žleb pogonskog vretena.
10. Postavite sklop pogonskog vretena na glavno kućište.
11. Mast sa menjača može da se izgubi za vreme promene pogonskog vretena. Postarajte se da su ležajevi i zubi zupčanika dobro podmazani dobrom mašću za opštu upotrebu.
12. Postavite glavasti zupčanik i ponovo vratite zadnji poklopac. Pritegnite zavrtnje do momenta 12-16 ft\*lbs.



Slika 20 - dijagram delova 975 kombinovane valjkaste brusilice

### Uklanjanje i instalacija valjka žleba

1. Uklonite utični zavrtnaj koji drži vreteno valjkastog žleba na svom mestu.
2. Povucite pogonsko vreteno valjkastog žleba sa kliznog bloka i uklonite valjkasti žleb i aksijalni podmetač.
3. Ubacite aksijalni podmetač i novi valjkasti žleb u klizni blok. Postarajte da unutrašnji zadržni prsten u valjkastom žlebu bude najbliži glavnom kućištu i da je valjkasti žleb između aksijalnog podmetača i glavnog kućišta.


**Slika 21**

4. Zamenite vreteno valjkastog žleba i set zavrtnja.
5. Proverite pogledom raspored između valjkastog žleba i pogonskog valjka. Ukoliko nisu u redu proverite orijentaciju valjkastog žleba i aksijalnog podmetača.
6. Podmažite prema uputstvu priručnika u odeljku za pomazivanje.

## Dodaci

### ⚠ UPOZORENJE

Sledeći proizvodi RIDGID su napravljeni da rade sa 975 kombinovanom mašinom za valjanje žlebova. Ostali dodaci koji su pogodni za rad sa drugim alatom mogu da budu opasni ako se koriste sa 975 kombinovanom mašinom za valjanje žlebova. Da biste smanjili rizik od ozbiljne povrede koristite samo dodatke koji su posebno napravljeni i preporučeni da se koriste sa 975 kombinovanom mašinom za valjanje žlebova, kao što su oni koji su na spisku u tabeli.

Kat. Broj	Opis
60082	300 pogonska jedinica, 230V 25-60Hz
60077	300 pogonska jedinica, 115V 25-60Hz
42360	1206 stalak za 300 pogonsku jedinicu
50697	300 Compact, 230V 25-60Hz
50692	300 Compact, 115V 25-60Hz
20391	300 Compact, 230V 25-60Hz (DK)
67662	Okvir adaptera za 300 Compact/1233
58077	250 sklapanje stalka sa točkicama za 300 Compact/1233
72037	460 prenosiv Tristand lančana stega
56662	VJ-99 stalak visoke cevi sa V glavom
76822	Traka za merenje prečnika u colovima
76827	Traka za merenje prečnika
30708	Dodatak 1/2" zaključavanje pogona
30703	Pogon jednosmernog zapornog mehanizma 1/2" sa savijanjem od 90°
33043	Valjci žlebova i pogona za 2" - 8" bakarnu cev tip K, L, M i DWV

## Odlaganje mašine

**⚠ UPOZORENJE** Odložite alat na zaključano mesto tako da je van domašaja dece i ljudi koji nisu upoznati sa opremom mašine za valjanje žlebova. Ovaj alat može da prouzrokuje ozbiljnu povredu ruku neobučanih korisnika.

## Servis i popravka

### ⚠ UPOZORENJE

**Nepravilan servis i popravka čine da mašina bude nebezbednim za rad.**

“Uputstvo za održavanje” će da vam objasni većinu popravki koje su potrebne za ovu mašinu. Sve probleme koji nisu obrađeni u ovom odeljku mogu da rešavaju samo ovlašćeni majstori RIDGID servisa.

Alat treba da odnesete u nezavisni ovlašćeni servisni centar ili da ga vratite proizvođaču.

Kada servisirate ovu mašinu morate da koristite samo identične rezervne delove. Korišćenje drugih delova može da izazove rizik od ozbiljne povrede.

Ukoliko imate pitanja u vezi sa servisom ili popravkom ove mašine, pozovite ili pišite na:

Ridge Tool Company  
 Tehničko servisno odeljenje  
 400 Clark Street  
 Elyria, Ohio 44035-6001  
 Tel: (800) 519-3456  
 E-mail: TechServices@ridgid.com

Za informacije o najbližem RIDGID nezavisnom serviseru ili u vezi popravaka.

Obratite se svom lokalnom Ridge Tool distributeru.

Pogledajte [www.RIDGID.com](http://www.RIDGID.com) ili [www.RIDGID.eu](http://www.RIDGID.eu) i nađite svoju Ridge Tool kontaktnu tačku.

Kontakt: Ridge Tool Technical Services Department na email [techservices@emerson.com](mailto:techservices@emerson.com), ili u SAD i Kanadi zovite (800) 519-3456.

## Tabela I specifikacije standardnih valjkastih žlebova za cevi IPS dimenzija

NAPOMENA! Sve mere su u colovima.

NOM. CEV VELIČINA	CEV PREČNIK		T MIN. ZID THK.	A ZAPTIVAČ SEDIŠTE +.015/- .030	B ŽLEB ŠIRINA +.030/- .015	C ŽLEB PREČNIK		D NOM. ŽLEB DUBINA (Ref) (2)
	O.D.	TOL.				O.D.	TOL.	
1 <sup>1</sup> / <sub>4</sub>	1.660	+ .016 - .016	.065	.625	.344	1.535	+ .000 - .015	.063
1 <sup>1</sup> / <sub>2</sub>	1.900	+ .016 - .016	.065	.625	.344	1.775	+ .000 - .015	.063
2 <sup>(1)</sup>	2.375	+ .024 - .016	.065	.625	.344	2.250	+ .000 - .015	.063
2 <sup>1</sup> / <sub>2</sub> <sup>(1)</sup>	2.875	+ .029 - .016	.083	.625	.344	2.720	+ .000 - .015	.078
3 <sup>(1)</sup>	3.50	+ .030 - .018	.083	.625	.344	3.344	+ .000 - .015	.078
3 <sup>1</sup> / <sub>2</sub> <sup>(1)</sup>	4.00	+ .030 - .018	.083	.625	.344	3.834	+ .000 - .015	.083
4 <sup>(1)</sup>	4.50	+ .035 - .020	.083	.625	.344	4.334	+ .000 - .015	.083
5 <sup>(1)</sup>	5.563	+ .056 - .022	.109	.625	.344	5.395	+ .000 - .015	.084
6 <sup>(1)</sup>	6.625	+ .050 - .024	.109	.625	.344	6.455	+ .000 - .015	.085

(1) Kao za AWWA C606-06

(2) Normalna dubina žleba je data samo kao referentna mera. Nemojte da žlebate dubinu da biste odredili da li je žleb prihvatljiv.

## Tabela II. Maksimalna i minimalna debljina zida cevi

NAPOMENA! Sve mere su u colovima.

Veličina cevi	CEV OD UGLJENIKA, ČELIKA ILI ALUMINIJUMA		NERĐAJUĆI ČELIK CEV		PVC CEV	
	Debljina zida		Debljina zida		Debljina zida	
	Min.	Maks.	Min.	Maks.	Min.	Maks.
1 <sup>1</sup> / <sub>4</sub> "	.065	.140	.065	.140	.140	.140
1 <sup>1</sup> / <sub>2</sub> "	.065	.145	.065	.145	.145	.200
2"	.065	.154	.065	.154	.154	.154
2 <sup>1</sup> / <sub>2</sub> "	.083	.203	.083	.188	.203	.276
3"	.083	.216	.083	.188	.216	.300
3 <sup>1</sup> / <sub>2</sub> "	.083	.226	.083	.188	.226	.300
4"	.083	.237	.083	.188	.237	.300
5"	.109	.258	.109	.188	.258	.300
6"	.109	.280	.109	.188	.280	.300

**Tabela III. Specifikacije bakarnog valjkastog žleba**

1	2		3	4	5	6	7	8
Nom. Veličina Colovi	Spoljašnji cevovod Prečnik O.D.		A Zaptivač Sedište A ±0.03	B Žleb Širina +0.03 -0.000	C Žleb Prečnik +0.00 -0.02	D Žleb Dubina Ref. <sup>1</sup>	T Min. Dozvoljena Zid Debljina	Maks. Dozvoljena Prošireni kraj cevi Prečnik
	Osnovna	tolerancija						
2"	2.125	±0.002	0.610	0.300	2.029	0.048	DWV	2.220
2 1/2"	2.625	±0.002	0.610	0.300	2.525	0.050	0.065	2.720
3"	3.125	±0.002	0.610	0.300	3.025	0.050	DWV	3.220
4"	4.125	±0.002	0.610	0.300	4.019	0.053	DWV	4.220
5"	5.125	±0.002	0.610	0.300	5.019	0.053	DWV	5.220
6"	6.125	±0.002	0.610	0.300	5.999	0.063	DWV	6.220
8"	8.125	+0.002/-0.004	0.610	0.300	7.959	0.083	DWV	8.220

1. Normalna dubina žleba je data kao referentna mera. Nemojte da žlebate dubinu da biste odredili da li je žleb prihvatljiv.

## Rešavanje problema

SIMPTOM	MOGUCI RAZLOZI	RESENJE
<b>Valjkasti žleb je ili preuzak ili preširok.</b>	Valjak za žlebanje i /ili pogonsko vreteno su pohabani.	Zamenite valjak za žlebanje i/ili pogonsko vreteno.
<b>Valjkasti žleb nije normalan na osu cevi.</b>	Dužina cevi nije prava. Kraj cevi nije četvrtast sa osom cevi.	Koristite pravu cev. Kraj cevi isecite četvrtasto.
<b>Cev neće da se brazda za vreme žlebanja/Mašina za valjanje žlebova neće da brazda cev.</b>	Cev u pogonsko vreteno nisu paralelni. Osa cevi nije pomerena za 1/2 stepena od ose pogonskog valjka. Zarez pogonskog valjka je ukopčan ili pohaban. Zavrtanj za pomeranje nije stegnut.  Okretanje jednosmernog zapornog mehanizma u pogrešnom smeru. Unutrašnjost cevi isuviše ivera. Vareni šavovi koji su preveliki.  Ne davanje pritiska na cev. Kraj cevi nije četvrtast/očišćen. Zavrtanj za pomeranje nije stegnut.	Prilagodite stalak da bi cev bila paralelna. Pomerite cev za 1/2 stepena.  Očistite ili zamenite pogonski valjak. Pritegnite zavrtanj za pomeranje uz pomoć jednosmernog zapornog mehanizma za svaki okret prema uputstvima. Okrenite jednosmerni zaporni mehanizam u odgovarajući smer. Očistite unutrašnjost cevi. Izbrusite varene šavove na visinu od 2" od kraja cevi. Pritisnite cev. (Vidite sliku 10.) Pripremite kraj cevi na pravi način. Samo napredni zavrtanj za pomeranje u stepenima razmaka okreta od 1/4.
<b>Cev je proširena na kraju za žlebanje.</b>	Cev u pogonsko vreteno nisu paralelni. Zavrtanj za pomeranje nije stegnut.	Prilagodite stalak da bi cev bila paralelna. Samo napredni zavrtanj za pomeranje 1/4 okreta.



## Rešavanje problema (nastavak)

SIMPTOM	MOGUĆI RAZLOZI	RESENJE
Cev klizi napred i nazad na osi pogonskog valjka za vreme žlebanja.	Dužina cevi nije prava. Kraj cevi nije četvrtast sa osom cevi.	Koristite pravu cev. Kraj cevi isecite četvrtasto.
Cev se pomera sa jedne na drugu stranu na pogonskom valjku za vreme žlebanja.	Stalak za cev je preblizu kraju cevi. Kraj cevi je spljeskan ili oštećen. Čvrste tačke na materijalu celi ili varenim šavovima izgleda da su čvršće od cevi. Ulazna brzina valjkastog žleba je prespora. Brzina pogonske jedinice prelazi 57 obrtaja u minuti. Stalak za potporu cevi nije na pravom mestu.	Pomerajte stalak cevi da bi se uskladio sa uputstvima za postavljanje. Isecite oštećen kraj cevi. Koristite drugu cev. Ubacujte brže valjak za žlebanje u cev. Smanjite brzinu na 57 obrtaja u minuti. Pravilno postavite valjke staka cevi.
Mašina za žlebanje neće da žleba cev.	Prekoračili ste maksimalnu dozvoljenu debljinu zida cevi. Materijal cevi je prečvrst. Zavrtnj za podešavanje nije namešten. Pogonska jedinica ne daje minimalni potrebni moment pritezanja.	Proverite tabelu za kapacitet cevi. Zamenite cev. Podesite dubinu. Koristite RIDGID broj 300, Pogonsku jedinicu ili 300 Compact ili 1233.
Mašina za žlebanje neće da žleba određeni prečnik.	Prekoračili ste maksimalni dozvoljeni prečnik cevi. Zavrtnj za podešavanje dubine nije dobro postavljen. Cev je prečvrsta.	Koristite cev ispravnog prečnika. Podesite dubinu. Koristite drugu cev.
Cev klizi na pogonskom valjku.	Ulazna brzina valjkastog žleba je prespora. Zarez pogonskog valjka je ukopčan u metal ili je pohaban.	Ubacujte brže valjak za žlebanje u cev. Očistite ili zamenite pogonski valjak.
Mašina za žlebanje neće da okreće cev za vreme žlebanja.	Pogonska jedinica ne daje minimalni potrebni moment. Stezna glava nije zatvorena na ravni pogonskog vretena.	Koristite RIDGID broj 300, Pogonsku jedinicu ili 300 Compact ili 1233. Zatvorite steznu glavu.
Cev se podiže i može da preokrene unazad mašinu za valjanje žlebova.	Stalak za potporu cevi nije dobro postavljen.	Postavite pravilno stalke.

**RIDGID**  
**Tools For The Professional™**

Ridge Tool Europe  
Research Park Haasrode, Interleuvenlaan 50, 3001 Leuven  
Belgium  
Phone.: + 32 (0)16 380 280  
Fax: + 32 (0)16 380 381  
[www.ridgid.eu](http://www.ridgid.eu)

  
**EMERSON**  
Professional Tools