

# TOP MULTI-EVO

## Submersible multi-stage pumps

-  Clean water
-  Domestic use
-  Civil use



### PERFORMANCE RANGE

- Flow rate up to **120 l/min** (7.2 m<sup>3</sup>/h)
- Head up to **42 m**

### APPLICATION LIMITS

- **10 m** maximum immersion depth (with a sufficiently long power cable)
- Maximum liquid temperature **+40 °C**
- Suction down to **52 mm** above ground level
- Continuous service **S1**

### CONSTRUCTION AND SAFETY STANDARDS

Complete with:

- **10 m** long power cable
- float switch
- hose connector Ø 35 mm
- complete connector with flap-check valve

EN 60335-1  
IEC 60335-1  
CEI 61-150

EN 60034-1  
IEC 60034-1  
CEI 2-3



### CERTIFICATIONS

Company with management system certified DNV  
ISO 9001: QUALITY  
ISO 14001: ENVIRONMENT



### INSTALLATION AND USE

**TOP MULTI-EVO** pumps are recommended for pumping **clean water** and liquids that are not chemically aggressive for the materials from which the pump is made. Because of their high efficiency and reliability they are suitable for use in applications such as domestic water supply from reservoirs, tanks or relatively deep wells, for drawing rain water from cisterns to water gardens or for use in irrigation systems, etc.

### OPTIONS AVAILABLE ON REQUEST

- Pumps without float switch
- Other voltages or 60 Hz frequency
- **KGE - Floating suction kit**



Kit includes:

- 1.5 metre long PVC hose (Ø 30 mm)
- stainless steel suction filter
- polyethylene spherical float
- flexible hose fittings Ø 30 mm

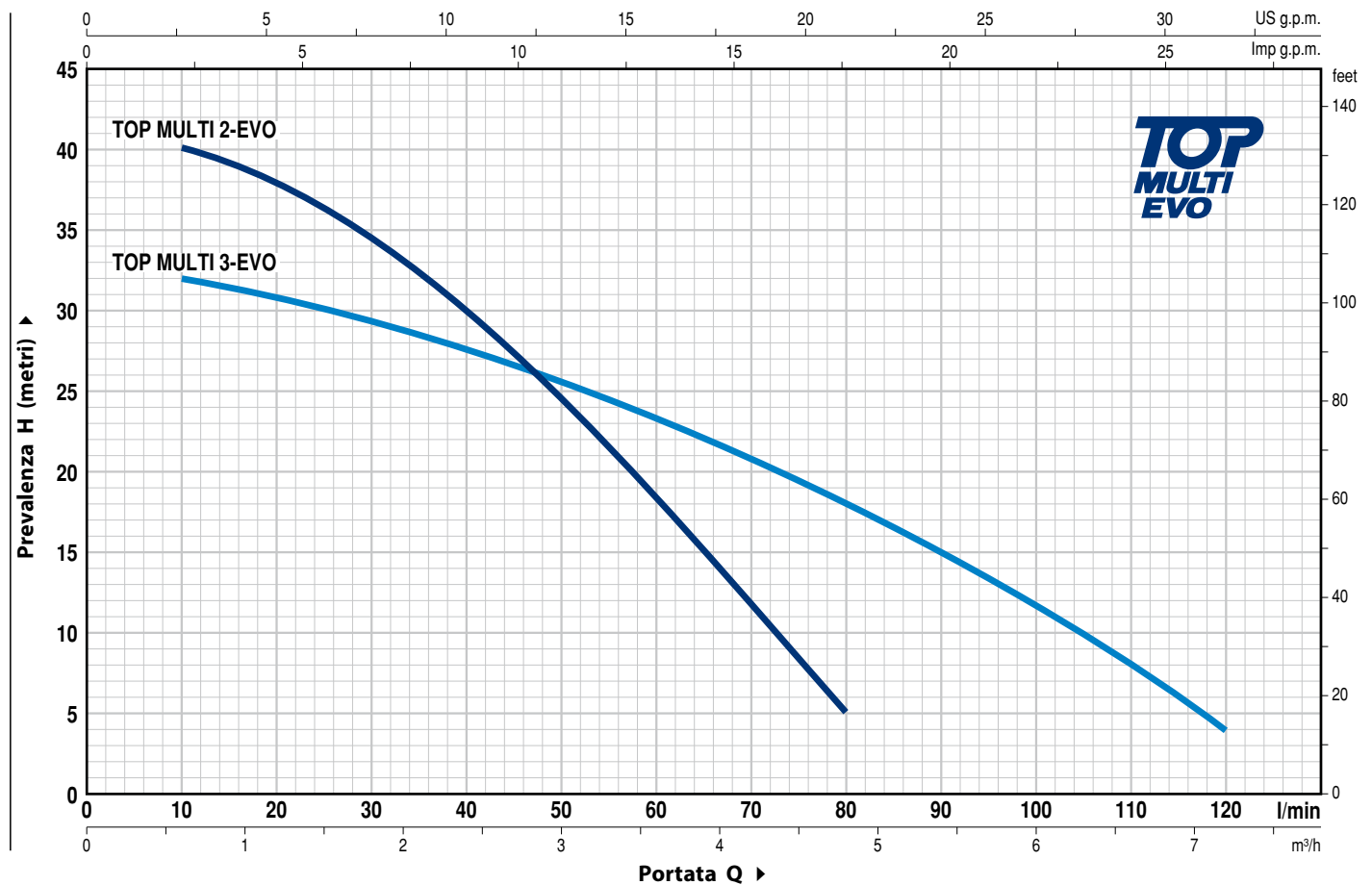
**TOP MULTI-EVO** with **KGE** kit for aspiration at about 10 cm below the water surface, preventing the suction of any floating waste or sediment on the bottom of the tank thus avoiding any damage to the pump.

### PATENTS - TRADE MARKS - MODELS

- **TOP MULTI**® Registered Trade Mark n° 0001334477

## CHARACTERISTIC CURVES AND PERFORMANCE DATA

50 Hz n= 2900 min<sup>-1</sup>



MODEL Single-phase	POWER (P <sub>2</sub> )		Q	Flow rate													
	kW	HP		m <sup>3</sup> /h	0	0.6	1.2	1.8	2.4	3.0	3.6	4.2	4.8	5.4	6.0	6.6	7.2
			l/min	0	10	20	30	40	50	60	70	80	90	100	110	120	
TOP MULTI 2-EVO	0.55	0.75	H metres	42	40	38	34	30	24	18	11.5	5					
TOP MULTI 3-EVO	0.55	0.75	H metres	33	32	31	29.5	28	25.5	23	20.5	18	15	12	8	4	

Q = Flow rate H = Total manometric head

Tolerance of characteristic curves in compliance with EN ISO 9906 Grade 3B.

# TOP MULTI-EVO

## POS. COMPONENT CONSTRUCTION CHARACTERISTICS

1	<b>DELIVERY BODY AND SUCTION BODY</b>	Glass fibre reinforced technopolymer complete with threaded delivery port in compliance with ISO 228/1
2	<b>PUMP BODY AND BASE</b>	Glass fibre reinforced technopolymer
3	<b>MOTOR SLEEVE</b>	Stainless steel AISI 304
4	<b>IMPELLERS</b>	Noryl FE1520PW
5	<b>DIFFUSERS</b>	Noryl complete with anti-wear ring
6	<b>MOTOR SHAFT</b>	Stainless steel EN 10088-3 - 1.4104

### 7 TWO MECHANICAL SEALS SEPARATED BY AN OIL CHAMBER

Seal Model	Shaft Diameter	Position	Materials		
			Stationary ring	Rotational ring	Elastomer
STA-13R	Ø 13 mm	Motor side	Ceramic	Graphite	NBR
STA-12R SG	Ø 12 mm	Pump side	Silicon carbide	Graphite	NBR

### 8 BEARINGS 6202 ZZ - C3 / 6201 ZZ

### 9 CAPACITOR

**Capacitance**  
(220-230 V or 240 V)  
12.5 µF 450 VL

### 10 ELECTRIC MOTOR

**TOP MULTI-EVO:** single-phase 220-230 V - 50 Hz with thermal overload protector incorporated into the winding.  
– Insulation: class F  
– Protection: IP X8

### 11 POWER CABLE

"H07 RN-F" with Schuko plug  
**Standard length 10 metres**

### 12 FLOAT SWITCH

### 13 HOSE CONNECTOR WITH RING NUT

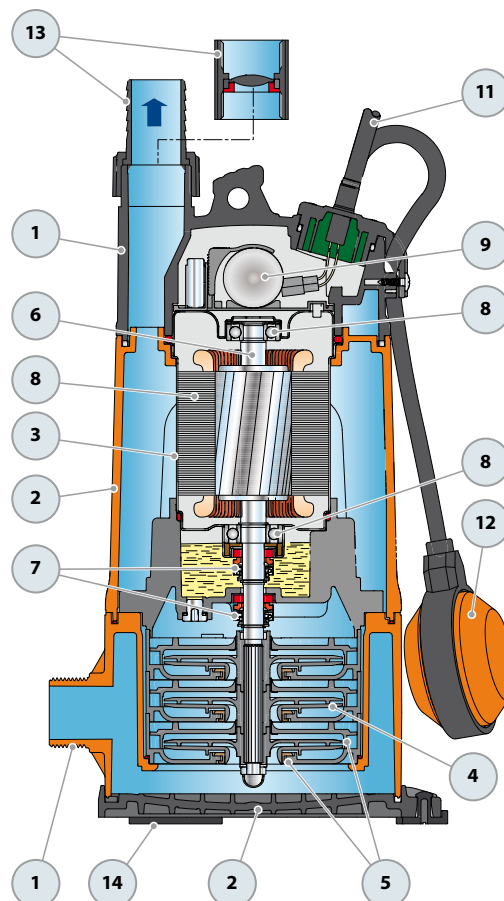
Ø 35 mm hose connection

#### PIPE COUPLING

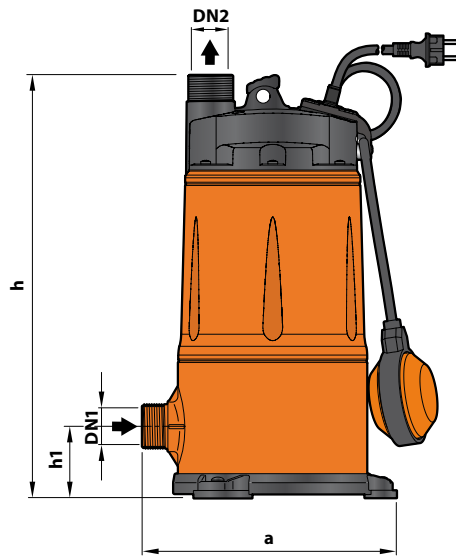
Threaded 1¼" in compliance with ISO 228/1, complete with flap-check valve

(Included in the equipment)

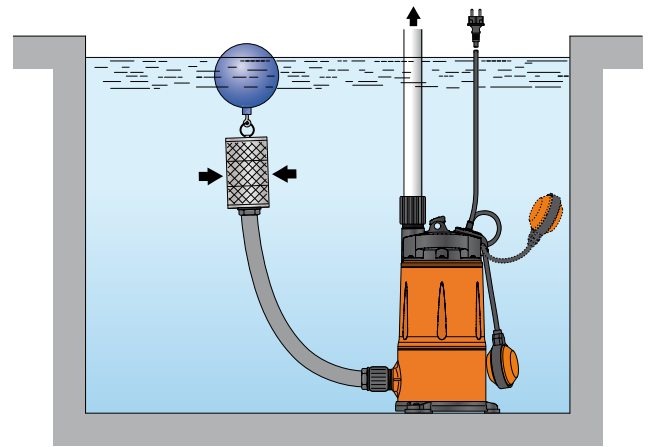
### 14 ANTI-VIBRATION SUPPORTS



## DIMENSIONS AND WEIGHT



Standard installation



MODEL	PORTS		N° STAGES	DIMENSIONS mm			kg
	DN1	DN2		a	h	h1	
Single-phase	1¼"	1¼"	3	239	394	68	9.9
TOP MULTI 2-EVO							
TOP MULTI 3-EVO							

## ABSORPTION

MODEL	VOLTAGE	
	Single-phase	230 V
TOP MULTI 2-EVO	3.4 A	3.3 A
TOP MULTI 3-EVO	3.6 A	3.5 A

## PALLETIZATION

MODEL	GROUPAGE
Single-phase	n. pumps
TOP MULTI 2-EVO	60
TOP MULTI 3-EVO	60