



TISSEL 200 - MK

VERTICAL CENTRIFUGAL PUMPS WITH INVERTER

TISSEL 200 - MK

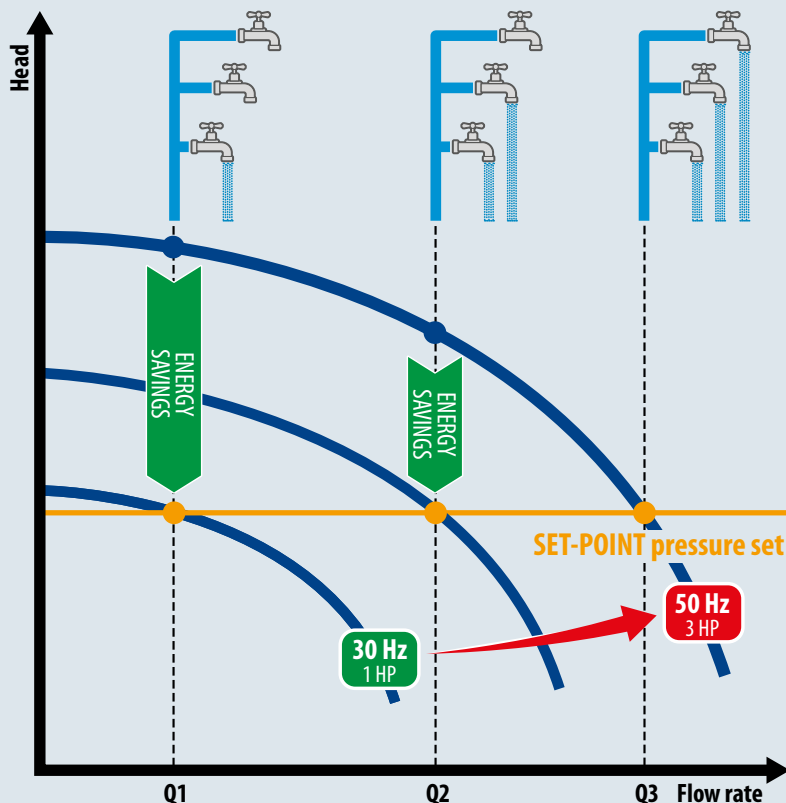
VERTICAL CENTRIFUGAL PUMPS WITH INVERTER

- **TISSEL 200 - MK** are compact pumping units composed by a vertical centrifugal pump MK, with an integrated speed regulator (inverter) complete with an external pressure sensing device to be installed in one point along the system.
- Sturdy and very easy to use. They are the perfect solution to get a constant pressure in every tap of the system.
- The integrated speed regulator has forced ventilation and an IP 54 protection grade. It receives a single-phase alternate voltage ($230\pm 10\%$ V - 50/60 Hz) and supplies a three-phase alternate output voltage which supplies the motor of the pump with an IE3 performance class.
- The wear of the water pump components is reduced due to the low speed of the motor during its duty life and it is progressively started and stopped.



ENERGY SAVINGS

A significant energy savings in terms of low flow rates. It is like running a lower power pump.



PROTECTIONS

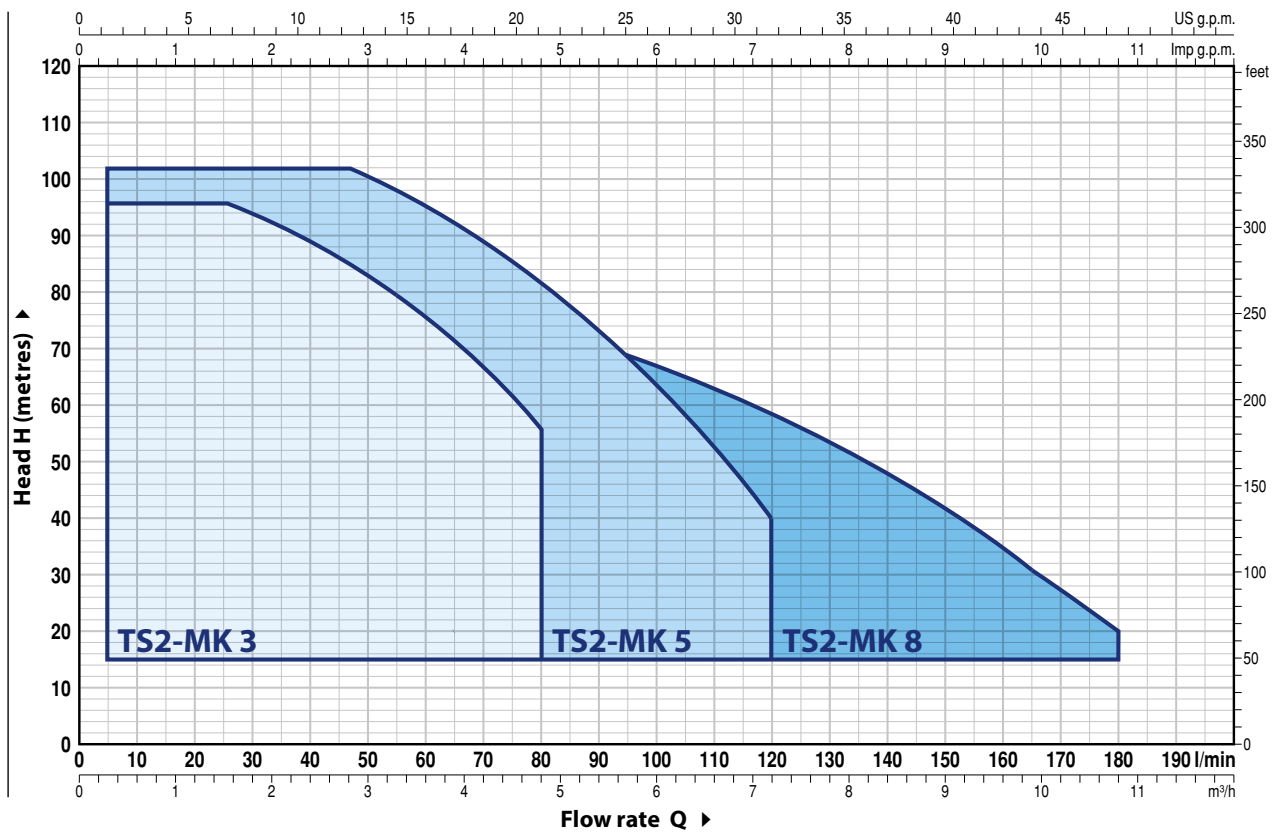
- Dry running protection.
Stops the pump after a few seconds and tries to resume at intervals of time in order to check whether the water is present or not in the system.
- Running with a pressure inferior than the minimum pressure set.
Stops the pump after a few seconds (for example, when a pipe is broken).
- Currents – Voltages - Temperatures.
Limits the currents; complete with an alarm for out-of-limit voltages; protects from over-temperature and short-circuit between the output phases.

APPLICATION LIMITS

- Manometric suction lift up to **7 m**
- Liquid temperature between **-10 °C** and **+40 °C**
- Ambient temperature up to **+40 °C**
- Max. working pressure **10 bar**
- Continuous service **S1**



PERFORMANCE RANGE



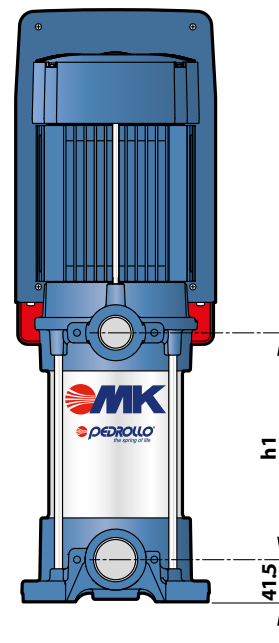
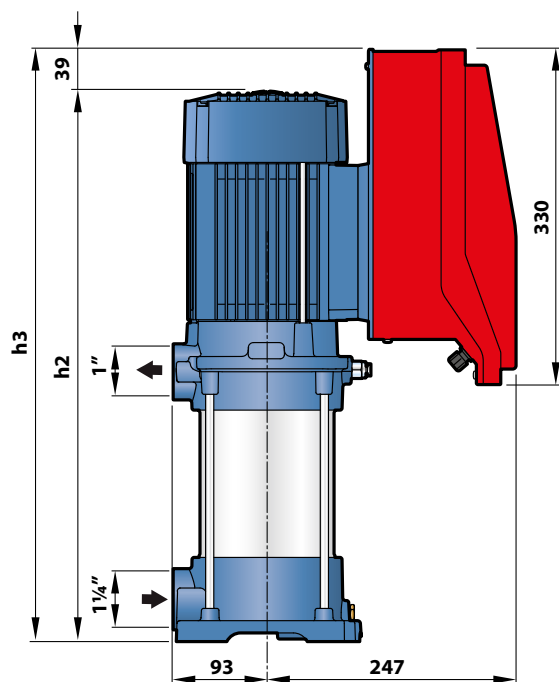
MODEL	POWER		▲	MAX PERFORMANCES		PERFORMANCES (ADJUSTABLE SET POINT)					
	P2 kW	HP		Q l/min	H metres	Min. Set Point bar	l/min	Set Point Stand. Setting bar	l/min	Max. Set Point bar	l/min
Single-phase											
TS2-MK 3/3	0.75	1	IE3	5 – 80	46 – 28	1.80	5 – 63	3.70	5 – 58	4.50	5 – 35
TS2-MK 3/4	1.1	1.5		5 – 80	62 – 38	2.40	5 – 62	4.90	5 – 58	6.10	5 – 33
TS2-MK 3/5	1.1	1.5		5 – 80	80 – 47	3.00	5 – 62	6.20	5 – 58	7.80	5 – 28
TS2-MK 3/6	1.5	2		5 – 80	96 – 56	3.60	5 – 63	7.40	5 – 58	9.40	5 – 25
TS2-MK 5/4	1.1	1.5		5 – 120	50 – 20	2.00	5 – 120	3.70	5 – 85	4.90	5 – 48
TS2-MK 5/5	1.1	1.5		5 – 120	63 – 25	2.50	5 – 120	4.60	5 – 85	6.20	5 – 48
TS2-MK 5/6	1.5	2		5 – 120	78 – 30	3.00	5 – 120	5.50	5 – 85	7.60	5 – 45
TS2-MK 5/7	1.8	2.5		5 – 120	92 – 34	3.50	5 – 118	6.50	5 – 85	9.00	5 – 43
TS2-MK 5/8	2.2	3		5 – 120	102 – 40	4.00	5 – 120	7.50	5 – 85	10.00	5 – 46
TS2-MK 8/4	1.5	2		5 – 180	50 – 15	2.00	5 – 167	3.70	5 – 120	4.90	5 – 70
TS2-MK 8/5	1.8	2.5		5 – 180	64 – 18	2.50	5 – 167	4.80	5 – 120	6.30	5 – 70
TS2-MK 8/6	2.2	3		5 – 180	80 – 20	3.10	5 – 163	5.50	5 – 120	7.80	5 – 53

Q = Flow rate H = Total manometric head

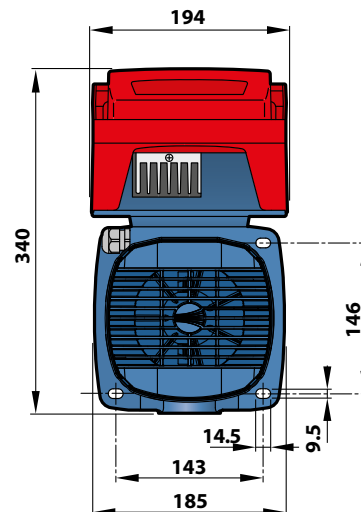
Tolerance of characteristic curves in compliance with EN ISO 9906 Grade 3B.

▲ Three phase motor efficiency class (IEC 60034-30-1)

DIMENSIONS (mm)



MODEL	h1	h2	h3
TS2-MK 3/3	132.5	450	489
TS2-MK 3/4	159.5	477	516
TS2-MK 3/5	186.5	504	543
TS2-MK 3/6	213.5	531	570
TS2-MK 5/4	159.5	477	516
TS2-MK 5/5	186.5	504	543
TS2-MK 5/6	213.5	531	570
TS2-MK 5/7	240.5	558	597
TS2-MK 5/8	267.5	585	624
TS2-MK 8/4	159.5	477	516
TS2-MK 8/5	186.5	504	543
TS2-MK 8/6	213.5	531	570



Pedrollo S.p.A.

Via Enrico Fermi, 7
37047 San Bonifacio (Verona) Italy

tel. +39 045 6136311

fax +39 045 7614663

vendite@pedrollo.com - sales@pedrollo.com

www.pedrollo.com



TISSEL 200 - CR

MULTI-STAGE CENTRIFUGAL PUMPS WITH INVERTER

TISSSEL 200 - CR

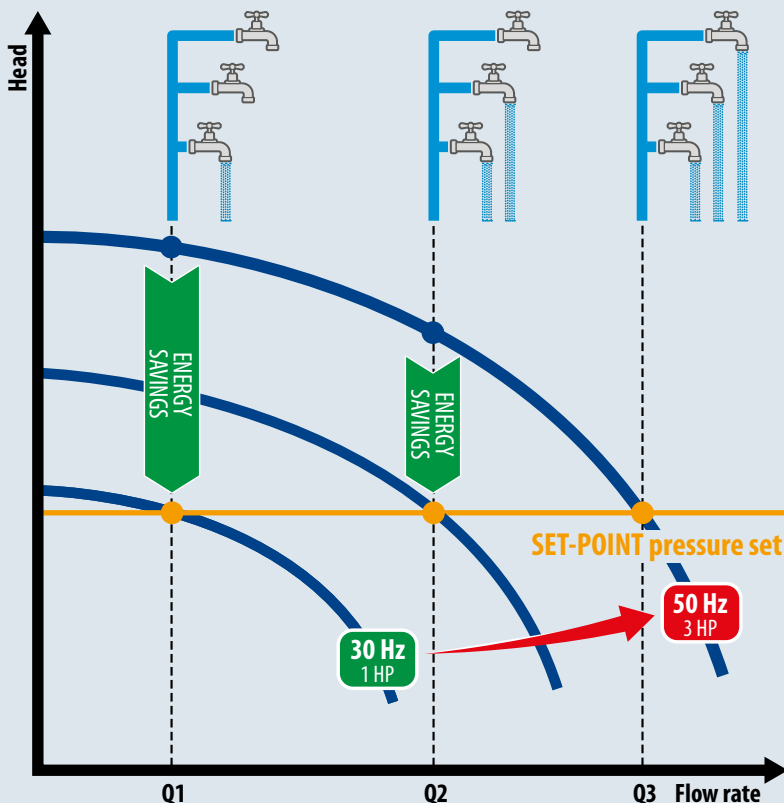
MULTI-STAGE CENTRIFUGAL PUMPS WITH INVERTER

- **TISSSEL 200 - CR** are compact pumping units composed by a multistage centrifugal pump CR, with an integrated speed regulator (inverter) complete with an external pressure sensing device to be installed in one point along the system.
- Sturdy and very easy to use. They are the perfect solution to get a constant pressure in every tap of the system.
- The integrated speed regulator has forced ventilation and an IP 54 protection grade. It receives a single-phase alternate voltage ($230\pm 10\%$ V - 50/60 Hz) and supplies a three-phase alternate output voltage which supplies the motor of the pump with an IE3 performance class.
- The wear of the water pump components is reduced due to the low speed of the motor during its duty life and it is progressively started and stopped.



ENERGY SAVINGS

A significant energy savings in terms of low flow rates. It is like running a lower power pump.



PROTECTIONS

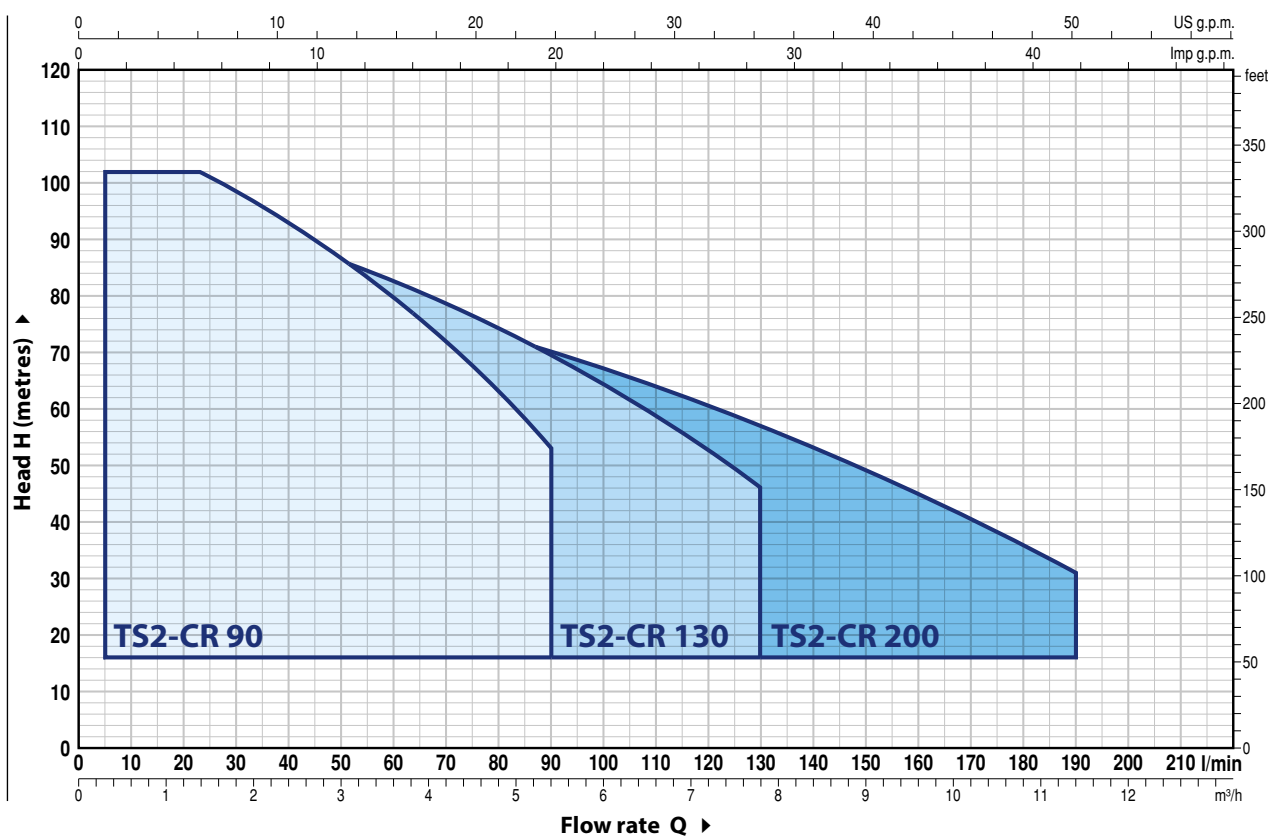
- Dry running protection.
Stops the pump after a few seconds and tries to resume at intervals of time in order to check whether the water is present or not in the system.
- Running with a pressure inferior than the minimum pressure set.
Stops the pump after a few seconds (for example, when a pipe is broken).
- Currents – Voltages - Temperatures.
Limits the currents; complete with an alarm for out-of-limit voltages; protects from over-temperature and short-circuit between the output phases.

APPLICATION LIMITS

- Manometric suction lift up to **7 m**
- Liquid temperature between **-10 °C** and **+40 °C**
- Ambient temperature up to **+40 °C**
- Max. working pressure **10 bar**
- Continuous service **S1**



PERFORMANCE RANGE



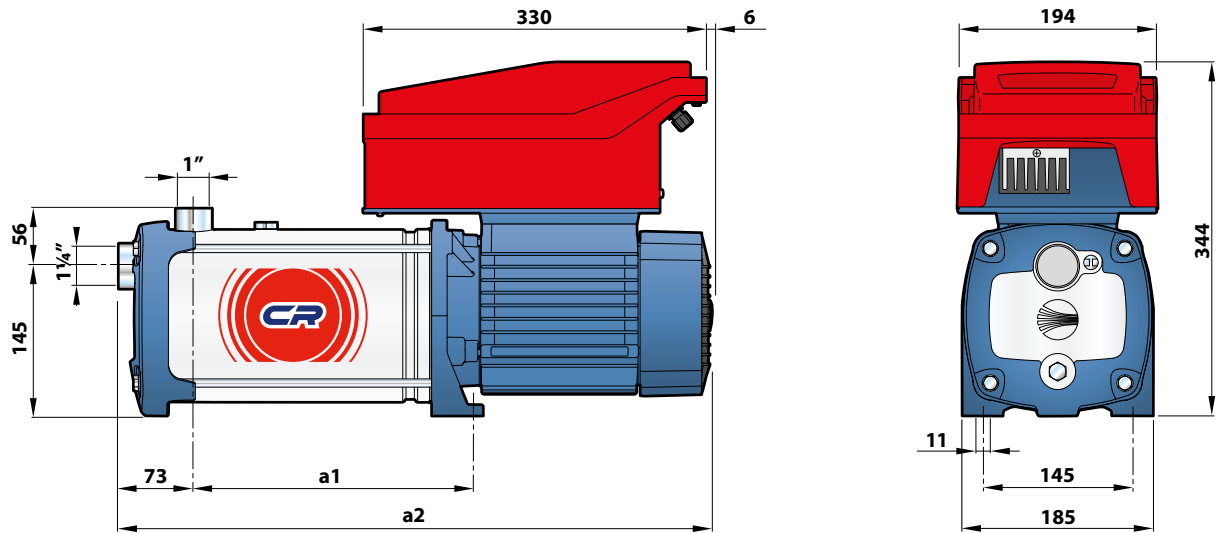
MODEL	POWER		▲	MAX PERFORMANCES		PERFORMANCES (ADJUSTABLE SET POINT)					
	P2 kW	HP		Q l/min	H metres	Min. Set Point		Set Point Stand. Setting		Max. Set Point	
Single-phase						bar	l/min	bar	l/min	bar	l/min
TS2-5CR 90	1.1	1.5	IE3	5 – 90	78 – 38	2.80	5 – 75	5.30	5 – 65	7.10	5 – 23
TS2-6CR 90	1.5	2		5 – 90	94 – 45	3.40	5 – 75	6.30	5 – 65	8.60	5 – 21
TS2-7CR 90	1.8	2.5		5 – 90	110 – 53	4.00	5 – 75	7.50	5 – 65	10.00	5 – 21
TS2-3CR 130	1.1	1.5		5 – 130	49 – 24	1.80	5 – 110	3.40	5 – 92	4.30	5 – 48
TS2-4CR 130	1.5	2		5 – 130	65 – 31	2.30	5 – 110	4.40	5 – 92	5.80	5 – 45
TS2-5CR 130	1.8	2.5		5 – 130	81 – 39	2.90	5 – 110	5.50	5 – 92	7.40	5 – 38
TS2-6CR 130	2.2	3		5 – 130	97 – 45	3.50	5 – 110	6.50	5 – 92	9.00	5 – 33
TS2-3CR 200	1.1	1.5		5 – 200	43 – 13	1.60	5 – 185	2.80	5 – 133	3.80	5 – 72
TS2-4CR 200	1.5	2		5 – 200	57 – 17	2.10	5 – 185	3.60	5 – 133	5.10	5 – 65
TS2-5CR 200	1.8	2.5		5 – 200	72 – 22	2.60	5 – 185	4.60	5 – 133	6.50	5 – 56
TS2-6CR 200	2.2	3		5 – 200	86 – 26	3.10	5 – 185	5.50	5 – 133	7.90	5 – 45

Q = Flow rate H = Total manometric head

Tolerance of characteristic curves in compliance with EN ISO 9906 Grade 3B.

▲ Three phase motor efficiency class (IEC 60034-30-1)

DIMENSIONS (mm)



MODEL	a1	a2
TS2-5CR 90	193	497
TS2-6CR 90	219	523
TS2-7CR 90	245	569
TS2-3CR 130	141	445
TS2-4CR 130	167	471
TS2-5CR 130	193	517
TS2-6CR 130	219	543
TS2-3CR 200	141	445
TS2-4CR 200	167	471
TS2-5CR 200	193	517
TS2-6CR 200	219	543

Pedrollo S.p.A.

Via Enrico Fermi, 7
37047 San Bonifacio (Verona) Italy

tel. +39 045 6136311

fax +39 045 7614663

vendite@pedrollo.com - sales@pedrollo.com

www.pedrollo.com



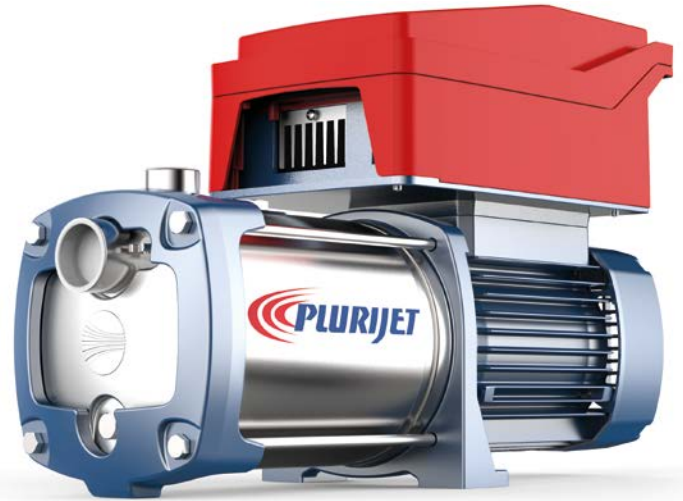
TISSEL 200 - PLURIJET

SELF-PRIMING MULTI-STAGE PUMPS WITH INVERTER

TISSEL 200 - PLURIJET

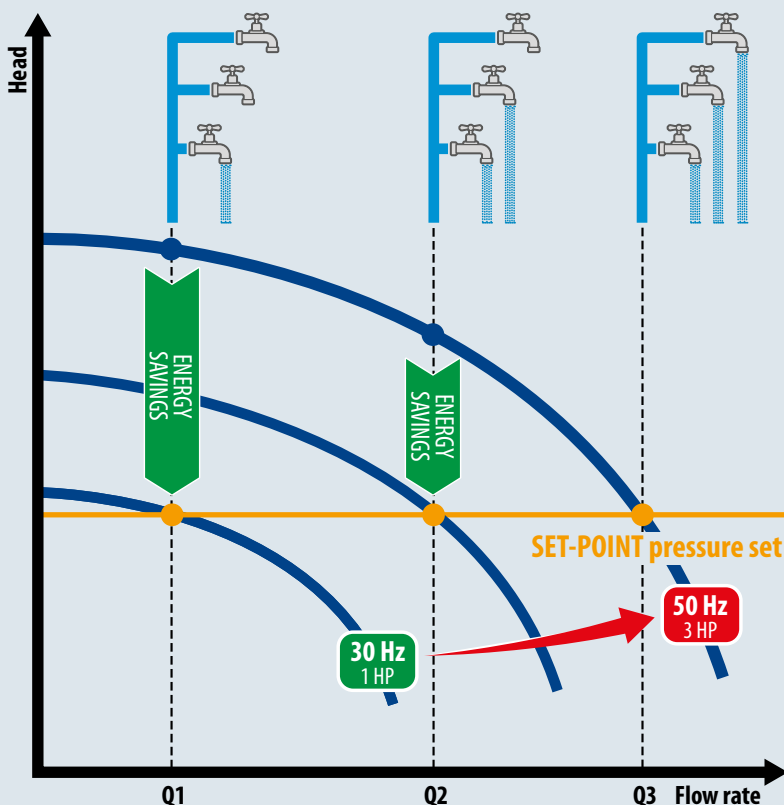
SELF-PRIMING MULTI-STAGE PUMPS WITH INVERTER

- **TISSEL 200 - PLURIJET** are compact units pumps composed by a self-priming multi-stage pump PLURIJET with an integrated speed regulator (inverter) complete with an external pressure sensing device to be installed in one point along the system.
- Sturdy and very easy to use. They are the perfect solution to get a constant pressure in every tap of the system.
- The integrated speed regulator has forced ventilation and an IP 54 protection grade. It receives a single-phase alternate voltage ($230\pm 10\%$ V - 50/60 Hz) and supplies a three-phase alternate output voltage which supplies the motor of the pump with an IE3 performance class.
- The wear of the water pump components is reduced due to the low speed of the motor during its duty life and it is progressively started and stopped.



ENERGY SAVINGS

A significant energy savings in terms of low flow rates. It is like running a lower power pump.



PROTECTIONS

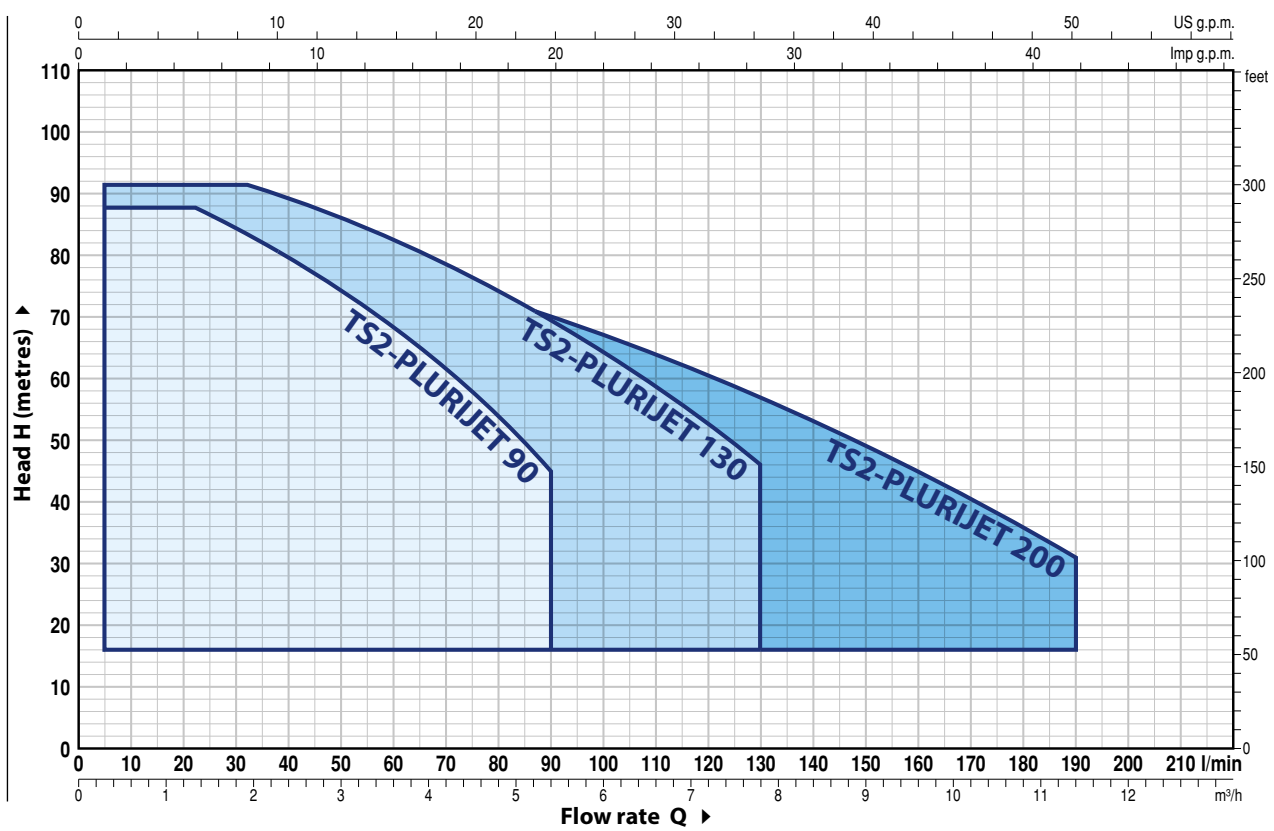
- Dry running protection.
Stops the pump after a few seconds and tries to resume at intervals of time in order to check whether the water is present or not in the system.
- Running with a pressure inferior than the minimum pressure set.
Stops the pump after a few seconds (for example, when a pipe is broken).
- Currents – Voltages - Temperatures.
Limits the currents; complete with an alarm for out-of-limit voltages; protects from over-temperature and short-circuit between the output phases.

APPLICATION LIMITS

- Manometric suction lift up to **9 m**
- Liquid temperature between **-10 °C** and **+40 °C**
- Ambient temperature up to **+40 °C**
- Max. working pressure **10 bar**
- Continuous service **S1**



PERFORMANCE RANGE



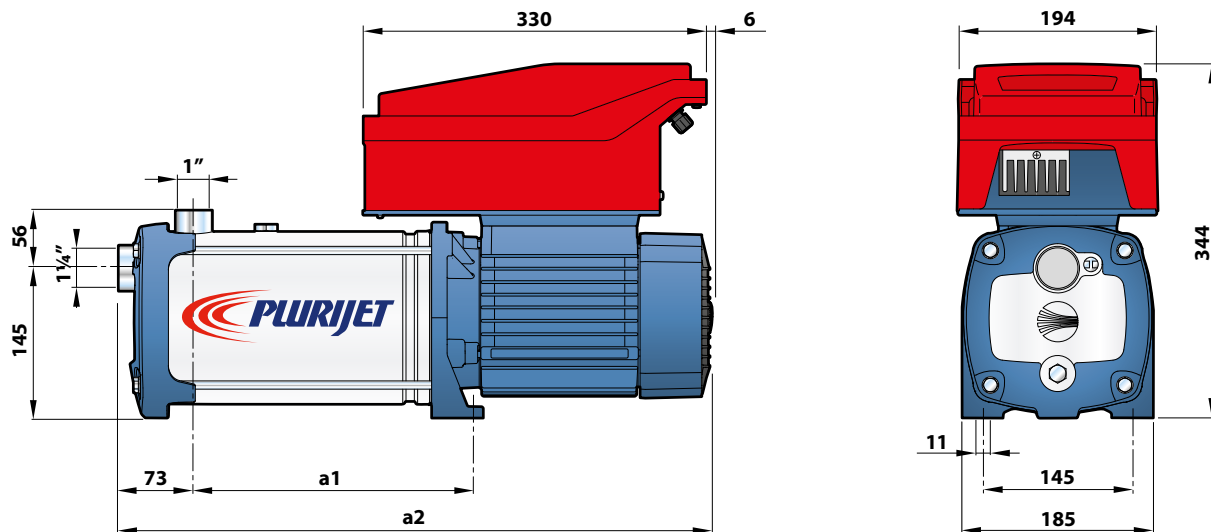
MODEL	POWER		▲	MAX PERFORMANCES		PERFORMANCES (ADJUSTABLE SET POINT)					
	P2			Q	H	Min. Set Point		Set Point Stand. Setting		Max. Set Point	
Single-phase	kW	HP		l/min	metres	bar	l/min	bar	l/min	bar	l/min
TS2-PLURIJET 5/90	1.1	1.5	IE3	5 – 90	78 – 38	2.80	5 – 75	5.30	5 – 65	7.10	5 – 23
TS2-PLURIJET 6/90	1.5	2		5 – 90	94 – 45	3.40	5 – 75	6.30	5 – 65	8.60	5 – 21
TS2-PLURIJET 3/130	1.1	1.5		5 – 130	49 – 24	1.80	5 – 110	3.40	5 – 92	4.30	5 – 48
TS2-PLURIJET 4/130	1.5	2		5 – 130	65 – 31	2.30	5 – 110	4.40	5 – 92	5.80	5 – 45
TS2-PLURIJET 5/130	1.8	2.5		5 – 130	81 – 39	2.90	5 – 110	5.50	5 – 92	7.40	5 – 38
TS2-PLURIJET 6/130	2.2	3		5 – 130	97 – 45	3.50	5 – 110	6.50	5 – 92	9.00	5 – 33
TS2-PLURIJET 3/200	1.1	1.5		5 – 200	43 – 13	1.60	5 – 185	2.80	5 – 133	3.80	5 – 72
TS2-PLURIJET 4/200	1.5	2		5 – 200	57 – 17	2.10	5 – 185	3.60	5 – 133	5.10	5 – 65
TS2-PLURIJET 5/200	1.8	2.5		5 – 200	72 – 22	2.60	5 – 185	4.60	5 – 133	6.50	5 – 56
TS2-PLURIJET 6/200	2.2	3		5 – 200	86 – 26	3.10	5 – 185	5.50	5 – 133	7.90	5 – 45

Q = Flow rate H = Total manometric head

Tolerance of characteristic curves in compliance with EN ISO 9906 Grade 3B.

▲ Three phase motor efficiency class (IEC 60034-30-1)

DIMENSIONS (mm)



MODEL	a1	a2
TS2-PLURIJET 5/90	245	549
TS2-PLURIJET 6/90	271	575
TS2-PLURIJET 3/130	193	497
TS2-PLURIJET 4/130	219	523
TS2-PLURIJET 5/130	245	569
TS2-PLURIJET 6/130	271	595
TS2-PLURIJET 3/200	193	497
TS2-PLURIJET 4/200	219	523
TS2-PLURIJET 5/200	245	569
TS2-PLURIJET 6/200	271	595

Pedrollo S.p.A.

Via Enrico Fermi, 7
37047 San Bonifacio (Verona) Italy

tel. +39 045 6136311

fax +39 045 7614663

vendite@pedrollo.com - sales@pedrollo.com

www.pedrollo.com