

Milwaukee®

Nothing but **HEAVY DUTY**®



C12 RT

Original instructions
Originalbetriebsanleitung
Notice originale
Istruzioni originali
Manual original
Oorspronkelijke
gebruiksaanwijzing
Original brugsanvisning
Original bruksanvisning
Bruksanvisning i original
Alkuperäiset ohjeet

Πρωτότυπο οδηγιών χρήσης
Orijinal işletme talimatı
Původním návodem k
používání
Pôvodný návod na použitie
Instrukcją oryginalną
Eredeti használati utasítás
Izvirna navodila
Originalne pogonske upute
Instrukcijām oriģinālvalodā
Originalni instrukcija

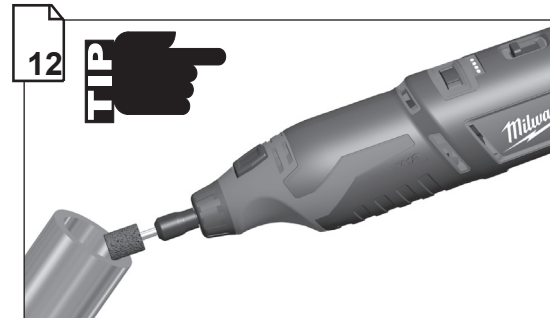
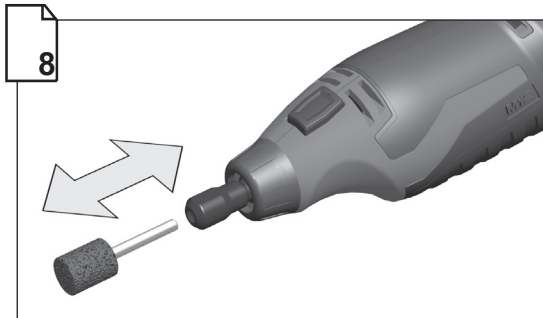
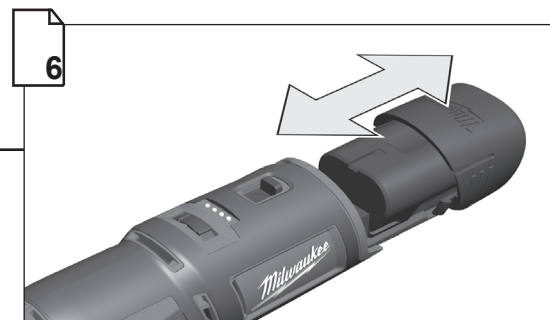
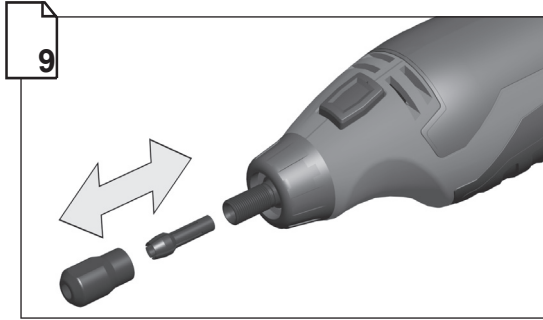
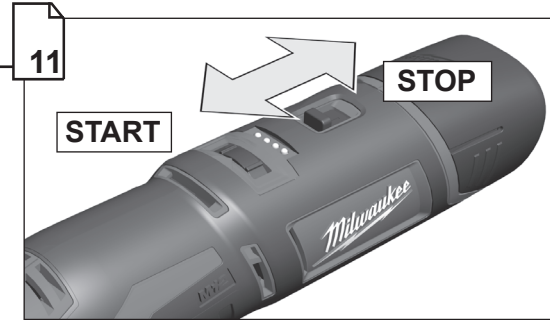
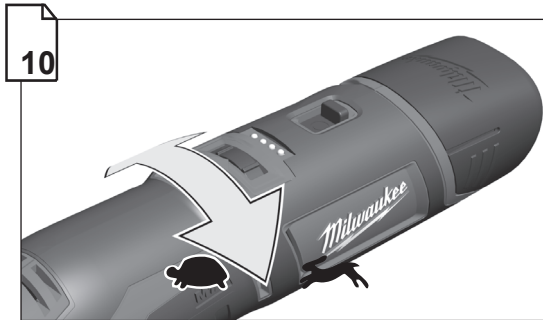
Algupärane kasutusjuhend
Оригинальное руководство
по эксплуатации
Оригинално ръководство за
експлоатация
Instrucțiuni de folosire
originale
Оригинален прирачник за
работа
原始的指南

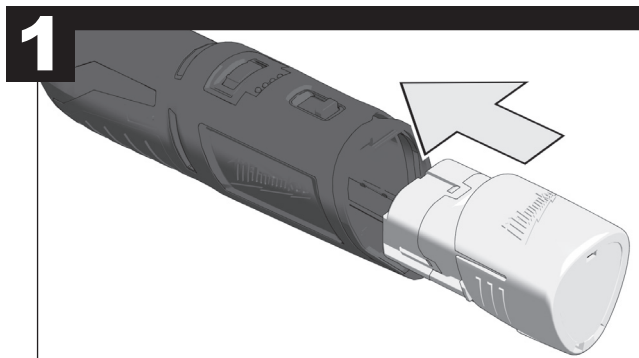
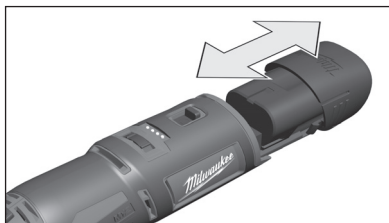
Technical Data, Safety instructions, Specified Conditions of Use, EC-Declaration of Conformity, Batteries, Maintenance, Symbols	Please read and save these instructions!	ENGLISH	14
Technische Daten, Sicherheitshinweise, Bestimmungsgemäße Verwendung, CE-Konformitätserklärung, Akkus, Wartung, Symbole	Bitte lesen und aufbewahren!	DEUTSCH	18
Caractéristiques techniques, Instructions de sécurité, Utilisation conforme aux prescriptions, Déclaration CE de Conformité, Accus, Entretien, Symboles	Prière de lire et de conserver!	FRANÇAIS	22
Dati tecnici, Norme di sicurezza, Utilizzo conforme, Dichiarazione di Conformità CE, Batteria, Manutenzione, Simboli	Si prega di leggere le istruzioni e di conservarle!	ITALIANO	26
Datos técnicos, Instrucciones de seguridad, Aplicación de acuerdo a la finalidad, Declaración de Conformidad CE, Batería, Mantenimiento, Símbolos	Lea y conserve estas instrucciones por favor!	ESPAÑOL	30
Características técnicas, Instruções de segurança, Utilização autorizada, Declaração de Conformidade CE, Acumulador, Manutenção, Símbolo	Por favor leia e conserve em seu poder!	PORTUGUES	34
Technische gegevens, Veiligheidsadviezen, Voorgeschreven gebruik van het systeem, EC-Konformiteitsverklaring, Akku, Onderhoud, Symbolen	Lees en let goed op deze adviezen!	NEDERLANDS	38
Tekniske data, Sikkerhedshenvisninger, Tiltænkt formål, CE-Konformitetserklæring, Batteri, Vedligeholdelse, Symboler	Vær venlig at læse og opbevare!	DANSK	42
Tekniske data, Spesielle sikkerhetshenvisninger, Formålmessig bruk, CE-Samsvarserklæring, Batterier, Vedlikehold, Symboler	Vennligst les og oppbevar!	NORSK	46
Tekniska data, Säkerhetsutrustning, Använd maskinen Enligt anvisningarna, CE-Försäkran, Batterier, Skötsel, Symboler	Var god läs och tag tillvara dessa instruktioner!	SVENSKA	50
Tekniset arvot, Turvallisuusohjeet, Tarkoituksenmukainen käyttö, Todistus CE-standardinmukaisuudesta, Akku, Huolto, Symbolit	Lue ja säilytä!	SUOMI	54
Τεχνικά στοιχεία, Σημαντικές οδηγίες ασφαλείας, Χρήση σύμφωνα με το σκοπο προορισμού, Δήλωση πιστοποίησης εκ, Μπαταρίες, Συντήρηση, Σύμβολα	Παρακαλείσθε να τις διαβάσετε και να τις φυλάξετε!	ΕΛΛΗΝΙΚΑ	58
Teknik veriler, Güvenliğinizi için talimatlar, Kullanım, CE uygunluk beyanince, Akü, Bakım, Semboller	Lütfen okuyun ve saklayın	TÜRKÇE	62
Technická data, Speciální bezpečnostní upozornění, Oblast využití, Ce-prohlášení o shodě, Akumulátory, Údržba, Symboly	Po přečtení uschovejte	ČESKY	66
Technické údaje, Špeciálne bezpečnostné pokyny, Použitie podľa predpisov, CE-Vyhlasenie konformity, Akumulátory, Údržba, Symboly	Prosím prečítať a uschovať!	SLOVENSKY	70
Dane techniczne, Specjalne zalecenia dotyczące bezpieczeństwa, Użytkowanie zgodne z przeznaczeniem, Świadcetwo zgodności ce, Baterie akumulatorowe, Gwarancja, Symbole	Prosimy o uwazne przeczytanie i przetrzymanie zaleceń zamie szczonych w tej instrukcji.	POLSKI	74
Műszaki adatok, Különleges biztonsági tudnivalók, Rendeltetésszerű használat, Ce-azonosság nyilatkozat, Akkuk, Karbantartás, Szimbólumok	Olvassa el és őrizze meg	MAGYAR	78
Tehnični podatki, Specialni varnostni napotki, Uporaba v skladu z namembnostjo, Ce-izjava o konformnosti, Akumulatorji, Vzdrževanje, Simboli	Prosimo preberite in shranite!	SLOVENSKO	82
Tehnički podaci, Specijalne sigurnosne upute, Propisna upotreba, Ce-Izjava konformnosti, Baterije, Održavanje, Simboli	Molimo pročitati i sačuvati	HRVATSKI	86
Tehniskie dati, Speciālie drošības noteikumi, Noteikumiem atbilstošs izmantojums, Atbilstība CE normām, Akumulātori, Apkope, Simboli	Pielikums lietošanas pamācībai	LATVISKI	90
Tehniniai duomenys, Ypatingos saugumo nuorodos, Naudojimas pagal paskirtį, CE Atitikties pareiškimas, Akumulatoriai, Techninis aptarnavimas, Simboliai	Prašome perskaityti ir neišmesti!	LIETUVIŠKAI	94
Tehnilised andmed, Spetsiaalsed turvajuhised, Kasutamine vastavalt otstarbele, EU Vastavusavaldus, Akud, Hooldus, Sümbolid	Palun lugege läbi ja hoidke alal!	EESTI	98
Технические данные, Важные инструкции по технике безопасности, Использование, Декларация о соответствии стандартам ес, Аккумулятор, Обслуживание, Символы	Пожалуйста прочтите и сохраните эту инструкцию	РУССКИЙ	102
Технически данни, Важни инструкции за безопасност, Използване по предназначение, Се - декларация за съответствие, Аккумулятори, Поддръжка, Символи	Моля прочетете и запазете!	БЪЛГАРСКИ	106
Date tehnice, Instrucțiuni de securitate, Condiții de utilizare specificate, Declarație de conformitate, Alimentare de la rețea, Intreținere, Simboluri	Va rugăm citiți și păstrați aceste instrucțiuni	ROMÂNIA	110
Технички Податоци, Упатство За Употреба, Специфицирани Услови На Употреба, Еу-декларација За Сообразност, Батерии, Одржување, Символи	Ве молиме прочитајте го и чувајте го ова упатство!	МАКЕДОНСКИ	114
技术数据, 特殊安全指示, 正确地使用机器, 欧洲安全规定说明, 蓄电池, 维修, 符号	请详细阅读并妥善保存!	中文	118




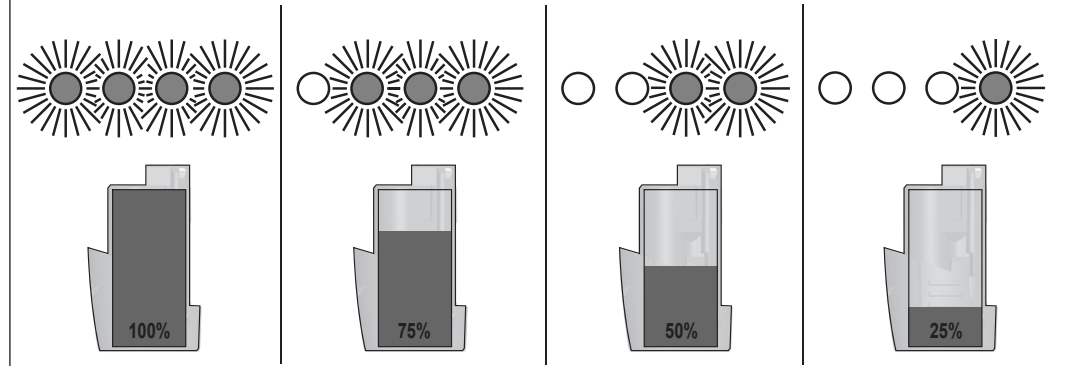
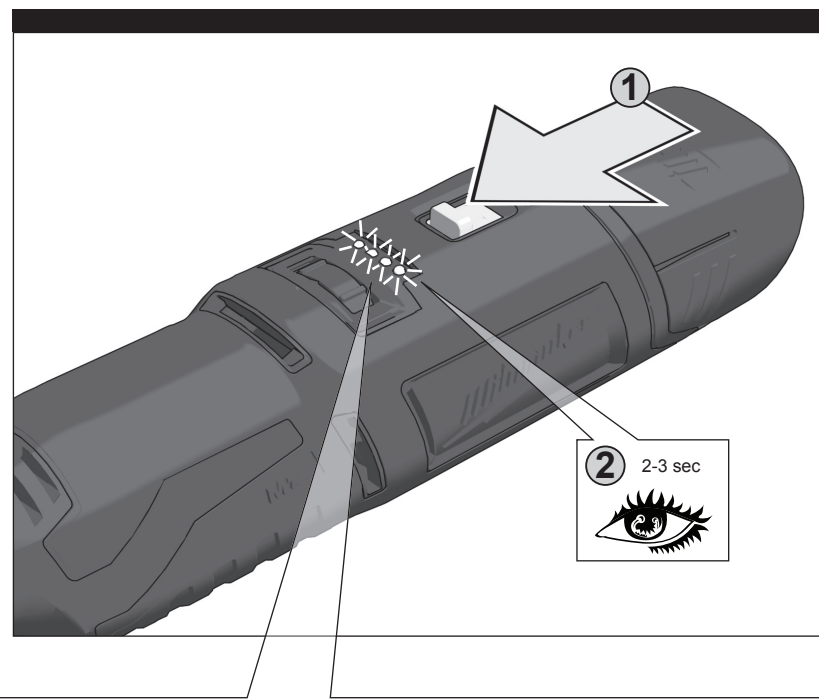
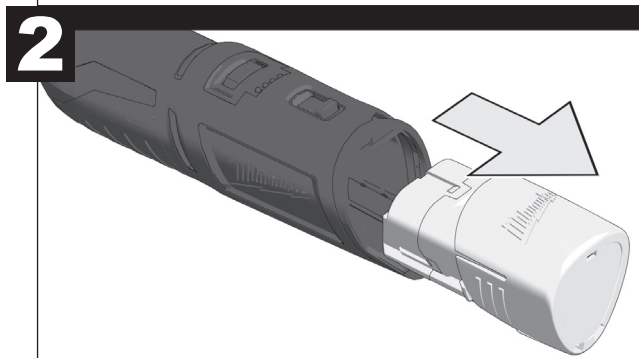
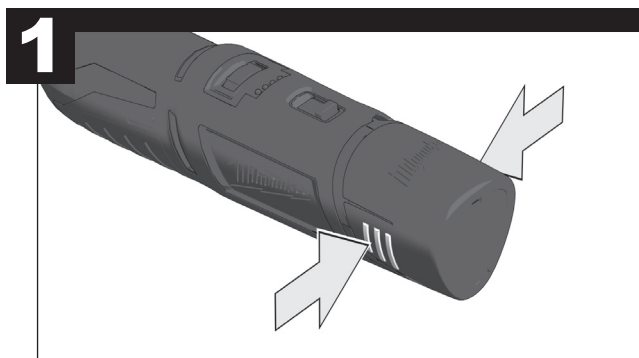
Remove the battery pack before starting any work on the machine.
 Vor allen Arbeiten an der Maschine den Wechselakku herausnehmen.
 Avant tous travaux sur la machine retirer l'accu interchangeable.
 Prima di iniziare togliere la batteria dalla macchina.
 Retire la batería antes de comenzar cualquier trabajo en la máquina.
 Antes de efectuar cualquier intervención en a máquina retirar o bloco acumulador.
 Voor alle werkzaamheden aan de machine de akku verwijderen.
 Ved arbejde inden i maskinen, bør batteriet tages ud.
 Ta ut vekslebatteriet før du arbeider på maskinen.
 Drag ur batteripaket innan arbete utföres på maskinen.
 Ota akku pois ennen kaikkia koneeseen tehtäviä toimenpiteitä.
 Πριν από κάθε εργασία στη μηχανή αφαιρέστε την αναλλοίωτη μπαταρία.
 Aletin kendinde bir çalışma yapmadan önce kartuş aküyü çıkarın.
 Před zahájením veškerých prací na vrtacím šroubováku vyjmout výměnný akumulátor.

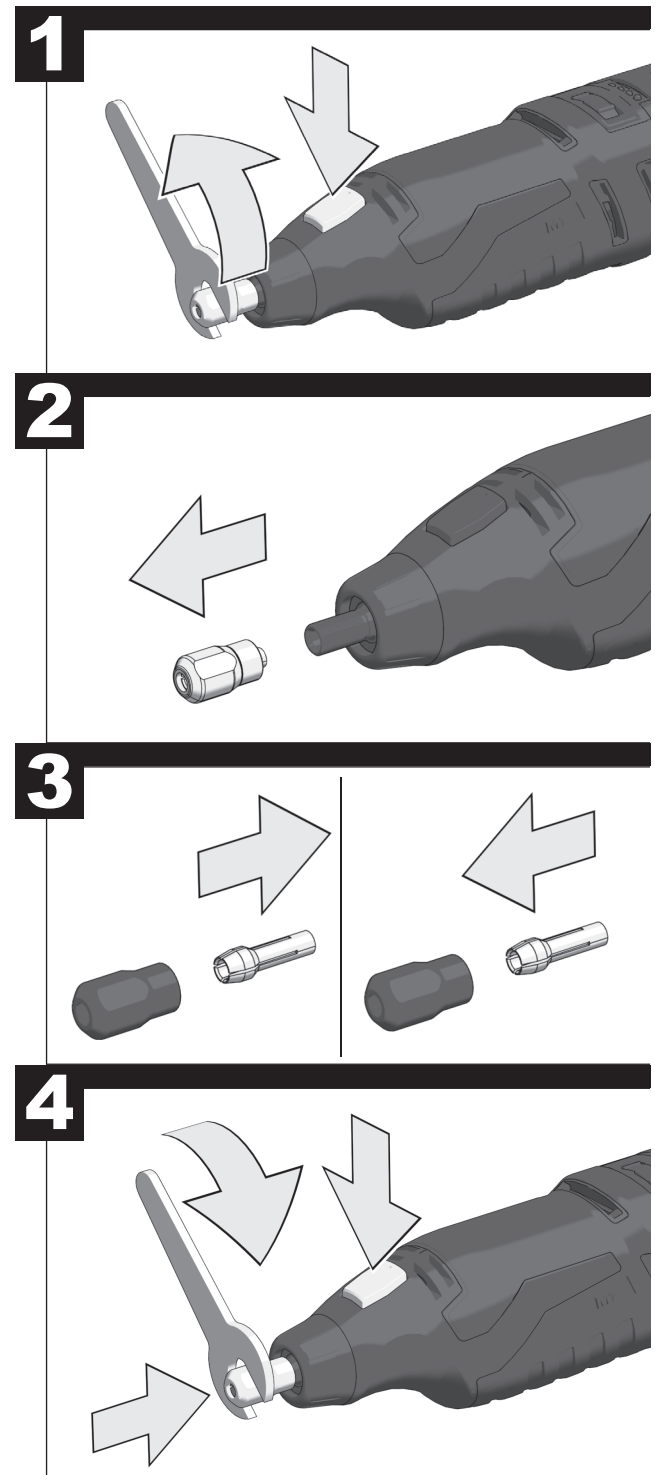
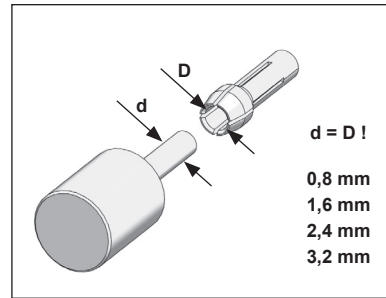
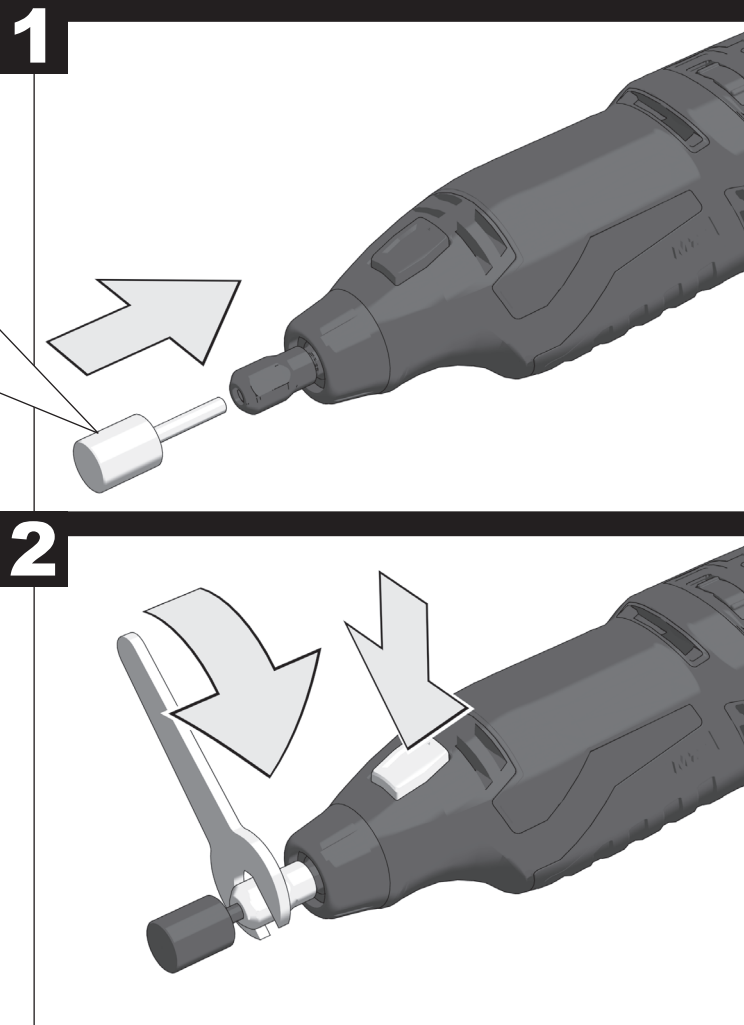
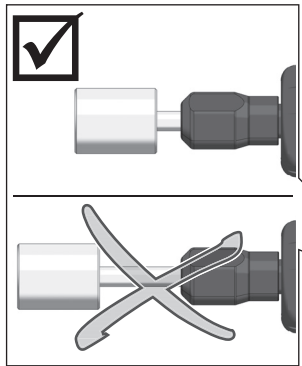
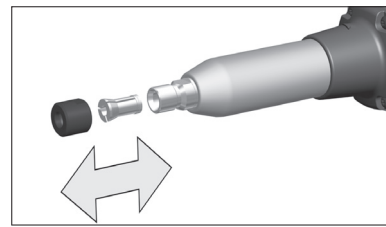
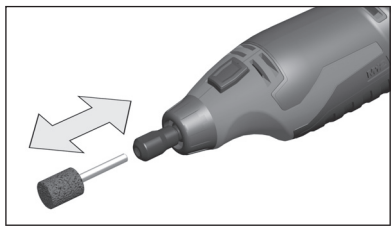
Pred každou pracou na stroji výměnný akumulátor vytiahnuť.
 Przed przystąpieniem do jakichkolwiek prac na elektronarzędziu należy wyjąć wkładkę akumulatorową.
 Karbantartás, javítás, tisztítás, stb. előtt az akkumulátort ki kell venni a készülékből.
 Pred deli na stroju izvlčite izmenljivi akumulator.
 Prije svih radova na stroju izvaditi bateriju za zamjenu.
 Pirms mašīnai veikt jebkāda veida apkopes darbus, ir jāizņem ārā akumulators.
 Prieš atlikdami bet kokius darbus įrenginyje, išimkite keičiamą akumuliatorių.
 Enne kõiki töid masina kallal võtke vahetatav aku välja.
 Выньте аккумулятор из машины перед проведением с ней каких-либо манипуляций.
 Преди започване на каквото е да е работи по машината извадете акумулатора.
 İndepărtați acumulatorul înainte de începerea lucrului pe mașina.
 Отстранете ја батеријата пред да започнете да ја користите машината.
 在机器上进行任何维护工作之前，先拿出蓄电池。

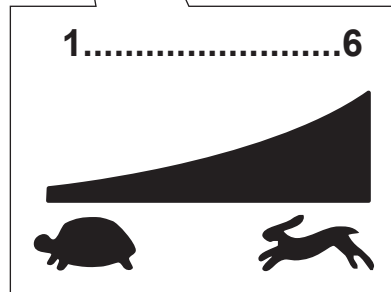
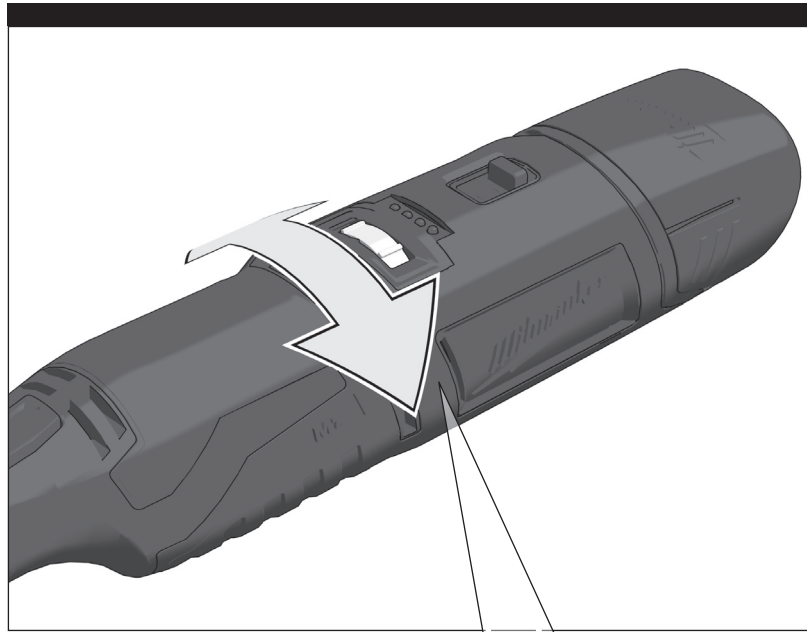
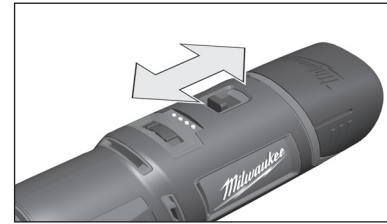
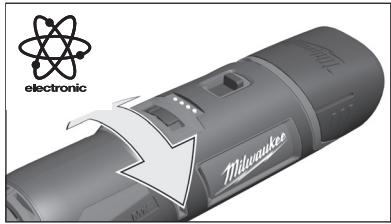




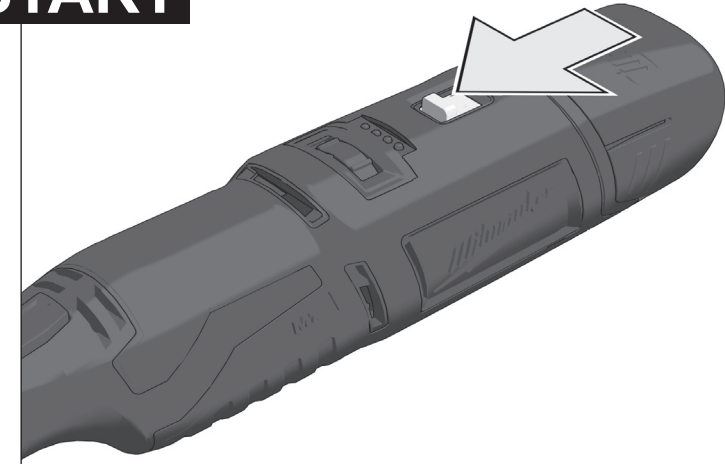
 Remove the battery pack before starting any work on the machine.
 Vor allen Arbeiten an der Maschine den Wechselakku herausnehmen
 Avant tous travaux sur la machine retirer l'accu interchangeable.
 Prima di iniziare togliere la batteria dalla macchina.
 Retire la batería antes de comenzar cualquier trabajo en la máquina.
 Antes de efectuar qualquer intervenção na máquina retirar o bloco acumulador.
 Voor alle werkzaamheden aan de machine de akku verwijderen.
 Ved arbejde inden i maskinen, bær batteriet tages ud.
 Ta ut vekselbatteriet før du arbeider på maskinen
 Drag ur batteripaket innan arbete utföres på maskinen.
 Ota akku pois ennen kaikkia koneeseen tehtäviä toimenpiteitä.
 Πριν από κάθε εργασία στη μηχανή αφαιρείτε την ανταλλακτική μπαταρία.
 Aletin kendinge bir çalışma yapmadan önce kartuşu aküyü çıkarın.
 Před zahájením veškerých prací na vrtacím šroubováku vyjmout výměnný akumulátor.
 Pred každou prácou na stroji výměnný akumulátor vytiahnuť.
 Przed przystąpieniem do jakichkolwiek prac na elektronarzędziu należy wyjąć wkładkę akumulatrową.
 Karbantartás, javítás, tisztítás, stb. előtt az akkumulátort ki kell venni a készülékből.
 Pred deli na stroju izvlcite izmenljivi akumulator.
 Prije svih radova na stroju izvaditi bateriju za zamjenu.
 Pirms mašīnai veikt jebkāda veida apkopes darbus, ir jāizņem ārā akumulātors.
 Prieš atlikdami bet kokius darbus įrenginyje, išimkite keičiamą akumuliatorių.
 Enne kōiki tōid masina kallai vōtke vahetatav aku vālja.
 Вийніть акумулятор із машини перед проведенням с неї яких-либo маніпуляцій.
 Преди започване на каквита е да е работи по машината извадете акумулатора.
 Scoateți acumulatorul înainte de a începe orice intervenție pe mașină.
 Отстранете ја батеријата пред да започнете да ја користите машината.
 在机器上进行任何维护工作之前，先拿出蓄电池。



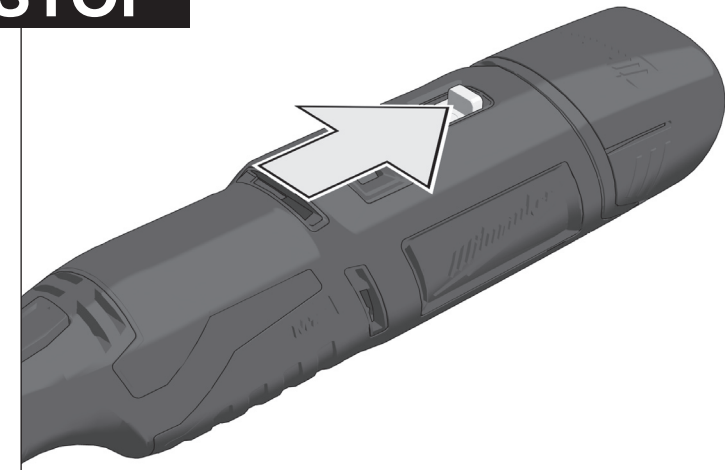


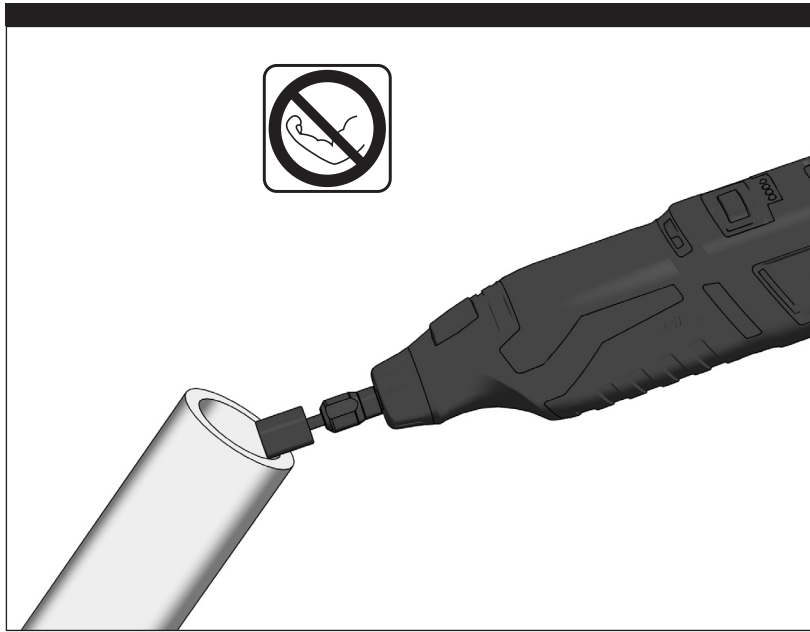
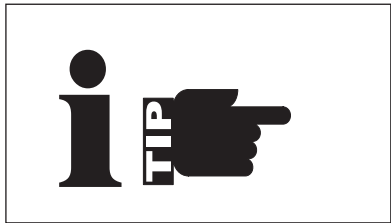


START



STOP





TECHNICAL DATA	DIE GRINDER	C 12 RT
Production code.....	4311 33 01...	...00001-999999
Battery voltage.....	12 V	
Rated speed.....	5000-37000 min ⁻¹	
Collet diameter.....	0,8 / 1,6 / 2,4 / 3,2 mm	
Abrasive grinding body diam. max. ceramic or rubber bonded abrasive product.....	25 mm	
resinoid-bonded abrasive product.....	25 mm	
Weight according EPTA-Procedure 01/2003.....	0,62 kg	

Noise/Vibration Information

Measured values determined according to EN 60745.

Typically, the A-weighted noise levels of the tool are:

Sound pressure level (Uncertainty K=3dB(A)).....	73 dB (A)
Sound power level (Uncertainty K=3dB(A)).....	84 dB (A)

Wear ear protection!

Total vibration values (vector sum in the three axes) determined according to EN 60745:

vibration emission value a _h	
Drilling into metal.....	2,4 m/s ²
Uncertainty K =.....	1,5 m/s ²
Sanding.....	2,6 m/s ²
Uncertainty K =.....	1,5 m/s ²
Grinding metal.....	3,1 m/s ²
Uncertainty K =.....	1,5 m/s ²
Grinding stone.....	1,8 m/s ²
Uncertainty K =.....	1,5 m/s ²
Cutting of metal.....	3,4 m/s ²
Uncertainty K =.....	1,5 m/s ²

WARNING

The vibration emission level given in this information sheet has been measured in accordance with a standardised test given in EN 60745 and may be used to compare one tool with another. It may be used for a preliminary assessment of exposure.

The declared vibration emission level represents the main applications of the tool. However if the tool is used for different applications, with different accessories or poorly maintained, the vibration emission may differ. This may significantly increase the exposure level over the total working period.

An estimation of the level of exposure to vibration should also take into account the times when the tool is switched off or when it is running but not actually doing the job. This may significantly reduce the exposure level over the total working period.

Identify additional safety measures to protect the operator from the effects of vibration such as: maintain the tool and the accessories, keep the hands warm, organisation of work patterns.

⚠ WARNING! Read all safety warnings and all instructions. Failure to follow the warnings and instructions may result in electric shock, fire and/or serious injury. **Save all warnings and instructions for future reference.**

SAFETY INSTRUCTIONS

Safety Warnings Common for Grinding

a) This power tool is intended to function as a grinder. Read all safety warnings, instructions, illustrations and specifications provided with this power tool. Failure to follow all instructions listed below may result in electric shock, fire and/or serious injury.

b) Operations such as wire brushing, cut-off, sanding and polishing are not recommended to be performed with this power tool. Operations for which the power tool was not designed may create a hazard and cause personal injury.

c) Do not use accessories which are not specifically designed and recommended by the tool manufacturer. Just because the accessory can be attached to your power tool, it does not assure safe operation.

d) The rated speed of the accessory must be at least equal to the maximum speed marked on the power tool.

Accessories running faster than their rated speed can break and fly apart.

e) The outside diameter and the thickness of your accessory must be within the capacity rating of your power tool. Incorrectly sized accessories cannot be adequately guarded or controlled.

f) The arbour size of wheels, sanding drum or any other accessory must properly fit the spindle or collet of the

power tool. Accessories that do not match the mounting hardware of the power tool will run out of balance, vibrate excessively and may cause loss of control.

g) Mandrel mounted wheels, sanding drums, cutters or other accessories must be fully inserted into the collet or chuck. The “overhang” or the length of the mandrel from the wheel to the collet must be minimal. If the mandrel is insufficiently held and/or the overhang of the wheel is too long, the mounted wheel may become loose and ejected at high velocity.

h) Do not use a damaged accessory. Before each use inspect the accessory such as abrasive wheels for chips and cracks, backing pad for cracks, tear or excess wear, wire brush for loose or cracked wires. If power tool or accessory is dropped, inspect for damage or install an undamaged accessory. After inspecting and installing an accessory, position yourself and bystanders away from the plane of the rotating accessory and run the power tool at maximum no-load speed for one minute. Damaged accessories will normally break apart during this test time.

i) Wear personal protective equipment. Depending on application, use face shield, safety goggles or safety glasses. As appropriate, wear dust mask, hearing protectors, gloves and shop apron capable of stopping small abrasive or workpiece fragments. The eye protection must be capable of stopping flying debris generated by various operations. The dust mask or respirator must be capable of filtering particles generated by your operation. Prolonged exposure to high intensity noise may cause hearing loss.

j) Keep bystanders a safe distance away from work area. Anyone entering the work area must wear personal

protective equipment. Fragments of workpiece or of a broken accessory may fly away and cause injury beyond immediate area of operation.

k) Hold power tool by insulated gripping surfaces, when performing an operation where the cutting accessory may contact hidden wiring. Cutting accessory contacting a „live“ wire may make exposed metal parts of the power tool „live“ and could give the operator an electric shock.

l) Always hold the tool firmly in your hands during the start-up. The reaction torque of the motor, as it accelerates to full speed, can cause the tool to twist.

m) Use clamps to support workpiece whenever practical. Never hold a small workpiece in one hand and the tool in the other hand while in use. Clamping a small workpiece allows you to use both hands to control the tool. Round material such as dowel rods, pipes or tubing have a tendency to roll while being cut, and may cause the bit to bind or jump toward you.

n) Never lay the power tool down until the accessory has come to a complete stop. The spinning accessory may grab the surface and pull the power tool out of your control.

o) After changing the bits or making any adjustments, make sure the collet nut, chuck or any other adjustment devices are securely tightened. Loose adjustment devices can unexpectedly shift, causing loss of control, loose rotating components will be violently thrown.

p) Do not run the power tool while carrying it at your side. Accidental contact with the spinning accessory could snag your clothing, pulling the accessory into your body.

q) Regularly clean the power tool’s air vents. The motor’s fan will draw the dust inside the housing and excessive accumulation of powdered metal may cause electrical hazards.

r) Do not operate the power tool near flammable materials. Sparks could ignite these materials.

s) Do not use accessories that require liquid coolants. Using water or other liquid coolants may result in electrocution or shock.

Kickback and related warnings

Kickback is a sudden reaction to a pinched or snagged rotating wheel, backing pad, brush or any other accessory. Pinching or snagging causes rapid stalling of the rotating accessory which in turn causes the uncontrolled power tool to be forced in the direction opposite of the accessory’s rotation at the point of the binding.

For example, if an abrasive wheel is snagged or pinched by the workpiece, the edge of the wheel that is entering into the pinch point can dig into the surface of the material causing the wheel to climb out or kick out. The wheel may either jump toward or away from the operator, depending on direction of the wheel’s movement at the point of pinching. Abrasive wheels may also break under these conditions.

Kickback is the result of power tool misuse and/or incorrect operating procedures or conditions and can be avoided by taking proper precautions as given below.

a) Maintain a firm grip on the power tool and position your body and arm to allow you to resist kickback forces. Always use auxiliary handle, if provided, for maximum control over kickback or torque reaction during start-up. The operator can control torque reactions or kickback forces, if proper precautions are taken.

b) Use special care when working corners, sharp edges etc. Avoid uncaring and snagging the accessory. Corners, sharp edges or bouncing have a tendency to snag the rotating accessory and cause loss of control or kickback.

c) Do not attach a saw chain woodcarving blade or toothed saw blade. Such blades create frequent kickback and loss of control.

d) Always feed the bit into the material in the same direction as the cutting edge is exiting from the material (which is the same direction as the chips are thrown). Feeding the tool in the wrong direction causes the cutting edge

of the bit to climb out of the work and pull the tool in the direction of this feed.

e) When using steel saws, cut-off wheels, high-speed cutters or tungsten carbide cutters, always have the work securely clamped. These wheels will grab if they become slightly canted in the groove, and can kickback. When a cut-off wheel grabs, the wheel itself usually breaks. When the steel saw, high-speed cutters or tungsten carbide cutter grab, it may jump from the groove and you could lose control of the tool.

Safety Warnings Specific for Grinding

a) Use only wheel types that are recommended for your power tool and only for recommended applications. For example: do not grind with the side of a cut-off wheel. Abrasive cut-off wheels are intended for peripheral grinding, side forces applied to these wheels may cause them to shatter.

b) For threaded abrasive cones and plugs use only undamaged wheel mandrels with an unrelieved shoulder flange that are of correct size and length. Proper mandrels will reduce the possibility of breakage.

c) Do not position your hand in line with and behind the rotating wheel. When the wheel, at the point of operation, is moving away from your hand, the possible kickback may propel the spinning wheel and the power tool directly at you.

d) Support panels or any oversized workpiece to minimize the risk of wheel pinching and kickback. Large workpieces tend to sag under their own weight. Supports must be placed under the workpiece near the line of cut and near the edge of the workpiece on both sides of the wheel.

e) Use extra caution when making a “pocket cut” into existing walls or other blind areas. The protruding wheel may cut gas or water pipes, electrical wiring or objects that can cause kickback.

ADDITIONAL SAFETY AND WORKING INSTRUCTIONS

Always wear goggles when using the machine. It is recommended to wear gloves, sturdy non slipping shoes and apron.

After switching off, the machine will not be idle immediately. (After-running of the work spindle.) Allow the machine to come to a stop before putting down.

Never reach into the danger area of the machine when it is running.

Only use tools whose permitted speed is at least as high as the highest no-load speed of the machine.

Check grinding tools before use. The grinding tool must be properly mounted and turn freely. Perform a test run for at least 30 seconds without load. Do not use damaged, out of round or vibrating grinding tools.

When grinding metal, flying sparks are produced. Take care that no persons are endangered. Because of the danger of fire, no combustible materials should be located in the vicinity (spark flight zone). Do not use dust extraction.

Due care should be taken that no sparks or sanding dust flying from the workpiece come into contact with you.

The adjusting nut must be tightened before starting to work with the machine.

Under the effect of extreme electromagnetic interferences from the outside, temporary variations in the speed of rotation could arise in particular cases.

Always use and store the grinding disks according to the manufacturer’s instructions.

The workpiece must be fixed if it is not heavy enough to be steady. Never move the workpiece towards the rotating disk by hand.

The size of the grinding tool must be suitable for the grinder.

For dusty operations, the machine’s ventilation slits must be kept clear. If necessary, switch off the power to the machine and remove the dust. Use a non-metallic object for this, taking care not to damage any of the inner parts.

Battery acid may leak from damaged batteries under extreme load or extreme temperatures. In case of contact with battery acid wash it off immediately with soap and water. In case of eye contact rinse thoroughly for at least 10 minutes and immediately seek medical attention.

Do not dispose of used battery packs in the household refuse or by burning them. Milwaukee Distributors offer to retrieve old batteries to protect our environment.

Do not store the battery pack together with metal objects (short circuit risk).

Use only System 18 V chargers for charging System 18 V battery packs. Do not use battery packs from other systems.

No metal parts must be allowed to enter the battery section of the charger (short circuit risk).

Never break open battery packs and chargers and store only in dry rooms. Keep dry at all times.

Remove the battery pack before starting any work on the machine.

Make sure that the grinding tool is installed in accordance with the manufacturer's instructions.

SPECIFIED CONDITIONS OF USE

This Straight grinder may be used for grinding wood, metal, plastic, or similar materials, especially in hard accessible corners and places.

Do not use this product in any other way as stated for normal use.

Please refer to the instructions supplied by the accessory manufacturer.

The machine is suitable only for working without water.

EC-DECLARATION OF CONFORMITY

We declare under our sole responsibility that the product described under "Technical Data" fulfills all the relevant provisions of the directives 2011/65/EU (RoHS), 2004/108/EC, 2006/42/EC and the following harmonized standards have been used:

EN 60745-1:2009+A11:2010

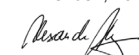
EN 60745-2-3:2011

EN 55014-1:2006+A1:2009+A2:2011

EN 55014-2:1997+A1:2001+A2:2008

EN 50581:2012

Winnenden, 2014-06-18



Alexander Krug
Managing Director



Authorized to compile the technical file

Techtronic Industries GmbH
Max-Eyth-Straße 10
71364 Winnenden
Germany

BATTERIES

Battery packs which have not been used for some time should be recharged before use.

Temperatures in excess of 50°C (122°F) reduce the performance of the battery pack. Avoid extended exposure to heat or sunshine (risk of overheating).

The contacts of chargers and battery packs must be kept clean.

For an optimum life-time, the battery packs have to be fully charged, after used.

To obtain the longest possible battery life remove the battery pack from the charger once it is fully charged.

For battery pack storage longer than 30 days:

Store the battery pack where the temperature is below 27°C and away from moisture

Store the battery packs in a 30% - 50% charged condition
Every six months of storage, charge the pack as normal.

MAINTENANCE

The ventilation slots of the machine must be kept clear at all times.

Do not let any metal parts reach the airing slots - danger of short circuit!

Use only Milwaukee accessories and spare parts. Should components need to be replaced which have not been described, please contact one of our Milwaukee service agents (see our list of guarantee/service addresses).

If needed, an exploded view of the tool can be ordered. Please state the Article No. as well as the machine type printed on the label and order the drawing at your local service agents or directly at: Techtronic Industries GmbH, Max-Eyth-Straße 10, 71364 Winnenden, Germany.

SYMBOLS



CAUTION! WARNING! DANGER!



Remove the battery pack before starting any work on the machine.



Please read the instructions carefully before starting the machine.



Always wear goggles when using the machine.



Wear gloves!



Do not use force.



Do not dispose of electric tools together with household waste material. Electric tools and electronic equipment that have reached the end of their life must be collected separately and returned to an environmentally compatible recycling facility. Check with your local authority or retailer for recycling advice and collection point.



European Conformity Mark

EurAsian Conformity Mark.

TECHNISCHE DATEN	GERADSCHLEIFER	C 12 RT
Produktionsnummer	4311 33 01...	...000001-999999
Spannung Wechselakku	12 V	
Bemessungsdrehzahl	5000-37000 min ⁻¹	
Spannzangen-ø	0,8 / 1,6 / 2,4 / 3,2 mm	
Schleifkörper-ø max.		
keramisch oder mit Gummi gebundener Schleifkörper	25 mm	
kunstharzgebundener Schleifkörper	25 mm	
Gewicht nach EPTA-Prozedur 01/2003	0,62 kg	

Geräusch/Vibrationsinformation

Messwerte ermittelt entsprechend EN 60 745.

Der A-bewertete Geräuschpegel des Gerätes beträgt typischerweise:

Schalldruckpegel (Unsicherheit K=3dB(A)) 73 dB (A)
 Schalleistungspegel (Unsicherheit K=3dB(A)) 84 dB (A)

Gehörschutz tragen!

Schwingungsgesamtwerte (Vektorsumme dreier Richtungen)

ermittelt entsprechend EN 60745.

Schwingungsemissionswert a_w

Bohren in Metall	2,4 m/s ²
Unsicherheit K =	1,5 m/s ²
Sandpapierschleifen	2,6 m/s ²
Unsicherheit K =	1,5 m/s ²
Schleifen Metall	3,1 m/s ²
Unsicherheit K =	1,5 m/s ²
Schleifen Stein	1,8 m/s ²
Unsicherheit K =	1,5 m/s ²
Trennen Metall	3,4 m/s ²
Unsicherheit K =	1,5 m/s ²

WARNUNG

Der in diesen Anweisungen angegebene Schwingungspegel ist entsprechend einem in EN 60745 genormten Messverfahren gemessen worden und kann für den Vergleich von Elektrowerkzeugen miteinander verwendet werden. Er eignet sich auch für eine vorläufige Einschätzung der Schwingungsbelastung.

Der angegebene Schwingungspegel repräsentiert die hauptsächlichsten Anwendungen des Elektrowerkzeugs. Wenn allerdings das Elektrowerkzeug für andere Anwendungen, mit abweichenden Einsatzwerkzeugen oder ungenügender Wartung eingesetzt wird, kann der Schwingungspegel abweichen. Dies kann die Schwingungsbelastung über den gesamten Arbeitszeitraum deutlich erhöhen.

Für eine genaue Abschätzung der Schwingungsbelastung sollten auch die Zeiten berücksichtigt werden, in denen das Gerät abgeschaltet ist oder zwar läuft, aber nicht tatsächlich im Einsatz ist. Dies kann die Schwingungsbelastung über den gesamten Arbeitszeitraum deutlich reduzieren.

Legen Sie zusätzliche Sicherheitsmaßnahmen zum Schutz des Bedieners vor der Wirkung von Schwingungen fest wie zum Beispiel: Wartung von Elektrowerkzeug und Einsatzwerkzeugen, Warmhalten der Hände, Organisation der Arbeitsabläufe.

⚠️ WARNUNG! Lesen Sie alle Sicherheitshinweise und Anweisungen. Versäumnisse bei der Einhaltung der Sicherheitshinweise und Anweisungen können elektrischen Schlag, Brand und/oder schwere Verletzungen verursachen. **Bewahren Sie alle Sicherheitshinweise und Anweisungen für die Zukunft auf.**

⚠️ SPEZIELLE SICHERHEITSHINWEISE

Gemeinsame Sicherheitshinweise zum Schleifen

a) Dieses Elektrowerkzeug ist zu verwenden als Schleifer. Beachten Sie alle Sicherheitshinweise, Anweisungen, Darstellungen und Daten, die Sie mit dem Elektrowerkzeug erhalten. Wenn Sie die folgenden Anweisungen nicht beachten, kann es zu elektrischem Schlag, Feuer und/oder schweren Verletzungen kommen.

b) Dieses Elektrowerkzeug ist nicht geeignet zum Drahtbürsten, Trennschleifen, Sandpapierschleifen und Polieren. Verwendungen, für die das Elektrowerkzeug nicht vorgesehen ist, können Gefährdungen und Verletzungen verursachen.

c) Verwenden Sie kein Zubehör, das vom Hersteller nicht speziell für dieses Elektrowerkzeug vorgesehen und empfohlen wurde. Nur weil Sie das Zubehör an Ihrem Elektrowerkzeug befestigen können, garantiert das keine sichere Verwendung.

d) Die zulässige Drehzahl des Einsatzwerkzeugs muss mindestens so hoch sein wie die auf dem Elektrowerkzeug

angegebene Höchstdrehzahl. Zubehör, das sich schneller als zulässig dreht, kann zerbrechen und umherfliegen.

e) Außendurchmesser und Dicke des Einsatzwerkzeugs müssen den Maßangaben Ihres Elektrowerkzeugs entsprechen. Falsch bemessene Einsatzwerkzeuge können nicht ausreichend abgeschirmt oder kontrolliert werden.

f) Schleifscheiben, Schleifwalzen oder anderes Zubehör müssen genau auf die Schleifspindel oder Spannange des Elektrowerkzeugs passen. Einsatzwerkzeuge, die nicht genau auf die Schleifspindel des Elektrowerkzeugs passen, drehen sich ungleichmäßig, vibrieren sehr stark und können zum Verlust der Kontrolle führen.

g) Auf einen Dorn montierte Scheiben, Schleifzylinder, Schneidwerkzeuge oder anderes Zubehör müssen vollständig in die Spannange oder in das Spannfutter eingesetzt sein. Der Überstand bzw. der frei liegende Teil des Dorns zwischen Schleifkörper und Spannange oder Spannmutter muss minimal sein. Wird der Dorn nicht ausreichend gespannt oder steht der Schleifkörper zu weit vor, kann sich das Einsatzwerkzeug lösen und mit hoher Geschwindigkeit ausgeworfen werden.

h) Verwenden Sie keine beschädigten Einsatzwerkzeuge. Kontrollieren Sie vor jeder Verwendung Einsatzwerkzeuge wie Schleifscheiben auf Absplitterungen und Risse, Schleifteller auf Risse, Verschleiß oder starke Abnutzung, Drahtbürsten auf lose oder gebrochene Drähte. Wenn das Elektrowerkzeug oder das Einsatzwerkzeug herunterfällt, überprüfen Sie, ob es beschädigt ist, oder verwenden Sie

ein unbeschädigtes Einsatzwerkzeug. Wenn Sie das Einsatzwerkzeug kontrolliert und eingesetzt haben, halten Sie und in der Nähe befindliche Personen sich außerhalb der Ebene des rotierenden Einsatzwerkzeugs auf und lassen Sie das Elektrowerkzeug eine Minute lang mit Höchstdrehzahl laufen. Beschädigte Einsatzwerkzeuge brechen meist in dieser Testzeit.

i) Tragen Sie persönliche Schutzausrüstung. Verwenden Sie je nach Anwendung Vollgesichtsschutz, Augenschutz oder Schutzbrille. Soweit angemessen, tragen Sie Staubmaske, Gehörschutz, Schutzhandschuhe oder Spezialschürze, die kleine Schlei und Materialpartikel von Ihnen fernhält. Die Augen sollen vor herumfliegenden Fremdkörpern geschützt werden, die bei verschiedenen Anwendungen entstehen. Staub oder Atemschutzmaske müssen den bei der Anwendung entstehenden Staub filtern. Wenn Sie lange lautem Lärm ausgesetzt sind, können Sie einen Hörverlust erleiden.

j) Achten Sie bei anderen Personen auf sicheren Abstand zu Ihrem Arbeitsbereich. Jeder, der den Arbeitsbereich betritt, muss persönliche Schutzausrüstung tragen. Bruchstücke des Werkstücks oder gebrochener Einsatzwerkzeuge können wegfliegen und Verletzungen auch außerhalb des direkten Arbeitsbereichs verursachen.

k) Halten Sie das Gerät nur an den isolierten Griffflächen, wenn Sie Arbeiten ausführen, bei denen das Einsatzwerkzeug verborgene Stromleitungen treffen kann. Der Kontakt mit einer spannungsführenden Leitung kann auch metallene Geräteteile unter Spannung setzen und zu einem elektrischen Schlag führen.

l) Halten Sie das Elektrowerkzeug beim Starten stets gut fest. Beim Hochlaufen auf die volle Drehzahl kann das Reaktionsmoment des Motors dazu führen, dass sich das Elektrowerkzeug dreht.

m) Wenn möglich, verwenden Sie Zwingen, um das Werkstück zu fixieren. Halten Sie niemals ein kleines Werkstück in der einen Hand und das Elektrowerkzeug in der anderen, während Sie es benutzen. Durch das Festspannen kleiner Werkstücke haben Sie beide Hände zur besseren Kontrolle des Elektrowerkzeugs frei. Beim Trennen runder Werkstücke wie Holzdübel, Stangenmaterial oder Rohre neigen diese zum Wegrollen, wodurch der Einsatzwerkzeug klemmen und auf Sie zu geschleudert werden kann.

n) Legen Sie das Elektrowerkzeug niemals ab, bevor das Einsatzwerkzeug völlig zum Stillstand gekommen ist. Das sich drehende Einsatzwerkzeug kann in Kontakt mit der Ablagefläche geraten, wodurch Sie die Kontrolle über das Elektrowerkzeug verlieren können.

o) Ziehen Sie nach dem Wechseln von Einsatzwerkzeugen oder Einstellungen am Gerät die Spannzangenmutter, das Spannfutter oder sonstige Befestigungselemente fest an. Lose Befestigungselemente können sich unerwartet verstellen und zum Verlust der Kontrolle führen; unbefestigte, rotierende Komponenten werden gewaltsam herausgeschleudert.

p) Lassen Sie das Elektrowerkzeug nicht laufen, während Sie es tragen. Ihre Kleidung kann durch zufälligen Kontakt mit dem sich drehenden Einsatzwerkzeug erfasst werden, und das Einsatzwerkzeug sich in Ihren Körper bohren.

q) Reinigen Sie regelmäßig die Lüftungsschlitze Ihres Elektrowerkzeugs. Das Motorgebläse zieht Staub in das Gehäuse, und eine starke Ansammlung von Metallstaub kann elektrische Gefahren verursachen.

r) Verwenden Sie das Elektrowerkzeug nicht in der Nähe brennbarer Materialien. Funken können diese Materialien entzünden.

s) Verwenden Sie keine Einsatzwerkzeuge, die flüssige Kühlmittel erfordern. Die Verwendung von Wasser oder anderen flüssigen Kühlmitteln kann zu einem elektrischen Schlag führen.

Rückschlag und entsprechende Sicherheitshinweise

Rückschlag ist die plötzliche Reaktion infolge eines hakenden oder blockierten drehenden Einsatzwerkzeugs, wie Schleifscheibe, Schleifteller, Drahtbürste usw. Verhaken oder Blockieren führt zu einem abrupten Stopp des rotierenden Einsatzwerkzeugs. Dadurch wird ein unkontrolliertes Elektrowerkzeug gegen die Drehrichtung des Einsatzwerkzeugs an der Blockierstelle beschleunigt.

Wenn z. B. eine Schleifscheibe im Werkstück hakt oder blockiert, kann sich die Kante der Schleifscheibe, die in das Werkstück eintaucht, verfangen und dadurch die Schleifscheibe ausbrechen oder einen Rückschlag verursachen. Die Schleifscheibe bewegt sich dann auf die Bedienperson zu oder von ihr weg, je nach Drehrichtung der Scheibe an der Blockierstelle. Hierbei können Schleifscheiben auch brechen.

Ein Rückschlag ist die Folge eines falschen oder fehlerhaften Gebrauchs des Elektrowerkzeugs. Er kann durch geeignete Vorsichtsmaßnahmen, wie nachfolgend beschrieben, verhindert werden.

a) Halten Sie das Elektrowerkzeug gut fest und bringen Sie Ihren Körper und Ihre Arme in eine Position, in der Sie die Rückschlagkräfte abfangen können. Verwenden Sie immer den Zusatzgriff, falls vorhanden, um die größtmögliche Kontrolle über Rückschlagkräfte oder Reaktionsmomente beim Hochlauf zu haben. Die Bedienperson kann durch geeignete Vorsichtsmaßnahmen die Rückschlag und Reaktionskräfte beherrschen.

b) Arbeiten Sie besonders vorsichtig im Bereich von Ecken, scharfen Kanten usw. Verhindern Sie, dass Einsatzwerkzeuge vom Werkstück zurückprallen und verklebten. Das rotierende Einsatzwerkzeug neigt bei Ecken, scharfen Kanten oder wenn es abprallt, dazu, sich zu verklebten. Dies verursacht einen Kontrollverlust oder Rückschlag.

c) Verwenden Sie kein gezähntes Sägeblatt. Solche Einsatzwerkzeuge verursachen häufig einen Rückschlag oder den Verlust der Kontrolle über das Elektrowerkzeug.

d) Führen Sie das Einsatzwerkzeug stets in der gleichen Richtung in das Material, in der die Schneidkante das Material verlässt (entspricht der gleichen Richtung, in der die Späne ausgeworfen werden). Führen des Elektrowerkzeugs in die falsche Richtung bewirkt ein Ausbrechen der Schneidkante des Einsatzwerkzeugs aus dem Werkstück, wodurch das Elektrowerkzeug in diese Vorschubrichtung gezogen wird.

e) Spannen Sie das Werkstück bei der Verwendung von Drehfeilen, Trennscheiben, Hochgeschwindigkeitsfräswerkzeugen oder Hartmetall-Fräswerkzeugen stets fest. Bereits bei geringer Verkantung in der Nut verhaken diese Einsatzwerkzeuge und können einen Rückschlag verursachen. Bei Verhaken einer Trennscheibe bricht diese gewöhnlich. Bei Verhaken von Drehfeilen, Hochgeschwindigkeitsfräswerkzeugen oder Hartmetall-Fräswerkzeugen kann der Werkzeugeinsatz aus der Nut springen und zum Verlust der Kontrolle über das Elektrowerkzeug führen.

Besondere Sicherheitshinweise zum Schleifen

a) Verwenden Sie ausschließlich die für Ihr Elektrowerkzeug zugelassenen Schleifkörper und nur für die empfohlenen Einsatzmöglichkeiten. Beispiel: Schleifen Sie nie mit der Seitenfläche einer Trennscheibe. Trennscheiben sind zum Materialabtrag mit der Kante der Scheibe bestimmt. Seitliche Krafterwirkung auf diese Schleifkörper kann sie zerbrechen.

b) Verwenden Sie für konische und gerade Schleifstifte mit Gewinde nur unbeschädigte Dorne der richtigen Größe und Länge, ohne Hinterschneidung an der Schulter. Geeignete Dorne vermindern die Möglichkeit des Bruchs.

c) Meiden Sie mit Ihrer Hand den Bereich vor und hinter der rotierenden Trennscheibe. Wenn Sie die Trennscheibe im Werkstück von Ihrer Hand wegbewegen, kann im Falle eines Rückschlags das Elektrowerkzeug mit der sich drehenden Scheibe direkt auf Sie zugeschleudert werden.

d) **Stützen Sie Platten oder große Werkstücke ab, um das Risiko eines Rückschlags durch eine eingeklemmte Trennscheibe zu vermindern.** Große Werkstücke können sich unter ihrem eigenen Gewicht durchbiegen. Das Werkstück muss auf beiden Seiten abgestützt werden, und zwar sowohl in der Nähe des Trennschnitts als auch an der Kante.

e) **Seien Sie besonders vorsichtig bei „Tauschnitten“ in bestehende Wände oder andere nicht einsehbare Bereiche.** Die eintauchende Trennscheibe kann beim Schneiden in Gas oder Wasserleitungen, elektrische Leitungen oder andere Objekte einen Rückschlag verursachen.

WEITERE SICHERHEITS- UND ARBEITSHINWEISE

Beim Arbeiten mit der Maschine stets Schutzbrille tragen. Schutzhandschuhe, festes und rutschsicheres Schuhwerk und Schürze werden empfohlen.

Die Werkzeugspindel läuft nach, nachdem das Gerät ausgeschaltet wurde. Maschine erst nach Stillstand ablegen.

Nicht in den Gefahrenbereich der laufenden Maschine greifen.

Nur Arbeitswerkzeuge verwenden, deren zulässige Drehzahl mindestens so hoch ist wie die höchste Leerlaufdrehzahl des Gerätes.

Schleifwerkzeuge vor dem Gebrauch überprüfen. Das Schleifwerkzeug muss einwandfrei montiert sein und sich frei drehen können. Probelauf mindestens 30 Sekunden ohne Belastung durchführen. Beschädigte, unrunde oder vibrierende Schleifwerkzeuge nicht verwenden.

Beim Schleifen von Metallen entsteht Funkenflug. Darauf achten, dass keine Personen gefährdet werden. Wegen der Brandgefahr dürfen sich keine brennbaren Materialien in der Nähe (Funkenflugbereich) befinden. Keine Staubabsaugung verwenden.

Gerät immer so halten, dass Funken oder Schleifstaub vom Körper wegfliegen.

Die Spannmutter muss vor Inbetriebnahme der Maschine angezogen sein.

Unter Einwirkung extremer elektromagnetischer Störungen von außen, können im Einzelfall vorübergehende Drehzahlschwankungen auftreten.

Schleifscheiben stets gemäß den Angaben des Herstellers verwenden und aufbewahren.

Das zu bearbeitende Werkstück muss festgespannt werden, sofern es nicht durch sein Eigengewicht hält. Niemals Werkstück mit der Hand gegen die Scheibe führen.

Sicherstellen, dass das Schleifwerkzeug nach Anweisung des Schleifmittelherstellers angebracht ist.

Die Maße des Schleifwerkzeugs müssen zum Schleifer passen.

Bei staubigen Arbeiten müssen die Lüftungsschlitze der Maschine frei sein. Wenn erforderlich, Maschine vom Netz trennen und Staub entfernen. Hierzu nichtmetallische Objekte verwenden und keine inneren Teile beschädigen.

Unter extremer Belastung oder extremer Temperatur kann aus beschädigten Wechselakkus Batterieflüssigkeit auslaufen. Bei Berührung mit Batterieflüssigkeit sofort mit Wasser und Seife abwaschen. Bei Augenkontakt sofort mindestens 10 Minuten gründlich spülen und unverzüglich einen Arzt aufsuchen.

Verbrauchte Wechselakkus nicht ins Feuer oder in den Hausmüll werfen. Milwaukee bietet eine umweltgerechte Alt-Wechselakku-Entsorgung an; bitte fragen Sie Ihren Fachhändler.

Wechselakku nicht zusammen mit Metallgegenständen aufbewahren (Kurzschlussgefahr).

Wechselakku des Systems Milwaukee 18 V nur mit Ladegeräten des Systems Milwaukee 18 V laden. Keine Akkus aus anderen Systemen laden.

In den Wechselakku-Einschubschacht der Ladegeräte dürfen keine Metallteile gelangen (Kurzschlussgefahr).

Wechselakku und Ladegeräte nicht öffnen und nur in trockenen Räumen lagern. Vor Nässe schützen.

Vor allen Arbeiten an der Maschine den Wechselakku herausnehmen

Sicherstellen, dass das Schleifwerkzeug nach Anweisung des Schleifmittelherstellers angebracht ist.

BESTIMMUNGSGEMÄSSE VERWENDUNG

Der Stabschleifer ist geeignet zum Schleifen von Holz, Kunststoff und Metall, insbesondere an schwer zugänglichen Stellen.

Dieses Gerät darf nur wie angegeben bestimmungsgemäß verwendet werden.

Beachten Sie die Hinweise der Zubehörhersteller.

Das Elektrowerkzeug ist nur für Trockenbearbeitung geeignet.

CE-KONFORMITÄTSERKLÄRUNG

Wir erklären in alleiniger Verantwortung, dass das unter „Technische Daten“ beschriebene Produkt mit allen relevanten Vorschriften der Richtlinie 2011/65/EU (RoHS), 2006/42/EG, 2004/108/EG und den folgenden harmonisierten normativen Dokumenten übereinstimmt:

EN 60745-1:2009+A11:2010

EN 60745-2-3:2011

EN 55014-1:2006+A1:2009+A2:2011

EN 55014-2:1997+A1:2001+A2:2008

EN 50581:2012

Winnenden, 2014-07-24



Alexander Krug
Managing Director



Bevollmächtigt die technischen Unterlagen zusammenzustellen

Techtronic Industries GmbH
Max-Eyth-Straße 10
71364 Winnenden
Germany

AKKUS

Längere Zeit nicht benutzte Wechselakkus vor Gebrauch nachladen.

Eine Temperatur über 50°C vermindert die Leistung des Wechselakkus. Längere Erwärmung durch Sonne oder Heizung vermeiden.

Die Anschlusskontakte an Ladegerät und Wechselakku sauber halten.

Für eine optimale Lebensdauer müssen nach dem Gebrauch die Akkus voll geladen werden.

Für eine möglichst lange Lebensdauer sollten die Akkus nach dem Aufladen aus dem Ladegerät entfernt werden.

Bei Lagerung des Akkus länger als 30 Tage:

Akku bei ca. 27°C und trocken lagern.

Akku bei ca. 30%-50% des Ladezustandes lagern.

Akku alle 6 Monate erneut aufladen.

WARTUNG

Stets die Lüftungsschlitze der Maschine sauber halten.

Wegen Kurzschlussgefahr dürfen Metallteile nicht in die Lüftungsschlitze gelangen.

Nur Milwaukee Zubehör und Ersatzteile verwenden. Bauteile, deren Austausch nicht beschrieben wurde, bei einer Milwaukee Kundendienststelle auswechseln lassen (Broschüre Garantie/Kundendienstadressen beachten).

Bei Bedarf kann eine Explosionszeichnung des Gerätes unter Angabe der Maschinen Type und der sechsstelligen Nummer auf dem Leistungsschild bei Ihrer Kundendienststelle oder direkt bei Techtronic Industries GmbH, Max-Eyth-Straße 10, 71364 Winnenden, Germany angefordert werden.

SYMBOLE



ACHTUNG! WARNUNG! GEFAHR!



Vor allen Arbeiten an der Maschine den Wechselakku herausnehmen



Bitte lesen Sie die Gebrauchsanweisung vor Inbetriebnahme sorgfältig durch.



Beim Arbeiten mit der Maschine stets Schutzbrille tragen.



Schutzhandschuhe tragen!



Keine Kraft anwenden.



Elektrogeräte dürfen nicht zusammen mit dem Hausmüll entsorgt werden. Elektrische und elektronische Geräte sind getrennt zu sammeln und zur umweltgerechten Entsorgung bei einem Verwertungsbetrieb abzugeben. Erkundigen Sie sich bei den örtlichen Behörden oder bei Ihrem Fachhändler nach Recyclinghöfen und Sammelstellen.



CE-Zeichen

EurAsian Konformitätszeichen.

CARACTÉRISTIQUES TECHNIQUES MEULEUSE DROITE C 12 RT

Numéro de série.....	4311 33 01... ...000001-999999
Tension accu interchangeable.....	12 V
Vitesse de rotation nominale.....	5000-37000 min ⁻¹
Diamètre des pinces de serrage.....	0,8 / 1,6 / 2,4 / 3,2 mm
Ø max. meules renforcées:	
meule avec liant céramique ou en caoutchouc.....	25 mm
meules avec liant en résine synthétique.....	25 mm
Poids avec accu remplaçable.....	0,62 kg

Informations sur le bruit et les vibrations

Valeurs de mesure obtenues conformément à la EN 60 745. Les mesures réelles (A) des niveaux acoustiques de l'appareil sont :

Niveau de pression acoustique (Incertitude K=3dB(A)).....	73 dB (A)
Niveau d'intensité acoustique (Incertitude K=3dB(A)).....	84 dB (A)

Toujours porter une protection acoustique!

Valeurs totales des vibrations (somme vectorielle de trois sens) établies conformément à EN 60745.

Valeur d'émission vibratoire a _h	
Perçage dans le métal.....	2,4 m/s ²
Incertitude K.....	1,5 m/s ²
Ponçage à la toile émeril.....	2,6 m/s ²
Incertitude K.....	1,5 m/s ²
Meulage métal.....	3,1 m/s ²
Incertitude K.....	1,5 m/s ²
Meulage pierre.....	1,8 m/s ²
Incertitude K.....	1,5 m/s ²
Coupe métal.....	3,4 m/s ²
Incertitude K.....	1,5 m/s ²

AVERTISSEMENT

Le niveau vibratoire indiqué dans ces instructions a été mesuré selon un procédé de mesure normalisé dans la norme EN 60745 et peut être utilisé pour comparer des outils électriques entre eux. Il convient aussi à une estimation provisoire de la sollicitation par les vibrations.

Le niveau vibratoire indiqué représente les applications principales de l'outil électrique. Toutefois, si l'outil électrique est utilisé pour d'autres applications, avec des outils rapportés qui diffèrent ou une maintenance insuffisante, il se peut que le niveau vibratoire diverge. Cela peut augmenter nettement la sollicitation par les vibrations sur tout l'intervalle de temps du travail.

Pour une estimation précise de la sollicitation par les vibrations, on devrait également tenir compte des temps pendant lesquels l'appareil n'est pas en marche ou tourne sans être réellement en service. Cela peut réduire nettement la sollicitation par les vibrations sur tout l'intervalle de temps du travail.

Définissez des mesures de sécurité supplémentaires pour protéger l'utilisateur contre l'influence des vibrations, comme par exemple : la maintenance de l'outil électrique et des outils rapportés, le maintien au chaud des mains, l'organisation des déroulements de travail.

AVIS! Lire complètement les instructions et les indications de sécurité. Le non-respect des avertissements et instructions indiqués ci après peut entraîner un choc électrique, un incendie et/ou de graves blessures sur les personnes.

Bien garder tous les avertissements et instructions.

INSTRUCTIONS DE SÉCURITÉ PARTICULIÈRES

Consignes de sécurité communes pour le meulage

a) Cet outil électrique doit être utilisé comme meuleuse. Lire toutes les mises en garde de sécurité, les instructions, les illustrations et les spécifications fournies avec cet outil électrique. Le fait de ne pas suivre toutes les instructions données cidessous peut provoquer un choc électrique, un incendie et/ou une blessure grave.

b) Cet outil électrique ne convient pas au brossage par fils métalliques, ni au tronçonnage, ni au meulage à la toile émeril, ni au polissage. Les cas d'utilisation pour lesquels l'outil électrique n'est pas prévu peuvent présenter des mises en danger et être à l'origine de blessures.

c) Ne pas utiliser d'accessoires non conçus spécifiquement et recommandés par le fabricant d'outils. Le simple fait que l'accessoire puisse être fixé à votre outil électrique ne garantit pas un fonctionnement en toute sécurité.

d) La vitesse assignée de l'accessoire doit être au moins égale à la vitesse maximale indiquée sur l'outil électrique. Les accessoires fonctionnant plus vite que leur vitesse assignée peuvent se rompre et voler en éclat.

ainsi que les personnes présentes à distance du plan de l'accessoire rotatif et faire marcher l'outil électrique à vitesse maximale à vide pendant 1 min. Les accessoires endommagés seront normalement détruits pendant cette période d'essai.

i) Porter un équipement de protection individuelle. En fonction de l'application, utiliser un écran facial, des lunettes de sécurité ou des verres de sécurité. Le cas échéant, utiliser un masque antipoussières, des protections auditives, des gants et un tablier capables d'arrêter les petits fragments abrasifs ou des pièces à usiner. La protection oculaire doit être capable d'arrêter les débris volants produits par les diverses opérations. Le masque antipoussières ou le respirateur doit être capable de filtrer les particules produites par vos travaux. L'exposition prolongée aux bruits de forte intensité peut provoquer une perte de l'audition.

j) Veillez à ce que les personnes tierces respectent une distance sûre par rapport à votre périmètre de travail. Toute personne qui pénètre dans le périmètre de travail doit porter des équipements de protection individuelle. Des fragments de la pièce usinée et d'outils rapportés brisés sont susceptibles de s'envoler et de provoquer des blessures mêmes en dehors du périmètre direct de travail.

k) Maintenez l'appareil par les surfaces de poignée isolées lorsque vous exécutez des travaux pendant lesquels l'outil de coupe peut toucher des lignes électriques dissimulées. Le contact de l'outil de coupe avec un câble qui conduit la tension peut mettre les pièces métalliques de l'appareil sous tension et mener à une décharge électrique.

l) Toujours maintenir l'outil électrique fermement dans les mains pendant le démarrage. Le couple de réaction du moteur, lorsqu'il accélère à la pleine vitesse peut provoquer que l'outil se gauchisse.

m) Utiliser des brides de fixation pour soutenir la pièce à œuvrer pendant chaque utilisation. Ne jamais maintenir une petite pièce à œuvrer dans une main et l'outil électrique dans l'autre main pendant l'utilisation. La fixation d'une petite pièce à œuvrer permet de se servir des deux mains afin de garder le contrôle de l'outil. Le matériel rond tel que des tiges de chevilles, des conduits ou des tubes présentent une tendance à rouler lorsqu'ils sont sectionnés et peuvent provoquer que l'embut se coince ou saute vers l'opérateur.

n) Ne jamais poser l'appareil électrique avant que l'outil rapporté soit entièrement à l'arrêt. L'outil rapporté en rotation est susceptible d'entrer en contact avec la surface de dépôt, ce qui risquerait de vous faire perdre le contrôle de l'appareil électrique.

o) Après le changement des embouts ou après avoir effectué des ajustements, il convient de s'assurer que l'écrou de la douille, le mandrin de serrage ou d'autres dispositifs d'ajustement quelconques sont fixés sûrement. Des dispositifs d'ajustement non fixés peuvent se déloger de manière inattendue, provoquer une perte du contrôle, relâcher les composants en rotation qui sont alors éjectés violemment.

p) Ne pas faire fonctionner l'outil électrique en le portant sur le côté. Un contact accidentel avec l'accessoire de rotation pourrait accrocher vos vêtements et attirer l'accessoire sur vous.

q) Nettoyer régulièrement les orifices d'aération de l'outil électrique. Le ventilateur du moteur attirera la poussière à l'intérieur du boîtier et une accumulation excessive de poudre de métal peut provoquer des dangers électriques.

r) Ne pas utiliser l'outil électrique à proximité de matériaux inflammables. Des étincelles sont susceptibles d'enflammer ces matériaux.

s) Ne pas utiliser d'outils rapportés qui nécessitent des agents réfrigérants liquides. L'utilisation d'eau ou d'autres agents réfrigérants liquides risque de provoquer une électrocution.

Contrecoup et consignes de sécurité correspondantes

Le rebond est une réaction soudaine au pincement ou à l'accrochage d'une meule rotative, d'un patin d'appui, d'une brosse ou de tout autre accessoire. Le pincement ou l'accrochage provoque un blocage rapide de l'accessoire en rotation qui, à son tour, contraint l'outil électrique hors de contrôle dans le sens opposé de rotation de l'accessoire au point du grippage.

Par exemple, si une meule abrasive est accrochée ou pincée par la pièce à usiner, le bord de la meule qui entre dans le point de pincement peut creuser la surface du matériau, provoquant des sauts ou l'expulsion de la meule. La meule peut sauter en direction de l'opérateur ou encore en s'en éloignant, selon le sens du mouvement de la meule au point de pincement. Les meules abrasives peuvent également se rompre dans ces conditions.

Le rebond résulte d'un mauvais usage de l'outil et/ou de procédures ou de conditions de fonctionnement incorrectes et peut être évité en prenant les précautions appropriées spécifiées cidessous.

a) Maintenir fermement l'outil électrique et placer votre corps et vos bras pour vous permettre de résister aux forces de rebond. Toujours utiliser une poignée auxiliaire, le cas échéant, pour une maîtrise maximale du rebond ou de la réaction de couple au cours du démarrage. L'opérateur peut maîtriser les couples de réaction ou les forces de rebond, si les précautions qui s'imposent sont prises.

b) Apporter un soin particulier lors de travaux dans les coins, les arêtes vives etc. Éviter les rebondissements et les accrochages de l'accessoire. Les coins, les arêtes vives ou les rebondissements ont tendance à accrocher l'accessoire en rotation et à provoquer une perte de contrôle ou un rebond.

c) N'utilisez pas de lames de scie à chaîne ou dentées. Ce type d'outil rapporté provoque fréquemment des contrecoups et une perte de contrôle de l'outil électrique.

d) Toujours amener l'embut dans le matériau dans la même direction lorsque l'arête de tronçonnage est en train de sortir du matériau (qui est la même direction lorsque les rognures sont éjectées). Le fait de guider l'outil dans la mauvaise direction provoque que l'arête de tronçonnage de l'embut monte en dehors de la pièce à œuvrer et tire l'outil électrique dans la direction d'avance.

e) Lors de l'utilisation de scies en acier, de disques de tronçonnage, de tranchants à haute vitesse ou de tranchants en carbure de tungstène, il convient toujours de veiller à ce que la pièce à œuvrer soit fixée sûrement. Ces la disque vont se coincer s'ils reçoivent un léger chanfrein dans la rainure et peuvent effectuer un mouvement de retour. Si un disque de tronçonnage se coince, le disque se rompt usuellement de lui-même. Si la scie en acier, les tranchants à haute vitesse ou le tranchant en carbure de tungstène se coince, il peut sauter en dehors de la rainure et une perte du contrôle de l'outil est possible.

Consignes de sécurité particulières pour le meulage

a) Utiliser uniquement des types de disques qui sont recommandés pour votre outil électrique et seulement pour les applications recommandées. Par exemple : ne pas broyer avec le côté d'un disque de tronçonnage. Les disques de tronçonnage abrasifs sont prévus pour le broyage en périphérie, les forces latérales appliquées sur ces disques peuvent provoquer qu'ils se brisent en éclats.

b) En ce qui concerne les chevilles et les cônes abrasifs filetés, il est impératif d'utiliser seulement des mandrins de disque qui ne sont pas endommagés avec une bride d'épaulement non desserrée et qui sont d'une dimension et d'une longueur correctes. Les mandrins appropriés réduiront la possibilité d'une rupture.

c) Ne pas positionner la main en alignement avec et derrière le disque en rotation. Si le disque sur le point de l'opération se déplace à l'écart de votre main, le mouvement de retour possible peut propulser le disque de filage et l'outil électrique directement vers votre personne.

d) **Prévoir un support de panneaux ou de toute pièce à usiner surdimensionnée pour réduire le risque de pincement et de rebond de la meule.** Les grandes pièces à usiner ont tendance à fléchir sous leur propre poids. Les supports doivent être placés sous la pièce à usiner près de la ligne de coupe et près du bord de la pièce des deux côtés de la meule.

e) **Soyez particulièrement prudent lorsque vous faites une « coupe en retrait » dans des parois existantes ou dans d'autres zones sans visibilité.** La meule saillante peut couper des tuyaux de gaz ou d'eau, des câblages électriques ou des objets, ce qui peut entraîner des rebonds.

AVIS COMPLÉMENTAIRES DE SÉCURITÉ ET DE TRAVAIL

Toujours porter des lunettes protectrices en travaillant avec la machine. Des gants de sécurité, des chaussures solides et à semelles antidérapantes et un tablier sont recommandés.

Après avoir éteint la machine, la broche porte-outil continue à tourner un peu.

Ne jamais intervenir dans la zone dangereuse lorsque la machine est en marche.

N'utiliser que des outils dont la vitesse de rotation admissible correspond au moins à la vitesse à vide maximale de la machine.

Toujours contrôler l'état de l'outil avant de l'utiliser. L'outil doit être monté de façon impeccable et pouvoir tourner librement. Effectuer une marche d'essai sans charge pendant au moins 30 secondes. Ne jamais utiliser un outil endommagé, tournant en faux-rond ou générateur de vibrations.

L'usinage des métaux génère des étincelles. Veiller à ce que personne ne soit exposé à un danger. En raison du risque d'incendie, aucune matière inflammable ou combustible ne doit se trouver dans la zone de projection des étincelles. Ne pas utiliser d'aspirateur de poussières.

Toujours maintenir la machine de façon à ce que étincelles et poussières soient projetées dans la direction opposée au corps.

L'écrou du flasque doit être serré avant de mettre en marche la machine.

En cas de perturbations électromagnétiques extérieures extrêmes, il peut y avoir, dans des cas isolés, des variations temporaires de la vitesse de rotation.

Toujours utiliser et conserver les meules conformément aux indications du fabricant.

La pièce à travailler doit être fortement serrée lorsque son propre poids ne suffit pas à la maintenir. Ne jamais guider la pièce à travailler à la main vers la meule.

Les dimensions de l'outil de meulage doivent être adaptées à la meule.

Les fentes de ventilation de la machine doivent être dégagées si

les travaux dégagent de la poussière. Si nécessaire, déconnecter

la machine du réseau secteur et éliminer la poussière. Utiliser à

ces fins des objets non métalliques et éviter d'endommager des pièces intérieures.

En cas de conditions ou températures extrêmes, du liquide caustique peut s'échapper d'un accus interchangeable endommagé. En cas de contact avec le liquide caustique de la batterie, laver immédiatement avec de l'eau et du savon. En cas de contact avec les yeux, rincer soigneusement avec de l'eau et consulter immédiatement un médecin.

Ne pas jeter les accus interchangeables usés au feu ou avec les déchets ménagers. Milwaukee offre un système d'évacuation écologique des accus usés.

Ne pas conserver les accus interchangeables avec des objets métalliques (risque de court-circuit)

Ne charger les accus interchangeables du système 18 V qu'avec le chargeur d'accus du système 18 V. Ne pas charger des accus d'autres systèmes.

Aucune pièce métallique ne doit pénétrer dans le logement d'accu du chargeur (risque de court-circuit)

Ne pas ouvrir les accus interchangeables et les chargeurs et ne les stocker que dans des locaux secs. Les protéger contre l'humidité.

Avant tous travaux sur la machine retirer l'accu interchangeable.

S'assurer que l'outil de meulage est monté conformément aux instructions du fabricant de produits de meulage.

UTILISATION CONFORME AUX PRESCRIPTIONS

La ponceuse est appropriée pour des travaux de ponçage du bois, du métal, de la matière plastique et d'autres matériaux, notamment à des endroits d'accès difficile.

Comme déjà indiqué, cette machine n'est conçue que pour être utilisée conformément aux prescriptions.

Utiliser un capot de protection fermé contenu dans le programme d'accessoires pour les travaux de tronçonnage.

Le dispositif électrique est apte exclusivement à travailler à sec.

DÉCLARATION CE DE CONFORMITÉ

Nous déclarons sous notre propre responsabilité que le produit décrit aux "Données techniques" est conforme à toutes les dispositions des directives 2011/65/EU (RoHS), 2004/108/CE, 2006/42/CE et des documents normatifs harmonisés suivants:

EN 60745-1:2009+A11:2010

EN 60745-2-3:2011

EN 55014-1:2006+A1:2009+A2:2011

EN 55014-2:1997+A1:2001+A2:2008

EN 50581:2012

Winnenden, 2014-06-18



Alexander Krug
Managing Director



Autorisé à compiler la documentation technique.

Techtronic Industries GmbH
Max-Eyth-Straße 10
71364 Winnenden
Germany

ACCUS

Recharger les accus avant utilisation après une longue période de non utilisation.

Une température supérieure à 50°C amoindrit la capacité des accus. Éviter les expositions prolongées au soleil ou au chauffage.

Tenir propres les contacts des accus et des chargeurs.

Pour une durée de vie optimale, les accus doivent être chargés à fond après l'utilisation.

Pour une plus longue durée de vie, enlever les batteries du chargeur de batterie quand celles-ci seront chargées.

En cas d'entreposage de la batterie pour plus de 30 jours: Entreposer la batterie à 27°C environ dans un endroit sec. Entreposer la batterie avec une charge d'environ 30% - 50%. Recharger la batterie tous les 6 mois.

ENTRETIEN

Tenir toujours propres les orifices de ventilation de la machine.

En raison de risques de court-circuit, veiller à ce qu'aucune pièce métallique ne pénètre dans les ouïes de ventilation.

N'utiliser que des pièces et accessoires Milwaukee. Pour des pièces dont l'échange n'est pas décrit, s'adresser de préférence aux stations de service après-vente Milwaukee (voir brochure Garantie/Adresses des stations de service après-vente).

Si besoin est, une vue éclatée de l'appareil peut être fournie. S'adresser, en indiquant bien le numéro porté sur la plaque signalétique, à votre station de service après-vente (voir liste jointe) ou directement à Techtronic Industries GmbH, Max-Eyth-Straße 10, 71364 Winnenden, Germany.

SYMBOLES



ATTENTION! AVERTISSEMENT! DANGER!



Avant tous travaux sur la machine retirer l'accu interchangeable.



Veillez lire avec soin le mode d'emploi avant la mise en service



Toujours porter des lunettes protectrices en travaillant avec la machine.



Porter des gants de protection!



Ne pas appliquer de la force.



Les dispositifs électriques ne sont pas à éliminer dans les déchets ménagers. Les dispositifs électriques et électroniques sont à collecter séparément et à remettre à un centre de recyclage en vue de leur élimination dans le respect de l'environnement. S'adresser aux autorités locales ou au détaillant spécialisé en vue de connaître l'emplacement des centres de recyclage et des points de collecte.



Marque CE

Marque de qualité EurAsian

DATI TECNICI	SMERIGLIATRICE ASSIALE	C 12 RT
Numero di serie	4311 33 01100001-999999
Tensione batteria	12 V	
Numero giri nominale	5000-37000 min ⁻¹	
Ø pinze di serraggio	0,8 / 1,6 / 2,4 / 3,2 mm	
Max. Ø perno smeriglio:		
corpo mola in ceramica o in gomma	25 mm	
corpo mola in resina sintetica	25 mm	
Peso con batteria.....	0,62 kg	

Informazioni sulla rumorosità/sulle vibrazioni

Valori misurati conformemente alla norma EN 60 745.

La misurazione A del livello di pressione acustica dell'utensile è di solito di:

Livello di rumorosità (Incertezza della misura K=3dB(A)) 73 dB (A)
 Potenza della rumorosità (Incertezza della misura K=3dB(A))..... 84 dB (A)

Utilizzare le protezioni per l'udito!

Valori totali delle oscillazioni (somma di vettori in tre direzioni)

misurati conformemente alla norma EN 60745

Levigatura della superficie: Valore di emissione dell'oscillazione a _h	
Perforazione in metallo	2,4 m/s ²
Incertezza della misura K	1,5 m/s ²
Smerigliatura con carta vetrata	2,6 m/s ²
Incertezza della misura K	1,5 m/s ²
Smerigliatura metallo	3,1 m/s ²
Incertezza della misura K	1,5 m/s ²
Smerigliatura pietra	1,8 m/s ²
Incertezza della misura K	1,5 m/s ²
Tagliare metallo	3,4 m/s ²
Incertezza della misura K	1,5 m/s ²

AVVERTENZA

Il livello di vibrazioni indicato nelle presenti istruzioni è stato misurato in conformità con un procedimento di misurazione codificato nella EN 60745 e può essere utilizzato per un confronto tra attrezzi elettrici. Inoltre si può anche utilizzare per una valutazione preliminare della sollecitazione da vibrazioni.

Il livello di vibrazioni indicato rappresenta le applicazioni principali dell'attrezzo elettrico. Se viceversa si utilizza l'attrezzo elettrico per altri scopi, con accessori differenti o con una manutenzione insufficiente, il livello di vibrazioni può risultare diverso. E questo può aumentare decisamente la sollecitazione da vibrazioni lungo l'intero periodo di lavorazione.

Ai fini di una valutazione precisa della sollecitazione da vibrazioni si dovrebbero tenere presente anche i periodi in cui l'apparecchio rimane spento oppure, anche se acceso, non viene effettivamente utilizzato. Ciò può ridurre notevolmente la sollecitazione da vibrazioni lungo l'intero periodo di lavorazione.

Stabilite misure di sicurezza supplementari per la tutela dell'operatore dall'effetto delle vibrazioni, come ad esempio: manutenzione dell'attrezzo elettrico e degli accessori, riscaldamento delle mani, organizzazione dei processi di lavoro.

⚠ AVVERTENZA! Leggere tutte le istruzioni ed indicazioni di sicurezza. In caso di mancato rispetto delle avvertenze di pericolo e delle istruzioni operative si potrà creare il pericolo di scosse elettriche, incendi e/o incidenti gravi.
Conservare tutte le avvertenze di pericolo e le istruzioni operative per ogni esigenza futura.

⚠ NORME DI SICUREZZA

Avvertenze generali sulla sicurezza durante la rettifica

a) Questo attrezzo elettrico va utilizzato come smerigliatrice. Attenersi a tutte le avvertenze di pericolo, istruzioni, rappresentazioni e dati che si ricevono insieme all'elettrotensile. In caso di mancata osservanza delle seguenti istruzioni vi è il pericolo di provocare una scossa elettrica, di sviluppare incendi e/o di provocare seri incidenti.

b) Questo attrezzo elettrico non è idoneo per operazioni di spazzolatura metallica, tronatura, smerigliatura o lucidatura. Qualsiasi utilizzo non previsto con il presente attrezzo elettrico può causare pericolo e lesioni.

c) Non utilizzare nessun accessorio che la casa costruttrice non abbia esplicitamente previsto e raccomandato per questo elettrotensile. Il semplice fatto che un accessorio possa essere fissato al Vostro elettrotensile non è una garanzia per un impiego sicuro.

d) Il numero di giri ammesso dell'accessorio impiegato deve essere almeno tanto alto quanto il numero massimo di giri riportato sull'elettrotensile. Un accessorio che gira

più rapidamente di quanto consentito può rompersi in vari pezzi e venir lanciato intorno.

e) Diametro esterno e spessore dell'utensile utilizzato devono corrispondere alle indicazioni delle misure dell'utensile elettrico. Utensili dimensionati in maniera errata potrebbero essere non sufficientemente schermate oppure controllate,

f) Il disco levigatore, il cilindro levigatore e gli altri accessori devono essere esattamente della misura richiesta dall'alberino o dal mandrino dell'apparecchio elettrico. Gli accessori che non siano esattamente della stessa misura dell'attrezzo di serraggio dell'apparecchio elettrico gireranno in maniera sballanciata, vibreranno in maniera eccessiva e potranno causare la perdita di controllo.

g) I dischi, cilindri di levigatura, utensili da taglio o altri accessori montati su mandrino dovranno essere inseriti completamente nella pinza o nell'attrezzo di serraggio. La "sporgenza", cioè la distanza sul mandrino tra il disco e la pinza di serraggio deve essere minima. Se il cilindro non è serrato sufficientemente e/o se la sporgenza del disco è eccessiva, esiste il rischio che il disco montato si stacchi e che venga eiettato a grande velocità.

h) Non utilizzare mai portautensili od accessori danneggiati. Prima di ogni utilizzo controllare i portautensili e gli accessori ed accertarsi che sui dischi abrasivi non vi siano scheggiature o crepature, che il piattello non sia soggetto ad incrinature, crepature o forte usura e che le spazzole metalliche non abbiano fili metallici allentati oppure rotti. Se l'elettrotensile oppure

l'accessorio impiegato dovesse sfuggire dalla mano e cadere, accertarsi che questo non abbia subito nessun danno oppure utilizzare un accessorio intatto. **Una volta controllato e montato il portautensili o accessorio, far funzionare l'elettrotensile per la durata di un minuto con il numero massimo di giri avendo cura di tenersi lontani e di impedire anche ad altre persone presenti di avvicinarsi al portautensili o accessorio in rotazione.** Nella maggior parte dei casi i portautensili o accessori danneggiati si rompono nel corso di questo periodo di prova.

i) Indossare abbigliamento di protezione. A seconda dell'applicazione in corso utilizzare una visiera completa, maschera di protezione per gli occhi oppure occhiali di sicurezza. Per quanto necessario, portare maschere per polveri, protezione acustica, guanti di protezione oppure un grembiule speciale in grado di proteggervi da piccole particelle di levigatura o di materiale. Gli occhi dovrebbero essere protetti da corpi estranei espulsi in aria nel corso di diverse applicazioni. La maschera antipolvere e la maschera respiratoria devono essere in grado di filtrare la polvere provocata durante l'applicazione. Esponendosi per lungo tempo ad un rumore troppo forte vi è il pericolo di perdere l'udito.

j) Prestare attenzione che le altre persone rispettino le distanze di sicurezza dalla zona di lavoro. Chi entra nella zona di lavoro deve indossare i dispositivi di protezione individuali. Eventuale particelle rotte del pezzo da lavorare oppure utensili rotti possono saltare via e causare ferite anche all'esterno della zona diretta del lavoro.

k) Impugnare l'apparecchio sulle superfici di tenuta isolate mentre si eseguono lavori durante i quali l'utensile da taglio potrebbe entrare in contatto con cavi di corrente. L'eventuale contatto dell'utensile da taglio con un cavo sotto tensione potrebbe mettere sotto tensione le parti metalliche dell'apparecchio e provocare una folgorazione.

l) Al momento dell'avvio tenere sempre bene in mano l'apparecchio elettrico. Mentre il motore va a regime, il momento di reazione del motore stesso può causare la torsione dell'apparecchio elettrico.

m) Ove possibile, utilizzare morsetti per fissare il pezzo da lavorare. In nessun caso tenere con una mano un piccolo pezzo da lavorare e con l'altra l'utensile, mentre lo si utilizza. Serrando i piccoli pezzi da lavorare con morsetti si avranno ambedue le mani libere per una migliore gestione dell'apparecchio elettrico. Durante il taglio di piccoli pezzi, come tasselli di legno, materiale in barre o tubi, questi tendono a rotolare e sussiste il rischio che l'utensile ad inserto si inceppi e venga eiettato in direzione dell'utilizzatore.

n) Non depositare mai l'utensile elettrico, prima che questo non si sia fermato completamente. Utensili rotanti possono venire in contatto con la superficie d'appoggio, causando la perdita del controllo sull'utensile.

o) Dopo ogni sostituzione di utensili ad inserto o dopo operazioni di regolazione sull'apparecchio verificare che il dado della pinza di serraggio, l'attrezzo di serraggio e eventuali altri elementi di fissaggio siano ben serrati. Elementi di fissaggio non ben serrati potrebbero spostarsi in maniera non prevista e comportare la perdita del controllo; componenti non serrati, rotanti verranno eiettati con violenza.

p) Mai trasportare l'elettrotensile mentre questo dovesse essere ancora in funzione. Attraverso un contatto casuale l'utensile in rotazione potrebbe fare presa sugli indumenti oppure sui capelli dell'operatore e potrebbe arrivare a ferire seriamente il corpo dell'operatore.

q) Pulire regolarmente le feritoie di ventilazione dell'elettrotensile in dotazione. Il ventilatore del motore attira polvere nella carcassa ed una forte raccolta di polvere di metallo può provocare pericoli di origine elettrica.

r) Mai utilizzare l'utensile elettrico nelle vicinanze di materiali infiammabili, in quanto scintille potrebbero incendiare il materiale.

s) Non utilizzare mai utensili elettrici che richiedono refrigeranti liquidi. L'uso di acqua od altri refrigeranti liquidi possono causare scosse elettriche.

Contraccolpo e avvertenze sulla sicurezza in merito

Un contraccolpo è l'improvvisa reazione in seguito ad agganciamento oppure blocco di accessorio in rotazione come può essere un disco abrasivo, piattello, spazzola metallica ecc.. Agganciandosi oppure bloccandosi il portautensili o accessorio provoca un arresto improvviso della rotazione dello stesso. In questo caso l'operatore non è più in grado di controllare l'elettrotensile ed al punto di blocco si provoca un rimbalzo dello stesso che avviene nella direzione opposta a quella della rotazione del portautensili o dell'accessorio.

Se p. es. un disco abrasivo resta agganciato o bloccato nel pezzo in lavorazione, il bordo del disco abrasivo che si abbassa nel pezzo in lavorazione può rimanere impigliato provocando in questo modo una rottura oppure un contraccolpo del disco abrasivo. Il disco abrasivo si avvicina o si allontana dall'operatore a seconda della direzione di rotazione che ha nel momento in cui si blocca. In tali situazioni è possibile che le mole abrasive possano anche rompersi.

Un contraccolpo è la conseguenza di un utilizzo non appropriato oppure non corretto dell'elettrotensile. Esso può essere evitato soltanto prendendo misure adatte di sicurezza come dalla descrizione che segue.

a) Tenere sempre ben saldo l'elettrotensile e portare il proprio corpo e le proprie braccia in una posizione che Vi permetta di compensare le forze di contraccolpo. Se disponibile, utilizzare sempre l'impugnatura supplementare in modo da poter avere sempre il maggior controllo possibile su forze di contraccolpi oppure momenti di reazione che si sviluppano durante la fase in cui la macchina raggiunge il regime di pieno carico. Prendendo appropriate misure di precauzione l'operatore può essere in grado di tenere sotto controllo le forze di contraccolpo e quelle di reazione a scatti.

b) Operare con particolare attenzione in prossimità di spigoli, spigoli tagliati ecc.. Avere cura di impedire che portautensili o accessori possano rimbalzare dal pezzo in lavorazione oppure possano rimanervi bloccati. L'utensile in rotazione ha la tendenza a rimaner bloccato in angoli, spigoli tagliati oppure in caso di rimbalzo. Ciò provoca una perdita del controllo oppure un contraccolpo.

c) Non utilizzare una lama a catena oppure dentata. Utensili di questo tipo causano spesso contraccolpi oppure comportano la perdita del controllo sull'utensile elettrico.

d) Spingere l'utensile ad inserto sempre nella stessa direzione nella quale lo spigolo di taglio esce dal materiale (corrispondente alla stessa direzione nella quale vengono eiettati i trucioli). Se l'apparecchio viene condotto nella direzione sbagliata, l'utensile ad inserto fuoriesce dal pezzo in lavorazione, trascinando l'apparecchio in tale direzione.

e) Quando si utilizzano lame seganti in acciaio, dischi di taglio, utensili di fresatura ad alta velocità o utensili di fresatura per metallo duro il pezzo in lavorazione deve essere sempre ben serrato. Per questi utensili ad inserto bastano piccole inclinazioni nella scanalatura per farli incastrare e possono causare contraccolpi. Quando un disco da taglio si inceppa, di norma si rompe. Quando le lame seganti in acciaio, utensili di fresatura ad alta velocità o utensili di fresatura per metallo duro si inceppano, abbiamo il rischio che l'utensile ad inserto fuoriesca dalla scanalatura causando la perdita di controllo dell'apparecchio elettrico.

Avvertenze particolari sulla sicurezza durante la rettifica

a) Utilizzare esclusivamente quei tipi di dischi di levigatura che sono raccomandanti per lo specifico modello di apparecchio elettrico, e soltanto per le applicazioni consigliate. Ad esempio non utilizzare mai la superficie laterale di un disco da taglio per levigare. I dischi da taglio sono destinati all'aspetto di materiale con il bordo del disco. Ogni applicazione di forze laterali potrebbe danneggiare irrimediabilmente questi dischi.

b) Per punte di taglio coniche o diritte con filettatura usare soltanto mandrini non danneggiati, della corretta dimensione e lunghezza, senza intaglio di spalla. L'uso di mandrini idonei riduce il rischio di rottura.

c) Non posizionare mai la mano nella direzione di rotazione e/o dietro il disco da taglio rotante. Se il disco da taglio, nel pezzo in lavorazione, viene spinto allontanandolo dalla mano dell'utilizzatore, in caso di contraccolpo dell'apparecchio elettrico il disco ruotante e l'apparecchio stesso possono venire eiettati direttamente in direzione dell'utilizzatore.

d) Dotare di un supporto adatto pannelli oppure pezzi in lavorazione di dimensioni maggiori in modo da ridurre il rischio di un contraccolpo dovuto ad un disco abrasivo da taglio diritto che rimane bloccato. Pezzi in lavorazione di dimensioni maggiori possono piegarsi sotto l'effetto del proprio peso. Provvedere a munire il pezzo in lavorazione di supporti adatti al caso specifico sia nelle vicinanze del taglio di troncatura che in quelle del bordo.

e) Operare con particolare attenzione in caso di «tagli dal centro» da eseguire in pareti già esistenti oppure in altre parti non visibili. Il disco abrasivo da taglio diritto che inizia il taglio sul materiale può provocare un contraccolpo se dovesse arrivare a troncare condutture del gas o dell'acqua, linee elettriche oppure oggetti di altro tipo.

ULTERIORI AVVISI DI SICUREZZA E DI LAVORO

Durante l'uso dell'apparecchio utilizzare sempre gli occhiali di protezione. Inoltre si consiglia di usare sistemi di protezione per la respirazione e per l'udito, oltre ai guanti di protezione.

L'alberino portautensile continua a girare dopo che la macchina viene disinserita. Appoggiare la macchina solo dopo che si sia fermata completamente.

Non entrare nel raggio d'azione dell'utensile mentre è in funzione.

Impiegare solo utensili da lavoro, il cui il minimo numero di giri ammessi a vuoto sia pari al più elevato numero di giri della corsa a vuoto dell'utensile.

Controllare gli utensili abrasivi prima di utilizzarli. Gli utensili abrasivi devono essere montati in maniera perfetta e devono poter girare liberamente. Eseguire una prova per almeno 30 secondi senza sottoporre la macchina a carico. Non continuare ad usare utensili abrasivi ovalizzati oppure vibranti.

Smerigliando metalli si producono scintille. Attenzione a non mettere in pericolo l'incolumità di persone. Per via del pericolo di incendio, nessun tipo di materiale infiammabile può trovarsi nelle vicinanze (potenziale raggio delle scintille). Non utilizzare aspirapolveri.

Tenere sempre l'utensile in modo tale che le scintille e polveri di molatura volino lontano dal corpo.

Il dado flangiato deve essere serrato prima dell'utilizzo della macchina.

Il numero di giri potrebbe essere influenzato da causali interferenze elettromagnetiche esterne.

Utilizzare e conservare le mole abrasive conformemente alle indicazioni della casa costruttrice.

Il pezzo in lavorazione deve essere ben bloccato in posizione a meno che non resti stabile per via del proprio peso. Mai applicare a mano sulla mola il pezzo in lavorazione.

Le misure dell'utensile abrasivo devono essere adatte alla rettificatrice

In caso di lavori che producono polvere, le fessure di ventilazione della macchina devono essere libere. Se necessario, staccare la macchina dalla rete e rimuovere la polvere. Allo scopo utilizzare oggetti non metallici e non danneggiare parti interne.

Nel caso di batterie danneggiate da un carico eccessivo o da temperature alte, l'acido di queste potrebbe fuoriuscire. In caso di contatto con l'acido delle batterie lavarsi immediatamente con acqua e sapone. In caso di contatto con gli occhi risciacquare immediatamente con acqua per almeno 10 minuti e contattare subito un medico.

Non gettare le batterie esaurite sul fuoco o nella spazzatura di casa. La Milwaukee offre infatti un servizio di recupero batterie usate.

Nel vano d'innesto per la batteria del caricatore non devono entrare parti metalliche. (pericolo di cortocircuito).

Le batterie del System 18 V sono ricaricabili esclusivamente con i caricatori del System 18 V. Le batterie di altri sistemi non possono essere ricaricate.

Non conservare le batterie con oggetti metallici (pericolo di cortocircuito).

Non aprire nè la batteria nè il caricatore e conservarli solo in luogo asciutto. Proteggerli dalla umidità.

Prima di iniziare togliere la batteria dalla macchina.

Accertarsi che l'utensile abrasivo sia applicato secondo le istruzioni del fabbricante.

UTILIZZO CONFORME

La smerigliatrice assiale è adatta per smerigliare materiali come legno, metalli, plastica o simili, in particolare nei luoghi di accesso difficile.

Utilizzare il prodotto solo per l'uso per cui è previsto.

In caso di dubbi vanno rispettate le indicazioni dei produttori degli accessori.

L'utensile elettrico è idoneo esclusivamente alla lavorazione a secco.

DICHIARAZIONE DI CONFORMITÀ CE

Dichiariamo sotto la nostra esclusiva responsabilità che il prodotto descritto ai "Dati tecnici" corrisponde a tutte le disposizioni delle direttive 2011/65/EU (RoHS), 2004/108/CE, 2006/42/CE e successivi documenti normativi armonizzati:

EN 60745-1:2009+A11:2010

EN 60745-2-3:2011

EN 55014-1:2006+A1:2009+A2:2011

EN 55014-2:1997+A1:2001+A2:2008

EN 50581:2012

Winnenden, 2014-06-18



Alexander Krug
Managing Director



Autorizzato alla preparazione della documentazione tecnica
Techtronic Industries GmbH
Max-Eyth-Straße 10
71364 Winnenden
Germany

BATTERIE

Batterie non utilizzate per molto tempo devono essere ricaricate prima dell'uso.

A temperature superiori ai 50°C, la potenza della batteria si riduce.

Evitare di esporre l'accumulatore a surriscaldamento prolungato, dovuto ad esempio ai raggi del sole o ad un impianto di riscaldamento.

Per una ottimale vita utile è necessario ricaricare completamente le batterie dopo l'uso.

Per una più lunga durata, rimuovere le batterie dal caricabatterie quando saranno cariche.

In caso di immagazzinaggio della batteria per più di 30 giorni: Immagazzinare la batteria a circa 27°C in ambiente asciutto. Immagazzinare la batteria con carica di circa il 30% - 50%. Ricaricare la batteria ogni 6 mesi.

MANUTENZIONE

Tener sempre ben pulite le fessure di ventilazione dell'apparecchio.

Non lasciare che nessuna parte metallica venga a contatto con l'apertura dell'areazione - pericolo di corto circuito

Utilizzare esclusivamente accessori e pezzi di ricambio Milwaukee. L'installazione di pezzi di ricambio non specificamente prescritti dall'Milwaukee va preferibilmente effettuata dal servizio di assistenza clienti Milwaukee (ved. opuscolo Garanzia/Indirizzi Assistenza tecnica).

In caso di mancanza del disegno esploso, può essere richiesto al seguente indirizzo: Techtronic Industries GmbH, Max-Eyth-Straße 10, 71364 Winnenden, Germany.

SIMBOLI



ATTENZIONE! AVVERTENZA! PERICOLO!



Prima di iniziare togliere la batteria dalla macchina.



Leggere attentamente le istruzioni per l'uso prima di mettere in funzione l'elettroutensile.



Durante l'uso dell'apparecchio utilizzare sempre gli occhiali di protezione.



Indossare guanti protettivi!



Non applicare forza.



I dispositivi elettrici non devono essere smaltiti con i rifiuti domestici. I dispositivi elettrici ed elettronici devono essere raccolti separatamente e devono essere conferiti ad un centro di riciclaggio per lo smaltimento rispettoso dell'ambiente. Chiedere alle autorità locali o al rivenditore specializzato dove si trovano i centri di riciclaggio e i punti di raccolta.



Marchio CE

Marchio di conformità EurAsian

DATOS TÉCNICOS	AMOLADORA RECTA	C 12 RT
Número de producción	4311 33 01...	...000001-999999
Voltaje de batería.....	12 V	
Revoluciones nominales.....	5000-37000 min ⁻¹	
Diámetro de pinza	0,8 / 1,6 / 2,4 / 3,2 mm	
Diámetro máximo de la muela con:		
producto abrasivo con aglutinante cerámico o de goma.....	25 mm	
producto abrasivo con aglutinante resinoide.....	25 mm	
Peso con batería de repuesto	0,62 kg	

Información sobre ruidos / vibraciones

Determinación de los valores de medición según norma EN 60 745.

El nivel de ruido típico del aparato determinado con un filtro A corresponde a:

Presión acústica (Tolerancia K=3dB(A))..... 73 dB (A)

Resonancia acústica (Tolerancia K=3dB(A))..... 84 dB (A)

Usar protectores auditivos!

Nivel total de vibraciones (suma vectorial de tres direcciones) determinado según EN 60745.

Valor de vibraciones generadas a_n

Taladrado en metal.....	2,4 m/s ²
Tolerancia K.....	1,5 m/s ²
Esmerilado con papel de lija	2,6 m/s ²
Tolerancia K.....	1,5 m/s ²
Lijado metal.....	3,1 m/s ²
Tolerancia K.....	1,5 m/s ²
Lijado piedra.....	1,8 m/s ²
Tolerancia K.....	1,5 m/s ²
Cortar metal.....	3,4 m/s ²
Tolerancia K.....	1,5 m/s ²

ADVERTENCIA

El nivel vibratorio indicado en estas instrucciones ha sido medido conforme a un método de medición estandarizado en la norma EN 60745, y puede utilizarse para la comparación entre herramientas eléctricas. También es apropiado para una estimación provisional de la carga de vibración.

El nivel vibratorio indicado representa las aplicaciones principales de la herramienta eléctrica. Si, pese a ello, se utiliza la herramienta eléctrica para otras aplicaciones, con útiles adaptables diferentes o con un mantenimiento insuficiente, el nivel vibratorio puede diferir. Esto puede incrementar sensiblemente la carga de vibración durante todo el periodo de trabajo.

Para una estimación exacta de la carga de vibración deberían tenerse en cuenta también los tiempos durante los que el aparato está apagado o, pese a estar en funcionamiento, no está siendo realmente utilizado. Esto puede reducir sustancialmente la carga de vibración durante todo el periodo de trabajo.

Adopte medidas de seguridad adicionales para la protección del operador frente al efecto de las vibraciones, como por ejemplo: mantenimiento de la herramienta eléctrica y de los útiles adaptables, mantener las manos calientes, organización de los procesos de trabajo.

⚠ ATENCIÓN: Lea atentamente las indicaciones e instrucciones de seguridad. En caso de no atenderse a las advertencias de peligro e instrucciones siguientes, ello puede ocasionar una descarga eléctrica, un incendio y/o lesión grave. **Guardar todas las advertencias de peligro e instrucciones para futuras consultas.**

⚠ INSTRUCCIONES DE SEGURIDAD

Indicaciones de seguridad comunes para el afilado

a) Esta herramienta eléctrica debe utilizarse como **afilador**. Observe todas las advertencias de peligro, instrucciones, ilustraciones y especificaciones técnicas que se suministran con la herramienta eléctrica. En caso de no atenderse a las instrucciones siguientes, ello puede provocar una electrocución, incendio y/o lesiones serias.

b) Esta herramienta eléctrica no es adecuada para cepillar de metal, tronzamiento con la muela, esmerilado con papel de lija y pulido. El uso de la herramienta para un fin no previsto puede conllevar riesgos y causar heridas.

c) No emplee accesorios diferentes de aquellos que el fabricante haya previsto o recomendado especialmente para esta herramienta eléctrica. El mero hecho de que sea acoplable un accesorio a su herramienta eléctrica no implica que su utilización resulte segura.

d) Las revoluciones admisibles del útil deberán ser como mínimo iguales a las revoluciones máximas indicadas en la herramienta eléctrica. Aquellos accesorios que giren a

unas revoluciones mayores a las admisibles pueden llegar a romperse y salir despedidos.

e) El diámetro exterior y el grosor de la herramienta intercambiable tienen que corresponder con las medidas de su herramienta eléctrica. Las herramientas intercambiables mal medidas no pueden ser lo suficientemente apantalladas ni controladas.

f) Los orificios de los discos de amolar, cilindros de lijar u otros útiles deberán alojar exactamente sobre el husillo portamuelas o la pinza de sujeción de su herramienta eléctrica. Los útiles que no ajusten correctamente sobre el husillo portamuelas de la herramienta eléctrica, al girar descentrados, generan unas vibraciones excesivas y pueden hacerle perder el control sobre el aparato.

g) Los discos, cilindros de lijar, herramientas cortantes u otros útiles montados sobre un mandril tienen que estar insertados completamente en la pinza de sujeción o en el portabrocas. La "parte sobresaliente" o la distancia del mandril a partir del disco hasta la pinza de sujeción deben ser mínimas. Si el mandril no queda suficientemente tensado y/o si la parte sobresaliente del disco es demasiado larga, el disco montado se puede soltar y puede salir despedido a alta velocidad.

h) No use útiles dañados. Antes de cada uso inspeccione el estado de los útiles con el fin de detectar, p. ej., si están desportillados o fisurados los útiles de amolar, si está agrietado o muy desgastado el plato lijador, o si las púas de los cepillos de alambre están flojas o rotas. Si se le cae

la herramienta eléctrica o el útil, inspeccione si han sufrido algún daño o monte otro útil en correctas condiciones. Una vez controlado y montado el útil sitúese Vd. y las personas circundantes fuera del plano de rotación del útil y deje funcionar la herramienta eléctrica en vacío, a las revoluciones máximas, durante un minuto. Por lo regular, aquellos útiles que estén dañados suelen romperse al realizar esta comprobación.

i) Utilice un equipo de protección personal. Dependiendo del trabajo a realizar use una careta, una protección para los ojos, o unas gafas de protección. Si procede, emplee una mascarilla antipolvo, protectores auditivos, guantes de protección o un mandil especial adecuado para protegerse de los pequeños fragmentos que pudieran salir proyectados al desprenderse del útil o pieza. Las gafas de protección deberán ser indicadas para protegerle de los fragmentos que pudieran salir despedidos al trabajar. La mascarilla antipolvo o respiratoria deberá ser apta para filtrar las partículas producidas al trabajar. La exposición prolongada al ruido puede provocar sordera.

j) Preste atención a que otras personas se encuentren a una distancia segura referente a su campo de trabajo. Cada persona que pase a su campo de trabajo, tiene que usar un equipo protector personal. Trozos de la pieza por trabajar o de herramientas intercambiables rotas pueden volar y causar lesiones también fuera del campo de trabajo directo.

k) Sujete el aparato de las superficies aisladas de agarre al efectuar trabajos en los cuales la perforadora de percusión pueda entrar en contacto con conductores de corriente ocultos. El contacto de la perforadora de percusión con un conducto con energía aplicada también podrá poner bajo tensión partes metálicas del aparato y causar un choque eléctrico.

l) Sujete con firmeza la herramienta eléctrica durante el arranque. El par de torsión de reacción del motor, a medida que éste acelera hasta alcanzar su velocidad máxima, puede hacer que la herramienta eléctrica se tuerza.

m) Si es posible, utilice estribos de sujeción para fijar la pieza de trabajo. No sujete nunca una pieza de trabajo pequeña en una mano y la herramienta en la otra mano, mientras está utilizando esta herramienta. Sujetando las pequeñas piezas de trabajo tiene las manos libres para poder manejar mejor la herramienta eléctrica. Las piezas de trabajo redondas, como por ejemplo tacos de madera, material en barras o tubos, tienen tendencia a rodar cuando se cortan, por cuyo motivo podría atascarse el inserto de la herramienta y éste podría salir despedido en su dirección.

n) No deposite jamás la herramienta eléctrica antes de que la herramienta intercambiable haya dejado de girar por completo. La herramienta intercambiable que aún está girando puede entrar en contacto con la superficie de deposición, con lo que usted puede perder el control sobre la herramienta eléctrica.

o) Después de cambiar los insertos de la herramienta o de efectuar ajustes en el aparato, usted deberá asegurarse de que la tuerca de la pinza de sujeción, el portabrocas u otros elementos de sujeción han sido apretados fijamente. Los elementos de sujeción sueltos pueden desplazarse inesperadamente, causando una pérdida de control; y los componentes giratorios saldrán despedidos violentamente.

p) No deje funcionar la herramienta eléctrica mientras la transporta. El útil en funcionamiento podría lesionarle al engancharse accidentalmente con su vestimenta.

q) Limpie periódicamente las rejillas de refrigeración de su herramienta eléctrica. El ventilador del motor aspira polvo hacia el interior de la carcasa, por lo que, en caso de una acumulación fuerte de polvo metálico, ello puede provocarle una descarga eléctrica.

r) No use la herramienta eléctrica en las cercanías de materiales inflamables. Las chipas pueden encender estos materiales.

s) No use herramientas intercambiables que requieran de líquidos refrigerantes. El uso de agua o de otros líquidos refrigerantes pueden llevar a una electrocución.

Contragolpe y las correspondientes indicaciones de seguridad

El rechazo es una reacción brusca que se produce al atascarse o engancharse el útil, como un disco de amolar, plato lijador, cepillo, etc. Al atascarse o engancharse el útil en funcionamiento, éste es frenado bruscamente. Ello puede hacerle perder el control sobre la herramienta eléctrica y hacer que ésta salga impulsada en dirección opuesta al sentido de giro que tenía el útil.

En el caso, p. ej., de que un disco amolador se atasque o bloquee en la pieza de trabajo, puede suceder que el canto del útil que penetra en el material se enganche, provocando la rotura del útil o el rechazo del aparato. Según el sentido de giro y la posición del útil en el momento de bloquearse puede que éste resulte despedido hacia, o en sentido opuesto al usuario. En estos casos puede suceder que el útil incluso llegue a romperse.

El rechazo es ocasionado por la aplicación o manejo incorrecto de la herramienta eléctrica. Es posible evitarlo ateniéndose a las medidas preventivas que a continuación se detallan.

a) Sujete con firmeza la herramienta eléctrica y mantenga su cuerpo y brazos en una posición propicia para resistir las fuerzas de reacción. Si forma parte del aparato, utilice siempre la empuñadura adicional para poder soportar mejor las fuerzas del rechazo, además de los pares de reacción que se presentan en la puesta en marcha. El usuario puede controlar las fuerzas del rechazo y de reacción si toma unas medidas preventivas oportunas.

b) Tenga especial precaución al trabajar esquinas, cantos afilados, etc. Evite que el útil de amolar rebote contra la pieza de trabajo o que se atasque. En las esquinas, cantos afilados, o al rebotar, el útil en funcionamiento tiende a atascarse. Ello puede hacerle perder el control o causar un rechazo del útil.

c) No use hojas de cadena cortante o dentadas. Estas herramientas intercambiables generan con frecuencia un contragolpe o la pérdida del control sobre la herramienta eléctrica.

d) Introduzca el útil siempre en la misma dirección en el material, en la que la arista cortante sale del material (corresponde a la dirección, en la que son expulsadas las virutas). Si la herramienta eléctrica se desplaza en la dirección incorrecta, esto provoca una desviación de la herramienta eléctrica, siendo ésta expulsada de la pieza de trabajo y la herramienta eléctrica se desplaza en la dirección de avance.

e) En caso de utilizar hojas de sierra para metales, discos tronzadores, herramientas de fresar de alta velocidad o herramientas de fresar de metal duro, siempre debe sujetar fijamente la pieza de trabajo. Ya en caso de que se produzca un mínimo ladeo en la ranura, estos útiles se pueden atascar o enganchar y provocar un contragolpe. Si un disco tronzador se engancha o atasca en la pieza de trabajo, éste normalmente se rompe. Si las hojas de sierra para metales, las herramientas de fresar de alta velocidad o las herramientas de fresar de metal duro se atascan o enganchan, el inserto de la herramienta puede saltar de la ranura y causar la pérdida de control sobre la herramienta.

Indicaciones de seguridad especiales para el afilado

a) Use exclusivamente tipos de discos de amolar homologados para su herramienta eléctrica, y únicamente para aquellos trabajos para los que fue concebido. Por ejemplo, no emplee las caras de los discos tronzadores para amolar. En los útiles de tronzar el arranque de material se lleva a cabo con los bordes del disco tronzador. Si estos útiles son sometidos a un esfuerzo lateral, ello puede provocar su rotura.

b) Para las barritas abrasivas cónicas y rectas con roscas, utilice únicamente mandriles del tamaño y de la longitud correctos, sin destalonado en el borde. Los mandriles apropiados reducen el riesgo de que se produzca la rotura.

c) **No coloque su mano en la dirección de rotación o detrás del disco tronizador en funcionamiento.** Si aleja el disco tronizador insertado en la pieza de trabajo de su mano, entonces en caso de que se produzca un contragolpe, la herramienta eléctrica junto con el disco en funcionamiento podrían salir despedidos directamente en su dirección.

d) **Soporte las planchas u otras piezas de trabajo grandes para reducir el riesgo de bloqueo o rechazo del disco tronizador.** Las piezas de trabajo grandes tienden a curvarse por su propio peso. La pieza de trabajo deberá apoyarse desde abajo a ambos lados tanto cerca de la línea de corte como en los bordes.

e) **Proceda con especial cautela al realizar recortes "por inmersión" en paredes o superficies similares.** El disco tronizador puede ser rechazado al tocar tuberías de gas o agua, conductores eléctricos, u otros objetos.

INSTRUCCIONES ADICIONALES DE SEGURIDAD Y LABORALES

Para trabajar con la máquina, utilizar siempre gafas de protección, guantes, calzado de seguridad antideslizante, así como es recomendable usar protectores auditivos.

El eje de la herramienta se mantiene en marcha por inercia después de desconectar el aparato. Permita que se pare la máquina antes de ponerla sobre una superficie.

No manipular en el rodillo ni en las cuchillas con la máquina conectada.

Utilice solamente útiles cuya velocidad permitida sea como mínimo tan alta como la velocidad en vacío más alta de la máquina.

Comprobar los útiles de lijar/amolar antes de su uso. El útil debe estar perfectamente montado, debiendo girar libremente. Realizar una prueba de funcionamiento sin carga durante 30 segundos como mínimo. No usar los útiles de lijar/amolar dañados, los de giro descentrado o vibrantes.

Al amolar metales se proyectan chispas. Cuidar de no poner en peligro a personas. Debido al peligro de incendio no deben encontrarse cerca (en el área de alcance de las chispas) materiales inflamables. No utilice extracción de polvo en este caso.

Tenga cuidado para que no le salten chispas ni virutas de la pieza de trabajo.

La tuerca de apriete se debe asegurar antes de comenzar a trabajar con la máquina.

Bajo el efecto de interferencias electromagnéticas extremas del exterior, en algunos ca-sos podrían surgir variaciones temporales en la velocidad de rotación.

Utilice y guarde siempre los discos de amolar según las indicaciones del fabricante.

La pieza de trabajo debe fijarse adecuadamente, a no ser que se mantenga bien fija por su propio peso. Jamás mueva la pieza de trabajo con la mano contra el disco.

Las dimensiones del útil para amolar deben corresponder con la amoladora

Al efectuar trabajos con polvo, deberá observarse que se encuentren libres las rejillas de ventilación. En caso necesario, desconectar la máquina de la red y quitar el polvo. Emplear para ello objetos no metálicos y no dañar piezas interiores.

En caso de sobrecarga o alta temperatura, pueden llegar a producirse escapes de ácido provenientes de la batería. En caso de contacto con éste, limpie inmediatamente la zona con agua y jabón. Si el contacto es en los ojos, límpiese concienzudamente con agua durante 10 minutos y acuda inmediatamente a un médico

No tire las baterías usadas a la basura ni al fuego. Los Distribuidores Milwaukee ofrecen un servicio de recogida de baterías antiguas para proteger el medio ambiente.

No almacene la batería con objetos metálicos (riesgo de cortocircuito).

Recargar solamente los acumuladores del Sistema 18 V en cargadores 18 V. No intentar recargar acumuladores de otros sistemas.

No introduzca en la cavidad del cargador objetos metálicos (riesgo de cortocircuito).

No abra nunca las baterías ni los cargadores y guárdelos sólo en lugares secos. Protéjalos de la humedad en todo momento.

Retire la batería antes de comenzar cualquier trabajo en la máquina.

Asegurar que el útil para amolar se encuentre montado en base a las indicaciones del fabricante de herramientas para amolar

APLICACIÓN DE ACUERDO A LA FINALIDAD

Las amoladoras rectas son adecuadas para fresar madera, metal, plástico o materiales similares, especialmente en lugares de difícil acceso.

No utilice este producto para ninguna otra aplicación que no sea su uso normal.

En caso de dudas, observar las indicaciones de los fabricantes de los accesorios.

La herramienta eléctrica sirve únicamente para el trabajo en seco

DECLARACION DE CONFORMIDAD CE

Declaramos bajo nuestra responsabilidad que el producto descrito bajo "Datos técnicos" está en conformidad con todas las normas relevantes de la directiva 2011/65/EU (RoHS), 2004/108/CE, 2006/42/CE y con las siguientes normas o documentos normalizados:

EN 60745-1:2009+A11:2010

EN 60745-2-3:2011

EN 55014-1:2006+A1:2009+A2:2011

EN 55014-2:1997+A1:2001+A2:2008

EN 50581:2012

Winnenden, 2014-06-18

Alexander Krug
Managing Director



Autorizado para la redacción de los documentos técnicos.

Techtronic Industries GmbH
Max-Eyth-Straße 10
71364 Winnenden
Germany

BATERIA

Las baterías no utilizadas durante cierto tiempo deben ser recargadas antes de usar.

Las temperaturas superiores a 50°C reducen el rendimiento de la batería. Evite una exposición excesiva a fuentes de calor o al sol (riesgo de sobrecalentamiento).

Los puntos de contacto de los cargadores y las baterías se deben mantener limpios.

Para un tiempo óptimo de vida, deberán cargarse las baterías completamente después de su uso.

Para garantizar la máxima capacidad y vida útil, las baterías recargables se deberían retirar del cargador una vez finalizada la carga.

En caso de almacenar la batería recargable más de 30 días: Almacenar la batería recargable en un lugar seco a una temperatura de aproximadamente 27°C.

Almacenar la batería recargable con un estado de carga del 30% y 50% aproximadamente.

Recargar la batería cada 6 meses.

MANTENIMIENTO

Las ranuras de ventilación de la máquina deben estar despejadas en todo momento.

Evite que cualquier pieza metálica alcance las ranuras de ventilación - ¡peligro de cortocircuito!

Solo se deben utilizar accesorios y piezas de repuestos Milwaukee. Piezas cuyo recambio no está descrito en las instrucciones de uso, deben sustituirse en un centro de asistencia técnica Milwaukee (Consulte el folleto Garantía/ Direcciones de Centros de Asistencia Técnica).

En caso necesario, puede solicitar un despiece de la herramienta. Por favor indique el número de impreso que hay en la etiqueta y pida el despiece a la siguiente dirección: Techtronic Industries GmbH, Max-Eyth-Straße 10, 71364 Winnenden, Germany.

SÍMBOLOS



¡ATENCIÓN! ¡ADVERTENCIA! ¡PELIGRO!



Retire la batería antes de comenzar cualquier trabajo en la máquina.



Lea las instrucciones detenidamente antes de conectar la herramienta



Para trabajar con la máquina, utilizar siempre gafas de protección.



Usar guantes protectores



No aplique fuerza.



Los aparatos eléctricos no se deben eliminar junto con la basura doméstica. Los aparatos eléctricos y electrónicos se deben recoger por separado y se deben entregar a una empresa de reciclaje para una eliminación respetuosa con el medio ambiente. Infórmese en las autoridades locales o en su tienda especializada sobre los centros de reciclaje y puntos de recogida.



Marca CE

certificado EAC de conformidad

CARACTERÍSTICAS TÉCNICAS	RECTIFICADORA DIREITA	C 12 RT
Número de produção.....	4311 33 011... ...000001-999999	
Tensão do acumulador	12 V	
Número de rotações nominal	5000-37000 min ⁻¹	
Ø da pinça de aperto.....	0,8 / 1,6 / 2,4 / 3,2 mm	
Max Ø dos corpos abrasivos:		
corpo abrasivo de cerâmica ou ligado com borracha.....	25 mm	
corpo abrasivo ligado com resina artificial	25 mm	
Peso com bateria.....	0,62 kg	

Informações sobre ruído/vibração

Valores de medida de acordo com EN 60 745.

O nível de ruído avaliado A do aparelho é tipicamente:

Nível da pressão de ruído (Incertez K=3dB(A)) 73 dB (A)

Nível da potência de ruído (Incertez K=3dB(A)) 84 dB (A)

Use protectores auriculares!

Valores totais de vibração (soma dos vectores das três

direcções) determinadas conforme EN 60745.

Valor de emissão de vibração a_n

Furar em metal	2,4 m/s ²
Incerteza K	1,5 m/s ²
Lixar	2,6 m/s ²
Incerteza K	1,5 m/s ²
Lixamento metal	3,1 m/s ²
Incerteza K	1,5 m/s ²
Lixamento pedra.....	1,8 m/s ²
Incerteza K	1,5 m/s ²
Corte metal	3,4 m/s ²
Incerteza K	1,5 m/s ²

ATENÇÃO

O nível vibratório indicado nestas instruções foi medido em conformidade com um procedimento de medição normalizado na EN 60745 e pode ser utilizado para comparar entre si ferramentas eléctricas. O mesmo é também adequado para avaliar provisoriamente o esforço vibratório.

O nível vibratório indicado representa as principais aplicações da ferramenta eléctrica. Se, no entanto, a ferramenta eléctrica for utilizada para outras aplicações, com outras ferramentas adaptadas ou uma manutenção insuficiente, o nível vibratório poderá divergir. Isto pode aumentar consideravelmente o esforço vibratório ao longo de todo o período do trabalho.

Para uma avaliação exacta do esforço vibratório devem também ser considerados os tempos durante os quais o aparelho está desligado ou está a funcionar, mas não está efectivamente a ser utilizado. Isto pode reduzir consideravelmente o esforço vibratório ao longo de todo o período do trabalho.

Defina medidas de segurança suplementares para proteger o operador do efeito das vibrações, como por exemplo: manutenção da ferramenta eléctrica e das ferramentas adaptadas, manter as mãos quentes, organização das sequências de trabalho.

⚠️ ADVERTÊNCIA! Leia todas as instruções de segurança e todas as instruções. O desrespeito das advertências e instruções apresentadas abaixo pode causar choque eléctrico, incêndio e/ou graves lesões.

Guarde bem todas as advertências e instruções para futura referência.

⚠️ INSTRUÇÕES DE SEGURANÇA

Indicações gerais de segurança para rectificação

a) Esta ferramenta eléctrica destina-se a ser utilizada como rectificador. Observar todas as indicações de aviso, instruções, apresentações e dados fornecidos com a ferramenta eléctrica. O desrespeito das seguintes instruções pode levar a um choque eléctrico, incêndio e/ou graves lesões.

b) Esta ferramenta eléctrica não é adequada para ser utilizada para trabalhar com escova de arame, cortar, lixar ou polir. Utilizações, para as quais a máquina não tenha sido prevista, podem causar perigos e ferimentos.

c) Não utilizar acessórios, que não foram especialmente previstos e recomendados pelo fabricante para serem utilizados com esta ferramenta eléctrica. O facto de poder fixar o acessório a esta ferramenta eléctrica, não garante uma aplicação segura.

d) As rotações admissíveis da ferramenta de trabalho devem ser pelo menos tão elevadas como as rotações máximas indicadas na ferramenta eléctrica. Os acessórios que rodam mais rapidamente do que o permitido podem partir-se e ser projectados.

e) O diâmetro exterior e a espessura da ferramenta de trabalho devem corresponder às dimensões da sua ferramenta eléctrica. As ferramentas eléctricas com as dimensões erradas não podem ser suficientemente protegidas ou controladas.

f) O disco abrasivo, a lixa tambor e outros acessórios devem caber exactamente no fuso ou na pinça da ferramenta eléctrica. Acessórios que não cabem exactamente no fuso da ferramenta eléctrica giram irregularmente, vibram fortemente e podem levar à perda do controlo.

g) Discos montados em um mandril, lixas tambor, ferramentas de corte e outros acessórios devem estar inteiramente inseridos na pinça ou no mandril de brocas. A “saliência” ou a distância do mandril do disco à pinça deve ser mínima. Se o mandril não for fixado suficientemente e/ou se a saliência do disco for muito comprida, o disco montado poderá soltar-se e ser ejectado a alta velocidade.

h) Não utilizar ferramentas de trabalho danificadas. Antes de cada utilização deverá controlar as ferramentas de trabalho, e verificar se por exemplo os discos abrasivos apresentam fissuras e estilhaços, se pratos abrasivos apresentam fissuras, se há desgaste ou forte atrição, se as escovas de arame apresentam arames soltos ou quebrados. Se a ferramenta eléctrica ou a ferramenta de trabalho caírem, deverá verificar se sofreram danos, ou trocar por uma ferramenta de trabalho intacta. Após ter controlado e introduzido a ferramenta de trabalho, deverá manter-se, e as pessoas que se encontrem nas proximidades, fora do nível de rotação da ferramenta de

trabalho e permitir que a ferramenta eléctrica funcione durante um minuto com o máximo número de rotação. A maioria das ferramentas de trabalho danificadas quebram durante este período de teste.

i) Utilizar um equipamento de protecção pessoal. De acordo com a aplicação, deverá utilizar uma protecção para todo o rosto, protecção para os olhos ou um óculos protector. Se for necessário, deverá utilizar uma máscara contra pó, protecção auricular, luvas de protecção ou um avental especial, para proteger-se de pequenas partículas de amoladura e de material. Os olhos devem ser protegidos contra partículas a voar, produzidas durante as diversas aplicações. A máscara contra pó ou a máscara de respiração deve ser capaz de filtrar o pó produzido durante a respectiva aplicação. Se for sujeito durante longo tempo a fortes ruídos, poderá sofrer a perda da capacidade auditiva.

j) Quanto às outras pessoas, preste atenção a uma distância segura em relação à sua área de trabalho. Qualquer pessoa que aceda à área de trabalho deve usar equipamento de protecção pessoal. Os fragmentos do material a trabalhar das ferramentas de trabalho partidas podem voar e provocar ferimentos, mesmo fora da área de trabalho directa.

k) Segure o aparelho nas superfícies de punho isoladas se estiver a executar trabalhos, nos quais a ferramenta de corte pode tocar em linhas eléctricas escondidas. O contacto da ferramenta de corte com uma linha sob tensão também pode colocar peças metálicas do aparelho sob tensão e levar a um choque eléctrico.

l) No arranque, segure bem a ferramenta eléctrica. Na aceleração à toda a velocidade, o binário de reacção do motor poderá levar à torção da ferramenta eléctrica.

m) Caso possível, use grampos de aperto para fixar a peça. Nunca segure uma peça pequena numa mão e a ferramenta na outra mão ao utilizar a ferramenta. Devido a fixação de peças pequenas, você terá as mãos livres para manejar melhor a ferramenta eléctrica. Peças redondas como buchas de madeira, barras ou tubos podem deslocar-se quando elas forem cortadas e, os acessórios poderão emperrar ou ser lançados para a sua direcção.

n) Nunca pouse a ferramenta eléctrica antes de a ferramenta de trabalho parar completamente. A ferramenta de trabalho rotativa pode entrar em contacto com a área de apoio, podendo perder o controlo sobre a ferramenta eléctrica.

o) Depois de trocar os acessórios ou de ajustes no aparelho, assegure-se que a porca da pinça, o mandril da broca e outros elementos de fixação estejam bem apertados. Elementos de fixação soltos podem deslocar-se inesperadamente e levar à perda do controlo; componentes rotativos soltos podem ser ejectados violentamente.

p) Não permitir que a ferramenta eléctrica funcione enquanto estiver a transportá-la. A sua roupa pode ser agarrada devido a um contacto accidental com a ferramenta de trabalho em rotação, de modo que a ferramenta de trabalho possa ferir o seu corpo.

q) Limpar regularmente as aberturas de ventilação da sua ferramenta eléctrica. A ventoinha do motor puxa pó para dentro da carcaça, e uma grande quantidade de pó de metal pode causar perigos eléctricos.

r) Não utilize a ferramenta eléctrica perto de materiais inflamáveis. As faíscas podem inflamar estes materiais.

s) Não utilize ferramentas de trabalho que precisam de líquidos de refrigeração líquidos. A utilização de água ou outros líquidos de refrigeração líquidos pode provocar um choque eléctrico.

Repercussão e respectivas indicações de segurança

ContraGolpe é uma repentina reacção devido a uma ferramenta de trabalho travada ou bloqueada, como por exemplo um disco abrasivo, um prato abrasivo, uma escova de arame etc. Um travamento ou um bloqueio levam a uma parada abrupta da ferramenta de trabalho em rotação. Desta maneira, uma ferramenta eléctrica descontrolada pode ser

acelerada no local de bloqueio, sendo forçada no sentido contrário da rotação da ferramenta de trabalho.

Se por exemplo um disco abrasivo travar ou bloquear numa peça a ser trabalhada, o canto do disco abrasivo pode mergulhar na peça a ser trabalhada e encravar-se, quebrando o disco abrasivo ou causando um contra-golpe. O disco abrasivo se movimenta então no sentido do operador ou para longe deste, dependendo do sentido de rotação do disco no local do bloqueio. Sob estas condições os discos abrasivos também podem partir-se.

Um contra-golpe é a consequência de uma utilização incorrecta ou indevida da ferramenta eléctrica. Ele pode ser evitado por apropriadas medidas de precaução como descrito a seguir.

a) Segurar firmemente a ferramenta eléctrica e posicionar o seu corpo e os braços de modo que possa resistir às forças de um contra-golpe. Sempre utilizar o punho adicional, se existente, para assegurar o máximo controlo possível sobre as forças de um contra-golpe ou sobre momentos de reacção durante o arranque. O operador pode controlar as forças de contra-golpe e as forças de reacção através de medidas de precaução apropriadas.

b) Trabalhar com especial cuidado na área ao redor de esquinas, cantos afiados etc. Evite que ferramentas de trabalho sejam ricocheteadas e travadas pela peça a ser trabalhada. A ferramenta de trabalho em rotação tende a travar em esquinas, em cantos afiados ou se for ricocheteada. Isto causa uma perda de controlo ou um contra-golpe.

c) Não utilize lâminas de corrente ou lâminas de serra dentadas. Estas ferramentas de trabalho provocam frequentemente uma repercussão ou a perda do controlo sobre a ferramenta eléctrica.

d) Sempre introduza o acessório no material, na mesma direcção em que a aresta de corte sai do material (corresponde com a direcção em que as aparas são ejectadas). Se a ferramenta eléctrica for conduzida para a direcção errada, o acessório sairá da peça e a ferramenta de corte será puxada para esta direcção.

e) Sempre fixe bem a peça na utilização de lâminas de serra em aço, discos de corte, fresadoras de alta velocidade ou fresadoras de metal furo. Já em caso de um emperramento pequeno na ranhura os acessórios podem causar um contragolpe. Se o disco de corte, a fresadora de alta velocidade ou a fresadora de metal duro ficar preso, o acessório pode sair da ranhura e levar à perda do controlo da ferramenta eléctrica.

Indicações de segurança específicas para rectificação

a) Utilize somente os tipos de disco de lixar recomendados para a sua ferramenta eléctrica e somente para os campos de aplicação recomendados. Por exemplo, nunca lixe uma superfície lateral com um disco de corte abrasivo. Discos de corte abrasivo destinam-se à remoção de material com a aresta do disco. Forças abrasivas exercidas sobre estes discos podem quebrá-los.

b) Para cones abrasivos e pontas abrasivas com rosca só use mandris não danificados com o tamanho e o comprimento correcto, sem entalhe no ressalto. Mandris apropriados reduzem a possibilidade de ruptura.

c) Não posicione a sua mão no sentido de rotação ou atrás do disco de corte rotativo. Se afastar o disco de corte na peça da sua mão, a ferramenta eléctrica com o disco rotativo pode ser lançada directamente na sua direcção em caso de contragolpe.

d) Apoiar placas ou peças grandes, para reduzir um risco de contra-golpe devido a um disco de corte emperrado. Peças grandes podem curvar-se devido ao próprio peso. A peça a ser trabalhada deve ser apoiada de ambos os lados, tanto nas proximidades do corte como também nos cantos.

e) Tenha o cuidado ao efectuar “Cortes de bolso” em paredes existentes ou em outras superfícies, onde não é possível reconhecer o que há por detrás. O disco de corte pode causar um contra-golpe se cortar acidentalmente

tubulações de gás ou de água, cabos eléctricos ou outros objectos.

INSTRUÇÕES DE SEGURANÇA E TRABALHO SUPLEMENTARES

Usar sempre óculos de protecção ao trabalhar com a máquina. Recomenda-se a utilização de luvas de protecção, protectores para os ouvidos e máscara anti-poeiras.

O veio da ferramenta movimenta-se por inércia, após desligar o aparelho. Apenas depositar a máquina quando estiver parada.

Não introduza as mãos na área perigosa, estando a máquina em funcionamento.

Use apenas discos cuja velocidade permitida seja tão alta como a máx. velocidade em vazio da máquina.

Controlar as ferramentas abrasivas antes da utilização. A ferramenta abrasiva deve ser perfeitamente montada e girar livremente. Efectuar um funcionamento de teste no mínimo durante 30 segundos, sem carga. Ferramentas abrasivas danificadas, descentradas ou vibrantes não devem ser utilizadas.

Ao lixar metais, voam faíscas. Observe que ninguém seja posto em perigo. Devido ao perigo de incêndio não devem encontrar-se materiais inflamáveis nas proximidades (área de vôo de faíscas). Não utilize sistema de extracção de poeiras.

Tome atenção que nem as faíscas nem as poeiras da lixagem geradas na peça de trabalho devem entrar em contacto consigo.

A porca de ajuste deve ser apertada antes de iniciar o trabalho com a máquina.

Sob influência de extremas influências electromagnéticas, podem em certos casos ocorrer temporárias oscilações de número de rotação.

Sempre utilizar e guardar os discos abrasivos, de acordo com as indicações do fabricante.

A peça a ser trabalhada deve ser fixada, caso não esteja firme devido ao seu peso próprio. Jamais conduzir a peça a ser trabalhada em direcção do disco com as mãos.

As dimensões da ferramenta de lixar deverão corresponder com a lixadora.

Nos trabalhos poeirentos, as fendas de ventilação da máquina deverão estar livres. Caso necessário, separe a máquina da rede e remova o pó. Para tal fim, utilize objectos não metálicos e não danifique as peças internas.

Em caso de cargas ou temperaturas extremas, um acumulador de substituição danificado poderá verter líquido de bateria. Se entrar em contacto com este líquido, deverá lavar-se imediatamente com água e sabão. Em caso de contacto com os olhos, enxagúe-os bem e de imediato durante pelo menos 10 minutos e consulte um médico o mais depressa possível.

Não queimar acumuladores gastos nem deitá-los no lixo doméstico. A Milwaukee possui uma eliminação de acumuladores gastos que respeita o meio ambiente.

Não guardar acumuladores junto com objectos metálicos (perigo de curto-circuito).

Use apenas carregadores do Sistema 18 V para recarregar os acumuladores do Sistema 18 V. Não utilize acumuladores de outros sistemas.

Não abrir acumuladores e carregadores. Armazená-los em recintos secos. Protecção contra humidade.

Carregadores só devem ser utilizados em recintos secos.

Antes de efectuar qualquer intervenção na máquina retirar o bloco acumulador.

Assegure-se que a ferramenta de lixar esteja fixada de acordo com as instruções do fabricante do produto abrasivo.

UTILIZAÇÃO AUTORIZADA

Rectificadoras rectas são apropriadas para lixar madeira, metal, plásticos e materiais similares, principalmente em locais de difícil acesso.

Não use este produto de outra maneira sem ser a normal para o qual foi concebido.

Em caso de dúvida, observe as indicações do fabricante dos acessórios.

A ferramenta só é apropriada para o processamento a seco.

DECLARAÇÃO DE CONFORMIDADE CE

Declaramos sob responsabilidade exclusiva, que o produto descrito sob "Dados técnicos" corresponde com todas as disposições relevantes da diretiva 2011/65/EU (RoHs), 2004/108/CE, 2006/42/CE e dos seguintes documentos normativos harmonizados.

EN 60745-1:2009+A11:2010

EN 60745-2-3:2011

EN 55014-1:2006+A1:2009+A2:2011

EN 55014-2:1997+A1:2001+A2:2008

EN 50581:2012

Winnenden, 2014-06-18



Alexander Krug
Managing Director



Autorizado a reunir a documentação técnica.

Techtronic Industries GmbH
Max-Eyth-Straße 10
71364 Winnenden
Germany

ACUMULADOR

Acumuladores não utilizados durante algum tempo devem ser recarregados antes da sua utilização.

Temperaturas acima de 50°C reduzem a capacidade do bloco acumulador. Evitar exposição prolongada ao sol ou a caloríferos.

Manter limpos os contactos eléctricos no carregador e no bloco acumulador.

Para uma vida útil óptima das baterias, terá que carregá-las plenamente após a sua utilização.

Para assegurar uma vida útil longa, o pacote de bateria deve ser removido da carregadora depois do carregamento.

Se o pacote de bateria for armazenado por mais de 30 dias: Armazene o pacote de bateria com aprox. 27°C em um lugar seco.

Armazene o pacote de bateria com aprox. 30%-50% da carga completa.

Carregue o pacote de bateria novamente de 6 em 6 meses.

MANUTENÇÃO

Manter desobstruídos os rasgos de ventilação na carcaça da máquina.

Não deixe que peças metálicas toquem nas fendas de circulação de ar - perigo de curto-circuitos.

Utilizar unicamente acessórios e peças sobressalentes da Milwaukee. Sempre que a substituição de um componente não tenha sido descrita nas instruções, será de toda a conveniência mandar executar esse trabalho a um Serviço de Assistência Milwaukee (veja o folheto Garantia/Endereços de Serviços de Assistência).

A pedido e mediante indicação da referência que consta da chapa de características da máquina, pode requerer-se um desenho explosivo da ferramenta eléctrica a: Techtronic Industries GmbH, Max-Eyth-Straße 10, 71364 Winnenden, Germany.

SYMBOLE



ATENÇÃO! PERIGO!



Antes de efectuar qualquer intervenção na máquina retirar o bloco acumulador.



Leia atentamente o manual de instruções antes de colocar a máquina em funcionamento.



Usar sempre óculos de protecção ao trabalhar com a máquina.



Use luvas de protecção!



Não aplique força.



Aparelhos eléctricos não devem ser jogados no lixo doméstico. Aparelhos eléctricos e electrónicos devem ser colectados separadamente e entregues a uma empresa de reciclagem para a eliminação correcta. Solicite informações sobre empresas de reciclagem e postos de colecta de lixo das autoridades locais ou do seu vendedor autorizado.



Marca CE

Marca de conformidade EurAsian.

TECHNISCHE GEGEVENS	STAAFSLIJPER	C 12 RT
---------------------	--------------	---------

Productienummer	4311 33 01...	...000001-999999
Spanning wisselakku	12 V	
Nominaal toerental	5000-37000 min ⁻¹	
Spantangdiameter	0,8 / 1,6 / 2,4 / 3,2 mm	
Slijpsteen ø max.:		
keramisch of van rubber vervaardigd slijpgereedschap	25 mm	
van kunstharis vervaardigd slijpgereedschap	25 mm	
Gewicht met wisselaccu	0,62 kg	

Geluids-/trillingsinformatie

Meetwaarden vastgesteld volgens EN 60 745.

Het kenmerkende A-gewogen geluidsniveau van de machine bedraagt:

Geluidsdruk niveau (Onzekerheid K=3dB(A))	73 dB (A)
Geluidsvermogen niveau (Onzekerheid K=3dB(A))	84 dB (A)

Draag oorbeschermers!

Totale trillingswaarden (vectorsom van drie richtingen) bepaald volgens EN 60745.

Trillingsemmissiewaarde a _n	
Boren in metaal	2,4 m/s ²
Onzekerheid K	1,5 m/s ²
Schuren	2,6 m/s ²
Onzekerheid K	1,5 m/s ²
Schuren metaal	3,1 m/s ²
Onzekerheid K	1,5 m/s ²
Schuren steen	1,8 m/s ²
Onzekerheid K	1,5 m/s ²
Doorslijpen metaal	3,4 m/s ²
Onzekerheid K	1,5 m/s ²

WAARSCHUWING

De in deze aanwijzingen vermelde trillingsdruk is gemeten volgens een in EN 60745 genormeerde meetmethode en kan worden gebruikt voor de onderlinge vergelijking van apparaten. Hij is ook geschikt voor een voorlopige inschatting van de trillingsbelasting.

De aangegeven trillingsdruk geldt voor de meest gebruikelijke toepassingen van het elektrische apparaat. Wanneer het elektrische gereedschap echter voor andere doeleinden, met andere dan de voorgeschreven hulpstukken gebruikt of niet naar behoren onderhouden wordt, kan de trillingsdruk afwijken. Dit kan de waarde van de trillingsdruk over de hele werkperiode aanzienlijk verhogen.

Voor een nauwkeurige inschatting van de trillingsdruk moeten ook de tijden in aanmerking worden genomen dat het apparaat uitgeschakeld is of weliswaar loopt, maar niet werkelijk in gebruik is. Dit kan de waarde van de trillingsdruk over de hele werkperiode aanzienlijk verminderen.

Bepaal extra veiligheidsmaatregelen ter bescherming van de bediener tegen de inwerking van trillingen, bijvoorbeeld: onderhouden van elektrische gereedschappen en apparaten, warmhouden van de handen, organisatie van de werkprocessen.

WAARSCHUWING! Lees alle veiligheidsinstructies en aanwijzingen. Als de waarschuwingen en voorschriften niet worden opgevolgd, kan dit een elektrische schok, brand of ernstig letsel tot gevolg hebben. **Bewaar alle waarschuwingen en voorschriften voor toekomstig gebruik.**

VEILIGHEIDSAADVIEZEN

Algemene veiligheidsinstructies voor het slijpen

a) Dit elektrische gereedschap kan worden gebruikt als slijpmachine. Neem alle waarschuwingen, aanwijzingen, afbeeldingen en gegevens die u bij het elektrische gereedschap ontvangt in acht. Als u de volgende aanwijzingen niet in acht neemt, kunnen een elektrische schok, brand en/of ernstig letsel het gevolg zijn.

b) Dit elektrische gereedschap is niet geschikt voor het draadborstelen, doorslijpen, schuren met schuurpapier en het polijsten. Ondoelmatig gebruik van dit elektrische gereedschap kan leiden tot gevaren en persoonlijk letsel.

c) Gebruik uitsluitend toebehoren dat door de fabrikant speciaal voor dit elektrische gereedschap is voorzien en geadviseerd. Het feit dat u het toebehoren aan het elektrische gereedschap kunt bevestigen, waarborgt nog geen veilig gebruik.

d) Het toelaatbare toerental van het inzetgereedschap moet minstens even hoog zijn als het maximale toerental dat op het elektrische gereedschap is aangegeven.

Toebehoren dat sneller draait dan toegestaan, kan breken en in het rond vliegen.

e) De buitendiameter en de dikte van het inzetstuk dienen overeen te komen met de opgegeven maten van uw elektrische gereedschap. Inzetstukken met de verkeerde afmetingen kunnen niet voldoende worden afgeschermd of gecontroleerd.

f) Slijpschijf, slijpcilinder of ander toebehoren moet exact op de slijpspil of de spantang van het elektrische gereedschap passen. Toebehoren dat niet exact op de slijpspil van het elektrische gereedschap past, draait ongelijkmatig, trilt sterk en kan controleverlies over het gereedschap veroorzaken.

g) Op een doorn gemonteerde schijven, slijpcilinders, snijgereedschappen of ander toebehoren moet volledig in de spantang of in de boorhouder worden geplaatst. Het 'overstek' of de afstand tussen de doorn van de schijf en de spantang moet minimaal zijn. Als de doorn niet voldoende gespannen en/of het overstek van de schijf te groot is, kan de gemonteerde schijf losraken en met hoge snelheid worden uitgeworpen.

h) Gebruik geen beschadigde inzetgereedschappen. Controleer voor het gebruik altijd inzetgereedschappen zoals slijpschijven op afsplinteringen en scheuren, steunschijven op scheuren of sterke slijtage en draadborstels op losse of gebroken draden. Als het elektrische gereedschap of het inzetgereedschap valt, dient u te controleren of het beschadigd is, of gebruik een onbeschadigd inzetgereedschap. Als u het

inzetgereedschap hebt gecontroleerd en ingezet, laat u het elektrische gereedschap een minuut lang met het maximale toerental lopen. Daarbij dient u en dienen andere personen uit de buurt van het ronddraaiende inzetgereedschap te blijven. Beschadigde inzetgereedschappen breken meestal gedurende deze testtijd.

i) Draag persoonlijke beschermende uitrusting. Gebruik afhankelijk van de toepassing een volledige gezichtsbescherming, oogbescherming of veiligheidsbril. Draag voor zover van toepassing een stofmasker, een gehoorbescherming, werkhandschoenen of een speciaal schoort dat kleine slijp- en materiaaldeeltjes tegenhoudt. Uw ogen moeten worden beschermd tegen wegvliegende deeltjes die bij verschillende toepassingen ontstaan. Een stof- of adembeschermingsmasker moet het bij de toepassing ontstaande stof filteren. Als u lang wordt blootgesteld aan luid lawaai, kan uw gehoor worden beschadigd.

j) Let erop dat andere personen op een veilige afstand van de werkplek blijven. Iedereen die de werkplek betreedt, dient persoonlijke beschermingsmiddelen te gebruiken. Brokstukken van het werkstuk of gebroken inzetstukken kunnen wegvliegen en ook buiten het directe werkbereik verwondingen veroorzaken.

k) Houd het apparaat alléén aan de geïsoleerde grijpvlakken vast, wanneer u werkzaamheden uitvoert waarbij het snijgereedschap verborgen stroomleidingen zou kunnen raken. Het contact van het snijgereedschap met een spanningvoerende leiding kan de metalen apparaatdelen onder spanning zetten en zo tot een elektrische schok leiden.

l) Houd het elektrische gereedschap goed vast als u het inschakelt. Bij de acceleratie tot de volle snelheid kan het reactiemoment van de motor ertoe leiden dat het elektrische gereedschap verdraait.

m) Gebruik indien mogelijk spanklemmen om het werkstuk te fixeren. Houd een klein werkstuk nooit met een hand vast terwijl u het met het gereedschap in de andere hand bewerkt. Door kleine werkstukken vast te spannen, hebt u de handen vrij om het elektrische gereedschap beter te kunnen bedienen. Bij het doorslijpen van ronde werkstukken zoals houtpluggen, stangmateriaal of buizen, kunnen deze weggrollen, waardoor het toebehoren klem kan raken en in uw richting kan worden geslingerd.

n) Leg het elektrische gereedschap nooit neer, vóór het inzetstuk volledig tot stilstand is gekomen. Het draaiende inzetstuk kan in aanraking komen met de ondergrond, waardoor u de controle over het elektrische gereedschap kunt verliezen.

o) Na het vervangen van het toebehoren of na instellingen aan het apparaat dient u te waarborgen dat de moer van de spantang, de boorhouder en andere bevestigingselementen vast aangedraaid zijn. Losse bevestigingselementen kunnen onverwacht verschuiven en controleverlies veroorzaken, niet-bevestigde, roterende componenten worden met geweld weggeslingerd.

p) Laat het elektrische gereedschap niet lopen terwijl u het draagt. Uw kleding kan door toevallig contact met het draaiende inzetgereedschap worden meegenomen en het inzetgereedschap kan zich in uw lichaam boren.

q) Reinig regelmatig de ventilatieopeningen van het elektrische gereedschap. De motorventilator trekt stof in het huis en een sterke ophoping van metaalstof kan elektrische gevaren veroorzaken.

r) Gebruik het elektrische gereedschap niet in de buurt van brandbare materialen. Vonken kunnen deze materialen doen ontvlammen.

s) Gebruik geen inzetstukken waarvoor vloeibaar koelmiddel nodig is. Het gebruik van water of andere vloeibare koelmiddelen kan elektrische schokken veroorzaken.

Terugslag en bijbehorende veiligheidsinstructies

Terugslag is de plotselinge reactie als gevolg van een vasthakend of geblokkeerd draaiend inzetgereedschap, zoals een slijpschijf, steunschijf, draadborstel, enz. Vasthaken of blokkeren leidt tot abrupte stilstand van het ronddraaiende

inzetgereedschap. Daardoor wordt een ongecontroleerd elektrisch gereedschap tegen de draairichting van het inzetgereedschap versneld op de plaats van de blokkering.

Als bijvoorbeeld een slijpschijf in het werkstuk vasthaakt of blokkeert, kan de rand van de slijpschijf die in het werkstuk invalt, zich vastgrijpen. Daardoor kan de slijpschijf uitbreken of een terugslag veroorzaken. De slijpschijf beweegt zich vervolgens naar de bediener toe of van de bediener weg, afhankelijk van de draairichting van de schijf op de plaats van de blokkering. Hierbij kunnen slijpschijven ook breken.

Een terugslag is het gevolg van het verkeerd gebruik of onjuiste gebruiksomstandigheden van het elektrische gereedschap. Terugslag kan worden voorkomen door geschikte voorzorgsmaatregelen, zoals hieronder beschreven.

a) Houd het elektrische gereedschap goed vast en breng uw lichaam en uw armen in een positie waarin u de terugslagkrachten kunt opvangen. Gebruik altijd de extra handgreep, indien aanwezig, om de grootste mogelijke controle te hebben over terugslagkrachten of reactiemomenten bij het op toeren komen. De bediener kan door geschikte voorzorgsmaatregelen de terugslag- en reactiekrachten beheersen.

b) Werk bijzonder voorzichtig in de buurt van hoeken, scherpe randen, enz. Voorkom dat inzetgereedschappen van het werkstuk terugspringen en vastklemmen. Het ronddraaiende inzetgereedschap neigt er bij hoeken, scherpe randen of wanneer het terugspringt toe om zich vast te klemmen. Dit veroorzaakt een controleverlies of terugslag.

c) Gebruik geen ketting- of getand zaagblad. Dergelijke inzetstukken veroorzaken vaak een terugslag of verlies van controle over het elektrische gereedschap.

d) Beweeg het toebehoren steeds in dezelfde richting in het materiaal waarin de snijrand het materiaal verlaat (komt overeen met dezelfde richting waarin de spaanders worden uitgeworpen). Als het elektrische gereedschap in de verkeerde richting wordt bewogen, leidt dit ertoe dat het toebehoren uit het werkstuk breekt waardoor het elektrisch gereedschap in de aanvoerrichting wordt getrokken.

e) Span het werkstuk bij het gebruik van stalen zaagbladen, doorslijpschijven, hogesnelheidsfrezen of frezen van hardmetaal altijd goed vast. Als bij een geringe schuinstand in de groef blijven de gereedschappen haken, hetgeen een terugslag kan veroorzaken. Als een doorslijpschijf blijft haken, breekt deze normaalgesproken. Als stalen zaagbladen, hogesnelheidsfrezen of frezen van hardmetaal blijven haken, kan het werkstuk uit de groef springen hetgeen tot controleverlies over het elektrische gereedschap kan leiden.

Speciale veiligheidsinstructies voor het slijpen

a) Gebruik alleen slijpschijven die voor uw elektrisch gereedschap worden aanbevolen en alleen voor de aanbevolen toepassingsgebieden. Slijp bijvoorbeeld nooit met het zijvlak van een doorslijpschijf. Doorslijpschijven zijn bedoeld voor de materiaalverwijdering met de rand van de schijf. Door krachtinwerking van opzij kunnen deze slijpschijven breken.

b) Gebruik voor conische en rechte slijppennen met schroefdraad alleen onbeschadigde doornen van de correcte maat en lengte, zonder achtersnijding aan de schouder. Geschikte doornen verminderen de mogelijk van een breuk.

c) Positioneer uw hand niet in de rotatierichting resp. achter de roterende doorslijpschijf. Als u de doorslijpschijf in het werkstuk van uw hand weg beweegt, kan het elektrische gereedschap in geval van een terugslag met de draaiende schijf direct in uw richting worden geslingerd.

d) Ondersteun platen of grote werkstukken om het risico van een terugslag door een ingeklemde doorslijpschijf te verminderen. Grote werkstukken kunnen onder hun eigen gewicht doorbuigen. Het werkstuk moet aan beide zijden worden ondersteund, vlakbij de slijp-groef en aan de rand.

e) Wees bijzonder voorzichtig bij invallend frezen in bestaande muren of andere plaatsen zonder voldoende

zicht. De invallende doorslijpschijf kan bij het doorslijpen van gas- of waterleidingen, elektrische leidingen of andere objecten een terugslag veroorzaken.

VERDERE VEILIGHEIDS- EN WERKINSTRUCTIES

Bij het werken met de machine altijd een veiligheidsbril dragen. Werkhandschoenen en stofkapje voor de mond worden aanbevolen.

De uitgaande as loopt uit nadat de machine is uitgeschakeld. Machine pas na stilstand neerleggen.

Niet aan de draaiende delen komen.

Uitsluitend toebehoren gebruiken waarvan het toelaatbare toerental minstens zo hoog is als het hoogste onbelaste toerental van de machine.

Slijpgereedschappen voor gebruik controleren. Het slijpgereedschap moet korrekt zijn gemonteerd en vrij kunnen draaien. Ten minste 30 seconden onbelast laten proefdraaien. Beschadigde, niet ronde of trillende slijpgereedschappen niet gebruiken.

Bij het schuren van metalen ontstaan vonken. Er op letten dat er geen personen in gevaar worden gebracht. In verband met het brandgevaar mogen zich geen brandbare materialen in de buurt (gebied waar de vonken vallen) bevinden. Geen stofafzuiging gebruiken

Machine altijd zo vasthouden dat vonken of slijpstof van het lichaam zijn af gericht.

De flensmoer moet vóór de ingebruikname van de machine aangetrokken zijn.

Bij inwerking van elektromagnetische storingen van buitenaf kunnen in enkele gevallen voorbijgaande toerentalschommelingen optreden.

Slijpschijven altijd volgens de voorschriften van de fabrikant gebruiken en bewaren.

Het te bewerken werkstuk moet vast worden ingespannen als het niet door het eigen gewicht stabiel ligt. Nooit het werkstuk met de hand tegen de schijf houden.

De afmetingen van het slijpgereedschap moeten bij de slijper passen.

Bij stoffige werkzaamheden moeten de ventilatieopeningen van de machine vrij zijn. Indien noodzakelijk moet de stroomtoevoer naar de machine onderbroken en het stof verwijderd worden. Gebruik hiervoor niet-metalen voorwerpen en beschadig daarbij geen inwendige onderdelen.

Onder extreme belasting of extreme temperaturen kan uit de accu accu-vloeistof lopen. Na contact met accu-vloeistof direct afwassen met water en zeep. Bij oogcontact direct minstens 10 minuten grondig spoelen en onmiddellijk een arts raadplegen.

Verbruikte accu's niet in het vuur of bij het huisvuil werpen. Milwaukee biedt namelijk een milieuvriendelijke recyclingmethode voor uw oude accu's.

Wisselakku's niet bij metalen voorwerpen bewaren (kortsluitingsgevaar!).

Wisselakku's van het Akku-Systeem 18 V alléén met laadapparaten van het Akku-Systeem 18 V laden. Geen accu's van andere systemen laden.

In de wisselakku-opnameschacht van het laadapparaat mogen géén metaaldeeltjes komen (kortsluitingsgevaar!).

Wisselakku's en laadapparaten niet openen en alleen in droge ruimtes opslaan. Tegen vocht beschermen.

Voor alle werkzaamheden aan de machine de accu verwijderen.

Waarborg dat het slijpgereedschap conform de instructies van de slijpmiddelfabrikant is aangebracht.

VOORGESCHREVEN GEBRUIK VAN HET SYSTEEM

Rechte slijpers kunnen gebruikt worden voor het slijpen van hout, metaal, kunststof of gelijkaardige materialen.

Dit apparaat uitsluitend gebruiken voor normaal gebruik, zoals aangegeven.

Neem in twijfelgevallen de aanwijzingen van de toebehorenfabrikant in acht.

Het elektrische gereedschap is alleen geschikt voor de droge bewerking.

EC - VERKLARING VAN OVEREENSTEMMING

Wij verklaren in uitsluitende verantwoording dat het onder 'Technische gegevens' beschreven product overeenstemt met alle relevante voorschriften van de richtlijn 2011/65/EU (RoHS), 2004/108/EG, 2006/42/EG en de volgende geharmoniseerde normatieve documenten:

EN 60745-1:2009+A11:2010

EN 60745-2-3:2011

EN 55014-1:2006+A1:2009+A2:2011

EN 55014-2:1997+A1:2001+A2:2008

EN 50581:2012

Winnenden, 2014-06-18



Alexander Krug
Managing Director



Gemachtigd voor samenstelling van de technische documenten

Techtronic Industries GmbH
Max-Eyth-Straße 10
71364 Winnenden
Germany

AKKU

Langere tijd niet toegepaste wisselakku's vóór gebruik altijd naladen.

Een temperatuur boven de 50°C vermindert de capaciteit van de accu. Langdurige verwarming door zon of hitte vermijden.

De aansluitcontacten aan het laadapparaat en de accu schoonhouden.

Voor een optimale levensduur moeten de accu's na het gebruik volledig opgeladen worden.

Voor een zo lang mogelijke levensduur van de accu's dienen deze na het opladen uit het laadtoestel te worden verwijderd.

Bij een langere opslag van de accu dan 30 dagen:

accu bij ca. 27 °C droog bewaren.

accu bij ca. 30 % - 50 % van de laadtoestand bewaren.

accu om de 6 maanden opnieuw opladen.

ONDERHOUD

Altijd de luchtspleten van de machine schoonhouden.

Vanwege kortsluitingsgevaar mogen metaaldeeltjes niet in de luchtschachten terechtkomen.

Alleen Milwaukee toebehoren en onderdelen gebruiken. Onderdelen welke niet vermeld worden, kunnen het beste door de Milwaukee servicedienst verwisseld worden (zie Serviceadressen).

Onder vermelding van het nummer op het machineplaatje is desgewenst een doorsnedetekening van de machine verkrijgbaar bij: Techtronic Industries GmbH, Max-Eyth-Straße 10, 71364 Winnenden, Germany.

SYMBOLEN



OPGELET! WAARSCHUWING! GEVAAR!



Voor alle werkzaamheden aan de machine de accu verwijderen.



Graag instructies zorgvuldig doorlezen vóórdat u de machine in gebruik neemt.



Bij het werken met de machine altijd een veiligheidsbril dragen.



Draag veiligheidshandschoenen!



Geen kracht uitoefenen.



Elektrische apparaten mogen niet via het huisafval worden afgevoerd. Elektrische en elektronische apparaten moeten gescheiden worden verzameld en voor een milieuvriendelijke afvoer worden afgegeven bij een recyclingbedrijf. Informeer bij uw gemeente of bij uw vakhandelaar naar recyclingbedrijven en inzamelpunten.



CE-keurmerk

EurAsian-symbool van overeenstemming.

TEKNISKE DATA	LIGESLIBER	C 12 RT
Produktionsnummer	4311 33 01...	...000001-999999
Udskiftningsbatteriets spænding	12 V	
Nominelt omdrejningstal	5000-37000 min ⁻¹	
Spændetang-Ø	0,8 / 1,6 / 2,4 / 3,2 mm	
Slibestift-Ø maks.		
slibestift af keramik eller bundet med gummi	25 mm	
kunstsharpiksbundne slibestifte	25 mm	
Vægt med batteri	0,62 kg	

Støj/Vibrationsinformation

Måleværdier beregnes iht. EN 60 745.

Værktøjets A-vurderede støjniveau er typisk:

Lydtrykniveau (Usikkerhed K=3dB(A))	73 dB (A)
Lydefekt niveau (Usikkerhed K=3dB(A))	84 dB (A)

Brug høreværn!

Samlede vibrationsværdier (værdisum for tre retninger)

beregnet iht. EN 60745.

Vibrationseksponering a_h

Boring i metal	2,4 m/s ²
Usikkerhed K	1,5 m/s ²
Sandpapirslibning	2,6 m/s ²
Usikkerhed K	1,5 m/s ²
Slibning metal	3,1 m/s ²
Usikkerhed K	1,5 m/s ²
Slibning sten	1,8 m/s ²
Usikkerhed K	1,5 m/s ²
Skæring metal	3,4 m/s ²
Usikkerhed K	1,5 m/s ²

ADVARSEL

Svingningsniveauet, som er angivet i disse anvisninger, er målt i henhold til standardiseret måleprocedure ifølge EN 60745 og kan anvendes til indbyrdes sammenligning mellem el-værktøjer. Svingningsniveauet er ligeledes egnet som foreløbigt skøn over svingningsbelastningen.

Det angivne svingningsniveau er baseret på el-værktøjets primære anvendelsesformål. Hvis el-værktøjet benyttes til andre formål, med andet indsatsværktøj eller ikke vedligeholdes tilstrækkeligt, kan svingningsniveauet afvige. Dette kan øge svingningsbelastningen over den samlede arbejdsperiode betydeligt.

For en nøjagtig vurdering af svingningsbelastningen skal der også tages højde for de tidsperioder, hvor apparatet er slukket, eller hvor apparatet kører, men uden at være i anvendelse. Dette kan reducere svingningsbelastningen over den samlede arbejdsperiode betydeligt.

Supplerende sikkerhedsforanstaltninger til beskyttelse af brugeren mod påvirkninger fra svingninger skal iværksættes, f.eks.: Vedligeholdelse af el-værktøj og indsatsværktøj, varmholdelse af hænder, organisering af arbejdsprocesser.

⚠ ADVARSEL! Læs alle sikkerhedsinformationer og instruktioner. I tilfælde af manglende overholdelse af advarselshenvisningerne og instrukserne er der risiko for elektrisk stød, brand og/eller alvorlige kvæstelser. **Opbevar alle advarselshenvisninger og instrukser til senere brug.**

⚠ SIKKERHEDSHENVISNINGER

Fælles sikkerhedsanvisninger vedr. slibning

a) Dette el-værktøj skal anvendes som sliber. Læs og overhold alle advarsler, instruktioner, illustrationer og data, som du modtager i forbindelse med elværktøjet. Overholder du ikke følgende instruktioner, kan du få elektrisk stød, der kan opstå brand og/eller du kan blive kvæstet alvorligt.

b) Dette el-værktøj er ikke egnet til trådbørstning, overskæringsslibning, slibning med sandpapir eller polering. Anvendes el-værktøjet til formål, det ikke er beregnet til, kan der opstå farlige situationer, som kan medføre kvæstelser.

c) Anvend kun tilbehør, hvis det er beregnet til dette elværktøj og anbefalet af fabrikanten. En mulig fastgørelse af tilbehøret til elværktøjet sikrer ikke en sikker anvendelse.

d) Den tilladte hastighed for indsatsværktøjet skal mindst være så høj som den maksimale hastighed, der er angivet på elværktøjet. Tilbehør, der drejer hurtigere end tilladt, kan brække og de enkelte dele flyve fra hinanden.

e) Den udvendige diameter og tykkelsen på indsatsværktøjet skal svare til målene på dit

det udførte arbejde. Brug afhængigt af arbejdets art støvmaske, høreværn, beskyttelseshandsker eller specialforklæde, der beskytter dig mod små silbe- og materialepartikler. Øjenene skal beskyttes mod fremmede genstande, der flyver rundt i luften og som opstår i forbindelse med forskelligt arbejde. Støv- eller åndedrætsmaske skal filtrere det støv, der opstår under arbejdet. Udsættes du for høj støj i længere tid, kan du lide høretab.

j) Sørg for at andre personer befinder sig i en sikker afstand til dit arbejdsområde. Enhver person, der går ind på dit arbejdsområde, skal bruge personlige værnemidler. Brudstykker fra emnet eller brækkede indsatsværktøjer kan flyve væk og medføre tilskadekomst også uden for det direkte arbejdsområde.

k) Hold maskinen fast i de isolerede gribeblader, når du udfører arbejde, hvor der er risiko for, at skæreværktøjet kan ramme skjulte strømledninger. Kommer skæreværktøjet i kontakt med en strømførende ledning, kan maskinens metaldele komme under spænding og give elektrisk stød.

l) Hold altid godt fast i el-værktøjet under start. Ved acceleration op til fuld hastighed kan motorens reaktionsmoment føre til, at el-værktøjet fordrejes.

m) Benyt om muligt spændetvinger til at fiksere arbejdsområdet. Hold aldrig et lille arbejdsområde i den ene hånd og værktøjet i den anden, mens du arbejder. Opspænding af små arbejdsområder vil gøre dine hænder fri, så du bedre kan håndtere el-værktøjet. Ved kapning af runde arbejdsområder, såsom trædyvler, slangmateriale og rør, vil disse være tilbøjelige til at rulle væk, hvorved værktøjsindsatsen kan binde eller blive slynget mod dig.

n) Læg aldrig elektrovrærktøjet fra dig, før indsatsværktøjet er standstøt helt. Det roterende indsatsværktøj kan komme i kontakt med fralægningsoverfladen, og ved dette kan du miste kontrollen over elektrovrærktøjet.

o) Efter skift af værktøjsindsats eller efter indstillinger på maskinen skal du sikre dig, at spændetangsmøtrik, borepatron eller andre fastgørelseselementer er spændt godt fast. Løse fastgørelseselementer kan uventet forskubbe sig og føre til tab af kontrol; ikke-fastgjorte, roterende komponenter slynges ud under høj kraft.

p) Lad ikke elværktøjet køre, mens det bæres. Dit tøj kan blive fanget ved en tilfældig kontakt med det roterende indsatsværktøj, hvorved indsatsværktøjet kan bore sig ind i din krop.

q) Rengør ventilationsåbningerne på dit el-værktøj med regelmæssige mellemrum. Motorhuset trækker støv ind i huset, og store mængder metalstøv kan være farligt rent elektrisk.

r) Anvend ikke elektrovrærktøjet i nærheden af brændbare materialer. Gnister kan antænde disse materialer.

s) Brug ikke indsatsværktøj, der kræver flydende kølemidler. Anvendelsen af vand eller andre flydende kølemidler kan føre til elektrisk stød.

Tilbageslag og tilsvarende sikkerhedsanvisninger

Tilbageslag er en pludselig reaktion, som skyldes, at et roterende indsatsværktøj (slibemaskine, slibebagskive, trådbørste osv.) har sat sig fast eller blokerer. Fastsættelse eller blokering fører til et pludseligt stop af det roterende indsatsværktøj. Derved accelereres et ukontrolleret el-værktøj mod indsatsværktøjets omningsretning på blokeringsstedet.

Sidder f.eks. en slibeskive fast eller blokerer i et emne, kan kanten på slibeskiven, der dykker ned i emnet, blive siddende, hvorved slibeskiven brækker af eller fører til et tilbageslag. Slibeskiven bevæger sig så hen imod eller væk fra betjeningspersonen, afhængigt af skivens drejning på blokeringsstedet. Derved kan slibeskiver også brække.

Et tilbageslag skyldes forkert eller fejlbæret brug af el-værktøjet. Det kan forhindres ved at træffe egnede forsigtighedsforanstaltninger, der beskrives i det følgende.

a) Hold godt fast i el-værktøjet og sørg for at både krop og arme befinder sig i en position, der kan klare

tilbageslagskræfterne. Anvend altid ekstrahåndtaget, hvis et sådant findes, for at have så meget kontrol som muligt over tilbageslagskræfterne eller reaktionsmomenterne, når maskinen kører op i hastighed. Betjeningspersonen kan beherske tilbageslags- og reaktionskræfterne med egnede forsigtighedsforanstaltninger.

b) Arbejd særlig forsigtig i områder som f.eks. hjørner, skarpe kanter osv. Forhindre at indsatsværktøjet slår tilbage fra emnet og sætter sig fast. Det roterende indsatsværktøj har tendens til at sætte sig fast, når det anvendes i hjørner, skarpe kanter eller hvis det springer tilbage. Dette medfører, at man taber kontrollen eller tilbageslag.

c) Anvend ikke en kædesavklinge eller en tandet savklinge. Et sådant indsatsværktøj fører ofte til et tilbageslag eller at man mister kontrollen over elektrovrærktøjet.

d) Før altid indsatsværktøjet ind i materialet i samme retning, nemlig den som skæræggen forlader materialet i (samme retning, som spånen kastes ud i). Førres el-værktøjet i den forkerte retning, vil indsatsværktøjet slå ud af arbejdsområdet, hvorved el-værktøjet trækkes i denne fremførselsretning.

e) Ved brug af stålsavblade, kapskiver, hurtiggående fræseværktøj eller fræseværktøj af hårdmetal, skal arbejdsområdet altid spændes fast. Sådant indsatsværktøj vil sætte sig fast ved selv en lille uoverensstemmelse i forhold til sporet og kan herved slå tilbage. En kapskive, der sætter sig fast, vil normalt knække. Stålsavblade, hurtiggående fræseværktøj eller fræseværktøj af hårdmetal, der kommer til at sætte sig fast, kan bevirke, at værktøjsindsatsen hopper ud af sporet, hvorved du kan miste kontrollen over el-værktøjet.

Særlige sikkerhedsanvisninger vedr. slibning

a) Brug kun slibeskivetyper, som anbefales til dit el-værktøj, og kun til de anbefalede anvendelsesmuligheder. Slib f.eks. aldrig med sidefladen af en kapskive. Kapskiver er beregnet til materialefjernelse med kanten af skiven. En sideværts kraftindvirkning ind på disse slibelegemer kan få dem til at brække over.

b) Til koniske og lige slibestifter med gevind må kun anvendes ubeskadigede dørner i den rigtige størrelse og længde, uden udrøisering på skulderen. Egnede dørner nedsætter risikoen for brud.

c) Placer ikke hånden i rotationsretningen eller bag ved den roterende kapskive. Når du flytter kapskiven i arbejdsområdet væk fra din hånd, kan el-værktøjet i tilfælde af tilbageslag blive slynget direkte ind mod dig med den roterende skive.

d) Understøt plader eller store emner for at reducere risikoen for et tilbageslag som følge af en fastklemt skæreskive. Store plader kan bøje sig under deres egen vægt. Emnet skal støttes på begge sider, både i nærheden af skæresnittet og ved kanten.

e) Vær særlig forsigtig ved „lommeinit“ i bestående vægge eller andre områder, hvor man ikke har direkte indblik. Den neddykkende skæreskive kan forårsage et tilbageslag, når der skæres i gas- eller vandledninger, elektriske ledninger eller andre genstande.

YDERLIGERE SIKKERHEDS- OG ARBEJDSINFORMATIONER

Når der arbejdes med maskinen, skal man have beskyttelsesbriller på. Beskyttelseshandsker, skridsikre sko, høreværn og forklæde anbefales.

Værktøjsspindlen har et efterløb og standser dermed ikke samtidig med værktøjet. Maskinen skal være slukket, før den lægges fra.

Pas på ikke at få hånden ind i maskinen.

Benyt kun værktøj, hvis tilladte omdrejningstal er mindst lige så højt, som det højeste tomgangsomdrejningstal for maskinen.

Slibeværktøj skal kontrolleres før ibrugtagning. Slibeværktøj skal være monteret korrekt og skal kunne drejes. Slibeværktøj skal prøveløbes i ubelastet tilstand i mindst 30 sekunder.

Beskadiget, uregelmæssigt rundt eller vibrerende slibeværktøj må ikke anvendes.

Gnistregn opstår ved slibning af metal. Vær opmærksom på, at personer ikke kommer til skade. På grund af brandfare må brandbare materialer ikke opbevares i nærheden (gnistregnområde). Brug ikke støvsuger.

Maskinen skal altid håndteres således, at gnister og slibestøv slynges væk fra kroppen.

Flangemøtrikken skal spændes inden maskinen tages i brug.

Under påvirkning af ekstreme elektromagnetiske fejl udefra kan der i enkelte tilfælde optræde forbigående omdrejningstalsvingninger.

Benyt og opbevar kun slibeskiver iht. fabrikantens angivelser.

Det arbejdssemne, som skal bearbejdes, fastspændes, medmindre det holdes på plads af arbejdssemnets egen vægt. Før aldrig emnet mod skiven med hånden.

Slibeværktøjets mål skal passe til sliberen.

Ved støvholdigt arbejde skal maskinens ventilationssprækker holdes fri. Om nødvendigt kobles maskinen fra nettet, og støvet fjernes. Til det anvendes udelukkende ikke-metalliske genstande - pas på ikke at beskadige indvendige dele.

I tilfælde af en ekstrem belastning eller ekstrem temperatur kan der flyde batterivæske ud af et beskadiget batteri. Hvis De kommer i berøring med batterivæsken, skal den vaskes godt og grundigt af med vand og sæbe. I tilfælde af øjenkontakt, skal man mindst skylle øjnene godt og grundigt igennem i 10 minutter og omgående opsøge en læge.

Obrugte udskiftningsbatterier må ikke brændes eller kasseres sammen med alm. husholdningsaffald. Milwaukee har en miljørigtig bortskaffelse af gamle udskiftningsbatterier, henvend Dem til Deres forhandler.

Opbevar ikke udskiftningsbatterier sammen med metalgenstande af fare for kortslutning.

Brug kun 18 V ladeapparater for opladning af System 18 V batterier.

Metaldele o.lign må ikke komme i berøring med rummet beregnet for udskiftningsbatteriet (kortslutningsfare).

Udskiftningsbatterier og opladere må ikke åbnes og skal opbevares i tørre rum. Beskyt dem mod fugtighed.

Ved arbejde inden i maskinen, bør batteriet tages ud.

Kontroller, at slibeværktøjet er monteret efter slibemiddelproducentens anvisninger.

TILTÆNKT FORMÅL

Ligeslibere er egnet til slibning af træ, metal, kunststof og lignende materialer, især på vanskeligt tilgængelige steder.

Produktet må ikke anvendes på anden måde og til andre formål end foreskrevet.

Er du i tvivl, så læs vejledningen fra producenten af tilbehøret.

Det elektriske værktøj er kun egnet til tørslibning og -skæring.

CE-KONFORMITETSERKLÆRING

Vi erklærer som eneansvarlig, at det under "Tekniske data" beskrevne produkt stemmer overens med alle relevante forskrifter, der følger af direktiv 2011/65/EU (RoHS), 2004/108/EF, 2006/42/EF samt af følgende harmoniserede normative dokumenter:

EN 60745-1:2009+A11:2010

EN 60745-2-3:2011

EN 55014-1:2006+A1:2009+A2:2011

EN 55014-2:1997+A1:2001+A2:2008

EN 50581:2012

Winnenden, 2014-06-18



Alexander Krug
Managing Director



Autoriseret til at udarbejde de tekniske dokumenter.

Techtronic Industries GmbH

Max-Eyth-Straße 10

71364 Winnenden

Germany

BATTERI

Udskiftningsbatterier, der ikke har været brugt i længere tid, efterlades inden brug.

Ved temperaturer over 50°C formindskes batteriets effekt. Undgå direkte sollys og stærk varme.

Tilslutningskontakterne på oplader og udskiftningsbatterier skal holdes rene.

For at opnå en optimal levetid skal de genopladelige batterier oplades fuldt efter brug.

For at sikre en så lang levetid som muligt skal batterierne tages ud af ladeaggregatet efter opladning.

Skal batterierne opbevares længere end 30 dage:

Temperatur ca. 27°C i tørre omgivelser.

Opbevares ved ca. 30%-50% af ladetilstanden.

Batteri skal genoplades hver 6. måned.

VEDLIGEHODELSE

Hold altid maskinens ventilationsåbninger rene.

Metaldele må ikke trænge ind i ventilationsåbningerne, da dette kan føre til kortslutning.

Brug kun Milwaukee tilbehør og reservedele. Lad de komponenter, hvis udskiftning ikke er blevet beskrevet, udskifte hos Atlas Copco service (se kundeserviceadresser).

Ved opgivelse af type nr. der er angivet på maskinens effektskilt, kan de rekvirere en reservedelstegning, ved henvendelse til: Techtronic Industries GmbH, Max-Eyth-Straße 10, 71364 Winnenden, Germany.

SYMBOLER



VIGTIGT! ADVARSEL! FARE!



Ved arbejde inden i maskinen, bør batteriet tages ud.



Læs brugsanvisningen nøje før ibrugtagning.



Når der arbejdes med maskinen, skal man have beskyttelsesbriller på.



Brug beskyttelseshandsker!



Brug ikke kraft.



Elektrisk udstyr må ikke bortskaffes sammen med det almindelige husholdningsaffald. Elektrisk og elektronisk udstyr skal indsamles særskilt og afleveres hos en genbrugsvirksomhed til en miljømæssig forsvarlig bortskaffelse. Spørg de lokale myndigheder eller din forhandler om genbrugsstationer og indsamlingssteder til sådant affald.

CE-mærke



EurAsian overensstemmelsesmærke.

TEKNISKE DATA	RETTSLIPER	C 12 RT
Produksjonsnummer.....	4311 33 01...	...000001-999999
Spennning vekselbatteri	12 V	
Nominelt turtall	5000-37000 min ⁻¹	
Spennantang-Ø	0,8 / 1,6 / 2,4 / 3,2 mm	
Slipestift-Ø, maks.:		
ved keramisk binding	25 mm	
ved kunststoffbinding	25 mm	
Vekt med byttebatteri.....	0,62 kg	

Støy/Vibrasjonsinformasjon

Måleverdier fastslått i samsvar med EN 60 745.

Det typiske A-bedømte støynivået for maskinen er:

Lydtrykknivå (Usikkerhet K=3dB(A))..... 73 dB (A)

Lyddeffektnivå (Usikkerhet K=3dB(A))..... 84 dB (A)

Bruk hørselsvern!

Totale svingningsverdier (vektorsum fra tre retninger) beregnet jf. EN 60745.

Svingningsemisjonsverdi a_n

Boring i metall.....	2,4 m/s ²
Usikkerhet K.....	1,5 m/s ²
Sliping med sandpapir.....	2,6 m/s ²
Usikkerhet K.....	1,5 m/s ²
Sliping metall.....	3,1 m/s ²
Usikkerhet K.....	1,5 m/s ²
Sliping stein.....	1,8 m/s ²
Usikkerhet K.....	1,5 m/s ²
Kutting metall.....	3,4 m/s ²
Usikkerhet K.....	1,5 m/s ²

ADVARSEL

Svingningsnivået som er angitt i denne instruksjonen er målt i overensstemmelse med målemetoden normert i direktiv EN 60745 og kan brukes til å sammenligne elektromaskiner med hverandre. Den egner seg også for en foreløpig vurdering av svingningsbelastningen.

Det angitte svingningsnivået representerer de hovedsaklige bruk av elektroverktøyet. Men anvendes elektroverktøyet for andre bruk med avvikende utskiftbare verktøy eller vedlikeholdet er utilstrekkelig, kan svingningsnivået være avvikende.

Dette kan forhøye svingningsbelastning betydelig over hele arbeidsperioden. For en nøyaktig vurdering av svingningsbelastningen må også det tas hensyn til tiden apparatet er avslått eller står på, men ikke er i bruk. Dette kan redusere svingningsbelastningen betydelig over hele arbeidsperioden.

Innfør også ekstra sikkerhetstiltak for å beskytte bruker mot utvirkningen av svingningene. Disse kan f.eks. være: vedlikehold av elektroverktøyet og det utskiftbare verktøyet, holde hendene varme, organisasjon av arbeidsforløpet.

▲ OBS! Les alle sikkerhetsinstruksjoner og bruksanvisninger. Feil ved overholdelsen av advarslene og nedenstående anvisninger kan medføre elektriske støt, brann og/eller alvorlige skader.

Ta godt vare på alle advarslene og informasjonene.

▲ SPESIELLE SIKKERHETSHENVISNINGER

Generelle sikkerhetsinstruksjoner for sliping

a) Dette elektroverktøyet skal brukes som sliper. Følg alle advarsler, anvisninger, bilder og data som du får levert sammen med elektroverktøyet. Hvis du ikke følger følgende anvisninger, kan det oppstå elektriske støt, ild og/eller store skader.

b) Dette elektroverktøyet er ikke egnet som stålborste, for kutting, for sliping med sandpapir og polering. Bruk som elektroverktøyet ikke er konstruert for, kan forårsake farer og skader.

c) Ikke bruk tilbehør som ikke er spesielt beregnet og anbefalt av produsenten for dette elektroverktøyet. Selv om du kan feste tilbehøret på elektroverktøyet ditt, garanterer dette ingen sikker bruk.

d) Det tillatte omdreiningstallet til elektroverktøyet må være minst så høyt som det maksimale omdreiningstallet som er oppgitt på elektroverktøyet. Tilbehør som dreier seg raskere enn tillatt kan brette og slynges rundt.

e) Det ytre tverrsnittet og tykkelsen til verktøyet som benyttes må overholde målene til elektroverktøyet ditt. Verktøy som er målt feil kan ikke avskjermes eller kontrolleres riktig.

f) Slipeskive, slipesylinder, eller annet tilbehør må passe nøyaktig på slipespindelens eller spennangen til elektroverktøyet. Tilbehørsverktøy som ikke passer nøyaktig på slipespindelens til elektroverktøyet dreier seg uregelmessig, vibrerer sterkt og kan derfor føre til at man mister kontrollen over verktøyet.

g) Skiver, slipesylindere, skjæreverktøy og annet tilbehør monteret på en tagg må være satt helt inn i spennangen eller borpatronen. "Overhenger" hhv. avstanden til taggen fra skiven til spennangen skal være minimalt. Blir taggen ikke tilstrekkelig spent og/eller overhenger til skiven er for langt, kan den monterte skiven løsne og bli kastet ut i høy hastighet.

h) Ikke bruk skadede innsatsverktøy. Sjekk før hver bruk om innsatsverktøy slik som slipeskiver er splintret eller revnet, om slipetallerkener er revnet eller svært slitt, om stålborster har løse eller har brukkede tråder. Hvis elektroverktøyet eller innsatsverktøyet faller ned, må du kontrollere om det er skadet eller bruk et ikke skadet innsatsverktøy. Når du har kontrollert og satt inn innsatsverktøyet, må du holde personer som oppholder seg i nærheten unna det roterende innsatsverktøyet og la elektroverktøyet gå i ett minutt med maksimalt turtall. Som regel brekker skadede innsatsverktøy i løpet av denne testtiden.

i) Bruk personlig beskyttelsesutstyr. Avhengig av typen bruk må du bruke visir, øyebeskyttelse eller vernebriller. Om nødvendig må du bruke støvmaske, hørselsvern, vernehansker eller spesialforkle som holder små slipe- og materialpartikler unna kroppen din. Øynene bør beskyttes mot fremmedlegemer som kan fly rundt ved visse typer bruk.

Støv- eller pustevernmasker må filtrere den typen støv som oppstår ved denne bruken. Hvis du er utsatt for sterk støv over lengre tid, kan du miste hørselen.

j) Pass på at andre personer holder seg på sikker avstand fra arbeidsområdet ditt. Enhver person som går inn i arbeidsområdet må ha på seg personlig verneutstyr. Deler av arbeidsstykker eller verktøy som har brukket kan slynges rundt og forårsake skader utenfor det direkte arbeidsområdet.

k) Hold apparatet i de isolerte holdeflatene, når det arbeides på steder hvor elektroverktøyet kan treffe skjulte strømledninger. Kontakt med en ledning som er under spenning, kan også sette metalldeleer til apparatet under spenning og føre til et elektrisk slag.

l) Ved start må elektroverktøyet alltid holdes godt fast.

Ved akselereringen til full hastighet kan motorens vridningsmoment føre til at verktøyet dreier seg.

m) Hvis mulig, så bruk skrustikke for å feste arbeidsstykke. Små arbeidsstykker skal aldri holdes i den ene hånden og verktøyet i andre hånden mens man arbeider på det. Ved å feste arbeidsstykke i en skrustikke har du begge hendene fri til verktøyet. Ved kutting av runde arbeidsstykke som treplugger, stenger eller rør har de den tendensen at de vil rulle vekk ved kutting. Dette kan føre til at verktøy-innsatsen kan komme i klemme og bli slynget mot deg.

n) Legg aldri fra deg elektroverktøyet før verktøyet har stanset helt. Det roterende verktøyet kan komme i kontakt med underlaget, noe som kan medføre at du mister kontrollen over elektroverktøyet.

o) Etter skifting av verktøydeler eller forandringer av innstillinger på verktøyet skal det kontrolleres at spennangmuttere, borpatron og andre festeelementer er festet skikkelig fast. Løse festeelement kan uventet forskyve seg og føre til at man mister kontrollen over verktøyet; ikke skikkelig fastskrudde, roterende komponenter slynges ut med voldsom kraft.

p) La aldri elektroverktøyet være innkoblet mens du bærer det. Tøyet ditt kan komme inn i det roterende innsatsverktøyet hvis det tilfeldigvis kommer i kontakt med verktøyet og innsatsverktøyet kan da bore seg inn i kroppen din.

q) Rengjør ventilasjonsåpningene til elektroverktøyet med jevne mellomrom. Motorviften trekker støv inn i huset, og en stor oppsamling av metallstøv kan medføre elektrisk fare.

r) Ikke benytt elektroverktøyet i nærheten av brennbare materialer. Gnister kan antenne disse materialene.

s) Ikke bruk verktøy som krever flytende kjølemidler. Bruk av vann eller andre flytende kjølemidler kan medføre elektrisk støt.

Tilbakeslag og respektive sikkerhetsinstruksjoner:

Tilbakeslag er innsatsverktøyet plutselige reaksjon etter at det har hengt seg opp eller blokkerer. Dette kan gjelde slipeskiven, slipetallerkenen, stålborsten osv.. Opphenging eller blokkering fører til at det roterende innsatsverktøyet stanser helt plutselig. Slik akselereres et ukontrollert elektroverktøy mot innsatsverktøyet dreieretning på blokkeringstedet.

Hvis f. eks. en slipeskive henger seg opp eller blokkerer i arbeidsstykket, kan kanten på slipeskiven som dykker inn i arbeidsstykket, henge seg opp og slik brekker slipeskiven eller forårsaker et tilbakeslag. Slipeskiven beveger seg da mot eller bort fra brukeren, avhengig av skivens dreieretning på blokkeringstedet. Slik kan slipeskiver også brette.

Et tilbakeslag er resultat av en gal eller feilaktig bruk av elektroverktøyet. Det kan unngås ved å følge egnede sikkerhetstiltak som beskrevet nedenstående.

a) Hold elektroverktøyet godt fast og plasser kroppen og armene dine i en stilling som kan ta imot tilbakeslagskrefter. Bruk alltid ekstrasikretaket – hvis dette finnes – for å ha størst mulig kontroll over tilbakeslagskrefter eller reaksjonsmomenter ved oppkjøring. Brukeren kan beherske tilbakeslags- og reaksjonsmomenter med egnede tiltak.

b) Vær spesielt forsiktig i hjørner, på skarpe kanter osv. Du må forhindre at innsatsverktøyet avpelles fra arbeidsstykket eller klemmes fast. Det roterende innsatsverktøyet har en tendens til å klemmes fast i hjørner, på skarpe kanter eller hvis det avpelles. Dette forårsaker kontrolltap eller tilbakeslag.

c) Ikke bruk sagbleadet med kjeder eller tenner. Slike verktøy forårsaker ofte et tilbakeslag eller at man mister kontrollen over elektroverktøyet.

d) Før det påsatte verktøyet alltid i samme retning som materialet forlater snittkanten (tilsvarende samme retning sponet blir kastet ut). Å føre verktøyet i feil retning fører til at den påsatte delen vil bryte ut av arbeidsstykke og elektroverktøyet trekkes i matningsretningen.

e) Arbeidsstykket skal alltid festes ved bruk av stålsageblad, kuttesskiver, høyhastighets fresemaskiner eller hardmetall - fresemaskiner. Alt ved minimal forkanting i fugen forhefter disse verktøyene seg og kan da forårsake tilbakeslag. Hvis en kuttesskive forhefter seg, brekker den vanligvis. Forhefter stålsageblad, høyhastighets fresemaskiner og hardmetall - fresemaskiner seg kan den påsatte verktøydelen hoppe ut av fugen som igjen kan føre til at man taper kontrollen over verktøyet.

Spesielle sikkerhetsinstruksjoner for sliping.

a) Bruk bare slipeskive typer som er anbefalte for verktøyet og bruk de bare til de anbefalte innsatsene. Slip for eksempel aldri med sideflatene til en kuttesskive. Kuttesskiver er laget for bearbeidelse av material med kanten til skiven. Ved kraftpåvikning av sidene kan den brette i stykker.

b) Bruk for koniske og rette slipestifter med gjenge bare tagger uten skader og rett størrelse og lengde uten undersnitt på skulderen. Egnete tagger forminsker bruddskader.

c) Hold ikke hånden din i rotasjonsretningen eller bak den roterende kuttesskiven. Hvis du beveger kuttesskiven i arbeidsstykke bort fra hånden din, kan verktøyet med den roterende skiven, skulle det komme til et tilbakeslag, bli slynget direkte mot deg.

d) Støtt plater eller store arbeidsstykker for å redusere risikoen for tilbakeslag fra en fastklemt kappeskive. Store arbeidsstykker kan bøyes av sin egen vekt. Arbeidsstykket må støttes på begge sider, både nær kappesnittet og på kanten.

e) Vær spesielt forsiktig ved «inndykkingsnett» i vegger eller andre uoversiktelige områder. Den inntrengende kappeskiven kan treffe på gass- eller vannledninger, elektriske ledninger eller gjenstander som kan forårsake tilbakeslag.

YTTERLIGE SIKKERHETS- OG ARBEIDSINSTRUKSJONER

Bruk alltid vernebrille når du arbeider med maskinen. Det anbefales å bruke arbeidshansker, faste og sklisikre sko og forkle.

Verktøyspindelens løper etter når apparatet ble slått av. Legg fra deg maskinen først når den står stille.

Ikke grip inn i fareområdet mens maskinen er i gang.

Bruk kun arbeidsverktøy med et tillatt turtall som er minst så stort som apparatets høyeste tomgangsturtall.

Kontroller slipeverktøy før bruk. Slipeverktøyet må være nøyaktig montert og kunne dreie fritt. Prøvekjør i minst 30 sekunder uten belastning. Ikke bruk skadet, rundt eller vibrerende slipeverktøy.

Ved sliping av metall flyr det gnister. Pass på at ingen personer blir utsatt for fare. På grunn av brannfarene må det ikke finnes noen brennbare materialer i nærheten (gnistområdet). Ikke bruk støvavsg.

Hold apparatet alltid slik at gnister eller slipestøv flyr vekk fra kroppen.

Flensmutteren må være trukket til før maskinen startes.

Under innvirkning av ekstreme elektromagnetiske forstyrrelser utenfra, kan det i enkelte tilfeller oppstå forbigående turtallendringer.

Bruk og oppbevar slipeskiver alltid i henhold til produsentens anvisninger.

Det emnet som skal bearbeides må være fastspent, hvis det ikke blir holdt av sin egen vekt. Før aldri emnet med hånden mot skiven.

Slipeverktøyets mål må passe til sliperen

Ved støvete arbeid må luftslossene være fri. Hvis nødvendig, skill maskinen fra nettet og fjern støvet. Bruk til dette ingen metall gjenstander og skadgjør ingen indre deler.

Under ekstreme belastninger og ekstreme temperaturer kan det lekke ut batterivæske fra utskiftbare batterier. Ved berøring med batterivæske, vask umiddelbart med såpe og vann. Ved kontakt med øynene må øynene skylles grundig i rennende vann i minst 10 minutter. Oppsøk lege umiddelbart.

Ikke kast brukte vekselbatterier i varmen eller husholdningsavfallet. Milwaukee tilbyr en miljøriktig deponering av gamle vekselbatterier; vennligst spør din fagforhandler.

Ikke oppbevar vekselbatterier sammen med metallgjenstander (kortslutningsfare).

Vekselbatterier av systemet 18 V skal kun lades med lader av systemet 18 V. Ikke lad opp batterier fra andre systemer.

Metalldeleler må ikke komme inn i innskyningssjakten for vekselbatterier på ladere (kortslutningsfare).

Ikke åpne vekselbatterier og ladere, de skal oppbevares i tørt rom. Beskyttes mot fuktighet.

Ta ut vekselbatteriet før du arbeider på maskinen

Kontroller at slipeverktøyet er montert etter produsentens instruksjoner

FORMÅLSMESSIG BRUK

Rettslipere er egnet til sliping av tre, metall, kunststoff og lignende materialer, særlig på vanskelig tilgjengelige steder.

Dette apparatet må kun brukes til de oppgitte formål.

I tvilstilfeller ta hensyn til instruksjonene til produsenten av tilbehøret.

Elektroverktøyet er kun egnet for tørr bearbeiding.

CE-SAMSVARERKLÆRING

Vi erklærer i alene ansvar at produktet beskrevet i "Teknisk data" overensstemmer med alle relevante forskrifter til Eu direktiv 2011/65/EU (RoHS), 2004/108/EF, 2006/42/EF og de følgende harmoniserte normative dokumentene.

EN 60745-1:2009+A11:2010

EN 60745-2-3:2011

EN 55014-1:2006+A1:2009+A2:2011

EN 55014-2:1997+A1:2001+A2:2008

EN 50581:2012

Winnenden, 2014-06-18

Alexander Krug
Managing Director



Autorisert til å utarbeide den tekniske dokumentasjonen

Techtronic Industries GmbH
Max-Eyth-Straße 10
71364 Winnenden
Germany

BATTERIER

Vekselbatterier som ikke er brukt over lengre tid skal etterlades før bruk.

En temperatur over 50°C reduserer vekselbatteriets kapasitet. Unngå oppvarming i sol eller ved varmeovner (fyring) i lengre tid.

Hold tilkopplingskontaktene på lader og vekselbatteri rene.

For optimal holdbarhet må batteriene lades opp helt etter bruk.

For å sikre en lengst mulig brukstid av batteriene skal disse etter oppladning taes ut av laderen.

Ved lagring av batteriene lengre enn 30 dager:

Lagre batteriet tørt ved ca. 27°C.

Lagre batteriet ved en oppladningstilstand på ca. 30%-50%.

Lade opp batteriet igjen etter 6 måneder.

VEDLIKEHOLD

Hold alltid luftenåpningene på maskinen rene.

På grunn av kortslutningsfare må metalldeleler ikke komme inn i luftenåpningene.

Bruk kun Milwaukee tilbehør og reservedeleler. Komponenter der utskiftning ikke er beskrevet skal skiftes ut hos Milwaukee kundeservice (se brosjyre garanti/kundeserviceadresser).

Ved behov kan du be om en eksplosjonstegning av apparatet hos din kundeservice eller direkte hos Techtronic Industries GmbH, Max-Eyth-Straße 10, 71364 Winnenden, Germany. Oppgi maskintype og det nummeret på typeskiltet.

SYMBOLER



OBS! ADVARSEL! FARE!



Ta ut vekselbatteriet før du arbeider på maskinen



Les nøye gjennom bruksanvisningen før maskinen tas i bruk.



Bruk alltid vernebrille når du arbeider med maskinen.



Bruk vernehansker !



Ikke bruk kraft.



Elektriske apparat skal ikke kastes sammen med vanlig husholdningsavfall. Elektriske og elektroniske apparat skal samles separat og leveres til miljøvennlig deponering til en avfall bedrift.

Informér deg hos myndighetene på stedet eller hos din fagforhandler hvor det finnes recycling bedrifter oppsamlingssteder.



CE-tegn

EurAsian Konformitetstegn.

TEKNISKA DATA	RAK SLIPMASKIN	C 12 RT
Produktionsnummer	4311 33 011... ...000001-999999	
Batterispänning	12 V	
Märkvarvtal	5000-37000 min ⁻¹	
Spännhylsor-ø	0,8 / 1,6 / 2,4 / 3,2 mm	
Max. slipstift-ø med:		
slipstift av keramik eller gummibindemedel	25 mm	
slipstift av konstthartsbindemedel	25 mm	
Vikt växelbatteri	0,62 kg	

Buller-/vibrationsinformation

Mätvärdena har tagits fram baserande på EN 60 745.

A-värdet av maskinens ljudnivå utgör:

Ljudtrycksnivå (Onoggrannhet K=3dB(A))..... 73 dB (A)
Ljudeffektsnivå (Onoggrannhet K=3dB(A)) 84 dB (A)

Använd hörselskydd!

Totala vibrationsvärden (vektorsumma ur tre riktningar)

framtaget enligt EN 60745.

Vibrationsemissionsvärde a_h

Borrning i metall.....	2,4 m/s ²
Onoggrannhet K.....	1,5 m/s ²
Slipning med sandpapper.....	2,6 m/s ²
Onoggrannhet K.....	1,5 m/s ²
Slipning metall.....	3,1 m/s ²
Onoggrannhet K.....	1,5 m/s ²
Slipning sten.....	1,8 m/s ²
Onoggrannhet K.....	1,5 m/s ²
Skåra metall.....	3,4 m/s ²
Onoggrannhet K.....	1,5 m/s ²

WARNING

Den i de här anvisningarna angivna vibrationsnivån har uppmätts enligt ett i EN 60745 normerat mätförfarande och kan användas vid jämförelse mellan olika elverktyg. Nivån är även lämplig att använda vid en preliminär bedömning av vibrationsbelastningen.

Den angivna vibrationsnivån representerar den huvudsakliga användningen av det aktuella elverktyget. Men om elverktyget ska användas i andra användningsområden, tillsammans med avvikande insatsverktyg eller efter otillräckligt underhåll, kan vibrationsnivån skilja sig. Det kan öka vibrationsbelastningen betydligt under hela arbetstiden.

För att få en exaktare bedömning av vibrationsbelastningen ska även den tid beaktas, under vilken elverktyget är avstängt eller är påslaget, utan att det verktygen används. Det kan reducera vibrationsbelastningen betydligt under hela arbetstiden.

Lägg som skydd för användaren fast extra säkerhetsåtgärder mot vibrationernas verkan, som till exempel: underhåll av elverktyg och insatsverktyg, varmhållning av händer och organisering av arbetsförlopp.

⚠ WARNING! Läs all säkerhetsinformation och alla anvisningar. Fel som uppstår till följd av att anvisningarna nedan inte följs kan orsaka elstöt, brand och/eller allvarliga kroppsskador.
Förvara alla varningar och anvisningar för framtida bruk.

⚠ SÄKERHETSUTRUSTNING

Allmänna säkerhetsanvisningar för slipning

a) Detta elverktyg är avsett att användas som slipmaskin. **Beakta alla säkerhetsanvisningar, anvisningar, illustrationer och data som levereras med elverktyget.** Om nedanstående anvisningar ignoreras finns risk för att elstöt, brand och/eller allvarliga personskador uppstår.

b) Detta elverktyg lämpar sig inte för stålborstning, kapslipning, sandpappersslipning och polering. Tillämpningar som maskinen inte är avsedd för kan förorsaka faror och personskador.

c) **Använd inte tillbehör som tillverkaren inte uttryckligen godkänt och rekommenderat för detta elverktyg.** Även om tillbehör kan fästas på elverktyget finns det ingen garanti för en säker användning.

d) **Det tillåtna varvtalet för insatsverktyget måste minst vara så högt som angivet högsta varvtal på elektroverktyget.** Tillbehör som roterar snabbare än tillåtet, kan gå sönder och flyga omkring.

e) **Insatsverktygets ytterdiameter och tjocklek ska överensstämma med måttuppgifterna för elverktyget.** Ett felaktigt dimensionerat insatsverktyg kan inte avskäras eller kontrolleras i tillräcklig utsträckning.

f) **Slipskivan, slipcylindern och annat tillbehör måste passa exakt på elverktygets slipspindel eller spänntång.** Verktygsinsatser som inte passar exakt på elverktygets slipspindel roterar ojämnt, vibrerar mycket kraftigt och kan leda till att du förlorar kontrollen över elverktyget.

g) **På en dorn monterade skivor, slipcylindrar, skärverktyg och annat tillbehör måste vara fullständig isatta i spänntången eller chucken. "Delen som står ut", resp. avståndet mellan dornen och skivan, ska vara så kort som möjligt.** Om dornen inte spänns tillräckligt mycket och/eller om skivan står ut för långt kan den monterade skivan lossna och slungas iväg med hög hastighet.

h) **Använd aldrig skadade insatsverktyg. Kontrollera före varje användning insatsverktygen som t. ex. slipskivor avseende splitterskador och sprickor, sliprondeller avseende sprickor repor eller kraftig nedslitning, stålborstar avseende lösa eller brustna trådar. Om elverktyget eller insatsverktyget skulle falla ned kontrollera om skada uppstått eller montera ett oskadat insatsverktyg. Du och andra personer i närheten ska efter kontroll och montering av insatsverktyg ställa er utanför insatsverktygets rotationsradie och sedan låta elverktyget rotera en minut med högsta varvtal.** Skadade insatsverktyg går i de flesta fall sönder vid denna provkörning.

i) **Använd personlig skyddsutrustning. Använd alltefter avsett arbete ansiktsskärm, ögonskydd eller skyddsglasögon. Om så behövs, använd dammfiltermask, hörselskydd, skyddshandskar eller skyddsförkläde som skyddar mot små utslungade slip- och materialpartiklar.** Ögonen ska skyddas mot utslungade främmande partiklar som kan uppstå under arbetet. Damm- och andningsskydd måste

kunna filtrera bort det damm som eventuellt uppstår under arbetet. Risk finns för hörselskada under en längre tids kraftigt buller.

j) **Se till att andra personer håller ett säkert avstånd till ditt arbetsområde. Alla som närmar sig arbetsområdet måste bära personlig skyddsutrustning.** Brottstycken från verktyget eller brutna insatsverktyg kan flyga iväg och orsaka personskador även utanför arbetsområdet.

k) **Håll fast apparaten med hjälp av de isolerade greppytorna när du utför arbeten där arbetsverktyget skulle kunna träffa på dolda elledningar.** Om man kommer i kontakt med en spänningsförande ledning, så kan även de delar på verktyget som är av metall bli spänningsförande och leda till att man får en elektrisk stöt.

l) **Håll alltid fast elverktyget ordentligt när du sätter igång det.** När motorn accelererar upp till maximal hastighet kan motorns reaktionsmoment leda till att elverktygets snedvrids.

m) **Använd om möjligt spännanordningar resp. skruvtvingar för att hålla arbetsstycket på plats. Håll aldrig i ett mindre arbetsstycke med ena handen medan du med den andra handen använder elverktyget.** Om du spänner fast mindre arbetsstycken har du båda händer fria för att bättre kunna hantera elverktyget. Om du vill kapa runda arbetsstycken, som t.ex. träpluggar, stänger eller rör, var alltid extra försiktig, eftersom de har en tendens att rulla iväg. Då kan verktygsinsatsen fastna och slungas iväg i din riktning.

n) **Lägg aldrig ifrån dig elverktyget förrän insatsverktyget är helt stillastående.** Det roterande insatsverktyget kan komma i kontakt med underlaget och du kan då förlora kontrollen över elverktyget.

o) **När du byter verktygsinsatser eller har ställt in något på elverktyget är det viktigt att du noga kontrollerar att spänntångens mutter, chucken eller övriga fästdetaljer verkligen sitter fast ordentligt.** Fästdetaljer som inte sitter fast ordentligt kan plötsligt förskjutas och leda till att du förlorar kontrollen över verktyget; roterande delar som inte är ordentligt fästa kan slungas iväg med stor kraft.

p) **Elverktyget får inte rotera när det bärs.** Kläder kan vid tillfällig kontakt med det roterande insatsverktyget dras in varvid insatsverktyget dras mot din kropp.

q) **Rengör regelbundet elverktygets ventilationsöppningar.** Motorfläkten drar in damm i huset och en kraftig anhopning av metalldamm kan orsaka farliga elströmmar.

r) **Använd aldrig elverktyget i närheten av brännbara material.** Gnistor kan antända detta material.

s) **Använd inte insatsverktyg som kräver kylvätska.** Användningen av vatten eller andra flytande kylmedel kan leda till elektriska stötar.

Bakslag och motsvarande säkerhetsanvisningar

Ett bakslag är en plötslig reaktion hos insatsverktyget när t. ex. slipskivan, sliprondellen, stålborsten hakar upp sig eller blockerar. Detta leder till abrupt uppbromsning av det roterande insatsverktyget. Härvid accelererar ett okontrollerat elverktyg mot insatsverktygets rotationsriktning vid inklämningsstället.

Om t. ex. en slipskiva hakar upp sig eller blockerar i arbetsstycket kan slipskivans kant i arbetsstycket klämmas fast varvid slipskivan bryts sönder eller orsakar bakslag. Slipskivan rör sig nu mot eller bort från användaren beroende på skivans rotationsriktning vid inklämningsstället. Härvid kan slivskivor även brista.

Bakslag uppstår till följd av missbruk eller felaktig hantering av elverktyget. Detta kan undvikas genom skyddsåtgärder som beskrivs nedan.

a) **Håll stadigt i elverktyget samt kroppen och armarna i ett läge som är lämpligt för att motstå bakslagskrafter. Använd alltid stödhandtaget för bästa möjliga kontroll av bakslagskrafter och reaktionsmoment vid start.**

Användaren kan genom lämpliga försiktighetsåtgärder bättre behärska bakslags- och reaktionskrafterna.

b) **Var särskilt försiktig vid bearbetning av hörn, skarpa kanter osv. Håll emot så att insatsverktyget inte studsar ut**

från arbetsstycket eller kommer i kläm. På hörn, skarpa kanter eller vid studsning tenderar det roterande insatsverktyget att komma i kläm. Detta kan leda till att kontrollen förloras eller att bakslag uppstår.

c) **Använd inte kedje- eller tandat sågblad.** Sådana insatsverktyg orsakar ofta bakslag eller gör att du förlorar kontrollen över elverktyget.

d) **Sätt alltid i verktygsinsatsen i samma riktning i materialet resp. arbetsstycket som skärkanten lämnar det (samma riktning i vilken spånen kastas ut).** Om du för elverktyget i fel riktning leder detta till att verktygsinsatsen går ur materialet samtidigt som elverktyget dras i denna matningsriktning.

e) **Spänn alltid fast arbetsstycket om du använder sågblad av stål, kapskivor, fräsverktyg som går med hög hastighet eller fräsverktyg av hård metall.** Dessa verktygsinsatser fastnar i spåret redan om det bara snedvrids något och kan orsaka ett kraftigt bakslag. Om en kapskiva fastnar går den i regel av. Om sågblad av stål, kapskivor, fräsverktyg som går med hög hastighet eller fräsverktyg av hård metall fastnar kan verktygsinsatsen hoppa ut ur spåret och leda till att du förlorar kontrollen över elverktyget.

Speciella säkerhetsanvisningar för slipning

a) **Använd endast sådana slipskivor som rekommenderas för ditt elverktyg och använd de endast för det rekommenderade användningssyftet. Slipa till exempel aldrig med sidoytan på en kapskiva.** Kapskivor är avsedda för att kapa material med skivans kant. Dessa slipkroppar kan gå sönder om man utövar tryck på skivans sidor.

b) **För koniska och raka slipstift med gänga är det viktigt att endast använda absolut feilfria dornar i rätt storlek och med rätt längd, utan underskärning vid ansatsen.** Lämpliga dornar sänker risken för brott.

c) **Placera din hand aldrig i rotationsriktning resp. bakom den roterande kapskivan.** Om du flyttar kapskivan i arbetsstycket i riktning bort från din hand finns vid ett bakslag risk att elverktyget slungas i din riktning tillsammans med den roterande skivan.

d) **För att reducera risken för ett bakslag till följd av inklämd kapskiva ska skivor och andra stora arbetsstycken stödas.** Stora arbetsstycken kan böjas ut till följd av hög egenvikt. Arbetsstycket måste därför stödas på båda sidorna både i närheten av skärspåret och vid kanten.

e) **Var speciellt försiktig vid "fickkapning" i dolda områden som t. ex. i en färdig vägg.** Där risk finns att kapskivan kommer i kontakt med gas- eller vattenledningar, elledningar eller andra föremål som kan orsaka bakslag.

ÖVRIGA SÄKERHETS- OCH ANVÄNDNINGSSINSTRUKTIONER

Använd alltid skyddsglasögon, skyddshandskar och hörselskydd.

Se upp, verktygsspindeln roterar en stund efter det maskinen fränkopplats. Maskinen får inte läggas ned förrän den stannat helt.

Lakttag största försiktighet när maskinen är igång.

Använd endast skivor, vars tillåtna varvtal är minst så högt som det högsta tomgångsvarvtalet på maskinen.

Kontrollera slipverktygen innan de tas i bruk. Slipverktyget måste vara ordentligt monterat och kunna rotera fritt. Provkör nya verktyg minst 30 sekunder utan belastning. Skadade, orunda eller vibrerande slipverktyg får inte längre användas.

Vid slipning av metall uppstår gnistor. Se till att personer inte skadas. Pga brandrisken får inga brännbara material finnas i närheten (inom gnistområdet). Använd inte dammsugning!

Håll alltid maskinen så, att gnistor och slipdamm flyger i riktning från kroppen.

Fläsmuttern skall vara åtdragen innan start av maskinen.

Under inverkan av elektrostatiska störningar utifrån, kan enstaka fall av varvtals-sänkning uppträda.

Använd och uppbevara alltid slipskivorna enligt tillverkarens anvisningar.

Spänn fast arbetsstycket om det inte ligger stadigt till följd av egen vikt. För aldrig arbetsstycket för hand mot slipskivan.

Slipverktygets dimensioner måste passa till slipmaskinen.

Vid dammiga arbeten måste maskinens ventilationsöppningar vara fria. Dra ut stickkontakten och avlägsna damm om det är nödvändigt. Använd föremål av icke-metall och se till att inga delar i maskinens inre skadas.

Under extrem belastning eller extrem temperatur kan batterivätska tränga ut ur skadade utbytesbatterier. Vid beröring med batterivätska tvätta genast av med vatten och tvål. Vid ögonkontakt spola genast i minst 10 minuter och kontakta genast läkare.

Kasta inte förbrukade batterier. Lämna dem till Milwaukee Tools för återvinning.

Förvara ej batteriet ihop med metallföremål, kortslutning kan uppstå.

System 18 V batterier laddas endast i System 18 V laddare. Ladda inte batterier från andra system.

Se upp så att inga metallföremål hamnar i laddarens batterischakt, kortslutning kan uppstå.

Batterier lagras torrt och skyddas för fukt.

Drag ur batteripaket innan arbete utföres på maskinen.

Säkerställ att slipverktyget har monterats enligt slipmedelstillverkarens anvisningar.

ANVÄND MASKINEN ENLIGT ANVISNINGARNA

Raka slipmaskiner är lämpliga att slipa i trä, metall, konstfiber mm, särskilt på svåråtkomliga ställen.

Maskinen får endast användas för angiven tillämpning.

Följ vidtveksamma fall anvisningarna från tillverkaren av tillbehöret.

Detta elverktyg ska endast användas för torr bearbetning.

CE-FÖRSÄKRAN

Vi intygar och ansvarar för att den produkt som beskrivs under "Tekniska data" överensstämmer med alla relevanta bestämmelser i direktiv 2011/65/EU (RoHS), 2004/108/EG, 2006/42/EG och följande harmoniserade normerande dokument:

EN 60745-1:2009+A11:2010

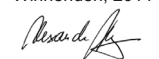
EN 60745-2-3:2011

EN 55014-1:2006+A1:2009+A2:2011

EN 55014-2:1997+A1:2001+A2:2008

EN 50581:2012

Winnenden, 2014-06-18



Alexander Krug
Managing Director



Befullmäktigad att sammanställa teknisk dokumentation.

Techtronic Industries GmbH
Max-Eyth-Straße 10
71364 Winnenden
Germany

BATTERIER

Batteri som ej använts på länge måste laddas före nytt bruk.

En temperatur över 50°C reducerar batteriets effekt. Undvik längre uppvärmning tex i solen eller nära ett element.

Se till att anslutningskontaktarna i laddaren och på batteriet är rena.

För att batterierna ska få lång livslängd ska de laddas fulla efter användning.

För att få en så lång livslängd som möjligt bör laddningsbara batterier avlägsnas från laddaren när de är laddade.

Om laddningsbara batterier lagras längre än 30 dagar:

Lagra batteriet torrt och vid ca 27°C.

Lagra batteriet vid ca 30%-50% av laddningskapaciteten.

Ladda batterierna på nytt var 6:e månad.

SKÖTSEL

Se till att motorhöljets luftslitsar är rena.

OBS! Undvik att metalldelar hamnar i luftslitsarna - risk för kortslutning!

Använd endast Milwaukee tillbehör och reservdelar. Reservdelar vars utbyte ej beskrivs byts bäst av Milwaukee auktoriserad serviceverkstad (se broschyr Garanti/Kundtjänstadresser).

Vid behov av sprängskiss, kan en sådan, genom att uppge maskinens art. nr. (som finns på typskylten) erhållas från: Techtronic Industries GmbH, Max-Eyth-Straße 10, 71364 Winnenden, Germany.

SYMBOLER



OBSERVERA! VARNING! FARA!



Drag ur batteripaket innan arbete utföres på maskinen.



Läs instruktionen noga innan du startar maskinen.



Använd alltid skyddsglasögon.



Bär skyddshandskar!



Använd ingen kraft.



Elektriska maskiner och elverktyg som kasseras får inte slängas tillsammans med de vanliga hushållssoporna.

Elektriska maskiner och verktyg samt elektronisk utrustning som kasseras ska samlas separat och lämnas till en avfallsstation för miljövänlig avfallshantering. Kontakta den lokala myndigheten respektive kommunen eller fråga återförsäljare var det finns speciella avfallsstationer för elskrot.



CE-symbol



EurAsian överensstämmelsesymbol.

TEKNISET ARVOT	KARALAIKKAHIOMAKONE	C 12 RT
Tuotantnumero	4311 33 01100001-999999
Jännite vaihtoakku.....	12 V	
Nimellinen kierrosluku.....	5000-37000 min ⁻¹	
Kiristystyholkin halkaisija-ø	0,8 / 1,6 / 2,4 / 3,2 mm	
Hiomapyörän ø max.:		
keraaminen tai kumisidonnainen karalaidikka.....	25 mm	
muovisidonnainen karalaidikka	25 mm	
Paino vaihtoakun kera	0,62 kg	

Melunpäästö-/tärinä tiedot

Mitta-arvot määritetty EN 60 745 mukaan.

Koneen tyypillinen A-luokitettu melutaso:

Melutaso (Epävarmuus K=3dB(A)).....	73 dB (A)
Äänenvoimakkuus (Epävarmuus K=3dB(A)).....	84 dB (A)

Käytä kuulosuojaimia!

Värähtelyn yhteisarvot (kolmen suunnan vektorisumma)

mitattuna EN 60745 mukaan.

Värähtelyemissioarvo a_n

Metallin poraaminen	2,4 m/s ²
Epävarmuus K.....	1,5 m/s ²
Hiekkapaperihionta.....	2,6 m/s ²
Epävarmuus K	1,5 m/s ²
Jauhaa metallia	3,1 m/s ²
Epävarmuus K.....	1,5 m/s ²
Hiomakivi.....	1,8 m/s ²
Epävarmuus K.....	1,5 m/s ²
Kiven metallia	3,4 m/s ²
Epävarmuus K.....	1,5 m/s ²

VAROITUS

Näissä ohjeissa mainittu värähtelytaso on mitattu EN 60745 -standardin mukaisella mittausmenetelmällä ja sitä voidaan käyttää sähkötyökalujen vertaamiseen. Sitä voidaan käyttää myös värähtelyrasituksen väliaikaiseen arviointiin.

Mainittu värähtelytaso edustaa sähkötyökalun pääasiallista käyttöä. Jos sähkötyökalua kuitenkin käytetään muihin tehtäviin, poikkeavin työkaluihin tai riittämättömästi huoltaen, värähtelytaso voi olla erilainen. Se voi korottaa värähtelyrasitusta koko työajan osalta.

Tarkan värähtelyrasituksen toteamiseen tulee ottaa huomioon aika, jona laite on kytketty pois tai on kylkilläkin päällä, mutta ei käytössä. Se voi pienentää värähtelyrasitusta koko työajan osalta.

Määrittele lisäturvatoimenpiteitä käyttäjän suojaamiseksi värinöiden vaikutukselta, kuten esimerkiksi: sähkötyökalujen ja käyttötyökalujen huolto, käsien lämpimän pitäminen, työvaiheiden organisaatio.

VAROITUS! Lue kaikki turvallisuusmääräykset ja ohjeet. Turvallisuusohjeiden noudattamisen laiminlyönti saattaa johtaa sähköiskuun, tulipaloon ja/tai vakavaan loukkaantumiseen. Säilytä kaikki turvallisuus- ja muut ohjeet tulevaisuutta varten.

TURVALLISUUSOHJEET

Hiomista koskevat yhteiset turvallisuusmääräykset

a) Tätä sähkötyökalua on tarkoitus käyttää hiomakoneena. Ota huomioon kaikki varo-ohjeet, ohjeet, piirustukset ja tiedot, joita saat sähkötyökalun kanssa. Eilet noudata seuraavia ohjeita, saattaa se johtaa sähköiskuun, tulipaloon ja/ tai vaikeisiin loukkaantumisiin.

b) Tämä sähkötyökalu ei sovellu teräsharjaharjoituksen, katkaisuun, hiekkapaperilla hiomiseen tai kiillottamiseen. Sellainen käyttö, jota varten sähkötyökalu ei ole tehty, saattaa aiheuttaa vaaratilanteita ja vammoja.

c) Älä käytä mitään lisälaitteita, joita ei valmistaja ole tarkoitanut tai suositellut nimenomaan tälle sähkötyökalulle. Vain se, että pystyt kiinnittämään laitetta sähkötyökaluusi ei takaa sen turvallista käyttöä.

d) Käyttötyökalun sallitun kierrosluvun täytyy olla vähintään yhtä korkea kuin sähkötyökalulla ilmoitettu korkein kierrosluku. Sallittua nopeammin pyörivät lisävarusteet voivat rikkoutua ja lentää ympäriinsä.

e) Käyttötyökalun ulkohalkaisijan ja paksuuden täytyy vastata sähkötyökalun mittatietoja. Väärin mitoitetuja käyttötyökaluja ei voida suojata tai kontrolloida riittävästi.

hengitysuojaanamareiden täytyy suodattaa pois työstössä syntyvä pöly. Jos olet pitkään alltiina voimakkaalle melulle, saattaa se vaikuttaa heikentävästi kuuloon.

j) Huolehdi siitä, että muut henkilöt ovat turvallisen välimatkan päässä työalueestasi. Jokainen, joka astuu työalueelle, täytyy käyttää henkilökohtaisia suojavarustuksia. Työstettävän kappaleen tai rikkoutuneiden käyttötyökalujen irtonaiset palat voivat lentää ympäriinsä ja aiheuttaa loukkaantumisia myös varsinaisen työalueen ulkopuolella.

k) Pitele laitetta vain eristetyistä tarttumapinnoista, kun suoritat sellaisia töitä, joissa leikkaustyökalu saattaa osua pilossa oleviin sähköjohtoihin. Leikkaustyökalun yhteys jännitteelliseen johtoon saattaa tehdä laitteen metalliset osat jännitteelliseksi ja aiheuttaa sähköiskun.

l) Pidä sähkötyökalusta tiukasti kiinni aina sitä käynnistäessäsi. Moottorin kiihtyessä täyteen nopeuteen sen reaktiomomentti saattaa aiheuttaa sähkötyökalun pyörittämisen.

m) Käytä aina kiinnittimiä työstökappaleen kiinnittämiseen, mikäli mahdollista. Älä koskaan pitele työskennellessäsi pientä työstökappaletta kädessäsi ja toisella kädellä käyttämäsi työkalua. Kun pienet työstökappaleet on kiinnitetty paikalleen, niin molemmat kätesi ovat vapaana sähkötyökalun parempaa käsittelyä varten. Katkaistaessa pyöreitä työstökappaleita, kuten puuvaarvoja, tankoja tai putkia, nämä pyörivät helposti pois, jolloin työkaluun liitetty varuste saattaa juuttua kiinni ja sinkoutua sinua kohti.

n) Älä koskaan laske sähkötyökalua pois, ennen kuin käyttötyökalu on pysähtynyt täydellisesti. Pyörivä käyttötyökalu voi joutua kosketuksiin laskeutumispinnan kanssa, minkä seurauksena voit menettää sähkötyökalun hallinnan.

o) Työkalunosien vaihtamisen tai laitteen säätötoimien jälkeen on varmistettava, että kiinnitysleukojen mutterit, poranistukka tai muut kiinnitysvälineet on kiristetty tiukkaan. Löysät kiinnittimet saattavat siirtyä odottamatta ja aiheuttaa laitteen hallinnan menetyksen; pyörivät irronneet komponentit sinkaavat voimakkaasti pois.

p) Älä koskaan pidä sähkötyökalua käynnissä sitä kantaessaasi. Vaatteesi voi hetkellisen kosketuksen seurauksena tarttua kiinni pyörivään vaihtotyökaluun, joka saattaa porautua kehoosi.

q) Puhdista sähkötyökalusi tuuletusaukot säännöllisesti. Moottorin tuuletin imee pölyä työkalun koteloon, ja voimakas metallipölyn kasautuma voi synnyttää sähköisiä vaaratilanteita.

r) Älä käytä sähkötyökalua helposti palavien materiaalien läheisyydessä. Kipinat voivat sytyttää nämä materiaalit.

s) Älä ota käyttöön työkaluja, jotka vaativat nestemäisiä jäähdytysaineita. Veden tai muiden nestemäisten jäähdytysaineiden käytöstä voi olla seurauksena sähköisku.

Takaisu ja vastaavat turvaohjeet

Takaisu on äkillinen reaktio, joka syntyy pyörivän vaihtotyökalun, kuten hiomalaikan, hiomalautasen tai teräsharjan tarttuessa kiinni tai jäädessä puristukseen. Tarttuminen tai puristukseen joutuminen johtaa pyörivän vaihtotyökalun äkilliseen pysähdykseen. Tällöin hallitsematon sähkötyökalu sinkoutuu tarttumakohdasta vaihtotyökalun kiertosuunnasta vastakkaiseen suuntaan.

Jos esim. hiomalaikka tarttuu tai joutuu puristukseen työkalupaleeseen, saattaa hiomalaikan reuna, joka on opponnut työkalupaleeseen, juuttua kiinni aiheuttaen hiomalaikan ponnahtuksen ulos työkalupaleesta tai aiheuttaa takaiskun. Hiomalaikka liikkuu silloin käyttävää henkilöä vasten tai pois päin hänestä, riippuen laikan kiertosuunnasta tarttumakohdassa. Tällöin hiomalaikka voi myös murtua.

Takaisu johtuu sähkötyökalun värähtäjästä tai käytöstä vääriin tarkoitukseseen. Se voidaan estää sopivin varotoimin, joita selostetaan seuraavassa.

a) Pitele sähkötyökalua tukevasti ja saata kehoosi ja käsivartesi asentoon, jossa pystyt vastaanamaan takaiskuvoimiin. Käytä aina lisäkavaa, jos sinulla on

sellainen, jotta pystyisit parhaalla mahdollisella tavalla hallitsemaan takaiskuvoimia tai vastamomentteja työkalun ryntäkävynissä. Käyttäjä henkilö pystyy hallitsemaan takaisku ja vastamomenttivoimat noudattamalla sopivia suoja-toimenpiteitä.

b) Työskentele erityisen varovasti kulmien, terävien reunojen jne. alueella, estä vaihtotyökalua ponnahtamasta takaisin työkalupaleesta ja juuttumasta kiinni. Pyörivällä vaihtotyökalulla on taipumus juuttua kiinni kulmissa, terävissä reunoissa tai saadessaan kimmokkeen. Tämä johtaa hallinnan pettämiseen tai takaiskuun.

c) Älä käytä ketjusahan tai hammastettua sahan terää. Sellaiset käyttötyökalut aiheuttavat usein takaiskun tai sähkötyökalun hallinnan menettämisen.

d) Liikuta työkalua materiaalisia aina siihen suuntaan, johon leikkauseuna poistuu materiaalista (vastaa sitä suuntaa, johon lastut ja sahanpuru sinkaavat). Sähkötyökalun kuljettaminen vääriin suuntaan saa liitetyn työkalun työntymään pois työstökappaleesta, jolloin sähkötyökalua vedetään tähän suuntaan.

e) Kiinnitä työstökappale aina hyvin käyttäessäsi terässahanteriä, katkaisulaikkoja, suurnopeus-jyrsintyökaluja tai kovametalli-jyrsintyökaluja. Nämä työkalut takertuvat uraan jo vähäisenkin vinoutumisen vuoksi ja saattavat aiheuttaa takapotkun. Jos katkaisulaikka koukkautuu kiinni, niin se useimmiten halkeaa. Kun terässahanteriä, suurnopeusjyrsintyökalut tai kovametallijyrsintyökalut koukkautuvat kiinni, niin työkalun liitososa saattaa singota urasta ylös ja aiheuttaa sähkötyökalun hallinnan menetyksen.

Hiomista koskevat erityiset turvallisuusmääräykset

a) Käytä ainoastaan tähän sähkötyökaluun suositeltuja hiomalaikkatyyppijä ja niitä ainoastaan suositeltuihin käyttötarkoituksiin. Älä esimerkiksi koskaan hio katkaisulaikan sivupinnalla. Katkaisulaikat on tehty materiaalin poistamiseen laikan reunaa käyttäen. Sivusuunnasta näihin hiomavälineisiin vaikuttava voima saattaa halkaista ne.

b) Käytä kartionmuotoisissa ja suorissa kiertein varustetuissa hiomapuikoissa vain oikeankokoisia, oikeanpituisia, ehjiä tuurnia, ilman lapaleikkausta. Oikeankokoiset tuurnat vähentävät murtumariskia.

c) Älä sijoita kättäsi pyörintasuuntaan tai pyörivän katkaisulaikan taakse. Kun liikutat katkaisulaikkaa työstökappaleessa kädestäsi pois päin, saattaa sähkötyökalu pyörivän laikan kera singota suoraan sinua kohti, jos tulee takapotku.

d) Tue litteät tai isot työkalupaleet, katkaisulaikan puristuksen aiheuttaman takaiskuvaaran minimoimiseksi. Suuret työkalupaleet voivat taipua oman painonsa takia. Työkappaletta tulee tukea molemmilta puolilta, sekä katkaisuleikkauksen viereistä, että reunoista.

e) Ole erityisen varovainen upotusleikkauksissa seiniin tai muihin alueisiin, joiden taustaa tai rakennetta ei pysty näkemään. Uppoava katkaisulaikka saattaa aiheuttaa takaiskun osuessaan kaasutai vesiputkiin, sähköjohtoihin tai muihin kohteisiin.

TÄYDENTÄVIÄ TURVALLISUUSMÄÄRÄYKSIÄ JA TYÖSKENTELEYOHJEITA

Käytä laitteella työskennellessäsi aina suojalaseja. Suojalaseineiden, turvallisien ja tukevapohjaisten kenkien, kuulosuojainten ja suojaesiliinan käyttöä suositellaan.

Työkalukara pyörii vielä sen jälkeen kun laitteesta on katkaistu virta. Anna koneen pysähtyä kokonaan ennen alaslaskemista.

Älä tartu käynnistetyn laitteen työskentelyalueelle.

Koneessa käytettävään työkaluun tai laikkaan leimatun maksimi kierrosluvun on oltava vähintään yhtä suuri kuin koneen tyypikkilpeen leimattu maksimi tyhjäkäyntikierrosluku.

Tarkista hiomavälineet ennen käyttöä. Hiomavälineet on oltava oikein asennettuja ja niiden täytyy pystyä pyörimään vapaasti. Suorita koeajo vähintään 30 sekunnin ajan ilman kuormitusta.

Älä käytä vahingoittuneita, epäsäännöllisen muotoisia tai täriseviä hiomatyövälineitä.

Metallien hionnassa syntyy kipinöintiä. Tarkista, ettei kenellekään aiheuteta vaaraa. Tulipalovaaran takia ei lähistöllä saa olla mitään palavia aineita (kipinäetäisyydellä). Pölynpoistoa ei käytetä.

Käytä konetta siten, että lastut ja kipinät lentävät itsestäsi pois päin.

Laippamutterin on oltava kunnolla kiristetty ennen koneen käyttöönottoa.

Ulkopuoliset, erittäin voimakkaat sähkömagneettiset häiriöt saattavat poikkeustapa-uksissa aiheuttaa tilapäisiä muutoksia pyörimisnopeudessa.

Käytä ja säilytä aina hiomalaikat valmistajan ohjeiden mukaan. Työstettävä kappale on kiinnitettävä, ellei se omapainonsa vuoksi pysy paikallaan. Älä koskaan vie työkalua kädelläsi hiomalaikkaa vasten.

Hiomatyökalun mittojen tulee olla sopivia hiomakoneeseen.

Pölyä kehittävässä töissä tulee koneen tuuletusraot pitää avoimina. Tarvittaessa tulee irroittaa kone sähköverkosta ja poistaa pöly. Älä käytä tässä metalliapuvälineitä äläkä vahingoita koneen sisäosia.

Vaurioituneesta akusta saattaa erityisen kovassa käytössä tai poikkeavassa lämpötilassa vuotaa akkuhappoa. Ihonkohta, joka on joutunut kosketukseen akkuhapon kanssa on viipymättä pestävä vedellä ja saippualla. Silmää, johon on joutunut akkuhappoa, on huuhdeltava vedellä vähintään 10 minuutin ajan, jonka jälkeen on viipymättä hakeuduttava lääkärin apuun.

Käytettyjä vaihtoakkuja ei saa polttaa eikä poistaa normaalin jätehuollon kautta. Milwaukeeella on tarjolla vanhoja vaihtoakkuja varten ympäristöystävällinen jätehuoltopalvelu.

Vaihtoakkuja ei saa säilyttää yhdessä metalliesineiden kanssa (oikosulkuvaara).

Käytä ainoastaan System 18 V latauslaitetta System 18 V akkujen lataukseen. Älä käytä muiden järjestelmien akkuja.

On varottava, ettei latauslaitteiden vaihtoakkulatauskoloon joutu metalliesineitä (oikosulkuvaara).

Vaihtoakkuja ja latauslaitteita ei saa avata. Säilytys vain kuivissa tiloissa. Suojattava kosteudelta.

Ota akku pois ennen kaikkia koneeseen tehtäviä toimenpiteitä.

Varmista, että hiomatyökalu on asennettu paikalleen hiomavälineen valmistajan antamien ohjeiden mukaan.

TARKOITUKSEN MUKAINEN KÄYTTÖ

Suoramalliset hiomakoneet soveltuvat puun, metallin, muovin ja vastaavien materiaalien hiontaan, erityisesti vaikeasti luoksepäästävässä kohteissa.

Älä käytä tuotetta ohjeiden vastaisesti.

Epäselvissä tapauksissa noudata lisävarusteiden valmistajien antamia ohjeita.

Konetta saa käyttää ainoastaan kuivatyöskentelyyn.

TODISTUS CE-STANDARDIN MUKAISUUDESTA

Vakuutamme yksinvastuullisesti, että kohdassa "Tekniset tiedot" kuvattu tuote vastaa kaikkia sitä koskevia direktiivien 2011/65/EU (RoHS), 2004/108/EY, 2006/42/EY määräyksiä sekä seuraavia harmonisointuja standardisovivia asiakirjoja:

EN 60745-1:2009+A11:2010

EN 60745-2-3:2011

EN 55014-1:2006+A1:2009+A2:2011

EN 55014-2:1997+A1:2001+A2:2008

EN 50581:2012

Winnenden, 2014-06-18



Alexander Krug
Managing Director



Valtuutettu kokoamaan tekniset dokumentit.

Techtronic Industries GmbH

Max-Eyth-Straße 10

71364 Winnenden

Germany

AKKU

Pitkään käyttämättä olleet vaihtoakut on ladattava ennen käyttöä.

Yli 50°C lämpötilassa akun suorituskyky heikkenee. Välttämättä akkujen säilyttämistä auringossa tai kuumissa tiloissa.

Pidä aina latauslaitteen ja akun kosketuspinnat puhtaina.

Optimaalisen käyttöiän saavuttamiseksi akut on ladattava täyteen käytön jälkeen.

Mahdollisimman pitkän elinajan takaamiseksi akut tulee poistaa laturista lataamisen jälkeen.

Akkuja yli 30 päivää säilytettäessä:

Säilytä akku yli 27 °C:ssa ja kuivassa.

Säilytä akku sen latauksen ollessa 30 % - 50 %.

Lataa akku 6 kuukauden välein uudelleen.

HUOLTO

Pidä moottorin ilmanottoaukot puhtaina.

Älä päästä metalliesineitä tuuletusaukkoihin - oikosulkuvaara

Käytä vain Milwaukee:n lisälaitteita ja varaosia. Käytä ammattitaitoisten Milwaukee-huoltosopimusliikkeiden palveluja muiden kuin käyttöohjeissa kuvattujen osien vaihdossa. (esite takuu/huoltoliikeluettelo).

Tarpeen vaatiessa voit pyytää lähettämään laitteen kokoonpanopiirustuksen ilmoittamalla arvokilven numeron seuraavasta osoitteesta: Techtronic Industries GmbH, Max-Eyth-Straße 10, 71364 Winnenden, Germany.

SYMBOLIT



HUOMIO! VAROITUS! VAARA!



Ota akku pois ennen kaikkia koneeseen tehtäviä toimenpiteitä.



Lue käyttöohjeet huolellisesti, ennen koneen käynnistämistä.



Käytä laitteella työskennellessäsi aina suojalaseja.



Käytä suojakäsineitä!



Älä käytä väkivoimaa.



Sähkölaitteita ei saa hävittää yhdessä kotitalousjätteiden kanssa. Sähkö- ja elektroniset laitteet tulee kerätä erikseen ja toimittaa kierrätysliikkeeseen ympäristöystävällistä hävittämistä varten. Pyydä paikallisilta viranomaisilta tai alan kauppiailta tarkemmat tiedot kierrätyspisteistä ja keräyspaikoista.



CE-merkki

EurAsian-vaatimusten mukaisuusmerkki.

ΤΕΧΝΙΚΑ ΣΤΟΙΧΕΙΑ	ΕΥΘΥΣ ΛΕΙΑΝΤΗΡΑΣ	C 12 RT
Αριθμός παραγωγής.....4311 33 01...000001-999999
Τάση ανταλλακτικής μπαταρίας 12 V	
Ονομαστικός αριθμός στροφών 5000-37000 min ⁻¹	
Διάμετρος λαβίδων σύσφιξης 0,8 / 1,6 / 2,4 / 3,2 mm	
Μέγ. διάμετρος κορμού λείανσης:		
σε μία κεραμική σύνδεση 25 mm	
σε μία πλαστική σύνδεση 25 mm	
Βάρος με ανταλλακτική μπαταρία.....0,62 kg	

Πληροφορίες θορύβου/δονήσεων

Τιμές μέτρησης εξακριβωμένες κατά EN 60 745.

Η σύφωνα με την καμπύλη Α εκτιμηθείσα στάθμη θορύβου του μηχανήματος αναφέρεται σε:

Στάθμη ηχητικής πίεσης (Ανασφάλεια K=3dB(A)) 73 dB (A)

Στάθμη ηχητικής ισχύος (Ανασφάλεια K=3dB(A)) 84 dB (A)

Φοράτε προστασία ακοής (ωτασπίδες)!

Υλικές τιμές κραδασμών (άθροισμα διανυσμάτων τριών

διευθύνσεων) εξακριβώθηκαν σύμφωνα με τα πρότυπα EN 60745.

Τιμή εκπομπής δονήσεων a_h

Τρύπες σε μέταλλο 2,4 m/s ²
Ανασφάλεια K..... 1,5 m/s ²
Λείανση με γυαλόχαρτο 2,6 m/s ²
Ανασφάλεια K..... 1,5 m/s ²
Τρόχισμα μετάλλων..... 3,1 m/s ²
Ανασφάλεια K..... 1,5 m/s ²
Λείανση πέτρα 1,8 m/s ²
Ανασφάλεια K..... 1,5 m/s ²
Κοπή μέταλλο 3,4 m/s ²
Ανασφάλεια K..... 1,5 m/s ²

ΠΡΟΕΙΔΟΠΟΙΗΣΗ

Το αναφερόμενο σ' αυτές τις οδηγίες επίπεδο δονήσεων έχει μετρηθεί με μια τυποποιημένη σύμφωνα με το EN 60745 μέθοδο μέτρησης και μπορεί να χρησιμοποιηθεί για τη σύγκριση των ηλεκτρικών εργαλείων μεταξύ τους. Αυτό είναι επίσης κατάλληλο για μια προσωρινή εκτίμηση της επιβάρυνση των δονήσεων.

Το αναφερόμενο επίπεδο δονήσεων αντιπροσωπεύει τις κύριες χρήσεις του ηλεκτρικού εργαλείου. Εάν όμως το ηλεκτρικό χρησιμοποιείται σε άλλες χρήσεις, με διαφορετικά εργαλεία εφαρμογής ή ανεπαρκή συντήρηση, μπορεί να υπάρξει απόκλιση του επιπέδου δονήσεων. Αυτό μπορεί να αυξήσει σημαντικά την επιβάρυνση των δονήσεων για τη συνολική διάρκεια της εργασίας

Για μια ακριβή εκτίμηση της επιβάρυνσης των δονήσεων οφείλουν επίσης να λαμβάνονται υπόψη οι χρόνοι, στους οποίους η συσκευή είναι απενεργοποιημένη ή είναι μεν ενεργοποιημένη αλλά δεν χρησιμοποιείται πραγματικά. Αυτό μπορεί να μειώσει σημαντικά την επιβάρυνση των δονήσεων για τη συνολική διάρκεια της εργασίας.

Καθορίστε πρόσθετα μέτρα ασφαλείας για την προστασία του χειριστή από την επίδραση των δονήσεων όπως για παράδειγμα:

Συντήρηση του ηλεκτρικού εργαλείου και των εργαλείων εφαρμογής, διατηρείτε ζεστά τα χέρια, οργάνωση των διαδικασιών εργασίας.

⚠ ΠΡΟΣΟΧΗ! Διαβάστε όλες τις οδηγίες ασφαλείας και τις οδηγίες χρήσης. Αμέλειες κατά την τήρηση των προειδοποιητικών υποδείξεων μπορεί να προκαλέσουν ηλεκτροπληξία, κίνδυνο πυρκαγιάς ή/και σοβαρούς τραυματισμούς. Φυλάξτε όλες τις προειδοποιητικές υποδείξεις και οδηγίες για κάθε μελλοντική χρήση.

⚠ ΕΙΔΙΚΕΣ ΥΠΟΔΕΙΞΕΙΣ ΑΣΦΑΛΕΙΑΣ

Κοινές υποδείξεις ασφαλείας για λείανση

a) Αυτό το ηλεκτρικό εργαλείο χρησιμοποιείται ως λειαντήρας. Να λαμβάνετε πάντοτε υπόψη σας όλες τις προειδοποιητικές υποδείξεις, τις οδηγίες, τις απεικονίσεις και τα στοιχεία που σας παραδίδονται μαζί με το ηλεκτρικό εργαλείο. Η μη τήρηση των οδηγιών που ακολουθούν, μπορεί να οδηγήσει σε ηλεκτροπληξία, φωτιά και/ή σε σοβαρούς τραυματισμούς

b) Αυτό το ηλεκτρικό εργαλείο δεν είναι κατάλληλο για χρήση με μεταλλικές βούρτσες, λείανση κοπής, λείανση με γυαλόχαρτο και για γυάλινα. Χρήσεις, οι οποίες δεν προβλέπονται για το ηλεκτρικό εργαλείο μπορούν να οδηγήσουν σε κινδύνους και να προκαλέσουν τραυματισμούς.

c) Μη χρησιμοποιήσετε ποτέ εξαρτήματα που δεν προβλέπονται και δεν προτάθηκαν από τον κατασκευαστή ειδικά γι' αυτό το ηλεκτρικό εργαλείο. Μόνο η διαπίστωση ότι μπορείτε να στερεώσετε ένα εξάρτημα στο ηλεκτρικό εργαλείο σας δεν εγγυάται την ασφαλή χρήση του.

h) Μη χρησιμοποιείτε χαλασμένα εργαλεία. Να ελέγχετε πάντοτε τα εργαλεία που πρόκειται να χρησιμοποιήσετε, π. χ. τους δίσκους κοπής για σπασίματα και ρωγμές, του δίσκους λείανσης για ρωγμές, φθορές ή ξεφτίσματα και τις σφραγισμένες για χαλαρά ή σπασμένα σύρματα. Σε περίπτωση που το ηλεκτρικό εργαλείο ή κάποιο χρησιμοποιούμενο εργαλείο πέσει κάτω, τότε ελέγξτε το εργαλείο μήπως έχει υποστεί κάποια βλάβη ή χρησιμοποιήστε ένα άλλο, άμφορο εργαλείο. Μετά τον έλεγχο και την τοποθέτηση του εργαλείου που πρόκειται να χρησιμοποιήσετε πρέπει να απομακρύνετε τυχόν παρευρισκόμενα πρόσωπα από το επίπεδο περιστροφής του εργαλείου, κι ακολούθως ν' αφήσετε το ηλεκτρικό εργαλείο να εργαστεί ένα λεπτό από το μέγιστο αριθμό στροφών χωρίς φορτίο. Τυχόν χαλασμένα εργαλεία σπάνε ως επί το πλείστον κατά τη διάρκεια αυτού του χρόνου δοκιμής.

i) Να φοράτε πάντοτε τη δική σας, ατομική προστατευτική ενδυμασία. Να χρησιμοποιείτε επίσης, ανάλογα με την εκάστοτε εργασία που εκτελείτε, προστατευτικές μάσκες, προστατευτικές διατάξεις ματιών ή προστατευτικά γυαλιά. Αν χρειαστεί, φοράτε και μάσκα προστασίας από σκόνη, ωτασπίδες προστατευτικά γάντια ή μια ειδική προστατευτική ποδιά, που θα σας προστατεύει από τυχόν εκσφενδονιζόμενα λειαντικά σωματίδια ή θραύσματα υλικού. Τα μάτια πρέπει να προστατεύονται από τυχόν αιωρούμενα σωματίδια που μπορεί δημιουργηθούν κατά την εκτέλεση των διάφορων εργασιών. Οι αναπνευστικές και οι προστατευτικές μάσκες πρέπει να φιλτράρουν τον αέρα και να συγκρατούν τη σκόνη που δημιουργείται κατά την εργασία. Σε περίπτωση που εκτεθείτε για πολύ χρόνο σε ισχυρό θόρυβο μπορεί να απωλέσετε την ακοή σας.

j) Φροντίζετε, τυχόν παρευρισκόμενα άτομα να βρίσκονται πάντοτε σε ασφαλή απόσταση από το χώρο εργασίας σας. Κάθε άτομο που εισέρχεται στο χώρο εργασίας σας πρέπει να φορά ατομικό προστατευτικό εξοπλισμό. Θραύσματα του υπό καταργασία τεμαχίου ή σπασμένων ανταλλακτικών εξαρτημάτων μπορεί να εκσφενδονιστούν και να προκαλέσουν τραυματισμούς ακόμη κι εκτός του άμεσου χώρου εργασίας.

k) Να πιάνετε τη συσκευή στις μονωμένες χειρολαβές όταν εκτελείτε εργασίες κατά τις οποίες τα κοπτικά εργαλεία θα μπορούσαν να πέσουν επάνω σε κρυμμένα καλώδια ρεύματος. Η επαφή των κοπτικών εργαλείων με αγωγό τροφοδοσίας τάσης μπορεί να θέσει τα μεταλλικά τμήματα της συσκευής υπ'όψαση και να προκαλέσει ηλεκτροπληξία.

l) Κατά την εκκίνηση κρατάτε πάντα σταθερά το ηλεκτρικό εργαλείο. Κατά το ανέβασμα των στροφών μέχρι την πλήρη ταχύτητα μπορεί η ροπή αντίδρασης του κινητήρα να προκαλέσει την περιστροφή του ηλεκτρικού εργαλείου.

m) Εάν είναι επικτό χρησιμοποιείτε μέγερνη σύσφιξης για να σταθεροποιήσετε το τεμάχιο επεξεργασίας. Ποτέ μην κρατάτε ένα μικρό τεμάχιο επεξεργασίας στο ένα χέρι και στο άλλο χέρι το εργαλείο, ενώ το χρησιμοποιείτε. Με τη στερέωση μικρών τεμαχίων επεξεργασίας έχετε και τα δύο χέρια ελεύθερα για τον καλύτερο χειρισμό του ηλεκτρικού εργαλείου. Κατά την κοπή στρόγγυλων τεμαχίων επεξεργασίας, όπως ξύλινων καθυλίων, ράβδων ή σωλήνων, αυτά έχουν την τάση να ξεφεύγουν, έτσι το εργαλείο εφαρμογής μπορεί να μπλοκάρει και να εκσφενδονιστεί εναντίον σας.

n) Μη αποθέτετε το ηλεκτρικό εργαλείο ποτέ, προτού το ανταλλακτικό εξάρτημα ακινητοποιηθεί πλήρως. Το περιστρεφόμενο ανταλλακτικό εξάρτημα μπορεί να έρθει σε επαφή με την επιφάνεια απόθεσης με αποτέλεσμα να χάσετε τον έλεγχό του.

ο) Μετά την αλλαγή των εργαλείων εφαρμογής ή μετά από ρυθμίσεις στο εργαλείο εξασφαλίστε να έχουν σφιχτεί καλά το παξιμάδι της λαβίδας σύσφιξης, το σοκ ή τα άλλα στοιχεία στερέωσης. Χαλαρά στοιχεία στερέωσης μπορούν να μετατοπιστούν απροσδόκητα και να οδηγήσουν σε απώλεια ελέγχου, μη στερεωμένα, περιστρεφόμενα στοιχεία εκσφενδονίζονται βίαια.

p) Μην αφήσετε ο ηλεκτρικό εργαλείο να εργάζεται όταν το μεταφέρετε. Τα ρούχα σας μπορεί να τυλιχτούν τυχαίως στο περιστρεφόμενο εργαλείο κι αυτό να τρυπήσει το σώμα σας.

q) Να καθαρίζετε τακτικά τις σχισμές αερισμού του ηλεκτρικού εργαλείου σας. Η πτερωτή του κινητήρα τραβάει σκόνη μέσα στο περίβλημα και η συσσώρευση μεταλλικής σκόνης μπορεί να δημιουργήσει ηλεκτρικούς κινδύνους.

r) Μη χρησιμοποιείτε το ηλεκτρικό εργαλείο κοντά σε εύφλεκτα υλικά. Τυχόν σπίθες ενδέχεται να προκαλέσουν την ανάφλεξη των υλικών αυτών.

s) Μη χρησιμοποιείτε ανταλλακτικά εξαρτήματα τα οποία απαιτούν ψυκτικά υγρά. Η χρήση νερού ή άλλων ψυκτικών υγρών μπορεί να προκαλέσει ηλεκτροπληξία.

Κλότσημα και σχετικές υποδείξεις ασφαλείας

Το κλότσημα είναι μια απροσδόκητη αντίδραση όταν το περιστρεφόμενο εργαλείο, π. χ. ο δίσκος κοπής, ο δίσκος λείανσης, ή συμφοροβούρτσα κτλ., προσκρούσει κάποιο (σκοντάφι) ή μπλοκάρει. Το σφηνώμα ή το μπλοκάρισμα οδηγεί στην απότομη διακοπή της περιστροφής του εργαλείου. Έτσι, ένα τυχόν μη υπό έλεγχο ευρισκόμενο ηλεκτρικό εργαλείο αντίδρα στο σημείο μπλοκαρίσματος/πρόσκρουσης με σφοδρότητα και περιστρέφεται με συνεχώς αυξανόμενη ταχύτητα με αντίθετη από εκείνη του εργαλείου.

Όταν π. χ. ένας δίσκος κοπής σφηνώσει ή μπλοκάρει μέσα στο υπό καταργασία υλικό, τότε η ακμή του δίσκου που βυθίζεται μέσα στο υλικό μπορεί να στρεβλώσει και ακολούθως ο δίσκος κοπής να πεταχτεί με ορμή και ανεξέλεγκτα από το υλικό ή να προκαλέσει κλότσημα. Όταν συμβεί αυτό ο δίσκος κοπής κινείται με κατεύθυνση προς το χειριστή/τη χειρίστρια ή και αντίθετα, ανάλογα με τη φορά περιστροφής στο σημείο μπλοκαρίσματος. Σε τέτοιες περιπτώσεις δεν αποκλείεται ακόμη και το σπάσιμο των δίσκων κοπής.

Το κλότσημα είναι το αποτέλεσμα ενός εσφαλμένου ή ελλιπής χειρισμού του ηλεκτρικού εργαλείου και μπορεί να αποφευχθεί με λήψη κατάλληλων προληπτικών μέτρων, σαν αυτά που περιγράφονται παρακάτω.

a) Να κρατάτε το ηλεκτρικό εργαλείο πάντοτε καλά και να παίρνετε με το σώμα σας μόνο θέσεις, στις οποίες θα μπορούσατε να αντιμετωπίσετε επιτυχώς ένα ενδεχόμενο κλότσημα. Να φροντίζετε πάντοτε την πρόσθετη λαβή, αν αυτή φυσικά υπάρχει, για να εξασφαλίσετε έτσι το μέγιστο δυνατό έλεγχο του ηλεκτρικού εργαλείου σε περίπτωση εμφάνισης ανάστροφων και αντίρροπων δυνάμεων (π. χ. κλότσημα) κατά την εκκίνηση. Ο χειριστής/η χειρίστρια μπορεί να αντιμετωπίσει με επιτυχία τα κλοτάσηματα και τις ανάστροφες ροπές.

b) Να εργάζεσθε με ιδιαίτερη προσοχή σε γωνίες, κοφτερές ακμές κτλ. Φροντίζετε, το λειαντικό εργαλείο να μην ανατινάχεται έξω από το υπό καταργασία υλικό και να μη σφηνώσει σ' αυτό. Το περιστρεφόμενο λειαντικό εργαλείο σφηνώνει εύκολα κατά την εργασία σε γωνίες και σε κοφτερές ακμές ή όταν εκτινάχεται. Αυτό προκαλεί κλότσημα ή απώλεια του ελέγχου.

c) Μη χρησιμοποιείτε λάμες για αλυσοπρίονα ή οδοντωτές πριονόλαμες. Τέτοια ανταλλακτικά εξαρτήματα προκαλούν συχνά κλότσημα ή οδηγούν σε απώλεια του ελέγχου του ηλεκτρικού εργαλείου.

d) Οδηγήστε το εργαλείο εφαρμογής πάντα στην ίδια κατεύθυνση στο υλικό, στην οποία η ακμή κοπής εξέρχεται από το υλικό (αντιστοιχεί στην ίδια κατεύθυνση, στην οποία εξέρχονται τα ροκανίδια). Η οδήγηση του ηλεκτρικού εργαλείου στη λάθος κατεύθυνση προκαλεί την εκτροπή του εργαλείου εφαρμογής από το τεμάχιο επεξεργασίας, έτσι το ηλεκτρικό εργαλείο τραβιέται σε αυτήν την κατεύθυνση ώθησης.

e) Στερεώνετε πάντα καλά το τεμάχιο επεξεργασίας κατά τη χρήση ασάλινων πριονιδίσκων, δίσκων κοπής, εργαλείων φρεζαρίσματος υψηλής ταχύτητας ή εργαλείων φρεζαρίσματος σκληρού μετάλλου. Ήδη σε ελαφριά κλίση μέσα στο υλικό τα εργαλεία εφαρμογής αυτά μπλοκάρονται και μπορούν να προκαλέσουν μια αναπήδηση. Όταν μπλοκάρεται ένας δίσκος κοπής συνήθως αυτός σπάει. Κατά

το μπλοκάρισμα ατσάλινων προιονοδίσκων, εργαλείων φρεζαρισματος υψηλής ταχύτητας ή εργαλείων φρεζαρισματος σκληρού μετάλλου μπορεί το εργαλείο εφαρμογής να αναπηρήσει από το αυλάκι και να οδηγήσει σε απώλεια ελέγχου του ηλεκτρικού εργαλείου.

Ιδιαίτερες υποδείξεις ασφαλείας για λείανση

a) Χρησιμοποιείτε μόνο τύπους λειαντικών δίσκων, οι οποίοι συνιστώνται για το ηλεκτρικό σας εργαλείο και μόνο για τις συνιστώμενες δυνατότητες χρήσης. Για παράδειγμα μην εκτελείτε ποτέ τη λείανση με την πλευρική επιφάνεια ενός δίσκου κοπής. Οι δίσκοι κοπής προορίζονται για την αφαίρεση υλικού με την ακμή του δίσκου. Η πλευρική άσκηση δύναμης επάνω σε αυτά τα λειαντικά σώματα μπορεί να τα σπάσει.

b) Χρησιμοποιείτε για κωνικά και ευθεία στελέχη λείανσης με σπείρωμα μόνο ακέραιους άξονες του σωστού μεγέθους και μήκους, χωρίς υποκοπή στον αυχένα. Κατάλληλοι άξονες μειώνουν την πιθανότητα της θραύσης.

c) Μην τοποθετείτε το χέρι σας στην κατεύθυνση περιστροφής ή πίσω από τον περιστρεφόμενο δίσκο κοπής. Όταν μετακινείτε μακριά το δίσκο κοπής στο τεμάχιο επεξεργασίας από το χέρι σας, μπορεί στην περίπτωση μιας αναπήδησης το ηλεκτρικό εργαλείο με τον περιστρεφόμενο δίσκο να εκσφενδονιστεί απευθείας επάνω σας.

d) Πλάκες, ή άλλα μεγάλα υπό κατεργασία τεμάχια, πρέπει να υποστηρίζονται για να ελαττωθεί ο κίνδυνος κλοστήματος από έναν τυχόν μπλοκαρισμένο δίσκο κοπής. Μεγάλα υπό κατεργασία τεμάχια μπορεί να λυγίσουν κάτω από το ίδιο τους το βάρος. Το υπό κατεργασία τεμάχιο πρέπει να υποστηριχτεί και στις δύο πλευρές του, και κοντά στην τομή κοπής και στην ακμή του.

e) Να είστε ιδιαίτερα προσεκτικοί/προσεκτικές όταν διεξάγετε «κοπές βυθίσματος» σε τοίχους ή άλλους μη εποπτεύσιμους τομείς. Ο βυθιζόμενος δίσκος κοπής μπορεί να κόψει σωλήνες φωταερίου (γκαζιού) ή νερού, ηλεκτρικές γραμμές ή αντικείμενα που μπορεί να προκαλέσουν κλότσημα.

ΠΕΡΑΙΤΕΡΩ ΟΔΗΓΙΕΣ ΑΣΦΑΛΕΙΑΣ ΚΑΙ ΧΡΗΣΕΩΣ

Στις εργασίες με τη μηχανή φοράτε πάντοτε προστατευτικά γυαλιά. Συνιστάνται τα προστατευτικά γάντια, τα σταθερά και αντιολισθητικά παπούτσια και η ποδιά.

Η άτρακτος του εργαλείου συνεχίζει να κινείται και μετά την απενεργοποίηση της συσκευής. Ακουμπάτε τη μηχανή πάντοτε μόνο μετά την ακινητοποίηση.

Μην απλώνετε τα χέρια σας στην επικίνδυνη περιοχή της μηχανής όταν είναι σε λειτουργία.

Χρησιμοποιείτε μόνο εργαλεία, των οποίων ο επιτρεπόμενος αριθμός στροφών είναι το λιγότερο τόσο υψηλός όσο ο μέγιστος αριθμός στροφών χωρίς φορτίο της συσκευής.

Ελέγχετε τα εργαλεία λείανσης πριν τη χρήση. Το εργαλείο λείανσης πρέπει να είναι άμογα μονταρισμένο και να μπορεί να κινείται ελεύθερα. Εκτελέστε μια δοκιμαστική λειτουργία το λιγότερο για 30 δευτερόλεπτα χωρίς φορτίο. Μην χρησιμοποιείτε κατεστραμμένα, παραμορφωμένα ή παλλόμενα εργαλεία λείανσης.

Κατά την λείανση/τρόχιση των μετάλλων δημιουργούνται σπινθήρες. Προσέχετε, να μην τεθεί σε κίνδυνο κανένα άτομο. Λόγω του κινδύνου πυρκαγιάς δεν επιτρέπεται να βρίσκονται κοντά εύφλεκτα υλικά (περιοχή εκτόξευσης των σπινθήρων). Μην χρησιμοποιείτε καμία διάταξη αναρρόφησης σκόνης.

Κρατάτε τη συσκευή πάντοτε έτσι, ώστε οι σπινθήρες ή τα ρινίσματα τροχίσματος να απομακρύνονται από το σώμα σας. Το φλαντζωτό παξιμάδι πρέπει να έχει σφιχτεί πριν την έναρξη λειτουργίας της μηχανής.

Κάτω από την επίδραση υπερβολικών ηλεκτρομαγνητικών εξωτερικών διαταραχών, μπορεί σε μεμονωμένες περιπτώσεις να παρουσιαστούν προσωρινές διακυμάνσεις του αριθμού των στροφών.

Χρησιμοποιείτε και φυλάγετε τους δίσκους λείανσης πάντοτε σύμφωνα με τα στοιχεία του κατασκευαστή.

Το προς επεξεργασία κομμάτι πρέπει να σφιχτεί καλά, όταν δεν μπορεί να κρατηθεί με το ίδιο του το βάρος. Μην κρατάτε ποτέ το επεξεργαζόμενο κομμάτι με το χέρι ενάντια στο δίσκο.

Οι διαστάσεις του λειαντικού εργαλείου πρέπει να ταιριάζουν στη συσκευή λείανσης

Σε περίπτωση δημιουργίας σκόνης, πρέπει να είναι ελεύθερες οι σχισμές αερισμού της μηχανής. Εάν χρειασθεί διακόψτε την τροφοδότηση ρεύματος προς τη μηχανή και απομακρύντε τη σκόνη. Για το σκοπό αυτό να μην χρησιμοποιείτε μεταλλικά αντικείμενα για να μην καταστρέψετε εσωτερικά τμήματα.

Όταν υπάρχει υπερβολική καταπόνηση ή υψηλή θερμοκρασία μπορεί να τρέξει υγρό μπαταρίας από τις χαλασμένες επαναφορτιζόμενες μπαταρίες. Αν έρθετε σε επαφή με υγρό μπαταρίας να πλυθείτε αμέσως με νερό και σαπούνι. Σε περίπτωση επαφής με τα μάτια να πλυθείτε σχολαστικά για τουλάχιστον 10 λεπτά και να αναζηήσετε αμέσως ένα γιατρό.

Μην πετάτε τις μεταχειρισμένες ανταλλακτικές μπαταρίες στη φωτιά ή στα οικιακά απορρίμματα. Η Milwaukee προσφέρει μια απόσυρση των παλιών ανταλλακτικών μπαταριών σύμφωνα με τους κανόνες προστασίας του περιβάλλοντος, ρωτήστε παρακαλώ σχετικά στο ειδικό κατάστημα πώλησης.

Μην αποθηκεύετε τις ανταλλακτικές μπαταρίες μαζί με μεταλλικά αντικείμενα (κίνδυνος βραχυκυκλώματος).

Φορτίζετε τις ανταλλακτικές μπαταρίες του συστήματος 18 V μόνο με φορτιστές του συστήματος 18 V. Μην φορτίζετε μπαταρίες από άλλα συστήματα.

Στη θήκη υποδοχής των ανταλλακτικών μπαταριών του φορητού δεν επιτρέπεται να φθάνουν μεταλλικά αντικείμενα (κίνδυνος βραχυκυκλώματος).

Μην ανοίγετε τις ανταλλακτικές μπαταρίες και τους φορτιστές και χρησιμοποιείτε για αποθήκευση μόνο στεγνούς χώρους. Προστατεύετε τις ανταλλακτικές μπαταρίες και τους φορτιστές από την υγρασία.

Πριν από κάθε εργασία στη μηχανή αφαιρείτε την ανταλλακτική μπαταρία.

Σιγουρευθείτε πως το λειαντικό εργαλείο έχει προαρμωστεί σύμφωνα με τις Οδηγίες του κατασκευαστή του λειαντικού μέσου.

ΧΡΗΣΗ ΣΥΜΦΩΝΑ ΜΕ ΤΟ ΣΚΟΠΟ ΠΡΟΟΡΙΣΜΟΥ

Οι ευθείς λειαντήρες προορίζονται για τις εργασίες λείανσης ακριβείας σε μέταλλα με φρέζες όπως και για τη λείανση μετάλλων χωρίς σίδηρο, πλαστικών, σκληρού ξύλου κλπ. με φρέζες.

Αυτή η συσκευή επιτρέπεται να χρησιμοποιηθεί μόνο σύμφωνα με τον αναφερόμενο σκοπό προορισμού.

Σε περίπτωση αμφιβολιών προσέχετε τις υποδείξεις του κατασκευαστή των πρόσθετων εξαρτημάτων.

Η ηλεκτρική συσκευή είναι κατάλληλη μόνο για επεξεργασία χωρίς νερό.

ΔΗΛΩΣΗ ΠΙΣΤΟΤΗΤΑΣ ΕΚ

Δηλώνουμε υπεύθυνα ότι το προϊόν που περιγράφεται στο κεφάλαιο «Τεχνικά χαρακτηριστικά» είναι συμβατό με τις διατάξεις της Κοινοτικής Οδηγίας 2011/65/EU (RoHS), 2004/108/EK, 2006/42/ΕΚ και με τα ακόλουθα εναρμονισμένα κανονιστικά έγγραφα:

EN 60745-1:2009+A11:2010
EN 60745-2-3:2011
EN 55014-1:2006+A1:2009+A2:2011
EN 55014-2:1997+A1:2001+A2:2008
EN 50581:2012

Winnenden, 2014-06-18

Alexander Krug

Alexander Krug
Managing Director



Εξουσιοδοτημένος να συντάξει τον τεχνικό φάκελο.

Techtronic Industries GmbH
Max-Eyth-Straße 10
71364 Winnenden
Germany

ΜΠΑΤΑΡΙΕΣ

Επαναφορτίζετε τις ανταλλακτικές μπαταρίες που δεν έχουν χρησιμοποιηθεί για μεγαλύτερο χρονικό διάστημα πριν τη χρήση.

Μια θερμοκρασία πάνω από 50°C μειώνει την ισχύ της ανταλλακτικής μπαταρίας. Αποφύγετε τη θέρμανση για μεγαλύτερο χρονικό διάστημα από τον ήλιο ή τις συσκευές θέρμανσης.

Διατηρείτε τις επαφές σύνδεσης στο φορτιστή και στην ανταλλακτική μπαταρία καθαρές.

Για μια άριστη διάρκεια ζωής πρέπει μετά τη χρήση οι μπαταρίες να φορτιστούν πλήρως.

Για μια κατά το δυνατόν μεγάλη διάρκεια ζωής οι μπαταρίες μετά τη φόρτιση οφείλουν να αφαιρεθούν από το φορτιστή.

Για την αποθήκευση της μπαταρίας για διάστημα μεγαλύτερο των 30 ημερών:

Αποθηκεύετε τη μπαταρία περ. στους 27°C σε στεγνό χώρο. Αποθηκεύετε τη μπαταρία περ. στο 30%-50% της κατάστασης φόρτισης. Κάθε 6 μήνες φορτίζετε εκ νέου τη μπαταρία.

ΣΥΝΤΗΡΗΣΗ

Διατηρείτε πάντοτε τις σχισμές εξαερισμού της μηχανής καθαρές.

Λόγω του κινδύνου βραχυκυκλώματος δεν επιτρέπεται να μπαίνουν μεταλλικά αντικείμενα στις σχισμές εξαερισμού.

Χρησιμοποιείτε μόνο εξαρτήματα και ανταλλακτικά της Milwaukee. Αναθέστε την αλλαγή των εξαρτημάτων, των οποίων η αντικατάσταση δεν έχει περιγραφεί, σ' ένα κέντρο σέρβις της Milwaukee (προσέξτε το εγχειρίδιο Εγγύηση/ Διευθύνσεις εξυπηρέτησης πελατών).

Όταν χρειάζεται, μπορείτε να ζητήσετε ένα σχέδιο συναρμολόγησης της συσκευής, δίνοντας τον τύπο της μηχανής και αριθμό στην πινακίδα ισχύος, από το κέντρο σέρβις ή απευθείας από τη firma Techtronic Industries GmbH, Max-Eyth-Straße 10, 71364 Winnenden, Germany.

ΣΥΜΒΟΛΑ



ΠΡΟΣΟΧΗ! ΠΡΟΕΙΔΟΠΟΙΗΣΗ! ΚΙΝΔΥΝΟΣ!



Πριν από κάθε εργασία στη μηχανή αφαιρείτε την ανταλλακτική μπαταρία.



Παρακαλώ διαβάστε σχολαστικά τις οδηγίες χρήσης πριν από την έναρξη λειτουργίας.



Στις εργασίες με τη μηχανή φοράτε πάντοτε προστατευτικά γυαλιά.



Να φοράτε προστατευτικά γάντια!



Μην βάζετε δύναμη.



Ηλεκτρικά μηχανήματα δεν επιτρέπεται να απορρίπτονται μαζί με τα οικιακά απορρίμματα. Ηλεκτρικά και ηλεκτρονικά μηχανήματα συλλέγονται ξεχωριστά και παραδίδονται προς ανακύκλωση με τρόπο φιλικό προς το περιβάλλον σε επιχείρηση επεξεργασίας απορριμμάτων. Ενημερωθείτε από τις τοπικές υπηρεσίες ή από ειδικευμένους εμπόρους σχετικά με κέντρα ανακύκλωσης και συλλογής απορριμμάτων.

Σήμα συμμόρφωσης CE



EurAsian σήμα πιστότητας.

TEKNİK VERİLER	ÇUBUK TAŞLAMA MAKİNESİ	C 12 RT
Üretim numarası.....	4311 33 01...	...00001-999999
Kartuş akü gerilimi.....	12 V	
Devir saysı.....	5000-37000 min ⁻¹	
Penset çapı.....	0,8 / 1,6 / 2,4 / 3,2 mm	
Maksimum taşlama diski çapı		
seramik veya lastikle bağlı taşlama ucu.....	25 mm	
sunî reçine ile bağlı taşlama ucu.....	25 mm	
Değişken akü ile ağırlık.....	0,62 kg	
Gürültü/Vibrasyon bilgileri		
Ölçüm değerleri EN 60 745 e göre belirlenmektedir.		
Aletin, frekansa bağımlı uluslararası ses basıncı seviyesi değerlendirme eğrisi A'ya göre tipik gürültü seviyesi:		
Ses basıncı seviyesi (Tolerans K=3dB(A)).....	73 dB (A)	
Akustik kapasite seviyesi (Tolerans K=3dB(A)).....	84 dB (A)	

Koruyucu kulaklık kullanın!

Toplam titreşim değeri (üç yönün vektör toplamı) EN 60745'e göre belirlenmektedir:

Titreşim emisyon değeri a _h	
Metal delme.....	2,4 m/s ²
Tolerans K.....	1,5 m/s ²
Zımpara kağıdı ile zımparalama.....	2,6 m/s ²
Tolerans K.....	1,5 m/s ²
Eziyet metal.....	3,1 m/s ²
Tolerans K.....	1,5 m/s ²
Taş öğütme.....	1,8 m/s ²
Tolerans K.....	1,5 m/s ²
Taş metal.....	3,4 m/s ²
Tolerans K.....	1,5 m/s ²

UYARI

Bu talimatlarda belirtilen titreşim seviyesi, EN 60745 standardına uygun bir ölçme metodu ile ölçülmüştür ve elektrikli el aletleri birbiryle karşılaştırmak için kullanılabilir. Ölçüm sonuçları ayrıca titreşim yükünün geçici değerlendirmesi için de uygundur.

Belirtilen titreşim seviyesi, elektrikli el aletinin genel uygulamaları için geçerlidir. Ancak elektrikli el aleti başka uygulamalar için, farklı eklenti parçalarıyla ya da yetersiz bakım koşullarında kullanılırsa, titreşim seviyesi farklılık gösterebilir. Bu durumda, titreşim yükü toplam çalışma zaman aralığı içerisinde belirgin ölçüde yükselebilir.

Titreşim yükünün tam bir değerlendirmesi için ayrıca cihazın kapalı olduğu süreler ve cihazın çalışır durumda olduğu, ancak gerçek kullanımında bulunmadığı süreler de dikkate alınmalıdır. Böylelikle, toplam çalışma zamanı aralığı boyunca meydana gelen titreşim yükü belirgin ölçüde azaltılabilir.

Kullanıcıyı titreşimlerin etkisinden korumak üzere, örneğin elektrikli el aletlerinin ve eklenti parçalarının bakımı, ellerin sıcak tutulması ve iş aklarının organizasyonu gibi ek güvenlik tedbirleri belirleyiniz.

UYARI! Bütün güvenlik notlarını ve talimatları okuyunuz. Açıklanan uyarılara ve talimat hükümlerine uyulmadığı takdirde elektrik çarpmalarına, yangınlara ve/veya ağır yaralanmalara neden olunabilir. Bütün uyarıları ve talimat hükümlerini ilerde kullanmak üzere kayınlın.

GÜVENLİĞİNİZ İÇİN TALİMATLAR

Taşlama yapmak için müşterek güvenlik açıklamaları

a) **Bu elektrikli alet taşlama cihazı olarak kullanılacaktır. Elektrikli el aleti ile birlikte teslim edilen bütün uyarılara, talimata, şekillere ve verilere uyun hareket edin.** Aşağıdaki talimat hükümlerine uymadığınız takdirde elektrik çarpması, yangın veya ağır yaralanma tehlikesi ile karşılaşabilirsiniz.

b) Bu elektrikli alet telli fırçalar, ayırma işlerindeki taşlamalar, kumlu kağıtların taşlama ve polisaj işleri için uygun değildir. Elektrikli alet için öngörülmemen kullanımlar risklere ve yaralanmalara sebebiyet verebilir.

c) **Üretici tarafından özel olarak bu alet öngörülmemen ve tavsiye edilmeyen aksesuar kullanmayın.** Bir aksesuarı elektrikli el aletinize takabiliyor olmanız güvenli kullanımı garanti etmez.

d) **Kullanılan takımın izin verilen devri, en az elektrikli cihaz üzerinde yazılı azami devir kadar yüksek olmalıdır.** İzin verileden daha hızlı dönen aksesuar kırılabilir ve etrafa fırlayabilir.

e) **Kullanılan takımın dış çapı ve kalınlığı elektrikli cihazın ölçü bilgilerine uygun olmalıdır.** Yanlış ölçüye sahip takımlar yeterli kadar korunamaz veya kontrol edilemezler.

f) **Taşlama diski, taşlama silindirini veya başka aksam tam olarak elektro aletin taşlama miline veya germe pensine uygun bulunmalıdır.** Elektro aletin taşlama miline uygun bulunmayan ve istihdam edilen aletler eşit olmaksızın döner, çok kuvvetli bir şekilde vibrasyon yapar ve kontrol kaybına sebebiyet verir.

g) **Anahtar delik kapağına monte edilen diskler, taşlama silindirleri, kesici aletlerin veya başka aksamın tam olarak germe pensine veya delme astarlarına uygun olarak kullanılması gerekir.** Anahtar delik kapağının "çıkıntısı", daha doğrusu mesafesi diskten itibaren germe pensine kadar minimum olmalıdır. Anahtar delik kapağı yeterli düzeyde gergin olmazsa ve/veya disk çıkıntısı fazla uzun olursa, monte edilen disk yerinden çıkabilir veya fazla bir hızla dışarı atılabilir.

h) **Hasarlı uçları kullanmayın. Her kullanımdan önce taşlama disklerinde çatlak ve çizik olup olmadığını, zımpara tablalarında çizik ve aşınma olup olmadığını, tel fırçalarda gevşeme veya kırık teller olup olmadığını kontrol edin.** Elektrikli el aleti veya uç yere düşecek olursa hasar görüp görmediklerini kontrol edin, gerekçesiz hasar görmemiş başka bir uç kullanın. Kullanacağınız ucu kontrol edip taktıktan sonra ucun dönme alanı yakınında bulunan kişileri uzaklaştırın ve elektrikli el aletini bir dakika en yüksek devir sayısında çalıştırın. Hasarlı uçlar çoğu zaman bu test süresinde kırılır.

i) **Kişisel koruyucu donanım kullanın. Yaptığımız işe göre tam yüz siperliği, göz koruma donanımı veya koruyucu gözlük kullanın. Eğer uygunsa küçük taşlama ve malzeme parçacıklarına karşı koruma sağlayan toz maskesi,**

koruyucu kulaklık, koruyucu iş eldivenleri veya özel iş önlüğü kullanın. Gözler çeşitli uygulamalarda etrafa savrulan parçacıklardan korunmalıdır. Toz veya solunma maskesi çalışma sırasında ortaya çıkan tozları filtre eder. Uzun süre yüksek gürültü altında çalışırsanız işitme kaybına uğrayabilirsiniz.

j) **Diğer insanların çalışma sahanıza güvenli mesafede durmasına dikkat ediniz. Çalışma sahasına giren herkes kişisel koruyucu donanım kullanmalıdır.** İş parçası kırıkları veya kırılan takımlar savrulabilir ve doğrudan çalışma sahasının dışında da yaralanmalara neden olabilir.

k) **Kesme aletinin eğrilmiş elektrik kabloları isabet eden çalışmaları yapılrken cihazı izledi edilmiş kollarından tutun.** Kesme aletinin içinden elektrik akımı geçen kablo ile temas etmesi durumunda elektrik akımı cihazın metal kısımlarına geçer ve elektrik çarpmasına sebebiyet verebilir.

l) **Elektro aleti çalışmaya başlaması esnasında sıkıca tutun.** Tam hızla çalıştığında motorun reaksiyon momenti elektro cihazın dönmelerini sağlar.

m) **Mümkün olduğu takdirde takım tezgahını fikse etmek amacı ile zorunlu germe sistemini kullanınız. Küçük bir parçayı hiçbir zaman elinizde tutmayın ve kullanma esnasında başka bir şekilde tutmayın.** Küçük parçaların gerilmesi suretiyle elektro cihazın daha kullanılması amacıyla ellerinizi serbest tutunuz. Ağaç dübeli, direk malzemeleri veya borular gibi yuvarlak malzemelerin ayrışması esnasında bunlar eğilim gösterir bu surette kullanılan alet sıkışabilir veya size doğru gelebilir.

n) **Takım tamamen durmadan elektrikli cihazı asla yere koymayınız.** Dönen takımın bırakılan yüzeye temas etmesi durumunda elektrikli cihazın kontrolünü kaybedebilirsiniz.

o) **Elektro aletin değiştirilmesinden sonra veya cihazda ayarlar yapıldıktan sonra germe pensı somunlarının, belme astarının veya sair sıkıştırma elemanlarının iyice sıkıldığından emin olun.** Gevşek bulunan elemanlar beklenmedik bir şekilde itilebilir ve kontrol kaybına sebebiyet verebilir, sıkıştırılmayan, rotasyon yapan komponentler şiddetli bir şekilde dışa doğru itilir.

p) **Elektrikli el aletini çalışır durumda taşımayın.** Giysileriniz rastantı sonucu dönmekte olan uç tarafından tutulabilir ve uç bedeninize temas edebilir.

q) **Elektrikli el aletinizin havalandırma deliklerini düzenli olarak temizleyin.** Motor fanı tozu gövdeye çeker ve metal tozunun aşırı birikimi elektrik çarpmı tehlikesini ortaya çıkarır.

r) **Elektrikli cihazı asla yanıcı malzemelerin yanında kullanmayın.** Kıvılcımlar bu malzemeleri tutuşturabilir.

s) **Sıvı soğutma maddeleri gerektiren takımlar kullanmayın.** Su veya sıvı başka soğutma maddelerinin kullanılması elektrik çarpmasına yol açabilir.

Geri tepme ve ilgili emniyet bilgileri

Geri tepme, dönmekte olan taşlama diski, zımpara tablası, tel fırça ve benzeri uçların takılması veya bloke olması sonucu ortaya çıkan ani tepkidir. Takılma ve blokaj dönmekte olan ucun ani olarak durmasına neden olur. Bu gibi durumlarda elektrikli el aleti blokaj yerinden ucun dönme yönünün tersine doğru savrulur.

Örneğin bir taşlama diski iş parçası içinde takılır veya bloke olursa, taşlama diskinin içine giren kenarı tutulur ve disk kırılır veya geri tepme kuvvetinin ortaya çıkmasına neden olur. Bu durumda taşlama diski blokaj yerinden, diskin dönme yönüne bağlı olarak kullanıcıya doğru veya kullanıcının tersine hareket eder. Bu gibi durumlarda taşlama disklerinin kırılma olasılığı da vardır.

Geri tepme kuvveti elektrikli el aletinin yanlış veya hatalı kullanımı sonucu ortaya çıkar. Geri tepme kuvvetleri aşağıda açıklanan koruyucu önlemlerle önenebilir.

a) **Elektrikli el aletini sıkıca tutun ve bedeniniz ile ellerinizi geri tepme kuvvetlerinin rahatça karşılayabilecek duruma getirin.** Alet hızlanırken ortaya çıkabilecek geri tepme kuvvetlerini veya reaksiyon momentlerini optimal ölçüde karşılayabilmek için eğer varsa her zaman ek tutamağı

kullanın. Kullanıcı uygun önlemler alarak geri tepme ve reaksiyon kuvvetlerine hakim olabilir.

b) **Özellikle köşeleri, keskin kenarları ve benzerlerini işlerken dikkatli olun. Ucun iş parçasından dışarı çıkmasını ve takılıp sıkışmasını önleyin.** Dönmekte olan uç köşelerde, keskin kenarlarda çalışırken sıkışmaya eğilimlidir. Bu ise kontrol kaybına veya geri tepmeye neden olur.

c) **Zincirli veya dişli testere bıçakları kullanmayın.** Bu gibi takımlar sıklıkla geri tepmeye veya elektrikli cihaz üzerindeki kontrolün kaybedilmesine neden olur.

d) **Kullanılan aleti her zaman malzemelerin aynı istikametine götürünüz, kesim kenarında malzeme merk eder (talesarın dışarıya doğru çıktığı aynı istikamete uygundur).** Elektro aleti yanlış istikamete getirirseniz, kullanma cihazı aletten çıkar, bu surette elektro aleti kaldırma istikametine doğru çekilir.

e) **Çelik testere yaprakları, ayırma diskleri, yüksek hız freze aletleri veya sert metal freze aletlerinin kullanılması esnasında cihazı her zaman sıkıca geriniz.** Kullanılan bu aletler yivde kenarlarının hafif olması nedeniyle çengele takılır ve geri tepmeye sebebiyet verir. Ayırma diskinin çengele takılması halinde doğal olarak bunlar kırılır. Çelik testere yapraklarının, veya sert metal freze aletlerinin çengele takılıp yivden atılma yapması halinde elektro aletin kontrol kaybına sebebiyet verilir.

Taşlama yapmak için özel güvenlik açıklamaları

a) **Elektro aletinin için tavsiye edilen ve sadece tavsiye edilen kullanım imkanları için söz konusu olan taşlama disk tiplerini kullanınız. Örneğin bir ayırma diskinin kenar yüzeyleri ile asla taşlama yapmayın.** Ayırma diskleri diskin kenarı ile malzemenin sökülmesi için düşünülmüştür. Bu taşlama bedeni üzerine kenar kuvvet tesiri kırılabilir.

b) **Konik ve düz olan yivli taşlama çubukları için sadece hasar görmemiş doğru ebatta ve uzunlukla ve de omuzlarında arka kesimi bulunmayan anahtar delik kapağı kullanınız.** Uygun bulunan anahtar delik kapakları kırılma imkanını engeller.

c) **Kullanılan aleti her zaman malzemelerin aynı istikametine götürünüz, kesim kenarında malzeme terk eder (talesarın dışarıya doğru çıktığı aynı istikamete uygundur).** Elektro aleti yanlış istikamete getirirseniz, kullanma cihazı aletten çıkar, bu surette kullanma aleti ortaya çıkar. Bu surette kullanma aleti itme istikametine çekilir.

d) **Kesici taşlama diskinin sıkışması sonucu oluşabilecek geri tepme kuvvetlerini önlemek için büyük levha veya iş parçalarını destekleyin.** Büyük iş parçaları kendi ağırlıkları ile bükülebilir. Büyük iş parçaları iki yandan desteklenmelidir, hem kesme hattının yakınından hem de kenardan.

e) **Duvarlar veya diğer görülmeyen alanların olduğu yerlerde özellikle "cep kesmelerinde" dikkatli olun.** Malzeme içine dalan kesici taşlama diskleri kesme işlemi sırasında gaz veya su borularına, elektrik kablolarına veya diğer nesnelere rastlayarak geri tepme kuvveti oluşturabilirler.

EK GÜVENLİK VE ÇALIŞMA TALİMATLARI

Aletle çalışırken daima koruyucu gözlük kullanın. Koruyucu iş eldivenleri, sağlam ve kaymaz ayakkabılar ve iş önlüğü kullanmanızı tavsiye ederiz.

Alet kapatıldıktan sonra uç mili bir süre serbest dönüşte döner. Aleti tam olarak durduktan sonra elinizden bırakın.

Aletin tehlikeli olabilecek bölümlerini tutmayın.

Bu aletle sadece, müsaade edilen devir sayıları en azından aletin en yüksek devir sayısı kadar olan uçlar kullanın.

Taşlama uçlarını kullanmadan önce kontrol edin, uçlar alete kursusuz biçimde takılmıy ve rahatsız döner durumda olmalıdır. En azından 30 saniye aleti boşta çalıştırarak deneyin. Hasar görmüş, yuvartıklığını kaybetmiş veya titreşim yapan uçları kullanmayın.

Taşlama işlemi sırasında ortaya çıkan kıvılcıklara dikkat edin, yanıcı malzemeler tutuşabilir.

Aleti daima, kıvılcıklar veya taşlama tozu bedeninizden uzaklaşacak biçimde tutun.

Flanşlı somunu aleti işleme almadan önce iyice sıkın.

Dışarıdan gelen aşırı elektromanyetik etkiler sonucu, devir sayısında geçici dalgalanmalar olabilir.

Taşlama disklerini daima üreticinin talimatına uygun olarak kullanın ve saklayın.

Kendi ağırlığı ile güvenli biçimde durmuyorsa iş parçasının uygun bir tertibatla sıkıca tespit edilmesi gerekir. İş parçasını hiçbir zaman elinizle diske doğru tutmayın.

Taşlama aletinin ölçüleri taşlamaya uygun olmalıdır

Tozlu işlerde çalışırken makinenin havalandırma oluğunun serbest olması gerekir. Gerekli takdirde makinenin şebeke ile irtibatı kesilmeli ve tozların temizlenmesi gerekir. Bu iş için metal olmayan aletler kullanın ve makine içindeki parçalara zarar vermeyin

Aşırı zorlanma veya aşırı ısınma sonucu hasar gören kartuş akülerden batarya sıvısı dışarı akabilir. Batarya sıvısı ile temasa gelen yeri hemen bol su ve sabunla yıkayın. Batarya sıvısı gözünüze kaçacak olursa en azından 10 dakika yıkayın ve zaman geçirmeden bir hekime başvurun.

Kullanılmış kartuş aküleri ateşe veya ev çöplerine atmayın. Milwaukee, kartuş akülerin çevreye zarar vermeyecek biçimde taşıyıcı edilmesine olanak sağlayan hizmet sunar; lütfen bu konuda yetkili satıcınızdan bilgi alın.

Kartuş aküleri metal parça veya eşyalarla birlikte saklamayın (kısa devre tehlikesi).

18 V sistemli kartuş aküleri sadece 18 V sistemli şarj cihazları ile şarj edin. Başka sistemli aküleri şarj etmeyin.

Şarj cihazının kartuş akü yuvasına hiçbir şekilde metal parçalar kaçmamalıdır (kısa devre tehlikesi).

Kartuş aküleri ve şarj cihazını açmayın ve sadece kuru yerlerde saklayın. Neme ve ıslanmaya karşı koruyun.

Aletin kendinde bir çalışma yapmadan önce kartuş aküyü çıkarın.

Taşlama aletinin, taşlama maddeleri imalatçısının talimatlarına göre kullanılmasını temin edin.

KULLANIM

Kalıpçı taşlama, özellikle erişilmesi zor yerlerde olmak üzere, tahta, metal, plastik ve benzeri malzemenin taşlanmasına uygundur.

Bu alet sadece belirtildiği gibi ve usulüne uygun olarak kullanılabilir.

örneğin metal veya taş ve plastik taşlamatabağı ile taşlama ve çelik tel fırça ile çalışırken.

Bu elektrikli alet sadece susuz çalışmak için uygundur.

CE UYGUNLUK BEYANI

Tek sorumlu olarak "Teknik Veriler" bölümünde tarif edilen ürünün 2011/65/EU (RoHS), 2004/108/EC, 2006/42/EC sayılı direktifin ve aşağıdaki harmonize temel belgelerin bütün önemli hükümlerine uygun olduğunu beyan etmekteyiz:

EN 60745-1:2009+A11:2010

EN 60745-2-3:2011

EN 55014-1:2006+A1:2009+A2:2011

EN 55014-2:1997+A1:2001+A2:2008

EN 50581:2012

Winnenden, 2014-06-18

Alexander Krug
Managing Director

Teknik evrakları hazırlamakla görevlendirilmiştir.

Techtronic Industries GmbH

Max-Eyth-Straße 10

71364 Winnenden

Germany

AKÜ

Uzun süre kullanım dışı kalmış kartuş aküleri kullanmadan önce şarj edin.

50°C üzerindeki sıcaklıklar kartuş akünün performansını düşürür. Akünün güneş ışığı veya mekân sıcaklığı altında uzun süre ısınmamasına dikkat edin.

Şarj cihazı ve kartuş aküdeki bağlantı kontaklarını temiz tutun.

Akünün ömrünün mükemmel bir şekilde uzun olması için kullandıktan sonra tamamen doldurulması gerekir.

Ömrünün mümkün olduğu kadar uzun olması için akülerin yükleme yapıldıktan sonra doldurma cihazından uzaklaştırılması gerekir.

Akünün 30 günden daha fazla depolanması halinde:

Aküyü takriben 27°C'de kuru olarak depolayın.

Aküyü yükleme durumunun takriben % 30 - %50 olarak depolayın.

Aküyü her 6 ay yeniden doldurun.

BAKIM

Aletin havalandırma aralıklarını daima temiz tutun.

Kısa devre tehlikesi ortaya çıkacağından metal parçaların havalandırma aralıklarına girmemesi gerekir.

Sadece Milwaukee aksesuarını ve yedek parçalarını kullanın. Değiştirilmesi açıklanmamış olan parçaları bir Milwaukee müşteri servisinde değiştirin (Garanti broşürüne ve müşteri servisi adreslerine dikkat edin).

Gerektiği takdirde aletin dağınık görünüş şeması, alet tipinin ve tip etiketi üzerindeki sayının bildirilmesi koşuluyla müşteri servisinden veya doğrudan Techtronic Industries GmbH, Max-Eyth-Straße 10, 71364 Winnenden, Germany adresinden istenebilir.

SEMBOLLER



DİKKAT! UYARI! TEHLİKE!



Aletin kendinde bir çalışma yapmadan önce kartuş aküyü çıkarın.



Lütfen aleti çalıştırmadan önce kullanma kılavuzunu dikkatli biçimde okuyun.



Aletle çalışırken daima koruyucu gözlük kullanın.



Koruyucu eldivenlerinizi takınız!



Güç kullanmayın.



Elektrikli cihazların evsel atıklarla birlikte bertaraf edilmesi yasaktır. Elektrikli ve elektronik cihazlar ayrılarak biriktirilmeli ve çevreye zarar vermeden bertaraf edilmeleri için bir atık değerlendirme tesisine götürülmelidirler. Yerel makamlara veya satıcınıza geri dönüşüm tesisleri ve atık toplama merkezlerinin yerlerini danışınız.

CE işareti

EurAsian Uyumluluk işareti



TECHNICKÁ DATA	PŘÍMÁ BRUSKA	C 12 RT
Výrobní číslo.....4311 33 011.....000001-999999
Napětí výměnného akumulátoru12 V	
Jmenovitá otáčky5000-37000 min ⁻¹	
Kleština ø0,8 / 1,6 / 2,4 / 3,2 mm	
Maximální průměr brousícího nástroje ø		
pro keramická pojiva25 mm	
pro umělohmotná pojiva.....25 mm	
Hmotnost s výměnným aku0,62 kg	

Informace o hluku / vibracích

Naměřené hodnoty odpovídají EN 60 745.

V třídě A posuzovaná hladina hluku přístroje činí typicky:

Hladina akustického tlaku (Kolísavost K=3dB(A))..... 73 dB (A)

Hladina akustického výkonu (Kolísavost K=3dB(A))..... 84 dB (A)

Používejte chrániče sluchu !

Celkové hodnoty vibrací (vektorový součet tří směrů) zjištěné ve smyslu EN 60745. "

Hodnota vibračních emisí a_v

Vrtání kovů2,4 m/s ²
Kolísavost K.....1,5 m/s ²
Broušení skelným papírem.....2,6 m/s ²
Kolísavost K.....1,5 m/s ²
Broušení kov.....3,1 m/s ²
Kolísavost K.....1,5 m/s ²
Broušení kamene1,8 m/s ²
Kolísavost K.....1,5 m/s ²
Řezání kov.....3,4 m/s ²
Kolísavost K.....1,5 m/s ²

VAROVÁN

Úroveň chvění uvedená v tomto návodu byla naměřena podle metody měření stanovené normou EN 60745 a může být použita pro porovnání elektrického nářadí. Hodí se také pro průběžný odhad zatížení chvěním.

Uvedená úroveň chvění představuje hlavní účely použití elektrického nářadí. Jestliže se ale elektrické nářadí používá pro jiné účely, s odlišnými nástroji nebo s nedostatečnou údržbou, může se úroveň chvění odlišovat. To může značně zvýšit zatížení chvěním během celé pracovní doby.

Pro přesný odhad zatížení chvěním se musí také zohlednit čas, během kterých je přístroj vypnutý nebo kdy je sice v chodu, ale skutečně se s ním nepracuje. To může zatížení chvěním během celé pracovní doby značně snížit.

Stanovte doplňková bezpečnostní opatření pro ochranu obsluhy před účinky chvění jako například: technická údržba elektrického nářadí a nástrojů, udržování teploty rukou, organizace pracovních procesů.

⚠ UPOZORNĚNÍ! Přečtěte si všechny bezpečnostní pokyny a návody. Zanedbání při dodržování varovných upozornění a pokynů mohou mít za následek úder elektrickým proudem, požár a/nebo těžká poranění. **Všechna varovná upozornění a pokyny do budoucna uschovejte.**

⚠ SPECIÁLNÍ BEZPEČNOSTNÍ UPOZORNĚNÍ

Všeobecné bezpečnostní pokyny pro broušení.

a) **Toto elektrické nářadí je k použití jako bruska. Dbejte všech varovných upozornění, pokynů, zobrazení a údajů, jež jste s elektronářadím obdrželi.** Pokud následující pokyny nedodržíte, může to vést k úderu elektrickým proudem, požáru nebo těžkým poraněním.

b) Toto elektrické nářadí není vhodné ke kartáčování, rozbrušování, broušení brusným papírem a leštění. Použití tohoto elektrického nářadí k jiným než určeným účelům může vést k ohrožení zdraví a ke zranění.

c) **Nepoužívejte žádné příslušenství, které není výrobcem speciálně pro toto elektronářadí určeno a doporučeno.** Pouze to, že můžete příslušenství na Vaše elektronářadí upevnit, nezaručuje bezpečné použití.

d) **Přípustný počet otáček vkládaného nástroje musí být minimálně stejně vysoký jako maximální počet otáček uvedený na elektrickém nářadí.** Příslušenství, které se točí rychleji, než je přípustné, se může rozbit a rozletět do okolí.

e) **Vnější průměr a tloušťka vkládaného nástroje musí odpovídat rozměrovým údajům vašeho elektrického přístroje.** Špatně vyměřené vkládané nástroje nelze dostatečně zakrýt ani kontrolovat.

f) **Brusný kotouč, brusný váleček či jiné příslušenství musí přesně pasovat na vřetenou nebo kleštinu ruční elektrické brusky.** Nástroje, které nepasují přesně na vřetenou ruční elektrické brusky, se otáčejí nerovnoměrně, velmi silně vibrují a mohou vést ke ztrátě kontroly nad bruskou.

g) **Brusné kotouče, brusné válečky, řezné nástroje a jiné příslušenství namontované na trnu se musí nasadit do kleštiny nebo sklíčidla na doraz. "Převis", respektive odstup brusného kotouče od kleštiny musí být minimální.** Neupne-li se trn dostatečně a/nebo je-li převis brusného kotouče příliš velký, může se namontovaný kotouč uvolnit a bleskurychle vyletnout.

h) **Nepoužívejte žádné poškozené nasazovací nástroje. Zkontrolujte před každým použitím nasazovací nástroje jako brusné kotouče na odštěpy a trhliny, brusné talíře na trhliny, ořet nebo silně opotřebená, drátěná kartáče na uvolněné nebo zlomené dráty. Spadne-li elektronářadí nebo nasazovací nástroj z výšky, zkontrolujte zda není poškozený nebo použijte nepoškozený nasazovací nástroj.** Pokud jste nasazovací nástroj zkontrolovali a nasadili, držte se Vy a v blízkosti nacházející se osoby mimo rovinu rotujícího nasazovacího nástroje a nechte stroj běžet jednu minutu s nejnižšími otáčkami. Poškozené nasazovací nástroje většinou v této době testování prasknou.

i) **Noste osobní ochranné vybavení.** Podle aplikace použijte ochranu celého obličje, ochranu očí nebo ochranné brýle. Taktéž adekvátně noste ochrannou masku proti prachu, ochranu sluchu, ochranné rukavice nebo speciální zástěru. Jež Vás ochrání před malými částicemi brusiva a materiálu. Oči mají být chráněny před odletujícími cizími tělisky, jež vznikají při různých aplikacích. Protiprachová maska či respirátor musejí při používání vznikající prach

odfiltrovat. Pokud jste dlouho vystaveni silnému hluku, můžete utrpět ztrátu sluchu.

j) **Zajistěte, aby se ostatní osoby zdržovaly v bezpečné vzdálenosti od vašeho pracoviště. Každý, kdo vstoupí na pracoviště, musí nosit osobní ochranné pomůcky.** Úlomky obrobku nebo odlomené vložené nástroje mohou odletnout a způsobit zranění i mimo oblast bezprostředního pracoviště.

k) **Při provádění prací, při kterých nástroj může narazit na skryta elektrická vedení, držte přístroj za izolované přidržovací plošky.** Kontakt fezného nástroje s vedením pod napětím může vést k přenosu napětí na kovové části přístroje a k úrazu elektrickým proudem.

l) **Při zapnutí držte brusku pevně.** Při náběhu brusky na plnou rychlost může reakční moment motoru vést k tomu, že se přetočí celá elektrická bruska.

m) **K upnutí obrobku pokud možno vždy používejte upínací svorky. Nikdy při práci nedrže obrobek v jedné a elektrickou brusku v druhé ruce.** Upnutí malých obrobků umožňuje používání obou rukou k práci s bruskou. Při řezání obrobků s kulatým průřezem, jako například dřevěných kolíků, tyčí nebo trubek, mají tyto tendenci se odvalovat a blokovat tak nasazený nástroj, který se pak může vymrštit proti vám.

n) **Elektrické nářadí nesmíte nikdy odložit dříve, než se vložený nástroj zcela zastaví.** Otáčející se vložený nástroj se může dostat do kontaktu s odkládací plochou, a vy tak můžete ztratit kontrolu nad elektrickým přístrojem.

o) **Po výměně výměnných nástrojů nebo po provedeném nastavení na brusce se vždy přesvědčte, že matka kleštiny, sklíčidlo nebo jiné upevňovací prvky jsou pevně utaženy.** Volně upevňovací prvky se mohou nečekaně posunout a vést ke ztrátě kontroly nad bruskou. Neupevňené rotující komponenty jsou vymršťovány velkou silou.

p) **Nenechte elektronářadí běžet po dobu, co jej nesete.** Váš oděv může být náhodným kontaktem s otáčejícím se nasazovacím nástrojem zachycen a nasazovací nástroj se může zavrtat do Vašeho těla.

q) **Čistěte pravidelně větráky otvory Vašeho elektronářadí.** Ventilátor motoru vtahuje do tělesa prach a silně nahromaděný kovového prachu může způsobit elektrická rizika.

r) **Elektrický přístroj nepoužívejte v blízkosti hořlavých materiálů.** Jiskry mohou tyto materiály zapálit.

s) **Nepoužívejte vkládané nástroje, které vyžadují tekutá chladiva.** Použití vody nebo jiných tekutých chladiv může způsobit zásah elektrickým proudem.

Zpětný ráz a odpovídající bezpečnostní pokyny

Zpětný ráz je náhlá reakce v důsledku zaseknutého nebo zablokovaného otáčejícího se nasazovacího nástroje, jako je brusný kotouč, brusný talíř, drátěný kartáč atd. Zaseknutí nebo zablokování vede k náhlému zastavení rotujícího nasazovacího nástroje. Tím nekontrolované elektronářadí akceleruje v místě zablokování proti směru otáčení nasazovacího nástroje.

Pokud se např. zpřičí nebo zablokuje brusný kotouč v obrobku, může se hrana brusného kotouče, která se zanořuje do obrobku, zakousnout a tím brusný kotouč vylomit nebo způsobit zpětný ráz. Brusný kotouč se potom pohybuje k nebo od obsluhující osoby, podle směru otáčení kotouče na místě zablokování. Při tom mohou brusné kotouče i prasknout.

Zpětný ráz je důsledek nesprávného nebo chybného použití elektronářadí. Lze mu zabránit vhodnými preventivními opatřeními, jak je následně popsáno.

a) **Držte elektronářadí dobře pevně a uveďte Vaše tělo a paže do polohy, ve které můžete zachytit silý zpětného rázu.** Je-li k dispozici, použijte vždy přídavnou rukojeť, abyste měli co největší možnou kontrolu nad silami zpětného rázu nebo reakčních momentů při rozběhu. Obsluhující osoba může vhodnými preventivními opatřeními zvládnout síly zpětného rázu a reakčního momentu.

b) **Zvlášť opatrně pracujte v místech rohů, ostrých hran apod. Zabraňte, aby se nasazovací nástroj odrazil od obrobku a vzpřičil.** Rotující nasazovací nástroj je u rohů,

ostrých hran a pokud se odrazí náchylný na vzpřícení se. Toto způsobí ztrátu kontroly nebo zpětný ráz.

c) **Nepoužívejte řetězový ani ozubený pilový list.** Takového vložené nástroje často způsobují zpětný ráz nebo ztrátu kontroly nad elektrickým přístrojem.

d) **Veďte výměnný nástroj do materiálu vždy ve stejném směru, ve kterém břit nástroje materiál opouští (odpovídací směru, ve kterém jsou vyhazovány třísky).** Vedení elektrické brusky opačným směrem vede k vyhození nástroje z obrobku a k tahu elektrické brusky v daném směru posuvu.

e) **Při použití ocelových pilových kotoučů, rozbrušovacích kotoučů, vysokorychlostních fréz nebo fréz z tvrdokovu obrobek vždy důkladně upevněte.** Již při minimálním zpřícení v drážce se nástroje zaklesnou a mohou vyvolat zpětný náraz. Zaklesnutý rozbrušovací kotouč se obvykle rozlomí. Při zaklesnutí rozbrušovacího kotouče, vysokorychlostních frézovacích nástrojů nebo frézovacích nástrojů z tvrdokovu může výměnný nástroj z drážky vyskočit a tím může dojít ke ztrátě kontroly na ruční elektrickou bruskou.

Zvláštní bezpečnostní pokyny pro broušení.

a) **Používejte jen typy brusných kotoučů doporučené pro vaši elektrickou brusku a jen pro doporučené oblasti použití. Nikdy například nebruste boční stranou rozbrušovacího kotouče.** Rozbrušovací kotouče jsou určeny k erodování materiálu brusnou hranou kotouče. V důsledku působení bočních sil se kotouč může rozlomit.

b) **Pro kónická a rovná brusná tělíska se závitem používejte jen nepoškozené trny příslušné velikosti a délky, a sice bez podříznutí.** Vhodné trny snižují riziko zlomení.

c) **Nepokládejte ruku ve směru rotace, respektive za rotující rozbrušovací kotouč.** Pohybujete-li rozbrušovací kotouč v obrobku směrem pryč od své ruky, může se bruska v případě zpětného nárazu vymrštit i s rotující kotoučem proti vám.

d) **Desky nebo velké obrobky podepřete, aby se zabránilo riziku zpětného rázu od sevřeného děličního kotouče.** Velké obrobky se mohou pod svou vlastní hmotností prohnut. Obrobek musí být podepřen na obou stranách a to jak v blízkosti děličního řezu tak i na okraji.

e) **Buďte obzvlášť opatrní u "kapsovitých řezů" do stávajících stěn nebo jiných míst, kam není vidět.** Zanořující se dělič kotouč může při zařiznutí do plynových, vodovodních či elektrických vedení nebo jiných objektů způsobit zpětný ráz.

DALŠÍ BEZPEČNOSTNÍ A PRACOVNÍ POKYNY

Při práci se strojem neustále nosit ochranné brýle. Doporučuje se používat ochranné rukavice, pevnou protiskluzovou obuv a zástěru.

Po vypnutí stroje ještě hřidel s nástrojem dobíhá. Stroj odložte až když je v klidu.

Nesahjte do nebezpečného prostoru běžícího stroje.

Používejte jen takové kotouče, jejichž dovolené otáčky jsou minimálně stejné, jako jsou maximální otáčky naprázdno stroje.

Brusný kotouč před použitím vždy zkontrolujte. Musí být vždy bezvadně namontován a musí se lehce otáčet. Vždy před započetím práce nechte alespoň 30sekund běžet stroj bez zátěže. Poškozené, oválné či vibrující kotouče nepoužívejte.

Při broušení kovů odletují jiskry. Dbejte, aby nedošlo k poškození osob. V blízkosti (kam zaletují jiskry) se nesmí nacházet žádné hořlavé látky - nebezpečí požáru. Nepoužívejte odsavač prachu.

Stroj držte při práci tak, aby jiskry a brusný prach odletovaly od těla.

Upínací matice kotouče musí být před spuštěním stroje utažena.

Působením vnějšího extrémě silného magnetického rušení může v jednotlivých případech docházet ke kolísání otáček. Kotouče používejte a skladujte podle doporučení výrobce.

Obráběný kus musí být řádně upnut, není-li dostatečně těžký. Rozměry brusného kotouče musejí být shodné s bruskou.

Při práci v prašném prostředí musejí být větrací štěrbinové nástroje volně. V případě nutnosti odpojte nástroj od sítě a zbraňte větrací štěrbinové nánosu prachu. Použijte k tomu nekovový předmět a dbejte na to, aby při čištění nedošlo k poškození vnitřních dílů.

Při extrémní zátěži či vysoké teplotě může z akumulátoru vytékat kapalina. Při zasažení touto kapalinou okamžitě zasažená místa omyjte vodou a mýdlem. Při zasažení očí okamžitě důkladně po dobu alespoň 10min. omývat a neodkladně vyhledat lékaře.

Použitě nevyhazujte do domovního odpadu nebo do ohně. Milwaukee nabízí ekologickou likvidaci starých článků, ptejte se u vašeho obchodníka s nářadím.

Náhradní akumulátor neskladujte s kovovými předměty, nebezpečí zkratu.

Akumulátor systému 18 V nabíjejte pouze nabíječkou systému 18 V. Nenabíjejte akumulátory jiných systémů.

V nabíjecím postu nabíječky neskladujte kovové předměty, nebezpečí zkratu.

Náhradní akumulátory ani nabíječku neotvírejte, skladujte je v suchu, chraňte před vlhkem.

Před zahájením veškerých prací na vrtacím šroubováků vyjmout výměnný akumulátor.

Zajistěte, aby brusný kotouč byl upnut podle pokynů výrobce brusiv.

OBLAST VYUŽITÍ

Bruska je vhodná k broušení dřeva, umělých hmot a kovů.

Toto zařízení lze používat jen pro uvedený účel.

Ve sporném případě seřďte pokyny výrobce příslušenství.

Toto elektrické nářadí je vhodné pouze pro suché obrábění.

CE-PROHLÁŠENÍ O SHODĚ

Výhradně na vlastní zodpovědnost prohlašujeme, že se výrobek popsaný v "Technických údajích" shoduje se všemi relevantními předpisy směrnice 2011/65/EU (RoHS), 2004/108/ES, 2006/42/ES a s následujícími harmonizovanými normativními dokumenty:

EN 60745-1:2009+A11:2010

EN 60745-2-3:2011

EN 55014-1:2006+A1:2009+A2:2011

EN 55014-2:1997+A1:2001+A2:2008

EN 50581:2012

Winnenden, 2014-06-18



Alexander Krug
Managing Director



Zplnomocněn k sestavování technických podkladů.

Techtronic Industries GmbH

Max-Eyth-Straße 10

71364 Winnenden

Germany

AKUMULÁTORY

Déle nepoužívané akumulátory je nutné před použitím znovu nabít.

Teplota přes 50°C snižuje výkon akumulátoru. Chraňte před dlouhým přehříváním na slunci či u topení.

Kontakty nabíječky a akumulátoru udržujte v čistotě.

Pro optimální životnost je nutné akumulátory po použití plně dobít.

K zabezpečení dlouhé životnosti by se akumulátory měly po nabíti vyjmout z nabíječky.

Při skladování akumulátoru po dobu delší než 30 dní:

Skladujte akumulátor v suchu při cca 27°C.

Skladujte akumulátor při cca 30%-50% nabíjecí kapacitě. Opakujte nabíjení akumulátoru každých 6 měsíců.

ÚDRŽBA

Větrací štěrbinové nářadí udržujeme stále čisté.

Vzhledem k nebezpečí zkratu se nesmí dostat do odvětrávací mezery kovy.

Používejte výhradně náhradní díly a příslušenství Milwaukee.

Díly, jejichž výměna nebyla popsána, nechávejte vyměnit v odborném servisu Milwaukee. (Viz záruční list.)

Při potřebě podrobného rozkresu konstrukce, oslovte informací o typu a číslu přímo servis a nebo výrobce, Techtronic Industries GmbH, Max-Eyth-Straße 10, 71364 Winnenden, Germany.

SYMBOLY



POZOR! VAROVÁNÍ! NEBEZPEČÍ!



Před zahájením veškerých prací na vrtacím šroubováků vyjmout výměnný akumulátor.



Před spuštěním stroje si pečlivě přečtěte návod k používání.



Při práci se strojem neustále nosit ochranné brýle.



Používejte ochranné rukavice!



Nepoužívejte sílu.



Elektrické přístroje se nesmí likvidovat společně s odpadem z domácností.

Elektrické a elektronické přístroje je třeba sbírat odděleně a odevzdat je v recyklačním podniku na ekologickou likvidaci.

Na místních úřadech nebo u vašeho specializovaného prodejce se informujte na recyklační podniky a sběrné dvory.



Značka CE

Euroasijská značka shody

TECHNICKÉ ÚDAJE	TYČOVÁ BRÚSKA	C 12 RT
Výrobné číslo.....4311 33 011.....000001-999999
Napätie výmenného akumulátora.....12 V	
Menovitý počet obrátok.....5000-37000 min ⁻¹	
Priemer upínacích klieští.....0,8 / 1,6 / 2,4 / 3,2 mm	
max. priemer brúsneho telesa		
brúsne teleso s keramikovou alebo gumenou väzbou.....25 mm	
brúsne teleso so syntetickou živcovou väzbou.....25 mm	
Hmotnosť s výmenným aku.....0,62 kg	

Informácia o hluku / vibráciách

Namerané hodnoty určené v súlade s EN 60 745.

V triede A posudzovaná hladina hluku prístroja činí typicky:

Hladina akustického tlaku (Kolísavosť K=3dB(A))..... 73 dB (A)

Hladina akustického výkonu (Kolísavosť K=3dB(A))..... 84 dB (A)

Používajte ochranu sluchu!

Celkové hodnoty vibrácií (vektorový súčet troch smerov) zistené v zmysle EN 60745.

Hodnota vibračných emisií a_w

Víťanie kovov.....2,4 m/s ²
Kolísavosť K.....1,5 m/s ²
Brúsenie brúsnym papierom.....2,6 m/s ²
Kolísavosť K.....1,5 m/s ²
Brúsenie kov.....3,1 m/s ²
Kolísavosť K.....1,5 m/s ²
Brúsenie kameňa.....1,8 m/s ²
Kolísavosť K.....1,5 m/s ²
Rezanie kov.....3,4 m/s ²
Kolísavosť K.....1,5 m/s ²

POZOR

Úroveň vibrácií uvedená v týchto pokynoch bola nameraná meracou metódou, ktorú stanovuje norma EN 60745 a je možné ju použiť na vzájomné porovnanie elektrického náradia. Hodí sa aj na predbežné posúdenie kmitavého namáhania.

Uvedená úroveň vibrácií reprezentuje hlavné aplikácie elektrického náradia. Ak sa však elektrické náradie používa pre iné aplikácie, s odlišnými vložkami nástrojmi alebo s nedostatočnou údržbou, môže sa úroveň vibrácií líšiť. Toto môže kmitavé namáhanie v priebehu celej pracovnej doby podstatne zvýšiť.

Pre presný odhad kmitavého namáhania by sa mali tiež zohľadniť doby, v ktorých je náradie vypnuté alebo je síce v chode, ale v skutočnosti sa nepoužíva. Toto môže kmitavé namáhanie v priebehu celej pracovnej doby zreteľne redukovat'.

Stanovte dodatočné bezpečnostné opatrenia pre ochranu obsluhy pred účinkami vibrácií, ako napríklad: údržba elektrického náradia a vložných nástrojov, udržiavanie teploty rúk, organizácia pracovných postupov.

⚠ UPOZORNENIE! Prečítajte si všetky bezpečnostné pokyny a návody. Zanedbanie dodržiavania Výstražných upozornení a pokynov uvedených v nasledujúcom texte môže mať za následok zásah elektrickým prúdom, spôsobíť požiar a/alebo ťažké poranenie.

Tieto Výstražné upozornenia a bezpečnostné pokyny starostlivo uschovajte na budúce použitie.

⚠ ŠPECIÁLNE BEZPEČNOSTNÉ POKYNY

Spoločné bezpečnostné upozornenia pre brúsenie

a) **Toto elektrické náradie sa používa ako brúska. Rešpektujte všetky výstražné upozornenia, pokyny, obrázky a údaje, ktoré ste dostali s týmto ručným elektrickým náradím.** Ak by ste nedodržali nasledujúce pokyny, mohlo by to mať za následok zásah elektrickým prúdom, vznik požiaru a/alebo vážne poranenie.

b) Toto elektrické náradie nie je vhodné ku kefovaniu, rozbrusovaniu, brúseniu brúsnym papierom a lešteniu. Použitie tohto elektrického náradia k iným než určeným účelom môže viesť k ohrozeniu zdravia a k zraneniu.

c) **Nepoužívajte žiadne také príslušenstvo, ktoré nebolo výrobcom určené a odporúčané špeciálne pre toto ručné elektrické náradie.** Okolnosť, že príslušenstvo sa dá na ručné elektrické náradie upevniť, ešte neznamená, že to zaručuje jeho bezpečné používanie.

d) **Prípustné otáčky pracovného nástroja musia byť minimálne také vysoké ako najvyššie otáčky uvedené na elektrickom náradí.** Príslušenstvo, ktoré sa otáča rýchlejšie, sa môže zlomiť a rozletieť.

e) **Vonkajší priemer a hrúbka pracovného nástroja musí zodpovedať údajom o rozmeroch vášho elektrického náradia.** Zle zamerané pracovné nástroje nemôžu byť dostatočne chránené alebo kontrolované.

f) **Brúsný kotúč, brúsný valček či iné príslušenstvo musí presne pasovať na vreteno alebo klieštinu ručnej elektrickej brúsky.** Nástroje, ktoré nepasujú presne na vreteno ručnej elektrickej brúsky, sa otáčajú nerovnomerne, veľmi silne vibrujú a môžu viesť ku strate kontroly nad brúskou.

g) **Brúsne kotúče, brúsne valčeky, rezné nástroje a iné príslušenstvo namontované na trní sa musia vsadiť do klieštiny alebo skľúčidla na doraz.** "Previs", resp. odstup brúsneho kotúča od klieštiny musí byť minimálny. Ak sa trň neupne dostatočne a/alebo ak je previs brúsneho kotúča príliš veľký, môže sa namontovaný kotúč uvoľniť a bleskurýchle vyletieť.

h) **Nepoužívajte žiadne poškodené pracovné nástroje.** Pred každým použitím tohto ručného elektrického náradia skontrolujte, či nie sú pracovné nástroje, ako napr. brúsne kotúče, vyštrbené alebo vylomené, či nemajú brúsne taniere vylomené miesta, trhliny alebo miesta intenzívneho opotrebovania, či nie sú na drôtených kefách uvoľnené alebo poľamané drôty. Keď ručné elektrické náradie alebo pracovný nástroj spadli na zem, prekontrolujte, či nie sú poškodené, alebo použite nepoškodený pracovný nástroj. Keď ste prekontrolovali a upli pracovný nástroj, zabezpečte, aby ste neboli v rovine rotujúceho nástroja, a aby sa tam ani nenachádzali žiadne iné osoby, ktoré sú v blízkosti vášho pracoviska, a nechajte ručné elektrické náradie bežať jednu minútu na maximálne obrátky. Poškodené pracovné nástroje sa obvyčajne počas tejto doby testovania zlomia.

i) **Používajte osobné ochranné prostriedky.** Podľa druhu použitia náradia používajte ochranný štít na celú tvár, štít na oči alebo ochranné okuliare. Pokiaľ je to primerané, používajte ochrannú dýchaciu masku, chrániče sluchu, pracovné rukavice alebo špeciálnu zásteru, ktorá Vás ochráni pred odletujúcimi drobnými časticami brusiva a obrábaného materiálu. Predovšetkým oči treba chrániť pred odletujúcimi cudzími teleskami, ktoré vznikajú pri rôznom spôsobe používania náradia. Ochrana proti prachu alebo ochranná dýchacia maska musia predovšetkým odfiltrovať konkrétny druh prachu, ktorý vzniká pri danom druhu použitia náradia. Keď je človek dlhšiu dobu vystavený hlasnému hluku, môže utrieť stratu sluchu.

j) **V prípade iných osôb dbajte na bezpečnú vzdialenosť k vašej pracovnej oblasti.** Každý, kto vstúpi do pracovnej oblasti, musí nosiť osobné ochranné vybavenie. Úlomky obrobku alebo zlomené pracovné nástroje môžu odletieť a spôsobíť úrazy aj mimo priamej pracovnej oblasti.

k) **Pri realizovaní prác, pri ktorých nástroj môže naraziť na skryté elektrické vedenia, držte prístroj za izolované priťažovacie plochy.** Kontakt rezného nástroja s vedením pod napätím môže viesť k prenosu napätia na kovové časti prístroja a k úrazu elektrickým prúdom.

l) **Pri zapnutí držte brúsku pevne.** Pri nábehu brúsky na plnú rýchlosť môže reakčný moment motora viesť k tomu, že sa pretočí celá elektrická brúska.

m) **K upnutiu obrobku pokiaľ možno vždy používajte upínacie svorky.** Nikdy pri práci nedržte malý obrobok v jednej a elektrickú brúsku v druhej ruke. Upnutím malých obrobkov môžete používať obe ruky k práci s brúskou. Pri rezaní obrobkov s kruhovým prierezom, ako napr. drevených kolíkov, tyčových alebo rúrok, majú tieto tendenciu sa odvalovať a blokovať tak vsadený nástroj, ktorý potom môže byť vymrštený proti vám.

n) **Elektrické náradie nikdy neodkladajte skôr, ako sa pracovný nástroj úplne zastaví.** Otáčajúci sa pracovný nástroj sa môže dostať do styku s odkladacou plochou, čím môžete stratiť kontrolu nad elektrickým náradím.

o) **Po výmene vsadených nástrojov alebo po uskutočnenom nastavení na brúske sa vždy presvedčte, že matica klieštiny, skľúčidlo alebo iné upevňovacie prvky sú pevne utiahnuté.** Voľné upevňovacie prvky sa môžu nečakane posunúť a viesť ku strate kontroly nad brúskou. Neupevnené rotujúce komponenty sa následne vymrštia veľkou silou.

p) **Nikdy nemajte ručné elektrické náradie zapnuté vtedy, keď ho prenášate na iné miesto.** Náhodným kontaktom Vašich vlasov alebo vášho oblečenia s rotujúcim pracovným nástrojom by sa Vám pracovný nástroj mohol zavrtáť do tela.

q) **Pravidelne čistite vetracie otvory svojho ručného elektrického náradia.** Ventilátor motora vŕtahuje do telesa náradia prach a veľké nahromadenie kovového prachu by mohlo spôsobiť vznik nebezpečného zásahu elektrickým prúdom.

r) **Elektrické náradie nepoužívajte v blízkosti horľavých materiálov.** Iskry môžu tieto materiály zapáliť.

s) **Nepoužívajte žiadne pracovné nástroje, ktoré vyžadujú kvapalné chladiace prostriedky.** Používanie vody alebo iných kvapalných chladiacich prostriedkov môže viesť k zásahu elektrickým prúdom.

Spätňý raz a príslušné bezpečnostné pokyny

Spätňý ráz je náhlu reakciu náradia na vzpriechený, zaseknutý alebo blokujúci pracovný nástroj, napríklad brúsný kotúč, brúsný tanier, drôtená kefa a pod. Zaseknutie alebo zablokovanie vedie k náhlemu zastaveniu rotujúceho pracovného nástroja. Takýmto spôsobom sa nekontrolované ručné elektrické náradie rozkrúti na zablokovanom mieste proti smeru otáčania pracovného nástroja.

Keď sa napríklad brúsný kotúč vzpriechi alebo zablokuje v obrobku, môže sa hrana brúsneho kotúča, ktorá je zapichnutá do obrobku, zachytiť v materiáli a tým sa vylomiť z brúsneho taniera, alebo spôsobíť spätňý ráz náradia. Brúsný kotúč sa potom pohybuje smerom k osobe alebo smerom preč od nej

podľa toho, aký bol smer otáčania kotúča na mieste zablokovania. Brúsne kotúče sa môžu v takomto prípade aj rozlomiť.

Spätňý ráz je následkom nesprávneho a chybného používania ručného elektrického náradia. Vhodnými preventívnymi opatreniami, ktoré popisujeme v nasledujúcom texte, mu možno zabrániť.

a) **Ručné elektrické náradie vždy držte pevne a svoje telo a ruky udržiavajte vždy v takej polohe, aby ste vydržali prípadný spätňý ráz náradia.** Pri každej práci používajte prídavnú rukoväť, ak ju máte k dispozícii, aby ste mali čo najväčšiu kontrolu nad silami spätňého rázu a reakčnými momentmi pri rozbehu náradia. Pomocou vhodných opatrení môže obsluhujúca osoba sily spätňého rázu a sily reakčných momentov zvládnuť.

b) **Mimoriadne opatrné pracujte v oblasti rohov, ostrých hrán a pod.** Zabráňte tomu, aby obrobok vymrštil pracovný nástroj proti Vám, alebo aby sa v ňom pracovný nástroj zablokoval. Rotujúci pracovný nástroj má sklon zablokovať sa v rohoch, na ostrých hranách alebo vtedy, keď je vyhodeny. To spôsobí stratu kontroly nad náradím alebo jeho spätňý ráz.

c) **Nepoužívajte žiadny reťazový alebo ozubený pilový list.** Takého pracovné nástroje spôsobujú často spätňý ráz alebo stratu kontroly nad elektrickým náradím.

d) **Veďte vsadený nástroj do materiálu vždy v tom istom smere, v ktorom rezná hrana nástroja materiál opúšťa (zodpovedá tomu istému smeru, do ktorého sú vyhadzované triesky).** Vedenie elektrickej brúsky opačným smerom vedie k vyhodneniu vsadeného nástroja z obrobku, čím je elektrická brúska ťahaná do daného smeru posuvu.

e) **Pri použití oceľových pilových kotúčov, rozbrusovacích kotúčov, vysokorychlostných fréz alebo frézovacích nástrojov z tvrdokovu obrobok vždy dôkladne upnite.** Už pri nepatrnom vzpriechení v drážke sa vsadené nástroje zakliesnia a môžu vyvolať spätňý náraz. Zakliesnutý rozbrusovací kotúč sa obvykle rozlomiť. Pri zakliesnutí oceľových pilových kotúčov, vysokorychlostných frézovacích nástrojov alebo frézovacích nástrojov z tvrdokovu môže vsadený nástroj vyskočiť z drážky a viesť ku strate kontroly nad ručnou elektrickou brúskou.

Osobitné bezpečnostné upozornenia pre brúsenie

a) **Používajte len typy brúsných kotúčov doporučených pre vašu elektrickú brúsku a len pre doporučené oblasti použitia.** Nikdy napríklad nebrúste bočnou stranou rozbrusovacieho kotúča. Rozbrusovacie kotúče sú určené k odoberaniu materiálu brúsnou hranou kotúča. V dôsledku pôsobenia bočných síl sa kotúč môže rozlomiť.

b) **Pre kuželové a priame brúsne kolíky so závitom používajte len nepoškodené trne príslušnej veľkosti a dĺžky, ktoré nevykazujú opotrebovaním vzniknuté profilové zúženia na osadení.** Vhodné trne znižujú riziko zlomenia.

c) **Nedávajte ruku do smeru rotácie, resp. za rotujúci rozbrusovací kotúč.** Ak posunujete rozbrusovací kotúč v obrobku smerom preč od svojej ruky, môže sa elektrická brúska v prípade spätňého nárazu vymrštiť s rotujúcim kotúčom priamo proti vám.

d) **Veľké platne alebo veľkorozmerné obrobky pri rezaní podoprite, aby ste znížili riziko spätňého rázu zablokovaním rezacieho kotúča.** Veľké obrobky sa môžu prehnúť následkom vlastnej hmotnosti. Obrobok treba podoprieť na oboch stranách, a to aj v blízkosti rezu aj na hrane.

e) **Mimoriadne opatrní buďte pri rezaní výrezov do neznámych stien alebo do iných neprehľadných miest.** Zapichovaný rezací kotúč môže byť zarezaný do plynového alebo vodovodného potrubia, do elektrického vedenia alebo iných objektov spôsobíť spätňý ráz.

ĎALŠIE BEZPEČNOSTNÉ A PRACOVNÉ POKYNY

Pri práci so strojom vždy noste ochranné okuliare. Odporúčame ochranné rukavice, pevnú protišmykovú obuv a zásteru.

Po vypnutí prístroja zotrvaťa vreteno v pohybe. Stroj odkladať až po úplnom zastavení.

Nesiahať do nebezpečnej oblasti bežiaceho stroja.

Používať len pracovné nástroje, ktorých maximálne prípustné otáčky sú minimálne také vysoké ako najvyššie otáčky prístroja naprázdno.

Brúsne nástroje pred použitím skontrolovať. Brúsny nástroj musí byť namontovaný bezchybne, aby sa mohol voľne krútiť. Chod prístroja preskúšať aspoň 30 sekúnd bez zaťaženia. Nepoužívať poškodené, neokruhle alebo vibrujúce brúsne nástroje.

Pri brúsení kovov dochádza k lietaniu iskier. Dávajte pozor, aby neboli ohrozené žiadne osoby. Z dôvodu nebezpečia požiaru nesmú byť v blízkosti (oblasť lietania iskier) žiadne horľavé materiály. Nepoužívať odsávač prachu.

Prístroj držať vždy tak, aby iskry a brúsny prach lietali smerom od tela.

Pred uvedením stroja do prevádzky musí byť upínacia matica dotiahnutá.

Pod vplyvom extrémnych elektromagnetických rušení z vonka sa môžu vyskytnúť v ojedinelých prípadoch dočasné výkyvy otáčok.

Brúsny kotúč používať a uskladňovať vždy podľa návodu výrobcu.

Opracovávaný obrobok musí byť pevne upnutý, pokiaľ nedrží vlastnou váhou. Nikdy nevedte obrobok rukou proti kotúčom.

Rozmery brúsneho kotúča musia byť zhodné s brúskou.

Pri práci v prašnom prostredí musia byť vetracie štrbiny nástroja voľné. V prípade nutnosti odpojte nástroj od siete a zbavte vetracie štrbiny nánosu prachu. Použite k tomu nekovový predmet a dbajte na to, aby pri čistení nedošlo k poškodeniu vnútorných dielov.

Pri extrémnych záťažach alebo extrémnych teplotách môže dôjsť k vytečeniu batérovej tekutiny z poškodeného výmenného akumulátora. Ak dôjde ku kontaktu pokožky s roztokom, postihnuté miesto umyť vodou a mydlom. Ak sa roztok dostane do očí, okamžite ich dôkladne vypláchnuť po dobu min. 10 min a bezodkladne vyhľadať lekára.

Opotrebované výmenné akumulátory nezahadzujte do ohňa alebo medzi domový odpad. Milwaukee ponúka likvidáciu starých výmenných akumulátorov, ktorá je v súlade s ochranou životného prostredia; informujte sa u Vášho predajcu.

Výmenné akumulátory neskladovať spolu s kovovými predmetmi (nebezpečenstvo skratu).

Výmenné akumulátory systému 18 V nabíjať len nabíjacími zariadeniami systému 18 V. Akumulátory iných systémov týmto zariadením nenabíjať.

Do zasúvacieho otvoru pre výmenné akumulátory na nabíjacom zariadení, sa nesmú dostať žiadne kovové predmety (nebezpečenstvo skratu).

Výmenné akumulátory a nabíjacie zariadenia neatvárať a skladovať len v suchých priestoroch. Chrániť pred vlhkosťou.

Pred každou prácou na stroji výmenný akumulátor vytiahnuť.

Zaisťte, aby brúsny kotúč bol upnutý podľa pokynov výrobcu brúsiv.

POUŽITIE PODĽA PREDPISOV

Priama brúska je vhodná na brúsenie dreva, plastov a kovov, predovšetkým na ťažko prístupných miestach.

Tento prístroj sa smie používať len v súlade s uvedenými predpismi.

V spornom prípade sa riadte pokynmi výrobcov príslušenstva.

Toto elektrické náradie je vhodné iba na suché obrábanie.

CE - VYHLÁSENIE KONFORMITY

Výhradne na vlastnú zodpovednosť vyhlasujeme, že výrobok popísaný v "Technických údajoch" sa zhoduje so všetkými relevantnými predpismi smernice 2011/65/EU (RoHS), 2004/108/EC, 2006/42/EC a nasledujúcimi harmonizujúcimi normatívnymi dokumentmi:

EN 60745-1:2009+A11:2010

EN 60745-2-3:2011

EN 55014-1:2006+A1:2009+A2:2011

EN 55014-2:1997+A1:2001+A2:2008

EN 50581:2012

Winnenden, 2014-06-18



Alexander Krug
Managing Director



Splnomocnený zostaviť technické podklady.

Techtronic Industries GmbH

Max-Eyth-Straße 10

71364 Winnenden

Germany

AKUMULÁTORY

Dlhší čas nepoužívané výmenné akumulátory pred použitím dobiť.

Teplota vyššia ako 50°C znižuje výkon výmenného akumulátora. Zabráňte dlhšiemu ohriatiu slnkom alebo kúrením.

Pripájacie kontakty na nabíjacom zariadení a výmennom akumulátore udržiavať čisté.

Pre optimálnu životnosť je nutné akumulátory po použití plne dobiť.

K zabezpečeniu dlhej životnosti by sa akumulátory mali po nabití vybrať z nabíjačky.

Pri skladovaní akumulátora po dobu dlhšiu než 30 dní:

Skladujte akumulátor v suchu pri cca 27°C.

Skladujte akumulátor pri cca 30%-50% nabíjacej kapacity.

Opakujte nabíjanie akumulátora každých 6 mesiacov.

ÚDRŽBA

Vetracie otvory udržiavať stále v čistote.

Z dôvodu nebezpečia skratu sa do vetracích otvorov nesmú dostať kovové predmety.

Používať len Milwaukee príslušenstvo a náhradné diely.

Súčiastky bez návodu na výmenu treba dať vymeniť v jednom z Milwaukee zákaznických centier (viď brožúru Záruka/Adresy zákaznických centier).

Pri udaní typu stroja a čísla nachádzajúceho sa na štítku dá sa v prípade potreby vyžiadať explozívna schéma prístroja od vášho zákaznického centra alebo priamo v Techtronic Industries GmbH, Max-Eyth-Straße 10, 71364 Winnenden, Germany.

SYMBOLY



POZOR! NEBEZPEČENSTVO!



Pred každou prácou na stroji výmenný akumulátor vytiahnuť.



Pred prvým použitím prístroja si pozorne prečítajte návod na obsluhu.



Pri práci so strojom vždy noste ochranné okuliare.



Používajte ochranné rukavice!



Nepoužívajte silu.



Elektrické prístroje sa nesmú likvidovať spolu s odpadom z domácností. Elektrické a elektronické prístroje treba zbierať oddelene a odovzdať ich v recyklačnom podniku na ekologickú likvidáciu. Na miestnych úradoch alebo u vášho špecializovaného predajcu sa spýtajte na recyklačné podniky a zberné dvory.



Značka CE

Euroázijská značka zhody

DANE TECHNICZNE	SZLIIFIERKA TRZPIENIOWA	C 12 RT
Numer produkcyjny.....4311 33 01...00001-99999
Napięcie baterii akumulatorowej..... 12 V 5000-37000 min ⁻¹
Znamionowa prędkość obrotowa..... 0,8 / 1,6 / 2,4 / 3,2 mm 25 mm
Srednica tulei zaciskowej..... 25 mm 25 mm
Maksymalna srednica czesci sciernej do zywicy ceramicznej..... 25 mm 0,62 kg
do zywicy z tworzywa sztucznego..... 25 mm	
Ciezar z akumulatorem wymiennym..... 0,62 kg	

Informacja dotycząca szumów/wibracji

Zmierzone wartości wyznaczone zgodnie z normą EN 60 745.

Poziom szumów urządzenia oszacowany jako A wynosi typowo:

Poziom ciśnienia akustycznego (Niepewność K=3dB(A))..... 73 dB (A)

Poziom mocy akustycznej (Niepewność K=3dB(A)) 84 dB (A)

Należy używać ochraniaczy uszu!

Wartości łączne drgań (suma wektorowa trzech kierunków)

wyznaczone zgodnie z normą EN 60745

Wartość emisji drgań a_n

Wiercenie w metalu..... 2,4 m/s²

Niepewność K..... 1,5 m/s²

Szlifowanie papierem ściernym..... 2,6 m/s²

Niepewność K..... 1,5 m/s²

Szlifowanie metal..... 3,1 m/s²

Niepewność K..... 1,5 m/s²

Szlifowania kamienia..... 1,8 m/s²

Niepewność K..... 1,5 m/s²

Cięcie metal..... 3,4 m/s²

Niepewność K..... 1,5 m/s²

OSTRZEŻENIE

Podany w niniejszych instrukcjach poziom drgań został zmierzony za pomocą metody pomiarowej zgodnej z normą EN 60745 i może być użyty do porównania ze sobą elektronarzędzi. Nadaje się on również do tymczasowej oceny obciążenia wibracyjnego.

Podany poziom drgań reprezentuje główne zastosowania elektronarzędzia. Jeśli jednakże elektronarzędzie użyte zostanie do innych celów z innym narzędziami roboczymi lub nie jest dostatecznie konserwowane, wtedy poziom drgań może wykazywać odchylenia. Może to wyraźnie zwiększyć obciążenie wibracjami przez cały okres pracy.

Dla dokładnego określenia obciążenia wibracjami należy uwzględnić również czasy, w których urządzenie jest wyłączone względnie jest włączone, lecz w rzeczywistości nie pracuje. Może to spowodować wyraźną redukcję obciążenia wibracyjnego w całym okresie pracy.

Należy wprowadzić dodatkowe środki zapobiegawcze celem ochrony obsługującego przed oddziaływaniem drgań, jak na przykład: konserwacja narzędzi roboczych i elektronarzędzi, nagranie rąk, organizacja przebiegu pracy.

⚠ OSTRZEŻENIE! Należy przeczytać wszystkie wskazówki dotyczące bezpieczeństwa i instrukcje. Błędy w przestrzeganiu poniższych wskazówek mogą spowodować porażenie prądem, pożar i/lub ciężkie obrażenia ciała. **Należy starannie przechowywać wszystkie przepisy i wskazówki bezpieczeństwa dla dalszego zastosowania.**

⚠ INSTRUKCJE DOTYCZĄCE BEZPIECZEŃSTWA

Wskazówki ogólne dotyczące bezpieczeństwa przy szlifowaniu

a) **Niniejsze urządzenia elektryczne jest przewidziane do użytku jako szlifierka. Należy przestrzegać wszystkich wskazówek ostrzegawczych, przepisów, opisów i danych, które otrzymali Państwo wraz z elektronarzędziem.** Jeśli nie będą przestrzegane następujące przepisy, może dojść do porażenia prądem, pożaru i/lub ciężkich obrażeń ciała.

b) To elektronarzędzie nie nadaje się do szcztokowania, przecinania tarczą tnącą, szlifowania papierem ściernym oraz polerowania. Zastosowanie narzędzia elektrycznego do celów, do których nie jest ono przewidziane, może spowodować zagrożenia i obrażenia ciała.

c) **Nie należy używać osprzętu, który nie jest przewidziany i polecany przez producenta specjalnie do tego urządzenia.** Fakt, że osprzęt daje się zamontować do elektronarzędzia, nie jest gwarantem bezpiecznego użycia.

d) **Dopuszczalna liczba obrotów osprzętu musi być przynajmniej tak wysoka, jak maksymalna liczba obrotów podana na urządzeniu elektrycznym.** Osprzęt, który obraca

się szybciej niż jest to dozwolone, może pęknąć i zostać ciśnięty w powietrze.

e) **Srednica zewnętrzna oraz grubość osprzętu tnącego musi odpowiadać wymiarom ustalonym dla stosowanego urządzenia elektrycznego.** Osprzęt o nieprawidłowych wymiarach nie może być dostatecznie osłaniany ani kontrolowany.

f) **Ściernica, ściernica pierścieniowa lub inne wyposażenie winno być dokładnie dobrane do wrzeciona szlifierskiego lub tulejki zaciskowej elektronarzędzia.** Narzędzia robocze, które nie pasują dokładnie do wrzeciona szlifierskiego elektronarzędzia, obracając się nierównomiernie, powodują silne wibracje i mogą prowadzić do utraty kontroli nad elektronarzędziem.

g) **Ściernice, ściernice pierścieniowe, narzędzia skrawające lub inne wyposażenie zamontowane na trzpieniu winno być całkowicie włożone do tulejki zaciskowej lub uchwytu wiertarskiego. "Wystawianie" wzgl. odstęp trzpienia ściernicy do tulejki zaciskowej winien być jak najmniejszy.** Jeśli trzpień nie jest dostatecznie zamocowany i/lub wystawienie ściernicy jest zbyt duże, zamontowana ściernica może się uwolnić i zostać wyrzucona z dużą szybkością.

h) **W żadnym wypadku nie należy używać uszkodzonych narzędzi roboczych. Przed każdym użyciem należy skontrolować oprzyrządowanie, np. ściernice pod kątem odprysków i pęknięć, talerze szlifierskie pod kątem pęknięć, starcia lub silnego zużycia, szcztoki drucziane pod kątem luznych lub złamanych drutów. W razie upadku elektronarzędzia lub narzędzia roboczego, należy**

sprawdzić, czy nie uległo ono uszkodzeniu, lub użyć innego, nieuszkodzonego narzędzia. Jeśli narzędzie zostało sprawdzone i umocowane, elektronarzędzie należy włączyć na minutę na najwyższe obroty, zwracając przy tym uwagę, by osoba obsługująca i osoby postronne znajdujące się w pobliżu, znalazły się poza strefą obracającego się narzędzia. Uszkodzone narzędzia łamią się najczęściej w tym czasie próbnym.

i) **Należy nosić osobiste wyposażenie ochronne. W zależności od rodzaju pracy, należy nosić maskę ochronną pokrywającą całą twarz, ochronę oczu lub okulary ochronne. W razie potrzeby należy użyć maski przeciwpyłowej, ochrony słuchu, rękawic ochronnych lub specjalnego fartucha, chroniącego przed małymi cząstkami ściernego i obrabianego materiału.** Należy chronić oczy przed unoszącymi się w powietrzu ciałami obcymi, powstałymi w czasie pracy. Maski przeciwpyłowa i ochronna dróg oddechowych muszą filtrować powstający podczas pracy pył. Oddziaływanie hałasu przez dłuższy okres czasu, może doprowadzić do utraty słuchu.

j) **Zwrócić uwagę na to, aby osoby postronne również zachowywały bezpieczny odstęp od stanowiska pracy operatora urządzenia. Każdy, kto znajduje się w obrębie stanowiska pracy, musi posiadać odzież ochronną.** Odłamki obrabianego materiału oraz uszkodzony osprzęt może wirować w powietrzu i być źródłem skaleczeń także poza głównym obszarem pracy.

k) **Trzymaj urządzenie za izolowane powierzchnie chwytne gdy wykonujesz roboty, w trakcie których narzędzie skrawające może natrafić na ukryte przewody prądowe.** Styczność narzędzia skrawającego z będącym pod napięciem przewodem może spowodować podłączenie części metalowych urządzenia do napięcia i prowadzić do porażenia prądem elektrycznym.

l) **Podczas uruchamiania należy trzymać zawsze elektronarzędzie bardzo mocno.** Podczas nabierania pełnej szybkości moment reakcji silnika może doprowadzić do obrócenia się elektronarzędzia.

m) **Jeśli jest to możliwe, do zamocowania obrabianego przedmiotu należy używać zacisku śrubowego. Nie należy nigdy trzymać drobnych przedmiotów obrabianych w jednej ręce, a elektronarzędzia w drugiej ręce podczas jego używania.** Dzięki zamocowaniu drobnych przedmiotów obrabianych ma się obydwie ręce wolne do właściwego manipulowania elektronarzędziem. Podczas przecinania okrągłych przedmiotów obrabianych takich jak kołki drewniane, pręty lub rury mają one tendencje do obracania się, na skutek czego może nastąpić zakleszczenie narzędzia roboczego i odrzucenie obrabianego przedmiotu na pracującą osobę.

n) **Nigdy nie odkładaj urządzenia zanim obrotowy osprzęt trafi całkowicie się nie zatrzyma.** Obracające się narzędzia mogłyby nawiązać kontakt z powierzchnią, na którą zostały odłożone, przez co operator mógłby stracić kontrolę nad urządzeniem.

o) **Po dokonaniu wymiany narzędzi roboczych lub po dokonaniu ustawienia urządzenia należy upewnić się, czy nakrętka tulejki zaciskowej, uchwyt wiertarski lub inne elementy mocujące są należycie dokręcone.** Poluzowane elementy mocujące mogą się w nieoczekiwany sposób wysunąć i doprowadzić do utraty kontroli nad elektronarzędziem; niezamocowane, obracające się komponenty zostaną gwałtownie odrzucone.

p) **Nie wolno przenosić elektronarzędzia, znajdującego się w ruchu.** Przypadkowy kontakt ubrania z obracającym się narzędziem roboczym może spowodować jego wciągnięcie i wwiercenie się narzędzia roboczego w ciało osoby obsługującej.

q) **Należy regularnie czyścić szczeliny wentylacyjne elektronarzędzia.** Dmuchawa silnika wciąga kurz do obudowy, a duże nagromadzenie pyłu metalowego może spowodować zagrożenie elektryczne.

r) **Nie korzystaj z urządzenia elektrycznego w pobliżu materiałów palnych.** Iskry mogłyby bowiem doprowadzić do ich zapalenia się.

s) **Nie korzystaj z osprzętu wymagającego użycia płynnych czynników chłodzących.** Korzystanie z wody lub innych płynnych czynników chłodzących może prowadzić do porażenia prądem.

Odrzut i związane z nim wskazówki bezpieczeństwa

Odrzut jest nagłą reakcją elektronarzędzia na zablokowanie lub zawadzenie obracającego się narzędzia, takiego jak ściernica, talerz szlifierski, szcztoka drucziana itd. Zaczepienie się lub zablokowanie prowadzi do nagłego zatrzymania się obracającego się narzędzia roboczego. Niekontrolowane elektronarzędzie zostanie przez to szarpnięte w kierunku przeciwnym do kierunku obrotu narzędzia roboczego.

Gdy, np. ściernica zatnie się lub zakleszczy w obrabianym przedmiocie, zanurzona w materiale krawędź ściernicy, może się zablokować i spowodować jej wypadnięcie lub odrzut. Ruch ściernicy (w kierunku osoby obsługującej lub od niej) uzależniony jest wtedy od kierunku ruchu ściernicy w miejscu zablokowania. Oprócz tego ściernice mogą się również zламać.

Odrzut jest następstwem niewłaściwego lub błędnego użycia elektronarzędzia. Można go uniknąć przez zachowanie opisanych poniżej odpowiednich środków ostrożności.

a) **Elektronarzędzie należy mocno trzymać, a ciało i ręce ustawić w pozycji, umożliwiającej złagodzenie odrzutu.** Jeżeli w skład wyposażenia standardowego wchodzi uchwyt dodatkowy, należy go zawsze używać, żeby mieć jak największą kontrolę nad siłami odrzutu lub momentem odwodzącym podczas rozruchu. Osoba obsługująca urządzenie może opanować szarpnięcie i zjawisko odrzutu poprzez zachowanie odpowiednich środków ostrożności.

b) **Szczególnie ostrożnie należy obrabiać narożniki, ostre krawędzie itd. Należy zapobiegać temu, by narzędzia robocze zostały odbite lub by się one zablokowały.** Obracające się narzędzie robocze jest bardziej podatne na zakleszczenie przy obróbce kątów, ostrych krawędzi lub gdy zostanie odbite. Może to stać się przyczyną utraty kontroli lub odrzutu.

c) **Nie stosować brzeszczotów do pił łańcuchowych ani zębatach.** Osprzęt tnący tego typu prowadzi często do powstawania odrzutu oraz utraty kontroli nad urządzeniem elektrycznym.

d) **Narzędzie robocze należy wprowadzać do materiału zawsze w tym samym kierunku, w którym krawędź tnąca opuszcza materiał (odpowiada to kierunkowi, w którym odrzucane są wióry).** Prowadzenie narzędzia roboczego w niewłaściwym kierunku powoduje wyrzucenie narzędzia roboczego z obrabianego materiału, na skutek czego elektronarzędzie ciągnięte jest w tym kierunku posuwu.

e) **W przypadku zastosowania stalowych brzeszczotów pił, tarcz tnących, wysokoobrotowych narzędzi frezujących lub narzędzi frezujących ze stopów twardych przedmiot obrabiany należy mocować zawsze bardzo mocno.** Już nawet przy najmniejszym ustawieniu ukośnym w szczelinie narzędzia robocze zahaczają się i mogą spowodować odrzut. W przypadku zahaczenia tarczy tnącej następuje zazwyczaj jej pęknięcie. W przypadku zahaczenia stalowych brzeszczotów pił, wysokoobrotowych narzędzi frezarskich lub narzędzi frezarskich ze stopów twardych narzędzie robocze może wyskoczyć ze szczeliny i doprowadzić do utraty kontroli nad elektronarzędziem.

Szczególne wskazówki dotyczące bezpieczeństwa przy szlifowaniu

a) **Należy stosować tylko takie typy ściernic, które są zalecane dla danego elektronarzędzia oraz tylko dla zalecanych możliwości zastosowania. Nigdy nie należy na przykład szlifować powierzchnią boczną tarczy tnącej.** Tarcze tnące są przeznaczone do skrawania materiału krawędzią tarczy. Boczne oddziaływanie sił na korpus tarczy może spowodować jej pęknięcie.

b) **Dla stożkowych lub prostych ściernic trzpieniowych z gwintem należy używać tylko nieuszkodzonych trzpieni o prawidłowej wielkości i długości, bez podcięcia na**

kołnierzu. Odpowiednie trzpienie redukują możliwość złamania.

c) Nie należy ustawiać ręki na kierunku rotacji wzgl. za wirującą tarczą tnącą. Podczas odsuwania tarczy tnącej w materiale od ręki, w przypadku odrzutu elektronarzędzia może zostać odrzucone wirującą tarczą bezpośrednio na operatora.

d) Płyty lub duże przedmioty należy przed obróbką podeprzeć, aby zmniejszyć ryzyko odrzutu, spowodowanego przez zakleszczoną tarczę. Duże przedmioty mogą się ugiąć pod ciężarem własnym. Obrabiany przedmiot należy podeprzeć z obydwu stron, zarówno w pobliżu linii cięcia jak i przy krawędzi.

e) Zachować szczególną ostrożność przy wycinaniu otworów w ścianach lub operowaniu w innych niewidocznych obszarach. Wgłębiająca się w materiał tarcza tnąca może spowodować odrzut narzędzia po natrafieniu na przewody gazowe, wodociągowe, przewody elektryczne lub inne przedmioty.

DODATKOWE WSKAZÓWKI BEZPIECZEŃSTWA I INSTRUKCJE ROBOCZE

Podczas pracy należy zawsze nosić okulary ochronne. Zalecane jest także noszenie rękawic, mocnego, nie ślizgającego się obuwia oraz ubrania roboczego.

Po wyłączeniu elektronarzędzie nie zatrzyma się natychmiast - wrzeczono obraca się jeszcze przez pewien czas. Odłożyć elektronarzędzie dopiero po zatrzymaniu.

Podczas pracy strugarki nie zbliżać się do strefy niebezpiecznej.

Używać tylko narzędzi roboczych, których dopuszczalna prędkość odpowiada co najmniej najwyższej prędkości elektronarzędzia bez obciążenia.

Narzędzia szlifierskie sprawdzić przed rozpoczęciem użytkowania. Narzędzia szlifierskie muszą być prawidłowo zamontowane i muszą obracać się w sposób swobodny. Przez około 30 sekund przeprowadzić bieg próbną bez obciążenia. Nie używać uszkodzonych, nieokrągłych lub wibrujących narzędzi szlifierskich.

Przy szlifowaniu metali powstają iskry. Nie narażać na niebezpieczeństwo żadnych osób. Ze względu na zagrożenie pożarowe w pobliżu miejsca pracy (w strefie wyrzucania iskierek) nie powinny się znajdować materiały palne. Nie stosować odpylaczy.

Elektronarzędzie trzymać zawsze w taki sposób, aby iskry i pył z przedmiotu obrabianego nie były wyrzucane na operatora.

Przed uruchomieniem urządzenia należy dokręcić nakrętkę regulacyjną.

Intensywne zewnętrzne zakłócenia elektromagnetyczne mogą powodować w określonych przypadkach chwilowe wahania w prędkości obrotowej.

Tarcze szlifierskie stosować i przechowywać zgodnie z zaleceniami producenta.

Jeśli ciężar własny obrabianego przedmiotu nie pozwala jego unieruchomienie, to należy go zamocować. W żadnym wypadku nie wolno przedmiotu obrabianego prowadzić względem tarczy.

Wymiary narzędzia ściernego muszą pasować do szlifierki.

Przy pracach wywołujących zapylenie, szczeliny wentylacyjne maszyny muszą być wolne. W razie potrzeby odłączyć maszynę od sieci i usunąć pył. Stosować do tego obiekty niemetalowe i uważać aby nie uszkodzić żadnych części wewnętrznych.

W skrajnych warunkach temperaturowych lub przy bardzo dużym obciążeniu może dochodzić do wycieku kwasu akumulatorowego z uszkodzonych baterii akumulatorowych. W przypadku kontaktu z kwasem akumulatorowym należy natychmiast przemyć miejsce kontaktu wodą z mydłem. W przypadku kontaktu z oczami należy dokładnie przepłukiwać oczy przynajmniej przez 10 minut i zwrócić się natychmiast o pomoc medyczną.

Zużytych akumulatorów nie wolno wrzucać do ognia ani traktować jako odpadów domowych. Milwaukee oferuje ekologiczną utylizację zużytych akumulatorów.

Nie przechowywać akumulatorów wraz z przedmiotami metalowymi (niebezpieczeństwo zwarcia).

Akumulatory Systemu 18 V należy ładować wyłącznikiem przy pomocy ładowarek Systemu 18 V. Nie ładować przy pomocy tych ładowarek akumulatorów innych systemów.

Do ładowarki nie wolno wkładać żadnych przedmiotów metalowych (niebezpieczeństwo zwarcia).

Nie otwierać wkładek akumulatorowych i ładowarek. Przechowywać w suchych pomieszczeniach. Chronić przed wilgocią.

Przed przystąpieniem do jakichkolwiek prac na elektronarzędziu należy wyjąć wkładkę akumulatorową. Zapewnić umieszczenie urządzenia ściernego wg zalecenia producenta narzędzia ściernego.

WARUNKI UŻYTKOWANIA

Szlifierki ręczne proste przeznaczone są do dokładnego szlifowania metali przy użyciu frezów trzpieniowych jak i do frezowania metali nieżelaznych, tworzyw sztucznych, twardego drewna itd również przy użyciu frezów trzpieniowych.

Produkt można użytkować wyłącznie zgodnie z jego normalnym przeznaczeniem.

W razie wątpliwości przestrzegać wskazówek producenta osprzętu.

Elektronarzędzie nadaje się tylko do obróbki na sucho.

DEKLARACJA ZGODNOŚCI CE

Oświadczamy na naszą wyłączną odpowiedzialność, że produkt opisany w punkcie "Dane techniczne" jest zgodny ze wszystkimi istotnymi przepisami Dyrektywy 2011/65/EU (RoHS), 2004/108/WE, 2006/42/WE oraz z następującymi zharmonizowanymi dokumentami normatywnymi:

EN 60745-1:2009+A11:2010

EN 60745-2-3:2011

EN 55014-1:2006+A1:2009+A2:2011

EN 55014-2:1997+A1:2001+A2:2008

EN 50581:2012

Winnenden, 2014-06-18

Alexander Krug
Managing Director



Upelnomocniony do zestawienia danych technicznych

Techtronic Industries GmbH
Max-Eyth-Straße 10
71364 Winnenden
Germany

BATERIE AKUMULATOROWE

Akumulatory, które nie były przez dłuższy czas użytkowane, należy przed użyciem naładować.

W temperaturze powyżej 50°C następuje spadek osiągniętych wkładki akumulatorowej. Unikaj długotrwałego wystawienia na oddziaływanie ciepła lub promieni słonecznych (niebezpieczeństwo przegrzania).

Styki ładowarek i wkładek akumulatorowych należy utrzymywać w czystości

Dla zapewnienia optymalnej żywotności akumulatory po użyciu należy naładować do pełnej pojemności.

Dla zapewnienia możliwie długiej żywotności akumulatory należy wyjąć z ładowarki po ich naładowaniu.

W przypadku składowania akumulatorów dłużej niż 30 dni: Przechowywać je w suchym miejscu w temperaturze ok. 27°C. Przechowywać je w stanie naładowanym do ok. 30% - 50%. Ładować je ponownie co 6 miesięcy.

UTRZYMANIE I KONSERWACJA

Otwory wentylacyjne elektronarzędzia muszą być zawsze drożne.

Nie dopuszczać do przedostawania się części metalowych do szczelin powietrznych - niebezpieczeństwo zwarcia!

Należy stosować wyłącznie wyposażenie dodatkowe i części zamienne Milwaukee. W przypadku konieczności wymiany części, dla których nie podano opisu, należy skontaktować się z przedstawicielami serwisu Milwaukee (patrz lista punktów obsługi gwarancyjnej/serwisowej).

Na życzenie można otrzymać rysunek widoku zespołu rozebranego. Przy zamawianiu należy podać numer oraz typ elektronarzędzia umieszczony na tabliczce znamionowej. Zamówienia można dokonać albo u lokalnych przedstawicieli serwisu, albo bezpośrednio w Techtronic Industries GmbH, Max-Eyth-Straße 10, 71364 Winnenden, Germany.

SYMBOLY



UWAGA! OSTRZEŻENIE
NIEBEZPIECZEŃSTWO!



Przed przystąpieniem do jakichkolwiek prac na elektronarzędziu należy wyjąć wkładkę akumulatorową.



Przed uruchomieniem elektronarzędzia zapoznać się uważnie z treścią instrukcji.



Podczas pracy należy zawsze nosić okulary ochronne.



Nosić rękawice ochronne!



Nie używać siły.



Urządzenia elektryczne nie mogą być usuwane razem z odpadami pochodzącymi z gospodarstw domowych. Urządzenia elektryczne i elektroniczne należy gromadzić oddzielnie i w celu usuwania ich do odpadów zgodnie z wymaganiami środowiska naturalnego oddawać do przedsiębiorstwa utylizacyjnego. Proszę zasięgnąć informacji o centrach recyklingowych i punktach zbiorczych u władz lokalnych lub u wyspecjalizowanego dostawcy.



Znak CE

Znak zgodności EurAsian

MŰSZAKI ADATOK	EGYENES CSISZOLÓ	C 12 RT
Gyártási szám.....4311 33 01...000001-999999
Akkumulátor feszültség 12 V	
Névleges fordulatszám5000-37000 min ⁻¹	
Befogógyűrű átmérő..... 0,8 / 1,6 / 2,4 / 3,2 mm	
Nyers csiszolópapír átmérője max.:		
kerámia gyantához 25 mm	
műgyantához..... 25 mm	
Súly csereakkumulál..... 0,62 kg	

Zaj-/Vibráció-információ

A között értékek megfelelnek az EN 60 745 szabványnak.

A készülék munkahelyi zajszintje tipikusan:

Hangnyomás szint (K bizonytalanság=3dB(A))..... 73 dB (A)

Hangteljesítmény szint (K bizonytalanság=3dB(A)) 84 dB (A)

Hallásvédő eszköz használata ajánlott!

Összesített rezgésértékek (három irány vektorialis összege) az

EN 60745-nek megfelelően meghatározva.

a_w rezgésemisszió érték

Fúrás fémben 2,4 m/s ²
K bizonytalanság 1,5 m/s ²
Homokpapíros csiszolás..... 2,6 m/s ²
K bizonytalanság 1,5 m/s ²
Darál fém 3,1 m/s ²
K bizonytalanság 1,5 m/s ²
köszőrükövel..... 1,8 m/s ²
K bizonytalanság 1,5 m/s ²
Fémvágó..... 3,4 m/s ²
K bizonytalanság 1,5 m/s ²

FIGYELMEZTETÉS

A jelen utasításokban megadott rezgésszint értékek az EN 60745-ben szabályozott mérési eljárásnak megfelelően került lemérésre, és használható elektromos szerszámokkal történő összehasonlításhoz. Az érték alkalmas a rezgésterhelés előzetes megbecslésére is.

A megadott rezgésszint-érték az elektromos szerszám legfőbb alkalmazásait reprezentálja. Ha az elektromos szerszámot azonban más alkalmazásokhoz, eltérő használt szerszámokkal vagy nem elegendő karbantartással használják, a rezgésszint értéke eltérő lehet. Ez jelentősen megnövelheti a rezgésterhelést a munkavégzés teljes időtartama alatt.

A rezgésterhelés pontos megbecsléséhez azokat az időket is figyelembe kell venni, melyekben a készülék lekapcsolódik, vagy ugyan működik, azonban ténylegesen nincs használatban. Ez jelentősen csökkentheti a rezgésterhelést a munkavégzés teljes időtartama alatt.

Határozzon meg további biztonsági intézkedéseket a kezelő védelmére a rezgések hatása ellen, például: az elektromos és a használt szerszámok karbantartásával, a kezek melegen tartásával, a munkafolyamatok megszervezésével.

A FIGYELMEZTETÉS! Olvasson el minden biztonsági útmutatót és utasítást. A következőkben leírt előírások betartásának elmulasztása áramütésekhez, tűzhöz és/vagy súlyos testi sérülésekhez vezethet. **Kérjük a későbbi használatra gondosan őrizze meg ezeket az előírásokat.**

A KÜLÖNLEGES BIZTONSÁGI TUDNIVALÓK

Közös biztonsági útmutatások a csiszoláshoz

a) Ezt az elektromos szerszámot csiszolóként kell használni. Ügyeljen minden figyelmeztető jelzésre, előírásra, ábrára és adatra, amelyet az elektromos kéziszerszámmal együtt megkapott. Ha nem tartja be a következő előírásokat, akkor ez áramütéshez, tűzhöz és/vagy súlyos személyi sérülésekhez vezethet.

b) Ez az elektromos szerszám nem alkalmas drótkéfélszóra, leválasztó köszörülésre, csiszolópapíros csiszolásra és polírozásra. Az elektromos szerszám olyan használata, amely nem felel meg a rendeltetésének, veszélyeket és sérüléseket okozhat.

c) Ne használjon olyan tartozékokat, amelyeket a gyártó ehhez az elektromos kéziszerszámmal nem irányzott elő és nem javasolt. Az a tény, hogy a tartozékok rögzítési tudja az elektromos kéziszerszámmal, nem garantálja annak biztonságos alkalmazását.

d) A betétszerszám megengedett fordulatszámának legalább annyinak kell lennie, mint az elektromos szerszámon megadott legnagyobb fordulatszám. Az olyan

tartozék, ami a megengedett fordulatszámánál gyorsabban forog, eltörhet vagy lerepülhet.

e) Az alkalmazott szerszám külső átmérőjének és vastagságának meg kell felelnie az elektromos szerszámon megadott méretadatoknak. A nem megfelelő méretű szerszámot nem lehet kellőképpen leburkolni és ellenőrizni.

f) A csiszolókorongnak, a csiszolóhengernek, vagy más tartozéknak pontosan illeszkednie kell az elektromos szerszám csiszolóorsójára vagy befogóhüvelyére. Azok a betétszerszámok, amelyek nem illeszkednek pontosan az elektromos szerszám csiszolóorsójára, egyetlenlétl forognak, erősen rezegnek, és a készülék feletti ellenőrzés elvégzéséhez vezethetnek.

g) A tűskére szerezelt rozgongokat, csiszolóhengereket, vágószerszámokat vagy más tartozékokat teljesen be kell illeszteni a befogóhüvelybe vagy a fúrotokmányba. A tűske "tűnyúlásának", illetve távolságának minimálisnak kell lenni a tárcsától a befogóhüvelyig. Ha a tűske nincs megfelelően megfeszítve, és/vagy a tárcsa tűnyúlása túl hosszú, a felszerelt tárcsa leválhat, és nagy sebességgel kilöködhet.

h) Ne használjon megrongálódott betétszerszámokat. Vizsgálja meg minden egyes használat előtt a betétszerszámokat: ellenőrizze, nem pattogzott-e le és nem repedt-e meg a csiszolókorong, nincs-e eltörve, megrepvede, vagy nagy mértékben elhasználódva a csiszoló tányér, nincsenek-e a drótkéfében kilazult, vagy eltörtött drótok. Ha az elektromos kéziszerszám vagy a betétszerszám leesik, vizsgálja felül, nem rongálódott-e

meg, vagy használjon egy hibátlan betétszerszámot. Miután ellenőrizte, majd behelyezte a készülékbe a betétszerszámot, tartózkodjon Ön saját maga és minden más a közelben található személy is a forgó betétszerszám sájkán kívül és járassa egy percig az elektromos kéziszerszámot a legnagyobb fordulatszámmal. A megrongálódott betétszerszámok ezalatt a próbaidő alatt általában már szétdőztek.

i) Viseljen személyi védőfelszerelést. Használjon az alkalmazásnak megfelelő teljes védőálcatot, szemvédőt vagy védőszemüveget. Amennyiben célszerű, viseljen porvédő álcatot, zajtompító fülvédőt, védő kesztyűt vagy különleges kötényt, amely távol tartja a csiszolószerszám-és anyagreszecséket. Mindenképpen védje meg a szemét a kirepülő idegen anyagoktól, amelyek a különböző alkalmazások során keletkeznek. A por- vagy védőálcarnak meg kell szűrnie a használat során keletkező port. Ha hosszú ideig ki van téve az erős zaj hatásának, elvesztheti a hallását.

j) Ügyeljen arra, hogy más személyek biztos távolságra legyenek a munkaterülettől. Minden személynek védőfelszerelést kell viselnie, aki belép a munkaterületre. A munkadarabról lepattanó szilánkok vagy a letört szerszámrészek szétrepülhetnek, és a közvetlen munkaterületen kívül is sérüléseket okozhatnak.

k) A készüléket a szigetelt markolatfelületeket fogva tartsa, ha olyan munkálatokat végez, melyeknél a vágószerszám rejtett elektromos vezetékbe. A vágószerszám feszültségvezető vezetékkel való érintkezésekor a készülék fém részei is feszültség alá kerülhetnek, és elektromos áramütés következhet be.

l) Indításakor tartsa mindig erősen az elektromos szerszámot. A teljes sebesség gyors elérésekor a motor ellennyomatéka az elektromos szerszám elfordulásához vezethet.

m) Ha lehetséges, a munkadarab rögzítéséhez használjon szorítókat. Soha ne tartsan az egyik kezében egy kis munkadarabot és a másik kezében pedig a használat alatt lévő szerszámot. A kis munkadarabok befogása esetén a kezei szabadok maradnak az elektromos szerszám jobb kezeléséhez. Az olyan kör alakú munkadarabok, mint a fatipli, a rúdanyagok, vagy a csövek, hajlamosak vágáskor elgurulni, aminek következtében a szerszámot beszorulhat, és Ön felé mozdulhat el.

n) Ne tegye le soha addig az elektromos szerszámot, amíg a mozgó betétszerszám nem áll le teljesen. A forgó betétszerszám hozzáérhet a felfekvő felülethez, és ezáltal kontrollálhatatlanná válhat az elektromos szerszám.

o) A szerszámot cserélje vagy a készüléken végzett beállítások után gondoskodni kell arról, hogy a befogóhüvely anyjára, a fúrotokmány vagy más rögzítő elemek jól meg legyenek húzva. A laza rögzítő elemek váratlanul elcsúszhatnak, és a készülék feletti ellenőrzés elvégzéséhez vezethetnek. A rögzítetlen, forgó alkatrészek durván kilöködhetnek.

p) Ne járassa az elektromos kéziszerszámot, miközben azt a kezében tartja. A forgó betétszerszám egy véletlen érintkezés során bekaphatja a ruháját és a betétszerszám belefúródhat a testébe.

q) Tisztítsa meg rendszeresen az elektromos kéziszerszám szellőzőnyílásait. A motor ventilátora beszívja a port a házba, és nagyobb mennyiségű fémport felhalmozódása elektromos veszélyekhez vezethet.

r) Ne használja az elektromos szerszámot gyúlékony anyagok közelében. A szikráktól meggyulladhatnak ezek az anyagok.

s) Ne használjon olyan betétszerszámokat, melyekhez folyékony hűtőközeg szükséges. A víz vagy más folyékony hűtőközeg használata áramütést okozhat.

Visszarúgás és megfelelő biztonsági útmutatások

A visszarúgás a beékelődő vagy leblokkoló forgó betétszerszám, például csiszolókorong, csiszoló tányér, drótkéfe stb. hirtelen reakciója. A beékelődés vagy leblokkolás a forgó betétszerszám hirtelen leállításához vezet. Ez az

irányítatlan elektromos kéziszerszámot a betétszerszámnak a leblokkolási ponton fennálló forgási irányával szembeni irányban felgyorsítja.

Ha például egy csiszolókorong megszorul vagy leblokkol a megmunkálásra kerülő munkadarabban, a csiszolókorongnak a munkadarabba bemezőléle leáll és így a csiszolókorong kiugorhat vagy visszarúgást okozhat. A csiszolókorong ekkor a korongnak a leblokkolási pontban fennálló forgásirányától függően a kezelő személy felé, vagy attól távolodva mozog. A csiszolókorongok ilyenkor el is törhetnek.

A visszarúgás az elektromos kéziszerszám hibás vagy helytelen használatának következménye. Ezt az alábbiakban leírásra kerülő megfelelő óvatossági intézkedésekkel meg lehet gátolni.

a) Tartsa szorosan fogva az elektromos kéziszerszámot, és hozza a testét és a karjait olyan helyzetbe, amelyben fel tudja venni a visszarúgási erőket. Használja mindig a pótfogantyút, amennyiben létezik, hogy a lehető legjobban tudjon uralkodni a visszarúgási erőknél, illetve felütésekor a reakciós nyomaték felett. A kezelő személy megfelelő óvatossági intézkedésekkel uralkodni tud a visszarúgási és reakcióerők felett.

b) A sarkok és élek közelében különösen óvatosan dolgozzon, akadályozza meg, hogy a betétszerszám lepattanjon a munkadarabról, vagy megszoruljon a munkadarabban. A forgó betétszerszám a sarkoknál, élknél és lepattanás esetén könnyen megszorul. Ez a készülék feletti uralom elvesztéséhez, vagy visszarúgáshoz vezet.

c) Ne használjon láncfűrészlapot vagy fogazott fűrészlapot. Az ilyen szerszámalkatrészek gyakran visszacsapódást okoznak, vagy ahhoz vezetnek, hogy kontrollálhatatlanná válik az elektromos szerszám.

d) Vezesse a betétszerszámot mindig abban az irányban az anyagra, amelyben a vágóél az anyagot elhagyja (megfelel annak az iránynak, amelyben a forgács kirepül). Az elektromos szerszám rossz irányban történő vezetése a szerszámnak a munkadarabból való kitorését idézi elő, melynek következtében az elektromos szerszám ebbe az előlőási irányba mozdul el.

e) Acél fűrészlapok, vágótárcsák, nagysebességű marószerszámok vagy keményfém-marószerszámok alkalmazásánál mindig biztosan fogja be a munkadarabot. Már a horonyban történő csekély elfordulások is megakadnak ezek a szerszámok, és visszarúgást okozhatnak. A vágókorongok megakadásakor általában eltörnek. Acél fűrészlapok, nagysebességű marószerszámok vagy keményfém-marószerszámok megakadásánál a szerszámot kiugorhat a horonyból, és ez az elektromos szerszám feletti ellenőrzés elvesztéséhez vezethet.

Speciális biztonsági útmutatások a csiszoláshoz

a) Csak olyan csiszolókorong típusokat használjon, amelyeket az elektromos szerszámmal ajánlanak és csak az ajánlott alkalmazási lehetőségekre. Soha ne csiszoljon pl. a vágókorong oldalfelületével. A vágókorongok a korong élével történő anyagleghordásra vannak tervezve. A csiszolótesteket egy oldalirányú erőhatás szétthetheti őket.

b) Menettel rendelkező kúpos és egyenes csiszolócsapokhoz csak megfelelő méretű és hosszúságú, ép tűskéket használjon, amelyeknek a vállánál nincs bevágás. A megfelelő tűskék lecsökkentik a törés lehetőségét.

c) Ne helyezze a kezét a forgás irányába, illetve a forgó vágókorong mögé. Ha a vágókorongot a munkadarabban a kezétől távolodva mozgatja, visszarúgás esetén az elektromos szerszám a forgó tárcsával közvetlenül Ön felé repülhet.

d) Támassza fel a lemezeket vagy nagyobb munkadarabokat, hogy csökkentsék a megszűrő vágókorong következtében fellépő visszarúgás kockázatát. A nagyobb munkadarabok saját súlyuk alatt meghajolhatnak. A munkadarabot mindkét oldalán, és mind a vágási vonal közelében, mind a szélélnél alá kell támasztani.

e) Ha egy meglévő falban, vagy más be nem látható területen hoz létre "zseb alakú vágást", járjon el különös óvatossággal. Az anyagba behatól vágókorong gáz- vagy

vízvezetékbe, elektromos vezetékbe vagy más tárgyakba ütközhet, amelyek visszarúgást okozhatnak.

TOVÁBBI BIZTONSÁGI ÉS MUNKAÉVGÉZÉSI UTASÍTÁSOK

Munkavégzés közben ajánlatos védőszemüveget viselni. Védőkesztyű, zárt és csúszásmentes cipő, valamint védőkötény használata szintén javasolt.

A kikapcsolást követően, a készüléket csak szerszámtengely teljes leállása után szabad letenni.

A működő készülék munkaterületére nyúlni balesetveszélyes és tilos.

Kizárólag olyan tárcsát szabad használni, amely megengedett fordulatszám legalább olyan magas, mint a készülék legmagasabb üresjáratú fordulatszám.

A csiszolószerszámot használat előtt meg kell vizsgálni, a leírtaknak megfelelően fel kell szerelni és feltétlenül ügyelni kell arra, hogy szabadon forogjon. Munkavégzés előtt, terhelés nélkül legalább 30 másodpercig próbajáratást kell végezni. Sérült, deformálódott vagy kiegyenlítettlenül forgó tárcsát nem szabad használni.

Fémek csiszolásakor szikra keletkezhet. Ügyeljen a közelben tartózkodó személyek testi épségére, illetve a gyúlékony anyagokat távolítsa el a munkaterületről. Ne használjon porszívót.

A készüléket mindig úgy kell tartani, hogy a keletkező szikra, illetve a por ne a munkavégzőre szálljon.

A készülék használata előtt vizsgálja meg, hogy a szorítóanya megfelelően meg van-e húzva.

Különösen erős, külső elektromágneses hatás alatt a fordulatszám átmeneti ingadozása léphet fel.

A csiszolótárcsát mindig a gyártó útmutatásainak megfelelően kell használni és tárolni.

A munkadarabot rögzíteni kell, amennyiben saját súlya nem tartja meg biztonságosan. A munkadarabot soha nem szabad kézzel vezetni a korong irányába.

A köszörűszerszám méreteinek illeszkednie kell a köszörűgép méreteihez.

A pormentes munkavégzés érdekében a gép szellőzőnyílásait nem szabad lefedni. Szükség esetén válasszák le a gépet a hálózatról, és pormentesítsék. Ehhez használjanak nem fémből készült tárgyat, ügyelve, hogy ne sérüljenek meg a gép belső elemei.

Akkumulátor sav folyhat a sérült akkumulátorból extrém terhelés alatt, vagy extrém hő miatt. Ha az akkumulátor sav a bőrre kerül azonnal mossa meg szappanos vízzel. Szembe kerülés esetén folyóvíz alatt tartsa a szemét minimum 10 percig és azonnal forduljon orvoshoz.

A használt akkumulátort ne dobja tűzbe vagy a háztartási szemétkébe. Tájékozódjon a szakszerű megsemmisítés helyi lehetőségeiről.

Az akkumulátort ne tárolja együtt fém tárgyakkal. (Rövidzárlat veszélye).

Az "18 V" elnevezésű rendszerhez tartozó akkumulátorokat kizárólag a rendszerhez tartozó töltővel töltsen fel. Ne használjon más rendszerbe tartozó töltőt.

Ügyeljen arra, hogy a töltő aknájába ne kerüljön semmilyen fém tárgy, mert ez rövidzárlatot okozhat.

Az akkumulátort, töltőt nem szabad megbontani és kizárólag száraz helyen szabad tárolni. Nedvességtől óvni kell.

Karbantartás, javítás, tisztítás, stb. előtt az akkumulátort ki kell venni a készülékből.

Gondoskodjanak róla, hogy a köszörűszerszám a köszörűanyag gyártójának utasítása szerint legyen felhelyezve.

RENDELTESSZERŰ HASZNÁLAT

Az egyenes csiszoló a szármával megmunkált fémek, nemvas fémek, műanyagok, keményfa, stb. finomcsiszolási munkáira alkalmas.

A készüléket kizárólag az alábbiakban leírtaknak megfelelően szabad használni.

Kétséges esetben fi gyelembe kell venni a tartozék gyártójának útmutatásait.

Az elektromos szerszám csak száraz megmunkálásra alkalmas.

CE-AZONOSSÁGI NYILATKOZÁS

Egyedüli felelősséggel kijelentjük, hogy a "Műszaki Adatok" alatt leírt termék a 2011/65/EU (RoHS), 2004/108/EK, 2006/42/EK irányelvek minden releváns előírásának, ill. az alábbi harmonizált normatív dokumentumoknak megfelel:

EN 60745-1:2009+A11:2010

EN 60745-2-3:2011

EN 55014-1:2006+A1:2009+A2:2011

EN 55014-2:1997+A1:2001+A2:2008

EN 50581:2012

Winnenden, 2014-06-18



Alexander Krug
Managing Director



Műszaki dokumentáció összeállításra felhatalmazva

Techtronic Industries GmbH
Max-Eyth-Straße 10
71364 Winnenden
Germany

AKKUK

A hosszabb ideig üzemben kívül lévő akkumulátort használat előtt ismétellen fel kell tölteni.

50°C feletti hőmérsékletnél csökkenhet az akkumulátor teljesítménye. Kerülni kell a túlzottan meleg helyen vagy napon történő hosszabb idejű tárolást.

A töltő és az akkumulátor csatlakozóit mindig tisztán kell tartani.

Az optimális élettartam érdekében használat után az akkukat teljesen fel kell tölteni.

A lehetőleg hosszú élettartamhoz az akkukat feltöltés után ki kell venni a töltőkészülékből.

Az akku 30 napot meghaladó tárolása esetén:

Az akkut kb. 27 °C-on, száraz helyen kell tárolni.

Az akkut kb. 30-50%-os töltöttségi állapotban kell tárolni.

Az akkut 6 havonta újra fel kell tölteni.

KARBANTARTÁS

A készülék szellőzőnyílásait mindig tisztán kell tartani.

Rövidzárlat veszélye miatt a szellőzőnyílásokba nem kerülhetnek fémdarabkák.

Javításhoz, karbantartáshoz kizárólag Milwaukee alkatrészeket és tartozékokat szabad használni. A készülék azon részeinek cseréjét, amit a kezelési útmutató nem engedélyez, kizárólag a javításra feljogosított márkaszerviz végezheti. (Lásd a szervizlistát)

Szükség esetén a készülékek robbantott ábráját - a készülék típusa és azonosító száma alapján a területileg illetékes Milwaukee márkaszerviztől vagy közvetlenül a gyártótól (Techtronic Industries GmbH, Max-Eyth-Straße 10, 71364 Winnenden, Germany) lehet kérni.

SZIMBÓLUMOK



FIGYELEM! FIGYELMEZTETÉS! VESZÉLY!



Karbantartás, javítás, tisztítás, stb. előtt az akkumulátort ki kell venni a készülékből.



Kérjük alaposan olvassa el a tájékoztatót mielőtt a gépet használja.



Munkavégzés közben ajánlatos védőszemüveget viselni.



Hordjon védőkesztyűt!



Ne alkalmazzon erőt.



Az elektromos eszközöket nem szabad a háztartási hulladékkal együtt ártalmatlanítani. Az elektromos és elektronikus eszközöket szelektíven kell gyűjteni, és azokat környezetbarát ártalmatlanítás céljából hulladékhasznosító üzemben kell leadni. A helyi hatóságoknál vagy szakkereskedőjénél tájékozódjon a hulladékudvarokról és gyűjtőhelyekről.



CE-jelölés

Eurázsiai megfelelőségi jelzés.

TEHNIČNI PODATKI	PREMI BRUSILNIKI	C 12 RT
Proizvodna številka.....4311 33 011.....000001-999999
Napetost izmenljivega akumulatorja.....12 V5000-37000 min ⁻¹
Nazivno število vrtljajev0,8 / 1,6 / 2,4 / 3,2 mm
Vpenjalne klešče ø
Brusilno telo ø maks.:
keramično ali z gumo vezano brusilno telo25 mm
z umetno smolo vezano brusilno telo25 mm
Teža z izmenljivim akumulatorjem.....0,62 kg

Informacije o hrupnosti/vibracijah

Vrednosti merjenja ugotovljene ustrezno z EN 60 745.

Raven hrupnosti naprave ovrednotena z A, znaša tipično:

Nivo zvočnega tlaka (Nevarnost K=3dB(A)).....73 dB (A)
Višina zvočnega tlaka (Nevarnost K=3dB(A)).....84 dB (A)

Nosite zaščito za sluh!

Skupna vibracijska vrednost (Vektorska vsota treh smeri)

določena ustrezno EN 60745.

Vibracijska vrednost emisij a_h

Vrtanje v kovine2,4 m/s ²
Nevarnost K.....1,5 m/s ²
Brušenje s smirkovim papirjem.....2,6 m/s ²
Nevarnost K.....1,5 m/s ²
Brušenje kovina.....3,1 m/s ²
Nevarnost K.....1,5 m/s ²
Brušenje kamna1,8 m/s ²
Nevarnost K.....1,5 m/s ²
Rezanje kovina.....3,4 m/s ²
Nevarnost K.....1,5 m/s ²

OPOZORILO

V teh navodilih navedena raven treslajev je bila izmerjena po EN60745 normiranem merilnem postopku in lahko služi medsebojni primerjavi električnih orodij. Prav tako je primeren za predhodno oceno obremenitve s treslajji.

Navedena raven treslajev navaja najpomembnejše vrste rabe električnega orodja. Kadar se električno orodje uporablja za drugačne namene, z odstopajočimi orodji ali pa z nezadostnim vzdrževanjem, lahko raven treslajev tudi odstopa. Le to lahko čez celoten delovni čas znatno zviša obremenitev s tresenjem.

Za natančno oceno obremenitve s treslajev naj bi se upošteval tudi čas v katerem je naprava izklopljena ali sicer teče, vendar dejansko ni v rabi. Le to lahko obremenitev s treslajji čez celoten delovni čas znatno zmanjša.

Za zaščito upravljalca pred učinkom treslajev uvedite dodatne zaščitne ukrepe npr.: Vzdrževanje električnega orodja in orodja, delo s toplimi rokami, organizacija delovnih potekov.

⚠ OPOZORILO! Preberite vsa varnostna opozorila in navodila. Napake zaradi neupoštevanja spodaj navedenih opozoril in napotil lahko povzročijo električni udar, požar in/ali težke telesne poškodbe. **Vsa opozorila in napotila shranite, ker jih boste v prihodnje še potrebovali.**

⚠ SPECIALNI VARNOSTNI NAPOTKI

Skupna varnostna navodila za brušenje

a) **To električno orodje se uporablja kot brusilnik.**

Upoštevajte vsa opozorila, navodila, slikovne prikaze in podatke, ki ste jih prejeli skupaj z električnim orodjem. Zaradi nespoštovanja spodaj navedenih navodil lahko pride do električnega udara, požara in/ali težkih telesnih poškodb.

b) To električno orodje ni primerno za žično krtačenje, brušenje s smirkovim papirjem in poliranje. Uporaba za katero stroj ni predviden, lahko povzroči nevarnosti in poškodbe.

c) **Ne uporabljajte pribora, ki ga proizvajalec za to orodje ni specialno predvidel in katerega uporabe ne priporoča.** Zgolj dejstvo, da lahko nek pribor pritrjuje na Vaše električno orodje, še ne zagotavlja varne uporabe.

d) **Dovoljeno število vrtljajev uporabljenega orodja mora biti vsaj tako visoko, kot je največje število vrtljajev električnega orodja.** Pribor, ki se vrti hitreje od dovoljenega števila vrtljajev, se lahko polomi in razleti.

e) **Zunanji premer in debelina delovnega orodja morajo odgovarjati navedbenim meram Vaše električne naprave.** Nepravilno izmerjeno uporabno orodje se ne more zadostno zasloniti oziroma kontrolirati

f) **Brusilna plošča, brusilni cilinder ali drug pribor se morajo natančno prilagati brusilnemu vretenu ali vpenjalnim čeljustim električnega orodja.** Orodja, ki v brusilno vreteno električnega orodja točno ne pašejo, se vrtilo neenakomerno, močno vibrirajo in lahko privedejo do izgube nadzora.

g) **Na trn nameščene plošče, brusilni cilinder, rezalna orodja ali drug pribor, morajo biti popolnoma vstavljeni v vpenjalne čeljusti ali v vpenjalno glavo. “Previs” oz. odmik trna od plošče do vpenjalnih čeljusti mora biti minimalen.** V kolikor trn ni zadosti vpet in/ali je previs plošče predolg, se nameščena plošča lahko sprosti in se z visoko hitrostjo izvrže.

h) **Ne uporabljajte poškodovanih vsadnih orodij. Pred vsako uporabo preglejte brusilne kolute, če se ne luščijo oziroma če nimajo razpok, brusilne krožnike, če nimajo razpok oziroma če niso močno obrabljeni ali izrabljeni, žične ščetke pa, če nimajo zrahljanih ali odlomljenih žic. Če pade električno orodje ali vsadno orodje na tla, pogledjte, če ni poškodovano in uporabljajte samo nepoškodovana vsadna orodja. Po kontroli in vstavljanju vsadnega orodja se ne zadržujte v ravnini vrtečega se vsadnega orodja, kar velja tudi za druge osebe v bližini. Električno orodje naj eno minuto deluje z najvišjim številom vrtljajev.** Poškodovana vsadna orodja se največkrat zlomijo med tem preizkusnim časom.

i) **Uporabljajte osebno zaščitno opremo. Odvisno od vrste uporabe si nataknete zaščitno masko čez cel obraz, zaščito za oči ali zaščitna očala. Če je potrebno, nosite zaščitno masko proti prahu, zaščitne slušnike, zaščitne rokavice ali specialni predpasnik, ki Vas bo zavaroval pred manjšimi delci materiala, ki nastajajo pri brušenju. Oči je treba zavarovati pred tujki, ki nastajajo pri različnih vrstah uporabe**

naprave in letijo naokrog. Zaščitna maska proti prahu ali dihalna maska morata filtrirati prah, ki nastaja pri uporabi. Predolgo izpostavljanje glasnemu hrupu ima lahko za posledico izgubo sluha.

j) **Pazite pri drugih osebah na varnostno razdaljo do Vašega delovnega področja. Vsakdo ki pristopi delovnem področju mora nositi osebno zaščitno opremo.** Drobc obdelovanca ali zlomljeno delovno orodje lahko odletijo in povzročijo poškodbe ven direktnega delovnega področja.

k) **Kadar izvajate dela pri katerih lahko orodje zadane prikrito električno napeljavno, je napravo potrebno držati za izolirane prijemalne površine.** Stik rezalnega orodja z napetostnim vodnikom napeljave lahko privede kovinske dele naprave pod napetost in vodi do električnega udara.

l) **Pri zagonu držite električno orodje zmeraj močno.** Pri utekanju do polne hitrosti lahko reakcijski moment torzja privede do tega, da se električno orodje zasuče.

m) **V kolikor je mogoče, uporabljajte za fiksiranje obdelovanca primež. Majhnega obdelovanca pri delu nikdar ne držite v eni in orodja v drugi roki. Pri vpetju majhnih obdelovancev imate roki za boljše rokovanje električnega orodja prosti.** Pri rezanju okroglih obdelovancev, kot so leseni čepi, palični material ali cevi, so le te nagnjene k odkotaljenju, vsled česar se se vstavljenno orodje lahko zaskoči in izvrže proti vam.

n) **Ne odlagajte električno napravo vse dokler se električna naprava ni popolnoma umirila.** Vrtečo delovno orodje lahko pride v kontakt z odlagalno površino s čimer lahko izgubite kontrolo nad električno napravo.

o) **Po menjavi vstavljenega orodja ali nastavitvah naprave se prepričajte, da bodo matice primeža, vpenjala ali drugi pritrilni elementi močno zategnjeni.** Sproščeni pritrilni elementi lahko nepričakovano zdrsnejo in privedejo do izgube nadzora; nepričakovano, rotirajoče komponente se s silo izvržejo.

p) **Električno orodje naj medtem, ko ga prenašate naokrog, ne deluje.** Vrteče se vsadno orodje lahko zaradi naključnega kontakta zagradi Vaše oblačilo in se zavrti v Vaše telo.

q) **Prezračevalne reže Vašega električnega orodja morate redno čistiti.** Ventilator motorja povleče v ohlajše prah in velika količina nabranega prahu je lahko vzrok za električno nevarnost.

r) **Ne uporabljajte električno napravo v bližini vnetljivih materialov.** Iskre lahko vnamejo te materiale.

s) **Ne uporabljajte delovno orodje katerega zahteva tekoča sredstva hlajenja.** Uporaba vode ali ostalih tekočih sredstev hlajenja lahko vodijo do električnega udara.

Povratni udarec in odgovarjajoč-a varnostna navodila

Povratni udarec je nenadna reakcija, ki nastane zaradi zagozdenja ali blokiranja vrtečega se vsadnega orodja, na primer brusilnega koluta, brusilnega krožnika, žične ščetke in podobnega. Zagozdenje ali blokiranje ima za posledico takojšnjo ustavitve vrtečega se vsadnega orodja.

Nekontrolirano električno orodje se zaradi tega pospešeno premakne v smer, ki je nasprotna smeri vrtenja vsadnega orodja.

Če se na primer brusilni kolut zatakne ali zablokira v obdelovancu, se lahko rob brusilnega koluta, ki je potopljen v obdelovanec, zaplete vanj in brusilni kolut se odloji ali povzroči povratni udarec. Brusilni kolut se nato premakne proti uporabniku ali proč od njega, odvisno od smeri vrtenja brusilnega koluta na mestu blokiranja. Blokirni koluti se lahko pri tem tudi zlomijo.

Povratni udarec je posledica napačne ali pomanjkljive uporabe električnega orodja. Preprečite ga lahko z ustreznimi previdnostnimi ukrepi. Navedeni so v nadaljevanju besedila.

a) **Dobro držite električno orodje in premaknite telo in roke v položaj, v katerem boste lahko prestregli moč povratnega udara.** Če je na voljo dodatni ročaj, ga obvezno uporabljajte in tako zagotovite najboljšo možno nadziranje moči povratnih udarcev ali reakcijskih momentov pri zagonu naprave. Z ustreznimi previdnostnimi

ukrepi lahko uporabnik obvlada moč povratnih udarcev in reakcijskih momentov.

b) **Posebno previdno delajte v kotih, na ostrih robovih in podobnih površinah. Preprečite, da bi vsadna orodja odskočila od obdelovanca in se zagozdila.** Vrteče se vsadno orodje se v kotih, na ostrih robovih ali če odskoči, zlahka zagozdi. To povzroči izgubo nadzora ali povratni udarec.

c) **Ne uporabljajte verižni ali nazobčani žagin list.** Tako delovno orodje povzroči pogosto povratni udarec ali izgubo kontrole nad električno napravo.

d) **Vodite vstavljenno orodje zmeraj v isti smeri v material, v kateri rezalni rob material zapušča (ustreza anaki smeri, v kateri izhajajo ostružki).** Vodenje električnega orodja v napačno smer povzroči izstrganje vstavljenega orodja iz obdelovanca, vsled česar se električno orodje potegne v to potpisno smer.

e) **Obdelovanec pri uporabi jeklenih žaginskih listov, rezalnih plošč, hitroreznih rezalnih orodij ali gradij za rezkanje trdih kovin, zmeraj močno zategnite. Ze pri naznatni zagozditvi se le ta vstavljenno orodja zataknejo in lahko povzročijo povratni udar. Pri zatiku rezalne plošče, se le ta praviloma zlomi. Pri zatiku jeklenih žaginskih listov, hitroreznih rezalnih orodij ali orodij za rezkanje trdih kovin lahko vstavljenno orodje izskoči in privede do izgube nadzora nad električnim orodjem.**

Posebna varnostna opozorila za brušenje

a) **Uporabljajte zgolj tipe brusilnih plošč, ki so za vaše električno orodje priporočeni, in zgolj za priporočene namene uporabe. Tako nakdar ne primer ne brusite s stransko površino brusne plošče.** Rezalne plošče so predvidene za rez materiala z robom plošče. Stranski vplivi sil na to brusilno telo jih lahko zlomijo.

b) **Za konične in ravna brusilna orodja z navojem uporabljajte zgolj nepoškodovane trne pravilne velikosti in dolžine, brez znižanja na ramenu.** Primerni trni preprečujejo možnost zloma.

c) **Roke ne postavljajte v smeri rotacije oz. za rotirajočo rezalno ploščo.** V kolikor rezalno ploščo v obdelovancu premikate od vaše roke proč, se lahko v primeru povratnega udara, električno orodje z v njem vrtečo se ploščo, izvrže naravnost v vas.

d) **Plošče ali velike obdelovance ustrezno podprite in tako zmanjšajte tveganje povratnega udara zaradi zatakajene rezalne plošče.** Veliki obdelovanci se lahko zaradi lastne teže upognejo. Obdelovanec mora biti podprt z obeh strani, pa tudi v bližini reza in na robu.

e) **Še posebno previdni bodite pri “rezanju žepov” v obstoječe stene ali v druga področja, v katera nimate vpogleda.** Pogrezajoča se rezalna plošča lahko pri zarezovanju v plinske ali vodovodne cevi ter električne vodnike in druge predmete povzroči povratni udarec.

NADALJENA VARNOSTNA IN DELOVNA OPOZORIILA

Pri delu s strojem vedno nosite zaščitna očala. Priporočamo zaščitne rokavice, trdno obuvajo, varno proti drsenju ter predpasnik.

Vreteno orodja teče dalje, ko se naprava izklopi. Stroj odložite šele, ko preneha teči.

Ne segajte na področje nevarnosti tekočega stroja.

Uporabljajte samo delovna orodja, katerih dopustno število vrtljajev je najmanj tako visoko kot najvišje število vrtljajev v prostem teku naprave.

Brusilna orodja preverite pred uporabo. Brusilno orodje mora biti montirano neoporečno in mora se prosto vrteti. Najmanj 30 sekund dolgo izvajajte preizkusni tek brez obremenitve. Ne uporabljajte poškodovanih, neokroglih ali vibrirajočih brusilnih orodij.

Pri brušenju kovin nastaja iskrenje. Pazite na to, da ne ogrožate nobenih oseb. Zaradi nevarnosti požara se v bližini (na področju iskrenja) ne smejo nahajati nobeni gorljivi materiali. Ne uporabljajte odsesavanja prahu.

Aparat vedno držite tako, da iskre ali brusilni prah letijo vstran od telesa.

Napenjalna matica mora biti pred zagonom stroja zategnjena.

Pod vplivom ekstremnih elektromagnetnih motenj od zunaj lahko v posameznem primeru pride do začasnih nihanj števila vrtljajev.

Brusilne plošče vedno uporabljajte in shranjujte v skladu z navedbami proizvajalca.

Kos, ki ga želite obdelovati, mora biti trdno vpet, če ne drži že zaradi lastne teže. Nikoli obdelovalnega kosa ne vodite z roko proti plošči.

Izmere orodja za brušenje morajo pristajati brusu.

Pri prašnih delih morajo reže za zračenje naprave biti proste. Po potrebi napravo izklopimo iz omrežja in prah odstranimo. Za čiščenje uporabite nekovinske dele in ne poškodujte nobenih delov v notranjosti.

Pod ekstremno obremenitvijo ali ob ekstremni temperaturi iz poškodovanega izmenljivega akumulatorja lahko izteka akumulatorska tekočina. Po stiku z akumulatorsko tekočino prizadeto mesto takoj izperite z vodo in milom. Po stiku z očmi takoj najmanj 10 minut dolgo temeljito izpirajte in nemudoma obiščite zdravnika.

Izrabljenih izmenljivih akumulatorjev ne mečite v ogenj ali v gospodinjiske odpadke. Milwaukee nudi okolju prijazno odlaganje starih izmenljivih akumulatorjev; prosimo povprašajte vašega strokovnega trgovca.

Izmenljivih akumulatorjev ne hranite skupaj s kovinskimi predmeti (nevarnost kratkega stika).

Izmenljive akumulatorje sistema 18 V polnite samo s polnilnimi aparati sistema 18 V. Ne polnite nobenih akumulatorjev iz drugih sistemov.

V odprtino za nameščanje izmenljivih akumulatorjev na polnilnih aparatih ne smejo zaiti nikakršni kovinski deli (nevarnost kratkega stika).

Izmenljivih akumulatorjev in polnilnih aparatov ne odpirajte in jih hranite samo v suhih prostorih. Zaščitite jih pred mokroto.

Pred vsemi deli na stroji odstranite izmenljivi akumulator.

Prepričajte se, da je orodje za brušenje nameščeno ustrezno navodilom proizvajalca brusnega sredstva.

UPORABA V SKLADU Z NAMEMBOSTJO

Ravni brusilnik je primeren za brušenje lesa, umetne mase in kovine, še posebej na težko dostopnih mestih.

Ta naprava se sme uporabiti samo v skladu z namembnostjo uporabiti samo za navede namene.

Kadar ste v dvomu upoštevajte navodila proizvajalcapribora.

Električno orodje je primerno zgolj za suho obdelavo.

CE-IZJAVA O KONFORMNOSTI

V lastni odgovornosti izjavljamo, da se pod "Tehnični podatki" opisan proizvod ujema z vsemi relevantnimi predpisi smernice 2011/65/EU (RoHS), 2004/108/ES, 2006/42/ES in s sledečimi harmoniziranimi normativnimi dokumenti:

EN 60745-1:2009+A11:2010

EN 60745-2-3:2011

EN 55014-1:2006+A1:2009+A2:2011

EN 55014-2:1997+A1:2001+A2:2008

EN 50581:2012

Winnenden, 2014-06-18



Alexander Krug
Managing Director



Pooblaščen za izdelavo spisov tehnične dokumentacije.

Techtronic Industries GmbH

Max-Eyth-Straße 10

71364 Winnenden

Germany

AKUMULATORJI

Izmenljive akumulatorje, ki jih daljši čas niste uporabljali, pred uporabo naknadno napolnite.

Temperatura nad 50°C zmanjšuje zmogljivost izmenljivega akumulatorja. Izogibajte se daljšemu segrevanju zaradi sončnih žarkov ali gretja.

Pazite, da ostanejo priključni kontakti na polnilnem aparatu in izmenljivem akumulatorju čisti.

za optimalno življenjsko dobo je potrebno akumulatorje po uporabi do konca napolniti.

Za čim daljšo življenjsko dobo naj se akumulatorji po napolnitvi vzamejo ven iz naprave za polnjenje.

Pri skladiščenju akumulatorjev dalj kot 30 dni:

Akumulator skladiščiti pri 27°C in na suhem.

Akumulator skladiščiti pri 30%-50% stanja polnjenja.

Akumulator spet napolniti vsakih 6 mesecev.

VZDRŽEVANJE

Pazite na to, da so prezračevalne reže stroja vedno čiste.

Zaradi nevarnosti kratkega stika kovinski deli ne smejo zaiti v špranje za prezračevanje.

Uporabljajte samo Milwaukee pribor in nadomestne dele. Poskrbite, da sestavne dele, katerih zamenjava ni opisana, zamenjajo v Milwaukee servisni službi (upoštevajte brošuro Garancija/Naslovi servisnih služb).

Po potrebi se lahko pri vaši servisni službi ali direktno pri Techtronic Industries GmbH naroči eksplozijska risba naprave ob navedbi tipa stroja in številke s tipske ploščice Techtronic Industries GmbH, Max-Eyth-Straße 10, 71364 Winnenden, Germany.

SIMBOLI



POZOR! OPOZORILO! NEVARNO!



Pred vsemi deli na stroji odstranite izmenljivi akumulator.



Prosimo, da pred uporabo pozorno preberete to navodilo za uporabo.



Pri delu s strojem vedno nosite zaščitna očala.



Nositi zaščitne rokavice



Brez uporabe sile.



Električnih naprav ni dovoljeno odstranjevati skupaj z gospodinjiskimi odpadki. Električne in elektronske naprave je potrebno zbirati ločeno in za okolju prijazno odstranitev, oddati podjetju za reciklažo. Pri krajevnem uradu ali vašem strokovnem prodajalcu se pozanimajte glede reciklažnih dvorišč in zbirnih mest.



CE-znak

EurAsian oznaka o skladnosti.

TEHNIČKI PODACI	BRUSAČ	C 12 RT
Broj proizvodnje.....		4311 33 01... ...000001-999999
Napon baterije za zamjenu.....		12 V
Nazivni broj okretaja.....		5000-37000 min ⁻¹
Stezna klijesta-ø.....		0,8 / 1,6 / 2,4 / 3,2 mm
Brusno tijelo-ø max.:		
keramički ili gumeno povezano brusno tijelo.....		25 mm
umjetnom smolom povezano brusno tijelo.....		25 mm
Težina skupa sa izmjenjivom baterijom.....		0,62 kg

Informacije o buci/vibracijama

Mjerne vrijednosti utvrđene odgovarajuće EN 60 745.

A-ocijenjeni nivo buke aparata iznosi tipično:

Nivo pritiska zvuka (Nesigurnost K=3dB(A))..... 73 dB (A)

Nivo učinka zvuka (Nesigurnost K=3dB(A))..... 84 dB (A)

Nositi zaštitu sluha!

Ukupne vrijednosti vibracije (Vektor suma tri smjera) su

odmjerene odgovarajuće EN 60745

Vrijednost emisije vibracije a_h

Bušenje metala..... 2,4 m/s²

Nesigurnost K..... 1,5 m/s²

Brušenje pješćanim papirom..... 2,6 m/s²

Nesigurnost K..... 1,5 m/s²

Brušenje metal..... 3,1 m/s²

Nesigurnost K..... 1,5 m/s²

Brušenje kamena..... 1,8 m/s²

Nesigurnost K..... 1,5 m/s²

Rezanje metal..... 3,4 m/s²

Nesigurnost K..... 1,5 m/s²

UPOZORENJE

Ova u ovim uputama navedena razina titranja je bila izmjerena odgovarajuće jednom u EN 60745 normiranom mjernom postupku i može se upotrijebiti za usporedbu električnog alata međusobno. Ona je prikladna i za privremenu procjenu titrajnog opterećenja.

Navedena razina titranja reprezentira glavne primjene električnog alata. Ukoliko se električni alat upotrebljava u druge svrhe sa odstupajućim primijenjenim alatima ili nedovoljnim održavanjem, onda razina titranja može odstupati. To može titrajno opterećenje kroz cijeli period rada bitno povisiti.

Za točnu procjenu titrajnog opterećenja se moraju uzeti u obzir i vremena u kojima je uređaj isključen ili u kojima doduše radi, ali nije i stvarno u upotrebi. To može titrajno opterećenje bitno smanjiti za vrijeme cijelog radnog perioda.

Utvrđite dodatne sigurnosne mjere za zaštitu poslužioaca protiv djelovanja titranja kao npr.: Održavanje električnih alata i upotrebljenih alata, održavanje topline ruku, organizacija i radne postupke.

⚠ UPOZORENJE! Pročitajte molimo sve sigurnosna upozorenja i upute. Ako se ne bi poštivale napomene o sigurnosti i upute to bi moglo uzrokovati strujni udar, požar i/ili teške ozljede. **Sačuvajte sve napomene o sigurnosti i upute za buduću primjenu.**

⚠ SPECIJALNE SIGURNOSNE UPUTE

Skupne sigurnosne upute za brušenje

a) **Ovaj električni alat se upotrebljava kao brusnač.**

Pridržavajte se svih naputaka s upozorenjem, uputa, prikaza i podataka koje ste dobili s električnim alatom. Ako se ne bi pridržavali sljedećih uputa, moglo bi doći do električnog udara, požara i/ili teških ozljeda.

b) Ovaj električni alat nije prikladan za žičano četkanje, rastavno brušenje, brušenje pješćanim papirom i poliranje. Primjene, za koje električni alat nije predviđen, mogu prouzročiti ugrožavanja i povrede.

c) **Ne koristite pribor koji proizvođač nije posebno predvidio i preporučio za ovaj električni alat.** Sama činjenica da se pribor može pričvrstiti na vaš električni alat, ne jamči sigurnu primjenu.

d) **Dozvoljeni broj okretaja alatnih nastavaka mora najmanje biti toliko kao što je i najveći broj okretaja naveden na električnom alatu.** Oprema koja ima veći broj okretaja od dozvoljenog može se polomiti i razletjeti.

e) **Vanjski premjer i debljina korištenog alata moraju biti sukladni mjerama Vašeg električnog stroja.** Alati sa ne primjernim mjerama se ne mogu dovoljno pokriti i kontrolirati.

f) **Brusna ploča, brusni cilindar ili neki drugi pribor moraju točno pristajati na brusno vreteno ili zatezna klijesta električnog alata.** Ugradni alati koji na brusno vreteno električnog alata ne pristaju točno, se okreću neravnomjerno, jako vibriraju i mogu dovesti do gubitka kontrole.

g) **Na trnu montirane ploče, brusni cilindri, rezački alati ili drugi pribor moraju biti potpuno ugrađeni u zatezna klijesta ili u zaglavnik za svrdlo."Prevjes" odn. razmak trna od ploče za zatezna klijesta mora biti minimalan.** Ako se vreteno nedovoljno zategne i/ili prevjes ploče je preduga, montirana ploča se može opustiti i može biti izbačena velikom brzinom.

h) **Ne koristite oštećene radne alate. Prije svake primjene kontrolirajte radne alate, kao što su brusne ploče na odlamanje komadića i pukotine, brusne tanjure na pukotine, trošenje ili veću istrošenost, čelične četke na oslobođene ili odlomljene žice. Ako bi električni alat ili radni alat pao, provjerite da li je oštećen ili koristite neoštećeni radni alat. Kada koristite ili kontrolirate radni alat, osobe koje se nalaze blizu držite izvan ravnine rotirajućeg radnog alata i ostavite električni alat da se jednu minutu vrti sa maksimalnim brojem okretaja.** Oštećeni radni alati najčešće se lome u vrijeme ovakvih ispitivanja.

i) **Nosite osobnu zaštitnu opremu. Ovisno od primjene koristite masku za zaštitu lica i zaštitne naočale.** Ukoliko je to potrebno, nosite masku za zaštitu od prašine, štitnike za sluh, zaštitne rukavice ili specijalne pregače, koje će vas zaštititi od sitnih čestica od brušenja i materijala. Oči treba zaštititi od letućih stranih tijela koja nastaju kod različitih primjena. Zaštitne maske protiv prašine ili za disanje moraju

profiltrirati prašinu nastalu kod primjene. Ako ste dulje vrijeme izloženi buci, mogao bi vam se pogoršati sluh.

j) **Pazite, da su druge osobe na bezopasnoj udaljenosti od Vaše radne zone. Svako, ko ulazi u radnu zonu mora imati sredstva osobne zaštite.** Odlomljeni dijelovi obrađivanog materijala ili pokvareni alat mogu odskočiti i izazvati oštećenje ljudi čak i izvan neposredne radne zone.

k) **Držite spravu na izoliranim držačkim površinama kada izvodite radove kod kojih rezački alat može pogoditi skrivene vodove struje.** Kontakt rezačkog alata sa vodovima koji sprovode naponm može metalne dijelove sprave dovesti pod napon i tako dovesti do električnog udara.

l) **Električni alat kod starta uvijek čvrsto držati.** Kod zaleta na punu brzinu moment reakcije motora može dovesti do zakretanja električnog alata.

m) **Ako je moguće, upotrijebite zatezne stegače, kako bi fiksirali izradak. Jedan mali izradak za vrijeme korištenja nemojte nikada držati u jednoj ruci a alat u drugoj.** Kroz ukliještenja manjih izradaka su vam zbog boljeg rukovanja električnim alatom ruke slobodne. Kod odvajanja okruglih izradaka, kao drvenih zatika, šipki ili cijevi, su oni skloni otkotrljavanju, kroz što se umetak alata može stegnuti i biti izbačen prema vama.

n) **Nikad ne ostavljajte električni stroj bez nadzora, dok se alat ne zaustavi potpuno.** Alat koji se vrti može doći u kontakt sa površinom, na kojoj ste ostavili stroj, pri tome lako izgubite kontrolu nad strojem.

o) **Nakon promjene umetaka alata ili poslije podešavanja na aparatu uvjerite se, da su matica steznih klijesta, zaglavnik za svrdlo ili drugi pričvrtni elementi čvrsto zategnuti.** Labavi pričvrtni elementi se mogu neočekivano pomjeriti i dovesti do gubitka kontrole; nepričvršćene, rotirajuće komponente se izbacuju silom.

p) **Ne dopustite da električni alat radi dok ga nosite.** Rotirajući radni alat bi slučajnim kontaktom mogao zahvatiti vašu odjeću, a radni alat bi vas mogao ozlijediti.

q) **Redovito čistite otvore za hlađenje vašeg električnog alata.** Ventilator motora uvlači prašinu u kućište električnog alata, a veliko nakupljanje metalne prašine može uzrokovati električne opasnosti.

r) **Ne koristite električni stroj u blizini eksplozivnih tvari.** Iskre mogu zapaliti ove materijale.

s) **Ne koristite alat, koji se mora hladiti tekućinama.** Upotreba vode ili drugih tekućina za hlađenje mogu izazvati kratki spoj.

"Trzaj" stroja i odgovarajuće sigurnosne upute

Povratni udar je iznenadna reakcija zbog radnog alata koji se je zaglavio ili blokirao, kao što su brusilice, brusni tanjuri, čelične četke itd. Zaglavljivanje ili blokiranje dovodi do naglog zaustavljanja rotirajućeg radnog alata. Zbog toga će se nekontrolirani električni alat ubrzati u smjeru suprotnom od smjera rotacije radnog alata na mjestu blokiranja.

Ako bi se npr. brusna ploča zaglavila ili blokerala u izratku, tada rub brusne ploče koja je zarezala u izradak može odlomiti brusnu ploču ili uzrokovati povratni udar. Brusna ploča se kod toga pomiče prema osobi koja rukuje električnim alatom ili od nje, ovisno od smjera rotacije brusne ploče na mjestu blokiranja. Kod toga se brusne ploče mogu i odlomiti.

Povratni udar je posljedica pogrešne ili neispravne uporabe električnog alata. On se može spriječiti prikladnim mjerama opreza, kao što su dolje opisane.

a) **Električni alat držite čvrsto i vaše tijelo i ruke dovedite u položaj u kojem možete preuzeti silu povratnog udara. Ukoliko postoji koristite uvijek dodatnu ruku, kako bi imali najveću moguću kontrolu nad silama povratnog udara ili momentima reakcije kod rada električnog alata.** Osoba koja rukuje električnim alatom može prikladnim mjerama opreza ovladati povratnim udarom ili silama reakcije.

b) **Posebno opreznim radom u području uglova, oštrih rubova, itd. spriječit ćete da se radni alat odbaci od izratka i da se u njemu ukliješti.** Rotirajući radni alat kada se odbije na uglovima ili oštrim rubovima, sklon je

ukliještenju. To uzrokuje gubitak kontrole nad radnim alatom ili povratni udar.

c) **Ne upotrebljavajte lančani ili zupčasti rezni disk.** Ovakvi alat često prouzročava "trzanje" ili gubitak kontrole nad električnom stroju.

d) **Umetnuti alat uvodite u materijal uvijek u istom smjeru, u kome rezni rub napušta materijal (odgovara istom smjeru, u kojem se izbacuje piljevina).** Vodenje električnog alata u pogrešnom smjeru uzrokuje izbjajanje umetnutog alata iz izratka, čime se električni alat vuče u ovaj povlačni smjer.

e) **Izradak kod upotrebe čeličnih listova pile, reznih ploča, visokobrzinskih glodalica ili glodalica za tvrde metale držite uvijek čvrsto.** Već kod najmanjih izobličenja u žlijebu se ovi umetci alata zakače i mogu prouzročiti povratni udar. Kod zakačenja jedne rezne ploče se ova obično polomi. Kod zakačenja čeličnih listova pile, visokobrzinskih glodalica ili glodalica za tvrde metale, umetak alata može iskočiti iz žlijeba, što može dovesti do gubitka kontrole nad električnim alatom.

Posebne sigurnosne upute o brušenju

a) **Upotrijebite samo tipove brusnih ploča, koji su preporučeni za vaš električni alat kao i za preporučene mogućnosti upotrebe. Nemojte nikada brusiti npr. sa postraničnom površinom jedne rezne ploče.** Rezne ploče su određene za skidanje materijala sa bridom ploče. Postranično djelovanje sile na ovo brusno tijelo može ovu slomiti.

b) **Za konične i ravne brusne zatike sa navojem upotrijebite samo neoštećena vretena točne veličine i dužine, bez stražnjeg rezanja na ramenu.** Prikladna vretena smanjuju mogućnost loma.

c) **Vašu ruku nemojte pozicionirati u rotirajućem smjeru odn. iza rotirajuće rezne ploče.** Ako reznu ploču u izratku pomičete u smjeru od vaše ruke, električni alat se u slučaju jednog povratnog udara skupa sa okretajućom pločom može odbaciti direktno na vas.

d) **Podložite ploče ili velike izratke, kako bi se izbjegla opasnost povratnog udara od ukliještene brusne ploče za rezanje.** Veliki izraci se mogu prognuti pod djelovanjem svoje vlastite težine. Izradak se mora osloniti na obje strane, i to kako u blizini brusne ploče za rezanje, tako i na rubu.

e) **Budite posebno oprezni kod zarezivanja postojećih zidova ili na drugim nevidljivim područjima.** Brusna ploča za rezanje koja je zarezala plinske ili vodovodne cijevi, električne vodove ili ostale objekte, može uzrokovati povratni udar.

OSTALE SIGURNOSNE I RADNE UPUTE

Kod radova sa strojem uvijek nositi zaštitne naočale. Zaštitne rukavice, čvrste i protiv klizanja sigurne cipele kao i pregača se preporučuju.

Alatno vreteno radi naknadno, nakon što je aparat bio ugašen. Mašinu položiti tek nakon mirovanja.

Ne sezati u područje opasnosti radećeg stroja.

Primijeniti samo one radne alate, čiji je dozvoljeni broj okretaja najmanje tako visok kao i najveći broj okretaja praznog hoda aparata.

Alate za brušenje prije upotrebe provjeriti. Alat za brušenje mora biti besprijekorno montiran i treba se slobodno okretati. Izvesti probni rad od najmanje 30 sekundi bez opterećenja. Oštećene, neokrugle ili vibrirajuće alate za brušenje ne upotrijebiti.

Kod brušenja metala dolazi do iskrenja. Obratiti pažnju, da se ne ugrožavaju osobe. Zbog opasnosti od požara u blizini se ne smiju nalaziti gorivi materijali (područje leta iskri). Ne primijeniti usisavanje prašine.

Aparat uvijek držati tako, da iskre i prašina od brušenja lete u suprotnom smjeru od tijela.

Stezna matica mora prije puštanja stroja u rad biti zategnuta. Pod djelovanjem ekstremnih elektromagnetskih smetnji izvana, mogu u pojedinim slučajevima nastati privremene oscilacije broja okretaja.

Brusne ploče upotrijebiti i čuvati uvijek po podacima proizvođača.

Radni predmet koji se obrađuje mora biti čvrsto stegnut, ako se ne drži svojom osobnom težinom. Radni predmet ne nikada voditi rukom prema ploči.

Mjere brusnog alata moraju biti prikladni brusaru

Kod prašnjavi moraju otvori za prozračivanje stroja biti slobodni. Ukoliko je potrebno, stroj odvojiti od struje i prašinu odstraniti. Za to upotrijebiti nemetalne objekte i ne oštetiti unutrašnje dijelove.

Pod ekstremnim opterećenjem ili ekstremne temperature može iz oštećenih baterija iscuriti baterijska tekućina. Kod dodira sa baterijskom tekućinom odmah isprati sa vodom i sapunom. Kod kontakta sa očima odmah najmanje 10 minuta temeljno ispirati i odmah potražiti liječnika.

Istrošene baterije za zamjenu ne bacati u vatru ili u kućno smeće. Milwaukee nudi mogućnost uklanjanja starih baterija odgovarajuće okolini. Milwaukee nudi mogućnost uklanjanja starih baterija odgovarajuće okolini; upitajte molimo Vašeg stručnog trgovca.

Baterije za zamjenu ne čuvati skupa sa metalnim predmetima (opasnost od kratkog spoja).

Baterije sistema 18 V puniti samo sa uređajem za punjenje sistema 18 V. Ne puniti baterije iz drugih sistema.

U prostor za punjenje baterija u uređaju za punjenje ne smiju dospjeti metalni dijelovi (opasnost od kratkog spoja).

Baterije za zamjenu i uređaje za punjenje ne otvarati i čuvati ih samo u suhim prostorijama. Čuvati protiv vlage.

Prije svih radova na stroju izvaditi bateriju za zamjenu.

Uvjeriti se, da je alat za brušenje postavljen prema uputama proizvođača alata za brušenje.

PROPISNA UPOTREBA

Brusar ravnina je prikladan za brušenje drva, umjetnih materijala i metala, naročito na teško pristupačnim mjestima.

Ovaj aparat se smije upotrijebiti samo u određene svrhe kao što je navedeno.

U nedoumici poštivati upute proizvođača pribora.

Električni alat je prikladan samo za suhu obradu.

CE-IZJAVA KONFORMNOSTI

Izjavljujemo na osobnu odgovornost, da je proizvod opisan pod "Tehnički podaci", sukladan sa svim relevantnim propisima smjernice 2011/65/EU (RoHS), 2004/108/EC, 2006/42/EC i sa slijedećim harmoniziranim normativnim dokumentima:

EN 60745-1:2009+A11:2010

EN 60745-2-3:2011

EN 55014-1:2006+A1:2009+A2:2011

EN 55014-2:1997+A1:2001+A2:2008

EN 50581:2012

Winnenden, 2014-06-18



Alexander Krug
Managing Director



Ovlašten za formiranje tehničke dokumentacije.

Techtronic Industries GmbH
Max-Eyth-Straße 10
71364 Winnenden
Germany

BATERIJE

Baterije koje duže vremena nisu korištene, prije upotrebe napuniti.

Temperatura od preko 50°C smanjuje učinak baterija. Duže zagrijavanje od strane sunca ili grijanja izbjeći.

Priključne kontakte na uređaju za punjenje i baterijama držati čistima.

Za optimalni vijek trajanja se akumulatori poslije upotrebe moraju sasvim napuniti.

Za što moguće duži vijek trajanja, akumulatori se nakon punjenja moraju odstraniti iz punjača.

Kod skladištenja akumulatora duže od 30 dana:

Akumulator skladištiti na suhom kod ca. 27°C.

Akumulator skladištiti kod ca. 30%-50% stanja punjenja.

Akumulator ponovno napuniti svakih 6 mjeseci.

ODRŽAVANJE

Prereze za prozračivanje stroja uvijek držati čistima.

Zbog opasnosti od kratkog spoja metalni dijelovi ne smiju dospjeti u otvore za prozračivanje.

Primijeniti samo Milwaukee opremu i rezervne dijelove.

Sastavne dijelove, čija zamjena nije opisana, dati zamijeniti kod jedne od Milwaukee servisnih službi (poštivati brošuru Garancija/Adrese servisa).

Po potrebi se može zatražiti crtež eksplozije aparata uz davanje podataka o tipu stroja i desetoznamenastog broja na pločici snage kod Vaše servisne službe ili direktno kod Techtronic Industries GmbH, Max-Eyth-Straße 10, 71364 Winnenden, Germany.

SIMBOLI



PAŽNJA! UPOZORENIE! OPASNOST!



Prije svih radova na stroju izvaditi bateriju za zamjenu.



Molimo da pažljivo pročitate uputu o upotrebi prije puštanja u rad.



Kod radova na stroju uvijek nositi zaštitne naočale.



Nositi zaštitne rukavice!



Ne upotrebljavati silu.



Električni uređaji se ne smiju zbrinjavati skupa sa kućnim smećem. Električni uređaji se moraju skupljati odvojeno i predati na zbrinjavanje primjereno okolišu jednom od pogona za iskorišćavanje. Raspitajte se kod mjesnih vlasti ili kod stručnog trgovca u svezi gospodarstva za recikliranje i mjesta skupljanja.



Oznaka-CE

EurAsian znak konformnosti.

TEHNISKIE DATI	SLĪPĒTĀJS	C 12 RT
Izlaides numurs	4311 33 011...	...00001-999999
Akumulātorā spriegums.....	12 V	
Nominālais griešanās ātrums	5000-37000 min ⁻¹	
Spīļu diametrs.....	0,8 / 1,6 / 2,4 / 3,2 mm	
maks. slīpķermeņa diametrs:		
slīpķermenis ar keramikas vai gumijas saistījumu	25 mm	
slīpķermenis ar mākslīgo sveķu saistījumu	25 mm	
Svars kopā ar akumulatoru bateriju.....	0,62 kg	

Trokšņu un vibrāciju informācija

Vērtības, kas noteiktas saskaņā ar EN 60 745.

A novērtētās aparatūras skaņas līmenis ir:

Trokšņa spiediēna līmenis (Nedrošība K=3dB(A))	73 dB (A)
Trokšņa jaudas līmenis (Nedrošība K=3dB(A))	84 dB (A)

Nēsāt trokšņa slāpētāju!

Svārstību kopējā vērtība (Trīs virzienu vektoru summa) tiek noteikta atbilstoši EN 60745.

Svārstību emisijas vērtība a_n

Metāla urbis	2,4 m/s ²
Nedrošība K.....	1,5 m/s ²
Slīpēšana	2,6 m/s ²
Nedrošība K.....	1,5 m/s ²
Slīpēšana metāls.....	3,1 m/s ²
Nedrošība K.....	1,5 m/s ²
Slīpēšana griešana.....	1,8 m/s ²
Nedrošība K.....	1,5 m/s ²
Akmens metāls.....	3,4 m/s ²
Nedrošība K.....	1,5 m/s ²

UZMANĪBU

Instrukcijā norādītā svārstību robežvērtība ir izmērīta mērījumu procesā, kas veikts atbilstoši standartam EN 60745, un to var izmantot elektroinstrumentu savstarpējai salīdzināšanai. Tā ir piemērota arī svārstību noslogojuma pagaidu izvērtēšanai.

Norādītā svārstību robežvērtība ir reprezentatīva elektroinstrumenta pamata pielietojuma jomām. Tomēr, ja elektroinstrumenti tiek pielietoti citās jomās, papildus izmantojot neatbilstošus elektroinstrumentus vai pēc nepietiekamas tehniskās apkopes, tad svārstību robežvērtība var atšķīrties. Tas var ievērojami palielināt svārstību noslogojumu visa darba laikā.

Precīzai svārstību noslogojuma noteikšanai, ir jāņem vērā arī laiks, kad ierīces ir izslēgta vai arī ieslēgta, tomēr faktiski netiek lietota. Tas var ievērojami samazināt svārstību noslogojumu visa darba laikā.

Integrējiet papildus drošības pasākumus pret svārstību ietekmi lietotājam, piemēram: elektroinstrumentu un darba instrumentu tehniskā apkope, roku siltuma uzturēšana, darba procesa organizācija.

▲ BRĪDINĀJUMS! Izlasiet visus drošības brīdinājumus un instrukcijas. Šeit sniegto drošības noteikumu un norādījumu neievērošana var izraisīt aizdegšanos un būt par cēloni elektriskajam triecienam vai nopietnam savainojumam. **Pēc izlasīšanas uzglabājiet šos noteikumus turpmākai izmantošanai.**

▲ SPECIĀLIE DROŠĪBAS NOTEIKUMI

Vispārīgi slīpēšanas drošības noteikumi

a) Šis elektriskais darbarīks paredzēts slīpmašīnas funkciju pildīšanai. Nemiet vērā visas elektroinstrumentam pievienotās instrukcijas, norādījumus, attēlus un citu informāciju. Turpmāk sniegto norādījumu neievērošana var kļūt par cēloni elektriskajam triecienam, ugunsgrēkam un/vai smagam savainojumam.

b) Ar šo elektroinstrumentu nav ieteicams veikt darbus ar drāšu birsti, griezt, slīpēt ar smilšpapīru un pulēt. Šīs ierīces izmantošana mērķiem, kuriem tā nav paredzēta, var to sabojāt.

c) Neizmantojiet piederumus, kuras ražotājfirma nav paredzējusi šim elektroinstrumentam un ieteikusi lietošanai kopā ar to. Iespēja nostiprināt piederumu uz elektroinstrumenta vēl negaranāt tā drošu lietošanu.

d) Iesaistāmā instrumenta pieļaujamajam apgriezīnu skaitam jābūt vismaz tik augstam kā uz elektroinstrumenta norādītajam maksimālajam apgriezīnu skaitam. Aprūkojums, kurš rotē ātrāk par pieļaujamo ātrumu, var salūzt un tikt atņemts atpakaļ

e) Darba instrumenta ārējā diametram un biežumam ir jāatbilst Jūsu elektroinstrumenta norādītajiem izmēriem.

Nepareiza izmēra darba instrumentus nav iespējams pietiekami nosegt vai kontrolēt.

f) **Diska loka izmēram, smilšpapīra cilindram vai jebkurai citam piederumam ir jābūt pareizi uzstādītam uz vārpstas vai elektrozināja ietvara.** Piederumi, kas pēc izmēra neatbilst elektrodzinēja montāžas aparatūrai, var zaudēt balansu, sākt pārmērīgi vibrēt un kļūt nekontrolējami.

g) Uz tapņa uzmontētiem diskkiem, smilšpapīra cilindriem, griežējinstrumentiem vai citiem piederumiem ir jābūt pilnībā ievietotiem ietvarā jeb spīļpatronā. "Pārkarei" vai tapņa attālumam no diska līdz ietvaram ir jābūt minimālam. Ja tapnis netiek pietiekoši ietverts un/vai ja diska pārkare ir pārāk gara, tad uzmontētais diska vai kļūt vaļjš un pie liela ātruma var tikt izgrūsts no savas vietas.

h) Neizmantojiet bojātus darbinstrumentus. Ik reizi pirms darbinstrumenta lietošanas pārbaudiet, vai tie nav bojāti, piemēram, vai slīpēšanas diski nav atslāņojušies vai iekļāvušies, vai slīpēšanas pamatnei nav vērojamas plaisas un vai stieplu suku veidojošās stieples nav vaļjšas vai atlūzušas. Ja elektroinstrumentus vai darbinstrumentus ir kritis no zināma augstuma, pārbaudiet, vai tas nav bojāts, vai arī izmantojiet darbam nebojātu darbinstrumentu. Pēc darbinstrumenta apskates un iestiprināšanas ļaujiet elektroinstrumentam darboties ar maksimālo griešanās ātrumu vienu minūti ilgi, turot rotējošo darbinstrumentu drošā attālumā no sevis un citām tuvumā esošajām personām. Bojātie darbinstrumenti šādas pārbaudes laikā parasti salūst.

i) Lietojiet individuālos darba aizsardzības līdzekļus. Atkarībā no veicamā darba rakstura izvēlieties pilnu sejas aizsargu, noslēdzošas aizsargbrilles vai parastās

aizsargbrilles. Lai aizsargātos no lidojošajām slīpēšanas darbinstrumentu un apstrādājamā materiāla daļiņām, pēc vajadzības lietojiet putekļu aizsargmasku, ausu aizsargus un aizsargcimdus vai arī īpašu priekšsautu. Lietotāja acis jāpasargā no lidojošajiem svešķermeņiem, kas dažkārt rodas darba gaitā. Putekļu aizsargmaskai vai respiratoram jāpasargā lietotāja elpošanas ceļi no putekļiem, kas veidojas darba laikā. Ilgstoši atrodoties stipra trokšņa iespaidā, var rasties paliekoši dzirdes traucējumi.

j) Sekojiet, lai citas personas atrastos drošā attālumā no Jūsu darba zonas. Ikvienam, kurš ieņāk darba zonā, jāvalkā individuālais aizsargaprīkojums. Sagataves vai salūzušu darba instrumentu atlūzas var aizlidot tālāk un radīt savainojumus arī ārpus tiešās darba zonas.

k) **Leřci turiet aiz izolētiem rokturiem, ja veicat darbus, kuros griešanas darbiem izmantojamais instruments var skart paslēptus elektro vadus.** Šī instrumenta saskare ar strāvu vadošiem kabeliem var radīt spriegumu arī ierīces metālskājas daļās un var izraisīt elektrisko triecienu.

l) **Palaišanas laikā instrumentam vienmēr stingri satveriet rokas.** Motora grieze, instrumentam uzņemot ātrumu, var izraisīt instrumenta griešanas.

m) **Kad vien tam ir praktiska nozīme, izmantojiet spīles, lai nostiprinātu apstrādājamo metāla detaļu.** Lietojot instrumentu, nekad neturiet mazu apstrādājamo metāla detaļu vienā rokā, bet instrumentu otrā rokā. Ievietojot spīlēs arī mazas metāla detaļas; tas jums ļaus izmantot abas rokas, lai kontrolētu instrumentu. Apaļiem materiāliem, kā metāla tapām, caurulēm vai cauruļvadiem, griešanas laikā ir tendence sagriezties, kas var izraisīt apstrādājamās detaļas saliekšanos vai tā var trāpīt jums.

n) **Nekad nenolieciet elektroinstrumentu malā, pirms nav pilnībā apstājies darba instruments.** Rotējošais darba instruments var saskarties ar pamatni, kā rezultātā Jūs varat zaudēt kontroli pār elektroinstrumentu.

o) **Pēc urbju nomaiņas vai pēc jebkāda veida regulējumu veikšanas, pārliecinieties, ka ietvara uzmvava, spīļpatrona vai jebkura cita regulēšanas ierīce ir kārtīgi nostiprinātas.** Kārtīgi nenostiprinātas regulēšanas ierīces var negaidīti pārvietoties, kā rezultātā jūs zaudēsiet kontroli pār ierīci; kārtīgi nenostiprinātas rotējošas detaļas var tikt strauji izsviestas no instrumenta.

p) **Nedarbiniet elektroinstrumentu laikā, kad tas tiek pārvietots.** Lietotāja apģērbs vai mati var neaušī nonākt saskarē ar rotējošo darbinstrumentu un iekertes tajā, izraisot darbinstrumenta saskaršanos ar lietotāja ķermeni.

q) **Regulāri tīriet elektroinstrumenta ventilācijas atveres.** Dzinēja ventilējošā gaisa plūsma ievēlkt vides instrumenta korpusā, bet liela metāla putekļu daudzuma uzkrāšanās var būt par cēloni elektrotraumai.

r) **Nelietojiet elektroinstrumentu uzliesmojošu materiālu tuvumā.** Šos materiālus var aizdedzināt dzirksteles.

s) **Neizmantojiet darba instrumentu, kuru dzesēšanai ir nepieciešami šķidrī dzesēšanas līdzekļi.** Ūdens vai citu šķidrī dzesēšanas līdzekļu izmantošana var izraisīt elektriskās strāvas triecienu.

Atsitiens un attiecīgie drošības norādījumi:

Atsitiens ir specifiska instrumenta reakcija, pēkšņi iekeroties vai iestrēgstot rotējošam darbinstrumentam, piemēram, slīpēšanas diskam, slīpēšanas pamatnei, stieplu sukai u. t. t. Rotējoša darbinstrumenta iekēršanās vai iestrēgšana izraisa tā pēkšņu apstāšanos. Tā rezultātā elektroinstrumentus pārvietojas virzienā, kas pretējs darbinstrumenta kustības virzienam iestrēguma vietā, un nereti kļūst nevadāms.

Ja, piemēram, slīpēšanas diska iekēras vai iestrēgst apstrādājamajā priekšmetā, tajā iegremdētā diska mala var izrauties no apstrādājamā materiāla vai izraisīt atsitienu. Šādā gadījumā slīpēšanas diska pārvietošanas lietotāja virzienā vai arī prom no viņa, atkarībā no diska rotācijas virziena attiecībā pret apstrādājamo priekšmetu, Turklāt slīpēšanas diska var salūzt.

Atsitiens ir sekas elektroinstrumenta nepareizai vai neprasmīgai lietošanai. No tā var izvairīties, ievērojot zināmus piesardzības pasākumus, kas aprakstīti turpmākajā izklāstā.

a) **Stingri turiet elektroinstrumentu un ieņemiet tādu ķermeņa un roku stāvokli, kas vislabāk ļautu pretoties atsitiēna spēkam.** Vienmēr izmantojiet papildrokturi, kas ļauj optimāli kompensēt atsitienu vai reaktīvo griezes momentu un saglabāt kontroli pār instrumentu. Veicot zināmus piesardzības pasākumus, lietotājs jebkurā situācijā spēj efektīvi pretoties atsitiēnam un reaktīvajam griezes momentam.

b) **Ievērojiet īpašu piesardzību, strādājot stūru un asu malu tuvumā.** Nepieļaujiet, lai darbinstruments atlektu no apstrādājamā priekšmeta vai iestrēgtu tajā. Saskaroties ar stūriem vai asām malām rotējošais darbinstruments izliecas un atlec no apstrādājamā priekšmeta vai iestrēgst tajā. Tas var būt par cēloni kontroles zaudēšanai pār instrumentu vai atsitiēnam.

c) **Neizmantojiet ķēdes vai zobu ripzāģi.** Šādi darba instrumenti bieži izraisa atsitienu vai kontroles zaudēšanu pār elektroinstrumentu.

d) **Vienmēr virziet urbi iekšā materiālā tajā pat virzienā, kādā griešanas mala iziet no materiāla (kas ir tas pats virziens, kādā tiek izņemtas skaidas).** Vadot instrumentu nepareizi griezienā, urbja nogrieztā mala izvirzīsies uz āru no apstrādājamās detaļas un virzīs instrumentu padeves virzienā.

e) **Izmantojot tērauda zāģus, griezējdiskus, ātrgaitas griezējinstrumentus vai volframa karbīda griezējinstrumentus, vienmēr cieši nostipriniet apstrādājamo gabalu.** Šie diski var iestrēgt, ja tie nedaudz iesprūst gropē, un tas var izraisīt pretsienu. Ja griezējdisks iestrēgst, parasti diska salūzt. Ja tērauda zāģi, ātrgaitas griezējinstrumenti vai volframa karbīda griezējinstrumenti iestrēgst, tie var pēkšņi izlekt no gropes, un jūs varat zaudēt kontroli pār instrumentu.

Specifiski slīpēšanas drošības noteikumi

a) **Izmantojiet tikai tos disku veidus, kas tiek ieteikti jūsu elektrozināņam un tikai ieteiktajam pielietojumam.** Piemēram, neslīpējiet ar griezējdiska malu. Brazīvie griezējdiski ir paredzēti perifērajai slīpēšanai, sānu spēks, kas tiek pielietots šajos diskos, var tos saplēst druskās.

b) **Vītroņiem brazīviem konusiem un aizbāžņiem izmantojiet tikai nebojātus disku tapņus ar pareizā izmēra un garuma neatbrīvotu atloku.** Piemēroti tapņi samazinās salaušanas iespējamību.

c) **Nonovietojiet roku vienā līnijā ar rotējošu disku vai aiz tā.** Kad darbības laikā diska virzās prom no jūsu rokas, iespējams pārtreiciens vai virzīt rotējošo disku un elektrodzinēju jūsu virzienā.

d) **Lai samazinātu atsitiēna risku, iestrēgstot griešanas diskam, atbalstiet griežamā materiāla lokšnes vai liela izmēra apstrādājamās priekšmetus.** Lieli priekšmeti var saliekties paši sava svara iespaidā. Apstrādājama priekšmetus jāatbalsta abās pusēs – gan griezumā tuvumā, gan arī priekšmeta malā.

e) **Ievērojiet īpašu piesardzību, veidojot padziļinājumus sienās vai citos objektos, kas nav aplūkojami no abām pusēm.** Iegremdējot griešanas disku materiālā, tas var skart gāzes vadu, ūdensvadu, elektropārvades līniju vai citu objektu, kas savukārt var izraisīt atsitienu un/vai būt par cēloni savainojumam.

CITAS DROŠĪBAS UN DARBA INSTRUKCIJAS

Strādājot ar mašīnu, vienmēr jānēsā aizsargbrilles. Tiek ieteikts nēsāt arī aizsargcimdus, slēgtus, neslīdošus apavus un priekšsautu.

Darba vārpsta kādu brīdi turpina griezties arī pēc instrumenta izslēgšanas. Tādēļ jūsu mašīnu ieteicams nolikt tikai tad, kad tā pilnībā beigus darboties.

Nelikt rokas mašīnas darbības laukā.

Drīkst izmantot tikai tos instrumentus, kuru pieļaujama tukšgaitas apgriezīnu skaits ir tikpat augsts cik maks. apgriezīnu skaits mašīnai.

Slīpēšanas instrumentus pirms lietošanas vajag pārbaudīt. Slīpēšanas instrumentiem jābūt montētiem bez kļūdām un brīvi jāgriežas. Tas vismaz 30 sek. jādarbina pārbaudes nolūkā.

Nedrīkst izmantot bojātus, neapaļas formas vai vibrējošus slīpēšanas instrumentus.

Slīpējot metālu, rodas dzirkstes. Vajag uzmanīties, lai netiktu apdraudētas personas. Sakarā ar ugunsgrēka draudiem, tuvumā (dzirksteju tuvumā) nedrīkst atrasties viegli degošas vielas vai priekšmeti. Nedrīkst izmantot putekļu sūcēju.

Mašīnu vajag turēt tā, lai dzirksteles vai slīpēšanas rezultātā radušies putekļi lidotu prom no ķermeņa.

Disku saturošo uzgriezni pirms mašīnas darba uzsākšanas vajag pievilkt.

Ārkārtas ārējo elektromagnētisko traucējumu rezultātā atsevišķos gadījumos var uz laiku tikt izsauktas apgriezienu skaita svārstības.

Slīpdiskus drīkst izmantot un uzglabāt tikai saskaņā ar ražotāja ieteikumiem.

Apstrādājamā detaļa, ja to netur pašsvars, ir stingri jānostiprina. Nekādā gadījumā apstrādājamo detaļu nedrīkst spiest pie diska ar roku.

Slīpējamā instrumenta izmēriem jāatbilst slīpmašīnas lielumam.

Veicot darbus, kuru rezultātā rodas putekļi, ventilācijas atveres nedrīkst būt aizsegta. Ja nepieciešams, instruments jāatvieno no tīkla un jāatbrīvo no putekļiem. Šim nolūkam drīkst izmantot tikai nemetāla objektus un nedrīkst sabojāt iekšējās daļas.

Pie ārkārtas slodzes un ārkārtas temperatūrām no bojātā akumulatora var izteciēt akumulatora šķidrums. Ja nonākat saskarsmē ar akumulatora šķidrumu, saskarsmes vieta nekavējoties jānomazgā ar ūdeni un ziepēm. Ja šķidrums nonācis acīs, acis vismaz 10 min. skalojot un nekavējoties konsultējoties ar ārstu.

Izmantotos akumulārus nedrīkst mest ugunī vai parastajos atkritumos. Firma Milwaukee piedāvā iespēju vecos akumulātorus savākt apkārtējo vidi saudzejošā veidā; jautājiet specializētā veikalā.

Akumulātorus nav ieteicams glabāt kopā ar metāla priekšmetiem (iespējams īsslēgums).

18 V sistēmas akumulātorus lādēt tikai ar 18 V sistēmas lādētājiem. Nedrīkst lādēt citus akumulātorus no citām sistēmām.

Jāuzmanās, lai akumulātoru lādētājā nenokļūtu nekādi metāla priekšmeti (iespējams īsslēgums).

Akumulātorus un lādētājus nedrīkst taisīt vai un tie jāuzglabā sausās telpās.

Pirms mašīnai veikt jebkāda veida apkopes darbus, ir jāizņem arī akumulātors.

Jānodrošina, lai slīpējamais instruments būtu piestiprināts atbilstoši slīpējamo instrumentu izgatavotāja ieteikumiem.

NOTEIKUMIEM ATBILSTOŠS IZMANTOJUMS

Taisnā slīpmašīna ir piemērota koka, plastmasas un metāla virsmu slīpēšanai, it īpaši grūti pieejamās vietās.

Šo instrumentu drīkst izmantot tikai saskaņā ar minētajiem lietošanas noteikumiem.

Visos gadījumos ievērojiet ražotāja noteiktos drošības noteikumus.

Elektriskais instruments ir paredzēts tikai sausai apstrādei.

ATBILSTĪBA CE NORMĀM

Mēs apliecinām, ka produkts, kura tehniskie parametri aprakstīti "tehnisko datu lapā", pilnībā atbilst prasībām saskaņā ar direktīvām 2011/65/EU (RoHS), 2004/108/EK, 2006/42/EK un attiecīgajiem harmonizētajiem normatīvajiem dokumentiem:

EN 60745-1:2009+A11:2010
EN 60745-2-3:2011
EN 55014-1:2006+A1:2009+A2:2011
EN 55014-2:1997+A1:2001+A2:2008
EN 50581:2012

Winnenden, 2014-06-18



Alexander Krug
Managing Director



Pilnvarotais tehniskās dokumentācijas sastādītājs.

Techtronic Industries GmbH
Max-Eyth-Straße 10
71364 Winnenden
Germany

AKUMULĀTORI

Akumulātori, kas ilgāku laiku nav izmantoti, pirms lietošanas jāuzlādē.

Pie temperatūras, kas pārsniedz 50°C, akumulatoru darbība tiek negatīvi ietekmēta. Vajag izvairīties no ilgākas saules un karstuma iedarbības.

Lādētāja un akumulatoru pievienojuma kontakti jāuztur tīri.

Lai baterijas darba ilgums būtu optimāls, pēc iekārtas izmantošanas tā jāuzlādē.

Lai akumulatori kalpotu pēc iespējas ilgāku laiku, tos pēc uzlādes ieteicams atvienot no lādētāj ierīces.

Akumulatora uzglabāšana ilgāk kā 30 dienas: uzglabāt akumulatoru pie aptuveni 27° C un sausā vietā. Uzglabāt akumulatoru uzlādes stāvoklī aptuveni pie 30%-50%. Uzlādēt akumulatoru visus 6 mēnešus no jauna.

APKOPE

Vajag vienmēr uzmanīties, lai būtu tīras dzesēšanas atveres.

Sakarā ar to, ka var izraisīt īsslēdzieni, dzesēšanas atverēs nedrīkst iekļūt nekādi metāla priekšmeti.

Izmantojiet tikai firmu Milwaukee piederumus un firmas rezerves daļas. Lieciet nomainīt detaļas, kuru nomaiņa nav aprakstīta, kādā no firmu Milwaukee klientu apkalpošanas servisiem. (Skat. brošūru "Garantija/klientu apkalpošanas serviss".)

Ja nepieciešams, klientu apkalpošanas servisā vai tieši pie firmas Techtronic Industries GmbH, Max-Eyth-Straße 10, 71364 Winnenden, Germany, var pieprasīt instrumenta numurs, kas norādīts uz jaudas paneļa.

SIMBOLI



UZMANĪBU! BĪSTAMI!



Pirms mašīnai veikt jebkāda veida apkopes darbus, ir jāizņem arī akumulātors.



Pirms sākt lietot instrumentu, lūdzu, izlasiet lietošanas pamācību.



Strādājot ar mašīnu, vienmēr jānēsā aizsargbrilles.



Jāvalkā aizsargcimdi!



Nepielietot spēku



Elektroiekārtas nedrīkst izmest kopā ar sadzīves atkritumiem. Elektriskās un elektroniskās iekārtas ir jāsavāc atsevišķi un jānodod pārstrādes uzņēmumam, kas no tām atbrīvosies dabai draudzīgā veidā. Meklējiet otrreizējās pārstrādes poligonus un savākšanas punktus vietējās pārvaldes iestādēs vai pie preces pārdevēja.



CE marķējums

EurAsian atbilstības marķējums.

TECHNINIAI DUOMENYS	ŠLIFUOKLIS	C 12 RT
Produkto numeris4311 33 01...000001-999999
Keičiamo akumulatoriaus įtampa..... 12 V	
Nominalus sūkių skaičius 5000-37000 min ⁻¹	
Įveržimo gnybtų ø 0,8 / 1,6 / 2,4 / 3,2 mm	
Maks. šlifavimo elementų ø:		
keramika arba gema sutvirtintas šlifavimo elementas..... 25 mm	
sintetinė derva sutvirtintas šlifavimo elementas 25 mm	
Svoris su keičiamu akumuliatoriumi 0,62 kg	

Informacija apie triukšmą/vibraciją

Vertės matuotos pagal EN 60 745.

Įvertintas A įrenginio keliamo triukšmo lygis dažniausiai sudaro:

Garso slėgio lygis (Paklaida K=3dB(A)) 73 dB (A)
Garso galios lygis (Paklaida K=3dB(A)) 84 dB (A)

Nešioti klausos apsaugines priemones!

Bendroji svyravimų reikšmė (trijų krypčių vektorių suma), nustatyta remiantis EN 60745.

Vibravimų emisijos reikšmė a_w

Metalo grėžimas 2,4 m/s ²
Paklaida K 1,5 m/s ²
Švitrisis šlifavimo popierius 2,6 m/s ²
Paklaida K 1,5 m/s ²
Metalas šlifavimas 3,1 m/s ²
Paklaida K 1,5 m/s ²
Pjovimas šlifavimas 1,8 m/s ²
Paklaida K 1,5 m/s ²
Akmens metalas 3,4 m/s ²
Paklaida K 1,5 m/s ²

DĖMESIO

Instrukcijoje nurodyta svyravimų ribinė vertė yra išmatuota remiantis standartu EN 60745; ji gali būti naudojama keliems elektriniams instrumentams palyginti. Ji taikoma ir laikinai įvertinti svyravimų apkrovą.

Nurodyta svyravimų ribinė vertė yra taikoma pagrindinėse elektrinio instrumento naudojimo srityse. Svyravimų ribinė vertė gali skirtis naudojant elektrinį instrumentą kitose srityse, papildomai naudojant netinkamus elektrinius instrumentus arba juos nepakankamai techniškai prižiūrint. Dėl to viso darbo metu gali žymiai padidėti svyravimų apkrova.

Siekiant tiksliai nustatyti svyravimų apkrovą, būtina atsižvelgti ir į laikotarpį, kai įrenginys yra išjungtas arba įjungtas, tačiau faktiškai nenaudojamas. Dėl to viso darbo metu gali žymiai sumažėti svyravimų apkrova.

Siekiant apsaugoti vartotojų nuo svyravimo įtakos naudojamos papildomos saugos priemonės, pavyzdžiui, elektrinių darbo instrumentų techninė priežiūra, rankų šilumos palaikymas, darbo procesų organizavimas.

⚠ ĮSPĖJIMAS! Perskaitykite visus saugos nurodymus ir instrukcijas. Jei nepaisysite žemiau pateiktų saugos nuorodų ir reikalavimų, gali trenkti elektros smūgis, kilti gaisras ir/arba galite sunkiai susižaloti arba sužaloti kitus asmenis. **Išsaugokite šias saugos nuorodas ir reikalavimus, kad ir ateityje galėtumėte jais pasinaudoti.**

⚠ YPATINGOS SAUGUMO NUORODOS

Bendrieji šlifavimo saugos perspėjimai

a) Šis elektroninis įrankis turi būti naudojamas kaip šlifuoklis griežtai laikykitės visų įspėjamųjų nuorodų, taisyklių, ženklų ir užrašų, kurie yra pateikiami su šiuo prietaisu, reikalavimų. Jei nepaisysite toliau pateiktų nuorodų, gali kilti elektros smūgio, gaisro ir/arba sunkių sužalojimų pavojus.

b) Naudojantis šiuo elektriniu įrankiu, nerekomenduojama atlikti tokių darbų kaip šveitimo vielinio šepetiu, pjaustymo, šlifavimo švitrinio popieriumi ir poliravimu. Jei įrankį naudojate ne pagal paskirtį, galite sukelti pavojų ir susižaloti.

c) **Nenaudokite jokių priedų ir papildomos įrangos, kurių gamintojas nėra specialiai numatęs ir rekomendavęs šiam elektriniam prietaisui.** Vien tik tas faktas, kad Jūs galite pritvirtinti kokį nors priedą prie elektrinio prietaiso, joku būdu negarantuoja, kad juo bus saugu naudotis.

d) **Panaudojamų dalių leistinas apsisukimų skaičius turi būti mažiausiai tokio dydžio, koks yra nurodytas didžiausias apsisukimų skaičius ant elektros prietaiso.** Dalys, kurios sukasi greičiau negu yra leistina, gali sulūžti ir skristi į šalis.

e) **Uždedamo įrankio išorinis skersmuo ir storis turi atitikti Jūsų elektrinio įrankio parametrus.** Blogai išmatuotų įstatomų darbinųjų įrankių negalima tinkamai uždengti ar valdyti.

f) **Diskų spraudiklis, šlifavimo būgnas ar bet koks kitas priedas turi gerai tikti elektrinio įrankio velenui ar įvoriei.** Priedai, netinkantys elektrinio įrankio montavimo įrangai, išsimuš iš pusiausvyros, per daug vibruos ir dėl jų įrankis gali tapti nevaldomas.

g) **Ant spraudiklio sumontuotus diskus, šlifavimo būgnus, pjaustiklius ar kitus priedus reikia ligi galo įkišti į įvorę ar laikiklį. Išsikūsimas arba spraudiklio ilgis nuo disko iki įvorės turi būti minimalus.** Jeigu spraudiklis laikomas nepakankamai tvirtai ir / arba disko išsikūsimas per ilgus, sumontuotas diskas gali atsilaisvinti ir, esant dideliama greičiui, atitrūkti.

h) **Nenaudokite pažeistų darbo įrankių. Prieš kiekvieną naudojimą patikrinkite darbo įrankius, pvz., šlifavimo diskus – ar jie nėra aplūžinęję ir įtrūkę, šlifavimo žiedus – ar jie nėra įtrūkę, susidėvėję ir labai nudilę, vielinius šepetčius – ar jų vielutės nėra atsilaisvinusios ar nutrūkusios.** Jei elektrinis prietaisas ar darbo įrankis nukrito iš didesnio aukščio, patikrinkite, ar jis nėra pažeistas, arba naudokite kitą, nepažeistą, darbo įrankį. Patikrinę ir sumontavę darbo įrankį pasirūpinkite, kad nei Jūs, nei greta esantys asmenys nebūtų besisukančio darbo įrankio plokštumoje, ir leiskite elektriniam prietaisui vieną minutę veikti didžiausiu sūkių skaičiumi. Jei darbo įrankis pažeistas, per šį bandomąjį laiką jis turėtų subyrėti.

i) **Dirbkite su asmeninėmis apsaugos priemonėmis. Atitinkamai pagal atliekamą darbą užsidėkite viso veido apsaugos priemones, akių apsaugos priemones ar**

apsauginius akinius. Jei nurodyta, užsidėkite apsauginį respiratorių nuo dulkių, klausos apsaugos priemones, apsaugines pirštines ir specialią prijuostę, kuri apsaugos Jus nuo smulkių šlifavimo ir ruošinio dalelių. Akys turi būti apsaugotos nuo aplink lekiančių svetimkūnių, atsirandančių atliekant įvairius darbus. Respiratoriūs arba apsauginė kaukė turi išfiltruoti darbo metu kylančias dulkes. Dėl ilgalaikio ir stipraus triukšmo poveikio galite prarasti klausą.

j) **Sekite, kad kiti asmenys nuo Jūsų darbo zonos būtų per saugų atstuma. Kiekvienas įžengiantis į Jūsų darbo zoną asmuo privalo nešioti asmenines saugos priemones.** Ruošinio ar darbinio įrankio nuolaužos gali nusikristi ir sužaloti asmenis taip pat už tiesioginės darbo zonos ribų.

k) **Dirbdami laikykite prietaisą už izoliuotų vietų, kuriose pjovimo įrenginys pats galėtų liesti paslėptus laidus.**

Pjovimo įrenginio kontaktas su įtampos laidais gali įelektrinti metalines prietaiso dalis, o tai gali sukelti elektros iškvrovą.

l) **Įjungdami įrankį visada tvirtai laikykite jį rankose.** Vairikliui įsibėgėjant, įrankis gali pasisukti dėl sukimo momento atoveikio.

m) **Kai tik įmanoma, apdirbama detalę pritvirtinkite spaustuvais. Niekada dirbdami nelaikykite mažos apdirbamos detalės vienoje rankoje, o įrankio – kitoje.** Priveržtus mažą apdirbama detalę, jums lieka abi rankos valdyti įrankį. Pjaunami apvalūs daiktai, tokie kaip šerdesai, vamzdžiai ar vamzdeliai yra linkę ridinėti ir dėl to detalę gali užstrigti arba šoktelėti Jūsų link.

n) **Niekada nepadėkite elektrinio įrankio tol, kol darbo įrankis visiškai nusustos.** Besisukantis įrankis gali prisiliesti prie paviršiaus, ant kurio jis dedamas, tada galite nesuvaldyti elektrinio įrankio.

o) **Pakeitę detales arba atlikę kokių nors pakeitimų, įsitikinkite, kad įvorės veržlė, laikiklis ar kiti reguliavimo prietaisai yra saugiai priveržti.** Nepriveržti reguliavimo prietaisai gali netikėtai prikrypti ir dėl to nebevaldysite įrankio, o nepritvirtintos besisukančios detalės gali būti smarkiai išsviestos.

p) **Nešdami prietaisą jo niekada neįjunkite.** Netyčia prisilietus prie besisukančio darbo įrankio, jis gali įtraukti drabužius ir Jus sužeisti.

q) **Reguliariai valykite elektrinio prietaiso ventiliacines angas.** Variklio ventiliatoriai traukia dulkes į korpusą, ir susikaupus daug metalo dulkių gali kilti elektros smūgio pavojus.

r) **Elektrinį įrankį draudžiama naudoti arti degiųjų medžiagų.** Nuo kibirkščių šios medžiagos gali užsiliepsnoti.

s) **Nenaudokite darbinųjų įrankių, kuriems reikalingas aušinimas skysčiu.** Naudodami vandenį arba kitas skystas aušinimo medžiagas galite gauti elektros smūgį.

Atatranka ir atitinkami saugos nurodymai

Atatranka yra staigi reakcija, atsirandanti, kai besisukantis darbo įrankis, pvz., šlifavimo diskas, šlifavimo žiedas, vielinis šepetys ar kt., ruošinyje įstringa ar užsiblokuoja ir todėl netikėtai sustoja. Todėl elektrinis prietaisas gali nekontroliuojamai atšokti nuo ruošinio priešinga darbo įrankio sukimuisi kryptimi.

Pvz., jei ruošinyje įstringa ar yra užblokuojamas šlifavimo diskas, disko briauna, kuri yra ruošinyje, gali išlūžti ar sukelti atatranką. Tada šlifavimo diskas, priklausomai nuo jo sukimosi krypties blokadimo vietoje, pradeda judėti link dirbančiojo arba nuo jo. Tada šlifavimo diskas gali net nulūžti.

Atatranka yra netinkamo elektrinio prietaiso naudojimo ar gedimo pasekmė. Jos galite išvengti, jei imsitės atitinkamų, žemiau aprašytų priemonių.

a) **Dirbdami visada tvirtai laikykite prietaisą abiem rankom ir stenkitės išlaikyti tokia kūno ir rankų padėtį, kurioje sugebėtumėte atsispirti prietaiso pasipriešinimo jėgai atarankos metu.** Jei yra papildoma rankena, visada ją naudokite, tada galėsite suvaldyti atarankos jėgas bei reakcijos jėgų momentą. Dirbantysis, jei imsis tinkamų saugos priemonių, gali suvaldyti reakcijos jėgas atarankos metu.

b) **Ypač atsargiai dirbkite kampuose, ties aštriomis briaunomis ir t. t. Saugokite, kad darbo įrankis neatsimuštų į kliūtis ir neįstrigtų.** Besisukantis darbo įrankis kampuose, ties aštriomis briaunomis arba atsimušęs į kliūtį turi tendenciją užstrigti. Tada prietaisas tampa nevaldomas arba įvyksta atatranka.

c) **Draudžiama naudoti pjovimo grandines arba dantytus pjūklelius.** Šie darbiniai įrankiai dažnai sukelia atatranką arba su jais prarandama elektrinio įrankio kontrolė.

d) **Visada kreipkite detalę medžiagos link taip, kad pjaunantysis kraštas išeitų iš medžiagos (tai ta pati kryptis, kuria metamos drožlės).** Nukreipus įrankį ne ta kryptimi, pjaunantysis detalės kraštas atšoka ir traukia įrankį pjovimo kryptimi.

e) **Kai naudojate plieninius pjūklus, atpjovimo diskus, didelių greičiu veikiančius pjoviklius ar „Tungsten Carbide“ pjoviklius, visada saugiai priveržkite apdirbama detalę.** Jei šie diskai šiek tiek pakrypsta įpjovoje, jie gali užstrigti ir sukelti atatranką. Kai atpjovimo diskas užstringa, paprastai jis sulūžta. Kai užstringa plieninis pjūklas, didelių greičiu veikiančius pjoviklius ar „Tungsten Carbide“ pjoviklius, jis gali iššokti iš griovelio ir Jūs nebegalėsite valdyti įrankio.

Specifiniai šlifavimo saugos perspėjimai

a) **Naudokite tik tokių tipų diskus, kokie yra rekomenduojami Jūsų elektriniam įrankiui, ir tik rekomenduojamam naudojimui būdai.** Pavyzdžiui, nešlifaukite su atpjovimo disko šonu. Abrazyvūs atpjovimo diskai yra skirti periferiniam šlifavimui; jei šiuos diskus veikia šoninė jėga, jie gali sulūžti.

b) **Sriegiuotiems abrazyviems kūgiams ir kištukams naudokite tik nepažeistus tinkamo dydžio ir ilgio diskų sprastukus su nealiumintu flanšu.** Tinkami sprastukai sumažina lūžimo tikimybę.

c) **Nedėkite rankos šalia ar už besisukančio disko.** Jei diskas pjovimo taške slysta Jums iš rankos, galima atatranka gali pastūmėti besisukantį diską ir elektrinį įrankį tiesiai į Jus.

d) **Ploščtes ar didelius ruošinius paremkite, kad sumažintumėte atarankos riziką dėl užstrigimo pjovimo disko.** Dideli ruošiniai gali išlinkti dėl savo svorio. Ruošinį reikia paremti iš abiejų pusių, tiek ties pjūvio vieta, tiek ir prie krašto.

e) **Būkite ypač atsargūs pjaudami sienose ar kituose nepermatomuose paviršiuose.** Panyrantis pjovimo diskas gali pažeisti elektros laidus, dujotiekio ar vandentiekio vamzdžius ar kitus objektus ir sukelti atatranką.

KITI SAUGUMO IR DARBO NURODYMAI

Dirbdami su įrenginiu visada nešiokite apsauginius akinius. Rekomenduotina nešioti apsaugines pirštines, tvirtus batus neslidžiu padu bei prijuostę.

Prietaisą išjungus, įrankių suklys sukasi iš inercijos. Įrenginį padėkite, tik jam visiškai sustojus.

Nekiskite rankų į veikiančio įrenginio pavojaus zoną.

Naudokite tik tokius darbo įrankius, kurių leidžiamas sūkių skaičius ne mažesnis už didžiausią prietaiso sūkių skaičių laisva eiga.

Prieš naudojimą patikrinkite šlifavimo įrankius. Šlifavimo įrankis turi būti nepriekaištingai sumontuotas ir galėti laisvai sukstis. Patikrinkite, ne mažiaus kaip 30 sek. leisdami veikti be apkrovos. Nenaudokite pažeistų, neapvalių arba vibruojančių šlifavimo įrankių.

Šlifuojant metalus reikia kibirkštys. Atkreipkite dėmesį, kad nesukeltumėte pavojaus kitiems asmenims. Dėl gaisro pavojaus arti (kibirkščių lėkimo srityje) neturi būti jokių degių medžiagų. Nenaudokite dulkių nusiurbimo.

Prietaisą visada laikykite taip, kad dulkės ir kibirkštys lėktų nuo kūno tolyn.

Prieš įjungiant įrenginį, būtina priveržti tvirtinimo veržlę.

Ypatingai atvejais išorinių elektromagnetinių trukdžių poveikyje atskirais atvejais galima trumpalaikiai sūkių skaičiaus svyravimai.

Šlifavimo diskus visada naudokite ir laikykite pagal gamintojo nurodymus.

Apdorojama detalė, jei ji nesilaiko savo svoriu, visada turi būti įtvirtinta. Niekada detalių prie disko neveskite ranka.

Šlifavimo įrankio matmenys turi tikti šlifuko liui.

Dirbant daug dulkių sukeliančius darbus, mašinos vėdinimo angos visada turi būti atviros. Jei reikia, išjungti mašiną iš tinklo ir išvalyti dulkes. Tam naudoti nemetalinius objektus ir valant nepažeisti dalių viduje.

Ekstremalių apkrovų arba ekstremalios temperatūros poveikyje iš keičiamų akumuliatorių gali ištekėti akumuliatoriaus skystis. Išsistepus akumuliatoriaus skysčiu, tuoj pat nuplaukite vandeniu su muilu. Patekus į akis, tuoj pat ne trumpiau kaip 10 minučių gausiai skalaukite vandeniu ir tuoj pat kreipkitės į gydytoją.

Sunaudotų keičiamų akumuliatorių nedeginkite ir nemeskite į buitines atliekas. „Milwaukee“ siūlo tausojantį aplinką sudėvėtų keičiamų akumuliatorių tvarkymą, apie tai prekybos atstovo.

Keičiamų akumuliatorių nelaikykite kartu su metaliniais daiktais (trumpojo jungimo pavojus).

Keičiamus „18 V“ sistemos akumuliatorius kraukite tik „18 V“ sistemos įkrovikliais. Nekraukite kitų sistemų akumuliatorių.

Į įkroviklių keičiamiems akumuliatoriams įstatymui skirtą vamzdį turi nepatekti jokios metalinės dalys (trumpojo jungimo pavojus).

Keičiamų akumuliatorių ir įkroviklių nelaikykite atvirai. Laikykite tik sausoje vietoje. Saugokite nuo drėgmės.

Prieš atlikdami bet kokius darbus įrenginyje, išimkite keičiamą akumuliatorių.

Išitikinkite, ar šlifavimo įrankis yra uždėtas pagal šlifavimo įrankio gamintojo instrukciją.

NAUDOJIMAS PAGAL PASKIRTĮ

Tiesus šlifuko klis tinka medienos, plastiko ir metalo šlifavimui, ypatingai sunkiai prieinamose vietose.

Šį prietaisą leidžiama naudoti tik pagal nurodytą paskirtį.

Kilus abejonėms, atkreipkite dėmesį į priemonių gamintojų nurodymus.

Elektrinį įrankį galima naudoti tik sausoje aplinkoje.

CE ATITIKTIES PAREIŠKIMAS

Remiantis bendrais atsakomybės reikalavimais pareiškiamo, jog skyriuje "Techniniai duomenys" aprašytas produktas atitinka visus toliau pateiktų juridinių direktyvų reikalavimus: 2011/65/EU (RoHS), 2004/108/EB, 2006/42/EB ir kitus su jomis susijusius norminius dokumentus:

EN 60745-1:2009+A11:2010

EN 60745-2-3:2011

EN 55014-1:2006+A1:2009+A2:2011

EN 55014-2:1997+A1:2001+A2:2008

EN 50581:2012

Winnenden, 2014-06-18



Alexander Krug
Managing Director



Įgaliojimas parengti techninius dokumentus.

Techtronic Industries GmbH

Max-Eyth-Straße 10

71364 Winnenden

Germany

AKUMULIATORIAI

Ilgesnį laiką nenaudotus keičiamus akumuliatorius prieš naudojimą įkraukite.

Aukštesnė nei 50°C temperatūra mažina keičiamų akumuliatorių galią. Venkite ilgesnio saulės ar šilumos šaltinių poveikio.

Įkroviklio ir keičiamo akumuliatoriaus jungiamieji kontaktai visada turi būti švarūs.

Kad prietaisas kuo ilgiau veiktų, pasinaudoję juo, iki galo įkraukite akumuliatorius.

Siekiant užtikrinti kuo ilgesnį baterijos tarnavimo laiką, reikėtų ją po atlikto įkrovimo iškart išimti iš įkroviklio.

Bateriją laikant ilgiau nei 30 dienų, būtina atkreipti dėmesį į šias nuorodas: bateriją laikyti sausoje aplinkoje, esant apie 27 °C temperatūrai. Baterijos įkrovimo lygis turi būti nuo 30% iki 50%. Baterija pakartotinai turi būti įkraunama kas 6 mėnesius.

TECHNINIS APTARNAVIMAS

Įrenginio vėdinimo angos visada turi būti švarios.

Saugokite, kad metalinės dalys nepatektų į vėdinimo angas – trumpojo jungimo pavojus.

Naudokite tik Milwaukee priedus ir atsargines dalis. Dalis, kurių keitimas neaprašytas, leidžiama keisti tik Milwaukee klientų aptarnavimo skyriams (žr. garantiją/klientų aptarnavimo skyrių adresus brošiūroje).

Jei reikia, nurodant įrenginio tipą bei specifikacijų lentelėje esantį numerį, iš klientų aptarnavimo skyriaus arba tiesiai iš Techtronic Industries GmbH, Max-Eyth-Straße 10, 71364 Winnenden, Germany, galima užsisakyti prietaiso surinkimo brėžinius.

SIMBOLIAI



DĖMESIO! ĮSPĖJIMAS! PAVOJUS!



Prieš atlikdami bet kokius darbus įrenginyje, išimkite keičiamą akumuliatorių.



Prieš pradėdami dirbti su prietaisu, atidžiai perskaitykite jo naudojimo instrukciją.



Dirbdami su įrenginiu visada nešiokite apsauginius akinius.



Lietojiet aizsardzības cimdus!



Nenaudoti jėgos.



Elektros prietaisų negalima išmesti kartu su buitinėmis atliekomis. Būtina rūšiuoti elektros ir elektroninius prietaisus ir atiduoti į atliekų perdirbimo centrą, kad jie būtų utilizuoti netešiant aplinkos. Informacijos apie perdirbimo centrus ir atliekų surinkimo įstaigas teiraukitės vietos įstaigoje arba prekybininko.



CE ženklas

„EurAsian“ atitikties ženklas.

TEHNILISED ANDMED	LIHVIAJA	C 12 RT
Tootmisnumber		4311 33 011... ...000001-999999
Vahetatava aku pingeline		12 V
Nimipõrdded		5000-37000 min ⁻¹
Kinnituspuksi ø		0,8 / 1,6 / 2,4 / 3,2 mm
Lihvimisvahendi ø maks:		
Keraamilise või kummi sideainega lihvimisvahend		25 mm
Tehisvaigust sideainega lihvimisvahend		25 mm
Kaal koos akuga		0,62 kg

Müra/vibratsiooni andmed

Mõõtevätartused on kindlaks tehtud vastavalt normile EN 60 745.

Seadme tüüpiline hinnanguline (A) müratase:

Helirõhutatase (Määramatus K=3dB(A)) 73 dB (A)

Helivõimsuse tase (Määramatus K=3dB(A)) 84 dB (A)

Kandke kaitseks kõrvaklappe!

Vibratsiooni koguväärtus (kolme suuna vektorsumma) mõõdetud EN 60745 järgi.

Vibratsiooni emissiooni väärtus a_n

Metalli puurimine	2,4 m/s ²
Määramatus K	1,5 m/s ²
Lihvimine	2,6 m/s ²
Määramatus K	1,5 m/s ²
Lihvimine metalli	3,1 m/s ²
Määramatus K	1,5 m/s ²
Vesikivi	1,8 m/s ²
Määramatus K	1,5 m/s ²
Metal lõikamine	3,4 m/s ²
Määramatus K	1,5 m/s ²

TÄHELEPANU

Antud juhendis toodud võnketase on mõõdetud EN 60745 standardile vastava mõõtesüsteemiga ning seda võib kasutada erinevate elektriseadmete omavahelises võrdlemises. Antud näitaja sobib ka esmaseks võnkekoormuse hindamiseks.

Antud võnketase kehtib elektriseadme kasutamisel sihtotstarbeliselt. Kui elektriseadet kasutatakse muudel otstarvetel, muude tööriistadega või seda ei hooldata piisavalt võib võnketase siintoodust erineda. Eeltoodu võib võnketaset märkimisväärselt tõsta terves töökeskkonnas.

Võnketaseme täpsaks hindamiseks tuleks arvestada ka aega, mil seade on välja lülitatud või on küll sisse lülitatud, kuid ei ole otseselt kasutuses. See võib märgatavalt vähendada kogu töökeskkonna võnketaset.

Rakendage spetsiaalseid ettevaatusabinõusid töötajate suhtes, kes puutuvad töö käigus palju kokku vibratsiooniga. Nendeks abinõudeks võivad olla, näiteks: elektri- ja tööseadmete korraline hooldus, käte soojendamine, töövoos parem organiseerimine.

A HOIATUS! Lugege kõiki ohutusjuhiseid ja korraldusi.

Ohutusnõuete ja juhiste eiramise tagajärjeks võib olla elektrilöökk, tulekahju ja/või raskekäigust vigastused.

Hoidke kõik ohutusnõuded ja juhised edasiseks kasutamiseks hoolikalt alles.

A SPETSIAALSED TURVAJUHISED

Turvalisuse hoiatused üldiselt jahvatamisele

a) See jõuariist on mõeldud jahvatajana. Järgige kõiki tööriistaga kaasasolevaid hoiatusi, juhiseid, jooniseid ja tehnilisi andmeid. Järgnevalt toodud juhiste eiramise tagajärjeks võib olla elektrilöökk, tulekahju ja/või raskekäigust vigastused.

b) Selle elektriseadmega ei ole soovitatud traatide harjamine, lõikamine, poleerimine ja liivpaberiga poleerimine. Seadme kasutamine mitteettenähtud otstarbel võib põhjustada kahjustusi ja vigastusi.

c) Ärge kasutage tarvikuid, mida ei ole tootja selle elektrilise tööriista jaoks ette näinud ega soovitanud. Asjaolu, et saate tarvikud oma seadme külge kinnitada, ei taga veel seadme ohutut tööd.

d) Instrumenti lubatud pöörete arv peab olema vähemalt sama suur kui elektritööriista märgitud maksimaalne pöörete arv. Tarvikud, mis pöörlevad lubatust kiiremini, võivad murduda ja lendu paiskuda.

e) Kasutatava instrumendi välisdiameeter ja paksus peavad vastama elektritööriista etteantud mõõtudele. Vale mõõduga instrumente ei ole võimalik kaitseadestist piisavalt turvata ja kontrollida.

f) Ketaste, lihvimistrumli ja teiste lisaseadmete kinnitusemõõdud peavad täpselt vastama tööriista spindli või hoidiku suurusele. Lisaseadmed, mis ei sobi oma suuruselt tööriista kinnituseadmega, põhjustavad tasakaalustuse halvenemist, tugevat vibreerimist ja võivad halvendada kontrolli seadme üle.

g) Völliga kinnitatavad kettad, lihvimistrumlid, lõikurid ja teised tarvikud tuleb lõpuni hoidikusse või hoidepeasse kinnitada. Võlli üleulatumine või selle pikkus kettast hoidikuni peab olema minimaalne. Kui võlli hoitakse ebapiisavalt ja/või ketta üleulatamine on liiga suur, võib paigaldatud ketas lahti lulla ning suurel kiirusel välja paiskuda.

h) Ärge kasutage vigastatud tarvikuid. Iga kord enne kasutust kontrollige tarvikuid, näiteks lihvkettaid ja lihtaldud pragude või kulumise suhtes, traatharju lahtiste või murdunud traatide suhtes. Kui seade või tarvik kukub maha, siis veenduge, et see ei ole vigastatud, või kasutage vajaduse korral vigastamata tarvikut. Kui olete tarviku üle vaadanud ja kohale asetanud, laske seadmel ühe minuti jooksul töötada maksimaalsel pööratel. Seejuures ärge asetsege pöörleva tarvikuga ühel tasandil ja veenduge, et seda ei tee ka läheduses viibivad inimesed. Selle katseaja jooksul vigastatud tarvikud üldjuhul purunevad.

i) Kandke isikukaitsevahendeid. Kasutage vastavalt kasutusotstarbele näomaski, silmakaitset või kaitseprille. Vajaduse korral kandke tolmuaitsemaski, kuulmiskaitsevahendeid, kaitsekindaid või kaitsepõlle, mis kaitseb Teid lihvimisel eralduvate väikeste osakeste eest. Silmad peavad olema kaitstud seadme kasutamisel eralduvate vöörkehade eest. Tolmu- või hingamisteede kaitsemaskid

peavad filtreerima kasutamisel tekkiva tolmu. Pikaajaline vali müra võib kahjustada kuulmist.

j) Jälgige, et teised inimesed oleksid teie tööpiirkonnast ohutus kauguses. Kõik tööpiirkonda tulevad isikud peavad kandma isiklikke kaitsevahendeid. Töödeldava materjali või puruneva instrumendi kiilud võivad paiskuda eemale ja tekitada vigastusi ka väljaspool otsest tööpiirkonda.

k) Tööde puhul, kus lõikeseade võib minna vastu peidetud elektrijuhtmeid, hoidke kinni seadme isoleeritud käepidemetest. Kokkupuude pingestatud juhtmega võib pingestada ka lõikeseadme metallist osad ning põhjustada elektrilöögi.

l) Töö alumistase hoidke tööriista kindlalt käes. Mootori pöörlemine täiskiirusele jõudes võib põhjustada tööriista pöördumist.

m) Vajadusel kasutage töödeldava detaili toetamiseks kinnituskilambreid. Ärge hoidke väikest detaili ühes käes ja tööriista teises käes. Väikese detaili kinnitamine klambritega võimaldab kasutada mõlemaid käsi ning kontrollida tööriista. Ümaratel materjalidel, nagu tüüblitel, torudel või torumaterjalidel on kalduvus lõikamise ajal veereda, mis võib põhjustada lõikuriotsa paiskumist tööriista kasutaja suunas.

n) Ärge pange seadet kunagi enne käest, kui instrument on täielikult seisma jäänud. Veel pöörlev instrument võib puutuda vastu pinda, millele te seadme asetate, ning te võite elektritööriista üle kontrolli kaotada.

o) Lõikeotsikute vahetamise või igasuguste reguleerimiste järel kontrollige, et hoidiku mutter, hoidepea ning kõik teised reguleerimiseadmed on korralikult kinnitatud. Lahtised reguleerimiseadmed võivad ootamatult nihkuda, põhjustades kontrolli kadu tööriista üle, lahtised pöörlevad detailid võivad tööriista küljest lahti paiskuda.

p) Seadme transportimise ajal ärge laske seadmel töötada. Teie rõivad võivad pöörleva tarvikuga juhuslikult kokku puutuda ning tarvik võib tungida Teie kehasse.

q) Puhastage regulaarselt seadme ventilatsiooniväsiid. Mootori ventilator tõmbab tolmu korpusesse, kuhjuv metallitolm võib põhjustada elektrilisi ohte.

r) Ärge kasutage seadet põlevate materjalide läheduses. Seadmest lenduvad sädemed võivad neid materjale süüdata.

s) Ärge kasutage instrumente, mille jaoks on vaja jahutusvedelikke. Vee või muude vedelate jahutusvahendite kasutamine võib põhjustada elektrilöögi.

Tagasilöökk ja sellega seonduvad ohutusnõuded

Tagasilöökk on kinnikiilduvast tarvikust, näiteks lihvkettast, lihvallast, traatharjast vmt tingitud järsk reaktsioon. Kinnikiildumine põhjustab tarviku järsu seisumise. Selle tagajärjel liigub seade kontrollimatult tarviku pöörlemissuuna vastupidises suunas.

Kui näiteks lihvketas tooriku kinni kiildub, võib tagajärjeks olla tagasilöökk või lihvketas murdumine. Lihvketas liigub sõltuvalt ketta pöörlemissuunast ka seadme kasutaja poole või kasutajast eemal. Seejuures võivad lihvkettad ka murduda.

Tagasilöökk on seadme ebaõige kasutamine või valede töövetete tagajärg. Seda saab vältida, rakendades järgnevalt kirjeldatud sobivaid ettevaatusabinõusid.

a) Hoidke seadet tugevasti kinni ja viige oma keha ja käed asendisse, milles saate tagasilöögiõududele vastu astuda. Suurima kontrolli saavutamiseks tagasilöögiõudude või reaktsioonimomentide üle kasutage alati lisakäepidid, kui see on olemas. Seadme kasutaja suudab sobivaid ettevaatusabinõusid rakendada tagasilöögi- ja reaktsioonijõudusid kontrollida.

b) Eriti ettevaatlikult töötage nurkade, teravate servade jmt piirkonnas. Hoidke ära tarvikute tagasipõrkumise toorikut ja kinnikiildumise. Pöörlev tarvik kalduv nurkades, teravates servades ja tagasipõrkumise korral kinni kiilduma. See põhjustab kontrolli kaotuse seadme üle või tagasilöögi.

c) Ärge kasutage kettsaealahte ega hambulise servaga saelehte. Sellised instrumentid võivad kutsuda sageli esile

tagasilöögi või põhjustada elektritööriista üle kontrolli kaotamise.

d) Seadke tööriista ots materjali sisse alati samas suunas, nagu lõikeserv materjalist väljub (see on sama suund, kust lõikejääd eralduvad). Tööriista sisestamine vales suunas tekitab otsiku lõikeserva väljatulekut töödeldavast detailist ning liukab tööriista selle sisestuse suunas.

e) Kasutades terrassaaga, lõikekettaid, kiirilõikureid või volframkarbiid-lõikureid, tuleb töödeldav detail alati korralikult klambritega kinnitada. Need kettad kiiluvad kinni, kui nad soones kergelt kalduvad ning võivad põhjustada tagasilööki. Kui lõikeketas kinni kiilub, siis ketas tavaliselt puruneb. Kui terrassaag, kiirilõikurid või volframkarbiid-lõikur kinni kiilub, võivad nad soonest välja hüpata ning põhjustada kontrolli kaotust tööriista üle.

Turvalisuse hoiatused eriliselt jahvatamisele.

a) Kasutage ainult neid kettatüüpe, mis on Teil oleva elektritööriista jaoks ning ainult sellele määratud tegevusteks ette nähtud. Näiteks: ärge lihvide lõikeketta servaga. Abrasiivsete lõikekettad on mõeldud piirdeliseks lihvimiseks, nende ketastele rakendatud külgiõud võivad põhjustada nende purunemist.

b) Keermestatud abrasiivsete koonuste ja kordike puhul kasutage ainult äärikuta ja kahjustusteta kettavõlle, mis on õige suuruse ja pikkusega. Õiged võllid vähendavad purunemisvõimalust.

c) Ärge asetage oma kätt pöörleva kettaga samale joonele ega selle taha. Kui ketas liigub Teie käest eemale, esineb oht, et tagasilöökk võib pöörleva ketta ja tööriista otse Teie suunas liigutada.

d) Toestage plaadid või suured toorikud, et vähendada kinnikiildunud lõikekettast tingitud tagasilöögi ohtu. Suured toorikud võivad omaenda kaalu tõttu läbi painduda. Toorik peab olema toetatud mõlemalt poolt, nii lõikejoone lähedal kui ka servast.

e) Olge eriti ettevaatlikult uputuslõigete tegemisel seintesse või teistesse varjatud objektidesse. Uputatav lõikeketas võib gaasi- või veevootore, elektrijuhtmete või teiste objektide tabamisel põhjustada tagasilöögi.

EDASISED OHUTUS- JA TÖÖJUHISED

Masinaga töötades kandke alati kaitseprille. Soovitatavad on kaitsekindad, tugevad ja libisemiskindlad jalanõud ning põll.

Pärast seadme väljalülitamist jookseb tööriista spindel edasi.

Pange masin alles pärast seisumist käest ära.

Ärge pange kätt töötava masina ohupiirkonda.

Kasutage ainult tööriista, mille lubatav pöörlemiskiirus on vähemalt sama suur kui seadme suurim pöörlemiskiirus tühijooksul.

Kontrollige lihvimistöörriistad enne kasutamist üle.

Lihvimistöörriist peab olema laitmatult monteeritud ning saama vabalt pöörelda. Tehke vähemalt 30-sekundiline koomuseta katsekäivitus. Ärge kasutage kahjustatud, mitteümaraid või vibreerivaid lihvimistöörriistu.

Metallide lihvimisel tekib sädemed. Veenduge selles, et inimesed poleks ohustatud. Tuleohtu tõttu ei tohi lähedal (sädemete piirkonnas) olla tuleohtlikke materjale. Ärge kasutage tolmu äraimemist.

Hoidke seadet alati nii, et sädemed või lihvimitolm lendaksid kehist eemale.

Tõmmitsmutter peab enne masina käikluskimist olema pingutatud.

Äärmuslike väliste elektromagnetiliste häirete mõjul võib üksikjuhul esineda ajutisi pöörlemiskiiruse kõikumisi.

Kasutage ja säilitage lihvkettaid alati vastavalt valmistaja juhistele.

Töödeldav toorik tuleb kinnitada, kui ta ei seisa oma raskusega paigal. Ärge juhtige toorikut kunagi käega vastu ketast.

Lihvketas peab mõõdetult masinale sobima.

Kui töötamisel tekib tolm, hoida masina ventilatsioonivad puhtad. Vajadusel tõmmata pistik kontaktist välja ning puhastada avad tolmust. Mitte puhastada metallist esemetega, sisemisi osi ei tohi kahjustada.

Äärmuslikul koormusel või äärmuslikul temperatuuril võib kahjustatud vahetatavast akust akuvedelik välja voolata. Akuvedelikuga kokkupuutumise korral peske kohe vee ja seebiga. Silma sattumise korral loputage kiiresti põhjalikult vähemalt 10 minutit ning pöörduge viivitamatult arsti poole.

Ärge visake tarvitatud vahetatavaid akusid tulle ega olmeprügisse. Milwaukee pakub vanade akude keskkonnahoidlikku käitlust; palun küsige oma erialaselt tarnijalt.

Ärge säilitage vahetatavaid akusid koos metallesemetega (lühiseoht).

Laadige süsteemi 18 V vahetatavaid akusid ainult süsteemi 18 V laadijatega. Ärge laadige nendega teiste süsteemide akusid.

Laadijal olevasse vahetatava aku ühenduskambris ei tohi sattuda metallosi (lühiseoht).

Ärge avage vahetatavaid akusid ega laadijaid ning ladustage neid ainult kuivades ruumides. Kaitske niiskuse eest.

Enne kõiki töid masina kallal võtke vahetatav aku välja.

Kontrollida, et lihvketas oleks paigaldatud lihvketta tootja juhiste järgi.

KASUTAMINE VASTAVALT OTSTARBELE

Otselihvija sobib puidu, plasti ja metalli lihvimiseks, iseäranis raskesti ligipääsetavatest kohtadest.

Antud seadet tohib kasutada ainult vastavalt äranäidatud otstarbele.

Kahtlusekorral järgida tarvikute tootja õpetusi.

Elektritööriist sobib üksnes kuivtöötamiseks.

EÜ VASTAVUSAVALDUS

Me deklareerime ainuisikuliselt vastutades, et lõigus "Tehnilised andmed" kirjeldatud toode vastab direktiivide 2011/65/EU (RoHS), 2004/108/EÜ, 2006/42/EÜ kõigile olulisele tähtsusega eeskirjadele ning järgmistele harmoniseeritud normatiivsetele dokumentidele:

EN 60745-1:2009+A11:2010

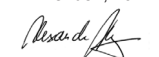
EN 60745-2-3:2011

EN 55014-1:2006+A1:2009+A2:2011

EN 55014-2:1997+A1:2001+A2:2008

EN 50581:2012

Winnenden, 2014-06-18


Alexander Krug
Managing Director



On volitatud koostama tehnilist dokumentatsiooni.

Techtronic Industries GmbH
Max-Eyth-Straße 10
71364 Winnenden
Germany

AKUD

Pikemat aega mittekasutatud akusid laadige veel enne kasutamist.

Temperatuur üle 50 °C vähendab vahetatava aku töövõimet.

Vältige pikemat soojenemist päikese või kütteseadme mõjul.

Hoidke laadija ja vahetatava aku ühenduskontaktid puhtad.

Optimaalse patarei eluea tagamiseks, pärast kasutamist lae patareiplokk täielikult.

Akud tuleks võimalikult pika kasutusea saavutamiseks pärast täislaadimist laadijast välja võtta.

Aku ladustamisel üle 30 päeva:

Ladustage akut kuivas kohas u 27°C juures.

Ladustage akut u 30-50% laetuss seisundis.

Laadige aku iga 6 kuu tagant täis.

HOOLDUS

Hoidke masina õhutuspiilud alati puhtad.

Lühiseohtu tõttu ei tohi õhutuspiiludesse sattuda metallosi.

Kasutage ainult Milwaukee tarvikuid ja tagavaraosi. Detailid, mille väljavahetamist pole kirjeldatud, laske välja vahetada Milwaukee klienditeeninduspunktis (vaadake brošüüri garantii / klienditeeninduste aadressid).

Vajaduse korral võite tellida seadme läbilõikejoonise, näidates ära masina tüübi ja andmesildil oleva numbr. Selleks pöörduge klienditeeninduspunkti või otse: Techtronic Industries GmbH, Max-Eyth-Straße 10, 71364 Winnenden, Germany.

SÜMBOLID



ETTEVAATUST! TÄHELEPANU! OHUD!



Enne kõiki töid masina kallal võtke vahetatav aku välja.



Palun lugege enne käikulaskmist kasutamisujuhend hoolikalt läbi.



Masinaga töötades kandke alati kaitseprille.



Kanda kaitsekindaid!



Ärge kasutage jõudu.



Elektriseadmeid ei tohi utiliseerida koos majapidamisprügiga. Elektrilised ja elektroonilised seadmed tuleb eraldi kokku koguda ning keskkonnasõbralikuks utiliseerimiseks vastavas käitlusettevõttes ära anda. Küsige kohalikest pädevatest ametitest või edasimüüjalt käitlusjaamade ja kogumispunktide kohta järele.



CE-märk

Euraasia vastavusmärk.

ТЕХНИЧЕСКИЕ ДАННЫЕ ПРЯМОШЛИФОВАЛЬНАЯ МАШИНА С 12 RT

Серийный номер изделия	4311 33 01... ...000001-999999
Вольтаж аккумулятора	12 V
Номинальное число оборотов	5000-37000 min ⁻¹
Диаметр цапги	0,8 / 1,6 / 2,4 / 3,2 мм
Макс. диаметр шлифовального абразива керамические или на резиновой основе абразивные материалы	25 mm
абразивные материалы на резиноидной основе	25 mm
Вес с аккумулятором	0,62 kg

Информация по шумам/вибрации

Значения замерялись в соответствии со стандартом EN 60 745.

Уровень шума прибора, определенный по показателю A, обычно составляет:

Уровень звукового давления (Небезопасность K=3dB(A))	73 dB (A)
Уровень звуковой мощности (Небезопасность K=3dB(A))	84 dB (A)

Пользуйтесь приспособлениями для защиты слуха.

Общие значения вибрации (векторная сумма трех направлений) определены в соответствии с EN 60745.

Значение вибрационной эмиссии a _h	
Сверление в металле	2,4 m/s ²
Небезопасность K	1,5 m/s ²
Шлифование наждачной бумагой	2,6 m/s ²
Небезопасность K	1,5 m/s ²
Шлифование металл	3,1 m/s ²
Небезопасность K	1,5 m/s ²
Шлифование камня	1,8 m/s ²
Небезопасность K	1,5 m/s ²
Резка металл	3,4 m/s ²
Небезопасность K	1,5 m/s ²

ВНИМАНИЕ

Указанный в настоящем руководстве уровень вибрации измерен в соответствии с технологией измерения, установленной стандартом EN 60745 и может использоваться для сравнения электроинструментов друг с другом. Он также подходит для предварительной оценки вибрационной нагрузки.

Указанный уровень вибрации представляет основные виды использования электроинструмента. Но если электроинструмент используется для других целей, используемый инструмент отклоняется от указанного или техническое обслуживание было недостаточным, то уровень вибрации может отклоняться от указанного. В этом случае вибрационная нагрузка в течение всего периода работы значительно увеличивается.

Для точной оценки вибрационной нагрузки необходимо также учитывать время, в течение которого прибор отключен или включен, но фактически не используется. В этом случае вибрационная нагрузка в течение всего периода работы может существенно уменьшиться.

Установите дополнительные меры безопасности для защиты пользователя от воздействия вибрации, например: техническое обслуживание электроинструмента и используемого инструмента, поддержание рук в теплом состоянии, организация рабочих процессов.

⚠ ПРЕДУПРЕЖДЕНИЕ! Прочтите все указания по безопасности и инструкции. Упущения, допущенные при соблюдении указаний и инструкций по технике безопасности, могут стать причиной электрического поражения, пожара и тяжелых травм. **Сохраняйте эти инструкции и указания для будущего использования.**

А РЕКОМЕНДАЦИИ ПО ТЕХНИКЕ БЕЗОПАСНОСТИ

Общие указания по безопасности для шлифования

а) этот электроинструмент предназначен для шлифования. Учитывайте все предупреждающие указания, инструкции, иллюстрации и данные, которые Вы получите с электроинструментом. При несоблюдении нижеследующих указаний возможно поражение электротоком, возникновение пожара и/или получение серьезных травм.

б) Данный электроинструмент не предназначен для обработки проволочной щетки, абразивного отрезания, шлифовки наждачной бумагой и полирования. Использование электроинструмента не по назначению может вывести его из строя и нанести травмы.

с) Не применяйте принадлежности, которые не предусмотрены изготовителем специально для настоящего электроинструмента и не рекомендуются им. Только возможность крепления принадлежностей в

Вашем электроинструменте не гарантирует еще его надежного применения.

д) Допустимое число оборотов используемого инструмента должно быть как минимум таким же, как и максимальное число оборотов, указанное на электроинструменте. Комплекующие, которые вращаются быстрее допустимой скорости, могут сломаться и отлететь.

е) Внешний диаметр и толщина инструментальной насадки должны соответствовать размеру Вашего электрического инструмента. Неправильно выбранные инструментальные насадки не могут в достаточной мере закрываться или контролироваться.

ф) Размер оси дисков, барабана для очистки песком или других насадок должен точно соответствовать шпинделю или зажимной втулке механического инструмента. Насадки, которые не соответствуют элементам крепления механического инструмента, могут нарушить баланс, чрезмерно вибрировать и вызвать потерю управления.

г) Монтруемые на шпинделе диски, барабаны для очистки песком, резы и другие насадки необходимо полностью вставить в зажимную втулку или держатель. "Выступ" или длина оси от диска до зажимной втулки должна быть минимальной. Если ось зажата недостаточно и/или выступ диска слишком длинный, возможно высвобождение или выталкивание установленного диска на высокой скорости.

h) Не применяйте поврежденные рабочие инструменты. Проверяйте каждый раз перед использованием рабочие инструменты, как то, шлифовальные круги на сколы и трещины, шлифовальные тарелки на трещины, риски или сильный износ, проволочные щетки на незакрепленные или поломанные проволоки. После падения электроинструмента или рабочего инструмента проверяйте последний на повреждения и при необходимости установите неповрежденный рабочей инструмент. После закрепления рабочего инструмента займите сами и все находящиеся вблизи лица положение за пределами плоскости вращения рабочего инструмента и включите электроинструмент на одну минуту на максимальное число оборотов. Поврежденные рабочие инструменты разрываются, в большинстве случаев, за это время контроля.

и) Применяйте средства индивидуальной защиты. В зависимости от выполняемой работы применяйте защитный щиток для лица, защитное средство для глаз или защитные очки. Насколько уместно, применяйте противопылевой респиратор, средства защиты органов слуха, защитные перчатки или специальный фартук, которые защищают Вас от абразивных частиц и частиц материала. Глаза должны быть защищены от летающих в воздухе посторонних тел, которые возникают при выполнении различных работ. Противопылевой респиратор или защитная маска органов дыхания должны задерживать возникающую при работе пыль. Продолжительное воздействие сильного шума может привести к потере слуха.

j) Следите за тем, чтобы иные лица находились на безопасном расстоянии от Вашего рабочего места. Каждый входящий в рабочую зону должен пользоваться средствами защиты. Отлетающие обломки обрабатываемой детали или инструментальных насадок могут нанести травму и за пределами рабочей зоны.

к) Если Вы выполняете работы, при которых режущий инструмент может зацепить скрытую электропроводку кабель, инструмент следует держать за специально предназначенные для этого изолированные поверхности. Контакт режущего инструмента с токоведущим проводом может ставить под напряжение металлические части прибора, а также приводить к удару электрическим током.

l) При запуске всегда крепко держите инструмент в руках. Реактивный момент двигателя по мере его ускорения до полной скорости может вызвать скручивание инструмента.

m) При необходимости используйте зажимы для поддержки заготовки. Никогда не держите маленькую заготовку в одной руке, а инструмент в другой руке во время работы. Фиксирование маленьких заготовок позволяет вам использовать обе руки для управления инструментом. Круглые материалы, такие как штыри, трубы или трубки, имеют тенденцию катиться во время резки и могут вызвать застревание или отскакивание реза по направлению к вам.

n) Никогда не кладите электрический инструмент до тех пор, пока инструментальная насадка полностью не остановится. Вращающаяся насадка может коснуться поверхности, на которую Вы кладёте электрический инструмент, вследствие чего Вы можете потерять над ним контроль.

о) После замены резов или регулировки, убедитесь, что гайка зажимной муфты, держатель или любое другое регулировочное устройство надежно затянуто. Незакрепленные регулировочные устройства могут неожиданно сдвинуться, что вызовет потерю управления, а незакрепленные вращающиеся компоненты будут с силой выброшены.

р) Выключайте электроинструмент при транспортировании. Ваша одежда может быть случайно

захвачена вращающимся рабочим инструментом и последний может нанести Вам травму.

q) Регулярно очищайте вентиляционные прорези Вашего электроинструмента. Вентилятор двигателя затягивает пыль в корпус и большое скопление металлической пыли может привести к электрической опасности.

г) Не используйте электрический инструмент вблизи горючих материалов. Искры могут привести к возгоранию этих материалов.

с) Не пользуйтесь инструментальными насадками, требующими применения жидких охлаждающих средств. Использование воды или иных жидких охлаждающих средств может привести к поражению электрическим током.

Отдача и соответствующие указания по технике безопасности:

Обратный удар это внезапная реакция в результате заедания или блокирования вращающегося рабочего инструмента, как то, шлифовального круга, шлифовальной тарелки, проволочной щетки и т.д., ведущая к резкому останову вращающегося рабочего инструмента. При этом неконтролируемый электроинструмент ускоряется на месте блокировки против направления вращения рабочего инструмента.

Если шлифовальный круг заедает или блокирует в заготовке, то погруженная в заготовку кромка шлифовального круга может быть зажата и в результате привести к выскакиванию круга из заготовки или к обратному удару. При этом шлифовальный круг движется на оператора или от него, в зависимости от направления вращения круга на месте блокирования. При этом шлифовальный круг может поломаться.

Обратный удар является следствием неправильного использования электроинструмента или ошибки оператора. Он может быть предотвращен описанными ниже мерами предосторожности.

а) Крепко держите электроинструмент и займите Вашим телом и руками положение, в котором Вы можете противодействовать обратным силам. При наличии, всегда применяйте дополнительную рукоятку, чтобы как можно лучше противодействовать обратным силам или реакционным моментам при наборе оборотов. Оператор может подходить мерами предосторожности противодействовать силам обратного удара и реакционным силам.

б) Особенно осторожно работайте на углах, острых кромках и т.д. Предотвращайте отскок рабочего инструмента от заготовки и его заклинивание. Вращающийся рабочий инструмент склонен на углах, острых кромках и при отскоке к заклиниванию. Это вызывает потерю контроля или обратный удар.

с) Не пользуйтесь цепными или зубчатыми пилами. Такие инструментальные насадки часто приводят к отдаче или потере контроля над электрическим инструментом.

д) Всегда вводите резец в материал в том же направлении, в котором режущая кромка выходит из материала (в том же направлении, в котором вылетают стружки). Ввод инструмента в неправильном направлении вызывает выход режущей кромки из заготовки и толчок инструмента в направлении ввода.

е) При использовании стальных пил, отрезных дисков, высокоскоростных резов или резов из карбида вольфрама всегда надежно закрепляйте заготовку. Эти диски могут застрять при небольшом перекосе в разрезе и вызывать отдачу. При застревании отрезного диска сам диск обычно ломается. При застревании стальной пилы, высокоскоростных резов или резов из карбида вольфрама возможно отскакивание из разреза и потеря контроля над инструментом.

Особые указания по безопасности для шлифования

а) Используйте диски только тех типов, которые рекомендованы для вашего механического инструмента, и только для рекомендованных областей применения. Например: не шлифуйте край отрезного диска. Абразивные отрезные диски предназначены для периферийного шлифования, боковые усилия, прилагаемые к этим дискам, могут вызвать их разрушение.

б) Для резбовых абразивных конических насадок и втулок используйте только неповрежденные оси дисков с постоянными плечевыми фланцами правильного размера и длины. Надлежащие оси снизят вероятность поломки.

в) Не располагайте руку на одной линии или позади вращающегося диска. Когда во время работы диск удаляется от вашей руки, возможная отдача может направить вращающийся диск и весь механический инструмент прямо на вас.

д) Плиты или большие заготовки должны надежно лежать на опоре, чтобы снизить опасность обратного удара при заклинивании отрезного круга. Большие заготовки могут прогибаться под собственным весом. Заготовка должна лежать на опорах с обеих сторон, как вблизи реза, так и по краям.

е) Будьте особенно осторожны при выполнении резов с «погружением» в стены или на других не просматриваемых участках. Погружающийся отрезной круг может при резании газопровода или водопровода, электрических проводов или других объектов привести к обратному удару.

ДОПОЛНИТЕЛЬНЫЕ УКАЗАНИЯ ПО БЕЗОПАСНОСТИ И РАБОТЕ

При работе с инструментом всегда надевайте защитные очки. Рекомендуется надевать перчатки, прочные нескользящие ботинки и фартук.

После выключения машина останавливается не сразу. (Остаточное вращение рабочего шпинделя.) Положите инструмент только после его полной остановки.

Никогда не касайтесь опасной режущей зоны в момент работы.

Использовать только те рабочие инструменты, допустимое число оборотов которых совпадает с максимальным числом оборотов инструмента на холостом ходу.

Проверяйте шлифовальные инструменты перед использованием. Шлифовальный инструмент должен быть надёжно закреплён и свободно вращаться. Включите инструмент на 30 секунд без нагрузки. Не пользуйтесь поврежденными; некруглыми или вибрирующими шлифовальными инструментами.

Необходимо следить за тем, чтобы искры, вылетающие с обрабатываемой поверхности, не попадали на воспламеняющиеся материалы.

Следите чтобы искры или образующаяся при работе пыль не попадали на Вас.

Перед включением инструмента затяните зажимную гайку.

В отдельных случаях возможны временные изменения скорости вращения в результате сильных внешних электромагнитных помех.

Всегда используйте и храните шлифовальные диски в соответствии с инструкциями производителя.

Если изделие не достаточно тяжелое и неустойчивое, то его необходимо закрепить. Никогда не подносите изделие к шлифовальному диску, держа его в руках.

Размеры шлифовального инструмента должны подходить к шлифовальной машине.

При работе образуется много пыли, поэтому вентиляционные прорезы в машине должны быть свободными. При необходимости машину нужно отсоединить от электросети и удалить пыль. Для такой работы нужно использовать неметаллические предметы. Не повреждайте внутренние части машины.

Аккумуляторная батарея может быть повреждена и дать течь под воздействием чрезмерных температур или повышенной нагрузки. В случае контакта с аккумуляторной кислотой немедленно промойте место контакта мылом и водой. В случае попадания кислоты в глаза промойте глаза в течении 10 минут и немедленно обратитесь за медицинской помощью.

Не выбрасывайте использованные аккумуляторы вместе с домашним мусором и не сжигайте их. Дистрибьюторы компании Milwaukee предлагают восстановление старых аккумуляторов, чтобы защитить окружающую среду.

Не храните аккумуляторы вместе с металлическими предметами во избежание короткого замыкания.

Для зарядки аккумуляторов модели 18 V используйте только зарядным устройством 18 V. Не заряжайте аккумуляторы других систем.

Не допускается попадания каких-либо металлических предметов в аккумуляторный отсек зарядного устройства во избежание короткого замыкания.

Никогда не вскрывайте аккумуляторы или зарядные устройства и храните их только в сухих помещениях. Следите, чтобы они всегда были сухими.

Выньте аккумулятор из машины перед проведением с ней каких-либо манипуляций.

Нужно проверить правильность установки шлифовального инструмента в соответствии с руководством изготовителя этого шлифовального средства.

ИСПОЛЬЗОВАНИЕ

Прямые шлифмашины могут использоваться для шлифования деревянных, пластиковых и металлических поверхностей, особенно в труднодоступных местах

Не пользуйтесь данным инструментом способом, отличным от указанного для нормального применения.

В случае сомнения соблюдайте указания производителя принадлежностей.

Этот электроинструмент предназначен только для работы всухую.

ДЕКЛАРАЦИЯ О СООТВЕТВИИ СТАНДАРТАМ ЕС

Мы заявляем под собственную ответственность, что изделие, описанное в разделе "Технические характеристики", соответствует всем важным предписаниям Директивы 2011/65/EU (Директива об ограничении применения опасных веществ в электрических и электронных приборах), 2004/108/EC, 2006/42/EC и приведенным далее гармонизированным нормативным документам:

EN 60745-1:2009+A11:2010

EN 60745-2-3:2011

EN 55014-1:2006+A1:2009+A2:2011

EN 55014-2:1997+A1:2001+A2:2008

EN 50581:2012

Winnenden, 2014-06-18

Alexander Krug
Managing Director



Уполномочен на составление технической документации.

Teichronic Industries GmbH
Max-Eyth-Straße 10
71364 Winnenden
Germany

АККУМУЛЯТОР

Перед использованием аккумулятора, которым не пользовались некоторое время, его необходимо зарядить.

Температура выше 50°C снижает работоспособность аккумуляторов. Избегайте продолжительного нагрева или прямого солнечного света (риск перегрева).

Контакты зарядного устройства и аккумуляторов должны содержаться в чистоте.

Для обеспечения оптимального срока службы аккумуляторов необходимо полностью заряжать после использования прибора.

Для достижения максимально возможного срока службы аккумуляторы после зарядки следует вынимать из зарядного устройства.

При хранении аккумулятора более 30 дней: Храните аккумулятор при 27°C в сухом месте. Храните аккумулятор с зарядом примерно 30% - 50%. Каждые 6 месяцев аккумулятор следует заряжать.

ОБСЛУЖИВАНИЕ

Всегда держите охлаждающие отверстия чистыми.

Не приближайте металлические предметы к вентиляционным отверстиям из-за опасности короткого замыкания!

Пользуйтесь аксессуарами и запасными частями только фирмы Milwaukee. В случае возникновения необходимости в замене, которая не была описана, пожалуйста, обращайтесь на один из сервисных центров (см. список наших гарантийных/сервисных организаций).

При необходимости может быть заказан чертеж инструмента с трехмерным изображением деталей. Пожалуйста, укажите номер и тип инструмента и закажите чертеж у Ваших местных агентов или непосредственно у Teichronic Industries GmbH, Max-Eyth-Straße 10, 71364 Winnenden, Germany.

СИМВОЛЫ



ВНИМАНИЕ! ПРЕДУПРЕЖДЕНИЕ! ОПАСНОСТЬ!



Выньте аккумулятор из машины перед проведением с ней каких-либо манипуляций.



Пожалуйста, внимательно прочтите инструкцию по использованию перед началом любых операций с инструментом.



При работе с инструментом всегда надевайте защитные очки.



Надевать защитные перчатки!



Не применяйте силу



Электрические устройства нельзя утилизировать вместе с бытовым мусором. Электрические и электронные устройства следует собирать отдельно и сдавать в специализированную утилизирующую компанию для утилизации в соответствии с нормами охраны окружающей среды. Сведения о центрах вторичной переработки и пунктах сбора можно получить в местных органах власти или у вашего специализированного дилера.

Знак CE



Сертификата о соответствии
No. RU C-DE.ME77.V.01627
Срок действия сертификата о соответствии по 19.06.2019
ООО «Центр по сертификации стандартизации и систем качества электро-машиностроительной продукции»
141400, РФ, Московская область, г. Химки, Ул. Ленинградская, 29



Національний знак відповідності України

ТЕХНИЧЕСКИ ДАННИ	ПРАВА ШЛАЙФМАШИНА	C 12 RT
Производствен номер.....	4311 33 011... ...000001-999999	
Напрежение на акумулатора	12 V	
Номинална скорост на въртене	5000-37000 min ⁻¹	
Диаметър на затягащите цанги	0,8 / 1,6 / 2,4 / 3,2 mm	
Макс. диаметър на абразивното тяло:		
Абразивно тяло с керамична или гумена връзка.....	25 mm	
Абразивно тяло с връзка на база изкуствена смола	25 mm	
Тегло с резервна батерия	0,62 kg	

Информация за шума/вибрациите

Измерените стойности са получени съобразно EN 60 745.

Оцененото с А ниво на шума на уреда е съответно:

Равнище на звуковото налягане (Несигурност K=3dB(A)) 73 dB (A)

Равнище на мощността на звука (Несигурност K=3dB(A)) 84 dB (A)

Да се носи предпазно средство за слуха!

Общите стойности на вибрациите (векторна сума на три

посоки) са определени в съответствие с EN 60745.

Стойност на емисии на вибрациите a_n

Пробиване на метал	2,4 m/s ²
Несигурност K	1,5 m/s ²
Шлайфане с шкурка	2,6 m/s ²
Несигурност K	1,5 m/s ²
Шлайфане на метал	3,1 m/s ²
Несигурност K	1,5 m/s ²
Шлайфане на камък	1,8 m/s ²
Несигурност K	1,5 m/s ²
Рязане на метал	3,4 m/s ²
Несигурност K	1,5 m/s ²

ВНИМАНИЕ

Посоченото в тези инструкции ниво на вибрациите е измерено в съответствие със стандартизиран в EN 60745 измервателен метод и може да се използва за сравнение на електрически инструменти помежду им. Подходящ е и за временна оценка на вибрационното натоварване.

Посоченото ниво на вибрациите представя основните приложения на електрическия инструмент. Ако обаче електрическият инструмент се използва с друго предназначение, с различни сменяеми инструменти или при недостатъчна техническа поддръжка, нивото на вибрациите може да е различно. Това чувствително може да увеличи вибрационното натоварване по време на целия работен цикъл.

За точната оценка на вибрационното натоварване трябва да се вземат предвид и периодите от време, в които уредът е изключен или работи, но в действителност не се използва. Това чувствително може да намали вибрационното натоварване по време на целия работен цикъл.

Определете допълнителни мерки по техника на безопасност в защита на обслужващия работник от въздействието на вибрациите като например: техническа поддръжка на електрическия инструмент и сменяемите инструменти, поддръжане на ръцете топли, организация на работния цикъл.

▲ ПРЕДУПРЕЖДЕНИЕ! Прочетете всички указания и напътствия за безопасност.

Пропуски при спазването на указанията и напътствията за безопасност могат да доведат до токов удар, пожар и/или тежки наранявания.

Съхранявайте указанията и напътствията за безопасност за справка при нужда.

▲ СПЕЦИАЛНИ УКАЗАНИЯ ЗА БЕЗОПАСНОСТ

Общи указания за безопасност при шлайфане

a) Този електрически инструмент е предназначен за използване като шлайф. Спазвайте всички указания и предупреждения, съобразявайте се с приведените технически параметри и изображения. Ако не спазвате посочените по-долу указания, последствията могат да бъдат токов удар, пожар и/или тежки травми.

b) Този електрически инструмент не е подходящ за използване като телена четка, за рязане, търкане със шкурка и полиране. Ако се използва за цели, за които не е предвиден, този електроуред може да доведе до опасност и наранявания.

c) Не използвайте допълнителни приспособления, които не се препоръчват от производителя специално за този електроинструмент. Фактът, че можете да закрепите към машината определено приспособление или работен инструмент, не гарантира безопасна работа с него.

d) Допустимите обороти на работния инструмент трябва да бъдат най-малко толкова високи, колкото посочените на електроинструмента максимални обороти. Аксесоари, които се въртят по-бързо от допустимото, могат да се счупят и да се разхвърчат.

e) Външният диаметър и дебелината на работния инструмент трябва да отговарят на посочените размери на Вашия електроинструмент. Работни инструментите с неподходящи размери не могат да бъдат покрити достатъчно или да бъдат контролирани.

f) Шлайфдискът, шлайфцилиндърът или другият вид допълнително оборудване трябва да пасват върху шлифовъчното вретено или обтегача на електрически инструмент. Инструменти, които не пасват точно върху шлифовъчното вретено на електрическия уред, се въртят неравномерно, вибрират много силно и могат да доведат до загуба на контрол.

g) Монтираните върху дорник дискове, шлайфцилиндри, режещи инструменти или друго допълнително оборудване трябва да бъдат фиксирани напълно върху обтегача или патронника за сверделно. Издадената част, респективно разстоянието на дорника от диска към обтегача, трябва да бъде минимална(о). Ако дорникът не бъде достатъчно обтегнат и/или издадената част на диска е прекалено дълга, монтираният диск може да се освободи и да бъде изхвърлен с висока скорост.

h) Не използвайте повредени работни инструменти. Преди всяка употреба проверявайте работните инструменти, напр. абразивните дискове за пукнатини или откътрени ръбчета, подложните дискове за пукнатини или силно износване, телените четки за недобре захванати или счупени телчета. Ако изтървете електроинструмента или работния инструмент, ги проверявайте внимателно за увреждания или използвайте нови неповредени работни инструменти. След като сте проверили внимателно и сте монтирали работния инструмент, оставете електроинструмента да работи на максимални обороти в продължение на една минута; стойте и дръжте намиращи се наблизо лица в страни от равнината на въртене. Най-често повредени работни инструменти се счупят през този тестов период.

i) Носете лични предпазни средства. Според необходимостта използвайте цяла лицева маска, маска за очи или защитни очила. Ако е необходимо носете маска срещу прах, защита на слуха, предпазни ръкавици или специална престилка, която предпазва от малки частици от диска или от материала. Очите трябва да се защитени от чужди тела, които могат да отлетят по различни причини. Противопрашната или дихателната маска трябва да могат да филтрират праха, който се образува при работа. Ако сте изложени дълго време на силен шум, това може да причини загуба на слуха Ви.

j) Внимавайте останалите лица да са на безопасно разстояние от Вашата работна зона. Всеки, който влиза в работната зона, трябва да носи лични предпазни средства. Отчупени парченца от обработваната част или от счупени работни инструменти могат да отлетят и да причинят наранявания дори и на лица извън непосредствената работна зона.

k) Дръжте уреда за изолационите ръкохватки, когато извършвате работи, при които режещият инструмент може да засегне скрити електроинсталационни кабели. Контактът на режещия инструмент с тоководещ проводник може да предаде напрежението върху метални части на уреда и да доведе до токов удар.

l) При стартиране на уреда го дръжте здраво с ръце. При вдигане на оборотите до пълна скорост реактивният момент на мотора може да доведе до това, че електрическият инструмент да се усуче.

m) Ако е възможно, използвайте затягащи скоби, за да фиксирате обработвания детайл. Никога не дръжте малък детайл в едната ръка и уреда в другата, докато го използвате. Средством затягането на малки детайли ръцете ви ще бъдат свободни за по-удобно боравене с електрическия инструмент. При рязане на обли детайли като дюбели за дърво, прътове или тръби, съществува опасност те да се изплъзнат, при което инструментът да се заклещи и да отскочи към Вас.

n) Никога не оставяйте електроинструмента, докато работният инструмент не е напълно спрял. Въртящият се работен инструмент може да влезе в контакт с повърхността, върху която сте оставили електроинструмента, поради което може да загубите контрола върху него.

o) След смяна на приставките на инструмента или при настройки по уреда се уверете, че гайката на затегателните челюсти, патронникът за сверделно или другите закрепващи елементи са здраво затегнати. Ухлабавите закрепващи елементи могат неочаквано да се изместят и да доведат до загуба на контрол; незакрепените, въртящи се компоненти могат да изхвърчат със сила.

p) Докато пренасяте електроинструмента, не го оставяйте включен. При неволнен допир дрехите или косите Ви могат да бъдат увлечени от работния инструмент, в резултат на което работният инструмент може да се вреже в тялото Ви.

q) Почиствайте редовно шлицовете за проветрение на електроинструмента. Духалката на мотора засмуква прах

в корпуса на електроинструмента, а насъбирането на метален прах може да причини електрически опасности.

r) Не работете с електроинструмента в близост до запалими материали. Искрите могат да възпламенят тези материали.

s) Не използвайте работни инструменти, които трябва да се охлаждат с течности. Употребата на вода или на други течни охлаждащи средства може да доведе до токов удар.

Откат на машината и съответни указания за безопасност

"Ритането" е внезапна реакция на машината вследствие на закачил се или блокиран въртящ се инструмент, напр. шлайфаща шайба, шлайфаш диск, телена четка и др. Закачането или блокирането води до внезапно спиране на въртящия се инструмент. По този начин на мястото на блокиране машина се ускорява неконтролирано срещу посоката на въртене на инструмента.

Ако напр. шлифовъчният диск се заклин или блокира в обработваната част, ръбът на диска, който влиза в обработваната част, може да се заплете и по този начин шлифовъчният диск може да се счупи или да бъде предизвикан откат. Тогава шлифовъчният диск се отправя към или се отдалечава от обслужващото лице, в зависимост от посоката на въртене на диска на мястото на блокиране. В такъв случай шлифовъчните дискове могат също да се счупят.

Откатът е резултат от неправилна или погрешна употреба на електроинструмента. Той може да бъде предотвратен чрез подходящи мерки за безопасност, както е описано в следното.

a) Хванете здраво машината и дръжте тялото и ръцете си в такова положение, в което да можете да поемете силата на отката. Винаги използвайте допълнителната ръкохватка, ако има такава, за да имате възможно най-голям контрол върху силата на отката или върху реактивния въртящ момент. Чрез подходящи мерки за безопасност обслужващият персонал може да овладее силите на отката и на реакция.

b) Работете особено предпазливо в зоните на ъгли, остри ръбове и др. п. Избягвайте отблъскването на работните инструменти от обработваната част и заклинването им в нея. При обработване на ъгли или остри ръбове или при рязко отблъскване на въртящия се работен инструмент съществува повишена опасност от заклинване. Това предизвиква загуба на контрол над машината или откат.

c) Не използвайте верижен или назъбен режещ диск. Такива инструменти често причиняват "ритане" или загуба на контрол върху електрическата машина.

d) Насочвайте инструмента в материала винаги в същата посока, в която режещият ръб излиза от материала (съответства на същата посока, в която биват изхвърляни стърготините). Ако насочите електрическия инструмент в неправилната посока, може да се стигне до отскачане на електрическия инструмент от обработвания детайл, при което уредът може да отскочи в тази посока.

e) Винаги затягайте здраво обработвания детайл при използване на стоманени режещи листове, отрязващи дискове, инструменти за фрезозане с висока скорост или инструменти за фрезозане от твърд метал. Още при минимално измятане в прореза тези инструменти могат да се заклещат и да предизвикат обратен удар. При заклещване на отрязващия диск, същият може да се счупи. При заклещване на стоманени режещи листове, инструменти за фрезозане с висока скорост или инструменти за фрезозане от твърд метал приставката на инструмента може да отскочи от жлеба и да доведе до загуба на контрол на инструмента.

Специални указания за безопасност при шлайфане

а) Използвайте шлифовъчни дискове, които се препоръчват само за Вашия електрически инструмент, както и за съответните цели на използване. Например никога не шлайфайте със страничната повърхност на отрязващия диск. Отрязващите дискове са предназначени за отнемане на материал с ръба на диска. Страничната сила върху шлайфащото тяло може да го счули.

б) За конусовидни и прави шлайфащи шифтове с резба използвайте само напълно изправни дорници с подходяща широчина и дължина, без задно рязане на издатините. Подходящите дорници предотвратяват възможността за счуване.

в) г) Не разполагайте ръката си в посоката на въртене, респективно зад въртящия се отрязващ диск. Ако докоснете с ръка отрязващия диск в обработвания детайл, в случай на обратен удар електрическият уред с въртящия се диск може да се насочи директно към Вас.

д) Когато режете плоскости или по-големи детайли, ги опрете, за да избегнете риска от откат при закъмване на режещия диск. Големите детайли могат да се огънат от собствената си тежест. Детайлът трябва да е подпрян на две места, а именно в близост до разреза и в края му.

е) Бъдете особено внимателни при рязане на "джобове" в стени или в други зони, където няма видимост. При прерязване на газопроводи, водопроводи, електропроводи или други обекти, режещият диск може да причини откат.

ДОПЪЛНИТЕЛНИ УКАЗАНИЯ ЗА РАБОТА И БЕЗОПАСНОСТ

При работа с машината винаги носете предпазни очила. Препоръчват се също така предпазни ръкавици, здрави и нехлъзгащи се обувки, както и престилка.

Шпинделът на инструмента продължава да се върти, след като уредът е бил изключен. Оставете машината чак когато е спряла напълно.

Не бържайте в зоната на опасност на работещата машина.

Да се използват само работни инструменти, чиято допустима честота на въртене е най-малкото толкова голяма, колкото максималната честота на въртене на машината при празен ход.

Преди използване проверявайте абразивните инструменти. Абразивният инструмент трябва да е монтиран безупречно и да може да се върти свободно. Правете пробно въртене най-малко 30 секунди без товар. Да не се използват повредени, некръгли или вибриращи абразивни инструменти.

При шлифование на метали възниква искрене. Обърнете внимание да не бъдат застрашени хора. Поради опасност от пожар наблизо (в обсега на искрите) не бива да се намират горими материали. Да не се използва прахоулавяне.

Дръжте уреда винаги така, че искрите или образуващият се при шлифоването прах да отлитат настрана от тялото.

Преди пускане на машината стягащата гайка трябва да бъде затегната.

При въздействие на екстремни външни електромагнитни смущения в отделни случаи могат да възникнат временни колебания на честотата на въртене.

Абразивните дискове винаги да се използват и съхраняват съобразно данните на производителя.

Обработваният детайл трябва да бъде фиксиран здраво, ако не е достатъчно тежък, за да стои стабилно от собственото си тегло. Никога не водете детайла с ръка срещу диска.

Размерите на шлифовъчния инструмент трябва да пасват към шлифовъчната машина.

При прашни работи вентилационните отвори на машината трябва да са свободни. Ако е необходимо, изключете машината от мрежата и почистете праха. За целта

използвайте неметални предмети и не повреждайте вътрешни части.

При екстремно натоварване или екстремна температура от повредени акумулатори може да изтече батерийна течност. При допир с такава течност веднага измийте с вода и сапун. При контакт с очите веднага изплаквайте старателно най-малко 10 минути и незабавно потърсете лекар.

Не изхвърляйте изхабените акумулатори в огъня или в при битовите отпадъци. Milwaukee предлага екологосъобразно събиране на старите акумулатори; моля попитайте Вашия специализиран търговец.

Не съхранявайте акумулаторите заедно с метални предмети (опасност от късо съединение).

Акумулатори от системата 18 V да се зареждат само със зарядни устройства от системата 18 V laden. Да не се зареждат акумулатори от други системи.

В гнездото за акумулатори на зарядните устройства не бива да попадат метални части (опасност от късо съединение).

Не отваряйте акумулатори и зарядни устройства и ги съхранявайте само в сухи помещения. Пазете ги от влага.

Преди започване на каквито е да работи по машината извадете акумулатора.

Уверете се, че шлифовъчният инструмент е поставен съобразно указанието на производителя на шлифовъчното средство.

ИЗПОЛЗВАНЕ ПО ПРЕДНАЗНАЧЕНИЕ

Правият шлайф е подходящ за шлифование на дърво, пластмаса и метал, по-специално на трудно достъпни места.

Този уред може да се използва по предназначение само както е посочено.

В случай на съмнение обърнете внимание на указанията на производителя на аксесоари.

Машината е подходяща само за употреба без вода.

СЕ - ДЕКЛАРАЦИЯ ЗА СЪОТВЕТСТВИЕ

Заявяваме под собствена отговорност, че описаният в "Технически данни" продукт съответства на всички важни разпоредби на директива 2011/65/EU (RoHS), 2004/108/EO, 2006/42/EO, както и на всички следващи нормативни документи във тази връзка.

EN 60745-1:2009+A11:2010

EN 60745-2-3:2011

EN 55014-1:2006+A1:2009+A2:2011

EN 55014-2:1997+A1:2001+A2:2008

EN 50581:2012

Winnenden, 2014-06-18



Alexander Krug
Managing Director



Упълномощен за съставяне на техническата документация
Techtronic Industries GmbH
Max-Eyth-Straße 10
71364 Winnenden
Germany

АКУМУЛАТОРИ

Акумулатори, които не са ползвани по-дълго време, преди употреба да се дозаредят.

Температура над 50°C намалява мощността на акумулатора. Да се избягва по-продължително нагряване на слънце или от отопление.

Поддържайте чисти присъединителните контакти на зарядното устройство и на акумулатора.

За оптимална продължителност на живот след употреба батериите трябва да се заредят напълно.

За възможно по-дълга продължителност на живот батериите трябва да се изваждат от уреда след зареждане.

При съхранение на батериите за повече от 30 дни: съхранявайте батерията при прибл. 27°C и на сухо място. Съхранявайте батерията при 30 до 50 % от заряда. Зареждайте батерията на всеки 6 месеца.

ПОДДРЪЖКА

Вентилационните шлицы на машината да се поддържат винаги чисти.

Във вентилационните шлицы не бива да попадат метални части поради опасност от късо съединение.

Да се използват само аксесоари на Milwaukee и резервни части на. Елементи, чията подмяна не е описана, да се дадат за подмяна в сервиз на Milwaukee (вижте брошурата "Гаранция и адреси на сервиси").

При необходимост можете да поискате за уреда от Вашия сервиз или директно от Techtronic Industries GmbH, Max-Eyth-Straße 10, 71364 Winnenden, Germany, чертеж за в случай на експлозия, като посочите типа на машината и номер върху заводската табелка.

СИМВОЛИ



ВНИМАНИЕ! ПРЕДУПРЕЖДЕНИЕ!
ОПАСНОСТ



Преди започване на каквито е да работи по машината извадете акумулатора.



Преди пускане на уреда в действие моля прочетете внимателно инструкцията за използване.



При работа с машината винаги носете предпазни очила.



Да се носят предпазни ръкавици!



Не използвайте сила.



Електрическите уреди не трябва да се изхвърлят заедно с битовите отпадъци. Електрическото и електронното оборудване трябва да се събират отделно и да се предават на службите за рециклиране на отпадъците според изискванията за опазване на околната среда. Информирайте се при местните служби или при местните специализирани търговци относно местата за събиране и центровете за рециклиране на отпадъци.



CE-знак

EurAsian знак за съответствие.

DATE TEHNICE	POLIZOR DREPT	C 12 RT
Număr producție.....	4311 33 011...	...00001-999999
Tensiune acumulator	12 V	
Turație nominală	5000-37000 min ⁻¹	
Diametru inel de strângere	0,8 / 1,6 / 2,4 / 3,2 mm	
Diam. max. corp de rectificat abraziv:		
Produs abraziv cu lianți de ceramică sau cauciuc	25 mm	
Produs abraziv cu lianți de bachelita	25 mm	
Greutate cu baterie de schimb	0,62 kg	

Informație privind zgomotul/vibrațiile

Valori măsurate determinate conform EN 60 745.

Nivelul de zgomot evaluat cu A al aparatului este tipic de:

Nivelul presiunii sonore (Nesiguranță K=3dB(A))..... 73 dB (A)

Nivelul sunetului (Nesiguranță K=3dB(A))..... 84 dB (A)

Purtați căști de protecție

Valorile totale de oscilație (suma vectorială pe trei direcții)

determinate conform normei EN 60745.

Valoarea emisie de oscilații a

Găurit în metal	2,4 m/s ²
Nesiguranță K	1,5 m/s ²
Șlefuire cu hârtie abrazivă	2,6 m/s ²
Nesiguranță K	1,5 m/s ²
Șlefuirea metal.....	3,1 m/s ²
Nesiguranță K	1,5 m/s ²
Șlefuirea piatră	1,8 m/s ²
Nesiguranță K	1,5 m/s ²
Tăiere metal.....	3,4 m/s ²
Nesiguranță K	1,5 m/s ²

AVERTISMENT

Gradul de oscilație indicat în prezentele instrucțiuni a fost măsurat în conformitate cu o procedură de măsurare normată prin norma EN 60745 și poate fi folosit pentru a compara unele electrice între ele. El se pretează și pentru o evaluare provizorie a solicitării la oscilații.

Gradul de oscilație indicat reprezintă aplicațiile principale ale uneltelor electrice. În cazul în care însă uneltele electrice au fost folosite pentru alte aplicații, ori au fost folosite unele de muncă diferite ori acestea nu au fost supuse unei suficiente inspecții de întreținere, gradul de oscilație poate fi diferit.

Acest fapt poate duce la o creștere netă a solicitărilor la oscilații dealungul întregii perioade de lucru.

În scopul unei evaluări exacte a solicitării la oscilații, urmează să fie luate în considerație și perioadele de timp în care aparatul a fost oprit ori funcționează dar, în realitate, el nu este folosit în mod practic. Acest fapt poate duce la o reducere netă a solicitărilor la oscilații dealungul întregii perioade de lucru.

Stabiliți măsuri de siguranță suplimentare în scopul protecției utilizatorului de efectele oscilațiilor, de exemplu: inspecție de întreținere a uneltelor electrice și a celor de muncă, păstrarea caldă a mâinilor, organizarea proceselor de muncă.

AVERTIZARE! Citiți toate indicațiile de siguranță și toate instrucțiunile. Nerespectarea indicațiilor de avertizare și a instrucțiunilor poate provoca electrocutare, incendii și/sau răni grave.

Păstrați toate indicațiile de avertizare și instrucțiunile în vedere utilizărilor viitoare.

INSTRUCȚIUNI DE SECURITATE

Instrucțiuni de securitate comune pentru polizare

a) **Acest aparat electric se va folosi ca polizor. Respectați toate avertismentele, instrucțiunile, reprezentările și datele permise împreună cu scula electrică.** În cazul în care nu veți respecta următoarele instrucțiuni, se poate ajunge la electrocutare, incendii și/sau răni grave.

b) Această sculă electrică nu este adecvată pentru operațiuni de șlefuire cu peria de sârmă, tăiere, șlefuire cu hârtie abrazivă și lustruire. Utilizarea sculei electrice la operații pentru care nu este concepută poate cauza pericole și accidente.

c) **Nu folosiți dispozitive de lucru care nu sunt prevăzute și recomandate în mod special de către producător pentru această sculă electrică.** Faptul în sine că dispozitivul respectiv poate fi montat pe scula dumneavoastră electrică nu garantează în niciun caz utilizarea lui sigură.

d) **Numărul de rotații admis pentru elementele de montat în aparat, trebuie să fie la fel de mare ca numărul de rotații înscris pe acesta.** O rotire mai rapidă decât cea admisă le poate sparge sau azvîrli din aparat.

scula electrică să funcționeze un minut la turația nominală. De cele mai multe ori, dispozitivele de lucru deteriorate se rup în această perioadă de probă.

i) **Purtați echipament personal de protecție. În funcție de utilizare, purtați o protecție completă a feței, protecție pentru ochi sau ochelari de protecție. Dacă este cazul, purtați mască de protecție împotriva prafului, protecție auditivă, mănuși de protecție sau șorț special care să vă ferească de micile așchii și particule de material.** Ochii trebuie protejați de corpurile străine aflate în zbor, apărute în cursul diferitelor aplicații. Masca de protecție împotriva prafului sau masca de protecție a respirației trebuie să filtreze praful degajat în timpul utilizării. Dacă sunteți expuși timp îndelungat zgomotului puternic, vă puteți pierde auzul.

j) **Alte persoane aflate în preajmă trebuie să mențină o distanță de siguranță față de zona de lucru. Oricine intră în perimetrul de lucru trebuie să poarte îmbrăcăminte de protecție.** Bucățiile de material desprinse din piesă sau accesorii de lucru rupte pot fi proiectate prin aer și pot provoca răni chiar și în afara perimetrului de lucru.

k) **Țineți aparatul de mânerule izolate când executați lucrări la care scula tăietoare poate nimeri peste conductorii electrici ascunși.** Intrarea în contact a sculei tăietoare cu o linie electrică prin care circulă curent poate pune sub tensiune și componente metalice ale aparatului și să ducă la electrocutare.

l) **La pornire, țineți unealta electrică întotdeauna bine în mână.** În timpul creșterii vitezei, până la atingerea vitezei maxime, momentul de reacție al motorului poate duce la o torsionare a unelei electrice.

m) **Pe cât posibil, utilizați coliere de strângere pentru a fixa piesa de prelucrat. Nu se va ține niciodată piesa de prelucrat într-o mână și unealta în cealaltă mână, în timp ce o utilizați.** La prinderea unor piese mici de prelucrat, veți avea mâinile libere pentru a putea mînuși mai bine unealta electrică. La retezarea unor piese rotunde de prelucrat, ca de pildă dibluri din lemn, stinghii sau țevi, se va observa tendința acestora de a se rostogoli, fapt ce duce la înțepenirea sculelor introduse, scule care poate fi catapultate asupra dvs.

n) **Nu lăsați niciodată aparatul din mână, atât timp cât accesoriul de lucru nu s-a oprit complet.** Accesoriul de lucru aflat în rotație poate intra în contact cu suprafața pe care este așezat și astfel puteți pierde controlul asupra aparatului.

o) **După schimbarea sculelor introduse sau după efectuarea unor reglări la aparat, se va asigura starea bine strânsă a puiilei bușei de prindere, a mandrinei de găurit sau a altor elemente de fixare.** Elementele de fixare slab prinse se pot mișca în mod neașteptat de la locul lor, ducând astfel la pierderea controlului; componente rotative nefixate vor fi astfel aruncate violent în afară.

p) **Nu lăsați scula electrică să funcționeze în timp ce o transportați.** În urma unui contact accidental cu dispozitivul de lucru care se rotește, acesta vă poate prinde îmbrăcămintea și chiar pătrunde în corpul dumneavoastră.

q) **Curățați regulat fantele de aerisire ale sculei dumneavoastră electrice.** Ventilatorul motorului atrage praf în carcasa iar acumularea puternică de pulberi metalice poate provoca pericole electrice.

r) **Nu utilizați aparatul în apropierea materialelor inflamabile.** Scântele pot aprinde aceste materiale.

s) **Nu utilizați accesoriul de lucru care necesită agenți de răcire fluizi.** Utilizarea apei sau a altor agenți de răcire fluizi poate provoca scurtcircuit.

Recul și indicații de siguranță corespunzătoare

Recul este reacția bruscă apărută la agățarea sau blocarea unui dispozitiv de lucru care se rotește, cum ar fi un disc de șlefuit, un disc abraziv, o perie de sârmă, etc. Agățarea sau blocarea duce la oprirea bruscă a dispozitivului de lucru care se rotește. Aceasta face, ca scula electrică necontrolată să fie accelerată în punctul de blocare, în sens contrar direcției de rotație a dispozitivului de lucru.

Dacă, de exemplu, un disc de șlefuit se agăță sau se blochează în piesa de lucru, marginea discului de șlefuit care

penetreează direct piesa de lucru se poate agăță în aceasta și duce astfel la smulgerea discului de șlefuit sau poate provoca recul. Discul de șlefuit se va deplasa către operator sau în sens opus acestuia, în funcție de direcția de rotație a discului în punctul de blocare. În această situație discurile de șlefuit se pot chiar rupe.

Un recul este consecința utilizării greșite sau defectuoase a sculei electrice. El poate fi împiedicat prin măsuri preventive adecvate, precum cele descrise în continuare.

a) **Țineți bine scula electrică și aduceți-vă corpul și brațele într-o poziție în care să puteți controla forțele de recul. Folosiți întotdeauna un mâner suplimentar, în caz că acesta există, pentru a avea un control maxim asupra forțelor de recul sau a momentelor de reacție la turații înalte.** Operatorul poate stăpâni forțele de recul și de reacție prin măsuri preventive adecvate.

b) **Lucrați extrem de atent în zona colțurilor, muchiilor ascuțite, etc. Împiedicați ricoșarea dispozitivului de lucru de pe piesa de lucru și blocarea acestuia.** Dispozitivul de lucru aflat în mișcare de rotație are tendința să se blocheze în colțuri, pe muchii ascuțite sau când ricoșează în urma izbirii. Aceasta duce la pierderea controlului sau la recul.

c) **Nu utilizați discuri cu lanț sau discuri dințate.** Asemenea accesoriilor de lucru provoacă des recul sau pierderea controlului asupra aparatului.

d) **Conduceți întotdeauna scula introdusă în aceeași direcție în material, în care muchia de retezare iese din material (corespunde aceleiași direcții în care sunt aruncate așchile în afară).** Conducerea unelei electrice în direcția greșită duce la o ieșire a unelei introduse din piesa de prelucrat, astfel încât unealta electrică este trasă în această direcție de avans.

e) **Atunci când utilizați pânze de circular din oțel, discuri de retezat, unele de frezat de înaltă viteză sau scule de frezat metal dur piesa de prelucrat va trebuie întotdeauna să fie bine fixată.** Deja o ușoară rotunjire a muchiilor în canelură duce la înțepenirea acestor scule introduse și poate cauza un recul. Atunci când discul de retezat se încastrează, de regulă acesta se rupe. Atunci când pânzele de circular din oțel, uneltele de frezat de înaltă viteză sau sculele de frezat din metal dur se încastrează, scula introdusă poate sări din canelură și provoca pierderea controlului asupra unelei electrice.

Instrucțiuni de securitate speciale pentru polizare

a) **Se vor utiliza doar tipuri de discuri de șlefuit recomandate pentru unealta dvs. electrică, și doar pentru domeniile de utilizare recomandate. Nu se va șlefui de pildă niciodată cu suprafața laterală a unui disc de retezat.** Discurile de retezat sunt menite la decaparea materialului cu muchia discului. Acțiunea laterală a forței pe aceste piese de șlefuit poate duce la ruperea lor.

b) **Se vor utiliza doar știfturi de șlefuit conice și drepte cu filet, doar dornuri intacte de mărimea și lungimea oportună, fără tăiere la capete a umărului.** Dornuri potrivite reduc posibilitatea rupei lor.

c) **Nu vă poziționați mâna în direcția de rotație resp. în spatele discului de retezat aflat în rotație.** Atunci când îndepărtați discul de retezat aflat în piesă de mână dvs., în cazul unui recul, unealta electrică și discul aflat în aceasta pot fi catapultate direct spre dvs.

d) **Sprînjiiți plăcile sau piesele de lucru mari pentru a diminua riscul reculului cauzat de blocarea discului de tăiere.** Piesele mari se pot încovoia sub propria greutate. De aceea, piesa de lucru trebuie sprijinită pe ambele părți, atât în apropierea liniei de tăiere cât și pe margine.

e) **Fiți extrem de atenți în cazul "tăierii de cavitații" în pereți deja existenți sau în alte sectoare fără vizibilitate.** La penetrarea în sectorul vizat, discul de tăiere poate cauza recul dacă nimeresc în conducte de gaz sau de apă, conductorii electrici sau alte obiecte.

INSTRUCIUNI SUPLIMENTARE DE SIGURANȚĂ ȘI DE LUCRU

Purtați întotdeauna ochelari de protecție atunci când utilizați mașina. Se recomandă purtarea mănușilor, a încălțămintei solide nealunecoase și sortului de protecție.

După deconectare, mașina nu se oprește imediat (post-cursa a axului de lucru). Lasați mașina sa se oprească înainte de a o așeza.

Nu intrați niciodată în zona de pericol a plăcii când este în mișcare.

Utilizați numai scule a caror viteză admisă este cel puțin la fel de mare ca și cea mai mare viteză de mers în gol a mașinii.

Verificați sculele de șlefuit înainte de utilizare. Scula de șlefuit trebuie să fie montată corespunzător și să se învârtă liber. Faceți o probă de funcționare timp de cel puțin 30 secunde în gol. Nu utilizați scule deteriorate, deformate sau vibrante.

Când se șlefuieste metal, se produc scântei zburătoare. Aveți grijă că nici o persoană să nu fie pusă în pericol. Datorită pericolului de incendiu, nici un material combustibil nu trebuie să fie amplasat în vecinătate (în zona de zbor a scânteiilor)

Aveți grijă că nici o scântea sau praf de șlefuit să nu

Piulița de reglare trebuie să fie strânsă înainte de începerea lucrului cu această mașină.

Sub efectul interferențelor magnetice extreme din exterior, variațiile temporare ale vitezei de rotație pot crește în cazuri particulare.

Întotdeauna utilizați și păstrați discurile de șlefuire numai în conformitate cu instrucțiunile producătorului.

Piesa de prelucrat trebuie fixată dacă nu este suficient de grea pentru a fi stabilă. Nu îndreptați niciodată piesa de prelucrat către discul polizorului cu mâna.

Dimensiunile uneltei de șlefuit trebuie să se preteze pentru aparatul de șlefuit.

În cazul unor lucrări la care se formează praf, găurile de aerisire ale mașinii vor rămâne libere. Dacă este necesar, mașina va fi deconectată de la curent și se va îndepărta praful. În acest scop se vor folosi obiecte nemetalice și nu se vor deteriora piesele interioare.

Acidul se poate scurge din acumulatorii deteriorați la încălziri sau temperaturi extreme. În caz de contact cu acidul din acumulator, spălați imediat cu apă și săpun. În caz de contact cu ochii, clătiți cu atenție timp de cel puțin 10 minute și apelați imediat la îngrijire medicală.

Nu aruncați acumulatorii uzați la containerul de reziduri menajere și nu îi ardeți. Milwaukee Distributors se oferă să recupereze acumulatorii vechi pentru protecția mediului înconjurător.

Nu depozitați acumulatorul împreună cu obiecte metalice (ris de scurtcircuit)

Folosiți numai încărcătoare System 18 V pentru încărcarea acumulatorilor System 18 V. Nu folosiți acumulatori din alte sisteme.

Nu se permite introducerea nici unei piese metalice în locașul pentru acumulator al incarcatorului. (ris de scurtcircuit)

Nu deschideți niciodată acumulatorii și încărcătoarele și păstrați-le numai în încăperi uscate. Păstrați-le întotdeauna uscate.

Îndepărtați acumulatorul înainte de începerea lucrului pe mașina

Asigurați-vă că uneltele de șlefuit au fost montate conform indicațiilor producătorului agentului de șlefuit.

CONDIȚII DE UTILIZARE SPECIFICATE

Polizoarele rectilinii sunt potrivite pentru lucrul cu lemn, metal, plastic sau materiale similare, special în colțuri și locuri greu accesibile.

Nu utilizați acest produs în alt mod decât cel stabilit pentru utilizare normală

În caz de dubiu, țineți cont de indicațiile fabricanților de accesorii.

Mașina electrică este indicată doar pentru prelucrare uscată.

DECLARAȚIE DE CONFORMITATE

Declarăm pe propria răspundere că produsul descris la "Date tehnice" este în concordanță cu toate prevederile legale relevante ale Directivei 2011/65/EU (RoHS), 2004/108/CE, 2006/42/CE și cu următoarele norme armonizate:

EN 60745-1:2009+A11:2010

EN 60745-2-3:2011

EN 55014-1:2006+A1:2009+A2:2011

EN 55014-2:1997+A1:2001+A2:2008

EN 50581:2012

Winnenden, 2014-06-18



Alexander Krug
Managing Director



Împuternicit să elaboreze documentația tehnică.

Techtronic Industries GmbH
Max-Eyth-Straße 10
71364 Winnenden
Germany

ACUMULATORI

Acumulatorii care nu au fost utilizați o perioadă de timp trebuie reîncărcați înainte de utilizare.

Temperatura mai mare de 50°C (122°F) reduce performanța acumulatorului. Evitați expunerea prelungită la căldură sau radiație solară (ris de supraîncălzire)

Contactele încărcătoarelor și acumulatorilor trebuie păstrate curate.

În scopul optimizării duratei de funcționare, bateriile trebuie reîncărcate complet după utilizare.

Pentru o durată de viață cât mai lungă, acumulatorii ar trebui scoși din încărcător după încărcare.

La depozitarea acumulatorilor mai mult de 30 zile:

Acumulatorii se depozitează la cca. 27°C și la loc uscat.

Acumulatorii se depozitează la nivelul de încărcare de cca. 30%-50%.

Acumulatorii se încarcă din nou la fiecare 6 luni.

INTREȚINERE

Fantele de aerisire ale mașinii trebuie să fie menținute libere tot timpul

Nu lăsați nici o piesă metalică să intre în fantele de aerisire - pericol de scurt circuit.

Utilizați numai accesorii și piese de schimb Milwaukee. Dacă unele din componente care nu au fost descrise trebuie înlocuite, vă rugăm contactați unul din agenții de service Milwaukee (vezi lista noastră pentru service / garanție)

Dacă este necesară, se poate comanda o imagine descompusă a sculei. Vă rugăm menționați numărul art. Precum și tipul mașinii tipărit pe etichetă și comandați desenul la agenții de service locali sau direct la Techtronic Industries GmbH, Max-Eyth-Straße 10, 71364 Winnenden, Germany.

SIMBOLURI



PERICOL! AVERTIZARE! ATENȚIE!



Îndepărtați acumulatorul înainte de începerea lucrului pe mașina



Va rugăm citiți cu atenție instrucțiunile înainte de pornirea mașinii



Purtați întotdeauna ochelari de protecție când utilizați mașina.



Purtați mănuși de protecție!



A nu se aplica forța.



Aruncarea aparatelor electrice la gunoiul menajer este interzisă. Echipamentele electrice și electronice trebuie colectate separat și predate la un centru de reciclare și eliminare a deșeurilor, pentru a fi eliminate ecologic. Interesați-vă la autoritățile locale sau la comerciantul dvs. de specialitate unde se află centre de reciclare și puncte de colectare.



Marcaj CE

Marcaj de conformitate EurAsian.

ТЕХНИЧКИ ПОДАТОЦИ	БРУСИЛКА	C 12 RT
Производен број.....		4311 33 011... ...000001-999999
Волтажа на батеријата	12 V	
Брзина при оптоварување	5000-37000 min ⁻¹	
Дијаметар на прстенот	0,8 / 1,6 / 2,4 / 3,2 mm	
Максимален дијаметар на површината на абразивно шмирглање		
Абразивен производ за керамичко или гумено лепење	25 mm	
Абразивен производ залепен	25 mm	
Тежина со батерија	0,62 kg	

Информација за бучавата/вибрациите

Измерените вредности се одредени согласно стандардот EN 60 745.

A-оценетото ниво на бучава на апаратот типично изнесува:

Ниво на звучен притисок. (Несигурност K=3dB(A))..... 73 dB (A)
Ниво на јачина на звук. (Несигурност K=3dB(A))..... 84 dB (A)

Носте штитник за уши.

Вкупни вибрациски вредности (векторски збир на трите насоки) пресметани согласно EN 60745.

Вибрациска емисиона вредност a _n	
Дупчење во метал	2,4 m/s ²
Несигурност K	1,5 m/s ²
Ленти од хартија за шмирглање	2,6 m/s ²
Несигурност K	1,5 m/s ²
Мелење на метал.....	3,1 m/s ²
Несигурност K	1,5 m/s ²
Мелење на камен	1,8 m/s ²
Несигурност K	1,5 m/s ²
Сечење на метал	3,4 m/s ²
Несигурност K	1,5 m/s ²

ПРЕДУПРЕДУВАЊЕ

Нивото на осцилација наведено во овие инструкции е измерено во согласност со мерните постапки нормирани во EN 60745 и може да биде употребено за меѓусебна споредба на електро-алати. Ова ниво може да се употреби и за привремена проценка на оптоварувањето на осцилацијата.

Наведеното ниво на осцилација ги репрезентира главните намени на електро-алатот. Но, доколку електро-алатот се употребува за други намени, со отстапувачки додатоци или со несоодветно одржување, нивото на осцилација може да отстапи. Тоа може значително да го зголеми оптоварувањето на осцилацијата за време на целиот работен период.

За прецизна проценка на оптоварувањето на осцилацијата предвид треба да бидат земени и времињата, во коишто апаратот е исклучен или работи, но фактички не се употребува. Тоа може значително да го намали оптоварувањето на осцилацијата за време на целиот работен период.

Утврдете дополнителни безбедносни мерки за заштита на операторот од влијанието на осцилациите, како на пример: одржување на електро-алатот и на додатоци кон електро-алатот, одржување топли раце, организација на работните процеси.

▲ ВНИМАНИЕ! Прочитајте ги безбедносните напомени и упатства. Заборавање на почитувањето на безбедносните упатства и инструкции можат да предизвикаат електричен удар, пожар и/или тешки повреди.
Сочувајте ги сите безбедносни упатства и инструкции за во иднина.

▲ УПАТСТВО ЗА УПОТРЕБА

Заеднички безбедносни упатства за брусење

а) Овој електро-алат се употребува како брусилка. Почитувајте ги сите безбедносни упатства, упатства за работа, прикази и податоци што ги добивате заедно со електричниот алат. Доколку не ги почитувате следните упатства, може да дојде до електричен удар, до пожар и/или до тешки повреди.

б) Овој електро-алат не е погоден за користење како жичана четка, за острење за сечење, мазнење како со рапава хартија и полирање. Секакви употреби, за кои овој алат не е предвиден, можат да предизвикаат загрозувања и повреди.

с) Не употребувајте прибор што не е предвиден и препорачан од производителот специјално за овој електро-алат. Доколку извесен прибор можете да го прицврстите на вашиот електричен алат, тоа не претставува гаранција за сигурно употреба.

д) Бројот на вртежи на алатот, којшто се употребува, мора да биде нај-малку толку висок како и бројот на

четките со жици по однос на лабави или скршени жици. Ако електро-алатот или приборот паднат, проверете, дали тие се оштетени или употребете неоштетен прибор. Ако приборот сте го провериле и го употребувате, тогаш вие и лицата, кои се наоѓаат во близина, треба да бидете вон доменот на ротирачкиот прибор и оставете го приборот да работи една минута со максимален број на вртежи. Оштетениот прибор најчесто се крши во овој тест-период.

и) Носете опрема за лична заштита. Зависно од употребата, користете целосна визуелна заштита, заштита за очите или заштитни очила. Доколку е потребно, носете маска за заштита од прашина, заштита за ушите, заштитни ракавици или специјална престилка, со која се заштитувате од ситни честички од шлајфувањето и од материјалот. Очите треба да бидат заштитени од страни тела што се разлетуваат наоколу, а кои настануваат при различни употреби. Заштита маска од прашина и за дишење мора да ја филтрираат прашина што се создава при работата. Доколку сте подолго време изложени на гласна бучава, тоа може да предизвика губење на слухот.

ј) Кај други лица обратете внимание на безбедно растојание кон Вашето подрачје на работа. Секој кој што влегува во работното подрачје мора да носи лична заштитна опрема. Делови од парчето кое што се работи или скршено орудие кое што се употребува може да летне и да предизвика повреди и вон директното подрачје на изведување на работите.

к) Држете го електричниот алат за издадените површини при изведување на операции при кои алатот за сечење можат да дојдат во контакт со скриени жици. Контакт со жица под напон исто така ќе направи проводници од металните делови и оној кој ракува со алатот ќе доживее струен удар.

л) Држете го електро-орудието при стартот секогаш добро и цврсто. При подигнување на полна брзина, моментот на реакција на моторот може да доведе до тоа, електро-орудието да се изврти.

м) Доколку е возможно употребете стегач за затегнување, за работното парче да го фиксирате. Никогаш не држете мали парчиња кои што ги обработувате во рака, а орудие во другата рака, додека го употребувате орудие. Со затегнување на помали парчиња за обработување, рацете ги имате ослободено за подобро ракување со електро-орудието. При одвојување на трикалезни парчиња за обработување, како што се дрвени дибли, шипкаст материјал или цевки, таквите имаат особина да се отркалаат, со што влошката на орудие може да се заглави и да биде исфрлен према Вас.

п) Никогаш не го оставајте електро-орудието ако орудие за применување не е дојдено во потполно мирување. Орудие за примена кое што се врти може да дојде во контакт со подлогата за оставање со што би можеле да ја изгубите контролата врз електро-орудието.

о) После менувањето на влошки за орудја или после подесувањето кај апаратот, обезбедете се, дека мутерот на клештата за затегнување, направата за бушење или останати елементи за прицврстување се добро затегнати. Лабави елементи за прицврстување можат неочекувано да се поместат и да доведат до загуба на контролата; неприцврстени, ротирачки компоненти насилно излегуваат.

р) Не оставајте го електро-алатот да работи додека го носите. Вашата облека може да биде закачена преку случаен контакт со приборот што се врти, при што тој може да навлезе во вашето тело.

q) Редовно чистете го отворот за проветрување на вашиот електро-алат. Вентилаторот на моторот влече прашина во куќиштето, а големо насобирање на метална прашина може да предизвика електрични опасности.

г) Не го употребувајте електро-орудието во близина на запаливи материјали. Искрите би можеле да ги запалат овие материјали.

с) Не употребувајте орудја за примена, кои што изискуваат тесни средства за ладење. Употребата на вода или други течни средства за ладење може да доведат до електричен удар.

Повратен удар и соодветни напомени за безбедност

Повратниот удар претставува неочекувана реакција како последица на заглавен или блокиран прибор што се врти, како на диск за брусење, подножје за брусење, четка со жица итн. Заглавувањето или блокирањето доведува до неодољно стопирање на ротирачкиот прибор. На тој начин неконтролираниот електро-алат се забрзува во спротивна насока од насоката на вртење на приборот во точката на спојување.

Доколку, на пример, диск за брусење е заглавен или блокиран во материјалот, работ на дискот за брусење што навлегува во материјалот, може да се зачакани и на тој начин да дојде до излегување на дискот или да се предизвика повратен удар. Во таков случај дискот за брусење се движи или кон операторот или настрана од него, зависно од насоката на вртење на дискот во точката на спојување. Притоа дискот може да брусење можат исто така и да се скршат.

Повратен удар претставува последица од погрешна или неисправна употреба на електро-алатот. Тој може да биде избегнат со соодветни мерки на претпазливост, како што се опишани подолу.

а) Држете го електро-алатот цврсто и поставете ги вашето тело и вашите раце во позиција, со која ќе можете да дадете отпор на силите од повратиот удар. Секогаш употребувајте ја додатната рачка, доколку постои, за да можете да имате максимална можна контрола над силите од повратиот удар или на моментите на реакција при пуштање во работа. Операторот може да ги контролира силите на повратиот удар и реакционите сили со преземање соодветни мерки на претпазливост.

б) Работете особено внимателно кај агли, остри работи итн. Спречувајте ситуации, во кои приборот се одбива од и заглавува во материјалот за обработка. Кај агли, остри работи или во случај на одбивање ротирачкиот прибор е склон кон заглавување. Тоа предизвикува губење на контролата или повратен удар.

с) Не употребувајте лист за пилење со ланци или запчаници. Таквите орудја за примена честопати предизвикуваат повратен удар или губење на контролата врз електро-орудието.

д) Секога водете го применуваното орудие во ист правец со материјалот, во кој што работ на сечење го напушта материјалот (одговора на истиот правец, во кој што се исфрлуваат струготините). Водањето на електро-орудието во погрешен правец доведува до тоа, применуваното орудие да се исфрли од парчето кое што се обработува, со што електро-орудието се вовлекува во тој правец на помакнување.

е) Затегнете го секогаш добро парчето кое што се обработува при обработка на челични листови на пили, разделни плочи, орудја-фрезери со висока брзина или фрезерски орудја од тврд метал. Уште при мало закантување во жлебот тие применливи орудја се заглавуваат и можат да предизвикаат повратен удар. При заглавување на разделна плоча, таа обично се крши. При заглавување на челични листови на пили, фрезерски орудја со висока брзина или фрезер-орудја од тврд метал, вметнатиот дел во орудие може да исочи од жлебот и доведе до губење на контролата врз електро-орудието.

Посебни безбедносни упатства за брусење

а) Употребувајте исклучиво типови на плочи за стругање, кои што се препорачуваат за Вашето електро-орудие, и само за препорачаните можности за примена. На пример никогаш немојте да стругате со страничната површина на разделна плоча. Разделните плочи се наменети за симнување на материјалот со кантот

на плочата. Странично делување на сила врз овие тела на стругање може да ги скрши.

б) За конични и прави затици за стругање со навои употребувајте само неоштетени трнови од исправната големина и должина, без задно сечење кај рамото. Соодветниот трн ја намалува можноста од кршење.

с) д) Не ја позиционирајте раката во правец на ротацијата односно позади ротирчката разделна плоча. Ако разделната плоча во парчето кое што се обработува ја придвижете од Вашата рака натака, во случај на повратен удар електро-орудието може со плочата која што се врти директно да биде катапултирано врз Вас.

д) Потпрете ги плочите или големите материјали за обработка, за да го намалите ризикот од повратен удар како резултат на заглавен диск за делење. Големи материјали за обработка може да свијат како последица на својата тежина. Материјалот за обработка мора да биде потпран на двете страни и тоа како во близина на засекот за делење така и на работ.

е) Бидете особено внимателни при „сечење џебови“ кај сидови или во други непрегледни области. Дискот што навлегува може да предизвика повратен удар при сечење во гасоводи или водоводи, понатаму во електрични водови или други објекти.

ОСТАНТИ БЕЗБЕДНОСНИ И РАБОТНИ УПАТСТВА

Секогаш носете ракавици кога ја користите машината. Исто така препорачливо е да се носат очила, цврсти чевли кои не се лизгаат и престилка.

По исклучувањето машината нема веднаш да се смири. (Задочната работа на работното вретено). Дозволете и на машината комплетно да спре пред да ја слуштите.

Никогаш не посегнувајте во зоната на опасната работна површина при вклучена машина.

Користете само алати чија дозволена брзина е најмалку колку највисоката брзина на машината без оптоварување.

Проверете ги глодачките алати пред употреба. Глодачката алатка мора да биде соодветно монтирана и слободно вртлива. Направете тест во траење од минимум 30 секунди без оптоварување. Не користете оштетени, изместени или глодачки алати кои вибрираат.

При глодање на метал, се создаваат летечки искри. Погрижете се луфето да не бидат зарозени. Поради ризик од пожар, запалливи матери не смеат да бидат лоцирани во близина (зона на искрење). Не користете издув за прав.

Треба да се поведе соодветна грижа за искрите или честичките од камена прашина кои летаат од обработуваното парче да не дојдат во контакт со вас.

Шрафот за штелување мора да биде затегнат пред да се почне со работа со машината.

Во случај на ефект од екстремни електромагнетни пречки од надвор, може да дојде до привремено варирање на брзината на ротација во одредени случаи може да се зголеми.

Секогаш користете ги и чувајте ги глодачките дискови согласно препораките на производителот.

Работни предмети кои што се обработуваат мора да бидат цврсто стегнати доколку не се држи со самата своја тежина. Работните предмети никогаш да не се водат рачно према плочата.

Димензијата на глодачкиот алат мора да биде соодветен на глодачката.

При прашливи зафати, вентилациските отвори на машината мора да бидат сочувани отворени, исклучете го напојувањето на машината и исклучете ја правта. За ова користете неметални предмети, при тоа внимавајќи да не се оштетат внатрешните делови.

Киселината од оштетените батериите може да истече при екстреман напон или температури. Доколку дојдете во контакт со исатата, измијте се веднаш со сапун и вода. Во случај на контакт со очите плакнете ги убаво најмалку 10 минути и задолжително одете на лекар.

Не ги оставајте искористените батери во домашниот отпад и не горете ги. Дистрибутерите на Милвоки ги собираат старите батери, со што ја штитат нашата околина.

Не ги чувајте батериите заедно со метални предмети (ризик од краток спој).

Користете исклучиво Систем 18 V за полнење на батери од 18 V систем. Не користете батери од друг систем.

Метални парчиња не смеат да навлезат во делот за полнење на батерија (ризик од краток спој).

Не ги отворајте насилно батериите и полначите, и чувајте ги само на суво место. Чувајте ги постојано суви.

Извадете го батерискиот склоп пред отпочнување на каков и да е зафат врз машината.

Осигурете се дека алатот за глодање е инсталиран соодветно препораките на производителот.

СПЕЦИФИЦИРАНИ УСЛОВИ НА УПОТРЕБА

Вистинските глодачи се погодни за глодање дрво, метал, пластика или слични материјали, особено на тешко достапни места и агли.

Не го користете овој производ на било кој друг начин освен пропишаниот за нормална употреба.

Во секој случај почитувајте ги упатствата на производителите на приборот.

Електричното орудие е прикладно само за сува обработка.

ЕУ-ДЕКЛАРАЦИЈА ЗА СООБРАЗНОСТ

Во своја сопствена одговорност изјавуваме дека под "Технички податоци" опишаниот производ е во склад со сите релевантни прописи од регулативата 2011/65/EU (RoHS), 2004/108/EC, 2006/42/EC и следните хармонизирачки нормативни документи:

EN 60745-1:2009+A11:2010

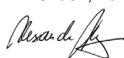
EN 60745-2-3:2011

EN 55014-1:2006+A1:2009+A2:2011

EN 55014-2:1997+A1:2001+A2:2008

EN 50581:2012

Winnenden, 2014-06-18



Alexander Krug
Managing Director



Ополномоштен за составување на техничката документација.

Techtronic Industries GmbH

Max-Eyth-Straße 10

71364 Winnenden

Germany

БАТЕРИИ

Подолг период неупотребувани комплети батерији да се наполнат пред употреба.

Температура повисока од 50°C (122°F) го намалуваат траењето на батериите. Избегнувајте подолго изложување на батериите на високи температури или сонце (ризик од прегревавање).

Клемтите на полначот и батериите мора да бидат чисти.

За оптимален работен век батериите мора да се наполнат целосно по употреба.

За можно подолг век на траење, апаратите после нивното полнење треба да бидат извадени од апаратот за полнење на батериите.

Во случај на складирање на батеријата подолго од 30 дена: Акумулаторот да се чува на температура од приближно 27°C и на суво место.

Акумулаторот да се складира на приближно 30%-50% од состојбата на наполненост.

Акумулаторот повторно да се наполни на секои 6 месеци.

ОДРЖУВАЊЕ

Вентилациските отвори на машината мора да бидат комплетно отворени постојано.

Не дозволувајте какви и да се метални делови да дојдат до отворите за вентилација-ризик од куршлус!

Користете само Milwaukee додатоци и резервни делови. Доколку некои од компонентите кои не се опишани треба да бидат заменети, Ве молиме контактирајте ги сервисните агенти на Milwaukee (консултирајте ја листата на адреси).

Доколку е потребно можно е да биде набавен детален приказ на алатот. Ве молиме наведете го бројот на артиклот како и типот на машина кој е отпечатен на етикетата и порачајте ја скицата кај локалниот застапник или директно кај: Techtronic Industries GmbH, Max-Eyth-Straße 10, 71364 Winnenden, Germany.

СИМБОЛИ



ВНИМАНИЕ! ПРЕДУПРЕДУВАЊЕ!
ОПАСНОСТ!



Извадете го батерискиот склоп пред отпочнување на каков и да е зафат врз машината.



Ве молиме пред да ја стартувате машината обрнете внимание на упатствата за употреба.



Секогаш при користење на машината носете ракавици.



Носете ракавици!



Не употребувајте сила.



Електричните апарати не смеат да се фрлат заедно со домашниот отпад. Електричните и електронските апарати треба да се собираат одделно и да се однесат во соодветниот погон заради нивно фрлање во склад со начелата за заштита на околината. Информирајте се кај Вашите местни служби или кај специјализираниот трговски претставник, каде има такви погони за рециклажа и собирни станици.



CE-знак

EurAsian (Евроазиски) знак на конформитет.

技术数据	磨机 刻磨机	C 12 RT
生产号.....4311 33 01...000001-999999
蓄电池电压.....12 V	
额定转速 第.....5000-37000 min ⁻¹	
夹爪直径.....0,8 / 1,6 / 2,4 / 3,2 mm	
最大磨轮直径		
陶连结或橡胶连结的磨轮.....25 mm	
人造树脂连结的磨轮.....25 mm	
包含蓄电池的重量.....0,62 kg	

噪音/振动信息

本测量值符合 EN 60 745 条文的规定。

器械的标准A-值噪音级为：

音压值 (K=-不可靠性=3dB(A))..... 73 dB (A)

音量值 (K=-不可靠性=3dB(A))..... 84 dB (A)

请戴上护耳罩！

依欧盟EN 60745 标准确定的振荡总值（三方向向量和）。

ah-振荡发射值

 金属钻孔..... 2,4 m/s²

 K-不可靠性..... 1,5 m/s²

 砂纸打磨..... 2,6 m/s²

 K-不可靠性..... 1,5 m/s²

 金属研磨..... 3,1 m/s²

 K-不可靠性..... 1,5 m/s²

 磨石..... 1,8 m/s²

 K-不可靠性..... 1,5 m/s²

 金属切削..... 3,4 m/s²

 K-不可靠性..... 1,5 m/s²

注意

本规程列出的依欧盟EN 60745 标准一项标准测量方法测量的振荡级也可用于电动工具比较并适合于临时振荡负荷估计。

该振荡级代表电动工具的主要应用。电动工具的其他应用，不正确的工作工具或缺乏维护可造成振荡级偏差。此可明确提高总工作期间的振荡负荷。

正确地估计一定工作期间的振荡负荷也要考虑到工具关闭或接通而不使用的期间。此可明确减少总工作期间的振荡负荷。

为提高操作人员对振荡作用的保护得规定补充安全措施：电动工具及工作工具的维护，温手，工作过程组织等。

警告！ 务必阅读所有安全提示和指示。如未确实 遵循警告提示和指示，可能导致电击、火灾并且/ 或其他的严重伤害。

妥善保存所有的警告提示和指示，以便日后查阅。

特殊安全指示

有关研磨作业的警告事项

a) 本电动工具可以充当研磨机。务必遵循所有与电动工具有关的警告提示、操作说明、描述和数据。如果忽视以下的指示，可能遭受电击，造成火灾甚至受重伤。

b) 本电动工具不适用于金属丝刷、砂轮切割、砂纸研磨和抛光工作。将本电动工具用于不适合的目的可致人员重伤的风险。

c) 不可以使用未经製造厂商指定或推荐的附件。即使您能够将此类附件固定在机器上，仍然无法确保操作安全。

d) 嵌装工具的允许转速必须至少为电动工具上载明的最高转速。当配件的转速超过其允许转速时有发生破碎和飞溅的危险。

e) 要根据电动工具的尺寸而选用有适当外径和厚度的嵌装工具。如果嵌装工具的选用不适当，则对其难以屏蔽和控制。

f) 砂轮、砂鼓或任何其它附件的轴孔尺寸必须适合于安装到电动工具的主轴上。带轴孔的、与电动工具安装件不配合的附件将会失稳、过度振动并会引起失控。

g) 安装在芯棒上的砂轮、砂鼓、切割附件或任何其它附件应完全地插入套筒或夹头内。砂轮与套筒之间芯棒长度应尽可能短。芯棒不够地夹紧和/或砂轮与套筒之间芯棒长度太大会引起安装砂轮松动并在高速度下从套筒弹射出去。

h) 不可以使用损坏的工具。使用前先详细检查工具，例如检查砂轮上是否有剥落和撕裂的痕迹，检视磨盘是否已经出现

裂痕，或强烈磨损，检查钢丝刷上是否有鬆脱和断裂的钢丝。如果电动工具或工具掉落地面，务必检查机器、工具是否摔毁了，为了安全起见也可以选用其它的完好工具。检查並安装好工具之后，您本身以及您附近的人都必须远离转动中的工具。接着让电动工具以最高转速旋转一分钟。损坏的工具大多会在這段测试时间内断裂。

i) 穿戴好您个人的防护装备。根据用途选择合适的面具、眼罩或护目镜。视情况佩戴防尘面具、耳罩、防护手套或能够隔离细屑屑和金属碎片的特殊工作围裙。避免让操作机器时产生的飞动异物侵入眼睛。防尘面具或防毒面具必须能够过滤工作时产生的废尘。长期暴露在高噪音的环境中，听力可能受损。

j) 要使得其他人员和工作区域保持足够的安全距离。进入到工作区域的任何人都必须配戴个人劳保用品。工件的碎片或者发生断裂的嵌装工具的碎片有飞溅到直接工作区域之外，从而造成人员受伤的危险。

k) 切割工具会碰到隐藏电线或自己的电缆时，得将器械握住于其绝缘把手表面。

l) 开动时，务必随时保持紧握电动工具。加速到最高速度时的发动机反弹力会使工具扭曲。

m) 每当有利时应采用夹具。工作时，绝不用一手握住小工件并同时用另一手握住电工具。夹紧工件，就能用双手控制电动工具。钉棒、管子或管道等圆形材料被切割时有滚动的趋势并会引起工具卡住或工件弹射向操作者。

n) 在嵌装工具完全停止转动之前，决不能将电动工具放下。否则，转动的嵌装工具可能会接触到放置面，从而造成对电动工具的失控。

o) 更换刀头或进行任何调整后，应确保套筒螺母、夹头或任何其它调整装置的固定位置。松动调整装置会引起意外移动并造成失控、松动旋转部件会被弹射去。

p) 携带电动工具时，切勿开动机器。您的衣服或頭髮可能因为一时疏忽而被卷入自转的工具中，甚至工具会割伤您的身体。

q) 定期清洁电动工具的通风孔。发动机会把灰尘吸入机壳中，机器中如果堆积了大量的金属尘容易造成触电。

r) 在有可燃材料的附近，请不要使用电动工具。否则电火花会导致可燃材料着火。

s) 不要使用需要液体冷却剂冷却的嵌装工具。使用冷却水或者其它液体冷却剂会导致发生操作者遭受电击的危险。

反冲和相应的安全说明

运转中的工具，例如砂轮、磨盘和钢丝刷等，如果突然被卡住或堵住了，会造成突发性的反弹效应，这个反弹效应被称为回击。转动中的工具如果被堵住了或卡住了会突然停止转动，此时失去控制的电动工具会朝著工具转向的相反方向弹开。

如果砂轮在工件中被卡住或堵住了，陷在工件中的砂轮缘会被绊住，並造成砂轮断裂或产生回击。此时砂轮可能会朝著操作者移动，或飞离操作者，砂轮的移动方向是由砂轮在被阻挡处的转向决定。另外砂轮也可能因而断裂。

未按照规定使用电动工具或者操作不当，都会造成回击。确实遵守下列各防范措施 可预防回击。

a) 牢牢地握住电动工具。握持机器和操作机器的姿态必须能够抵挡回击。如果机器配备了辅助手柄，一定要握著辅助手柄操作机器，如此才能有效控制回击，並且掌握开动机器时产生的反应扭力。採取合适的预防措施 便能够有效控制回击力道和反应力。

b) 在角落和锋利的边缘上工作时必须特别小心。避免让工具回弹或是被工件夹住。转动中的工具容易被夹在角落或锋利的边缘上。如果发生上述状况，可能无法控制机器或者造成机器回击。

c) 请不要使用锯链片或者带齿的锯片。这类的嵌装工具往往会导致发生反冲，或者造成对电动工具的失控。

d) 确保刀头加入材料方向与切削刃离开材料方向（切削被喷射的方向）为同一方向。把工具向不正确的方向加入材料将使切削刃从工件爬出并拉工具到此方向。

e) 使用钢锯、切割砂轮、超高速切轮或碳化钨切轮时，务必确保工件安全地夹紧。稍微倾斜在锯槽内时，切轮将卡住并会反弹。卡住时，在一般情况下砂轮将破坏。钢锯、超高速切轮或碳化钨切轮卡住时会从锯槽弹跳出并使失控。

关于研磨的特殊安全指示

a) 务必仅使用符合采用电动工具的砂轮型式并把砂轮仅用作推荐用途。例如：不要用切割砂轮的侧面进行磨削。施加到砂轮侧面的力可能会使其碎裂。

b) 对带螺锥与砂塞子仅能使用尺寸与长度正确、未加研磨扁法兰、完好无损的芯棒。正确的芯棒将减少碎裂的可能性。

c) d) 手臂不要对着旋转砂轮，也不要站在其后。当把砂轮从操作者手边的操作点移开时，可能出现的反弹会使旋转砂轮和电动机朝操作者退来。

d) 支撑好板子或大型的工件，以防止切割片被夹住而发生回击状况。大型的工件比较容易弯曲，所以必须加强工件两侧的固定工作。在割痕附近和工件边缘也要另外安装支撑。

e) 在墙面和隐蔽处进行“口袋式切割”时必须特别小心。切入工件中的切割片如果割断了瓦斯管、水管、电线或其它的物体，很可能发生回击。

其它安全和工作指示

操作机器时务必佩戴护目镜。最好也穿戴工作手套、坚固防滑的鞋具和工作围裙。

关闭电源后主轴仍会继续转动。必须等待机器完全静止后，才可以放下机器。

请和运转中的机器保持安全距离。

所使用的工具的许可转速，不可以低于本机器的最大无负载转速。

操作机器之前必须先检查研磨工具。不仅要正确地安装工具，工具转动时也不能产生摩擦。至少必须进行 30 秒的无负载试验。不可以使用已经损坏、变形或转动时会震动的研磨工具。

研磨金属时会产生火花。勿让飞溅的火花伤害旁观者。为了预防火灾，工作范围内（火花的飞溅范围内）不可堆放易燃物品。不可以使用吸尘装置。

握持机器时请注意，勿让火花或研磨屑喷到身上。

使用机器之前必须先收紧固定螺母。

在强烈的外来磁性干扰下，可能会造成短暂性的转速不稳定状况。

根据磨盘制造商提供的指示操作、储藏磨盘。

如果工件无法靠本身的重量站稳，则必须使用固定装置夹紧工件。割锯时切勿用手握持工件。

磨具的尺寸必须能够与研磨机配合。

如果工作时会产生大量尘埃，务必清洁机器的通气孔。必要时得切断机器的电源供应，并彻底清除污垢。清洁时必须使用非金属工具，并且不可以损坏机器内部的零件。

在过度超荷或极端的温度下，可能从损坏的蓄电池中流出液体。如果触摸了此液体，必须马上使用肥皂和大量清水冲洗。如果此类流体侵入眼睛，马上用清水彻底清洗眼睛（至少冲洗 10 分钟），接着即刻就医治疗。

损坏的蓄电池不可以丢入火中或一般的家庭垃圾中。Milwaukee 提供了符合环保要求的回收项目： 请向您的专业经销商索取有关详情。

蓄电池不可以和金属物体存放在一起（可能产生短路）。

18 V 系列的蓄电池只能和 18 V 系列的充电器配合使用。不可以使用本充电器为其它系列的电池充电。

充电器的充电格中，不可以存在任何金属物质（可能产生短路）。

不可拆开蓄电池和充电器。蓄电池和充电器必须储藏在干燥的空间，勿让湿气渗入。

在机器上进行任何修护工作之前，先拿出蓄电池。

务必遵照磨具制造商所提供的指示使用磨具。

正确地使用机器

本直磨机适用于研磨木材、塑料和金属。它的特点是能够进入一般研磨机无法触及的角落。

请依照本说明书的指示使用此机器。

有疑问时，请留意于附件制造者的注意事项。

电动工具只适用于进行干式加工。

欧洲安全规定说明

在我方的全权责任下我方在此声明，“技术数据”下所描述的产品符合于2011/65/EU (RoHS)、2004/108/EC、2006/42/EC等欧共体准则的所有有关规定和下列标准和标准化文件：

EN 60745-1:2009+A11:2010
EN 60745-2-3:2011
EN 55014-1:2006+A1:2009+A2:2011
EN 55014-2:1997+A1:2001+A2:2008
EN 50581:2012

Winnenden, 2014-06-18

Alexander Krug
Managing Director



授权编纂技术资料。

Techtronic Industries GmbH
Max-Eyth-Straße 10
71364 Winnenden
Germany

蓄电池

放电后，可达到最大的电容量。长期储放的蓄电池，必须先充电再使用。

如果周围环境的温度超过摄氏 50 度，蓄电池的功能会减弱。勿让蓄电池长期暴露在阳光或暖气下。

充电器和蓄电池的接触点都必须保持干净。

为获得最长寿命，使用后应把蓄电池充满电。

为确保最长使用寿命，充电后应把蓄电池从充电器取出。

蓄电池储存时间长于30日：

在环境温度27°C左右干燥处储存蓄电池。

在百分之30至50充电状态储存蓄电池。

每6月重新充电。

维修

机器的通气孔必须随时保持清洁。

不可以让金属碎片掉入通风孔中，可能导致短路。

只能使用 Milwaukee 的配件和零件。缺少检修说明的机件如果损坏了，必须交给 Milwaukee 的顾客服务中心更换（参考手册“保证书 / 顾客服务中心地址”）。

如果需要机器的分解图，可以向您的顾客服务中心或直接向 Techtronic Industries GmbH, Max-Eyth-Straße 10, 71364 Winnenden, Germany。案件时必须提供以下资料：机型和机器铭牌上的号码。

符号



请注意！警告！危险！



在机器上进行任何修护工作之前，先拿出蓄电池。



使用本机器之前请仔细阅读使用说明书。



操作机器时务必佩戴护目镜。



请戴好工作手套！



不要加力。



电气工具必须与生活垃圾分开处理。
电气机器和电子机器必须单独分开收集并送到回收站以确保符合环境保护的处理。
有关回收站和收集站的细节，请与主管当局或您的专业经销商联络。



欧洲共同体标志

欧亚合格性标志。

Copyright 2014
Techtronic Industries GmbH
Max-Eyth-Straße 10
71364 Winnenden
Germany
+49 (0) 7195-12-0



(09.14)
4931 4141 76