

Milwaukee®

Nothing but **HEAVY DUTY**®



M12 FNB16

Original instructions

Originalbetriebsanleitung

Notice originale

Istruzioni originali

Manual original

Oorspronkelijke gebruiksaanwijzing

Original brugsanvisning

Original bruksanvisning

Bruksanvisning i original

Alkuperäiset ohjeet

Πρωτότυπο οδηγίων χρήσης

Orijinal işletme talimatı

Původním návodem k používání

Pôvodný návod na použitie

Instrukcją oryginalną

Eredeti használati utasítás

Izvirna navodila

Originalne pogonske upute

Instrukcijām oriģinālvalodā

Originali instrukcija

Algupärane kasutusjuhend

Оригинальное руководство по эксплуатации

Оригинално ръководство за експлоатация

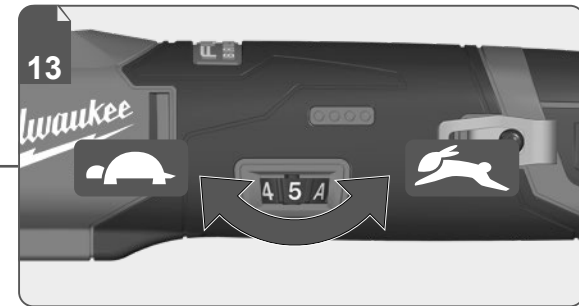
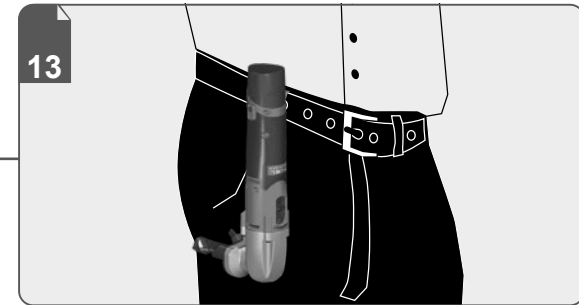
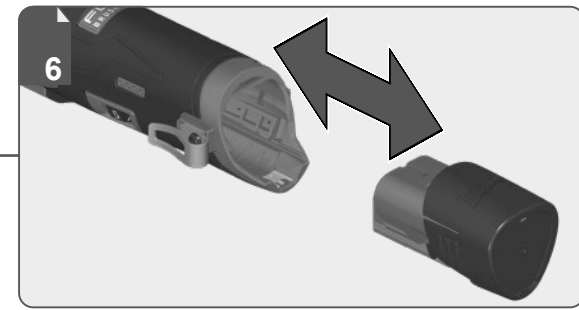
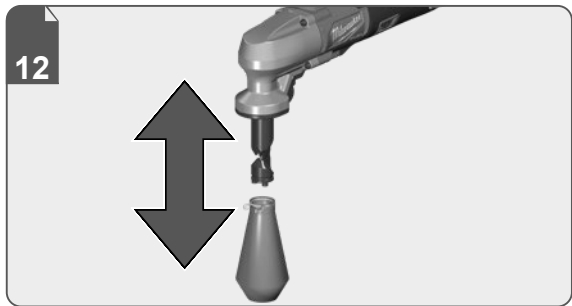
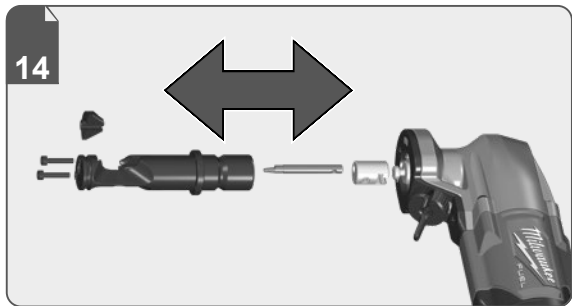
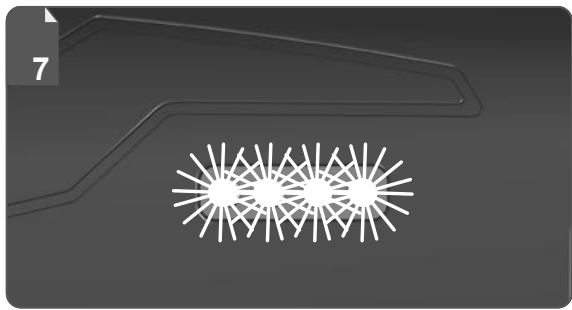
Instrucțiuni de folosire originale

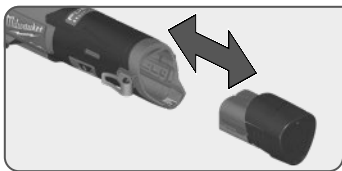
Оригинален прирачник за работа

Оригінал інструкції з експлуатації

التعليمات الأصلية

ENGLISH	Picture section with operating description and functional description	Page	4	Text section with Technical Data, important Safety and Working Hints and description of Symbols	Page	16
DEUTSCH	Bildteil mit Anwendungs- und Funktionsbeschreibungen	Seite	4	Textteil mit Technischen Daten, wichtigen Sicherheits- und Arbeitshinweisen und Erklärung der Symbole.	Seite	18
FRANÇAIS	Partie imagée avec description des applications et des fonctions	Page	4	Partie textuelle avec les données techniques, les consignes importantes de sécurité et de travail ainsi que l'explication des pictogrammes.	Page	20
ITALIANO	Sezione illustrata con descrizione dell'applicazione e delle funzioni	Pagina	4	Sezione testo con dati tecnici, importanti informazioni sulla sicurezza e sull'utilizzo, spiegazione dei simboli.	Pagina	22
ESPAÑOL	Sección de ilustraciones con descripción de aplicación y descripción funcional	Página	4	Sección de texto con datos técnicos, indicaciones importantes de seguridad y trabajo y explicación de los símbolos.	Página	24
PORTUGUES	Parte com imagens explicativas contendo descrição operacional e funcional	Página	4	Parte com texto explicativo contendo Especificações técnicas, avisos de segurança e de operação e a descrição dos símbolos.	Página	27
NEDERLANDS	Beeldgedeelte met toepassings- en functiebeschrijvingen	Pagina	4	Tekstgedeelte met technische gegevens, belangrijke veiligheids- en arbeidsinstructies en verklaring van de symbolen.	Pagina	29
DANSK	Billedel med anvendelses- og funktionsbeskrivelser	Side	4	Tekstdel med tekniske data, vigtige sikkerheds- og arbejdsanvisninger og symbolforklaring.	Side	31
NORSK	Billedel med bruks- og funksjonsbeskrivelse	Side	4	Tekstdel med tekniske data, viktige sikkerhets- og arbeidsinstruksjoner og forklaring av symbolene.	Side	33
SVENSKA	Bilddel med användnings- och funktionsbeskrivning	Sidan	4	Textdel med tekniska informationer, viktiga säkerhets- och användningsinstruktioner samt symbolförklaringar.	Sidan	35
SUOMI	Kuvasivut käyttö- ja toimintakuvaus	Sivu	4	Tekstisivut: tekniset tiedot, tärkeät turvallisuus- ja työskentelyohjeet sekä merkkien selitykset.	Sivu	37
ΕΛΛΗΝΙΚΑ	Τμήμα εικόνων με περιγραφές χρήσης και λειτουργίας	Σελίδα	4	Τμήμα κειμένου με τεχνικά χαρακτηριστικά, σημαντικές υποδείξεις ασφαλείας και εργασίας και εξήγηση των συμβόλων.	Σελίδα	39
TÜRKÇE	Resim bölümü Uygulama ve fonksiyon açıklamaları ile birlikte	Sayfa	4	Teknik bilgileri, önemli güvenlik ve çalışma açıklamalarını ve de sembollerin açıklamalarını içeren metin bölümü.	Sayfa	42
ČESKY	Obrazová část s popisem aplikací a funkcí	Stránka	4	Textová část s technickými daty, důležitými bezpečnostními a pracovními pokyny a s vysvětlivkami symbolů	Stránka	44
SLOVENSKY	Obrazová část s popisom aplikácií a funkcií	Stránka	4	Textová časť s technickými dátami, dôležitými bezpečnostnými a pracovnými pokynmi a s vysvetlivkami symbolov	Stránka	46
POLSKI	Część rysunkowa z opisami zastosowania i działania	Strona	4	Część opisowa z danymi technicznymi, ważnymi wskazówkami dotyczącymi bezpieczeństwa i pracy oraz objaśnieniami symboli.	Strona	48
MAGYAR	Képes részalkalmazási- és működési leírásokkal	Oldal	4	Szöveges rész műszaki adatokkal, fontos biztonsági- és munkavégzési útmutatásokkal, valamint a szimbólumok magyarázata.	Oldal	50
SLOVENŠČINA	Del slikez opisom uporabe in funkcij	Stran	4	Del besedila s tehničnimi podatki, pomembnimi varnostnimi opozorili in delovnimi navodili in pojasnili simbolov.	Stran	52
HRVATSKI	Dio sa slikama opisima primjene i funkcija	Stranica	4	Dio štiva sa tehničkim podacima, važnim sigurnosnim i radnim uputama i objašnjenjem simbola.	Stranica	54
LATVISKI	Attēla daļa ar lietošanas un funkciju aprakstiem	Lappuse	4	Teksta daļa ar tehniskajiem parametriem, svarīgiem drošības un darbības norādījumiem, simbolu atšifrējumiem.	Lappuse	56
LIETUVIŠKAI	Paveikslėlio dalis su vartojimo instrukcija ir funkcijų aprašymais	Puslapis	4	Teksto dalis su techniniais duomenimis, svarbiomis saugumo ir darbo instrukcijomis bei simbolių paaiškinimais.	Puslapis	58
EESTI	Pildiosa kasutusjuhendi ja funktsioonide kirjeldusega	Lehekülg	4	Tekstiosa tehniliste näitajate, oluliste ohutus- ja tööjuhenditega ning sümbolite kirjeldustega.	Lehekülg	60
РУССКИЙ	Раздел иллюстраций с описанием эксплуатации и функций	Страница	4	Текстовый раздел, включающий технические данные, важные рекомендации по безопасности и эксплуатации, а также описание используемых символов.	Страница	62
БЪЛГАРСКИ	Част със снимки с описание за приложение и функции	Страница	4	Част с текст с технически данни, важни указания за безопасност и работа и разяснение на символите.	Страница	65
ROMÂNĂ	Secvența de imagine cu descrierea utilizării și a funcționării	Pagina	4	Porțiune de text cu date tehnice, indicații importante privind siguranța și modul de lucru și descrierea simbolurilor.	Pagina	68
МАКЕДОНСКИ	Дел со сликисо описи за употреба и функционирање	Страница	4	Текстуален дел со Технички карактеристики, важни безбедносни и работни упатства и објаснување на символите.	Страница	70
УКРАЇНСЬКА	Частина з зображеннями з описом робіт та функцій	Сторінка	4	Текстова частина з технічними даними, важливими вказівками з техніки безпеки та експлуатації і поясненням символів.	Сторінка	73
عربي	قسم الصور يوجد به الوصف التشغيلي والوظيفي	الصفحة	4	القسم النصي المزود بالبيانات الفنية والنصائح الهامة للسلامة والعمل ووصف الرموز	الصفحة	76





Remove the battery pack before starting any work on the machine.
Vor allen Arbeiten an der Maschine den Wechselakku herausnehmen.

Avant tous travaux sur la machine retirer l'accu interchangeable.

Prima di iniziare togliere la batteria dalla macchina.

Retire la batería antes de comenzar cualquier trabajo en la máquina.

Antes de efectuar cualquier intervención na máquina retirar o bloco acumulador.

Voor alle werkzaamheden aan de machine de akku verwijderen.

Ved arbejde inden i maskinen, bør batteriet tages ud.

Ta ut vekselbatteriet før du arbeider på maskinen

Drag ur batteripaket innan arbete utföres på maskinen.

Tarkista pistotulppa ja verkkojohto mahdollisilta vauriolta. Viat saa korjata vain alan erikoismies.

Πριν από κάθε εργασία στη μηχανή αφαιρέστε την ανταλλακτική μπαταρία.

Aletin kendinde bir çalışma yapmadan önce kartuş aküyü çıkarın.

Před zahájením veškerých prací na vrtacím šroubovákú vyjmout výměnný akumulátor.

Pred každou pracou na stroji výměnný akumulátor vytiahnuť.

Przed przystąpieniem do jakichkolwiek prac na elektronarzędziu należy wyjąć wkładkę akumulatową.

Karbantartás, javítás, tisztítás, stb. előtt az akkumulátort ki kell venni a készülékből.

Pred deli na stroju izvlecite izmenljivi akumulator.

Prije svih radova na stroju izvaditi bateriju za zamjenu.

Pirms mašīnai veikt jebkāda veida apkopes darbus, ir jāizņem ārā akumulators.

Prieš atlikdami bet kokius darbus įrenginyje, išimkite keičiamą akumuliatorių.

Enne kõiki töid masina kallal võtke vahetatav aku välja.

Внітьте акумулятор из машини перед проведеніем с неї каких-либo маніпуляцій.

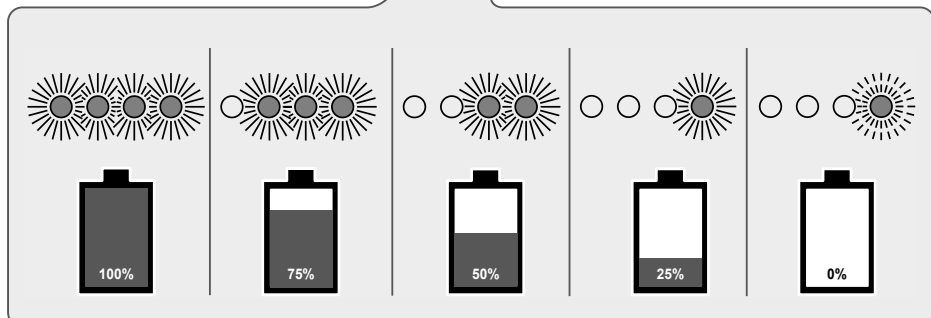
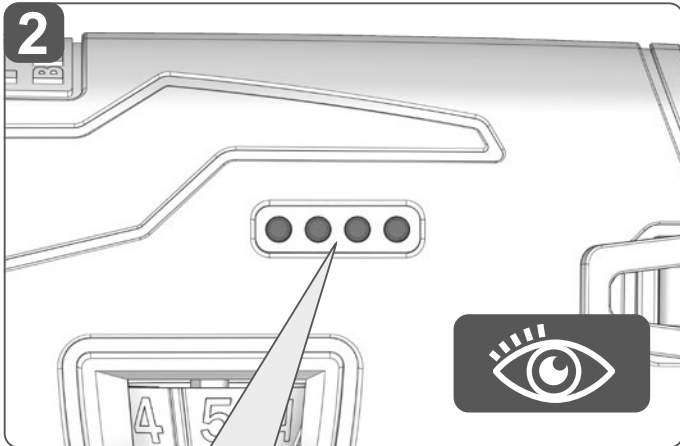
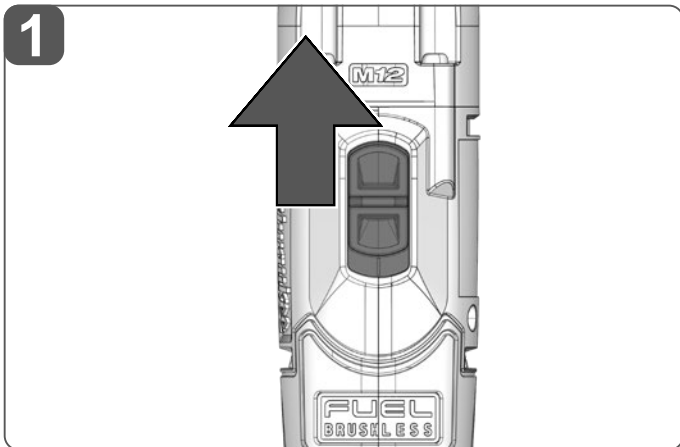
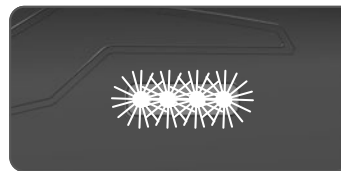
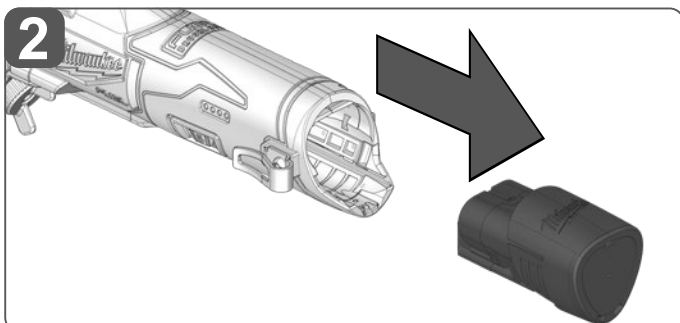
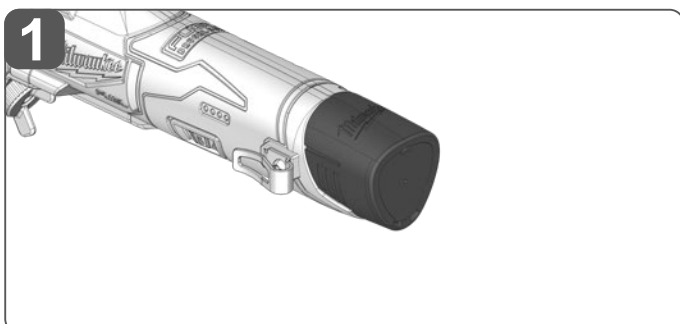
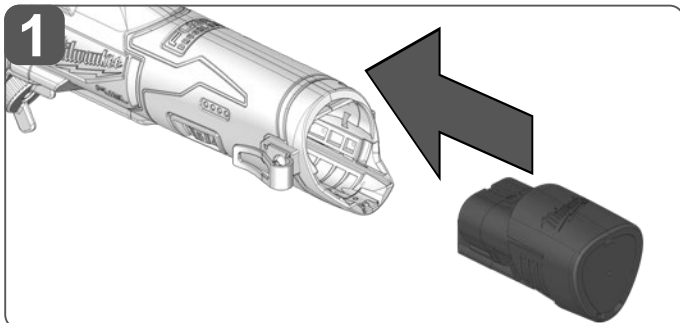
Преді започване на каквито е да е работи по машината извадете акумулятора.

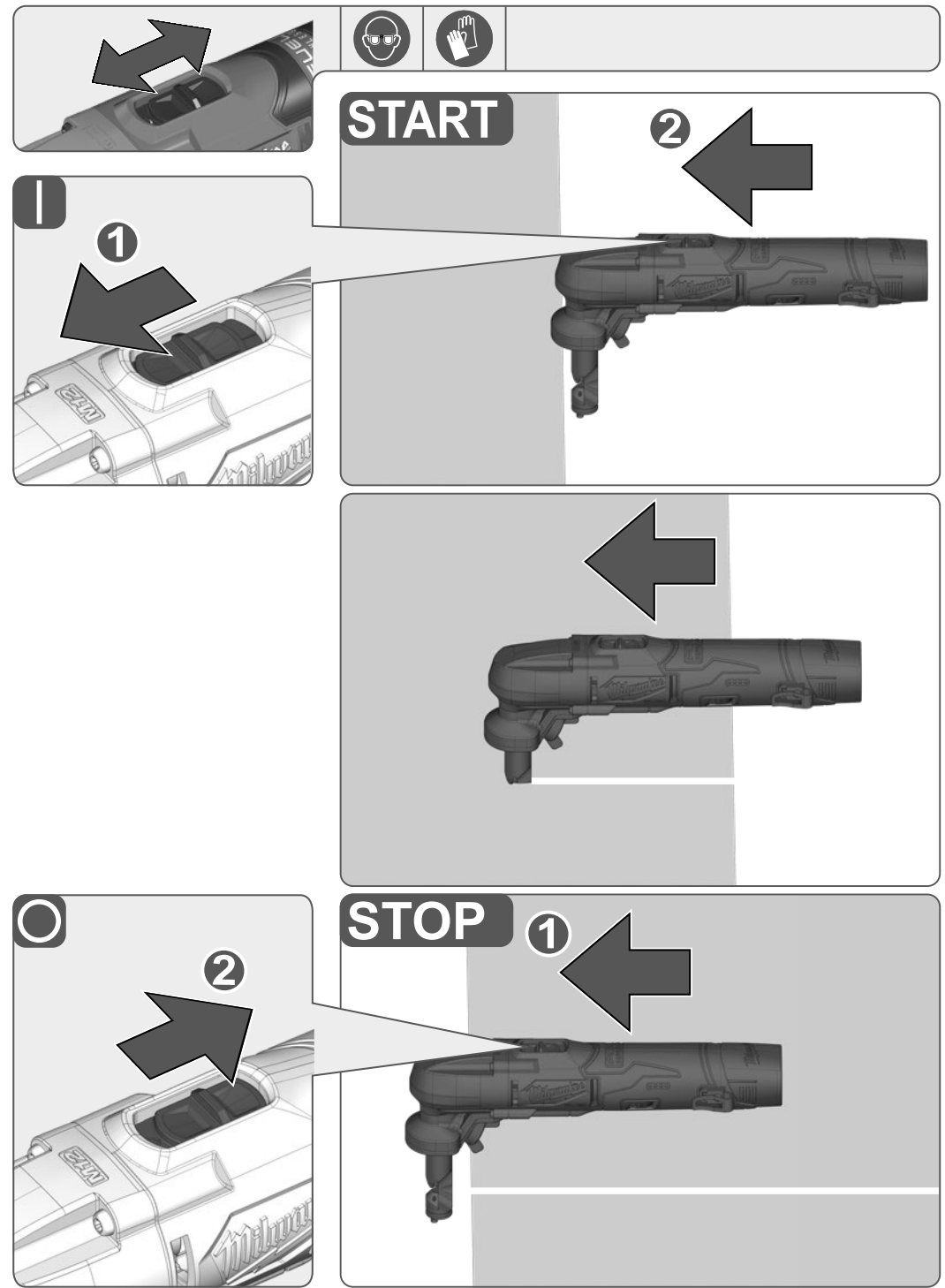
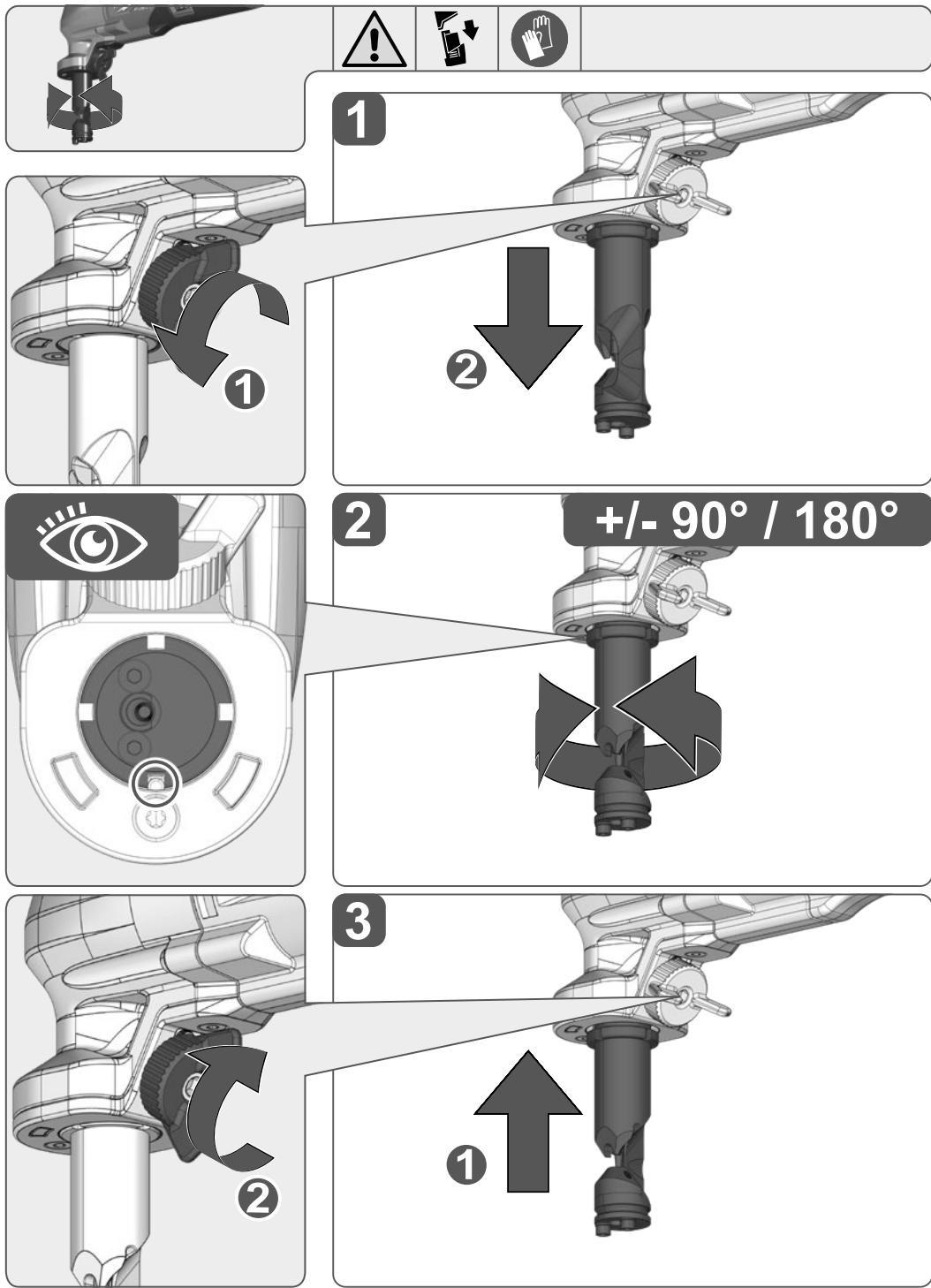
Scoteatij acumulatorul înainte de a începe orice intervenție pe mașină.

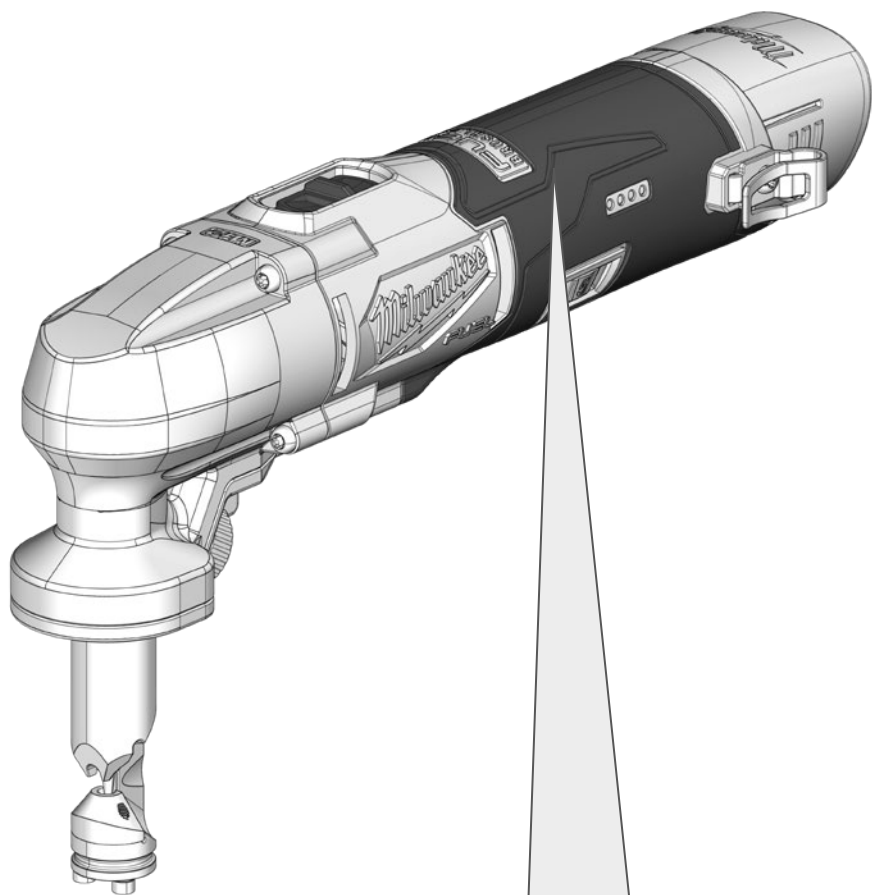
Отстранете ја батеријата пред да започнете да ја користите машината.

Перед будь-якими роботами на машині ви́йняти змінну акумуляторну батарею.

قم بإزالة حزمة البطارية قبل البدء في أي أعمال على الجهاز.







Insulated gripping surface

Isolierte Grifffläche

Surface de prise isolée

Superficie di presa isolata

Superficie de agarre con aislamiento

Superficie de pega isolada

Geisoleerde handgrepen

Isolerede gribeflader

Isolert gripelate

Isolerad greppyta

Eristetty tarttumapinta

Μονωμένη επιφάνεια λαβής

İzolasyonlu tutma yüzeyi

Izolovaná uchopovací plocha

Izolovaná úchopná plocha

Izolowana powierzchnia uchwytu

Szigetelt fogófelület

Izolirana prijemalna površina

Izolirana površina za držanje

Izolēta satveršanas virsma

Izoliuotas rankenos paviršius

Isoleeritud pideme piirkond

Изолированная поверхность ручки

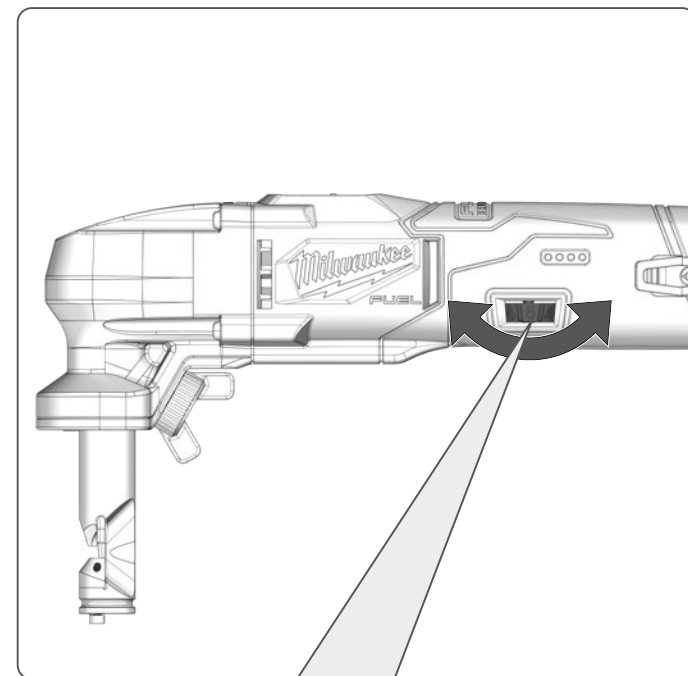
Изолирана повърхност за хващане

Suprafață de prindere izolată

Изолирана површина на дршката

Ізолювана поверхня ручки

مساحة المقبض معزولة



1400



1550



1700



1850

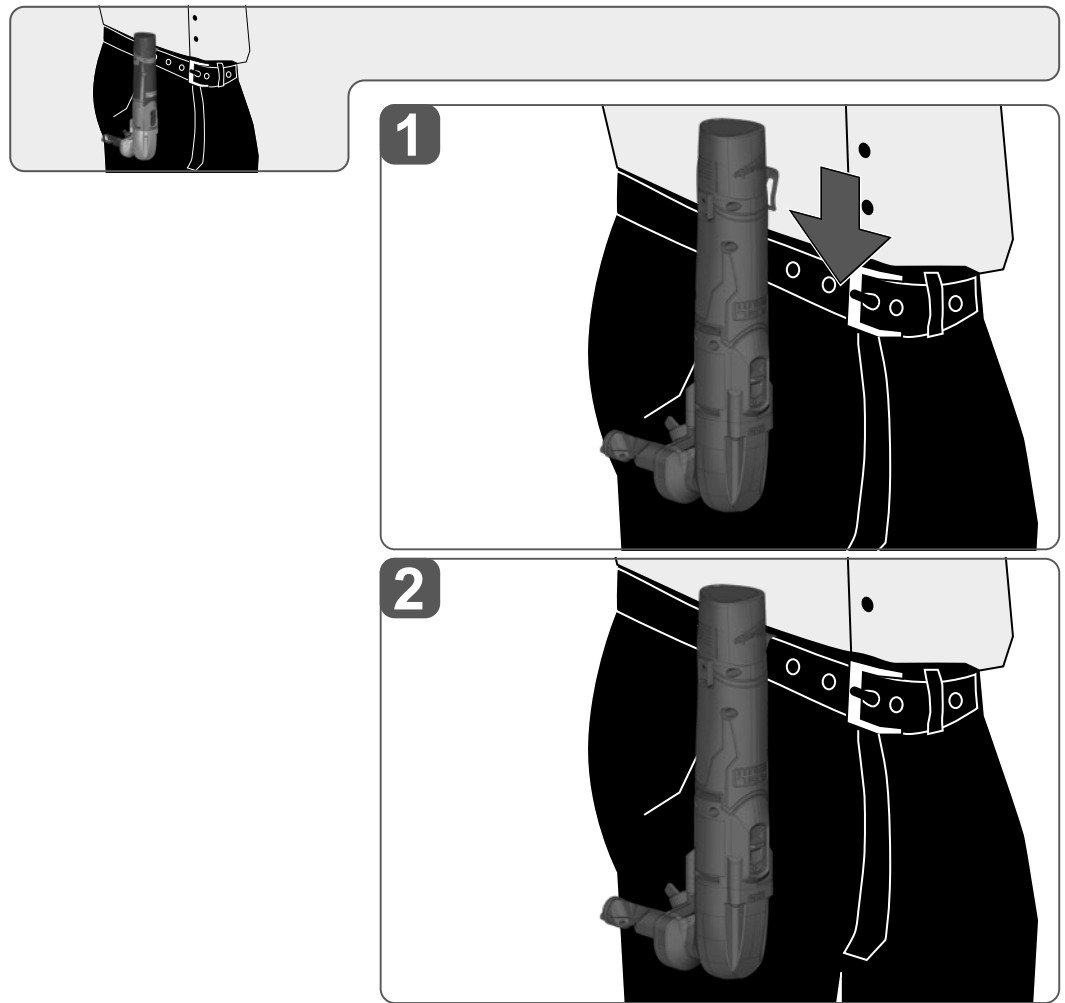
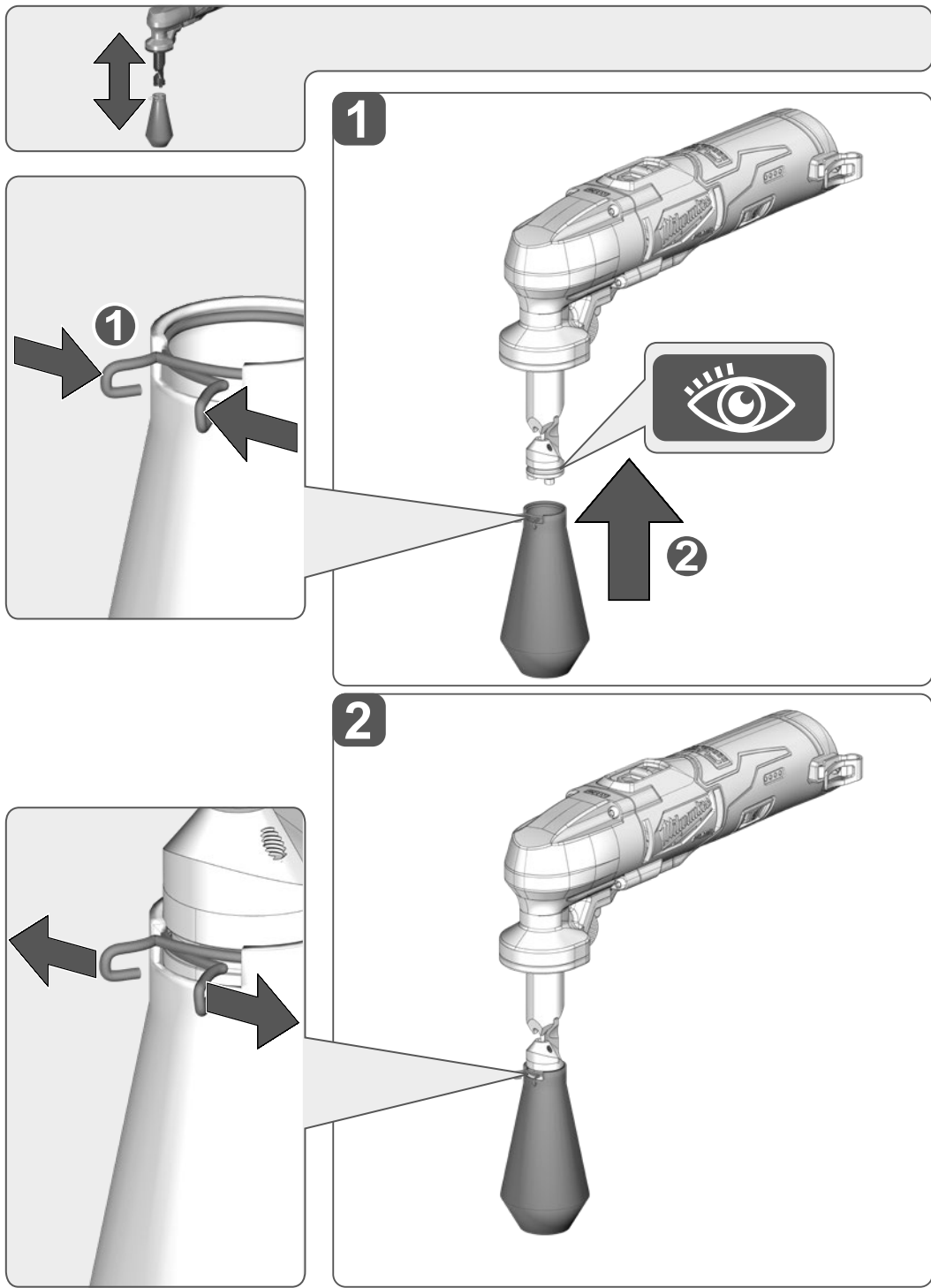


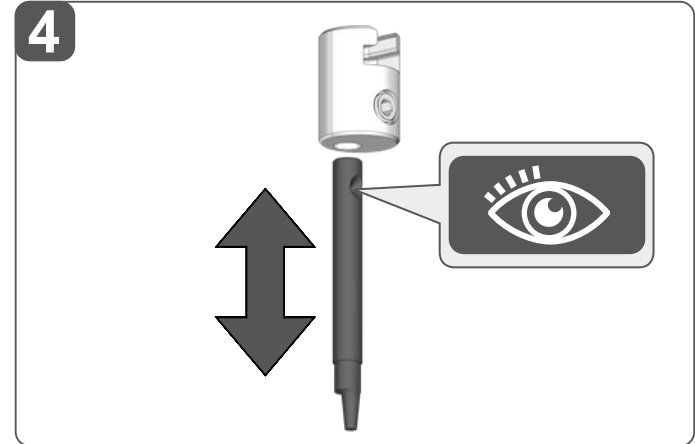
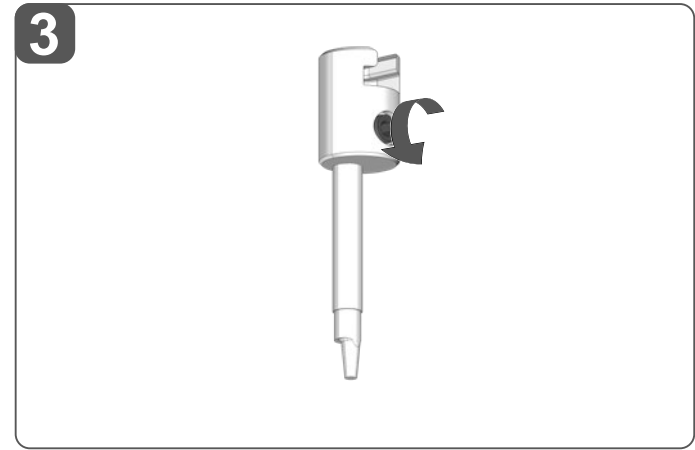
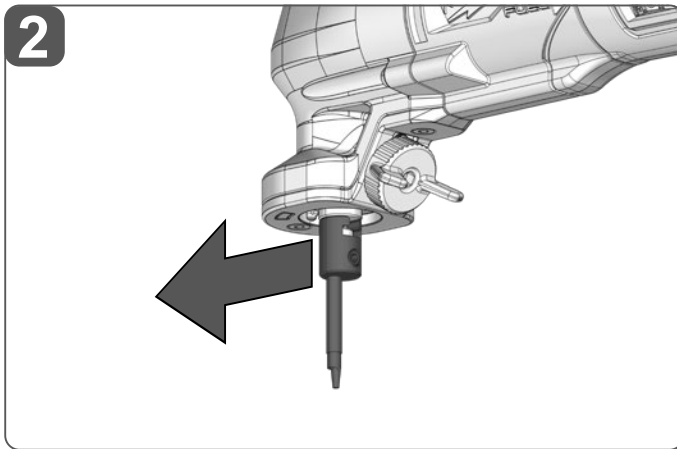
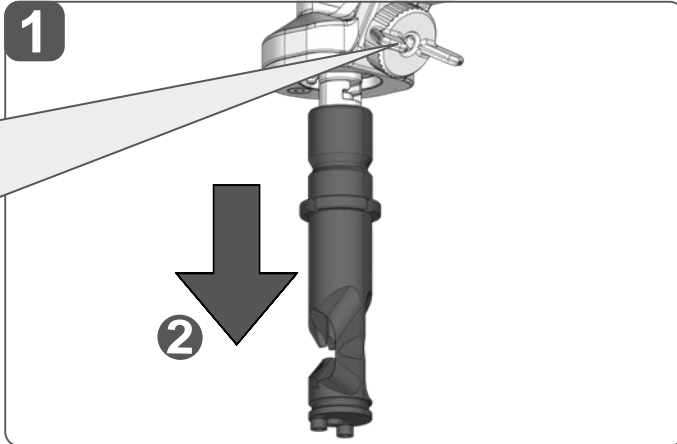
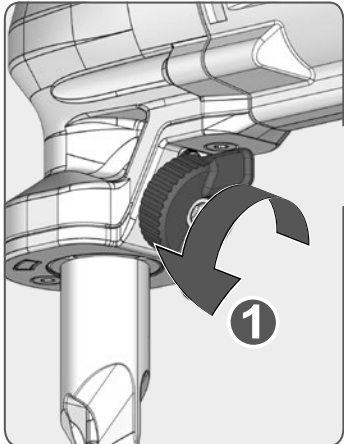
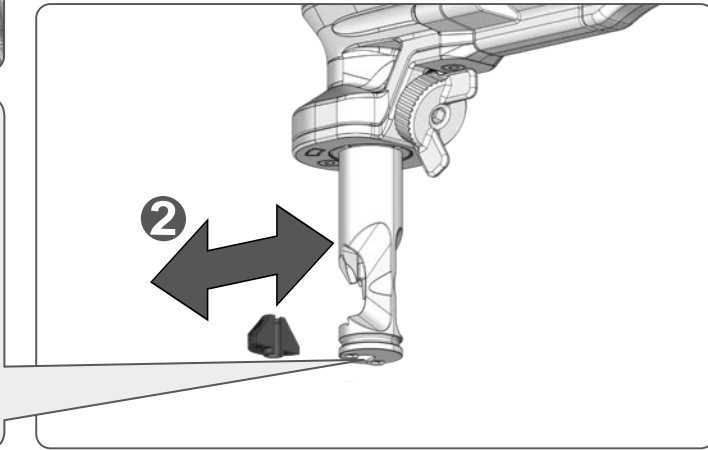
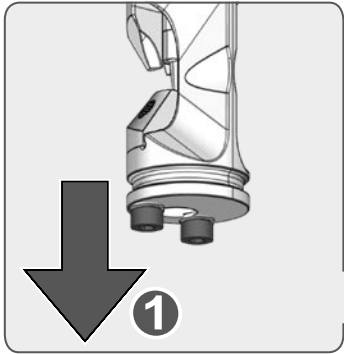
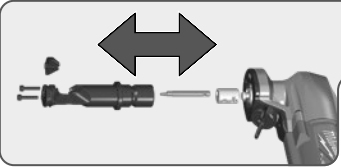
2200



1400
- 2200

min⁻¹





TECHNICAL DATA	M12 FNB16
Type	Nibbler
Production code	4911 90 01 XXXXXX MJJJJ
Battery voltage	12 V \approx
Stroke rate under no-load	n_0 1400 - 2200 min ⁻¹
Max. cutting capacity	
Steel < 400 N/mm ²	1,6 mm
Steel < 600 N/mm ²	1,2 mm
Steel < 800 N/mm ²	0,7 mm
Aluminium < 250 N/mm ²	2,1 mm
Cutting width	5 mm
Smallest curve radius	40,7 mm
Starting hole diameter	21 mm
Weight according EPTA-Procedure 01/2014 (Li-Ion 2,0 Ah ... 6,0 Ah)	1,4 ... 1,6 kg
Recommended Ambient Operating Temperature	-18 ... +50 °C
Recommended battery types	M12B...
Recommended charger	C12C; M12C4; M12-18...

Noise information: Measured values determined according to EN 62841. Typically, the A-weighted noise levels of the tool are:

Sound pressure level / Uncertainty K	88,6 dB (A) / 3 dB (A)
Sound power level / Uncertainty K	99,6 dB (A) / 3 dB (A)

Wear ear protectors!

Vibration information: Vibration total values (triaxial vector sum) determined according to EN 62841

Vibration emission value a_n / Uncertainty K	6,9 m/s ² / 1,5 m/s ²
--	---

WARNING!

The vibration and noise emission level given in this information sheet has been measured in accordance with a standardized test given in EN 62841 and may be used to compare one tool with another. It may be used for a preliminary assessment of exposure.

The declared vibration and noise emission level represents the main applications of the tool. However if the tool is used for different applications, with different accessories or poorly maintained, the vibration and noise emission may differ. This may significantly increase the exposure level over the total working period.

An estimation of the level of exposure to vibration and noise should also take into account the times when the tool is switched off or when it is running but not actually doing the job. This may significantly reduce the exposure level over the total working period.

Identify additional safety measures to protect the operator from the effects of vibration and/or noise such as: maintain the tool and the accessories, keep the hands warm, organization of work patterns.

WARNING! Read all safety warnings, instructions, illustrations and specifications provided with this power tool. Failure to follow all instructions listed below may result in electric shock, fire and/or serious injury.

Save all warnings and instructions for future reference.

NIBBLER SAFETY WARNINGS

Use machinery, accessories, tools, etc. As set out in these instructions. Give due consideration to your working conditions and the type of work. Using machines for other than their intended use may result in dangerous situations.

Always wear goggles when using the machine. It is recommended to wear gloves, sturdy non slipping shoes and apron.

Clamp your workpiece with a clamping device. Unclamped workpieces can cause severe injury and damage.

When cutting, hold the tool so that the blades are in firm contact with the material for the fastest cutting. Apply even pressure. Too much pressure will tend to jam the tool or cause a rough cut.

Please note that the machine will automatically accelerate back to its original operating speed if the load is removed from it. Never lay the power tool down until the accessory has come to a complete stop. The tool may jam, leading to you losing control of the machine.

ADDITIONAL SAFETY AND WORKING INSTRUCTIONS

Remove the battery pack before starting any work on the appliance. **WARNING!** To reduce the risk of fire, personal injury, and product damage due to a short circuit, never immerse your tool, battery pack or charger in fluid or allow a fluid to flow inside them. Corrosive or conductive fluids, such as seawater, certain industrial chemicals,

and bleach or bleach containing products, etc., Can cause a short circuit.

Use only System M12 chargers for charging System M12 battery packs. Do not use battery packs from other systems.

Never break open battery packs and chargers and store only in dry rooms. Keep dry at all times.

SPECIFIED CONDITIONS OF USE

The power tool is designed for cutting sheet metal from punchable materials without deforming the sheet. It is suitable for straight cuts, tight curves and cut-outs.

Do not use the product in any way other than those stated for intended use.

RESIDUAL RISK

Even when the product is used as prescribed, it is still impossible to completely eliminate certain residual risk factors. The following hazards may arise in use and the operator should pay special attention to avoid the following:

- Injury caused by vibration. Hold the product by designated handles and restrict working time and exposure.
- Exposure to noise can cause hearing injury. Wear ear protection and limit exposure.
- Injury due to flying debris. Wear eye protection, heavy long trousers, gloves and substantial footwear at all times.
- Inhalation of toxic dusts.

NOTES FOR LI-ION BATTERIES

Use of Li-Ion batteries

Battery packs which have not been used for some time should be recharged before use.

Temperatures in excess of 50°C (122°F) reduce the performance of the battery pack. Avoid extended exposure to heat or sunshine (risk of overheating).

The contacts of chargers and battery packs must be kept clean.

For an optimum life-time, the battery packs have to be fully charged, after use.

To obtain the longest possible battery life remove the battery pack from the charger once it is fully charged.

For battery pack storage longer than 30 days:

Store the battery pack where the temperature is below 27°C and away from moisture

Store the battery packs in a 30% - 50% charged condition

Every six months of storage, charge the pack as normal.

Battery protection for Li-Ion batteries

In extremely high torque, binding, stalling and short circuit situations that cause high current draw, the tool will vibrate for about 5 seconds, the fuel gauge will flash, and then the tool will turn OFF.

To reset, release the trigger. Under extreme circumstances, the internal temperature of the battery pack could raise too much. If this happens, the fuel gauge will flash until the battery pack cooled down. After the lights go off, the work may continue.

Transporting Lithium Batteries

Lithium-ion batteries are subject to the Dangerous Goods Legislation requirements.

Transportation of those batteries has to be done in accordance with local, national and international provisions and regulations.

The user can transport the batteries by road without further requirements.

Commercial transport of Lithium-Ion batteries by third parties is subject to Dangerous Goods regulations. Transport preparation and transport are exclusively to be carried out by appropriately trained persons and the process has to be accompanied by corresponding experts.

When transporting batteries:

Ensure that battery contact terminals are protected and insulated to prevent short circuit.

Ensure that battery pack is secured against movement within packaging. Do not transport batteries that are cracked or leak. Check with forwarding company for further advice.

WORKING INSTRUCTIONS

Clean and lubricate the punch and die on a regular basis.

Inspect the punch and die for wear on a regular basis. Replace the punch and die in good time to protect the nibbler. Blunt tools can overload the nibbler. Only sharp tools provide good cutting performance and make the power tool last longer.

To extend the service life of the punch, a lubricant with good cooling properties (e.g. cutting oil) should be used.

Apply a line of lubricant to the top side of the metal sheet along the intended cut line.

Only move the power tool against the workpiece when it is switched on.

Always hold the power tool perpendicular to the sheet surface and do not tilt it.

Guide the power tool evenly and with a slight pushing force in the cutting direction.

Excessive force reduces the service life of the insert tools significantly and can damage the power tool.

CLEANING












The ventilation slots of the machine must be kept clear at all times.

MAINTENANCE

Use only Milwaukee accessories and Milwaukee spare parts. Should components need to be replaced which have not been described, please contact one of our Milwaukee service agents (see our list of guarantee/service addresses).

If needed, an exploded view of the tool can be ordered. Please state the Article No. as well as the machine type printed on the label and order the drawing at your local service agents or directly at: Techtronic Industries GmbH, Max-Eyth-Straße 10, 71364 Winnenden, Germany.

SYMBOLS

	Please read the instructions carefully before starting the machine.
	CAUTION! WARNING! DANGER!
	Remove the battery pack before starting any work on the appliance.
	Always wear goggles when using the machine.
	Wear gloves!
	Do not dispose electric tools, batteries/rechargeable batteries together with household waste material. Electric tools and batteries that have reached the end of their life must be collected separately and returned to an environmentally compatible recycling facility. Check with your local authority or retailer for recycling advice and collection point.
n_0	Stroke rate under no-load
V	Voltage
	Direct Current
	European Conformity Mark
	British Conformity Mark
	Ukraine Conformity Mark
	EurAsian Conformity Mark

TECHNISCHE DATEN	M12 FNB16
Bauart	Nibbler
Produktionsnummer	4911 90 01 XXXXXX MJJJJ
Spannung Wechselakku	12 V \approx
Leerlaufhubzahl	n_0 1400 - 2200 min ⁻¹
Schnittleistung max.	
Stahl < 400 N/mm ²	1,6 mm
Stahl < 600 N/mm ²	1,2 mm
Stahl < 800 N/mm ²	0,7 mm
Aluminium < 250 N/mm ²	2,1 mm
Schnittbreite	5 mm
Kleinster Kurvenradius	40,7 mm
Startlochdurchmesser	21 mm
Gewicht nach EPTA-Prozedur 01/2014 (Li-Ion 2,0 Ah ... 6,0 Ah)	1,4 ... 1,6 kg
Empfohlene Umgebungstemperatur für den Betrieb	-18 ... +50 °C
Empfohlene Akku Typen	M12B...
Empfohlene Ladegeräte	C12C; M12C4; M12-18...
Geräuschinformation: Messwerte ermittelt entsprechend EN 62841. Der A-bewertete Geräuschpegel des Gerätes beträgt typischerweise:	
Schalldruckpegel / Unsicherheit K	88,6 dB (A) / 3 dB (A)
Schalleistungspegel / Unsicherheit K	99,6 dB (A) / 3 dB (A)
Gehörschutz tragen!	
Vibrationsinformationen: Schwingungsgesamtwerte (Vektorsumme dreier Richtungen) ermittelt entsprechend EN 62841.	
Schwingungsemissionswert a_h / Unsicherheit K	6,9 m/s ² / 1,5 m/s ²

⚠️ WARNUNG!

Die angegebenen Schwingungsgesamtwerte und Geräuschemissionswerte wurden nach einem genormten Messverfahren gemäß EN 62841 gemessen und können für den Vergleich von Elektrowerkzeugen miteinander verwendet werden. Sie können für eine vorläufige Einschätzung der Belastung verwendet werden.

Der angegebene Schwingungs- und Geräuschemissionspegel repräsentiert die hauptsächlichsten Anwendungen des Elektrowerkzeugs. Wenn allerdings das Elektrowerkzeug für andere Anwendungen, mit abweichenden Einsatzwerkzeugen oder ungenügender Wartung eingesetzt wird, können sich die Schwingungs- und Geräuschemissionen unterscheiden. Dies kann deren Wirkung über den gesamten Arbeitszeitraum deutlich erhöhen.

Bei der Abschätzung der Belastung durch Schwingungen und Lärm sollten auch die Zeiten berücksichtigt werden, in denen das Elektrowerkzeug ausgeschaltet ist oder zwar läuft, aber keine tatsächliche Arbeit verrichtet wird. Dies kann deren Wirkung über den gesamten Arbeitszeitraum deutlich reduzieren.

Legen Sie zusätzliche Sicherheitsmaßnahmen zum Schutz des Bedieners vor den Auswirkungen von Schwingungen- und / oder Lärm fest, wie z. B.: Wartung des Werkzeugs und des Zubehörs, Warmhalten der Hände, Organisation der Arbeitsabläufe.

⚠️ WARNUNG!

Lesen Sie alle Sicherheitshinweise, Anweisungen, Abbildungen und technischen Daten, mit denen dieses Elektrowerkzeug versehen ist. Versäumnisse bei der Einhaltung der nachfolgenden Anweisungen können elektrischen Schlag, Brand und/oder schwere Verletzungen verursachen.

Bewahren Sie alle Sicherheitshinweise und Anweisungen für die Zukunft auf.

NIBBLER SICHERHEITSHINWEISE

Verwenden Sie Gerät, Zubehör, Einsatzwerkzeuge usw. entsprechend diesen Anweisungen. Berücksichtigen Sie dabei die Arbeitsbedingungen und die auszuführende Tätigkeit. Der Gebrauch von Geräten für andere als die vorgesehenen Anwendungen kann zu gefährlichen Situationen führen.

Beim Arbeiten mit der Maschine stets Schutzbrille tragen. Schutzhandschuhe, festes und rutschsicheres Schuhwerk und Schürze werden empfohlen.

Sichern Sie Ihr Werkstück mit einer Spannvorrichtung. Nicht gesicherte Werkstücke können schwere Verletzungen und Beschädigungen verursachen.

Für ein schnelles Schnittergebnis halten Sie das Gerät so, dass die Messer in festem Kontakt mit dem Material stehen. Üben Sie mäßigen Druck aus. Zu viel Druck kann zum blockieren des Gerätes oder zu einem ungleichmäßigen Schnitt führen.

Bitte beachten Sie, dass die Maschine bei Wegfall der Belastung wieder selbstständig auf die ursprüngliche Arbeitsdrehzahl hochfährt. Legen Sie das Elektrowerkzeug niemals ab, bevor das Einsatzwerkzeug völlig zum Stillstand gekommen ist. Das Einsatzwerkzeug kann sich verhalten und zum Verlust der Kontrolle über das Gerät führen.

WEITERE SICHERHEITS- UND ARBEITSHINWEISE

Vor allen Arbeiten am Gerät den Wechselakku herausnehmen.

WARNUNG! Um die durch einen Kurzschluss verursachte Gefahr eines Brandes, von Verletzungen oder Produktbeschädigungen zu vermeiden, tauchen Sie das Werkzeug, den Wechselakku oder das Ladegerät nicht in Flüssigkeiten ein und sorgen Sie dafür, dass keine Flüssigkeiten in die Geräte und Akkus eindringen. Korrodierende oder leitfähige Flüssigkeiten, wie Salzwasser, bestimmte Chemikalien und Bleichmittel oder Produkte, die Bleichmittel enthalten, können einen Kurzschluss verursachen.

Wechselakkus des Systems M12 nur mit Ladegeräten des Systems M12 laden. Keine Akkus aus anderen Systemen laden.

Wechselakkus und Ladegeräte nicht öffnen und nur in trockenen Räumen lagern. Vor Nässe schützen.

BESTIMMUNGSGEMÄSSE VERWENDUNG

Das Elektrowerkzeug ist für das Schneiden von Blech aus stanzbaren Materialien ohne Verformung des Blechs vorgesehen. Es eignet sich für gerade Schnitte, enge Kurven und Ausschnitte.

Verwenden Sie das Produkt nur für den bestimmungsgemäßen Gebrauch.

RESTRISIKEN

Auch bei ordnungsgemäßer Verwendung können nicht alle Restrisiken ausgeschlossen werden. Beim Gebrauch können folgende Gefahren entstehen, auf die der Bediener besonders achten sollte:

- Durch Vibration verursachte Verletzungen. Halten Sie das Gerät

an den dafür vorgesehenen Griffen und begrenzen Sie die Arbeits- und Expositionszeit.

- Lärmbelastung kann zu Gehörschädigungen führen. Tragen Sie einen Gehörschutz und schränken Sie die Expositionsdauer ein.
- Durch Schmutzpartikel verursachte Augenverletzungen. Tragen Sie immer eine Schutzbrille, feste lange Hosen, Handschuhe und festes Schuhwerk.
- Einatmen von giftigen Stäuben.

HINWEISE FÜR LI-ION-AKKUS

Gebrauch von Li-Ion-Akkus

Längere Zeit nicht benutzte Wechselakkus vor Gebrauch nachladen. Eine Temperatur über 50°C vermindert die Leistung des Wechselakkus. Längere Erwärmung durch Sonne oder Heizung vermeiden.

Die Anschlusskontakte an Ladegerät und Wechselakku sauber halten.

Für eine optimale Lebensdauer müssen nach dem Gebrauch die Akkus voll geladen werden.

Für eine möglichst lange Lebensdauer sollten die Akkus nach dem Aufladen aus dem Ladegerät entfernt werden.

Bei Lagerung des Akkus länger als 30 Tage:

Akku bei ca. 27°C und trocken lagern.

Akku bei ca. 30%-50% des Ladezustandes lagern.

Akku alle 6 Monate erneut aufladen.

Akkuüberlastschutz bei Li-Ion-Akkus

Bei Überlastung des Akkus durch sehr hohen Stromverbrauch, z.B. extrem hohe Drehmomente, plötzlichem Stopp oder Kurzschluss, vibriert das Elektrowerkzeug 5 Sekunden lang, die Ladeanzeige blinkt und das Elektrowerkzeug schaltet sich selbsttätig ab.

Zum Wiedereinschalten, den Schalterdrücker loslassen und dann wieder einschalten. Unter extremen Belastungen erhitzt sich der Akku zu stark. In diesem Fall blinken alle Lampen der Ladeanzeige bis der Akku abgekühlt ist. Nach Erlöschen der Ladeanzeige kann weitergearbeitet werden.

Transport von Lithium-Ionen-Akkus

Lithium-Ionen-Akkus fallen unter die gesetzlichen Bestimmungen zum Gefahrguttransport.

Der Transport dieser Akkus muss unter Einhaltung der lokalen, nationalen und internationalen Vorschriften und Bestimmungen erfolgen.

Verbraucher dürfen diese Akkus ohne Weiteres auf der Straße transportieren.

Der kommerzielle Transport von Lithium-Ionen-Akkus durch Speditionen unterliegt den Bestimmungen des Gefahrguttransports. Die Versandvorbereitungen und der Transport dürfen ausschließlich von entsprechend geschulten Personen durchgeführt werden. Der gesamte Prozess muss fachmännisch begleitet werden.

Folgende Punkte sind beim Transport von Akkus zu beachten: Stellen Sie sicher, dass die Kontakte geschützt und isoliert sind, um Kurzschlüsse zu vermeiden.

Achten Sie darauf, dass der Akkupack innerhalb der Verpackung nicht verrutschen kann. Beschädigte oder auslaufende Akkus dürfen nicht transportiert werden. Wenden Sie sich für weitere Hinweise an Ihr Speditionunternehmen.

ARBEITSHINWEISE

Reinigen und schmieren Sie den Stempel und die Matrize regelmäßig.

Prüfen Sie den Stempel und die Matrize regelmäßig auf Verschleiß. Tauschen Sie Stempel und Matrize rechtzeitig aus, um den Nibbler zu schützen. Stumpfe Werkzeuge können den Nibbler überlasten. Nur scharfe Werkzeuge bieten eine gute Schnittleistung und sorgen für eine längere Haltbarkeit des Elektrowerkzeugs.

Um die Betriebslebensdauer des Stempels zu verlängern, sollte ein Schmiermittel mit guten Kühleigenschaften (z.B. Schneidöl) verwendet werden.

Tragen Sie entlang der vorgesehenen Schnittlinie eine Schmiermittellinie auf die Oberseite des Blechs auf.

Bewegen Sie das Elektrowerkzeug nur gegen das Werkstück, wenn es eingeschaltet ist.

Halten Sie das Elektrowerkzeug immer senkrecht zur Blechoberfläche und kippen Sie es nicht.

Führen Sie das Elektrowerkzeug gleichmäßig und mit einer leichten Schubkraft in Schnittrichtung.

Übermäßige Krafteinwirkung reduziert die Lebensdauer der Einsatzwerkzeuge erheblich und kann das Elektrowerkzeug beschädigen.

REINIGUNG

Stets die Lüftungsschlitze der Maschine sauber halten.

WARTUNG

Nur Milwaukeee Zubehör und Milwaukeee Ersatzteile verwenden. Bauteile, deren Austausch nicht beschrieben wurde, bei einer Milwaukeee Kundendienststelle auswechseln lassen (Broschüre Garantie/Kundendienstadressen beachten).

Bei Bedarf kann eine Explosionszeichnung des Gerätes unter Angabe der Maschinen Type und der sechsstelligen Nummer auf dem Leistungsschild bei Ihrer Kundendienststelle oder direkt bei Techtronic Industries GmbH, Max-Eyth-Straße 10, 71364 Winnenden, Germany angefordert werden.

SYMBOLS

	Bitte lesen Sie die Gebrauchsanweisung vor Inbetriebnahme sorgfältig durch.
	ACHTUNG! WARNUNG! GEFAHR!
	Vor allen Arbeiten am Gerät den Wechselakku herausnehmen.
	Beim Arbeiten mit der Maschine stets Schutzbrille tragen.
	Schutzhandschuhe tragen!
	Elektrogeräte, Batterien/Akkus dürfen nicht zusammen mit dem Hausmüll entsorgt werden. Elektrische Geräte und Akkus sind getrennt zu sammeln und zur umweltgerechten Entsorgung bei einem Verwertungsbetrieb abzugeben. Erkundigen Sie sich bei den örtlichen Behörden oder bei Ihrem Fachhändler nach Recyclinghöfen und Sammelstellen.
	Leerlaufhubzahl
	Spannung
	Gleichstrom
	Europäisches Konformitätszeichen
	Britisches Konformitätszeichen
	Ukrainisches Konformitätszeichen
	Euroasiatisches Konformitätszeichen

CARACTÉRISTIQUES TECHNIQUES		M12 FNB16
Type	Grignoteuse	
Numéro de série	4911 90 01 XXXXXX MJJJJ	
Tension accu interchangeable	12 V \approx	
Nombre de courses à vide	n_v 1400 - 2200 min ⁻¹	
Capacité de coupe max.		
Acier < 400 N/mm ²	1,6 mm	
Acier < 600 N/mm ²	1,2 mm	
Acier < 800 N/mm ²	0,7 mm	
Aluminium < 250 N/mm ²	2,1 mm	
Largeur de coupe	5 mm	
Plus petit rayon de courbe	40,7 mm	
Diamètre du trou de départ	21 mm	
Poids suivant EPTA-Procédure 01/2014 (Li-Ion 2,0 Ah ... 6,0 Ah)	1,4 ... 1,6 kg	
Température ambiante conseillée pour le fonctionnement	-18 ... +50 °C	
Batteries conseillées	M12B...	
Chargeurs conseillés	C12C; M12C4; M12-18...	
Informations sur le bruit: Valeurs de mesure obtenues conformément à la EN 62841. Les mesures réelles (des niveaux acoustiques de l'appareil sont :		
Niveau de pression acoustique / Incertitude K	88,6 dB (A) / 3 dB (A)	
Niveau d'intensité acoustique / Incertitude K	99,6 dB (A) / 3 dB (A)	
Toujours porter une protection acoustique!		
Informations sur les vibrations: Valeurs totales des vibrations (somme vectorielle de trois sens) établies conformément à EN 62841.		
Valeur d'émission vibratoire a_h / Incertitude K	6,9 m/s ² / 1,5 m/s ²	

AVERTISSEMENT!

Le niveau de vibration et d'émissions sonores indiqué dans cette fiche de données a été mesuré en respect d'une méthode standard de test selon la norme EN 62841 et peut être utilisé pour comparer les outils entre eux. Il peut être utilisé pour évaluation préliminaire de l'exposition.

Le niveau de vibration et d'émissions sonores déclaré correspond à l'application principale de l'outil. Cependant, si l'outil est utilisé pour des applications différentes, avec différents accessoires ou est mal entretenu, les vibrations et les émissions sonores peuvent différer. Cela peut augmenter considérablement le niveau d'exposition au cours de la période de travail totale.

Une estimation du niveau d'exposition aux vibrations et au bruit devrait également tenir compte des temps d'arrêt de l'outil ou des périodes où il est en marche mais n'effectue pas réellement le travail. Cela peut réduire considérablement le niveau d'exposition au cours de la période de travail totale.

Identifier des mesures de sécurité supplémentaires pour protéger l'opérateur des effets des vibrations et/ou du bruit tels que : l'entretien de l'outil et des accessoires, le maintien au chaud des mains, l'organisation des processus de travail.

AVERTISSEMENT! Lisez toutes les consignes de sécurité, instructions, présentations et données que vous recevez avec l'appareil. Le fait de ne pas suivre toutes les instructions données ci-dessous peut provoquer un choc électrique, un incendie et/ou une blessure grave.

Bien garder tous les avertissements et instructions.

AVERTISSEMENTS DE SÉCURITÉ DE LA GRIGNOTEUSE

Utiliser le dispositif, les accessoires, les outils à insertion, etc. conformément aux présentes consignes. Considérer les conditions de travail et l'activité à effectuer. L'utilisation de dispositifs en vue d'une application non conforme à celle prévue pourra causer des situations dangereuses.

Toujours porter des lunettes protectrices en travaillant avec la machine. Des gants de sécurité, des chaussures solides et à semelles antidérapantes et un tablier sont recommandés.

Fixer fermement la pièce en exécution à l'aide d'un dispositif de serrage. Des pièces en exécution non fermement fixées peuvent provoquer des dommages et des lésions graves.

Lors de la coupe, maintenez l'outil de telle sorte que les lames sont bien en contact avec le matériel pour la découpe rapide. Appliquer une pression uniforme. Trop de pression aura tendance à bloquer l'outil ou de provoquer un rough cut.

Il faut tenir compte que le dispositif, en l'absence de charge, revient au nombre de tours de travail d'origine. Ne jamais poser l'appareil électrique avant que l'outil rapporté soit entièrement à l'arrêt. L'accessoire à insertion pourrait se bloquer et causer la perte de contrôle du dispositif.

AVIS COMPLÉMENTAIRES DE SÉCURITÉ ET DE TRAVAIL

Avant tous travaux sur l'appareil retirer l'accu interchangeable.

AVERTISSEMENT! Pour réduire le risque d'incendie, de blessures corporelles et de dommages cau-sés par un court-circuit, ne jamais immerger l'outil, le bloc-piles ou le chargeur dans un liquide ou laisser couler un fluide à l'intérieur de celui-ci. Les fluides corrosifs ou conducteurs, tels que l'eau de mer, certains produits chimiques industriels, les produits de blanchiment ou de blanchi-ment, etc., peuvent provoquer un court-circuit.

Ne charger les accus interchangeables du système M12 qu'avec le chargeur d'accus du système M12. Ne pas charger des accus d'autres systèmes.

Ne pas ouvrir les accus interchangeables et les chargeurs et ne les stocker que dans des locaux secs. Les protéger contre l'humidité.

UTILISATION CONFORME AUX PRESCRIPTIONS

Cet outil électrique est conçu pour découper des tôles dans des matériaux pouvant être poinçonnés, sans déformer la tôle. Il convient aux coupes droites, aux courbes serrées et aux découpes. Ne pas utiliser le produit d'une autre manière que celle indiquée pour l'usage auquel il est destiné.

RISQUES RÉSIDUELS

Même en cas d'utilisation correcte, il n'est pas possible d'exclure tous les risques résiduels. Lors de l'utilisation, les risques suivants pourront être présents et l'utilisateur devra prêter une attention particulière en vue de les éviter :

- Blessures causées par les vibrations. Tenir le dispositif à l'aide de ses poignées et limiter les temps de travail et d'exposition.
- L'exposition au bruit peut causer des dommages auditifs. Porter une protection auditive et limiter la durée de l'exposition.
- Lésions oculaires causées par des particules de déchets. Toujours porter des lunettes de sécurité, de pantalon long lourd, des gants et des chaussures robustes.
- Inhalation de gaz toxiques.

REMARQUE CONCERNANT LES ACCUS LI-ION

Utilisation d'accus Li-Ion

Recharger les accus avant utilisation après une longue période de non utilisation.

Une température supérieure à 50°C amoindrit la capacité des accus. Éviter les expositions prolongées au soleil ou au chauffage.

Tenir propres les contacts des accus et des chargeurs.

Pour une durée de vie optimale, les accus doivent être chargés à fond après l'utilisation.

Pour une plus longue durée de vie, enlever les batteries du chargeur de batterie quand celles-ci seront chargées.

En cas d'entreposage de la batterie pour plus de 30 jours:

Entreposer la batterie à 27°C environ dans un endroit sec.

Entreposer la batterie avec une charge d'environ 30% - 50%.

Recharger la batterie tous les 6 mois.

Protection des accus Li-Ion

En cas d'une surcharge de l'accu à cause d'une très haute consommation de courant, par exemple suite à des couples extrêmement élevés, un arrêt soudain ou un court-circuit, l'outil électrique vibre pendant 5 secondes, l'indicateur de charge clignote et l'outil électrique se déconnecte automatiquement.

Pour le ré-enclencher, relâcher le poussoir de l'interrupteur, puis enclencher à nouveau l'appareil. Sous des sollicitations extrêmes, l'accu s'échauffe trop fortement. Dans ce cas, tous les témoins de l'indicateur de charge clignent jusqu'à ce que l'accu se soit refroidi. Il est possible de continuer à travailler dès que l'indicateur de charge s'est éteint.

Transport de batteries lithium-ion

Les batteries lithium-ion sont soumises aux dispositions législatives concernant le transport de produits dangereux.

Le transport de ces batteries devra s'effectuer dans le respect des dispositions et des normes locales, nationales et internationales.

Les utilisateurs peuvent transporter ces batteries sans restrictions.

Le transport commercial de batteries lithium-ion est réglé par les dispositions concernant le transport de produits dangereux. La préparation au transport et le transport devront être effectués uniquement par du personnel formé de façon adéquate. Tout le procédé devra être géré d'une manière professionnelle.

Durant le transport de batteries il faut respecter les consignes suivantes :

S'assurer que les contacts soient protégés et isolés en vue d'éviter des courts-circuits.

S'assurer que le groupe de batteries ne puisse pas se déplacer à l'intérieur de son emballage. Des batteries endommagées ou des batteries perdant du liquide ne devront pas être transportées. Pour tout renseignement complémentaire veuillez vous adresser à votre transporteur professionnel.

CONSIGNES DE TRAVAIL

Nettoyez et lubrifiez régulièrement le poinçon et la matrice.

Vérifiez régulièrement l'usure du poinçon et de la matrice. Remplacez le poinçon et la matrice à temps pour protéger la grignoteuse. Les outils émoussés peuvent surcharger la grignoteuse. Seuls des outils bien aiguisés offrent de bonnes performances de coupe et permettent à l'outil électrique de durer plus longtemps.

Pour prolonger la durée de vie du poinçon, il faut utiliser un lubrifiant ayant de bonnes propriétés de refroidissement (par exemple, une huile de coupe).

Appliquez une ligne de lubrifiant sur la face supérieure de la tôle, le long de la ligne de coupe prévue.

Ne déplacez l'outil électrique contre la pièce à travailler que lorsqu'il est sous tension.

Tenez toujours l'outil électrique perpendiculairement à la surface de la feuille et ne l'inclinez pas.

Guidez l'outil électrique de manière régulière et avec une légère force de poussée dans le sens de la coupe.

Une force excessive réduit considérablement la durée de vie des outils insérés et peut endommager l'outil électrique.

LAVAGE

Tenir toujours propres les orifices de ventilation de la machine.

ENTRETIEN

Utiliser uniquement les accessoires Milwaukee et les pièces détachées Milwaukee. Faire remplacer les composants dont le remplacement n'a pas été décrit, par un des centres de service après-vente Milwaukee (observer la brochure avec les adresses de garantie et de service après-vente).

Si besoin est, une vue éclatée de l'appareil peut être fournie. S'adresser, en indiquant bien le numéro porté sur la plaque signalétique, à votre station de service après-vente (voir liste jointe) ou directement à Techtronic Industries GmbH, Max-Eyth-Straße 10, 71364 Winnenden, Germany.

SYMBOLES

	Veuillez lire avec soin le mode d'emploi avant la mise en service
	ATTENTION! AVERTISSEMENT! DANGER!
	Avant tous travaux sur l'appareil retirer l'accu interchangeable.
	Toujours porter des lunettes protectrices en travaillant avec la machine.
	Porter des gants de protection!
	Les dispositifs électriques, les batteries et les batteries rechargeables ne sont pas à éliminer dans les déchets ménagers. Les dispositifs électriques et les batteries sont à collecter séparément et à remettre à un centre de recyclage en vue de leur élimination dans le respect de l'environnement. S'adresser aux autorités locales ou au détaillant spécialisé en vue de connaître l'emplacement des centres de recyclage et des points de collecte.
n_v	Nombre de courses à vide
V	Tension
	Courant continu
	Marque de conformité européenne
	Marque de conformité britannique
	Marque de conformité ukrainienne
001	
	Marque de conformité d'Eurasie

DATI TECNICI		M12 FNB16
Tipo di costruzione	Roditrice	
Numero di serie	4911 90 01 XXXXXX MJJJJ	
Tensione batteria	12 V \approx	
Numero di corse a vuoto	n_0 1400 - 2200 min ⁻¹	
Potenza di taglio max.		
Acciaio < 400 N/mm ²	1,6 mm	
Acciaio < 600 N/mm ²	1,2 mm	
Acciaio < 800 N/mm ²	0,7 mm	
Alluminio < 250 N/mm ²	2,1 mm	
Larghezza di taglio	5 mm	
Raggio di curva minimo	40,7 mm	
Diametro del foro di partenza	21 mm	
Peso secondo la procedura EPTA 01/2014 (Li-Ion 2,0 Ah ... 6,0 Ah)	1,4 ... 1,6 kg	
Temperatura ambiente consigliata per il funzionamento	-18 ... +50 °C	
Batterie consigliate	M12B...	
Caricatori consigliati	C12C; M12C4; M12-18...	

Informazioni sulla rumorosità: Valori misurati conformemente alla norma EN 62841. La misurazione A del livello di pressione acustica dell'utensile è di solito di:

Livello di rumorosità / Incertezza della misura K	88,6 dB (A) / 3 dB (A)
Potenza della rumorosità / Incertezza della misura K	99,6 dB (A) / 3 dB (A)

Utilizzare le protezioni per l'udito!

Informazioni sulle vibrazioni: Valori totali delle oscillazioni (somma di vettori in tre direzioni) misurati conformemente alla norma EN 62841

Valore di emissione dell'oscillazione a_{hv} / Incertezza della misura K	6,9 m/s ² / 1,5 m/s ²
--	---

AVVERTENZA!

Il/i valore/i di emissione acustica riportato/i in questa scheda informativa sono stati misurati conformemente a un metodo di prova standard sulla base della norma EN 62841 e possono essere utilizzati per confrontare gli utensili tra loro. Può/possono essere utilizzato/i anche per una valutazione preliminare dell'esposizione.

Il livello di vibrazione ed emissione acustica dichiarato rappresenta le applicazioni principali dell'utensile. Tuttavia, se l'utensile è utilizzato per applicazioni diverse, con accessori differenti o una manutenzione non adeguata, la vibrazione e l'emissione acustica potrebbero variare. Ciò può aumentare significativamente il livello di esposizione durante l'intera durata del lavoro.

Una stima del livello di esposizione alle vibrazioni e al rumore dovrebbe tenere conto anche dei periodi in cui l'utensile è spento o è in funzione ma non sta lavorando. Ciò può ridurre significativamente il livello di esposizione durante l'intera durata del lavoro.

Identificare le misure di sicurezza supplementari per proteggere l'operatore dagli effetti delle vibrazioni e/o del rumore, ad esempio eseguendo la manutenzione dell'utensile e degli accessori, mantenendo le mani calde e organizzando gli schemi di lavoro.

AVVERTENZA! Leggere tutte le avvertenze di sicurezza, le istruzioni, le illustrazioni e i dati forniti a corredo dell'apparecchio. In caso di mancata osservanza delle seguenti istruzioni vi è il pericolo di provocare una scossa elettrica, di sviluppare incendi e/o di provocare seri incidenti.

Conservare tutte le avvertenze di pericolo e le istruzioni operative per ogni esigenza futura.

AVVERTENZE DI SICUREZZA PER LA RODITRICE

Usare il dispositivo, gli accessori, gli utensili ad inserto, ecc. conformemente alle presenti istruzioni. Tenere conto delle condizioni di lavoro e dell'attività da eseguire. L'uso di dispositivi per applicazioni diverse da quelle previste può causare situazioni di pericolo.

Durante l'uso dell'apparecchio utilizzare sempre gli occhiali di protezione. Inoltre si consiglia di usare sistemi di protezione per la respirazione e per l'udito, oltre ai guanti di protezione.

Fissare in sicurezza il pezzo in lavorazione con un dispositivo di serraggio. Pezzi in lavorazione che non siano fissati in sicurezza possono causare gravi lesioni e danni.

Durante il taglio, tenere l'attrezzo in modo che le lame siano saldamente a contatto con il materiale per il taglio veloce. Applicare una pressione uniforme. Troppa pressione tenderà a bloccarsi lo strumento o causare un taglio grezzo.

Tenere presente che il dispositivo, in assenza del carico, ritorna all'originale numero di giri di lavoro. Non depositare mai l'utensile elettrico, prima che questo non sia fermato completamente. L'utensile ad inserto si potrebbe inceppare e causare la perdita di controllo sul dispositivo.

ULTERIORI AVVISI DI SICUREZZA E DI LAVORO

Prima di iniziare togliere la batteria dalla apparecchiatura.

AVVERTENZA! Per ridurre il rischio d'incendio, di lesioni o di danni al prodotto causati da corto circuito, non immergere mai l'utensile, la batteria ricaricabile o il carica batterie in un liquido e non lasciare mai penetrare alcun liquido all'interno dei dispositivi e delle batterie. I fluidi corrosivi o conduttori come acqua salata, alcuni agenti chimici, agenti candeggianti o prodotti contenenti agenti candeggianti potrebbero provocare un corto circuito.

Le batterie del System M12 sono ricaricabili esclusivamente con i caricatori del System M12. Le batterie di altri sistemi non possono essere ricaricate.

Non aprire né la batteria né il caricatore e conservarli solo in luogo asciutto. Proteggerli dalla umidità.

UTILIZZO CONFORME

L'elettrotensile è progettato per tagliare la lamiera da materiali perforabili senza deformare la lamiera. È indicata per tagli dritti, curve strette e ritagli.

Non utilizzare il prodotto in altri modi diversi da quelli indicati per l'uso previsto.

RISCHI RESIDUI

Anche in caso di utilizzo corretto non è possibile escludere tutti i rischi residui. Durante l'uso possono esistere i seguenti pericoli e l'utilizzatore deve porre particolare attenzione per evitarli:

- Lesioni causate da vibrazioni. Tenere il dispositivo sulle apposite impugnature e limitare i tempi di lavoro e di esposizione.

- L'esposizione al rumore può causare danni all'udito. Indossare una protezione per l'udito e limitare la durata dell'esposizione.
- Lesioni agli occhi causate da particelle di detriti. Indossare sempre occhiali di protezione, pantaloni lunghi pesanti, guanti e scarpe robuste.
- Inalazione di polveri tossiche.

NOTE PER BATTERIE AGLI IONI DI LITIO

Uso di batterie agli ioni di litio

Batterie non utilizzate per molto tempo devono essere ricaricate prima dell'uso.

A temperature superiori ai 50°C, la potenza della batteria si riduce.

Evitare di esporre l'accumulatore a surriscaldamento prolungato, dovuto ad esempio ai raggi del sole o ad un impianto di riscaldamento.

Per una ottimale vita utile è necessario ricaricare completamente le batterie dopo l'uso.

Per una più lunga durata, rimuovere le batterie dal caricabatterie quando saranno cariche.

In caso di immagazzinaggio della batteria per più di 30 giorni:

Immagazzinare la batteria a circa 27°C in ambiente asciutto.

Immagazzinare la batteria con carica di circa il 30% - 50%.

Ricaricare la batteria ogni 6 mesi.

Protezione contro il sovraccarico di batterie agli ioni di litio

In caso di sovraccarico dell'accumulatore dovuto ad un consumo molto elevato di corrente, ad es. momenti di coppia estremamente elevati, arresto improvviso o corto circuito, l'utensile elettrico vibra per 5 secondi, il display di carica lampeggia e l'elettrotensile si spegne automaticamente.

Per riaccenderlo rilasciare l'interruttore e poi riaccenderlo. Se sottoposto a sollecitazioni estreme l'accumulatore si riscalda eccessivamente. In questo caso lampeggiano tutte le spie del display di carica finché l'accumulatore non è raffreddato. Quando il display di carica si spegne si può continuare a lavorare.

Trasporto di batterie agli ioni di litio

Le batterie agli ioni di litio sono soggette alle disposizioni di legge sul trasporto di merce pericolosa.

Il trasporto di queste batterie deve avvenire rispettando le disposizioni e norme locali, nazionali ed internazionali.

Gli utilizzatori possono trasportare queste batterie su strada senza alcuna restrizione.

Il trasporto commerciale di batterie agli ioni di litio è regolato dalle disposizioni sul trasporto di merce pericolosa. Le preparazioni al trasporto ed il trasporto stesso devono essere svolti esclusivamente da persone idoneamente istruite. Tutto il processo deve essere gestito in maniera professionale.

Durante il trasporto di batterie occorre tenere conto di quanto segue: Assicurarsi che i contatti siano protetti ed isolati per evitare corto circuiti.

Accertarsi che il gruppo di batterie non possa spostarsi all'interno dell'imballaggio. Batterie danneggiate o batterie che perdono liquido non devono essere trasportate. Per ulteriori informazioni si prega di contattare il proprio trasportatore.

ISTRUZIONI DI LAVORO

Pulire e lubrificare regolarmente il punzone e la matrice.

Controllare regolarmente che il punzone o la matrice non siano usurati. Sostituire il punzone e la matrice in tempo utile per proteggere la roditrice. Gli utensili smussati possono sovraccaricare la roditrice. Solo gli utensili affilati forniscono buone prestazioni di taglio e fanno durare più a lungo l'elettrotensile.

Per prolungare la durata di vita del punzone, si dovrebbe usare un lubrificante con buone proprietà di raffreddamento (per es. olio da taglio).

Applicare uno strato di lubrificante sul lato superiore della lamiera lungo la linea di taglio prevista.

Muovere l'elettrotensile contro il pezzo da lavorare solo quando è acceso.

Tenere sempre l'elettrotensile perpendicolare alla superficie della lamiera e non inclinarlo.

Guidare l'elettrotensile in modo uniforme e con una leggera forza di spinta nella direzione di taglio.

Una forza eccessiva riduce significativamente la vita utile degli utensili a innesto e può danneggiare l'elettrotensile.

LAVAGGIO E PULIZIA

Tener sempre ben pulite le fessure di ventilazione dell'apparecchio.

MANUTENZIONE

Usare solo accessori Milwaukee e pezzi di ricambio Milwaukee. Gruppi costruttivi la cui sostituzione non è stata descritta, devono essere fatti cambiare da un punto di servizio di assistenza tecnica al cliente Milwaukee (vedi depliant garanzia/indirizzi assistenza tecnica ai clienti).

In caso di mancanza del disegno esploso, può essere richiesto al seguente indirizzo: Techtronic Industries GmbH, Max-Eyth-Straße 10, 71364 Winnenden, Germany.

SIMBOLI

	Leggere attentamente le istruzioni per l'uso prima di mettere in funzione l'elettrotensile.
	ATTENZIONE! AVVERTENZA! PERICOLO!
	Prima di iniziare togliere la batteria dalla apparecchiatura.
	Durante l'uso dell'apparecchio utilizzare sempre gli occhiali di protezione.
	Indossare guanti protettivi!
	I dispositivi elettrici, le batterie e le batterie ricaricabili non devono essere smaltiti con i rifiuti domestici. I dispositivi elettrici e le batterie devono essere raccolti separatamente e devono essere conferiti ad un centro di riciclaggio per lo smaltimento rispettoso dell'ambiente. Chiedere alle autorità locali o al rivenditore specializzato dove si trovano i centri di riciclaggio e i punti di raccolta.
n_0	Numero di corse a vuoto
V	Voltaggio
	Corrente continua
	Marchio di conformità europeo
	Marchio di conformità britannico
	Marchio di conformità ucraino
	Marchio di conformità euroasiatico

DATOS TÉCNICOS		M12 FNB16
Tipo de construcción	Recortadora	
Número de producción	4911 90 01 XXXXXX MJJJJ	
Voltaje de batería	12 V \approx	
Nº de carreras en vacío	n_v 1400 - 2200 min ⁻¹	
Potencia máxima de corte		
Acero < 400 N/mm ²	1,6 mm	
Acero < 600 N/mm ²	1,2 mm	
Acero < 800 N/mm ²	0,7 mm	
Aluminio < 250 N/mm ²	2,1 mm	
Anchura de roza	5 mm	
Radio de curva más pequeño	40,7 mm	
Diámetro del orificio inicial	21 mm	
Peso de acuerdo con el procedimiento EPTA 01/2014 (Li-Ion 2,0 Ah ... 6,0 Ah)	1,4 ... 1,6 kg	
Temperatura ambiente recomendada para la operación	-18 ... +50 °C	
Juegos de baterías recomendados	M12B...	
Cargadores recomendados	C12C; M12C4; M12-18...	
Información sobre ruidos: Determinación de los valores de medición según norma EN 62841. El nivel de ruido típico del aparato determinado con un filtro A corresponde a:		
Presión acústica / Tolerancia K	88,6 dB (A) / 3 dB (A)	
Resonancia acústica / Tolerancia K	99,6 dB (A) / 3 dB (A)	
Usar protectores auditivos!		
Informaciones sobre vibraciones: Nivel total de vibraciones (suma vectorial de tres direcciones) determinado según EN 62841.		
Valor de vibraciones generadas a_{hv} / Tolerancia K	6,9 m/s ² / 1,5 m/s ²	

⚠ ADVERTENCIA!

El nivel de emisión de ruido y vibración indicado en esta hoja informativa se ha medido de acuerdo con una prueba estandarizada que figura en EN 62841 y se puede usar para comparar una herramienta con otra. Puede ser empleado para una evaluación preliminar de la exposición.

El nivel declarado emisión de vibración y ruido representa las principales aplicaciones de la herramienta. Sin embargo, si la herramienta se utiliza para diferentes aplicaciones, con diferentes accesorios o con un mantenimiento deficiente, la emisión de ruido y vibración puede diferir. Esto puede aumentar significativamente el nivel de exposición durante el periodo total de trabajo.

También se debe tener en cuenta una estimación del nivel de exposición a la vibración y el ruido cuando la herramienta está apagada o cuando está funcionando, pero no está haciendo su trabajo. Esto puede reducir significativamente el nivel de exposición durante el periodo total de trabajo.

Identifique medidas de seguridad adicionales para proteger al operador de los efectos de la vibración o el ruido, como realizar mantenimiento de la herramienta y los accesorios, mantener las manos calientes y organizar las pautas de trabajo.

⚠ ADVERTENCIA! Lea las indicaciones de seguridad, instrucciones, descripciones y datos que se incluyen en el aparato. En caso de no atenerse a las instrucciones siguientes, ello puede provocar una electrocución, incendio y/o lesiones serias.

Guardar todas las advertencias de peligro e instrucciones para futuras consultas.

ADVERTENCIAS DE SEGURIDAD DE LA RECORTADORA

Utilice el aparato, accesorios, útiles, etc. de acuerdo con estas instrucciones, teniendo en cuenta las condiciones de trabajo y la tarea a realizar. El uso de los aparatos para otra finalidad que la prevista puede provocar situaciones peligrosas.

Para trabajar con la máquina, utilizar siempre gafas de protección, guantes, calzado de seguridad antideslizante, así como es recomendable usar protectores auditivos.

Fije la pieza de trabajo con un dispositivo de fijación. Las piezas de trabajo no fijadas pueden causar lesiones graves y deterioros.

Al cortar, mantenga la herramienta para que las cuchillas estén en firme contacto con el material para el corte más rápido. Aplique una presión uniforme. Demasiada presión tenderá a atascar la herramienta o causar un primer corte.

Rogamos observar que la máquina vuelve a aumentar de forma automática la potencia a la velocidad de trabajo originaria en el momento de suprimirse la carga. No deposite jamás la herramienta eléctrica antes de que la herramienta intercambiable haya dejado de girar por completo. El útil puede engancharse y hacerle perder el control sobre el aparato.

INSTRUCCIONES ADICIONALES DE SEGURIDAD Y LABORALES

Retire la batería antes de comenzar cualquier trabajo el aparato.

ADVERTENCIA! Para reducir el riesgo de incendio, lesiones personales y daños al producto debido a un cortocircuito, no sumerja nunca la herramienta, el paquete de baterías o el cargador en líquido ni permita que fluya un fluido dentro de ellos. Los fluidos corrosivos o conductivos, como el agua de mar, ciertos productos químicos industriales y blanqueadores o lejías que contienen, etc., pueden causar un cortocircuito.

Recargar solamente los acumuladores del Sistema M12 en cargadores M12. No intentar recargar acumuladores de otros sistemas.

No abra nunca las baterías ni los cargadores y guárdelos sólo en lugares secos. Protéjalos de la humedad en todo momento.

APLICACIÓN DE ACUERDO A LA FINALIDAD

La herramienta eléctrica está diseñada para cortar chapa de materiales punzonables sin deformar la chapa. Es apta para cortes rectos, curvas cerradas y recortes.

No use el producto de ninguna manera que no sea la indicada para el uso previsto.

PELIGROS RESIDUALES

Incluso en caso de un uso correcto, no es posible excluir por completo la existencia de riesgos residuales. Durante el uso de la máquina se pueden producir los siguientes riesgos a tener en cuenta especialmente por el operador de la misma.

- Lesiones provocadas por efecto de la vibración. Sujete el dispositivo utilizando las empuñaduras previstas para ello y limite el tiempo de trabajo y de exposición a riesgos.
- La contaminación acústica puede provocar lesiones auditivas. Lleve una protección auditiva y limite el tiempo de exposición a riesgos.
- Lesiones oculares producidas por partículas de suciedad. Lleve siempre gafas protectoras, pantalones resistentes y largos y calzado resistente.
- Inhalación de polvos tóxicos.

INDICACIONES PARA BATERÍAS DE IONES DE LITIO

Uso de baterías de iones de litio

Las baterías no utilizadas durante cierto tiempo deben ser recargadas antes de usar.

Las temperaturas superiores a 50°C reducen el rendimiento de la batería. Evite una exposición excesiva a fuentes de calor o al sol (riesgo de sobrecalentamiento).

Los puntos de contacto de los cargadores y las baterías se deben mantener limpios.

Para un tiempo óptimo de vida, deberán cargarse las baterías completamente después de su uso.

Para garantizar la máxima capacidad y vida útil, las baterías recargables se deberían retirar del cargador una vez finalizada la carga.

En caso de almacenar la batería recargable más de 30 días:

Almacenar la batería recargable en un lugar seco a una temperatura de aproximadamente 27°C.

Almacenar la batería recargable con un estado de carga del 30% y 50% aproximadamente.

Recargar la batería cada 6 meses.

Protección de sobrecarga de baterías en baterías de iones de litio

En caso de sobrecarga de la batería a causa de un consumo de corriente demasiado elevado, por ejemplo, en momentos de torsión extremadamente altos, de una parada o cortocircuito repentinos; el aparato eléctrico vibra durante 5 segundos, el indicador de carga parpadea y el aparato eléctrico se desconecta automáticamente.

Para conectarlo de nuevo, soltar el botón de encendido y después conectarlo otra vez. Bajo cargas extremas la batería se calienta demasiado. En este caso, todas las luces del indicador de carga parpadean hasta que la batería se enfría. Cuando se apaga el indicador de carga se puede trabajar de nuevo.

Transporte de baterías de iones de litio

Las baterías de iones de litio caen bajo las disposiciones legales relativas al transporte de mercancías peligrosas.

El transporte de estas baterías recargables debe llevarse a cabo, observando las normas y disposiciones locales, nacionales e internacionales.

Los consumidores pueden transportar estas baterías recargables sin el menor reparo en la calle.

El transporte comercial de baterías recargables de iones de litio por empresas de transportes está sometido a las disposiciones del transporte de mercancías peligrosas. Las preparaciones para el envío y el transporte deben ser llevados a cabo exclusivamente por personas instruidas adecuadamente. El proceso completo debe ser supervisado por personal competente.

Los siguientes puntos se deben observar para el transporte de las baterías recargables:

Se debe asegurar que los contactos estén protegidos y aislados para evitar que se produzcan cortocircuitos.

Preste atención a que el conjunto de baterías recargables no se pueda desplazar dentro del envase. Las baterías recargables deterioradas o derramadas no se deben transportar. Rogamos que para cualquier información adicional se dirija a su empresa de transportes.

INDICACIONES PARA EL TRABAJO

Limpie y lubrique el punzón y la matriz con regularidad.

Inspeccione regularmente el desgaste del punzón y la matriz. Sustituya el punzón y la matriz a tiempo para proteger la recortadora. Las herramientas romas pueden sobrecargar la recortadora. Solo herramientas afiladas proporcionan un buen rendimiento de corte y prolongan la vida útil de la herramienta eléctrica.

Para prolongar la vida útil del punzón, debería utilizar un lubricante con buenas propiedades de refrigeración (por ejemplo, aceite de corte).

Aplique una línea de lubricante en la parte superior de la chapa a lo largo de la línea de corte prevista.

Mueva la herramienta eléctrica contra la pieza de trabajo una vez esté encendida.

Mantenga siempre la herramienta eléctrica perpendicular a la superficie de la chapa y no la incline.

Guíe la herramienta eléctrica uniformemente y aplicando una ligera fuerza de empuje en la dirección de corte.

Una fuerza excesiva reduce considerablemente la vida útil de las herramientas de inserción y puede dañar la herramienta eléctrica.

LIMPIEZA

Las ranuras de ventilación de la máquina deben estar despejadas en todo momento.



MANTENIMIENTO

Utilice solamente accesorios y repuestos Milwaukee. En caso de necesitar reemplazar componentes no descritos, contacte con cualquiera de nuestras estaciones de servicio Milwaukee (consultar lista de servicio técnicos)

En caso necesario, puede solicitar un despiece de la herramienta. Por favor indique el número de impreso que hay en la etiqueta y pida el despiece a la siguiente dirección: Techtronic Industries GmbH, Max-Eyth-Straße 10, 71364 Winnenden, Germany.

SÍMBOLOS

	Lea las instrucciones detenidamente antes de conectar la herramienta
	¡ATENCIÓN! ¡ADVERTENCIA! ¡PELIGRO!
	Retire la batería antes de comenzar cualquier trabajo el aparato.
	Para trabajar con la máquina, utilizar siempre gafas de protección.
	Usar guantes protectores
	Los electrodomésticos y las baterías/acumuladores no se deben eliminar junto con la basura doméstica. Los aparatos eléctricos y los acumuladores se deben recoger por separado y se deben entregar a una empresa de reciclaje para una eliminación respetuosa con el medio ambiente. Infórmese en las autoridades locales o en su tienda especializada sobre los centros de reciclaje y puntos de recogida.

n_0	Nº de carreras en vacío
V	Tensión
	Corriente continua
	Marcado de conformidad europeo
	Marcado de conformidad británico
	Marcado de conformidad ucraniano
	Marcado de conformidad euroasiático

CARACTERÍSTICAS TÉCNICAS	M12 FNB16
Tipo	Ferramenta de corte de alicate
Número de produção	4911 90 01 XXXXXX MJJJJ
Tensão do acumulador	12 V =
Nº. de cursos em vazio	n_0 1400 - 2200 min ⁻¹
Potência de corte máx.	
Aço < 400 N/mm ²	1,6 mm
Aço < 600 N/mm ²	1,2 mm
Aço < 800 N/mm ²	0,7 mm
alumínio < 250 N/mm ²	2,1 mm
Largura de corte	5 mm
Raio de curvatura mais pequeno	40,7 mm
Diâmetro de furo inicial	21 mm
Peso nos termos do procedimento-EPTA 01/2014 (Li-Ion 2,0 Ah ... 6,0 Ah)	1,4 ... 1,6 kg
Temperatura ambiente recomendada para a operação	-18 ... +50 °C
Conjuntos de baterias recomendados	M12B...
Carregadores recomendados	C12C; M12C4; M12-18...
Informações sobre ruído: Valores de medida de acordo com EN 62841. O nível de ruído avaliado A do aparelho é tipicamente:	
Nível da pressão de ruído / Incerteza K	88,6 dB (A) / 3 dB (A)
Nível da potência de ruído / Incerteza K	99,6 dB (A) / 3 dB (A)
Use protectores auriculares!	
Informações sobre vibração: Valores totais de vibração (soma dos vectores das três direcções) determinadas conforme EN 62841.	
Valor de emissão de vibração a_n / Incerteza K	6,9 m/s ² / 1,5 m/s ²


ATENÇÃO!

O nível de emissão de ruído e vibração fornecido nesta ficha de informações foi medido de acordo com um teste padronizado que se encontra na norma EN 62841, podendo ser utilizado para fazer comparações entre ferramentas. Pode ser utilizado para fazer uma avaliação preliminar da exposição.

O nível de emissão de ruído e vibração declarado representa as principais aplicações da ferramenta. No entanto, se a ferramenta for utilizada para aplicações diferentes ou com acessórios distintos, ou se a sua manutenção for deficiente, a emissão de ruídos e vibrações poderá diferir. Isso poderá aumentar significativamente o nível de exposição ao longo do período de trabalho total.

A estimativa do nível de exposição à vibração e ruído também deve ter em conta os tempos em que a ferramenta, quer desligada quer em funcionamento, não está realmente a trabalhar. Isso poderá reduzir significativamente o nível de exposição ao longo do período de trabalho total.

Identifique medidas de segurança adicionais para proteger o operador contra os efeitos da vibração e/ou ruído, tais como: fazer a manutenção da ferramenta e dos acessórios, manter as mãos quentes, organizar padrões de trabalho.

 ATENÇÃO! Ler todas as indicações de segurança, instruções, representações e dados fornecidos juntamente com o aparelho. O desrespeito das seguintes instruções pode levar a um choque eléctrico, incêndio e/ou graves lesões.

Guarde bem todas as advertências e instruções para futura referência.

AVISOS DE SEGURANÇA DA FERRAMENTA DE CORTE DE ALICATE

Use o aparelho, os acessórios, as ferramentas, etc. de acordo com estas instruções. Nisso, considere as condições de trabalho e a atividade a executar. A utilização dos aparelhos para fins contrários ao previsto pode causar situações perigosas.

Usar sempre óculos de protecção ao trabalhar com a máquina. Recomenda-se a utilização de luvas de protecção, protectores para os ouvidos e máscara anti-poeiras.

Fixe a peça a trabalhar com um dispositivo de fixação. Peças a trabalhar não fixadas podem levar a feridas graves e danos sérios.

Ao cortar, segurar a ferramenta para que as lâminas são em firme contato com o material para o corte mais rápido. Aplicar uma pressão uniforme. Demasiada pressão tende a encurvar a ferramenta ou causar um corte brusco.

É favor observar que o aparelho acelerará novamente ao n° de rotações de trabalho original, quando a carga for eliminada. Nunca pouse a ferramenta eléctrica antes de a ferramenta de trabalho parar completamente. A ferramenta pode ficar emperrada e levar à perda do controlo sobre o aparelho.

INSTRUÇÕES DE SEGURANÇA E TRABALHO SUPLEMENTARES

Antes de efectuar qualquer intervenção o aparelho retirar o bloco acumulador.

ATENÇÃO! Para evitar o risco de incêndio, de feridas ou de danificação do produto causado por um curto-circuito, não imerja a bateria intercambiável ou o carregador em líquidos e assegure-se de que líquidos não penetrem nos aparelhos ou nas baterias. Líquidos corrosivos ou condutivos como água salgada, determinadas substâncias químicas ou produtos que contenham branqueadores podem causar um curto-circuito.

Use apenas carregadores do Sistema M12 para recarregar os acumuladores do Sistema M12. Não utilize acumuladores de outros sistemas.

Carregadores só devem ser utilizados em recintos secos.

UTILIZAÇÃO AUTORIZADA

A ferramenta eléctrica foi concebida para corte de chapas metálicas a partir de materiais perfurados, sem deformar a folha. É adequada para cortes retos, curvas apertadas e recortes.

Não utilize o produto de qualquer outra forma além das indicadas para a utilização prevista.

RISCOS RESIDUAIS

Mesmo em caso de utilização correta não é possível excluir todos os riscos residuais. Na utilização da máquina podem ser causados os seguintes perigos que o utilizador deve observar:

- Feridas causadas pela vibração. Segure o aparelho nos punhos previstos e limite o tempo de trabalho e exposição.

- Os ruídos podem levar à perda de audição. Use um protetor auricular e limite o período de exposição.
- Feridas dos olhos causadas por partículas de sujeira. Sempre use óculos de proteção, calças compridas sólidas e calçados sólidos.
- Inalação de pós tóxicos.

NOTAS PARA BATERIAS DE IÕES DE LÍTIU

Utilização de iões de lítio

Acumuladores não utilizados durante algum tempo devem ser recarregados antes da sua utilização.

Temperaturas acima de 50°C reduzem a capacidade do bloco acumulador. Evitar exposição prolongada ao sol ou a caloríferos.

Manter limpos os contactos eléctricos no carregador e no bloco acumulador.

Para uma vida útil óptima das baterias, terá que carregá-las plenamente após a sua utilização.

Para assegurar uma vida útil longa, o pacote de bateria deve ser removido da carregadora depois do carregamento.

Se o pacote de bateria for armazenado por mais de 30 dias:

Armazene o pacote de bateria com aprox. 27°C em um lugar seco.

Armazene o pacote de bateria com aprox. 30%-50% da carga completa.

Carregue o pacote de bateria novamente de 6 em 6 meses.

Proteção contra sobrecarga para baterias de iões de lítio

No caso de sobrecarga da bateria devido a um consumo de corrente demasiado elevado, por exemplo um binário de rotação extremamente elevado, uma paragem repentina ou um curto-circuito, a ferramenta eléctrica vibra durante 5 segundos, o indicador de carregamento de bateria começa a piscar e a ferramenta eléctrica desliga-se automaticamente.

Para a ligar novamente, desligar e voltar a ligar o interruptor Sob condições extremas, a bateria aquece demasiado. Nesse caso, todas as luzes do indicador de carregamento de bateria piscam até que esta arrefeça. Após as luzes do indicador de carregamento de bateria se apagarem, pode-se continuar a trabalhar.

Transporte de baterias de ião-lítio

Baterias de ião-lítio estão sujeitas às disposições da legislação relativa às substâncias perigosas.

O transporte destas baterias deve ser efetuado de acordo com as disposições e os regulamentos locais, nacionais e internacionais.

O utilizador pode efetuar o transporte rodoviário destas baterias sem restrições.

O transporte comercial de baterias de ião-lítio por terceiros está sujeito aos regulamentos relativos às substâncias perigosas. A preparação do transporte e o transporte devem ser executados exclusivamente por pessoas instruídas e o processo deve ser acompanhado pelos especialistas correspondentes.

Observe o seguinte no transporte de baterias:

Assegure-se de que os contactos terminais estejam protegidos e isolados para evitar um curto-circuito.

Assegure-se de que o bloco da bateria esteja protegido contra movimentos na embalagem. Não transporte baterias danificadas ou que tenham fuga. Para instruções mais detalhadas consulte a companhia de transportes

DICAS DE TRABALHO

Limpar e lubrificar regularmente o conjunto punção e corte.

Verificar regularmente o conjunto punção e corte quanto ao desgaste. Substituir o conjunto punção e corte atempadamente, para proteger a ferramenta de corte de alicate. As pontas/fios cegos podem sobrecarregar a ferramenta de corte de alicate. Só é possível obter um bom desempenho de corte e, desse modo, prolongar a vida útil da ferramenta eléctrica, com instrumentos afiados.

Para prolongar a vida útil da punção, deve utilizar-se um lubrificante com boas propriedades de refrigeração (p.ex, óleo de corte).

Aplicar uma linha de lubrificante no lado superior da chapa metálica ao longo da linha de corte pretendida.

Deslocar apenas a ferramenta eléctrica na peça de trabalho quando esta estiver ligada.

Segurar sempre a ferramenta eléctrica perpendicular à superfície da folha, sem inclinar.

Guiar a ferramenta eléctrica uniformemente e com uma ligeira força de impulso na direção de corte.

A força excessiva reduz significativamente a vida útil das ferramentas de inserção e pode danificar a ferramenta eléctrica.

LIMPEZA

Manter desobstruídos os rasgos de ventilação na carcaça da máquina.

MANUTENÇÃO

Utilizar apenas acessórios Milwaukee e peças sobresselentes Milwaukee. Os componentes cuja substituição não esteja descrita devem ser substituídos num serviço de assistência técnica Milwaukee (consultar a brochura relativa à garantia/moradas dos serviços de assistência técnica).

A pedido e mediante indicação da referência que consta da chapa de características da máquina, pode requerer-se um desenho explosivo da ferramenta eléctrica a: Techtronic Industries GmbH, Max-Eyth-Straße 10, 71364 Winnenden, Germany.

SYMBOLE

	Leia atentamente o manual de instruções antes de colocar a máquina em funcionamento.
	ATENÇÃO! PERIGO!
	Antes de efectuar qualquer intervenção o aparelho retirar o bloco acumulador.
	Usar sempre óculos de protecção ao trabalhar com a máquina.
	Use luvas de protecção!
	Aparelhos eléctricos, baterias/acumuladores não devem ser jogados no lixo doméstico. Os aparelhos eléctricos e as baterias devem ser colectados separadamente e entregues a uma empresa de reciclagem para a eliminação correcta. Solicite informações sobre empresas de reciclagem e postos de colecta de lixo das autoridades locais ou do seu vendedor autorizado.
	Nº. de cursos em vazio
	Tensão
	Corrente contínua
	Marca de Conformidade Europeia
	Marca de Conformidade Britânica
	Marca de Conformidade Ucraniana
	Marca de Conformidade Eurasiática

TECHNISCHE GEGEVENS

M12 FNB16	
Type	Knabfelschaar
Productienummer	4911 90 01 XXXXX MJJJJ
Spanning wisselakku	12 V =
Onbelast toerental	n _n 1400 - 2200 min ⁻¹
Knipvermogen max.	
Staal < 400 N/mm ²	1,6 mm
Staal < 600 N/mm ²	1,2 mm
Staal < 800 N/mm ²	0,7 mm
Aluminium < 250 N/mm ²	2,1 mm
Freesbreedte	5 mm
Kleinste radius	40,7 mm
Diameter startgat	21 mm
Gewicht volgens de EPTA-procedure 01/2014 (Li-Ion 2,0 Ah ... 6,0 Ah)	1,4 ... 1,6 kg
Aanbevolen omgevingstemperatuur voor het bedrijf	-18 ... +50 °C
Aanbevolen accupacks	M12B...
Aanbevolen laadtoestellen	C12C; M12C4; M12-18...

Geluids-informatie: Meetwaarden vastgesteld volgens EN 62841. Het kenmerkende A-gewogen geluidsniveau van de machine bedraagt:

Geluidsdruk-niveau / Onzekerheid K 88,6 dB (A) / 3 dB (A)

Geluidsvermogen-niveau / Onzekerheid K 99,6 dB (A) / 3 dB (A)

Draag oorbeschermers!

Trillingsinformatie: Totale trillingswaarden (vectorsom van drie richtingebepaald volgens EN 62841.

Trillingsemisiewaarde a_n / Onzekerheid K 6,9 m/s² / 1,5 m/s²

WAARSCHUWING!

De in dit informatieblad vermelde trillings- en geluidsniveaus zijn gemeten in overeenstemming met een standaard testmethode conform EN 62841 en kunnen worden gebruikt om gereedschap met elkaar te vergelijken. Deze kunnen ook worden gebruikt voor het vooraf evalueren van de blootstelling.

De vermelde trillings- en geluidsniveaus gelden voor de meest gebruikelijke toepassingen van het gereedschap. Wanneer het gereedschap echter voor andere doeleinden of met andere hulpstukken gebruikt wordt of niet naar behoren onderhouden wordt, kan de mate van blootstelling over de hele werkperiode aanzienlijk hoger uitvallen.

Voor een nauwkeurige inschatting van de blootstelling aan trillingen en geluid moet ook de tijd in aanmerking worden genomen die het apparaat uitgeschakeld is of weliswaar loopt, maar niet werkelijk in gebruik is. Dit kan de waarde van de mate aan blootstelling over de hele werkperiode aanzienlijk verminderen.

Bepaal extra veiligheidsmaatregelen ter bescherming van de gebruiker tegen de gevolgen van trillingen en/of geluid, bijvoorbeeld: onderhoud van het gereedschap en hulpstukken, warmhouden van de handen, organisatie van de werkprocessen.

WAARSCHUWING! Lees en bekijk alle veiligheidsaanwijzingen, aanwijzingen, afbeeldingen en gegevens die u bij het apparaat ontvangt. Als u de volgende aanwijzingen niet in acht neemt, kunnen een elektrische schok, brand en/of ernstig letsel het gevolg zijn.

Bewaar alle waarschuwingen en voorschriften voor toekomstig gebruik.

KNABBELSCHAAR VEILIGHEIDSWAARSCHUWINGEN

Gebruik het apparaat, het toebehoren, de gereedschappen enz. overeenkomstig de ze instructies. Houd daarbij rekening met de werkomstandigheden en de uit te voeren werkzaamheden. Het gebruik van gereedschappen voor andere dan de voorgeschreven toepassingen kan tot gevaarlijke situaties leiden.

Bij het werken met de machine altijd een veiligheidsbril dragen. Werkhandschoenen en stofkapje voor de mond worden aanbevolen.

Borg uw werkstuk met behulp van een spaninrichting Niet geborgde werkstukken kunnen ernstig letsel en grote schade veroorzaken.

Bij het snijden, houd de machine zodat de messen zijn stevig contact met het materiaal voor de snelste snijden. Solliciteer zelfs druk. Te veel druk zal de neiging om het gereedschap vastlopen of veroorzaken een ruwe montage.

Let op dat het apparaat weer zelfstandig naar het oorspronkelijke arbeidstoerental stuur zodra de belasting wegvalt. Leg het elektrische gereedschap nooit neer, vóór het inzetstuk volledig tot stilstand is gekomen. Het gereedschap kan blijven haken waardoor u de controle over het apparaat kunt verliezen.

VERDERE VEILIGHEIDS- EN WERKINSTRUCTIES

Voor alle werkzaamheden aan de apparat de akku verwijderen.

WAARSCHUWING! Voorkom brand, persoonlijk letsel of materiële schade door kortsluiting en dompel het gereedschap, de wisselakku en het laadtoestel niet onder in vloeistoffen en waarborg dat geen vloeistoffen in de apparaten en accu's kunnen dringen. Corrosieve of geleidende vloeistoffen zoals zout water, bepaalde chemicaliën, bleekmiddelen of producten die bleekmiddelen bevatten, kunnen een kortsluiting veroorzaken.

Wisselakku's van het Akku-Systeem M12 alléén met laadapparaten van het Akku-Systeem M12 laden. Geen akku's van andere systemen laden.

Wisselakku's en laadapparaten niet openen en alleen in droge ruimtes opslaan. Tegen vocht beschermen.

VOORGESCHREVEN GEBRUIK VAN HET SYSTEEM

Dit elektrisch gereedschap is ontworpen om plaatstaal te snijden uit ponsbare materialen zonder de plaat te vervormen. Het is geschikt voor rechte en gebogen sneden, en voor uitsnijdingen.

Gebruik het product op geen andere wijze dan is aangegeven voor het beoogde gebruik.

RESTERENDE GEVAREN

Ook als de machine volgens de voorschriften gebruikt wordt, kunnen niet alle risico's worden uitgesloten. Let bij het gebruik op de volgende gevaren:

- Door vibraties veroorzaakt letsel. Houd de machine vast aan de daarvoor bedoelde grepen en beperk de tijd die u met de machine

- werkt en waarin u aan de vibraties wordt blootgesteld.
- Lawaai kan leiden tot gehoorschade. Draag een gehoorbescherming en beperk de tijd waarin u aan het lawaai wordt blootgesteld.
- Door vuildeeltjes veroorzaakt oogletsel. Draag altijd een veiligheidsbril, nauwsluitende, lange broeken, handschoenen en vast schoeisel.
- Inademen van toxische stoffen.

OPMERKINGEN OVER LI-ION-ACCU'S

Gebruik van li-ion-accu's

Langere tijd niet toegepaste wisselakku's vóór gebruik altijd naladen.

Een temperatuur boven de 50°C vermindert de capaciteit van de accu. Langdurige verwarming door zon of hitte vermijden.

De aansluitcontacten aan het laadapparaat en de akku schoonhouden.

Voor een optimale levensduur moeten de accu's na het gebruik volledig opgeladen worden.

Voor een zo lang mogelijke levensduur van de accu's dienen deze na het opladen uit het laadtoestel te worden verwijderd.

Bij een langere opslag van de accu dan 30 dagen:

accu bij ca. 27 °C droog bewaren.

accu bij ca. 30 % - 50 % van de laadtoestand bewaren.

accu om de 6 maanden opnieuw opladen.

Overbelastingsbeveiliging voor li-ion-accu's

Bij overbelasting van de accu door zeer hoog stroomverbruik, bijv. extreem hoge draaimomenten, plotseling stoppen of kortsluiting, vibreert het elektrische gereedschap gedurende 5 seconden, de laadweergave knippert en het elektrische gereedschap schakelt automatisch uit.

Om het gereedschap weer in te schakelen, moet u de drukschakelaar loslaten en vervolgens weer inschakelen. Onder extreme belastingen wordt de accu te heet. In dit geval knipperen alle lampen van de laadweergave totdat de accu afgekoeld is. Na het doven van de laadweergave kunt u weer verder werken.

Transport van lithium-ionen-accu's

Lithium-ionen-accu's vallen onder de wettelijke bepalingen inzake het transport van gevaarlijke goederen.

Voor het transport van deze accu's moeten de lokale, nationale en internationale voorschriften en bepalingen in acht worden genomen.

Verbruikers mogen deze accu's zonder meer over de weg transporteren.

Het commerciële transport van lithium-ionen-accu's door expeditiebedrijven is onderhevig aan de bepalingen inzake het transport van gevaarlijke goederen. De verzendingsvoorbereidingen en het transport mogen uitsluitend worden uitgevoerd door dienovereenkomstig opgeleide personen. Het complete proces moet vakkundig worden begeleid.

Onderstaande punten moeten bij het transport van accu's in acht worden genomen:

Waarborg ter vermijding van kortsluitingen dat de contacten beschermd en geïsoleerd zijn.

Let op dat het accupak in de verpakking niet kan verschuiven. Beschadigde of lekkende accu's mogen niet worden getransporteerd. Neem voor meer informatie contact op met uw expeditiebedrijf.

ARBEIDSINSTRUCTIES

De matrijs en stempel regelmatig reinigen en smeren.

De matrijs en stempel regelmatig controleren op slijtage. De matrijs en stempel tijdig vervangen om de knabberschaar te beschermen. Bot gereedschap kan de knabberschaar overbelasten. Alleen scherp gereedschap heeft een goed snijvermogen en zorgt ervoor dat het elektrisch gereedschap langer meegaat.

Om de levensduur van de matrijs te verlengen, moet een smeermiddel met goede koeleigenschappen (bijv. snijolie) worden gebruikt.

Een lijn smeermiddel aanbrengen op de bovenste zijde van de plaatstaal langs de voorgenomen snijlijn.

Het elektrisch gereedschap alleen tegen het werkstuk bewegen wanneer het aanstaat.

Het elektrisch gereedschap altijd loodrecht op het plaatoppervlak houden en niet schuin houden.

Het elektrisch gereedschap gelijkmatig begeleiden en met een lichte duwkracht in de snijrichting.

Overmatige kracht vermindert de levensduur van de inzetstukken aanzienlijk en kan schade toebrengen aan het elektrisch gereedschap.

ONDERHOUD

Altijd de luchtspleten van de machine schoonhouden.

ONDERHOUD

Gebruik uitsluitend Milwaukee toebehoren en onderdelen. Indien componenten die moeten worden vervangen niet zijn beschreven, neem dan contact op met een officieel Milwaukee servicecentrum (zie onze lijst met servicecentra).

Onder vermelding van het nummer op het machineplaatje is desgewenst een doorsnedetekening van de machine verkrijgbaar bij: Techtronic Industries GmbH, Max-Eyth-Straße 10, 71364 Winnenden, Germany.

SYMBOLEN

	Graag instructies zorgvuldig doorlezen vóórdat u de machine in gebruik neemt.
	OPGELET! WAARSCHUWING! GEVAAR!
	Voor alle werkzaamheden aan de apparat de akku verwijderen.
	Bij het werken met de machine altijd een veiligheidsbril dragen.
	Draag veiligheidshandschoenen!
	Elektrische apparaten, batterijen en accu's mogen niet via het huisafval worden afgevoerd. Elektrische apparaten en accu's moeten gescheiden worden verzameld en voor een milieuvriendelijke afvoer worden afgegeven bij een recyclingbedrijf. Informeer bij uw gemeente of bij uw vakhandelaar naar recyclingbedrijven en inzamelpunten.
n_0	Onbelast toerental
V	Spanning
	Gelijkstroom
	Europees symbool van overeenstemming
	Brits symbool van overeenstemming
	Oekraïens symbool van overeenstemming
	Euro-Aziatisch symbool van overeenstemming

TEKNISCHE DATA

	M12 FNB16
Type	Pladestanser
Produktionsnummer	4911 90 01 XXXXXX MJJJJ
Udskiftningsbatteriets spænding	12 V =
Slagantal, ubelastet	n_n 1400 - 2200 min ⁻¹
Klippekapaçitet maks.	
Stål < 400 N/mm ²	1,6 mm
Stål < 600 N/mm ²	1,2 mm
Stål < 800 N/mm ²	0,7 mm
Aluminium < 250 N/mm ²	2,1 mm
Skærebredde	5 mm
Mindste kurveradius	40,7 mm
Start hul diameter	21 mm
Vægt svarer til EPTA-procedure 01/2014 (Li-Ion 2,0 Ah ... 6,0 Ah)	1,4 ... 1,6 kg
Anbefalet omgivelsestemperatur til driften	-18 ... +50 °C
Anbefalede batteripakker	M12B...
Anbefalede opladere	C12C; M12C4; M12-18...
Støjinformation: Måleværdier beregnes iht. EN 62841. Værktøjets A-vurderede støjniveau er typisk:	
Lydrykniveau / Usikkerhed K	88,6 dB (A) / 3 dB (A)
Lydeffekt niveau / Usikkerhed K	99,6 dB (A) / 3 dB (A)
Brug høreværn!	
Vibrationsinformation: Samlede vibrationsværdier (værdi for tre retninger) beregnet iht. EN 62841.	
Vibrationseksponering a_n / Usikkerhed K	6,9 m/s ² / 1,5 m/s ²

⚠ ADVARSEL!

Det vibrations- og støjemissionsniveau, der nævnes i dette oplysningskema, er blevet målt i overensstemmelse med en standardiseret test fra EN 62841, og det kan bruges til at sammenligne ét værktøj med et andet. Det kan bruges til en foreløbig bedømmelse af eksponeringen.

Det erklærede vibrations- og støjemissionsniveau repræsenterer værktøjets primære anvendelsesformål. Det er dog sådan, at hvis værktøjet bruges til andre formål, med forskelligt tilbehør eller dårlig vedligehold, så kan vibrations- og støjemissionen variere. Det kan evt. øge eksponeringsniveauet markant i løbet af det samlede arbejdstidsrum.

En vurdering af eksponeringsniveauet ift. vibration og støj bør også tage hensyn til de tidspunkter, hvor værktøjet er slukket eller hvor det kører, men rent faktisk ikke udfører jobbet. Det kan evt. mindske eksponeringsniveauet markant i løbet af det samlede arbejdstidsrum.

Identificer yderligere sikkerhedsforanstaltninger med henblik på at beskytte brugeren mod effekten af vibration og/eller støj, som fx: vedligehold værktøjet og tilbehøret, hold hænderne varme, organisering af arbejds mønstre.

⚠ ADVARSEL! Læs alle sikkerhedsanvisninger, anvisninger, instruktioner og data, der følger med enheden. Overholder du ikke følgende instruktioner, kan du få elektrisk stød, der kan opstå brand og/eller du kan blive kvæstet alvorligt.

Opbevar alle advarselshenvisninger og instrukser til senere brug.

SIKKERHEDSADVARSLER FOR PLADESTANSER

Brug værktøjet, tilbehør, indsatsværktøj osv. iht. disse instruktioner. Tag herved hensyn til arbejdsforholdene og det arbejde, der skal udføres. Brug af maskiner til andre formål end det fastlagte anvendelsesområde, kan føre til farlige situationer.

Når der arbejdes med maskinen, skal man have beskyttelsesbriller på. Beskyttelseshandsker, skridsikre sko, høreværn og forklæde anbefales.

Sørg for at sikre dit emne med en spændeanordning. Ikke sikrede emner kan forårsage alvorlige kvæstelser og beskadigelser.

Ved skæring, holder værktøjet så knivene er i fast kontakt med materialet for den hurtigste skæring. Påfør jævnt tryk. For meget pres vil være tilbøjelige til at blokere den værktøj eller forårsage en groft skåret.

Bemærk, at maskinen kører op på den oprindelige arbejdsthastighed igen af sig selv, når belastningen er væk. Læg aldrig elektroværktøjet fra dig, før indsatsværktøjet er standset helt. Indsatsværktøjet kan sætte sig fast og føre til, at man mister kontrollen over værktøjet.

YDERLIGERE SIKKERHEDS- OG ARBEJDSINFORMATIONER

Ved arbejde inden i maskinen, bør batteriet tages ud. ADVARSEL! For at undgå risiko for brand, kvæstelser eller beskadigelse af produktet forårsaget af kortslutning må værktøjet, batteripakken eller opladeren ikke nedsænkes i vand. Sørg ligeledes for, at der ikke trænger væske ind i enhederne og batterierne. Korroderende eller ledende væsker, f.eks. saltvand, bestemte kemikalier, blegestoffer eller produkter, som indeholder blegestoffer, kan forårsage kortslutning. Brug kun M12 ladeapparater for opladning af System M12 batterier. Udskiftningsbatterier og opladere må ikke åbnes og skal opbevares i tørre rum. Beskyt dem mod fugtighed.

TILTÆNKTE FORMÅL

El-værktøjet er designet til skæring af metalplader af stansbare materialer uden at deformere pladen. Den er velegnet til lige snit, snævre kurver og udskæringer.

Brug ikke produktet til andre formål, end de her beskrevne.

RESTRICSI

Selv ved korrekt brug kan alle restrisici ikke udelukkes. Brugen kan medføre følgende farer, som operatøren bør være særlig opmærksom på:

- Kvæstelser, som forårsages af vibration. Hold maskinen fast i de dertil beregnede greb og begræns arbejds- og ekspositionstiden.
- Støjbelastning kan medføre høreskader. Brug høreværn og begræns ekspositionstiden.
- Øjenskader på grund af snavspartikler. Brug altid beskyttelsesbriller, faste lange bukser, handsker og fast fodtøj.
- Indånding af giftigt støv.

BEMÆRKNINGER VEDRØRENDE LI-ION-BATTERIER

Brug af Li-ion-batterier

Udskiftningsbatterier, der ikke har været brugt i længere tid, efterlades inden brug.

Ved temperaturer over 50°C formindskes batteriets effekt. Undgå direkte sollys og stærk varme.

Tilslutningskontaktene på oplader og udkiftningsbatterier skal holdes rene.

For at opnå en optimal levetid skal de genopladelige batterier oplades fuldt efter brug.

For at sikre en så lang levetid som muligt skal batterierne tages ud af ladeaggregatet efter opladning.

Skal batterierne opbevares længere end 30 dage:

Temperatur ca. 27°C i tørre omgivelser.

Opbevares ved ca. 30%-50% af ladetilstanden.

Batteri skal genoplades hver 6. måned.

Overbelastningsbeskyttelse vedrørende Li-Ion-batterier

Overbelastes batteriet på grund af meget højt strømforbrug, f.eks. som følge af ekstremt høje drejningsmomenter, pludseligt stop eller kortslutning, vibrerer el-værktøjet i 5 sekunder, ladeindikatoren blinker, og el-værktøjet slukker af sig selv.

For at tænde igen slippes trykknappen, hvorefter du tænder el-værktøjet igen. Ved ekstreme belastninger bliver batteriet for varmt. I så fald blinker alle lamper på ladeindikatoren, indtil batteriet er kølet af. Når ladeindikatoren går ud, kan arbejdet genoptages.

Transport af lithium-batterier

Lithium-batterier er omfattet af lovgivningen om transport af farligt gods.

Transporten af disse batterier skal ske under overholdelse af lokale, nationale og internationale regler og bestemmelser.

Forbrugere må transportere disse batterier på veje uden yderligere krav.

Den kommercielle transport af lithium-batterier ved speditiionsfirmaer er omfattet af reglerne for transport af farligt gods. Forberedelsen af forsendelse og transport må kun udføres af tilsvarende trænedede personer. Den samlede proces skal følges af fagfolk.

Følgende punkter skal overholdes ved transport af batterier:

Sørg for at kontaktene er beskyttet og isoleret for at forhindre kortslutninger.

Sørg for at batteripakken ikke kan bevæge sig inden for emballagen. Beskadigede eller lækende batterier må ikke transporteres. Kontakt dit speditiionsfirma for at få yderligere oplysninger.

ARBEJDSANVISNINGER

Rengør og smør dornen og matricen regelmæssigt.

Undersøg regelmæssigt dornen og matricen for slid. Udskift dornen og matricen i god tid for at beskytte pladestanseren. Stumpe værktøjer kan overbelaste pladestanseren. Kun skarpe værktøjer giver god skæreydelse og får el-værktøjet til at holde længere.

For at forlænge dornens levetid, skal der bruges et smøremiddel med gode køleegenskaber (f.eks. skæreolie).

Påfør en linje med smøremiddel på oversiden af metalpladen langs den påtænkte snitlinje.

Flyt kun el-værktøjet mod emnet, når det er tændt.

Hold altid el-værktøjet vinkelret på pladen, og vip det ikke.

Før el-værktøjet jævnt og med en let skubbe-styrke i skæreretningen.

Overdreven kraft reducerer indsatsværktøjernes levetid betydeligt og kan beskadige el-værktøjet.

RENGØRING

Hold altid maskinens ventilationsåbninger rene.

VEDLIGEHOLDELSE

Brug kun Milwaukee-tilbehør og Milwaukee-reservedele. Komponenter, hvor udskiftningsproceduren ikke er beskrevet, skal skiftes ud hos et Milwaukee-servicested (se brochure garanti/kundeserviceadresser).

Ved opgivelse af type nr. der er angivet på maskinens effektskilt, kan de rekvirere en reservedelstegning, ved henvendelse til: Techtronic Industries GmbH, Max-Eyth-Straße 10, 71364 Winnenden, Germany.

SYMBOLER

	Læs brugsanvisningen nøje før ibrugtagning.
	VIGTIGT! ADVARSEL! FARE!
	Ved arbejde inden i maskinen, bør batteriet tages ud.
	Når der arbejdes med maskinen, skal man have beskyttelsesbriller på.
	Brug beskyttelseshandsker!
	Elektrisk udstyr eller (genopladelige) batterier må ikke bortskaffes sammen med det almindelige husholdningsaffald. Elektrisk udstyr og genopladelige batterier skal indsamles særskilt og afleveres hos en genbrugsvirksomhed til en miljømæssig forsvarlig bortskaffelse. Spørg de lokale myndigheder eller din forhandler om genbrugsstationer og indsamlingssteder til sådant affald.
	Slagantal, ubelastet
	Spænding
	Jævnstrøm
	Europæisk konformitetsmærke
	Britisk konformitetsmærke
	Ukrainsk konformitetsmærke
	Eurasisk konformitetsmærke

TEKNISKE DATA

	M12 FNB16
Type	Nibbler
Produktionsnummer	4911 90 01 XXXXXX MJJJJ
Spænding vekselbatteri	12 V =
Tomgangsslagtal	n _n 1400 - 2200 min ⁻¹
Skjærekapasitet maks	
Stål < 400 N/mm ²	1,6 mm
Stål < 600 N/mm ²	1,2 mm
Stål < 800 N/mm ²	0,7 mm
Aluminium < 250 N/mm ²	2,1 mm
Skjærebredde	5 mm
Minste kurveradius	40,7 mm
Diameter på starthullet	21 mm
Vekt i henhold til EPTA-Proseduren 01/2014 (Li-Ion 2,0 Ah ... 6,0 Ah)	1,4 ... 1,6 kg
Anbefalt omgivelsestemperatur for drift	-18 ... +50 °C
Anbefalte batteripakker	M12B...
Anbefalte ladere	C12C; M12C4; M12-18...
Støynormer: Måleverdier fastslået i samsvar med EN 62841. Det typiske A-bedømte støyniveauet for maskinen er:	
Lydtryknivå / Usikkerhed K	88,6 dB (A) / 3 dB (A)
Lydeffektnivå / Usikkerhed K	99,6 dB (A) / 3 dB (A)
Bruk hørselsvern!	
Vibrasjonsinformasjoner: Totale svingningsverdier (vektorsum fra tre retninger) beregnet jf. EN 62841.	
Svingningsemisjonsverdi a _h / Usikkerhed K	6,9 m/s ² / 1,5 m/s ²

ADVARSEL!

De angitte vibrasjonseksponering- og støynivåverdiene har blitt målt i samsvar med standardiserte målemetoder jmfør EN 62841 og kan brukes til å sammenligne et verktøy med et annet. De kan brukes til en foreløpig eksponeringsvurdering.

De angitte vibrasjonseksponering- og støyemisjonsverdiene gjelder for vanlig bruk av verktøyet. Dersom verktøyet blir brukt til noe annet, sammen med annet utstyr eller er dårlig vedlikeholdt kan de angitte vibrasjonseksponering- og støyeverdiene variere. Dette kan øke eksponerings- og emisjonsverdiene betraktelig for hele perioden du bruker verktøyet.

Når en vurderer vibrasjonseksponeringsnivået og støyeverdi må en inkludere den perioden som verktøyet er slått av eller når verktøyet går, men ikke direkte brukes til noe. Dette kan redusere eksponeringsnivået betraktelig over hele perioden som verktøyet er i bruk.

Det er viktig å etablere ytterligere sikkerhetstiltak for å beskytte brukeren mot påvirkning av vibrasjon og/eller støy, slik som: vedlikehold av verktøyet og tilleggsutstyr, hold hendene varme, organiserte arbeidsrutiner.

ADVARSEL! Les alle sikkerhetsanvisninger, instruksjoner, bildeforklaringer og data som fulgte med maskinen. Hvis du ikke følger følgende anvisninger, kan det oppstå elektriske støt, ild og/eller store skader.

Ta godt vare på alle advarslene og informasjonene.

SIKKERHETSADVARSLER FOR NIBBLER

Brug apparat, tilbehør, i settings verktøy osv. respektive denne anvisningen. Ta derved hensyn til arbeidsbetingelsene og den utførende virksomhet. Brug av apparatet på annen måte enn den det er konsipert for kan føre til farlige situasjoner.

Brug alltid vernebrille når du arbeider med maskinen. Det anbefales å bruke arbeidshandsker, faste og sklisikre sko og forkle.

Klem fast arbeidsemnet med en spenninnretning. Ikke sikre arbeidsmemner kan ha alvorlige helseskader og skader av material til følge.

Når du kutter, hold verktøyet slik at knivene er i fast kontakt med materialet for den raskeste skjæring. Påfør et jevnt trykk. For mye press vil tendere til å jamme verktøyet eller forårsake en grov kutt.

Vær oppmerksom på at maskinen selvstendig kjører opp til opprinnelig arbeidsomdreiningstall når belastningen opphører. Legg aldri fra deg elektroverktøyet før verktøyet har stanset helt. Verktøyet som er satt i kan hekte seg opp og det kan føre til tap av kontrollen over apparatet.

YTTERLIGE SIKKERHETS- OG ARBEIDSTRUKSJONER

Ta ut vekselbatteriet før du arbeider på maskinen

ADVARSEL! For å unngå fare for en brann forårsaket av en kortslutning, av personskader eller skader av produktet, må det

forhindres at batteripakken eller laderen dryppes i væsker og også sørges for at ingen væsker kan komme inn i apparatene eller batteriene. Korroderende og ledende væsker som saltvann, visse kjemikalier og blekemidler eller produkt som inneholder blekemidler kan forårsake en kortslutning.

Vekselbatterier av systemet M12 skal kun lades med lader av systemet M12. Ikke lad opp batterier fra andre systemer.

Ikke åpne vekselbatterier og ladere, de skal oppbevares i tørre rom. Beskyttes mot fuktighet.

FORMÅLSMESSIG BRUK

Elektroverktøyet er konstruert for å kutte metallplater av hullbare materialer uten å deformere platen. Den er egnet for rette kutt, tette kurver og utskjæringer.

Ikke bruk produktet på annen måte enn det som er angitt for beregnet bruk.

RETFARER

Også ved sakyndig bruk kan ikke alle restrisikoer utelukkes. Ved bruk kan følgende farer oppstå og som bruker spesielt skulle ta hensyn til:

- Skader forårsaket av vibrasjon. Hold alltid apparatet i håntakene som er konstruert for dette og begrenns arbeids- og eksponeringstiden.
- Støy kan føre til hørselsskader. Bruk hørselsvern og begrenns eksponeringens varighet.
- Øyeskader forårsaket av smusspartikler. Bruk alltid vernebriller, solide langbukser, hansker og stødige sko.
- Innånding av giftig støy

INFORMASJON SOM GJELDER LI-ION BATTERIPAKKER

Bruk av Li-Ion batteripakker

Vekselbatterier som ikke er brukt over lengre tid skal etterlades før bruk.

En temperatur over 50°C reduserer vekselbatteriets kapasitet. Unngå oppvarming i sol eller ved varmeovner (fyring) i lengre tid.

Hold tilkoplingskontaktene på lader og vekselbatteri rene.

For optimal holdbarhet må batteriene lades opp helt etter bruk.

For å sikre en lengst mulig brukstid av batteriene skal disse etter oppladning taes ut av laderen.

Ved lagring av batteriene lengre enn 30 dager:

Lagre batteriet tørt ved ca. 27°C.

Lagre batteriet ved en oppladningstilstand på ca. 30%-50%.

Lade opp batteriet igjen etter 6 måneder.

Overlastvern i Li-Ion batteripakker

Ved overbelastning av det oppladbare batteriet p.g.a. svært høyt strømforbruk; f.eks. ekstrem høye dreiemoment, plutselig stopp eller kortslutning, vibrert elektroverktøyet 5 sekunder, displayet for opplading blinker og elektroverktøyet utkobler seg automatisk.

For gjeninnkobling, slipp løs bryteren og slå så på igjen. Ved ekstreme belastninger opphører det oppladbare batteriet seg for sterkt. I slike tilfeller blinker alle lampene på displayet til batteriet er avkjølt. Når lampene har sluttet å blinke, kan man fortsette å arbeide.

Transport av Litium-Ion-Batteri

Litium-ion-batterier faller under de lovfestede forskriftene om transport av farlig gods.

Transporten av disse batteriene må rette seg etter lokale, nasjonale og internasjonale forskrifter og bestemmelser.

Forbruker har lov å transportere disse batteriene på gaten uten reglementering.

Den kommersielle transport av Litium-ion-batterier av spedisjonsfirma faller under bestemmelsene om transport av farlig gods. Forberedningene av forsendelsen og transport skal utelukkende gjennomføres av personer som har blitt skolert til dette. Hele prosessen skal følges opp av fagfolk.

Følgende punkter skal tas hensyn til ved transport:

Kontroller at kontaktene er beskyttet og isolert for å unngå kortslutninger.

Pass på at batteripakken i forpakningen ikke kan skli fram og tilbake. Skadete eller batterier som lekker er det ikke lov å transportere. Ta kontakt med spedisjonsfirma for ytterlige henvisninger.

ARBEIDSTRUKSJONER

Rengjør og smør stansen og dysen regelmessig.

Inspiser stansen og dysen regelmessig for slitasje. Bytt ut stansen og dysen i god tid for å beskytte nibbleren. Sløve verktøy kan overbelaste nibbleren. Bare skarpe verktøy gir god kutteytelse og gjør at elektroverktøyet holder lenger.

For å forlenge stansens levetid bør det brukes et smøremiddel med gode kjøleegenskaper (f.eks. skjæreoelje).

Påfør en linje med smøremiddel på oversiden av metallplaten langs den tiltenkte snittlinjen.

Flytt elektroverktøyet bare mot arbeidsstykket når det er slått på.

Hold alltid elektroverktøyet vinkelrett på plateoverflaten og ikke vipp det.

Før elektroverktøyet jevnt og med en liten skyvekraft i skjæretningen.

Overdreven kraft reduserer innsatsverktøyenes levetid betydelig og kan skade elektroverktøyet.

RENGJØRING

Hold alltid lufteåpningene på maskinen rene.

VEDLIKEHOLD

Bruk kun Milwaukee tilbehør og Milwaukee reservedeler. Komponenter der utskifting ikke er beskrevet skal skiftes ut hos Milwaukee kundeservice (se brosjyre garanti/kundeserviceadresser).

Ved behov kan du be om en eksplosjonstegning av apparatet hos din kundeservice eller direkte hos Techtronic Industries GmbH, Max-Eyth-Straße 10, 71364 Winnenden, Germany. Oppgi maskintype og det nummeret på typeskillet.

SYMBOLER

	Les nøye gjennom bruksanvisningen før maskinen tas i bruk.
	OBS! ADVARSEL! FARE!
	Ta ut vekselbatteriet før du arbeider på maskinen
	Bruk alltid vernebrille når du arbeider med maskinen.
	Bruk vernehansker !
	Elektriske apparater, batterier/oppladbare batterier skal ikke kastes sammen med vanlig husholdningsavfall. Elektriske og elektroniske apparater og oppladbare batterier skal samles separat og leveres til miljøvennlig deponering hos en avfallsbedrift. Informer deg hos myndighetene på stedet eller hos din fagforhandler hvor det finnes recycling bedrifter og oppsamlingssteder.
	Tomgangsslagtal
	Spenning
	Likestrøm
	Europeisk samsvarsmerke
	Britisk samsvarsmerke
	Ukrainisk samsvarsmerke
	Euroasiatisk samsvarsmerke

TEKNISKA DATA

	M12 FNB16
Typ	Nibblingsmaskin
Produktionsnummer	4911 90 01 XXXXXX MJJJJ
Batterispänning	12 V ==
Tomgangsslagtal	n _n 1400 - 2200 min ⁻¹
Skåreffekt max.	
Stål < 400 N/mm ²	1,6 mm
Stål < 600 N/mm ²	1,2 mm
Stål < 800 N/mm ²	0,7 mm
Aluminium < 250 N/mm ²	2,1 mm
Skårbredd	5 mm
Minsta kurvradie	40,7 mm
Starthålsdiameter	21 mm
Vikt enligt EPTA 01/2014 (Li-Ion 2,0 Ah ... 6,0 Ah)	1,4 ... 1,6 kg
Rekommenderad omgivningstemperatur for driften	-18 ... +50 °C
Rekommenderade batterier (Akkupacks)	M12B...
Rekommenderade laddare	C12C; M12C4; M12-18...

Bullerinformasjon: Måtværdene har tagits fram baserande på EN 62841.

A-værdi av maskinens ljudnivå utgår:

Ljudtrycksnivå / Onoggrannhet K 88,6 dB (A) / 3 dB (A)

Ljudeffektsnivå / Onoggrannhet K 99,6 dB (A) / 3 dB (A)

Använd hörselskydd!

Vibrationsinformasjon: Totala vibrationsvärdet (vektorsumma ur tre riktningar) framtaget enligt EN 62841.

Vibrationsemissionsvärde a_n / Onoggrannhet K 6,9 m/s² / 1,5 m/s²

⚠ VARNING!

De deklarerade vibrations- och bullernivåerna på detta informationsblad har uppmätts i enlighet med en standardiserad testmetod enligt EN 62841 och kan användas för att jämföra ett verktyg med ett annat. Det kan användas för en preliminär bedömning av exponeringen.

Den angivna vibrations- och bullernivå representerar verktygets huvudsakliga tillämpningar. Om verktyget emellertid används för olika tillämpningar, med olika eller dåligt underhållna tillbehör, kan vibrations- och bullerutsläppet variera. Detta kan öka exponeringsnivån avsevärt över den totala arbetsperioden.

En uppskattning av exponeringsnivån för vibrationer och buller bör även ta hänsyn till de tider då verktyget är avstängt eller när det körs utan att faktiskt arbeta. Detta kan avsevärt minska exponeringsnivån över den totala arbetsperioden.

Identifera ytterligere sikkerhetsåtgärder for å skydda operatøren mot effektene av vibrationer og/eller buller såsom: underhåll av verktyget og tilbehørene, hålla händerna varma, organisation av arbetsmönster.

⚠ VARNING! Läs alla säkerhetsanvisningar, instruktioner, beskrivningar och uppgifter som du får tillsammans med apparaten. Om nedanstående anvisningar ignoreras finns risk för att elstöt, brand och/eller allvarliga personskador uppstår.

Förvara alla varningar och anvisningar för framtida bruk.

SÄKERHETSVARNINGAR FÖR NIBBLINGSMASKIN

Använd maskin, tillbehör isättningsverktyg osv. enligt dessa anvisningar. Ta hänsyn till arbetsförhållandena och den arbetsuppgift som ska utföras. Att använda maskiner eller apparater på annat sätt än den avsedda användningen kan leda till farliga situationer.

Använd alltid skyddsglasögon, skyddshandskar och hörselskydd.

Säkra arbetsstycket med en fastspänningsanordning. Arbetsstycket som inte är ordentligt fastspända kan leda till allvarlig kroppsskada eller annan skada.

Vid kapning, håll verktyget så att knivarna har fast kontakt med materialet för den snabbaste kapning. Applicera jämnt tryck. För mycket tryck tenderar att störa ut verktyget eller orsaka en grov.

Observera att maskinen automatiskt kör upp till det ursprungliga arbetsvarvtalet när överbelastningen är borta. Lägg aldrig ifrån dig elverket förän insatsverket är helt stillastående. Isättningsverket kan fasta och göra att man tappar kontrollen över maskinen.

ÖVRIGA SÄKERHETS- OCH ANVÄNDNINGSTRUKTIONER

Drag ur batteripaket innan arbete utföres på maskinen.

WARNING! För att undvika den fara för brand, personskador eller produktskador som orsakas av en kortslutning, doppa inte ner verktyget, utbytesbatteriet eller laddaren i vätskor och se till att ingen vätska kan tränga in i apparaterna eller batterierna.

Korroderande eller ledande vätskor, som saltvatten, vissa kemikalier, blekningsmedel eller produkter som innehåller blekmedel, kan orsaka en kortslutning.

System M12 batterier laddas endast i System M12 laddare. Ladda inte batterier från andra system.

Batterier lagras torrt och skyddas för fukt.

ANVÄND MASKINEN ENLIGT ANVISNINGARNA

Elverket är avsett att användas till att skära ut plåt ur stansbara material utan att deformera plåten. Det är lämpligt för raka snitt, snåva kurvar och urskämningar.

Använd inte produkten på något annat sätt än vad som anges som avsedd användning.

KVARSTÅENDE RISKER

Även vid föreskriftsfull användning kan inte alla restrisker uteslutas. Vid användning kan följande faror, på vilka användaren måste vara särskilt uppmärksam:

- Personskador orsakade av vibration. Håll fast maskinen i de därför avsedda handtagen och begränsa arbets- och exponeringstiden.
- Bullerbelastning kan leda till hörselskador. Bär hörselskydd och begränsa exponeringstiden.
- Ögonskador orsakade av smutspartiklar. Använd alltid skyddsglasögon, stabila långbyxor, handskar och stabila skor.
- Inandning av giftigt damm.

ANVISNINGAR AVSEENDE LITIJONBATTERIER

Användning av litiumjonbatterier

Batteri som ej använts på länge måste laddas före nytt bruk.

En temperatur över 50°C reducerar batteriets effekt. Undvik längre uppvärmning tex i solen eller nära ett element.

Se till att anslutningskontaktarna i laddaren och på batteriet är rena.

För att batterierna ska få lång livslängd ska de laddas fulla efter användning.

För att få en så lång livslängs som möjligt bör laddningsbara batterier avlägsnas från laddaren när de är laddade.

Om laddningsbara batterier lagras längre än 30 dagar:

Lagra batteriet torrt och vid ca 27°C.

Lagra batteriet vid ca 30%-50% av laddningskapaciteten.

Ladda batterierna på nytt var 6:e månad.

Batteri-överbelastningskydd för litiumjonbatterier

Om det laddningsbara batteriet överbelastas genom en mycket hög strömförbrukning, t.ex. extremt höga vridmoment, ett plötsligt stopp eller en kortslutning, så vibrerar elverktyget i 5 sekunder, laddningsindikeringen blinkar och elverktyget fränkopplas automatiskt.

För att sedan sätta på elverktyget igen släpper du tryckbrytaren och tillkopplar sedan verktyget igen. Vid en extrem belastning blir det laddningsbara batteriet för varmt. I detta fall blinkar alla lampor på laddningsindikeringen så länge tills batteriet har svalnat. När laddningsindikeringen har slocknat kan du fortsätta med arbetet.

Transportera litiumjon-batterier

För litiumjon-batterier gäller de lagliga föreskrifterna för transport av farligt gods på väg.

Därför får dessa batterier endast transporteras enligt gällande lokala, nationella och internationella föreskrifter och bestämmelser.

Konsumenterna får transportera dessa batterier på allmän väg utan att behöva beakta särskilda föreskrifter.

För kommersiell transport av litiumjon-batterier genom en speditönsfirma gäller emellertid bestämmelserna för transport av farligt gods på väg. Endast personal som känner till alla tillämpliga föreskrifter och bestämmelser får förbereda och genomföra transporten. Hela processen ska följas upp på fackmässigt sätt.

Följande ska beaktas i samband med transporten av batterier:

Säkerställ att alla kontakter är skyddade och isolerade för att undvika kortslutning.

Se till att batteripacken inte kan glida fram och tillbaka i förpackningen. Transportera aldrig batterier som läcker, har runnit ut eller är skadade. För mer information vänligen kontakta din speditönsfirma.

ARBETSANVISNINGAR

Rengör och smörj stansverktyget regelbundet.

Undersök stansverktyget regelbundet med avseende på slitage. Byt ut stansverktyget i god tid för att skydda nibblingsmaskinen. Trubbiga verktyg kan överbelasta nibblingsmaskinen. Bara vassa verktyg ger goda skärresultat och gör att elverktyget håller längre.

För att öka stansens livslängd, använd ett smörjmedel med goda kylgenskaper (t.ex. skärolja).

Applicera en sträng med smörjmedel på ovensidan av plåten längs med den avsedda skärinjen.

Rör bara elverktyget mot arbetsstycket när det är påslaget.

Håll alltid elverktyg lodrätt mot plåtens yta och luta det inte.

För elverktyget jämnt och med ett lätt tryck i skärrikningen.

För mycket kraft minskar livslängden hos verktygsinsatserna avsevärt och kan skada elverktyget.

TVÅTTRÅD

Se till att motorhöljets luftslitsar är rena.

SKÖTSEL

Använd endast Milwaukee-fillbehör och Milwaukee-reservdelar. Komponenter, för vilka inget byte beskrivs, skall bytas ut hos Milwaukee-kundtjänst (se broschyren garanti-/kundtjänstadresser).

Vid behov av sprängskiss, kan en sådan, genom att uppge maskinens art. nr. (som finns på typskylten) erhållas från: Techtronic Industries GmbH, Max-Eyth-Straße 10, 71364 Winnenden, Germany.

SYMBOLER

	Läs instruktionen noga innan du startar maskinen.
	OBSERVERA! VARNING! FARA!
	Drag ur batteripaket innan arbete utföres på maskinen.
	Använd alltid skyddsglasögon.
	Bär skyddshandskar!
	Elektriska maskiner, batterier/uppladdningsbara batterier och får inte slängas tillsammans med de vanliga hushållsoporna. Elektriska maskiner och upp-laddningsbara batterier ska samlas separat och lämnas till en avfallsstation för miljövänlig avfallshantering. Kontakta den lokala myndigheten respektive kommunen eller fråga återförsäljare var det finns speciella avfallsstationer för elskrot.
n_0	Tomgångsslagtal
V	Spänning
I	Likström
	Europeiskt konformitetsmärke
	Britiskt konformitetsmärke
	Ukrainskt konformitetsmärke
	Euroasiatiskt konformitetsmärke

TEKNISET ARVOT

	M12 FNB16
Tyyppi	Nakertaja
Tuotantonumero	4911 90 01 XXXXXX MJJJJ
Jännite vaihtoakku	12 V ==
Kuormittamaton iskukulu	n_0 1400 - 2200 min ⁻¹
Leikkausteho enint.	
Teräkseen < 400 N/mm ²	1,6 mm
Teräkseen < 600 N/mm ²	1,2 mm
Teräkseen < 800 N/mm ²	0,7 mm
Alumiini < 250 N/mm ²	2,1 mm
Jyrsintäleveys	5 mm
Pienin kaarresäde	40,7 mm
Aloituseiän halkaisija	21 mm
Paino EPTA-menettelyn 01/2014 mukaan (Li-Ion 2,0 Ah ... 6,0 Ah)	1,4 ... 1,6 kg
Suosittelun ympäristön lämpötila käytön aikana	-18 ... +50 °C
Suosittelut akkuserjat	M12B...
Suosittelut latauslaitteet	C12C; M12C4; M12-18...
Melunpäästö tiedot: Mitta-arvot määritetty EN 62841 mukaan. Koneen tyyppilinen A-luokitettu melutaso:	
Melutaso / Epävarmuus K	88,6 dB (A) / 3 dB (A)
Äänenvoimakkuus / Epävarmuus K	99,6 dB (A) / 3 dB (A)
Käytä kuulosuojaimia!	
Tärinä tiedot: Värähtelyn yhteisarvot (kolmen suunnan vektorisummitettuna EN 62841 mukaan.	
Värähtelyemissioarvo a_{hv} / Epävarmuus K	6,9 m/s ² / 1,5 m/s ²

VAROITUS!

Tässä tiedotteessa ilmoitettu (ilmoitetut) tärinä- ja melupäästöarvo(t) on mitattu standardisoidulla testimenetelmällä SFS-EN 62841 mukaisesti ja sitä voidaan käyttää työkalun vertailumiseen toisen työkalun kanssa. Sitä voidaan käyttää alustavaan altistuksen arviointiin. Ilmoitettu tärinä- ja melupäästöarvo koskee työkalun pääkäyttötarkoituksia. Jos kuitenkin työkalua käytetään eri käyttötarkoituksiin eri varusteiden kanssa tai huonosti huollettuna, voi tärinä- ja melupäästö erota ilmoitetusta. Tämä voi merkittävästi nostaa altistumistasoa koko työskentelyjakson ajaksi.

Arvioidussa tärinä- ja meluallistustasossa tulisi ottaa huomioon myös työkalun sammutuskerrat tai sen tyhjäkäynti. Tämä voi merkittävästi laskea altistumistasoa koko työskentelyjakson ajaksi.

Tunnista esimerkiksi seuraavat lisävarotoimet, joilla voidaan suojata käyttäjää tärinän ja/tai melun vaikutuksilta: työkalun ja varusteiden ylläpito, käsien lämpimänä pito, työnkulun organisointi.

VAROITUS! Lue kaikki varotoimenpiteet, ohjeet, kuvalliset esitykset ja tiedot, jotka toimitetaan laitteon mukana. Ellei noudata seuraavia ohjeita, saattaa se johtaa sähköiskuun, tulipaloon ja/tai vaikeisiin loukkautumisiin.

NAKERTAJOJAN TURVALLISUUSVAROITUKSET

Käytä laitetta, varusteita, käyttötyökaluja jne. näiden ohjeiden mukaisesti. Ota aina huomioon työskentelyolosuhteet ja suoritettavat toimet. Laitteiden käyttö muuhun kuin niiden määrättyyn käyttötarkoitukseen saattaa aiheuttaa pahoja vaaratilanteita.

Käytä laitteella työskennellessäsi aina suojalaseja. Suojakäsineiden, turvallisien ja tukevapohjaisten kenkien, kuulosuojainten ja suojaesiliinan käyttöä suositellaan.

Varmista työstökappaleesi kiinnityslaitteella paikalleen. Varmistamattomat työstökappaleet saattavat aiheuttaa vakavia vammoja ja vaurioita.

Kun leikkaat, pidä työkalu niin, että terät ovat tiiviissä kosketuksessa materiaalin nopein leikkaus. Paina tasaisesti. Liika paine on taipumus juuttua työkalun tai aiheuttaa raakaleikkauksen.

Ota huomioon, että kone palaa takaisin alkuperäiseen työkiertoalukuun, kun ylikuormitus lakkaa. Älä koskaan laske sähkötyökalua pois, ennen kuin käyttötyökalu on pysähtynyt täydellisesti. Liitetty työkalu saattaa takertua kiinni ja aiheuttaa laitteen hallinnan menettämisen.

TÄYDENTÄVIÄ TURVALLISUUSMÄÄRÄYKSIÄ JA TYÖSKENTELYOHJEITA

Ota akku pois ennen kaikkia koneeseen tehtäviä toimenpiteitä.

VAROITUS! Jotta vältetään lyhytsulun aiheuttama tulipalon, loukkaantumisen tai tuotteen vahingoittumisen vaara, älä koskaan upota työkalua, vaihtoakkuja tai latauslaitteita nesteeseen ja huolehdi siitä, ettei mitään nesteitä pääse tunkeutumaan laitteiden tai akkujen sisään. Syövyttävät tai sähköä johtavat nesteet, kuten suolavesi, tietyt kemikaalit ja laikkaisaineet tai valkaisuaineita sisältävät tuotteet voivat aiheuttaa lyhytsulun.

Käytä ainoastaan System M12 latauslaitetta System M12 akkujen lataukseen. Älä käytä muiden järjestelmien akkuja. Vaihtoakkuja ja latauslaitteita ei saa avata. Säilytys vain kuivissa tiloissa. Suojattava kosteudelta.

TARKOITUKSEN MUKAINEN KÄYTTÖ

Sähkötyökalu on suunniteltu rei'ittävistä materiaalista olevan pellin vääntymättömään leikkaamiseen. Se sopii suuriin leikkauksiin, tiukkoihin kaarteisiin ja aukkojen leikkaamiseen.

Älä käytä tuotetta muuhun kuin sille tarkoitettuun käyttöön.

JÄÄMÄRISKIT

Kaikkia jäämäriskejä ei voida sulkea pois myöskään määräysten mukaisen käytön aikana. Käytössä saattaa syntyä seuraavia vaaroja, joita käyttäjän tulisi varoa erityisen huolella:

- Tärinän aiheuttamat vammat. Pitele laitetta tähän tarkoitettuista kahvoista ja rajoita työskentely- ja altistumisaikaa.
- Melurasitus saattaa aiheuttaa kuulovaurioita. Käytä kuulosuojaimia ja rajoita altistumisen kesto.
- Likahiukkasten aiheuttamat silmävammat. Käytä aina suojalaseja, tukevia pitkälahkeisia housuja, käsinettä ja tukevia jalkineita.
- Myrkyllisten pölyjen sisäänhengittäminen.

ΧΡΗΣΗ ΣΥΜΦΩΝΑ ΜΕ ΤΟ ΣΚΟΠΟ ΠΡΟΟΡΙΣΜΟΥ

Το ηλεκτρικό εργαλείο είναι σχεδιασμένο για την κοπή φύλλων μετάλλου από διατρήσιμα υλικά χωρίς να προκαλεί παραμόρφωση της λαμαρίνας. Είναι κατάλληλο για ευθείες κοπές, κλειστές καμπύλες και αποκοπές.

Μη χρησιμοποιείτε το προϊόν με οποιονδήποτε άλλο τρόπο από αυτούς που δηλώνονται για την προβλεπόμενη χρήση.

ΛΟΙΠΟΙ ΚΙΝΔΥΝΟΙ

Ακόμη και σε κανονική χρήση δεν μπορούν να αποκλείονται όλοι οι υπολειπόμενοι κίνδυνοι. Κατά τη χρήση θα μπορούσαν να προκύψουν οι ακόλουθοι κίνδυνοι, στους οποίους θα έπρεπε να δίνει ο χειριστής ιδιαίτερη προσοχή:

- Τραυματισμοί που προκύπτουν από δονήσεις. Να κρατάτε το μηχάνημα από τις προβλεπόμενες για το σκοπό αυτό χειρολαβές και να περιορίζετε το χρόνο εργασίας και έκθεσης.
- Η ηχορρύπανση μπορεί να οδηγήσει σε ακουστικά τραύματα. Να φοράτε προστατευτικά ακοής και να περιορίζετε τη διάρκεια έκθεσης.
- Τραυματισμοί των οφθαλμών που προκύπτουν από ρυπαρόνα σωματίδια. Να φοράτε πάντα προστατευτικά γυαλιά, ανθεκτικά, μακριά παντελόνια, γάντια και ανθεκτικά υποδήματα.
- Εισπνοή δηλητηριώδους σκόνης.

ΥΠΟΔΕΙΞΕΙΣ ΓΙΑ ΕΠΑΝΑΦΟΡΤΙΖΟΜΕΝΕΣ ΜΠΑΤΑΡΙΕΣ ΙΟΝΤΩΝ ΛΙΘΙΟΥ

Χρήση επαναφορτιζόμενων μπαταριών ιόντων λιθίου

Επαναφορτίζετε τις ανταλλακτικές μπαταρίες που δεν έχουν χρησιμοποιηθεί για μεγαλύτερο χρονικό διάστημα πριν τη χρήση.

Μια θερμοκρασία πάνω από 50°C μειώνει την ισχύ της ανταλλακτικής μπαταρίας. Αποφύγετε τη θέρμανση για μεγαλύτερο χρονικό διάστημα από τον ήλιο ή τις συσκευές θέρμανσης.

Διατηρείτε τις επαφές σύνδεσης στο φορτιστή και στην ανταλλακτική μπαταρία καθαρές.

Για μια άριστη διάρκεια ζωής πρέπει μετά τη χρήση οι μπαταρίες να φορτιστούν πλήρως.

Για μια κατά το δυνατόν μεγάλη διάρκεια ζωής οι μπαταρίες μετά τη φόρτιση οφείλουν να αφαιρεθούν από το φορτιστή.

Για την αποθήκευση της μπαταρίας για διάστημα μεγαλύτερο των 30 ημερών:

Αποθηκεύετε τη μπαταρία περ. στους 27°C σε στεγνό χώρο.

Αποθηκεύετε τη μπαταρία περ. στο 30%-50% της κατάστασης φόρτισης.

Κάθε 6 μήνες φορτίζετε εκ νέου τη μπαταρία.

Προστασία υπερφόρτισης επαναφορτιζόμενων μπαταριών ιόντων λιθίου

Σε υπερφόρτωση της μπαταρίας από πολύ υψηλή κατανάλωση ρεύματος, π. χ. από ακραίες υψηλές ροπές περιστροφής, μπλοκάρισμα του τρυπανιού, δονείται το ηλεκτρικό εργαλείο για 5 δευτερόλεπτα, αναβοσβήνει η ένδειξη φόρτισης και το ηλεκτρικό εργαλείο απενεργοποιείται αυτόματα.

Για μια νέα ενεργοποίηση, αφήνετε ελεύθερο το διακόπτη και στη συνέχεια ενεργοποιείτε εκ νέου. Κάτω από ακραίες καταπονήσεις θερμαίνεται πάρα πολύ η μπαταρία. Στην περίπτωση αυτή αναβοσβήνουν όλες οι λάμπες της ένδειξης φόρτισης μέχρι να έχει κρυσώσει η μπαταρία. Μετά το σβήσιμο της ένδειξης φόρτισης μπορεί να συνεχιστεί η συνεργασία.

Μεταφορά των μπαταριών ιόντων λιθίου

Οι μπαταρίες ιόντων λιθίου υπόκεινται στις απαιτήσεις των νομικών διατάξεων για την μεταφορά επικινδύνων εμπορευμάτων.

Η μεταφορά τέτοιων μπαταριών πρέπει να πραγματοποιείται τηρώντας τους τοπικούς, εθνικούς και διεθνείς κανονισμούς και τις αντίστοιχες διατάξεις.

Επιτρέπεται η μεταφορά τέτοιων μπαταριών στο δρόμο χωρίς περαιτέρω απαιτήσεις.

Η εμπορική μεταφορά μπαταριών ιόντων λιθίου από εταιρείες μεταφορών υπόκειται στις απαιτήσεις των νομικών διατάξεων

για την μεταφορά επικινδύνων εμπορευμάτων. Οι προετοιμασίες αποστολής και η μεταφορά πραγματοποιούνται αποκλειστικά από ειδικά εκπαιδευμένα πρόσωπα. Η συνολική διαδικασία συνοδεύεται από εξειδικευμένο προσωπικό.

Κατά τη μεταφορά μπαταριών ιόντων λιθίου πρέπει να προσέχετε τα εξής:

Φροντίστε τα σημεία επαφών να είναι προστατευμένα και μονωμένα ώστε να αποφευχθούν βραχυκυκλώματα.

Προσέξτε το πακέτο μπαταριών να είναι σταθερό μέσα στη συσκευασία και να μη γλιστρά. Η μεταφορά μπαταριών που παρουσιάζουν φθορές ή διαρροές δεν επιτρέπεται. Για περισσότερες πληροφορίες απευθυνθείτε στην εταιρεία μετάφορων.

ΥΠΟΔΕΙΞΕΙΣ ΕΡΓΑΣΙΑΣ

Καθαρίζετε και λιπαίνετε τον στιγέα και τη μήτρα σε τακτική βάση.

Επιθεωρείτε τον στιγέα και τη μήτρα για φθορές σε τακτική βάση.

Αντικαθιστάτε έγκαιρα τον στιγέα και τη μήτρα για προστασία του ζυμποαλάιδου. Τα στομωμένα εργαλεία κοπής μπορεί να προκαλέσουν υπερφόρτωση στο ζυμποαλάιδο. Μόνο τα ακονισμένα εργαλεία κοπής εξασφαλίζουν άριστα απόδοση κοπής και μεγαλύτερη διάρκεια ζωής του ηλεκτρικού εργαλείου.

Για να επεκτείνετε τη διάρκεια ζωής του στιγέα, συνιστούμε τη χρήση ενός λιπαντικού με καλές ψυκτικές ιδιότητες (π.χ. λάδι κοπής).

Εφαρμόζετε μια γραμμή λαδιού στην άνω πλευρά της λαμαρίνας κατά μήκος της γραμμής κοπής.

Μετακινείτε το ηλεκτρικό εργαλείο στη λαμαρίνα μόνο όταν είναι ενεργοποιημένο.

Κρατάτε πάντα το ηλεκτρικό εργαλείο κάθετα προς την επιφάνεια της λαμαρίνας και ποτέ υπό κλίση.

Καθοδηγείτε το ηλεκτρικό εργαλείο ομαλά και ωθώντας το ελαφρά προς την κατεύθυνση κοπής.

Η άσκηση υπερβολικής πίεσης μειώνει τη διάρκεια ζωής των προσαρτώμενων εργαλείων κοπής και μπορεί να προκαλέσει ζημιά στο ηλεκτρικό εργαλείο.

ΣΥΝΤΗΡΗΣΗ ΚΑΙ ΚΑΘΑΡΙΣΜΟΣ






Διατηρείτε πάντοτε τις σχισμές εξερισμού της μηχανής καθαρές.

ΣΥΝΤΗΡΗΣΗ

Χρησιμοποιείτε μόνο αξεσουάρ Milwaukee και ανταλλακτικά Milwaukee. Εξαρτήματα, που η αλλαγή τους δεν περιγράφεται, αντικαθιστώνται σε μια τεχνική υποστήριξη της Milwaukee (βλέπε φυλλάδιο εγγύηση/διευθύνσεις τεχνικής υποστήριξης).

Όταν χρειάζεται, μπορείτε να ζητήσετε ένα σχέδιο συναρμολόγησης της συσκευής, δίνοντας τον τύπο της μηχανής και αριθμό στην πινακίδα ισχύος, από το κέντρο σέρβις ή απευθείας από τη φίρμα Techtronic Industries GmbH, Max-Eyth-Straße 10, 71364 Winnenden, Germany.

ΣΥΜΒΟΛΑ

	Παρακαλώ διαβάστε σχολαστικά τις οδηγίες χρήσης πριν από την έναρξη λειτουργίας.
	ΠΡΟΣΟΧΗ! ΠΡΟΕΙΔΟΠΟΙΗΣΗ! ΚΙΝΔΥΝΟΣ!
	Πριν από κάθε εργασία στη μηχανή αφαιρείτε την ανταλλακτική μπαταρία.
	Στις εργασίες με τη μηχανή φοράτε πάντοτε προστατευτικά γυαλιά.
	Να φοράτε προστατευτικά γάντια!



Ηλεκτρικά μηχανήματα, μπαταρίες/συσσωρευτές δεν επιτρέπεται να απορρίπτονται μαζί με τα οικιακά απορρίμματα. Ηλεκτρικά μηχανήματα και συσσωρευτές συλλέγονται ξεχωριστά και παραδίδονται προς ανακύκλωση με τρόπο φιλικό προς το περιβάλλον σε επιχείρηση επεξεργασίας απορριμμάτων. Ενημερωθείτε από τις τοπικές υπηρεσίες ή από ειδικευμένους εμπόρους σχετικά με κέντρα ανακύκλωσης και συλλογής απορριμμάτων.

	Αριθμός παλινδρομήσεων χωρίς φορτίο
	Τάση
	Συνεχές ρεύμα
	Ευρωπαϊκό σήμα πιστότητας
	Βρετανικό σήμα πιστότητας
	Ουκρανικό σήμα πιστότητας
	Ευρασιατικό σήμα πιστότητας

TEKNİK VERİLER	M12 FNB16
Modeli	Metal levha işleme cihazı
Üretim numarası	4911 90 01 XXXXXX MJJJ
Kartuş akü gerilimi	12 V \approx
Boştaki strok sayısı	n_0 1400 - 2200 min ⁻¹
Maksimum kesim performansı	
Çelikte < 400 N/mm ²	1,6 mm
Çelikte < 600 N/mm ²	1,2 mm
Çelikte < 800 N/mm ²	0,7 mm
Alüminyum < 250 N/mm ²	2,1 mm
Kesme genişliği	5 mm
En küçük eğri yarıçapı	40,7 mm
Başlangıç deliği çapı	21 mm
Ağırlığı ise EPTA-üretici 01/2014'e göre (Li-Ion 2,0 Ah ... 6,0 Ah)	1,4 ... 1,6 kg
Çalıştırılması için tavsiye edilen ortam sıcaklığı	-18 ... +50 °C
Tavsiye edilen güç paketleri	M12B...
Tavsiye edilen şarj aletleri	C12C; M12C4; M12-18...

Gürültü bilgileri: Ölçüm değerleri EN 62841 e göre belirlenmektedir. Aletin, frekansa bağımlı uluslararası ses basıncı seviyesi değerlendirme eğrisi A'ya göre tipik gürültü seviyesi:

Ses basıncı seviyesi / Tolerans K	88,6 dB (A) / 3 dB (A)
Akustik kapasite seviyesi / Tolerans K	99,6 dB (A) / 3 dB (A)

Koruyucu kulaklık kullanın!

Vibrasyon bilgileri: Toplam titreşim değeri (üç yönün vektör toplamı) EN 62841'e göre belirlenmektedir:

titreşim emisyon değeri a_h / Tolerans K	6,9 m/s ² / 1,5 m/s ²
--	---

UYARI!

Bu bilgi formunda belirtilen titreşim ve gürültü düzeyi EN 62841 uyarınca standart bir test yöntemine göre ölçülmüş olup, bir aleti diğeriyle karşılaştırmak için kullanılabılır. Bir maruz kalma ön değerlendirmesi için de kullanılabılır.

Beyan edilmiş titreşim ve gürültü emisyon değeri aletin ana uygulamalarını temsil eder. Ancak, alet farklı uygulamalar için veya farklı aksesuarla kullanılır ya da aletin bakımı yetersiz yapılırsa, titreşim ve gürültü emisyonu farklılık gösterebilir. Bu, toplam çalışma süresi boyunca maruz kalma seviyesini önemli ölçüde artırabilir.

Titreşim ve gürültüye maruz kalma seviyesi tahmininde, aletin kapalı olduğu veya çalıştığı, ancak aslında işini yapmadığı süreler de göz önünde bulundurulmalıdır. Bu, toplam çalışma süresi boyunca maruz kalma seviyesini önemli ölçüde azaltabilir.

Operatörü titreşim ve/veya gürültünün etkilerinden korumak için, aletin ve aksesuarların bakımını yapmak, elleri sıcak tutmak ve çalışma biçimlerini düzenlemek gibi ilave güvenlik önlemleri belirleyin.

UYARI!

Cihazla birlikte gelen tüm güvenlik uyarılarını, talimatları, çizimleri ve bilgileri okuyun. Aşağıdaki talimat hükümlerine uymadığınız takdirde elektrik çarpması, yangın veya ağır yaralanma tehlikesi ile karşılaşabilirsiniz.

Bütün uyarıları ve talimat hükümlerini ileride kullanmak üzere saklayın.

METAL LEVHA İŞLEME CİHAZI GÜVENLİK UYARILARI

Cihazı, aksesuarı, operasyon aletlerini vs. bu talimatlara uygun olarak kullanınız. Bu bağlamda çalışma koşullarını ve yapılması gereken faaliyeti dikkate alın. Cihazların öngörülen kullanımlardan farklı amaçlar için kullanımı tehlikeli durumlara yol açabilir.

Aletle çalışırken daima koruyucu gözlük kullanın. Koruyucu iş eldivenleri, sağlam ve kaymaz ayakkabılar ve iş önlüğü kullanmanızı tavsiye ederiz.

İşlenen parçayı bir germe tertibatıyla emniyete alın. Emniyete alınmayan iş parçaları ağır yaralanmalar ve hasarlara neden olabilir.

Keserken bıçaklar hızlı kesme malzeme ile sıkı bir temas halinde olduğu, böylece aracı tutun. Hatta basınç uygulayın. Çok fazla baskı aracı reçel ya da kaba bir kesim neden eğiliminde olacaktır.

Makinenin fazla yükten kurtulması halinde makinenin asıl devir sayısına ulaşacağını lütfen dikkate alın. Takım tamamen durmadan elektrikli cihazı asla yere koymayınız. Operasyon aleti takılabilir ve cihaz üzerindeki kontrolün kaybedilmesine yol açabilir.

EK GÜVENLİK VE ÇALIŞMA TALİMATLARI

Aletin kendinde bir çalışma yapmadan önce kartuş aküyü çıkarın.

UYARI! Bir kısa devreden kaynaklanan yangın, yaralanma veya ürün hasarları tehlikesini önlemek için aleti, güç paketini veya şarj

cihazını asla sıvıların içine daldırmayınız ve cihazların ve pillerin içine sıvı girmesini önleyiniz. Tuzlu su, belirli kimyasallar, ağartıcı madde veya ağartıcı madde içeren ürünler gibi korozif veya iletken sıvılar kısa devreye neden olabilir.

M12 sistemli kartuş aküleri sadece M12 sistemli şarj cihazları ile şarj edin. Başka sistemli aküleri şarj etmeyin.

Kartuş aküleri ve şarj cihazını açmayın ve sadece kuru yerlerde saklayın. Neme ve ıslanmaya karşı koruyun.

KULLANIM

Elektrikli alet, delinebilir malzemelerden sacı deforme olmadan kesmek için tasarlanmıştır. Düz kesimler, dar kavisler ve kesikler için uygundur.

Aleti belirtilen kullanım amaçları dışında herhangi bir başka amaç için kullanmayın.

KALAN TEHLİKELER

Usulüne uygun kullanım durumunda da bütün kalan riskler ortadan kaldırılamaz. Kullanım sırasında, kullanıcının özellikle dikkat etmesi gerektiği aşağıdaki tehlikeler oluşabilir:

- Titreşimden dolayı oluşan yaralanmalar. Cihazı bunun için öngörülen kulpardan tutun ve çalışma ve maruz kalam sürelerini sınırlandırın.
- Gürültü yükü işitme zararlarına neden olabilir. Kulaklık takın ve maruz kalma süresini sınırlandırın.
- Kir parçacıklarından dolayı oluşan göz yaralanmaları. Daima koruyucu gözlük, sağlam uzun pantolon, eldiven ve sağlama ayakkabılar giyiniz.
- Zehirli tozların solunması.

LİTYUM İYON PİLLER İÇİN AÇIKLAMALAR

Lityum iyon pillerin kullanılması

Uzun süre kullanılmı dışı kalmış kartuş aküleri kullanmadan önce şarj edin.

50°C üzerindeki sıcaklıklar kartuş akünün performansını düşürür. Akünün güneş ışığı veya mekân sıcaklığı altında uzun süre ısınmamasına dikkat edin.

Şarj cihazı ve kartuş aküdeki bağlantı kontaklarını temiz tutun.

Akünün ömrünün mükemmel bir şekilde uzun olması için kullandıktan sonra tamamen doldurulması gerekir.

Ömrünün mümkün olduğu kadar uzun olması için akülerin yüklemeye yapıldıktan sonra doldurma cihazından uzaklaştırılması gerekir.

Akünün 30 günden daha fazla depolanması halinde:

Aküyü takriben 27°C'de kuru olarak depolayın.

Aküyü yüklemeye durumunun takriben % 30 - %50 olarak depolayın.

Aküyü her 6 ay yeniden doldurun.

Lityum iyon pillerin aşırı pil şarj koruması

Pek fazla elektrik tüketiminden dolayı, örneğin aşırı fazla devir momentleri, aniden durma veya kısa devre gibi aküye aşırı yüklenme durumunda elektro cihazı 5 saniye titreşir, yüklemeye göstergesi yanıp söner ve elektro cihaz kendiliğinden durur.

Yeniden çalıştırmak için şalter baskısını serbest bırakın ve bundan sonra tekrar çalıştırın. Akü aşırı yüklenmeden dolayı fazla ısınır. Bu durumda akü soğuyana kadar yüklemeye göstergesinin bütün lambaları yanıp söner. Gösterge lambalarının sönmelerinden sonra tekrar çalışmaya devam edilebilir.

Lityum iyon pillerin taşınması

Lityum iyon piller tehlikeli madde taşımacılığı hakkındaki yasal hükümler tabidir.

Bu piller, bölgesel, ulusal ve uluslararası yönetmeliklere ve hükümlere uyularak taşınmak zorundadır.

Tüketiciler bu pilleri herhangi bir özel şart aranmaksızın karayoluyla taşıyabilirler.

Lityum iyon pillerin nakliye şirketleri tarafından ticari taşımacılığı için tehlikeli madde taşımacılığının hükümleri geçerlidir. Sevk hazırlığı ve taşıma sadece ilgili eğitimi görmüş personel tarafından gerçekleştirilebilir. Bütün süreç uzmanca bir refakatçilik altında gerçekleştirilmek zorundadır.

Pillerin taşınması sırasında aşağıdaki hususlara dikkat edilmesi gerekmektedir:

Kısa devre oluşmasını önlemek için kontakların korunmuş ve izole edilmiş olmasını sağlayınız.

Pil paketinin ambalajı içinde kaymamasına dikkat ediniz. Hasarlı veya akmış pillerin taşınması yasaktır. Ayrıca bilgiler için nakliye şirketinize başvurunuz.

ÇALIŞMA AÇIKLAMALARI

Zımba ve kalıbı düzenli olarak temizleyin ve yağlayın.

Zımba ve kalıbı düzenli olarak aşınma açısından inceleyin. Zımbayı değiştirin ve metal levha işleme cihazını korumak için zamanında yağlayın. Kör aletler, metal levha işleme cihazını aşırı yükleyebilir. Yalnızca keskin aletler iyi kesme performansı ve elektrikli aletin daha uzun süre dayanmasını sağlar.

Zımbanın çalışma ömrünü uzatmak için iyi soğutma özelliklerine sahip bir yağlayıcı (örn. kesme yağı) kullanılmalıdır.

Metal levhanın üst tarafına hedeflenen kesme hattı boyunca bir yağlama hattı uygulayın.

Elektrikli aleti sadece açıldığında iş parçasına doğru hareket ettirin. Elektrikli aleti her zaman sac yüzeyine dik tutun ve eğmeyin.

Elektrikli aleti kesme yönünde hafif bir itme kuvveti ile eşit şekilde yönlendirin.

Aşırı güç, uç takımların çalışma ömrünü önemli ölçüde azaltır ve elektrikli alete zarar verebilir.

TEMİZLENMESİ

Aletin havalandırma aralıklarını daima temiz tutun.

BAKIM

Sadece Milwaukee aksesuarı ve yedek parçası kullanın. Nasıl değiştirileceği açıklanmamış olan yapı parçalarını bir Milwaukee müşteri servisinde değiştirin (Garanti ve servis adresi broşürüne dikkat edin).

Gerektiği takdirde aletin dağınık görünüş şeması, alet tipinin ve tip etiketi üzerindeki sayının bildirilmesi koşuluyla müşteri servisinden veya doğrudan Techtronic Industries GmbH, Max-Eyth-Straße 10, 71364 Nendenen, Germany adresinden istenebilir.

SEMBOLLER

	Lütfen aleti çalıştırmadan önce kullanma kılavuzunu dikkatli biçimde okuyun.
	DİKKAT! UYARI! TEHLİKE!
	Aletin kendinde bir çalışma yapmadan önce kartuş aküyü çıkarın.
	Aletle çalışırken daima koruyucu gözlük kullanın.
	Koruyucu eldivenlerinizi takınız!
	Elektrikli cihazların, pillerin/akülerin evsel atıklarla birlikte bertaraf edilmesi yasaktır. Elektrikli cihazlar ve aküler ayrılarak biriktirilmeli ve çevreye zarar vermeden bertaraf edilmelidir. Yerel makamlara veya satıcınıza geri dönüşüm tesisleri ve atık toplama merkezlerinin yerlerini danışınız.
n_0	Boştaki strok sayısı
V	Voltaj
	Doğru akım
	Avrupa uyumluluk işareti
	Britanya uyumluluk işareti
	Ukrayna uyumluluk işareti
	Avrasya uyumluluk işareti

TECHNICKÁ DATA	M12 FNB16
Typ	Ořezávač
Výrobní číslo	4911 90 01 XXXXXX MJJJJ
Napětí výměnného akumulátoru	12 V \approx
Počet zdvihů při b. napr	n_0 1400 - 2200 min ⁻¹
Max. střížný výkon	
Ocel < 400 N/mm ²	1,6 mm
Ocel < 600 N/mm ²	1,2 mm
Ocel < 800 N/mm ²	0,7 mm
Hliník < 250 N/mm ²	2,1 mm
Šířka řezu	5 mm
Nejmenší poloměr oblouku	40,7 mm
Průměr počátečního otvoru	21 mm
Hmotnost podle prováděcího předpisu EPTA 01/2014 (Li-Ion 2,0 Ah ... 6,0 Ah)	1,4 ... 1,6 kg
Doporučená teplota okolí pro provoz	-18 ... +50 °C
Doporučené akupaky	M12B...
Doporučené nabíječky	C12C; M12C4; M12-18...
Informace o hluku: Naměřené hodnoty odpovídají EN 62841. V třídě A posuzovaná hladina hluku přístroje činí typicky:	
Hladina akustického tlaku / Kolísavost K	88,6 dB (A) / 3 dB (A)
Hladina akustického výkonu / Kolísavost K	99,6 dB (A) / 3 dB (A)
Používejte chrániče sluchu!	
Informace o vibracích: Celkové hodnoty vibrací (vektorový součet tří směrů) zjištěné ve smyslu EN 62841.	
Hodnota vibračních emisí a_{hv} / Kolísavost K	6,9 m/s ² / 1,5 m/s ²

VAROVÁNÍ!

Hladina vibrací a emisí hluku uvedená v tomto informačním listu byla měřena v souladu se standardizovanou zkouškou uvedenou v normě EN 62841 a může být použita ke srovnání jednoho nástroje s jiným. Může být použita k předběžnému posouzení expozice.

Deklarovaná úroveň vibrací a emisí hluku představuje hlavní použití nástroje. Pokud se však nástroj používá pro různé aplikace, s různými příslušenstvími nebo s nedostatečnou údržbou, mohou se vibrace a emise hluku lišit. To může výrazně zvýšit úroveň expozice v průběhu celé pracovní doby.

Odhad úrovně expozice vibracím a hluku by měl také vzít v úvahu dobu, kdy je nástroj vypnutý nebo když běží, ale ve skutečnosti neprovádí úlohu. To může výrazně snížit úroveň expozice v průběhu celé pracovní doby.

Identifikujte dodatečná bezpečnostní opatření k ochraně pracovníka obsluhy před účinky vibrací a/nebo hluku, například: údržba nástroje a příslušenství, udržování rukou v teple, organizace pracovních schémat.

VAROVÁNÍ! Přečtěte si všechny bezpečnostní pokyny, instrukce, popisy a údaje, které obdržíte s přístrojem. Pokud následující pokyny nedodržíte, může to vést k úderu elektrickým proudem, požáru nebo těžkým poraněním.

Všechna varovná upozornění a pokyny do budoucna uschovejte.

BEZPEČNOSTNÍ UPOZORNĚNÍ PRO OŘEZÁVAČ

Přístroj, příslušenství, nasazované nástroje, atd. používejte podle těchto pokynů. Zohledněte přitom pracovní podmínky a činnost, která má být provedena. Použití přístrojů k jiným než stanoveným účelům může vést k nebezpečným situacím.

Při práci se strojem neustále nosit ochranné brýle. Doporučuje se používat ochranné rukavice, pevnou protiskluzovou obuv a zástěru. Obrobek zabezpečte upínacím zařízením. Nezabezpečené obrobky mohou způsobit těžká poranění a poškození.

Při řezání, držte nástroj tak, aby se nože jsou v pevném kontaktu s materiálem pro nejrychlejší řezání. Použití tlak. Příliš velký tlak bude mít tendenci se zablokovat nástroje a poškození.

Věnujte prosím pozornost tomu, že se vrtačka při snížení zatížení na normální hodnotu opět zapne a najede na původní počet pracovních otáček. Elektrické nářadí nesmíte nikdy odložit dříve, než se vložený nástroj zcela zastaví. Nasazený nástroj se může zaseknout a vést ke ztrátě kontroly nad přístrojem.

DALŠÍ BEZPEČNOSTNÍ A PRACOVNÍ POKYNY

Před zahájením veškerých prací na vrtacím šroubováků vyjmout výměnný akumulátor.

UPOZORNĚNÍ NA LITHIUM-IONTOVÉ BATERIE

Použití lithiium-iontových baterií

Děle nepoužívané akumulátory je nutné před použitím znovu nabít.

Teplota přes 50°C snižuje výkon akumulátoru. Chraňte před dlouhým přehříváním na slunci či u topení.

Kontakty nabíječky a akumulátoru udržujte v čistotě.

Pro optimální životnost je nutné akumulátory po použití plně dobit.

K zabezpečení dlouhé životnosti by se akumulátory měly po nabíjení vyjmout z nabíječky.

Při skladování akumulátoru po dobu delší než 30 dní:

Skladujte akumulátor v suchu při cca 27°C.

Skladujte akumulátor při cca 30%-50% nabíjecí kapacity.

Opakujte nabíjení akumulátoru každých 6 měsíců.

Ochrana proti přetížení u lithiium-iontových baterií

Při přetížení akumulátoru příliš vysokou spotřebou proudu, například při extrémně vysokém kroutícím momentu, začne elektrické nářadí po dobu 5 sekund vibrovat, indikátor dobíjení začne blikat a motor se následně samočinně vypne.

K opětnému zapnutí uvolněte a následně opět stiskněte tlačítkový vypínač. Při extrémním zatížení dochází k příliš vysokému ohřevu akumulátoru. V tomto případě začnou blikat všechny kontrolky indikátoru dobíjení a blikají tak dlouho, dokud se akumulátor opět neochladí. V okamžiku, kdy indikátor dobíjení přestane blikat, je možné v práci opět pokračovat.

Přeprava lithiium-iontových baterií

Lithiium-iontové baterie spadají podle zákonných ustanovení pod přepravu nebezpečného nákladu.

Přeprava těchto baterií se musí realizovat s dodržováním lokálních, vnitrostátních a mezinárodních předpisů a ustanovení.

Spotřebitelé mohou tyto baterie bez problémů přepravovat po komunikacích.

Komerční přeprava lithiium-iontových baterií prostřednictvím přepravních firem podléhá ustanovením o přepravě nebezpečného nákladu. Přípravu k vyexpedování a samotnou přepravu směřují vykonávat jen příslušně vyškolené osoby. Na celý proces se musí odborně dohlížet.

Při přepravě baterií je třeba dodržovat následující:

Zajistěte, aby kontakty byly chráněné a izolované, aby se zamezilo zkratům.

Dávejte pozor na to, aby se svazek baterií v rámci balení nemohl sesmeknout. Poškozené a vyteklé baterie se nesmějí přepravovat. Ohledně dalších informací se obraťte na vaši přepravní firmu.

PRACOVNÍ POKYNY

Razník a matici pravidelně čistěte a mažte.

Pravidelně kontrolujte opotřebení razníku a matrice. Vyměňte razník a matici včas, abyste chránili ořezávač. Tupé nástroje mohou ořezávač přetěžovat. Pouze ostré nástroje poskytují dobrý řezný výkon a prodlužují životnost elektronářadí.

K prodloužení životnosti razníku je třeba použít mazivo s dobrými chladičnými vlastnostmi (např. řezný olej).

Naneste mazivo na horní stranu kovového plechu podél zamýšlené linie řezu.

Elektronářadím pohybujte k obrobku pouze tehdy, když je zapnuté.

Vždy držte elektronářadí kolmo k povrchu plechu a nenaklánějte jej.

Elektronářadí vedte rovnoměrně a s mírnou tlačnou silou ve směru řezu.

Nadměrná síla výrazně snižuje životnost vkládacích nástrojů a může poškodit elektronářadí.

ČISTĚNÍ

Větrací štěrby nařadí udržujeme stále čisté.

ÚDRŽBA

Používat výhradně příslušenství Milwaukee a náhradní díly Milwaukee. Díly jejichž výměny nebyla popsána, nechte vyměnit v autorizovaném servisu (viz: "Záruky / Seznam servisních míst")

Při potřebě podrobného rozkresu konstrukce, oslovte informaci o typu a čísle přímo servis a nebo výrobce, Techtronic Industries GmbH, Max-Eyth-Straße 10, 71364 Winnenden, Germany.

SYMBOLY

	Před spuštěním stroje si pečlivě přečtěte návod k používání.
	POZOR! VAROVÁNÍ! NEBEZPEČÍ!
	Před zahájením veškerých prací na vrtacím šroubováků vyjmout výměnný akumulátor.
	Při práci se strojem neustále nosit ochranné brýle.
	Používejte ochranné rukavice!
	Elektrická zařízení, baterie/akumulátory se nesmí likvidovat společně s odpadem z domácnosti. Elektrická zařízení, baterie/akumulátory je třeba sbírat odděleně a odevzdat je v recyklačním podniku na ekologickou likvidaci. Na místních úřadech nebo u vašeho specializovaného prodejce se informujte na recyklační podniky a sběrné dvory.
n_0	Počet zdvihů při b. napr
V	napětí
	Stejnoseměrný proud
	Značka shody v Evropě
	Značka shody v Británii
	Značka shody na Ukrajině
	Značka shody pro oblast Eurasie

TECHNICKÉ ÚDAJE	M12 FNB16
Typ	Orezač
Výrobné číslo	4911 90 01 XXXXX MJJJJ
Napätie výmenného akumulátora	12 V \approx
Počet zdvihov naprázdno	n_0 1400 - 2200 min ⁻¹
Max. strihový výkon	
Oceľ < 400 N/mm ²	1,6 mm
Oceľ < 600 N/mm ²	1,2 mm
Oceľ < 800 N/mm ²	0,7 mm
Hliník < 250 N/mm ²	2,1 mm
Šírka rezu	5 mm
Najmenší polomer oblúka	40,7 mm
Priemer úvodného otvoru	21 mm
Hmotnosť podľa vykonávacieho predpisu EPTA 01/2014 (Li-Ion 2,0 Ah ... 6,0 Ah)	1,4 ... 1,6 kg
Odporúčaná teplota okolia pre prevádzku	-18 ... +50 °C
Odporúčaná akupaky	M12B...
Odporúčaná nabíjačky	C12C; M12C4; M12-18...

Informácia o hluku: Namerané hodnoty určené v súlade s EN 62841. V triede A posudzovaná hladina hluku prístroja číni typicky:

Hladina akustického tlaku / Kolísavosť K	88,6 dB (A) / 3 dB (A)
Hladina akustického výkonu / Kolísavosť K	99,6 dB (A) / 3 dB (A)

Používajte ochranu sluchu!

Informácie o vibráciách: Celkové hodnoty vibrácií (vektorový súčet troch smerov) zistených zmysle EN 62841.

Hodnota vibračných emisií $a_{p,1}$ / Kolísavosť K	6,9 m/s ² / 1,5 m/s ²
--	---

POZOR!

Úroveň vibrácií a emisií hluku uvedená v tomto informačnom liste bola meraná v súlade so štandardizovanou skúškou uvedenou v EN 62841 a môže sa použiť na porovnanie jedného nástroja s druhým. Môže sa použiť v predbežnom posúdení expozície.

Deklarovaná úroveň vibrácií a emisií hluku predstavuje hlavné aplikácie nástroja. Ak sa však nástroj používa pre rôzne aplikácie, s rôznym príslušenstvom alebo s nedostatočnou údržbou, môžu sa vibrácie a emisie hluku líšiť. To môže výrazne zvýšiť úroveň expozície počas celej pracovnej doby.

Odhad úrovne expozície vibráciám a hluku by mal tiež brať do úvahy čas, keď je nástroj vypnutý alebo keď beží, ale v skutočnosti nevykonáva prácu. To môže výrazne znížiť úroveň expozície počas celej pracovnej doby.

Identifikujte dodatočné bezpečnostné opatrenia na ochranu pracovníka obsluhy pred účinkami vibrácií a/alebo hluku, ako je: údržba nástroja a príslušenstva, udržanie teplých rúk, organizácia pracovných schém.

POZOR! Prečítajte si všetky bezpečnostné upozornenia,

pokyny, vyobrazenia a údaje, ktoré dostanete spolu s prístrojom. Ak by ste nedodržali nasledujúce pokyny, mohlo by to mať za následok záhľad elektrickým prúdom, vznik požiaru a/alebo vážne poranenie.

Tieto výstražné upozornenia a bezpečnostné pokyny starostlivo uschovajte na budúce použitie.

BEZPEČNOSTNÉ VAROVANIA PRE OREZÁVAČ

Prístroj, príslušenstvo, nasadzované nástroje, atď. používajte podľa týchto pokynov. Zohľadnite pri tom pracovné podmienky a činnosť, ktorá má byť zrealizovaná. Použitie prístrojov na iné ako stanovené účely môže viesť k nebezpečným situáciám.

Pri práci so strojom vždy noste ochranné okuliare. Odporúčame ochranné rukavice, pevnú protišmykovú obuv a zásteru.

Obrobok zabezpečte upínacím zariadením. Nezabezpečené obrobky môžu spôsobiť ťažké poranenia a poškodenia.

Pri rezaní, držte nástroj tak, aby sa nože sú v pevnom kontakte s materiálom pre najrýchlejšie rezanie. Použiť aj tlak. Príliš veľký tlak bude mať tendenciu sa zablokovat' nástroje, alebo spôsobiť hrubý strih.

Venujte prosím pozornosť tomu, že sa vrtáčka pri znížení zaťaženia na normálnu hodnotu opäť zapne a nabehne na pôvodný počet pracovných otáčok. Elektrické náradie nikdy neodkladajte skôr, ako sa pracovný nástroj úplne zastaví. Nasadený nástroj sa môže zaseknúť a viesť k strate kontroly nad prístrojom.

ĎALŠIE BEZPEČNOSTNÉ A PRACOVNÉ POKYNY

Pred každou prácou na stroji výmenný akumulátor vytiahnuť.

POZOR! Aby ste zabránili nebezpečenstvu požiaru spôsobeného

UPOZORNENIE NA LÍTIUM-IÓNOVÉ BATÉRIE

Použitie lítium-iónových batérií

Dlhší čas nepoužívanie výmenné akumulátory pred použitím dobiť.

Teplota vyššia ako 50°C znižuje výkon výmenného akumulátora. Zabráňte dlhšiemu ohriatiu slnkom alebo kúrením.

Prípadne kontakty na nabíjacom zariadení a výmennom akumulátore udržiavať čisté.

Pre optimálnu životnosť je nutné akumulátory po použití plne dobiť.

K zabezpečeniu dlhej životnosti by sa akumulátory mali po nabití vybrať z nabíjačky.

Pri skladovaní akumulátora po dobu dlhšiu než 30 dní:

Skladujte akumulátor v suchu pri cca 27°C.

Skladujte akumulátor pri cca 30%-50% nabíjacej kapacity.

Opakujte nabíjanie akumulátora každých 6 mesiacov.

Ochrana proti preťaženiu pri lítium-iónových batériách

Pri preťažení akumulátora príliš vysokou spotrebou prúdu, napríklad pri extrémne vysokom krútiacom momente, začne elektrické náradie po dobu 5 sekúnd vibrovať, indikátor dobíjania začne blikať a motor sa následne samočinne vypne.

K opätovnému zapnutiu uvoľníte a následne opäť stlačíte tlačidlový vypínač. Pri extrémnom zaťažení dochádza k príliš vysokému ohrevu akumulátora. V tomto prípade začnú blikať všetky kontrolky indikátora dobíjania a blikajú tak dlho, dokiaľ sa akumulátor opäť neochladí. V okamihu, keď indikátor dobíjania prestane blikať, je možné v práci opäť pokračovať.

Preprava lítiovo-iónových batérií

Lítiovo-iónové batérie podľa zákonných ustanovení spadajú pod prepravu nebezpečného nákladu.

Preprava týchto batérií sa musí realizovať s dodržiavaním lokálnych, vnútroštátnych a medzinárodných predpisov a ustanovení.

Spotrebiteľia môžu tieto batérie bez problémov prepravovať po cestách.

Komerčná preprava lítiovo-iónových batérií prostredníctvom špedičných firiem podlieha ustanoveniam o preprave nebezpečného nákladu. Prípravu k vyexpedovaniu a samotnú prepravu smú vykonávať iba adekvátne vyškolené osoby. Na celý proces sa musí odborné dohliadať.

Pri preprave batérií treba dodržiavať nasledovné:

Zabezpečte, aby boli kontakty chránené a izolované, aby sa zamedzilo skratom.

Dávajte pozor na to, aby sa zväzok batérií v rámci balenia nemohol sozmyknúť. Poškodené a vytečené batérie sa nesmú prepravovať. Kvôli ďalším informáciám sa obráťte na vašu špedičnú firmu.

NAPOTKI ZA DELO

Razník a maticu pravidelne čistite a mažte.

Pravidelne kontrolujte opotrebovanie razníka a matrice. Vymeňte razník a maticu včas, aby ste chránili orezávač. Tupé nástroje môžu orezávač preťažovať. Iba ostré nástroje poskytujú dobrý rezný výkon a predlžujú životnosť elektrického náradia.

Na predĺženie životnosti razníka je potrebné použiť mazivo s dobrými chladiacimi vlastnosťami (napr. rezný olej).

Naneste mazivo na hornú stranu kovového plechu pozdĺž zamýšľanej línie rezu.

Elektrickým náradím pohybujte k obrobku iba vtedy, keď je zapnuté. Elektrické náradie držte vždy kolmo na povrch plechu a nenakláňajte ho.

Elektrické náradie vedte rovnomerne a s miernou tlačnou silou v smere rezu.

Nadmerná sila výrazne znižuje životnosť vkladacích nástrojov a môže poškodiť elektrické náradie.

ČISTENIE

Vetracie otvory udržiavať stále v čistote.

ÚDRŽBA

Používať len Milwaukee príslušenstvo a Milwaukee náhradné diely. Súčiastky bez návodu na výmenu treba dať vymeniť v jednom z Milwaukee zákaznických centier (viď brožúru Záruka/Adresy zákaznických centier).

Pri udaní typu stroja a čísla nachádzajúceho sa na štítku dá sa v prípade potreby vyžiadať explozívna schéma prístroja od vášho zákaznického centra alebo priamo v Techronic Industries GmbH, Max-Eyth-Straße 10, 71364 Winnenden, Germany.

SYMBOLY

	Pred prvým použitím prístroja si pozorne prečítajte návod na obsluhu.
	POZOR! NEBEZPEČENSTVO!
	Pred každou prácou na stroji výmenný akumulátor vytiahnuť.
	Pri práci so strojom vždy noste ochranné okuliare.
	Používajte ochranné rukavice!
	Elektrické zariadenia, batérie/akumulátory sa nesmú likvidovať spolu s odpadom z domácnosti. Elektrické zariadenia, batérie/akumulátory treba zbierať oddelene a odovzdať ich v recyklačnom podniku na ekologickú likvidáciu. Na miestnych úradoch alebo u vášho špecializovaného predajcu sa pýtajte na recyklačné podniky a zberné dvory.
n_0	Počet zdvihov naprázdno
V	Napätie
	Jednosmerný prúd
	Značka zhody v Európe
	Značka zhody v Británii
	Značka zhody na Ukrajine
	Značka zhody pre oblasť Eurázie

DANE TECHNICZNE		M12 FNB16
Typ	Nożyce wibracyjne	
Numer produkcyjny	4911 90 01 XXXXXX MJJJJ	
Napięcie baterii akumulatorowej	12 V \approx	
Skok bez obciążenia	n_0 1400 - 2200 min ⁻¹	
Maksymalna wydajność cięcia		
Stal < 400 N/mm ²	1,6 mm	
Stal < 600 N/mm ²	1,2 mm	
Stal < 800 N/mm ²	0,7 mm	
Aluminium < 250 N/mm ²	2,1 mm	
Szerokość cięcia	5 mm	
Najmniejszy promień krzywizny	40,7 mm	
Początkowa średnica otworu	21 mm	
Ciężar wg procedury EPTA 01/2014 (Li-Ion 2,0 Ah ... 6,0 Ah)	1,4 ... 1,6 kg	
Zalecana temperatura otoczenia w trakcie eksploatacji	-18 ... +50 °C	
Zalecane zestawy akumulatorowe	M12B...	
Zalecane ładowarki	C12C; M12C4; M12-18...	

Informacja dotycząca szumów: Zmierzone wartości wyznaczono zgodnie z normą EN 62841. Poziom szumów urządzenia oszacowany jako A wynosi typowo:

Poziom ciśnienia akustycznego / Niepewność K	
Poziom mocy akustycznej / Niepewność K	88,6 dB (A) / 3 dB (A)
Należy używać ochraniaczy uszu!	99,6 dB (A) / 3 dB (A)

Informacja dotycząca wibracji: Wartości łączne drgań (suma wektorowa trzech kierunków) wyznaczone zgodnie z normą EN 62841

Wartość emisji drgań a_{hv} / Niepewność K	6,9 m/s ² / 1,5 m/s ²
--	---

OSTRZEŻENIE!

Poziom drgań i emisji hałasu podany w niniejszej instrukcji zmierzono zgodnie ze standardową metodą badania wg EN 62841 i można ją wykorzystywać do porównania narzędzia z innym narzędziem. Można go wykorzystywać przy wstępnej ocenie narażenia.

Deklarowany poziom emisji drgań i hałasu reprezentuje główne zastosowania narzędzia. Jeśli jednak narzędzie jest używane do różnych zastosowań, z różnymi akcesoriami lub w przypadku nieprawidłowej konserwacji, emisja drgań i hałasu może się różnić. Może to znacznie zwiększyć poziom narażenia w całym okresie eksploatacji narzędzia.

Oszacowanie poziomu narażenia na wibrację i hałas powinno również uwzględniać czasy, kiedy narzędzie jest wyłączone lub kiedy jest włączone, ale nie pracuje. Może to znacznie obniżyć poziom ekspozycji w całym okresie eksploatacji narzędzia.

Należy zidentyfikować dodatkowe środki bezpieczeństwa w celu ochrony operatora przed skutkami wibracji i/ lub hałasu, takie jak: utrzymywanie narzędzia i akcesoriów w nienagannym stanie, utrzymywanie ciepła rąk, organizacja pracy.

OSTRZEŻENIE! Przeczytać wszystkie wskazówki bezpieczeństwa, instrukcje, ilustracje i dane dołączone do urządzenia. Jeśli nie będą przestrzegane następujące przepisy, może dojść do porażenia prądem, pożaru i/ lub ciężkich obrażeń ciała.

Należy starannie przechowywać wszystkie przepisy i wskazówki bezpieczeństwa dla dalszego zastosowania.

OSTRZEŻENIA DOTYCZĄCE BEZPIECZEŃSTWA EKSPLOATACJI NOŻYC WIBRACYJNYCH

Używać urządzenia, akcesoriów, narzędzi roboczych itd. zgodnie z niniejszymi instrukcjami. Przy czym należy uwzględnić warunki pracy i wykonywane czynności. Użycie urządzeń do zastosowań innych, aniżeli przewidziane, może prowadzić do powstania niebezpiecznych sytuacji. Podczas pracy należy zawsze nosić okulary ochronne. Zalecane jest także noszenie rękawic, mocnego, nie ślizgającego się obuwia oraz ubrania roboczego.

Należy zabezpieczyć przedmiot poddawany obróbce za pomocą urządzenia mocującego. Niezabezpieczone przedmioty poddawane obróbce mogą spowodować ciężkie obrażenia ciała i uszkodzenia. Podczas cięcia, przytrzymać tak, że ostrza są stykać się z materiałem dla najszybszych cięcia. Zastosowanie nawet ciśnienia. Zbyt duże ciśnienie będzie miało tendencję do jam narzędzia lub spowodować zgrubnej.

Należy pamiętać, iż w przypadku zaniku obciążenia maszyna samoczynnie powraca do pierwotnej roboczej liczby obrotów. Nigdy nie odkładać urządzenia zanim obrotowy osprzęt nie przestanie się zatrzymać. Narzędzie robocze może się zakleszczyć i doprowadzić do utraty kontroli nad urządzeniem.

DODATKOWE WSKAZÓWKI BEZPIECZEŃSTWA I INSTRUKCJE ROBOCZE

Przed przystąpieniem do jakichkolwiek prac na elektronarzędziu należy wyjąć wkładkę akumulatorową.

OSTRZEŻENIE! Aby uniknąć niebezpieczeństwa pożaru, obrażeń lub uszkodzeń produktu na skutek zwarcia, nie wolno zanurzać narzędzia, akumulatora wymiennego ani ładowarki w cieczach i należy zatroszczyć się o to, aby do urządzeń i akumulatorów nie dostały się żadne ciecz. Zwarcie spowodować mogą korodujące lub przewodzące ciecz, takie jak woda morską, określone chemikalia i wybielacze lub produkty zawierające wybielacze.

Akumulatory Systemu M12 należy ładować wyłącznie przy pomocy ładowarek Systemu M12. Nie ładować przy pomocy tych ładowarek akumulatorów innych systemów.

Nie otwierać wkładek akumulatorowych i ładowarek. Przechowywać w suchych pomieszczeniach. Chronić przed wilgocią.

WARUNKI UŻYTKOWANIA

To elektronarzędzie przeznaczone jest do cięcia blach z materiałów nadających się do przecięcia bez deformacji blachy. Nadaje się do cięć prostych, zakrzywionych oraz wycięć.

Nie należy używać produktu w inny sposób niż zgodny z jego przeznaczeniem.

ZAGROŻENIA RESZTKOWE

Nawet przy prawidłowym użytkowaniu nie można wykluczyć wszystkich ryzyk rezydualnych. W trakcie użytkowania mogą powstawać poniższe zagrożenia, nawet w przypadku zachowania przez operatora najwyższej troski:

- Obrażenia spowodowane przez wibracje. Urządzenie należy

trzymać za przeznaczony w tym celu uchwyt i ograniczać czas pracy i czas ekspozycji.

- Uciążliwość akustyczna może prowadzić do uszkodzeń słuchu. Należy mieć na sobie nasłucharki i ograniczać czas trwania ekspozycji.
- Obrażenia oczu spowodowane przez cząstki brudu. Należy zawsze mieć na sobie okulary ochronne, solidne długie spodnie, rękawice i solidne buty robocze.
- Wdychanie toksycznego pyłu.

WSKAZÓWKI DLA AKUMULATORÓW LITOWO-JONOWYCH

Użytkowanie akumulatorów litowo-jonowych

Akumulatory, które nie były przez dłuższy czas użytkowane, należy przed użyciem naładować.

W temperaturze powyżej 50 °C następuje spadek osiągniętych wkładki akumulatorowej. Unikaj długotrwałego wystawienia na oddziaływanie ciepła lub promieni słonecznych (niebezpieczeństwo przegrzania). Styki ładowarek i wkładek akumulatorowych należy utrzymywać w czystości

Dla zapewnienia optymalnej żywotności akumulatora po użyciu należy naładować do pełnej pojemności.

Dla zapewnienia możliwie długiej żywotności akumulatory należy wyjąć z ładowarki po ich naładowaniu.

W przypadku składowania akumulatorów dłużej aniżeli 30 dni:

Przechowywać je w suchym miejscu w temperaturze ok. 27 °C.

Przechowywać je w stanie naładowanym do ok. 30% - 50%.

Ładować je ponownie co 6 miesięcy.

Ochrona przeciwprzebiegniowa w akumulatorach litowo-jonowych

W przypadku przecięcia akumulatora przez bardzo duży pobór prądu, na przykład wskutek ekstremalnie dużych momentów obrotowych, narzędzie ręczne z napędem elektrycznym wibruje przez 5 sekund, miga wskaźnik ładowania i narzędzie samoczynnie wyłącza się.

W celu ponownego włączenia narzędzia należy zwolnić przycisk przełączający, a następnie ponownie go włączyć. Przy ekstremalnych obciążeniach akumulator nagrzewa się za mocno. W takim przypadku wszystkie lampki wskaźnika ładowania migają tak długo, aż akumulator ochłodzi się. Po zgaśnięciu wskaźnika ładowania można kontynuować pracę.

Transport akumulatorów litowo-jonowych

Akumulatory litowo-jonowe podlegają ustawowym przepisom dotyczącym transportu towarów niebezpiecznych.

Transport tych akumulatorów winien odbywać się przy przestrzeganiu lokalnych, krajowych i międzynarodowych rozporządzeń i przepisów. Odbiorcom nie wolno transportować tych akumulatorów po drogach od tak po prostu.

Komercyjny transport akumulatorów litowo-jonowych przez przedsiębiorstwa spedycyjne podlega przepisom dotyczącym transportu towarów niebezpiecznych. Przygotowania do wysyłki oraz transport mogą być wykonywane wyłącznie przez odpowiednio przeszkolone osoby. Cały proces winien odbywać się pod fachowym nadzorem.

W czasie transportu akumulatorów należy przestrzegać następujących punktów:

Celem uniknięcia zwarcia należy upewnić się, że zestyki są zabezpieczone i zaizolowane.

Zwracać uwagę na to, aby zespół akumulatorów nie mógł się przemieszczać we wnętrzu opakowania. Nie wolno transportować akumulatorów uszkodzonych lub z wyciekającym z elektrolitem.

Odnosnie dalszych wskazówek należy zwrócić się do swojego przedsiębiorstwa spedycyjnego.

WSKAZÓWKI DOTYCZĄCE UŻYTKOWANIA

Należy regularnie czyścić i smarować głowicę urządzenia.

Głowicę należy regularnie sprawdzać pod kątem zużycia. Zużyta głowicę należy wymienić, aby zapewnić prawidłową eksploatację urządzenia. Korzystanie z urządzenia ze zużytej głowicą może spowodować jego przeciężenie. Tylko odpowiednio naostrzone narzędzia zapewniają dobrą wydajność cięcia i gwarantują trwałość elektronarzędzia.

Aby przedłużyć trwałość głowicy, należy stosować środek smarny o dobrych właściwościach chłodzących (np. olej do cięcia).

Smar należy nakładać na górną stronę blachy wzdłuż zamierzonej linii cięcia.

Elektronarzędzie można zbliżać do obrabianego przedmiotu tylko wtedy, gdy jest włączone.

Elektronarzędzie prowadzi prostopadłe do powierzchni blachy i nie przechylać go.

Elektronarzędzie należy prowadzić równomiernie z niewielką siłą docisku w kierunku cięcia.

Używanie nadmiernej siły znacznie skraca trwałość wymiennej głowicy i może doprowadzić do uszkodzenia elektronarzędzia.

CZYSZCZENIE

Otwory wentylacyjne elektronarzędzia muszą być zawsze drożne.

UTRZYMANIE I KONSERWACJA

Używać tylko i wyłącznie wyposażenia dodatkowego Milwaukee i części zamiennych Milwaukee. Gdyby trzeba było wymienić części, które nie zostały opisane, należy skontaktować się z przedstawicielem serwisu Milwaukee (patrz wykaz adresów punktów usługowych/gwarancyjnych).

Na życzenie można otrzymać rysunek widoku zespołu rozebranego. Przy zamawianiu należy podać numer oraz typ elektronarzędzia umieszczonego na tabliczce znamionowej. Zamówienia można dokonać albo u lokalnych przedstawicieli serwisu, albo bezpośrednio w Techtronic Industries GmbH, Max-Eyth-Straße 10, 71364 Winnenden, Germany.

SYMBOLY

	Przed uruchomieniem elektronarzędzia zapoznać się uważnie z treścią instrukcji.
	UWAGA! OSTRZEŻENIE NIEBEZPIECZEŃSTWO!
	Przed przystąpieniem do jakichkolwiek prac na elektronarzędziu należy wyjąć wkładkę akumulatorową.
	Podczas pracy należy zawsze nosić okulary ochronne.
	Nosić rękawice ochronne!
	Urządzenia elektryczne, baterie/akumulatory nie mogą być usuwane razem z odpadami pochodzącymi z gospodarstw domowych. Urządzenia elektryczne i akumulatory należy gromadzić oddzielnie i w celu usuwania ich do odpadów zgodnie z wymaganiami środowiska naturalnego oddawać do przedsiębiorstwa utylizacyjnego. Proszę zasięgnąć informacji o centrach recyklingowych i punktach zbiorczych u władz lokalnych lub u wyspecjalizowanego dostawcy.
n_0	Skok bez obciążenia
V	Napięcie
	Prąd stały
	Europejski Certyfikat Zgodności
	Brytyjski Certyfikat Zgodności
	Ukraiński Certyfikat Zgodności
001	
	Euroazjatycki Certyfikat Zgodności

MŰSZAKI ADATOK	M12 FNB16
Felépítés	Folyamatos lyukasztó
Gyártási szám	4911 90 01 XXXXXX MJJJJ
Akkumulátor feszültség	12 V \approx
Üresjáratú löketség	n_0 1400 - 2200 min ⁻¹
Max. vágási teljesítmény	
Acél < 400 N/mm ²	1,6 mm
Acél < 600 N/mm ²	1,2 mm
Acél < 800 N/mm ²	0,7 mm
aluminium < 250 N/mm ²	2,1 mm
Vágás szélesség	5 mm
Legkisebb ívsugár	40,7 mm
Kezdőlyuk-átmérő	21 mm
Súly a 01/2014 EPTA-eljárás szerint (Li-Ion 2,0 Ah ... 6,0 Ah)	1,4 ... 1,6 kg
Üzemeléshez ajánlott környezeti hőmérséklet	-18 ... +50 °C
Ajánlott akkucsomagok	M12B...
Ajánlott töltőkészülékek	C12C; M12C4; M12-18...
Zajinformáció: A közölt értékek megfelelnek az EN 62841 szabványnak. A készülék munkahelyi zajszintje tipikusan:	
Hangnyomás szint / K bizonytalanság	88,6 dB (A) / 3 dB (A)
Hangteljesítmény szint / K bizonytalanság	99,6 dB (A) / 3 dB (A)
Hallásvédő eszköz használata ajánlott!	
Vibráció-információk: Összesített rezgésértékek (három irány vektorális összeg az EN 62841-nek megfelelően meghatározva.	
rezgésemisszió érték $a_{h, K}$ / K bizonytalanság	6,9 m/s ² / 1,5 m/s ²

FIGYELMEZTETÉS!

Az adatlapon feltüntetett rezgés- és zajkibocsátási szint mérésére az EN 62841 szabványos vizsgálati módszere alapján került sor, és a kapott értékek az egyes szerszámok összehasonlítására használhatók. Az értékek az expozíció előzetes értékelésében használhatók.

A feltüntetett rezgés- és zajkibocsátási szint a szerszám főbb alkalmazásait tükrözi. Mindazonáltal, ha a szerszámot különböző alkalmazásokra, eltérő tartozékokkal használják, illetve a szerszám nincs megfelelően karbantartva, a rezgés- és zajkibocsátási szint eltérő lehet. Ez jelentősen növelheti az expozíciós szintet a teljes munkafolyamat során.

A rezgésnek és zajnak való expozíció becslést szintjét is figyelembe kell venni a szerszám kikapcsolásakor, illetve olyankor, ha a szerszám üzemel, de valójában nem történik vele munkavégzés. Ez jelentősen csökkentheti az expozíciós szintet a teljes munkafolyamat során.

Határozzon meg további biztonsági intézkedéseket, hogy védje a kezelőt a rezgés- és/vagy zajhatásoktól. Ilyen intézkedések pl.: a szerszámok és tartozékok karbantartása, a kéz melegen tartása, munkarend-szervezés.

FIGYELMEZTETÉS! Olvasson el minden, a géppel együtt megkapott biztonsági utalást, utasítást, ábrázolást és adatot. Ha nem tartja be a következő előírásokat, akkor ez áramütéshez, tűzhöz és/vagy súlyos személyi sérülésekhez vezethet.

Kérjük a későbbi használatra gondosan őrizze meg ezeket az előírásokat.

FOLYAMATOS LYUKASZTÓ BIZTONSÁGI FIGYELMEZTETÉSEI

A készüléket, tartozékokat, betétszerszámokat stb. a jelen utasításoknak megfelelően használja. Ennek során vegye figyelembe a munkakörülményeket és az végzendő tevékenységet. Készülékek az előíranyozottól eltérő alkalmazásokra történő használata veszélyes helyzeteket idézhet elő.

Munkavégzés közben ajánlatos védőszemüveget viselni. Védőkesztyű, zárt és csúszásmentes cipő, valamint védőkötény használata szintén javasolt.

Biztosítsa a munkadarabot befogó szerkezettel. A nem biztosított munkadarabok súlyos sérüléseket és károkat okozhatnak.

A vágás, tartsa a szerszámot, hogy a kések vannak szoros kapcsolatban áll az anyag a leggyorsabb vágás. Alkalmazza egyenletes nyomást. Túl nagy a nyomás hajlamok elakadhat az eszköz, illetve ne okozzon dűrva vágás.

Kérjük, vegye figyelembe, hogy a gép a terhelés megszűnése esetén ismét önállóan az eredeti munkafordulatszámra gyorsul. Ne tegye le soha addig az elektromos szerszámot, amíg a mozgó szerszámrés nem állt le teljesen. A betétszerszám megakadhat, és a készülék feletti ellenőrzés elvesztéséhez vezethet.

- A zajterhelés halláskárosodást okozhat. Viseljen hallásvédőt és korlátozza az expozíciós időt.
- Szennyrészecskék által okozott szemsérülések. Viseljen mindig védőszemüveget, erős hosszú nadrágot, kesztyűt és ellenálló lábbelit.
- Mérgező porok belélegzése

LI-ION AKKUKRA VONATKOZÓ ÚTMUTATÁSOK

Li-ion akkuk használata

A hosszabb ideig üzemben kívül lévő akkumulátort használat előtt ismétlenül fel kell tölteni.

50°C feletti hőmérsékletnél csökkenhet az akkumulátor teljesítménye. Kerülni kell a túlzottan meleg helyen vagy napon történő hosszabb idejű tárolást.

A töltő és az akkumulátor csatlakozóit mindig tisztán kell tartani.

Az optimális élettartam érdekében használat után az akkukat teljesen fel kell tölteni.

A lehetőleg hosszú élettartamhoz az akkukat feltöltés után ki kell venni a töltőkészülékből.

Az akku 30 napot meghaladó tárolása esetén:

Az akkut kb. 27 °C-on, száraz helyen kell tárolni.

Az akkut kb. 30-50%-os töltöttségi állapotban kell tárolni.

Az akkut 6 havonta újra fel kell tölteni.

Akku-túlterhelés elleni védelem Li-ion akkuknál

Az akku nagyon nagy áramfelhasználása következtében fellépő túlterhelése esetén - pl. rendkívül magas forgatónyomatékok, a fűrés megmozdulása, hirtelen leállítás vagy rövidzárlat miatt - az elektromos szerszám 5 másodpercen keresztül vibrál, a töltéskijelző villog és az elektromos szerszám magától kikapcsol.

Az újbóli bekapcsoláshoz engedje el a nyomókapcsolót, majd kapcsolja be ismét. Rendkívüli terheléseknél az akku túlságosan felmelegszik. Ebben az esetben a töltéskijelző minden lámpája addig villog, amíg az akku le nem hűl. Ha a töltéskijelző kialszik, utána tovább lehet dolgozni.

Lítium-ion akkuk szállítása

A lítium-ion akkuk a veszélyes áruk szállítására vonatkozó törvényi rendelkezések hatálya alá tartoznak.

Az ilyen akkuk szállításának a helyi, országos és nemzetközi előírások és rendelkezések betartása mellett kell történnie.

A fogyasztók minden további nélkül szállíthatják az ilyen akkukat közúton.

A lítium-ion akkuk szállítványozási vállalatok általi kereskedelmi célú szállítására a veszélyes áruk szállítására vonatkozó rendelkezések érvényesek. A kiszállítás előkészítését és a szállítást kizárólag megfelelő képzettségű személyek végezhetik. A teljes folyamatnak szakmai felügyelet alatt kell történnie.

A következő pontokat kell figyelembe venni akkuk szállításakor:

Biztosítsa, hogy a rövidzárlatok elkerülése érdekében az érintkezők védve és szigetelve legyenek.

Ügyeljen arra, hogy az akkucsomag ne tudjon elcsúszni a csomagoláson belül. Tilos sérült vagy kifolyt akkukat szállítani. További útmutatásokért forduljon szállítványozási vállalatához.

A HASZNÁLATRA VONATKOZÓ ÚTMUTATÁSOK

Rendszeresen tisztítsa és kenje a lyukasztót és a béléget.

Rendszeresen tisztítsa és kenje a lyukasztót és a béléget.

A folyamatos lyukasztó védelme érdekében időben cserélje a lyukasztót és a béléget. Elettlen szerszámok túlterhelhetik a folyamatos lyukasztót. Csak éles szerszámok nyújtanak jó vágási teljesítményt és növelik meg a villamos szerszám élettartamát.

A lyukasztó hasznos élettartamának megnövelése érdekében jó hűtési tulajdonságokkal rendelkező kenőanyagot (pl. vágóolajat) kell használni.

A tervezett vágási vonal mentén vigyen fel kenőanyagot vékony vonalban a fémlemez felső oldalára.

A villamos szerszámot csak bekapcsolt állapotban mozgassa a munkadarabbal szemben.

A villamos szerszámot mindig a lemezfelületre merőlegesen tartsa és ne döntse meg.

A villamos szerszámot egyenletesen vezesse, a vágási irányba kifejtett csekély nyomóerővel.

A túlzott erő csökkenti a szerszámotét élettartamát és károsíthatja a villamos szerszámot.

TISZTÍTÁS

A készülék szellőzőnyílásait mindig tisztán kell tartani.

KARBANTARTÁS

Csak Milwaukee tartozékokat és Milwaukee pótalkatrészeket szabad használni. Az olyan elemeket, melyek cseréje nincs ismertetve, cseréltesse ki Milwaukee szervizzel (lásd Garancia/Ügyfélszolgálat címei kiadványt).

Szükség esetén a készülékek robbantott ábráját - a készülék típusa és azonosító száma alapján a területileg illetékes TTI márkaszerviztől vagy közvetlenül a gyártótól (Techtron Industries GmbH, Max-Eyth-Straße 10, 71364 Winnenden, Germany) lehet kérni.

SZIMBÓLUMOK

	Kérjük alaposan olvassa el a tájékoztatót mielőtt a gépet használja.
	FIGYELEM! FIGYELMEZTETÉS! VESZÉLY!
	Karbantartás, javítás, tisztítás, stb. előtt az akkumulátort ki kell venni a készülékből.
	Munkavégzés közben ajánlatos védőszemüveget viselni.
	Hordjon védőkesztyűt!
	Az elektromos eszközöket, elemeket/akkukat nem szabad a háztartási hulladékkal együtt ártalmatlanítani. Az elektromos eszközöket és akkukat szelektíven kell gyűjteni, és azokat környezetbarát ártalmatlanítás céljából hulladékhasznosító üzemben kell leadni. A helyi hatóságoknál vagy szakkereskedőjénél tájékozódjon a hulladékudvarokról és gyűjtőhelyekről.
n_0	Üresjáratú löketség
V	Feszültség
≡	Egyenáram
	Európai megfelelőségi jelölés
	Egyesült királyságbeli megfelelőségi jelölés
	Ukrán megfelelőségi jelölés
001	
	Eurázsiai megfelelőségi jelölés

TEHNIČNI PODATKI	M12 FNB16
Model	Škarje
Proizvodna številka	4911 90 01 XXXXXX MJJJJ
Napetost izmenljivega akumulatorja	12 V \approx
Število dvigov v prostem teku	n_0 1400 - 2200 min ⁻¹
Maksimalna jakost reza	
Jeklo < 400 N/mm ²	1,6 mm
Jeklo < 600 N/mm ²	1,2 mm
Jeklo < 800 N/mm ²	0,7 mm
Aluminij < 250 N/mm ²	2,1 mm
Širina reza	5 mm
Najmanjši polmer krivulje	40,7 mm
Začetni premer luknje	21 mm
Teža po EPTA-proceduri 01/2014 (Li-Ion 2,0 Ah ... 6,0 Ah)	1,4 ... 1,6 kg
Priporočena temperatura okolice za obratovanje	-18 ... +50 °C
Priporočeni kompleti akumulatorjev	M12B...
Priporočeni polnilniki	C12C; M12C4; M12-18...

Informacije o hrupnosti: Vrednosti merjenja ugotovljene ustrežno z EN 62841. Raven hrupnosti naprave odrednotena z A, znaša tipično:

Nivo zvočnega tlaka / Nevarnost K 88,6 dB (A) / 3 dB (A)

Višina zvočnega tlaka / Nevarnost K 99,6 dB (A) / 3 dB (A)

Nosite zaščito za sluh!

Informacije o vibracijah: Skupna vibracijska vrednost (Vektorska vsota treh smerdoločena ustrežno EN 62841.

Vibracijska vrednost emisij a_n / Nevarnost K 6,9 m/s² / 1,5 m/s²

⚠ OPOZORILO!

Raven vibracij in hrupa, navedena v tem informativnem listu, je bila izmerjena v skladu s standardiziranim preskusom iz EN 62841 in jo je mogoče uporabljati za primerjavo orodij med seboj. Mogoče jo je tudi uporabiti za predhodno oceno izpostavljenosti.

Navedena raven vibracij in hrupa predstavlja glavno uporabo orodja. Če pa se orodje uporablja za različne namene, z različnimi dodatki ali slabo vzdrževano, se lahko vibracije in hrup razlikujejo. To lahko znatno poveča raven izpostavljenosti v celotnem delovnem obdobju.

Pri oceni ravni izpostavljenosti vibracijam in hrupu je treba upoštevati tudi čas, ko je orodje izklopljeno ali ko teče, vendar dejansko ne opravlja dela. To lahko bistveno zmanjša raven izpostavljenosti v celotnem delovnem obdobju.

Ugotovite dodatne varnostne ukrepe za zaščito upravljalca pred učinki vibracij in/ali hrupa, kot so: vzdrževanje orodja in dodatkov, tople roke, organizacija delovnih vzorcev.

⚠ OPOZORILO! Preberite vse varnostne napotke, navodila, prikaze in podatke, ki ste jih prejeli skupaj z napravo. Zaradi nespoštovanja spodaj navedenih navodil lahko pride do električnega udara, požara in/ali težkih telesnih poškodb.

Vsa opozorila in napotila shranite, ker jih boste v prihodnje še potrebovali.

VARNOSTNA OPOZORILO ZA ŠKARJE

Napravo, pribor, orodje itn. uporabljajte ustrežno tem navodilom. Pri tem upoštevajte delovne pogoje in izvajanje dejavnosti. Uporaba naprav za drugačne namene, ki niso predvideni, lahko privede do nevarnih situacij.

Pri delu s strojem vedno nosite zaščitna očala. Priporočamo zaščitne rokavice, trdno obvalo, varno proti drsenju ter predpasnik.

Obdelovanec zavarujte z vpenjalno pripravo. Nezavarovani obdelovanci lahko povzročijo težke poškodbe in okvare.

Pri žaganju, imajo orodje, tako da so lopatice v trdnem stiku z materialom za najhitrejšo rezanje. Uporabljajo tudi pritisk. Preveč pritiska bo ponovni marmelado funkcije ali povzročilo grobo rez.

Prosimo vas, da upoštevate, da se stroj po prenehanju obremenitve ponovno samostojno zažene na prvotno obratovno število vrtljajev. Ne odlagajte električno napravo vse dokler se električna naprava ni popolnoma umirila. Uporabljeno orodje se lahko zagozdi in privede do izgube nadzora nad napravo

NADALJNA VARNOSTNA IN DELOVNA OPOZORILO

Pred vsemi deli na stroji odstranite izmenljivi akumulator.

OPOZORILO! V izogib, s kratkim stikom povzročene nevarnosti požara, poškodb ali okvar na proizvodno, orodja, izmenljivega akumulatorja ali polnilne naprave ne potaplajte v tekočine in

poskrbite, da ne bo prihajalo do vdora tekočin v napravo in akumulatorje. Korozivne ali prevodne tekočine, kot so slana voda, določene kemikalije in belila ali proizvodi, ki le ta vsebujejo, lahko povzročijo kratek stik.

Izmenljive akumulatorje sistema M12 polnite samo s polnilnimi aparati sistema M12. Ne polnite nobenih akumulatorjev iz drugih sistemov.

Izmenljivih akumulatorjev in polnilnih aparatov ne odpirajte in jih hranite samo v suhih prostorih. Zaščitite jih pred mokroto.

UPORABA V SKLADU Z NAMEMBNOSTJO

Električno orodje je namenjeno rezanju pločevine iz udarnih materialov brez deformacije pločevine. Primerno je za ravne ureznine, ozke krivulje in izrezovanje.

Izdelka ne uporabljajte na noben drugačen način od navedenega za predvideno uporabo.

PREOSTALE NEVARNOSTI

Tudi pri pravilni uporabi vseh pretalih tveganj ni mogoče izključiti. Pri uporabi lahko pride do sledečih nevarnosti, na katere naj bo uporabnik zmeraj pozoren:

- V sled vibracij povzročene poškodbe. Napravo držite za temu namenu predvidene ročaje in omejite čas dela in izpostavljenosti.
- Obremenitev s hrupom lahko privede do poškodb sluha. Nosite zaščitno sluh in omejite dovo izpostavljenosti.
- V sled delcev nečistoč povzročene poškodbe oči. Nosite zmeraj zaščitna očala, močne dolge hlače, rokavice in močno obutev.
- Vdihavanje nevarnih prahov.

NAPOTKI ZA LITIJ-IONSKE AKUMULATORJE

Uporaba litij-ionskih akumulatorjev

Izmenljive akumulatorje, ki jih daljši čas niste uporabljali, pred uporabo naknadno napolnite.

Temperatura nad 50 °C zmanjšuje zmogljivost izmenljivega akumulatorja. Izogibajte se daljšemu segrevanju zaradi sončnih žarkov ali gretja.

Pazite, da ostanejo priključni kontakti na polnilnem aparatu in izmenljivem akumulatorju čisti.

za optimalno življenjsko dobo je potrebno akumulatorje po uporabi do konca napolniti.

Za čim daljšo življenjsko dobo naj se akumulatorji po napolnitvi vzamejo ven iz naprave za polnjenje.

Pri skladiščenju akumulatorjev dalj kot 30 dni:

Akumulator skladiščiti pri 27 °C in na suhem.

Akumulator skladiščiti pri 30%-50% stanja polnjenja.

Akumulator spet napolniti vsakih 6 mesecev.

Preobremenitvena zaščita litij-ionskih akumulatorjev

V primeru preobremenitve akumulatorja zaradi visoke porabe toka, npr. ekstremno visokih vrtilnih momentov, nenadne zaustavitve ali kratkega stika, električno orodje 5 sekund vibrira, prikazovalnik polnjenja utripa, električno orodje pa se samodejno izklopi.

Za ponoven vklop izpusite pritisno stikalo in nato znova vklopite. Pod ekstremnimi obremenitvami se akumulator premočno segreva. V tem primeru utripajo vse lučke prikazovalnika polnjenja dokler se akumulator ne ohladi. Za tem, ko prikazovalnik polnjenja ugasne lahko z delom nadaljujemo.

Transport litij-ionskih akumulatorjev

Litij-ionski akumulatorji so podvrženi zakonskim določbam transporta nevarnih snovi.

Transport teh akumulatorjev se mora izvajati upoštevajoč lokalne, nacionalne in mednarodne predpise in določbe.

Potrošniki lahko te akumulatorje še nadalje transportirajo po cesti.

Komercialni transport litij-ionskih akumulatorjev s strani špediterskih podjetij je podvržen določbam transporta nevarnih snovi. Priprava odpreme in transporta se lahko vrši izključno s strani ustrezno izšolanih oseb. Celoten proces je potrebno strokovno spremljati.

Pri transportu akumulatorjev je potrebno upoštevati sledeče točke:

V izogib kratkim stikom zagotovite, da bodo kontakti zaščiteni in izolirani.

Bodite pozorni na to, da paket akumulatorja v notranjosti embalaže ne bo mogel zdrsniti. Poškodovanih ali iztekajočih akumulatorjev ni dovoljeno transportirati. Za nadaljnja navodila se obrnite na vaše špeditersko podjetje.

PRACOVNE POKYNY

Redno čistite in mažite luknjač.

Redno preverjajte luknjač in matrico glede obrabe. Zamenjajte luknjač in matrico, da pravočasno zaščitite škarje. Topa orodja lahko preobremenijo škarje. Le ostro orodje zagotavlja dobro rezanje in podaljša življenjsko dobo električnega orodja.

Za podaljšanje življenjske dobe luknjača je treba uporabiti mazivo z dobrimi hladilnimi lastnostmi (npr. olje za rezanje).

Na zgornjo stran pločevine po predvideni liniji reza nanesite plast maziva.

Električno orodje premikajte ob obdelovanec le, ko je vklopljeno.

Električno orodje vedno držite pravokotno na površino lista in ga ne nagibajte.

Električno orodje enakomerno in z rahlim pritiskom potiskajte v smeri rezanja.

Prekomerna sila znatno skrajša življenjsko dobo vstavnih orodij in lahko poškoduje električno orodje.

ČIŠČENJE

Pazite na to, da so prezračevalne reže stroja vedno čiste.

VZDRŽEVANJE

Uporabljajte samo Milwaukee pribor in Milwaukee nadomestne dele. Poskrbite, da sestavne dele, katerih zamenjava ni opisana, zamenjajo v Milwaukee servisni službi (upoštevajte brošuro Garancija aslovi servisnih služb).

Po potrebi se lahko pri vaši servisni službi ali direktno pri Techtronic Industries GmbH naroči eksplozijska risba naprave ob navedbi tipa stroja in številke s tipске ploščice Techtronic Industries GmbH, Max-Eyth-Straße 10, 71364 Winnenden, Germany.

SIMBOLI

	Prosimo, da pred uporabo pozorno preberete to navodilo za uporabo.
	POZOR! OPOZORILO! NEVARNO!
	Pred vsemi deli na stroji odstranite izmenljivi akumulator.
	Pri delu s strojem vedno nosite zaščitna očala.
	Nositi zaščitne rokavice
	Električnih naprav, baterij/akumulatorjev ni dovoljeno odstranjevati skupaj z gospodinjstvi odpadki. Električne naprave in akumulatorje je potrebno zbirati ločeno in za okolju prijazno odstranitev, oddati podjetju za reciklažo. Pri krajevnem uradu ali vašem strokovnem prodajalcu se pozanimajte glede reciklažnih dvorišč in zbirnih mest.
n_0	Število dvigov v prostem teku
V	Napetost
	Enosmerni tok
	Evropska oznaka za združljivost
	Britanska oznaka za združljivost
	Ukrajinska oznaka za združljivost
	Evrazijska oznaka za združljivost

TEHNIČKI PODACI	M12 FNB16
Vrsta izvedbe	Rezač
Broj proizvodnje	4911 90 01 XXXXXX MJJJJ
Napon baterije za zamjenu	12 V \approx
Broj hodova praznog hoda	n_0 1400 - 2200 min ⁻¹
Učinak rezanja max.	
Čelik < 400 N/mm ²	1,6 mm
Čelik < 600 N/mm ²	1,2 mm
Čelik < 800 N/mm ²	0,7 mm
Aluminij < 250 N/mm ²	2,1 mm
Širina rezanja	5 mm
Najmanji polumjer luka	40,7 mm
Početni promjer otvora	21 mm
Težina po EPTA-proceduri 01/2014 (Li-Ion 2,0 Ah ... 6,0 Ah)	1,4 ... 1,6 kg
Preporučena temperatura okoline za pogon	-18 ... +50 °C
Preporučeni akumulatorski paket	M12B...
Preporučeni punjači	C12C; M12C4; M12-18...

Informacije o buci: Mjerne vrijednosti utvrđene odgovarajuće EN 62841.

A-očijenjeni nivo buke aparata iznosi tipično:

Nivo pritiska zvuka / Nesigurnost K 88,6 dB (A) / 3 dB (A)

Nivo učinka zvuka / Nesigurnost K 99,6 dB (A) / 3 dB (A)

Nositi zaštitu sluha!

Informacije o vibracijama: Ukupne vrijednosti vibracije (Vektor suma tri smjersu odmjerene odgovarajuće EN 62841

Vrijednost emisije vibracije a_n / Nesigurnost K 6,9 m/s² / 1,5 m/s²

UPOZORENIE!

Razine emisije vibracija i buke navedena u ovom informacijskom listu izmjerene su u skladu sa standardiziranim ispitom koji propisuje EN 62841 i mogu se upotrebljavati za međusobnu usporedbu alata. Također se mogu upotrebljavati za prethodnu procjenu izloženosti.

Navedene razine emisija vibracija i buke predstavljaju glavnu svrhu primjene alata. Međutim, ako se alat upotrebljava u druge svrhe, s drugim priborom ili se ne održava dovoljno, emisije vibracija i buke mogu biti drukčije. To može značajno povećati razinu izloženosti tijekom cjelokupna razdoblja rada.

Procjena razine izloženosti vibracijama i buci također bi u obzir trebala uzeti razdoblja tijekom kojih je alat isključen ili kada je uključen, no njime se ne obavlja nikakav rad. Time se značajno može smanjiti razina izloženosti tijekom cjelokupna razdoblja rada.

Utvrđite dodatne sigurnosne mjere kako biste zaštitili rukovatelja od ovih učinaka vibracija i/ili buke, primjerice: održavanje alata i pribora, osiguravanje da ruke budu tople, organizacija obrazaca rada.

UPOZORENIE! Pročitajte sve sigurnosne upute,

napomene, prikaze i podatke koje dobijete uz uređaj. Ako se ne bi pridržavali sljedećih uputa, moglo bi doći do električnog udara, požara i/ili teških ozljeda.

Sačuvajte sve napomene o sigurnosti i upute za buduću primjenu.

SIGURNOSNA UPOZORENJA ZA REZAČ

Upotrabljavajte aparat, pribor, radne alate itd. odgovarajuće ovim uputama. Kod toga uzmite u obzir radne uvjete i djelatnost koja se izvodi. Uporaba aparata za druge primjene osim predviđenih može dovesti do opasnih situacija.

Kod radova sa strojem uvijek nositi zaštitne naočale. Zaštitne rukavice, čvrste i protiv klizanja sigurne cipele kao i pregača se preporučuju.

Osigurajte vaš izradak jednim steznim uređenjem. Neosigurani izradci mogu prouzročiti teške povrede i oštećenja.

Prilikom rezanja, držite funkcije, tako da su krila su u čvrstom kontaktu s materijalom za najbrže rezanje. Nanesite čak i pritisak. Previše tlak imaju tendenciju da će zaglaviti funkcije ili izazvati grube.

Imajte molimo na umu, da se stroj kod otpada opterećenja ponovno samostalno diže na prvobitni radni broj okretaja. Nikad ne ostavljajte električni stroj bez nadzora, dok se alat ne zaustavi potpuno. Radni alat se može zakačiti i prouzročiti gubitak kontrole nad aparatom.

OSTALE SIGURNOSNE I RADNE UPUTE

Prije svih radova na stroju izvoditi bateriju za zamjenu.

UPOZORENIE! Zbog izbjegavanja opasnosti od požara jednim

UPUTE ZA LI-ION-AKUMULATORE

Korištenje Li-Ion-akumulatora

Baterije koje duže vremena nisu korištene, prije upotrebe napuniti.

Temperatura od preko 50°C smanjuje učinak baterija. Duže zagrijavanje od strane sunca ili grijanja izbjeci.

Priključne kontakte na uređaju za punjenje i baterijama držati čistima.

Za optimalni vijek trajanja se akumulatori poslije upotrebe moraju sasvim napuniti.

Za što moguće duži vijek trajanja, akumulatori se nakon punjenja moraju odstraniti iz punjača.

Kod skladištenja akumulatora duže od 30 dana:

Akumulator skladištiti na suhom kod ca. 27°C.

Akumulator skladištiti kod ca. 30%-50% stanja punjenja.

Akumulator ponovno napuniti svakih 6 mjeseci.

Zaštita od preopterećenja akumulatora kod Li-Ion-akumulatora

Kod preopterećenja akumulatora kroz vrlo visoku potrošnju struje, npr. ekstremno visoki zakretni momenti, električni alat vibrira za vrijeme od 5 sekundi, pokazivač punjenja treperi i električni alat se samostalno isključuje.

Za ponovno uključivanje ispuštiti okidač sklopke i zatim ponovno uključiti. Pod ekstremnim opterećenjima se akumulator prejako zagrije. U tome slučaju trepere sve lampice pokazivača punjenja, sve dok se akumulator ne ohladi. Poslije gašenja pokazivača punjenja se može nastaviti sa radom.

Transport litijskih ionskih baterija

Litijske-ionske baterije spadaju pod zakonske odredbe u svezi transporta opasne robe.

Prijevoz ovih baterija mora uslijediti uz poštivanje lokalnih, nacionalnih i internacionalnih propisa i odredaba.

Korisnici mogu bez ustručavanja ove baterije transportirati po cestama.

Komercijalni transport litijsko-ionskih baterija od strane transportnih poduzeća spada pod odredbe o transportu opasne robe. Otpremničke priprave i transport smiju izvoditi isključivo odgovarajuće školovane osobe. Kompletni proces se mora pratiti na stručan način.

Kod transporta baterija se moraju poštivati sljedeće točke:

Uvjerite se da su kontakti zaštićeni i izolirani kako bi se izbjegli kratki spojevi.

Pazite na to, da blok baterija unutar pakiranja ne može proklizavati. Oštećene ili iscrpene baterije se ne smiju transportirati. U svezi ostalih uputa obratite se vašem prijevoznom poduzeću.

RADNE UPUTE

Redovito čistite i podmazujte probijač i reznu glavu.

Redovito provjeravajte postoje li naznake istrošenosti na probijaču i reznoj glavi. Pravovremeno zamijenite probijač i reznu glavu da biste zaštitili rezač. Tupim se alatom rezač može preopteretiti. Samo se ostrim alatom osiguravaju dobar učinak rezanja i dugačak vijek trajanja električnog alata.

Radi produljenja vijeka trajanja probijača potrebno je upotrebljavati sredstvo za podmazivanje s dobrim svojstvima hlađenja (npr. ulje za rezanje).

Nanesite sloj sredstva za podmazivanje na gornju stranu metalnog lista duž predviđene linije za rezanje.

Pomičite električni alat po obratku samo kada je alat uključen.

Uvijek držite električni alat okomito na površinu lista i nemojte ga naginjati.

Ravnomjerno vodite električni alat uz primjenu blage pritisne sile u smjeru rezanja.

Prekomjernom silom znatno se skraćuje vijek trajanja umetnutog alata te može doći do oštećenja električnog alata.

ČIŠĆENJE

Proreze za prozračivanje stroja uvijek držati čistima.

ODRŽAVANJE

Primijeniti samo Milwaukee opremu i Milwaukee rezervne dijelove. Sastavne dijelove, čija zamjena nije opisana, dati zamijeniti kod jedne od Milwaukee servisnih službi (poštivati brošuru Garancija/ Adrese servisa).

Po potrebi se može zatražiti crtež eksplozije aparata uz davanje podataka o tipu stroja i desetoznamenastog broja na pločici snage kod Vaše servisne službe ili direktno kod Techtronic Industries GmbH, Max-Eyth-Straße 10, 71364 Winnenden, Germany.

SIMBOLI

	Molimo da pažljivo pročitate uputu o upotrebi prije puštanja u rad.
	PAŽNJA! UPOZORENIE! OPASNOST!
	Prije svih radova na stroju izvoditi bateriju za zamjenu.
	Kod radova na stroju uvijek nositi zaštitne naočale.
	Nositi zaštitne rukavice!
	Elektrouređaji, baterije/akumulatori se ne smiju zbrinjivati skupa sa kućnim smećem. Električni uređaji/akumulatori se moraju skupljati odvojeno i predati na zbrinjavanje primjereno okolišu jednom od pogona za iskorišćavanje. Raspitajte se kod mjesnih vlasti ili kod stručnog trgovca u svezi gospodarstva za recikliranje i mjesta skupljanja.
n_0	Broj hodova praznog hoda
V	Napon
	Istosmjerna struja
	Europski znak suglasnosti
	Britanski znak suglasnosti
	Ukrajinski znak suglasnosti
001	
	Euroazijski znak suglasnosti

TEHNISKIE DATI	M12 FNB16
Konstrukcija	Izgriešanas iekārta
Izlaides numurs	4911 90 01 XXXXXX MJJJJ
Akumulātorā spriegums	12 V \pm
Tukšgaitas gājienu skaits	n_0 1400 - 2200 min ⁻¹
Maksimālā apgriešanas jauda	
Tērauds < 400 N/mm ²	1,6 mm
Tērauds < 600 N/mm ²	1,2 mm
Tērauds < 800 N/mm ²	0,7 mm
Alumīnijs < 250 N/mm ²	2,1 mm
Griezuma platums	5 mm
Mazākais griezumā rādiuss	40,7 mm
Sākuma urbuma diametrs	21 mm
Svars atbilstoši EPTA -Procedure 01/2014 (Li-Ion 2,0 Ah ... 6,0 Ah)	1,4 ... 1,6 kg
Darbībai ieteicamā apkārtnes temperatūra	-18 ... +50 °C
Ieteicamie akumulatoru komplekti	M12B...
Ieteicamās uzlādes ierīces	C12C; M12C4; M12-18...

Trokšņu informācija: Vērtības, kas noteiktas saskaņā ar EN 62841. A novērtētās aparātūras skaņas līmenis ir:

Trokšņa spiediena līmenis / Nedrošība K	88,6 dB (A) / 3 dB (A)
Trokšņa jaudas līmenis / Nedrošība K	99,6 dB (A) / 3 dB (A)

Nēsāt trokšņa slāpētāju!

Vibrāciju informācija: Svārstību kopējā vērtība (Trīs virzienu vektoru summtiek noteikta atbilstoši EN 62841.

svārstību emisijas vērtība a_h / Nedrošība K	6,9 m/s ² / 1,5 m/s ²
--	---

UZMANĪBU!

Vibrācijas un trokšņa emisijas līmenis šajā informācijas lapā ir izmērīts saskaņā ar EN 62841 standarta testa metodi un var tikt izmantots, lai salīdzinātu vienu ierīci ar otru. Tās var tikt izmantotas ietekmes sākotnējai izvērtēšanai.

Norādītais vibrācijas un trokšņa emisijas līmenis attēlo ierīces galvenos izmantošanas veidus. Tomēr, ja ierīce tiek izmantota citiem mērķiem, ar citu papildaprīkojumu vai nepareizi apkalpota, vibrācijas un trokšņa emisija var atšķirties. Tas var ievērojami paaugstināt ietekmes līmeni visā darba laikā.

Novērtējot vibrācijas un trokšņa ietekmes līmeni, vajadzētu ņemt vērā arī laiku, kad ierīce ir izslēgta vai ieslēgta, taču netiek lietota. Tas var ievērojami samazināt ietekmes līmeni visā darba laikā.

Lai aizsargātu operatoru no vibrācijas un/vai trokšņa, veiciet papildu drošības pasākumus, piemēram, veiciet apkopi ierīcei un papildaprīkojumam, uzturiet rokas siltas, organizējiet darba grafiku.

UZMANĪBU!

Izlasiet visus drošības norādījumus, instrukcijas, attēlus un datus, ko saņemat kopā ar ierīci. Turpmāk sniegto norādījumu neievērošana var kļūt par cēloni elektriskajam triecienam, ugunsgrēkam un/vai smagam savainojumam.

Pēc izlasīšanas uzglabājiet šos noteikumus turpmākai izmantošanai.

IZGRIEŠANAS IEKĀRTAS DROŠĪBAS NORĀDĪJUMI

Izmantojiet ierīci, piederumus un ievietojamās detaļas saskaņā ar to lietošanas instrukciju. Turklāt ievērojiet darba apstākļus un nosacījumus attiecībā uz veicamo darbu! Ierīču izmantošana citām instrukcijā neminētām darbībām var radīt bīstamas situācijas.

Strādājot ar mašīnu, vienmēr jānēsā aizsargbrilles. Tiek ieteikts nēsāt arī aizsargcimdus, slēgtus, neslīdošus apavus un priekšautu.

Fiksējiet apstrādājamo materiālu ar fiksācijas aprīkojumu. Nenostiprināti materiāli var izraisīt smagus savainojumus un bojājumus.

Griežot, turiet instrumentu tā, ka asmeņi ir ciešā kontaktā ar materiālu ātrāko griešanai. Piesakies pat spiedienu. Pārāk liels spiediens mēdz ievārdināt funkcijas vai radīt aptuvenu samazināt.

Lūdzu, ievērojiet to, ka mašīna pie noslogojuma atkrišanas atkal patstāvīgi atgriežas tās sākotnējā darba apgriezienu skaitā. Nekad nenolieciet elektroinstrumentu malā, pirms nav pilnībā apstājies darba instruments. Ievietojamās detaļas var aizķerties, tadējādi tas var izraisīt kontroles zaudēšanu pār šo ierīci.

CITAS DROŠĪBAS UN DARBA INSTRUKCIJAS

Pirms mašīnai veikt jebkāda veida apkopes darbus, ir jāizņem arī akumulators.

UZMANĪBU! Lai novērstu īssavienojuma izraisītu aizdegšanās, savainojumu vai produkta bojājuma risku, neiegremdējiet instrumentu, maināmo akumulatoru vai uzlādes ierīci šķidrums un rūpējieties par to, lai ierīcēs un akumulatoros neieķīlū šķidrums. Koroziju izraisoši vai vadītspējīgi šķidrums, piemēram, sālsūdens, noteiktas ķīmikālijas, balinātāji vai produkti, kas satur balinātājus, var izraisīt īssavienojumu.

M12 sistēmas akumulatorus lādēt tikai ar M12 sistēmas lādētājiem. Nedrīkst lādēt citus akumulatorus no citām sistēmām.

Akumulatorus un lādētājus nedrīkst taisīt vajā un tie jāuzglabā sausās telpās.

NOTEIKUMIEM ATBILSTOŠS IZMANTOJUMS

Elektroinstruments ir paredzēts metāla lokšņu griešanai no caurduršanai piemērotiem materiāliem, nedeformējot loksni. Tas ir piemērots taisniem griezumiem, šauriem līkumiem un izgriezumiem. Izmantojiet ražojumu tikai tam paredzētajiem mērķiem.

PĀRĒJIE RISKI

Arī, pareizi lietojot ierīci, nav iespējams izslēgt pilnīgi visus riskus. Lietojot ierīci, var rasties ādas apdraudējums, kam lietotājam jāpievērš īpaša uzmanība:

- Vibrācijas radītas traumas. Turiet ierīci aiz tam paredzētajiem rokturiem un ierobežojiet darba un ekspozīcijas laiku.
- Troksnis var bojāt dzirdi. Lietojiet dzirdes aizsargierīces un ierobežojiet ekspozīcijas laiku.
- Netīrumu daļiņas var traumēt acis. Vienmēr valkājiet aizsargbrilles, stingras, garas bikses, cimdus un stingrus apavus.
- Indīgu putekļu ieelpošana.

NORĀDĪJUMI LITIJA JONU AKUMULATORIEM

Litija jonu akumulatoru lietošana

Akumulātori, kas ilgāku laiku nav izmantoti, pirms lietošanas jāuzlādē.

Pie temperatūras, kas pārsniedz 50°C, akumulatoru darbība tiek negatīvi ietekmēta. Vajag izvairīties no ilgākas saules un karstuma iedarbības.

Lādētāja un akumulatoru pievienojuma kontakti jāuztur tīri.

Lai baterijas darba ilgums būtu optimāls, pēc iekārtas izmantošanas tā jāuzlādē.

Lai akumulatori kalpotu pēc iespējas ilgāku laiku, tos pēc uzlādes ieteicams atvienot no lādētāj ierīces.

Akumulatora uzglabāšana ilgāk kā 30 dienas:

uzglabāt akumulatoru pie aptuveni 27° C un sausā vietā.

Uzglabāt akumulatoru uzlādes stāvoklī aptuveni pie 30%-50%.

Uzlādēt akumulatoru visus 6 mēnešus no jauna.

Litija jonu akumulatoru aizsardzība pret pārslodzi

Akumulatoru pārslogojuma gadījumos, esot ļoti lielam elektroenerģijas patēriņam, piem., ārkārtīgi augsts griezes moments, pēkšņa apstāšanās vai īssavienojums, elektriskais darbarīks 5 sekundes vibrē, uzlādes indikators mirgo, un elektriskais darbarīks pats izslēdzas.

Lai to atkal ieslēgtu, atļaidiet ieslēgšanas pogu un tad to ieslēdziet no jauna. Esot ārkārtīgi augstam noslogojumam, akumulators sakarst pārāk daudz. Šādā gadījumā visas uzlādes indikatora lampiņas mirgo tik ilgi, kamēr akumulators ir atdzisis. Darbu varat turpināt, kad uzlādes indikators vairs nedeg.

Litija jonu akumulatoru transportēšana

Uz litija jonu akumulatoriem attiecas noteikumi par bīstamo kravu pārvadāšanu.

Šo akumulatoru transportēšana jāveic saskaņā ar vietējiem, valsts un starptautiskajiem normatīvajiem aktiem un noteikumiem.

Patērētāja darbības, pārvadājot šos akumulatorus pa autoceļiem, nav reglamentētas.

Uz litija jonu akumulatoru komerciālu transportēšanu, ko veic ekspedīcijas uzņēmums, attiecas bīstamo kravu pārvadāšanas noteikumi. Sagatavošanas darbus un transportēšanu drīkst veikt tikai atbilstoši apmācīts personāls. Viss process jāveda profesionāli.

Veicot akumulatoru transportēšanu, jāievēro:

Pārliecinieties, ka kontakti ir aizsargāti un izolēti, lai izvairītos no īssavienojumiem.

Pārliecinieties, ka akumulators iepakojumā nevar paslīdēt. Bojātus vai tekošus akumulatorus nedrīkst transportēt. Plašāku informāciju Jūs varat saņemt no ekspedīcijas uzņēmuma.

DARBA NORĀDĪJUMI

Regulāri tīriet un elļojiet perforatoru un presformu.

Regulāri pārbaudiet perforatoru un presformu, vai nav nodiluma. Savlaicīgi nomainiet perforatoru un presformu, lai pasargātu izgriešanas iekārtu. Truļi instrumenti var pārslēgt izgriešanas iekārtu. Tikai asi instrumenti nodrošina labu griešanas jaudu un nodrošina ilgāku elektroinstrumenta darbību.

Lai pagarinātu perforatora darbību, jāizmanto smērviela ar labām dzesēšanas īpašībām (piemēram, griešanas eļļa).

Uzklājiet eļļošanas līdzekļa joslu uz metāla loksnes augšpusē pa paredzēto griezuma līniju.

Pārvietojiet elektroinstrumentu pret apstrādājamo detaļu tikai tad, kad tas ir ieslēgts.

Vienmēr turiet elektroinstrumentu perpendikulāri loksnes virsmai un nelieciet to slīpi.

Virziet elektroinstrumentu vienmērīgi un ar nelielu stumšanas spēku griešanas virzienā.

Pārmērīgs spēks ievērojami samazina ievietojamo instrumentu darbību un var sabojāt elektroinstrumentu.

TĪRĪŠANA

Vajag vienmēr uzmanīties, lai būtu tīras dzesēšanas atveres.

APKOPE

Izmantojiet tikai firmu Milwaukee piederumus un firmas Milwaukee rezerves daļas. Lieciet nomainīt detaļas, kuru nomaīņa nav aprakstīta, kādā no firmu Milwaukee klientu apkalpošanas servisiem. (Skat. brošūru "Garantija/klientu apkalpošanas serviss".)

Ja nepieciešams, klientu apkalpošanas servisā vai tieši pie firmas Techtronic Industries GmbH, Max-Eyth-Straße 10, 71364 Winnenden, Germany, var pieprasīt instrumenta numurs, kas norādīts uz jaudas paneļa.

SIMBOLI

	Pirms sākt lietot instrumentu, lūdzu, izlasiet lietošanas pamācību.
	UZMANĪBU! BĪSTAMI!
	Pirms mašīnai veikt jebkāda veida apkopes darbus, ir jāizņem arī akumulators.
	Strādājot ar mašīnu, vienmēr jānēsā aizsargbrilles.
	Jāvalkā aizsargcimdi!
	Elektriskus aparātus, baterijas/akumulatorus nedrīkst utilizēt kopā ar mājaisaimniecības atkritumiem. Elektriski aparāti un akumulatori ir jāsavāc atsevišķi un jānodod atkritumu pārstrādes uzņēmumā videi saudzīgai utilizācijai. Jautājiet vietējā iestādē vai savam specializētājam tirgotājam, kur atrodas atkritumu pārstrādes uzņēmumi vai savākšanas punkti.
n_0	Tukšgaitas gājienu skaits
V	Voltāža
	Līdzstrāva
	Eiropas atbilstības zīme
	Lielbritānijas atbilstības zīme
	Ukrainas atbilstības zīme
001	
	Eirāzijas atbilstības zīme

TECHNINIAI DUOMENYS	M12 FNB16
Konstrukcija	Pjovimo įrenginys
Produkto numeris	4911 90 01 XXXXXX MJJJJ
Keičiamo akumulatoriaus įtampa	12 V \approx
judesių skaičius laisva eiga	n_0 1400 - 2200 min ⁻¹
Maks. kirpimo našumas	
Plieną < 400 N/mm ²	1,6 mm
Plieną < 600 N/mm ²	1,2 mm
Plieną < 800 N/mm ²	0,7 mm
Aliuminis < 250 N/mm ²	2,1 mm
Pjūvio plotis	5 mm
Mažiausias kreivės spindulys	40,7 mm
Pradinis angos skersmuo	21 mm
Prietaiso svoris įvertintas pagal EPTA 01/2014 tyrimų metodiką (Li-Ion 2,0 Ah ... 6,0 Ah)	1,4 ... 1,6 kg
Rekomenduojama aplinkos temperatūra eksploatuojant	-18 ... +50 °C
Rekomenduojami akumulatoriai	M12B...
Rekomenduojami įkrovikliai	C12C; M12C4; M12-18...
Informacija apie keliamą triukšmą: Vertės matuotos pagal EN 62841. Įvertintas A įrenginio keliamo triukšmo lygis dažniausiai sudaro:	
Garso slėgio lygis / Paklaida K	88,6 dB (A) / 3 dB (A)
Garso galios lygis / Paklaida K	99,6 dB (A) / 3 dB (A)
Nešioti klausos apsaugines priemones!	
Informacija apie vibraciją: Bendroji svyravimų reikšmė (trijų krypčių vektorių suma), nustatyta remiantis EN 62841.	
Vibravimų emisijos reikšmė a_h / Paklaida K	6,9 m/s ² / 1,5 m/s ²

⚠ DĖMESIO!

Šiame vadove nurodytos bendrosios vibracijos ir triukšmo emisijos vertės nustatytos pagal standartinius bandymo metodus pagal EN 62841, todėl gali būti taikomos lyginant vieną įrankį su kitu. Gali būti naudojama preliminariam poveikio įvertinimui.

Nurodytos bendrosios vibracijos ir triukšmo emisijos vertės atitinka įrankio taikymą. Jei įrankis naudojamas kitokiais tikslais, kartu su kitokiais priedais ar netinkamai prižiūrimas, bendrosios vibracijos ir triukšmo emisijos vertės gali skirtis. Tai gali žymiai padidinti poveikio lygį viso darbo metu.

Apskaičiuojant bendrosios vibracijos ir triukšmo emisijos vertes reikėtų atsižvelgti į laikotarpį, kai prietaisas yra išjungtas arba įjungtas, bet nėra naudojamas. Tai gali žymiai sumažinti poveikio lygį viso darbo metu.

Tam, kad naudotojas būtų apsaugotas nuo vibracijos ir (arba) triukšmo poveikio, reikia nustatyti papildomus saugos reikalavimus, pavyzdžiui: tinkamai prižiūrėti prietaisą ir jo priedus, laikyti rankas šiltais, organizuoti darbo modelius.

⚠ DĖMESIO! Perskaitykite visas saugos nuorodas, instrukcijas, iliustracijas ir duomenis, kuriuos gaunate su prietaisu. Jei nepaisysite toliau pateiktų nuorodų, gali kilti elektros smūgio, gaisro ir/arba sunkių sužalojimų pavojus.

Išsaugokite šias saugos nuorodas ir reikalavimus, kad ir ateityje galėtumėte jais pasinaudoti.

PJOVIMO ĮRENGINIO SAUGOS ĮSPĖJIMAI

Prietaisą, priedus, įstatomus įrankius ir pan. naudokite, laikydamiesi šios instrukcijos nurodymų. Atsižvelkite į darbo sąlygas ir atliekamą operaciją. Prietaisų naudojimas ne pagal paskirtį gali sukelti pavojingas situacijas.

Dirbdami su įrenginiu visada nešiokite apsauginius akinius. Rekomenduotina nešioti apsaugines pirštines, tvirtus batus neslidžiu padu bei prijuostę.

Ruošinį užfiksuokite įtempimo įrenginiu. Neužfiksuoti ruošiniai gali sunkiai sužaloti ir būti pažeidimų priežastimi.

Pjaunant, palaikykite nuorodą taip, kad ašmenys yra tvirtu kontaktu su sparčiausiai pjovimo medžiaga. Taikoma net spaudimą. Per daug spaudimo bus linkę užstrigti nuorodą arba sukelti grubus pjūvis.

Atkreipkite dėmesį, kad po perkrovos įrenginiai automatiškai gįžta pradinis darbo greitis. Niekada nepadėkite elektrinio įrankio tol, kol darbo įrankis visiškai nusustos. Įstatomas įrankis gali užstrigti, todėl prietaisas gali tapti nebekontroliuojamas.

KITI SAUGUMO IR DARBO NURODYMAI

Prieš atlikdami bet kokius darbus įrenginyje, išimkite keičiamą akumuliatorių.

DĖMESIO! Siekdami išvengti trumpojo jungimo sukeltą gaisro pavojų, sužalojimų arba produkto pažeidimų, neikiškite įrankio, keičiamo akumulatoriaus arba įkroviklio į skysčius ir pasirūpinkite, kad į prietaisus arba akumuliatorius nepatektų jokių skysčių. Koroziją sukeltantys arba laidūs skysčiai, pvz., sūrus vanduo, tam tikri chemikalai ir balikliai arba produktai, kurių sudėtyje yra baliklių, gali sukelti trumpąjį jungimą.

Keičiamas M12 sistemos akumuliatorius kraukite tik „M12“ sistemos įkrovikliais. Nekraukite kitų sistemų akumuliatorių.

Keičiamų akumuliatorių ir įkroviklių nelaikykite atvirai. Laikykite tik sausoje vietoje. Saugokite nuo drėgmės.

NAUDOJIMAS PAGAL PASKIRTĮ

Elektrinis įrankis skirtas pjauti lakštinį metalą iš štampuojamų medžiagų, nedeformuojant lakšto. Tinka tiesiems pjūviams, siauroms kreivėms ir išpjovoms.

Nenaudokite gaminio kitaip, nei nurodytas naudojimas pagal paskirtį.

KITI PAVOJAI

Net ir tinkamai naudojant įrenginį neįmanoma apsaugoti nuo visų liekamųjų rizikų. Naudojant įrenginį gali kilti šie pavojai, į kuriuos naudotojui ypač svarbu atkreipti dėmesį:

- Vibracijos sukelti sužalojimai. Įrenginį laikykite už tam skirtų rankenų ir apribokite darbo bei ekspozicijos trukmę.
- Dėl triukšmo gali būti pažeista klausa. Naudokite klausos organų

apsaugos priemonės ir apribokite ekspozicijos trukmę.

- Nešvarumų dalelių sukelti akių sužalojimai. Visuomet būkite su apsauginiais akiniais, mūvėkite tvirtas ilgas kelnes, pirštines ir avėkite tvirtus apsauginius batus.

- Nuodingų dulkių įkvėpimas.

NURODYMAI DĖL LIČIO JONŲ AKUMULIATORIAUS

Ličio jonų akumulatoriaus naudojimas

Ilgesnį laiką nenaudotus keičiamus akumuliatorius prieš naudojimą įkraukite.

Aukštesnė nei 50°C temperatūra mažina keičiamų akumuliatorių galią. Venkite ilgesnio saulės ar šilumos šaltinių poveikio.

Įkroviklio ir keičiamo akumulatoriaus jungiamieji kontaktai visada turi būti švarūs.

Kad prietaisas kuo ilgiau veiktų, pasinaudoję juo, iki galo įkraukite akumuliatorius.

Siekiant užtikrinti kuo ilgesnį baterijos tarnavimo laiką, reikėtų ją po atlikto įkrovimo iškart išimti iš įkroviklio.

Bateriją laikant ilgiau nei 30 dienų, būtina atkreipti dėmesį į šias nuorodas:

bateriją laikyti sausoje aplinkoje, esant apie 27 °C temperatūrai.

Baterijos įkrovimo lygis turi būti nuo 30% iki 50%.

Baterija pakartotinai turi būti įkraunama kas 6 mėnesius.

Ličio jonų akumulatoriaus apsauga nuo perkrovos

Esant akumulatoriaus perkrovai dėl pernelyg didelio srovės suvartojimo, pvz.: itin didelių apsučių, staigus sustabdymo ar trumpojo jungimo, elektrinis įrankis vibruoja 5 sekundes, signalinis įkrovos rodmuo pradeda mirksėti ir elektrinis įrankis automatiškai išsijungia.

Norint įrankį pakartotinai įjungti, reikia atleisti jungiklį ir vėl jį įjungti. Esant ekstremalioms apkrovoms akumuliatorius per stipriai įkaista. Tokiu atveju visos įkrovos lemputės mirksi taip ilgai, kol akumuliatorius atvėsta. Užgesus įkrovos rodmėnims įrankiu galima naudotis toliau.

Ličio jonų akumuliatorių pervežimas

Ličio jonų akumuliatoriams taikomos įstatyminės nuostatos dėl pavojingų krovinių pervežimų.

Šiuos akumuliatorius pervežti būtina laikantis vietinių, nacionalinių ir tarptautinių direktyvų ir nuostatų.

Naudotojai šiuos akumuliatorius gali naudoti savo transporte be jokių kitų sąlygų.

Už komercinį ličio jonų akumuliatorių pervežimą atsako ekspedicijos įmonė pagal nuostatas dėl pavojingų krovinių pervežimo. Pasiruošimo išsiųsti ir pervežimo darbus gali atlikti tik atitinkamai išmokyti asmenys. Visas procesas privalo būti prižiūrimas.

Pervežant akumuliatorius būtina laikytis šių punktų:

Siekiant išvengti trumpųjų jungimų, įsitikinkite, kad kontaktai yra apsaugoti ir izoliuoti.

Atkreipkite dėmesį, kad akumuliatorius pakuotės viduje neslidinėtų. Draudžiama pervežti pažeistus arba tekančius akumuliatorius. Dėl detalesnių nurodymų kreipkitės į savo ekspedicijos įmonę.

DARBO NUORODOS

Reguliariai valykite ir sutepkite perforatorių ir štampą.

Reguliariai tikrinkite perforatorių ir štampą, ar jie nenusidėvėję. Laiku pakeiskite perforatorių ir štampą, kad apsaugotumėte pjovimo įrenginį. Atsipę įrankiai gali perkrauti pjovimo įrenginį. Tik aštrūs įrankiai užtikrina gerą pjovimą ir užtikrina ilgesnį elektrinio įrankio eksploatavimo laiką.

Norint prailginti perforatoriaus eksploatavimo laiką, reikia naudoti geras aušinimo savybes turinčius tepalus (pvz., pjovimo alyvą).

Viršutinėje metalo lakšto pusėje išilgai numatytos pjovimo linijos užtepkite tepalo liniją.

Elektrinį įrankį stumkite link ruošinio tik tada, kai jis yra įjungtas.

Elektrinį įrankį visada laikykite statmenai lakšto paviršiui ir nelenkite.

Elektrinį įrankį veskite tolygiai, šiek tiek stumdami pjovimo kryptimi.

Per didelę jėgą žymiai sutrumpina įdeklų įrankių eksploatavimo laiką ir gali sugadinti elektrinį įrankį.

VALYMAS

Įrenginio vėdinimo angos visada turi būti švarios.

TECHNINIS APTARNAVIMAS

Naudokite tik „Milwaukee“ priedus ir „Milwaukee“ atsargines dalis. Dalis, kurių keitimas neaprašytas, leidžiama keisti tik „Milwaukee“ klientų aptarnavimo skyriaus (žr. garantiją/klientų aptarnavimo skyrių adresus brošiūroje).

Jei reikia, nurodant įrenginio tipą bei specifikacijų lentelėje esantį numerį, iš klientų aptarnavimo skyriaus arba tiesiai iš Techtronic Industries GmbH, Max-Eyth-Straße 10, 71364 Winnenden, Germany, galima užsisakyti prietaiso surinkimo brėžinius.

SIMBOLIAI

	Prieš pradėdami dirbti su prietaisu, atidžiai perskaitykite jo naudojimo instrukciją.
	DĖMESIO! ĮSPĖJIMAS! PAVOJUS!
	Prieš atlikdami bet kokius darbus įrenginyje, išimkite keičiamą akumuliatorių.
	Dirbdami su įrenginiu visada nešiokite apsauginius akinius.
	Lietojiet aizsardzības cimdus!
	Elektros prietaisų, baterijų/akumuliatorių šalinti kartu su buitėmis atliekomis negalima. Elektros prietaisus ir akumuliatorius reikia surinkti atskirai ir atiduoti perdirbimo įmonei, kad būtų pašalinti aplinkai saugiu būdu. Vietos valdžios institucijose arba specializuotose prekybos vietose pasidomėkite apie perdirbimo ir surinkimo centrus.
n_0	judesių skaičius laisva eiga
V	įtampa
	Nuolatinė srovė
	Europos atitikties ženklas
	Britanijos atitikties ženklas
	Ukrainos atitikties ženklas
001	
	Eurazijos atitikties ženklas

TEHNILISED ANDMED	M12 FNB16
Konstruksioon	Plekiõikur
Tootmisnumber	4911 90 01 XXXXXX MJJJJ
Vahetatava aku pinge	12 V \approx
Käikude arv tühjooksul	n_0 1400 - 2200 min ⁻¹
Lõikevõimsus max	
Teras < 400 N/mm ²	1,6 mm
Teras < 600 N/mm ²	1,2 mm
Teras < 800 N/mm ²	0,7 mm
Alumiinium < 250 N/mm ²	2,1 mm
Lõike laius	5 mm
Väikseim pöörderaadius	40,7 mm
Algse augu läbimõõt	21 mm
Kaal vastavalt EPTA-protseduurile 01/2014 (Li-Ion 2,0 Ah ... 6,0 Ah)	1,4 ... 1,6 kg
Soovituslik keskkonna temperatuur töötamiseks	-18 ... +50 °C
Soovituslikud akupakid	M12B...
Soovituslik laadija	C12C; M12C4; M12-18...

Müra andmed: Mõõteväärtused on kindlaks tehtud vastavalt normile EN 62841.

Seadme tüüpiline hinnanguline (müratase:

Helirõhutase / Määramatus K 88,6 dB (A) / 3 dB (A)

Helivõimsuse tase / Määramatus K 99,6 dB (A) / 3 dB (A)

Kandke kaitseks kõrvaklappe!

Vibratsiooni andmed: Vibratsiooni koguväärtus (kolme suuna vektorsummõõdetud EN 62841 järgi.

Vibratsiooni emissiooni väärtus a_n / Määramatus K 6,9 m/s² / 1,5 m/s²

⚠ TÄHELEPANU!

Sellel teabelehel toodud vibratsiooni- ja müraemissioon on mõõdetud standardis EN 62841 kirjeldatud standarditud testiga ning seda võib kasutada teooriastade omavaheliseks võrdlemiseks. Testi võib kasutada kokkupuute esialgseks hindamiseks.

Deklareeritud vibratsiooni- ja müratase puudutab tööriista põhikasutust. Kui tööriista kasutatakse muuks otstarbeks, teistsuguste tarvikutega või tööriista hooldatakse halvasti, võivad vibratsioon ja müraemissioon erineda. See võib kokkupuutetaset kogu tööajal oluliselt suurendada.

Vibratsiooni ja müraga kokkupuute hinnangulise taseme juures tuleb arvesse võtta ka aega, kui tööriist on välja lülitatud või töötab, kuid sellega ei tehta tööd. See võib kokkupuutetaset kogu tööaja kohta oluliselt vähendada.

Tehke kindlaks täiendavad ohutusmeetmed operaatori kaitsmiseks vibratsiooni ja/või müra eest, näiteks: hooldage tööriista ja tarvikuid, hoidke käed soojas, vaadake üle töökorraldus.

⚠ TÄHELEPANU! Lugege kõik seadmega kaasas olevad ohutusjuhised, juhendid, joonised ja andmed läbi. Järgnevalt toodud juhiste eiramise tagajärjeks võib olla elektrilöökk, tulekahju ja/või rasked vigastused.

Hoidke kõik ohutusnõuded ja juhised edasiseks kasutamiseks hoolikalt alles.

PLEKILÕIKURI OHUTUSHOIATUSED

Kasutage seadet, tarvikuid, kasutatööriistu jms vastavalt käesolevatele korraldustele. Arvestage seejuures tootimistingimustega ning teostatava tegevuse iseloomuga. Seadmete kasutamine muudeks kui ettenähtud rakendusteks võib põhjustada ohtlikke olukordi.

Masinaga töötades kandke alati kaitseprille. Soovitatavad on kaitsekindad, tugevad ja liibemiskindlad jalanõud ning põll.

Kinnitage toorik kinnipingutusseadise. Kinnitamata toorikud võivad raskeid vigastusi ja kahjustusi põhjustada.

Niitmise ajal hoidke tööriista nii, et labad on kindlalt kontaktis materjali kiiremini lõikamine. Rakenda isegi survet. Liiga palju rõhku kipuvad moosi näitaja või põhjustada töötlemata lõigatud.

Palun pidage silmas, et masin taastab koormuse kadumisel iseseisvalt esialgsed tööpöörded. Ärge pange seadet kunagi enne käest, kui instrument on täielikult seisma jäänud. Kasutatööriistad võivad kinni haakuda ja põhjustada kontrolli kaotamist seadme üle.

EDASISED OHUTUS- JA TÖÖJUHISED

Enne kõiki töid masina kallal võtke vahetatav aku välja.

TÄHELEPANU! Lühisest põhjustatud tuleohtu, vigastuste või toote kahjustuste vältimiseks ärge kastke tööriista, vahetusakut ega laadimiseadet vedelikku ning jälgige, et vedelikke ei tungiks

LIITIUMIOONAKUDE JUHISED

Liitiumioonakude kasutus

Pikemat aega mittekasutatud akusid laadige veel enne kasutamist. Temperatuur üle 50 °C vähendab vahetatava aku töövoimet. Vältige pikemat soojenemist päikese või kütteseadme mõjul.

Hoidke laadija ja vahetatava aku ühenduskontaktid puhtad.

Optimaalse patareie eluea tagamiseks, pärast kasutamist lae patareiplokk täielikult.

Akud tuleks võimalikult pika kasutusea saavutamiseks pärast täislaadimist laadijast välja võtta.

Aku ladustamisel üle 30 päeva:

Ladustage akut kuivas kohas u 27°C juures.

Ladustage akut u 30-50% laetuseisundis.

Laadige aku iga 6 kuu tagant täis.

Liitiumioonakude ülekoormuskaitse

Aku ülekoormamisel kõrge voolutarbimisega, nt puuri blokeerumisel, lühise tekkimisel või ülikõrgel pöoretel, vibreerib elektritööriist 5 sekundit, laadimistuli vilgub ja tööriist lülitub automaatselt välja.

Uuesti sisse lülitamiseks tuleb päästik esmalt vabastada ning seejärel uuesti alla suruda. Ülisuurel koormusel võib aku kuumeneda kõrgete temperatuurideni. Sellisel juhul vilguvad kõik laadimistulukesed kuni aku jahtumiseni. Peale laadimistulukeste kustumist võite tööd jätkata.

Liitiumioonakude transportimine

Liitiumioonakud on allutatud ohtlike ainete transportimisega seonduvatele õigusaktidele.

Nende akude transportimine peab toimuma kohalikest, siseriiklikest ja rahvusvahelistest eeskirjadest ning määrustest kinni pidades.

Tarbijad tohivad neid akusid edasiste piiranguteta tavalisel transportida.

Liitiumioonakude kommertstransport ekspedeerimisettevõtete kaudu on allutatud ohtlike ainete transportimisega seonduvatele õigusaktidele. Tarne-ettevalmistusi ja transpordi tohivad teostada eranditult vastavalt koollitunud isikud. Kogu protsessi tuleb asjatundlikult jälgida.

Akude transportimisel tuleb järgida järgmisi punkte:

Tehke kindlaks, et kontaktid on lühiste vältimiseks kaitstud ja isoleeritud.

Pöörake tähelepanu sellele, et akupakk ei saaks pakendis nihkuda. Kahjustatud või välja voolanud akusid ei tohi kasutada. Pöörduge edasiste juhiste saamiseks ekspedeerimisettevõtte poole.

TÖÖJUHISED

Puhastage ja määrige matriitsi ja patriitsi regulaarselt.

Kontrollige regulaarselt matriitsi ja patriitsi kulumist. Plekiõikuri kaitsmiseks vahetage matriits ja patriits õigel ajal välja. Nürid tööriistad võivad plekiõikuri üle koormata. Üksnes teravad tööriistad annavad hea lõiketulemuse ja tagavad elektritööriista kauakestva vastupidavuse.

Patriitsi kasutusea pikendamiseks tuleb kasutada heade jahutusomadustega määrdeainet (nt lõikeõli).

Kandke metall-lehe pealmisele küljele mõõda soovitud lõikejoont triip määrdeainet.

Asetage elektritööriist vastu toorikut vaid juhul, kui see on sisse lülitatud.

Hoidke elektritööriista alati lehe pinnaga risti ja ärge kallutage seda. Lükake elektritööriista ühtlaselt ja kerge tõukejõuga lõikamissuunas.

Liigne jõud vähendab tööriista otsakute kasutusiga märkimisväärselt ja võib kahjustada elektritööriista.

PUHASTAMINE

Hoidke masina õhutuspilud alati puhtad.

HOOLDUS

Kasutage korral võtte tellida seadme läbilõikejoonise, näidates ära masina tüübi ja andmesildi oleva numbr. Selleks pöörduge klienditeeninduspunkti (vaadake brošüüri garantii / klienditeeninduste aadressid).

Vajaduse korral võite tellida seadme läbilõikejoonise, näidates ära masina tüübi ja andmesildi oleva numbr. Selleks pöörduge klienditeeninduspunkti või otse: Techtronic Industries GmbH, Max-Eyth-Straße 10, 71364 Winnenden, Germany.

SÜMBOLID

	Palun lugege enne käikulaskmist kasutusjuhend hoolikalt läbi.
	ETTEVAATUST! TÄHELEPANU! OHUD!
	Enne kõiki töid masina kallal võtke vahetatav aku välja.
	Masinaga töötades kandke alati kaitseprille.
	Kanda kaitsekindaid!
	Elektriseadmeid, patareisid/akusid ei tohi utiliseerida koos majapidamisprügiga. Elektriseadmed ja akud tuleb eraldi kokku koguda ning kõrvaldada keskkonnasõbralikul moel töötlemiskeskusesse. Küsige infot jäätmekäitlusjaamade ja kogumispunktide kohta oma kohalike ametnike või edasimüüja käest.
n_0	Käikude arv tühjooksul
V	Voltaaž
	Alalisvool
	Euroopa vastavusmärk
	Ühendkuningriigi vastavusmärk
	Ukraina vastavusmärk
	Euraasia vastavusmärk

ТЕХНИЧЕСКИЕ ДАННЫЕ		M12 FNB16
Модель	Вырубные ножницы	
Серийный номер изделия	4911 90 01 XXXXXX MJJJJ	
Вольтаж аккумулятора	12 V \pm	
Частота хода без нагрузки	n_n 1400 - 2200 min ⁻¹	
Ноперечное сечение заготовки макс.		
Стали < 400 N/mm ²	1,6 mm	
Стали < 600 N/mm ²	1,2 mm	
Стали < 800 N/mm ²	0,7 mm	
Алюминий < 250 N/mm ²	2,1 mm	
Ширина штробы	5 mm	
Наименьший радиус кривой	40,7 mm	
Начальный диаметр отверстия	21 mm	
Вес согласно процедуре EPTA 01/2014 (Li-Ion 2,0 Ah ... 6,0 Ah)	1,4 ... 1,6 kg	
Температура окружающей среды, рекомендованная для эксплуатации	-18 ... +50 °C	
Рекомендованные аккумуляторные блоки	M12B...	
Рекомендованные зарядные устройства	C12C; M12C4; M12-18...	
Информация по шумам: Значения замерялись в соответствии со стандартом EN 62841. Уровень шума прибора, определенный по показателю A, обычно составляет:		
Уровень звукового давления / Небезопасность К	88,6 dB (A) / 3 dB (A)	
Уровень звуковой мощности / Небезопасность К	99,6 dB (A) / 3 dB (A)	
Пользуйтесь приспособлениями для защиты слуха.		
Информация по вибрации: Общие значения вибрации (векторная сумма трех направлений) определены в соответствии с EN 62841.		
Значение вибрационной эмиссии a_n / Небезопасность К	6,9 m/s ² / 1,5 m/s ²	

ВНИМАНИЕ!

Заявленные значения вибрации и шумового излучения, указанные в настоящем информационном листе, были измерены согласно стандартизированному методу испытания согласно EN 62841 и могут использоваться для сравнения одного инструмента с другим. Они могут применяться для предварительной оценки воздействия на организм человека.

Указанные значения вибрации и шумового излучения действительно для основных областей применения инструмента. Однако если инструмент используется в других областях применения или с другими принадлежностями либо проходит ненадлежащее обслуживание, значения вибрации и шумового излучения могут отличаться. Это может существенно увеличить уровень воздействия на организм на протяжении общего периода работы.

При оценке уровня воздействия вибрации и шумового излучения на организм также необходимо учитывать периоды, когда инструмент выключен, или когда он работает, но фактически не используется для выполнения работы. Это может существенно сократить уровень воздействия на организм на протяжении общего периода работы.

Определите дополнительные меры для защиты оператора от воздействия вибрации и/или шума, такие как обслуживание инструмента и его принадлежностей, сохранение рук в тепле, организация графиков работы.

ВНИМАНИЕ! Ознакомьтесь с правилами техники безопасности, техническими регламентами, изображениями и данными, прилагаемыми к устройству. При несоблюдении нижеследующих указаний возможно поражения электротоком, возникновение пожара и/или получение серьезных травм.
Сохраняйте эти инструкции и указания для будущего использования.

ТЕХНИКА БЕЗОПАСНОСТИ ПРИ ИСПОЛЬЗОВАНИИ ВЫРУБНЫХ НОЖИЦ

Используйте устройство, принадлежности, вставные инструменты т. д. в соответствии с этими указаниями. При этом учитывайте условия работы и операции, которые необходимо выполнить. Использование устройств в целях, отличных от предусмотренных, может привести к возникновению опасных ситуаций.

При работе с инструментом всегда надевайте защитные очки. Рекомендуется надевать перчатки, прочные нескользящие ботинки и фартук.

Зафиксируйте вашу заготовку с помощью зажимного приспособления. Незафиксированные заготовки могут привести к тяжелым травмам и повреждениям.

При резке, держите инструмент так, чтобы лезвия находились в плотном контакте с материалом для увеличения скорости резки. Прилагайте правильное усилие. Избыточное давление может привести к заклиниванию инструмента или к неровному резу.

Пожалуйста, учитывайте, что при исчезновении нагрузки машина снова самостоятельно запускается с изначальной рабочей скоростью вращения. Никогда не кладите электрический инструмент до тех пор, пока инструментальная насадка полностью не остановится. Инструмент может заклинить, что приведет к потере Вами контроля над машиной.

ДОПОЛНИТЕЛЬНЫЕ УКАЗАНИЯ ПО БЕЗОПАСНОСТИ И РАБОТЕ

Выньте аккумулятор из машины перед проведением с ней каких-либо манипуляций.

ВНИМАНИЕ! Для предотвращения опасности пожара в результате короткого замыкания, травм и повреждения изделия не опускайте инструмент, сменный аккумулятор или зарядное устройство в жидкости и не допускайте попадания жидкостей внутрь устройств или аккумуляторов. Коррозионные и проводящие жидкости, такие как соленый раствор, определенные химикаты, отбеливающие средства или содержащие их продукты, могут привести к короткому замыканию.

Для зарядки аккумуляторов модели M12 используйте только зарядным устройством M12. Не заряжайте аккумуляторы других систем.

Никогда не вскрывайте аккумуляторы или зарядные устройства и храните их только в сухих помещениях. Следите, чтобы они всегда были сухими.

ИСПОЛЬЗОВАНИЕ

Этот электроприводной инструмент предназначен для вырубной резки листового металла без деформации листа. Он подходит для прямых разрезов, узких изгибов и вырезов.

Не используйте этот продукт для любой другой цели; используйте его только по указанному целевому назначению.

ОСТАТОЧНЫЕ ОПАСНОСТИ

Даже при надлежащем использовании нельзя исключить все остаточные риски. При использовании могут возникнуть такие опасности, на которые пользователь должен обратить особое внимание:

- Травмы вследствие вибрации. Держите прибор за предусмотренные для этого рукоятки и ограничивайте время работы и экспозиции.
- Шумовое воздействие может привести к повреждению слуха. Носите защитные наушники и ограничивайте продолжительность экспозиции.
- Травмы глаз, вызванные частицами загрязнений. Всегда надевайте защитные очки, плотные длинные ботинки, рукавицы и прочную обувь.
- Вдыхание ядовитой пыли.

УКАЗАНИЯ ДЛЯ ЛИТИЙ-ИОННЫХ АККУМУЛЯТОРОВ

Использование литий-ионных аккумуляторов

Перед использованием аккумулятора, которым не пользовались некоторое время, его необходимо зарядить.

Температура свыше 50°C снижает работоспособность аккумуляторов. Избегайте продолжительного нагрева или прямого солнечного света (риск перегрева).

Контакты зарядного устройства и аккумуляторов должны содержаться в чистоте.

Для обеспечения оптимального срока службы аккумулятор необходимо полностью заряжать после использования прибора.

Для достижения максимально возможного срока службы аккумуляторы после зарядки следует вынимать из зарядного устройства.

При хранении аккумулятора более 30 дней:

Храните аккумулятор при 27°C в сухом месте.

Храните аккумулятор с зарядом примерно 30% - 50%.

Каждые 6 месяцев аккумулятор следует заряжать.

Защита литий-ионных аккумуляторов от перегрузки

В случае перегрузки аккумулятора по причине слишком большого потребления электроэнергии, при экстремально большом крутящем моменте, внезапной остановке или коротком замыкании, электроприбор вибрирует в течение 5 секунд, загорается индикатор заряда аккумулятора и электроприбор автоматически выключается. ть работу.

Для повторного включения следует отжать кнопку включения и потом снова включить. При слишком высоких нагрузках аккумулятор перегревается. В этом случае загораются все лампы индикатора заряда аккумулятора. Когда аккумулятор остынет и лампы погаснут – можно продолжа

Транспортировка литий-ионных аккумуляторов

Литий-ионные аккумуляторы в соответствии с предписаниями закона транспортируются как опасные грузы.

Транспортировка этих аккумуляторов должна осуществляться с соблюдением местных, национальных и международных предписаний и положений.

Эти аккумуляторы могут перевозиться по улице потребителем без дальнейших обязательств.

При коммерческой транспортировке литий-ионных аккумуляторов экспедиторскими компаниями действуют положения, касающиеся транспортировки опасных грузов. Подготовка к отправке и транспортировка должны производиться исключительно специально обученными лицами. Весь процесс должен находиться под контролем специалиста.

При транспортировке аккумуляторов необходимо соблюдать следующие пункты:

Убедитесь, что контакты защищены и изолированы во избежание короткого замыкания.

Следите за тем, чтобы аккумуляторный блок не соскользнул внутри упаковки. Транспортировка поврежденных или протекающих аккумуляторов запрещена. За дополнительными указаниями обратитесь к своему экспедитору.

УКАЗАНИЯ ПО РАБОТЕ

Регулярно очищайте и смазывайте вырубной штамп.

Регулярно проверяйте вырубной штамп на износ. Своевременно заменяйте вырубной штамп, чтобы защитить вырубные ножницы от повреждения. Затупление инструментов может привести к чрезмерной нагрузке на вырубные ножницы. Только острые инструменты обеспечивают высокопроизводительное разрезание и продлевают срок службы электроприводного инструмента.

Для продления срока службы пуансона рекомендуется использовать смазку с хорошими охлаждающими свойствами (например, смазочно-охлаждающую жидкость).

Нанесите смазку на верхнюю часть металлического листа вдоль намеченной линии разреза.

Перемещайте электроприводной инструмент к заготовке только во включенном состоянии.

Всегда держите электроприводной инструмент перпендикулярно поверхности листа и не наклоняйте его.

Равномерно направляйте электроприводной инструмент с небольшим усилием в направлении разрезания.

Чрезмерное усилие значительно сокращает срок службы режущих инструментов и может повредить электроприводной инструмент.

СТИРКА

Всегда держите охлаждающие отверстия чистыми.

ОБСЛУЖИВАНИЕ

Пользуйтесь аксессуарами и запасными частями Milwaukee. В случае возникновения необходимости в замене, которая не была описана, обращайтесь в один из сервисных центров по обслуживанию электроинструментов Milwaukee (см. список сервисных организаций).

При необходимости может быть заказан чертеж инструмента с трехмерным изображением деталей. Пожалуйста, укажите номер и тип инструмента и закажите чертеж у Ваших местных агентов или непосредственно у Techtronic Industries GmbH, Max-Eyth-Straße 10, 71364 Winnenden, Germany.

СИМВОЛЫ

	Пожалуйста, внимательно прочтите инструкцию по использованию перед началом любых операций с инструментом.
	ВНИМАНИЕ! ПРЕДУПРЕЖДЕНИЕ! ОПАСНОСТЬ!
	Выньте аккумулятор из машины перед проведением с ней каких-либо манипуляций.
	При работе с инструментом всегда надевайте защитные очки.
	Надевать защитные перчатки!



Электроприборы, батареи/аккумуляторы запрещено утилизировать вместе с бытовым мусором. Электрические приборы и аккумуляторы следует собирать отдельно и сдавать в специализированную компанию для утилизации в соответствии с нормами охраны окружающей среды. Получите в местных органах власти или у вашего специализированного дилера сведения о центрах вторичной переработки и пунктах сбора.

n_0	Частота хода без нагрузки
V	Напряжение
	Постоянный ток
	Европейский знак соответствия
	Британский знак соответствия
	Украинский знак соответствия
	Евразийский знак соответствия

ТЕХНИЧЕСКИ ДАННИ	M12 FNB16
Тип	Ниблер
Производствен номер	4911 90 01 XXXXXX MJJJJ
Напряжение на аккумулятора	12 V =
Честота на движение на триончето на празен ход	n_n 1400 - 2200 min ⁻¹
Макс. капацитет на рязане	
Стомана < 400 N/mm ²	1,6 mm
Стомана < 600 N/mm ²	1,2 mm
Стомана < 800 N/mm ²	0,7 mm
Алуминий < 250 N/mm ²	2,1 mm
Ширина на рязане	5 mm
Радиус на най-малката извивка	40,7 mm
Диаметър на началния отвор	21 mm
Тегло съгласно процедурата ЕРТА 01/2014 (Li-Ion 2,0 Ah ... 6,0 Ah)	1,4 ... 1,6 kg
Препоръчителна температура на околната среда при експлоатация	-18 ... +50 °C
Препоръчителни акумулаторни батерии	M12B...
Препоръчителни зарядни устройства	C12C; M12C4; M12-18...
Информация за шума: Измерените стойности са получени съобразно EN 62841. Оцененото с А ниво на шума на уреда е съответно:	
Равнище на звуковото налягане / Несигурност К	88,6 dB (A) / 3 dB (A)
Равнище на мощността на звука / Несигурност К	99,6 dB (A) / 3 dB (A)
Да се носи предпазно средство за слуха!	
Информация за вибрациите: Общите стойности на вибрациите (векторна сума на три посоки) са определени в съответствие с EN 62841.	
Стойност на емисии на вибрациите a_n / Несигурност К	6,9 m/s ² / 1,5 m/s ²

ВНИМАНИЕ!

Посочените в настоящия информационен лист нива на вибрации и шумови емисии са измерени в съответствие със стандартизирано изпитване, предоставено в EN 62841, и могат да се използват за сравняване на един инструмент с друг. Те може също така да се използват и за предварителна оценка на излагането на вредни въздействия.

Декларираните нива на вибрации и шумови емисии се отнасят за основните приложения на инструмента. Ако обаче инструментът се използва за други приложения, с други приспособления или не се поддържа добре, нивата на вибрации и шумови емисии могат да са различни. Това може значително да повиши нивото на излагане на вредни въздействия за общата продължителност на работата.

При оценка на нивото на излагане на въздействието на вибрации и шум следва също така да се вземе предвид времето, през което инструментът е изключен или през което е включен, но не се използва. Това може значително да понижи нивото на излагане на вредни въздействия за общата продължителност на работата.

Определете допълнителни мерки за безопасност за защита на оператора от въздействието на вибрациите и/или шума, като например поддръжка на инструмента и приспособленията, поддържането на топлината на ръцете и организацията на работата.

ВНИМАНИЕ! Прочетете всички указания за безопасност, инструкции, изображения и техническите данни, които получавате с уреда. Ако не спазвате следните указания, това може да доведе до токов удар, пожар и/или тежки наранявания.

Запазете всички указания и инструкции за безопасност за бъдещето.

ПРЕДУПРЕЖДЕНИЯ ЗА БЕЗОПАСНОСТ ПРИ РАБОТА С НИБЛЕРА

Използвайте уреда, аксесоарите, работните инструменти итн. в съответствие с тези инструкции. Съобразявайте се с работните условия и извършваната дейност. Употребата на уредите за цели, за които те не са предвидени, може да доведе до опасни ситуации.

При работа с машината винаги носете предпазни очила. Препоръчват се също така предпазни ръкавици, здрави и нехлъзгащи се обувки, както и престилка.

Закрепете обработваната част с устройство за захващане. Незакрепени части за обработка могат да причинят сериозни наранявания и материални щети.

Когато режете, дръжте уреда така, че остриетата са в здрав контакт с материала за най-бързо рязане. Нанесете равномерен натиск. Твърде голям натиск ще са склонни да се задръсти на функцията или да предизвика груб нарязани.

Моля, обърнете внимание, че при преодоляване на претоварването машината ще се върне сама на първоначалните обороти. Никога не оставяйте електрическата машина, докато инструментът не е напълно спрял. Работният инструмент може да заседне и да доведе до загуба на контрол над уреда.

ДОПЪЛНИТЕЛНИ УКАЗАНИЯ ЗА РАБОТА И БЕЗОПАСНОСТ

Преди започване на каквито е да е работи по машината извадете аккумулятора.

ВНИМАНИЕ! За да избегнете опасността от пожар, предизвикана от късо съединение, както и нараняванията и повредите на продукта, не потапяйте инструмента, сменяемата акумулаторна батерия или зарядното устройство в течности и се погрижете в уредите и акумулаторните батерии да не попадат течности. Течностите, предизвикващи корозия или провеждащи електричество, като солена вода, определени химикали, изобелващи вещества или продукти, съдържащи изобелващи вещества, могат да предизвикат късо съединение.

Акумулатори от системата M12 да се зареждат само със зарядни устройства от системата M12 laden. Да не се зареждат акумулатори от други системи.

Не отваряйте акумулатори и зарядни устройства и ги съхранявайте само в сухи помещения. Пазете ги от влага.

ИЗПОЛЗВАНЕ ПО ПРЕДНАЗНАЧЕНИЕ

Инструментът е предназначен за изрязване на ламарина чрез пробиване на материала, без листът да се деформира. Подходящ е както за право рязане, така и за рязане под остър ъгъл и на отвори.

Не използвайте уреда по различен от описаните в предназначението начини.

ОСТАТЪЧНИ РИСКОВЕ

Дори при правилна употреба, остатъчните рискове не могат да бъдат изключени. При използване могат да възникнат следните опасности, за които обслужващият трябва да внимава:

- Наранявания, причинени от вибрации. Дръжте уреда за предвидените за целта ръкохватки и ограничавайте времето на работа и експозицията.
- Шумовото натоварване може да причини слухови увреждания. Носете защита за слуха и ограничете продължителността на експозицията.
- Наранявания на очите, причинени от замърсяващи частици. Винаги носете предпазни очила, здрави дълги панталони, ръкавици и стабилни обувки.
- Вдишване на отровни прахове.

УКАЗАНИЯ ЗА ЛИТИЕВО-ЙОННИ АКУМУЛАТОРНИ БАТЕРИИ

Употреба на литиево-йонни акумулаторни батерии

Акумулатори, които не са ползвани по-дълго време, преди употреба да се дозаредят.

Температура над 50°C намалява мощността на акумулатора. Да се избягва по-продължително нагряване на слънце или от отопление.

Поддържайте чисти присъединителните контакти на зарядното устройство и на акумулатора.

За оптимална продължителност на живот след употреба батериите трябва да се заредят напълно.

За възможно по-дълга продължителност на живот батериите трябва да се изваждат от уреда след зареждане.

При съхранение на батериите за повече от 30 дни:

съхранявайте батерията при прикл. 27°C и на сухо място.

Съхранявайте батерията при 30 до 50 % от заряда.

Зареждайте батерията на всеки 6 месеца.

Защита от претоварване при литиево-йонни акумулаторни батерии

При претоварване на батерията вследствие на голямо потребление на енергия, например изключително високи въртящи моменти, внезапно спиране или късо съединение, електрическият инструмент вибрира в продължение на 5 секунди, мига индикаторът за зареждане и електрическият инструмент се изключва сам.

За да го включите повторно, освободете превключвателя и след това включете уреда. При екстремни натоварвания батерията се нагрява значително. В този случай всички светлини на индикатора за зареждане мигат дотогава, докато батерията се охлади. След изгасване на индикатора за зареждане можете да продължите работата с уреда.

Превоз на литиево-йонни батерии

Литиево-йонните батерии са предмет на законовите разпоредби за превоз на опасни товари.

Превозът на тези батерии трябва да се извършва в съответствие с местните, националните и международните разпоредби и регламенти.

Потребителите могат да превозват тези батерии по пътя без допълнителни изисквания.

Превозът на литиево-йонни батерии от транспортни компании е предмет на законовите разпоредби за превоз на опасни товари. Подготовката на превоза и самият превоз трябва да се извършват само от обучени лица. Целият процес трябва да е под професионален надзор.

Спазвайте следните изисквания при превоз на батерии:

Уверете се, че контактите са защитени и изолирани, за да се избегне късо съединение.

Уверете се, че няма опасност от разместване на батерията в опаковката. Не превозвайте повредени батерии или такива с течове. Обърнете се към Вашата транспортна компания за допълнителни инструкции.

УКАЗАНИЯ ЗА РАБОТА

Почиствайте и смазвайте пробоя и нарезната глава редовно.

Редовно проверявайте пробоя и нарезната глава за износване. Подменяйте пробоя и нарезната глава своевременно, за да предпазвате ниблера. Затъпените крайници могат да претоварят ниблера. Единствено острият крайници гарантират качествено рязане и по-дълъг живот на инструмента.

За да удължите експлоатационния живот на пробоя, трябва да използвате смазка с добри охлаждащи свойства (напр. масло за рязане).

Нанесете една линия от смазката от горната страна на ламаринения лист по очертанието на среза, който искате да направите.

Движете инструмента срещу работния детайл само когато е включен.

Винаги дръжте инструмента перпендикулярно на повърхността на листа, а не го наклоняйте.

Водете инструмента равномерно и с лек натиск в посоката на рязане.

Прекомерният натиск намалява значително експлоатационния живот на приспособленията и може да повреди инструмента.

ПОЧИСТВАНЕ




Вентилационните шлицы на машината да се поддържат винаги чисти.





ПОДДРЪЖКА

Да се използват само аксесоари на Milwaukee и резервни части на Milwaukee. Елементи, чията подмяна не е описана, да се дадат за подмяна в сервиз на Milwaukee (вижте брошурата "Гаранция и адреси на сервизи").

При необходимост можете да поискате за уреда от Вашия сервиз или директно от Techtronic Industries GmbH, Max-Eyth-Straße 10, 71364 Winnenden, Germany, чертеж за в случай на експлозия, като посочите типа на машината и номер върху заводската табелка.

СИМВОЛИ

	Преди пускане на уреда в действие моля прочетете внимателно инструкцията за използване.
	ВНИМАНИЕ! ПРЕДУПРЕЖДЕНИЕ! ОПАСНОСТ
	Преди започване на каквито е да работи по машината извадете акумулатора.
	При работа с машината винаги носете предпазни очила.
	Да се носят предпазни ръкавици!
	Електрическите уреди, батерии/акумулаторни батерии не трябва да се извърлят заедно с битовите отпадъци. Електрическите уреди и акумулаторни батерии трябва да се събират отделно и да се предават на службите за рециклиране на отпадъците според изискванията за опазване на околната среда. Информирайте се при местните служби или при местните специализирани търговци относно местата за събиране и центровете за рециклиране на отпадъци.
n_0	Честота на движение на триончето на празен ход
V	Напрежение

	Постоянен ток
	Европейски знак за съответствие
	Британски знак за съответствие
	Украински знак за съответствие
	Евро-азиатски знак за съответствие

DATE TEHNICE	M12 FNB16
Tip	Tăietor de tablă
Număr producție	4911 90 01 XXXXXX MJJJJ
Tensiune acumulator	12 V \approx
Cursa în gol	n_0 1400 - 2200 min ⁻¹
Capacitate de tăiere max.	
Oțel < 400 N/mm ²	1,6 mm
Oțel < 600 N/mm ²	1,2 mm
Oțel < 800 N/mm ²	0,7 mm
Aluminiu < 250 N/mm ²	2,1 mm
Lațime de tăiere	5 mm
Raza celei mai mici curburi	40,7 mm
Diametrul găurii de începere	21 mm
Greutatea conform „EPTA procedure 01/2014” (Li-Ion 2,0 Ah ... 6,0 Ah)	1,4 ... 1,6 kg
Temperatură ambientală recomandată pentru funcționare	-18 ... +50 °C
Seturi de baterii recomandate	M12B...
Încărcător de baterii recomandat	C12C; M12C4; M12-18...
Informație privind zgomotul: Valori măsurate determinate conform EN 62841. Nivelul de zgomot evaluat cu A al aparatului este tipic de:	
Nivelul presiunii sonore / Nesiguranță K	88,6 dB (A) / 3 dB (A)
Nivelul sunetului / Nesiguranță K	99,6 dB (A) / 3 dB (A)
Purtați căști de protecție	
Informații privind vibrațiile: Valorile totale de oscilație (suma vectorială pe trei direcții determinate conform normei EN 62841.	
Valoarea emisiei de oscilații a_h / Nesiguranță K	6,9 m/s ² / 1,5 m/s ²

AVERTISMENT!

Nivelul vibrației și emisiei de zgomot indicat în această fișă informativă a fost măsurat în conformitate cu o metodă standard de testare specificată în EN 62841 și se poate utiliza pentru a compara dispozitivele între ele. Acesta se poate utiliza și într-o evaluare preliminară a expunerii.

Nivelul declarat al vibrației și emisiei sonore reprezintă principalele aplicații ale dispozitivului. Cu toate acestea, dacă dispozitivul este utilizat pentru aplicații diferite, cu accesorii diferite sau întreținute necorespunzător, emisia de vibrații și zgomote poate diferi. Acest lucru poate crește semnificativ nivelul expunerii pe întreaga perioadă de lucru.

O estimare a nivelului de expunere la vibrații și zgomot ar trebui să țină cont și de momentele în care dispozitivul este oprit sau când funcționează, dar nu realizează de fapt nicio lucrare. Acest lucru poate reduce semnificativ nivelul expunerii pe întreaga perioadă de lucru.

Identificați măsuri de siguranță suplimentare pentru a proteja operatorul de efectele vibrațiilor și/sau zgomotului, cum ar fi: întreținerea dispozitivului și a accesoriilor, menținerea caldă a mâinilor, organizarea modelelor de lucru.

AVERTISMENT! Citiți toate instrucțiunile de securitate, recomandările, reprezentările grafice și datele pe care le primiți livrate împreună cu aparatul. În cazul în care nu veți respecta următoarele instrucțiuni, se poate ajunge la electrocutare, incendii și/sau răni grave.

Păstrați toate indicațiile de avertizare și instrucțiunile în vederea utilizărilor viitoare.

AVERTISMENTE DE SIGURANȚĂ PENTRU TĂIETOR DE TABLĂ

Utilizați aparatul, accesoriile, sculele montabile etc. în conformitate cu instrucțiunile de față. Țineți cont în acest context de condițiile de lucru și de activitatea care trebuie efectuată. Folosirea unor aparate pentru aplicații diferite de celea pentru care au fost concepute poate crea situații periculoase.

Purtați întotdeauna ochelari de protecție atunci când utilizați mașina. Se recomandă purtarea mănușilor, a încălțăminte solide nealunecoase și sortului de protecție.

Asigurați piesa de prelucrat cu un dispozitiv de fixare. Piese neasigurate pot provoca accidente grave și stricăciuni.

Când tăierea, țineți mașina astfel încât lamelele sunt în contact ferm cu materialul pentru cel mai rapid de tăiere. Se aplică chiar de presiune. O presiune prea mare va tinde să bloca unealta sau poate provoca o reducere dur.

Vă rugăm să rețineți, că după ce sarcina dispăre, mașina revine din nou, în mod automat, la turația de lucru inițială. Nu lăsați niciodată aparatul din mână, atât timp cât accesoriul de lucru nu s-a oprit complet. Scula montabilă se poate înțepeni provocând pierderea controlului asupra aparatului.

INSTRUCȚIUNI SUPLIMENTARE DE SIGURANȚĂ ȘI DE LUCRU

Îndepărtați acumulatorul înainte de începerea lucrului pe mașina AVERTISMENT! Pentru a reduce pericolul unui incendiu și evitarea rănilor sau deteriorarea produsului în urma unui scurtcircuit nu imersați scula, acumulatorul de schimb sau încărcătorul în lichide și asigurați-vă să nu pătrundă lichide în aparate și acumulatori. Lichidele corosive sau cu conductibilitate, precum apa sărată, anumite substanțe chimice și înalbitori sau produse ce conțin înalbitori, pot provoca un scurtcircuit.

Folosiți numai încărcătoare System M12 pentru încărcarea acumulatorilor System M12. Nu folosiți acumulatori din alte sisteme. Nu deschideți niciodată acumulatorii și încărcătoarele și păstrați-le numai în încăperi uscate. Păstrați-le întotdeauna uscate.

CONDIȚII DE UTILIZARE SPECIFICATE

Dispozitivul electric este conceput pentru tăierea tablelor din materiale perforabile, fără a deforma tabla. Este adecvat pentru tăieturi drepte, curbe strânse și decupaje.

Nu utilizați produsul în niciun alt mod decât cel specificat în utilizare prevăzută.

RISCURI REZIDUALE

Excluderea tuturor pericolelor reziduale nu este posibilă chiar și în condiții de utilizare corectă a mașinii. În timpul utilizării pot apărea următoarele pericole, de care utilizatorul ar trebui să țină seama:

- Accidentări provocate de vibrații. Țineți aparatul de mânerul prevăzute în acest scop și reduceți timpul de lucru și de expunere.

- Poluarea fonică poate duce la vătămarea auzului. Purtați căști antifonice și reduceți durata expunerii.
- Afecțiuni oculare cauzate de particulele de impurități. Purtați întotdeauna ochelari de protecție, pantaloni lungi rezistenți, mănuși și încălțăminte robustă.
- Inhalare de pulberi toxice.

INDICAȚII PENTRU ACUMULATORII LI-ION

Utilizarea acumulatorilor Li-Ion

Acumulatorii care nu au fost utilizați o perioadă de timp trebuie reîncărcați înainte de utilizare

Temperatura mai mare de 50°C (122°F) reduce performanța acumulatorului. Evitați expunerea prelungită la căldură sau radiație solară (risc de supraîncălzire)

Contactele încărcătoarelor și acumulatorilor trebuie păstrate curate.

În scopul optimizării duratei de funcționare, bateriile trebuie reîncărcate complet după utilizare.

Pentru o durată de viață cât mai lungă, acumulatorii ar trebui scoși din încărcător după încărcare.

La depozitarea acumulatorilor mai mult de 30 zile:

Acumulatorii se depozitează la cca. 27°C și la loc uscat.

Acumulatorii se depozitează la nivelul de încărcare de cca. 30%-50%.

Acumulatorii se încarcă din nou la fiecare 6 luni.

Protecție la suprasarcină la acumulatorii Li-Ion

În cazul unei suprasolicități a acumulatorului datorită unui consum excesiv de curent electric, de ex. datorită unor momente de turație extrem de înalte, a unei opriri subite sau a unui scurt circuit, scula electrică trepidează timp de 5 secunde, indicația stării de încărcare pălpăie și scula electrică se deconectează de la sine.

Pentru re conectare dați drumul întrerupătorului și conectați din nou. În cazul unor sarcini extreme, acumulatorul se încinge prea tare. În acest caz toate lămpile indicației stării de încărcare pălpăie până când acumulatorul s-a răcit. După ce indicația stării de încărcare s-a stins se poate lucra mai departe.

Transportul acumulatorilor cu ioni de litiu

Acumulatorii cu ioni de litiu cad sub incidența prescripțiilor legale pentru transportul de mărfuri periculoase.

Transportul acestor acumulatori trebuie să se efectueze cu respectarea prescripțiilor și reglementărilor pe plan local, național și internațional.

Consumatorilor le este permis transportul rutier nerestricționat al acestui tip de acumulatori.

Transportul comercial al acumulatorilor cu ioni de litiu prin intermediul firmelor de expediție și transport este supus reglementărilor transportului de mărfuri periculoase. Pregătirile pentru expediție și transportul au voie să fie efectuate numai de către personal instruit corespunzător. Întregul proces trebuie asistat în mod competent.

Următoarele puncte trebuie avute în vedere la transportul acumulatorilor:

Pentru a se evita scurtcircuitele, asigurați-vă de faptul că sunt protejate și izolate contactele.

Aveți grijă ca pachetul de acumulatori să nu poată aluneca în altă poziție în interiorul ambalajului său. Este interzis transportarea unor acumulatori deteriorați sau care pierd lichid. Pentru indicații suplimentare adresați-vă firmei de expediție și transport cu care colaborați.

INDICAȚII DE LUCRU

Curățați și lubrifiați poansonul și ștanța în mod regulat.

Inspectați periodic poansonul și ștanța în mod regulat, pentru a detecta uzura. Înlocuiți poansonul și ștanța în timp util, pentru a proteja tăietorul de tablă. Dispozitivele toxice pot suprasolicita tăietorul de tablă. Doar dispozitivele ascuțite asigură performanța corespunzătoare a tăierii și facilitează durata de viață mai lungă a dispozitivului electric.

Pentru a prelungi durata de viață a poansonului, utilizați un lubrifiant cu proprietăți bune de răcire (de ex., ulei de tăiere).

Aplicați o linie de lubrifiant pe partea superioară a tablei metalice,

de-a lungul liniei de tăiere intenționate.

Mișcați dispozitivul electric pe piesa de prelucrat doar atunci când este pornit.

Țineți întotdeauna dispozitivul electric perpendicular pe suprafața tablei și nu îl înclinați.

Ghidați dispozitivul electric uniform și printr-o ușoară împingere în direcția de tăiere.

Forța excesivă reduce semnificativ durata de viață a dispozitivelor și poate deteriora dispozitivul electric.

CURĂȚARE

Fantele de aerisire ale mașinii trebuie să fie menținute libere tot timpul

ÎNȚEȚINERE

Utilizați numai accesorii și piese de schimb Milwaukee. Dacă unele din componente care nu au fost descrise trebuie înlocuite, vă rugăm contactați unul din agenții de service Milwaukee (vezi lista noastră pentru service / garanți

Dacă este necesară, se poate comanda o imagine descompusă a sculei. Vă rugăm menționați numărul art. Precum și tipul mașinii tipărit pe etichetă și comandați desenul la agenții de service locali sau direct la Techtronic Industries GmbH, Max-Eyth-Straße 10, 71364 Winnenden, Germany.

SIMBOLURI

	Vă rugăm citiți cu atenție instrucțiunile înainte de pornirea mașinii
	PERICOL! AVERTIZARE! ATENȚIE!
	Îndepărtați acumulatorul înainte de începerea lucrului pe mașina
	Purtați întotdeauna ochelari de protecție când utilizați mașina.
	Purtați mănuși de protecție!
	Aparatele electrice, bateriile/acumulatorii nu se elimină împreună cu deșeurile menajere. Aparatele electrice și acumulatorii se colectează separat și se predau la un centru de reciclare, în vederea eliminării ecologice. Informați-vă de la autoritățile locale sau de la comercianții acreditați în legătură cu centrele de reciclare și de colectare.
n_0	Cursa în gol
V	Tensiune
	Curent continuu
	Marcă de conformitate europeană
	Marcă de conformitate britanică
	Marcă de conformitate ucraineană
001	
	Marcă de conformitate eurasiatică

ТЕХНИЧКИ ПОДАТОЦИ	M12 FNB16
Тип на дизајн	Електричен сечач за лим
Производен број	4911 90 01 XXXXXX MJJJJ
Волтажа на батеријата	12 V _{DC}
Ударен момент при не оптовареност (на слободно)	n ₀ 1400 - 2200 min ⁻¹
Максимален учинок на сечење	
Челик < 400 N/mm ²	1,6 mm
Челик < 600 N/mm ²	1,2 mm
Челик < 800 N/mm ²	0,7 mm
Алуминиум < 250 N/mm ²	2,1 mm
Ширина на сечење	5 mm
Најмал радиус на крива	40,7 mm
Дијаметар на почетната дупка	21 mm
Тежина според ЕПТА-процедурата 01/2014 (Li-Ion 2,0 Ah ... 6,0 Ah)	1,4 ... 1,6 kg
Препорачана температура на околината за работа	-18 ... +50 °C
Препорачани комплекти акумулаторски батерии	M12B...
Препорачани полначи	C12C; M12C4; M12-18...

Информации за бучава: Измерените вредности се одредени согласно стандардот EN 62841. А-оценетото ниво на бучава на апаратот типично изнесува:

Ниво на звучен притисок / Несигурност К	88,6 dB (A) / 3 dB (A)
Ниво на јачина на звук / Несигурност К	99,6 dB (A) / 3 dB (A)

Носте штитник за уши.

Информации за вибрации: Вкупни вибрациски вредности (векторски збир на трите насоки) пресметани согласно EN 62841.

Вибрациска емисиона вредност a _v / Несигурност К	6,9 m/s ² / 1,5 m/s ²
---	---

▲ ПРЕДУПРЕДУВАЊЕ!

Нивото на вибрации и емисија на бучава дадени во овој информативен лист се измерени во согласност со стандардизиран метод на тестирање даден во EN 62841 и може да се користат за споредување на еден електричен алат со друг. Тие исто така може да се користат при првична проценка на изложеност.

Наведеното ниво на вибрации и емисија на бучава ја претставува главната примена на алатот. Сепак ако алатот се користи за поинакви примени, со поинаков прибор или лошо се одржува, вибрациите и емисијата на бучава може да се разликуваат. Тоа може значително да го зголеми нивото на изложеност преку целиот работен период.

Проценка на нивото на изложеност на вибрации и бучава треба исто така да се земе предвид кога е исклучен алатот или кога е вклучен, но не врши никаква работа. Тоа може значително да го намали нивото на изложеност преку целиот работен период.

Утврдете дополнителни безбедносни мерки за да се заштити операторот од ефектите на вибрациите и/или бучавата како на пр.: одржувајте го алатот и приборот, рацете нека ви бидат топли, организација на работните шеми.

▲ ПРЕДУПРЕДУВАЊЕ! Прочитајте ги сите безбедносни напомени, упатства, цртежи и податоци, коишто ги добивате заедно со уредот. Доколку не ги почитувате следните упатства, може да дојде до електричен удар, до пожар и/или до тешки повреди.

Сочувајте ги сите безбедносни упатства и инструкции за во иднина.

СИГУРНОСНИ ПРЕДУПРЕДУВАЊА ЗА ЕЛЕКТРИЧНИОТ СЕКАЧ ЗА ЛИМ

Употребувајте го апаратот, приборот, орудијата кои се применуваат итн. во склад со овие напомени. Имајте ги притоа во предвид условите на работа и активносста која што се изведува. Употреба на апарати за други намени, освен предвидените, може да доведе до опасни ситуации.

Секогаш носете ракавици кога ја користите машината. Исто така препорачливо е да се носат очила, цврсти чевли кои не се лигзаат и престилка.

Обезбедете го предметот кој што го обработувате со направа за напон. Необезбедени парчиња кои што се обработуваат можат да предизвикаат тешки повреди и оштетувања.

Кога сечење, држете го алатка, така што сечилата се во цврст контакт со материјалот за најбрзо сечење. Применуваат дури и под притисок. Премногу притисок ќе имаат тенденција да џем на алатка или да предизвика груби сече.

Ве молиме обратете внимание дека машината во случај на престанок на преоптоварувањето повторно самостојно се враќа на претходниот број на работни вртежи. Никогаш не го оставајте

ОСТАТОЧНИ ОПАСНОСТИ

Дури и при уредна употреба на машината, не може да се исклучат сите преостанати ризици. При употребата може да настанат следните опасности, на кои операторот треба особено да внимава:

- Повреди предизвикани како последица на вибрации. Држете ја алатката за рачките предвидени за тоа и ограничете го времето на работа и експозицијата.
- Изложеноста на бучава може да доведе до оштетување на слухот. Носете заштита за ушите и ограничете го траењето на експозицијата.
- Честичките нечистотија може да предизвикаат повреди на очите. Секогаш носете заштитни очила, долги пантолони, ракавици и цврсти чевли.
- Вдишување токсични прашина.

УПАТСТВА ЗА ЛИТИУМ-ЈОНСКИ БАТЕРИИ

Употреба на литиум-јонски батерии

Батриите кои не биле користени подолго време треба да се наполнат пред употреба.

Температура повисока од 50°C (122°F) го намалуваат траењето на батериите. Избегнувајте подолго изложување на батериите на високи температури или сонце (ризик од прегревање).

Клемите на полначот и батериите мора да бидат чисти.

За оптимален работен век батериите мора да се наполнат целосно по употреба.

За можно подолг век на траење, апаратите после нивното полнење треба да бидат извадени од апаратот за полнење на батериите.

Во случај на складирање на батеријата подолго од 30 дена:

Акумулаторот да се чува на температура од приближно 27°C и на суво место.

Акумулаторот да се складира на приближно 30%-50% од состојбата на наполнетост.

Акумулаторот повторно да се наполни на секои 6 месеци.

Заштита од преоптоварување на батеријата за литиум-јонски батерии

При преоптеретување на батеријата како резултат на мошне висока потрошувачка на струја, на пример екстремно високи вртежни моменти, ненадејно стопирање или краток спој, електро-алатот вибрира 5 секунди, приказот за полнење трепка и електро-алатот самостојно се исклучува.

За повторно вклучување ослободете го притискачот на рекинувачот, а потоа повторно вклучете. Во случај на екстремни оптоварувања батеријата се загрева премногу. Во таков случај трепкаат сите ламбички од приказот за полнење сè додека батеријата не се излади. По гаснење на приказот за полнење може да се продолжи со работа.

Транспорт на литиум-јонски батерии

Литиум-јонските батерии подлежат на законските одредби за транспорт на опасни материи.

Транспортот на овие батерии мора да се врши согласно локалните, националните и меѓународните прописи и одредби.

Потрошувачите на овие батерии може да вршат непречен патен транспорт на истите.

Комерцијалниот транспорт на литиум-јонски батерии од страна на шпедитерски претпријатија подлежат на одредбите за транспорт на опасни материи. Подготовките за шпедиција и транспорт треба да ги вршат исклучиво соодветно обучени лица. Целокупниот процес треба да биде стручно надгледуван.

При транспортот на батерии треба да се внимава на следното:

Осигурајте се дека контактите се заштитени и изолирани, а сето тоа со цел да се избегнат кратки споеви.

Внимавајте да не дојде до преместување на батериите во нивната амбалажа. Забранет е транспорт на оштетени или протечени литиум-јонски батерии. За понатамошни инструкции обратете се до Вашето шпедитерско претпријатие.

РАБОТНИ УПАТСТВА

Редовно чистете ги и подмачкувајте ги перфораторот и деловите.

Редовно проверувајте го перфораторот и деловите за абеење. Сменете ги перфораторот и деловите навреме за да го заштитите електричниот сечач за лим. Тапите алати можат да го преоптоварат електричниот сечач за лим. Само со остри алати може да се сече добро и придонесуваат електричниот алат да трае подолго.

За да се продолжи работниот век на перфораторот, треба да се користи лубрикант со добри својства за ладење (на пример, масло за сечење).

Нанесете линија лубрикант на горната страна на металниот лим долж предвидената линија за сечење.

Ставете го електричниот алат на парчето на кое сакате да работите само кога е вклучен.

Секогаш држете го електричниот апарат под прав агол на површината на лимот и не навалувајте го.

При работењето, држете го електричниот алат рамномерно и со мала сила туркајте во правецот на сечење.

Прекумерната сила значително го намалува работниот век на алатките кои се вметнуваат и може да го оштети електричниот алат.

ЧИЩЕЊА

Вентилациските отвори на машината мора да бидат комплетно отворени постојано.

ОДРЖУВАЊЕ

Користете само Milwaukee додатоци и резервни делови. Доколку некои од компонентите кои не се опишани треба да бидат заменети, Ве молиме контактирајте ги сервисните агенти на Milwaukee (консултирајте ја листата на адреси).

Доколку е потребно можно е да биде набавен детален приказ на алатот. Ве молиме наведете го бројот на артиклот како и типот на машина кој е отпечатен на етикетата и порачајте ја скицата кај локалниот застапник или директно кај: Techtronic Industries GmbH, Max-Eyth-Straße 10, 71364 Winnenden, Germany.

СИМБОЛИ

	Ве молиме пред да ја стартувате машината обрнете внимание на упатствата за употреба.
	ВНИМАНИЕ! ПРЕДУПРЕДУВАЊЕ! ОПАСНОСТ!
	Извадете го батерискиот склоп пред отпочнување на каков и да е зафат врз машината.
	Секогаш при користење на машината носете ракавици.
	Носете ракавици!
	Електричните апарати и батериите што се наполнат не смеат да се фрлат заедно со домашниот отпад. Електричните апарати и батериите треба да се собираат одделно и да се однесат во соодветниот погон заради нивно фрлање во склад со начелата за заштита на околината. Информирајте се кај Вашите местни служби или кај специјализираниот трговски претставник, каде има такви погони за рециклажа и собирни станици.

n_0	Ударен момент при не оптовареност (на слободно)
V	Напон
	Истосмерна струја
	Европска ознака за сообразност
	Британска ознака за сообразност
	Украинска ознака за сообразност
	Евроазиска ознака за сообразност

ТЕХНИЧНИ ХАРАКТЕРИСТИКИ	M12 FNB16
Тип конструкції	Вирубні ножиці
Номер виробу	4911 90 01 XXXXXX MJJJJ
Напруга знімної акумуляторної батареї	12 V =
Споживана потужність	n_n 1400 - 2200 min ⁻¹
Продуктивність різання макс.	
Сталь < 400 N/mm ²	1,6 mm
Сталь < 600 N/mm ²	1,2 mm
Сталь < 800 N/mm ²	0,7 mm
Алюміній < 250 N/mm ²	2,1 mm
Ширина різання	5 mm
Найменший радіус кривої	40,7 mm
Початковий діаметр отвору	21 mm
Вага згідно з процедурою ЕРТА 01/2014 (Li-Ion 2,0 Ah ... 6,0 Ah)	1,4 ... 1,6 kg
Температура навколишнього середовища, рекомендована для експлуатації	-18 ... +50 °C
Рекомендовані акумулятори	M12B...
Рекомендовані зарядні пристрої	C12C; M12C4; M12-18...
Інформація про шум: Виміряні значення визначені згідно з EN 62841. Рівень шуму "А" приладу становить в типовому випадку:	
Рівень звукового тиску / похибка К =	88,6 dB (A) / 3 dB (A)
Рівень звукової потужності / похибка К =	99,6 dB (A) / 3 dB (A)
Використовувати засоби захисту органів слуху!	
Інформація щодо вібрації: Сумарні значення вібрації (векторна сума трьох напрямків), встановлені згідно з EN 62841.	
Значення вібрації a_n / похибка К =	6,9 m/s ² / 1,5 m/s ²

ПОПЕРЕДЖЕННЯ!

Заявлені значення шумового випромінювання, вказані в цьому інформаційному аркуші, було виміряно відповідно до стандартизованого випробування згідно з EN 62841 та можуть використовуватися для порівняння одного інструмента з іншим. Вони також можуть використовуватися для попередньої оцінки рівня впливу на організм.

Вказані значення вібрації та шумового випромінювання дійсні для основних областей застосування інструмента. Якщо інструмент використовується в інших областях застосування чи з іншим приладдям або не проходить належне обслуговування, значення вібрації та шумового випромінювання можуть відрізнятись. Це може суттєво збільшити рівень впливу на організм протягом загального періоду роботи.

Під час оцінки рівня впливу вібрації та шумового випромінювання на організм також необхідно враховувати періоди, коли інструмент вимкнено, чи коли він працює, але фактично не використовується для виконання роботи. Це може суттєво знизити рівень впливу на організм протягом загального періоду роботи.

Визначте додаткові заходи для захисту оператора від впливу вібрації та/або шуму, наприклад, обслуговування інструмента та його приладдя, зберігання рук у теплі, організація графіків роботи.

ПОПЕРЕДЖЕННЯ! Ознайомтеся з усіма вказівками щодо техніки безпеки, інструкціями, ілюстраціями та відомостями, що було надано разом із приладом. Недотримання наведених далі інструкцій може спричинити ураження електричним струмом, пожежу та/або тяжкі травми.

Зберігайте всі вказівки з техніки безпеки та інструкції на майбутнє.

ТЕХНІКА БЕЗПЕКИ ПІД ЧАС ВИКОРИСТАННЯ ВИРУБНИХ НОЖИЦЬ

Використовуйте прилад, комплектуючі, вставні інструменти та ін. відповідно до цих інструкцій. Враховуйте при цьому умови праці та види виконуваних робіт. Використання приладів для іншої мети, не передбаченої цими інструкціями, може призвести до небезпечних ситуацій.

Під час роботи з машиною завжди носите захисні окуляри. Радимо носити захисні рукавиці, міцне та нековзне взуття і фартух.

Зафіксувати заготовку в затисковому пристрої. Незакріплені заготовки можуть привести до тяжких травм та пошкоджень.

Для швидкого результату різання тримати прилад так, щоб ножі щільно прилягали до матеріалу. Притискання має бути помірним. Занадто сильне притискання може привести до блокування приладу або до нерівномірності різання.

Зверніть увагу, що після зниження навантаження машина знов самостійно збільшує кількість обертів до попереднього рівня. Ніколи не кладіть електроінструмент, доки вставний інструмент не зупиниться повністю. Вставний інструмент може застрягнути,

що призведе до втрати контролю над приладом.

ДОДАТКОВІ ІНСТРУКЦІЇ З ТЕХНІКИ БЕЗПЕКИ ТА ЕКСПЛУАТАЦІЇ

Перед будь-якими роботами на приладі виїняти змінну акумуляторну батарею.

ПОПЕРЕДЖЕННЯ! Для запобігання небезпеці пожежі в результаті короткого замикання, травмам і пошкодженню виробів не занурюйте інструмент, змінний акумулятор або зарядний пристрій у рідину і не допускайте потрапляння рідини всередину пристроїв або акумуляторів. Корозійні і струмопровідні рідини, такі як солоний розчин, певні хімікати, вибілювальні засоби або продукти, що їх містять, можуть призвести до короткого замикання.

Зніміть акумуляторні батареї системи M12 заряджати лише зарядними пристроями системи M12. Не заряджати акумуляторні батареї інших систем.

Не відкривати знімні акумуляторні батареї і зарядні пристрої та зберігати їх лише в сухих приміщеннях. Берегти від вологи.

ВИКОРИСТАННЯ ЗА ПРИЗНАЧЕННЯМ

Цей електропривідний інструмент призначено для вирубного розрізання листового металу без деформації листа. Він підходить для прямих розрізів, вузьких вигинів і вирізів.

Не використовуйте цей продукт для будь-якої іншої мети; використовуйте його лише згідно зі вказаним цільовим призначенням.

ЗАЛИШКОВІ НЕБЕЗПЕКИ

Навіть при належному використанні не можна виключити всі залишкові ризики. При використанні можуть виникнути такі небезпеки, на які користувач повинен звернути особливу увагу:

- Травми внаслідок вібрації. Тримайте прилад за передбачені для цього руків'я і обмежуйте час роботи та експозиції.
- Шумовий вплив може погіршити слух. Носіть захисні навушники і обмежуйте тривалість експозиції.
- Травми очей, викликані частинками забруднень. Завжди надягайте захисні окуляри, щільні довгі штани, рукавиці і міцне взуття.
- Вдихання отруйного пилу.

ВКАЗІВКИ ЩОДО ЛІТІЙ-ІОННИХ АКУМУЛЯТОРІВ

Застосування літій-іонних акумуляторів

Знімну акумуляторну батарею, що не використовувалася тривалий час, перед використанням необхідно підзарядити.

Температура понад 50 °C зменшує потужність знімної акумуляторної батареї. Уникайте тривалого нагрівання сонячними променями або системою обігріву.

З'єднувальні контакти зарядного пристрою та знімної акумуляторної батареї повинні бути чистими.

Для забезпечення оптимального строку експлуатації акумуляторні батареї після використання необхідно повністю зарядити.

Для забезпечення максимально можливого терміну експлуатації акумуляторні батареї після зарядки необхідно виймати з зарядного пристрою.

При зберіганні акумуляторної батареї понад 30 днів:

Зберігати акумуляторну батарею при температурі приблизно 27 °C в сухому місці.

Зберігати акумуляторну батарею в стані зарядки приблизно 30-50 %.

Кожні 6 місяців заново заряджати акумуляторну батарею.

Захист від перевантаження літій-іонних акумуляторів

У випадку перевантаження акумуляторної батареї внаслідок дуже високого споживання струму, наприклад, надмірно високого крутильного моменту, раптової зупинки або короткого замикання, електроінструмент вібрує 5 секунд, індикатор заряду блимає, електроінструмент самостійно вимикається.

Для повторного увімкнення відпустити кнопку вимикача і знов увімкнути. При надмірних навантаженнях акумуляторна батарея сильно перегрівається. В цьому випадку всі лампочки індикатора заряду блимають, доки акумуляторна батарея не охолоне. Можна продовжити роботу після того, як індикатор заряду згасне.

Транспортування літій-іонних акумуляторних батарей

Літій-іонні акумуляторні батареї підпадають під законоположення про перевезення небезпечних вантажів.

Транспортування таких акумуляторних батарей повинно відбуватися із дотриманням місцевих, національних та міжнародних приписів та положень.

споживачі можуть без проблем транспортувати ці акумуляторні батареї по вулиці.

Комерційне транспортування літій-іонних акумуляторних батарей експедиторськими компаніями підпадає під положення про транспортування небезпечних вантажів. Підготовку до відправлення та транспортування можуть здійснювати виключно особи, які пройшли відповідне навчання. Весь процес повинні контролювати кваліфіковані фахівці.

При транспортуванні акумуляторних батарей необхідно дотримуватись зазначених далі пунктів:

Переконайтеся в тому, що контакти захищені та ізольовані, щоб запобігти короткому замиканню.

Слідкуйте за тим, щоб акумуляторна батарея не переміщувалася всередині упаковки. Пошкоджені акумуляторні батареї, або акумуляторні батареї, що потекли, не можна

транспортувати. Для отримання подальших вказівок звертайтеся до своєї експедиторської компанії.

ВКАЗІВКИ ЩОДО ЕКСПЛУАТАЦІЇ

Регулярно очищайте та змачуйте вирубний штамп.

Регулярно перевіряйте вирубний штамп на зношення. Своєчасно замінійте вирубний штамп, щоб захистити вирубні ножиці від пошкодження. Затуплення інструментів може спричинити надмірне навантаження на вирубні ножиці. Лише гострі інструменти забезпечують високопродуктивне розрізання та подовжують термін служби електропривідних інструментів.

Для подовження терміну служби пуансона рекомендується використовувати мастило з добрими охолоджувальними властивостями (наприклад, змащувально-охолоджувальну рідину).

Нанесіть мастило на верхню частину металевого листа вздовж наміченої лінії розрізання.

Наближайте електропривідний інструмент до заготовки лише в увімкненому стані.

Завжди тримайте електропривідний інструмент перпендикулярно до поверхні листа та не нахиляйте його.

Рівномірно спрямовуйте електропривідний інструмент із невеликим зусиллям у напрямку розрізання.

Надмірне зусилля значно скорочує термін служби ріжучих інструментів і може пошкодити електропривідний інструмент.

ЧИСТКА

Завжди підтримувати чистоту вентиляційних отворів.

ОБСЛУГОВУВАННЯ

Використовувати тільки комплектуючі та запчастини Milwaukee. Деталі, заміна яких не описується, замінювати тільки в відділі обслуговування клієнтів Milwaukee (зверніть увагу на брошуру "Гарантія / адреси сервісних центрів").

У разі необхідності можна запросити креслення з зображенням вузлів машини в перспективному вигляді, для цього потрібно звернутися в ваш відділ обслуговування клієнтів або безпосередньо в Techtronic Industries GmbH, Max-Eyth-Straße 10, 71364 Winnenden, Німеччина, та вказати тип машини та шестизначний номер на фірмовій табличці з даними машини.

СИМВОЛИ

	Уважно прочитайте інструкцію з експлуатації перед введенням приладу в дію.
	УВАГА! ПОПЕРЕДЖЕННЯ! НЕБЕЗПЕЧНО!
	Перед будь-якими роботами на приладі вийняти змінну акумуляторну батарею.
	Під час роботи з машиною завжди носити захисні окуляри.
	Носити захисні рукавиці!
	Електроприлади, батареї/акумулятори заборонено утилізувати разом з побутовим сміттям. Електричні прилади і акумулятори слід збирати окремо і здавати в спеціалізовану компанію для утилізації відповідно до норм охорони довкілля. Зверніться до місцевих органів або до вашого дилера, щоб отримати адреси пунктів вторинної переробки та пунктів прийому.

	Споживана потужність
	Напруга
	Постійний струм
	Європейський знак відповідності
	Британський знак відповідності
	Український знак відповідності
	Євразійський знак відповідності

البيانات الفنية	M12 FNB16
الطراز	مقراض
إنتاج عدد	4911 90 01 XXXXXX MJJJJ
فولطية البطارية	12 V =
معدل الحركة النظامية مع عدم وجود أحمال	n_0 1400 - 2200 min ⁻¹
الحدا الأقصى لقدرة القطع	1,6 mm
معدني < 400 N/mm ²	1,2 mm
معدني < 600 N/mm ²	0,7 mm
معدني < 800 N/mm ²	2,1 mm
الألمنيوم < 250 N/mm ²	5 mm
عرض القطع	40,7 mm
أصغر نصف قطر منحني	21 mm
قطر فتحة اليد	1,4 ... 1,6 kg
الوزن وفقا لنهج EPTA رقم 01/2014 (Li-Ion 2,0 Ah ... 6,0 Ah)	-18 ... +50 °C
درجة حرارة البيئة المحيطة المنصوص بها من أجل التشغيل	M12B...
البطاريات المنصوح بها	C12C; M12C4; M12-18...
جهاز الشحن المنصوح به	
معلومات الضوضاء: القيم التي تم قياسها محددة وفقا للمعايير الأوروبية EN 62841 مستويات ضوضاء الجهاز، ترجيحاً أ بشكل نمونجي كالتالي:	
مستوى ضغط الصوت / الارتياح في القياس	88,6 dB (A) / 3 dB (A)
مستوى شدة الصوت / الارتياح في القياس	99,6 dB (A) / 3 dB (A)
ارتد واقيات الأذن!	
معلومات الاهتزاز: قيم الذبذبات الإجمالي (مجموع الكميات الموجبة في المحاور الثلاثة) محددة وفقا للمعايير الأوروبية EN 62841.	
قيمة انبعاث الذبذبات a_{hv} / الارتياح في القياس	6,9 m/s ² / 1,5 m/s ²

تحذير!

تم قياس مستوى الاهتزاز وانبعاث الضوضاء الوارد في ورقة المعلومات هذه، وفقاً لاختبار قياسي محدد في المواصفة EN 62841، ويمكن استخدامه لمقارنة آلة مع أخرى. كما يمكن استخدام ذلك أيضاً في إجراء تقييم أولي للتعرض.

يمثل مستوى الاهتزاز وانبعاث الضوضاء المعطن عنه الاستخدامات الأساسية للآلة. ومع ذلك، إذا استعملت الآلة في استخدامات مختلفة، أو بمحطات مختلفة، أو تم صيانتها على نحو سيئ، فقد يختلف مستوى الاهتزاز وانبعاث الضوضاء. وهذا قد يزيد -إلى حد كبير- من مستوى التعرض خلال مدة العمل الإجمالية.

عند تقييم مستوى التعرض للاهتزاز والضوضاء، ينبغي أيضاً أن يوضع في الاعتبار فترات اطفاء الآلة أو تشغيلها دون أن تقوم بأي وظيفة فعلياً. فهذا قد يقلل -إلى حد كبير- من مستوى التعرض خلال مدة العمل الإجمالية.

تعرف على تدابير السلامة الإضافية لحماية المشغل من تأثيرات الاهتزاز أو الضوضاء أو كليهما، مثل: صيانة الآلة وملحقاتها، والحفاظ على دهاء اليدين، وتنظيم نماذج العمل.

تحذير! اقرأ جميع تعليمات السلامة والإرشادات والشروح والبيانات المرفقة مع الجهاز.

قد يؤدي عدم مراعاة التعليمات المدرجة أدناه إلى التعرض للإصابة بصدمة كهربية أو الحريق و/ أو إصابة خطيرة.

احتفظ بجميع التنبيهات والتعليمات للرجوع إليها مستقبلاً.

تحذيرات أمان المقراض

استخدم الآلات والملحقات والأدوات وغيرها كما هو موضح في هذه التعليمات. يجب مراعاة حالة العمل ونوعه. قد يؤدي استخدام الماكينات في غرض غير المخصص لها إلى حدوث مواقف خطيرة.

ارتد نظارات الوقاية عند استخدام الجهاز دائماً. ينصح بارتداء قفازات واقية، الأحذية القوية غير المنزلقة والمزتر.

قم بتأمين القطعة المستخدمة من المواد في تجهيزة تثبيت. القطع المستخدمة من المواد الغير مرمنة يمكن أن تسبب في إصابات وأضرار حادة.

عند القطع، أمسك الآداة بحيث تكون الشفرات متصلة بإحكام مع المواد للقطع السريع. اضغط بصورة متساوية. يؤدي الضغط العالي إلى انخسار الآداة أو قد يتسبب في قطع خشن.

يرجى منك مراعاة، أن الجهاز يعود للعمل تلقائياً مرة أخرى وينفس عند دورات العمل الأسلية عند زوال التحميل. لا تضع الآلة الكهربائية جانباً حتى تتوقف الملحقات الدوّارة عن الحركة تماماً. قد تتحضر الآداة، مما يسبب فقدان السيطرة على الآلة.

إرشادات أمان وعمل إضافية

انزع البطارية قبل التعامل مع الجهاز.

تحذير! تحذير! لتجنب أخطار الحريق أو الإصابة أو الاضرار بالمنتج التي تنتج عن الماس الكهربائي، لا تفسد الآداة أو البطارية القابلة للاستبدال أو جهاز الشحن في السوائل وأحرص على أن لا تصل السوائل إلى داخل الجهاز والبطارية. السوائل المؤدية للتآكل أو الموصلية للتيتان الكهربائي، مثل الماء المالح ومركبات كيميائية معينة ومواد التبييض أو المنظفات التي تشتمل على مواد تبييض، يمكن أن تؤدي إلى حدوث ماس كهربائي.

استخدم فقط شواحن System M12 لشحن بطاريات System M12. لا تستخدم بطاريات من أنظمة أخرى.

لا تلم أبداً بفتح قفل البطارية والشواحن ولا تخزنهما إلا في غرف جافة. وحافظ عليها جاف طوال الوقت.

حماية بطاريات أيون الليثيوم القابلة للشحن من التحميل الزائد

في حالات العزم العالي، أو إعاقة الحركة أو التوقف المفاجئ أو القصور في الدائرة الكهربائية الذي ينتج عنه سحب لأمبير كبير من التيار الكهربائي، ستصدر الآداة ذبذبات لمدة 5 ثوانٍ، وسيضيء مقياس الوقود ثم تتوقف عن العمل.

إعادة الضبط حرر الزناد. في الظروف القصوى للعمل، قد ترتفع درجة الحرارة الداخلية للبطارية ارتفاعاً شديداً. إذا حدث ذلك، سيضيء مقياس الوقود حتى تتخفض درجة حرارة البطارية. بعد انطفاء الأضواء، يمكنك متابعة العمل.

نقل بطاريات الليثيوم

تخضع بطاريات الليثيوم أيون لشروط قوانين نقل السلع الخطرة.

ويجب نقل هذه البطاريات وفقاً للأحكام والقوانين المحلية والوطنية والدولية.

يمكن للمستخدم نقل البطاريات برأ دون الخضوع لشروط أخرى.

يخضع النقل التجاري لبطاريات الليثيوم أيون عن طريق الغير إلى قوانين نقل السلع الخطرة. يتعين أن يقوم أفراد مديرون جيداً بالإعداد لعملية النقل والقيام بها بصحة خيراً مثلهم.

متى تُنقل البطاريات:

عند التأكد من حماية أطراف توصيل البطارية وعزلها تجنباً لحدوث قصر بالدائرة.

عند التأكد من حماية حزمة البطارية من الحركة داخل صندوق التعبئة. يُرجى عدم نقل البطاريات التي بها تشققات أو تسربات. يُرجى البحث مع شركة الشحن عن نصيحة أخرى

تصحيح العمل

قم بتنظيف وتزليق المثقاب وقالب اللولبية بشكل منتظم.

افحص المثقاب وقالب اللولبية للكشف عن أي تآكل بشكل منتظم. استبدل المثقاب وقالب اللولبية في الوقت المناسب لحماية المقراض. الأدوات التالمة يمكن أن تشكل خطراً على المقراض. الأدوات الحادة وحدها توفر أداء جيداً في القطع وتجعل الآداة الكهربائية تتدوم لفترة أطول.

يجب استخدام مادة تزليق ذات خصائص تبريد جيدة (مثل زيت القطع) لإطالة العمر الافتراضي للمثقاب.

ضع خطاً من مادة التزليق على الجانب العلوي من الصفيحة المعدنية على طول خط القطع المقصود.

لا تحرك الآداة الكهربائية في مواجهة قطعة العمل إلا إذا كانت مُشغلة.

أمسك الآداة الكهربائية دائماً في اتجاه عمودي على سطح الصفيحة ولا تلم بامانيتها.

وجه الآداة الكهربائية بالتساوي وبقوة دفع لطيفة في اتجاه القطع.

تُقلل القوة المُفرطة من العمر الافتراضي لأدوات الإخchal بشكل كبير ويمكن أن تُلحق الضرر بالأداة الكهربائية.

التنظيف

يجب أن تكون فتحات تهوية الجهاز نظيفة طوال الوقت.

الصيانة

استخدم فقط ملحقات ميلوكي وكذلك قطع غيار ميلوكي. إذا كانت المكونات التي يجب تغييرها غير مذكورة، يرجى الاتصال بأحد عملاء صيانة ميلوكي (انظر قائمة عتادين الضمان/الصيانة الخاصة بنا).

عند الحاجة يمكن طلب رمز انفجار الجهاز بعد ذكر طراز الآلة والرقم السداسي المذكور على بطاقة طاقة الآلة لدى جهة خدمة العملاء أو مباشرة لدى شركة

Techron Industries GmbH,
Max-Eyth-Straße 10,
71364 Winnenden-
المانيا

الرموز

يرجى قراءة التعليمات بعناية قبل بدء تشغيل الجهاز.

تنبيه! تحذير! خطر!

انزع البطارية قبل التعامل مع الجهاز.

ارتد دائماً نظارات الوقاية عند استخدام الجهاز.



يحظر التخلص من الأجهزة الكهربائية والبطاريات/البطاريات القابلة للشحن في القمامة المنزلية. يجب جمع الأجهزة الكهربائية والبطاريات القابلة للشحن منفصلة وتسليمها للتخلص منها بشكل لا يضر بالبيئة لدى شركة إعادة استغلال. الرجاء الاستشارة لدى الهيئات المحلية أو لدى التجار المتخصصين عن مواقع إعادة الاستغلال ومواقع الجمع.

معدل الحركة النظامية مع عدم وجود أحمال	n_0
الجهد الكهربائي	V
التيار المستمر	⎓

علامة التوافق الأوروبية	CE
علامة التوافق البريطانية	UKCA

علامة التوافق الأوكرائية	UKCA
علامة التوافق الأوروبية الآسيوية	EAC

علامة التوافق الأوروبية الآسيوية	EAC
----------------------------------	-----

علامة التوافق الأوروبية الآسيوية	EAC
----------------------------------	-----

EC DECLARATION OF CONFORMITY

We declare as the manufacturer under our sole responsibility that the product described under "Technical Data" fulfills all the relevant regulations and directives listed below and that the following harmonized standards have been used.

EG-KONFORMITÄTSEKLERUNG

Wir erklären als Hersteller in alleiniger Verantwortung, dass das unter „Technische Daten“ beschriebene Produkt alle nachstehend aufgeführten relevanten Verordnungen und Richtlinien erfüllt und dass die folgenden harmonisierten Normen angewandt wurden.

DÉCLARATION CE DE CONFORMITÉ

Nous déclarons en tant que fabricant et sous notre seule responsabilité, que le produit décrit dans « Données techniques » est conforme à toutes les réglementations et directives pertinentes mentionnées ci-après et que les normes harmonisées suivantes ont été appliquées.

DICHIARAZIONE CE DI CONFORMITÀ

In qualità di produttore dichiariamo sotto la nostra esclusiva responsabilità che il prodotto descritto nei "Dati tecnici" è conforme a tutti i regolamenti e tutte le direttive pertinenti elencati qui di seguito e che sono state usate le seguenti norme armonizzate.

DECLARACIÓN CE DE CONFORMIDAD

Declaramos como fabricante y bajo nuestra responsabilidad que el producto descrito bajo "Datos técnicos" está en conformidad con todos los reglamentos y directivas detallados a continuación y que se han utilizado las siguientes normas armonizadas.

DECLARAÇÃO CE DE CONFORMIDADE

Como fabricante, declaramos sob responsabilidade exclusiva, que o produto descrito sob "Dados Técnicos" corresponde com todos os regulamentos e diretivas abaixo que as seguintes normas harmonizadas foram utilizadas.

EG-VERKLARING VAN OVEREENSTEMMING

Wij als fabrikant verklaren in uitsluitende verantwoording dat het onder "Technische gegevens" beschreven product aan alle onderstaand vermelde relevante verordeningen en richtlijnen voldoet en dat de volgende geharmoniseerde normen werden toegepast.

EF-OVERENSSTEMMELSESERKLÆRING

Vi erklærer som producent og eneansvarlig, at produktet, der er beskrevet under "Tekniske data", opfylder kravene i alle relevante forordninger og direktiver som nævnt nedenfor og at nedenstående harmoniserede standarder er blevet anvendt.

EF-SAMSVARSERKLÆRING

Som producent erklærer vi under eget ansvar at produktet som beskrives under « Teknisk data » opfylder alle relevante forordninger og direktiver som står opført nedenfor og at de følgende harmoniserede standarder har blitt brukt.

EG-FÖRSÄKRAN ÖVERENSSTÄMMELSE

Vi som tillverkare förklarar under eget ansvar, att den produkt som beskrivs under "Tekniska data" överensstämmer med alla de nedan angivna relevanta förordningarna och direktiven och att de följande harmoniserade normen har tillämpats.

EY-VAATIMUSTENMUKAISUUSVAKUUTUS

Vakuutamme valmistajan ominaisuudessa yksinvastuullisesti, että kohdassa "Tekniset tiedot" kuvattu tuote täyttää kaikki seuraavassa luetellut sitä koskevat asetukset ja direktiivit ja että seuraavia harmonisoituja standardeja on sovellettu.

ΑΝΑΩΣΗ ΣΥΜΜΟΡΦΩΣΗΣ ΕΚ

Ως κατασκευαστής δηλώνουμε υπεύθυνα ότι το προϊόν που περιγράφεται στο κεφάλαιο «Τεχνικά Χαρακτηριστικά», πληροί όλους τους κανονισμούς κι όλες τις οδηγίες που αναφέρονται σχετικά παρακάτω, και για το οποίο έχουν εφαρμοστεί τα ακόλουθα εναρμονισμένα πρότυπα.

AT UYGUNLUK BEYANI

Üretici sıfatıyla tek sorumlu olarak "Teknik Veriler" bölümünde tarif edilen ürünün aşağıda sıralanan bütün ilgili yönetmelik ve direktiflere uygun olduğunu ve aşağıdaki uyumlaştırılmış standartların kullanılacağını beyan etmekteyiz.

ES PROHLÁŠENÍ O SHODĚ

My jako výrobce prohlašujeme na svou vlastní odpovědnost, že produkt popsáný v části „Technické údaje“ splňuje všechna příslušná nařízení a směrnice uvedené níže a že byly použity následující harmonizované normy.

ES VYHLÁŠENIE O ZHODE

My ako výrobca vyhlasujeme na vlastnú zodpovednosť, že produkt popísaný v časti „Technické údaje“ spĺňa všetky príslušné nariadenia a smernice uvedené nižšie a že boli použité nasledujúce harmonizované normy.

DEKLARACJA ZGODNOŚCI WE

Jako producent oświadczamy na naszą wyłączną odpowiedzialność, że produkt opisany w punkcie „Dane techniczne” odpowiada wszystkim poniższym istotnym rozporządzeniom oraz dyrektywom, a także iż zastosowano poniższe zharmonizowane normy.

EK-MEGFELELŐSÉGI NYILATKOZAT

Gyártóként egyedüli felelősséggel kijelentjük, hogy a „Műszaki Adatok” alatt leírt termék megfelel a következőkben felsorolt minden releváns rendelkezés és irányelvnek, és hogy a következők harmonizált szabványok kerültek használatra.

ES-IZJAVA O SKLADNOSTI

Mi kao proizvođač izjavljujemo na osobnu odgovornost, da je proizvod, opisan pod "Tehnički podaci", sukladan sa svim relevantnim propisima i u nastavku navedenim smjericama i harmoniziranim normativima dokumenata.

IZJAVA O SUKLADNOSTI

Mi kao proizvođač izjavljujemo na osobnu odgovornost, da proizvod opisan pod "Tehnički podaci", ispunjava sve u nastavku navedene relevantne odredbe i smjernice i da su sljedeće harmonizirane norme bile primijenjene.

EK ATBILSTĪBAS DEKLARĀCIJA

Mēs kā ražotājs un vienīgā atbildīgā persona apliecinām, ka "Tehniskajos datos" raksturotais produkts atbilst visiem attiecīgajiem noteikumiem un vadlīnijām, kas uzskaitītas turpmāk, un ka ir izmantoti šādi saskaņotie standarti.

EB ATITIKTIES DEKLARACIJA

Gamintojo vardu atsakingai pareiškiamė, kad gaminys, aprašytas skyriuje „Techniniai duomenys“, atitinka visus toliau išvardytų susijusių reglamentų, direktyvų ir darnųjų standartų taikomus reikalavimus.

EÜ VASTAVUSDEKLARATSIOON

Kinnitame tootjana ainuiskuliselt vastutades, et jaotises „Tehnilised andmed“ kirjeldatud toode on kooskõlas allpool nimetatud direktiivide asjaomaste eeskirjade ja ühtlustatud normdokumentidega ning et on kasutatud järgmisi ühtlustatud standardeid.

ДЕКЛАРАЦИЯ СООТВЕТСТВИЯ ЕС

Мы как производитель под собственную ответственность заявляем о том, что описанное в разделе «Технические характеристики» изделие отвечает всем нижеперечисленным соответствующим предписаниям и директивам и что в отношении него применяются следующие гармонизированные стандарты.

DEKLARACIJA ZA СЪОТВЕТСТВИЕ НА ЕО

V качестве то си на производител декларираме на собствена отговорност, че продуктът, описан в „Технически данни“, отговаря на всички изброени по-нататък приложими регламенти и директиви и че са използвани посочените хармонизирани стандарти.

DECLARAȚIE DE CONFORMITATE CE

În calitate de producător declarăm pe propria răspundere că produsul descris la "Date tehnice" este în concordanță cu toate regulamentele și directivele relevante de mai jos și că au fost utilizate următoarele norme armonizate.

EK-DEKLARACIJA ZA SOOBRAZNOT

Kako proizvođač, izjavjuvamo pod celopisna odgovornost дека производот опишан во „Технички податоци“ подолу е во согласност со сите релевантни одредби и регулативи наведени подолу и дека се користени следниве усогласени стандарди.

ДЕКЛАРАЦИЯ ЕС ПРО ВІДПОВІДНІСТЬ

Як виробник, ми заявляємо на власну відповідальність, що виріб, описаний у розділі "Технічних даних", відповідає всім застосовним положенням директив і приписам перерахованим нижче, і що щодо нього були використані наступні гармонізовані стандарти.

إقرار المطابقة وفقاً للمواصفات الاتحاد الأوروبي بموجب هذا نعلن كشركة منتجة وعلى مسؤوليتنا المنفردة، أن المنتج الموصوف تحت "البيانات الفنية" يطابق جميع الأوامر والتوجيهات الهامة المذكورة فيما يلي وقد جرى فيها استخدام معايير التوافق التالية.

2011/65/EU (RoHS)

2014/30/EU

2006/42/EC

EN 62841-1:2015

EN 62841-2-8:2016

EN IEC 55014-1:2021

EN IEC 55014-2:2021

EN IEC 63000:2018

Winnenden, 2021-09-27

Alexander Krug
Managing Director



Authorized to compile the technical file

Bevollmächtigt die technischen Unterlagen zusammenzustellen.

Autorisé à compiler la documentation technique.

Autorizzato alla preparazione della documentazione tecnica

Autorizado para la redacción de los documentos técnicos.

Autorizado a reunir a documentação técnica.

Gemachtigd voor samenstelling van de technische documenten

Autoriseret til at udarbejde de tekniske dokumenter.

Autoriseret til å utarbeide den tekniske dokumentasjonen

Befullmäktigad att sammanställa teknisk dokumentation.

Valtuutettu kokoamaan tekniset dokumentit.

Εξουσιοδοτημένος να συντάξει τον τεχνικό φάκελο.

Teknik evrakları hazırlamakla görevlendirilmiştir.

Zplnomocněn k sestavování technických podkladů.

Splnomocnený zostaviť technické podklady.

Upełnomocniony do zestawienia danych technicznych

Műszaki dokumentáció összeállításra felhatalmazva

Pooblaščen za izdelavo spisov tehnične dokumentacije.

Ovlašten za formiranje tehničke dokumentacije.

Pilnvarotais tehnikās dokumentācijas sastādīšanā.

Igalīotās parengti tehniiskus dokumentus.

On volitatud koostama tehnilist dokumentatsiooni.

Уполномочен на составление технической документации.

Упълномощен за съставяне на техническата документация

Ïmputernic sã elaboreze documentația tehnică.

Ополномоштен за составување на техничката документација.

Уповноважений із складання технічної документації.

معمتدة للمطابقة مع الملف الفني

Techtronic Industries GmbH

Max-Eyth-Straße 10

71364 Winnenden

Germany

GB-DECLARATION OF CONFORMITY

We declare as the manufacturer under our sole responsibility that the product described under "Technical Data" fulfills all the listed below relevant regulations and that the following designated standards have been used.

S.I. 2012/3032 (as amended)

S.I. 2016/1091 (as amended)

S.I. 2008/1597 (as amended)

BS EN 62841-1:2015

BS EN 62841-2-8:2016

BS EN IEC 55014-1:2021

BS EN IEC 55014-2:2021

BS EN IEC 63000:2018

Winnenden, 2021-09-27

Alexander Krug
Managing Director

Techtronic Industries GmbH

Max-Eyth-Straße 10

71364 Winnenden

Germany

Authorized to compile the technical file:

Techtronic Industries (UK) Ltd

Fieldhouse Lane

Marlow Bucks SL7 1HZ

UK

Copyright 2021
Techtronic Industries GmbH
Max-Eyth-Straße 10
71364 Winnenden
Germany
+49 (0) 7195-12-0
www.milwaukeeetool.eu

Techtronic Industries (UK) Ltd
Fieldhouse Lane
Marlow Bucks SL7 1HZ
UK

(09.21)

4931 4255 05