

# Milwaukee®

Nothing but **HEAVY DUTY**®



## **M18 ONEDD** **M18 ONEPD**

Original instructions

Originalbetriebsanleitung

Notice originale

Istruzioni originali

Manual original

Oorspronkelijke gebruiksaanwijzing

Original brugsanvisning

Original bruksanvisning

Bruksanvisning i original

Alkuperäiset ohjeet

Πρωτότυπο οδηγιών χρήσης

Orijinal işletme talimatı

Původním návodem k používání

Pôvodný návod na použitie

Instrukcja oryginalna

Eredeti használati utasítás

Izvirna navodila

Originalne pogonske upute

Instrukcijām oriģinālvalodā

Originali instrukcija

Algupärane kasutusjuhend

Оригинальное руководство по эксплуатации

Оригинално ръководство за експлоатация

Instrukcioni de folosire originale

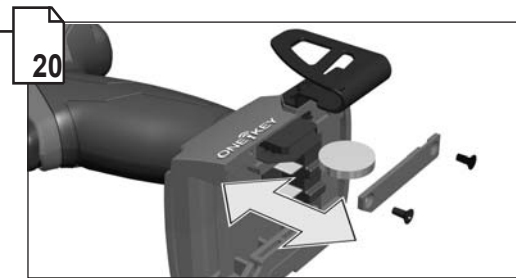
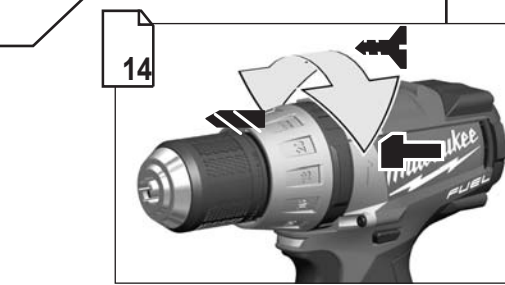
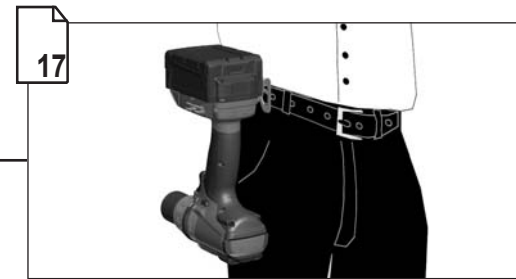
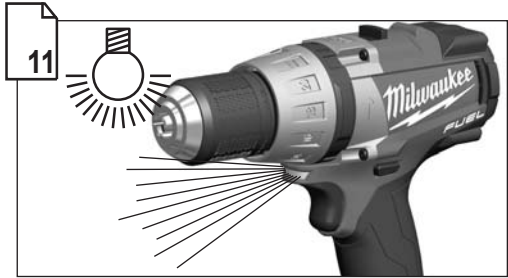
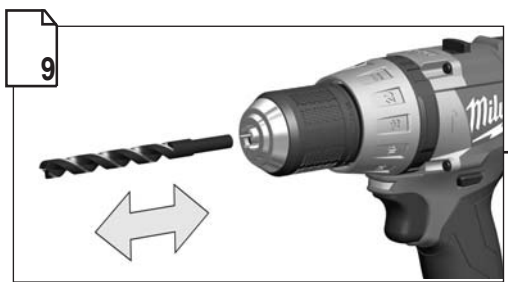
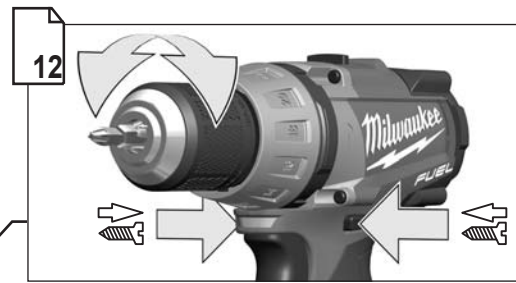
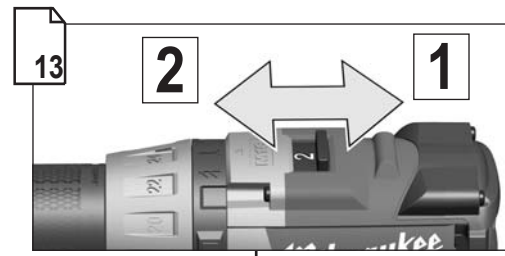
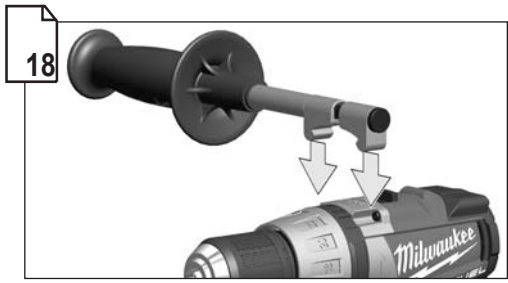
Оригинален прирачник за работа

Оригінал інструкції з експлуатації

التعليمات الأصلية

<b>ENGLISH</b>		Picture section with operating description and functional description	<b>4</b>
<b>DEUTSCH</b>		Bildteil mit Anwendungs- und Funktionsbeschreibungen	<b>4</b>
<b>FRANÇAIS</b>		Partie imagée avec description des applications et des fonctions	<b>4</b>
<b>ITALIANO</b>		Sezione illustrata con descrizione dell'applicazione e delle funzioni	<b>4</b>
<b>ESPAÑOL</b>		Sección de ilustraciones con descripción de aplicación y descripción funcional	<b>4</b>
<b>PORTUGUES</b>		Parte com imagens explicativas contendo descrição operacional e funcional	<b>4</b>
<b>NEDERLANDS</b>		Beeldgedeelte met toepassings- en functiebeschrijvingen	<b>4</b>
<b>DANSK</b>		Billedel med anvendelses- og funktionsbeskrivelser	<b>4</b>
<b>NORSK</b>		Billedel med bruks- og funksjonsbeskrivelse	<b>4</b>
<b>SVENSKA</b>		Bilddel med användnings- och funktionsbeskrivning	<b>4</b>
<b>SUOMI</b>		Kuvasivut käyttö- ja toimintakuvaukset	<b>4</b>
<b>ΕΛΛΗΝΙΚΑ</b>		Τμήμα εικόνων με περιγραφές χρήσης και λειτουργίας	<b>4</b>
<b>TÜRKÇE</b>		Resim bölümü Uygulama ve fonksiyon açıklamaları ile birlikte	<b>4</b>
<b>ČESKY</b>		Obrazová část s popisem aplikací a funkcí	<b>4</b>
<b>SLOVENSKY</b>		Obrazová časť s popisom aplikácií a funkcií	<b>4</b>
<b>POLSKI</b>		Część rysunkowa z opisami zastosowania i działania	<b>4</b>
<b>MAGYAR</b>		Képes részalkalmazási- és működési leírásokkal	<b>4</b>
<b>SLOVENSKO</b>		Del slikez opisom uporabe in funkcij	<b>4</b>
<b>HRVATSKI</b>		Dio sa slikama opisima primjene i funkcija	<b>4</b>
<b>LATVISKI</b>		Attēla daļa ar lietošanas un funkciju aprakstiem	<b>4</b>
<b>LIETUVIŠKAI</b>		Paveikslėlio dalis su vartojimo instrukcija ir funkcijų aprašymais	<b>4</b>
<b>EESTI</b>		Pildiosa kasutusjuhendi ja funktsioonide kirjeldusega	<b>4</b>
<b>РУССКИЙ</b>		Раздел иллюстраций с описанием эксплуатации и функций	<b>4</b>
<b>БЪЛГАРСКИ</b>		Част със снимки с описание за приложение и функции	<b>4</b>
<b>ROMÂNIA</b>		Secvența de imagine cu descrierea utilizării și a funcționării	<b>4</b>
<b>МАКЕДОНСКИ</b>		Дел со сликисо описи за употреба и функционирање	<b>4</b>
<b>УКРАЇНСЬКА</b>		Частина з зображеннями з описом робіт та функцій	<b>4</b>
<b>عربي</b>		قسم الصور يوجد به الوصف التشغيلي والوظيفي	<b>4</b>

Text section with Technical Data, important Safety and Working Hints and description of Symbols	<b>22</b>
Textteil mit Technischen Daten, wichtigen Sicherheits- und Arbeitshinweisen und Erklärung der Symbole.	<b>24</b>
Partie textuelle avec les données techniques, les consignes importantes de sécurité et de travail ainsi que l'explication des pictogrammes.	<b>26</b>
Sezione testo con dati tecnici, importanti informazioni sulla sicurezza e sull'utilizzo, spiegazione dei simboli.	<b>28</b>
Sección de texto con datos técnicos, indicaciones importantes de seguridad y trabajo y explicación de los símbolos.	<b>30</b>
Parte com texto explicativo contendo Especificações técnicas, Avisos de segurança e de operação e a Descrição dos símbolos.	<b>32</b>
Tekstgedeelte met technische gegevens, belangrijke veiligheids- en arbeidsinstructies en verklaring van de symbolen.	<b>34</b>
Tekstdel med tekniske data, vigtige sikkerheds- og arbejdsanvisninger og symbolforklaring.	<b>36</b>
Tekstdel med tekniske data, viktige sikkerhets- og arbeidsinstruksjoner og forklaring av symbolene.	<b>38</b>
Textdel med tekniska informationer, viktiga säkerhets- och användningsinstruktioner samt symbolförklaringar.	<b>40</b>
Tekstisivut: tekniset tiedot, tärkeät turvallisuus- ja työskentelyohjeet sekä merkien selitykset.	<b>42</b>
Τμήμα κειμένου με τεχνικά χαρακτηριστικά, σημαντικές υποδείξεις ασφαλείας και εργασίας και εξήγηση των συμβόλων.	<b>44</b>
Teknik bilgileri, önemli güvenlik ve çalışma açıklamalarını ve de sembollerin açıklamalarını içeren metin bölümü.	<b>46</b>
Textová část s technickými daty, důležitými bezpečnostními a pracovními pokyny a s vysvětlivkami symbolů	<b>48</b>
Textová část s technickými dátami, dôležitými bezpečnostnými a pracovními pokynmi a s vysvetlivkami symbolov	<b>50</b>
Część opisowa z danymi technicznymi, ważnymi wskazówkami dotyczącymi bezpieczeństwa i pracy oraz objaśnieniami symboli.	<b>52</b>
Szöveges rész műszaki adatokkal, fontos biztonsági- és munkavégzési útmutatásokkal, valamint a szimbólumok magyarázata.	<b>54</b>
Del besedila s tehničnimi podatki, pomembnimi varnostnimi opozorili in delovnimi navodili in pojasnili simbolov.	<b>56</b>
Dio štiva sa tehničkim podacima, važnim sigurnosnim i radnim uputama i objašnjenjem simbola.	<b>58</b>
Teksta daļa ar tehnikajiem parametriem, svarīgiem drošības un darbības norādījumiem, simbolu atšifrējumiem.	<b>60</b>
Teksto dalis su techniniais duomenimis, svarbiomis saugumo ir darbo instrukcijomis bei simbolių paaiškinimais.	<b>62</b>
Tekstiosa tehniliste näitajate, oluliste ohutus- ja tööjuhenditega ning sümbolite kirjeldustega.	<b>64</b>
Текстовый раздел, включающий технические данные, важные рекомендации по безопасности и эксплуатации, а также описание используемых символов.	<b>67</b>
Част с текст с технически данни, важни указания за безопасност и работа и разяснение на символите.	<b>69</b>
Porțiune de text cu date tehnice, indicații importante privind siguranța și modul de lucru și descrierea simbolurilor.	<b>71</b>
Текстуален дел со Технички карактеристики, важни безбедносни и работни упатства и објаснување на символите.	<b>73</b>
Текстова частина з техничними даними, важливими вказівками з техніки безпеки та експлуатації і поясненням символів.	<b>75</b>
القسم النصي المزود بالبيانات الفنية والنصائح الهامة للسلامة والعمل ووصف الرموز	<b>79</b>





Remove the battery pack before starting any work on the machine.  
 Vor allen Arbeiten an der Maschine den Wechselakku herausnehmen  
 Avant tous travaux sur la machine retirer l'accu interchangeable.

Prima di iniziare togliere la batteria dalla macchina.  
 Retire la batería antes de començar cualquier trabajo en la máquina.  
 Antes de efectuar qualquer intervenção na máquina retirar o bloco acumulador.  
 Voor alle werkzaamheden aan de machine de akku verwijderen.  
 Ved arbejde inden i maskinen, bør batteriet tages ud.

Ta ut vekselbatteriet før du arbeider på maskinen  
 Drag ur batteripaket innan arbete utföres på maskinen.

Ota akku pois ennen kaikkia koneeseen tehtäviä toimenpiteitä.

Привніть акумулятор до машини перед початком роботи.

Aletin kendinde bir çalışma yapmadan önce kartuşu çıkarın.

Před zahájením veškerých prací na vrtačím šroubováků vyjmout výměnný akumulátor.

Pred každou prácou na stroji výměnný akumulátor vytiahnuť.

Przed przystąpieniem do jakichkolwiek prac na elektronarzędziu należy wyjąć wkładkę akumulatorową.

Karbantartás, javítás, tisztítás, stb. előtt az akkumulátort ki kell venni a készülékből.

Pred deli na stroju izvlcite izmenljivi akumulator.

Prije svih radova na stroju izvaditi bateriju za zamjenu.

Pirms mašīnai veikt jebkāda veida apkopes darbus, ir jāizņem arī akumulators.

Prieš atlikdami bet kokius darbus įrenginyje, išimkite keičiamą akumuliatorių.

Enne kõiki töid masina kallal võtke vahetatav aku välja.

Виньте акумулятор из машины перед проведением с ней каких-либо манипуляций.

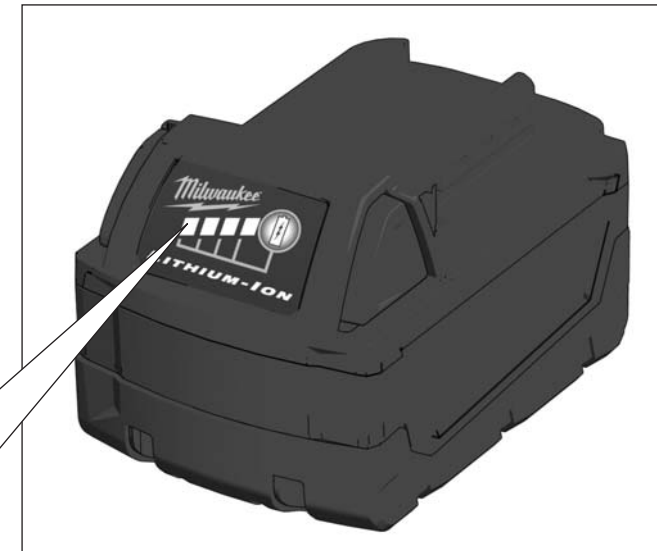
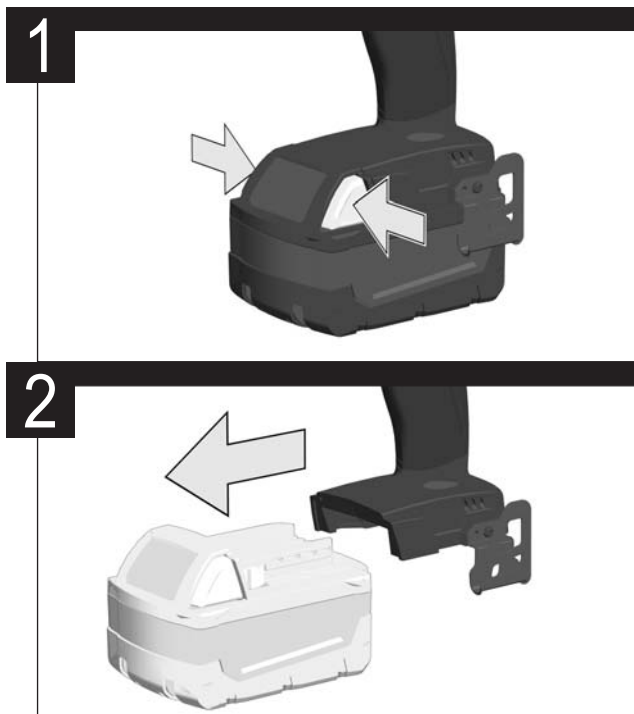
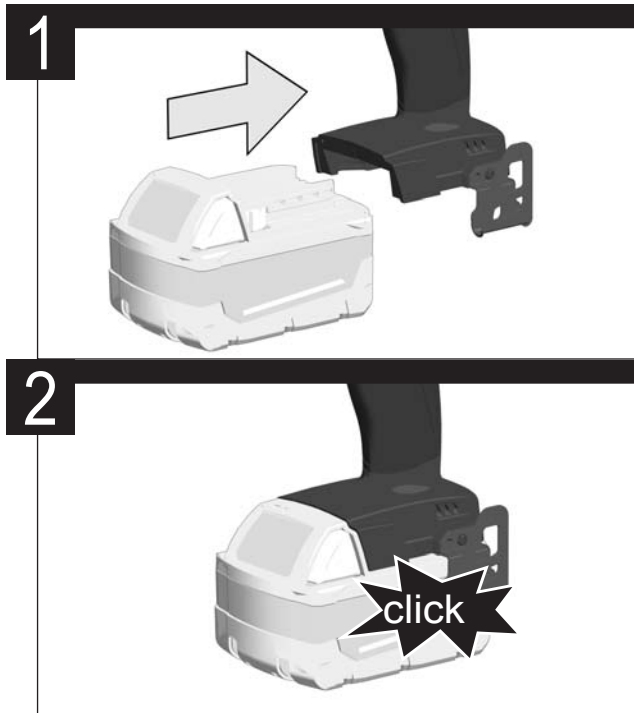
Преди започване на каквото е да е работи по машината извадете акумулатора.

Scoateți acumulatorul înainte de a începe orice intervenție pe mașină.

Отстранете ја батеријата пред да започнете да ја користите машината.

Перед будь-якими роботами на машині вийняти змінну акумуляторну батарею.

تم بإزالة حزمة البطارية قبل البدء في أي أعمال على الجهاز.



78-100 %



55-77 %



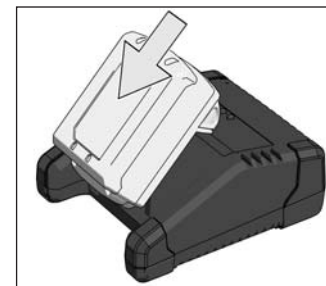
33-54 %



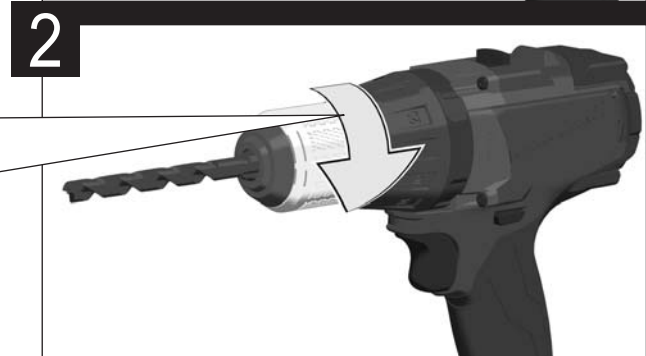
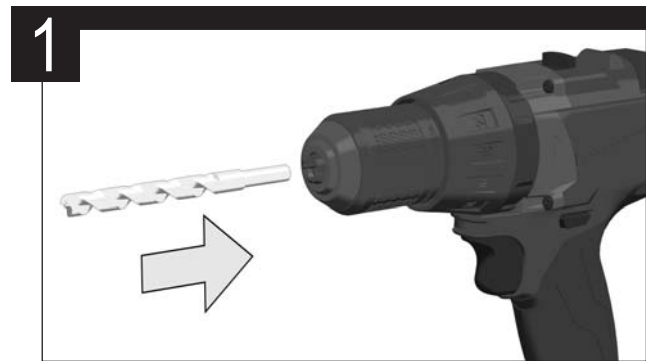
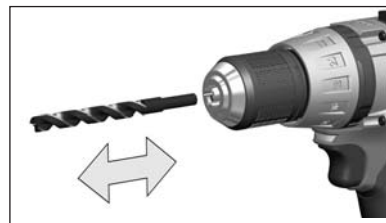
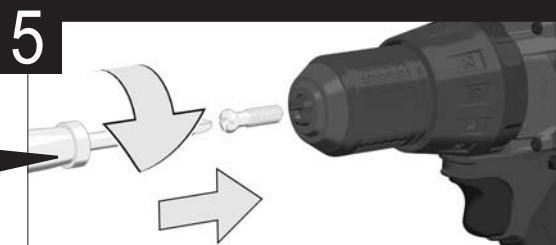
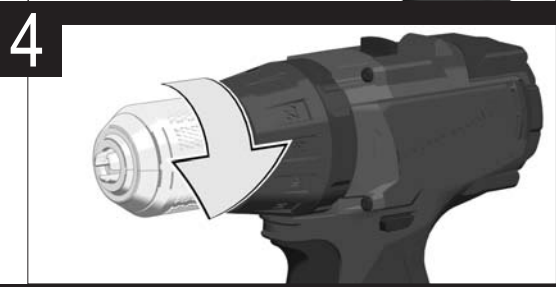
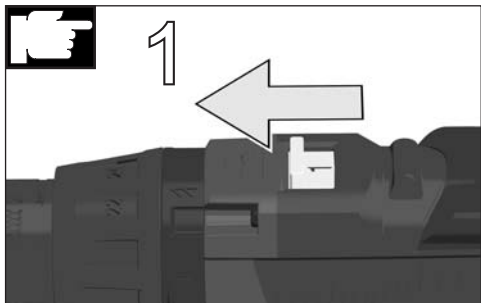
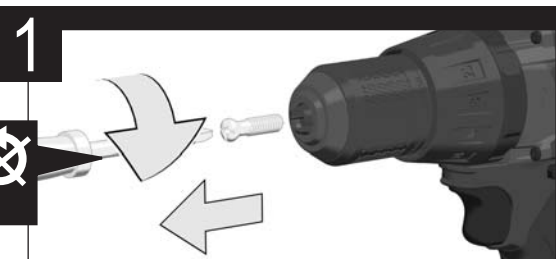
10-32 %

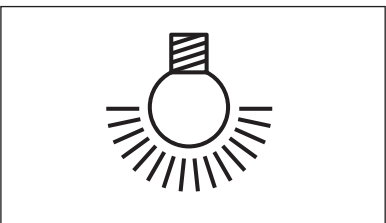


< 10 %

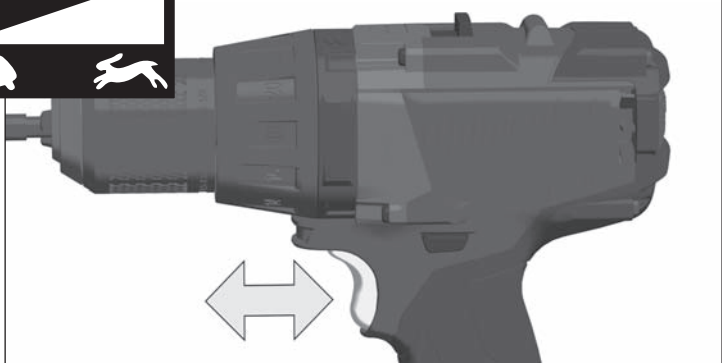
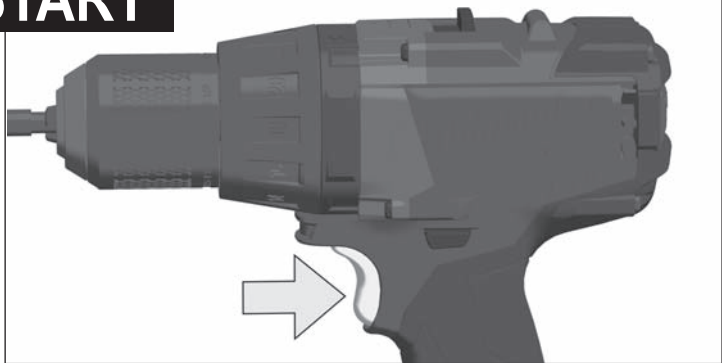




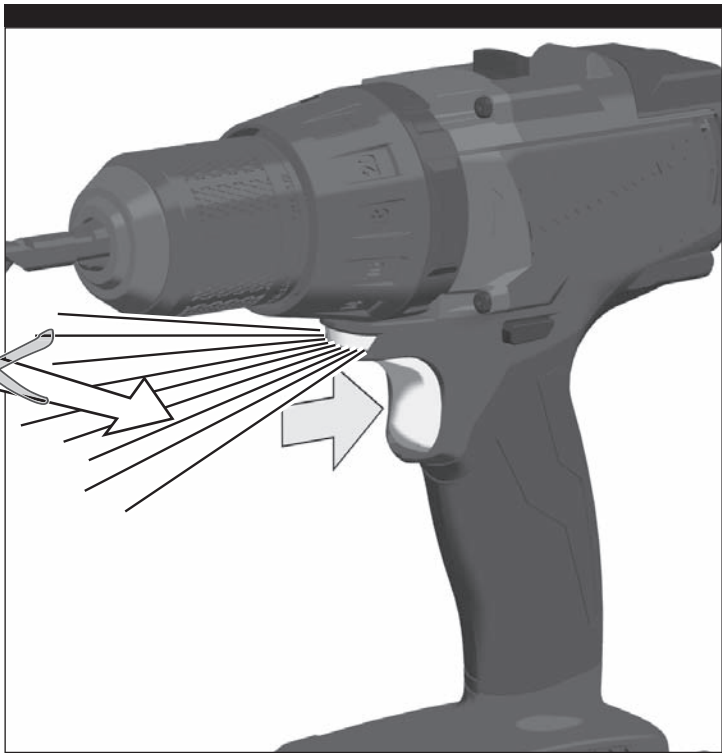
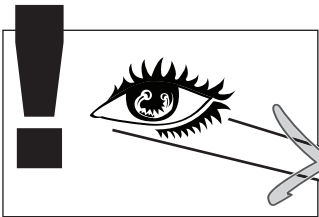
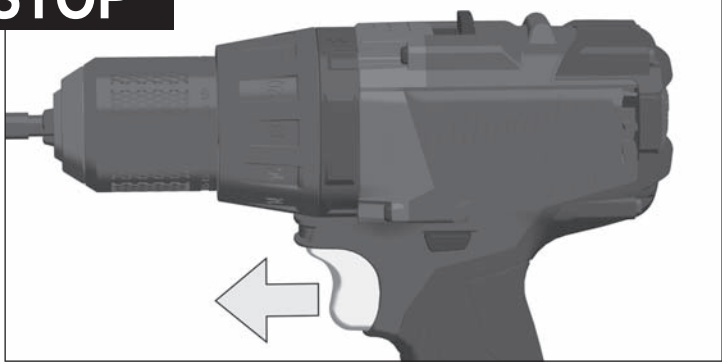


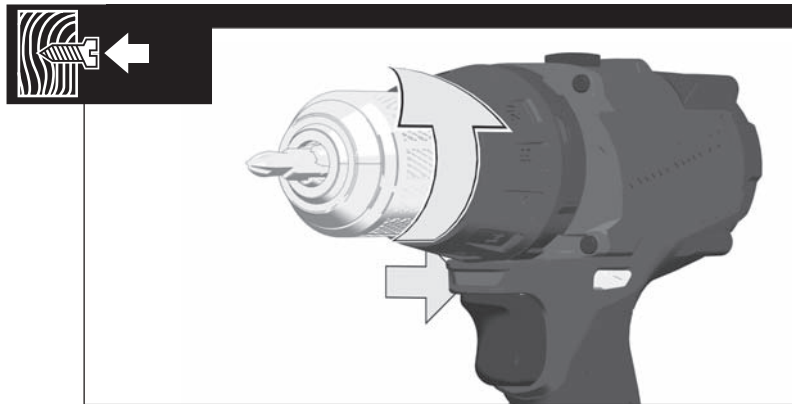
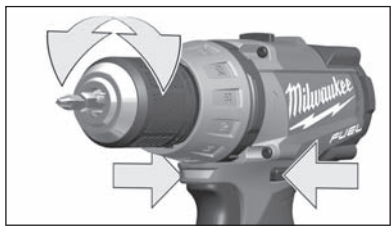


**START**

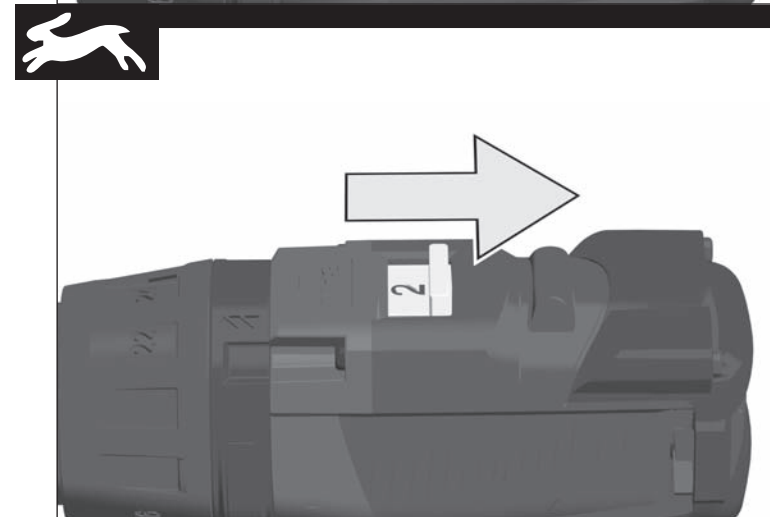
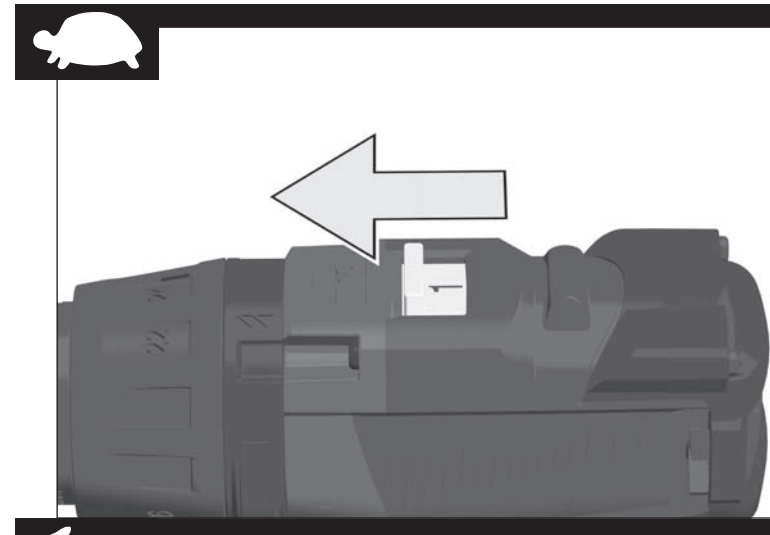
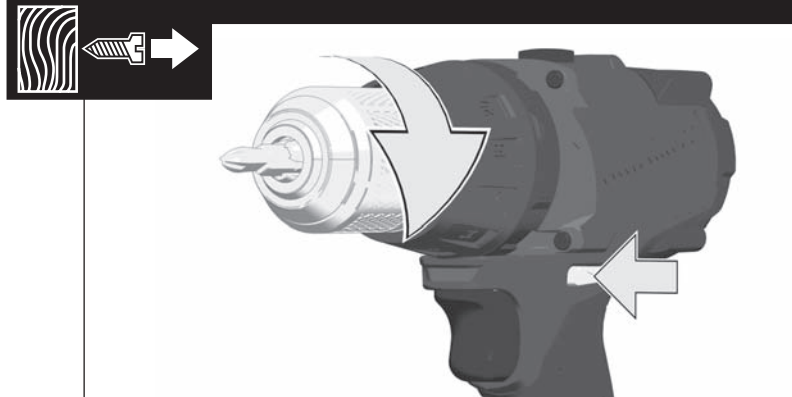
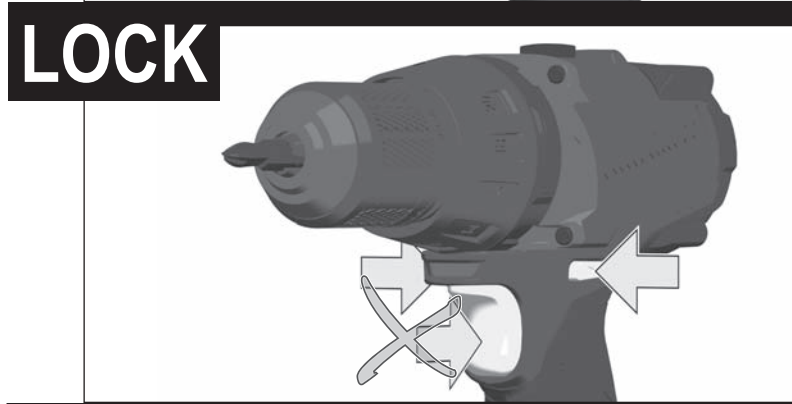


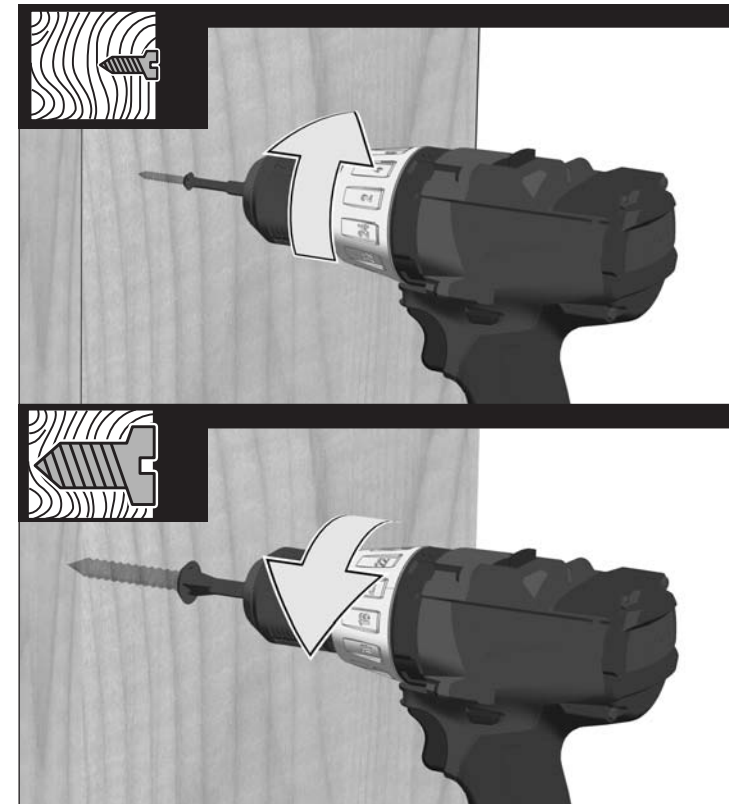
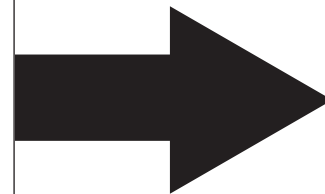
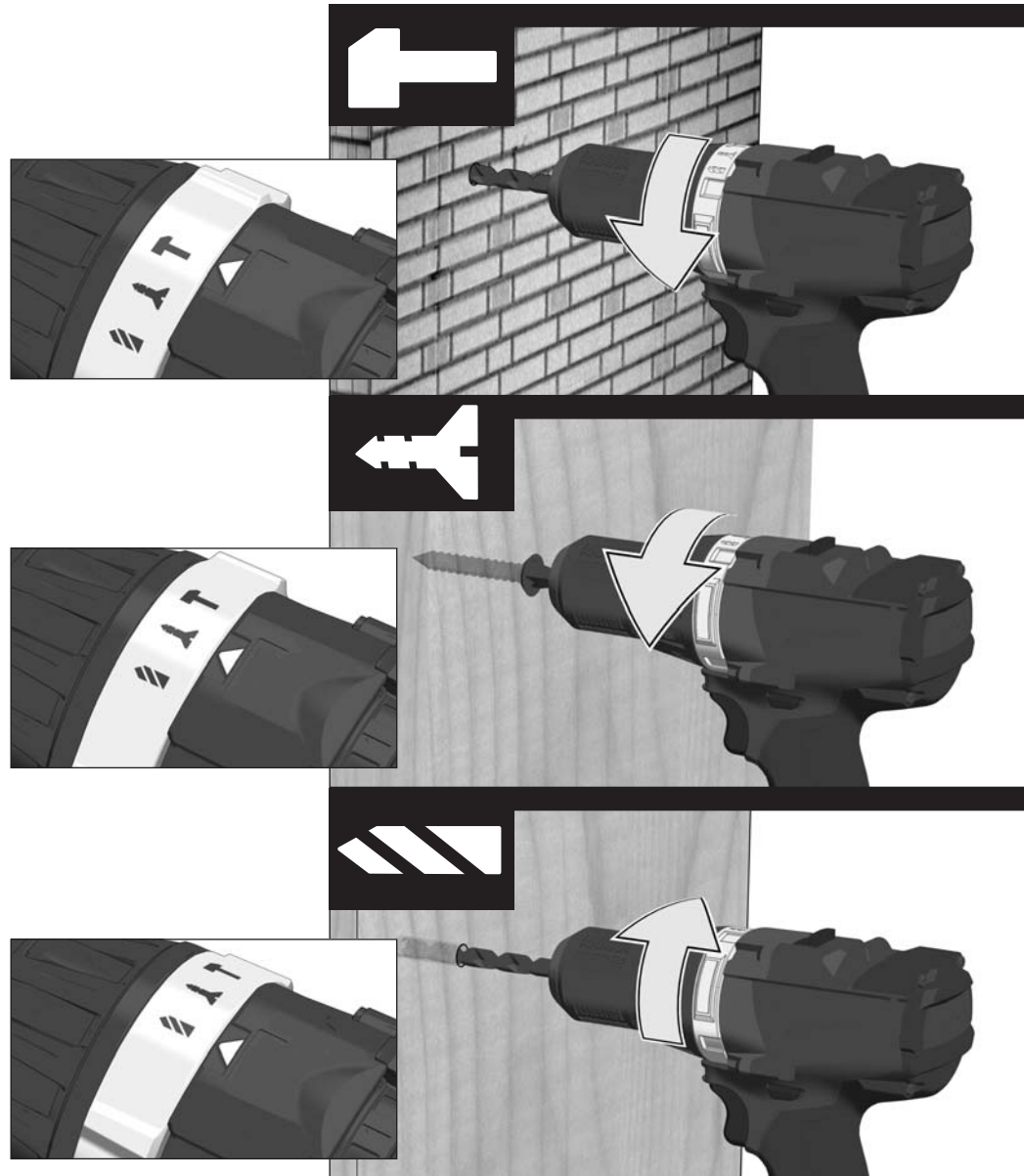
**STOP**



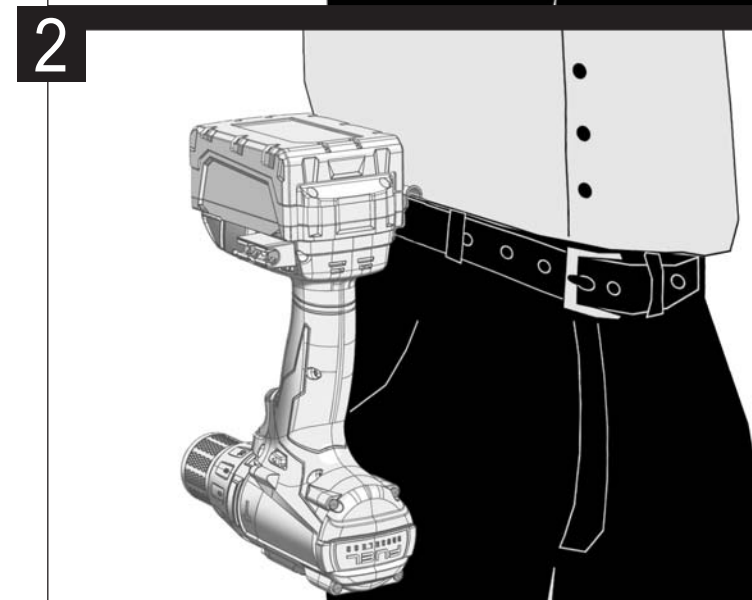
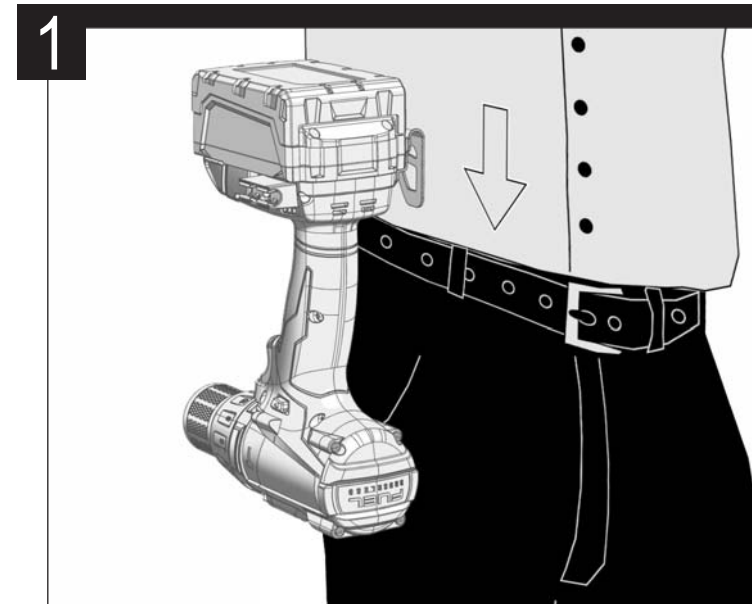
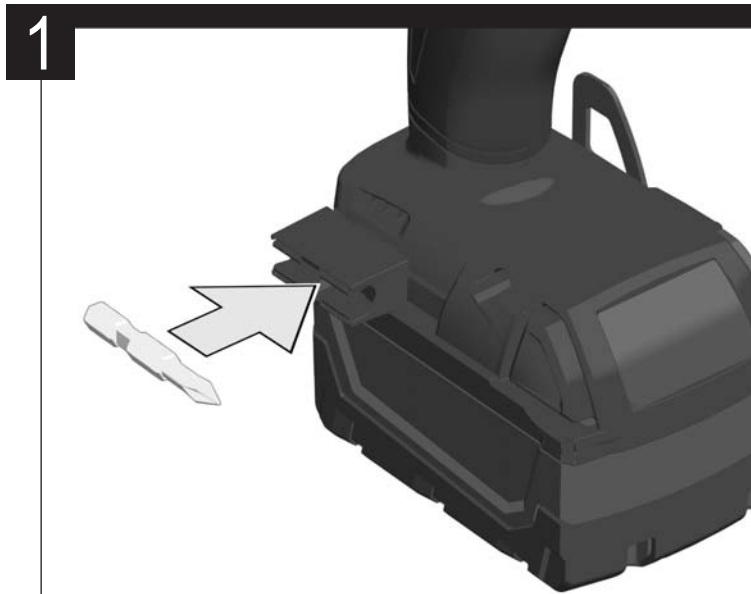
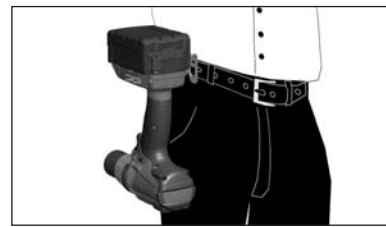


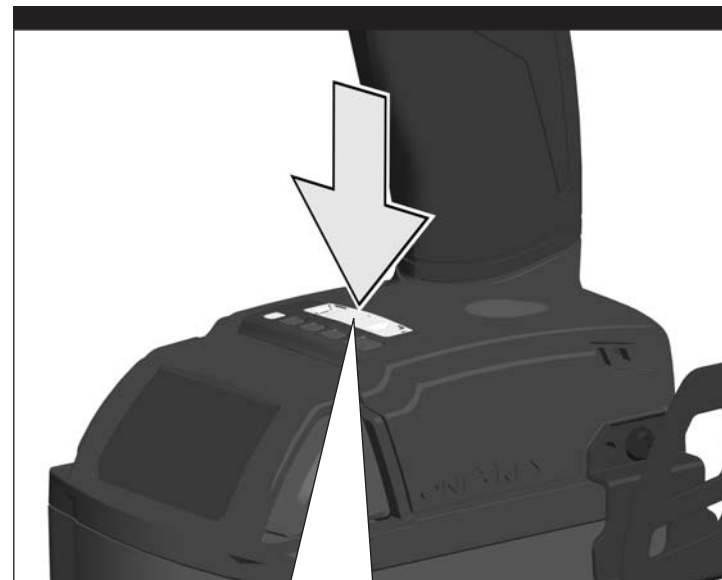
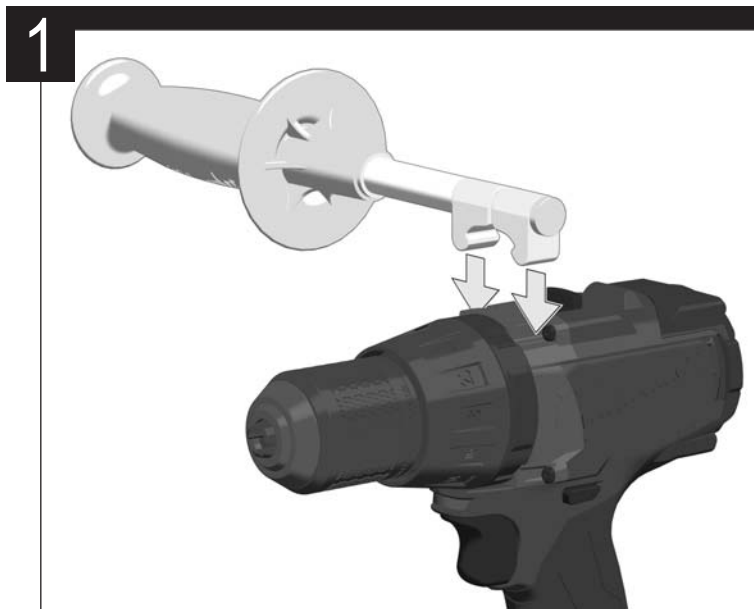
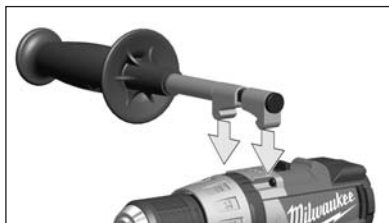
**LOCK**



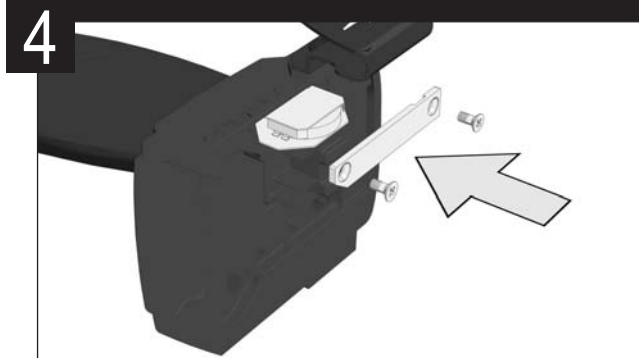
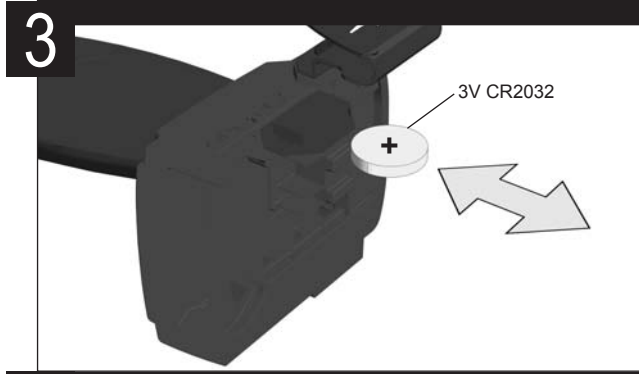
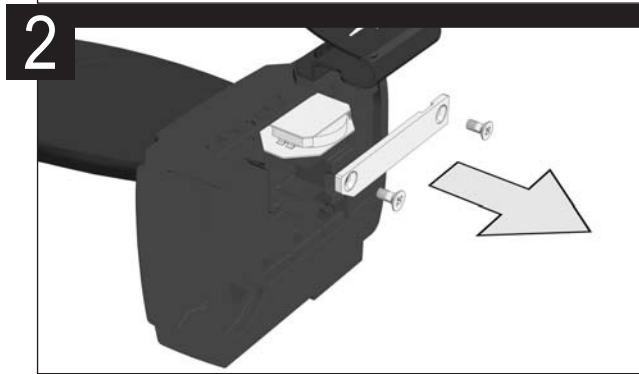
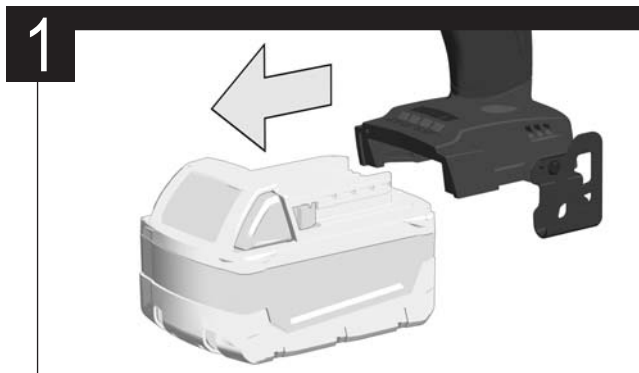
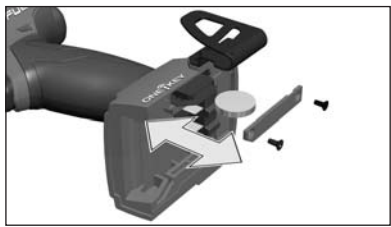








	<b>1</b>	<b>2</b>	<b>3</b>	<b>4</b>	Wi-Fi
	1200	1450	1700	2000	
	300	375	425	550	



TECHNICAL DATA	CORDLESS PERCUSSION DRILL/DRIVER	M18 ONEDD	M18 ONEPD
Production code.....	4527 24 02.....	4527 13 02.....	000001-999999.....
Drilling capacity in steel.....	13 mm.....	13 mm.....	45 mm.....
Drilling capacity in wood.....	45 mm.....	45 mm.....	13 mm.....
Drilling capacity in brick and tile.....	-.....	10 mm.....	10 mm.....
Wood screws (without pre-drilling).....	0-550 min <sup>-1</sup> .....	0-550 min <sup>-1</sup> .....	0-2000 min <sup>-1</sup> .....
No-load speed 1st gear.....	0-2000 min <sup>-1</sup> .....	0-2000 min <sup>-1</sup> .....	0-8800 min <sup>-1</sup> .....
No-load speed 2nd gear.....	-.....	0-32000 min <sup>-1</sup> .....	-.....
Impact rate 1st gear.....	135 Nm.....	135 Nm.....	18 V.....
Impact rate 2nd gear.....	18 V.....	1,5-13 mm.....	1,5-13 mm.....
Torque with battery (5.0 Ah) *1.....	2,3 kg.....	2,3 kg.....	2,5 kg.....
Battery voltage.....	2,5 kg.....	2,5 kg.....	2,5 kg.....
Drill chuck range.....			
Weight according EPTA-Procedure 01/2003 (2.0 Ah).....			
Weight according EPTA-Procedure 01/2003 (5.0 Ah).....			

#### Noise/vibration information

Measured values determined according to EN 60 745.

Typically, the A-weighted noise levels of the tool are:

Sound pressure level (Uncertainty K=3dB(A)).....	74,5 dB (A).....	99,9 dB (A).....
Sound power level (Uncertainty K=3dB(A)).....	85,5 dB (A).....	110,9 dB (A).....

#### Always wear ear protectors!

Total vibration values (vector sum in the three axes) determined according to EN 60745.

Vibration emission value a <sub>w</sub>		
Percussion drilling into concrete.....	-.....	13,2 m/s <sup>2</sup> .....
Uncertainty K=.....	-.....	1,5 m/s <sup>2</sup> .....
Drilling into metal.....	1,29 m/s <sup>2</sup> .....	1,29 m/s <sup>2</sup> .....
Uncertainty K=.....	1,5 m/s <sup>2</sup> .....	1,5 m/s <sup>2</sup> .....
Screwing.....	1,33 m/s <sup>2</sup> .....	1,33 m/s <sup>2</sup> .....
Uncertainty K=.....	1,5 m/s <sup>2</sup> .....	1,5 m/s <sup>2</sup> .....

\*1 Measured according to Milwaukee standard N 877318

#### WARNING

The vibration emission level given in this information sheet has been measured in accordance with a standardised test given in EN 60745 and may be used to compare one tool with another. It may be used for a preliminary assessment of exposure.

The declared vibration emission level represents the main applications of the tool. However if the tool is used for different applications, with different accessories or poorly maintained, the vibration emission may differ. This may significantly increase the exposure level over the total working period.

An estimation of the level of exposure to vibration should also take into account the times when the tool is switched off or when it is running but not actually doing the job. This may significantly reduce the exposure level over the total working period.

Identify additional safety measures to protect the operator from the effects of vibration such as: maintain the tool and the accessories, keep the hands warm, organisation of work patterns.

**⚠ WARNING! Read all safety warnings and all instructions.** Failure to follow the warnings and instructions may result in electric shock, fire and/or serious injury.

Save all warnings and instructions for future reference.

#### ⚠ DRILL SAFETY WARNINGS

**Wear ear protectors.** Exposure to noise can cause hearing loss.

**Use auxiliary handle(s), if supplied with the tool.** Loss of control can cause personal injury.

**Hold power tool by insulated gripping surfaces, when performing an operation where the cutting accessory may contact hidden wiring.** Cutting accessory contacting a „live“ wire may make exposed metal parts of the power tool „live“ and could give the operator an electric shock.

#### ⚠ SCREWDRIVER SAFETY WARNINGS

**Hold power tool by insulated gripping surfaces, when performing an operation where the fastener may contact hidden wiring.** Fasteners contacting a „live“ wire may make exposed metal parts of the power tool „live“ and could give the operator an electric shock.

#### ADDITIONAL SAFETY AND WORKING INSTRUCTIONS

Use protective equipment. Always wear safety glasses when working with the machine. The use of protective clothing is recommended, such as dust mask, protective gloves, sturdy non-slip footwear, helmet and ear defenders.

The dust produced when using this tool may be harmful to health. Do not inhale the dust. Wear a suitable dust protection mask.

Do not machine any materials that present a danger to health (e.g. asbestos).

Switch the device off immediately if the insertion tool stalls! Do not switch the device on again while the insertion tool is stalled, as doing so could trigger a sudden recoil with a high reactive force. Determine why the insertion tool stalled and rectify this, paying heed to the safety instructions.

The possible causes may be:

- it is tilted in the workpiece to be machined
- it has pierced through the material to be machined
- the power tool is overloaded

Do not reach into the machine while it is running.

The insertion tool may become hot during use.

**WARNING!** Danger of burns

- when changing tools
- when setting the device down

Chips and splinters must not be removed while the machine is running.

When working in walls ceiling, or floor, take care to avoid electric cables and gas or waterpipes.

Clamp your workpiece with a clamping device. Unclamped workpieces can cause severe injury and damage.

Remove the battery pack before starting any work on the machine.

Do not dispose of used battery packs in the household refuse or by burning them. Milwaukee Distributors offer to retrieve old batteries to protect our environment.

Do not store the battery pack together with metal objects (short circuit risk).

Use only System M18 chargers for charging System M18 battery packs. Do not use battery packs from other systems.

Never break open battery packs and chargers and store only in dry rooms. Keep dry at all times.

Battery acid may leak from damaged batteries under extreme load or extreme temperatures. In case of contact with battery acid wash it off

immediately with soap and water. In case of eye contact rinse thoroughly for at least 10 minutes and immediately seek medical attention.

#### SPECIFIED CONDITIONS OF USE

**M18 ONEDD:** The battery drill/screwdriver may be used for drilling and screwdriving for independent use away from mains supply.

**M18 ONEPD:** The electronic battery percussion drill/screwdriver may be used for drilling, percussion drilling, as well as screwdriving for independent use away from mains supply.

Do not use this product in any other way as stated for normal use.

#### EC-DECLARATION OF CONFORMITY

We declare under our sole responsibility that the product described under "Technical Data" fulfills all the relevant provisions of the directives 2011/65/EU (RoHS), 2014/30/EU, 2006/42/EC, 2014/53/EU and the following harmonized standards have been used:

EN 60745-1:2009 + A11:2010  
 EN 60745-2-2:2010  
 EN 55014-1:2006+A1:2009+A2:2011  
 EN 62479:2010  
 EN 301 489-1 V1.9.2 (2011-09)  
 EN 301 489-17 V2.2.1(2012-09)  
 EN 300328 V.1.8.1(2012-06)  
 EN 55014-2:1997+A1:2001+A2:2008

Winnenden, 2016-03-29

*Alexander Krug*

Alexander Krug  
 Managing Director



Authorized to compile the technical file.

Techtronic Industries GmbH  
 Max-Eyth-Straße 10  
 71364 Winnenden  
 Germany

#### SELECTING MODE

Allow the tool to come to a complete stop before changing modes. Press the selector button to cycle between the settings. Select wireless to change the default settings via the ONE-KEY App on your smart device.

#### ONE-KEY™

To learn more about the ONE-KEY functionality for this tool, please reference the Quick Start guide included with this product or go to [milwaukeeetool.com/](http://milwaukeeetool.com/) One-Key. To download the ONE-KEY app, visit the App Store or Google Play from your smart device.

#### BATTERIES

Battery packs which have not been used for some time should be recharged before use.

Temperatures in excess of 50°C (122°F) reduce the performance of the battery pack. Avoid extended exposure to heat or sunshine (risk of overheating).

The contacts of chargers and battery packs must be kept clean.

For an optimum life-time, after use, the battery packs have to be fully charged.

To obtain the longest possible battery life remove the battery pack from the charger once it is fully charged.

For battery pack storage longer than 30 days:

Store the battery pack where the temperature is below 27°C and away from moisture

Store the battery packs in a 30% - 50% charged condition

Every six months of storage, charge the pack as normal.

#### BATTERY PACK PROTECTION

In extremely high torque, binding, stalling and short circuit situations that cause high current draw, the tool will vibrate for about 2 seconds and then the tool will turn OFF.

To reset, release the trigger.

Under extreme circumstances, the internal temperature of the battery could become too high. If this happens, the battery will shut down.

Place the battery on the charger to charge and reset it.

#### TRANSPORTING LITHIUM BATTERIES

Lithium-ion batteries are subject to the Dangerous Goods Legislation requirements.

Transportation of those batteries has to be done in accordance with local, national and international provisions and regulations.

- The user can transport the batteries by road without further requirements.
- Commercial transport of Lithium-Ion batteries by third parties is subject to Dangerous Goods regulations. Transport preparation and transport are exclusively to be carried out by appropriately trained persons and the process has to be accompanied by corresponding experts.

When transporting batteries:

- Ensure that battery contact terminals are protected and insulated to prevent short circuit.
- Ensure that battery pack is secured against movement within packaging.
- Do not transport batteries that are cracked or leak.

Check with forwarding company for further advice

#### MAINTENANCE

Refer to the ONE-KEY App for information regarding necessary servicing.

Use only Milwaukee accessories and spare parts. Should components need to be replaced which have not been described, please contact one of our Milwaukee service agents (see our list of guarantee/service addresses).

If needed, an exploded view of the tool can be ordered. Please state the machine type printed as well as the six-digit No. on the label and order the drawing at your local service agents or directly at: Techtronic Industries GmbH, Max-Eyth-Straße 10, 71364 Winnenden, Germany.

#### SYMBOLS



CAUTION! WARNING! DANGER!



Remove the battery pack before starting any work on the machine.



Please read the instructions carefully before starting the machine.



Do not dispose of electric tools together with household waste material. Electric tools and electronic equipment that have reached the end of their life must be collected separately and returned to an environmentally compatible recycling facility. Check with your local authority or retailer for recycling advice and collection point.



European Conformity Mark



National mark of conformity Ukraine



EurAsian Conformity Mark.

TECHNISCHE DATEN	AKKU-SCHLAGBOHRSCHRAUBER	M18 ONEDD	M18 ONEPD
Produktionsnummer .....	4527 24 02.....	4527 13 02.....	000001-999999.....
Bohr-Ø in Stahl.....	13 mm .....	13 mm .....	13 mm .....
Bohr-Ø in Holz.....	45 mm .....	45 mm .....	45 mm .....
Bohr-Ø in Ziegel und Kalksandstein.....	- .....	13 mm .....	13 mm .....
Holzschrauben (ohne Vorbohren).....	10 mm .....	10 mm .....	10 mm .....
Leerlaufdrehzahl im 1. Gang .....	0-550 min <sup>-1</sup> .....	0-550 min <sup>-1</sup> .....	0-550 min <sup>-1</sup> .....
Leerlaufdrehzahl im 2. Gang .....	0-2000 min <sup>-1</sup> .....	0-2000 min <sup>-1</sup> .....	0-2000 min <sup>-1</sup> .....
Schlagzahl im 1. Gang .....	- .....	0-8800 min <sup>-1</sup> .....	0-8800 min <sup>-1</sup> .....
Schlagzahl im 2. Gang .....	- .....	0-32000 min <sup>-1</sup> .....	0-32000 min <sup>-1</sup> .....
Drehmoment mit Wechselakku (5,0 Ah).....	135 Nm .....	135 Nm .....	135 Nm .....
Spannung Wechselakku .....	18 V .....	18 V .....	18 V .....
Bohrfutterspannbereich .....	1,5-13 mm .....	1,5-13 mm .....	1,5-13 mm .....
Gewicht nach EPTA-Prozedur 01/2003 (2,0 Ah) .....	2,3 kg .....	2,3 kg .....	2,3 kg .....
Gewicht nach EPTA-Prozedur 01/2003 (5,0 Ah) .....	2,5 kg .....	2,5 kg .....	2,5 kg .....

### Geräusch/Vibrationsinformation

Messwerte ermittelt entsprechend EN 60 745.

Der A-bewertete Geräuschpegel des Gerätes beträgt typischerweise:

Schalldruckpegel (Unsicherheit K=3dB(A)).....	74,5 dB (A).....	99,9 dB (A).....
Schalleistungspegel (Unsicherheit K=3dB(A)).....	85,5 dB (A).....	110,9 dB (A).....

### Gehörschutz tragen!

Schwingungsgesamtwerte (Vektorsumme dreier Richtungen) ermittelt entsprechend EN 60745.

Schwingungsemissionswert a<sub>w</sub>

Schlagbohren in Beton .....	13,2 m/s <sup>2</sup>	
Unsicherheit K= .....	1,5 m/s <sup>2</sup>	
Bohren in Metall .....	1,29 m/s <sup>2</sup>	1,29 m/s <sup>2</sup>
Unsicherheit K= .....	1,5 m/s <sup>2</sup>	1,5 m/s <sup>2</sup>
Schrauben .....	1,33 m/s <sup>2</sup>	1,33 m/s <sup>2</sup>
Unsicherheit K= .....	1,5 m/s <sup>2</sup>	1,5 m/s <sup>2</sup>

\* Gemessen nach Milwaukee Norm N 877318

### WARNUNG!

Der in diesen Anweisungen angegebene Schwingungspegel ist entsprechend einem in EN 60745 genormten Messverfahren gemessen worden und kann für den Vergleich von Elektrowerkzeugen miteinander verwendet werden. Er eignet sich auch für eine vorläufige Einschätzung der Schwingungsbelastung.

Der angegebene Schwingungspegel repräsentiert die hauptsächlichen Anwendungen des Elektrowerkzeugs. Wenn allerdings das Elektrowerkzeug für andere Anwendungen, mit abweichenden Einsatzwerkzeugen oder ungenügender Wartung eingesetzt wird, kann der Schwingungspegel abweichen. Dies kann die Schwingungsbelastung über den gesamten Arbeitszeitraum deutlich erhöhen.

Für eine genaue Abschätzung der Schwingungsbelastung sollten auch die Zeiten berücksichtigt werden, in denen das Gerät abgeschaltet ist oder zwar läuft, aber nicht tatsächlich im Einsatz ist. Dies kann die Schwingungsbelastung über den gesamten Arbeitszeitraum deutlich reduzieren.

Legen Sie zusätzliche Sicherheitsmaßnahmen zum Schutz des Bedieners vor der Wirkung von Schwingungen fest wie zum Beispiel: Wartung von Elektrowerkzeug und Einsatzwerkzeugen, Warmhalten der Hände, Organisation der Arbeitsabläufe.

### ⚠️ WARNUNG! Lesen Sie alle Sicherheitshinweise und Anweisungen.

Versäumnisse bei der Einhaltung der Sicherheitshinweise und Anweisungen können elektrischen Schlag, Brand und/oder schwere Verletzungen verursachen.

**Bewahren Sie alle Sicherheitshinweise und Anweisungen für die Zukunft auf.**

### ⚠️ SICHERHEITSHINWEISE FÜR BOHRMASCHINEN

**Tragen Sie Gehörschutz.** Die Einwirkung von Lärm kann Gehörverlust bewirken.

**Benutzen Sie die mit dem Gerät gelieferten Zusatzhandgriffe, wenn diese mitgeliefert werden.** Der Verlust der Kontrolle kann zu Verletzungen führen.

**Halten Sie das Gerät an den isolierten Griffflächen, wenn Sie Arbeiten ausführen, bei denen das Einsatzwerkzeug verborgene Stromleitungen treffen kann.**

Der Kontakt mit einer spannungsführenden Leitung kann metallene Geräteteile unter Spannung setzen und zu einem elektrischen Schlag führen.

### ⚠️ SICHERHEITSHINWEISE FÜR BAUSCHRAUBER

**Halten Sie das Gerät an den isolierten Griffflächen, wenn Sie Arbeiten ausführen, bei denen die Schraube verborgene Stromleitungen treffen kann.** Der Kontakt der Schraube mit einer spannungsführenden Leitung kann metallene Geräteteile unter Spannung setzen und zu einem elektrischen Schlag führen.

### ⚠️ WEITERE SICHERHEITS- UND ARBEITSHINWEISE

Schutzrüstung verwenden. Beim Arbeiten mit der Maschine stets Schutzbrille tragen. Schutzkleidung wie Staubschutzmaske, Schutzhandschuhe, festes und rutschsicheres Schuhwerk, Helm und Gehörschutz werden empfohlen.

Beim Arbeiten entstehender Staub ist oft gesundheitsschädlich und sollte nicht in den Körper gelangen. Geeignete Staubschutzmaske tragen.

Es dürfen keine Materialien bearbeitet werden, von denen eine Gesundheitsgefährdung ausgeht (z.B. Asbest).

Beim Blockieren des Einsatzwerkzeuges bitte das Gerät sofort ausschalten! Schalten Sie das Gerät nicht wieder ein, solange das Einsatzwerkzeug blockiert ist; hierbei könnte ein Rückschlag mit hohem Reaktionsmoment entstehen. Ermitteln und beheben Sie die Ursache für die Blockierung des Einsatzwerkzeuges unter Berücksichtigung der Sicherheitshinweise.

Mögliche Ursachen dafür können sein:

- Verkanten im zu bearbeitenden Werkstück
- Durchbrechen des zu bearbeitenden Materials
- Überlasten das Elektrowerkzeuges

Greifen Sie nicht in die laufende Maschine.

Das Einsatzwerkzeug kann während der Anwendung heiß werden.

**WARNUNG!** Verbrennungsgefahr

- bei Werkzeugwechsel
- bei Ablegen des Gerätes

Späne oder Splitter dürfen bei laufender Maschine nicht entfernt werden.

Beim Arbeiten in Wand, Decke oder Fußboden auf elektrische Kabel, Gas- und Wasserleitungen achten.

Sichern Sie Ihr Werkstück mit einer Spannvorrichtung. Nicht gesicherte Werkstücke können schwere Verletzungen und Beschädigungen verursachen.

Vor allen Arbeiten an der Maschine den Wechselakku herausnehmen

Verbrauchte Wechselakkus nicht ins Feuer oder in den Hausmüll werfen. AEG bietet eine umweltgerechte Alt-Wechselakku-Entsorgung an; bitte fragen Sie Ihren Fachhändler.

Wechselakku nicht zusammen mit Metallgegenständen aufbewahren (Kurzschlussgefahr).

Wechselakku des Systems M18 nur mit Ladegeräten des Systems M18 laden. Keine Akkus aus anderen Systemen laden.

Wechselakku und Ladegeräte nicht öffnen und nur in trockenen Räumen lagern. Vor Nässe schützen.

Unter extremer Belastung oder extremer Temperatur kann aus beschädigten Wechselakkus Batterieflüssigkeit auslaufen. Bei Berührung mit Batterieflüssigkeit sofort mit Wasser und Seife abwaschen. Bei Augenkontakt sofort mindestens 10 Minuten gründlich spülen und unverzüglich einen Arzt aufsuchen.

### BESTIMMUNGSGEMÄSSE VERWENDUNG

**M18 ONEDD:** Der Akku-Bohrschrauber ist universell einsetzbar zum Bohren und Schrauben unabhängig von einem Netzanschluss.

**M18 ONEPD:** Der Akku-Elektronik-Schlagbohrschrauber ist universell einsetzbar zum Bohren, Schlagbohren und Schrauben unabhängig von einem Netzanschluss.

Dieses Gerät darf nur wie angegeben bestimmungsgemäß verwendet werden.

### CE-KONFORMITÄTSERKLÄRUNG

Wir erklären in alleiniger Verantwortung, dass das unter „Technische Daten“ beschriebene Produkt mit alle relevanten Vorschriften der Richtlinie 2011/65/EU (RoHS), 2014/30/EU, 2006/42/EG, 2014/53/EU und den folgenden harmonisierten normativen Dokumenten übereinstimmt:

EN 60745-1:2009 + A11:2010  
 EN 60745-2-2:2010  
 EN 55014-1:2006+A1:2009+A2:2011  
 EN 62479:2010  
 EN 301 489-1 V1.9.2 (2011-09)  
 EN 301 489-17 V2.2.1(2012-09)  
 EN 300328 V.1.8.1(2012-06)  
 EN 55014-2:1997+A1:2001+A2:2008

Winnenden, 2016-03-29

*Alexander Krug*

Alexander Krug  
 Managing Director



Bevollmächtigt die technischen Unterlagen zusammenzustellen.

Techtronic Industries GmbH  
 Max-Eyth-Straße 10  
 71364 Winnenden  
 Germany

### WAHL DER BETRIEBSART

Vor dem Ändern der Betriebsart abwarten, bis das Gerät vollkommen stillsteht. Um die Einstellungen zu ändern, die Taste drücken. Die WLAN-Taste drücken, um die voreingestellten Werte über die ONE-KEY App auf Ihrem Smartphone zu ändern.

### ONE-KEY™

Um mehr über die ONE-KEY Funktionalität dieses Werkzeugs zu erfahren, lesen Sie die beiliegende Schnellstartanleitung oder besuchen Sie uns im Internet unter [www.milwaukeetool.com/one-key](http://www.milwaukeetool.com/one-key). Sie können die ONE-KEY App über den App Store oder Google Play auf Ihr Smartphone herunterladen.

### AKKUS

Längere Zeit nicht benutzte Wechselakkus vor Gebrauch nachladen.

Eine Temperatur über 50°C vermindert die Leistung des Wechselakkus. Längere Erwärmung durch Sonne oder Heizung vermeiden.

Die Anschlusskontakte an Ladegerät und Wechselakku sauber halten.

Für eine optimale Lebensdauer müssen nach dem Gebrauch die Akkus voll geladen werden.

Für eine möglichst lange Lebensdauer sollten die Akkus nach dem Aufladen aus dem Ladegerät entfernt werden.

Bei Lagerung des Akkus länger als 30 Tage:

Akku bei ca. 27°C und trocken lagern.

Akku bei ca. 30%-50% des Ladezustandes lagern.

Akku alle 6 Monate erneut aufladen.

### AKKUÜBERLASTSCHUTZ

Bei Überlastung des Akkus durch sehr hohen Stromverbrauch, z.B. extrem hohe Drehmomente, Verklemmen des Bohrers, plötzlichem Stopp oder Kurzschluss, brummt das Elektrowerkzeug 2 Sekunden lang und schaltet

sich selbsttätig ab. Zum Wiedereinschalten, den Schalterdrücker loslassen und dann wieder einschalten.

Unter extremen Belastungen kann sich der Akku stark erhitzen. In diesem Fall schaltet der Akku ab.

### TRANSPORT VON LITHIUM-IONEN-AKKUS

Lithium-Ionen-Akkus fallen unter die gesetzlichen Bestimmungen zum Gefahrguttransport.

Der Transport dieser Akkus muss unter Einhaltung der lokalen, nationalen und internationalen Vorschriften und Bestimmungen erfolgen.

• Verbraucher dürfen diese Akkus ohne Weiteres auf der Straße transportieren.

• Der kommerzielle Transport von Lithium-Ionen-Akkus durch Speditionsunternehmen unterliegt den Bestimmungen des Gefahrguttransports. Die Versandvorbereitungen und der Transport dürfen ausschließlich von entsprechend geschulten Personen durchgeführt werden. Der gesamte Prozess muss fachmännisch begleitet werden. Folgende Punkte sind beim Transport von Akkus zu beachten:

- Stellen Sie sicher, dass die Kontakte geschützt und isoliert sind, um Kurzschlüsse zu vermeiden.
- Achten Sie darauf, dass der Akkupack innerhalb der Verpackung nicht verrutschen kann.
- Beschädigte oder auslaufende Akkus dürfen nicht transportiert werden. Wenden Sie sich für weitere Hinweise an Ihr Speditionsunternehmen.

### WARTUNG

Wartungshinweise finden Sie in der ONE-KEY App.

Nur Milwaukee Zubehör und Milwaukee Ersatzteile verwenden. Bauteile, deren Austausch nicht beschrieben wurde, bei einer Milwaukee Kundendienststelle auswechseln lassen (Broschüre Garantie/ Kundendienstadressen beachten).

Bei Bedarf kann eine Explosionszeichnung des Gerätes unter Angabe der Maschinen Type und der sechsstelligen Nummer auf dem Leistungsschild bei Ihrer Kundendienststelle oder direkt bei Techtronic Industries GmbH, Max-Eyth-Straße 10, 71364 Winnenden, Germany angefordert werden.

### SYMBOLS



ACHTUNG! WARNUNG! GEFAHR!



Vor allen Arbeiten an der Maschine den Wechselakku herausnehmen



Bitte lesen Sie die Gebrauchsanweisung vor Inbetriebnahme sorgfältig durch.



Elektrogeräte dürfen nicht zusammen mit dem Hausmüll entsorgt werden. Elektrische und elektronische Geräte sind getrennt zu sammeln und zur umweltgerechten Entsorgung bei einem Verwertungsbetrieb abzugeben. Erkundigen Sie sich bei den örtlichen Behörden oder bei Ihrem Fachhändler nach Recyclinghöfen und Sammelstellen.



CE-Zeichen



Nationales Konformitätszeichen Ukraine



EurAsian Konformitätszeichen



CARACTÉRISTIQUES TECHNIQUES	PERCEUSE VISSEUSE À PERCUSSION SANS FIL	M18 ONEDD	M18 ONEPD
Numéro de série .....	4527 24 02.....	4527 13 02...	000001-999999.....
0 de perçage dans acier .....	13 mm .....	13 mm .....	45 mm .....
0 de perçage dans bois .....	45 mm .....	45 mm .....	45 mm .....
0 de perçage dans brique et grès argilo-calcaire .....	- .....	13 mm .....	10 mm .....
Vis à bois (sans avant trou) .....	10 mm .....	10 mm .....	10 mm .....
Vitesse de rotation à vide 1ère vitesse .....	0-550 min <sup>-1</sup> .....	0-550 min <sup>-1</sup> .....	0-2000 min <sup>-1</sup> .....
Vitesse de rotation 2ème vitesse .....	0-2000 min <sup>-1</sup> .....	0-2000 min <sup>-1</sup> .....	0-8800 min <sup>-1</sup> .....
Perçage à percussion 1ère vitesse .....	- .....	0-8800 min <sup>-1</sup> .....	0-32000 min <sup>-1</sup> .....
Perçage à percussion 2ème vitesse .....	- .....	0-32000 min <sup>-1</sup> .....	135 Nm .....
Couple avec batterie (5,0 Ah) .....	135 Nm .....	135 Nm .....	18 V .....
Tension accu interchangeable .....	18 V .....	18 V .....	1,5-13 mm .....
Plage de serrage du mandrin .....	1,5-13 mm .....	1,5-13 mm .....	2,3 kg .....
Poids suivant EPTA-Procédure 01/2003 (2,0 Ah) .....	2,3 kg .....	2,3 kg .....	2,5 kg .....
Poids suivant EPTA-Procédure 01/2003 (5,0 Ah) .....	2,5 kg .....	2,5 kg .....	2,5 kg .....

### Informations sur le bruit et les vibrations

Valeurs de mesure obtenues conformément à la EN 60745.

Les mesures réelles (des niveaux acoustiques de l'appareil sont :

Niveau de pression acoustique (Incertitude K=3dB(A)) .....	74,5 dB (A)	99,9 dB (A)
Niveau d'intensité acoustique (Incertitude K=3dB(A)) .....	85,5 dB (A)	110,9 dB (A)

### Toujours porter une protection acoustique!

Valeurs totales des vibrations (somme vectorielle de trois sens) établies conformément à EN 60745.

Valeur d'émission vibratoire a <sub>w</sub>	-	13,2 m/s <sup>2</sup>
Perçage à percussion dans le béton .....	-	13,2 m/s <sup>2</sup>
Incertitude K= .....	-	1,5 m/s <sup>2</sup>
Perçage dans le métal .....	1,29 m/s <sup>2</sup>	1,29 m/s <sup>2</sup>
Incertitude K= .....	1,5 m/s <sup>2</sup>	1,5 m/s <sup>2</sup>
Vissage .....	1,33 m/s <sup>2</sup>	1,33 m/s <sup>2</sup>
Incertitude K= .....	1,5 m/s <sup>2</sup>	1,5 m/s <sup>2</sup>

\* Mesuré selon la norme Milwaukee N 877318

### AVERTISSEMENT!

Le niveau vibratoire indiqué dans ces instructions a été mesuré selon un procédé de mesure normalisé dans la norme EN 60745 et peut être utilisé pour comparer des outils électriques entre eux. Il convient aussi à une estimation provisoire de la sollicitation par les vibrations.

Le niveau vibratoire indiqué représente les applications principales de l'outil électrique. Toutefois, si l'outil électrique est utilisé pour d'autres applications, avec des outils rapportés qui diffèrent ou une maintenance insuffisante, il se peut que le niveau vibratoire diverge. Cela peut augmenter nettement la sollicitation par les vibrations sur tout l'intervalle de temps du travail.

Pour une estimation précise de la sollicitation par les vibrations, on devrait également tenir compte des temps pendant lesquels l'appareil n'est pas en marche ou tourne sans être réellement en service. Cela peut réduire nettement la sollicitation par les vibrations sur tout l'intervalle de temps du travail.

Définissez des mesures de sécurité supplémentaires pour protéger l'utilisateur contre l'influence des vibrations, comme par exemple : la maintenance de l'outil électrique et des outils rapportés, le maintien au chaud des mains, l'organisation des déroulements de travail.

### AVIS! Lire complètement les instructions et les indications de sécurité.

Le non-respect des avertissements et instructions indiqués ci après peut entraîner un choc électrique, un incendie et/ou de graves blessures sur les personnes.

Bien garder tous les avertissements et instructions.

### INSTRUCTIONS DE SÉCURITÉ POUR PERCEUSES

**Portez une protection acoustique.** L'influence du bruit peut provoquer la surdité.

**Utilisez les poignées supplémentaires livrées en même temps que l'appareil.** La perte de contrôle peut mener à des blessures.

**Maintenez l'appareil par les surfaces de poignée isolées lorsque vous exécutez des travaux pendant lesquels l'outil de coupe peut toucher des lignes électriques dissimulées.**

Le contact de l'outil de coupe avec un câble qui conduit la tension peut mettre les pièces métalliques de l'appareil sous tension et mener à une décharge électrique.

### CONSIGNES DE SÉCURITÉ POUR VISSEUSE

**Tenir l'appareil aux surfaces isolées faisant office de poignée pendant les travaux au cours desquels la vis peut toucher des lignes électriques dissimulées.** Le contact de la vis avec un câble qui conduit la tension peut mettre des parties d'appareil en métal sous tension et mener à une décharge électrique.

### AVIS COMPLÉMENTAIRES DE SÉCURITÉ ET DE TRAVAIL

Utiliser l'équipement de protection. Toujours porter des lunettes de protection pendant le travail avec la machine. Il est recommandé de porter des articles de protection, tels que masque antipoussière, gants de protection, chaussures tenant bien aux pieds et antidérapantes, casque et protection acoustique.

Les poussières qui sont dégagées pendant les travaux sont souvent nocives pour la santé et ne devraient pas pénétrer dans le corps. Porter un masque de protection approprié contre les poussières.

Il est interdit de travailler des matériaux dangereux pour la santé (par ex. amiante).

Désactiver immédiatement le dispositif en cas de blocage ! Ne pas réactiver le dispositif avec l'outil bloqué; il y a le risque de provoquer un contrecoup avec moment de réaction élevé. Établir et éliminer la cause du blocage de l'outil en prêtant attention aux consignes de sécurité.

Les causes possibles sont :

- Encastrement dans la pièce à travailler.
- Le dispositif a traversé le matériau à travailler en le cassant.
- Le dispositif électrique a été surchargé.

Ne pas approcher les mains de la partie en mouvement de la machine.

Durant l'utilisation, l'outil peut se surchauffer.

**AVERTISSEMENT!** Danger de brûlures

- durant le remplacement de l'outil
- durant la dépose de l'outil

Ne jamais enlever les copeaux ni les éclats lorsque la machine est en marche.

Lors du perçage dans les murs, les plafonds ou les planchers, toujours faire attention aux câbles électriques et aux conduites de gaz et d'eau.

Fixer fermement la pièce en exécution à l'aide d'un dispositif de serrage. Des pièces en exécution non fermement fixées peuvent provoquer des dommages et des lésions graves.

Avant tous travaux sur la machine retirer l'accu interchangeable.

Ne pas jeter les accus interchangeables usés au feu ou avec les déchets ménagers. AEG offre un système d'évacuation écologique des accus usés.

Ne pas conserver les accus interchangeables avec des objets métalliques (risque de court-circuit)

Ne charger les accus interchangeables du système M18 qu'avec le chargeur d'accus du système M18. Ne pas charger des accus d'autres systèmes.

Ne pas ouvrir les accus interchangeables et les chargeurs et ne les stocker que dans des locaux secs. Les protéger contre l'humidité.

En cas de conditions ou températures extrêmes, du liquide caustique peut s'échapper d'un accu interchangeable endommagé. En cas de contact avec le liquide caustique de la batterie, laver immédiatement avec de l'eau et du savon. En cas de contact avec les yeux, rincer soigneusement avec de l'eau et consulter immédiatement un médecin.

### UTILISATION CONFORME AUX PRESCRIPTIONS

**M18 ONEDD:** La perceuse-visseuse à accu est conçue pour un travail universel de perçage et de vissage sans être branchée sur le secteur.

**M18 ONEPD:** La perceuse-visseuse à percussion électronique à accu est conçue pour un travail universel de perçage à percussion, de perçage et de vissage sans être branchée sur le secteur.

Comme déjà indiqué, cette machine n'est conçue que pour être utilisée conformément aux prescriptions.

### DÉCLARATION CE DE CONFORMITÉ

Nous déclarons sous notre propre responsabilité que le produit décrit aux „Données techniques“ est conforme à toutes les dispositions des directives 2011/65/EU (RoHS), 2014/30/UE, 2006/42/CE, 2014/53/UE et des documents normatifs harmonisés suivants:

EN 60745-1:2009 + A11:2010  
EN 60745-2-2:2010  
EN 55014-1:2006+A1:2009+A2:2011  
EN 62479:2010  
EN 301 489-1 V1.9.2 (2011-09)  
EN 301 489-17 V2.2.1(2012-09)  
EN 300328 V.1.8.1(2012-06)  
EN 55014-2:1997+A1:2001+A2:2008

Winnenden, 2016-03-29

*Alexander Krug*

Alexander Krug  
Managing Director



Autorisé à compiler la documentation technique.

Techtronic Industries GmbH  
Max-Eyth-Straße 10  
71364 Winnenden  
Germany

### SÉLECTION DU MODE DE FONCTIONNEMENT

Avant de sélectionner un mode de fonctionnement différent, attendre l'arrêt complet du dispositif. Pour modifier les paramètres, appuyer sur la touche Appuyer sur la touche WLAN pour modifier les valeurs actuelles à partir de l'application ONE-KEY présentée sur votre smartphone.

### ONE-KEY™

Pour tout renseignement complémentaire sur la fonction ONE-KEY de cet appareil, lire les instructions rapides annexées ou consulter notre page Internet [www.milwaukeeetool.com/one-key](http://www.milwaukeeetool.com/one-key). L'application ONE-KEY peut être téléchargée à partir de l'App Store ou de Google Play sur votre smartphone.

### ACCUS

Recharger les accus avant utilisation après une longue période de non utilisation.

Une température supérieure à 50°C amoindrit la capacité des accus. Eviter les expositions prolongées au soleil ou au chauffage.

Tenir propres les contacts des accus et des chargeurs.

Pour une durée de vie optimale, les accus doivent être chargés à fond après l'utilisation.

Pour une plus longue durée de vie, enlever les batteries du chargeur de batterie quand celles-ci seront chargées.

En cas d'entreposage de la batterie pour plus de 30 jours:

Entreposer la batterie à 27°C environ dans un endroit sec.  
Entreposer la batterie avec une charge d'environ 30% - 50%.  
Recharger la batterie tous les 6 mois.

### PROTECTION DE L'ACCU CONTRE LES SURCHARGES

En cas de surcharge de l'accu suite à une consommation de courant très élevée, par exemple des couples extrêmement hauts, un coincement du foret, un arrêt soudain ou un court-circuit, l'outil électrique se met à bourdonner pendant 2 secondes et s'éteint automatiquement.

Pour le remettre en marche, il faut relâcher le poussoir de commutateur, puis l'enclencher à nouveau.

Il se peut que l'accu s'échauffe fortement s'il est soumis à des sollicitations extrêmes. Dans ce cas, il se déconnecte.

### TRANSPORT DE BATTERIES LITHIUM-ION

Les batteries lithium-ion sont soumises aux dispositions législatives concernant le transport de produits dangereux.

Le transport de ces batteries devra s'effectuer dans le respect des dispositions et des normes locales, nationales et internationales.

- Les utilisateurs peuvent transporter ces batteries sans restrictions.

- Le transport commercial de batteries lithium-ion est réglé par les dispositions concernant le transport de produits dangereux. La préparation au transport et le transport devront être effectués uniquement par du personnel formé de façon adéquate. Tout le procédé devra être géré d'une manière professionnelle.

Durant le transport de batteries il faut respecter les consignes suivantes :

- S'assurer que les contacts soient protégés et isolés en vue d'éviter des courts-circuits.
  - S'assurer que le groupe de batteries ne puisse pas se déplacer à l'intérieur de son emballage.
  - Des batteries endommagées ou des batteries perdant du liquide ne devront pas être transportées.
- Pour tout renseignement complémentaire veuillez vous adresser à votre transporteur professionnel.

### ENTRETIEN

Les instructions d'entretien sont contenues dans l'application ONE-KEY.

Utiliser uniquement les accessoires Milwaukee et les pièces détachées Milwaukee. Faire remplacer les composants dont le remplacement n'a pas été décrit, par un des centres de service après-vente Milwaukee (observer la brochure avec les adresses de garantie et de service après-vente).

En cas de besoin il est possible de demander un dessin éclaté du dispositif en indiquant le modèle de la machine et le numéro de six chiffres imprimé sur la plaquette de puissance et en s'adressant au centre d'assistance technique ou directement à Techtronic Industries GmbH, Max-Eyth-Straße 10, 71364 Winnenden, Germany.

### SYMBOLES



ATTENTION! AVERTISSEMENT! DANGER!



Avant tous travaux sur la machine retirer l'accu interchangeable.



Veuillez lire avec soin le mode d'emploi avant la mise en service



Les dispositifs électriques ne sont pas à éliminer dans les déchets ménagers. Les dispositifs électriques et électroniques sont à collecter séparément et à remettre à un centre de recyclage en vue de leur élimination dans le respect de l'environnement. S'adresser aux autorités locales ou au détaillant spécialisé en vue de connaître l'emplacement des centres de recyclage et des points de collecte.



Marque CE



Symbole national de conformité Ukraine.



Marque de qualité EurAsian

DATI TECNICI	TRAPANO AVVITATORE A BATTERIA	M18 ONEDD	M18 ONEPD
Numero di serie .....	4527 24 02.....	4527 13 02.....	000001-999999
Ø Foratura in acciaio.....	13 mm.....	13 mm.....	45 mm.....
Ø Foratura in legno.....	10 mm.....	10 mm.....	13 mm.....
Ø Foratura in mattoni e in arenaria calcarea.....	10 mm.....	10 mm.....	13 mm.....
Avvitatore nel legno (senza preforatura).....	0-550 min <sup>-1</sup> .....	0-550 min <sup>-1</sup> .....	0-2000 min <sup>-1</sup> .....
Numero di giri a vuoto in 1. Velocità.....	0-2000 min <sup>-1</sup> .....	0-2000 min <sup>-1</sup> .....	0-8800 min <sup>-1</sup> .....
Numero di giri a vuoto in 2. Velocità.....	0-2000 min <sup>-1</sup> .....	0-2000 min <sup>-1</sup> .....	0-32000 min <sup>-1</sup> .....
Percussione a pieno in 1. Velocità.....	135 Nm.....	135 Nm.....	18 V.....
Percussione a pieno in 2. Velocità.....	18 V.....	18 V.....	1,5-13 mm.....
Coppia con batteria (5,0 Ah).....	1,5-13 mm.....	1,5-13 mm.....	2,3 kg.....
Tensione batteria.....	2,3 kg.....	2,3 kg.....	2,5 kg.....
Capacità mandrino.....	2,5 kg.....	2,5 kg.....	
Peso secondo la procedura EPTA 01/2003 (2,0 Ah).....			
Peso secondo la procedura EPTA 01/2003 (5,0 Ah).....			

#### Informazioni sulla rumorosità/sulle vibrazioni

Valori misurati conformemente alla norma EN 60 745.

La misurazione A del livello di pressione acustica dell'utensile è di solito di:

Livello di rumorosità (Incertezza della misura K=3dB(A)).....	74,5 dB (A).....	99,9 dB (A).....
Potenza della rumorosità (Incertezza della misura K=3dB(A)).....	85,5 dB (A).....	110,9 dB (A).....

#### Utilizzare le protezioni per l'udito!

Valori totali delle oscillazioni (somma di vettori in tre direzioni) misurati conformemente alla norma EN 60745.

Valore di emissione dell'oscillazione a <sub>h</sub> .....	13,2 m/s <sup>2</sup> .....	
Perforazione a percussione.....	1,5 m/s <sup>2</sup> .....	
Incertezza della misura K=.....	1,29 m/s <sup>2</sup> .....	1,29 m/s <sup>2</sup> .....
Perforazione in metallo.....	1,5 m/s <sup>2</sup> .....	1,5 m/s <sup>2</sup> .....
Incertezza della misura K=.....	1,33 m/s <sup>2</sup> .....	1,33 m/s <sup>2</sup> .....
Avvitatura.....	1,5 m/s <sup>2</sup> .....	1,5 m/s <sup>2</sup> .....
Incertezza della misura K=.....		
* Misurato conf. norma N 877318 Milwaukee.....		

#### AVVERTENZA!

Il livello di vibrazioni indicato nelle presenti istruzioni è stato misurato in conformità con un procedimento di misurazione codificato nella EN 60745 e può essere utilizzato per un confronto tra attrezzi elettrici. Inoltre si può anche utilizzare per una valutazione preliminare della sollecitazione da vibrazioni.

Il livello di vibrazioni indicato rappresenta le applicazioni principali dell'attrezzo elettrico. Se viceversa si utilizza l'attrezzo elettrico per altri scopi, con accessori differenti o con una manutenzione insufficiente, il livello di vibrazioni può risultare diverso. E questo può aumentare decisamente la sollecitazione da vibrazioni lungo l'intero periodo di lavorazione.

Ai fini di una valutazione precisa della sollecitazione da vibrazioni si dovrebbero tenere presente anche i periodi in cui l'apparecchio rimane spento oppure, anche se acceso, non viene effettivamente utilizzato. Ciò può ridurre notevolmente la sollecitazione da vibrazioni lungo l'intero periodo di lavorazione.

Stabilite misure di sicurezza supplementari per la tutela dell'operatore dall'effetto delle vibrazioni, come ad esempio: manutenzione dell'attrezzo elettrico e degli accessori, riscaldamento delle mani, organizzazione dei processi di lavoro.

**AVVERTENZA! Leggere tutte le istruzioni ed indicazioni di sicurezza.** In caso di mancato rispetto delle avvertenze di pericolo e delle istruzioni operative si potrà creare il pericolo di scosse elettriche, incendi e/o incidenti gravi.

**Conservare tutte le avvertenze di pericolo e le istruzioni operative per ogni esigenza futura.**

#### INDICAZIONI DI SICUREZZA PER TRAPANI

**Indossare protezioni acustiche adeguate.** L'esposizione prolungata al rumore senza protezione può causare danni all'udito.

**Utilizzare l'utensile con la sua impugnatura supplementare.** La perdita di controllo potrebbe causare danneggiamenti all'utilizzatore.

**Impugnare l'apparecchio sulle superfici di tenuta isolate mentre si eseguono lavori durante i quali l'utensile da taglio potrebbe entrare in contatto con cavi di corrente.**

L'eventuale contatto dell'utensile da taglio con un cavo sotto tensione potrebbe mettere sotto tensione le parti metalliche dell'apparecchio e provocare una folgorazione.

#### INDICAZIONI DI SICUREZZA PER AVVITATORE

**Quando si svolge un'operazione in cui la vite potrebbe entrare in contatto con conduttori elettrici nascoste impugnare l'apparecchio afferrandolo per le superfici isolate.** La vite che entra in contatto con una conduttura in tensione può mettere sotto tensione le parti metalliche dell'apparecchio e causare scosse elettriche.

#### ULTERIORI AVVISI DI SICUREZZA E DI LAVORO

Usare dispositivi di protezione. Durante il lavoro con la macchina bisogna sempre portare occhiali di protezione. Si consiglia di indossare indumenti di protezione come maschera antipolvere, guanti di protezione, scarpe antiscivolo robuste, casco e cuffie di protezione acustica.

La polvere che si produce durante il lavoro è spesso dannosa per la salute e non dovrebbe essere aspirata. Portare un'adeguata mascherina protettiva.

E' vietato lavorare materiali che possono costituire pericoli alla salute (ad es. amianto).

Spegnerne immediatamente il dispositivo in caso di bloccaggio! Non riaccendere il dispositivo fino a quando l'utensile ad inserito resta bloccato; esiste il rischio di causare un contraccolpo con elevato momento di reazione. Rilevare ed eliminare la causa del bloccaggio dell'utensile ad inserito tenendo conto delle indicazioni di sicurezza.

Le possibili cause sono:

- Incastro nel pezzo in lavorazione
- Il dispositivo ha attraversato il materiale da lavorare rompendolo
- Il dispositivo elettrico è stato sovraccaricato

Non avvicinare le mani alla parte della macchina in movimento.

Durante l'uso l'utensile ad inserito può surriscaldarsi.

**AVVERTENZA!** Pericolo di ustioni

- durante la sostituzione dell'utensile
- durante il deposito dell'utensile

Non rimuovere trucioli o schegge mentre l'utensile è in funzione.

Forando pareti, soffitti o pavimenti, si faccia attenzione ai cavi elettrici e alle condutture dell'acqua e del gas.

Fissare in sicurezza il pezzo in lavorazione con un dispositivo di serraggio. Pezzi in lavorazione che non siano fissati in sicurezza possono causare gravi lesioni e danni.

Prima di iniziare togliere la batteria dalla macchina.

Si prega di leggere con attenzione le istruzioni riguardanti la sicurezza, nel volantino allegato.

Nel vano d'innesto per la batteria del caricatore non devono entrare parti metalliche.(pericolo di cortocircuito).

Le batterie del System M18 sono ricaricabili esclusivamente con i caricatori del System M18. Le batterie di altri sistemi non possono essere ricaricate.

Non aprire né la batteria né il caricatore e conservarli solo in luogo asciutto. Proteggerli dalla umidità.

Nel caso di batterie danneggiate da un carico eccessivo o da temperature alte, l'acido di queste potrebbe fuoriuscire. In caso di contatto con l'acido delle batterie lavarsi immediatamente con acqua e sapone. In caso di contatto con gli occhi risciacquare immediatamente con acqua per almeno 10 minuti e contattare subito un medico.

#### UTILIZZO CONFORME

**M18 ONEDD:** Il trapano-avvitatore Accu è utilizzabile universalmente per forare e avvitare indipendentemente dal collegamento elettrico.

**M18 ONEPD:** Il trapano a percussione-avvitatore Accu è indicato per forare a rotazione, a percussione, per avvitare, indipendentemente dal collegamento elettrico.

Utilizzare il prodotto solo per l'uso per cui è previsto.

#### DICHIARAZIONE DI CONFORMITÀ CE

Dichiariamo sotto la nostra esclusiva responsabilità che il prodotto descritto ai „Dati tecnici“ corrisponde a tutte le disposizioni delle direttive 2011/65/EU (RoHS), 2014/30/UE, 2006/42/CE, 2014/53/UE e successivi documenti normativi armonizzati:

EN 60745-1:2009 + A11:2010  
EN 60745-2-2:2010  
EN 55014-1:2006+A1:2009+A2:2011  
EN 62479:2010  
EN 301 489-1 V1.9.2 (2011-09)  
EN 301 489-17 V2.2.1(2012-09)  
EN 300328 V.1.8.1(2012-06)  
EN 55014-2:1997+A1:2001+A2:2008

Winnenden, 2016-03-29

*Alexander Krug*

Alexander Krug  
Managing Director



Autorizzato alla preparazione della documentazione tecnica

Techtronic Industries GmbH  
Max-Eyth-Straße 10  
71364 Winnenden  
Germany

#### SELEZIONE DELLA MODALITÀ DI FUNZIONAMENTO

Prima di selezionare una diversa modalità di funzionamento, attendere che il dispositivo si sia arrestato completamente. Per modificare le impostazioni, premere il tasto . Premere il tasto WLAN per modificare dalla ONE-KEY App sul vostro smartphone i valori impostati.

#### ONE-KEY™

Per sapere di più sulla funzione ONE-KEY di questo apparecchio, leggere le istruzioni rapide allegate o consultare la nostra pagina internet [www.milwaukeeetool.com/one-key](http://www.milwaukeeetool.com/one-key). La ONE-KEY App può essere scaricata dall'App Store o da Google Play sul vostro smartphone.

#### BATTERIE

Batterie non utilizzate per molto tempo devono essere ricaricate prima dell'uso.

A temperature superiori ai 50°C, la potenza della batteria si riduce.

Evitare di esporre l'accumulatore a surriscaldamento prolungato, dovuto ad esempio ai raggi del sole o ad un impianto di riscaldamento.

Per una ottimale vita utile è necessario ricaricare completamente le batterie dopo l'uso.

Per una più lunga durata, rimuovere le batterie dal caricabatterie quando saranno cariche.

In caso di immagazzinaggio della batteria per più di 30 giorni:

Immagazzinare la batteria a circa 27°C in ambiente asciutto.

Immagazzinare la batteria con carica di circa il 30% - 50%.

Ricaricare la batteria ogni 6 mesi.

#### DISPOSITIVO ANTISOVRACCARICO ACCUMULATORE

In caso di sovraccarico dell'accumulatore dovuto a consumo molto elevato di corrente, ad es. coppie di serraggio estremamente elevate, bloccaggio della punta, arresto improvviso o cortocircuito, l'elettrotensile romba per 2 secondi e poi si spegne automaticamente.

Per riaccenderlo, rilasciare l'interruttore e poi riaccenderlo. Se sottoposto a carichi estremi, l'accumulatore può surriscaldarsi. In questo caso l'accumulatore si spegne.

#### TRASPORTO DI BATTERIE AGLI IONI DI LITIO

Le batterie agli ioni di litio sono soggette alle disposizioni di legge sul trasporto di merce pericolosa.

Il trasporto di queste batterie deve avvenire rispettando le disposizioni e norme locali, nazionali ed internazionali.

• Gli utilizzatori possono trasportare queste batterie su strada senza alcuna restrizione.

• Il trasporto commerciale di batterie agli ioni di litio è regolato dalle disposizioni sul trasporto di merce pericolosa. Le preparazioni al trasporto ed il trasporto stesso devono essere svolti esclusivamente da persone idoneamente istruite. Tutto il processo deve essere gestito in maniera professionale.

Durante il trasporto di batterie occorre tenere conto di quanto segue:

• Assicurarsi che i contatti siano protetti ed isolati per evitare corto circuiti.

• Accertarsi che il gruppo di batterie non possa spostarsi all'interno dell'imballaggio.

• Batterie danneggiate o batterie che perdono liquido non devono essere trasportate.

Per ulteriori informazioni si prega di contattare il proprio trasportatore.

#### MANUTENZIONE

Le istruzioni di manutenzione sono contenute nella ONE-KEY App.

Usare solo accessori Milwaukee e pezzi di ricambio Milwaukee. Gruppi costruttivi la cui sostituzione non è stata descritta, devono essere fatti cambiare da un punto di servizio di assistenza tecnica al cliente Milwaukee (vedi depliant garanzia/indirizzi assistenza tecnica ai clienti).

In caso di necessità è possibile richiedere un disegno esploso del dispositivo indicando il modello della macchina ed il numero a sei cifre sulla targa di potenza rivolgendosi al centro di assistenza tecnica o direttamente a Techtronic Industries GmbH, Max-Eyth-Straße 10, 71364 Winnenden, Germany.

#### SIMBOLI



ATTENZIONE! AVVERTENZA! PERICOLO!



Prima di iniziare togliere la batteria dalla macchina.



Leggere attentamente le istruzioni per l'uso prima di mettere in funzione l'elettrotensile.



I dispositivi elettrici non devono essere smaltiti con i rifiuti domestici. I dispositivi elettrici ed elettronici devono essere raccolti separatamente e devono essere conferiti ad un centro di riciclaggio per lo smaltimento rispettoso dell'ambiente. Chiedere alle autorità locali o al rivenditore specializzato dove si trovano i centri di riciclaggio e i punti di raccolta.



Marchio CE



Simbolo di conformità nazionale Ucraina



Marchio di conformità EurAsian

DATOS TÉCNICOS	TALADRO COMBI A BATERÍA	M18 ONEDD	M18 ONEPD
Número de producción.....	4527 24 02.....	4527 13 02.....	000001-999999.....
Diámetro de taladrado en acero.....	13 mm.....	13 mm.....	45 mm.....
Diámetro de taladrado en madera.....	45 mm.....	45 mm.....	13 mm.....
Diámetro de taladrado ladrillo y losetas.....	-.....	10 mm.....	0-550 min <sup>-1</sup> .....
Tornillos para madera (sin pretaladrar).....	10 mm.....	0-550 min <sup>-1</sup> .....	0-2000 min <sup>-1</sup> .....
Velocidad en vacío 1ª marcha.....	0-550 min <sup>-1</sup> .....	0-8800 min <sup>-1</sup> .....	0-32000 min <sup>-1</sup> .....
Velocidad en vacío 2ª marcha.....	0-2000 min <sup>-1</sup> .....	135 Nm.....	135 Nm.....
Frecuencia de impactos 1ª velocidad.....	-.....	18 V.....	18 V.....
Frecuencia de impactos 2ª velocidad.....	-.....	1,5-13 mm.....	1,5-13 mm.....
Par con batería intercambiable (5,0 Ah).....	135 Nm.....	2,3 kg.....	2,3 kg.....
Voltaje de batería.....	18 V.....	2,5 kg.....	2,5 kg.....
Gama de apertura del portabrocas.....	1,5-13 mm.....		
Peso de acuerdo con el procedimiento EPTA 01/2003 (2,0 Ah).....	2,3 kg.....		
Peso de acuerdo con el procedimiento EPTA 01/2003 (5,0 Ah).....	2,5 kg.....		

### Información sobre ruidos / vibraciones

Determinación de los valores de medición según norma EN 60 745.

El nivel de ruido típico del aparato determinado con un filtro A corresponde a:

Presión acústica (Tolerancia K=3dB(A))..... 74,5 dB (A)..... 99,9 dB (A)

Resonancia acústica (Tolerancia K=3dB(A))..... 85,5 dB (A)..... 110,9 dB (A)

### Usar protectores auditivos!

Nivel total de vibraciones (suma vectorial de tres direcciones) determinado según EN 60745.

Valor de vibraciones generadas a<sub>h</sub>

Taladrado de percusión.....	13,2 m/s <sup>2</sup>
Tolerancia K=.....	1,5 m/s <sup>2</sup>
Taladrado en metal.....	1,29 m/s <sup>2</sup>
Tolerancia K=.....	1,5 m/s <sup>2</sup>
Tornillos.....	1,33 m/s <sup>2</sup>
Tolerancia K=.....	1,5 m/s <sup>2</sup>

\* Medido según norma Milwaukkee N 877318

### ADVERTENCIA!

El nivel vibratorio indicado en estas instrucciones ha sido medido conforme a un método de medición estandarizado en la norma EN 60745, y puede utilizarse para la comparación entre herramientas eléctricas. También es apropiado para una estimación provisional de la carga de vibración.

El nivel vibratorio indicado representa las aplicaciones principales de la herramienta eléctrica. Si, pese a ello, se utiliza la herramienta eléctrica para otras aplicaciones, con útiles adaptables diferentes o con un mantenimiento insuficiente, el nivel vibratorio puede diferir. Esto puede incrementar sensiblemente la carga de vibración durante todo el periodo de trabajo.

Para una estimación exacta de la carga de vibración deberían tenerse en cuenta también los tiempos durante los que el aparato está apagado o, pese a estar en funcionamiento, no está siendo realmente utilizado. Esto puede reducir sustancialmente la carga de vibración durante todo el periodo de trabajo.

Adopte medidas de seguridad adicionales para la protección del operador frente al efecto de las vibraciones, como por ejemplo: mantenimiento de la herramienta eléctrica y de los útiles adaptables, mantener las manos calientes, organización de los procesos de trabajo.

**¡ATENCIÓN! Lea atentamente las indicaciones e instrucciones de seguridad.** En caso de no atenderse a las advertencias de peligro e instrucciones siguientes, ello puede ocasionar una descarga eléctrica, un incendio y/o lesión grave.

**Guardar todas las advertencias de peligro e instrucciones para futuras consultas.**

### ¡INSTRUCCIONES DE SEGURIDAD PARA TALADRADORAS

**¡Utilice protección auditiva!** La exposición a niveles de ruido excesivos puede causar pérdida de audición

**¡Utilice las empuñaduras auxiliares suministradas con la herramienta!** La pérdida de control de la herramienta puede causar accidentes

**Sujete el aparato de las superficies aisladas de agarre al efectuar trabajos en los cuales la perforadora de percusión pueda entrar en contacto con conductores de corriente ocultos.**

El contacto de la perforadora de percusión con un conducto con energía aplicada también podrá poner bajo tensión partes metálicas del aparato y causar un choque eléctrico.

### ¡INDICACIONES DE SEGURIDAD PARA ATORNILLADOR

**Sujete el aparato por las superficies de sujeción aisladas cuando realice trabajos en los que el tornillo puede alcanzar líneas de corriente eléctrica ocultas.** El contacto del tornillo con una línea conductora de corriente puede poner las partes metálicas del aparato bajo tensión y provocar un choque eléctrico.

### ¡INSTRUCCIONES ADICIONALES DE SEGURIDAD Y LABORALES

Utilice el equipamiento de protección. Mientras trabaje con la máquina lleve siempre gafas protectoras. Se recomienda utilizar ropa de protección como máscara protectora contra el polvo, guantes protectores, calzado resistente y antideslizante, casco y protección para los oídos.

El polvo que se produce durante estos trabajos puede ser nocivo a la salud; es por ello es aconsejable que no penetre al cuerpo. Utilice por ello una máscara protectora contra polvo.

No se deben trabajar materiales que conlleven un riesgo para la salud (por ej. amianto).

¡En caso de que se bloquee el útil, el aparato se debe desconectar inmediatamente! No vuelva a conectar el aparato, mientras el útil esté bloqueado; se podría producir un rechazo debido a la reacción de retroceso brusca. Averigüe y elimine la causa del bloqueo del útil, teniendo en cuenta las indicaciones de seguridad.

Causas posibles para ello pueden ser:

- Atascamiento o bloqueo en la pieza de trabajo
- Rotura del material con el que está trabajando
- Sobrecarga de la herramienta eléctrica

No introduzca las manos en la máquina mientras ésta se encuentra en funcionamiento.

El útil se puede calentar durante el uso.

**ADVERTENCIA!** Peligro de quemaduras

- en caso de cambiar la herramienta
- en caso de depositar el aparato

Nunca se debe intentar limpiar el polvo o viruta procedente del taladrado con la máquina en funcionamiento.

Para trabajar en paredes, techo o suelo, tenga cuidado para evitar los cables eléctricos y tuberías de gas o agua.

Fije la pieza de trabajo con un dispositivo de fijación. Las piezas de trabajo no fijadas pueden causar lesiones graves y deterioros.

Retire la batería antes de comenzar cualquier trabajo en la máquina.

No tire las baterías usadas a la basura ni al fuego. Los Distribuidores AEG ofrecen un servicio de recogida de baterías antiguas para proteger el medio ambiente.

No almacene la batería con objetos metálicos (riesgo de cortocircuito).

Recargar solamente los acumuladores del Sistema M18 en cargadores M18. No intentar recargar acumuladores de otros sistemas.

No abra nunca las baterías ni los cargadores y guárdelos sólo en lugares secos. Protéjalos de la humedad en todo momento.

En caso de sobrecarga o alta temperatura, pueden llegar a producirse escapes de ácido provenientes de la batería. En caso de contacto con éste, limpie inmediatamente la zona con agua y jabón. Si el contacto es en los ojos, límpiese concienzudamente con agua durante 10 minutos y acuda inmediatamente a un médico

### APLICACIÓN DE ACUERDO A LA FINALIDAD

**M18 ONEDD:** El taladro/atornillador por acumulador está diseñado para trabajos de taladrado y atornillado para uso independiente lejos de suministro eléctrico.

**M18 ONEPD:** El taladro-atornillador electrónico por acumulador es utilizable en todo tipo de trabajos taladrar, con y sin percusión, atornillar sin depender de una toma de corriente.

No utilice este producto para ninguna otra aplicación que no sea su uso normal.

### DECLARACION DE CONFORMIDAD CE

Declaramos bajo nuestra responsabilidad que el producto descrito bajo „Datos técnicos“ está en conformidad con todas las normas relevantes de la directiva 2011/65/EU (RoHS), 2014/30/UE, 2006/42/CE, 2014/53/EU y con las siguientes normas o documentos normalizados:

EN 60745-1:2009 + A11:2010  
EN 60745-2-2:2010  
EN 55014-1-2006+A1:2009+A2:2011  
EN 62479:2010  
EN 301 489-1 V1.9.2 (2011-09)  
EN 301 489-17 V2.2.1(2012-09)  
EN 300328 V1.8.1(2012-06)  
EN 55014-2:1997+A1:2001+A2:2008

Winnenden, 2016-03-29

*Alexander Krug*

Alexander Krug  
Managing Director



Autorizado para la redacción de los documentos técnicos.

Techtronic Industries GmbH  
Max-Eyth-Straße 10  
71364 Winnenden  
Germany

### SELECCIÓN DEL MODO OPERATIVO

Antes de cambiar el modo operativo, esperar a que la unidad se pare por completo. Para cambiar los ajustes, pulsar el botón . Pulsar el botón WLAN para cambiar los ajustes predeterminados usando la app ONE-KEY de su teléfono inteligente.

### ONE-KEY™

Para obtener más información sobre el funcionamiento de esta herramienta, sírvase leer la guía de inicio rápido del anexo o visite nuestra página web en internet [www.milwaukeetool.com/one-key](http://www.milwaukeetool.com/one-key). Puede descargar la app ONE-KEY de la App Store o de Google Play en su teléfono inteligente.

### BATERÍA

Las baterías no utilizadas durante cierto tiempo deben ser recargadas antes de usar.

Las temperaturas superiores a 50°C reducen el rendimiento de la batería. Evite una exposición excesiva a fuentes de calor o al sol (riesgo de sobrecalentamiento).

Los puntos de contacto de los cargadores y las baterías se deben mantener limpios.

Para un tiempo óptimo de vida, deberán cargarse las baterías completamente después de su uso.

Para garantizar la máxima capacidad y vida útil, las baterías recargables se deberían retirar del cargador una vez finalizada la carga.

En caso de almacenar la batería recargable más de 30 días: Almacenar la batería recargable en un lugar seco a una temperatura de aproximadamente 27°C. Almacenar la batería recargable con un estado de carga del 30% y 50% aproximadamente. Recargar la batería cada 6 meses.

### PROTECCIÓN CONTRA SOBRECARGA DE LA BATERÍA

En caso de sobrecarga del acumulador por consumo muy elevado de corriente, por ej. debido a pares muy elevados, agorrotamiento del taladro, parada repentina o cortocircuito, la herramienta eléctrica zumbará durante 2 segundos y se desconectará automáticamente.

Para reconectarla, liberar primero el gatillo interruptor y después conectarla de nuevo.

Bajo cargas extremas, el acumulador se puede calentar mucho. En este caso desconectar el acumulador.

### TRANSPORTE DE BATERÍAS DE IONES DE LITIO

Las baterías de iones de litio caen bajo las disposiciones legales relativas al transporte de mercancías peligrosas.

El transporte de estas baterías recargables debe llevarse a cabo, observando las normas y disposiciones locales, nacionales e internacionales.

- Los consumidores pueden transportar estas baterías recargables sin el menor reparo en la calle.

- El transporte comercial de baterías recargables de iones de litio por empresas de transportes está sometido a las disposiciones del transporte de mercancías peligrosas. Las preparaciones para el envío y el transporte deben ser llevados a cabo exclusivamente por personas instruidas adecuadamente. El proceso completo debe ser supervisado por personal competente.

Los siguientes puntos se deben observar para el transporte de las baterías recargables:

- Se debe asegurar que los contactos estén protegidos y aislados para evitar que se produzcan cortocircuitos.

- Preste atención a que el conjunto de baterías recargables no se pueda desplazar dentro del envase.

- Las baterías recargables deterioradas o derramadas no se deben transportar. Rogamos que para cualquier información adicional se dirija a su empresa de transportes.

### MANTENIMIENTO

Encontrará las instrucciones de mantenimiento en la app ONE-KEY.

Utilice solamente accesorios y repuestos Milwaukee. En caso de necesitar reemplazar componentes no descritos, contacte con cualquiera de nuestras estaciones de servicio Milwaukee (consultar lista de servicio técnicos)

Puede solicitar, en caso necesario, una vista despiezada del aparato bajo indicación del tipo de máquina y el número de seis dígitos en la placa indicadora de potencia en su Servicio de Postventa o directamente en Techtronic Industries GmbH, Max-Eyth-Straße 10, 71364 Winnenden, Germany.

### SÍMBOLOS



¡ATENCIÓN! ¡ADVERTENCIA! ¡PELIGRO!



Retire la batería antes de comenzar cualquier trabajo en la máquina.



Lea las instrucciones detenidamente antes de conectar la herramienta



Los aparatos eléctricos no se deben eliminar junto con la basura doméstica.

Los aparatos eléctricos y electrónicos se deben recoger por separado y se deben entregar a una empresa de reciclaje para una eliminación respetuosa con el medio ambiente. Infórmese en las autoridades locales o en su tienda especializada sobre los centros de reciclaje y puntos de recogida.



Marca CE



Marca de conformidad nacional de Ucrania



Certificado EAC de conformidad



CARACTERÍSTICAS TÉCNICAS	BERBEQUIM COM PERCUSSÃO A BATERIA	M18 ONEDD	M18 ONEPD
Número de produção.....	4527 24 02.....	4527 13 02...	000001-999999
Ø de furo em aço.....	13 mm.....	13 mm	
Ø de furo em madeira.....	45 mm.....	45 mm	
Ø de furo em tijolo e calcário.....	-.....	13 mm	
Parafusos para madeira (sem furo prévio).....	10 mm.....	10 mm	
Nº de rotações em vazio na 1ª velocidade.....	0-550 min <sup>-1</sup> .....	0-550 min <sup>-1</sup>	
Nº de rotações em vazio na 2ª velocidade.....	0-2000 min <sup>-1</sup> .....	0-2000 min <sup>-1</sup>	
Frequência de percussão na 1ª velocidade.....	-.....	0-8800 min <sup>-1</sup>	
Frequência de percussão na 2ª velocidade.....	-.....	0-32000 min <sup>-1</sup>	
Binário com bateria (5,0 Ah).....	135 Nm.....	135 Nm	
Tensão do acumulador.....	18 V.....	18 V	
Capacidade da bucha.....	1,5-13 mm.....	1,5-13 mm	
Peso nos termos do procedimento-EPTA 01/2003 (2,0 Ah).....	2,3 kg.....	2,3 kg	
Peso nos termos do procedimento-EPTA 01/2003 (5,0 Ah).....	2,5 kg.....	2,5 kg	

#### Informações sobre ruído/vibração

Valores de medida de acordo com EN 60 745.

O nível de ruído avaliado A do aparelho é tipicamente:

Nível da pressão de ruído (Incertez K=3dB(A))..... 74,5 dB (A)..... 99,9 dB (A)

Nível da potência de ruído (Incertez K=3dB(A))..... 85,5 dB (A)..... 110,9 dB (A)

#### Use protectores auriculares!

Valores totais de vibração (soma dos vectores das três direcções)

determinadas conforme EN 60745.

Valor de emissão de vibração a<sub>h</sub>

Furar de impacto em betão.....	-.....	13,2 m/s <sup>2</sup>
Incerteza K=.....	-.....	1,5 m/s <sup>2</sup>
Furar em metal.....	1,29 m/s <sup>2</sup> .....	1,29 m/s <sup>2</sup>
Incerteza K=.....	1,5 m/s <sup>2</sup> .....	1,5 m/s <sup>2</sup>
Parafusos.....	1,33 m/s <sup>2</sup> .....	1,33 m/s <sup>2</sup>
Incerteza K=.....	1,5 m/s <sup>2</sup> .....	1,5 m/s <sup>2</sup>

\* Medido em conformidade com a Milwaukee Norm N 877318

#### ATENÇÃO!

O nível vibratório indicado nestas instruções foi medido em conformidade com um procedimento de medição normalizado na EN 60745 e pode ser utilizado para comparar entre si ferramentas eléctricas. O mesmo é também adequado para avaliar provisoriamente o esforço vibratório.

O nível vibratório indicado representa as principais aplicações da ferramenta eléctrica. Se, no entanto, a ferramenta eléctrica for utilizada para outras aplicações, com outras ferramentas adaptadas ou uma manutenção insuficiente, o nível vibratório poderá divergir. Isto pode aumentar consideravelmente o esforço vibratório ao longo de todo o período do trabalho.

Para uma avaliação exacta do esforço vibratório devem também ser considerados os tempos durante os quais o aparelho está desligado ou está a funcionar, mas não está efectivamente a ser utilizado. Isto pode reduzir consideravelmente o esforço vibratório ao longo de todo o período do trabalho.

Defina medidas de segurança suplementares para proteger o operador do efeito das vibrações, como por exemplo: manutenção da ferramenta eléctrica e das ferramentas adaptadas, manter as mãos quentes, organização das seqüências de trabalho.

**⚠️ ADVERTÊNCIA! Leia todas as instruções de segurança e todas as instruções.** O desrespeito das advertências e instruções apresentadas abaixo pode causar choque eléctrico, incêndio e/ou graves lesões. **Guarde bem todas as advertências e instruções para futura referência.**

#### ⚠️ INSTRUÇÕES DE SEGURANÇA PARA BERBEQUINS

**Sempre use a protecção dos ouvidos.** A influência de ruídos pode causar surdez.

**Sempre use os punhos adicionais fornecidos com o aparelho.** A perda de controlo pode causar feridas.

**Segure o aparelho nas superfícies de punho isoladas se estiver a executar trabalhos, nos quais a ferramenta de corte pode tocar em linhas eléctricas escondidas.**

O contacto da ferramenta de corte com uma linha sob tensão também pode colocar peças metálicas do aparelho sob tensão e levar a um choque eléctrico.

#### ⚠️ AVISOS DE SEGURANÇA PARA A APARAFUSADORA

**Segure o aparelho pela superfície isoladora do punho, se executar trabalhos nos quais o parafuso possa tocar em linhas eléctricas ocultas.** O contacto do parafuso com uma linha sob tensão pode também colocar peças metálicas do aparelho sob tensão e provocar um choque eléctrico.

#### ⚠️ INSTRUÇÕES DE SEGURANÇA E TRABALHO SUPLEMENTARES

Utilizar equipamento de protecção. Durante os trabalhos com a máquina, usar sempre óculos de protecção. Vestuário de protecção, bem como máscara de pó, sapatos fechados e antiderrapante, capacete e protecção auditiva são recomendados.

O pó que resulta ao trabalhar pode ser nocivo para a saúde, por isso não devendo penetrar no corpo. Use uma máscara de protecção contra pó apropriada.

Não devem ser procesados materiais que representem um perigo para a saúde (p. ex. asbesto).

Desligue o aparelho imediatamente, quando a ferramenta de inserção bloquear! Não ligue o aparelho novamente durante o bloqueio da ferramenta de inserção, pois isso pode levar a um recuo repentino com uma alta força reactiva. Verifique e elimine a causa do bloqueio da ferramenta de inserção, observando as instruções de segurança.

Causas possíveis podem ser:

- Emperramento na peça a trabalhar
- Material a processar rompido
- Sobrecarga da ferramenta eléctrica

Não toque na máquina em operação.

A ferramenta de inserção pode ficar quente durante a operação.

**ATENÇÃO!** Perigo de queimar-se

- na troca das ferramentas
- ao depositar o aparelho

Não remover aparas ou lascas enquanto a máquina trabalha.

Ao trabalhar em paredes, tectos e soalhos prestar atenção a que não sejam atingidos cabos eléctricos e canalizações de gás e água.

Fixe a peça a trabalhar com um dispositivo de fixação. Peças a trabalhar não fixadas podem levar a feridas graves e danos sérios.

Antes de efectuar qualquer intervenção na máquina retirar o bloco acumulador.

Não queimar acumuladores gastos nem deitá-los no lixo doméstico. A AEG possui uma eliminação de acumuladores gastos que respeita o meio ambiente.

Não guardar acumuladores junto com objectos metálicos (perigo de curto-circuito).

Use apenas carregadores do Sistema M18 para recarregar os acumuladores do Sistema M18. Não utilize acumuladores de outros sistemas.

Carregadores só devem ser utilizados em recintos secos.

Em caso de cargas ou temperaturas extremas, um acumulador de substituição danificado poderá verter líquido de bateria. Se entrar em contacto com este líquido, deverá lavar-se imediatamente com água e sabão. Em caso de contacto com os olhos, enxague-os bem e de imediato durante pelo menos 10 minutos e consulte um médico o mais depressa possível.

#### UTILIZAÇÃO AUTORIZADA

**M18 ONEDD:** O berbequim aparafusador sem fio pode ser aplicado universalmente para furar e aparafusar sem necessidade de ligar a máquina à rede.

**M18 ONEPD:** O berbequim aparafusador electrónico com percussão e sem fio pode ser aplicado universalmente para furar, furar com percussão e aparafusar sem necessidade de ligar a máquina à rede.

Não use este produto de outra maneira sem ser a normal para o qual foi concebido.

#### DECLARAÇÃO DE CONFORMIDADE CE

Declaramos sob responsabilidade exclusiva, que o produto descrito sob „Dados técnicos“ corresponde com todas as disposições relevantes da diretiva 2011/65/EU (RoHS), 2014/30/UE, 2006/42/CE, 2014/53/EU e dos seguintes documentos normativos harmonizados.

EN 60745-1:2009 + A11:2010

EN 60745-2-2:2010

EN 55014-1:2006+A1:2009+A2:2011

EN 62479:2010

EN 301 489-1 V1.9.2 (2011-09)

EN 301 489-17 V2.2.1(2012-09)

EN 300328 V.1.8.1(2012-06)

EN 55014-2:1997+A1:2001+A2:2008

Winnenden, 2016-03-29

*Alexander Krug*

Alexander Krug  
Managing Director

Autorizado a reunir a documentação técnica.

Techtronic Industries GmbH  
Max-Eyth-Straße 10  
71364 Winnenden  
Germany



#### SELEÇÃO DO MODO DE OPERAÇÃO

Aguardar a parada completa da ferramenta antes de mudar o modo.

Pressione o botão de seleção para mudar os ajustes. Selecione a tecla WLAN para mudar os ajustes padrão através do aplicativo ONE-KEY no seu smartphone.

#### ONE-KEY™

Para aprender mais sobre a função ONE-KEY para esta ferramenta, consulte o Guia de Início Rápido fornecido com este produto ou a [milwaukeeetool.com/One-Key](http://milwaukeeetool.com/One-Key). Para baixar o app ONE-KEY visite a App Store ou a Google Play com o seu smartphone.

#### ACUMULADOR

Acumuladores não utilizados durante algum tempo devem ser recarregados antes da sua utilização.

Temperaturas acima de 50°C reduzem a capacidade do bloco acumulador. Evitar exposição prolongada ao sol ou a caloríferos.

Manter limpos os contactos eléctricos nos carregador e no bloco acumulador.

Para uma vida útil óptima das baterias, terá que carregá-las plenamente após a sua utilização.

Para assegurar uma vida útil longa, o pacote de bateria deve ser removido da carregadora depois do carregamento.

Se o pacote de bateria for armazenado por mais de 30 dias:

Armazene o pacote de bateria com aprox. 27°C em um lugar seco.

Armazene o pacote de bateria com aprox. 30%-50% da carga completa.

Carregue o pacote de bateria novamente de 6 em 6 meses.

#### PROTECÇÃO DE SOBRECARGA DE BATERIA

No caso de sobrecarga da bateria devido a um consumo de corrente demasiado elevado, por exemplo um binário de rotação extremamente elevado, um bloqueio da broca, uma paragem repentina ou um curto-circuito, a ferramenta eléctrica vibra durante 2 segundos e desliga-se automaticamente.

Para a ligar novamente, desligar e voltar a ligar o interruptor. Sob condições extremas, a bateria pode aquecer demasiado. Neste caso a bateria desliga-se.

#### TRANSPORTE DE BATERIAS DE IÃO-LÍTIU

Baterias de ião-lítio estão sujeitas às disposições da legislação relativa às substâncias perigosas.

O transporte destas baterias deve ser efetuado de acordo com as disposições e os regulamentos locais, nacionais e internacionais.

• O utilizador pode efetuar o transporte rodoviário destas baterias sem restrições.

• O transporte comercial de baterias de ião-lítio por terceiros está sujeito aos regulamentos relativos às substâncias perigosas. A preparação do transporte e o transporte devem ser executados exclusivamente por pessoas instruídas e o processo deve ser acompanhado pelos especialistas correspondentes.

Observe o seguinte no transporte de baterias:

• Assegure-se de que os contactos terminais estejam protegidos e isolados para evitar um curto-circuito.

• Assegure-se de que o bloco da bateria esteja protegido contra movimentos na embalagem.

• Não transporte baterias danificadas ou que tenham fuga. Para instruções mais detalhadas consulte a companhia de transportes

#### MANUTENÇÃO

Instruções de manutenção constam no app ONE-KEY.

Utilizar apenas acessórios Milwaukee e peças sobresselentes Milwaukee.

Os componentes cuja substituição não esteja descrita devem ser substituídos num serviço de assistência técnica Milwaukee (consultar a brochura relativa à garantia/moradas dos serviços de assistência técnica).

Se for necessário, um desenho de explosão do aparelho pode ser solicitado do seu posto de assistência ao cliente ou directamente da Techtronic Industries GmbH, Max-Eyth-Straße 10, 71364 Winnenden, Alemanha, indicando o tipo da máquina e o número de seis posições na chapta indicadora da potência.

#### SYMBOLS



ATENÇÃO! PERIGO!



Antes de efectuar qualquer intervenção na máquina retirar o bloco acumulador.



Leia atentamente o manual de instruções antes de colocar a máquina em funcionamento.



Aparelhos eléctricos não devem ser jogados no lixo doméstico. Aparelhos eléctricos e electrónicos devem ser colectados separadamente e entregues a uma empresa de reciclagem para a eliminação correcta. Solicite informações sobre empresas de reciclagem e postos de colecta de lixo das autoridades locais ou do seu vendedor autorizado.



Marca CE



Marca de conformidade nacional da Ucrânia



Marca de conformidade EurAsian.

TECHNISCHE GEGEVENS	ACCU-SLAGBOORMACHINE	M18 ONEDD	M18 ONEPD
Productienummer .....	4527 24 02.....	4527 13 02.....	000001-999999.....
Boor-Ø in staal .....	13 mm .....	13 mm .....	45 mm .....
Boor-Ø in hout.....	45 mm .....	45 mm .....	13 mm .....
Boor-Ø in tegel en kalkzandsteen .....	- .....	10 mm .....	10 mm .....
Houtschroeven (zonder voorboren).....	10 mm .....	0-550 min <sup>-1</sup> .....	0-550 min <sup>-1</sup> .....
Onbelast toerental in stand 1.....	0-2000 min <sup>-1</sup> .....	0-2000 min <sup>-1</sup> .....	0-8800 min <sup>-1</sup> .....
Onbelast toerental in stand 2.....	- .....	0-32000 min <sup>-1</sup> .....	135 Nm .....
Aantal slagen in stand 1.....	135 Nm .....	18 V .....	18 V .....
Aantal slagen in stand 2.....	1,5-13 mm .....	1,5-13 mm .....	1,5-13 mm .....
Draaimoment met wisselaccu (5,0 Ah).....	2,3 kg .....	2,3 kg .....	2,5 kg .....
Spanning wisselakku .....	2,5 kg .....	2,5 kg .....	2,5 kg .....
Spanwijdte boorhouder.....			
Gewicht volgens de EPTA-procedure 01/2003 (2,0 Ah).....			
Gewicht volgens de EPTA-procedure 01/2003 (5,0 Ah).....			

#### Geuids-/trillingsinformatie

Meetwaarden vastgesteld volgens EN 60 745.

Het kenmerkende A-gewogen geluidsniveau van de machine bedraagt:

Geluidsdruk niveau (Onzekerheid K=3dB(A)) .....	74,5 dB (A) .....	99,9 dB (A) .....
Geluidsvermogen niveau (Onzekerheid K=3dB(A)) .....	85,5 dB (A) .....	110,9 dB (A) .....

#### Draag oorbeschermers!

Totale trillingswaarden (vectorsom van drie richtingen) bepaald volgens EN 60745.

Trillingsemissiewaarde a <sub>w</sub>		
Slagboren in beton .....	13,2 m/s <sup>2</sup> .....	
Onzekerheid K= .....	1,5 m/s <sup>2</sup> .....	
Boren in metaal .....	1,29 m/s <sup>2</sup> .....	1,29 m/s <sup>2</sup> .....
Onzekerheid K= .....	1,5 m/s <sup>2</sup> .....	1,5 m/s <sup>2</sup> .....
Schroeven .....	1,33 m/s <sup>2</sup> .....	1,33 m/s <sup>2</sup> .....
Onzekerheid K= .....	1,5 m/s <sup>2</sup> .....	1,5 m/s <sup>2</sup> .....

\* Gemeten volgens de Milwauke norm N 877318

#### WAARSCHUWING!

De in deze aanwijzingen vermelde trillingsdruk is gemeten volgens een in EN 60745 genormeerde meetmethode en kan worden gebruikt voor de onderlinge vergelijking van apparaten. Hij is ook geschikt voor een voorlopige inschatting van de trillingsbelasting.

De aangegeven trillingsdruk geldt voor de meest gebruikelijke toepassingen van het elektrische apparaat. Wanneer het elektrische gereedschap echter voor andere doeleinden, met andere dan de voorgeschreven hulpstukken gebruikt of niet naar behoren onderhouden wordt, kan de trillingsdruk afwijken. Dit kan de waarde van de trillingsdruk over de hele werkperiode aanzienlijk verhogen.

Voor een nauwkeurige inschatting van de trillingsdruk moeten ook de tijden in aanmerking worden genomen dat het apparaat uitgeschakeld is of weliswaar loopt, maar niet werkelijk in gebruik is. Dit kan de waarde van de trillingsdruk over de hele werkperiode aanzienlijk verminderen.

Bepaal extra veiligheidsmaatregelen ter bescherming van de bediener tegen de inwerking van trillingen, bijvoorbeeld: onderhoud van elektrische gereedschappen en apparaten, warmhouden van de handen, organisatie van de werkprocessen.

**⚠ WAARSCHUWING! Lees alle veiligheidsinstructies en aanwijzingen.** Als de waarschuwingen en voorschriften niet worden opgevolgd, kan dit een elektrische schok, brand of ernstig letsel tot gevolg hebben.

**Bewaar alle waarschuwingen en voorschriften voor toekomstig gebruik.**

#### ⚠ VEILIGHEIDINSTRUCTIES VOOR BOORMACHINES

**Draag oorbeschermers.** Blootstelling aan geluid kan het gehoor beschadigen.

**Gebruik de bij de machine geleverde zijhandgreep.** Verlies aan controle kan tot persoonlijk letsel leiden.

**Houd het apparaat alléén aan de geïsoleerde grijpvakken vast, wanneer u werkzaamheden uitvoert waarbij het snijgereedschap verborgen stroomleidingen zou kunnen raken.**

Het contact van het snijgereedschap met een spanningvoerende leiding kan de metalen apparaatdelen onder spanning zetten en zo tot een elektrische schok leiden.

#### ⚠ VEILIGHEIDINSTRUCTIES VOOR SCHROEVENDRAAIERS

**Houd het apparaat alléén vast aan de geïsoleerde grijpvakken als u werkzaamheden uitvoert waarbij de schroef verborgen stroomleidingen zou kunnen raken.** Het contact van de schroef met een spanningvoerende leiding kan de metalen apparaatdelen onder spanning zetten en zo tot een elektrische schok leiden.

#### ⚠ VERDERE VEILIGHEIDS- EN WERKINSTRUCTIES

Draag veiligheidsuitrusting. Bij werkzaamheden met de machine dient u altijd een veiligheidsbril te dragen. Veiligheidskleding zoals stofmasker, veiligheidshandschoenen, stevig en slipvast schoeisel, helm en gehoorbescherming worden aanbevolen.

Het gedurende het werken vrijkomende stof is doorgaans schadelijk voor de gezondheid en mag niet met het lichaam in aanraking komen. Draag derhalve een geschikt stofbeschermingsmasker.

Het is niet toegestaan, materialen te bewerken waarvan een gezondheidsgevaar uitgaat (bijv. asbest).

Schakel het apparaat onmiddellijk uit als het gereedschap blokkeert! Schakel het apparaat niet in zolang het gereedschap geblokkeerd is; dit zou een terugslag met een hoog reactiemoment kunnen veroorzaken.

Achterhaal en verhelp de oorzaak voor de blokkering van het gereedschap met inachtneming van de veiligheidsinstructies.

Mogelijke oorzaken voor de blokkering:

- kantelen in het te bewerken werkstuk
- doorbreken van het te bewerken materiaal
- overbelasting van het elektrische gereedschap

Grijp niet in de lopende machine.

Het gereedschap kan heet worden tijdens het gebruik.

#### WAARSCHUWING! Gevaar voor verbranding

- bij het vervangen van het gereedschap
- bij het neerleggen van het apparaat

Spanen of splinters mogen bij draaiende machine niet worden verwijderd.

Bij het werken in wanden, plafonds of vloeren oppassen voor elektriciteitsdraden, gas- of waterleidingen.

Borg uw werkstuk met behulp van een spanrichting. Niet geborgde werkstukken kunnen ernstig letsel en grote schade veroorzaken.

Voor alle werkzaamheden aan de machine of de accu verwijderen.

Verbruikte accu's niet in het vuur of bij het huisvuil werpen. AEG biedt namelijk een milieuvriendelijke recyclingmethode voor uw oude accu's.

Wisselakku's niet bij metalen voorwerpen bewaren (kortsluitingsgevaar! ) .

Wisselakku's van het Akku-Systeem M18 alléén met laadapparaten van het Akku-Systeem M18 laden. Geen accu's van andere systemen laden.

Wisselakku's en laadapparaten niet openen en alleen in droge ruimtes opslaan. Tegen vocht beschermen.

Onder extreme belasting of extreme temperaturen kan uit de accu accu-vloeistof lopen. Na contact met accu-vloeistof direct afwassen met water en zeep. Bij oogcontact direct minstens 10 minuten grondig spoelen en onmiddellijk een arts raadplegen.

#### VOORGESCHREVEN GEBRUIK VAN HET SYSTEEM

**M18 ONEDD:** De akku-boorschroevendraaier is te gebruiken voor boor- en schoefwerkzaamheden, onafhankelijk van een netaansluiting.

**M18 ONEPD:** De accu elektronisch slagboorschroevendraaier is te gebruiken om te boren, slagboren en te schroeven, onafhankelijk van een netaansluiting. Dit apparaat uitsluitend gebruiken voor normaal gebruik, zoals aangegeven.

#### EC - VERKLARING VAN OVEREENSTEMMING

Wij verklaren in uitsluitende verantwoording dat het onder „Technische gegevens“ beschreven product overeenstemt met alle relevante voorschriften van de richtlijn 2011/65/EU (RoHS), 2014/30/EU, 2006/42/EG, 2014/53/EU en de volgende geharmoniseerde normatieve documenten:

EN 60745-1:2009 + A11:2010  
 EN 60745-2-2:2010  
 EN 55014-1:2006+A1:2009+A2:2011  
 EN 62479:2010  
 EN 301 489-1 V1.9.2 (2011-09)  
 EN 301 489-17 V2.2.1(2012-09)  
 EN 300328 V.1.8.1(2012-06)  
 EN 55014-2:1997+A1:2001+A2:2008

Winnenden, 2016-03-29

*Alexander Krug*

Alexander Krug  
 Managing Director



Gemachtigd voor samenstelling van de technische documenten

Technronic Industries GmbH  
 Max-Eyth-Straße 10  
 71364 Winnenden  
 Germany

#### KEUZE VAN DE BEDRIJFSMODUS

Wacht totdat het apparaat volledig tot stilstand is gekomen voordat u de bedrijfsmodus omschakelt. Druk op de toets om de instellingen te wijzigen. Druk op de WLAN-toets om de voorgestelde waarden via de ONE-KEY app op uw smartphone te wijzigen.

#### ONE-KEY™

Lees de bijgeleverde snelstartgids of kijk op onze website onder [www.milwaukeetool.com/one-key](http://www.milwaukeetool.com/one-key) voor meer informatie over de ONE-KEY-functie van dit gereedschap. U kunt de ONE-KEY app op uw smartphone downloaden via de App Store of Google Play.

#### AKKU

Langere tijd niet toegepaste wisselakku's vóór gebruik altijd naladen.

Een temperatuur boven de 50°C vermindert de capaciteit van de accu. Langdurige verwarming door zon of hitte vermijden.

De aansluitcontacten aan het laadapparaat en de accu schoonhouden.

Voor een optimale levensduur moeten de accu's na het gebruik volledig opgeladen worden.

Voor een zo lang mogelijke levensduur van de accu's dienen deze na het opladen uit het laadtoestel te worden verwijderd.

Bij een langere opslag van de accu dan 30 dagen:

- accu bij ca. 27 °C droog bewaren.
- accu bij ca. 30 % - 50 % van de laadtoestand bewaren.
- accu om de 6 maanden opnieuw opladen.

#### OVERBELASTINGSBEVEILIGING VAN DE ACCU

Bij overbelasting van de accu door een zeer hoog stroomverbruik, bijv. extreem hoge draaimomenten, klemmen van de boor, plotseling stoppen of kortsluiting, vibreert het elektrische gereedschap gedurende 2 seconden en schakelt dan automatisch uit.

Om het gereedschap weer in te schakelen, moet u de drukschakelaar loslaten en vervolgens weer inschakelen.

Onder extreme belastingen wordt de accu te heet. In dit geval schakelt hij uit.

#### TRANSPORT VAN LITHIUM-IONEN-ACCU'S

Lithium-ionen-accu's vallen onder de wettelijke bepalingen inzake het transport van gevaarlijke goederen.

Voor het transport van deze accu's moeten de lokale, nationale en internationale voorschriften en bepalingen in acht worden genomen.

- Verbruikers mogen deze accu's zonder meer over de weg transporteren.

- Het commerciële transport van lithium-ionen-accu's door expeditiebedrijven is onderhevig aan de bepalingen inzake het transport van gevaarlijke goederen. De verzendingsvoorbereidingen en het transport mogen uitsluitend worden uitgevoerd door dienovereenkomstig opgeleide personen. Het complete proces moet vakkundig worden begeleid.

Onderstaande punten moeten bij het transport van accu's in acht worden genomen:

- Waarborg ter vermindering van kortsluitingen dat de contacten beschermd en geïsoleerd zijn.
- Let op dat het accupack in de verpakking niet kan verschuiven.
- Beschadigde of lekkende accu's mogen niet worden getransporteerd. Neem voor meer informatie contact op met uw expeditiebedrijf.

#### ONDERHOUD

Voor informatie over de vereiste onderhoudsinstructies verwijzen wij naar de ONE-KEY app.

Gebruik uitsluitend Milwauke toebehoren en onderdelen. Indien componenten die moeten worden vervangen niet zijn beschreven, neem dan contact op met een officieel Milwauke servicecentrum (zie onze lijst met servicecentra).

Zo nodig kan een explosietekening van het apparaat worden aangevraagd bij uw klantenservice of direct bij Technronic Industries GmbH, Max-Eyth-Straße 10, 71364 Winnenden, Duitsland onder vermelding van het machinetype en het zescijferige nummer op het typeplaatje.

#### SYMBOLLEN



OPGELET! WAARSCHUWING! GEVAAR!



Voor alle werkzaamheden aan de machine de accu verwijderen.



Graag instructies zorgvuldig doorlezen vóórdat u de machine in gebruik neemt.



Elektrische apparaten mogen niet via het huisafval worden afgevoerd.

Elektrische en elektronische apparaten moeten gescheiden worden verzameld en voor een milieuvriendelijke afvoer worden afgegeven bij een recyclingbedrijf. Informeer bij uw gemeente of bij uw vakhandelaar naar recyclingbedrijven en inzamel punten.



CE-keurmerk



Nationaal symbool van overeenstemming Oekraïne



EurAsian-symbool van overeenstemming.



TEKNISKE DATA	AKKU SLAGBØRE-/SKRUEMASKINE	M18 ONEDD	M18 ONEPD
Produktionsnummer .....	4527 24 02.....	4527 13 02.....	000001-999999.....
Bor-ø i stål .....	13 mm .....	13 mm .....	13 mm .....
Bor-ø i træ .....	45 mm .....	45 mm .....	45 mm .....
Bor-ø i tegl og kalksandsten .....	- .....	13 mm .....	13 mm .....
Træskruer (uden forboring) .....	10 mm .....	10 mm .....	10 mm .....
Omdrejningstal, ubelastet i 1. gear .....	0-550 min <sup>-1</sup> .....	0-550 min <sup>-1</sup> .....	0-550 min <sup>-1</sup> .....
Omdrejningstal, ubelastet i 2. gear .....	0-2000 min <sup>-1</sup> .....	0-2000 min <sup>-1</sup> .....	0-2000 min <sup>-1</sup> .....
Slagantal i 1. gear .....	- .....	0-8800 min <sup>-1</sup> .....	0-8800 min <sup>-1</sup> .....
Slagantal i 2. gear .....	- .....	0-32000 min <sup>-1</sup> .....	0-32000 min <sup>-1</sup> .....
Drejmoment med udskiftningsbatteri (5,0 Ah) .....	135 Nm .....	135 Nm .....	135 Nm .....
Udskiftningsbatteriets spænding .....	18 V .....	18 V .....	18 V .....
Borepatronspløndevidde .....	1,5-13 mm .....	1,5-13 mm .....	1,5-13 mm .....
Vægt svarer til EPTA-procedure 01/2003 (2,0 Ah) .....	2,3 kg .....	2,3 kg .....	2,3 kg .....
Vægt svarer til EPTA-procedure 01/2003 (5,0 Ah) .....	2,5 kg .....	2,5 kg .....	2,5 kg .....

### Støj/Vibrationsinformation

Måleværdier beregnes iht. EN 60745.

Værktøjets A-vurderede støjniveau er typisk:

Lydtrykniveau (Usikkerhed K=3dB(A)) .....	74,5 dB (A) .....	99,9 dB (A) .....
Lydeffekt niveau (Usikkerhed K=3dB(A)) .....	85,5 dB (A) .....	110,9 dB (A) .....

### Brug høreværn!

Samlede vibrationsværdier (værdisum for tre retninger) beregnet iht. EN 60745.

Vibrationseksponering a<sub>w</sub>

Slagboring i beton .....	- .....	13,2 m/s <sup>2</sup> .....
Usikkerhed K= .....	- .....	1,5 m/s <sup>2</sup> .....
Boring i metal .....	1,29 m/s <sup>2</sup> .....	1,29 m/s <sup>2</sup> .....
Usikkerhed K= .....	1,5 m/s <sup>2</sup> .....	1,5 m/s <sup>2</sup> .....
Skruning .....	1,33 m/s <sup>2</sup> .....	1,33 m/s <sup>2</sup> .....
Usikkerhed K= .....	1,5 m/s <sup>2</sup> .....	1,5 m/s <sup>2</sup> .....

\* Målt i.h.t. Milwaukee Norm N 877318

### ADVARSEL!

Svingningsniveauet, som er angivet i disse anvisninger, er målt i henhold til standardiseret måleprocedure ifølge EN 60745 og kan anvendes til indbyrdes sammenligning mellem el-værktøjer. Svingningsniveauet er ligeledes egnet som foreløbigt skøn over svingningsbelastningen.

Det angivne svingningsniveau er baseret på el-værktøjets primære anvendelsesformål. Hvis el-værktøjet benyttes til andre formål, med andet indsatsværktøj eller ikke vedligeholdes tilstrækkeligt, kan svingningsniveauet afvige. Dette kan øge svingningsbelastningen over den samlede arbejdsperiode betydeligt.

For en nøjagtig vurdering af svingningsbelastningen skal der også tages højde for de tidsperioder, hvor apparatet er slukket, eller hvor apparatet kører, men uden at være i anvendelse. Dette kan reducere svingningsbelastningen over den samlede arbejdsperiode betydeligt.

Supplerende sikkerhedsforanstaltninger til beskyttelse af brugeren mod påvirkninger fra svingninger skal iværksættes, f.eks.: Vedligeholdelse af el-værktøj og indsatsværktøj, varmholdelse af hænder, organisering af arbejdsprocesser.

### ADVARSEL! Læs alle sikkerhedsinformationer og instruktioner. I tilfælde af manglende overholdelse af advarselshenvisningerne og instrukserne er der risiko for elektrisk stød, brand og/eller alvorlige kvæstelser.

**Opbevar alle advarselshenvisninger og instrukser til senere brug.**

### SIKKERHEDSANVISNINGER FOR ARBEJDE MED BOREMASKINER

**Bær høreværn.** Støjpåvirkning kan bevirke tab af hørelse.

**Brug de ekstra håndtag, som følger med apparatet.** Hvis kontrollen mistes, kan det medføre personskaade.

**Hold maskinen fast i de isolerede gribeplader, når du udfører arbejde, hvor der er risiko for, at skæreværktøjet kan ramme skjulte strømledninger.**

Kommer skæreværktøjet i kontakt med en strømførende ledning, kan maskinens metaldele komme under spænding og give elektrisk stød.

### SIKKERHEDSINSTRUKTIONER FOR SKRUEMASKINE

**Når du udfører arbejde, der indebærer en risiko for, at skruen kan ramme skjulte strømledninger, skal du holde i maskinens isolerede greb.** Skruens kontakt med en spændingsførende ledning kan sætte metalliske maskind dele under spænding og medføre elektrisk stød.

### YDERLIGERE SIKKERHEDS- OG ARBEJDSINFORMATIONER

Brug beskyttelsesudstyr. Bær altid sikkerhedsbriller, når du arbejder med maskinen. Vi anbefaler desuden brug af personlig beskyttelsesudrustning, såsom støvmaske, sikkerhedshandsker, fast og skridsikert skotøj, hjelm og høreværn.

Støv, som opstår under arbejdet, er ofte sundhedsfarligt og bør ikke trænge ind i kroppen. Benyt egnet åndedrætsværn.

Der må ikke bearbejdes nogen materialer, der kan udgøre en sundhedsrisiko (f.eks. asbest).

Sluk straks for maskinen, hvis indsatsværktøjet er blokeret! Tænd ikke for maskinen igen, så længe indsatsværktøjet er blokeret; dette kan føre til et tilbageslag med højt reaktionsmoment. Find frem til og afhjælp årsagen til indsatsværktøjets blokering under hensyntagen til sikkerhedsinstruktionerne.

Mulige årsager hertil kan være:

- at det sidder i klemme i emnet der bearbejdes
- at det har brækket materialet der bearbejdes
- at el-værktøjet er overbelastet

Grib ikke ind i maskinen, når den kører.

Indsatsværktøjet kan blive varmt under brugen.

**ADVARSEL!** Fare for forbrændinger

- ved værktøjsskift
- når man lægger maskinen fra sig

Spåner eller splinter må ikke fjernes, medens maskinen kører.

Ved arbejdsboring i væg, loft eller gulv skal man passe på elektriske kabler, gas- og vandledninger.

Sørg for at sikre dit emne med en spændeanordning. Ikke sikrede emner kan forårsage alvorlige kvæstelser og beskadigelser.

Ved arbejde inden i maskinen, bør batteriet tages ud.

Opbrugte udskiftningsbatterier må ikke brændes eller kasseres sammen med alm. husholdningsaffald. AEG har en miljørigtig bortskaffelse af gamle udskiftningsbatterier, henvend Dem til Deres forhandler.

Opbevar ikke udskiftningsbatterier sammen med metalgenstande af fare for kortslutning.

Brug kun M18 ladeapparater for opladning af System M18 batterier.

Udskiftningsbatterier og opladere må ikke åbnes og skal opbevares i tørre rum. Beskyt dem mod fugtighed.

I tilfælde af en ekstrem belastning eller ekstrem temperatur kan der flyde batterivæske ud af et beskadiget batteri. Hvis De kommer i berøring med batterivæske, skal den vaskes godt og grundigt af med vand og sæbe. I

tilfælde af øjenkontakt, skal man mindst skylle øjnene godt og grundigt igennem i 10 minutter og omgående opsøge en læge.

### TILTÆNKT FORMÅL

**M18 ONEDD:** Akku bore-/skruemaskinen kan bruges universelt til boring og skrining uafhængigt af en nettislutning.

**M18 ONEPD:** Akku slagbøremaskinen kan anvendes til alm. boreopgaver, slagboring og som skruemaskine uden tilslutning til stikkontakt.

Produktet må ikke anvendes på anden måde og til andre formål end foreskrevet.

### CE-KONFORMITETSERKLÆRING

Vi erklærer som eneansvarlig, at det under „Tekniske data“ beskrevne produkt stemmer overens med alle relevante forskrifter, der følger af direktiv 2011/65/EU (RoHS), 2014/30/EU (EMC), 2006/42/EF, 2014/53/EU samt af følgende harmoniserede normative dokumenter:

EN 60745-1:2009 + A11:2010  
EN 60745-2-2:2010  
EN 55014-1:2006+A1:2009+A2:2011  
EN 62479:2010  
EN 301 489-1 V1.9.2 (2011-09)  
EN 301 489-1 V2.2.1(2012-09)  
EN 300328 V.1.8.1(2012-06)  
EN 55014-2:1997+A1:2001+A2:2008

Winnenden, 2016-03-29

*Alexander Krug*

Alexander Krug  
Managing Director



Authoriseret til at udarbejde de tekniske dokumenter.

Technic Industries GmbH  
Max-Eyth-Straße 10  
71364 Winnenden  
Germany

### VALG AF DRIFTSMÅDE

Inden driftsmåden ændres, skal du vente, indtil enheden står helt stille. For at ændre indstillingerne trykkes der på tasten . Tryk på WLAN-tasten for at ændre de forhåndsindstillede værdier via ONE-KEY app'en på din smartphone.

### ONE-KEY™

For at få mere at vide om værktøjets ONE-KEY funktion, bedes du læse den vedhæftede hurtigstart-vejledning eller besøge os på internettet på [www.milwaukeeeetool.com/one-key](http://www.milwaukeeeetool.com/one-key). Du kan downloade ONE-KEY app'en på din smartphone via App Store eller Google Play.

### BATTERI

Udskiftningsbatterier, der ikke har været brugt i længere tid, efterlades inden brug.

Ved temperaturer over 50°C formindskes batteriets effekt. Undgå direkte sollys og stærk varme.

Tilslutningskontaktterne på oplader og udskiftningsbatterier skal holdes rene.

For at opnå en optimal levetid skal de genopladelige batterier oplades fuldt efter brug.

For at sikre en så lang levetid som muligt skal batterierne tages ud af ladeaggregatet efter opladning.

Skal batterierne opbevares længere end 30 dage:

Temperatur ca. 27°C i tørre omgivelser.  
Opbevares ved ca. 30%-50% af ladelistanden.  
Batteri skal genoplades hver 6. måned.

### OVERBELASTNINGSSIKRING FOR BATTERI

Overbelastes batteriet på grund af meget højt strømforbrug, f.eks. som følge af ekstremt høje drejningsmomenter, fastklemning af bor, pludseligt stop eller kortslutning, brummer el-værktøjet i 2 sekunder og slukker så af sig selv.

For at tænde igen slipper du trykknapen og tænder el-værktøjet på ny. Under ekstreme belastninger kan batteriet blive meget varmt. I så fald kobler batteriet fra.

### TRANSPORT AF LITHIUM-BATTERIER

Lithium-batterier er omfattet af lovgivningen om transport af farligt gods.

Transporten af disse batterier skal ske under overholdelse af lokale, nationale og internationale regler og bestemmelser.

• Forbrugere må transportere disse batterier på veje uden yderligere krav.

• Den kommercielle transport af lithium-batterier ved speditorsfirmaer er omfattet af reglerne for transport af farligt gods. Forberedelsen af forsendelse og transport må kun udføres af tilsvarende trænedede personer. Den samlede proces skal følges af fagfolk.

Følgende punkter skal overholdes ved transport af batterier:

• Sørg for at kontakterne er beskyttet og isoleret for at forhindre kortslutninger.

• Sørg for at batteripakken ikke kan bevæge sig inden for emballagen.

• Beskadigede eller lækkelige batterier må ikke transporteres.

Kontakt dit speditorsfirma for at få yderligere oplysninger.

### VEDLIGEHOLDELSE

Vedligeholdelsesinformationer finder du i ONE-KEY app'en.

Brug kun Milwaukee-tilbehør og Milwaukee-reservedele. Komponenter, hvor udskiftningsproceduren ikke er beskrevet, skal skiftes ud hos et Milwaukee-servicested (se brochure garanti/kundeserviceadresser).

Hvis det er nødvendigt, kan der bestilles en sprængskitse af værktøjet. Angiv herved venligst maskintypen samt det sekscifrede nummer på mærkepladen og bestil tegningen hos din lokale kundeserviceafdeling eller direkte hos Technic Industries GmbH, Max-Eyth-Straße 10, 71364 Winnenden, Tyskland.

### SYMBOLER



VIGTIGT! ADVARSEL! FARE!



Ved arbejde inden i maskinen, bør batteriet tages ud.



Læs brugsanvisningen nøje før ibrugtagning.



Elektrisk udstyr må ikke bortskaffes sammen med det almindelige husholdningsaffald. Elektrisk og elektronisk udstyr skal indsamles særskilt og afleveres hos en genbrugsvirksomhed til en miljømæssig forsvarlig bortskaffelse. Spørg de lokale myndigheder eller din forhandler om genbrugsstationer og indsamlingssteder til sådant affald.



CE-mærke



Nationalt overensstemmelsesmærke Ukraine

TR 066



EurAsian overensstemmelsesmærke.

TEKNISKE DATA	BATTERIDREVT SLAGBORMASKIN/SKRUTREKKER	M18 ONEDD	M18 ONEPD
Produksjonsnummer.....	4527 24 02.....	4527 13 02.....	000001-999999.....
Bor-ø i stål.....	13 mm.....	13 mm.....	13 mm.....
Bor-ø i treverk.....	45 mm.....	45 mm.....	45 mm.....
Bor-ø i tegl og kalksandstein.....	-.....	13 mm.....	13 mm.....
Treskruer (uten forboring).....	10 mm.....	10 mm.....	10 mm.....
Tomgangsturtall i 1. gir.....	0-550 min <sup>-1</sup> .....	0-550 min <sup>-1</sup> .....	0-550 min <sup>-1</sup> .....
Tomgangsturtall i 2. gir.....	0-2000 min <sup>-1</sup> .....	0-2000 min <sup>-1</sup> .....	0-2000 min <sup>-1</sup> .....
Slagfall i 1. gir.....	-.....	0-8800 min <sup>-1</sup> .....	0-8800 min <sup>-1</sup> .....
Slagfall i 2. gir.....	-.....	0-32000 min <sup>-1</sup> .....	0-32000 min <sup>-1</sup> .....
Dreiemoment med oppladbart batteri (5,0 Ah).....	135 Nm.....	135 Nm.....	135 Nm.....
Spenningsvekselbatteri.....	18 V.....	18 V.....	18 V.....
Chuckspenneråde.....	1,5-13 mm.....	1,5-13 mm.....	1,5-13 mm.....
Vekt i henhold til EPTA-Prosedyren 01/2003 (2,0 Ah).....	2,3 kg.....	2,3 kg.....	2,3 kg.....
Vekt i henhold til EPTA-Prosedyren 01/2003 (5,0 Ah).....	2,5 kg.....	2,5 kg.....	2,5 kg.....

### Støy/Vibrasjonsinformasjon

Måleverdier fastslått i samsvar med EN 60 745.

Det typiske A-bedomte støy nivået for maskinen er:

Lydtrykknivå (Usikkerhet K=3dB(A)).....	74,5 dB (A).....	99,9 dB (A).....
Lydeffektnivå (Usikkerhet K=3dB(A)).....	85,5 dB (A).....	110,9 dB (A).....

### Bruk hørselsvern!

Totalt svingningsverdier (vektorsum fra tre retninger) beregnet jf. EN 60745.

Svingningsemissionsverdi a <sub>w</sub>	Slagboring i betong.....	13,2 m/s <sup>2</sup>
Usikkerhet K=.....	-.....	1,5 m/s <sup>2</sup>
Boring i metall.....	1,29 m/s <sup>2</sup> .....	1,29 m/s <sup>2</sup>
Usikkerhet K=.....	1,5 m/s <sup>2</sup> .....	1,5 m/s <sup>2</sup>
Skruing.....	1,33 m/s <sup>2</sup> .....	1,33 m/s <sup>2</sup>
Usikkerhet K=.....	1,5 m/s <sup>2</sup> .....	1,5 m/s <sup>2</sup>

\* Målt etter Milwaukee standard N 877318

### ADVARSEL!

Svingningsnivået som er angitt i denne instruksjonen er målt i overensstemmelse med målemetoden normert i direktiv EN 60745 og kan brukes til å sammenligne elektromaskiner med hverandre. Den egner seg også for en foreløpig vurdering av svingningsbelastningen.

Det angitte svingningsnivået representerer de hovedsaklige bruk av elektroverktøyet. Men anvendes elektroverktøyet for andre bruk med avvikende utskiftbare verkøyt eller vedlikeholdet er utilstrekkelig, kan svingningsnivået være avvikende.

Dette kan forhøye svingningsbelastning betydelig over hele arbeidsperioden. For en nøyaktig vurdering av svingningsbelastningen må også det tas hensyn til tiden apparatet er avslått eller står på, men ikke er i bruk. Dette kan redusere svingningsbelastningen betydelig over hele arbeidsperioden.

Innfør også ekstra sikkerhetstiltak for å beskytte bruker mot utvirkningen av svingningene. Disse kan f.eks. være: vedlikehold av elektroverktøyet og det utskiftbare verkøyet, holde hendene varme, organisasjon av arbeidsforløpet.

**⚠ OBS! Les alle sikkerhetsinstruksjoner og bruksanvisninger.** Feil ved overholdelsen av advarslene og nedenstående anvisninger kan medføre elektriske støt, brann og/eller alvorlige skader.  
**Ta godt vare på alle advarslene og informasjonene.**

### ⚠ SIKKERHETSINSTRUKSJONER FOR BOREMASKINER

**Bruk hørselsvern.** Støy kan føre til tap av hørselen

**Bruk de med apparatet medleverte tilleggs-handtak.** Tap av kontrollen kan føre til skader.

**Hold apparatet i de isolerte holdeflatene, når det arbeides på steder hvor elektroverktøyet kan treffe skjulte strømledninger.**

Kontakt med en ledning som er under spenning, kan også sette metalldele til apparatet under spenning og føre til et elektrisk slag.

### ⚠ SIKKERHETSINSTRUKSJONER FOR SKRUTREKKER

**Hold apparatet i de isolerte holdeflatene, når arbeid utføres hvor skruen kan treffe skjulte strømledninger.** Kontakt av skruen med en strømførende ledning kan sette apparatets metalldele under spenning og føre til elektrisk slag.

### ⚠ YTTERLIGE SIKKERHETS- OG ARBEIDSSINSTRUKSJONER

Bruk vernebekledning. Ta alltid på vernebrille ved bruk av maskinen. Venebekledning så vel som støvmaske, vernehansker, fast og sklisikkert skotøy, hjem og hørselsvern er anbefalt.

Støvet som oppstår ved arbeidet er ofte helsefarlig og skal ikke komme i kontakt med kroppen. Bruk derfor vernemaske som er egnet for støv.

Materialer som er helsefarlig skal ikke bearbeides (f.eks.. asbest)

Slå av apparatet med en gang dersom det isatte verkøyet er blokkert! Ikke slå apparatet på igjen så lenge det isatte verkøyet er blokkert; her kan det oppstå et tilbakeslag med høyt reaksjonsmoment. Finn ut hvorfor det isatte

verkøyet blokkerer og fjern årsaken til dette. Ta herved hensyn til sikkerhetsinstruksene.

Mulige årsaker til dette kan være:

- det har forkantert seg i arbeidsemnet som bearbeides
- det har brekt igjennom materialet som bearbeides
- elektroverktøyet er overbelastet

Ikke grip inn i maskinen når den står på og går.

Isatt verkøyt kan i bruk bli veldig varmt.

**ADVARSEL!** Fare for forbrønning

- ved skifting av verkøyt
- når apparatet legges ned

Spon eller fliser må ikke fjernes mens maskinen er i gang.

Pass på kabler, gass- og vannledninger når du arbeider i vegger, tak eller gulv.

Klem fast arbeidsemnet med en spenninnretning. Ikke sikrede arbeidsemner kan ha alvorlige helseskader og skader av material til følge.

Ta ut vekselsbatteriet før du arbeider på maskinen

Ikke kast brukte vekselsbatterier i varmen eller husholdningsavfallet. AEG tilbyr en miljøriktig deponering av gamle vekselsbatterier; vennligst spør din fagforhandler.

Ikke oppbevar vekselsbatterier sammen med metallgjenstander (kortslutningsfare).

Vekselsbatterier av systemet M18 skal kun lades med lader av systemet M18. Ikke lad opp batterier fra andre systemer.

Ikke åpne vekselsbatterier og ladere, de skal oppbevares i tørre rom. Beskyttes mot fuktighet.

Under ekstreme belastninger og ekstreme temperaturer kan det lekke ut batterivæske fra utskiftbare batterier. Ved berøring med batterivæske, vask umiddelbart med såpe og vann. Ved kontakt med øynene må øynene

skylles grundig i rennende vann i minst 10 minutter. Oppsøk lege umiddelbart.

### FORMÅLMESSIG BRUK

**M18 ONEDD:** Batteri-borekruttrekkeren kan brukes universalt for boring og skruing uavhengig av netttilkopling.

**M18 ONEPD:** Batteri-elektronikk-slagboreskruttrekkeren kan brukes universelt til boring, slagboring og skruing uavhengig av netttilkopling.

Dette apparatet må kun brukes til de oppgitte formål.

### CE-SAMSVARSERKLÆRING

Vi erklærer i alene ansvar at produktet beskrevet i „Teknisk data“ overensstemmer med alle relevante forskrifter til EU direktiv 2011/65/EU (RoHS), 2014/30/EU, 2006/42/EF, 2014/53/EU og de følgende harmoniserte normative dokumentene.

EN 60745-1:2009 + A11:2010  
EN 60745-2-2:2010  
EN 55014-1:2006+A1:2009+A2:2011  
EN 62479:2010  
EN 301 489-1 V1.9.2 (2011-09)  
EN 301 489-17 V2.2.1(2012-09)  
EN 300328 V.1.8.1(2012-06)  
EN 55014-2:1997+A1:2001+A2:2008

Winnenden, 2016-03-29

*Alexander Krug*

Alexander Krug  
Managing Director

Autorisert til å utarbeide den tekniske dokumentasjonen

Techtronic Industries GmbH  
Max-Eyth-Straße 10  
71364 Winnenden  
Germany



### VALG AV DRIFTSMODUS

Før endring av driftsmodus må det ventes til apparatet står helt stille. For å forandre innstillingene, trykk tast . Trykk WiFi tasten for å endre de forinnstilte verdiene via ONE-KEY Appen på din smartphone.

### ONE-KEY™

Ytterligere informasjon om ONE-KEY funksjonaliteten til dette verkøyet finnes i vedleggende Quick-Start anvisning eller på internett under: www.milwaukeeool.com/one-key. ONE-KEY Appen kan lastes ned på smartphonen din via App Store eller Google Play.

### BATTERIER

Vekselsbatterier som ikke er brukt over lengre tid skal etterlades før bruk.

En temperatur over 50°C reduserer vekselsbatteriets kapasitet. Unngå oppvarming i sol eller ved varmeovner (fyring) i lengre tid.

Hold tilkopplingskontaktene på lader og vekselsbatteri rene.

For optimal holdbarhet må batteriene lades opp helt etter bruk.

For å sikre en lengst mulig brukstid av batteriene skal disse etter oppladning taes ut av laderen.

Ved lagring av batteriene lengre enn 30 dager:

Lagre batteriet tørt ved ca. 27°C.

Lagre batteriet ved en oppladningstilstand på ca. 30%-50%.

Lade opp batteriet igjen etter 6 måneder.

### OVERBELASTNINGSVERN FOR OPPLADBARE BATTERIER

Ved overbelastning av det oppladbare batteriet p.g.a. svært høy strømförbruk, for eksempel ved ekstrem høye dreiemoment, fastklemming av boret, plusselig stopp eller kortslutning, brummer elektroverktøyet 2 sekunder og slår seg så automatisk av.

For å slå det på igjen, må man slippe trykkbryteren og så slå på igjen.

Ved ekstreme belastninger kan det oppladbare batteriet bli sterkt opphetet. I slike tilfeller kobler batteriet seg ut.

### TRANSPORT AV LITUM-ION-BATTERI

Litium-ion-batterier faller under de lovfastede forskriftene om transport av farlig gods.

Transporten av disse batteriene må rette seg etter lokale, nasjonale og internasjonale forskrifter og bestemmelser.

- Forbruker har lov å transportere disse batteriene på gaten uten reglementering.

• Den kommersielle transport av Litium-ion-batterier av spedisjonsfirma faller under bestemmelsene om transport av farlig gods. Forberedningene av forsendelsen og transport skal utelukkende gjennomføres av personer som har blitt skolert til dette. Hele prosessen skal følges opp av fagfolk.

Følgende punkter skal tas hensyn til ved transport:

- Kontroller at kontaktene er beskyttet og isolert for å unngå kortslutninger.
- Pass på at batteripakken i forpakningen ikke kan skli fram og tilbake.
- Skadede eller batterier som lekker er det ikke lov å transportere.

Ta kontakt med spedisjonsfirma for ytterlige henvisninger.

### VEDLIKEHOLD

Henvisninger for vedlikehold finner du i ONE-KEY Appen.

Bruk kun Milwaukee tilbehør og Milwaukee reservedeler. Komponenter der utskifting ikke er beskrevet skal skiftes ut hos Milwaukee kundeservice (se brosjyre garanti/kundeserviceadresser).

Ved behov kan det fås en eksplosjonstegning av apparatet hos kundeservice eller direkte hos Techtronic Industries GmbH, Max-Eyth-Straße 10, 71364 Winnenden, Germany ved angivelse av maskinens type og det sekstallige nummeret på maskinens skilt.

### SYMBOLER



OBS! ADVARSEL! FARE!



Ta ut vekselsbatteriet før du arbeider på maskinen



Les nøye gjennom bruksanvisningen før maskinen tas i bruk.



Elektriske apparat skal ikke kastes sammen med vanlig husholdningsavfall. Elektriske og elektroniske apparat skal samles separat og leveres til miljøvennlig deponering til en avfall bedrift. Informer deg hos myndighetene på stedet eller hos din fagforhandler hvor det finnes recycling bedrifter oppsamlingssteder.



CE-tegn



Nasjonalt Konformitetstegn Ukraina



EurAsian Konformitetstegn.

TEKNISKA DATA	BATTERIDRIVEN SLAGBORMMASKIN/SKRUVDRAGARE	M18 ONEDD	M18 ONEPD
Produktionsnummer .....	4527 24 02.....	4527 13 02.....	4527 13 02.....
	...000001-999999	...000001-999999	...000001-999999
Borrdiam. in stål.....	13 mm .....	13 mm .....	13 mm .....
Borrdiam. in trä .....	45 mm .....	45 mm .....	45 mm .....
Borrdiam. tegel, kalksten .....	- .....	13 mm .....	13 mm .....
Tråskruvning (utan förborring) .....	10 mm .....	10 mm .....	10 mm .....
Obelastat varvtal 1:a växel .....	0-550 min <sup>-1</sup> .....	0-550 min <sup>-1</sup> .....	0-550 min <sup>-1</sup> .....
Obelastat varvtal 2:a växel .....	0-2000 min <sup>-1</sup> .....	0-2000 min <sup>-1</sup> .....	0-2000 min <sup>-1</sup> .....
Slagtal 1:a växel .....	.....	0-8800 min <sup>-1</sup> .....	0-8800 min <sup>-1</sup> .....
Slagtal 2:a växel .....	.....	0-32000 min <sup>-1</sup> .....	0-32000 min <sup>-1</sup> .....
Vridmoment med utbytbart och laddningsbart batteri (5,0 Ah) .....	135 Nm .....	135 Nm .....	135 Nm .....
Batterispänning.....	18 V .....	18 V .....	18 V .....
Chuckens spännområde .....	1,5-13 mm .....	1,5-13 mm .....	1,5-13 mm .....
Vikt enligt EPTA 01/2003 (2,0 Ah) .....	2,3 kg .....	2,3 kg .....	2,3 kg .....
Vikt enligt EPTA 01/2003 (5,0 Ah) .....	2,5 kg .....	2,5 kg .....	2,5 kg .....

#### Buller-/vibrationsinformation

Mätvärdena har tagits fram baserade på EN 60 745.

A-värdet av maskinens ljudnivå utgör:

Ljudtrycksnivå (Onoggrannhet K=3dB(A)).....	74,5 dB (A).....	99,9 dB (A).....
Ljudeffektsnivå (Onoggrannhet K=3dB(A)).....	85,5 dB (A).....	110,9 dB (A).....

#### Använd hörselskydd!

Totala vibrationsvärden (vektorsumma ur tre riktningar) framtaget enligt EN 60745.

Vibrationsemissionsvärde a <sub>w</sub>		
Slagborring i betong.....	- .....	13,2 m/s <sup>2</sup> .....
Onoggrannhet K=.....	- .....	1,5 m/s <sup>2</sup> .....
Borring i metall.....	1,29 m/s <sup>2</sup> .....	1,29 m/s <sup>2</sup> .....
Onoggrannhet K=.....	1,5 m/s <sup>2</sup> .....	1,5 m/s <sup>2</sup> .....
Skruvning.....	1,33 m/s <sup>2</sup> .....	1,33 m/s <sup>2</sup> .....
Onoggrannhet K=.....	1,5 m/s <sup>2</sup> .....	1,5 m/s <sup>2</sup> .....

\* Uppmätt enligt Milwaukee norm N 877318

#### WARNING!

Den i de här anvisningarna angivna vibrationsnivån har uppmätt enligt ett i EN 60745 normerat mätförfarande och kan användas vid jämförelse mellan olika elverktyg. Nivån är även lämplig att använda vid en preliminär bedömning av vibrationsbelastningen.

Den angivna vibrationsnivån representerar den huvudsakliga användningen av det aktuella elverktyget. Men om elverktyget ska användas i andra användningsområden, tillsammans med avvikande insatsverktyg eller efter otillräckligt underhåll, kan vibrationsnivån skilja sig. Det kan öka vibrationsbelastningen betydligt under hela arbetstiden.

För att få en exaktare bedömning av vibrationsbelastningen ska även den tid beaktas, under vilken elverktyget är avstängt eller är påslaget, utan att det verkligen används. Det kan reducera vibrationsbelastningen betydligt under hela arbetstiden.

Lägg som skydd för användaren fast extra säkerhetsåtgärder mot vibrationernas verkan, som till exempel: underhåll av elverktyg och insatsverktyg, varmhållning av händer och organisering av arbetsförlopp.

**⚠ WARNING! Läs all säkerhetsinformation och alla anvisningar.** Fel som uppstår till följd av att anvisningarna nedan inte följts kan orsaka elstöt, brand och/eller allvarliga kroppsskador.

**Förvara alla varningar och anvisningar för framtida bruk.**

#### ⚠ SÄKERHETSINSTRUKTIONER FÖR BORMASKINER

**Bär hörselskydd.** Bullerbelastning kan orsaka hörselskador.

**Använd de extrahandtag som levereras tillsammans med maskinen.** Förlust av kontrollen kan leda till personskador.

**Håll fast apparaten med hjälp av de isolerade greppytorna när du utför arbeten där arbetsverktyget skulle kunna träffa på dolda elledningar.** Om man kommer i kontakt med en spänningsförande ledning, så kan även de delar på verktyget som är av metall bli spänningsförande och leda till att man får en elektrisk stöt.

#### ⚠ SÄKERHETSANVISNINGAR FÖR SKRUVDRAGARE

**Håll apparaten i de isolerade greppytorna när ni utför arbeten där skruven kan träffa dolda elkablar.** Skruvens kontakt med en strömförande ledning kan sätta apparatdelar av metall under spänning och leda till elektrisk stöt.

#### ⚠ ÖVRIGA SÄKERHETS- OCH ANVÄNDNINGSSINSTRUKTIONER

Använd skyddsutrustning. Använd alltid skyddsglasögon när du använder maskinen. Som skyddsutrustning rekommenderar vi t ex en dammskyddsmask, skyddshandskar, stabila och halksäkra skor, hjälm och hörselskydd.

Det damm som bildas under arbetets gång är ofta hälsofarligt och det ska inte komma in i kroppen. Bär därför lämplig skyddsmask.

Det är inte tillåtet att bearbeta material som kan vara hälsoväldigt (t.ex. asbest).

Stäng av maskinen omedelbart om ett verktyg som används sitter fast! Sätt sedan inte på maskinen igen så länge som verktyget som används fortfarande sitter fast; risk för okontrollerade slag med högt reaktionsmoment. Ta reda på orsaken varför verktyget fastnade och åtgärda orsaken med hänsyn till säkerhetsanvisningarna.

Möjliga orsaker kan vara:

- Verktyget sitter snett i arbetsstycket
- Verktyget går igenom materialet som bearbetas
- Elverktyget är överbelastat

Gå aldrig med händerna in i en maskin som är igång.

Verktyget som används kan bli mycket varmt under användningen.

**WARNING!** Risk för brännskador

- vid verktygsbyte
- när man lägger ifrån sig maskinen

Avlägsna aldrig spån eller flisor när maskinen är igång.

Vid arbetenborring i vägg, tak eller golv, var alltid observant på befintliga el-, gas- eller vattenledningar.

Säkra arbetsstycket med en fastspänningsanordning. Arbetsstycken som inte är ordentligt fastspända kan leda till allvarig kroppsskada eller annan skada.

Drag ur batteripaket innan arbete utföres på maskinen.

Kasta inte förbrukade batterier. Lämna dem till AEG Tools för återvinning.

Förvara ej batteriet ihop med metallföremål, kortslutning kan uppstå.

System M18 batterier laddas endast i System M18 laddare. Ladda inte batterier från andra system.

Batterier lagras torrt och skyddas för fukt.

Under extrem belastning eller extrem temperatur kan **batterivätska tränga ut ur skadade utbytesbatterier. Vid beröring med batterivätska tvätta genast av med vatten och tvål. Vid ögonkontakt spola genast i minst 10 minuter och kontakta genast läkare.**

#### ANVÄND MASKINEN ENLIGT ANVISNINGARNA

**M18 ONEDD:** Denna Akkumaskin är användbar för både borring och skruvning.

**M18 ONEPD:** Denna Akku-elektronikmaskin är användbar för både borring, slagborring och skruvning.

Maskinen får endast användas för angiven tillämpning.

#### CE-FÖRSÄKRAN

Vi intygar och ansvarar för att den produkt som beskrivs under „Tekniska data“ överensstämmer med alla relevanta bestämmelser i direktiv 2011/65/EU (RoHS), 2014/30/EU, 2006/42/EG, 2014/53/EU och följande harmoniserade normerande dokument:

EN 60745-1:2009 + A1:2010  
EN 60745-2:2010  
EN 55014-1:2006+A1:2009+A2:2011  
EN 62479:2010  
EN 301 489-1 V1.9.2 (2011-09)  
EN 301 489-17 V2.2.1(2012-09)  
EN 300328 V.1.8.1(2012-06)  
EN 55014-2:1997+A1:2001+A2:2008

Winnenden, 2016-03-29

Alexander Krug  
Managing Director



Befullmäktigad att sammanställa teknisk dokumentation.

Techtronic Industries GmbH  
Max-Eyth-Straße 10  
71364 Winnenden  
Germany

#### VÄLJA DRIFTLÄGE

Vänta alltid först tills verktyget har stannat helt innan du ändrar driftläget. För att ändra inställningen trycker du på knappen . Tryck på WiFi-knappen för att ändra de förinställda värdena via ONE-KEY appen på din smartphone.

#### ONE-KEY™

Mer information om ONE-KEY funktionen för detta verktyg finns i den bifogade snabbstartanvisningen eller besök oss på [www.milwaukeeool.com/one-key](http://www.milwaukeeool.com/one-key). Du kan ladda ner ONE-KEY appen på din smartphone via App Store eller Google Play.

#### BATTERIER

Batterier som ej använts på länge måste laddas före nytt bruk.

En temperatur över 50°C reducerar batteriets effekt. Undvik längre uppvärmning i solen eller nära ett element.

Se till att anslutningskontaktarna i laddaren och på batteriet är rena.

För att batterierna ska få lång livslängd ska de laddas fulla efter användning.

För att få en så lång livslängd som möjligt bör laddningsbara batterier avlägsnas från laddaren när de är laddade.

Om laddningsbara batterier lagras längre än 30 dagar:

Lagra batteriet torrt och vid ca 27°C.

Lagra batteriet vid ca 30%-50% av laddningskapaciteten.

Ladda batterierna på nytt var 6:e månad.

#### BATTERI-ÖVERBELASTNINGSSKYDD

Om det uppladdningsbara batteriet överbelastas på grund av mycket hög strömförbrukning, till exempel vid extremt höga vridmoment, fastklämning av borret, plötsligt stopp eller kortslutning, brummar elverktyget i 2 sekunder och stängs sedan av automatiskt.

Släpp därefter först upp tryckknappen och slå sedan på elverktyget igen, om du vill fortsätta bearbetningen.

Vid extrem belastning kan batteriet bli väldigt varmt. I ett sådant fall stängs batteriet av automatiskt.

#### TRANSPORTERA LITIJUMJON-BATTERIER

För litijumjon-batterier gäller de lagliga föreskrifterna för transport av farligt gods på väg.

Därför får dessa batterier endast transporteras enligt gällande lokala, nationella och internationella föreskrifter och bestämmelser.

- Konsumenter får transportera dessa batterier på allmän väg utan att behöva beakta särskilda föreskrifter.

- För kommersiell transport av litijumjon-batterier genom en speditörsfirma gäller emellertid bestämmelserna för transport av farligt gods på väg. Endast personal som känner till alla tillämpliga föreskrifter och bestämmelser får förbereda och genomföra transporten. Hela processen ska följas upp på fackmässigt sätt.

Följande ska beaktas i samband med transporten av batterier:

- Säkerställ att alla kontakter är skyddade och isolerade för att undvika kortslutning.
- Se till att batteripacken inte kan glida fram och tillbaka i förpackningen.
- Transportera aldrig batterier som läcker, har runnit ut eller är skadade. För mer information vänligen kontakta din speditörsfirma.

#### SKÖTSEL

Underhållsanvisningar hittar du på ONE-KEY appen.

Använd endast Milwaukee-tillbehör och Milwaukee-reservdelar. Komponenter, för vilka inget byte beskrivs, skall bytas ut hos Milwaukee-kundtjänst (se broschyren garanti-/kundtjänstadresser).

Vid behov kan du rekommendera apparatens sprängskiss antingen hos kundservicen eller direkt hos Techtronic Industries GmbH, Max-Eyth-Straße 10, 71364 Winnenden, Germany. Du ska då ange maskintypen och numret på sex siffror som står på effektskylten.

#### SYMBOLER



OBSERVERA! VARNING! FARA!



Drag ur batteripaket innan arbete utföres på maskinen.



Läs instruktionen noga innan du startar maskinen.



Elektriska maskiner och elverktyg som kasseras får inte slängas tillsammans med de vanliga hushållsoporna. Elektriska maskiner och verktyg samt elektronisk utrustning som kasseras ska samlas separat och lämnas till en avfallsstation för miljövänlig avfallsantering. Kontakta den lokala myndigheten respektive kommunen eller fråga återförsäljare var det finns speciella avfallsstationer för elskrot.



CE-symbol



Nationell symbol för överensstämmelse Ukraine



EurAsian överensstämmelsesymbol.



TEKNISET ARVOT	AKKU-ISKUPORAKONE/RUUVINKIERRIN	M18 ONEDD	M18 ONEPD
Tuotantnumero .....	4527 24 02.....	4527 13 02...	
	...000001-999999	...000001-999999	
Poran ø teräkseen .....	13 mm .....	13 mm	
Poran ø puuhun .....	45 mm .....	45 mm	
Poran ø tiiliin ja kalkkikiekkakiviin.....	- .....	13 mm	
Puuruuvi (ilman esiporausta).....	10 mm .....	10 mm	
Kuormittamaton kierrosliku 1. vaihteella.....	0-550 min <sup>-1</sup> .....	0-550 min <sup>-1</sup>	
Kuormittamaton kierrosliku 2. vaihde.....	0-2000 min <sup>-1</sup> .....	0-2000 min <sup>-1</sup>	
Iskutaajuus 1. vaihteella .....	.....	0-8800 min <sup>-1</sup>	
Iskutaajuus 2. vaihteella .....	.....	0-32000 min <sup>-1</sup>	
Vääntömomentti (5,0 Ah) akun kera .....	135 Nm .....	135 Nm	
Jännite vaihtoakku.....	18 V .....	18 V	
Istukan aukeama .....	1,5-13 mm .....	1,5-13 mm	
Paino EPTA-meneteltyl 01/2003 mukaan (5,0 Ah).....	2,3 kg .....	2,3 kg	
Paino EPTA-meneteltyl 01/2003 mukaan (5,0 Ah).....	2,5 kg .....	2,5 kg	

#### Melunpäästö-/tärinätiedot

Mitta-arvot määritetty EN 60 745 mukaan.

Koneen tyyppillinen A-luokitettu melutaso:

Melutaso (Epävarmuus K=3dB(A)).....	74,5 dB (A).....	99,9 dB (A)
Äänenvoimakkuus (Epävarmuus K=3dB(A)).....	85,5 dB (A).....	110,9 dB (A)

#### Käytä kuulosuojaimia!

Värähtelyn yhteisarvot (kolmen suunnan vektorisumma) mitattuna EN 60745 mukaan.

Värähtelyemissioarvo a <sub>w</sub>		
Betonin iskuporaaminen .....	- .....	13,2 m/s <sup>2</sup>
Epävarmuus K= .....	- .....	1,5 m/s <sup>2</sup>
Metallin poraaminen .....	1,29 m/s <sup>2</sup> .....	1,29 m/s <sup>2</sup>
Epävarmuus K= .....	1,5 m/s <sup>2</sup> .....	1,5 m/s <sup>2</sup>
Ruuvinvääntö.....	1,33 m/s <sup>2</sup> .....	1,33 m/s <sup>2</sup>
Epävarmuus K= .....	1,5 m/s <sup>2</sup> .....	1,5 m/s <sup>2</sup>

\* Mitattu Milwaukeen normin N 877318 mukaan

#### VAROITUS!

Näissä ohjeissa mainittu värähtelytaso on mitattu EN 60745 -standardin mukaisella mittausmenetelmällä ja sitä voidaan käyttää sähkötyökalujen vertaamiseen. Sitä voidaan käyttää myös värähtelyrasituksen väliaikaiseen arviointiin.

Mainittu värähtelytaso edustaa sähkötyökalun pääasiallista käyttöä. Jos sähkötyökalua kuitenkin käytetään muihin tehtäviin, poikkeavin työkaluin tai riittämättömästi huoltaen, värähtelytaso voi olla erilainen. Se voi korottaa värähtelyrasitusta koko työajan osalta.

Tarkan värähtelyrasituksen toteamiseen tulee ottaa huomioon aika, jona laite on kytketty pois tai on kylläkin päällä, mutta ei käytössä. Se voi pienentää värähtelyrasitusta koko työajan osalta.

Määrittele lisäturvatoimenpiteitä käyttäjän suojaamiseksi värinöiden vaikutukselta, kuten esimerkiksi: sähkötyökalujen ja käyttötyökalujen huolto, käsien lämpimän pitäminen, työvaiheiden organisaatio.

#### **A** VAROITUS! Lue kaikki turvallisuusmääräykset ja ohjeet.

Turvallisuusohjeiden noudattamisen laiminlyönti saattaa johtaa sähköiskuihin, tulipaloon ja/tai vakavaan loukkaantumiseen.

**Säilytä kaikki turvallisuus- ja muut ohjeet tulevaisuutta varten.**

#### **A** PORAKONEIDEN TURVALLISUUSOHJEET

**Käytä korvasuojia.** Altistuminen melulle voi vahingoittaa kuuloa.

**Käytä koneen mukana toimitettua apukahvaa.** Koneen hallinnan menetykseen saattaa aiheuttaa henkivahinkoja.

**Pitele laitetta vain eristetyistä tarttumapinnoista, kun suoritat sellaisia töitä, joissa leikkaustyökalu saattaa osua piilossa oleviin sähköjohtoihin.**

Leikkaustyökalun yhteys jännitteelliseen johtoon saattaa tehdä laitteen metalliset osat jännitteellisiksi ja aiheuttaa sähköiskun.

#### **A** RUUVINKIERTIMEN TURVALLISUUSOHJEET

**Pitele laitteesta kiinni sen eristetyistä kahoista suorittaessasi töitä, joiden aikana ruuvi saattaa osua piilossa oleviin sähköjohtoihin.** Ruuvien kosketus jännitteelliseen johtoon saattaa tehdä laitteen metalliosat jännitteellisiksi ja aiheuttaa sähköiskun.

#### **A** TÄYDENTÄVIÄ TURVALLISUUSMÄÄRÄYKSIÄ JA

Käytä suojavarusteita. Käytä aina suojalaseja käyttäessäsäsi konetta.

Suosittellemme suojavarusteiden käyttöä, näihin kuuluvat pölysuojanaamarit, työkasineet, tukevat, luistamattomat jalkineet, kypärä ja kuulosuojukset.

Koneen käytöstä aiheutuva pöly ja jäte voi olla haitallista terveydelle eikä sen vuoksi tulisi päästä kosketukseen ihon kanssa. Koneella työskennellessä on käytettävä sopivaa suojainta.

Terveydellisiä vaaroja aiheuttavien materiaalien (esim. asbestin) työstäminen on kielletty.

Jos käytetty työkalu juuttuu kiinni, sammuta laite heti! Älä kytkä laitetta uudelleen päälle työkalun ollessa vielä kiinni juuttuneena, koska tästä saattaa aiheutua voimakas takaisku. Selvitä työkalun juuttumisen syy ja poista syy turvallisuusmääräyksiä noudattaen.

Mahdollisia syitä voivat olla:

- työkalun vinoutuminen työstökappaleessa
- työstetyn materiaalin puhkaisueminen
- sähkötyökalun ylikuormitus

Älä tartu käynnissä olevan konesuon.

Käytetty työkalu saattaa kuumeta käytön aikana.

**VAROITUS!** Palovamman vaara

- työkalua vaihdettaessa
- laitetta pois laskettaessa

Lastuja tai puruja ei saa poistaa koneen käydessä.

Varo seinään, kattoon tai lattiaan porattaessa osumasta sähköjohtoon, kaasu- ja vesijohtoihin.

Varmista työstökappaleesi kiinnityslaitteella paikalleen. Varmistamattomat työstökappaleet saattavat aiheuttaa vakavia vammoja ja vaurioita.

Ota akku pois ennen kaikkia koneeseen tehtäviä toimenpiteitä.

Käytetty vaihtoakkuja ei saa polttaa eikä poistaa normaalin jätehuollon kautta. AEG:llä on tarjolla vanhoja vaihtoakkuja varten ympäristöystävällinen jätehuoltopalvelu.

Vaihtoakkuja ei saa säilyttää yhdessä metalliesineiden kanssa (oikosulkuvaara).

Käytä ainoastaan System M18 latauslaitetta System M18 akkujen lataukseen. Älä käytä muiden järjestelmien akkuja.

Vaihtoakkuja ja latauslaitteita ei saa avata. Säilytys vain kuivissa tiloissa. Suojattava kosteudelta.

Vaurioituneesta akusta saattaa erityisen kovassa käytössä tai poikkeavassa lämpötilassa vuotaa akkuhappoa. Ihonkohta, joka on joutunut kosketukseen

akkuhapon kanssa on viipymättä pestävä vedellä ja saippualla. Silmä, johon on joutunut akkuhappoa, on huuhdeltava vedellä vähintään 10 minuutin ajan, jonka jälkeen on viipymättä hakeuduttava lääkärin apuun.

#### TARKOITUKSEN MUKAINEN KÄYTTÖ

**M18 ONEDD:** Akkuporakone/ruuvinväännin on akkukäyttöinen ja toimii ilman verkkojohtoa.

**M18 ONEPD:** Elektronisella akkuisukuporakoneella voi porata, iskuporata ja ruuvata ilmanverkkojohtoa. Koneessa on seuraavat ominaisuudet:

Älä käytä tuotetta ohjeiden vastaisesti.

#### TODISTUS CE-STANDARDIN MUKAISUUDESTA

Vakuutamme yksinvastuullisesti, että kohdassa „Tekniset tiedot“ kuvattu tuote vastaa kaikkia sitä koskevia direktiivien 2011/65/EU (RoHS), 2014/30/EU, 2006/42/EY, 2014/53/EU määräyksiä sekä seuraavia harmonisoituja standardisoivia asiakirjoja:

EN 60745-1:2009 + A11:2010  
EN 60745-2-2:2010  
EN 55014-1:2006+A1:2009+A2:2011  
EN 62479:2010  
EN 301 489-1 V1.9.2 (2011-09)  
EN 301 489-17 V2.2.1(2012-09)  
EN 300328 V.1.8.1(2012-06)  
EN 55014-2:1997+A1:2001+A2:2008

Winnenden, 2016-03-29

*Alexander Krug*

Alexander Krug  
Managing Director

Valtuutettu kokoamaan tekniset dokumentit.

Techtronic Industries GmbH  
Max-Eyth-Straße 10  
71364 Winnenden  
Germany



#### KÄYTTÖTAVAN VALINTA

Ennen käyttötavan valintaa odota, kunnes laite on pysähtynyt täysin. Muuta asetuksia painamalla painiketta . Paina WiFi-painiketta muuttaaksesi ONE-KEY-sovelluksella älypuhelimesi esiasetetut arvot.

#### ONE-KEY™

Lisätietoja tämän työkalun ONE KEY -toimivuudesta saat lukemalla oheistetun pikakäynnistysohjeen tai siirtymällä verkkoon osoitteeseen www.milwaukeetool.com/one-key. Voit ladata ONE KEY -sovelluksen älypuhelimesi App Storen tai Google Playn kautta.

#### AKKU

Pitkään käyttämättä olleet vaihtoakut on ladattava ennen käyttöä.

Yli 50°C lämpötilassa akun suorituskyky heikkenee. Vältäthän akkujen säilyttämistä auringossa tai kuumissa tiloissa.

Pidä aina latauslaitteen ja akun kosketuspinnat puhtaina.

Optimaalisen käyttöiän saavuttamiseksi akut on ladattava täyteen käytön jälkeen.

Mahdollisimman pitkän elinajan takaamiseksi akut tulee poistaa laturista lataamisen jälkeen.

Akkuja yli 30 päivää säilytettäessä:

- Säilytä akku yli 27 °C:ssa ja kuivassa.
- Säilytä akku sen latauksen ollessa 30 % - 50 %.
- Lataa akku 6 kuukauden välein uudelleen.

#### AKUN YLIKUORMITUSUOJAUS

Jos akku ylikuormittuu erittäin suuren virrankulutuksen vuoksi, esim. erittäin suurten vääntömomenttien, poran terän kiinnijuuuttumisen, äkillisen pysähtymisen tai lyhytsulun vuoksi, niin sähkötyökalu surisee 2 sekunnin ajan ja sammuu sitten omatoimisesti.

Käynnistä laite uudelleen päästämällä katkaisinpainike irti ja kytkemällä se sitten uudelleen.

Erittäin suuressa kuormituksessa saattaa akku kuumeta liikaa. Tässä tapauksessa akku kytketty pois.

#### LITIUMI-IONI AKKUKUJEN KULJETTAMINEN

Litiumi-ioniakut kuuluvat vaarallisten aineiden kuljetuksesta annettujen lakien piiriin.

Näiden akkujen kuljettaminen täytyy suorittaa noudattaen paikallisia, kansallisia ja kansainvälisiä määräyksiä ja säädöksiä.

- Kuluttajat saavat ilman muuta kuljettaa näitä akkuja teitä pitkin.

• Kaupallisessa kuljetuksessa huolintaliikkeiden täytyy kuljettaa litiumi-ioniakkuja vaarallisten aineiden kuljetuksesta annettujen määräysten mukaisesti. Ainoastaan tähän vastaavasti koulutetut henkilöt saavat suorittaa kuljetuksen valmisteluun ja itse kuljetukseen. Koko prosessia tulee valvoa asiantuntevasti.

Seuraavat kohdat tulee huomioida akkuja kuljetettaessa:

- Varmista, että akkujen kontaktit on suojattu ja eristetty, jotta vältetään lyhytsulut.
- Huolehdi siitä, ettei akkusarja voi luiskahtaa paikaltaan pakkauksen sisällä.
- Vahingoittuneita tai vuotavia akkuja ei saa kuljettaa. Pyydä tarkemmat tiedot huolintaliikkeeltäsi.

#### HUOLTO

Huolto-ohjeet löytyvät ONE KEY -sovelluksesta.

Käytä ainoastaan Milwaukeen lisävarusteita ja Milwaukeen varaosia. Mikäli jokin komponentti, jota ei ole kuvailtu, tarvitsee vaihtoa ota yhteys johonkin Milwaukeen palvelupisteistä (kts. listamme takuuhuoltoilijoiden/ palvelupisteiden osoitteista)

Tarvittaessa voit pyytää laitteen räjähdyspiirustuksen ilmoittaen koneen tyyppiä ja tyypikkilvessä olevan kuusinumeroisen luvun huoltopalvelustasi tai suoraan osoitteella Techtronic Industries GmbH, Max-Eyth-Strasse 10, 71364 Winnenden, Saksa.

#### SYMBOLIT



HUOMIO! VAROITUS! VAARA!



Ota akku pois ennen kaikkia koneeseen tehtäviä toimenpiteitä.



Lue käyttöohjeet huolellisesti, ennen koneen käynnistämistä.



Sähkölaitteita ei saa hävittää yhdessä kotitalousjätteiden kanssa.

Sähkö- ja elektroniset laitteet tulee kerätä erikseen ja toimittaa kierrätysliikkeeseen ympäristöystävällistä hävittämistä varten. Pyydä paikallisilta viranomaisilta tai alan kauppiailtasi tarkemmat tiedot kierrätyspisteistä ja keräyspaikoista.



CE-merkki



Kansallinen standardinmukaisuusmerkki Ukraina



EurAsian-vaatimustenmukaisuusmerkki.

ΤΕΧΝΙΚΑ ΣΤΟΙΧΕΙΑ	ΚΡΟΥΣΤΙΚΟ ΔΡΑΠΑΝΟΚΑΤΣΑΒΙΔΟ ΜΠΑΤΑΡΙΑΣ	M18 ONEDD	M18 ONEPD
Αριθμός παραγωγής.....	.....4527 24 02.....	.....4527 13 02.....	.....000001-999999.....
Διάμετρος τρύπας σε χάλυβα .....	.....13 mm .....	.....13 mm .....	.....45 mm .....
Διάμετρος τρύπας σε ξύλο.....	.....45 mm .....	.....45 mm .....	.....13 mm .....
Διάμετρος τρύπας σε τούβλο και ασβεστόλιθο.....	.....10 mm .....	.....10 mm .....	.....0-550 min <sup>-1</sup> .....
Ξυλόβιδες (χωρίς προδιάρθρωση).....	.....0-550 min <sup>-1</sup> .....	.....0-2000 min <sup>-1</sup> .....	.....0-2000 min <sup>-1</sup> .....
Αριθμός στροφών χωρίς φορτίο στην 1η ταχύτητα.....	.....0-550 min <sup>-1</sup> .....	.....0-2000 min <sup>-1</sup> .....	.....0-8800 min <sup>-1</sup> .....
Αριθμός στροφών χωρίς φορτίο στη 2η ταχύτητα.....	.....0-2000 min <sup>-1</sup> .....	.....0-2000 min <sup>-1</sup> .....	.....0-32000 min <sup>-1</sup> .....
Μέγιστος αριθμός κρούσεων στην 1η ταχύτητα.....	.....135 Nm .....	.....135 Nm .....	.....18 V .....
Μέγιστος αριθμός κρούσεων στην 2η ταχύτητα.....	.....1,5-13 mm .....	.....1,5-13 mm .....	.....2,3 kg .....
Ροπή στρέψης με μπαταρία (5,0 Ah).....	.....18 V .....	.....18 V .....	.....2,5 kg .....
Τάση ανταλλακτικής μπαταρίας.....	.....1,5-13 mm .....	.....1,5-13 mm .....	.....2,3 kg .....
Περιοχή σύσφιξης του τσοκ.....	.....2,3 kg .....	.....2,3 kg .....	.....2,5 kg .....
Βάρος σύμφωνα με τη διαδικασία EPTA 01/2003 (2,0 Ah).....	.....2,5 kg .....	.....2,5 kg .....	.....2,5 kg .....
Βάρος σύμφωνα με τη διαδικασία EPTA 01/2003 (5,0 Ah).....	.....2,5 kg .....	.....2,5 kg .....	.....2,5 kg .....

#### Πληροφορίες θορύβου/δονήσεων

Τιμές μέτρησης εξακριβωμένες κατά EN 60 745.  
 Η σύφωνα με την καμπύλη A εκτιμηθείσα στάθμη θορύβου του μηχανήματος αναφέρεται σε:

Στάθμη ηχητικής πίεσης (Ανασφάλεια K=3dB(A)).....	.....74,5 dB (A).....	.....99,9 dB (A).....
Στάθμη ηχητικής ισχύος (Ανασφάλεια K=3dB(A)).....	.....85,5 dB (A).....	.....110,9 dB (A).....

#### Φοράτε προστασία ακοής (ωτασπίδες)!

Υλικές τιμές κραδασμών (άθροισμα διανυσμάτων τριών διευθύνσεων) εξακριβώθηκαν σύμφωνα με τα πρότυπα EN 60745.

Τιμή εκπομπής δονήσεων a <sub>w</sub>	.....	.....
Κρουστικό τρυπάνι σε μπέτον.....	.....13,2 m/s <sup>2</sup> .....	.....
Ανασφάλεια K=.....	.....	.....1,5 m/s <sup>2</sup> .....
Τρύπτες σε μέταλλο.....	.....1,29 m/s <sup>2</sup> .....	.....1,29 m/s <sup>2</sup> .....
Ανασφάλεια K=.....	.....1,5 m/s <sup>2</sup> .....	.....1,5 m/s <sup>2</sup> .....
Βιδώμα.....	.....1,33 m/s <sup>2</sup> .....	.....1,33 m/s <sup>2</sup> .....
Ανασφάλεια K=.....	.....1,5 m/s <sup>2</sup> .....	.....1,5 m/s <sup>2</sup> .....

\* Μετρημένη σύμφωνα με το πρότυπο της Milwaukee M

#### ΠΡΟΕΙΔΟΠΟΙΗΣΗ!

Το αναφερόμενο σ' αυτές τις οδηγίες επίπεδο δονήσεων έχει μετρηθεί με μια τυποποιημένη σύμφωνα με το EN 60745 μέθοδο μέτρησης και μπορεί να χρησιμοποιηθεί για τη σύγκριση των ηλεκτρικών εργαλείων μεταξύ τους. Αυτό είναι επίσης κατάλληλο για μια προσωρινή εκτίμηση της επιβάρυνση των δονήσεων.

Το αναφερόμενο επίπεδο δονήσεων αντιπροσωπεύει τις κύριες χρήσεις του ηλεκτρικού εργαλείου. Εάν όμως το ηλεκτρικό χρησιμοποιείται σε άλλες χρήσεις, με διαφορετικά εργαλεία εφαρμογής ή ανεπαρκή συντήρηση, μπορεί να υπάρξει απόκλιση του επιπέδου δονήσεων. Αυτό μπορεί να αυτήσει σημαντικά την επιβάρυνση των δονήσεων για τη συνολική διάρκεια της εργασίας

Για μια ακριβή εκτίμηση της επιβάρυνσης των δονήσεων οφείλουν επίσης να λαμβάνονται υπόψη οι χρόνοι, στους οποίους η συσκευή είναι απενεργοποιημένη ή είναι μεν ενεργοποιημένη αλλά δεν χρησιμοποιείται πραγματικά. Αυτό μπορεί να μειώσει σημαντικά την επιβάρυνση των δονήσεων για τη συνολική διάρκεια της εργασίας.

Καθορίζετε πρόσθετα μέτρα ασφαλείας για την προστασία του χειριστή από την επιβάρυνση των δονήσεων όπως για παράδειγμα: Συντήρηση του ηλεκτρικού εργαλείου και των εργαλείων εφαρμογής, διατηρείτε ζεστά τα χέρια, οργάνωση των διαδικασιών εργασίας.

**⚠ ΠΡΟΣΟΧΗ!** Διαβάστε όλες τις οδηγίες ασφαλείας και τις οδηγίες χρήσεως. Αμέλειες κατά την τήρηση των προειδοποιητικών υποδείξεων μπορεί να προκαλέσουν ηλεκτροπληξία, κίνδυνο πυρκαγιάς ή/και σοβαρούς τραυματισμούς. **Φυλάξτε όλες τις προειδοποιητικές υποδείξεις και οδηγίες για κάθε μελλοντική χρήση.**

#### ⚠ ΥΠΟΔΕΙΞΕΙΣ ΑΣΦΑΛΕΙΑΣ ΓΙΑ ΔΡΑΠΑΝΑ

**Φοράτε ωτασπίδες.** Η επίδραση θορύβου μπορεί να προκαλέσει απώλεια ακοής.

**Χρησιμοποιείτε με τη συσκευή τις προμηθευμένες πρόσθετες χειρολαβές.** Η απώλεια ελέγχου μπορεί να οδηγήσει σε τραυματισμό.

**Να πιάνετε τη συσκευή στις μονωμένες χειρολαβές όταν εκτελείτε εργασίες κατά τις οποίες τα κοπτικά εργαλεία θα μπορούσαν να πέσουν επάνω σε κρυμμένα καλώδια ρεύματος.**

Η επαφή των κοπτικών εργαλείων με αγωγό τροφοδοσίας τάσης μπορεί να θέσει τα μεταλλικά τμήματα της συσκευής υπ'όσωση και να προκαλέσει ηλεκτροπληξία.

#### ⚠ ΟΔΗΓΙΕΣ ΑΣΦΑΛΕΙΑΣ ΓΙΑ ΔΡΑΠΑΝΟΚΑΤΣΑΒΙΔΑ

**Κρατάτε τη συσκευή από τις μονωμένες επιφάνειες συγκράτησης, όταν εκτελείτε εργασίες, στις οποίες η βίδα θα μπορούσε να έρθει σε επαφή με κρυφούς αγωγούς ρεύματος.** Η επαφή της βίδας μ' ένα ηλεκτροφόρο καλώδιο μπορεί να προκαλέσει τη μεταφορά ρεύματος στα μεταλλικά εξαρτήματα της συσκευής και να οδηγήσει σε ηλεκτροπληξία.

#### ⚠ ΠΕΡΑΙΤΕΡΩ ΟΔΗΓΙΕΣ ΑΣΦΑΛΕΙΑΣ ΚΑΙ ΧΡΗΣΕΩΣ

Χρησιμοποιείτε προστατευτικό εξοπλισμό. Κατά την εργασία με τη μηχανή φοράτε πάντα προστατευτικά γυαλιά. Συνιστούμε επίσης προστατευτική ενδυμασία όπως επίσης μάσκα προστασίας αναπνοής, προστατευτική γάντια, σταθερά και ασφαλή στην ολόσφρη υποδήματα, κράνος και ωτασπίδες.

Η σκόνη που δημιουργείται κατά την εργασία είναι συχνά επιβλαβής για την υγεία και δεν επιτρέπεται να έλθει στο σώμα. Να φοράτε κατάλληλη μάσκα προστασίας από σκόνη.

Μην επεξεργάζεστε επικίνδυνα για την υγεία υλικά (π.χ. αμιάντος).

Σε περίπτωση μπλοκαρίσματος της αριδας απενεργοποιείστε αμέσως τη συσκευή! Μην ενεργοποιείτε εκ νέου τη συσκευή όσο η αριδα είναι μπλοκαρισμένη. Σ' αυτή τη περίπτωση θα μπορούσε να προκύψει υψηλή ροπή αντίδρασης. Βρείτε την αιτία του μπλοκαρίσματος της αριδας και ξεμπλοκαρέτε την λαμβάνοντας υπόψη τις οδηγίες ασφαλείας.

- Πιθανές αιτίες:
- Η αριδα μάγκωσε με το προς κατεργασία κομμάτι.
  - Στάσιμο του προς κατεργασία υλικού.
  - Υπερφόρτωση του ηλεκτρικού εργαλείου.

Μην απλώνετε τα χέρια σας στην επικίνδυνη περιοχή της μηχανής όταν είναι σε λειτουργία.

Η θερμοκρασία της αριδας μπορεί να φτάσει σε υψηλά επίπεδα κατά τη λειτουργία.

#### ΠΡΟΕΙΔΟΠΟΙΗΣΗ! Κίνδυνος εγκαυματος

- κατά την αλλαγή εργαλείου (αριδας)
- κατά την απόθεση της συσκευής

Τα γρέζια ή οι σκληρές δεν επιτρέπεται να απομακρύνονται όσο η μηχανή βρίσκεται σε λειτουργία.

Κατά τις εργασίες σε τοίχο, οροφή ή δάπεδο προσέχετε για τυχόν ηλεκτρικά καλώδια και για σωλήνες αερίου και νερού.

Ασφαλίστε το προς κατεργασία κομμάτι στη μέγερνη ή με μια άλλη διάταξη στερέωσης. Μη ασφαλισμένα προς κατεργασία κομμάτια μπορεί να προκαλέσουν σοβαρούς τραυματισμούς και ζημιές.

Πριν από κάθε εργασία στη μηχανή αφαιρείτε την ανταλλακτική μπαταρία.

Μην πετάτε τις μεταχειρισμένες ανταλλακτικές μπαταρίες στη φωτιά ή στα οικιακά απορρίμματα. Η ΑΕΓ προσφέρει μια απόσυρση των παλιών ανταλλακτικών μπαταριών σύμφωνα με τους κανόνες προστασίας του περιβάλλοντος, ρωτήστε παρακαλώ σχετικά στο ειδικό κατάστημα πώλησης.

Μην αποθηκεύετε τις ανταλλακτικές μπαταρίες μαζί με μεταλλικά αντικείμενα (κίνδυνος βραχυκυκλώματος).

Φορτίζετε τις ανταλλακτικές μπαταρίες του συστήματος M18 μόνο με φορτιστές του συστήματος M18. Μην φορτίζετε μπαταρίες από άλλα συστήματα.

Μην ανοίγετε τις ανταλλακτικές μπαταρίες και τους φορτιστές και χρησιμοποιείτε για αποθήκευση μόνο στεγνούς χώρους. Προστατεύετε τις ανταλλακτικές μπαταρίες και τους φορτιστές από την υγρασία.

Όταν υπάρχει υπερβολική καταπόνηση ή υψηλή θερμοκρασία μπορεί να τρέξει υγρό μπαταρίας από τις χαλασμένες επαναφορτιζόμενες μπαταρίες. Αν έρθετε σε επαφή με υγρό μπαταρίας να πλυθείτε αμέσως με νερό και σαπούνι. Σε περίπτωση επαφής με τα μάτια να πλυθείτε σχολαστικά για τουλάχιστον 10 λεπτά και να αναζητήσετε αμέσως ένα γιατρό.

#### ΧΡΗΣΗ ΣΥΜΦΩΝΑ ΜΕ ΤΟ ΣΚΟΠΟ ΠΡΟΟΡΙΣΜΟΥ

**M18 ONEDD:** Το δραπανοκατσάβιδο μπαταρίας μπορεί να χρησιμοποιηθεί γενικά για τρύπημα και βιδώμα ανεξάρτητα από το αν υπάρχει παροχή ρεύματος.

**M18 ONEPD:** Το ηλεκτρονικό κρουστικό δραπανοκατσάβιδο μπαταρίας μπορεί να χρησιμοποιηθεί γενικά για τρύπημα, κρουστικό τρύπημα και βιδώμα ανεξάρτητα από το αν υπάρχει παροχή ρεύματος.

Αυτή η συσκευή επιτρέπεται να χρησιμοποιηθεί μόνο σύμφωνα με τον αναφερόμενο σκοπό προορισμού.

#### ΔΗΛΩΣΗ ΠΙΣΤΟΤΗΤΑΣ ΕΚ

Δηλώνουμε υπεύθυνα ότι το προϊόν που περιγράφεται στο κεφάλαιο «Τεχνικά χαρακτηριστικά» είναι συμβατό με τις διατάξεις της Κοινοτικής Οδηγίας 2011/65/EU (RoHS), 2014/30/EE, 2006/42/ΕΚ, 2014/53/EE και με τα ακόλουθα εναρμονισμένα κανονιστικά έγγραφα:

- EN 60745-1:2009 + A11:2010
- EN 60745-2-2:2010
- EN 55014-1:2006+A1:2009+A2:2011
- EN 62479:2010
- EN 301 489-1 V1.9.2 (2011-09)
- EN 301 489-17 V2.2.1(2012-09)
- EN 300328 V.1.8.1(2012-06)
- EN 55014-2:1997+A1:2001+A2:2008

Winnenden, 2016-03-29



*Alexander Krug*

Alexander Krug  
Managing Director

Εξουσιοδοτημένος να συντάξει τον τεχνικό φάκελο.

Technic Industries GmbH  
Max-Eyth-SträÙe 10  
71364 Winnenden  
Germany

#### ΕΠΙΛΟΓΗ ΤΟΥ ΕΙΔΟΥΣ ΛΕΙΤΟΥΡΓΙΑΣ

Πριν την αλλαγή του είδους λειτουργίας περιμένετε μέχρι να ακινητοποιηθεί η συσκευή πλήρως. Για να αλλάξετε τις ρυθμίσεις, πιέζετε το πλήκτρο . Πιέστε το πλήκτρο WLAN  για να αλλάξετε τις προκαθορισμένες τιμές μέσω του ONE-KEY App στο Smartphone σας.

#### ONE-KEY™

Προς περαιτέρω ενημέρωση περί της λειτουργικότητας ONE-KEY αυτού του εργαλείου διαβάστε τις συνημμένες οδηγίες ταξίδιας εκκίνησης ή επισκεφτείτε μας στο διαδικτυο στην ιστοσελίδα [www.milwaukeeool.com/one-key](http://www.milwaukeeool.com/one-key). Μπορείτε να κατεβάσετε το ONE-KEY App στο Smartphone σας από το App Store ή το Google Play.

#### ΜΠΑΤΑΡΙΑΣ

Επιναφορτίζετε τις ανταλλακτικές μπαταρίες που δεν έχουν χρησιμοποιηθεί για μεγαλύτερο χρονικό διάστημα πριν τη χρήση.

Μια θερμοκρασία πάνω από 50°C μειώνει την ισχύ της ανταλλακτικής μπαταρίας.

Αποφεύγετε τη θέρμανση για μεγαλύτερο χρονικό διάστημα από τον ήλιο ή τις συσκευές θέρμανσης.

Διατηρείτε τις επαφές σύνδεσης στο φορτιστή και στην ανταλλακτική μπαταρία καθαρές.

Για μια άριστη διάρκεια ζωής πρέπει μετά τη χρήση οι μπαταρίες να φορτιστούν πλήρως.

Για μια κατά το δυνατόν μεγάλη διάρκεια ζωής οι μπαταρίες μετά τη φόρτιση οφείλουν να αφαιρεθούν από το φορτιστή.

Για την αποθήκευση της μπαταρίας για διάστημα μεγαλύτερο των 30 ημερών:

Αποθηκεύετε τη μπαταρία περ. στους 27°C σε στεγνό χώρο.

Αποθηκεύετε τη μπαταρία περ. στο 30%-50% της κατάστασης φόρτισης.

Κάθε 6 μήνες φορτίζετε εκ νέου τη μπαταρία.

#### ΠΡΟΣΤΑΣΙΑ ΥΠΕΡΦΟΡΤΩΣΗΣ ΤΗΣ ΜΠΑΤΑΡΙΑΣ

Σε υπερφόρτωση της μπαταρίας από πολύ υψηλή κατανάλωση ρεύματος, π. χ. από ακραίες υψηλές ροπές περιστροφής, μπλοκάρισμα του τρυπανιού, ξαφνικό stop ή βραχυκύκλωμα, βουίζει το ηλεκτρικό εργαλείο για 2 δευτερόλεπτα και απενεργοποιείται αυτόματα.

Για μια νέα ενεργοποίηση, αφήνετε ελεύθερο το διακόπτη και στη συνέχεια

ενεργοποιείτε εκ νέου. Κάτω από ακραίες καταπονήσεις μπορεί η μπαταρία να θερμανθεί πολύ. Στην περίπτωση αυτή η μπαταρία απενεργοποιείται.

#### ΜΕΤΑΦΟΡΑ ΤΩΝ ΜΠΑΤΑΡΙΩΝ ΙΟΝΤΩΝ ΛΙΘΙΟΥ

Οι μπαταρίες ιόντων λιθίου υπόκεινται στις απαιτήσεις των νομικών διατάξεων για την μεταφορά επικινδύνων εμπορευμάτων.

Η μεταφορά τέτοιων μπαταριών πρέπει να πραγματοποιείται τηρώντας τους τοπικούς, εθνικούς και διεθνείς κανονισμούς και τις αντίστοιχες διατάξεις.

• Επιτρέπεται η μεταφορά τέτοιων μπαταριών στο δρόμο χωρίς περαιτέρω απαίτησης.

• Η εμπορική μεταφορά μπαταριών ιόντων λιθίου από εταιρείες μεταφορών υπόκειται στις απαιτήσεις των νομικών διατάξεων για την μεταφορά επικινδύνων εμπορευμάτων. Οι προετοιμασίες αποστολής και η μεταφορά πραγματοποιούνται αποκλειστικά από ειδικά εκπαιδευμένα πρόσωπα. Η συνολική διαδικασία συνοδεύεται από εξειδικευμένο προσωπικό.

Κατά τη μεταφορά μπαταριών ιόντων λιθίου πρέπει να προσέχετε τα εξής:

• Φροντίστε τα σημεία επαφών να είναι προστατευμένα και μονωμένα ώστε να αποφευχθούν βραχυκυκλώματα.

• Προσέξτε το πακέτο μπαταριών να είναι σταθερό μέσα στη συσκευασία και να μη γλιστρά.

• Η μεταφορά μπαταριών που παρουσιάζουν φθορές ή διαρροές δεν επιτρέπεται.

Για περισσότερες πληροφορίες απευθυνθείτε στην εταιρεία μεταφορών.

#### ΣΥΝΤΗΡΗΣΗ

Υποδείξεις συντήρησης θα βρείτε στο ONE-KEY App.

Χρησιμοποιείτε μόνο αξεσουάρ Milwaukee και ανταλλακτικά Milwaukee. Εξαρτήματα, που η αλλαγή τους δεν περιγράφεται, αντικαθίστανται σε μια τεχνική υποστήριξη της Milwaukee (βλέπε φυλλάδιο εγγύηση/διευθύνσεις τεχνικής υποστήριξης).

Σε περίπτωση που το χρειαστείτε μπορείτε να παραγγείλετε λεπτομερές σχέδιο της συσκευής αναφέροντας τον τύπο και τον εξαρτησιο αριθμό που βρίσκεται στην πινακίδα τεχνικών χαρακτηριστικών από την εξυπηρέτηση πελατών ή απευθείας από την Technic Industries GmbH, διεύθυνση Max-Eyth-SträÙe 10, 71364 Winnenden, Germany.

#### ΣΥΜΒΟΛΑ



ΠΡΟΣΟΧΗ! ΠΡΟΕΙΔΟΠΟΙΗΣΗ! ΚΙΝΔΥΝΟΣ!



Πριν από κάθε εργασία στη μηχανή αφαιρείτε την ανταλλακτική μπαταρία.



Παρακαλώ διαβάστε σχολαστικά τις οδηγίες χρήσης πριν από την έναρξη λειτουργίας.



Ηλεκτρικά μηχανήματα δεν επιτρέπεται να απορρίπτονται μαζί με τα οικιακά απορρίμματα. Ηλεκτρικά και ηλεκτρονικά μηχανήματα συλλέγονται ξεχωριστά και παραδίδονται προς ανακύκλωση με τρόπο φιλικό προς το περιβάλλον σε επιχείρηση επεξεργασίας απορριμμάτων. Ενημερωθείτε από τις τοπικές υπηρεσίες ή από ειδικευμένους εμπόρους σχετικά με κέντρα ανακύκλωσης και συλλογής απορριμμάτων.



Σήμα συμμόρφωσης CE



Εθνικό σήμα πιστότητας Ουκρανία



EurAsian σήμα πιστότητας.



TEKNİK VERİLER	VURMALI AKÜ MATKAP VIDASI	M18 ONEDD	M18 ONEPD
Üretim numarası .....	4527 24 02.....	4527 13 02.....	4527 13 02.....
	...000001-999999	...000001-999999	...000001-999999
Delme çapı çelikte .....	13 mm .....	13 mm .....	13 mm .....
Delme çapı tahta .....	45 mm .....	45 mm .....	45 mm .....
Delme çapı tuğla ve kireçli kum taşı .....	- .....	13 mm .....	13 mm .....
Ağaç vidaları (kilavuz deliksiz) .....	10 mm .....	10 mm .....	10 mm .....
Boştaki devir sayısı 1. viteste .....	0-550 min <sup>-1</sup> .....	0-550 min <sup>-1</sup> .....	0-550 min <sup>-1</sup> .....
Boştaki devir sayısı 2. vites .....	0-2000 min <sup>-1</sup> .....	0-2000 min <sup>-1</sup> .....	0-2000 min <sup>-1</sup> .....
Maksimum darbe sayısı 1. viteste .....	- .....	0-8800 min <sup>-1</sup> .....	0-8800 min <sup>-1</sup> .....
Maksimum darbe sayısı 2. viteste .....	- .....	0-32000 min <sup>-1</sup> .....	0-32000 min <sup>-1</sup> .....
Batarya ile tork (5,0 Ah) .....	135 Nm .....	135 Nm .....	135 Nm .....
Kartuş akü gerilimi .....	18 V .....	18 V .....	18 V .....
Mandren kapasitesi .....	1,5-13 mm .....	1,5-13 mm .....	1,5-13 mm .....
Ağırlığı ise EPTA-üretici 01/2003'e göre (5,0 Ah) .....	2,3 kg .....	2,3 kg .....	2,3 kg .....
Ağırlığı ise EPTA-üretici 01/2003'e göre (5,0 Ah) .....	2,5 kg .....	2,5 kg .....	2,5 kg .....

#### Gürültü/Vibrasyon bilgileri

Ölçüm değerleri EN 60 745 e göre belirlenmektedir.

Aletin, frekansa bağımlı uluslararası ses basıncı seviyesi değerlendirilme eğrisi A'ya göre tipik gürültü seviyesi:

Ses basıncı seviyesi (Tolerans K=3dB(A)) .....	74,5 dB (A) .....	99,9 dB (A) .....
Akustik kapasite seviyesi (Tolerans K=3dB(A)) .....	85,5 dB (A) .....	110,9 dB (A) .....

#### Koruyucu kulaklık kullanın!

Toplam titreşim değeri (üç yönün vektör toplamı) EN 60745'e göre belirlenmektedir:

Titreşim emisyon değeri a <sub>w</sub>		
Darbeli beton delme.....	-	13,2 m/s <sup>2</sup>
Tolerans K=.....	-	1,5 m/s <sup>2</sup>
Metal delme .....	1,29 m/s <sup>2</sup> .....	1,29 m/s <sup>2</sup> .....
Tolerans K=.....	1,5 m/s <sup>2</sup> .....	1,5 m/s <sup>2</sup> .....
Vida ile tutturma .....	1,33 m/s <sup>2</sup> .....	1,33 m/s <sup>2</sup> .....
Tolerans K=.....	1,5 m/s <sup>2</sup> .....	1,5 m/s <sup>2</sup> .....

\* Milwaukee Norm N 877318'e göre ölçülmüştür.

#### UYARI!

Bu talimatlarda belirtilen titreşim seviyesi, EN 60745 standardına uygun bir ölçme metodu ile ölçülmüştür ve elektrikli el aletleri birbiriyle karşılaştırmak için kullanılabilir. Ölçüm sonuçları ayrıca titreşim yükünün geçici değerlendirmesi için de uygundur.

Belirtilen titreşim seviyesi, elektrikli el aletinin genel uygulamaları için geçerlidir. Ancak elektrikli el aleti taşınabilir uygulamalar için, farklı eklenti parçalarıyla da ya da yetersiz bakım koşullarında kullanılabilir, titreşim seviyesi farklılık gösterebilir. Bu durumda, titreşim yükü toplam çalışma zaman aralığı içerisinde belirgin ölçüde yükselebilir.

Titreşim yükünün tam bir değerlendirmesi için ayrıca cihazın kapalı olduğu süreler ve cihazın çalışır durumda olduğu, ancak gerçek kullanımda bulunmadığı süreler de dikkate alınmalıdır. Böylelikle, toplam çalışma zamanı aralığı boyunca meydana gelen titreşim yükü belirlen ölçüde azaltılabilir.

Kullanıcıyı titreşimlerin etkisinden korumak üzere, örneğin elektrikli el aletlerinin ve eklenti parçalarının bakımı, ellerin sıcak tutulması ve iş akışlarının organizasyonu gibi ek güvenlik tedbirleri belirleyiniz.

**⚠ UYARI! Bütün güvenlik notlarını ve talimatları okuyunuz.** Açıklanan uyarılara ve talimat hükümlerine uyulmadığı takdirde elektrik çarpmalarına, yangınlara ve/veya ağır yaralanmalara neden olunabilir. **Bütün uyarıları ve talimat hükümlerini ileride kullanmak üzere saklayın.**

#### ⚠ MATKAP MAKİNELERİ İÇİN GÜVENLİK AÇIKLAMALARI

**Koruyucu kulaklık kullanın.** Çalışırken çıkan gürültü işitme kayıplarına neden olabilir.

**Aletle birlikte teslim edilen ek tutamakları kullanın.** Aletin kontrol den çıkması kazalara neden olabilir.

**Kesme aletinin eğrilmiş elektrik kabloları isabet eden çalışmalar yapılırken cihazı izole edilmiş kabloların tutun.** Voltaj altında kalan vida ile temas edilmesi, metal cihaz parçalarına elektrik akımı verebilir ve bu da elektrik çarpmasına neden ol.

Kesme aletinin içinden elektrik akımı geçen kablo ile temas etmesi durumunda elektrik akımı cihazın metal kısımlarına geçer ve elektrik çarpmasına sebebiyet verebilir.

#### ⚠ VIDALAMA MAKİNASI İÇİN UYARILAR

**Vidayı büken ve elektrik hattına maruz kalabilen çalışmalar yaparken cihazın izole edilmiş bulunan tutacak kullandın tutun.** Voltaj altında kalan vida ile temas edilmesi, metal cihaz parçalarına elektrik akımı verebilir ve bu da elektrik çarpmasına neden ol.

#### ⚠ EK GÜVENLİK VE ÇALIŞMA TALİMATLARI

Koruma teçhizatı kullanın.Makinada çalışırken devamlı surette koruyucu gözlük takın. Koruyucu elbise ve tozlardan korunma maskesi, emniyet eldivenleri ve sağlam ve kaymaya mukavim ayakkabı giyin. Başlık ve kulaklık tavsiye edilir.

Çalışma sırasında ortaya çıkan toz genellikle sağlığa zararlıdır ve bedeninize temas etmemelidir. Uygun bir koruyucu toz maskesi kullanın

Sağlık tehlikelerine neden olan malmemelerin işlenmesi yasaktır (örn. asbest).

Uca yerleştirilen takımın bloke olması halinde lütfen cihazı hemen kapatın! Uca yerleştirilen takım bloke olduğu sürece cihazı tekrar çalıştırmayın; bu sırada yüksek reaksiyon momentine sahip bir geri tepme meydana gelebilir. Uca yerleştirilen takımın neden bloke olduğuna bakın ve bu durumu güvenli uyarılara dikkat ederek gidin.

Olası nedenler şunlar olabilir:

- İşlenen parça içinde takılma
- İşlenen malzemenin delinmesi
- Elektrikli alete aşırı yük binmesi

Ellerinizi çalışmakta olan makinenin içine uzatmayın.

Uca yerleştirilen takım kullanım sırasında ısınabilir.

**UYARI!** Yanma tehlikesi

- takım değiştirme sırasında
- aletin yere bırakılması sırasında

Alet çalışır durumda iken talaş ve kırpıntılar temizlemeye çalışmayın.

Duvar, tavan ve zeminde delik açarken elektrik kablolarına, gaz ve su borularına dikkat edin.

İşlenen parçayı bir germe tertibatıyla emniyete alın. Emniyete alınmayan iş parçaları ağır yaralanmalar ve hasarlara neden olabilir.

Aletin kendinde bir çalışma yapmadan önce kartuş aküyü çıkarın.

Kullanılmış kartuş aküleri ateşe veya ev çöplerine atmayın. AEG, kartuş akülerin çevreye zarar vermeyecek biçimde tasfiye edilmesine olanak sağlayan hizmet sunar; lütfen bu konuda yetkili satıcınızdan bilgi alın.

Kartuş aküleri metal parça veya eşyalarla birlikte saklamayın (kısa devre tehlikesi).

C18 sistemli kartuş aküleri sadece M18 sistemli şarj cihazları ile şarj edin. Başka sistemli aküleri şarj etmeyin.

Kartuş aküleri ve şarj cihazını açmayın ve sadece kuru yerlerde saklayın. Neme ve ıslanmaya karşı koruyun.

Aşırı zorlanma veya aşırı ısınma sonucu hasar gören kartuş akülerden batarya sıvısı dışarı akabilir. Batarya sıvısı ile temas gelen yeri hemen bol su ve sabunla yıkayın. Batarya sıvısı gözünüze kaçacak olursa en azından 10 dakika yıkayın ve zaman geçirmeden bir hekime başvurun.

#### KULLANIM

**M18 ONEDD:** Bu akülü delme/vidalama makinesi, şebeke akımına bağlı kalınmadan delme ve vidalama işlerinde çok yönlü olarak kullanılabilir.

**M18 ONEPD:** Bu akülü elektronik darbeli matkap şebeke akımından bağımsız olarak delme, darbeli delme ve vidalama işlerinde çok yönlü olarak kullanılabilir.

Bu alet sadece belirttiği gibi ve usulüne uygun olarak kullanılabilir.

#### CE UYGUNLUK BEYANI

Tek sorumlu olarak „Teknik Veriler“ bölümünde tarif edilen ürünün 2011/65/EU (RoHS), 2014/30/EU, 2006/42/EC, 2014/53/EU sayılı direktifin ve aşağıdaki harmonize temel belgelerin bütün önemli hükümlerine uygun olduğunu beyan etmekteyiz:

EN 60745-1:2009 + A11:2010  
EN 60745-2-2:2010  
EN 55014-1:2006+A1:2009+A2:2011  
EN 62479:2010  
EN 301 489-1 V1.9.2 (2011-09)  
EN 301 489-17 V2.2.1(2012-09)  
EN 300328 V.1.8.1(2012-06)  
EN 55014-2:1997+A1:2001+A2:2008

Winnenden, 2016-03-29

*Alexander Krug*

Alexander Krug

Managing Director

Teknik evrakları hazırlamakla görevlendirilmiştir.

Techtronic Industries GmbH

Max-Eyth-Straße 10

71364 Winnenden

Germany

#### İŞLETME MODUNUN SEÇİLMESİ

İşletme modunu değiştirmeden önce aletin tamamıyla durmasını bekleyiniz. Ayarları değiştirmek için tuşuna basınız. Önceden ayarlanmış değerleri akıllı telefonunuz üzerindeki ONE-KEY uygulaması üzerinden değiştirmek için WLAN tuşuna basınız.

#### ONE-KEY™

Bu aletin ONE-KEY fonksiyonelliği hakkında daha fazla bilgi edinmek için yanında bulunan kısa kullanma kilavuzuna bakınız veya bizi [www.milwaukeeetool.com/one-key](http://www.milwaukeeetool.com/one-key) adresindeki internet sitemizde ziyaret ediniz. ONE-KEY uygulamasını App Store veya Google Play üzerinden akıllı telefonunuza yükleyebilirsiniz.

#### AKÜ

Uzun süre kullanım dışı kalmış kartuş aküleri kullanmadan önce şarj edin.

50°C üzerindeki sıcaklıklar kartuş akünün performansını düşürür. Akünün güneş ışığı veya mекan sıcaklığı altında uzun süre ısınmamasına dikkat edin.

Şarj cihazı ve kartuş aküdeki bağlantı kontaklarını temiz tutun.

Akünün ömrünün mükemmel bir şekilde uzun olması için kullandıktan sonra tamamen doldurulması gerekir.

Ömrünün mümkün olduğu kadar uzun olması için akülerin yüklemeye yapıldıktan sonra doldurma cihazından uzaklaştırılması gerekir.

Akünün 30 günden daha fazla depolanması halinde:

Aküyü takriben 27°C'de kuru olarak depolayın.

Aküyü yüklemeye durumunun takriben % 30 - %50 olarak depolayın.

Aküyü her 6 ay yeniden doldurun.

#### AKÜNÜN AŞIRI YÜKLENMEYE KARŞI KORUNMASI

Pek fazla elektrik tüketimi yapılmak suretiyle aküye fazla yüklenildiğinde, örneğin aşırı devir momentleri, matkap sıkışması, aniden durma veya kısa devre, elektrikli alet 2 saniye garip sesler çıkarır ve kendiliğinden durur. Aleti yeniden çalıştırmak için şalter basılı kolunu serbest bırakın ve bundan sonra tekrar çalıştırın. Aşırı yüklenme durumunda ise akü pek fazla ısınır. Bu durumda akü kendiliğinden durur.

#### LİTYUM İYON PİLLERİN TAŞINMASI

Lityum iyon piller tehlikeli madde taşımacılığı hakkındaki yasal hükümlere tabidir.

Bu piller, bölgesel, ulusal ve uluslararası yönetmeliklere ve hükümlere uyularak taşınmak zorundadır.

- Tüketiciler bu pilleri herhangi bir özel şart aranmaksızın karayoluyla taşıyabilirler.

- Lityum iyon pillerin nakliye şirketleri tarafından ticari taşımacılığı için tehlikeli madde taşımacılığına hükümleri geçerlidir. Sevk hazırlığı ve taşıma sadece ilgili eğitilmiş görmüş personel tarafından gerçekleştirilebilir. Bütün süreç zamanca bir refakatçilik altında gerçekleştirilmek zorundadır. Pillerin taşınması sırasında aşağıdaki hususlara dikkat edilmesi gerekmektedir:

- Kısa devre oluşmasını önlemek için kontakların korunmuş ve izole edilmiş olmasını sağlayınız.
- Pil paketinin ambalajı içinde kaymamasına dikkat ediniz.
- Hasarlı veya akmış pillerin taşınması yasaktır. Ayrıca bilgiler için nakliye şirketinize başvurunuz.

#### BAKIM

Bakımla ilgili açıklamaları ONE-KEY uygulaması içinde bulabilirsiniz.

Sadece Milwaukee aksesuarı ve yedek parçası kullanın. Nasıl değiştirileceği açıklanmamış olan yapı parçalarını bir Milwaukee müşteri servisinde değiştirin (Garanti ve servis adresi broşürüne dikkat edin).

Gerektiğinde cihazın ayrıntılı çizimini, güç levhası üzerindeki makine modelini ve altı haneli rakamı belirterek müşteri servisinizden veya doğrudan Techtronic Industries GmbH, Max-Eyth-Straße 10, 71364 Winnenden, Germany adresinden isteyebilirsiniz.

#### SEMBOLLER



DİKKAT! UYARI! TEHLİKE!



Aletin kendinde bir çalışma yapmadan önce kartuş aküyü çıkarın.



Lütfen aleti çalıştırmadan önce kullanma kilavuzunu dikkatli biçimde okuyun.



Elektrikli cihazların evsel atıklarla birlikte bertaraf edilmesi yasaktır. Elektrikli ve elektronik cihazlar ayrılarak biriktirilmeli ve çevreye zarar vermeden bertaraf edilmeleri için bir atık değerlendirme tesisine götürülmelidir. Yerel makamlara veya satıcınıza geri dönüşüm tesisleri ve atık toplama merkezlerinin yerlerini danışınız.



CE işareti



Ulusal uygunluk işareti Ukrayna

TR 066



EurAsian Uyumluluk işareti

TECHNICKÁ DATA	AKU PŘIKLEPOVÉ VRTAČKY/ŠROUBOVÁKY	M18 ONEDD	M18 ONEPD
Výrobní číslo.....	4527 24 02.....	4527 13 02.....	000001-999999
Vrtací ø v oceli.....	13 mm.....	13 mm.....	13 mm.....
Vrtací ø v dřevě.....	45 mm.....	45 mm.....	45 mm.....
Vrtání ø v cihle a vápenopískové cihle.....	-.....	13 mm.....	13 mm.....
Vruty do dřeva (bez předvrtání).....	10 mm.....	10 mm.....	10 mm.....
Počet otáček při běhu naprázdno na 1.st.rychlosti.....	0-550 min <sup>-1</sup> .....	0-550 min <sup>-1</sup> .....	0-550 min <sup>-1</sup> .....
Počet otáček při běhu naprázdno na 2.st.rychlosti.....	0-2000 min <sup>-1</sup> .....	0-2000 min <sup>-1</sup> .....	0-2000 min <sup>-1</sup> .....
Počet úderů při zatížení na 1. st.rychlosti.....	-.....	0-8800 min <sup>-1</sup> .....	0-8800 min <sup>-1</sup> .....
Počet úderů při zatížení na 2. st.rychlosti.....	-.....	0-32000 min <sup>-1</sup> .....	0-32000 min <sup>-1</sup> .....
Točivý moment s výměnnou baterií (5,0 Ah).....	135 Nm.....	135 Nm.....	135 Nm.....
Napětí výměnného akumulátoru.....	18 V.....	18 V.....	18 V.....
Rozsah upnutí sklíčidla.....	1,5-13 mm.....	1,5-13 mm.....	1,5-13 mm.....
Hmotnost podle prováděcího předpisu EPTA 01/2003 (2,0 Ah).....	2,3 kg.....	2,3 kg.....	2,3 kg.....
Hmotnost podle prováděcího předpisu EPTA 01/2003 (5,0 Ah).....	2,5 kg.....	2,5 kg.....	2,5 kg.....

#### Informace o hluku / vibracích

Naměřené hodnoty odpovídají EN 60 745.

V třídě A posuzovaná hladina hluku přístroje činí typicky:

Hladina akustického tlaku (Kolisavost K=3dB(A))..... 74,5 dB (A)..... 99,9 dB (A)

Hladina akustického výkonu (Kolisavost K=3dB(A))..... 85,5 dB (A)..... 110,9 dB (A)

#### Použijte chráněcí sluchu !

Celkové hodnoty vibrací (vektorový součet tří směrů) zjištěné ve smyslu EN 60745.

Hodnota vibračních emisí a

Vrtání betonu s příklepem..... 13,2 m/s<sup>2</sup>

Kolisavost K=..... 1,5 m/s<sup>2</sup>

Vrtání kovů..... 1,29 m/s<sup>2</sup>..... 1,29 m/s<sup>2</sup>

Kolisavost K=..... 1,5 m/s<sup>2</sup>..... 1,5 m/s<sup>2</sup>

Šroubování..... 1,33 m/s<sup>2</sup>..... 1,33 m/s<sup>2</sup>

Kolisavost K=..... 1,5 m/s<sup>2</sup>..... 1,5 m/s<sup>2</sup>

\* Změřeno podle normy Milwauke N 877318

#### VAROVÁNÍ

Úroveň chvění uvedená v tomto návodu byla naměřena podle metody měření stanovené normou EN 60745 a může být použita pro porovnání elektrického nářadí. Hodí se také pro průběžný odhad zatížení chvěním.

Uvedená úroveň chvění představuje hlavní účely použití elektrického nářadí. Jestliže se ale elektrické nářadí používá pro jiné účely, s odlišnými nástroji nebo s nedostatečnou údržbou, může se úroveň chvění odlišovat. To může značně zvýšit zatížení chvěním během celé pracovní doby.

Pro přesný odhad zatížení chvěním se musí také zohlednit časy, během kterých je přístroj vypnutý nebo kdy je sice v chodu, ale skutečně se s ním nepracuje. To může zatížení chvěním během celé pracovní doby značně snížit.

Stanovte doplňková bezpečnostní opatření pro ochranu obsluhy před účinky chvění jako například: technická údržba elektrického nářadí a nástrojů, udržování teploty rukou, organizace pracovních procesů.

#### ! UPOZORNĚNÍ! Přečtěte si všechny bezpečnostní pokyny a návody.

Zanedbání při dodržování varovných upozornění a pokynů mohou mít za následek úder elektrickým proudem, požár a/nebo těžká poranění.

Všechna varovná upozornění a pokyny do budoucna uschovejte.

#### ! BEZPEČNOSTNÍ POKYNY PRO PRÁCI S VRTAČKOU

**Použijte chráněcí sluchu.** Působením hluku může dojít k poškození sluchu.

**Použijte doplňková madla dodávána s přístrojem.** Nedostatečným držením by mohlo dojít ke zranění.

**Při provádění prací, při kterých nástroj může narazit na skryta elektrická vedení, držte přístroj za izolované přidržovací plochy.** Kontakt tezného nástroje s vedením pod napětím může vést k přenosu napětí na kovové části přístroje a k úrazu elektrickým proudem.

#### ! BEZPEČNOSTNÍ PŘEDPISY PRO ŠROUBOVÁK

**Přístroj držte za izolované plochy, pokud provádíte práce, při kterých může šroub zasáhnout skrytá elektrická vedení.** Kontakt šroubu s vedením pod napětím může přivést napětí na kovové části přístroje a způsobit elektrický ráz.

#### ! DALŠÍ BEZPEČNOSTNÍ A PRACOVNÍ POKYNY

Použijte ochranné vybavení. Při práci s elektrickým nářadím používejte vždy ochranné brýle. Doporučujeme rovněž použití součástí ochranného oděvu a ochranné obuvi, jako protiprašné masky, ochranných rukavic, pevné a neklouzající obuvi, ochranné přilby a ochrany sluchu.

Prach vznikající při práci s tímto nářadím může být zdraví škodlivý. Proto by neměl přijít do styku s tělem. Používejte při práci vhodnou ochranou masku.

Nesmějí se opracovávat materiály, které mohou způsobit ohrožení zdraví (např. azbest)

Při zablokování nasazeného nástroje přístroj okamžitě vypněte! Přístroj nezapínajte, pokud je nasazený nástroj zablokovaný; mohl by při tom vzniknout zpětný náraz s vysokým reakčním momentem. Zjistěte příčinu zablokování nasazeného nástroje a odstraňte ji při dodržení bezpečnostních pokynů.

Možnými příčinami mohou být:

- vzpříčení v opracovávaném obrobku
- přelomení opracovávaného materiálu
- přetížení elektrického přístroje

Nezasahujte do běžícího stroje.

Nasazený nástroj se může během používání rozpálit.

**VAROVÁNÍ!** Nebezpečí popálení.

- při výměně nástroje
- při odkládání přístroje

Pokud stroj běží, nesmí být odstraňovány třísky nebo odštěpky.

Při vrtání do zdi, stropu nebo podlahy dávat pozor na elektrické kabely, plynová a vodovodní potrubí.

Obrobek zabezpečte upínacím zařízením. Nezabezpečené obrobky mohou způsobit těžká poranění a poškození.

Před zahájením veškerých prací na vrtacím šroubováku vyjmout výměnný akumulátor.

Použité nevyhazujte do domovního odpadu nebo do ohně. AEG nabízí ekologickou likvidaci starých článků, ptejte se u vašeho obchodníka s nářadím.

Náhradní akumulátor neskladujte s kovovými předměty, nebezpečí zkratu.

Akumulátor systému M18 nabíjejte pouze nabíječkou systému M18.

Nenabíjejte akumulátory jiných systémů.

Náhradní akumulátory ani nabíječku neotvírejte, skladujte je v suchu,

chráňte před vlhkem.

Při extrémní zátěži či vysoké teplotě může z akumulátoru vytékat kapalina. Při zasažení touto kapalinou okamžitě zasažená místa omyjte vodou a mýdlem. Při zasažení očí okamžitě důkladně po dobu alespoň 10min. omyvat a neodkladně vyhledat lékaře.

#### OBLAST VYUŽITÍ

**M18 ONEDD:** Akumulátorový vrtací šroubovák je univerzálně použitelný pro vrtání a šroubování nezávisle na elektrické síti.

**M18 ONEPD:** Akumulátorový příklepový vrtací šroubovák je univerzálně použitelný pro vrtání, příklepové vrtání a šroubování nezávisle na elektrické síti.

Toto zařízení lze používat jen pro uvedený účel.

#### CE-PROHLÁŠENÍ O SHODĚ

Výhradně na vlastní zodpovědnost prohlašujeme, že se výrobek popsany v „Technických údajích“ shoduje se všemi relevantními předpisy směrnice 2011/65/EU (RoHS), 2014/30/EU, 2006/42/ES, 2014/53/EU a s následujícími harmonizovanými normativními dokumenty:

EN 60745-1:2009 + A11:2010

EN 60745-2:2010

EN 55014-1:2006+A1:2009+A2:2011

EN 62479:2010

EN 301 489-1 V1.9.2 (2011-09)

EN 301 489-17 V2.2.1(2012-09)

EN 300328 V.1.8.1(2012-06)

EN 55014-2:1997+A1:2001+A2:2008

Winnenden, 2016-03-29

*Alexander Krug*

Alexander Krug

Managing Director

Zplnomocněn k sestavování technických podkladů.

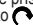

Techtronic Industries GmbH

Max-Eyth-Straße 10

71364 Winnenden

Germany

#### VÝBĚR PROVOZNIHO REŽIMU

Před změnu provozního režimu počkejte, až se přístroj úplně zastaví. Abyste mohli změnit nastavení, stiskněte tlačítko . Stiskněte tlačítko WLAN , abyste mohli změnit přednastavené hodnoty přes aplikaci ONE-KEY na vašem chytrém telefonu.

#### ONE-KEY™

Abyste se dozvěděli více o funkci ONE-KEY tohoto přístroje, přečtěte si příložený návod na rychlý start nebo náš navštivte na internetu na [www.milwaukeetool.com/one-key](http://www.milwaukeetool.com/one-key). Aplikaci ONE-KEY si na váš chytrý telefon můžete stáhnout přes App Store nebo Google Play.

#### AKUMULÁTORY

Déle nepoužívané akumulátory je nutné před použitím znovu nabít.

Teplota přes 50°C snižuje výkon akumulátoru. Chraňte před dlouhým přehříváním na slunci či u topení.

Kontakty nabíječky a akumulátoru udržujte v čistotě.

Pro optimální životnost je nutné akumulátory po použití plně dobít.

K zabezpečení dlouhé životnosti by se akumulátory měly po nabití vyjmout z nabíječky.

Při skladování akumulátoru po dobu delší než 30 dní:

Skladujte akumulátor v suchu při cca 27°C.

Skladujte akumulátor při cca 30%-50% nabíjecí kapacitě.

Opakujte nabíjení akumulátoru každých 6 měsíců.

#### OCHRANA PROTI PŘETÍŽENÍ AKUMULÁTORU

Při přetížení akumulátoru příliš vysokým odběrem proudu, například při extrémně vysokých točivých momentech, při blokování vrtáku, náhlém zastavení nebo zkratu, začne vrtáčka na 2 sekundy brčet a poté se samočinně vypne.

K opětnému zapnutí uvolněte spínací tlačítko a poté jej opět zapněte. Při extrémním zatížení se akumulátor může silně zahřát. Dojde-li k tomu, akumulátor se vypne.

#### PŘEPRAVA LITHIUM-IONTOVÝCH BATERIÍ

Lithium-iontové baterie spadají podle zákonných ustanovení pod přepravu nebezpečného nákladu.

Přeprava těchto baterií se musí realizovat s dodržováním lokálních, vnitrostátních a mezinárodních předpisů a ustanovení.

- Spotřebitelé mohou tyto baterie bez problémů přepravovat po komunikacích.

- Komerční přeprava lithium-iontových baterií prostřednictvím přepravních firem podléhá ustanovením o přepravě nebezpečného nákladu. Přípravu k vyexpedování a samotnou přepravu směji vykonávat jen příslušně vyškolené osoby. Na celý proces se musí odborně dohlížet.

Při přepravě baterií je třeba dodržovat následující:

- Zajištěte, aby kontakty byly chráněné a izolované, aby se zamezilo zkratům.

- Dávejte pozor na to, aby se svazek baterií v rámci balení nemohl sesmeknout.

- Poškozené a vyteklé baterie se nesmějí přepravovat. Ohledně dalších informací se obraťte na vaši přepravní firmu.

#### ÚDRŽBA

Pokyny k údržbě najdete v aplikaci ONE-KEY.

Používat výhradně příslušenství Milwaukee a náhradní díly Milwaukee. Díly jejichž výměny nebyla popsána, nechte vyměnit v autorizovaném servisu (viz: Záruky / Seznam servisních míst)

V případě potřeby si můžete v servisním centru pro zákazníky nebo přímo od firmy Techtronic Industries GmbH, Max-Eyth-Straße 10, 71364 Winnenden, Německo vyžádat schematický náčrsek jednotlivých dílů přístroje, když uvedete typ přístroje a šestmístné číslo na výkonovém štítku.

#### SYMBOLY



POZOR! VAROVÁNÍ! NEBEZPEČÍ!



Před zahájením veškerých prací na vrtacím šroubováku vyjmout výměnný akumulátor.



Před spuštěním stroje si pečlivě přečtete návod k používání.



Elektrické přístroje se nesmí likvidovat společně s odpadem z domácnosti. Elektrické a elektronické přístroje je třeba sbírat odděleně a odevzdat je v recyklačním podniku na ekologickou likvidaci.

Na místních úřadech nebo u vašeho specializovaného prodejce se informujte na recyklační podniky a sběrné dvory.



Značka CE



Národní znak shody Ukrajiny



Euroasijská značka shody

TECHNICKÉ ÚDAJE	AKUMULÁTOROVÁ PRIKLEPOVÁ VRTÁČKA A ÚTAHOVAČKA	M18 ONEDD	M18 ONEPD
Výrobné číslo.....		4527 24 02.....	4527 13 02.....
		...000001-999999	...000001-999999
Priemer vrtu do ocele .....		13 mm .....	13 mm .....
Priemer vrtu do dreva .....		45 mm .....	45 mm .....
Priemer vrtu do tehly a vápencového pieskovca .....		- .....	13 mm .....
Skrutkovanie do dreva (bez predvrtu) .....		10 mm .....	10 mm .....
Otáčky naprázdno v 1. prevodovom stupni .....		0-550 min <sup>-1</sup> .....	0-550 min <sup>-1</sup> .....
Otáčky naprázdno v 2. prevodovom stupni .....		0-2000 min <sup>-1</sup> .....	0-2000 min <sup>-1</sup> .....
Počet úderov v 1. prevodovom stupni .....		- .....	0-8800 min <sup>-1</sup> .....
Počet úderov v 2. prevodovom stupni .....		- .....	0-32000 min <sup>-1</sup> .....
Krútiaci moment s výmennou batériou (5,0 Ah) .....		135 Nm .....	135 Nm .....
Napätie výmenného akumulátora .....		18 V .....	18 V .....
Upínací rozsah skľučovadla .....		1,5-13 mm .....	1,5-13 mm .....
Hmotnosť podľa vykonávacieho predpisu EPTA 01/2003 (2,0 Ah).....		2,3 kg .....	2,3 kg .....
Hmotnosť podľa vykonávacieho predpisu EPTA 01/2003 (5,0 Ah).....		2,5 kg .....	2,5 kg .....

### Informácia o hluku / vibráciách

Namerané hodnoty určené v súlade s EN 60 745.

V triede A posudzovaná hladina hluku prístroja číni typicky:

Hladina akustického tlaku (Kolísavosť K=3dB(A))..... 74,5 dB (A)..... 99,9 dB (A)

Hladina akustického výkonu (Kolísavosť K=3dB(A))..... 85,5 dB (A)..... 110,9 dB (A)

### Používajte ochranu sluchu!

Celkové hodnoty vibrácií (vektorový súčet troch smerov) zistené v zmysle EN 60745.

Hodnota vibračných emisii a <sub>w</sub>		
Víťanie betónu s príklepoti.....		13,2 m/s <sup>2</sup>
Kolísavosť K=.....		1,5 m/s <sup>2</sup>
Víťanie kovov .....	1,29 m/s <sup>2</sup> .....	1,29 m/s <sup>2</sup>
Kolísavosť K=.....	1,5 m/s <sup>2</sup> .....	1,5 m/s <sup>2</sup>
Skrutkovanie .....	1,33 m/s <sup>2</sup> .....	1,33 m/s <sup>2</sup>
Kolísavosť K=.....	1,5 m/s <sup>2</sup> .....	1,5 m/s <sup>2</sup>

\* Merané podľa Milwaukee normy N 877318

### POZORI!

Úroveň vibrácií uvedená v týchto pokynoch bola nameraná meracou metódou, ktorú stanovuje norma EN 60745 a je možné ju použiť na vzájomné porovnanie elektrického náradia. Hodí sa aj na predbežné posúdenie kmitavého namáhania.

Uvedená úroveň vibrácií reprezentuje hlavné aplikácie elektrického náradia. Ak sa však elektrické náradie používa pre iné aplikácie, s odlišnými vloženími nástrojmi alebo s nedostatočnou údržbou, môže sa úroveň vibrácií líšiť. Toto môže kmitavé namáhanie v priebehu celej pracovnej doby podstatne zvýšiť.

Pre presný odhad kmitavého namáhania by sa mali tiež zohľadniť doby, v ktorých je náradie vypnuté alebo je síce v chode, ale v skutočnosti sa nepoužíva. Toto môže kmitavé namáhanie v priebehu celej pracovnej doby zreteľne redukovať.

Stanovte dodatočné bezpečnostné opatrenia pre ochranu obsluhy pred účinkami vibrácií, ako napríklad: údržba elektrického náradia a vložení nástrojov, udržiavanie teploty rúk, organizácia pracovných postupov.

**! UPOZORNENIE! Prečítajte si všetky bezpečnostné pokyny a návody.** Zanedbanie dodržiavania Výstražných upozornení a pokynov uvedených v nasledujúcom texte môže mať za následok zásah elektrickým prúdom, spôsobiť požiar a/alebo ťažké poranenie.  
**Tieto Výstražné upozornenia a bezpečnostné pokyny starostlivo uschovajte na budúce použitie.**

### ! BEZPEČNOSTNÉ POKYNY PRE PRÁCU S VRTÁČKOU

**Používajte ochranu sluchu.** Pôsobenie hluku môže spôsobiť stratu sluchu.

**Používajte prídavné rukoväte dodané spolu s prístrojom.** Strata kontroly nad strojom môže viesť k zraneniu.

**Pri realizovaní prác, pri ktorých nástroj môže naraziť na skryté elektrické vedenia, držte prístroj za izolované pridržovacie plošky. Kontakt rezného nástroja s vedením pod napätím môže viesť k prenosu napätia na kovové časti prístroja a k úrazu elektrickým prúdom.**

### ! BEZPEČNOSTNÉ PREDPISY PRE ÚTAHOVAČKU

**Kadar izvazate dela pri katerih lahko sveder zadane v prikríte električne vode, držite napravo za izolirane prijemalne površine.** Stik svedra z elektrickým vodnikom lahko kovinske deli naprave spravi pod napetost in vodi do elektrického udara.

### ! ĎALŠIE BEZPEČNOSTNÉ A PRACOVNÉ POKYNY

Použite ochranné vybavenie. Pri práci s elektrickým náradím používajte vždy ochranné okuliare. Doporučujeme taktiež použitie súčastí ochranného odevu a ochrannej obuvi, ako sú protiprašná maska, ochranné rukavice, pevná a neklzajúca obuv, ochranná prilba a ochrana sluchu.

Prach vznikajúci pri práci môže byť škodlivý zdraviu. Pri práci nosiť vhodnú ochrannú masku, aby sa nedostal do ľudského organizmu.

Nesmú sa opravovať materiály, ktoré môžu spôsobiť ohrozenie zdravia (napr. azbest)

Pri zablokovaní nasadeného nástroja prístroj okamžite vypnite! Prístroj nezapínajte, pokiaľ je nasadený nástroj zablokovaný; mohol by pri tom vzniknúť spätný náraz s vysokým reakčným momentom. Príčinu zablokovania nasadeného nástroja zistíte a odstránite so zohľadnením bezpečnostných pokynov.

Možnými príčinami môžu byť:

- spriečenie v opracovávanom obrobku
- prelomenie opracovávaného materiálu
- preťaženie elektrického prístroja

Nezasahujte do bežiacего stroja.

Nasadený nástroj sa počas používania môže rozhorčiť.

**POZOR!** Nebezpečenstvo popálenia

- pri výmene nástroja
- pri odkladaní prístroja

Triesky alebo úlomky sa nesmú odstraňovať za chodu stroja.

Pri práci v stene, strope alebo v podlahe dávajte pozor na elektrické káble, plynové a vodovodné potrubia.

Obrobok zabezpečte upínacím zariadením. Nebezpečné obrobky môžu spôsobiť ťažké poranenia a poškodenia.

Pred každou prácou na stroji výmenný akumulátor vytiahnuť.

Opotrebované výmenné akumulátory nezahadzujte do ohňa alebo medzi domový odpad. AEG ponúka likvidáciu starých výmenných akumulátorov, ktorá je v súlade s ochranou životného prostredia; informujte sa u Vášho predajcu.

Výmenné akumulátory neskladovať spolu s kovovými predmetmi (nebezpečenstvo skratu).

Výmenné akumulátory systému M18 nabíjať len nabíjacími zariadeniami systému M18. Akumulátory iných systémov týmto zariadením nenabíjať.

Výmenné akumulátory a nabíjacie zariadenia neovtárať a skladovať len v suchých priestoroch. Chrániť pred vlhkosťou.

Pri extrémnych záťažach alebo extrémnych teplotách môže dôjsť k vytokaniu batérovej tekutiny z poškodeného výmenného akumulátora. Ak dôjde ku kontaktu pokožky s roztokom, postihnuté miesto umyť vodou a mydlom. Ak sa roztok dostane do očí, okamžite ich dôkladne vypláchnuť po dobu min. 10 min a bezodkladne vyhľadať lekára.

### POUŽITIE PODĽA PREDPISOV

**M18 ONEDD:** AKU-víťací skrutkovač je univerzálne použiteľný na vŕtanie a skrutkovanie nezávisle od sieťovej prípojky.

**M18 ONEPD:** AKU-elektronicky príklepový víťací skrutkovač je univerzálne použiteľný na vŕtanie, príklepové vŕtanie a skrutkovanie nezávisle od sieťovej prípojky.

Tento prístroj sa smie používať len v súlade s uvedenými predpismi.

### CE - VYHLÁSENIE KONFORMITY

Výhradne na vlastnú zodpovednosť vyhlasujeme, že výrobok popísaný v „Technických údajoch“ sa zhoduje so všetkými relevantnými predpismi smernice 2011/65/EU (RoHS), 2014/30/EU, 2006/42/EC, 2014/53/EU a nasledujúcimi harmonizujúcimi normatívnymi dokumentmi:

EN 60745-1:2009 + A11:2010  
EN 60745-2-2:2010  
EN 55014-1:2006+A1:2009+A2:2011  
EN 62479:2010  
EN 301 489-1 V1.9.2 (2011-09)  
EN 301 489-17 V2.2.1(2012-09)  
EN 300328 V.1.8.1(2012-06)  
EN 55014-2:1997+A1:2001+A2:2008

Winnenden, 2016-03-29

*Alexander Krug*

Alexander Krug

Managing Director

Splnomocnený zostaviť technické podklady.

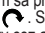
Techtronic Industries GmbH

Max-Eyth-Straße 10

71364 Winnenden

Germany

### VÝBER DRUHU PREVÁDZKY

Pred zmenou druhu prevádzky počkajte, kým sa prístroj úplne zastaví. Aby ste mohli zmeniť nastavenia, stlačte tlačidlo . Stlačte tlačidlo WLAN , aby ste mohli zmeniť prednastavené hodnoty cez aplikáciu ONE-KEY na vašom smartfóne.

### ONE-KEY™

Aby ste sa dozvedeli viac o ONE-KEY funkcii tohto prístroja, prečítajte si priložený návod na rýchly štart alebo nás navštívte na internete na [www.milwaukeetool.com/one-key](http://www.milwaukeetool.com/one-key). Aplikáciu ONE-KEY si na váš smartfón môžete stiahnuť cez App Store alebo Google Play.

### AKUMULÁTORY

Dlhší čas nepoužívané výmenné akumulátory pred použitím dobíť.

Teplota vyššia ako 50°C znižuje výkon výmenného akumulátora. Zabráňte dlhšiemu ohriatiu slnkom alebo kúrením.

Prípadné kontakty na nabíjacom zariadení a výmennom akumulátore udržiavať čisté.

Pre optimálnu životnosť je nutné akumulátory po použití plne dobíť.

K zabezpečeniu dlhej životnosti by sa akumulátory mali po nabití vybrať z nabíjačky.

Pri skladovaní akumulátora po dobu dlhšiu než 30 dní:

Skladujte akumulátor v suchu pri cca 27°C.

Skladujte akumulátor pri cca 30%-50% nabíjacej kapacity.

Opakujte nabíjanie akumulátora každých 6 mesiacov.

### OCHRANA PROTI PRETÁŽENIU AKUMULÁTORA

Pri preťažení akumulátora príliš vysokým odberom prúdu, napríklad pri extrémne vysokých točivých momentoch, pri blokovaní vrtáka, náhlom zastavení alebo skrate, začne vrtáčka na 2 sekundy hučať a potom sa samočinne vypne.

K opätovnému zapnutiu uvoľníte spínacie tlačidlo a potom ho opäť zapnete. Pri extrémnom zaťažení sa akumulátor môže silne zahriať. Ak k tomu dôjde, akumulátor sa vypne.

### PREPRAVA LIŤOVO-IÓNOVYCH BATERÍI

Liťovo-iónové batérie podľa zákonných ustanovení spadajú pod prepravu nebezpečného nákladu.

Preprava týchto batérií sa musí realizovať s dodržiavaním lokálnych, vnútroštátnych a medzinárodných predpisov a ustanovení.

• Sporebitelia môžu tieto batérie bez problémov prepravovať po cestách.

• Komerčná preprava liťovo-iónových batérií prostredníctvom špeciálnych firmiem podlieha ustanoveniam o preprave nebezpečného nákladu. Prípravu k vyexpedovaniu a samotnú prepravu smú vykonávať iba adekvátne vyškolené osoby. Na celý proces sa musí odborné dohliadať.

Pri preprave batérií treba dodržiavať nasledovné:

- Zabezpečte, aby boli kontakty chránené a izolované, aby sa zamedzilo skratom.
- Dávajte pozor na to, aby sa zväzok batérií v rámci balenia nemohol zošmyknúť.
- Poškodené a vytečené batérie sa nesmú prepravovať.

Kvôli ďalším informáciám sa obráťte na vašu špeciálnu firmu.

### ÚDRZBA

Pokyny k údržbe nájdete v aplikácii ONE-KEY.

Používať len Milwaukee príslušenstvo a Milwaukee náhradné diely. Súčiastky bez návodu na výmenu treba dat vymeniť v jednom z Milwaukee zákazníckych centier (viď brožúru Záruka/Adresy zákazníckych centier).

V prípade potreby si môžete v servisnom centre pre zákazníkov alebo priamo od firmy Techtronic Industries GmbH, Max-Eyth-Straße 10, 71364 Winnenden, Nemecko, vyžiadať schematický náčrt jednotlivých dielov prístroja pri uvedení typu prístroja a šesťmiestneho čísla na vykonávanom štítku.

### SYMBOLY



POZOR! NEBEZPEČENSTVO!



Pred každou prácou na stroji výmenný akumulátor vytiahnuť.



Pred prvým použitím prístroja si pozorne prečítajte návod na obsluhu.



Elektrické prístroje sa nesmú likvidovať spolu s odpadom z domácnosti. Elektrické a elektronické prístroje treba zbierať oddelene a odovzdať ich v recyklačnom podniku na ekologickú likvidáciu.

Na miestnych úradoch alebo u vášho špecializovaného predajcu sa spýtajte na recyklačné podniky a zberné dvory.



Značka CE



Národný znak zhody Ukrajiny



Euroázijská značka zhody



DANE TECHNICZNE	AKUMULATOROWA WIERTARKA/WKRĘTARKA UDAROWA	M18 ONEDD	M18 ONEPD
Numer produkcyjny.....	4527 24 02.....	4527 13 02.....	000001-999999
Zdolność wiercenia w stali.....	13 mm.....	13 mm.....	45 mm
Zdolność wiercenia w drewnie.....	45 mm.....	45 mm.....	13 mm
Zdolność wiercenia w cegła i płytki ceramiczne.....	-.....	-.....	10 mm
Wkręty do drewna (bez nawiercania wstępnego).....	10 mm.....	10 mm.....	0-550 min <sup>-1</sup>
Prędkość bez obciążenia na pierwszym biegu.....	0-550 min <sup>-1</sup> .....	0-550 min <sup>-1</sup> .....	0-2000 min <sup>-1</sup>
Prędkość bez obciążenia na drugim biegu.....	0-2000 min <sup>-1</sup> .....	0-2000 min <sup>-1</sup> .....	0-8800 min <sup>-1</sup>
Częstotliwość uderu na pierwszym biegu.....	-.....	-.....	0-32000 min <sup>-1</sup>
Częstotliwość uderu na drugim biegu.....	-.....	-.....	135 Nm
Moment obrotowy z akumulatorem wymiennym (5,0 Ah).....	135 Nm.....	135 Nm.....	18 V
Napięcie baterii akumulatorowej.....	18 V.....	18 V.....	1,5-13 mm
Zakres otwarcia uchwyty wiertarskiego.....	1,5-13 mm.....	1,5-13 mm.....	2,3 kg
Ciężar wg procedury EPTA 01/2003 (2,0 Ah).....	2,3 kg.....	2,3 kg.....	2,5 kg
Ciężar wg procedury EPTA 01/2003 (5,0 Ah).....	2,5 kg.....	2,5 kg.....	

**Informacja dotycząca szumów/wibracji**

Zmierzone wartości wyznaczono zgodnie z normą EN 60 745. Poziom szumów urządzenia oszacowany jako A wynosi typowo: Poziom ciśnienia akustycznego (Niepewność K=3dB(A))..... 74,5 dB (A)..... 99,9 dB (A) Poziom mocy akustycznej (Niepewność K=3dB(A))..... 85,5 dB (A)..... 110,9 dB (A)

**Należy używać ochroniaczy uszul**

Wartości łączne drgań (suma wektorowa trzech kierunków) wyznaczone zgodnie z normą EN 60745. Wartość emisji drgań a<sub>w</sub> Wiercenie udarowe w betonie..... 13,2 m/s<sup>2</sup> Niepewność K=..... 1,5 m/s<sup>2</sup> Wiercenie w metalu..... 1,29 m/s<sup>2</sup> Niepewność K=..... 1,5 m/s<sup>2</sup> Przykręcanie..... 1,33 m/s<sup>2</sup> Niepewność K=..... 1,5 m/s<sup>2</sup>

\* Zmierzone zgodnie z normą Milwaukee N 877318

**OSTRZEŻENIE!**

Podany w niniejszych instrukcjach poziom drgań został zmierzony za pomocą metody pomiarowej zgodnej z normą EN 60745 i może być użyty do porównania ze sobą elektronarzędzi. Nadaje się on również do tymczasowej oceny obciążenia wibracyjnego. Podany poziom drgań reprezentuje główne zastosowania elektronarzędzia. Jeśli jednakże elektronarzędzie użyte zostanie do innych celów z innym narzędziami roboczymi lub nie jest dostatecznie konserwowane, wtedy poziom drgań może wykazywać odchylenia. Może to wyraźnie zwiększyć obciążenie wibracjami przez cały okres pracy. Dla dokładnego określenia obciążenia wibracjami należy uwzględnić również czasy, w których urządzenie jest wyłączone względnie jest włączone, lecz w rzeczywistości nie pracuje. Może to spowodować wyraźną redukcję obciążenia wibracyjnego w całym okresie pracy.

Należy wprowadzić dodatkowe środki zapobiegawcze celem ochrony obsługującego przed oddziaływaniem drgań, jak na przykład: konserwacja narzędzi roboczych i elektronarzędzi, nagrzanie rąk, organizacja przebiegu pracy.

**⚠ OSTRZEŻENIE! Należy przeczytać wszystkie wskazówki dotyczące bezpieczeństwa i instrukcje.** Błędy w przestrzeganiu poniższych wskazówek mogą spowodować porażenie prądem, pożar i/lub ciężkie obrażenia ciała. **Należy starannie przechowywać wszystkie przepisy i wskazówki bezpieczeństwa dla dalszego zastosowania.**

**⚠ WSKAZÓWKI BEZPIECZEŃSTWA DLA WIERTAREK**

**Stosować środki ochrony słuchu!** Narażenie na hałas może spowodować utratę słuchu. **Stosować uchwyty pomocnicze dostarczone z narzędziem.** Utrata kontroli może spowodować obrażenia.

**Trzymaj urządzenie za izolowane powierzchnie chwytne gdy wykonujesz roboty, w trakcie których narzędzie skrawające może natrafić na ukryte przewody prądowe.** Styczność narzędzia skrawającego z będącym pod napięciem przewodem może spowodować podłączenie części metalowych urządzenia do napięcia i prowadzić do porażenia prądem elektrycznym.

**⚠ WSKAZÓWKI BEZPIECZEŃSTWA DOT. WKRĘTARKI**

**Trzymaj urządzenie za izolowane powierzchnie chwytowe, gdy wykonujesz roboty, w trakcie których szruba może natrafić na ukryte przewody prądowe.** Kontakt śruby z przewodem pod napięciem może spowodować podłączenie części metalowych urządzenia do napięcia i prowadzić do porażenia prądem elektrycznym.

**⚠ DODATKOWE WSKAZÓWKI BEZPIECZEŃSTWA I INSTRUKCJE ROBOCZE**

Stosować wyposażenie ochronne. Przy pracy maszyną zawsze nosić okulary ochronne. Zalecana jest odzież ochronna, jak maska pyłochronna, rękawice ochronne, mocne i chroniące przed poślizgiem obuwie, kask i ochronniki słuchu. Kurz powstający przy pracy z tym elektronarzędziem może być szkodliwy dla zdrowia, w związku z tym nie powinien dotrzeć do ciała. Nosić odpowiednią maskę przeciwpyłową.

Nie wolno obrabiać materiałów, które mogą być przyczyną zagrożenia zdrowia (na przykład azbestu). W przypadku zablokowania narzędzia nasazanego należy natychmiast wyłączyć urządzenie! Nie należy ponownie włączyć urządzenia tak długo, jak długo narzędzie nasadzone jest zablokowane; przy tym mógłby powstać odrzut zwrotny o dużym momencie reakcyjnym. Należy wykręcić i usunąć przyczynę zablokowania narzędzia nasazanego uwzględniając wskazówki dotyczące bezpieczeństwa.

Możliwymi przyczynami tego mogą być: • Skośne ustawienie się w poddawany obróbcie przedmiocie obrabianym • Przerwanie materiału poddawanego obróbcie • Przeciążenie narzędzia elektrycznego

Nie należy sięgać do wnętrza maszyny będącej w ruchu. Narzędzie nasadzone może w trakcie użytkowania stać się gorące.

**OSTRZEŻENIE!** Niebezpieczeństwo oparzenia się • przy wymianie narzędzia • przy odstawianiu urządzenia

Podczas pracy elektronarzędzia nie wolno usuwać trocin ani drzazg. Podczas pracy przy ścianach, sufitych i podłodze należy uważać na kable elektryczne, przewody gazowe i wodociągowe.

Należy zabezpieczyć przedmiot poddawany obróbcie za pomocą urządzenia mocującego. Niezabezpieczone przedmioty poddawane obróbcie mogą spowodować ciężkie obrażenia ciała i uszkodzenia.

Przed przystąpieniem do jakichkolwiek prac na elektronarzędziu należy wyjąć wkładkę akumulatorową.

Zużytych akumulatorów nie wolno wrzucać do ognia ani traktować jako odpadów domowych. AEG oferuje ekologiczną utylizację zużytych akumulatorów.

Nie przechowywać akumulatorów wraz z przedmiotami metalowymi (niebezpieczeństwo zwarcia).

Akumulatory Systemu M18 należy ładować wyłącznie przy pomocy ładowarek Systemu M18. Nie ładować przy pomocy tych ładowarek akumulatorów innych systemów.

Nie otwierać wkładek akumulatorowych i ładowarek. Przechowywać w suchych pomieszczeniach. Chronić przed wilgocią.

W skrajnych warunkach temperaturowych lub przy bardzo dużym obciążeniu może dochodzić do wycieku kwasu akumulatorowego z uszkodzonych baterii akumulatorowych. W przypadku kontaktu z kwasem akumulatorowym należy natychmiast przemyć miejsce kontaktu wodą z mydłem. W przypadku kontaktu z oczami należy dokładnie przepłukiwać oczy przynajmniej przez 10 minut i zwrócić się natychmiast o pomoc medyczną.

**WARUNKI UŻYTKOWANIA**

**M18 ONEDD:** Uniwersalna wiertarka- wkrętarka akumulatorowa przeznaczona jest do wiercenia i wkręcania z dala od źródła zasilania sieciowego.

**M18 ONEPD:** Elektroniczna akumulatorowa wiertarka udarowa/wkrętarka przeznaczona jest do wiercenia, wiercenia udarowego, a także wkręcania przy pracy z dala od źródła zasilania sieciowego.

Produkt można użytkować wyłącznie zgodnie z jego normalnym przeznaczeniem.

**DEKLARACJA ZGODNOŚCI CE**

Oświadczamy na naszą wyłączną odpowiedzialność, że produkt opisany w punkcie „Dane techniczne” jest zgodny ze wszystkimi istotnymi przepisami Dyrektywy 2011/65/EU (RoHS), 2014/30/UE, 2006/42/WE, 2014/53/EU oraz z następującymi zharmonizowanymi dokumentami normatywnymi:

- EN 60745-1:2009 + A1:2010
- EN 60745-2-2:2010
- EN 55014-1:2006+A1:2009+A2:2011
- EN 62479:2010
- EN 301 489-1 V1.9.2 (2011-09)
- EN 301 489-17 V2.2.1(2012-09)
- EN 300328 V.1.8.1(2012-06)
- EN 55014-2:1997+A1:2001+A2:2008

Winnenden, 2016-03-29

  
Alexander Krug  
Managing Director



Upełnomocniony do zestawienia danych technicznych

Technic Industries GmbH  
Max-Eyth-Straße 10  
71364 Winnenden  
Germany

**WYBÓR TRYBU PRACY**

Przed zmianą trybu pracy należy odczekać do momentu całkowitego zatrzymania się urządzenia. Aby móc dokonać zmiany ustawień, należy nacisnąć przycisk . Nacisnąć przycisk WLAN aby dokonać zmiany uprzednio nastawionych wartości za pomocą aplikacji ONE-KEY na swym smartfonie.

**ONE-KEY™**

Aby uzyskać więcej informacji o funkcjonalności ONE-KEY tego narzędzia, należy przeczytać załączoną instrukcję szybkiego uruchomienia lub wejść na stronę internetową [www.milwaukeetool.com/one-key](http://www.milwaukeetool.com/one-key). Aplikację ONE-KEY można pobrać na swój smartfon za pośrednictwem App Store lub Google Play.

**BATERIE AKUMULATOROWE**

Akumulatory, które nie były przez dłuższy czas użytkowane, należy przed użyciem naładować.

W temperaturze powyżej 50°C następuje spadek osiągniętych wkładki akumulatorowej. Unikaj długotrwałego wystawienia na oddziaływanie ciepła lub promieni słonecznych (niebezpieczeństwo przegrzania).

Styki ładowarek i wkładek akumulatorowych należy utrzymywać w czystości Dla zapewnienia optymalnej żywotności akumulatory po użyciu należy naładować do pełnej pojemności.

Dla zapewnienia możliwie długiej żywotności akumulatory należy wyjąć z ładowarki po ich naładowaniu.

W przypadku składowania akumulatorów dłużej aniżeli 30 dni: Przechowywać je w suchym miejscu w temperaturze ok. 27°C. Przechowywać je w stanie naładowanym do ok. 30% - 50%. Ładować je ponownie co 6 miesięcy.

**ZABEZPIECZENIE PRZECIĄŻENIOWE AKUMULATORA**

Przy przeciążeniu akumulatora bardzo dużym prądem na przykład wskutek ekstremalnie dużych momentów obrotowych, zakleszczenia wiertła, nagłego zatrzymania się lub zwarcia narzędzie elektryczne „buczy” przez 2 sekundy i samoczynnie wyłącza się. W celu ponownego włączenie należy zwolnić, a następnie ponownie włączyć przycisk wyłącznika.

Pod ekstremalnymi obciążeniami może dojść do silnego nagrzania się akumulatora. W takim wypadku akumulator wyłącza się.

**TRANSPORT AKUMULATORÓW LITOWO-JONOWYCH**

Akumulatory litowo-jonowe podlegają ustawowemu przepisom dotyczącym transportu towarów niebezpiecznych.

Transport tych akumulatorów winien odbywać się przy przestrzeganiu lokalnych, krajowych i międzynarodowych rozporządzeń i przepisów.

• Odbiorcom nie wolno transportować tych akumulatorów po drogach o tak po prostu.

• Komercyjny transport akumulatorów litowo-jonowych przez przedsiębiorstwa spedycyjne podlega przepisom dotyczącym transportu towarów niebezpiecznych. Przygotowania do wysyłki oraz transport mogą być wykonywane wyłącznie przez odpowiednio przeszkolone osoby. Cały proces winien odbywać się pod fachowym nadzorem.

W czasie transportu akumulatorów należy przestrzegać następujących punktów:

- Celem uniknięcia zwarć należy upewnić się, że zestyki są zabezpieczone i zaizolowane.
  - Zwracać uwagę na to, aby zespół akumulatorów nie mógł się przemieszczać we wnętrzu opakowania.
  - Nie wolno transportować akumulatorów uszkodzonych lub z wyciekającym z elektrolitem.
- Odnosnie dalszych wskazań należy zwrócić się do swojego przedsiębiorstwa spedycyjnego.

**UTRZYMANIE I KONSERWACJA**

Wskazówki dotyczące konserwacji znajdują się w aplikacji ONE-KEY. Używać tylko i wyłącznie wyposażenia dodatkowego Milwaukee i części zamiennych Milwaukee. Gdyby trzeba było wymienić części, które nie zostały opisane, należy skontaktować się z przedstawicielem serwisu Milwaukee (patrz wykaz adresów punktów usługowych/gwarancyjnych).

W razie potrzeby można zamówić rysunek urządzenia w rozłożeniu na części podając typ maszyny oraz sześciocyfrowy numer na tabliczce znamionowej w Punkcie Obsługi Klienta lub bezpośrednio w firmie Technic Industries GmbH, Max-Eyth-Straße 10, 71364 Winnenden, Germany.

**SYMBOLS**



UWAGA! OSTRZEŻENIE NIEBEZPIECZEŃSTWO!



Przed przystąpieniem do jakichkolwiek prac na elektronarzędziu należy wyjąć wkładkę akumulatorową.



Przed uruchomieniem elektronarzędzia zapoznać się uważnie z treścią instrukcji.



Urządzenia elektryczne nie mogą być usuwane razem z odpadami pochodzącymi z gospodarstw domowych. Urządzenia elektryczne i elektroniczne należy gromadzić oddzielnie i w celu usuwania ich do odpadów zgodnie z wymaganiami środowiska naturalnego oddawać do przedsiębiorstwa utylizacyjnego. Proszę zasięgnąć informacji o centrach recyklingowych i punktach zbiorczych u władz lokalnych lub u wyspecjalizowanego dostawcy.



Znak CE



Krajowy znak zgodności Ukraina



Znak zgodności EurAsian

MŰSZAKI ADATOK	AKKUMULÁTOROS ŰTVEFÚRÓ/CSAVARÓZÓGÉP	M18 ONEDD	M18 ONEPD
Gyártási szám.....	4527 24 02.....	4527 13 02.....	000001-999999
Furat-Ø acéla.....	13 mm.....	13 mm.....	
Furat-Ø fába.....	45 mm.....	45 mm.....	
Furat-Ø téglába és mészköbe.....	-.....	13 mm.....	
Facsavar (előfúrás nélkül).....	10 mm.....	10 mm.....	
Üresjárat fordulatszám alatt 1. sebességben.....	0-550 min <sup>-1</sup> .....	0-550 min <sup>-1</sup> .....	
Üresjárat fordulatszám 2. fokozatban.....	0-2000 min <sup>-1</sup> .....	0-2000 min <sup>-1</sup> .....	
Ütésszám 1. sebességben.....	-.....	0-8800 min <sup>-1</sup> .....	
Ütésszám 2. fokozatban.....	-.....	0-32000 min <sup>-1</sup> .....	
nyomaték(5,0 Ah) csereakkuval.....	135 Nm.....	135 Nm.....	
Akkumulátor feszültség.....	18 V.....	18 V.....	
Befogási tartomány.....	1,5-13 mm.....	1,5-13 mm.....	
Súly a 01/2003 EPTA-eljárás szerint (5,0 Ah).....	2,3 kg.....	2,3 kg.....	
Súly a 01/2003 EPTA-eljárás szerint (5,0 Ah).....	2,5 kg.....	2,5 kg.....	

**Zaj-/Vibráció-információ**

A közölt értékek megfelelnek az EN 60 745 szabványnak.

A készülék munkahelyi zajszintje tipikusan:

Hangnyomás szint (K bizonytalanság=3dB(A))..... 74,5 dB (A)..... 99,9 dB (A)

Hangteljesítmény szint (K bizonytalanság=3dB(A))..... 85,5 dB (A)..... 110,9 dB (A)

**Hallásvédő eszköz használata ajánlott!**

Összesített rezgésértékek (három irány vektorális összege) az EN 60745 -nek megfelelően meghatározva.

ah rezegésemisszió érték

Útvefúrás betonban.....	-.....	13,2 m/s <sup>2</sup>
K bizonytalanság.....	-.....	1,5 m/s <sup>2</sup>
Fúrás fémben.....	1,29 m/s <sup>2</sup> .....	1,29 m/s <sup>2</sup>
K bizonytalanság.....	1,5 m/s <sup>2</sup> .....	1,5 m/s <sup>2</sup>
Csavarozás.....	1,33 m/s <sup>2</sup> .....	1,33 m/s <sup>2</sup>
K bizonytalanság.....	1,5 m/s <sup>2</sup> .....	1,5 m/s <sup>2</sup>

\* Az Milwaukee N 877318 szabvány szerint mérve

#### FIGYELMEZTETÉS!

A jelen utasításokban megadott rezgésszint értéke az EN 60745-ben szabályozott mérési eljárásnak megfelelően került le mérésre, és használható elektromos szerszámokkal történő összehasonlításhoz. Az érték alkalmas a rezgésterhelés előzetes megbecsülésére is.

A megadott rezgésszint-érték az elektromos szerszám legfőbb alkalmazásait reprezentálja. Ha az elektromos szerszámot azonban más alkalmazásokhoz, eltérő használt szerszámokkal vagy nem elegendő karbantartással használják, a rezgésszint értéke eltérő lehet. Ez jelentősen megnövelheti a rezgésterhelést a munkavégzés teljes időtartama alatt.

A rezgésterhelés pontos megbecsüléséhez azokat az időket is figyelembe kell venni, melyekben a készülék lekapcsolódik, vagy ugyan működik, azonban ténylegesen nincs használatban. Ez jelentősen csökkentheti a rezgésterhelést a munkavégzés teljes időtartama alatt.

Határozzon meg további biztonsági intézkedéseket a kezelő védelmére a rezgések hatása ellen, például: az elektromos és a használt szerszámok karbantartásával, a kezek melegen tartásával, a munkafolyamatok megszervezésével.

**⚠ FIGYELMEZTETÉS!** Olvasson el minden biztonsági útmutatást és utasítást. A következőkben leírt előírások betartásának elmulasztása áramütésekhez, tűzhoz és/vagy súlyos testi sérülésekhez vezethet. **Kérjük a későbbi használatra gondosan őrizze meg ezeket az előírásokat.**

#### ⚠ BIZTONSÁGI ÚTMUTATÁSOK FÜRŐGÉPEKHEZ

**Viseljen hallásvédőt.** A zajhatás a hallás elvesztését eredményezheti.

**Használja a készülékkel együtt szállított kézifogantyúkat.** A készülék fölötti ellenőrzés elvesztése sérüléseket okozhat.

**A készüléket a szigetelt markolatfelületeket fogva tartsa, ha olyan munkálatokat végez, melyeknél a vágószerszám rejtett elektromos vezetékekbe.**

A vágószerszám feszültségvezető vezetékkel való érintkezésekor a készülék fém részei is feszültség alá kerülhetnek, és elektromos áramütés következhet be.

#### ⚠ BIZTONSÁGI ÚTMUTATÁSOK CSAVAROZÓGÉPHEZ

**Olyan munkák végzésekor, melyeknél a csavar rejtett áramvezetéseket érthet, a szigetelt markolati felületeknél tartsa a készüléket.** A csavar feszültségvezető vezetékkel érintkezve fém alkatrészeket helyezhet feszültség alá, és elektromos áramütést idézhet elő.

#### ⚠ TOVÁBBI BIZTONSÁGI ÉS MUNKAVÉGZÉSI UTASÍTÁSOK

Használjon védőfelszerelést! Ha a gépen dolgozik, mindig hordjon védőszemüveget! Javasoljuk a védőruházat, úgymint porvédő maszk, védőcipő, erős és csuszásbiztos lábbeli, sisak és hallásvédő használatát.

A munka során keletkező por gyakran egészségre káros, ezért ne kerüljön a szervezetbe

Hordjon e célra alkalmas porvédőmaszkot.

Nem szabad olyan anyagokat megmunkálni, amelyek egészségre veszélyesek (pl. azbeszitet).

MŰSZAKI ADATOK	AKKUMULÁTOROS ŰTVEFÚRÓ/CSAVARÓZÓGÉP	M18 ONEDD	M18 ONEPD
Gyártási szám.....	4527 24 02.....	4527 13 02.....	000001-999999
Furat-Ø acéla.....	13 mm.....	13 mm.....	
Furat-Ø fába.....	45 mm.....	45 mm.....	
Furat-Ø téglába és mészköbe.....	-.....	13 mm.....	
Facsavar (előfúrás nélkül).....	10 mm.....	10 mm.....	
Üresjárat fordulatszám alatt 1. sebességben.....	0-550 min <sup>-1</sup> .....	0-550 min <sup>-1</sup> .....	
Üresjárat fordulatszám 2. fokozatban.....	0-2000 min <sup>-1</sup> .....	0-2000 min <sup>-1</sup> .....	
Ütésszám 1. sebességben.....	-.....	0-8800 min <sup>-1</sup> .....	
Ütésszám 2. fokozatban.....	-.....	0-32000 min <sup>-1</sup> .....	
nyomaték(5,0 Ah) csereakkuval.....	135 Nm.....	135 Nm.....	
Akkumulátor feszültség.....	18 V.....	18 V.....	
Befogási tartomány.....	1,5-13 mm.....	1,5-13 mm.....	
Súly a 01/2003 EPTA-eljárás szerint (5,0 Ah).....	2,3 kg.....	2,3 kg.....	
Súly a 01/2003 EPTA-eljárás szerint (5,0 Ah).....	2,5 kg.....	2,5 kg.....	

A közölt értékek megfelelnek az EN 60 745 szabványnak.		
A készülék munkahelyi zajszintje tipikusan:		
Hangnyomás szint (K bizonytalanság=3dB(A)).....	74,5 dB (A).....	99,9 dB (A)
Hangteljesítmény szint (K bizonytalanság=3dB(A)).....	85,5 dB (A).....	110,9 dB (A)

Összesített rezgésértékek (három irány vektorális összege) az EN 60745 -nek megfelelően meghatározva.		
ah rezegésemisszió érték		
Útvefúrás betonban.....	-.....	13,2 m/s <sup>2</sup>
K bizonytalanság.....	-.....	1,5 m/s <sup>2</sup>
Fúrás fémben.....	1,29 m/s <sup>2</sup> .....	1,29 m/s <sup>2</sup>
K bizonytalanság.....	1,5 m/s <sup>2</sup> .....	1,5 m/s <sup>2</sup>
Csavarozás.....	1,33 m/s <sup>2</sup> .....	1,33 m/s <sup>2</sup>
K bizonytalanság.....	1,5 m/s <sup>2</sup> .....	1,5 m/s <sup>2</sup>

\* Az Milwaukee N 877318 szabvány szerint mérve

#### FIGYELMEZTETÉS!

A jelen utasításokban megadott rezgésszint értéke az EN 60745-ben szabályozott mérési eljárásnak megfelelően került le mérésre, és használható elektromos szerszámokkal történő összehasonlításhoz. Az érték alkalmas a rezgésterhelés előzetes megbecsülésére is.

A megadott rezgésszint-érték az elektromos szerszám legfőbb alkalmazásait reprezentálja. Ha az elektromos szerszámot azonban más alkalmazásokhoz, eltérő használt szerszámokkal vagy nem elegendő karbantartással használják, a rezgésszint értéke eltérő lehet. Ez jelentősen megnövelheti a rezgésterhelést a munkavégzés teljes időtartama alatt.

A rezgésterhelés pontos megbecsüléséhez azokat az időket is figyelembe kell venni, melyekben a készülék lekapcsolódik, vagy ugyan működik, azonban ténylegesen nincs használatban. Ez jelentősen csökkentheti a rezgésterhelést a munkavégzés teljes időtartama alatt.

Határozzon meg további biztonsági intézkedéseket a kezelő védelmére a rezgések hatása ellen, például: az elektromos és a használt szerszámok karbantartásával, a kezek melegen tartásával, a munkafolyamatok megszervezésével.

A betétszerszám elakadásakor azonnal ki kell kapcsolni a készüléket! Addig ne kapcsolja vissza a készüléket, amíg a betétszerszám elakadása fennáll; ennek során nagy ellenyomatekű visszarúgás történhet. Határozza és szüntesse meg a betétszerszám elakadásának okát a biztonsági útmutatások betartása mellett.

Ennek következők lehetnek az okai:

- a szerszám elakad a megmunkálendő munkadarabban
- a megmunkálendő anyag átszakadt
- az elektromos szerszám túlterhelése

Ne nyúljon a járó géphe.

A betétszerszám az alkalmazás során felforrósodhat.

**FIGYELMEZTETÉS!** Égési sérülések veszélye

- szerszámcserékor
- a készülék lerakásakor

A munka közben keletkezett forgácsokat, szilkánkokat, törmeléket, stb. csak a készülék teljes leállása után szabad a munkaterületről eltávolítani.

Falban, földemben, aljzatban történő fúrásnál fokozottan ügyelni kell az elektromos-, víz- és gázvezetésekre.

Biztosítsa a munkadarabot befogó szerkezettel. A nem biztosított munkadarabok súlyos sérüléseket és károkat okozhatnak.

Karbantartás, javítás, tisztítás, stb. előtt az akkumulátort ki kell venni a készülékből.

A használt akkumulátort ne dobja tűzbe vagy a háztartási szemétkbe. Tájékozdódn a szakszerű megsemmisítés helyi lehetőségeiről.

Az akkumulátort ne tárolja együtt fém tárgyakkal. (Rövidzárlat veszélye).

Az M18 elnevezésű rendszerhez tartozó akkumulátorokat kizárólag a rendszerhez tartozó töltővel töltsse fel. Ne használjon más rendszerbe tartozó töltőt.

Az akkumulátort, töltőt nem szabad megbontani és kizárólag száraz helyen szabad tárolni. Nedvességtől óvni kell.

Akkumulátor sav folyhat a sérült akkumulátorból extrém terhelés alatt, vagy extrém hő miatt. Ha az akkumulátor sav a bőrére kerül azonnal mossa meg szappanos vízzel. Szembe kerülés esetén folyóvíz alatt tartsa a szemét minimum 10 percig és azonnal forduljon orvoshoz.

#### RENDELTESSZERŰ HASZNÁLAT

**M18 ONEDD:** Az akkumulátoros fúró-csavarozó készülék általábann használható fúráshoz és csavarozáshoz.

**M18 ONEPD:** Az akkumulátoros, elektronikus útvefúró-csavarozó hálózattól függetlenül általábann használható fúráshoz, útvefúráshoz és csavarozáshoz.

A készüléket kizárólag az alábbiakban leírtaknak megfelelően szabad használni.

#### CE-AZONOSSÁGI NYILATKOZAT

Egyedüli felelősséggel kijelentjük, hogy a „Műszaki Adatok” alatt leírt termék a 2011/65/EU (RoHs), 2014/30/EU, 2006/42/EK, 2014/53/EU, irányelvek minden releváns előírásának, ill. az alábbi harmonizált normatív dokumentumoknak megfelel:

EN 60745-1:2009 + A11:2010

EN 60745-2-2:2010

EN 55014-1:2006+A1:2009+A2:2011

EN 62479:2010

EN 301 489-1 V1.9.2 (2011-09)

EN 301 489-17 V2.2.1(2012-09)

EN 300328 V.1.8.1(2012-06)

EN 55014-2:1997+A1:2001+A2:2008

Winnenden, 2016-03-29

*Alexander Krug*

Alexander Krug  
Managing Director

Műszaki dokumentáció összeállításra felhatalmazva



Techtronic Industries GmbH

Max-Eyth-Straße 10

71364 Winnenden

Germany

#### ÜZEMMÓD VÁLASZTÁSA

Az üzemmód megváltoztatása előtt várjon, míg a készülék teljesen leáll. A beállítások módosításához nyomja meg a  gombot. Nyomja meg a  WLAN gombot, hogy az előre beállított értékeket a ONE-KEW alkalmazáson keresztül okostelefonján módosítsa.

#### ONE-KEY™

Ha többet kíván tudni a szerszám ONE-KEY funkcionalitásáról, olvassa el a mellékelt gyorsindítási útmutatót, vagy keressen fel bennünket az interneten a [www.milwaukeetool.com/one-key](http://www.milwaukeetool.com/one-key) címen. A ONE-KEY alkalmazás letölthető okostelefonjára az App Store-ból vagy a Google Play áruházból.

#### AKKUK

A hosszabb ideig üzemben kívül lévő akkumulátort használat előtt ismételten fel kell tölteni.

50°C feletti hőmérsékletnél csökkenhet az akkumulátor teljesítménye. Kerülni kell a túlzottan meleg helyen vagy napon történő hosszabb idejű tárolást.

A töltő és az akkumulátor csatlakozóit mindig tisztán kell tartani.

Az optimális élettartam érdekében használat után az akkukat teljesen fel kell tölteni.

A lehetőleg hosszú élettartamhoz az akkukat feltöltés után ki kell venni a töltőkészülékből.

Az akku 30 napot meghaladó tárolása esetén: Az akkut kb. 27 °C-on, száraz helyen kell tárolni. Az akkut kb. 30-50%-os töltöttségi állapotban kell tárolni. Az akkut 6 havonta újra fel kell tölteni.

#### AZ AKKUMULÁTOR TÚLTERHELÉS ELLENI VÉDELME

Az akku túl magas áramfogyasztás miatti, pl. túl nagy forgatónyomatékok, a fúró megzorulása, hirtelen leállás következtében fellépő túlterhelése esetén az elektromos szerszám 2 másodpercig zúg, és önműködően lekapcsol. Az újbóli bekapcsoláshoz el kell engedni a kapcsolóbillentyűt, majd ismét be kell kapcsolni.

Extrém mértékű terhelés esetén az akku erősen felforrósodhat. Ebben az esetben az akku lekapcsol.

#### LÍTIUM-ION AKKUK SZÁLLÍTÁSA

A lítium-ion akku a veszélyes áruk szállítására vonatkozó törvényi rendelkezések hatálya alá tartoznak.

Az ilyen akkuk szállításának a helyi, országos és nemzetközi előírások és rendelkezések betartása mellett kell történnie.

- A fogyasztók minden további nélkül szállíthatják az ilyen akkukat közúton.

- A lítium-ion akkuk szállítmányozási vállalatok általi kereskedelmi célú szállítására a veszélyes áruk szállítására vonatkozó rendelkezések érvényesek. A kiszállítás előkészítését és a szállítást kizárólag megfelelő képzésű személyek végezhetik. A teljes folyamatnak szakmai felügyelet alatt kell történnie.

A következő pontokat kell figyelembe venni akkuk szállításakor:

- Biztosítsa, hogy a rövidzárlatok elkerülése érdekében az érintkezők véde és szigetelve legyenek.

- Ügyeljen arra, hogy az akkucsomag ne tudjon elcsúszni a csomagoláson belül.

- Tilos sérült vagy kifolyt akkukat szállítani. További útmutatásokért forduljon szállítmányozási vállalatához.

#### KARBANTARTÁS

A karbantartásra vonatkozó útmutatások a ONE-KEY alkalmazásban található.

Csak Milwaukee tartozékokat és Milwaukee pótalkatrészeket szabad használni. Az olyan elemeket, melyek cseréje nincs ismertetve, cseréltesse ki Milwaukee szervizzel (lásd Garancia/Ügyfélszolgálat címet kiadványt).

Igény esetén a készülékről robbantott rajz kérhető a géptípus és a teljesítménycímként található hatégyjű szám megadásával az Ön bevészolgálatánál, vagy közvetlenül a Techtronic Industries GmbH-től a Max-Eyth-Straße 10, 71364 Winnenden, Németország címen.

#### SZIMBÓLUMOK



FIGYELEM! FIGYELMEZTETÉS! VESZÉLY!



Karbantartás, javítás, tisztítás, stb. előtt az akkumulátort ki kell venni a készülékből.



Kérjük alaposan olvassa el a tájékoztatót mielőtt a gépet használja.



Az elektromos eszközöket nem szabad a háztartási hulladékkal együtt ártalmatlanítani. Az elektromos és elektronikus eszközöket szelektíven kell gyűjteni, és azokat környezetbarát ártalmatlanítás céljából hulladékhasznosító üzemben kell leadni. A helyi hatóságoknál vagy szakkereskedőjénél tájékozdódn a hulladékudvarokról és gyűjtőhelyekről.



Az elektromos eszközöket nem szabad a háztartási hulladékkal együtt ártalmatlanítani. Az elektromos és elektronikus eszközöket szelektíven kell gyűjteni, és azokat környezetbarát ártalmatlanítás céljából hulladékhasznosító üzemben kell leadni. A helyi hatóságoknál vagy szakkereskedőjénél tájékozdódn a hulladékudvarokról és gyűjtőhelyekről.



CE-jelölés



Ukrán nemzeti megfelelőségi jelölés



Eurázsiai megfelelőségi jelzés.



TEHNIČNI PODATKI	BATERIJSKI UDARNI VR TALNIK/I VIJAČNIKI	M18 ONEDD	M18 ONEPD
Proizvodna številka.....		4527 24 02.....	4527 13 02.....
		...000001-999999	...000001-999999
Vrtni ø v jeklu.....		13 mm.....	13 mm.....
Vrtni ø v lesu.....		45 mm.....	45 mm.....
Vrtni ø v opeki in apnenem peščencu.....		-.....	13 mm.....
lesni vijaki (brez predhodnega vrtnja).....		10 mm.....	10 mm.....
Število vrtljajev v prostem teku v 1. prestavi.....		0-550 min <sup>-1</sup> .....	0-550 min <sup>-1</sup> .....
Število vrtljajev v prostem teku v 2. prestavi.....		0-2000 min <sup>-1</sup> .....	0-2000 min <sup>-1</sup> .....
Število udarcev v 1. prestavi.....		-.....	0-8800 min <sup>-1</sup> .....
Število udarcev v 2. prestavi.....		-.....	0-32000 min <sup>-1</sup> .....
Vrtilni moment z izmenljivim akumulatorjem (5,0 Ah).....		135 Nm.....	135 Nm.....
Napetost izmenljivega akumulatorja.....		18 V.....	18 V.....
Napenjalno področje vpenjalne glave.....		1,5-13 mm.....	1,5-13 mm.....
Teža po EPTA-proceduri 01/2003 (2,0 Ah).....		2,3 kg.....	2,3 kg.....
Teža po EPTA-proceduri 01/2003 (5,0 Ah).....		2,5 kg.....	2,5 kg.....

### Informacije o hrupnosti/vibracijah

Vrednosti merjenja ugotovljene ustrezno z EN 60 745.

Raven hrupnosti naprave ovrednotena z A, znaša tipično:

Nivo zvočnega tlaka (Nevarnost K=3dB(A))..... 74,5 dB (A)..... 99,9 dB (A)

Višina zvočnega tlaka (Nevarnost K=3dB(A))..... 85,5 dB (A)..... 110,9 dB (A)

### Nosite zaščito za sluh!

Skupna vibracijska vrednost (Vektorska vsota treh smeri) določena ustrezno EN 60745.

Vibracijska vrednost emisij a<sub>n</sub>

Udarno vrtnje v beton.....	-.....	13,2 m/s <sup>2</sup>
Nevarnost K=.....	-.....	1,5 m/s <sup>2</sup>
Vrtnje v kovine.....	1,29 m/s <sup>2</sup> .....	1,29 m/s <sup>2</sup>
Nevarnost K=.....	1,5 m/s <sup>2</sup> .....	1,5 m/s <sup>2</sup>
Vijačenje.....	1,33 m/s <sup>2</sup> .....	1,33 m/s <sup>2</sup>
Nevarnost K=.....	1,5 m/s <sup>2</sup> .....	1,5 m/s <sup>2</sup>

\* Izmerjeno po Milwaukee normi N 877318

### OPOZORILO!

V teh navodilih navedena raven treslajev je bila izmerjena po EN60745 normiranem merilnem postopku in lahko služi medsebojni primerjavi električnih orodij. Prav tako je primeren za predhodno oceno obremenitve s treslaji.

Navedena raven treslajev navaja najpomembnejše vrste rabe električnega orodja. Kadar se električno orodje uporablja za drugačne namene, z odstopajočimi orodji ali pa z nezadostnim vzdrževanjem, lahko raven treslajev tudi odstopa. Le to lahko čez celoten delovni čas znatno zviša obremenitev s tresenjem.

Za natančno oceno obremenitve s treslaji naj bi se upošteval tudi čas v katerem je naprava izklopljena ali sicer teče, vendar dejansko ni v rabi. Le to lahko obremenitev s treslaji čez celoten delovni čas znatno zmanjša.

Za zaščito upravljalca pred učinkom treslajev uvedite dodatne zaščitne ukrepe npr.: Vzdrževanje električnega orodja in orodja, delo s toplimi rokami, organizacija delovnih potočkov.

### ⚠ OPOZORILO! Preberite vsa varnostna opozorila in navodila.

Napake zaradi neupoštevanja spodaj navedenih opozoril in napotil lahko povzročijo električni udar, požar in/ali težke telesne poškodbe.

**Vsa opozorila in napotila shranite, ker jih boste v prihodnje še potrebovali.**

### ⚠ VARNOSTNI NAPOTKI ZA VR TALNI STROJ

**Nosite zaščito za sluh.** Razvijanje hrupa lahko povzroči izgubo sluha.

**Uporabite dodatne ročaje, ki so dobavljeni skupaj z napravo.** Izguba kontrole lahko povzroči poškodbe.

**Kadar izvajate dela pri katerih lahko orodje zadane prikrito električno napeljavno, je napravo potrebno držati za izolirane prijemalne površine.** Stik rezalnega orodja z napetostnim vodnikom napeljave lahko privede kovinske dele naprave pod napetost in vodi do električnega udara.

### ⚠ VARNOSTNA NAVODILA ZA VIJAČNIKE

**Kadar izvajate dela pri katerih lahko sveder zadane v prikrito električno kabo, držite napravo za izolirane prijemalne površine.** Stik svedra z električnim vodnikom lahko kovinske dele naprave spravi pod napetost in vodi do električnega udara.

### ⚠ NADALJNA VARNOSTNA IN DELOVNA OPOZORILO

Uporabite zaščitno opremo. Pri delu s strojem vedno nosite zaščitna očala. Priporočajo se zaščitna oblačila, kot npr. maska za zaščito proti prahu, zaščitne rokavice, trdno in neдрseče obuvanje, čelada in zaščita za sluh.

Prah, ki nastaja pri delu, je pogosto zdravju škodljiv in naj ne zaide v telo. Nosite ustrezno masko proti prahu.

Obdelava materialov, iz katerih izhaja ogroženost zdravja (npr. azbest), ni dovoljena.

V primeru blokade orodja napravo takoj izklopite! Naprave ponovno ne vklopljajte dokler je orodje blokirano; pri tem bi lahko prišlo do povratnega

udara z velikim reakcijskim momentom. Ugotovite in odpravite vzroke blokade orodja ob upoštevanju varnostnih navodil.

Možni razlogi so lahko:

- Zagozditev v obdelovancu
- prežganje obdelovanega materiala
- Preobremenitev električnega orodja

Ne segajte v stroj v teku.

Orodje lahko med uporabo postane vroče.

**OPOZORILO!** Nevarnost opeklin

- pri menjavi orodja
- pri odlaganju naprave

Trske ali iveri se pri tekočem stroju ne smejo odstranjevati.

Pri delih na steni, stropu ali v tleh pazite na električne kable, plinske in vodne napeljave.

Obdelovanec zavarujte z vpenjalno pripravo. Nezavarovani obdelovanci lahko povzročijo težke poškodbe in okvare.

Pred vsemi deli na stroji odstranite izmenljivi akumulator.

Izrbljenih izmenljivih akumulatorjev ne mečite v ogenj ali v gospodinjne odpadke. AEG nudi okolju prijazno odlaganje starih izmenljivih akumulatorjev; prosimo povprašajte vašega strokovnega trgovca.

Izmenljivih akumulatorjev ne hranite skupaj s kovinskimi predmeti (nevarnost kratkega stika).

Izmenjive akumulatorje sistema M18 polnite samo s polnilnimi aparati sistema M18. Ne polnite nobenih akumulatorjev iz drugih sistemov.

Izmenljivih akumulatorjev in polnilnih aparatov ne odpirajte in jih hranite samo v suhih prostorih. Zaščitite jih pred mokroto.

Pod ekstremno obremenitvijo ali ob ekstremni temperaturi iz poškodovanega izmenjivega akumulatorja lahko izteka akumulatorska tekočina. Po stiku z akumulatorsko tekočino prizadeto mesto takoj izperite z vodo in milom. Po

stiku z očmi takoj najmanj 10 minut dolgo temeljito izpirajte in nemudoma obiščite zdravnika.

### UPORABA V SKLADU Z NAMEDNOSTJO

**M18 ONEDD:** Akumulatorski vrtnalnik – izvijajč je univerzalno uporaben za vrtnanje in vijačenje neodvisno od omrežnega priključka.

**M18 ONEPD:** Akumulatorski elektronski vrtnalnik – izvijajč je univerzalno uporaben za vrtnanje, udarno vrtnanje in vijačenje neodvisno od omrežnega priključka.

Ta naprava se sme uporabiti samo v skladu z namembnostjo uporabi samo za navede namene.

### CE-IZJAVA O KONFORMNOSTI

V lastni odgovornosti izjavljamo, da se pod „Tehnični podatki“ opisan proizvod ujema z vsemi relevantnimi predpisi smernice 2011/65/EU (RoHS), 2014/30/EU, 2006/42/ES, 2014/53/EU, in s sledečimi harmoniziranimi normativnimi dokumenti:

EN 60745-1:2009 + A11:2010  
EN 60745-2-2:2010  
EN 55014-1:2006+A1:2009+A2:2011  
EN 62479:2010  
EN 301 489-1 V1.9.2 (2011-09)  
EN 301 489-17 V2.2.1(2012-09)  
EN 300328 V.1.8.1(2012-06)  
EN 55014-2:1997+A1:2001+A2:2008

Winnenden, 2016-03-29


*Alexander Krug*

Alexander Krug  
Managing Director

Pooblaščen za izdelavo spisov tehnične dokumentacije.

Techtronic Industries GmbH  
Max-Eyth-Straße 10  
71364 Winnenden  
Germany

### IZBIRA OBRATOVALNEGA NAČINA

Pred spremembo obratovalnega načina počakajte, dokler stroj ne bo v popolnem mirovanju. Za spremembo nastavitve, pritisnite tipko Pritisnite WLAN-tipko , da boste prednastavljene vrednosti lahko spreminjali z ONE-KEY App na vašem pametnem telefonu.

### ONE-KEY™

Da boste o ONE-KEY funkcionalnosti tega orodja izvedeli več, preberite priložena navodila za hiter začetek ali pa nas obiščite na internetu pod www.milwaukeeetool.com/one-key. ONE-KEY App lahko naložite na vaš pametni telefon preko App Store ali Google Play.

### AKUMULATORJI

Izmenjive akumulatorje, ki jih daljši čas niste uporabljali, pred uporabo naknadno napolnite.

Temperatura nad 50°C zmanjšuje zmogljivost izmenjivega akumulatorja. Izogibajte se daljšemu segrevanju zaradi sončnih žarkov ali gretja.

Pazite, da ostanje priključni kontakti na polnilnem aparatu in izmenljivem akumulatorju čisti.

za optimalno življenjsko dobo je potrebno akumulatorje po uporabi do konca napolniti.

Za čim daljšo življenjsko dobo naj se akumulatorji po napolnitvi vzamejo ven iz naprave za polnjenje.

Pri skladiščenju akumulatorjev dalj kot 30 dni: Akumulator skladiščiti pri 27°C in na suhem. Akumulator skladiščiti pri 30%-50% stanja polnjenja. Akumulator spet napolniti vsakih 6 mesecev.

### ZAŠČITA PREOBREMENITVE AKUMULATORJA

V primeru preobremenitve akumulatorjev zaradi zelo visoke porabe toka, npr. ekstremno visokih vrtilnih momentov, zatika svedra, nenadne zaustavitve ali kratkega stika, električno orodje 2 sekundi brni in se samodejno izklopi.

Za ponoven vklop izpuscite tipko stikala in nato znova vklopite.

Pod ekstremnimi obremenitvami se lahko akumulator močno segreje. V tem primeru se akumulator izklopi.

### TRANSPORT LITIJSKIH AKUMULATORJEV

Litij-ionski akumulatorji so potrjeni zakonskim določbam transporta nevarnih snovi.

Transport teh akumulatorjev se mora izvajati upoštevajoč lokalne, nacionalne in mednarodne predpise in določbe.

- Potrošniki lahko te akumulatorje še nadalje transportirajo po cesti.

- Komerčni transport litij-ionskih akumulatorjev s strani špediterskih podjetij je potrjen določbam transporta nevarnih snovi. Priprava odpreme in transporta se lahko vrši izključno s strani ustrezno izšolanih oseb. Celoten proces je potrebno strokovno spremljati.

Pri transportu akumulatorjev je potrebno upoštevati sledeče točke:

- V izogib kratkim stikom zagotovite, da bodo kontakti zaščiteni in izolirani.

- Bodite pozorni na to, da paket akumulatorja v notranjosti embalaže ne bo mogel zdrsniti.

- Poškodovanih ali iztekajočih akumulatorjev ni dovoljeno transportirati. Za nadaljnja navodila se obrnite na vaše špeditersko podjetje.

### VZDRŽEVANJE

Navodila za vzdrževanje najdete v ONE-KEY App.

Uporabljajte samo Milwaukee pribor in Milwaukee nadomestne dele. Poskrbite, da sestavne dele, katerih zamenjava ni opisana, zamenjajo v Milwaukee servisni službi (upoštevajte brošuro Garancija aslovi servisnih služb).

Po potrebi je mogoče pri vašem servisnem mestu ali neposredno pri Techtronic Industries GmbH, Max-Eyth-Straße 10, 71364 Winnenden, Germany, naročiti eksplozijsko risbo naprave ob navedbi tipa stroja in na tablici navedene šestmestne številke.

### SIMBOLI



POZOR! OPOZORILO! NEVARNO!



Pred vsemi deli na stroji odstranite izmenljivi akumulator.



Prosimo, da pred uporabo pozorno preberete to navodilo za uporabo.



Električnih naprav ni dovoljeno odstranjevati skupaj z gospodinjstvi odpadki. Električne in elektronske naprave je potrebno zbirati ločeno in za okolju prijazno odstranitev, oddati podjetju za reciklažo. Pri krajevnem uradu ali vašem strokovnem prodajalcu se pozanimajte glede reciklažnih dvoščit in zbirnih mest.



CE-znak



Nacionalna oznaka skladnosti Ukrajina



EurAsian oznaka o skladnosti.

TEHNIČKI PODACI	AKUMULATORSKA UDARNA BUŠILICA	M18 ONEDD	M18 ONEPD
Broj proizvodnje.....	4527 24 02.....	4527 13 02.....	000001-999999.....
Bušenje-Ø u čelik.....	13 mm.....	13 mm.....	45 mm.....
Bušenje-Ø u drvo.....	45 mm.....	45 mm.....	13 mm.....
Bušenje-Ø u opeku i silikatnu opeku.....	-.....	-.....	10 mm.....
Vijci za drvo (bez predbušenja).....	10 mm.....	10 mm.....	0-550 min <sup>-1</sup> .....
Broj okretaja praznog hoda u 1. Brzini.....	0-550 min <sup>-1</sup> .....	0-550 min <sup>-1</sup> .....	0-2000 min <sup>-1</sup> .....
Broj okretaja praznog hoda u 2. Brzini.....	0-2000 min <sup>-1</sup> .....	0-2000 min <sup>-1</sup> .....	0-8800 min <sup>-1</sup> .....
Broj udaraca u 1. Brzini.....	-.....	-.....	0-32000 min <sup>-1</sup> .....
Broj udaraca u 2. Brzini.....	-.....	-.....	135 Nm.....
Zakretni moment sa izmjenjivim akumulatorom (5,0 Ah).....	135 Nm.....	135 Nm.....	18 V.....
Napon baterije za zamjenu.....	18 V.....	18 V.....	1,5-13 mm.....
Područje stezne glave za stezanje svrdla.....	1,5-13 mm.....	1,5-13 mm.....	2,3 kg.....
Težina po EPTA-proceduri 01/2003 (2,0 Ah).....	2,3 kg.....	2,3 kg.....	2,5 kg.....
Težina po EPTA-proceduri 01/2003 (5,0 Ah).....	2,5 kg.....	2,5 kg.....	-.....

#### Informacije o buci/vibracijama

Mjerne vrijednosti utvrđene odgovarajuće EN 60 745.

A-ocijenjeni nivo buke aparata iznosi tipično:

Nivo pritiska zvuka (Nesigurnost K=3dB(A))..... 74,5 dB (A)..... 99,9 dB (A)

Nivo učinka zvuka (Nesigurnost K=3dB(A))..... 85,5 dB (A)..... 110,9 dB (A)

#### Nositi zaštitu sluha!

Ukupne vrijednosti vibracije (Vektor suma tri smjera) su odmerjene odgovarajuće EN 60745.

Vrijednost emisije vibracije a <sub>v</sub>	-	13,2 m/s <sup>2</sup>
Udarno bušenje u betonu.....	-	1,5 m/s <sup>2</sup>
Nesigurnost K=.....	-	1,29 m/s <sup>2</sup> .....
Bušenje metala.....	1,29 m/s <sup>2</sup> .....	1,29 m/s <sup>2</sup> .....
Nesigurnost K=.....	1,5 m/s <sup>2</sup> .....	1,5 m/s <sup>2</sup> .....
Vijčanje.....	1,33 m/s <sup>2</sup> .....	1,33 m/s <sup>2</sup> .....
Nesigurnost K=.....	1,5 m/s <sup>2</sup> .....	1,5 m/s <sup>2</sup> .....

\* Mjereno po Milwaukee normi N 877318

#### UPOZORENIE!

Ova u ovim uputama navedena razina titranja je bila izmjerena odgovarajuće jednom u EN 60745 normiranom mjernom postupku i može se upotrijebiti za usporedbu električnog alata međusobno. Ona je prikladna i za privremenu procjenu titrajnog opterećenja.

Navedena razina titranja reprezentira glavne primjene električnog alata. Ukoliko se električni alat upotrebljava u druge svrhe sa odstupajućim primijenjenim alatima ili nedovoljnim održavanjem, onda razina titranja može odstupati. To može titrajno opterećenje kroz cijeli period rada bitno povišiti.

Za točnu procjenu titrajnog opterećenja se moraju uzeti u obzir i vremena u kojima je uređaj isključen ili u kojima doduše radi, ali nije i stvarno u upotrebi. To može titrajno opterećenje bitno smanjiti za vrijeme cijelog radnog perioda.

Utvrđite dodatne sigurnosne mjere za zaštitu poslužioca protiv djelovanja titranja kao npr.: Održavanje električnih alata i upotrebljenih alata, održavanje topline ruku, organizacija i radne postupke.

#### UPOZORENJE! Pročitajte molimo sve sigurnosna upozorenja i upute.

Ako se ne bi poštivale napomene o sigurnosti i upute to bi moglo uzrokovati strujni udar, požar i/ili teške ozljede.

Sačuvajte sve napomene o sigurnosti i upute za buduću primjenu.

#### SIGURNOSNE UPUTE ZA BUŠILICE

Nosite zaštitu za sluh. Djelovanje buke može dovesti do gubitka sluha.

Koristite dodatne drške koje su isporučene sa aparatom. Gubitak kontrole može prouzročiti povrede.

Držite spravu na izoliranim držačkim površinama kada izvodite radove kod kojih rezački alat može pogoditi skrivene vodove struje.

Kontakt rezačkog alata sa vodovima koji sprovode naponom može metalne dijelove sprave dovesti pod napon i tako dovesti do električnog udara.

#### SIGURNOSNE UPUTE ZA GRAĐEVNE IZVIJAČE

Držite spravu na izoliranim držačkim površinama kada izvodite radove kod kojih rezački alat može pogoditi skrivene vodove struje. Kontakt rezačkog alata sa vodovima koji sprovode naponom može metalne dijelove sprave dovesti pod napon i tako dovesti do električnog udara.

#### OSTALE SIGURNOSNE I RADNE UPUTE

Upotrebljavati zaštitnu opremu. Kod radova sa strojem uvijek nositi zaštitne naočale. Preporučuje se zaštitna odjeća, kao zaštitna maska protiv prašine, zaštitne rukavice, čvrste i protiv klizanja sigurne cipele, šljem i zaštitu sluha.

Prašina koja nastaje prilikom rada je često nezdrava i ne bi smijela dospjeti u tijelo. Nositi prikladnu zaštitnu masku protiv prašine.

Ne smiju se obrađivati nikakvi materijali, od kojih prijeto opasnost po zdravlje (npr. azbest).

Kod blokiranja alata koji se upotrebljava uređaj molimo odmah isključiti! Uređaj nemojte ponovno uključiti za vrijeme dok je alat koji se upotrebljava blokiran; time može doći do povratnog udara sa visokim reakcijskim

momentom. Pronađite i otklonite uzrok blokiranja alata koji se upotrebljava uz poštivanje sigurnosnih uputa.

Mogući uzroci tome mogu biti:

- Izobličavanje u izratku koji se obrađuje
- Probijanje materijala koji se obrađuje
- Preopterećenje električnog alata

Nemojte sezati u stroj koji radi.

Upotrebljeni alat se može za vrijeme korištenja zagrijati.

**UPOZORENIE!** Opasnost od opekotina

- kod promjene alata
- kod odlaganja uređaja

Piljevina ili iverje se za vrijeme rada stroja ne smiju odstranjivati.

Kod radova na zidu, stropu ili podu paziti na električne kablove kao i vodove plina i vode.

Osigurajte vaš izradak jednim steznim uređenjem. Neosigurani izradci mogu prouzročiti teške povrede i oštećenja.

Prije svih radova na stroju izvaditi bateriju za zamjenu.

Istrošene baterije za zamjenu ne bacati u vatru ili u kućno smeće. AEG nudi mogućnost uklanjanja starih baterija odgovarajuće okolini; upitajte molimo Vašeg stručnog trgovca.

Baterije za zamjenu ne čuvati skupa sa metalnim predmetima (opasnost od kratkog spoja).

Baterije sistema M18 puniti samo sa uređajem za punjenje sistema M18. Ne puniti baterije iz drugih sistema.

Baterije za zamjenu i uređaje za punjenje ne otvarati i čuvati ih samo u suhim prostorijama. Čuvati protiv vlage.

Pod ekstremnim opterećenjem ili ekstremne temperature može iz oštećenih baterija iscuriti baterijska tekućina. Kod dodira sa baterijskom tekućinom odmah ispirati sa vodom i sapunom. Kod kontakta sa očima odmah najmanje 10 minuta temeljno ispirati i odmah potražiti liječnika.

#### PROPISNNA UPOTREBA

**M18 ONEDD:** Baterijska bušilica-zavrtač je univerzalno upotrebljiva za bušenje i zavrtnje, neovisno o priključku na mrežu.

**M18 ONEPD:** Baterijska elektronska udarna bušilica-zavrtač su upotrebljivi univerzalno za bušenje, udarno bušenje i zavrtnje, neovisno o nekom priključku na mrežu.

Ovaj aparat se smije upotrijebiti samo u određene svrhe kao što je navedeno.

#### CE-IZJAVA KONFORMNOSTI

Izjavljujemo na osobnu odgovornost, da je proizvod opisan pod „Tehnički podaci“, sukladan sa svim relevantnim propisima smjernice 2011/65/EU (RoHS), 2014/30/EU, 2006/42/EC, 2014/53/EU, i sa slijedećim harmoniziranim normativnim dokumentima:

EN 60745-1:2009 + A11:2010  
 EN 60745-2-2:2010  
 EN 55014-1:2006+A1:2009+A2:2011  
 EN 62479:2010  
 EN 301 489-1 V1.9.2 (2011-09)  
 EN 301 489-17 V2.2.1(2012-09)  
 EN 300328 V.1.8.1(2012-06)  
 EN 55014-2:1997+A1:2001+A2:2008

Winnenden, 2016-03-29

*Alexander Krug*

Alexander Krug  
 Managing Director



Ovlašten za formiranje tehničke dokumentacije.

Techtronic Industries GmbH  
 Max-Eyth-Straße 10  
 71364 Winnenden  
 Germany

#### IZBOR VRSTE POGONA

Prije promjene vrste pogona pričekači sve dok potpunog zaustavljanja aparata. Da bi se promijenila namještanja, pritisnuti tipku WLAN tipku pritisnuti, da bi se prethodno namještanje vrijednosti preko ONE-KEY App promijenile na vašem Smartphonu.

#### ONE-KEY™

Da bi se saznalo više o ONE-KEY funkcionalnosti ovoga alata, pročitajte priloženu upute o brzom startu ili nas posjetite na internetu pod [www.milwaukeeeetool.com/one-key](http://www.milwaukeeeetool.com/one-key). ONE-KEY App možete preko App Store ili Google Play preuzeti na vaš Smartphone.

#### BATERIJE

Baterije koje duže vremena nisu korištene, prije upotrebe napuniti.

Temperatura od preko 50°C smanjuje učinak baterija. Duže zagrijavanje od strane sunca ili grijanja izbjeci.

Priključne kontakte na uređaju za punjenje i baterijama držati čistima.

Za optimalni vijek trajanja se akumulatori poslije upotrebe moraju sasvim napuniti.

Za što moguće duži vijek trajanja, akumulatori se nakon punjenja moraju odstraniti iz punjača.

Kod skladištenja akumulatora duže od 30 dana: Akumulator skladištiti na suhom kod ca. 27°C. Akumulator skladištiti kod ca. 30%-50% stanja punjenja. Akumulator ponovno napuniti svakih 6 mjeseci.

#### ZAŠTITA OD PREEPTEREĆENJA AKUMULATORA

Kod preopterećenja akumulatora kroz visoku potrošnju struje, npr. ekstremno visoki okretni momenti, zaglavljenje svrdla, naglo zaustavljanje ili kratki spoj, elektroalati bruij 2 sekunde dugo i isključuje se samostalno. Za ponovno uključivanje ispušiti otponac prekidača i zatim ponovno uključiti.

Pod ekstremnim opterećenjima se akumulator može jako zagrijati. U ovom slučaju se akumulator isključuje.

#### TRANSPORT LITJSKIH IONSKIH BATERIJA

Litjske-ionske baterije spadaju pod zakonske odredbe u svezi transporta opasne robe.

Prijevoz ovih baterija mora uslijediti uz poštivanje lokalnih, nacionalnih i internacionalnih propisa i odredaba.

- Korisnici mogu bez ustručavanja ove baterije transportirati po cestama.

• Komercijalni transport litjsko-ionskih baterija od strane transportnih poduzeća spada pod odredbe o transportu opasne robe. Otpremničke pripreme i transport smiju izvoditi isključivo odgovarajuće školovane osobe. Kompletni proces se mora pratiti na stručan način.

Kod transporta baterija se moraju poštivati slijedeće točke:

- Uvjerite se da su kontakti zaštićeni i izolirani kako bi se izbjegli kratki spojevi.

- Pazite na to, da blok baterija unutar pakiranja ne može proklizavati.

- Oštećene ili iscurjele baterije se ne smiju transportirati. U svezi ostalih uputa obratite se vašem prijevoznom poduzeću.

#### ODRŽAVANJE

Upute o održavanju ćete pronaći u ONE-KEY App.

Primijeniti samo Milwaukee opremu i Milwaukee rezervne dijelove. Sastavne dijelove, čija zamjena nije opisana, dati zamijeniti kod jedne od Milwaukee servisnih službi (poštivati brošuru Garancija/Adrese servisa).

Po potrebi se crtež pojedinih dijelova aparata uz navedenje podatka o tipu stroja i šestznamenastog broja na pločici snage može zatražiti kod vašeg servisa ili direktno kod Techtronic Industries GmbH, Max-Eyth-Straße 10, 71364 Winnenden, Njemačka.

#### SIMBOLI



PAŽNJA! UPOZORENIE! OPASNOST!



Prije svih radova na stroju izvaditi bateriju za zamjenu.



Molimo da pažljivo pročitate uputu o upotrebi prije puštanja u rad.



Električni uređaji se ne smiju zbrinjavati skupa sa kućnim smećem. Električni uređaji se moraju skupljati odvojeno i predati na zbrinjavanje primjereno okolišu jednom od pogona za iskorišćavanje. Raspitajte se kod mjesnih vlasti ili kod stručnog trgovca u svezi gospodarstva za recikliranje i mjesta skupljanja.



Oznaka-CE



Nacionalni znak konformnosti Ukrajina



EurAsian znak konformnosti.

TEHNISKIE DATI	AKUMULATORA SITAMĀIS URBIS	M18 ONEDD	M18 ONEPD
Izlaides numurs .....		4527 24 02.....	4527 13 02.....
		...000001-999999	...000001-999999
Urbšanas diametrs tēraudā .....		13 mm .....	13 mm .....
Urbšanas diametrs kokā .....		45 mm .....	45 mm .....
Urbšanas diametrs ķieģeļos un kaļķsmilšakmenī.....		- .....	13 mm .....
Koka skrūves (bez iepriekšējas urbšanas) .....		10 mm .....	10 mm .....
Apgrīzieni tukšgaitā ar slodzi 1. ātrumā .....		0-550 min <sup>-1</sup> .....	0-550 min <sup>-1</sup> .....
Apgrīzieni tukšgaitā ar slodzi 2. ātrumā .....		0-2000 min <sup>-1</sup> .....	0-2000 min <sup>-1</sup> .....
Sitienu biežums 1. ātrumā .....		- .....	0-8800 min <sup>-1</sup> .....
Sitienu biežums 2. ātrumā .....		- .....	0-32000 min <sup>-1</sup> .....
griezies moments ar uzlādējamo bateriju (5,0 Ah) .....		135 Nm .....	135 Nm .....
Akumulātorā spriegums .....		18 V .....	18 V .....
Urbja stiprinājuma amplitūda .....		1,5-13 V .....	1,5-13 mm .....
Svars atbilstoši EPTA -Procedure 01/2003 (2,0 Ah) .....		2,3 kg .....	2,3 kg .....
Svars atbilstoši EPTA -Procedure 01/2003 (5,0 Ah) .....		2,5 kg .....	2,5 kg .....

#### Trokšņu un vibrāciju informācija

Vērtības, kas noteiktas saskaņā ar EN 60 745.

A novērtētās aparātūras skaņas līmenis ir:

Trokšņa spiediena līmenis (Nedrošība K=3dB(A)).....	74,5 dB (A).....	99,9 dB (A)
Trokšņa jaudas līmenis (Nedrošība K=3dB(A)).....	85,5 dB (A).....	110,9 dB (A)

#### Nēsāt trokšņa slāpētāju!

Svārstību kopējā vērtība (Trīs virzienu vektoru summa) tiek noteikta atbilstoši EN 60745.

Svārstību emisijas vērtība a<sub>w</sub>

Betona elektriskais urbis.....		13,2 m/s <sup>2</sup>
Nedrošība K=.....		1,5 m/s <sup>2</sup>
Metāla urbis .....	1,29 m/s <sup>2</sup> .....	1,29 m/s <sup>2</sup>
Nedrošība K=.....	1,5 m/s <sup>2</sup> .....	1,5 m/s <sup>2</sup>
Skrūvēšana.....	1,33 m/s <sup>2</sup> .....	1,33 m/s <sup>2</sup>
Nedrošība K=.....	1,5 m/s <sup>2</sup> .....	1,5 m/s <sup>2</sup>

\* Mērīts saskaņā ar firmas Milwaukee normu N 877318

#### UZMANĪBU!

Instrukcijā norādītā svārstību robežvērtība ir izmērīta mērījumu procesā, kas veikts atbilstoši standartam EN 60745, un to var izmantot elektroinstrumentu savstarpējai salīdzināšanai. Tā ir piemērota arī svārstību noslogojuma pagaidu izvērtēšanai.

Norādītā svārstību robežvērtība ir reprezentatīva elektroinstrumenta pamata pielietojuma jomām. Tomēr, ja elektroinstrumenti tiek pielietoti citās jomās, papildus izmantojot neatbilstošus elektroinstrumentus vai pēc nepietiekamas tehniskās apkopes, tad svārstību robežvērtība var atšķirties. Tas var ievērojami palielināt svārstību noslogojumu visa darba laikā.

Precīzai svārstību noslogojuma noteikšanai, ir jāņem vērā arī laiks, kad ierīces ir izslēgta vai arī ir ieslēgta, tomēr faktiski netiek lietota. Tas var ievērojami samazināt svārstību noslogojumu visa darba laikā.

Integrējiet papildus drošības pasākumus pret svārstību ietekmi lietotājam, piemēram: elektroinstrumentu un darba instrumentu tehniskā apkope, roku siltuma uzturēšana, darba procesu organizācija.

**▲ BRĪDINĀJUMS!** Izlasiet visus drošības brīdinājumus un instrukcijas. Šeit sniegto drošības noteikumu un norādījumu neievērošana var izraisīt aizdegšanos un būt par cēloni elektriskajam triecienam vai nopietnam savainojumam. **Pēc izlasīšanas uzglabājiet šos noteikumus turpmākai izmantošanai.**

#### ▲ DROŠĪBAS NOSAČĪJUMI LIETOJOT URBJMAŠĪNAS

**Nēsājiet ausu aizsargus.** Trokšņa iedarbības rezultātā var rasties dzirdes traucējumi.

**Lietojiet instrumentam pievienotos papildus rokturus.** Zaudējot kontroli, var gūt ievainojumus.

**Ierīci turiet aiz izolētiem rokturiem, ja veicat darbus, kuros griešanas darbiem izmantojamais instruments var skart paslēptus elektrovadus.** Šī instrumenta saskare ar strāvu vadošiem kabeliem var radīt spriegumu arī ierīces metāliskajās daļās un var izraisīt elektrisko triecienu.

#### ▲ SKRŪVGRIEŽA DROŠĪBAS NORĀDES

**Turiet ierīci aiz izolētajām turēšanas virsmām, veicot darbus, kur skrūve var skart apslēptus elektrības vadus.** Skrūves kontakts ar spriegumu vadošu vadu var ierīces metāla daļās uzlādēt un novest pie elektriskās strāvas trieciena.

#### ▲ CITAS DROŠĪBAS UN DARBA INSTRUKCIJAS

Jāizmanto aizsargapriekojums. Strādājot ar mašīnu, vienmēr jānēsā aizsargbrilles. Ieteicams nēsāt aizsargapģērbu, kā piemēram, aizsargmasku, aizsargcimdus, kurpes no stingra un neslīdīga materiāla, ķiveri un ausu aizsargus.

Putekļi, kas rodas darba gaitā, bieži ir kaitīgi veselībai un tiem nevajadzētu nokļūt organismā. Jānēsā piemērota maska, kas pasargā no putekļiem.

Nedrīkst apstrādāt materiālus, kas rada draudus veselībai (piemēram, azbestu).

Pie ārkārtas slodzes un ārkārtas temperatūrām no bojātā akumulatora var izteciēt akumulatora šķidrums. Ja nonākat saskarsmē ar akumulatora šķidrumu, saskarsmēs vieta nekavējoties jānomazgā ar ūdeni un ziepēm. Ja šķidrums nonācis acīs, acis vismaz 10 min. skalot un nekavējoties konsultēties ar ārstu.

Pie ārkārtas slodzes un ārkārtas temperatūrām no bojātā akumulatora var izteciēt akumulatora šķidrums. Ja nonākat saskarsmē ar akumulatora šķidrumu, saskarsmēs vieta nekavējoties jānomazgā ar ūdeni un ziepēm. Ja šķidrums nonācis acīs, acis vismaz 10 min. skalot un nekavējoties konsultēties ar ārstu.

#### NOTEIKUMIEM ATBILSTOŠS IZMANTOJUMS

**M18 ONEDD:** Skrūvgrīzeis - Urbjmašīna ar akumulatoriem ir universāli izmantojama urbšanai un skrūvēšanai neatkarīgi no tīkla pieslēguma.

**M18 ONEPD:** Elektroniskā triecienuurbjmašīna ar akumulatoriem ir universāli izmantojama urbšanai, urbšanai ar perforāciju un skrūvēšanai neatkarīgi no tīkla pieslēguma.

Šo instrumentu drīkst izmantot tikai saskaņā ar minētajiem lietošanas noteikumiem.

#### ATBILSTĪBA CE NORMĀM

Mēs apliecinām, ka produkts, kura tehniskie parametri aprakstīti „tehnisko datu lapā”, pilnībā atbilst prasībām saskaņā ar direktīvām 2011/65/EU (RoHS), 2014/30/ES, 2006/42/EK, 2014/53/ES, un attiecīgajiem harmonizētajiem normatīvajiem dokumentiem:

EN 60745-1:2009 + A11:2010  
 EN 60745-2-2:2010  
 EN 55014-1:2006+A1:2009+A2:2011  
 EN 62479:2010  
 EN 301 489-1 V1.9.2 (2011-09)  
 EN 301 489-17 V2.2.1(2012-09)  
 EN 300328 V.1.8.1(2012-06)  
 EN 55014-2:1997+A1:2001+A2:2008

Winnenden, 2016-03-29

*Alexander Krug*

Alexander Krug  
 Managing Director

Pilnvarotais tehniskās dokumentācijas sastādītājs.

Techtronic Industries GmbH  
 Max-Eyth-Straße 10  
 71364 Winnenden  
 Germany

#### DARBA REŽĪMA IZVĒLE

Pirms darba režīma maiņas nogaidiet, līdz ierīce pilnībā apstājas. Lai mainītu iestatījumus, nospiediet taustiņu . Nospiediet bezvada interneta taustiņu , lai iestatītais vērtības ar ONE-KEY App izmainītu savā smārtfonā.

#### ONE-KEY™

Lai vairāk uzzinātu par šī instrumenta ONE-KEY funkcionalitāti, izlasiet pievienoto ātras palaišanas instrukciju vai apmeklējiet mūsu interneta mājas lapu [www.milwaukee.com/one-key](http://www.milwaukee.com/one-key). Jūs varat ONE-KAY App savā smārtfonā lejuplādēt no App Store vai Google Play.

#### AKUMULĀTORI

Akumulātori, kas ilgāku laiku nav izmantoti, pirms lietošanas jāuzlādē.

Pie temperatūras, kas pārsniedz 50°C, akumulatoru darbspēja tiek negatīvi ietekmēta. Vajag izvairīties no ilgākas saules un karstuma iedarbības.

Lādētāja un akumulatoru pievienojuma kontakti jāuztur tīri.

Lai baterijas darba ilgums būtu optimāls, pēc iekārtas izmantošanas tā jāuzlādē.

Lai akumulatori kalpotu pēc iespējas ilgāku laiku, tos pēc uzlādes ieteicams atvienot no lādētāj ierīces.

Akumulatoru uzglabāšana ilgāk kā 30 dienas: uzglabāt akumulatoru pie aptuveni 27° C un sausā vietā. Uzglabāt akumulatoru uzlādes stāvoklī aptuveni pie 30%-50%. Uzlādēt akumulatoru visus 6 mēnešus no jauna.

#### AKUMULATORA AIZSARDZĪBA PRET PĀRSLOGOJUMU

Akumulatoru pārslogojuma gadījumos, esot ļoti liela elektroenerģijas patēriņam, piem., ārkārtīgi augsts griezes moments, urbja iekēršanās, pēkšņa apstāšanās vai īssavienojums, elektriskais darbātrīs 2 sekundes rīc, un pats izslēdzas.

Lai to atkal ieslēgtu, atļaidiet ieslēgšanas pogu un tad to ieslēdziet no jauna. Esot ārkārtīgi augstam noslogojumam, akumulators var spēcīgi sakarst. Šādā gadījumā akumulators atslēdzas.

#### LITĪJA JONU AKUMULATORU TRANSPORTĒŠANA

Uz litija jonu akumulatoriem attiecas noteikumi par bīstamo kravu pārvadāšanu.

Šo akumulatoru transportēšana jāveic saskaņā ar vietējiem, valsts un starptautiskajiem normatīvajiem aktiem un noteikumiem.

• Patērētāja darbības, pārvadājot šos akumulatorus pa autoceļiem, nav reglamentētas.

• Uz litija jonu akumulatoru komerciālu transportēšanu, ko veic ekspedīcijas uzņēmums, attiecas bīstamo kravu pārvadāšanas noteikumi. Sagatavošanas darbus un transportēšanu drīkst veikt tikai atbilstoši apmācīts personāls. Visi process jāveda profesionāli.

Veicot akumulatoru transportēšanu, jāievēro:

• Pārliecinieties, ka kontakti ir aizsargāti un izolēti, lai izvairītos no īssavienojumiem.

• Pārliecinieties, ka akumulators iepakojumā nevar paslīdēt.

• Bojātus vai tekošus akumulatorus nedrīkst transportēt.

Plašāku informāciju Jūs varat saņemt no ekspedīcijas uzņēmuma.

#### APKOPE

Apkopes instrukcijas skatiet ONE-KEY App.

Izmantojiet tikai firmu Milwaukee piederumus un firmas Milwaukee rezerves daļas. Lieciet nomainīt detaļas, kuru nomainā nav aprakstīta, kādā no firmu Milwaukee klientu apkalpošanas servisiem. (Skat. brošūru „Garantija/klientu apkalpošanas serviss”).

Pēc pieprasījuma, Jūsu Klientu apkalpošanas centrā vai pie Technotronic Industries GmbH, Max-Eyth-Straße 10, 71364 Winnenden, Vācijā, ir iespējams saņemt iekārtas montāžas rasējumu, iepriekš norādot iekārtas modeli un sērijas numuru, kas atrodas uz datu plāksnītes un sastāv no sešiem simboliem.

#### SIMBOLI



UZMANĪBU! BĪSTAMI!



Pirms mašīnai veikt jebkāda veida apkopes darbus, ir jāizņem arī akumulators.



Pirms sākt lietot instrumentu, lūdzu, izlasiet lietošanas pamācību.



Elektroiekārtas nedrīkst izmest kopā ar sadzīves atkritumiem. Elektriskās un elektroniskās iekārtas ir jāsavāc atsevišķi un jānodod pārstrādes uzņēmumam, kas no tām atbrīvosies dabai draudzīgā veidā. Meklējiet atbilstošas pārstrādes poligonus un savākšanas punktus vietējās pārvaldes iestādēs vai pie preces pārdevēja.



CE marķējums



Ukrainas nacionālais atbilstības simbols.



EurAsian atbilstības marķējums.



TECHNINIAI DUOMENYS	SMŪGINIS ATSUKTUVAS / GRAŽTAS SU AKUMULIATORIUMI	M18 ONEDD	M18 ONEPD
Produkto numeris .....	4527 24 02.....	4527 13 02...	4527 13 02...
	...000001-999999	...000001-999999	...000001-999999
Gręžimo ø pliene .....	13 mm .....	13 mm .....	13 mm .....
Gręžimo ø medienoje .....	45 mm .....	45 mm .....	45 mm .....
Gręžimo ø galvutė degtose ir silikatinėse plytose .....	- .....	- .....	- .....
Medvaržčiai (be išankstinio gręžimo) .....	10 mm .....	10 mm .....	10 mm .....
Sūkių skaičius laisva eiga 1. pavara .....	0-550 min <sup>-1</sup> .....	0-550 min <sup>-1</sup> .....	0-550 min <sup>-1</sup> .....
Sūkių skaičius laisva eiga 2. pavara .....	0-2000 min <sup>-1</sup> .....	0-2000 min <sup>-1</sup> .....	0-2000 min <sup>-1</sup> .....
Smūgių skaičius 1. pavara .....	- .....	0-8800 min <sup>-1</sup> .....	0-8800 min <sup>-1</sup> .....
Smūgių skaičius 2. pavara .....	- .....	0-32000 min <sup>-1</sup> .....	0-32000 min <sup>-1</sup> .....
Sukimo momentas su įkraunama baterija (5,0 Ah) .....	135 Nm .....	135 Nm .....	135 Nm .....
Keičiamo akumuliatoriaus įtampa .....	18 V .....	18 V .....	18 V .....
Grąžo patrono vėrimo diapazonas .....	1,5-13 mm .....	1,5-13 mm .....	1,5-13 mm .....
Prietaiso svoris įvertintas pagal EPTA 2003/01 tyrimų metodiką (2,0 Ah) .....	2,3 kg .....	2,3 kg .....	2,3 kg .....
Prietaiso svoris įvertintas pagal EPTA 2003/01 tyrimų metodiką (5,0 Ah) .....	2,5 kg .....	2,5 kg .....	2,5 kg .....

#### Informacija apie triukšmą/vibraciją

Vertės matuotos pagal EN 60 745.

Įvertintas A įrenginio keliamo triukšmo lygis dažniausiai sudaro:

Garso slėgio lygis (Paklaida K=3dB(A)) .....

Garso galios lygis (Paklaida K=3dB(A)) .....

#### Nešioti klausos apsaugines priemones!

Bendroji svyravimų reikšmė (trijų krypčių vektorių suma), nustatyta remiantis EN 60745.

Vibravimų emisijos reikšmė a<sub>w</sub>

Betono perforavimas .....

Paklaida K= .....

Metalo gręžimas .....

Paklaida K= .....

Prisukimas varžtais .....

Paklaida K= .....

\* Matuojant pagal „Milwaukee“ normą N 877318

#### DĖMESIO!

Instrukcijoje nurodyta svyravimų ribinė vertė yra išmatuota remiantis standartu EN 60745; ji gali būti naudojama keliems elektriniams instrumentams palyginti. Ji taikoma ir laikinai įvertinti svyravimų apkrova.

Nurodyta svyravimų ribinė vertė yra taikoma pagrindinėse elektrinio instrumento naudojimo srityse. Svyravimų ribinė vertė gali skirtis naudojant elektrinį instrumentą kitose srityse, papildomai naudojami netinkamus elektrinius instrumentus arba juos nepakankamai techniškai prižiūrint. Dėl to viso darbo metu gali žymiai padidėti svyravimų apkrova.

Siekiant tiksliai nustatyti svyravimų apkrovą, būtina atsižvelgti ir į laikotarpį, kai įrenginys yra išjungtas arba jungtas, tačiau faktiškai nenaudojamas. Dėl to viso darbo metu gali žymiai sumažėti svyravimų apkrova.

Siekiant apsaugoti vartotojus nuo svyravimo įtakos naudojamos papildomos saugos priemonės, pavyzdžiui, elektrinių darbo instrumentų techninė priežiūra, rankų šilumos palaikymas, darbo procesų organizavimas.

#### ⚠️ ĮSPĖJIMAS! Perskaitykite visus saugos nurodymus ir instrukcijas.

Jei nepaisysite žemiau pateiktų saugos nurodymų ir reikalavimų, gali trenkti elektros smūgis, kilti gaisras ir/arba galite sunkiai susižaloti arba sužaloti kitus asmenis.

Išsaugokite šias saugos nuorodas ir reikalavimus, kad ir ateityje galėtumėte jais pasinaudoti.

#### ⚠️ GRAŽTAMS SKIRTI SAUGUMO NURODYMAI

Nešioti klausos apsaugos priemones. Triukšmo poveikyje galima netekti klausos.

Naudokite į prietaiso komplektaciją įeinančias papildomas rankenas. Nesuvaldžius prietaiso galima susižeisti.

Dirbdami laikykite prietaisą už izoliuotų vietų, kuriose pjovimo įrenginys pats galėtų liesti paslėptus laidus.

Pjovimo įrenginio kontaktas su įtampos laidais gali įelektrinti metalines prietaiso dalis, o tai gali sukelti elektros iškravą.

#### ⚠️ SAUGOS NURODYMAI ATSUKTUVUI

Prietaisą laikykite ant izoliuoto guminio paviršiaus, jei atliekate darbus, kurių metu sraigtas gali pasiekti sulenktas srovės tiekimo linijas.

Sraigutį prisilietus prie įtampos tiekiančių linijų gali įsikrauti prietaiso dalys ir įvykti elektros smūgis.

#### ⚠️ KITI SAUGUMO IR DARBO NURODYMAI

Dėvėkite apsaugines priemones. Dirbdami su mašina visada užsidėkite apsauginius akinius. Rekomenduotina dėvėti apsaugines priemones: apsaugos nuo dulkių respiratorius, apsaugines pirštines, kietus batus neslidžiais padais, šalmai ir klausos apsaugos priemones.

Darbo metu susidarantys dulksės yra dažnai kenksmingos sveikatai ir todėl turėtų nepatekti į organizmą. Dėvėti tinkamą apsauginę kaukę nuo dulkių.

Negalima apdirbti medžiagų, dėl kurių galimi sveikatos pažeidimai (pvz., asbesto).

Blokuojant įstatomąjį įrankį būtina išjungti prietaisą! Neįjunkite prietaiso, kol įstatomasis įrankis yra užblokuotas; galimas grįžtamasis smūgis su dideliu sukimo momentu. Atsižvelgdami į saugumo nurodymus, nustatykite ir pašalinkite įstatomojo įrankio blokavimo priežastį.

Galimos priežastys:

- Susidariusios apdirbamo ruošinio briaunos
- Apdirbamos medžiagos pratrūkimas
- Elektros įrankio perkrova

Nekiškite rankų į veikiančią mašiną.

Naudojamas įstatomasis įrankis gali įkaiti.

**DĖMESIO!** Pavojus nusidenginti

- keičiant įrankį
- padedant prietaisą

Draudžiama išiminėti drožles ar nuopjovas, įrenginiui veikiant.

Dirbdami sienoje, lubose arba grindyse, atkreipkite dėmesį į elektros laidus, dujų ir vandens vamzdžius.

Ruošinį užfiksuokite įtempimo įrenginiu. Neuzfiksuoti ruošiniai gali sunkiai sužaloti ir būti pažeidimų priežastimi.

Prieš atliekanti bet kokius darbus įrenginyje, išimkite keičiamą akumuliatorių.

Sunaudotų keičiamų akumuliatorių nedėginkite ir nemeskite į buitines atliekas. AEG siūlo tausojantį aplinką sudėvėtų keičiamų akumuliatorių tvarkymą, apie tai teiraukitės prekybos atstovo.

Keičiamų akumuliatorių nelaikykite kartu su metaliniais daiktais (trumpojo jungimo pavojus).

Keičiamas M18 sistemos akumuliatorius kraukite tik „C18“ sistemos įkrovikliams. Nekraukite kitų sistemų akumuliatorių.

Keičiamų akumuliatorių ir įkroviklių nelaikykite atvirai. Laikykite tik sausoje vietoje. Saugokite nuo drėgmės.

Ekstremalių apkrovų arba ekstremalios temperatūros poveikyje iš keičiamų akumuliatorių gali ištekėti akumuliatoriaus skystis. Išsitempus akumuliatoriaus

skystiui, tuoj pat nuplaukite vandeniu su milu. Patekus į akis, tuoj pat ne trumpiau kaip 10 minučių gausiai skalaukite vandeniu ir tuoj pat kreipkitės į gydytoją.

#### NAUDOJIMAS PAGAL PASKIRTĮ

**M18 ONEDD:** Akumuliatorinį suktuvą-gręžtuvą galima universaliai naudoti gręžimui ir sukimui nepriklausomai nuo elektros tinklo.

**M18 ONEPD:** Akumuliatorinį smūginį suktuvą-gręžtuvą galima universaliai naudoti gręžimui, smūginiam gręžimui ir sukimui nepriklausomai nuo elektros tinklo.

Šį prietaisą leidžiama naudoti tik pagal nurodytą paskirtį.

#### CE ATITIKTIES PAREIŠKIMAS

Remiantis bendrais atsakomybės reikalavimais pareiškiami, jog skyrįje „Techniniai duomenys“ aprašytas produktas atitinka visus toliau pateiktų juridinių direktyvų reikalavimus: 2011/65/EU (RoHS), 2014/30/ES, 2006/42/EB, 2014/53/ES, ir kitus su jomis susijusius norminius dokumentus:

EN 60745-1:2009 + A11:2010

EN 60745-2-2:2010

EN 55014-1:2006+A1:2009+A2:2011

EN 62479:2010

EN 301 489-1 V1.9.2 (2011-09)

EN 301 489-17 V2.2.1(2012-09)

EN 300328 V1.8.1(2012-06)

EN 55014-2:1997+A1:2001+A2:2008

Winnenden, 2016-03-29

*Alexander Krug*

Alexander Krug  
Managing Director



Įgaliotas parengti techninius dokumentus.

Techtronic Industries GmbH

Max-Eyth-Straße 10

71364 Winnenden

Germany

#### REŽIMO PASIRINKIMAS

Prieš keisdami režimą palaukite, kol prietaisas visiškai sustos. Kad galėtumėte pakeisti nustatymus, nuspauskite mygtuką . Nuspauskite WLAN mygtuką , kad savo išmaniajame telefone ONE-KEY programa pakeistumėte iš anksto nustatytas vertes.

#### ONE-KEY™

Kad sužinotumėte daugiau apie ONE-KEY funkcionalumą, perskaitykite pridėtą greitos pradžios instrukciją arba aplankykite mus internete [www.milwaukeeool.com/one-key](http://www.milwaukeeool.com/one-key). ONE-KEY programą galite atsisiųsti iš App Store arba Google Play iš savo išmanųjį telefoną.

#### AKUMULIATORIAI

Ilgesnį laiką nenaudotas keičiamas akumuliatorius prieš naudojimą įkraukite.

Aukštesnė nei 50°C temperatūra mažina keičiamų akumuliatorių galią. Venkite ilgesnio saulės ar šilumos šaltinių poveikio.

Įkroviklio ir keičiamo akumuliatoriaus jungiamieji kontaktai visada turi būti švarūs.

Kad prietaisas kuo ilgiau veiktų, pasinaudoję juo, iki galo įkraukite akumuliatorių.

Siekiant užtikrinti kuo ilgesnį baterijos tarnavimo laiką, reikėtų ją po atlikto įkrovimo iškart išimti iš įkroviklio.

Bateriją laikant ilgiau nei 30 dienų, būtina atkreipti dėmesį į šias nuorodas: bateriją laikymui sausoje aplinkoje, esant apie 27 °C temperatūrai. Baterijos įkrovimo lygis turi būti nuo 30% iki 50%. Baterija pakartotinai turi būti įkraunama kas 6 mėnesius.

#### APSAUGA NUO AKUMULIATORIAUS PERKROVOS

Perkrovos akumuliatorių dėl itin didelės vartojamos srovės, pvz.: labai didelių apsučių, staigaus stabdymo, trumpo sujungimo ar užsikirtus grąžtū, elektrinis įrankis veikia dar 2 sekundes ir išsijungia automatiškai.

Norint iš naujo įjungti įrankį, reikia atleisti mygtuką ir jį dar kartą įjungti. Dėl ekstremalių apkrovų akumuliatorius gali labai stipriai įkaisti. Tokiu atveju jis išsijungia.

#### LIČIO JONŲ AKUMULIATORIŲ PERVEŽIMAS

Ličio jonų akumuliatoriams taikomos įstatyminės nuostatos dėl pavojingų krovinių pervežimų.

Šiuos akumuliatorius pervežti būtina laikantis vietinių, nacionalinių ir tarptautinių direktyvų ir nuostatų.

- Naudojami šiuos akumuliatorius gali naudoti savo transporte be jokių kitų sąlygų.

- Už komercinį ličio jonų akumuliatorių pervežimą atsako ekspedicijos įmonė pagal nuostatas dėl pavojingų krovinių pervežimo. Pasiruošimo išsiųsti ir pervežimo darbus gali atlikti tik atitinkamai išmokyti asmenys. Visas procesas privalo būti prižiūrimas.

Pervežant akumuliatorius būtina laikytis šių punktų:

- Siekiant išvengti trumpųjų jungimų, įsitikinkite, kad kontaktai yra apsaugoti ir izoliuoti.
- Atkreipkite dėmesį, kad akumuliatorius pakautės viduje neslidinėtų.
- Draudžiama pervežti pažeistus arba tekančius akumuliatorius. Dėl didesniųjų nurodymų kreipkitės į savo ekspedicijos įmonę.

#### TECHNINIS APTARNAVIMAS

Techninės priežiūros nurodymus rasite ONE-KEY programoje.

Naudokite tik „Milwaukee“ priedus ir „Milwaukee“ atsargines dalis. Dalis, kurių keitimas neaprašytas, leidžiama keisti tik „Milwaukee“ klientų aptarnavimo skyriams (žr. garantiją/klientų aptarnavimo skyrių adresus brošiūroje).

Esant poreikiui, nurodžius mašinos modelį ir šešiaženklį numerį, esantį ant specifikacijų lentelės, klientų aptarnavimo centre arba tiesiogiai „Techtronic Industries GmbH“, Max-Eyth-Str. 10, 71364 Winnenden, Vokietija, galite užsakyti išplėstinį prietaiso brėžinį.

#### SIMBOLIAI



DĖMESIO! ĮSPĖJIMAS! PAVOJUS!



Prieš atliekanti bet kokius darbus įrenginyje, išimkite keičiamą akumuliatorių.



Prieš pradėdami dirbti su prietaisu, atidžiai perskaitykite jo naudojimo instrukciją.



Elektros prietaisų negalima išmesti kartu su buitinėmis atliekomis. Būtina rūšiuoti elektros ir elektroninius prietaisus ir atiduoti į atliekų perdavimo centrą, kad jie būtų utilizuoti neteršiant aplinkos. Informacijos apie perdavimo centrus ir atliekų surinkimo įstaigas teiraukitės vietos įstaigoje arba prekybos binke.



CE ženklas



Nacionalinė atitikties žyma Ukrainoje

TR 066



„EurAsian“ atitikties ženklas.



TEHNILISED ANDMED	JUHTMETA LÕKKPUUR	M18 ONEDD	M18 ONEPD
Tootmisnumber.....	4527 24 02.....	4527 13 02.....	4527 13 02.....
	...000001-999999	...000001-999999	...000001-999999
Puuri ø terases.....	13 mm.....	13 mm.....	13 mm.....
Puuri ø puidus.....	45 mm.....	45 mm.....	45 mm.....
Puuri ø tellistes ja silikaatkiivides.....	-.....	13 mm.....	13 mm.....
Puidukruvid (eelpuurimiseta).....	10 mm.....	10 mm.....	10 mm.....
Pöörlemiskiirus tühi jaoksul 1. käigul.....	0-550 min <sup>-1</sup> .....	0-550 min <sup>-1</sup> .....	0-550 min <sup>-1</sup> .....
Pöörlemiskiirus tühi jaoksul 2. käigul.....	0-2000 min <sup>-1</sup> .....	0-2000 min <sup>-1</sup> .....	0-2000 min <sup>-1</sup> .....
Löökide arv 1. käigul.....	-.....	0-8800 min <sup>-1</sup> .....	0-8800 min <sup>-1</sup> .....
Löökide arv 2. käigul.....	-.....	0-32000 min <sup>-1</sup> .....	0-32000 min <sup>-1</sup> .....
Pöördemoment vahetusakuga (5,0 Ah).....	135 Nm.....	135 Nm.....	135 Nm.....
Vahetatava aku pinge.....	18 V.....	18 V.....	18 V.....
Puuriadrini pingutusvahemik.....	1,5-13 mm.....	1,5-13 mm.....	1,5-13 mm.....
Kaal vastavalt EPTA-protseduurile 01/2003 (2,0 Ah).....	2,3 kg.....	2,3 kg.....	2,3 kg.....
Kaal vastavalt EPTA-protseduurile 01/2003 (5,0 Ah).....	2,5 kg.....	2,5 kg.....	2,5 kg.....

**Müra/vibratsiooni andmed**  
Mööteväärtsused on kindlaks tehtud vastavalt normile EN 60 745.

Seadme tüüpiline hinnanguline (müratase): Heli rõhutase (Määramatus K=3dB(A)).....	74,5 dB (A).....	99,9 dB (A).....
Heli võimsuse tase (Määramatus K=3dB(A)).....	85,5 dB (A).....	110,9 dB (A).....

**Kandke kaitseks kõrvaklappe!**

Vibratsiooni koguväärtus (kolme suuna vektorsumma) mõõdetud EN 60745 järgi.

Vibratsiooni emissiooni väärtus a <sub>h</sub> Betooni löökpuurimine.....	-.....	13,2 m/s <sup>2</sup> .....
Määramatus K=.....	-.....	1,5 m/s <sup>2</sup> .....
Metalli puurimine.....	1,29 m/s <sup>2</sup> .....	1,29 m/s <sup>2</sup> .....
Määramatus K=.....	1,5 m/s <sup>2</sup> .....	1,5 m/s <sup>2</sup> .....
Kruvimine.....	1,33 m/s <sup>2</sup> .....	1,33 m/s <sup>2</sup> .....
Määramatus K=.....	1,5 m/s <sup>2</sup> .....	1,5 m/s <sup>2</sup> .....

\* Mõõdetud vastavalt Milwaukee normile N 877318

**TÄHELEPANU!**

Antud juhendis toodud võnketase on mõõdetud EN 60745 standardile vastava mõõtesüsteemiga ning seda võib kasutada erinevate elektriseadmete omavahelises võrdlemises. Antud näitaja sobib ka esmaseks võnkekoormuse hindamiseks.

Antud võnketase kehtib elektriseadme kasutamisel sihtotstarbeliselt. Kui elektriseadet kasutatakse muudel otstarvetel, muude tööriistadega või seda ei hooldata piisavalt võib võnketase siintoodust erineeda. Eeltoodu võib võnketaset märkimisväärselt tõsta terves töökeskkonnas.

Võnketaseme täpseks hindamiseks tuleks arvestada ka aega, mil seade on välja lülitatud või on küll sisse lülitatud, kuid ei ole otseselt kasutuses. See võib märgatavalt vähendada kogu töökeskkonna võnketaset.

Rakendage spetsiaalseid ettevaatusabinõusid töötajate suhtes, kes puutuvad töö käigus palju kokku vibratsiooniga. Nendeks abinõudeks võivad olla, näiteks: elektri- ja tööseadmete korraline hooldus, käte soojendamine, töövõu parem organiseerimine.

**⚠ HOIATUS! Lugege kõiki ohutusjuhiseid ja korraldusi.** Ohutusnõuete ja juhiste eiramise tagajärjeks võib olla elektrilöök, tulekahju ja/või rasked vigastused.

**Hoidke kõik ohutusnõuded ja juhised edasiseks kasutamiseks hoolikalt alles.**

**⚠ PUURMASINATE OHUTUSJUHISED**

**Kandke kaitseks kõrvaklappe.** Müra mõju võib kutsuda esile kuulmise kaotuse.

**Kasutage seadmega koos tarnitud lisakäpidemeid.** Kontrolli kaotamine võib põhjustada vigastusi.

**Tööde puhul, kus lõikeseadet võib minna vastu peidetud elektrijuhtmeid, hoidke kinni seadme isoleeritud käepidemetest.** Kokkupuude pingestatud juhtmega võib pingestada ka lõikeseadme metallist osad ning põhjustada elektrilöögi.

**⚠ OHUTUSJUHISED EHTUSKRUVITSALE**

**Hoidke käed seadme isoleeritud käepidemel, kui Te teostate töid, mille juures kruvi võib sattuda varjatud volujuhtmetesse.** Kruvi kontakt pinget juhtiva juhtmega võib panna metallist seadme osad pinget alla ja põhjustada elektrilöögi.

**⚠ EDASISED OHUTUS- JA TÖÖJUHISED**

Kasutada kaitsevarustust. Masinaga töötamisel kanda alati kaitseprille. Kaitseriituseena soovitatakse kasutada tolmumaski kaitsekindaid, kinniseid ja libisemisvastase tallaga jalanõusid, kiivrit ja kuulmisteede kaitset.

Töö ajal tekkiv tolm on sageli teravkujustav ning ei tohiks sattuda organismi. Kanda sobivat kaitsemaski.

Töödelda ei tohi materjale, millest lähtub oht tervisele (nt asbest).

Palun lülitage seade rakendustööriista blokeerimise korral kohe välja! Ärge lülitage seadet sisse tagasi, kuni rakendustööriist on blokeeritud; seejuures võib kõrge reaktsioonimomendiga tagasilöökk tekkida. Tehke ohutusjuhiseid arvesse võttes kindlaks ja kõrvaldage rakendustööriista blokeerimise põhjus.

Selle võimalikeks põhjusteks võivad olla:  

- viiltu asetamine töödeldavas toorikus
- töödeldava materjali läbimurdumine
- elektritööriista ülekooormamine

Ärge sisestage jäsemeid töötavasse masinasse. Rakendustööriist võib kasutamise ajal kuumaks minna.

**TÄHELEPANU!** Põletusoht  

- tööriista vahetamisel
- seadme ärapanemisel

Puru ega pilpaid ei tohi eemaldada masina töötamise ajal.

Seina, lae või põranda tööde puhul pidage silmas elektrijuhtmeid, gaasi- ja veetorusid.

Kinnitage toorik kinnipingutusseadmisega. Kinnitamata toorikud võivad raskeid vigastusi ja kahjustusi põhjustada.

Enne kõiki töid masina kallal võtke vahetatava välja.

Ärge visake tarvitatud vahetatavaid akusid tulle ega olmeprügisse. AEG pakub vanade akude keskkonnahoidlikku käitlust; palun küsige oma erialaselt tarnijalt.

Ärge säilitage vahetatavaid akusid koos metalliesemetega (lühiseoht).

Laadige süsteemi M18 vahetatavaid akusid ainult süsteemi M18 laadijatega. Ärge laadige nendega teiste süsteemide akusid.

Ärge avage vahetatavaid akusid ega laadijaid ning ladustage neid ainult kuivades ruumides. Kaitske niiskuse eest.

Äärmuslikul koormusel või äärmuslikul temperatuuril võib kahjustatud vahetatavast akust akudeveldik välja voolata. Akudeveldikuga kokkupuutumise

korral peske kohe vee ja seebiga. Silma sattumise korral loputage kiiresti põhjalikult vähemalt 10 minutit ning pöörduge viivitamatult arsti poole.

**KASUTAMINE VASTAVALT OTSTARBELE**

**M18 ONEDD:** Akutrell-kruvikeerajat saab sõltumata võrguühendusest universaalselt rakendada puurimiseks ja kruvide keeramiseks.

**M18 ONEPD:** elektroonilist akulööktrell-kruvikeerajat saab sõltumata võrguühendusest universaalselt rakendada puurimiseks, löökpuurimiseks ja kruvide keeramiseks.

Antud seadet tohib kasutada ainult vastavalt äranäidatud otstarbele.

**EU VASTAVUSVALDUS**

Me deklareerime ainsuikuliselt vastutades, et lõigus „Tehnilised andmed“ kirjeldatud toode vastab direktiivide 2011/65/EU (RoHS), 2014/30/EU, 2006/42/EU, 2014/53/EU kõigile olulistele tähtsusega eeskirjadele ning järgmistele harmoneiseeritud normatiivsetele dokumentidele:

- EN 60745-1:2009 + A11:2010
- EN 60745-2-2:2010
- EN 55014-1:2006+A1:2009+A2:2011
- EN 62479:2010
- EN 301 489-1 V1.9.2 (2011-09)
- EN 301 489-17 V2.2.1(2012-09)
- EN 300328 V.1.8.1(2012-06)
- EN 55014-2:1997+A1:2001+A2:2008

Winnenden, 2016-03-29

*Alexander Krug*

Alexander Krug  
Managing Director



On volitatud koostama tehnilist dokumentatsiooni.

Technronic Industries GmbH  
Max-Eyth-Straße 10  
71364 Winnenden  
Germany

**KÄITAMISREŽIIMI VALIK**

Enne käitamisrežiimi muutmist oodake ära, kuni seade on täielikult seiskunud. Seadistuste muutmiseks vajutage nuppu . Vajutage WLAN-i nuppu , et muuta eelseadistatud väärtusi oma nutitelefoni oleva ONE-KEY<sup>™</sup> äpi kaudu.

**ONE-KEY<sup>™</sup>**

Et selle tööriista ONE-KEY funktsionaalsuse kohta rohkem teada saada, lugege kaasasolevat kiirkäivituse juhendit või külastage meid internetis aadressil [www.milwaukeetool.com/one-key](http://www.milwaukeetool.com/one-key). Te saate ONE-KEY äpi oma nutitelefoni alla laadida App Store'i või Google Play kaudu.

**AKUD**

Pikemat aega mittekasutatud akusid laadige veel enne kasutamist. Temperatuur üle 50 °C vähendab vahetatava aku töövõimet. Vältige pikemat soojenemist päikese või kütteseadme mõjul.

Hoidke laadija ja vahetatava aku ühenduskontaktid puhtad.

Optimaalse patarei eluea tagamiseks, pärast kasutamist lae patareiplokk täielikult.

Akud tuleks võimalikult pika kasutusea saavutamiseks pärast täislaadimist laadijast välja võtta.

Aku ladustamisel üle 30 päeva:  
Ladustage akut kuivas kohas u 27°C juures.  
Ladustage akut u 30-50% laetussisendis.  
Laadige aku iga 6 kuu tagant täis.

**AKU KOORMUSKAITSE**

Aku ülekoormamisel kõrge voolutarbimisega, nt puuri blokeerumisel, äkilisel seiskumisel või lühise tekkimisel, vibreerib elektritööriist 2 sekundit ning seejärel lülitub automaatselt välja.

Uuesti sisse lülitamiseks tuleb päästik esmalt vastastada ning seejärel uuesti alla suruda.

Ülisuurel koormusel võib aku kuumeneda kõrgete temperatuurideni. Sellisel juhul lülitub aku välja.

**LIITIUMIOONAKUDE TRANSPORTIMINE**

Liitiumioonakud on allutatud ohtlike ainete transportimisega seonduvatele õigusaktidele.

Nende akude transportimine peab toimuma kohalikest, siseriiklikest ja rahvusvahelistest eeskirjadest ning määrustest kinni pidades.

• Tarbijad tohivad neid akusid edasiste piiranguteta tänaval transportida.

• Liitiumioonakude komertstransport ekspedeerimisettevõtete kaudu on allutatud ohtlike ainete transportimisega seonduvatele õigusaktidele. Tarne-ettevalmistusi ja transpordi tohivad teostada eranditult vastavalt koostatud isikud. Kogu protsessi tuleb asjatundlikult jälgida.

Akude transportimisel tuleb järgida järgmisi punkte:

- Tehke kindlaks, et kontaktid on lühiste vältimiseks kaitstud ja isoleeritud.
- Põrake tähelepanu sellele, et akupakk ei saaks kaudselt niiskuda.
- Kahjustatud või välja voolanud akusid ei tohi kasutada.

Pöörduge edasiste juhiste saamiseks ekspedeerimisettevõtte poole.

**HOOLDUS**

Hooldusjuhised leiata ONE-KEY äpist.

Kasutage ainult Milwaukee tarkivuid ja Milwaukee tagavaraosi. Detailid, mille väljavahetamist pole kirjeldatud, laske välja vahetada Milwaukee klienditeeninduspunkti (vaadake brošüüri garantii / klienditeeninduste aadressid).

Vajadusel saab nõuda seadme plahvatusjuonise võimsussildil oleva masinatüübi ja kuuekohalise numbrilise klienditeeninduspunkti või vahetult firmalt Technronic Industries GmbH, Max-Eyth-Straße 10, 71364 Winnenden, Germany.

**SÜMBOLID**



ETTEVAATUST! TÄHELEPANU! OHUD!



Enne kõiki töid masina kallal võtke vahetatava aku välja.



Palun lugege enne käikluskmist kasutamishand hoolikalt läbi.



Elektriseadmeid ei tohi utiliseerida koos majapidamisprügiga. Elektrilised ja elektroonilised seadmed tuleb eraldi kokku koguda ning keskkonnasõbralikuks utiliseerimiseks vastavas käitlusettevõttes ära anda. Küsige kohalikest pädevatest ametitest või edasimüüjalt käitlusajamade ja kogumispunktide kohta järele.



CE-märk



Ukraina riiklik vastavusmärk



Euraasia vastavusmärk.

ТЕХНИЧЕСКИЕ ДАННЫЕ	АКК. УДАРНАЯ ДРЕЛЬ/ШУРУПОВЕРТ	M18 ONEDD	M18 ONEPD
Серийный номер изделия .....	4527 24 02.....	4527 13 02.....	000001-999999
Производительность сверления в стали.....	13 mm .....	13 mm .....	13 mm .....
Производительность сверления в дереве.....	45 mm .....	45 mm .....	45 mm .....
Производительность сверления в кирпич и кафель.....	13 mm .....	13 mm .....	13 mm .....
Шурупы для дерева (без предварительного засверливания).....	10 mm .....	10 mm .....	10 mm .....
Число оборотов без нагрузки 1-ая передача.....	0-550 min <sup>-1</sup> .....	0-550 min <sup>-1</sup> .....	0-550 min <sup>-1</sup> .....
Число оборотов без нагрузки 2-ая передача.....	0-2000 min <sup>-1</sup> .....	0-2000 min <sup>-1</sup> .....	0-2000 min <sup>-1</sup> .....
Количество ударов в минуту 1-ая передача.....	0-8800 min <sup>-1</sup> .....	0-8800 min <sup>-1</sup> .....	0-8800 min <sup>-1</sup> .....
Количество ударов в минуту 2-ая передача.....	0-32000 min <sup>-1</sup> .....	0-32000 min <sup>-1</sup> .....	0-32000 min <sup>-1</sup> .....
Крутящий момент со сменным аккумулятором (5,0 Ah).....	135 Nm .....	135 Nm .....	135 Nm .....
Вольтаж аккумулятора.....	18 V .....	18 V .....	18 V .....
Диапазон раскрытия патрона.....	1,5-13 mm.....	1,5-13 mm.....	1,5-13 mm.....
Вес согласно процедуре EPTA 01/2003 (2,0 Ah).....	2,3 kg .....	2,3 kg .....	2,3 kg .....
Вес согласно процедуре EPTA 01/2003 (5,0 Ah).....	2,5 kg .....	2,5 kg .....	2,5 kg .....

### Информация по шумам/вибрации

Значения замерялись в соответствии со стандартом EN 60 745. Уровень шума прибора, определенный по показателю A, обычно составляет:

Уровень звукового давления (Небезопасность K=3dB(A)) ..... 74,5 dB (A)..... 99,9 dB (A)  
 Уровень звуковой мощности (Небезопасность K=3dB(A)) ..... 85,5 dB (A)..... 110,9 dB (A)

### Пользуйтесь приспособлениями для защиты слуха.

Общие значения вибрации (векторная сумма трех направлений) определены в соответствии с EN 60745.

Значение вибрационной эмиссии a <sub>w</sub>	M18 ONEDD	M18 ONEPD
Ударное сверление в бетоне.....	13,2 m/s <sup>2</sup>	13,2 m/s <sup>2</sup>
Небезопасность K=.....	1,5 m/s <sup>2</sup>	1,5 m/s <sup>2</sup>
Сверление в металле.....	1,29 m/s <sup>2</sup>	1,29 m/s <sup>2</sup>
Небезопасность K=.....	1,5 m/s <sup>2</sup>	1,5 m/s <sup>2</sup>
Завинчивание.....	1,33 m/s <sup>2</sup>	1,33 m/s <sup>2</sup>
Небезопасность K=.....	1,5 m/s <sup>2</sup>	1,5 m/s <sup>2</sup>

\* Измерения согласно нормативам Milwaukee № 877318

### ВНИМАНИЕ!

Указанный в настоящем руководстве уровень вибрации измерен в соответствии с технологией измерения, установленной стандартом EN 60745 и может использоваться для сравнения электроинструментов друг с другом. Он также подходит для предварительной оценки вибрационной нагрузки.

Указанный уровень вибрации представляет основные виды использования электроинструмента. Но если электроинструмент используется для других целей, используемый инструмент отклоняется от указанного или техническое обслуживание неадекватным, то уровень вибрации может отклоняться от указанного. В этом случае вибрационная нагрузка в течение всего периода работы значительно увеличивается.

Для точной оценки вибрационной нагрузки необходимо также учитывать время, в течение которого прибор отключен или включен, но фактически не используется. В этом случае вибрационная нагрузка в течение всего периода работы может существенно уменьшиться.

Установите дополнительные меры безопасности для защиты пользователя от воздействия вибрации, например: техническое обслуживание электроинструмента и используемого инструмента, поддержание рук в теплом состоянии, организация рабочих процессов.

**⚠ ПРЕДУПРЕЖДЕНИЕ!** Прочтите все указания по безопасности и инструкции. Упущения, допущенные при соблюдении указаний и инструкций по технике безопасности, могут стать причиной электрического поражения, пожара и тяжелых травм. Сохраняйте эти инструкции и указания для будущего использования.

### ⚠ УКАЗАНИЯ ПО ТЕХНИКЕ БЕЗОПАСНОСТИ ДЛЯ ДРЕЛЕЙ

**Используйте наушники!** Воздействие шума может привести к потере слуха.

**Используйте вспомогательные рукоятки, устанавливаемые вместе с инструментом.** Потеря контроля может стать причиной травмы.

**Если Вы выполняете работы, при которых режущий инструмент может зацепить скрытую электропроводку кабель, инструмент следует держать за специально предназначенные для этого изолированные поверхности.**

Контакт режущего инструмента с токоведущим проводом может ставить под напряжение металлические части прибора, а также приводить к удару электрическим током.

### ⚠ УКАЗАНИЯ ПО БЕЗОПАСНОСТИ ДЛЯ ШУРУПОВЕРТА

**Если Вы выполняете работы, при которых болт может зацепить скрытую электропроводку, устройство следует держать за специально предназначенные для этого изолированные поверхности.** Контакт болта с токоведущим проводом может ставить под напряжение металлические части прибора, а также приводить к удару электрическим током.

### ⚠ ДОПОЛНИТЕЛЬНЫЕ УКАЗАНИЯ ПО БЕЗОПАСНОСТИ И РАБОТЕ

Пользоваться средствами защиты. Работать с инструментом всегда в защитных очках. Рекомендуется спецодежда: пылезащитная маска, защитные перчатки, прочная и нескользящая обувь, каска и наушники.

Пыль, возникающая при работе данным инструментом, может нанести вред здоровью. Не следует допускать ее попадания в организм. Надевайте противопылевой респиратор.

Запрещается обрабатывать материалы, которые могут нанести вред здоровью (напр., асбест).

При блокировании используемого инструмента немедленно выключить прибор! Не включайте прибор до тех пор, пока используемый инструмент заблокирован, в противном случае может возникнуть отдача с высоким реактивным моментом. Определите и устраните причину блокирования используемого инструмента с учетом указаний по безопасности. Возможными причинами могут быть:

- перекос заготовки, подлежащей обработке
- разрушение материала, подлежащего обработке
- перегрузка электроинструмента

Не прикасаться к работающему станку.

Используемый инструмент может нагреваться во время применения.

**ВНИМАНИЕ!** Опасность получения ожога

- при смене инструмента
- при укладывании прибора

Не убирайте опилки и обломки при выключенном инструменте.

При работе в стенах, потолках или полу следите за тем, чтобы не повредить электрические кабели или водопроводные трубы.

Зафиксируйте вашу заготовку с помощью зажимного приспособления. Незафиксированные заготовки могут привести к тяжелым травмам и повреждениям.

Выньте аккумулятор из машины перед проведением с ней каких-либо манипуляций.

Не выбрасывайте использованные аккумуляторы вместе с домашним мусором и не сжигайте их. Дистрибуторы компании AEG предлагают восстановление старых аккумуляторов, чтобы защитить окружающую среду.

Не храните аккумуляторы вместе с металлическими предметами во избежание короткого замыкания.

Для зарядки аккумуляторов модели M18 используйте только зарядным устройством M18. Не заряжайте аккумуляторы других систем.

Никогда не вскрывайте аккумуляторы или зарядные устройства и храните их только в сухих помещениях. Следите, чтобы они всегда были сухими.

Аккумуляторная батарея может быть повреждена и дать течь под воздействием чрезмерных температур или повышенной нагрузки. В случае контакта с аккумуляторной кислотой немедленно промойте место контакта мылом и водой. В случае попадания кислоты в глаза промойте глаза в течение 10 минут и немедленно обратитесь за медицинской помощью.

### ИСПОЛЬЗОВАНИЕ

**M18 ONEDD:** Аккумуляторная дрель/шуруповерт сконструирована для простого сверления и закручивания шурупов в местах, необеспеченных электропитанием.

**M18 ONEPD:** Электронная ударная дрель/шуруповерт AEG сконструирована для простого сверления, ударного сверления, закручивания шурупов в местах, необеспеченных электропитанием.

Не пользуйтесь данным инструментом способом, отличным от указанного для нормального применения.

### ДЕКЛАРАЦИЯ О СООТВЕТСТВИИ СТАНДАРТАМ ЕС

Мы заявляем под собственную ответственность, что изделие, описанное в разделе „Технические характеристики“, соответствует всем важным предписаниям Директивы 2011/65/EU (Директива об ограничении применения опасных веществ в электрических и электронных приборах), 2014/30/EU, 2006/42/EC, 2014/53/EU и приведенным далее гармонизированным нормативным документам:



EN 60745-1:2009 + A11:2010  
 EN 60745-2:2010  
 EN 55014-1:2006+A1:2009+A2:2011  
 EN 62479:2010  
 EN 301 489-1 V1.9.2 (2011-09)  
 EN 301 489-17 V2.2.1 (2012-09)  
 EN 300328 V.1.8.1 (2012-06)  
 EN 55014-2:1997+A1:2001+A2:2008  
 Winnenden, 2016-03-29

  
 Alexander Krug  
 Managing Director

Уполномочен на составление технической документации.

Technronic Industries GmbH  
 Max-Eyth-SträÙe 10  
 71364 Winnenden  
 Germany

### ВЫБОР РЕЖИМА РАБОТЫ

Перед изменением режима работы дождаться полной остановки устройства. Чтобы изменить настройки, нажать кнопку . Нажать кнопку WLAN , чтобы изменить предварительно заданные значения через приложение ONE-KEY на вашем смартфоне.

### ONE-KEY™

Чтобы узнать больше о функциональных возможностях ONE-KEY для этого инструмента, ознакомьтесь с прилагаемым кратким руководством или посетите нашу страницу в интернете - [www.milwaukeeeetool.com/one-key](http://www.milwaukeeeetool.com/one-key). Приложение ONE-KEY доступно для загрузки на ваш смартфон через App Store или Google Play.

### АККУМУЛЯТОР

Перед использованием аккумулятора, которым не пользовались некоторое время, его необходимо зарядить.

Температура свыше 50°C снижает работоспособность аккумуляторов. Избегайте продолжительного нагрева или прямого солнечного света (риск перегрева).

Контакты зарядного устройства и аккумуляторов должны содержаться в чистоте.

Для обеспечения оптимального срока службы аккумулятора необходимо полностью заряжать после использования прибора.

Для достижения максимально возможного срока службы аккумуляторы после зарядки следует вынимать из зарядного устройства.

При хранении аккумулятора более 30 дней:

- Храните аккумулятор при 27°C в сухом месте.
- Храните аккумулятор с зарядом примерно 30% - 50%.
- Каждые 6 месяцев аккумулятор следует заряжать.

### ЗАЩИТА АККУМУЛЯТОРА ОТ ПЕРЕГРУЗКИ

При перегрузке аккумулятора из-за очень высокого расхода электроэнергии, напр., предельно высоких крутящих моментов, заклинивания сверла, внезапной остановки или короткого замыкания, электроинструмент гудит 2 секунды и автоматически отключается. Для повторного включения отпустить кнопку выключения и затем снова включить. При предельно высоких нагрузках аккумулятор может сильно нагреться. В этом случае аккумулятор отключится.

Литий-ионные аккумуляторы в соответствии с предписаниями закона транспортируются как опасные грузы.

Транспортировка этих аккумуляторов должна осуществляться с соблюдением местных, национальных и международных предписаний и положений.

- Эти аккумуляторы могут перевозиться по улице потребителем без дальнейших обязательств.
- При коммерческой транспортировке литий-ионных аккумуляторов экспедиторскими компаниями действуют положения, касающиеся транспортировки опасных грузов. Подготовка к отправке и транспортировка должны производиться исключительно специально обученными лицами. Весь процесс должен находиться под контролем специалиста.

При транспортировке аккумуляторов необходимо соблюдать следующие пункты:

- Убедитесь, что контакты защищены и изолированы во избежание короткого замыкания.
- Следите за тем, чтобы аккумуляторный блок не соприкоснулся внутри упаковки.
- Транспортировка поврежденных или протекающих аккумуляторов запрещена.

За дополнительными указаниями обратитесь к своему экспедитору.

### ОБСЛУЖИВАНИЕ

Указания по обслуживанию доступны в приложении ONE-KEY.

Пользуйтесь аксессуарами и запасными частями Milwaukee. В случае возникновения необходимости в замене, которая не была описана, обращайтесь в один из сервисных центров по обслуживанию электроинструментов Milwaukee (см. список сервисных организаций).

При необходимости, у сервисной службы или непосредственно у фирмы Technronic Industries GmbH, Max-Eyth-SträÙe 10, 71364, Винненден, Германия, можно запросить сборочный чертеж устройства, сообщив его тип и шестизначный номер, указанный на фирменной табличке.

### СИМВОЛЫ



ВНИМАНИЕ! ПРЕДУПРЕЖДЕНИЕ! ОПАСНОСТЬ!



Выньте аккумулятор из машины перед проведением с ней каких-либо манипуляций.



Пожалуйста, внимательно прочтите инструкцию по использованию перед началом любых операций с инструментом.



Электрические устройства нельзя утилизировать вместе с бытовым мусором. Электрические и электронные устройства следует собирать отдельно и сдавать в специализированную утилизующую компанию для утилизации в соответствии с нормами охраны окружающей среды. Сведения о центрах вторичной переработки и пунктах сбора можно получить в местных органах власти или у вашего специализированного дилера.



Знак CE



Национальный украинский знак соответствия

TR 066



Знак Евразийского Соответствия

### Транспортировка:

Категорически не допускается падение и любые механические воздействия на упаковку при транспортировке.

При разгрузке/погрузке не допускается использование любого вида техники, работающей по принципу зажима упаковки.

### Хранение:

Необходимо хранить в сухом месте. Необходимо хранить вдали от источников повышенных температур и воздействия солнечных лучей.

При хранении необходимо избегать резкого перепада температур.

Хранение без упаковки не допускается.

### Срок службы изделия:

Срок службы изделия составляет 5 лет. Не рекомендуется к эксплуатации по истечении 5 лет хранения с даты изготовления без предварительной проверки.

**Дата изготовления** (код даты) отштампован на поверхности корпуса изделия.

Пример:

A2015, где 2015 - год изготовления

A - месяц изготовления

Определить месяц изготовления можно согласно приведенной ниже таблице

A - Январь	G - Июль
B - Февраль	H - Август
C - Март	J - Сентябрь
D - Апрель	K - Октябрь
E - Май	L - Ноябрь
F - Июнь	M - Декабрь

Техтроник Индустриз ГмбХ  
 Германия, 71364, Винненден,  
 ул. Макс-Ай-Штрассе, 10  
 Сделано в КНР

ТЕХНИЧЕСКИ ДАННИ	АКУМУЛАТОРЕН УДАРЕН ГАЙКОВЕРТ	M18 ONEDD	M18 ONEPD
Производствен номер.....	4527 24 02.....	4527 13 02.....	000001-999999
Диаметър на свердлото за стомана.....	13 mm.....	13 mm.....	45 mm
Диаметър на свердлото за дърво.....	45 mm.....	45 mm.....	13 mm
Диаметър на свердлото за обикновени и силикатни тухли.....	-.....	10 mm.....	10 mm
Винтове за дърво (без предварително разпробиване).....	0-550 min <sup>-1</sup> .....	0-550 min <sup>-1</sup> .....	0-2000 min <sup>-1</sup>
Обороти на празен ход, на 2. скорост.....	0-2000 min <sup>-1</sup> .....	0-2000 min <sup>-1</sup> .....	0-8800 min <sup>-1</sup>
Брой на ударите на 1. скорост.....	-.....	0-32000 min <sup>-1</sup> .....	135 Nm
Брой на ударите на 2. скорост.....	-.....	18 V.....	18 V
Въртящ момент със сменяема батерия от (5,0 Ah).....	135 Nm.....	1,5-13 mm.....	1,5-13 mm
Напрежение на акумулатора.....	18 V.....	2,3 kg.....	2,3 kg
Затегателен участък на патронника.....	1,5-13 mm.....	2,5 kg.....	2,5 kg
Тегло съгласно процедурата EPTA 01/2003 (2,0 Ah).....	2,3 kg.....		
Тегло съгласно процедурата EPTA 01/2003 (5,0 Ah).....	2,5 kg.....		

### Информация за шума/вибрациите

Измерените стойности са получени съобразно EN 60 745.

Оцененото с А ниво на шума на уреда е съответно:

Равнище на звуковото налягане (Несигурност K=3dB(A)) ..... 74,5 dB (A)..... 99,9 dB (A)

Равнище на мощността на звука (Несигурност K=3dB(A)) ..... 85,5 dB (A)..... 110,9 dB (A)

### Да се носи предпазно средство за слуха!

Общите стойности на вибрациите (векторна сума на три посоки) са определени в съответствие с EN 60745.

Стойност на емисии на вибрациите a<sub>h</sub>

Ударно пробиване в бетон.....	-.....	13,2 m/s <sup>2</sup>
Несигурност K=.....	-.....	1,5 m/s <sup>2</sup>
Пробиване на метал.....	1,29 m/s <sup>2</sup> .....	1,29 m/s <sup>2</sup>
Несигурност K=.....	1,5 m/s <sup>2</sup> .....	1,5 m/s <sup>2</sup>
Завинтване.....	1,33 m/s <sup>2</sup> .....	1,33 m/s <sup>2</sup>
Несигурност K=.....	1,5 m/s <sup>2</sup> .....	1,5 m/s <sup>2</sup>

\* Измерено по стандарт N 877318 на Milwaukee

### ВНИМАНИЕ!

Посоченото в тези инструкции ниво на вибрациите е измерено в съответствие със стандартизиран в EN 60745 измервателен метод и може да се използва за сравнение на електрически инструменти помежду им. Подходящ е и за временна оценка на вибрационното натоварване.

Посоченото ниво на вибрациите представя основните приложения на електрическия инструмент. Ако обаче електрическият инструмент се използва с друго предназначение, с различни сменяеми инструменти или при недостатъчна техническа поддръжка, нивото на вибрациите може да е различно. Това чувствително може да увеличи вибрационното натоварване по време на целия работен цикъл.

За точната оценка на вибрационното натоварване трябва да се вземат предвид и периодите от време, в които уредът е изключен или работи, но в действителност не се използва. Това чувствително може да намали вибрационното натоварване по време на целия работен цикъл.

Определете допълнителни мерки по техника на безопасност в защита на обслужващия работник от въздействието на вибрациите като например: техническа поддръжка на електрическия инструмент и сменяемите инструменти, поддръжане на ръцете топли, организация на работния цикъл.

### ⚠ ПРЕДУПРЕЖДЕНИЕ! Прочетете всички указания и напътствия за безопасност.

Пропуски при спазването на указанията и напътствията за безопасност могат да доведат до токов удар, пожар и/или тежки наранявания.

**Съхранявайте указанията и напътствията за безопасност за справка при нужда.**

### ⚠ УКАЗИЯ ЗА БЕЗОПАСНОСТ ЗА БОРМАШИНИ

Носете средство за защита на слуха. Въздействието на шума може да предизвика загуба на слуха.

Използвайте доставените с уреда допълнителни ръкохватки. Загубата на контрол може да доведе до наранявания.

**Дръжте уреда за изолираните ръкохватки, когато извършвате работи, при които режещият инструмент може да засегне скрити електросталационни кабели.**

Контактът на режещия инструмент с токоведещ проводник може да предаде напрежението върху метални части на уреда и да доведе до токов удар.

### ⚠ ИНСТРУКЦИИ ЗА БЕЗОПАСНОСТ ЗА ВИНТОВЕРТ

**Когато извършвате работи, при които болтът може да докосне скрити електрически кабели, дръжте уреда за изолираните ръкохватки.**

Контактът на болта с токопроводим проводник може да постави метални части на уреда под напрежение и може да Ви хване ток.

### ⚠ ДОПЪЛНИТЕЛНИ УКАЗИЯ ЗА РАБОТА И БЕЗОПАСНОСТ

Да се използват предпазни средства. При работа с машината винаги носете предпазни очила. Препоръчват се защитно облекло и прахозащитна маска, защитни ръкавици, здрави и нехлъзгащи се обувки, каска и предпазни средства за слуха.

Прахът, който се образува при работа, често е вреден за здравето и не бива да попада в тялото. Да се носи подходяща прахозащитна маска.

Не е разрешена обработката на материали, които представляват опасност за здравето (напр. азбест).

Ако използваният инструмент блокира, изключете веднага уреда! Не включвайте уреда отново, докато използваният инструмент е блокиран; това би могло да доведе до откат с висока реактивна сила. Открийте и отстранете причината за блокирането на използвания инструмент имайки в предвид инструкциите за безопасност.

Възможните причини за това могат да бъдат:

- Заклиняване в обработваната част
- Пробиване на материала
- Пренатоварване на електрическия инструмент

Не бъркайте в машината, докато тя работи.

Използваният инструмент може да загрее по време на употреба.

**ВНИМАНИЕ!** Опасност от изгаряния

- при смяна на инструментата
- при оставяне на уреда

Стружки или отчупени парчета да не се отстраняват, докато машина работи.

При работа в стени, тавани или подове внимавайте за кабели, газопроводи и водопроводи.

Закрепете обработваната част с устройство за захващане. Незакрепени части за обработка могат да причинят сериозни наранявания и материални щети.

Преди започване на каквито е да е работи по машината извадете акумулатора.

Не изхвърляйте изхабените акумулатори в огъня или в при битовите отпадъци. АЕГ предлага екологосъобразно събиране на старите акумулатори; моля попитайте Вашия специализиран търговец.

Не съхранявайте акумулаторите заедно с метални предмети (опасност от късо съединение).

Акумулатори от системата M18 да се зареждат само със зарядни устройства от системата M18 laden. Да не се зареждат акумулатори от други системи.

Не отваряйте акумулатори и зарядни устройства и ги съхранявайте само в сухи помещения. Пазете ги от влага.

При екстремно натоварване или екстремна температура от повредени акумулатори може да изтече батерийна течност. При допир с такава течност веднага измийте с вода и сапун. При контакт с очите веднага изплаквайте старателно най-малко 10 минути и незабавно потърсете лекар.

### ИЗПОЛЗВАНЕ ПО ПРЕДНАЗНАЧЕНИЕ

**M18 ONEDD:** Акумулаторният пробивен винтоверт се използва универсално за пробиване и за завинтване на винтове и не зависи от захранване от мрежата.

**M18 ONEPD:** Акумулаторният ударен пробивен винтоверт с електронно управление може универсално да се използва за пробиване, ударно пробиване и завинтване на винтове, като не зависи от захранване от мрежата.

Този уред може да се използва по предназначение само както е посочено.

### СЕ - ДЕКЛАРАЦИЯ ЗА СЪОТВЕТСТВИЕ

Заявявам под собствена отговорност, че описаният в „Технически данни“ продукт съответства на всички важни разпоредби на директива 2011/65/EU (RoHS), 2014/30/EU, 2006/42/ЕО, 2014/53/EU както и на всички следващи нормативни документи във тази връзка.

EN 60745-1:2009 + A11:2010

EN 60745-2-2:2010

EN 55014-1-2:2006+A1:2009+A2:2011

EN 62479:2010

EN 301 489-1 V1.9.2 (2011-09)

EN 301 489-17 V2.2.1(2012-09)

EN 300328 V1.8.1(2012-06)

EN 55014-2:1997+A1:2001+A2:2008

Winnenden, 2016-03-29




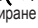
Alexander Krug  
Managing Director



Упълномощен за съставяне на техническата документация

Techtronic Industries GmbH  
Max-Eyth-Straße 10  
71364 Winnenden  
Germany

### ИЗБОР НА РЕЖИМ НА РАБОТА

Изкачете уредът да дойде в пълен покой, преди да превключите режима на работа. За да промените настройките, натиснете бутон . Натиснете WI-FI бутон  за да промените настройките по подразбиране чрез приложението ONE-KEY на вашия смартфон.

### ONE-KEY™

За повече информация относно функцията ONE-KEY на този инструмент прочетете приложението ръководство за бърз старт или ни посетете в интернет на адрес [www.milwaukeeetool.com/one-key](http://www.milwaukeeeetool.com/one-key). За да изтеглите ONE-KEY приложението на Вашия смартфон, посетете app store или google play.

### АКУМУЛАТОРИ

Акумулатори, които не са ползвани по-дълго време, преди употреба да се дозаредят.

Температура над 50°C намалява мощността на акумулатора. Да се избягва по-продължително нагряване на слънце или от отопление.

Поддържайте чисти присъединителните контакти на зарядното устройство и на акумулатора.

За оптимална продължителност на живот след употреба батериите трябва да се заредят напълно.

За възможно по-дълга продължителност на живот батериите трябва да се изваждат от уреда след зареждане.

При съхранение на батериите за повече от 30 дни: съхранявайте батерията при прибл. 27°C и на сухо място. Съхранявайте батерията при 30 до 50 % от заряда. Зареждайте батерията на всеки 6 месеца.

### ЗАЩИТА ОТ ПРЕТОВАРВАНЕ НА БАТЕРИЯТА

При претоварване на акумулатора поради много висока консумация на ток, напр. много високи въртящи моменти, заклинване на свердлото, внезапен стоп или късо съединение, електрическият инструмент бръмчи 2 секунди и самостоятелно се изключва. За ново включване освободете бутон за включване и отново го включете.

При извънредни натоварвания акумулаторът може да се нагрее силно. В този случай акумулаторът изключва.

### ПРЕВОЗ НА ЛИТИЕВО-ЙОННИ БАТЕРИИ

Литиево-йонните батерии са предмет на законовите разпоредби за превоз на опасни товари.

Превозът на тези батерии трябва да се извършва в съответствие с местните, националните и международните разпоредби и регламенти.

- Потребителите могат да превозват тези батерии по пътя без допълнителни изисквания.
  - Превозът на литиево-йонни батерии от транспортни компании е предмет на законовите разпоредбите за превоз на опасни товари. Подготовката на превоза и самият превоз трябва да се извършват само от обучени лица. Целият процес трябва да е под професионален надзор.
- Спазвайте следните изисквания при превоз на батерии:
- Уверете се, че контактите са защитени и изолирани, за да се избегне късо съединение.
  - Уверете се, че няма опасност от разместване на батерията в опаковката.
  - Не превозвайте повредени батерии или такива с течове. Обърнете се към Вашата транспортна компания за допълнителни инструкции.

### ПОДДРЪЖКА

Инструкции за поддръжка ще намерите в приложението ONE-KEY.

Да се използва само аксесоари на Milwaukee и резервни части на Milwaukee. Елементи, чията подмяна не е описана, да се дадат за подмяна в сервиз на Milwaukee (вижте брошурата „Гаранция и адреси на сервизи“).

При необходимост можете да поискате схема на елементите на уреда при посочване на обозначение на машината и шестцифрения номер на табелката за технически данни от Вашия сервиз или директно на Techtronic Industries GmbH, Max-Eyth-Straße 10, 71364 Winnenden, Германия.

### СИМВОЛИ



ВНИМАНИЕ! ПРЕДУПРЕЖДЕНИЕ! ОПАСНОСТ



Преди започване на каквито е да е работи по машината извадете акумулатора.



Преди пускане на уреда в действие моля прочетете внимателно инструкцията за използване.



Електрическите уреди не трябва да се изхвърлят заедно с битовите отпадъци. Електрическото и електронното оборудване трябва да се събират разделно и да се предават на службите за рециклиране на отпадъците според изискванията за опазване на околната среда. Информирайте се при местните служби или при местните специализирани търговци относно местата за събиране и центровете за рециклиране на отпадъци.



СЕ-знак



Национален знак за съответствие - Украйна



EurAsian знак за съответствие.



DATE TEHNICE	MAȘINA DE GĂURIT/ÎNȘURUBAT COMPACTĂ CU ACUMULATOR	M18 ONEDD	M18 ONEPD
Număr producție.....	.....	4527 24 02.....	4527 13 02.....
.....	.....	...000001-999999	...000001-999999
Capacitate de găurire în oțel .....	.....	13 mm .....	13 mm .....
Capacitate de găurire în lemn .....	.....	45 mm .....	45 mm .....
Capacitate de perforare în ceramică și țiglă.....	.....	- .....	13 mm .....
Șuruburi pt. lemn (fără pregăurire).....	.....	10 mm .....	10 mm .....
Viteza la mers în gol prima treaptă de putere.....	.....	0-550 min <sup>-1</sup> .....	0-550 min <sup>-1</sup> .....
Viteza de mers în gol, a 2-a treaptă .....	.....	0-2000 min <sup>-1</sup> .....	0-2000 min <sup>-1</sup> .....
Rata de impact, a 1-a treaptă.....	.....	.....	0-8800 min <sup>-1</sup> .....
Rata de impact, a 2-a treaptă .....	.....	.....	0-32000 min <sup>-1</sup> .....
Moment de rotație cu baterie (5,0 Ah).....	.....	135 Nm .....	135 Nm .....
Tensiune acumulator .....	.....	18 V .....	18 V .....
Interval de deschidere burghiu .....	.....	1,5-13 mm .....	1,5-13 mm .....
Greutatea conform „EPTA procedură 01/2003” (5,0 Ah) .....	.....	2,3 kg .....	2,3 kg .....
Greutatea conform „EPTA procedură 01/2003” (5,0 Ah) .....	.....	2,5 kg .....	2,5 kg .....

#### Informație privind zgomotul/vibrațiile

Valori măsurate determinate conform EN 60 745.

Nivelul de zgomot evaluat cu A al aparatului este tipic de:

Nivelul presiunii sonore (Nesiguranță K=3dB(A)).....	74,5 dB (A).....	99,9 dB (A)
Nivelul sunetului (Nesiguranță K=3dB(A)).....	85,5 dB (A).....	110,9 dB (A)

#### Purtați căști de protecție

Valorile totale de oscilație (suma vectorială pe trei direcții) determinate conform normei EN 60745.

Valoarea emisiei de oscilații a

Găurit cu percuție în beton .....	.....	13,2 m/s <sup>2</sup>
Nesiguranță K= .....	.....	1,5 m/s <sup>2</sup>
Găurit în metal .....	1,29 m/s <sup>2</sup> .....	1,29 m/s <sup>2</sup>
Nesiguranță K= .....	1,5 m/s <sup>2</sup> .....	1,5 m/s <sup>2</sup>
Înșurubare.....	1,33 m/s <sup>2</sup> .....	1,33 m/s <sup>2</sup>
Nesiguranță K= .....	1,5 m/s <sup>2</sup> .....	1,5 m/s <sup>2</sup>

\* Măsurată conform normei Milwaukee N 877318

#### AVERTISMENT!

Gradul de oscilație indicat în prezentele instrucțiuni a fost măsurat în conformitate cu o procedură de măsurare normată prin norma EN 60745 și poate fi folosit pentru a compara uneltele electrice între ele. El se pretează și pentru o evaluare provizorie a solicitării la oscilații.

Gradul de oscilație indicat reprezintă aplicațiile principale ale uneltele electrice. În cazul în care însă uneltele electrice au fost folosite pentru alte aplicații, ori au fost folosite uneltele de muncă diferite ori acestea nu au fost supuse unei suficiente inspecții de întreținere, gradul de oscilație poate fi diferit.

Acest fapt poate duce la o creștere netă a solicitărilor la oscilații dealungul întregii perioade de lucru. În scopul unei evaluări exacte a solicitării la oscilații, urmează să fie luate în considerație și perioadele de timp în care aparatul a fost oprit ori funcționează dar, în realitate, el nu este folosit în mod practic. Acest fapt poate duce la o reducere netă a solicitării la oscilații dealungul întregii perioade de lucru.

Stabilități măsuri de siguranță suplimentare în scopul protecției utilizatorului de efectele oscilațiilor, de exemplu: inspecție de întreținere a uneltele electrice și a celor de muncă, păstrarea caldă a mâinilor, organizarea proceselor de muncă.

#### ⚠️ AVERTIZARE! Citiți toate indicațiile de siguranță și toate

instrucțiunile. Nerespectarea indicațiilor de avertizare și a instrucțiunilor poate provoca electrocutare, incendii și/sau răni grave.

**Păstrați toate indicațiile de avertizare și instrucțiunile în vederea utilizării viitoare.**

#### ⚠️ INSTRUCȚIUNI DE SIGURANȚĂ PENTRU MAȘINILE DE GĂURIT

**Purtați aparatoare de urechi.** Expunerea la zgomot poate produce pierderea auzului.

**Utilizați manerere auxiliare livrate cu scula.** Pierderea controlului poate provoca rănirea persoanelor.

**Țineți aparatul de mânerere izolate când executați lucrări la care scula tăietoare poate nimeri peste conductori electrici ascunși.**

Întrarea în contact a sculei tăietoare cu o linie electrică prin care circulă curent poate pune sub tensiune și componente metalice ale aparatului și să ducă la electrocutare.

#### ⚠️ INSTRUCȚIUNI DE SIGURANȚĂ PENTRU ȘURUBELNITA

**Țineți aparatul de mânerere izolate atunci când executați lucrări la care șurubul ar putea atinge cabluri de curent ascunse.** Contactul șurubului cu un conductor prin care circulă curentul electric poate pune sub tensiune componente metalice ale aparatului, provocând electrocutare.

#### ⚠️ INSTRUCȚIUNI SUPPLEMENTARE DE SIGURANȚĂ ȘI DE LUCRU

Folosiți echipament de protecție . Purtați întotdeauna ochelari de protecție când lucrați cu mașina . Se recomandă utilizarea hainelor de protecție ca de ex. Măști contra prafului, mănuși de protecție, încălțăminte stabilă nealunecoasă, cască și apărătoare de urechi.

Praful care apare când se lucrează cu această sculă poate fi dăunător sănătății și prin umare nu trebuie să atingă corpul. Purtați o mască de protecție corespunzătoare împotriva prafului.

Nu deschideți niciodată acumulatorii și încărcătoarele și pastrați-le numai în încăperi uscate. Pastrați-le întotdeauna uscate .

Acidul se poate scurge din acumulatorii deteriorați la încălzirea sau temperaturi extreme. În caz de contact cu acidul din acumulator, spălați imediat cu apă și săpun. În caz de contact cu ochii, clătiți cu atenție timp de cel puțin 10 minute și apelați imediat la îngrijire medicală.

#### CONDIȚII DE UTILIZARE SPECIFICATE

**M18 ONEDD:** Mașina de găurit / de înșurubat cu acumulator este destinată operațiilor de găurire și înșurubare , pentru utilizare independentă , departe de sursele de alimentare.

**M18 ONEPD:** Mașina electronică de găurit / de înșurubat, cu percuție cu acumulator este destinată găuririi, percutante precum și înșurubării, la utilizare independentă departe de surse de alimentare.

Nu utilizați acest produs în alt mod decât cel stabilit pentru utilizare normală

#### DECLARAȚIE DE CONFORMITATE

Declarăm pe propria răspundere că produsul descris la „Date tehnice” este în concordanță cu toate prevederile legale relevante ale Directivei 2011/65/EU (RoHS), 2014/30/UE, 2006/42/CE, 2014/53/UE, și cu următoarele norme armonizate:

EN 60745-1:2009 + A11:2010  
EN 60745-2-2:2010  
EN 55014-1:2006+A1:2009+A2:2011  
EN 62479:2010  
EN 301 489-1 V1.9.2 (2011-09)  
EN 301 489-17 V2.2.1(2012-09)  
EN 300328 V.1.8.1(2012-06)  
EN 55014-2:1997+A1:2001+A2:2008

Winnenden, 2016-03-29




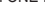
Alexander Krug  
Managing Director

Împuternicit să elaboreze documentația tehnică.

Technronic Industries GmbH  
Max-Eyth-Straße 10  
71364 Winnenden  
Germany



#### SELECTAREA MODULUI DE FUNCȚIONARE

Înainte de modificarea modului de funcționare trebuie să așteptați până ce mașina s-a oprit complet. Pentru a modifica reglajele apăsați tasta  Apăsați tasta WLAN  pentru a modifica valorile presetate prin ONE-KEY App de pe smartphone-ul dvs.

#### ONE-KEY™

Pentru a afla mai multe despre funcționalitatea ONE-KEY a acestui instrument citiți instrucțiunile de start rapid incluse sau vizitați-ne pe internet la [www.milwaukeeeetool.com/one-key](http://www.milwaukeeeetool.com/one-key). Aplicația ONE-KEY App puteți să o descărcați pe smartphone-ul dvs. prin App Store sau Google Play.

#### ACUMULATORI

Acumulatorii care nu au fost utilizați o perioadă de timp trebuie reîncărcați înainte de utilizare

Temperatura mai mare de 50°C (122°F) reduce performanța acumulatorului. Evitați expunerea prelungită la căldură sau radiație solară (risc de supraîncălzire)

Contactele încărcătoarelor și acumulatorilor trebuie păstrate curate.

În scopul optimizării duratei de funcționare, bateriile trebuie reîncărcate complet după utilizare.

Pentru o durată de viață cât mai lungă, acumulatorii ar trebui scoși din încărcător după încărcare.

La depozitarea acumulatorilor mai mult de 30 zile: Acumulatorii se depozitează la cca. 27°C și la loc uscat. Acumulatorii se depozitează la nivelul de încărcare de cca. 30%-50%. Acumulatorii se încarcă din nou la fiecare 6 luni.

#### PROTECȚIE SUPRAÎNCĂRCARE ACUMULATOR

În caz de supraîncărcare a acumulatorului prin consum foarte ridicat de curent, de ex. cupluri mecanice extrem de mari, înțepenirea burghiuului, întrerupere bruscă sau scurtcircuit, unealta electrică produce timp de 2 secunde un zgomot înfundat, după care se decuplează de la sine. În vederea recuplării, dați drumul butonului de comutare, iar apoi efectuați o nouă cuplare.

În condiții de încărcări extreme, acumulatorul se poate încălzi peste măsură. În acest caz, acumulatorul se decuplează.

#### TRANSPORTUL ACUMULATORILOR CU IONI DE LITIU

Acumulatorii cu ioni de litiu cad sub incidența prescripțiilor legale pentru transportul de mărfuri periculoase.

Transportul acestor acumulatori trebuie să se efectueze cu respectarea prescripțiilor și reglementărilor pe plan local, național și internațional.

• Consumatorilor le este permis transportul rutier nerestricționat al acestui tip de acumulator.

• Transportul comercial al acumulatorilor cu ioni de litiu prin intermediul firmelor de expediție și transport este supus reglementărilor transportului de mărfuri periculoase. Pregătirile pentru expediție și transportul au voie să fie efectuate numai de către personal instruit corespunzător. Întreg proces trebuie asistat în mod competent.

Următoarele puncte trebuie avute în vedere la transportul acumulatorilor:

• Pentru a se evita scurtcircuitate, asigurați-vă de faptul că sunt protejate și izolate contactele.

• Aveți grijă ca pachetul de acumulatori să nu poată aluneca în altă poziție în interiorul ambalajului său.

• Este interzis transportarea unor acumulatori deteriorați sau care pierd lichid.

Pentru indicații suplimentare adresați-vă firmei de expediție și transport cu care colaborați.

#### ÎNȚEȚINERE

Instrucțiuni de service găsiți în ONE-KEY App.

Utilizați numai accesorii și piese de schimb Milwaukee. Dacă unele din componente care nu au fost descrise trebuie înlocuite , vă rugăm contactați unul din agenții de service Milwaukee (vezi lista noastră pentru service / garanți)

Dacă este necesar, puteți solicita de la centrul dvs. de service pentru clienți sau direct la Technronic Industries GmbH, Max-Eyth-Straße 10, 71364 Winnenden, Germania un desen descompus al aparatului prin indicarea tipului de aparat și a numărului cu șase cifre de pe plăblița indicatoare.

#### SIMBOLURI



PERICOLI! AVERTIZARE! ATENȚIE!



Îndepărtați acumulatorul înainte de începerea lucrului pe mașina



Va rugăm citiți cu atenție instrucțiunile înainte de pornirea mașinii



Aruncarea aparatelor electrice la gunoii menajer este interzisă. Echipamentele electrice și electronice trebuie colectate separat și predate la un centru de reciclare și eliminare a deșeurilor, pentru a fi eliminate ecologic. Interesați-vă la autoritățile locale sau la comerciantul dvs. de specialitate unde se află centre de reciclare și puncte de colectare.



Marcaj CE



Marcaj național de conformitate Ucraina



Marcaj de conformitate EurAsian.



ТЕХНИЧКИ ПОДАТОЦИ	УДАРНА ДУПЧАЛКА НА БАТЕРИИ	M18 ONEDD	M18 ONEPD
Произведен број.....	4527 24 02.....	4527 13 02.....	000001-999999
Капацитет на дупчење во челик.....	13 mm.....	13 mm.....	45 mm
Капацитет на дупчење во дрво.....	45 mm.....	45 mm.....	13 mm
Капацитет на дупчење во тули и плочки.....	-.....	-.....	10 mm
Шрафови во дрво (без предходно дупчење).....	10 mm.....	0-550 min <sup>-1</sup> .....	0-2000 min <sup>-1</sup>
Брзина без оптоварување 1ва брзина.....	0-550 min <sup>-1</sup> .....	0-8800 min <sup>-1</sup> .....	0-32000 min <sup>-1</sup>
Брзина без оптоварување 2ва брзина.....	0-2000 min <sup>-1</sup> .....	135 Nm.....	135 Nm
Големина на удар, 1ва брзина.....	18 V.....	18 V.....	1,5-13 mm
Големина на удар, 2ва брзина.....	1,5-13 mm.....	2,3 kg.....	2,3 kg
Вртежен момент со батерија (5,0 Ah).....	2,3 kg.....	2,5 kg.....	2,5 kg
Волтажа на батеријата.....	2,5 kg.....		
Опсег на отворање на бушотина.....			
Тежина според ЕПТА-процедурата 01/2003 (2,0 Ah).....			
Тежина според ЕПТА-процедурата 01/2003 (5,0 Ah).....			

#### Информација за бучавата/вибрациите

Измерените вредности се одредени согласно стандардот EN 60 745.

A-оценетото ниво на бучава на апаратот типично изнесува:

Ниво на звучен притисок. (Несигурност K=3dB(A))..... 74,5 dB (A)..... 99,9 dB (A)

Ниво на јачина на звук. (Несигурност K=3dB(A))..... 85,5 dB (A)..... 110,9 dB (A)

#### Носете штитник за уши.

Вкупни вибрациски вредности (векторски збир на трите насоки)

пресметани согласно EN 60745.

Вибрациска емисиона вредност a<sub>v</sub>

Перкусионо дупчење во бетон..... 13,2 m/s<sup>2</sup>

Несигурност K..... 1,5 m/s<sup>2</sup>

Дупчење во метал..... 1,29 m/s<sup>2</sup>..... 1,29 m/s<sup>2</sup>

Несигурност K..... 1,5 m/s<sup>2</sup>..... 1,5 m/s<sup>2</sup>

Зашрафување..... 1,33 m/s<sup>2</sup>..... 1,33 m/s<sup>2</sup>

Несигурност K..... 1,5 m/s<sup>2</sup>..... 1,5 m/s<sup>2</sup>

\* Мери во зависност од Milwaukee норма N 877318

#### ПРЕДУПРЕДУВАЊЕ!

Нивото на осцилација наведено во овие инструкции е измерено во согласност со мерните постапки нормирани во EN 60745 и може да биде употребено за меѓусебна споредба на електро-алати. Ова ниво може да се употреби и за привремена проценка на оптоварувањето на осцилацијата.

Наведеното ниво на осцилација ги репрезентира главните намени на електро-алатот. Но, доколку електро-алатот се употребува за други намени, со отстапувачки додатоци или со несоодветно одржување, нивото на осцилација може да отстапи. Тоа може значително да го зголеми оптоварувањето на осцилацијата за време на целиот работен период.

За прецизна проценка на оптоварувањето на осцилацијата предвид треба да бидат земени и времињата, во коишто апаратот е исклучен или работи, но фактички не се употребува. Тоа може значително да го намали оптоварувањето на осцилацијата за време на целиот работен период

Утврдете дополнителни безбедносни мерки за заштита на операторот од влијанието на осцилациите, како на пример: одржување на електро-алатот и на додатоци кон електро-алатот, одржување топли раце, организација на работните процеси.

#### ⚠ ВНИМАНИЕ! Прочитајте ги безбедносните напомени и упатства.

Заборавање на почитувањето на безбедносните упатства и инструкции можат да предизвикаат електричен удар, пожар и/или тешки повреди.

**Сочувајте ги сите безбедносни упатства и инструкции за во иднина.**

#### ⚠ БЕЗБЕДНОСНИ НАПОМЕНИ ЗА ПЕРКУСИОНИ БОРМАШИНИ

**Носете штитник за уши.** Изложеноста на бука може да предизвика губење на слухот.

**Користете помошни рачки кои доаѓаат заедно со алатот.** Губењето контрола може да предизвика повреда.

**Држете го електричниот алат за издадените површини при изведување на операции при кои алатот за сечење можат да дојдат во контакт со скриени жици.**

Контакт со жица под напон исто така ќе направи проводници од металните делови и оној кој ракува со алатот ќе доживее струен удар.

#### ⚠ БЕЗБЕДНОСНИ НАПОМЕНИ ЗА ИНДУСТРИСКИ ШТРАФЦИГЕР

**При реализација на работи, при кои заврката може да погоди скриени водови на струја, држете го апаратот на изолираните површини за држење.** Контактот на наврската со вод под напон може да ги стави металните делови од апаратот под напон и да доведе до електричен удар.

#### ⚠ ОСТАНАТИ БЕЗБЕДНОСНИ И РАБОТНИ УПАТСТВА

Употребувајте заштитна опрема. При работа со машината постојано носете заштитни очила. Се препорачува заштитна облека како: маска за заштита од прашина, заштитни ракавици, цврсти чевли што не се лизгаат, кацига и заштита за уши.

Пршината која се создава при користење на овој алат може да биде штетна по здравјето. Не ја вдишувајте. Носете соодветна заштитна маска.

Не смеат да бидат обработувани материјали кои што можат да го заргозат здравјето (на пр. азбест).

Доколку употребуваното орудие се блокира, молиме веднаш да се исклучи апаратот! Не го вклучувајте апаратот повторно додека употребуваното орудие е блокирано; притоа би можело да дојде до повратен удар со висок момент на реакција. Испитајте и отстранете ја причината за блокирањето на употребеното орудие имајќи ги во предвид напомените за безбедност.

Можни причини би можеле да се:

- Закантување во парчето кое што се обработува
- Кршење поради продирање на материјалот кој што се обработува
- Преоптоварување на електричното орудие

Не фаќајте во машината кога работи.

Употребеното орудие за време на примената може да стане многу жешко.

#### ПРЕДУПРЕДУВАЊЕ! Опасност од изгоретини

• при менување на орудието

• при ставање на апаратот на страна

Прашината и струготините не смеат да се одстрануваат додека е машината работи.

Кога работите на сидови, таван или под внимавајте да ги избегнете електричните, гасните и водоводни инсталации.

Обезбедете го предметот кој што го обработувате со направа за напон. Необезбедени парчиња кои што се обработуваат можат да предизвикаат тешки повреди и оштетувања.

Издадете го батеријскиот склоп пред отпочнување на каков и да е зафат врз машината.

Не ги оставајте искористените батерии во домашниот отпад и не горете ги. Дистрибутерите на АЕГ ги собираат старите батерии, со што ја штитат нашата околина.

Не ги чувајте батериите заедно со метални предмети (ризик од краток спој).

Користете исклучиво Систем M18 за полнење на батерии од M18 систем.

Не користете батерии од друг систем.

Не ги отворајте насилно батериите и полначите, и чувајте ги само на суво место. Чувајте ги постојано суви.

Киселината од оштетените батериите може да истече при екстреман напон или температура. Доколку дојдете во контакт со исатата, измијте се веднаш со сапун и вода. Во случај на контакт со очите плакнете ги убаво најмалку 10 минути и задолжително одете на лекар.

#### СПЕЦИФИЦИРАНИ УСЛОВИ НА УПОТРЕБА

**M18 ONEDD:** Дупчалката на батери/шрафцигерот е дизајниран за дупчење и зашрафување, независна употреба далеку од главното напојување.

**M18 ONEPD:** Перкусионата дупчалка/шрафцигер со електронска батерија е дизајниран за дупчење, перкусионо дупчење, како и шрафцигер при независна употреба далеку од главното напојување.

Не го користете овој производ на било кој друг начин освен пропишаниот за нормална употреба.

#### ЕУ-ДЕКЛАРАЦИЈА ЗА СООБРАЗНОСТ

Во своја сопствена одговорност изјавуваме дека под „Технички податоци“ опишаниот производ е во склад со сите релевантни прописи од регулативата 2011/65/EU (RoHS), 2014/30/EU, 2006/42/EC, 2014/53/EU, и следните хармонизирачки нормативни документи:

EN 60745-1:2009 + A11:2010

EN 60745-2-2:2010

EN 55014-1:2006+A1:2009+A2:2011

EN 62479:2010

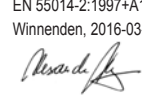
EN 301 489-1 V1.9.2 (2011-09)

EN 301 489-17 V2.2.1(2012-09)

EN 300328 V1.8.1(2012-06)

EN 55014-2:1997+A1:2001+A2:2008

Winnenden, 2016-03-29

  
Alexander Krug  
Managing Director

Опномоштен за составување на техничката документација.

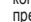
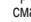
Techtronic Industries GmbH

Max-Eyth-Straße 10

71364 Winnenden

Germany

#### ИЗБОР НА НАЧИН НА РАБОТА

При промената на начинот на работа да се почeka уредот комплетно да престане со работа. За да се променат подесувањата, да се притисне копчето . Да се притисне WLAN-копчето  за да се променат претходно зачувуваните вредности преку ONE-KEY апликацијата на Вашиот смартфон.

#### ONE-KEY™

За да дознаете повеќе за функционирањето на ONE-KEY на оваа алатка,

Ве молиме прочитајте го упатството за брзо стартување или посетете на интернет на: [www.milwaukeeool.com/one-key](http://www.milwaukeeool.com/one-key). Апликацијата ONE-KEY може да ја симнете на Вашиот смартфон преку App Store или Google Play.

#### БАТЕРИИ

Батриите кои не биле користени подолго време треба да се наполнат пред употреба.

Температура повисока од 50oC (122oF) го намалуваат траењето на батериите. Избегнувајте подолго изложување на батериите на високи температури или сонце (ризик од прегревање).

Клемите на полначот и батериите мора да бидат чисти.

За оптимален работен век батериите мора да се наполнат целосно по употреба.

За можно подолг век на траење, апаратите после нивното полнење треба да бидат извадени од апаратот за полнење на батериите.

Во случај на складирање на батеријата подолго од 30 дена: Акумулаторот да се чува на температура од приближно 27°C и на суво место.

Акумулаторот да се складира на приближно 30%-50% од состојбата на наполнетост.

Акумулаторот повторно да се наполни на секои 6 месеци.

#### ЗАШТИТА ОД ПРЕОПТЕРЕТУВАЊЕ НА БАТЕРИЈАТА

При преоптоварување на батеријата со многу висока потрошувачка на струја, на пример екстремно високи вртежни моменти, заглавување на дупчалката, ненадејно запирање или краток спој, електро-уредот бучи 2 секунди, а потоа самостојно се гаси.

За повторно вклучување ослободете го прекинувачот и вклучете повторно.

Во случај на екстремни оптоварувања батеријата може да загрее многу. Во таков случај батеријата исклучува.

#### ТРАНСПОРТ НА ЛИТИУМ-ЈОНСКИ БАТЕРИИ

Литиум-јонските батерии подлежат на законските одредби за транспорт на опасни материи.

Транспортот на овие батерии мора да се врши согласно локалните, националните и меѓународните прописи и одредби.

• Потрошувачите на овие батерии може да вршат непречен патен транспорт на истите.

• Комерцијалниот транспорт на литиум-јонски батерии од страна на шпедитерски претпријатија подлежни на одредбите за транспорт на опасни материи. Подготовките за шпедиција и транспорт треба да ги вршат исклучиво соодветно обучени лица. Целокупниот процес треба да биде стручно надгледуван.

При транспортот на батерии треба да се внимава на следното:

• Осигурајте се дека контактите се заштитени и изолирани, а сето тоа со цел да се избегнат кратки споеви.

• Внимавајте да не дојде до изместување на батериите во нивната амбалажа.

• Забранет е транспорт на оштетени или протечени литиум-јонски батерии. За понатамошни инструкции обратете се до Вашето шпедитерско претпријатие.

#### ОДРЖУВАЊЕ

Упатствата за одржување ќе ги најдете во апликацијата ONE-KEY.

Користете само Milwaukee додатоци и резервни делови. Доколку некои од компонентите кои не се опишани треба да бидат заменети, Ве молиме контактирајте ги сервисните агенти на Milwaukee (консултирајте ја листата на адреси).

При потреба може да се побара експлозионен цртеж на апаратот со наведување на машинскиот тип и шестоцифрениот број на табличката со учиниот или во Вашата корисничка служба или директно кај Techtronic Industries GmbH, Max-Eyth-Straße 10, 71364 Winnenden, Германија.

#### СИМБОЛИ



ТЕХНІЧНІ ХАРАКТЕРИСТИКИ	АКУМУЛЯТОРНИЙ УДАРНИЙ ДРИЛЬ-ГВИНТОКРУТ	M18 ONEDD	M18 ONEPD
Номер виробу.....	4527 24 02.....	4527 13 02.....	000001-999999
Ø свердління сталі.....	13 mm.....	13 mm.....	
Ø свердління деревини.....	45 mm.....	45 mm.....	
Ø свердління цегли та силікатної цегли.....	13 mm.....	13 mm.....	
Шурупи для деревини.....	10 mm.....	10 mm.....	
Кількість обертів холостого ходу 1 передача / 2 передача.....	0-550 min <sup>-1</sup> .....	0-550 min <sup>-1</sup> .....	
Кількість обертів холостого ходу 1 передача / 2 передача.....	0-2000 min <sup>-1</sup> .....	0-2000 min <sup>-1</sup> .....	
Кількість ударів на 1-й передачі.....	0-8800 min <sup>-1</sup> .....	0-8800 min <sup>-1</sup> .....	
Кількість ударів на 2-й передачі.....	0-32000 min <sup>-1</sup> .....	0-32000 min <sup>-1</sup> .....	
Крутильний момент із змінною акумуляторною батареєю (5,0 Ah).....	135 Nm.....	135 Nm.....	
Напруга знімної акумуляторної батареї.....	18 V.....	18 V.....	
Ділянка затискання свердильного патрона.....	1,5-13 mm.....	1,5-13 mm.....	
Вага згідно з процедурою EPTA 01/2003 (2,0 Ah).....	2,3 kg.....	2,3 kg.....	
Вага згідно з процедурою EPTA 01/2003 (5,0 Ah).....	2,5 kg.....	2,5 kg.....	

### Шум / інформація про вібрацію

Виміряні значення визначені згідно з EN 60 745.

Рівень шуму „А“ приладу становить в типовому випадку:

Рівень звукового тиску (похибка K = 3 дБ(А))..... 74,5 dB (A)..... 99,9 dB (A)

Рівень звукової потужності (похибка K = 3 дБ(А))..... 85,5 dB (A)..... 110,9 dB (A)

### Використовувати засоби захисту слуху!

Сумарні значення вібрації (векторна сума трьох напрямків), встановлені згідно з EN 60745.

Значення вібрації a<sub>w</sub>

Ударне свердління бетону.....	13,2 m/s <sup>2</sup>	
похибка K =.....	1,5 m/s <sup>2</sup>	
Свердління в металі.....	1,29 m/s <sup>2</sup>	1,29 m/s <sup>2</sup>
похибка K =.....	1,5 m/s <sup>2</sup>	1,5 m/s <sup>2</sup>
Пригвинчування.....	1,33 m/s <sup>2</sup>	1,33 m/s <sup>2</sup>
похибка K =.....	1,5 m/s <sup>2</sup>	1,5 m/s <sup>2</sup>

\* Вимірюється за стандартом Milwaukee N 877318

### ПОПЕРЕДЖЕННЯ!

Рівень вібрації, вказаний в цій інструкції, вимірювався згідно з методом вимірювання, нормованим стандартом EN 60745, і може використовуватися для порівняння електроінструментів. Він призначений також для попередньої оцінки навантаження від вібрації.

Вказаний рівень вібрації відповідає основним сферам використання електроінструменту. Але якщо електроінструмент використовується для іншої мети, з іншими вставними інструментами або при недостатньому технічному обслуговуванні, рівень вібрації може бути іншим. Це може значно підвищити навантаження від вібрації за весь період роботи.

Для точної оцінки навантаження від вібрації необхідно також врахувати час, коли прилад вимкнений або увімкнений, але фактично не використовується. Це може значно зменшити навантаження від вібрації за весь період роботи.

Виканте додаткові заходи безпеки для захисту оператора від дії вібрації, наприклад: Технічне обслуговування електроінструменту та вставних інструментів, зігрівання рук, організація робочих процесів.

**⚠ ПОПЕРЕДЖЕННЯ! Прочитайте всі вказівки з техніки безпеки та інструкції.** Ущунчення при дотриманні вказівок з техніки безпеки та інструкцій можуть призвести до ураження електричним струмом, пожежі та/або тяжких травм.

**Зберігайте всі вказівки з техніки безпеки та інструкції на майбутнє.**

### ⚠ ВКАЗІВКИ З ТЕХНІКИ БЕЗПЕКИ ДЛЯ ДРИЛІВ

**Користуйтеся засобами захисту органів слуху.** Вплив шуму може спричинити втрату слуху.

**Користуйтеся додатковими рукоятками, що поставляються разом з пристроєм, якщо вони входять в комплект поставки.** Втрата контролю може призвести до пошкодження.

**Під час виконання робіт тримайте прилад за ізольовані поверхні рукояток, якщо вставний інструмент може натратити на приховані електричні лінії.** Контакт з лінією під напругою може призвести до появи напруги в металевих частинах приладу та до ураження електричним струмом.

### ⚠ ВКАЗІВКИ З ТЕХНІКИ БЕЗПЕКИ ДЛЯ БУДІВЕЛЬНОГО ГВИНТОКРУТА

**Тримайте пристрій за ізольовані поверхні ручок, коли виконуєте роботу, під час якої гвинт може нашкодитися на приховані електропроводи.** Контакт гвинта з проводом під напругою може сприяти виникненню напруги на металевих деталях пристрою та призвести до ураження електричним струмом.

### ⚠ ДОДАТКОВІ ІНСТРУКЦІЇ З ТЕХНІКИ БЕЗПЕКИ ТА ЕКСПЛУАТАЦІЇ

Використовуйте індивідуальні засоби захисту. Під час роботи з машиною завжди носіть захисні окуляри. Радімо використовувати захисний одяг, як наприклад маску для захисту від пилу, захисні рукавиці, міцне та нековзне взуття, каску та засоби захисту органів слуху.

Пил, що утворюється під час роботи, часто буває шкідливим для здоров'я; він не повинен потрапляти в організм. Носити відповідну маску для захисту від пилу. Не можна обробляти матеріали, небезпечні для здоров'я (наприклад, азбест).

При блокуванні вставного інструменту негайно вимкнути прилад! Не вмикайте прилад, якщо вставний інструмент заблокований, при цьому може виникнути віддача з високим зворотним моментом. Визначити та усунути причину блокування вставного інструменту з урахуванням вказівок з техніки безпеки.

Можливі причини:

- Перекіс в заготовці, що обробляється
- Пробивання оброблюваного матеріалу
- Переважання електроінструмента

Частина тіла не повинні потрапляти в машину, коли вона працює.

Вставний інструмент може нагріватися під час роботи.

**ПОПЕРЕДЖЕННЯ!** Небезпека опіків

- при заміні інструменту
- при відкладанні приладу

Не можна видаляти стружку або уламки, коли машина працює.

Під час роботи на стінах, стелях або підлозі звертати увагу на електричні кабелі, газіві та водопровідні лінії.

Зафіксувати заготовку в затисковому пристрої. Незаріплені заготовки можуть призвести до тяжких травм та пошкодження.

Перед будь-якими роботами на машині виїняти змінну акумуляторну батарею

Відпрацьовані знімні акумуляторні батареї не можна кидати у вогонь або викидати з побутовими відходами. АЕГ пропонує утилізацію старих знімних акумуляторних батарей, безпечну для довкілля; зверніться до свого дилера.

Не зберігати знімні акумуляторні батареї разом з металевими предметами (небезпека короткого замикання).

Знімні акумуляторні батареї системи M18 заряджати лише зарядними пристроями системи M18. Не заряджати акумуляторні батареї інших систем.

Не відкривати знімні акумуляторні батареї і зарядні пристрої та зберігати їх лише в сухих приміщеннях. Берегти від вологи.

При екстремальному навантаженні або при екстремальній температурі з пошкодженої знімної акумуляторної батареї може витікати електроліт. При потраплянні електроліту на шкіру його негайно необхідно змити водою з милом.

При потраплянні в очі їх необхідно негайно ретельно промити, щонайменше 10 хвилин, та негайно звернутися до лікаря.

### ВИКОРИСТАННЯ ЗА ПРИЗНАЧЕННЯМ

**M18 ONEDD:** Акумуляторний гвинтокрут можна використовувати універсально для свердління та пригвинчування незалежно від мережевого живлення.

**M18 ONEPD:** Ударний дріль/гвинтокрут можна використовувати універсально для свердління, ударного свердління, пригвинчування.

Цей прилад можна використовувати тільки за призначенням так, як вказано в цьому документі.

### СЕРТИФІКАТ ВІДПОВІДНОСТІ ВИМОГАМ ЄС

Ми заявляємо на власну відповідальність, що виріб, описаний в „Технічних даних“, відповідає всім застосовним положенням директиви 2011/65/EU (RoHS), 2014/30/EU, 2006/42/EG, 2014/53/EU та наступним гармонізованим нормативним документам:

EN 60745-1:2009 + A11:2010  
EN 60745-2-2:2010  
EN 55014-1:2006+A1:2009+A2:2011  
EN 62479:2010  
EN 301 489-1 V1.9.2 (2011-09)  
EN 301 489-17 V2.2.1(2012-09)  
EN 300328 V.1.8.1(2012-06)  
EN 55014-2:1997+A1:2001+A2:2008

Winnenden, 2016-03-29



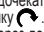

Alexander Krug  
Managing Director



Уповноважений із складання технічної документації.

Techtronic Industries GmbH  
Max-Eyth-Straße 10  
71364 Winnenden  
Germany

### ВИБІР РЕЖИМУ РОБОТИ

Перед зміною режиму роботи дочекайтеся повної зупинки пристрою. Щоб змінити налаштування, натиснути кнопку . Натиснути кнопку WLAN , щоб змінити попередньо задані значення через додаток ONE-KEY на вашому смартфоні.

### ONE-KEY™

Щоб дізнатися більше про функціональні можливості ONE-KEY для цього інструменту, ознайомтеся з короткою інструкцією, яка додається, або відвідайте нашу сторінку в Інтернеті - [www.milwaukeeeol.com/one-key](http://www.milwaukeeeol.com/one-key). Додаток ONE-KEY доступний для завантаження на ваш смартфон через App Store або Google Play.

### АКУМУЛЯТОРНІ БАТАРЕЇ

Змінну акумуляторну батарею, що не використовувалася тривалий час, перед використанням необхідно підзарядити.

Температура понад 50 °C зменшує потужність знімної акумуляторної батареї. Уникати тривалого нагрівання сонячними променями або системою обігріву.

З'єднувальні контакти зарядного пристрою та знімної акумуляторної батареї повинні бути чистими.

Для забезпечення оптимального строку експлуатації акумуляторні батареї після використання необхідно повністю зарядити.

Для забезпечення максимально можливого терміну експлуатації акумуляторні батареї після зарядки необхідно виймати з зарядного пристрою.

Для зберігання акумуляторної батареї понад 30 днів:

Зберігати акумуляторну батарею при температурі приблизно 27 °C в сухому місці. Зберігати акумуляторну батарею в стані зарядки приблизно 30-50 %. Кожні 6 місяців знову заряджати акумуляторну батарею.

### ЗАХИСТ АКУМУЛЯТОРНОЇ БАТАРЕЇ ВІД ПЕРЕВАНТАЖЕННЯ

При перевантаженні акумуляторної батареї внаслідок занадто великого споживання струму, наприклад, при занадто високому крутильному моменті, заклинованні свердла, раптової зупинки або короткому замиканню, електроінструмент подає сигнал на протязі 2 секунд та самостійно вимикається. Для повторного увімкнення відпустити кнопку вимикача і знов увімкнути. При надзвичайному навантаженні акумуляторна батарея може дуже сильно нагрітись. В такому випадку акумуляторна батарея вимикається.

### ТРАНСПОРТУВАННЯ ЛІТІЙ-ІОННИХ АКУМУЛЯТОРНИХ БАТАРЕЙ

Літій-іонні акумуляторні батареї підпадають під законоположення про перевезення небезпечних вантажів.

Транспортування таких акумуляторних батарей повинно відбуватися із дотриманням місцевих, національних та міжнародних приписів та положень.

• споживачі можуть без проблем транспортувати ці акумуляторні батареї по вулиці.

• Комерційне транспортування літій-іонних акумуляторних батарей експедиторськими компаніями підпадає під положення про транспортування небезпечних вантажів. Підготовку до відправлення та транспортування можуть здійснювати виключно особи, які пройшли відповідне навчання. Весь процес повинні контролювати кваліфіковані фахівці.

При транспортуванні акумуляторних батарей необхідно дотримуватись зазначених далі пунктів:

- Переконайтеся в тому, що контакти захищені та ізольовані, щоб запобігти короткому замиканню.
- Слідкуйте за тим, щоб акумуляторна батарея не переміщувалася всередині упаковки.
- Пошкоджені акумуляторні батареї, або акумуляторні батареї, що потекли, не можна транспортувати.

Для отримання подальших вказівок звертайтеся до своєї експедиторської компанії.

### ОБСЛУГОВУВАННЯ

Вказівки щодо обслуговування доступні в додатку ONE-KEY.

Використовувати тільки комплектуючі та запчастини Milwaukee. Деталі, заміна яких не описується, замінювати тільки в відділі обслуговування клієнтів Milwaukee (зверніть увагу на брошуру „Гарантія / адреси сервісних центрів“).

У разі необхідності можна запросити креслення з зображенням вузлів машини в перспективному вигляді, для цього потрібно звернутися в ваш відділ обслуговування клієнтів або безпосередньо в Techtronic Industries GmbH, Max-Eyth-Straße 10, 71364 Winnenden, Німеччина, та вказати тип машини та шестизначний номер на фірмовій табличці з даними машини.

### СИМВОЛИ



УВАГА! ПОПЕРЕДЖЕННЯ! НЕБЕЗПЕЧНО!



Перед будь-якими роботами на машині виїняти змінну акумуляторну батарею



Уважно прочитайте інструкцію з експлуатації перед введенням приладу в дію.



Електричні прилади не можна утилізувати з побутовими відходами. Електричні та електронні прилади необхідно збирати окремо та здавати в спеціалізовані підприємства для утилізації, що не шкодить навколишньому середовищу. Зверніться до місцевих органів або до вашого дилера, щоб отримати адреси пунктів вторинної переробки та пунктів прийому.



Знак CE



Національний знак відповідності для України



Знак відповідності для Європи та Азії EurAsian





البيانات الفنية	مقايير/لمعة الحفر المفاك اللامسكي	M18 ONEDD	M18 ONEPD
إنتاج عدد:	4527 24 02.....	4527 13 02.....	000001-999999.....
قدرة الحفر في معنني	mm 13.....	mm 13.....	mm 45.....
قدرة الحفر في الخشب اللين	mm 45.....	mm 13.....	mm 10.....
قدرة الحفر في الطوب والبلاط	mm 10.....	min <sup>-1</sup> 0-550.....	min <sup>-1</sup> 0-2000.....
مسامير الخشب (دون الحفر المسبق)	min <sup>-1</sup> 0-550.....	min <sup>-1</sup> 0-2000.....	min <sup>-1</sup> 0-8800.....
السرعة في حالة عدم وجود حمل، الترس الأول	min <sup>-1</sup> 0-2000.....	Nm 135.....	V 18.....
معدل التصادم	Nm 135.....	V 18.....	mm 1,5-13.....
معدل التصادم	V 18.....	kg 2,3.....	kg 2,5.....
عزم الدوران لبطارية (Ah 5.0) امبير / ساعة *	mm 1,5-13.....	kg 2,3.....	kg 2,5.....
فوطلية البطارية	kg 2,3.....	kg 2,5.....	
نطاق طرف المققاب	kg 2,5.....		
الوزن وفقا لنهج EPTA رقم 01/2003 (Ah 2.0)			
الوزن وفقا لنهج EPTA رقم 01/2003 (Ah 5.0)			

**معلومات الضوضاء/الذبذبات**

القيم التي تم قياسها محددة وفقا للمعايير الأوروبية EN 60 745

مستويات ضوضاء الجهاز، ترجيح أ بشكل نمونجي كالتالي:

مستوى ضغط الصوت (الارتباب في القياس = 3 ديسيبل (A)).....

مستوى شدة الصوت (الارتباب في القياس = 3 ديسيبل (A)).....

ارتد واقيات الأذن

قيم الذبذبات الإجمالي (مجموع الكميات الموجبة في المحاور الثلاثة) محددة وفقا للمعايير الأوروبية EN 60745.

قيمة انبعاث الذبذبات (ah)

الحفر المفاك في الخرسانة.....

الارتباب في القياس.....

تفتب المعادن.....

الارتباب في القياس.....

ربط المسامير.....

الارتباب في القياس.....

\* تم قياسه وفقا لمعيار Milwaukee N 877318

مقايير/لمعة الحفر المفاك اللامسكي

4527 13 02.....

000001-999999.....

mm 13.....

mm 45.....

mm 13.....

mm 10.....

min<sup>-1</sup> 0-550.....

min<sup>-1</sup> 0-2000.....

min<sup>-1</sup> 0-8800.....

min<sup>-1</sup> 0-32000.....

Nm 135.....

V 18.....

mm 1,5-13.....

kg 2,3.....

kg 2,5.....

**M18 ONEPD** صمم المقاب الفائق/مكب البراعي الذي يعمل بالبطارية الكهربائية لأغراض الحفر،

والحفر المفاك بالإضافة إلى فك البراعي للاستخدام الحر بعيدا عن الحاجة إلى التوصيل بمصادر الطاقة.

لا تستخدم هذا المنتج بأي طريقة أخرى غير مصرح بها للاستخدام العادي.

#### إعلان المطابقة – الاتحاد الأوروبي

بموجب هذا نقر على مسؤوليتنا المفردة، أن المنتج المذكور الموصوف تحت "البيانات الفنية" يلبي جميع التعليمات الهامة الخاصة بالمعايير

2011/65/EU (RoHS), 2014/30/EU, 2006/42/EG

ويتطابق مع وثائق المعايير المتوافقة التالية:

EN 60745-1:2009 + A11:2010

EN 60745-2-2:2010

EN 55014-1:2006+A1:2009+A2:2011

EN 62479:2010

(EN 301 489-1 V1.9.2 (2011-09

(EN 301 489-17 V2.2.1(2012-09


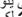
(EN 300328 V.1.8.1(2012-06

EN 55014-2:1997+A1:2001+A2:2008

Winnenden, 2016-03-29

	
<b>Alexander Krug</b>	
Managing Director	
مستعدة للمطابقة مع الملف الفني	
Technicon Industries GmbH	
Max-Eyth-Straße 10	
Winnenden 71364	
Germany	

#### اختيار نوع التشغيل

قبل تغيير نوع التشغيل انتظر حتى يتوقف الجهاز تماماً عن الحركة. لتغيير الضبط اضغط على زر . اضغط على زر وايرس لان  لكي تغير التقييم المصبوطة عن طريق التطبيق ONE-KEY على الهاتف الذكي الخاص بك.

#### ONE-KEY™

لمعرفة المزيد عن وظائف ONE-KEY الخاصة بهذا الجهاز، إقرأ دليل الاستخدام السريع المرفق أو قم بزيارتنا على الإنترنت تحت عنوان [www.milwaukeeetool.com/one-key](http://www.milwaukeeetool.com/one-key). يمكنك تنزيل التطبيق ONE-KEY على هاتفك الذكي عن طريق متجر التطبيقات أب ستور أو جوجل بلاي.

#### البطاريات

يجب إعادة شحن البطارية غير المستخدمة لفترة قبل الاستخدام.

تقلل درجات الحرارة التي تتجاوز 50°سليزيوس (122°فهرنهايت) من أداء البطارية. تجنب التعرض الزائد للحرارة أو أشعة الشمس (خطر التسخين)..

يجب الحفاظ على محتويات الشواحن و البطاريات نظيفة.

للحصول على فترة استخدام مثالية، يجب شحن البطاريات تماما، بعد الاستخدام.

للحصول على أطول عمر ممكن للبطارية، انزع البطارية من الشاحن بمجرد شحنها تماما.

لتعزيز البطارية أكثر من 30 يوم:

خزن البطارية بحيث تكون درجة الحرارة أقل من 27° سليزيوس وبعيدا عن أي رطوبة
خزن البطارية مشحونة بنسبة تتراوح بين 30 50-%
اشحن البطارية كالمعتاد، وذلك كل ستة أشهر من التخزين.

#### حماية البطارية

في المواقف التي يكون فيها عزم الدوران عالٍ بشدة، وإعاقة الحركة والتباطؤ والقصور في الدائرة الكهربائية الذي ينتج عنه سحب لثدر كبير من التيار الكهربائي، ستمتدّ الآلة لمدة 2 ثانية ثم تتوقف عن العمل.

إعادة الضبط حرر الزناد.

في الظروف القصوى للعمل، قد ترتفع درجة حرارة البطارية الداخلية بشدة. إذا ما حدث ذلك، ستوقف البطارية عن العمل.

#### نقل بطاريات الليثيوم

تخضع بطاريات الليثيوم أيون لشروط قوانين نقل السلع الخطرة.

ويجب نقل هذه البطاريات وفقاً لأحكام والقوانين المحلية والوطنية والدولية.

- يمكن للمستهلك نقل البطاريات برأ دون الخضوع لشروط أخرى.

- يخضع النقل التجاري لبطاريات الليثيوم أيون عن طريق الغير إلى قوانين نقل السلع الخطرة. يتعين أن يقوم أفراد مدربيون جيداً بالإعداد لعملية النقل والقيام بها بصحة خيراً متلهم.
- منى تُنقل البطاريات:

- عن التاكّد من حماية أطراف توصيل البطارية وعزلها تجنباً لحدوث قصر بالدائرة.

- عن التاكّد من حماية حزمة البطارية من الحركة داخل صندوق التعبئة.

- يرجى عدم نقل البطاريات التي بها تشققات أو تسربات.

يرجى البحث مع شركة الشحن عن نصيحة أخرى

#### الصيانة

إرشادات الصيانة تجدونها في تطبيق ONE-KEY.

استخدم فقط ملحقات ميلوكي وكذلك قطع غير ميلوكي. إذا كانت المكونات التي يجب تغييرها غير منكورة، يرجى الاتصال بأحد عملاء صيانة ميلوكي (انظر قائمة تعاونين الضمان/الصيانة الخاصة بنا).

عند الحاجة يمكن طلب رمز انفجار الجهاز بعد نكّر طراز الآلة والرقم السداسي المذكور على بطاقة طاقة الآلة لدى جهة خدمة العملاء أو مباشرة لدى شركة، Technicon Industries GmbH، Max-Eyth-Straße 10, 71364 Winnenden ألمانيا

#### زورملا

تنبيه! تحذيرا! خطرا!

قم بإزالة حزمة البطارية قبل البدء في أي أعمال على الجهاز.

يرجى قراءة التعليمات بعناية قبل بدء تشغيل الجهاز.



Copyright 2016

Techtronic Industries GmbH  
Max-Eyth-Straße 10 71364 Winnenden  
Germany

+49 (0) 7195-12-0



(01.16)

**4931 4147 01**