

Milwaukee®

Nothing but **HEAVY DUTY**®



M12 GG

Original instructions

Originalbetriebsanleitung

Notice originale

Istruzioni originali

Manual original

Oorspronkelijke gebruiksaanwijzing

Original brugsanvisning

Original bruksanvisning

Bruksanvisning i original

Alkuperäiset ohjeet

Πρωτότυπο οδηγιών χρήσης

Orijinal işletme talimatı

Původním návodem k používání

Pôvodný návod na použitie

Instrukcja oryginalną

Eredeti használati utasítás

Izvirna navodila

Originalne pogonske upute

Instrukcijām oriģinālvalodā

Originalni instrukcija

Algupärane kasutusjuhend

Оригинальное руководство по эксплуатации

Оригинално ръководство за експлоатация

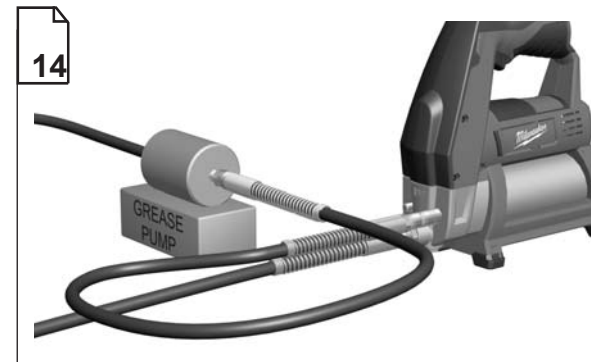
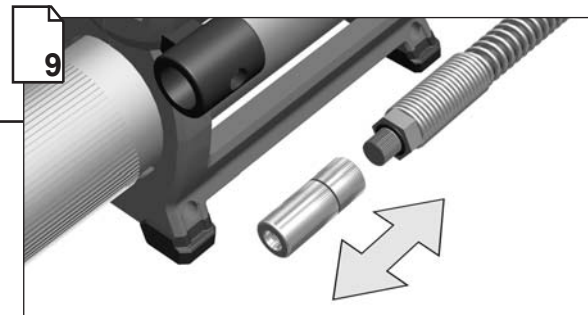
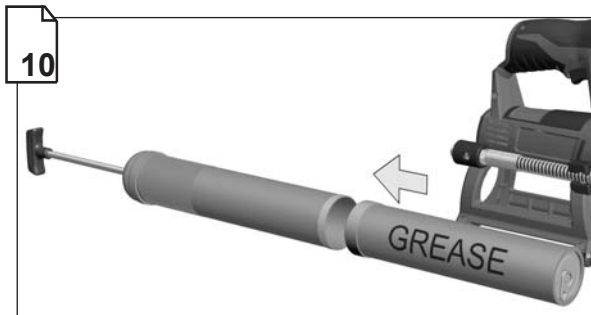
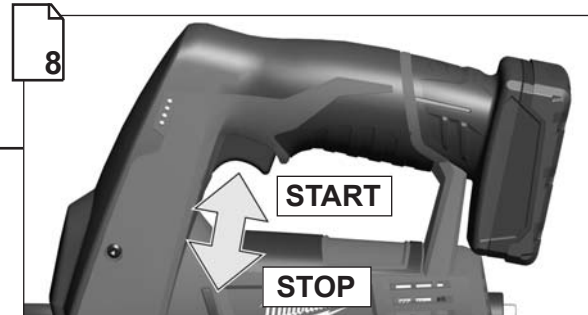
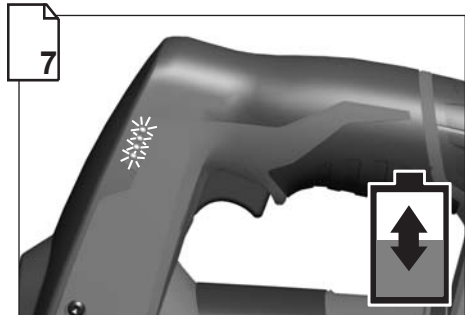
Instrucțiuni de folosire originale


Оригинален прирачник за работа

原始的指南


التعليمات الأصلية

Technical Data, Safety instructions, Specified Conditions of Use, EC-Declaration of Conformity, Batteries, Maintenance, Symbols	Please read and save these instructions!	ENGLISH	18
Technische Daten, Sicherheitshinweise, Bestimmungsgemäße Verwendung, CE-Konformitätserklärung, Akkus, Wartung, Symbole	Bitte lesen und aufbewahren!	DEUTSCH	20
Caractéristiques techniques, Instructions de sécurité, Utilisation conforme aux prescriptions, Déclaration CE de Conformité, Accus, Entretien, Symboles	Prière de lire et de conserver!	FRANÇAIS	22
Dati tecnici, Norme di sicurezza, Utilizzo conforme, Dichiarazione di Conformità CE, Batteria, Manutenzione, Simboli	Si prega di leggere le istruzioni e di conservarle!	ITALIANO	24
Datos técnicos, Instrucciones de seguridad, Aplicación de acuerdo a la finalidad, Declaración de Conformidad CE, Batería, Mantenimiento, Símbolos	Lea y conserve estas instrucciones por favor!	ESPAÑOL	26
Características técnicas, Instruções de segurança, Utilização autorizada, Declaração de Conformidade CE, Acumulador, Manutenção, Símbolo	Por favor leia e conserve em seu poder!	PORTUGUES	28
Technische gegevens, Veiligheidsadviezen, Voorgeschreven gebruik van het systeem, EC-Konformiteitsverklaring, Akku, Onderhoud, Symbolen	Lees en let goed op deze adviezen!	NEDERLANDS	30
Tekniske data, Sikkerhedshenvisninger, Tiltænkt formål, CE-Konformitetserklæring, Batteri, Vedligeholdelse, Symboler	Vær ventlig at læse og opbevare!	DANSK	32
Tekniske data, Spesielle sikkerhetshenvisninger, Formålsmessig bruk, CE-Samsvarserklæring, Batterier, Vedlikehold, Symboler	Vennligst les og oppbevar!	NORSK	34
Tekniska data, Säkerhetsutrustning, Använd maskinen Enligt anvisningarna, CE-Försäkran, Batterier, Skötsel, Symboler	Var god läs och tag tillvara dessa instruktioner!	SVENSKA	36
Tekniset arvot, Turvallisuusohjeet, Tarkoituksenmukainen käyttö, Todistus CE-standardinmukaisuudesta, Akku, Huolto, Symbolit	Lue ja säilytä!	SUOMI	38
Τεχνικά στοιχεία, Σημαντικές οδηγίες ασφαλείας, Χρήση σύμφωνα με το σκοπο προορισμού, Δήλωση πιστοτήτας εκ. Μπαταρίες, Συντήρηση, Σύμβολα	Παρακαλείσθε να τις διαβάσετε και να τις φυλάξετε!	ΕΛΛΗΝΙΚΑ	40
Teknik veriler, Güvenliğiniz için talimatlar, Kullanım, CE uygunluk beyanance, Akü, Bakım, Semboller	Lütfen okuyun ve saklayın	TÜRKÇE	42
Technická data, Speciální bezpečnostní upozornění, Oblast využití, Ce-prohlášení o shodě, Akumulátory, Udržba, Symboly	Po přečtení uschovejte	ČESKY	44
Technické údaje, Speciálne bezpečnostné pokyny, Použitie podľa predpisov, CE-Vyhľadzenie konformity, Akumulátory, Udržba, Symboly	Prosím prečítať a uschovať!	SLOVENSKY	46
Dane techniczne, Specjalne zalecenia dotyczące bezpieczeństwa, Użytkowanie zgodne z przeznaczeniem, Świadectwo zgodności ce, Baterie akumulatorowe, Gwarancja, Symbole	Prosimy o uważne przeczytanie i przestrzeżenie zaleceń zamie szczonych w tej instrukcji.	POLSKI	48
Műszaki adatok, Különleges biztonsági tudnivalók, Rendeltetésszerű használat, Ce-azonossági nyilatkozat, Akkuk, Karbantartás, Szimbólumok	Olvassa el és őrizze meg	MAGYAR	50
Tehnični podatki, Specialni varnostni napotki, Uporaba v skladu z namembnostjo, Ce-izjava o konformnosti, Akumulatorji, Vzdrževanje, Simboli	Prosimo preberite in shranite!	SLOVENSKO	52
Tehnički podaci, Specijalne sigurnosne upute, Propisna upotreba, Ce-izjava konformnosti, Baterije, Održavanje, Simboli	Molimo pročitat i sačuvati	HRVATSKI	54
Tehniskie dati, Speciālie drošības noteikumi, Noteikumiem atbilstošs izmantojums, Atbilstība CE normām, Akumulātori, Apkope, Simboli	Pielikums lietošanas pamācībai	LATVISKI	56
Techniniai duomenys, Ypatingos saugumo nuorodos, Naudojimas pagal paskirtį, CE Atitikties pareiškimas, Akumulatoriai, Techninis aptarnavimas, Simboliai	Prašome perskaityti ir neišmesti!	LIETUVIŠKAI	58
Tehnilised andmed, Spetsiaalsed turvajuhised, Kasutamine vastavalt otstarbele, EU Vastavusavaldus, Akud, Hooldus, Sümbolid	Palun lugege läbi ja hoidke alal!	EESTI	60
Технические данные, Важные инструкции по технике безопасности, Использование, Декларация о соответствии стандартам ес, Аккумулятор, Обслуживание, Символы	Пожалуйста прочтите и сохраните эту инструкцию	РУССКИЙ	62
Технически данни, Важни инструкции за безопасност, Използване по предназначение, Се - декларация за съответствие, Аккумулятори, Поддръжка, Символи	Моля прочетете и запазете!	БЪЛГАРСКИ	64
Date tehnice, Instrucțiuni de securitate, Condiții de utilizare specificate, Declarație de conformitate, Alimentare de la rețea, Intreținere, Simboluri	Va rugăm citiți și păstrați aceste instrucțiuni	ROMÂNIA	66
Технички Податоци, Упатство За Употреба, Специфицирани Услови На Употреба, Еу-декларација За Сообразност, Батерии, Одржување, Символи	Ве молиме прочитајте го и чувајте го ова упатство!	МАКЕДОНСКИ	68
技术数据, 特殊安全指示, 正确地使用机器, 欧洲安全规定说明, 蓄电池, 维修, 符号	请详细阅读并妥善保存!	中文	70
البيانات الفنية تعليمات السلامة شروط الاستخدام المحددة إعلان المطابقة - الاتحاد الأوروبي, البطاريات, الخصائص, الصيانة, زومرلا	يرجى قراءة هذه التعليمات وحفظها في مكان آمن!	عربي	75



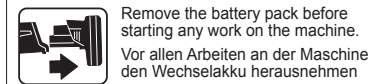
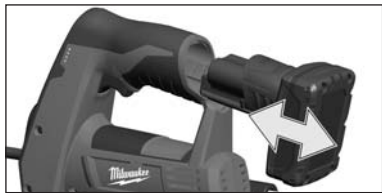


Plnění čerpadla
Plnenie čerpadla
Náplnenie pompy
A pumpa feltöltése
Polnjenje črpalke
Punjenje pumpe
Sūkņa uzpilde
Pumba tālīnīne
Siurblio pripildymas
Pomp vullen
Наполнение насоса
Пълнене на помпата
Alimentarea pompei
Полненне на помпата
油泵灌裝
جهاز تحميل المضخة



Remove the battery pack before starting any work on the machine.
Vor allen Arbeiten an der Maschine den Wechselakku herausnehmen
Avant tous travaux sur la machine retirer l'accu interchangeable.
Prima di iniziare togliere la batteria dalla macchina.
Retire la batería antes de comenzar cualquier trabajo en la máquina.
Antes de efectuar cualquier intervención na máquina retirar o bloco acumulador.
Avant tous travaux sur la machine retirer l'accu interchangeable.
Prima di iniziare togliere la batteria dalla macchina.
Retire la batería antes de comenzar cualquier trabajo en la máquina.
Antes de efectuar cualquier intervención na máquina retirar o bloco acumulador.
Voor alle werkzaamheden aan de machine de accu verwijderen.
Ved arbejde inden i maskinen, bør batteriet tages ud.
Ta ut vekslebatteriet før du arbeider på maskinen
Drag ur batteripaket innan arbete utföres på maskinen.
Ota akku pois ennen kaikkia koneeseen tehtäviä toimenpiteitä.
Πριν από κάθε εργασία στη μηχανή αφαιρέστε την ανταλλακτική μπαταρία.
Aletin kendinde bir çalışma yapmadan önce kartuş aküyü çıkarın.
Před zahájením veškerých prací na vrtacím šroubováku vyjmout výměnný akumulátor.
Pred každou prácou na stroji výmenný akumulátor vytriahnuť.

Przed przystąpieniem do jakichkolwiek prac na elektronarzędziu należy wyjąć wkładkę akumulatorową.
Karbantartás, javítás, tisztítás, stb. előtt az akkumulátort ki kell venni a készülékből.
Pred deli na stroju izvlčite izmenljivi akumulator.
Prije svih radova na stroju izvaditi bateriju za zamjenu.
Pirms mašīnai veikt jebkāda veida apkopes darbus, ir jāizņem arī akumulators.
Prieš atlikdami bet kokius darbus įrenginyje, išimkite keičiamą akumuliatorių.
Enne kõiki töid masina kallal võtke vahetaks aku välja.
Выньте аккумулятор из машины перед проведением с ней каких-либо манипуляций.
Преди започване на каквито е да е работи по машината извадете акумулатора.
Îndepărtați acumulatorul înainte de începerea lucrului pe mașina
Отстранете ја батеријата пред да започнете да ја користите машината.
在机器上进行任何维护工作之前，先拿出蓄电池。
تم إزالة حزمة البطارية قبل البدء في أي أعمال على الجهاز.



Remove the battery pack before starting any work on the machine.
 Vor allen Arbeiten an der Maschine den Wechselakku herausnehmen
 Avant tous travaux sur la machine retirer l'accu interchangeable.

Prima di iniziare togliere la batteria dalla macchina.
 Retire la batería antes de comenzar cualquier trabajo en la máquina.

Antes de efectuar cualquier intervención na máquina retirar o bloco acumulador.

Voor alle werkzaamheden aan de machine de akku verwijderen.

Ved arbejde inden i maskinen, bør batteriet tages ud.

Ta ut vekselbatteriet før du arbeider på maskinen
 Drag ur batteripaket innan arbete utföres på maskinen.

Ota akku pois ennen kaikkia koneeseen tehtäviä toimenpiteitä.

Πριν από κάθε εργασία στη μηχανή αφαιρείτε την ανταλλακτική μπαταρία.

Aletin kendingde bir çalışma yapmadan önce kartuş aküyü çıkarın.

Před zahájením veškerých prací na vrtacím šroubovákú vyjmout výměnný akumulátor.

Pred každou prácou na stroji výměnný akumulátor vytiahnuť.

Przed przystąpieniem do jakichkolwiek prac na elektronarzędziu należy wyjąć wkładkę akumulatorową.

Karbantartás, javítás, tisztítás, stb. előtt az akkumulátort ki kell venni a készülékből.

Pred deli na stroju izvlcite izmenljivi akumulator.

Prije svih radova na stroju izvaditi bateriju za zamjenu.

Pirms mašīnai veikt jebkāda veida apkopes darbus, ir jāizņem ārā akumulators.

Prieš atikdami bet kokius darbus įrenginyje, išimkite keičiamą akumuliatorių.

Enne kōiki tōid masina kallai vōtke vahetatav aku välja.

Виньте аккумулятор из машины перед проведением с ней каких-либо манипуляций.

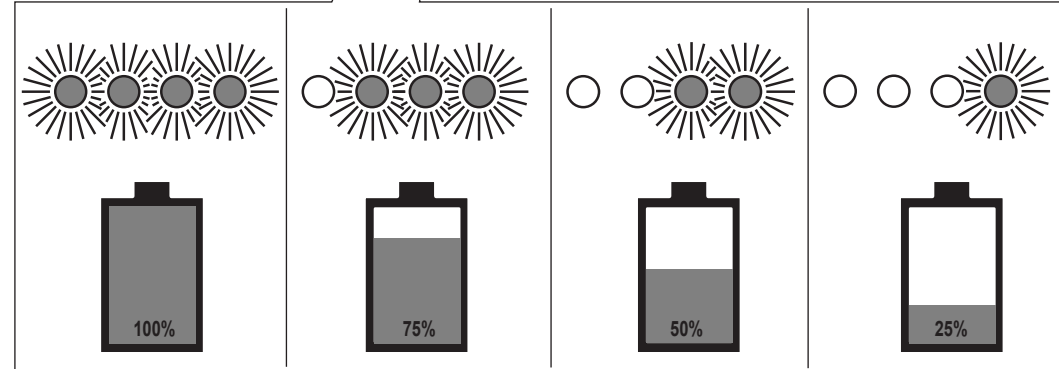
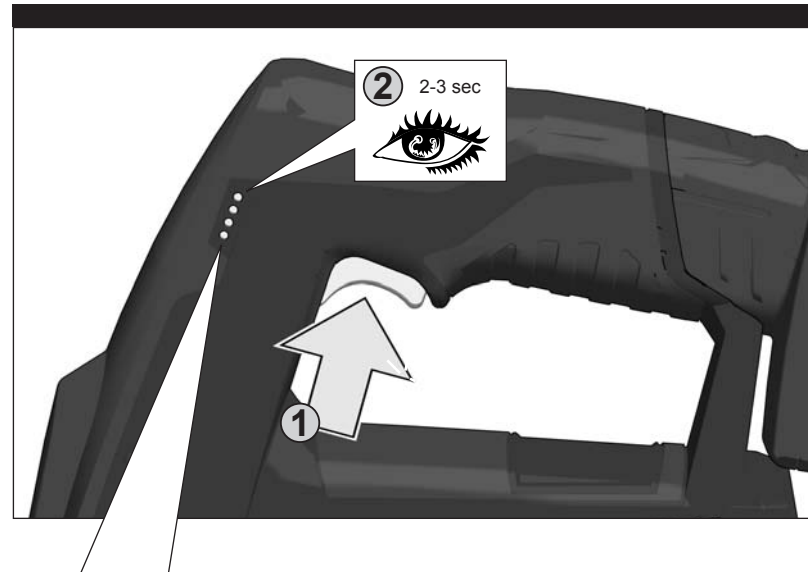
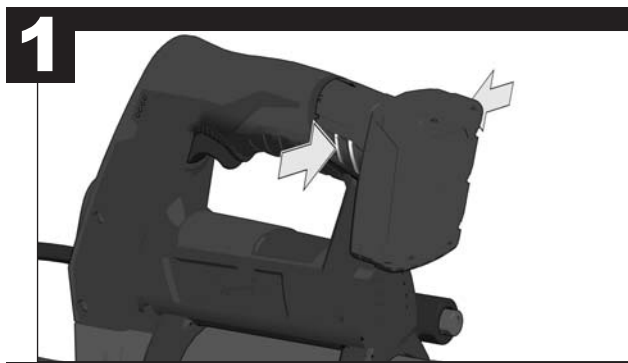
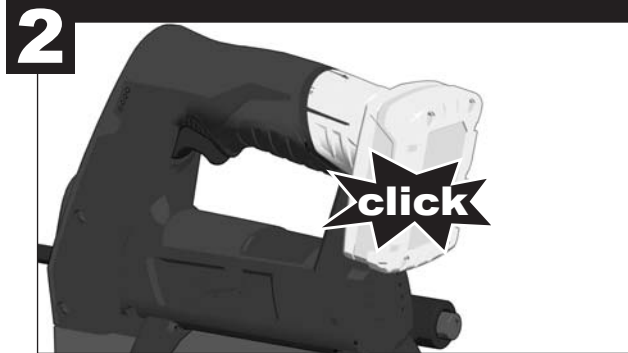
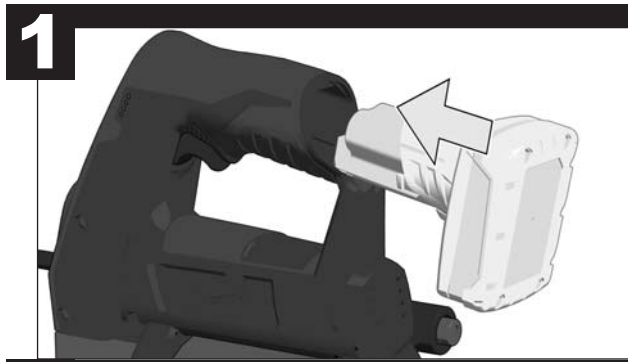
Преди започване на каквито е да е работи по машината извадете акумулатора.

Scoteți acumulatorul înainte de a începe orice intervenție pe mașină.

Отстранете ја батеријата пред да започнете да ја користите машината.

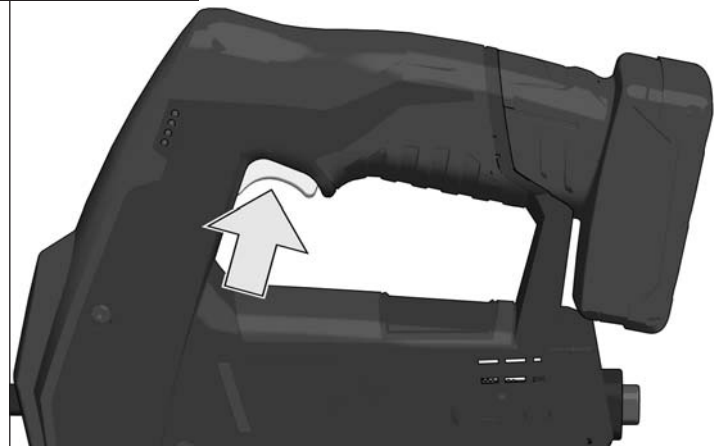
在机器上进行任何维护工作之前，先拿出蓄电池。

تم إزالة حزمة البطارية قبل البدء في أي أعمال على الجهاز.

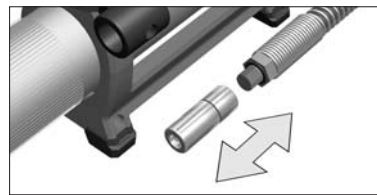
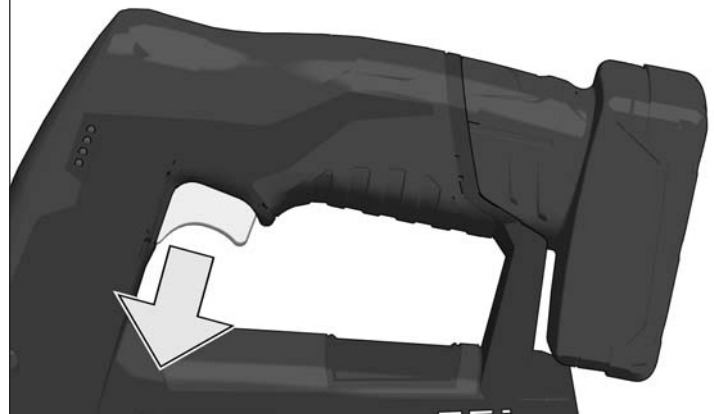




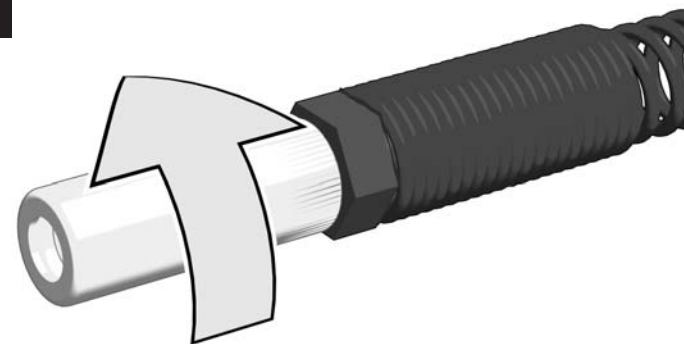
START



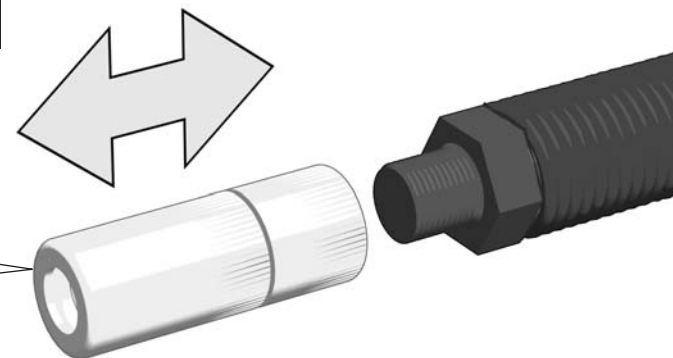
STOP



1

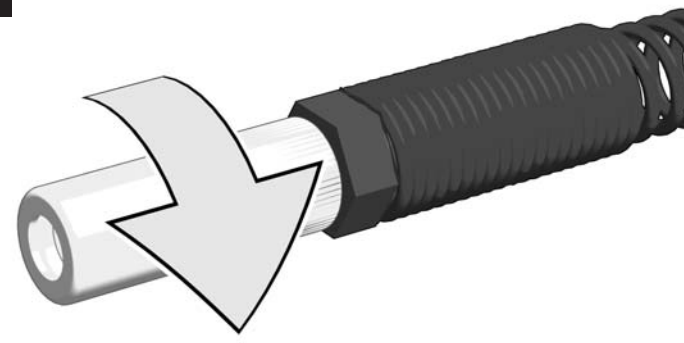


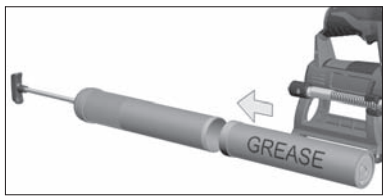
2



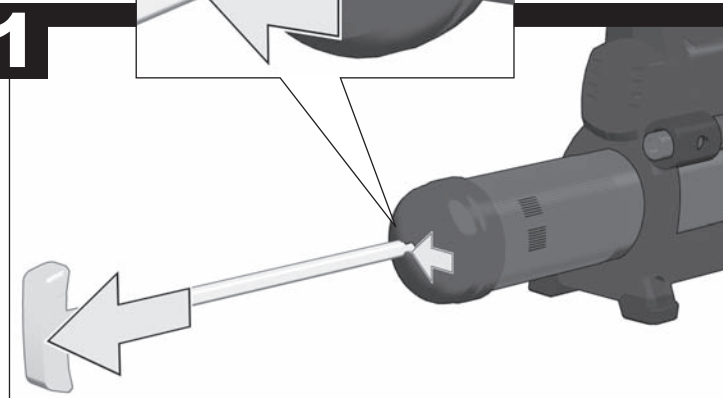
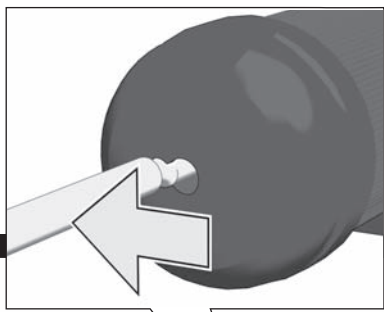
 min. 690 bar

3

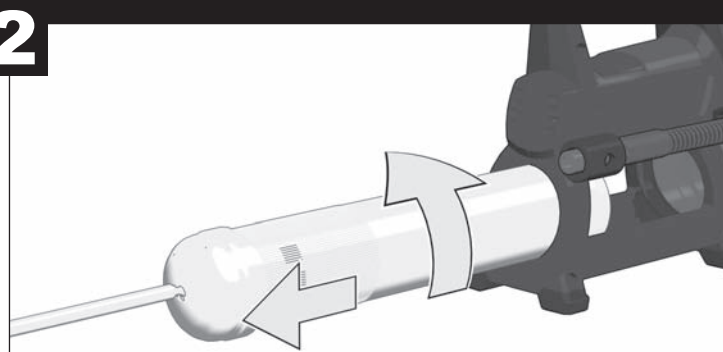




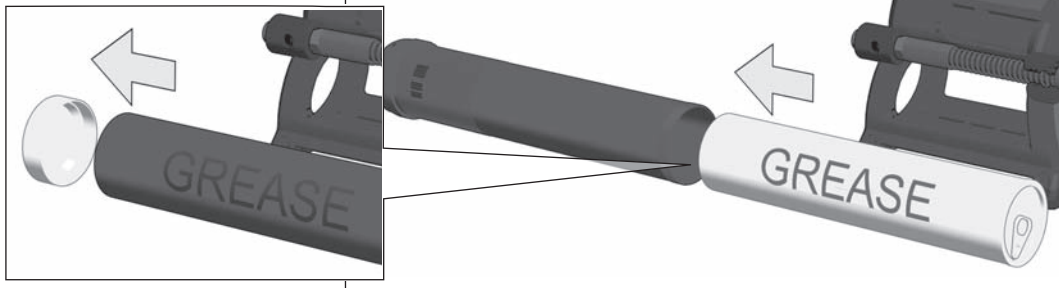
1



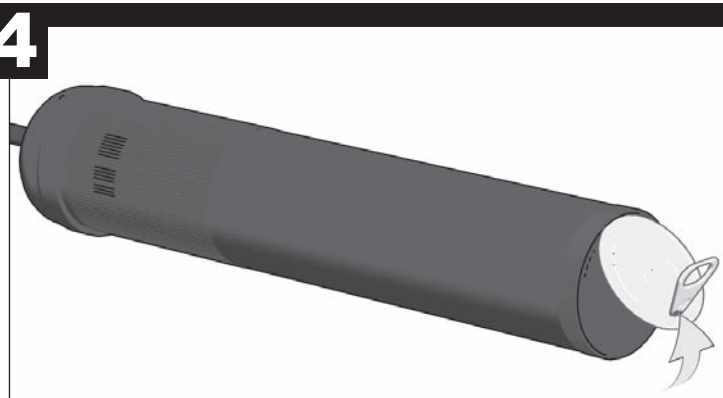
2



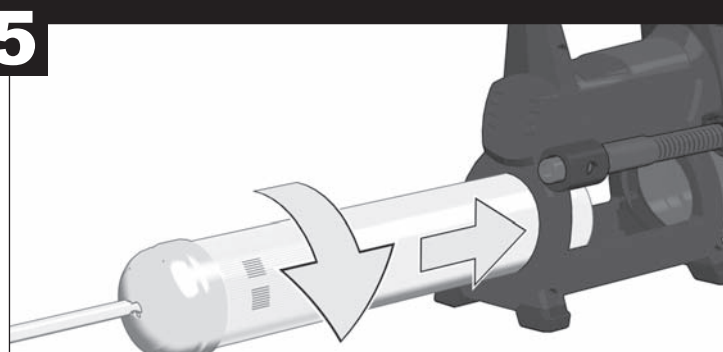
3



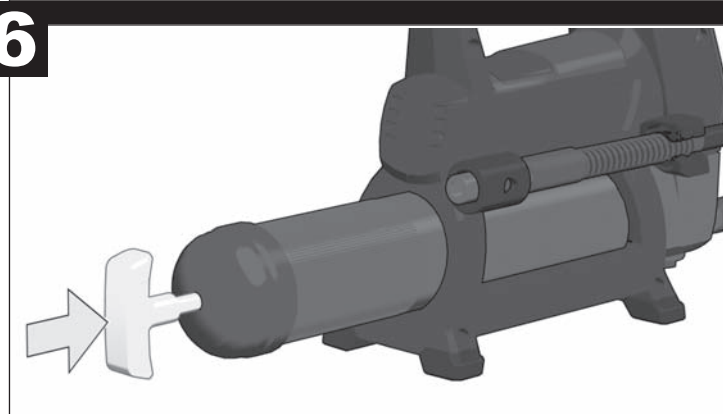
4

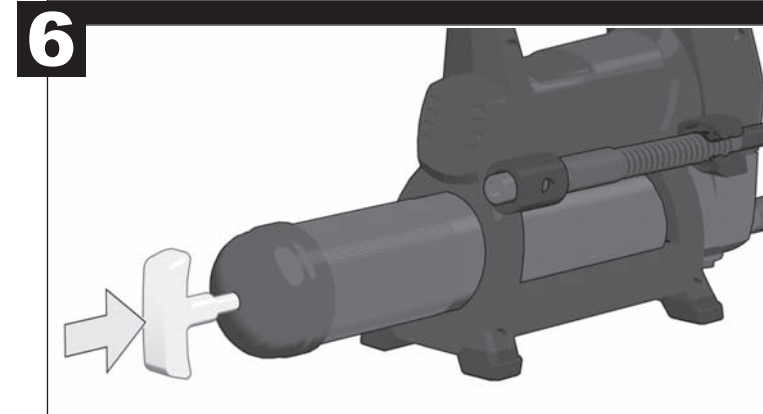
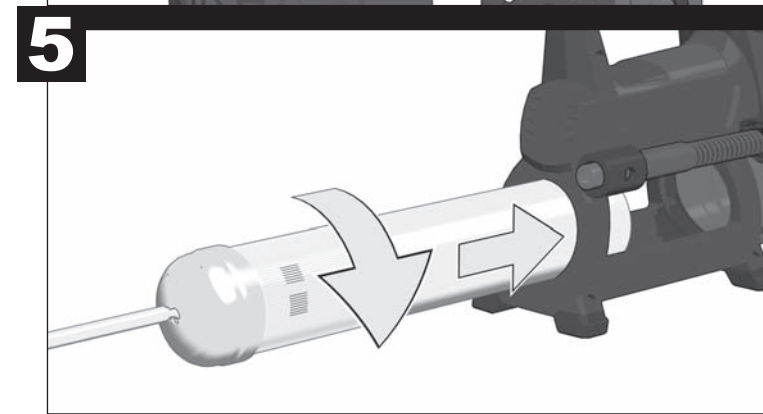
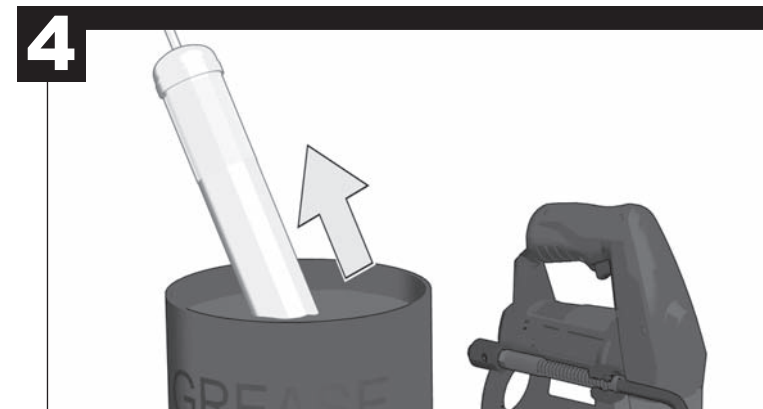
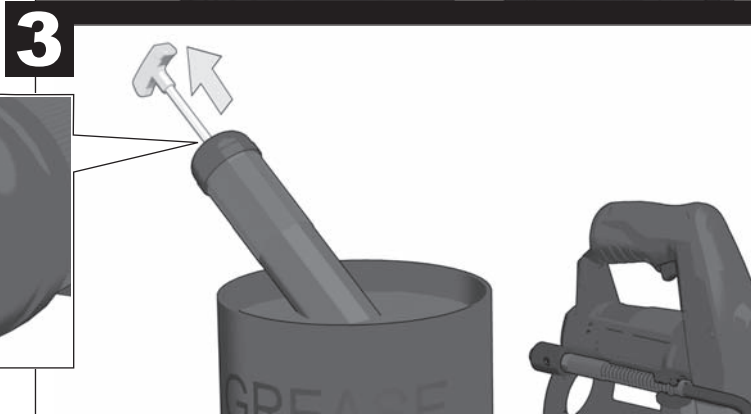
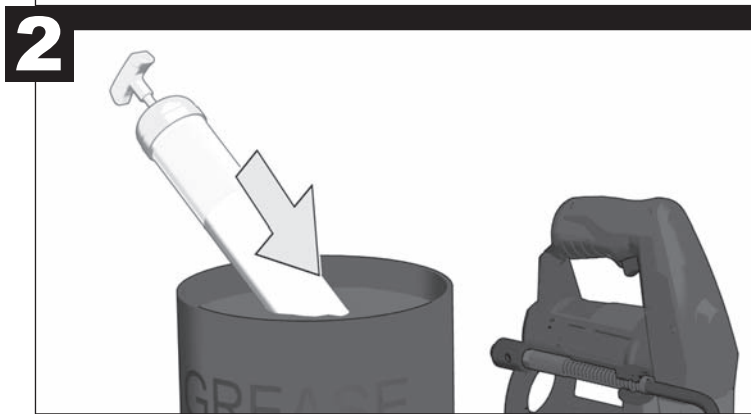
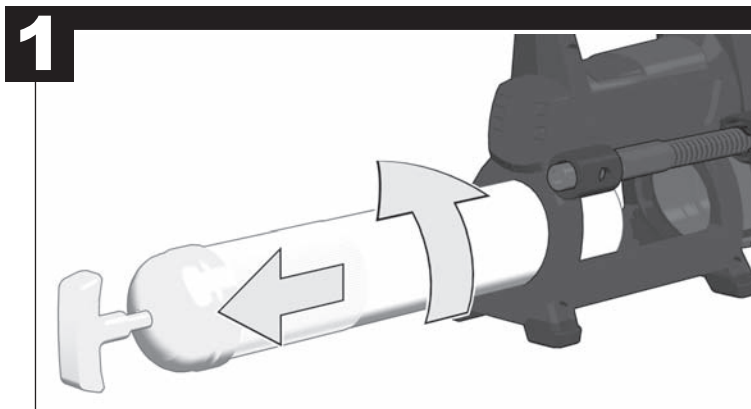


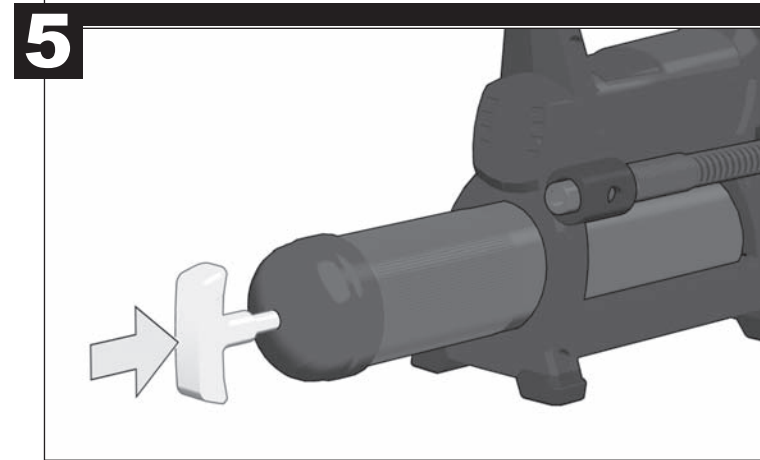
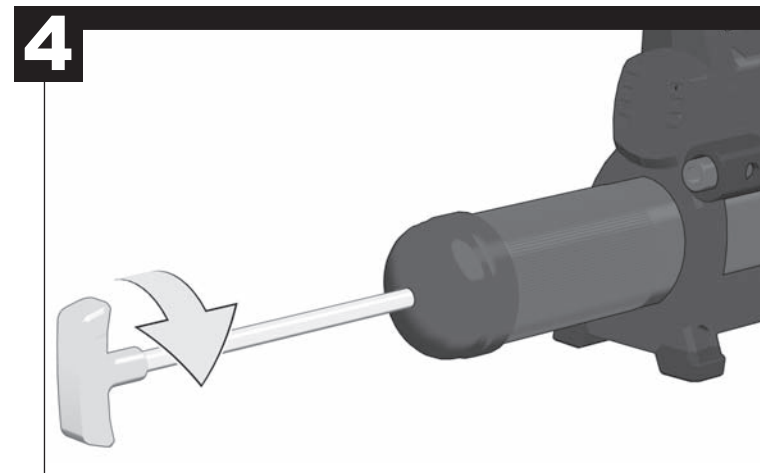
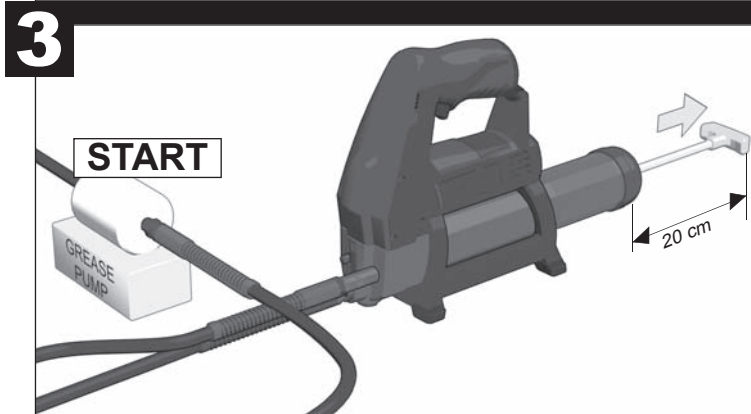
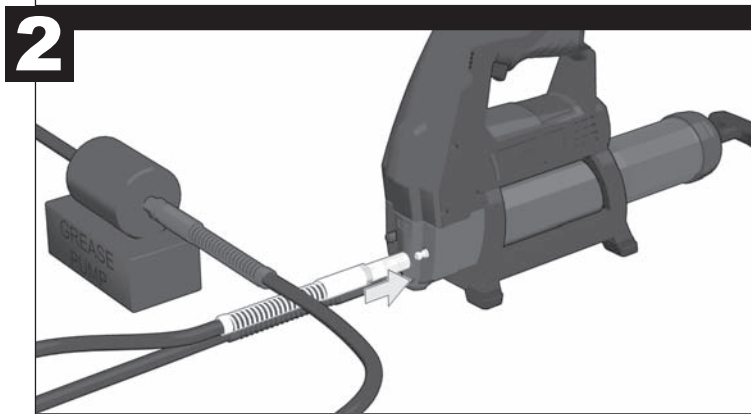
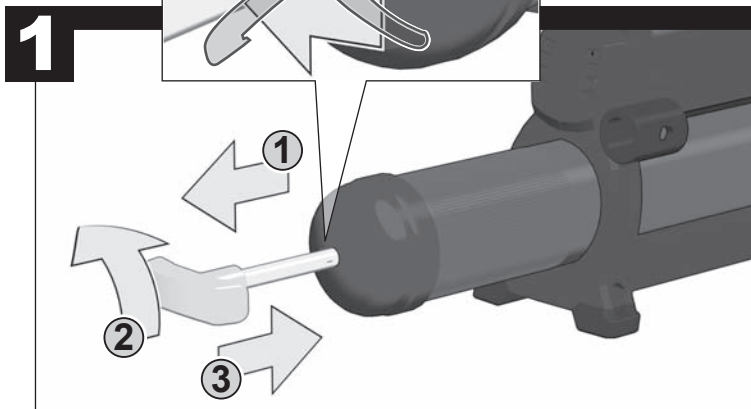
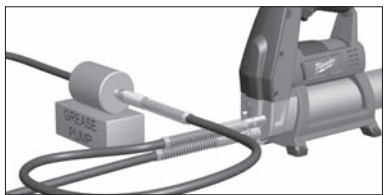
5



6







After refilling the grease gun, always prime the grease gun. See text section for description.

Eine nachgefüllte Fettpresse vor dem ersten Abschmieren immer entlüften. Beschreibung siehe Textteil.

Après avoir rempli le pistolet graisseur il faut toujours le désaérer avant son utilisation. Pour la description voir la partie de texte.

Dopo aver rabboccato l'ingrassatore a siringa occorre sempre disaerarla prima di usarlo. Vedi la parte di testo per la descrizione.

El aire de una pistola engrasadora rellena siempre debe ser purgado antes de efectuar la primera lubricación. Descripción, véase texto

O ar de uma pistola de lubrificação enchida sempre deve ser evacuado antes da primeira lubrificação. Para a descrição veja o texto.

Ontlucht een bijgevolde vetpers altijd vóór de eerste smering. Beschrijving zie tekstgedeelte.

Når fedtpistolen er fyldt op igen, skal den altid udluftes. Se beskrivelsen i tekstdelen.

En gjenoppfylt fettpresse skal alltid utluftes før første smøring. Beskrivelse se tekstdel.

Når fettsprutan har fylt på ska den alltid avluftas innan ny applicering sker. Se beskrivningen i tektdelen.

Poista aina ilma täytetystä rasvapuristimesta ennen sen seuraavaa käyttöä. Selityksen löydät tekstiosasta.

Μετά από κάθε γέμισμα του γρασαδόρου αυτός πρέπει να εξαερωθεί. Η διαδικασία περιγράφεται παρακάτω.

Takviye yapılmış olan bir gres tabancasının ilk yağlamadan önce daima havasını boşaltınız. Tarif için metin kısmına bakınız.

Doplňený mazací lis před prvním mazáním vždy odvzdušněte. Popis je uveden v textové části.

Doplnený mastiaci lis pred prvým mazaním vždy odvzdušnite. Popis si pozrite v textovej časti.

Praske smarową po uzupełnieniu smaru należy zawsze odpowietrzyć przed pierwszym smarowaniem. Opis patrz fragment tekstu.

Az újra feltöltött zsírzóprés az első zsírzás előtt mindig légteleníteni kell. A leírás lásd a szöveges részben.

Spet napolnjeno maščobno stiskalico pred prvim mazanjem zmeraj odzračiti. Opis v delu texta.

Jednu naknadno napunjenu prešu za mast prije prvotnog podmazivanja odzračiti. Opis vidi u dijelu teksta.

Pirms pirmās eļļošanas vienmēr veiciet uzpildītās eļļas pistoles atgaisošanu. Instrukciju skatiet attiecīgajā sadaļā.

Eemaldage täidetud määrepreitsist enne esmakordset määrimist alati õhk. Kirjeldust vt tekstiosast.

Visada prieš pirmajį tepimą pašalinkite orą iš pripildyto tepalu pistoleto. Aprašymą žiūrėkite tekstinėje dalyje.

После повторного наполнения смазочного шприца перед первой смазкой всегда удаляйте из него воздух. Описание см. в текстовом блоке.

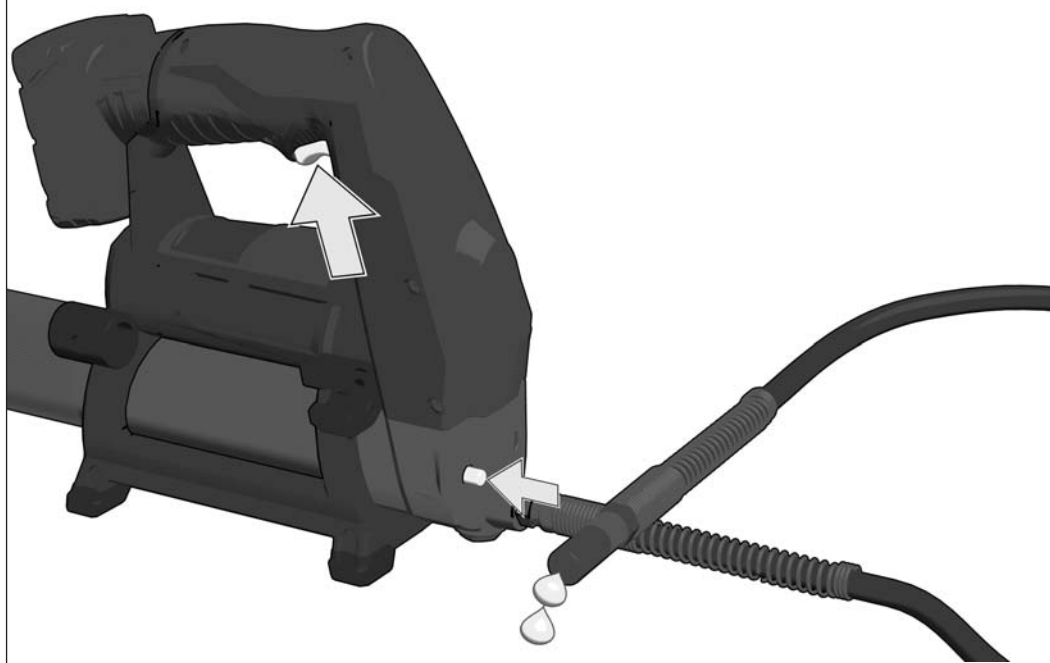
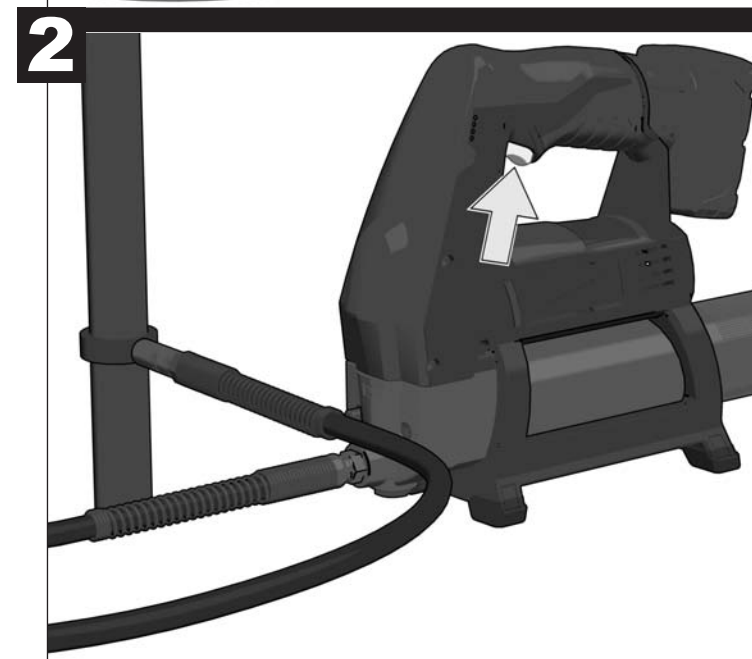
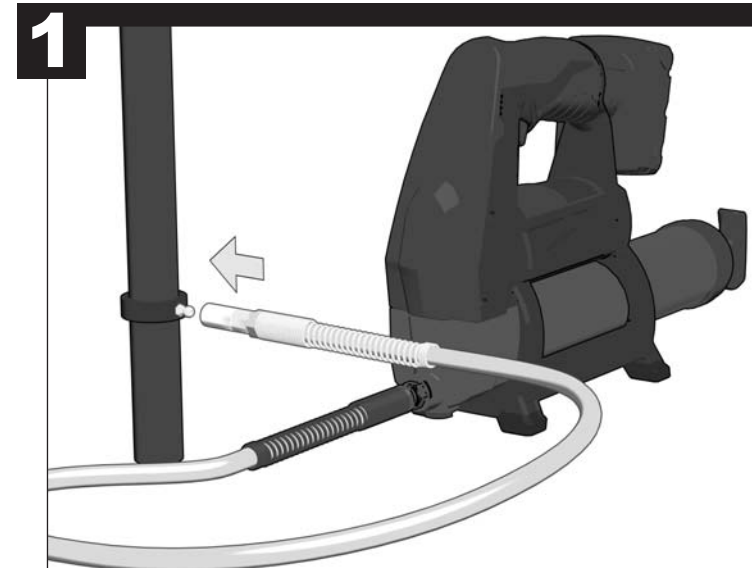
Винаги обезвъздушавайте преди първото смазване доливаща се помпата за гресиране. За описанието виж текста.

O presă de gresare care a fost completată, trebuie întotdeauna aerisită înainte de efectuarea gresării. Descrierea procedurii - a se vedea textul.

Накладно напълнета преса за маст пред првото подмачкување секогаш да се изветрее. Опис види во текстуалниот дел.

首次润滑前，应经常对再装满的黄油枪进行排气。有关描述请见下文。

بعد إعادة تعبئة مسدس التشحيم، قم دائماً بتجهيز مسدس التشحيم للاستخدام. انظر القسم النصي الخاص بالموصفات.



TECHNICAL DATA**GREASE GUN****M12 GG**

Production code.....	4404 31 02...
.....	4566 06 02...
.....	...000001-999999
Max. operating pressure.....	562 bar
Flow rate.....	74 g/min
Cylinder capacity bulk.....	454 g
Cylinder capacity cartridge.....	411 g
Hose rating.....	690 bar
Battery voltage.....	12 V
Weight according EPTA-Procedure 01/2003.....	3,3 kg

Noise/vibration information

Measured values determined according to EN 60 745.

Typically, the A-weighted noise levels of the tool are:

Sound pressure level (Uncertainty K=3dB(A)).....	65,5 dB (A)
Sound power level (Uncertainty K=3dB(A)).....	76,5 dB (A)

Always wear ear protectors!

Total vibration values (vector sum in the three axes) determined according to EN 60745.

Vibration emission value a _v	< 2,5 m/s ²
Uncertainty K=.....	1,5 m/s ²

WARNING

The vibration emission level given in this information sheet has been measured in accordance with a standardised test given in EN 60745 and may be used to compare one tool with another. It may be used for a preliminary assessment of exposure.

The declared vibration emission level represents the main applications of the tool. However if the tool is used for different applications, with different accessories or poorly maintained, the vibration emission may differ. This may significantly increase the exposure level over the total working period.

An estimation of the level of exposure to vibration should also take into account the times when the tool is switched off or when it is running but not actually doing the job. This may significantly reduce the exposure level over the total working period.

Identify additional safety measures to protect the operator from the effects of vibration such as: maintain the tool and the accessories, keep the hands warm, organisation of work patterns.

⚠ WARNING! Read all safety warnings and all instructions. Failure to follow the warnings and instructions may result in electric shock, fire and/or serious injury. **Save all warnings and instructions for future reference.**

SAFETY INSTRUCTIONS

High pressure can cause some tool parts or hose assembly to rupture, posing a risk of injection injury and/or amputation. Inspect tool and hose assembly for damage or wear before each use. Do not use if damaged or worn.

Hold Hose Assembly by spring strain relief to avoid kinking the hose.

Grease and lubricants may be flammable. Do not expose to flame or heat source. Follow all warnings and instructions from grease and lubricant manufacturer.

To avoid damage to the grease gun and pump, the loader fitting must be compatible with the coupler and rated for at least 690 bar.

Always wear goggles when using the machine. It is recommended to wear gloves, sturdy non slipping shoes and apron.

Remove the battery pack before starting any work on the machine.

Do not dispose of used battery packs in the household refuse or by burning them. Milwaukee Distributors offer to retrieve old batteries to protect our environment.

Do not store the battery pack together with metal objects (short circuit risk).

Use only System M12 chargers for charging System M12 battery packs. Do not use battery packs from other systems.

Battery acid may leak from damaged batteries under extreme load or extreme temperatures. In case of contact with battery acid wash it off immediately with soap and water. In case of eye contact rinse thoroughly for at least 10 minutes and immediately seek medical attention.

SPECIFIED CONDITIONS OF USE

The grease gun is designed to grease lubrication points, which usually are greased by using grease guns. It must use commercially available grease (in cartridges or bulks), suitable for usage in grease guns.

Do not use this product in any other way as stated for normal use.

EC-DECLARATION OF CONFORMITY

We declare under our sole responsibility that the product described under "Technical Data" fulfills all the relevant provisions of the directives 2011/65/EU (RoHS), 2014/30/EU, 2006/42/EC and the following harmonized standards have been used:

EN 60745-1:2009 + A11:2010
EN 55014-1:2006 + A1:2009 + A2:2011
EN 55014-2:1997 + A1:2001 + A2:2008
EN 50581:2012

Winnenden, 2016-03-29



Alexander Krug
Managing Director
Authorized to compile the technical file.
Techtronic Industries GmbH
Max-Eyth-Straße 10
71364 Winnenden
Germany

**BATTERIES**

Battery packs which have not been used for some time should be recharged before use.

Temperatures in excess of 50°C (122°F) reduce the performance of the battery pack. Avoid extended exposure to heat or sunshine (risk of overheating).

The contacts of chargers and battery packs must be kept clean.

For an optimum life-time, the battery packs have to be fully charged, after used.

To obtain the longest possible battery life remove the battery pack from the charger once it is fully charged.

For battery pack storage longer than 30 days:
Store the battery pack where the temperature is below 27°C and away from moisture

Store the battery packs in a 30% - 50% charged condition
Every six months of storage, charge the pack as normal.

BATTERY PACK PROTECTION LI-ION BATTERY

The battery pack has overload protection that protects it from being overloaded and helps to ensure long life. Under extreme stress the battery electronics switch off the machine automatically. To restart, switch the machine off and then on again. If the machine does not start up again, the battery pack may have discharged completely. In this case it must be recharged in the battery charger.

PRIMING THE GREASE GUN

Hold the hose assembly by the spring strain relief and point away from your body.

Pull the trigger for 3 seconds, release, and repeat until grease begins to flow from the fitting.

If after several attempts grease does not appear, manually prime the grease gun:
Pull back the rod and turn the rod handle to lock into the plunger.

Press in the bleed valve while manually pressing in the rod. Once grease begins to flow from the fitting, rotate the rod handle to release the plunger. Press the rod completely into the cylinder.

NOTE: This tool has been tested to factory standards, which results in a small amount of grease being left in the pump body, hose and coupler assembly. It is recommended that you purge this tool with the brand of grease you will be using before actual use.

TROUBLESHOOTING

Unable to pull back rod:
Press the bleeder to release pressure.

Unable to push rod forward:
Rotate rod 90° to disengage it from plunger.

No grease when trigger is pulled:
Cylinder is empty, add grease.
Air pockets in the cylinder, prime the grease gun.

TRANSPORTING LITHIUM BATTERIES

Lithium-ion batteries are subject to the Dangerous Goods Legislation requirements.

Transportation of those batteries has to be done in accordance with local, national and international provisions and regulations.

- The user can transport the batteries by road without further requirements.
- Commercial transport of Lithium-Ion batteries by third parties is subject to Dangerous Goods regulations. Transport preparation and transport are exclusively to be carried out by appropriately trained persons and the process has to be accompanied by corresponding experts.

When transporting batteries:

- Ensure that battery contact terminals are protected and insulated to prevent short circuit.

- Ensure that battery pack is secured against movement within packaging.
- Do not transport batteries that are cracked or leak.

Check with forwarding company for further advice

MAINTENANCE

Use only Milwaukee accessories and spare parts. Should components need to be replaced which have not been described, please contact one of our Milwaukee service agents (see our list of guarantee/service addresses).

If needed, an exploded view of the tool can be ordered. Please state the machine type printed as well as the six-digit No. on the label and order the drawing at your local service agents or directly at: Techtronic Industries GmbH, Max-Eyth-Straße 10, 71364 Winnenden, Germany.

SYMBOLS

CAUTION! WARNING! DANGER!



Remove the battery pack before starting any work on the machine.



Please read the instructions carefully before starting the machine.



Do not dispose of electric tools together with household waste material. Electric tools and electronic equipment that have reached the end of their life must be collected separately and returned to an environmentally compatible recycling facility. Check with your local authority or retailer for recycling advice and collection point.



European Conformity Mark



National mark of conformity Ukraine



EurAsian Conformity Mark.

TECHNISCHE DATEN **FETTPRESSE** **M12 GG**

Produktionsnummer4404 31 02...
.....4566 06 02...
.....000001-999999
Max. Betriebsdruck.....562 bar
Durchflussmenge.....74 g/min
Fassungsvermögen bei Befüllung aus Gebinden.....454 g
Fassungsvermögen mit Kartusche.....411 g
Schlauchdruck.....690 bar
Spannung Wechselakku.....12 V
Gewicht nach EPTA-Prozedur 01/2003.....3,3 kg

Geräusch/Vibrationsinformation
Messwerte ermittelt entsprechend EN 60 745.
Der A-bewertete Geräuschpegel des Gerätes beträgt typischerweise:
Schalldruckpegel (Unsicherheit K=3dB(A)).....65,5 dB (A)
Schallleistungspegel (Unsicherheit K=3dB(A)).....76,5 dB (A)
Gehörschutz tragen!
Schwingungsgesamtwerte (Vektorsumme dreier Richtungen) ermittelt entsprechend EN 60745.
Schwingungsemissionswert a_n< 2,5 m/s²
Unsicherheit K =1,5 m/s²

WARNUNG
Der in diesen Anweisungen angegebene Schwingungspegel ist entsprechend einem in EN 60745 genormten Messverfahren gemessen worden und kann für den Vergleich von Elektrowerkzeugen miteinander verwendet werden. Er eignet sich auch für eine vorläufige Einschätzung der Schwingungsbelastung.
Der angegebene Schwingungspegel repräsentiert die hauptsächlichen Anwendungen des Elektrowerkzeugs. Wenn allerdings das Elektrowerkzeug für andere Anwendungen, mit abweichenden Einsatzwerkzeugen oder ungenügender Wartung eingesetzt wird, kann der Schwingungspegel abweichen. Dies kann die Schwingungsbelastung über den gesamten Arbeitszeitraum deutlich erhöhen.
Für eine genaue Abschätzung der Schwingungsbelastung sollten auch die Zeiten berücksichtigt werden, in denen das Gerät abgeschaltet ist oder zwar läuft, aber nicht tatsächlich im Einsatz ist. Dies kann die Schwingungsbelastung über den gesamten Arbeitszeitraum deutlich reduzieren.
Lesen Sie zusätzliche Sicherheitsmaßnahmen zum Schutz des Bedieners vor der Wirkung von Schwingungen fest wie zum Beispiel: Wartung von Elektrowerkzeug und Einsatzwerkzeugen, Warmhalten der Hände, Organisation der Arbeitsabläufe.

! WARNUNG! Lesen Sie alle Sicherheitshinweise und Anweisungen. Versäumnisse bei der Einhaltung der Sicherheitshinweise und Anweisungen können elektrischen Schlag, Brand und/oder schwere Verletzungen verursachen. **Bewahren Sie alle Sicherheitshinweise und Anweisungen für die Zukunft auf.**

SPEZIELLE SICHERHEITSHINWEISE
Hoher Druck kann zu Bruch an Schlauch oder Werkzeugteilen führen. Es besteht die Gefahr von Verletzungen durch Einspritzungen oder Abtrennung. Vor jedem Gebrauch das Gerät und die Schlauchleitungen auf Beschädigungen überprüfen. Bei Beschädigungen das Gerät nicht verwenden.
Den Schlauch bei der Montage an der Federzugentlastung anfassen um ein Abknicken zu vermeiden.
Fette und Schmierstoffe sind brennbar. Nicht Feuer oder Hitzequellen aussetzen. Befolgen Sie alle Warnungen und Hinweise des Fett- und Schmierstoff Herstellers.

Um Schäden an Fettpresse und Pumpe zu vermeiden, muss der Anschluss der Pumpe kompatibel zur Kupplung des Schlauches sein und einen Druck von mindestens 690 bar aushalten.
Beim Arbeiten mit der Maschine stets Schutzbrille tragen. Schutzhandschuhe, festes und rutschsicheres Schuhwerk und Schürze werden empfohlen.
Vor allen Arbeiten an der Maschine den Wechselakku herausnehmen
Verbrauchte Wechselakkus nicht ins Feuer oder in den Hausmüll werfen. Milwaukee bietet eine umweltgerechte Alt-Wechselakku-Entsorgung an; bitte fragen Sie Ihren Fachhändler.
Wechselakkus nicht zusammen mit Metallgegenständen aufbewahren (Kurzschlussgefahr).

Wechselakkus des Systems M12 nur mit Ladegeräten des Systems M12 laden. Keine Akkus aus anderen Systemen laden.
Unter extremer Belastung oder extremer Temperatur kann aus beschädigten Wechselakkus Batterieflüssigkeit auslaufen. Bei Berührung mit Batterieflüssigkeit sofort mit Wasser und Seife abwaschen. Bei Augenkontakt sofort mindestens 10 Minuten gründlich spülen und unverzüglich einen Arzt aufsuchen.

BESTIMMUNGSGEMÄSSE VERWENDUNG
Die Fettpresse ist geeignet zum Abschmieren von Schmierstellen, die üblicherweise mit Fettpressen geschmiert werden. Es muss handelsübliches, für den Gebrauch in Fettpressen geeignetes Fett in Kartuschen oder Gebinden verwendet werden.
Dieses Gerät darf nur wie angegeben bestimmungsgemäß verwendet werden.
CE-KONFORMITÄTSERKLÄRUNG
Wir erklären in alleiniger Verantwortung, dass das unter „Technische Daten“ beschriebene Produkt mit alle relevanten Vorschriften der Richtlinie 2011/65/EU (RoHS), 2014/30/EU, 2006/42/EG und den folgenden harmonisierten normativen Dokumenten übereinstimmt:
EN 60745-1:2009 + A11:2010
EN 55014-1:2006 + A1:2009 + A2:2011
EN 55014-2:1997 + A1:2001 + A2:2008
EN 50581:2012

Winnenden, 2016-03-29
Alexander Krug
Managing Director
CE

Bevollmächtigt die technischen Unterlagen zusammenzustellen
Techtronic Industries GmbH
Max-Eyth-Straße 10
71364 Winnenden
Germany

AKKUS
Längere Zeit nicht benutzte Wechselakkus vor Gebrauch nachladen.
Eine Temperatur über 50°C vermindert die Leistung des Wechselakkus. Längere Erwärmung durch Sonne oder Heizung vermeiden.
Die Anschlusskontakte an Ladegerät und Wechselakku sauber halten.
Für eine optimale Lebensdauer müssen nach dem Gebrauch die Akkus voll geladen werden.
Für eine möglichst lange Lebensdauer sollten die Akkus nach dem Aufladen aus dem Ladegerät entfernt werden.
Bei Lagerung des Akkus länger als 30 Tage:
Akku bei ca. 27°C und trocken lagern.
Akku bei ca. 30%-50% des Ladezustandes lagern.
Akku alle 6 Monate erneut aufladen.

AKKUÜBERLASTSCHUTZ LI-ION AKKU
Der Akkupack ist mit einem Überlastschutz ausgestattet, der den Akku vor Überlastung schützt und eine hohe Lebensdauer sicherstellt.
Bei extrem starker Beanspruchung schaltet die Akkuelektronik die Maschine automatisch ab. Zum Weiterarbeiten Maschine Aus- und wieder Einschalten.
Sollte die Maschine nicht wieder anlaufen, ist der Akkupack möglicherweise entladen und muss im Ladegerät wieder aufgeladen werden.

ENTLÜFTEN DER FETTPRESSE
Den Schlauch an der Federzugentlastung fassen und vom Körper weghalten.
Den Schalterdrücker für 3 Sekunden drücken, loslassen und dies so lange wiederholen, bis Fett aus dem Schlauch fließt. Wenn nach mehreren Versuchen kein Fett aus dem Schlauch kommt, muss die Fettpresse manuell entlüftet werden:
Die Stange am Griff herausziehen und verdrehen um die Stange in den Kolben einzurasten.
Das Entlüftungsventil drücken und gleichzeitig die Stange wieder in den Zylinder eindrücken
So bald Fett aus dem Schlauch austritt, den Griff verdrehen um den Kolben wieder zu lösen und die Stange wieder in den Zylinder komplett eindrücken
Hinweis: Diese Fettpresse wurde im Werk getestet. Dadurch sind noch kleine Mengen Fett im Pumpengehäuse, im Schlauch und in der Kupplung. Es wird empfohlen vor der ersten Benutzung die Fettpresse mit dem bevorzugten Fett zu reinigen.

FEHLERSUCHE
Die Stange lässt sich nicht herausziehen:
Das Entlüftungsventil drücken, um Druck abzubauen.
Die Stange lässt sich nicht eindrücken:
Die Stange am Griff um 90° drehen um sie vom Kolben zu lösen.
Es kommt kein Fett, wenn der Schalterdrücker gedrückt wird:
Der Zylinder ist leer, neues Fett einfüllen.
Es sind Luftblasen im Zylinder, die Fettpresse entlüften.

TRANSPORT VON LITHIUM-IONEN-AKKUS

Lithium-Ionen-Akkus fallen unter die gesetzlichen Bestimmungen zum Gefahrguttransport.
Der Transport dieser Akkus muss unter Einhaltung der lokalen, nationalen und internationalen Vorschriften und Bestimmungen erfolgen.
• Verbraucher dürfen diese Akkus ohne Weiteres auf der Straße transportieren.
• Der kommerzielle Transport von Lithium-Ionen-Akkus durch Speditionsunternehmen unterliegt den Bestimmungen des Gefahrguttransports. Die Versandvorbereitungen und der Transport dürfen ausschließlich von entsprechend geschulten Personen durchgeführt werden. Der gesamte Prozess muss fachmännisch begleitet werden.
Folgende Punkte sind beim Transport von Akkus zu beachten:
• Stellen Sie sicher, dass die Kontakte geschützt und isoliert sind, um Kurzschlüsse zu vermeiden.
• Achten Sie darauf, dass der Akkupack innerhalb der Verpackung nicht verrutschen kann.
• Beschädigte oder auslaufende Akkus dürfen nicht transportiert werden.
Wenden Sie sich für weitere Hinweise an Ihr Speditionsunternehmen.

WARTUNG
Nur Milwaukee Zubehör und Ersatzteile verwenden. Bauteile, deren Austausch nicht beschrieben wurde, bei einer Milwaukee Kundendienststelle auswechseln lassen (Broschüre Garantie/Kundendienstadressen beachten).
Bei Bedarf kann eine Explosionszeichnung des Gerätes unter Angabe der Maschinen Type und der sechsstelligen Nummer auf dem Leistungsschild bei Ihrer Kundendienststelle oder direkt bei Techtronic Industries GmbH, Max-Eyth-Straße 10, 71364 Winnenden, Germany angefordert werden.

SYMBOLE

- ! ACHTUNG! WARNUNG! GEFAHR!
Vor allen Arbeiten an der Maschine den Wechselakku herausnehmen
Bitte lesen Sie die Gebrauchsanweisung vor Inbetriebnahme sorgfältig durch.
Elektrogeräte dürfen nicht zusammen mit dem Hausmüll entsorgt werden. Elektrische und elektronische Geräte sind getrennt zu sammeln und zur umweltgerechten Entsorgung bei einem Verwertungsbetrieb abzugeben. Erkundigen Sie sich bei den örtlichen Behörden oder bei Ihrem Fachhändler nach Recyclinghöfen und Sammelstellen.

CE-Zeichen
Nationales Konformitätszeichen Ukraine
EurAsian Konformitätszeichen.

CARACTÉRISTIQUES TECHNIQUES PISTOLET GRAISSEUR M12 GG

Numéro de série	4404 31 02...
.....	4566 06 02...
.....	...000001-999999
Pression de fonctionnement max.	562 bar
Débit	74 g/min
Capacité en cas de remplissage avec graisse en bidons.....	454 g
Capacité en cas de remplissage avec cartouche.....	411 g
Pression tuyau flexible.....	690 bar
Tension accu interchangeable.....	12 V
Poids suivant EPTA-Procédure 01/2003	3,3 kg

Informations sur le bruit et les vibrations

Valeurs de mesure obtenues conformément à la EN 60 745.

Les mesures réelles (A) des niveaux acoustiques de l'appareil sont :

Niveau de pression acoustique (Incertitude K=3dB(A))	65,5 dB (A)
Niveau d'intensité acoustique (Incertitude K=3dB(A)).....	76,5 dB (A)

Toujours porter une protection acoustique!

Valeurs totales des vibrations (somme vectorielle de trois sens) établies conformément à EN 60745.

Valeur d'émission vibratoire a_h	< 2,5 m/s ²
Incertitude K	1,5 m/s ²

AVERTISSEMENT

Le niveau vibratoire indiqué dans ces instructions a été mesuré selon un procédé de mesure normalisé dans la norme EN 60745 et peut être utilisé pour comparer des outils électriques entre eux. Il convient aussi à une estimation provisoire de la sollicitation par les vibrations.

Le niveau vibratoire indiqué représente les applications principales de l'outil électrique. Toutefois, si l'outil électrique est utilisé pour d'autres applications, avec des outils rapportés qui diffèrent ou une maintenance insuffisante, il se peut que le niveau vibratoire diverge. Cela peut augmenter nettement la sollicitation par les vibrations sur tout l'intervalle de temps du travail.

Pour une estimation précise de la sollicitation par les vibrations, on devrait également tenir compte des temps pendant lesquels l'appareil n'est pas en marche ou tourne sans être réellement en service. Cela peut réduire nettement la sollicitation par les vibrations sur tout l'intervalle de temps du travail.

Définissez des mesures de sécurité supplémentaires pour protéger l'utilisateur contre l'influence des vibrations, comme par exemple : la maintenance de l'outil électrique et des outils rapportés, le maintien au chaud des mains, l'organisation des déroulements de travail.

⚠ AVIS! Lire complètement les instructions et les indications de sécurité. Le non-respect des avertissements et instructions indiqués ci après peut entraîner un choc électrique, un incendie et/ou de graves blessures sur les personnes.
Bien garder tous les avertissements et instructions.

INSTRUCTIONS DE SÉCURITÉ PARTICULIÈRES

Une pression élevée peut causer la rupture du tuyau flexible ou de parties du dispositif. Danger de lésions notamment injections ou amputations. Avant chaque utilisation, contrôler l'intégrité du dispositif et du tuyau flexible. En présence d'anomalies ne pas utiliser le dispositif.

Pendant le montage, saisir le tuyau flexible sur la décharge de la traction à ressort pour éviter son écrasement.

Les graisses et les lubrifiants sont inflammables. Ne pas exposer au feu et à des sources de chaleurs. Suivre les instructions du producteur de la graisse ou du lubrifiant.

Pour éviter des dommages au pistolet graisseur et à la pompe, la connexion de la pompe doit être compatible avec le joint du tuyau flexible et il doit résister à une pression d'au moins 690 bars.

Toujours porter des lunettes protectrices en travaillant avec la machine. Des gants de sécurité, des chaussures solides et à semelles antidérapantes et un tablier sont recommandés.

Avant tous travaux sur la machine retirer l'accu interchangeable.

Ne pas jeter les accus interchangeables usés au feu ou avec les déchets ménagers. Milwaukee offre un système d'évacuation écologique des accus usés.

Ne pas conserver les accus interchangeables avec des objets métalliques (risque de court-circuit)

Ne charger les accus interchangeables du système M12 qu'avec le chargeur d'accus du système M12. Ne pas charger des accus d'autres systèmes.

En cas de conditions ou températures extrêmes, du liquide caustique peut s'échapper d'un accu interchangeable endommagé. En cas de contact avec le liquide caustique de la batterie, laver immédiatement avec de l'eau et du savon. En cas de contact avec les yeux, rincer soigneusement avec de l'eau et consulter immédiatement un médecin.

UTILISATION CONFORME AUX PRESCRIPTIONS

Le pistolet graisseur est convenable pour le graissage de points de graissage qui d'habitude sont graissés à l'aide de pistolet graisseur. Il faut utiliser de la graisse normalement en commerce en cartouche ou en bidons convenable pour des pistolets graisseurs.

Comme déjà indiqué, cette machine n'est conçue que pour être utilisée conformément aux prescriptions.

DECLARATION CE DE CONFORMITÉ

Nous déclarons sous notre propre responsabilité que le produit décrit aux „Données techniques“ est conforme à toutes les dispositions des directives 2011/65/EU (RoHs), 2014/30/UE, 2006/42/CE et des documents normatifs harmonisés suivants:

EN 60745-1:2009 + A11:2010
EN 55014-1:2006 + A1:2009 + A2:2011
EN 55014-2:1997 + A1:2001 + A2:2008
EN 50581:2012

Winnenden, 2016-03-29

Alexander Krug

Alexander Krug
Managing Director



Autorisé à compiler la documentation technique.

Techtronic Industries GmbH
Max-Eyth-Straße 10
71364 Winnenden
Germany

ACCUS

Recharger les accus avant utilisation après une longue période de non utilisation.

Une température supérieure à 50°C amoindrit la capacité des accus. Éviter les expositions prolongées au soleil ou au chauffage.

Tenir propres les contacts des accus et des chargeurs.

Après l'usage, les accus doivent être chargés entièrement pour une durée de vie optimale.

Pour une plus longue durée de vie, enlever les batteries du chargeur de batterie quand celles-ci seront chargées.

En cas d'entreposage de la batterie pour plus de 30 jours: Entreposer la batterie à 27°C environ dans un endroit sec. Recharger la batterie avec une charge d'environ 30% - 50%. Recharger la batterie tous les 6 mois.

PROTECTION DE L'ACCU CONTRE LES SURCHARGES

Le bloc d'accus est équipé d'un dispositif de protection contre la surcharge qui protège l'accu contre une surcharge et qui assure une longue durée de vie.

En cas de sollicitation extrêmement élevée, l'unité électronique de l'accu éteint la machine automatiquement. Pour continuer le travail, il convient d'éteindre la machine et de l'enclencher à nouveau. Si la machine ne redémarre pas, il se peut que le bloc d'accus soit déchargé et qu'il doive être rechargé dans le chargeur.

DESAERAGE DU PISTOLET GRAISSEUR

Saisir le tuyau flexible sur la décharge de la traction à ressort et l'éloigner du corps.

Garder enfoncé le bouton interrupteur pendant trois secondes, le relâcher et répéter l'opération jusqu'à la sortie de la graisse du tuyau flexible.

Si après plusieurs essais, la graisse ne sortira pas du tuyau flexible, il faudra désaérer manuellement le pistolet graisseur.

Extraire la tige à l'aide de sa poignée et la tourner jusqu'à atteindre son enclenchement dans le piston.

Enfoncer la vanne de désaéragé et en même temps pousser la tige arrière dans le cylindre.

Lorsque la graisse commencera à sortir du tuyau flexible, tourner la poignée pour déclencher le piston et pousser de nouveau la tige complètement dans le cylindre.

Note: ce graisseur à été essayé en usine. Pour cette raison dans le bâti de la pompe, dans le tuyau flexible et dans le joint il y a encore de petites quantités de graisse. On conseille de nettoyer le pistolet graisseur par votre graisse préférée avant sa première utilisation.

RECHERCHE DES ANOMALIES

Impossible extraire la tige: appuyer sur la vanne de désaéragé pour réduire la pression.

Impossible pousser la tige en avant: tourner la tige de 90° à l'aide de la poignée pour la détacher du piston.

Lorsqu'on appuie sur l'interrupteur bouton, la graisse ne sort pas: le cylindre est vide, ajouter de la graisse. Dans le cylindre il y a des bulles d'air, désaérer le pistolet graisseur.

TRANSPORT DE BATTERIES LITHIUM-ION

Les batteries lithium-ion sont soumises aux dispositions législatives concernant le transport de produits dangereux.

Le transport de ces batteries devra s'effectuer dans le respect des dispositions et des normes locales, nationales et internationales.

- Les utilisateurs peuvent transporter ces batteries sans restrictions.
- Le transport commercial de batteries lithium-ion est réglé par les dispositions concernant le transport de produits dangereux. La préparation au transport et le transport devront être effectués uniquement par du personnel formé de façon adéquate. Tout le procédé devra être géré d'une manière professionnelle.

Durant le transport de batteries il faut respecter les consignes suivantes :

- S'assurer que les contacts soient protégés et isolés en vue d'éviter des courts-circuits.
- S'assurer que le groupe de batteries ne puisse pas se déplacer à l'intérieur de son emballage.
- Des batteries endommagées ou des batteries perdant du liquide ne devront pas être transportées.

Pour tout renseignement complémentaire veuillez vous adresser à votre transporteur professionnel.

ENTRETIEN

N'utiliser que des pièces et accessoires Milwaukee. Pour des pièces dont l'échange n'est pas décrit, s'adresser de préférence aux stations de service après-vente Milwaukee (voir brochure Garantie/Adresses des stations de service après-vente).

En cas de besoin il est possible de demander un dessin éclaté du dispositif en indiquant le modèle de la machine et le numéro de six chiffres imprimé sur la plaquette de puissance et en s'adressant au centre d'assistance technique ou directement à Techtronic Industries GmbH, Max-Eyth-Straße 10, 71364 Winnenden, Germany.

SYMBOLES

ATTENTION! AVERTISSEMENT! DANGER!



Avant tous travaux sur la machine retirer l'accu interchangeable.



Veuillez lire avec soin le mode d'emploi avant la mise en service



Les dispositifs électriques ne sont pas à éliminer dans les déchets ménagers. Les dispositifs électriques et électroniques sont à collecter séparément et à remettre à un centre de recyclage en vue de leur élimination dans le respect de l'environnement. S'adresser aux autorités locales ou au détaillant spécialisé en vue de connaître l'emplacement des centres de recyclage et des points de collecte.



Marque CE



Symbole national de conformité Ukraine.



Marque de qualité EurAsian

DATI TECNICI INGRASSATORE A SIRINGA M12 GG

Numero di serie	4404 31 02...
.....	4566 06 02...
.....	...000001-999999
Pressione d'esercizio max.	562 bar
Portata	74 g/min
Capienza in caso di riempimento da bidoni.....	454 g
Capienza in caso di riempimento con cartuccia.....	411 g
Pressione tubo flessibile.....	690 bar
Tensione batteria.....	12 V
Peso secondo la procedura EPTA 01/2003.....	3,3 kg

Informazioni sulla rumorosità/sulle vibrazioni

Valori misurati conformemente alla norma EN 60 745.

La misurazione A del livello di pressione acustica dell'utensile è di solito di:

Livello di rumorosità (Incertezza della misura $K=3dB(A)$) 65,5 dB (A)

Potenza della rumorosità (Incertezza della misura $K=3dB(A)$) 76,5 dB (A)

Utilizzare le protezioni per l'udito!

Valori totali delle oscillazioni (somma di vettori in tre direzioni) misurati conformemente alla norma EN 60745

Valore di emissione dell'oscillazione a_p < 2,5 m/s²

Incertezza della misura K 1,5 m/s²

AVVERTENZA

Il livello di vibrazioni indicato nelle presenti istruzioni è stato misurato in conformità con un procedimento di misurazione codificato nella EN 60745 e può essere utilizzato per un confronto tra attrezzi elettrici. Inoltre si può anche utilizzare per una valutazione preliminare della sollecitazione da vibrazioni.

Il livello di vibrazioni indicato rappresenta le applicazioni principali dell'attrezzo elettrico. Se viceversa si utilizza l'attrezzo elettrico per altri scopi, con accessori differenti o con una manutenzione insufficiente, il livello di vibrazioni può risultare diverso. E questo può aumentare decisamente la sollecitazione da vibrazioni lungo l'intero periodo di lavorazione.

Ai fini di una valutazione precisa della sollecitazione da vibrazioni si dovrebbero tenere presente anche i periodi in cui l'apparecchio rimane spento oppure, anche se acceso, non viene effettivamente utilizzato. Ciò può ridurre notevolmente la sollecitazione da vibrazioni lungo l'intero periodo di lavorazione.

Stabilite misure di sicurezza supplementari per la tutela dell'operatore dall'effetto delle vibrazioni, come ad esempio: manutenzione dell'attrezzo elettrico e degli accessori, riscaldamento delle mani, organizzazione dei processi di lavoro.

AVVERTENZA! Leggere tutte le istruzioni ed indicazioni di sicurezza. In caso di mancato rispetto delle avvertenze di pericolo e delle istruzioni operative si potrà creare il pericolo di scosse elettriche, incendi e/o incidenti gravi.

Conservare tutte le avvertenze di pericolo e le istruzioni operative per ogni esigenza futura.

NORME DI SICUREZZA

Un'elevata pressione può causare la rottura del tubo flessibile o di parti dell'utensile. Sussiste il pericolo di lesioni da iniezioni o amputazioni. Prima di ogni uso controllare l'integrità del dispositivo e della tubazione flessibile. In presenza di danni non usare il dispositivo.

Durante il montaggio afferrare il tubo flessibile sullo scarico della trazione a molla per evitare lo schiacciamento.

I grassi e lubrificanti sono infiammabili. Non esporre a fuoco e fonti di calore. Seguire le avvertenze ed istruzioni del produttore di grasso e lubrificante.

Per evitare danni all'ingrassatore a siringa ed alla pompa la connessione della pompa deve essere compatibile con il giunto del tubo flessibile e deve resistere ad una pressione di almeno 690 bar.

Durante l'uso dell'apparecchio utilizzare sempre gli occhiali di protezione. Inoltre si consiglia di usare sistemi di protezione per la respirazione e per l'udito, oltre ai guanti di protezione.

Prima di iniziare togliere la batteria dalla macchina.

Non gettare le batterie esaurite sul fuoco o nella spazzatura di casa. La Milwaukee offre infatti un servizio di recupero batterie usate.

Nel vano d'innesto per la batteria del caricatore non devono entrare parti metalliche. (pericolo di cortocircuito).

Le batterie del System M12 sono ricaricabili esclusivamente con i caricatori del System M12. Le batterie di altri sistemi non possono essere ricaricate.

Nel caso di batterie danneggiate da un carico eccessivo o da temperature alte, l'acido di queste potrebbe fuoriuscire. In caso di contatto con l'acido delle batterie lavarsi immediatamente con acqua e sapone. In caso di contatto con gli occhi risciacquare immediatamente con acqua per almeno 10 minuti e contattare subito un medico.

UTILIZZO CONFORME

L'ingrassatore a siringa è adatto ad ingrassare punti d'ingrassaggio per i quali è previsto l'ingrassaggio con ingrassatore a siringa. Occorre usare grasso abitualmente in commercio in cartucce o bidoni idoneo all'uso con ingrassatori a siringa.

Utilizzare il prodotto solo per l'uso per cui è previsto.

DICHIARAZIONE DI CONFORMITÀ CE

Dichiaro sotto la nostra esclusiva responsabilità che il prodotto descritto ai „Dati tecnici“ corrisponde a tutte le disposizioni delle direttive 2011/65/EU (RoHS), 2014/30/UE, 2006/42/CE e successivi documenti normativi armonizzati:

EN 60745-1:2009 + A11:2010

EN 55014-1:2006 + A1:2009 + A2:2011

EN 55014-2:1997 + A1:2001 + A2:2008

EN 50581:2012

Winnenden, 2016-03-29

Alexander Krug
Managing Director



Autorizzato alla preparazione della documentazione tecnica
Techtronic Industries GmbH
Max-Eyth-Straße 10
71364 Winnenden
Germany

BATTERIE

Batterie non utilizzate per molto tempo devono essere ricaricate prima dell'uso.

A temperature superiori ai 50°C, la potenza della batteria si riduce.

Evitare di esporre l'accumulatore a surriscaldamento prolungato, dovuto ad esempio ai raggi del sole o ad un impianto di riscaldamento.

Per una durata di vita ottimale, dopo l'uso le batterie devono essere completamente ricaricate.

Per una più lunga durata, rimuovere le batterie dal caricabatterie quando saranno cariche.

In caso di immagazzinaggio della batteria per più di 30 giorni:

Immagazzinare la batteria a circa 27°C in ambiente asciutto.

Immagazzinare la batteria con carica di circa il 30% - 50%.

Ricaricare la batteria ogni 6 mesi.

DISPOSITIVO ANTISOVRACCARICO ACCUMULATORE

Il gruppo accumulatore è equipaggiato con un dispositivo antisovraccarico, che protegge l'accumulatore da qualsiasi sovraccarico e assicura un'elevata durata di vita.

In caso di sollecitazione estremamente elevata, l'elettronica dell'accumulatore spegne la macchina automaticamente.

Per poter continuare a lavorare bisogna spegnere e riaccendere la macchina. Se la macchina non dovesse riavviarsi, il gruppo accumulatore potrebbe essere scarico e va ricaricato nel carica-batteria.

DISASERAZIONE DELL'INGRASSATORE A SIRINGA

Afferrare il tubo flessibile sullo scarico della trazione a molla e tenere lontano dal corpo.

Tenere premuto l'interruttore a pulsante per tre secondi, rilasciare e ripetere fino a quando dal tubo flessibile non uscirà grasso.

Se dopo diversi tentativi dal tubo flessibile non uscirà grasso occorre disaerare manualmente l'ingrassatore a siringa.

Estrarre l'asta tenendola dalla maniglia e ruotarla fino a quando l'asta non incastra nello stantuffo.

Premere la valvola di disaerazione ed allo stesso tempo spingere l'asta indietro nel cilindro.

Non appena dal tubo flessibile uscirà del grasso, ruotare la maniglia per sganciare lo stantuffo e spingere nuovamente l'asta completamente nel cilindro.

Nota: questo ingrassatore è stato collaudato in fabbrica. Per questo motivo all'interno della carcassa della pompa, della tubazione flessibile e del giunto si trovano ancora piccole quantità di grasso. Si consiglia di pulire l'ingrassatore a siringa con il grasso preferito prima del primo utilizzo.

RICERCA GUASTI

Impossibile estrarre l'asta:
premere la valvola di disaerazione per ridurre la pressione.

Impossibile spingere l'asta in avanti:
ruotare l'asta di 90° sulla maniglia per staccarla dallo stantuffo.

Non esce grasso quando si preme l'interruttore a pulsante:
il cilindro è vuoto, aggiungere grasso.

Nel cilindro sono presenti bolle d'aria, disaerare l'ingrassatore a siringa.

TRASPORTO DI BATTERIE AGLI IONI DI LITIO

Le batterie agli ioni di litio sono soggette alle disposizioni di legge sul trasporto di merce pericolosa.

Il trasporto di queste batterie deve avvenire rispettando le disposizioni e norme locali, nazionali ed internazionali.

- Gli utilizzatori possono trasportare queste batterie su strada senza alcuna restrizione.
- Il trasporto commerciale di batterie agli ioni di litio è regolato dalle disposizioni sul trasporto di merce pericolosa. Le preparazioni al trasporto ed il trasporto

stesso devono essere svolti esclusivamente da persone idoneamente istruite. Tutto il processo deve essere gestito in maniera professionale.

Durante il trasporto di batterie occorre tenere conto di quanto segue:

- Assicurarsi che i contatti siano protetti ed isolati per evitare corto circuiti.
- Accertarsi che il gruppo di batterie non possa spostarsi all'interno dell'imballaggio.
- Batterie danneggiate o batterie che perdono liquido non devono essere trasportate.

Per ulteriori informazioni si prega di contattare il proprio trasportatore.

MANUTENZIONE

Utilizzare esclusivamente accessori e pezzi di ricambio Milwaukee. L'installazione di pezzi di ricambio non specificamente prescritti dall'Milwaukee va preferibilmente effettuata dal servizio di assistenza clienti Milwaukee (ved. opuscolo Garanzia/Indirizzi Assistenza tecnica).

In caso di necessità è possibile richiedere un disegno esploso del dispositivo indicando il modello della macchina ed il numero a sei cifre sulla targa di potenza rivolgendosi al centro di assistenza tecnica o direttamente a Techtronic Industries GmbH, Max-Eyth-Straße 10, 71364 Winnenden, Germany.

SIMBOLI



ATTENZIONE! AVVERTENZA! PERICOLO!



Prima di iniziare togliere la batteria dalla macchina.



Leggere attentamente le istruzioni per l'uso prima di mettere in funzione l'elettro-utensile.



I dispositivi elettrici non devono essere smaltiti con i rifiuti domestici. I dispositivi elettrici ed elettronici devono essere raccolti separatamente e devono essere conferiti ad un centro di riciclaggio per lo smaltimento rispettoso dell'ambiente. Chiedere alle autorità locali o al rivenditore specializzato dove si trovano i centri di riciclaggio e i punti di raccolta.



Marchio CE



Simbolo di conformità nazionale Ucraina



Marchio di conformità EurAsian

DATOS TÉCNICOS PISTOLA ENGRASADORA M12 GG

Número de producción	4404 31 02...
.....	4566 06 02...
.....	...000001-999999
Presión de servicio máx.	562 bar
Caudal	74 g/min
Capacidad de carga en caso de llenado a partir de envases.....	454 g
Capacidad de carga con cartucho.....	411 g
Presión del tubo flexible	690 bar
Voltaje de batería.....	12 V
Peso de acuerdo con el procedimiento EPTA 01/2003	3,3 kg

Información sobre ruidos / vibraciones

Determinación de los valores de medición según norma EN 60 745.

El nivel de ruido típico del aparato determinado con un filtro

A corresponde a:

Presión acústica (Tolerancia K=3dB(A))..... 65,5 dB (A)

Resonancia acústica (Tolerancia K=3dB(A))..... 76,5 dB (A)

Usar protectores auditivos!

Nivel total de vibraciones (suma vectorial de tres direcciones) determinado según EN 60745.

Valor de vibraciones generadas ah < 2,5 m/s²

Tolerancia K..... 1,5 m/s²

ADVERTENCIA

El nivel vibratorio indicado en estas instrucciones ha sido medido conforme a un método de medición estandarizado en la norma EN 60745, y puede utilizarse para la comparación entre herramientas eléctricas. También es apropiado para una estimación provisional de la carga de vibración.

El nivel vibratorio indicado representa las aplicaciones principales de la herramienta eléctrica. Si, pese a ello, se utiliza la herramienta eléctrica para otras aplicaciones, con útiles adaptables diferentes o con un mantenimiento insuficiente, el nivel vibratorio puede diferir. Esto puede incrementar sensiblemente la carga de vibración durante todo el periodo de trabajo.

Para una estimación exacta de la carga de vibración deberían tenerse en cuenta también los tiempos durante los que el aparato está apagado o, pese a estar en funcionamiento, no está siendo realmente utilizado. Esto puede reducir sustancialmente la carga de vibración durante todo el periodo de trabajo.

Adopte medidas de seguridad adicionales para la protección del operador frente al efecto de las vibraciones, como por ejemplo: mantenimiento de la herramienta eléctrica y de los útiles adaptables, mantener las manos calientes, organización de los procesos de trabajo.

⚠ ATENCIÓN: Lea atentamente las indicaciones e instrucciones de seguridad. En caso de no atenderse a las advertencias de peligro e instrucciones siguientes, ello puede ocasionar una descarga eléctrica, un incendio y/o lesión grave. **Guardar todas las advertencias de peligro e instrucciones para futuras consultas.**

INSTRUCCIONES DE SEGURIDAD

Una alta presión puede causar la rotura del tubo flexible o de los componentes de la herramienta. Existe el riesgo de sufrir lesiones debido a las inyecciones o al corte. Antes de usar el aparato, siempre se debe controlar que el aparato o los conductos de tubo flexible no estén deteriorados. No utilizar el aparato en caso de deterioros.

Al realizar el montaje, el tubo flexible se debe agarrar en la descarga de tracción del resorte para evitar que se doble.

Las grasas y los lubricantes son inflamables. No se deben exponer al fuego o a fuentes de ignición. Observe todos los avisos y advertencias del fabricante de la grasa y del lubricante.

Para evitar daños en la pistola engrasadora y en la bomba, la conexión de la bomba debe ser compatible con el acoplamiento del tubo flexible y debe soportar como mínimo una presión de 690 bar.

Para trabajar con la máquina, utilizar siempre gafas de protección, guantes, calzado de seguridad antideslizante, así como es recomendable usar protectores auditivos.

Retire la batería antes de comenzar cualquier trabajo en la máquina.

No tire las baterías usadas a la basura ni al fuego. Los Distribuidores Milwaukee ofrecen un servicio de recogida de baterías antiguas para proteger el medio ambiente.

No almacene la batería con objetos metálicos (riesgo de cortocircuito).

Recargar solamente los acumuladores del Sistema M12 en cargadores M12. No intentar recargar acumuladores de otros sistemas.

En caso de sobrecarga o alta temperatura, pueden llegar a producirse escapes de ácido provenientes de la batería. En caso de contacto con éste, límpiese inmediatamente la zona con agua y jabón. Si el contacto es en los ojos, límpiese concienzudamente con agua durante 10 minutos y acuda inmediatamente a un médico

APLICACIÓN DE ACUERDO A LA FINALIDAD

La pistola engrasadora es apropiada para lubricar puntos de engrase que normalmente se lubrican con pistolas engrasadoras. Debe ser utilizada una grasa comercial apropiada para pistolas engrasadoras en cartuchos o envases.

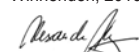
No utilice este producto para ninguna otra aplicación que no sea su uso normal.

DECLARACIÓN DE CONFORMIDAD CE

Declaramos bajo nuestra responsabilidad que el producto descrito bajo „Datos técnicos“ está en conformidad con todas las normas relevantes de la directiva 2011/65/EU (RoHS), 2014/30/UE, 2006/42/CE y con las siguientes normas o documentos normalizados:

EN 60745-1:2009 + A11:2010
EN 55014-1:2006 + A1:2009 + A2:2011
EN 55014-2:1997 + A1:2001 + A2:2008
EN 50581:2012

Winnenden, 2016-03-29



Alexander Krug
Managing Director



Autorizado para la redacción de los documentos técnicos.

Teichtronic Industries GmbH
Max-Eyth-Straße 10
71364 Winnenden
Germany

BATERIA

Las baterías no utilizadas durante cierto tiempo deben ser recargadas antes de usar.

Las temperaturas superiores a 50°C reducen el rendimiento de la batería. Evite una exposición excesiva a fuentes de calor o al sol (riesgo de sobrecalentamiento).

Los puntos de contacto de los cargadores y las baterías se deben mantener limpios.

Para un tiempo de vida óptimo, deberán cargarse completamente las baterías después de su uso.

Para garantizar la máxima capacidad y vida útil, las baterías recargables se deberían retirar del cargador una vez finalizada la carga.

En caso de almacenar la batería recargable más de 30 días:

Almacenar la batería recargable en un lugar seco a una temperatura de aproximadamente 27°C.

Almacenar la batería recargable con un estado de carga del 30% y 50% aproximadamente.

Recargar la batería cada 6 meses.

PROTECCIÓN CONTRA SOBRECARGA DE LA BATERÍA

El paquete del acumulador está dotado de un dispositivo de protección contra la sobrecarga que asegura una prolongada vida útil.

En caso de esfuerzo extremadamente intenso, la electrónica del acumulador desconecta automáticamente la máquina. Para continuar trabajando, desconectar y conectar de nuevo la máquina. Si la máquina no se pone nuevamente en marcha, es posible que se haya descargado el acumulador por lo que deberá recargarse en el cargador.

PURGAR EL AIRE DE LA PISTOLA ENGRASADORA

Agarrar el tubo flexible en la descarga de tracción del resorte y mantenerla alejada del cuerpo.

Presionar el botón del interruptor durante un lapso de tiempo de 3 segundos, soltarlo y repetir esta operación hasta que la grasa salga del tubo flexible.

Si después de varios intentos no sale ninguna grasa del tubo flexible, el aire de la pistola engrasadora se debe purgar manualmente:

Extraer la barra ubicada en la empuñadura y girar la empuñadura para engatillar la barra en el émbolo.

Presionar la válvula de purga de aire y, al mismo tiempo, introducir la barra otra vez en el cilindro.

Tan pronto como empiece a salir la grasa del tubo flexible, girar la empuñadura para soltar nuevamente el émbolo y después volver a introducir la barra completamente en el cilindro.

Nota: Esta pistola engrasadora fue probada en fábrica. Por esa razón, aún hay pequeñas cantidades de grasa en la carcasa de la bomba, en el tubo flexible y en el acoplamiento. Se recomienda limpiar la pistola engrasadora con la grasa indicada, antes de utilizar la misma por primera vez.

DETECCIÓN DE FALLOS

La barra no se puede extraer:
Presionar la válvula de purga para reducir la presión.

La barra no se puede introducir:
Girar la barra 90° en la empuñadura para soltarla del émbolo.

No sale ninguna grasa, al presionar el botón del interruptor:
El cilindro está vacío, rellenar con grasa nueva.
Hay burbujas de aire en el cilindro, purgar el aire en la pistola engrasadora.

TRANSPORTE DE BATERÍAS DE IONES DE LITIO

Las baterías de iones de litio caen bajo las disposiciones legales relativas al transporte de mercancías peligrosas.

El transporte de estas baterías recargables debe llevarse a cabo, observando las normas y disposiciones locales, nacionales e internacionales.

- Los consumidores pueden transportar estas baterías recargables sin el menor reparo en la calle.
- El transporte comercial de baterías recargables de iones de litio por empresas de transportes está sometido a las disposiciones del transporte de mercancías peligrosas. Las preparaciones para el envío y el transporte deben ser llevados a cabo exclusivamente por personas instruidas adecuadamente. El proceso completo debe ser supervisado por personal competente.

Los siguientes puntos se deben observar para el transporte de las baterías recargables:

- Se debe asegurar que los contactos estén protegidos y aislados para evitar que se produzcan cortocircuitos.
- Preste atención a que el conjunto de baterías recargables no se pueda desplazar dentro del envase.
- Las baterías recargables deterioradas o derramadas no se deben transportar.

Rogamos que para cualquier información adicional se dirija a su empresa de transportes.

MANTENIMIENTO

Solo se deben utilizar accesorios y piezas de repuestos Milwaukee. Piezas cuyo recambio no está descrito en las instrucciones de uso, deben sustituirse en un centro de asistencia técnica Milwaukee (Consulte el folleto Garantía/Direcciones de Centros de Asistencia Técnica).

Puede solicitar, en caso necesario, una vista despiezada del aparato bajo indicación del tipo de máquina y el número de seis dígitos en la placa indicadora de potencia en su Servicio de Postventa o directamente en Teichtronic Industries GmbH, Max-Eyth-Straße 10, 71364 Winnenden, Germany.

SÍMBOLOS



¡ATENCIÓN! ¡ADVERTENCIA! ¡PELIGRO!



Retire la batería antes de comenzar cualquier trabajo en la máquina.



Lea las instrucciones detenidamente antes de conectar la herramienta



Los aparatos eléctricos no se deben eliminar junto con la basura doméstica. Los aparatos eléctricos y electrónicos se deben recoger por separado y se deben entregar a una empresa de reciclaje para una eliminación respetuosa con el medio ambiente. Infórmese en las autoridades locales o en su tienda especializada sobre los centros de reciclaje y puntos de recogida.



Marca CE



Marca de conformidad nacional de Ucrania



certificado EAC de conformidad

CARACTERÍSTICAS TÉCNICAS	PISTOLA DE LUBRIFICAÇÃO	M12 GG
Número de produção.....	4404 31 02...	
.....	4566 06 02...	
.....	...00001-999999	
Pressão de serviço máx.	562 bar	
Débito de passagem.....	74 g/min	
Capacidade volumétrica em caso de enchimento a partir de embalagens.....	454 g	
Capacidade volumétrica com cartucho	411 g	
Pressão da mangueira	690 bar	
Tensão do acumulador	12 V	
Peso nos termos do procedimento-EPTA 01/2003.....	3,3 kg	

Informações sobre ruído/vibração

Valores de medida de acordo com EN 60 745.

O nível de ruído avaliado A do aparelho é tipicamente:

Nível da pressão de ruído (Incertez K=3dB(A)) 65,5 dB (A)

Nível da potência de ruído (Incertez K=3dB(A))..... 76,5 dB (A)

Use protectores auriculares!

Valores totais de vibração (soma dos vectores das três direcções) determinadas conforme EN 60745.

Valor de emissão de vibração a_h < 2,5 m/s²

Incerteza K 1,5 m/s²

ATENÇÃO

O nível vibratório indicado nestas instruções foi medido em conformidade com um procedimento de medição normalizado na EN 60745 e pode ser utilizado para comparar entre si ferramentas eléctricas. O mesmo é também adequado para avaliar provisoriamente o esforço vibratório.

O nível vibratório indicado representa as principais aplicações da ferramenta eléctrica. Se, no entanto, a ferramenta eléctrica for utilizada para outras aplicações, com outras ferramentas adaptadas ou uma manutenção insuficiente, o nível vibratório poderá divergir. Isto pode aumentar consideravelmente o esforço vibratório ao longo de todo o período do trabalho.

Para uma avaliação exacta do esforço vibratório devem também ser considerados os tempos durante os quais o aparelho está desligado ou está a funcionar, mas não está efectivamente a ser utilizado. Isto pode reduzir consideravelmente o esforço vibratório ao longo de todo o período do trabalho.

Defina medidas de segurança suplementares para proteger o operador do efeito das vibrações, como por exemplo: manutenção da ferramenta eléctrica e das ferramentas adaptadas, manter as mãos quentes, organização das seqüências de trabalho.

⚠ ADVERTÊNCIA! Leia todas as instruções de segurança e todas as instruções. O desrespeito das advertências e instruções apresentadas abaixo pode causar choque eléctrico, incêndio e/ou graves lesões. **Guarde bem todas as advertências e instruções para futura referência.**

INSTRUÇÕES DE SEGURANÇA

Uma alta pressão pode levar à ruptura na mangueira ou de peças da ferramenta. Existe o risco de ferir-se devido a injecções ou ao corte. Antes de usar o aparelho, sempre verifique se o aparelho e os condutos de mangueira estão danificados. Não use o aparelho em caso de danificação.

Na montagem, segure a mangueira no alívio de pressão de tracção para evitar que seja dobrada.

Graxas e lubrificantes são inflamáveis. Não exponha-os ao fogo ou a fontes de calor. Observe todos as advertências e avisos do lubrificante da graxa e do lubrificante.

Para evitar danos na pistola de lubrificação e na bomba, a conexão da bomba sempre deve ser compatível com o acoplamento da mangueira e deve suportar uma pressão de pelo menos 690 bar.

Usar sempre óculos de protecção ao trabalhar com a máquina. Recomenda-se a utilização de luvas de protecção, protectores para os ouvidos e máscara anti-poeiras.

Antes de efectuar qualquer intervenção na máquina retirar o bloco acumulador.

Não queimar acumuladores gastos nem deitá-los no lixo doméstico. A Milwaukee possui uma eliminação de acumuladores gastos que respeita o meio ambiente.

Não guardar acumuladores junto com objectos metálicos (perigo de curto-circuito).

Use apenas carregadores do Sistema M12 para recarregar os acumuladores do Sistema M12. Não utilize acumuladores de outros sistemas.

Em caso de cargas ou temperaturas extremas, um acumulador de substituição danificado poderá verter líquido de bateria. Se entrar em contacto com este líquido, deverá lavar-se imediatamente com água e sabão. Em caso de contacto com os olhos, enxágüe-os bem e de imediato durante pelo menos 10 minutos e consulte um médico o mais depressa possível.

UTILIZAÇÃO AUTORIZADA

A pistola de lubrificação destina-se a lubrificar pontos de lubrificação normalmente lubrificados com pistolas de lubrificação. Deve ser usada uma graxa comercial, apropriada para pistolas de lubrificação em cartuchos ou embalagens.

Não use este produto de outra maneira sem ser a normal para o qual foi concebido.

DECLARAÇÃO DE CONFORMIDADE CE

Declaramos sob responsabilidade exclusiva, que o produto descrito sob „Dados técnicos“ corresponde com todas as disposições relevantes da diretiva 2011/65/EU (RoHs), 2014/30/UE, 2006/42/CE e dos seguintes documentos normativos harmonizados.

EN 60745-1:2009 + A11:2010

EN 55014-1:2006 + A1:2009 + A2:2011

EN 55014-2:1997 + A1:2001 + A2:2008

EN 50581:2012

Winnenden, 2016-03-29



Alexander Krug
Managing Director



Autorizado a reunir a documentação técnica.

Techtronic Industries GmbH

Max-Eyth-Straße 10

71364 Winnenden

Germany

ACUMULADOR

Acumuladores não utilizados durante algum tempo devem ser recarregados antes da sua utilização.

Temperaturas acima de 50°C reduzem a capacidade do bloco acumulador. Evitar exposição prolongada ao sol ou a caloríferos.

Manter limpos os contactos eléctricos no carregador e no bloco acumulador.

Para uma vida útil óptima dos acumuladores, terá que carregá-los plenamente após a sua utilização.

Para assegurar uma vida útil longa, o pacote de bateria deve ser removido da carregadora depois do carregamento.

Se o pacote de bateria for armazenado por mais de 30 dias: Armazene o pacote de bateria com aprox. 27°C em um lugar seco.

Armazene o pacote de bateria com aprox. 30%-50% da carga completa.

Carregue o pacote de bateria novamente de 6 em 6 meses.

PROTECÇÃO DE SOBRECARGA DE BATERIA

As baterias estão equipadas com uma protecção contra sobrecarga, que as protege de uma sobrecarga e lhes conferem uma longa durabilidade. No caso de um esforço extremamente elevado a electrónica das baterias desliga automaticamente o aparelho. Para continuar a trabalhar desligar e voltar a ligar o aparelho. Se o aparelho não se voltar a ligar, é porque o conjunto das baterias está possivelmente descarregado e tem de voltar a ser carregado na carregadora.

EVACUAR O AR DA PISTOLA DE LUBRIFICAÇÃO

Segure a mangueira no alívio da tracção de mola, afastando a sua abertura do corpo.

Pressione o botão do interruptor por 3 segundos e repita isto, até graxa sair da mangueira.

Se graxa não sair da mangueira após várias tentativas, o ar da pistola de lubrificação deverá ser evacuado manualmente.

Puxe a barra no manípulo para fora e gire para que a barra engate no êmbolo.

Pressione a válvula de evacuação de ar e, ao mesmo tempo, insira a barra no cilindro.

Logo que a graxa sair da mangueira, gire o manípulo para soltar o êmbolo e, ao mesmo tempo insira a barra completamente no cilindro.

Nota: Esta pistola de lubrificação foi testada na fábrica. Por isso, ainda há pequenas quantidades de graxa na caixa da bomba, na mangueira e no acoplamento. Recomenda-se limpar a pistola de lubrificação com a graxa usada de preferência, antes da primeira utilização.

DETECÇÃO DE ERROS

Não é possível puxar a barra para fora:

Pressione a válvula de evacuação de ar para reduzir a pressão.

Não é possível introduzir a barra:

Gire a barra no manípulo por 90° para soltá-la do êmbolo.

Quando o botão do interruptor é pressionado, não sai graxa:

O cilindro está vazio, encha graxa nova.

Há bolhas de ar no cilindro, evacue o ar da pistola de lubrificação.

TRANSPORTE DE BATERIAS DE IÃO-LÍLIO

Baterias de ião-lítio estão sujeitas às disposições da legislação relativa às substâncias perigosas.

O transporte destas baterias deve ser efectuado de acordo com as disposições e os regulamentos locais, nacionais e internacionais.

- O utilizador pode efectuar o transporte rodoviário destas baterias sem restrições.
- O transporte comercial de baterias de ião-lítio por terceiros está sujeito aos regulamentos relativos às substâncias perigosas. A preparação do transporte e o transporte devem ser executados exclusivamente por pessoas instruídas e o processo deve ser acompanhado pelos especialistas correspondentes.

Observe o seguinte no transporte de baterias:

- Assegure-se de que os contactos terminais estejam protegidos e isolados para evitar um curto-circuito.
- Assegure-se de que o bloco da bateria esteja protegido contra movimentos na embalagem.
- Não transporte baterias danificadas ou que tenham fuga.

Para instruções mais detalhadas consulte a companhia de transportes

MANUTENÇÃO

Utilizar unicamente acessórios e peças sobressalentes da Milwaukee. Sempre que a substituição de um componente não tenha sido descrita nas instruções, será de toda a conveniência mandar executar esse trabalho a um Serviço de Assistência Milwaukee (veja o folheto Garantia/Endereços de Serviços de Assistência).

Se for necessário, um desenho de explosão do aparelho pode ser solicitado do seu posto de assistência ao cliente ou directamente da Techtronic Industries GmbH, Max-Eyth-Straße 10, 71364 Winnenden, Alemanha, indicando o tipo da máquina e o número de seis posições na chapa indicadora da potência.

SYMBOLE



ATENÇÃO! PERIGO!



Antes de efectuar qualquer intervenção na máquina retirar o bloco acumulador.



Leia atentamente o manual de instruções antes de colocar a máquina em funcionamento.



Aparelhos eléctricos não devem ser jogados no lixo doméstico. Aparelhos eléctricos e electrónicos devem ser colectados separadamente e entregues a uma empresa de reciclagem para a eliminação correcta. Solicite informações sobre empresas de reciclagem e postos de colecta de lixo das autoridades locais ou do seu vendedor autorizado.



Marca CE



Marca de conformidade nacional da Ucrânia



Marca de conformidade EurAsian.

TECHNISCHE GEGEVENS VETPERS M12 GG

Productienummer	4404 31 02...
.....	4566 06 02...
.....	...000001-999999
Max. bedrijfsdruk	562 bar
Debiet	74 g/min
Capaciteit bij het vullen vanuit een verpakking	454 g
Capaciteit bij het vullen met een cartouche	411 g
Slangdruk	690 bar
Spanning wisselakku	12 V
Gewicht volgens de EPTA-procedure 01/2003	3,3 kg

Geluids-/trillingsinformatie

Meetwaarden vastgesteld volgens EN 60745.

Het kenmerkende A-gewogen geluidsniveau van de machine bedraagt:

Geluidsdruk-niveau (Onzekerheid K=3dB(A))	65,5 dB (A)
Geluidsvermogen-niveau (Onzekerheid K=3dB(A))	76,5 dB (A)

Draag oorbeschermers!

Totale trillingswaarden (vectorsom van drie richtingen) bepaald volgens EN 60745.

Trillingsemisiewaarde $a_{h,r}$	< 2,5 m/s ²
Onzekerheid K	1,5 m/s ²

WAARSCHUWING

De in deze aanwijzingen vermelde trillingsdruk is gemeten volgens een in EN 60745 genormeerde meetmethode en kan worden gebruikt voor de onderlinge vergelijking van apparaten. Hij is ook geschikt voor een voorlopige inschatting van de trillingsbelasting.

De aangegeven trillingsdruk geldt voor de meest gebruikelijke toepassingen van het elektrische apparaat. Wanneer het elektrische gereedschap echter voor andere doeleinden, met andere dan de voorgeschreven hulpstukken gebruikt of niet naar behoren onderhouden wordt, kan de trillingsdruk afwijken. Dit kan de waarde van de trillingsdruk over de hele werkperiode aanzienlijk verhogen.

Voor een nauwkeurigere inschatting van de trillingsdruk moeten ook de tijden in aanmerking worden genomen dat het apparaat uitgeschakeld is of weliswaar loopt, maar niet werkelijk in gebruik is. Dit kan de waarde van de trillingsdruk over de hele werkperiode aanzienlijk verminderen.

Bepaal extra veiligheidsmaatregelen ter bescherming van de bediener tegen de inwerking van trillingen, bijvoorbeeld: onderhoud van elektrische gereedschappen en apparaten, warmhouden van de handen, organisatie van de werkprocessen.

WAARSCHUWING! Lees alle veiligheidsinstructies en aanwijzingen. Als de waarschuwingen en voorschriften niet worden opgevolgd, kan dit een elektrische schok, brand of ernstig letsel tot gevolg hebben. **Bewaar alle waarschuwingen en voorschriften voor toekomstig gebruik.**

VEILIGHEIDSAADVIEZEN

Hoge druk kan leiden tot breuk aan slang- en gereedschapsonderdelen. Er bestaat gevaar voor letsel door insputtingen of voor amputatie. Vóór ieder gebruik moeten het apparaat en de slangleidingen op schade worden gecontroleerd. Het apparaat mag in geval van schade niet meer worden gebruikt.

Grijp de slang bij de montage vast aan de trekontlasting om te vermijden dat hij knikt.

Vetten en smeermiddelen zijn brandbaar. Stel ze daarom niet bloot aan vuur of hittebronnen. Volg alle waarschuwingen en instructies van de vet- en smeermiddelfabrikant op.

Ter vermijding van schade aan de vetpers en de pomp moet de aansluiting van de pomp compatibel zijn met de koppeling van de slang en minimaal een druk van 690 bar kunnen uithouden.

Bij het werken met de machine altijd een veiligheidsbril dragen. Werkhandschoenen en stofkapje voor de mond worden aanbevolen.

Voor alle werkzaamheden aan de machine de akku verwijderen.

Verbruikte akku's niet in het vuur of bij het huisvuil werpen. Milwaukee biedt namelijk een milieuvriendelijke recyclingmethode voor uw oude akku's.

Wisselakku's niet bij metalen voorwerpen bewaren (kortsluitingsgevaar!).

Wisselakku's van het Akku-Systeem M12 alléén met laadapparaten van het Akku-Systeem M12 laden. Geen akku's van andere systemen laden.

Onder extreme belasting of extreme temperaturen kan uit de accu accu-vloeistof lopen. Na contact met accu-vloeistof direct afwassen met water en zeep. Bij oogcontact direct minstens 10 minuten grondig spoelen en onmiddellijk een arts raadplegen.

VOORGESCHREVEN GEBRUIK VAN HET SYSTEEM

De vetpers is geschikt voor het smeren van smeerpunten die normaal met vetpersen worden gesmeerd. Gebruik hiervoor in de handel verkrijgbaar, voor het gebruik in vetpersen geschikt vet in cartouches of verpakkingen.

Dit apparaat uitsluitend gebruiken voor normaal gebruik, zoals aangegeven.

EC - VERKLARING VAN OVEREENSTEMMING

Wij verklaren in uitsluitende verantwoording dat het onder „Technische gegevens“ beschreven product overeenstemt met alle relevante voorschriften van de richtlijn 2011/65/EU (RoHS), 2014/30/EU, 2006/42/EG en de volgende geharmoniseerde normatieve documenten:

EN 60745-1:2009 + A11:2010
EN 55014-1:2006 + A1:2009 + A2:2011
EN 55014-2:1997 + A1:2001 + A2:2008
EN 50581:2012

Winnenden, 2016-03-29



Alexander Krug
Managing Director



Gemachtigd voor samenstelling van de technische documenten

Techtronic Industries GmbH
Max-Eyth-Straße 10
71364 Winnenden
Germany

AKKU

Langere tijd niet toegepaste wisselakku's vóór gebruik altijd naladen.

Een temperatuur boven de 50°C vermindert de capaciteit van de accu. Langdurige verwarming door zon of hitte vermijden.

De aansluitkontakten aan het laadapparaat en de akku schoonhouden.

Voor een optimale levensduur moeten de accu's na het gebruik volledig opgeladen worden.

Voor een zo lang mogelijke levensduur van de accu's dienen deze na het opladen uit het laadtoestel te worden verwijderd.

Bij een langere opslag van de accu dan 30 dagen: accu bij ca. 27 °C droog bewaren. accu bij ca. 30 % - 50 % van de laadtoestand bewaren. accu om de 6 maanden opnieuw opladen.

OVERBELASTINGSBEVEILIGING VAN DE ACCU

Het accupak is uitgerust met een overbelastingsbeveiliging die de accu tegen overbelasting beschermt en een lange levensduur garandeert.

Bij extreem sterke belasting schakelt de accueletronica de machine automatisch uit. Schakel de machine uit en weer in om door te kunnen werken. Wanneer de machine niet meer start, is het accupak mogelijkzwaars ontladen en moet het in het laadtoestel worden opgeladen.

ONTLUCHTEN VAN DE VETPERS

Grijp de slang vast aan de trekontlasting en houd hem van het lichaam weg.

Houd de drukschakelaar gedurende 3 seconden ingedrukt, laat hem los en herhaal deze stap totdat vet uit de slang stroomt.

Als na meerdere pogingen geen vet uit de slang komt, moet de vetpers handmatig worden ontlast:

Trek hiervoor de stang aan de handgreep eruit en verdraai hem om de stang in de zuiger te vergrendelen.

Druk de ontlastingsklep in en druk tegelijkertijd de stang weer in de cilinder.

Zodra vet uit de slang vrijkomt, draait u aan de greep om de zuiger weer los te halen. Vervolgens drukt u de stang weer compleet in de cilinder.

Opmerking: De vetpers werd in de fabriek getest. Daarom zijn nog kleine hoeveelheden vet in de pompbehuizing, de slang en de koppeling. Wij adviseren om de vetpers vóór het eerste gebruik te reinigen met het geprefereerde vet.

FOUTEN OPSPOREN

De stang kan niet worden uitgetrokken: Druk de ontlastingsklep in om druk op te bouwen.

De stang kan niet worden ingedrukt: Draai de stang aan de handgreep 90° om ze van de zuiger los te halen.

Er komt geen vet als de drukschakelaar ingedrukt wordt: De cilinder is leeg, vul nieuw vet bij.

Er zitten luchtbelletjes in de cilinder, ontlast de vetpers.

TRANSPORT VAN LITHIUM-IONEN-ACCU'S

Lithium-ionen-accu's vallen onder de wettelijke bepalingen inzake het transport van gevaarlijke goederen.

Voor het transport van deze accu's moeten de lokale, nationale en internationale voorschriften en bepalingen in acht worden genomen.

- Verbruikers mogen deze accu's zonder meer over de weg transporteren.
- Het commerciële transport van lithium-ionen-accu's door expeditiebedrijven is onderhevig aan de bepalingen inzake het transport van gevaarlijke goederen. De verzendingsvoorbereidingen en het transport mogen uitsluitend worden uitgevoerd door dienovereenkomstig opgeleide personen. Het complete proces moet vakkundig worden begeleid.

Onderstaande punten moeten bij het transport van accu's in acht worden genomen:

- Waarborg ter vermijding van kortsluitingen dat de contacten beschermd en geïsoleerd zijn.
- Let op dat het accupack in de verpakking niet kan verschuiven.
- Beschadigde of lekkende accu's mogen niet worden getransporteerd.

Neem voor meer informatie contact op met uw expeditiebedrijf.

ONDERHOUD

Alleen Milwaukee toebehoren en onderdelen gebruiken. Onderdelen welke niet vermeld worden, kunnen het beste door de Milwaukee servicedienst verwisseld worden (zie Serviceadressen).

Zo nodig kan een explosietekening van het apparaat worden aangevraagd bij uw klantenservice of direct bij Techtronic Industries GmbH, Max-Eyth-Straße 10, 71364 Winnenden, Duitsland onder vermelding van het machinetype en het zescijferige nummer op het typeplaatje.

SYMBOLEN



OPGELET! WAARSCHUWING! GEVAAR!



Voor alle werkzaamheden aan de machine de akku verwijderen.



Graag instructies zorgvuldig doorlezen vóórdat u de machine in gebruik neemt.



Elektrische apparaten mogen niet via het huisafval worden afgevoerd. Elektrische en elektronische apparaten moeten gescheiden worden verzameld en voor een milieuvriendelijke afvoer worden afgegeven bij een recyclingbedrijf. Informeer bij uw gemeente of bij uw vakhandelaar naar recyclingbedrijven en inzamelpunten.



CE-keurmerk



Nationaal symbool van overeenstemming Oekraïne



EurAsian-symbool van overeenstemming.

TEKNISKE DATA	FEDTPISTOLEN	M12 GG
Produktionsnummer	4404 31 02...	
.....	4566 06 02...	
.....	...00001-999999	
Maks. driftstryk	562 bar	
Flowmængde	74 g/min	
Kapacitet ved bulk påfyldning	454 g	
Kapacitet med patron	411 g	
Slangetryk	690 bar	
Udskiftningsbatteriets spænding	12 V	
Vægt svarer til EPTA-procedure 01/2003	3,3 kg	

Støj/Vibrationsinformation

Måleværdier beregnes iht. EN 60 745.

Værktøjets A-vurderede støjniveau er typisk:

Lydtrykniveau (Usikkerhed K=3dB(A)) 65,5 dB (A)

Lydeffekt niveau (Usikkerhed K=3dB(A)) 76,5 dB (A)

Brug høreværn!

Samlede vibrationsværdier (værdisum for tre retninger)

beregnet iht. EN 60745.

Vibrationseksponering a_w < 2,5 m/s²

Usikkerhed K 1,5 m/s²

ADVARSEL

Svingningsniveauet, som er angivet i disse anvisninger, er målt i henhold til standardiseret måleprocedure ifølge EN 60745 og kan anvendes til indbyrdes sammenligning mellem el-værktøjer. Svingningsniveauet er ligeledes egnet som foreløbigt skøn over svingningsbelastningen.

Det angivne svingningsniveau er baseret på el-værktøjets primære anvendelsesformål. Hvis el-værktøjet benyttes til andre formål, med andet indsatsværktøj eller ikke vedligeholdes tilstrækkeligt, kan svingningsniveauet afvige. Dette kan øge svingningsbelastningen over den samlede arbejdsperiode betydeligt.

For en nøjagtig vurdering af svingningsbelastningen skal der også tages højde for de tidsperioder, hvor apparatet er slukket, eller hvor apparatet kører, men uden at være i anvendelse. Dette kan reducere svingningsbelastningen over den samlede arbejdsperiode betydeligt.

Supplerende sikkerhedsforanstaltninger til beskyttelse af brugeren mod påvirkninger fra svingninger skal iværksættes, f.eks.: Vedligeholdelse af el-værktøj og indsatsværktøj, varmholdelse af hænder, organisering af arbejdsprocesser.

A ADVARSEL! Læs alle sikkerhedsinformationer og instruktioner. I tilfælde af manglende overholdelse af advarselshenvisningerne og instrukserne er der risiko for elektrisk stød, brand og/eller alvorlige kvæstelser. **Opbevar alle advarselshenvisninger og instrukser til senere brug.**

SIKKERHEDSHENVISNINGER

Høj tryk kan føre til brud på slangen eller værktøjsdele. Herved er der risiko for tilskadekomst med indsprøjtninger og/eller amputation. Kontrollér værktøjet og slangeledningerne for beskadigelser og slitage før hver brug. Benyt ikke et beskadiget eller slidt værktøj.

Hold ved monteringen slangen i fjederaflastningen for at undgå at den knækker af.

Fedt og smøremidler er brændbare. Disse må ikke udsættes for åben ild eller varmekilder. Følg alle advarsler og informationer fra fedt- eller smøremiddelproducenten.

For at undgå skader på fedtpistolen og pumpen skal pumpens tilslutning være kompatibel med slangens kobling og kunne klare et tryk på mindst 690 bar.

Når der arbejdes med maskinen, skal man have beskyttelsesbriller på. Beskyttelseshandsker, skridsikre sko, høreværn og forklæde anbefales.

Ved arbejde inden i maskinen, bør batteriet tages ud.

Opbrugte udskiftningsbatterier må ikke brændes eller kasseres sammen med alm. husholdningsaffald. Milwaukee har en miljørigtig bortskaffelse af gamle udskiftningsbatterier, henvend Dem til Deres forhandler.

Opbevar ikke udskiftningsbatterier sammen med metalgenstande af fare for kortslutning.

Brug kun M12 ladeapparater for opladning af System M12 batterier.

I tilfælde af en ekstrem belastning eller ekstrem temperatur kan der flyde batterivæske ud af et beskadiget batteri. Hvis De kommer i berøring med batterivæske, skal den vaskes

godt og grundigt af med vand og sæbe. I tilfælde af øjenkontakt, skal man mindst skylle øjnene godt og grundigt igennem i 10 minutter og omgående opsøge en læge.

TILTÆNKT FORMÅL

Fedtpistolen er egnet til smøre smøresteder, der normalt smøres med fedtpistoler. Der skal anvendes gængs fedt i patroner eller bulks, der er egnet til brug i fedtpistoler.

Produktet må ikke anvendes på anden måde og til andre formål end foreskrevet.

CE-KONFORMITETSERKLÆRING

Vi erklærer som eneansvarlig, at det under „Tekniske data“ beskrevne produkt stemmer overens med alle relevante forskrifter, der følger af direktiv 2011/65/EU (RoHS), 2014/30/EU, 2006/42/EF samt af følgende harmoniserede normative dokumenter:

EN 60745-1:2009 + A11:2010

EN 55014-1:2006 + A1:2009 + A2:2011

EN 55014-2:1997 + A1:2001 + A2:2008

EN 50581:2012

Winnenden, 2016-03-29



Alexander Krug
Managing Director

Autoriseret til at udarbejde de tekniske dokumenter.

Techtronic Industries GmbH
Max-Eyth-Straße 10
71364 Winnenden
Germany



BATTERI

Udskiftningsbatterier, der ikke har været brugt i længere tid, efterlades inden brug.

Ved temperaturer over 50°C formindskes batteriets effekt. Undgå direkte sollys og stærk varme.

Tilslutningskontaktterne på oplader og udskiftningsbatterier skal holdes rene.

For at opnå en optimal levetid skal de genopladelige batterier oplades fuldt efter brug.

For at sikre en så lang levetid som muligt skal batterierne tages ud af ladeaggregatet efter opladning.

Skal batterierne opbevares længere end 30 dage:

Temperatur ca. 27°C i tørre omgivelser.

Opbevares ved ca. 30%-50% af ladetilstanden.

Batteri skal genoplades hver 6. måned.

OVERBELASTNINGSSIKRING FOR BATTERI

Akkupack'en er udstyret med en overbelastningssikring, som beskytter akkumulatorbatteriet mod overbelastning og sikrer en høj levetid.

Ved ekstrem kraftig belastning kobler batteriets elektronik automatisk maskinen fra. Sluk og tænd maskinen igen for at genoptage driften. Går maskinen ikke i gang igen, er akkupack'en muligvis afladt og skal genoplades i ladeaggregatet.

UDLUFTNING AF FEDTPISTOLEN

Hold slangen i fjederaflastningen og lad den pege væk fra kroppen.

Tryk i 3 sekunder på udløseren, slip den og gentag så indtil der begynder at flyde fedt ud af slangen.

Hvis der efter flere forsøg ikke kommer fedt ud af slangen, så skal fedtpistolen udlufes manuelt:

Træk stangen på håndtaget ud og drej det, sådan at det klikker fast i stemplet.

Tryk udluftningsventilen ind og tryk samtidigt stangen manuelt ind i cylinderen.

Så snart der begynder at flyde fedt ud af slangen, så drej håndtaget for igen at løsne stemplet. Tryk derefter stangen helt ind i cylinderen.

BEMÆRK: Dette værktøj er blevet testet på fabrikken. Af denne grund er der stadig små mængder fedt i pumpehuset, slangen og koblingen. Før dette værktøj benyttes første gang, anbefales det at rengøre det med det foretrukne fedtmærke.

FEJLFINDING

Stangen kan ikke trækkes ud:

Tryk på udluftningsventilen for at reducere trykket.

Stangen kan ikke trykkes ind:

Drej stangen 90° på håndtaget for at løsne den fra stemplet.

Der kommer ikke noget fedt ud, når der trykkes på udløseren:

Cylinderen er tom, fyld nyt fedt på.

Der er luftblærer i cylinderen, udluft fedtpistolen.

TRANSPORT AF LITHIUM-BATTERIER

Lithium-batterier er omfattet af lovgivningen om transport af farligt gods.

Transporten af disse batterier skal ske under overholdelse af lokale, nationale og internationale regler og bestemmelser.

- Forbrugere må transportere disse batterier på veje uden yderligere krav.
- Den kommercielle transport af lithium-batterier ved speditorsfirmaer er omfattet af reglerne for transport af farligt gods. Forberedelsen af forsendelse og transport må kun udføres af tilsvarende trænedte personer. Den samlede proces skal følges af fagfolk.

Følgende punkter skal overholdes ved transport af batterier:

- Sørg for at kontaktterne er beskyttet og isoleret for at forhindre kortslutninger.
- Sørg for at batteripakken ikke kan bevæge sig inden for emballagen.
- Beskadigede eller lækende batterier må ikke transporteres.

Kontakt dit speditorsfirma for at få yderligere oplysninger.

VEDLIGEHOLDELSE

Brug kun Milwaukee tilbehør og reservedele. Lad de komponenter, hvis udskiftning ikke er blevet beskrevet, udskifte hos Milwaukee service (se kundeserviceadresser).

Hvis det er nødvendigt, kan der bestilles en sprængskitse af værktøjet. Angiv herved venligst maskintypen samt det seksificerede nummer på mærkepladen og bestil tegningen hos din lokale kundeserviceafdeling eller direkte hos Techtronic Industries GmbH, Max-Eyth-Straße 10, 71364 Winnenden, Tyskland.

SYMBOLER



OPGELET! WAARSCHUWING! GEVAAR!



Voor alle werkzaamheden aan de machine de akku verwijderen.



Graag instructies zorgvuldig doorlezen vóórdat u de machine in gebruik neemt.



Elektrische apparaten mogen niet via het huisafval worden afgevoerd. Elektrische en elektronische apparaten moeten gescheiden worden verzameld en voor een milieuvriendelijke afvoer worden afgegeven bij een recyclingbedrijf. Informeer bij uw gemeente of bij uw vakhandelaar naar recyclingbedrijven en inzamelpunten.



CE-keurmerk



Nationalt overensstemmelsesmærke Ukraine



EurAsian-symbol van overeenstemming.

TEKNISKE DATA	FETTPRESSEN	M12 GG
Produksjonsnummer.....	4404 31 02...	
.....	4566 06 02...	
.....	...00001-999999	
Maks driftstrykk.....	562 bar	
Gjennomstrømningsmengde	74 g/min	
Fatteevne ved fylling fra fat	454 g	
Fatteevne ved fylling med patron	411 g	
Slangetrykk.....	690 bar	
Spenning vekselbatteri	12 V	
Vekt i henhold til EPTA-Prosedyren 01/2003.....	3,3 kg	

Støy/Vibrasjonsinformasjon

Måleverdier fastslått i samsvar med EN 60 745.

Det typiske A-bedømte støynivået for maskinen er:

Lydtrykknivå (Usikkerhet K=3dB(A))..... 65,5 dB (A)

Lydefektinnivå (Usikkerhet K=3dB(A)) 76,5 dB (A)

Bruk hørselsvern!

Totalt svingningsverdier (vektorsum fra tre retninger)

beregnet jf. EN 60745.

Svingningsemissjonsverdi ah < 2,5 m/s²

Usikkerhet K 1,5 m/s²

ADVARSEL

Svingningsnivået som er angitt i denne instruksjonen er målt i overensstemmelse med målemetoden normert i direktiv EN 60745 og kan brukes til å sammenligne elektromaskiner med hverandre. Den egner seg også for en foreløpig vurdering av svingningsbelastningen.

Det angitte svingningsnivået representerer de hovedsaklige bruk av elektroverktøyet. Men anvendes elektroverktøyet for andre bruk med avvikende utskiftbare verktøy eller vedlikeholdet er utilstrekkelig, kan svingningsnivået være avvikende.

Dette kan forhøye svingningsbelastning betydelig over hele arbeidsperioden. For en nøyaktig vurdering av svingningsbelastningen må også det tas hensyn til tiden apparatet er avslått eller står på, men ikke er i bruk. Dette kan redusere svingningsbelastningen betydelig over hele arbeidsperioden.

Innfør også ekstra sikkerhetstiltak for å beskytte bruker mot utvirkningen av svingningene. Disse kan f.eks. være: vedlikehold av elektroverktøyet og det utskiftbare verktøyet, holde hendene varme, organisasjon av arbeidsforløpet.

⚠ OBS! Les alle sikkerhetsinstruksjoner og bruksanvisninger. Feil ved overholdelsen av advarslene og nedenstående anvisninger kan medføre elektriske støt, brann og/eller alvorlige skader.
Ta godt vare på alle advarslene og informasjonene.

SPESEIELLE SIKKERHETSHENVISNINGER

Høyt trykk kan føre til brudd på slangen eller verktøydeler. Det er fare for skade pga. av innsprøytninger eller atskillelse. Før hvert bruk skal apparatet og slangene kontrolleres for skader. Oppdages skader skal apparatet ikke brukes.

Hold ved montasje slangen i avlastingsfjæren for å hindre at den blir knekket av.

Fett og smøring er brennbar. Ikke utsett dem ild eller varmekilder. Ta hensyn til alle advarsler og instruksjoner til produsenten av fett og smøring.

For å hindre skader på fettpresse og pumpe må pumpens tilkobling være kompatibel til slangens kobling og kunne holde ut et trykk på minst 690 bar.

Bruk alltid vernebrille når du arbeider med maskinen. Det anbefales å bruke arbeidshansker, faste og sklisikre sko og forkle.

Ta ut vekselbatteriet før du arbeider på maskinen

Ikke kast brukte vekselbatterier i varmen eller husholdningsavfallet. Milwaukee tilbyr en miljøriktig deponering av gamle vekselbatterier; vennligst spør din fagforhandler.

Ikke oppbevar vekselbatterier sammen med metallgjenstander (kortslutningsfare).

Vekselbatterier av systemet M12 skal kun lades med lader av systemet M12. Ikke lad opp batterier fra andre systemer.

Under ekstreme belastninger og ekstreme temperaturer kan det løkke ut batterivæske fra utskiftbare batterier. Ved berøring med batterivæske, vask umiddelbart med såpe og vann. Ved kontakt med øynene må øynene skylles grundig i

rennende vann i minst 10 minutter. Oppsøk lege umiddelbart.

FORMÅLSMESSIG BRUK

Fettpressen er egnet for smøring av smøresteder som vanligvis blir smurt med fettpresser. Det skal brukes et handelsmessig for fettpresser egnet fett i patroner eller fat.

Dette apparatet må kun brukes til de oppgitte formål.

CE-SAMSVARERKLÆRING

Vi erklærer i alene ansvar at produktet beskrevet i „Teknisk data“ overensstemmer med alle relevante forskrifter til Eu direktiv 2011/65/EU (RoHS), 2014/30/EU, 2006/42/EF og de følgende harmoniserte normative dokumentene.

EN 60745-1:2009 + A11:2010
EN 55014-1:2006 + A1:2009 + A2:2011
EN 55014-2:1997 + A1:2001 + A2:2008
EN 50581:2012

Winnenden, 2016-03-29



Alexander Krug
Managing Director



Autorisert til å utarbeide den tekniske dokumentasjonen

Technronic Industries GmbH
Max-Eyth-Straße 10
71364 Winnenden
Germany

BATTERIER

Vekselbatterier som ikke er brukt over lengre tid skal etterlades før bruk.

En temperatur over 50°C reduserer vekselbatteriets kapasitet. Unngå oppvarming i sol eller ved varmeovner (fyring) i lengre tid.

Hold tilkoplingskontaktene på lader og vekselbatteri rene.

For en optimal levetid må batteriene etter bruk ladet helt opp.

For å sikre en lengst mulig brukstid av batteriene skal disse etter oppladning taes ut av laderen.

Ved lagring av batteriene lengre enn 30 dager:

Lagre batteriet tørt ved ca. 27°C.

Lagre batteriet ved en oppladningstilstand på ca. 30%-50%.

Lade opp batteriet igjen etter 6 måneder.

OVERBELASTNINGSVERN FOR OPPLADBARE BATTERIER

Batteripakken er utstyrt med overbelastningsvern som beskytter det oppladbare batteriet mot overbelastning og sikrer en lang levetid.

Ved ekstrem høy belastning kobler maskinens batterielektronikk seg automatisk ut. For å fortsette å arbeide må maskinen slås av og så på igjen. Starter maskinen ikke igjen er batteripakken muligens utladet og må lades opp igjen i laderen.

UTLUFTING AV FETTPRESSEN

Ta fatt i slangen i avlastningsfjæren og hold den bort fra kroppen.

Trykk trykkbryteren i 3 sekund, så slipp bryteren og gjenta dette til det flyter fett ut av slangen.

Dersom det etter flere forsøk ikke kommer fett ut av slangen, må den utluftes manuelt:

Trekk ut stangen på håndtaket og vri den slik at stangen griper inn i kolben.

Trykk luftenventilen og trykk samtidig stangen inn i sylinderen igjen.

Med en gang det kommer fett ut av slangen, dreies håndtaket igjen slik at kolben løses og stangen trykkes komplett inn i sylinderen igjen.

OBS! Denne fettpressen ble testet i fabrikken. Derfor befinner det seg små mengder av fett i pumpehuset, i slangen og i koblingen. Det anbefales å rengjøre fettpressen med det fett man foretrekker før første bruk.

FEILFINNING

Stangen lar seg ikke trekke ut:
Trykk luftenventilen for å redusere trykket.

Stangen kan ikke trykkes inn:
Drei stangen ved håndtaket 90° for å løse den fra kolben.

Det kommer ikke fett ut, når trykkbryteren trykkes:

Sylinderen er tom. Fyll på nytt fett.

Det finnes luftblærer i sylinderen. Fettpressen må luftes ut.

TRANSPORT AV LITIUM-ION-BATTERI

Litium-ion-batterier faller under de lovfestede forskriftene om transport av farlig gods.

Transporten av disse batteriene må rette seg etter lokale, nasjonale og internasjonale forskrifter og bestemmelser.

- Forbruker har lov å transportere disse batteriene på gaten uten reglementering.
- Den kommersielle transport av Litium-ion-batterier av spedisjonsfirma faller under bestemmelsene om transport av farlig gods. Forberedningene av forsendelsen og transport skal utelukkende gjennomføres av personer som har blitt skolert til dette. Hele prosessen skal følges opp av fagfolk.

Følgende punkter skal tas hensyn til ved transport:

- Kontroller at kontaktene er beskyttet og isolert for å unngå kortslutninger.

- Pass på at batteripakken i forpakningen ikke kan skli fram og tilbake.
- Skadede eller batterier som lekker er det ikke lov å transportere.

Ta kontakt med spedisjonsfirma for ytterlige henvisninger.

VEDLIKEHOLD

Bruk kun Milwaukee tilbehør og reservedeler. Komponenter der utskifting ikke er beskrevet skal skiftes ut hos Milwaukee kundeservice (se brosjyre garanti/ kundeserviceadresser).

Ved behov kan det fås en eksplosjonstegning av apparatet hos kundeservice eller direkte hos Technronic Industries GmbH, Max-Eyth-Straße 10, 71364 Winnenden, Germany ved angivelse av maskinens type og det sekstallige nummeret på maskinens skilt.

SYMBOLER



OBS! ADVARSEL! FARE!



Ta ut vekselbatteriet før du arbeider på maskinen



Les nøye gjennom bruksanvisningen før maskinen tas i bruk.



Elektriske apparat skal ikke kastes sammen med vanlig husholdningsavfall. Elektriske og elektroniske apparat skal samles separat og leveres til miljøvennlig deponering til en avfall bedrift. Informer deg hos myndighetene på stedet eller hos din fagforhandler hvor det finnes recycling bedrifter oppsamlingssteder.



CE-tegn



Nasjonalt Konformitetstegn Ukraina



EurAsian Konformitetstegn.

TEKNISKA DATA	FETTSPRUTAN	M12 GG
Produktionsnummer	4404 31 02...	
.....	4566 06 02...	
.....	000001-999999	
Max driftryck	562 bar	
Kapacitet	74 g/min	
Volym vid påfyllning med lösfett	454 g	
Volym med patron	411 g	
Slangtryck	690 bar	
Batterispänning	12 V	
Vikt enligt EPTA 01/2003	3,3 kg	

Buller-/vibrationsinformation

Mätvärdena har tagits fram baserade på EN 60 745.

A-värdet av maskinens ljudnivå utgör:

Ljudtrycksnivå (Onoggrannhet K=3dB(A))..... 65,5 dB (A)

Ljudeffektsnivå (Onoggrannhet K=3dB(A)) 76,5 dB (A)

Använd hörselskydd!

Totala vibrationsvärden (vektorsumma ur tre riktningar)

framtaget enligt EN 60745.

Vibrationsemissionsvärde ah..... < 2,5 m/s²

Onoggrannhet K 1,5 m/s²

VARNING

Den i de här anvisningarna angivna vibrationsnivån har uppmätts enligt ett i EN 60745 normerat mätförfarande och kan användas vid jämförelse mellan olika elverktyg. Nivån är även lämplig att använda vid en preliminär bedömning av vibrationsbelastningen.

Den angivna vibrationsnivån representerar den huvudsakliga användningen av det aktuella elverktyget. Men om elverktyget ska användas i andra användningsområden, tillsammans med avvikande insatsverktyg eller efter otillräckligt underhåll, kan vibrationsnivån skilja sig. Det kan öka vibrationsbelastningen betydligt under hela arbetstiden.

För att få en exaktare bedömning av vibrationsbelastningen ska även den tid beaktas, under vilken elverktyget är avstängt eller är påslaget, utan att det verkligen används. Det kan reducera vibrationsbelastningen betydligt under hela arbetstiden.

Lägg som skydd för användaren fast extra säkerhetsåtgärder mot vibrationernas verkan, som till exempel: underhåll av elverktyg och insatsverktyg, varmhållning av händer och organisering av arbetsförlopp.

⚠️ WARNING! Läs all säkerhetsinformation och alla anvisningar. Fel som uppstår till följd av att anvisningarna nedan inte följts kan orsaka elstöt, brand och/eller allvarliga kroppsskador.

Förvara alla varningar och anvisningar för framtida bruk.

SÄKERHETSUTRUSTNING

Högt tryck kan orsaka brott på slangens eller verktygskomponenter. Risk för personskador på grund av sprutande fett eller avslitna komponenter. Kontrollera verktyget och slangledningarna med avseende på skador före varje användning. Använd inte verktyget om det är skadat.

Håll fast i slangens fjäderavlastning vid montering för att undvika böckning.

Fett och smörjmedel är antändliga. Undvik kontakt med eld och värmekällor. Beakta de varningsföreskrifter och den information som lämnas av fett- och smörjmedelstillverkaren.

För att undvika skador på fettssprutan och pumpen ska pumpens anslutning vara kompatibel med slangens koppling och vara konstruerad för ett tryck på minst 690 bar.

Använd alltid skyddsglasögon, skyddshandskar och hörselskydd.

Drag ur batteripaket innan arbete utföres på maskinen.

Kasta inte förbrukade batterier. Lämnas dem till Milwaukee Tools för återvinning.

Förvara ej batteriet ihop med metallföremål, kortslutning kan uppstå.

System M12 batterier laddas endast i System M12 laddare. Ladda inte batterier från andra system.

Under extrem belastning eller extrem temperatur kan batterivätska tränga ut ur skadade utbytesbatterier. Vid beröring med batterivätska tvätta genast av med vatten och

tvål. Vid ögonkontakt spola genast i minst 10 minuter och kontakta genast läkare.

ANVÄND MASKINEN ENLIGT ANVISNINGARNA

Fettssprutan är lämplig för smörjning av smörjpunkter som i normala fall smörjs med fettssprutor. Använd i handeln förekommande fett i patroner eller lösfett, lämpat för fettssprutor.

Maskinen får endast användas för angiven tillämpning.

CE-FÖRSÄKRAN

Vi intygar och ansvarar för att den produkt som beskrivs under „Tekniska data“ överensstämmer med alla relevanta bestämmelser i direktiv 2011/65/EU (RoHS), 2014/30/EU, 2006/42/EG och följande harmoniserade normerande dokument:

EN 60745-1:2009 + A11:2010

EN 55014-1:2006 + A1:2009 + A2:2011

EN 55014-2:1997 + A1:2001 + A2:2008

EN 50581:2012

Winnenden, 2016-03-29



Alexander Krug
Managing Director



Befullmäktigad att sammanställa teknisk dokumentation.

Techtronic Industries GmbH
Max-Eyth-Straße 10
71364 Winnenden
Germany

BATTERIER

Batteri som ej använts på länge måste laddas före nytt bruk.

En temperatur över 50°C reducerar batteriets effekt. Undvik längre uppvärmning tex i solen eller nära ett element.

Se till att anslutningskontaktarna i laddaren och på batteriet är rena.

För en optimal livslängd ska batterierna laddas helt igen efter användningen.

För att få en så lång livslängd som möjligt bör laddningsbara batterier avlägsnas från laddaren när de är laddade.

Om laddningsbara batterier lagras längre än 30 dagar:

Lagra batteriet torrt och vid ca 27°C.

Lagra batteriet vid ca 30%-50% av laddningskapaciteten.

Ladda batterierna på nytt var 6:e månad.

BATTERI-ÖVERBELASTNINGSSKYDD

Batteripaketet är utrustat med ett överlastskydd som skyddar batteriet mot överbelastning och därmed säkerställer en lång livslängd.

Vid extremt stark belastning stänger batterielektroniken av maskinen automatiskt. Stäng först av och slå sedan på maskinen igen för att fortsätta att arbeta. Skulle maskinen inte starta igen, är batteripaketet kanske urladdat och måste på laddas vidare igen i laddaren.

RASVAPURISTIMEN ILMANPOISTO

Tartu letkuun jousivedoneston kohdalta ja pitele sitä vartalostasi pois päin.

Paina katkaisinpainiketta 3 sekunnin ajan, päästä se irti ja toista tämä, kunnes letkusta virtaa rasvaa.

Jos letkusta ei tule rasvaa useamman yrityksen jälkeen, rasvapuristimesta täytyy poistaa ilma manuaalisesti:

Vedä tanko kahvasta ulos ja käännä kahvaa, jotta tanko lukittuu mäntään paikalleen.

Paina ilmanpoistiventtiiliä ja paina tanko samalla takaisin sylinterin sisään

Heti kun letkusta tulee rasvaa, käännä kahvaa takaisin irrottaaksesi männän ja paina tanko jälleen kokonaan takaisin sylinterin sisään

Viite: Tämä rasvapuristin on testattu tehtaalla. Siksi pumpun kotelossa, letkussa ja liittimessä on vielä pieniä määriä rasvaa. Suosittelemme puhdistamaan rasvapuristimen käyttämälläsi rasvalla ennen sen ensimmäistä käyttöönottoa.

FELSÖKNING

Det går inte att dra ut stängen:

Tryck på avluftningsventilen för att släppa ut trycket.

Det går inte att trycka in stängen:

Vrid stängen 90° med greppet för att lösa den från kolven.

Det kommer inget fett när utlösaren trycks in:

Cylindern är tom. Fyll på fett.

Det finns luftblåsor i cylindern. Avlufta fettssprutan.

TRANSPORTERA LITIJUMJON-BATTERIER

För litiumjon-batterier gäller de lagliga föreskrifterna för transport av farligt gods på väg.

Därför får dessa batterier endast transporteras enligt gällande lokala, nationella och internationella föreskrifter och bestämmelser.

- Konsumenter får transportera dessa batterier på allmän väg utan att behöva beakta särskilda föreskrifter.
- För kommersiell transport av litiumjon-batterier genom en speditorsfirma gäller emellertid bestämmelserna för transport av farligt gods på väg. Endast personal som känner till alla tillämpliga föreskrifter och bestämmelser får förbereda och genomföra transporten. Hela processen ska följas upp på fackmässigt sätt.

Följande ska beaktas i samband med transporten av batterier:

- Säkerställ att alla kontakter är skyddade och isolerade för att undvika kortslutning.

- Se till att batteripacken inte kan glida fram och tillbaka i förpackningen.
- Transportera aldrig batterier som läcker, har runnit ut eller är skadade.

För mer information vänligen kontakta din speditorsfirma.

SKÖTSEL

Använd endast Milwaukee tillbehör och reservdelar. Reservdelar vars utbyte ej beskrivs byts bäst av Milwaukee auktoriserad serviceverkstad (se broschyr Garanti/ Kundtjänstadresser).

Vid behov kan du rekirera apparatens sprängskiss antingen hos kundservicen eller direkt hos Techtronic Industries GmbH, Max-Eyth-Straße 10, 71364 Winnenden, Germany. Du ska då ange maskintypen och numret på sex siffror som står på effektskylten.

SYMBOLER



OBSERVERA! WARNING! FARA!



Drag ur batteripaket innan arbete utföres på maskinen.



Läs instruktionen noga innan du startar maskinen.



Elektriska maskiner och elverktyg som kasseras får inte slängas tillsammans med de vanliga hushållsoporna.

Elektriska maskiner och verktyg samt elektronisk utrustning som kasseras ska samlas separat och lämnas till en avfallsstation för miljövänlig avfallshantering. Kontakta den lokala myndigheten respektive kommunen eller fråga återförsäljare var det finns speciella avfallsstationer för elskrot.



CE-symbol



Nationell symbol för överensstämmelse Ukraine



EurAsian överensstämmelsesymbol.

TEKNISET ARVOT	RASVAPURISTIMEN	M12 GG
Tuotantonumero	4404 31 02...	
.....	4566 06 02...	
.....	000001-999999	
Käyttöpainet...	562 bar	
Läpivirtausmäärä	74 g/min	
Täytötilavuus täytettäessä astioista	454 g	
Täytötilavuus patruunaa käytettäessä	411 g	
Letkun paine	690 bar	
Jännite vaihtoakku	12 V	
Paino EPTA-meneteltyyn 01/2003 mukaan	3,3 kg	

Melunpäästö-/täriäädiedot

Mitta-arvot määritetty EN 60 745 mukaan.	
Koneen tyypillinen A-luokitettu melutaso:	
Melutaso (Epävarmuus K=3dB(A))	65,5 dB (A)
Äänenvoimakkuus (Epävarmuus K=3dB(A))	76,5 dB (A)
Käytä kuulosuojaimia!	

Värähtelyn yhteisarvot (kolmen suunnan vektorisumma) mitattuna EN 60745 mukaan.

Värähtelyemissioarvo ah

Epävarmuus K

VAROITUS

Näissä ohjeissa mainittu värähtelytaso on mitattu EN 60745 -standardin mukaisella mittausmenetelmällä ja sitä voidaan käyttää sähkötyökalujen vertaamiseen. Sitä voidaan käyttää myös värähtelyrasituksen väliaikaiseen arviointiin.

Mainittu värähtelytaso edustaa sähkötyökalun pääasiallista käyttöä. Jos sähkötyökalua kuitenkin käytetään muihin tehtäviin, työkeavin työkaluun tai riittämättömästi huoltoaan, värähtelytaso voi olla erilainen. Se voi korottaa värähtelyrasitusta koko työajan osalta.

Tarkan värähtelyrasituksen toteamiseen tulee ottaa huomioon aika, jona laite on kytketty pois tai on kylläkin päällä, mutta ei käytössä. Se voi pienentää värähtelyrasitusta koko työajan osalta.

Määrittele lisäturvatoimenpiteitä käyttäjän suojaamiseksi värinöiden vaikutukselta, kuten esimerkiksi: sähkötyökalujen ja käyttötyökalujen huolto, käsien lämpiminä pitäminen, työvaiheiden organisaatio.

A **VAROITUS! Lue kaikki turvallisuusmääräykset ja ohjeet.** Turvallisuusohjeiden noudattamisen laiminlyönti saattaa johtaa sähköiskukaan, tulipaloon ja/tai vakavaan loukkaantumiseen.

Säilytä kaikki turvallisuus- ja muut ohjeet tulevaisuutta varten.

TURVALLISUUSOHJEET

Korkea paine saattaa aiheuttaa letkun tai työkalun osien rikkoutumisen. Tästä voi aiheutua roiskausten ja/tai irtirepäisyn vaara. Tarkasta ennen jokaista käyttöä, onko laitteessa tai letkussa vaurioita. Älä käytä vahingoittunutta laitetta.

Pitele letkua asennettaessa sen jousivedenestosta välttääksesi taitteiden syntymisen.

Rasvat ja voiteluaineet ovat tulenarkoja. Älä altista niitä avotulelle tai lämmönlähteille. Noudata kaikkia rasvan ja voiteluaineen valmistajan antamia varoituksia ja ohjeita.

Pumpun liittäminen tulee sopia letkun liittimeen ja kestää vähintään 690 baarin paineen, jotta vältetään rasvapuristimen ja pumpun vaurioituminen.

Käytä laitteella työskennellessäsi aina suojalaseja. Suojakäsineiden, turvallisten ja tukevapohjaisten kenkien, kuulosuojainten ja suojaesiliinan käyttöä suositellaan.

Ota akku pois ennen kaikkia koneeseen tehtäviä toimenpiteitä.

Käytettyjä vaihtoakkuja ei saa polttaa eikä poistaa normaalin jätehuollon kautta. Milwaukeon on tarjolla vanhoja vaihtoakkuja varten ympäristöystävällinen jätehuolltopalvelu.

Vaihtoakkuja ei saa säilyttää yhdessä metalliesineiden kanssa (oikosulkuväara).

Käytä ainoastaan System M12 latauslaitetta System M12 akkujen lataukseen. Älä käytä muiden järjestelmien akkuja. Vaurioituneesta akusta saattaa erityisen kovassa käytössä tai poikkeavassa lämpötilassa vuotaa akkuhappoa. Ihonkohta, joka on joutunut kosketukseen akkuhapon kanssa on viipymättä pestävä vedellä ja saippualla. Silmät,

johon on joutunut akkuhappoa, on huuhdeltava vedellä vähintään 10 minuutin ajan, jonka jälkeen on viipymättä hakeuduttava lääkärin apuun.

TARKOITUKSENMUKAINEN KÄYTTÖ

Rasvapuristin soveltuu sellaisten voitelupisteiden voiteluun, jotka yleensä voidellaan rasvapuristinta käyttäen. Siinä saa käyttää vain tavallista, rasvapuristimissa käytettäväksi sopivaa rasvaa, joka on pakattu patruunoihin tai astioihin.

Älä käytä tuotetta ohjeiden vastaisesti.

TODISTUS CE-STANDARDINMUKAISUUDESTA

Vakuutamme yksinvastuullisesti, että kohdassa „Tekniset tiedot“ kuvattu tuote vastaa kaikkia sitä koskevia direktiivien 2011/65/EU (RoHS), 2014/30/EU, 2006/42/EY määräyksiä sekä seuraavia harmonisointia standardisointia asiakirjoja:

EN 60745-1:2009 + A11:2010
EN 55014-1:2006 + A1:2009 + A2:2011
EN 55014-2:1997 + A1:2001 + A2:2008
EN 50581:2012

Winnenden, 2016-03-29



Alexander Krug
Managing Director

Vaiututtu kokoamaan tekniset dokumentit.

Techtronic Industries GmbH
Max-Eyth-Straße 10
71364 Winnenden
Germany



AKKU

Pitkään käyttämättä olleet vaihtoakut on ladattava ennen käyttöä.

Yli 50°C lämpötilassa akun suorituskyky heikkenee. Välttämättä akkujen säilyttämistä auringossa tai kuumissa tiloissa.

Pidä aina latauslaitteen ja akun kosketinpinnat puhtaina.

Akut on ladattava täyteen käytön jälkeen optimaalisen eliniän säilyttämiseksi.

Mahdollisimman pitkän elinajan takaamiseksi akut tulee poistaa laturista lataamisen jälkeen.

Akkuja yli 30 päivää säilytettäessä:
Säilytä akku yli 27 °C:ssa ja kuivassa.
Säilytä akku sen latauksen ollessa 30 % - 50 %.
Lataa akku 6 kuukauden välein uudelleen.

AKUN YLIKUORMITUSSUOJAUS

Akkusarja on varustettu ylikuormitussuojalla, joka suojaaa akkua ylikuormituksesta ja varmistaa sen pitkän elinkaaren. Äärimmäisrasituksessa akkuelektronikka sammuttaa koneen automaattisesti. Työn jatkamiseksi kone kytketään pois ja sitten jälleen päälle. Jos kone ei käynnisty uudelleen, niin akkusarja saattaa olla tyhjentyneet ja se täytyy ladata uudelleen latauslaitteella.

RASVAPURISTIMEN ILMANPOISTO

Tartu letkuun jousivedeneston kohdalla ja pitele sitä vartalostasi poispäin.

Paina katkaisinpainiketta 3 sekunnin ajan, päästä se irti ja toista tämä, kunnes letkusta virtaa rasvaa.

Jos letkusta ei tule rasvaa useamman yrityksen jälkeen, rasvapuristimesta täytyy poistaa ilma manuaalisesti:

Vedä tanko kahvasta ulos ja käännä kahvaa, jotta tanko lukittuu mäntään paikalleen.

Paina ilmanpoistovenntiiliä ja paina tanko samalla takaisin sylinterin sisään

Heti kun letkusta tulee rasvaa, käännä kahvaa takaisin irrottaaksesi männän ja paina tanko jälleen kokonaan takaisin sylinterin sisään

Viite: Tämä rasvapuristin on testattu tehtaalla. Siksi pumpun kotelossa, letkussa ja liittimessä on vielä pieniä määriä rasvaa. Suosittelemme puhdistamaan rasvapuristimen käyttämällä rasvalla ennen sen ensimmäistä käyttöönottoa.

VIANHAKU

Tankoa ei voi vetää ulos:

Paina ilmanpoistovenntiiliä paineen poistamiseksi.

Tankoa ei voi painaa sisään:
Käännä tankoa kahvasta 90°, jotta se irtoaa männästä.

Rasvaa ei tule, kun katkaisinpainiketta painetaan:

Sylinteri on tyhjä, täytä uutta rasvaa.

Sylinterissä on ilmakuplia, poista ilma rasvapuristimesta.

LITIUMI-IONI AKKUKUJEN KULJETTAMINEN

Litiumi-ioniakut kuuluvat vaarallisten aineiden kuljetuksesta annettujen lakien piiriin.

Näiden akkujen kuljettaminen täytyy suorittaa noudattaen paikallisia, kansallisia ja kansainvälisiä määräyksiä ja säädöksiä.

- Kuluttajat saavat ilman muuta kuljettaa näitä akkuja teitä pitkin.
- Kaupallisessa kuljetuksessa huolintaliikkeiden täytyy kuljettaa litiumi-ioniakkuja vaarallisten aineiden kuljetuksesta annettujen määräysten mukaisesti. Ainoastaan tähän vastaavasti koulutetut henkilöt saavat suorittaa kuljetuksen valmistelutoimet ja itse kuljetuksen. Koko prosessia tulee valvoa asiantuntevasti.

Seuraavat kohdat tulee huomioida akkuja kuljettaessa:

- Varmista, että akkujen kontaktit on suojattu ja eristetty, jotta vältetään lyhytsulut.
- Huolehdi siitä, ettei akkusarja voi luiskahtaa paikaltaan pakkauksen sisällä.
- Vahingoittuneita tai vuotavia akkuja ei saa kuljettaa.

Pyydä tarkemmat tiedot huolintaliikkeeltäsi.

HUOLTO

Käytä vain Milwaukee:n lisälaiteita ja varaosia. Käytä ammattitaitoisten Milwaukee-huoltosopimusliikkeiden palveluja muiden kuin käyttöohjeessa kuvattujen osien vaihdossa. (esite takuu/huoltoliikeluettelo).

Ilmoittaessa voit pyytää laitteen räjähdyspiirustuksen toimittaan koneityypin ja tyyppikilvessä olevan kuusinumeroisen luvun huoltopalvelustasi tai suoraan osoitteella Techtronic Industries GmbH, Max-Eyth-Strasse 10, 71364 Winnenden, Saksa.

SYMBOLIT



HUOMIO! VAROITUS! VAARA!



Ota akku pois ennen kaikkia koneeseen tehtäviä toimenpiteitä.



Lue käyttöohjeet huolellisesti, ennen koneen käynnistämistä.



Sähkölaitteita ei saa hävittää yhdessä kotitalousjätteen kanssa. Sähkö- ja elektroniset laitteet tulee kerätä erikseen ja toimittaa kierrätsliikkeeseen ympäristöystävällistä hävittämistä varten. Pyydä paikallisilta viranomaisilta tai alan kauppaalialta tarkemmat tiedot kierrätyspisteistä ja keräyspaikoista.



CE-merkki



Kansallinen standardinmukaisuusmerkki Ukraina



EurAsian-vaatimustenmukaisuusmerkki.

Αριθμός παραγωγής.....	4404 31 02...
.....	4566 06 02...
.....	000001-999999

Μέγιστη επιτρεπτή πίεση λειτουργίας.....	562 bar
Ρυθμός ροής.....	74 g/min
Χωρητικότητα όταν γεμίζεται με γράσο χύμα.....	454 g
Χωρητικότητα όταν γεμίζεται με φυσιγγίο.....	411 g
Πίεση λάστιχου.....	690 bar
Τάση ανταλλακτικής μπαταρίας.....	12 V
Βάρος σύμφωνα με τη διαδικασία EPTA 01/2003.....	3,3 kg

Πληροφορίες θορύβου/δονήσεων
 Τιμές μέτρησης εξακριβωμένες κατά EN 60 745.
 Η σύφωνα με την καμπύλη Α εκτιμηθείσα στάθμη θορυβου του μηχανήματος αναφέρεται σε:
 Στάθμη ηχητικής πίεσης (Ανασφάλεια K=3dB(A))..... 65,5 dB (A)
 Στάθμη ηχητικής ισχύος (Ανασφάλεια K=3dB(A))..... 76,5 dB (A)
Φοράτε προστασία ακοής (ωτασπίδες)!
 Υλικές τιμές κραδασμών (άθροισμα διανυσμάτων τριών διευθύνσεων) εξακριβώθηκαν σύμφωνα με τα πρότυπα EN 60745.
 Τιμή εκπομπής δονήσεων ah..... < 2,5 m/s²
 Ανασφάλεια K..... 1,5 m/s²

ΠΡΟΕΙΔΟΠΟΙΗΣΗ

Το αναφερόμενο σ' αυτές τις οδηγίες επίπεδο δονήσεων έχει μετρηθεί με μια τυποποιημένη σύμφωνα με το EN 60745 μέθοδο μέτρησης και μπορεί να χρησιμοποιηθεί για τη σύγκριση των ηλεκτρικών εργαλείων μεταξύ τους. Αυτό είναι επίσης κατάλληλο για μια προσωρινή εκτίμηση της επιβάρυνση των δονήσεων.

Το αναφερόμενο επίπεδο δονήσεων αντιπροσωπεύει τις κύριες χρήσεις του ηλεκτρικού εργαλείου. Εάν όμως το ηλεκτρικό χρησιμοποιείται σε άλλες χρήσεις, με διαφορετικά εργαλεία εφαρμογής ή ανεπαρκή συντήρηση, μπορεί να υπάρξει απόκλιση του επιπέδου δονήσεων. Αυτό μπορεί να αυξήσει σημαντικά την επιβάρυνση των δονήσεων για τη συνολική διάρκεια της εργασίας.

Για μια ακριβή εκτίμηση της επιβάρυνσης των δονήσεων οφείλουν επίσης να λαμβάνονται υπόψη οι χρόνοι, στους οποίους η συσκευή είναι απενεργοποιημένη ή είναι μεν ενεργοποιημένη αλλά δεν χρησιμοποιείται πραγματικά. Αυτό μπορεί να μειώσει σημαντικά την επιβάρυνση των δονήσεων για τη συνολική διάρκεια της εργασίας.

Καθορίζετε πρόσθετα μέτρα ασφαλείας για την προστασία του χειριστή από την επίδραση των δονήσεων όπως για παράδειγμα: Συντήρηση του ηλεκτρικού εργαλείου και των εργαλείων εφαρμογής, διατηρείτε ξεστά 2 τα χέρια, οργάνωση των διαδικασιών εργασίας.

⚠ ΠΡΟΣΟΧΗ! Διαβάστε όλες τις οδηγίες ασφαλείας και τις οδηγίες χρήσεως. Αμέλειες κατά την τήρηση των προειδοποιητικών υποδείξεων μπορεί να προκαλέσουν ηλεκτροπληξία, κίνδυνο πυρκαγιάς ή/και σοβαρούς τραυματισμούς.

Φυλάξτε όλες τις προειδοποιητικές υποδείξεις και οδηγίες για κάθε μελλοντική χρήση.

Όταν υπάρχει υπερβολική καταπόνηση ή υψηλή θερμοκρασία μπορεί να τρέξει υγρό μπαταρίας από τις χαλασμένες επαναφορτιζόμενες μπαταρίες. Αν έρθετε σε επαφή με υγρό μπαταρίας να πλυθείτε αμέσως με νερό και σαπούνι. Σε περίπτωση επαφής με τα μάτια να πλυθείτε σχολαστικά για τουλάχιστον 10 λεπτά και να αναζητήσετε αμέσως ένα γιατρό.

ΧΡΗΣΗ ΣΥΜΦΩΝΑ ΜΕ ΤΟ ΣΚΟΠΟ ΠΡΟΟΡΙΣΜΟΥ

Ο γρασαδόρος είναι κατάλληλος να λιπαίνει συνηθισμένα σημεία λίπανσης (γρασαδοράκια). Ο γρασαδόρος πρέπει να χρησιμοποιείται με εμπορικά λιπαντικά καλής ποιότητας χύμα ή σε φυσιγγία.

Αυτή η συσκευή επιτρέπεται να χρησιμοποιηθεί μόνο σύμφωνα με τον αναφερόμενο σκοπό προορισμού.

ΔΗΛΩΣΗ ΠΙΣΤΟΤΗΤΑΣ ΕΚ

Δηλώνουμε υπεύθυνα ότι το προϊόν που περιγράφεται στο κεφάλαιο «Τεχνικά χαρακτηριστικά» είναι συμβατό με τις διατάξεις της Κοινοτικής Οδηγίας 2011/65/EU (RoHS), 2014/30/EE, 2006/42/EK και με τα ακόλουθα εναρμονισμένα κανονιστικά έγγραφα:

EN 60745-1:2009 + A11:2010
EN 55014-1:2006 + A1:2009 + A2:2011
EN 55014-2:1997 + A1:2001 + A2:2008
EN 50581:2012

Winnenden, 2016-03-29

Alexander Krug

Alexander Krug
 Managing Director

Εξουσιοδοτημένος να συντάξει τον τεχνικό φάκελο.
 Techtronic Industries GmbH
 Max-Eyth-Straße 10



ΜΠΑΤΑΡΣΕ

Επαναφορτίζετε τις ανταλλακτικές μπαταρίες που δεν έχουν χρησιμοποιηθεί για μεγαλύτερο χρονικό διάστημα πριν τη χρήση.

Μια θερμοκρασία πάνω από 50°C μειώνει την ισχύ της ανταλλακτικής μπαταρίας. Αποφεύγετε τη θέρμανση για μεγαλύτερο χρονικό διάστημα από τον ήλιο ή τις συσκευές θέρμανσης.

Διατηρείτε τις επαφές σύνδεσης στο φορτιστή και στην ανταλλακτική μπαταρία καθαρές.

Για μια όριστη διάρκεια ζωής πρέπει μετά τη χρήση οι μπαταρίες να φορτιστούν πλήρως.

Για μια κατά το δυνατόν μεγάλη διάρκεια ζωής οι μπαταρίες μετά τη φόρτιση οφείλουν να αφαιρεθούν από τον φορτιστή.

Για την αποθήκευση της μπαταρίας για διάστημα μεγαλύτερο των 30 ημερών:

Αποθηκεύετε τη μπαταρία περ. στους 27°C σε στεγνό χώρο.
 Αποθηκεύετε τη μπαταρία περ. στο 30%-50% της κατάστασης φόρτισης.

Κάθε 6 μήνες φορτίζετε εκ νέου τη μπαταρία.

ΠΡΟΣΤΑΣΙΑ ΥΠΕΡΦΟΡΤΩΣΗΣ ΤΗΣ ΜΠΑΤΑΡΙΑΣ

Το πακέτο μπαταρίας είναι εξοπλισμένο με μια προστασία υπερφόρτωσης, η οποία προστατεύει τη μπαταρία από υπερφόρτωση και εξασφαλίζει μια μεγάλη διάρκεια ζωής.

Σε ιδιαίτερα υψηλή καταπόνηση ο ηλεκτρονικός εξοπλισμός της μπαταρίας απενεργοποιεί αυτόματα τη μηχανή. Για να συνεχίσετε την εργασία απενεργοποιείτε και ενεργοποιείτε πάλι τη μηχανή. Εάν δεν ξεκινάει πάλι η μηχανή, πιθανό το πακέτο μπαταρίας να είναι άδειο και θα πρέπει να φορτιστεί εκ νέου στη συσκευή φόρτισης.

ΕΞΑΕΡΙΣΜΟΣ ΤΟΥ ΓΡΑΣΑΔΟΡΟΥ

Κρατήστε το λάστιχο από το ελατήριο εκτόνωσης με τρόπο ώστε να μην δείχνει προς το σώμα σας.

Πιέστε τον διακόπτη για 3 δευτερόλεπτα και μετά αφήστε τον. Επαναλάβετε αυτήν την διαδικασία μέχρι να τρέξει γράσο από το λάστιχο.

Αν μετά από πολλές επαναλήψεις δεν έρθει γράσο ο εξαιρισμός πρέπει να γίνει με χέρι.

Τραβήξτε προς τα έξω την ράβδο και στρέψτε την ώστε να εφαρμόσει καλά στο έμβολο.

Πιέστε την ράβδο πάλι μέσα στον κύλινδρο κρατώντας ταυτόχρονα πατημένη την βαλβίδα εξαέρωσης.

Μόλις τρέξει γράσο από το λάστιχο στρέψτε πάλι την ράβδο ώστε να ελευθερωθεί από αυτήν το έμβολο και ξαναπιέστε την ράβδο μέσα στον κύλινδρο.

Σημείωση: Αυτή η συσκευή έχει δοκιμαστεί στο εργοστάσιο και για αυτόν τον λόγο περιέχει μια μικρή ποσότητα γράσου στον κορμό, στο λάστιχο και στους συνδέσμους. Σας συνιστούμε να καθαρίσετε την συσκευή με το γράσο της προτίμησής σας πριν την χρησιμοποίησετε για πρώτη φορά.

ΕΝΤΟΠΙΣΜΟΣ ΛΑΘΩΝ

Η ράβδος δεν τραβιέται προς τα έξω:
 Πιέστε την βαλβίδα εξαέρωσης ώστε να μειωθεί η πίεση.

Η ράβδος δεν μπαίνει προς τα μέσα:
 Στρέψτε την ράβδο πλάνοντάς την από την λαβή κατά 90 μοίρες ώστε να την ελευθερώσετε από το έμβολο.

Δεν έρχεται γράσο όταν πατάτε τον διακόπτη λειτουργίας:
 Ο κύλινδρος έχει αδειάσει, ξεναγεμίστε τον.
 Υπάρχουν φυσαλίδες αέρα στον κύλινδρο, εξαερώστε τον γρασαδόρο.

ΜΕΤΑΦΟΡΑ ΤΩΝ ΜΠΑΤΑΡΙΩΝ ΙΟΝΤΩΝ ΛΙΘΙΟΥ

Οι μπαταρίες ιόντων λιθίου υπόκεινται στις απαιτήσεις των νομικών διατάξεων για την μεταφορά επικινδύνων εμπορευμάτων.

Η μεταφορά τέτοιων μπαταριών πρέπει να πραγματοποιείται τηρώντας τους τοπικούς, εθνικούς και διεθνείς κανονισμούς και τις αντίστοιχες διατάξεις.

- Επιτρέπεται η μεταφορά τέτοιων μπαταριών στο δρόμο χωρίς περαιτέρω απαίτησης.
- Η εμπορική μεταφορά μπαταριών ιόντων λιθίου από εταιρείες μεταφορών υπόκειται στις απαιτήσεις των νομικών διατάξεων για την μεταφορά επικινδύνων εμπορευμάτων. Οι προετοιμασίες αποστολής και η μεταφορά πραγματοποιούνται αποκλειστικά από ειδικά εκπαιδευμένα πρόσωπα. Η συνολική διαδικασία συνοδεύεται από εξειδικευμένο προσωπικό.

Κατά τη μεταφορά μπαταριών ιόντων λιθίου πρέπει να προσέχετε τα εξής:

- Φροντίστε τα σημεία επαφών να είναι προστατευμένα και μονωμένα ώστε να αποφευχθούν βραχυκυκλώματα.
- Προσέξτε το πακέτο μπαταριών να είναι σταθερό μέσα στη συσκευασία και να μη γλιστρά.
- Η μεταφορά μπαταριών που παρουσιάζουν φθορές ή διαρροές δεν επιτρέπεται.

Για περισσότερες πληροφορίες απευθυνθείτε στην εταιρεία μετάφορων.

ΣΥΝΤΗΡΗΣΗ

Χρησιμοποιείτε μόνο εξαρτήματα και ανταλλακτικά της Milwaukee. Αναθέστε την αλλαγή των εξαρτημάτων, των οποίων η αντικατάσταση δεν έχει περιγραφεί, σ' ένα κέντρο σέρβις της Milwaukee (προσέξτε το χειρίδιο Εγγύησης/Διευθύνσεις εξυπηρέτησης πελατών).

Σε περίπτωση που το χρειαστείτε μπορείτε να παραγγείλετε λεπτομερές σχέδιο της συσκευής αναφέροντας τον τύπο και τον εξαιψιμο αριθμό που βρίσκεται στην πινακίδα τεχνικών χαρακτηριστικών από την εξυπηρέτηση πελατών ή απευθείας από την Techtronic Industries GmbH, διεύθυνση Max-Eyth-Straße 10, 71364 Winnenden, Germany.

ΣΥΜΒΟΛΑ

ΠΡΟΣΟΧΗ! ΠΡΟΕΙΔΟΠΟΙΗΣΗ! ΚΙΝΔΥΝΟΣ!

Πριν από κάθε εργασία στη μηχανή αφαιρείτε την ανταλλακτική μπαταρία.

Παρακαλώ διαβάστε σχολαστικά τις οδηγίες χρήσης πριν από την έναρξη λειτουργίας.

Ηλεκτρικά μηχανήματα δεν επιτρέπεται να απορρίπτονται μαζί με τα οικιακά απορρίμματα. Ηλεκτρικά και ηλεκτρονικά μηχανήματα συλλέγονται ξεχωριστά και παραδίδονται προς ανακύκλωση με τρόπο φιλικό προς το περιβάλλον σε επιχείρηση επεξεργασίας απορριμμάτων. Ενημερωθείτε από τις τοπικές υπηρεσίες ή από ειδικευμένους εμπόρους σχετικά με κέντρα ανακύκλωσης και συλλογής απορριμμάτων.

Σήμα συμμόρφωσης CE

Εθνικό σήμα πιστότητας Ουκρανία

EurAsian σήμα πιστότητας.

TEKNİK VERİLER GRES TABANCASI M12 GG

Üretim numarası	4404 31 02...
.....	4566 06 02...
.....	...000001-999999
Max. işletme basıncı.....	562 bar
Akış miktarı.....	74 g/min
Kutulardan doldururken kapasite.....	454 g
Kartuşlu kapasite.....	411 g
Hortum basıncı.....	690 bar
Kartuş akü gerilimi.....	12 V
Ağırlığı ise EPTA-üretici 01/2003'e göre.....	3,3 kg

Gürültü/Vibrasyon bilgileri

Ölçüm değerleri EN 60 745 e göre belirlenmektedir.

Aletin, frekansa bağımlı uluslararası ses basıncı seviyesi değerlendirme eğrisi A'ya göre tipik gürültü seviyesi:

Ses basıncı seviyesi (Tolerans K=3dB(A)).....	65,5 dB (A)
Akustik kapasite seviyesi (Tolerans K=3dB(A)).....	76,5 dB (A)

Koruyucu kulaklık kullanın!

Toplam titreşim değeri (üç yönün vektör toplamı) EN 60745'e göre belirlenmektedir:

titreşim emisyon değeri a_h	< 2,5 m/s ²
Tolerans K.....	1,5 m/s ²

UYARI

Bu talimatlarda belirtilen titreşim seviyesi, EN 60745 standardına uygun bir ölçme metodu ile ölçülmüştür ve elektrikli el aletleri birbirleriyle karşılaştırılmak için kullanılabilir. Ölçüm sonuçları ayrıca titreşim yükünün geçici değerlendirilmesi için de uygundur.

Belirtilen titreşim seviyesi, elektrikli el aletinin genel uygulamaları için geçerlidir. Ancak elektrikli el aleti başka uygulamalar için, farklı eklenti parçalarıyla ya da yetersiz bakım koşullarında kullanılırsa, titreşim seviyesi farklılık gösterebilir. Bu durumda, titreşim yükü toplam çalışma zaman aralığı içerisinde belirgin ölçüde yükselebilir.

Titreşim yükünün tam bir değerlendirmesi için ayrıca cihazın kapalı olduğu süreler ve cihazın çalışır durumda olduğu, ancak gerçek kullanımda bulunmadığı süreler de dikkate alınmalıdır. Böylelikle, toplam çalışma zamanı aralığı boyunca meydana gelen titreşim yükü belirgin ölçüde azaltılabilir.

Kullanıcıyı titreşimlerin etkisinden korumak üzere, örneğin elektrikli el aletlerinin ve eklenti parçalarının bakımı, ellerin sıcak tutulması ve iş akışlarının organizasyonu gibi ek güvenlik tedbirleri belirleyiniz.

UYARI! Bütün güvenlik notlarını ve talimatları okuyunuz. Açıklanan uyarılara ve talimat hükümlerine uyulmadığı takdirde elektrik çarpmalarına, yangınlara ve/veya ağır yaralanmalara neden olunabilir.

Bütün uyarıları ve talimat hükümlerini ileride kullanmak üzere saklayın.

GÜVENLİĞİNİZ İÇİN TALİMATLAR

Daha yüksek bir basınç hortumlarında veya takım parçalarında kırıklara neden olabilir. İçine püskürtme veya kesilmeden dolayı yaralanma tehlikesi bulunmaktadır. Her kullanımdan önce cihazı ve hortum hatlarını hasarlar yönünden kontrol ediniz. Hasar durumunda cihazı kullanmayınız.

Bükülmesini önlemek için hortumu montaj sırasında yaylı çekme yükünü azaltma düzeneğinden tutunuz.

Gresler ve yağlama maddeleri yanıcıdır. Alevlere veya ısı kaynaklarına maruz bırakmayınız. Gres ve yağlama maddesi üreticisinin bütün ikazlarına ve uyarılarına uyunuz.

Gres tabancası ve pompada hasarların önlenmesi için pompanın bağlantısı hortumun kavramasına uyumlu olmalı ve en az 690 bar miktarındaki bir basınca dayanabilmelidir.

Aletle çalışırken daima koruyucu gözlük kullanın. Koruyucu iş eldivenleri, sağlam ve kaymaz ayakkabılar ve iş önlüğü kullanmanızı tavsiye ederiz.

Aletin kendinde bir çalışma yapmadan önce kartuş aküyü çıkarın.

Kullanılmış kartuş aküleri ateşe veya ev çöplerine atmayın. Milwaukee, kartuş akülerin çevreye zarar vermeyecek biçimde tasfiye edilmesine olanak sağlayan hizmet sunar; lütfen bu konuda yetkili satıcınızdan bilgi alın.

Kartuş aküleri metal parça veya eşyalarla birlikte saklamayın (kısa devre tehlikesi).

M12 sistemli kartuş aküleri sadece M12 sistemli şarj cihazları ile şarj edin. Başka sistemli aküleri şarj etmeyin.

Aşırı zorlanma veya aşırı ısınma sonucu hasar gören kartuş akülerden batarya sıvısı dışarı akabilir. Batarya sıvısı ile

TEKNIK VERİLER GRES TABANCASI M12 GG

Üretim numarası	4404 31 02...
.....	4566 06 02...
.....	...000001-999999
Max. işletme basıncı.....	562 bar
Akış miktarı.....	74 g/min
Kutulardan doldururken kapasite.....	454 g
Kartuşlu kapasite.....	411 g
Hortum basıncı.....	690 bar
Kartuş akü gerilimi.....	12 V
Ağırlığı ise EPTA-üretici 01/2003'e göre.....	3,3 kg

Ses basıncı seviyesi (Tolerans K=3dB(A)).....	65,5 dB (A)
Akustik kapasite seviyesi (Tolerans K=3dB(A)).....	76,5 dB (A)

titreşim emisyon değeri a_h	< 2,5 m/s ²
Tolerans K.....	1,5 m/s ²

Bu talimatlarda belirtilen titreşim seviyesi, EN 60745 standardına uygun bir ölçme metodu ile ölçülmüştür ve elektrikli el aletleri birbirleriyle karşılaştırılmak için kullanılabilir. Ölçüm sonuçları ayrıca titreşim yükünün geçici değerlendirilmesi için de uygundur.

Belirtilen titreşim seviyesi, elektrikli el aletinin genel uygulamaları için geçerlidir. Ancak elektrikli el aleti başka uygulamalar için, farklı eklenti parçalarıyla ya da yetersiz bakım koşullarında kullanılırsa, titreşim seviyesi farklılık gösterebilir. Bu durumda, titreşim yükü toplam çalışma zaman aralığı içerisinde belirgin ölçüde yükselebilir.

Titreşim yükünün tam bir değerlendirmesi için ayrıca cihazın kapalı olduğu süreler ve cihazın çalışır durumda olduğu, ancak gerçek kullanımda bulunmadığı süreler de dikkate alınmalıdır. Böylelikle, toplam çalışma zamanı aralığı boyunca meydana gelen titreşim yükü belirgin ölçüde azaltılabilir.

Kullanıcıyı titreşimlerin etkisinden korumak üzere, örneğin elektrikli el aletlerinin ve eklenti parçalarının bakımı, ellerin sıcak tutulması ve iş akışlarının organizasyonu gibi ek güvenlik tedbirleri belirleyiniz.

temasa gelen yeri hemen bol su ve sabunla yıkayın. Batarya sıvısı gözünüze kaçacak olursa en azından 10 dakika yıkayın ve zaman geçirmeden bir hekime başvurun.

KULLANIM

Gres tabancası, normalde gres tabancasıyla yağlanan yağlama yerlerinin yağlanması için uygundur. Piyasada bulunan olağan, gres tabancalarında kullanılmaya uygun kartuş veya kutular içindeki gres kullanılmalıdır.

Bu alet sadece belirttiği gibi ve usulüne uygun olarak kullanılabilir.

CE UYGUNLUK BEYANI

Tek sorumlu olarak „Teknik Veriler“ bölümünde tarif edilen ürünün 2011/65/EU (RoHS), 2014/30/EU, 2006/42/EC sayılı direktifin ve aşağıdaki harmonize temel belgelerin bütün önemli hükümlerine uygun olduğunu beyan etmekteyiz:

EN 60745-1:2009 + A11:2010
EN 55014-1:2006 + A1:2009 + A2:2011
EN 55014-2:1997 + A1:2001 + A2:2008
EN 50581:2012

Winnenden, 2016-03-29

Alexander Krug

Alexander Krug
Managing Director



Teknik evrakları hazırlamakla görevlendirilmiştir.

Techtronic Industries GmbH
Max-Eyth-Straße 10
71364 Winnenden
Germany

AKÜ

Uzun süre kullanım dışı kalmış kartuş aküleri kullanmadan önce şarj edin.

50°C üzerindeki sıcaklıklar kartuş akünün performansını düşürür. Akünün güneş ışığı veya mekân sıcaklığı altında uzun süre ısınmamasına dikkat edin.

Şarj cihazı ve kartuş aküdeki bağlantı noktalarını temiz tutun.

Akünün ömrünün mükemmel bir şekilde uzun olması için kullandıktan sonra tamamen doldurulması gerekir.

Ömrünün mümkün olduğu kadar uzun olması için akülerin yüklemeye yapıldıktan sonra dolurma cihazından uzaklaştırılması gerekir.

Akünün 30 günden daha fazla depolanması halinde:

Aküyü takriben 27°C'de kuru olarak depolayın.

Aküyü yüklemeye durumunun takriben % 30 - %50 olarak depolayın.

Aküyü her 6 ay yeniden doldurun.

AKÜNÜN AŞIRI YÜKLENMEYE KARŞI KORUNMASI

Akü donanımı, aküyü fazla yüklenmeye karşı koruyan ve uzun ömürlü olmasını garanti eden fazla yüklenmeye karşı bir koruma tertibatı ile teçhiz edilmiştir.

Aşırı fazla bir şekilde kullanılması durumunda akünün elektronik tertibatı makineyi otomatik olarak kapatır.

Makinenin tekrar çalıştırılması amacı ile tekrar kapatın ve yeniden çalıştırın. Makine tekrar çalışmazsa, akü donanımı muhtemelen boşalmıştır ve o zaman yeniden şarj edilerek tekrar doldurulması gerekir.

GRES TABANCASININ HAVASININ ALINMASI

Hortumu, yaylı çekme yükünü azaltma düzeneğinden kavrayarak vücudunuzdan uzak tutunuz.

Şalterli düğmeye 3 saniye basınız, bırakınız ve hortumundan gres akana kadar bu işlemi tekrarlayınız.

Birkaç denemeye rağmen hortumdan gres gelmezse, gres tabancasının havası manuel olarak alınmalıdır:

Kulptaki çubuğu çekerek çıkartınız ve çubuğun piston içine oturması için çeviriniz.

Hava boşaltma valfına basınız ve aynı anda çubuğu tekrar silindir içine bastırınız

Hortumdan gres çıkar çıkmaz, pistonu serbest bırakmak için kulpu tekrar çeviriniz ve çubuğu tekrar komple silindir içine bastırınız

Uyarı: Bu gres tabancası fabrikada test edilmiştir. Bu yüzden pompa gövdesi, hortum ve kavrama içinde az miktarda gres bulunmaktadır. İlk kullanımdan önce gres tabancasının tercih edilen gresle temizlemesi tavsiye olunur.

HATA ARAMASI

Çubuk dışarı çekilemiyor:
Basıncı almak için hava boşaltma valfına basınız.

Çubuk içeri bastırılmıyor:
Kulptaki çubuğu, pistondan çözmek için 90° çeviriniz.

Şalterli düğme basıldıığında gres gelmiyor:

Silindir boş, yeni gres doldurunuz.

Silindir içinde hava kabarcıkları var, yağ tabancasının havasını boşaltınız.

LİTYUM İYON PİLLERİN TAŞINMASI

Lityum iyon piller tehlikeli madde taşımacılığı hakkındaki yasal hükümler tabidir.

Bu piller, bölgesel, ulusal ve uluslararası yönetmeliklere ve hükümlere uyularak taşınmak zorundadır.

- Tüketiciler bu pilleri herhangi bir özel şart aranmaksızın karayoluyla taşıyabilirler.
- Lityum iyon pillerin nakliye şirketleri tarafından ticari taşımacılığı için tehlikeli madde taşımacılığının hükümleri geçerlidir. Sevk hazırlığı ve taşıma sadece ilgili eğitimi görmüş personel tarafından gerçekleştirilebilir. Bütün süreç uzmanca bir refakatçilik altında gerçekleştirilmek zorundadır.

Pillerin taşınması sırasında aşağıdaki hususlara dikkat edilmesi gerekmektedir:

- Kısa devre oluşmasını önlemek için kontaktların korunmuş ve izole edilmiş olmasını sağlayınız.
- Pil paketinin ambalajı içinde kaymamasına dikkat ediniz.
- Hasarlı veya akmış pillerin taşınması yasaktır.

Ayrıca bilgiler için nakliye şirketinize başvurunuz.

BAKIM

Sadece Milwaukee aksesuarını ve yedek parçalarını kullanın. Değiştirilmesi açıklanmamış olan parçaları bir Milwaukee müşteri servisinde değiştirin (Garanti broşürüne ve müşteri servisi adreslerine dikkat edin).

Gerektiğinde cihazın ayrıntılı çizimini, güç levhası üzerindeki makine modelini ve altı haneli rakamı belirterek müşteri servisizden veya doğrudan Techtronic Industries GmbH, Max-Eyth-Straße 10, 71364 Winnenden, Germany adresinden isteyebilirsiniz.

SEMBOLLER



DİKKAT! UYARI! TEHLİKE!



Aletin kendinde bir çalışma yapmadan önce kartuş aküyü çıkarın.



Lütfen aleti çalıştırmadan önce kullanma kılavuzunu dikkatli biçimde okuyun.



Elektrikli cihazların evsel atıklarla birlikte bertaraf edilmesi yasaktır. Elektrikli ve elektronik cihazlar ayrılarak biriktirilmeli ve çevreye zarar vermeden bertaraf edilmeleri için bir atık değerlendirme tesisine götürülmelidirler. Yerel makamlara veya satıcınıza geri dönüşüm tesisleri ve atık toplama merkezlerinin yerlerini danışınız.



CE işareti



Ulusal uygunluk işareti Ukrayna



EurAsian Uyumluluk işareti

TECHNICKÁ DATA	MAZACÍHO LIS	M12 GG
Výrobní číslo.....	4404 31 02...
.....	4566 06 02...
.....	...00001-999999
Max. provozní tlak	562 bar
Průtokové množství.....	74 g/min
Objem při plnění z nádob	454 g
Objem s kartuší	411 g
Tlak v hadici.....	690 bar
Napětí výměnného akumulátoru.....	12 V
Hmotnost podle prováděcího předpisu EPTA 01/2003.....	3,3 kg

Informace o hluku / vibracích

Naměřené hodnoty odpovídají EN 60 745.

V třídě A posuzovaná hladina hluku přístroje činí typicky:

Hladina akustického tlaku (Kolísavost K=3dB(A))..... 65,5 dB (A)

Hladina akustického výkonu (Kolísavost K=3dB(A))..... 76,5 dB (A)

Použijte chrániče sluchu!

Celkové hodnoty vibrací (vektorový součet tří směrů) zjištěné ve smyslu EN 60745.

Hodnota vibračních emisí a_h < 2,5 m/s²

Kolísavost K..... 1,5 m/s²

VAROVÁNÍ

Úroveň chvění uvedená v tomto návodu byla naměřena podle metody měření stanovené normou EN 60745 a může být použita pro porovnání elektrického nářadí. Hodí se také pro průběžný odhad zatížení chvěním.

Uvedená úroveň chvění představuje hlavní účely použití elektrického nářadí. Jestliže se ale elektrické nářadí používá pro jiné účely, s odlišnými nástroji nebo s nedostatečnou údržbou, může se úroveň chvění odlišovat. To může značně zvýšit zatížení chvěním během celé pracovní doby.

Pro přesný odhad zatížení chvěním se musí také zohlednit časy, během kterých je přístroj vypnutý nebo kdy je sice v chodu, ale skutečně se s ním nepracuje. To může zatížení chvěním během celé pracovní doby značně snížit.

Stanovte doplňková bezpečnostní opatření pro ochranu obsluhy před účinky chvění jako například: technická údržba elektrického nářadí a nástrojů, udržování teploty rukou, organizace pracovních procesů.

A UPOZORNĚNÍ! Přečtěte si všechny bezpečnostní pokyny a návody. Zanedbání při dodržování varovných upozornění a pokynů mohou mít za následek úder elektrickým proudem, požár a/nebo těžká poranění.
Všechna varovná upozornění a pokyny do budoucna uschovejte.

SPECIÁLNÍ BEZPEČNOSTNÍ UPOZORNĚNÍ

Vysoký tlak může způsobit praskliny v hadici nebo částech nástroje. Vzniká riziko poranění v důsledku vstříknutí nebo odpojení. Před každým použitím zkontrolujte přístroj a hadicové vedení, jestli nejsou poškozené. V případě poškození přístroj nepoužívejte.

Při montáži se hadice dotýkejte v místě odlehčení protitahu pružiny, aby se zamezilo jejímu zalomení.

Mazací tuky a maziva jsou hořlavá. Nevystavujte je působení ohně nebo zdrojů tepla. Respektujte všechna varování a upozornění od výrobce mazacího tuku a maziva.

Aby se zamezilo vzniku škod na mazacím lise a čerpadle, musí být přípojka čerpadla kompatibilní se spojkou hadice a musí vydržet tlak minimálně 690 barů.

Při práci se strojem neustále nosit ochranné brýle. Doporučuje se používat ochranné rukavice, pevnou protiskluzovou obuv a zástěru.

Před zahájením veškerých prací na vrtacím šroubovákůvymout výměnný akumulátor.

Použité nevyhazujte do domovního odpadu nebo do ohně. Milwaukee nabízí ekologickou likvidaci starých článků, ptejte se u vašeho obchodníka s nářadím.

Náhradní akumulátor neskladujte s kovovými předměty, nebezpečí zkratu.

Akumulátor systému M12 nabíjejte pouze nabíječkou systému M12. Nenabíjejte akumulátory jiných systémů.

Při extrémní zátěži či vysoké teplotě může z akumulátoru vytékat kapalina. Při zasažení touto kapalinou okamžitě zasažená místa omyjte vodou a mýdlem. Při zasažení očí

okamžitě důkladně po dobu alespoň 10min.omývat a neodkládně vyhledat lékaře.

OBLAST VYUŽITÍ

Mazací lis je vhodný na promazávání mazaných míst, které se obvykle promazávají pomocí mazacích lisů. Musí být použitý běžný mazací tuk v kartuších nebo nádobách, který je vhodný pro použití v mazacích lisech.

Toto zařízení lze používat jen pro uvedený účel.

CE-PROHLÁŠENÍ O SHODĚ

Výhradně na vlastní zodpovědnost prohlašujeme, že se výrobek popsany v „Technických údajích“ shoduje se všemi relevantními předpisy směrnice 2011/65/EU (RoHS), 2014/30/EU, 2006/42/ES a s následujícími harmonizovanými normativními dokumenty:

EN 60745-1:2009 + A11:2010
EN 55014-1:2006 + A1:2009 + A2:2011
EN 55014-2:1997 + A1:2001 + A2:2008
EN 50581:2012

Winnenden, 2016-03-29



Alexander Krug
Managing Director

Zplnomocněn k sestavování technických podkladů.

Techtronic Industries GmbH
Max-Eyth-Straße 10
71364 Winnenden
Germany

AKUMULÁTORY

Déle nepoužívané akumulátory je nutné před použitím znovu nabít.

Teplota přes 50°C snižuje výkon akumulátoru. Chraňte před dlouhým přehříváním na slunci či u topení.

Kontakty nabíječky a akumulátoru udržujte v čistotě.

Optimální životnost akumulátorů se zajistí, když se po použití vždy plně nabijí.

K zabezpečení dlouhé životnosti by se akumulátory měly po nabití vyjmout z nabíječky.

Při skladování akumulátorů po dobu delší než 30 dní:

Skladujte akumulátor v suchu při cca 27°C.

Skladujte akumulátor při cca 30%-50% nabíjecí kapacity.

Opakujte nabíjení akumulátoru každých 6 měsíců.

OCHRANA PROTI PŘETÍŽENÍ AKUMULÁTORU

Akumulátorová sada je vybavena ochranou proti přetížení, která ji chrání a zaručuje její dlouhou životnost.

Při extrémním zatížení elektronika akumulátoru elektrický nástroj vypne. K pokračování v práci nástroj vypněte a opět zapněte. V případě, že se motor nástroje ani potom nerozběhne, je akumulátorová sada pravděpodobně vybitá a musí se v nabíječce opět nabít.

ODVZDUŠNĚNÍ MAZACÍHO LISU

Hadici chyťte v místě odlehčení protitahu pružiny a podržte ji dál od tělesa.

Spinací tlačítko stiskněte na dobu 3 vteřin, pak jej pusťte a to opakujte tak dlouho, dokud z hadice nevytéká ven mazací tuk.

Jestliže ani po více pokusech z hadice nevyteče žádný mazací tuk, musí se mazací lis manuálně odvzdušnit:

Tyč u rukojeti vytáhněte ven a přetočte, aby tyč mohla zapadnout do pístu.

Stlačte odvzdušňovací ventil a současně tyč opět zatlačte do válce.

Když mazací tuk vyteče z hadice, rukojeť přetočte, aby se píst mohl opět uvolnit a tyč se mohla opět kompletně zatlačit do válce.

Upozornění: Tento mazací lis byl testovaný ve výrobním závodě. Proto je ještě malé množství mazacího tuku přítomné v pouzdře čerpadla, v hadici a ve spojce. Před prvním použitím se doporučuje vyčistit mazací lis pomocí preferovaného mazacího tuku.

VYHLEDÁVÁNÍ CHYB

Tyč se nedá vytáhnout:
Stiskněte odvzdušňovací ventil, abyste snížili tlak.

Tyč se nedá zatlačit:
Tyč u rukojeti otočte o 90°, abyste ji uvolnili od pístu.

Pokud se stiskne spinací tlačítko, nevychází žádný mazací tuk:

Válec je prázdný, naplňte nový mazací tuk.
Ve válci jsou vzduchové bubliny, odvzdušněte mazací lis.

PŘEPRAVA LITHIUM-IONTOVÝCH BATERÍ

Lithium-iontové baterie spadají podle zákonných ustanovení pod přepravu nebezpečného nákladu.

Přeprava těchto baterií se musí realizovat s dodržováním lokálních, vnitrostátních a mezinárodních předpisů a ustanovení.

- Spotřebitelé mohou tyto baterie bez problémů přepravovat po komunikacích.
- Komerční přeprava lithium-iontových baterií prostřednictvím přepravních firem podléhá ustanovením o přepravě nebezpečného nákladu. Přípravu k vyexpedování a samotnou přepravu směl vykonávat jen příslušně vyškolené osoby. Na celý proces se musí odborně dohlížet.

Při přepravě baterií je třeba dodržovat následující:

- Zajistěte, aby kontakty byly chráněné a izolované, aby se zamezilo zkratům.
- Dávejte pozor na to, aby se svazek baterií v rámci balení nemohl sesmeknout.

• Poškozené a vytekající baterie se nesmějí přepravovat.

Ohledně dalších informací se obraťte na vaši přepravní firmu.

ÚDRŽBA

Použijte výhradně náhradní díly a příslušenství Milwaukee. Díly, jejichž výměna nebyla popsána, nechávejte vyměnit v odborném servisu Milwaukee. (Viz záruční list.)

V případě potřeby si můžete v servisním centru pro zákazníky nebo přímo od firmy Techtronic Industries GmbH, Max-Eyth-Straße 10, 71364 Winnenden, Německo vyžádat schematický náčrt jednotlivých dílů přístroje, když uvedete typ přístroje a šestimístné číslo na výkonovém štítku.

SYMBOLY



POZOR! VAROVÁNÍ! NEBEZPEČÍ!



Před zahájením veškerých prací na vrtacím šroubovákůvymout výměnný akumulátor.



Před spuštěním stroje si pečlivě přečtěte návod k používání.



Elektrické přístroje se nesmí likvidovat společně s odpadem z domácnosti. Elektrické a elektronické přístroje je třeba sbírat odděleně a odevzdat je v recyklačním podniku na ekologickou likvidaci. Na místních úřadech nebo u vašeho specializovaného prodejce se informujte na recyklační podniky a sběrné dvory.



Značka CE



Národní znak shody Ukrajiny



Euroasijská značka shody

TECHNICKÉ ÚDAJE	MASTIACEHO LIS	M12 GG
Výrobné číslo.....	4404 31 02...
.....	4566 06 02...
.....	...00001-999999
Max. prevádzkový tlak.....	562 bar
Prietokové množstvo.....	74 g/min
Objem pri plnení z nádob.....	454 g
Objem s kartušou.....	411 g
Tlak v hadici.....	690 bar
Napätie výmenného akumulátora.....	12 V
Hmotnosť podľa vykonávacieho predpisu EPTA 01/2003.....	3,3 kg

Informácia o hluku / vibráciách

Namerané hodnoty určené v súlade s EN 60 745.
V triede A posudzovaná hladina hluku prístroja činí typicky:
Hladina akustického tlaku (Kolísavosť K=3dB(A))..... 65,5 dB (A)
Hladina akustického výkonu (Kolísavosť K=3dB(A))..... 76,5 dB (A)

Používajte ochranu sluchu!

Celkové hodnoty vibrácií (vektorový súčet troch smerov) zistené v zmysle EN 60745.
Hodnota vibračných emisií ah < 2,5 m/s²
Kolísavosť K 1,5 m/s²

POZOR

Úroveň vibrácií uvedená v týchto pokynoch bola nameraná meracou metódou, ktorú stanovuje norma EN 60745 a je možné ju použiť na vzájomné porovnanie elektrického náradia. Hodí sa aj na predbežné posúdenie kmitavého namáhania.

Uvedená úroveň vibrácií reprezentuje hlavné aplikácie elektrického náradia. Ak sa však elektrické náradie používa pre iné aplikácie, s odlišnými vloženými nástrojmi alebo s nedostatočnou údržbou, môže sa úroveň vibrácií líšiť. Toto môže kmitavé namáhanie v priebehu celej pracovnej doby podstatne zvýšiť.

Pre presný odhad kmitavého namáhania by sa mali tiež zohľadniť doby, v ktorých je náradie vypnuté alebo je síce v chode, ale v skutočnosti sa nepoužíva. Toto môže kmitavé namáhanie v priebehu celej pracovnej doby zreteľne redukovať.

Stanovte dodatočné bezpečnostné opatrenia pre ochranu obsluhy pred účinkami vibrácií, ako napríklad: údržba elektrického náradia a vložených nástrojov, udržiavanie teploty rúk, organizácia pracovných postupov.

A UPOZORNENIE! Prečítajte si všetky bezpečnostné pokyny a návody. Zanedbanie dodržiavania Výstražných upozornení a pokynov uvedených v nasledujúcom texte môže mať za následok zásah elektrickým prúdom, spôsobiť požiar a/alebo ťažké poranenie.
Tieto výstražné upozornenia a bezpečnostné pokyny starostlivo uschovajte na budúce použitie.

Špeciálne bezpečnostné pokyny

Vysoký tlak môže viesť k prasklinám na hadici alebo častiach nástroja. Vzniká riziko poranenia v dôsledku vstreknutia alebo odpojenia. Pred každým použitím skontrolujte prístroj a hadicové potrubie, či nie sú poškodené. V prípade poškodenia prístroj nepoužívajte.

Pri montáži sa hadice dotýkajú na mieste odľahčenia protiľahu pružiny, aby sa zamedzilo jej zalomeniu.

Mazacie tuky a mazivá sú horľavé. Nevystavujte ich pôsobeniu ohňa alebo zdrojov tepla. Rešpektujte všetky výstrahy a upozornenia od výrobcu mazacieho tuku a maziva.

Aby sa zamedzilo vzniku škôd na mastiacom lise a čerpadle, musí byť prípojka čerpadla kompatibilná so spojkou hadice a musí vydržať tlak minimálne 690 bar.

Pri práci so strojom vždy noste ochranné okuliare. Odporúčame ochranné rukavice, pevnú protišmykovú obuv a zásteru.

Pred každou prácou na stroji výmenný akumulátor vyťahnuť.

Opotrebované výmenné akumulátory nezahadzujte do ohňa alebo medzi domový odpad. Milwaukee ponúka likvidáciu starých výmenných akumulátorov, ktorá je v súlade s ochranou životného prostredia; informujte sa u Vášho predajcu.

Výmenné akumulátory neskladovať spolu s kovovými predmetmi (nebezpečenstvo skratu).

Výmenné akumulátory systému M12 nabíjať len nabíjacími zariadeniami systému M12. Akumulátory iných systémov týmto zariadením nenabíjať.

Pri extrémnych záťažach alebo extrémnych teplotách môže dôjsť k vytekaniu batérovej tekutiny z poškodeného výmenného akumulátora. Ak dajte ku kontaktu pokožky s roztokom, postihnuté miesto umyť vodou a mydlom. Ak sa roztok dostane do očí, okamžite ich dôkladne vypláchnuť po dobu min. 10 min a bezodkladne vyhľadať lekára.

POUŽITIE PODĽA PREDPISOV

Mastiaci lis je vhodný na premazávanie mazaných miest, ktoré sa zvyčajne premazávajú pomocou mastiacich lisov. Musí byť použitý bežný mazací tuk v kartušiach alebo nádobách, ktorý je vhodný na použitie v mastiacich lisocho. Tento prístroj sa smie používať len v súlade s uvedenými predpismi.

CE - VYHLÁSENIE KONFORMITY

Výhradne na vlastnú zodpovednosť vyhlasujeme, že výrobok popísaný v „Technických údajoch“ sa zhoduje so všetkými relevantnými predpismi smernice 2011/65/EU (RoHS), 2014/30/EU, 2006/42/EC a nasledujúcimi harmonizujúcimi normatívnymi dokumentmi:

EN 60745-1:2009 + A11:2010
EN 55014-1:2006 + A1:2009 + A2:2011
EN 55014-2:1997 + A1:2001 + A2:2008
EN 50581:2012

Winnenden, 2016-03-29



Alexander Krug
Managing Director

Spinomocnený zostaviť technické podklady.



Techtronic Industries GmbH
Max-Eyth-Straße 10
71364 Winnenden
Germany

AKUMULÁTORY

Dlhší čas nepoužívané výmenné akumulátory pred použitím dobiť.

Teplota vyššia ako 50°C znižuje výkon výmenného akumulátora. Zabráňte dlhšiemu ohriatiu slinkom alebo kúrením.

Pripájacie kontakty na nabíjacom zariadení a výmennom akumulátore udržiavať čisté.

K zachováni optimálnej životnosti se baterie musejí po použití vždy úplne dobiť.

K zabezpečeniu dlhej životnosti by sa akumulátory mali po nabití vybrať z nabíjačky.

Pri skladovaní akumulátora po dobu dlhšiu než 30 dní: Skladujte akumulátor v suchu pri cca 27°C.

Skladujte akumulátor pri cca 30%-50% nabíjacej kapacity. Opakujte nabíjanie akumulátora každých 6 mesiacov.

OCHRANA PROTI PREŤAŽENIU AKUMULÁTORA

Akumulátorová sada je vybavená ochranou proti preťaženiu, ktorá ju chráni a zaručuje jej dlhú životnosť.

Pri extrémnom zaťažení elektronika akumulátora elektrický nástroj vypne. K pokračovaniu v práci nástroj vypnite a opäť zapnite. V prípade, že sa motor nástroja ani potom nerozbehne, je akumulátorová sada pravdepodobne vybitá a musí sa v nabíjačke opäť nabiť.

ODVZDUŠNENIE MASTIACEHO LISU

Hadicu chyťte na mieste odľahčenia protiľahu pružiny a podržte ďalej od telesa.

Spinacie tlačidlo na 3 sekundy stlačte, pustite a toto opakujte dovtedy, kým z hadice nevytečká von mazací tuk.

Ak ani po viacerých pokusoch z hadice nevytečie žiadny mazací tuk, musí sa mastiaci lis manuálne odvzdušniť.

Tyč pri rukováti vyťahnite von a pretočte, aby tyč mohla zapadnúť do piestu.

Stlačte odvzdušňovací ventil a súčasne tyč opäť zatlačte do valca.

Keď mazací tuk vytečie z hadice, rukovať pretočte, aby sa piest mohol opäť uvoľniť a tyč sa mohla opäť kompletne vtláčať do valca

Upozornenie: Tento mastiaci lis bol testovaný v závode. Preto sú ešte malé množstvá mazacieho tuku prítomné v skriní čerpadla, v hadici a v spojke. Pred prvým použitím sa odporúča mastiaci lis vyčistiť pomocou preferovaného mazacieho tuku.

VYHLÁDANIE CHÝB

Tyč sa nedá vyťahnuť:
Stlačte odvzdušňovací ventil, aby ste znížili tlak.

Tyč sa nedá zatlačiť:
Tyč pri rukováti otočte o 90°, aby ste ju uvoľnili od piestu.

Keď sa stlačí spinacie tlačidlo, nevychádza žiadny mazací tuk:

Valec je prázdny, naplňte nový mazací tuk.
Vo valci sú vzduchové bubliny, odvzdušnite mastiaci lis.

PREPRAVA LÍTIOVO-IÓNOVÝCH BATÉRIÍ

Lítiovo-iónové batérie podľa zákonných ustanovení spadajú pod prepravu nebezpečného nákladu.

Preprava týchto batérií sa musí realizovať s dodržiavaním lokálnych, vnútroštátnych a medzinárodných predpisov a ustanovení.

- Spotrebitelia môžu tieto batérie bez problémov prepravovať po cestách.
- Komerčná preprava lítiovo-iónových batérií prostredníctvom špedičných firiem podlieha ustanoveniam

o preprave nebezpečného nákladu. Prípravu k vyexpedovaniu a samotnú prepravu smú vykonávať iba adekvátne vyškolené osoby. Na celý proces sa musí odborné dohliadať.

Pri preprave batérií treba dodržiavať nasledovné:

- Zabezpečte, aby boli kontakty chránené a izolované, aby sa zamedzilo skratom.
- Dávajte pozor na to, aby sa zvázok batérií v rámci balenia nemohol zošmyknúť.
- Poškodené a vytečené batérie sa nesmú prepravovať.

Kvôli ďalším informáciám sa obráťte na vašu špedičnú firmu.

ÚDRZBA

Používať len Milwaukee príslušenstvo a náhradné diely. Súčiastky bez návodu na výmenu treba dat vymeniť v jednom z Milwaukee zákaznických centier (viď brožúru Záruka/Adresy zákaznických centier).

V prípade potreby si môžete v servisnom centre pre zákazníkov alebo priamo od firmy Techtronic Industries GmbH, Max-Eyth-Straße 10, 71364 Winnenden, Nemecko, vyžiadať schematický náčrt jednotlivých dielov prístroja pri uvedení typu prístroja a šesťmiestneho čísla na výkonovom štítku.

SYMBOLY



POZOR! NEBEZPEČENSTVO!



Pred každou prácou na stroji výmenný akumulátor vyťahnuť.



Pred prvým použitím prístroja si pozorne prečítajte návod na obsluhu.



Elektrické prístroje sa nesmú likvidovať spolu s odpadom z domácností. Elektrické a elektronické prístroje treba zbierať oddelene a odovzdať ich v recyklačnom podniku na ekologickú likvidáciu. Na miestnych úradoch alebo u vášho špecializovaného predajcu sa spýtajte na recyklačné podniky a zberné dvory.



Značka CE



Národný znak zhody Ukrajiny



Euroázijská značka zhody

DANE TECHNICZNE	PRASKA SMAROWA	M12 GG
Numer produkcyjny.....	4404 31 02...	
.....	4566 06 02...	
.....	...00001-999999	
Maksymalne ciśnienie robocze.....	562 bar	
Ilość przepływu.....	74 g/min	
Pojemność użytkowa podczas napełniania z pojemnika.....	454 g	
Pojemność użytkowa z nabojem.....	411 g	
Ciśnienie węża.....	690 bar	
Napięcie baterii akumulatorowej.....	12 V	
Ciężar wg procedury EPTA 01/2003.....	3,3 kg	

Informacja dotycząca szumów/wibracji

Zmierzone wartości wyznaczono zgodnie z normą EN 60 745. Poziom szumów urządzenia oszacowany jako A wynosi typowo: Poziom ciśnienia akustycznego (Niepewność K=3dB(A))..... 65,5 dB (A) Poziom mocy akustycznej (Niepewność K=3dB(A)) 76,5 dB (A)

Należy używać ochroniaczy uszu!

Wartości łączne drgań (suma wektorowa trzech kierunków) wyznaczone zgodnie z normą EN 60745

Wartość emisji drgań a_w < 2,5 m/s²
Niepewność K..... 1,5 m/s²

OSTRZEŻENIE

Podany w niniejszych instrukcjach poziom drgań został zmierzony za pomocą metody pomiarowej zgodnej z normą EN 60745 i może być użyty do porównania ze sobą elektronarzędzi. Nadaje się on również do tymczasowej oceny obciążenia wibracyjnego.

Podany poziom drgań reprezentuje główne zastosowania elektronarzędzia. Jeśli jednakże elektronarzędzie użyte zostanie do innych celów z innym narzędziami roboczymi lub nie jest dostatecznie konserwowane, wtedy poziom drgań może wykazywać odchylenia. Może to wyraźnie zwiększyć obciążenie wibracjami przez cały okres pracy.

Dla dokładnego określenia obciążenia wibracjami należy uwzględnić również czasy, w których urządzenie jest wyłączone względnie jest włączone, lecz w rzeczywistości nie pracuje. Może to spowodować wyraźną redukcję obciążenia wibracyjnego w całym okresie pracy.

Należy wprowadzić dodatkowe środki zapobiegawcze celem ochrony obsługującego przed oddziaływaniem drgań, jak na przykład: konserwacja narzędzi roboczych i elektronarzędzi, nagrzanie rąk, organizacja przebiegu pracy.

⚠ OSTRZEŻENIE! Należy przeczytać wszystkie wskazówki dotyczące bezpieczeństwa i instrukcje. Błędy w przestrzeganiu poniższych wskazówek mogą spowodować porażenie prądem, pożar i/lub ciężkie obrażenia ciała. **Należy starannie przechowywać wszystkie przepisy i wskazówki bezpieczeństwa dla dalszego zastosowania.**

INSTRUKCJE DOTYCZĄCE BEZPIECZEŃSTWA

Wysokie ciśnienie może prowadzić do pęknięcia węża lub elementów narzędzi. Istnieje niebezpieczeństwo obrażeń na skutek wytrysku lub rozerwania. Przed każdym użyciem należy sprawdzić urządzenie i przewody giętkie pod kątem uszkodzeń. W razie uszkodzenia urządzenia nie wolno używać.

Podczas montażu należy uchwycić wąż za zamocowanie sprężynowe, aby uniknąć załamania.

Smary i środki smarowe są palne. Nie narażać ich na działanie ognia i źródeł gorąca. Przestrzegać wszystkich ostrzeżeń i wskazówek producenta smaru i środka smarowego.

Aby uniknąć uszkodzeń praski smarowej i pompy, przyłącze pompy winno być kompatybilne do złącza węża i winno wytrzymywać ciśnienie co najmniej 690 bar.

Podczas pracy należy zawsze nosić okulary ochronne. Zalecane jest także noszenie rękawic, mocnego, nie ślizgającego się obuwia oraz ubrania roboczego.

Przed przystąpieniem do jakichkolwiek prac na elektronarzędziu należy wyjąć wkładkę akumulatorową.

Zużytych akumulatorów nie wolno wrzucać do ognia ani traktować jako odpadów domowych. Milwaukee oferuje ekologiczną utylizację zużytych akumulatorów.

Nie przechowywać akumulatorów wraz z przedmiotami metalowymi (niebezpieczeństwo zwarcia).

Akumulatory Systemu M12 należy ładować wyłącznie przy pomocy ładowarek Systemu M12. Nie ładować przy pomocy tych ładowarek akumulatorów innych systemów.

W skrajnych warunkach temperaturowych lub przy bardzo dużym obciążeniu może dochodzić do wycieku kwasu akumulatorowego z uszkodzonych baterii akumulatorowych. W przypadku kontaktu z kwasem akumulatorowym należy natychmiast przemyć miejsce kontaktu wodą z mydłem. W przypadku kontaktu z oczami należy dokładnie przepłukiwać oczy przynajmniej przez 10 minut i zwrócić się natychmiast o pomoc medyczną.

WARUNKI UŻYTKOWANIA

Praska smarowa jest przystosowana do smarowania punktów smarowania, które na ogół smarowane są praskami smarowymi. Należy używać standardowego smaru w nabojach lub pojemnikach odpowiedniego do użycia w praskach smarowych.

Produkt można użytkować wyłącznie zgodnie z jego normalnym przeznaczeniem.

DEKLARACJA ZGODNOŚCI CE

Oświadczamy na naszą wyłączną odpowiedzialność, że produkt opisany w punkcie „Dane techniczne” jest zgodny ze wszystkimi istotnymi przepisami Dyrektywy 2011/65/EU (RoHS), 2014/30/UE, 2006/42/WE oraz z następującymi zharmonizowanymi dokumentami normatywnymi:

EN 60745-1:2009 + A1:2010
EN 55014-1:2006 + A1:2009 + A2:2011
EN 55014-2:1997 + A1:2001 + A2:2008
EN 50581:2012

Winnenden, 2016-03-29

Alexander Krug

Alexander Krug
Managing Director

Upelnomocniony do zestawienia danych technicznych



Teichronic Industries GmbH
Max-Eyth-Straße 10
71364 Winnenden
Germany

BATERIE AKUMULATOROWE

Akumulatory, które nie były przez dłuższy czas użytkowane, należy przed użyciem naładować.

W temperaturze powyżej 50°C następuje spadek osiągniętych wkładki akumulatorowej. Unikać długotrwałego wystawienia na oddziaływanie ciepła lub promieni słonecznych (niebezpieczeństwo przegrzania).

Styki ładowarek i wkładek akumulatorowych należy utrzymywać w czystości.

W celu zagwarantowania optymalnej żywotności należy po zakończonej eksploatacji naładować akumulatory do pełna.

Dla zapewnienia możliwie długiej żywotności akumulatory należy wyjąć z ładowarki po ich naładowaniu.

W przypadku składowania akumulatorów dłużej niż 30 dni:

Przechowywać je w suchym miejscu w temperaturze ok. 27°C.

Przechowywać je w stanie naładowanym do ok. 30% - 50%.

Ładować je ponownie co 6 miesięcy.

ZABEZPIECZENIE PRZECIĄŻENIOWE AKUMULATORA

Pakiet akumulatorowy jest wyposażony w zabezpieczenie przed przeciążeniem, które chroni akumulator przed przeciążeniem i zapewnia jego dużą żywotność.

Przy ekstremalnie silnym narażeniu elektronika akumulatora automatycznie wyłącza maszynę. Aby kontynuować pracę należy wyłączyć i ponownie włączyć maszynę. Jeżeli nie nastąpiłby ponowny rozruch maszyny, to możliwe, że pakiet akumulatorowy jest wyladowany i musi zostać ponownie naładowany w ładowarce.

ODPOWIETRZANIE PRASKI SMAROWEJ

Chwycić wąż za zamocowanie sprężynowe i trzymać z daleka od ciała.

Nacisnąć przycisk wyłącznika przez okres 3 sekund, zwolnić i powtarzać tę czynność tak długo, dopóki smar nie zacznie wypływać z węża.

Jeśli po kilkukrotnych próbach smar nie zacznie wypływać z węża, praskę smarową należy odpowietrzyć:

Wyciągnąć pręt za uchwyt i przekręcić, aby zaczeplić pręt w tłoku.

Nacisnąć zawór odpowietrzający i równocześnie wcisnąć pręt z powrotem do cylindra.

Jak tylko smar zacznie wypływać z węża, obrócić uchwyt, aby zwolnić z powrotem tłok i wcisnąć całkowicie z powrotem pręt do cylindra.

Wskazówka: Ta praska smarowa była testowana fabrycznie. Wskutek tego w obudowie pompy, w wężu i w złączu znajdują się jeszcze niewielkie ilości smaru. Zaleca się przed pierwszym użyciem oczyścić praskę smarową zalecanym smarem.

WYSZUKIWANIE BŁĘDÓW

Pręta nie można wysunąć:
Nacisnąć zawór odpowietrzający, aby wypuścić powietrze.

Pręta nie można wcisnąć:
Przekręcić uchwyt pręta o 90°, aby odłączyć go od tłoka.

Smar nie wypływa po naciśnięciu przycisku wyłącznika:
Cylinder jest pusty, należy napełnić go smarem.
W cylindrze znajdują się pęcherze powietrzne, odpowietrzyć praskę smarową.

TRANSPORT AKUMULATORÓW LITOWO-JONOWYCH

Akumulatory litowo-jonowe podlegają ustawowym przepisom dotyczącym transportu towarów niebezpiecznych.

Transport tych akumulatorów winien odbywać się przy przestrzeganiu lokalnych, krajowych i międzynarodowych rozporządzeń i przepisów.

- Odbiorcom nie wolno transportować tych akumulatorów po drogach o tak po prostu.
- Komercyjny transport akumulatorów litowo-jonowych przez przedsiębiorstwa spedycyjne podlega przepisom dotyczącym transportu towarów niebezpiecznych. Przygotowania do wysyłki oraz transport mogą być wykonywane wyłącznie przez odpowiednio przeszkolone osoby. Cały proces winien odbywać się pod fachowym nadzorem.

W czasie transportu akumulatorów należy przestrzegać następujących punktów:

- Celem uniknięcia zwarcia należy upewnić się, że zestyki są zabezpieczone i zaizolowane.
- Zwracać uwagę na to, aby zespół akumulatorów nie mógł się przemieszczać we wnętrzu opakowania.
- Nie wolno transportować akumulatorów uszkodzonych lub z wyciekającym z elektrolitem.

Odnośnie dalszych wskazań należy zwrócić się do swojego przedsiębiorstwa spedycyjnego.

UTRZYMANIE I KONSERWACJA

Należy stosować wyłącznie wyposażenie dodatkowe i części zamienne Milwaukee. W przypadku konieczności wymiany części, dla których nie podano opisu, należy skontaktować się z przedstawicielami serwisu Milwaukee (patrz lista punktów obsługi gwarancyjnej/serwisowej).

W razie potrzeby można zamówić rysunek urządzenia w rozłożeniu na części podając typ maszyny oraz sześciorzeczny numer na tabliczce znamionowej w Punkcie Obsługi Klienta lub bezpośrednio w firmie Teichronic Industries GmbH, Max-Eyth-Straße 10, 71364 Winnenden, Germany.

SYMBOLY



UWAGA! OSTRZEŻENIE NIEBEZPIECZEŃSTWO!



Przed przystąpieniem do jakichkolwiek prac na elektronarzędziu należy wyjąć wkładkę akumulatorową.



Przed uruchomieniem elektronarzędzia zapoznać się uważnie z treścią instrukcji.



Urządzenia elektryczne nie mogą być usuwane razem z odpadami pochodzącymi z gospodarstw domowych. Urządzenia elektryczne i elektroniczne należy gromadzić oddzielnie i w celu usuwania ich do odpadów zgodnie z wymaganiami środowiska naturalnego oddawać do przedsiębiorstwa utylizacyjnego. Proszę zasięgnąć informacji o centrach recyklingowych i punktach zbiorczych w władz lokalnych lub w wyspecjalizowanego dostawcy.



Znak CE



Krajowy znak zgodności Ukraina



Znak zgodności EurAsian

MŰSZAKI ADATOK	ZSÍRZÓPRÉS	M12 GG
Gyártási szám.....	4404 31 02...
.....	4566 06 02...
.....	...00001-999999
Max. üzemi nyomás.....	562 bar
Átfolyási mennyiség.....	74 g/min
Úrtartalom csomagolásból történő töltés esetén.....	454 g
Úrtartalom patronnal való töltés esetén.....	411 g
Tömlőnyomás.....	690 bar
Akkumulátor feszültség.....	12 V
Súly a 01/2003 EPTA-eljárás szerint.....	3,3 kg

Zaj-/Vibráció-információ

A közölt értékek megfelelnek az EN 60 745 szabványnak.

A készülék munkahelyi zajszintje tipikusan:

Hangnyomás szint (K bizonytalanság=3dB(A))..... 65,5 dB (A)

Hangteljesítmény szint (K bizonytalanság=3dB(A))..... 76,5 dB (A)

Hallásvédő eszköz használata ajánlott!

Összesített rezgésértékek (három irány vektoriális összege)

az EN 60745-nak megfelelően meghatározva.

a. rezgés emisszió érték..... < 2,5 m/s²

K bizonytalanság..... 1,5 m/s²

FIGYELMEZTETÉS

A jelen utasításokban megadott rezgésszint értéke az EN 60745-ben szabályozott mérési eljárásnak megfelelően került lemérésre, és használható elektromos szerszámokkal történő összehasonlításhoz. Az érték alkalmas a rezgésterhelés előzetes megbecslésére is.

A megadott rezgésszint-érték az elektromos szerszám legfőbb alkalmazásait reprezentálja. Ha az elektromos szerszámot azonban más alkalmazásokhoz, eltérő használt szerszámokkal vagy nem elegendő karbantartással használják, a rezgésszint értéke eltérő lehet. Ez jelentősen megnövelheti a rezgésterhelést a munkavégzés teljes időtartama alatt.

A rezgésterhelés pontos megbecsléséhez azokat az időket is figyelembe kell venni, melyekben a készülék lekapcsolódik, vagy ugyan működik, azonban ténylegesen nincs használatban. Ez jelentősen csökkentheti a rezgésterhelést a munkavégzés teljes időtartama alatt.

Határozzon meg további biztonsági intézkedéseket a kezelő védelmére a rezgések hatása ellen, például: az elektromos és a használt szerszámok karbantartásával, a kezek melegen tartásával, a munkafolyamatok megszerzésével.

▲ FIGYELMEZTETÉS! Olvasson el minden biztonsági útmutatót és utasítást. A következőkben leírt előírások betartásának elmulasztása áramütésekhez, tűzhöz és/vagy súlyos testi sérülésekhez vezethet. **Kérjük a későbbi használatra gondosan őrizze meg ezeket az előírásokat.**

KÜLÖNLEGES BIZTONSÁGI TUDNIVALÓK

A nagy nyomás a tömlő vagy a szerszám alkatrészeinek törését okozhatja. Fennáll a behatolás által okozott vagy csönkolásos sérülések veszélye. Minden használat előtt ellenőrizze a készülék és a tömlők sértetlenségét. Sérülés esetén ne használja a készüléket.

Szerelés során a tömlőt a rugós törésgátlónál fogja meg, hogy elkerülje a tömlő megtörését.

A zsírok és kenőanyagok éghetőek. Ne tegye ki őket tűz vagy hőforrások hatásának. Tartsa be a zsír- és kenőanyaggyártó minden figyelmeztetését és útmutatását.

Annak érdekében, hogy a zsírzóprés és a pumpa károsodását elkerülje, a pumpa csatlakozójának kompatibilisnek kell lennie a tömlő csatlakozójával, és legalább 690 bar nyomást kell kibírnia.

Munkavégzés közben ajánlatos védőszemüveget viselni. Védőkesztyű, zárt és csúszásmentes cipő, valamint védőkötény használata szintén javasolt.

Karbantartás, javítás, tisztítás, stb. előtt az akkumulátort ki kell venni a készülékből.

A használt akkumulátort ne dobja tűzbe vagy a háztartási szemétkébe. Tájékozzódjon a szakszerű megsemmisítés helyi lehetőségeiről.

Az akkumulátort ne tárolja együtt fém tárgyakkal. (Rövidzárlat veszélye).

Az M12 elnevezésű rendszerhez tartozó akkumulátorokat kizárólag a rendszerhez tartozó töltővel töltsse fel. Ne használjon más rendszerbe tartozó töltőt.

Akkumulátor sav folyhat a sérült akkumulátorból extrém terhelés alatt, vagy extrém hő miatt. Ha az akkumulátor vast a bőrre kerül azonnal mossa meg szappanos vízzel. Szembe kerülés esetén folyóvízzel alatt tartsa a szemét minimum 10 percig és azonnal forduljon orvoshoz.

RENDELTELTÉSSZERŰ HASZNÁLAT

A zsírzóprés olyan kenési pontok kenésére alkalmas, amelyekre zsírzópréssel szokás kenni. A kereskedelemben kapható, zsírzóprésben történő használatra alkalmas, patronos vagy dobozos kiserelésű zsírt kell használni.

A készüléket kizárólag az alábbiakban leírtaknak megfelelően szabad használni.

CE-AZONOSSÁGI NYILATKOZAT

Egyedül felelősséggel kijelentjük, hogy a „Műszaki Adatok” alatt leírt termék a 2011/65/EU (RoHS), 2014/30/EU, 2006/42/EK irányelvek minden releváns előírásának, ill. az alábbi harmonizált normatív dokumentumoknak megfelel:

EN 60745-1:2009 + A11:2010
EN 55014-1:2006 + A1:2009 + A2:2011
EN 55014-2:1997 + A1:2001 + A2:2008
EN 50581:2012

Winnenden, 2016-03-29

Alexander Krug

Alexander Krug
Managing Director

Műszaki dokumentáció összeállításra felhatalmazva

Techtronic Industries GmbH

Max-Eyth-Straße 10
71364 Winnenden

Germany



AKKUK

A hosszabb ideig üzemén kívül lévő akkumulátort használat előtt ismételtelen fel kell tölteni.

50°C feletti hőmérsékletnél csökkenhet az akkumulátor teljesítménye. Kerülni kell a túlzottan meleg helyen vagy napon történő hosszabb idejű tárolást.

A töltő és az akkumulátor csatlakozóit mindig tisztán kell tartani.

Az optimális élettartam érdekében használat után az akkukat teljesen fel kell tölteni.

A lehetőleg hosszú élettartamhoz az akkukat feltöltés után ki kell venni a töltőkészülekből.

Az akku 30 napot meghaladó tárolása esetén:

Az akkut kb. 27 °C-on, száraz helyen kell tárolni.

Az akkut kb. 30-50%-os töltöttségi állapotban kell tárolni.

Az akkut 6 havonta újra fel kell tölteni.

AZ AKKUMULÁTOR TŰLTERHELÉS ELLENI VÉDELME

Az akkucsomag olyan túlterhelés elleni védelemmel rendelkezik, mely védi az akkut a túlterhelés ellen, és hosszú élettartamot biztosít.

Rendkívül erős igénybevétel esetén az akkuelektronika automatikusan lekapcsolja a gépet. A további munkavégzéshez a gépet ki-, majd ismét be kell kapcsolni. Ha a gép nem indul el ismét, akkor lehetséges, hogy az akkucsomag lemerült és azt újból fel kell tölteni a töltőben.

A ZSÍRZÓPRÉS LÉGTENÍTÉSE

Fogja meg a tömlőt a rugós törésgátlónál, és tartsa el a testétől.

Tartsa nyomva 3 másodpercig a nyomókapcsolót, majd engedje el, és ezt ismétlje meg mindaddig, míg a tömlőből zsír nem folyik.

Ha több próbálkozást követően sem folyik zsír a tömlőből, akkor a zsírzóprést manuálisan kell légteleníteni:

Húzza ki a markolatnál lévő rudat, és fordítsa el a rúd dugattyúba történő rögzítéséhez.

Nyomja le a légtelenítő szelepet, és ezzel egyszerre a rudat ismét nyomja bele a hengerbe.

Amint a tömlőből zsír távozik, fordítsa el a markolatot, hogy a dugattyút ismét kioldja, és a rudat nyomja be ismét teljesen a hengerbe.

Útmutatás: A zsírzóprést a gyárban tesztnek vetették alá. Ezáltal a pumpa házában, a tömlőben és a csatlakozóban kis mennyiségű zsír található. Első használat előtt ajánlott a zsírzóprést a preferált zsírral megtisztítani.

HIBAKERESÉS

Nem lehet kihúzni a rudat:

A nyomás csökkentéséhez nyomja le a légtelenítő szelepet.

Nem lehet benyomni a rudat:

Forgassa el a markolatnál lévő rudat 90°-kal, hogy leoldja a dugattyúról.

Nem jön zsír, ha lenyomják a nyomókapcsolót:

A henger üres, új zsírt kell betölteni.

Légbuborékok vannak a hengerben; a zsírzóprést légteleníteni kell.

LÍTIUM-ION AKKUK SZÁLLÍTÁSA

A lítium-ion akku a veszélyes áruk szállítására vonatkozó törvényi rendelkezések hatálya alá tartoznak.

Az ilyen akku szállításának a helyi, országos és nemzetközi előírások és rendelkezések betartása mellett kell történnie.

- A fogyasztók minden további nélkül szállíthatják az ilyen akkukat közúton.
- A lítium-ion akku szállítványozási vállalatok általi kereskedelmi célú szállítására a veszélyes áruk szállítására vonatkozó rendelkezések érvényesek. A kiszállítás előkészítését és a szállítást kizárólag megfelelő

képzettségű személyek végezhetik. A teljes folyamatnak szakmai felügyelet alatt kell történnie.

A következő pontokat kell figyelembe venni akku szállításakor:

- Biztosítsa, hogy a rövidzárlatok elkerülése érdekében az érintkezők védve és szigetelve legyenek.
- Ügyeljen arra, hogy az akkucsomag ne tudjon elcsúszni a csomagoláson belül.
- Tilos sérült vagy kifolyt akkukat szállítani.

További útmutatásokért forduljon szállítványozási vállalatához.

KARBANTARTÁS

Javításhoz, karbantartáshoz kizárólag Milwaukee alkatrészeket és tartozékokat szabad használni. A készülék azon részeinek cseréjét, amit a kezelési útmutató nem engedélyez, kizárólag a javításra feljogosított márkaszerviz végezheti. (Lásd a szervizlistát)

Igény esetén a készülékről robbantott rajz kérhető a géptípus és a teljesítménycímként található hatjegyű szám megadásával az Ön vevőszolgálatánál, vagy közvetlenül a Techtronic Industries GmbH-től a Max-Eyth-Straße 10, 71364 Winnenden, Németország címen.

SZIMBÓLUMOK



FIGYELEM! FIGYELMEZTETÉS! VESZÉLY!



Karbantartás, javítás, tisztítás, stb. előtt az akkumulátort ki kell venni a készülékből.



Kérjük alaposan olvassa el a tájékoztatót mielőtt a gépet használja.



Az elektromos eszközöket nem szabad a háztartási hulladékkal együtt ártalmatlanítani. Az elektromos és elektronikus eszközöket szelektíven kell gyűjteni, és azokat környezetbarát ártalmatlanítás céljából hulladékhasznosító üzemben kell leadni. A helyi hatóságoknál vagy szakkereskedőjénél tájékozzódjon a hulladékudvarokról és gyűjtőhelyekről.



CE-jelölés



Ukrán nemzeti megfelelési jelölés



Eurázsiai megfelelési jelzés.

TEHNIČNI PODATKI	MAŠČOBNE STISKALNICE	M12 GG
Proizvodna številka.....	4404 31 02...	
.....	4566 06 02...	
.....	...00001-999999	
Max. delovni pritisk	562 bar	
Pretočna količina	74 g/min	
Zmogljivost pri polnjenju iz posod	454 g	
Zmogljivost s kartušo	411 g	
Pritisk v gibki cevi	690 bar	
Napetost izmenljivega akumulatorja	12 V	
Teža po EPTA-proceduri 01/2003.....	3,3 kg	

Informacije o hrupnosti/vibracijah

Vrednosti merjenja ugotovljene ustrezno z EN 60 745.
 Raven hrupnosti naprave ovrednotena z A, znaša tipično:
 Nivo zvočnega tlaka (Nevarnost K=3dB(A))..... 65,5 dB (A)
 Višina zvočnega tlaka (Nevarnost K=3dB(A))..... 76,5 dB (A)

Nosite zaščito za sluh!

Skupna vibracijska vrednost (Vektorska vsota treh smeri) določena ustrezno EN 60745.
 Vibracijska vrednost emisij a_v..... < 2,5 m/s²
 Nevarnost K..... 1,5 m/s²

OPOZORILO

V teh navodilih navedena raven treslajev je bila izmerjena po EN60745 normiranem merilnem postopku in lahko služi medsebojni primerjavi električnih orodij. Prav tako je primeren za predhodno oceno obremenitve s treslaji.

Navedena raven treslajev navaja najpomembnejše vrste rabe električnega orodja. Kadar se električno orodje uporablja za drugačne namene, z odstopajočimi orodji ali pa z nezadostnim vzdrževanjem, lahko raven treslajev tudi odstopa. Le to lahko čez celoten delovni čas znatno zviša obremenitev s tresenjem.

Za natančno oceno obremenitve s treslaji naj bi se upošteval tudi čas v katerem je naprava izklopljena ali sicer teče, vendar dejansko ni v rabi. Le to lahko obremenitev s treslaji čez celoten delovni čas znatno zmanjša.

Za zaščito upravljalca pred učinkom treslajev uvedite dodatne zaščitne ukrepe npr.: Vzdrževanje električnega orodja in orodja, delo s toplimi rokami, organizacija delovnih potekov.

A OPOZORILO! Preberite vsa varnostna opozorila in navodila. Napake zaradi neupoštevanja spodaj navedenih opozoril in napotil lahko povzročijo električni udar, požar in/ali težke telesne poškodbe.
Vsa opozorila in napotila shranite, ker jih boste v prihodnje še potrebovali.

SPECIALNI VARNOSTNI NAPOTKI

Visok pritisk lahko vodi do preloma cevi ali delov orodja. Obstaja nevarnost poškodb vbrizge ali amputacije. Napravo inn napeljavje gibke cevi pred vsako uporabo preveriti glede poškodb. Poškodovano napravo ne uporabljati.

Pri montaži gibko cev prijeti na razbremenitvi zmetne vleke in izbegavati zapoginjenje.

Maščobe in maziva so gorljiva. Ne izpostavljati jih izvorom vročine. Držite se vseh opozoril in napotkov proizvajalca maščob in maziv.

Za preprečitev poškodb maščobne stiskalnice in črpalke mora biti priključek črpalke kompatibilen s sklopko gibke cevi in zdržati pritisk od najmanj 690 barov.

Pri delu s strojem vedno nosite zaščitna očala. Priporočamo zaščitne rokavice, trdno obuvalo, varno proti drsenju ter predpasnik.

Pred deli na stroju izvlecite izmenljivi akumulator.

Izrabljenih izmenljivih akumulatorjev ne mečite v ogenj ali v gospodinjске odpadke. Milwaukee nudi okolju prijazno odlaganje starih izmenljivih akumulatorjev; prosimo povprašajte vašega strokovnega trgovca.

Izmenljivih akumulatorjev ne hranite skupaj s kovinskimi predmeti (nevarnost kratkega stika).

Izmenljive akumulatorje sistema M12 polnite samo s polnilnimi aparati sistema M12. Ne polnite nobenih akumulatorjev iz drugih sistemov.

Pod ekstremno obremenitvijo ali ob ekstremni temperaturi iz poškodovanega izmenljivega akumulatorja lahko izteka akumulatorska tekočina. Po stiku z akumulatorsko tekočino prizadeto mesto takoj izperite z vodo in milom. Po stiku z

očmi takoj najmanj 10 minut dolgo temeljito izpirajte in nemudoma obiščite zdravnika.

UPORABA V SKLADU Z NAMEMBNOSTJO

Gibka cev je primerna za premaz mazišč, ki se običajno premazujejo z maščobnimi stiskalnicami. Uporabiti se mora trgovsko uobičajena, za uporabo v maščobnih stiskalnicah primerna maščoba v kartušah ali posodah.

Ta naprava se sme uporabiti samo v skladu z namembnostjo uporabiti samo za navede namene.

CE-IZJAVA O KONFORMNOSTI

V lastni odgovornosti izjavljamo, da se pod „Tehnični podatki“ opisan proizvod ujema z vsemi relevantnimi predpisi smernice 2011/65/EU (RoHS), 2014/30/EU, 2006/42/ES in s sledečimi harmoniziranimi normativnimi dokumenti:

EN 60745-1:2009 + A11:2010
 EN 55014-1:2006 + A1:2009 + A2:2011
 EN 55014-2:1997 + A1:2001 + A2:2008
 EN 50581:2012

Winnenden, 2016-03-29

Alexander Krug

Alexander Krug
 Managing Director

Pooblaščen za izdelavo spisov tehnične dokumentacije.

Techtronic Industries GmbH
 Max-Eyth-Straße 10
 71364 Winnenden
 Germany



AKUMULATORJI

Izmenljive akumulatorje, ki jih daljši čas niste uporabljali, pred uporabo naknadno napolnite.

Temperatura nad 50°C zmanjšuje zmogljivost izmenljivega akumulatorja. Izogibajte se daljšemu segrevanju zaradi sončnih žarkov ali gretja.

Pazite, da ostanejo priključni kontakti na polnilnem aparatu in izmenljivem akumulatorju čisti.

Za optimalno življenjsko dobo je akumulatorje potrebno po uporabi napolniti do konca.

Za čim daljšo življenjsko dobo naj se akumulatorje po napolnitvi vzamejo ven iz naprave za polnjenje.

Pri skladiščenju akumulatorjev dalj kot 30 dni: Akumulator skladiščiti pri 27°C in na suhem. Akumulator skladiščiti pri 30%-50% stanja polnjenja. Akumulator spet napolniti vsakih 6 mesecev.

ZAŠČITA PREOBREMENITVE AKUMULATORJA

Komplet akumulatorja je opremljen s preobremenitveno zaščito, ki ščiti akumulator pred preobremenitvijo in zagotavlja dolgo življenjsko dobo. Pri ekstremno visokih obremenitvah elektronika akumulatorja stroj avtomatsko izklopi. Za nadaljnje delo stroj izklopimo in ponovno vklopimo. V kolikor stroj ponovno ne steče, je komplet akumulatorja morebiti izpraznjen in ga je v polnilcu potrebno ponovno napolniti.

Cev prijeti na razbremenitvi zmetne vleke in jo držati stran od telesa.

Pritiskača stikala pritisniti 3 sekunde, izpustiti ga in to ponavljati, dokler iz gibke cevi ne teče maščoba.

Če po večih poskusih iz cevi ne pride nobena maščoba, se mora maščobna stiskalnica odzračiti ročno.

Drog potegniti ven na ročaju in ga zavrteti, da bi se drog zaskočil v bat.

Pritisniti na odzračevalni ventil in istočasno drog spet potisniti in cilinder.

Čim iz gibke cevi priteče maščoba, držalo obrniti, da bi se bat spet osvobodil in drog spet popolnoma potisniti v cilinder.

Napotek: ta maščobna stiskalnica se je preverjala v obratu. Zato se v ohišju stiskalnice, v cevi in sklopki nahajajo še manjše količine maščobe. Priporoča se, maščobno stiskalnico pred prvo uporabo očistiti s preferirano maščobo.

ISKANJE NAPAK

Drog se ne da potegniti ven: pritisniti na odzračevalni ventil, da bi se znižal pritisk.

Drog se ne da potegniti ven: drog na držaju zavrteti zta 90°, da bi se ločil od bata.

Pri pritisku na stikalo se maščoba ne pojavi: Cilinder je prazen, napolniti ga z novo maščobo. V cilindru so zračni mehurji, maščobno prešo odzračiti.

TRANSPORT LITIJ-IONSkih AKUMULATORJEV

Litij-ionski akumulatorji so podvrženi zakonskim določbam transporta nevarnih snovi.

Transport teh akumulatorjev se mora izvajati upoštevaajoč lokalne, nacionalne in mednarodne predpise in določbe.

- Potrošniki lahko te akumulatorje še nadalje transportirajo po cesti.
- Komercialni transport litij-ionskih akumulatorjev s strani špediterskih podjetij je podvržen določbam transporta nevarnih snovi. Priprava odpreme in transporta se lahko vrši izključno s strani ustrezno izšolanih oseb. Celoten proces je potrebno strokovno spremljati.

Pri transportu akumulatorjev je potrebno upoštevati sledeče točke:

- V izogib kratkim stikom zagotovite, da bodo kontakti zaščiteni in izolirani.
- Bodite pozorni na to, da paket akumulatorja v notranjosti embalaže ne bo mogel zdrsniti.

- Poškodovanih ali iztekajočih akumulatorjev ni dovoljeno transportirati.

Za nadaljnja navodila se obrnite na vaše špeditersko podjetje.

VZDRŽEVANJE

Uporabljajte samo Milwaukee pribor in nadomestne dele. Poskrbite, da sestavne dele, katerih zamenjava ni opisana, zamenjajo v Milwaukee servisni službi (upoštevajte brošuro Garancija/Naslovi servisnih služb).

Po potrebi je mogoče pri vašem servisnem mestu ali neposredno pri Techtronic Industries GmbH, Max-Eyth-Straße 10, 71364 Winnenden, Germany, naročiti eksplozijsko risbo naprave ob navedbi tipa stroja in na tablici navedene šestmestne številke.

SIMBOLI



POZOR! OPOZORILO! NEVARNO!



Pred vsemi deli na stroji odstranite izmenljivi akumulator.



Prosimo, da pred uporabo pozorno preberete to navodilo za uporabo.



Električnih naprav ni dovoljeno odstranjevati skupaj z gospodinjскими odpadki. Električne in elektronske naprave je potrebno zbirati ločeno in za okolju prijazno odstranitev, oddati podjetju za reciklažo. Pri krajevem uradu ali vašem strokovnem prodajalcu se pozanimajte glede reciklažnih dvorišč in zbirnih mest.



CE-znak



Nacionalna oznaka skladnosti Ukrajina



EurAsian oznaka o skladnosti.

TEHNIČKI PODACI PREŠE ZA MAST M12 GG

Broj proizvodnje.....	4404 31 02...
.....	4566 06 02...
.....	...00001-999999
Max. pogonski tlak.....	562 bar
Količina protoka.....	74 g/min
Zapremina kod punjenja iz bačve.....	454 g
Zapremina sa kartušom.....	411 g
Tlak gumene cijevi.....	690 bar
Napon baterije za zamjenu.....	12 V
Težina po EPTA-proceduri 01/2003.....	3,3 kg

Informacije o buci/vibracijama

Mjerne vrijednosti utvrđene odgovarajuće EN 60 745.

A-ocijenjeni nivo buke aparata iznosi tipično:

Nivo pritiska zvuka (Nesigurnost K=3dB(A)) 65,5 dB (A)

Nivo učinka zvuka (Nesigurnost K=3dB(A)) 76,5 dB (A)

Nositi zaštitu sluha!

Ukupne vrijednosti vibracije (Vektor suma tri smjera) su odmjerene odgovarajuće EN 60745

Vrijednost emisije vibracije a_h < 2,5 m/s²

Nesigurnost K 1,5 m/s²

UPOZORENJE

Ova u ovim uputama navedena razina titranja je bila izmjerena odgovarajuće jednom u EN 60745 normiranom mjernom postupku i može se upotrijebiti za usporedbu električnog alata međusobno. Ona je prikladna i za privremenu procjenu titrajnog opterećenja.

Navedena razina titranja reprezentira glavne primjene električnog alata. Ukoliko se električni alat upotrebljava u druge svrhe sa odstupajućim primijenjenim alatima ili nedovoljnim održavanjem, onda razina titranja može odstupati. To može titrajno opterećenje kroz cijeli period rada bitno povisiti.

Za točnu procjenu titrajnog opterećenja se moraju uzeti u obzir i vremena u kojima je uređaj isključen ili u kojima doduše radi, ali nije i stvarno u upotrebi. To može titrajno opterećenje bitno smanjiti za vrijeme cijelog radnog perioda.

Utvrđite dodatne sigurnosne mjere za zaštitu poslužioca protiv djelovanja titranja kao npr.: Održavanje električnih alata i upotrebljenih alata, održavanje topline ruku, organizacija i radne postupke.

A UPOZORENJE! Pročitajte molimo sve sigurnosna upozorenja i upute.

Ako se ne bi poštivale napomene o sigurnosti i upute to bi moglo uzrokovati strujni udar, požar ili teške ozljede.

Sačuvajte sve napomene o sigurnosti i upute za buduću primjenu.

SPECIJALNE SIGURNOSNE UPUTE

Visoki tlak može dovesti do loma na gumenoj cijevi ili dijelovima alata. Postoji opasnost od povreda kroz uštrcavanja ili odvajanja. Prije svake upotrebe uređaj i oploštene vodove provjeriti u svezi oštećenja. Kod oštećenja uređaj ne upotrebljavati.

Gumenu cijev prilikom montaže zbog izbjegavanja prijeloma zahvatiti na rasterećenju opružne vuče.

Masti i maziva su zapaljivi. Ne izlagati vatri i izvorima vrućine. Slijedite sva upozorenja i upute proizvođača masti i maziva.

Zbog izbjegavanja oštećenja preše za mast, priključak pumpe mora biti kompatibilan sa spojkom gumene cijevi i mora izdržati jedan tlak od najmanje 690 bara.

Kod radova sa strojem uvijek nositi zaštitne naočale.

Zaštitne rukavice, čvrste i protiv klizanja sigurne cipele kao i pregača se preporučuju.

Prije svih radova na stroju izvoditi bateriju za zamjenu.

Istrošene baterije za zamjenu ne bacati u vatra ili u kućno smeće. Milwaukee nudi mogućnost uklanjanja starih baterija odgovarajuće okolini. Milwaukee nudi mogućnost uklanjanja starih baterija odgovarajuće okolini; upitajte molimo Vašeg stručnog trgovca.

Baterije za zamjenu ne čuvati skupa sa metalnim predmetima (opasnost od kratkog spoja).

Baterije sistema M12 puniti samo sa uređajem za punjenje sistema M12. Ne puniti baterije iz drugih sistema.

Pod ekstremnim opterećenjem ili ekstremne temperature može iz oštećenih baterija iscuriti baterijska tekućina. Kod dodira sa baterijskom tekućinom odmah isprati sa vodom i

sapunom. Kod kontakta sa očima odmah najmanje 10 minuta temeljno ispirati i odmah potražiti liječnika.

PROPIISNA UPOTREBA

Preša za mast je prikladna za podmazivanje podmazivačkih mjesta, koja se uobičajeno podmazuju sa prešama za mast. Upotrebljavati se mora trgovačko uobičajena, za upotrebu u prešama za mast prikladna mast u kartušama ili bačvama.

Ovaj aparat se smije upotrijebiti samo u određene svrhe kao što je navedeno.

CE-IZJAVA KONFORMNOSTI

Izjavljujemo na osobnu odgovornost, da je proizvod opisan pod „Tehnički podaci“, sukladan sa svim relevantnim propisima smjernice 2011/65/EU (RoHS), 2014/30/EU, 2006/42/EC i sa sljedećim harmoniziranim normativnim dokumentima:

EN 60745-1:2009 + A11:2010

EN 55014-1:2006 + A1:2009 + A2:2011

EN 55014-2:1997 + A1:2001 + A2:2008

EN 50581:2012

Winnenden, 2016-03-29

Alexander Krug
Managing Director

Ovlašten za formiranje tehničke dokumentacije.

Techtronic Industries GmbH
Max-Eyth-Straße 10
71364 Winnenden
Germany



BATERIJE

Baterije koje duže vremena nisu korištene, prije upotrebe napuniti.

Temperatura od preko 50°C smanjuje učinak baterija. Duže zagrijavanje od strane sunca ili grijanja izbjeci.

Priključne kontakte na uređaju za punjenje i baterijama držati čistima.

Za optimalni vijek trajanja se akumulatori poslije upotrebe moraju sasvim napuniti.

Za što moguće duži vijek trajanja, akumulatori se nakon punjenja moraju odstraniti iz punjača.

Kod skladištenja akumulatora duže od 30 dana:

Akumulator skladištiti na suhom kod ca. 27°C.

Akumulator skladištiti kod ca. 30%-50% stanja punjenja.

Akumulator ponovno napuniti svakih 6 mjeseci.

ZAŠTITA OD PREOPTEREĆENJA AKUMULATORA

Akkupack je opremljen jednom zaštitom protiv preopterećenja, koja akumulator štiti protiv preopterećenja i osigurava dugi vijek.

Kod ekstremno jakih opterećenja, elektronika akumulatora automatski isključuje stroj. Za nastavak rada stroja isključiti i ponovno uključiti. Ako se stroj ponovno ne pokrene, Akkupack je eventualno ispražnjen i mora se na punjaču ponovno napuniti.

ODZRAČIVANJE PREŠE ZA MAST

Gumenu cijev zahvatiti na rasterećenju opružne vuče i držati dalje od tijela.

Pritisni prekidač pritisnuti za 3 sekunde, ispustiti i ovo toliko dugo ponavljati, sve dok iz cijevi ne curi mast.

Ako poslije više pokušaja iz cijevi ne dođe nikakva mast, preša za mast se mora ručno odzračiti:

Šipku izvući na dršku i zakrenuti, kako bi šipka u klipku uskočila.

Ventil za odzračivanje pritisnuti i istovremeno šipku ponovno utisnuti u cilindar

Čim mast izlazi iz cijevi, držak zakrenuti kako bi se klip ponovno opustio i šipku ponovno kompletno utisnuti u cilindar

Uputa: Ova preša za mast je bila provjerena u tvornici. Stoga se u kućištu pumpe, u cijevi i u spojci još nalazi mala količina masti. Preporučuje se, prije prvotne uporabe prešu za masti očistiti prednostnom mašću.

TRAŽENJE POGREŠKE

Šipka se ne može izvući:
Odušni ventil pritisnuti, kako bi se tlak smanjio.

Šipka se ne može utisnuti:

Šipku na dršku okrenuti za 90° kako bi se odvojila od klipa.

Mast ne dolazi, kada se pritisna sklopka pritisne:

Cilindar je prazan, napuniti novu mast.

U cilindru se nalaze zračni mjehurići, prešu za mast odzračiti.

TRANSPORT LITIJSKIH IONSKIH BATERIJA

Litijske-ionske baterije spadaju pod zakonske odredbe u svezi transporta opasne robe.

Prijevoz ovih baterija mora uslijediti uz poštivanje lokalnih, nacionalnih i internacionalnih propisa i odredaba.

- Korisnici mogu bez ustručavanja ove baterije transportirati po cestama.
- Komercijalni transport litijsko-ionskih baterija od strane transportnih poduzeća spada pod odredbe o transportu opasne robe. Otpremničke pripreme i transport smiju izvoditi isključivo odgovarajuće školovane osobe. Kompletni proces se mora pratiti na stručan način.

Kod transporta baterija se moraju poštivati sljedeće točke:

- Uvjerite se da su kontakti zaštićeni i izolirani kako bi se izbjegli kratki spojevi.

- Pazite na to, da blok baterija unutar pakiranja ne može proklizavati.
- Oštećene ili iscurjele baterije se ne smiju transportirati.

U svezi ostalih uputa obratite se vašem prijevoznom poduzeću.

ODRŽAVANJE

Primijeniti samo Milwaukee opremu i rezervne dijelove. Sastavne dijelove, čija zamjena nije opisana, dati zamijeniti kod jedne od Milwaukee servisnih službi (poštivati brošuru Garancija/Adrese servisa).

Po potrebi se crtež pojedinih dijelova aparata uz navođenje podatka o tipu stroja i šestznamenastog broja na pločici snage može zatražiti kod vašeg servisa ili direktno kod Techtronic Industries GmbH, Max-Eyth-Straße 10, 71364 Winnenden, Njemačka.

SIMBOLI



PAŽNJA! UPOZORENIE! OPASNOST!



Prije svih radova na stroju izvoditi bateriju za zamjenu.



Molimo da pažljivo pročitate uputu o upotrebi prije puštanja u rad.



Električni uređaji se ne smiju zbrinjavati skupa sa kućnim smećem. Električni uređaji se moraju skupljati odvojeno i predati na zbrinjavanje primjereno okolišu jednom od pogona za iskorišćavanje. Raspitajte se kod mjesnih vlasti ili kod stručnog trgovca u svezi gospodarstva za recikliranje i mjesta skupljanja.



Oznaka-CE



Nacionalni znak konformnosti Ukrajina



EurAsian znak konformnosti.

TECHINIAI DUOMENYS MĀĀRDEPRITSISTI M12 GG

Produkto numeris	4404 31 02...
.....	4566 06 02...
.....	000001-999999
Max t�or�hk.....	562 bar
Tootlikkus.....	74 g/min
T�itemaht pургist t�itemisel.....	454 g
T�itemaht kartu�siga	411 g
R�hk voolikus	690 bar
Kei�iamo akumulatoriaus �tampa.....	12 V
Prietaiso svoris �vertintas pagal EPTA 2003/01 tyrimų metodiką.....	3,3 kg
Informacija apie triuksmą/vibraciją	

Vert s matuotos pagal EN 60745.

�vertintas A �renginio keliamo triuksmo lygis da�niausiai sudaro:	
Garso slėgio lygis (Paklaida K=3dB(A))	65,5 dB (A)
Garso galios lygis (Paklaida K=3dB(A))	76,5 dB (A)
Ne�ioti klausos apsaugines priemones!	
Bendroji svyravimų reik�mė (trijų krypčių vektorių suma), nustatyta remiantis EN 60745.	
Vibravimų emisijos reik�mė a _h	< 2,5 m/s ²
Paklaida K	1,5 m/s ²

D MESIO

Instrukcijoje nurodyta svyravimų ribinė vertė yra i matuota remiantis standartu EN 60745; ji gali b ti naudojama keliems elektriniams instrumentams palyginti. Ji taikoma ir laikinai  vertinti svyravimų apkrova.

Nurodyta svyravimų ribinė vertė yra taikoma pagrindinėse elektrinio instrumento naudojimo srityse. Svyravimų ribinė vertė gali skirtis naudojant elektrinį instrumentą kitose srityse, papildomai naudojant netinkamus elektrinius instrumentus arba juos nepakankamai techniškai pri i urint. Dėl to viso darbo metu gali  ymiai padidėti svyravimų apkrova.

Siekiant tiksliai nustatyti svyravimų apkrovą, b tina atsi velgti ir j laikotarpi, kai  renginys yra i jungtas arba i jungtas, ta iau faktiškai nenaudojamas. Dėl to viso darbo metu gali  ymiai suma ėti svyravimų apkrova.

Siekiant apsaugoti vartotojus nuo svyravimo  takos naudojamos papildomos saugos priemonės, pavyzd ui, elektrinių darbo instrumentų techninė prie i ura, rankų  ilumos palaikymas, darbo procesų organizavimas.

⚠ !SP JIMAS! Perskaitykite visus saugos nurodymus ir instrukcijas. Jei nepaisysite  emiau pateiktų saugos nuorodų ir reikalavimų, gali trenkti elektros sm gis, kilti gaisras ir/arba galite sunkiai susi aloti arba su aloti kitus asmenis. ** saugokite  ias saugos nuorodas ir reikalavimus, kad ir ateityje galėtumėte jais pasinaudoti.**

YPATINGOS SAUGUMO NUORODOS

Liiga k rge r hk v ib p hjustada vooliku v i t oriista detailaide purunemist. Kehasse tungivate pritsmete v i j semete mahal ikamisse t ttu valitseb vigastuste oht. Kontrolligge seadet enne kasutamist kahjustuste suhtes.  rge kasutage kahjustatud seadet.

Haarake monteerimisel vooliku kahekorra murdumise v ltimiseks vedruga t mbekompensaaorist kinni.

M  rded ja m  rdeained on p lemisohtlikud.  rge j tke neid tule v i kuumusallikate l hedusse. J rgige m  rde- ja m  rdeainetootja hoiatusi ning juhiseid.

M  rdepritsi ja pumba kahjustamise v ltimiseks peab pumba  hendus voolikuliitmikuga  hiliduma ning v hemalt 690 bar r hku taluma.

Dirbdami su  renginiu visada ne iokite apsauginius akinius. Rekomenduotina ne ioti apsaugines pir tines, tvirtus batus neslid iu padu bei prijuostė.

Prie  atlikdami bet kokius darbus  renginyje, i imkite kei iamą akumuliatorių.

Sunaudotų kei iamų akumuliatorių nedeginkite ir nemeskite j buitines atliekas. Milwaukee si ulo tausojantį aplinką sudėvėtų kei iamų akumuliatorių tvarkymą, apie tai prekybos atstovo.

Kei iamų akumuliatorių nelaikykite kartu su metaliniais daiktais (trumpojo jungimo pavojus).

Kei iamus M12 sistemos akumuliatorius kraukite tik M12 sistemos  krovikliais. Nekraukite kitų sistemų akumuliatorių.

Ekstremalių apkrovų arba ekstremalios temperatūros poveikyje i  kei iamų akumuliatorių gali i tekėti

akumulatoriaus skystis. I sitepus akumulatoriaus skys iu, tuoj pat nuplaukite vandeniu su muilu. Patekus j akis, tuoj pat ne trumpiau kaip 10 minučių gausiai skalaukite vandeniu ir tuoj pat kreipkitės j gydytoją.

NAUDOJIMAS PAGAL PASKIRTĮ

M  rdeprits sobib m  rimiskohtade m  rimiseks, mida m  ritakse  ldjuhul m  rdepritsidega. Kasutada tuleb purkides v i kartu sides m  davat, m  rdepritside jaoks sobivat laiatarbe-m  ret.


 j prietaisą leidžiama naudoti tik pagal nurodytą paskirtį.

CE ATITIKTIES PAREI KIMAS


Remiantis bendrais atsakomybės reikalavimais parei kiame, jog skyriuje „Techniniai duomenys“ apra ytas produktas atitinka visus toliau pateiktų juridinių direktyvų reikalavimus: 2011/65/EU (RoHS), 2014/30/ES, 2006/42/EB ir kitus su jomis susijusius norminius dokumentus:

- EN 60745-1:2009 + A11:2010
- EN 55014-1:2006 + A1:2009 + A2:2011
- EN 55014-2:1997 + A1:2001 + A2:2008
- EN 50581:2012

Winnenden, 2016-03-29



Alexander Krug
Managing Director



 galiotas parengti techninius dokumentus.
Techtronic Industries GmbH
Max-Eyth-Stra e 10
71364 Winnenden
Germany

AKUMULIATORIAI

Ilgesnį laiką nenaudotus kei iamus akumuliatorius prie  naudojimą  kraukite.

Auk tesnė nei 50 C temperatūra ma ina kei iamų akumuliatorių galią. Venkite ilgnesnio saulės ar  ilumos  altinių poveikio.

 kroviklio ir kei iamo akumulatoriaus jungiamieji kontaktai visada turi b ti  varūs.

Pasinaudojė prietaisu, visi kai  kraukite akumuliatorių, kad prietaisas veiktų optimaliai ilgai.

Siekiant u tikrinti kuo ilgesnį baterijos tarnavimo laiką, reikėtų ją po atlikto  krovimo i kart i imti i   kroviklio.

Bateriją laikant ilgiau nei 30 dienų, b tina atkreipti dėmesį j  ias nuorodas: bateriją laikyti sausoje aplinkoje, esant apie 27  C temperatūrai. Baterijos  krovimo lygis turi b ti nuo 30 % iki 50 %. Baterija pakartotinai turi b ti  kraunama kas 6 mėnesius.

APSAUGA NUO AKUMULIATORIAUS PERKROVOS

Akumuliatorių blokas turi apsaugą nuo perkrovos, kuri leidžia i vengti perkrovų ir u tikrina jo eksploatacijos ilgaam iškumą.

Esant didelėms apkrovoms, akumulatoriaus elektroninė sistema prietaisą i jungia automatiškai. Kad prietaisas dirbtų toliau, reikia jį i jungti ir vėl i jungti. Jeigu prietaisas neisijungia, esant galimybei, akumulatoriaus komplektą reikia i krauti ir  kroviklyje i  naujo  krauti.

 HU EEMALDAMINE M  RDEPRITSIST

Haarake vooliku vedruga t mbekompensaaorist kinni ja suunake kehast eemale.

Vajutage 3 sekundit p  stikut ja laske lahti; korrake seda senikaua, kuni voolikust voolab m  ret.

Kui mitme katse j rel voolikust m  ret ei v lju, siis tuleb eemaldada  hk m  rdepritsist k sitsi:

T mmake varras k epidemest v lja ja p  rake nii, et varras kolvis fikseeruks.

Vajutage  hueemaldusventiili ja suruge samaaegselt varrast silindrisse tagasi.

Kui voolikust hakkab m  ret v lja tungima, siis p  rake kolvi vabastamiseks ja varda t ielikuks silindrisse surumiseks taas k epidet.

Juhs: M  rdeprits on tehases testitud. Seet ttu esineb pumba korpusese, voolikus ja liitmikus veel v ike kogus m  ret. Soovitat on m  rdeprits enne esmakordset eelistatud m  rdega kasutamist  ra puhastada.

KLAI D  PAIE KA

Nepavyksta i traukti strypo: Norėdami suma inti slėgį, nuspauskite nuorinimą vo tuvą.

Nepavyksta jspausti strypo: Suemė u  rankenėlės strypą pasukite 90  kampu ir jį atlaisvinkite nuo plun erio.

Nuspaudus jungiklį, neteka tepalai: Cilindras tu cias. Pripildykite tepalų. Cilindre yra oro pūslių. Nuorinkite tepalų pistoletą.

LI IO JONŲ AKUMULIATORIŲ PERVE ZIMAS

Li io jonų akumuliatoriams taikomos jstatyminės nuostatos dėl pavojingų krovinių perve zimu.

 iuos akumuliatorius perve ti b tina laikantis vietinių, nacionalinių ir tarptautinių direktyvų ir nuostatų.

- Naudotojai  iuos akumuliatorius gali naudoti savo transporte be jokių kitų s lygų.
- U  komercinį li io jonų akumuliatorių perve imą atsako ekspedicijos imonė pagal nuostatas dėl pavojingų krovinių perve imo. Pasiruo imo i siųsti ir perve imo darbus gali atlikti tik atitinkamai i mokyti asmenys. Visas procesas privalo b ti pri i urimas.

Perve ant akumuliatorius b tina laikytis  ių punktų:

- Siekiant i vengti trumpųjų jungimų, i itikinkite, kad kontaktai yra apsaugoti ir izoliuoti.
- Atkreipkite dėmesį, kad akumuliatorius pakuotės viduje neslidinėtų.
- Draudžiama perve ti pa eistus arba tekančius akumuliatorius.

Dėl detalesnių nurodymų kreipkitės j savo ekspedicijos imonė.

TECHINIS APTARNAVIMAS

Naudokite tik Milwaukee priedus ir atsargines dalis. Dalis, kurių keitimas neaprašytas, leidžiama keisti tik Milwaukee klientų aptarnavimo skyriams ( r. garantiją/klientų aptarnavimo skyrių adresus bro i roje).

Esant poreikiui, nurod ius ma inos modelį ir  e ia enklį numerį, esantį ant specifikacijų lentelės, klientų aptarnavimo centre arba tiesiogiai „Techtronic Industries GmbH“, Max-Eyth-Str. 10, 71364 Winnenden, Vokietija, galite u sakyti i plėstinį prietaiso brė inį.

SIMBOLIAI

	D�MESIO! !SP�JIMAS! PAVOJUS!
	Prie� atlikdami bet kokius darbus �renginyje, i�imkite kei�iamą akumuliatorių.
	Prie� pradėdami dirbti su prietaisu, atid�iai perskaitykite jo naudojimo instrukciją.
	Elektros prietaisų negalima i�mesti kartu su buitinėmis atliekomis. B�tina r��iuoti elektros ir elektroninius prietaisus ir atiduoti j atliekų perdirbimo centrą, kad jie b�tų utilizuoti nete�iant aplinkos. Informacijos apie perdirbimo centrus ir atliekų surinkimo jstaigas teiraukitės vietos jstaigose arba prekybininko.
	CE ženklas
	Nacionalinė atitikties �yma Ukrainoje
	„EurAsian“ atitikties ženklas.

TEHNILISED ANDMED TEPALŲ PISTOLETO M12 GG

Tootmisnumber	4404 31 02...
.....	4566 06 02...
.....	...00001-999999
Maks. eksploatavimo slėgis.....	562 bar
Ištekantis kiekis	74 g/min
Statinaites talpa	454 g
Kasetės talpa	411 g
Slėgis žarnoje	690 bar
Vahetatava aku pingė.....	12 V
Kaal vastavalt EPTA-protseduurile 01/2003.....	3,3 kg

Mūra/vibratsiooni andmed

Mõõteväärtused on kindlaks tehtud vastavalt normile EN 60745.

Seadme tüüpiline hinnanguline (A) müratase:	
Helirõhutase (Määramatus K=3dB(A))	65,5 dB (A)
Helivõimsuse tase (Määramatus K=3dB(A))	76,5 dB (A)

Kandke kaitseks kõrvaklappe!

Vibratsiooni koguväärtus (kolme suuna vektorsumma) mõõdetud EN 60745 järgi.

Vibratsiooni emissiooni väärtus a _h	< 2,5 m/s ²
Määramatus K	1,5 m/s ²

TÄHELEPANU

Antud juhendis toodud võnketase on mõõdetud EN 60745 standardile vastava mõõtesüsteemiga ning seda võib kasutada erinevate elektriseadmete omavahelises võrdlemises. Antud näitaja sobib ka esmaseks võnkekoormuse hindamiseks.

Antud võnketase kehtib elektriseadme kasutamisel sihtotstarbeliselt. Kui elektriseadet kasutatakse muudel otstarvetel, muude tööriistadega või seda ei hooldata piisavalt võib võnketase siintoodust erineda. Eeltoodu võib võnketaset märkimisväärselt tõsta terves töökeskkonnas.

Võnketaseme täpseks hindamiseks tuleks arvestada ka Milwaukeea, mil seade on välja lülitatud või on küll sisse lülitatud, kuid ei ole otseselt kasutuses. See võib märgatavalt vähendada kogu töökeskkonna võnketaset.

Rakendage spetsiaalseid ettevaatusabinõusid töotajate suhtes, kes puutuvad töö käigus palju kokku vibratsiooniga. Nendeks abinõudeks võivad olla, näiteks: elektri- ja tööseadmete korraline hooldus, käte soojendamine, töövoo parem organiseerimine.

▲ HOIATUS! Lugege kõiki ohutusjuhiseid ja korraldusi.

Ohutusnõuete ja juhiste eiramise tagajärjeks võib olla elektrilöökk, tulekahju ja/või rasked vigastused.

Hoidke kõik ohutusnõuded ja juhised edasiseks kasutamiseks hoolikalt alles.

SPETSIAALSED TURVAJUHISED

Dėl didelio slėgio galimi žarnos arba įrankių dalių lūžiai. Kyla pavojus susižeisti įpurškimo arba atskyrimo metu. Prieš kiekvieną naudojimą patikrinkite, ar prietaisas ir jo žarnų dalys nepažeistos. Jeigu prietaisas pažeistas, jo nenaudokite.

Montuodami žarną suimkite už spyruoklinės dalies, siekiant išvengti sulenkimų.

Tepalai ir alyvos yra degūs. Nenaudokite arti ugnies arba kitų karščio šaltinių. Laikykitės visų tepalų ir riebalų gamintojo nurodymų.

Norint išvengti tepalų pistoleto ir siurblio pažeidimų, siurblio jungtis turi būti suderinta su žarnos sankaba ir atlaikyti mažiausiai 690 barų slėgį.

Masinaga tūtotades kandke alati kaitseprille. Soovitavavad on kaitsekindad, tugevad ja libisemiskindlad jalanūd ning põll.

Enne kõiki töid masina kallal võtke vahetatav aku välja.

Ärge visake tarvitatud vahetatavaid akusid tulle ega olimeprügisse. Milwaukeee pakub vanade akude keskkonnahoidlikku käitlust; palun küsige oma erialaselt tarnijalt.

Ärge säilitage vahetatavaid akusid koos metallesemetega (lühiseoht).

Laadige süsteemi M12 vahetatavaid akusid ainult süsteemi M12 laadijatega. Ärge laadige nendega teiste süsteemide akusid.

Äärmuslikul koormusel või äärmuslikul temperatuuril võib kahjustatud vahetatavast akust akavedelik välja voolata. Akavedelikuga kokkupuutumise korral peske kohe vee ja

seebiga. Silma sattumise korral loputage kiiresti põhjalikult vähemalt 10 minutit ning pöörduge viivitamatult arsti poole.

KASUTAMINE VASTAVALT OTSTARBELE

Šis tepalų pistoletas skirtas sutepti tokioms vietoms, kurios dažniausiai yra sutepamos naudojant tepalų pistoletus. Būtina naudoti tepalų pistoletams įprastą tepalą iš statinaičių ir kasečių.

Antud seadet tohib kasutada ainult vastavalt äranäidatud otstarbele.

EÜ VASTAVUSAVALDUS

Me deklareerime ainuisikuliselt vastutades, et lõigus „Tehnilised andmed“ kirjeldatud toode vastab direktiivide 2011/65/EU (RoHS), 2014/30/EU, 2006/42/EÜ kõigile olulisele tähtsusega eeskirjadele ning järgmistele harmoniseeritud normatiivsetele dokumentidele:

- EN 60745-1:2009 + A11:2010
- EN 55014-1:2006 + A1:2009 + A2:2011
- EN 55014-2:1997 + A1:2001 + A2:2008
- EN 50581:2012

Winnenden, 2016-03-29



Alexander Krug
Managing Director

On volitatud koostama tehnilist dokumentatsiooni.

Techtronic Industries GmbH
Max-Eyth-Straße 10
71364 Winnenden
Germany



AKUD

Pikemat aega mittekasutatud akusid laadige veel enne kasutamist.

Temperatuur üle 50 °C vähendab vahetatava aku töövõimet. Vältige pikemat soojenemist päikese või kütteseadme mõjul.

Hoidke laadija ja vahetatava aku ühenduskontaktid puhtad.

Patride optimaalse eluea tagamiseks, pärast kasutamist täielikult lae pateride plokki.

Akud tuleks võimalikult pika kasutusea saavutamiseks pärast täislaadimist laadijast välja võtta.

Aku ladustamisel üle 30 päeva:

Ladustage akut kuivas kohas u 27°C juures.

Ladustage akut u 30-50% laetusseisundis.

Laadige aku iga 6 kuu tagant täis.

AKU KOORMUSKAITSE

Akuplokk on varustatud koormuskaitsega, mis kaitseb akut üleilgise koormuse eest ning kindlustab selle pika eluea. Äärmiselt suurest koormusest annab märku vilkuv töötuli. Kui koormust ei vähendata, siis lülitab masin ennast automaatselt välja. Edasi töötamiseks tuleb masin välja ja uuesti sisse lülitada. Kui masin ei lähe uuesti tööle on akuplokk nähtavasti tühi ja tuleks laadimisestmega uuesti täis laadida.

ORO PAŠALINIMAS IŠ TEPALŲ PISTOLETO

Žarną suimkite už spyruoklinės dalies ir laikykite atokiau nuo kūno.

3 sekundes nuspaukite jungiklį, atleiskite ir kartokite šį veiksmą, kol iš žarnos pradės tekėti tepalai.

Kai po keleto bandymų iš žarnos nebeteka tepalai, orą iš tepalų pistoleto būtina pašalinti rankiniu būdu:

Ištraukite strypą ir pasukite už rankenėles, kad strypas užsifiksuotų plunžeryje.

Nuspauškite oro šalinimo vožtuvą ir tuo pačiu metu strypą vėl įstatykite į cilindrą.

Kai iš žarnos išteka tepalai, pasukite rankenėlę, kad atlasvintumėte plunžerį, ir strypą vėl įspauskite į cilindrą.

Nurodymas: šis tepalų pistoletas buvo išbandytas gamyloje, todėl mažas tepalų kiekis yra likęs siurblio korpusė, žarnoje ir sankaboje. Rekomenduojama prieš pirmąjį naudojimą tepalų pistoletą išvalyti norimu tepalu.

TRAUCĖJUMMEKLĒŠANA

Stientī nav iespējams izvilkīt: Nospīest atgaisošanas ventīli, lai atbrīvotos no spīediēna.

Stientī nav iespējams iespiest atpakaļ: Pagriezīt stientī pie roktura pa 90°, lai atbrīvotu to no laidnes.

Nospiežot slēdzi, smērvīēla netek: Cilindrs ir tukšs - pievienot smērvīēlu. Cilindrā ir gaisa burbuļi - atgaisot eļļošanas pistoli.

LIITIUMIOONAKUDE TRANSPORTIMINE

Liitiumioonakud on allutatud ohtlike ainete transportimisega seonduvatele õigusaktidele.

Nende akude transportimine peab toimuma kohalikest, siseriiklikest ja rahvusvahelistest eeskirjadest ning määrustest kinni pidades.

- Tarbijad tohivad neid akusid edasiste piiranguteta tänaval transportida.
- Liitiumioonakude komertstransport ekspedeerimisettevõtete kaudu on allutatud ohtlike ainete transportimisega seonduvatele õigusaktidele. Tarne-ettevalmistusi ja transporti tohivad teostada eranditult vastavalt koolitatud isikud. Kogu protsessi tuleb asjatundlikult jälgida.

Akude transportimisel tuleb järgida järgmisi punkte:

- Tehke kindlaks, et kontaktid on lühiste vältimiseks kaitstud ja isoleeritud.

- Pöörake tähelepanu sellele, et akupakk ei saaks pakendis nihkuda.
- Kahjustatud või välja voolanud akusid ei tohi kasutada.

Pöörduge edasiste juhiste saamiseks ekspedeerimisettevõtte poole.

HOOLDUS

Kasutage ainult Milwaukeee tarvikuid ja tagavaraosi. Detailid, mille väljavahetamist pole kirjeldatud, laske välja vahetada Milwaukeee klienditeeninduspunktis (vaadake brošüüri garantii / klienditeeninduste aadressid).

Vajadusel saab nõuda seadme plahvatusjoonise võimsussildil oleva masinatüübi ja kuuekohalise numbril alusel klienditeeninduspunkti või vahetult firmalt Techtronic Industries GmbH, Max-Eyth-Straße 10, 71364 Winnenden, Germany.

SÜMBOLID



ETTEVAATUST! TÄHELEPANU! OHUD!



Enne kõiki töid masina kallal võtke vahetatav aku välja.



Palun lugege enne käikulaskmist kasutamisujuhend hoolikalt läbi.



Elektriseadmeid ei tohi utiliseerida koos majapidamisprügiga. Elektrilised ja elektroonilised seadmed tuleb eraldi kokku koguda ning keskkonnasõbralikuks utiliiseerimiseks vastavas käitlusettevõttes ära anda. Küsige kohalikest pädevatest ametitest või edasimüüjalt käitlusjaamade ja kogumispunktide kohta järele.



CE-märk



Ukraina riiklik vastavusmärk



Euraasia vastavusmärk.

ТЕХНИЧЕСКИЕ ДАННЫЕ	СМАЗОЧНОЫЙ ШПРИЦ	M12 GG
Серийный номер изделия	4404 31 02...	4566 06 02...
.....	...00001-999999	
Макс. рабочее давление	562 bar	
Расход.....	74 g/min	
Емкость при наполнении из тары.....	454 g	
Емкость с картриджем	411 g	
Давление шланга	690 bar	
Вольтаж аккумулятора	12 V	
Вес согласно процедуре EPTA 01/2003	3,3 kg	

Информация по шумам/вибрации

Значения замерялись в соответствии со стандартом EN 60 745.

Уровень шума прибора, определенный по показателю A, обычно составляет:

Уровень звукового давления (Небезопасность K=3dB(A)) 65,5 dB (A)

Уровень звуковой мощности (Небезопасность K=3dB(A))..... 76,5 dB (A)

Пользуйтесь приспособлениями для защиты слуха.

Общие значения вибрации (векторная сумма трех направлений) определены в соответствии с EN 60745.

Значение вибрационной эмиссии a_h

Небезопасность K 1,5 m/s²

ВНИМАНИЕ

Указанный в настоящем руководстве уровень вибрации измерен в соответствии с технологией измерения, установленной стандартом EN 60745 и может использоваться для сравнения электроинструментов друг с другом. Он также подходит для предварительной оценки вибрационной нагрузки.

Указанный уровень вибрации представляет основные виды использования электроинструмента. Но если электроинструмент используется для других целей, используемый инструмент отклоняется от указанного или техническое обслуживание было недостаточным, то уровень вибрации может отклоняться от указанного. В этом случае вибрационная нагрузка в течение всего периода работы значительно увеличивается.

Для точной оценки вибрационной нагрузки необходимо также учитывать время, в течение которого прибор отключен или включен, но фактически не используется. В этом случае вибрационная нагрузка в течение всего периода работы может существенно уменьшиться.

Установите дополнительные меры безопасности для защиты пользователя от воздействия вибрации, например: техническое обслуживание электроинструмента и используемого инструмента, поддержание рук в теплом состоянии, организация рабочих процессов.

⚠ ПРЕДУПРЕЖДЕНИЕ! Прочтите все указания по безопасности и инструкции. Упущения, допущенные при соблюдении указаний и инструкций по технике безопасности, могут стать причиной электрического поражения, пожара и тяжелых травм.
Сохраняйте эти инструкции и указания для будущего использования.

РЕКОМЕНДАЦИИ ПО ТЕХНИКЕ БЕЗОПАСНОСТИ

Высокое давление может привести к разлому шланга или к поломке деталей инструмента. Опасность получения травм вследствие попадания брызг либо отделения компонентов. Перед каждым использованием проверять устройство и шлангопроводы на наличие повреждений. При наличии повреждений не использовать устройство.

При осуществлении монтажа взять шланг за точку ослабления пружинного механизма, чтобы избежать надлома.

Смазочные материалы легко воспламеняемы. Не подвергать воздействию огня или высоких температур. Следуйте всем указаниям и предостережениям производителя смазочных материалов.

Чтобы избежать повреждений смазочного шприца и насоса, точка подключения насоса должна быть совместима с точкой соединения шланга и выдерживать давление величиной минимум 690 бар.

При работе с инструментом всегда надевайте защитные очки. Рекомендуется надевать перчатки, прочные нескользящие ботинки и фартук.

Выньте аккумулятор из машины перед проведением с ней каких-либо манипуляций.

Не выбрасывайте использованные аккумуляторы вместе с домашним мусором и не сжигайте их. Дистрибьюторы компании Milwaukee предлагают восстановление старых аккумуляторов, чтобы защитить окружающую среду.

Не храните аккумуляторы вместе с металлическими предметами во избежание короткого замыкания.

Для зарядки аккумуляторов модели M12 используйте только зарядным устройством M12. Не заряжайте аккумуляторы других систем.

Аккумуляторная батарея может быть повреждена и дать течь под воздействием чрезмерных температур или повышенной нагрузки. В случае контакта с аккумуляторной кислотой немедленно промойте место контакта мылом и водой. В случае попадания кислоты в глаза промойте глаза в течении 10 минут и немедленно обратитесь за медицинской помощью.

ИСПОЛЬЗОВАНИЕ

Смазочный шприц предназначен для смазывания точек, которые обычно смазываются смазочными шприцами. Необходимо использовать обычную, подходящую для использования в смазочных шприцах смазку в картриджах либо в специальной таре.

Не пользуйтесь данным инструментом способом, отличным от указанного для нормального применения.

ДЕКЛАРАЦИЯ О СООТВЕТСТВИИ СТАНДАРТАМ ЕС

Мы заявляем под собственную ответственность, что изделие, описанное в разделе „Технические характеристики“, соответствует всем важным предписаниям Директивы 2011/65/EU (Директива об ограничении применения опасных веществ в электрических и электронных приборах), 2014/30/EU, 2006/42/EC и приведенным далее гармонизированным нормативным документам:

EN 60745-1:2009 + A11:2010
EN 55014-1:2006 + A1:2009 + A2:2011
EN 55014-2:1997 + A1:2001 + A2:2008
EN 50581:2012

Winnenden, 2016-03-29



Alexander Krug
Managing Director

Уполномочен на составление технической документации.

Techtronic Industries GmbH
Max-Eyth-Straße 10
71364 Winnenden
Germany

АККУМУЛЯТОР

Перед использованием аккумулятора, которым не пользовались некоторое время, его необходимо зарядить.

Температура выше 50°C снижает работоспособность аккумуляторов. Избегайте продолжительного нагрева или прямого солнечного света (риск перегрева).

Контакты зарядного устройства и аккумуляторов должны содержаться в чистоте.

Для обеспечения оптимального срока службы аккумуляторы необходимо полностью заряжать после использования.

Для достижения максимально возможного срока службы аккумуляторы после зарядки следует вынимать из зарядного устройства.

При хранении аккумулятора более 30 дней:

Храните аккумулятор при 27°C в сухом месте.

Храните аккумулятор с зарядом примерно 30% - 50%.

Каждые 6 месяцев аккумулятор следует заряжать.

ЗАЩИТА АККУМУЛЯТОРА ОТ ПЕРЕГРУЗКИ

Аккумуляторный блок оснащен предохранителем от перегрузки, который защищает аккумулятор от перегрузки и обеспечивает долгий срок службы.

При чрезмерно сильных нагрузках электроника аккумулятора автоматически отключит машину. Для продолжения работы машину выключить и снова включить. Если машина не включается, то, возможно, разрядился аккумуляторный блок и следует зарядить его в зарядном устройстве.

УДАЛЕНИЕ ВОЗДУХА ИЗ СМАЗОЧНОГО ШПРИЦА

Взять шланг за точку ослабления пружинного механизма и держать на безопасном от себя расстоянии.

Нажать кнопку выключателя, удерживая в течение 3 секунд, отпустить. Повторять это действие до тех пор, пока смазка не вытечет из шланга.

Если после нескольких попыток смазка не начнет вытекать из шланга, удалить воздух из смазочного шприца следует вручную:

Вытянуть стержень за ручку и повернуть, чтобы стержень вошел в поршень.

Нажать на клапан для удаления воздуха и одновременно снова вдавить стержень в цилиндр.

Как только смазка выступит из шланга, повернуть ручку, чтобы снова ослабить поршень, и снова полностью вдавить стержень в цилиндр.

Указание: Данный смазочный шприц был протестирован на заводе. Поэтому в корпусе насоса, в шланге и в точке соединения содержится небольшое количество смазки. Перед первым использованием рекомендуется очистить смазочный шприц предпочитаемой пользователем смазкой.

ПОИСК НЕПОЛАДОК

Штанга не вытягивается:
нажать на воздушный клапан, чтобы сбросить давление.

Штанга не вдавливается:
повернуть рукоятку штанги на 90°, чтобы снять ее с поршня.

Смазка не поступает, если нажата кнопка:
цилиндр пуст, залить новую смазку.
В цилиндре воздушные пузырьки, удалить воздух из шприца для смазки.

ТРАНСПОРТИРОВКА ЛИТИЙ-ИОННЫХ АККУМУЛЯТОРОВ

Литий-ионные аккумуляторы в соответствии с предписаниями закона транспортируются как опасные грузы.

Транспортировка этих аккумуляторов должна осуществляться с соблюдением местных, национальных и международных предписаний и положений.

- Эти аккумуляторы могут перевозиться по улице потребителем без дальнейших обязательств.
- При коммерческой транспортировке литий-ионных аккумуляторов экспедиторскими компаниями действуют положения, касающиеся транспортировки опасных грузов. Подготовка к отправке и транспортировка должны производиться исключительно специально обученными лицами. Весь процесс должен находиться под контролем специалиста.

При транспортировке аккумуляторов необходимо соблюдать следующие пункты:

- Убедитесь, что контакты защищены и изолированы во избежание короткого замыкания.
- Следите за тем, чтобы аккумуляторный блок не соскользнул внутри упаковки.
- Транспортировка поврежденных или протекающих аккумуляторов запрещена.

За дополнительными указаниями обратитесь к своему экспедитору.

ОБСЛУЖИВАНИЕ

Пользуйтесь аксессуарами и запасными частями только фирмы Milwaukee. В случае возникновения необходимости в замене, которая не была описана, пожалуйста, обращайтесь на один из сервисных центров (см. список наших гарантийных/сервисных организаций).

При необходимости, у сервисной службы или непосредственно у фирмы Techtronic Industries GmbH, Max-Eyth-Straße 10, 71364, Winnenden, Германия, можно запросить сборочный чертеж устройства, сообщив его тип и шестизначный номер, указанный на фирменной табличке.

СИМВОЛЫ



ВНИМАНИЕ! ПРЕДУПРЕЖДЕНИЕ! ОПАСНОСТЬ!



Выньте аккумулятор из машины перед проведением с ней каких-либо манипуляций.



Пожалуйста, внимательно прочтите инструкцию по использованию перед началом любых операций с инструментом.



Электрические устройства нельзя утилизировать вместе с бытовым мусором. Электрические и электронные устройства следует собирать отдельно и сдавать в специализированную утилизующую компанию для утилизации в соответствии с нормами охраны окружающей среды. Сведения о центрах вторичной переработки и пунктах сбора можно получить в местных органах власти или у вашего специализированного дилера.



Знак CE



Национальный украинский знак соответствия



Сертификата о соответствии
No. RU C-DE.ME77.B.01636
Срок действия сертификата о соответствии по 23.06.2019
ООО «Центр по сертификации стандартизации и систем качества электро-машиностроительной продукции» 141400, РФ, Московская область, г. Химки, Ул. Ленинградская, 29

ТЕХНИЧЕСКИ ДАННИ	ПОМПЛАТА ЗА ГРЕСИРАНЕ	M12 GG
Производствен номер.....	4404 31 02...	
.....	4566 06 02...	
.....	...00001-999999	
Макс. работно налягане	562 bar	
Количество на дебита	74 g/min	
Вместимост при пълнене от резервоари	454 g	
Вместимост при пълнене от патрон	411 g	
Налягане на маркуча	690 bar	
Напрежение на акумулатора	12 V	
Тегло съгласно процедурата EPTA 01/2003.....	3,3 kg	

Информация за шума/вибрациите

Измерените стойности са получени съобразно EN 60 745.

Оцененото с A ниво на шума на уреда е съответно:

Равнище на звуковото налягане (Несигурност K=3dB(A)) 65,5 dB (A)

Равнище на мощността на звука (Несигурност K=3dB(A)) 76,5 dB (A)

Да се носи предпазно средство за слуха!

Общите стойности на вибрациите (векторна сума на три посоки) са определени в съответствие с EN 60745.

Стойност на емисии на вибрациите a_{h1} < 2,5 m/s²

Несигурност K 1,5 m/s²

ВНИМАНИЕ

Посоченото в тези инструкции ниво на вибрациите е измерено в съответствие със стандартизиран в EN 60745 измервателен метод и може да се използва за сравнение на електрически инструменти помежду им. Подходящ е и за временна оценка на вибрационното натоварване.

Посоченото ниво на вибрациите представя основните приложения на електрическия инструмент. Ако обаче електрическият инструмент се използва с друго предназначение, с различни сменяеми инструменти или при недостатъчна техническа поддръжка, нивото на вибрациите може да е различно. Това чувствително може да увеличи вибрационното натоварване по време на целия работен цикъл.

За точната оценка на вибрационното натоварване трябва да се вземат предвид и периодите от време, в които уредът е изключен или работи, но в действителност не се използва. Това чувствително може да намали вибрационното натоварване по време на целия работен цикъл.

Определете допълнителни мерки по техника на безопасност в защита на обслужващия работник от въздействието на вибрациите като например: техническа поддръжка на електрическия инструмент и сменяемите инструменти, поддръжане на ръцете топли, организация на работния цикъл.

▲ ПРЕДУПРЕЖДЕНИЕ! Прочетете всички указания и напътствия за безопасност.

Упущения, допускания при спазване на указания и инструкции по технике на безопасност, могат да станат причина за електрическо поражение, пожар и тежки травми.

Сохраняйте эти инструкции и указания дла будущего использования.

СПЕЦИАЛНИ УКАЗАНИЯ ЗА БЕЗОПАСНОСТ

Високото налягане може да доведе до повреда на маркуча или частите на инструмента. Съществува опасност от нараняване вследствие на разпръскване или отделяне. Преди всяка употреба проверявайте уреда и маркучите за повреда. При повреда на използвайте уреда.

При монтаж хващайте маркуча за дръжката на пружинната част, за да предотвратите прекъсването му.

Маслата и смазочните вещества са запалими. Не ги подлагайте на въздействието на огън или топлинни източници. Следвайте всички предупреждения и указания на производителя на масла и смазочни вещества.

За да избегнете повреди по помпата за гресиране и по помпата, свързващия елемент на помпата трябва да бъде съвместим със съединението на маркуча и да издържа налягане от поне 690 bar.

При работа с машината винаги носете предпазни очила. Препоръчват се също така предпазни ръкавици, здрави и нехлъзгащи се обувки, както и престилка.

Преди започване на каквито е да работи по машината извадете акумулатора.

Не изхвърляйте изхабените акумулатори в огъня или в три битовите отпадъци. Milwaukee предлага екологосъобразно събиране на старите акумулатори; моля попитайте Вашия специализиран търговец.

Не съхранявайте акумулаторите заедно с метални предмети (опасност от късо съединение).

Акумулатори от системата M12 да се зареждат само със зарядни устройства от системата M12 laden. Да не се зареждат акумулатори от други системи.

При екстремно натоварване или екстремна температура от повредени акумулатори може да изтече батерийна течност. При допир с такава течност веднага измийте с вода и сапун. При контакт с очите веднага изплаквайте старателно най-малко 10 минути и незабавно потърсете лекар.

ИЗПОЛЗВАНЕ ПО ПРЕДНАЗНАЧЕНИЕ

Помпата за гресиране е подходяща за смазване на места, които по принцип се смазват с помпи за гресиране. Трябва да се използва стандарта, подходяща за използване в помпи за гресиране грес в патрони или резервоари.

Този уред може да се използва по предназначение само както е посочено.

СЕ - ДЕКЛАРАЦИЯ ЗА СЪОТВЕТСТВИЕ

Заявяваме под собствена отговорност, че описаният в „Технически данни“ продукт съответства на всички важни разпоредби на директива 2011/65/EU (RoHS), 2014/30/EU, 2006/42/EO, както и на всички следващи нормативни документи във тази връзка.

EN 60745-1:2009 + A11:2010

EN 55014-1:2006 + A1:2009 + A2:2011

EN 55014-2:1997 + A1:2001 + A2:2008

EN 50581:2012

Winnenden, 2016-03-29



Alexander Krug
Managing Director



Упълномощен за съставяне на техническата документация

Techtronic Industries GmbH
Max-Eyth-Straße 10
71364 Winnenden
Germany

АКУМУЛАТОРИ

Акумулатори, които не са ползвани по-дълго време, преди употреба да се дозаредят.

Температура над 50°C намалява мощността на акумулатора. Да се избягва по-продължително нагряване на слънце или от отопление.

Поддържайте чисти присъединителните контакти на зарядното устройство и на акумулатора.

С цел оптимална продължителност на живот след употреба батериите трябва да бъдат заредени напълно.

За възможно по-дълга продължителност на живот батериите трябва да се изваждат от уреда след зареждане.

При съхранение на батериите за повече от 30 дни: съхранявайте батерията при припл. 27°C и на сухо място. Съхранявайте батерията при 30 до 50 % от заряда. Зареждайте батерията на всеки 6 месеца.

ЗАЩИТА ОТ ПРЕТОВАРВАНЕ НА БАТЕРИЯТА

Акумулаторният пакет е оборудван със защита против претоварване, която защитава акумулатора от претоварване и гарантира дълъг експлоатационен живот. При извънредно силно натоварване електрониката на акумулатора автоматично изключва машината. За продължаване на работата изключете и отново включете машината. Ако машината не може да се пусне наново, може би акумулаторният пакет е разреден и трябва отново да се зареди в зарядното устройство.

ОБЕЗВЪЗДУШАВАНЕ НА ПОМПЛАТА ЗА ГРЕСИРАНЕ

Хващайте маркуча за дръжката на пружинната част и го дръжте далеч от тялото си.

Натиснете превключвателя за 3 секунди, пуснете го и след това повтаряйте всичко това докато в маркуча потече грес.

Ако след няколко опита от маркуча не потече грес, то помпата за гресиране трябва да бъде ръчно обезвъздушена:

Издърпайте шангата за дръжката и я завъртете, за да фиксирате шангата в буталото.

Натиснете обезвъздушителния клапан и едновременно отново натиснете шангата в цилиндъра

Когато от маркуча потече грес, завъртете дръжката, за да освободите отново буталото и натиснете шангата изцяло в цилиндъра

Указания: Тази помпа за гресиране е тествана в заводски условия. По тази причина в корпуса на помпата, в маркуча и в съединението има малки количества грес. Препоръчва се преди първа употреба да почистите помпата за гресиране с предпочитаната грес.

ТЪРСЕНЕ НА ПОВРЕДИ

Шангата не може да се издърпа:

Натиснете обезвъздушителния клапан, за да намалите налягането.

Шангата не може да се вкара: Хванете шангата за дръжката и я завъртете на 90 градуса, за да се освободи от буталото.

Не излиза грес, когато бъде натиснат бутон на превключвателя: Цилиндърът е празен, допълнете с грес. В цилиндъра има въздушни мехурчета, обезвъздушете помпата за гресиране.

ПРЕВОЗ НА ЛИТИЕВО-ЙОННИ БАТЕРИИ

Литиево-йонните батерии са предмет на законовите разпоредби за превоз на опасни товари.

Превозът на тези батерии трябва да се извършва в съответствие с местните, националните и международните разпоредби и регламенти.

- Потребителите могат да превозват тези батерии по пътя без допълнителни изисквания.
- Превозът на литиево-йонни батерии от транспортни компании е предмет на законовите разпоредбите за превоз на опасни товари. Подготовката на превоза и самият превоз трябва да се извършват само от обучени лица. Целият процес трябва да е под професионален надзор

Спазвайте следните изисквания при превоз на батерии:

- Уверете се, че контактите са защитени и изолирани, за да се избегне късо съединение.
- Уверете се, че няма опасност от разместване на батерията в опаковката.
- Не превозвайте повредени батерии или такива с течове.

Обърнете се към Вашата транспортна компания за допълнителни инструкции.

ПОДДРЪЖКА

Да се използват само аксесоари на Milwaukee и резервни части на. Елементи, чията подмяна не е описана, да се дадат за подмяна в сервиз на Milwaukee (вижте брошурата Гаранция и адреси на сервизи).

При необходимост можете да поискате схема на елементите на уреда при посочване на обозначение на машината и шестцифрения номер на табелката за технически данни от Вашия сервиз или директно на Techtronic Industries GmbH, Max-Eyth-Straße 10, 71364 Winnenden, Германия.

СИМВОЛИ



ВНИМАНИЕ! ПРЕДУПРЕЖДЕНИЕ! ОПАСНОСТ



Преди започване на каквито е да работи по машината извадете акумулатора.



Преди пускане на уреда в действие моля прочетете внимателно инструкцията за използване.



Електрическите уреди не трябва да се изхвърлят заедно с битовите отпадъци. Електрическото и електронното оборудване трябва да се събират отделно и да се предават на службите за рециклиране на отпадъците според изискванията за опазване на околната среда. Информирайте се при местните служби или при местните специализирани търговци относно местата за събиране и центровете за рециклиране на отпадъци.



СЕ-знак



Национален знак за съответствие - Украйна



EurAsian знак за съответствие.

DATE TEHNICE	PRESA DE GRESARE	M12 GG
Număr producție	4404 31 02...	
.....	4566 06 02...	
.....	...000001-999999	
Presiunea maximă de lucru	562 bar	
Debitul	74 g/min	
Capacitatea de umplere la umplerea cu material preambalat	454 g	
Capacitatea de umplere la umplerea cu material din cartușe	411 g	
Presiunea furtunului.....	690 bar	
Tensiune acumulator	12 V	
Greutatea conform EPTA procedure 01/2003	3,3 kg	

Informație privind zgomotul/vibrațiile

Valori măsurate determinate conform EN 60 745.

Nivelul de zgomot evaluat cu A al aparatului este tipic de:

Nivelul presiunii sonore (Nesiguranță K=3dB(A))..... 65,5 dB (A)

Nivelul sunetului (Nesiguranță K=3dB(A))..... 76,5 dB (A)

Purtați căști de protecție

Valorile totale de oscilație (suma vectorială pe trei direcții)

determinate conform normei EN 60745.

Valoarea emisiei de oscilații ah < 2,5 m/s²

Nesiguranță K..... 1,5 m/s²

AVERTISMENT

Gradul de oscilație indicat în prezentele instrucțiuni a fost măsurat în conformitate cu o procedură de măsurare normată prin norma EN 60745 și poate fi folosit pentru a compara uneltele electrice între ele. El se pretează și pentru o evaluare provizorie a solicitării la oscilații.

Gradul de oscilație indicat reprezintă aplicațiile principale ale uneltelor electrice. În cazul în care însă uneltele electrice au fost folosite pentru alte aplicații, ori au fost folosite uneltele de muncă diferite ori acestea nu au fost supuse unei suficiente inspecții de întreținere, gradul de oscilație poate fi diferit. Acest fapt poate duce la o creștere netă a solicitărilor la oscilații dealungul întregii perioade de lucru.

În scopul unei evaluări exacte a solicitării la oscilații, urmează să fie luate în considerație și perioadele de timp în care aparatul a fost oprit ori funcționează dar, în realitate, el nu este folosit în mod practic. Acest fapt poate duce la o reducere netă a solicitărilor la oscilații dealungul întregii perioade de lucru.

Stabiliți măsuri de siguranță suplimentare în scopul protecției utilizatorului de efectele oscilațiilor, de exemplu: inspecție de întreținere a uneltelor electrice și a celor de muncă, păstrarea caldă a mâinilor, organizarea proceselor de muncă.

AVERTIZARE! Citiți toate indicațiile de siguranță și toate instrucțiunile. Nerespectarea indicațiilor de avertizare și a instrucțiunilor poate provoca electrocutare, incendii și/sau răni grave.

Păstrați toate indicațiile de avertizare și instrucțiunile în vederea utilizărilor viitoare.

INSTRUCIUNI DE SECURITATE

Presiunea înaltă poate avea ca urmare plesnirea furtunului sau ruperea unor componente ale sculelor. Există pericol de accidentare prin injectare sau amputare. Înainte de fiecare utilizare, verificați integritatea aparatului și a furtunurilor. În cazul prezentei unor deteriorări, nu utilizați aparatul.

Pentru evitarea strângării furtunului în timpul montării, țineți-l de elementul de descărcare la tracțiune cu arc.

Unsurile și lubrifianții sunt substanțe inflamabile. Nu le expuneți la foc sau la surse de căldură. Respectați toate avertizările și instrucțiunile producătorului unsoării și al lubrifianțului.

Pentru evitarea deteriorării presei de gresare sau a pompei, racordul pompei trebuie să fie compatibil cu cupla furtunului și să suporte o presiune de minim 690 bar.

Purtați întotdeauna ochelari de protecție atunci când utilizați mașina. Se recomandă purtarea mănușilor, a încălțămintei solide nealunecoase și sortului de protecție.

Scoateți acumulatorul înainte de a începe orice intervenție pe mașină.

Nu aruncați acumulatorii uzați la containerul de reziduri menajere și nu îi ardeți. Milwaukee Distributors se oferă să recupereze acumulatorii vechi pentru protecția mediului înconjurător.

Nu depozitați acumulatorul împreună cu obiecte metalice (risc de scurtcircuit)

Folosiți numai încărcătoare System M12 pentru încărcarea acumulatorilor System M12. Nu folosiți acumulatori din alte sisteme.

Acidul se poate scurge din acumulatorii deteriorați la încărcături sau temperaturi extreme. În caz de contact cu acidul din acumulator, spălați imediat cu apă și săpun. În caz de contact cu ochii, clătiți cu atenție timp de cel puțin 10 minute și apelați imediat la îngrijire medicală.

CONDIȚII DE UTILIZARE SPECIFICATE

Presă de gresare este destinată pentru gresarea punctelor de gresare care sunt gresate în mod uzual cu prese de gresare. Trebuie folosită unsoare uzuală din comerț furnizată în cartușe sau preambalată.

Nu utilizați acest produs în alt mod decât cel stabilit pentru utilizare normală

DECLARAȚIE DE CONFORMITATE

Declarăm pe propria răspundere că produsul descris la „Date tehnice” este în concordanță cu toate prevederile legale relevante ale Directivei 2011/65/EU (RoHS), 2014/30/UE, 2006/42/CE și cu următoarele norme armonizate:

EN 60745-1:2009 + A11:2010

EN 55014-1:2006 + A1:2009 + A2:2011

EN 55014-2:1997 + A1:2001 + A2:2008

EN 50581:2012

Winnenden, 2016-03-29



Alexander Krug
Managing Director

Împuternicit să elaboreze documentația tehnică.



Techtronic Industries GmbH

Max-Eyth-Straße 10

71364 Winnenden

Germany

ACUMULATORI

Acumulatorii care nu au fost utilizați o perioadă de timp trebuie reîncărcați înainte de utilizare.

Temperatura mai mare de 50°C (122°F) reduce performanța acumulatorului. Evitați expunerea prelungită la căldură sau radiație solară (risc de supraîncălzire)

Contactele încărcătoarelor și acumulatorilor trebuie păstrate curate.

Pentru o durabilitate optimă, acumulatorii trebuie reîncărcați complet după folosire.

Pentru o durată de viață cât mai lungă, acumulatorii ar trebui scoși din încărcător după încărcare.

La depozitarea acumulatorilor mai mult de 30 zile:

Acumulatorii se depozitează la cca. 27°C și la loc uscat.

Acumulatorii se depozitează la nivelul de încărcare de cca. 30%-50%.

Acumulatorii se încarcă din nou la fiecare 6 luni.

PROTECȚIE SUPRAÎNCĂRCARE ACUMULATOR

Bateria de acumuloare este dotată cu o protecție anti-suprasarcină, care protejează acumulatorul împotriva supraîncărcării și îi asigură o durată îndelungată de viață. În cazul unei solicitări extrem de ridicate, sistemul electronic al acumulatorului decuplează mașina în mod automat. Pentru continuarea lucrului, mașina trebuie decuplată și apoi cuplată din nou. Dacă mașina nu pornește, este posibil ca bateria de acumuloare să fie descărcată, trebuind reîncărcată în aparatul de încărcare.

AERISIREA PRESEI DE GRESARE

Apucați furtunul de elementul de descărcare la tracțiune cu arc și nu-l țineți îndreptat înspre corp.

Apăsăți butonul întrerupătorului timp de 3 secunde, eliberați butonul și repetați procedura până când din furtun se scurge unsoare.

Dacă după efectuarea mai multor încercări nu iese unsoare din furtun, presa trebuie aerisită manual.

Trageți de mânerul țije în afară și răsucați tija astfel încât să se îndicheteze în piston.

Apăsăți pe ventilul de aerisire și concomitent împingeți tija iarăși în cilindru.

De îndată ce din furtun iese unsoare, răsucați din nou mânerul pentru a-l desprinde de pe piston și împingeți tija complet în cilindru.

Notă: Presă de gresare a fost testată în fabrică. Din acest motiv în carcasa pompei, în furtun și în cuplaj se mai află resturi de unsoare. Se recomandă ca înainte de utilizare să curățați presa cu unsoare pe care intenționați s-o utilizați.

DETECTAREA DERANJAMENTELOR

Tija nu poate fi trasă afară:

apăsăți pe ventilul de aerisire pentru a reduce presiunea.

Tija nu poate fi împinsă înăuntru:

răsucați mânerul țije cu 90° pentru a o desprinde de pe piston.

Când apăsați pe butonul întrerupătorului, nu iese unsoare: cilindrul este gol, umpleți-l cu unsoare.

În cilindru se află bule de aer, aerisiți presa de gresare.

TRANSPORTUL ACUMULATORILOR CU IONI DE LITIU

Acumulatorii cu ioni de litiu cad sub incidența prescripțiilor legale pentru transportul de mărfuri periculoase.

Transportul acestor acumulatori trebuie să se efectueze cu respectarea prescripțiilor și reglementărilor pe plan local, național și internațional.

- Consumatorilor le este permis transportul rutier nerestricționat al acestui tip de acumulatori.
- Transportul comercial al acumulatorilor cu ioni de litiu prin intermediul firmelor de expediție și transport este supus reglementărilor transportului de mărfuri periculoase. Pregătirile pentru expediție și transportul au voie să fie efectuate numai de către personal instruit responsabil. Întregul proces trebuie asistat în mod competent.

Următoarele puncte trebuie avute în vedere la transportul acumulatorilor:

- Pentru a se evita scurtcircuitul, asigurați-vă de faptul că sunt protejate și izolate contactele.
- Aveți grijă ca pachetul de acumulatori să nu poată aluneca în altă poziție în interiorul ambalajului său.
- Este interzis transportarea unor acumulatori deteriorați sau care pierd lichid.

Pentru indicații suplimentare adresați-vă firmei de expediție și transport cu care colaborați.

INTREȚINERE

Utilizați numai accesorii și piese de schimb Milwaukee. Dacă unele din componente care nu au fost descrise trebuie înlocuite, vă rugăm contactați unul din agenții de service Milwaukee (vezi lista noastră pentru service / garanție)

Dacă este necesar, puteți solicita de la centrul dvs. de service pentru clienți sau direct la Techtronic Industries GmbH, Max-Eyth-Straße 10, 71364 Winnenden, Germania un desen descompus al aparatului prin indicarea tipului de aparat și a numărului cu șase cifre de pe tablă indicatoare.

SIMBOLURI



PERICOLI AVERTIZARE! ATENȚIE!



Îndepărtați acumulatorul înainte de începerea lucrului pe mașina



Va rugăm citiți cu atenție instrucțiunile înainte de pornirea mașinii



Aruncarea aparatelor electrice la gunoii menajer este interzisă. Echipamentele electrice și electronice trebuie colectate separat și predate la un centru de reciclare și eliminare a deșeurilor, pentru a fi eliminate ecologic. Interesați-vă la autoritățile locale sau la comerciantul dvs. de specialitate unde se află centre de reciclare și puncte de colectare.



Marcaj CE



Marcaj național de conformitate Ucraina



Marcaj de conformitate EurAsian.

ТЕХНИЧКИ ПОДАТОЦИ ПРЕСАТА ЗА МАСТ M12 GG

Произведен број.....	4404 31 02...
.....	4566 06 02...
.....	...00001-999999
Макс. Погоенски притисок.....	562 bar
Количина на проток.....	74 g/min
Капацитет на наполнетост при полнење од садови.....	454 g
Капацитет на наполнетост со картуша.....	411 g
Црвен притисок.....	690 bar
Волтажа на батеријата.....	12 V
Тежина според ЕПТА-процедурата 01/2003.....	3,3 kg

Информација за бучавата/вибрациите

Измерените вредности се одредени согласно стандардот EN 60 745.

A-оценетото ниво на бучава на апаратот типично изнесува:

Ниво на звучен притисок. (Несигурност K=3dB(A))..... 65,5 dB (A)

Ниво на јачина на звук. (Несигурност K=3dB(A))..... 76,5 dB (A)

Носте штитник за уши.

Вкупни вибрациски вредности (векторски збир на трите насоки) пресметани согласно EN 60745.

Вибрациска емисиона вредност ah..... < 2,5 m/s²

Несигурност K..... 1,5 m/s²

ПРЕДУПРЕДУВАЊЕ

Нивото на осцилација наведено во овие инструкции е измерено во согласност со мерните постапки нормирани во EN 60745 и може да биде употребено за меѓусебна споредба на електро-алати. Ова ниво може да се употреби и за привремена проценка на оптоварувањето на осцилацијата.

Наведеното ниво на осцилација ги репрезентира главните намени на електро-алатот. Но, доколку електро-алатот се употребува за други намени, со отстапувачки додатоци или со несоодветно одржување, нивото на осцилација може да отстапи. Тоа може значително да го зголеми оптоварувањето на осцилацијата за време на целиот работен период.

За прецизна проценка на оптоварувањето на осцилацијата предвид треба да бидат земени и времињата, во коишто апаратот е исклучен или работи, но фактички не се употребува. Тоа може значително да го намали оптоварувањето на осцилацијата за време на целиот работен период.

Утврдете дополнителни безбедносни мерки за заштита на операторот од влијанието на осцилациите, како на пример: одржување на електро-алатот и на додатоци кон електро-алатот, одржување топли раце, организација на работните процеси.

⚠ ВНИМАНИЕ! Прочитајте ги безбедносните напомени и упатства. Заборавање на почитувањето на безбедносните упатства и инструкции можат да предизвикаат електричен удар, пожар и/или тешки повреди.
Сочувајте ги сите безбедносни упатства и инструкции за во иднина.

УПАТСТВО ЗА УПОТРЕБА

Висок притисок може да доведе до кинење кај цревето или кршење на делови од орудието. Постои опасност од повреди преку вбризување или одвојување. Пред секоја употреба апаратот и цреветниот вод да се провери во однос на оштетувања. При оштетувања апаратот да не се употребува.

Цревето при монтажа да се држи кај пружинското растеретување за да се спречи превиткување.

Масти и средства за подмачкување се запаливи. Да не се изложува на оган или на извори на жештина. Следете ги сите предупредувања и напомени на производителот на масти и на средства за подмачкување.

За да се спречат оштетувања кај пресата за маст и пумпата, приклучокот на пумпата мора да е компатибилен со спојката на цревето и мора да издржи притисок од барем 690 бари.

Секогаш носете ракавици кога ја користите машината. Исто така препорачливо е да се носат очила, цврсти чевли кои не се лизгаат и престилка.

Отстранете ја батеријата пред да започнете да ја користите машината.

Не ги оставајте искористените батерии во домашниот отпад и не горете ги. Дистрибутерите на Милвоки ги собираат старите батерии, со што ја штитат нашата околина.

Не ги чувајте батериите заедно со метални предмети (ризик од краток спој).

Користете исклучиво Систем M12 за полнење на батерии од M12 систем. Не користете батерии од друг систем.

Киселината од оштетените батерии може да истече при екстреман напон или температури. Доколку дојдете во контакт со исатата, измијте се веднаш со сапун и вода. Во случај на контакт со очите планкнете ги убаво најмалку 10 минути и задолжително одете на лекар.

СПЕЦИФИЦИРАНИ УСЛОВИ НА УПОТРЕБА

Пресата за маст е соодветна за подмачкување на места за подмачкување кои што вообичаено се подмачкуваат со преси за маст. Мора да се употребуваат вообичаените и за употреба во преси за маст соодветни масти во картуши или садови.

Не го користете овој производ на било кој друг начин освен пропишаниот за нормална употреба.

ЕУ-ДЕКЛАРАЦИЈА ЗА СООБРАЗНОСТ

Во своја сопствена одговорност изјавуваме дека под „Технички податоци“ опишаниот производ е во склад со сите релевантни прописи од регулативата 2011/65/EU (RoHS), 2014/30/EU, 2006/42/EC и следните хармонизирачки нормативни документи:


EN 60745-1:2009 + A11:2010

EN 55014-1:2006 + A1:2009 + A2:2011

EN 55014-2:1997 + A1:2001 + A2:2008

EN 50581:2012

Winnenden, 2016-03-29



Alexander Krug
Managing Director



Ополномоштен за составување на техничката документација.

Techtronic Industries GmbH

Max-Eyth-Straße 10

71364 Winnenden

Germany

БАТЕРИИ

Подолг период неупотребувани комплекти батерии да се наполнат пред употреба.

Температура повисока од 50°C (122°F) го намалуваат траењето на батериите. Избегнувајте подолго изложување на батериите на високи температури или сонце (ризик од прегревање).

Клемите на полначот и батериите мора да бидат чисти.

За оптимален работен век, по употреба батериите мора да бидат целосно наполнети.

За можно подолг век на траење, апаратите после нивното полнење треба да бидат извадени од апаратот за полнење на батериите.

Во случај на складирање на батеријата подолго од 30 дена: Акумулаторот да се чува на температура од приближно 27°C и на суво место.

Акумулаторот да се складира на приближно 30%-50% од состојбата на наполнетост.

Акумулаторот повторно да се наполни на секои 6 месеци.

ЗАШТИТА ОД ПРЕОПТЕРЕТУВАЊЕ НА БАТЕРИЈАТА

Батериското пакување е опремено со заштита од преоптоварување што ја штити батеријата од преоптоварување и обезбедува долг работен век.

При екстремно висок степен на употреба, електрониката на батеријата автоматски ја исклучува машината. За да продолжите со работа исклучете ја машината и вклучете ја повторно. Доколку машината не се вклучи повторно, можно е батериското пакување да е испразнето. Тогаш тоа ќе мора да биде наполнето во апаратот за полнење.

ВЕТРЕЊЕ НА ПРЕСАТА ЗА МАСТ

Цревето да се држи кај пружинското растеретување и да се држи понастрана од телото.

Прекинувачот да се држи 3 секунди, да се отпушти и ова да се повторува онолку долго, сè додека маста ќе тече од цревето.

Ако и после повеќе обиди од цревето не излегува маст, пресата за маст мора да се изветрее мануелно:

Прачката извлечете и извртете ја од држанот за прачката да се влещишти во клипот.

Вентилот за вентилирање да се притисне и истовремено прачката повторно да се втисне во цилиндарот.

Откако од цревето ќе излезе маст, рачката да се изврти за клипот повторно да се разреши и прачкат потоа повторно комплетно да се втисне во цилиндарот

Напомена: Оваа преса за маст е испитана фабрички. Поради тоа во куќиштето на пумпата има мали количини на маст, исто и во цревето и во спојката. Се препорачува пред првата употреба пресата за маст да се очисти со препорачаната маст/.

НАОГАЊЕ НА ГРЕШКИ

Шипката не се извлекува:
Притиснете го вентилот за проветрување за да се намали притисокот.

Шипката не се втиснува:
Со помош на рачката завртете ја шипката за 90 степени и одвоете ја од клипот.

Кога прекинувачот е активиран нема масло:
Цилиндарот е празен, дополнете масло. Во цилиндарот има воздушни меури, проветрете ја мазалицата.

ТРАНСПОРТ НА ЛИТИУМ-ЈОНСКИ БАТЕРИИ

Литиум-јонските батерии подлежат на законските одредби за транспорт на опасни материи.

Транспортот на овие батерии мора да се врши согласно локалните, националните и меѓународните прописи и одредби.

- Потрошувачите на овие батерии може да вршат непречен патен транспорт на истите.
- Комерцијалниот транспорт на литиум-јонски батерии од страна на шпедитерски претпријатија подлежат на одредбите за транспорт на опасни материи. Подготовките за шпедиција и

транспорт треба да ги вршат исклучиво соодветно обучени лица. Целокупниот процес треба да биде стручно надгледуван.

При транспортот на батерии треба да се внимава на следното:

- Осигурајте се дека контактите се заштитени и изолирани, а сето тоа со цел да се избегнат кратки споеви.
- Внимавајте да не дојде до изместување на батериите во нивната амбалажа.
- Забранет е транспорт на оштетени или протечени литиум-јонски батерии.

За понатамошни инструкции обратете се до Вашето шпедитерско претпријатие.

ОДРЖУВАЊЕ

Користете само Milwaukee додатоци и резервни делови. Доколку некои од компонентите кои не се опишани треба да бидат заменети, Ве молиме контактирајте ги сервисните агенти на Milwaukee (консултирајте ја листата на адреси).

При потреба може да се побара експлозионен цртеж на апаратот со наведување на машинскиот тип и шестоцифрениот број на табличката со учинокот или во Вашата корисничка служба или директно кај Techtronic Industries GmbH, Max-Eyth-Straße 10, 71364 Winnenden, Германија.

СИМБОЛИ



ВНИМАНИЕ! ПРЕДУПРЕДУВАЊЕ!
ОПАСНОСТ!



Извадете го батерискиот склоп пред отпочнување на каков и да е зафат врз машината.



Ве молиме пред да ја стартувате машината обрнете внимание на упатствата за употреба.



Електричните апарати не смеат да се фрлат заедно со домашниот отпад. Електричните и електронските апарати треба да се собираат одделно и да се однесат во соодветниот погон заради нивно фрлање во склад со начелата за заштита на околината. Информирајте се кај Вашите местни служби или кај специјализираниот трговски претставник, каде има такви погони за рециклажа и собирни станици.



CE-знак



Национален конформитетски знак за Украина



EurAsian (Евроазиски) знак на конформитет.

黄油枪	充电式震动螺丝起子钻	M12 GG
生产号	4404 31 02...	4566 06 02...
.....	...00001-999999	
最高操作压力	562 bar	
流量	74 g/min	
散装黄油灌装容量	454 g	
黄油弹筒容量	411 g	
软管压力	690 bar	
蓄电池电压	12 V	
重量符合EPTA – Procedure01/2003	3,3 kg	

噪音/振动信息
 本测量值符合 EN 60745 条文的规定。
 器械的标准A-值噪音级为：
 音压值 (K=不可靠性=3dB(A)) 65,5 dB (A)
 音量值 (K=不可靠性=3dB(A)) 76,5 dB (A)
 请戴上护耳罩！

依欧盟EN 60745 标准确定的振荡总值（三方向矢量和）。
 ah-振荡发射值 < 2,5 m/s²
 K-不可靠性 1,5 m/s²

注意
 本规程列出的依欧盟EN 60745 标准一项标准测量方法测量的振荡级也可用于电动工具比较并适合于临时振荡负荷估计。
 该振荡级代表电动工具的主要应用。电动工具的其他应用，不正确的工作工具或缺乏维护可造成振荡级偏差。此可明确提高总工作期间的振荡负荷。
 正确地估计一定工作期间的振荡负荷也要考虑到工具关闭或接通而不使用的期间。此可明确减少总工作期间的振荡负荷。
 为提高操作人员对振荡作用的保护得规定补充安全措施：电动工具及工作工具的维护，温手，工作过程组织等。

A 警告！务必阅读所有安全提示和指示。如未确实 遵循警告提示和指示，可能导致电击、火灾并且/ 或其他的严重伤害。
 妥善保存所有的警告提示和指示，以便日后查阅。

特殊安全指示
 高压可能会引起软管或工具部件上的破裂。喷射或断裂可能造成受伤危险。每次使用前，应检查机器和软管有没有损坏。有损坏时，务必不使用机器。

为避免转折，安装时应把软管握住在缓慢压力弹簧。
 黄油和润滑剂为可燃物质。务必把它远离火或其它热原。应遵守所有黄油和润滑剂制造者的警告和指示。
 为避免黄油枪和油泵上的损坏，油泵接口必须符合软管的接头并耐压至少690巴。

操作机器时务必佩戴护目镜。最好也穿戴工作手套、坚固防滑的鞋具和工作围裙。
 在机器上进行任何修护工作之前，先拿出蓄电池。
 损坏的蓄电池不可以丢入火中或一般的家庭垃圾中。Milwaukee 提供了符合环保要求的回收项目： 请向您的专业经销商索取有关详情。

蓄电池不可以和金属物体存放在一起（可能产生短路）。
 M12 系列的蓄电池只能和 M12 系列的充电器配合使用。不可以使用本充电器为其它系列的电池充电。
 在过度超荷或极端的温度下，可能从损坏的蓄电池中流出液体。如果触摸了此液体，必须马上使用肥皂和大量清水冲洗。如果此类流体侵入眼睛，马上用清水彻底清洗眼睛（至少冲洗 10 分钟），接着立刻就医治疗。

正确地使用机器
 本黄油枪适用于润滑一般用黄油枪润滑的润滑部位。务必使用商用并适用于黄油枪的弹筒装或散装黄油。
 请依照本说明书的指示使用此机器。

蓄电池

放电后，可达到最大的电容量。长期储放的蓄电池，必须先充电再使用。
 如果周围环境的温度超过摄氏 50 度，蓄电池的功能会减弱。勿让蓄电池长期暴露在阳光或暖气下。
 充电器和蓄电池的接触点都必须保持干净。
 为延长使用寿命，请在使用后给电池充满电。
 为确保最长使用寿命，充电后应将蓄电池从充电器取出。
 蓄电池储存时间长于30日：
 在环境温度27oC左右干燥处储存蓄电池。
 在百分之30至50充电状态储存蓄电池。
 每6月重新充电。

蓄电池超载保护

为防止蓄电池超载并确保长使用寿命，蓄电池组具有超载保护。
 负荷极端高时，蓄电池技术将机器自动断开。为继续工作，将机器断开并再接通。如果机器不再启动，蓄电池组可能已放电，得用充电器再次充电。

排空黄油枪内空气

把软管握住在缓慢压力弹簧并不让它接近自己的身体。
 反复按住3秒并释放开关按钮直到黄油从软管开始流出来。
 如果多次尝试后没有黄油从软管流出来，应手动地把空气从黄油枪排空。
 用把手拉出并旋转杆以卡入杆到活塞。
 按排空阀并同时把杆重新推向汽缸内。
 黄油从软管流出时，立刻旋转把手以重新地释放活塞并把杆完全地推到汽缸内。
 提示：由于在工厂已进行了本黄油枪的测试，泵壳、软管和接头中留少量黄油。推荐首次使用黄油枪前，用优先黄油清洁黄油枪。

排除故障

不能把杆拉出： 应按排气阀以降低压力。
 不能把杆推进： 应把杆在把手握住并转动90°以开锁与活塞的卡住。
 按开关按钮时，没有黄油流出来： 套筒中黄油用完了，应重新充满黄油。套筒含有气泡，应排除黄油枪中空气

锂离子蓄电池的运输

锂离子蓄电池属于危险货品并受制于危险货品运输条例。
 此蓄电池的运输必须遵守地方、国家和国际法律规定。
 • 用户在公路上运输此蓄电池不必遵守特殊规定。
 • 锂离子蓄电池的商业性运输受制于危险货品运输条例的规定。运输准备和运输必须由受过合适培训人员进行。全部过程必须由合格专业人员监督。
 运输蓄电池时必须注意到下列事项：
 • 为避免短路，必须确保蓄电池接点的防护和绝缘。
 • 确保包装中的蓄电池包不会滑动。
 • 严禁运输损坏或泄漏蓄电池。
 进一步建议请联系运输商。

维修

只能使用 Milwaukee 的配件和零件。缺少检修说明的机件如果损坏了，必须交给 Milwaukee 的顾客服务中心更换（参考手册“保证书/顾客服务中心地址”）。
 如果需要机器的分解图,可以向您的顾客服务中心或直接向 Techtronic Industries GmbH, Max-Eyth-Straße 10, 71364 Winnenden, Germany 联络。案件时必须提供以下资料: 机型和机器铭牌上的六位数字码。

符号

-  请注意!警告!危险!
-  在机器上进行任何修护工作之前，先拿出蓄电池。
-  使用本机器之前请详细阅读使用说明书。
-  电气工具必须与生活垃圾分开处理。电气机器和电子机器必须单独分开收集并送到回收站以确保符合环境保护的处理。有关回收站和收集站的细节，请与主管当局或您的专业经销商联络。
-  欧洲共同体标志
-  乌克兰国家符合标志
-  欧亚合格性标志。

إنتاج عدد.....	4404 31 02.....
.....	4566 06 02.....
.....	...000001-999999
الحد الأقصى من ضغط التشغيل	bar 562
معدل التدفق.....	g/min 74
صب قدرة الأسطوانة	g 454
خرطوشة قدرة الأسطوانة	g 411
تصنيف الخرطوم	bar 690
فولطية البطارية	V 12
الوزن وفقاً لنهج EPTA رقم 01/2003	kg 3,3.....

معلومات الضوضاء/الذبذبات

القيم التي تم قياسها محددة وفقاً للمعايير الأوروبية EN 60 745	EN 60 745
مستويات ضوضاء الجهاز، ترجيحاً أ بشكل نموذجي كالتالي:	
مستوى ضغط الصوت (الارتباب في القياس = 3 ديسيبيل (A))	dB (A) 65,5
مستوى شدة الصوت (الارتباب في القياس = 3 ديسيبيل (A))	dB (A) 76,5

ارتد وأقيان الأذن!

قيم الذبذبات الإجمالي (مجموع الكميات الموجهة في المحاور الثلاثة) محددة وفقاً

للمعايير الأوروبية EN 60745	EN 60745
قيمة انبعاث الذبذبات (a _h).....	m/s ² 2,5 >.....
الارتباب في القياس	m/s ² 1,5.....

تحذير!

تم قياس مستوى انبعاث الذبذبات الموجود بوثيقة المعلومات هذه وفقاً للاختبار القياسي وفقاً للمعايير الأوروبية EN 60745 ويمكن استخدامه لمقارنة جهاز بغيره. كما يمكن استخدامه لعرض تقييم تمهيدي.

يتمل مستوى انبعاث الذبذبات المعان عنه لتطبيقات الجهاز الرئيسية بالرغم من ذلك، فإنه إذا ما تم استخدام الجهاز لتطبيقات مختلفة، بملحقات مختلفة أو لم يتم المحافظة عليه، فقد يختلف انبعاث الذبذبات. قد يزيد ذلك بصورة كبيرة من مستوى التعرض للذبذبات طوال فترة العمل الإجمالية.

يجب الوضع في الاعتبار عند تقدير مستوى التعرض للذبذبات مرات إيقاف الجهاز أو تشغيله لكن دون استخدامه في القيام بمهمة. فقد يقلل ذلك بصورة كبيرة من مستوى التعرض للذبذبات طوال فترة العمل الإجمالية.

تعرف على معايير السلامة الإضافية لحماية المشغل من آثار الذبذبات مثل: صيانة الجهاز والملحقات، الحفاظ على دهاء الأيدي، وتنظيم نماذج العمل.

تحذير!

اقرأ جميع تحذيرات السلامة وجميع التعليمات، بما فيها.

قد يؤدي الفشل في مراعاة التحذيرات والتعليمات إلى التعرض لإصابة بصدمة كهربائية أو الحرق أو أو إصابة خطيرة.

احتفظ بجميع التنبهات والتعليمات للرجوع إليها مستقبلاً.

تعليمات السلامة

قد يؤدي ارتفاع الضغط إلى تمزق بعض أجزاء الجهاز أو الخرطوم بأكمله، مما يؤدي إلى خطر التعرض لإصابة الحرق أو/أو البتر. افصص الجهاز والخرطوم معاً للتأكد من عدم وجود أي تلف أو تآكل قبل كل استخدام. ولا تستخدمه إذا كان تالفاً أو متآكلاً.

أسك الخرطوم بأكمله من وصلة الحماية القابلة للارتداد لتجنب التواء الخرطوم. قد يكون الشحم ومواد التزيق قابلة للاشتعال. لا تُعرضهما لمصدر حرارة أو لهب. اتبع كافة التحذيرات والإرشادات الصادرة عن الجهة المصنعة للشحم ومواد التزيق.

لتجنب حدوث أي تلف لمسند التحميم أو المضخة يجب أن يكون تركيب جهاز التحميل متوافقاً مع الفازرنة وأن يكون مصنفًا بحتوانه على 690 قضيباً على الأقل.

ارتد نظارات الوقاية عند استخدام الجهاز دائماً. ينصح بارتداء قفازات الوقاية، الأحذية القوية غير المنزلة والمنزور.

قم بإزالة حزمة البطارية قبل البدء في أي أعمال على الجهاز.

لا تتخلص من البطاريات المستعملة مع النفايات المنزلية أو بحرقها. يقدم موزع ميلوكي خدمة استعادة البطاريات القديمة لحماية البيئة.

لا تتم بتخزين البطارية مع الأشياء المعدنية (خطر قصر الدائرة) ..

استخدم فقط شواحن M12 System لشحن بطاريات M12 System . لا تستخدم بطاريات من أنظمة أخرى.

قد يتسرب حامض البطارية من البطاريات التالفة في ظروف الحمل الزائد بدرجة كبيرة أو في درجات الحرارة الشديدة. في حالة ملامسة حامض البطارية اغسل بديك فوراً بالماء والصابون. في حالة ملامسة السائل للعينين اشطفهما جيداً لمدة 10 دقائق على الأقل واطلب العناية الطبية فوراً.

يجب إعادة شحن البطارية غير المستخدمة لفترة قبل الاستخدام.

نقل درجات الحرارة التي تتجاوز 50°سيليزيوس (122°فهرنهايت) من أداء البطارية. تجنب تعرض الزائد للحرارة أو أشعة الشمس (خطر التسخين) ..

يجب الحفاظ على محتويات الشواحن و البطاريات نظيفة.

للحصول على فترة استخدام مثالية، يجب شحن البطاريات تماماً، بعد الاستخدام. للحصول على أطول عمر ممكن للبطارية، انزع البطارية من الشاحن بمجرد شحنها تماماً.

لتخزين البطارية أكثر من 30 يوم:

خزن البطارية بحيث تكون درجة الحرارة أقل من 27° سيليزيوس وبعيداً عن أي رطوبة

خزن البطارية مشحونة بنسبة تتراوح بين 30 50- %

اشحن البطارية كالمعتاد، وذلك كل ستة أشهر من التخزين.

حماية البطارية

البطارية مزودة بحماية ضد الحمل الزائد لحمايتها من زيادة شحنها كهربياً وتساعد على ضمان طول عمرها.

تقوم الكترونات البطارية بإيقاف الجهاز تلقائياً في ظروف الضغط الشديد. لإعادة التشغيل ثانية، قم بإيقاف الجهاز ثم تشغيله مجدداً. إذا لم يبدأ تشغيل الجهاز ثانية، فقد يكون فرغ شحن البطارية تماماً. في هذه الحالة يجب إعادة شحنها بشاحن البطارية.

تهجين مسند التحميم للاستخدام

أسك الخرطوم بأكمله من وصلة الحماية القابلة للارتداد وقم بتوجيهه بعيداً عن جسمك.

اسحب الزناد لمدة ثلاث ثوانٍ ثم قم بتحريره وكرر هذه العملية حتى يبدأ الشحم في التدفق من مكونات الجهاز.

إذا لم يظهر الشحم بعد عدة محاولات، قم بتهجين مسند الشحم يدوياً للاستخدام:

اسحب القضيب للخلف وأدر المقبض لتثبيته في المكبس.

اضغط على صمام التصريف مع الضغط يدوياً على القضيب.

بمجرد أن يبدأ الشحم في التدفق من العدة، قم بتدوير المقبض لتحريره من المكبس. اضغط على القضيب لإدخاله بالكامل في الأسطوانة.

ملاحظة : تم اختبار هذ الجهاز وفقاً لمعايير المصنع مما أدى إلى وجود كمية صغيرة من الشحم متبقية في جسم المضخة ومجموعة الخرطوم والفازرنة. يُوصى بتنظيف هذا الجهاز باستخدام نفس نوع الشحم الذي ستقوم باستخدامه قبل الاستخدام الفعلي.

استكشاف الأخطاء وإصلاحها

في حالة عدم القدرة على دفع القضيب للخلف:

اضغط على صمام التصريف لتحرير الضغط.

في حال عدم القدرة على دفع القضيب للأمام:

قم بتدوير القضيب بزواية 90 درجة لتحريره من المكبس.

في حال عدم وجود الشحم عند سحب الزناد:

إذا كانت الأسطوانة فارغة فأضف الشحم.

عند وجود الجيوب البوانية في الأسطوانة، قم بتهجين مسند التحميم للاستخدام.

نقل بطاريات الليثيوم

تخضع بطاريات الليثيوم أبون لشروط قوانين نقل السلع الخطرة.

ويجب نقل هذه البطاريات وفقاً للأحكام والقوانين المحلية والوطنية والدولية.

- يمكن للمستخدم نقل البطاريات برأ دون الخضوع لشروط أخرى.
- يخضع النقل التجاري لبطاريات الليثيوم أبون عن طريق الغير إلى قوانين نقل السلع الخطرة. يتعين أن يقوم أفراد مدربيون جيداً بالإعداد لعملية النقل والقيام بها بصحبة خبراء مثلهم.
- متى تُنقل البطاريات:

- عند التأكد من حماية أطراف توصيل البطارية وعزلها تجنباً لحدوث قصر بالدائرة.
- عند التأكد من حماية حزمة البطارية من الحركة داخل صندوق التعبئة.
- يُرجى عدم نقل البطاريات التي بها تشققات أو تسربات.
- يُرجى البحث مع شركة الشحن عن نصيحة أخرى

الضمان

استخدم فقط ملحقات ميلوكي وكذلك قطع غيار ميلوكي. إذا كانت المكونات التي يجب تغييرها غير مذكورة، يرجى الاتصال بأحد عملاء صيانة ميلوكي (انظر قائمة عناوين الضمان/الصيانة الخاصة بنا).

عند الحاجة يمكن طلب رمز انفجار الجهاز بعد ذكر طراز الألة والرقم السداسي المذكور على بطاقة طاقة الألة لدى جهة خدمة العملاء أو مباشرة لدى شركة Techtronic Industries GmbH, Max-Eyth-Straße 10, 71364 Winnenden, ألمانيا

تنبيه! تحذير! خطر!

افصل دالما القابس عن المقبس قبل تنفيذ أي عمل بالجهاز.

يرجى قراءة التعليمات بعناية قبل بدء تشغيل الجهاز.

يحظر التخلص من الأجهزة الكهربائية في القمامة المنزلية. يجب جمع الأجهزة الكهربائية والإلكترونية منفصلة وتسليمها للتخلص منها بشكل لا يضر بالبيئة لدى شركة إعادة استغلال. الرجاء الاستفسار لدى الهيئات المحلية أو لدى التجار المتخصصين عن مواقع إعادة الاستغلال ومواقع الجمع.

علامة المطابقة الأوروبية

العلامة الوطنية للمطابقة الأوكرانية

علامة المطابقة الأوروبية الآسيوية



