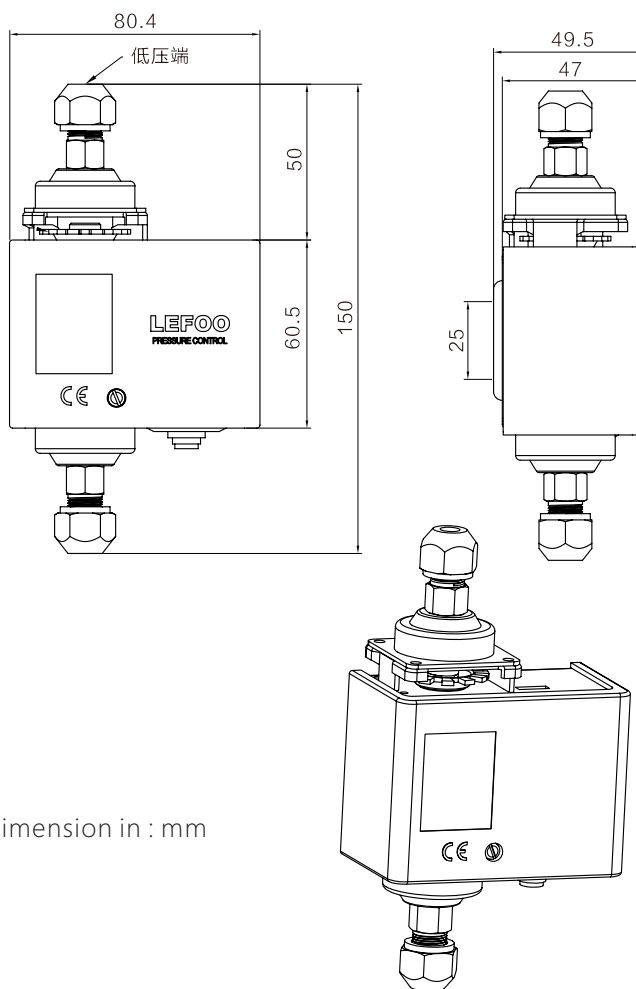


LF5D

Oil differential Pressure switch

LEFOO

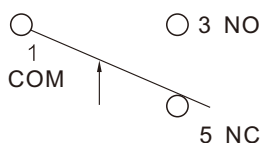


Dimension in : mm

LF5D series are pressure differential switches which normally used in water or oil fluid to control the pressure differential of the outlet tube and inlet tube. Belowing is one of the typical application: install the valve in the pipeline which near the water (oil) pump, when the pressure differential of the two sides of the system increasing or decreasing and exceed the setting value, the valve will open. Then the system pressure differential will reach to the normal circulate. Both two sides of LF5D series have a high sensitive components, the switch will act to control the system of the equipment such as motor driven valve while the pressure differential changer.

Contact Function

SPDT



1 Common contact
1-3 When pressure increase, it's closed
1-5 When pressure decrease, it's closed
↑ Pressure rise's way

Notes: 1) When install the pressure switch's connection tube, don't wrong side of high pressure & low pressure.

2) When install the pressure switch's connection tube, the screw with the connection must be use two 10" spanner to do it colse.

Electrical Function

Rated Amps. (A)\Rated Voltage(V)	125VAC	250VAC	24VDC
Non-Inductive Current	20A	10A	10A
Full Load	15A	8A	8A
Locked Roter	72A	72A	64A
Temperature	-20~110°C		

Specification

Model	Differential Adjust range(bar)		Factory Setting(bar)	Max Operating Pressure(bar)
	Min	Max		
LF5D2	0.5	2	0.5	16.5
LF5D4	0.5	3.5	1	16.5
LF5D4H	0.5	3.5	1	33
LF5D6	1	6	1	16.5
LF5D6H	1	6	1	33

Note: Default connection is M12x1.25, if need British connection such as 7/16-20UNF, please add 'E' in the end of the model
Normally, use English system is screw thread is 7/16-20UNF