
项目名称

R2338Z-L10s Pro Ultra Heat- 俄版 - 说明书 A01

版本号

A01

设计时间

2023/12/11

物料名称

说明书

设计师

王宁

审核

批准

料号

04170500002199

材质工艺要求:

材质要求: 封面: 157g 金东太空梭哑粉纸, 单面过油; 内页: 68g 晨鸣云镜 胶装 单色印刷

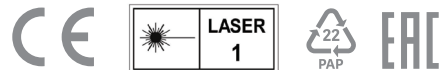
颜色及专色: 单色印刷

尺寸要求: 210mm*140mm

变更履历:

A01 更改语言为英、俄

The word "dreame" is the abbreviation of Dreame Technology Co., Ltd. and its subsidiaries in China. It is the transliteration of the company's Chinese name "追觅", which means striving for excellence in every endeavor and reflects the company's vision of continuous pursuit, exploration and search in technology.



For more support, contact us via <https://global.dreametech.com>

Manufactured by: Dreame Trading (Tianjin) Co., Ltd.

Made in China

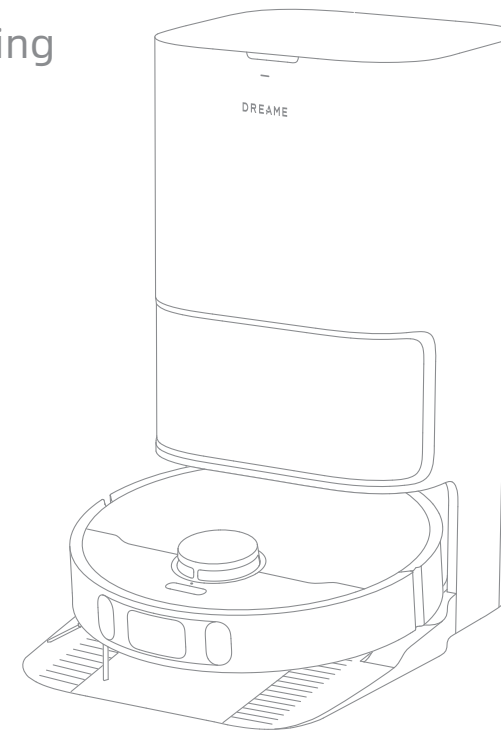


RLL82CE-RU-A01

12/2023

DreameBot L10s Pro Ultra **Heat**

Robot Vacuum and Mop
with Auto-Empty and Mop Self-Cleaning
User Manual



The illustrations in this manual are for reference only. Please refer to the actual product.

DREAME

Contents

EN	User Manual	001
RU	Руководство пользователя	028

Safety Information

To avoid electric shock, fire or injury caused by improper use of the appliance, please read the user manual carefully before using the appliance and keep it for future reference.

Usage Restrictions

- This product should not be used by children younger than 8 years old nor persons with physical, sensory, intellectual deficiencies, or limited experience or knowledge without the supervision of a parent or guardian to ensure safe operation and to avoid any risks. Cleaning and maintenance shall not be performed by children without supervision.
- The appliance is only to be used with the power supply unit provided with the appliance.
- This appliance contains batteries that are only replaceable by skilled persons.
- Clear the area to be cleaned. Children shall not play with the appliance. Ensure children and pets are kept at a safe distance from the robot while it is operating.
- Do not install, charge or use the appliance in the bathrooms or around the pools.
- This product is for floor cleaning in a home environment only. Do not use it outdoors, on non-floor surfaces, or in a commercial or industrial setting.
- Ensure that the appliance operates correctly in a proper environment. Otherwise, do not use the appliance.
- If the power cord is damaged, it must be replaced by a special cord or assembly available from the manufacturer or its service agent.
- Do not use the robot in an area suspended above ground level without a protective barrier.

Safety Information

Usage Restrictions

- Do not place the robot upside down. Do not use the LDS cover, robot cover, or bumper as a handle for the robot.
- Do not use the robot at an ambient temperature above 40°C or below 0°C or on a floor with liquids or sticky substances.
- To prevent damage or harm from dragging, clear any loose objects from the floor, and remove cables or power cords on the cleaning path before operating the appliance.
- Remove fragile or small items from the floor to prevent the robot from bumping into and damaging them.
- Keep hair, fingers, and other body parts away from the suction opening of the robots.
- Keep the cleaning tool out of reach of children.
- Do not operate the appliance in a room where an infant or child is sleeping.
- Do not place children, pets, or any item on top of the robot regardless of whether it is stationary or moving.
- Keep the cleaning solution out of reach of children.
- Use only the officially-approved detergent. Do not add any liquid such as alcohol or disinfectant.
- Do not use the robot to clean any burning objects. Do not use the robot to pick up flammable or combustible liquids, corrosive gases, or undiluted acids or solvents.

Safety Information

Usage Restrictions

- Do not vacuum hard or sharp objects. Do not use the appliance to pick up objects such as stones, large pieces of paper or any item that may clog the appliance.
- Plug must be removed from the socket-outlet before cleaning or maintaining the appliance.
- Do not wipe the robot or the base station with a wet cloth or rinse them with any liquid. After cleaning washable parts, fully dry the parts before reinstalling and using them.
- Please use this product in accordance with the instructions in the User Manual. Users are responsible for any loss or damage that arise from improper use of this product.

Batteries and Charging

- Do not use any third-party battery or base station. The robot can only be used with the model RCLE0301 base station.
- Do not attempt to disassemble, repair, or modify the battery or the base station on your own.
- Do not place the base station near a heat source.
- Do not use a wet cloth or wet hands to wipe or clean the base station's charging contacts.
- Do not improperly dispose of old batteries. Unneeded batteries should be discarded at an appropriate recycling facility.
- If the power cord becomes damaged or broken, stop using it immediately and contact after-sales service.

Safety Information

Batteries and Charging

- Make sure the robot is turned off when being transported and kept in its original packaging if possible.
- If the robot will not be used for an extended period of time, fully charge it, then turn it off and store it in a cool, dry place. Recharge the robot at least once every 3 months to avoid over-discharging the battery.

Laser Safety Information

- The laser sensor in this product meets the IEC 60825-1:2014/EN 60825-1:2014/A11:2021 Standard for Class 1 laser products. Please avoid direct eye contact with it during use.

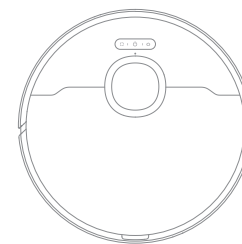
CLASS 1 LASER PRODUCT
CONSUMER LASER PRODUCT
EN 50689:2021

Hereby, Dreame Trading(Tianjin)Co., Ltd. declares that the radio equipment type RLL82CE is in compliance with Directive 2014/53/EU. The full text of the EU declaration of conformity is available at the following internet address: <https://global.dreame.tech.com>

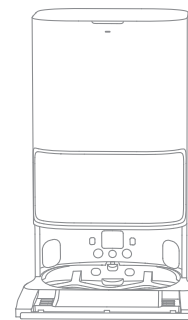
For detailed e-manual, please go to <https://global.dreame.tech.com/pages/user-manuals-and-faqs>

Product Overview

Package Contents



Robot

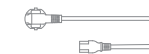


Base Station

Other Accessories



Side Brush



Power Cord



Base Station Ramp
Extension Plate



User Manual



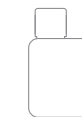
Mop Pad
(pre-installed)



Mop Pad Holder



Dust Bag
(1 pre-installed)



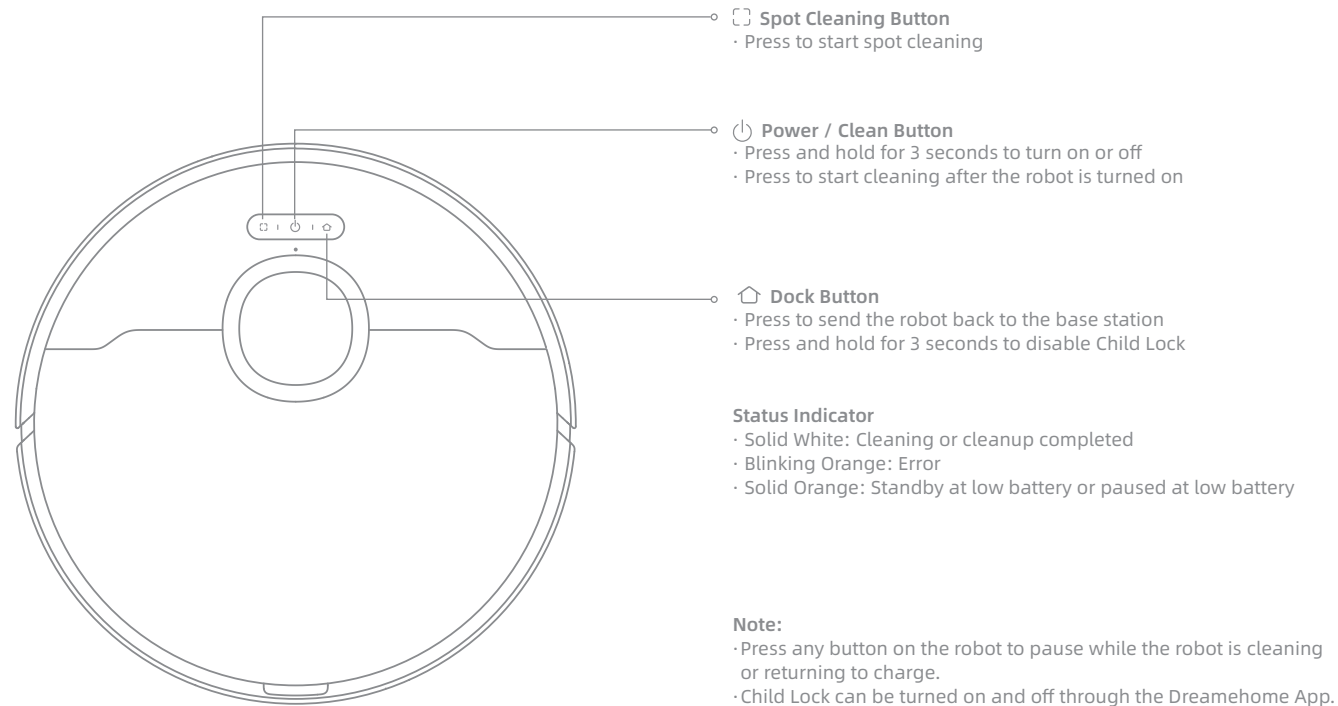
Cleaning
Solution



Cleaning Tool

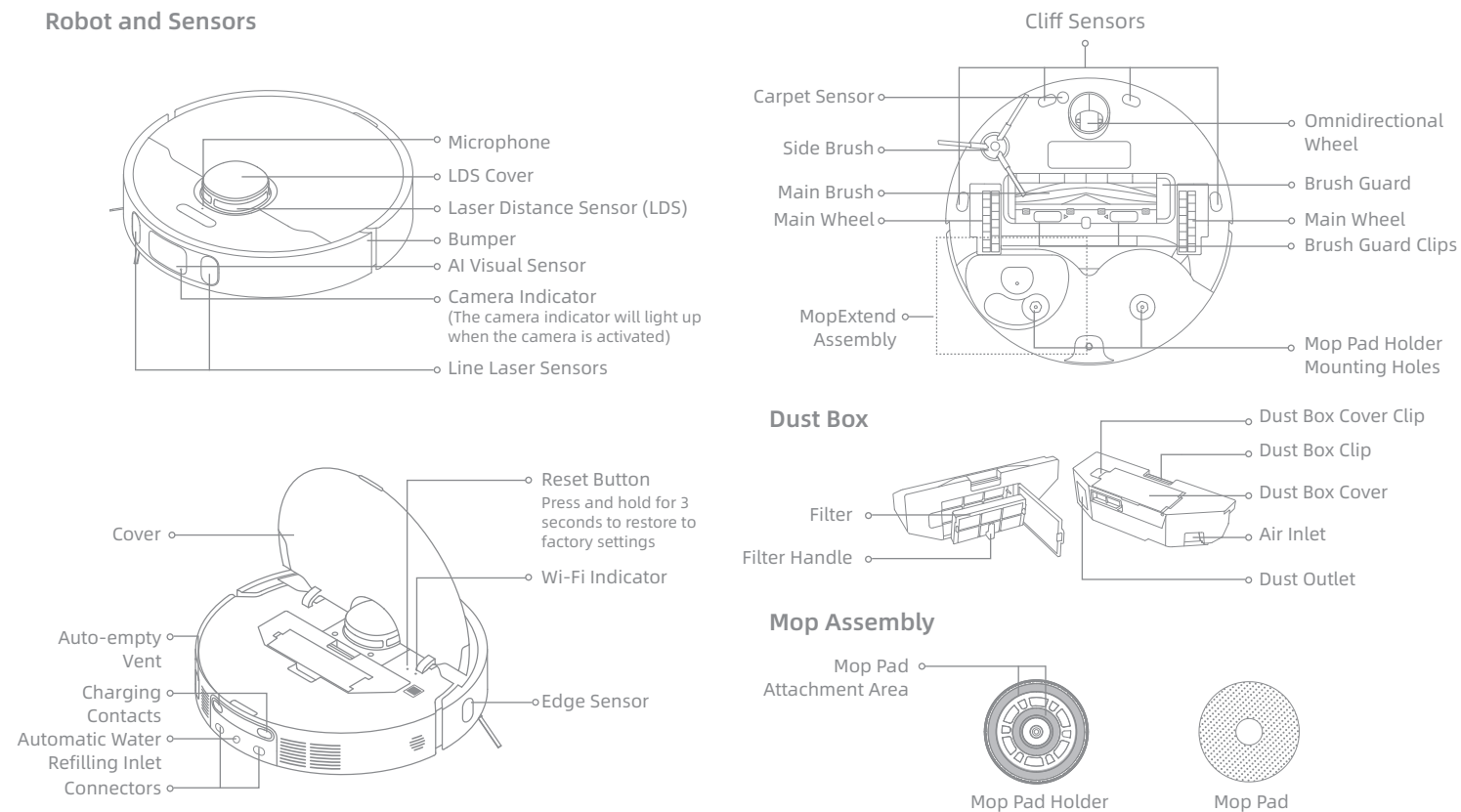
Product Overview

Robot



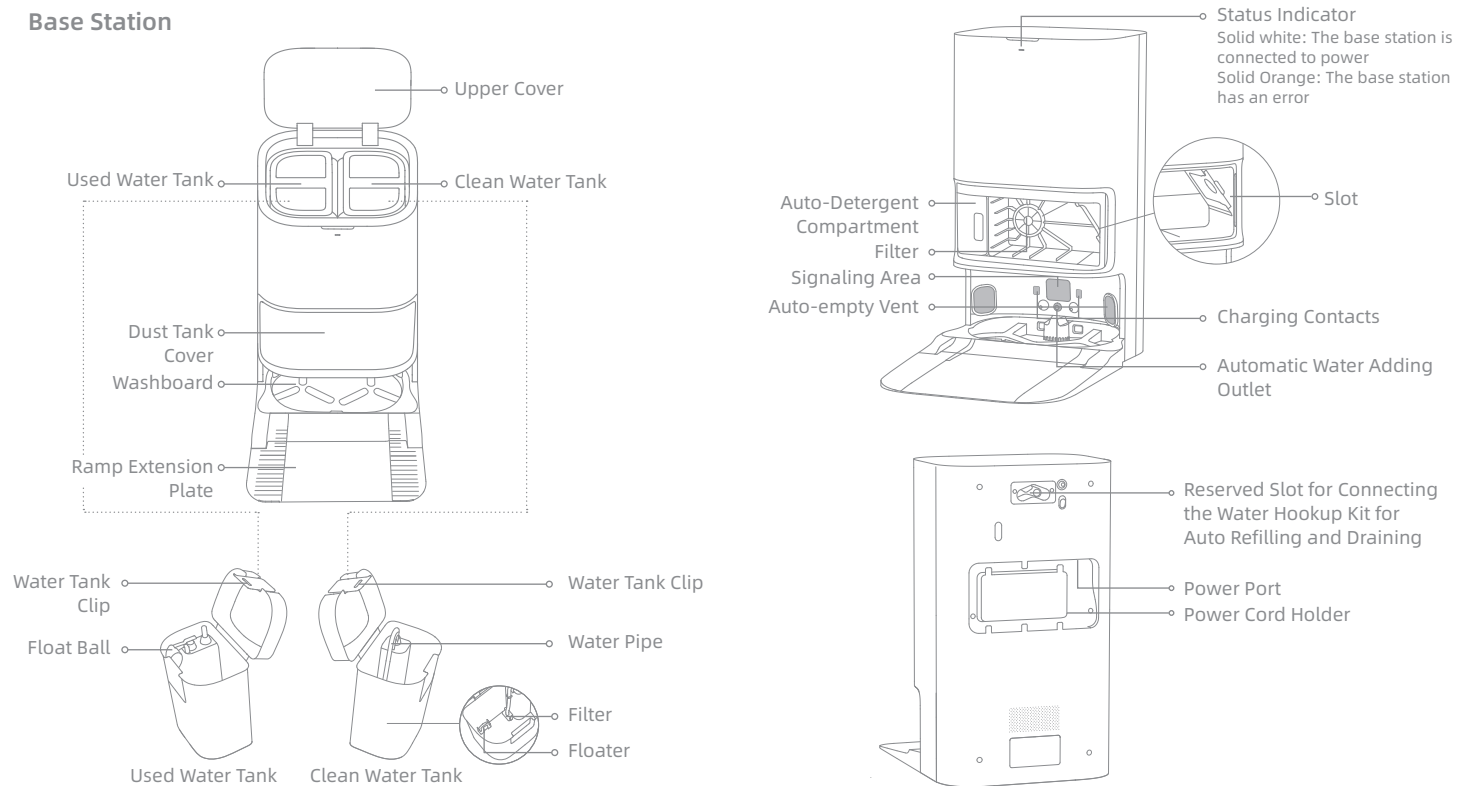
Product Overview

Robot and Sensors



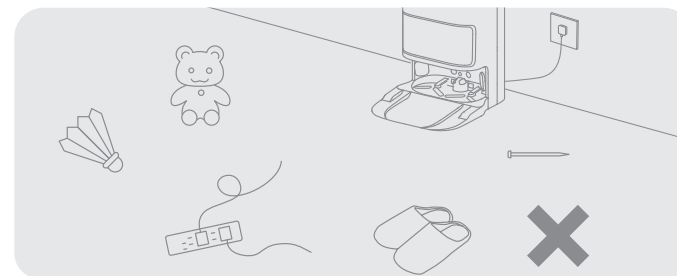
Product Overview

Base Station

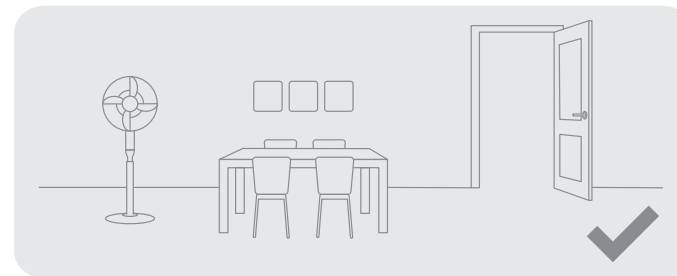


Note: The water hookup kit for auto refilling and draining needs to be purchased separately. (Only available in specific regions)

Preparing Your Home



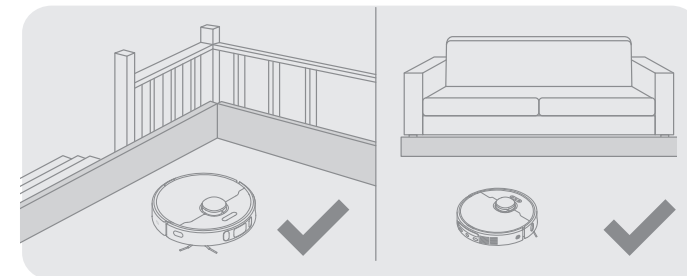
Before cleaning, please move away unstable, fragile, valuable or dangerous items, and clean up cables, cloths, toys, hard objects and sharp objects on the ground to avoid being entangled, scratched or knocked over by the robot and causing losses.



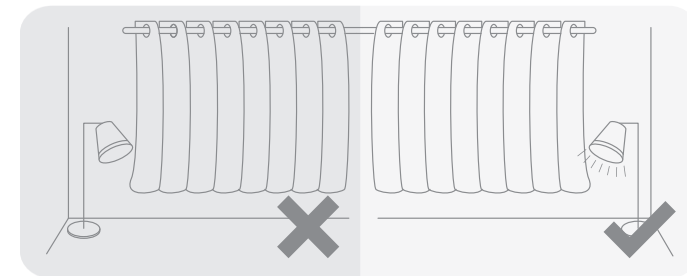
Open the door of the room to be cleaned, and put the furniture in its proper place to leave more space.

Note:

- When operating the robot for the first time, follow it around while cleaning to remove any potential obstacles in time.
- To prevent the robot from not recognizing areas that need to be cleaned, do not stand in front of the robot, threshold, hallway, or narrow places.
- Do not vacuum hard objects like stones, steel balls and toy parts, or sharp objects like construction waste, broken glass and nails, otherwise the ground may be scratched.



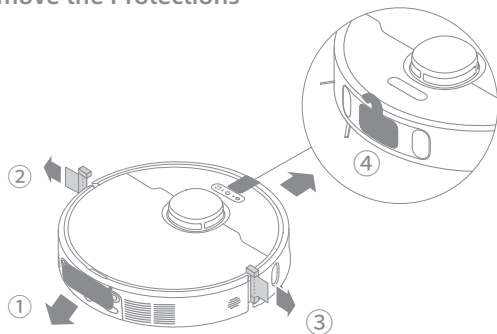
Before cleaning, place a physical barrier at the edge of the stairs and sofa to ensure the secure and smooth operations of the robot.



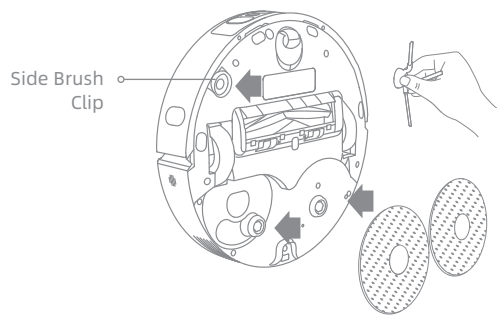
With the AI visual sensor, the robot can better recognize and avoid obstacles such as power cords, shoes, and socks, to get the most out of the AI visual sensor, make sure that all areas to be cleaned are well-lit.

Before Use

1. Remove the Protections



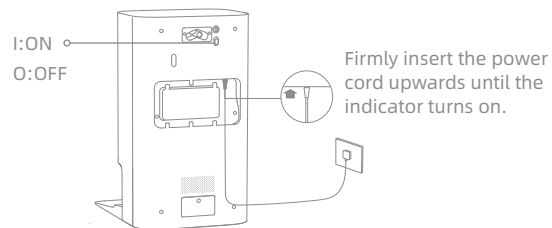
2. Install the Side Brush and the Mop Assembly



Note: Install the side brush until it clicks into place.

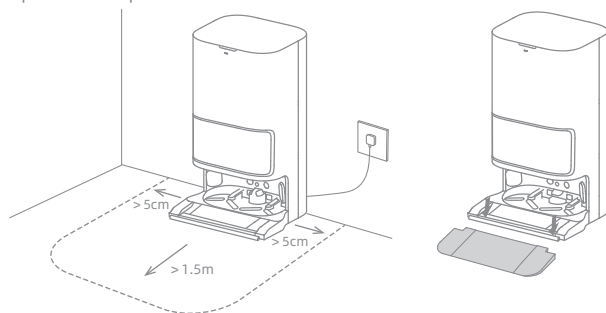
3. Connect to an Electrical Outlet

Place the base station in a location that is as open as possible with a good Wi-Fi signal. Then insert the power cord into the base station and plug it into the socket.



4. Place the Base Station and Install the Base Station Ramp Extension Plate


Place the Base Station and remove any objects that are closer than 1.5 m from the front and 5cm from either side of the base station. Then install the ramp extension plate down to the base station.

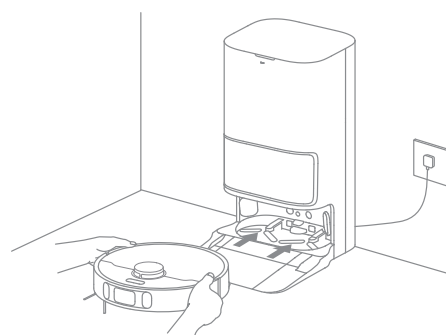


Note: To prevent water stains from wetting wood floors or carpets, placing the base station on tile floors or marble floors is recommended.

Before Use

5. Place the Robot

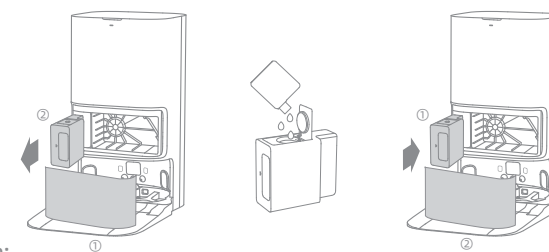
Press and hold the  button on the robot for 3 seconds to turn it on. Place the robot onto the base station with the mop assembly facing toward the washboard. Then you will hear a voice notification when the robot successfully connects to the base station. After the robot is fully charged, the status indicators on the robot and the base station will remain lit for 10 minutes and will then dim.



Note: It is recommended to fully charge the robot before its first use. When the robot cannot be turned on after the battery is depleted, manually connect the robot with the station to charge it.

6. Add the Cleaning Solution

- (1) Remove the dust tank cover and pull out the auto-detergent compartment.
- (2) Open the upper lid of the compartment and add the cleaning solution.
- (3) Close the lid of the compartment, put it back into the base station, and then reinstall the dust tank cover. The cleaning solution will be added into the clean water tank automatically while working.

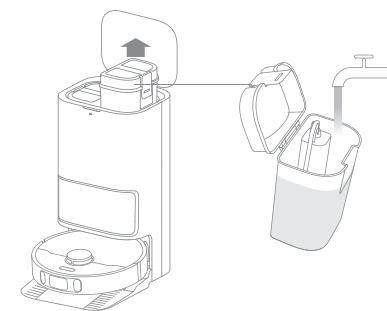


Note:

- Do not add any liquid other than the officially-approved cleaning solution to help prevent malfunction.
- Install the auto-detergent compartment until it clicks into place.

7. Add Water to the Clean Water Tank

Take out the clean water tank from the base station and add clean water into the tank. Then install it back into the base station.

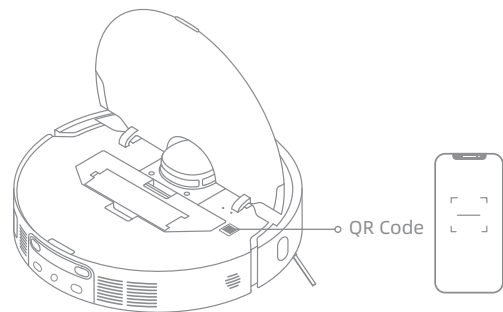


Note: Do not add hot water into the water tank, as this may cause the tank to become deformed.

Connecting with the Dreamehome App

1. Download the Dreamehome App

Scan the QR code on the robot, or search "Dreamehome" in the app store to download and install the app.

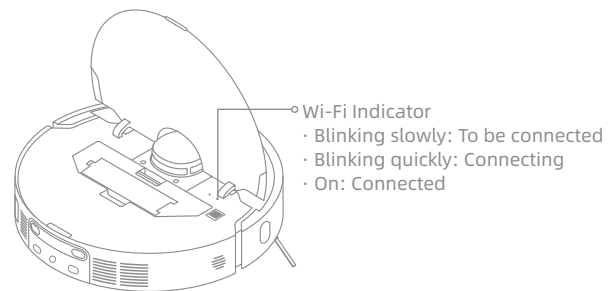


Note:

- Only 2.4 GHz Wi-Fi is supported.
- Due to upgrades in the app software, the actual operations may differ from the directions in this manual. Please follow the instructions based on the current app version.

2. Add Device

Open the Dreamehome app, tap "+" in the upper right corner, and scan the same QR code on the robot again to add the device. Please follow the prompts to finish the Wi-Fi connection.




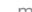
Note: If you want to reset Wi-Fi, repeat step 2 and then follow the prompts to finish the Wi-Fi connection.

How to Use

Fast Mapping

After configuring the network for the first time, follow the instructions on the app to quickly create a map, and the robot will start mapping without cleaning. The mapping process will be completed when the robot returns to the station, and the map will be saved automatically.

Turn On/Off

Press and hold the  button for 3 seconds to turn on the robot. The power indicator should be illuminated. Place the robot onto the base, the robot should turn on automatically and begin charging. To turn off the robot, move the robot away from the base and press and hold the  button for 3 seconds.

Pause/Sleep

When the robot is running, press any button to pause it.

If the robot is paused for more than 10 minutes, it automatically enters sleep mode. The power indicator and charging indicator will turn off. Press any button on the robot, or use the app to wake up the robot.

Note:

- The robot will turn off automatically if it is left in the sleep mode for more than 12 hours.
- If the robot is paused and placed onto the base station, the current cleaning process will end.

Auto Resume Cleaning

If the battery is too low, the robot will automatically return to the base station to charge. After charging to the appropriate battery level, it will resume unfinished cleaning tasks.

Note: To use this function, please open it in the app.


Do Not Disturb (DND) Mode

When the robot is set to the Do Not Disturb (DND) mode, the robot will be prevented from resuming cleaning and the power indicator goes out. The DND mode is disabled by default at the factory. You can use the app to enable the DND mode or modify the DND period. The DND period is 22:00-8:00 by default.



Note:

- The scheduled cleaning tasks will be performed on time during the DND period.
- The robot will resume cleanup where it left off after the DND period expires.

Spot Cleaning

When the robot is on standby, press briefly the button  to enable the spot cleaning mode. In this mode, the robot cleans a square-shaped area of 1.5 x 1.5 meters around it and returns to its starting point once the spot cleaning is completed.

Robot Restarting


If the robot stops responding or cannot be turned off, press and hold the button  for 10 seconds to forcefully turn it off. Then, press and hold the button  for 3 seconds to turn the robot on.

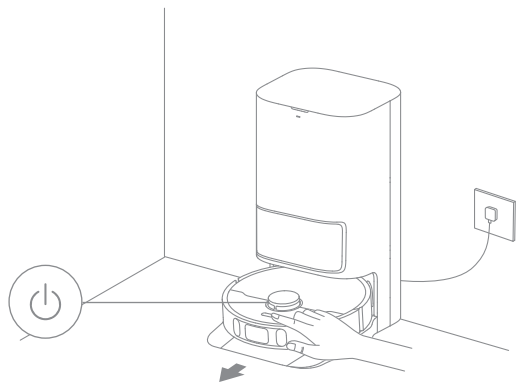
How to Use

Vacuum and Mop

Note: When using the mop assembly for the first time, the robot performs the "Vacuum and Mop" task by default.

1. Start cleaning

Press the button  on the robot, or use the app to make the robot start from the base station. Then the robot will plan the optimal cleaning route and perform the cleaning task based on the created map.

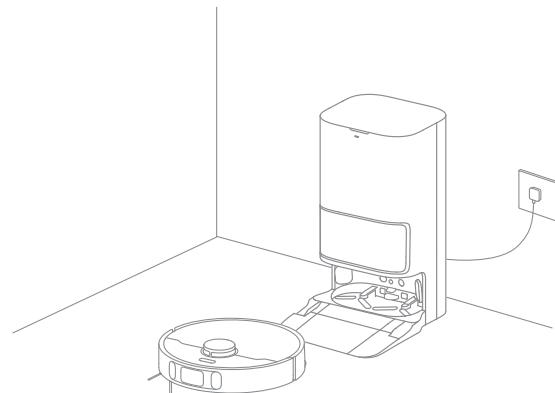


Note:

- The mop pads will be cleaned before the robot starts mopping, please wait patiently.
- Do not move the base station, the clean water tank, the used water tank, or the washboard during its working.
- Hot water cleaning can be enabled in the app for mop pad and base station cleaning tasks, which applies to all modes. To prevent scalding, do not touch the water outlet of the washboard when the function is on.

2. Auto mop washing

When cleaning, the robot will automatically return to the base station to wash mop pads based on the mop pad cleaning frequency specified in the app. The base station will automatically refill the robot's water tank and the robot will resume cleanup.

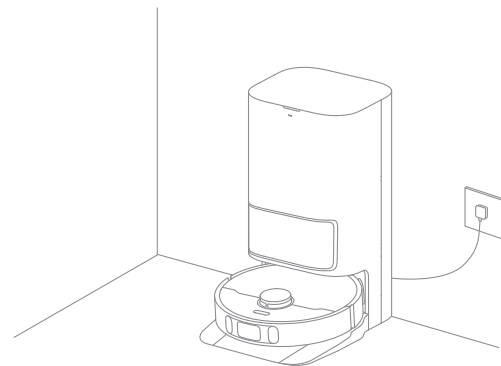


Note: If the robot returns to the base station to wash its mop pads during cleaning, the base station will not automatically empty the dust box.

How to Use

3. Automatically empty the dust box and wash and dry the mop pads after finishing the "Vacuum and Mop" task

After the robot finishes a cleaning task and returns to the base station to charge, the base station will automatically start emptying the dust box, and then clean and dry the mop pads.



Note:

- If the auto-empty function is turned off in the app, the base station will not automatically empty the dust box.
- The base station will empty the dust box according to the frequency set in the app.

4. Clean the used water tank

After the robot has completed the task, please clean the used water tank to avoid any odor.

Vacuum then Mop

Select "Vacuum then Mop" in the app, and the robot will automatically lift the mop assembly to vacuum the floor. After vacuuming is completed, the robot will return to empty the dust box, and then start mopping after automatically lowering the mop assembly.

Vacuum Only

Select "Vacuum Only" in the app and the robot will automatically lift the mop assembly and start vacuuming.

Mop Only

Select "Mop Only" in the app, and the robot will check if the mop assembly is installed. If not, manually install the mop assembly, and then the robot will automatically start mopping.

Routine Maintenance

Parts

To keep the robot in good condition, it is recommended to refer to the accessory usage in the app or the following table for routine maintenance.

Part	Maintenance Frequency	Replacement Period
Used Water Tank	After each use	/
Clean Water Tank	Once every 2 weeks	
Main brush		Every 6 to 12 months
Dust box's filter		Every 3 to 6 months
Side brush		
Washboard	Once every month	/
Base station's signaling area		
Base station's charging contacts		
Base station's auto-empty vent		
Omnidirectional wheel		
Edge sensor		
Laser Distance Sensor (LDS)		
Line laser sensor		

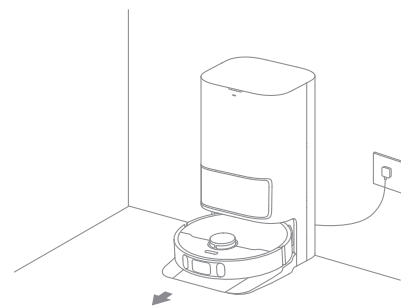
Part	Maintenance Frequency	Replacement Period
AI Visual Sensor	Once every month	/
Carpet Sensor		
Cliff Sensors		
Robot's charging contacts		
Bumper		
Robot's auto-empty vent		
Robot's automatic water refilling inlet		
Bottom of the robot		
Dust box		
Dust bag	/	6-8 weeks
Mop pad	/	Every 1 to 3 months

Note: The replacement frequency will depend on your usage of the robot. If an exception occurs due to special circumstances, the parts should be replaced.

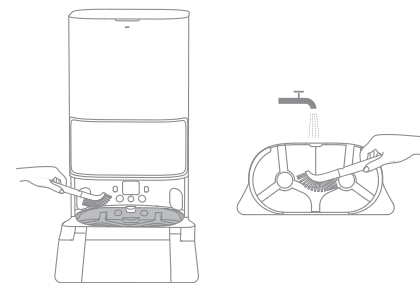
Routine Maintenance

Base Station Cleaning

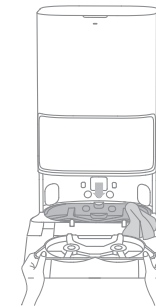
1. Select "Base Station Cleaning" in the app, and the robot will exit the base station automatically. Take out the washboard and wait for water to fill the bottom of the base station.



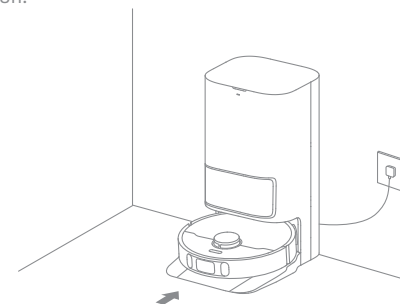
2. Rinse the washboard with clean water, and use the cleaning tool to clean the bottom of the base station.



3. After a moment, the base station will automatically pump out the used water. Then dry it with a soft and dry cloth, and put the washboard back into place.



4. Use the app or briefly press the  button on the robot to make it return to the base station.

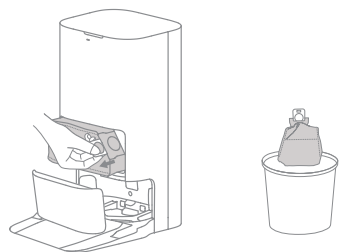


Note: During cleaning, do not make the robot return to the base station.

Routine Maintenance

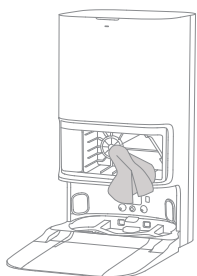
Dust Bag

1. Discard the dust bag.

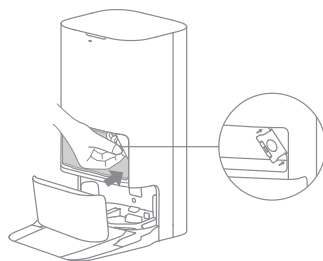


Note: Pulling upwards on the handle will seal the bag to prevent the dust and debris from accidentally falling out.

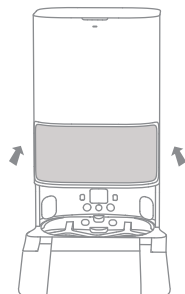
2. Remove the dust and debris from the filter with a dry cloth.



3. Install a new dust bag.



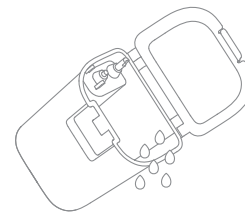
4. Close the cover of the dust tank.



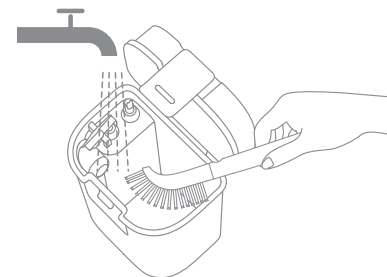
Routine Maintenance

Used Water Tank

1. Remove the used water tank, open its cover and pour out the used water.



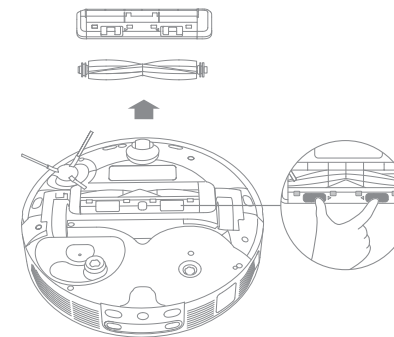
2. Rinse the used water tank with clean water, and use the provided cleaning tool to clean the inner wall of the used water tank.



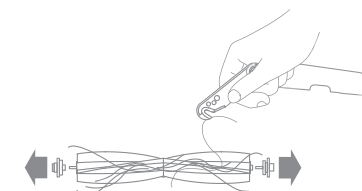
Note: The float ball in the used water tank is a movable part. Do not apply too much force when cleaning it to avoid damaging it.

Main Brush

1. Press the brush guard clips inwards to remove the brush guard and lift the brush out of the robot.



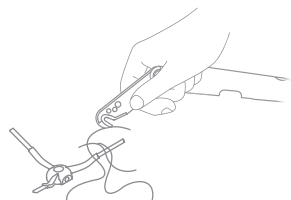
2. Pull out the brush covers at both ends of the brush as shown in the figure. Use the provided cleaning tool to remove the hair tangled in the brush.



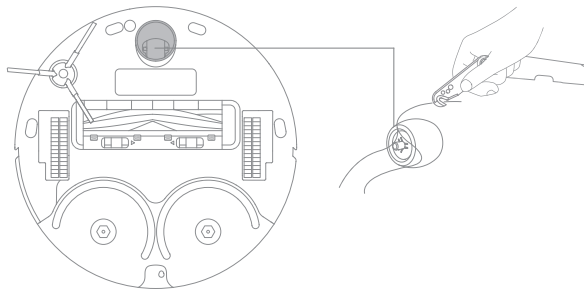
Routine Maintenance

Side Brush

Remove and clean the side brush.



Omnidirectional Wheel

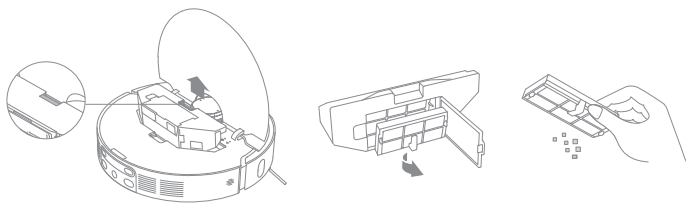


Note:

- Use a tool such as a small screwdriver to separate the axle and tire of the omnidirectional wheel. Do not use excessive force.
- Rinse the omnidirectional wheel under the running water and put it back after drying it completely.

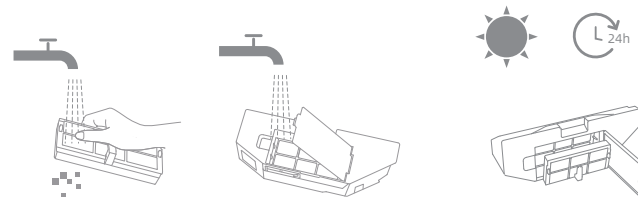
Dust Box and Filter

1. Open the robot cover and press the dust box clip to remove the dust box. Then remove the filter and tap its basket gently.



Note: Do not attempt to clean the filter with a brush, a finger or sharp objects to prevent damage.

2. Rinse the dust box and filter with water and dry them completely before reinstalling.



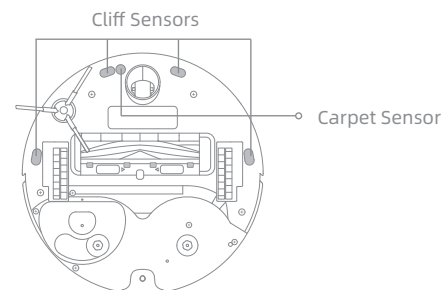
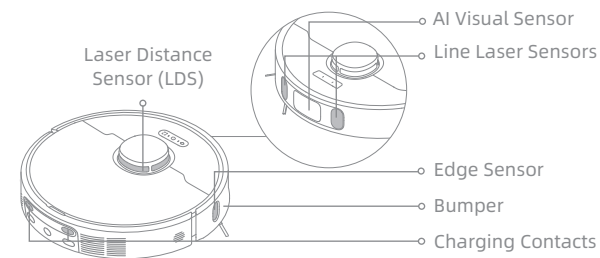
Note:

- Rinse the dust box and filter with clean water only. Do not use any detergent.
- Use the dust box and filter only when they are completely dry.

Routine Maintenance

Robot Sensors and Charging Contacts

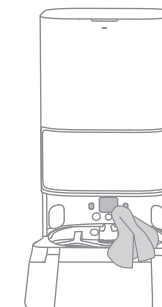
Wipe sensors and charging contacts of the robot by using a soft and dry cloth, as shown in the below figure:



Note: A wet cloth can damage sensitive elements within the robot and the base station. Please use a dry cloth for cleaning.

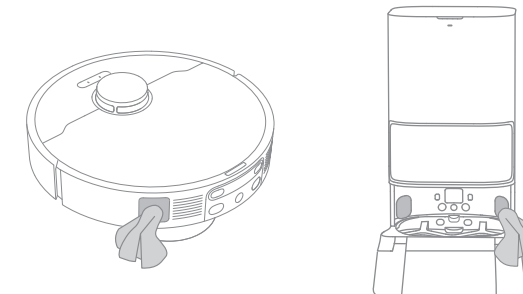
Charging Contacts

Clean the charging contacts and the signaling area of the base station with a soft and dry cloth.



Auto-empty Vents

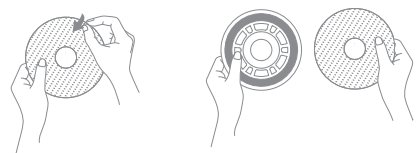
Clean the auto-empty vents of the robot and the base station with a soft and dry cloth.



Routine Maintenance

Mop Pad

Remove the mop pad from the mop pad holder to replace it.



Battery

The robot contains a high-performance lithium-ion battery pack. Make sure that the battery remains well-charged for daily use to maintain optimal battery performance.

Troubleshooting

Problem	Solution
The robot will not turn on.	The battery is low. Recharge the robot on the base and try again. The temperature of the battery is too low or too high. It is recommended to operate the appliance at a temperature between 32°F (0°C) and 104°F (40°C).
The robot will not charge.	The base station is not connected to power, please make sure both ends of its power cord are correctly plugged in. The contact between the charging contacts on the base station and the robot is poor, please clean the charging contacts. Check whether there is any foreign object at the connector of the robot and remove the foreign object if any.
The robot fails to connect to Wi-Fi.	The Wi-Fi network password is incorrect. Make sure the password used to connect to your Wi-Fi network is correct. The robot does not support a 5 GHz Wi-Fi connection. Make sure the robot is connected to a 2.4 GHz Wi-Fi connection. The Wi-Fi signal is weak. Make sure the robot is in an area with good Wi-Fi coverage. The robot may not be ready to be configured. Please exit and re-enter the app, and then try again as instructed.
The robot cannot find and return to the base station.	The base station is disconnected from power or moved when the robot is not on it. There are too many obstructions around the base station. Place the base station in a more open area. Moving the robot may cause it to re-position itself, and it will recreate a map if re-positioning fails. If the robot is too far from the base station, it might not be able to automatically return on its own, in which case you will need to manually place the robot onto the base station. Wipe the signaling area on the base station to remove dust or debris.
The robot gets stuck in front of the base station and cannot return to it.	Clear any obstruction within 5 cm on the left and right sides or within 1.5 m in front of the base station to prevent the robot from being blocked. The route for returning to charge is blocked, e.g. the door is closed. The robot may slip if the floor in front of the base station is overly wet. If so, clean the excess water before trying again. It is recommended to move the base station to a different place and try again. Make sure the ramp extension plate is installed properly.

Troubleshooting

Problem	Solution
The robot will not turn off.	The robot cannot be turned off when it is charging. It is recommended to move the robot from the base station, and then press and hold the button (⏻) for 3 seconds to turn it off. If the robot cannot be turned off by performing step 1, press and hold the button (⏻) for 10 seconds to forcibly turn off the robot. If the problem persists, please contact after-sales service.
The charging speed is slow.	It takes about 3.5 hours to fully charge the robot when its battery is low. If you operate the robot at temperatures outside of the specified range, the charging speed will automatically slow down to extend the battery life. The charging contacts on both the robot and the base may be dirty, please wipe them with a dry cloth.
The noise increases while the robot is operating.	Check whether the dust box filter is clogged. If so, clean it or replace it. A hard object may be caught in the main brush or the dust box. Check and remove any hard object. The main brush or the side brush may become tangled. Check and remove any foreign objects. Switch the suction mode to Standard or Quiet.
The robot moves without following the set route.	Objects such as power cords and slippers should be organized before using the robot. Working on wet slippery surfaces causes the main wheel to slip. It is recommended to dry the wet places before using the robot. Wipe the line laser sensors and the AI visual sensor on the robot with a clean, soft cloth to keep them clean and unobstructed.
The robot misses the rooms to be cleaned.	Make sure that the doors of the rooms to be cleaned are open. Check whether there is a threshold higher than 2 cm at the door of the room. The robot cannot climb over high thresholds or steps. The place in front of the room to be cleaned may be wet and slippery, causing the robot to slip and work abnormally. Please try drying the floor before using the robot.

Troubleshooting

Problem	Solution
The robot will not resume cleaning after charging.	Make sure that the robot is not set to the Do Not Disturb (DND) mode, which will prevent it from resuming cleaning. The robot will not resume cleaning after you manually return the robot to the base station to charge, which includes manually placing the robot on the base station or sending the robot to charge via the app or the robot itself.
The station cannot automatically empty the dust box.	Check whether the dust bag in the dust tank is full. If the dust bag is not full, check whether there is any obstruction at the auto-empty vents of the robot, the base station, or the dust box. If any, clean the blocked part in time.
The water level in the washboard is abnormal.	Remove the washboard and check whether the sewage drain is blocked and clean it. Gently press down on the used water tank to make sure it is installed correctly. Check whether the seal on the used water tank is loose or not correctly installed, and manually reset it if so. If the problem persists, please contact the after-sales service team. Check the cleaning solution. Do not add any liquid other than the officially-approved cleaning solution.

For more support, contact us via <https://global.dreametech.com>

Specifications

Robot

Model	RLL82CE
Charging Time	Approx. 3.5 hours
Rated Voltage	14.4 V $\overline{\text{---}}$
Rated Power	75 W
Operation Frequency	2400-2483.5 MHz
Maximum Output Power	<20 dBm

Under normal use of condition, this equipment should be kept a separation distance of at least 20cm between the antenna and the body of the user.

Base Station

Model	RCLE0301
Rated Input	220-240 V \sim 50-60 Hz
Rated Output	20 V $\overline{\text{---}}$ 2 A
Rated Power (during dust emptying)	1000 W
Rated Power (during hot water cleaning)	1150 W
Rated Power (during charging and drying)	89 W

Note:

- Rated Power (during hot water cleaning) is determined by the power value during the representative period (water temperature 25°C).
- Rated Power (during charging and drying) is determined by the power value during full load period.

Battery Disposal and Removal

The built-in lithium-ion battery contains substances that are hazardous to the environment. Before disposing of the battery, make sure the battery is removed by qualified technicians and discarded at an appropriate recycling facility.

- the battery must be removed from the appliance before it is scrapped;
- the appliance must be disconnected from the supply mains when removing the battery;
- the battery is to be disposed of safely.

CAUTION:

Before removing the battery, disconnect the power and run out the battery as much as possible.

Unneeded batteries should be discarded at an appropriate recycling facility.

Do not expose to high temperature environment to avoid risks of explosion.

Under abusive conditions, liquid may be ejected from the battery. If contact occurs, flush with water and seek medical help.

Removal Guide:

1. Turn over the robot, use a proper tool to remove the screws on the back of the robot, and then remove the cover.
2. Unplug the terminals between the battery and PCB board to remove the battery.

WEEE Information



All products bearing this symbol are waste electrical and electronic equipment (WEEE as in directive 2012/19/EU) which should not be mixed with unsorted household waste. Instead, you should protect human health and the environment by handing over your waste equipment to a designated collection point for the recycling of waste electrical and electronic equipment, appointed by the government or local authorities. Correct disposal and recycling will help prevent potential negative consequences to the environment and human health. Please contact the installer or local authorities for more information about the location as well as terms and conditions of such collection points.

Информация по технике безопасности

Во избежание поражения электрическим током, возгорания или травм, вызванных неправильным использованием прибора, внимательно прочтите руководство пользователя до начала использования прибора и сохраните это руководство для будущего использования.

Ограничения по эксплуатации

- В целях обеспечения безопасной эксплуатации и во избежание рисков не допускается использование данного изделия детьми младше 8 лет, а также лицами с ограниченными физическими, сенсорными или умственными способностями или с ограниченным опытом или знаниями без присмотра родителя или опекуна. Не позволяйте детям осуществлять чистку и техническое обслуживание устройства без присмотра.
- Устройство должно использоваться только с блоком питания, поставляемым в комплекте.
- Данное устройство оснащено аккумулятором, который должны заменять только квалифицированные технические специалисты.
- Уберите посторонние предметы из зоны для уборки. Не позволяйте детям играть с устройством. Убедитесь, что дети и животные находятся на безопасном расстоянии от устройства во время работы.
- Запрещается устанавливать, заряжать и использовать устройство в ванной комнате и вблизи бассейнов.
- Данное устройство предназначено только для очистки пола в домашних условиях. Не используйте его на открытом воздухе, на поверхностях, отличных от пола, а также в коммерческих или промышленных помещениях.
- Убедитесь, что в надлежащей обстановке устройство работает корректно. В противном случае не используйте его.

Информация по технике безопасности

Ограничения по эксплуатации

- Если кабель питания поврежден, замените его специальным кабелем или комплектом, приобретенным у производителя или в соответствующем сервисном центре.
- Не используйте робота в областях, расположенных над полом, без защитного барьера.
- Запрещается переворачивать робота. Запрещается переносить робота держа его за крышку лидара, крышку самого робота или бампер.
- Не используйте робота при температуре окружающей среды выше 40 °C или ниже 0 °C, а также на поверхности с жидкостями или липкими веществами.
- Во избежание повреждения или нарушения работы устройства из-за волочения предметов, перед его включением соберите все посторонние предметы с пола и уберите провода и кабели питания с пути движения устройства во время уборки.
- Уберите с пола хрупкие и мелкие предметы, чтобы робот не врезался в них и не повредил.
- Не допускайте попадания волос, пальцев и других частей тела во всасывающее отверстие робота.
- Храните инструменты для очистки в недоступном для детей месте.
- Запрещается использовать устройство в комнате со спящим младенцем или ребенком.
- Не размещайте на роботе детей, животных или какие-либо предметы, независимо от того, остановлен он или движется.
- Храните чистящий раствор в недоступном для детей месте.
- Используйте только чистящие средства, одобренные к применению. Запрещается добавлять алкоголь или дезинфицирующее средство.
- Не используйте робота для уборки горящих веществ. Запрещается использовать робота для уборки воспламеняющихся или горючих жидкостей, агрессивных газов, неразбавленных кислот или растворителей.

Информация по технике безопасности

Ограничения по эксплуатации

- Не используйте робота для уборки твердых и острых предметов. Запрещается использовать робота для уборки камней, крупных кусков бумаги и других предметов, которые могут застрять в устройстве.
- Перед очисткой и ремонтом выключите устройство и отключите его от розетки.
- Запрещается протирать робота и базовую станцию влажным полотенцем или промывать жидкостью. После очистки моющихся деталей их необходимо полностью просушить перед повторной установкой и использованием.
- Используйте данное устройство согласно руководству пользователя. За убытки и ущерб, возникшие из-за несоблюдения инструкций, ответственность несет пользователь.

Аккумуляторы и зарядка

- Запрещается использовать аккумулятор или базовую станцию других производителей. Устройство необходимо использовать только с базовой станцией модели RCLE0301.
- Запрещается самостоятельно разбирать, ремонтировать или модифицировать аккумулятор или базовую станцию.
- Запрещается размещать базовую станцию рядом с источником тепла.
- Запрещается протирать или очищать зарядные контакты базовой станции влажным полотенцем или влажными руками.
- Запрещается утилизировать старые аккумуляторы ненадлежащим образом. Нерабочие аккумуляторы следует сдавать в соответствующие пункты переработки.
- Если кабель питания поврежден или сломан, немедленно прекратите использование устройства и обратитесь в службу послепродажного обслуживания.

Информация по технике безопасности

Аккумуляторы и зарядка

- Перед транспортировкой убедитесь, что робот выключен, и по возможности храните его в оригинальной упаковке.
- Если робот не будет использоваться в течение длительного периода, полностью зарядите его, отключите и храните в сухом прохладном месте. Во избежание чрезмерной разрядки аккумулятора заряжайте робота не реже одного раза каждые три месяца.

Техника безопасности при использовании лазера

- Лазерный датчик в этом изделии соответствует стандарту IEC 60825-1:2014/EN 60825-1:2014/A11:2021 для лазерных изделий класса 1. Избегайте прямого контакта с глазами во время использования такого устройства.

ЛАЗЕРНОЕ ИЗДЕЛИЕ КЛАССА 1
ПОТРЕБИТЕЛЬСКОЕ ЛАЗЕРНОЕ ИЗДЕЛИЕ
EN 50689:2021

Информация по технике безопасности

Меры предосторожности при хранении и транспортировке

- Продукт должен транспортироваться в упаковке. Не подвергайте продукт давлению или ударам во время транспортировки.
- Пожалуйста, избегайте сильных столкновений во время транспортировки.
- Не транспортируйте прибор при температуре выше 50 °C или ниже -20 °C.
- В течение короткого периода, например одного месяца, прибор рекомендуется хранить при температуре от -20 °C до 50 °C и относительной влажности 60 % ± 5 %. В течение длительного времени храните прибор при температуре окружающей среды от 0 °C до 40 °C.
- Утилизируйте прибор надлежащим образом. Когда его срок службы подойдет к концу, утилизируйте прибор в соответствии с местными законами и правилами страны или региона, в котором он используется.

Правила и условия реализации: без ограничений.

Импортер продает этот продукт; информацию об импортере см. на упаковке.

Сведения об импортере и контактная информация отдела послепродажного обслуживания указаны на упаковке.

Дата изготовления: см. на упаковке

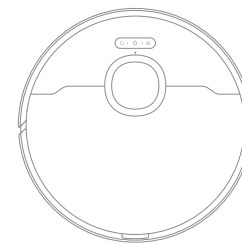
Срок службы продукции 3 года.

Настоящим компания Dreame Trading (Tianjin) Co., Ltd. заявляет, что тип радиооборудования RLL82CE соответствует требованиям Директивы 2014/53/EU. Полный текст декларации о соответствии нормативным требованиям ЕС доступен по следующему адресу: <https://global.dreameotech.com>

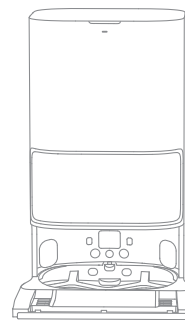
Подробное электронное руководство см. по адресу <https://global.dreameotech.com/pages/user-manuals-and-faqs>

Обзор изделия

Комплектация



Робот

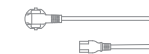


Базовая станция

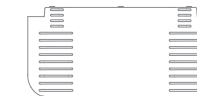
Другие принадлежности



Боковая щетка



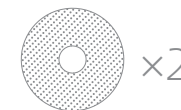
Кабель питания



Рампа базовой станции
Удлинительная пластина



Руководство
пользователя



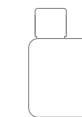
Насадка для швабры
(предустановлена) ×2



Держатель насадки
для швабры ×2



Мешок для сбора пыли
(1 шт., заранее
установлен) ×2

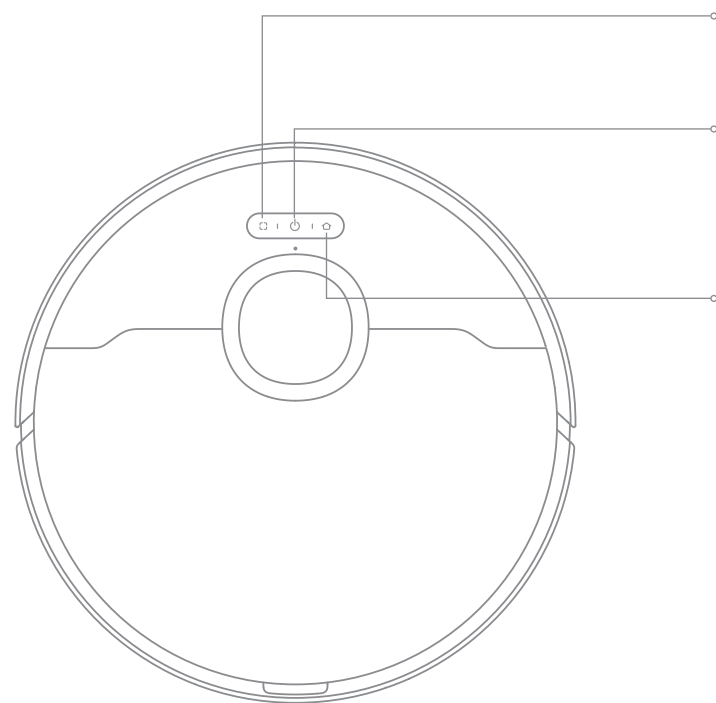


Чистящий
раствор



Инструмент для
чистки

Робот



Кнопка точечной уборки
 · Нажмите кнопку, чтобы начать точечную уборку

Кнопка питания/уборки
 · Нажмите и удерживайте кнопку в течение 3 секунд, чтобы включить или выключить робота
 · Нажмите, чтобы начать уборку, когда робот включен

Кнопка возврата на станцию
 · Нажмите кнопку, чтобы отправить робота на базовую станцию
 · Нажмите и удерживайте кнопку в течение 3 секунд, чтобы выключить блокировку от детей

Индикатор состояния

- Постоянно горит белым: Уборка продолжается или уборка завершена
- Мигает оранжевым: ошибка
- Постоянно горит оранжевым: режим ожидания при низком заряде аккумулятора или приостановка при низком заряде аккумулятора

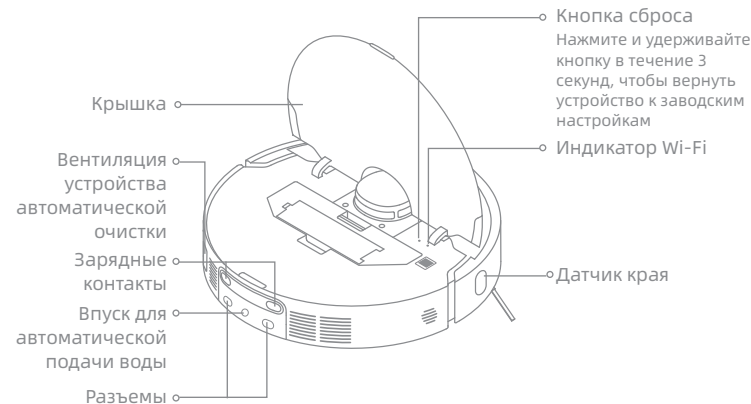
Примечание.

- Нажмите любую кнопку на роботе, чтобы поставить процесс на паузу, пока робот выполняет уборку или возвращается для зарядки.
- Блокировку от детей можно включить и выключить с помощью приложения Dreamehome.

Робот и датчики

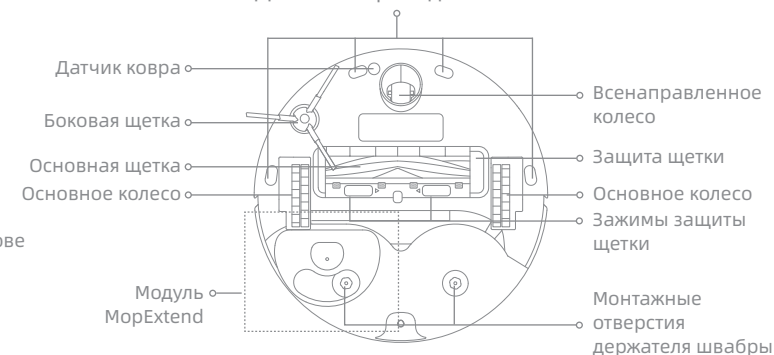


Микрофон
 Крышка лидара
 Лидар
 Бампер
 Визуальный датчик на основе искусственного интеллекта
 Индикатор камеры (При включении камеры загорается ее индикатор)
 Линейные лазерные датчики

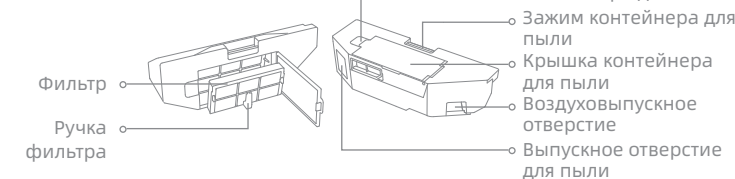


Крышка
 Вентиляция устройства автоматической очистки
 Зарядные контакты
 Впуск для автоматической подачи воды
 Разъемы
 Кнопка сброса (Нажмите и удерживайте кнопку в течение 3 секунд, чтобы вернуть устройство к заводским настройкам)
 Индикатор Wi-Fi
 Датчик края

Датчики перепада высоты



Датчик ковра
 Боковая щетка
 Основная щетка
 Основное колесо
 Модуль MorExtend
 Всенаправленное колесо
 Защита щетки
 Основное колесо
 Зажимы защиты щетки
 Монтажные отверстия держателя швабры

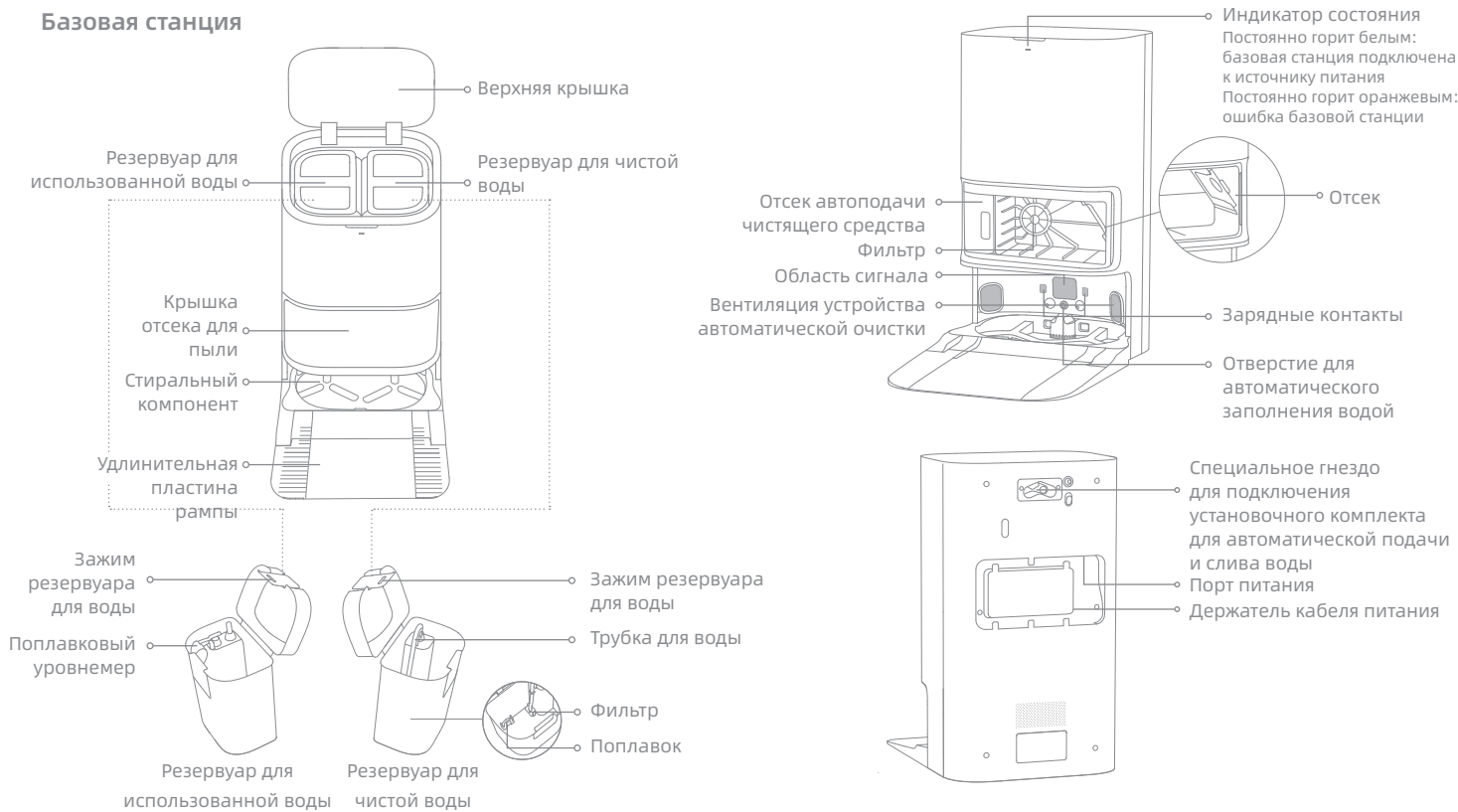
Контейнер для пыли

Фильтр
 Ручка фильтра
 Зажим крышки контейнера для пыли
 Зажим контейнера для пыли
 Крышка контейнера для пыли
 Воздуховыпускное отверстие
 Выпускное отверстие для пыли

Швабра

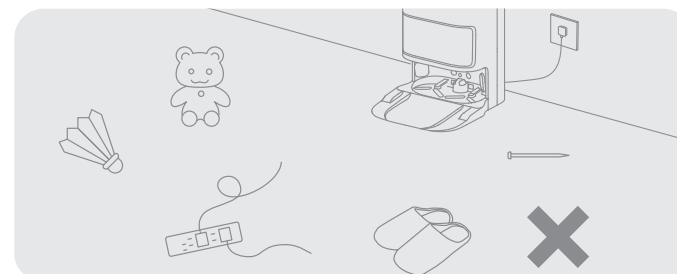
Зона крепления насадки для швабры
 Держатель насадки для швабры
 Насадка для швабры

Базовая станция

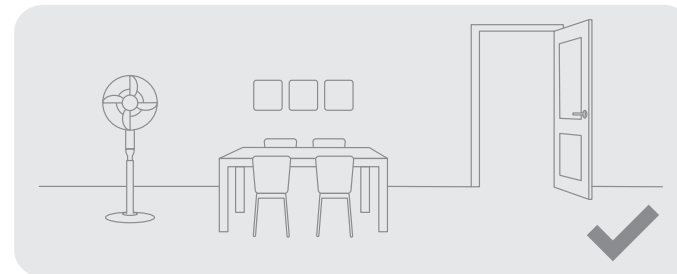


Примечание. Установочный комплект для автоматической подачи и слива воды необходимо приобретать отдельно. (Доступен только в некоторых регионах).

Подготовка дома



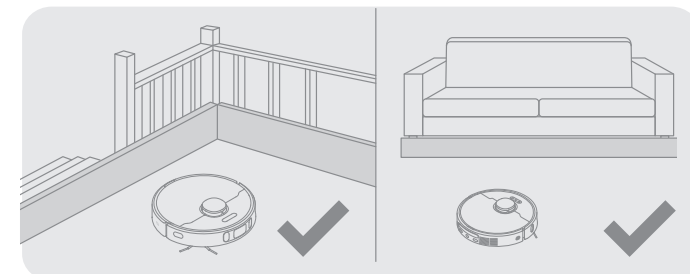
Перед началом уборки уберите с пола неустойчивые, хрупкие, ценные или опасные предметы, а также кабели, одежду, игрушки, твердые и острые предметы, чтобы робот не запутался в них, не поцарапал/не опрокинул и не повредил такие предметы.



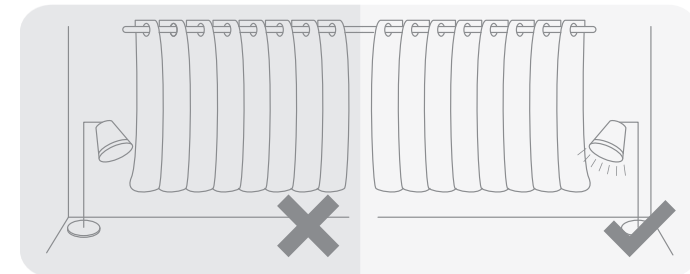
Откройте дверь помещения, в котором будет проводиться уборка, и расставьте мебель таким образом, чтобы освободить больше пространства для уборки.

Примечание.

- При первом использовании робота находитесь в зоне уборки, чтобы вовремя убирать посторонние предметы с его пути.
- Не вставляйте перед роботом, в дверном проеме или узком проходе, чтобы робот мог корректно распознать зону предстоящей уборки.
- Не допускайте засасывания пылесосом твердых предметов, таких как камни, стальные шарики и детали игрушек, а также острых предметов, таких как строительный мусор, битое стекло и гвозди. При несоблюдении данного требования на полу могут остаться царапины.



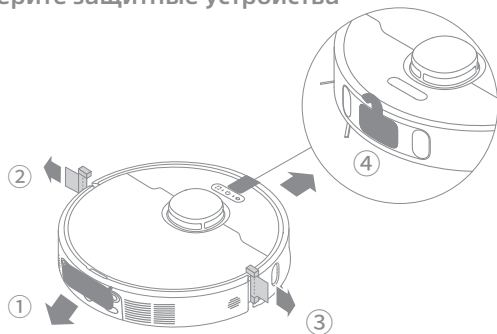
Перед уборкой установите физические барьеры у основания лестницы и рядом с диваном, чтобы обеспечить безопасность и бесперебойность работы пылесоса.



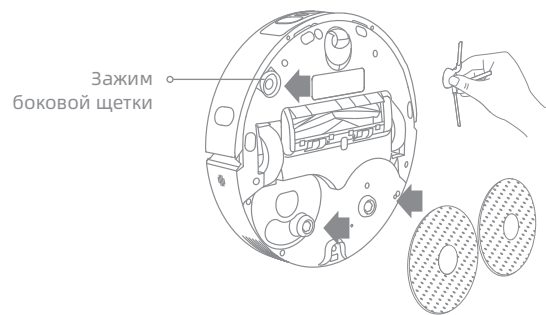
Благодаря визуальному датчику на основе искусственного интеллекта робот может более эффективно распознавать и избегать препятствия, такие как кабели питания, обувь и носки. Для гарантии наилучшей работы датчика убедитесь, что все зоны уборки хорошо освещены.

Перед использованием

1. Уберите защитные устройства



2. Установите боковую щетку и швабру



Примечание. Установите боковую щетку так, чтобы раздался щелчок.

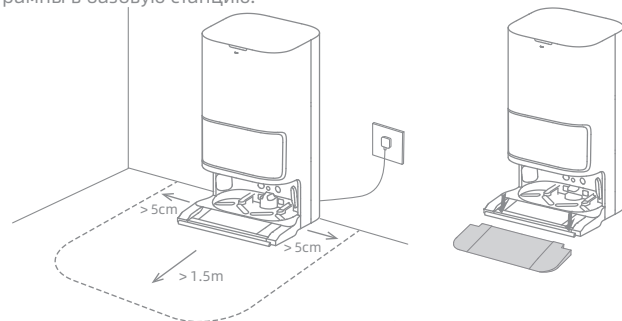
3. Подключите устройство к розетке

Расположите базовую станцию на максимально открытой поверхности в месте со стабильным сигналом Wi-Fi. Затем подсоедините кабель питания к базовой станции и подключите его к розетке.



4. Разместите базовую станцию в подходящем месте и установите удлинительную пластину рампы базовой станции.

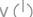
Разместите базовую станцию и удалите все объекты, находящиеся на расстоянии менее 1,5 м от передней части и 5 см от каждой боковой стороны базовой станции. Затем установите удлинительную пластину рампы в базовую станцию.

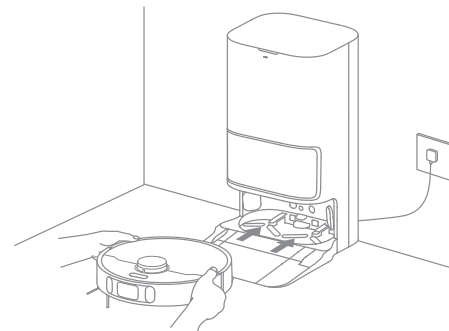


Примечание. Рекомендуется размещать базовую станцию на кафельном или мраморном полу, так как деревянный пол и ковры могут намочнуть от пятен воды.

Перед использованием

5. Разместите робота

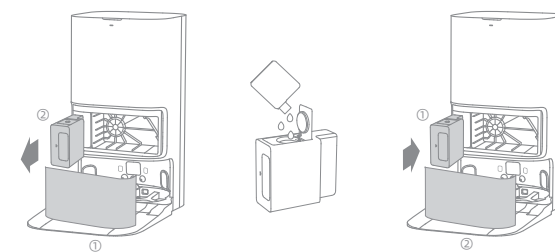
Нажмите и удерживайте кнопку  на роботе в течение 3 секунд, чтобы включить его. Разместите робота на базовой станции так, чтобы швабра была повернута в направлении стирального компонента. Когда робот подключится к базовой станции, вы услышите голосовое уведомление. После полной зарядки робота индикаторы состояния устройства и базовой станции будут гореть 10 минут, после чего погаснут.



Примечание. Рекомендуется полностью зарядить робота перед первым использованием. Если робот не включается после полной зарядки аккумулятора, вручную подключите робота к станции для зарядки.

6. Добавьте чистящий раствор

- (1) Снимите крышку отсека для пыли и выньте отсек автоподдачи чистящего средства.
- (2) Откройте верхнюю крышку отсека и добавьте чистящий раствор.
- (3) Закройте крышку отсека, установите ее обратно в базовую станцию, а затем установите на место крышку отсека для пыли. Чистящий раствор будет добавляться в резервуар для чистой воды автоматически во время работы.

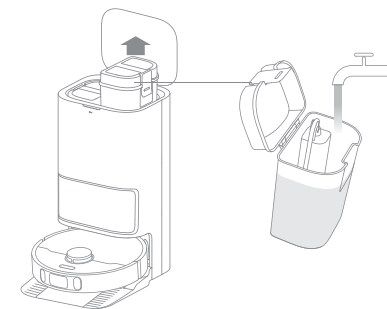


Примечание.

- Во избежание неисправностей запрещается добавлять какие-либо другие чистящие средства помимо одобренного чистящего раствора.
- Установите отсек автоподдачи чистящего средства так, чтобы раздался щелчок.

7. Заполните резервуар для чистой воды

Выньте резервуар для чистой воды из базовой станции и добавьте в него воду. Затем установите его обратно в базовую станцию.

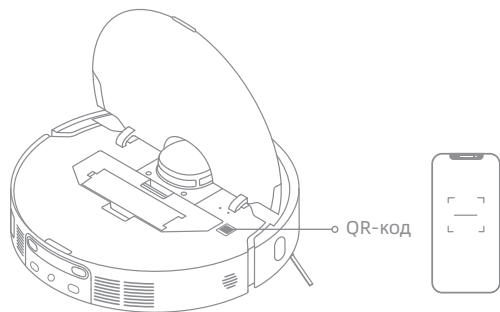


Примечание. Во избежание деформации резервуара для чистой воды, запрещается заливать в него горячую воду.

Подключение к устройству с помощью приложения Dreamehome

1. Загрузка приложения Dreamehome

Отсканируйте QR-код, размещенный на роботе, или введите «Dreamehome» в поисковой строке магазина приложений, чтобы загрузить и установить приложение.



Примечание.

- Функция беспроводной сети поддерживает только Wi-Fi с частотой 2,4 ГГц.
- Приложение регулярно обновляется. Фактические действия могут отличаться от указанных в данном руководстве. Следуйте инструкциям, опираясь на текущую версию приложения.

2. Добавление устройства

Откройте приложение Dreamehome, нажмите «+» в правом верхнем углу экрана и снова отсканируйте тот же QR-код на роботе, чтобы добавить устройство. Для завершения подключения к Wi-Fi следуйте подсказкам.





Примечание. Если вы хотите сбросить настройки Wi-Fi, повторите шаг 2, а затем следуйте инструкциям, чтобы завершить подключение Wi-Fi.

Использование

Быстрое построение карты

После первой настройки сети следуйте инструкциям в приложении по созданию карты. Робот начнет двигаться, не проводя уборку, чтобы построить общую карту. Построение карты будет завершено после того, как робот вернется на базовую станцию. Карта будет сохранена автоматически.

Включение/выключение

Чтобы включить робота, нажмите и удерживайте кнопку  в течение 3 секунд. Индикатор питания должен загореться. Поместите робота на базу: робот должен автоматически включиться и начать процесс зарядки. Для выключения робота снимите его с базовой станции, после чего нажмите и удерживайте кнопку  в течение 3 секунд.

Пауза/спящий режим

Во время работы устройства нажмите на любую кнопку, чтобы приостановить процесс уборки.

Через 10 минут после приостановки робот автоматически перейдет в спящий режим. При этом индикаторы включения и зарядки погаснут. Для выхода из спящего режима нажмите любую кнопку на роботе или воспользуйтесь приложением.

Примечание.

- При нахождении в спящем режиме более 12 часов робот автоматически выключится.
- После приостановки и возврата робота на базовую станцию текущий процесс уборки будет завершен.

Автоматическое возобновление уборки

Если заряд батареи слишком низкий, робот автоматически вернется на базовую станцию для зарядки. После зарядки аккумулятора до соответствующего уровня робот возобновит выполнение незавершенных задач по уборке.

Примечание. Для использования данной функции откройте ее в приложении.

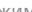
Режим «Не беспокоить»

В режиме «Не беспокоить» робот не сможет возобновить уборку, а индикатор питания погаснет. В заводских настройках режим «Не беспокоить» выключен по умолчанию. Включить режим «Не беспокоить» и изменить его длительность можно в приложении. По умолчанию для режима «Не беспокоить» настроен период времени с 22:00 до 8:00.



Примечание.

- Уборка по расписанию при включенном режиме «Не беспокоить» будет выполняться своевременно.
- Робот возобновит уборку в месте остановки после выхода из режима «Не беспокоить».

Точечная уборка

Чтобы включить режим точечной уборки, нажмите кнопку , когда робот находится в режиме ожидания. В этом режиме робот выполнит уборку квадратного участка 1,5 x 1,5 метра вокруг себя и затем вернется в место начала.

Перезагрузка робота


Если робот не реагирует на команды или не выключается, нажмите и удерживайте кнопку  в течение 10 секунд для принудительного его выключения. Затем нажмите и удерживайте кнопку  в течение 3 секунд, чтобы включить робота.

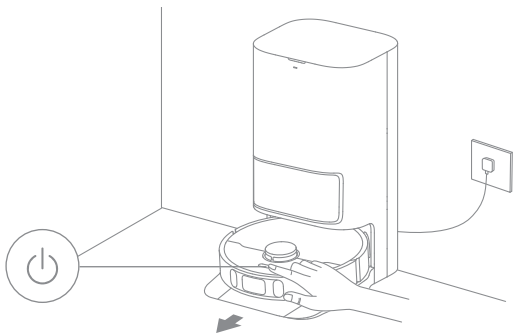
Использование

Сухая и влажная уборка

Примечание. При первом использовании швабры робот по умолчанию выполнит задачу «Vacuum and Mop» («Сухая и влажная уборка»).

1. Начало уборки

Чтобы запустить робота из базовой станции, нажмите кнопку  на роботе или воспользуйтесь приложением. Робот построит оптимальный маршрут уборки и выполнит задачу по уборке согласно созданной карте.

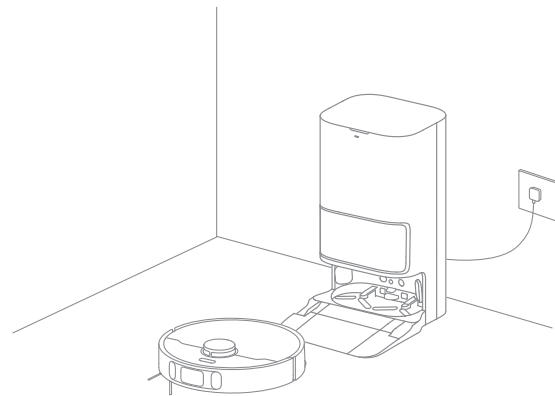


Примечание.

- Перед началом влажной уборки насадка для швабры пройдет процесс очистки. Дождитесь завершения очистки.
- Во время работы запрещается перемещать базовую станцию, резервуар для чистой воды, резервуар для использованной воды или стиральный компонент.
- Очистка горячей водой может быть включена в приложении для задач очистки mop-пада и базовой станции, что относится ко всем режимам. Во избежание ожогов не прикасайтесь к выходу воды из моющей доски, когда функция включена.

2. Автоматическая промывка насадки для швабры

Во время уборки робот будет автоматически возвращаться на базовую станцию для промывки насадки для швабры в соответствии с настройками в приложении. Базовая станция автоматически наполнит резервуар робота водой, и робот возобновит уборку.

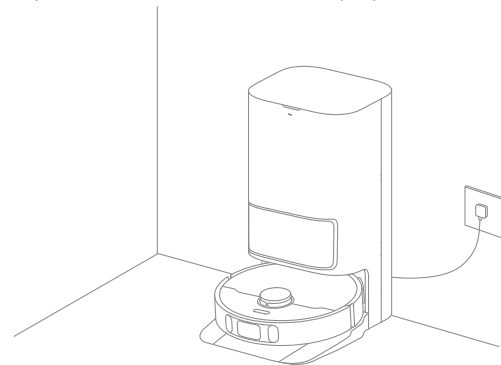


Примечание. При возвращении робота на базовую станцию для очистки насадки для швабры во время уборки, базовая станция не будет автоматически удалять содержимое контейнера для пыли.

Использование

3. После завершения задачи «Vacuum and Mop» («Сухая и влажная уборка») выполняется самоочистка контейнера для пыли, а также мойка и сушка насадки для швабры.

После того как робот завершит уборку и вернется на базовую станцию для подзарядки, базовая станция автоматически удалит содержимое контейнера для пыли, а затем очистит и просушит насадки для швабры.



Примечание.

- Если функция автоматической очистки выключена в приложении, базовая станция не будет автоматически удалять содержимое контейнера для пыли.
- Базовая станция будет удалять содержимое контейнера для пыли в соответствии с настройками в приложении.

4. Очистка резервуара для использованной воды

Во избежание появления неприятного запаха очистите резервуар для использованной воды, после того как робот завершит задачу.

Сухая, а затем влажная уборка

Выберите «Vacuum then Mop» («Сухая, а затем влажная уборка») в приложении, и робот автоматически поднимет швабру и пропылесосит пол. После завершения сухой уборки робот вернется, чтобы опорожнить контейнер для пыли, а затем опустит швабру и начнет мыть пол.

Только сухая уборка

Выберите «Vacuum Only» («Только сухая уборка») в приложении и робот автоматически поднимет швабру и начнет пылесосить пол.

Только влажная уборка

Выберите «Mop Only» («Только влажная уборка») в приложении и робот проверит, установлена ли швабра. Если ее нет, установите швабру вручную, после чего робот автоматически начнет мыть пол.

Плановое обслуживание

Компоненты

Для обеспечения надлежащей работы устройства рекомендуется выполнять его плановое обслуживание в соответствии с разделом «Использование принадлежностей» в приложении или с таблицей ниже.

Компонент	Частота обслуживания	Частота замены
Резервуар для использованной воды	После каждого использования	/
Резервуар для чистой воды	Раз в две недели	
Основная щетка		Каждые 6-12 месяцев
Фильтр контейнера для пыли		Каждые 3-6 месяцев
Боковая щетка		
Стиральный компонент	Раз в месяц	/
Область сигнала базовой станции		
Зарядные контакты базовой станции		
Вентиляция устройства автоматической очистки базовой станции		
Всенаправленное колесо		
Датчик края		
Лидар		
Линейный лазерный датчик		

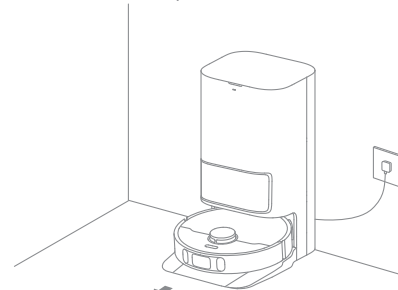
Компонент	Частота обслуживания	Частота замены
Визуальный датчик на основе искусственного интеллекта	Раз в месяц	/
Датчик ковра		
Датчики перепада высоты		
Зарядные контакты робота		
Бампер		
Вентиляция устройства автоматической очистки робота		
Отверстие для автоматического заполнения водой робота	По мере необходимости	/
Нижняя часть робота		
Контейнер для пыли		Каждые 6-8 недель
Мешок для сбора пыли		Каждые 1-3 месяца
Насадка для швабры		

Примечание. Частота замены зависит от способа использования робота. При возникновении исключительных обстоятельств следует выполнить замену компонентов.

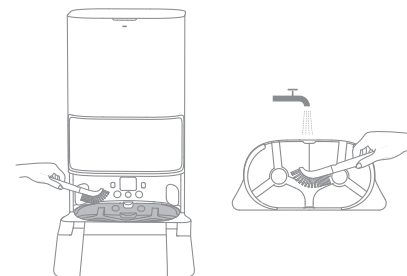
Плановое обслуживание

Очистка базовой станции

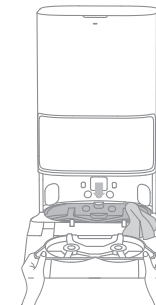
1. Выберите «Base Station Cleaning» («Очистка базовой станции») в приложении, и робот автоматически покинет базовую станцию. Достаньте стиральный компонент и подождите, пока вода заполнит нижнюю часть базовой станции.




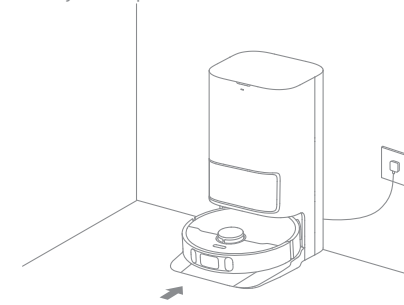
2. Промойте стиральный компонент чистой водой и очистите нижнюю часть базовой станции с помощью инструмента для очистки.



3. После этого базовая станция автоматически выпустит использованную воду. Затем вытрите базовую станцию мягким и сухим полотенцем и поставьте стиральный компонент на место.



4. Для возврата робота на базовую станцию используйте приложение или нажмите кнопку  на роботе.

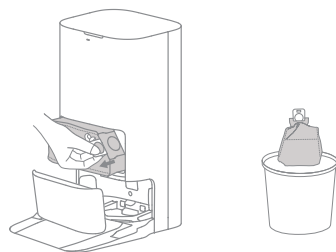


Примечание. Во время уборки не отправляйте робота обратно на базовую станцию.

Плановое обслуживание

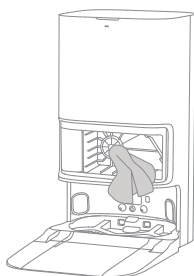
Мешок для сбора пыли

1. Утилизируйте мешок для сбора пыли.

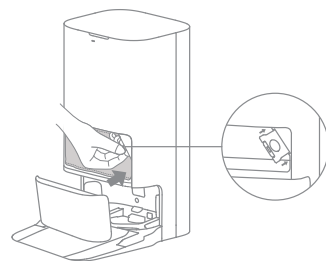


Примечание. Потяните ручку вверх, чтобы запечатать мешок и предотвратить случайное выпадение пыли и грязи.

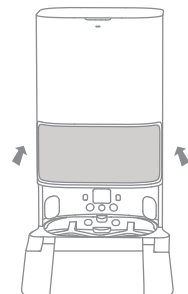
2. Очистите пыль и грязь с фильтра сухим полотенцем.



3. Установите новый мешок для сбора пыли.



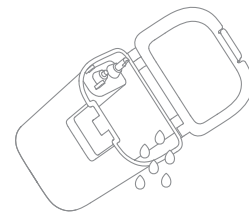
4. Закройте крышку отсека для пыли.



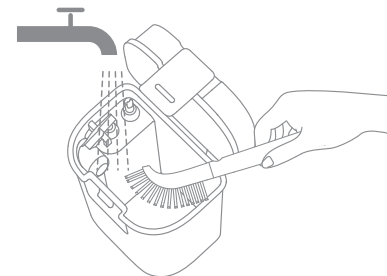
Плановое обслуживание

Резервуар для использованной воды

1. Извлеките резервуар для использованной воды, откройте его крышку и вылейте содержимое резервуара.



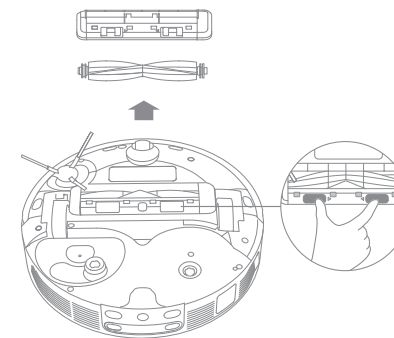
2. Промойте резервуар для использованной воды и очистите его внутреннюю поверхность с помощью инструмента для чистки в комплекте.



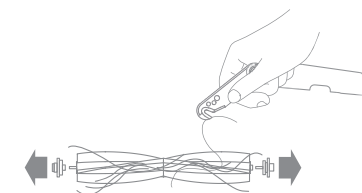
Примечание. Поплавковый уровень в резервуаре для использованной воды является подвижной деталью. Очищайте уровень без чрезмерных усилий, чтобы не повредить его.

Основная щетка

1. Надавите на зажимы, чтобы извлечь защиту щетки и достать щетку из робота.



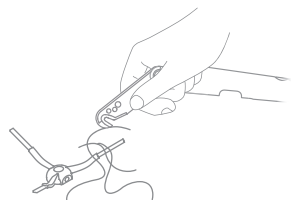
2. Вытащите крышки щеток с ее обоих концов, как показано на рисунке. С помощью инструмента для чистки, входящего в комплект поставки, удалите волосы, запутавшиеся в щетке.



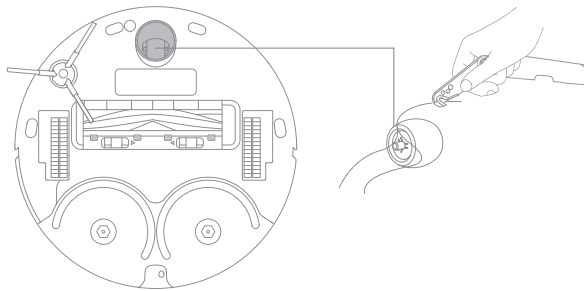
Плановое обслуживание

Боковая щетка

Снимите и очистите боковую щетку.



Всенаправленное колесо

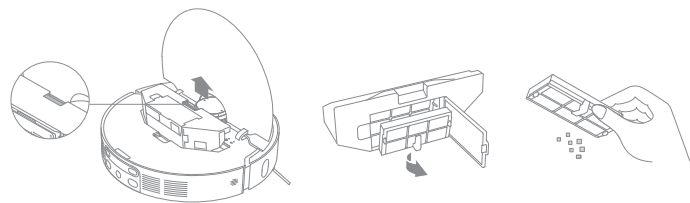


Примечание.

- Отделите ось и обод всенаправленного колеса с помощью небольшой отвертки. Не прилагайте чрезмерных усилий.
- Промойте всенаправленное колесо под проточной водой, тщательно просушите и установите на место.

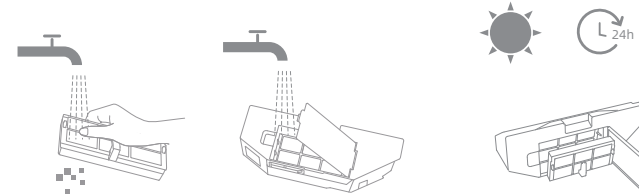
Контейнер для пыли и фильтр

1. Откройте крышку робота и нажмите на зажим контейнера для пыли, чтобы снять его. Затем снимите фильтр и слегка постучите по нему.



Примечание. Не пытайтесь очистить фильтр щеткой, пальцами или острыми предметами, чтобы не повредить его.

2. Промойте контейнер для пыли и фильтр водой, а затем тщательно просушите их перед повторной установкой.



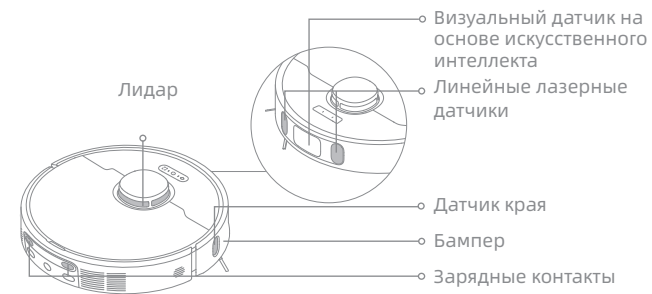
Примечание.

- Промывайте контейнер для пыли и фильтр только чистой водой. Запрещается использовать чистящее средство.
- Используйте контейнер для пыли и фильтр только после тщательной сушки.

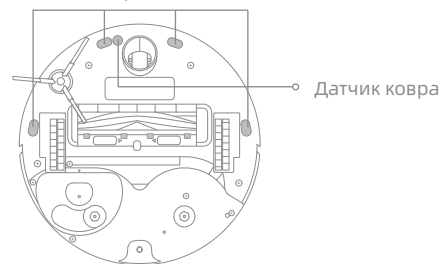
Плановое обслуживание

Датчики и зарядные контакты робота

Протирайте датчики и зарядные контакты робота мягким и сухим полотенцем, как показано на рисунке ниже:



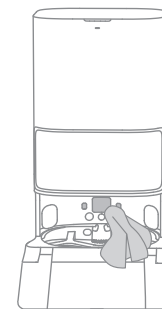
Датчики перепада высоты



Примечание. Влажное полотенце может повредить чувствительные элементы робота и базовой станции. Для очистки используйте только сухое полотенце.

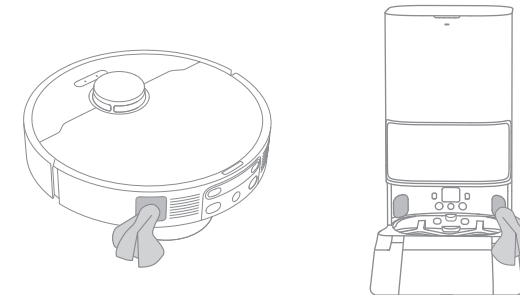
Зарядные контакты

Протрите зарядные контакты и область сигнала базовой станции сухим и мягким полотенцем.



Вентиляция устройства автоматической очистки

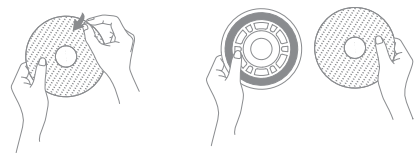
Протрите отверстия для вентиляции устройства автоматической очистки робота и базовой станции сухим и мягким полотенцем.



Плановое обслуживание

Насадка для швабры

Извлеките насадку для швабры из держателя для замены.





Аккумулятор

Робот оборудован высокопроизводительным литий-ионным аккумулятором. Для гарантии оптимальной работы следите, чтобы аккумулятор был заряжен.

Поиск и устранение неисправностей

Проблема	Решение
Робот не включается.	Низкий заряд аккумулятора. Зарядите робота на базовой станции и повторите попытку. Слишком низкая или слишком высокая температура аккумулятора. Рекомендуемая рабочая температура: от 32 °C (0 °F) до 104 °F (40 °C).
Робот не заряжается.	Базовая станция не подключена к источнику питания. Убедитесь, что оба конца кабеля питания корректно подключены. Зарядные контакты базовой станции и робота слабо контактируют. Очистите зарядные контакты. Проверьте разъем робота на наличие посторонних предметов и удалите их при необходимости.
Сбой подключения робота к сети Wi-Fi.	Неверный пароль от сети Wi-Fi. Убедитесь, что пароль для подключения к сети Wi-Fi введен верно. Робот не поддерживает сеть Wi-Fi с частотой 5 Гц. Убедитесь, что робот подключен к сети Wi-Fi с частотой 2,4 Гц. Слабый сигнал Wi-Fi. Убедитесь, что робот находится в зоне стабильного сигнала Wi-Fi. Робот не готов к настройке. Выйдите из приложения и зайдите еще раз, затем повторите попытку согласно инструкциям.
Робот не может найти базовую станцию и вернуться на нее.	Базовая станция отключена от источника питания или была перемещена, пока робот выполнял уборку. Вокруг базовой станции слишком много препятствий. Расположите базовую станцию на более открытом пространстве. Из-за перемещения робот может начать определять свое местоположение повторно. В случае сбоя повторного определения местоположения карта будет создана повторно. Если робот находится слишком далеко от базовой станции, он не сможет автоматически вернуться самостоятельно. В таком случае необходимо вручную вернуть робота на базовую станцию. Протрите область сигнала базовой станции, чтобы удалить пыль или грязь.
Робот застрял перед базовой станцией и не может вернуться на нее.	Чтобы робот не застрял, очистите от посторонних предметов пространство на расстоянии 1,5 м от базовой станции спереди или 5 см слева от нее. Маршрут возврата для подзарядки заблокирован, например, закрыта дверь. Робот может скользить, если участок пола перед базовой станцией слишком мокрый. В таком случае необходимо убрать излишки воды и повторить попытку. Рекомендуется переместить базовую станцию в другое место и повторить попытку. Убедитесь, что удлинительная пластина ramпы установлена правильно.

Поиск и устранение неисправностей

Проблема	Решение
Робот не выключается.	Робота нельзя выключить во время зарядки. Чтобы выключить робота, рекомендуется убрать его с базовой станции, а затем нажать и удерживать кнопку  в течение 3 секунд. Если робота невозможно выключить согласно инструкциям, описанным в шаге 1, нажмите и удерживайте кнопку  в течение 10 секунд, чтобы принудительно выключить устройство. Если проблема сохраняется, свяжитесь со службой послепродажного обслуживания.
Робот заряжается медленно.	Полная зарядка аккумулятора занимает около 3,5 часов. Если робот используется при температуре, которая не соответствует установленному диапазону, скорость зарядки автоматически снижается, чтобы увеличить время использования аккумулятора. Зарядные контакты робота и базовой станции могли загрязниться. Протрите их сухим полотенцем.
В процессе работы устройства увеличивается шум.	Проверьте фильтр контейнера для пыли на наличие засора. При наличии засора очистите или замените фильтр. В основной щетке или контейнере для пыли мог застрять твердый предмет. Проверьте и удалите твердый предмет. В основной или боковой щетке мог запутаться посторонний предмет. Проверьте и удалите посторонние предметы. Переключите режим всасывания на «Стандартный» или «Тихий».
Робот не придерживается установленного маршрута.	Перед началом использования робота все посторонние предметы, такие как кабели питания и тапки, необходимо убрать в сторону. Основное колесо скользит на влажной скользкой поверхности. Рекомендуется просушить влажную зону перед началом использования робота. Протрите линейные лазерные датчики и визуальный датчик на основе искусственного интеллекта робота чистым мягким полотенцем для гарантии их чистоты.
Робот пропускает комнаты во время уборки.	Убедитесь, что двери в комнаты, которые необходимо убрать, открыты. Убедитесь, что высота дверного порога в комнату не превышает 2 см. Робот не может переезжать через высокие пороги или ступеньки. Пространство перед комнатой, которую необходимо убрать, может быть влажным и скользким, поэтому робот скользит и работает некорректно. Попробуйте просушить пол перед началом использования робота.

Поиск и устранение неисправностей

Проблема	Решение
Робот не может возобновить уборку после подзарядки.	Убедитесь, что режим «Не беспокоить» выключен. В противном случае робот не сможет возобновить уборку. Робот не возобновит уборку, после того как вы вручную вернете его на базовую станцию для подзарядки, то есть вручную разместите робота на базовой станции или отправите его на подзарядку с помощью приложения или нажав соответствующие кнопки на самом роботе.
Станция не удаляет содержимое контейнера для пыли автоматически.	Проверьте, заполнен ли мешок для сбора пыли в соответствующем отсеке. Если мешок для сбора пыли не заполнен, проверьте отверстия для вентиляции устройства автоматической очистки робота, базовой станции или контейнера для пыли на наличие посторонних предметов. При наличии последних своевременно прочистите соответствующую деталь.
Неверный уровень воды в стиральном компоненте.	Снимите стиральный компонент и проверьте, не заблокирован ли слив использованной воды, после чего при необходимости очистите его. Аккуратно нажмите на резервуар для использованной воды, чтобы убедиться, что он установлен правильно. Убедитесь, что уплотнение на резервуаре для использованной воды не ослаблено и установлено правильно. В противном случае установите его повторно вручную. Если проблема сохраняется, свяжитесь со службой послепродажного обслуживания. Проверьте чистящий раствор. Запрещается добавлять какие-либо другие чистящие средства помимо одобренного чистящего раствора.

Для получения дополнительной технической поддержки свяжитесь с нами на сайте <https://global.dreametech.com>

Робот

Модель	RLL82CE
Время зарядки	Около 3,5 ч
Номинальное напряжение	14.4 V $\overline{\text{---}}$
Номинальная мощность	75 W
Рабочая частота	2400-2483.5 MHz
Макс. выходная мощность	<20 dBm

При обычных условиях использования, между антенной данного оборудования и телом пользователя должно сохраняться расстояние не менее 20 см.

Базовая станция

Модель	RCLE0301
Номинальное входное напряжение	220-240 V \sim 50-60 Hz
Номинальное выходное напряжение	20 V $\overline{\text{---}}$ 2 A
Номинальная мощность (во время удаления пыли)	1000 W
Номинальная мощность (во время очистки горячей водой)	1150 W
Номинальная мощность (во время зарядки и сушки)	89 W

Примечание.

- Номинальная мощность (во время уборки горячей водой) определяется значением мощности в репрезентативный период (температура воды 25°C).
- Номинальная мощность (во время зарядки и сушки) определяется значением мощности в период полной нагрузки.

Извлечение и утилизация аккумулятора

Встроенный литий-ионный аккумулятор содержит вещества, представляющие опасность для окружающей среды. Аккумулятор должен быть извлечен квалифицированным специалистом и сдан в соответствующий пункт переработки.

- для утилизации аккумулятор необходимо вынуть из устройства;
- при извлечении аккумулятора устройство должно быть отключено от электросети;
- аккумулятор необходимо утилизировать безопасным способом.

ВНИМАНИЕ!

Прежде чем извлекать аккумулятор, отключите электропитание и максимально разрядите аккумулятор.

Нерабочие аккумуляторы следует сдавать в соответствующие пункты переработки.

Не подвергайте аккумулятор воздействию высокой температуры во избежание риска взрыва.

При нарушении правил эксплуатации из аккумулятора может вылиться жидкость. В случае контакта с такой жидкостью промойте пораженный участок водой и обратитесь за медицинской помощью.

Инструкции по извлечению:

1. Переверните робота, с помощью подходящего инструмента открутите винты на его задней части, а затем снимите крышку.
2. Чтобы извлечь аккумулятор, отсоедините клеммы между аккумулятором и печатной платой.

Информация об утилизации и переработке отходов электрического и электронного оборудования

Все изделия с символом раздельного сбора отработанного электрического и электронного оборудования (Директива WEEE 2012/19/EU) следует утилизировать отдельно от несортируемых бытовых отходов. С целью охраны здоровья и защиты окружающей среды, такое оборудование необходимо сдавать на переработку в специальные пункты приема электрического и электронного оборудования, определенные правительством или местными органами власти. Правильная утилизация и переработка помогут предотвратить возможные негативные последствия для окружающей среды и здоровья человека. Для получения информации о местонахождении и порядке приема устройств в пунктах приема обратитесь в компанию, занимающуюся установкой оборудования, или в местные органы власти.