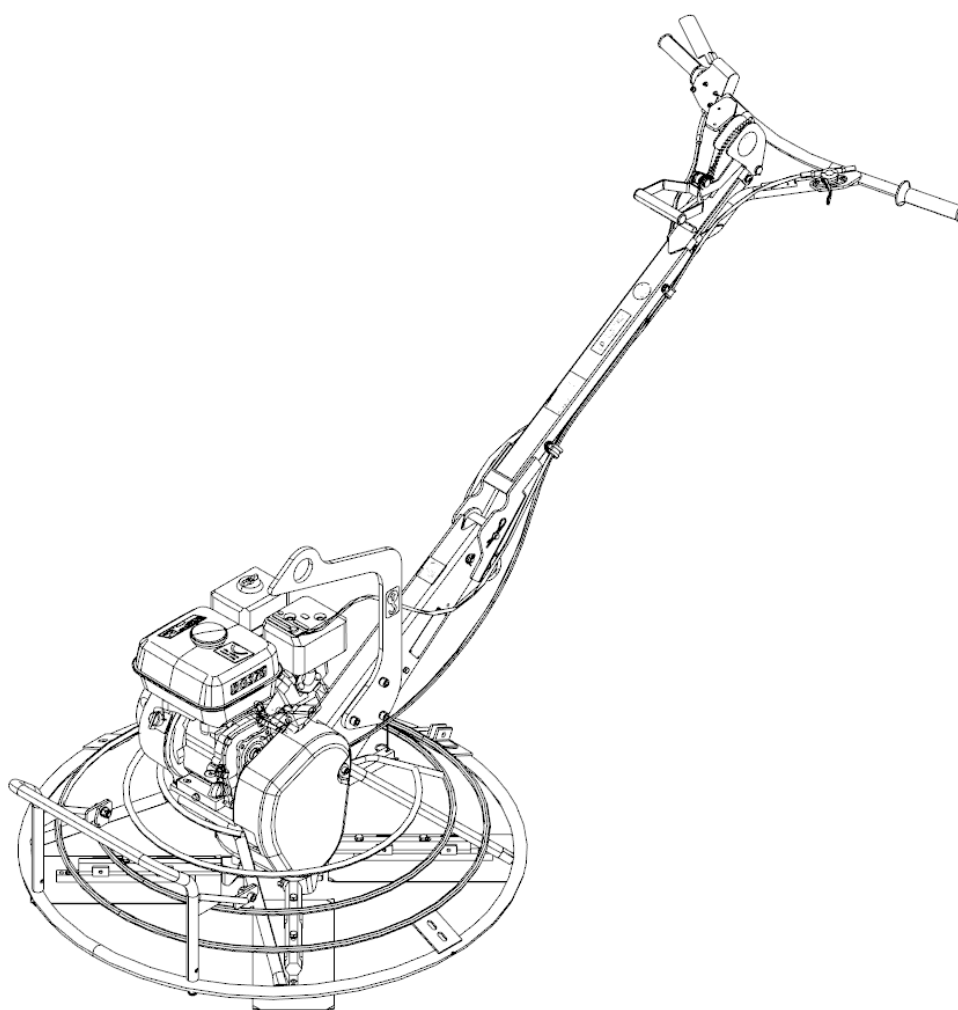


BG 375

Spare parts list: Trowel

BG375 H5 F BC TP



General information

This spare parts list applies to the following:

Part number	Description
967928901	BG375 H5 F BC TP

Use only authorized parts. Any damage or malfunction caused by the use of Unauthorized parts are not covered by Warranty or Product Liability. Any unauthorized use or copying of the contents or any part thereof is Prohibited. This applies in particular to trademarks, model denominations, part numbers, and drawings.

Instructions for use

This spare parts list contains no safety regulations and is merely intended to assist in the ordering of spare parts.

For information about operating, servicing, or repairing, the relevant Safety and operating instructions must be consulted at all costs.

Please observe the safety instructions listed in the relevant Safety and operating instructions!

Mechanical

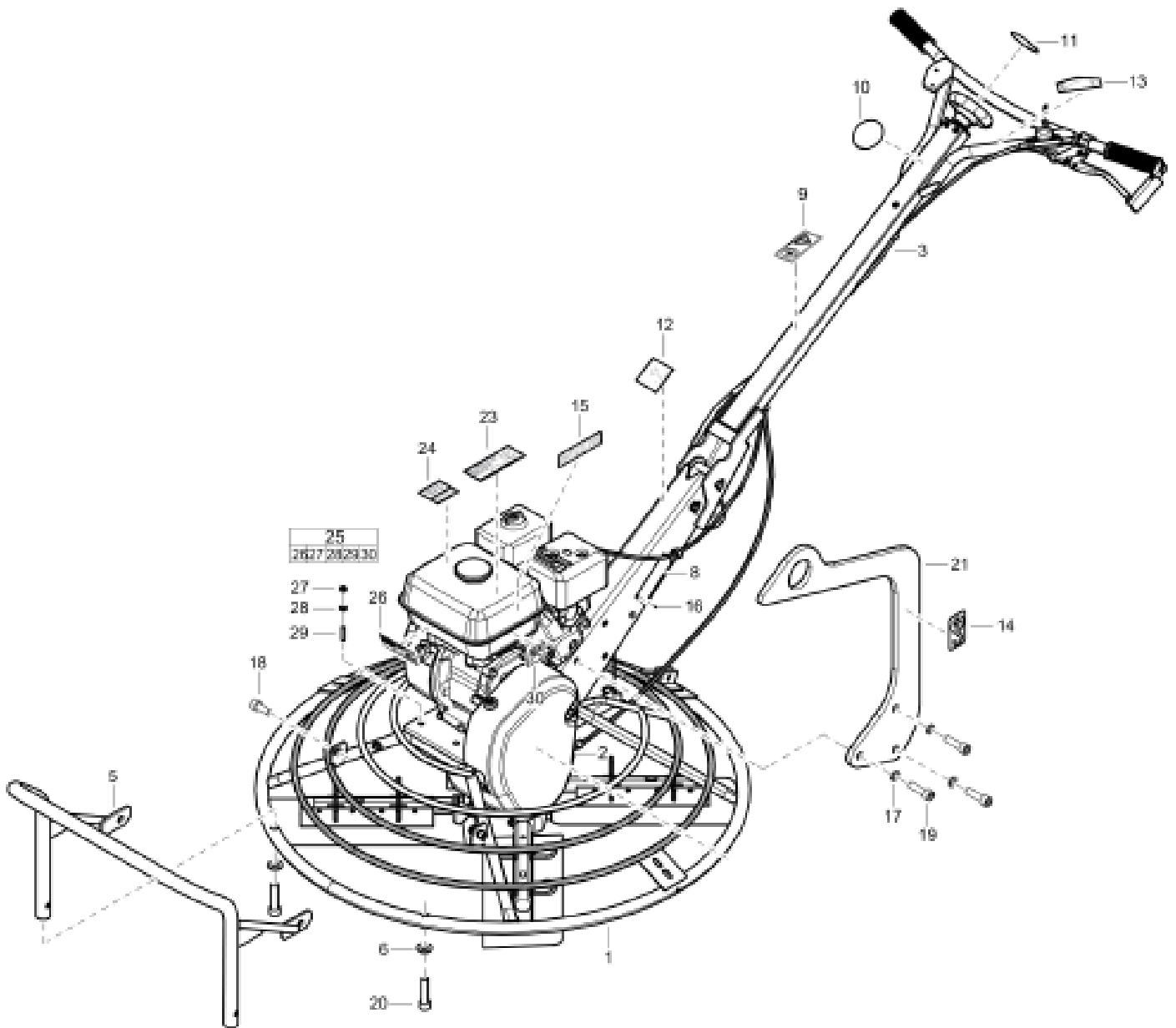
BG 375 H5 F BC TP 1
Blade assembly 3
Clutch and pulley 5
Clutch Cpl 7
Engine 9
Handle Assembly Twist pitch 11
Screw regulator 13

Accessories

Consumables 15

Kits

Mechanical BG 375 H5 F BC TP

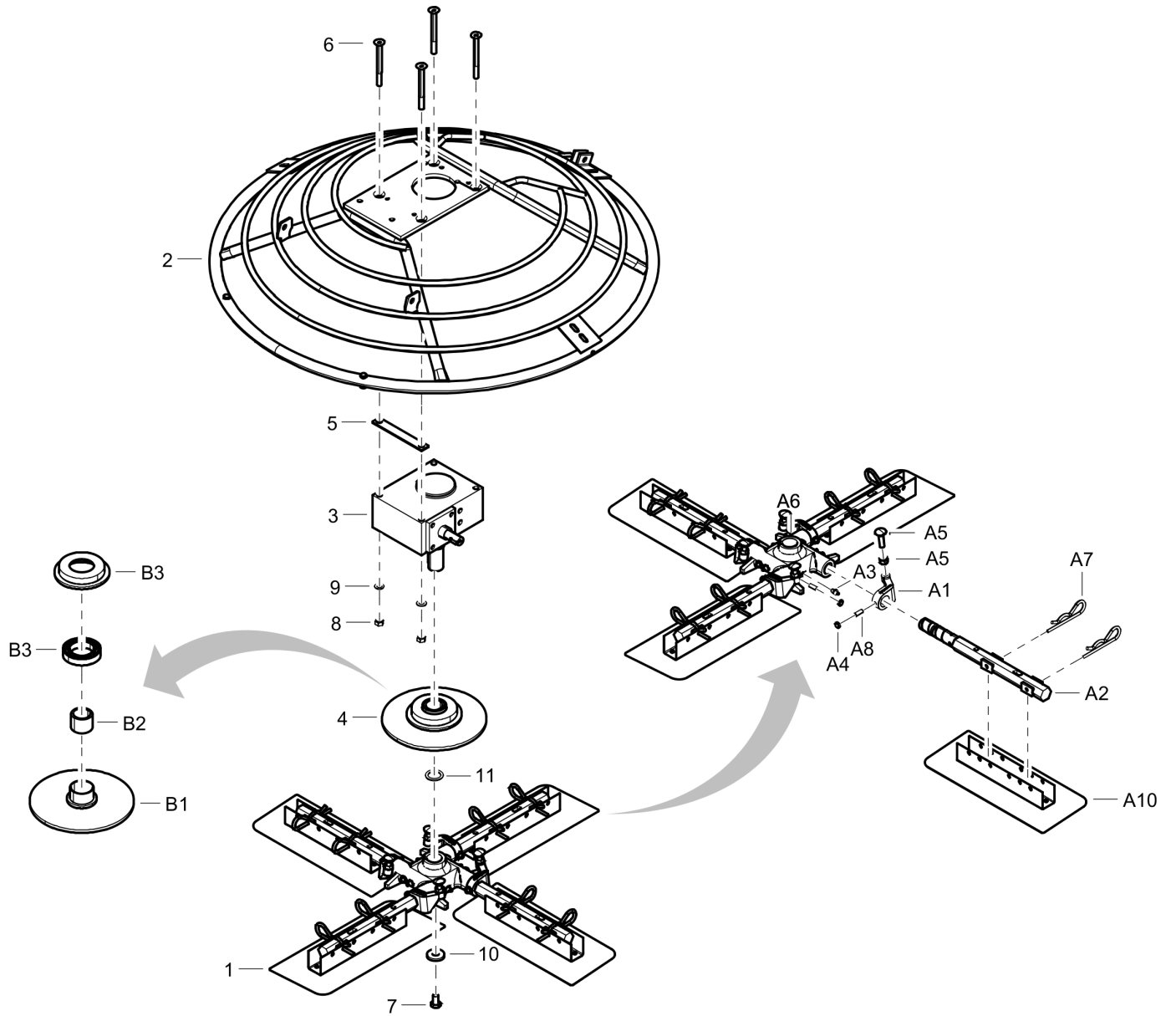


Refer to the Parts Online web page for most up-to-date information. The printed information might be outdated.

Item	Part No.	Name	Qty	L
1	-	Cage modular f900 quickstop	1	
2	-	Module belt gx 160/200	1	
3	595499001	Module handle	1	
4	4812060272	Motor honda 5.5 hp - set	1	
5	595210601	Console pipe bg375 ac gray	1	
6	595113301	Washer plain	2	
7	594123101	Locknut	2	
8	595361001	Data plate	1	
9	594869701	Decal safety	1	
10	594337101	Label, use ear protectors	1	
11	594245801	Decal blade angle	1	
12	594163001	Label, cutting hazards	1	
13	594246801	Label, stop-run	1	
14	594332101	Decal	1	
15	595498701	Decal BG375	2	
16	595168301	Rivet	4	
17	594124401	Spring washer	3	
18	595111301	Paraf.allen	2	
19	0211196548	Allen screw	3	
20	595212401	Hex Sock screw M10X40mm, (1.57")	2	
21	595210501	Ear lifting bg375	1	
23	594245901	Decal remove disk	1	
24	594246901	Decal tilted position	1	
25	4812030271	Bolt	1	
26	-	Decal remove disc	1	
27	-	Hexagon nut	4	
28	-	Spherical Spring Washer	4	
29	-	Threded rod	4	
30	-	Decal Tilted posision	1	

Refer to the Parts Online web page for most up-to-date information. The printed information might be outdated.

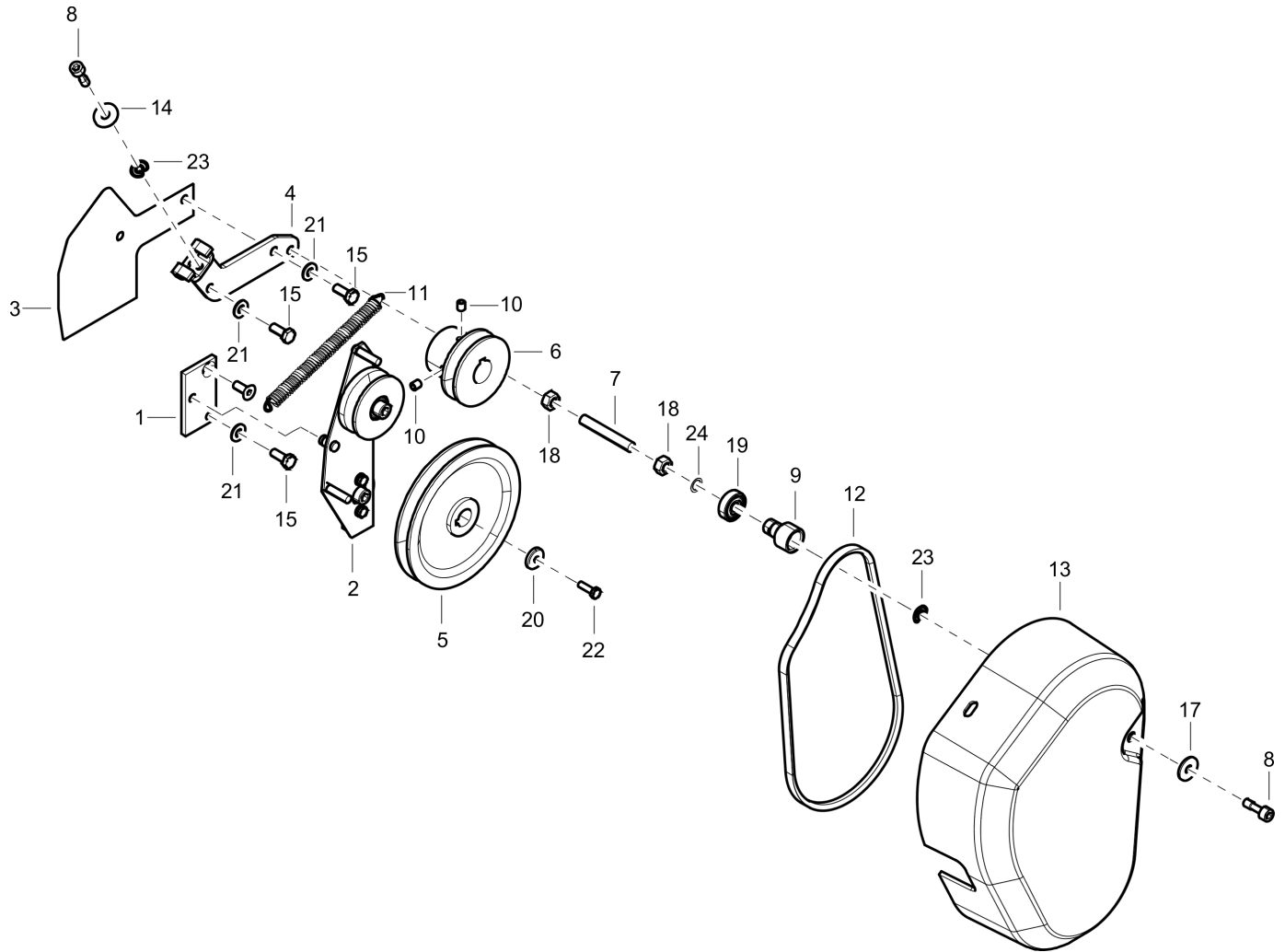
Mechanical Blade assembly



Item	Part No.	Name	Qty	L
1	595210801	Blade assy	1	
A1	594246001	Arm	4	
A2	594639701	Blade axle	4	
A3	594126801	Grease nipple, M8	4	
A4	595351701	Nut	8	
A5	595029401	Nut hexagon	4	
A6	594240301	Hub	1	
A7	594117601	Locking clip	8	
A8	595346301	Set screw M8x20mm, (.98".)	8	
A9	595350801	Square neck bolt M10x40mm, (1.57".)	4	
A10	594227601	Blades Finishing- Quick release set of 4 Pcs, Proline	4	A
A10	4700032337	Fins (in navizhan is 4700002255	4	
2	595207801	Cage f900 bg375	1	
3	594226601	Gear box	1	
4	595136601	Pressure plate CPL	1	
B1	594241701	Pressure plate	1	
B2	594226801	Sleeve bearing	1	
B3	594248601	Bearing plate	1	
B4	595038101	Ball bearing	1	
5	595443701	Holder plate	1	
6	595349801	Hex.sock screw M10x110mm, (4.33".)	4	
7	594119001	Hex. head screw	1	
8	595029401	Nut hexagon	4	
9	595113301	Washer plain	4	
10	594124001	Washer, 13x36x6 mm, 0.51x1.42x0.24 ". 300HV	1	
11	595356801	Back-up washer, Ø 32.7 x 45 x 2.5 mm, (Ø 1.29 x 1.77 x 0.10 ".)	2	

Refer to the Parts Online web page for most up-to-date information. The printed information might be outdated.

Mechanical Clutch and pulley

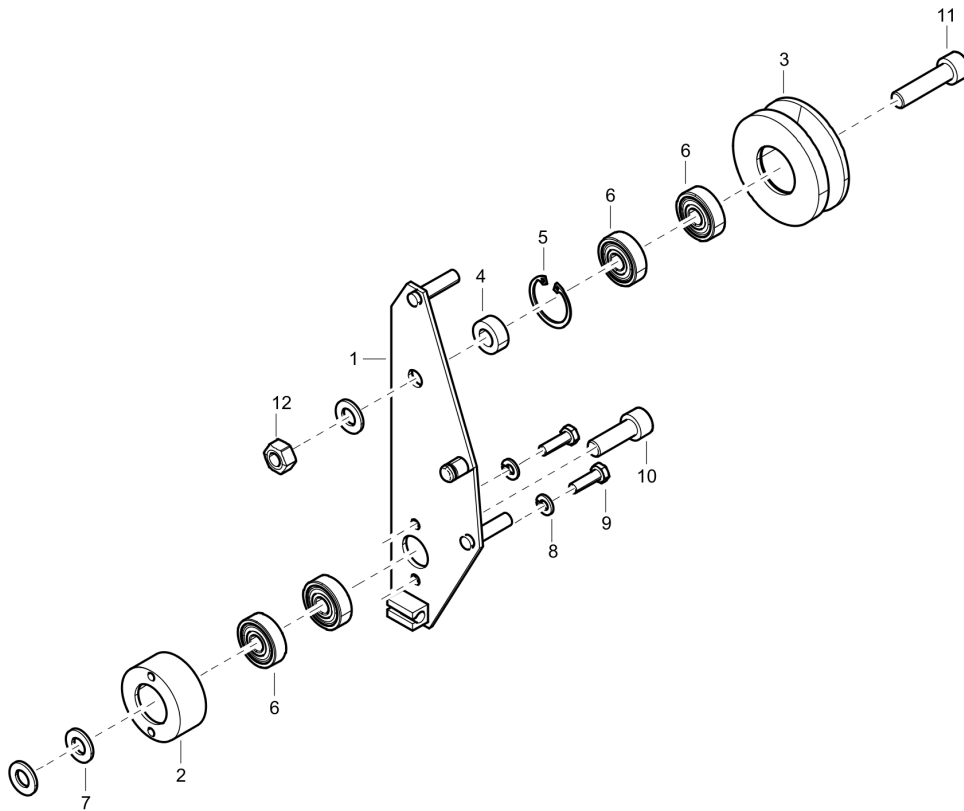


Refer to the Parts Online web page for most up-to-date information. The printed information might be outdated.

Item	Part No.	Name	Qty	L
1	594248701	Bracket	1	
2	-	Clutch cpl	1	
3	594751401	Safety plate	1	
4	594155401	Cover bracket	1	
5	594241601	Belt wheel	1	
6	594642001	Pulley	1	
7	595212801	Rod, M10 x 48 mm 8.8	1	
8	594642501	Captive screw M8x25, (.98".)	2	
9	594642401	Holder	1	
10	595346701	Set screw M8x8mm, (.31".)	2	
11	594249501	Pull spring	1	
12	594230601	V-belt	1	
13	594959001	Belt cover	1	
14	594123701	Plain washer	1	
15	594117901	Hex. head screw m8 x 20	3	
16	595350101	Screw, M8 x 20 mm	1	
17	594123701	Plain washer	1	
18	595029401	Nut hexagon	2	
19	595115701	Ball bearing	1	
20	595119201	Plain washer	1	
21	595113601	Conical washer M8 DIN 6796	3	
22	595109801	Hex. head screw	1	
23	594650201	Lock spring	2	
24	595037101	Retaining ring	1	

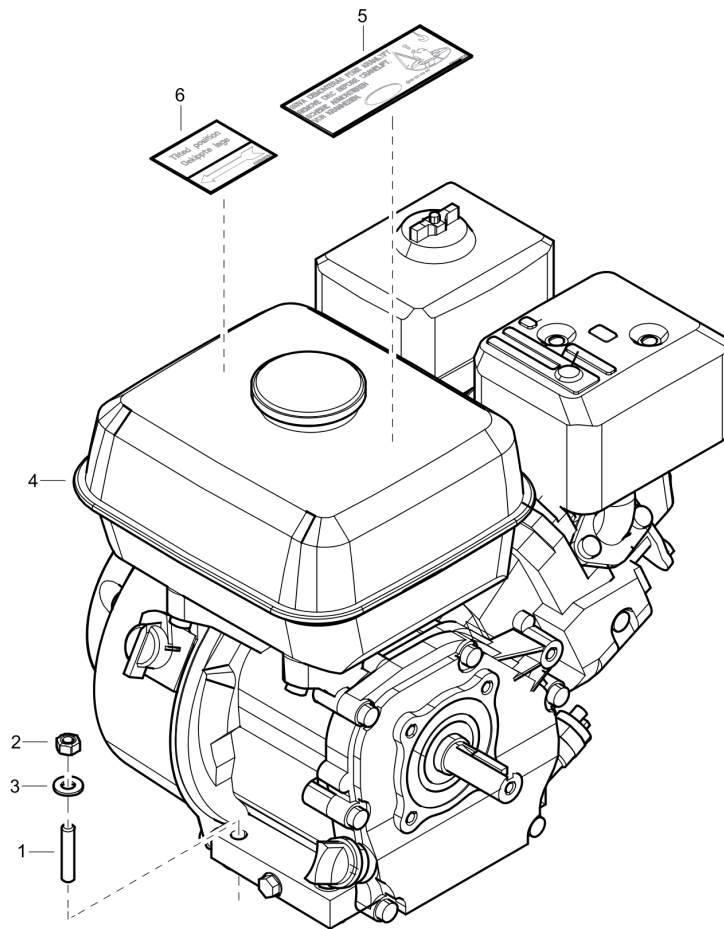
Refer to the Parts Online web page for most up-to-date information. The printed information might be outdated.

Mechanical Clutch Cpl



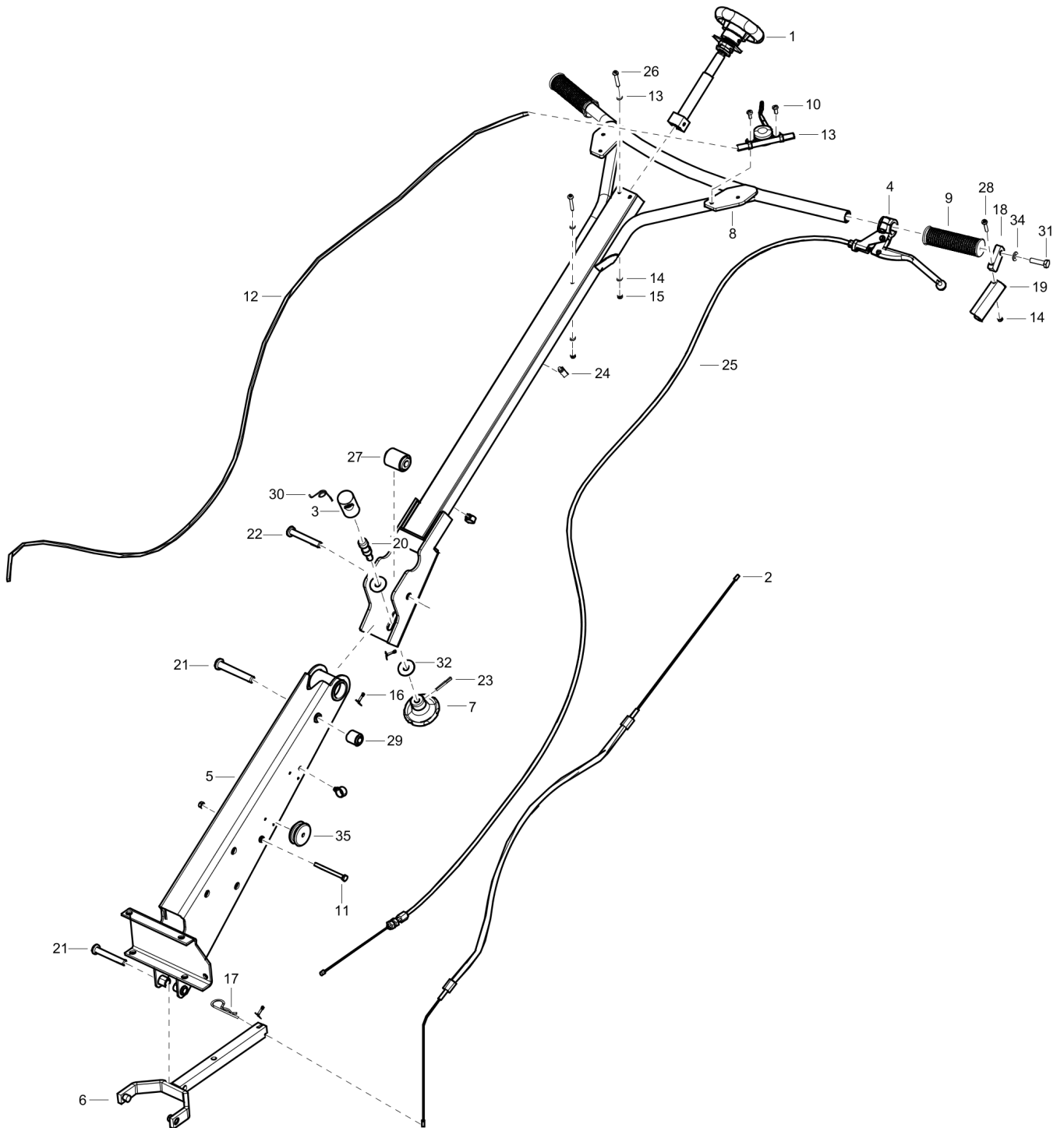
Item	Part No.	Name	Qty	L
1	594248801	Belt tensioner	1	
2	594248901	Bearing housing	1	
3	594249001	Pulley	1	
4	594159601	Spacer	1	
5	595037301	Retaining ring	1	
6	594219701	Ball bearing	4	
7	595113301	Washer plain	3	
8	595353101	Washer DIN7980	2	
9	595109801	Hex. head screw	2	
10	595356701	Screw, M10 x 30 mm	1	
11	595348801	Screw	1	
12	595029401	Nut hexagon	1	

Mechanical Engine



Item	Part No.	Name	Qty	L
1	594747201	Stud, M8 x 40 mm, (1.57".)	4	
2	595035701	Nut DIN934	4	
3	595113601	Conical washer M8 DIN 6796	4	
4	3382010843	Engine	1	
5	594245901	Decal remove disk	1	
6	594246901	Decal tilted position	1	

Mechanical Handle Assembly Twist pitch

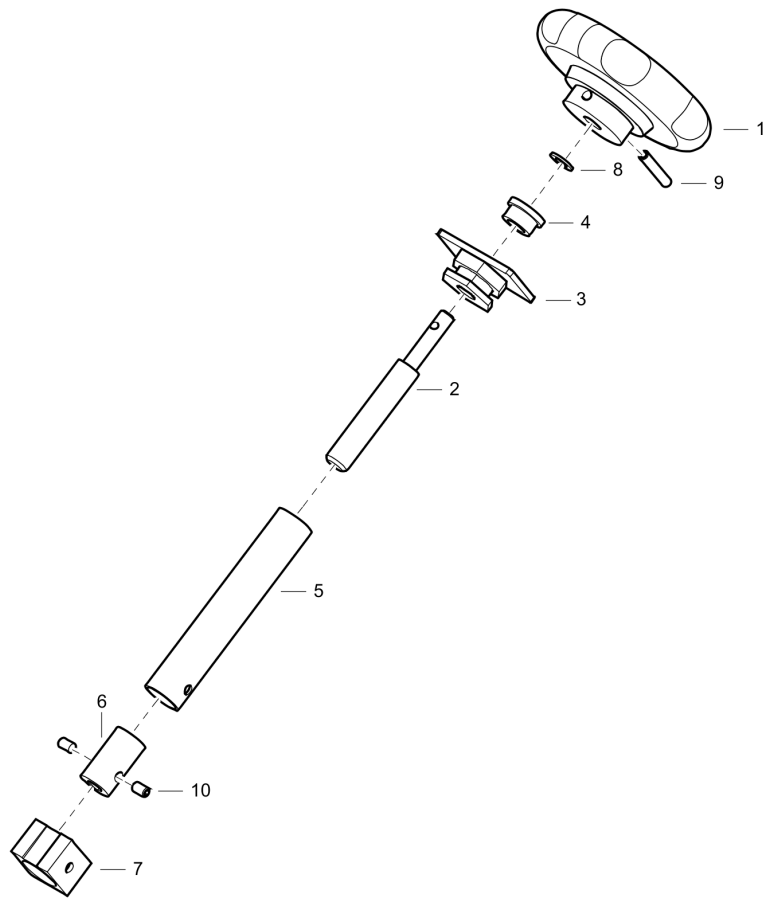


Refer to the Parts Online web page for most up-to-date information. The printed information might be outdated.

Item	Part No.	Name	Qty	L
1	595520101	Adjusting screw - set	1	
2	594639001	Conductor tilt blade	1	
3	594638601	Bush	1	
4	594226901	Clutch handle	1	
5	595498601	Console handle ac	1	
6	594243801	Fork	1	
7	594638901	Handle	1	
8	594638201	Ac dark gray handle	1	
9	4812055392	Handle	2	
10	595514601	Screw m5h12	2	
11	594117801	Hexagon bolt	1	
12	594639201	Gas wire	1	
13	594224101	Trottle control	1	
14	595112401	Nut	3	
15	595352001	Nut lock hex m6	1	
16	594117301	Split pin, 3.2 x 28 mm, (0.13 x 1.10 ".)	3	
17	594117501	Locking clip	1	
18	594384501	Handle holder	1	
19	594384601	Handle	1	
20	594638701	Tenon	1	
21	595109601	Pin 10x70mm, (2.75".)	2	
22	595210701	Pin 12x80mm, (3.14".)	1	
23	595109401	Spring pin f4h24	1	
24	595202401	Tie strap	3	
25	594639901	Sting	1	
26	595350301	Screw M5x40 DIN 7500	3	
27	594863701	Damping sleeve	1	
28	595514901	Screw, M5 x 30 mm	1	
29	594863801	Ultra sleeve	1	
30	594638801	Spring	1	
31	595344301	Hex. head screw	1	
32	594123501	Washer	2	
33	594123801	Plain washer	6	
34	595036601	Washer DIN125	1	
35	594863601	Pulley	1	

Refer to the Parts Online web page for most up-to-date information. The printed information might be outdated.

Mechanical Screw regulator



Item	Part No.	Name	Qty	L
1	594245701	Handle - developing	1	
2	595442801	Adjusting screw	1	
3	594779501	Holder with sleeve	1	
4	594219801	Flange bearing	1	
5	594246401	Adjusting nut	1	
6	594246101	Shortstop cable	1	
7	595140201	Guiding	1	
8	595113301	Washer plain	1	
9	595109501	Spring pin 5x30, (1.18".)	1	
10	-	Screw stopper M5x12 mm, (.47".)	2	

Accessories Consumables

NO EXPLODED VIEW
AVAILABLE
FOR THIS BOM

Item	Part No.	Name	Qty	L
1	594240201	Floating disc, 2.5 mm (0.10 ".), thick Classicline	1	
2	594243601	Floating disc, 3 mm (0.12 ".), thick Proline	1	
3	594198301	Floating blades- Quick release set of 4 Pcs Proline	1	A
4	594227601	Blades Finishing- Quick release set of 4 Pcs, Proline	1	B
5	594711101	Finishing blades-Bolt On- Set of 4 Pcs.	1	
7	594866901	Combination blade 1.6mm Quick release ProLine	1	
6	594867301	Plastic blade10mm Quick release ProLine	1	
8	594866801	Combination blade 1.6mm BoltOn ClassicLine	1	

Refer to the Parts Online web page for most up-to-date information. The printed information might be outdated.

Any unauthorized use or copying of the contents or any part thereof is prohibited.
This applies in particular to trademarks, model denominations, part numbers, and drawings.