

# LG 204

---

## Spare parts list

### Forward and reversible plate

LG 204

# General information

This spare parts list applies to the following:

Part number	Description
967855202	LG 204 Hatz   500 mm   EPA   EL COMPACTORS
967855206	LG 204 Hatz   500 mm   EI COMPACTORS
967855205	LG 204 Hatz   500 mm   Man COMPACTORS
967855207	LG 204 500 mm   Hatz   Man Bio COMPACTORS
967855204	LG 204 Hatz   500 mm   Bio   EL COMPACTORS
967855203	LG 204 Hatz   600 mm   EL COMPACTORS
967855208	LG 204 500 mm   Hatz   Man EPA COMPACTORS
967855201	LG 204 Honda   500 mm COMPACTORS
967855209	LG 204 Honda   500 mm   Bio COMPACTORS

Use only authorized parts. Any damage or malfunction caused by the use of unauthorized parts is not covered by Warranty or Product Liability. Any unauthorized use or copying of the contents or any part thereof is prohibited. This applies in particular to trademarks, model denominations, part numbers, and drawings.

## Instructions for use

This spare parts list contains no safety regulations and is merely intended to assist in the ordering of spare parts.

For information about operating, servicing, or repairing, the relevant Safety and operating instructions must be consulted at all costs.

Please observe the safety instructions listed in the relevant Safety and operating instructions!

## Preventative Maintenance Kits

Start Up Kit, Hatz	1
12 months / 500 hours service kit	3
Six months / Every 250 hours kit	5

## Service, repair and wear part kits

Eccentric element repair kit	7
Shock absorber repair kit	9
Forward and reverse piston repair kit	11
Transport device kit	13
Block paving plate kit 510 mm (20.1 in.)	15

## Mechanical

Frame and hoods	17
Engine plate	19
Ground plate and eccentric element installation	21
Eccentric element	23
Hydraulic system	26
Throttle control, Honda	30
Throttle control, Hatz, EPA version	33
Throttle control, Hatz, Non EPA version	35
Belt tightner	37
Centrifugal clutch, Honda	39
Centrifugal clutch, Hatz	41
Battery installation	43
Handle assembly	45
Transport device	47
Decals	49

## Engine

Engine, Hatz 1B20	51
Engine, Honda GX 200 UT SM-12 OH	55
Engine installation, Honda	58
Engine installation, Hatz	61

**Preventative Maintenance Kits** Start Up Kit, Hatz

NO EXPLODED VIEW  
AVAILABLE  
FOR THIS BOM

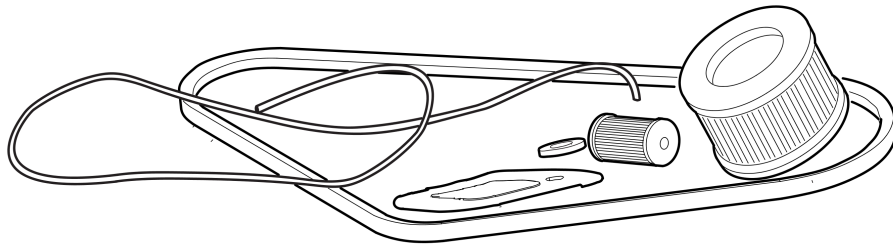
Item	Part No.	Name	Qty	L
1	594218601	Start Up Kit	1	
2	594218701	12 months / 500 hours service kit	1	
3	595377401	Fuel filter	1	
4	595377301	Air Filter	1	
5	594332701	V-belt	1	
6	594445501	Air filter	1	
7	594214601	Six months / Every 250 hours kit	1	
8	595377401	Fuel filter	1	
9	595377301	Air Filter	1	
10	-	Cobra & compactor Impact-OIL 1L	2	

**Preventative Maintenance Kits** 12 months / 500 hours service kit

NO EXPLODED VIEW  
AVAILABLE  
FOR THIS BOM

Item	Part No.	Name	Qty	L
1	594218701	12 months / 500 hours service kit	1	
2	595377401	Fuel filter	1	
3	595377301	Air Filter	1	
4	594332701	V-belt	1	
5	594445501	Air filter	1	

**Preventative Maintenance Kits** Six months / Every 250 hours kit





Item	Part No.	Name	Qty	L
1	594214601	Six months / Every 250 hours kit	1	
2	595377401	Fuel filter	1	
3	595377301	Air Filter	1	

**Service, repair and wear part kits** Eccentric element repair kit

NO EXPLODED VIEW  
AVAILABLE  
FOR THIS BOM

Item	Part No.	Name	Qty	L
1	594196701	Eccentric element repair kit	1	
2	594531101	Roller bearing	4	A
3	594547401	Sealing ring	1	A
4	594550501	Ball bearing	2	A
5	595046001	Retaining ring	1	A
6	595186801	Washer 6,4x12x1,5	16	A
7	595055001	Screw, M6x20 mm 8.8 A2K	16	A
8	594552101	Packing	1	A
9	594512101	COPPER WASHER	1	A

Comments for Page: Eccentric element repair kit

(L)OCAL REMARKS

A | See section "Eccentric element".

**Service, repair and wear part kits** Shock absorber repair kit

NO EXPLODED VIEW  
AVAILABLE  
FOR THIS BOM

Item	Part No.	Name	Qty	L
1	594196101	Shock absorber repair kit	1	
-	594327001	Shock absorber	4	A
-	595113401	Washer DIN125	8	
-	595029401	Nut hexagon	4	
-	595351801	Hexagon nut m12	4	
-	594147501	Shock absorber	4	B
-	595344601	Hexagon bolt	8	
-	594747401	Washer	8	
-	594518301	Shock absorber	1	C
-	594747401	Washer	1	
-	595344601	Hexagon bolt	1	
-	--	Screw, M10 x 20 mm 8.8 A3K , See section "Handle".	1	
-	594527201	Shock absorber	1	
-	594527301	Shock absorber	1	
-	595112201	Hexagon nut	2	
-	595036701	Plain washer	2	

Comments for Page: Shock absorber repair kit

(L)OCAL REMARKS

A | For ground plate.

See section "Ground plate and eccentric element installation".

B | For handle.

See section "Handle".

C | See section "Handle".

**Service, repair and wear part kits** Forward and reverse piston repair kit

NO EXPLODED VIEW  
AVAILABLE  
FOR THIS BOM

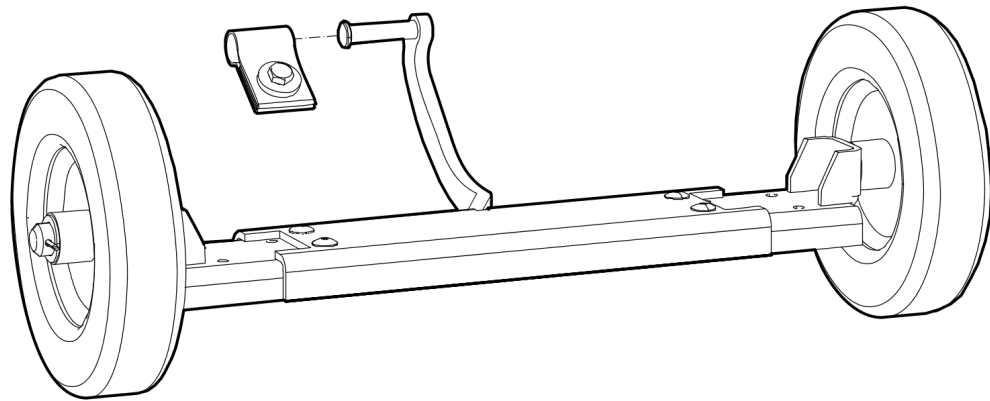
Item	Part No.	Name	Qty	L
1	594196501	Forward and reverse piston repair kit	1	
2	594332201	Sealing ring	1	A
3	594643301	Piston rod	1	A
4	594266401	Retaining ring	1	A
5	594647501	Ball bearing	1	A
6	594265601	Retaining ring	1	A
7	594647601	Thrust ball bearing	1	A
8	594647701	Spring washer	1	A
9	594643201	Hydraulic cylinder	1	A
10	595503001	Hydraulic Cylinder	1	A
11	595186801	Washer 6,4x12x1,5	4	A
12	595055001	Screw, M6x20 mm 8.8 A2K	4	A

Comments for Page: Forward and reverse piston repair kit

(L)OCAL REMARKS

A | See section "Eccentric element".

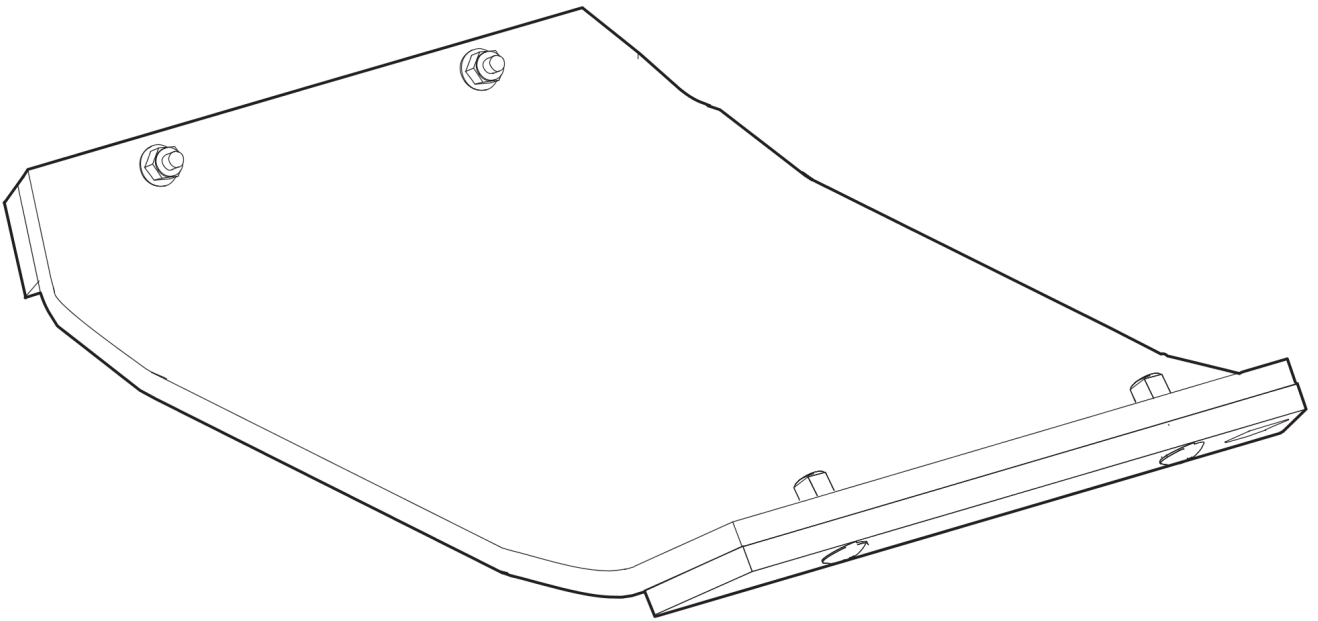
**Service, repair and wear part kits** Transport device kit





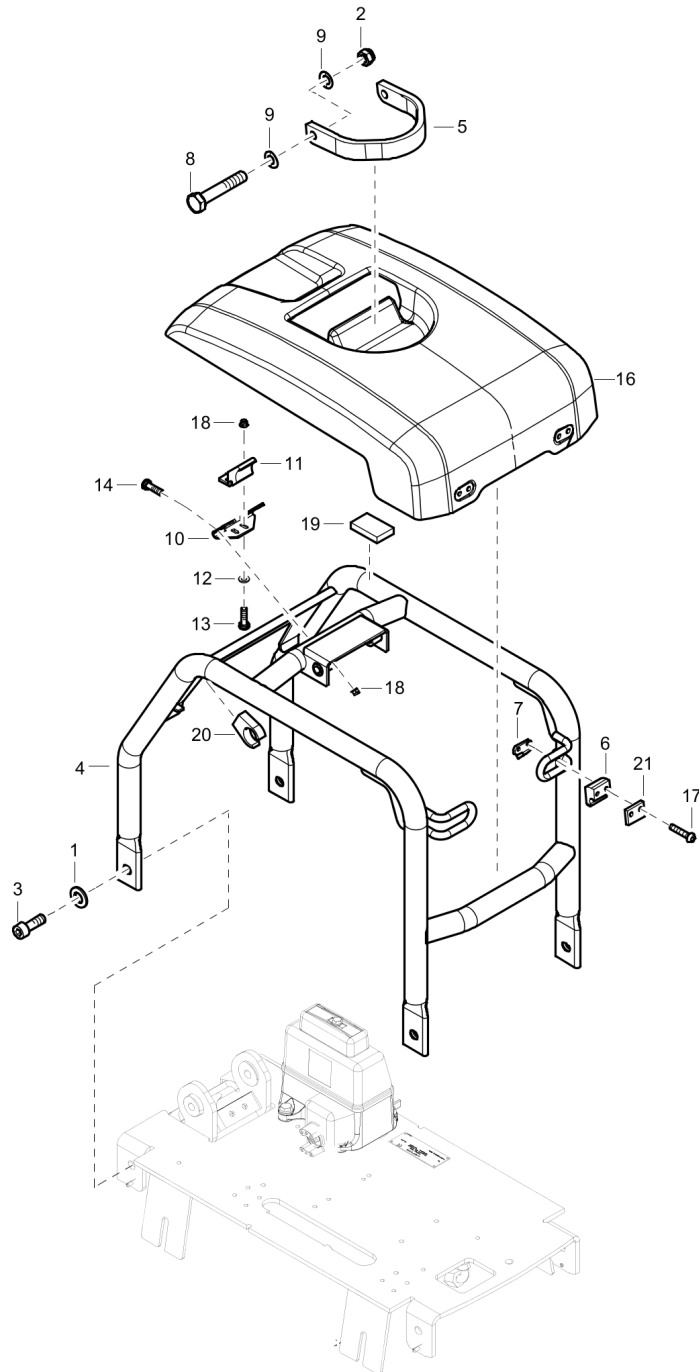
Item	Part No.	Name	Qty	L
1	594830501	Transport device kit	1	
-	--	Transport device	1	
-	--	Strap	1	
-	--	Washer, 13 x 36 x 6 mm, 0.51 x 1.42 x 0.24 in. 300 HV	1	
-	--	Screw, M12 x 25 mm 8.8 A3K	1	
-	--	Screw, M8 x 30 mm 8.8	4	
-	--	Wheel shaft	2	
-	--	Washer	4	
-	--	Wheel	2	
-	--	Split pin	2	
-	--	Washer, 8.4 x 22 x 3 mm, 0.33 x 0.87 x 0.12 in. 300 HV	4	
-	--	Nut, M8 A2K	4	

**Service, repair and wear part kits** Block paving plate kit 510 mm (20.1 in.)



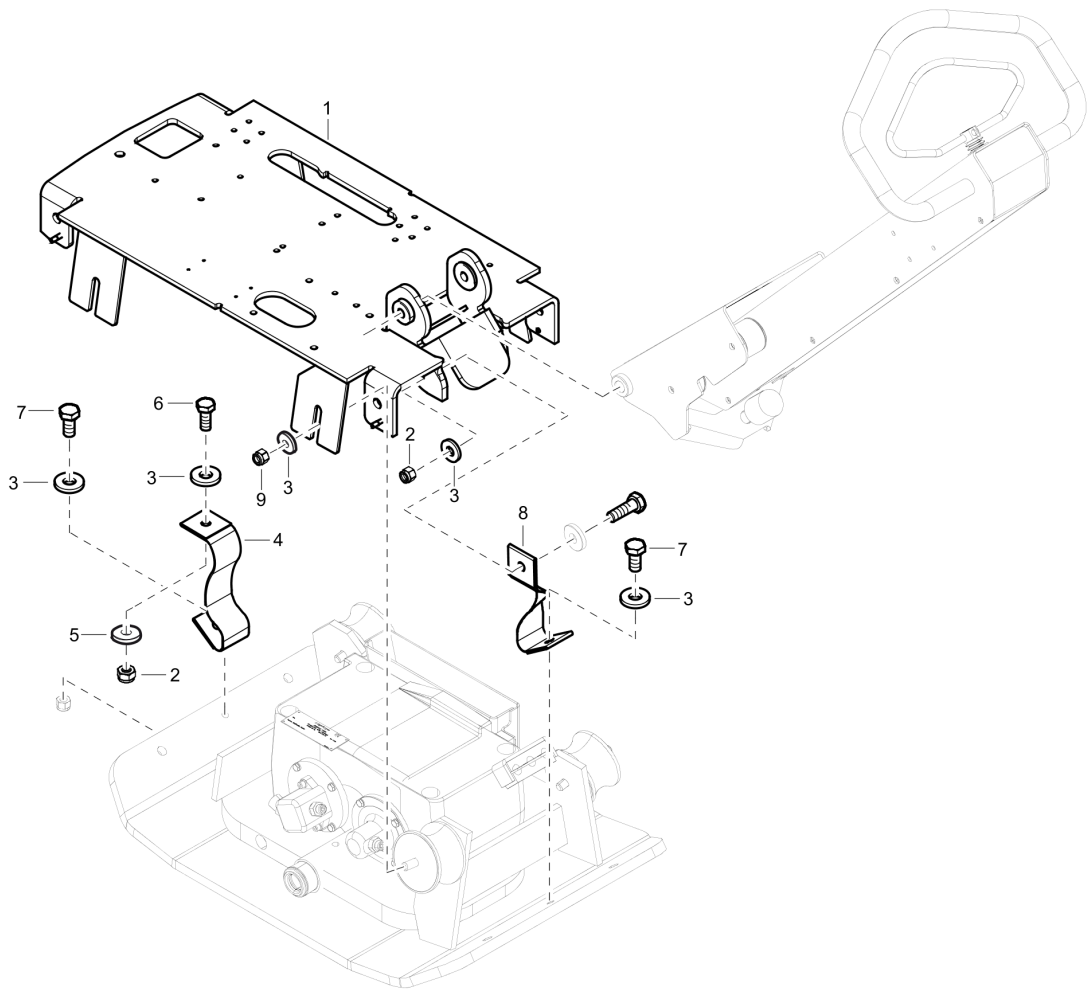
Item	Part No.	Name	Qty	L
1	595385901	Block paving plate kit 510 mm (20.1 in.)	1	
-	--	Polyurethane plate, 510 mm, 20.1 in.	1	
-	--	Bracket	2	
-	--	Nut, M10 x 1.5 mm A3K	4	
-	--	Screw, M10 x 45 mm 4.6 A3K	4	

**Mechanical** Frame and hoods



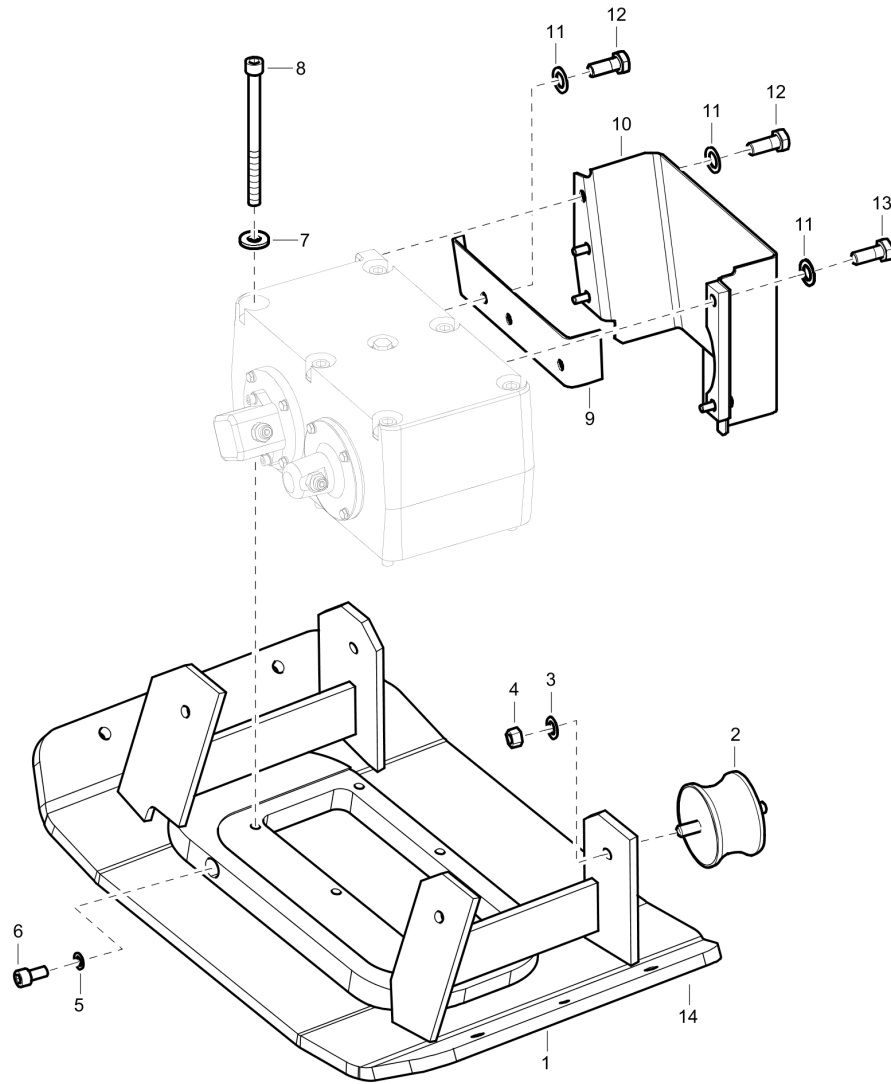
Item	Part No.	Name	Qty	L
1	595112801	Washer, 10.5 x 22 x 4 mm, 0.41 x 0.87 x 0.16 in. 300 HV	4	
2	595112701	Lock nut	2	
3	594120901	Hex sock. screw M12 x 40	4	
4	594184401	Protective frame	1	
5	594150901	Lifting lug	1	
6	594469601	Clip	2	
7	594471501	Stop	2	
8	594119301	Hex. head screw	2	
9	595115401	Washer	4	
10	594469701	Bracket	1	
11	594469501	Clip	1	
12	595036501	Plain washer	2	
13	595109801	Hex. head screw	2	
14	595349601	Screw	4	
16	594957701	Hood	1	
17	594121101	Screw	4	
18	595112601	Lock nut,M8	6	
19	595523901	Rubber cloth	2	
20	594329501	Clip	2	
21	594185201	Distance	2	

**Mechanical** Engine plate



Item	Part No.	Name	Qty	L
1	595128101	Engine plate	1	
2	595112701	Lock nut	2	
3	595113401	Washer DIN125	10	
4	594143001	Strap	1	
5	594124001	Washer, 13x36x6 mm, 0.51x1.42x0.24 ". 300HV	4	
6	594119101	Screw DIN933	2	
7	595345301	Hex. head screw	2	
8	594141501	Strap	1	
9	595029401	Nut hexagon	4	

**Mechanical** Ground plate and eccentric element installation





Item	Part No.	Name	Qty	L
1	595127701	Ground plate	1	
2	594327001	Shock absorber	4	
3	595113401	Washer DIN125	8	
4	595351801	Hexagon nut m12	4	
5	594512101	COPPER WASHER	1	
6	594120601	Hex. Sock Screw	1	
7	595113001	Washer	6	
8	595347301	Screw, M12 x 160 mm 12.9GEOMET®	6	
9	594328601	V-belt protection, inner	1	
10	594328701	V-belt cover	1	
11	595036601	Washer DIN125	8	
12	594117901	Hex. head screw m8 x 20	6	
13	595344301	Hex. head screw	2	
14	595464901	Ground plate 600 mm	1	

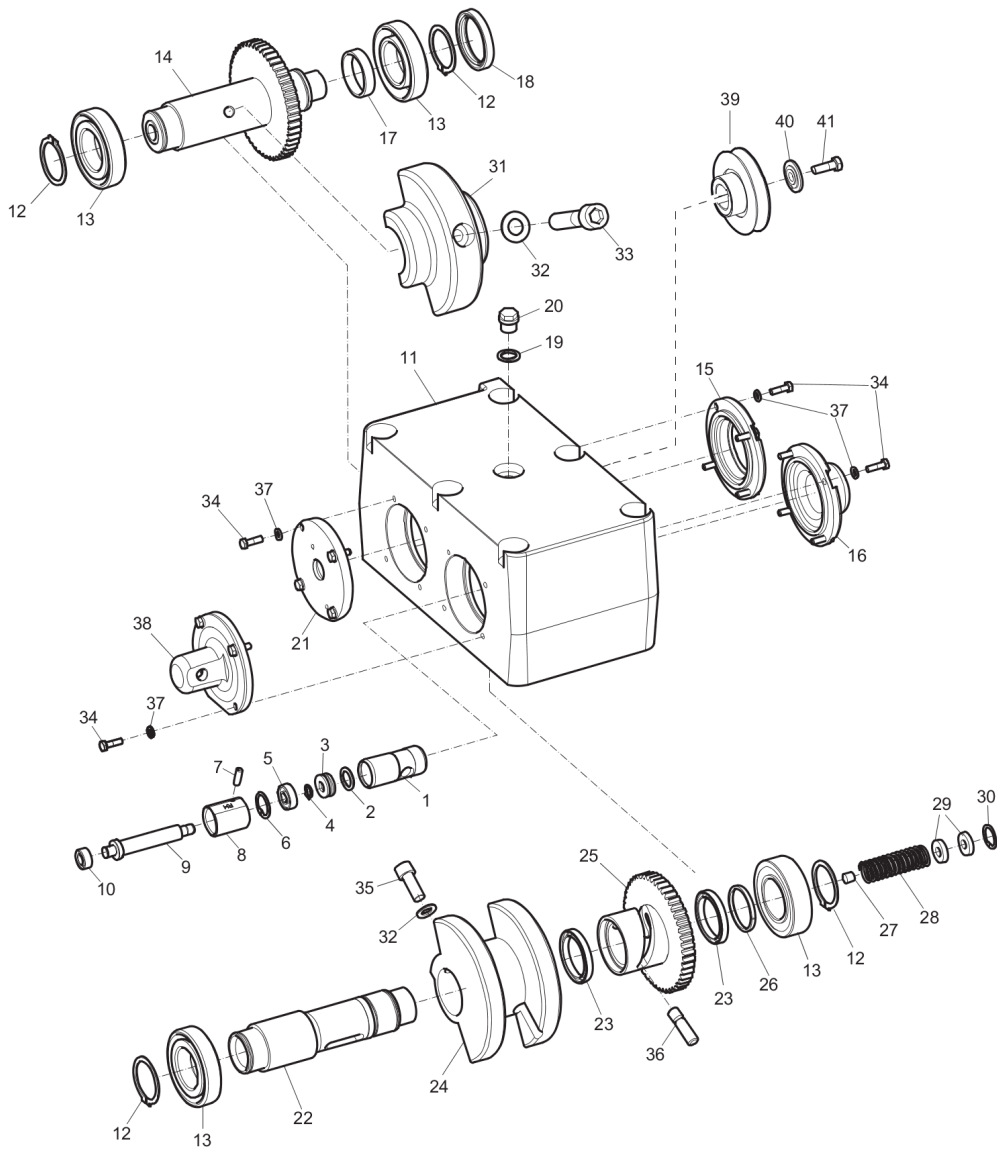
Comments for Page: Ground plate and eccentric element installation

GEOMET is a registered trademark of Nof Metal Coatings North America Inc.

(L)OCAL REMARKS

A | Inner

**Mechanical** Eccentric element



Refer to the Parts Online web page for most up-to-date information. The printed information might be outdated.

Item	Part No.	Name	Qty	L
-	595503001	Hydraulic Cylinder	1	
1	594643501	Piston	1	
2	594647701	Spring washer	1	
3	594647601	Thrust ball bearing	1	
4	594265601	Retaining ring	1	
5	594647501	Ball bearing	1	
6	594266401	Retaining ring	1	
7	595031101	Spring pin, Ø6 x 20 mm DIN 1481	1	
8	594645001	Cap	1	
9	594643301	Piston rod	1	
10	594332201	Sealing ring	1	
11	594436001	Eccentric housing	1	
12	595045801	Retaining ring	4	
13	594531101	Roller bearing	4	
14	594487201	Shaft, cpl	1	
15	594435801	Cover	1	
16	594643701	Cover	1	
17	594325901	Spacer ring	1	
18	594547401	Sealing ring	1	
19	595514301	Seal washer	1	
20	595048301	Plug, M16	1	
21	594435901	Cover	1	
22	594643601	Eccentric shaft	1	
23	594550501	Ball bearing	2	
24	594326701	Eccentric	1	
25	594644901	Gear wheel	1	
26	594326001	Spacer	1	
27	594546501	Screw	1	
28	594326901	Spring	1	
29	594326201	Washer	2	
30	595046001	Retaining ring	1	
31	594356201	Weight	1	
32	594534801	Washer 12x22x2	2	
33	594526301	Screw, M12 x 60 mm 10.9GEOMET®	1	
34	595055001	Screw, M6x20 mm 8.8 A2K	16	
35	594526201	Screw, M12 x 30mm 10.9GEOMET®	1	
36	594325801	Pin	1	
37	595186801	Washer 6,4x12x1,5	16	

Refer to the Parts Online web page for most up-to-date information. The printed information might be outdated.

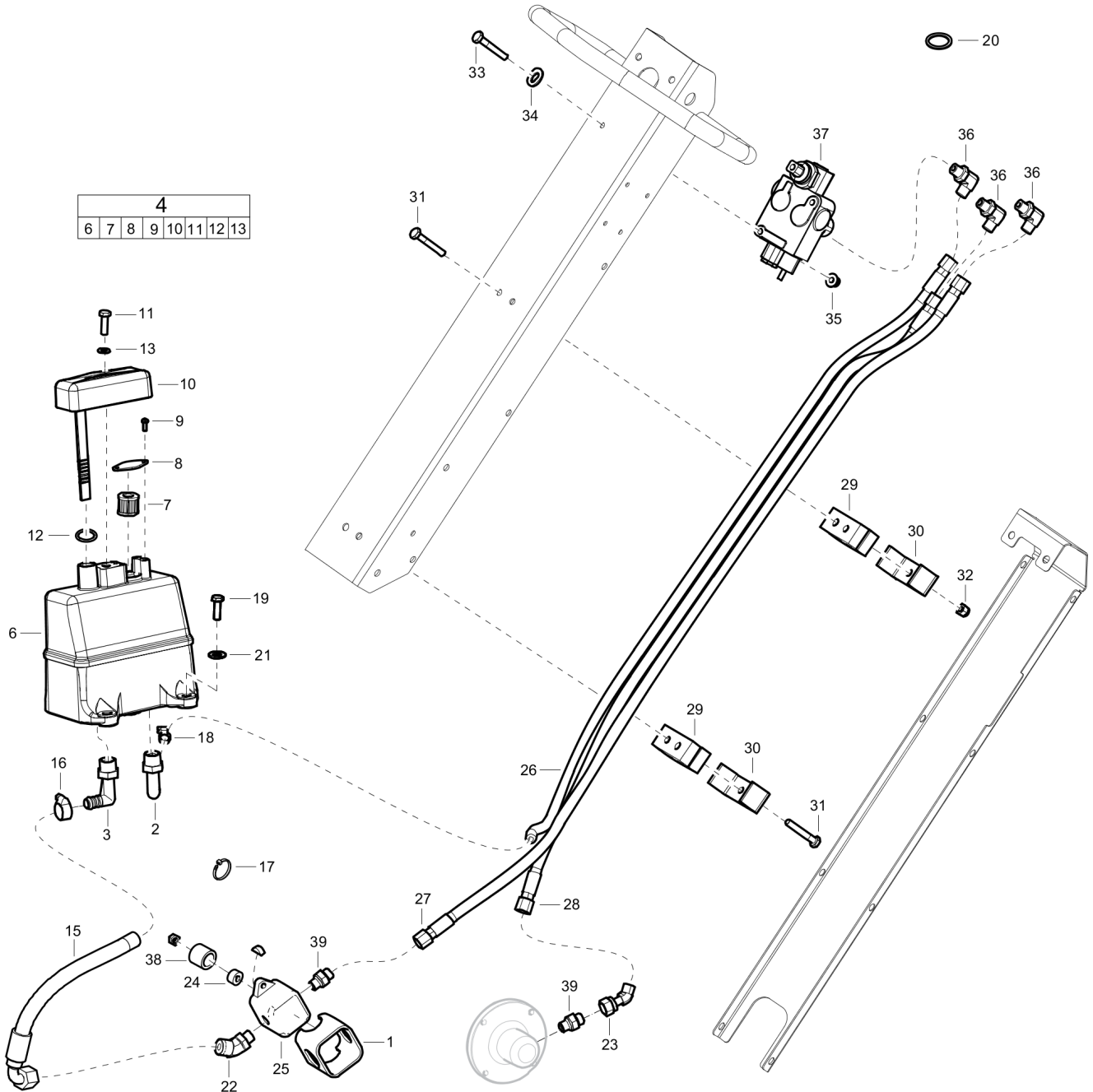
Item	Part No.	Name	Qty	L
38	594643201	Hydraulic cylinder	1	
39	594325701	Pulley	1	
40	594326301	Washer	1	
41	595344701	Hex. head screw	1	

Comments for Page: Eccentric element

GEOMET is a registered trademark of Nof Metal Coatings North America Inc.

This page intentionally left blank

**Mechanical** Hydraulic system



Refer to the Parts Online web page for most up-to-date information. The printed information might be outdated.

Item	Part No.	Name	Qty	L
1	594324301	Cover	1	
2	594426001	Adapter	1	
3	594426101	Adapter	1	
4	594426301	Hydraulic oil tank, complete	1	
6	595175301	Oil tank	1	
7	594445501	Air filter	1	
8	594445401	Holder	1	
9	594838801	Screw, K50 x 12 mm Type KX-PT	2	
10	594443101	Cover with oil dipstick	1	
11	595465901	Screw, M8x25 mm 8.8 A2K	1	
12	595047301	O-ring	1	
13	595066601	Washer, 8.4x 6x1.5 mm 300HV	1	
15	594488101	Hydraulic hose	1	
16	595454701	Hose clamp	1	
17	595354201	Cable	1	
18	595160701	Hose clamp	1	
19	594118501	Screw hexagon	4	
20	595185401	Loctite	1	
21	594747401	Washer	4	
22	594523701	Elbow	1	
23	594519101	Elbow	1	
24	594548901	Sleeve	1	
25	594455301	Hydraulic pump	1	
26	595370601	Hose	1	
27	595288301	Hose	1	
28	595370501	Hose	1	
29	594324001	Rubber block	2	
30	594147401	Bracket	2	
31	595287101	Hexagon bolt	4	
32	595352301	Lock nut	2	
33	595110001	Screw, M6 x 55 mm 8.8 A2K	2	
34	595036501	Plain washer	2	
35	595112601	Lock nut,M8	2	
36	594518601	Connector	3	
37	594347601	Valve, complete	1	
38	594548801	Sleeve	1	
39	595063001	Straight connector	2	

Refer to the Parts Online web page for most up-to-date information. The printed information might be outdated.

Comments for Page: Hydraulic system

(L)OCAL REMARKS

A | Connected to port "T"

B | Connected to port "P"

C | Connected to port "A"

D | Supplied with hydraulic pump

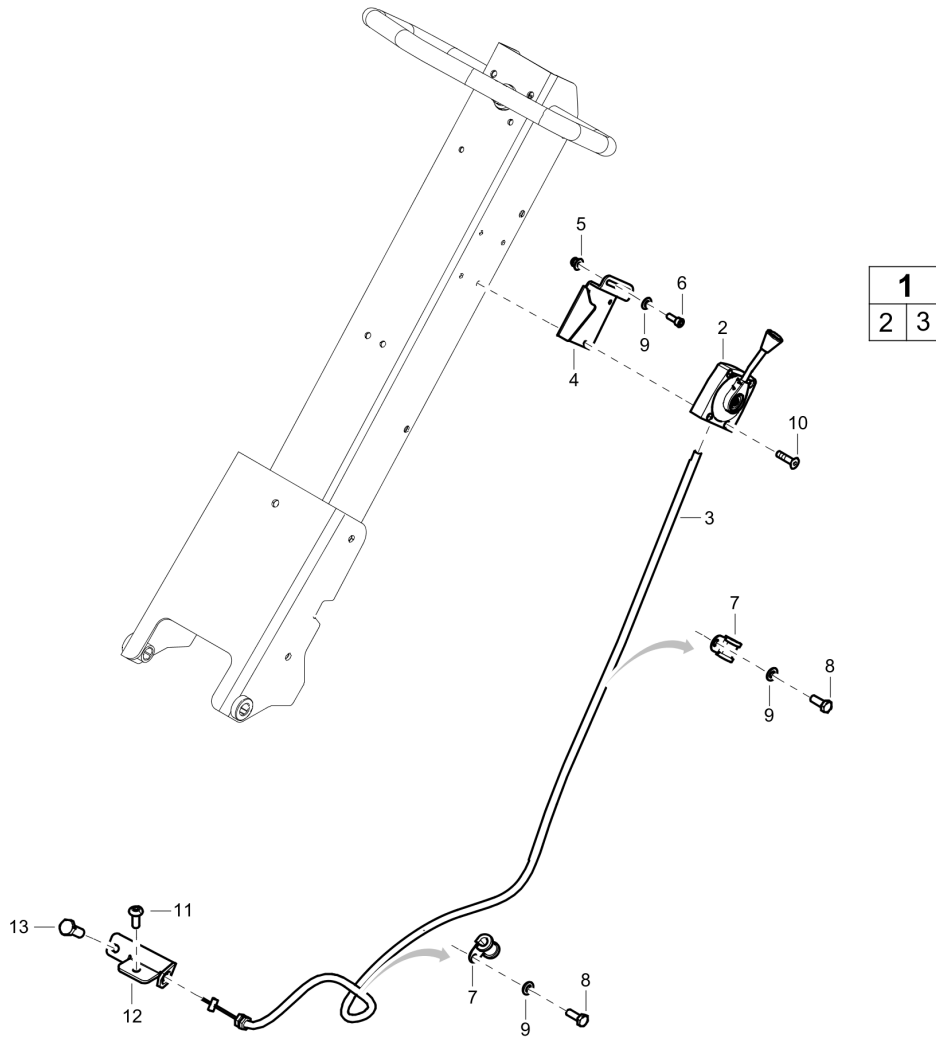
E | Old version

F | New version: For valve complete marked with "Caproni".



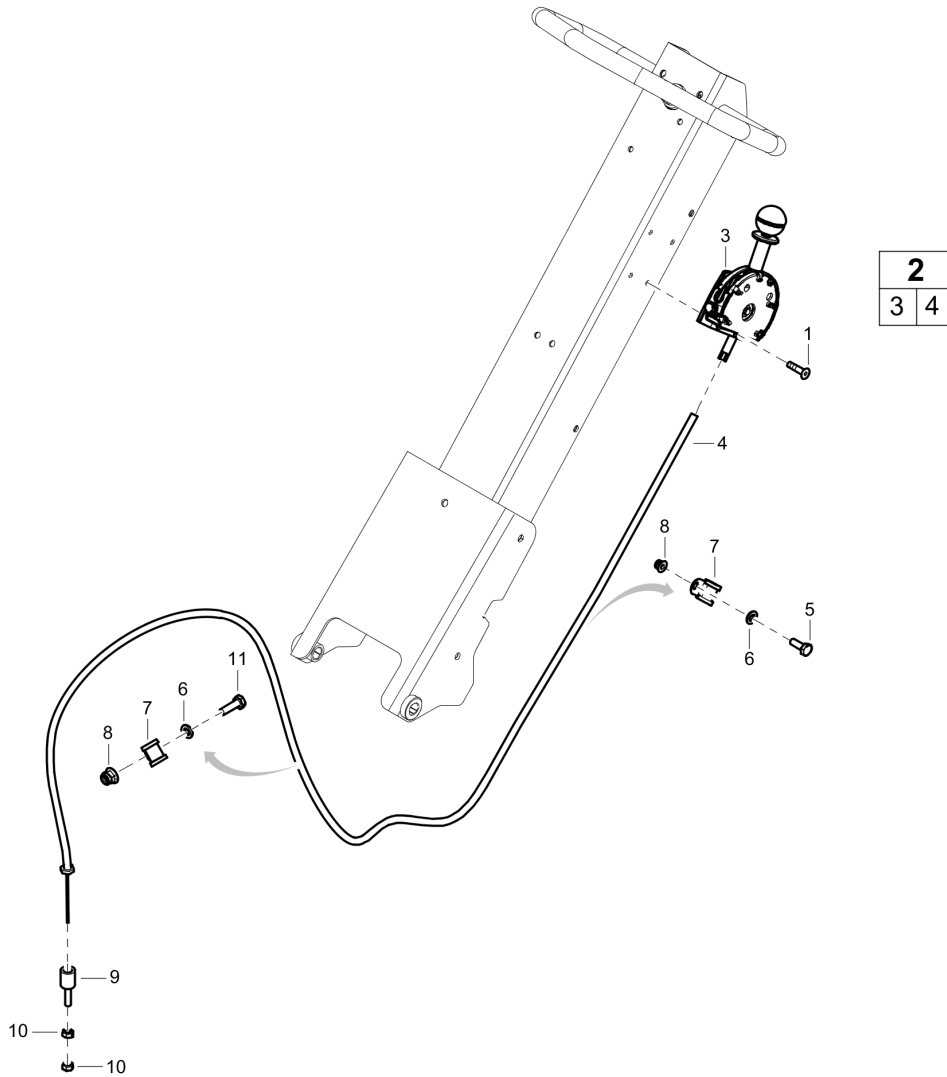
This page intentionally left blank

**Mechanical** Throttle control, Honda



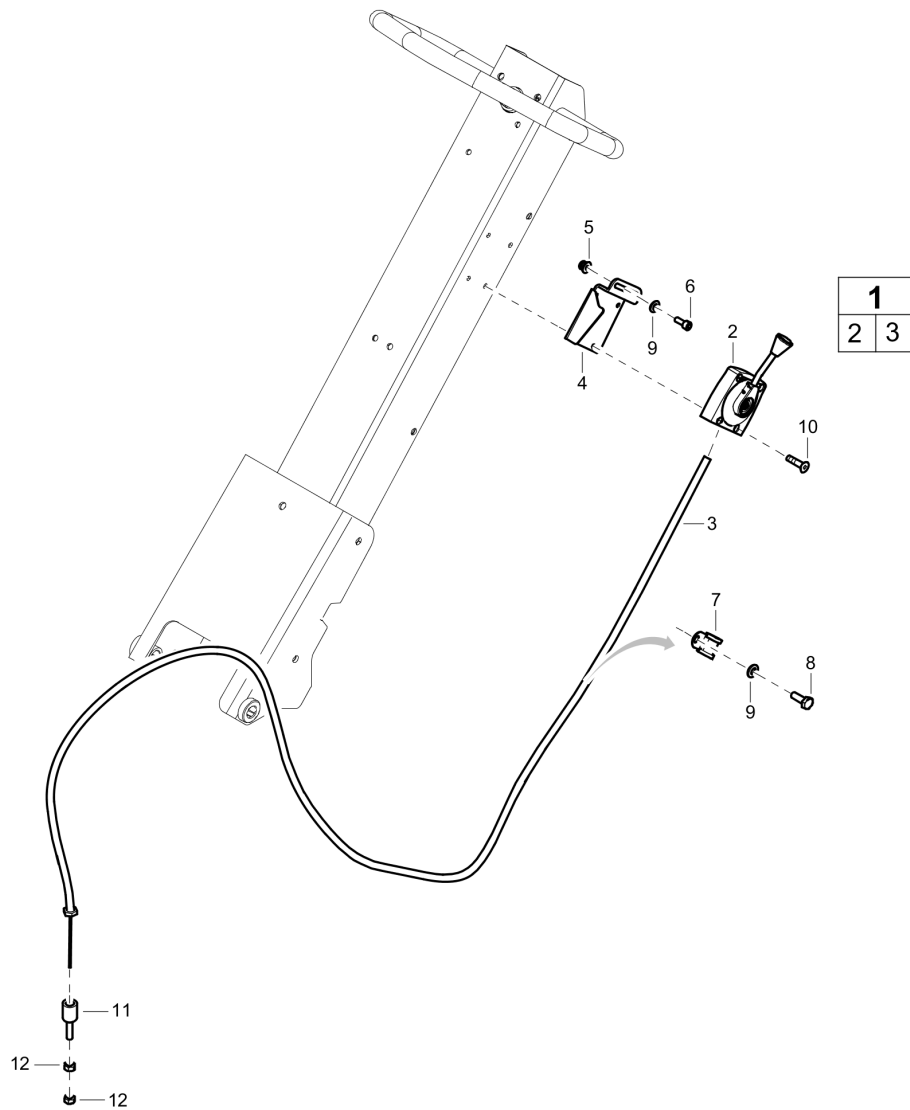
Item	Part No.	Name	Qty	L
1	595370901	Throttle control	1	
2	594490701	Throttle handle	1	
3	595371001	Cable	1	
4	594645101	Throttle control bracket	1	
5	595112601	Lock nut,M8	1	
6	595033201	Hex. head screw	2	
7	595037501	Clamp	2	
8	595034201	Screw	2	
9	595036501	Plain washer	2	
10	595349901	Screw, M5 x 30 mm A2-70	4	
11	595349501	Hexagon socket button head screw	1	
12	594472601	Bracket	1	
13	595034201	Screw	1	

**Mechanical** Throttle control, Hatz, EPA version



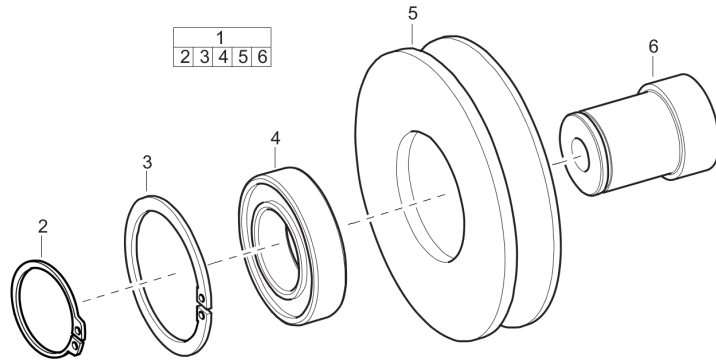
Item	Part No.	Name	Qty	L
1	595349901	Screw, M5 x 30 mm A2-70	4	
2	594176401	Throttle control	1	
3	-	Handle	1	
4	594210201	Cable	1	
5	595033201	Hex. head screw	1	
6	595036501	Plain washer	2	
7	595037501	Clamp	2	
8	595112601	Lock nut,M8	2	
9	594352101	Nipple	1	
10	595287501	Hexagon nut	2	
11	595109801	Hex. head screw	1	

**Mechanical** Throttle control, Hatz, Non EPA version



Item	Part No.	Name	Qty	L
1	594483001	Throttle control	1	
2	594490701	Throttle handle	1	
3	594482901	Cable	1	
4	594645101	Throttle control bracket	1	
5	595112601	Lock nut,M8	1	
6	595034201	Screw	2	
7	595037501	Clamp	1	
8	595033201	Hex. head screw	1	
9	595036501	Plain washer	3	
10	595349901	Screw, M5 x 30 mm A2-70	4	
11	594352101	Nipple	1	
12	595287501	Hexagon nut	2	

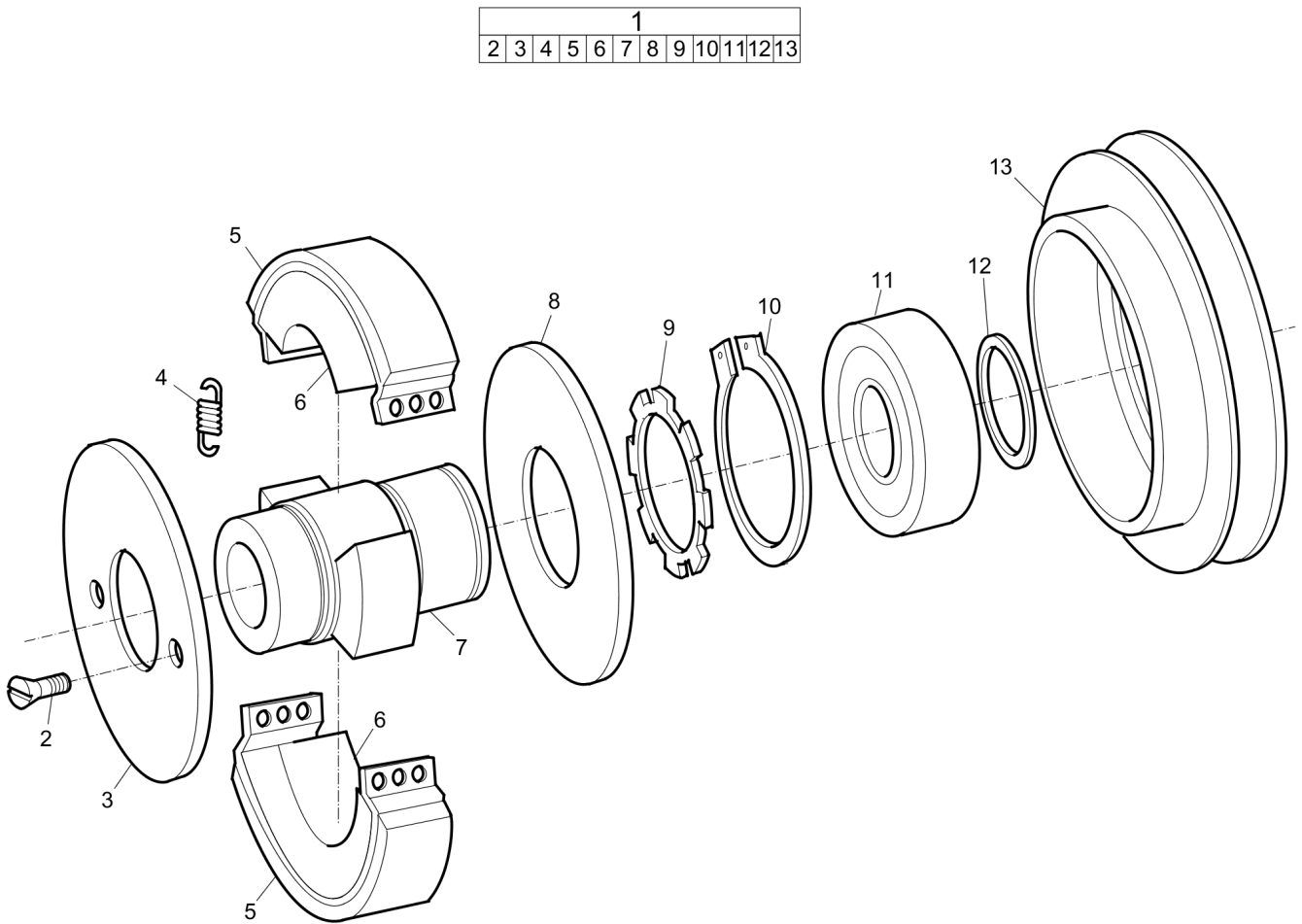
**Mechanical** Belt tightner





Item	Part No.	Name	Qty	L
1	594327901	Belt tightener	1	
2	594124701	Circlip	1	
3	594125001	Snap ring	1	
4	595045001	deep groove ball bearing	1	
5	594328001	V-belt pulley	1	
6	594328101	Shaft	1	

**Mechanical** Centrifugal clutch, Honda

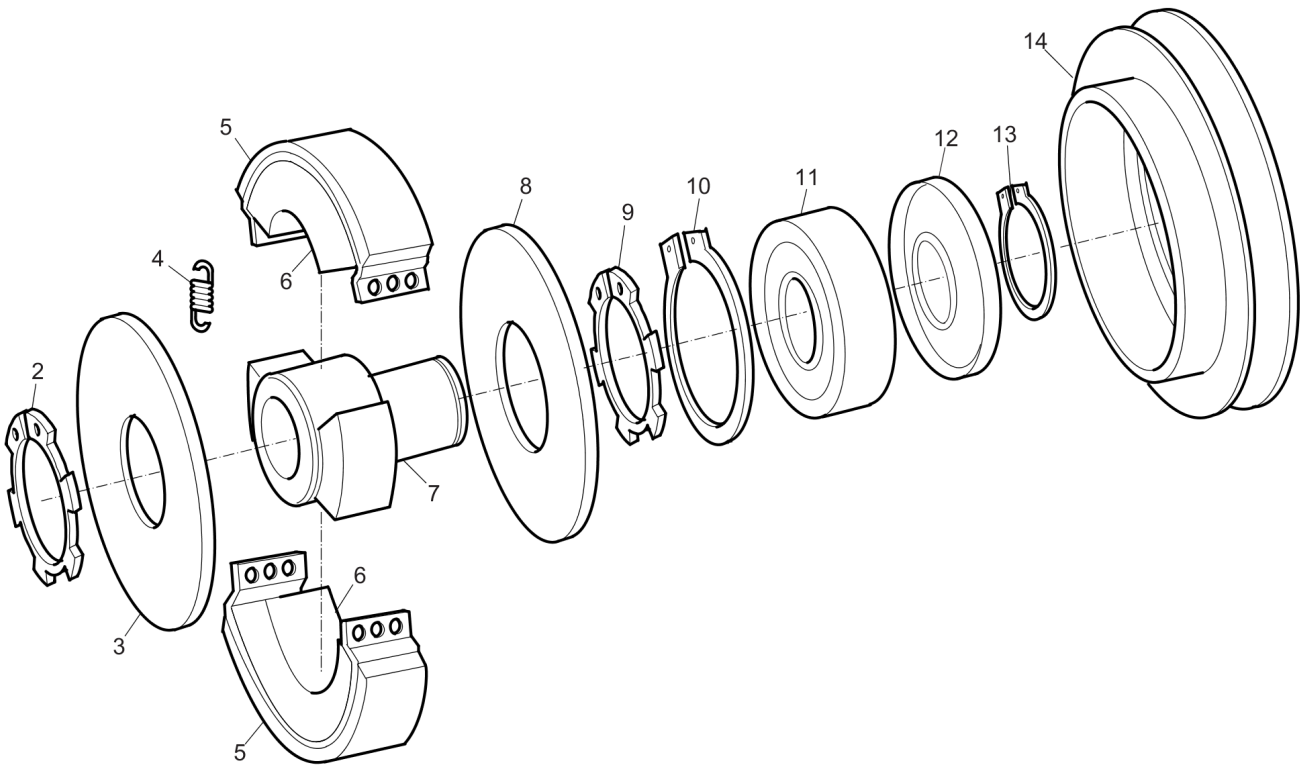


Refer to the Parts Online web page for most up-to-date information. The printed information might be outdated.

Item	Part No.	Name	Qty	L
1	594329801	Centrifugal clutch, cpl	1	
2	595059301	Screw	2	
3	594147601	Cover	1	
4	595189501	Spring	2	
5	594551001	Clutch lining	2	
6	594301401	Weight	2	
7	594560501	Hub	1	
8	595190001	Cover	1	
9	594311901	Retaining ring	1	
10	595046101	Retaining ring	1	
11	594259101	Ball bearing	1	
12	595045501	Retaining ring for shaft	1	
13	594560301	Pulley	1	

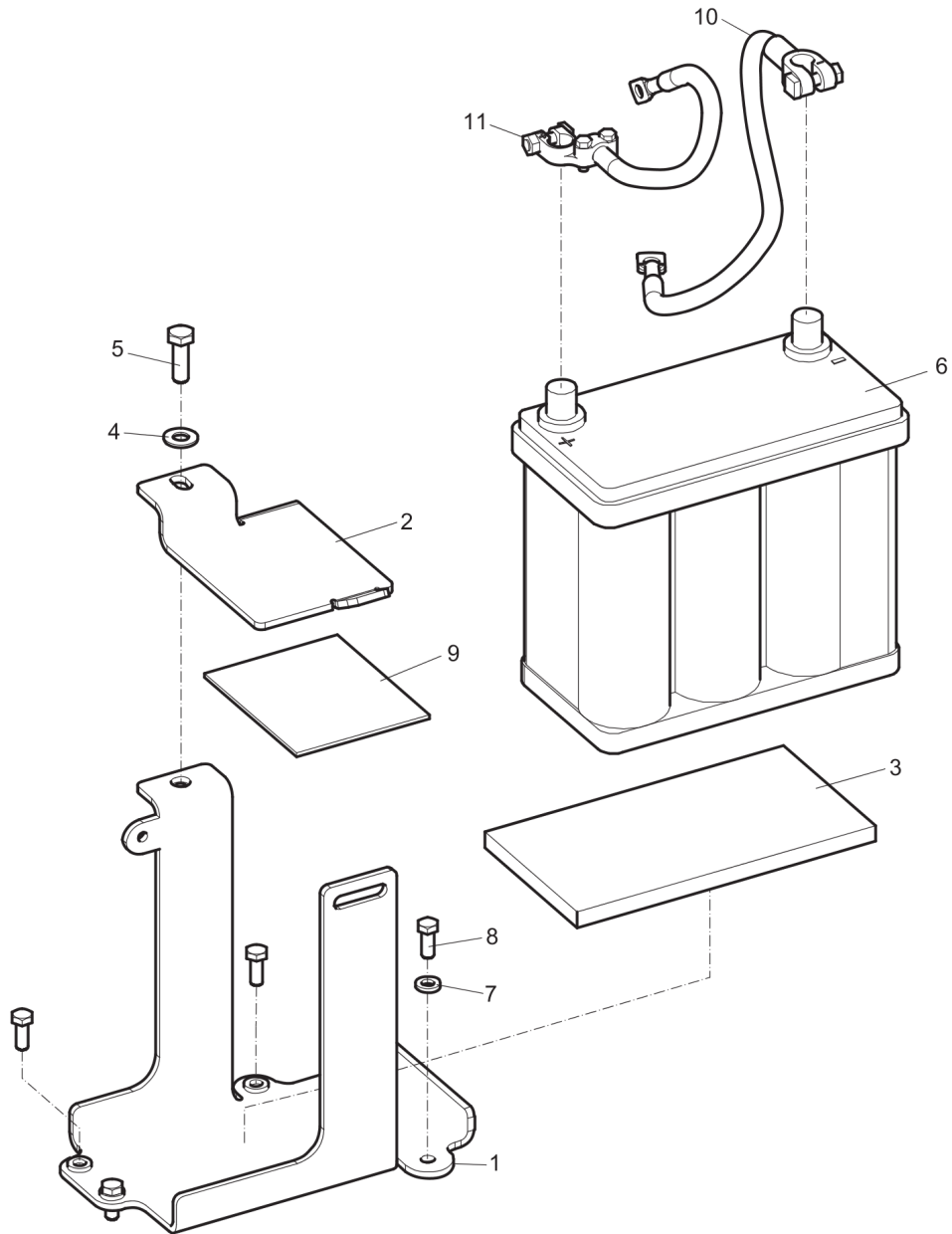
**Mechanical** Centrifugal clutch, Hatz

1													
3	4	5	6	7	8	9	10	11	12	13	14		



Item	Part No.	Name	Qty	L
1	594347301	Centrifugal clutch, cpl	1	
2	594311901	Retaining ring	1	
3	595190001	Cover	1	
5	595453201	Clutch lining	2	
6	594540501	Centrifugal weight	2	
7	594572301	Hub	1	
8	594313101	Cover	1	
9	594308801	Retaining ring	1	
10	594266201	Retaining ring	1	
11	594259001	Ball bearing	1	
12	595069901	Nilos ring	1	
13	595045701	Circlip	1	
14	594209901	V-belt pulley	1	

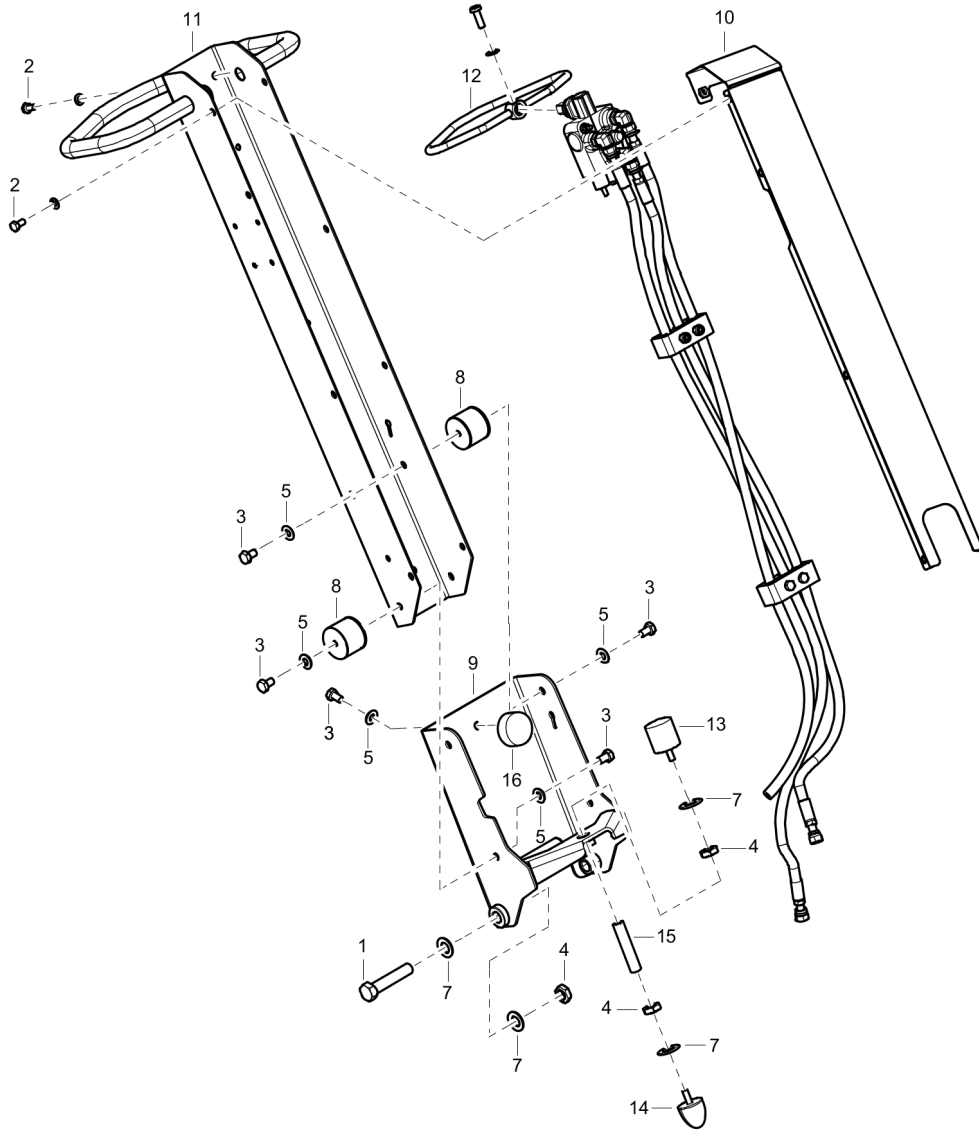
**Mechanical** Battery installation



Refer to the Parts Online web page for most up-to-date information. The printed information might be outdated.

Item	Part No.	Name	Qty	L
1	594489301	Holder	1	
2	594489201	Bracket	1	
3	594489001	Insulation	1	
4	594747401	Washer	1	
5	594118501	Screw hexagon	1	
6	594433501	Battery	1	
7	595067301	Steel plain washer 8,4x16x3,0	4	
8	594117901	Hex. head screw m8 x 20	4	
9	594489401	Rubber cloth	1	
10	595184701	Battery cable -	1	
11	595184301	Battery cable +	1	

**Mechanical** Handle assembly

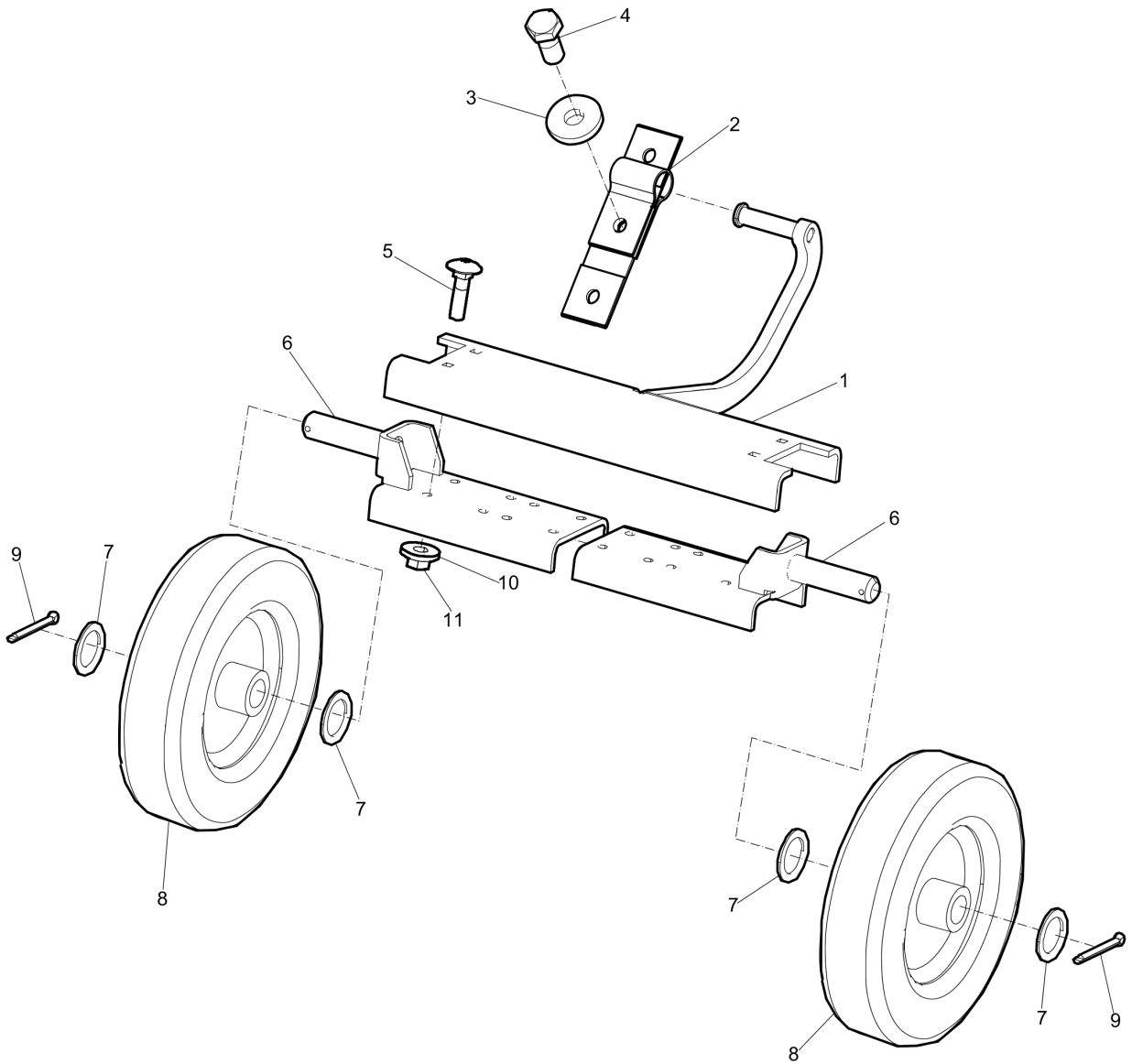


Refer to the Parts Online web page for most up-to-date information. The printed information might be outdated.



Item	Part No.	Name	Qty	L
1	595109701	Screw, M1 x 65 mm 8.8 A3K	2	
2	595110101	Hex. head screw m8 x 16	10	
3	595344601	Hexagon bolt	9	
4	595112201	Hexagon nut	4	
5	594747401	Washer	12	
7	595036701	Plain washer	6	
8	594147501	Shock absorber	4	
9	595127801	Handle bracket	1	
10	594184801	Sheet metal part	1	
11	595368001	Grab handle	1	
12	594642601	Control lever	1	
13	594527201	Shock absorber	1	
14	594527301	Shock absorber	1	
15	594492401	Stud	1	
16	594518301	Shock absorber	1	
18	594118401	Screw cap	1	
19	594451501	Hook	1	
20	594462701	Shock absorber	1	
21	595029401	Nut hexagon	1	

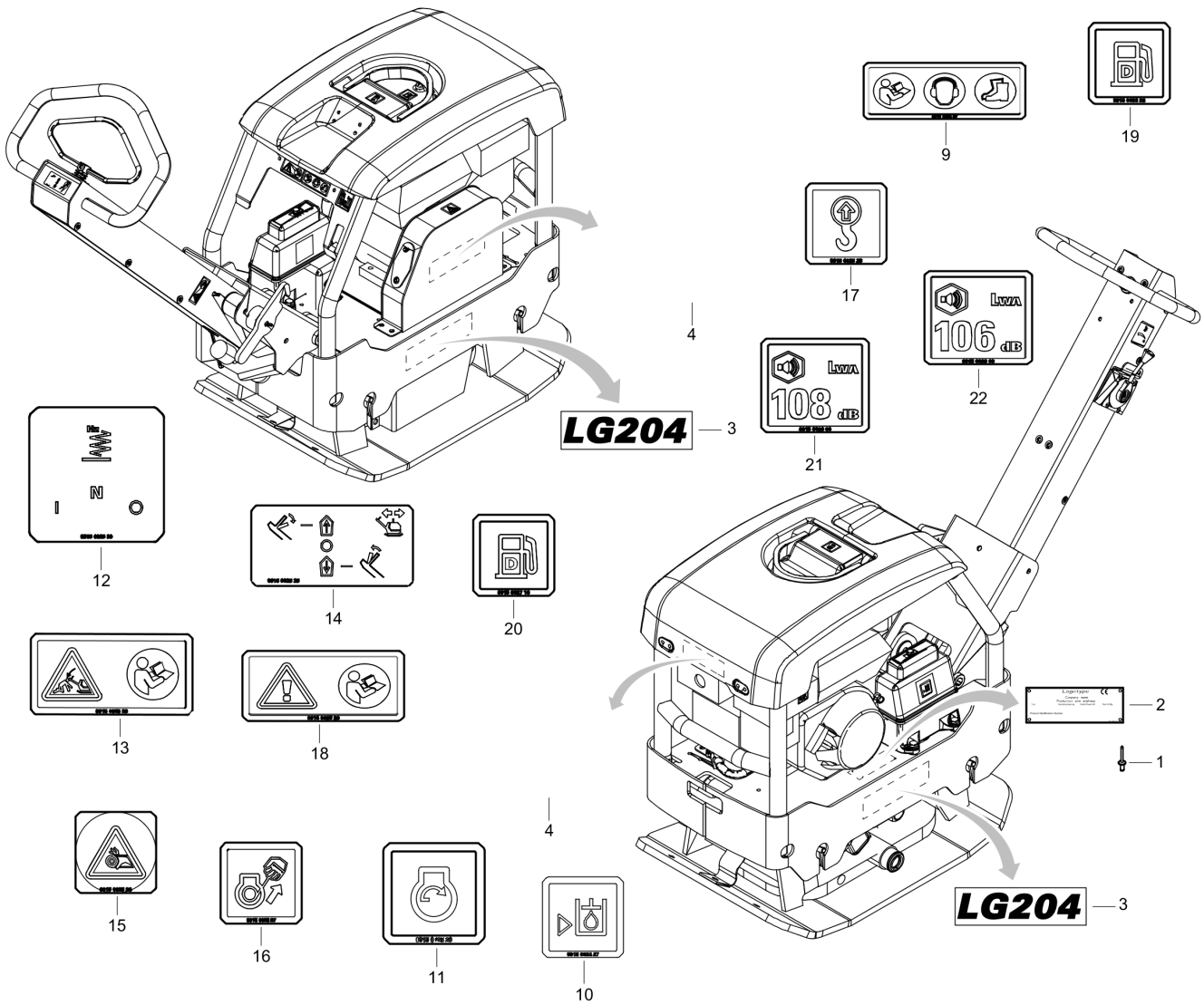
**Mechanical** Transport device



Refer to the Parts Online web page for most up-to-date information. The printed information might be outdated.

Item	Part No.	Name	Qty	L
1	594486401	Transport device	1	
2	595124401	Strap	1	
3	594124001	Washer, 13x36x6 mm, 0.51x1.42x0.24 ". 300HV	1	
4	595345301	Hex. head screw	1	
5	595111901	Flat head screw	4	
6	594486601	Wheel bracket	2	
7	594316201	Washer	4	
8	594455801	Wheel	2	
9	595343501	Cotter pin	2	
10	594123401	Washer, 8.4 x 16 x 1.5 mm, 0.33 x 0.63 x 0.06 in. 300 HV	4	
11	595111901	Flat head screw	4	

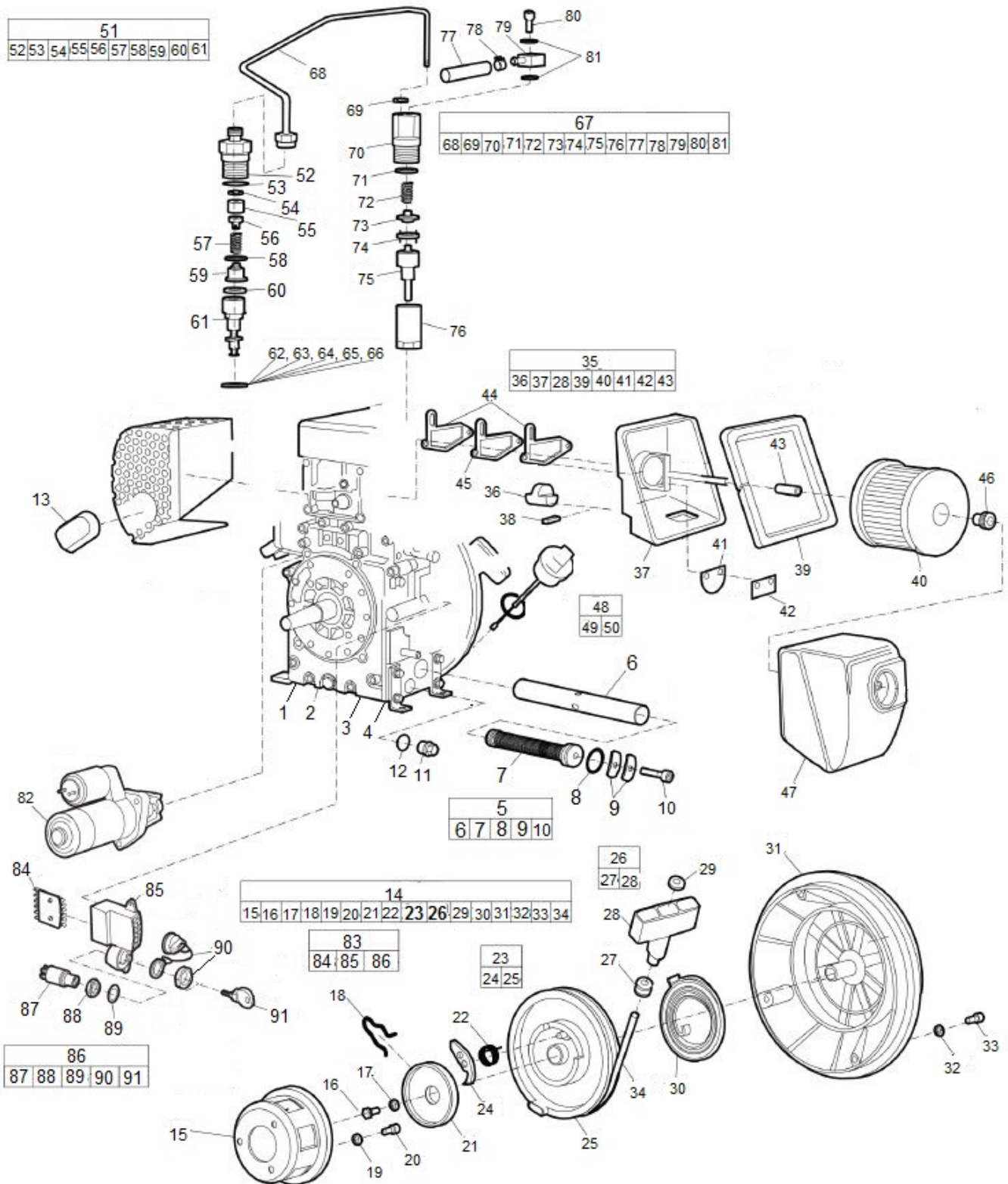
Mechanical Decals



Refer to the Parts Online web page for most up-to-date information. The printed information might be outdated.

Item	Part No.	Name	Qty	L
1	595351001	Drive screw	4	
2	-	Dataplate	1	
3	595513401	Product name	2	
4	595513601	Product name	1	
5	595216801	Logotype	1	
9	594659601	Safety label, read instructions, ear protection and safety boots	1	
10	595512801	Label, hydraulic oil level	1	
11	594660401	Label, electric engine start	1	
12	594661001	Label, throttle control EPA	1	
13	594660601	Safety label, lock handle	1	
14	594660701	Label, operator panel	1	
15	594660801	Safety label, rotating V-belts	1	
16	594869601	Label, manual start	1	
17	594660901	label, lifting point	1	
18	594869701	Decal safety	1	
19	594661601	Label,fuel	1	
20	595216401	PETROL FUEL	1	
21	595216301	Decal, noise level 108 dB	1	
22	594661501	Decal 40x40 mm, noise 106 db	1	

Engine Engine, Hatz 1B20



Refer to the Parts Online web page for most up-to-date information. The printed information might be outdated.

Item	Part No.	Name	Qty	L
1	595365401	Engine, Hatz 1B20 EPA	2	D
2	595365301	Engine, Hatz 1B20 manual start EPA	1	
3	595176501	Engine, cpl Hatz 1B20, electrical started	1	
4	594479601	Engine, cpl Hatz 1B20 Non EPA version	1	
5	594570101	Oil strainer, cpl	1	
6	-	Tube	1	
7	-	Oil strainer	1	
8	-	O-ring	1	
9	-	Washer	1	
10	-	Screw	1	
11	594570201	Plug	1	
12	594513001	Washer	1	
13	594570401	Exhaust pipe	1	
14	594568401	Recoil starter, cpl	1	
15	594569901	Starter pulley	1	
16	-	Screw	1	
17	-	Washer	1	
18	594569201	Spring	1	
19	-	Federring	1	
20	-	Screw	1	
21	595373301	Fricion plate	1	
22	594569701	O-ring	1	
23	594569101	Reel	1	
24	594569601	Ratchet	1	
25	-	Start pulley	1	
26	594568501	Handle, complete	1	
27	594202401	Sleeve	1	
28	-	Handle	1	
29	594202501	Washer, 5.3 mm, 0.21 in.	1	
30	594568601	Spiral spring	1	
31	595373401	Housing	1	
32	-	Washer	4	
33	-	Screw	4	
34	594569001	Starting rope	1	
35	594202701	Air filter housing, complete	1	
36	-	Vent nipple	1	
37	-	Housing	1	
38	-	Sealing strip	1	

Refer to the Parts Online web page for most up-to-date information. The printed information might be outdated.

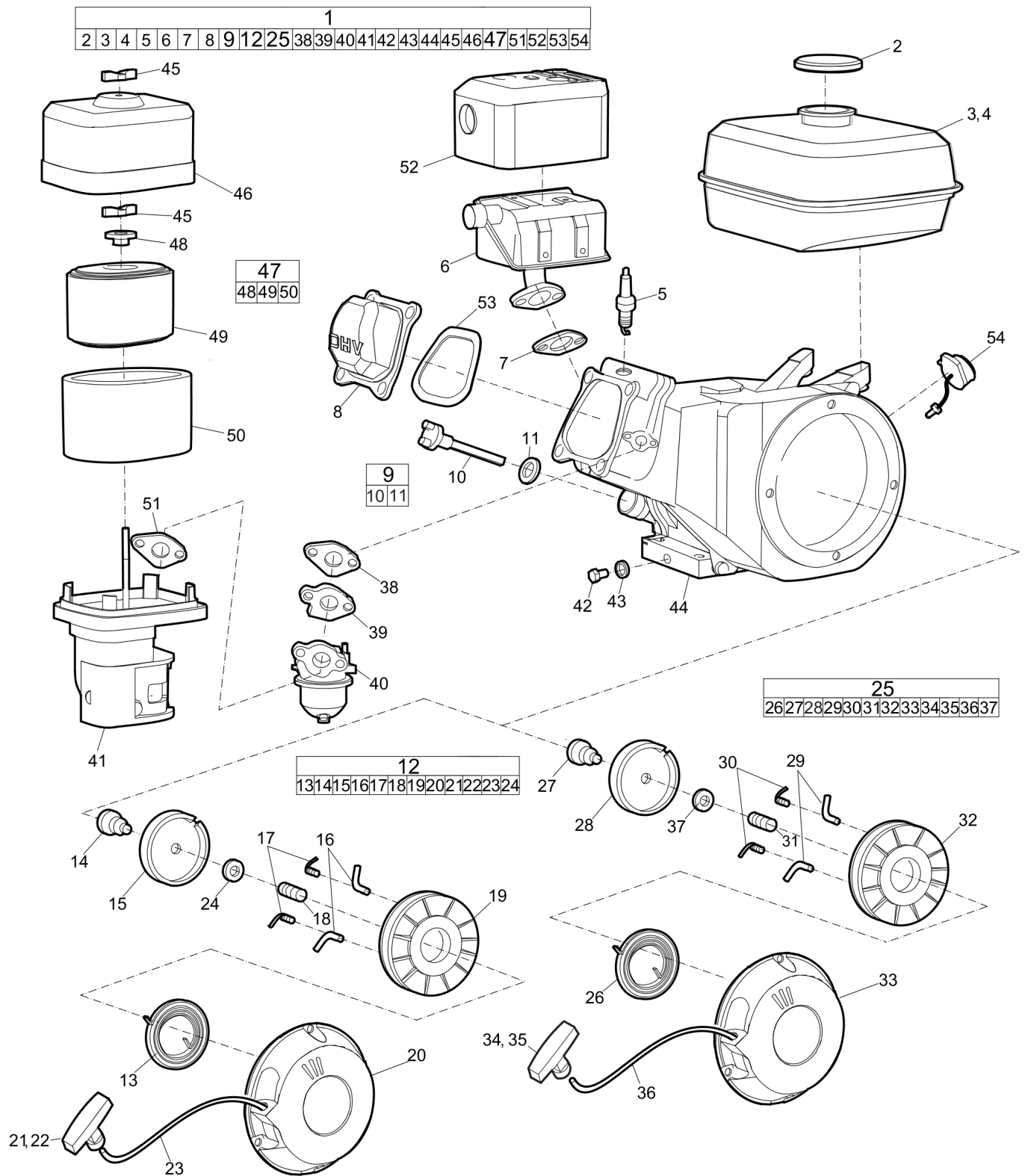
Item	Part No.	Name	Qty	L
39	-	Sealing strip	1	
40	595377301	Air Filter	1	
41	-	Valve plate	1	
42	-	Valve plate	1	
43	-	Rubber sleeve	1	
44	594572001	Gasket	2	
45	595470201	Gasket	1	
46	594571201	Nut	1	
47	594191001	Protecting cover	1	
48	594578001	Oil dipstick	1	
49	-	Dipstick	1	
50	594605501	O-ring	1	
51	595372801	Injection pump	1	
52	-	Pump part	1	
53	-	Pump part	1	
54	-	Pump part	1	
55	-	Pump part	1	
56	-	Pump part	1	
57	-	Pump part	1	
58	-	Pump part	1	
59	-	Pump part	1	
60	-	Pump part	1	
61	-	Pump part	1	
62	595190301	O-ring 0,2 mm	1	
63	594568001	O-ring 0,3 mm	1	
64	594568101	O-ring 0,4 mm	1	
65	594568201	O-ring 0,5 mm	1	
66	594568301	O-ring 0,6 mm	1	
67	594202901	Injector, complete	1	
68	-	Injector part	1	
69	-	Injector part	1	
70	-	Injector part	1	
71	-	Injector part	1	
72	-	Injector part	1	
73	-	Injector part	1	
74	-	Injector part	1	
75	-	Injector part	1	
76	-	Injector part	1	

Refer to the Parts Online web page for most up-to-date information. The printed information might be outdated.



Item	Part No.	Name	Qty	L
77	-	Injector part	1	
78	-	Injector part	1	
79	-	Injector part	1	
80	-	Injector part	1	
81	-	Injector part	1	
82	594585201	Starter	1	
83	594594801	Instrument box, cpl	1	
84	-	Circuit card	1	
85	-	Housing	1	
86	595129401	Ignition switch	1	
87	-	Ignition switch part	1	
88	-	Ignition switch part	1	
89	-	Ignition switch part	1	
90	595373601	Dust cover	1	
91	594205701	Ignition key	1	

Engine Engine, Honda GX 200 UT SM-12 OH



Refer to the Parts Online web page for most up-to-date information. The printed information might be outdated.

Item	Part No.	Name	Qty	L
1	594472701	Engine, complete Honda GX200 SM-12SD	1	
2	594609101	Fuel cap	1	
3	594204501	Fuel tank	1	A
4	594200801	Fuel tank	1	B
5	594198001	Plug, spark (bpr5es) (ngk)	1	
6	594314001	Muffler	1	
7	594300401	Gasket, muffler	1	
8	595471101	Cover comp., head	1	
9	594203801	Cap assy., oil filler	1	
10	-	Dipstick	1	C
11	595048901	Oil plug gasket	1	
12	594602701	Recoil starter, complete	1	D
13	594303901	Spring	1	
14	595381301	Adjustment screw	1	
15	595381501	Guide	1	
16	594204201	Ratchet	2	
17	595381601	Spring, return	2	
18	595381701	Spring	1	
19	594204301	Reel	1	
20	595375001	Case comp., recoil starter *nh1*	1	
21	595381801	Handle	1	E
22	594304801	Grip, starter	1	F
23	595049101	Starting rope	1	
24	595131001	Friction washer	1	
25	594205601	Recoil starter, complete	1	G
26	594303901	Spring	1	
27	595381301	Adjustment screw	1	
28	595381501	Guide	1	
29	594204201	Ratchet	2	
30	595381601	Spring, return	2	
31	595381701	Spring	1	
32	594204301	Reel	1	
33	-	Injector part	1	
34	594304801	Grip, starter	1	H
35	595381801	Handle	1	I
36	595049101	Starting rope	1	
37	595131001	Friction washer	1	
38	594204101	Gasket	1	

Refer to the Parts Online web page for most up-to-date information. The printed information might be outdated.

Item	Part No.	Name	Qty	L
39	595070001	Spacer	1	
40	595381401	Carburetor	1	
41	594582401	Air filter housing	1	
42	595452801	Oil plug	1	
43	595048901	Oil plug gasket	1	
44	-	Crankcase	1	
45	594303701	Oil plug	2	
46	595049201	Cover	1	
47	594302101	Air Filter, complete	1	
48	595049401	Grommet	1	
49	-	AIRFILTER	1	J
50	594582301	Airfilter	1	K
51	595070001	Spacer	1	
52	594314101	Muffler cover	1	
53	595048801	Gasket	1	
54	594204401	Switch assy., engine stop	1	

Comments for Page: Engine, Honda GX 200 UT SM-12 OH

(L)OCAL REMARKS

A | Valid up to engine serial number 1443526.

B | Valid from engine serial number 1443527.

C | Not sold separately.

D | Painted red.

E | Valid up to engine serial number 1517328.

F | From engine serial number 1517329.

G | Painted black.

H | Valid up to engine serial number 1517328.

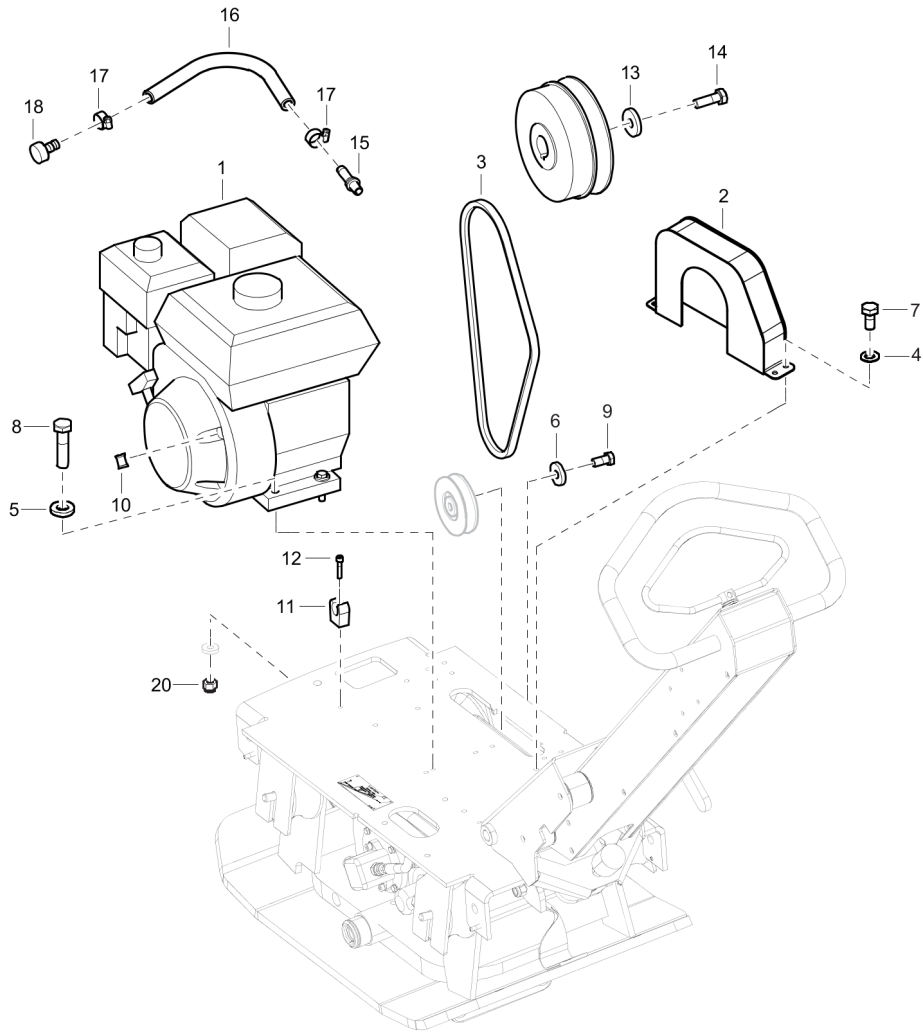
I | From engine serial number 1517329.

J | Not sold separately.

K | Outer

This page intentionally left blank

**Engine** Engine installation, Honda



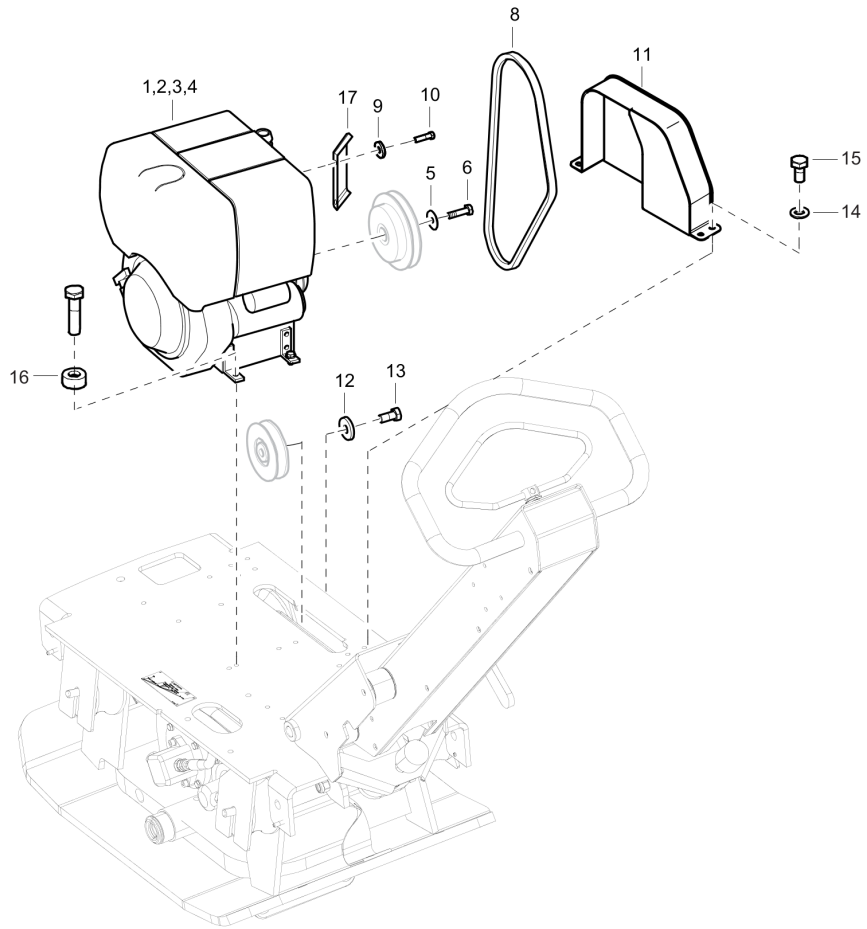
Item	Part No.	Name	Qty	L
1	594472701	Engine, complete Honda GX200 SM-12SD	1	A
2	595278901	V-belt cover	1	
3	594332801	V-belt	1	
4	594123401	Washer, 8.4 x 16 x 1.5 mm, 0.33 x 0.63 x 0.06 in. 300 HV	4	
5	595036601	Washer DIN125	4	
6	595112801	Washer, 10.5 x 22 x 4 mm, 0.41 x 0.87 x 0.16 in. 300 HV	1	
7	595110101	Hex. head screw m8 x 16	4	
8	595110201	Hexagon bolt	4	
9	595344701	Hex. head screw	1	
10	595037501	Clamp	1	
11	594331001	Ryw-clips	1	
12	595347601	Screw, M5 x 25 mm	1	
13	595112901	Washer, 8.4 x 26 x 4 mm, 0.33 x 1.02 x 0.16 in. 300 HV	1	
14	595033401	Hex. head screw	1	
15	594648201	Hose connection	1	
16	594147801	Hose	1	
17	595454601	Hose clamp, 11-18 x 9 mm, 0.43 -0.71 x 0.35 in.	2	
18	594147301	Plug	1	
20	595352401	Nut, M5 A2K	1	

Comments for Page: Engine installation, Honda

(L)OCAL REMARKS

A | Honda GX200 SM-12 SD

**Engine** Engine installation, Hatz





Item	Part No.	Name	Qty	L
1	594479601	Engine, cpl Hatz 1B20 Non EPA version	1	A
2	595176501	Engine, cpl Hatz 1B20, electrical started	1	B
3	595365301	Engine, Hatz 1B20 manual start EPA	1	C
4	595365401	Engine, Hatz 1B20 EPA	1	D
5	595068001	Washer, 8.4x26x4 mm 300 HV	1	
6	595344301	Hex. head screw	1	
8	594332701	V-belt	1	F
9	595036501	Plain washer	2	
10	595034201	Screw	2	
11	595279001	V-belt cover	1	
12	595066501	Steel Plain Washer	1	
13	594119001	Hex. head screw	1	
14	594123401	Washer, 8.4 x 16 x 1.5 mm, 0.33 x 0.63 x 0.06 in. 300 HV	4	
15	595110101	Hex. head screw m8 x 16	4	
16	594181501	Distance sleeve	4	
17	594827801	Deflector	1	

Comments for Page: Engine installation, Hatz

(L)OCAL REMARKS

A | Hatz 1B20, manual start

B | Hatz 1B20, electric start

C | Hatz 1B20, manual start EPA version, for US and Canada market.

D | Htaz 1B20, electric start EPA version, for US and Canada market.

E | Hatz 1B20, electric start

F | Hatz 1B20, manual start

Any unauthorized use or copying of the contents or any part thereof is prohibited. This applies in particular to trademarks, model denominations, part numbers, and drawings.