

BG 245 E

Spare parts list

Trowel

Trowel BG 245 E F TP

General information

This spare parts list applies to the following:

Part number	Description
967929301	Trowel BG 245 E F TP

Use only authorized parts. Any damage or malfunction caused by the use of unauthorized parts is not covered by Warranty or Product Liability. Any unauthorized use or copying of the contents or any part thereof is prohibited. This applies in particular to trademarks, model denominations, part numbers, and drawings.

Instructions for use

This spare parts list contains no safety regulations and is merely intended to assist in the ordering of spare parts.

For information about operating, servicing, or repairing, the relevant Safety and operating instructions must be consulted at all costs.

Please observe the safety instructions listed in the relevant Safety and operating instructions!

Kits and consumables	1
----------------------------	---

Spare parts list

Handle, quick pitch	3
Handle, twist pitch	6
Electric motor installation	10
Power transmission	13
Support and lifting device	15
Electric equipment	17
Protective ring	19
Blade assembly	21
Labels, quick pitch	23
Labels, twist pitch	25

Accessories

Consumables	27
Transport device	29

Kits

Maintenance kit (yearly recommend)	31
--	----

Wiring diagram

Wiring diagram	33
----------------------	----

Kits and consumables

Service offers resume BG240 E	Item	Description
Floating disc	1	Floating disc
Trowel blade	2	Trowel blades set. Bolt-on
Wear&Repair Kits	3	Maintenance kit

Item	Part No.	Name	Qty	L
1	594244001	Floating disc 2.0mm classicline	1	
2	594709901	Trowel blade proline	1	
3	-	Maintenance kit	1	

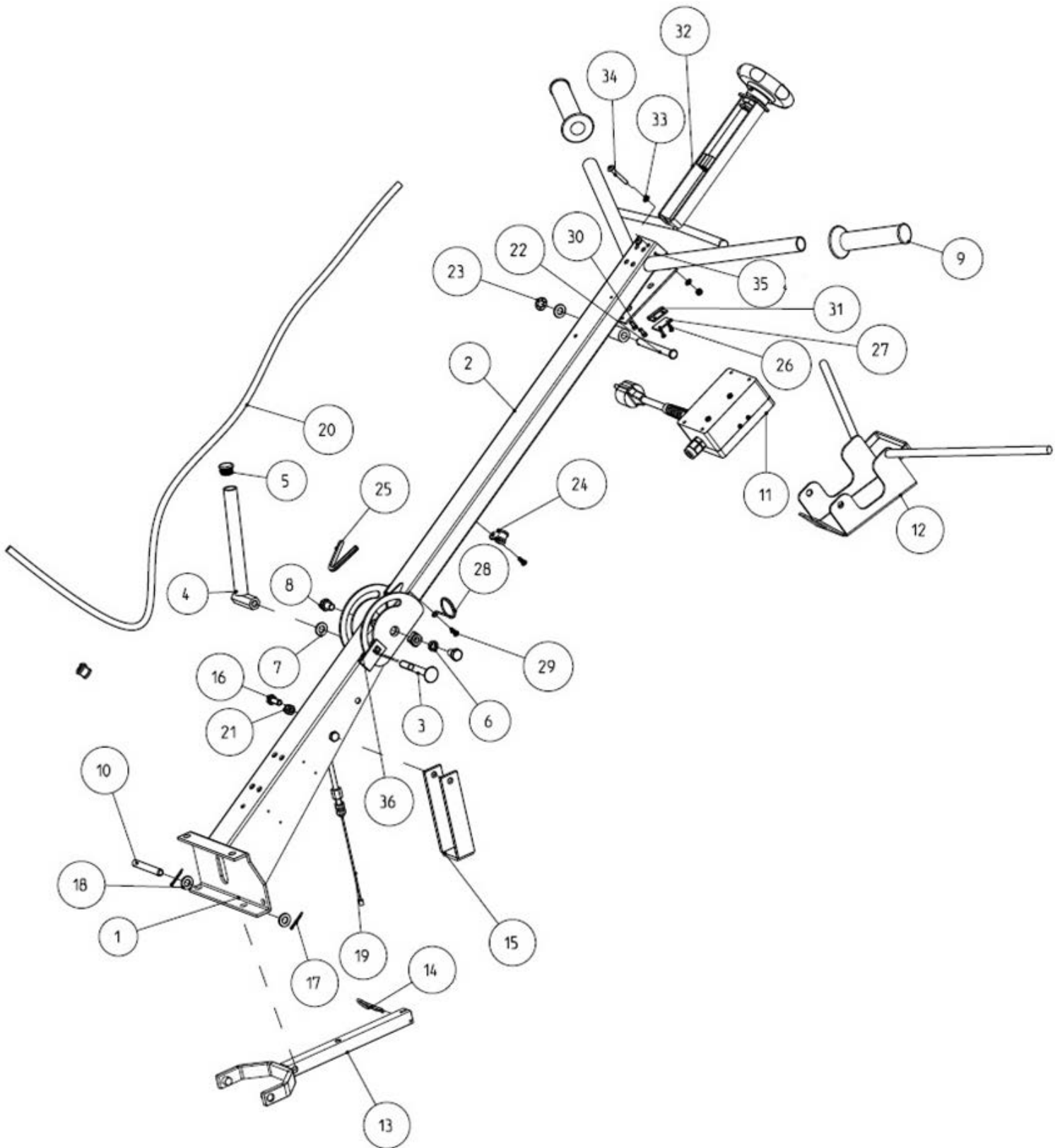
This page intentionally left blank

This page intentionally left blank

This page intentionally left blank

This page intentionally left blank

Spare parts list Handle, twist pitch



Refer to the Parts Online web page for most up-to-date information. The printed information might be outdated.

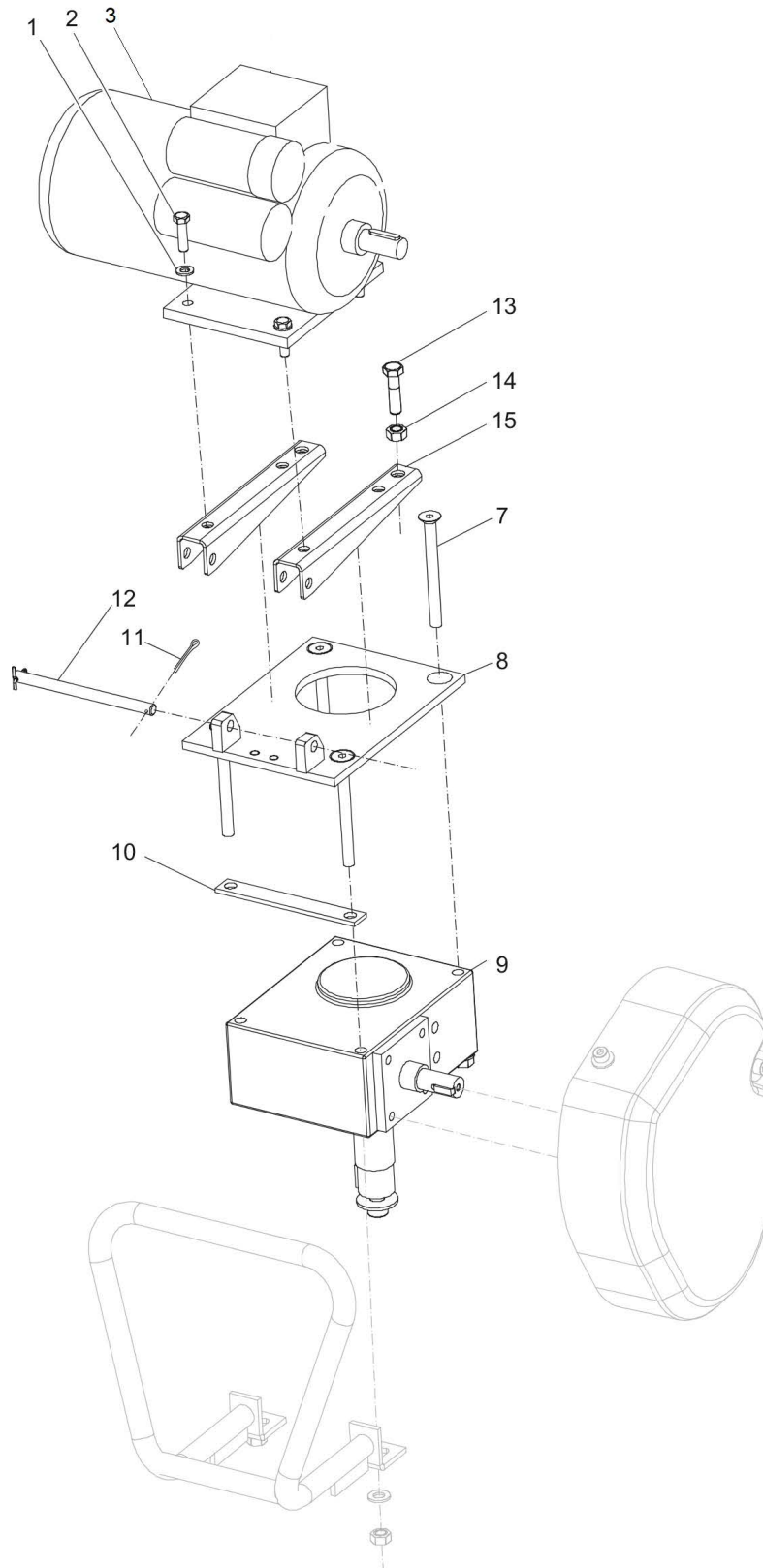
Item	Part No.	Name	Qty	L
1	596865962	HANDLE	1	
2	594140601	HANDLE	1	
3	595357701	BOLT Square Neck, M10X80	1	
4	594252601	LOCKING LEVER	1	
5	594230701	PLUG	1	
6	594252701	Washer 10x15x4	2	
7	594252701	SLEEVE Distance	1	
8	595357801	SCREW M10x14	2	
9	594223301	Rubber handle	2	
10	594249101	Shaft	1	
11	594244601	Control box	1	
12	595929201	Security bracket	1	
13	594243801	Fork	1	
14	594227401	Pin	1	
15	595140901	Leader	1	
16	595357501	SCREW M8x20 mm	2	
17	595343601	SPLIT PIN D2.5X22	2	
18	595358101	WASHER Ø10	3	
19	594252501	Blade adjusting wire	1	
20	594223001	Cable	1	
21	595358401	Nut, M8	2	
22	596865959	Clevis pin	1	
23	596865784	Lock washer	1	
24	596866112	Pipe clamp	2	
25	594229501	Edge protection	1	
26	595991901	Screw, M3 x 10 mm	2	
27	596865792	Isolating washer	1	
28	594246501	Wire holder	1	
29	595358801	Tapping screw 4.2 x 13	2	
30	596865964	Screw, M4 x 10 mm	4	
31	594232301	Magnet	1	
32	595520001	UNIT Twist Pitch	1	
33	595357901	Washer, 5.3 x 10 x 1 mm, 0.21 x 0.40 x 0.04 in.	4	
34	595350301	Screw, M5 x 40 mm	2	
35	595515001	Lock nut, M5	2	
36	594253401	Locking washer	1	

Refer to the Parts Online web page for most up-to-date information. The printed information might be outdated.

This page intentionally left blank

This page intentionally left blank

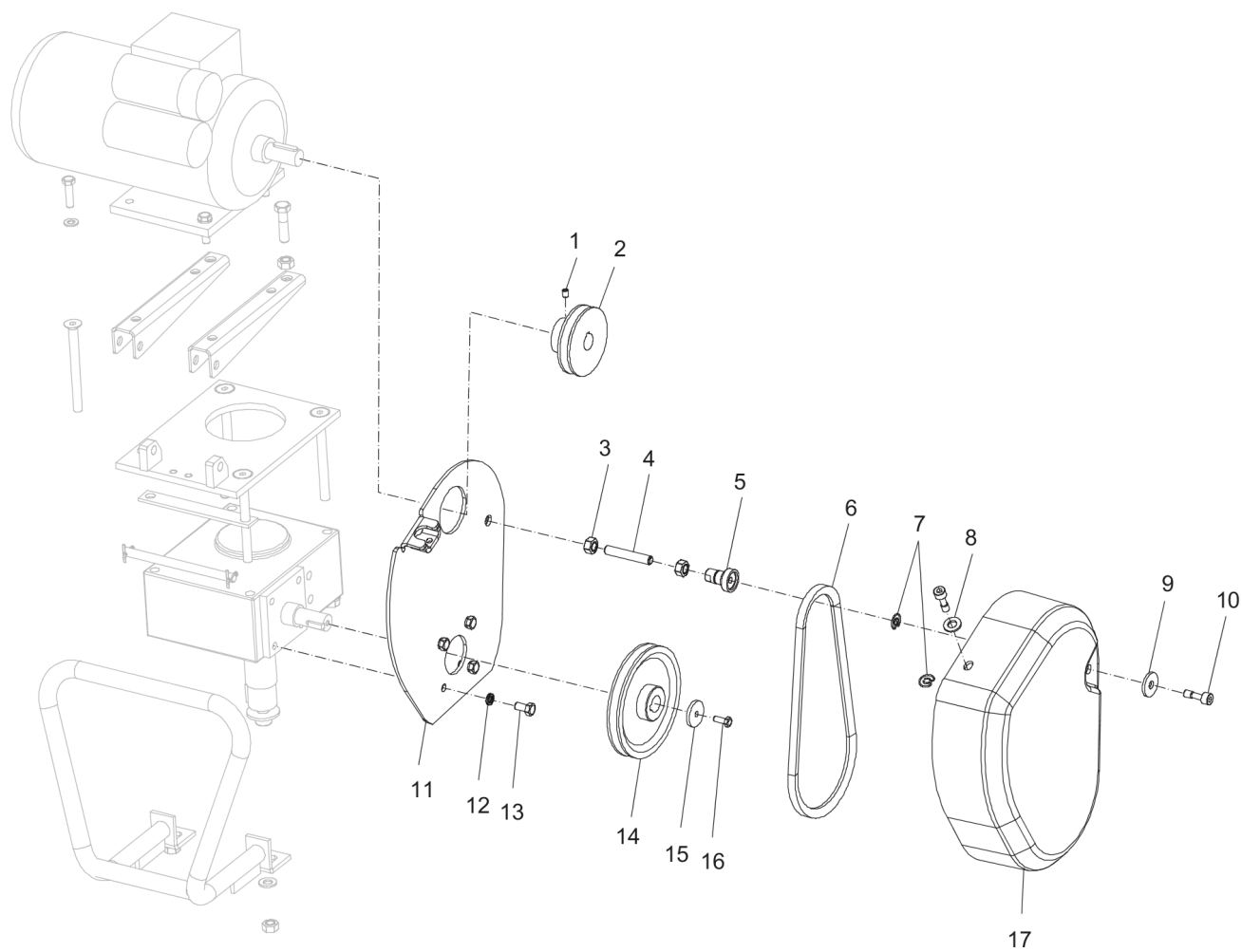
Spare parts list Electric motor installation



Refer to the Parts Online web page for most up-to-date information. The printed information might be outdated.

Item	Part No.	Name	Qty	L
1	595061501	Washer	4	
2	595357501	Screw, M8 x 20mm	4	
3	594233901	Electric motor, complete	1	
4		Electric motor	1	
5		Capacitor, 60 μ F/450V	1	
6		Capacitor, 40 μ F/450V	1	
7	594287901	Screw M10x110	4	
8	596865715	Engine attachment	1	
9	594231301	Gear box	1	
10	595121501	Holder plate	1	
11	595467001	Split pin, ϕ 3.2x20	2	
12	596865717	Clevis pin	1	
13	596865965	Screw, M10 x 60 mm	2	
14	-	Nut, M10	2	
15	596865714	Bracket	2	

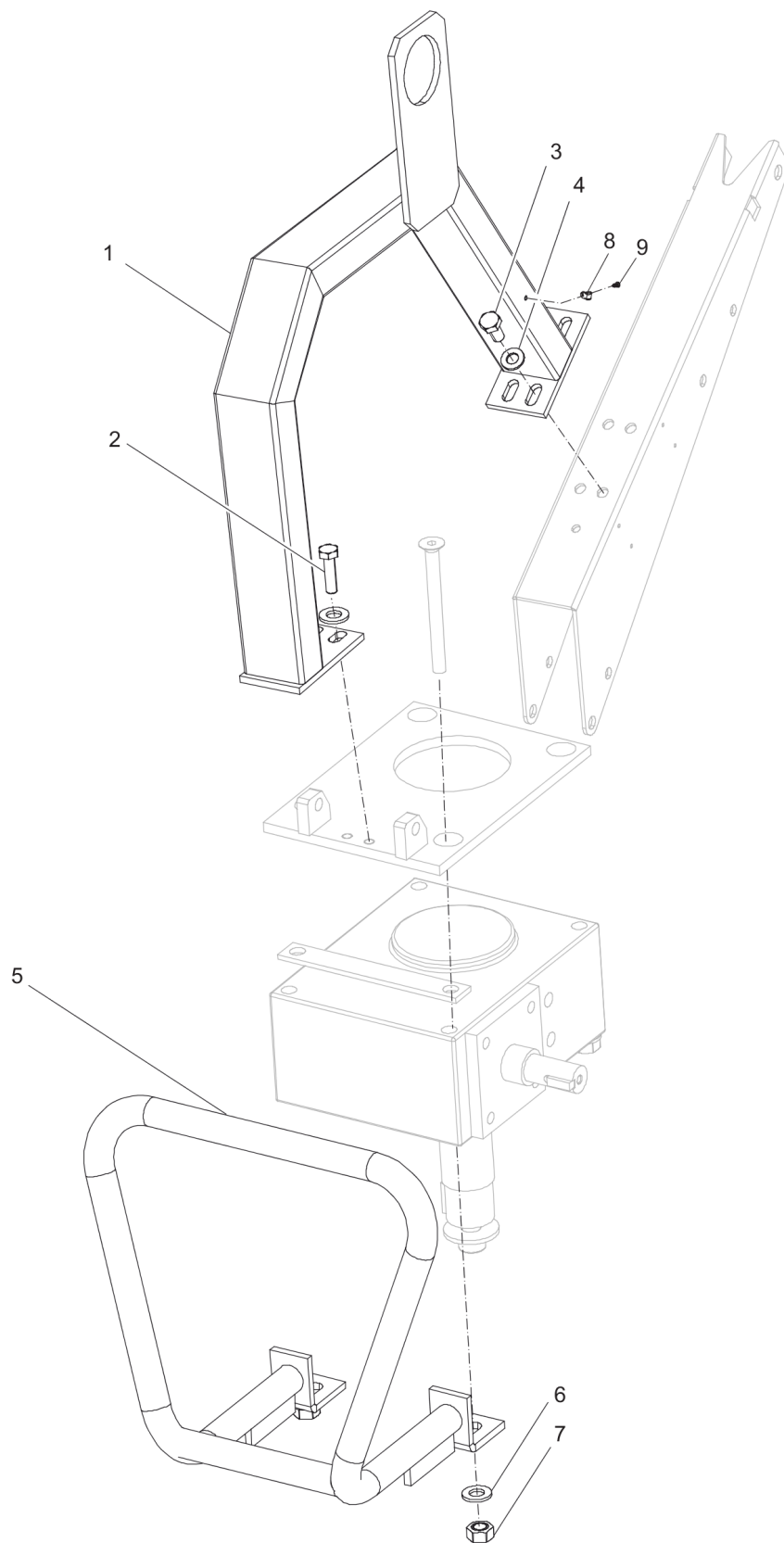
Spare parts list Power transmission



Refer to the Parts Online web page for most up-to-date information. The printed information might be outdated.

Item	Part No.	Name	Qty	L
1	596865955	Set screw, M6 x 8 mm, (.31".)	1	
2	596865794	Pulley	1	
3	-	Nut, M10	2	
4	595212801	Threaded rod, M10x50mm	1	
5	594642401	Holder	1	
6	594230801	V-belt, Lp = 670 mm	1	
7	594650201	Lock spring	2	
8	595358301	Washer	2	
9	-	Washer, 9 x 28 x 3 mm, 0.35 x 1.10 x 0.12 in.	1	
10	594642501	Captive screw M8x25, (.98".)	2	
11	596865731	Holder	1	
12	-	Spring washer, 8.1 x 2 mm, 0.32 x 0.08 in.	4	
13	-	Hexagon head screw, M8 x 16 mm	4	
14	594244401	Pulley	1	
15	595119201	Washer, 6.4x22x4	1	
16	595465701	Hexagon head screw, M6 x 16 mm	1	
17	594959201	Belt cover	1	

Spare parts list Support and lifting device

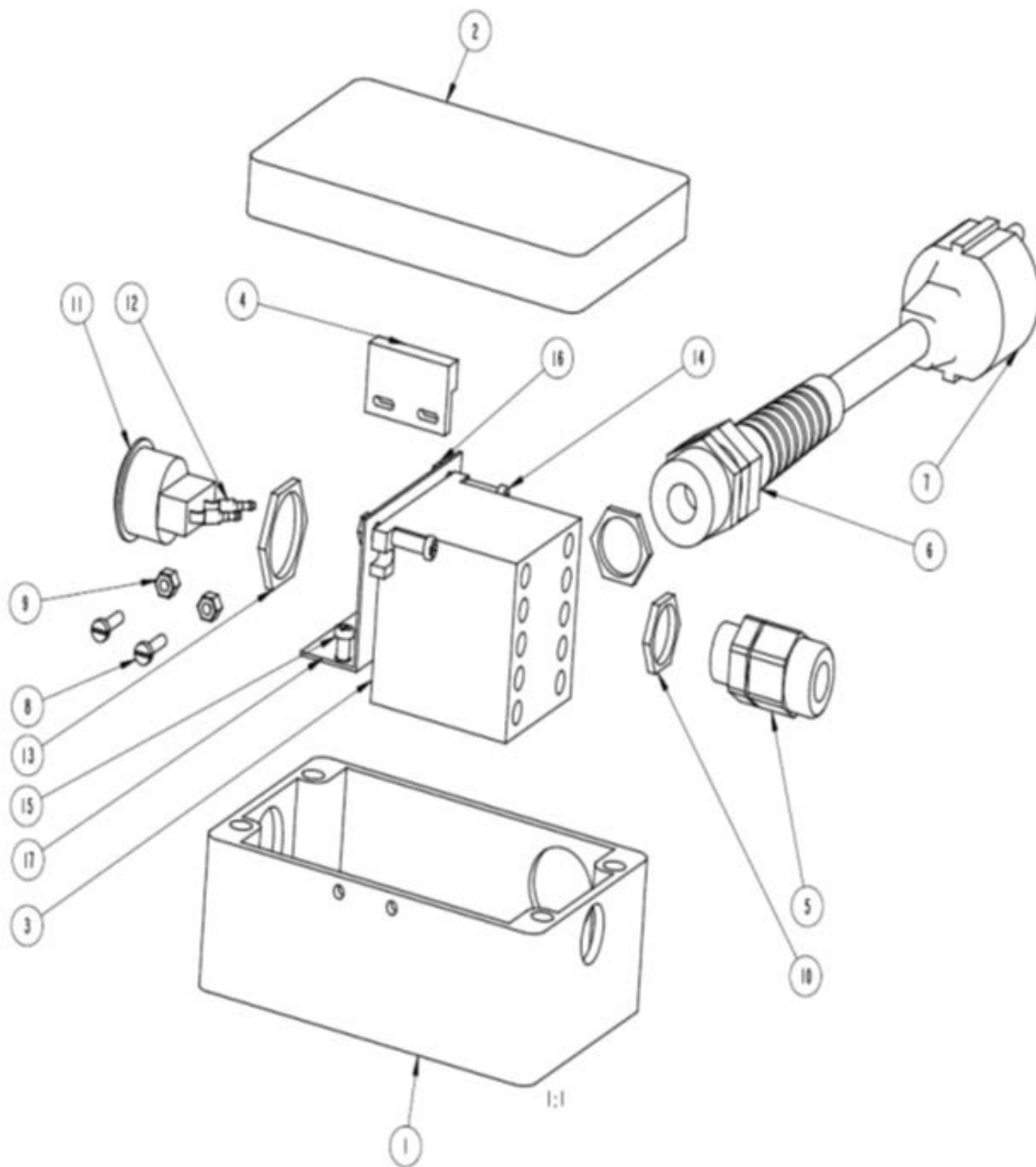


Refer to the Parts Online web page for most up-to-date information. The printed information might be outdated.

Item	Part No.	Name	Qty	L
1	596865716	Lifting eye	1	
2	595357501	Screw, M8 x 20 mm	2	
3	-	Screw, M8 x 16 mm	4	
4	-	Washer, 8.4 x 16 x 1.6 mm, 0.33 x 0.63 x 0.06 in.	6	
5	594151701	Support arch	1	
6	596866006	Washer	2	
7	595059501	Nut, M10	2	
8	596866112	Pipe clamp	1	
9	595358801	Tapping screw	1	

Refer to the Parts Online web page for most up-to-date information. The printed information might be outdated.

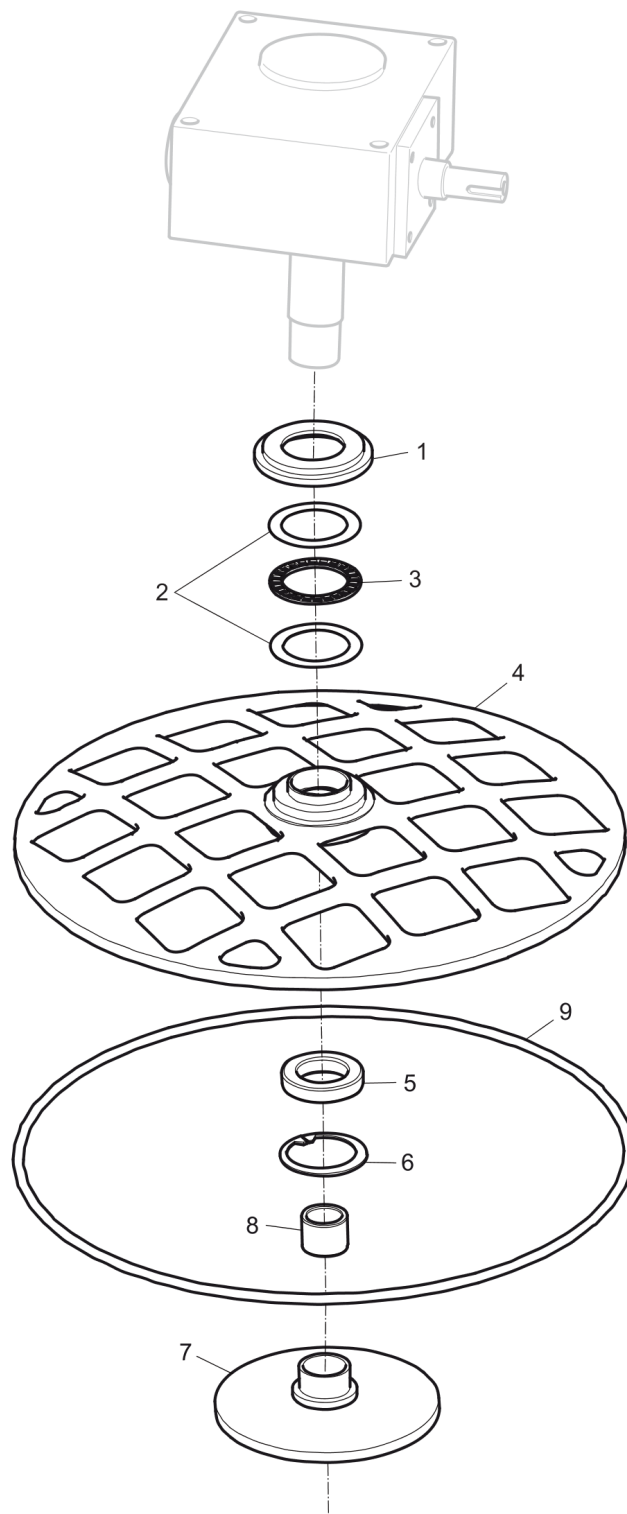
Spare parts list Electric equipment



Refer to the Parts Online web page for most up-to-date information. The printed information might be outdated.

Item	Part No.	Name	Qty	L
1	594244501	CONNECTING BOX	1	
2	596865737	Lid	1	
3	594234001	CONTACTOR	1	
4	594232201	SENSOR Magnet	1	
5	596866003	Tap	1	
6	596865785	CABLE SLEEVE	1	
7	596865786	HOLDER	1	
8	596865941	Slotted screw, M3 x 12 mm	2	
9	596695246	Lock nut, M3	2	
10	596865789	Nut	2	
11	596865788	PUSH BUTTON	1	
12	596865787	Sleeve	2	
13	596865736	Nut	1	
14	595514601	SCREW M5X12 DIN 7985 - 5.8 ZNB	2	
15	596865944	Screw	2	
16	596865945	HEXAGON NUT	2	

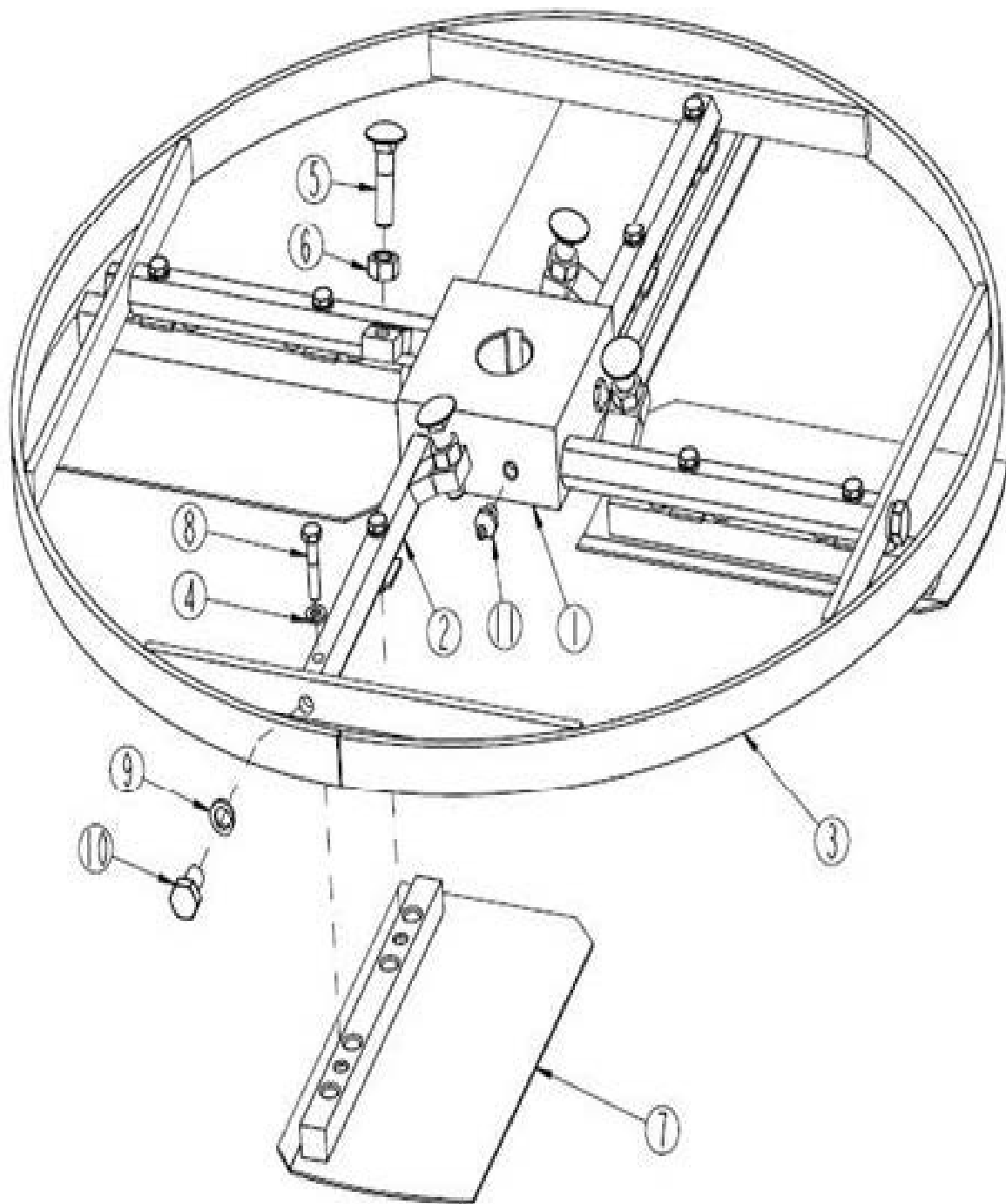
Spare parts list Protective ring



Refer to the Parts Online web page for most up-to-date information. The printed information might be outdated.

Item	Part No.	Name	Qty	L
1	594251801	Pressing sleeve	1	
2	594220901	Thrust washer	2	
3	594220801	Thrust bearing	1	
4	596866082	Protective ring	1	
5	594220001	Ball bearing	1	
6	595114201	Circlip d=80	1	
7	594244201	Pressure plate	1	
8	594226801	Sleeve bearing	1	
9	594252801	PVC ring, ø10 mm, (0.40 ".)	1	

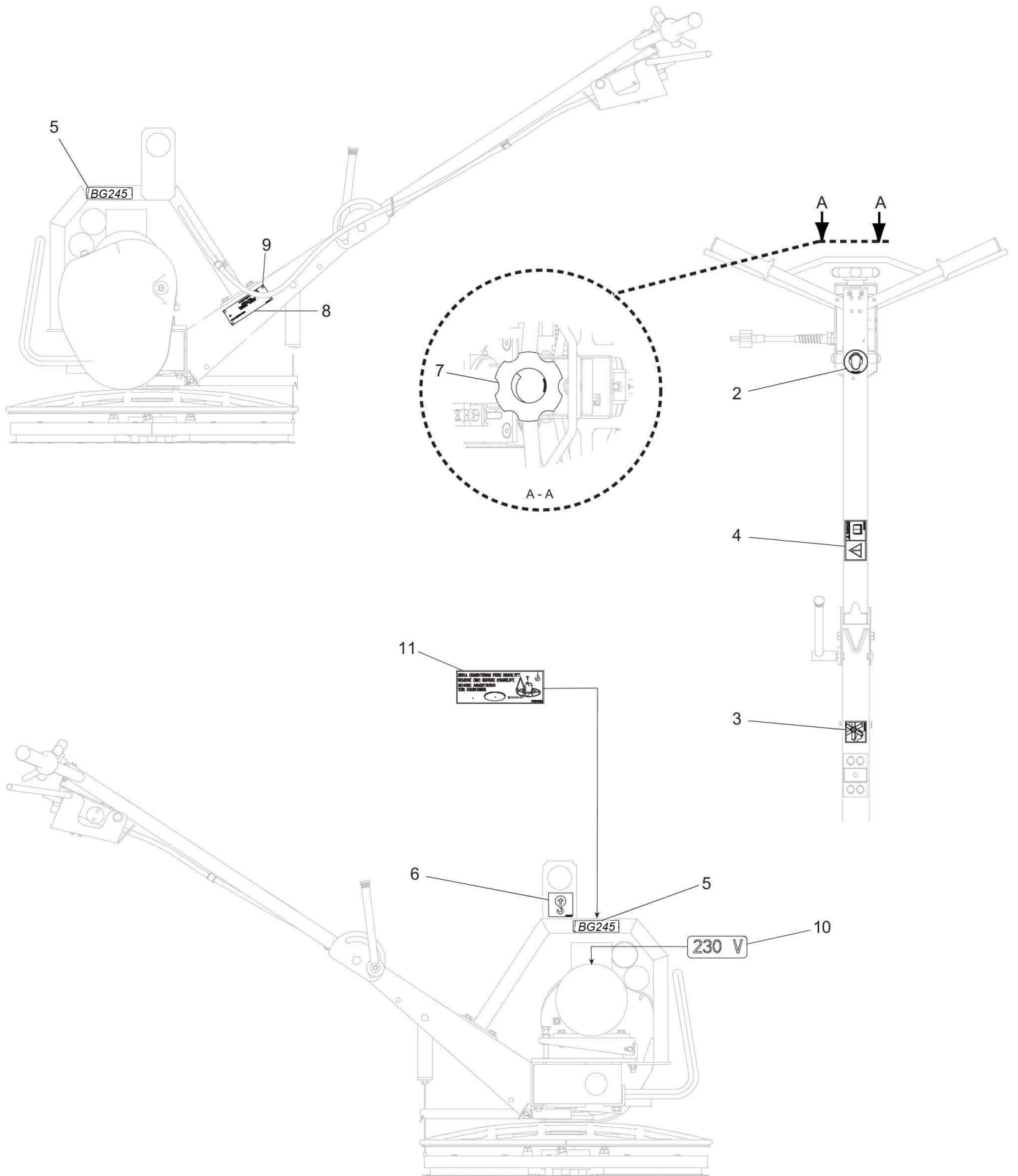
Spare parts list Blade assembly



Refer to the Parts Online web page for most up-to-date information. The printed information might be outdated.

Item	Part No.	Name	Qty	L
1	594243301	Hub	1	
2	594243401	Blade axle	4	
3	594243501	Trowel blade proline	1	
4	595358201	WASHER Ø6	8	
5	595154201	SCREW	4	
6	595358501	Nut M10	4	
7	594709901	BLADE Combination, BG 245 1,6 MM, complete , consists of 4 pcs blades	1	
8	595109901	SCREW	8	
9	595357601	SPRING WASHER 10	4	
10	595344601	SCREW	4	
11	594224501	NIPPLE GREASE	4	
	-			
	-			

Spare parts list Labels, twist pitch



Refer to the Parts Online web page for most up-to-date information. The printed information might be outdated.

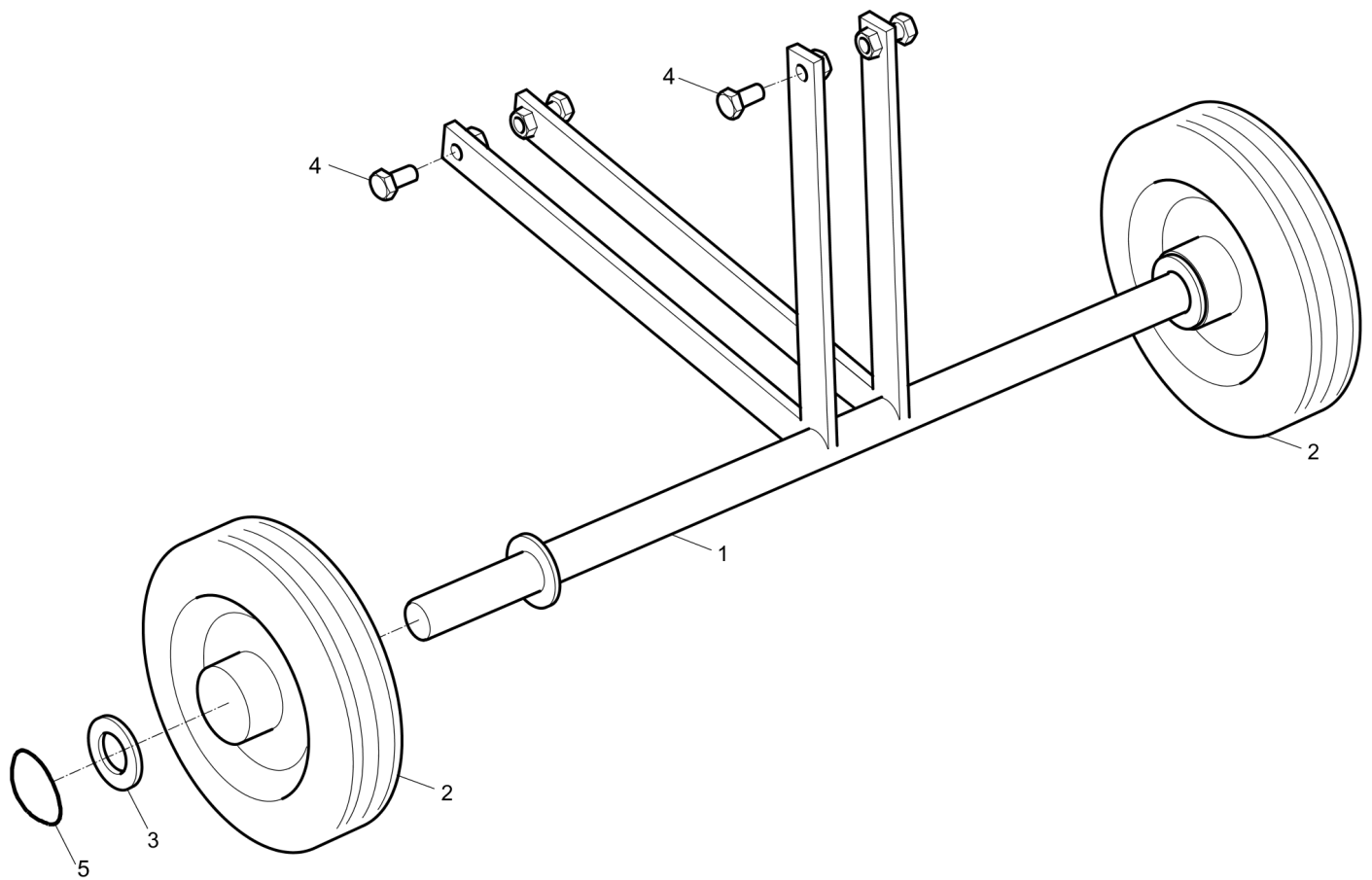
Item	Part No.	Name	Qty	L
2	594162801	Label, ear protection	1	
3	594163001	Label, cutting hazards	1	
4	594162701	Decal safety	1	
5	596866080	Product label, BG245	2	
6	594162901	Label, lift point	1	
7	594245801	Decal blade angle	1	
8	-	Data plate (Not available separately)	1	
9	-	Drive screw	4	
10	594779101	Voltage label, 230V	1	
11	594245901	Remove Floating Disc	1	

Accessories Consumables

NO EXPLODED VIEW
AVAILABLE
FOR THIS BOM

Item	Part No.	Name	Qty	L
1	594244001	Floating disc 2.0mm classicline	1	
2	594709901	Trowel blade proline	1	
3	594866701	Trowel blade 1.5mm ClassicLine	1	
4	595071201	Floating disc 2.0mm Classicline	1	
5	594867201	Plastic blade 10mm ProLine	1	

Accessories Transport device



Refer to the Parts Online web page for most up-to-date information. The printed information might be outdated.

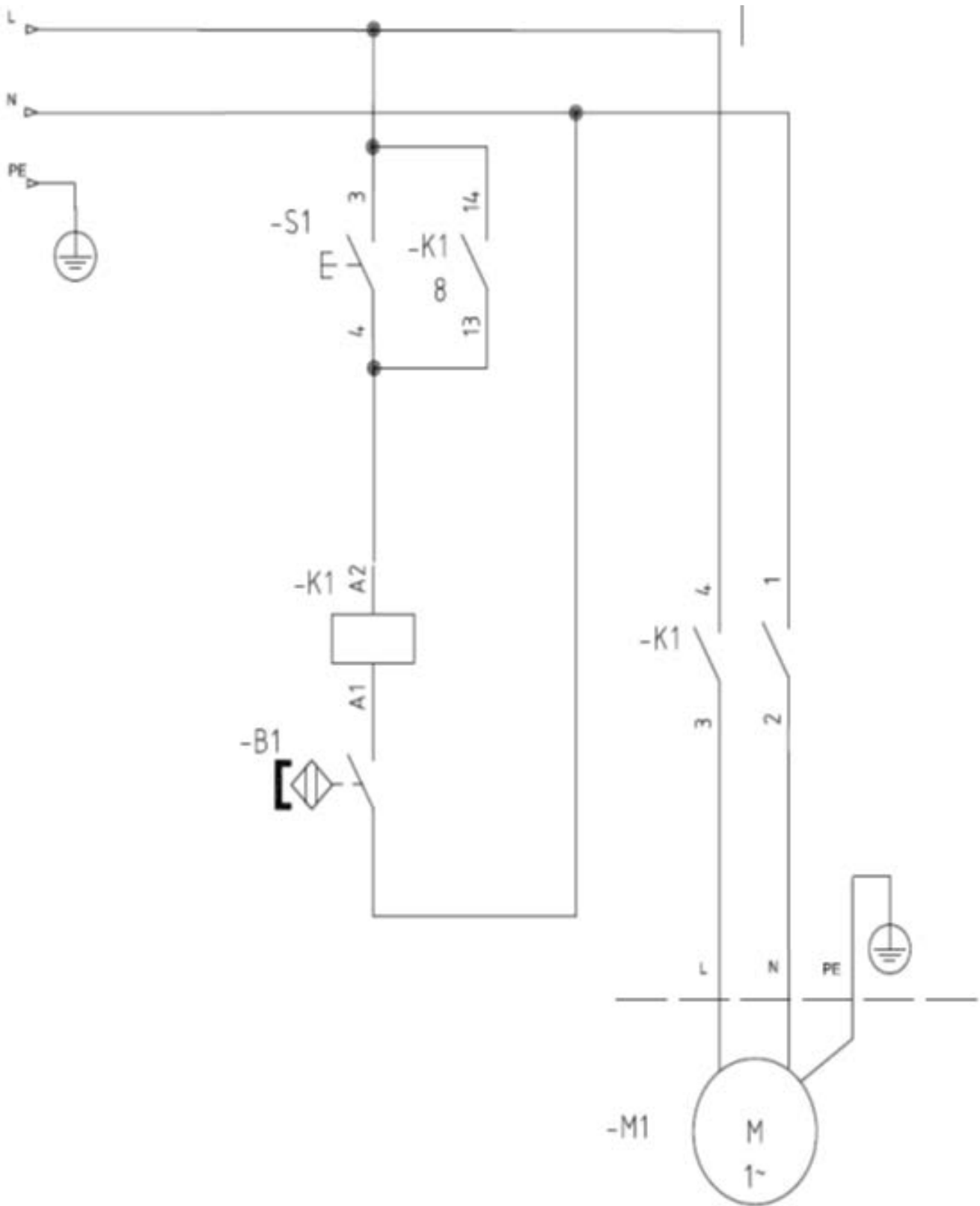
Item	Part No.	Name	Qty	L
1	595136501	Wheel frame	1	
2	596865953	Wheel	2	
3	596865957	Washer	2	
4	596865956	Screw, M8 x 16 mm 8.8	4	
5	594768901	Locking washer	2	

Kits Maintenance kit (yearly recommend)

NO EXPLODED VIEW
AVAILABLE
FOR THIS BOM

Item	Part No.	Name	Qty	L
1	-	Maintenance kit	1	
2	594230801	V-belt, Lp = 670 mm	1	
3	594232201	Magnet sensor	1	
4	594252501	Blade adjusting wire	1	

Wiring diagram Wiring diagram



Refer to the Parts Online web page for most up-to-date information. The printed information might be outdated.

Any unauthorized use or copying of the contents or any part thereof is prohibited.
This applies in particular to trademarks, model denominations, part numbers, and drawings.