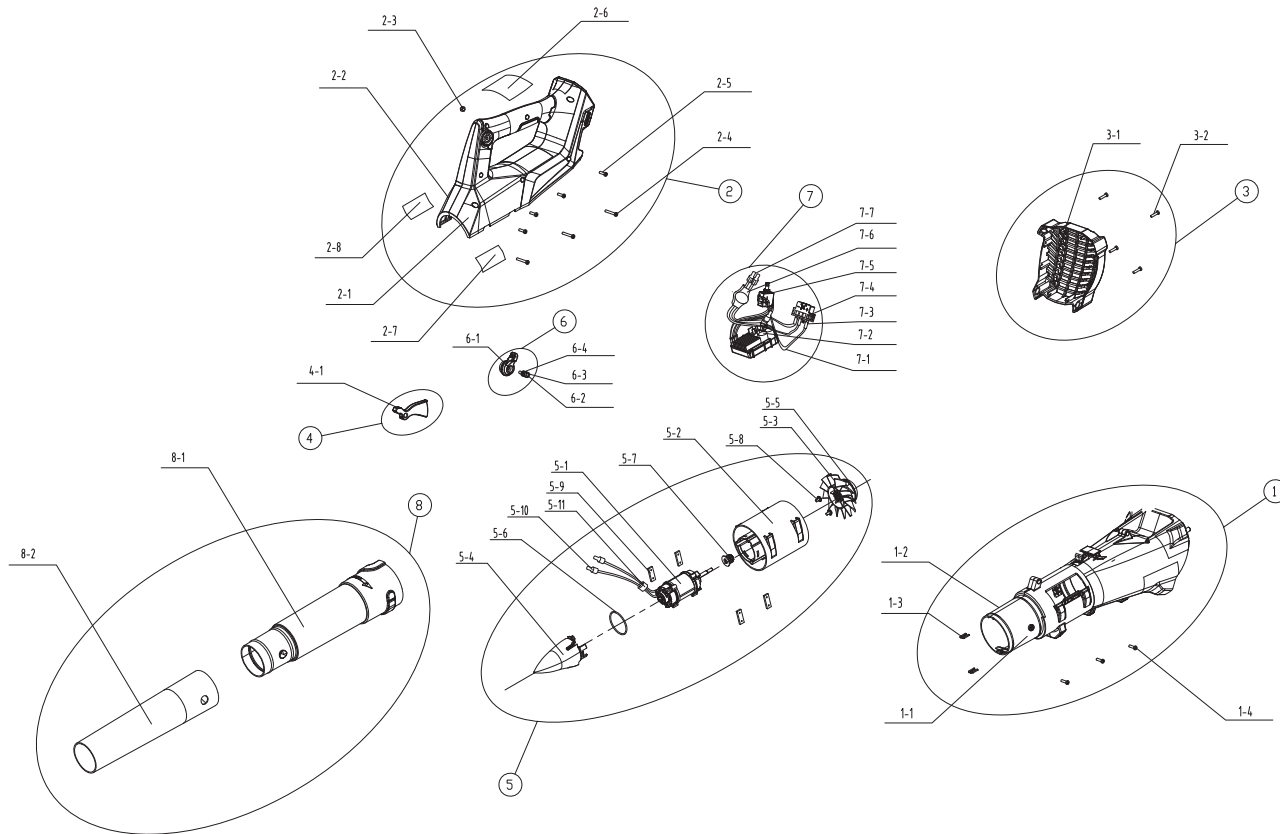




Axial Blower G40AB, 2400807



Axial Blower G40AB, 2400807

Pos	PNC	Description	Qty	UOM
1	RA341011809	Housing assembly	1	set
		left housing	1	pcs
		right housing	1	pcs
		U type buckle	2	pcs
		Screw ST4*16-F	3	pcs
2	RA311011809	Handle assembly	1	set
		Left handle	1	pcs
		Right handle	1	pcs
		M5 lock nut	1	pcs
		screw ST4*30-C	3	pcs
		screw ST4*16-F	4	pcs
		label	1	pcs
		brand label	1	pcs
		brand label (right)	1	pcs
3	RA341051809	Air inlet cover	1	set
		cover	1	pcs
		screw ST4*16-F	4	pcs
4	RA341031816	Switch trigger	1	set
		Switch trigger	1	pcs
5	RA361011809	Motor assembly	1	set
		axial fan motor	1	pcs
		channel	1	pcs
		leaves	1	pcs
		cone	1	pcs
		wind blade connector	1	pcs
		o ring	1	pcs
		ring	1	pcs
		M5 pad	2	pcs
		shock pad	4	pcs
		B terminal	2	pcs
		magnetic ring	1	pcs
6	RA341041816	Cruise knob	1	set
		speed knob	1	pcs
		screw M5x20	1	pcs
		spring pad	1	pcs
		flat pad	2	pcs
7	RA362011809	Pcb assembly	1	set
		wire (red)	30	cm

Pos	PNC	Description	Qty	UOM
		circuit board	1	pcs
		heat shrink tube	10	cm
		plug	1	pcs
		speed control switch	1	pcs
		inductance	1	pcs
		B terminal	4	pcs
8	RA341081809	Tube assembly	1	set
		upper tube	1	pcs
		lower tube	1	pcs