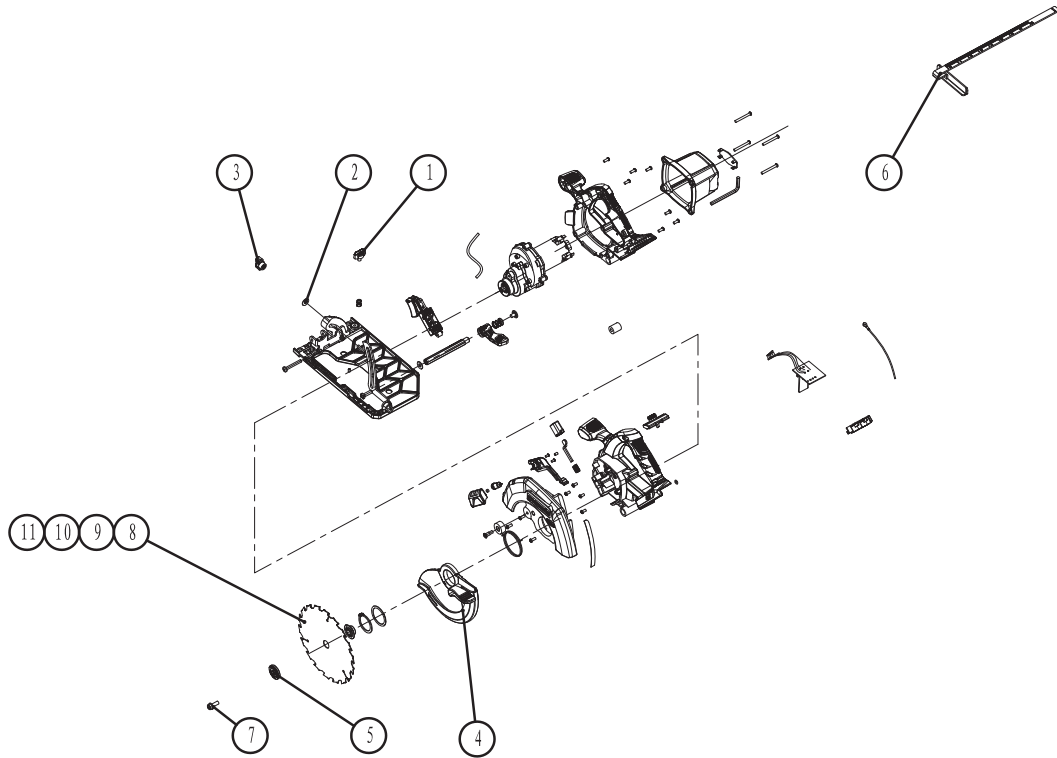


Circular saw, 31001788: 1500107A, GL1500107, 1500507RU, 1500507, 1500107, 1500073

Pos	PNC	Description	Qty	UOM
1	RA34109788	Guide rule lock knob	1	Set
		Guide rule lock knob	1	piece
2	RA32900788	Flat washer	1	Set
		Flat washer	2	piece
3	RA34112788	Fast-locked knob	1	Set
		Fast-locked knob	1	piece
4	RA34105788	Mobilizable shield	1	Set
		Mobilizable shield	1	piece
5	RA33903788	External plate	1	Set
		External plate	1	piece
6	RA33306788V1	Guide rule	1	Set
		Guide rule	1	piece
7	RA32209788	Screw	1	Set
		Screw	1	piece
8	2906707GL	Saw blade (18teeth 165mm)	1	Set
		Saw blade (18teeth 165mm)	1	piece
9	2915547GL	Saw blade (24teeth 165mm)	1	Set
		Saw blade (24teeth 165mm)	1	piece
10	2915667GL	Saw blade (40teeth 165mm)	1	Set
		Saw blade (40teeth 165mm)	1	piece
11	2915787GL	Saw blade (40teeth 165mm professional)	1	Set
		Saw blade (40teeth 165mm professional)	1	piece



Power Tool G24CS, 1500507



Circular saw G24CS, 1500507

Pos	PNC	Description	Qty	UOM
1	RA34109788	Guide rule lock knob	1	Set
		Guide rule lock knob	1	piece
2	RA32900788	Flat washer	1	Set
		Flat washer	2	piece
3	RA34112788	Fast-locked knob	1	Set
		Fast-locked knob	1	piece
4	RA34105788	Mobilizable shield	1	Set
5	RA33903788	External plate	1	Set
		External plate	1	piece
6	RA33306788V1	Guide rule	1	Set
		Guide rule	1	piece
7	RA32209788	Screw	1	Set
		Screw	1	piece
8	2906707GL	Saw blade (18teeth 165mm)	1	Set
		Saw blade (18teeth 165mm)	1	piece
9	2915547GL	Saw blade (24teeth 165mm)	1	Set
		Saw blade (24teeth 165mm)	1	piece
10	2915667GL	Saw blade (40teeth 165mm)	1	Set
		Saw blade (40teeth 165mm)	1	piece
11	2915787GL	Saw blade (40teeth 165mm professional)	1	Set
		Saw blade (40teeth 165mm professional)	1	piece