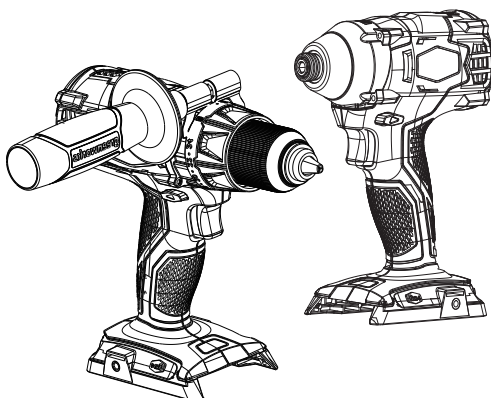


greenworks TOOLS

3700607a / 32067a

FR	24V forage sans balais / 24V conducteur sans balais	MANUE L D'UTILISATION	1
EN	24V brushless drill / 24V brushless impact driver	USER'S MANUAL	7
DE	24V Bohrmaschine mit bürstenlosem Motor / 24V Schrauber mit bürstenlosem Motor	BEDIENUNGSANLEITUNG	13
ES	Taladro sin escobillas de 24V / Destornillador sin escobillas de 24V	MANUAL DE UTILIZACIÓN	19
IT	Trapano brushless da 24V / Avvitatore brushless da 24V	MANUALE D'USO	25
PT	Berbequim sem escovas de 24V / Aparafusador sem escovas de 24V	MANUAL DE UTILIZAÇÃO	31
NL	24V brushless boormachine / 24V brushless driver	GEbruikersHANDLEIDING	37
SV	24V borstlös borr / 24V borstlös slagborr	INSTRUKTIONSBOK	43
DA	24V børsteløs boremaskine / 24V børsteløs skruemaskine	BRUGERVEJLEDNING	49
NO	24V Børsteløs drill / 24V Børsteløs driver	BRUKSANVISNING	55
FI	24V harjaton pora / 24V harjaton väännin	KÄYTTÄJÄN KÄSIKIRJA	61
HU	24V Kommutátor nélküli fúró / 24V Kommutátor nélküli csavarbehajtó	HASZNÁL ATI ÚTMUTATÓ	67
CS	24V bezkomutátorová vrtačka / 24V bezkomutátorový šroubovák	NÁVOD K OBSLUZE	73
RU	Бесщеточная дрель 24В / Бесщеточный шуруповерт 24В	РУКОВОДСТВО ПО ЭКСПЛУАТАЦИИ	79
RO	Maşină de găurit fără perii la 24V / Maşină de înşurubat fără perii la 24V	MANUAL DE UTILIZARE	85
PL	Wiertarka bezszczotkowa 24V / Wkrętarzka bezszczotkowa 24V	INSTRUKCJA OBSŁUGI	91
SL	24V brezkrtačni vrtnalnik / 24V brezkrtačni vijačnik	UPORABNIŠKI PRIROČNIK	97
HR	Izvijač od 24V / Bušilica od 24V	KORISNI ČKI PRIRU ČNIK	103
ET	Harjadeta trell 24V / Harjadeta kruvikeeraja 24V	KASUTAJAJUHEND	109
LT	24V bešepetis grąžtas / 24V bešepetis suktuvas	NAUDOJIMO VADOVAS	115
LV	24V bezkontakta urbmašina / 24V bezkontakta skrūvgriezis	LIETOTĀJA ROKASGR ĀMATA	121
SK	24V bezkartáčová vrtačka / 24V bezkartáčový skrutkovač	NÁVOD NA POUŽITIE	127
BG	Бормашина с безчетков мотор, 24V / Гайковерт с безчетков мотор, 24V	РЪКОВ ОДСТВО ЗА УПОТРЕ БА	133



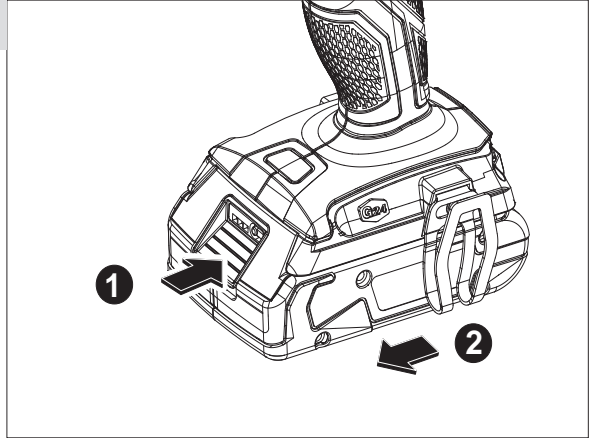
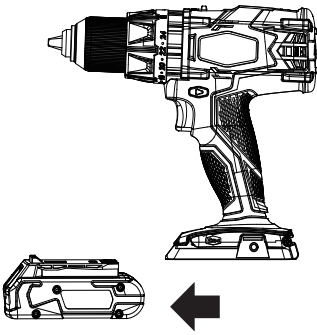
Attention!	Il est indispensable que vous lisiez les instructions contenues dans ce manuel avant la mise en service de l'appareil.
Important!	It is essential that you read the instructions in this manual before operating this machine.
Achtung!	Bitte lesen Sie unbedingt vor Inbetriebnahme die Hinweise dieser Bedienungsanleitung.
¡Atención!	Es imprescindible que lea las instrucciones de este manual antes de la puesta en servicio.
Attenzione!	Prima di procedere alla messa in funzione, è indispensabile leggere attentamente le istruzioni contenute nel manuale.
Atenção!	É indispensável que leia as instruções deste manual antes de utilizar a máquina.
Let op!	Het is van essentieel belang dat u de instructies in deze gebruiksaanwijzing leest vooraleer u dit toestel in gebruik neemt.
Observera!	Det är nödvändigt att läsa instruktionerna i denna bruksanvisning innan användning.
OBS!	Denne brugervejledning skal gennemlæses inden maskinen tages i brug.
Advarsel!	Det er meget vigtigt at du leser denne brukerveiledningen før du tar maskinen i bruk.
Huomio!	On ehdottoman välttämätöntä lukea tässä käyttöohjeessa annetut ohjeet ennen käyttöönottoa.
Figyelem!	Feltétlenül fontos, hogy a jelen használati útmutatóban foglalt előírásokat az üzembe helyezés előtt elolvassa!
Důležitě upozornění!	Nepoužívejte tento přístroj dříve, než si přečtete pokyny uvedené v tomto návodu.
Внимание!	Перед сборкой и запуском инструмента необходимо ознакомиться с инструкцией по эксплуатации.
Atenție!	Este esențial să citiți instrucțiunile din acest manual înainte de operarea acestui aparat.
Uwaga!	Przed przystąpieniem do użytkowania tego urządzenia, należy koniecznie zapoznać się z zaleceniami zawartymi w niniejszym podręczniku.
Pomembno!	Pred uporabo tega stroja, obvezno preberite navodila iz tega priročnika.
Upozoreenje!	Neophodno je da pročitate ove upute prije uporabe ovog uređaja.
Tähtis!	Enne trelli kasutama hakkamist tuleb käesolevas juhendis esitatud juhised kindlasti läbi lugeda.
Dėmesio!	Prieš pradėjami eksploatuoti šį prietaisą, svarbu, kad perskaitytumėte šiose instrukcijose pateiktus nurodymus.
Uzmanību!	Svarīgi, lai jūs pirms mašīnas darbināšanas izlasītu instrukcijas šajā rokasgrāmātā.
Dôležité!	Pre prácou s týmto zariadením je dôležité, by ste si prečítali pokyny v tomto návode.
Важно!	От изключителна важност е да прочетете инструкциите в това ръководство, преди да стартирате и използвате тази машина.

Sous réserve de modifications techniques / Subject to technical modifications / Technische Änderungen vorbehalten /
 Sujeto a modificaciones técnicas / Con riserva di eventuali modifiche tecniche / Com reserva de modificações técnicas /
 Technische wijzigingen voorbehouden / Med förbehåll för tekniska ändringar / Med forbehold for tekniske ændringer /
 Med forbehold om tekniske ændringer / Tekniset muutokset varataan / A műszaki módosítás jogát fenntartjuk /
 Změny technických údajů vyhrazeny / Могут быть внесены технические изменения / Sub rezerva modificațiilor tehnice /
 Z zastrzeżeniem modyfikacji technicznych / Tehnične spremembe dopuščene/ Podložno tehničkim promjenama /
 Tehnilised muudatused võimalikud / Pasilikant teisę daryti techninius pakeitimus /
 Paturam tiesības mainīt tehniskos raksturlielumus / Technické zmeny vyhradené /

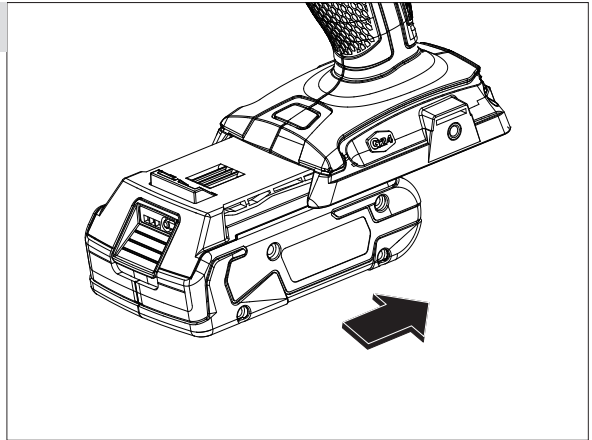
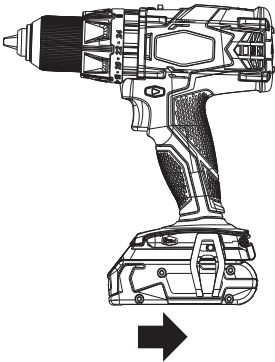
Подлежи на технически модификации

Figure Sheet

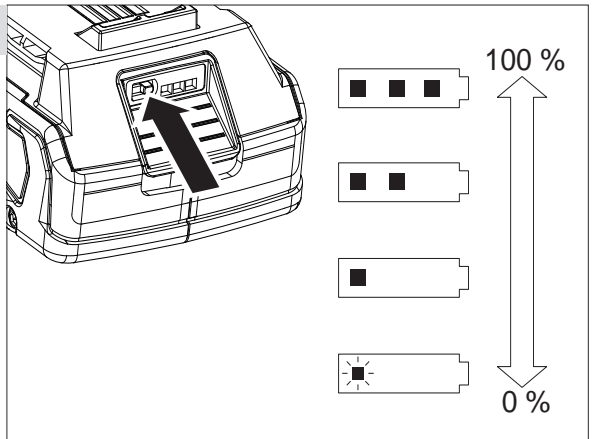
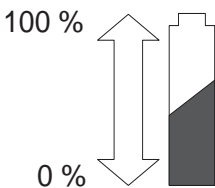
1



2



3



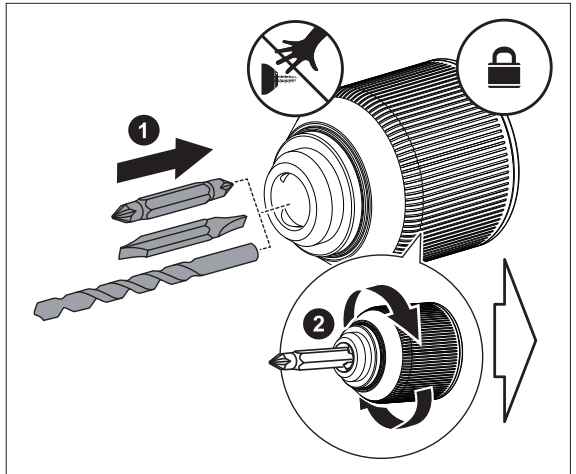
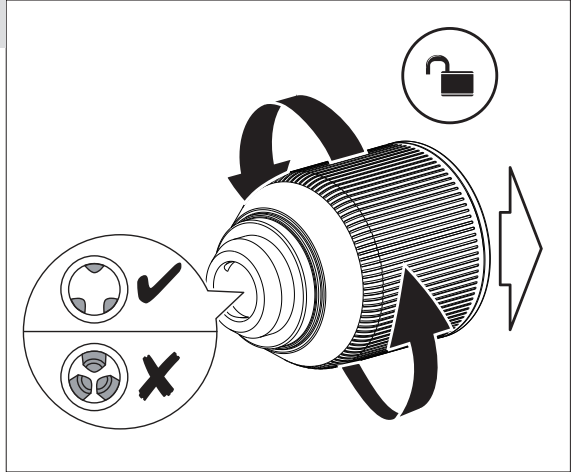
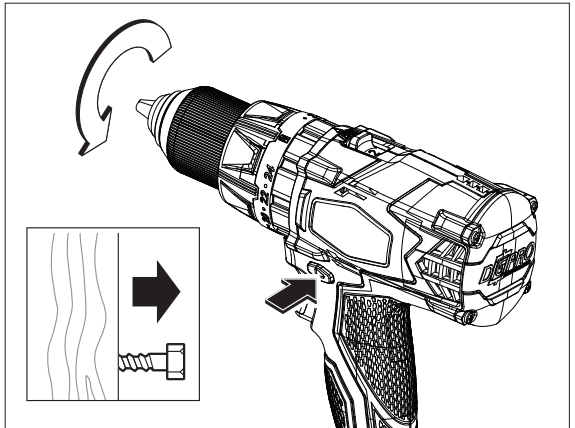
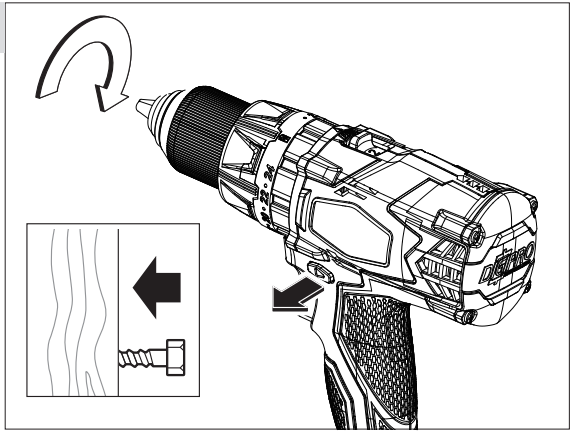
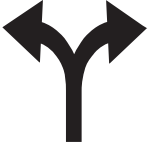


Figure Sheet

5



6

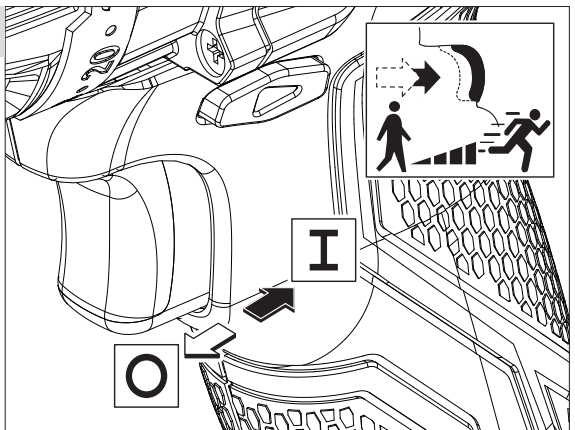
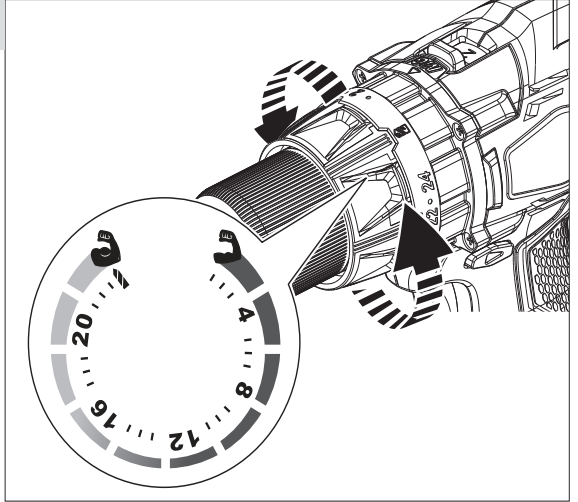
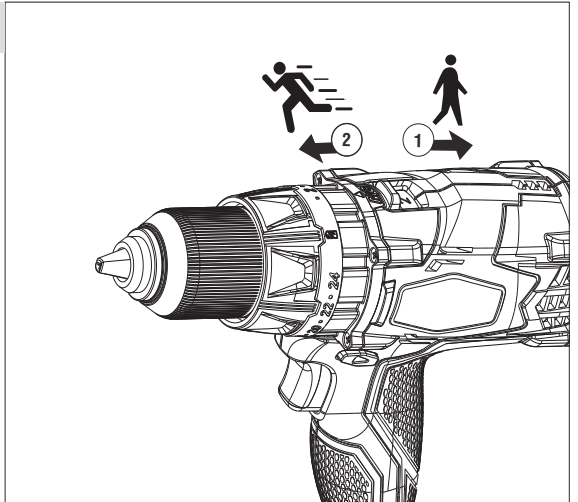


Figure Sheet

7



8



9

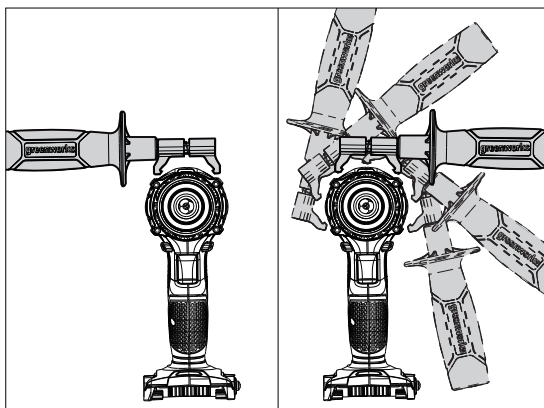
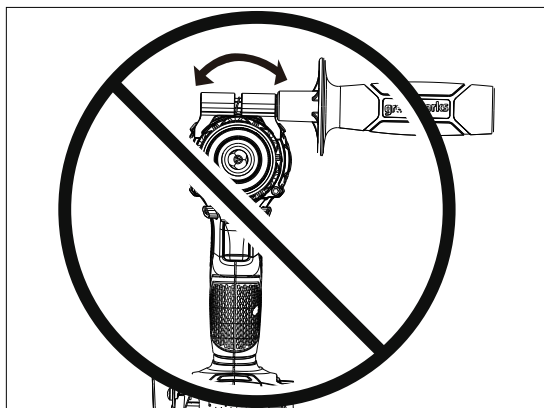
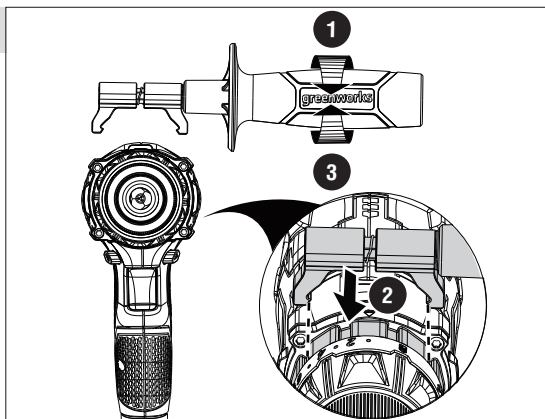
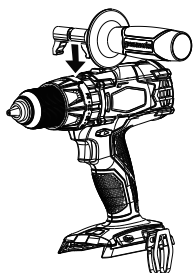
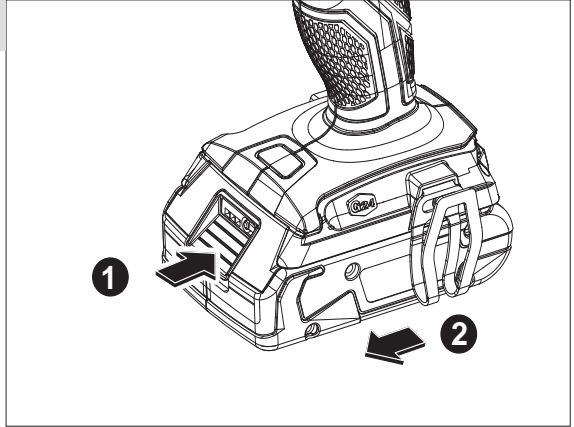
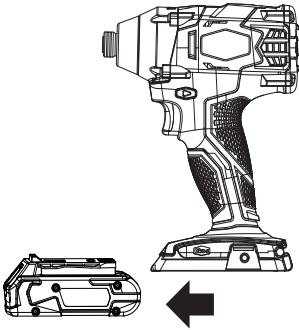
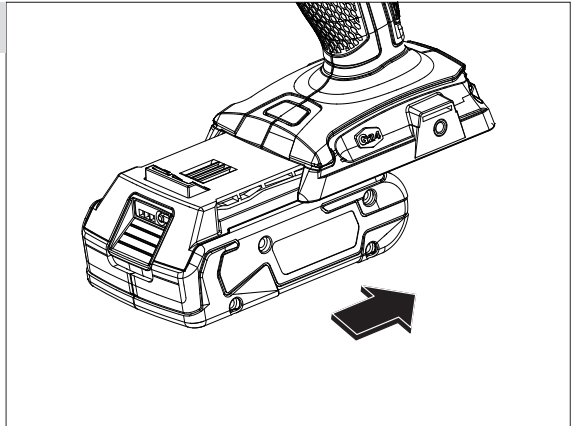
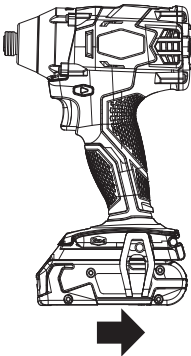


Figure Sheet

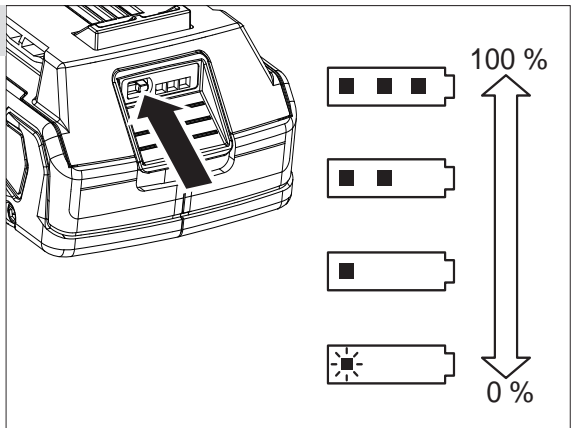
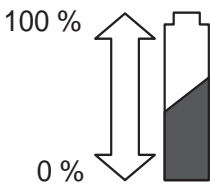
1



2



3



4

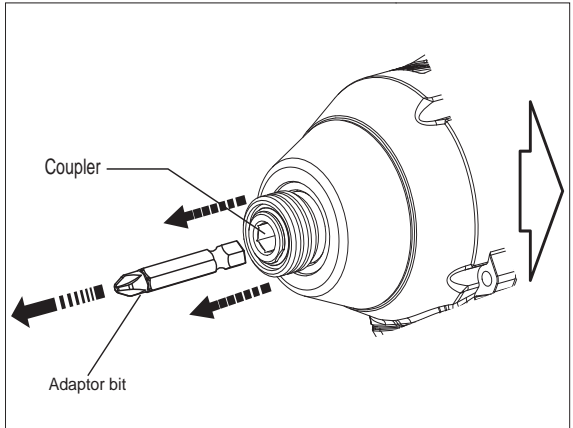
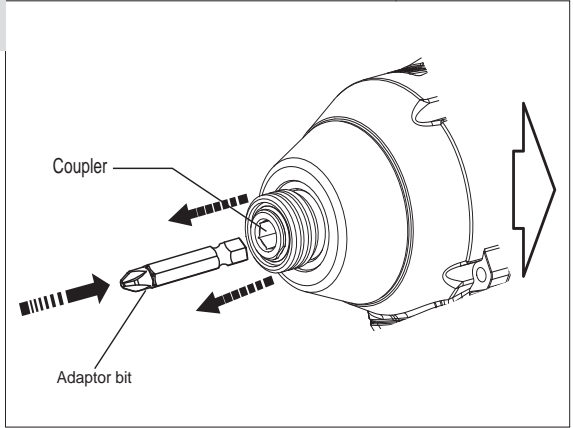
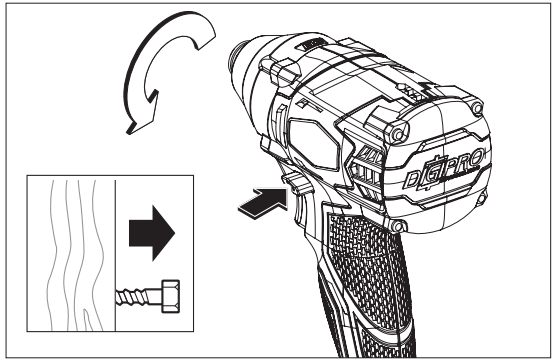
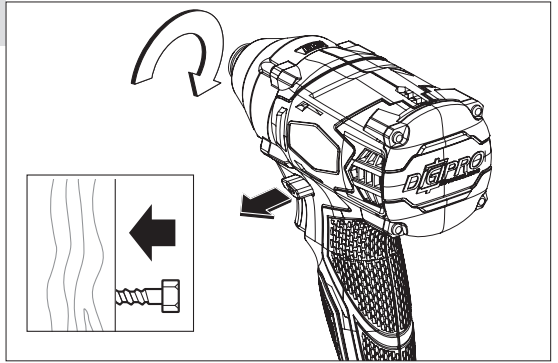
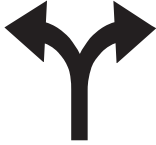
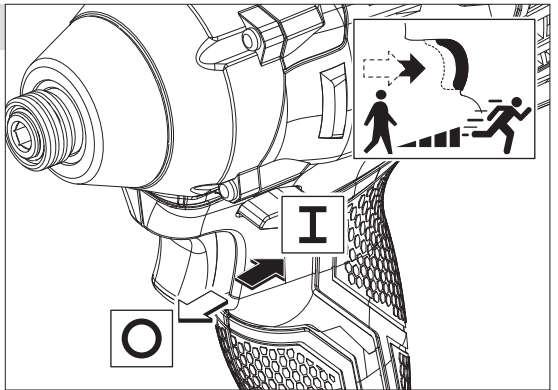


Figure Sheet

5



6



English

General Power Tool Safety Warnings

⚠ WARNING Read all safety warnings and all instructions. Failure to follow the warnings and instructions may result in electric shock, fire and/or serious injury.

Save all warnings and instructions for future reference. The term "power tool" in the warnings refers to your mainsoperated (corded) power tool or battery-operated (cordless) power tool.

Work area safety

- ▶ Keep work area clean and well lit. Cluttered or dark areas invite accidents.
- ▶ Do not operate power tools in explosive atmospheres, such as in the presence of flammable liquids, gases or dust. Power tools create sparks which may ignite the dust or fumes.
- ▶ Keep children and bystanders away while operating a power tool. Distractions can cause you to lose control.

Electrical safety

- ▶ Power tool plugs must match the outlet. Never modify the plug in any way. Do not use any adapter plugs with earthed (grounded) power tools. Unmodified plugs and matching outlets will reduce risk of electric shock.
- ▶ Avoid body contact with earthed or grounded surfaces, such as pipes, radiators, ranges and refrigerators. There is an increased risk of electric shock if your body is earthed or grounded.
- ▶ Do not expose power tools to rain or wet conditions. Water entering a power tool will increase the risk of electric shock.
- ▶ Do not abuse the cord. Never use the cord for carrying, pulling or unplugging the power tool. Keep cord away from heat, oil, sharp edges and moving parts. Damaged or entangled cords increase the risk of electric shock.
- ▶ When operating a power tool outdoors, use an extension cord suitable for outdoor use. Use of a cord suitable for outdoor use reduces the risk of electric shock.
- ▶ If operating a power tool in a damp location is unavoidable, use a residual current device (RCD) protected supply. Use of an RCD reduces the risk of electric shock.

Personal safety

- ▶ Stay alert, watch what you are doing and use common sense when operating a power tool. Do not use a power tool while you are tired or under the influence of drugs, alcohol or medication. A moment of inattention while operating power tools may result in serious personal injury.
- ▶ Use personal protective equipment. Always wear eye protection. Protective equipment such as dust mask, non-skid safety shoes, hard hat, or hearing protection used for appropriate conditions will reduce personal injuries.
- ▶ Prevent unintentional starting. Ensure the switch is in the off-position before connecting to power source and/or battery pack, picking up or carrying the tool. Carrying power tools with your finger on the switch or energising power tools that have the switch on invites accidents.
- ▶ Remove any adjusting key or wrench before turning the power tool on. A wrench or a key left attached to a rotating part of the power tool may result in personal injury.
- ▶ Do not overreach. Keep proper footing and balance at all times. This enables better control of the power tool in unexpected situations.
- ▶ Dress properly. Do not wear loose clothing or jewellery. Keep your hair, clothing and gloves away from moving parts. Loose clothes, jewellery or long hair can be caught in moving parts.
- ▶ If devices are provided for the connection of dust extraction and collection facilities, ensure these are connected and properly used. Use of dust collection can reduce dust-related hazards.

Power tool use and care

- ▶ Do not force the power tool. Use the correct power tool for your application. The correct power tool will do the job better and safer at the rate for which it was designed.
- ▶ Do not use the power tool if the switch does not turn it on and off. Any power tool that cannot be controlled with the switch is dangerous and must be repaired.

English (Original instructions)

- ▶ Disconnect the plug from the power source and/or the battery pack from the power tool before making any adjustments, changing accessories, or storing power tools. Such preventive safety measures reduce the risk of starting the power tool accidentally.
- ▶ Store idle power tools out of the reach of children and do not allow persons unfamiliar with the power tool or these instructions to operate the power tool. Power tools are dangerous in the hands of untrained users.
- ▶ Maintain power tools. Check for misalignment or binding of moving parts, breakage of parts and any other condition that may affect the power tool's operation. If damaged, have the power tool repaired before use. Many accidents are caused by poorly maintained power tools.
- ▶ Keep cutting tools sharp and clean. Properly maintained cutting tools with sharp cutting edges are less likely to bind and are easier to control.
- ▶ Use the power tool, accessories and tool bits etc. in accordance with these instructions, taking into account the working conditions and the work to be performed. Use of the power tool for operations different from those intended could result in a hazardous situation.

Battery tool use and care

- ▶ Recharge only with the charger specified by the manufacturer. A charger that is suitable for one type of battery pack may create a risk of fire when used with another battery pack.
- ▶ Use power tools only with specifically designated battery packs. Use of any other battery packs may create a risk of injury and fire.
- ▶ When battery pack is not in use, keep it away from other metal objects, like paper clips, coins, keys, nails, screws or other small metal objects, that can make a connection from one terminal to another. Shorting the battery terminals together may cause burns or a fire.
- ▶ Under abusive conditions, liquid may be ejected from the battery; avoid contact. If contact accidentally occurs, flush with water. If liquid contacts eyes, immediately seek medical help. Liquid ejected from the battery may cause irritation or burns.

Service

- ▶ Have your power tool serviced by a qualified repair person using only identical replacement parts. This will ensure that the safety of the power tool is maintained.

Drill safety warnings

Hold power tool by insulated gripping surfaces, when performing an operation where the cutting accessory may contact hidden wiring. Cutting accessory contacting a "live" wire may make exposed metal parts of the power tool "live" and could give the operator an electric shock.

Impact Driver safety warnings

Hold power tool by insulated gripping surfaces, when performing an operation where the fastener may contact hidden wiring or its own cord, fasteners contacting a "live" wire may make exposed metal parts of the power tool "live" and could give the operator an electric shock.

Additional Safety and Working Instructions

- ▶ Before any work on the machine (e.g., maintenance, tool change, etc.) as well as during transport and storage, set the rotational direction switch to the centre position. Unintentional actuation of the On/Off switch can lead to injuries.
- ▶ The battery is supplied partially charged. To ensure full battery capacity, completely charge the battery in the battery charger before using for the first time.
- ▶ Read the operating instructions of the battery charger.
- ▶ Apply the power tool to the screw/nut only when it is switched off. Rotating tool inserts can slip off.
- ▶ When working with an application tool, pay attention that the application tool is firmly seated on the tool holder. When the application tool is not firmly connected with the tool holder, it can come loose again and not be controlled.
- ▶ The torque depends on the impact duration. The maximum achieved torque results from the sum of all individual torques achieved through impact.
- ▶ Check the actually reached torque with a torque wrench.
- ▶ To save energy, only switch the power tool on when using it.











Symbols






The following symbols are important for reading and understanding the operating instructions. Please take note of the symbols and their meanings. The correct interpretation of the symbols will help you to use the machine in a better and safer manner.

Safety instructions for battery pack

- a) Do not dismantle, open or shred secondary battery pack.
- b) Do not expose battery pack to heat or fire. Avoid storage in direct sunlight.
- c) Do not short-circuit battery pack. Do not store battery pack haphazardly in a box or drawer where they may short-circuit each other or be short-circuited by other metal objects.
- d) Do not remove battery from its original battery pack enclosure required for use.
- e) Do not subject battery pack to mechanical shock.
- f) In the event of leaking, do not allow the liquid to come in contact with the skin or eyes. If contact has been made, wash the affected area with copious amounts of water and seek medical advice.
- g) Do not use any charger other than that specifically provided for use with the equipment.
- h) Observe the plus (+) and minus (–) marks, battery and equipment and ensure correct use.
- i) Do not use any battery pack which is not designed for use with the equipment.
- j) Do not mix battery pack with different manufacture, capacity, size or type within a device.
- k) Keep battery pack out of the reach of children.
- l) Seek medical advice immediately if battery pack has been swallowed.
- m) Always purchase the correct cell or battery for the equipment.
- n) Keep battery pack clean and dry.
- o) Wipe the battery pack terminals with a clean dry cloth if they become dirty.
- p) Secondary battery pack need to be charged before use. Always use the correct charger and refer to the manufacturer's instructions or equipment manual for proper charging instructions.
- q) Do not leave a battery pack on prolonged charge when not in use.
- r) After extended periods of storage, it may be necessary to charge and discharge the cells or battery pack several times to obtain maximum performance.
- s) Secondary battery pack give their best performance when they are operated at normal room temperature (20 °C ± 5 °C).
- t) Retain the original product literature for future reference.

English (Original instructions)

Symbol	Meaning
	Read all safety warnings and all instructions
	Always wear ear protection
	Movement direction
	Reaction direction
	Right/left rotation
	Low speed
	High speed
	Switching On
	Switching Off
	Drill

Symbol	Meaning
	Driver
	Hammer function
	Lock
	Unlock
	Do not touch rotating part

Delivery Scope

Cordless impact wrench.

Battery, application tools and other accessories shown or described are not part of the standard delivery scope.

A complete overview of accessories can be found in our accessories program.

Intended Use

3700607a is intended to bore holes in various materials such as metal, plastics, wood, etc as well as tightening and loosening screw and 32067a is intended to tighten and loosen screw, nuts, and the like within the respective range of dimension

The light of this power tool is intended to illuminate the power tool's direct area of working operation and is not suitable for household room illumination.

English (Original instructions)

Technical Data

Product	24V Brushless Drill	24V Brushless Impact Driver
Model	3700607a	32067a
Voltage	Brushless 24 Volts	Brushless 24 Volts
No-load speed	0~450/0~1800/min (RPM)	3200/min (RPM)
Impact rate	N/A	4200/min (IPM)
Chuck	12.7mm Keyless	6.4mm Keyless
Clutch	24 Positions+Drill	
Weight with battery pack	1.955kg	1.67kg
Sound pressure level	71dB	70dB
Sound power level	82dB	81dB
Uncertainty K	3dB(A)	3dB(A)
Vibration	4.767	7.329
Battery Pack	29807/29837	
Charger	29817	

OPERATION

24V Brushless Drill	24V Brushless Driver
Fig. 1: Removing the battery	Fig. 1: Removing the battery
Fig. 2: Inserting the battery	Fig. 2: Inserting the battery
Fig. 3: Checking the battery charge condition	Fig. 3: Checking the battery charge condition
Fig. 4: Installing/Removing Bits	Fig. 4: Installing/Removing Bits
Fig. 5: Reversing the rotational direction	Fig. 5: Reversing the rotational direction
Fig. 6: Switching on and off	Fig. 6: Switching on and off
Fig. 7: Changing clutch settings	
Fig. 8: Two-speed changing	
Fig. 9: Attaching the auxiliary handle	

Noise/Vibration Information

Noise and vibrational values (vector sum of three directions) determined according to EN60745.

The vibration emission level given in this information sheet has been measured in accordance with a standardised test given in EN 60745 and may be used to compare one tool with another. It may be used for a preliminary assessment of exposure.

The declared vibration emission level represents the main applications of the tool. However if the tool is used for different applications, with different accessories or poorly maintained, the vibration emission may differ. This may significantly increase the exposure level over the total working period. An estimation of the level of exposure to vibration should also be taken into account the times when the tool is switched off or when it is running but not actually doing the job. This may significantly reduce the exposure level over the total working period.

Identify additional safety measures to protect the operator from the effects of vibration such as: maintain the tool and the accessories, keep hands warm, organise work patterns.

Maintenance and Cleaning

- For safe and proper working, always keep the machine and ventilation slots clean.

Clean the application tool, the tool holder, the power tool's ventilations slots, and the battery's ventilation slots each time after using.

Transport

The contained lithium ion batteries are subject to the Dangerous Goods Legislation requirements. The user can transport the batteries by road without further requirements. When being transported by third parties (e.g.: air transport or forwarding agency), special requirements on packaging and labelling must be observed. For preparation of the item being shipped, consulting an expert for hazardous material is required. Dispatch batteries only when the housing is undamaged. Tape or mask off open contacts and pack up the battery in such a manner that it cannot move around in the packaging. Please also observe possibly more detailed national regulations.

DISPOSAL



This marking indicates that this product should not be disposed with other household wastes throughout the EU. To prevent possible harm to the environment or human health from uncontrolled waste disposal, recycle it responsibly to promote the sustainable reuse of material resources. To return your used device, please use the return and collection systems or contact the retailer where the product was purchased.

They can take this product for environmental safe recycling.

Русский

Общие указания по технике безопасности для электроинструментов

ПРЕДУПРЕЖДЕНИЕ Прочтите все указания и инструкции по технике безопасности. Несоблюдение указаний и инструкций по технике безопасности может стать причиной поражения электрическим током, пожара и тяжелых травм.

Сохраняйте эти инструкции и указания для будущего использования.

Использование в настоящих инструкциях и указаниях понятие «электроинструмент» распространяется на электроинструмент с питанием от сети (с сетевым шнуром) и на аккумуляторный электроинструмент (без сетевого шнура).

Безопасность рабочего места

- Содержите рабочее место в чистоте и хорошо освещенным. Беспорядок или неоосвещенные участки рабочего места могут привести к несчастным случаям.
- Не работайте с этим электроинструментом во взрывоопасном помещении, в котором находятся горючие жидкости, воспламеняющиеся газы или пыль. Электроинструменты искрят, что может привести к воспламенению пыли или паров.
- Во время работы с электроинструментом не допускайте близко к Вашему рабочему месту детей и посторонних лиц. Отвлечшись, Вы можете потерять контроль над электроинструментом.

Электробезопасность

- Штепсельная вилка электроинструмента должна подходить к штепсельной розетке. Ни в коем случае не изменяйте штепсельную вилку. Не применяйте переходные штекеры для электроинструментов с защитным заземлением. Неизменные штепсельные вилки и подходящие штепсельные розетки снижают риск поражения электротоком.
- Предотвращайте телесный контакт с заземленными поверхностями, как то: с трубами, элементами отопления, кухонными плитами и холодильниками. При заземлении Вашего тела повышается риск поражения электротоком.
- Защищайте электроинструмент от дождя и сырости. Проникновение воды в электроинструмент повышает риск поражения электротоком.
- Не разрешается использовать шнур не по назначению, например, для транспортировки или подвески электроинструмента, или для вытягивания вилки из штепсельной розетки. Защищайте шнур от воздействия высоких температур, масла, острых кромок или подвижных частей электроинструмента. Поврежденный или спутанный шнур повышает риск поражения электротоком.
- При работе с электроинструментом под открытым небом применяйте пригодные для этого кабели-удлинители. Применение пригодного для работы под открытым небом кабеля-удлинителя снижает риск поражения электротоком.

- Если невозможно избежать применения электроинструмента в сыром помещении, подключайте электроинструмент через устройство защитного отключения. Применение устройства защитного отключения снижает риск электрического поражения.

Безопасность людей

- Будьте внимательными, следите за тем, что Вы делаете, и продумано начинайте работу с электроинструментом. Не пользуйтесь электроинструментом в усталом состоянии или если Вы находитесь в состоянии наркотического или алкогольного опьянения или под воздействием лекарств. Один момент невнимательности при работе с электроинструментом может привести к серьезным травмам.
- Применяйте средства индивидуальной защиты и всегда защитные очки. Использование средств индивидуальной защиты, как то: защитной маски, обуви на нескользящей подошве, защитного шлема или средств защиты органов слуха, – в зависимости от вида работы с электроинструментом снижает риск получения травм.
- Предотвращайте непреднамеренное включение электроинструмента. Перед подключением электроинструмента к электропитанию и/или к аккумулятору убедитесь в выключенном состоянии электроинструмента. Удержание пальца на выключателе при транспортировке электроинструмента и подключение к сети питания выключенного электроинструмента чревато несчастными случаями.
- Убирайте установочный инструмент или гаечные ключи до включения электроинструмента. Инструмент или ключ, находящийся во вращающейся части электроинструмента, может привести к травмам.
- Не принимайте неестественное положение корпуса тела. Всегда занимайте устойчивое положение и сохраняйте равновесие. Благодаря этому Вы можете лучше контролировать электроинструмент в неожиданных ситуациях.
- Носите подходящую рабочую одежду. Не носите широкую одежду и украшения. Держите волосы, одежду и рукавицы вдали от движущихся частей. Широкая одежда, украшения или длинные волосы могут быть затянуты вращающимися частями.
- При наличии возможности установки пылеотсасывающих и пылесборных устройств проверяйте их присоединение и правильное использование. Применение пылеотсоса может снизить опасность, создаваемую пылью.

Применение электроинструмента и обращение с ним

- Не перегружайте электроинструмент. Используйте для Вашей работы предназначенный для этого электроинструмент. С подходящим электроинструментом Вы работаете лучше и надежнее в указанном диапазоне мощности.
- Не работайте с электроинструментом при неисправном выключателе. Электроинструмент, который не поддается включению или выключению, опасен и должен быть отремонтирован.

Русский (Перевод из первоначальных инструкций)

- ▶ До начала настройки электроинструмента, перед заменой принадлежностей и прекращением работы отключайте штепсельную вилку от розетки сети и/или выньте аккумулятор. Эта мера предосторожности предотвращает непреднамеренное включение электроинструмента.
- ▶ Храните электроинструменты в недоступном для детей месте. Не разрешайте пользоваться электроинструментом лицам, которые не знакомы с ним или не читали настоящих инструкций. Электроинструменты опасны в руках неопытных лиц.
- ▶ Тщательно ухаживайте за электроинструментом. Проверяйте безупречную функцию и ход движущихся частей электроинструмента, отсутствие поломок или повреждений, отрицательно влияющих на функцию электроинструмента. Поврежденные части должны быть отремонтированы до использования электроинструмента. Плохое обслуживание электроинструментов является причиной большого числа несчастных случаев.
- ▶ Держите режущий инструмент в заточенном и чистом состоянии. Заботливо ухоженные режущие инструменты с острыми режущими кромками реже заклиниваются и их легче вести.
- ▶ Применяйте электроинструмент, принадлежности, рабочие инструменты и т.п. в соответствии с настоящими инструкциями. Учитывайте при этом рабочие условия и выполняемую работу. Использование электроинструментов для непредусмотренных работ может привести к опасным ситуациям.

Применение и обслуживание аккумуляторно-го инструмента

- ▶ Заряжайте аккумуляторы только в зарядных устройствах, рекомендуемых изготовителем. Зарядное устройство, предусмотренное для определенного вида аккумуляторов, может привести к пожарной опасности при использовании его с другими аккумуляторами.
- ▶ Применяйте в электроинструментах только предусмотренные для этого аккумуляторы. Использование других аккумуляторов может привести к травмам и пожарной опасности.
- ▶ Защищайте неиспользуемый аккумулятор от канцелярских скрепок, монет, ключей, гвоздей, винтов и других маленьких металлических предметов, которые могут замкнуть полюса. Короткое замыкание полюсов аккумулятора может привести к ожогам или пожару.
- ▶ При неправильном использовании из аккумулятора может потечь жидкость. Избегайте соприкосновения с ней. При случайном контакте промойте соответствующее место водой. Если эта жидкость попадет в глаза, то дополнительно обратитесь за помощью к врачу. Вытекающая аккумуляторная жидкость может привести к раздражению кожи или к ожогам.

Сервис

- ▶ Ремонт Вашего электроинструмента поручайте только квалифицированному персоналу и только с применением оригинальных запасных частей. Таким обеспечивается безопасность электроинструмента.

Предостережения относительно безопасного пользования дрелью

- ▶ Держите электроинструмент только за изолированную поверхность рукоятки при выполнении таких работ, когда режущая насадка может войти в контакт со скрытой электропроводкой. Касание провода, находящегося под напряжением, режущей насадкой может вызвать протекание электрического тока через металлические части электроинструмента и привести к поражению оператора электрическим током.

Предостережения относительно безопасного пользования ударной дрелью

- ▶ Держите электроинструмент только за изолированную поверхность рукоятки при выполнении таких работ, когда крепежная деталь может войти в контакт со скрытой электропроводкой или шнуром самого инструмента. Касание провода, находящегося под напряжением, крепежной деталью может вызвать протекание электрического тока через металлические части электроинструмента и привести к поражению оператора электрическим током.

Другие указания по технике безопасности и по работе

- ▶ До начала работ по техобслуживанию, смене инструмента и т.д., а также при транспортировке электроинструмента установите переключатель направления вращения в среднее положение. При непреднамеренном включении выключателя возникает опасность травмирования.
- ▶ Аккумуляторная батарея поставляется частично заряженной. В целях реализации полной емкости аккумуляторной батареи ее необходимо полностью зарядить в зарядном устройстве перед первой эксплуатацией.
- ▶ Прочитайте руководство по эксплуатации зарядного устройства.
- ▶ Устанавливайте электроинструмент на винт или гайку только в выключенном состоянии. Вращающиеся рабочие инструменты могут соскользнуть.
- ▶ При установке рабочего инструмента следите за тем, чтобы хвостовик инструмента был надежно вставлен в патрон. Если рабочий инструмент не имеет прочной связи с патроном, то он может разболтаться и выйти из-под контроля.
- ▶ Крутящий момент зависит от продолжительности ударов. Максимальный крутящий момент состоит из суммы всех отдельных крутящих моментов, достигнутых при ударах.
- ▶ Проверяйте фактический крутящий момент динамометрическим ключом.
- ▶ В целях экономии электроэнергии включайте электроинструмент только тогда, когда Вы собираетесь работать с ним.

Символы

Следующие символы помогут Вам при чтении и понимании руководства по эксплуатации. Запомните символы и их значение. Правильная интерпретация символов поможет Вам правильное и надежнее работать с электроинструментом.

Инструкции по технике безопасности для батареи

- а) Не разбирайте, не открывайте и не вскрывайте заряжаемую батарею.
- б) Не подвергайте батарею воздействию высокой температуры и огня. Не допускайте хранения под прямыми солнечными лучами.
- в) Не замыкайте батарею накоротко. Не храните батареи небрежно в коробке или ящике, где они могут накоротко замкнуться друг с другом или с другими металлическими предметами.
- г) Не извлекайте батарею из батарейного блока, необходимого для ее использования.
- д) Не подвергайте батарею механическим ударам.
- е) В случае утечки жидкости из батареи не допускайте ее контакта с кожей или попаданию в глаза. Если произошел контакт с этой жидкостью, обильно промойте пораженный участок водой и обратитесь к врачу.
- ж) Не используйте зарядные устройства, не предусмотренные для использования с этим изделием.
- з) Соблюдайте полярность при подключении батареи к устройству и правила ее эксплуатации.
- и) Не используйте батареи, не предусмотренные для использования с этим изделием.
- к) Не смешивайте батареи разных производителей, мощности, размера или типа в одном устройстве.
- л) Держите батарею в недоступном для детей месте.
- м) Немедленно обратитесь к врачу в случае проглатывания деталей батареи.
- н) Приобретайте только такие батареи, которые предназначены для использования с этим изделием.
- о) Храните батарею в чистоте и сухости.
- п) Протрите клеммы батареи чистой сухой тканью, если они загрязнились.
- р) Заряжаемые батареи необходимо заряжать перед использованием. Всегда используйте надлежащее зарядное устройство и обратитесь к инструкциям производителя или руководству по эксплуатации изделия для осуществления правильной зарядки.
- с) Не заряжайте батарею в течение долгого времени, если она не используется.
- т) После длительного хранения может понадобиться несколько раз зарядить и разрядить батарею, чтобы обеспечить максимальную производительность.
- у) Заряжаемые батареи обеспечивают наилучшую производительность, когда они эксплуатируются при нормальной комнатной температуре (20°C ± 5°C).
- ф) Сохраните документацию, поставляемую вместе с изделием, для использования в будущем.

Русский (Перевод из первоначальных инструкций)

Символ	Значение
	Ознакомьтесь со всеми указаниями по технике безопасности и инструкциями
	Носите средства защиты слуха
	Направление движения
	Направление реакции
	Правое/левое направление вращения
	Низкое число оборотов
	Высокое число оборотов
	Включение
	Выключение
	дрель

Символ	Значение
	Дрель
	Ударная функция
	Заблокировано
	Разблокировано
	Не прикасайтесь к движущимся частям

Комплект поставки

Аккумуляторный ударный шурупверт.
Аккумуляторная батарея, вставной рабочий инструмент и прочие изображенные или описанные принадлежности не входят в стандартный комплект поставки. Полный набор принадлежностей Вы найдете в нашем ассортименте принадлежностей.

Применение по назначению

Модель 3700607a предназначена для сверления отверстий в различных материалах, таких как металл, пластмасса, древесина и проч., а также для закручивания и откручивания шурупов, а модель 32067a предназначена для закручивания и откручивания шурупов, гаек и тому подобных крепежных материалов в пределах доступных размеров.

Лампочка на электроинструменте предназначена для подсветки непосредственной зоны работы, она не пригодна для освещения помещения в доме.

Русский (Перевод из первоначальных инструкций)

Технические данные

продукт	Бесщеточная дрель 24 В	Бесщеточный шуруповерт 24 В
модели	3700607a	32067a
Номинальное напряжение	Бесщеточная 24 вольта	Бесщеточная 24 вольта
Холодная скорость	0~450/0~1800/min (RPM)	3200/min (RPM)
Количество ударов в минуту	N/A	4200/min (IPM)
Переходной патрон	12,7 мм бесключевой	6,4 мм бесключевой
Муфта	24 позиции + дрель	
Аккумулятор	1.955kg	1.67kg
Измеренный уровень звукового давления	71dB	70dB
Измеренный уровень звуковой мощности	82dB	81dB
Погрешность К	3dB(A)	3dB(A)
Уровень вибрации	4.767	7.329
Аккумулятор	29807/29837	
Зарядное устройство	29817	

ЭКСПЛУАТАЦИЯ

Бесщеточная дрель 24 В	Бесщеточный шуруповерт 24 В
рис. 1: Извлечение батареи	рис. 1: Извлечение батареи
рис. 2: Установка батареи	рис. 2: Установка батареи
рис. 3: Проверка состояния заряда батареи	рис. 3: Проверка состояния заряда батареи
рис. 4: Установка/извлечение битов	рис. 4: Установка/извлечение битов
рис. 5: Реверсирование направления вращения	рис. 5: Реверсирование направления вращения
рис. 6: Включение и выключение	рис. 6: Включение и выключение
рис. 7: Изменение настроек муфты	
рис. 8: Переключение между двумя скоростями	
рис. 9: Установка вспомогательной рукоятки	

Данные по шуму и вибрации

Суммарные величины шума и вибрации (векторная сумма трех направлений) определены в соответствии с EN 60745. Указанный в настоящих инструкциях уровень вибрации измерен по методике измерения, прописанной в стандарте EN 60745, и может быть использован для сравнения электроинструментов. Он пригоден также для предварительной оценки вибрационной нагрузки.

Уровень вибрации указан для основных видов работы с электроинструментом. Однако если электроинструмент будет использован для выполнения других работ с применением рабочих инструментов, не предусмотренных изготовителем, или техническое обслуживание не будет отвечать предписаниям, то уровень вибрации может быть иным. Это может значительно повысить вибрационную нагрузку в течение всей продолжительности работы.

Для точной оценки вибрационной нагрузки в течение определенного временного интервала нужно учитывать также и время, когда инструмент выключен или, хотя и включен, но не находится в работе. Это может значительно сократить нагрузку от вибрации в расчете на полное рабочее время.

Предусмотрите дополнительные меры безопасности для защиты оператора от воздействия вибрации, например: техническое обслуживание электроинструмента и рабочих инструментов, меры по поддержанию рук в тепле, организация технологических процессов.

Техобслуживание и очистка

► Для обеспечения качественной и безопасной работы следует постоянно содержать электроинструмент и вентиляционные щели в чистоте.

Каждый раз после работы очищайте рабочий инструмент, патрон и вентиляционные щели электроинструмента, а также вентиляционные щели аккумуляторной батареи.

Транспортировка

На вложенные литиево-ионные аккумуляторные батареи распространяются требования в отношении транспортировки опасных грузов. Аккумуляторные батареи могут перевозиться самим пользователем автомобильным транспортом без необходимости соблюдения дополнительных норм.

При перевозке с привлечением третьих лиц (напр.: самолетом или транспортным экспедитором) необходимо соблюдать особые требования к упаковке и маркировке. В этом случае при подготовке груза к отправке необходимо участие эксперта по опасным грузам.

Отправляйте аккумуляторную батарею только с неповрежденным корпусом. Заклейте открытые контакты и упакуйте аккумуляторную батарею так, чтобы она не перемещалась внутри упаковки.

Пожалуйста, соблюдайте также возможные дополнительные национальные предписания.

УТИЛИЗАЦИЯ



Этот значок сигнализирует о том, что данный продукт не может быть утилизирован вместе с другими бытовыми отходами на всей территории Европейского Союза. Чтобы предотвратить нанесение возможного ущерба окружающей среде или здоровью людей вследствие неконтролируемой утилизации мусора, продукт должен быть соответствующим образом переработан, чтобы обеспечить экологически чистое повторное использование материальных ресурсов. Чтобы вернуть использованное устройство, воспользуйтесь, пожалуйста, системами возврата и сбора отходов или свяжитесь с организацией, в которой было куплено данное устройство. Они могут забрать данное устройство для дальнейшей экологически безопасной переработки.



Politique de garantie de Greenworks Tools pour les outils de bricolage

PÉRIODE DE LA GARANTIE

Tous les nouveaux outils Greenworks Tools sont livrés avec une garantie de 2 ans protégeant l'outil contre les défauts de matériau et main d'œuvre à partir la date d'achat originale. Une garantie de 30 jours est disponible pour les outils utilisés à titre professionnel, car les outils Greenworks sont principalement conçus pour être utilisés par des bricoleurs. Cette garantie est incessible.

LIMITATIONS

Cette garantie s'applique uniquement aux pièces/composants défectueux et ne couvre pas les réparations dues à :

1. L'usure normale.
2. Une amélioration ou un réglage de routine.
3. Les dommages causés par une manutention inadéquate/un abus/une utilisation inadéquate ou une négligence.
4. Une surchauffe due à une manque de maintenance.
5. Les dommages dus à des fixations/installations se desserrant/détachant en raison d'un manque de maintenance.
6. Les dommages causés par un nettoyage à l'eau.
7. Les outils entretenus ou réparés par un centre de réparation non agréé par Greenworks Tools.
8. Les outils assemblés ou réglés de manière incorrecte.
9. Les dommages causés par une utilisation inadéquate de l'outil.
10. Les dommages causés par un aménagement pour l'hiver inadéquat (nettoyeur à haute pression).
11. Les éléments considérés par des consommables ne sont pas normalement couverts par la garantie, cela inclut mais ne se limite pas aux éléments suivants :
 - Piles
 - Câbles électriques
 - Lames et assemblages des lames
 - Courroies
 - Filtres
 - Mandrins et supports pour outils
12. Certains produits peuvent contenir des composants comme des moteurs, des transmissions d'un autre fabricant, ces éléments sont soumis à la politique de garantie du fabricant respectif, sauf si Greenworks Tools Europe GmbH accepte de garantir des réparations en dehors de la période de garantie dudit fabricant.
13. Les outils d'occasion ne sont pas couverts par cette politique de garantie.
14. L'installation des pièces de rechange ou accessoires supplémentaires non fournis ou approuvés par Greenworks Tools Europe GmbH.

Garantie

Une preuve d'achat est requise pour faire valoir la garantie d'un produit liée à cette politique. Le relevé de carte de crédit ne constitue pas une preuve d'achat suffisante. En cas de problème couvert par la garantie, le consommateur doit apporter le produit et sa preuve d'achat au lieu d'achat original. L'appareil sera par la suite expédié à un centre de réparation afin d'y être examiné. En présence de dommage, l'appareil sera réparé et renvoyé gratuitement à l'adresse du consommateur. Il convient de noter que les appareils dont le prix de vente est inférieur à 100 € euros (TTC) sont généralement remplacés par un produit neuf.

Si le centre de réparation juge que l'appareil n'est pas défectueux, il avertira le consommateur qu'il devra payer le coût de la réparation.

Cette politique de garantie est soumise à des modifications régulières, celles-ci visent à s'adapter aux nouveaux produits. Une copie de la politique de garantie est disponible à l'adresse www.greenworkstools.eu.



Greenworks Tools Warranty Policy for DIY machines

PERIOD OF WARRANTY

All new Greenworks Tools machinery is supplied with a 2 year parts and labour warranty from original date of purchase. A 30 day warranty is available for machines used professionally as Greenworks Tools are designed primarily to be used by DIY consumers. This warranty is non-transferable.

LIMITATIONS

This warranty applies only to defective parts/components and does not cover repairs due to:

1. Normal wear and tear.
2. Routine tune up or adjustment.
3. Damage caused by improper handling/abuse/misuse or neglect.
4. Overheating due to lack of maintenance.
5. Damage due to fittings/fasteners becoming loose/detached through lack of maintenance.
6. Damage caused by cleaning with water.
7. Machines serviced or repaired by non-authorized Greenworks Tools service centres.
8. Machines incorrectly assembled or adjusted.
9. Damage caused by improper use of the machine.
10. Damage caused by improper winterisation (pressure washers)
11. Items considered as consumable parts are not normally covered by the warranty, including but not limited to:
 - Batteries
 - Electric cables
 - Blade and blade assemblies
 - Belts
 - Filters
 - Chucks and tool holders
12. Certain products may contain components such as engines, transmissions from an alternative manufacturer, these items will be subject to the appropriate manufacturer's warranty policy except where Greenworks Tools Europe GmbH agrees to underwrite any claims outside the said manufacturer's warranty period.
13. Second hand goods are not covered under this warranty policy.
14. The fitting of spares, replacements or extra components which are not supplied or approved by Greenworks Tools Europe GmbH.

Warranty

To claim a warranty on any product under this policy a proof of original purchase is required. Credit card statement do not qualify as sufficient proof of purchase. In the first instance of a warranty event occurring the consumer should return the product to the original place of purchase with their proof of purchase. The machine will be sent to our central service facility and an inspection made. If the machine be found to be at fault it will be repaired and sent back to the address of the consumer free of charge. Machines that retail for less than €100 euros including sales taxes will generally be replaced.

If the central service facility finds that machine is not found to be at fault then the consumer will be advised they will need to pay for the cost of the repair.

This warranty policy is subject to change from time to time to accommodate the needs of new products. A copy of the latest warranty policy will be available at www.greenworkstools.eu.



Зáручни podmínky nástrojů Greenworks pro hobby zařízení

ДОБА ЗÁРУКУ

Вšechna nová zařízení Greenworks Tools jsou dodávána s 2letou zárukou na díly a provoz od původního data zakoupení. Záruka 30 dnů je poskytována na zařízení používané profesionálně, protože nástroje Greenworks Tools jsou navrženy především k používání hobby spotřebiteli.

Tato záruka je nepřevoditelná.

ОМЕЗЕНÍ

Tato záruka se vztahuje pouze na vadné díly nebo komponenty a netýká se oprav, které byly způsobeny:

1. Běžným opotřebením a nošením;
2. Rutinním seřizením a nastavením;
3. Škodami způsobenými nesprávnou manipulací, hrubým zacházením, nevhodným používáním nebo zanedbáním;
4. Přehřátím kvůli nedostatku údržby;
5. Poškozením z důvodu údržby, uvolněním upevňovacích prvků nebo rozpojením způsobeným nedostatečnou údržbou;
6. Poškozením způsobeným čišťením vodou;
7. Servisními pracemi nebo opravami zařízení neautorizovanými servisními středisky Greenworks Tools;
8. Nesprávným sestavením nebo nastavením zařízení;
9. Poškozením způsobeným nesprávným používáním zařízení;
10. Poškozením způsobeným nesprávnou přípravou na zimu (tlakové myčky).
11. Na položky, které jsou považovány za spotřební díly, se normálně nevztahuje záruka, včetně, ale nikoli výhradně na:
 - Baterie
 - Elektrické kabely
 - Čepele a sestavy čepele
 - Pásy
 - Filtry
 - Sklíčidla a držáky nástrojů

12. Některé produkty mohou obsahovat součásti, jako jsou motory, převodovky od alternativního výrobce. Na tyto položky se budou vztahovat záruční podmínky příslušného výrobce vyjma těch případů, kde společnost Greenworks Tools Europe GmbH souhlasí s tím, že se zaručí za veškeré nároky mimo záruku uvedeného výrobce.

13. Tyto záruční podmínky se nevztahují na použité zboží.

14. Záruka se nevztahuje na montáž náhradních dílů, výměnu nebo zvláštní komponenty, které nejsou dodávány nebo schváleny společností Greenworks Tools Europe GmbH.

Зáрука

Nárokování záruky na výrobek v rámci těchto podmínek vyžaduje doklad o zakoupení. Výpis z kreditní karty se nepovažuje za dostatečný důkaz o zakoupení. Pokud nastane událost spojená s nárokováním záruky, v první řadě musí spotřebitel produkt vrátit do původního místa nákupu s dokladem o zakoupení. Zařízení bude zasláno do našeho centrálního servisního podniku, kde bude provedena jeho kontrola. Je-li zařízení vadné, bude bezplatně opraveno a zasláno zpět na adresu spotřebitele. Zařízení, jejichž maloobchodní cena byla menší nebo rovna 100 EUR včetně DPH, budou obvykle vyměněna.

Jestliže centrální servisní podnik zjistí, že stroj není vadný, pak bude spotřebitel na tuto skutečnost upozorněn a bude muset zaplatit za náklady na opravu.

Tyto záruční podmínky se mohou čas od času změnit, aby vyhovovaly potřebám nových výrobků. Kopie nejnovějších záručních podmínek bude k dispozici na webu www.greenworkstools.eu.



Гарантийные обязательства компании Greenworks Tools в отношении агрегатов для дома и строительства

СРОК ГАРАНТИИ

Все новые агрегаты поставляются, в случае домашнего использования, с 2-летней гарантией от первоначальной даты покупки на запчасти и работу по ремонту, и 1 год на аккумуляторные батареи и, в случае коммерческого использования, с гарантией 90 дней от первоначальной даты покупки на запчасти и работу по ремонту.

На профессиональную технику 80Вольт и аккумуляторные ручные инструменты 24Вольт (отвертки, дрели, лобзики, циркулярная пила, гайковерты, фонарик, мульти-устройство) действует гарантия в 1 год. Эта гарантия не подлежит передаче.

ОГРАНИЧЕНИЯ

Настоящая гарантия распространяется только на дефектные части / компоненты и не охватывает ремонт, который потребовался как следствие:

1. Нормального износа.
2. Плановой настройки или регулировки.
3. Ущерба, причиненный в результате неправильного обращения / ненадлежащего использования или пренебрежения.
4. Перегрев из-за отсутствия технического обслуживания.
5. Повреждения, вызванные разбалтыванием / отсоединением фитингов / крепежных деталей, из-за отсутствия технического обслуживания.
6. Повреждения, вызванные очисткой при помощи воды.
7. Агрегаты, обслуживание или ремонт которых проводился не авторизованными сервисными центрами компании GREENWORKS.
8. Агрегаты, неправильно собранные или отрегулированные.
9. Повреждения, вызванные неправильным использованием агрегата.
10. Ущерб, причиненный в результате неправильной подготовки к эксплуатации в зимний период (моющие устройства высокого давления).
11. Позиции, рассматриваемые в качестве расходимых деталей, и обычно не покрываемые гарантией, включая, но не ограничиваясь, следующим:
 - Электрические кабели
 - Ножи и режущие полотна
 - Ремни
 - Фильтры
 - Зажимные устройства и держатели инструментов
12. Подержанные товары не подпадают под данные гарантийные обязательства.
13. Установка запчастей, сменных деталей или дополнительных компонентов, которые не поставляются компанией Greenworks Tools Europe GmbH, или не утверждены этой компанией.

Гарантия

Чтобы подать заявку на гарантийное обслуживание какого-либо продукта в рамках данных гарантийных обязательств, требуется доказательство первоначальной покупки. Доказательство покупки включает в себя одно из;

- Квитанция розничного продавца
- Счет, подтверждающий покупку в Интернете
- Копия свидетельства о регистрации продукта

Продукт необходимо зарегистрировать на сайте:

www.greenworkstools.ru

Выписка по кредитной карте не считается достаточным доказательством покупки. В первую очередь, при возникновении гарантийного случая потребитель должен обратиться в авторизованный сервис, или к импортеру, указанным в инструкции, или на сайте www.Greenworkstools.eu с соответствующим доказательством покупки. Агрегат будет отправлен в наш центральный сервисный центр и там проведена проверка. Если будет установлено, что агрегат неисправен, то он будет бесплатно отремонтирован. Агрегаты, которые продаются в розницу менее чем за 7 000 рублей, включая налоги с продаж, как правило, подлежат замене. Если установлено, что агрегат не является не гарантийным случаем, то потребителю будет предложено оплатить ремонт.

Настоящие гарантийные обязательства подлежат периодическим изменениям, чтобы удовлетворить потребности новой продукции. Копия последней редакции гарантийных обязательств будет доступна на сайте www.greenworkstools.eu и на русскоязычной версии сайта www.greenworkstools.ru.

Адрес сервисной и гарантийной службы в России:

Горячая линия: +74997132292

Россия, Москва, 2-й Грайвороновский проезд 48

Техносервис

Проходная завода «Сатурн»

ИП Осипян

+74997132292

FR DÉCLARATION DE CONFORMITÉ EC

Nom: Changzhou Globe Co., Ltd.
Adresse: No. 65 Xinggang Rd., Zhonglou Zone, Changzhou, Jiangsu, China
Nom et adresse de la personne habilitée à établir le dossier technique:
Nom: Gary Gao Naixin (Vice président de l'Ingénierie)
Adresse: Green works Tools Europe GmbH, Wankelstrasse 40, 50996 Kolin Germany

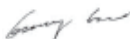
Déclarons par la présente que le produit
Catégorie 24V forage sans balais
24V forage sans balais
Modèle 3700607a / 32067a
Pour les fonctions de perçage, de serrage et de desserrage
Numéro de série Voir plaque signalétique
Année de fabrication Voir plaque signalétique

- est conforme aux réserves applicables de la Directive Machinerie (2006/42/EC)
- est conforme aux réserves applicables des autres Directives EC- suivantes
Directive EMC (2014/30/EU),

Nous déclarons par ailleurs que
■ les parties suivantes (parties/clauses des) standards Européens harmonisés ont été utilisées
EN 60745-1:2009+A11:2010, EN 60745-2-1:2010, EN 60745-2-2:2010, EN 55014-1:2006+A1:2009+A2:2011, EN 55014-2:1997+A1:2001+A2:2008

ITS Testing & Certification, Davy Avenue, Knowlhill, Milton Keynes, MK5 8NL

Fait à, le: Changzhou, 12/25/2015
Signature : Gary Gao Naixin (BEng, CEng, MIET)
Vice président de l'Ingénierie



EN EC DECLARATION OF CONFORMITY

Name: Changzhou Globe Co., Ltd.
Address: No. 65 Xinggang Rd., Zhonglou Zone, Changzhou, Jiangsu, China
Name and address of the person authorised to compile the technical file:
Name: Gary Gao Naixin (Vice President of Engineering)
Address: Green works Tools Europe GmbH, Wankelstrasse 40, 50996 Kolin Germany

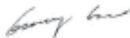
Herewith we declare that the product
Category 24V brushless drill
24V brushless impact driver
Model 3700607a / 32067a
For bore holes, tighten and loosen function
Serial number See product rating label
Year of Construction See product rating label

- is in conformity with the relevant provisions of the Machinery Directive (2006/42/EC)
- is in conformity with the provisions of the following other EC-Directives
Directive EMC (2014/30/EU),

And furthermore, we declare that
■ The following (parts/clauses of) European harmonised standards have been used
EN 60745-1:2009+A11:2010, EN 60745-2-1:2010, EN 60745-2-2:2010, EN 55014-1:2006+A1:2009+A2:2011, EN 55014-2:1997+A1:2001+A2:2008

ITS Testing & Certification, Davy Avenue, Knowlhill, Milton Keynes, MK5 8NL

Place, date: Changzhou, 12/25/2015
Signature: Gary Gao Naixin (BEng, CEng, MIET)
Vice president of Engineering



CS**PROHLÁŠENÍ O SHODĚ EC**

Výrobce: Changzhou Globe Co., Ltd.

Adresa: No.65 Xinggang Road Zhonglou Zone Changzhou, Jiangsu 213000 P.R.China
Jméno a adresa osoby pověřené řídit technickou dokumentaci:

Jméno: Gary Gao Naixin (Viceprezident pro strojírenství)

Adresa: Greenworks Tools Europe GmbH, Wankelstrasse 40. 50996 Koln Germany

Tímto prohlašujeme, že výrobek:

Druh..... 24 V bezkomutátorová vrtačka
24 V bezkomutátorový šroubovákModel..... 3700607a/32067a
Pro vrtání dř, pro funkci utahování a povolování

Výrobní číslo..... Viz výkonový štítek na výrobku

Rok výroby..... Viz výkonový štítek na výrobku

■ je v souladu s příslušnými ustanoveními směrnice o strojích (2006/42/EC)

■ je v souladu s příslušnými ustanoveními následujících směrnic EC
Směrnice EMK (2014/30/EU),

A mimoto prohlašujeme, že

■ byly použity následující (části/odstavce) harmonizované evropské normy

EN 60745-1:2009+A11:2010, EN 60745-2-1:2010, EN 60745-2-2:2010, EN 55014-1:2006+A1:2009+A2:2011, EN 55014-2:1997+A1:2001+A2:2008

ITS Testing & Certification, Davy Avenue, Knowhill, Milton Keynes, MK5 8NL

Gary Gao Naixin (BEng, CEng, MIET)

Místo, datum: Changzhou, 12/25/2015

Podpis: Viceprezident pro strojírenství

**RU****ЗА ЯВЛЕНИЕ ОТВЕТВИИ ТРЕБОВАНИЯМ EC**

Производитель: Changzhou Globe Co., Ltd.

Адрес: No.65 Xinggang Road Zhonglou Zone Changzhou, Jiangsu 213000 P.R.China

Имя и адрес лица, ответственного за подготовку технической документации:

Имя: Gary Gao Naixin (Вице-президент по разработкам)

Адрес: Greenworks Tools Europe GmbH, Wankelstrasse 40. 50996 Koln Germany

Настоящим мы заявляем, что данный продукт

Категория..... Бесщеточная дрель 24 В
Бесщеточный шуруповерт 24 ВМодель..... 3700607a/32067a
Для сверления отверстий, затягивания и откручивания

Заводской номер..... См. паспортную табличку продукта

Год выпуска..... См. паспортную табличку продукта

■ соответствует всем важнейшим положениям Директивы по механическому оборудованию (2006/42/EC)

■ соответствует всем положениям следующих директив EC
Директива EMC (2014/30/EU),

Кроме этого, мы заявляем, что

■ были использованы следующие части или статьи европейских согласованных стандартов

EN 60745-1:2009+A11:2010, EN 60745-2-1:2010, EN 60745-2-2:2010, EN 55014-1:2006+A1:2009+A2:2011, EN 55014-2:1997+A1:2001+A2:2008

ITS Testing & Certification, Davy Avenue, Knowhill, Milton Keynes, MK5 8NL

Gary Gao Naixin (BEng, CEng, MIET)

Место, дата: Changzhou, 12/25/2015

Подпись: Вице-президент по разработкам

