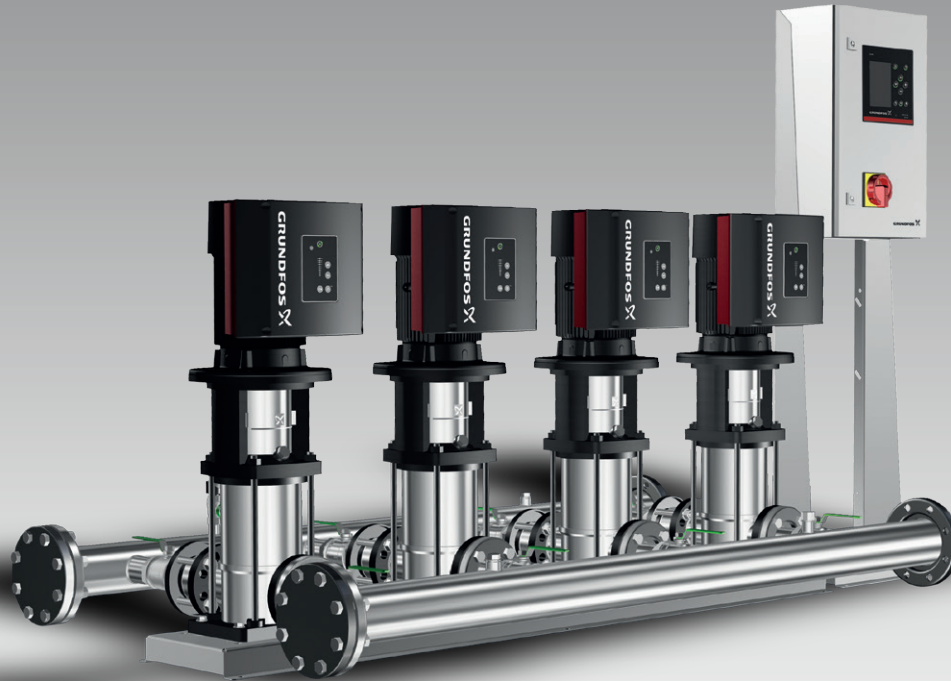


HYDRO MPC

 GRUNDFOS
PRESSURE BOOSTING

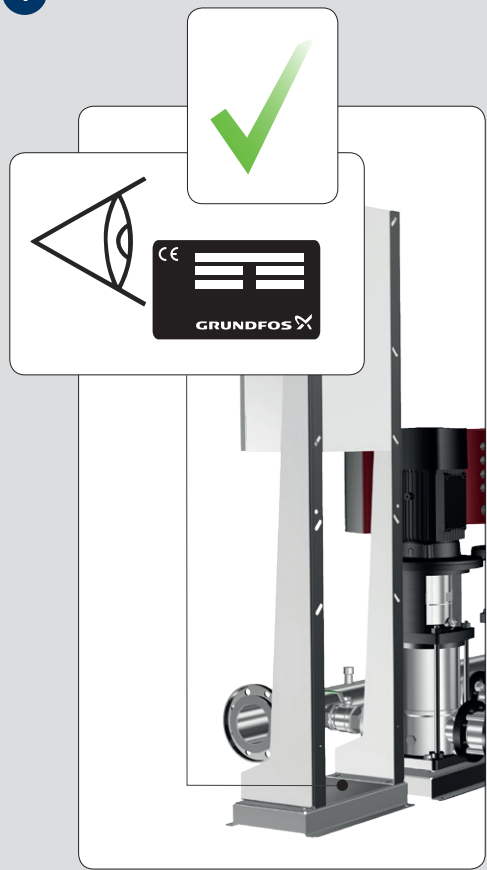


net.grundfos.com/qr/i/96605907

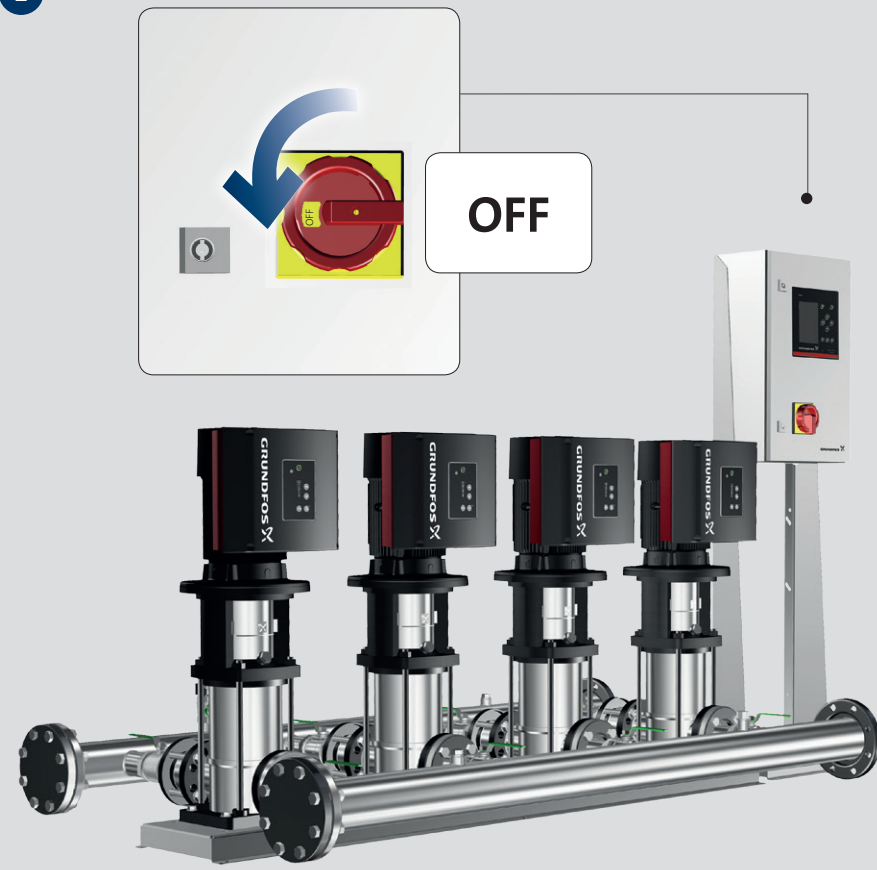
be
think
innovate

GRUNDFOS 

1



2



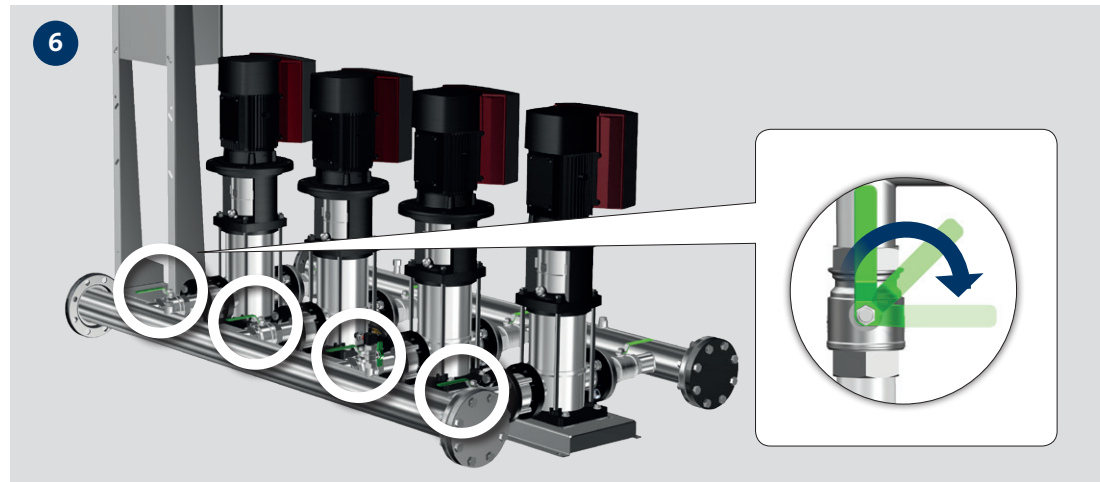
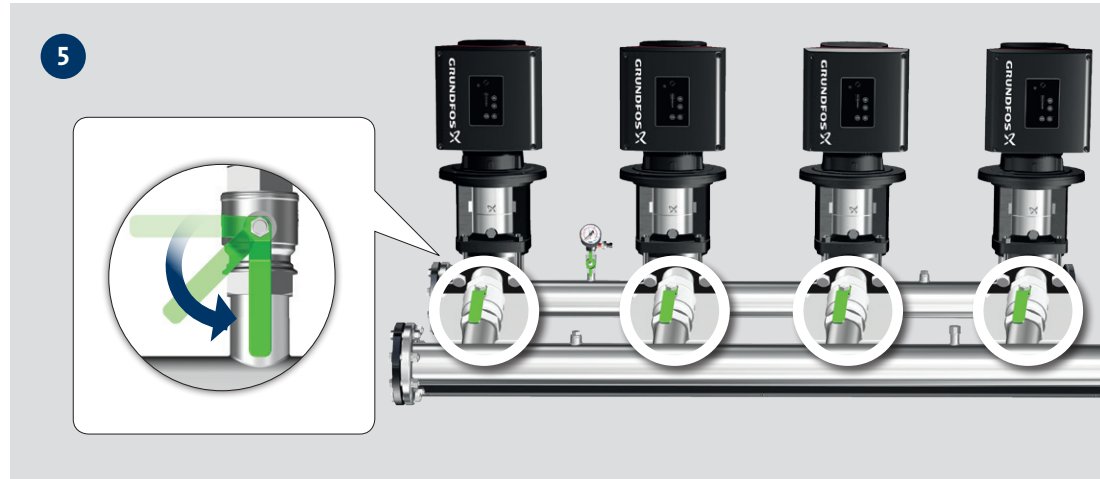
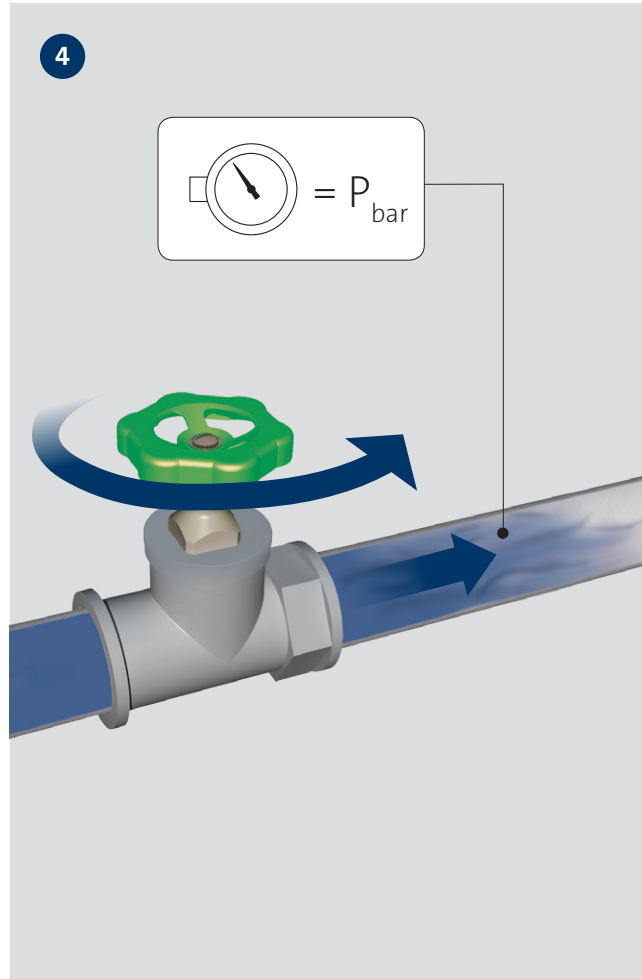
3

Factory settings	
Date	Setting (SP)

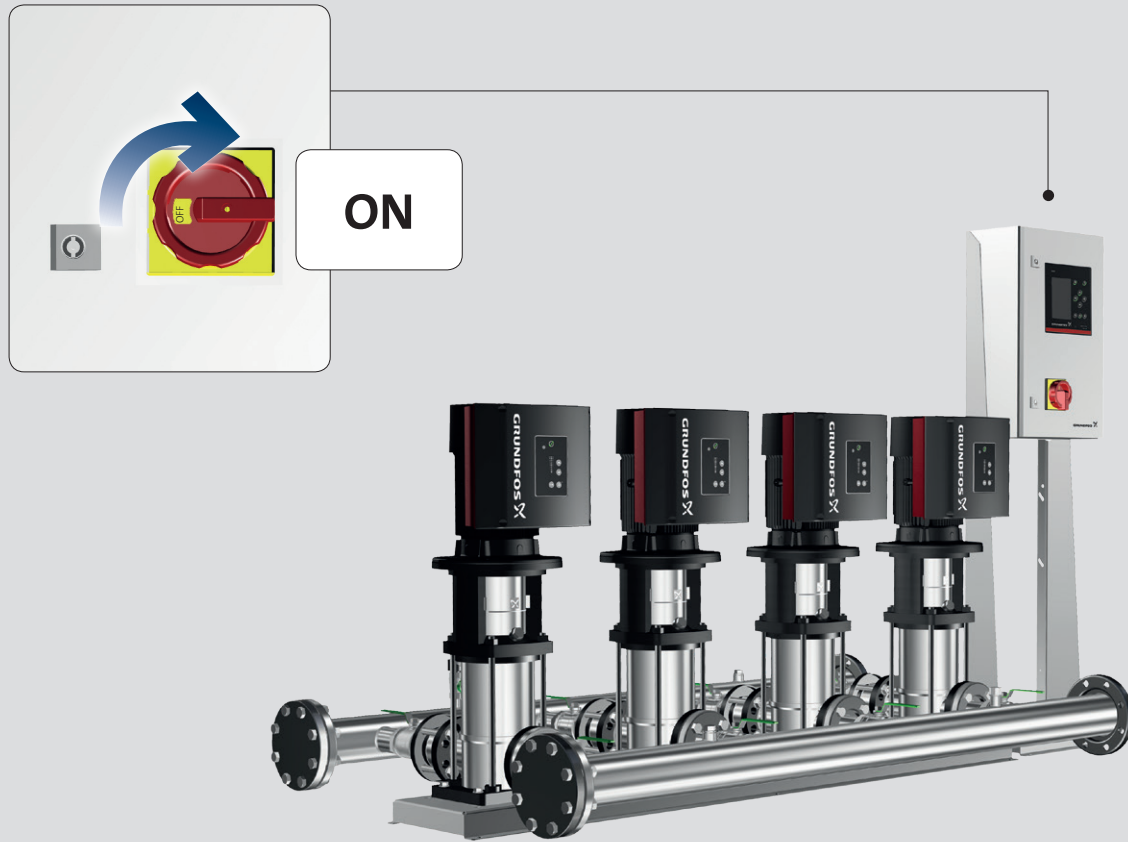
Customer settings		
Date	Setting (SP)	Initials

$P = 0.7 \times \text{SP}$



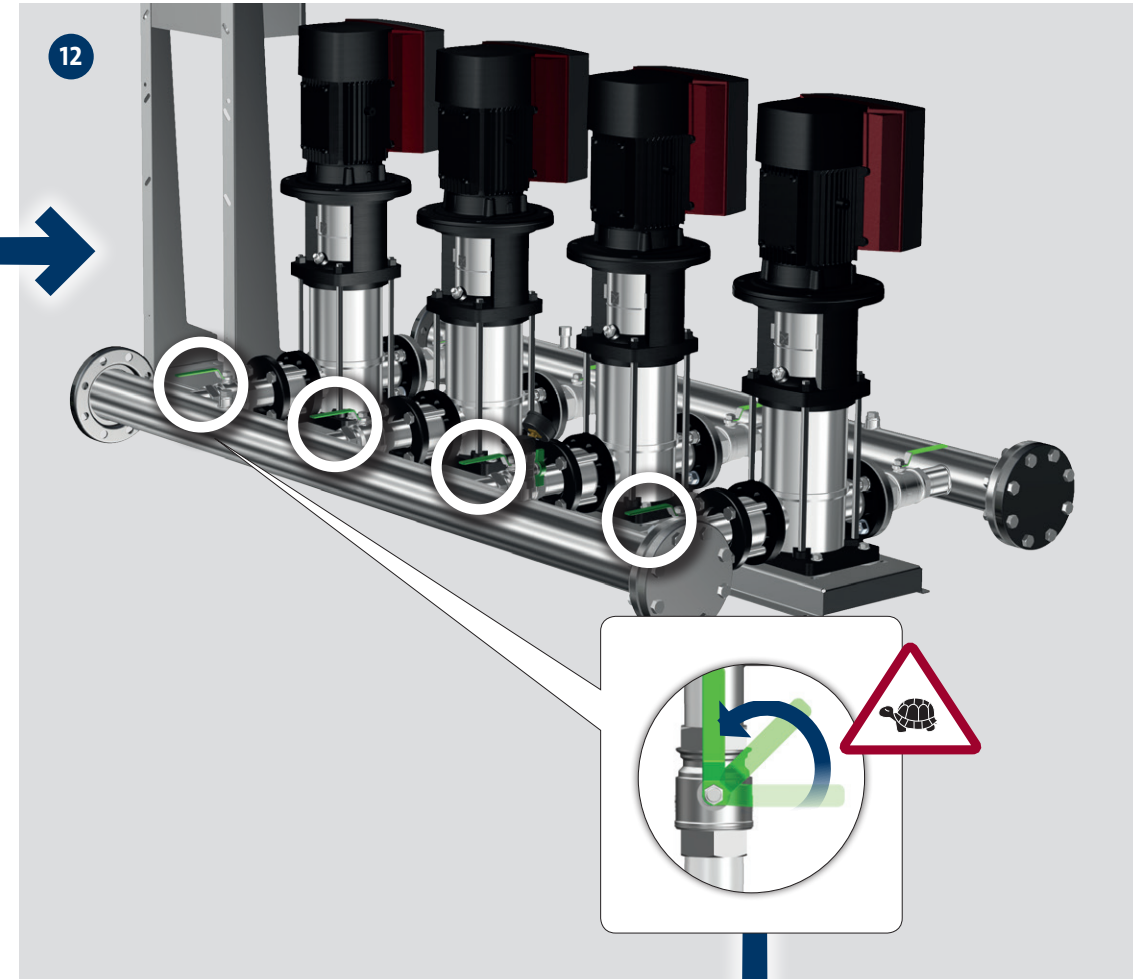
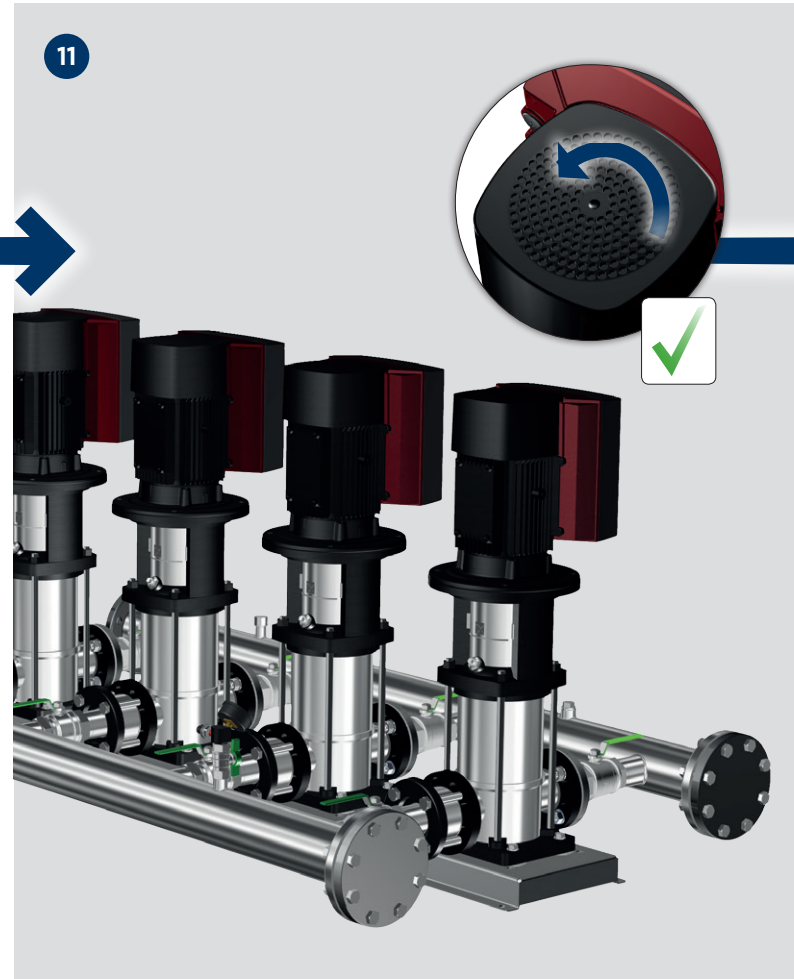
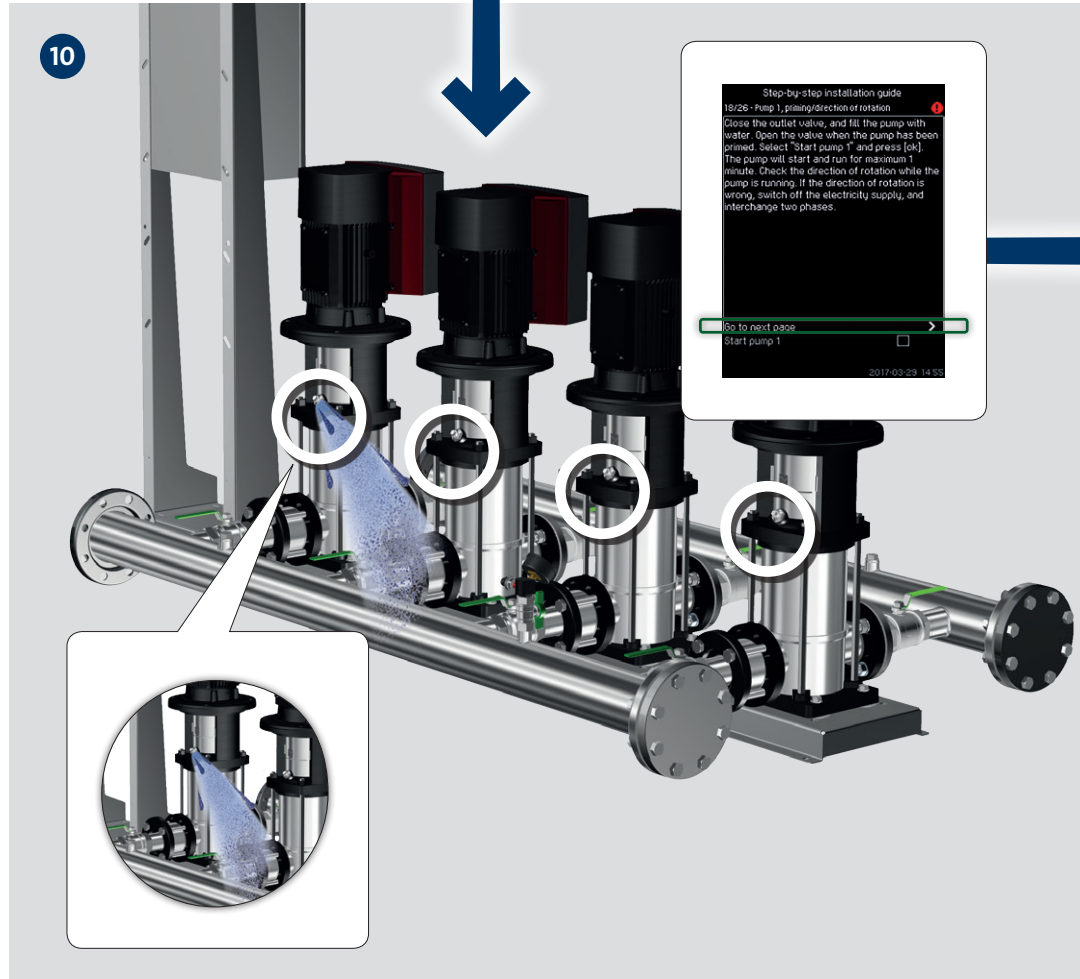


8

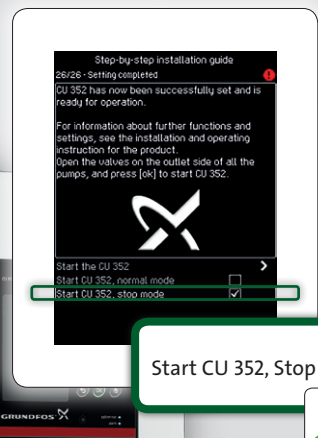


9





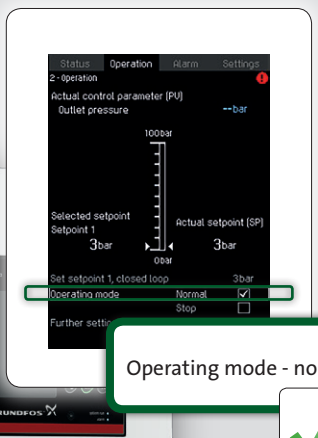
13



Start CU 352, Stop mode



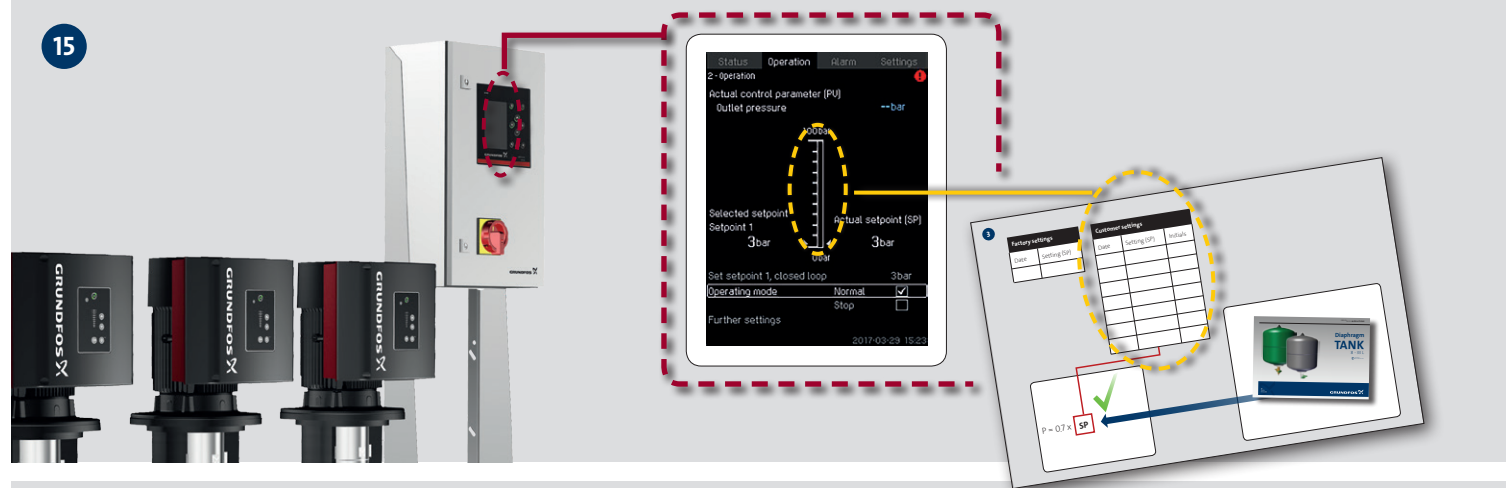
14



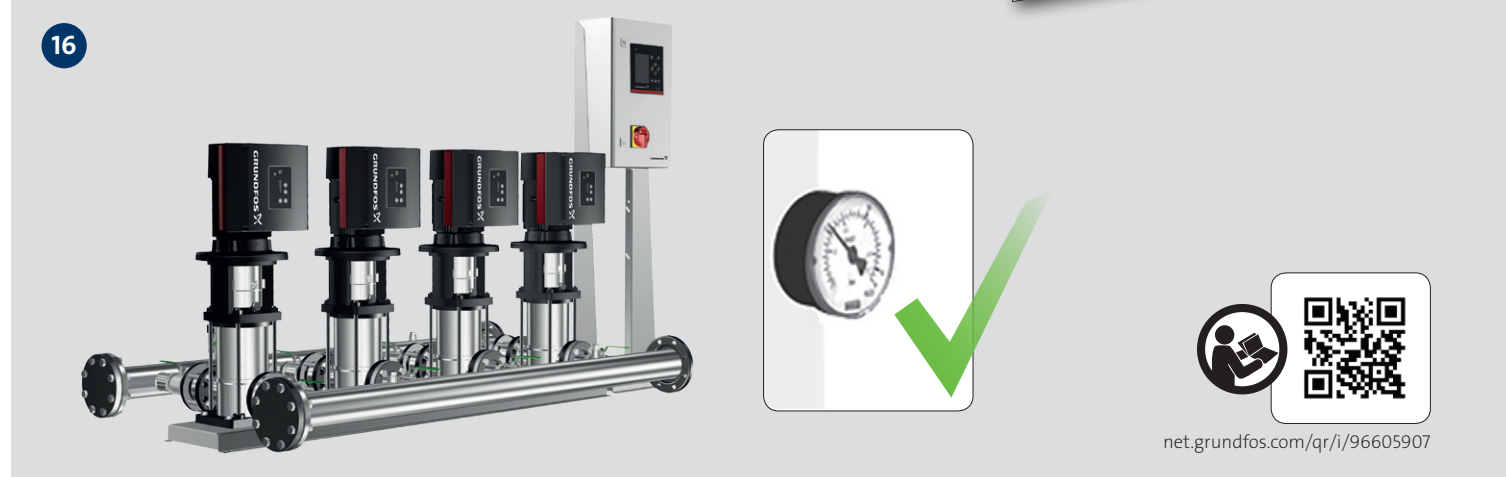
Operating mode - normal



15



16



net.grundfos.com/qr/i/96605907

be think innovate

99107595 0417

ECM: 1185116

GRUNDFOS Holding A/S
Poul Due Jensens Vej 7
DK-8850 Bjerringbro
Tel: +45 87 50 14 00
www.grundfos.com

GRUNDFOS 

The name Grundfos, the Grundfos logo, and be think innovate are registered trademarks owned by Grundfos Holding A/S or Grundfos A/S, Denmark. All rights reserved worldwide.