

Set AccuCut Li
Art. 9852-33

GB Operators Manual

Grass Shear / Shrub Shear

D Betriebsanleitung

Grasschere / Strauchschere

F Mode d'emploi

Cisaille à gazon / Taille-buisson

NL Gebruiksaanwijzing

Grasschaar / Buxusschaar

S Bruksanvisning

Grässax / Busksax

DK Brugsanvisning

Græssaks / Busksaks

FI Käyttöohje

Ruohosakset / Pensasleikkuri

N Bruksanvisning

Gressaks / Busktrimmer

I Istruzioni per l'uso

Cesoie per erba /
Cesoie per arbusti

E Instrucciones de empleo

Tijeras cortacésped /
Tijeras recortasetos

P Manual de instruções

Tesoura para relva /
Tesoura para arbustos

PL Instrukcja obsługi

Nożyce do trawy /
Nożyce do krzewów

H Használati utasítás

Fűnyíró olló / Bokornyíró olló

CZ Návod k obsluze

Nůžky na trávu / Nůžky na keře

SK Návod na obsluhu

Nožnice na trávu / Nožnice na kroviny

GR Οδηγίες χρήσης

Ψαλίδι χλόης / Ψαλίδι θάμνων

RUS Инструкция по эксплуатации

Ножницы для газонов /
Ножницы для кустарников

SLO Navodilo za uporabo

Škarje za travo / Škarje za grmovje

HR Upute za uporabu

Škare za travu / Škare za grmlje

SRB Uputstvo za rad

BIH Makaze za travu / Makaze za žbunje

UA Інструкція з експлуатації

Ножиці газонні акумуляторні /
Акумуляторний кущоріз

RO Instrucțiuni de utilizare

Foarfecă pentru gazon /
Foarfecă pentru arbuști

TR Kullanma Kılavuzu

Çim makası / Çalı makası

BG Инструкция за експлоатация

Ножица за трева /
Ножица за храсти

AL Manual përdorimi

Prerëse bari / Prerëse ligustrash

EST Kasutusjuhend

Murukäärid / Põõsakäärid

LT Eksploatavimo instrukcija

Žolės žirkklės / Krūmų žirkklės

LV Lietošanas instrukcija

Zāles šķēres / Dzīvzogu šķēres

GARDENA Set AccuCut Li

Grass Shear / Shrub Shear

Language:

The initial language of these instructions is English. Other language versions are translations of the initial instructions.

Introduction:

This product is not intended for use by persons (including children) with reduced physical, sensory or mental capabilities, or lack of experience and knowledge, unless they have been given supervision or instruction concerning use of the product by a person responsible for their safety. Children should be supervised to ensure that they do not play with the product.

Intended use for the Grass Shear:

The GARDENA Grass Shears are suitable for cutting lawn edges, smaller grass areas and for precise shaping of shrubs, in particular boxwood, for the private home or hobby garden.

WARNING! Risk of injury! The product must not be used for chopping up material for composting purposes.

Intended use for the Shrub Shear:

The GARDENA Shrub Shear is intended for cutting individual bushes, shrubs and climbing plants in private domestic and hobby gardens.

WARNING! Risk of injury! The product must not be used for cutting lawns/lawn edges or for chopping up material for composting purposes.

Table of Contents:

1. SAFETY	2
2. INSTALLATION	7
3. OPERATION	7
4. MAINTENANCE	8
5. STORAGE	8
6. TROUBLESHOOTING	9
7. TECHNICAL DATA	11
8. SERVICE/WARRANTY	11

1. SAFETY

If not used properly this product can be dangerous. The warnings and safety instructions must be followed to ensure reasonable safety and efficiency in using this product.

The operator is responsible for following the warnings and instructions in this manual and on the product. Never use the product unless the guards provided by the manufacturer are in the correct position.

Symbols on the product:



Read operator's manual.



DANGER!

Cutting tool continues to run after switching off!



DANGER!
Keep bystanders away.



Do not expose to rain.

General safety warnings for the Grass Shear:



WARNING! Read all safety warnings and all instructions.

Failure to follow the warnings and instructions may result in electric shock, fire and/or serious injury.

Save all warnings and instructions for future reference.

Safe operation practices

1) Training

- Read the instructions carefully. Be familiar with the controls and the correct use of the machine.
- Never allow children or people unfamiliar with these instructions to use the machine. Local regulations can restrict the age of the operator.
- Keep in mind that the operator or user is responsible for accidents or hazards occurring to other people or their property.

2) Preparation

- Before use, check the supply and extension cord for signs of damage or aging. If the cord becomes damaged during use, disconnect the cord from the supply immediately.
DO NOT TOUCH THE CORD BEFORE DISCONNECTING THE SUPPLY.
Do not use the machine if the cord is damaged or worn.
- Before use, always visually inspect the machine for damaged, missing or misplaced guards or shields.
- Never operate the machine while people, especially children, or pets are nearby.

3) Operation

- Keep supply and extension cords away from cutting means.
- Wear eye protection and stout shoes at all times while operating the machine.
- Avoid using the machine in bad weather conditions especially when there is a risk of lightning.
- Use the machine only in daylight or good artificial light.

- Never operate the machine with damaged guards or shields or without guards or shields in place.
- Switch on the motor only when the hands and feet are away from the cutting means.
- Always disconnect the machine from the power supply (i.e. remove the plug from the mains remove the disabling device or removable battery)
 - whenever the machine is left unattended,
 - before clearing a blockage,
 - before checking, cleaning or working on the machine,
 - after striking a foreign object,
 - whenever the machine starts vibrating abnormally.
- Take care against injury to feet and hands from the cutting means.
- Always ensure that the ventilation openings are kept clear of debris.

4) Maintenance and storage

- Disconnect the machine from the power supply (i.e. remove the plug from the mains remove the disabling device or removable battery) before carrying out maintenance or cleaning work.
- Use only the manufacturer's recommended replacement parts and accessories.
- Inspect and maintain the machine regularly. Have the machine repaired only by an authorized repairer.
- When not in use, store the machine out of the reach of children.

General safety warnings for the Shrub Shear:



WARNING! Read all safety warnings and all instructions.

Failure to follow the warnings and instructions may result in electric shock, fire and/or serious injury.

Save all warnings and instructions for future reference. *The term "power tool" in the warnings refers to your mains operated (corded) power tool or battery operated (cordless) power tool.*

1) Work area safety

- Keep work area clean and well lit.**
Cluttered or dark areas invite accidents.
- Do not operate power tools in explosive atmospheres, such as in the presence of flammable liquids, gases or dust.** *Power tools create sparks which may ignite the dust or fumes.*

- c) **Keep children and bystanders away while operating a power tool.**

Distractions can cause you to lose control.

2) **Electrical safety**

- a) **Power tool plugs must match the outlet. Never modify the plug in any way. Do not use any adaptor plugs with earthed (grounded) power tools.**

Unmodified plugs and matching outlets will reduce risk of electric shock.

- b) **Avoid body contact with earthed or grounded surfaces, such as pipes, radiators, ranges and refrigerators. There is an increased risk of electric shock if your body is earthed or grounded.**

- c) **Do not expose power tools to rain or wet conditions. Water entering a power tool will increase the risk of electric shock.**

- d) **Do not abuse the cord. Never use the cord for carrying, pulling or unplugging the power tool. Keep cord away from heat, oil, sharp edges or moving parts.**

Damaged or entangled cords increase the risk of electric shock.

- e) **When operating a power tool outdoors, use an extension cord suitable for outdoor use. Use of a cord suitable for outdoor use reduces the risk of electric shock.**

- f) **If operating a power tool in a damp location is unavoidable, use a residual current device (RCD) protected supply.**

Use of an RCD reduces the risk of electric shock.

3) **Personal safety**

- a) **Stay alert, watch what you are doing and use common sense when operating a power tool. Do not use a power tool while you are tired or under the influence of drugs, alcohol or medication.**

A moment of inattention while operating power tools may result in serious personal injury.

- b) **Use personal protective equipment. Always wear eye protection. Protective equipment such as dust mask, non-skid safety shoes, hard hat, or hearing protection used for appropriate conditions will reduce personal injuries.**

- c) **Prevent unintentional starting. Ensure the switch is in the off-position before connecting to power source and/or battery pack, picking up or carrying the tool.**

Carrying power tools with your finger on the switch or energising power tools that have the switch on invites accidents.

- d) **Remove any adjusting key or wrench before turning the power tool on.**

A wrench or a key left attached to a rotating part of the power tools may result in personal injury.

- e) **Do not overreach. Keep proper footing and balance at all times.**

This enables better control of the power tool in unexpected situations.

- f) **Dress properly. Do not wear loose clothing or jewellery. Keep your hair, clothing and gloves away from moving parts.**

Loose clothes, jewellery or long hair can be caught in moving parts.

- g) **If devices are provided for the connection of dust extraction and collection facilities, ensure these are connected and properly used.**

Use of dust collection can reduce dust-related hazards.

4) **Power tool use and care**

- a) **Do not force the power tool. Use the correct power tool for your application.**

The correct power tool will do the job better and safer at the rate for which it was designed.

- b) **Do not use the power tool if the switch does not turn it on and off.**

Any power tool that cannot be controlled with the switch is dangerous and must be repaired.

- c) **Disconnect the plug from the power source and/or the battery pack from the power tool before making any adjustments, changing accessories, or storing power tools.**

Such preventive safety measures reduce the risk of starting the power tool accidentally.

- d) **Store idle power tools out of the reach of children and do not allow persons unfamiliar with the power tool or these instructions to operate the power tool.**

Power tools are dangerous in the hands of untrained users.

- e) **Maintain power tools. Check for misalignment or binding of moving parts, breakage of parts and any other condition that may affect the power tool's operation. If damaged, have the power tool repaired before use.**

Many accidents are caused by poorly maintained power tools.

- f) **Keep cutting tools sharp and clean.**

Properly maintained cutting tools with sharp cutting edges are less likely to bind and are easier to control.

- g) Use the power tool, accessories and tool bits etc. in accordance with these instructions, taking into account the working conditions and the work to be performed.**

Use of the power tool for operations different from those intended could result in a hazardous situation.

5) Battery tool use and care

- a) Recharge only with the charger specified by the manufacturer.** *A charger that is suitable for one type of battery pack may create a risk of fire when used with another battery pack.*
- b) Use power tools only with specifically designated battery packs.** *Use of any other battery packs may create a risk of injury and fire.*
- c) When battery pack is not in use, keep it away from other metal objects, like paper clips, coins, keys, nails, screws or other small metal objects, that can make a connection from one terminal to another.** *Shorting the battery terminals together may cause burns or a fire.*
- d) Under abusive conditions, liquid may be ejected from the battery; avoid contact. If contact accidentally occurs, flush with water. If liquid contacts eyes, additionally seek medical help.** *Liquid ejected from the battery may cause irritation or burns.*

6) Service

- a) Have your power tool serviced by a qualified repair person using only identical replacement parts.** *This will ensure that the safety of the power tool is maintained.*

Hedge trimmer safety warnings:

- **Keep all parts of the body away from the cutter blade. Do not remove cut material or hold material to be cut when blades are moving. Make sure the switch is off when clearing jammed material.**

A moment of inattention while operating the hedge trimmer may result in serious personal injury.

- **Carry the hedge trimmer by the handle with the cutter blade stopped. When transporting or storing the hedge trimmer always fit the cutting device cover.** *Proper handling of the hedge trimmer will reduce possible personal injury from the cutter blades.*

- **Hold the power tool by insulated gripping surfaces only, because the cutter blade may contact hidden wiring.**

Cutter blades contacting a "live" wire may make exposed metal parts of the power tool "live" and could give the operator an electric shock.

Additional safety warnings

Warning! Keep toddlers away when you assemble the product. *Small parts can be easily swallowed. There is also a risk that the polybag can suffocate toddlers.*

Work area safety

Only use the product in the manner and for the functions described in these instructions.

The operator or user is responsible for accidents or hazards occurring to other people or their property.

Do not use the product when a thunderstorm is approaching.

Electrical safety

Before use, examine cable for damage, replace it if there are signs of damage or ageing.

Do not use the product if the electric cables are damaged or worn.

Immediately disconnect from the mains electricity supply if the cable is cut, or the insulation is damaged. Do not touch the electric cable until the electrical supply has been disconnected.

Always disconnect the mains cable before disconnecting any plug, cable connector or extension cable.

Always wind cable carefully, avoiding kinking.

Use only on AC mains supply voltage shown on the product rating label.

Do not connect an earth to any part of the product.

Warning! This product makes an electromagnetic field while it operates. This field may under some conditions interfere with active or passive medical implants. To decrease the risk of conditions that can possibly injure or kill, we recommend persons with medical implants to speak with their physician and the medical implant manufacturer before operating.

Cables

Use only permitted extension cables as per HD 516.

→ Ask your electrical specialist.

Personal safety

Always wear suitable clothing, protective gloves, and stout shoes.

Thoroughly inspect the area where the product is to be used and remove all wires and other foreign objects.

Before using the product and after any impact, check for signs of wear or damage and repair as necessary.

If the product can no longer be switched off in the event of a defect, place the product on a solid surface and monitor until the battery is empty. Send the defective product to the GARDENA Service Centre.

Never attempt to use an incomplete product or one with an unauthorized modification.

Product use and care

Know how to stop the product quickly in an emergency.

Do not hold the product by the guard.

Do not use the product if the protection equipments (protective cover, quick blade-stop) are damaged.

Do not use ladders whilst operating the product.

Remove the battery:

- before leaving the product unattended for any period;
- before clearing a blockage;
- before checking, cleaning or working on the product;
- if you hit an object. Do not use your product until you are sure that the entire product is in a safe operating condition;
- if the product starts to vibrate abnormally. Check immediately. Excessive vibration can cause injury.
- before passing to another person.

Only use the product between 0 – 40 °C.

Battery safety



FIRE RISK!

The battery to be charged must be placed on a non-flammable, heat resistant and nonconductive surface while charging.

Keep corrosive, flammable and easily combustible objects clear of the battery charger and the battery.

Do not cover the battery charger and the battery while charging.

Unplug the battery charger immediately in the event of smoke formation or fire.

Only use the original GARDENA Battery Charger for charging. The use of other battery chargers may damage the batteries irreparably and even cause a fire.



RISK OF EXPLOSION!

→ Protect product from heat and fire. Do not leave on radiators or expose to strong sunshine for long periods.

Do not use the battery charger outdoors.

Protect the battery charger from damp or wet areas.

Only use the battery in an ambient temperature between –10 °C and + 45 °C.

A non-functioning battery must be disposed of correctly. It may not be sent via post. For further details, please contact your local disposal companies.

The battery charger should be checked regularly for signs of damage or ageing (brittleness) and may only be used if it is in perfect condition.

The charger unit provided may only be used to charge the rechargeable batteries supplied with the product.

Non-rechargeable batteries must not be charged with this battery charger (danger of fire).

The product must not be operated during charging.

After charging, disconnect the charger from the mains and from the battery.

Only charge battery between 10 – 45 °C.

After heavy duty service allow battery to cool down first.

Maintenance and storage



RISK OF INJURY!

Do not touch blades.

→ **When finishing or interrupting work push up protection cover.**

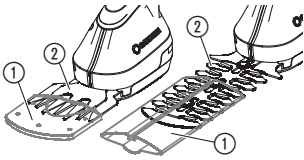
Keep all nuts, bolts and screws secure to be sure the product is in safe working condition.

The product must not be stored over 35 °C or under direct exposure to sunlight.

Do not store the product in places with static electricity.

2. INSTALLATION

Before you do installation:

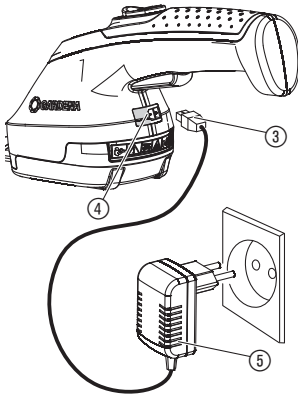


WARNING! Risk of physical injury!

Cut injury when the product starts accidentally.

→ Slide the protective cover ① over the blade ② before you do installation.

To charge the battery:



The battery should be fully charged before using for the first time. Charging time (see 7. TECHNICAL DATA).

The lithium-ion battery can be re-charged in any state of charge, and the charging process can be interrupted at any time without damaging the battery (no memory effect).

The product cannot be started during charging.



WARNING!

Incorrect mains voltage damages batteries and the battery charger.

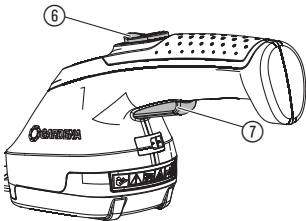
→ Ensure the correct mains voltage.

1. Connect charging cable ③ to the jack ④ of the Battery Shear.
 2. Connect battery charger ⑤ to an electrical socket.
- During charging, the jack ④ flashes green. The battery is charged. When the jack ④ lights up green, the battery is fully charged. Check the charge status regularly while charging.
3. First pull the charging cable ③ out of the jack ④ and then unplug the battery charger ⑤ from the electrical socket.

When there is a sharp fall in the power of the battery, the product switches off and the battery needs to be charged.

3. OPERATION

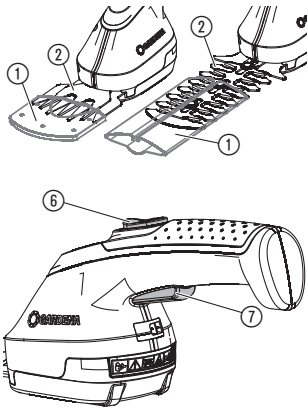
Before you do operation:



WARNING! Risk of physical injury!

Risk of injury if the product does not stop when you release the start button.

→ Do not bypass the safety devices or switches. For example do not attach the starting lock-out ⑥ or start button ⑦ to the handle.

To start the Shear:**To start:**

The product is fitted with a starting lock-out ⑥ to prevent the product from being turned on by accident.

1. Clear the area to be cut of stones and other solid objects.
2. Remove the protective cover ① from the blade ②.
3. Push the starting lock-out ⑥ forwards and push the start button ⑦.

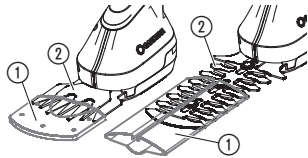
The product will start.

4. Release the starting lock-out ⑥.

To stop:

1. Release the start button ⑦.
2. Slide the protective cover ① over the blade ②.

4. MAINTENANCE

Before you do maintenance:

WARNING! Risk of physical injury!

Cut injury when the product starts accidentally.

→ Slide the protective cover ① over the blade ② before you do maintenance.

To clean the Shear:

WARNING! Electric shock!

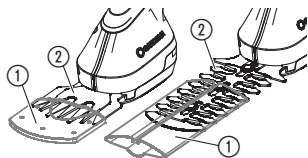
Risk of injury and risk of damage to the product.

→ Do not clean the product with water or with a water jet (in particular high-pressure water jet).

To increase operating time, the product should be cleaned and sprayed after each use.

1. Clean the product with a damp cloth.
2. Lubricate the blade ② with a low viscosity oil (e.g. GARDENA spray-oil Art. 2366). Avoid contact with the plastic parts.

5. STORAGE

To put into storage:

The product must be stowed away from children.

1. Charge the battery. This increases the life of the battery.
2. Clean the product (see 4. MAINTENANCE) and slide the protective cover ① over the blade ②.
3. Stow the product in a dry area and in a frost-free place before the first frost arrives.

Disposal:
(in accordance with
RL2012/19/EC)



The product must not be added to normal household waste. It must be disposed of in line with local environmental regulations.

IMPORTANT!

Make sure that the product is discarded through or via your municipal recycling collection centre.

Disposal of batteries:

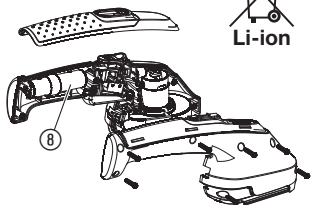


Li-ion

The GARDENA battery contains lithium-ion cells that should not be discarded with normal household waste at the end of their life.

IMPORTANT!

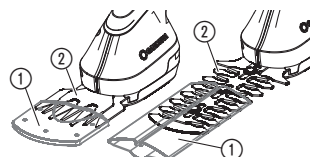
Please return the lithium-ion batteries to your GARDENA dealer or dispose of them properly at a public recycling centre.



1. Discharge the lithium-ion cells ⑧ completely.
2. Remove lithium-ion cells ⑧ from the product
3. Dispose of lithium-ion cells ⑧ properly.

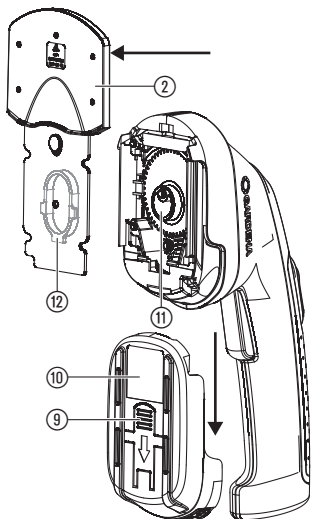
6. TROUBLESHOOTING

Before you do troubleshooting:



⚠ WARNING! Risk of physical injury!
Cut injury when the product starts accidentally.
 → Slide the protective cover ① over the blade ② before you do troubleshooting.

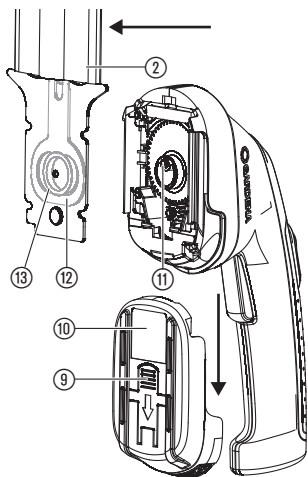
To change the grass shear blade:



Only an original GARDENA grass shear blade is allowed to be used. A new blade can be ordered by the GARDENA Service.

1. Push the button ⑨ and slide the lid ⑩ downwards.
2. Remove the blade ②.
3. If necessary clean the transmission chamber and lubricate the excentric drive ⑪ with some acid-free grease (Vaseline).
4. Turn the excentric drive ⑪ downwards.
5. Pull the crank ⑫ on the back side of the blade ② in the middle.
6. Place the new blade ② on the motor unit in such a way that the excentric drive ⑪ is inserted in the crank ⑫.
7. Slide the lid ⑩ upwards until it makes a click.

To change the shrub shear blade:



Only an original GARDENA shrub shear blade is allowed to be used. A new blade can be ordered by the GARDENA Service.

1. Push the button ⑨ and slide the lid ⑩ downwards.
2. Remove the blade ②.
3. If necessary clean the transmission chamber and lubricate the excentric drive ⑪ with some acid-free grease (Vaseline).
4. Turn the excentric drive ⑪ downwards.
5. Pull the crank ⑫ on the back side of the blade ② downwards.
6. Slide the ring ⑬ in the middle of the crank ⑫.
7. Place the new blade ② on the motor unit in such a way that the excentric drive ⑪ is inserted in the ring ⑬ of the crank ⑫.
8. Slide the lid ⑩ upwards until it makes a click.

Troubleshooting table:

Problem	Possible Cause	Remedy
The jack flashes red while charging	Allowed battery temperature was exceeded.	→ Let the battery cool down. Restart the charging.
Runtime too low	Blade soiled.	→ Clean and lubricate scissor blade in accordance with the maintenance instructions.
Product does not cut cleanly	Blade blunt or damaged.	→ Change the blade (see <i>To change the blade</i>).



For any other malfunctions please contact the GARDENA service department. Repairs must only be done by GARDENA service departments or specialist dealers approved by GARDENA.

7. TECHNICAL DATA

For Grass Shear / Shrub Shear	Unit	Value (grass shear)	Value (shrub shear)
Battery capacity	Ah	1.5	1.5
Battery charging time	h	3.5	3.5
Battery charger			
Mains voltage	V	100 – 240	100 – 240
Mains frequency	Hz	50 – 60	50 – 60
Rated output current	mA	500	500
Max. output voltage	V (DC)	5.5	5.5
Width of blade	cm	8	–
Length of blade	cm	–	12
Weight	g	approx. 560	approx. 620
Sound pressure level L_{PA} Uncertainty k_{PA}	dB (A)	< 70 ³⁾	66 ¹⁾
		–	2.5
Sound power level L_{WA} ²⁾ ; measured / guaranteed	dB (A)	–	77 / 80
Hand/arm vibration a_{vhw} Uncertainty k_a	m/s ²	< 2.5 ³⁾	< 2.5 ¹⁾
		1.5	1.5

Measuring process complying with ¹⁾ DIN EN 60745-2-15 ²⁾ RL 2000/14/EC ³⁾ RL 50636-2-94



The stated vibration emission value has been measured according to a standardised test procedure and can be used for comparison of one electric power tool with another. It can also be used for preliminary evaluation of exposure. The vibration emission value can vary during actual use of the electric power tool.

8. SERVICE/WARRANTY

Service:

Please contact the address on the back page.

Warranty:

GARDENA Manufacturing GmbH warranties this product for 2 years (from date of purchase). This warranty includes all important defects of the product that can be proved to be material or manufacturing faults. Under warranty we will replace the product or repair it for no cost if these conditions are applicable:

- The product must have been used properly and in keeping with the requirements of the operation instructions.
- Neither the purchaser or a not approved third party have tried to repair the product.

This manufacturer's warranty does not have an effect on the user's existing warranty claims against the dealer/seller.

If you have problems with this product, please contact our Service or send the defective product together with a short description of the problem – if there is a warranty, with a copy of the receipt – postage paid to GARDENA Manufacturing GmbH.

Consumables:

The blade and excentric drive are consumables and are not included in the guarantee.

GB Product Liability

We expressly point out that, in accordance with the product liability law, we are not liable for any damage caused by our products if it is because of improper repair or if parts replaced are not original GARDENA parts or approved parts, and if the repairs were not done by a GARDENA Service Centre or an approved specialist. The same applies to spare parts and accessories.

D Produkthaftung

Wir weisen ausdrücklich darauf hin, dass wir in Übereinstimmung mit dem Produkthaftungsgesetz nicht für Schäden haften, die durch unsere Erzeugnisse entstehen, wenn diese unsachgemäß repariert wurden oder wenn keine Originalteile von GARDENA oder zugelassene Teile verwendet wurden, und wenn die Reparaturen nicht von einem GARDENA Service-Center oder einem Fachhändler durchgeführt wurden. Entsprechendes gilt für Ergänzungsstücke und Zubehör.

F Responsabilité

Nous vous signalons expressément que GARDENA n'est pas responsable des dommages causés par ses produits, dans la mesure où ces dommages seraient causés suite à une réparation non conforme, dans la mesure où, lors d'un échange de pièces, les pièces GARDENA d'origine ou approuvées n'auraient pas été utilisées, ou si la réparation n'a pas été effectuée par le service après-vente GARDENA ou l'un des Centres SAV agréés. Ceci est également valable pour tout ajout de pièces et d'accessoires autres que ceux préconisés par GARDENA.

NL Productaansprakelijkheid

Wij wijzen er nadrukkelijk op dat in overeenstemming met de wet voor productaansprakelijkheid wij niet aansprakelijk zijn voor enige schade veroorzaakt door onze producten als gevolg van onjuiste reparatie of als er onderdelen vervangen zijn door andere dan originele GARDENA-onderdelen of goedgekeurde onderdelen en als de reparaties niet zijn uitgevoerd door een GARDENA-servicecentrum of een goedgekeurde specialist. Ditzelfde geldt voor extra-onderdelen en accessoires.

S Produktansvar

Vi vill uttryckligen påpeka att, i enlighet med produktens ansvarsrätt, vi inte ansvarar för skada som orsakats av våra produkter om skadan beror på felaktig reparation eller om delar som byts ut inte är GARDENA-originaldelar eller godkända delar, och om reparationer inte har utförts av ett GARDENA-servicecenter eller en godkänd specialist. Samma sak gäller för kompletteringsdelar och tillbehör.

DK Produktansvar

Vi understreger udtrykkeligt, at vi i overensstemmelse med produktansvarsbestemmelserne ikke hæfter for skader forårsaget af vores produkter på grund af forkert reparation eller udskiftning af dele med uoriginale GARDENA-komponenter eller komponenter, som ikke er godkendt af os, og hvis reparationer ikke er udført af et GARDENA-servicecenter eller en godkendt specialist. Det samme gælder for ekstra udstyr og tilbehør.

FI Tuotevastuu

Ilmoitamme erityisesti, että tuotevastuulain mukaisesti emme ole vastuussa tuotteiden vaurioista, jos niiden syynä on virheellinen korjaaminen tai muiden kuin alkuperäisten GARDENA-varaosien tai hyväksytyjen varaosien käyttö tai jos korjauksia ei ole tehnyt GARDENA-huoltoliike tai valtuutettu asiantuntija. Tämä pätee myös lisäosiin ja lisävarusteisiin.

I Responsabilità del prodotto

Si rende espressamente noto che, conformemente alla legislazione sulla responsabilità del prodotto, non si risponde di danni causati da nostri prodotti se originati da riparazioni eseguite non correttamente o da sostituzioni di parti effettuate con materiale non originale GARDENA o comunque da noi non approvato e, in ogni caso, qualora l'intervento non venga eseguito da un centro assistenza GARDENA o da personale specializzato autorizzato. Lo stesso vale per le parti complementari e gli accessori.

E Responsabilidad de productos

Advertimos expresamente que, de acuerdo con la ley de fiabilidad del producto, no nos hacemos responsables de ningún daño causado por nuestros productos si es el resultado de una reparación incorrecta, si las piezas de recambio no son piezas originales de GARDENA o piezas homologadas, o si la reparación no la ha realizado un centro de servicio de GARDENA o un especialista autorizado. Lo mismo es aplicable para las piezas complementarias y accesorios.

P Responsabilidade sobre o produto

Relembamos expressamente que, em conformidade com a lei de responsabilidade pelo produto, não nos responsabilizamos por quaisquer danos causados pelos nossos produtos se forem provocados por reparações inadequadas ou se as peças substituídas não forem peças GARDENA originais ou peças aprovadas e se as reparações não tiverem sido realizadas por um centro de assistência GARDENA ou por um especialista aprovado. Esta restrição valerá também para peças adicionais e acessórios.

PL Odpowiedzialność za produkt

Wyraźnie zwracamy uwagę, że zgodnie z obowiązującymi przepisami nie ponosimy odpowiedzialności za żadne szkody spowodowane przez nasze produkty, jeśli doszło do nich w wyniku niewłaściwej naprawy lub użycia nieoryginalnych bądź niezatwierdzonych części zamiennych GARDENA i jeśli naprawy nie zostały przeprowadzone przez centrum serwisowe GARDENA lub autoryzowanego specjalistę. Dotyczy to również części uzupełniających i oprzyrządowania.

H Termékszavatosság

Nyomatékosan utalunk arra a tényre, hogy a termékszavatossági törvény szerint nem kell jótállást vállalnunk azokra a károokra, amelyeket nem a mi készülékeink okoztak, ha ezeket szakszerűtlen javítás okozta vagy egy alkatrész kicserélésénél nem a mi eredeti GARDENA alkatrészeinket vagy általunk engedélyezett alkatrészeket használták fel és a javítást nem a GARDENA szerviz vagy egy erre felhatalmazott szakember végezte. Hasonlóképpen érvényes ez a kiegészítő alkatrészekre és tartozékokra is.

CZ Odpovědnost za výrobek

Výslovně upozorňujeme na to, že podle zákona o odpovědnosti za výrobek neneseme odpovědnost za škody způsobené našimi přístroji, v případě, že boli byly vyvolané neodbornými opravami, výměnou dílcov, ktoré nepatria k originálnym dielom GARDENA alebo neboli nami schválené rovnako boli spôsobené servisnými zásahmi, ktoré neboli vykonané servisom GARDENA alebo autorizovaným odborníkom. Rovnako to platí pre doplnky a príslušenstvo.

SK Predmet záruky

Upozorňujeme dôrazne na to, že podľa zákona o poskytovaní záruk nezodpovedáme za škody spôsobené našimi výrobkami, v prípade, že boli boli vyvolané neodbornými opravami, výmenou dielcov, ktoré nepatria k originálnym dielom GARDENA alebo neboli nami schválené rovnako boli spôsobené servisnými zásahmi, ktoré neboli vykonané servisom GARDENA alebo autorizovaným odborníkom. Rovnako to platí pre doplnky a príslušenstvo.

GR Ευθύνη για το προϊόν

Σας υπενθυμίζουμε ρητά, ότι σύμφωνα με το νόμο περί ευθύνης για τα προϊόντα δεν ευθυνόμαστε για ενδεχόμενες βλάβες που προκαλούνται από τις συσκευές μας, εφόσον οφείλονται σε μία ακατάλληλη επισκευή ή σε μια αντικατάσταση τμημάτων για την οποία δεν έχουν χρησιμοποιηθεί τα πρωτότυπα ανταλλακτικά της GARDENA ή τα από μας συγκεκριμένα ανταλλακτικά και σε περίπτωση που δεν εκτελείται η επισκευή από το Τμήμα Εξυπηρέτησης Πελατών της GARDENA ή από έναν εξουσιοδοτημένο εξειδικευμένο τεχνίτη. Το ίδιο ισχύει για εξαρτήματα και συμπληρωματικά τμήματα.

SLO Jamstvo za izdelek

Izrecno izjavljamo, v skladu z ustreznimi zakonodajo, ki ureja odgovornost proizvajalca, da ne prevzemamo nikakršne odgovornosti za poškodbe, ki bi jih naši izdelki povzročili zaradi neustreznega popravila ali uporabe neoriginalnih ali neodobrenih nadomestnih delov (ki jih ne izdelata podjetje GARDENA) ali če popravi ne bi opravil servisni center GARDENA ali pooblaščen specialist. Enako velja tudi za nadomestne dele in opremo.

HR Odgovornost za proizvod

Izričito naglašavamo kako, u skladu sa zakonom o odgovornosti za proizvode, nismo odgovorni za bilo koja oštećenja uzrokovana našim proizvodima ako su posljedica nepravilnog popravka ili zamjene dijelova s neoriginalnim dijelovima ili dijelovima bez odobrenja tvrtke GARDENA i ako popravci nisu provedeni u servisnom centru tvrtke GARDENA ili ako ih nije proveo odobreni stručnjak. Isto vrijedi i za dodatne dijelove i pribor.

RO Responsabilitatea legala a produsului

Mentionăm în mod expres că, în conformitate cu legea privind răspunderea pentru produs, nu suntem răspunzători pentru nicio deteriorare provocată de produsele noastre, dacă se datorează reparării necorespunzătoare sau dacă piesele înlocuite nu sunt piese originale GARDENA sau piese aprobate și dacă reparările nu au fost efectuate de un Centru de service GARDENA sau de un specialist autorizat. Aceleași prevederi se aplica și pieselor de schimb si accesoriilor.

BG Отговорност за качество

Ние изрично посочваме, че в съответствие със закона за отговорността за продукта не носим отговорност за повреди, причинени от нашите продукти, ако това се дължи на неправилен ремонт или ако заменените части не са оригинални части на GARDENA или одобрени части, или ако ремонтните дейности не са били извършени от сервизен център на GARDENA или от одобрен специалист. Същото важи за допълнителните части и принадлежности.

EST Tootevastutus

Me teatame sõnaselgelt, et vastavalt tootevastutuse seadusele ei vastuta me mis tahes meie toodete põhjustatud kahjude eest, mis on tekkinud toote ebaõige parandamise tõttu või varuosadena GARDENA mitte-originaalvaruosade või heakskiidetud varuosade kasutamise tõttu või parandustööde tegemise tõttu mujal kui GARDENA hoolduskeskuses või heakskiidetud spetsialisti juures. Sama kehtib lisadetailide ja tarvikute kohta.

LT Atsakomybė už produkciją

Mes aiškiai pareiškiame, kad atsižvelgiant į gaminių patikimumo įstatymą nepriisiame atsakomybės dėl bet kokios žalos, patirtos dėl mūsų gaminių, jeigu jie buvo netinkamai taisomi arba jų dalys buvo pakeistos neoriginaliomis GARDENA dalimis ar nepatvirtintomis dalimis, arba jeigu remonto darbai buvo atliekiami ne GARDENA techninės priežiūros centro specialistų. Tas pats galioja papildomoms dalims ir priedams.

LV Produkta atbildība

Mēs skaidri norādām uz to, ka saskaņā ar Produktu atbildības likumu, mēs neatbildam par mūsu iekārtu radītiem zaudējumiem, ciktāl tos ir izraisījis neatbilstošs remonts vai daļu nomaiņa ar neoriģinālām GARDENA daļām vai ne ar mūsu norādītajām detaļām un remontu nav veicis GARDENA serviss vai pilnvarots speciālists. Tas pats attiecas uz papildinošajām daļām un piederumiem.

<p>GB CE Declaration The undersigned Husqvarna AB, 561 82 Huskvarna, Sweden hereby certifies that, when leaving our factory, the units indicated below are in accordance with the harmonised EU guidelines, EU standards of safety and product specific standards. This certificate becomes void if the units are modified without our approval.</p>	<p>H EU-Megfelelőeségi nyilatkozat Alulírott, a Husqvarna AB, 561 82 Huskvarna, Sweden igazolja azt, hogy az alábbiakban megnevezett készülékek, az általunk forgalomba hozott kivitelben teljesítik a harmonizációs EU-irányelvek, az EU biztonsági szabványok és a termékre jellemző szabványok követelményeit. Ha a készülékeken a mi beleegyezésünk nélkül változtatást végeznek, akkor ez a nyilatkozat érvényét veszti.</p>
<p>D CE-Konformitätserklärung Der Unterzeichnete Husqvarna AB, 561 82 Huskvarna, Sweden bestätigt, dass die nachfolgend bezeichneten Geräte in der von uns in Verkehr gebrachten Ausführung die Anforderungen der harmonisierten EU-Richtlinien, EU-Sicherheitsstandards und produktspezifischen Standards erfüllen. Bei einer nicht mit uns abgestimmten Änderung der Geräte verliert diese Erklärung ihre Gültigkeit.</p>	<p>CZ Prohlášení o shodě EU Podepsaný Husqvarna AB, 561 82 Huskvarna, Sweden potvrzuje, že dále uvedené přístroje v rámci do provozu uvedeném provedení splňují požadavky harmonizačních směrnic EU, bezpečnostních norem EU a norem specifických pro výrobek. Při námi neschválené změně přístrojů ztrácí toto prohlášení platnost.</p>
<p>F Certificat de conformité aux directives européennes Le constructeur, soussigné : Husqvarna AB, 561 82 Huskvarna, Sweden déclare qu'à la sortie de ses usines le matériel neuf désigné ci-dessous était conforme aux prescriptions des directives européennes énoncées ci-après et conforme aux règles de sécurité et autres règles qui lui sont applicables dans le cadre de l'Union européenne. Toute modification portée sur ce produit sans l'accord express de GARDENA supprime la validité de ce certificat.</p>	<p>SK EU-Vyhlasenie o zhode Nižšie uvedené firma Husqvarna AB, 561 82 Huskvarna, Sweden vyhlasuje, že uvedené zariadenia, ktoré uviedla na trh v tomto vyhotovení, spĺňajú požiadavky harmonizačných smerníc EU, bezpečnostných noriem EU a noriem špecifických pre výrobok. Pri zmene zariadenia, ktorá nebola odsúhlasená výrobcom stráca toto vyhlásenie platnosť.</p>
<p>NL EU-overeenstemmingsverklaring Ondergetekende Husqvarna AB, 561 82 Huskvarna, Sweden bevestigt, dat de volgende genoemde apparaten in de door ons in de handel gebrachte uitvoering voldoen aan de eis van, en in overeenstemming zijn met de EU-richtlijnen, de EU-veiligheidsstandaard en de voor het product specifieke standaard. Bij een niet met ons afgestemde verandering aan de apparaten verliest deze verklaring haar geldigheid.</p>	<p>GR Δήλωση Συμμόρφωσης προς τις Οδηγίες της ΕΕ Η υπογράφουσα Husqvarna AB, 561 82 Huskvarna, Sweden δηλώνει, ότι τα εξής αναφερόμενα εκδιδόμενα από την εταιρία μας προϊόντα ανταποκρίνονται σε όλες τις αναφορουμενες προδιαγραφές της ΕΕ, στα πρότυπα ασφαλείας της ΕΕ και στα ειδικά για το προϊόν πρότυπα. Σε μία μη συμφωνημένη με την εταιρία μας τροποποίηση των συσκευών αυτή η δήλωση χάνει την ισχύ της.</p>
<p>S EU Tillverkarintyg Undertecknad firma Husqvarna AB, 561 82 Huskvarna, Sweden intygar härmed att nedan nämnda produkter överensstämmer med EU:s direktiv, EU:s säkerhetsstandard och produktspecifikation. Detta intyg upphör att gälla om produkten ändras utan vårt tillstånd.</p>	<p>SLO EU-izjava o skladnosti Podpisani proizvajalec »Husqvarna AB, 561 82 Huskvarna, Sweden« s podpisom potrjuje, da sledeče opisana naprava, ki smo jo poslali na tržišče izpolnjuje zahteve harmoniziranih standardov ES-smernic, ES-varnostnih standardov in izdelku specifičnih standardov. V primeru spremembe na napravi brez našega pisnega dovoljenja ta izjava izgubi svoj pomen in veljavnost.</p>
<p>DK EU Overensstemmelse certifikat Undertegnede Husqvarna AB, 561 82 Huskvarna, Sweden bekræfter hermed, at enheder listed herunder, ved afsendelse fra fabrikken, er i overensstemmelse med harmoniserede EU retningslinier, EU sikkerheds standarder og produkt specifikations standarder. Dette certifikat træder ud af kraft hvis enhederne er ændret uden vor godkendelse.</p>	<p>HR Izjava o sukladnosti EU-a Dolje potpisana tvrtka Husqvarna AB, 561 82 Huskvarna, Sweden ovime potvrđuje da dolje navedeni uređaji u izvedbi plasirajući na tržište ispunjavaju zahtjeve harmoniziranih EU smjernica, EU sigurnosnih normi i normi za određene proizvode. Ova izjava postaje ništavna u slučaju izmjene uređaja koje nismo odobrili.</p>
<p>FI EU-yhdenmukaisuusvakuutus Allekirjoittanut Husqvarna AB, 561 82 Huskvarna, Sweden vakuuttaa, että allainm-niit laitteet täyttävät tehtaaltamme lähnessään yhdenmukaistetujen EU-direktiivien, EU-turvallisuusstandardien ja tuotekohtaisten standardien vaatimukset. Laitteisiin tehdyt muutokset, joista ei ole sovittu kanssamme, johtavat tämän vakuutuksen raukaamiseen.</p>	<p>RO UE-Certificat de conformitate Prin prezenta Husqvarna AB, 561 82 Huskvarna, Sweden, certifica faptul ca, in momentul in care produsele mentionate mai jos ies din fabrica sunt in concordanta cu directivele UE, standardele de siguranta UE si standardele specifice ale produsului UE. Acest certificat devine nul in cazul modificarii aparatului fara aprobarea noastra.</p>
<p>I Dichiarazione di conformità alle norme UE La sottoscritta Husqvarna AB, 561 82 Huskvarna, Sweden certifica che il prodotto qui di seguito indicato, nei modelli da noi commercializzati, è conforme alle direttive armonizzate UE nonché agli standard di sicurezza e agli standard autorizzati di prodotto. Qualunque modifica apportata al prodotto senza nostra specifica autorizzazione invalida la presente dichiarazione.</p>	<p>BG ЕС-Декларация за съответствие Подписаната фирма Husqvarna AB, 561 82 Huskvarna, Sweden декларира, че описаните по-долу уређи, пуснати в продажба съгласно нашата спецификация, изпълняват изискванията на хармонизираните ЕС-директиви, ЕС-станданти за безопасност и специфичните производствени стандарти. При промяна на уређа, която не е съгласувана с нас, тази декларация губи своята валидност.</p>
<p>E Declaración de conformidad de la UE El que suscribe Husqvarna AB, 561 82 Huskvarna, Sweden declara que la presente mercancía, objeto de la presente declaración, cumple con todas las normas de la UE, en lo que a normas técnicas, de homologación y de seguridad se refiere. En caso de realizar cualquier modificación en la presente mercancía sin nuestra previa autorización, esta declaración pierde su validez.</p>	<p>EST ELI vastavusdeklaratsioon Allkirjutanu Husqvarna AB, 561 82 Huskvarna, Sweden kinnitab, et kirjeldatud seade vastab meie poole ringluse viidud kujul ELi harmoniseeritud direktiividele, ELi ohutusstandarditele ja tootega seotud standarditele. Meiega kooskõlastamata muudatuse tegemise korral seadmel kaotab see deklaratsioon kehtivuse.</p>
<p>P Certificado de conformidade da UE Os abaixo mencionados Husqvarna AB, 561 82 Huskvarna, Sweden, por este meio certificam que ao sair da fábrica os aparelhos abaixo mencionados estão de acordo com as direttrizes harmonizadas da UE, padrões de segurança e de produtos específicos. Este certificado ficará nulo se as unidades forem modificadas sem a nossa aprovação.</p>	<p>LT ES Atitikties deklaracija Pasirašantį įmonę Husqvarna AB, 561 82 Huskvarna, Sweden patvirtina, kad žemiau nurodyti prietaisai ir jų modeliai, kurie buvo pagaminti mūsų gamyklose atitinka ES direktyvas, ES saugumo standartus ir specifinius gaminių standartus. Atlikus bet koki prietaiso pakeitimą, kuris nėra suderintas su mumis, ši deklaracija praranda galiojimą.</p>
<p>PL Deklaracja zgodności Unii Europejskiej Husqvarna AB, 561 82 Huskvarna, Sweden potwierdza, że poniżej określone urządzenia w wersji oferowanej przez nas do sprzedaży spełniają wymagania zharmonizowanych dyrektyw Unii Europejskiej, standardu bezpieczeństwa Unii Europejskiej i standardu specyficznego dla tego typu produktów. W przypadku zmiany urządzenia, która nie została z nami uzgodniona, niniejsza deklaracja traci moc obowiązująca.</p>	<p>LV ES-atbilstības deklaracija Parakstījis Husqvarna AB, 561 82 Huskvarna, Sweden, Vācija apstiprina, ka sekojoši apzīmētās iekārtas, kuras mēs izplātam, savā izpildījumā atbilst harmonizētajām ES direktīvām, ES drošības standartiem un produkta specifiskajiem standartiem. Ar mūsu neapstiprinātām izmaiņām iekārtā šī deklarācija zaudē savu derīgumu.</p>

<p>Description of the unit: Bezeichnung des Geräts: Désignation du matériel : Omschrijving van de apparaten: Produktbeskrivning: Beskrivelse af produktet: Laitteiden nimitys: Descrizione dei prodotti: Descripción de la mercancía: Descrição dos aparelhos: Nazwa urzędzenia: A készülékek megnevezése: Označení přístrojů: Označenie zariadenia: Ονομασία της συσκευής: Όπλισ nabrave: Oznaka uređaja: Descrierea articolelor: Обозначение на уредите: Seadmete nimetus: Prietaisų pavadinimas: Iekārtu apzīmējums:</p>	<p>Grass Shear / Shrub Shear Grasschere / Strauchschere Cisaieille à gazon / Taille-buisson Grasschaar / Buxusschaar Grässax / Busksax Grässaks / Busksaks Ruuhosaket / Pensasleikkuri Cesoié per erba / Cesoié per arbusti Tijeras cortacésped / Tijeras recortasetos Tessoura para relva / Tssoura para arbustos Nożyce do trawy / Nożyce do krzewów Fűnyíró olló / Bokornyíró olló Nůžky na trávu / Nůžky na keře Nožnice na trávu / Nožnice na kroviny Ψαλίδι γλάς / Ψαλίδι θάμνων Škarje za travu / Škarje za grmovje Škare za travu / Škare za grmlje Foarfecă pentru gazon / Foarfecă pentru arbuști Ножица за трева / Ножица за храсти Muruääärid / Rõõsakäärid Žolės žirkIės / Krūmių žirkIės Žales šķeres / Dzīvžogu šķeres</p>	<p>Noise level: Schall-Leistungspegel: Puissance acoustique : Geluidsniveau: Ljudnívå: Lydtryksniveau: Melun tehotos: Livello rumorositå: Nível sonoro: Nível de ruído: Poziom natężenia dźwięku: Zajteljestimény szint: Hlukovå hladina výkonu: Επίπεδο ισχύος ήχου: Nivo hrupa: Razina zvučne snage Nível de putere acustică: Ниво на шума: Heliivõimsuse tase: Garso stiprumo lygis: Troksņu jaudas līmenis:</p> <p>measured / garantiert gemessen / garantiert mesurée / garantie gemeten / gegarandeerd uppmåt / garanterad afmåt / garanti mituttu / taattu testato / garantito medido / garantizado medido / garantido zmerzoneo / gwarantowane mért / garantált naměřeno / garantované meraná / garantovaná μετρήθηκαν / εγυρημένα izmerjeno / zagotoveljeno izmerjeno / garantirano măsurat / garantat измерено / гарантирано mõõdetud / garanteeritud išmatuotas / garantuotas izmērīts / garantētais</p>
<p>Product type: Typ-Bezeichnung: Désignation du modèle: Type-aanduiding: Typbeteckning: Type-betegnelse: Typpikkvaus: Tipologia: Designación del tipo: Designação do modelo: Oznaczenie typu:</p>	<p>Tipus megnevezése: Typové označenie: Typ-označenie: Ονομασία τύπου: Naziv tipa: Oznaka tipa: Denumirea tipului: Тип-наименование: Tűbíri nimetus: Tipo pavadinimas: Tipa apzīmējums:</p>	<p>Article-Number: Artikel-Nummer: Référence : Artikelnummer: Številka artikla: Broj artikla: Numår articol: Артикулен номер: Artikli number: Gaminio numeris: Preces numurs:</p> <p>77 dB (A)/80 dB (A)</p> <p>Year of CE marking: Anbringningsjår der CE-Kennzeichnung: Année d'apposition du marquage CE : Installatiejaar van de CE-aanduiding: Mårkningsår: CE-Mårkningsår: CE-merkin kiinnitysvuosi: Anno di applicazione della certificazione CE: Colocación del distintivo CE: Ano de marcação pela CE: Rok nadania oznakowania CE: CE-jelzés elhelyezésének éve: Rok umístění značky CE: Rok udelenia značky CE: Ετος σήματος CE: Leto namestitve CE-oznake: Godina dobivanja CE oznake:</p>
<p>CE-Directives: CE-Richtlinien: Directives CE : CE-richtlijnen: CE-direktív: CE-direktiver: CE-merkinnåt: Directive CE: Directivas CE: Diretivas CE: Dyrektivy CE: CE irányelvek: Směrnice CE: Označenie CE: Οδηγιες CE:</p>	<p>CE-direktive: CE smjernice: Directivete CE: CE-Директиви: CE direktívid: CE direktivos: CE direktivas: Grass Shear: 2006/42/EC 2014/30/EC 2000/14/EC 2011/65/EC</p> <p>Shrub Shear: 2006/42/EC 2014/30/EC 2000/14/EC 2011/65/EC</p>	<p>2015</p> <p>Authorized representative: Der Bevollmächtigte Le mandataire De gevollmachtigde Auktoriserad representant Autoriseret repræsentant Valtuutettu edustaja Persona delegata La persona autorizada O reprezentante Pelnomocnik Meghatalmazott Zplnomocnenec Splnomocnený O εξουσιοδοτημένος Pooblašćenec Ovlaštena osoba Conducerea tehnicå Упълномощен Volitlatud esindaja Igaliotasis atstovas Pilnrarõtå persona</p>
<p>Harmonised EN: / Harmonisierte EN: Grass Shear: EN ISO 12100 EN 60335-1 EN 50636-2-94</p>	<p>Charger 9850-00.610.00: EN 60335-1 EN 60335-2-29</p> <p>Battery 8885-00.640.02: EN 62133</p>	<p>Ulm, 04.11.2016 Ulm, den 04.11.2016 Fait å Ulm, le 04.11.2016 Ulm, 04-11-2016 Ulm, 2016.11.04. Ulm, 04.11.2016 Ulmissa, 04.11.2016 Ulm, 04.11.2016 Ulm, 04.11.2016 Ulm, 04.11.2016 Ulm, dnia 04.11.2016 Ulm, 04.11.2016 Ulm, 04.11.2016 Ulm, 04.11.2016 Ulm, 04.11.2016 Ulm, 04.11.2016 Ulm, 04.11.2016 Ulm, 04.11.2016 Ulm, 04.11.2016 Ulm, 04.11.2016 Ulm, 04.11.2016 Ulm, 04.11.2016 Ulm, 04.11.2016 Ulm, 04.11.2016 Ulm, 04.11.2016 Ulm, 04.11.2016 Ulm, 04.11.2016 Ulm, 04.11.2016 Ulm, 04.11.2016 Ulm, 04.11.2016</p>
<p>Deposited Documentation: GARDENA Technical Documentation, M. Kugler, 89079 Ulm Hinterlegte Dokumentation: GARDENA Technische Dokumentation, M. Kugler, 89079 Ulm Documentation déposée: Documentation technique GARDENA, M. Kugler, 89079 Ulm</p>	<p>Conformity Assessment according to: 2000/14/EC Procedure: art. 14 Annex V Konformitåtsbewertungsverfahren: Nach 2000/14/EG Art. 14 Anhang V Procédure d'évaluation de la conformité: Selon 2000 /14 /CE art. 14 Annexe V</p>	<p>Ulm, 04.11.2016 Ulm, 04.11.2016</p> <p><i>Reinhard Pompe</i> Reinhard Pompe (Vice President)</p>

Deutschland / Germany

GARDENA
 Manufacturing GmbH
 Central Service
 Hans-Lorenser-Straße 40
 D-89079 Ulm
 Produktfragen:
 (+49) 731 490-123
 Reparaturen:
 (+49) 731 490-290
 service@gardena.com

Albania

COBALT Sh.p.k.
 Rr. Siri Kodra
 10000 Tirana

Argentina

Husqvarna Argentina S.A.
 Av. del Libertador 5954 –
 Piso 11 – Torre B
 (C1428APR) Buenos Aires
 Phone: (+54) 11 5194 5000
 info.gardena@
 ar.husqvarna.com

Armenia

Garden Land Ltd.
 61 Tigran Mets
 0005 Yerevan

Australia

Husqvarna Australia Pty. Ltd.
 Locked Bag 5
 Central Coast BC
 NSW 2252
 Phone: (+61) (0) 2 4352 7400
 customer.service@
 husqvarna.com.au

Austria / Österreich

Husqvarna Austria GmbH
 Industriezeile 36
 4010 Linz
 Tel.: (+43) 732 77 01 01-485
 service.gardena@
 husqvarnagroup.com

Azerbaijan

Firm Progress
 a. Aliyev Str. 26A
 1052 Bakı

Belgium

GARDENA Belgium NV/SA
 Sterrebeekstraat 163
 1930 Zaventem
 Phone: (+32) 2 720 92 12
 Mail: info@gardena.be

Bosnia / Hercegovina

SILK TRADE d.o.o.
 Industrijska zona Bukva bb
 74260 Tešanj

Brazil

Husqvarna do Brasil Ltda
 Av. Francisco Matarazzo,
 1400 – 19º andar
 São Paulo – SP
 CEP: 05001-903
 Tel. 0800-112252
 marketing.br.husqvarna@
 husqvarna.com.br

Bulgaria

Хускварна България ЕООД
 Був. „Андрей Липчев“ № 72
 1799 София
 Tel.: (+359) 02/975 3076
 www.husqvarna.bg

Canada / USA

GARDENA Canada Ltd.
 100 Summerlea Road
 Brampton, Ontario L6T 4X3
 Phone: (+1) 905 792 9330
 info@gardenacanada.com

Chile

Maquinarias Agroforestales
 Ltda. (Maga Ltda.)
 Santiago, Chile
 Avda. Chesterton
 # 8355 comuna Las Condes
 Phone: (+56) 2 202 4417
 Dalton@maga.cl
 Zipcode: 7560330
 Temuco, Chile
 Avda. Valparaiso # 01466
 Phone: (+56) 45 222 126
 Zipcode: 4780441

China

Husqvarna (China) Machinery
 Manufacturing Co., Ltd.
 No. 1355, Jia Xin Rd.,
 Ma Lu Zhen, Jia Ding Dist.,
 Shanghai
 201801
 Phone: (+86) 21 59159629
 Domestic Sales
 www.gardena.com.cn

Colombia

Husqvarna Colombia S.A.
 Calle 18 No. 68 D-31, zona
 Industrial de Montevideo
 Bogotá, Cundinamarca
 Tel. 571 2922700 ext. 105
 jairo.salazar@
 husqvarna.com.co

Costa Rica

Compania Exim
 Euroberoamericana S.A.
 Los Colegios, Moravia,
 200 metros al Sur del Colegio
 Saint Francis – San José
 Phone: (+506) 297 68 83
 exim_euro@racsa.co.cr

Croatia

SILK ADRIA d.o.o.
 Josipa Lončara 3
 10090 Zagreb
 Phone: (+385) 1 3794 580
 silk.adria@zg.t-com.hr

Cyprus

Med Marketing
 17 Digeni Akritia Ave
 P.O. Box 27017
 1641 Nicosia

Czech Republic

Husqvarna Česko s.r.o.
 Tůrkova 2319/5b
 149 00 Praha 4 – Chodov
 Bezpłatná infolinka:
 800 100 425
 servis@cz.husqvarna.com

Denmark

GARDENA / Husqvarna
 Consumer Outdoor Products
 Salgsafdelning Danmark
 Box 9003
 S-200 39 Malmö
 info@gardena.dk

Dominican Republic

BOSQUESA, S.R.L
 Carretera Santiago Licey
 Km. 5 ½
 Esquina Copal II,
 Santiago
 Dominican Republic
 Phone: (+809) 736-0333
 joserbosquesa@claro.net.do

Ecuador

Husqvarna Ecuador S.A.
 Arupos E1-181 y 10 de
 Agosto Quito, Pichincha
 Tel. (+593) 22800739
 francisco.jacom@
 husqvarna.com.ec

Estonia

Husqvarna Eesti OÜ
 Consumer Outdoor Products
 Keskk tee 10, Aaviku küla
 Rae vald
 Harju maakond
 75305 Estonia
 kontakt.etj@husqvarna.ee

Finland

Oy Husqvarna Ab
 Consumer Outdoor Products
 Lauttarhankatu 8 / B / PL 3
 00581 HELSINKI
 info@gardena.fi

France

Husqvarna France
 9/11 Allée des pierres mayettes
 92635 Gennevilliers Cedex
 France
 http://www.gardena.com/fr
 N° AZUR: 0 810 00 78 23
 (Prix d'un appel local)

Georgia

ALD Group
 Bellashvili 8
 1159 Tbilisi

Great Britain

Husqvarna UK Ltd
 Preston Road
 Aycliffe Industrial Park
 Newton Aycliffe
 Consumer Durham
 DL5 6UP
 info.gardena@
 husqvarna.co.uk

Greece

Π. ΠΑΠΑΔΟΠΟΥΛΟΣ ΑΕΒΕ
 Λεωφ. Αθηνών 92
 Αθήνα
 Τ.Κ. 104 42
 Ελλάδα
 Τηλ. (+30) 210 5193 100
 info@papadopoulos.com.gr

Hungary

Husqvarna Magyarorszáig Kft.
 Ezred u. 1-3
 1044 Budapest
 Telefon: (+36) 1 251-4161
 nevoszolgalat.husqvarna@
 husqvarna.hu

Iceland

Ó. Johnson & Kaaber
 Tunguhalsi 1
 110 Reykjavik
 ooj@ojk.is

Ireland

Husqvarna UK Ltd
 Preston Road
 Aycliffe Industrial Park
 Newton Aycliffe
 Consumer Durham
 DL5 6UP
 info.gardena@
 husqvarna.co.uk

Italy

Husqvarna Italia S.p.A.
 Via Como 72
 32968 VALMADRERA (LC)
 Phone: (+39) 0341.203.111
 info@gardena.italia.it

Japan

KAKUICHI Co. Ltd.
 Sumitomo Realty &
 Development Kojimachi
 BLDG., 8F
 5-1 Nibanencho
 Chiyoda-ku
 Tokyo 102-0084
 Phone: (+81) 33 264 4721
 m_ishihara@kaku-icchi.co.jp

Kazakhstan

LAMED Ltd.
 155/1, Tazhibayevoy Str.
 050060 Almaty
 IP Schmidt
 Abayavenue 3B
 110 005 Kostanay

Korea

Kyung Jin Trading CO., LTD.
 107-4, SunDuk Bld.,
 YangJae-dong,
 Seocho-gu,
 Seoul, (zipcode: 137-891)
 Phone: (+82) (0)2 574-6300

Kyrgyzstan

Alye Maki
 av. Molodaya Guardir J 3
 720014
 Bishkek

Latvia

Husqvarna Latvija
 Consumer Outdoor Products
 Bākūžu iela 6
 LV-1024 Rīga
 info@husqvarna.lv

Lithuania

UAB Husqvarna Lietuva
 Consumer Outdoor Products
 Ateities pl. 77C
 LT-52104 Kaunas
 centras@husqvarna.lt

Luxembourg

Magasins Jules Neuberg
 39, rue Jacques Stas
 Luxembourg-Gasperich 2549
 Case Postale No. 12
 Luxembourg 2010
 Phone: (+352) 40 14 01
 api@neuberg.lu

Mexico

AFOSA
 Av. Lopez Mateos Sur # 5019
 Col. La Calma 45070
 Zapopan, Jalisco
 Mexico
 Phone: (+52) 33 3818-3434
 icornejo@afosa.com.mx

Moldova

Convel S.R.L.
 290A Muncești Str.
 2002 Chisinau

Netherlands

GARDENA Nederland B.V.
 Postbus 50176
 1305 AD ALMERE
 Phone: (+31) 36 521 00 00
 info@gardena.nl

Neth. Antilles

Jonka Enterprises N.V.
 Sta. Rosa Weg 196
 P.O. Box 8200
 Curaçao
 Phone: (+599) 9 767 66 55
 pgm@jonka.com

New Zealand

Husqvarna New Zealand Ltd.
 P.O. Box 76-437
 Manukau City 2241
 Phone: (+64) (0) 9 9202410
 support.nz@husqvarna.co.nz

Norway

GARDENA
 Husqvarna Consumer
 Outdoor Products
 Salgskontor Norge
 Kleverveien 6
 1540 Vestby
 info@gardena.no

Peru

Husqvarna Perú S.A.
 Jr. Ramón Cárcamo 710
 Lima 1
 Tel: (+51) 1 3320400 ext. 416
 jean.remuzog@
 husqvarna.com

Poland

Husqvarna
 Poland Spółka z o.o.
 ul. Wysockiego 15 b
 03-371 Warszawa
 Phone: (+48) 22 330 96 00
 gardena@husqvarna.pl

Portugal

Husqvarna Portugal, SA
 Lagoa – Albarraque
 2635 – 595 R/o de Mouro
 Tel.: (+351) 21 922 85 30
 Fax: (+351) 21 922 85 36
 info@gardena.pt

Romania

Madex International Srl
 Soseaua Odaii 117-123,
 RO 019603 București, S 1
 Phone: (+40) 21 352.76.03
 madex@ines.ro

Russia / Россия

ООО „Хускварна“
 141400, Московская обл.,
 г. Химки,
 улица Ленинградская,
 владение 39, стр.6
 Бизнес Центр
 "Химки Бизнес Парк",
 помещение 0802. 04
 http://www.gardena.ru

Serbia

Domel d.o.o.
 Autoput za Novi Sad bb
 11273 Beograd
 Phone: (+381) 11 848 88 12
 miroslav.jejina@domel.rs

Singapore

Hy-Ray PRIVATE LIMITED
 40 Jalan Pemimpin
 #02-08 Tat Ann Building
 Singapore 577185
 Phone: (+65) 6253 2277
 shying@hyray.com.sg

Slovak Republic

Husqvarna Česko s.r.o.
 Tůrkova 2319/5b
 149 00 Praha 4 – Chodov
 Bezpłatná infolinka:
 800 154 044
 servis@sk.husqvarna.com

Slovenia

Husqvarna Austria GmbH
 Industriezeile 36
 4010 Linz
 Tel.: (+43) 732 77 01 01-485
 service.gardena@
 husqvarnagroup.com

South Africa

Husqvarna
 South Africa (Pty) Ltd
 Postnet Suite 250
 Private Bag X6,
 Cascades, 3202
 South Africa
 Phone: (+27) 33 846 9700
 info@gardena.co.za

Spain

Husqvarna España S.A.
 Calle de Rivas nº 10
 28052 Madrid
 Phone: (+34) 91 708 05 00
 atencioncliente@gardena.es

Suriname

Agrofix n.v.
 Verlengde Hogestraat # 22
 Phone: (+597) 472426
 agrofix@sr.net
 Pobox : 2006
 Paramaribo
 Suriname – South America

Sweden

Husqvarna AB
 S-561 82 Huskvarna
 info@gardena.se

Switzerland / Schweiz

Husqvarna Schweiz AG
 Consumer Products
 Industriestrasse 10
 5506 Mägenwil
 Phone: (+41) (0) 62 887 37 90
 info@gardena.ch

Turkey

GARDENA Dost Diş Ticaret
 Müesseslik A.Ş.
 Sanayi Cad. Adil Sokak
 No: 1/B Kartal
 34873 İstanbul
 Phone: (+90) 216 38 93 939
 info@gardena-dost.com.tr

Ukraine / Україна

«Хусварна Україна»
 ІПВ, Васильківська, 34,
 офіс 204-р
 03022, Київ
 Ten. (+380) 044 498 39 02
 info@gardena.ua

Uruguay

FELI SA
 Entre Rios 1083 CP 11800
 Montevideo – Uruguay
 Tel: (+598) 22 03 144
 info@felisa.com.uy

Venezuela

Corporación Casa y Jardín C.A.
 Av. Caroni, Edif. Trezmen, P.B.
 Colinas de Bello Monte,
 1050 Caracas.
 Tlf: (+58) 212 992 33 22
 info@casayjardin.net.ve

9852-33.960.02/1116
 © GARDENA
 Manufacturing GmbH
 D-89070 Ulm
 http://www.gardena.com