

TiX500, TiX520, TiX560, TiX580

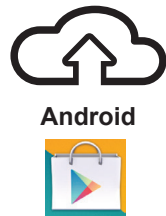
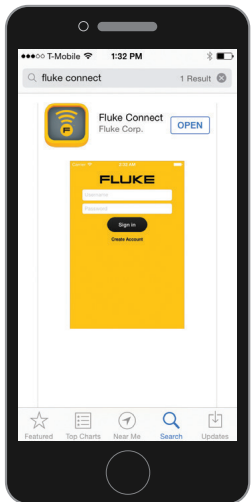
Expert Series Thermal Imagers

See *Users Manual* for "Safety Information" and complete operating information.

Go to www.fluke.com to register your product and find more information.

To download SmartView® software visit www.fluke.com/smartviewdownload.

Install Fluke Connect® App



1. Start the Fluke Connect Mobile App.
2. Log in to the app.

Go to www.flukeconnect.com

WiFi Setup

1

2

F2 > MENU > Fluke Connect > Pair to Fluke Connect Mobile App (WiFi : ON)

Ok / F1

3

iOS Settings / Android Settings

Wi-Fi FLUKE-Camera >

4

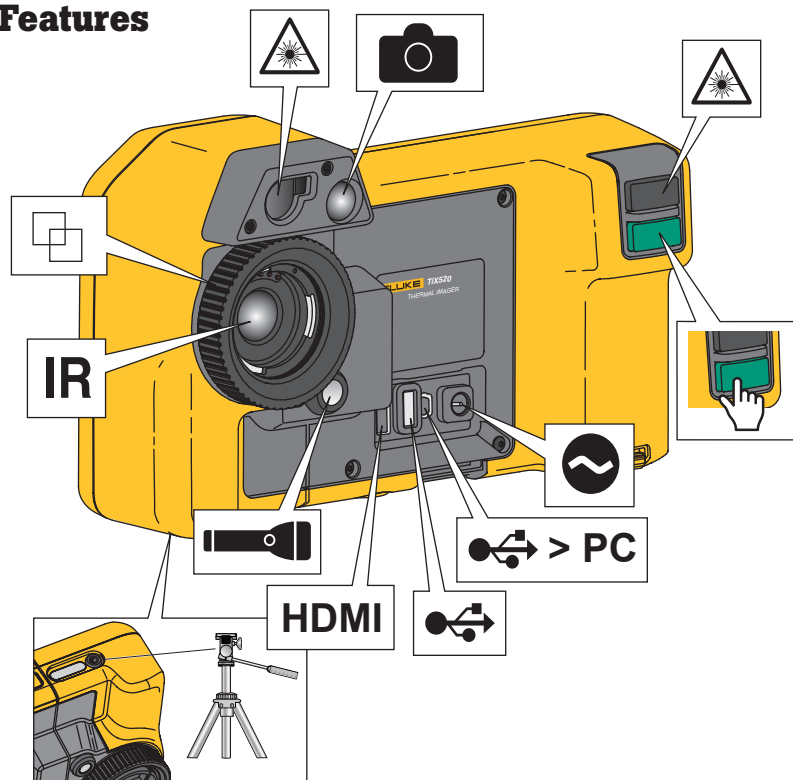
Fluke Connect®

5

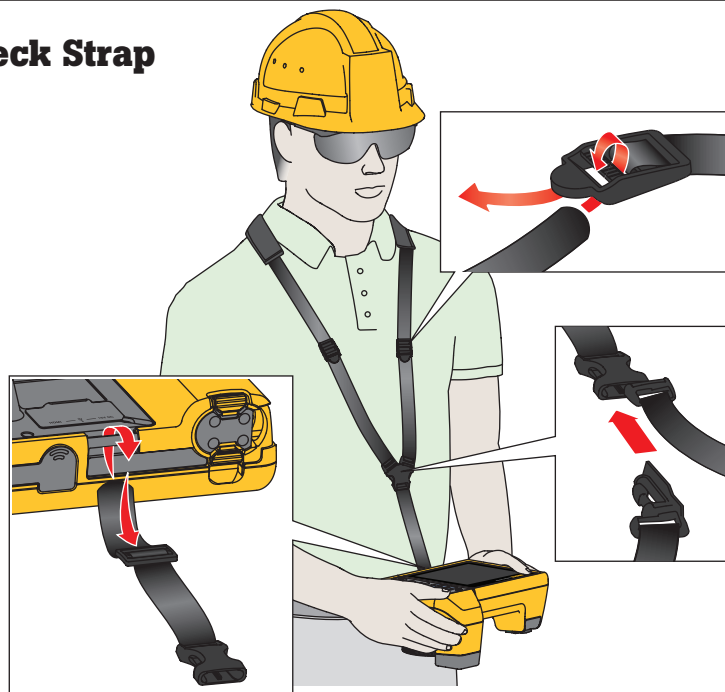
6 Capture

7 Save

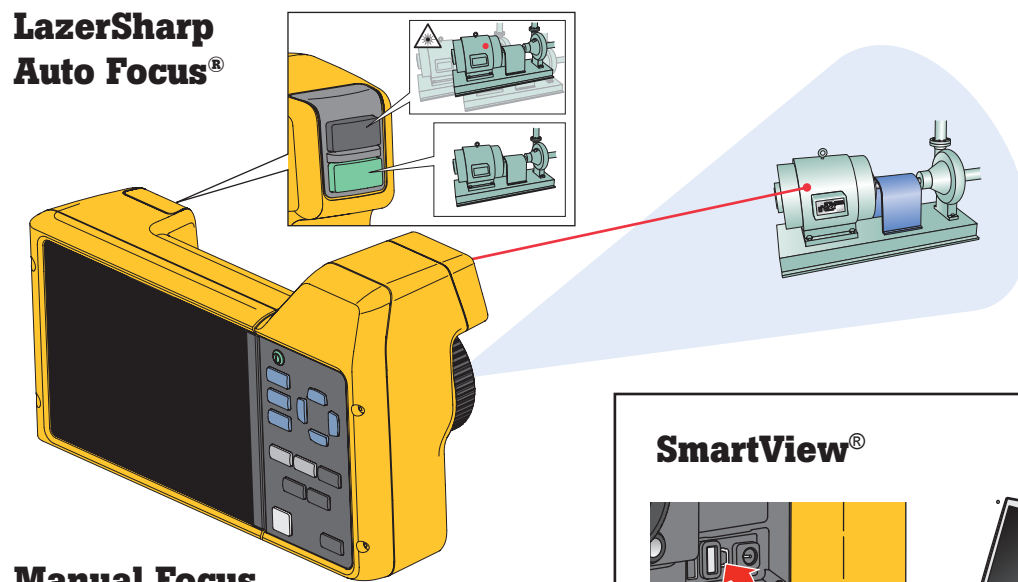
Features



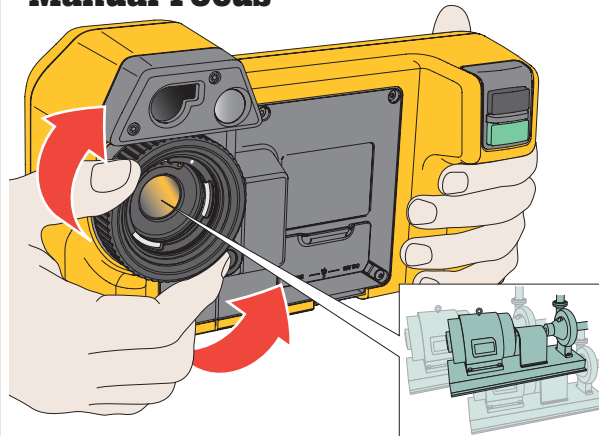
Neck Strap



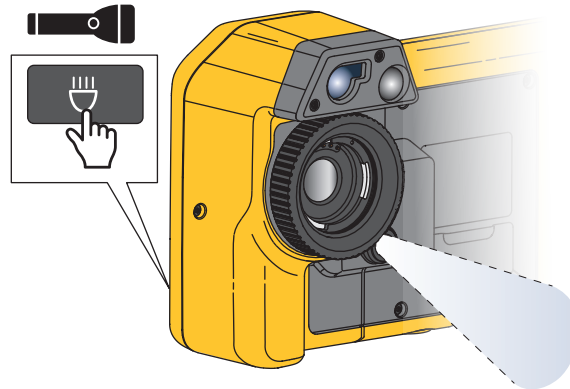
LazerSharp Auto Focus[®]



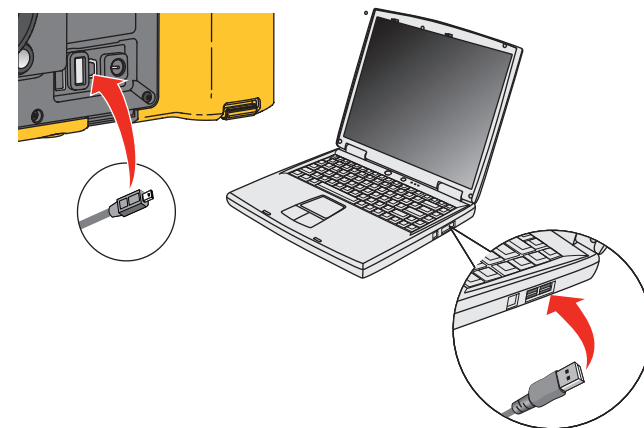
Manual Focus



LED Light



SmartView[®]



Battery

