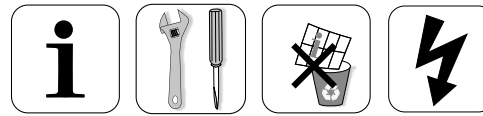


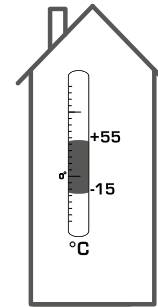


**SERIES 90**



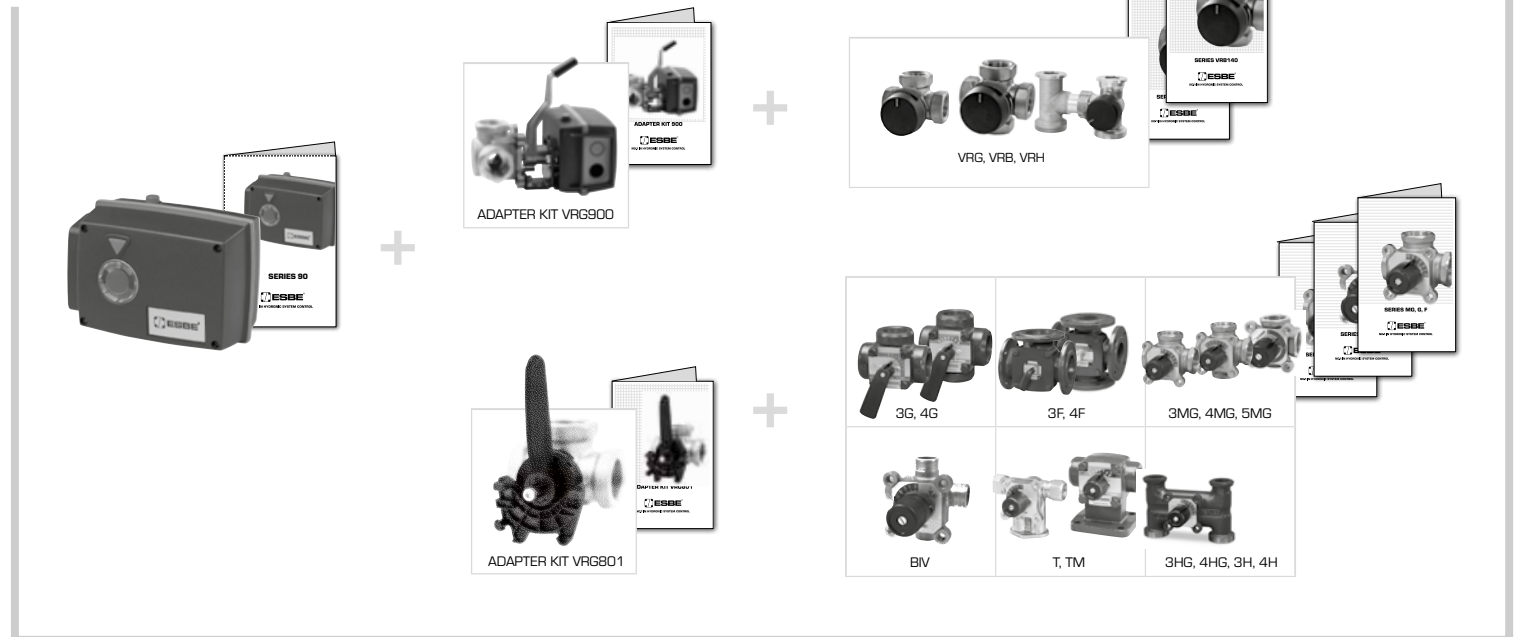
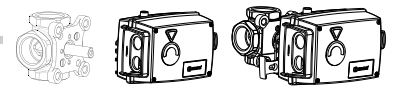
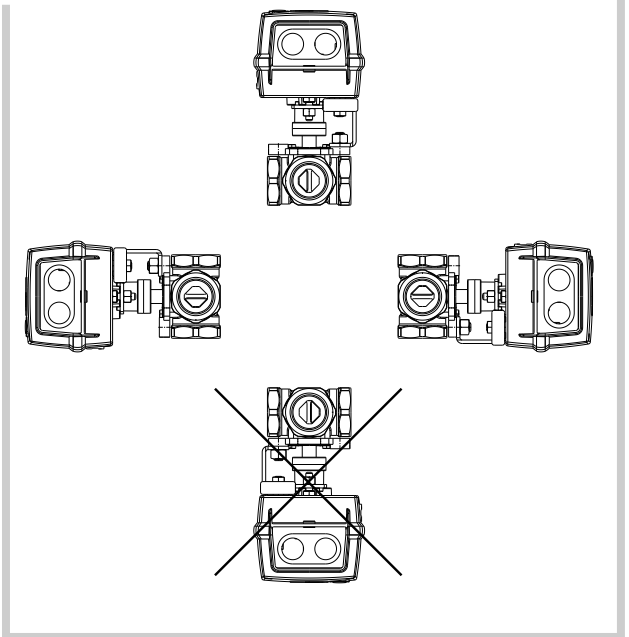
Series 90

CE  
LVD 2014/35/EU  
EMC 2014/30/EU  
RoHS 2011/65/EU

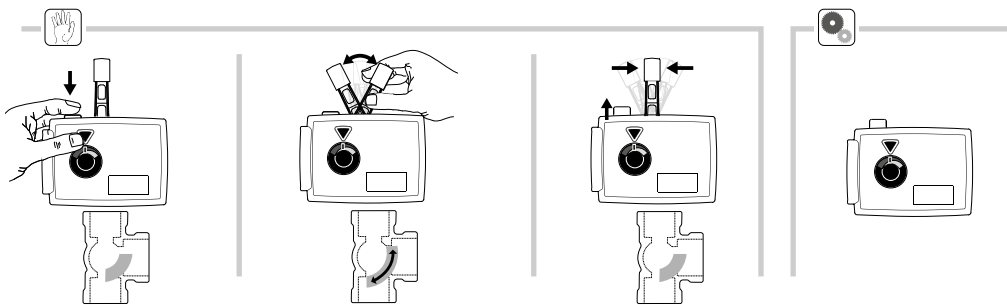
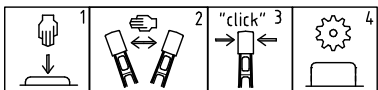


Mtrl.nr. 9814 01 50 • Ritn.nr. 3399 vers. I • Rev. 20 05

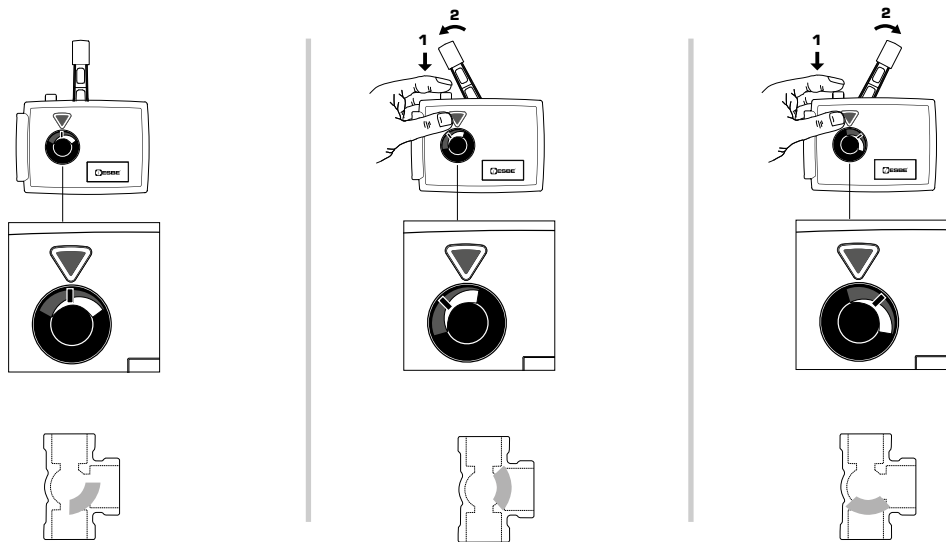
**1**



# 2a

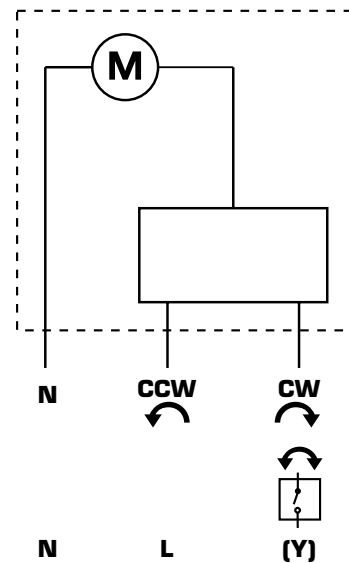


# 2b

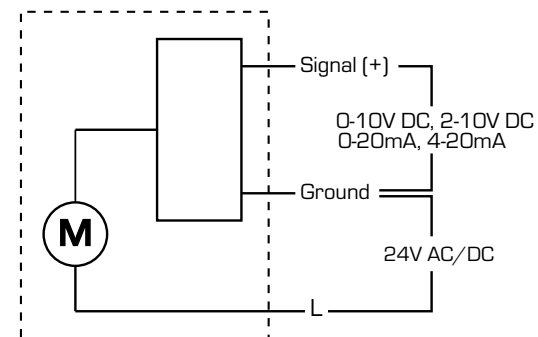


# 3

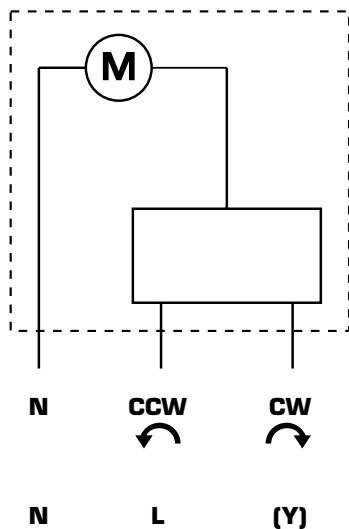
## 97 - 98



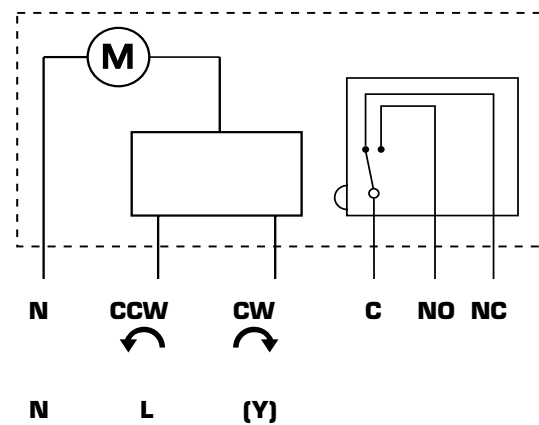
## 92P, 92P2, 92P4

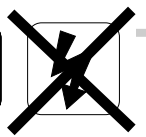


## 91 - 96, 90SL

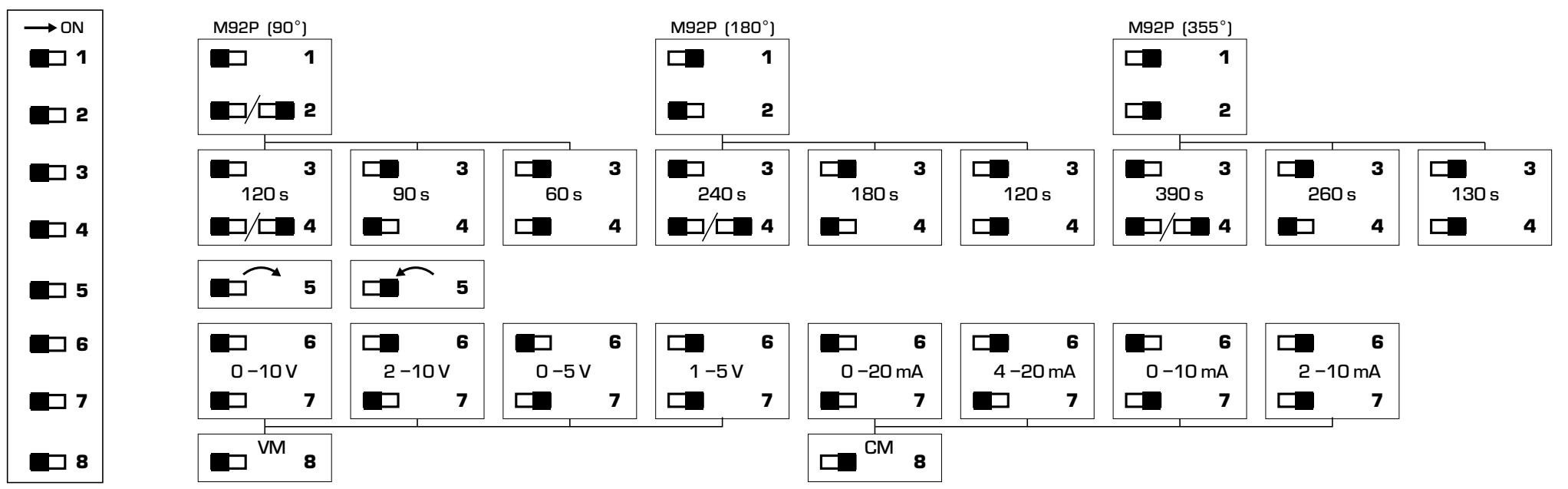
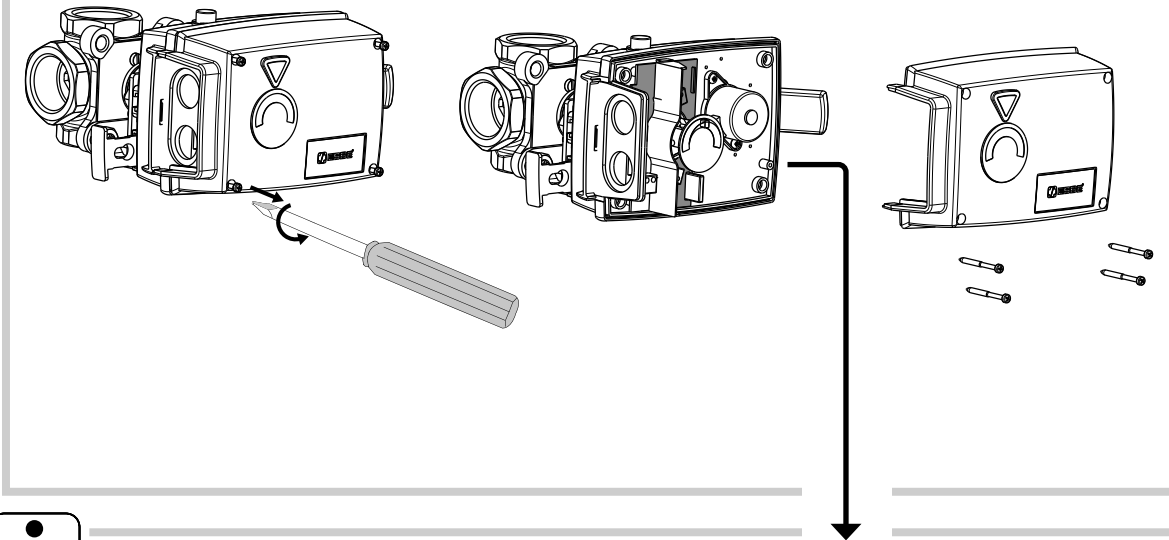


## 91M - 96M



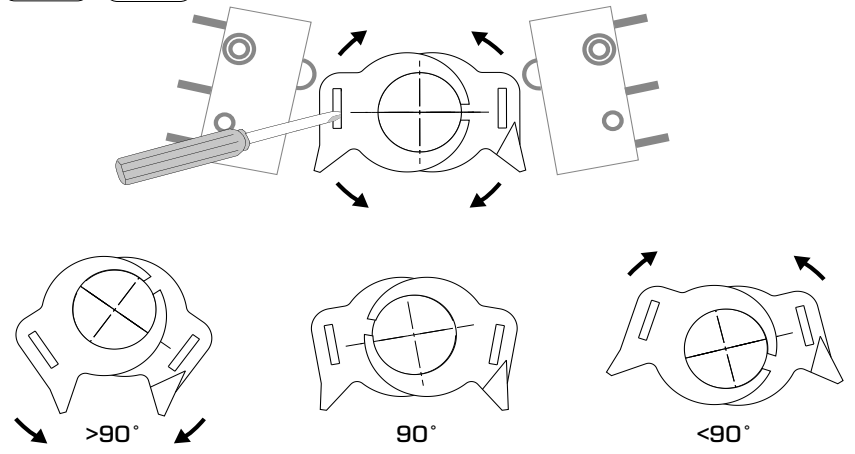
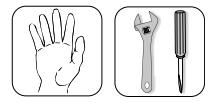
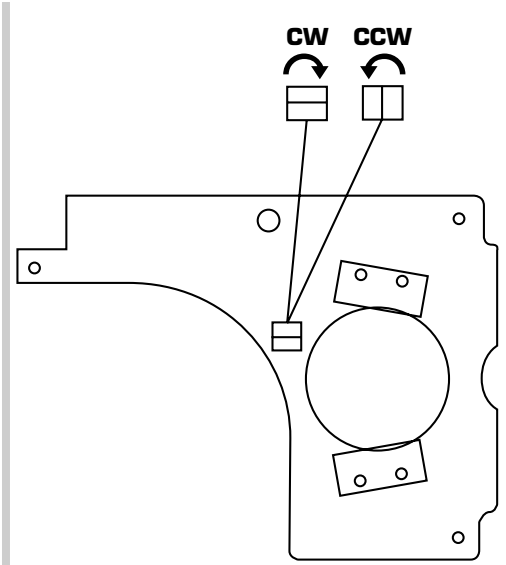


**91P - 92P,  
92P2, 92P4**

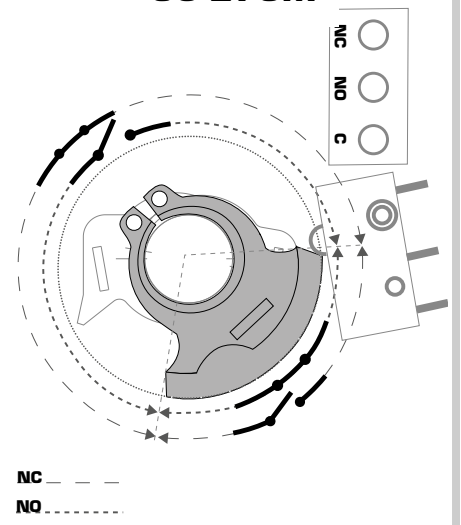




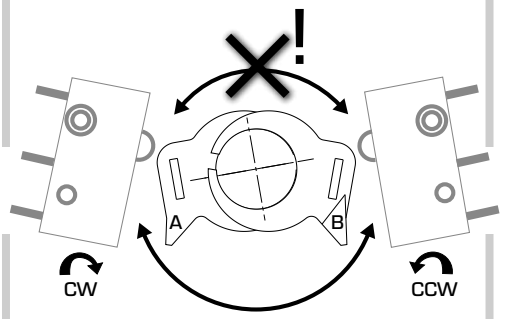
97 - 98



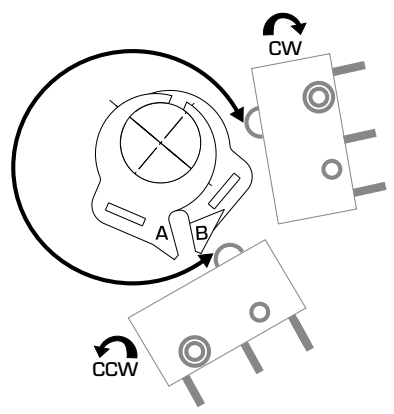
91M-96M,  
95-270M



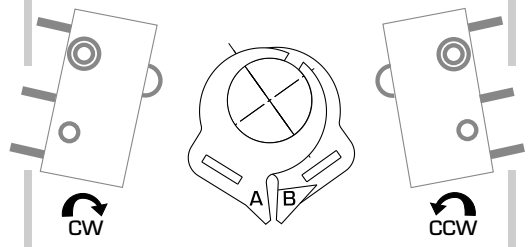
91-96, 91M-96M,  
90SL, 97-98



95-270M



92P2



92P4

