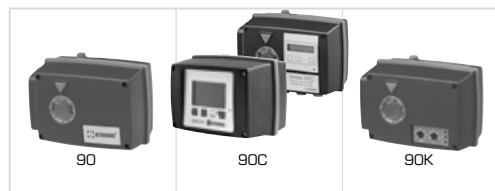
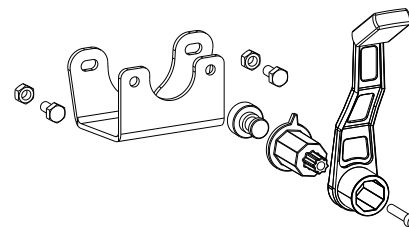


**ADAPTER KIT
VISSMANN DN20/25**

ESBE[®]
NO.1 IN HYDRONIC SYSTEM CONTROL



Series 90
Series 90C
Series 90K

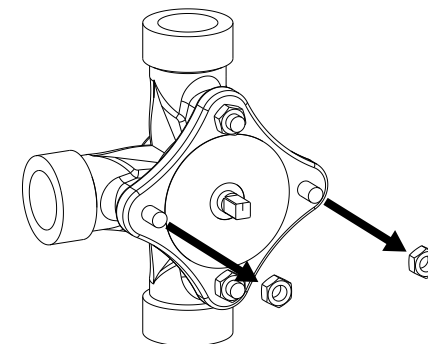
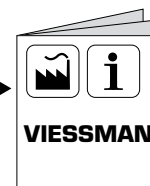
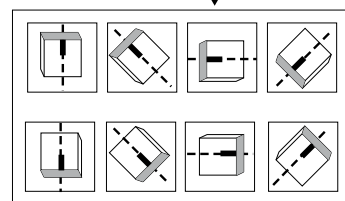
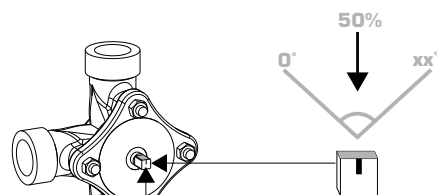
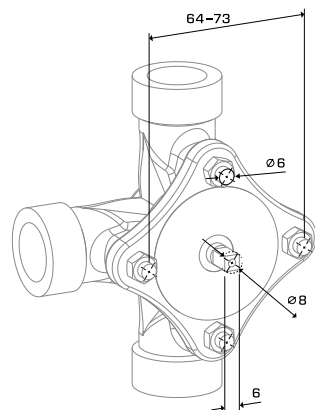
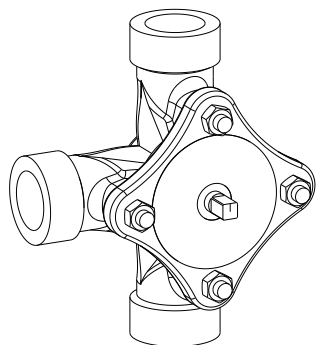


ADAPTER KIT VISSMANN DN20/25

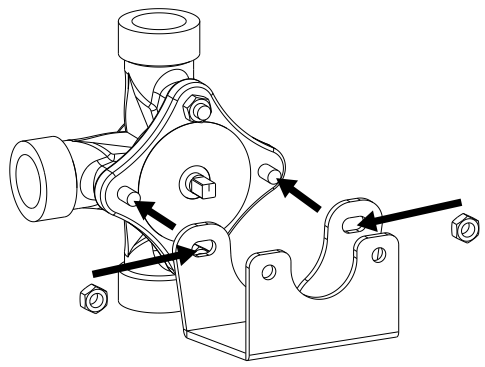


VISSMANN DN20/ DN25

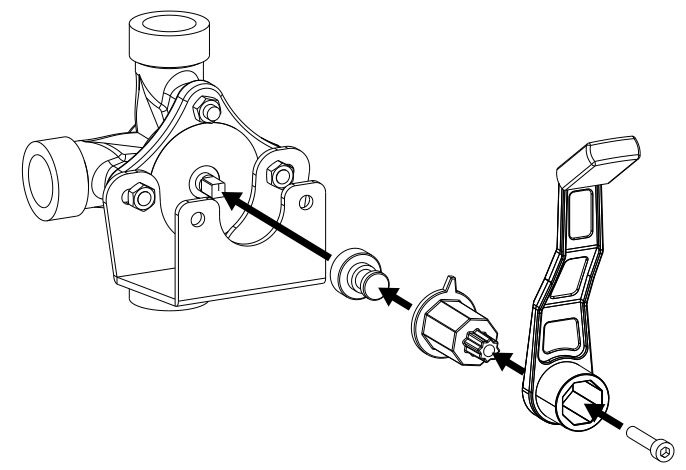
Mtrl.n: 98140450 • Rit.n: 4736 utg. A • Rev. 1204



3



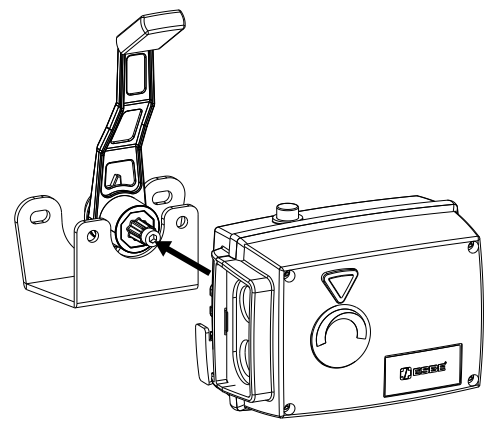
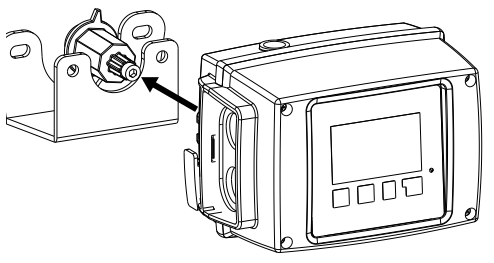
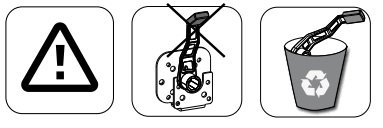
4



5

Series 90C

Series 90



6

