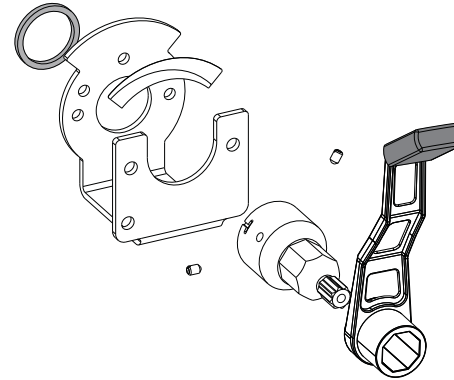




**ADAPTOR KIT 900C
CENTRA DR, ZR, DRG, DRR, DRU**



SERIE 90 SERIE 90C SERIE CRA120

ADAPTER KIT 900C

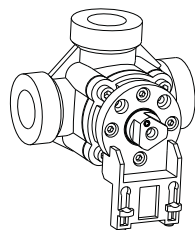
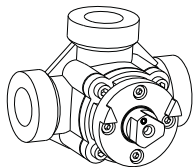
+

CENTRA

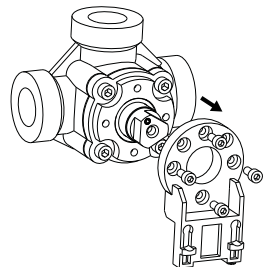
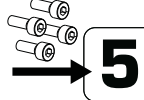
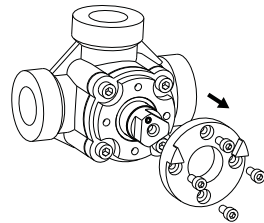
DR	DN 15-50
ZR	DN 15-50
DRG	DN 15-50
DRU	DN 25-32
DRR	DN 25-32

Mtrl.nr: 9814 04 25 • Ritn.nr: 4708 utg. C • Rev. 1404

i

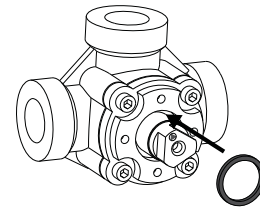


1

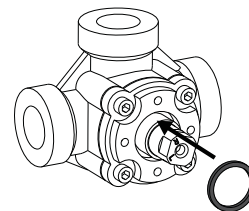


2

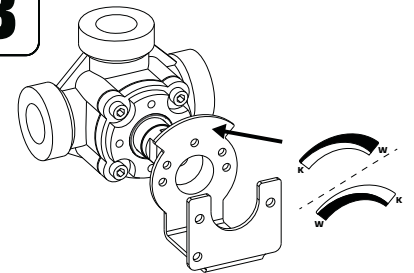
CENTRA **DRR, DRU**



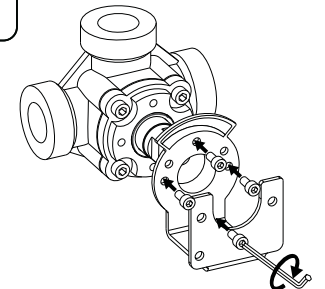
CENTRA **ZR, DRG**



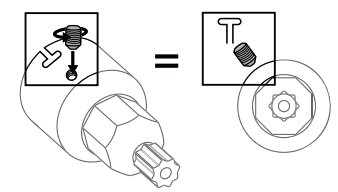
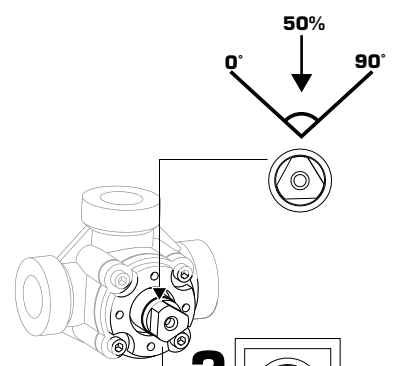
3



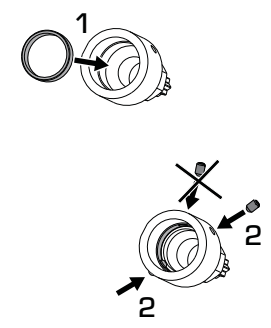
4



5



CENTRA DR, DRG, ZR



i 5a-5g

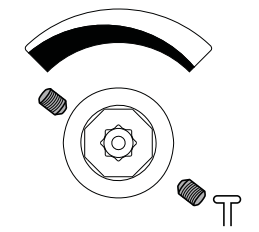
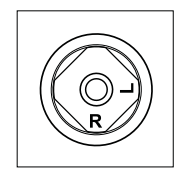
5a

Centra ESBE ADAPTOR KIT 900C

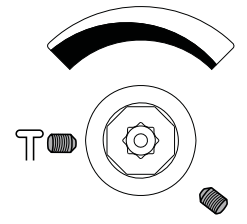
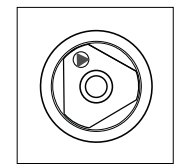
All piping schematics are general representations



DRG



DRU
DRR

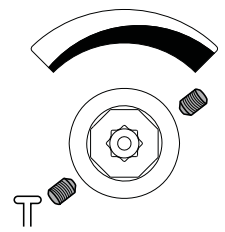
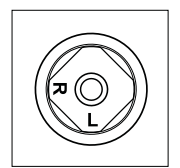


5b

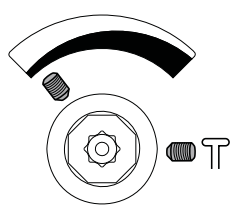
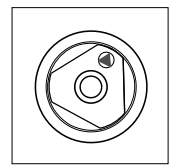
Centra ESBE ADAPTOR KIT 900C



DRG



DRU
DRR

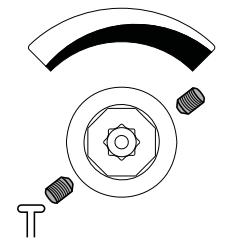
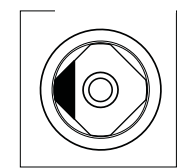


5c

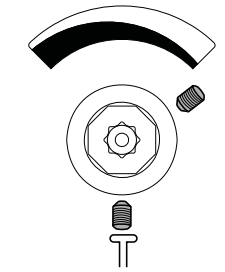
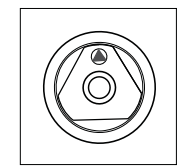
Centra ESBE ADAPTOR KIT 900C



DR

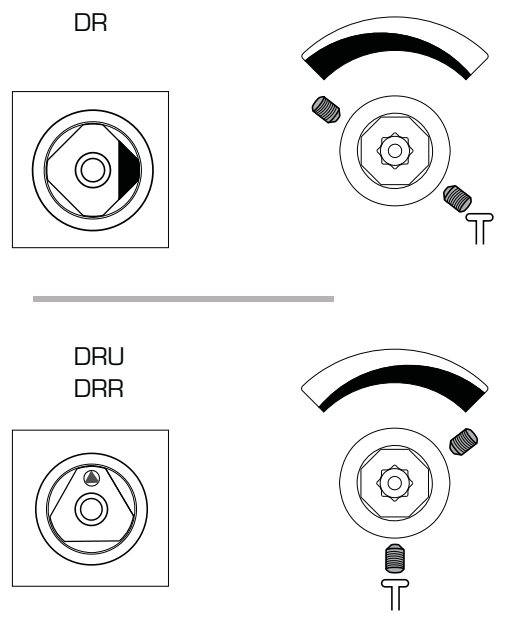
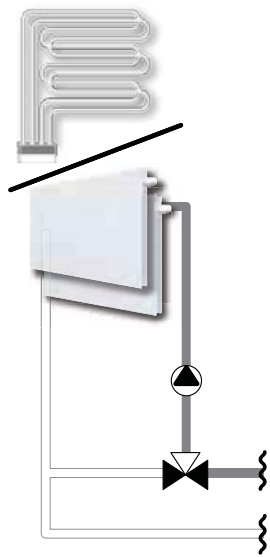


DRU
DRR



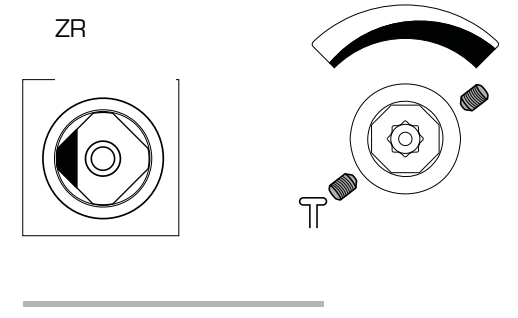
5d

Centra ESBE ADAPTOR KIT 900C



5e

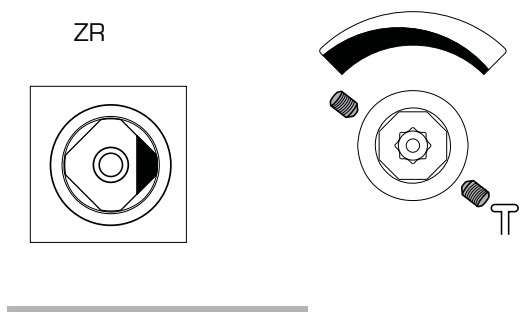
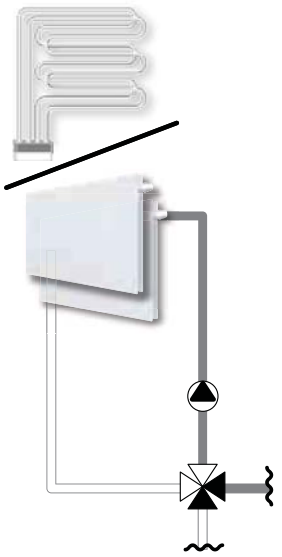
Centra ESBE ADAPTOR KIT 900C



All piping schematics are general representations

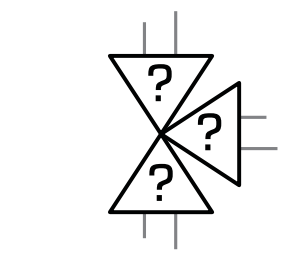
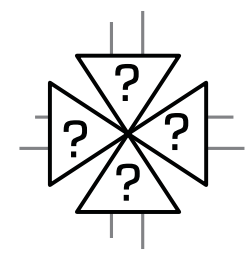
5f

Centra ESBE ADAPTOR KIT 900C



5g

Centra

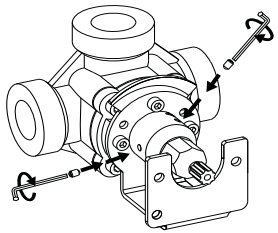


Product information card for Centra components. It features a factory icon and an information icon. Below the icons is a photograph of a Centra component. The text on the card reads:

CENTRA
 DR
 ZR
 DRG
 DRU
 DRR

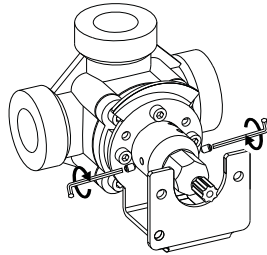
6

CENTRA **DRR, DRU**



7

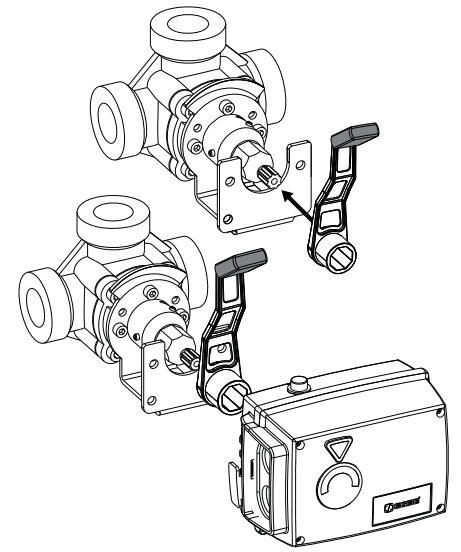
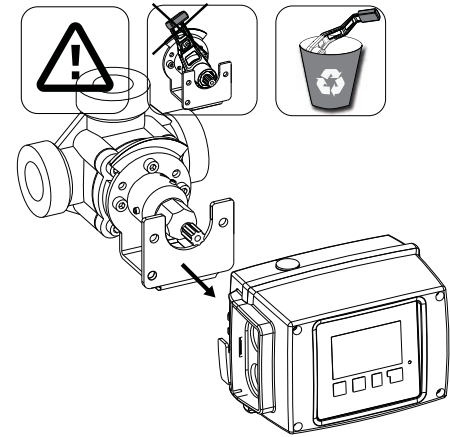
CENTRA **ZR, DRG, DR**



8

SERIES 90C

SERIES 90



9

