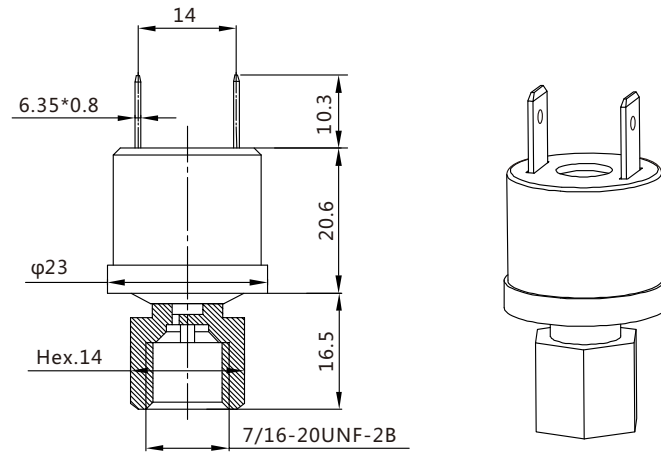


LF08

Small multi-purpose pressure switch



LEFOO



Dimension in:mm

The LF08 switches are fixed set point, factory calibrated pressure switches. It is automatic reset, and can be Normally open or normally close contacts. All metallic wetted components make the LF08 switch compatible with a multitude of chemicals in liquid or gas form. It is offered numerous types of electrical terminations from different size and style push on terminals to wire leads with an array of standard industry connectors. In house machining capabilities allows Lefoo to offer a wide variety of pressure fitting from different thread types and sizes to units with internal deflator and copper tubing for sawing operations.

LF08 Order Ref NO

LF08 - 1 1 1 1 - 145-175psi

A B C D Pressure setting:Reset pressure 145psi Action pressure 175psi

Number	Circuitry	Base Material	Connection	Electrical connections
1	A SPST-NC	B brass	C 1/8NPT	D 6.35×0.8
2	SPST-NO	plated steel	1/4NPT	4.8×0.8
3	SPDT	/	R1/8	18AWG Wire leads
4	/	/	R1/4	/
5	/	/	G1/8	/
6	/	/	G1/4	/
7	/	/	1/4 Copper tube	/
8	/	/	7/16UNF Male	/
9	/	/	7/16UNF Female	/
10	/	/	7/16UNF Female with deflector	/

Specification

Model	LF08		
Media	Air,Water,motor oils,transmission oils,Hydrocarbon Media,Refrigeration fluid		
Pressure Range/ Tolerance/ Proof Pressure	Pressure Range	Tolerance	Proof Pressure
	0.2~6bar(low pressure)	±0.5bar	15bar
	6~10bar	±0.7bar	35bar
	11~20bar	±1bar	45bar
	21~30bar	±1.5bar	
	31~45bar	±1.5bar	
Operating Temperature Range	Environment temperature:low pressure:-30~65°C ,High pressure:-35~120°C;		
Switch Type	SPST(NC OR NO); SPDT		
Electric Rating	120/240Vac 375VA		
Endurance	100000		
Connection	Please see the selection table (customizable)		
Electrical connections	6.35*0.8; 4.8*0.8; Wire connection (can be customized length and electrical plug)		

Conversion: 1bar=14.5psi 1MPa=10bar