

Society  
Reference  
Address  
Phone  
Fax  
E-mail

DABSHOP.RU  
Kakaev, Pavel  
Pavlovskaya  
+7 495 212-90-35  
-  
kakaev@imperiatools.ru

60161484.

K 20/9 HA

4 bar (400 KPa)

0 °C

100 °C

55 °C

0,00 m<sup>3</sup>/h

0,00 m

20 °C

0,99819 kg/dm<sup>3</sup>

1,0004 mm<sup>2</sup>/s

2,20 kPa

NPSH :

Shaft power P2 :

Efficiency :

/

Cast iron with cataphoresis

Cast iron with cataphoresis

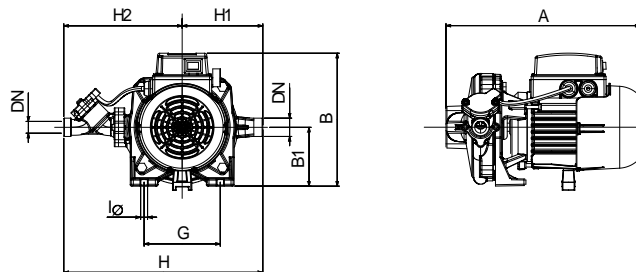
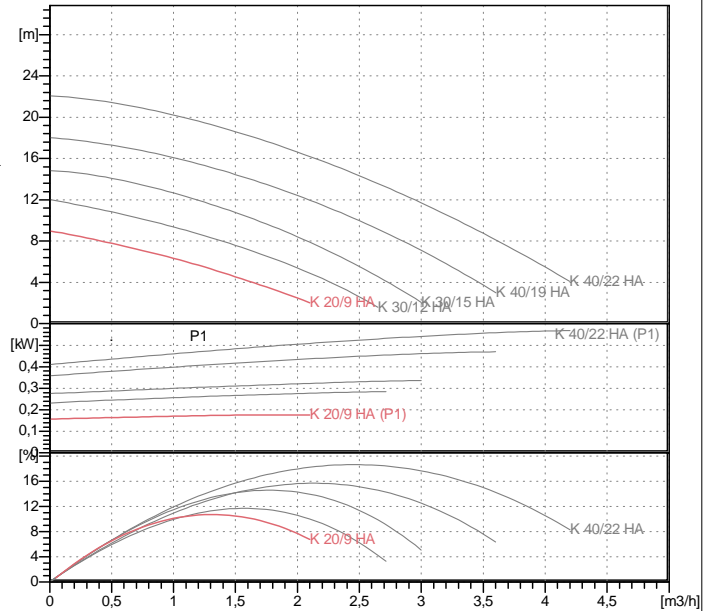
B

/

NBR

AISI 416 X12 CrS 13 UNI 6900/71

Curve tolerance according to ISO 9906



5,4 kg

mm

DAB  
P1 0,18 kW  
2800 1/min  
1~ 220-230 V 50 Hz  
0,82 A  
IP 44

A	253
B	172
B1	65
DN	3/4" G
G	70
H	231
H1	83
H2	148
IO	8

:

3/4" G / 4 bar (400 KPa)

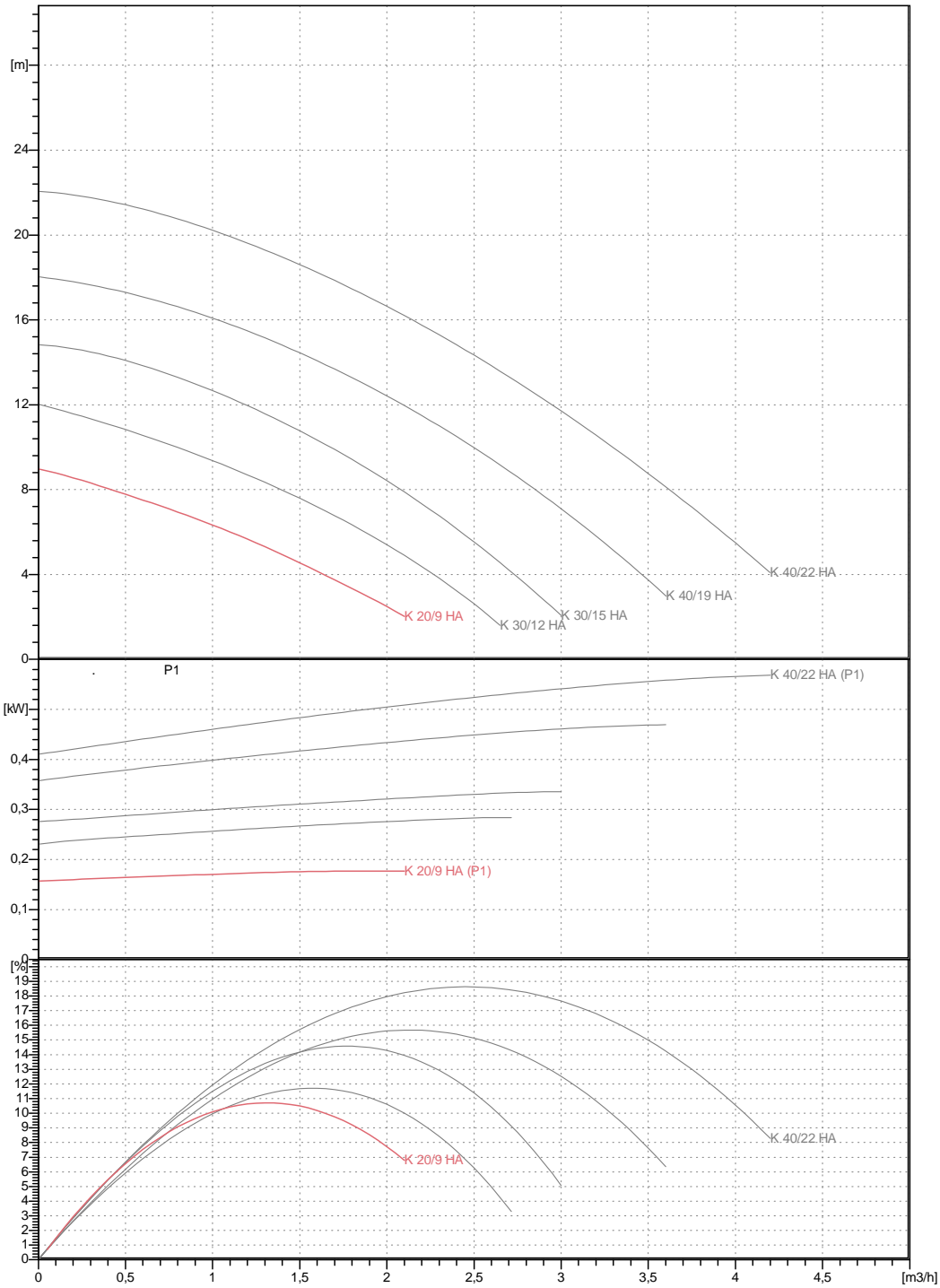
3/4" G / 4 bar (400 KPa)

Society  
Reference  
Address  
Phone  
Fax  
E-mail

DABSHOP.RU  
Kakaev, Pavel  
Pavlovskaya  
+7 495 212-90-35  
-  
kakaev@imperiatools.ru

**K 20/9 HA**

**Curve tolerance according to ISO 9906**



3/4" G  
4 bar (400 KPa)

3/4" G  
4 bar (400 KPa)

0 m³/h

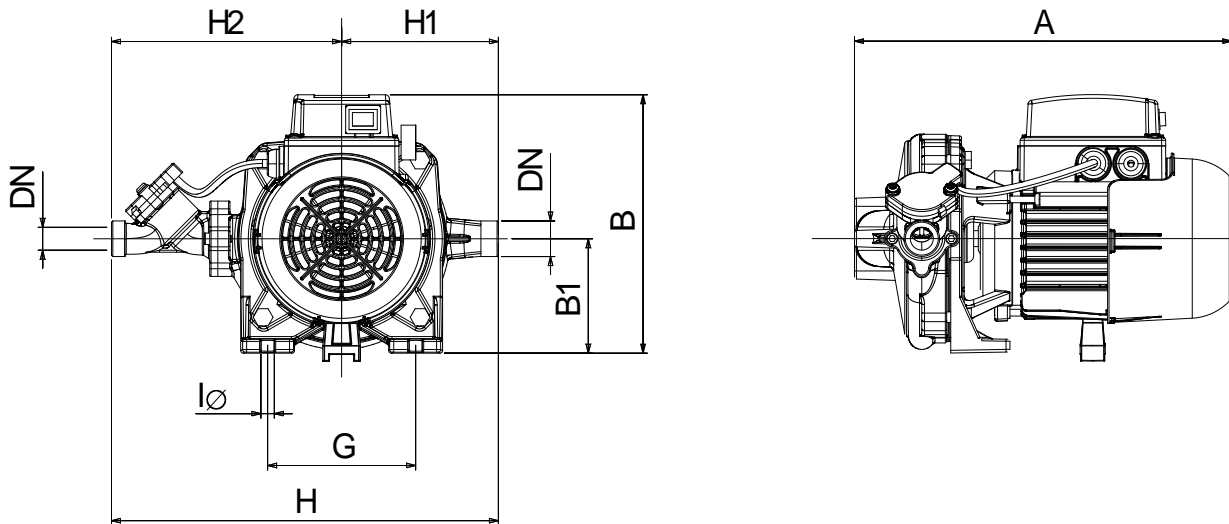
0 m

2800 1/min

Society  
Reference  
Address  
Phone  
Fax  
E-mail

DABSHOP.RU  
Kakaev, Pavel  
Pavlovskaya  
+7 495 212-90-35  
-  
kakaev@imperiatools.ru

**K 20/9 HA**



		mm					
1	A	253					:
2	B	172					:
3	B1	65					3/4" G
4	DN	3/4" G					4 bar (400 KPa)
5	G	70					:
6	H	231					3/4" G
7	H1	83					4 bar (400 KPa)
8	H2	148					
9	IO	8					