

Society  
Reference  
Address  
Phone  
Fax  
E-mail

DABSHOP.RU  
Kakaev, Pavel  
Pavlovskaya  
+7 495 212-90-35  
-  
kakaev@imperiatools.ru

60161483.

K 30/12 HA

4 bar (400 KPa)

0 °C

100 °C

55 °C

0,00 m<sup>3</sup>/h

0,00 m

20 °C

0,99819 kg/dm<sup>3</sup>

1,0004 mm<sup>2</sup>/s

2,20 kPa

NPSH :

Shaft power P2 :

Efficiency :

/

Cast iron with cataphoresis

Cast iron with cataphoresis

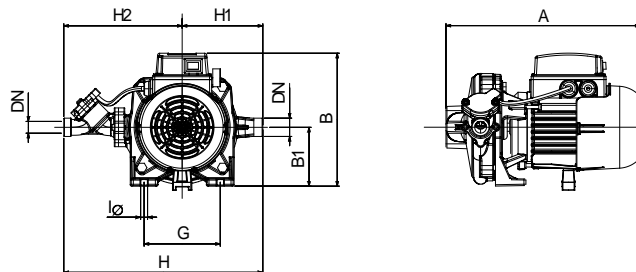
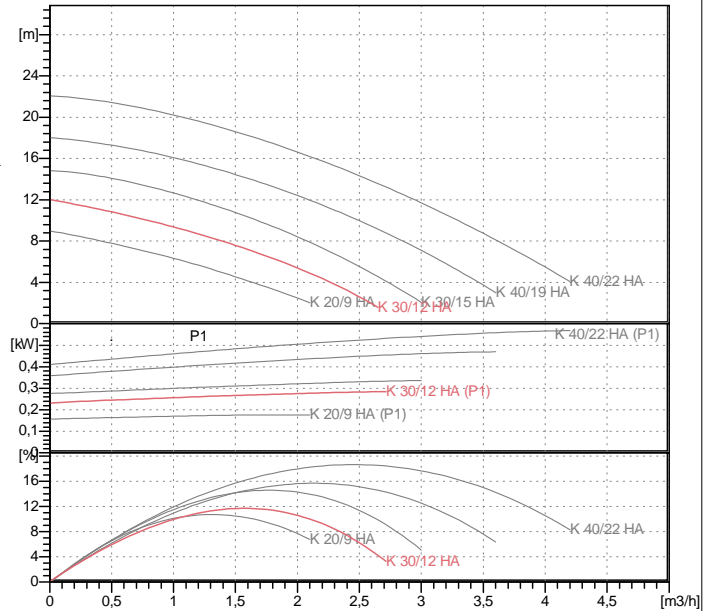
B

/

NBR

AISI 416 X12 CrS 13 UNI 6900/71

Curve tolerance according to ISO 9906



7,9 kg

mm

DAB  
P1 0,28 kW  
2800 1/min  
1~ 220-230 V 50 Hz  
1,28 A  
IP 44

A	282
B	192
B1	85
DN	3/4" G
G	110
H	287,5
H1	116,5
H2	171
IO	9,5

3/4" G / 4 bar (400 KPa)

3/4" G / 4 bar (400 KPa)



11/12/18

2 / 3

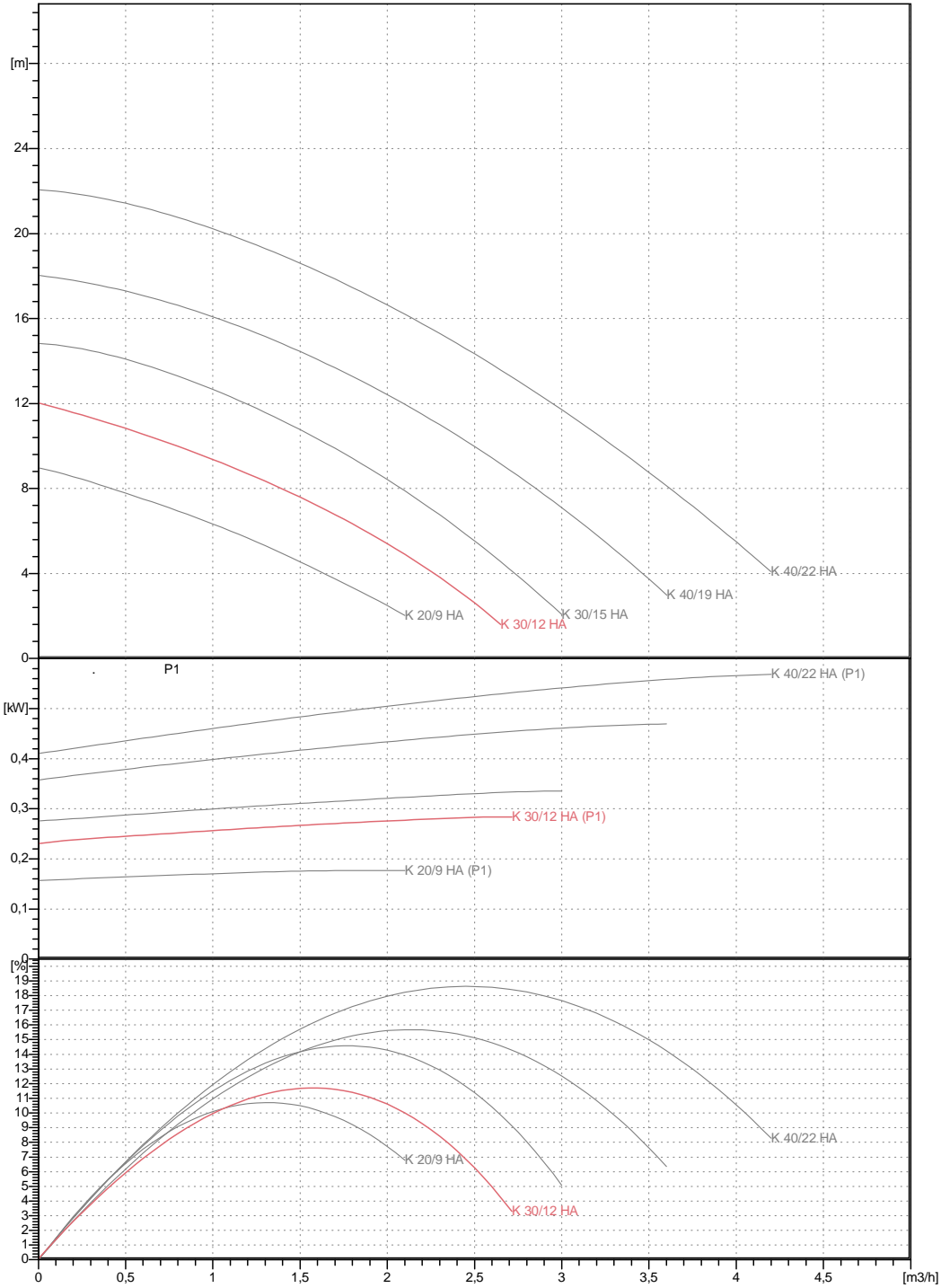
DAB PUMPS S.p.A.  
Via Marco Polo, 14 - 35035 Mestrino (PD), Italy  
Tel. +39 049 5125000 - Fax +39 049 5125950  
www.dabpumps.com

Society  
Reference  
Address  
Phone  
Fax  
E-mail

DABSHOP.RU  
Kakaev, Pavel  
Pavlovskaya  
+7 495 212-90-35  
-  
kakaev@imperiatools.ru

**K 30/12 HA**

Curve tolerance according to ISO 9906



3/4" G  
4 bar (400 KPa)

3/4" G  
4 bar (400 KPa)

0 m³/h

0 m

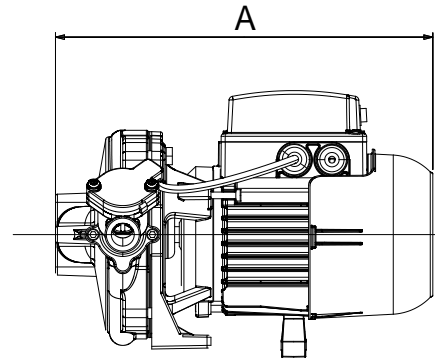
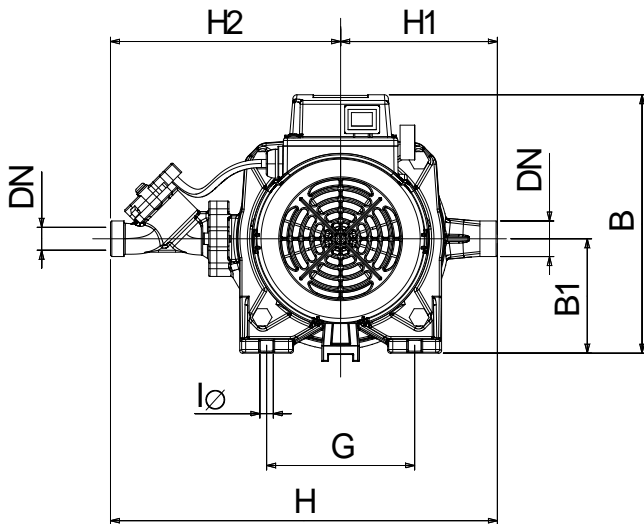
2800 1/min

11/12/18

Society  
Reference  
Address  
Phone  
Fax  
E-mail

DABSHOP.RU  
Kakaev, Pavel  
Pavlovskaya  
+7 495 212-90-35  
-  
kakaev@imperiatools.ru

**K 30/12 HA**



mm

:

1	A	282								
2	B	192								
3	B1	85								
4	DN	3/4" G								3/4" G
5	G	110								4 bar (400 KPa)
6	H	287,5								:
7	H1	116,5								3/4" G
8	H2	171								4 bar (400 KPa)
9	IO	9,5								