



W A T E R • T E C H N O L O G Y

ISTRUZIONI DI MONTAGGIO ASSEMBLY INSTRUCTIONS

INDICE

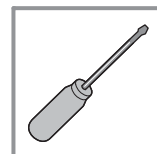
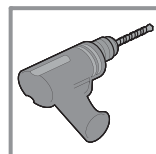
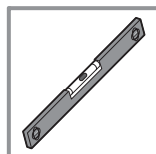
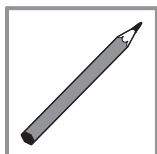
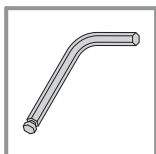
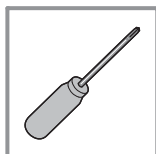
INDEX

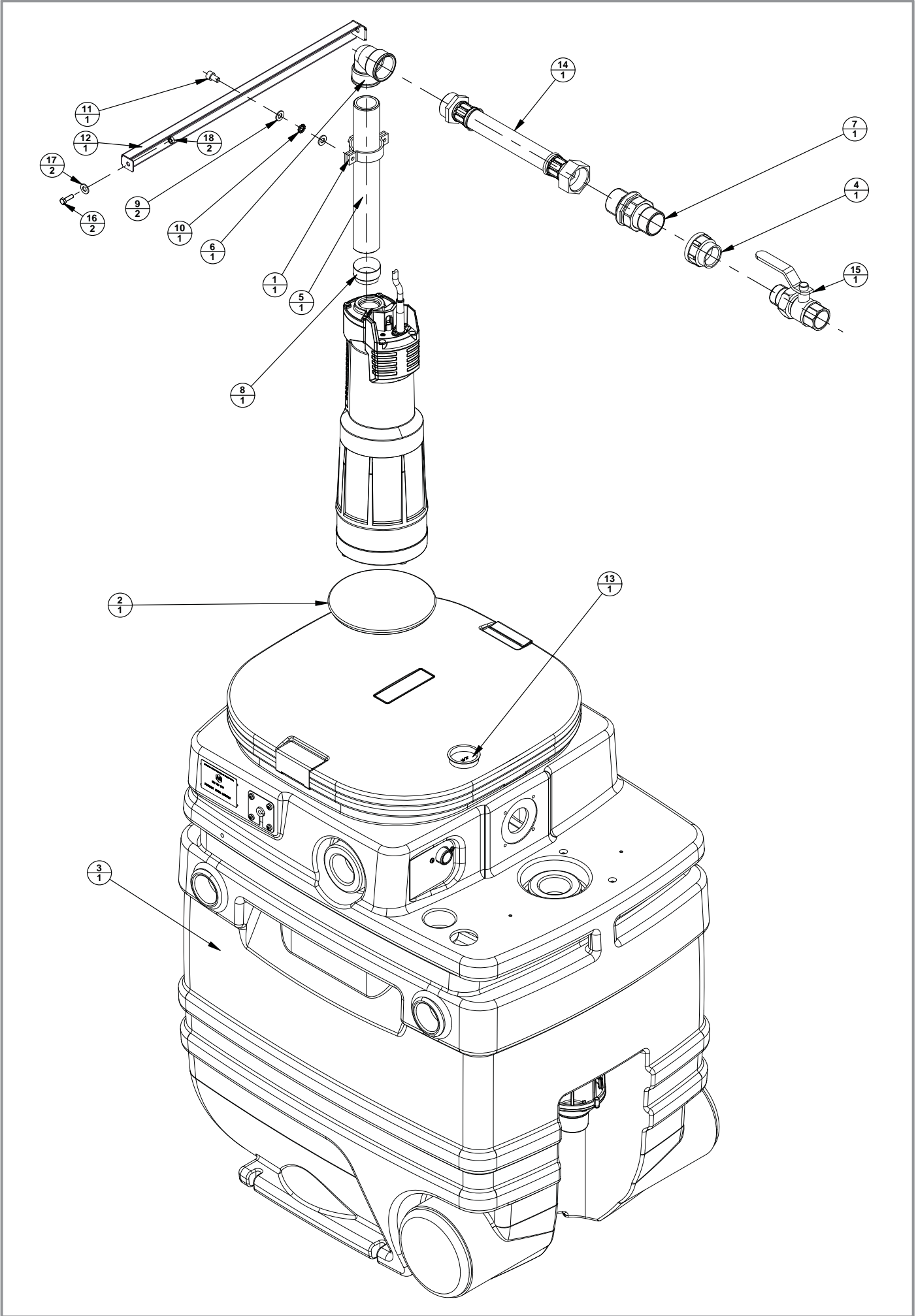
1 - Istruzioni di montaggio per KIT NBB DIVERTRON	3
1 - Assembly instructions for KIT NBB DIVERTRON	3
2 - Istruzioni di montaggio per KIT PULSAR NBB.....	11
2 - Assembly instructions for KIT PULSAR NBB.....	11
3 - Istruzioni di montaggio per KIT ACTIVE NBB	19
3 - Assembly instructions for KIT ACTIVE NBB	19
4 - Istruzioni di montaggio per KIT NBB EUROINOX	25
4 - Assembly instructions for KIT NBB EUROINOX	25

1 - ISTRUZIONI DI MONTAGGIO PER KIT NBB DIVERTRON

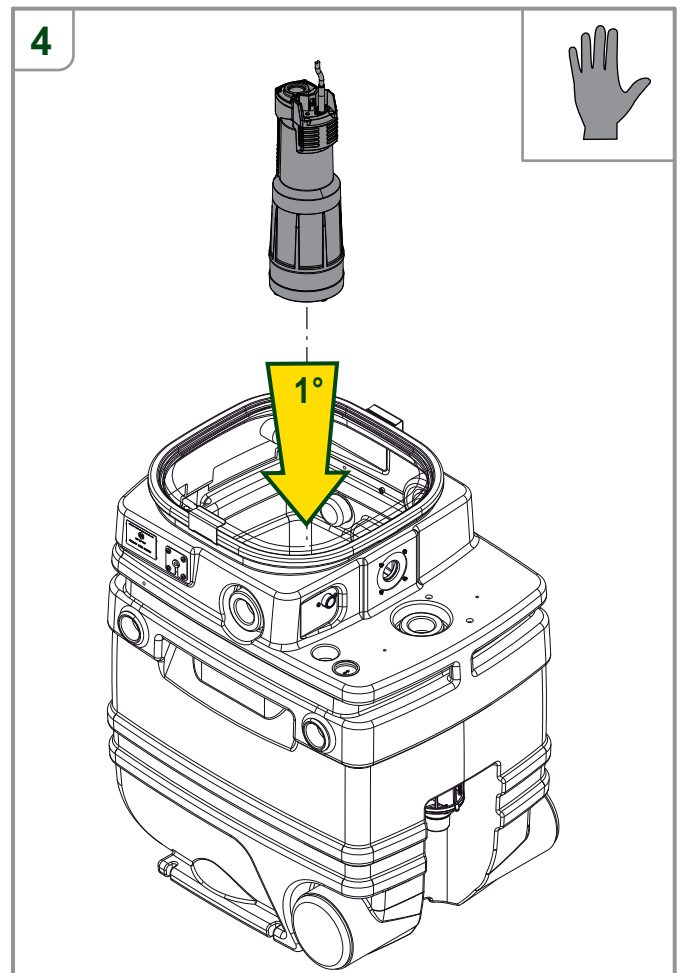
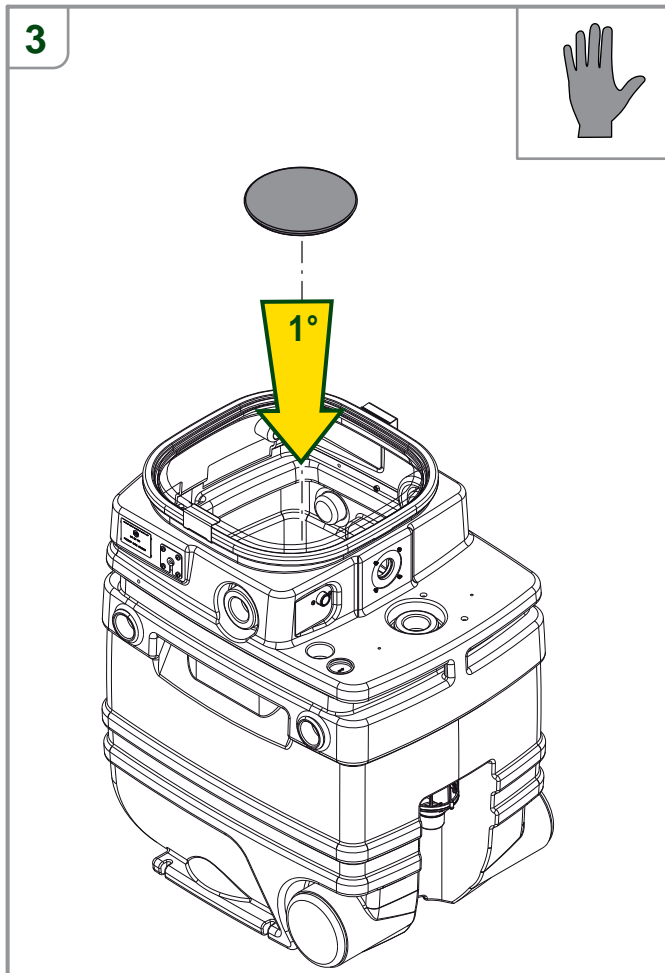
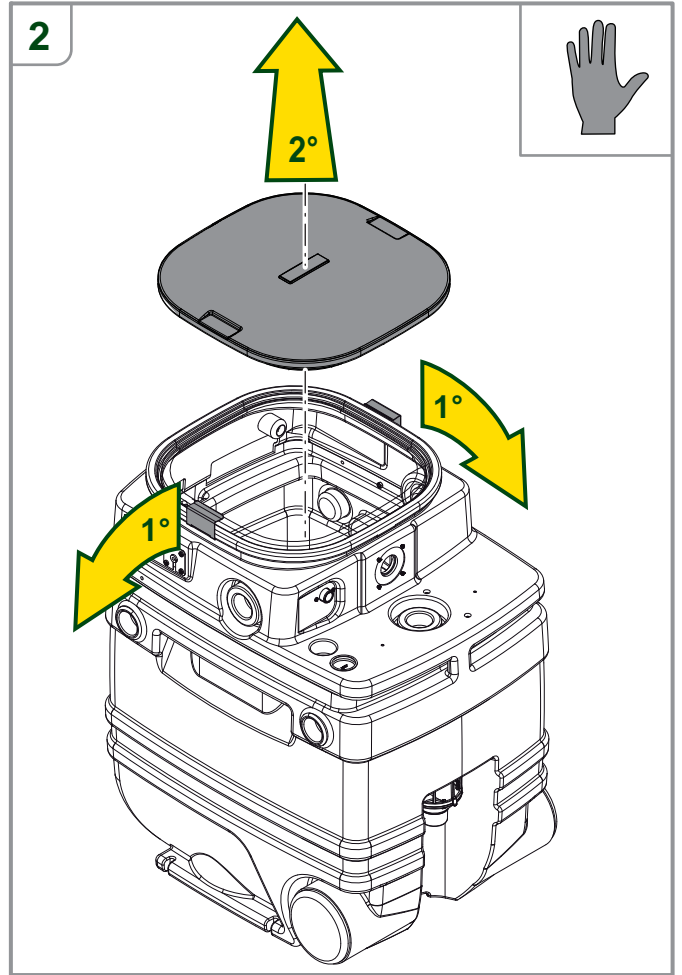
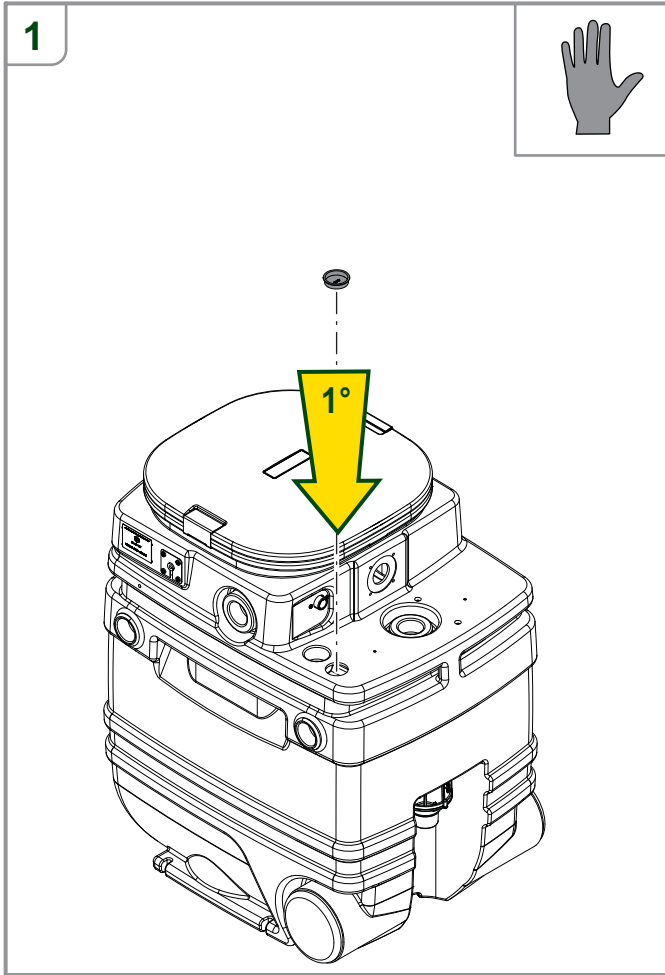
1 - ASSEMBLY INSTRUCTIONS FOR KIT NBB DIVERTRON

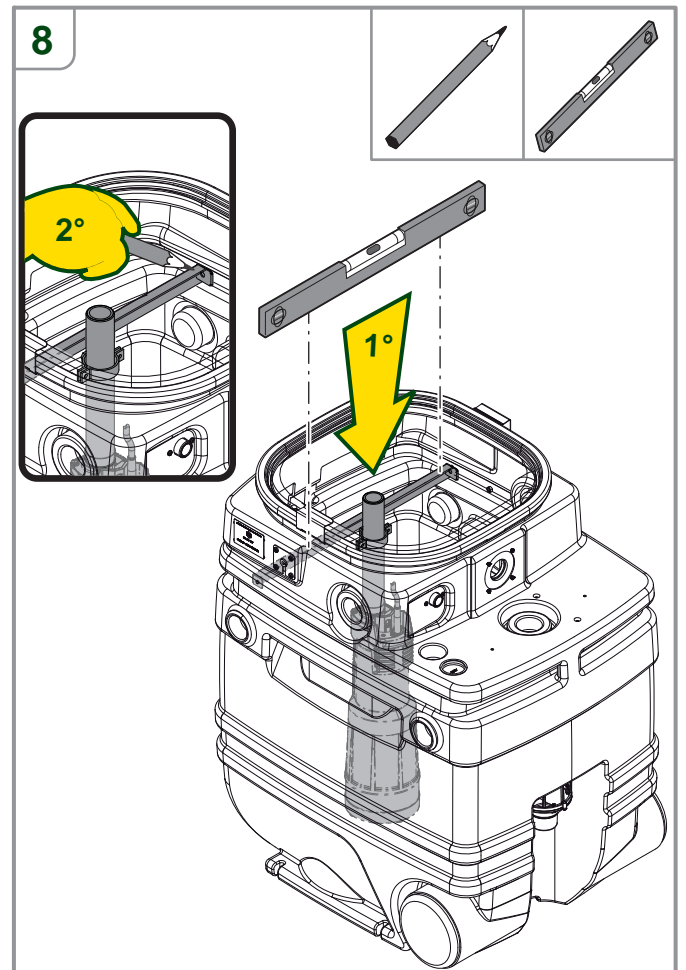
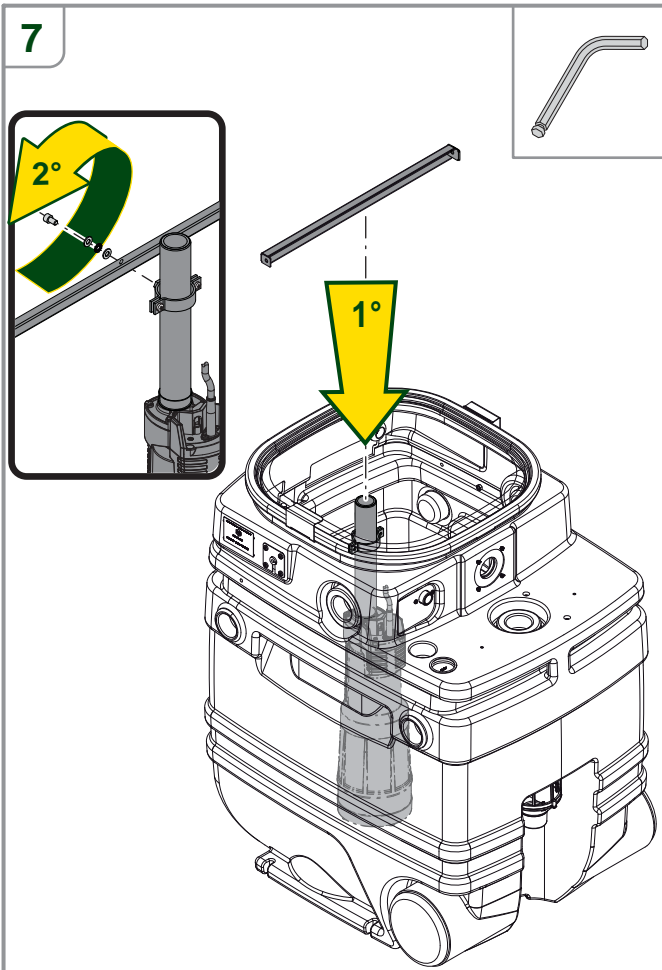
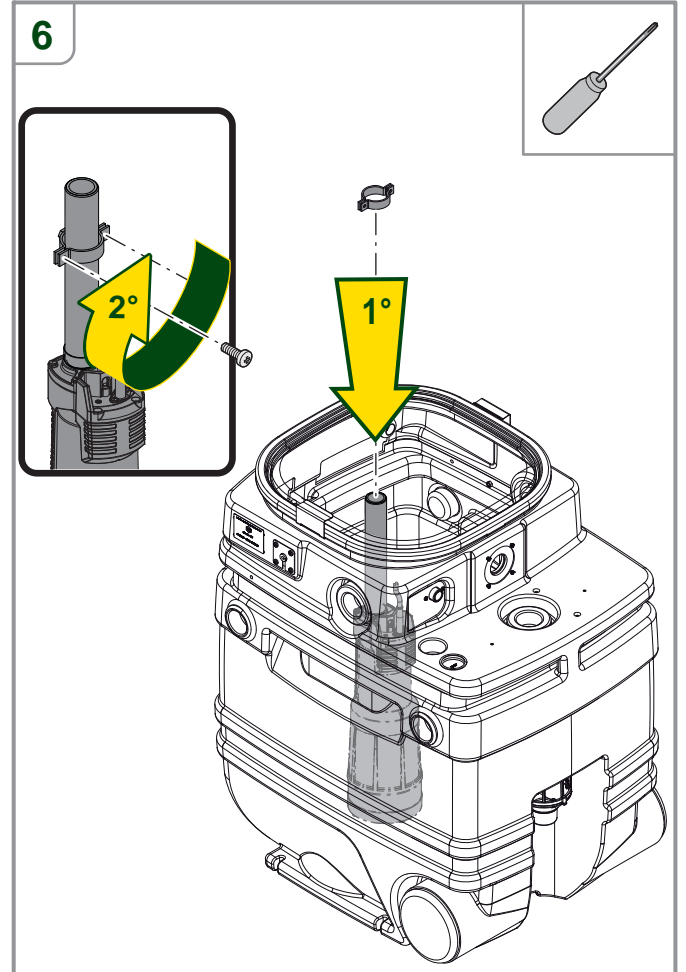
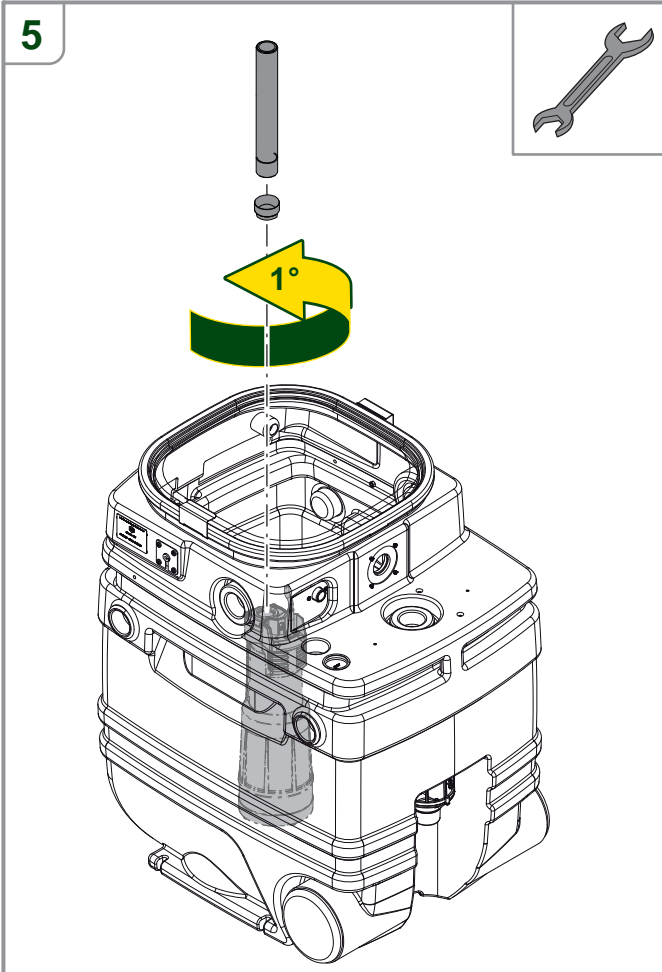
UTENSILI PER IL MONTAGGIO TOOLS REQUIRED FOR ASSEMBLY

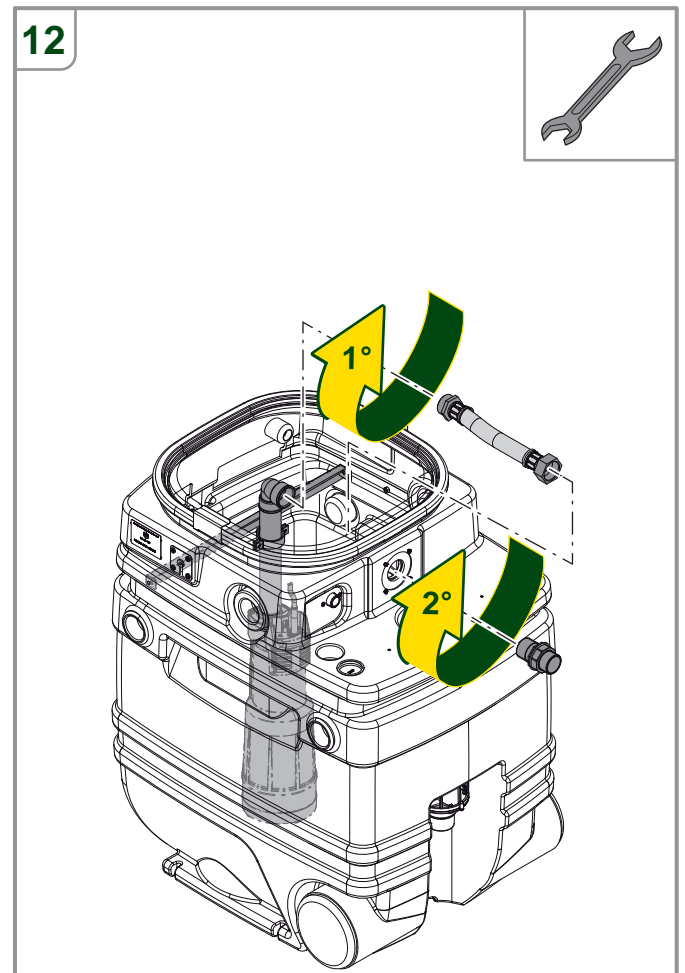
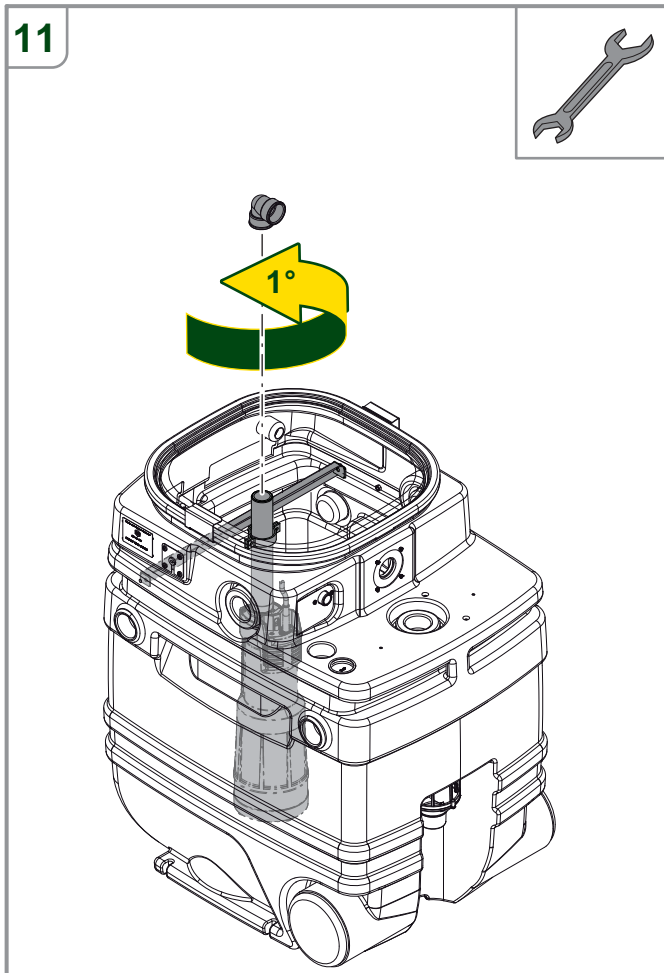
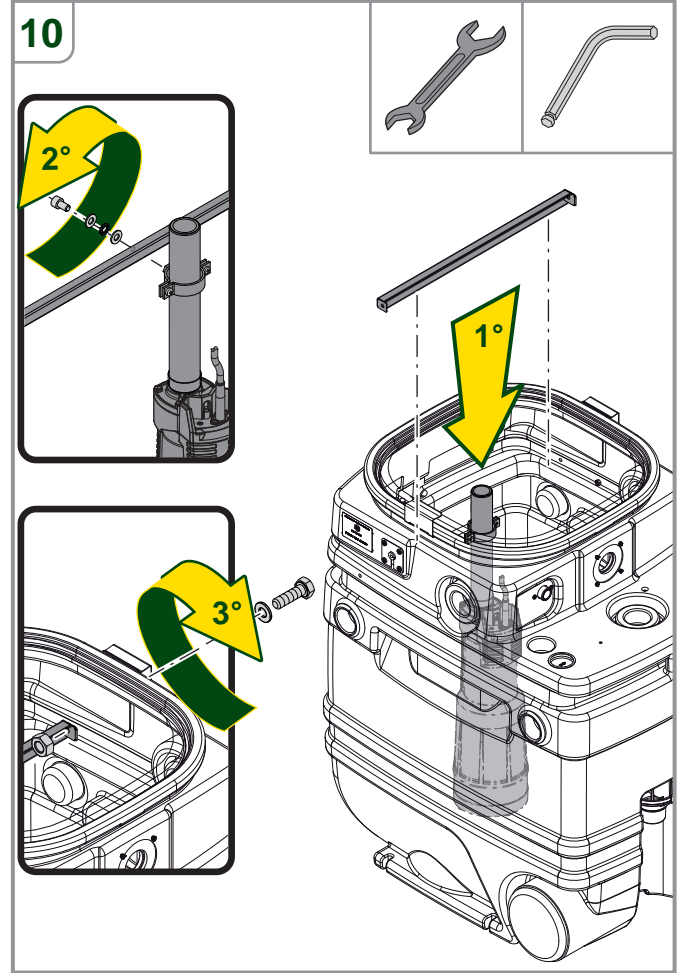
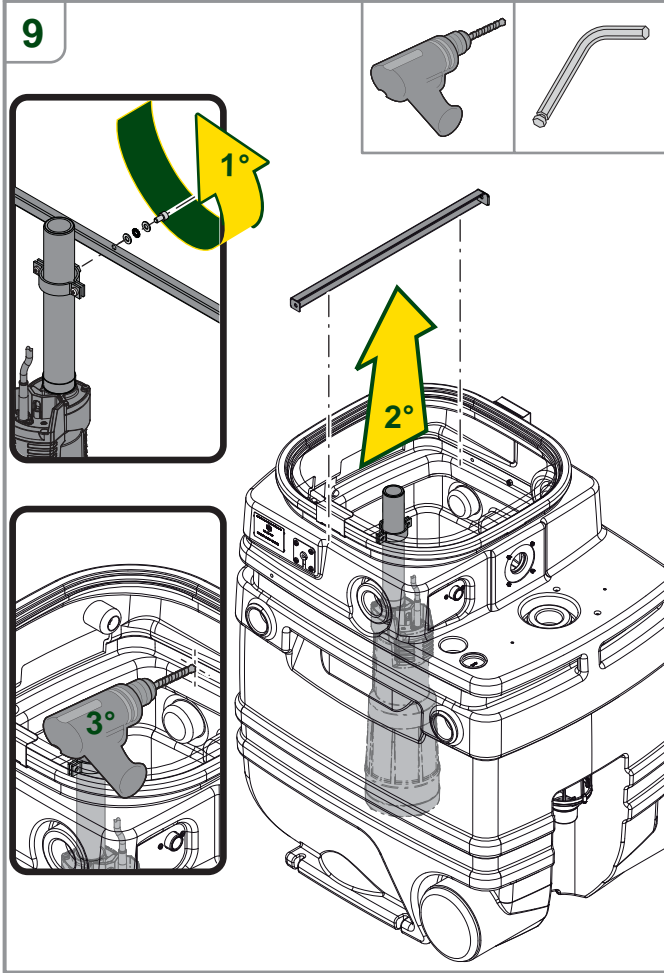




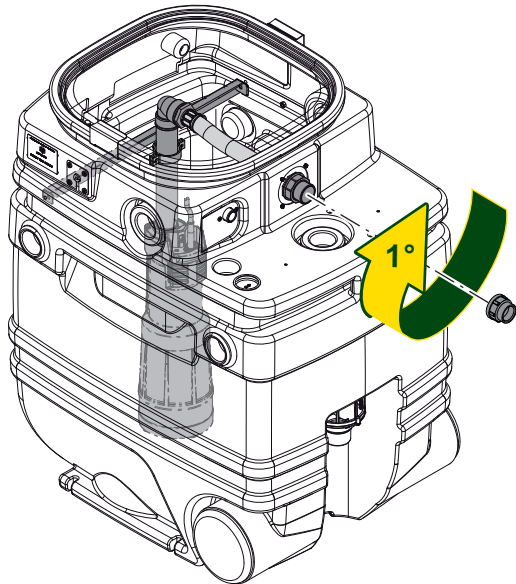
Indice Index	Quantità Quantity	Descrizione Description	Codice Code
1	1	Collare pratik con gomma 1.1/4" Inox Collar with rubber Pratik 1.1 / 4" Stainless	60123518
2	1	Gomma antivibrante pompa sommersa Rubber Pad submersible pump	60123168
3	1	Kit vasca NBB wras Tanks Kit vasca NBB wras	60123138
4	1	Manicotto ridotto 1-1.1/4 OT58 art.625 Reducing coupling 1-1.1/4 OT58 art.625	60117217
5	1	Prolunga barilotto M.M. 1.1/4 Inch x300 art.659 Valbrass Barrel Extension M.M. 1.1/4 Inch x300 art.659 Valbrass	60123871
6	1	Raccordo 1-1/4" a 90° F.F. Art.595 Valbrass Fitting 1-1/4" 90 ° F.F. Art.595 Valbrass	002289085
7	1	Raccordo dritto per cassone 1.1/4 Inch art.270 Valbrass Straight fitting to dump 1.1 / 4 Inch art.270 Valbrass	60123631
8	1	Riduzione 1"MX1"1/4F art.630 Valbrass Reduction 1"MX1"1/4F art.630 Valbrass	60123691
9	2	Rosetta d8.5 D17 s1.6 Inox A2 Flat washer d8,5 s1.6 Stainless A2	P1120014
10	1	Rosetta EL. Dent. DI 8.4 DE 15 UNI 8842 Washer helical toothed DI 8.4 DE 15 UNI 8842	002523827
11	1	Vite TCEI M8x14 UNI5931 inox A2 Screw TCEI M8x14 UNI5931 Stainless A2	002420700
12	1	Staffa interna NBB pompa sommersa Inside Bracket NBB Submersible pump	60123085
13	1	Tappo salvafili 1.1/2 Inch Thread protection plug 1.1 / 2 inch	60123647
14	1	Tubo-flex 1.1/4 Inch M/F l= 270 AISI304 maglia est.AISI304 Hose-Flex 1.1 / 4 Inch M/F l= 270 AISI304 mesh est.AISI304	60123622
15	1	Valvola a sfera bocchettonata 1" art.370 Valbrass Unionized ball valve 1 "art.370 Valbrass	60123656
16	2	Vite TE M6 X20 UNI 5739 AISI 304.prt Screw TE M6x20 UNI5739 AISI 304.prt	002420044
17	2	Rosetta piana D6.4X12.5 INOX UNI6592 Flat washer M6 D6.4X12.5 Stainless UNI6592	002523054
18	2	Dado ES M6 inox A2 UNI5588-n. Hex Nut M6 Stainless A2 UNI5588-n.	002520120



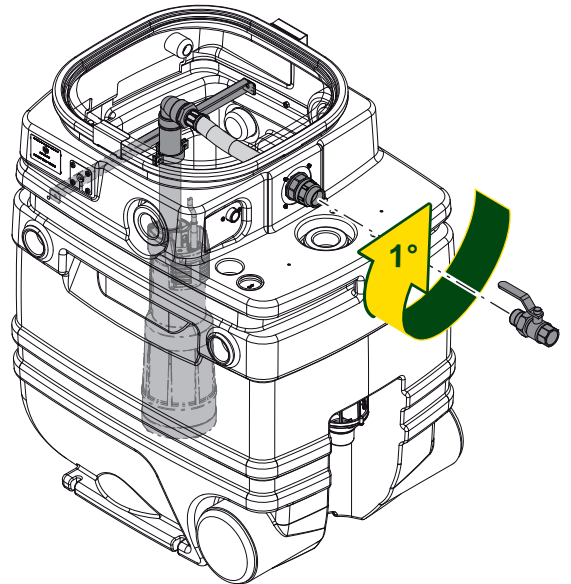




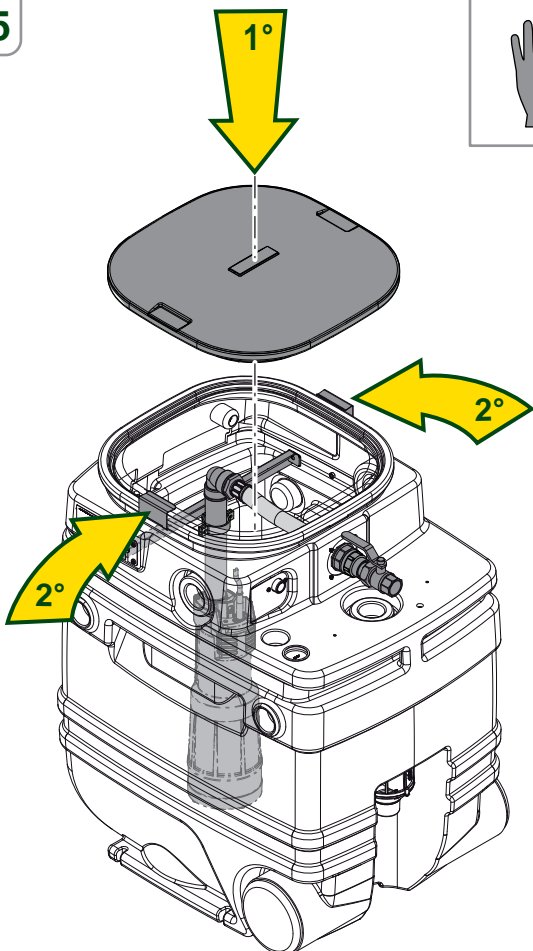
13



14



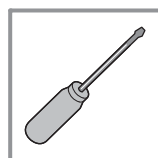
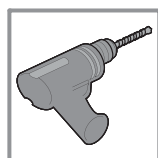
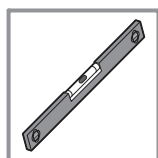
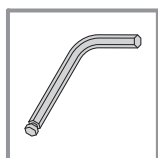
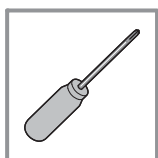
15

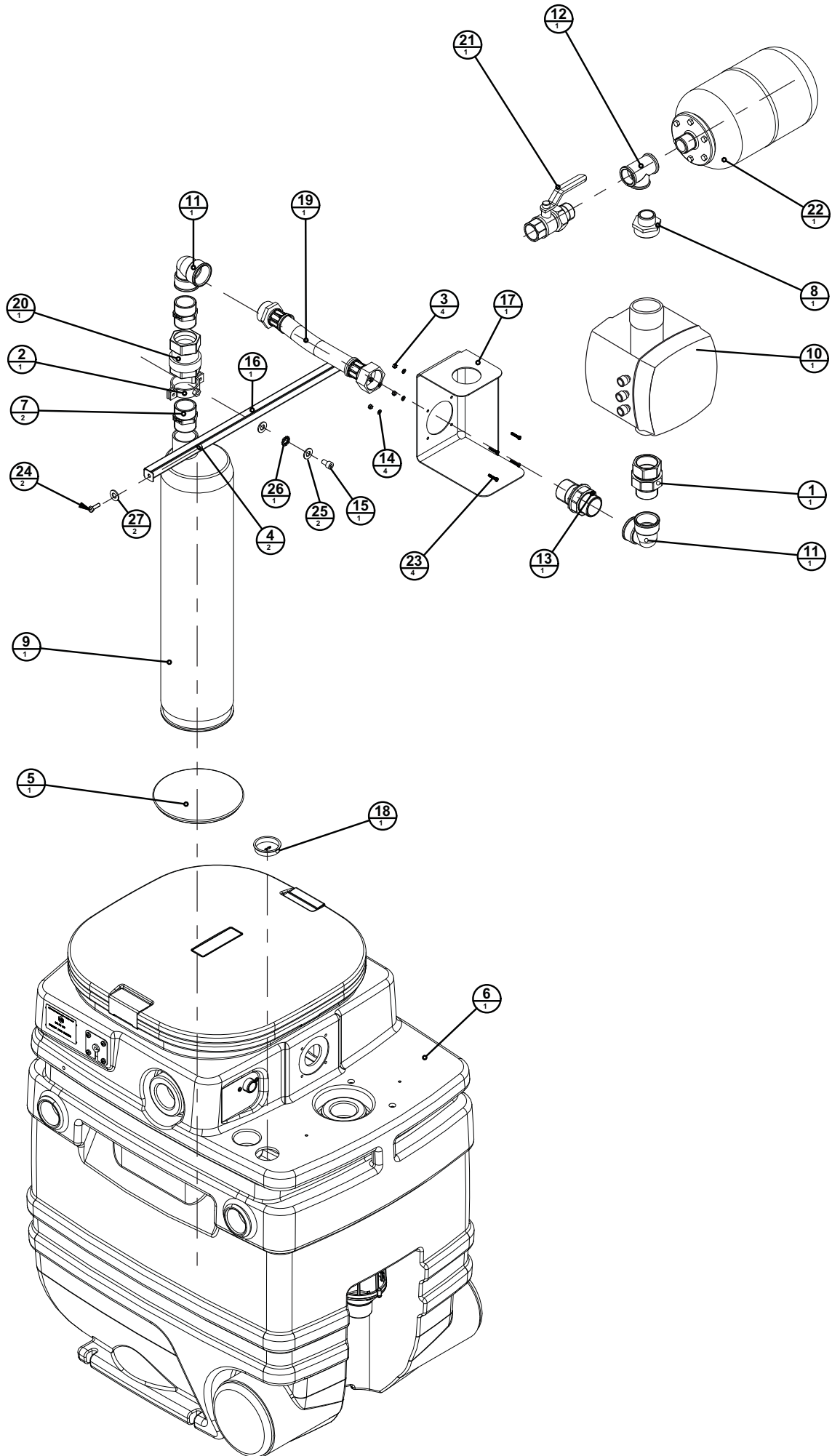


2 - ISTRUZIONI DI MONTAGGIO PER KIT PULSAR NBB

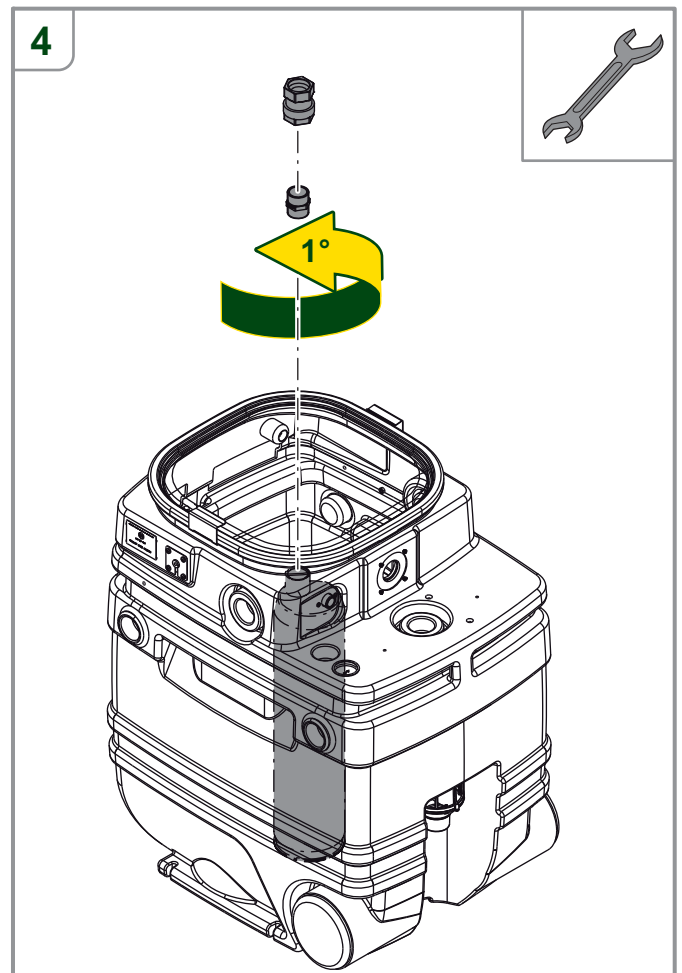
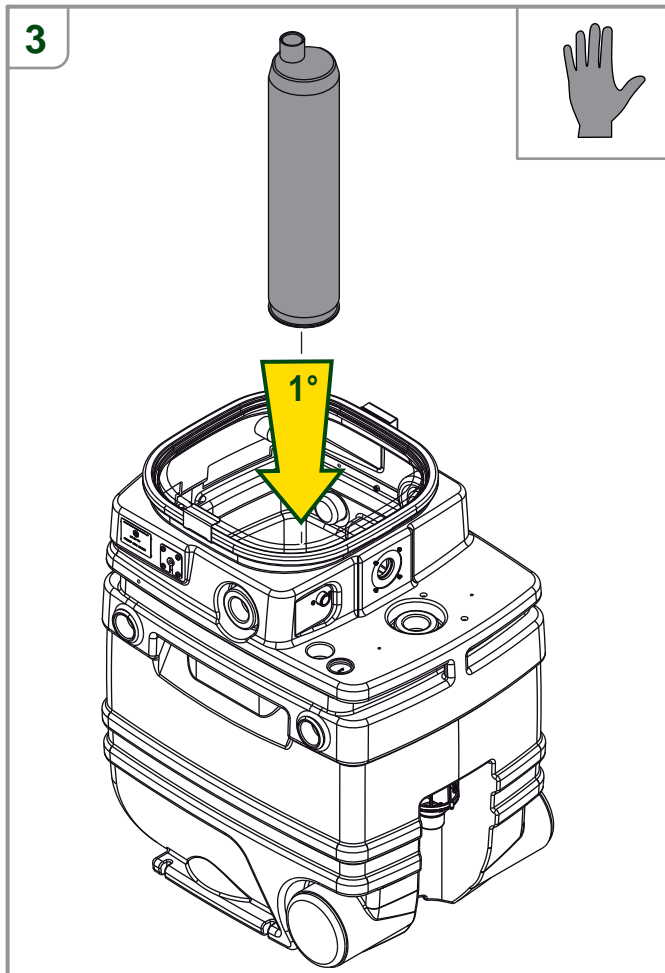
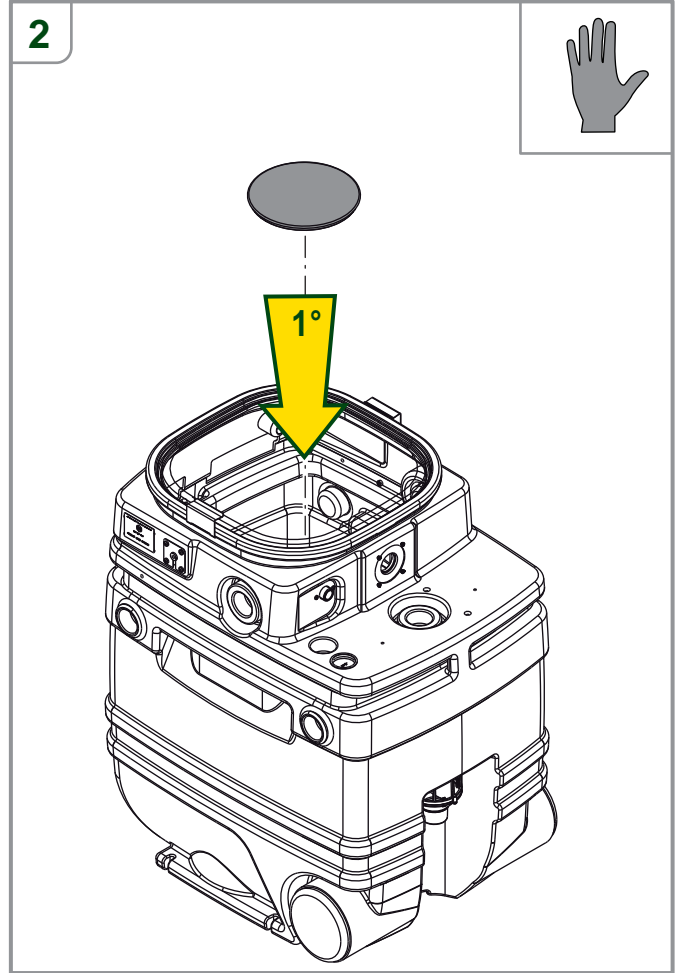
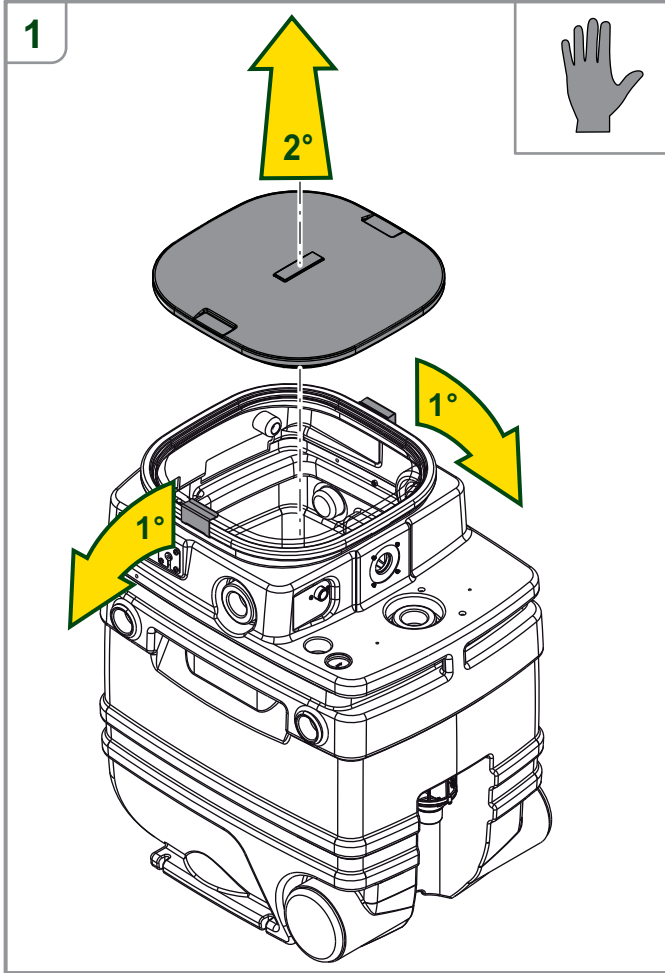
2 - ASSEMBLY INSTRUCTIONS FOR KIT PULSAR NBB

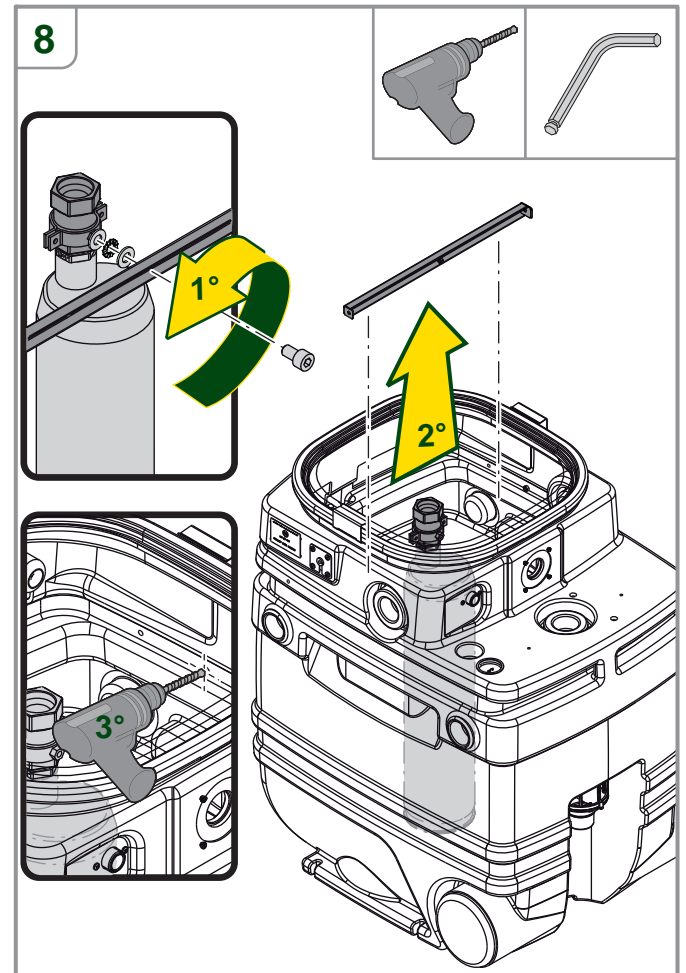
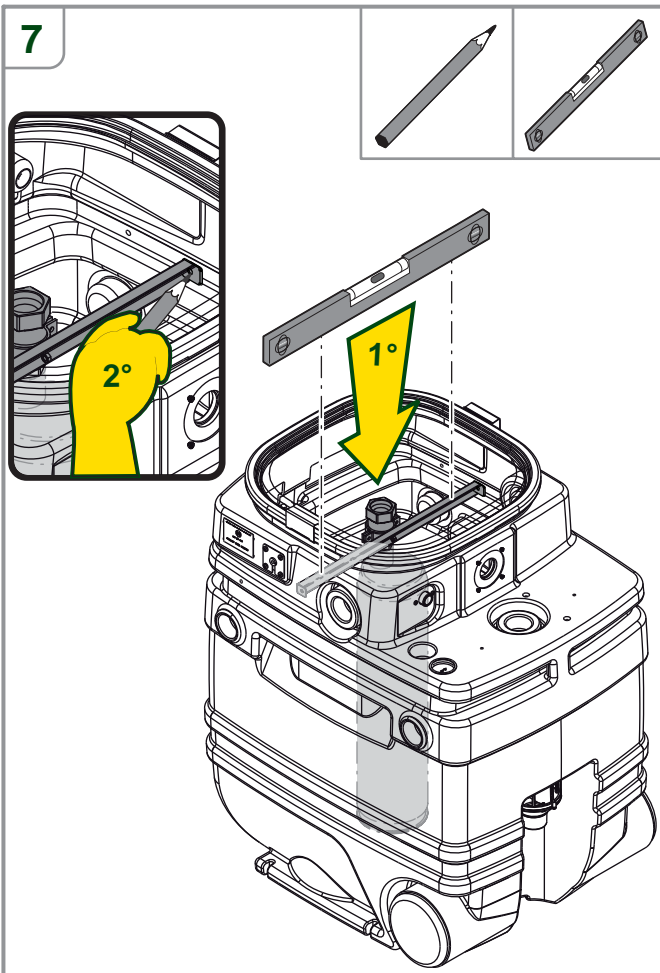
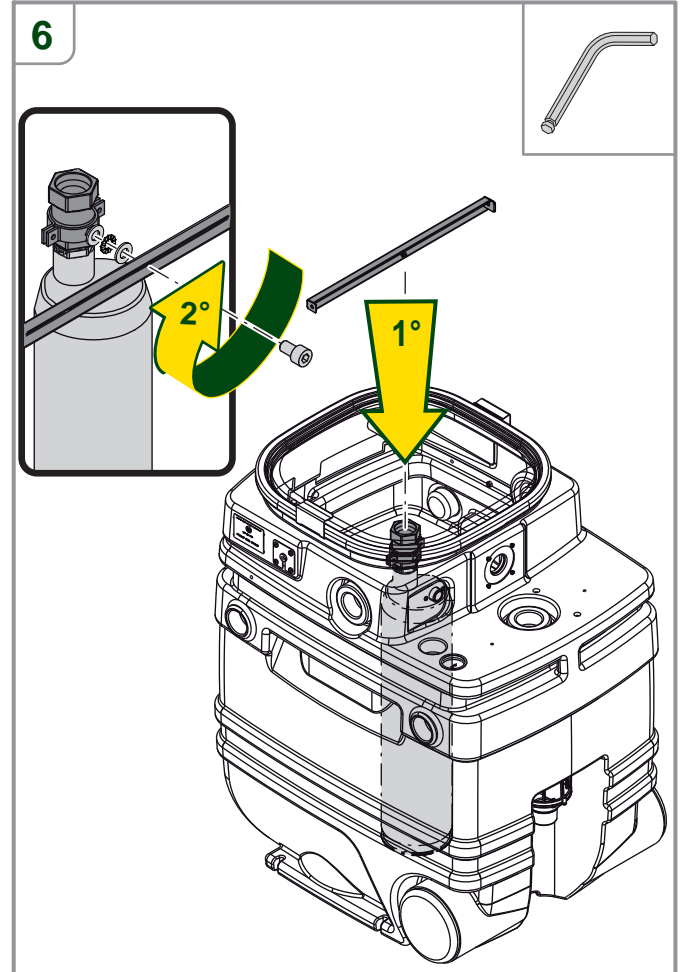
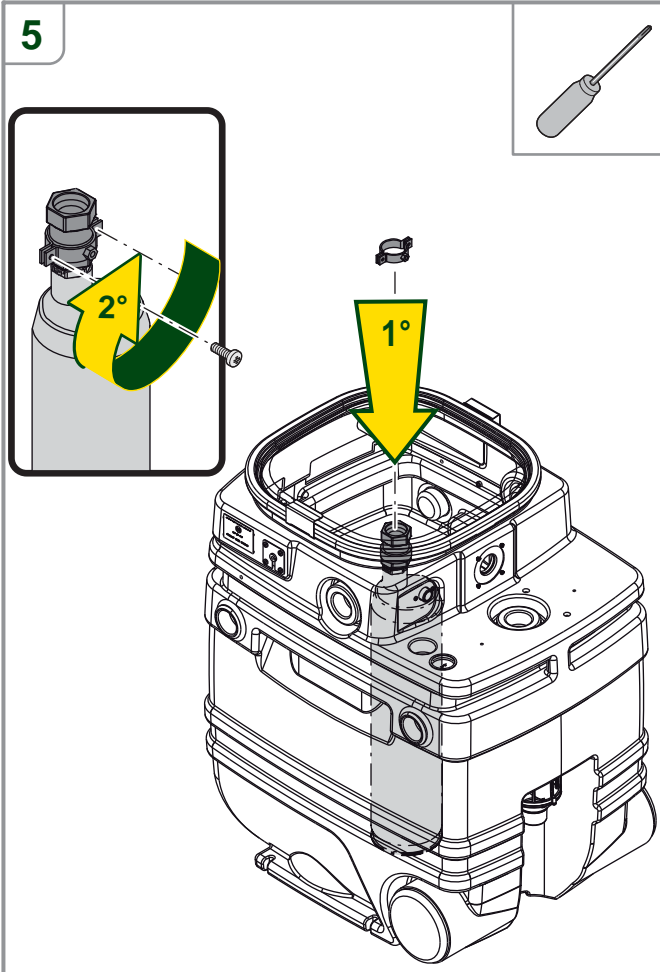
UTENSILI PER IL MONTAGGIO TOOLS REQUIRED FOR ASSEMBLY

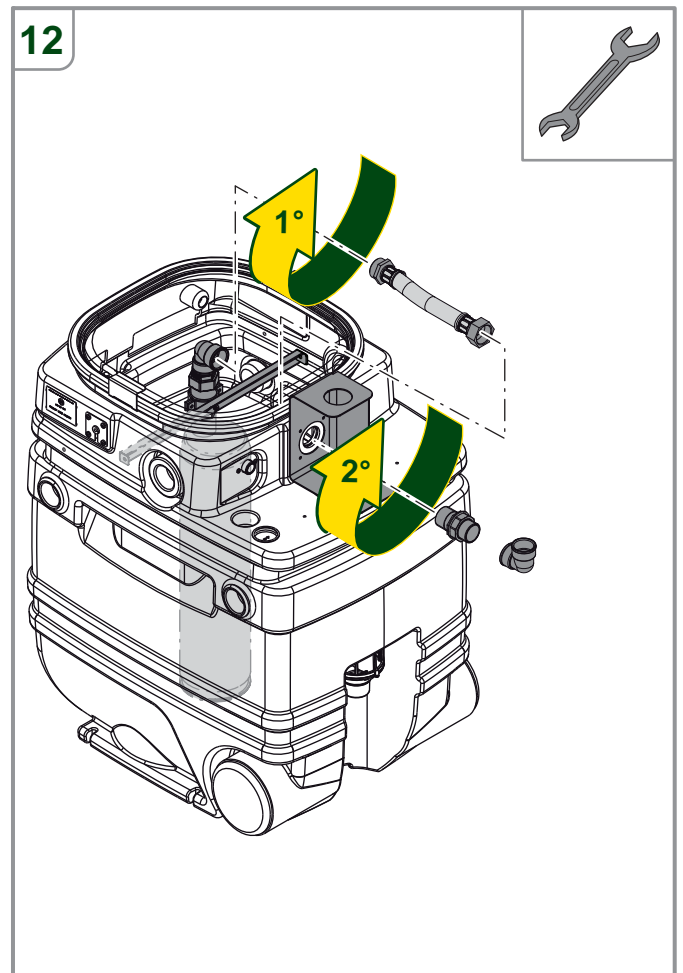
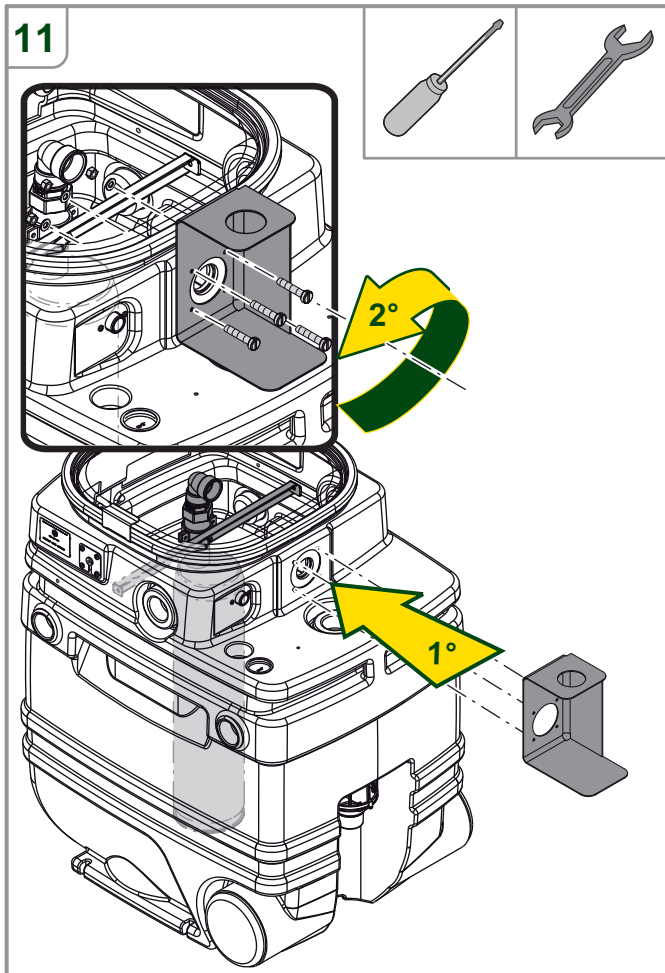
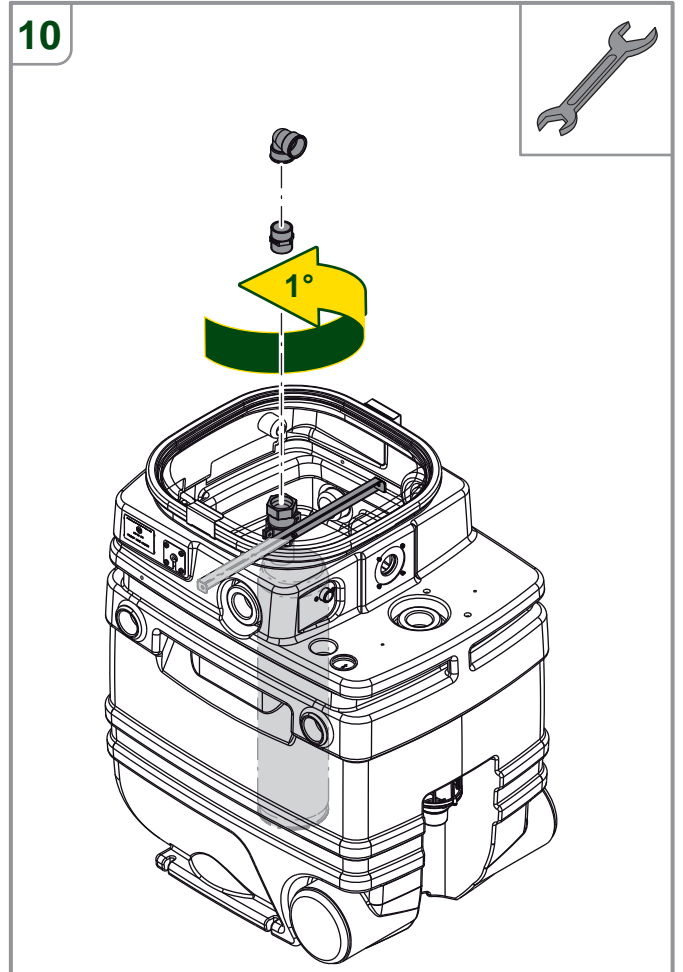
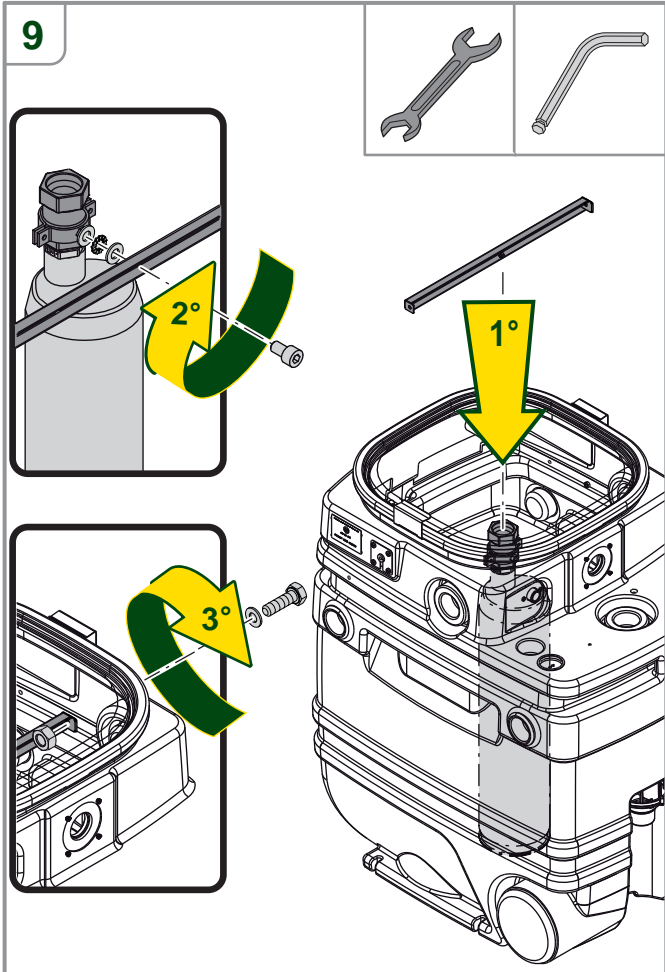




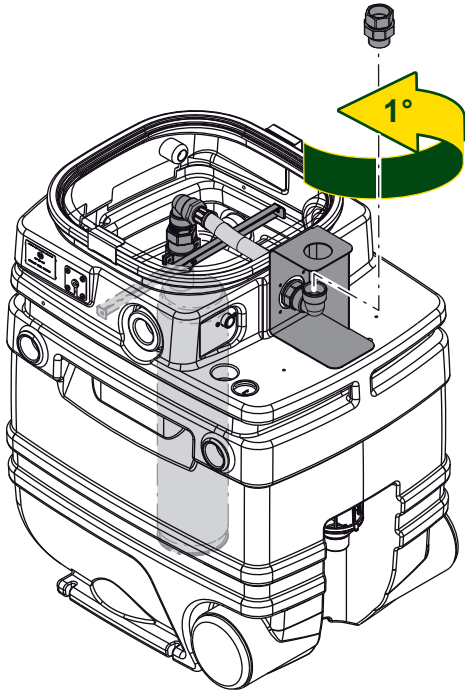
Indice Index	Quantità Quantity	Descrizione Description	Codice Code
1	1	Bocch.3Pz MF 1"1/4 sed.Con.OR3.53 Ot. Brass fitting.3Pz MF 1"1/4 with OR3.53	547820550
2	1	Collare pratik con gomma 1.1/4" Inox Collar with rubber Pratik 1.1 / 4 "Stainless	60123518
3	4	Dado ES M4 inox A2 UNI5588-n. Hex Nut M4 Stainless A2 UNI5588-n.	002520105
4	2	Dado ES M6 inox A2 UNI5588-n. Hex Nut M6 Stainless A2 UNI5588-n.	002520120
5	1	Gomma antivibrante pompa sommersa Rubber Pad submersible pump	60123168
6	1	Kit vasca NBB wras Tanks Kit vasca NBB wras	60123138
7	2	Nipple maschio a dado 1"1/4 OT58 Male nipple nut 1 " 1 / 4 OT58	002289005
8	1	Nipplo ridotto 1.1/2 Inch x 1 inch art.610 Valbrass Nipple reduced 1.1 / 2 Inch x 1 inch art.610 Valbrass	60123649
9	1	Pulsar_50-50 Pulsar_50-50	PULSAR_50-50
10	1	Pwm Pwm	PWM
11	2	Raccordo 1-1/4" a 90° F.F. Art.595 Valbrass Fitting 1-1/4" 90 ° F.F. Art.595 Valbrass	002289085
12	1	Raccordo a T 1" F ottone 1" F-F-F T-Fitting 1 "F Brass 1 " "F-F-F	P1690054
13	1	Raccordo dritto per cassone 1.1/4 Inch art.270 Valbrass Straight fitting to dump 1.1 / 4 Inch art.270 Valbrass	60123631
14	4	Rosetta piana d.4.3X9 inox UNI6592 Steel flat washer d.4.3X9 UNI6592	002523052
15	1	Vite TCEI M8x14 UNI5931 inox A2 Screw TCEI M8x14 UNI5931 Stainless A2	002420700
16	1	Staffa interna NBB pompa sommersa Inside Bracket NBB Submersible pump	60123085
17	1	Staffa sostegno PWM pompa sommersa PWM support bracket Submersible pump	60123079
18	1	Tappo salvafili 1.1/2 Inch Thread protection plug 1.1 / 2 inch	60123647
19	1	Tubo-flex 1.1/4 Inch M/F I= 270 AISI304 maglia est.AISI304 Hose-Flex 1.1 / 4 Inch M/F I= 270 AISI304 mesh est.AISI304	60123622
20	1	Valv.Ritegno ot 1"1/4 FF Brass check valve 1"1/4 FF	002130065
21	1	Valvola a sfera bocchettonata 1" art.370 Valbrass Unionized ball valve 1 "art.370 Valbrass	60123656
22	1	Vaso espansione a membrana lt5 bianco (varem s2003568) Membrane Expansion tank lt5 white (Varem s2003568)	60123655
23	4	Vite TCI M4 x20 UNI 6107 inox A2 Screw TCI M4x20 UNI6107 Stainless A2	002422069
24	2	Vite TE M6 X20 UNI 5739 AISI 304.prt Screw TE M6x20 UNI5739 AISI 304.prt	002420044
25	2	Rosetta d8.5 D17 s1.6 Inox A2 Flat washer d8,5 s1.6 Stainless A2	P1120014
26	1	Rosetta EL. Dent. DI 8.4 DE 15 UNI 8842 Washer helical toothed DI 8.4 DE 15 UNI 8842	002523827
27	2	Rosetta piana D6.4X12.5 INOX UNI6592 Flat washer M6 D6.4X12.5 Stainless UNI6592	002523054



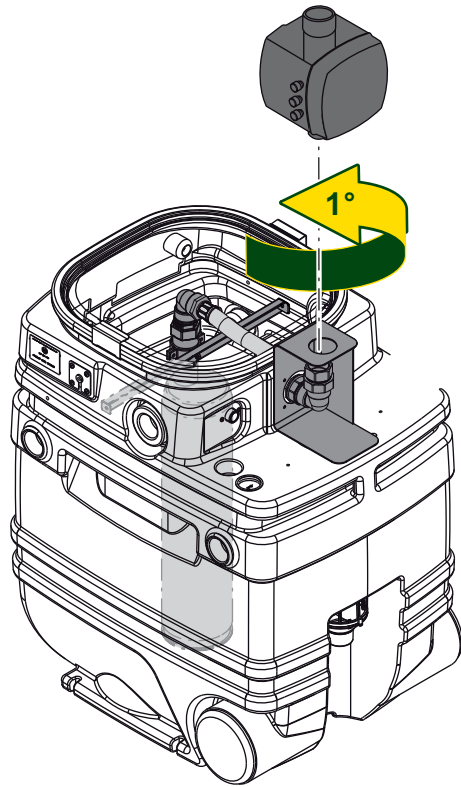




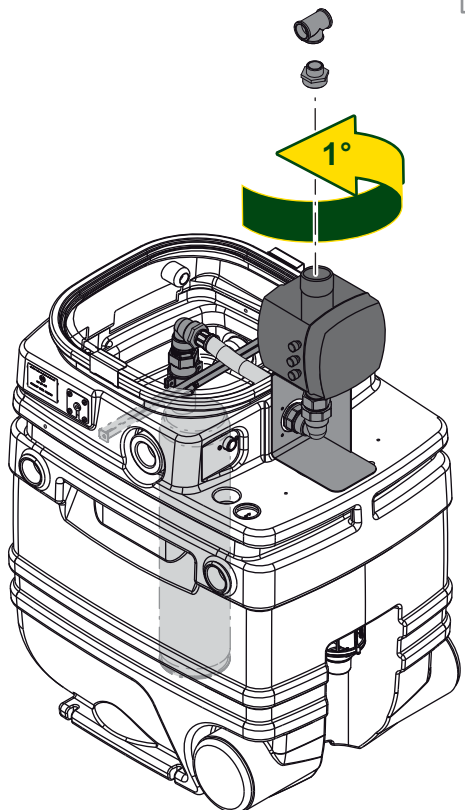
13



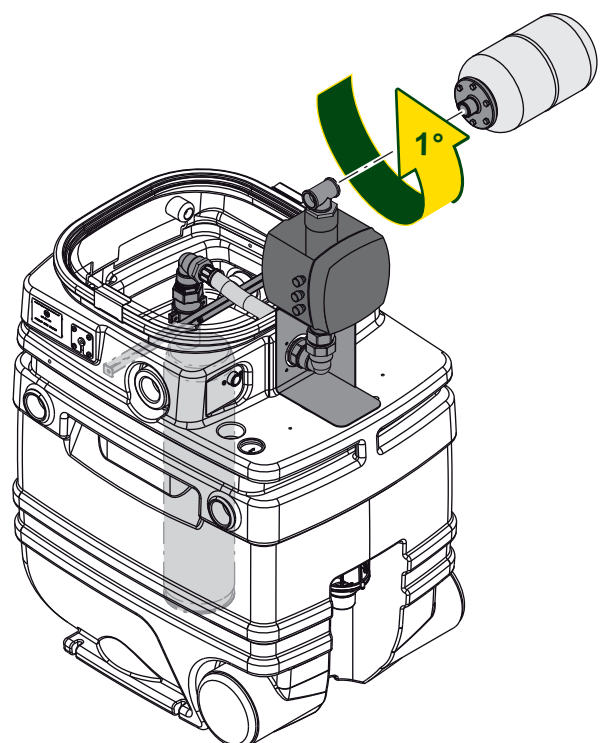
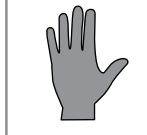
14

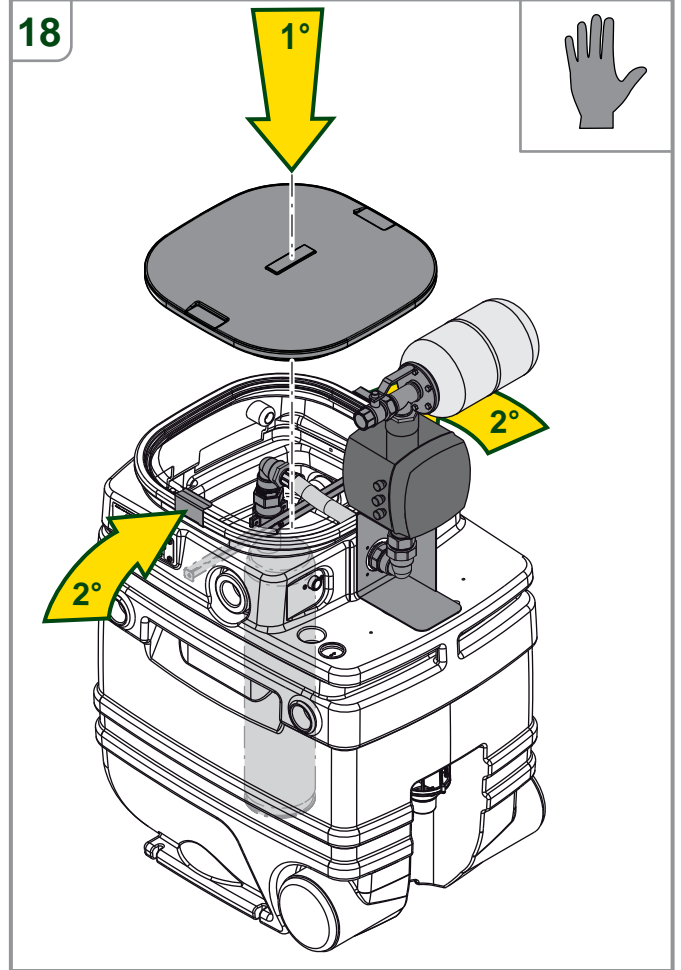
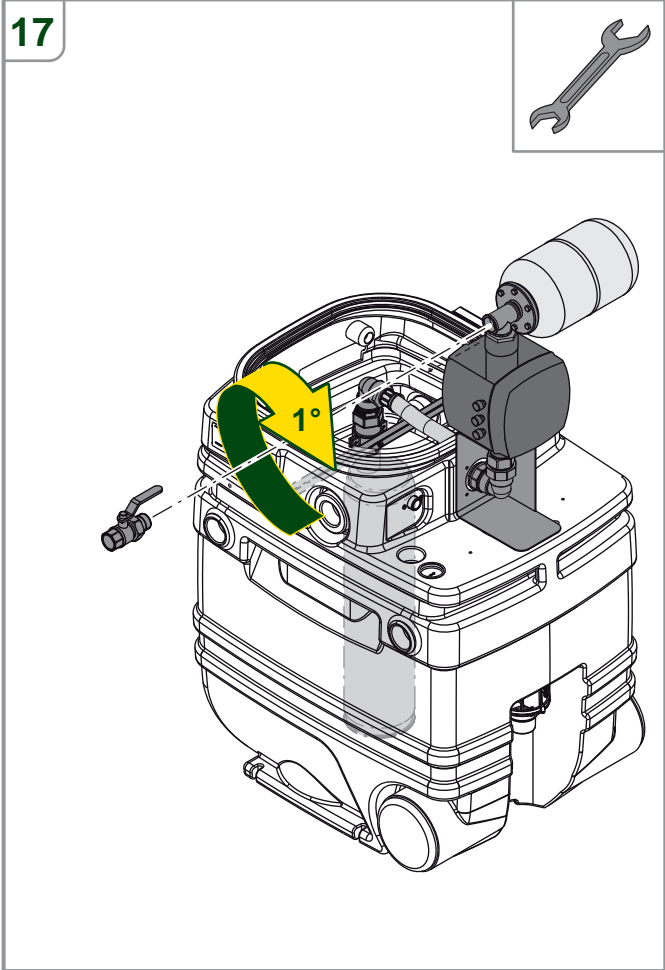


15



16

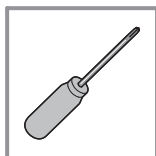


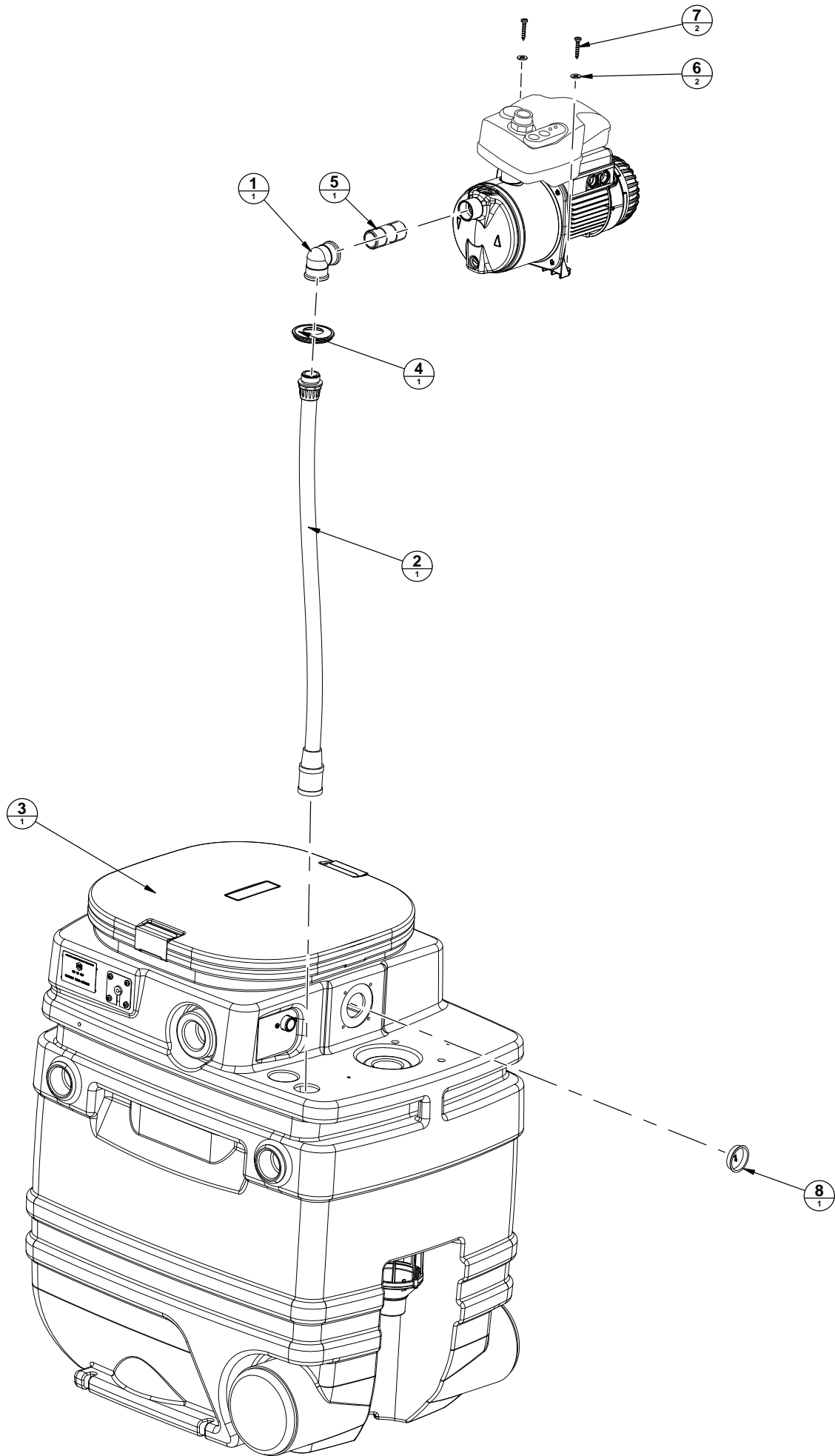


3 - ISTRUZIONI DI MONTAGGIO PER KIT ACTIVE NBB

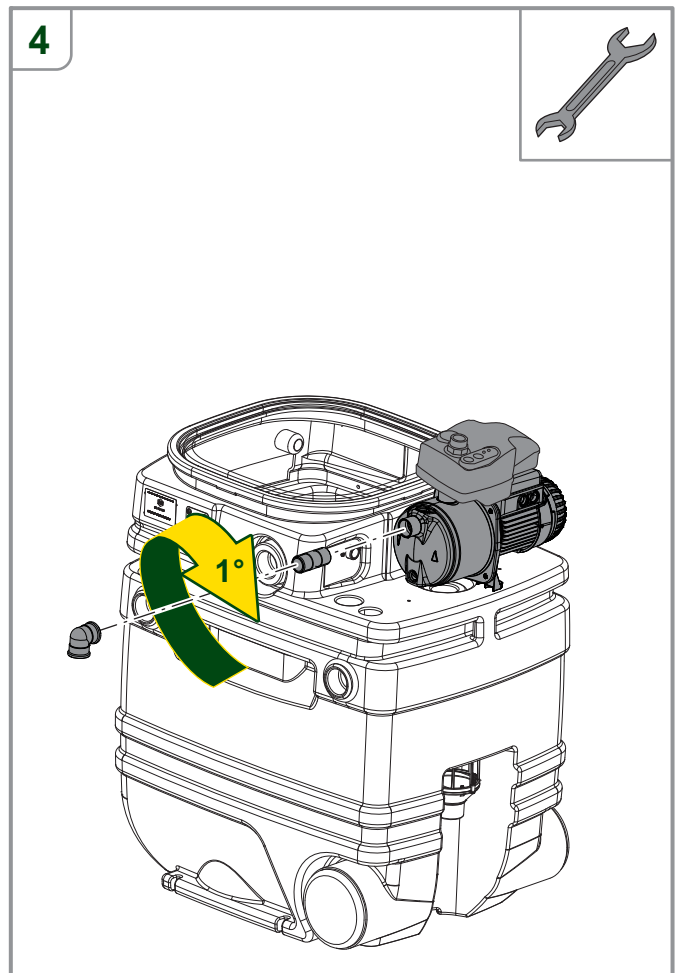
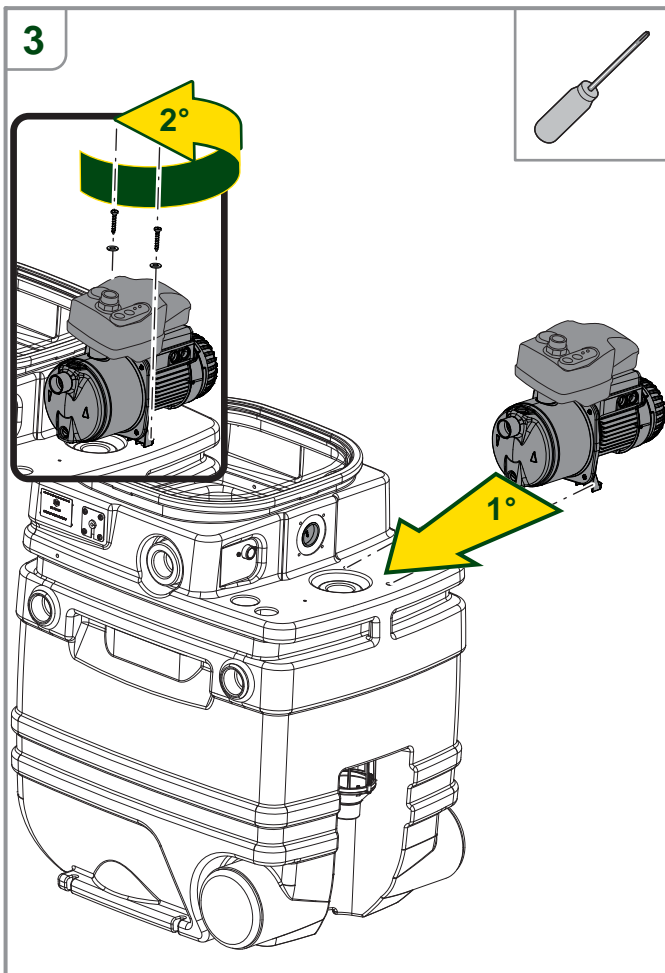
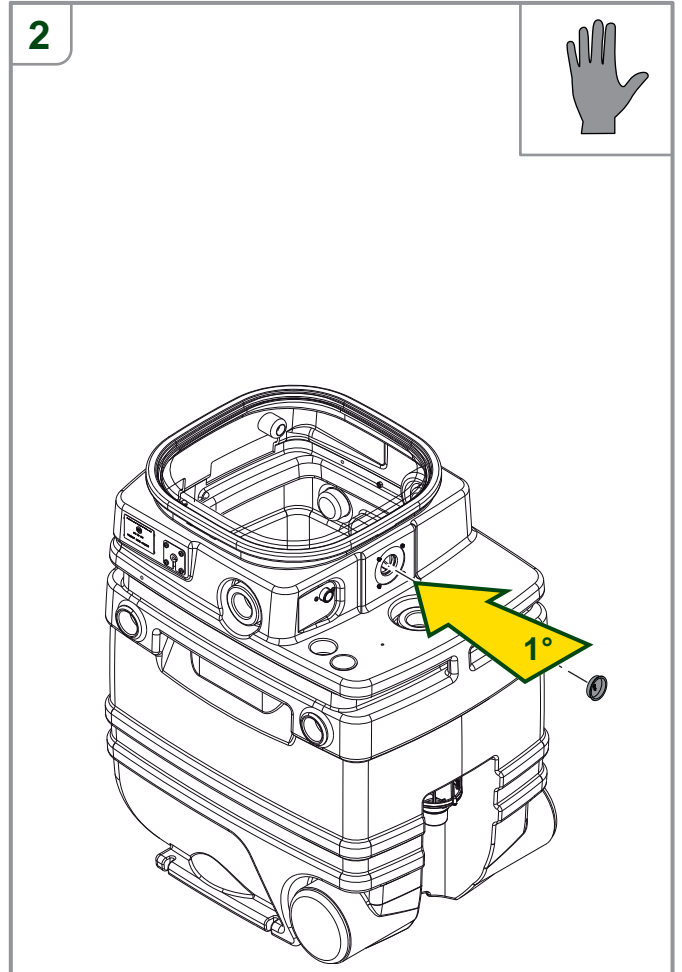
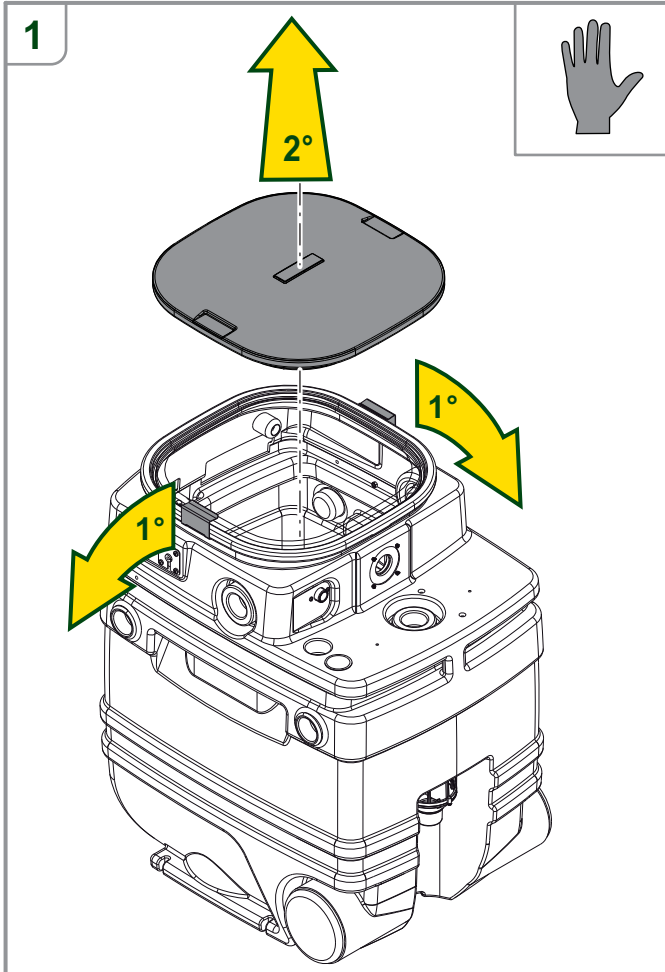
3 - ASSEMBLY INSTRUCTIONS FOR KIT ACTIVE NBB

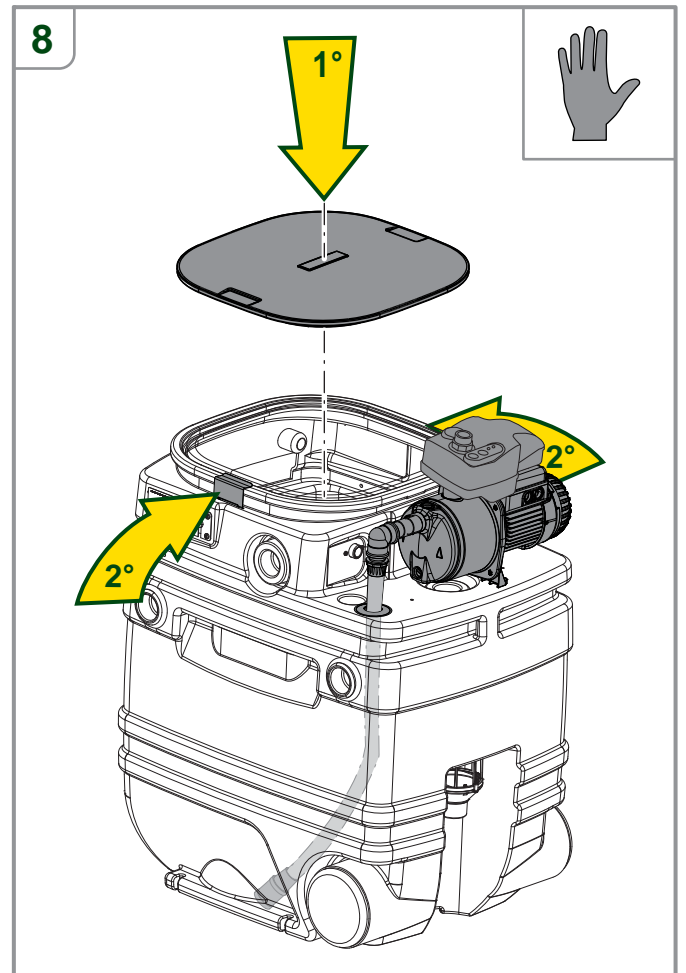
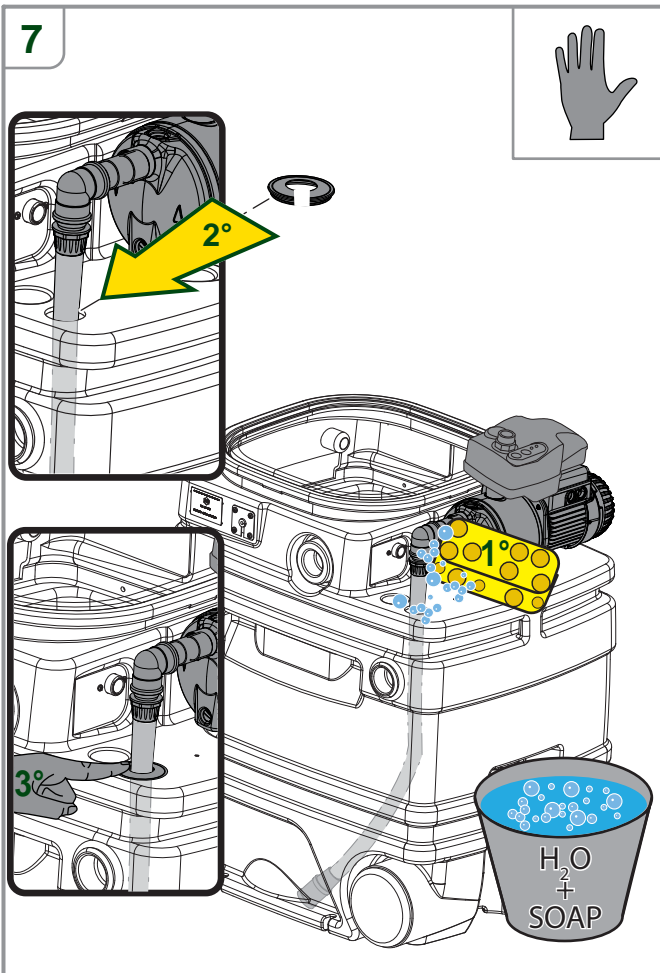
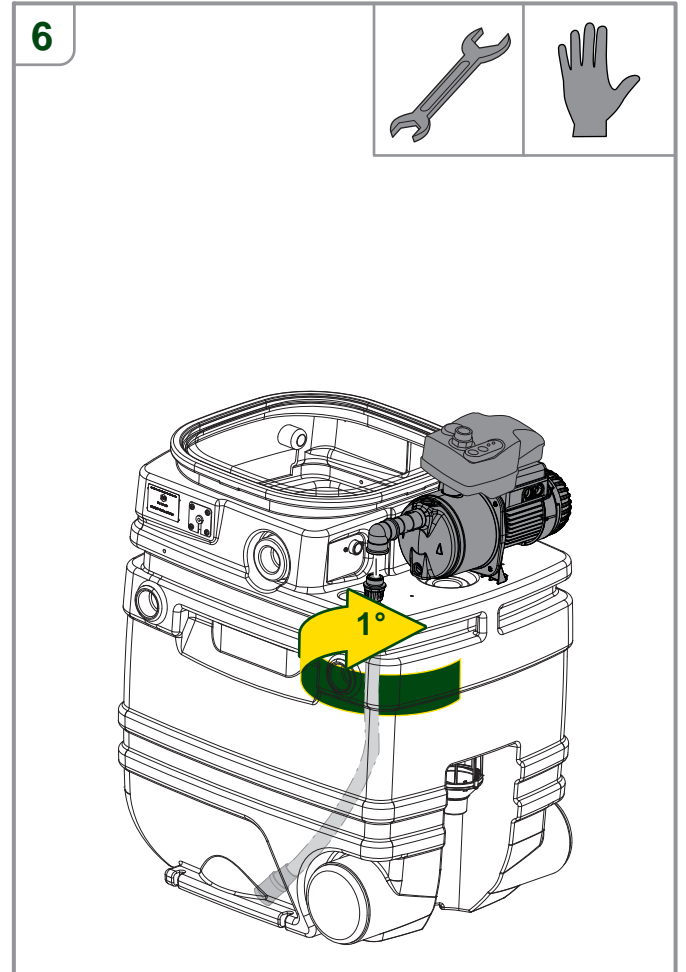
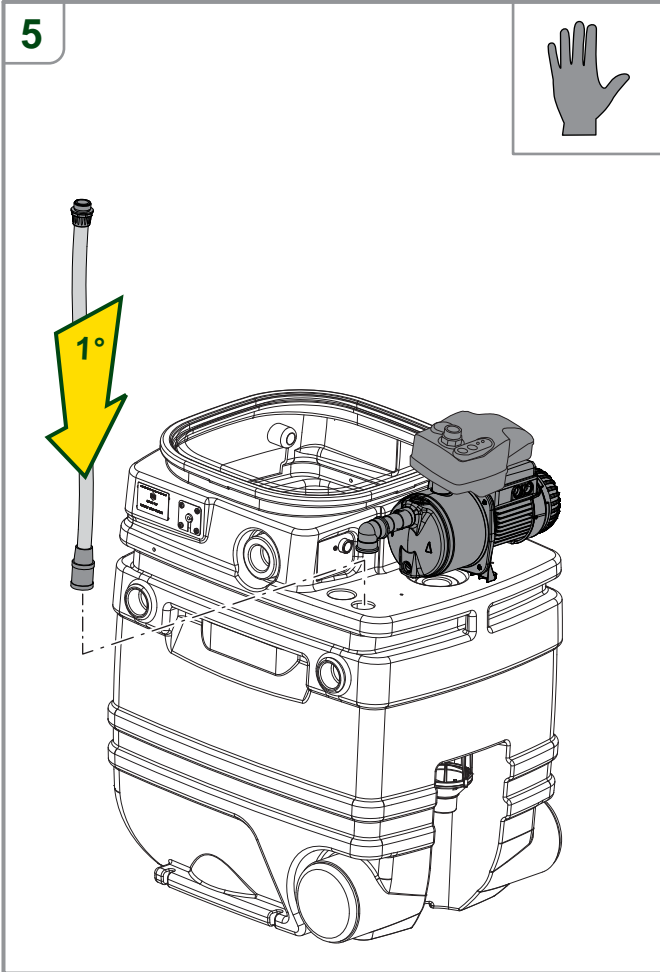
**UTENSILI PER IL MONTAGGIO
TOOLS REQUIRED FOR ASSEMBLY**





Indice Index	Quantità Quantity	Descrizione Description	Codice Code
1	1	“Curva 1” ottone art.595 Brass “bend 1” art.595	P1690052
2	1	Kit aspirazione pompa NBB Aspiration kit NBB pumps	60123992
3	1	Kit vasca NBB wras Tanks kit vasca NBB wras	60123138
4	1	Morsetto gomma d=30 tagliato Rubber clamp d=30 cut	60148462
5	1	Prolunga barilotto M.M. 1 Inch x75 art.659 Barrel extension M.M. 1 Inch x75 art.659	60116650
6	2	Rosetta d8.5 D17 s1.6 Inox A2 Fat washer d8.5 D17 s1.6 Stainless A2	P1120014
7	2	Vite TE 6,3x38 Inox A2 Screw TE 6,3x38 Stainless A2	60114023
8	1	Tappo salvafiletto 1.1/2 Inch Thread protection plug 1.1 / 2 inch	60123647

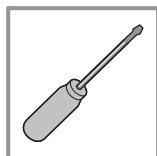
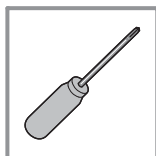


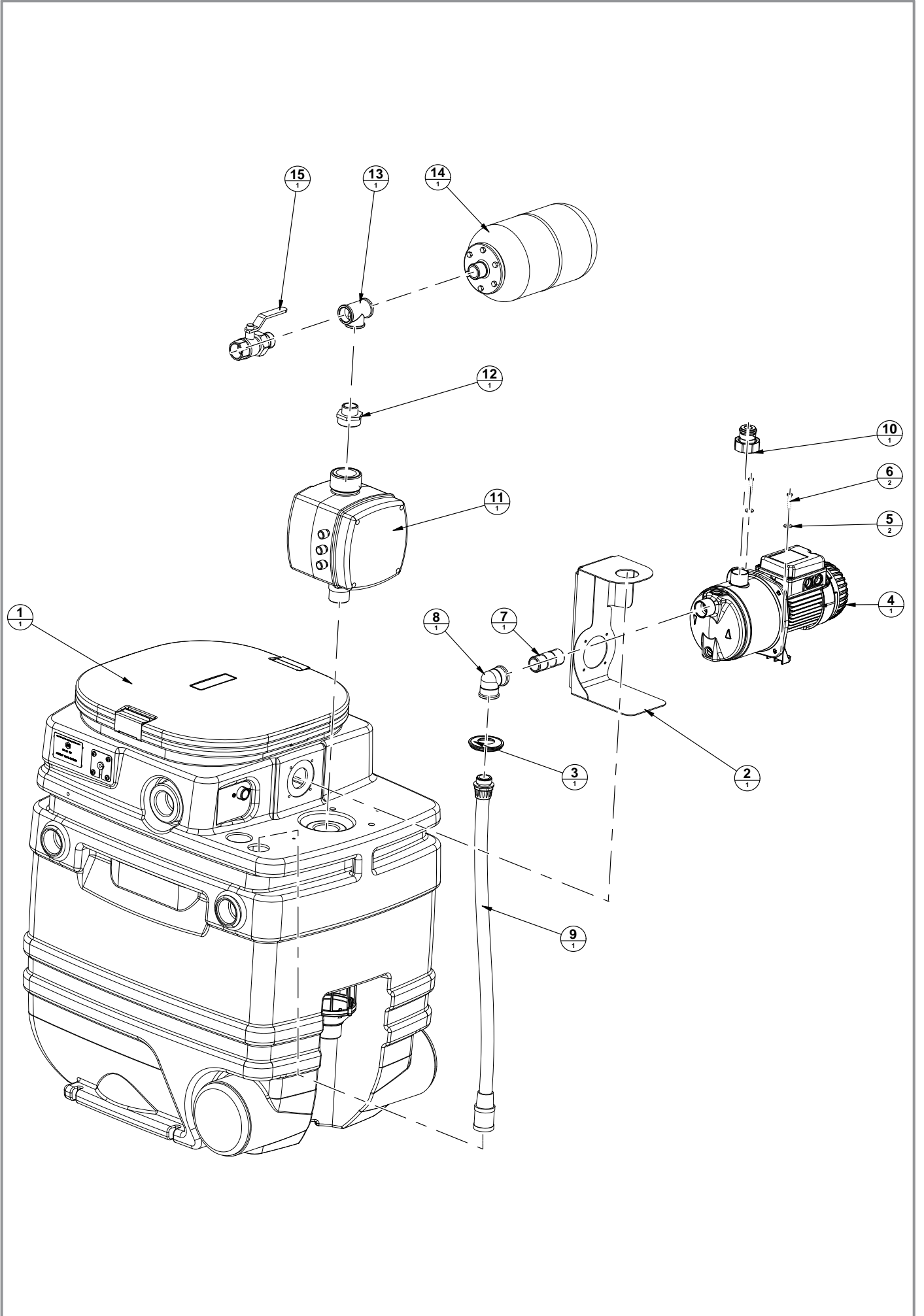


4 - ISTRUZIONI DI MONTAGGIO PER KIT NBB EUROINOX

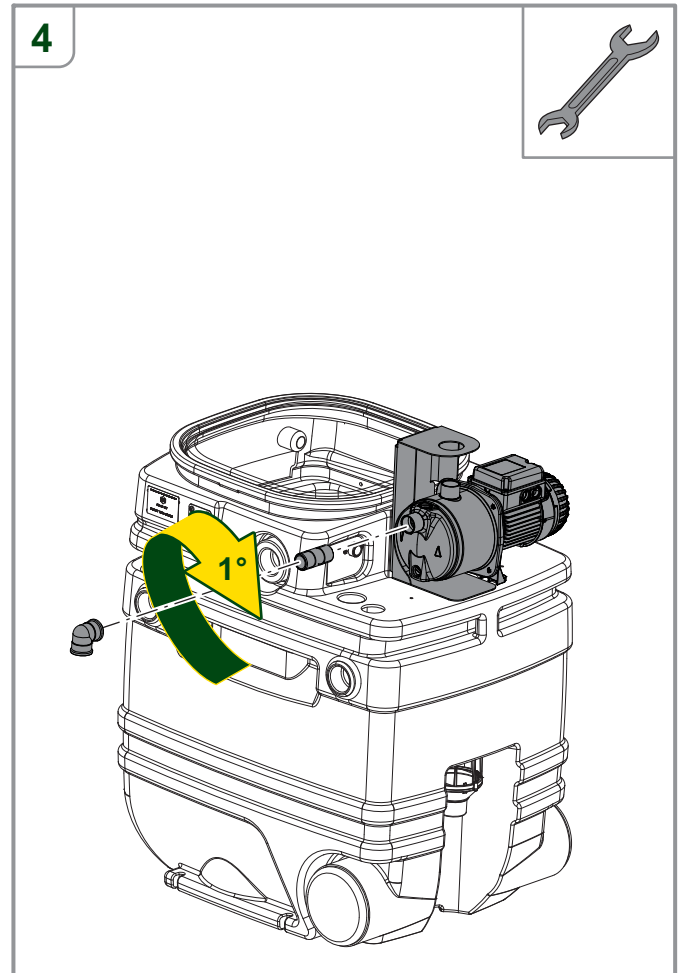
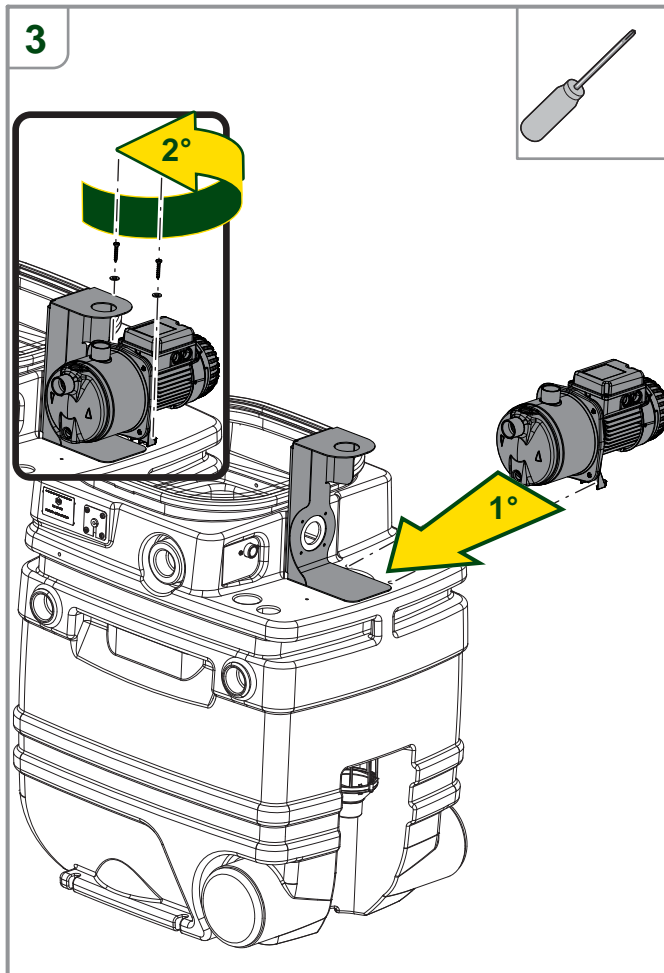
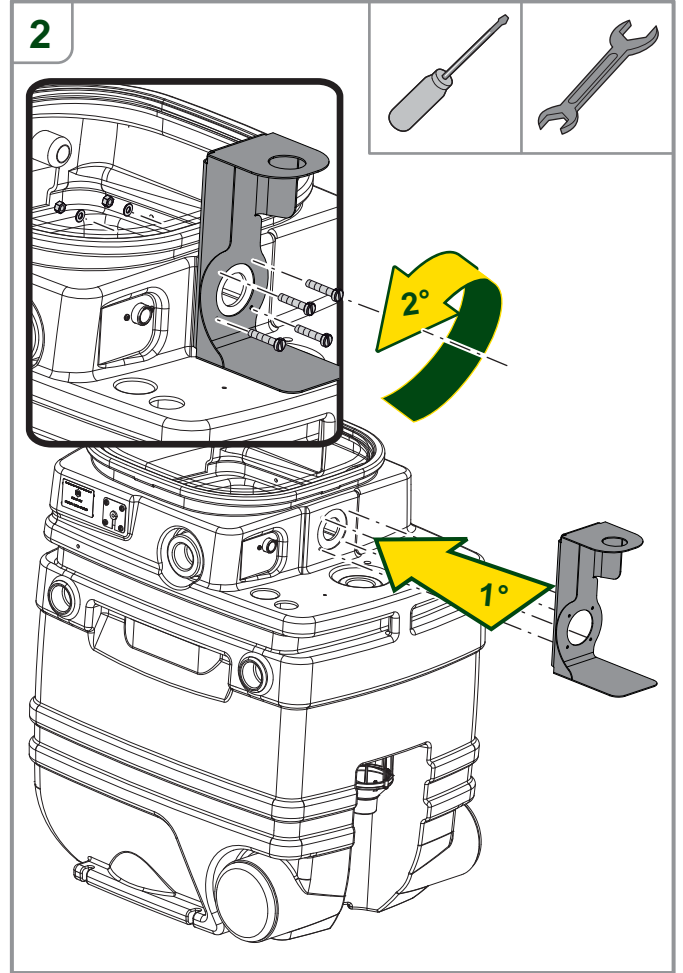
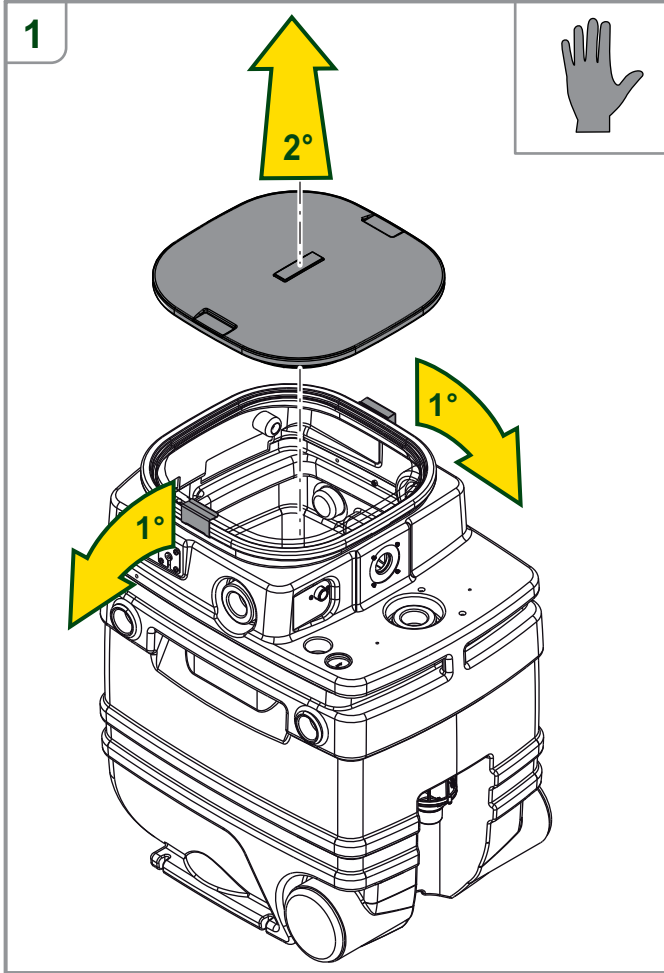
4 - ASSEMBLY INSTRUCTIONS FOR KIT NBB EUROINOX

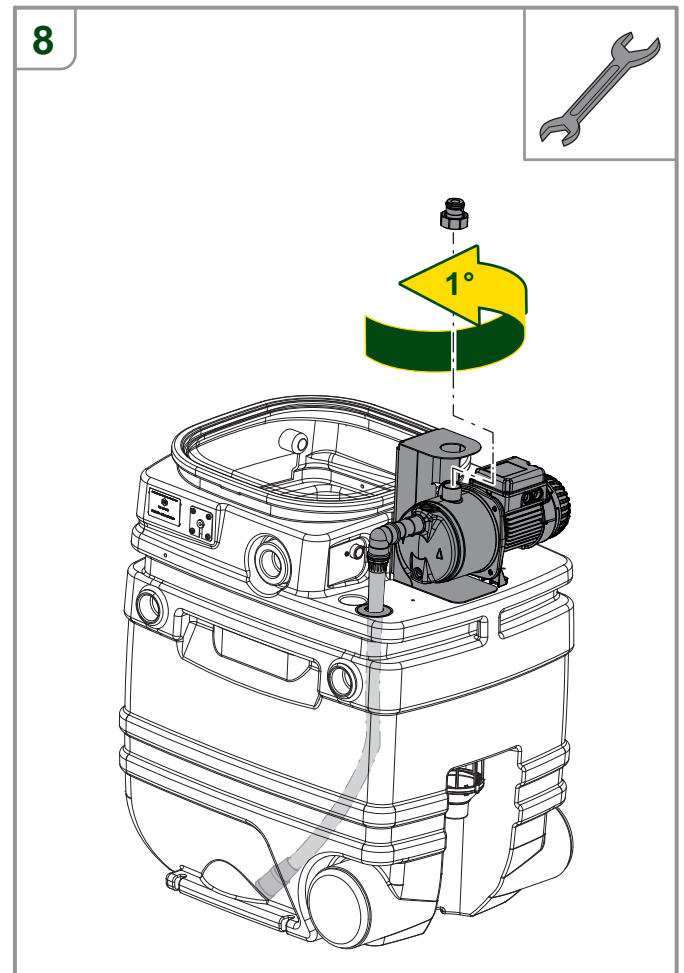
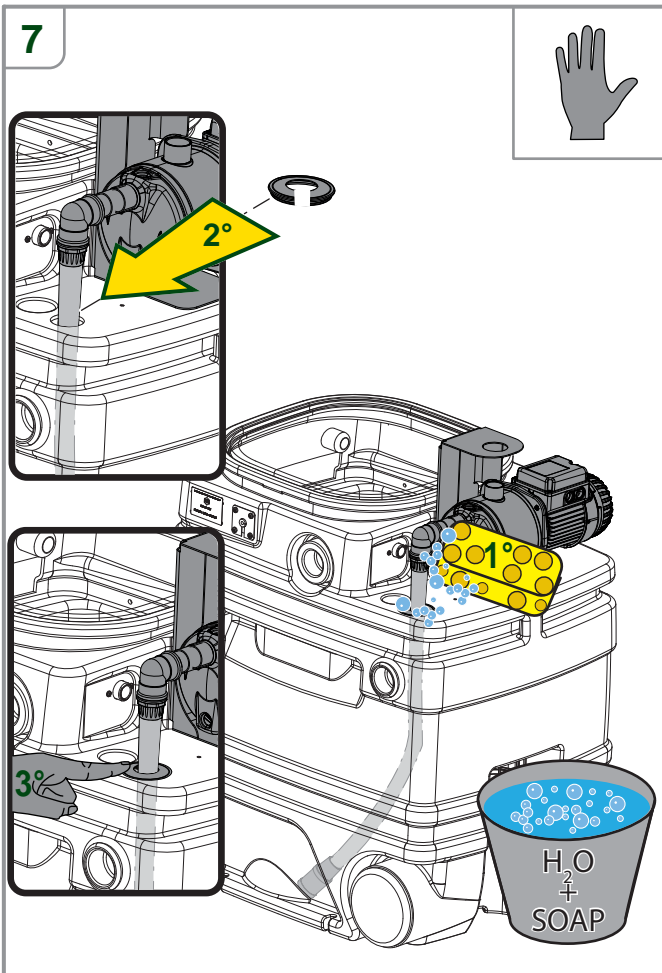
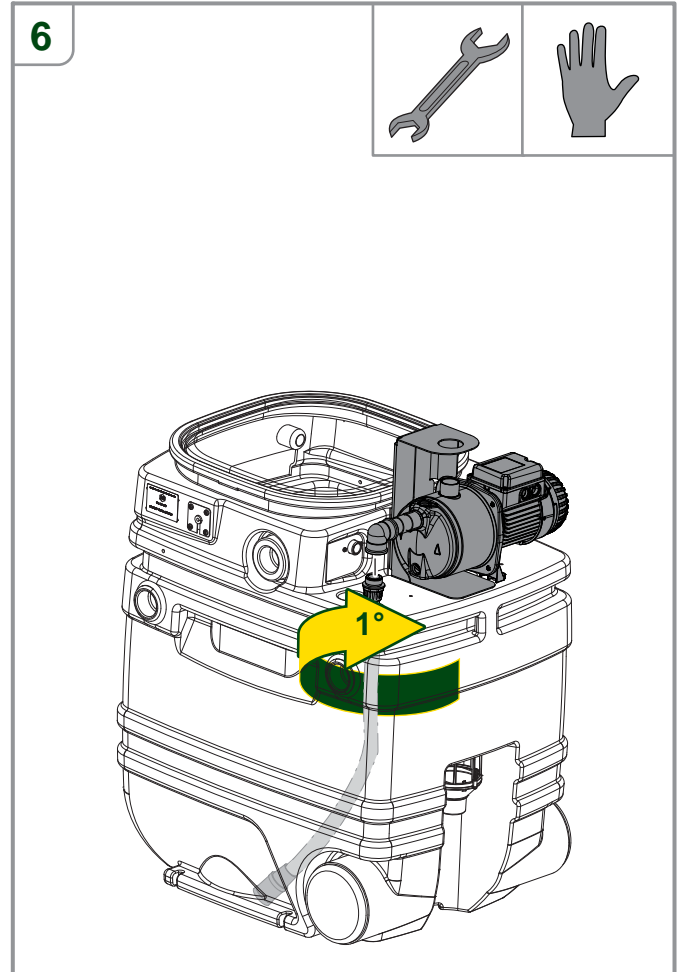
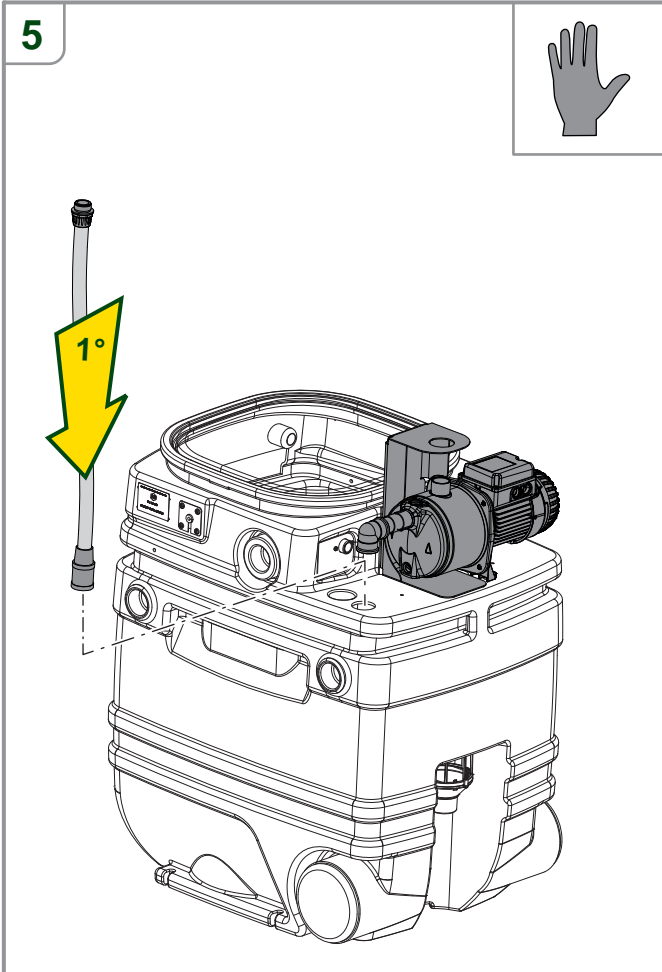
UTENSILI PER IL MONTAGGIO TOOLS REQUIRED FOR ASSEMBLY

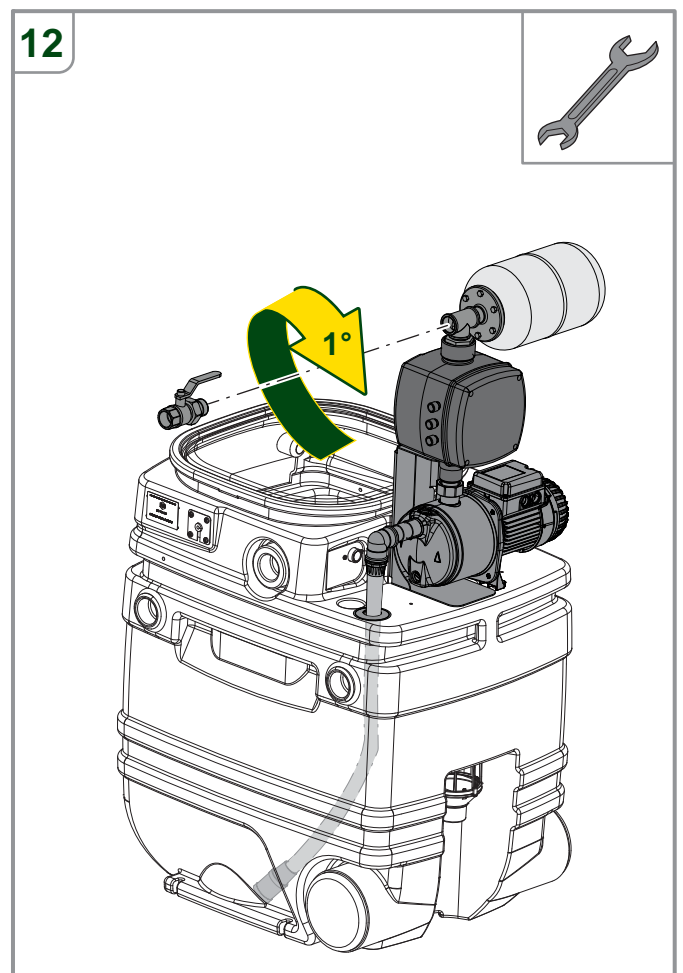
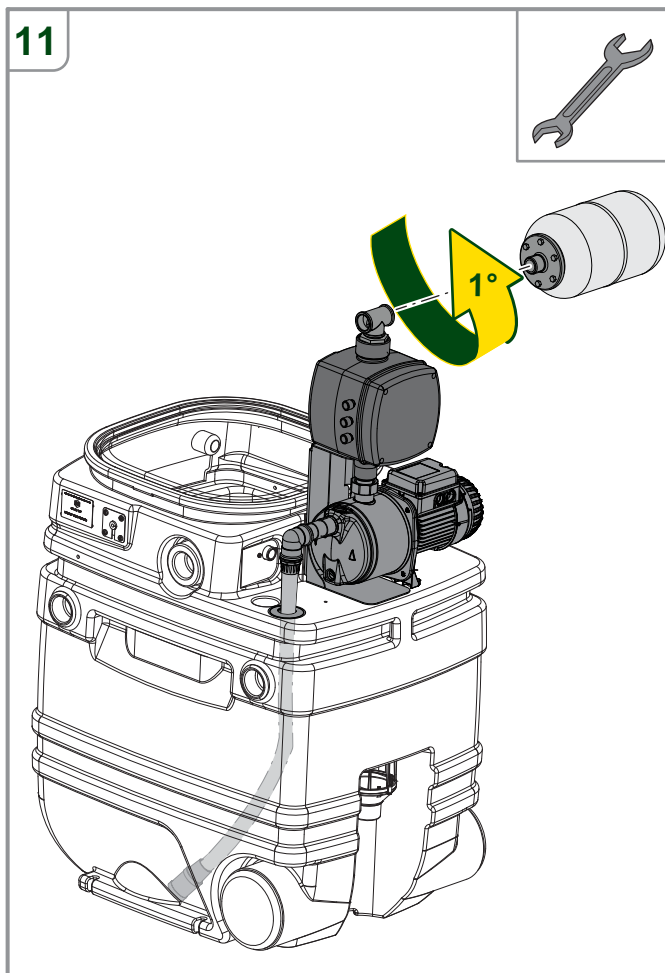
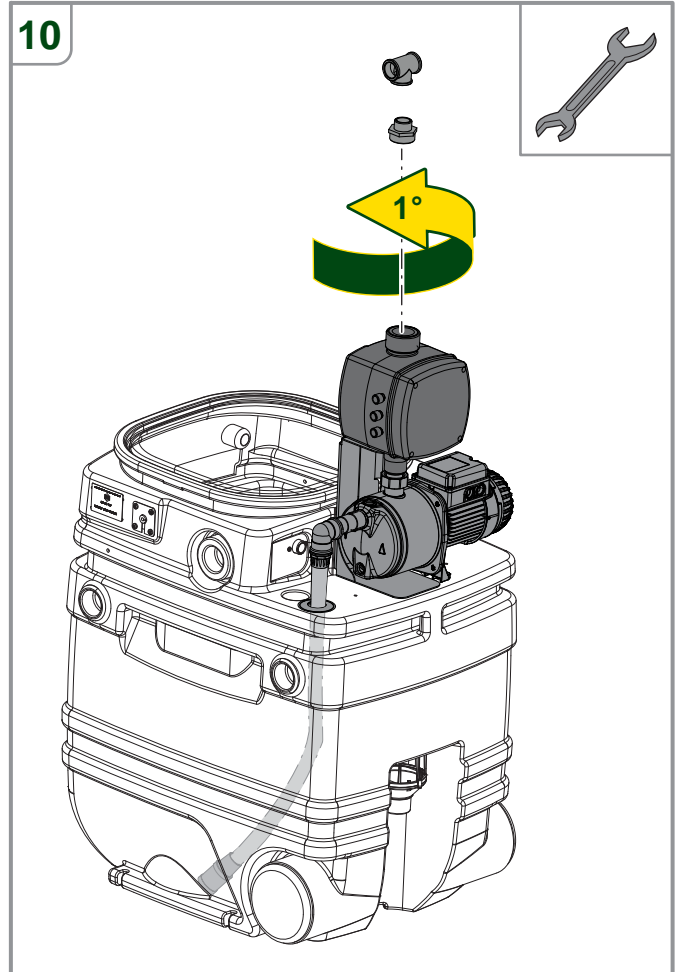
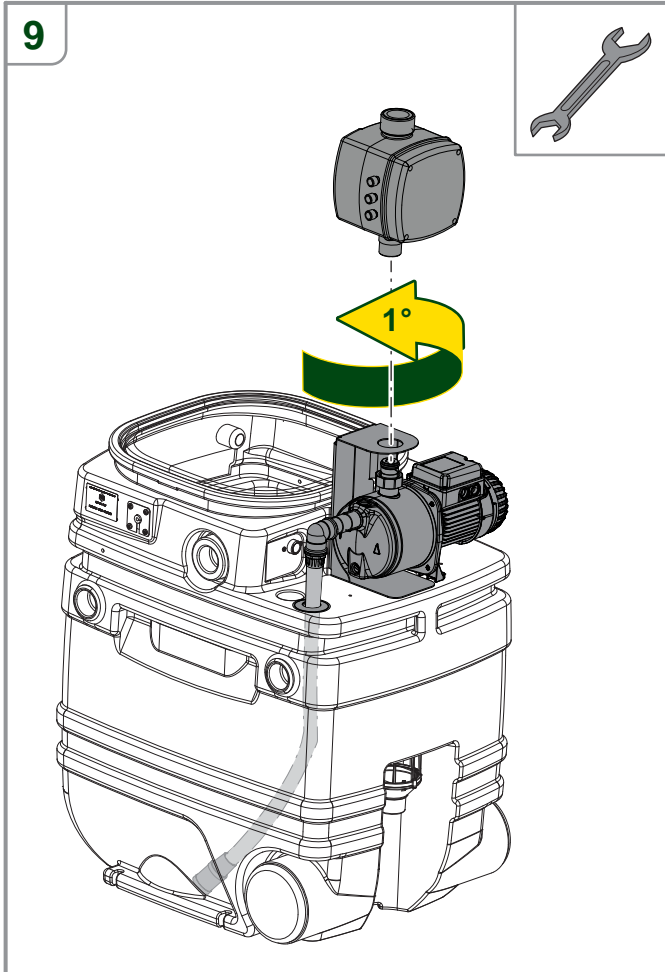




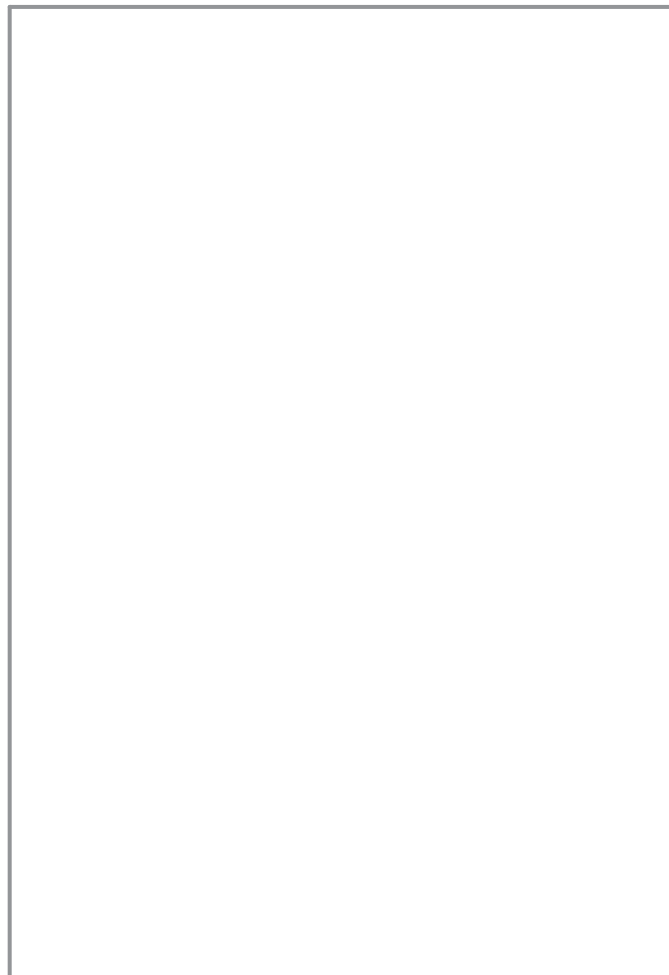
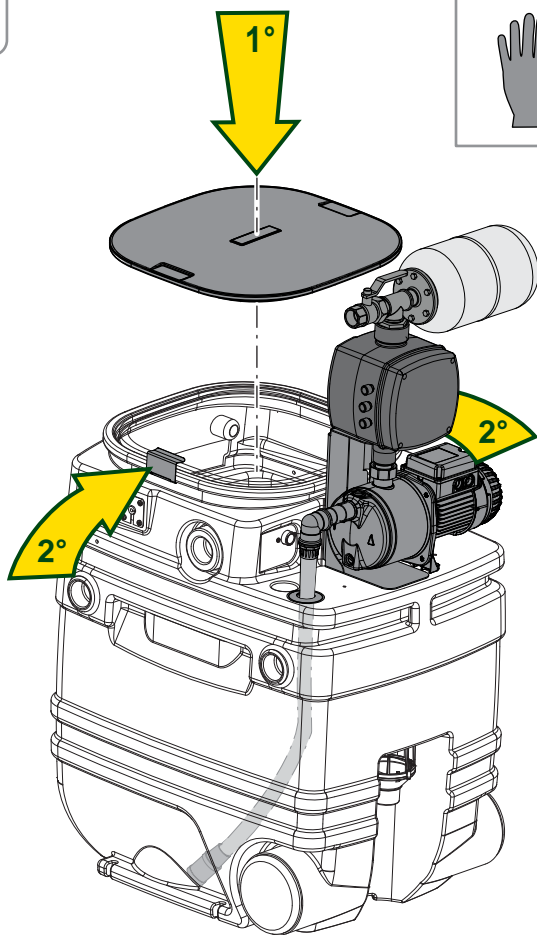
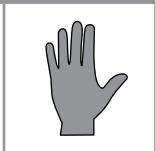
Indice Index	Quantità Quantity	Descrizione Description	Codice Code
1	1	Kit vasca NBB wras Tanks kit vasca NBB wras	60123138
2	1	Staffa sostegno pwm pompa superficie Pwm support bracket surface pump	60123084
3	1	Morsetto gomma d=30 tagliato Rubber clamp d=30 cut	60148462
4	1	Euroinox 30/50 M 220-240/50-01mult Euroinox 30/50 M 220-240/50-01mult	102975530
5	2	Rosetta d8.5 D17 s1.6 Inox A2 Fat washer d8.5 D17 s1.6 Stainless A2	P1120014
6	2	Vite TE 6,3x38 Inox A2 Screw TE 6,3x38 Stainless A2	60114023
7	1	Prolunga barilotto M.M. 1 Inch x75 art.659 Barrel extension M.M. 1 Inch x75 art.659	60116650
8	1	“Curva 1” ottone art.595” Brass “bend 1” art.595”	P1690052
9	1	Kit aspirazione pompa NBB Aspiration kit NBB pumps	60123992
10	1	Raccordo 2pz 1” x 1.1/4” M/F art.262 Valbrass Fitting 2pz 1” x 1.1/4” M/F art.262 Valbrass	60124059
11	1	Pwm Pwm	PWM
12	1	Nipplo ridotto 1.1/2 Inch x 1 inch art.610 Nipple reduced 1.1 / 2 Inch x 1 inch art.610	60123649
13	1	Raccordo a T 1” F ottone 1” F-F-F T-fitting 1” F brass 1” F-F-F	P1690054
14	1	Vaso espansione a membrana lt5 bianco (varem s2003568) Membrane expansion tank lt5 white (varem s2003568)	60123655
15	1	Valvola a sfera bocchettonata 1” art.370 Valbrass Unionized ball valve 1 “art.370 Valbrass	60123656







13



**DAB PUMPS LTD.**

Unit 4, Stortford Hall Industrial
Park Dunmow Road, Bishops Stortford, Herts
CM23 5GZ - UK
Tel. +44 1279 652 776
Fax +44 1279 657 727

**DAB PUMPS B.V.**

Albert Einsteinweg, 4
5151 DL Drunen - Nederland
Tel. +31 416 387280
Fax +31 416 387299
info.nl@dabpumps.com

**DAB PUMPS B.V.**

Brusselstraat 150
B-1702 Groot-Bijgaarden - Belgium
Tel. +32 2 4668353
Fax +32 2 4669218

**DAB PUMPEN DEUTSCHLAND GmbH**

Tackweg 11
D - 47918 Tönisvorst - Germany
Tel. +49 2151 82136-0
Fax +49 2151 82136-36

**PUMPS AMERICA, INC. DAB PUMPS DIVISION**

3226 Benchmark Drive
Ladson, SC 29456 USA
Ph. 1-843-824-6332
Toll Free 1-866-896-4DAB (4322)
Fax 1-843-797-3366

**DAB PUMPS IBERICA S.L.**

Parque Empresarial San Fernando
Edificio Italia Planta 1ª
28830 - San Fernando De Henares - Madrid
Spain
Ph. +34 91 6569545
Fax +34 91 6569676

**OOO DWT GROUP**

100 bldg. 3 Dmitrovskoe highway,
127247 Moscow - Russia
Tel. +7 495 739 52 50
Fax +7 495 485-3618
info.russia@dwtgroup.com

**DAB PUMPS CHINA**

No. 40 Kaituo Road, Qingdao Economic &
Technological Development Zone
Qingdao City, Shandong Province, China
PC: 266500
info.china@dwtgroup.com
Tel. +8653286812030 - 6270
Fax. +8653286812210

**DAB PUMPS S.p.A.**

Via M. Polo, 14 - 35035 Mestrino (PD) - Italy
Tel. +39 049 5125000 - Fax +39 049 5125950
<http://www.dabpumps.com>
info@dabpumps.com

**DWT HOLDING S.p.A.**

Sede Legale / Headquarter:
Via Marco Polo, 14 | 35035 Mestrino | Padova | Italy
www.dwtgroup.com