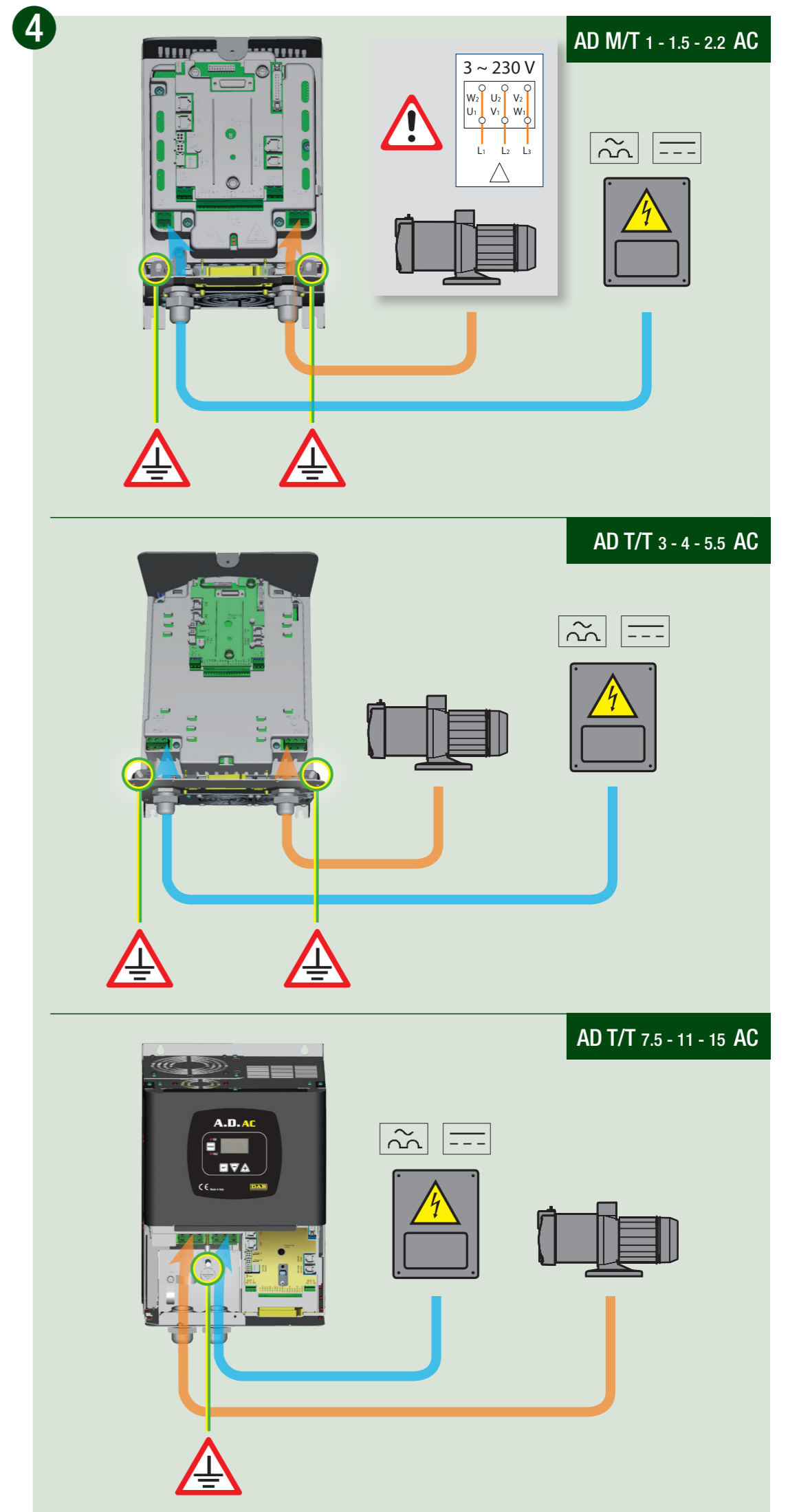
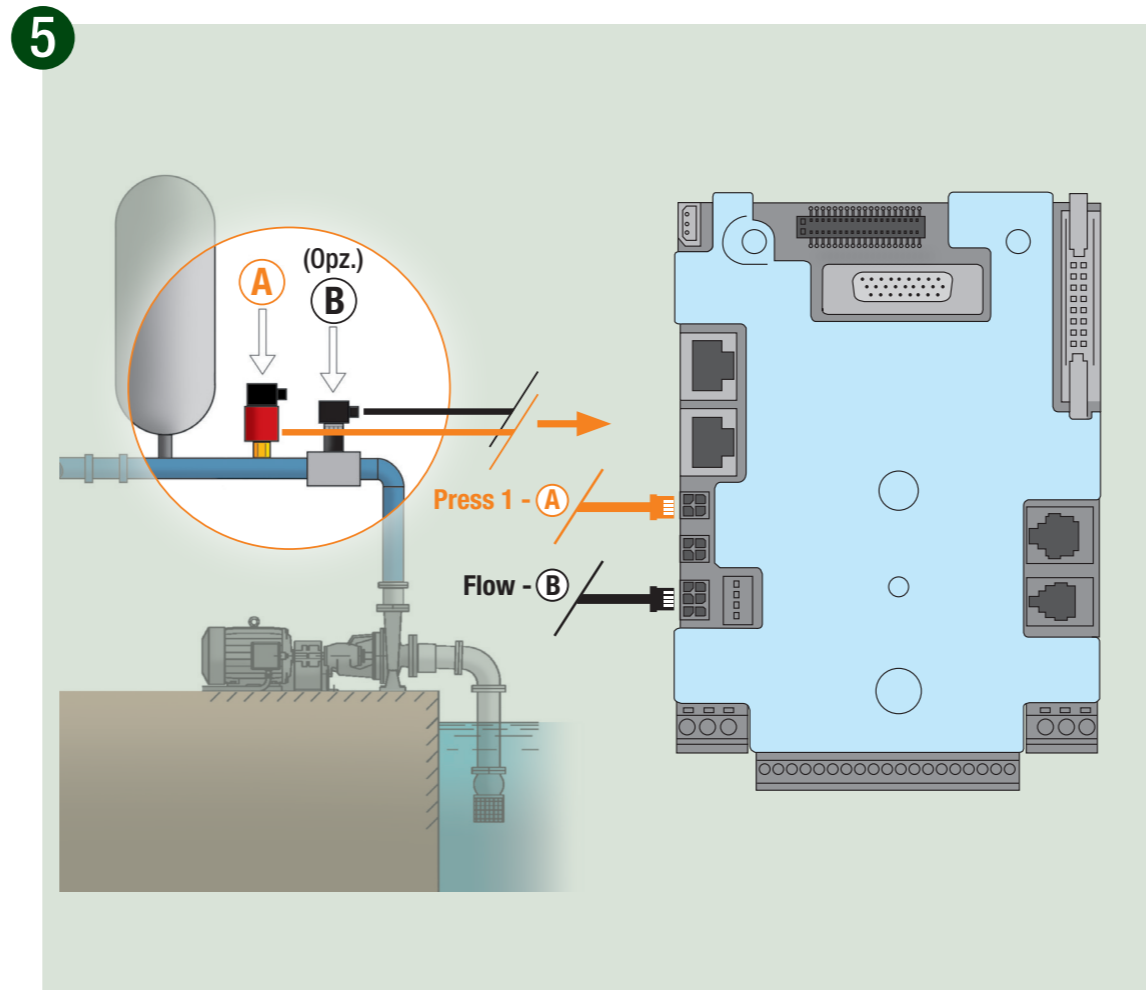
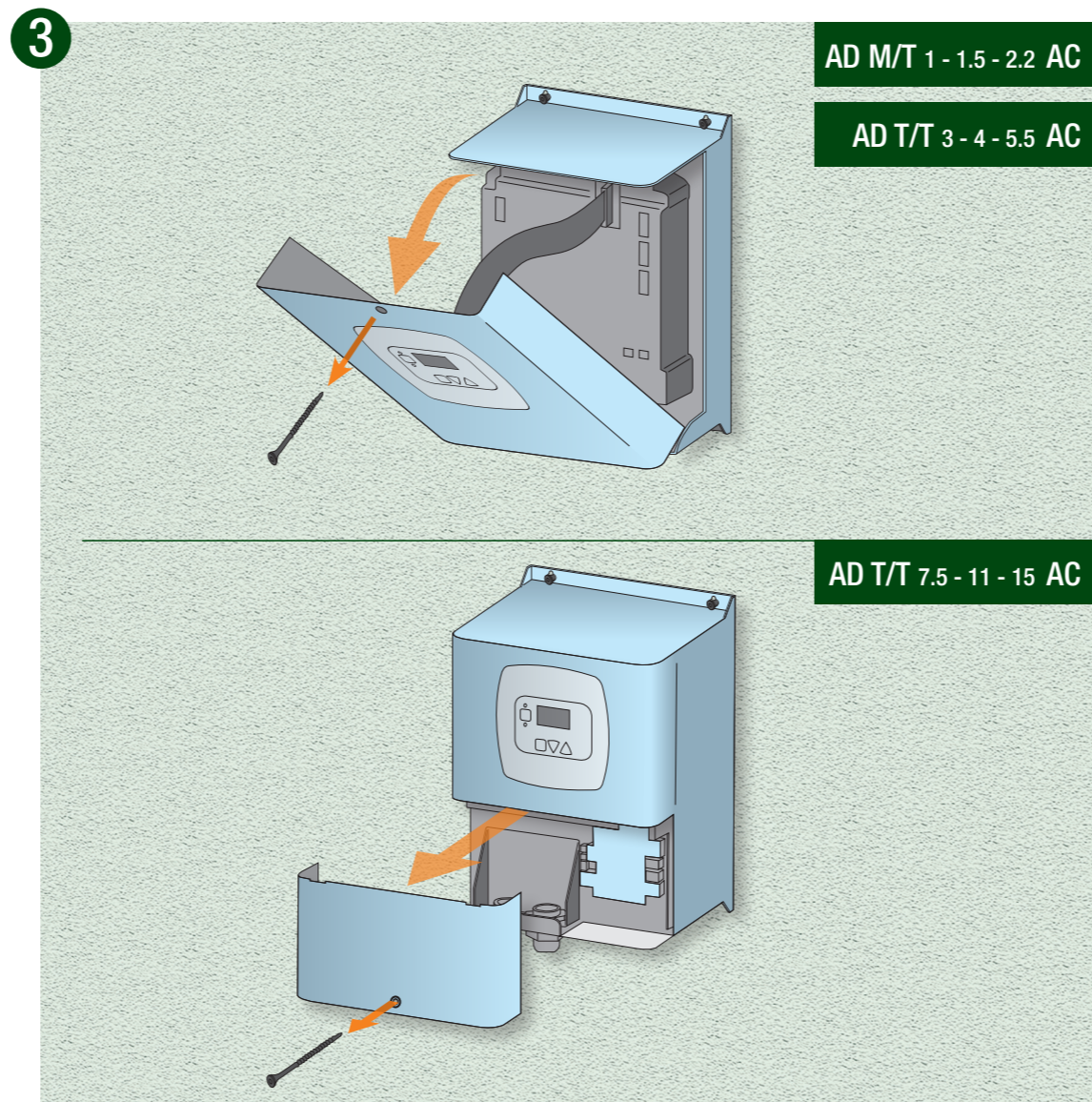
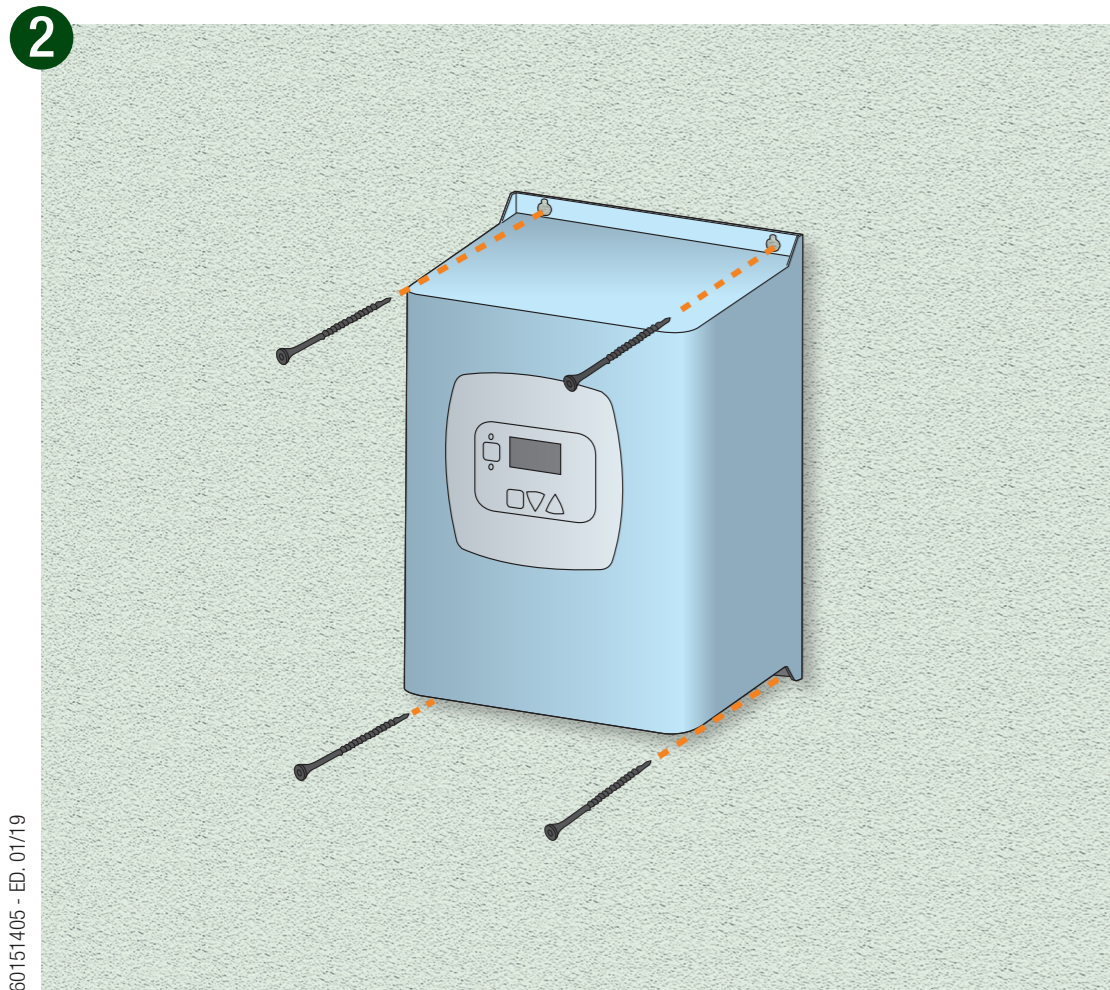
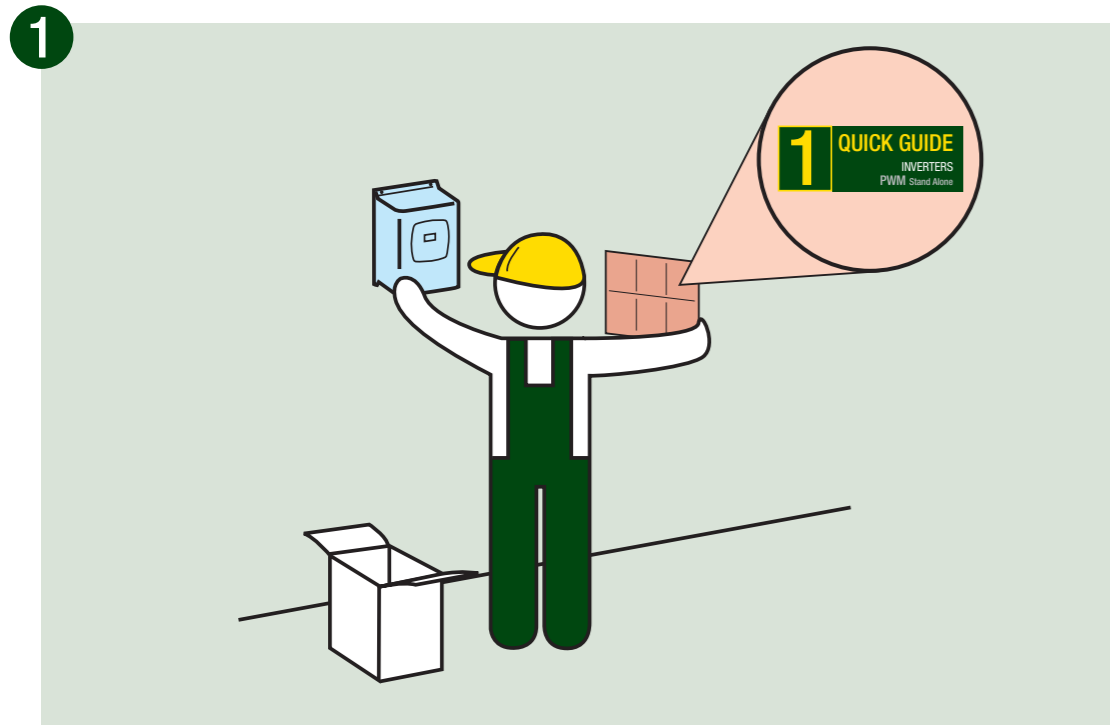




1

QUICK GUIDE INVERTERS ADAC



6

5"

MODE + SET + ∇ =

INSTALLER MENU
RC
Nominal current
22.0 A_{rms}
SB 0.0 Hz 3.1 bar

A.D.AC

AD M/T 1 - 1.5 - 2.2 AC

AD T/T 3 - 4 - 5.5 AC

AD T/T 7.5 - 11 - 15 AC

7

MODE =

INSTALLER MENU
RT
Rotating direction
W V U
SB 0.0 Hz 3.1 bar

A.D.AC

ADAC

1 QUICK GUIDE
INVERTERS
Pumps Inverter

1

Ok

8

A + B

MODE x 7 =

INSTALLER MENU
FI
Flow sensor
No sensor
SB 0.0 Hz 3.1 bar

FL = 1

MODE x 1 =

INSTALLER MENU
FD
Pipe diam
2"
SB 0.0 Hz 3.1 bar

A.D.AC

7

9

Boostersets

2 QUICK GUIDE
INVERTERS
Pumpssets

2

9

SET =

MAIN MENU
FREQ: 0.0 Hz
PRESS: 3.1 bar
STATE: SB

3"

MODE + SET =

SETPOINT MENU
SP
Setpoint pressure
3.0 bar
SB 0.0 Hz 3.1 bar

A.D.AC



DAB PUMPS S.p.A.
Via Marco Polo, 14 - 35035 Mestrino (PD) Italy
Phone +39.049.5125000 - Fax +39.049.5125950
customer.service@dwtgroup.com
www.dabpumps.com