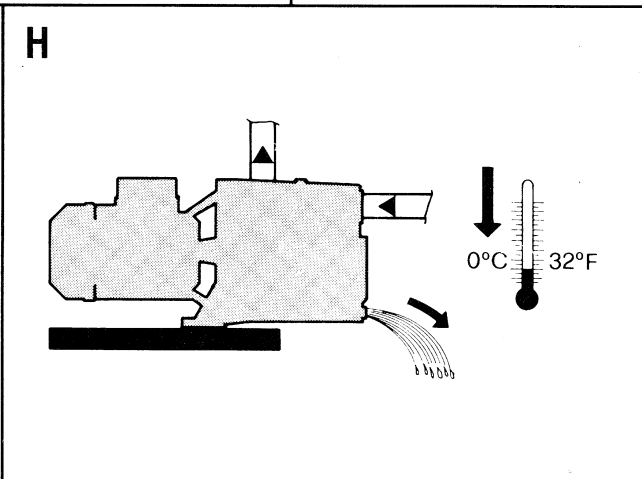
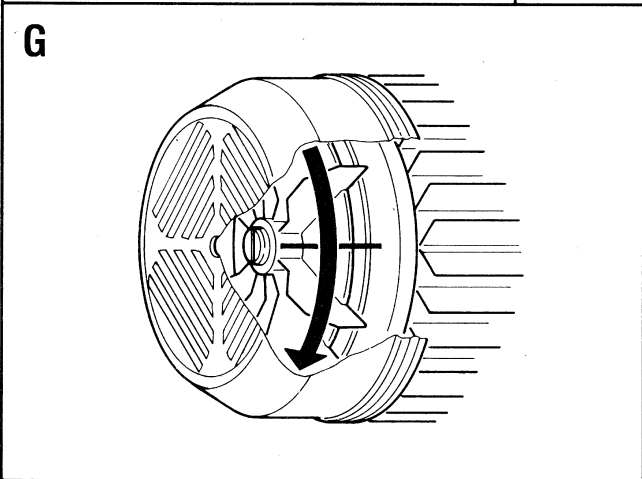
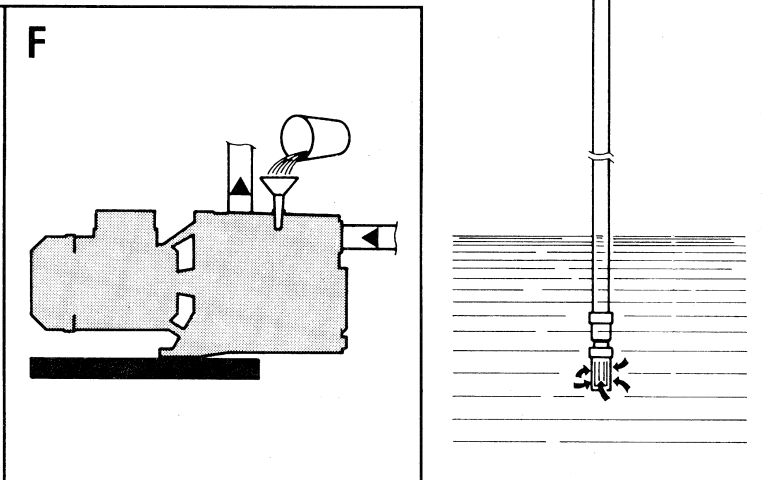
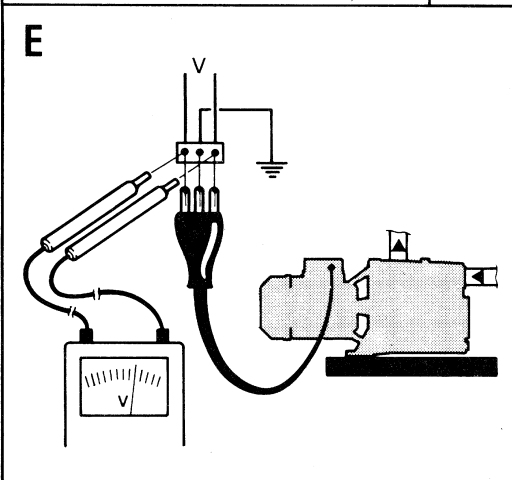
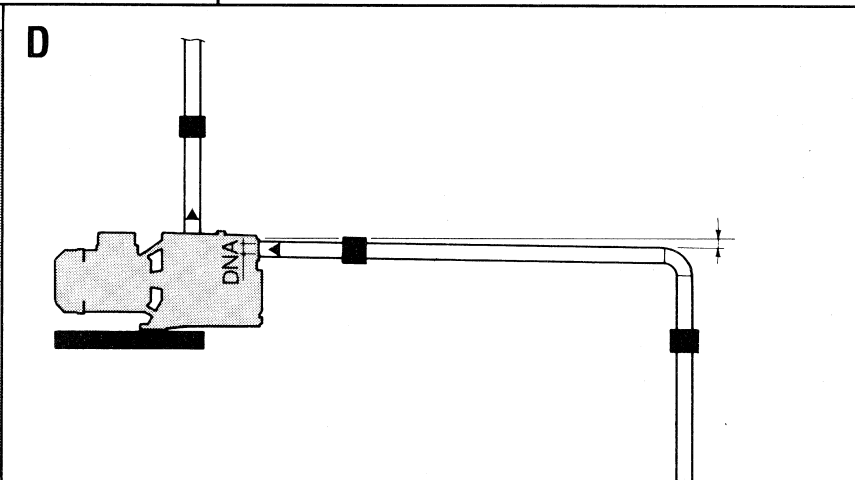
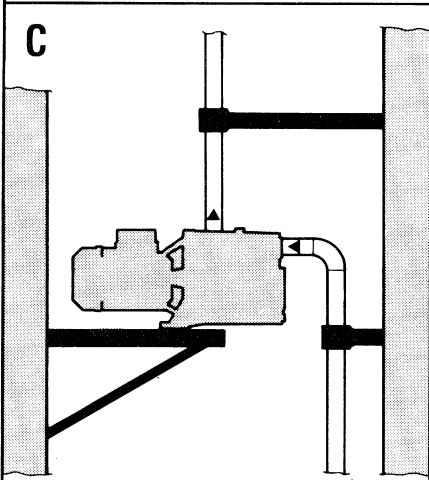
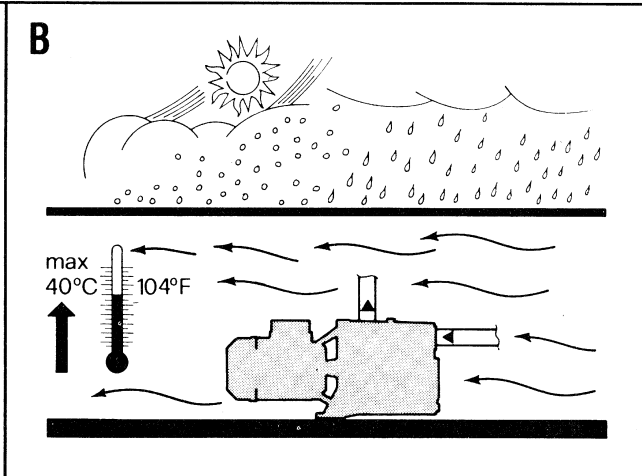
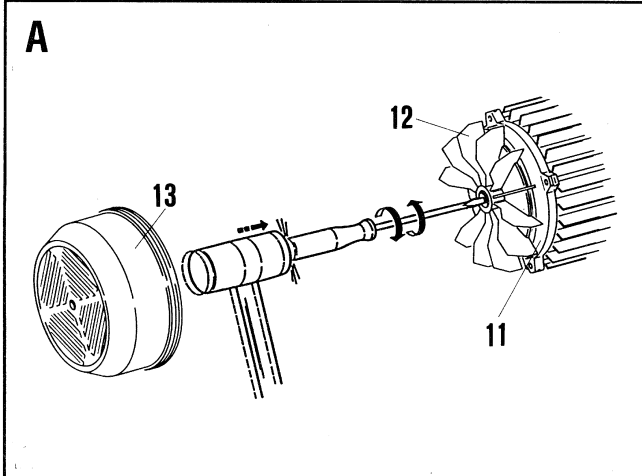

ISTRUZIONI PER L'INSTALLAZIONE E LA MANUTENZIONE
INSTRUCTIONS DE MISE EN SERVICE ET D'ENTRETIEN
INSTRUCTIONS FOR INSTALLATION AND MAINTENANCE
INSTALLATIONSANWEISUNG UND WARTUNG
INSTRUCTIES VOOR INGEBRUIKNAME EN ONDERHOUD
INSTRUCCIONES PARA LA INSTALACION Y EL MANTENIMIENTO
INSTALLATIONS - OCH UNDERHÅLLSANVISNING
KULLANIM VE BAKIM TALİMATLARI
ИНСТРУКЦИИ ПО МОНТАЖУ И ТЕХНИЧЕСКОМУ
ОБСЛУЖИВАНИЮ
MONTAVIMO IR PRIEŽIŪROS INSTRUKCIJA
INSTRUCTIUNI PENTRU INSTALARE SI INTRETINERE
INSTRUÇÕES PARA A INSTALAÇÃO E A MANUTENÇÃO
ΟΔΗΓΙΕΣ ΓΙΑ ΤΗΝ ΕΓΚΑΤΑΣΤΑΣΗ ΚΑΙ ΣΥΝΤΗΡΗΣΗ
安装和维护说明
إرشادات للتركيب والعناية.

JET 151 – 251 – 200 – 300
DP – AQUADP
EURO – EUROINOX – EUROCOM – EUROCOM SP
GARDEN-INOX
K
KP 38/18 – 60/6 – 60/12
KPA 40/20





JET 151 - JET 251
JET 200 - JET 300

DP 81 - DP 100
DP 82 - DP 102
DP 151 - DP 251

AQUADP 82/20 - AQUADP 102/20
AQUADP 151/40 - AQUADP 251/40

EURO 15/30 - EURO 20/50 - EURO 25/30 - EURO 30/30 - EURO 40/30
EURO 25/306 - EURO 30/306 - EURO 40/306

EUROINOX 15/30 - EUROINOX 20/50 - EUROINOX 25/30 - EUROINOX 30/30
EUROINOX 40/30

EUROINOX 25/306 - EUROINOX 30/306 EUROINOX 40/306

EUROCOM 25/30 - EUROCOM 30/30
EUROCOM 25/306 - EUROCOM 30/306

EURO 30/50 - EURO 40/50 - EURO 50/50
EURO 30/506 - EURO 40/506 - EURO 50/506

EUROINOX 30/50 - EUROINOX 40/50 - EUROINOX 50/50
EUROINOX 30/506 – EUROINOX 40/506 – EUROINOX 50/506

EUROCOM 30/50 - EUROCOM 40/50
EUROCOM 30/506 - EUROCOM 40/506

EURO 25/80 - EURO 30/80 - EURO 40/80
EURO 25/806 - EURO 30/806 - EURO 40/806

EUROINOX 25/80 - EUROINOX 30/80 - EUROINOX 40/80
EUROINOX 25/806 - EUROINOX 30/806 - EUROINOX 40/806

EUROCOM 25/80 - EUROCOM 30/80
EUROCOM 25/806 - EUROCOM 30/806

EUROCOM SP 30/50 - EUROCOM SP 40/50
EUROCOM SP 30/506 - EUROCOM SP 40/506

GARDEN-INOX 30/30 - GARDEN-INOX 40/50

K 20/41 - K 30/70 - K 30/100 - K 36/100
K 12/200 - K 14/400
K 35/40 - K 45/50 - K 55/50
K 35/100 - K 40/100

KP 38/18 - KP 60/6 - KP 60/12 - KPA 40/20

JET 151 – 251 – 200 – 300
DP
EURO – EUROINOX – EUROCOM – EUROCOM SP
GARDEN-INOX

(IT) DICHIARAZIONE DI CONFORMITÀ CE

Noi, **DAB Pumps S.p.A. - Via M.Polo, 14 – Mestrino (PD) – Italy**, dichiariamo sotto la nostra esclusiva responsabilità che i prodotti ai quali questa dichiarazione si riferisce sono conformi alle seguenti direttive:

- **2006/95/CE (Low Voltage Directive)**
 - **2004/108/CE (Electromagnetic Compatibility Directive)**
- ed alle seguenti norme:
- **EN 60335-1 : 02 (Household and Similar Electrical Appliances – Safety)**
 - **EN 60335-2-41 : 03 (Particular Requirements for Pumps)**

(GB) DECLARATION OF CONFORMITY CE

We, **DAB Pumps S.p.A. - Via M.Polo, 14 – Mestrino (PD) – Italy**, declare under our responsibility that the to which this declaration refers are in conformity with the following directives:

- **2006/95/CE (Low Voltage Directive)**
 - **2004/108/CE (Electromagnetic Compatibility Directive)**
- and with the following standards:
- **EN 60335-1 : 02 (Household and Similar Electrical Appliances – Safety)**
 - **EN 60335-2-41 : 03 (Particular Requirements for Pumps)**

(NL) EG-VERKLARING VAN OVEREENSTEMMING
Wij, **DAB Pumps S.p.A. - Via M.Polo, 14 – Mestrino (PD) – Italy**, verklaren uitsluitend voor eigen verantwoordelijkheid dat de producten waarop deze verklaring betrekking heeft, conform de volgende richtlijnen zijn:

- **2006/95/CE (Low Voltage Directive)**
 - **2004/108/CE (Electromagnetic Compatibility Directive)**
- en conform de volgende normen:
- **EN 60335-1 : 02 (Household and Similar Electrical Appliances – Safety)**
 - **EN 60335-2-41 : 03 (Particular Requirements for Pumps)**

(SE) EG-FÖRSÄKRAN OM ÖVERENSSTÄMMELSE
Vi, **DAB Pumps S.p.A. - Via M.Polo, 14 – Mestrino (PD) – Italy**, försäkrar under eget ansvar att produkterna som denna försäkran avser är i överensstämmelse med följande direktiv:

- **2006/95/CE (Low Voltage Directive)**
 - **2004/108/CE (Electromagnetic Compatibility Directive)**
- och följande standarder:
- **EN 60335-1 : 02 (Household and Similar Electrical Appliances – Safety)**
 - **EN 60335-2-41 : 03 (Particular Requirements for Pumps)**

(FR) DÉCLARATION DE CONFORMITÉ CE

Nous, **DAB Pumps S.p.A. - Via M.Polo, 14 – Mestrino (PD) – Italy**, déclarons sous notre responsabilité exclusive que les produits auxquels cette déclaration se réfère sont conformes aux directives suivantes:

- **2006/95/CE (Low Voltage Directive)**
 - **2004/108/CE (Electromagnetic Compatibility Directive)**
- ainsi qu'aux normes suivantes:
- **EN 60335-1 : 02 (Household and Similar Electrical Appliances – Safety)**
 - **EN 60335-2-41 : 03 (Particular Requirements for Pumps)**

(DE) EG-KONFORMITÄTSERKLÄRUNG

Wir, **DAB Pumps S.p.A. - Via M.Polo, 14 – Mestrino (PD) – Italy**, erklären unter unserer ausschließlichen Verantwortlichkeit, dass die Produkte auf die sich diese Erklärung bezieht, den folgenden Richtlinien:

- **2006/95/CE (Low Voltage Directive)**
 - **2004/108/CE (Electromagnetic Compatibility Directive)**
- sowie den folgenden Normen entsprechen:
- **EN 60335-1 : 02 (Household and Similar Electrical Appliances – Safety)**
 - **EN 60335-2-41 : 03 (Particular Requirements for Pumps)**

(ES) DECLARACIÓN DE CONFORMIDAD CE

Nosotros, **DAB Pumps S.p.A. - Via M.Polo, 14 – Mestrino (PD) – Italy**, declaramos bajo nuestra exclusiva responsabilidad que los productos a los que se refiere esta declaración son conformes con las directivas siguientes:

- **2006/95/CE (Low Voltage Directive)**
 - **2004/108/CE (Electromagnetic Compatibility Directive)**
- y con las normas siguientes:
- **EN 60335-1 : 02 (Household and Similar Electrical Appliances – Safety)**
 - **EN 60335-2-41 : 03 (Particular Requirements for Pumps)**

(TR) CE UYGUNLUK BEYANNAMESİ

Biz, **DAB Pumps S.p.A. - Via M.Polo, 14 – Mestrino (PD) – Italy**, Münhasır sorumluluğumuz altında olarak aşağıda belirtilen ve işbu beyannamenin ilişkin olduğu ürünlerin aşağıdaki direktiflere:

- **2006/95/CE (Low Voltage Directive)**
 - **2004/108/CE (Electromagnetic Compatibility Directive)**
- ve aşağıdaki standartlara uygun olduklarını beyan ederiz:
- **EN 60335-1 : 02 (Household and Similar Electrical Appliances – Safety)**
 - **EN 60335-2-41 : 03 (Particular Requirements for Pumps)**
-

(RU) ЗАЯВЛЕНИЕ О СООТВЕТСТВИИ CE

Мы, **DAB Pumps S.p.A. - Via M.Polo, 14 – Mestrino (PD) – Italy**, заявляем под полную нашу ответственность, что изделия к которым относится данное заявление, отвечают требованиям следующих директив:

- **2006/95/CE (Low Voltage Directive)**
 - **2004/108/CE (Electromagnetic Compatibility Directive)**
- и следующих нормативов:
- **EN 60335-1 : 02 (Household and Similar Electrical Appliances – Safety)**
 - **EN 60335-2-41 : 03 (Particular Requirements for Pumps)**

(RO) DECLARAȚIE DE CONFORMITATE CE

Noi, **DAB Pumps S.p.A. - Via M.Polo, 14 – Mestrino (PD) – Italy**, declarăm sub exclusivă noastră responsabilitate că produsele la care se referă această declarație sunt conforme cu următoarele directive:

- **2006/95/CE (Low Voltage Directive)**
 - **2004/108/CE (Electromagnetic Compatibility Directive)**
- și cu următoarele norme:
- **EN 60335-1 : 02 (Household and Similar Electrical Appliances – Safety)**
 - **EN 60335-2-41 : 03 (Particular Requirements for Pumps)**

(GR) ΔΗΛΩΣΗ ΣΥΜΜΟΡΦΩΣΗΣ ΕΚ

Η εταιρεία, **DAB Pumps S.p.A. - Via M.Polo, 14 – Mestrino (PD) – Italy**, Δηλώνει υπεύθυνα πως τα προϊόντα στα οποία αναφέρεται η παρούσα δήλωση, συμμορφώνονται με τις προδιαγραφές των παρακάτω οδηγιών:

- **2006/95/CE (Low Voltage Directive)**
 - **2004/108/CE (Electromagnetic Compatibility Directive)**
- και με τους παρακάτω κανονισμούς:
- **EN 60335-1 : 02 (Household and Similar Electrical Appliances – Safety)**
 - **EN 60335-2-41 : 03 (Particular Requirements for Pumps)**

欧盟符合标准声明

我们, 即 **DAB Pumps S.p.A. - Via M.Polo, 14 – Mestrino (PD) – Italy**, 基于独立承担责任的原则在此声明本声明所涉及的这些产品符合以下指令:

- **2006/95/CE (Low Voltage Directive)**
 - **2004/108/CE (Electromagnetic Compatibility Directive)**
- 同时还符合以下标准:
- **EN 60335-1 : 02 (Household and Similar Electrical Appliances – Safety)**
 - **EN 60335-2-41 : 03 (Particular Requirements for Pumps)**

Mestrino (PD), 03/06/2010

(LT) ES ATITIKTIES DEKLARACIJA

Mes, **DAB Pumps S.p.A. - Via M.Polo, 14 – Mestrino (PD) – Italy**, atsakingai pareiškiame, kad produktai atitinka šių direktyvų reikalavimus:

- **2006/95/CE (Low Voltage Directive)**
 - **2004/108/CE (Electromagnetic Compatibility Directive)**
- bei šių normų reikalavimus:
- **EN 60335-1 : 02 (Household and Similar Electrical Appliances – Safety)**
 - **EN 60335-2-41 : 03 (Particular Requirements for Pumps)**

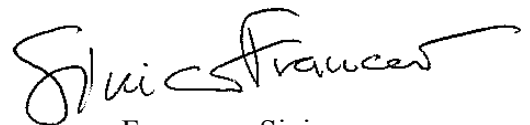
(PT) DECLARAÇÃO DE CONFORMIDADE CE

Nós, **DAB Pumps S.p.A. - Via M.Polo, 14 – Mestrino (PD) – Italy**, declaramos sob nossa exclusivă responsabilidade que os produtos aos quais esta declaração diz respeito, estão em conformidade com as seguintes directivas:

- **2006/95/CE (Low Voltage Directive)**
 - **2004/108/CE (Electromagnetic Compatibility Directive)**
- e com as seguintes normas:
- **EN 60335-1 : 02 (Household and Similar Electrical Appliances – Safety)**
 - **EN 60335-2-41 : 03 (Particular Requirements for Pumps)**

شهادة مطابقة أوروبية (CE)
نحن

DAB Pumps S.p.A. – Via M.Polo, 14 – Mestrino (PD) – Italy
نصرّح تحت مسؤوليتنا الخاصة بأن المنتجات التي إليها توحى هذه الشهادة مطابقة للأنظمة التالية:
2006/95/CE (Low Voltage Directive)
2004/108/CE (Electromagnetic Compatibility Directive)
وللأنظمة التالية:
EN 60335-1 : 02 (Household and Similar Electrical Appliances Safety)
EN 60335-2-41 : 03 (Particular Requirements for Pumps)



Francesco Sinico
Technical Director

K
KP 38/18 – 60/6 – 60/12
KPA 40/20

(IT) DICHIARAZIONE DI CONFORMITÀ CE

Noi, **DAB Pumps S.p.A. - Via M.Polo, 14 – Mestrino (PD) – Italy**, dichiariamo sotto la nostra esclusiva responsabilità che i prodotti ai quali questa dichiarazione si riferisce sono conformi alle seguenti direttive:

- 2006/42/CE (Machine Directive)
- 2006/95/CE (Low Voltage Directive)
- 2004/108/CE (Electromagnetic Compatibility Directive)

ed alle seguenti norme:

- EN 60335-1 : 02 (Household and Similar Electrical Appliances – Safety)
- EN 60335-2-41 : 03 (Particular Requirements for Pumps)
- EN 60204-1 : 06 (Electrical Equipment of Machines)
- EN 809 : 98 (Pumps and pump units for liquids - Common safety requirements)

(GB) DECLARATION OF CONFORMITY CE

We, **DAB Pumps S.p.A. - Via M.Polo, 14 – Mestrino (PD) – Italy**, declare under our responsibility that the to which this declaration refers are in conformity with the following directives:

- 2006/42/CE (Machine Directive)
- 2006/95/CE (Low Voltage Directive)
- 2004/108/CE (Electromagnetic Compatibility Directive)

and with the following standards:

- EN 60335-1 : 02 (Household and Similar Electrical Appliances – Safety)
- EN 60335-2-41 : 03 (Particular Requirements for Pumps)
- EN 60204-1 : 06 (Electrical Equipment of Machines)
- EN 809 : 98 (Pumps and pump units for liquids - Common safety requirements)

(NL) EG-VERKLARING VAN OVEREENSTEMMING

Wij, **DAB Pumps S.p.A. - Via M.Polo, 14 – Mestrino (PD) – Italy**, verklaren uitsluitend voor eigen verantwoordelijkheid dat de producten waarop deze verklaring betrekking heeft, conform de volgende richtlijnen zijn:

- 2006/42/CE (Machine Directive)
- 2006/95/CE (Low Voltage Directive)
- 2004/108/CE (Electromagnetic Compatibility Directive)

en conform de volgende normen:

- EN 60335-1 : 02 (Household and Similar Electrical Appliances – Safety)
- EN 60335-2-41 : 03 (Particular Requirements for Pumps)
- EN 60204-1 : 06 (Electrical Equipment of Machines)
- EN 809 : 98 (Pumps and pump units for liquids - Common safety requirements)

(SE) EG-FÖRSÄKRAN OM ÖVERENSSTÄMMELSE

Vi, **DAB Pumps S.p.A. - Via M.Polo, 14 – Mestrino (PD) – Italy**, försäkrar under eget ansvar att produkterna som denna försäkran avser är i överensstämmelse med följande direktiv:

- 2006/42/CE (Machine Directive)
- 2006/95/CE (Low Voltage Directive)
- 2004/108/CE (Electromagnetic Compatibility Directive)

och följande standarder:

- EN 60335-1 : 02 (Household and Similar Electrical Appliances – Safety)
- EN 60335-2-41 : 03 (Particular Requirements for Pumps)
- EN 60204-1 : 06 (Electrical Equipment of Machines)
- EN 809 : 98 (Pumps and pump units for liquids - Common safety requirements)

(FR) DÉCLARATION DE CONFORMITÉ CE

Nous, **DAB Pumps S.p.A. - Via M.Polo, 14 – Mestrino (PD) – Italy**, déclarons sous notre responsabilité exclusive que les produits auxquels cette déclaration se réfère sont conformes aux directives suivantes:

- 2006/42/CE (Machine Directive)
- 2006/95/CE (Low Voltage Directive)
- 2004/108/CE (Electromagnetic Compatibility Directive)

ainsi qu'aux normes suivantes:

- EN 60335-1 : 02 (Household and Similar Electrical Appliances – Safety)
- EN 60335-2-41 : 03 (Particular Requirements for Pumps)
- EN 60204-1 : 06 (Electrical Equipment of Machines)
- EN 809 : 98 (Pumps and pump units for liquids - Common safety requirements)

(DE) EG-KONFORMITÄTSERKLÄRUNG

Wir, **DAB Pumps S.p.A. - Via M.Polo, 14 – Mestrino (PD) – Italy**, erklären unter unserer ausschließlichen Verantwortlichkeit, dass die Produkte auf die sich diese Erklärung bezieht, den folgenden Richtlinien:

- 2006/42/CE (Machine Directive)
- 2006/95/CE (Low Voltage Directive)
- 2004/108/CE (Electromagnetic Compatibility Directive)

sowie den folgenden Normen entsprechen:

- EN 60335-1 : 02 (Household and Similar Electrical Appliances – Safety)
- EN 60335-2-41 : 03 (Particular Requirements for Pumps)
- EN 60204-1 : 06 (Electrical Equipment of Machines)
- EN 809 : 98 (Pumps and pump units for liquids - Common safety requirements)

(ES) DECLARACIÓN DE CONFORMIDAD CE

Nosotros, **DAB Pumps S.p.A. - Via M.Polo, 14 – Mestrino (PD) – Italy**, declaramos bajo nuestra exclusiva responsabilidad que los productos a los que se refiere esta declaración son conformes con las directivas siguientes:

- 2006/42/CE (Machine Directive)
- 2006/95/CE (Low Voltage Directive)
- 2004/108/CE (Electromagnetic Compatibility Directive)

y con las normas siguientes:

- EN 60335-1 : 02 (Household and Similar Electrical Appliances – Safety)
- EN 60335-2-41 : 03 (Particular Requirements for Pumps)
- EN 60204-1 : 06 (Electrical Equipment of Machines)
- EN 809 : 98 (Pumps and pump units for liquids - Common safety requirements)

(TR) CE UYGUNLUK BEYANNAMESİ

Biz, **DAB Pumps S.p.A. - Via M.Polo, 14 – Mestrino (PD) – Italy**, Münhasır sorumluluğumuz altında olarak aşağıda belirtilen ve işbu beyannamenin ilişkin olduğu ürünlerin aşağıdaki direktiflere:

- 2006/42/CE (Machine Directive)
- 2006/95/CE (Low Voltage Directive)
- 2004/108/CE (Electromagnetic Compatibility Directive)

ve aşağıdaki standartlara uygun olduklarını beyan ederiz:

- EN 60335-1 : 02 (Household and Similar Electrical Appliances – Safety)
- EN 60335-2-41 : 03 (Particular Requirements for Pumps)
- EN 60204-1 : 06 (Electrical Equipment of Machines)
- EN 809 : 98 (Pumps and pump units for liquids - Common safety requirements)

(RU) ЗАЯВЛЕНИЕ О СООТВЕТСТВИИ CE

Мы, **DAB Pumps S.p.A. - Via M.Polo, 14 – Mestrino (PD) – Italy**, заявляем под полную нашу ответственность, что изделия к которым относится данное заявление, отвечают требованиям следующих директив:

- 2006/42/CE (Machine Directive)
- 2006/95/CE (Low Voltage Directive)
- 2004/108/CE (Electromagnetic Compatibility Directive)

и следующих нормативов:

- EN 60335-1 : 02 (Household and Similar Electrical Appliances – Safety)
- EN 60335-2-41 : 03 (Particular Requirements for Pumps)
- EN 60204-1 : 06 (Electrical Equipment of Machines)
- EN 809 : 98 (Pumps and pump units for liquids - Common safety requirements)

(RO) DECLARAȚIE DE CONFORMITATE CE

Noi, **DAB Pumps S.p.A. - Via M.Polo, 14 – Mestrino (PD) – Italy**, declarăm sub exclusivă noastră responsabilitate că produsele la care se referă această declarație sunt conforme cu următoarele directive:

- 2006/42/CE (Machine Directive)
- 2006/95/CE (Low Voltage Directive)
- 2004/108/CE (Electromagnetic Compatibility Directive)

și cu următoarele norme:

- EN 60335-1 : 02 (Household and Similar Electrical Appliances – Safety)
- EN 60335-2-41 : 03 (Particular Requirements for Pumps)
- EN 60204-1 : 06 (Electrical Equipment of Machines)
- EN 809 : 98 (Pumps and pump units for liquids - Common safety requirements)

(GR) ΔΗΛΩΣΗ ΣΥΜΜΟΡΦΩΣΗΣ ΕΚ

Η εταιρεία, **DAB Pumps S.p.A. - Via M.Polo, 14 – Mestrino (PD) – Italy**, Δηλώνει υπεύθυνα πως τα προϊόντα στα οποία αναφέρεται η παρούσα δήλωση, συμμορφώνονται με τις προδιαγραφές των παρακάτω οδηγιών:

- 2006/42/CE (Machine Directive)
- 2006/95/CE (Low Voltage Directive)
- 2004/108/CE (Electromagnetic Compatibility Directive)

και με τους παρακάτω κανονισμούς:

- EN 60335-1 : 02 (Household and Similar Electrical Appliances – Safety)
- EN 60335-2-41 : 03 (Particular Requirements for Pumps)
- EN 60204-1 : 06 (Electrical Equipment of Machines)
- EN 809 : 98 (Pumps and pump units for liquids - Common safety requirements)

欧盟符合标准声明

我们, 即 **DAB Pumps S.p.A. - Via M.Polo, 14 – Mestrino (PD) – Italy**, 基于独立承担责任的原则在此声明

本声明所涉及的这些产品符合以下指令:

- 2006/42/CE (Machine Directive)
- 2006/95/CE (Low Voltage Directive)
- 2004/108/CE (Electromagnetic Compatibility Directive)

同时还符合以下标准:

- EN 60335-1 : 02 (Household and Similar Electrical Appliances – Safety)
- EN 60335-2-41 : 03 (Particular Requirements for Pumps)
- EN 60204-1 : 06 (Electrical Equipment of Machines)
- EN 809 : 98 (Pumps and pump units for liquids - Common safety requirements)

Mestrino (PD), 03/06/2010

(LT) ES ATITIKTIES DEKLARACIJA

Mes, **DAB Pumps S.p.A. - Via M.Polo, 14 – Mestrino (PD) – Italy**, atsakingai pareiškiame, kad produktai atitinka šių direktyvų reikalavimus:

- 2006/42/CE (Machine Directive)
- 2006/95/CE (Low Voltage Directive)
- 2004/108/CE (Electromagnetic Compatibility Directive)

bei šių normų reikalavimus:

- EN 60335-1 : 02 (Household and Similar Electrical Appliances – Safety)
- EN 60335-2-41 : 03 (Particular Requirements for Pumps)
- EN 60204-1 : 06 (Electrical Equipment of Machines)
- EN 809 : 98 (Pumps and pump units for liquids - Common safety requirements)

(PT) DECLARAÇÃO DE CONFORMIDADE CE

Nós, **DAB Pumps S.p.A. - Via M.Polo, 14 – Mestrino (PD) – Italy**, declaramos sob nossa exclusiva responsabilidade que os produtos aos quais esta declaração diz respeito, estão em conformidade com as seguintes directivas:

- 2006/42/CE (Machine Directive)
- 2006/95/CE (Low Voltage Directive)
- 2004/108/CE (Electromagnetic Compatibility Directive)

e com as seguintes normas:

- EN 60335-1 : 02 (Household and Similar Electrical Appliances – Safety)
- EN 60335-2-41 : 03 (Particular Requirements for Pumps)
- EN 60204-1 : 06 (Electrical Equipment of Machines)
- EN 809 : 98 (Pumps and pump units for liquids - Common safety requirements)

شهادة مطابقة أوروبية (CE)
نحن

DAB Pumps S.p.A. - Via M.Polo, 14 – Mestrino (PD) – Italy

نصرّح تحت مسؤوليتنا الخاصة بأن المنتجات التي إليها توحى هذه الشهادة مطابقة للأنظمة التالية:

- 2006/42/CE (Machine Directive)
- 2006/95/CE (Low Voltage Directive)
- 2004/108/CE (Electromagnetic Compatibility Directive)

وللأنظمة التالية.

EN 60335-1 : 02 (Household and Similar Electrical Appliances – Safety)

EN 60335-2-41 : 03 (Particular Requirements for Pumps)

EN 60204-1 : 06 (Electrical Equipment of Machines)

EN 809 : 98 (Pumps and pump units for liquids - Common safety requirements)

Francesco Sinico
Technical Director

AQUADP

(IT) DICHIARAZIONE DI CONFORMITÀ CE

Noi, **DAB Pumps S.p.A. - Via M.Polo, 14 – Mestrino (PD) – Italy**, dichiariamo sotto la nostra esclusiva responsabilità che i prodotti ai quali questa dichiarazione si riferisce sono conformi alle seguenti direttive:

- 2006/95/CE (Low Voltage Directive)
- 2004/108/CE (Electromagnetic Compatibility Directive)
- 97/23/CE (PED Directive)

ed alle seguenti norme:

- EN 60335-1 : 02 (Household and Similar Electrical Appliances – Safety)
- EN 60335-2-41 : 03 (Particular Requirements for Pumps)

(GB) DECLARATION OF CONFORMITY CE

We, **DAB Pumps S.p.A. - Via M.Polo, 14 – Mestrino (PD) – Italy**, declare under our responsibility that the to which this declaration refers are in conformity with the following directives:

- 2006/95/CE (Low Voltage Directive)
- 2004/108/CE (Electromagnetic Compatibility Directive)
- 97/23/CE (PED Directive)

and with the following standards:

- EN 60335-1 : 02 (Household and Similar Electrical Appliances – Safety)
- EN 60335-2-41 : 03 (Particular Requirements for Pumps)

(NL) EG-VERKLARING VAN OVEREENSTEMMING

Wij, **DAB Pumps S.p.A. - Via M.Polo, 14 – Mestrino (PD) – Italy**, verklaren uitsluitend voor eigen verantwoordelijkheid dat de producten waarop deze verklaring betrekking heeft, conform de volgende richtlijnen zijn:

- 2006/95/CE (Low Voltage Directive)
- 2004/108/CE (Electromagnetic Compatibility Directive)
- 97/23/CE (PED Directive)

en conform de volgende normen:

- EN 60335-1 : 02 (Household and Similar Electrical Appliances – Safety)
- EN 60335-2-41 : 03 (Particular Requirements for Pumps)

(SE) EG-FÖRSÄKRAN OM ÖVERENSSTÄMMELSE

Vi, **DAB Pumps S.p.A. - Via M.Polo, 14 – Mestrino (PD) – Italy**, försäkrar under eget ansvar att produkterna som denna försäkran avser är i överensstämmelse med följande direktiv:

- 2006/95/CE (Low Voltage Directive)
- 2004/108/CE (Electromagnetic Compatibility Directive)
- 97/23/CE (PED Directive)

och följande standarder:

- EN 60335-1 : 02 (Household and Similar Electrical Appliances – Safety)
- EN 60335-2-41 : 03 (Particular Requirements for Pumps)

(RU) ЗАЯВЛЕНИЕ О СООТВЕТСТВИИ CE

Мы, **DAB Pumps S.p.A. - Via M.Polo, 14 – Mestrino (PD) – Italy**, заявляем под полную нашу ответственность, что изделия к которым относится данное заявление, отвечают требованиям следующих директив:

- 2006/95/CE (Low Voltage Directive)
- 2004/108/CE (Electromagnetic Compatibility Directive)
- 97/23/CE (PED Directive)

и следующих нормативов:

- EN 60335-1 : 02 (Household and Similar Electrical Appliances – Safety)
- EN 60335-2-41 : 03 (Particular Requirements for Pumps)

(FR) DÉCLARATION DE CONFORMITÉ CE

Nous, **DAB Pumps S.p.A. - Via M.Polo, 14 – Mestrino (PD) – Italy**, déclarons sous notre responsabilité exclusive que les produits auxquels cette déclaration se réfère sont conformes aux directives suivantes:

- 2006/95/CE (Low Voltage Directive)
- 2004/108/CE (Electromagnetic Compatibility Directive)
- 97/23/CE (PED Directive)

ainsi qu'aux normes suivantes:

- EN 60335-1 : 02 (Household and Similar Electrical Appliances – Safety)
- EN 60335-2-41 : 03 (Particular Requirements for Pumps)

(DE) EG-KONFORMITÄTSERKLÄRUNG

Wir, **DAB Pumps S.p.A. - Via M.Polo, 14 – Mestrino (PD) – Italy**, erklären unter unserer ausschließlichen Verantwortlichkeit, dass die Produkte auf die sich diese Erklärung bezieht, den folgenden Richtlinien:

- 2006/95/CE (Low Voltage Directive)
- 2004/108/CE (Electromagnetic Compatibility Directive)
- 97/23/CE (PED Directive)

sowie den folgenden Normen entsprechen:

- EN 60335-1 : 02 (Household and Similar Electrical Appliances – Safety)
- EN 60335-2-41 : 03 (Particular Requirements for Pumps)

(ES) DECLARACIÓN DE CONFORMIDAD CE

Nosotros, **DAB Pumps S.p.A. - Via M.Polo, 14 – Mestrino (PD) – Italy**, declaramos bajo nuestra exclusiva responsabilidad que los productos a los que se refiere esta declaración son conformes con las directivas siguientes:

- 2006/95/CE (Low Voltage Directive)
- 2004/108/CE (Electromagnetic Compatibility Directive)
- 97/23/CE (PED Directive)

y con las normas siguientes:

- EN 60335-1 : 02 (Household and Similar Electrical Appliances – Safety)
- EN 60335-2-41 : 03 (Particular Requirements for Pumps)

(TR) CE UYGUNLUK BEYANNAMESİ

Biz, **DAB Pumps S.p.A. - Via M.Polo, 14 – Mestrino (PD) – Italy**, Münhasır sorumluluğumuz altında olarak aşağıda belirtilen ve işbu beyannamenin ilişkin olduğu ürünlerin aşağıdaki direktiflere:

- 2006/95/CE (Low Voltage Directive)
- 2004/108/CE (Electromagnetic Compatibility Directive)
- 97/23/CE (PED Directive)

ve aşağıdaki standartlara uygun olduklarımızı beyan ederiz:

- EN 60335-1 : 02 (Household and Similar Electrical Appliances – Safety)
- EN 60335-2-41 : 03 (Particular Requirements for Pumps)

(LT) ES ATITIKTIES DEKLARACIJA

Mes, **DAB Pumps S.p.A. - Via M.Polo, 14 – Mestrino (PD) – Italy**, atsakingai pareiškiamo, kad produktai atitinka šių direktyvų reikalavimus:

- 2006/95/CE (Low Voltage Directive)
- 2004/108/CE (Electromagnetic Compatibility Directive)
- 97/23/CE (PED Directive)

bei šių normų reikalavimus:

- EN 60335-1 : 02 (Household and Similar Electrical Appliances – Safety)
 - EN 60335-2-41 : 03 (Particular Requirements for Pumps)
-

(RO) DECLARAȚIE DE CONFORMITATE CE

Noi, **DAB Pumps S.p.A. - Via M.Polo, 14 – Mestrino (PD) – Italy**, declarăm sub exclusivă noastră responsabilitate că produsele la care se referă această declarație sunt conforme cu următoarele directive:

- 2006/95/CE (Low Voltage Directive)
- 2004/108/CE (Electromagnetic Compatibility Directive)
- 97/23/CE (PED Directive)

și cu următoarele norme:

- EN 60335-1 : 02 (Household and Similar Electrical Appliances – Safety)
- EN 60335-2-41 : 03 (Particular Requirements for Pumps)

(GR) ΔΗΛΩΣΗ ΣΥΜΜΟΡΦΩΣΗΣ ΕΚ

Η εταιρεία, **DAB Pumps S.p.A. - Via M.Polo, 14 – Mestrino (PD) – Italy**, Δηλώνει υπεύθυνα πως τα προϊόντα στα οποία αναφέρεται η παρούσα δήλωση, συμμορφώνονται με τις προδιαγραφές των παρακάτω οδηγιών:

- 2006/95/CE (Low Voltage Directive)
- 2004/108/CE (Electromagnetic Compatibility Directive)
- 97/23/CE (PED Directive)

και με τους παρακάτω κανονισμούς:

- EN 60335-1 : 02 (Household and Similar Electrical Appliances – Safety)
- EN 60335-2-41 : 03 (Particular Requirements for Pumps)

欧盟符合标准声明

我们, 即 **DAB Pumps S.p.A. – Via M.Polo, 14 – Mestrino (PD) – Italy**, 基于独立承担责任的原则在此声明

本声明所涉及的这些产品符合以下指令:

- 2006/95/CE (Low Voltage Directive)
- 2004/108/CE (Electromagnetic Compatibility Directive)
- 97/23/CE (PED Directive)

同时还符合以下标准:

- EN 60335-1 : 02 (Household and Similar Electrical Appliances – Safety)
- EN 60335-2-41 : 03 (Particular Requirements for Pumps)

Mestrino (PD), 03/06/2010

(PT) DECLARAÇÃO DE CONFORMIDADE CE

Nós, **DAB Pumps S.p.A. - Via M.Polo, 14 – Mestrino (PD) – Italy**, declaramos sob nossa exclusivă responsabilidade que os produtos aos quais esta declaração diz respeito, estão em conformidade com as seguintes directivas:

- 2006/95/CE (Low Voltage Directive)
- 2004/108/CE (Electromagnetic Compatibility Directive)
- 97/23/CE (PED Directive)

e com as seguintes normas:

- EN 60335-1 : 02 (Household and Similar Electrical Appliances – Safety)
- EN 60335-2-41 : 03 (Particular Requirements for Pumps)

شهادة مطابقة أوروبية (CE)
نحن

DAB Pumps S.p.A. – Via M.Polo, 14 – Mestrino (PD) – Italy

نصرح تحت مسؤوليتنا الخاصة بأن المنتجات


التي إليها توحى هذه الشهادة مطابقة للأنظمة التالية:

- 2006/95/CE (Low Voltage Directive)
- 2004/108/CE (Electromagnetic Compatibility Directive)
- 97/23/CE (PED Directive)

وللأنظمة التالية:

- EN 60335-1 : 02 (Household and Similar Electrical Appliances Safety)

- EN 60335-2-41 : 03 (Particular Requirements for Pumps)



Francesco Sinico
Technical Director

ITALIANO	pag	01
FRANÇAIS	page	08
ENGLISH	page	15
DEUTSCH	Seite	22
NEDERLANDS	bladz	29
ESPAÑOL	pág	36
SVENSKA	sid	43
TÜRKÇE	sayfa	49
РУССКИЙ	стр.	56
LIETUVIŠKAI	psl.	63
ROMANA	pag.	69
PORTUGUÊS	pág.	75
ΕΛΛΗΝΙΚΑ	σελ.	81
	عربي صفحة	88
中文	页码	94

	pag.
INDICE	
1. GENERALITÀ	1
2. APPLICAZIONI	1
3. LIQUIDI POMPATI	1
4. DATI TECNICI E LIMITAZIONI D'USO	2
5. GESTIONE	3
5.1. Immagazzinaggio	3
5.2. Trasporto	3
5.3. Peso	3
6. AVVERTENZE	3
6.1. Personale specializzato	3
6.2. Sicurezza	4
6.3. Controllo rotazione albero motore	4
6.4. Responsabilità	4
7. INSTALLAZIONE	4
8. ALLACCIAMENTO ELETTRICO	4
9. AVVIAMENTO	5
10. PRECAUZIONI	5
11. MANUTENZIONE E PULIZIA	5
12. MODIFICHE E PARTI DI RICAMBIO	5
12.1 Rimozione e sostituzione del cavo di alimentazione	5
13. RICERCA E SOLUZIONE INCONVENIENTI	7

1. GENERALITÀ



Prima di procedere all'installazione leggere attentamente questa documentazione. L'installazione ed il funzionamento dovranno essere conformi alla regolamentazione di sicurezza del paese di installazione del prodotto. Tutta l'operazione dovrà essere eseguita a regola d'arte.

Il mancato rispetto delle norme di sicurezza, oltre a creare pericolo per l'incolumità delle persone e danneggiare le apparecchiature, farà decadere ogni diritto di intervento in garanzia.

2. APPLICAZIONI

KP 38/18 - KP 38/18 pred. - KP 60/6 - KP 60/12: Pompa di tipo periferico idonea per uso domestico, con ingombri limitati e capace di generare alte prevalenze per alimentazione idrica, piccolo giardinaggio, svuotamento e riempimento di cisterne. Capace anche di soddisfare piccoli impieghi industriali.

KPA 40/20: pompe ad anello liquido con girante stellare, con ottime capacità di aspirazione anche con presenza di bolle d'aria o quando si ha discontinua disponibilità del liquido in aspirazione. Particolarmente impiegata per l'alimentazione idrica di impianti domestici, per aumentare la pressione o per stabilizzare il rifornimento idrico (osservando le disposizioni locali), per aspirazione da pozzi. Adatta per piccole irrigazioni di orti e giardini e in generale tutte quelle applicazioni dove è richiesto l'autoadescamento. Capaci di soddisfare anche piccoli impieghi industriali.

JET 200 - JET 300 - JET 151 - JET 251: pompe centrifughe autoadescanti a getto con ottima capacità di aspirazione anche in presenza di acqua gassata. Particolarmente indicata per alimentazione idrica e pressurizzazione di casolari. Idonee per piccola agricoltura di orti e giardinaggio, emergenze domestiche e servizi industriali.

DP 81 - DP 82 - DP 100 - DP 102 - DP 151 - DP 251 - AQUADP 82/20 - AQUADP 102/20 - AQUADP 151/40 AQUADP 251/40: pompe centrifughe autoadescanti per profonde aspirazioni fino a 30 metri con eiettore da introdurre in pozzi da 4" o maggiori. Impiegata per l'approvvigionamento idrico di case coloniche e piccola agricoltura.

EURO - EUROINOX e derivate: pompa centrifuga pluristadio autoadescante ad asse orizzontale adatta ad impieghi domestici o industriali per impianti idrici di approvvigionamento e pressurizzazione. In agricoltura è valida per piccole irrigazioni e lavaggio di attrezzi e macchinari. Adatte a funzionare anche con acqua gassata. Il ricircolo dell'acqua avviene solo in fase di adescamento, dopodiché la massima portata viene resa disponibile all'utilizzo con erogazione continua e costante. Queste qualità permettono vaste possibilità di impiego.

K 20/41 - K 30/70 - K 30/100 - K 36/100 - K 12/200 - K 14/400: pompe centrifughe monogirante adatte a sollevare acqua ad uso domestico, industriale ed agricolo. Ottime per impieghi di travaso e di miscelazione.

K 35/40 - K 45/50 - K 55/50 - K 35/100 - K 40/100: pompe centrifughe caratterizzate dall'impiego di due giranti (contrapposte per i modelli K 35/40 - K 45/50 - K 55/50) caratterizzate da un funzionamento estremamente silenzioso. Particolarmente indicate per realizzare gruppi di pressurizzazione per impianti idrici ed alimentazione di autoclavi. Idonee anche per irrigazione a pioggia e molti altri usi nei più svariati campi di applicazione.

3. LIQUIDI POMPATI



La macchina è progettata e costruita per pompare acqua, priva di sostanze esplosive e particelle solide o fibre, con densità pari a 1000 Kg/m³ e viscosità cinematica uguale ad 1mm²/s e liquidi non chimicamente aggressivi.

4. DATI TECNICI E LIMITAZIONI D'USO

- **Tensione di alimentazione:** 220 - 240V 50Hz / 110V 50Hz
115V 60Hz / 230V 60Hz
230 V3 – 400 V3 50/60Hz
- **Potenza assorbita:** vedi targhetta dati elettrici
- **Portata:** da 0,06 a 37 m³/h
- **Prevalenza – Hmax (m):** pag. 99
- **Liquido pompato:** pulito, senza corpi solidi o abrasivi, non aggressivo.
- **Grado di protezione motore:** IP44 (Per IP55 vedi targhetta sull'imballo).
- **Grado di protezione morsettiera:** IP55
- **Classe di protezione:** F
- **Pressacavo:** PG 11 e/o PG 13,5 a seconda dei modelli
- **Fusibili di linea classe AM:**

(vedi targhetta dati elettrici)

Modello	Fusibili di linea (Ampere)			
	110V 50Hz 115V 60Hz	220-240V 50Hz 230V 60Hz	230 V3 50/60Hz	400 V3 50/60Hz
KP 38/18, KP 38/18 Pred., KP 60/6, DP 81, DP 82, AQUADP 82/20, K 20/41	8	4	4	2
KPA 40/20	8	6	4	2
KP 60/12	--	6	4	4
EURO 40/30-40/306 / 30/50-30/506 / 25/80-25/806 EUROINOX 40/30-40/306 / 30/50-30/506 / 25/80-25/806 EUROCOM 25/80-25/806 / 30/50-30/506 EUROCOM SP 30/50-30/506	10	6	4	4
EURO 25/30-25/306 / 30/30-30/306 EUROINOX 25/30-25/306 / 30/30-30/306 EUROCOM 25/30-25/306 / 30/30-30/306 GARDEN-INOX 30/30	8	4	4	4
EURO 40/50-40/506 / 30/80-30/806 EUROINOX 40/50-40/506 / 30/80-30/806 EUROCOM 40/50-40/506 / 30/80-30/806 EUROCOM SP 40/50-40/506 GARDEN-INOX 40/50	12	6	6	4
EURO 50/50-50/506 / 40/80-40/806 EUROINOX 50/50-50/506 / 40/80-40/806	20	8	6	4
K 12/200, K 30/70, K 35/40, DP 100, DP 102, AQUADP 102/20	12	6	6	4
K 30/100	16	8	6	4
JET 151, K 35/100	20	10	6	4
K 40/100, K 36/100, K45/50, DP 151, AQUADP 151/40	20	10	8	4
JET 200, K 14/400	20	10	8	6
JET 251	25	12	8	6
JET 300, K 55/50, DP 251, AQUADP 251/40	32	16	10	6
Massima pressione di esercizio:	6 bar (600 kPa):	DP 81, DP 82, DP 100, DP 102, AQUADP 82/20, AQUADP 102/20 EURO, EUROINOX, EUROCOM, EUROCOM SP, GARDEN-INOX K 35/40, K 35/100, K 40/100, K 20/41, K 30/70, K 30/100, K 36/100, K 12/200, K 14/400		
	7,5 bar (750 kPa):	JET 151, JET 251, JET 200, JET 300 DP 151, DP 251, AQUADP 151/40, AQUADP 251/40		
	8 bar (800 kPa):	K 45/50, K 55/50		
	10 bar (1000 kPa):	KP 60/6, KP 60/12, KP 38/18 KPA 40/20		
Campo di temperatura del liquido:	0 ÷ +35°C:	Per tutte le elettropompe omologate EN 60335-2-41 (uso domestico)		
	0 ÷ +40°C:	JET 151, JET 251, JET 200, JET 300 DP 81, DP 82, DP 100, DP 102, DP 151, DP 251, AQUADP 82/20, AQUADP 102/20, AQUADP 151/40, AQUADP 251/40		
	-10 ÷ +50°C:	K 20/41, K 30/70, K 30/100, K 36/100, K 12/200, K 35/40, K 45/50, K 35/100, K 40/100 KP 38/18		
	-10 ÷ +80°C:	KP 60/6, KP 60/12 KPA 40/20		
	-15 ÷ +110°C:	K 14/400, K 55/50		

- **Temperatura di magazzinaggio:** -10°C +40°C
- **Umidità relativa dell'aria:** MAX 95%
- **Rumorosità:**
 - Per le pompe previste per uso esterno: rumorosità secondo la Direttiva 2000/14/CE.
 - Per le altre pompe: rumorosità secondo la Direttiva EC 89/392/CEE e seguenti modifiche.
- **Costruzione dei motori:** secondo normative CEI 2-3 - CEI 61-69 (EN 60335-2-41)
- **I conduttori dei cavi di alimentazione devono avere una sezione nominale non inferiore a quella illustrata nella seguente tabella:**

Corrente nominale dell'apparecchio A			Sezione nominale mm ²
> 0,2	e	≤ 0,2	Cavi a rosetta ^a
> 3	e	≤ 3	0,5 ^a
> 6	e	≤ 6	0,75
> 10	e	≤ 10	1,0 (0,75) ^b
> 16	e	≤ 16	1,5 (1,0) ^b
> 25	e	≤ 25	2,5
> 32	e	≤ 32	4
> 40	e	≤ 40	6
> 40	e	≤ 63	10

^a Questi cavi possono essere usati solo se la loro lunghezza non supera i 2 m tra il punto in cui il cavo o la sua protezione entra nell'apparecchio e l'entrata nella spina.

^b I cavi che possiedono le sezioni indicate tra parentesi possono essere impiegati per gli **apparecchi mobili** nel caso in cui la loro lunghezza non superi i 2 m.

5. GESTIONE

5.1 Immagazzinaggio

Tutte le pompe devono essere immagazzinate in luogo coperto, asciutto e con umidità dell'aria possibilmente costante, privo di vibrazioni e polveri.

Vengono fornite nel loro imballo originale nel quale devono rimanere fino al momento dell'installazione. Se così non fosse provvedere a chiudere accuratamente la bocca di aspirazione e mandata.

5.2 Trasporto

Evitare di sottoporre i prodotti ad inutili urti e collisioni.

Per sollevare e trasportare il gruppo avvalersi di sollevatori utilizzando il pallet fornito di serie (se previsto).

5.3 Peso

La targhetta adesiva posta sull'imballo riporta l'indicazione del peso totale dell'elettropompa.

6. AVVERTENZE

6.1 Personale specializzato



È consigliabile che l'installazione venga eseguita da personale competente e qualificato, in possesso dei requisiti tecnici richiesti dalle normative specifiche in materia.

Per personale qualificato si intendono quelle persone che per la loro formazione, esperienza ed istruzione, nonché le conoscenze delle relative norme, prescrizioni provvedimenti per la prevenzione degli incidenti e sulle condizioni di servizio, sono stati autorizzati dal responsabile della sicurezza dell'impianto ad eseguire qualsiasi necessaria attività ed in questa essere in grado di conoscere ed evitare qualsiasi pericolo. (Definizione per il personale tecnico IEC 364)

L'apparecchio non è destinato ad essere usato da persone (bambini compresi) le cui capacità fisiche sensoriali e mentali siano ridotte, oppure con mancanza di esperienza o di conoscenza, a meno che esse abbiano potuto beneficiare, attraverso l'intermediazione di una persona responsabile della loro sicurezza, di una sorveglianza o di istruzioni riguardanti l'uso dell'apparecchio. I bambini devono essere sorvegliati per sincerarsi che non giochino con l'apparecchio. (EN 60335-1: 02).

6.2 Sicurezza

L'utilizzo è consentito solamente se l'impianto elettrico è contraddistinto da misure di sicurezza secondo le Normative vigenti nel paese di installazione del prodotto (per l'Italia CEI 64/2).

6.3 Controllo rotazione albero motore

Prima di installare la pompa è necessario controllare che le parti in movimento ruotino liberamente. A tale scopo togliere il copriventola dalla sede del coperchio posteriore del motore ed agire con un cacciavite sull'intaglio previsto sull'albero motore dal lato ventilazione. **In caso di bloccaggio** ruotare il cacciavite battendo leggermente su di esso con un martello. **Fig. A**

6.4 Responsabilità

Il costruttore non risponde del buon funzionamento delle elettropompe o di eventuali danni da queste provocati, qualora le stesse vengano manomesse, modificate e/o fatte funzionare fuori dal campo di lavoro consigliato o in contrasto con altre disposizioni contenute in questo manuale.

Declina inoltre ogni responsabilità per le possibili inesattezze contenute nel presente manuale istruzioni, se dovute ad errori di stampa o di trascrizione. Si riserva il diritto di apportare ai prodotti quelle modifiche che riterrà necessarie od utili, senza pregiudicarne le caratteristiche essenziali.

7. INSTALLAZIONE

Le pompe possono contenere piccole quantità di acqua residua proveniente dai collaudi. Consigliamo di lavarle brevemente con acqua pulita prima dell'installazione definitiva.

7.1 L'elettropompa deve essere installata in un luogo ben aerato, protetto dalle intemperie e con una temperatura ambiente non superiore a 40°C. **Fig.B**

7.2 Un solido ancoraggio della pompa alla base di appoggio favorisce l'assorbimento di eventuali vibrazioni create dal funzionamento della pompa. **Fig.C**

7.3 Evitare che le tubazioni metalliche trasmettano sforzi eccessivi alle bocche della pompa, per non creare deformazioni o rotture. **Fig.C**

7.4 **È sempre buona norma posizionare la pompa il più vicino possibile al liquido da pompare.**

La pompa deve essere installata esclusivamente in posizione orizzontale. Le tubazioni non devono mai essere di diametro interno inferiore a quello delle bocche dell'elettropompa e in aspirazione si consiglia di installare una valvola di fondo. **Fig.D** Per profondità di aspirazione oltre i quattro metri o con notevoli percorsi in orizzontale, è consigliabile l'impiego di un tubo di aspirazione di diametro maggiore di quello della bocca aspirante dell'elettropompa. Per evitare il formarsi di sacche d'aria nel tubo di aspirazione, prevedere una leggera pendenza positiva del tubo di aspirazione verso l'elettropompa. **Fig. D**

7.5 Se la tubazione aspirante fosse in gomma o in materiale flessibile, controllare sempre che sia del tipo rinforzato per evitare restringimenti per effetto dell'aspirazione.

7.6 In tutte le pompe previste per la versione portatile la maniglia per il sollevamento ed il trasporto **deve essere sempre presente e ben fissata al supporto.**

7.7 **Per le pompe destinate ad essere utilizzate nelle fontane per uso esterno, nei bacini da giardino ed in luoghi simili, la pompa deve essere alimentata per mezzo di un circuito munito di un dispositivo a corrente differenziale, la cui corrente differenziale di funzionamento nominale non sia superiore a 30 mA.**

8. ALLACCIAMENTO ELETTRICO:

Attenzione: osservare sempre le norme di sicurezza!



Rispettare rigorosamente gli schemi elettrici riportati all'interno della scatola morsettiera


8.1 **L'installazione elettrica deve essere effettuata da un elettricista esperto, autorizzato che se ne assume tutte le responsabilità.**

8.2 Assicurarsi che la tensione di rete corrisponda a quella di targa del motore da alimentare e che sia possibile **ESEGUIRE UN BUON COLLEGAMENTO DI TERRA (Fig. E)**, in particolare il morsetto di terra deve essere collegato al conduttore giallo/verde del cavo di alimentazione.

Dev'essere utilizzato, inoltre, un conduttore di terra più lungo rispetto ai conduttori di fase per evitare che in caso di trazione si scolleghi per primo.

- 8.3 Nelle installazioni fisse le Norme Internazionali prevedono l'utilizzo di interruttori sezionatori con base portafusibili.
- 8.4 I motori monofase sono muniti di protezione termo-amperometrica incorporata e possono essere collegati direttamente alla rete. I motori trifase devono essere protetti con interruttore automatico (es. magnetotermico) tarato ai dati di targa dell'elettropompa oppure con fusibili in accordo al dimensionamento indicato nel capitolo 4.

9. AVVIAMENTO

- 9.1  **Non avviare la pompa senza averla totalmente riempita di liquido.**

Prima dell'avviamento controllare che la pompa sia regolarmente adescata, provvedendo al suo totale riempimento, con acqua pulita, attraverso l'apposito foro, dopo aver rimosso il tappo di carico, posizionato sul corpo pompa. Questa operazione risulta fondamentale per il perfetto funzionamento della pompa, indispensabile perché la tenuta meccanica risulti ben lubrificata. (**Fig. F**). **Il funzionamento a secco provoca danni irreparabili alla tenuta meccanica.** Il tappo di carico dovrà poi essere riavvitato accuratamente.

- 9.2 Dare tensione e controllare, per la versione trifase, il giusto senso di rotazione, che, osservando il motore dal lato ventola, dovrà avvenire in senso orario **Fig.G**. In caso contrario invertire tra di loro due qualsiasi conduttori di fase, dopo aver scollegato la pompa dalla rete di alimentazione.

10. PRECAUZIONI

- 10.1 L'elettropompa non deve essere sottoposta a più di 20 avviamenti per ora in modo da non sottoporre il motore a eccessive sollecitazioni termiche.

- 10.2 **PERICOLO DI GELO:** quando la pompa rimane inattiva per lungo tempo ad una temperatura inferiore a 0°C, è necessario procedere al completo svuotamento del corpo pompa attraverso il tappo di scarico **Fig. H**, per evitare eventuali incrinature dei componenti idraulici. Tale operazione è consigliata anche in caso di prolungata inattività a temperatura normale.

- 10.3 La messa in funzione dopo lunga inattività richiede il ripetersi delle operazioni di avviamento precedentemente elencate.

11. MANUTENZIONE E PULIZIA



L'elettropompa nel funzionamento normale non richiede alcun tipo di manutenzione. Può essere comunque necessaria la pulizia delle parti idrauliche quando si noti una certa riduzione delle caratteristiche. **L'elettropompa non può essere smontata se non da personale specializzato e qualificato in possesso dei requisiti richiesti dalle normative specifiche in materia.** In ogni caso tutti gli interventi di riparazione e manutenzione si devono effettuare solo dopo aver scollegato la pompa dalla rete di alimentazione.

12. MODIFICHE E PARTI DI RICAMBIO



Qualsiasi modifica non autorizzata preventivamente, solleva il costruttore da ogni tipo di responsabilità. Tutti i pezzi di ricambio utilizzati nelle riparazioni devono essere originali e tutti gli accessori devono essere autorizzati dal costruttore, in modo da poter garantire la massima sicurezza delle macchine e degli impianti su cui queste possono essere montate.



Nel caso di danneggiamento del cavo di alimentazione di questo apparecchio, la riparazione deve essere effettuata da personale specializzato per prevenire ogni rischio.

12.1 Rimozione e sostituzione del cavo di alimentazione

Prima di procedere assicurarsi che l'elettropompa non sia collegata alla rete di alimentazione.

A) Per versione senza pressostato

Rimuovere il coprimorsettiera svitando le quattro viti su esso posizionate. Svitare i tre morsetti L - N - \oplus e sfilare il filo marrone, il filo blu ed il filo giallo-verde, provenienti dal cavo di alimentazione, dopo aver allentato il pressacavo.

B) Versione con pressostato tipo SQUARE D

- **spezzone di cavo con spina da pressostato:** svitare la vite del coperchio pressostato con l'ausilio di un cacciavite e rimuovere il coperchio. Sfilare il filo giallo verde svitando la vite di terra, il filo blu ed il filo marrone dai relativi morsetti laterali allentando le viti su essi posizionate. Rimuovere il morsetto fermacavo svitando le relative viti e sfilare il cavo così scollegato.

-
- **spezzone di cavo da pressostato a morsettiera:** svitare il dado dal coperchio pressostato con l'ausilio di un cacciavite e rimuovere il coperchio. Sfilare il filo giallo-verde svitando la vite di terra, il filo blu ed il filo marrone dai relativi morsetti centrali svitando le viti su essi posizionate. Rimuovere il morsetto fermacavo svitando le relative viti e sfilare il cavo così scollegato. Rimuovere il coprimerlettiera svitando le quattro viti su esso posizionate. Svitare i tre morsetti L - N - \oplus e sfilare il filo marrone, il filo blu ed il filo giallo-verde, provenienti dal pressostato, dopo aver allentato il pressacavo.

C) Versione con pressostato tipo:

TELEMECANIQUE / SQUARE D – TELEMECANIQUE / ITALTECNICA

- **spezzone di cavo con spina da pressostato:** svitare la vite del coperchio pressostato con l'ausilio di un cacciavite e rimuovere il coperchio sganciandolo dalla base del pressostato. Sfilare il filo giallo-verde svitando il morsetto di terra lato sinistro. Sfilare, dallo stesso lato, il filo blu ed il filo marrone dai relativi morsetti, svitando le viti su quest'ultimi posizionate. Allentare il dado pressacavo del pressostato lato sinistro e sfilare il cavo così scollegato.
- **spezzone di cavo da pressostato a morsettiera:** svitare la vite del coperchio pressostato con l'ausilio di un cacciavite e rimuovere il coperchio sganciandolo dalla base del pressostato. Sfilare il filo giallo-verde svitando il morsetto di terra lato destro. Sfilare, sempre dallo stesso lato, il filo blu ed il filo marrone dai relativi morsetti svitando le viti su quest'ultimi posizionate. Allentare il dado pressacavo del pressostato lato destro e sfilare il cavo così scollegato. Rimuovere il coprimerlettiera svitando le quattro viti su esso posizionate. Svitare i tre morsetti L - N - \oplus e sfilare i tre fili, marrone blu e giallo-verde, provenienti dal pressostato, dopo aver allentato il pressacavo.

La sostituzione del cavo di alimentazione deve essere effettuata utilizzando cavo dello stesso tipo (es. H05 RN-F o H07 RN-F a seconda dell'installazione) e avente la stessa terminazione, seguendo l'ordine di lavoro inverso allo smontaggio.

ATTENZIONE : a seconda dell'installazione e in caso di pompe sprovviste di cavo, prevedere cavi di alimentazione tipo H05 RN-F per uso interno e tipo H07 RN-F per uso esterno, completi di spina (EN 60335-2-41). Per cavi di alimentazione senza spina, prevedere un dispositivo di disinserzione della rete di alimentazione (es. magnetotermico) con contatti di separazione di almeno 3 mm per ogni polo.

13. RICERCA E SOLUZIONE INCONVENIENTI

INCONVENIENTI	VERIFICHE (possibili cause)	RIMEDI
1. Il motore non parte e non genera rumori.	A. Verificare le connessioni elettriche. B. Verificare che il motore sia sotto tensione. C. Verificare i fusibili di protezione.	C. Se bruciati sostituirli. N.B.: l'eventuale immediato ripetersi del guasto significa che il motore è in corto circuito.
2. Il motore non parte ma genera rumori.	A. Assicurarsi che la tensione di rete corrisponda a quella di targa. B. Controllare che le connessioni siano state eseguite correttamente. C. Verificare in morsettiera la presenza di tutte le fasi. (3 ~) D. Ricercare possibili ostruzioni della pompa o del motore. E. Verificare lo stato del condensatore.	B. Correggere eventuali errori. C. In caso negativo ripristinare la fase mancante. D. Rimuovere le ostruzioni. E. Sostituire il condensatore.
3. Il motore gira con difficoltà.	A. Assicurarsi che la tensione di alimentazione non sia insufficiente. B. Verificare possibili raschiamenti tra parti mobili e fisse.	B. Provvedere ad eliminare le cause del raschiamento.
4. La pompa non eroga.	A. La pompa non è stata adescata correttamente. B. Verificare il corretto senso di rotazione nei motori trifase. C. Tubo di aspirazione con diametro insufficiente. D. Valvola di fondo ostruita.	A. Riempire d'acqua la pompa, ed il tubo di aspirazione se non autoadescante, ed effettuare l'adescamento. B. Invertire tra di loro due fili di alimentazione. C. Sostituire il tubo con uno di diametro maggiore. D. Ripulire la valvola di fondo.
5. La pompa non adesca.	A. Il tubo di aspirazione o la valvola di fondo aspirano aria. B. La pendenza negativa del tubo di aspirazione favorisce la formazione di sacche d'aria.	A. Eliminare il fenomeno e ripetere l'operazione di adescamento. B. Correggere l'inclinazione del tubo di aspirazione.
6. La pompa eroga una portata insufficiente.	A. La valvola di fondo è ostruita. B. La girante è usurata o ostruita. C. Tubazione di aspirazione con diametro insufficiente. D. Verificare il corretto senso di rotazione nei motori trifase.	A. Ripulire la valvola di fondo. B. Rimuovere le ostruzioni o sostituire i particolari usurati. C. Sostituire la tubazione con una di diametro maggiore. D. Invertire tra di loro due fili di alimentazione.
7. La pompa vibra con funzionamento rumoroso.	A. Verificare che la pompa e le tubazioni siano ben fissate. B. La pompa cava, cioè ha una richiesta di acqua superiore a quella che riesce a pompare. C. La pompa lavora oltre i dati di targa.	A. Fissare con maggiore cura le parti allentate. B. Ridurre l'altezza di aspirazione o controllare le perdite di carico. C. Può essere utile limitare la portata in mandata.

TABLE DES MATIÈRES		page
1.	GÉNÉRALITÉS	8
2.	APPLICATIONS	8
3.	LIQUIDES POMPES	8
4.	CARACTÉRISTIQUES TECHNIQUES ET LIMITES D'UTILISATION	9
5.	GESTION	10
5.1.	Stockage	10
5.2.	Transport	10
5.3.	Poids	10
6.	AVERTISSEMENTS	10
6.1.	Personnel spécialisé	10
6.2.	Sécurité	11
6.3.	Contrôle rotation arbre moteur	11
6.4.	Responsabilités	11
7.	INSTALLATION	11
8.	BRANCHEMENT ÉLECTRIQUE	11
9.	MISE EN MARCHE	12
10.	PRÉCAUTIONS	12
11.	MAINTENANCE ET LAVAGE	12
12.	MODIFICATIONS ET PIÈCES DE RECHANGE	12
12.1	Enlèvement et remplacement du câble	12
13.	IDENTIFICATION DES INCONVÉNIENTS ET REMÈDES	14
1.	GÉNÉRALITÉS	



Avant de procéder à l'installation, lire attentivement cette documentation. L'installation et le fonctionnement devront être conformes à la réglementation de sécurité en vigueur dans le pays d'installation du produit. Toute l'opération devra être effectuée dans les règles de l'art. Le non respect des normes de sécurité, en plus de créer un risque pour les personnes et d'endommager les appareils, fera perdre tout droit d'intervention sous garantie.

2. APPLICATIONS

KP 38/18 - KP 38/18 pred. - KP 60/6 - KP 60/12: Pompe de type périphérique adaptée à un usage domestique, avec des encombrements limités et capable de produire des hauteurs manométriques élevées pour alimentation en eau, petit jardinage, vidage et remplissage de citernes. Elle est en mesure également d'assurer des applications industrielles de petite entité.

KPA 40/20: pompe à anneau latéral avec roue étoilée, caractérisée par d'excellentes capacités d'aspiration même en présence de bulles d'air et quand la disponibilité de liquide en aspiration est discontinue. Employée en particulier pour l'alimentation en eau d'installations domestiques, pour augmenter la pression ou pour stabiliser l'approvisionnement en eau (en observant les normes locales), pour l'aspiration à partir de forages. Adaptée pour les petits arrosages de potagers et de jardins en général et dans tous les applications nécessitant l'auto-amarçage. Modèle en mesure de satisfaire également de petits emplois industriels.

JET 200 - JET 300 - JET 151 - JET 251: pompes centrifuges auto-amorçables à jet avec une excellente capacité d'aspiration même en présence d'eau gazeuse. Particulièrement indiquée pour l'alimentation en eau et la surpression d'habitations rurales. Indiquées pour l'arrosage de potagers et de jardins, les urgences domestiques et les services industriels.

DP 81 - DP 82 - DP 100 - DP 102 - DP 151 - DP 251 - AQUADP 82/20 - AQUADP 102/20 - AQUADP 151/40 - AQUADP 251/40: pompes centrifuges auto-amorçables pour aspirations profondes jusqu'à 30 mètres avec éjecteur à introduire dans des forages de 4" ou plus. Employée pour l'alimentation en eau de maisons rurales et pour la petite agriculture.

EURO - EUROINOX et dérivées: pompe centrifuge multicellulaire auto-amorçable à axe horizontal adaptée à des usages domestiques ou industriels pour installations hydrauliques d'approvisionnement et de surpression. En agriculture, elle convient pour les petites irrigations et le lavage d'outils et de machines. Ces modèles peuvent fonctionner également avec de l'eau gazeuse. Le recyclage de l'eau s'effectue seulement en phase d'amarçage puis le débit maximum est rendu disponible pour l'utilisation avec une sortie constante. Ces qualités permettent de nombreux types d'application.

K 20/41 - K 30/70 - K 30/100 - K 36/100 - K 12/200 - K 14/400: pompes centrifuges à une roue indiquées pour le relevage d'eau à usage domestique, industriel et agricole. Idéales pour les opérations de transfert et de mélange.

K 35/40 - K 45/50 - K 55/50 - K 35/100 - K 40/100: pompes centrifuges caractérisées par l'emploi de deux roues (opposées pour les modèles K 35/40 - K 45/50 - K 55/50) et par un fonctionnement extrêmement silencieux. Particulièrement indiquées pour réaliser des groupes de surpression pour installations hydrauliques et alimentation d'autoclaves. Indiquées également pour l'irrigation goutte à goutte et de nombreuses autres utilisations dans les domaines d'applications les plus variés.

3. LIQUIDES POMPES



La machine est projetée et construite pour pomper de l'eau, privée de substances explosives et de particules solides ou fibres, avec une densité égale à 1000 kg/m³ et une viscosité cinématique d'1 mm²/s, et des liquides non agressifs sur le plan chimique.

4. CARACTÉRISTIQUES TECHNIQUES ET LIMITES D'UTILISATION

- **Tension d'alimentation :** 220 - 240V 50Hz / 110V 50Hz
115V 60Hz / 230V 60Hz
230 V3 – 400 V3 50/60Hz
- **Puissance absorbée :** voir plaquette des données électriques
- **Débit:** de 0,06 à 37 m³/h
- **Hauteur d'élévation – Hmax (m):** page 99
- **Liquide pompé:** propre sans corps solides ou abrasifs, non agressif
- **Degré de protection moteur:** IP44 (Pour IP55 voir plaquette sur l'emballage)
- **Degré de protection porte-bornes:** IP55
- **Classe du moteur :** F
- **Serre-câbles:** PG 11 e/o PG 13,5 selon les modèles
- **Fusibles de ligne classe AM:**

Modèle	Fusibles de ligne(Ampere)			
	110V 50Hz 115V 60Hz	220-240V 50Hz 230V 60Hz	230 V3 50/60Hz	400 V3 50/60Hz
KP 38/18, KP 38/18 Pred., KP 60/6, DP 81, DP 82, AQUADP 82/20 K 20/41	8	4	4	2
KPA 40/20	8	6	4	2
KP 60/12	--	6	4	4
EURO 40/30-40/306 / 30/50-30/506 / 25/80-25/806 EUROINOX 40/30-40/306 / 30/50-30/506 / 25/80-25/806 EUROCOM 25/80-25/806 / 30/50-30/506 EUROCOM SP 30/50-30/506	10	6	4	4
EURO 25-30/25/306 / 30/30-30/306 EUROINOX 25/30-25/306 / 30/30-30/306 EUROCOM 25/30-25/306 / 30/30-30/306 GARDEN-INOX 30/30	8	4	4	4
EURO 40/50-40/506 / 30/80-30/806 EUROINOX 40/50-40/506 / 30/80-30/806 EUROCOM 40/50-40/506 / 30/80-30/806 EUROCOM SP 40/50-40/506 GARDEN-INOX 40/50	12	6	6	4
EURO 50/50-50/506 / 40/80-40/806 EUROINOX 50/50-50/506 / 40/80-40/806	20	8	6	4
K 12/200, K 30/70, K 35/40, DP100, DP 102, AQUADP 102/20 K 30/100	12 16	6 8	6 6	4 4
JET 151, K 35/100	20	10	6	4
K 40/100, K 36/100, K45/50, DP 151, AQUADP 151/40	20	10	8	4
JET 200, K 14/400	20	10	8	6
JET 251	25	12	8	6
JET 300, K 55/50, DP 251, AQUADP 251/40	32	16	10	6
Pression de service maximum:	6 bar (600 kPa):	DP 81, DP 82, DP 100, DP 102, AQUADP 82/20, AQUADP 102/20 EURO, EUROINOX, EUROCOM, EUROCOM SP, GARDEN-INOX K 35/40, K 35/100, K 40/100, K 20/41, K 30/70, K 30/100, K 36/100, K 12/200, K 14/400		
	7,5 bar (750 kPa):	JET 151, JET 251, JET 200, JET 300 DP 151, DP 251, AQUADP 151/40, AQUADP 251/40		
	8 bar (800 kPa):	K 45/50, K 55/50		
	10 bar (1000 kPa):	KP 60/6, KP 60/12, KP 38/18 KPA 40/20		
Température maximum du liquide:	0 ÷ +35°C:	Pour toutes les pompes homologuées EN 60335-2-41 (usage domestique)		
	0 ÷ +40°C:	JET 151, JET 251, JET 200, JET 300 DP 81, DP 100, DP 102, DP 151, DP 251 AQUADP 82/20, AQUADP 102/20, AQUADP 151/40, AQUADP 251/40		
	-10 ÷ +50°C:	K 20/41, K 30/70, K 30/100, K 36/100, K 12/200, K 35/40, K 45/50, K 35/100, K 40/100 KP 38/18		
	-10 ÷ +80°C:	KP 60/6, KP 60/12 KPA 40/20		
	-15 ÷ +110°C:	K 14/400, K 55/50		

- **Température de magasinage :** -10°C +40°C
- **Humidité relative de l'air:** MAX 95%
- **Niveau de bruit :**
 - Pour les pompes prévues pour usage à l'extérieur: niveau sonore conforme à la Directive 2000/14/CE.
 - Pour les autres pompes: niveau sonore conforme à la Directive EC 89/392/CEE et modifications successives.
- **Moteurs construits selon les normes CEI 2 - 3 - CEI 61-69 (EN 60335-2-41)**
- **Les conducteurs des câbles d'alimentation doivent avoir une section nominale non inférieure à celle indiquée dans le tableau ci-après :**

Courant nominal de l'appareil A	Section nominale mm ²
≤ 0,2	Câbles souples à fil rosette ^a
> 0,2 et ≤ 3	
> 3 et ≤ 6	
> 6 et ≤ 10	
> 10 et ≤ 16	
> 16 et ≤ 25	
> 25 et ≤ 32	
> 32 et ≤ 40	
> 40 et ≤ 63	
^a Ces câbles ne peuvent être utilisés que si leur longueur ne dépasse pas 2 m entre le point où le câble ou sa protection entre dans l'appareil et l'entrée dans la fiche. ^b Les câbles possédant les sections indiquées entre parenthèses peuvent être utilisés pour les appareils mobiles si leur longueur ne dépasse pas 2 m.	

5. GESTION

5.1 Stockage

Toutes les pompes doivent être stockées dans un endroit couvert, sec et avec une humidité de l'air constante si possible, sans vibrations et non poussiéreux.

Elles sont fournies dans leur emballage d'origine dans lequel elles doivent rester jusqu'au moment de l'installation. En cas contraire, veiller à boucher soigneusement les orifices d'aspiration et de refoulement.

5.2 Transport

Eviter de soumettre les produits à des chocs inutiles et à des collisions.

Pour le levage et le transport du groupe, se servir de chariots élévateurs en utilisant la palette fournie de série (si elle est prévue).

5.3 Poids

L'étiquette adhésive située sur l'emballage indique le poids total de l'électropompe.

6. AVERTISSEMENTS

6.1 Personnel spécialisé



Il est conseillé de confier l'installation à du personnel spécialisé et qualifié, possédant les caractéristiques requises par les normes spécifiques en la matière.

Par personnel qualifié, on désigne les personnes qui de par leur formation, leur expérience, leur instruction et leur connaissance des normes, des prescriptions, des mesures de prévention des accidents et des conditions de service, ont été autorisées par le responsable de la sécurité de l'installation à effectuer n'importe quelle activité nécessaire et durant celle-ci sont en mesure de connaître et d'éviter tout risque. (Définition pour le personnel technique IEC 364)

L'appareil n'est pas destiné à être utilisé par des personnes (enfants compris) dont les capacités physiques, sensorielles et mentales sont réduites, ou manquant d'expérience ou de connaissance, à moins qu'elles aient pu bénéficier, à travers l'intervention d'une personne responsable de leur sécurité, d'une surveillance ou d'instructions concernant l'utilisation de l'appareil. Il faut surveiller les enfants pour s'assurer qu'ils ne jouent pas avec l'appareil. (EN 60335-1 : 02)

6.2 Sécurité

L'utilisation est autorisée seulement si l'installation électrique possède les caractéristiques de sécurité requises par les Normes en vigueur dans le pays d'installation du produit (pour l'Italie CEI 64/2).

6.3 Contrôle rotation arbre moteur

Avant d'installer la pompe, il faut contrôler que les parties en mouvement tournent librement. Dans ce but enlever la protection ventilateur de l'emplacement du couvercle arrière du moteur; agir avec un tournevis dans la fente prévue à cet effet sur l'arbre moteur, côté ventilation. **En cas de blocage**, tourner le tournevis en frappant légèrement sur celui-ci avec un marteau. **Fig. A**

6.4 Responsabilités



Le constructeur ne répond pas du bon fonctionnement des électropompes ou d'éventuels dommages provoqués par les pompes si celles-ci sont manipulées, modifiées et/ou utilisées hors des limites de travail conseillées ou sans respecter les autres dispositions contenues dans ce manuel.

Il décline en outre toute responsabilité pour les éventuelles inexactitudes contenues dans ce manuel d'instructions si elles sont dues à des erreurs d'impression ou de transcription. Il se réserve le droit d'apporter aux produits les modifications qu'il estimera nécessaires ou utiles, sans en compromettre les caractéristiques essentielles.

7. INSTALLATION



Les pompes peuvent contenir des petites quantités d'eau résiduelle provenant des essais de fonctionnement.

Nous conseillons de les laver rapidement avec de l'eau propre avant l'installation définitive.

- 7.1 L'électropompe doit être installée dans un lieu bien aéré, protégé contre les intempéries et avec une température ambiante ne dépassant pas 40°C. **Fig. B**
- 7.2 Un solide ancrage de la pompe à la base d'appui favorise l'absorption d'éventuelles vibrations créées par le fonctionnement de la pompe. **Fig. C**
- 7.3 Eviter que les tuyauteries métalliques transmettent des efforts excessifs aux brides de la pompe pour ne pas créer de déformations ou de ruptures. **Fig. C**
- 7.4 Il est toujours conseillé de positionner la pompe le plus près possible du liquide à pomper. La pompe doit être installée exclusivement en position horizontale. Les tuyauteries ne doivent jamais être de diamètre interne inférieur à celui des brides de l'électropompe et en aspiration, il est conseillé d'installer un clapet de pied. **Fig D** Pour des profondeurs d'aspiration dépassant les quatre mètres ou avec de longs parcours à l'horizontale, il est conseillé d'utiliser un tuyau d'aspiration d'un diamètre supérieur à celui de la bride aspirante de l'électropompe. Pour éviter la formation de poches d'air dans le tuyau d'aspiration, prévoir une légère pente positive du tuyau d'aspiration vers l'électropompe. **Fig. D**
- 7.5 Si le tuyau d'aspiration est en caoutchouc ou en matériau flexible, contrôler toujours qu'il est bien de type renforcé pour éviter les étranglements par effet de l'aspiration.
- 7.6 Dans toutes les pompes prévues pour la version portable la poignée pour le soulèvement et le transport **doit toujours être présente et bien fixée au support.**
- 7.7 **Pour les installations destinées à être utilisées dans les fontaines pour usage extérieur, dans les bassins de jardin et dans des endroits similaires, la pompe doit être alimentée au moyen d'un circuit muni d'un dispositif de protection différentielle avec courant nominal de déclenchement ne dépassant pas 30 mA.**

8. BRANCHEMENT ÉLECTRIQUE:

Attention: respecter toujours les normes de sécurité!



Respecter rigoureusement les schémas électriques se trouvant à l'intérieur de la boîte à bornes

- 8.1 **L'installation électrique doit être exécutée par un électricien expérimenté et autorisé, s'assurant toutes les responsabilités de son travail.**
- 8.2 S'assurer que la tension de secteur correspond à celle de la plaque du moteur à alimenter et qu'il est possible **D'EFFECTUER UNE MISE À LA TERRE EFFICACE (Fig E)**, en particulier, la borne de terre doit être connectée au conducteur jaune/vert du câble d'alimentation. De plus, il faut utiliser un conducteur de terre plus long que les conducteurs de phase pour éviter qu'il se déconnecte en premier en cas de traction
- 8.3 Dans les installations fixes, les Normes Internationales prévoient l'emploi d'interrupteurs disjoncteurs avec base porte-fusibles.

- 8.4 Les moteurs monophasés sont munis de protection thermique ampèremétrique incorporée et peuvent être raccordés directement au secteur. Les moteurs triphasés doivent être protégés à l'aide d'un interrupteur automatique (ex. magnétothermique) étalonné suivant les données de plaque de l'électropompe ou de fusibles du calibre indiqué au chapitre 4.

9. MISE EN MARCHÉ

9.1



Ne pas mettre la pompe en marche sans l'avoir préalablement complètement remplie de liquide.

Avant la mise en marche, contrôler que la pompe est régulièrement amorcée en effectuant son remplissage, avec de l'eau propre, à travers le trou prévu à cet effet sur le corps pompe, après avoir enlevé le bouchon de remplissage. Cette opération est fondamentale pour le parfait fonctionnement de la pompe et indispensable pour que le joint d'étanchéité mécanique soit bien lubrifié (**Fig. F**). **Le fonctionnement à sec provoque des dommages irréparables au joint d'étanchéité mécanique.** Le bouchon de remplissage devra être revissé soigneusement une fois l'opération terminée.

- 9.2 Donner la tension et contrôler, pour la version triphasée, le bon sens de rotation correspondant au sens des aiguilles d'une montre avec le moteur vu du côté ventilateur Fig. G. En cas contraire, intervertir deux conducteurs de phase, après avoir débranché électriquement la pompe.

10. PRÉCAUTIONS

- 10.1 L'électropompe ne doit pas être soumise à plus de 20 démarrages horaires de manière à ne pas exposer le moteur à des sollicitations thermiques excessives.

- 10.2 **DANGER DE GEL** : quand la pompe reste inactive pendant longtemps à une température inférieure à 0°C, il faut procéder à la vidange totale du corps de la pompe à travers le bouchon de vidange Fig. H, pour éviter d'endommager les composants hydrauliques. Cette opération est conseillée également en cas d'inactivité prolongée à une température normale.

- 10.3 Pour mettre en marche la pompe après une longue inactivité, il faut répéter les opérations décrites ci-dessus

11. MAINTENANCE ET LAVAGE



L'électropompe, lors du fonctionnement normal, n'a besoin d'aucun type de maintenance. Il peut être nécessaire toutefois de laver les parties hydrauliques quand on constate une certaine réduction des caractéristiques. **L'électropompe ne peut être démontée que par du personnel spécialisé et qualifié en possession des caractéristiques requises par les normes spécifiques en la matière.** Dans tous les cas, toutes les interventions de réparation et de maintenance doivent être effectuées seulement après avoir débranché la pompe.

12. MODIFICATIONS ET PIÈCES DE RECHANGE



Le Constructeur décline toute responsabilité en cas de modification non autorisée au préalable. Toutes les pièces de rechange utilisées dans les réparations doivent être originales et tous les accessoires doivent être autorisés par le constructeur, de manière à pouvoir garantir la sécurité maximum des machines et des installations dans lesquelles les pompes sont montées.



En cas d'endommagement du câble d'alimentation de cet appareil, la réparation doit être effectuée par du personnel spécialisé pour prévenir tout risque d'accident.

12.1 Enlèvement et remplacement du câble

Avant de procéder, contrôler que l'électropompe n'est pas raccordée au secteur.

A) Pour version sans pressostat

Enlever le couvercle de la boîte à bornes en dévissant les quatre vis qui s'y trouvent. Dévisser les bornes L - N - \oplus et extraire le fil marron, le fil bleu et le fil jaune-vert, provenant du câble d'alimentation, après avoir desserré le serre-câble.

B) Version avec pressostat type SQUARE D

- **Partie du câble du pressostat à la prise**: dévisser la vis du couvercle du pressostat à l'aide d'un tournevis et enlever le couvercle. Extraire le fil jaune-vert en dévissant la vis de terre, le fil bleu et le fil marron des bornes latérales respectives en desserrant les vis. Dévisser les vis du serre-câble et extraire le câble ainsi libéré.

-
- **Partie du câble du pressostat à la boîte à bornes:** dévisser la vis du couvercle pressostat à l'aide d'un tournevis et enlever le couvercle. Extraire le fil jaune-vert en dévissant la borne de terre, le fil bleu et le fil marron des bornes centrales respectives en desserrant les vis. Dévisser la vis du serre-câble et extraire le câble ainsi libéré. Enlever le couvercle de la boîte à bornes en dévissant les quatre vis qui s'y trouvent. Dévisser les bornes L - N - \oplus et extraire le fil marron, le fil bleu et le fil jaune-vert, provenant du pressostat, après avoir desserré le serre-câble.

C) Version avec pressostat type:

TELEMECANIQUE / SQUARE D – TELEMECANIQUE / ITALTECNICA:

- **Partie du câble du pressostat à la prise:** dévisser la vis du couvercle du pressostat à l'aide d'un tournevis et enlever le couvercle en le décrochant de la base du pressostat. Extraire le fil jaune-vert en dévissant la borne de terre côté gauche et du même côté, le fil bleu et le fil marron des bornes respectives en desserrant les vis. Dévisser les vis du serre-câble du pressostat côté gauche et extraire le câble ainsi libéré.
- **Partie du câble du pressostat à la boîte à bornes:** dévisser la vis du couvercle pressostat à l'aide d'un tournevis et enlever le couvercle en le décrochant de la base du pressostat. Extraire le fil jaune-vert en dévissant la vis de terre côté droit et, toujours du même côté, le fil bleu et le fil marron des bornes respectives en desserrant les vis. Dévisser la vis serre-câble du pressostat côté droit et extraire le câble ainsi libéré. Enlever le couvercle de la boîte à bornes en dévissant les quatre vis qui s'y trouvent. Dévisser les bornes L - N - \oplus et extraire le fil marron, le fil bleu et le fil jaune-vert, provenant du pressostat, après avoir desserré le serre-câble.

Le remplacement du câble d'alimentation doit être effectué en utilisant un câble du même type (par ex. H05 RN-F ou H07 RN-F selon l'installation) et ayant la même terminaison suivant l'ordre inverse au démontage.

ATTENTION: selon l'installation et en cas de pompes démunies de câbles, prévoir des câbles d'alimentation type H05 RN-F pour usage interne et type H07 RN-F pour usage externe, avec prise (EN 60335-2-41). Pour les câbles d'alimentation sans fiche, prévoir un dispositif disjoncteur (par ex. interrupteur magnétothermique) avec contacts de séparation d'au moins 3 mm pour chaque pôle.

13. IDENTIFICATION DES INCONVÉNIENTS ET REMÈDES

INCONVÉNIENTS	VÉRIFICATION (causes possibles)	REMEDES
1. Le moteur ne démarre pas et ne fait pas de bruit.	A. Vérifier les connexions électriques. B. Vérifier que le moteur est sous tension. C. Vérifier les fusibles de protection.	C. S'ils sont grillés, les remplacer. N.B.: la répétition immédiate éventuelle du problème signifie que le moteur est en court-circuit.
2. Le moteur ne démarre pas mais fait du bruit.	A. S'assurer que la tension du secteur correspond à celle de la plaque. B. Contrôler que les connexions ont été exécutées correctement. C. Vérifier la présence de toutes les phases dans la boîte à bornes (3 ~). D. Rechercher les raisons possibles d'un blocage de la pompe ou du moteur. E. Vérifier l'état du condensateur.	B. Corriger les éventuelles erreurs. C. Si ce n'est pas le cas, rétablir la phase manquante. D. Éliminer les obstructions. E. Remplacer le condensateur.
3. La pompe tourne avec difficulté.	A. S'assurer que la tension d'alimentation est suffisante. B. Vérifier les frottements entre parties mobiles et parties fixes.	B. Éliminer la cause du frottement.
4. La pompe ne refoule pas.	A. La pompe n'a pas été amorcée correctement. B. Vérifier le bon sens de rotation dans les moteurs triphasés. C. Tuyau d'aspiration avec diamètre insuffisant. D. Clapet de pied bouché.	A. Remplir d'eau la pompe et le tuyau d'aspiration si elle n'est pas auto-amorçable et effectuer l'amorçage. B. Intervertir deux conducteurs. C. Remplacer le tuyau avec un autre de diamètre supérieur. D. Nettoyer le clapet de pied.
5. La pompe ne s'amorce pas.	A. Le tuyau d'aspiration ou le clapet de pied aspirent de l'air. B. La pente négative du tuyau d'aspiration favorise la formation de poches d'air.	A. Éliminer le phénomène et répéter l'opération d'amorçage. B. Corriger l'inclinaison du tuyau d'aspiration.
6. La pompe refoule à un débit insuffisant.	A. Le clapet de pied est bouché. B. La roue est usée ou bouchée. C. Tuyau d'aspiration avec diamètre insuffisant. D. Vérifier le bon sens de rotation dans les moteurs triphasés.	A. Nettoyer le clapet de pied. B. Éliminer les obstructions et remplacer les pièces usées. C. Remplacer le tuyau avec un autre de diamètre supérieur. D. Intervertir deux conducteurs.
7. La pompe vibre et a un fonctionnement bruyant.	A. Vérifier que la pompe et les tuyaux sont bien fixés. B. Il y a cavitation dans la pompe, c'est-à-dire que la demande d'eau dépasse ce que la pompe parvient à pomper. C. La pompe fonctionne au-delà des limites indiquées sur la plaque.	A. Fixer avec plus de soin les parties desserrées. B. Réduire la hauteur d'aspiration ou contrôler les pertes de charge. C. Il peut être utile de limiter le débit en refoulement.

	page
CONTENTS	
1. GENERAL	15
2. APPLICATIONS	15
3. PUMPED FLUIDS	15
4. TECHNICAL DATA AND RANGE OF USE	15
5. MANAGEMENT	17
5.1. Storage	17
5.2. Transport	17
5.3. Weights	17
6. WARNINGS	17
6.1. Skilled personnel	17
6.2. Safety	18
6.3. Checking motor shaft rotation	18
6.4. Responsibility	18
7. INSTALLATION	18
8. ELECTRICAL CONNECTION	18
9. STARTING UP	19
10. PRECAUTIONS	19
11. MAINTENANCE AND CLEANING	19
12. MODIFICATIONS AND SPARE PARTS	19
12.1 Removal and replacement of the supply cable	19
13. TROUBLESHOOTING	21
1. GENERAL	



Read this documentation carefully before installation. Installation and functioning must comply with the safety regulations in force in the country in which the product is installed. The entire operation must be carried out in a workmanlike manner.

Failure to comply with the safety regulations not only causes risk to personal safety and damage to the equipment, but invalidates every right to assistance under guarantee.

2. APPLICATIONS

KP 38/18 - KP 38/18 pred. - KP 60/6 - KP 60/12: Peripheral pump suitable for domestic use, with limited bulk, capable of generating high heads for water supply, small gardening jobs, draining and filling cisterns. Also suitable for small industrial uses.

KPA 40/20: liquid ring pump with star-shaped impeller, with excellent suction capacities even in the presence of air bubbles or when the fluid to be lifted is not continuously available. Used particularly for supplying water to household systems, for increasing pressure or stabilising the water supply (in compliance with local regulations) and for lifting water from wells. Suitable for small irrigation work in gardens and in general for all applications where a self-priming pump is required. It can also satisfy small industrial applications.

JET 200 - JET 300 - JET 151 - JET 251: Self-priming centrifugal jet pumps with excellent suction capacity, even when gas is present in the water. Particularly suitable for water supply uses and for pressurization in the home. Suitable for small farming applications, market gardens, gardening, emergencies in the home and industrial utilities.

DP 81 - DP 82 - DP 100 - DP 102 - DP 151 - DP 251 - AQUADP 82/20 - AQUADP 102/20 - AQUADP 151/40 - AQUADP 251/40 : Self-priming centrifugal pumps for suction at depths of as many as 30 metres with ejector to be fitted in 4" wells or larger. Used for supplying water to farm houses and in small farming applications.

EURO - EUROINOX and derived models: Self-priming multistage centrifugal pump with horizontal action, suitable for domestic or industrial uses, for water supply systems and pressurization. In farming it is ideal for small irrigation work and for washing tools and machinery. Also suitable for water containing gas. Water is recycled only during the priming stage, after which the maximum flow is made available for use with continuous and constant distribution. These qualities allow vast possibilities for use.

K 20/41 - K 30/70 - K 30/100 - K 36/100 - K 12/200 - K 14/400: Single-impeller centrifugal pumps suitable for lifting water for domestic, industrial and agricultural use. Excellent for transfer and mixing operations.

K 35/40 - K 45/50 - K 55/50 - K 35/100 - K 40/100: Centrifugal pumps characterized by the use of two impellers (opposed for models K 35/40 - K 45/50 - K 55/50), with extremely silent operation. Particularly suitable for use in pressurization units for water supply systems and for feeding autoclaves. Also suitable for sprinkling irrigation and many other uses in the most varied fields of application.

3. PUMPED FLUIDS



The machine has been designed and built for pumping water, free from explosive substances and solid particles or fibres, with a density of 1000 kg/m³ and a kinematic viscosity of 1 mm²/s, and chemically non-aggressive liquids.

4. TECHNICAL DATA AND RANGE OF USE

– Supply voltage:	220 - 240V 50Hz	see electrical data plate
	110V 50Hz	
	115V 60Hz	
	230V 60Hz	
	230 V3 – 400 V3 50/60Hz	

- **Absorbed power:** see electrical data plate
- **Delivery:** from 0,06 to 37 m³/h
- **Head up – Hmax (m):** pag. 99
- **Pumped liquid:** clean, free from solid bodies or abrasive substances, non-aggressive.
- **Degree of motor protection:** IP44 (For IP55 see plate on package)
- **Degree of terminal board protection:** IP55
- **Protection class:** F
- **Cable clamp:** PG 11 and/or PG 13.5, depending on models

- **Line fuses AM class:**

Model	Line fuses(Amps)			
	110V 50Hz 115V 60Hz	220-240V 50Hz 230V 60Hz	230 V3 50/60Hz	400 V3 50/60Hz
KP 38/18, KP 38/18 Pred., KP 60/6, DP 81, DP 82, AQUADP 82/20 K 20/41	8	4	4	2
KPA 40/20	8	6	4	2
KP 60/12;	--	6	4	4
EURO 40/30-40/306 / 30/50-30/506 / 25/80-25/806 EUROINOX 40/30-40/306 / 30/50-30/506 / 25/80-25/806 EUROCOM 25/80-25/806 / 30/50-30/506 EUROCOM SP 30/50-30/506	10	6	4	4
EURO 25/30-25/306 / 30/30-30/306 EUROINOX 25/30-25/306 / 30/30-30/306 EUROCOM 25/30-25/306 / 30/30-30/306 GARDEN-INOX 30/30	8	4	4	4
EURO 40/50-40/506 / 30/80-30/806 EUROINOX 40/50-40/506 / 30/80-30/806 EUROCOM 40/50-40/506 / 30/80-30/806 EUROCOM SP 40/50-40/506 GARDEN-INOX 40/50	12	6	6	4
EURO 50/50-50/506 / 40/80-40/806 EUROINOX 50/50-50/506 / 40/80-40/806	20	8	6	4
K 12/200, K 30/70, K 35/40, DP 100, DP 102, AQUADP 102/20	12	6	6	4
K 30/100	16	8	6	4
JET 151, K 35/100	20	10	6	4
K 40/100, K 36/100, K45/50, DP 151, AQUADP 151/40	20	10	8	4
JET 200, K 14/400	20	10	8	6
JET 251	25	12	8	6
JET 300, K 55/50, DP 251, AQUADP 251/40	32	16	10	6
Maximun operating pressure:	6 bar (600 kPa):	DP 81, DP 82, DP 100, DP 102, AQUADP 82/20, AQUADP 102/20 EURO, EUROINOX, EUROCOM, EUROCOM SP, GARDEN-INOX K 35/40, K 35/100, K 40/100, K 20/41, K 30/70, K 30/100, K 36/100, K 12/200, K 14/400		
	7,5 bar (750 kPa):	JET 151, JET 251, JET 200, JET 300 DP 151, DP 251, AQUADP 151/40, AQUADP 251/40		
	8 bar (800 kPa):	K 45/50, K 55/50		
	10 bar (1000 kPa):	KP 60/6, KP 60/12, KP 38/18 KPA 40/20		
Liquid temperature range:	0 ÷ +35°C:	For all homologated pumps EN 60335-2-41 (for domestic uses)		
	0 ÷ +40°C:	JET 151, JET 251, JET 200, JET 300 DP 81, DP 82, DP 100, DP 102, DP 151, DP 251 AQUADP 82/20, AQUADP 102/20, AQUADP 151/40, AQUADP 251/40		
	-10 ÷ +50°C:	K 20/41, K 30/70, K 30/100, K 36/100, K 12/200, K 35/40, K 45/50, K 35/100, K 40/100 KP 38/18		
	-10 ÷ +80°C:	KP 60/6, KP 60/12 KPA 40/20		
	-15 ÷ +110°C:	K 14/400, K 55/50		

- **Storage temperature:** -10°C to +40°C
- **Relative humidity of the air:** MAX. 95%
- **Noise level:**
 - For pumps intended for outdoor use: noise emission according to Directive 2000/14/CE.
 - For other pumps: noise emission according to Directive EC 89/392/CEE and subsequent amendments.
- **Motor construction in conformity with standards CEI 2-3 - CEI 61-69 (EN 60335-2-41).**
- **The leads of the supply cables must have a rated section no smaller than that illustrated in the following table:**

Rated current: of the appliance A		Rated section mm ²
	≤ 0,2	Flat twin tinsel cord ^a
> 0,2	and ≤ 3	
> 3	and ≤ 6	
> 6	and ≤ 10	
> 10	and ≤ 16	
> 16	and ≤ 25	
> 25	and ≤ 32	
> 32	and ≤ 40	
> 40	and ≤ 63	
^a These cables may be used only if their length does not exceed 2 m between the point in which the cable or its sheath enters the appliance and its entry in the plug.		
^b The cables with the sections indicated in brackets may be used for mobile appliances if their length does not exceed 2 m.		

5. MANAGEMENT

5.1 Storage

All the pumps must be stored indoors, in a dry, vibration-free and dust-free environment, possibly with constant air humidity.

They are supplied in their original packaging and must remain there until the time of installation. If this is not possible, the intake and delivery aperture must be accurately closed.

5.2 Transport

Avoid subjecting the products to needless jolts or collisions.

To lift and transport the unit, use lifting equipment and the pallet supplied standard (if applicable).

5.3 Weights

The adhesive label on the package indicates the total weight of the electropump.

6. WARNINGS

6.1 Skilled technical personnel



It is advisable that installation be carried out by skilled personnel in possession of the technical qualifications required by the specific legislation in force.

The term **skilled personnel** means persons whose training, experience and instruction, as well as their knowledge of the respective standards and requirements for accident prevention and working conditions, have been approved by the person in charge of plant safety, authorizing them to perform all the necessary activities, during which they are able to recognize and avoid all dangers. (Definition for technical personnel IEC 364).

The appliance is not intended to be used by persons (including children) with reduced physical, sensory or mental capacities, or who lack experience or knowledge, unless, through the mediation of a person responsible for their safety, they have had the benefit of supervision or of instructions on the use of the appliance. Children should be supervised to ensure that they do not play with the appliance. (EN 60335-1 : 02)

6.2 Safety

Use is allowed only if the electric system is in possession of safety precautions in accordance with the regulations in force in the country where the product is installed (for Italy, CEI 64/2).

6.3 Checking motor shaft rotation

Before installing the pump you must check that the rotating parts turn freely. For this purpose remove the fan cover from its seat in the motor end cover. Insert a screwdriver in the notch on the motor shaft from the ventilation side. If there is a blockage, turn the screwdriver, tapping it gently with a hammer. **FIG. A**

6.4 Responsibility

The Manufacturer does not vouch for correct operation of the pumps if they are tampered with or modified, run outside the recommended work range or in contrast with the other instructions given in this manual.

The Manufacturer declines all responsibility for possible errors in this instructions manual, if due to misprints or errors in copying. The company reserves the right to make any modifications to products that it may consider necessary or useful, without affecting the essential characteristics.

7. INSTALLATION

The pumps may contain small quantities of residual water from testing. We advise flushing them briefly with clean water before their final installation.

- 7.1** The electropump must be fitted in a well ventilated place, protected from unfavourable weather conditions and with an environment temperature not exceeding 40°C. **Fig. B**
- 7.2** A firm anchoring of the pump to the bearing surface favours the absorption of any vibrations caused by pump operation. **Fig. C**
- 7.3** Ensure that the metal pipes do not exert undue strain on the apertures, thus preventing deformations or breakages. **Fig. C**
- 7.4** **It is always good practice to place the pump as close as possible to the liquid to be pumped.** The pump must be installed only in horizontal position. The internal diameters of the pipes must never be smaller than that of the mouth of the electropump. It is advisable to fit a foot valve on suction. **Fig. D** For suction depths of over four metres or with long horizontal stretches it is advisable to use an intake hose with a diameter larger than that of the intake aperture of the pump. To prevent the formation of air pockets, the intake hose must slope slightly upwards towards the pump. **Fig. D**
- 7.5** If the intake pipe is made of rubber or flexible material, always check that it is of the reinforced type to avoid throttling due to suction.
- 7.6** The lifting and carrying handle **must always be present and well fixed to the support** on all pumps produced in the portable version.
- 7.7** **Pumps that are to be used in fountains for outdoor use, in garden ponds and similar places, must be fed by means of a circuit equipped with a differential current device, the rated operating differential current of which is not higher than 30 mA.**

8. ELECTRICAL CONNECTION

Caution! always follow the safety regulations.



Scrupulously follow the wiring diagrams inside the terminal board box.

- 8.1** **Electric installation must be carried out by skilled and authorized electrician who accepts all the responsibility for the job.**
- 8.2** Ensure that the mains voltage is the same as the value shown on the motor plate and that there is the possibility of **MAKING A GOOD EARTH CONNECTION (Fig. E)**, in particular the earth terminal must be connected to the yellow/green lead of the power cable. The earth lead used must be longer than the phase leads so that it does not disconnect first when subject to traction.
- 8.3** In fixed installations, International Safety Standards require the use of isolating switches with a fuse-carrier base.
- 8.4** Single-phase motors are provided with built-in thermal overload protection and may be connected directly to the mains. Three-phase motors must be protected with an automatic switch (e.g. overload protection) set at the values on the electropump data plate, or with fuses of the size indicated in chapter 4.

9. STARTING UP

9.1



Do not start the pump unless it has been completely filled with fluid.

Before starting up, check that the pump is properly primed; fill it completely with clean water by means of the hole provided after having removed the filler cap on the pump body. This ensures that the mechanical seal is well lubricated and that the pump immediately starts to work regularly. **(Fig. F). Dry operation causes irreparable damage to the mechanical seal.** The filling cap must then be screwed back on carefully.

9.2

Switch on the power and check, on the three-phase version, that the motor is turning in the correct direction; this should be in a clockwise direction, looking at the motor from the impeller side. **Fig. G** If it is turning in the wrong direction, invert the connections of any two wires on the terminal board, after having disconnected the pump from the power mains.

10. PRECAUTIONS

10.1

The electropump should not be started more than 20 times in one hour so as not to subject the motor to excessive thermal shock.

10.2

DANGER OF FROST: When the pump remains inactive for a long time at temperatures of less than 0°C, the pump body must be completely emptied through the drain cap **Fig. H**, to prevent possible cracking of the hydraulic components. This operation is advisable even in the event of prolonged inactivity at normal temperature.

10.3

When starting after long periods of inactivity, the starting-up operations listed above must be repeated.

11. MAINTENANCE AND CLEANING



In normal operation, the pump does not require any specific maintenance. However, it may be necessary to clean the hydraulic parts when a fall in yield is observed. **The electropump must not be dismantled unless by skilled personnel in possession of the qualifications required by the regulations in force.** In any case, all repairs and maintenance jobs must be carried out only after having disconnected the pump from the power mains.

12. MODIFICATIONS AND SPARE PARTS



Any modification not authorized beforehand relieves the manufacturer of all responsibility. All the spare parts used in repairs must be original ones and the accessories must be approved by the manufacturer so as to be able to guarantee maximum safety of the machines and systems in which they may be fitted.



In the event of damage to the power cable of this appliance, the repair must be carried out by skilled personnel, in order to prevent all risks.

12.1 Removal and replacement of the supply cable

Before starting, ensure that the electropump is not connected to the power network.

A) For versions without a pressure switch

Remove the condenser cover, unscrewing the four screws on it. Unscrew the three terminals L - N - ⊕ and disconnect the brown lead, the blue lead and the yellow-green lead, coming from the supply cable, after having slackened the grommet.

B) For versions with a SQUARE D pressure switch

- **Section of cable with plug from the pressure switch:** unscrew the screw from the cover of the pressure switch using a screwdriver and remove the cover. Remove the yellow-green lead, slackening the earth screw, the blue lead and the brown lead from the respective terminals at the side, slackening the screws on the terminals. Remove the cable blocking terminal, slackening the respective screws, and slip off the cable which is now disconnected.
- **Section of cable from the pressure switch to the terminal board:** unscrew the nut from the cover of the pressure switch using a screwdriver and remove the cover. Remove the yellow-green lead, slackening the earth screw, the blue lead and the brown lead from the respective central terminals, slackening the screws on the terminals. Remove the cable blocking terminal, slackening the respective screws, and slip off the cable which is now disconnected. Remove the condenser cover, unscrewing the four screws on it. Unscrew the three terminals L - N - ⊕ and disconnect the brown lead, the blue lead and the yellow-green lead, coming from the pressure switch, after having slackened the grommet.

C) Version with a TELEMECANIQUE / SQUARE D – TELEMECANIQUE / ITALTECNICA pressure switch:

- **Section of cable with plug from the pressure switch:** unscrew the screw from the cover of the pressure switch using a screwdriver and remove the cover, releasing it from the base of the pressure switch. Slip out the yellow-green lead, unscrewing the earth screw on the left side. Still on the same side, slip the blue lead and the brown lead off their terminals, slackening the screws on the terminals. Slacken the cable clamping nut of the pressure switch on the left side and slip off the cable which is now disconnected.
- **Section of cable from the pressure switch to the terminal board:** unscrew the nut on the cover of the pressure switch using a screwdriver and remove the cover, releasing it from the base of the pressure switch. Slip out the yellow-green lead, unscrewing the earth screw on the right side. Still on the same side, slip the blue lead and the brown lead off their terminals, slackening the screws on the terminals. Slacken the cable clamping nut of the pressure switch on the right side and slip off the cable which is now disconnected. Remove the terminal board cover, unscrewing the four screws on it. Unscrew the three terminals L - N - \ominus and disconnect the brown lead, the blue lead and the yellow-green lead, coming from the supply pressure switch, after having slackened the grommet.

When replacing the power cable, a cable of the same type must be used (e.g. H05 RN-F or H07 RN-F depending on the installation) and with the same terminals, proceeding as for disassembly in inverse order.

ATTENTION: depending on the installation and if the pumps have no cable, fit supply cables type H05 RN-F for indoor use and type H07 RN-F for outdoor use, complete with plug (EN 60335-2-41). For power cables without a plug, provide a device for cutting off the mains (e.g. magnetothermal device) with separating contacts of at least 3 mm for each pole.

13. TROUBLESHOOTING

FAUL	CHECKS (possible cause)	REMEDY
1. The motor does not start and makes no noise.	A. Check the electric connections. B. Check that the motor is live. C. Check the protection fuses.	C. If they are burnt-out, change them. N.B. If the fault is repeated immediately this means that the motor is short circuiting.
2. The motor does not start but makes noise.	A. Ensure that the mains voltage is the same as the value on the plate. B. Ensure that the connections have been made correctly. C. Check that all the phases are present on the terminal board. (3~) D. Look for possible blockages in the pump or motor. E. Check the condition of the capacitor.	B. Correct any errors. C. If not, restore the missing phase. D. Remove the blockage. E. Replace the capacitor.
3. The motor turns with difficulty.	A. Check the voltage which may be insufficient. B. Check whether any moving parts are scraping against fixed parts.	B. Eliminate the cause of the scraping.
4. The pump does not deliver.	A. The pump has not been primed correctly. B. On three-phase motors, check that the direction of rotation is correct. C. The diameter of the intake pipe is insufficient. D. Blocked foot valve.	B. If necessary, invert the connection of two supply wires C. Replace the pipe with one with a larger diameter. D. Clean the foot valve.
5. The pump does not prime.	A. The intake pipe or the foot valve is taking in air. B. The downward slope of the intake pipe favours the formation of air pockets.	A. Eliminate the phenomenon and prime again. B. Correct the inclination of the intake pipe.
6. The pump supplies insufficient flow.	A. Blocked foot valve. B. The impeller is worn or blocked. C. The diameter of the intake pipe is insufficient. D. On three-phase motors, check that the direction of rotation is correct.	A. Clean the foot valve. B. Remove the obstructions or replace the worn parts. C. Replace the pipe with one with a larger diameter. D. If necessary, invert the connection of two supply wires.
7. The pump vibrates and operates noisily.	A. Check that the pump and the pipes are firmly anchored. B. There is cavitation in the pump, that is the demand for water is higher than it is able to pump. C. The pump is running above its plate characteristics.	A. Fix the loose parts more carefully. B. Reduce the intake height or check for load losses. C. It may be useful to limit the flow at delivery.

	seite
INHALTSVERZEICHNIS	
1. ALLGEMEINES	22
2. ANWENDUNGEN	22
3. GEPUMPTE FLÜSSIGKEITEN	22
4. TECHNISCHE DATEN EINSATZGRENZEN	22
5. HANDHABUNG	24
5.1. Lagerung	24
5.2. Transport	24
5.3. Gewichte	24
6. HINWEISE	24
6.1. Fachpersonal	24
6.2. Schutzverkleidungen	24
6.3. Kontrolle der Motorwellendrehrichtung	24
6.4. Haftpflicht	25
7. INSTALLATION	25
8. ELEKTROANSCHLUSS	25
9. ANLASSEN	26
10. VORSICHTSMASSNAHMEN	26
11. WARTUNG UND REINIGUNG	26
12. ÄNDERUNGEN UND ERSATZTEILE	26
12.1. ENTFERNUNG UND WECHSEL DES STROMKABELS	26
13. STÖRUNGSSUCHE UND ABHILFEN	28
1. ALLGEMEINES	



Vor dem Installieren sollten diese Unterlagen sorgfältig gelesen werden. Installation und Betrieb müssen den Sicherheitsvorschriften des jeweiligen Einsatzlandes entsprechen. Der gesamte Vorgang muß fachgerecht durchgeführt werden. Die Nichtbeachtung der Sicherheitsvorschriften kann Personen- oder Sachschäden verursachen und läßt jede Garantie verfallen.

2. ANWENDUNGEN

KP 38/18 - KP 38/18 vorbereitet - KP 60/6 - KP 60/12: kleine Peripherpumpe für den Einsatz im Haushalt mit hoher Förderhöhe für Wasserversorgung, Garten, das Leeren und Füllen von Tanks. Auch für kleinere Industriezwecke geeignet.

KPA 40/20: Flüssigkitsringpumpe mit Sternläufer und ausgezeichneter Ansaugleistung, auch bei Vorhandensein von Luftblasen oder unregelmäßigen Mengen der anzusaugenden Flüssigkeit. Besonders angezeigt für die Wasserversorgung von Haushaltsanlagen, um den Druck zu erhöhen oder die Wasserversorgung zu stabilisieren (gemäß der lokalen Vorschriften), und für das Abpumpen aus Brunnen. Auch für kleinflächigere Gartenbewässerungen und allgemein all jene Anwendungen, für die eine Selbstansaugung erforderlich ist, sowie kleinere Industrieanwendungen geeignet.

JET 200 - JET 300 - JET 151 - JET 251: selbstfüllende Wasserstrahl-Kreiselpumpe mit ausgezeichneter Ansaugleistung, auch bei Präsenz von Gas. Besonders für die Wasserversorgung und Verdichtung in abgelegenen Häusern geeignet. Für landwirtschaftliche Zwecke in kleinen Gärten, Notfälle im Haushalt und industriellen Einsatz.

DP 81 - DP 82 - DP 100 - DP 102 - DP 151 - DP 251 - AQUADP 82/20 - AQUADP 102/20 - AQUADP 151/40 - AQUADP 251/40: selbstfüllende Kreiselpumpe für das Ansaugen aus großer Tiefe bis 30 Meter, mit in Brunnen zu 4" oder mehr einzuführendem Ejektor. Für die Wasserversorgung von Kolonien und landwirtschaftliche Zwecke.

EURO - EUROINOX und verwandte Modelle: mehrstufige, selbstfüllende Kreiselpumpe mit Horizontalachse für den Einsatz im Haushalt oder der Industrie für Wasserversorgungs- und Verdichtungsanlagen. In der Landwirtschaft für kleinflächige Bewässerungen und das Waschen von landwirtschaftlichen Geräten verwendbar. Die Pumpe eignet sich auch für Wasser mit Gasanteilen. Der Rücklauf des Wassers erfolgt nur während der Füllphase, danach steht die maximale Förderleistung kontinuierlich und konstant zur Verfügung. Dank dieser Merkmale ist die Pumpe vielseitig einsetzbar.

K 20/41 - K 30/70 - K 30/100 - K 36/100 - K 12/200 - K 14/400: Kreiselpumpen mit einem Läufer für das Fördern von Wasser im Haushalt, in Industrie und Landwirtschaft. Ausgezeichnet zum Umfüllen und Mischen geeignet.

K 35/40 - K 45/50 - K 55/50 - K 35/100 - K 40/100: Kreiselpumpen, die sich durch die Verwendung von zwei Läufern (bei den Modellen K 35/40 - K 45/50 - K 55/50 entgegengesetzt) auszeichnen und extrem leise funktionieren. Besonders für Verdichtungsaggregate an Wasserversorgungsanlagen und die Versorgung von Autoklaven geeignet. Außerdem auch für Beregnungen und viele andere Zwecke einsetzbar.

3. GEPUMPTE FLÜSSIGKEITEN



Die Maschine wurde für das Pumpen von Wasser, ohne explosive Substanzen und Festkörper oder Fasern, mit einer Dichte gleich 1000 kg/m³ und einer kinematischen Viskosität gleich 1 mm²/s, sowie chemisch nicht aggressive Flüssigkeiten geplant und konstruiert.

4. TECHNISCHE DATEN UND EINSATZGRENZEN

- **Versorgungsspannung:** 220 - 240V 50Hz / 110V 50Hz
115V 60Hz / 230V 60Hz
230 V3 – 400 3V 50/60Hz
- **Aufgenommene Leistung:** siehe Schild der elektrischen Daten
- **Förderleistung:** von 0,063 bis 37 m³/Std

siehe Schild der elektrischen Daten

- **Förderhöhe – Hmax (m):** seite 99
- **Gepumpte flüssigkeit:** sauber, nicht aggressiv und ohne Festkörper oder scheuernde Körper
- **Schutzgrad motor:** IP44 (für IP55 siehe Schild an der Verpackung)
- **Schutzgrad klemmleiste:** IP55
- **Schutzklasse:** F
- **Kabelklemme:** PG 11 e/o PG 13,5 je nach Modell
- **Linienicherungen Klasse AM:**

Modell	Linienicherungen (Ampere)			
	110V 50Hz 115V 60Hz	220-240V 50Hz 230V 60Hz	230 V3 50/60Hz	400 V3 50/60Hz
KP 38/18, KP 38/18 Pred., KP 60/6, DP 81, DP 82, AQUADP 82/20 K 20/41	8	4	4	2
KPA 40/20	8	6	4	2
KP 60/12	--	6	4	4
EURO 40/30-40/306 / 30/50-30/506 / 25/80-25/806 EUROINOX 40/30-40/306 / 30/50-30/506 / 25/80-25/806 EUROCOM 25/80-25/806 / 30/50-30/506 EUROCOM SP 30/50-30/506	10	6	4	4
EURO 25/30-25/306 / 30/30-30/306 EUROINOX 25/30-25/306 / 30/30-30/306 EUROCOM 25/30-25/306 / 30/30-30/306 GARDEN-INOX 30/30	8	4	4	4
EURO 40/50-40/506 / 30/80-30/806 EUROINOX 40/50-40/506 / 30/80-30/806 EUROCOM 40/50-40/506 / 30/80-30/806 EUROCOM SP 40/50-40/506 GARDEN-INOX 40/50	12	6	6	4
EURO 50/50-50/506 / 40/80-40/806 EUROINOX 50/50-50/506 / 40/80-40/806	20	8	6	4
K 12/200, K 30/70, K 35/40, DP 100, DP 102, AQUADP 102/20	12	6	6	4
K 30/100	16	8	6	4
JET 151, K 35/100	20	10	6	4
K 40/100, K 36/100, K 45/50, DP 151, AQUADP 151/40	20	10	8	4
JET 200, K 14/400,	20	10	8	6
JET 251,	25	12	8	6
JET 300, K 55/50, DP 251, AQUADP 251/40	32	16	10	6
Max. Betriebsdruck:	6 bar (600 kPa):	DP 81, DP 82, DP 100, DP 102, AQUADP 82/20, AQUADP 102/20 EURO, EUROINOX, EUROCOM, EUROCOM SP, GARDEN-INOX K 35/40, K 35/100, K 40/100, K 20/41, K 30/70, K 30/100, K 36/100, K 12/200, K 14/400		
	7,5 bar (750 kPa):	JET 151, JET 251, JET 200, JET 300 DP 151, DP 251, AQUADP 151/40, AQUADP 251/40		
	8 bar (800 kPa):	K 45/50, K 55/50		
	10 bar (1000 kPa):	KP 60/6, KP 60/12, KP 38/18, KPA 40/20		
Temperaturbereich der flüssigkeit:	0 ÷ +35°C:	Für alle typen enehmigten Elektropumpen EN 60335-2-41 (den Hausgebrauch)		
	0 ÷ +40°C:	JET 151, JET 251, JET 200, JET 300 DP 81, DP 82, DP 100, DP 102, DP 151, DP 251 AQUADP 82/20, AQUADP 102/20, AQUADP 151/40, AQUADP 251/40		
	-10 ÷ +50°C:	K 20/41, K 30/70, K 30/100, K 36/100, K 12/200, K 35/40 K 45/50, K 35/100, K 40/100 KP 38/18		
	-10 ÷ +80°C:	KP 60/6, KP 60/12 KPA 40/20		
	-15 ÷ +110°C:	K 14/400, K 55/50		

- **Lagertemperatur:** von -10°C bis +40°C
- **Relative Luftfeuchtigkeit:** MAX 95%
- **Geräusentwicklung:**
 - Für im Freien betriebene Pumpen: Geräuschemission gemäß Richtlinie 2000/14/EG.
 - Für andere Pumpen: Geräuschemission gemäß Richtlinie EC 89/392/EWG und folgende Änderungen.
- Konstruktion der Motoren gemäß EG-Normen 2-3 - CEI 61-69 (EN 60335-2-41)

- Die Leiter der Speisekabel müssen einen nominalen Querschnitt haben, der nicht geringer sein darf, als der in der folgenden Tabelle angeführte:

Nennstrom des Gerätes A			Nennquerschnitt: mm ²
		≤ 0,2	Lahnlitzenleitung ^a
> 0,2	und	≤ 3	0,5 ^a
> 3	und	≤ 6	0,75
> 6	und	≤ 10	1,0 (0,75) ^b
> 10	und	≤ 16	1,5 (1,0) ^b
> 16	und	≤ 25	2,5
> 25	und	≤ 32	4
> 32	und	≤ 40	6
> 40	und	≤ 63	10
^a Diese Kabel können nur dann verwendet werden, wenn das Kabel oder seine Schutzummantelung zwischen Gerät und Stecker nicht länger als 2 m ist. ^b Kabel mit den in Klammern angegebenen Querschnitten können für tragbare Geräte verwendet werden, sofern sie nicht länger sind als 2 m.			

5. HANDHABUNG

5.1 Lagerung

Alle Pumpen müssen an einem überdachten, trockenen Ort, mit möglichst konstanter Luftfeuchtigkeit, ohne Vibrationen und Staubeentwicklung gelagert werden.

Sie werden in der Originalverpackung geliefert, in der sie bis zur Installation verwahrt werden müssen. Andernfalls müssen Ansaugmündung und Auslaß sorgfältig verschlossen werden.

5.2 Transport

Überflüssige Stoßeinwirkungen und Kollisionen vermeiden. Für Heben und Transport der Gruppe die serienmäßig gelieferte (falls vorgesehen) Palette verwenden und entsprechendes Hebezeug einsetzen.

5.3 Gewichte

Auf dem Aufkleber an der Verpackung ist das Gesamtgewicht der Elektropumpe angegeben.

6. HINWEISE

6.1 Fachpersonal



Die Installation sollte möglichst durch kompetentes und qualifiziertes Personal erfolgen, das im Besitz der technischen Anforderungen laut der einschlägigen Normen ist.

Unter Fachpersonal werden solche Personen verstanden, die aufgrund ihrer Ausbildung und Erfahrung, sowie der Kenntnis der entsprechenden Normen und Vorschriften für die Unfallverhütung, sowie der Betriebsbedingungen, vom für die Sicherheit der Anlage Verantwortlichen dazu autorisiert sind, jeglichen erforderlichen Eingriff auszuführen und alle damit verbundenen Gefahren zu kennen und diese vermeiden zu können. (Definition des technischen Personals IEC 364).

Das Gerät darf nicht von Personen (einschließlich Kindern) benutzt werden, deren physische, sensorische und mentale Fähigkeiten eingeschränkt sind, oder denen es an Erfahrung oder Kenntnissen mangelt, sofern ihnen nicht eine für ihre Sicherheit verantwortliche Person zur Seite steht, die sie überwacht oder beim Gebrauch des Gerätes anleitet. Kinder nicht unbeaufsichtigt in die Nähe des Gerätes lassen und sicherstellen, dass sie nicht damit herumspielen. (EN 60335-1: 02)

6.2 Schutzverkleidungen

Die Pumpe darf nur dann benutzt werden, wenn die Elektroanlage mit den Sicherheitsmaßnahmen gemäß der im Anwenderland gültigen Normen ausgestattet ist (in Italien CEI 64/2).

6.3 Kontrolle der Motorwellendrehung

Vor der Installation der Pumpe sicherstellen, daß die beweglichen Teile frei drehen. Die Lüfterradabdeckung aus dem Sitz des hinteren Motordeckels ausbauen; mit einem Schraubenzieher auf die Kerbe der Motorwelle an der Belüftungsseite einwirken. **Im Falle der Blockierung** leicht mit einem Hammer auf den Schraubenzieher schlagen. **Abb.A.**

6.4 **Haftpflicht**

Die Herstellerfirma haftet nicht für die gute Funktion der Elektropumpen oder eventuell von ihnen verursachte Schäden, wenn diese verändert oder umgebaut wurden oder wenn sie außerhalb des empfohlenen Betriebsbereichs oder entgegen der in diesem Heft enthaltenen Vorschriften eingesetzt wird.

Daneben kann die Herstellerfirma nicht für eventuell in dieser Betriebsleitung enthaltene Ungenauigkeiten haftbar gemacht werden, die auf Druckfehler oder die fehlerhafte Abschrift zurückzuführen sind. Der Hersteller behält sich das Recht vor, an seinen Produkten alle für notwendig oder nützlich erachteten Änderungen anzubringen, sofern die wesentlichen Merkmale erhalten bleiben.

7. **INSTALLATION**

Die Pumpen können noch geringfügige Mengen Wassers von den Proben enthalten. Sie sollten daher vor der endgültigen Installation kurz mit sauberem Wasser gespült werden.

- 7.1 Die Elektropumpe muß an einem gut belüfteten, vor Witterungseinflüssen geschützten Ort mit einer Raumtemperatur von höchstens 40°C installiert werden. **Abb. B.**
- 7.2 Eine sorgfältige Verankerung der Pumpe an der Auflagefläche wirkt sich auf die Aufnahme der von dem Betrieb der Pumpe erzeugten Vibrationen positiv aus.
- 7.3 Verhindern Sie, daß die Metalleitungen starke Belastungen an die Mündungen der Pumpe übertragen, damit Verformungen ode Beschädigungen vermieden werden. **Abb. C.**
- 7.4 **Die Pumpe sollte immer so nahe wie möglich bei der zu pumpenden Flüssigkeit aufgestellt werden.** Sie darf ausschließlich horizontal installiert werden. Der Durchmesser der Leitungen darf auf keinen Fall geringen sein als die Mündungen der Elektropumpe und am Ansaugteil sollte ein Bodenventil installiert werden. **Abb. D.** Für Ansaugtiefen von mehr als vier Metern oder bei längerem horizontalem Verlauf sollte ein Ansaugrohr mit einem größeren Durchmesser als jener der Ansaugmündung der Pumpe verwendet werden. Um die Bildung von Luftsäcken zu verhindern, sollte das Ansaugrohr mit einem leichten positiven Gefälle in Richtung Pumpe verlegt werden. **Abb. D.**
- 7.5 Falls die Ansaugleitung aus Gummi oder einem anderen flexiblen Material ist, muß immer kontrolliert werden, ob es sich um einen verstärkten Schlauch handelt, damit während dem Ansaugen Einschnürungen vermieden werden.
- 7.6 Der Hebe-und Transportgriff muß bei allen tragbaren Pumpenausführungen **stets korrekt an der Halterung befestigt sein.**
- 7.7 **Pumpen, die im Freien in Springbrunnen, in Wasserbecken oder ähnlichem eingesetzt werden, müssen über einen Kreis mit einer Fehlerstromsicherheitseinrichtung mit einem Bemessungsdifferenzstrom von mindestens 30 mA gespeist werden.**

8. **ELEKTROANSCHLUSS**

Achtung: befolgen Sie stets die Sicherheitsvorschriften !



Die im Innern des Klemmenkastens abgebildeten Schaltpläne müssen genauestens eingehalten werden

- 8.1 **Die Elektro-Installation muß von einem autorisierten Fachmann ausgeführt werden, der die gesamte Verantwortung trägt.**
- 8.2 Vergewissern Sie sich, ob die Netzspannung dem Wert des Typenschildes des betreffenden Motors entspricht **UND EINE EFFIZIENTE ERDUNG MÖGLICH IST. Abb. E,** im Besonderen muss die Erdklemme an den gelb-grünen Leiter des Stromkabels angeschlossen werden. Der Erdleiter muss daneben länger sein als die Phasenleiter, damit er bei Zugeinwirkung nicht zuerst gelöst wird.
- 8.3 Für feste Installationen schreiben die internationalen Normen den Einsatz von Trennschaltern mit Sicherungshaltern vor.
- 8.4 Die einphasigen Motoren müssen mit eingebauten thermo-amprometrischen Schutzvorrichtungen ausgestattet werden und können direkt an das Netz angeschlossen werden. Drehstrommotoren müssen durch einen auf die Daten des Typenschildes der Elektropumpe justierten automatischen Selbstschalter (z.B. Wärmeschutzschalter) oder mit den Größenangaben des Kapitels 4 übereinstimmende Sicherungen geschützt sein.

9. ANLASSEN

9.1



Die Pumpe erst einschalten, wenn sie ganz mit Flüssigkeit gefüllt ist.

Vor dem Anlassen kontrollieren, ob die Pumpe regulär gefüllt ist, den Fülldeckel am Pumpenkörper abnehmen und über das spezielle Loch ganz mit sauberem Wasser füllen. Dieser Vorgang ist für die perfekte Funktion der Pumpe von wesentlicher Bedeutung, damit die mechanische Dichtung korrekt geschmiert ist (**Abb. F**). **Der trockene Betrieb der Pumpe beschädigt die mechanische Dichtung bleibend.** Der Fülldeckel muß anschließend sorgfältig wieder eingeschraubt werden.

9.2

Spannung geben und bei der dreiphasigen Ausführung die Drehrichtung kontrollieren; Wenn der Motor von der Lüfterradseite aus betrachtet wird, muß die Drehung im Uhrzeigersinn erfolgen **Abb. G**. Im gegenteiligen Fall müssen bei abgehängter Stromversorgung zwei der Phasenleiter ausgetauscht werden.

10. VORSICHTSMASSNAHMEN

10.1

Die Elektropumpe darf nicht öfter als 20 mal pro Stunde angelassen werden, damit der Motor sich nicht zu stark erhitzt.

10.2

FROSTGEFAHR: wenn die Pumpe bei Temperaturen unter 0°C längere Zeit nicht betrieben wird, muß der Pumpenkörper über den Abflußstopfen **Abb. H** vollkommen entleert werden, damit eventuelle Risse an den hydraulischen Komponenten vermieden werden. Dieses Verfahren empfiehlt sich auch bei langem Stillstand bei normalen Temperaturen.

10.3

Wenn die Pumpe nach längerem Stillstand wieder in Betrieb gesetzt wird, müssen die zuvor aufgeführten Vorgänge wiederholt werden.

11. WARTUNG UND REINIGUNG



Unter normalen Betriebsbedingungen erfordert die Elektropumpe keinerlei Wartung. Sobald ein gewisses Nachlassen der Leistung beobachtet wird, sollten jedoch die hydraulischen Teile gereinigt werden. **Die Elektropumpe darf nur durch qualifiziertes Fachpersonal demontiert werden, welches den Anforderungen der einschlägigen Normen entspricht.** Alle Arbeiten für die Reparatur und Wartung dürfen in jedem Fall ausschließlich bei von der Stromversorgung abgehängter Pumpe erfolgen.

12. ÄNDERUNGEN UND ERSATZTEILE



Jede nicht zuvor autorisierte Änderung enthebt den Hersteller von jeder Haftpflicht. Alle für Reparaturen verwendeten Ersatzteile müssen Originalteile sein und alle Zubehörteile müssen vom Hersteller genehmigt werden, damit die maximale Sicherheit der Maschine und der entsprechenden Anlagen gewährleistet wird.



Im Falle einer Beschädigung des Versorgungskabels muss dieses von Fachpersonal repariert werden, damit jedes Risiko ausgeschlossen wird.

12.1 ENTFERNUNG UND WECHSEL DES STROMKABELS

Zunächst stets sicherstellen, daß die Elektropumpe vom Netz abgehängt ist.

A) Für Ausführungen ohne Druckwächter

Den Klemmkastendeckel durch Aufschrauben der vier Schrauben (53) abnehmen. Die drei Klemmen L - N - \ominus abschrauben, die Kabelklemme lockern und den braunen, den blauen und den gelb-grünen Draht des Stromkabels abziehen.

B) Ausführung mit Druckwächter des Tups SQUARE D

- **Kabelstück mit Stecker vom Druckwächter:** die Schraube des Druckwächterdeckels mit einem Schraubenzieher abschrauben und den Deckel abnehmen. Die Erdschraube aufschrauben und den gelb-grünen Draht abziehen; die Schrauben der seitlichen Klemmen lockern und den blauen und braunen Draht von den entsprechenden Klemmen abziehen. Die Kabelklemme durch Entfernen der Schrauben abnehmen und das so befreite Kabel abziehen.

-
- **Kabelstück vom Druckwächter zum Klemmenkasten:** mit einem Schraubenzieher die Mutter am Druckwächterdeckel aufschrauben und den Deckel entfernen. Die Erdschraube aufschrauben und den gelb-grünen Draht abziehen; die Schrauben der mittleren Klemmen lockern und den blauen und braunen Draht von den entsprechenden Klemmen abziehen. Die Kabelklemme durch Entfernen der Schrauben abnehmen und das so befreite Kabel abziehen. Den Klemmkastendeckel durch Aufschrauben der vier Schrauben abnehmen. Die drei Klemmen L - N - \ominus abschrauben, die Kabelklemme lockern und den braunen, den blauen und den gelb-grünen Draht des Stromkabels abziehen.

C) Ausführung mit Druckwächter des Typs:

TELEMECANIQUE / SQUARE D – TELEMECANIQUE / ITALTECNICA

- **Kabelstück mit Stecker vom Druckwächter:** die Schraube des Druckwächterdeckels mit einem Schraubenzieher abschrauben und den Deckel von der Unterseite des Druckwächters aushaken. Die Erdschraube der linken Seite aufschrauben und den gelb-grünen Draht abziehen. Die Schrauben der entsprechenden Klemmen lockern und von der gleichen Seite den blauen und braunen Draht von den Klemmen abziehen. Die Kabelhaltemutter des Druckwächters der linken Seite lösen und das so befreite Kabel abziehen.
- **Kabelstück vom Druckwächter zum Klemmenkasten:** mit einem Schraubenzieher die Schraube am Druckwächterdeckel aufschrauben und den Deckel von der Unterseite des Druckwächters aushaken. Die Erdschraube an der rechten Seite aufschrauben und den gelb-grünen Draht abziehen. Die Schrauben der entsprechenden Klemmen lockern und von der gleichen Seite den blauen und braunen Draht von den Klemmen abziehen. Die Kabelklemme durch Entfernen der Schrauben abnehmen und das so befreite Kabel abziehen. Den Klemmkastendeckel durch Aufschrauben der vier Schrauben abnehmen. Die drei Klemmen L - N - \ominus abschrauben, die Kabelklemme lockern und den braunen, den blauen und den gelb-grünen Draht des Stromkabels abziehen.

Das Stromkabel muß durch ein neues Kabel desselben Typs (z.B. H05 RN-F oder H07 RN-F, je nach Installation) ersetzt werden.

ACHTUNG: bei Pumpen ohne Kabel muß je nach Installation ein Stromkabel des Typs H05 RN-F für innen und des Typs H07 RN-F für außen, komplett mit Stecker (EN 60335-2-41) vorgesehen werden.. Für steckerlose Versorgungskabel eine Netztrennvorrichtung (z.B. Wärmeschutzschalter) mit einer Öffnung der Kontakte von mindestens 3 mm pro Pol vorsehen.

13. STÖRUNGSSUCHE UND ABHILFEN

STÖRUNG	KONTROLLEN (mögliche Ursachen)	ABHILFEN
1. Der Motor läuft nicht an und erzeugt keinerlei Geräusch.	A. Die Elektroverbindungen kontrollieren. B. Prüfen, ob der Motor unter Spannung steht. C. Sicherungen kontrollieren.	C. Falls durchgebrannt ersetzen. N.B.: falls diese Störung wiederholt auftritt, ist der Motor wahrscheinlich kurzgeschlossen.
2. Der Motor läuft nicht an, erzeugt aber Geräusch.	A. Kontrollieren, ob die Netzspannung dem Wert des Typenschildes entspricht. B. Prüfen, ob die Anschlüsse korrekt ausgeführt wurden. C. Kontrollieren, ob im Klemmenkasten alle Phasen vorhanden sind (3). D. Nach möglichen Verstopfungen der Pumpe oder des Motors suchen. E. Den Zustand des Kondensators kontrollieren.	B. Eventuelle Fehler korrigieren. C. Eventuell die fehlende Phase erstellen. D. Die Verstopfungen beseitigen. E. Den Kondensator wechseln.
3. Der Motor dreht unter Schwierigkeiten.	A. Kontrollieren, ob die Stromversorgung ausreichend ist. B. Nach möglichem Streifen der beweglichen und festen Teile suchen.	B. Ursachen beseitigen.
4. Die Pumpe liefert nicht.	A. Die Pumpe wurde nicht korrekt gefüllt. B. Bei den dreiphasigen Motoren die exakte Drehrichtung kontrollieren. C. Durchmesser des Ansaugrohrs unzureichend. D. Bodenventil verstopft.	A. Falls nicht selbstfüllend, die Pumpe und das Ansaugrohr mit Wasser füllen. B. Die beiden Versorgungsdrähte austauschen. C. Durch ein Ansaugrohr mit größerem Durchmesser ersetzen. D. Bodenventil reinigen.
5. Die Pumpe füllt nicht.	A. Ansaugrohr oder Bodenventil saugen Luft an. B. Das negative Gefälle des Ansaugrohrs begünstigt die Bildung von Luftsäcken.	A. Das Phänomen beseitigen und erneut Füllen. B. Die Neigung des Ansaugrohrs korrigieren.
6. Die Fördermenge der Pumpe ist zu gering.	A. Bodenventil verstopft. B. Läufer verschlissen oder verstopft. C. Durchmesser des Ansaugrohrs unzureichend. D. Bei den dreiphasigen Motoren die exakte Drehrichtung kontrollieren.	A. Bodenventil reinigen. B. Verstopfung beseitigen oder die verschlissenen Teile ersetzen. C. Durch ein Ansaugrohr mit größerem Durchmesser ersetzen. D. Die beiden Versorgungsdrähte austauschen.
7. Die Pumpe vibriert und funktioniert laut.	A. Kontrollieren, ob Pumpe und Leitungen korrekt befestigt sind. B. Die Pumpe kavitiert, das heißt sie fordert mehr Wasser an, als sie pumpen kann. C. Der Betrieb der Pumpe geht über die Daten des Typenschildes hinaus.	A. Eventuelle lockere Teile sorgfältig befestigen. B. Ansaughöhe vermindern oder Verluste kontrollieren. C. Es kann nützlich sein die Auslaßfördermenge zu begrenzen.

	INHOUDSOPGAVE	bladz
1.	ALGEMEEN	29
2.	TOEPASSINGEN	29
3.	GEPOMPTE VLOEISTOFFEN	29
4.	TECHNISCHE KENMERKEN EN GEBRUIKSBEPERKINGEN	30
5.	BEHEER	31
5.1.	Opslag	31
5.2.	Transport	31
5.3.	Afmetingen en gewicht	31
6.	WAARSCHUWINGEN	31
6.1.	Gespecialiseerd personeel	31
6.2.	Veiligheid	32
6.3.	Controle draaiïng motoras	32
6.4.	Verantwoordelijkheid	32
7.	INSTALLATIE	32
8.	ELECTRISCHE AANSLUITING	32
9.	OPSTARTEN	33
10.	VOORZORGSMAATREGELEN	33
11.	ONDERHOUD EN REINIGING	33
12.	VERANDERINGEN EN RESERVE-ONDERDELEN	33
12.1	VERPLAATSING EN WISSELING VOEDINGSKABEL	34
13.	STORINGZOEKEN EN OPLOSSINGEN	35

1. ALGEMEEN



Grondig deze documentatie doorlezen alvorens te installeren. De installatie en functionering zullen volgens de veiligheids normen van kracht zijn in het land van bestemming. De hele handeling zal volgens voorschriften moeten gebeuren. Het niet nakomen van de veiligheids normen zal, behalve een gevaar vormen voor de mensen en schade aan de apparaten verrichten, ook alle rechten op garantie toepassingen doen vervallen .

2. TOEPASSINGEN

KP 38/18 - KP 38/18 voorgebouwd - KP 60/6 - KP 60/12: pomp van perifere soort voor huishoudelijk gebruik geschikt, met beperkte afmetingen en in staat om hoge overwichten voor te brengen op water toevoer, kleine tuiniering, lediging en vulling reservoirs. Ook in staat om kleine industriële systemen in hun onderhoud te voorzien.

KPA 40/20: pomp met vloistofring met sterrad, met uitstekende zuigvermogens ook in aanwezigheid van luchtbellens of als de vloistof onregelmatig voorhanden is bij het opzuigen. In het bijzonder gebruikt voor de watertoevoer van huisleidingen, om de druk te verhogen of om de watertoevoer te stabiliseren (onder in acht neming van de plaatselijke voorschriften), voor het opzuigen uit putten. Geschikt voor de kleine irrigatie van (moes) tuinen en in het algemeen voor al die toepassingen, waar zelfinschakeling verlangd wordt. Ook in staat in kleine industriële toepassingen te voldoen.

JET 200 - JET 300 - JET 151 - JET 251: centrifugaal zelfvissende sproei pompen met uitstekende opzuigings vermogen ook bij water met gasaanwezigheid. Bijzonder geschikt voor waterdruk en toevoer aan oude landhuizen. Goed toe te passen voor landbouw van kleine moestuinen en tuiniering, huishoudelijk noodgevallen en industriële diensten.

DP 81 - DP 82 - DP 100 - DP 102 - DP 151 - DP 251 - AQUADP 82/20 - AQUADP 102/20 - AQUADP 151/40 - AQUADP 251/40: centrifugaal zelfvissende pompen voor diepe opzuiging tot 30 meter met sproeier voor de toepassingen in putten van 4" of meer. Toegepast voor de water toevoer aan landbouw woningen en kleinschalige landbouw.

EURO - EUROINOX EN AFGELEIDE: meerdere stadias zelfvissende centrifugaal pomp op horizontale as geschikt voor huishoudelijk of industriële toepassingen voor installaties van water toevoer en druk. Voor de landbouw is dit te gebruiken voor kleine bevoeiingen en het reinigen van gereedschap en machines. Ook geschikt voor de functionering in water met aanwezigheid van gas. Het weer in omloop krijgen van water geschiedt alleen tijdens de vissende fase, nadien wordt het maximale vermogen beschikbaar gesteld voor gebruik met continu en constante toevoer. Deze kenmerken maken een brede toepassing mogelijk.

K 20/41 - K 30/70 - K 30/100 - K 36/100 - K 12/200 - K14/400: centrifugaal enkeldraaiende pompen geschikt voor het water optillen op huishoudelijk, industrieel en landbouw gebied. Uitstekend voor toepassing van het overgieten en mixing.

K 35/40 - K 45/50 - K55/50 - K35/100 - K40/100: centrifugaal pompen gekenmerkt door toepassing van twee draaiers (tegenover gesteld voor de modellen k 35/40 - k45/50 - k55/50) en geluidsarme functionering.

Bijzonder geschikt voor het in stand brengen van druk groepen voor water installaties en toevoer aan autoclaven. Ook toe te passen voor regen bevoeiing en vele andere toepassingen in verschillende sectoren.

3. GEPOMPTE VLOEISTOFFEN



De machine is voorbedacht en gebouwd om water op te pompen zonder explosieve, vaste of stoffige onderdelen, met verdichting gelijk op 1000 kg/m³ en een cinematische vloeibaarheidsdikte gelijk op 1mm²/s en vloestoffen niet chemisch aggressief.

4. TECHNISCHE KENMERKEN EN GEBRUIKSBEPERKINGEN

- **Spannings toevoer:** 220 - 240V 50Hz
110V 50Hz
115V 60Hz
230V 60Hz
230 V3 – 400 V3 50/60Hz
- **Absorbtie vermogen:** zie plaatje elektrische gegevens
- **Vermogen** vanaf 0,06 tot 37m³/h
- **Overwicht – Hmax (m):** bladz 99
- **Op gepompte vloeistof :** schoon,zonder vaste of schurende stoffen,niet aggressief
- **B eschermings graad motor:** IP44 (Voor IP55 zie naamplaatje op verpakking)
- **Beschermings graad klemmetjes:** IP55
- **Beschermings klasse:** F
- **Kabeldrukker:** PG 11 en/of PG 13,5 volgens modellen
- **Lijnzekeringen klasse AM:**

zie plaatje elektrische gegevens

Model	Lijnzekeringen (Ampere)			
	110V 50Hz 115V 60Hz	220-240V 50Hz 230V 60Hz	230 V3 50/60Hz	400 V3 50/60Hz
KP 38/18, KP 38/18 Pred., KP 60/6, DP 81, DP 82, AQUADP 82/20 K 20/41	8	4	4	2
KPA 40/20	8	6	4	2
KP 60/12	--	6	4	4
EURO 40/30-40/306 / 30/50-30/506 / 25/80-25/806 EUROINOX 40/30-40/306 / 30/50-30/506 / 25/80-25/806 EUROCOM 25/80-25/806 / 30/50-30/506 EUROCOM SP 30/50-30/506	10	6	4	4
EURO 25/30-25/306 / 30/30-30/306 EUROINOX 25/30-25/306 / 30/30-30/306 EUROCOM 25/30-25/306 / 30/30-30/306 GARDEN-INOX 30/30	8	4	4	4
EURO 40/50-40/506 / 30/80-30/806 EUROINOX 40/50-40/506 / 30/80-30/806 EUROCOM 40/50-40/506 / 30/80-30/806 EUROCOM SP 40/50-40/506 GARDEN-INOX 40/50	12	6	6	4
EURO 50/50-50/506 / 40/80-40/806 EUROINOX 50/50-50/506 / 40/80-40/806	20	8	6	4
K 12/200, K 30/70, K 35/40, DP 100, DP 102, AQUADP 102/20	12	6	6	4
K 30/100	16	8	6	4
JET 151, K 35/100	20	10	6	4
K 40/100, K 36/100, K 45/50, DP 151, AQUADP 151/40	20	10	8	4
JET 200, K 14/400	20	10	8	6
JET 251	25	12	8	6
JET 300, K 55/50, DP 251, AQUADP 251/40	32	16	10	6
Maximale werkdruk:	6 bar (600 kPa):	DP 81, DP 82, DP 100, DP 102 AQUADP 82/20, AQUADP 102/20 EURO, EUROINOX, EUROCOM, EUROCOM SP, GARDEN-INOX K 35/40, K 35/100, K 40/100, K 20/41, K 30/70, K 30/100, K 36/100, K 12/200, K 14/400		
	7,5 bar (750 kPa):	JET 151, JET 251, JET 200, JET 300 DP 151, DP 251, AQUADP 151/40, AQUADP 251/40		
	8 bar (800 kPa):	K 45/50, K 55/50		
	10 bar (1000 kPa):	KP 60/6, KP 60/12, KP 38/18 KPA 40/20		
Maximale vloeistof temperatuur:	0 ÷ +35°C:	Voor alle gehomologeerde elektropompen. EN 60335-2-41 (huishoudelijk gebruik)		
	0 ÷ +40°C:	JET 151, JET 251, JET 200, JET 300 DP 81, DP 82, DP 100, DP 102, DP 151, DP 251 AQUADP 82/20, AQUADP 102/20, AQUADP 151/40, AQUADP 251/40		
	-10 ÷ +50°C:	K 20/41, K 30/70, K 30/100, K 36/100, K 12/200, K 35/40, K 45/50, K 35/100, K 40/100, KP 38/18		
	-10 ÷ +80°C:	KP 60/6, KP 60/12 KPA 40/20		
	-15 ÷ +110°C:	K 14/400, K 55/50		

- **Bewarings temperatuur:** -10°C + 40°C
- **Relatieve luchtvochtigheid:** MAX 95%
- **Geluid:**
 - Voor pompen die bestemd zijn voor gebruik buitenshuis: geluidsniveau volgens de richtlijn 2000/14/EG.
 - Voor de overige pompen: geluidsniveau volgens de richtlijn EG 89/392/CEE en successievelijke wijzigingen.
- **Constructie van de motoren volgens normen CEI 2-3 - CEI 61-69 (EN 60335-2-41).**
- **De geleiders van de voedingskabels moeten een nominale doorsnede hebben die niet kleiner is dan in de volgende tabel wordt vermeld:**

Nominale stroom van het apparaat A			Nominale doorsnede mm ²
		≤ 0,2	Tinselsnoeren ^a
> 0,2	en	≤ 3	0,5 ^a
> 3	en	≤ 6	0,75
> 6	en	≤ 10	1,0 (0,75) ^b
> 10	en	≤ 16	1,5 (1,0) ^b
> 16	en	≤ 25	2,5
> 25	en	≤ 32	4
> 32	en	≤ 40	6
> 40	en	≤ 63	10
<p>^a Deze kabels mogen alleen worden gebruikt als de lengte tussen het punt waarop de kabel of zijn bescherming het apparaat binnengaat en de ingang in de stekker niet groter is dan 2 m.</p> <p>^b De kabels met de tussen haakjes aangegeven doorsneden mogen worden gebruikt voor verplaatsbare apparaten, als de lengte ervan niet groter is dan 2 m.</p>			

5. BEHEER

5.1 Opslag

Alle pompen moeten op een overdekte, droge plaats met een liefst constante luchtvochtigheid, trilling- en stofvrij, opgeslagen worden.

Zij worden in hun oorspronkelijke verpakking geleverd, waar ze in moeten blijven tot het moment van installatie. Als dit niet zo zou zijn, ervoor zorgen de aan- en afvoeropeningen zorgvuldig af te sluiten.

5.2 Transport

Vermijden de producten aan onnodig stoten en botsen te onderwerpen.

Om de eenheid op te tillen en te transporteren hefmachines en de (indien voorzien) standaard bijgeleverde pallet gebruiken.

5.3 Gewicht

De sticker op de verpakking geeft het totaalgewicht van de electropomp aan.

6. WAARSCHUWINGEN

6.1 Gespecialiseerd personeel



Het is aan te raden, dat de installatie door bevoegd, gekwalificeerd personeel uitgevoerd wordt, dat over de door de specifieke, betreffende normen verlangde vereisten beschikt.

Onder gekwalificeerd personeel verstaat men de personen, die door hun scholing, ervaring en opleiding alsook hun kennis van de betreffende normen, voorschriften, maatregelen ter voorkoming van ongelukken en over de arbeidsomstandigheden door de veiligheidsverantwoordelijke van de installatie geautoriseerd zijn iedere noodzakelijke handeling uit te voeren en daarbij in staat zijn ieder gevaar te onderkennen en te vermijden. (IEC 364 Definitie voor het technische personeel.)

Het apparaat is niet bedoeld voor gebruik door personen (waaronder kinderen) met beperkte lichamelijke, sensorische en mentale vermogens, of die onvoldoende ervaring of kennis ervan hebben, tenzij zij bij het gebruik van het apparaat onder toezicht staan van of geïnstrueerd worden door iemand die verantwoordelijk is voor hun veiligheid. Kinderen moeten in het oog gehouden worden om erop toe te zien dat ze niet met het apparaat spelen. (EN 60335-1: 02)

6.2 Veiligheid

Het gebruik is alleen toegestaan, als de elektrische installatie gekenmerkt wordt door veiligheidsmaatregelen volgens de in het land van installatie van het product geldende Normen (voor België/Nederland [CEI 64/2]).

6.3 Controle draaiing motoras

Controleer vóór het installeren van de pomp of de bewegende delen vrij kunnen draaien. De ventilatorkap uit de houder van de achterste motorkap verwijderen: met een schroevendraaier inwerken op de inkerving in de motoras aan ventilatiezijde. In geval van blokkering lichtjes met een hamer op de schroevendraaier slaan.

(AFB.A)

6.4 Verantwoordelijkheid



De fabrikant is niet verantwoordelijk voor de goede werking van de electropompen of eventueel daardoor veroorzaakte schade, als deze gemanipuleerd of veranderd worden en/of als men deze laat werken buiten het aangeraden werkgebied of in tegenstelling met andere voorschriften, die in deze handleiding staan.

Hij wijst iedere verantwoordelijkheid af voor de mogelijk in deze instructiehandleiding bevatte onjuistheden, indien te wijten aan druk- of kopieerfouten. Hij behoudt zich het recht voor op de producten die veranderingen aan te brengen, die hij nodig of nuttig acht, zonder de essentiële kenmerken ervan in gevaar te brengen

7. INSTALLATIE



De pompen kunnen wat water bevatten dat achtergebleven is na het testen.

Wij adviseren om de pompen kort uit te spoelen met schoon water, alvorens hen definitief te installeren.

- 7.1 De electropomp moet op een goed geventileerde en van onweer beschermde plaats geïnstalleerd worden en met een ruimte van waar de temperatuur niet boven de 40°C gaat. **Afb.B**
- 7.2 Een stevige bevestiging van de pomp op de fundering vergemakkelijkt de absorptie van eventuele trillingen door het functioneren van de pomp veroorzaakt. **Afb.C**
- 7.3 Voorkomen dat de metallische buizen te veel inspanningen op de pompuitmond doorbrengen, om de mogelijkheden van vervormingen en breuken weg te nemen. **Afb.C**
- 7.4 Het is altijd goede regel de pomp zo naast mogelijk bij de op te pompen vloeistof te plaatsen. De pomp moet alleen in horizontale stand geplaatst worden. De diameter van de leidingen mag in geen geval kleiner zijn dan de monden van de elektrische pomp en op het aanzuiggedeelte moet een bodemventiel worden geïnstalleerd. **Afb.D** Voor diepte opzuiging boven de vier meter of met aanzienlijk horizontale trajecten, het is de toepassing van een opzuigingsbuis aan te raden van grotere diameter dan diegene van de pomp opzuigingsmond. Om de vorming van lucht zakken in de opzuigingsbuis te voorkomen, een kleine positieve helling bij de opzuigingsmond naar de electropomp te rekenen. **Afb.D**
- 7.5 Indien de opzuigingsbuis in rubber of buigzaam materiaal is, altijd nagaan dat van een versterkte soort is om inkrimpingen door de opzuiging te voorkomen.
- 7.6 De handgreep voor het heffen en het transport **moet altijd aanwezig en goed aan de steun bevestigd zijn** bij alle pompen van de draagbare versie.
- 7.7 **Bij pompen die bestemd zijn voor gebruik in fontein buitenhuis, in tuinvijvers of op soortgelijke plaatsen, moet de pomp gevoed worden door middel van een circuit dat voorzien is van een inrichting met differentieelstroom, waarvan de nominale functionele differentieelstroom niet hoger mag zijn dan 30 mA.**

8. ELECTRISCHE AANSLUITING

Let op: altijd de veiligheidsnormen in acht nemen!



Het elektrische schema goed navolgen die aan de binnenkant van de klemendoos is aangegeven

- 8.1 De elektrische installatie dient door een ervaren daartoe bevoegde elektricien uitgevoerd te worden, die daar de volledige verantwoordelijkheid voor op zich neemt.

- 8.2 Zich verzekeren dat de netspanning met datgene overeenkomt die op het motor naamplaatje is aangegeven en dat het mogelijk is **EEN GOEDE AARD VERBINDING TOT STAND TE BRENGEN.Afb.E**, in het bijzonder moet de aardingsklem verbonden zijn met de geel/groene geleider van de voedingskabel. Bovendien moet er een aardingsgeleider worden gebruikt die langer is dan de fasegeleiders, om te voorkomen dat de aardingsgeleider als eerste losraakt als er aan de kabel getrokken wordt.
- 8.3 In de vaste installaties voorzien de Internationale Normen het gebruik van doorkiesknopen met een zekeringshouder basis.
- 8.4 De monofase motoren zijn van een ingebouwde amperometrische bescherming voorzien aan het net direct verbonden. De driefasemotoren moeten worden beveiligd met een automatische schakelaar (b.v. magnetothermische schakelaar) die is afgesteld volgens de nominale gegevens van de elektropomp, of met zekeringen overeenkomstig de dimensionering die vermeld wordt in hoofdstuk 4.

9. OPSTARTEN

9.1



De pomp niet starten zonder deze helemaal met vloeistof gevuld te hebben.

Voor het starten nagaan dat de pomp op de juiste manier is uitgerust, voorzien aan zijn volledige vulling met schone water, bij de bijpassende gaatje, na de vullingdop te hebben verwijderd die op het pompedeelte geplaatst is. Deze handeling is van groot belang voor een perfecte pomp functionering, onmisbaar om de mechanische houding gesmeerd te houden.(**afb.F**) Een droge functionering brengt onherstelbare schade aan de mechanische houding.De oplaaddop zal daarna zorgzaam weer aangedraaid moeten worden.

- 9.2 Spanning toevoeren en, voor de driefase versie, de juiste draairichting, dat, wanneer men aan de ventiel kant kijkt met richting van de klok mee moet gaan. **Afb.G**. Anders twee willekeurige fasesgeleiders door elkaar andersom doen,na de elektropomp uit de spanning te hebben gedaan.

10. VOORZORGSMAATREGELEN

- 10.1 De elektropomp moet nooit met meer dan 20 starten per uur belast worden om de motor niet met teveel thermische aansporingen te belasten.
- 10.2 **VRIES GEVAAR** : wanneer de pomp voor een lange tijd in onbruik blijft op een temperatuur lager dan 0°C, is het noodzakelijk het pompedeelte volledig te ledigen door de ledigingsdop **Afb.H**, om eventuele barsten van de idraulische componenten te voorkomen. Deze handeling is ook aan te raden in geval van onbruik op normale temperatuur.
- 10.3 Het weer in werking stellen na een lange onbruikstijd, vereist het herhalen van de bovengenoemde handelingen.

11. ONDERHOUD EN REINIGING



Met een normale functionering vereist de elektropomp geen bijzonder onderhoud. Het kan toch nodig zijn de idraulische delen schoon te maken wanneer er sprake is van een vermindering van prestatie .**De elektropomp kan alleen door gekwalificeerd personeel uit elkaar gehaald worden die in bezit zijn van vereiste eisen door de specifieke normen aangegeven.**

In ieder geval moeten al de reparaties en onderhouds ingrepen plaats vinden alleen na dat de pomp uit het voedingsnet is gekoppeld.

12. VERANDERINGEN EN RESERVE-ONDERDELEN



Iedere van tevoren niet toegestane wijziging, haalt het constructie bedrijf van iedere verantwoordelijkheid af. Alle bij een reparatie gebruikte onderdelen, moeten origineel en door de constructeur toegestaan zijn, zodat de maximale veiligheid van de machines en van de installaties op wie deze worden geplaatst gegarandeerd kan worden.



Als de voedingskabel van dit apparaat beschadigd is, dient de reparatie te worden uitgevoerd door gespecialiseerd personeel, om alle risico's te vermijden.

12.1 VERPLAATSING EN WISSELING VOEDINGSKABEL

Voor het doorgaan moet men zich verzekeren dat de elektropomp niet met het voedingsnet is aangesloten.

A) Voor de versie zonder drukker

De klemdekker verplaatsen door zijn vier bouten los te maken. De drie klemmetjes L - N - \oplus los draaien en zo ook de bruine draad losrijgen, de blauwe en de gele-groene draad, uit de voedingskabel, na de drukker los te hebben gemaakt.

B) Versie met drukker type SQUARE D

- **kabelstuk met drukker stekker** : de bout van de drukkerdekker los maken met behulp van een schroevendraaier en de deksel weghalen. De gele-groene draad wegrijgen door het losdraaien van de aard Schroef, de blauwe en bruine draad van hun zij klemmetjes door zijn bouten los te maken. Het kabelhouder klemmetje losdraaien met het losdraaien van zijn bouten en de losverbonden kabel wegrijgen.
- **kabel stuk van drukker tot klemmetjes**: de dekselbout van de drukker losdraaien met behulp van een schroevendraaier en de deksel verwijderen. De gele-groene draad wegrijgen door het losdraaien van de aard Schroef, dan de blauwe en de bruine draad uit de bijpassende centrale klemmetjes met het losdraaien van zijn bouten. De kabelhouder klemmetjes verplaatsen door het losdraaien van de bijpassende bouten en de losse kabel wegrijgen. De klemdeksel verplaatsen met het losdraaien van zijn vier bouten. De drie klemmetjes L - N - \oplus losdraaien en de bruine, blauwe en gele-groene draad, uit de drukker, wegrijgen, na de drukker los te hebben gemaakt.

C) Versie met drukker soort:

TELEMECANIQUE / SQUARE D – TELEMECANIQUE / ITALTECNICA

- **kabelstuk met drukkerstekker**: de drukker boutdeksel losmaken met behulp van een schroevendraaier en de deksel verplaatsen door het losshaken van de drukker basis. De gele-groene draad wegrijgen door de aan de linker zijde geplaatste aard klemmetje los te schroeven. Wegrijgen, aan dezelfde kant, de blauwe en bruine draad van hun bijpassende klemmetjes, door de op deze geplaatste bouten, los te maken. De drukkerkabel bout op de linker zijde losmaken en de zo losverbonden kabel wegrijgen.
- **kabelstuk van drukker tot klemmetjes**: de bout van de dekseldrukker met behulp van een schroevendraaier losmaken en de deksel losshaken uit de drukkerbasis. De gele-groene draad losrijgen door het aardklemmetje aan de rechter zijde los te maken. Los rijgen, altijd op dezelfde kant, de blauwe en de bruine draad uit de bijpassende klemmetjes, door het losdraaien van de op deze geplaatste bouten los te maken. De bout van de drukkerkabel van de drukker losmaken op de rechter zijde en de losverbonden kabel wegrijgen. Verplaatsen de klemmetjesdekker, zijn vier bouten losdraaien. De drie klemmetjes L - N - \oplus losdraaien en de drie draden, bruin, blauw en geel-groen, uit de drukker afkomstige, losrijgen, na de kabeldrukker los te hebben gemaakt.

Het verwisselen van de voedingskabel moet door middel van een kabel van hetzelfde type gebeuren (vb. H05 RN-F of H07 RN-F volgens installatie) en met hetzelfde uiteinde, volgens de omgekeerde werkvolgorde voor de demontage.

OPLETTEN: aan de hand van de installatie en in geval van pompen zonder kabel, voedings kabel voorbereiden H05 RN-F type voor binnen gebruik en H07 RN-F type voor buiten gebruik, compleet met stekker (EN 60335-2-41). Voor voedingskabels zonder stekker moet een afkoppelinrichting van het voedingsnet worden voorzien (bijvoorbeeld een magnetothermische schakelaar) met scheiding tussen de contacten van minstens 3 mm per pool.

13. STORINGZOEKEN EN OPLOSSINGEN

ONGEMAKKEN	ONDERZOEKEN (mogelijke oorzaak)	OPLOSSINGEN
1. De motor start niet en maakt geen lawaai .	A. Elektrische aansluitingen nagaan. B. Nagaan dat de motor onder druk staat. C. De beschermings zekeringen.	C. Indien verbrandt vervangen. N.B.: het heventueel zich direkt herhalen van het mancament kan betekenen dat de motor in kortsluiting staat.
2. De motor start niet maar doet lawaai.	A. Zich verzekeren dat de netspanning overeenkomt met datgene wat er op het naamplaatje staat. B. Nagaan dat de aansluitingen goed zijn. C. Op de klemmen nagaan de aanwezigheid van alle fases (3 ~). D. Onderzoek naar mogelijke verstoppingen van de motor of van de pomp. E. Nagaan de toestand van de condensator.	B. Eventuele fouten corrigeren. C. Anders de afwezige fase herstellen. D. Verstoppingen verwijderen. E. De condensator vervang.
3. De motor draait moeilijk.	A. Zich verzen dat er geen onvoldoende voedings spanning is. B. Nagaan mogelijke wrijvingen tussen de bewegende en vaste delen.	B. Zorgen om de wrijfinges oorzaken op te sporen.
4. De pomp werkt.	A. De pomp is niet correct aangesloten. B. De correcte draairichting in de driefase motoren nagaan. C. Onvoldoende diameter van de opzuigingsbuis. D. Verstopte bodemklep.	A. De pomp met water vullen en de opzuigingsbuis, indien niet zelfvissend, dan met de opzuiging doorgaan. B. Onderling twee voedings draden verwisselen. C. Buis vervangen met een van grotere diameter. D. Deze schoonmaken.
5. De pomp vist niet.	A. De opzuigingbuis of de bodemklep zuigen luocht. B. De negatieve helling van de opzuigingbuis vergemakkelijkt de vorming van luchtzakken.	A. Het ongemak verwijderen en de handeling herhalen. B. De helling van de buis herstellen.
6. De pomp voert een onvoldoende druk uit.	A. De voetklep is verstopt. B. De draaier is versleten of verstopt. C. Opzuigingbuis met onvoldoende diameter. D. De correcte draairichting nagaan in de driefase motoren.	A. Deze schoonmaken. B. De verstoppingen verwijderen of de versleten delen vervangen. C. De buis vervangen met een van grotere diameter. D. Onderling twee voedingsdraden verwisselen.
7. De pomp trilt met een rumoerige geluid.	A. Nagaan dat de pomp en de buizen goed zijn aangesloten. B. De pomp heeft een holte d.w.z. er is meer water nodig dan opgepompt kan worden. C. De pomp werkt meer dan wat aangegeven staat.	A. Met meer zorg de losgekomen delen vastmaken. B. De opzuigings hoogte beperken of drukbelasting controleren. C. Kan nuttig zijn de belasting te beperken.

	pág.
INDICE	
1. GENERALIDADES	36
2. EMPLEOS	36
3. LIQUIDOS BOMBEADOS	36
4. DATOS TECNICOS Y LIMITACIONES EN EL EMPLEO	36
5. GESTION	38
5.1. Almacenaje	38
5.2. Transporte	38
5.3. Pesos	38
6. ADVERTENCIAS	38
6.1. Personal especializado	38
6.2. Seguridad	38
6.3. Control rotación del eje motor	38
6.4. Responsabilidades	39
7. INSTALACION	39
8. CONEXION ELECTRICA	39
9. PUESTA EN MARCHA	39
10. PRECAUCIONES	40
11. MANTENIMIENTO Y LIMPIEZA	40
12. MODIFICACIONES Y PIEZAS DE RECAMBIO	40
12.1 Quitar y substituir el cable electrico	40
13. BUSQUEDA Y REMEDIO DE LAS ANOMALIAS	42
1. GENERALIDADES	



Antes de realizar la instalación hay que leer atentamente esta documentación. El montaje y el funcionamiento deberán cumplir las normas de seguridad del país donde se instala el producto. Todos los trabajos serán realizados con esmero. El incumplimiento de las normas de seguridad, además de poner en peligro la seguridad de las personas y dañar los aparatos, hará perder todo derecho a las reparaciones en garantía.

2. EMPLEOS

KP 38/18 - KP 38/18 pred. - KP 60/6 - KP 60/12: Bomba mod. periférico apropiada para su empleo en la casa, de tamaño reducido y capaces de desarrollar prevalencias altas para la alimentación hídrica, para trabajos pequeños de jardinería, vaciado y llenado de cisternas. Se pueden utilizar asimismo para pequeños trabajos industriales.

KPA 40/20: bomba de anillo líquido con rodete estelar, de prestaciones excelentes de aspiración incluso cuando hay burbujas de aire en el líquido o en el caso no se disponga continuamente de líquido a aspirar. Se emplea sobre todo para la alimentación hídrica de instalaciones domésticas, para aumentar la presión o para estabilizar el suministro de agua (en conformidad a las normas locales), para aspiración de pozos. Apropiada para el riego de huertas y jardines pequeños y, en general, para todos aquellos usos en que se requiere autocebado. Capacitadas para pequeñas aplicaciones en la industria.

JET 200 - JET 300 - JET 151 - JET 251: bombas centrífugas con autocebado de chorro, con una gran capacidad de aspiración incluso con agua con gas. Aconsejada en especial para la alimentación hídrica y presurización de fincas. Ideales para pequeños trabajos de agricultura y jardinería, emergencias de la casa y servicios industriales.

DP 81 - DP 82 - DP 100 - DP 102 - DP 151 - DP 251 - AQUADP 82/20 - AQUADP 102/20 - AQUADP 151/40 - AQUADP 251/40: bombas centrífugas con autocebado para aspiraciones a gran profundidad, hasta 30 metros, con inyector a introducir en los pozos de 4" o mayores. Sirve para el suministro hídrico de casas colónicas y para trabajos ligeros de agricultura.

EURO - EUROINOX y derivadas: bomba centrífuga pluriestadio con autocebado, con eje horizontal, sirve para trabajos para la casa o industriales, para plantas hídricas de suministro y presurización. Se emplea también para riegos de pequeñas zonas y lavado de herramientas y maquinaria. Funciona asimismo con agua que contiene gas. La recirculación del agua se produce sólo en fase de cebado, y a continuación se puede utilizar el caudal máximo con distribución continua y constante. Debido a las mencionadas cualidades se puede usar en un sinfín de ocasiones.

K 20/41 - K 30/70 - K 30/100 - K 36/100 - K 12/200 - K 14/400: bombas centrífugas con mono-rodete adecuadas para aspirar agua en las casas, para uso industrial y en la agricultura. Son óptimas para trabajos de trasvase y de mezcla.

K 35/40 - K 45/50 - K 55/50 - K 35/100 - K 40/100: bombas centrífugas con funcionamiento mediante dos rodets que trabajan de manera extremadamente silenciosa. Sirven en especial para realizar grupos de presurización para plantas hídricas y para la alimentación de autoclaves. Idóneas también para el riego por aspersión y muchos otros usos en diferentes campos de aplicación.

3. LIQUIDOS BOMBEADOS



La máquina ha sido proyectada para bombear agua sin sustancias explosivas ni partículas sólidas o fibras, con una densidad equivalente a 1000 Kg/m³ y viscosidad cinemática igual a 1 mm²/s y líquidos químicamente no agresivos.

4. DATOS TECNICOS Y LIMITACIONES DE EMPLEO

- **Tension de alimentacion:** 220 - 240V 50Hz / 110V 50Hz
115V 60Hz / 230V 60Hz
230 V3 - 400 V3 50/60Hz
- **Potencia absorbida:** véase plaquita datos eléctricos

- **Caudal :** da 0,06 a 37 m³/h
- **Prevalencia – Hmax (m) :** pág. 99
- **Líquido bombeado:** limpio, sin cuerpos sólidos o abrasivos, no agresivo
- **Grado de protección motor:** IP44 (Para IP55 ver la placa en el embalaje)
- **Grado de protección tablero de bornes:** IP55
- **Clase de protección:** F
- **Sujetables sondas:** PG 11 e/o PG 13,5 según los modelos
- **Fusibles de línea clase AM:**

Modelo	Fusibles de línea (AMPERIOS)			
	110V 50Hz 115V 60Hz	220-240V 50Hz 230V 60Hz	230 V3 50/60Hz	400 V3 50/60Hz
KP 38/18, KP 38/18 Pred., KP 60/6, DP 81, DP 82, AQUADP 82/20 K 20/41	8	4	4	2
KPA 40/20	8	6	4	2
KP 60/12	--	6	4	4
EURO 40/30-40/306 / 30/50-30/506 / 25/80-25/806 EUROINOX 40/30-40/306 / 30/50-30/506 / 25/80-25/806 EUROCOM 25/80-25/806 / 30/50-30/506 EUROCOM SP 30/50-30/506	10	6	4	4
EURO 25/30-25/306 / 30/30-30/306 EUROINOX 25/30-25/306 / 30/30-30/306 EUROCOM 25/30-25/306 / 30/30-30/306 GARDEN-INOX 30/30	8	4	4	4
EURO 40/50-40/506 / 30/80-30/806 EUROINOX 40/50-40/506 / 30/80-30/806 EUROCOM 40/50-40/506 / 30/80-30/806 EUROCOM SP 40/50-40/506 GARDEN-INOX 40/50	12	6	6	4
EURO 50/50-50/506 / 40/80-40/806 EUROINOX 50/50-50/506 / 40/80-40/806	20	8	6	4
K 12/200, K 30/70, K 35/40, DP 100, DP 102, AQUADP 102/20	12	6	6	4
K 30/100	16	8	6	4
JET 151, K 35/100	20	10	6	4
K 40/100, K 36/100, K 45/50, DP 151, AQUADP 151/40	20	10	8	4
JET 200, K 14/400	20	10	8	6
JET 251	25	12	8	6
JET 300, K 55/50, DP 251, AQUADP 251/40	32	16	10	6
Presión máxima de ejercicio:	6 bar (600 kPa):	DP 81, DP 82, DP 100, DP 102 AQUADP 82/20, AQUADP 102/20 EURO, EUROINOX, EUROCOM, EUROCOM SP, GARDEN-INOX K 35/40, K 35/100, K 40/100, K 20/41, K 30/70, K 30/100, K 36/100 K 12/200, K 14/400		
	7,5 bar (750 kPa):	JET 151, JET 251, JET 200, JET 300 DP 151, DP 251, AQUADP 151/40, AQUADP 251/40		
	8 bar (800 kPa):	K 45/50, K 55/50		
	10 bar (1000 kPa):	KP 60/6, KP 60/12, KP 38/18 KPA 40/20		
Máxima temperatura del líquido:	0 ÷ +35°C:	Para todas las electrobombas homologadas EN 60335-2-41 (uso doméstico)		
	0 ÷ +40°C:	JET 151, JET 251, JET 200, JET 300 DP 81, DP 82, DP 100, DP 102, DP 151, DP 251 AQUADP 82/20, AQUADP 102/20, AQUADP 151/40, AQUADP 251/40		
	-10 ÷ +50°C:	K 20/41, K 30/70, K 30/100, K 36/100, K 12/200, K 35/40, K 45/50, K 35/100, K 40/100 KP 38/18		
	-10 ÷ +80°C:	KP 60/6, KP 60/12 KPA 40/20		
	-15 ÷ +110°C:	K 14/400, K 55/50		

- **Temperatura de almacenaje:** -10°C +40°C
- **Humedad relativa del aire:** MAX 95%
- **Ruidosidas:**
 - Para las bombas destinadas a uso exterior: nivel ruido según la Directiva 2000/14/CE.
 - Para las demás bombas: nivel ruido según la Directiva EC 89/392/CEE y modificaciones siguientes.
- **Costrucción de los motores:** según normas CEI 2-3 - CEI 61-69 (EN 60335-2-41)

- Los conductores de los cables de alimentación deberán tener una sección nominal no inferior a la indicada en la tabla siguiente:

Corriente nominal del aparato A			Sección nominal mm ²
		≤ 0,2	Cables de oropel planos dobles ^a
> 0,2	y	≤ 3	0,5 ^a
> 3	y	≤ 6	0,75
> 6	y	≤ 10	1,0 (0,75) ^b
> 10	y	≤ 16	1,5 (1,0) ^b
> 16	y	≤ 25	2,5
> 25	y	≤ 32	4
> 32	y	≤ 40	6
> 40	y	≤ 63	10
^a Sólo será posible utilizar los cables con longitud inferior a 2 m entre el punto en el que los mismos o su protección entran en el aparato y la entrada del enchufe. ^b Los cables cuyas secciones están indicadas entre paréntesis se emplearán para los aparatos móviles a condición de que su longitud sea menor a 2 m.			

5. GESTION

5.1 Almacenaje

Todas las bombas deben ser almacenadas en locales cubiertos, secos y si es posible con humedad relativa del aire constante, sin vibraciones ni polvo.

Se suministran con su embalaje original, donde se pueden conservar hasta su instalación. De no ser posible, hay que cerrar con cuidado la boca de aspiración y de alimentación.

5.2 Transporte

Evitar que los productos sufran golpes o choques innecesarios.

Al izar y transportar el grupo, es necesario utilizar izadores, y usar el pallet suministrado en serie (si está previsto).

5.3 Pesos

La placa adhesiva colocada en el embalaje, indica el peso total de la electrobomba.

6. ADVERTENCIAS

6.1 Personal especializado



Es aconsejable que la instalación sea realizada por personal competente y cualificado, con los requisitos técnicos establecidos por las normas específicas de tal sector.

Con personal cualificado nos referimos a todas aquellas personas que, o por su formación, experiencia e instrucción, así como por sus conocimientos concernientes las normas, prescripciones y disposiciones correspondientes para la prevención de accidentes y las condiciones del servicio, han sido autorizadas por el responsable de la seguridad de la instalación a realizar cualquier actividad necesaria, estando capacitado para conocer y evitar cualquier peligro. (Definición del personal técnico IEC 364)

El aparato no deberá ser utilizado por personas (tampoco niños) con capacidades físicas, sensoriales y mentales reducidas, o bien sin la debida experiencia o conocimientos, salvo que un responsable de su seguridad les haya explicado las instrucciones y supervisado el manejo de la máquina. Se deberá prestar atención a los niños para que no jueguen con el aparato.

(EN 60335-1: 02)

6.2 Seguridad

El uso está permitido sólo si la instalación eléctrica cuenta con protecciones de seguridad conforme a las Normativas en vigor en el país donde se instale el aparato (para Italia CEI 64/2).

6.3 Control de la rotación del eje motor

Antes de instalar la bomba hay que comprobar que las partes en movimiento giren libremente. Para ello hacer girar el cubreventilador del alojamiento de la tapa posterior del motor y meter un destornillador en la ranura prevista en el eje motor del lado de la ventilación. **En caso de bloqueo**, girar el destornillador, golpeándolo ligeramente con un martillo. **Fig. A**

6.4 **Responsabilidad**



El fabricante declina toda responsabilidad por el mal funcionamiento de las bombas o por los daños debidos a las mismas, en el caso de que dichos aparatos sean manipulados indebidamente, modificados y/o destinados a empleos no considerados ni aconsejados o en contraste con otras disposiciones citadas en el presente manual.

Declina asimismo toda responsabilidad por los posibles datos inexactos que aparezcan en este manual de instrucciones, debidos a errores de imprenta o de transcripción. Se reserva el derecho de aportar a los aparatos las modificaciones que considere necesarias o útiles sin perjudicar con ello las características esenciales..

7. **INSTALACION**



Tras las pruebas pueden quedar pequeñas cantidades de agua dentro de las bombas, por lo que se aconseja lavarlas un poco con agua limpia antes de su instalación definitiva.

- 7.1 Hay que instalar la bomba en una lugar bien aireado, protegida contra las inclemencias del tiempo y la temperatura ambiente no debe sobrepasar los 40°C. **Fig. B**
- 7.2 Si se fija bien la bomba a la base de apoyo, esto podría servir para absorber las vibraciones provocadas al funcionar la bomba. **Fig. C**
- 7.3 Hay que evitar que los tubos metálicos transmitan esfuerzos excesivos a las bocas de la bomba, a fin de no provocar roturas o deformaciones. **Fig. C**
- 7.4 Se considera una buena norma colocar la bomba lo más cerca posible del líquido a bombear. Hay que instalar la bomba sólo en posición horizontal. El diámetro interno de las tuberías no debe ser inferior al de las bocas de la electrobomba, y se aconseja instalar en la aspiración una válvula de pie. **Fig. D.** Para una aspiración que sobrepase los cuatro metros o con recorridos grandes en horizontal, se aconseja utilizar un tubo de aspiración cuyo diámetro sea mayor que el de la boca de aspiración de la bomba. Para que no se formen bolsas de aire en el tubo de aspiración, hay que crear una ligera inclinación positiva del tubo de aspiración hacia la electrobomba. **Fig. D.**
- 7.5 Si la tubería de aspiración fuera de goma o de material flexible, comprobar siempre que el material esté reforzado, a fin de evitar que ésta se estreche debido a la aspiración.
- 7.6 Todas las bombas previstas para las versiones portátiles **deben estar equipadas siempre con una asa para izarlas y transportarlas, bien sujeta al soporte.**
- 7.7 **Las bombas destinadas a fuentes para uso exterior, estanques de jardines y lugares afines, estarán alimentada mediante circuito provisto de dispositivo de corriente diferencial, con corriente diferencial de funcionamiento nominal no superior a 30 mA.**

8. **CONEXION ELECTRICA**

¡Atención: cumplir siempre las normas de seguridad!



Respetar rigurosamente los esquemas eléctricos indicados dentro de la caja de bornes

- 8.1 **La instalación eléctrica la deberá realizar un electricista experto, autorizado, que se asume toda la responsabilidad del trabajo.**
- 8.2 Comprobar que la tensión de la red corresponda a la indicada en la placa del motor a alimentar, **Y QUE SEA POSIBLE REALIZAR UNA BUENA CONEXIÓN DE TIERRA. Fig. E,** en especial, el borne de tierra debe ser conectado al conductor amarillo/verde del cable de alimentación. Además, hay que utilizar un conductor de tierra más largo que los conductores de fase, con el fin de impedir que sea el primero en desconectarse en caso de tracción.
- 8.3 Para las instalaciones fijas las Normas Internacionales establecen el uso de interruptores seccionadores con base portafusibles.
- 8.4 Los motores monofásicos están dotados de protección anti-amperométrica incorporada y se pueden conectar directamente a la red. Los motores trifásicos estarán protegidos con interruptor automático (ej. magnetotérmico) calibrado con arreglo a los datos de la placa de características de la electrobomba, o con fusibles conforme al dimensionamiento señalado en el capítulo 4.

9. **PUESTA EN MARCHA**

9.1



No poner en marcha la bomba sin haberla llenado antes totalmente con líquido.

Antes de ponerla en funcionamiento asegurarse que la bomba esté cebada regularmente, llenarla con agua limpia a través del agujero relativo, una vez quitado el tapón de carga que se halla en el cuerpo de la bomba. Esta operación es de importancia básica para que la bomba trabaje bien y además es indispensable para lubricar bien la junta estanca mecánica (**Fig.F**). **Esta se estropea irremediablemente si la bomba funciona en seco.** A continuación se enrosca bien el tapón de carga.

9.2 Dar tensión y controlar, por lo que respecta la versión trifásica, el sentido justo de rotación, es decir, al observar el motor desde el lado del ventilador, la dirección será como la de las agujas del reloj **Fig. G**. En caso contrario invertir entre sí dos conductores de fase cualesquiera, después de haber desconectado de la corriente la bomba.

10. PRECAUCIONES

10.1 No hay que hacer arrancar la bomba más de 20 veces por hora, para no someter el motor a excesivos esfuerzos térmicos.

10.2 **PELIGRO DE HIELO** : cuando la bomba no se utiliza por mucho tiempo con una temperatura debajo de los 0°C, hay que vaciarla antes completamente a través del tapón de desagüe **Fig. H**, para que no se estropeen los componentes hidráulicos. Se aconseja efectuar dicha operación incluso si no se usa por mucho tiempo con temperatura ambiental normal.

10.3 Al ponerla en marcha tras un largo periodo de inactividad, hay que repetir las operaciones de arranque reseñadas anteriormente.

11. MANTENIMIENTO Y LIMPIEZA



Durante el funcionamiento normal la electrobomba no precisa de mantenimiento alguno. Quizá sea necesario limpiar algunas partes hidráulicas si se nota que ha perdido un poco de sus características Solamente personal especializado y cualificado, que cumpla los requisitos establecidos por las normas específicas podrá desmontar la electrobomba. De todas formas todos los trabajos de reparación y mantenimiento se efectuarán después de haber desconectado la bomba de la corriente eléctrica.

12. MODIFICACIONES Y PARTES DE RECAMBIO



El fabricante no será responsable en el caso de modificaciones aportadas sin previa autorización. Todas las piezas de recambio utilizadas para las reparaciones serán originales, y todos los accesorios deberán ser autorizados por el fabricante, para poder así garantizar la máxima seguridad de las máquinas y de las instalaciones donde se montan.



En el caso de daños al cable de alimentación de este aparato y para prevenir todo tipo de riesgo, la reparación será efectuada por personal especializado.

12.1 Quitar y substituir el cable electrico

Antes de efectuar esta operación comprobar que la electrobomba no esté conectada a la corriente eléctrica.

A) Para la versión sin presóstato

Quitar el cubreterminal de bornes destornillando para ello sus cuatro tornillos. Destornillar los tres bornes L - N - \oplus y sacar el cable marrón, el azul y el amarillo-verde del cable eléctrico, después de haber aflojado el prensacable.

B) Versión con presóstato mod. SQUARE D

- **trozo de cable que procede del presóstato, con enchufe:** quitar el tornillo de la tapa del presóstato con un destornillador y luego quitar la tapa. Sacar el cable amarillo verde destornillando para ello el tornillo de tierra, sacar también el cable azul y el marrón de sus relativos bornes laterales, aflojando sus tornillos. Quitar el borne sujeta cable destornillando los tornillos correspondientes y sacar el cable.
- **trozo de cable desde el presóstato hasta la caja de bornes:** quitar la tuerca de la tapa del presóstato con un destornillador y luego quitar la tapa. Sacar el cable amarillo verde destornillando para ello el tornillo de tierra, sacar también el cable azul y el marrón de sus relativos bornes centrales, destornillando para ello los tornillos correspondientes. Quitar el borne sujeta cable destornillando los tornillos correspondientes y sacar el cable ya desconectado. Quitar el cubreterminal de bornes destornillando los 4 tornillos allí situados. Destornillar los tres bornes L - N - \oplus y sacar el cable marrón, el azul y el amarillo-verde que llegan del presóstato, después de haber aflojado el prensacable.

C) Versión con presóstato mod.:

TELEMECANIQUE / SQUARE D –TELEMECANIQUE / ITALTECNICA

- **trozo de cable que procede del presóstato, con enchufe:** quitar el tornillo de la tapa del presóstato con un destornillador y luego quitar la tapa. Sacar el cable amarillo verde destornillando para ello el tornillo de tierra del lado izquierdo. Sacar, del mismo lado, el cable azul y el marrón de sus relativos bornes, aflojando sus tornillos. Aflojar la tuerca sujeta cable del presóstato del lado izquierdo y sacar el cable ya desconectado.
- **trozo de cable desde el presóstato hasta la caja de bornes:** quitar el tornillo de la tapa del presóstato con un destornillador y luego quitar la tapa. Sacar el cable amarillo verde destornillando para ello el tornillo de tierra del lado derecho. Sacar siempre del mismo lado el cable azul y el marrón de sus relativos bornes, destornillando para ello los tornillos allí situados. Quitar el borne sujeta cable destornillando los tornillos correspondientes y sacar el cable ya desconectado. Aflojar la tuerca prensacable del presóstato lado derecho y sacar el cable ya desconectado. Quitar el cubreterminal de bornes destornillando los 4 tornillos allí situados. Destornillar los tres bornes L - N - \ominus y sacar el cable marrón, el azul y el amarillo-verde que llegan del presóstato, después de haber aflojado el prensacable.

Hay que reemplazar el cable eléctrico con cable del mismo tipo (ej. H05 RN-F o H07 RN-F, conforme a la instalación), con la misma terminación, realizando las mismas operaciones del desmontaje, pero en sentido inverso.

ATENCIÓN: según la instalación y en el caso de bombas no dotadas de cable, disponer de cables de alimentación tipo H05 RN-F para el uso interno y de tipo H07 RN-F para el exterior, con enchufes (EN 60335-2-41). Para los cables de alimentación sin enchufe, prever un dispositivo de deshabilitación de la red de alimentación (ej. magnetotérmico) con contactos de separación de por lo menos 3 mm por cada polo.

13. BUSQUEDA Y REMEDIOS DE ANOMALIAS

ANOMALIAS	CONTROLES (causas posibles)	REMEDIOS
1. El motor no arranca y no hace ruidos.	A. Verificar las conexiones eléctricas. B. Verificar que el motor esté bajo tensión. C. Verificar los fusibles de protección.	C. Cambiarlos si están quemados. Nota: Si se estropearan repetidamente, esto quiere que el motor está en cortocircuito.
2. El motor no arranca pero produce ruidos.	A. Comprobar que la tensión eléctrica corresponda a la de la placa. B. Comprobar que se han realizado las conexiones justas. C. Verificar que en la caja de bornes estén todas las fases(3~) D. Buscar posibles obstrucciones de la bomba o del motor. E. Controlar el estado del condensador.	B. Corregir eventuales errores. C. En caso negativo establecer la fase que falta. D. Quitar los obstáculos. E. Sustituir el condensador.
3. El motor no gira bien.	A. Asegúrese que la tensión de alimentación sea suficiente. B. Controbar que no rocen las partes móviles con las fijas.	B. Eliminar las causas de esto.
4. La bomba no suministra.	A. La bomba no ha sido cebada bien. B. Verificar el sentido correcto de giro en los motores trifasicos. C. Tubo de aspiración con diámetro insuficiente. D. Válvula de fondo obstruida.	A. Llenar de agua y también tubo de aspiración si no es con autocebado, y efectuar el cebado. B. Invertir entre ellos, dos hilos de alimentación. C. Sustituir el tubo con uno de mayor diámetro. D. Volver a limpiar la válvula a fondo.
5. La bomba no ceba o se enceda.	A. El tubo de aspiración o la válvula de fondo aspiran aire. B. La inclinación negativa del tubo de aspiración favorece la formación de bolsas de aire.	A. Eliminar el fenómeno o repetir la operación de cebado. B. Corregir la inclinación del tubo de aspiración.
6. La bomba suministra un caudal insuficiente.	A. La válvula de fondo está obstruida. B. El rodete está desgastado o obstruido. Para las versiones de autocebado puede estar obstruido parte del dispositivo boquilla -venturi. C. Tuberías de aspiración con diámetro insuficiente. D. Verificar el sentido correcto de giro en los motores trifasicos.	A. Volver a limpiar la válvula a fondo. B. Sacar los obstáculos o sustituir las piezas desgastadas. C. Sustituir la tubería con una de mayor diámetro. D. Invertir entre ellos, dos hilos de alimentación.
7. La bomba vibra y funciona haciendo ruido.	A. Verificar que la bomba y las tuberías están bien sujetadas. B. La bomba cavita, es decir, se le requiere más agua de la que puede bombear. C. La bomba trabaja sobrepasando los datos de la placa.	A. Fijar bien las partes flojas. B. Recucir la altura de aspiración o controlar las pérdidas de carga. C. Pueda ser útil limitar el caudal de impulsión.

	sid.
INNEHÅLLSFÖRTECKNING	
1. ALLMÄNT	43
2. TILLÄMPNINGAR	43
3. PUMPADE VÅTSKOR	43
4. TEKNISKA DATA OCH BEGRÄNSNINGAR BETRÄFFANDE TILLÄMPNING	43
5. HANTERING	45
5.1. Förvaring	45
5.2. Transport	45
5.3. Vikter	45
6. SÄKERHETSFÖRESKRIFTER	45
6.1. Kvalificerad teknisk personal	45
6.2. Säkerhet	45
6.3. Kontroll av axelmotorns rotationsriktning	45
6.4. Ansvar	45
7. INSTALLATION	46
8. ELANSLUTNING	46
9. START	46
10. FÖRSIKTIGHETSÅTGÄRDER	46
11. UNDERHÅLL OCH RENGÖRING	47
12. ÄNDRINGAR OCH RESERVDELAR	47
12.1 Demontering och byte av nätkabel	47
13. FELSÖKNING OCH LÖSNING PÅ PROBLEM	48
1. ALLMÄNT	



Läs noga denna bruksanvisning före installationen. Installation och användande ska ske i enlighet med gällande säkerhetsbestämmelser i det land där installationen av produkten görs. Hela arbetet måste utföras på korrekt sätt.

Om säkerhetsbestämmelserna inte följs finns det risk för skador på personer och apparaturen, och dessutom gäller inte garantin.

2. TILLÄMPNINGAR

KP 38/18 - KP 38/18 pred. - KP 60/6 - KP 60/12: Pump av periferisk typ lämplig för hushållsbruk, som ej kräver stort utrymme och som erbjuder stora sughöjder för vattenförsörjning, trädgårdsbruk, tömning och fyllning av behållare. Den kan också användas vid mindre industriarbeten.

KPA 40/20: pump med flytande ring med planetpumphjul, med optimal kapacitet för insugning även vid närvaro av luftbubblor eller vid avbrott i flödet av insugningsvätska. Särskilt lämpad för vattenförsörjning till hushåll, för att öka trycket eller stabilisera vattenförsörjningen (i enlighet med lokala föreskrifter) och för insugning från brunnar. Lämplig för trädgårdsbevattning i mindre skala och för i allmänhet där automatisk påfyllning av pumpen är nödvändig. Pumpen kan även användas för lätta ändamål inom industrin.

JET 200 - JET 300 - JET 151 - JET 251: Själv sugande centrifugalpumpar med stråle och ypperlig sugkapacitet även då vattnet innehåller gas. Den är speciellt avsedd för vattenförsörjning och trycksättning i fritidshus. Den lämpar sig bra vid mindre grönsaksodlingar och trädgårdsarbete, hushålls- och industribruk.

DP 81 - DP 82 - DP 100 - DP 102 - DP 151 - DP 251 - AQUADP 82/20 - AQUADP 102/20 - AQUADP 151/40 - AQUADP 251/40: Själv sugande centrifugalpumpar med ejektor och med en sughöjd upp till 30 meter för användning i brunnar med minimidiameter på 4 tum. Den används för att förse bondgårdar och små odlingar med vatten.

EURO - EUROINOX och relaterade utföranden: Själv sugande flerstegs-centrifugalpump med horisontell axel för vattenförsörjning och trycksättningsaggregat och som lämpar sig bra för hushålls- och industribruk. Inom jordbruk används den lämpligen vid mindre bevattningar och rengöring av redskap och maskiner. Den fungerar även när vattnet innehåller gas. Återflöde av vattnet inträffar bara vid påfyllningsfasen. Efter denna fas kan vattenförbrukarna erhålla konstant och kontinuerlig vätska vid maximal kapacitet. Dessa egenskaper gör den lämpad för många användningsområden.

K 20/41 - K 30/70 - K 30/100 - K 36/100 - K 12/200 - K 14/400: Centrifugalpumpar med ett pumphjul som lämpar sig bra för hushålls-, jordbruks- och industribruk. De är idealiska vid omtappnings- och blandningsarbeten.

K 35/40 - K 45/50 - K 55/50 - K 35/100 - K 40/100: Centrifugalpumpar med 2 pumphjul (hjulen för modellerna K 35/40 - K 45/50 - K 55/50 är installerade i motsatt riktning) och som har en mycket tystgående drift. De är särskilt avsedda för trycksättning i vattenanläggningar och autoklavförsörjning. De fungerar också bra vid bevattning och har många varierande användningsområden.

3. PUMPADE VÅTSKOR



Maskinen är konstruerad för att pumpa vatten som inte innehåller explosiva ämnen och fasta partiklar eller fibrer. Vattnet ska ha en densitet på 1kg/m³ och en kinematisk viskositet på 1mm²/s. Den kan även pumpa icke aggressiva kemikalievätskor.

4. TEKNISKA DATA OCH BEGRÄNSNINGAR BETRÄFFANDE TILLÄMPNING

– **Nätspänning:** 220 - 240V 50Hz / 110V 50Hz
115V 60Hz / 230V 60Hz
230 V3 – 400 V3 50/60Hz

se data på märkplåten

- **Förbrukad effekt:** se data på märkplåten
- **Kapacitet:** från 0,06 till 37 m³/h
- **Maximal pumphöjd – Hmax (m):** sid. 99
- **Pumpbar vätska:** ren utan fasta eller slipande partiklar, och ej aggressiv
- **Motorns skyddsklass:** IP44 (för IP55 se etikett på förpackningen)
- **Kopplingslådans skyddsklass:** IP55
- **Skyddsgrad:** F
- **Kabelgenomföring:** PG11 och/eller PG 13,5 enligt modell
- **Nätsäkringar, klass AM:**

Modell	Nätsäkringar (ampere)			
	110V 50Hz 115V 60Hz	220-240V50Hz 230V 60Hz	230 V3 50/60Hz	400 V3 50/60Hz
KP 38/18, KP 38/18 Pred., KP 60/6, DP 81, DP 82, AQUADP 82/20 K 20/41	8	4	4	2
KPA 40/20	8	6	4	2
KP 60/12	--	6	4	4
EURO 40/30-40/306 / 30/50-30/506 / 25/80-25/806 EUROINOX 40/30-40/306 / 30/50-30/506 / 25/80-25/806 EUROCOM 25/80-25/806 / 30/50-30/506 EUROCOM SP 30/50-30/506	10	6	4	4
EURO 25/30-25/306 / 30/30-30/306 EUROINOX 25/30-25/306 / 30/30-30/306 EUROCOM 25/30-25/306 / 30/30-30/306 GARDEN-INOX 30/30	8	4	4	4
EURO 40/50-40/506 / 30/80-30/806 EUROINOX 40/50-40/506 / 30/80-30/806 EUROCOM 40/50-40/506 / 30/80-30/806 EUROCOM SP 40/50-40/506 GARDEN-INOX 40/50	12	6	6	4
EURO 50/50-50/506 / 40/80-40/806 EUROINOX 50/50-50/506 / 40/80-40/806	20	8	6	4
K 12/200, K 30/70, K 35/40, DP 100, DP 102, AQUADP 102/20	12	6	6	4
K 30/100	16	8	6	4
JET 151, K 35/100	20	10	6	4
K 40/100, K 36/100, K45/50, DP 151, AQUADP 151/40	20	10	8	4
JET 200, K 14/400	20	10	8	6
JET 251	25	12	8	6
JET 300, K 55/50, DP 251, AQUADP 251/40	32	16	10	6
Maximalt arbetstryck:	6 bar (600 kPa):	DP 81, DP 82, DP 100, DP 102, AQUADP 82/20, AQUADP 102/20 EURO, EUROINOX, EUROCOM, EUROCOM SP, GARDEN-INOX K 35/40, K 35/100, K 40/100, K 20/41, K 30/70, K 30/100, K 36/100, K 12/200, K 14/400		
	7,5 bar (750 kPa):	JET 151, JET 251, JET 200, JET 300 DP 151, DP 251, AQUADP 151/40, AQUADP 251/40		
	8 bar (800 kPa):	K 45/50, K 55/50		
	10 bar (1000 kPa):	KP 60/6, KP 60/12, KP 38/18 KPA 40/20		
Vätskans temperaturområde:	0 ÷ +35°C:	För alla godkända elpumpar EN 60335-2-41 (för hushållsbruk)		
	0 ÷ +40°C:	JET 151, JET 251, JET 200, JET 300 DP 81, DP 82, DP 100, DP 102, DP 151, DP 251 AQUADP 82/20, AQUADP 102/20, AQUADP 151/40, AQUADP 251/40		
	-10 ÷ +50°C:	K 20/41, K 30/70, K 30/100, K 36/100, K 12/200, K 35/40, K 45/50, K 35/100, K 40/100 KP 38/18		
	-10 ÷ +80°C:	KP 60/6, KP 60/12, KP 38/18 KPA 40/20		
	-15 ÷ +110°C:	K 14/400, K 55/50		

- **Förvaringstemperatur:** -10°C till +40°C
- **Relativ luftfuktighet:** MAX 95 %
- **Bullernivå:**
 - Pumpar för användning utomhus: Bullernivå i överensstämmelse med EU-direktiv 2000/14/EG.
 - Övriga pumpar: Bullernivå i överensstämmelse med EU-direktiv 89/392/EEG och efterföljande ändringar.
- **Motorkonstruktionen är i enlighet med föreskrifterna CEI 2 - 3, häfte 1110 - CEI 61-69 (EN 60335-2-41).**

- Det nominella tvärsnittet hos elkablarnas ledare ska vara minst lika stort som tvärsnittet som anges i följande tabell:

Apparatens märkström A		Nominellt tvärsnitt mm ²
	≤ 0,2	Platta dubbelflätade kablar ^a
> 0,2	och ≤ 3	0,5 ^a
> 3	och ≤ 6	0,75
> 6	och ≤ 10	1,0 (0,75) ^b
> 10	och ≤ 16	1,5 (1,0) ^b
> 16	och ≤ 25	2,5
> 25	och ≤ 32	4
> 32	och ≤ 40	6
> 40	och ≤ 63	10

^a Dessa kablar kan användas om de är max. 2 m långa mellan punkten där kabeln eller dess hölje går in i apparaten resp. stickkontakten.

^b Kablar med tvärsnitt inom parentes får vara max. 2 m långa om de ska användas för **bärbara apparater**.

5. HANTERING

5.1 Förvaring

Samtliga pumpar ska förvaras på en övertäckt och torr plats där det inte förekommer vibrationer och damm, och där luftfuktigheten är jämn och stabil. Pumparna levereras i sitt originalemballage där de bör förvaras ända fram till installationen. I annat fall ska munstycket för inlopp/utlopp stängas noggrant.

5.2 Transport

Undvik att utsätta produkterna för onödiga stötar och kollisioner.

Lyft och transport av pumpen ska ske med den handtruck (om sådan finns) som ingår i standardutrustningen.

5.3 Vikter

Klistermärket på emballaget anger elpumpens totala vikt.

6. SÄKERHETSFÖRESKRIFTER

6.1 Kvalificerad teknisk personal



Installationen ska utföras av behörig och kvalificerad personal som uppfyller de tekniska krav som indikeras av gällande standard.

Med kvalificerad personal menas de personer som är kapabla att lokalisera och undvika möjliga faror. Dessa personer har tack vare sin bakgrund, erfarenhet och utbildning, och sin kännedom om gällande normer och olycksförebyggande regler auktoriserats av skyddsombudet att utföra nödvändiga arbeten. (Definition av teknisk personal enligt IEC 364).

Apparaten får inte användas av barn eller personer med nedsatt fysisk eller psykisk förmåga eller utan erfarenhet och kunskap. Det måste i sådana fall ske under översyn av en person som ansvarar för deras säkerhet och som kan visa hur apparaten används på korrekt sätt. Håll barn under uppsikt för att säkerställa att de inte leker med apparaten. (EN 60335-1: 02)

6.2 Säkerhet

Pumparna får endast användas om elsystemet är i överensstämmelse med gällande standard för det land där produkten installeras (för Italien CEI 64/2).

6.3 Kontroll av motoraxelns rotationsriktning

Innan pumpen installeras, kontrollera att inget indrar de rörliga delarna. Gå tillväga enligt nedan ta bort flätkåpan (13) från motorns bakre kåpa (11); sätt en skruvmejsel i skåran på motoraxeln på fläktsidan. Om delarna är blockerade, vrid skruvmejseln genom att knacka lätt på den med en hammare. **Fig. A**

6.4 Ansvar



Tillverkaren ansvarar inte för elpumparnas funktion eller för skador som de orsakar om pumparna ändras eller används felaktigt. Inte heller kan tillverkaren hållas ansvarsskyldig om pumparna används utanför det rekommenderade driftområdet eller i motsättning med anvisningarna i denna manual.

Tillverkaren fransäger sig vidare allt ansvar för oriktigheter i denna manual som beror på tryckfel eller kopiering. Tillverkaren förbehåller sig rätten att utföra ändringar på produkten som är nödvändiga eller lämpliga utan att för den skull ändra dess typiska kännetecken.

7. INSTALLATION



Små vattenrester kan finnas kvar i pumparna efter slutkontrollerna. Det rekommenderas därför att skölja pumparna med rent vatten innan den slutgiltiga installationen görs.

- 7.1 Elpumpen ska installeras på en plats med bra ventilation, skyddad från regn o.dyl. och med en omgivningstemperatur på max +40°C. **Fig. B**
- 7.2 Sätt fast pumpen ordentligt vid underlaget för att dämpa eventuella vibrationer från pumpen. **Fig. C**
- 7.3 Undvik att spänningar i metallrören utövar ett för stort tryck på pumpens in- och utloppsanslutningar för att undvika skador på pumpen. **Fig. C**
- 7.4 **Enligt gällande norm bör pumpen placeras så nära pumpvätskan som möjligt.** Pumpen ska endast installeras horisontellt. Rörledningarnas innerdiameter får aldrig vara mindre än elpumpens in- och uttag. Vi rekommenderar att en bottenventil installeras på sugledningen. **Fig. D.** Vid en sughöjd på över 4 meter eller vid längre horisontella sträckor rekommenderas en sugledning med en diameter större än elpumpens inloppsanslutning. För att undvika luftansamlingar i sugledningen bör denna placeras lätt lutande upp mot elpumpen. **Fig. D**
- 7.5 Om sugledningen är av gummi eller plast bör man försäkra sig om att den är armerad för att undvika att den sugs ihop.
- 7.6 Handtagger för lyft och transport **måste alltid monteras och fästas på stödet** till samtliga pumpar för bärbar installation.
- 7.7 **Pumpar avsedda att användas i utomhusfontäner, trädgårdsdammar eller liknande måste matas via ett system försett med en jordfelsbrytare som löser ut vid max. 30 mA felström.**
8. **ELANSLUTNING: Varning: iaktta alltid säkerhetsföreskrifterna!**



Följ alltid de elektriska ritningarna som finns inuti kontrollådan.

- 8.1 **ELANSLUTNINGEN SKA UTFÖRAS AV EN KVALIFICERAD ELEKTRIKER SOM BÄR ANSVARET FÖR DETTA ARBETE.**
- 8.2 Kontrollera att nätspänningen överensstämmer med motorns märkplåt och att **ANLÄGGNINGEN ÄR ANSLUTEN TILL ETT JORDAT UTTAG.** **Fig. E,** jordklämman ska anslutas till elkabelns gul/gröna ledare. Jordledaren ska även vara längre än fasledarna. Detta för att undvika att jordledaren lossnar först om elkabeln utsätts för ryck.
- 8.3 Vid fasta installationer kräver de internationella föreskrifterna att man använder dubbelströmbrytare med inbyggda säkringar.
- 8.4 Enfasmotorer är försedda med amperemetriskt överbelastningsskydd och kan anslutas direkt till nätet. Trefasmotorerna ska utrustas med en automatisk strömbrytare (t.ex. termomagnetisk brytare) som är kalibrerad enligt elpumpens märkdata, alternativt med säkringar med ett strömvärde enligt kapitel 4.
9. **START**



Starta aldrig pumpen utan att ha fyllt den helt på vätska.

- Innan start kontrollera att pumpen är ordentligt förberedd. Skruva av påfyllningspluggen på pumpen och fyll pumpen helt med rent vatten för att den inte ska gå torr. Detta är nödvändigt för pumpens korrekta drift och smörjning av mekaniska tätningar. **Fig. F.** Skruva därefter tillbaka påfyllningspluggen. **KÖRNING AV PUMPEN UTAN VATTEN ORSAKAR ALLVARLIGA SKADOR PÅ MEKANIKEN.**
- 9.2 Slå på strömmen och kontrollera vid trefasmotorer att rotationsriktningen är korrekt. Denna ska vara medsols, sedd från motorns fläkt. **Fig. G.** Om rotationsriktningen är fel, slå av strömmen och koppla om två faser.
10. **FÖRSIKTIGHETSÅTGÄRDER**
- 10.1 Elpumpen får inte starta mer än 20 gånger per timme för att motorn ej ska bli överhettad.
- 10.2 **FARA FÖR SÖNDERFRYSNING:** När pumpen inte används under en längre period och befinner sig i en omgivningstemperatur under 0° C måste pumpen tömmas helt på vatten genom tömningshålet **Fig. H,** för att undvika sönderfrysning av delarna. Vi rekommenderar också att pumpen töms vid ett längre stillastående i normal temperatur.
- 10.3 Start av pumpen efter ett långt uppehåll kräver upprepadet av samma åtgärder som vid första start av pumpen.

11. UNDERHÅLL OCH RENGÖRING

I normal drift kräver elpumpen inget underhåll. Det kan dock bli nödvändigt att rengöra pumpens inre delar om pumpens kapacitet minskar märkbart. **Elpumpen får endast demonteras av person med nödvändig kunskap om gällande föreskrifter inom området.** Slå alltid från strömmen innan något underhålls- och reparationsarbete utförs.

12. ÄNDRINGAR OCH RESERVDELAR

Tillverkaren fransäger sig allt ansvar vid icke tillåtna förändringar av pumpen. Endast originalreservdelar får användas vid reparationer och alla tillbehör ska vara godkända av tillverkaren för att garantera maximal säkerhet vid pumpens och anläggningens drift.



Om denna apparats elkabel skadas ska den repareras av utbildad personal för att undvika olycksrisker.

12.1 Demontering och byte av nätkabel

Kontrollera alltid att elpumpen inte är kopplad till ström.

A) Version utan pressostat

Lyft av kontrollådans lock genom att skruva loss dess fyra skruvar. Skruva även loss de tre klämmorna L - N - \oplus och dra ut nätkabelns bruna, blå och gulgröna sladdar, efter att ha lossat kabelgenomföringen.

B) Version med pressostat av typ SQUARE D

– **Kabelbit med stickkontakt för pressostat:** Skruva loss skruven på pressostatens lock med en skruvmejsel och lyft av locket. Dra ut den gulgröna sladden genom att skruva loss jordskruven, de blå och bruna sladdarna lossas från sina sidoklämmor genom att skruva loss skruvarna. Lossa kabelklämman genom att ta bort på dess skruvar och dra ut den lösa kabeln.

– **Kabelbit från pressostat till kontrollåda:** Skruva loss muttern från pressostatloppet med hjälp av en skruvmejsel och lyft av locket. Dra ut den gulgröna sladden genom att skruva loss jordskruven, den bruna och blå sladdarna lossas från sina mittklämmor genom att skruva loss skruvarna som finns på dem. Lossa kabelklämman genom att ta bort dess skruvar och dra ut den lösa kabeln.

Lyft av kontrollådans lock genom att skruva loss dess fyra skruvar. Ta även loss klämmorna L-N- \oplus och dra ut pressostatens bruna, blå och gulgröna sladdar efter att ha lossat kabelgenomföringen.

C) Version med pressostat av typ:**TELEMECANIQUE / SQUARE D – TELEMECANIQUE / ITALTECNICA**

– **Kabelbit för stickkontakt för pressostat:** Skruva loss skruven på pressostatens lock med hjälp av en skruvmejsel och lyft av locket genom att lossa detta från pressostatens sockel. Dra ut den gul-gröna sladden genom att lossa jordklämman på den vänstra sidan. Dra även ut de blå och bruna sladdarna från sina klämmor på vänstersidan genom att skruva loss skruvarna. Lossa kabelgenomföringens mutter på pressostatens vänstra sida och dra ut den lösa sladden.

– **Kabelbit från pressostat till kontrollåda:** Skruva loss skruven på pressostatens lock med hjälp av en skruvmejsel och lyft av locket genom att haka loss detta från pressostatens sockel. Dra ut den gul-gröna sladden genom att lossa jordklämman på den vänstra sidan. Dra även ut de blå och bruna sladdarna från sina klämmor på vänstersidan genom att lossa skruvarna. Lossa kabelgenomföringens mutter på pressostatens vänstra sida och dra ut den lösa sladden. Lossa kontrollådan genom att skruva loss dess fyra skruvarna. Lossa de tre klämmorna L - N - \oplus och dra ut pressostatens bruna, blå och gulgröna sladdarna efter att ha lossat på kabelgenomföringen.

Vid byte av nätkabel måste kabel av samma typ användas (ex. H05 RN-F eller H07 RN-F enligt installation). Kabeln skall vara försedd med likadan stickkontakt som tidigare och installeras enligt ovan, men i omvänd ordning.

OBS ! Om pumpen inte levereras med nätkabel, använd alltid nätkabel av typ H05 RN-F för inomhusbruk och typ H07 RN-F för utomhusbruk. Kablarna ska vara försedda med stickkontakt (EN 60335-2-41). Elkablar utan stickkontakt ska förses med en frånskiljare till elnätet (t.ex. termomagnetisk brytare) med ett kontaktavstånd på minst 3 mm för varje pol.

13. FELSÖKNING OCH LÖSNING PÅ PROBLEM

FEL	KONTROLL MÖJLIGA ORSAKER)	ÅTGÄRD
1. Motorn startar inte och ger inget ljud ifrån sig.	A. Kontrollera elanslutningarna. B. Kontrollera att motorn har rätt spänning. C. Kontrollera säkringarna.	C. Byt ut dem om de har gått sönder. OBS! Om felet upprepas omedelbart innebär detta att motorn har kortslutits.
2. Motorn startar inte, men ger ljud ifrån sig.	A. Kontrollera att nätspänningen överensstämmer med värdet på märkplåten. B. Kontrollera att anslutningarna är korrekt gjorda. C. Kontrollera att alla faser finns i kopplingslådan (3~). D. Kontrollera att motor och pump inte blockeras av något föremål. E. Kontrollera kondensatorns tillstånd.	B. Åtgärda eventuella fel. C. Åtgärda felet. D. Eliminera eventuella hinder. E. Byt ut kondensatorn.
3. Motorn har svårt att gå runt.	A. Kontrollera att nätspänningen är korrekt. B. Kontrollera att inga rörliga och fasta delar ligger an mot varandra.	B. Åtgärda felet.
4. Pumpen pumpar inte.	A. Pumpen har inte fyllts enligt anvisningarna. B. Kontrollera vid trefasmotorer att rotationsriktningen är korrekt. C. Sugledningen har en otillräcklig diameter. D. Bottenventilen är tilltäppt.	A. Fyll pumpen med vatten och även sugledningen såvida pumpen inte är självsugande. B. Koppla om två faser. C. Byt röret mot ett annat med en större diameter. D. Rengör bottenventilen.
5. Pumpen fylls inte.	A. Sugledningen eller bottenventilen tar in luft. B. Sugledningen har en felaktig lutning och luftansamlingar bildas.	A. Åtgärda felet och fyll åter pumpen med vatten. B. Korrigera lutningen.
6. Pumpen pumpar otillräckligt.	A. Bottenventilen är tilltäppt. B. Pumphjulet är slitet eller tilltäppt. C. Sugledningen har en för liten diameter. D. Kontrollera vid trefasmotorer att rotationsriktningen är korrekt.	A. Rengör bottenventilen. B. Åtgärda tilltäppningen eller byt ut slitna delar. C. Byt röret mot ett annat med större diameter. D. Koppla om två faser.
7. Pumpen vibrerar och för oväsen.	A. Kontrollera att pumpen och rören är ordentligt fastsatta. B. Pumpen försöker pumpa mer vatten än vad som finns tillgängligt. C. Pumpen arbetar utanför arbetsområdet angivet på märkplåten.	A. Sätt fast de lösa delarna ordentligt. B. Minska sughöjden eller kontrollera effektförlusterna. C. Det kan vara nödvändigt att begränsa vattenflödet.

	İÇİNDEKİLER	Sayfa
1.	GENEL TALİMATLAR	49
2.	KULLANMA ŞARTLARI	49
3.	POMPALANAN SIVILAR	49
4.	TEKNİK BİLGİLER VE KULLANIM SINIRLARI	50
5.	KULLANIM ŞEKLİ	51
5.1.	Saklama koşulları	51
5.2.	Hareketlendirme	51
5.3.	Ağırlık	51
6.	UYARILAR	51
6.1.	Uzman personel	51
6.2.	Güvenlik talimatları	51
6.3.	Motor milinin dönme yönü kontrolü	52
6.4.	Sorumluluk	52
7.	YERLEŞTİRME	52
8.	ELEKTRİK BAĞLANTISI	52
9.	ÇALIŞTIRMA	53
10.	ÖNLEMLER	53
11.	BAKIM VE TEMİZLİK	53
12.	DEĞİŞİKLİK VE YEDEK PARÇALAR	53
12.1	Besleme kablosunun kaldırılması ve yenisi ile değiştirilmesi	53
13.	ARIZA ARAŞTIRMASI	55

1. GENEL TALİMATLAR



Pompayı yerleştirmeye başlamadan önce bu el kitabını dikkatle okuyunuz.

Pompanın takılması ve çalıştırılması, ürünün takılması gereken ülkede geçerli olan güvenlik talimatlarına uygun olmalıdır. Tüm montaj işlemleri büyük itina ile yapılacaktır. Güvenlik normlarına özen gösterilmezse insanlar ve eşyalar için zararlar doğabilir ve garanti şartlarından öngörülen ücretsiz tamir servisinden yararlanma hakkı düşer.

2. KULLANMA ŞARTLARI

KP 38/18 - KP 38/18 pred. - KP 60/6 - KP 60/12: ev kullanımına uygun olan, az yer kaplayan, büyük manometrik yüksekliklerle çalışabilen bu periferikal pompalar, su besleme, küçük bahçe işleri için, tank boşaltma ve doldurma işlemlerinde kullanılır. Küçük sanayi tesislerinde de kullanılabilir.

KPA 40/20: yıldız tipi türbinli su halkalı pompa, hava kabarcıkların bulunduğu veya sıvının aralıklı akıp emildiği durumlarda bile mükemmel emme kabiliyeti vardır. Özellikle ev tesisatlarına su temini için, (yerel yönergelere özen gösterilerek) kuyudan su emme işlerinde, su basıncı artırılması veya su dağıtımının süreklileştirilmesi için kullanılır. Bostan ve bahçelerde küçük sulama işlerine, genel olarak pompanın kendinden emişi istenilen tüm uygulamalara uygundur. Küçük sanayi tesislerinde de kullanılabilir.

JET 200 - JET 300 - JET 151 - JET 251: kendinden emişli jet santrifüj pompalar, gazlı suyun bulunduğu durumlarda bile mükemmel emme kabiliyeti var. Özellikle köy evlerine su temini ve basınçlı su sağlamaya, küçük tarım tesislerinde bostan ve bahçe işlerine, ağır olmayan acil durumlar ve sanayi hizmetlerine uygundur.

DP 81 - DP 82 - DP 100 - DP 102 - DP 151 - DP 251 - AQUADP 82/20 - AQUADP 102/20 - AQUADP 151/40 - AQUADP 251/40: emme derinliği 30m'ye kadar giden, 4" çaplı veya daha büyük çaplı kuyuların içine batırılacak ejektörle donatılan, kendinden emişli santrifüj pompalar. Çiftlik binalarında ve küçük tarım tesislerinde su temini için kullanılır.

EURO - EUROINOX ve türevleri: su temini ve basınçlı su sağlama tesisatlarında ev veya sanayi kullanımına uygun çok kademeli kendinden emişli yatay eksenli santrifüj pompa. Tarım tesislerinde küçük sulamalara, alet ve makineleri yıkama işlerine uygundur. Gazlı su ile çalışabilir. Suyun dolaşması sadece pompanın kendinden emme safhasında meydana gelir, bundan sonra maksimum debiden devamlı ve sabit bir dağıtım ile yararlanabilirsiniz. Bu özellikleri sayesinde çok sayıda alanda kullanılabilirler.

K 20/41 - K 30/70 - K 30/100 - K 36/100 - K 12/200 - K 14/400: konutlarda, sanayi ve tarım tesislerinde kullanılacak su terfiye uygun tek türbinli santrifüj pompalar. Su aktarma ve karıştırma işleri için mükemmeldir

K 35/40 - K 45/50 - K 55/50 - K 35/100 - K 40/100: (K 35/40 - K 45/50 - K 55/50: modellerinde karşı karşıya bulunan) iki türbinle donatılan, çok sessiz santrifüj pompalar. Özellikle su tesisatları ve otoklav besleme için basınçlı su sağlama takımlarının gerçekleştirilmesine, yağmurlamaya ve çok çeşitli uygulama alanlarında kullanılmaya uygundur.

3. POMPALANAN SIVILAR



Bu makine, içlerinde patlayıcı maddeler, katı cisimler veya lifler bulunmayan, yoğuşması 1000 kg/metre küp, kinematik viskozitesi 1mm²/s olan sular ve kimyasal olarak sert olmayan sıvılar pompalamak için proje edilip imal edilmiştir.

4. TEKNİK BİLGİLER VE KULLANIM SINIRLARI

- Besleme gerilimi: 220 - 240V 50Hz 230V 60Hz
110V 50Hz 230 V3 – 400 V3 50/60Hz (elektrik sistemine ait olan etikete bakınız)
115V 60Hz
- Emilen güç: elektrik sistemine ait etikete bakınız
- Pompanın dağıtımı: 0,06 – 37 metreküp/saat
- Manometrik yükseklik – Hmax (m): sayfa 99
- Pompalanan sıvı: temiz, katı veya aşındırıcı cisimleri bulunmayan, sert olmayan
- Motor koruma derecesi: IP44 (IP55 halinde ambalajında bulunan etikete bakınız)
- Kablo bağlantı çubuğunda koruma derecesi: IP55
- Koruma sınıfı: F
- Kablo rakoru: versiyonlara göre PG 11 ve/veya PG 13,5
- AM sınıflı hat sigortaları:

Model	Hat sigortaları (Amper olarak gösterilen değerler)			
	110V 50Hz 115V 60Hz	220-240V 50Hz 230V 60Hz	230 V3 50/60Hz	400 V3 50/60Hz
KP 38/18, KP 38/18 Pred., KP 60/6, DP 81, DP 82, AQUADP 82/20 K 20/41	8	4	4	2
KPA 40/20	8	6	4	2
KP 60/12	--	6	4	4
EURO 40/30-40/306 / 30/50-30/506 / 25/80-25/806 EUROINOX 40/30-40/306 / 30/50-30/506 / 25/80-25/806 EUROCOM 25/80-25/806 / 30/50-30/506 EUROCOM SP 30/50-30/506	10	6	4	4
EURO 25/30-25/306 / 30/30-30/306 EUROINOX 25/30-25/306 / 30/30-30/306 EUROCOM 25/30-25/306 / 30/30-30/306 GARDEN-INOX 30/30	8	4	4	4
EURO 40/50-40/506 / 30/80-30/806 EUROINOX 40/50-40/506 / 30/80-30/806 EUROCOM 40/50-40/506 / 30/80-30/806 EUROCOM SP 40/50-40/506 GARDEN-INOX 40/50	12	6	6	4
EURO 50/50-50/506 / 40/80-40/806 EUROINOX 50/50-50/506 / 40/80-40/806	20	8	6	4
K 12/200, K 30/70, K 35/40, DP 100, DP 102, AQUADP 102/20	12	6	6	4
K 30/100	16	8	6	4
JET 151, K 35/100	20	10	6	4
K 40/100, K 36/100, K 45/50, DP 151, AQUADP 151/40	20	10	8	4
JET 200, K 14/400	20	10	8	6
JET 251	25	12	8	6
JET 300, K 55/50, DP 251, AQUADP 251/40	32	16	10	6
Maks. çalışma basıncı:	6 bar (600 kPa):	DP 81, DP 82, DP 100, DP 102 AQUADP 82/20, AQUADP 102/20 EURO, EUROINOX, EUROCOM, EUROCOM SP, GARDEN-INOX K 35/40, K 35/100, K 40/100, K 20/41, K 30/70, K 30/100, K 36/100 K 12/200, K 14/400		
	7,5 bar (750 kPa):	JET 151, JET 251, JET 200, JET 300 DP 151, DP 251, AQUADP 151/40, AQUADP 251/40		
	8 bar (800 kPa):	K 45/50, K 55/50		
	10 bar (1000 kPa):	KP 60/6, KP 60/12, KP 38/18, KPA 40/20		
Sıvı sıcaklık aralığı:	0°C'den +35°C'ye kadar:	tüm EN 60335-2-41 sayılı norma uygun elektrikli pompalar için (ev kullanımı için)		
	0°C'den +40°C'ye kadar:	JET 151, JET 251, JET 200, JET 300 DP 81, DP 82, DP 100, DP 102, DP 151, DP 251, AQUADP 82/20, AQUADP 102/20, AQUADP 151/40, AQUADP 251/40		
	-10°C'den +50°C'ye kadar:	K 20/41, K 30/70, K 30/100, K 36/100, K 12/200, K 35/40, K 45/50, K 35/100, K 40/100 KP 38/18		
	-10°C'den +80°C'ye kadar:	KP 60/6, KP 60/12 KPA 40/20		
	-15°C'den +110°C'ye kadar:	K 14/400, K 55/50		

- Depolama sıcaklığı: -10°C ile +40°C arasında
- Bağıl nem: %95 maks
- Gürültü: – Dışarıda kullanım amacıyla öngörülen pompalar için: 2000/14/CE Yönetmeliğine göre gürültü oranı.
– Diğer pompalar için: EC 89/392/CEE Yönetmeliği ve müteakip değişikliklere göre gürültü oranı.
- Motor yapımı: CEI 2 – 3, CEI 61-69 (EN 60335-2-41) sayılı normlar uyarınca.
- Besleme kablolarının iletkenlerinin nominal kesiti, aşağıdaki tabloda gösterilen kesitten daha küçük olmamalıdır:

Aparatın nominal akımı		Nominal kesit
A		mm ²
	≤ 0,2	Balık sırtı gelin teli kablolar ^a
> 0,2	ve ≤ 3	0,5 ^a
> 3	ve ≤ 6	0,75
> 6	ve ≤ 10	1,0 (0,75) ^b
> 10	ve ≤ 16	1,5 (1,0) ^b
> 16	ve ≤ 25	2,5
> 25	ve ≤ 32	4
> 32	ve ≤ 40	6
> 40	ve ≤ 63	10
^a Bu kablolar, sadece bunların uzunlukları kablonun veya korumasının aparata girdiği nokta ve prize giriş arasında 2 m'yi geçmemesi halinde kullanılabilir.		
^b Parantez içindeki kesitlere sahip olan kablolar, uzunluklarının 2 m'yi geçmesi halinde seyyar aparatlar için kullanılabilirler.		

5. KULLANIM ŞEKLİ

5.1 Saklama koşulları

Tüm pompaları, kapalı, kuru ve mümkün olduğu kadar sabit nemlilik yüzdesi olan, titreşimlere uğramayan, tozu bulunmayan bir yerde saklayınız.

Tüm pompalar orijinal ambalajında satılır. Pompayı yerleştirenceye kadar ambalajında bırakınız. Aksi takdirde emme ve basma ağızlarını itina ile kapatınız.

5.2 Hareketlendirme

Ürünlerin itina ile hareketlendirilmesine dikkat ediniz.

Takımı yukarı kaldırmak ve taşımak için (öngörüldüğü takdirde) makine ile verilen paleti kullanarak kaldırıclardan yararlanabilirsiniz.

5.3 Ağırlık

Ambalajda bulunan yapışkan etikette cihazın toplam ağırlığı yazılmıştır.

6. UYARILAR

6.1 Uzman personel



Pompanın takılmasının, yürürlükteki özel normlara uygun teknik bilgilere sahip olan, vasıflı uzman personel tarafından yaptırılması tavsiye edilir.

Vasıflı personel olarak formasyon, tecrübe ve eğitimlerinden, kazalardan korunma ve çalışma şartları ile ilgili normlar, yönerge ve tedbirleri bildiklerinden dolayı tesisat güvenliğinden sorumlu teknisyen tarafından yapılması gereken herhangi işlem yapmaya izin verilen, bu işlemlerde herhangi tehlike önleyebilen kişiler adlandırılır. (Teknik personel tanımı IEC 364)

Aparat, yanlarında güvenliklerinden sorumlu bir kişi aracılığı ile denetim altında tutulmadıkları veya aparatın kullanımıyla ilgili talimatlar aracılığı ile bilgilendirilmemiş oldukları takdirde fiziksel, duyuşsal ve zihinsel yeteneklerinde eksiklik bulunan veya bilgisiz ya da deneyimsiz olan kişiler (çocuklar dahil) tarafından kullanılmak için tasarlanmamıştır. Çocukların aparat ile oynamadıklarından emin olmak için denetim altında tutulmaları gerekir. (EN 60335-1: 02)

6.2 Güvenlik yönergeleri

Pompanın kullanılmasına sadece elektrik tesisatının, ürünün takılması gereken ülkede geçerli normlardan öngörülen güvenlik önlemlerine uygun özelliklere sahip olduğu takdirde izin verilir.

6.3 Motor milinin dönme yönü kontrolü

Pompayı yerleştirmeden önce hareketli parçaların serbestçe döndüğünü kontrol etmek gerekir. Bunu yapmak için, vantilatör kapağını motorun arka kapağının yuvasından çekip çıkarın, havalandırma tarafındaki motor milinde bulunan yivin içine bir tornavida koyup mili döndürmeye çalışınız. **Blokaj halinde** tornavida, üzerine bir çekiç ile hafifçe vurularak döndürülmelidir. **Şekil A**

6.4 Sorumluluk



İmalatçı, elektrikli pompaların bozulmuş, kullanıcının isteğine göre değişikliğe uğratılmış ve/veya tavsiye edilen çalışma şartları dışında veya bu el kitabında bulunan diğer talimatlara aykırı olarak çalıştırılmış olduğu tespit olunur ise kötü çalışmalarından veya verdikleri zararlardan sorumlu değildir.

Ayrıca işbu kullanım el kitabında bulunan mümkün yanlışlıklardan sadece bunların hatalı baskıya veya suret çıkarmaya bağlı olmaları durumunda sorumludur. Ürünün temel özelliklerini olduğu gibi bırakarak yapılması gereken veya yararlı olarak görülen değişiklik yapma hakkı saklıdır.

7. YERLEŞTİRME



Pompalarda, testler esnasında kalmış olması mümkün az miktarda su mevcut olabilir. Pomparları, kesin montaj öncesinde kısaca temiz su ile yıkamanız tavsiye edilir.

- 7.1 Elektrikli pompa iyice havalandırılmış, kötü hava şartlarından korunmuş, çevre sıcaklığının 40°C'yi aşmadığı bir yerde yerleştirilmelidir. **Şekil B.**
- 7.2 Pompanın taşıma yüzeyine sağlamca tespit edilmesi, pompa çalışmasının muhtemelen doğurduğu titreşimlerin emilmesini kolaylaştırır. **Şekil C.**
- 7.3 Pompayı kırmamak veya biçimini bozmamak için metal boruların pompanın ağızlarına fazla zorlama yapmalarını önleyiniz. **Şekil C.**
- 7.4 **Pompayı pompalanacak sıvıya mümkün olduğu kadar yakın bir yerde yerleştiriniz.** Pompa yalnızca yatay durumda yerleştirilmelidir. Borunun iç çapı elektrikli pompa ağzının çapından küçük olmamalıdır. Emme borusuna bir dip valfinin takılması tavsiye edilir. **Şekil D.** Emme derinliği dört metreyi aşarsa ya da uzun yatay borular halinde çapı elektrikli pompanın emme ağzı çapından büyük olan bir emme borusunun kullanılması tavsiye edilir. Emme borusunun içinde hava heybelerinin oluşmasını önlemek için emme borusunu elektrikli pompaya doğru biraz eğiniz. **Şekil D.**
- 7.5 Emme borusunun kauçuk veya esnek malzemeden imal edilmiş olması durumunda borunun emiş etkisinden dolayı daralmasını önlemek için daima takviyeli olduğunu kontrol ediniz.
- 7.6 Tüm taşınabilir pompalarda yukarı kaldırma ve taşıma tutamağı **daima mevcut olup mesnede dayandırılıp iyice tespit edilmelidir.**
- 7.7 **Dış mekandaki çeşmelerde, küçük bahçe havuzlarında ve benzeri yerlerde kullanılacak pompalar için pompanın, nominal işleme diferansiyel akımı 30 mA'yı geçmeyen diferansiyel akımlı bir aygıt ile donatılmış bir devre aracılığıyla beslenmesi gerekir.**

8. ELEKTRİK BAĞLANTISI:

Dikkat: güvenlik talimatlarına özen gösteriniz!



Bağlantı kutusunun içinde bulunan elektrik şemalarına özen gösteriniz!

- 8.1 **Elektrikle bağlantılar, tam sorumluluğu yüklenen, uzman bir yetkili elektrikçi tarafından yapılmalıdır.**
- 8.2 Beslenecek motorun etiketde yazılı gerilimi ile elektrik şebeke geriliminin birbirlerine uygun olduklarını, **ETKİLİ BİR TOPRAK BAĞLANTISINI GERÇEKLEŞTİRMENİN MÜMKÜN OLDUĞUNU** kontrol ediniz, Özellikle toprak terminali, besleme kablosunun sarı/yeşil iletkenine bağlanmalıdır. Ayrıca çekilme halinde birinci olarak çözülmesini önlemek için faz iletkenlerine göre bunlardan daha uzun bir toprak iletkeni kullanılmalıdır.
- 8.3 Sabit tesislerde Uluslararası Normlar uyarınca sigorta kutusu ile donatılan bölümlü devre kesiciler kullanılmalıdır.
- 8.4 Tek fazlı motorlar, pompanın gövdesinin içinde bulunan termistör koruması ile donatılmış olup elektrik şebekesine direkt olarak bağlanabilir. Trifaz motorlar, elektro pompanın plaka verilerine göre ayarlanmış otomatik şalter (örneğin manyetotermik) veya bölüm 4'te belirtilmiş boyutlandırmaya uygun sigortalar ile korunmalıdır.

9. ÇALIŞTIRMA

9.1

**Pompayı sıvı ile tamamıyla doldurmadan çalıştırmayınız.**

Pompayı çalıştırmadan önce pompanın düzenli olarak çalışmaya hazır olduğunu kontrol edin. Pompa gövdesinde bulunan yükleme deliği kapağını kaldırdıktan sonra özel deliği kullanarak pompayı temiz su ile tamamen doldurunuz. Bu işlem, pompanın mükemmel çalışması ve mekanik keçenin iyice yağlanmış olmaya devam etmesi için son derece önemlidir. (**Şekil F**). **Pompa susuz çalıştırılarak mekanik keçeğe onarılamaz zararlar verilebilir.** Sonra yükleme deliği kapağı itina ile yerleştirilip sıkılacaktır.

9.2

Enerji verin. Üç fazlı versiyonlarda dönme yönünü kontrol ediniz. Motora vantilatör tarafından bakılarak doğru dönme yönü saatin yelkovanının yönü olmalıdır. **Şekil G**. Aksi takdirde, pompanın elektrik şebekesiyle bağlantısını kestikten sonra beslemeye ait herhangi iki fazın yerlerini değiştiriniz.

10. ÖNLEMLER

10.1

Motoru gereğinden fazla ısıtmamak için pompa bir saatte 20 kezden daha fazla çalıştırılmamalıdır.

10.2

BUZ OLUŞUMLARINA DİKKAT EDİNİZ: pompa çok zaman 0°C'nin altında bir sıcaklıkta çalışmaz durumda bırakıldığında hidrolik parçaların zarar görmesini önlemek için pompa gövdesini 26 numaralı boşaltma deliğini kullanarak tamamen boşaltmanız gerekir. **Şekil H**. Bu işlem, pompanın normal sıcaklıkta uzun zaman kullanılmaması durumunda da tavsiye edilir.

10.3

Pompayı çok zaman kullanmadıktan sonra çalıştırma işlemi, yukarıda belirtilen işlemleri yeniden yapmanızı gerektirir.

11. BAKIM VE TEMİZLİK

Elektrikli pompa normal olarak çalıştırıldığı zaman hiçbir bakım işlemini gerektirmez. Performansının azalması durumunda hidrolik parçaların temizlenmesi gerekli olabilir.



Elektrikli pompa sadece eğitim görmüş, yürürlükteki normlara uygun niteliklere sahip olan vasıflı personel tarafından sökülebilir. Her halde pompa üzerinde yapılması gereken herhangi bir tamir ve bakım işi pompanın besleme şebekesiyle bağlantısı kesilerek yapılmalıdır.

12. DEĞİŞİKLİK VE YEDEK PARÇALAR

İmalatçı, önceden izin verilmeyen herhangi bir değişiklik yapıldıktan sonra hiçbir şekilde sorumlu değildir. Pompaların ve bunların takılabildiği tesisatların en büyük güvenlik şartlarını sağlayabilmek için tamir işlerinde kullanılan tüm yedek parçalar orijinal olmalı ve tüm aksesuarlar imalatçı tarafından uygun görülmelidir.



Bu cihazın besleme kablosunun hasar görmüş olması halinde tamirat, her türlü riski önlemek amacı ile, uzman elemanlar tarafından gerçekleştirilmelidir.



12.1

Besleme kablosunun kaldırılması ve yenisi ile değiştirilmesi

Bu işlemi yapmadan önce elektrikli pompanın elektrik şebekesiyle bağlantısı kesilmiş olduğunu kontrol ediniz.

A) presostatsız versiyonda

92 numaralı kablo bağlantı çubuğu kapağını üzerinde bulunan dört vidasını sökerek kaldırınız. kablo rakorunu gevşettikten sonra L – N – çç toprak bağlantı vidasını sökün ve besleme kablosundan gelen kahverengi teli, mavi renkli teli ve sarı-yeşil renkli teli çekip çıkarınız.

B) SQUARE D tipi presostatlı versiyonda

- **presostattan fişli kablo parçası:** presostat kapağı vidasını bir tornavida yardımıyla söküp kapağı kaldırınız. Topraklama vidasını sökerek sarı-yeşil renkli teli çekip çıkarın, mavi renkli tel ile kahverengi tel ise gevşetilmesi gereken vidaların bulunduğu yan bağlantılarından çekilip çıkarılmalıdır. Kablo tespit bağlantı elemanını, vidalarını sökerek kaldırın, sonra bağlantısı kesilen kabloyu çekip çıkarınız.
- **presostattan kablo bağlantı çubuğuna giden kablo parçası:** somunu presostat kapağından bir tornavida yardımıyla söküp kapağı kaldırınız. Topraklama vidasını sökerek sarı-yeşil renkli teli çekip çıkarın, mavi renkli tel ile kahverengi tel ise gevşetilmesi gereken vidaların bulunduğu orta bağlantılarından çekilip çıkarılmalıdır. Kablo tespit bağlantı elemanını vidalarını sökerek kaldırın, sonra bağlantısı kesilen kabloyu çekip çıkarın. kablo bağlantı çubuğu kapağını üzerinde bulunan dört vidasını sökerek kaldırınız. kablo rakorunu gevşettikten sonra L – N – çç toprak bağlantı vidasını sökün ve presostattan gelen kahverengi teli, mavi renkli teli ve sarı-yeşil renkli teli çekip çıkarınız.

C) TELEMECANIQUE / SQUARE D – TELEMECANIQUE / ITALTECNICA tipi presostatlı versiyonda:

- **presostattan fişli kablo parçası:** presostat kapağı vidasını bir tornavida yardımıyla sökün, kapağı kancalardan kurtararak presostat tabanından ayırıp kaldırınız. Sol taraftaki topraklama bağlantısını sökerek sarı-yeşil renkli teli çekip çıkarınız. Aynı tarafta, mavi renkli tel ile kahverengi teli gevşetilmesi gereken vidaların bulunduğu bağlantılarından çekip çıkarınız. Presostatın sol taraftaki kablo rakoru somununu gevşetin, sonra bağlantısı kesilen kabloyu çekip çıkarınız..
- **presostattan kablo bağlantı çubuğuna giden kablo parçası:** presostat kapağı vidasını bir tornavida yardımıyla sökün, kapağı kancalardan kurtararak presostat tabanından ayırıp kaldırınız. Sağ taraftaki topraklama bağlantısını sökerek sarı-yeşil renkli teli çekip çıkarınız. Aynı tarafta, mavi renkli tel ile kahverengi teli gevşetilmesi gereken vidaların bulunduğu bağlantılarından çekip çıkarınız. Presostatın sağ taraftaki kablo rakoru somununu gevşetin, sonra bağlantısı kesilen kabloyu çekip çıkarınız. kablo bağlantı çubuğu kapağını üzerinde bulunan dört vidasını sökerek kaldırınız. kablo rakorunu gevşettikten sonra L – N – ççç toprak bağlantı vidasını sökün ve besleme kablosundan gelen kahverengi teli, mavi renkli teli ve sarı-yeşil renkli teli çekip çıkarınız..

Besleme kablosu, aynı özellikleri (tesisata göre, örneğin H05 RN-F veya H07 RN-F tipi) ve aynı ucu olan bir kablo ile değiştirilecektir. Kablonun değiştirilmesi için yapılacak işlemler onun kaldırılması için uygulanacak yöntemden öngörülen işlemlerin tam tersidir.

DİKKAT: pompanın yerleştirilmesi gereken yere göre, pompanın kablo ile donatılmaması durumunda kapalı yerlerde kullanım için H05 RN-F tipi, açık havada kullanım için H07 RN-F tipi fişli besleme kabloları kullanılmalıdır. Fiş ile donatılmamış besleme kabloları için, her kutup için en az 3 mm ayırma kontağı ile (örneğin manyetotermik) besleme şebebesinden bir devreden çıkarma aygıtı öngörülmesi gerekir.

13. ARIZA ARAŞTIRMASI

ARIZA	KONTROL (mümkün sebepler)	ÇÖZÜM
1. Motor hareket etmiyor ve gürültü yapmıyor.	A. Pompanın elektrik bağlantılarını kontrol ediniz. B. Gerilimin olduğunu kontrol ediniz. C. Sigortaları kontrol ediniz.	C. Sigortalar yanmış ise yenisi ile değiştirilecektir. ⇒ Buna rağmen sigortalar hemen yanarsa motor kısa devre durumunda bulunur.
2. Motor hareket etmemesine rağmen gürültü yapıyor.	A. Etiketde yazılı gerilim ile besleme geriliminin birbirlerine uygun olduklarını kontrol ediniz. B. Bağlantıların doğru şekilde yapılmış olduğunu kontrol ediniz. C. Bağlantı kutusunda tüm (3 ~) fazların bulunduğunu kontrol ediniz. D. Pompanın veya motorun tıkanıklıklarının bulunup bulunmadığını kontrol ediniz. E. Kondansatör durumunu kontrol ediniz.	B. Muhtemel hataları düzeltiniz. C. Gerekli takdirde eksik olan fazı doğru konumuna getiriniz. D. Sıkışıklığı gideriniz. E. Kondansatörü yenisi ile değiştiriniz.
3. Motor güçlükle dönüyor.	A. Besleme geriliminin yetersiz olmadığını kontrol ediniz. B. Hareketli parçaların sabit parçalara dokunup dokunmadığını kontrol ediniz.	B. Temasının sebeplerini ortadan kaldırınız.
4. Pompa dağıtım yapmıyor.	A. Pompa, doğru biçimde çalışmaya hazır değildir. B. Üç fazlı motorlarda doğru dönme yönünü kontrol ediniz. C. Çapı yetersiz olan bir emme borusu kullanılıyor. D. Dip valfi tıkanık.	A. Pompanın kendinden emişli olmaması durumunda emme borusunu su ile doldurarak pompayı çalışmaya hazırlayınız. B. Beslemeye ait iki fazın yerlerini değiştiriniz. C. Emme borusunu daha büyük çapı olan yenisi ile değiştiriniz. D. Dip valfini temizleyiniz.
5. Pompa su ile dolmuyor.	A. Emme borusu veya dip valfi hava emiyor. B. Emme borusunun eğimi hava kabarcık oluşumunu kolaylaştırıyor.	A. Olayı önleyip pompanın içine su döküp pompayı çalışmaya hazırlayınız. B. Emme borusunun eğimini düzeltiniz.
6. Debi indirimlidir.	A. Dip valfi tıkanık. B. Pompa dişlisi aşınmış veya tıkanık. C. Emme borunun çapı çok küçüktür. D. Üç fazlı motorlarda doğru dönme yönünü kontrol ediniz.	A. Dip valfini temizleyiniz. B. Pompa dişlisini yenisi ile değiştirin veya tıkanıklıklardan temizleyiniz. C. Boruyu daha büyük çapı olan yenisi ile değiştiriniz. D. Beslemeye ait iki fazın yerlerini değiştiriniz.
7. Pompa gürültü yaparak titriyor.	A. Pompa ve boruların iyi bir biçimde tespit edildiğini kontrol ediniz. B. Pompa, kavitasyon olaylarıyla çalışıyor, yani pompalayabildiği su miktarından daha çok su istiyor. C. Pompa etiketde gösterilen değerlere özen gösterilmediği bir durumda çalışıyor.	A. Gevşetilmiş parçaları tespit ediniz. B. Emme yüksekliğini azaltıp yüklemeye kaçırılmalarını kontrol ediniz. C. Basma hattında pompanın dağıtımını azaltma yararlı olabilir.

	СОДЕРЖАНИЕ	стр.
1.	ОБЩИЕ СВЕДЕНИЯ	56
2.	СФЕРЫ ПРИМЕНЕНИЯ	56
3.	РАБОЧИЕ ЖИДКОСТИ	57
4.	ТЕХНИЧЕСКИЕ ДАННЫЕ И ОГРАНИЧЕНИЯ В ЭКСПЛУАТАЦИИ	57
5.	УПРАВЛЕНИЕ	58
5.1.	Складирование	58
5.2.	Перевозка	58
5.3.	Вес	58
6.	ПРЕДУПРЕЖДЕНИЯ	59
6.1.	Специализированный персонал	59
6.2.	Безопасность	59
6.3.	Проверка вращения вала двигателя	59
6.4.	Ответственность	59
7.	МОНТАЖ	59
8.	ЭЛЕКТРОПРОВОДКА	60
9.	ЗАПУСК	60
10.	ПРЕДОСТОРОЖНОСТИ	60
11.	ТЕХНИЧЕСКОЕ ОБСЛУЖИВАНИЕ И ЧИСТКА	60
12.	ИЗМЕНЕНИЯ И ЗАПАСНЫЕ ЧАСТИ	61
12.1	Съем и замена кабеля электропитания	61
13.	ОБНАРУЖЕНИЕ И УСТРАНЕНИЕ НЕИСПРАВНОСТЕЙ	62

1. ОБЩИЕ СВЕДЕНИЯ



Перед началом монтажа внимательно прочитайте данную документацию. Монтаж и эксплуатация должны соответствовать правилам по безопасности, действующим в стране, в которой устанавливается изделие. Все операции должны осуществляться по правилам мастерства.

Несоблюдение правил по безопасности подвергает риску персонал и может привести к повреждению оборудования, а также аннулирует право на гарантийное обслуживание.

2. СФЕРЫ ПРИМЕНЕНИЯ

КР 38/18 - КР 38/18 оснащ. - КР 60/6 - КР 60/12: Насос периферийного типа для домашнего использования компактной конструкции, способен обеспечивать высокий напор водоснабжения, используется для мелких садовых работ, опорожнения и наполнения цистерн. Пригоден также для мелких промышленных нужд.

КРА 40/20: водокольцевые насосы со звездообразной крыльчаткой с отличной всасывающей способностью также при наличии пузырьков воздуха или при непостоянном наличии всасываемой жидкости. Широко используется для водоснабжения домашних водопроводных систем, для повышения давления или для стабилизации водоснабжения (при соблюдении местных нормативов), для выкачивания жидкостей из колодцев. Используется для малого орошения садов и огородов и везде, где требуется самонаполнение. Пригодны также для мелких промышленных нужд.

JET 200 - JET 300 - JET 151 - JET 251: Центробежные струйные самозаливающиеся насосы с хорошей всасывающей способностью также при наличии газа в воде. Широко используется для водоснабжения и подпора в отдельных жилых постройках. Пригоден для малых сельскохозяйственных работ в садах и огородах, а также для малых экстренных случаев и для промышленных нужд.

DP 81 - DP 82 - DP 100 - DP 102 - DP 151 - DP 251 - AQUADP 82/20 - AQUADP 102/20 - AQUADP 151/40 - AQUADP 251/40: Центробежные самозаливающиеся насосы для глубинного выкачивания вплоть до 30 метров с эжектором от 4 дюймов и больше. Используется для водоснабжения отдельных жилых строений и в малом сельском хозяйстве.

EURO - EUROINOX и прочие модели этой серии: многоступенчатый центробежный самозаливающийся насос с горизонтальным валом. Пригоден для домашнего или промышленного использования в водопроводных системах для водоснабжения и подпора. В сельском хозяйстве используется для малого орошения и для мойки садового инвентаря и машин. Пригоден для использования также с газированной водой. Рециркуляция воды производится только в процессе заливки, после чего максимальный расход обеспечивает непрерывную и стабильную подачу. Все эти качества делают этот насос пригодным для использования в самых разных сферах.

К 20/41 - К 30/70 - К 30/100 - К 36/100 - К 12/200 - К 14/400: центробежные насосы с одинарной крыльчаткой пригодны для выкачивания воды в домашних, промышленных и сельскохозяйственных установках. Отличные характеристики для перекачивания жидкостей и смешивания.

К 35/40 - К 45/50 - К 55/50 - К 35/100 - К 40/100: центробежные насосы с двумя крыльчатками (расположенными одна напротив другой в моделях К 35/40 - К 45/50 - К 55/50) характеризуются особо бесшумным функционированием. Широко используются для групп подпора в водопроводных системах и для наполнения автоклавов. Пригодны также для орошения и для многих других применений в самых различных сферах.

3. РАБОЧИЕ ЖИДКОСТИ



Насос спроектирован и сконструирован для перекачивания воды, несодержащей взрывоопасных веществ, твердых частиц или волокон с плотностью, равной 1000 кг/м³ и с кинематической вязкостью, равной 1 мм²/сек, и химически неагрессивных жидкостей.

4. ТЕХНИЧЕСКИЕ ДАННЫЕ И ОГРАНИЧЕНИЯ В ЭКСПЛУАТАЦИИ

- Напряжение электропитания: 220 В – 240В 50 Гц / 110 В 50 Гц
115 В 60 Гц / 230 В 60 Гц
230 В 3 – 400 В 3 50/60 Гц (см. эл. данные на заводской табличке)
- Поглощаемая мощность: см. эл. данные на заводской табличке
- Расход: от 0,06 до 37 м³/час
- Напор – Н_{мах} (м): стр. 99
- Рабочая жидкость: чистая, без твердых или абразивных частиц, неагрессивная.
- Класс эл. безопасности двигателя: IP44 (Для IP55 см. табличку на упаковке).
- Класс эл. безопасности зажимной коробки: IP55
- Класс предохранения: F
- Кабельный сальник: PG 11 и/или PG 13,5 в зависимости от модели
- Плавкие предохранители категории АМ:

Модель	Плавкие предохранители (Ампер)			
	110 В 50 Гц 115 В 60 Гц	220-240 В 50 Гц 230 В 60 Гц	230 В 3 50/60 Гц	400 В 3 50/60 Гц
КР 38/18, КР 38/18 оснащ., КР 60/6, DP 81, DP 82, AQUADP 82/20 К 20/41	8	4	4	2
КРА 40/20	8	6	4	2
КР 60/12	--	6	4	4
EURO 40/30-40/306 / 30/50-30/506 / 25/80-25/806 EUROINOX 40/30-40/306 / 30/50-30/506 / 25/80-25/806 EUROCOM 25/80-25/806 / 30/50-30/506 EUROCOM SP 30/50-30/506	10	6	4	4
EURO 25/30-25/306 / 30/30-30/306 EUROINOX 25/30-25/306 / 30/30-30/306 EUROCOM 25/30-25/306 / 30/30-30/306 GARDEN-INOX 30/30	8	4	4	4
EURO 40/50-40/506 / 30/80-30/806 EUROINOX 40/50-40/506 / 30/80-30/806 EUROCOM 40/50-40/506 / 30/80-30/806 EUROCOM SP 40/50-40/506 GARDEN-INOX 40/50	12	6	6	4
EURO 50/50-50/506 / 40/80-40/806 EUROINOX 50/50-50/506 / 40/80-40/806	20	8	6	4
К 12/200, К 30/70, К 35/40, DP 100, DP 102, AQUADP 102/20	12	6	6	4
К 30/100	16	8	6	4
JET 151, К 35/100	20	10	6	4
К 40/100, К 36/100, К 45/50, DP 151, AQUADP 151/40	20	10	8	4
JET 200, К 14/400	20	10	8	6
JET 251	25	12	8	6
JET 300, К 55/50, DP 251, AQUADP 251/40	32	16	10	6
Макс. Рабочее давление:	6 бар (600 кПа):	DP 81, DP 82, DP 100, DP 102, AQUADP 82/20, AQUADP 102/20 EURO, EUROINOX, EUROCOM, EUROCOM SP, GARDEN-INOX К 35/40, К 35/100, К 40/100, К 20/41, К 30/70, К 30/100, К 36/100, К 12/200, К 14/400		
	7,5 бар (750 кПа):	JET 151, JET 251, JET 200, JET 300 DP 151, DP 251, AQUADP 151/40, AQUADP 251/40		
	8 бар (800 кПа):	К 45/50, К 55/50		
	10 bar (1000 kPa):	КР 60/6, КР 60/12, КР 38/18 КРА 40/20		

Температурный диапазон жидкости:	0 ÷ +35°C:	Для всех электронасосов, сертифицированных EN 60335-2-41 (для домашнего использования)
	0 ÷ +40°C:	JET 151, JET 251, JET 200, JET 300 DP 81, DP 82, DP 100, DP 102, DP151, DP 251 AQUADP 82/20, AQUADP 102/20, AQUADP 151/40, AQUADP 251/40
	-10 ÷ +50°C:	К 20/41, К 30/70, К 30/100, К 36/100, К 12/200, К 35/40, К 45/50, К 35/100, К 40/100 КР 38/18
	-10 ÷ +80°C:	КР 60/6, КР 60/12 КРА 40/20
	-15 ÷ +110°C:	К 14/400, К 55/50

- **Температура складирования:** -10°C +40°C
- **Относительная влажность воздуха:** MAX 95%
- **Шумовой уровень:**
 - шумовой уровень насосов для наружного использования соответствует Директиве 2000/14/СЕ.
 - шумовой уровень других насосов соответствует Директиве ЕС 89/392/СЕЕ и последующим изменениям.
- **Конструкция двигателей:** соответствует нормативам CEI 2-3 - CEI 61-69 (EN 60335-2-41).
- **Номинальное сечение проводов кабелей электропитания должно быть не менее сечения, указанного в таблице ниже:**

Номинальный ток агрегата А			Номинальное сечение мм ²
		≤ 0,2	Плоские двойные мишурные шнуры ^a
> 0,2	и	≤ 3	0,5 ^a
> 3	и	≤ 6	0,75
> 6	и	≤ 10	1,0 (0,75) ^b
> 10	и	≤ 16	1,5 (1,0) ^b
> 16	и	≤ 25	2,5
> 25	и	≤ 32	4
> 32	и	≤ 40	6
> 40	и	≤ 63	10
^a Эти провода могут быть использованы, только если их длина не превышает 2 м от точки, в которой провод или его оплетка входит в агрегат или выходит из штепсельной вилки. ^b Провода с сечением, указанным в скобках, могут быть использованы для переносных агрегатов , если их длина не превышает 2 м.			

5. ОБРАЩЕНИЕ

5.1 Складирование

Все насосы должны храниться в крытом, сухом помещении, по возможности с неизменной влажностью воздуха, без вибраций и пыли.

Насосы поставляются в оригинальной упаковке, в которой они должны оставаться вплоть до момента их монтажа. В противном случае необходимо тщательно закрыть отверстия всасывания и подачи.

5.2 Перевозка

Избегать лишних ударов и столкновений изделий.

Для подъема и перемещения узлов использовать автопогрузчики с прилагающимся стандартным поддоном (если он предусмотрен).

5.3 Вес

На табличке, наклеенной на упаковке, указан общий вес электронасоса.

6. ПРЕДУПРЕЖДЕНИЯ

6.1 Специализированный персонал



Рекомендуется, чтобы монтаж производился компетентным и квалифицированным персоналом, обладающим техническими навыками в соответствии со специфическими нормативами в данной области. Под квалифицированным персоналом подразумевается персонал, который получил образование, опыт и навыки, а также знаком с соответствующими нормативами, указаниями и инструкциями по предотвращению несчастных случаев и с рабочими условиями, уполномочен ответственным за безопасность на фабрике выполнять любые необходимые операции и уметь распознавать в них любой риск. (Определение технического персонала IEC 364)

Агрегат не предназначен для использования лицами (включая детей) с физическими, сенсорными или умственными ограничениями, или же не имеющими опыта или знания обращения с агрегатом, если это использование не осуществляется под контролем лиц, ответственных за их безопасность, или после обучения использованию агрегата. Следите, чтобы дети не играли с агрегатом. (EN 60335-1: 02)

6.2 Безопасность

Использование насоса разрешается, только если электропроводка соответствует нормативам по безопасности в соответствии с нормативами, действующими в стране, в которой устанавливается насос (для Италии - CEI 64/2).

6.3 Проверка вращения вала насоса

Перед монтажом насоса необходимо проверить, чтобы подвижные части вращались свободно. С этой целью снять картер крыльчатки с гнезда задней крышки двигателя и повернуть отвертку в шлице на вале двигателя со стороны вентиляции. Если вал заблокирован, повернуть отвертку, слегка постукивая по ней молотком. **Рис. А**

6.4 Ответственность



Производитель не несет ответственность за хорошее функционирование электронасосов или за возможный ущерб, причиненный электронасосами, если насосы подвергаются неуполномоченным вмешательствам, изменениям и/или используются с превышением рекомендованных рабочих параметров или с несоблюдением прочих инструкций, приведенных в данном руководстве по эксплуатации.

Кроме того производитель снимает с себя всякую ответственность за возможные неточности, которые могут встретиться в данном руководстве по эксплуатации, если эти неточности являются причиной опечаток или типографских ошибок. Производитель оставляет за собой право вносить в свои изделия все изменения, которые он сочтет необходимыми или полезными, не компрометируя их основных характеристик.

7. МОНТАЖ



После испытаний в насосах может остаться немного воды.

Рекомендуем произвести короткую промывку чистой водой перед окончательным монтажом.

7.1 Электронасос должен быть установлен в хорошо проветриваемом месте, должен быть защищен от влияния погодных условий, с температурой окружающей среды, не превышающей 40°C. **Рис. В**

7.2 Прочно прикрепить насос к опорному основанию для поглощения возможных вибраций, возникающих в процессе функционирования насоса. **Рис. С**

7.3 Следует избегать, чтобы металлические трубопроводы сообщали чрезмерную нагрузку на отверстия насоса во избежание деформаций или разрывов. **Рис. С**

7.4 **Неизменно хорошим правилом является устанавливать насос как можно ближе к перекачиваемой жидкости.** Насос должен быть установлен исключительно в горизонтальном положении. Внутренний диаметр трубопроводов никогда не должен быть меньше диаметра отверстий электронасоса, а также на всасывании рекомендуется установить донный клапан. **Рис. D.** Для глубины всасывания, превышающей четыре метра, или при наличии длинных горизонтальных отрезков рекомендуется использовать трубу всасывания с диаметром, большим диаметра всасывающего отверстия электронасоса. Во избежание образования воздушных мешков во всасывающем трубопроводе предусмотреть небольшой подъем всасывающей трубы в сторону насоса. **Рис. D**

7.5 Если всасывающий трубопровод выполнен из резины или из гибкого материала необходимо всегда проверять, чтобы он был упроченного типа во избежание его сужений под воздействием всасывания.

7.6 Во всех насосах, для которых предусмотрена переносная версия, ручка для подъема и перемещения должна всегда иметься и должна быть прочно прикреплена.

7.7 В инструкциях по монтажу насосов для садовых фонтанов и прудов, а также для других подобных назначений должно быть указано, что на линии электропитания насоса должен быть установлен дифференциальный разъединитель, рабочий номинальный дифференциальный ток которого не превышает 30 мА.

8. ЭЛЕКТРОПРОВОДКА:

Внимание: всегда соблюдать правила по безопасности!



Строго следовать указаниям, приведенным на электрических схемах внутри зажимной коробки.

8.1 Электрическое подсоединение должно осуществляться опытным уполномоченным электриком, полностью отвечающим за все операции.

8.2 Проверить, чтобы напряжение сети электропитания соответствовало напряжению, указанному на заводской табличке двигателя, и чтобы было возможно **ПРОИЗВЕСТИ НАДЛЕЖАЩЕЕ СОЕДИНЕНИЕ ЗАЗЕМЛЕНИЯ**. Рис. Е, В частности, зажим заземления должен быть подсоединен к желто-зеленому проводу электропитания. Необходимо также использовать провод заземления более длинный по сравнению с проводами фаз во избежание его отсоединения в первую очередь в случае натяжения.

8.3 В фиксированных версиях Международные Нормативы предусматривают использование выключателей-разъединителей с плавкой вставкой предохранителей.

8.4 Монофазные двигатели оснащены термоамперметрическим встроенным предохранением и могут быть подсоединены к сети напрямую. Трехфазные двигатели должны предохраняться автоматическим выключателем (наприм., магнитно-тепловым), настроенным на данные на шильдике электронасоса, или плавкими предохранителями согласно расчету, указанному в разделе 4.

9. ЗАПУСК

9.1



Не запускать насос, если он полностью не залит жидкостью.

Перед запуском проверить, чтобы насос был залит жидкостью надлежащим образом, выполнив его полное наполнение чистой водой через специальное отверстие, вынув пробку залива, расположенную на корпусе насоса. Данная операция является чрезвычайно важной для хорошего функционирования насоса. Важно также, чтобы механическое уплотнение было хорошо смазано. (Рис. F). **Функционирование всухую ведет к непоправимым повреждениям механического уплотнения.** По завершении операции плотно закрутить пробку залива.

9.2 Подключить напряжение и проверить для трехфазных двигателей правильность направления вращения, которое, если смотреть на двигатель со стороны крыльчатки, должно осуществляться по часовой стрелке **Рис. G**. В противном случае поменять местами любые два провода фазы, отсоединив насос от сети электропитания.

10. ПРЕДОСТОРОЖНОСТИ

10.1 Никогда не запускать насос чаще 20 раз в час во избежание чрезмерного перегрева двигателя.

10.2 **ОПАСНОСТЬ ЗАМЕРЗАНИЯ:** в случае длительного простоя насоса при температуре ниже 0°C необходимо полностью слить жидкость из корпуса насоса через сливную пробку **Рис. H** во избежание возможных потрескиваний гидравлических компонентов. Рекомендуется выполнять эту операцию также в случае длительного простоя при нормальной температуре.

10.3 При запуске насоса после длительного периода простоя необходимо заново выполнить вышеописанные операции по запуску.

11. ТЕХНИЧЕСКОЕ ОБСЛУЖИВАНИЕ И ЧИСТКА



При нормальной эксплуатации электронасос не нуждается в каком-либо техническом обслуживании. Тем не менее может потребоваться произвести чистку гидравлических частей, если будет обнаружено определенное сокращение эффективности. **Электронасос может быть разобран только специализированным и квалифицированным персоналом, отвечающим требованиям специфических нормативов в данной области.** В любом случае все операции по ремонту и техническому обслуживанию должны осуществляться после того, как насос будет отсоединен от сети электропитания.

12. ИЗМЕНЕНИЯ И ЗАПАСНЫЕ ЧАСТИ



Любое заранее неуполномоченное изменение насоса снимает с производителя всякую ответственность. Все запасные части, используемые при ремонте, должны быть оригинальными, и все вспомогательные детали должны быть утверждены производителем, что гарантирует максимальную безопасность устройств и систем, в которых они могут быть установлены.



В случае повреждения кабеля электропитания данного устройства его починка должна осуществляться специализированным персоналом во избежание какого-либо риска.

12.1 Снятие и замена кабеля электропитания

Перед осуществлением этих операций необходимо убедиться, чтобы электронасос не был подсоединен к сети электропитания.

А) Для моделей без реле давления

Снять крышку зажимной коробки, отвинтив расположенные на ней четыре винта. Отвинтить три зажима L - N - \oplus и вынуть коричневый, синий и желто-зеленый провода, выходящие из кабеля электропитания, отвинтив перед этим кабельный сальник.

В) Модели с реле давления типа SQUARE D

- **Отрезок кабеля с вилкой, идущий от реле давления:** отвинтить отверткой винт крышки реле давления и снять крышку. Вынуть желто-зеленый провод, отвинтив винт заземления, синий и коричневый провода с соответствующих боковых зажимов, отвинтив соответствующие винты. Вынуть зажим блокировки кабеля, отвинтив соответствующие винты, и таким образом вынуть отсоединенный кабель.
- **Отрезок кабеля, идущий от реле давления к зажимной коробке:** отвинтить отверткой гайку крышки реле давления и снять крышку. Вынуть желто-зеленый провод, отвинтив винт заземления, синий и коричневый провод с соответствующих центральных зажимов, отвинтив соответствующие винты. Вынуть зажим блокировки кабеля, отвинтив соответствующие винты, и таким образом вынуть отсоединенный кабель. Снять крышку зажимной коробки, отвинтив расположенные на ней четыре винта. Отвинтить три зажима L - N - \oplus и вынуть коричневый, синий и желто-зеленый провода, выходящие из реле давления, отвинтив перед этим кабельный сальник.

С) Модели с реле давления типа:

TELEMECANIQUE / SQUARE D – TELEMECANIQUE / ITALTECNICA

- **Отрезок кабеля с вилкой, идущий от реле давления:** отвинтить отверткой винт крышки реле давления и снять крышку, отсоединяя ее от основания реле давления. Вынуть желто-зеленый провод, отвинтив винт заземления с левой стороны. Вынуть с той же стороны синий и коричневый провода с соответствующих зажимов, отвинтив соответствующие винты. Ослабить гайку кабельного сальника реле давления с левой стороны и таким образом вынуть отсоединенный кабель.
- **Отрезок кабеля, идущий от реле давления к зажимной коробке:** отвинтить отверткой винт крышки реле давления и снять крышку, отсоединяя ее от основания реле давления. Вынуть желто-зеленый провод, отвинтив винт заземления с правой стороны. Вынуть с той же стороны синий и коричневый провода с соответствующих зажимов, отвинтив соответствующие винты. Ослабить гайку кабельного сальника реле давления с правой стороны и таким образом вынуть отсоединенный кабель. Снять крышку зажимной коробки, отвинтив расположенные на ней четыре винта. Отвинтить три зажима L - N - \oplus и вынуть коричневый, синий и желто-зеленый провода, выходящие из реле давления, отвинтив перед этим кабельный сальник.

Замена кабеля электропитания должна осуществляться, используя кабель того же типа (например, H05 RN-F или H07 RN-F в зависимости от типа монтажа) и имеющий такой же разъем, выполняя операции в обратном порядке.

ВНИМАНИЕ: в зависимости от типа монтажа и в случае электронасосов, не имеющих кабель, установить кабель электропитания типа H05 RN-F для внутреннего использования и типа H07 RN-F для наружного использования, оснащенные вилкой (EN 60335-2-41). Для кабелей электропитания без вилки необходимо предусмотреть устройство отсоединения от сети электропитания (например, термоманитный выключатель) с контактами разъединения не менее 3 мм на каждый полюс.

13. ОБНАРУЖЕНИЕ И УСТРАНЕНИЕ НЕИСПРАВНОСТЕЙ

НЕИСПРАВНОСТИ	ПРОВЕРКИ (возможные причины)	МЕТОДЫ УСТРАНЕНИЯ
1. Двигатель не запускается и не издает звуков.	<p>A. Проверить электрические соединения.</p> <p>B. Проверить, чтобы двигатель был под напряжением.</p> <p>C. Проверить плавкие предохранители.</p>	<p>C. Если они сгорели, заменить их.</p> <p>Примечание: если неисправность сразу же повторяется, это означает короткое замыкание двигателя.</p>
2. Двигатель не запускается, но издает звуки.	<p>A. Проверить, чтобы напряжение в сети соответствовало значению на заводской табличке.</p> <p>B. Проверить, чтобы соединения были выполнены правильно.</p> <p>C. Проверить наличие всех фаз в зажимной коробке. (3 ~)</p> <p>D. Произвести поиск возможных засоров насоса или двигателя.</p> <p>E. Проверить состояние конденсатора.</p>	<p>B. Исправить в случае ошибки.</p> <p>C. При необходимости восстановить отсутствующую фазу.</p> <p>D. Удалить засоры.</p> <p>E. Заменить конденсатор.</p>
3. Затруднительное вращение двигателя.	<p>A. Проверить, чтобы напряжение электропитания было достаточным.</p> <p>B. Проверить возможные трения между подвижными и фиксированными деталями.</p>	<p>B. Устранить причины трения.</p>
4. Насос не производит подачу.	<p>A. Насос был залит неправильно.</p> <p>B. Проверить правильное направление вращения трехфазных двигателей.</p> <p>C. Недостаточный диаметр всасывающей трубы.</p> <p>D. Засорен донный клапан.</p>	<p>A. Залить водой насос и всасывающую трубу, если она не является самозаливающейся, и произвести наполнение.</p> <p>B. Поменять местами два провода электропитания.</p> <p>C. Заменить трубу на другую с большим диаметром.</p> <p>D. Прочистить донный клапан.</p>
5. Насос не заливается.	<p>A. Всасывающая труба или донный клапан засасывают воздух.</p> <p>B. Отрицательный уклон всасывающей трубы способствует образованию воздушных мешков.</p>	<p>A. Устранить это явление и повторить заливку .</p> <p>B. Исправить наклон всасывающей трубы.</p>
6. Насос не обеспечивает необходимый расход.	<p>A. Засорен донный клапан.</p> <p>B. Крыльчатка износилась или засорена.</p> <p>C. Недостаточный диаметр всасывающей трубы.</p> <p>D. Проверить правильное направление вращения трехфазных двигателей.</p>	<p>A. Прочистить донный клапан.</p> <p>B. Удалить засоры или заменить изношенные детали.</p> <p>C. Заменить трубу на другую с большим диаметром.</p> <p>D. Поменять местами два провода электропитания.</p>
7. Насос вибрирует и издает сильный шум.	<p>A. Проверить, чтобы насос и трубы были прочно закреплены.</p> <p>B. Кавитация насоса, т.е. потребность в воде превышает возможности насоса.</p> <p>C. Насос функционирует с превышением значений заводской таблички.</p>	<p>A. Более тщательно закрепить ослабленные части.</p> <p>B. Сократить высоту всасывания или проверить потерю нагрузки.</p> <p>C. Может потребоваться ограничить расход на подаче.</p>

		psl.
	TURINYS	
1.	BENDRA INFORMACIJA	63
2.	PRITAIKYMAS	63
3.	PUMPUOJAMI SKYSČIAI	63
4.	TECHNINIAI DUOMENYS IR PRITAIKymo APRIBOJIMAI	64
5.	NAUDOJIMASIS	65
5.1.	Sandėliavimas	65
5.2.	Transportavimas	65
5.3.	Svoris	65
6.	ĮSPĖJMAI	65
6.1.	Informacija kvalifikuotam techniniam personalui	65
6.2.	Apsaugos	65
6.3.	Variklio veleno sukimosi patikra	65
6.4.	Įsipareigojimai	66
7.	MONTAVIMAS	66
8.	ELEKTRINIS PAJUNGIMAS	66
9.	PALEIDIMO DARBAI	66
10.	ATSARGUMO PRIEMONĖS	67
11.	APTARNAVIMAS IR VALYMAS	67
12.	SIURBLIO MODIFIKACIJOS	67
12.1	Maitinimo kabelio pakeitimas	67
13.	GALIMI GEDIMAI IR JŲ PAŠALINIMAS	68

1. BENDRA INFORMACIJA



Prieš montuodami siurblių įdėmiai perskaitykite šią instrukciją.

Montažas ir eksploatacija turi būti atliekami laikantis šalies, kurioje montuojamas įrenginys, saugumo technikos reikalavimų. Visi įrenginio paleidimo darbai turi būti gerai atlikti. Nesilaikant šių reikalavimų, gali iškilti pavojus žmonių sveikatai, gaminyje gali būti sugadintas. Tokiu atveju garantinis aptarnavimas neatliekamas.

2. PRITAIKYMAS

KP 38/18 - KP 38/18 pred. - KP 60/6 - KP 60/12: periferinio tipo siurbLIAI, galintys sukelti aukštą hidrostatinį slėgį. Gali būti pritaikomi namų ūkio, smulkiems sodo darbams, cisternų drenavimui, bei jų užpildymui. Taip pat gali būti naudojami smulkiojoje pramonėje.

KPA 40/20: Uždaro ciklo skysčių žiedo siurbLIAI su žvaigždės formos darbo ratu, labai gerų siurbimo savybių net tuo atveju, jeigu skystyje yra oro burbuliukų arba kai pakeliamas skystis nėra nepertraukiamai tiekiamas. Pritaikymas: vandens tiekimui į namų ūkio sistemas, slėgio didinimui ir stabilizavimui (atsižvelgiant į vietines normas), vandens pakėlimui iš šulinių. Tinkami įvairiems sodo darbams ir apskritai visose sistemose, kuriose reikalingas savaimė užsipildantis siurblys. Taip pat gali patenkinti nedideles pramoninių sistemų reikmes.

JET 200 - JET 300 - JET 151 - JET 251: šie išcentriniai siurbLIAI yra gerų siurbimo savybių, net pumpuojant vandenį su dujų priemaišom. Konkrečiai skirti vandens tiekimui ir slėgio palaikymui gyvenamuose namuose. Gali būti naudojami nedidelėse fermose, soduose, nedidelėms avarijoms likviduoti.

DP 81 - DP 82 - DP 100 - DP 102 - DP 151 - DP 251 - AQUADP 82/20 - AQUADP 102/20 - AQUADP 151/40 - AQUADP 251/40: išcentrinis, savaimė užsipildantis, siurblys galintis siurbti vandenį iš 30 metrų gylio. Su ežektoriumi gali būti įmontuojamas į 4" ar didesnius šulinius. Naudojami vandens tiekimui į fermų pastatus ir nedidelėse fermų sistemose.

EURO - EUROINOX ir kt. modeliai: išcentrinis, savaimė užsipildantis, daugiapakopis, horizontalaus darbo siurblys, tinkantis vietiniam ir pramoniniam naudojimui, vandens tiekimui ir slėgio palaikymo sistemoms. Fermose idealus nedidelėms drėkinimo darbams, įrankių ir mechanizmų plovimui. Taip pat gali būti naudojamas vandeniui su dujų priemaišomis siurbti. Vanduo recirkuliuojamas tik užpildymo metu, po kurio tiekiamas pastovus, nepertraukiamas, maksimalus srautas. Šios savybės lemia plačias panaudojimo galimybes.

K 20/41 - K 30/70 - K 30/100 - K 36/100 - K 12/200 - K 14/400: vieno darbo rato išcentrinis siurblys skirtas naudojimui gyvenamuose namuose, pramoniniame ir žemės ūkyje. Ypač geri perdavimo ir maišymo darbams..

K 35/40 - K 45/50 - K 55/50 - K 35/100 - K 40/100: Išcentriniai siurbLIAI su dviem darbo ratais (modeliai K 35/40 – K 45/50 – K 5/50), ypatingai tylaus darbo. Skirti slėgio palaikymui vandens tiekimo sistemose, autoklavams. Taip pat gali būti naudojami drėkinimo ir daugeliui kitų sistemų.

3. PUMPUOJAMI SKYSČIAI



SiurbLIAI skirti švaraus vandens pumpavimui. Jame neturi būti kietųjų medžiagų, skystis turi būti neagresyvus ir nesproguš. Skysčio kinematinis klampumas $1\text{mm}^2/\text{s}$, tankis $1000\text{kg}/\text{m}^3$.

4. TECHNINIAI DUOMENYS IR PRITAIKYMO APRIBOJIMAI

- **Įtampa:** 220 - 240V 50Hz / 110V 50Hz
115V 60Hz / 230V 60Hz
230 V3 – 400 V3 50/60Hz
žr.duomenis ant gamyklinės siurblio duomenų lentelės
- **Elektrinė galia:** žr.duomenis ant siurblio duomenų lentelės.
- **Debitas:** nuo 0,06 iki 37 m³/h
- **Hidrostatinis slėgis – Hmax (m):** psl. 99
- **Pumpuojamas skystis:** švarus, be kietų ir abrazyvinių dalelių, chemiškai neutralus, neužterštas mineralinėmis alyvomis, neklampus
- **Variklio apsaugos klasė:** IP44 (IP55, žr. į lentelę ant pakuotės)
- **Prijungimo dėžutės saugumo klasė:** IP55
- **Saugumo klasė:** F
- **Mova:** PG11 ir/arba PG13,5 (priklausomai nuo modelio)
- **AM klasės saugikliai:**

MODELIS	Saugikliai(Amperais)			
	110V 50Hz 115V 60Hz	220-240V 50Hz 230V 60Hz	230 V3 50/60Hz	400 V3 50/60Hz
KP 38/18, KP 38/18 Pred., KP 60/6, DP 81, DP 82, AQUADP 82/20 K 20/41	8	4	4	2
KPA 40/20	8	6	4	2
KP 60/12	--	6	4	4
EURO 40/30-40/306 / 30/50-30/506 / 25/80-25/806 EUROINOX 40/30-40/306 / 30/50-30/506 / 25/80-25/806 EUROCOM 25/80-25/806 / 30/50-30/506 EUROCOM SP 30/50-30/506	10	6	4	4
EURO 25/30-25/306 / 30/30-30/306 EUROINOX 25/30-25/306 / 30/30-30/306 EUROCOM 25/30-25/306 / 30/30-30/306 GARDEN-INOX 30/30	8	4	4	4
EURO 40/50-40/506 / 30/80-30/806 EUROINOX 40/50-40/506 / 30/80-30/806 EUROCOM 40/50-40/506 / 30/80-30/806 EUROCOM SP 40/50-40/506 GARDEN-INOX 40/50	12	6	6	4
EURO 50/50-50/506 / 40/80-40/806 EUROINOX 50/50-50/506 / 40/80-40/806	20	8	6	4
K 12/200, K 30/70, K 35/40, DP 100, DP 102, AQUADP 102/20	12	6	6	4
K 30/100	16	8	6	4
JET 151, K 35/100	20	10	6	4
K 40/100, K 36/100, K 45/50, DP 151, AQUADP 151/40	20	10	8	4
JET 200, K 14/400	20	10	8	6
JET 251	25	12	8	6
JET 300, K 55/50, DP 251, AQUADP 251/40	32	16	10	6
Maksimalus darbinis slėgis:	6 bar (600 kPa):	DP 81, DP 82, DP 100, DP 102, AQUADP 82/20, AQUADP 102/20 EURO, EUROINOX, EUROCOM, EUROCOM SP, GARDEN-INOX K 35/40, K 35/100, K 40/100, K 20/41, K 30/70, K 30/100, K 36/100, K 12/200, K 14/400		
	7,5 bar (750 kPa):	JET 151, JET 251, JET 200, JET 300 DP 151, DP 251, AQUADP 151/40, AQUADP 251/40		
	8 bar (800 kPa):	K 45/50, K 55/50		
	10 bar (1000 kPa):	KP 60/6, KP 60/12, KP 38/18 KPA 40/20		
Skysčio temperatūrų intervalas:	0 ÷ +35°C:	Visiems siurbliams, turintiems patvirtintą EN 60335 – 2 – 41 (tik buitiniam naudojimui)		
	0 ÷ +40°C:	JET 151, JET 251, JET 200, JET 300 DP 81, DP 82, DP 100, DP 102, DP151, DP 251 AQUADP 82/20, AQUADP 102/20, AQUADP 151/40, AQUADP 251/40		
	-10 ÷ +50°C:	K 20/41, K 30/70, K 30/100, K 36/100, K 12/200, K 35/40, K 45/50, K 35/100, K 40/100 KP 38/18		
	-10 ÷ +80°C:	KP 60/6, KP 60/12 KPA 40/20		
	-15 ÷ +110°C:	K 14/400, K 55/50		

- **Sandėliavimo temperatūra:** nuo -10 iki +40°C
- **Santykinis oro drėgnumas:** maks. 95%
- **Triukšmo lygis:** – siurbliams naudojamiems išorėje, triukšmo lygis atitinka direktyvą Nr. 2000/14/CE, bei jos pataisas.
 - kitiems siurbliams triukšmo lygis atitinka direktyvą Nr. 89/392/EEC, bei jos pataisas.
- **Variklio konstrukcija atitinka standartus CEI 2-3 – CEI 61-69 (EN 60335-2-41).**
- **Tiektuvo kabelių įvado laidų nominalus skerspjūvis turi būti ne mažesnis nei pateiktasis toliau pateiktoje lentelėje:**

Nominali įrenginio srovė			Nominalus skerspjūvis
A			mm ²
		≤ 0,2	Plokščias dvigubas blizgantis laidas ^a
0,2	ir	≤ 3	
> 3	ir	≤ 6	
> 6	ir	≤ 10	
> 10	ir	≤ 16	
> 16	ir	≤ 25	
> 25	ir	≤ 32	
> 32	ir	≤ 40	
> 40	ir	≤ 63	
^a Šiuos kabelius galima naudoti tik tuo atveju, jei jų ilgis neviršija 2 m tarp taško, kur kabelis arba jo apsauga įeina į įreginį, ir įėjimo į kištuką.			
^b Kabelius, kurių skerspjūviai yra tokie kaip nurodyti skliausteliuose, galima naudoti nešiojamiems įrenginiams , jei jų ilgis neviršija 2 m.			

5. NAUDOJIMAS

5.1 Sandėliavimas

Visi siurbliai turi būti saugomi uždaroje sausoje patalpoje (jeigu yra galimybių, reikia užtikrinti pastovų oro drėgnumą) be dulkių ir vibracijų.

Siurbliai turi būti saugomi originaliame įpakavime iki pat montavimo. Jeigu tai neįmanoma, reikia kruopščiai izoliuoti įsiurbimo ir padavimo angas.

5.2 Transportavimas

Pervežimo metu vengti smūgių ir sutrenkimų. Perkeliant siurblius, jeigu tai numatyta, naudoti keltuvus ir padėklus tiekiamus serijiniu būdu.

5.3 Svoris

Bendras siurblio svoris nurodytas įpakavime.

6. ĮSPĖJIMAI

6.1 Informacija kvalifikuotam techniniam personalui



Siurblių montavimas atliekamas tik asmenų, turinčių teisę ir pakankamą kvalifikaciją kokybiškai atlikti montavimo darbus.

Kvalifikuotas personalas - tai asmenys, kurių apmokymas, patirtis, instruktažas, atitinkamų standartų ir darbo saugos taisyklių, bei darbo sąlygų žinojimas patvirtintas asmens įstaigoje atsakingo už darbų saugą, leidžiančio jiems atlikti visus reikiamus darbus, kuriuose jie galėtų atpažinti ir išvengti visų galimų pavojų.

Įrenginys nėra skirtas naudoti žmonėms (įskaitant vaikus) su protine ir fizine jutimo negalia arba neturintiems patirties ar žinių, nebent jie prižiūrimi už jų saugumą atsakingo asmens arba buvo instruktuoti apie įrenginio naudojimą. Saugokite vaikus, kad jie nežaistų su įrenginiu. (EN 60335-1: 02)

6.2 Apsaugos

Ekspluatuoti įrenginius leidžiama tik tada, kai elektrinė sistema turi visas apsaugos priemones, kurios yra numatytos tos šalies, kur montuojamas įrenginys, taisyklėmis.

6.3 Variklio veleno sukimosi patikra

Prieš įrengiant siurblių įsitikinkite, kad besisukančios dalys juda laisvai. Kad tai patikrintumėte, reikia nuimti ventilatoriaus dangtį, kuris yra variklio gale.

Įstatykite atsuktuvą į variklio velene esančią įpjovą ir pasukite darbo ratą. Jei jis užstrigęs, atsargiai pasukite atsuktuvą, ir švelniai pakalkite per jį plaktuku. (kaip parodyta **pav. A**)

6.4 **Isipareigojimai**

Gamintojas neatsako už blogą siurblio darbą, jeigu jis buvo techniškai pakeistas, eksploatuojamas esant aukštesniems, nei nurodyta siurblio pase, parametrams ar nesilaikant kitų instrukcijų.

Gamintojas neprisiima atsakomybės, dėl galimų spaustuvės klaidų šioje instrukcijoje. Gamintojas taip pat pasilieka teisę atlikti reikiamus ar naudingus gaminio pakeitimus, nepakeisdamas pagrindinių gaminio charakteristikų.

7. **MONTAVIMAS**

Po bandymo siurblyje gali būti likę šiek tiek vandens. Prieš galutinį sumontavimą rekomenduojame jį praskalauti švariu vandeniu.

- 7.1 Siurblių reikia įrengti gerai vėdinamoje patalpoje, apsaugotoje nuo nepageidaujamų oro sąlygų. Temperatūra joje neturi viršyti 40°C. **(žr. Pav. B)**
- 7.2 Variklio ir laikančiojo paviršiaus sujungimas absorbuoja bet kokias, siurblio sukeltas vibracijas **(pav. C)**.
- 7.3 Įsitikinkite, kad atraminiai vamzdžiai turi atskirus įtvirtinimus, ir jie nesukelia papildomų įtempimų ar įtrūkimų siurblio korpuse **(pav.C)**
- 7.4 **Rekomenduojama siurblių pastatyti kuo arčiau siurbiamo skysčio.** SiurbLIAI turi būti montuojami tik horizontalioje padėtyje. Vidinis vamzdžių skersmuo neturi būti mažesnis už siurblio angų skersmenį. Įsiurbimo vietoje turi būti pajungtas atbulinis vožtuvas. Siurbimo gyliui esant virš 4 metrų, o taip esant dideliems horizontaliems atstumams, rekomenduojamas didesnis siurbimo žarnos skersmuo negu siurblio angos. Norint išvengti oro tarpų, siurblio žarna turi būti su kylančiu nuolydžiu siurblio link **(pav.D)**
- 7.5 Jei pasiurbimo vamzdis pagamintas iš gumos ar kitos elastingos medžiagos, įsitikinkite, kad jis yra sustiprintas ir nesusispaus siurbimo metu.
- 7.6 Kėlimo ir nešiojimo rankenėlė turi būti visuomet pritvirtinta prie korpuso visiems nešiojamiems siurbliams.
- 7.7 SiurbLIAI, kurie bus naudojami lauko fontanams, vandens telkiniams, sodams ar panašioms vietoms, - tokie siurbLIAI turi būti maitinami nuo diferencialinės srovės įrenginio, kurio diferencialinė veikimo nominalinė srovė neviršys 30 mA.

8. **ELEKTRINIS PAJUNGIMAS :**
Dėmesio! Visada laikykitės saugaus darbo taisyklių !

Tiksliai laikykitės laidų sujungimų schemas esančios pajungimo dėžutėje.

- 8.1 **Elektros instaliacija atliekama tik tam teisę turinčio elektriko, kuris gali prisiimti visą atsakomybę už savo veiksmus.**
- 8.2 Tinklo įtampa turi atitikti įtampą nurodytą ant gamyklinės variklio duomenų plokštelės. **Variklis privalo būti įžemintas. (pav.E)**, Įžeminimo gnybtą reikia prijungti prie geltono / žalio tiektuvo kabelio įvado laido. Be to, reikia naudoti ilgesnį nei fazės laidininkas įžeminimo laidą, kad traukiant būtų atjungtas pirmas.
- 8.3 Pagal tarptautinius standartus stacionarūs įrengimai turi būti jungiami per atskyriklius su tirpiais saugikliais.
- 8.4 Visi vienfaziai varikliai yra komplektuojami su šiluminiais saugikliais ir prie tinklo gali būti jungiami tiesiogiai. Trifazius variklius reikia apsaugoti automatinio jungiklio (pvz., magnetoterminiu), sukalibruotu pagal elektrinio siurblio duomenų plokštę arba saugiklius, kurių dydžiai yra nurodyti 4 skyriuje.

9. **PALEIDIMO DARBAI**

9.1



Prieš paleidžiant siurblių, pilnai užpildykite sistemą vandeniu.

Prieš paleidžiant siurblių, įsitikinkite, kad jis yra tinkamai paruoštas darbui. Siurblių žpildykite vandeniu per užpildymo angą, esančią siurblio korpuse. Atlikus šį veiksma, užpildymo angą sandariai uždarykite.**(pav. F)** Sauso paleidimo atveju yra nepataisomai sugadinami mech. sandarinimai.

9.2 Įjunkite siurblių ir patikrinkite ar variklis sukasi teisinga kryptimi - pagal laikrodžio rodyklę žiūrint į variklį iš darbo rato pusės (**G pav.**). Jeigu trifaziame variklyje sukimosi kryptis yra neteisinga, išjunkite siurblių iš tinklo ir sukeiskite dviejų laidų sujungimus skydelyje.

10. ATSARGUMO PRIEMONĖS

10.1 Siurblio negalima paleisti daugiau negu 20 kartų per valandą, nes perkais variklis.

10.2 **UŽŠALIMO PAVOJUS:** Varikliui neveikiant, esant žemesnei nei 0°C temperatūrai, būtina iš variklio korpuso pilnai pašalinti visą vandenį pro išleidimo angą (**pav. H**). Tai leis išvengti hidraulinių dalių suardymo; tą patį rekomenduojama atlikti esant ilgam stovėjimo laikui normalioje padėtyje.

10.3 Kai siurblys paleidžiamas po ilgo neveikimo periodo, atliekamos visos aukščiau išvardintos operacijos.

11. APTARNAVIMAS IR VALYMAS



Normaliai veikdamas siurblys nereikalauja jokio specialaus aptarnavimo. Tačiau kartais gali būti reikalinga išvalyti hidraulines dalis.

Siurblys gali būti ardomas tiktai kvalifikuoto personalo. Visi prie siurblio atliekami darbai atliekami tik atjungus įtampą.

12. SIURBLIO MODIFIKACIJOS



Visos atliktos, iš anksto nesuderintos siurblio modifikacijos atleidžia gamintoją nuo atsakomybės. Atsarginės detalės turi būti originalios. Visi priedai turi būti patvirtinti gamintojo, tam, kad būtų galima užtikrinti maksimalų įrengimų ir sistemų, kuriuose jie sumontuoti, saugumą. Pažeidus šio įrenginio maitinimo kabelį, jį turi pakeisti tik kvalifikuoti darbuotojai, tam, kad išvengti bet kokių pavojų.

12.1 Maitinimo kabelio pakeitimas

Prieš pradėdant įsitikinkite, kad variklis atjungtas nuo tinklo.

A) Siurbliams be slėgio relės

Atsukę keturis varžtus, nuimkite kondensatoriaus dangtį. Atsukę tris įvadus L – N, atjunkite rudą, mėlyną, geltonai – žalią laidus, atleiskite įvorę.

B) Siurbliams su SQUARE tipo slėgio rele:

- **Slėgio relė su kištukiniu lizdu:** atsuktuvu atsukite varžtus ir nuimkite dangtį. Ištraukite geltonai – žalią, mėlyną ir rudą laidus, iš atitinkamų įvadų. Pašalinkite blokavimo įvado laidą, atpalaidavę atitinkamu varžtus. Ištraukite laidą, kuris yra atjungtas nuo įtampos.
- **Laidas, nuo slėgio relės, į įvadų dėžę:** atsuktuvu atsukite varžtus ir nuimkite dangtį. Ištraukite geltonai – žalią, mėlyną, rudą laidus, iš atitinkamų įvadų. Pašalinkite blokavimo įvado laidą, atpalaidavę atitinkamu varžtus. Ištraukite laidą, kuris yra atjungtas nuo įtampos. Atsukę keturis varžtus, nuimkite kondensatoriaus dangtį. Atlaisvinę įvorę, atsukite tris įvadus L – N ir atjunkite rudą, mėlyną ir geltonai – žalią laidus.

C) TELEMECANIQUE / SQUARE D – TELEMECANIQUE / ITALTECNICA tipo slėgio relė:

- **Slėgio relė su kištukiniu lizdu:** atsuktuvu atsukite varžtus ir nuimkite dangtį. Ištraukite geltonai – žalią laidą, atsukę varžtą iš kairės pusės. Toje pačioje pusėje, ištraukite mėlyną ir rudą laidus, iš atitinkamų įvadų. Išimkite laidus, kurie yra atjungti nuo įtampos.
- **Laidas, nuo slėgio relės, į įvadų dėžę:** atsuktuvu atsukite varžtus ir nuimkite dangtį. Ištraukite geltonai – žalią, mėlyną, rudą laidus, iš atitinkamų įvadų. Pašalinkite blokavimo įvado laidą, atpalaidavę atitinkamu varžtus. Ištraukite laidą, kuris yra atjungtas nuo įtampos. Atsukę keturis varžtus, nuimkite įvadų dėžės dangtį. Atlaisvinę įvorę, atsukite tris įvadus L – N ir atjunkite rudą, mėlyną ir geltonai – žalią laidus.

Keičiamas maitinimo kabelis turi būti to paties tipo (pvz. H05 RN-F arba H07 RN-F, priklausomai nuo montavimo vietos) pajungiant tais pačiais antgaliais, kaip ir prieš išardant.

DĖMESIO: priklausomai nuo montavimo vietos ir nuo to ar siurblys turi maitinimo kabelį, vidaus naudojimui parinkite H05 RN-F, o išorės naudojimui H07 RN-F tipo kabelius su kištukais. Siurbliams su kabeliais be kištukų, atjungimui nuo tinklo sumontuokite jungiklį (pvz. magnetinį) su nemažiau kaip 3 mm atstumu tarp kontaktų.

13. GALIMI GEDIMAI IR JŲ PAŠALINIMAS

PROBLEMOS	PATIKRINIMAS (galimos priežastys)	SPRENDIMO BŪDAS
1. Siurblys nepasileidžia ir nesigirdi jokių triukšmų.	A. Patikrinti elektrinius sujungimus. B. Patikrinti ar užmaitintas variklis. C. Patikrinkite saugiklius.	C. Jeigu saugikliai sudegę, pakeiskite juos. Jeigu gedimas pasikartoja nedelsiant, tai reiškia, kad variklyje yra trumpas jungimas.
2. Siurblys nepasileidžia, bet girdisi triukšmai.	A. Patikrinkite ar tinklo įtampa sutampa su nurodyta ant gamyklinės siurblio duomenų lentelės. B. Patikrinkite ar teisingi elektriniai sujungimai. C. Patikrinkite ar prijungimo dėžutėje yra visos 3 fazės. D. Patikrinkite galimus užblokavimus siurblyje arba variklyje. E. Patikrinkite kondensatoriaus būklę.	B. Ištaisykite klaidas. C. Atstatykite trūkstamas fazes. D. Pašalinkite užblokavimus. E. Pakeiskite kondensatorių.
3. Sunkiai sukasi variklis.	A. Patikrinkite įtampą, kuri gali būti nepakankama. B. Patikrinkite ar judančios dalys nesiliečia su nejudančiomis.	B. Pašalinkite lietimosi priežastį.
4. Siurblys nesiurbia.	A. Siurblys neteisingai užpildytas. B. Patikrinkite sukimosi kryptį (trifaziams varikliams). C. Nepakankamas pasiurbimo vamzdžio diametras. D. Užblokuotas atbulinis vožtuvas.	B. Jeigu reikia, sukeiskite dvi fazes. C. Pakeiskite pasiurbimo vamzdį didesnio skersmens vamzdžiu. D. Išvalykite atbulinį vožtuvą.
5. Siurblys neužsipildo.	A. Pasiurbimo vamzdis arba atbulinis vožtuvas gaudo orą. B. Žemėjantis pasiurbimo vamzdžio nuolydis sąlygoja oro tarpų susidarymą.	A. Pašalinkite priežastis ir iš naujo užpildykite. B. Pataisykite pasiurbimo vamzdžio nuolydį.
6. Nepakankamas srautas.	A. Užblokuotas atbulinis vožtuvas. B. Susidėvėjęs arba užblokuotas darbo ratas. C. Nepakankamas pasiurbimo vamzdžio skersmuo. D. Patikrinkite sukimosi kryptį (trifaziams varikliams).	A. Išvalykite atbulinį vožtuvą. B. Pašalinkite užsikimšimus arba pakeiskite susidėvėjusias dalis. C. Pakeiskite pasiurbimo vamzdį didesnio skersmens vamzdžiu. D. Jeigu reikia, sukeiskite dvi fazes.
7. Siurblys dirba triukšmingai ir vibruoja.	A. Patikrinkite ar vamzdžiai ir siurblys stipriai pritvirtinti. B. Jeigu siurblys kavituoja, tai reiškia, kad vandens pareikalavimas yra didesnis, nei galimas siurbti. C. Siurblys dirba virš parametrų nurodytų ant gamyklinės siurblio duomenų lentelės.	A. Stipriai pritvirtinkite laisvas detales. B. Sumažinkite pasiurbimo aukštį arba patikrinkite apkrovimo nuostolius. C. Gali būti naudinga apriboti paduodamą srautą.

	pag.
CUPRINS	
1. Generalitati	69
2. Aplicatii	69
3. Lichide pompat	69
4. Caracteristici tehnice si limite de utilizare	70
5. Gestionare	71
5.1. Depozitare	71
5.2. Transport	71
5.3. Masa	71
6. RECOMANDARI	71
6.1. Personal calificat	71
6.2. Siguranta	71
6.3. Control rotatie arbore motor	72
6.4. Responsabilitate	72
7. INSTALARE	72
8. CONEXIUNI ELECTRICE	72
9. PUNERE IN FUNCTIUNE	72
10. MASURI DE PRECAUTIE	73
11. INTRETINERE SI CURATENIE	73
12. MODIFICARI SI PIESE DE SCHIMB	73
12.1 Deconectarea si inlocuirea cablului	73
13. IDENTIFICAREA DEFECTIUNILOR SI REMEDII	74

1. GENERALITATI



Inainte de a incepe instalarea cititi cu atentie aceasta documentatie.

Este necesar ca instalarea si functionarea sa fie in conformitate cu reglementarile referitoare la siguranta, in vigoare in tara in care se face instalarea. Intreaga operatiune va trebui sa fie efectuata cu maxima atentie si de catre personal calificat in conformitate cu normativele in vigoare. Nerespectarea normelor de siguranta poate afecta siguranta personalului si duce la deteriorarea echipamentelor, ceea ce va atrage dupa sine pierderea drepturilor de garantie.

2. APLICATII

KP 38/18 - KP 38/18 echipata cu presostat, manometru etc. - **KP 60/6 - KP 60/12**: pompa de tip periferic pentru uz domestic, cu gabarit redus si inaltime de pompare ridicata, poate fi folosita la alimentari cu apa, mic gradinarit, golire si umplere rezervoare si la unele activitati de mica industrie.

KPA 40/20: pompe cu inel lichid cu rotor stelar, cu o capacitate foarte buna de aspiratie chiar in prezenta apei cu bule de aer sau cand lichidul in aspiratie nu are o disponibilitate continua. Este folosita in mod deosebit in alimentarea cu apa a instalatiilor domestice, pentru a creste presiunea sau pentru a stabili furnizarea apei (conform normativelor locale), pentru aspiratia din puturi. Este potrivita pentru irigarea gradinilor si in general toate acele aplicatii unde este necesara autoamorsarea. Utila si in mici aplicatii industriale.

JET 200 - JET 300 - JET 151 - JET 251: pompe cu autoamorsare, cu jet si capacitate optima de aspiratie chiar si in prezenta aerului in apa aspirata. Indicata pentru alimentarea cu apa a caselor izolate, pentru aplicatii agricole la scara redusa si in aplicatii industriale.

DP 81 - DP 82 - DP 100 - DP 102 - DP 151 - DP 251 - AQUADP 82/20 - AQUADP 102/20 - AQUADP 151/40 - AQUADP 251/40: pompe centrifuge autoamorsante pentru alimentari de la adancimi de pana la 30 metri cu ejector, care se introduc in puturi de 4" sau mai mari. Sunt folosite pentru aprovizionarea cu apa a gospodariilor individuale si mica agricultura.

EURO - EUROINOX si modelele derivate: pompa centrifuga cu mai multe trepte cu autoamorsare si ax orizontal adecvata in uz casnic sau industrial pentru instalatii de alimentare cu apa si presurizare. In agricultura este potrivita pentru mici irigari, spalarea sculelor si a masinilor. Adaptate sa functioneze chiar si cu apa cu gaze dizolvate. Recircularea apei intervine numai in faza de amorsare, dupa care debitul maxim este disponibil pentru utilizare, cu furnizare continua si constanta. Aceste calitati permit numeroase tipuri de aplicatii.

K 20/41 - K 30/70 - K 30/100 - K 36/100 - K 12/200 - K 14/400: pompe centrifuge cu un singur rotor, indicate pentru alimentarea cu apa in aplicatii casnice, industriale si agricole. Optime pentru operatii de vehiculare si amestecare.

K 35/40 - K 45/50 - K 55/50 - K 35/100 - K 40/100: pompe centrifuge caracterizate prin folosirea a doua rotoare (pentru modelele K 35/40, K 45/50, K 55/50), cu o functionare extrem de silentioasa. Indicate in mod special pentru a grupuri de presurizare in instalatii de alimentare cu apa si alimentare de hidrofoare. Utilizabile chiar si pentru irigarea in ploaie sau alte utilizari in cele mai diferite campuri de aplicare.

3. LICHIDE POMPATE



Pompa este proiectata si construita pentru apa, fara substante explozive si particule solide sau fibre, cu densitate egala cu 1000 kg/mc si viscozitate cinematica egala cu 1mm²/s si pentru lichide neagresive chimic.

4. CARACTERISTICI TEHNICE SI SI LIMITE DE UTILIZARE

- **Tensiune de alimentare:** 220 - 240V 50Hz - 110V 50Hz
115V 60Hz - 230V 60Hz
230 V3 – 400 V3 50/60Hz (vezi placuta cu date electrice)
- **Putere absorbita:** vezi placuta cu date electrice
- **Debit:** de la 0,06 la 37 m³/h
- **Inaltime de pompare-Hmax (m):** pag. 99
- **Lichid pompat:** curat, fara corpuri solide sau abrazive, neagresiv.
- **Grad de protectie motor:** IP44 (Pentru IP55 vezi placuta de pe ambalaj).
- **Grad de protectie regleta borne:** IP55
- **Clasa de protectie:** F
- **Presetupa:** PG 11 si/sau PG 13,5 in functie de modele
- **Sigurante fuzibile de linie AM:**

Model	Sigurante fuzibile de linie (Amper)			
	110V 50Hz 115V 60Hz	220-240V 50Hz 230V 60Hz	230 V3 50/60Hz	400 V3 50/60Hz
KP 38/18, KP 38/18 Pred., KP 60/6, DP 81, DP 82, AQUADP 82/20 K 20/41	8	4	4	2
KPA 40/20	8	6	4	2
KP 60/12	--	6	4	4
EURO 40/30-40/306 / 30/50-30/506 / 25/80-25/806 EUROINOX 40/30-40/306 / 30/50-30/506 / 25/80-25/806 EUROCOM 25/80-25/806 / 30/50-30/506 EUROCOM SP 30/50-30/506	10	6	4	4
EURO 25/30-25/306 / 30/30-30/306 EUROINOX 25/30-25/306 / 30/30-30/306 EUROCOM 25/30-25/306 / 30/30-30/306 GARDEN-INOX 30/30	8	4	4	4
EURO 40/50-40/506 / 30/80-30/806 EUROINOX 40/50-40/506 / 30/80-30/806 EUROCOM 40/50-40/506 / 30/80-30/806 EUROCOM SP 40/50-40/506 GARDEN-INOX 40/50	12	6	6	4
EURO 50/50-50/506 / 40/80-40/806 EUROINOX 50/50-50/506 / 40/80-40/806	20	8	6	4
K 12/200, K 30/70, K 35/40, DP 100, DP 102, AQUADP 102/20	12	6	6	4
K 30/100	16	8	6	4
JET 151, K 35/100	20	10	6	4
K 40/100, K 36/100, K45/50, DP 151, AQUADP 151/40	20	10	8	4
JET 200, K 14/400	20	10	8	6
JET 251	25	12	8	6
JET 300, K 55/50, DP 251, AQUADP 251/40	32	16	10	6
KP 38/18, KP 38/18 Pred., KP 60/6, DP 81, K 20/41	8	4	4	2
Presiune maxima de functionare:	6 bar (600 kPa):	DP 81, DP 82, DP 100, DP 102, AQUADP 82/20, AQUADP 102/20 EURO, EUROINOX, EUROCOM, EUROCOM SP, GARDEN-INOX K 35/40, K 35/100, K 40/100, K 20/41, K 30/70, K 30/100, K 36/100, K 12/200, K 14/400		
	7,5 bar (750 kPa):	JET 151, JET 251, JET 200, JET 300 DP 151, DP 251, AQUADP 151/40, AQUADP 251/40		
	8 bar (800 kPa):	K 45/50, K 55/50		
	10 bar (1000 kPa):	KP 60/6, KP 60/12, KP 38/18 KPA 40/20		
Domeniu de temperatura a lichidului:	0 ÷ +35°C:	Pentru toate electropompele omologate EN 60335-2-41 (uz domestic)		
	0 ÷ +40°C:	JET 151, JET 251, JET 200, JET 300 DP 81, DP 82, DP 100, DP 102, DP 151, DP 251 AQUADP 82/20, AQUADP 102/20, AQUADP 151/40, AQUADP 251/40		
	-10 ÷ +50°C:	K 20/41, K 30/70, K 30/100, K 36/100, K 12/200, K 35/40, K 45/50, K 35/100, K 40/100, KP 38/18		
	-10 ÷ +80°C:	KP 60/6, KP 60/12 KPA 40/20		
	-15 ÷ +110°C:	K 14/400, K 55/50		

- **Temperatura de depozitare:** $-10^{\circ}\text{C} +40^{\circ}\text{C}$
- **Umiditate relativa a aerului:** MAX 95%
- **Nivel de zgomot:**
 - Pentru pompele prevazute pentru uz exterior: nivel de zgomot conform Directivei 2000/14/CE.
 - Pentru celelalte pompe: nivel de zgomot conform Directivei EC 89/392/CEE si modificarile ulterioare.
- **Constructia motoarelor:** conform normativelor CEI 2-3 - CEI 61-69 (EN 60335-2-41).
- **Conductorii cablurilor de alimentare trebuie să aibă o secțiune nominală nu inferioară celei ilustrate în tabelul următor:**

Curent nominal al aparatului A		Secțiune nominală mm ²
	$\leq 0,2$	Cordoane flexibile plate duble ^a
>0,2	și ≤ 3	0,5 ^a
> 3	și ≤ 6	0,75
> 6	și ≤ 10	1,0 (0,75) ^b
> 10	și ≤ 16	1,5 (1,0) ^b
> 16	și ≤ 25	2,5
> 25	și ≤ 32	4
> 32	și ≤ 40	6
> 40	și ≤ 63	10
^a Aceste cabluri pot fi folosite doar dacă lungimea lor nu depășește cei 2 m între punctul în care cablul și protecția lui intră în aparat și intrarea în ștecăr. ^b Cablurile care au secțiunile indicate între paranteze pot fi întrebuințate la aparatele mobile în cazul în care lungimea lor nu depășește cei 2 m.		

5. GESTIONARE

5.1 Depozitare

Toate pompele trebuie sa fie depozitate intr-un loc acoperit, uscat si cu umiditatea aerului pe cat posibil constanta, fara vibratii si pulberi.

Pompele sunt livrate in ambalajul lor original in care trebuie sa ramana pana in momentul instalarii, in caz contrar, asigurati-va ca sunt bine acoperite gurile de aspiratie si refulare.

5.2 Transport

Evitati sa supuneti produsele unor inutile lovituri si coliziuni.

Pentru a ridica si transporta grupul folositi-va de elevatoare, utilizand paletul livrat in serie (daca este prevazut).

5.3 Greutate

Pe placuta adeziva situata pe ambalaj este indicata masa totala a electropompei.

6. RECOMANDARI

6.1 Personal calificat



Este recomandabil ca instalarea sa fie efectuata de catre personal competent si calificat, avand specializarea tehnica ceruta de normativele in vigoare.

Prin **personal calificat** se intelege acele persoane care prin formatia lor, prin experienta si instruire, precum si prin cunoasterea normelor corespunzatoare, a masurilor de prevenire a accidentelor si a conditiilor de service, au fost autorizate de catre responsabilul de securitate a instalatiei sa efectueze orice activitate necesara si sa fie in masura sa cunoasca si sa evite orice pericol. (Definitie pentru personalul tehnic IEC 364).

Aparatul nu este destinat folosului de către persoane (copiii incluși) ale căror capacități fizice, senzoriale și mentale sunt reduse, sau cu lipsă de experiență sau de cunoaștere, doar dacă acestea au putut beneficia, printr-o persoană responsabilă de siguranța lor, de o supraveghere sau de instrucțiuni privind folosul aparatului. Copiii trebuie să fie supravegheați pentru a se asigura că nu se joacă cu aparatul. (EN 60335-1: 02)

6.2 Siguranta

Utilizarea este permisa numai daca instalatia electrica este prevazuta cu masuri de siguranta in conformitate cu normativele in vigoare in tara in care se face instalarea produsului (pentru Italia CEI 64/2).

6.3 Control rotatie arbore motor

Inainte de a instala pompa, asigurati-va ca partile mobile se rotesc liber. In acest scop este prevazuta o fanta pe axul motorului, la ventilator, unde se poate actiona cu o surubelnita. In caz de blocare, loviti usor cu un ciocan surubelnita, facind axul sa se roteasca. **Fig. A**

6.4 Responsabilitate



Constructorul nu este responsabil de buna functionare a electropompelor sau de eventualele defectiuni provocate de catre acestea, in situatia in care au suferit modificari si/sau puse in functiune in alt domeniu de utilizare decat cel caruia ii este destinat sau cu nerespectarea instructiunilor din acest manual.

Constructorul isi declina orice responsabilitate in situatia in care acest manual contine eventuale inexactitati datorate erorilor de editare. Isi rezerva dreptul de a aduce modificarile pe care le va considera necesare sau utile, fara a aduce prejudicii caracteristicilor esentiale.

7. INSTALARE



Pompele pot contine cantitati mici de apa reziduala care provine de la probele de omologare.

Va sfatuim sa le spalati putin cu apa curata inainte de instalarea definitiva.

- 7.1 Electropompa trebuie sa fie instalata intr-un loc bine aerisit, protejat de intemperii si cu o temperatura ambienta care sa nu depaseasca 40°C. **Fig.B**
- 7.2 O buna fixare a pompei de fundatie favorizeaza absorbtia eventualelor vibratii create de functionarea pompei. **Fig.C**
- 7.3 Evitati ca tevile metalice sa transmita tensiuni mari in racordurile pompei pentru a nu provoca deformari si rupturi. **Fig.C**
- 7.4 **Este bine sa pozitionati pompa cat mai aproape posibil de lichidul de pompare.** Pompa trebuie sa fie instalata numai in pozitie orizontala. Conductele nu trebuie sa fie niciodata cu diametrul interior inferior celui de la gurile electropompei iar la capatul conductei de aspiratie trebuie sa fie instalata un sorb cu clapeta. **Fig.D** Pentru o adancime de aspirare mai mare de 4 metri sau cu trasee mari pe orizontala, este recomandat sa folositi o teava de aspiratie de diametru mai mare decat cel al gurii de aspiratie a electropompei. Pentru a evita acumularea aerului in teava de aspirare, prevedeti o usoara inclinare a tevii de aspiratie urcind spre electropompa. **Fig. D**
- 7.5 Daca conducta de aspiratie este din cauciuc sau material flexibil, aceasta va trebui sa fie armata cu insertie pentru a evita strangularile ca efect al aspirarii.
- 7.6 Electropompele "NOVAGARDEN" trebuie sa fie racordate la conducta **numai prin intermediul racordurilor flexibile** in asa fel incat greutatea tevii sa **nu** actioneze asupra pompei.
- 7.7 La toate pompele prevazute pentru versiunea portabila cu maner pentru ridicarea si transportul acestora, **manerul trebuie sa fie tot timpul prezent si bine fixat pe suport.**

8. CONEXIUNI ELECTRICE:

Respectati intotdeauna normele de siguranta !



Respectati in mod riguros schemele electrice descrise in interiorul cutiei de borne.

- 8.1 **Conexiunile electrice trebuie sa fie efectuate de catre un electrician calificat, autorizat care sa-si asume intreaga responsabilitate.**
- 8.2 Asigurati-va ca tensiunea din retea sa corespunda cu cea de pe tablita motorului de alimentare si ca este posibila **EFACTUAREA UNEI BUNE IMPAMANTARI**. **Fig.E**, În special borna de pământ trebuie legată la conductorul galben/verde al cablului de alimentare. Trebuie utilizat și un conductor de pământ mai lung decât conductorii de fază pentru a evita ca în caz de tragere să se dezlege primul.
- 8.3 In instalatiile fixe, Normele Internationale prevad folosirea intreruptoarelor prevazute cu sigurante fuzibile.
- 8.4 Motoarele monofazate sunt dotate cu protectie termica incorporata si pot fi racordate la retea. Motoarele trifazice trebuie să fie protejate cu întrerupător automatic (ex. magnetotermic) calibrat la datele indicate pe plăcuța electropompei sau cu siguranțe conform dimensionarii indicate în capitolul 4.

9. PORNIREA

9.1



Nu porniti niciodata pompa decat dupa ce ati umplut-o complet cu lichid.

Înainte de pornire, controlați ca pompa să fie amorsată în mod corect, urmînd umplerea completă cu apă curată prin orificiul prevăzut în acest scop pe corpul pompei după ce ați înlăturat dopul. Această operație este esențială pentru perfectă funcționare a pompei și indispensabilă pentru ca simeringurile să fie lubrefiate. **(Fig. F). Funcționarea în gol provoacă degradarea simeringurilor.** Dopul de umplere va trebui să fie reinsurubat cu grijă.

9.2 Cuplați tensiunea și controlați, pentru versiunea trifazică, sensul corect de rotație, care, privind motorul din partea elicei de răcire, va trebui să fie sensul orar. **Fig.G.** În caz contrar schimbați între ei oricare doi conductori de fază, după ce ați deconectat pompa de la rețeaua de alimentare.

10. MASURI DE PRECAUTIE

10.1 Electropompa nu trebuie să fie supusă la mai mult de 20 de porniri pe oră în așa fel încât să nu supuneți motorul la solicitări termice excesive.

10.2 **PERICOL DE ÎNGHET:** când pompa rămâne inactivă mult timp la o temperatură mai mică de 0°C, este necesar să efectuați golirea completă a corpului pompei de la dopul de descărcare (26) **Fig. H,** pentru a evita eventuala fisurare a componentelor hidraulice. Această operație este recomandată și în caz de inactivitate prelungită la temperatura normală.

10.3 Punerea în funcțiune după o lungă perioadă de inactivitate cere repetarea operațiilor de pornire mai înainte enumerate.

11. ÎNTREȚINERE ȘI CURĂȚARE



La funcționare normală electropompa nu cere nici un fel de întreținere. Oricum, este necesară curățarea părților hidraulice când se observă o anumită reducere a performanțelor. **Electropompa nu trebuie să fie demontată decât de personal specializat și calificat, dotat cu toate sculele cerute de normativele specifice în materie.** În orice caz, toate intervențiile de reparație și întreținere trebuie efectuate după deconectarea pompei de la rețeaua electrică.

12. MODIFICĂRI ȘI PIESE DE SCHIMB



Orice modificare neautorizată în prealabil absolvă constructorul de orice responsabilitate. Toate piesele de schimb folosite la reparații trebuie să fie originale și toate accesoriile trebuie să fie autorizate de constructor, astfel încât să garanteze maximă siguranță a mașinilor și instalațiilor pe care acestea pot fi montate.



În cazul în care cablul de alimentare cu energie electrică al acestui aparat se va deteriora, reparația trebuie să fie efectuată de către personal calificat pentru a evita orice risc.

12.1 Scoaterea și înlocuirea cablului de alimentare

Înainte de a începe această operație asigurați-vă că electropompa să nu fie racordată la rețeaua de alimentare.

A) Pentru versiunea fără presostat

Scoateți capacul cutiei de borne desurubând cele 4 suruburi care o fixează. Scoateți cele trei borne L-N - \oplus și desfaceți firul maro, firul albastru și firul galben-verde, care provin din cablul de alimentare, după ce ați demontat presetupa.

B) Versiunea cu presostat tip SQUARE D

– **partea de cablu cu stecherul de la presostat:** desurubați suruburile de pe capacul presostatului cu ajutorul unei surubelnite și scoateți capacul. Desfaceți firul galben - verde desurubind surubul de împământare, firul albastru și firul maro de la respectivele borne laterale. Scoateți clema care fixează cablul prin slăbirea suruburilor respective și trageți cablul astfel desfacut.

– **partea de cablu de la presostat la regleta cu borne:** desurubați piulita de la capacul presostatului, cu ajutorul unei surubelnite și îndepărtați capacul. Desfaceți firul galben-verde desurubind surubul de împământare, firul albastru și firul maro de la respectivele borne. Scoateți clema de fixare a cablului și trageți cablul astfel desfacut. Scoateți capacul care acoperă cutia de borne desurubând cele 4 suruburi. Desfaceți cele 3 borne L - N - \oplus și deconectați firul maro, firul albastru și firul galben-verde, care provin de la presostat, după ce ați slăbit presetupa.

C) Versiune cu presostat tip:

TELEMECANIQUE / SQUARE D – TELEMECANIQUE / ITALTECNICA

– **partea de cablu cu stecherul de la presostat:** desurubați surubul capacului presostatului cu ajutorul unei surubelnite și scoateți capacul extragîndu-l de la baza presostatului. Desfaceți firul galben-verde desfacînd surubul de împământare. Desfaceți de pe aceeași parte firul albastru și firul maro de la bornele respective. Slăbiți piulita cablului de prindere de la presostat și trageți cablul astfel desfacut.

- **partea de cablu de la presostat la sirul de borne:** desurubati piulita capacului presostatului cu ajutorul unei surubelnite si scoateti capacul. Desfaceti firul galben-verde desurubind clema de impamantare pe partea dreapta. Desfaceti in continuare pe aceeasi parte, firul albastru si firul maro de la respectivele borne desfacind suruburile. Slabiti piulita de prindere a cablului de presostat pe partea dreapta si trageți cablul astfel desfacut. Scoateti capacul care acopera sirul de borne desuruband cele 4 suruburi. Desfaceti cele trei borne L - N - \ominus si desfaceti cele trei fire (maro, albastru si galben-verde) provenite de la presostat, dupa ce ati slabit presetupa.

Inlocuirea cablului de alimentare trebuie sa se faca folosind cablu de acelasi tip (de exemplu, H05 RN-F sau H07 RN-F in functie de instalatie) si avand aceeasi terminatie, urmind ordinea de lucru inversa fata de cea de montare.

ATENTIE: In functie de instalare si in cazul pompelor care nu sunt prevazute cu cablu, prevedeti cabluri de alimentare tip H05 RN-F pentru uz intern si H07 RN-F pentru uz extern, dotate cu stecher (EN 60335-2-41). Pentru cabluri de alimentare fara stecher, prevedeti un dispozitiv de deconectare de la retea de alimentare (ex.: intrerupator magnetotermic) cu contacte de separare de cel putin 3 mm pentru fiecare pol.

13. CONSTATAREA SI REMEDIEREA DEFECTIUNILOR

DEFECTIUNI	VERIFICARI (cauze)	REMEDII
1. Motorul nu porneste si nu face zgomot.	A. Verificati conexiunile electrice. B. Verificati ca motorul sa fie sub tensiune. C. Verificati sigurantele de protectie.	C. Daca sunt arse, inlocuiti-le (daca se ard la intervale scurte, motorul are un scurt-circuit).
2. Motorul nu porneste dar face zgomot.	A. Verificati ca tensiunea din retea sa corespunda cu cea de pe tablita. B. Verificati ca legaturile electrice sa fie corecte. C. Verificati prezenta tuturor fazelor (3~) in tabloul electric. D. Cautati cauzele posibile de blocare. E. Verificati starea condensatorului.	B. Corectati eventualele erori. C. In caz negativ, refixati faza care lipseste. D. Inlaturati blocajele. E. Inlocuiti condensatorul.
3. Rotorul se roteste cu dificultate.	A. Verificati ca tensiunea de alimentare sa fie suficienta. B. Verificati frecarea intre partile mobile si fixe ale pompei.	B. Procedati la eliminarea cauzei frecarilor.
4. Pompa nu furnizeaza apa.	A. Pompa nu a fost amorsata corect. B. Verificati rotirea motoarelor trifazice in sens corect. C. Teava de aspiratie cu diametru insuficient. D. Sorbul blocat.	A. Umpleti cu apa pompa si conducta de asiprare daca nu este autoamorsabila si efectuati amorsarea. B. Schimbati intre ele cele doua fire de alimentare. C. Inlocuiti teava cu una cu diametru mai mare. D. Curatati sorbul.
5. Pompa nu se amorseaza.	A. Conducta de aspirare sau sorbul aspira aer. B. Contrapanta tevii de aspirare favorizeaza formarea unor acumulari de aer.	A. Eliminati fenomenul si repetati operatia de amorsare. B. Corectati inclinarea tevii de aspirare.
6. Debitul este insuficient.	A. Sorbul este blocat. B. Rotorul este uzat sau blocat. C. Tubul de aspirare are diametrul insuficient. D. Verificati rotirea motorului in sens corect.	A. Curatati sorbul. B. Indepartati blocajele sau inlocuiti piesele uzate. C. Inlocuiti tubulatura cu una de diametru mai mare. D. Schimbati intre ele cele doua fire de alimentare.
7. Pompa vibreaza si are o functionare zgomotoasa.	A. Verificati ca pompa si tubulatura sa fie bine fixate. B. Exista cavitatie in pompa, respectiv cererea de apa depaseste capacitatea pompei. C. Pompa functioneaza in alti parametrii decat cei indicati.	A. Fixati cu mare grija partile desfacute. B. Reduceti inaltimea de aspiratie sau controlati pierderile de sarcina. C. Poate fi utila limitarea debitului de livrare.

	pág.
ÍNDICE	
1. DADOS GERAIS	75
2. APLICAÇÕES	75
3. LÍQUIDOS BOMBEADOS	75
4. DADOS TÉCNICOS E LIMITES DE UTILIZAÇÃO	76
5. GESTÃO	77
5.1. Armazenagem	77
5.2. Transporte	77
5.3. Peso	77
6. ADVERTÊNCIAS	77
6.1. Pessoal especializado	77
6.2. Segurança	77
6.3. Controlo da rotação do eixo motor	78
6.4. Responsabilidades	78
7. INSTALAÇÃO	78
8. LIGAÇÃO ELÉCTRICA	78
9. ARRANQUE	79
10. PRECAUÇÕES	79
11. MANUTENÇÃO E LIMPEZA	79
12. MODIFICAÇÕES E PEÇAS DE REPOSIÇÃO	79
12.1 Remoção e substituição do cabo de alimentação	79
13. PROCURA E SOLUÇÃO DOS INCONVENIENTES	80

1. DADOS GERAIS



Antes de proceder à instalação, ler com atenção esta documentação. A instalação e o funcionamento deverão estar em conformidade com as normas de segurança do país em que o produto é instalado. Todas as operações devem ser realizadas segundo as regras da arte.

O desrespeito das normas de segurança, além de criar perigo para a incolumidade das pessoas e de danificar o equipamento, também causará a anulação de todo o direito de intervenção em garantia.

2. APLICAÇÕES

KP 38/18 - KP 38/18 pred. - KP 60/6 - KP 60/12: Bombas de tipo periférico aptas para utilização doméstica, de dimensões limitadas e capazes de gerar elevadas alturas manométricas para suprimento hídrico, pequenas operações de jardinagem, esvaziamento e enchimento de tanques.

KPA 40/20: bombas de anel líquido com impulsor em estrela, com ótimas capacidades de aspiração também na presença de bolhas de ar ou quando houver disponibilidade descontínua do líquido na aspiração. Especialmente utilizadas para o abastecimento hídrico de instalações domésticas, para aumentar a pressão ou para estabilizar o suprimento hídrico (no respeito das normas locais), para aspiração de poços. Aptas para pequenas regas de hortas e jardins e em geral para todas aquelas aplicações que necessitam de auto-ferragem. .

JET 200 - JET 300 - JET 151 - JET 251: bombas centrífugas auto-ferrantes de jacto com óptima capacidade de aspiração também na presença de água gaseificada. Especialmente indicadas para suprimento hídrico e pressurização de quintas. Aptas para pequena agricultura de hortas e jardinagem, emergências domésticas e serviços industriais.

DP 81 - DP 82 - DP 100 - DP 102 - DP 151 - DP 251 - AQUADP 82/20 - AQUADP 102/20 - AQUADP 151/40 - AQUADP 251/40: bombas centrífugas autoferrantes para aspirações profundas até 30 metros com ejector a inserir em poços de 4" ou superiores. Utilizadas para o suprimento hídrico de quintas e pequena agricultura.

EURO - EUROINOX e derivadas: bombas centrífugas multi-celulares autoferrantes de eixo horizontal aptas para utilizações domésticas ou industriais para instalações hídricas de suprimento e pressurização. Em agricultura são válidas para pequenas regas e lavagem de ferramentas e máquinas. Aptas para funcionar também com água gaseificada. A recirculação da água só se realiza em fase de ferragem, a seguir o débito máximo torna-se disponível para a utilização com fornecimento contínuo e constante. Estas qualidades permitem amplas possibilidades de utilização.

K 20/41 - K 30/70 - K 30/100 - K 36/100 - K 12/200 - K 14/400: bombas centrífugas mono-impulsor aptas para levantar água de uso doméstico, industrial e agrícola. Ótimas para transfega e mistura.

K 35/40 - K 45/50 - K 55/50 - K 35/100 - K 40/100: bombas centrífugas caracterizadas pelo emprego de dois impulsores (contrapostos para os modelos K 35/40 - K 45/50 - K 55/50) caracterizadas por um funcionamento extremamente silencioso. Especialmente indicadas para realizar grupos de pressurização para instalações hídricas e alimentação de autoclaves. Aptas também para rega por aspersão e muitas outras utilizações nos mais variados campos de aplicação.

3. LÍQUIDOS BOMBEADOS



A máquina é projectada e fabricada para bombear água que não contém substâncias explosivas nem partículas sólidas ou fibras, com densidade de 1000 Kg/m³ e viscosidade cinemática de 1mm²/s e líquidos não quimicamente agressivos.

4. DADOS TÉCNICOS E LIMITES DE UTILIZAÇÃO

- **Tensão de alimentação :** 220 - 240V 50Hz / 110V 50Hz
115V 60Hz / 230V 60Hz
230 V3 – 400 V3 50/60Hz
- **Potência absorvida :** ver a plaqueta dos dados eléctricos
- **Débito:** de 0,06 a 37 m³/h
- **Altura manométrica – H_{máx} (m):** pág. 99
- **Líquido bombeado:** limpo, sem corpos sólidos ou abrasivos, não agressivo.
- **Grau de protecção do motor :** IP44 (Para IP55 ver a plaqueta na embalagem).
- **Grau de protecção da régua de bornes:** IP55
- **Classe de protecção:** F
- **Prensa-cabo:** PG 11 e/ou PG 13,5 conforme os modelos
- **Fusíveis de linha classe AM:**

Modelo	Fusíveis de linha (Ampere)			
	110V 50Hz 115V 60Hz	220-240V 50Hz 230V 60Hz	230 V3 50/60Hz	400 V3 50/60Hz
KP 38/18, KP 38/18 Pred., KP 60/6, DP 81, DP 82, AQUADP 82/20 K 20/41	8	4	4	2
KPA 40/20	8	6	4	2
KP 60/12	--	6	4	4
EURO 40/30-40/306 / 30/50-30/506 / 25/80-25/806 EUROINOX 40/30-40/306 / 30/50-30/506 / 25/80-25/806 EUROCOM 25/80-25/806 / 30/50-30/506 EUROCOM SP 30/50-30/506	10	6	4	4
EURO 25/30-25/306 / 30/30-30/306 EUROINOX 25/30-25/306 / 30/30-30/306 EUROCOM 25/30-25/306 / 30/30-30/306 GARDEN-INOX 30/30	8	4	4	4
EURO 40/50-40/506 / 30/80-30/806 EUROINOX 40/50-40/506 / 30/80-30/806 EUROCOM 40/50-40/506 / 30/80-30/806 EUROCOM SP 40/50-40/506 GARDEN-INOX 40/50	12	6	6	4
EURO 50/50-50/506 / 40/80-40/806 EUROINOX 50/50-50/506 / 40/80-40/806	20	8	6	4
K 12/200, K 30/70, K 35/40, DP 100, DP 102, AQUADP 102/20	12	6	6	4
K 30/100	16	8	6	4
JET 151, K 35/100	20	10	6	4
K 40/100, K 36/100, K45/50, DP 151, AQUADP 151/40	20	10	8	4
JET 200, K 14/400	20	10	8	6
JET 251	25	12	8	6
JET 300, K 55/50, DP 251, AQUADP 251/40	32	16	10	6
Máxima pressão de exercício:	6 bar (600 kPa):	DP 81, DP 82, DP 100, DP 102, AQUADP 82/20, AQUADP 102/20 EURO, EUROINOX, EUROCOM, EUROCOM SP, GARDEN-INOX K 35/40, K 35/100, K 40/100, K 20/41, K 30/70, K 30/100, K 36/100, K 12/200, K 14/400		
	7,5 bar (750 kPa):	JET 151, JET 251, JET 200, JET 300 DP 151, DP 251, AQUADP 151/40, AQUADP 251/40		
	8 bar (800 kPa):	K 45/50, K 55/50		
	10 bar (1000 kPa):	KP 60/6, KP 60/12, KP 38/18, KPA 40/20		
Campo de temperatura do líquido:	0 ÷ +35°C:	Para todas as electrobombas homologadas EN 60335-2-41 (uso doméstico)		
	0 ÷ +40°C:	JET 151, JET 251, JET 200, JET 300 DP 81, DP 82, DP 100, DP 102, DP 151, DP 251 AQUADP 82/20, AQUADP 102/20, AQUADP 151/40, AQUADP 251/40		
	-10 ÷ +50°C:	K 20/41, K 30/70, K 30/100, K 36/100, K 12/200, K 35/40, K 45/50, K 35/100, K 40/100, KP 38/18		
	-10 ÷ +80°C:	KP 60/6, KP 60/12 KPA 40/20		
	-15 ÷ +110°C:	K 14/400, K 55/50		

- **Temperatura de armazenagem:** -10°C +40°C
- **Humidade relativa do ar:** máx 95%
- **Ruído:**
 - Para as bombas previstas para uso externo: ruído em conformidade com a Directiva 2000/14/CE.
 - Para as outras bombas: ruído em conformidade com a Directiva EC 89/392/CEE e sucessivas alterações.
- **Construção dos motores : em conformidade com as normas CEI 2-3 - CEI 61-69 (EN 60335-2-41).**
- **Os condutores dos cabos de alimentação devem ter uma secção nominal não inferior à ilustrada na tabela seguinte:**

Corrente nominal do aparelho A		Secção nominal mm ²
> 0,2	e ≤ 0,2	Cordões de ouropel planos duplos ^a
> 3	e ≤ 3	0,5 ^a
> 6	e ≤ 6	0,75
> 10	e ≤ 10	1,0 (0,75) ^b
> 16	e ≤ 16	1,5 (1,0) ^b
> 25	e ≤ 25	2,5
> 32	e ≤ 32	4
> 40	e ≤ 40	6
> 40	e ≤ 63	10

^a Estes cabos só podem ser utilizados se o seu comprimento não exceder os 2 m entre o ponto em que o cabo ou a sua protecção entram no aparelho e a entrada na ficha.

^b Os cabos que possuem as secções indicadas entre parênteses podem ser utilizados para os **aparelhos móveis** no caso em que o seu comprimento não exceda os 2 m.

5. GESTÃO

5.1 Armazenagem

Todas as bombas devem ser armazenadas num local coberto, seco e com humidade do ar possivelmente constante, sem vibrações nem poeiras.

São fornecidas na sua embalagem original, na qual devem ficar até o momento da instalação. Se assim não for, tratar de fechar cuidadosamente a boca de aspiração e de compressão.

5.2 Transporte

Evitar de submeter os produtos a choques e colisões inúteis.

Para levantar e transportar o grupo, utilizar empilhadores aproveitando da palete entregue de série (se prevista).

5.3 Peso

A plaqueta adesiva colocada na embalagem indica o peso total da electrobomba.

6. ADVERTÊNCIAS

6.1 Pessoal especializado



É aconselhável que a instalação seja realizada por pessoal competente e qualificado, que possua os requisitos técnicos exigidos pelas normas específicas sobre a matéria.

Com **pessoal qualificado** entende-se aquelas pessoas que pela sua formação, experiência e instrução, como também pelo conhecimento das relativas normas, prescrições e medidas para a prevenção dos acidentes e sobre as condições de serviço, foram autorizadas pelo responsável pela segurança da instalação a realizar todas as actividades necessárias, estando em condições de conhecer e evitar qualquer perigo. (Definição para o pessoal técnico IEC 364).

O aparelho não é destinado a ser utilizado por pessoas (inclusive crianças) com reduzidas capacidades físicas, sensoriais e mentais, ou que faltem de experiência ou conhecimentos, a não ser que possam beneficiar, através de uma pessoa responsável pela sua segurança, de um controlo ou de instruções relativas à utilização do aparelho. As crianças devem ser vigiadas de forma a assegurar que não brinquem com o aparelho. (EN 60335-1: 02)

6.2 Segurança

A utilização só é permitida se a instalação eléctrica for distinguida por medidas de segurança de acordo com as Normas em vigor no país em que o produto é instalado (para a Itália CEI 64/2).

6.3 Controlo da rotação do eixo motor

Antes de instalar a bomba é necessário verificar que as partes em movimento rodem livremente. Para esse fim, retirar a cobertura da ventoinha da sede da tampa posterior do motor e agir com uma chave de fendas no entalhe previsto no eixo do motor do lado de ventilação. **Em caso de bloqueio** rodar a chave de fendas batendo levemente nela com um martelo. **Fig. A**

6.4 Responsabilidades



O fabricante não pode ser responsabilizado pelo funcionamento das electrobombas ou por eventuais danos provocados por elas no caso em que elas sejam manipuladas, modificadas e/ou sejam postas em funcionamento fora do campo de trabalho aconselhado ou em contraste com as outras disposições contidas neste manual.

O fabricante também declina toda e qualquer responsabilidade por possíveis faltas de exactidão contidas neste manual de instruções, se devidas a gralhas ou a erros na transcrição. Reserva-se o direito de produzir nos produtos aquelas modificações que julgar necessárias ou úteis, sem prejudicar as suas características essenciais.

7. INSTALAÇÃO



As bombas podem conter pequenas quantidades de água residual proveniente dos ensaios. Aconselhamos a lavá-las rapidamente com água limpa antes da instalação definitiva.

- 7.1 A electrobomba deve ser instalada num local bem ventilado, protegido das intempéries e com uma temperatura ambiente não superior a 40°C. **Fig.B**
- 7.2 Uma ancoragem firme da bomba na base de apoio favorece a absorção de eventuais vibrações criadas pelo funcionamento da bomba. **Fig.C**
- 7.3 Evitar que as tubagens metálicas transmitam esforços excessivos para as bocas das bombas, para que não criem deformações ou rupturas. **Fig.C**
- 7.4 **É sempre boa norma posicionar a bomba o mais perto possível do líquido a bombear.** A bomba deve ser instalada exclusivamente em posição horizontal. As tubagens nunca devem ser de diâmetro interno inferior ao das bocas das electrobombas; aconselha-se a instalação de uma válvula de fundo na aspiração. **Fig.D** Para profundidades de aspiração além dos quatro metros com longos percursos horizontais, é aconselhável a utilização de um tubo de aspiração de diâmetro superior ao da boca de aspiração da electrobomba. Para evitar a formação de bolsas de ar no tubo de aspiração, prever uma leve inclinação positiva do próprio tubo de aspiração para a electrobomba. **Fig. D**
- 7.5 Se o tubo de aspiração for de borracha ou de material flexível, verificar sempre que seja do tipo reforçado para evitar estreitamentos devidos à aspiração.
- 7.6 Em todas as bombas previstas para versão portátil, a pega para a elevação e o transporte **deve estar sempre presente e bem fixada no suporte.**
- 7.7 **Para as bombas destinadas a serem utilizadas nas fontes para uso externo, nas bacias de jardim e em lugares parecidos, a bomba deve ser alimentada através de um circuito provido de um dispositivo de corrente diferencial, cuja corrente diferencial de funcionamento nominal não seja superior a 30 mA.**

8. LIGAÇÃO ELÉCTRICA:

Atenção: cumprir sempre as normas de segurança!



Respeitar rigorosamente os esquemas eléctricos referidos no interior da caixa da régua de bornes.

- 8.1 **A instalação eléctrica deve ser realizada por um electricista experiente, autorizado e que se assuma todas as responsabilidades.**
- 8.2 Verificar se a tensão de rede corresponde à nominal do motor a alimentar e se é possível **REALIZAR UMA BOA LIGAÇÃO À TERRA.** **Fig.E**, em particular, o grampo de terra deve ser ligado ao condutor amarelo/verde do cabo de alimentação. Também deve ser utilizado um condutor de terra mais comprido relativamente aos condutores de fase para evitar que, em caso de tracção, se desligue primeiro.
- 8.3 Nas instalações fixas as Normas Internacionais prevêm a utilização de interruptores disjuntores com base porta-fusíveis.
- 8.4 Os motores monofásicos estão providos de protecção termo-amperimétrica incorporada e podem ser ligados directamente à rede. Os motores trifásicos devem ser protegidos com interruptor automático (p.ex. magnetotérmico) ajustado aos dados nominais da electrobomba ou com fusíveis de acordo com o dimensionamento indicado no capítulo 4.

9. ARRANQUE

9.1



Não pôr em funcionamento a bomba sem a ter enchido completamente de líquido.

Antes do arranque, verificar se a bomba está regularmente ferrada, tratando de enchê-la completamente com água limpa pelo bujão especial, depois de removido o tampão de enchimento posicionado no corpo da bomba. Esta operação é fundamental para o funcionamento perfeito da bomba, indispensável para que o empanque mecânico resulte bem lubrificado. (Fig. F). **O funcionamento sem líquido provoca danos irreparáveis no empanque mecânico.** O tampão de enchimento, a seguir, deverá ser aparafusado de novo cuidadosamente.

9.2 Ligar a tensão e verificar, para a versão trifásica, se o sentido de rotação está correcto: observando o motor do lado da ventoinha, deve ocorrer em sentido horário Fig.G. Caso contrário, inverter entre eles dois quaisquer dos condutores de fase, depois de desligada da bomba da rede de alimentação.

10. PRECAUÇÕES

10.1 A electrobomba não deve ser submetida a mais de 20 arranques por hora de modo a não submeter o motor a excessivas solicitações térmicas.

10.2 **PERIGO DE GELO:** quando a bomba ficar inactiva durante muito tempo a uma temperatura inferior a 0°C, é necessário proceder ao esvaziamento completo do corpo da bomba através do tampão de descarga Fig. H, para evitar eventuais rachas nos componentes hidráulicos. Essa operação também é aconselhada em caso de prolongada inactividade a temperatura normal.

10.3 O novo arranque após uma demorada inactividade exige a repetição das operações de arranque atrás listadas.

11. MANUTENÇÃO E LIMPEZA



No funcionamento normal a electrobomba não exige algum tipo de manutenção. De qualquer modo, pode ser necessária a limpeza das partes hidráulicas quando se reparar numa diminuição dos rendimentos. **A electrobomba só pode ser desmontada por pessoal especializado e qualificado que possua os requisitos exigidos pelas normas específicas na matéria.** De qualquer modo todas as intervenções de reparação e manutenção devem ser realizadas só depois de desligada a bomba da rede de alimentação.

12. MODIFICAÇÕES E PEÇAS DE REPOSIÇÃO



Qualquer modificação não autorizada previamente isenta o fabricante de toda e qualquer responsabilidade. Todas as peças de reposição utilizadas nas reparações devem ser originais e todos os acessórios devem ser autorizados pelo fabricante, de forma a poder garantir a máxima segurança das máquinas e das instalações em que as bombas podem ser instaladas.



No caso de danificação do cabo de alimentação deste aparelho, a reparação deve ser realizada por pessoal especializado para prevenir qualquer risco.

12.1 Remoção e substituição do cabo de alimentação

Antes de proceder, verificar que a electrobomba não esteja ligada à rede de alimentação.

A) Para versão sem pressostato

Remover a cobertura da régua de bornes desapertando os quatro parafusos nela colocados. Desapertar os três bornes L - N - ⊕ e soltar o fio castanho, o fio azul e o fio amarelo-verde, provenientes do cabo de alimentação, depois de desapertado o prensa-cabo.

B) Versão com pressostato tipo SQUARE D

– **pedaço de cabo com ficha de pressostato:** desapertar o parafuso da tampa do pressostato utilizando uma chave de fendas e remover a tampa. Soltar o fio amarelo-verde desapertando o parafuso de terra, o fio azul e o fio castanho dos relativos bornes laterais desapertando os parafusos neles colocados. Remover o borne retentor do cabo desapertando os respectivos parafusos e soltar o fio que agora resulta desligado.

– **pedaço de cabo do pressostato para a régua de bornes:** desapertar a porca da tampa do pressostato utilizando uma chave de fendas e remover a tampa. Soltar o fio amarelo-verde desapertando o parafuso de terra, o fio azul e o fio castanho dos relativos bornes centrais desapertando os parafusos neles colocados. Remover o borne retentor do cabo desapertando os parafusos relativos e soltar o cabo que agora resulta desligado. Remover a cobertura da régua de bornes desapertando os quatro parafusos nele colocados. Desapertar os três bornes L - N - ⊕ e soltar o fio castanho, o fio azul e o fio amarelo-verde, provenientes do pressostato, depois de desapertado o prensa-cabo.

C) Versão com pressostato tipo:

TELEMECANIQUE / SQUARE D – TELEMECANIQUE / ITALTECNICA

– **pedaço de cabo com ficha de pressostato:** desapertar o parafuso da tampa do pressostato utilizando uma chave de fendas e remover a tampa desenganchando-a da base do pressostato. Soltar o fio amarelo-verde desapertando o borne de terra do lado esquerdo. Soltar, do mesmo lado, o fio azul e o fio castanho dos relativos bornes, desapertando os parafusos colocados neles. Desapertar a porca prensa-cabo do pressostato do lado esquerdo e soltar o cabo que resulta agora desligado.

- **pedaço de cabo do pressostato para a régua de bornes:** desapertar a porca da tampa do pressostato utilizando uma chave de fendas e remover a tampa desenganchando-a da base do pressostato. Soltar o fio amarelo-verde desapertando o borne de terra do lado direito. Soltar, sempre do mesmo lado, o fio azul e o fio castanho dos relativos bornes desapertando os parafusos neles colocados. Desapertar a porca prensa-cabo do pressostato do lado direito e soltar o cabo que resulta agora desligado. Remover a cobertura da régua de bornes desapertando os quatro parafusos nele colocados. Desapertar os três bornes L - N - \oplus e soltar os três fios, castanho, azul e amarelo-verde, provenientes do pressostato, depois de desapertado o prensa-cabo.

A substituição do cabo de alimentação deve ser realizada utilizando um cabo do mesmo tipo (p.e.H05 RN-F ou H07 RN-F conforme a instalação) e com a mesma ficha na extremidade, seguindo a ordem de trabalho contrária à desmontagem.

ATENÇÃO: de acordo com a instalação e em caso de bombas desprovidas de cabo, prever cabos de alimentação tipo H05 RN-F para uso interno e tipo H07 RN-F para uso externo, completos de ficha (EN 60335-2-41). Para cabos de alimentação sem ficha, prever um dispositivo de disjunção da rede de alimentação (p.e. magnetotérmico) com contactos de separação de pelo menos 3 mm por cada pólo.

13. PROCURA E SOLUÇÃO DOS INCONVENIENTES

INCONVENIENTES	VERIFICAÇÕES (causas possíveis)	REMÉDIOS
1. O motor não arranca e não produz ruído.	A. Verificar as ligações eléctricas. B. Verificar que o motor seja alimentado. C. Verificar os fusíveis de protecção.	C. Se queimados, substituir. Atenção: se a avaria se repetir imediatamente, significa que o motor está em curto-circuito.
2. O motor não arranca mas produz ruído.	A. Verificar se a tensão da rede corresponde à nominal. B. Verificar se as ligações foram realizadas correctamente. C. Verificar na régua de bornes a presença de todas as fases. (3 ~) D. Procurar eventuais obstruções da bomba ou do motor. E. Verificar o estado do condensador.	B. Corrigir eventuais erros. C. Em caso negativo restaurar a fase que falta. D. Remover as obstruções. E. Substituir o condensador.
3. O motor funciona com dificuldade.	A. Certificar-se de que a tensão de alimentação não seja insuficiente. B. Verificar possíveis atritos entre partes móveis e partes fixas.	B. Tratar de eliminar as causas do atrito.
4. A bomba não fornece líquido.	A. A bomba não foi ferrada correctamente. B. Verificar se o sentido de rotação dos motores trifásicos está correcto. C. Tubo de aspiração com diâmetro insuficiente. D. Válvula de fundo obstruída.	A. Encher de água a bomba e o tubo de aspiração, se não auto-ferrante e realizar a ferragem. B. Inverter entre eles dois fios de alimentação. C. Substituir o tubo por um de diâmetro superior. D. Limpar a válvula de fundo.
5. A bomba não ferra.	A. O tubo de aspiração ou a válvula de fundo aspiram ar. B. A inclinação negativa do tubo de aspiração favorece a formação de bolsas de ar.	A. Eliminar o fenómeno e repetir a operação de ferragem. B. Corrigir a inclinação do tubo de aspiração.
6. A bomba fornece um débito insuficiente.	A. A válvula de fundo está obstruída. B. O impulsor está gasto ou obstruído. C. Tubos de aspiração de diâmetro insuficiente. D. Verificar se o sentido de rotação dos motores trifásicos está correcto.	A. Limpar a válvula de fundo. B. Remover as obstruções ou substituir as peças gastas. C. Substituir o tubo por outro de diâmetro superior. D. Inverter entre eles dois fios de alimentação.
7. A bomba vibra com funcionamento ruidoso.	A. Verificar se a bomba e/ou os tubos estão fixados bem. B. A bomba está em cavitação, ou seja, a água pedida é mais da que consegue bombear. C. A bomba trabalha além dos dados nominais.	A. Fixar com mais cuidado as partes desapertadas. B. Reduzir a altura de aspiração e controlar as perdas de carga. C. Pode ser útil limitar o débito na compressão.

	ΠΕΡΙΕΧΟΜΕΝΑ	σελ.
1.	ΓΕΝΙΚΕΣ ΠΛΗΡΟΦΟΡΙΕΣ	81
2.	ΕΦΑΡΜΟΓΕΣ	81
3.	ΑΝΤΛΟΥΜΕΝΑ ΥΓΡΑ	81
4.	ΤΕΧΝΙΚΑ ΧΑΡΑΚΤΗΡΙΣΤΙΚΑ ΚΑΙ ΠΕΡΙΟΡΙΣΜΟΙ ΧΡΗΣΗΣ	82
5.	ΔΙΑΧΕΙΡΙΣΗ	83
5.1.	Αποθήκευση	83
5.2.	Μεταφορά	83
5.3.	Βάρος	83
6.	ΠΡΟΕΙΔΟΠΟΙΗΣΕΙΣ	83
6.1.	Εξειδικευμένο προσωπικό	83
6.2.	Ασφάλεια	84
6.3.	Έλεγχος περιστροφής στροφαλοφόρου	84
6.4.	Ευθύνη	84
7.	ΕΓΚΑΤΑΣΤΑΣΗ	84
8.	ΗΛΕΚΤΡΙΚΗ ΣΥΝΔΕΣΜΟΛΟΓΙΑ	84
9.	ΘΕΣΗ ΣΕ ΛΕΙΤΟΥΡΓΙΑ	85
10.	ΠΡΟΛΗΠΤΙΚΑ ΜΕΤΡΑ	85
11.	ΣΥΝΤΗΡΗΣΗ ΚΑΙ ΚΑΘΑΡΙΣΜΟΣ	85
12.	ΤΡΟΠΟΠΟΙΗΣΕΙΣ ΚΑΙ ΑΝΤΑΛΛΑΚΤΙΚΑ	85
12.1	Αφαίρεση και αντικατάσταση του καλωδίου τροφοδοσίας	85
13.	ΑΝΑΖΗΤΗΣΗ ΚΑΙ ΑΠΟΚΑΤΑΣΤΑΣΗ ΑΝΩΜΑΛΙΩΝ	87

1. ΓΕΝΙΚΕΣ ΠΛΗΡΟΦΟΡΙΕΣ



Πριν προχωρήσετε στην εγκατάσταση, διαβάστε προσεκτικά το παρόν έντυπο. Η εγκατάσταση και η λειτουργία πρέπει να είναι συμβατές με τους κανονισμούς ασφαλείας της χώρας εγκατάστασης της συσκευής. Όλες οι εργασίες πρέπει να εκτελεστούν με τον καλύτερο τρόπο. Η παραβίαση των κανόνων ασφαλείας, εκτός από τον κίνδυνο για σωματικές βλάβες σε πρόσωπα και ζημιές στις συσκευές, θα έχει σαν επακόλουθο την παύση ισχύος κάθε δικαιώματος επέμβασης, υπό εγγύηση.

2. ΕΦΑΡΜΟΓΕΣ

KP 38/18 - KP 38/18 pred. - KP 60/6 - KP 60/12: Αντλία περιφερικού τύπου κατάλληλη για οικιακή χρήση, con περιορισμένων διαστάσεων με υψηλό μανομετρικό για υδροδότηση, άρδευση κήπων, εκκένωση και πλήρωση δεξαμενών. Μπορεί επίσης να χρησιμοποιηθεί για μικρές βιομηχανικές ανάγκες.

KPA 40/20: αντλίες υγρού δακτυλίου με αστεροειδή φτερωτή, βέλτιστες ικανότητες αναρρόφησης ακόμα και παρουσία φυσαλίδων ή όταν είναι ασυνεχής η παροχή του υγρού στην αναρρόφηση. Χρησιμοποιείται κυρίως στην υδροδότηση οικιακών εγκαταστάσεων, για την αύξηση της πίεσης ή για την σταθεροποίηση του ανεφοδιασμού νερού (τηρώντας τις τοπικές διατάξεις), για αναρρόφηση από πηγάδια. Κατάλληλη για την άρδευση μικρών κήπων ή λαχανόκηπων και γενικά για όλες τις εφαρμογές που απαιτείται αυτόματη εκκίνηση. Μπορεί επίσης να χρησιμοποιηθεί για μικρές βιομηχανικές ανάγκες.

JET 200 - JET 300 - JET 151 - JET 251: φυγοκεντρικές αντλίες ψεκασμού αυτόματης εκκίνησης με βέλτιστες ικανότητες αναρρόφησης ακόμα και παρουσία αεριούχου ύδατος. Ενδείκνυται ιδιαίτερα για την υπό πίεση υδροδότηση των αγροκτημάτων. Κατάλληλες για μικρές γεωργικές εγκαταστάσεις, για την άρδευση μικρών κήπων ή λαχανόκηπων, οικιακές έκτακτες ανάγκες και βιομηχανικές υπηρεσίες.

DP 81 - DP 82 - DP 100 - DP 102 - DP 151 - DP 251 - AQUADP 82/20 - AQUADP 102/20 - AQUADP 151/40 AQUADP 251/40: φυγοκεντρικές αντλίες αυτόματης εκκίνησης για αναρρόφηση σε βάθος μέχρι 30 μέτρα με τζιφάρι που εισάγεται σε φρεάτια 4" ή μεγαλύτερα. Χρησιμοποιείται για την υδροδότηση εξοχικών κατοικιών και για μικρές γεωργικές εγκαταστάσεις.

EURO - EUROINOX και παράγωγοι: πολυβάθμια φυγοκεντρική αντλία αυτόματης εκκίνησης, οριζόντιου άξονα κατάλληλη για οικιακές ή βιομηχανικές χρήσεις για εγκαταστάσεις υδροδότησης και δημιουργία πίεσης. Στη γεωργία είναι ιδανική για μικρές αρδεύσεις και το πλύσιμο εργαλείων και μηχανημάτων. Κατάλληλες για λειτουργία και με αεριούχο νερό. Η επανακυκλοφορία του νερού επιτελείται μονάχα στη φάση πλήρωσης. Στη συνέχεια η μέγιστη παροχή καθίσταται διαθέσιμη για τη χρήση με συνεχή και σταθερή τροφοδοσία. Αυτά τα χαρακτηριστικά προσφέρουν ευρείες δυνατότητες χρήσης.

K 20/41 - K 30/70 - K 30/100 - K 36/100 - K 12/200 - K 14/400: φυγοκεντρικές αντλίες μιας φτερωτής κατάλληλες για την ανύψωση νερού οικιακής, βιομηχανικής και γεωργικής χρήσης. Άριστες για χρήσεις μετάγγισης και ανάμιξης.

K 35/40 - K 45/50 - K 55/50 - K 35/100 - K 40/100: φυγοκεντρικές αντλίες χαρακτηριζόμενες από τη χρήση δύο φτερωτών (αντικριστών για τα μοντέλα K 35/40 - K 45/50 - K 55/50) που χαρακτηρίζονται από εξαιρετικά αθόρυβη λειτουργία. Ενδείκνυται ιδιαίτερα για την πραγματοποίηση των συγκροτημάτων πίεσης στις εγκαταστάσεις ύδρευσης και τροφοδοσίας αυτόκλειστων. Κατάλληλες και για άρδευση με τεχνητή βροχή και πολλές άλλες χρήσεις σε διάφορους τομείς εφαρμογής.

3. ΑΝΤΛΟΥΜΕΝΑ ΥΓΡΑ



Το μηχάνημα είναι σχεδιασμένο και κατασκευασμένο για την άντληση νερού χωρίς εκρηκτικές ουσίες, στερεά σωματίδια ή ίνες, πυκνότητας ίσης με 1000 Kg/m³, κινηματικό ιξώδες ίσο με 1mm²/s και υγρά που δεν είναι χημικά διαβρωτικά.

4. ΤΕΧΝΙΚΑ ΧΑΡΑΚΤΗΡΙΣΤΙΚΑ ΚΑΙ ΠΕΡΙΟΡΙΣΜΟΙ ΧΡΗΣΗΣ

- **Τάση τροφοδοσίας:** 220 - 240V 50Hz / 110V 50Hz
115V 60Hz / 230V 60Hz
230 V3 – 400 V3 50/60Hz (βλέπε πινακίδα τεχνικών χαρακτηριστικών)
- **Καταναλισκόμενη ισχύς:** βλέπε πινακίδα ηλεκτρικών δεδομένων
- **Παροχή:** από 0,06 μέχρι 37 m³/h
- **Μανομετρικό – Hmax (m):** σελ. 99
- **Αντλούμενο υγρό:** καθαρό, χωρίς στερεά ή τραχιά σώματα, μη διαβρωτικό.
- **Βαθμός προστασίας μοτέρ:** IP44 (Για IP55 βλέπε πινακίδα στη συσκευασία).
- **Βαθμός προστασίας κλέμματος:** IP55
- **Κλάση προστασίας:** F
- **Σφικτήρας καλωδίου:** PG 11 ή/και PG 13,5 ανάλογα με τα μοντέλα
- **Ασφάλειες γραμμής κλάση AM:**

Μοντέλο	Ασφάλειες της γραμμής (Αμπέρ)			
	110V 50Hz 115V 60Hz	220-240V 50Hz 230V 60Hz	230 V3 50/60Hz	400 V3 50/60Hz
KP 38/18, KP 38/18 Προρυθμ., KP 60/6, DP 81, DP 82, AQUADP 82/20, K 20/41	8	4	4	2
KPA 40/20	8	6	4	2
KP 60/12	--	6	4	4
EURO 40/30-40/306 / 30/50-30/506 / 25/80-25/806 EUROINOX 40/30-40/306 / 30/50-30/506 / 25/80-25/806 EUROCOM 25/80-25/806 / 30/50-30/506 EUROCOM SP 30/50-30/506	10	6	4	4
EURO 25/30-25/306 / 30/30-30/306 EUROINOX 25/30-25/306 / 30/30-30/306 EUROCOM 25/30-25/306 / 30/30-30/306 GARDEN-INOX 30/30	8	4	4	4
EURO 40/50-40/506 / 30/80-30/806 EUROINOX 40/50-40/506 / 30/80-30/806 EUROCOM 40/50-40/506 / 30/80-30/806 EUROCOM SP 40/50-40/506 GARDEN-INOX 40/50	12	6	6	4
EURO 50/50-50/506 / 40/80-40/806 EUROINOX 50/50-50/506 / 40/80-40/806	20	8	6	4
K 12/200, K 30/70, K 35/40, DP 100, DP 102, AQUADP 102/20	12	6	6	4
K 30/100	16	8	6	4
JET 151, K 35/100	20	10	6	4
K 40/100, K 36/100, K45/50, DP 151, AQUADP 151/40	20	10	8	4
JET 200, K 14/400	20	10	8	6
JET 251	25	12	8	6
JET 300, K 55/50, DP 251, AQUADP 251/40	32	16	10	6
Μέγιστη πίεση λειτουργίας:	6 bar (600 kPa):	DP 81, DP 82, DP 100, DP 102, AQUADP 82/20, AQUADP 102/20 EURO, EUROINOX, EUROCOM, EUROCOM SP, GARDEN-INOX K 35/40, K 35/100, K 40/100, K 20/41, K 30/70, K 30/100, K 36/100, K 12/200, K 14/400		
	7,5 bar (750 kPa):	JET 151, JET 251, JET 200, JET 300 DP 151, DP 251, AQUADP 151/40, AQUADP 251/40		
	8 bar (800 kPa):	K 45/50, K 55/50		
	10 bar (1000 kPa):	KP 60/6, KP 60/12, KP 38/18 KPA 40/20		
Πεδίο θερμοκρασίας του υγρού:	0 ÷ +35°C:	Για όλες τις εγκεκριμένες ηλεκτρικές αντλίες σύμφωνα με το πρότυπο EN 60335-2-41 (οικιακή χρήση)		
	0 ÷ +40°C:	JET 151, JET 251, JET 200, JET 300 DP 81, DP 82, DP 100, DP 102, DP 151, DP 251, AQUADP 82/20, AQUADP 102/20, AQUADP 151/40, AQUADP 251/40		
	-10 ÷ +50°C:	K 20/41, K 30/70, K 30/100, K 36/100, K 12/200, K 35/40, K 45/50, K 35/100, K 40/100 KP 38/18		
	-10 ÷ +80°C:	KP 60/6, KP 60/12 KPA 40/20		
	-15 ÷ +110°C:	K 14/400, K 55/50		

- **Θερμοκρασία αποθήκευσης:** $-10^{\circ}\text{C} +40^{\circ}\text{C}$
- **Σχετική υγρασία του αέρα:** Μέγιστη 95%
- **Θόρυβος:**
 - Για τις αντλίες που προβλέπονται για υπαίθρια χρήση: θόρυβος σύμφωνα με την Οδηγία 2000/14/ΕΚ.
 - Για τις άλλες αντλίες: θόρυβος σύμφωνα με την Οδηγία του ΕΣ 89/392/ΕΟΚ και μετέπειτα τροποποιήσεις.
- **Κατασκευή κινητήρων:** σύμφωνα με τους κανονισμούς CEI 2-3 - CEI 61-69 (EN 60335-2-41).
- **Οι αγωγοί των καλωδίων τροφοδοσίας πρέπει να έχουν ονομαστική διατομή όχι μικρότερη από την διατομή που αναφέρεται στον παρακάτω πίνακα:**

Ονομαστική ένταση συσκευής			Ονομαστική διατομή
A			mm ²
		$\leq 0,2$	Καλώδια διπολικά πλακέ ^a
> 0,2	και	≤ 3	0,5 ^a
> 3	και	≤ 6	0,75
> 6	και	≤ 10	1,0 (0,75) ^b
> 10	και	≤ 16	1,5 (1,0) ^b
> 16	και	≤ 25	2,5
> 25	και	≤ 32	4
> 32	και	≤ 40	6
> 40	και	≤ 63	10

^a Τα καλώδια αυτά μπορούν να χρησιμοποιηθούν μονάχα εφόσον το μήκος τους δεν υπερβαίνει τα 2 m ανάμεσα στην είσοδο του φισ και το σημείο που το καλώδιο ή η προστασία του εισέρχεται στη συσκευή.

^b Τα καλώδια που διαθέτουν τις διατομές που αναγράφονται σε παρένθεση, μπορούν να χρησιμοποιηθούν σε **κινητές συσκευές** σε περίπτωση που το μήκος τους δεν υπερβαίνει τα 2 m.

5. ΔΙΑΧΕΙΡΙΣΗ

5.1 Αποθήκευση

Όλες οι αντλίες πρέπει να αποθηκεύονται σε σκεπαστό στεγνό χώρο, αν είναι δυνατόν με σταθερή υγρασία του αέρα, χωρίς κραδασμούς και σκόνη.

Προμηθεύονται στην αρχική συσκευασία τους, στην οποία πρέπει να παραμείνουν μέχρι τη στιγμή εγκατάστασης, διαφορετικά πρέπει να φροντίσετε να κλείσετε καλά τα στόμια αναρρόφησης και κατάθλιψης.

5.2 Μεταφορά

Φροντίστε να μην κτυπήσουν οι συσκευές. Για να ανυψώσετε και να μεταφέρετε το συγκρότημα, χρησιμοποιήστε ανυψωτικά μέσα και την παλέτα που προμηθεύεται με τη συσκευή (όπου προβλέπεται).

5.3 Βάρος

Η αυτοκόλλητη πινακίδα στη συσκευασία φέρει την ένδειξη του συνολικού βάρους της ηλεκτροκίνητης αντλίας.

6. ΠΡΟΕΙΔΟΠΟΙΗΣΕΙΣ

6.1 Εξειδικευμένο προσωπικό



Απαιτείται η εκτέλεση της εγκατάστασης από εξειδικευμένο και κατηρτισμένο προσωπικό, που διαθέτει τις γνώσεις και την εμπειρία σύμφωνα με τη σχετική ισχύουσα νομοθεσία.

Ως εξειδικευμένο προσωπικό, θεωρούνται τα άτομα που λόγω εκπαίδευσης, κατάρτισης και πείρας, καθώς επίσης και γνώσης των ειδικών κανονισμών, των προδιαγραφών, των μέτρων πρόληψης ατυχημάτων και των συνθηκών λειτουργίας, έχουν εξουσιοδοτηθεί από τον υπεύθυνο ασφαλείας της εγκατάστασης, να εκτελέσουν οποιαδήποτε απαιτούμενη εργασία στην οποία θα είναι σε θέση να αναγνωρίσουν και να αποφύγουν οποιοδήποτε κίνδυνο. (Ορισμός τεχνικού προσωπικού IEC 364).

Η συσκευή δεν προορίζεται για χρήση από άτομα (και παιδιά) με περιορισμένες σωματικές, κινητικές ή ψυχικές ικανότητες, ή που δεν διαθέτουν την απαιτούμενη πείρα και γνώσεις, εκτός και αν είναι είναι παρόν ένα άτομο υπεύθυνο για την ασφάλειά τους που επιτηρεί και δίνει οδηγίες για τη χρήση της συσκευής. Τα παιδιά πρέπει να επιτηρούνται για να αποφεύγεται το ενδεχόμενο να παίξουν με τη συσκευή. (EN 60335-1: 02)

6.2 Ασφάλεια

Η χρήση επιτρέπεται *μονάχα* εφόσον η ηλεκτρική εγκατάσταση χαρακτηρίζεται από τα μέτρα ασφαλείας που προβλέπονται από τις κείμενες διατάξεις στην χώρα εγκατάστασης του προϊόντος (για την Ιταλία, CEI 64/2).

6.3 Έλεγχος περιστροφής στροφαλοφόρου

Πριν εγκαταστήσετε την αντλία πρέπει να βεβαιωθείτε πως τα κινητά μέρη περιστρέφονται ελεύθερα. Για αυτό το σκοπό αφαιρέστε το κάλυμμα της φτερωτής από την έδρα του οπίσθιου καπακιού του κινητήρα και ενεργήστε με ένα κατσαβίδι στην εγκοπή του στροφαλοφόρου από την πλευρά του εξαερισμού. Σε περίπτωση μπλοκαρίσματος περιστρέψτε το κατσαβίδι κτυπώντας το ελαφρά με ένα σφυρί. **Εικ. Α**

6.4 Ευθύνη



Ο κατασκευαστικός οίκος δεν φέρει ευθύνη για την καλή λειτουργία των ηλεκτροκίνητων αντλιών ή για ενδεχόμενες ζημιές που θα προκαλέσουν, σε περίπτωση που τροποποιηθούν ή/και χρησιμοποιηθούν εκτός του συνιστώμενου πεδίου λειτουργίας ή παραβιάζοντας άλλες υποδείξεις που αναφέρονται στο παρόν εγχειρίδιο.

Επιπλέον, απαλλάσσεται από κάθε ευθύνη για τις πιθανές ανακρίβειες που υπάρχουν στο παρόν εγχειρίδιο οδηγιών, εφόσον οφείλονται σε τυπογραφικά σφάλματα ή αντιγραφής. Διατηρεί το δικαίωμα να επιφέρει στα προϊόντα όλες τις αλλαγές που θα θεωρήσει απαραίτητες ή χρήσιμες, χωρίς να αλλάξουν τα βασικά χαρακτηριστικά.

7. ΕΓΚΑΤΑΣΤΑΣΗ



Οι αντλίες μπορεί να περιέχουν μικρές ποσότητες υπολειμματικού νερού που προέρχεται από την δοκιμαστική λειτουργία.

Συνιστούμε να τις πλένετε με καθαρό νερό, πριν ολοκληρώσετε την εγκατάστασή τους.

- 7.1 Η ηλεκτροκίνητη αντλία πρέπει να εγκατασταθεί σε ένα μέρος με καλό εξαερισμό, προστατευμένο από τις καιρικές συνθήκες και με θερμοκρασία όχι μεγαλύτερη από 40°C. **Εικ.Β**
- 7.2 Η καλή πρόσδεση της αντλίας στη βάση στήριξης ευνοεί την απορρόφηση τυχόν κραδασμών που δημιουργούνται κατά τη λειτουργία της αντλίας. **Εικ.С**
- 7.3 Φροντίστε οι μεταλλικές σωληνώσεις να μην καταπονούν υπερβολικά τα στόμια της αντλίας, για να μην προκληθούν παραμορφώσεις ή θραύσεις. **Εικ.С**
- 7.4 **Είναι πάντα σκόπιμο να τοποθετείτε την αντλία όσο το δυνατόν πιο κοντά στο προς άντληση υγρό.** Η αντλία πρέπει να εγκατασταθεί αποκλειστικά σε οριζόντια θέση. Οι σωληνώσεις δεν πρέπει ποτέ να έχουν εσωτερική διάμετρο μικρότερη από την διάμετρο των στομιών της ηλεκτροκίνητης αντλίας και συνιστάται η εγκατάσταση μιας ποδοβαλβίδας στην αναρρόφηση. **Εικ. D** Για βάθος αναρρόφησης μεγαλύτερο από τέσσερα μέτρα ή με πολλά οριζόντια τμήματα, συνιστάται η χρήση ενός σωλήνα αναρρόφησης με διάμετρο μεγαλύτερη από την διάμετρο του στομιού αναρρόφησης της ηλεκτροκίνητης αντλίας. Τοποθετήστε το σωλήνα αναρρόφησης με μια ελαφριά θετική κλίση προς την ηλεκτροκίνητη αντλία, για να μην δημιουργούνται θύλακες αέρα. **Εικ. D**
- 7.5 Αν ο σωλήνας αναρρόφησης είναι από καουτσούκ ή εύκαμπτο υλικό, να βεβαιώνετε πάντα πως είναι ενισχυμένου τύπου ώστε να αποφεύγονται οι στραγγαλισμοί λόγω της αναρρόφησης.
- 7.6 Σε όλες τις αντλίες που προβλέπονται για τη φορητή έκδοση η χειρολαβή για την ανύψωση και τη μεταφορά πρέπει να υπάρχει πάντα και να είναι καλά στερεωμένη στη βάση.
- 7.7 **Για τις αντλίες που προορίζονται για υπαίθρια χρήση σε σιντριβάνια, λίμνες κήπων ή παρόμοιους χώρους, η αντλία πρέπει να τροφοδοτείται μέσω ενός κυκλώματος εφοδιασμένου με μια διάταξη διαφορικού ρεύματος, στην οποία το διαφορικό ρεύμα ονομαστικής λειτουργίας να μην υπερβαίνει τα 30 mA.**

8. ΗΛΕΚΤΡΙΚΗ ΣΥΝΔΕΣΜΟΛΟΓΙΑ:

Προσοχή: να τηρείτε πάντα τους κανόνες ασφαλείας!



Να τηρείτε αυστηρά τα ηλεκτρικά σχεδιαγράμματα που υπάρχουν μέσα στο κουτί της κλέμμας

- 8.1 **Η ηλεκτρική εγκατάσταση πρέπει να εκτελεστεί από έναν πεπειραμένο και εξουσιοδοτημένο ηλεκτρολόγο, που θα αναλάβει όλες τις ευθύνες.**
- 8.2 Βεβαιωθείτε πως η τάση του δικτύου αντιστοιχεί με την τάση της πινακίδας του κινητήρα που θα τροφοδοτηθεί και πως είναι δυνατή **Η ΕΚΤΕΛΕΣΗ ΜΙΑΣ ΚΑΛΗΣ ΓΕΙΩΣΗΣ.** **Εικ.Ε,** Ο ακροδέκτης γείωσης πρέπει να συνδέεται στον κίτρινο/πράσινο αγωγό του καλωδίου τροφοδοσίας. Επιπλέον πρέπει να χρησιμοποιείται ένας αγωγός γείωσης πιο μακρύς σε σχέση με τους αγωγούς φάσης, ώστε να μην αποσυνδέεται πρώτος σε περίπτωση που τραβηχτεί.
- 8.3 Στις σταθερές εγκαταστάσεις οι Διεθνείς Κανονισμοί προβλέπουν την χρήση μαχαιρωτών διακοπών με βάση ασφαλειοθήκης.

- 8.4 Οι μονοφασικοί κινητήρες είναι εφοδιασμένοι με ενσωματωμένη θερμική-αμπερομετρική προστασία και μπορούν να συνδεθούν απευθείας με το δίκτυο. Οι τριφασικοί κινητήρες πρέπει να προστατεύονται με αυτόματο διακόπτη (π.χ. μαγνητοθερμικό) βαθμονομημένο στα δεδομένα της πινακίδας της ηλεκτρικής αντλίας ή με ασφάλειες, σύμφωνα με την διαστασιολόγηση που αναγράφεται στο κεφάλαιο 4.

9. ΘΕΣΗ ΣΕ ΛΕΙΤΟΥΡΓΙΑ

9.1



Μη θέτετε σε λειτουργία την αντλία αν δεν είναι τελείως γεμάτη με νερό.

Πριν την θέση σε λειτουργία, βεβαιωθείτε πως η ηλεκτροκίνητη αντλία έχει πληρωθεί κανονικά, φροντίζοντας να την γεμίσετε τελείως με καθαρό νερό, διαμέσου της ειδικής οπής, αφού αφαιρέσετε την τάπα πλήρωσης που υπάρχει στο σώμα της αντλίας. Η εργασία αυτή έχει μεγάλη σημασία για την τέλεια λειτουργία της αντλίας και απαραίτητη για την καλή λίπανση της μηχανικής στεγανότητας. **(Εικ. F). Η λειτουργία χωρίς νερό προκαλεί ανεπανόρθωτες ζημιές στη μηχανική στεγανότητα.** Πρέπει να ξαναβιδώσετε πολύ προσεκτικά την τάπα πλήρωσης.

9.2

Δώστε τάση και βεβαιωθείτε, στην τριφασική έκδοση, πως είναι δεξιόστροφη η περιστροφή, παρατηρώντας τον κινητήρα από την πλευρά της φτερωτής **Εικ.G**. Διαφορετικά αντιστρέψτε μεταξύ τους δύο οποιουδήποτε αγωγούς φάσης, αφού αποσυνδέσετε την αντλία από το δίκτυο τροφοδοσίας.

10. ΠΡΟΛΗΠΤΙΚΑ ΜΕΤΡΑ

10.1

Μην θέτετε σε κίνηση την ηλεκτροκίνητη αντλία περισσότερο από 20 φορές την ώρα ώστε να μην υπόκειται σε υπερβολικές θερμικές καταπονήσεις ο κινητήρας.

10.2

ΚΙΝΔΥΝΟΣ ΠΑΓΕΤΟΥ: όταν παραμένει αδρανής η αντλία για μεγάλο χρονικό διάστημα σε θερμοκρασία χαμηλότερη από 0°C, πρέπει να αδειάσετε τελείως το σώμα της αντλίας μέσω της τάπας εκκένωσης **Εικ. H**, για να αποφύγετε τυχόν ρωγμές στα υδραυλικά εξαρτήματα. Η εργασία αυτή συνιστάται σε κάθε περίπτωση παρατεταμένης αδράνειας, ακόμα και σε κανονικές θερμοκρασίες.

10.3

Η θέση σε λειτουργία μετά από μακροχρόνια αδράνεια απαιτεί την επανάληψη των εργασιών θέσης σε λειτουργία που αναφέρονται παραπάνω.

11. ΣΥΝΤΗΡΗΣΗ ΚΑΙ ΚΑΘΑΡΙΣΜΟΣ



Κατά την κανονική λειτουργία η ηλεκτροκίνητη αντλία δεν απαιτεί καμία συντήρηση. Μπορεί όμως να χρειαστεί ο καθαρισμός των υδραυλικών μερών, όταν παρατηρείται μείωση των επιδόσεων. **Η αποσυναρμολόγηση της ηλεκτροκίνητης αντλίας πρέπει να γίνει αποκλειστικά από εξειδικευμένους τεχνικούς που διαθέτουν τα προσόντα που καθορίζονται από τη σχετική ισχύουσα νομοθεσία.** Σε κάθε περίπτωση όλες οι επεμβάσεις επισκευής και συντήρησης πρέπει να εκτελούνται μονάχα αφού αποσυνδέσετε την αντλία από το ηλεκτρικό δίκτυο.

12.

ΤΡΟΠΟΠΟΙΗΣΕΙΣ ΚΑΙ ΑΝΤΑΛΛΑΚΤΙΚΑ



Οποιαδήποτε μη εξουσιοδοτημένη τροποποίηση, απαλλάσσει από κάθε ευθύνη τον Κατασκευαστικό Οίκο. Όλα τα ανταλλακτικά που χρησιμοποιούνται στις επισκευές πρέπει να είναι γνήσια και όλα τα βοηθητικά εξαρτήματα πρέπει να είναι εγκεκριμένα από το κατασκευαστικό οίκο, ώστε να εξασφαλίζεται η μέγιστη ασφάλεια για τα μηχανήματα και τις εγκαταστάσεις όπου πρόκειται να τοποθετηθούν.



Σε περίπτωση ζημιάς στο καλώδιο τροφοδοσίας της αντλίας, για την αποφυγή κάθε κινδύνου απευθυνθείτε για την επισκευή του μονάχα σε πεπειραμένους ηλεκτρολόγους.

12.1 Αφαίρεση και αντικατάσταση του καλωδίου τροφοδοσίας

Πριν προχωρήσετε, βεβαιωθείτε πως η ηλεκτροκίνητη αντλία δεν είναι συνδεδεμένη στο δίκτυο τροφοδοσίας.

A) Για έκδοση χωρίς πρεσοστάτη

Αφαιρέστε το καπάκι της κλέμματος ξεβιδώνοντας τις τέσσερις βίδες του. Ξεβιδώστε τους τρεις ακροδέκτες L - N - \oplus και αφού χαλαρώσετε το σφιγκτήρα καλωδίου, τραβήξτε έξω το καφέ σύρμα, το μπλε σύρμα και το κίτρινο-πράσινο σύρμα, που προέρχονται από το καλώδιο τροφοδοσίας.

B) Έκδοση με πρεσοστάτη τύπου SQUARE D

- **τμήμα καλωδίου με φως από τον πρεσοστάτη:** χρησιμοποιώντας ένα κατσαβίδι ξεβιδώστε τη βίδα από το καπάκι του πρεσοστάτη και αφαιρέστε το καπάκι. Τραβήξτε έξω το κίτρινο-πράσινο σύρμα ξεβιδώνοντας τη βίδα γείωσης, το μπλε σύρμα και το καφέ σύρμα από τους αντίστοιχους πλευρικούς ακροδέκτες, χαλαρώνοντας τις βίδες τους. Αφαιρέστε τον ακροδέκτη που ασφαρίζει το καλώδιο, ξεβιδώνοντας τις σχετικές βίδες και τραβήξτε έξω το αποσυνδεδεμένο καλώδιο.

- **τμήμα καλωδίου από τον πρεσοστάτη στην κλέμμα:** χρησιμοποιώντας ένα κατσαβίδι ξεβιδώστε το παξιμάδι από το καπάκι του πρεσοστάτη και αφαιρέστε το καπάκι. Τραβήξτε έξω το κίτρινο-πράσινο σύρμα ξεβιδώνοντας τη βίδα γείωσης, το μπλε σύρμα και το καφέ σύρμα από τους αντίστοιχους κεντρικούς ακροδέκτες, χαλαρώνοντας τις βίδες τους. Αφαιρέστε τον ακροδέκτη που ασφαλίζει το καλώδιο, ξεβιδώνοντας τις σχετικές βίδες και τραβήξτε έξω το αποσυνδεδεμένο καλώδιο. Ξεβιδώστε τους τρεις ακροδέκτες L - N - \oplus και αφού χαλαρώσετε το σφικτήριο καλωδίου, τραβήξτε έξω το καφέ σύρμα, το μπλε σύρμα και το κίτρινο-πράσινο σύρμα, που προέρχονται από τον πρεσοστάτη.

C) Έκδοση με πρεσοστάτη τύπου:

TELEMECANIQUE / SQUARE D – TELEMECANIQUE / ITALTECNICA

- **τμήμα καλωδίου με φως από τον πρεσοστάτη:** χρησιμοποιώντας ένα κατσαβίδι ξεβιδώστε τη βίδα από το καπάκι του πρεσοστάτη και αφαιρέστε το καπάκι από τη βάση του πρεσοστάτη. Τραβήξτε έξω το κίτρινο-πράσινο σύρμα ξεβιδώνοντας τον ακροδέκτη γείωσης από την αριστερή πλευρά. Τραβήξτε έξω από την ίδια πλευρά το μπλε σύρμα και το καφέ σύρμα από τους αντίστοιχους ακροδέκτες, χαλαρώνοντας τις βίδες τους. Χαλαρώστε το παξιμάδι του σφικτήρα καλωδίου του πρεσοστάτη από την αριστερή πλευρά και τραβήξτε έξω το αποσυνδεδεμένο καλώδιο.
- **τμήμα καλωδίου από τον πρεσοστάτη στην κλέμμα:** χρησιμοποιώντας ένα κατσαβίδι ξεβιδώστε τη βίδα από το καπάκι του πρεσοστάτη και αφαιρέστε το καπάκι από τη βάση του πρεσοστάτη. Τραβήξτε έξω το κίτρινο-πράσινο σύρμα ξεβιδώνοντας τον ακροδέκτη γείωσης από την δεξιά πλευρά. Τραβήξτε έξω από την ίδια πλευρά το μπλε σύρμα και το καφέ σύρμα από τους αντίστοιχους ακροδέκτες, χαλαρώνοντας τις βίδες τους. Χαλαρώστε το παξιμάδι του σφικτήρα καλωδίου του πρεσοστάτη από την δεξιά πλευρά και τραβήξτε έξω το αποσυνδεδεμένο καλώδιο. Αφαιρέστε το καπάκι της κλέμματος ξεβιδώνοντας τις τέσσερις βίδες του. Ξεβιδώστε τους τρεις ακροδέκτες L - N - \oplus και αφού χαλαρώσετε το σφικτήριο καλωδίου, τραβήξτε έξω το καφέ σύρμα, το μπλε σύρμα και το κίτρινο-πράσινο σύρμα, που προέρχονται από τον πρεσοστάτη.

Η αντικατάσταση του καλωδίου τροφοδοσίας πρέπει να γίνει ακολουθώντας αντίστροφα την διαδικασία αποσυναρμολόγησης και χρησιμοποιώντας ένα καλώδιο του ίδιου τύπου (π.χ. H05 RN-F ή H07 RN-F ανάλογα με την εγκατάσταση) που να έχει τους ίδιους ακροδέκτες.

ΠΡΟΣΟΧΗ : ανάλογα με την εγκατάσταση και σε περίπτωση αντλιών χωρίς καλώδιο, τοποθετήστε καλώδια τροφοδοσίας τύπου H05 RN-F για εσωτερική χρήση και τύπου H07 RN-F για υπαίθρια χρήση, εξοπλισμένα με φως (EN 60335-2-41). Για καλώδια τροφοδοσίας χωρίς φως, προβλέψτε μια διάταξη απόξευξης του δικτύου τροφοδοσίας (π.χ. μαγνητοθερμική) με διάκενο επαφών τουλάχιστον 0,3 mm για κάθε πόλο.

13. ΑΝΑΖΗΤΗΣΗ ΚΑΙ ΑΠΟΚΑΤΑΣΤΑΣΗ ΑΝΩΜΑΛΙΩΝ

ΑΝΩΜΑΛΙΕΣ	ΕΞΑΚΡΙΒΩΣΕΙΣ (πιθανές αιτίες)	ΔΙΟΡΘΩΤΙΚΕΣ ΕΠΕΜΒΑΣΕΙΣ
1. Ο κινητήρας δεν ξεκινάει και δεν κάνει θόρυβο.	A. Ελέγξτε τις ηλεκτρικές συνδέσεις. B. Βεβαιωθείτε πως ο κινητήρας έχει τάση. C. Ελέγξτε τις προστατευτικές ασφάλειες.	C. Αντικαταστήστε τις αν είναι καμένες. ΣΗΜΑΝΤΙΚΟ: αν ξαναπαρουσιαστεί αμέσως η βλάβη σημαίνει πως ο κινητήρας έχει βραχυκύκλωμα.
2. Ο κινητήρας δεν ξεκινάει αλλά κάνει θόρυβο.	A. Βεβαιωθείτε πως η τάση του δικτύου αντιστοιχεί στην τάση της πινακίδας. B. Βεβαιωθείτε πως έχει εκτελεστεί σωστά η ηλεκτρική συνδεσμολογία. C. Ελέγξτε στην κλέμμα την παρουσία όλων των φάσεων. (3 ~) D. Αναζητήστε τυχόν φραξίματα στην αντλία ή τον κινητήρα. E. Ελέγξτε την κατάσταση του πυκνωτή.	B. Διορθώστε τα τυχόν σφάλματα. C. Διαφορετικά αποκαταστήστε τη φάση που λείπει. D. Αποφράξτε. E. Αντικαταστήστε τον πυκνωτή.
3. Ο κινητήρας περιστρέφεται με δυσκολία.	A. Βεβαιωθείτε πως η τάση τροφοδοσίας είναι επαρκής. B. Ελέγξτε για τυχόν τριβές ανάμεσα στα κινητά και σταθερά μέρη.	B. Εξαλείψτε τις αιτίες που προκαλούν την τριβή.
4. Η αντλία δεν έχει παροχή.	A. Η αντλία δεν έχει πληρωθεί σωστά. B. Ελέγξτε αν είναι σωστή η φορά περιστροφής στους τριφασικούς κινητήρες. C. Ανεπαρκής διάμετρος σωλήνα αναρρόφησης. D. Φραγμένη ποδοβαλβίδα.	A. Γεμίστε την αντλία με νερό και το σωλήνα αναρρόφησης αν δεν είναι αυτόματης πλήρωσης. B. Αντιστρέψτε μεταξύ τους δύο σύρματα τροφοδοσίας. C. Αντικαταστήστε το σωλήνα με έναν μεγαλύτερης διαμέτρου. D. Καθαρίστε την ποδοβαλβίδα.
5. Η αντλία δεν πληρούται.	A. Αναρρόφηση αέρα από το σωλήνα αναρρόφησης ή την ποδοβαλβίδα. B. Η αρνητική κλίση του σωλήνα αναρρόφησης δημιουργεί θύλακες αέρα.	A. Αποκαταστήστε το φαινόμενο και επαναλάβετε την διαδικασία πλήρωσης. B. Διορθώστε την κλίση του σωλήνα αναρρόφησης.
6. Ανεπαρκής παροχή της αντλίας.	A. Φραγμένη ποδοβαλβίδα. B. Φθαρμένη ή φραγμένη φτερωτή. C. Ανεπαρκής διάμετρος σωλήνα αναρρόφησης. D. Ελέγξτε αν είναι σωστή η φορά περιστροφής στους τριφασικούς κινητήρες.	A. Καθαρίστε την ποδοβαλβίδα. B. Αποφράξτε ή αντικαταστήστε τα φθαρμένα εξαρτήματα. C. Αντικαταστήστε το σωλήνα με έναν μεγαλύτερης διαμέτρου. D. Αντιστρέψτε μεταξύ τους δύο σύρματα τροφοδοσίας.
7. Η αντλία λειτουργεί με κραδασμούς και θόρυβο.	A. Βεβαιωθείτε πως είναι στερεωμένη η αντλία και οι σωληνώσεις. B. Η αντλία παρουσιάζει σπηλαίωση, δηλαδή απαιτεί ποσότητα νερού μεγαλύτερη από την ποσότητα που μπορεί να αντλήσει. C. Η αντλία δουλεύει πέραν από τα όρια της πινακίδας της.	A. Στερεώστε καλύτερα τα χαλαρωμένα εξαρτήματα. B. Μειώστε το ύψος αναρρόφησης ή ελέγξτε τις απώλειες φορτίου. C. Μπορεί να απαιτείται μείωση της παροχής στην κατάθλιψη.

صفحة	الفهرس
88	١. العموميات
88	٢. التطبيقات
89	٣. السوائل التي تضخ
89	٤. المعلومات التقنية وتقييمات الإستعمال
90	٥. الإدارة
90	١٠.٥ التخزين
90	٢٠.٥ النقل
90	٣٠.٥ الوزن
90	٦. تنبيهات
90	١٠.٦ عمال مختصون
91	٢٠.٦ أمن
91	٣٠.٦ رقابة دوران محور المحرك
91	٤٠.٦ المسؤولية
91	٧. التركيب
91	٨. الإيصال الكهربائي
92	٩. التشغيل
92	١٠. احتياطات
92	١١. الرعاية والتنظيف
92	١٢. التغييرات وقطع الغيار
92	١٠.١٢ إزاحة وتبديل سلك التموين
93	١٣. البحث عن المشاكل وحلها

١. العموميات

قبل المبادرة بالتركيب، قراءة هذه المستندات بدقة.

التركيب والعمل يجب أن تكون مطابقة لأنظمة الأمن في الدولة التي بها يتم تركيب المنتج. كامل

العملية يجب ان تتم باتقن طريقة.

عدم مراعاة الأنظمة الأمنية، عدا عن تسبب الخطر لسلامة الأشخاص وتسبب الأضرار للأجهزة،

تؤدي إلى إسقاط أي حق في الضمان.

٢. التطبيقات

مهياة - KP 38/18 - KP 38/18 مهياة - KP 60/6 - KP 60/12

مضخات من النوع الفرعي المؤهلة للإستعمال المنزلي، بأحجام محدودة

بإمكانها توليد تفوق عالي للتموين المائي، لأعمال الجنائن الصغيرة، تفرغ وتعبئة الخزانات. بإمكانها أيضا العمل في مجالات

صناعية صغيرة.

KPA 40/20: مضخة بحلقة سائلة مع دوار نجمي، ذات القدرة الشفطية الممتازة حتى في حالات وجود الفقاعات الهوائية أو في

حالة عدم وجود استمرارية للسائل المراد شفطه. تستعمل بشكل خاص للتموين المائي للشبكات المنزلية لرفع الضغط أو لتثبيت

التزويد المائي (مراعاة للأنظمة المحلية)، للشفط من الآبار. ملائمة لري الحدائق والمزارع الصغيرة وبشكل عام جميع التطبيقات

التي تتطلب القبض الذاتي. بإمكانها أيضا العمل في مجالات صناعية صغيرة.

JET 200 - JET 300 - JET 151 - JET 251

ومشتقاتها: مضخات نابذة ذاتية القبض، ذات القدرة الشفطية الجيدة أيضا بوجود غاز في المياه. ملائمة بشكل خاص للتموين

المائي وتكييف الضغط في البيوت الريفية المنعزلة. ملائمة لزراعة الحدائق والجنائن، الحالات الطارئة المنزلية والخدمات

الصناعية .

DP 81 - DP 82 - DP 100 - DP 102 - DP 151 - DP 251

AQUADP 251/40 - AQUADP 151/40 - AQUADP 102/20 - AQUADP 82/20

مضخات نابذة ذاتية القبض للشفط العميق حتى ٣٠ متر مع جهاز تفرغ

قائف، للإدخال في آبار ذات ٤" أو أكبر. تستعمل في التزويد المائي للبيوت الضخمة والمجالات الزراعية الصغيرة.

EUROINOX - EURO ومشتقاتها: مضخات نابذة متعددة المراحل بقبض ذاتي أفقية المحور ملائمة للإستعمالات المنزلية

أو الصناعية لشبكات التزويد والتكييف الضغطي المياهي. في مجال الزراعة، تصلح لعمليات الري الصغيرة وغسل المعدات

والماكانات. قابلة للعمل أيضا بمياه تحتوي على غازات. إستعادة الماء تتم فقط في مرحلة القبض الذاتي، بعد ذلك القدرة الأقصى

تصبح ممكنة بعملها التوزيعي المستمر والثابت. هذه الصفات تسمح بالإستعمال في العديد من المجالات.

K 20/41 - K 30/70 - K 30/100 - K 36/100 - K 12/200 - K 14/400 : مضخات نابذة أحادية الدوار مؤهلة لرفع المياه

للإستعمال المنزلي، الصناعي والزراعي. ملائمة جدا لعمليات التعبئة والخلط.



K 35/40 - K 45/50 - K 55/50 - K 35/100 - K 40/100 : مضخات نابذة تتميز باستعمال دواران. (نقيضة للنماذج K 35/40

-K 45/50 - K 55/50) تتميز بعملها الهادئ جدا.

ملائمة بشكل خاص لتحقيق مجموعات تكييف ضغطي لشبكات مياهية وتومين للخزانات. ملائمة للري على شكل الشتاء ولاستعمالات أخرى متعددة في مجالات تطبيق مختلفة.

٣. السوائل التي يمكن ضخها

هذه المضخات مصممة ومصنوعة لضخ مياه، خالية من المواد المتفجرة والذرات الصلبة أو الألياف، ذات الكثافة المساوية إلى ١٠٠٠ كغم/م^٣ ولزوجته حركية مساوية إلى املم^٢/s ومواد غير عدوانية كيميائيا.

٤. المعلومات التقنية والتقييدات الإستعمالية

- جهد الترمين:

220 - 240V 50Hz
110V 50Hz
115V 60Hz
230V 60Hz
230 V3 - 400 V3 50/60Hz

(أنظر إلى بطاقة المعلومات الكهربائية)

- الجهد المستوعب:

أنظر إلى بطاقة المعلومات الكهربائية
من 0.06 إلى 37 م^٣/ساعة

- القدرة:

صفحة 99

- التفوق - Hmax (m):

- السائل المضخوخ: نظيف، خالي من الأجسام الصلبة أو القاشطة، غير عدواني

- درجة حماية المحرك: IP44 (إلى IP55 أنظر إلى البطاقة على التغليف)

- درجة حماية حاملة المصاهر: IP55

- فئة الوقاية: F

- ضاغط السلك: PG 11 e/o PG 13,5 بموجب النماذج

- مصاهر مزودة فئة AM:

نموذج	مصاهر مزودة (أمبير)			
	110V 50Hz 115V 60Hz	220-240V 50Hz 230V 60Hz	230 V3 50/60Hz	400 V3 50/60Hz
KP 38/18, KP 38/18, KP 60/6, DP 81, DP 82, AQUADP 82/20 K 20/41	8	4	4	2
KPA 40/20	8	6	4	2
KP 60/12	--	6	4	4
EURO 40/30-40/306 / 30/50-30/506 / 25/80-25/806 EUROINOX 40/30-40/306 / 30/50-30/506 / 25/80-25/806 EUROCOM 25/80-25/806 / 30/50-30/506 EUROCOM SP 30/50-30/506	10	6	4	4
EURO 25/30-25/306 / 30/30-30/306 EUROINOX 25/30-25/306 / 30/30-30/306 EUROCOM 25/30-25/306 / 30/30-30/306 GARDEN-INOX 30/30	8	4	4	4
EURO 40/50-40/506 / 30/80-30/806 EUROINOX 40/50-40/506 / 30/80-30/806 EUROCOM 40/50-40/506 / 30/80-30/806 EUROCOM SP 40/50-40/506 GARDEN-INOX 40/50	12	6	6	4
EURO 50/50-50/506 / 40/80-40/806 EUROINOX 50/50-50/506 / 40/80-40/806	20	8	6	4
K 12/200, K 30/70, K 35/40, DP 100, DP 102, AQUADP 102/20	12	6	6	4
K 30/100	16	8	6	4
JET 151, K 35/100	20	10	6	4
K 40/100, K 36/100, K 45/50, DP 151, AQUADP 151/40	20	10	8	4
JET 200, K 14/400	20	10	8	6
JET 251	25	12	8	6
JET 300, K 55/50, DP 251, AQUADP 251/40	32	16	10	6
الجهد الأقصى للعمل:	6 بار (600 kPa):	DP 81, DP 82, DP 100, DP 102, AQUADP 82/20, AQUADP 102/20 EURO, EUROINOX, EUROCOM, EUROCOM SP, GARDEN-INOX K 35/40, K 35/100, K 40/100, K 20/41, K 30/70, K 30/100, K 36/100 K 12/200, K 14/400		
	7,5 بار (750 kPa):	JET 151, JET 251, JET 200, JET 300 DP 151, DP 251, AQUADP 151/40, AQUADP 251/40		
	8 بار (800 kPa):	K 45/50, K 55/50		
	10 بار (1000 kPa):	KP 60/6, KP 60/12, KP 38/18 KPA 40/20		

مجال درجة حرارة السائل:	0 ÷ +35°C:	لجميع المضخات الكهربائية المصرح بها بموجب EN 60335-2-41 (للاستعمال المنزلي)
	0 ÷ +40°C:	JET 151, JET 251, JET 200, JET 300 DP 81, DP 82, DP 100, DP 102, DP 151, DP 251 AQUADP 82/20, AQUADP 102/20, AQUADP 151/40, AQUADP 251/40
	-10 ÷ +50°C:	K 20/41, K 30/70, K 30/100, K 36/100, K 12/200, K 35/40, K 45/50, K 35/100, K 40/100, KP 38/18
	-10 ÷ +80°C:	KP 60/6, KP 60/12 KPA 40/20
	-15 ÷ +110°C:	K 14/400, K 55/50

ين: -10°C +40°C

- درجة الحرارة للتخز

- درجة رطوبة البيئة: MAX 95%

الضجيج:

- للمضخات المهيئة للاستعمال الخارجي: ضجيج بموجب قانون 2000/14/CE

- للمضخات الأخرى: ضجيج بموجب القانون EC 89/392/CEE والتعديلات الملحقة به.

- تركيب المحركات: بموجب الأنظمة (EN 60335-2-41) - CEI61-69 - CEI 2-3

- عناصر التوصيل الخاصة في أسلاك التموين يجب أن تكون ذات مقطع تعيني لا يقل عن ذلك المبين في اللائحة التالية:

التيار التعيني للجهاز A	مقطع تعيني مم ²
≤ 0,2	أسلاك وردية ^a
> 0,2 و ≤ 3	0,5 ^a
> 3 و ≤ 6	0,75
> 6 و ≤ 10	1,0 (0,75) ^b
> 10 و ≤ 16	1,5 (1,0) ^b
> 16 و ≤ 25	2,5
> 25 و ≤ 32	4
> 32 و ≤ 40	6
> 40 و ≤ 63	10

^a هذا النوع من الأسلاك من الممكن إستعماله فقط فيما إذا طول السلك لا يزيد عن 2 م بين النقطة التي بها يدخل السلك أو عنصر وقايته في الجهاز ونقطة الدخول في المقبس.

^b الأسلاك ذات المقاطع المبينة بين أقواس من الممكن إستعمالها للأجهزة القابلة للتنقل في حالة أن أطوالها لا تفوق طول 2 م.

٥. الإدارة

١.٥ التخزين

جميع المضخات يجب أن تحفظ في مكان مغطى، جاف وبرطوبة ثابتة للهواء إذا كان الأمر ممكنا، بدون تنذبات وغبار.

تزد المضخات في تغليفها الأصلي والذي به يجب أن تبقى حتى لحظة التركيب. إذا لم يكن الأمر كذلك فالقيام بإغلاق فوهة الشفط والدفع جيدا.

٢.٥ النقل

محايدة الصدمات الغير مفيدة للمنتجات.

لرفع المجموعة التزود برافعات واستعمال اللوح الخشبي المزود عامة (إذا كان ذلك مفروضا)

٣.٥ الوزن

البطاقة اللاصقة الموجودة على التغليف تحمل الإشارة الى الوزن الشامل للمضخة.

٦. تنبيهات

١.٦ أعمال مختصون

ينصح بأن يتم التركيب من قبل عمال مؤهلين وخبراء، ذوي المتطلبات التي

تفرضها الأنظمة المعالجة لهذه المادة.

بعمال مؤهلين نعني الأشخاص المؤهلين بموجب تكوينهم المهني، خبرتهم وتعليمهم وكذلك معرفتهم بالأنظمة السارية، قيامهم بالإجراءات اللازمة للوقاية ضد الحوادث، وعن شروط الخدمة، تم إعطائهم

التصريح من قبل المسؤول عن الأمان للهيئة للقيام بأي فعالية ضرورية وبهذا التمكن من إدراك أي



خطر وتحايد. (تعريف للعمال التقنيين IEC 364)

الجهاز غير مؤهل للإستعمال من قبل أشخاص (بما في ذلك الأطفال) الذين قدرتهم الجسمانية والحسية والعقلية ليست بالمستوى الطبيعي. أو من قبل أشخاص عديمي الخبرة أو المعرفة، إلا فيما إذا إستطاعوا الحصول، عن طريق شخص مسؤول عن أمانهم وسلامتهم، على إشراف أو إرشادات تخص إستعمال الجهاز هذا من الضروري القيام بمراقبة الأطفال للتأكد من عدم لعبهم في الجهاز.
(EN 60335-1: 02)

٢٠٦ الأمن

الإستعمال مسموح فقط في حالة أن الشبكة الكهربائية مميزة بالمقاييس الأمنية بموجب الأنظمة السارية في البلاد التي بها يتم تركيب المنتج (إيطاليا CEI 64/2).

٣٠٦ رقابة دوران محور المحرك

قبل تركيب المضخة من الضروري التأكد من أن الأجزاء المتحركة تدور بحرية. لهذا الهدف، إزالة غطاء المروحة من الطرف الأسفل لغطاء المحرك والعمل بمساعدة مفك على الشق الموجود على محور المحرك من جهة التهوية. في حالة الإنحصار، إدارة المفك والضرب الخفيف عليه بواسطة مطرقة. صورة A

٤٠٦ المسؤولية



الصانع لا يتحمل أي مسؤولية للعمل الجيد للمضخات الكهربائية أو للأضرار المحتملة الناتجة عنها فيما لو تعرضت المضخات إلى تدخلات، تغييرات أو إستعمالات خارج نطاق مجالات العمل المنصوح بها أو بالمعارضة إلى أوامر موجودة داخل هذا الدليل. كذلك، لا يتحمل أي مسؤولية للأشياء الخاطئة التي قد تتواجد في دليل الإرشادات هذا إذا كانت نتيجة لأخطاء مطبعية أو كتابية. يحتفظ بحق القيام بالتعديلات التي يراها ضرورية أو مفيدة للمنتجات، دون أن يسبب هذا إلى تغييرات في الميزات الأساسية.

٧. التركيب



من الممكن أن تحتوي المضخات على كميات صغيرة من المياه المتبقية إثر عمليات الاختبار. ننصح بغسلها قليلا بالماء النظيف قبل المبادرة بالتركيب النهائي.

١٠٧ يجب أن يتم تركيب المضخة الكهربائي في مكان ذات تهوية جيدة، محمي من العوامل المناخية، وذات درجة حرارة للبيئة لا تزيد عن ٤٠س. صورة B.

٢٠٧ التركيب الثابت والجيد للمضخة على قاعدة الدعم تساعد في استيعاب التدرجات الممكنة التي قد تنتج نتيجة لعمل المضخة. صورة C

٣٠٧ تحايد نقل أعباء مفرطة من قبل الأنابيب المعدنية لفوهات المضخة حتى لا تسبب تشويه أو انكسارات. صورة C

٤٠٧ قاعدة جيدة دائما، تركيب المضخة بأقرب ما يمكن للسائل المراد ضخه.

يجب أن تكون المضخة مركبة في الشكل الأفقي فقط. الأنابيب يجب ألا تكون بقطر داخل يقل عن قطر فوهات المضخات الكهربائية، وفي الشفط ينصح بتركيب صمام قاعي. صورة D.

في حالات الشفط بأعماق تزيد عن أربعة أمتار أو في حالات الشفط لمسافات أفقية طويلة، ينصح باستعمال أنبوب شفط بقطر يكبر عن قطر فوهة الشفط للمضخة الكهربائية.

لمنع تكون الفقاعات الهوائية في أنبوب الشفط، تهيئة انحدار إيجابي خفيف لأنبوب الشفط تجاه المضخة. صورة D.

٥٠٧ إذا كانت أنابيب الشفط من المطاط أو من مادة مرنة، التأكد من أنها من النوع المقوى لمنع التقلصات بسبب الشفط.

٧٠٧ في جميع المضخات المهيئة للشكل المتنقل، اليد للرفع والنقل، يجب أن تكون دائما موجودة ومثبتة جيدا للداعمة.

للاستعمال في النافورات العاملة في الخارج، في أحواض الحدايق وفي الأماكن المشابهة، يجب أن يكون تموينها عن طريق مدار مزود بجهاز يعمل بتيار تفاوتي، وألا يكون التيار التفاوتي الاسمي للفعالية أعلى من 30 أمبير

٨. الإيصال الكهربائي:

إنتباه: مراعاة الأنظمة الأمنية دائما!



مراعاة التخطيطات الكهربائية الموجودة داخل علبة حاملة المصاهر بدقة

١٠٨ التركيب الكهربائي يجب أن يتم عن يد عامل كهربائي خبير، مؤهل، الذي يحمل على عاتقه كامل المسؤولية.

٢٠٨ التأكد من أن جهد الشبكة الكهربائية ملائم للمشار إليه في بطاقة المعلومات لمحرك التموين وأن يكون ممكنا القيام بوصل جيد بالأرضية. صورة E.

بشكل خاص، المشبك الأرضي يجب أن يكون موصل بعنصر الوصل أصفر/أخضر لسلك الترمين. يجب أيضا أن يستعمل عنصر وصل أرضي بطول أكبر من عناصر وصل الأطوار لتحايد إنفصاله بالأول فيما إذا حصلت حالة شد للجهاز.
٣.٨ في التركيبات الثابتة، الأنظمة العالمية تأمر باستعمال مفاصل قاطعة ذات قاعدة حاملة للمصاهر.
٤.٨ المحركات الأحادية الطور مزودة بوقاية حرارية-أمبيرومتريّة داخلية ومن الممكن إيصالها بشكل مباشر للتيار.

المحركات الثلاثية الأطوار يجب أن تكون محمية بواسطة فاصل أوتوماتيكي (مثلا مغناطيسي حراري) معيّر بموجب المعلومات المبينة في بطاقة المضخة الكهربائية أو بواسطة مصاهر بالتناسق مع معايرة المقاييس المبينة في الفصل 4.
٩. التشغيل



٩.١ عدم تشغيل المضخة قبل أن يتم تعيبتها كليا بالسائل.

قبل التشغيل، التأكد من أن المضخة مربوطة جيدا، القيان بتعيبتها كليا بالماء النظيف عبر الثقب الخاص، بعد إزالة غطاء التعبئة الموجود على جسد المضخة. هذه العملية مهمة جدا للحصول على العمل الممتاز للمضخة، ضرورية ليكون التركيب الميكانيكي مزيت جيدا. (صورة F)، العمل بالجفاف يسبب أضرار غير قابلة للتصليح على الثبات الميكانيكي. يجب إعادة غطاء التعبئة جيدا.

٩.٢ إعطاء جهد، ولما يخص النموذج الثلاثي الطور، فحص صحة الدوران، الذي، بالنظر إلى المحرك من طرف المروحة، يجب أن يكون بموجب إتجاه عقارب الساعة. صورة G. في الحالة العكسية، القيام بعكس إثنين من موصلات الطور، بعد أن تم القيام بفصل المضخة عن شبكة الترمين.

١٠. إحتياجات

١٠.١ يجب ألا تخضع المضخة لأكثر من ٢٠ تشغيل /الساعة حتى لا تتسبب للمحرك إبتزازات طاقة مفرطة.
١٠.٢ خطر التجمد: عندما تبقى المضخة بدون عمل بدرجة حرارة تقل عن 0 س، من الضروري القيام بالتفريغ التام لجسد المضخة عبر غطاء التفريغ (٣٦) صورة H، لتحايد تسبب تشققات في أعضاء المضخة الهيدروليكية. هذه العملية منصوص بها أيضا في حالة عمل المضخة لمدة طويلة بدرجة حرارة عادية.

١٠.٣ تشغيل المضخة بعد فترة طويلة من عدم العمل، يتطلب إعادة عمليات التشغيل المذكورة أعلاه.

١١. الرعاية والتنظيف

المضخة الكهربائية في عملها الإعتيادي لا تحتاج إلى أي نوع من الرعاية. بكل حال قد تكون ضرورية عملية تنظيف الأجزاء الهيدروليكية فيما لو بدأ هبوط في الميزات. لا يمكن تفكيك المضخة الكهربائية إلا عن أيدي عمال مختصين مؤهلين أصحاب الميزات التي تأمر بها القوانين الخاصة بالمادة. بكل حال جميع التدخلات الخاصة بالتصليح والرعاية يجب أن تتم فقط بعد القيام بفصل المضخة عن شبكة الترمين الكهربائي.

١٢. التعديلات وقطع الغيار

أي تعديل غير مصرح به مسبقا، ترفع أي مسؤولية عن الصانع. جميع قطع الغيار المستعملة في التصليح يجب أن تكون أصلية وجميع القطع الإضافية يجب أن تكون مصرّحة من قبل الصانع، حتى يتمكن ضمان الأمن الأقصى للمكانات أو الأجهزة التي قد تركيب عليها هذا القطع.

في حالة تسبب ضرر لسلك الترمين لهذا الجهاز، يجب أن يتم التصليح من قبل عمال مختصين لتحايد أي ضرر.

١٢.١ إزالة وتبديل سلك الترمين

قبل البدء بالعملية، التأكد من أن المضخة الكهربائية غير موصولة بشبكة الترمين.

(أ) للنماذج التي بدون مقياس ضغط

إزالة غطاء حاملة الملاقط بعد فك الأربعة براغي الموجودة عليها. فك الثلاثة مصاهر \oplus - N - L وسحب السلك البني، السلك الأزرق والسلك الأخضر-أصفر، القادمة من سلك الترمين، بعد أن تم إرخاء ضاغط السلك.

(ب) لنماذج ذات مقياس ضغط من نوع SQUARE D

- قطعة سلك لقياس لمقياس الضغط: فك براغي غطاء مقياس الضغط بمساعدة مفك وإزالة الغطاء. سحب السلك الأصفر الأخضر بفك الوصل الأرضي، السلك الأزرق والسلك البني من ملاقطها الجانبية بعد إرخاء البراغي الموجودة عليها. إزالة الملقط المثبت للسلك بعد فك براغيه وسحب السلك الذي تم فصله.

- قطعة سلك لمقياس ضغط ذات حاملة ملاقط: فك البرغي الحلقى عن غطاء مقياس الضغط بمساعدة مفك وإزالة الغطاء. سحب السلك الأصفر الأخضر بفك الوصل الأرضي، السلك الأزرق والسلك البني من ملاقطها المركزية بعد إرخاء البراغي الموجودة عليها. إزالة الملقط المثبت للسلك بعد فك براغيه وسحب السلك الذي تم فصله. إزالة غطاء حاملة الملاقط بعد فك الأربعة براغي الموجودة عليها. فك الثلاثة مصاهر \oplus - N - L وسحب السلك البني، السلك الأزرق والسلك الأخضر-أصفر، القادمة من سلك الترمين، بعد أن تم إرخاء ضاغط السلك.

(ج) نماذج ذات مقياس ضغط من نوع



- قطعة سلك لقياس لمقياس الضغط: فك براغي غطاء مقياس الضغط بمساعدة مفك وإزالة الغطاء بفصله عن قاعدة مقياس الضغط. سحب السلك الأصفر الأخضر بفك الوصل الأرضي للطرف اليساري. سحب السلك الأزرق والسلك البني من ملاقطها الجانبية من نفس الجهة بعد إرخاء البراغي الموجودة عليها. إرخاء البرغي الحلقي ضاغط السلك التابع لمقياس الضغط من الطرف اليساري وسحب السلك الذي تم فصله.

- قطعة سلك لمقياس ضغط ذات حاملة ملاقط: فك براغي غطاء مقياس الضغط بمساعدة مفك وإزالة الغطاء بفصله عن قاعدة مقياس الضغط. سحب السلك الأصفر الأخضر بفك الوصل الأرضي للطرف اليميني. سحب السلك الأزرق والسلك البني من ملاقطها الجانبية من نفس الجهة بعد إرخاء البراغي الموجودة عليها. إرخاء البرغي الحلقي ضاغط السلك التابع لمقياس الضغط من الطرف اليميني وسحب السلك الذي تم فصله. إزالة غطاء حاملة الملاقط بعد فك الأربعة براغي الموجودة عليها. فك الثلاثة مصاهر \oplus - N - L وسحب الثلاثة أسلاك، السلك البني، السلك الأزرق والسلك الأخضر-أصفر، القادمة من مقياس الضغط بعد أن تم إرخاء ضاغط السلك.

تبديل سلك التموين يجب أن يتم باستعمال سلك من نفس النوع مثلا:

H05 RN-F أو H07 RN-F بموجب التركيب) وأن تكون له نفس النهاية، باتباع الترتيب العكسي لعمليات التفكيك.

الحنز: بموجب التركيب، وفي حالة المضخات التي بدون سلك، تهيئة أسلاك تموين من النوع H05 RN-F للاستعمال الداخلي ومن النوع H07 RN-F للاستعمال الخارجي، مزودة بقياس EN 60335-2-41. لأسلكة تموين بدون قابس، تهيئة جهاز فصل لشبكة التموين (مثلا مغناطيسي حراري) مع موصلات فصل بالأقل ذات 3 ملم لكل قطب.

١٣. البحث عن المشاكل وحلولها

المشاكل	الفحوصات (الأسباب الممكنة)	الحلول
١. المحرك لا يعمل ولا ينتج صوت	أ. فحص الإيصالات الكهربائية ب. التحقق من أن المحرك تحت جهد ت. التحقق من مصاهر الوقاية	ت. إذا كانت محروقة فتغييرها ملاحظة: تكرر الخلل الفوري يعني بأن المحرك في حالة فساد جزئي في التوصيلة الكهربائية الداخلية
٢. المحرك لا يعمل ولكن ينتج صوت.	أ. التأكد بأن جهد التموين يلائم للموجود في البطاقة. ب. التأكد من صحة الإيصالات الكهربائية. ت. التأكد من وجود جميع الأطوار في قاعدة الملاقط. (3~) ث. التفتيش عن العرقات الممكنة للمضخة أو للمحرك ج. فحص حالة جهاز التكثيف.	ب. تصحيح الأخطاء إذا ما وجدت ت. في حالة النقص، إعادة الطور الناقص ث. إزالة التسديد ث. تبديل لمكثف
٣. المحرك يدور بصعوبة	أ. فحص جهد التموين الذي قد يكون غير كافي ب. فحص إذا ما كانت احتكاكات بين الأقسام المتحركة والأقسام الثابتة.	ب. القيام بالتخلص من سبب الإحتكاك
٤. المضخة لا تضخ.	أ. لم يتم تثبيت المضخة بشكل جيد. ب. التحقق من الإتجاه الصحيح لدوران المحركات الثلاثية الطور. ت. أنبوب الشفط بقطر غير كافي. ث. صمام القاع مسدد.	أ. تعبئة المضخة وأنبوب الشفط بالماء إذا لم تكن ذات القبض الذاتي والقيام بالقبض. ب. العكس بين إثنين من أسلكة التموين. ت. تبديل أنبوب الشفط بأخر بقطر أكبر. ث. تنظيف صمام القاع.
٥. المضخة لا تسحب	أ. أنبوب الشفط أو صمام القاع يشفطان هواء. ب. الميل السلبي لأنبوب الشفط يساعد في كون جيوب هوائية.	أ. التخلص من الظاهرة وإعادة عملية السحب. ب. تصحيح ميل أنبوب الشفط.
٦. المضخة تضخ كمية غير كافية	أ. صمام القاع مسدد. ب. دوارة هالكة أو مسددة. ت. أنابيب شفط بقطر غير كافي. ث. التأكد من صحة إتجاه الدوران في المحركات الثلاثية الطور.	أ. تنظيف صمام القاع. ب. إزالة التسديدات أو تبديل الأقسام الهالكة. ت. تبديل الأنبوب بأخر بقطر أكبر. ث. العكس بين سلكين من أسلاك التموين.
٧. المضخة ترتج مع عمل مضج.	أ. التأكد من أن المضخة والأنابيب مثبتة جيدا. ب. المضخة تجوف، أي أنها تطلب كمية مياه أكبر من تلك التي تستطيع ضخها. ت. المضخة تعمل بتفوق عن المعلومات الموجودة في البطاقة.	أ. تثبيت الأجزاء المرتخية باهتمام أكبر. ب. تخفيض علو الشفط وفحص خسارات القوة. ت. قد يكون من المفيد تحديد الكمية في الدفع.

	目录	页码
1.	总述	94
2.	应用	94
3.	泵送液体	94
4.	技术数据和使用范围	94
5.	管理	96
5.1.	储存	96
5.2.	运输	96
5.3.	重量	96
6.	警告	96
6.1.	技术人员	96
6.2.	安全	96
6.3.	检查电机轴旋转方向	96
6.4.	责任	96
7.	安装	96
8.	电路连接	97
9.	启动	97
10.	注意事项	97
11.	维护与清洁	97
12.	产品修改和配件	97
12.1	电源线的拆除与更换	98
13.	故障排除	98

1. 总述



安装前必须仔细阅读本说明。产品的安装和运行必须遵循产品安装国家的安全措施标准。要求操作过程熟练。违规操作不仅威胁人身安全和对产品造成损害，而且会失去保修权。

2. 应用

KP 38/18 - KP 38/18 pred. - KP 60/6 - KP 60/12: 旋涡泵适合家庭使用，体积轻巧，扬程高，可用于小型园艺，排水，灌注蓄水池等工作。也适用于小型工业用途。

KPA40/20: 带有星形叶轮的液体循环泵，有极好的自吸能力，输送有气泡的水和不连贯水流也能正常工作。特别适用于家庭供水系统，增压或自来水供水（按本地标准）和井中汲水。也可用于小型园艺灌溉和需要自吸泵的工程。同样满足工业用途。

JET 200 - JET 300 - JET 151 - JET 251:

自吸离心泵，有极好的自吸能力，可输送有气泡水。特别适用于家庭供水和增压使用。也适用于小型农业应用，园艺，家庭紧急备用和工业用途。

DP 81 - DP 82 - DP 100 - DP 102 - DP 151 - DP 251 - AQUADP 82/20 - AQUADP 102/20 - AQUADP 151/40 - AQUADP 251/40: 带有喷射器的自吸泵，自吸深度可达30米，可从4"及4"以上井中提水，可用于农庄供水和小型农用。

EURO-EUROINOX及其系列: 卧式自吸多级不锈钢泵，适用于家庭或工业的供水系统及增压使用。农业方面是小型灌溉和清洗用具、机械的理想设备。同样适用于输送含气水。只有在泵注水后，水才能以最大流量持续循环，这些特性决定了其广泛的应用范围。

K 20/41 - K 30/70 - K 30/100 - K 36/100 - K 12/200 - K 14/400: 单叶轮离心泵适用于家庭，工业和农业用途。特别适用于输送和混合操作。

K 35/40 - K 45/50 - K 55/50 - K 35/100 - K 40/100: 双叶轮离心泵（不包括K 35/40-K 45/50 - K55/50），无声运转。特别适用于供水压力机组系统和增压。也适用于洒水灌溉和其它多方面的广泛应用。

3. 泵送液体



这种泵针对输送不含杂质，固体颗粒和纤维的水设计制造，也适用于密度不超过1000 kg/m³，粘稠性不超过1 mm²/s，无化学刺激性的液体。

4. 技术参数和使用范围

— 额定电压:	220 – 240V 50Hz / 110V 50Hz 115V 60Hz / 230V 60Hz 230 V3 – 400 V3 50/60Hz	见数据标签
— 输入功率:	见数据标签	
— 流量:	0,06 - 37 m ³ /h	
— 扬程 – Hmax (m):	页码 99	
— 泵送液体:	清洁，无固体或杂质，无刺激性	

- 电机防护等级: IP44 (或 IP55 见包装标注)
- 接线端子防护等级: IP55
- 绝缘等级: F
- 电线夹钳: PG 11 或 PG 13.5, 型号
- 保险丝和调幅等级:

型号	保险丝 (安培)			
	110V 50Hz 115V 60Hz	220-240V 50Hz 230V 60Hz	230 V3 50/60Hz	400 V3 50/60Hz
KP 38/18, KP 38/18 Pred., KP 60/6, DP 81, DP 82, AQUADP 82/20 K 20/41	8	4	4	2
KPA 40/20	8	6	4	2
KP 60/12	--	6	4	4
EURO 40/30-40/306 / 30/50-30/506 / 25/80-25/806 EUROINOX 40/30-40/306 / 30/50-30/506 / 25/80-25/806 EUROCOM 25/80-25/806 / 30/50-30/506 EUROCOM SP 30/50-30/506	10	6	4	4
EURO 25/30-25/306 / 30/30-30/306 EUROINOX 25/30-25/306 / 30/30-30/306 EUROCOM 25/30-25/306 / 30/30-30/306 GARDEN-INOX 30/30	8	4	4	4
EURO 40/50-40/506 / 30/80-30/806 EUROINOX 40/50-40/506 / 30/80-30/806 EUROCOM 40/50-40/506 / 30/80-30/806 EUROCOM SP 40/50-40/506 GARDEN-INOX 40/50	12	6	6	4
EURO 50/50-50/506 / 40/80-40/806 EUROINOX 50/50-50/506 / 40/80-40/806	20	8	6	4
K 12/200, K 30/70, K 35/40, DP 100, DP 102, AQUADP 102/20	12	6	6	4
K 30/100	16	8	6	4
JET 151, K 35/100	20	10	6	4
K 40/100, K 36/100, K45/50, DP 151, AQUADP 151/40	20	10	8	4
JET 200, K 14/400	20	10	8	6
JET 251	25	12	8	6
JET 300, K 55/50, DP 251, AQUADP 251/40	32	16	10	6
最大工作压力:	6 bar (600 kPa):	DP 81, DP 82, DP 100, DP 102, AQUADP 82/20, AQUADP 102/20 EURO, EUROINOX, EUROCOM, EUROCOM SP, GARDEN-INOX K 35/40, K 35/100, K 40/100, K 20/41, K 30/70, K 30/100, K 36/100, K 12/200, K 14/400		
	7,5 bar (750 kPa):	JET 151, JET 251, JET 200, JET 300 DP 151, DP 251, AQUADP 151/40, AQUADP 251/40		
	8 bar (800 kPa):	K 45/50, K 55/50		
	10 bar (1000 kPa):	KP 60/6, KP 60/12, KP 38/18 KPA 40/20		
液体温度范围:	0 ÷ +35°C:	所有批准泵型 EN 60335-2-41 (室内工作)		
	0 ÷ +40°C:	JET 151, JET 251, JET 200, JET 300 DP 81, DP 82, DP 100, DP 102, DP 151, DP 251 AQUADP 82/20, AQUADP 102/20, AQUADP 151/40, AQUADP 251/40		
	-10 ÷ +50°C:	K 20/41, K 30/70, K 30/100, K 36/100, K 12/200, K 35/40, K 45/50, K 35/100, K 40/100, KP 38/18		
	-10 ÷ +80°C:	KP 60/6, KP 60/12 KPA 40/20		
	-15 ÷ +110°C:	K 14/400, K 55/50		

- 环境温度: -10°C to +40°C
- 空气潮湿度: 最大 95%
- 噪音指数:
 - 户外使用: 符合 2000/14/CE指令标准.
 - 其它泵型: 符合 EC 89/392/CEE 指令标准和相关修改文件。
- 电机制造符合 CEI 2-3 - CEI 61-69 (EN 60335-2-41)标准

– 供电电缆线要有一个不低于下面表格所示数据的额定剖面面积：

设备A的额定电流	额定剖面, 单位平方毫米
$\leq 0,2$	PVC扁形双芯软线 ^a
在 $> 0,2$ 和 ≤ 3 之间	0,5 ^a
在 > 3 和 ≤ 6 之间	0,75
在 > 6 和 ≤ 10 之间	1,0 (0,75) ^b
在 > 10 和 ≤ 16 之间	1,5 (1,0) ^b
在 > 16 和 ≤ 25 之间	2,5
在 > 25 和 ≤ 32 之间	4
在 > 32 和 ≤ 40 之间	6
在 > 40 和 ≤ 63 之间	10

a 这些电线只可以用在电线或者它的保护层进入设备的点和插头输入端之间他们的长度不超过2米时。

b 拥有括号里边所标示出来的剖面的电线，当此电线的长度不超过两米时可以用在“移动设备”上。

5. 管理

5.1 储存

所有水泵必须室内存放，环境要干燥，无震动，无灰尘，如果可能经常通风。原包装一定在安装前保持完好。

如无法保持包装完好，至少确保泵入口和出口封闭。

5.2 运输

避免产品受到不必要的摇晃和撞击。

产品的运输必须使用起重装备和标准托盘（如果可行）。

5.3 重量

包装上的粘性标签注有泵的总重量。

6. 警告

6.1 技术熟练人员



建议产品安装必须由专业技术人员进行操作

技术熟练人员指的是指经过培训，有经验，具备的相关标准知识，懂得紧急防护知识和了解其工作条件，且得到工厂安全负责人的许可，准许他们在现场进行必要的活动，确保在活动中能识别和避免所有危险的人员。（技术人员定义 IEC364）

当人（包括儿童）的身体感官和心智能力下降时，或者相关的经验或知识欠缺时不能使用本设备，除非他们已经通过一个中间负责人负责他们的安全，监督或指导其对有关器具的使用。必须对儿童进行监督，确保他们不接触该设备。（EN 60335-1: 02）

6.2 安全

只有电力系统符合产品安装国家的安全措施标准，产品才允许使用。（意大利 CEI 64/2）

6.3 检查电机轴旋转方向

安装泵之前必须检查旋转零件是否活动自如。需要把风扇罩从电机后端取下。从通风口一侧电机轴的凹槽处插入螺丝刀。如果有障碍物，转动螺丝刀并用锤子轻轻敲打。**FIG. A**

6.4 责任



对滥用、修改、超出使用范围或违反说明手册操作的水泵，制造商不保证产品正常工作。

对于操作手册中印刷错误，厂家不承担任何责任。考虑到必要性和实用性，厂家有权在不影响产品基本特性的情况下对产品进行改进。

7. 安装



泵内可能会残留少量测试时剩下的水。建议在最终安装前用净水短暂清洗。

- 7.1 电泵须安装在通风，外部条件较好，环境温度不超过40℃的条件下。**Fig.B**
- 7.2 固定锚装置装于支承表面可减轻水泵运转时造成的震动。**Fig. C**
- 7.3 安装时确保金属管不能紧压出水口，以防止设备变形或破损。**Fig. C**
- 7.4 尽可能使泵接近泵送液体。泵必须水平安装。管道内径尺寸不得小于泵口。建议在吸入管口处安装底阀。**Fig. D** 如果吸入深度超过4米或水平宽度过宽，建议在吸入口处装一个较大口径的吸入软管。为防止气囊的生成，吸入软管需向泵的方向微微向上倾斜。**Fig. D**
- 7.5 如果吸入软管由橡胶或其它易弯曲材料制成，请随时检查管路周围的加固以避免吸入口的堵塞。
- 7.6 便携式泵的提拉把手必须随时固定在支座上。
- 7.7 应用于室外喷泉、庭院水池以及类似场所的水泵电源线应该带有一个微动电流装置，并且其公称微动电流不应该超过30mA

8. 电路连接

注意！必须遵循安全守则。



务必按照接线盒内的线路图进行操作。

- 8.1 必须由合格的熟练电工负责电路连接工作。
- 8.2 确保主电压和电机标签上的数值一致，才可能成功连接地线。**Fig.E**, 特别是接地端子需要与红色/绿色的供电电缆线连在一起。此外还要用到一个与相位电缆相比更长的接地线，以避免受到牵引时首先断开。
- 8.3 在固定安装过程中，国际安全标准要求使用带有保险丝座的绝缘开关。
- 8.4 单相电机带有内置热过载保护装置可以直接连接主电源。三相电机必须用一个三相保护装置。三相电机必须由一个对电泵标牌上的数据进行自动校准的断路器（比如热磁断路器）或者用符合第4章中所规定的尺寸的保险丝对其进行保护。

9. 启动

9.1



水泵必须完全注满水后才可以启动。

启动前必须检查水泵是否已经完全注满水；打开泵体上的注水塞，由注水孔灌入清水，保证机械密封润滑，泵即可以立刻进入平稳工作状态。**(Fig. F)**. 无水运转会对机械密封造成无法挽救的损害。注水塞必须放回原处旋紧。

- 9.2 接通电源检查三相电机的旋转是否正确；从风扇方向看正确的旋转方向应是顺时针方向。**Fig. G** 如果旋转方向不正确，切断泵的主电源后调换接线端子上任意两根电线。

10. 注意事项

- 10.1 电泵一小时内启动次数不要超过20次，以免电机过热。
- 10.2 **霜冻危险：**当不工作的水泵长时间处在0℃以下时，泵体必须通过排水塞完全排干水分**Fig. H**，以防止水力部件被冻裂。建议正常温度下长时间不使用的泵也照此做。
- 10.3 启动长期不用的泵时，须按以上列出的启动方法重新操作。

11. 维护和清洁



水泵正常操作不需要任何特别维护。但如发现输水量减小时有必要清洗泵头。

电泵只能由符合有关法规要求的技术熟练人员进行拆卸。

一切维修和保养工作必须在切断泵的主电源后进行。

12. 产品改装和备件



任何未经事先授权的产品改动生产厂家不负任何责任。

维修中需要的所有零件必须是原装的，安装在机器和系统上的附件一定要经厂家同意，以确保其最大安全性。



电源线发生损坏时，为防止发生险情，应由专业技术人员修理。

12.1 电源线的拆除和更换

启动前确保水泵没有接通电源。

A) 没有压力开关的泵型

旋开接线盒上的四个螺丝，拿下接线盒盖。旋开三个接线端L - N - ⊕，松开螺丝后断开电源线上的棕色，蓝色和黄绿色的导线。

B) 带有 SQUARE D 压力开关的泵型

- **压力开关插头部分的电源线：**用螺丝刀松开压力开关上的螺丝，打开盖子。松开接地螺丝取下黄绿色导线；松开接线端螺丝从各自的接线柱分别取下蓝色导线和棕色导线。松开相应的螺丝移开电源线上的阻断终端，再摘下未通电的电源线。
- **压力开关到接线端子板部分的电源线：**用螺丝刀旋开压力开关盖上的螺丝，打开压力开关盖。松开接地螺丝拿掉黄绿色导线；松开接线端螺丝从各自的接线端分别拿掉蓝色导线和棕色导线。松开相应的螺丝移开电源线上的阻断终端，再摘下未通电的电源线。旋开接线盒盖上的四个螺丝，打开接线盒盖。旋开三个接线端L - N - ⊕，松开螺丝后断开电源线上的棕色，蓝色和黄绿色的导线。

C) 带有 TELEMECANIQUE / SQUARE D – TELEMECANIQUE / ITALTECNICA 压力开关的泵型：

- **压力开关插头部分的电源线：**用螺丝刀旋开压力开关盖上的螺母，从压力开关的底座上取下压力开关盖。松开左侧的接地螺丝拿掉黄绿色导线；松开同侧的接线端螺丝拿掉蓝色导线和棕色导线。松开左侧的压力开关电源线的箝位螺母卸下未通电的电源线。
- **压力开关到接线端子板部分的电源线：**用螺丝刀旋开压力开关盖上的螺丝，从压力开关的底座上卸下压力开关盖。旋开右侧的接地螺丝拿掉黄绿色导线；松开同侧的接线端螺丝拿掉蓝色导线和棕色导线。松开右侧的压力开关电源线的箝位螺母卸下未通电的电源线。旋开接线盒盖上的四个螺丝，打开接线盒盖。旋开三个接线端L - N - ⊕，松开螺丝后断开电源线上的棕色，蓝色和黄绿色的导线。

更换电源线时，必须使用同样型号的电源线（H05 RN-F or H07 RN-F以安装说明为准）和同样的接线端子，按拆卸的相反次序进行。

注意：以安装说明为准，如果泵没有电源线，室内使用水泵配以H05 RN-F型电源线，室外使用水泵配以H07 RN-F型电源线，要求带有插头（EN 60335-2-1）。没有插头的电源线，应有一个可以切断电源的装置（如磁热开关），分别距离每个电极至少3毫米。

13. 故障排除

故障	故障可能原因	故障排除
1. 电机无法启动且无声	A. 检查电源连接 B. 检查电机. C. 检查防护保险丝.	C. 更换烧坏的保险丝 注意： 如果错误频繁出现意味着电机发生短路
2. 电机无法启动但有声	A. 保证输入电压与数据标签上的电压一致 B. 保证线路连接正确 C. 保证所有相数都在接线板上。(3~) D. 检查水泵或电机上是否有阻塞物。 E. 检查电容器情况	B. 纠正错误连接 C. 如果不是，弥补缺少相数 D. 清除阻塞物 E. 更换电容器
3. 电机运转困难	A. 检查电压，可能电压不足 B. 检查是否是转动部件与固定部件摩擦	B. 消除摩擦原因
4. 泵不送水	A. 泵没有正确灌水 B. 三相电机，检查电机旋转方向是否正确 C. 入口直径小 D. 底阀堵塞	B. 如果必要，改变电线两极连接 C. 更换一个较大口径的吸入管 D. 清洁底阀
5. 泵无法输水	A. 入口管或底阀有空气 B. 向下倾斜的吸入管产生气囊	A. 清除空气重新启动 B. 改变吸入管倾斜方向.
6. 泵流量不充分	A. 底阀堵塞 B. 叶轮磨损或堵塞 C. 输入管口直径不足 D. 三相电机，检查旋转方向是否正确	A. 清洁底阀 B. 更换叶轮，清除堵塞物 C. 换一个较大口径的吸入管 D. 改变电线两极连接
7. 水泵震动且运转时有噪声	A. 检查泵与管路安装是否牢固 B. 泵内出现气穴现象，即水的需求量超出泵的供水量 C. 泵的运行超出其性能范围底限	A. 固定松动的部件 B. 降低吸入管的高度或检查电量损失 C. 限制出水口的流量

Modello / Modèle / Model Modell / Model Modelo / Modell / Model Модель / Μοντέλο / نموذج	Prevalenza / Hauteur d'élévation / Head up Förderhöhe / Overwicht / Prevalencia Maximal pumphöjd / Manometrik yükseklik Напор / Μανομετρικό / التفوق	
	<i>Hmax (m.) 2 poles 50 Hz</i>	<i>Hmax (m.) 2 poles 60 Hz</i>
JET 200	46.5	42.3
JET 300	51	52
JET 151	61	62
JET 251	62	63
EURO 15/30	24.3	
EURO 20/50	28.5	
EURO 25/30 – 25/306	34.4	35.9
EURO 30/30 – 30/306	46	48.2
EURO 40/30 – 40/306	57	58.8
EURO 30/50 – 30/506	42.2	38.8
EURO 40/50 – 40/506	57.7	55
EURO 50/50 – 50/506	72	66.1
EURO 25/80 – 25/806	34	35.8
EURO 30/80 – 30/806	47.3	49.5
EURO 40/80 – 40/806	59	62
EUROINOX 15/30	24.3	
EUROINOX 20/50	28.5	
EUROINOX 25/30 – 25/306	35	35.9
EUROINOX 30/30 – 30/306	46	49
EUROINOX 40/30 – 40/306	57	58.8
EUROINOX 30/50 – 30/506	42.2	38.8
EUROINOX 40/50 – 40/506	58	54
EUROINOX 50/50 – 50/506	72	66
EUROINOX 25/80 – 25/806	34	37
EUROINOX 30/80 – 30/806	47.3	52
EUROINOX 40/80 – 40/806	59	60
EUROCOM 25/30 – 25/306	34.4	35.9
EUROCOM 30/30 – 30/306	46	48
EUROCOM 30/50 – 30/506	42.2	38.8
EUROCOM 40/50 – 40/506	57.7	54
EUROCOM 25/80 – 25/806	34	35.8
EUROCOM 30/80 – 30/806	47.3	49.2
EUROCOM SP 30/50 – 30/506	42.2	38.8
EUROCOM SP 40/50 – 40/506	57.7	53.8
GARDEN-INOX 30/30	46	
GARDEN-INOX 40/50	57.7	
K 20/41	22	24.1
K 30/70	32.5	33
K 30/100	29.2	30.8
K 36/100	34.9	36.4
K 12/200	18.4	19.2
K 14/400	19	18.5
K 35/40	44	44.4
K 45/50	51	53.5
K 55/50	62	60

Modello / Modèle / Model Modell / Model Modelo / Modell / Model Модель / Μοντέλο / نموذج	Prevalenza / Hauteur d'élévation / Head up Förderhöhe / Overwicht / Prevalencia Maximal pumphöjd / Manometrik yükseklik Напор / Μανομετρικό / التفوق	
	<i>Hmax (m.) 2 poles 50 Hz</i>	<i>Hmax (m.) 2 poles 60 Hz</i>
K 35/100	38.5	37.5
K 40/100	44	46.2
KP 38/18	52	52
KP 60/6	87	82
KP 60/12	107	103
KPA 40/20	56	

DAB PUMPS LTD.

Unit 4, Stortford Hall Industrial
Park Dunmow Road, Bishops Stortford, Herts
CM23 5GZ - UK
Tel. +44 1279 652 776
Fax +44 1279 657 727

DAB PUMPS B.V.

Albert Einsteinweg, 4
5151 DL Drunen - Nederland
Tel. +31 416 387280
Fax +31 416 387299
info.nl@dabpumps.com

DAB PUMPS B.V.

Brusselstraat 150
B-1702 Groot-Bijgaarden - Belgium
Tel. +32 2 4668353
Fax +32 2 4669218

DAB PUMPEN DEUTSCHLAND GmbH

Tackweg 11
D - 47918 Tönisvorst - Germany
Tel. +49 2151 82136-0
Fax +49 2151 82136-36

PUMPS AMERICA, INC. DAB PUMPS DIVISION

3226 Benchmark Drive
Ladson, SC 29456 USA
Ph. 1-843-824-6332
Toll Free 1-866-896-4DAB (4322)
Fax 1-843-797-3366

DAB PUMPS IBERICA S.L.

Parque Empresarial San Fernando
Edificio Italia Planta 1^a
28830 - San Fernando De Henares - Madrid
Spain
Ph. +34 91 6569545
Fax +34 91 6569676

000 DWT GROUP

100 bldg. 3 Dmitrovskoe highway,
127247 Moscow - Russia
Tel. +7 095 485-1679

DAB PUMPS CHINA

Shandong Sheng Qingdao Shi
Jinji Jishu Kaifaqu Kaituo Rd
ZIP PC266510
CN - China
tel. +8613608963089
fax. +8653286812210

**DAB PUMPS S.p.A.**

Via M. Polo, 14 - 35035 Mestrino (PD) - Italy
Tel. +39 049 9048811 - Fax +39 049 9048847
www.dabpumps.com

**DWT HOLDING S.p.A.**

Sede Legale / Headquarter:
Via Marco Polo, 14 | 35035 Mestrino | Padova | Italy
www.dwtgroup.com