

Society
Reference
Address
Phone
Fax
E-mail

DABSHOP.RU
Kakaev, Pavel
Pavlovskaya
+7 495 212-90-35
-
kakaev@imperiatools.ru

60160878.

K 40/22 HA

4 bar (400 KPa)

0 °C

100 °C

55 °C

0,00 m³/h

0,00 m

20 °C

0,99819 kg/dm³

1,0004 mm²/s

2,20 kPa

NPSH :

Shaft power P2 :

Efficiency :

/

Cast iron with cataphoresis

Cast iron with cataphoresis

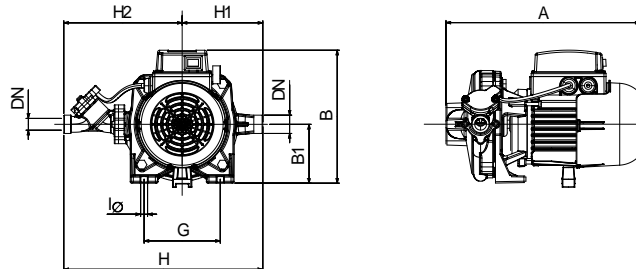
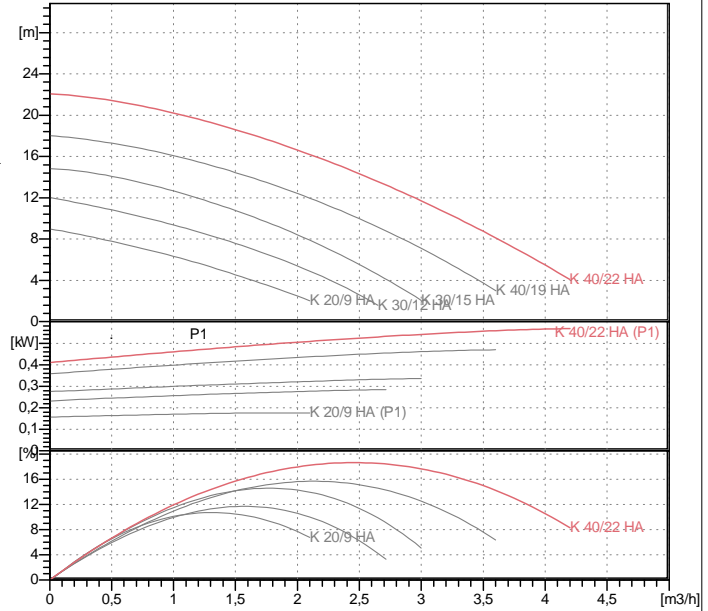
B

/

NBR

AISI 416 X12 CrS 13 UNI 6900/71

Curve tolerance according to ISO 9906



8,9 kg

mm

DAB

P1 0,57 kW

2800 1/min

1~ 220-230 V 50 Hz

2,54 A

IP 44

:

3/4" G / 4 bar (400 KPa)

3/4" G / 4 bar (400 KPa)

A
B
B1
DN
G
H
H1
H2
IO

280,5
192
85
3/4" G
110
287,5
116,5
171
9,5



11/12/18

2 / 3

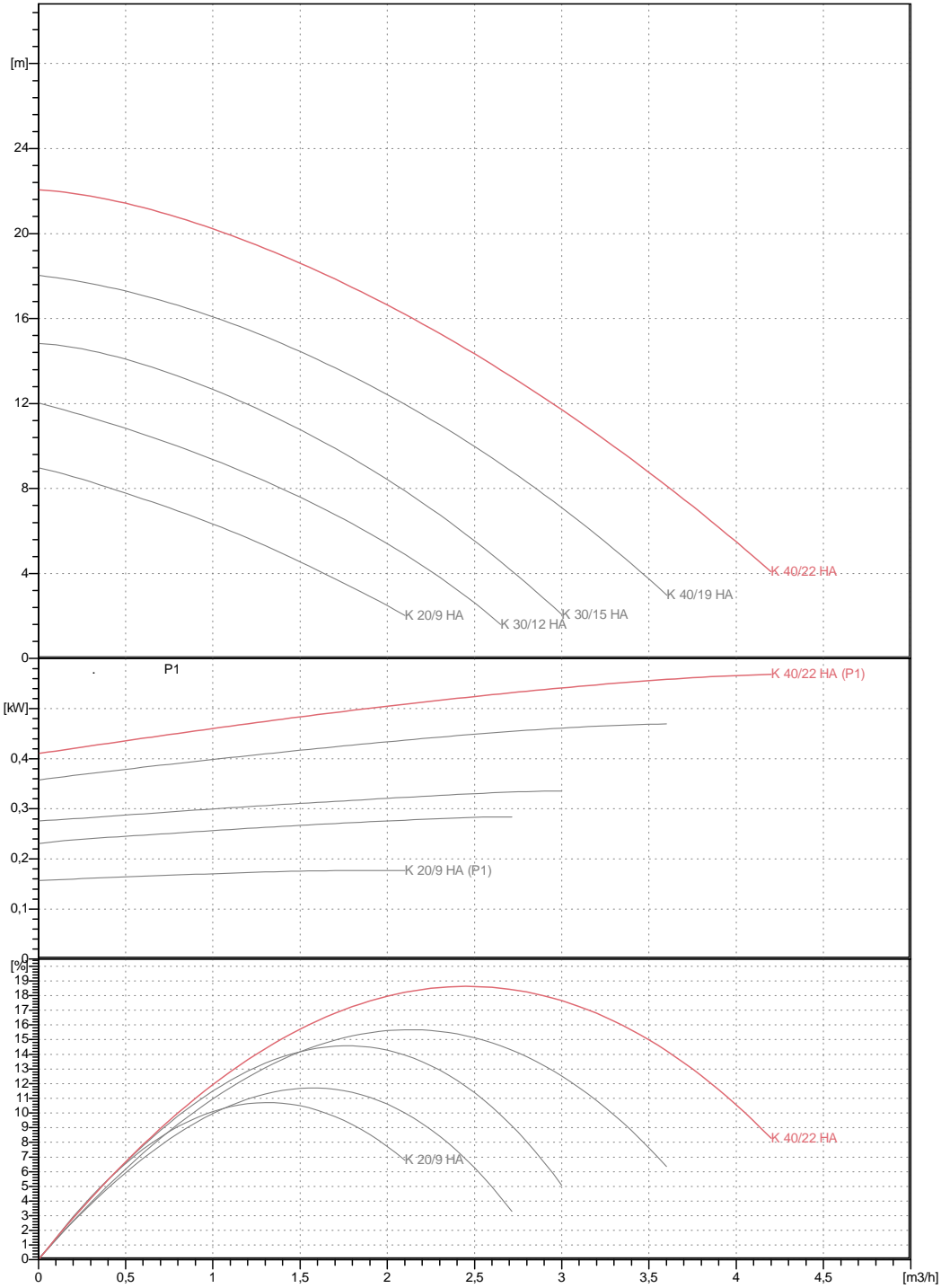
DAB PUMPS S.p.A.
Via Marco Polo, 14 - 35035 Mestrino (PD), Italy
Tel. +39 049 5125000 - Fax +39 049 5125950
www.dabpumps.com

Society
Reference
Address
Phone
Fax
E-mail

DABSHOP.RU
Kakaev, Pavel
Pavlovskaya
+7 495 212-90-35
-
kakaev@imperiatools.ru

K 40/22 HA

Curve tolerance according to ISO 9906



3/4" G
4 bar (400 KPa)

3/4" G
4 bar (400 KPa)

0 m³/h

0 m

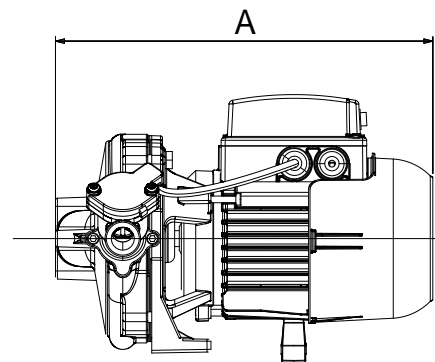
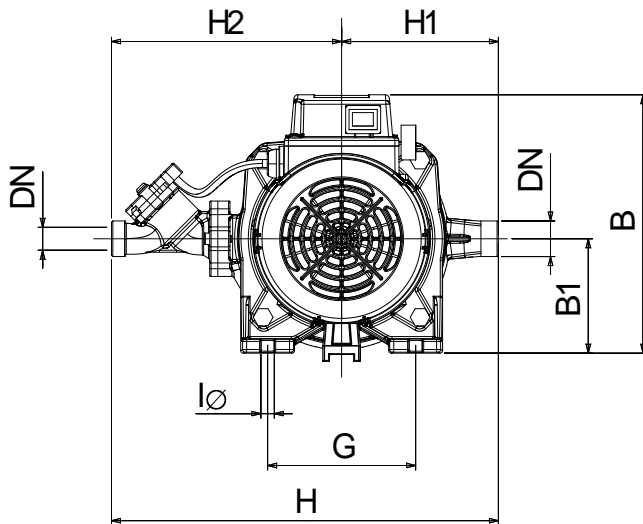
2800 1/min

11/12/18

Society
Reference
Address
Phone
Fax
E-mail

DABSHOP.RU
Kakaev, Pavel
Pavlovskaya
+7 495 212-90-35
-
kakaev@imperiatools.ru

K 40/22 HA



mm

:

1	A	280,5							
2	B	192							
3	B1	85							3/4" G
4	DN	3/4" G							4 bar (400 KPa)
5	G	110							
6	H	287,5							
7	H1	116,5							3/4" G
8	H2	171							4 bar (400 KPa)
9	IO	9,5							