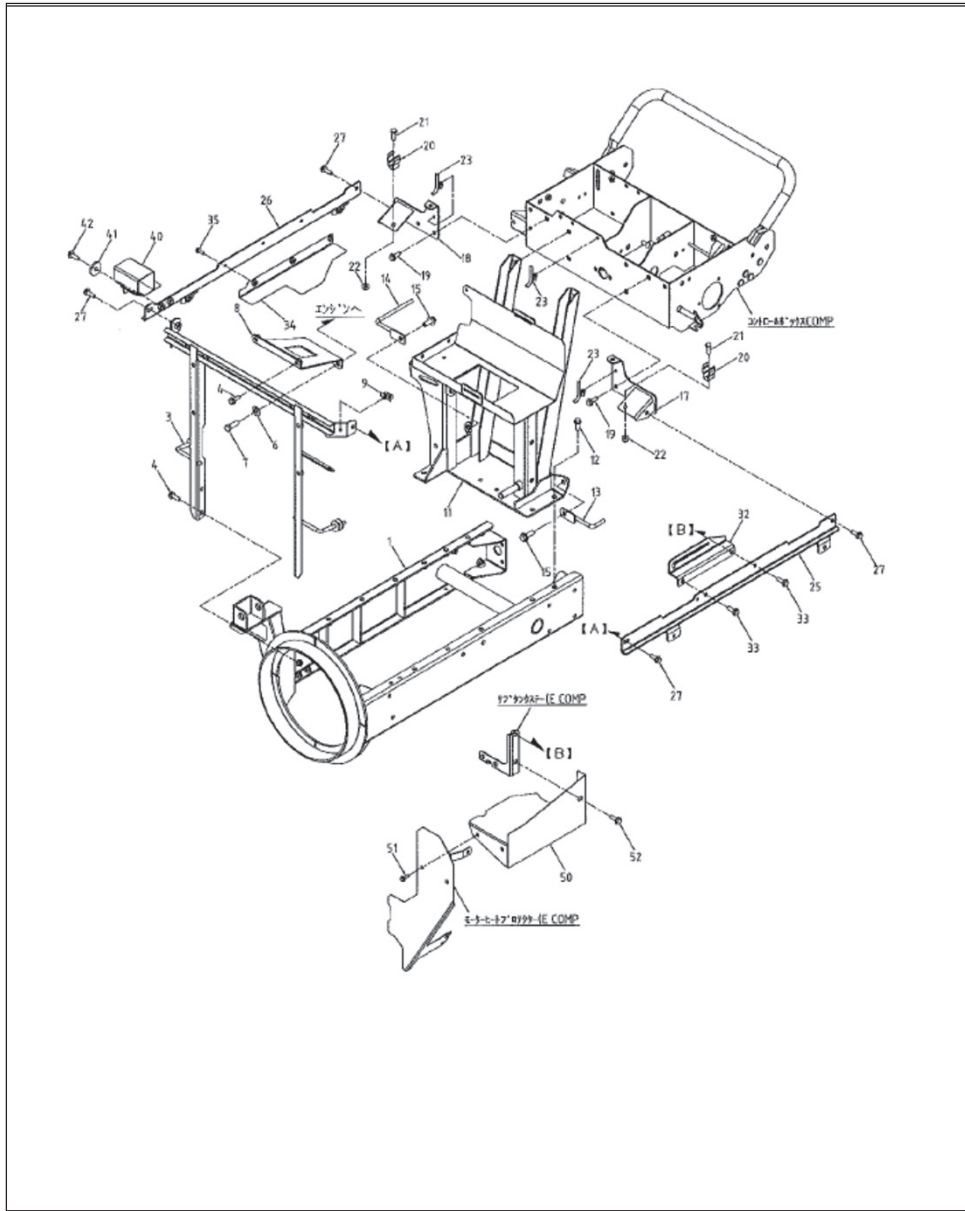


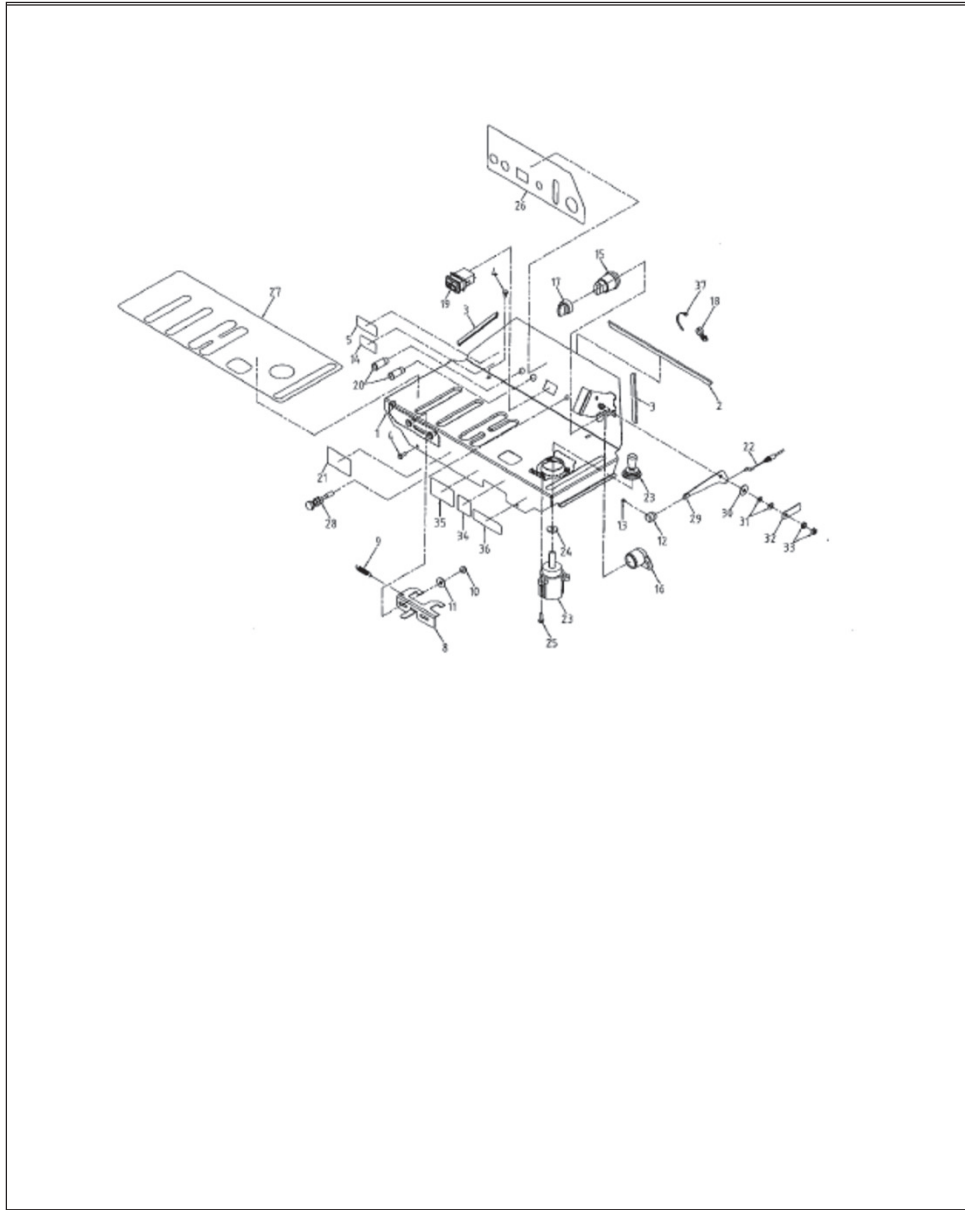
0

No.	Parts No.	Name	Quantity	Note
1	34903-B50-700	CASE, AUGER GEAR	1	
2	32903-A90-002	SHAFT, AUGER INPUT	1	
3	97113-038241	KEY, 6 × 6 × 38RR	1	
4	31904-A31-701	COVER A, AUGER GEAR CASE	1	
5	39901-A31-002	PACKING A, AUGER GEAR CASE	1	
6	98251-2503807	SEAL, OIL D25387	1	
7	96100-06004	BEARING, 6004	1	
8	34902-B27-000	COLLAR, THRUST	1	
9	96200-051204	BEARING, THRUST 51204	1	
10	73251-V15-F002	GEAR, DRIVE	1	
11	91912-A05-001	WASHER, RD 20 × 30 × 2	1	
12	96100-06004	BEARING, 6004	1	
13	94510-20080	CIRCLIP, EX 20	1	
14	93100-0802017	BOLT, FLANGE 8 × 20	3	
15	-			
16	34901-B08-001	SHAFT, AUGER	1	
17	97116-048241	KEY, 10 × 8 × 48RR	2	
18	97115-028241	KEY, 8 × 7 × 28RR	2	
19	32902-A90-000	WORM WHEEL, M3 × 20	1	
20	91302-A31-000	WASHER, RD 30 × 42 × 2	2	
21	96100-06006	BEARING, 6006	2	
22	98251-3004508	SEAL, OIL D30458	2	
23	39902-A31-002	PACKING B, AUGER GEAR CASE	1	
24	31905-A31-700	COVER B, AUGER GEAR CASE	1	
25	93100-0802517	BOLT, FLANGE 8 × 25	3	
26	91555-0141	PLUG, PT1/8	1	
27	91941-050	TAPE, SEAL 50	1	
28	91555-0641	PLUG, PT3/4	1	
29	91941-150	TAPE, SEAL 150	1	
30	91931-090	OIL, GEAR #90	0.2	ℓ
31	-			
32	-			
33	-			
34	-			
35	-			
36	35500-B28-802F2	FLANGE COMP, AUGER SHARE	1	
37	94003-08412	NUT, 8	1	
38	91221-082540	BOLT, SPECIAL 8 × 25	1	
39	35500-B28-802F2	FLANGE COMP, AUGER SHARE	1	
40	94003-08412	NUT, 8	1	
41	91221-082540	BOLT, SPECIAL 8 × 25	1	
42	-			
-	-			
-	-			
-	-			
-	-			



0

No.	Parts No.	Name	Quantity	Note
1	41100-B88-806	FRAME COMP, MAIN	1	
2	-			
3	41200-B88-803	FRAME COMP, FRONT	1	
4	93100-0801617	BOLT, FLANGE 8×16	6	
5	-			
6	94111-12012	WASHER, SPG 12	2	
7	41901-B88-001	BOLT 7/16-14UNC×25.4	2	
8	41500-B88-801	STAY COMP, FRONT	1	
9	91315-A3455	CLIP, CABLE A-3455	1	
10	-			
11	41300-B88-805	FRAME COMP, REAR	1	
12	93300-1002017	BOLT, FLANGE 10×1.25×20	5	
13	49500-B88-801	HOOK L COMP, SIDE COVER	1	
14	49800-B88-800	HOOK R COMP, SIDE COVER	1	
15	93300-1002017	BOLT, FLANGE 10×1.25×20	2	
16	-			
17	49300-B88-801	STAY L COMP, SIDE BEAM	1	
18	49400-B88-801	STAY R COMP, SIDE BEAM	1	
19	93100-0801617	BOLT, FLANGE 8×16	4	
20	39902-A65-001	HOLDER, BAR	2	
21	92200-0801617	BOLT, 8×16	2	
22	94002-08410	NUT, FLANGE 8	2	
23	91314-119P7	STRAP, CABLE 1-19P7	3	
24	-			
25	48400-B88-800	BEAM L (E COMP, SIDE	1	
26	48500-B88-800	BEAM R (E COMP, SIDE	1	
27	93100-0802017	BOLT, FLANGE 8×20	4	
28	-			
29	-			
30	-			
31	-			
32	49600-B88-800	BRACKET COMP, BONNET STAY	1	
33	93100-0802017	BOLT, FLANGE 8×20	2	
34	47400-B88-800	COVER (E COMP, PROTECTOR	1	
35	93100-0601217	BOLT, FLANGE 6×12	3	
36	-			
40	02400-B88-000	GUARD (E COMP, MUFFLER	1	
41	94101-08015	WASHER, PLAIN 8	2	
42	93100-0802017	BOLT, FLANGE 8×20	2	
43	-			
50	47300-B88-800	COVER (E COMP, BLOCK	1	
51	93100-0601217	BOLT, FLANGE 6×12	2	
52	93100-0802017	BOLT, FLANGE 8×20	1	
-	-			
-	-			



0

No.	Parts No.	Name	Quantity	Note
1	82500-B88-800	PANEL (E COMP, INDICATOR	1	
2	82902-B88-001	PROTECTOR, RUBBER 366 × 11	1	
3	82902-B51-000	PROTECTOR, RUBBER, 11 × 148	2	
4	93100-0601257	BOLT, FLANGE 6 × 12	4	
5	91193-020	LABEL, DEAD-MAN DANGER	1	
8	73904-B88-001	LEVER, PARKING BRAKE	1	
9	91601-G14-002	SPRING, 10 × 51.5	1	
10	91233-084120	NUT, SPECIAL 8	2	
11	94101-08015	WASHER, PLAIN 8	2	
12	75907-B18-000	KNOB, THROTTLE LEVER	1	
13	75908-B18-001	SCREW, SPECIAL 4 × 8	1	
14	91194-019	LABEL, EXHAUST GAS WARNING	1	
15	83100-B82-000	SWITCH, MAIN	1	
16	88902-B81-030	COVER, KEY SWITCH	1	
17	88901-B82-000	COVER, KEY	1	
18	91314-11765	STRAP, CABLE 1-1765	1	
19	84100-B88-000	METER, HOUR B88	1	
20	89100-B21-000	LAMP, PILOT	2	
21	79911-B88-000	MARK (E, PARKING BRAKE	1	
22	77300-B88-000	WIRE, THROTTLE	1	
23	83200-B18-000	SWITCH, CONTROL	1	
24	83902-B18-000	WASHER, RD 11 × 32 × 4.5	1	
25	93100-0602017	BOLT, FLANGE 6 × 20	3	
26	79908-B88-000	MARK A (E, PANEL	1	
27	79909-B88-000	MARK B (E, PANEL	1	
28	77200-B45-001	WIRE, CHOKE	1	
29	73905-B88-800	LEVER, THROTTLE	1	
30	94101-08015	WASHER, PLAIN 8	1	
31	91252-082	SPRING, PLATE H8	2	
32	75906-B84-800	PLATE, THRUST	1	
33	91235-08100	NUT, HARD LOCK 8	1	
34	79924-B97-000	MARK, NOISE (109dB)	1	
35	79912-B88-000	MARK, CE (SX2092E	1	
36	91907-001		1	
37	91311-140	BAND, REPEAT RF140	1	
38	-			
39	91382-0502501	CORRUGATE 5 × 250	1	
-	-			
-	-			
-	-			
-	-			
-	-			
-	-			
-	-			
-	-			
-	83110-B82-000	KEY	-	
-	-			
-	-			
-	-			
-	-			
-	-			

