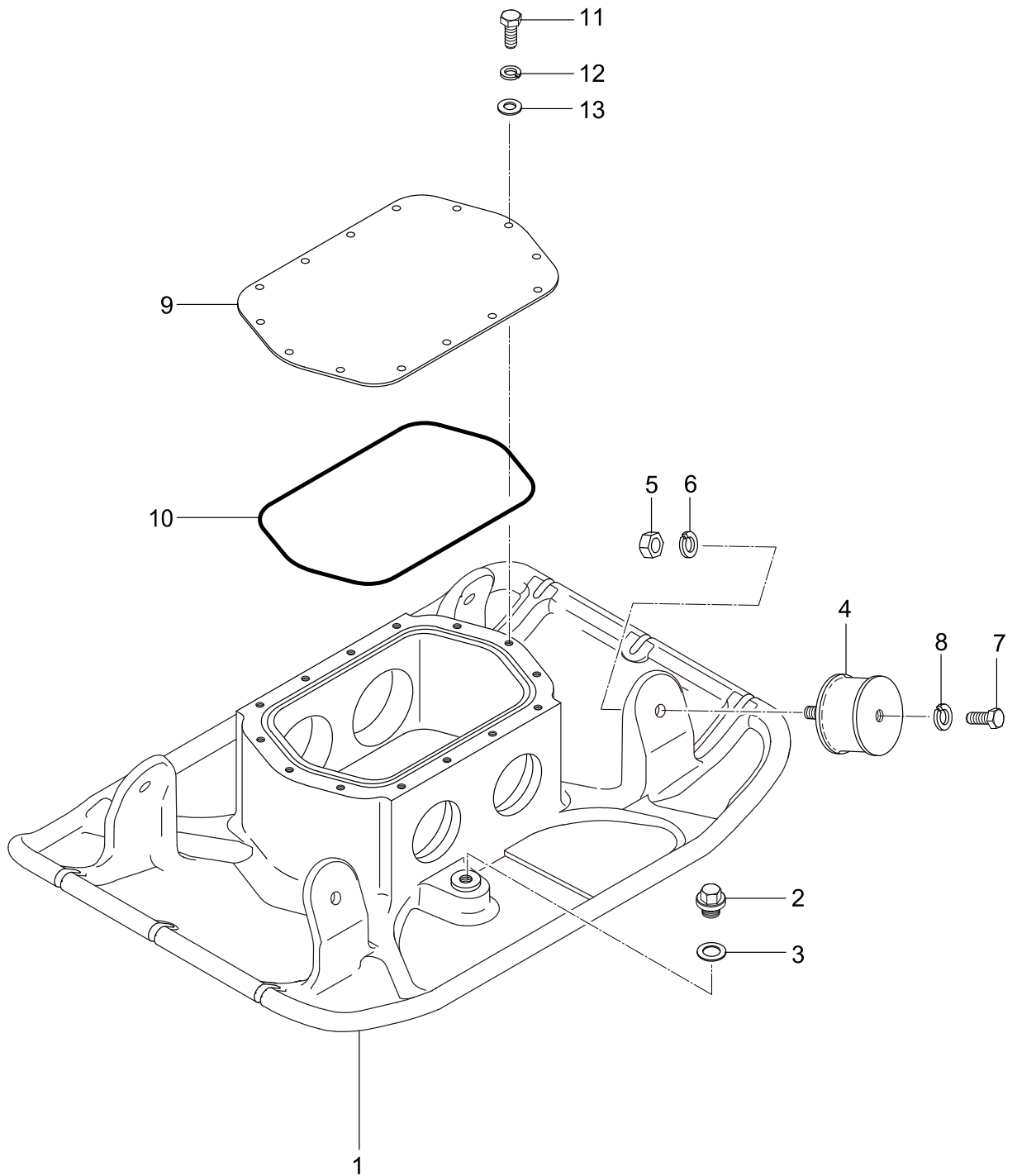


VIBRATING PLATE

MVH-208/209

VIBRATING PLATE / 転圧盤関係

4WS0



VIBRATING PLATE

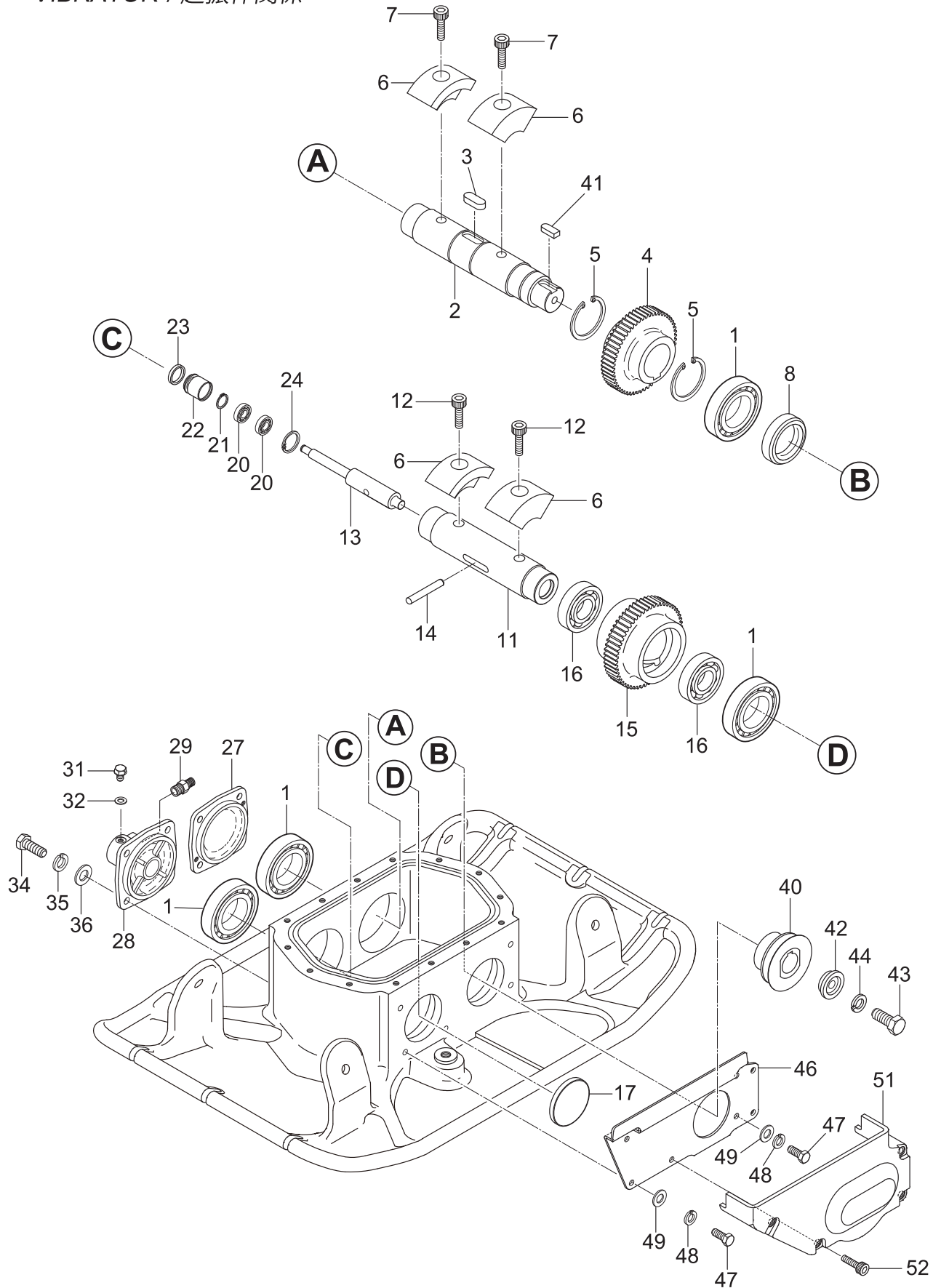
NO.	PART/NO.	PartsName	Q' TY	MK2	REMARKS	List Price
1	4701-21760	VIBRATING PLATE, 500MM/208	1		MVH-208	135000
1	4701-21770	VIBRATING PLATE, 600MM/208	1		MVH-209	140000
2	9534-05270	PLUG 1/4X14 13L	1			770
3	9534-05260	PACKING 1/4 (CU)	1			170
4	9390-10470	SHOCK ABSORBER 75X50H(42)	4		DSZ, DSY	4950
4	9390-10480	SHOCK ABSORBER 75X50H(52)	4		GH	4950
5	0203-12100	NUT M12	4			110
6	0302-12300	SW M12	4			21
7	0012-21230	BOLT 12X30 T	4			220
8	0302-12300	SW M12	4			21
9	4703-53610	COVER, VIBRATOR /MVH-208	1			2750
10	0507-10150	O-RING AS568-274	1			1600
11	0012-20820	BOLT 8X20 T	14			88
12	0302-08200	SW M8	14			21
13	0311-08160	PW M8	14			36

VIBRATOR

MVH-208/209

4WT0

VIBRATOR / 起振体関係



VIBRATOR

NO.	PART/NO.	PartsName	Q' TY	MK2	REMARKS	List Price
1	0479-20130	ROLLER BEARING NJ209EMC4	4			11600
2	4703-53710	ROTARY SHAFT, DRIVE/MVH208	1			35000
3	9514-05370	KEY 15X10X39 RR	1			850
4	4663-47900	GEAR, DRIVE /MVH-206	1			40500
5	0802-00500	STOP RING S-50	2			280
6	4703-53760	ECCENTRIC ROTATOR/GX, 1B	4		1B30, GX	6500
6	4703-53780	ECCENTRIC ROTATOR /L70	4		L70	0
7	0091-20309	SOCKET HEAD BOLT 12X40T	2			420
8	0604-04050	OIL SEAL TC-45689	1			1040
11	4663-47790	ROTARY SHAFT, DRIVEN/206	1			36000
12	0091-20308	SOCKET HEAD BOLT 12X25T	2			320
13	4663-47860	PISTON ROD /MVH-206	1			13000
14	0255-10063	KNOCK PIN 10X63	1			450
15	4703-53720	GEAR, DRIVEN /MVH-208	1			68800
16	0400-06910	BEARING 6910	2			2700
17	9530-10040	SEAL CAP/AC68-9	1			800
20	0425-06000	BEARING 6000ZZSG	2			820
21	0802-00100	STOP RING S-10	1			48
22	4554-35051	PISTON, 22. 4D /MVH-200	1			3940
23	4550-10070	PACKING USH-22. 4X30X5	1			820
24	0801-00260	STOP RING R-26	1			110
27	4703-53730	BEARING COVER /MVH-208	1			4000
28	4703-53740	CYLINDER (R) /MVH-208	1			19100
29	9540-10020	CONNECTOR PT, PF1/4	1			520
31	0012-20812	BOLT 8X12 T	1			88
32	9534-04600	COPPER PACKING 8. 2X16X1. 6	1	SX		290
34	0012-20825	BOLT 8X25 T	8			88
35	0302-08200	SW M8	8			21
36	0311-08160	PW M8	8			36
40	4703-53770	PULLEY, 90/GX, 1B/MVH-208	1		1B30, GX	8500
40	4703-53790	PULLEY, 90/L70/MVH-208	1		L70	0
41	9514-03610	KEY 10X8X30 R	1			450
42	4704-68730	WASHER / MVH-208	1			2100
43	0012-21230	BOLT 12X30 T	1			220
44	0302-12300	SW M12	1			21
46	4703-53750	GUIDE, BELT COVER/MVH-208	1			6500
47	0012-20820	BOLT 8X20 T	3			88
48	0302-08200	SW M8	3			21
49	0311-08160	PW M8	3			36
51	4702-19540	BELT COVER, LOWER/MVH-208	1			15000
52	0015-20854	SOCKET HEAD BOLT 8X70 T	4			140

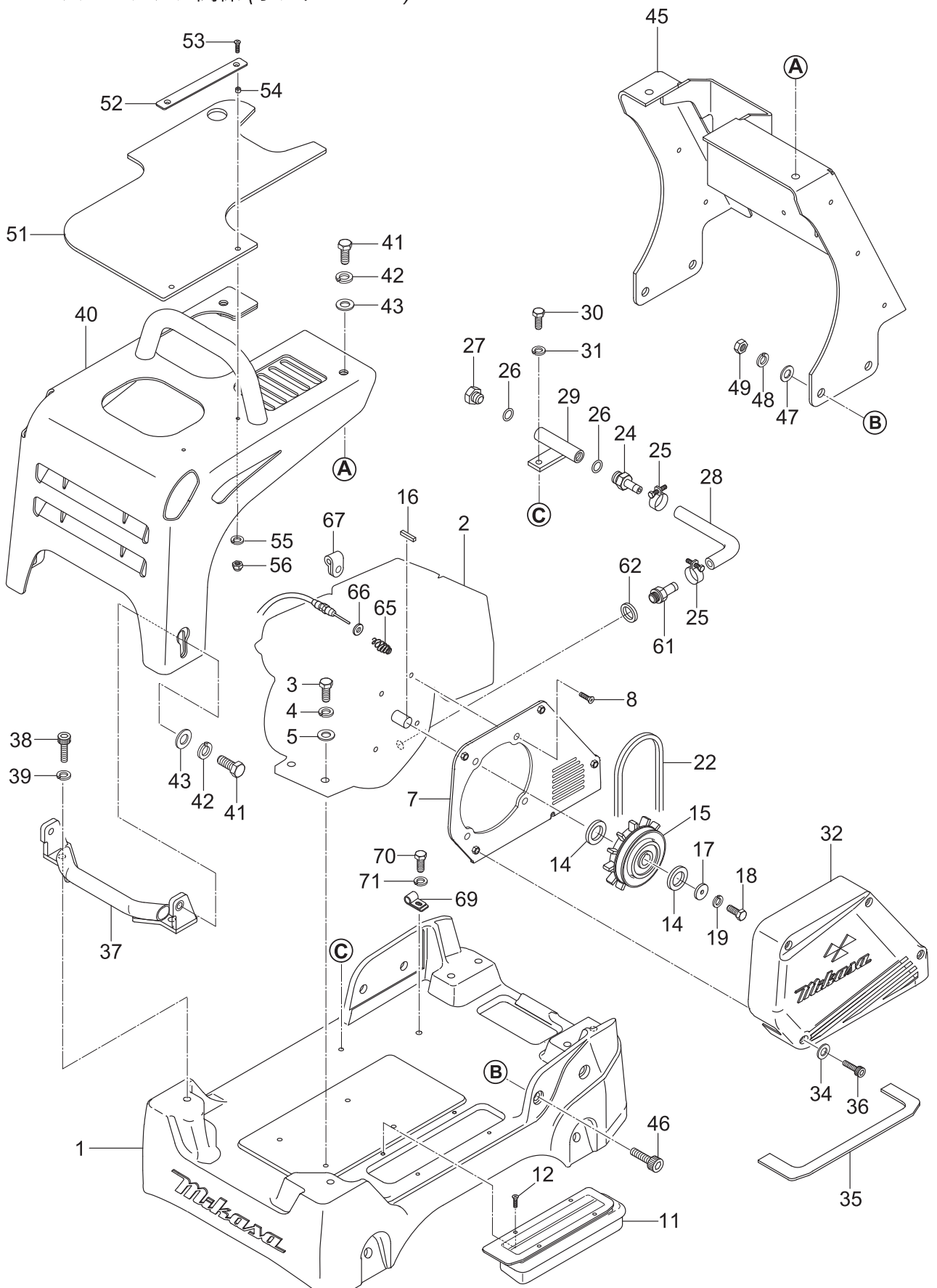
BASE & ENGINE/GH_GX240

MVH-208/209 GH

4WW0

BASE AND ENGINE (HONDA: GX240)

ベース&エンジン関係 (ホンダ: GX240)



BASE & ENGINE/GH_GX240

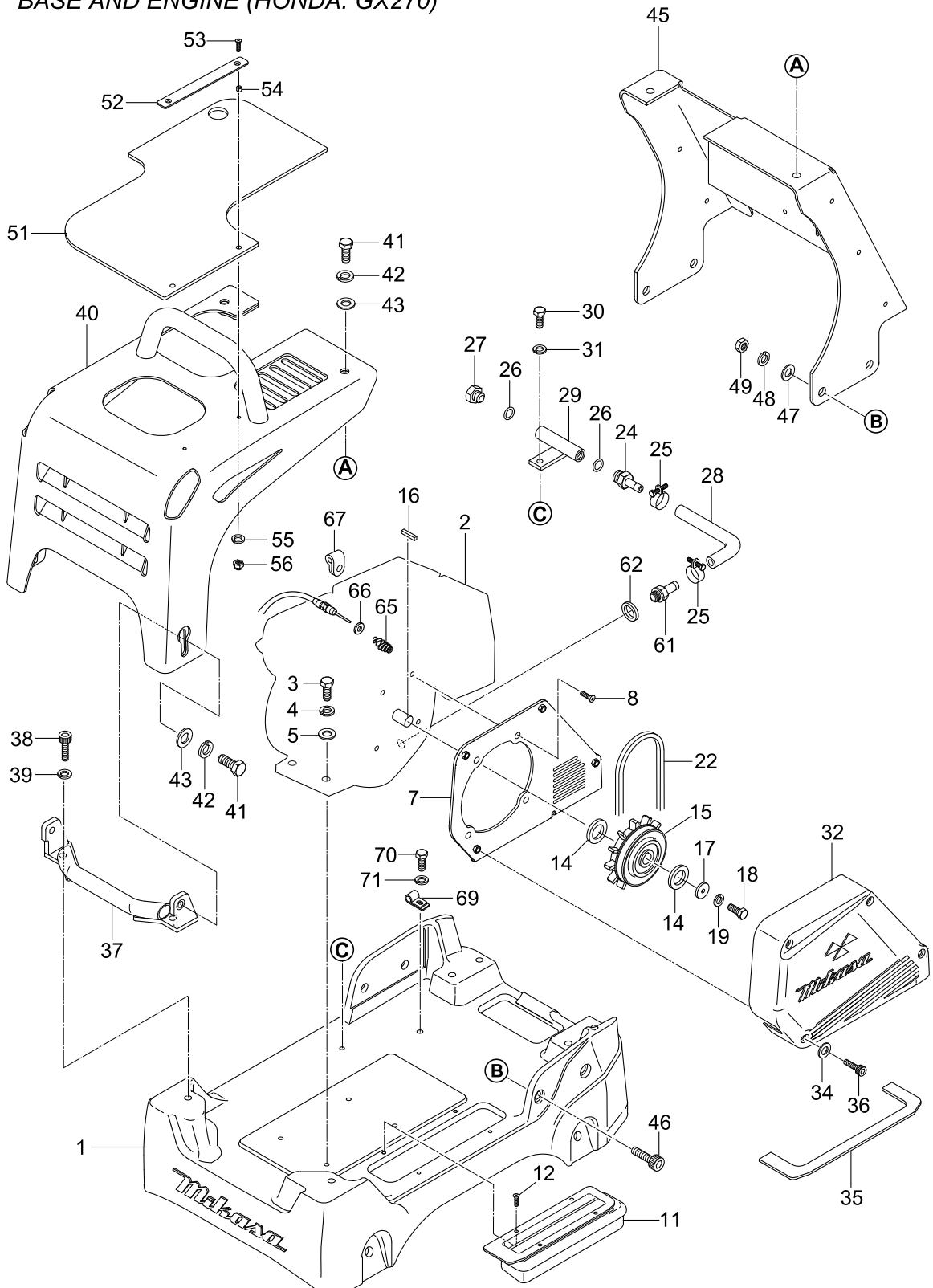
NO.	PART/NO.	PartsName	Q' TY	MK2	REMARKS	List Price
1	4701-21850	BASE /L70, GX240 /MVH-208	1			87500
2	9122-24006	ENGINE AY/GX240OUT2SMXC	1	SS!		0
3	0012-21045	BOLT 10X45 T	4			180
4	0302-10250	SW M10	4			21
5	0311-10160	PW M10	4			36
7	4703-53680	BELT COVER, IN/GX240/280	1			10000
8	0091-10071	SOCKET HEAD BOLT 10X25T	4			360
11	4702-19530	DUST COVER /MVH-208	1			5000
12	0920-06010	FLAT HEAD SCREW 6X10	4			28
14	9524-09450	SPACER 25X40X5	2			1150
15	4563-43340	CLUTCH AY/CHM03/W. FAN/304	1			24100
16	9514-00110	KEY 7X7X35	1			360
17	9524-00690	WASHER 9X35X4.5	1			420
18	0012-20830	BOLT 8X30 T	1			88
19	0302-08200	SW M8	1			21
22	0702-00383	VBELT B-38GREEN/HDPF5380	1			3860
24	255-63901-11	UNION	1			5160
25	4590-10090	HOSE BAND/DY23	2			500
26	021-11400-20	GASKET	2			53
27	040-11400-30	PLUG	1			210
28	4654-59390	DRAIN HOSE / MVH-406	1			1200
29	4644-57380	DRAIN JOINT/MVH-306	1			4020
30	0012-20820	BOLT 8X20 T	1			88
31	0302-08200	SW M8	1			21
32	4701-21780	BELT COVER (OUT)/MVH-208	1			12500
34	0339-10220	WASHER (8. 4X15. 5X1. 6)	4			75
35	4703-53640	DUST SPONGE (OUT)/MVH-208	1			1400
36	0015-20854	SOCKET HEAD BOLT 8X70 T	4			140
37	4703-53650	FRONT BUNPER /MVH-208	1	SXY		12000
38	0015-21235	SOCKET HEAD BOLT 12X35 T	2			180
39	0302-12300	SW M12	2			21
40	4701-21830	FRONT COVER, GX240/MVH-208	1			43000
41	0012-21235	BOLT 12X35 T	4			220
42	0302-12300	SW M12	4			21
43	0311-12230	PW M12	4			54
45	4701-21840	CENTER COVER, GX240/MVH208	1			25000
46	0015-21235	SOCKET HEAD BOLT 12X35 T	4			180
47	0311-12230	PW M12	4			54
48	0302-12300	SW M12	4			21
49	0203-12100	NUT M12	4			110
51	4704-68810	RUBBER COVER, UPPER/208GH	1			2500
52	4674-66810	STOPPER, COVER/MVH-308GH	1			2650
53	0091-20424	SOCKET HEAD BOLT 6X25T	2			160
54	6174-65130	COLLAR 6. 2X7. 8X4. 5	2			90
55	0302-06150	SW M6	2			21
56	0227-10607	NYLON NUT M6	2			48

BASE & ENGINE/GH_GX240

NO.	PART/NO.	PartsName	Q' TY	MK2	REMARKS	List Price
61	90131-ZE3-790	DRAIN JOINT/MRH-800GH	1			780
62	94109-12000	WASHER, DRAIN PLUG M12	1			75
65	3714-67760	RETURN SPRING /MT-76D	1			300
66	0311-05080	PW M5	1			21
67	206-75501-01	CLAMP COMPL	1	S!9544-09880		230
69	9594-07260	CLIP D6 (FOR M10)	1			170
70	0012-21015	BOLT 10X15 T	1			110
71	0302-10250	SW M10	1			21

MVH-208/209 GH
BASE AND ENGINE (HONDA: GX270)

4ZQ0



BASE & ENGINE/GH_GX270

NO.	PART/NO.	PartsName	Q' TY	MK2	REMARKS	List Price
1	4701-21850	BASE /L70, GX240 /MVH-208	1			87500
2	9122-27009	ENGINE /GX270OUT2-SCM	1			0
3	0012-21045	BOLT 10X45 T	4			180
4	0302-10250	SW M10	4			21
5	0311-10160	PW M10	4			36
7	4703-53680	BELT COVER, IN/GX240/280	1			10000
8	0091-10071	SOCKET HEAD BOLT 10X25T	4			360
11	4702-19530	DUST COVER /MVH-208	1			5000
12	0920-06010	FLAT HEAD SCREW 6X10	4			28
14	9524-09450	SPACER 25X40X5	2			1150
15	4563-43340	CLUTCH AY/CHM03/W. FAN/304	1			24100
16	9514-00110	KEY 7X7X35	1			360
17	9524-00690	WASHER 9X35X4.5	1			420
18	0012-20830	BOLT 8X30 T	1			88
19	0302-08200	SW M8	1			21
22	0702-00383	VBELT B-38GREEN/HDPF5380	1			3860
24	255-63901-11	UNION	1			5160
25	4590-10090	HOSE BAND/DY23	2			500
26	021-11400-20	GASKET	2			53
27	040-11400-30	PLUG	1			210
28	4654-59390	DRAIN HOSE / MVH-406	1			1200
29	4644-57380	DRAIN JOINT/MVH-306	1			4020
30	0012-20820	BOLT 8X20 T	1			88
31	0302-08200	SW M8	1			21
32	4701-21780	BELT COVER (OUT)/MVH-208	1			12500
34	0339-10220	WASHER (8.4X15.5X1.6)	4			75
35	4703-53640	DUST SPONGE (OUT)/MVH-208	1			1400
36	0015-20854	SOCKET HEAD BOLT 8X70 T	4			140
37	4703-53650	FRONT BUNPER /MVH-208	1	SXY		12000
38	0015-21235	SOCKET HEAD BOLT 12X35 T	2			180
39	0302-12300	SW M12	2			21
40	4701-22870	FRONT COVER, GX270/MVH-208	1			47500
41	0012-21235	BOLT 12X35 T	4			220
42	0302-12300	SW M12	4			21
43	0311-12230	PW M12	4			54
45	4701-22880	CENTER COVER, GX270/MVH-208	1			25000
46	0015-21235	SOCKET HEAD BOLT 12X35 T	4			180
47	0311-12230	PW M12	4			54
48	0302-12300	SW M12	4			21
49	0203-12100	NUT M12	4			110
51	4704-73340	RUBBER COVER, UPPER/GX270/208	1			3900
52	4674-66810	STOPPER, COVER/MVH-308GH	1			2650
53	0091-20424	SOCKET HEAD BOLT 6X25T	2			160
54	6174-65130	COLLAR 6.2X7.8X4.5	2			90
55	0302-06150	SW M6	2			21
56	0227-10607	NYLON NUT M6	2			48

BASE & ENGINE/GH_GX270

NO.	PART/NO.	PartsName	Q' TY	MK2	REMARKS	List Price
61	90131-ZE3-790	DRAIN JOINT/MRH-800GH	1			780
62	94109-12000	WASHER, DRAIN PLUG M12	1			75
65	3714-67760	RETURN SPRING /MT-76D	1			300
66	0311-05080	PW M5	1			21
67	206-75501-01	CLAMP COMPL	1	S!9544-09880		230
69	9594-07260	CLIP D6 (FOR M10)	1			170
70	0012-21015	BOLT 10X15 T	1			110
71	0302-10250	SW M10	1			21

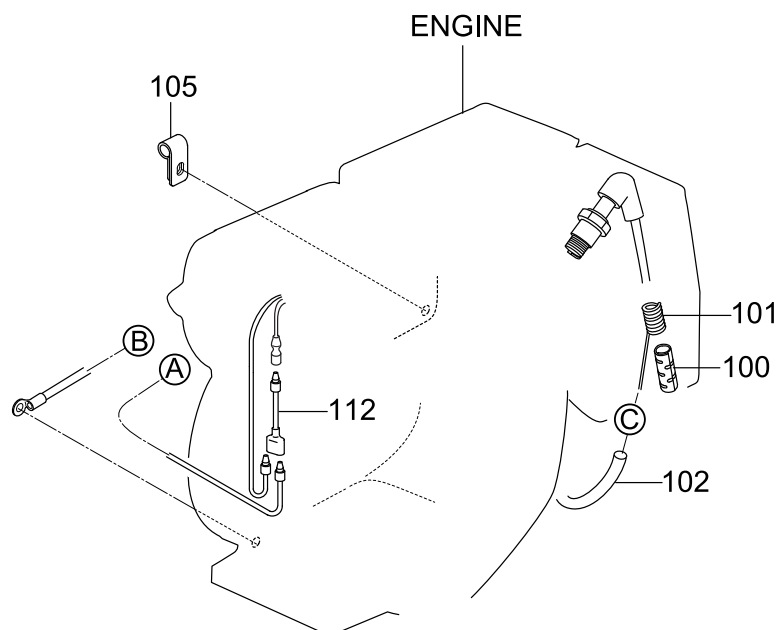
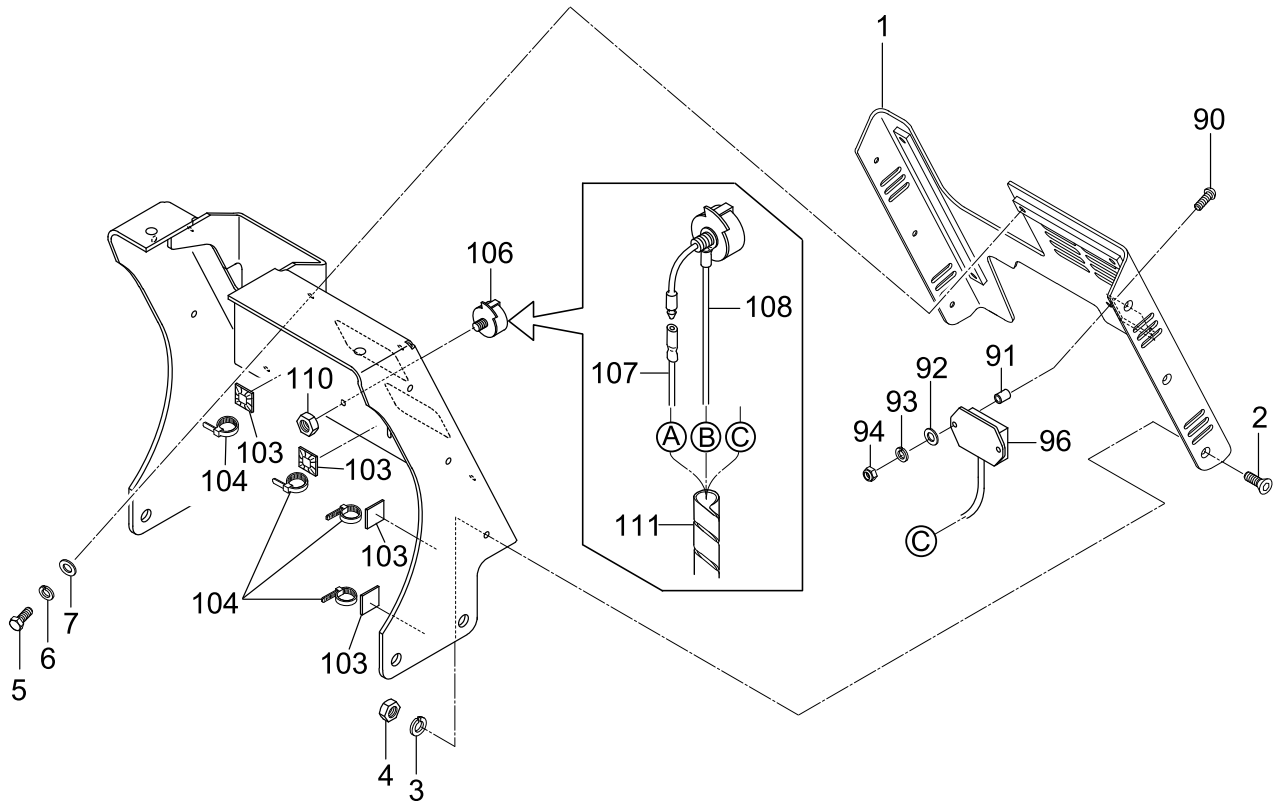
ELECTRIC DEVICE/GH-GX240

MVH-208/209 GH

4WZ0

ELECTRIC DEVICE (HONDA: GX240)

電装関係 (ホンダ: GX240)



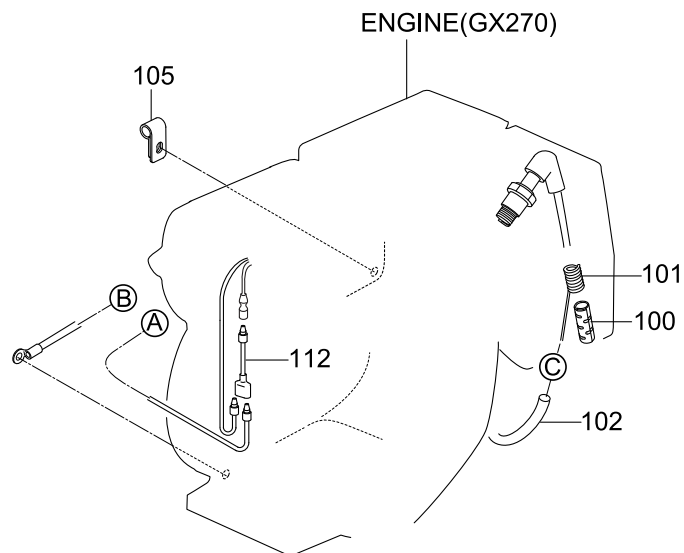
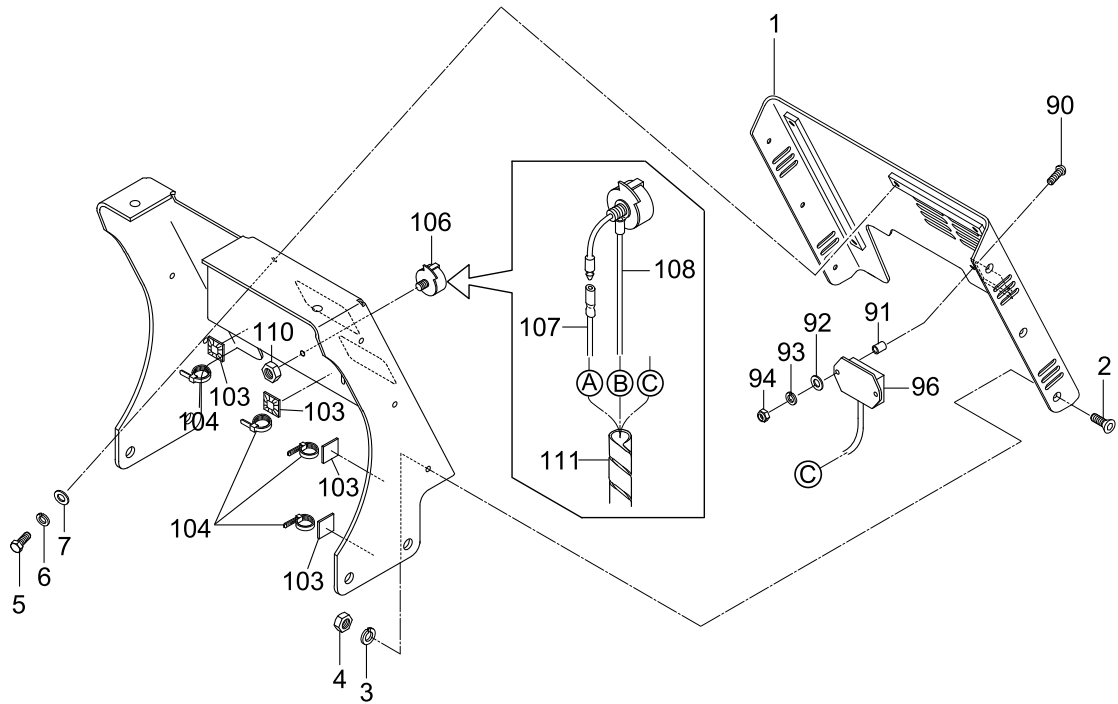
ELECTRIC DEVICE/GH-GX240

NO.	PART/NO.	PartsName	Q' TY	MK2	REMARKS	List Price
1	4702-19570	REAR COVER/GX240/MVH-208	1			19000
2	0091-20414	SUNK HEAD BOLT 6X20	6			60
3	0302-06150	SW M6	6			21
4	0203-06050	NUT M6	6			28
5	0012-20612	BOLT 6X12 T	5			64
6	0302-06150	SW M6	5			21
7	0311-06100	PW M6	5			21
90	0091-10072	PAN HEAD SCREW 5X35	2			120
91	9524-07930	COLLAR 6X10X13.5	2			1250
92	0311-05080	PW M5	2			21
93	0302-05130	SW M5	2			21
94	0227-10506	NYLON NUT M5	2			48
96	9550-10311	TP-22 TACHO/HOUR METER	1			10800
100	9550-10307	CLIP BELT/TP-22	1			100
101	9550-10308	CURL CORD/MVH-206	1			2160
102	9590-26828	RUBBER TUBE L=850	1			330
103	9554-07970	WIRING FIXED BASE/MVH-206	4			250
104	5060-10070	CLAMP TC-150	4			65
105	206-75501-01	CLAMP COMPL	1	S!9544-09880		230
106	9553-01010	STOP SWITCH, ENGINE/MVH308	1			1500
107	4684-67570	READ CORD (1300L) /MVH408GH	1			1000
108	4674-66980	LEAD WIRE (SW-GROUND)	1			750
110	0229-10340	LOCK NUT U-M8/THIN	1			140
111	9590-21827	SPIRAL TUBE 6D-950L	1			280
112	5154-50380	WIRE HARNESS /MRH-600, 700	1	SX		380

ELECTRIC DEVICE/GH-GX270

MVH-208/209 GH
ELECTRIC DEVICE (HONDA: GX270)

4ZM0



ELECTRIC DEVICE/GH-GX270

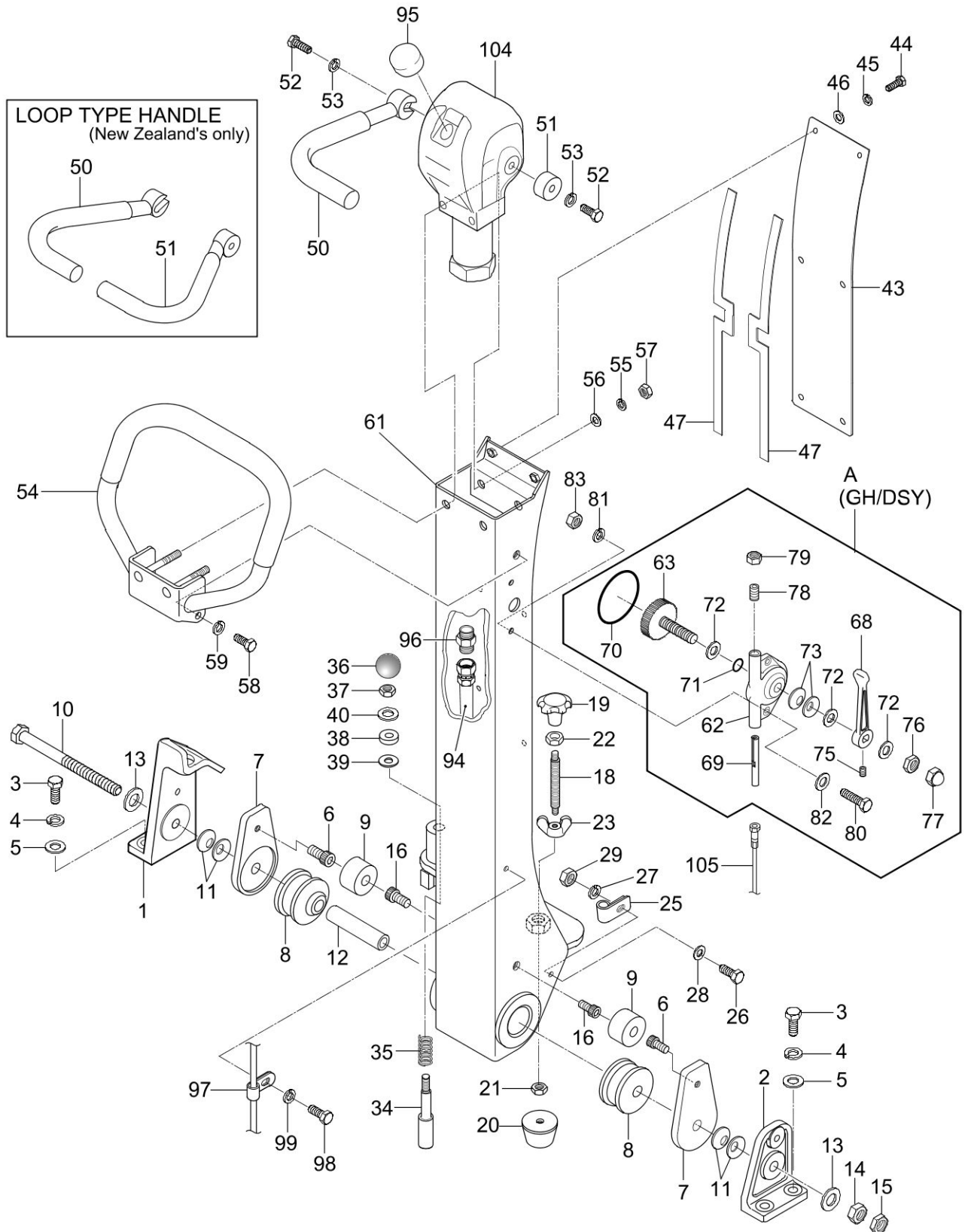
NO.	PART/NO.	PartsName	Q' TY	MK2	REMARKS	List Price
1	4702-20290	REAR COVER/GX270/MVH-208	1			19000
2	0091-20414	SUNK HEAD BOLT 6X20	6			60
3	0302-06150	SW M6	6			21
4	0203-06050	NUT M6	6			28
5	0012-20612	BOLT 6X12 T	5			64
6	0302-06150	SW M6	5			21
7	0311-06100	PW M6	5			21
90	0091-10072	PAN HEAD SCREW 5X35	2			120
91	9524-07930	COLLAR 6X10X13.5	2			1250
92	0311-05080	PW M5	2			21
93	0302-05130	SW M5	2			21
94	0227-10506	NYLON NUT M5	2			48
96	9550-10311	TP-22 TACHO/HOUR METER	1			10800
100	9550-10307	CLIP BELT/TP-22	1			100
101	9550-10308	CURL CORD/MVH-206	1			2160
102	9590-26828	RUBBER TUBE L=850	1			330
103	9554-07970	WIRING FIXED BASE/MVH-206	4			250
104	5060-10070	CLAMP TC-150	4			65
105	206-75501-01	CLAMP COMPL	1	S!9544-09880		230
106	9553-01010	STOP SWITCH, ENGINE/MVH308	1			1500
107	4684-67570	READ CORD (1300L) /MVH408GH	1			1000
108	4674-66980	LEAD WIRE (SW-GROUND)	1			750
110	0229-10340	LOCK NUT U-M8/THIN	1			140
111	9590-21827	SPIRAL TUBE 6D-950L	1			280
112	5154-50380	WIRE HARNESS /MRH-600, 700	1	SX		380

OPERATION

MVH-208/209

4XA0

OPERATION / 操作関係



OPERATION

NO.	PART/NO.	PartsName	Q' TY	MK2	REMARKS	List Price
-A	4669-10050	THRITTLE LEVER AY/MVH-206	1		DSY/GH	3750
1	4673-51951	HANDLE BRACKET (R) /MVH	1			9100
2	4563-36420	HANDLE BRACKET (R) /303DSA	1			5090
3	0012-21235	BOLT 12X35 T	4			220
4	0302-12300	SW M12	4			21
5	0311-12230	PW M12	4			54
6	0015-21010	SOCKET HEAD BOLT 10X10 T	2	OJH		100
7	4704-68800	GUIDE, HANDOLE /MVH-208	2			4750
8	4564-49940	SHOCK ABSORBER/MVH-303DSA	2			3750
9	4704-68900	CUSHION RUBBER 16X50X30	2			750
10	0012-21681	BOLT 16X250 T	1			2360
11	0322-16350	CONICAL SPRING WASHER M16	4			410
12	4704-69100	RUBBER TUBE 15.9X25X120L	1			1150
13	0311-16260	PW M16	2			120
14	0203-16130	NUT M16	1			230
15	0204-16100	NUT M16, H=10	1			230
16	4704-68920	BOLT, CUSHION RUBBER/208	2			850
18	4554-34950	SPINDLE /MVH-200	1			3380
19	4550-10030	KNOB /MVH-200	1			1800
20	9390-09470	STOPPER RUBBER 55X45H/208	1			2500
21	0204-10060	NUT M10, H=6	1			48
22	0204-12070	NUT M12, H=7	1			110
23	0224-11635	WING NUT M16	1			720
25	9594-08930	CLIP 15 (M6) /MVH-308	1			300
26	0012-20620	BOLT 6X20 T	1			64
27	0302-06150	SW M6	1			21
28	0311-06100	PW M6	1			21
29	0203-06050	NUT M6	1			28
34	5014-02870	HANDLE STOPPER /MDR	1			3550
35	5014-02880	SPRING/HANDLE (1.4X18X44)	1			660
36	9594-03460	BALL GRIP 32D-M10	1			1300
37	0204-10060	NUT M10, H=6	1			48
38	4564-49980	RUBBER PACKING 9D-20D-5T	1			170
39	9534-05260	PACKING 1/4 (CU)	1			170
40	0311-10160	PW M10	1			36
43	4662-17890	HANDLE COVER/MVH-206	1			10500
44	0012-20620	BOLT 6X20 T	6			64
45	0302-06150	SW M6	6			21
46	0311-06100	PW M6	6			21
47	4664-62010	PACKING, HANDLE COVER	2			250
50	4642-16630	TRAVEL LEVER /MVH-306	1	SXY		9100
50	4642-16820	TRAVEL LEVER (R) /MVH-306	1		LOOP TYPE	8560
51	4644-57400	HANDLE BOSS/MVH-306	1			1070
51	4642-16830	TRAVEL LEVER (L) /MVH-306	1		LOOP TYPE	8560
52	0012-21030	BOLT 10X30 T	2			160
53	0302-10250	SW M10	2			21

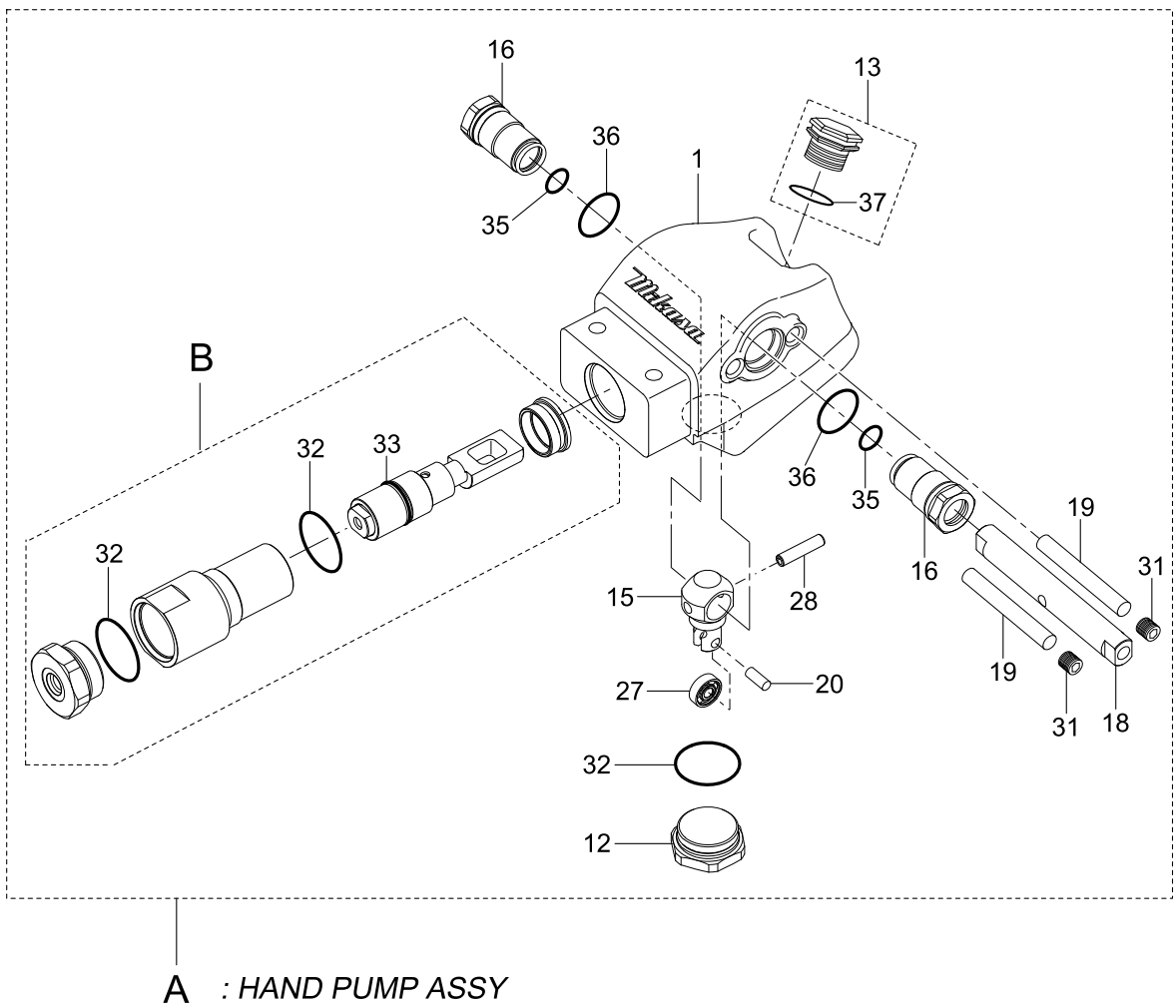
OPERATION

NO.	PART/NO.	PartsName	Q' TY	MK2	REMARKS	List Price
54	4672-18900-GR	GRIP-GR/MVH-308	1		GR	20300
54	4672-18909-OR	GRIP-OR /MVH-308	1		OR	20300
55	0302-10250	SW M10	2			21
56	0311-10160	PW M10	2			36
57	0203-10080	NUT M10	2			48
58	0012-21025	BOLT 10X25 T	2			160
59	0302-10250	SW M10	2			21
61	4701-21870	HANDLE BAR /MVH-208	1			35500
62	3623-41550	THROTTLE BODY /MT-55	1			1070
63	3629-10090	THROTTLE, GEAR CP, W/BOLT	1			750
68	3624-55630	THROTTLE LEVER /MT-55	1			540
69	3624-55620	SLIDER /MT-55	1			430
70	0501-00450	O-RING G-45	1			140
71	0502-00100	O-RING P-10	1			72
72	0311-10160	PW M10	3			36
73	0321-10180	CONICAL SPRING WASHER M10	2			140
75	0962-06006	SOCKET HEAD SCREW 6X6	1			48
76	0204-10060	NUT M10, H=6	1			48
77	0221-31008	CAP NUT M10	1			140
78	0962-08020	SOCKET HEAD SCREW 8X20	1			140
79	0204-08050	NUT M8, H=5	1			48
80	0012-20625	BOLT 6X25 T	2			64
81	0302-06150	SW M6	2			21
82	0311-06100	PW M6	2			21
83	0203-06050	NUT M6	2			28
94	9540-03280	OIL HOSE 1100L /MVH-208	1			5600
95	4584-51630	BREATHER CAP/ MVH-100/150	1			330
96	9540-03150	MALE CONNECTOR, O-RING 1/4	1			440
97	206-75501-01	CLAMP COMPL	1	S!9544-09880		230
98	0012-20615	BOLT 6X15 T	1			64
99	0302-06150	SW M6	1			21
104	4702-19590	HAND PUMP /MVH-208	1			99000
105	9561-00072	THROTTLE WIRE 1410/1B30	1		DSZ (HATZ)	2500
105	9561-00073	THROTTLE WIRE 1285/L70	1		DSY (YANMAR)	2500
105	9561-00074	THROTTLE WIRE 1540/GX240	1		GH (HONDA)	2500

HAND PUMP

MVH-208/209
HAND PUMP / ハンドポンプ

4XD0



HAND PUMP

NO.	PART/NO.	PartsName	Q' TY	MK2	REMARKS	List Price
A	4702-19590	HAND PUMP /MVH-208	1			99000
B	4709-10030	CYLINDER & VALVE AY	1			50000
12	4704-69000	PLUG , PUMP /MVH-208	1			4000
13	4709-10010	BREATHER AY/MVH-208	1		INCL. 37	10000
15	4704-68980	CONTROL ARM /MVH-208	1			11500
16	4704-68970	BUSH, PUMP /MVH-208	2			6500
18	4704-68960	CONTROL SHAFT, PUMP/MVH-208	1			12000
19	4704-68950	STOPPER, PUMP/MVH-208	2			2200
20	4704-68940	PIM 7X18, PUMP/MVH-208	1			1000
27	0403-00627	BEARING 627/MC3	1			630
28	0254-08035	SPRING PIN 8X35	1			120
31	5050-15380	PLUG PT1/4	2			130
32	0502-00360	O-RING P-36	3			140
33	0502-00240	O-RING P-24	1			120
35	0502-10200	O-RING P-20-1B	2			140
36	0501-00250	O-RING G-25	2			92
37	0502-00180	O-RING P-18	1			120

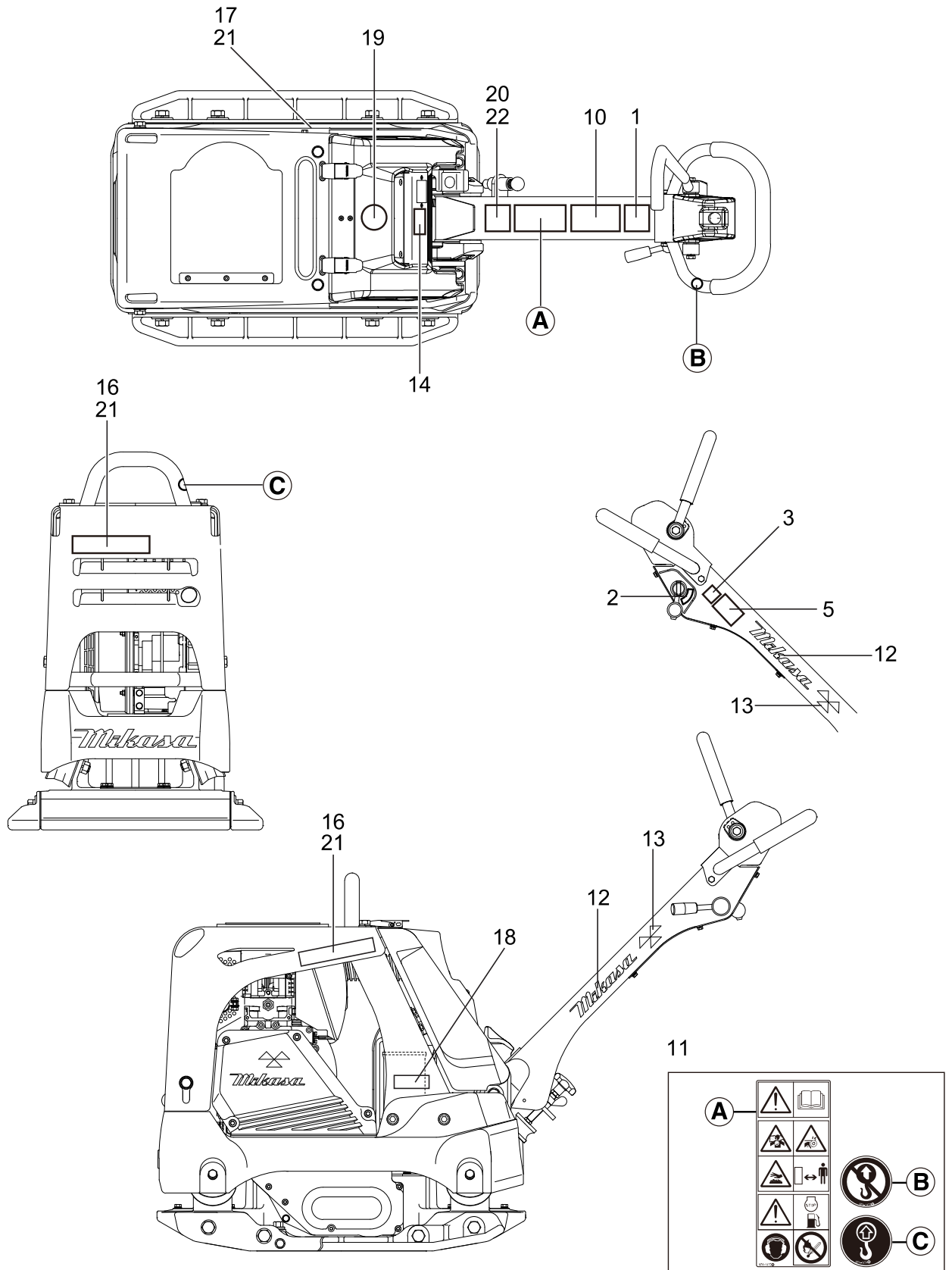
DECAL, NAME PLATE

MVH-208/209

4XB0

DECAL, NAME PLATE (Regions except Japan)

銘板関係 (海外向け仕様)



DECAL, NAME PLATE

NO.	PART/NO.	PartsName	Q' TY	MK2	REMARKS	List Price
1	9202-10100	DECAL, EC NOISE REQ. LWA108	1			200
2	073-20044-60	LABEL (STARTER SWITCH)	1		Diesel Only	350
3	9202-14960	DECAL, KEY OPERATION	1		Diesel Only	0
4	9202-11090	DECAL, SHELL TELLUS OIL 32	1			150
5	9202-14950	DECAL, REMOVE KEY	1		Diesel Only	0
8	9202-14100	DECAL , E/G FIRE WARNING	1			250
10	9202-14760	DECAL, ENGINE HANDLING /GS	1			0
11	9209-00110	DECAL, SET/MVH-MRH/EXP, EU	1		Set /INC10	700
12	9202-17130	DECAL, MIKASA MARK (W) 200L	2			1000
13	9202-17110	DECAL, MIKASA MARK 35X70	2			250
14	9202-01580	DECAL, MQ MARK 71X55	1			250
14	9202-18140	DECAL, E/G RPM 3400	1		DSZ, GH	230
14	9202-18160	DECAL, E/G RPM 3200	1		DSY	230
15	9202-18390	DECAL, CAUTION /MVH-308	1			750
16	9202-20060	DECAL, MODEL (R, GR) /MVH-208	2		MVH-208	0
16	9202-20080	DECAL, MODEL (R, OR) /MVH-208	2		MVH-208	900
16	9202-20100	DECAL, MODEL (R, GR) /MVH-209	2		MVH-209	0
16	9202-20120	DECAL, MODEL (R, OR) /MVH-209	2		MVH-209	0
17	9202-18140	DECAL, E/G RPM 3400	1			230
17	9202-20090	DECAL, MODEL (L, OR) /MVH-208	1		MVH-208	900
17	9202-20110	DECAL, MODEL (L, GR) /MVH-209	1		MVH-208	0
17	9202-20130	DECAL, MODEL (L, OR) /MVH-209	1		MVH-209	0
17	9202-17720	DECAL, MODEL (L, GR) /MVH-308	1		MVH-209	900
18	9202-13050	DECAL, IMER 35X100 /MTX	2		Only IMER	0
19	9202-08540	DECAL, MARK (IMER)	1		Only IMER	170
20	9202-17240	DECAL, IMER, 3ANS GARANTIE	1		Only IMER	250
21	9202-20310	DECAL, HUTTER 30X237/209D	3	!SD	Only HUTTER	0
22	9202-20190	DECAL, HUTTER, 3ANS GARANTIE	1		Only HUTTER	0