

This catalog covers:  
**FJ180V-□M50**

GRID NO. This grid covers:  
**A-01** TITLE

# PARTS CATALOG

## 4-STROKE ENGINE

### FJ180V

PRODUCT CODE	NOTE
FJ180V-AM50	STD
	(WBM)

# PARTS CATALOG INTRODUCTION

This parts catalog lists parts and sub-assemblies provided as service parts. When it becomes necessary to replace parts, always use KAWASAKI GENUINE PARTS which have passed strict inspection which guarantees quality and performance.

## 1. HOW TO ORDER PARTS

- When ordering the parts, be sure to use the parts catalog corresponding to the product code. Check the product revision codes on the product and the catalog.  
 Product Code (example) : FA130D-**AA00**  
 Product Revision Code
- Specify the part code (all digits) exactly as listed in this catalog on your parts order.
- The parts not shown in the illustrations of this catalog are not sold separately; only the complete units or next higher assemblies illustrated are supplied as the service parts.

## 2. EXPLANATION OF PARTS CATALOG FORMAT

Ref. No.	Part No.	Description	Quantity	
			A	B
11004	11004-7001	GASKET-HEAD	2	2
11008	11008-7001	HEAD-COMP-CYLINDER.#1	1	1
11008A	11008-7002	HEAD-COMP-CYLINDER.#2	1	1
11022	11022-7001	CASE-ROCKER	2	2
11060	11060-7001	GASKET,ROCKER CASE	2	2
11060A	11060-7008	GASKET,CRANKCASE COVER	1	1
11060B	11060-7015	GASKET,BREATHER	1	1
13271	13271-7016	PLATE	1	1
13271A	13271-7016	PLATE	1	1
14690	14690-7001	COVER,BREATHER	1	1
49015	49015-6215	COVER,CRANKCASE	1	1
49109	49109-7002	ELEMENT-BREATHER	1	1
49120	49120-6119	CRANKCASE-COMP	1	1
92033	92033-7003	RING-SNAP	2	2
92043	92043-7001	PIN	6	6
92049	92049-7001	SEAL-OIL	4	4
92049A	92049-7002	SEAL-OIL	1	1
92049B	92049-7004	SEAL-OIL	1	1
92049C	92049-7005	SEAL-OIL	1	1
130	130B0612	BOLT-FLANGED	4	4
130A	130B0640	BOLT-FLANGED	4	4
130B	130T0650	BOLT-FLANGED	17	17
130C	130T0675	BOLT-FLANGED	2	2
172	172G06818	BOLT-STUD	4	4

### 1) Product Code

This code describes the product code covered by this catalog. The product revision code, which is a part of the product code, is omitted.

### 2) Part Group Title

This title is the representative name for the group of parts illustrated on the page.

### 3) Reference Number

The reference numbers are shown on the illustration and the list as the link between them.

## 4) Part Number

This is the key of your parts ordering. Three kinds of part number are used in this catalog.

- Structure 1
- Structure 2
- Standard Hardware Number (for bolts, nuts, washer, or the like)

## 5) Description and Additional Information

The part name, the location, the size, and the serial number as additional information, etc. are described here. Use them to find out and check the part required.

When a part number is changed without change of the product revision code and the changed parts are not interchangeable, the serial number of the product is noted as follows;

- ( FA130 - 100001 ) : Affected units are from beginning of the product of the product code up to and including this serial number.  
 ( FA130 - 100002 - ) : Affected units are from this serial number and above.  
 ( FA130 - 100002 - FA130 - 110001 ) : Affected units are in this serial number range.

## 6) Quantity

The figure shows quantity of the part required at the indicated position on the illustration and for the specified product revision code.

The asterisk (\*) on this column means the part can be used as the substitute on the product and is supplied until the stock is exhausted.

Note:Some small parts will be supplied by units.

Example: If six (6) bolts are ordered and the minimum quantity per unit is five (5), two (2), units of the bolt will be delivered.

## 7) Product Revision Code

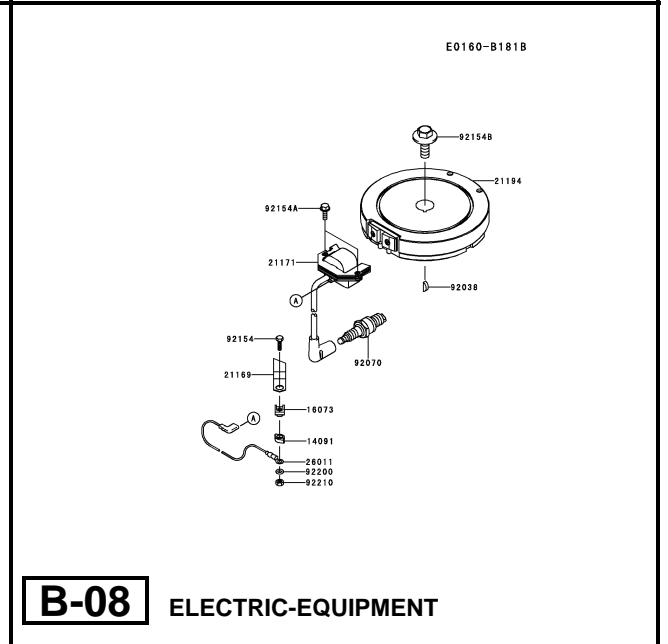
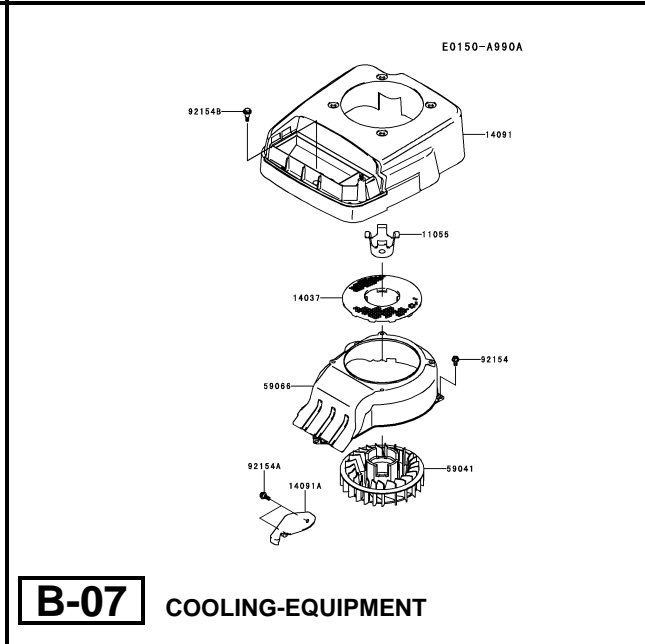
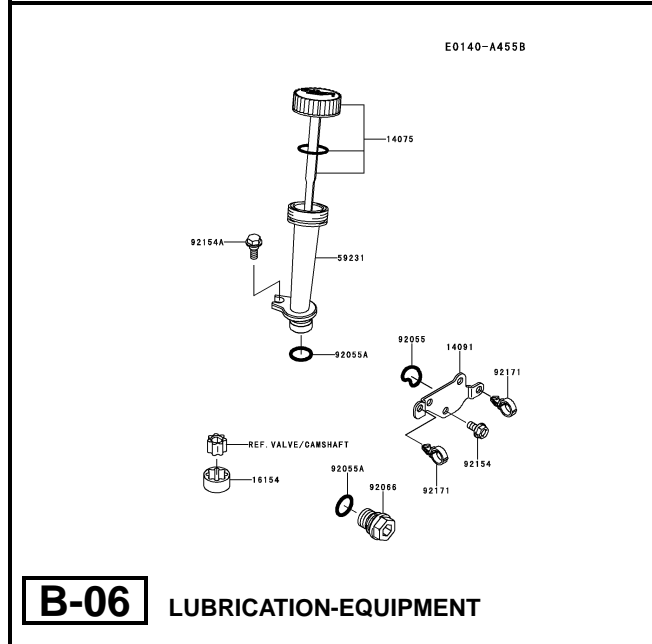
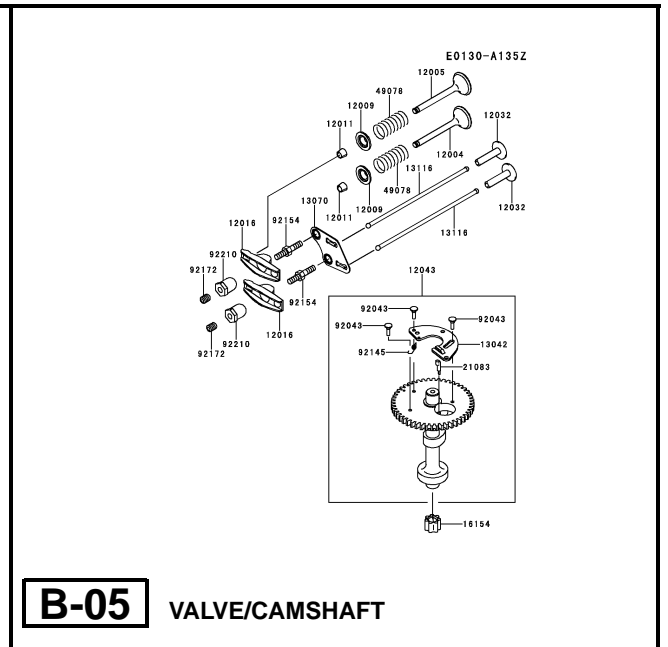
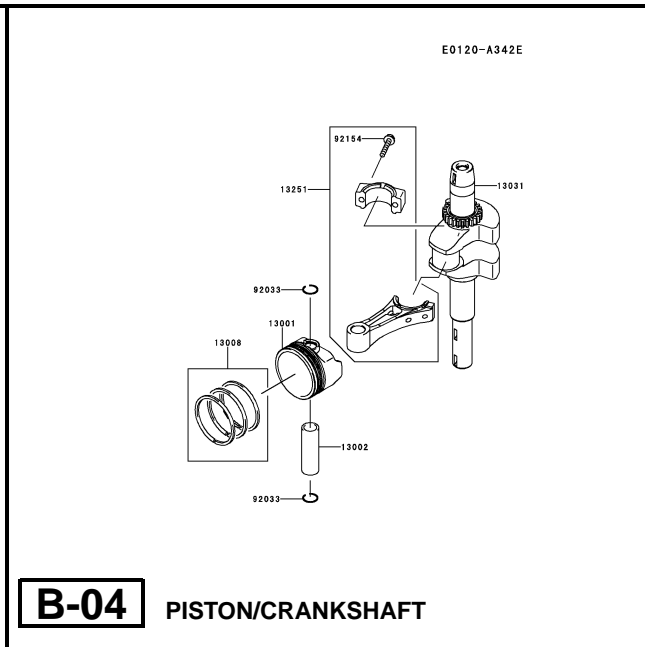
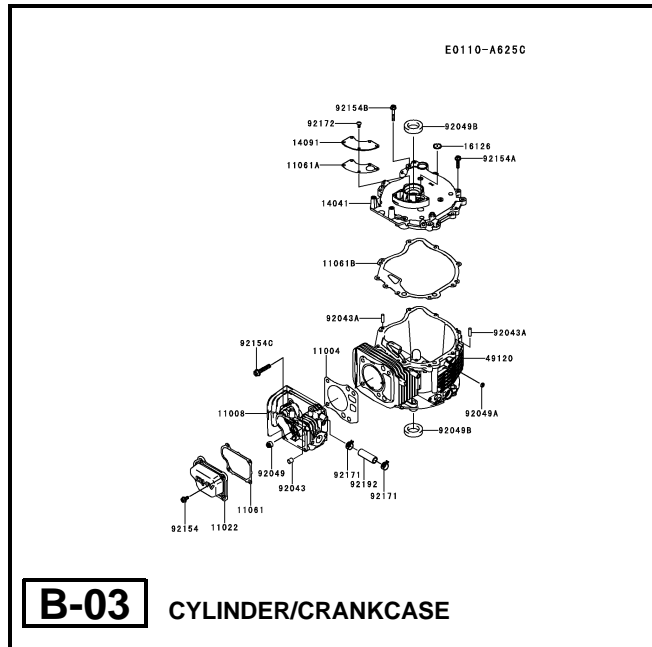
This Code indicates an important change which affects the service parts interchangeability.

## 3. ABBREVIATIONS

#.....Number	FR.....Front	RH.....Right Hand
&.....And	G.....Gram	RPM.....Revolutions Per Minute
(+).....Plus	HEX.....Hexagonal	RR.....Rear
(-).....Minus	ID=.....Inside Diameter	STD.....Standard
2ND.....Second	IN.....Inch	T.....Teeth
3RD.....Third	L=.....Length	T=.....Thickness
4TH.....Fourth	LH.....Left Hand	U/S.....Under Size
A.....Ampere	LWR.....Lower	UPP.....Upper
AR.....As Required	MM.....Millimeter	V.....Volt
ASSY.....Assembly	O/S.....Over Size	W.....Watt
CNT.....Center	OD=.....Outside Diameter	
COMP.....Complete	REF.....Reference	

This catalog covers:  
**FJ180V- □ M50**

GRID NO. This grid covers:  
**B-01 PICTORIAL INDEX**



This catalog covers:

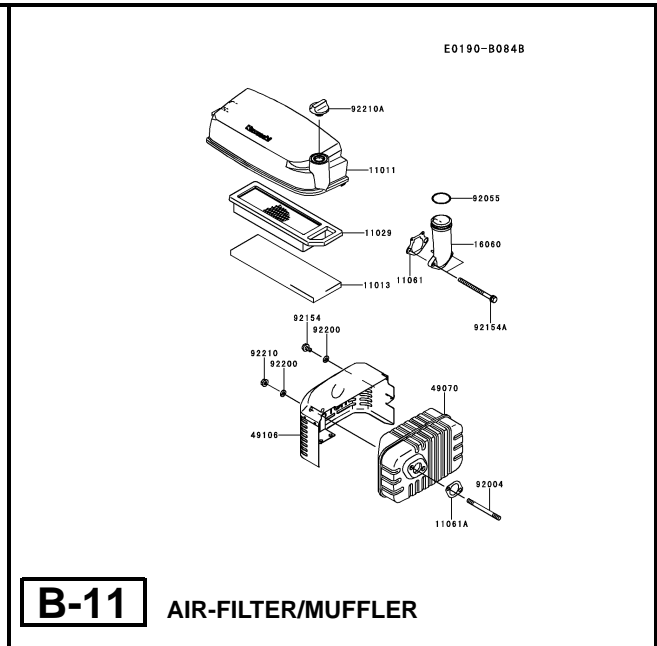
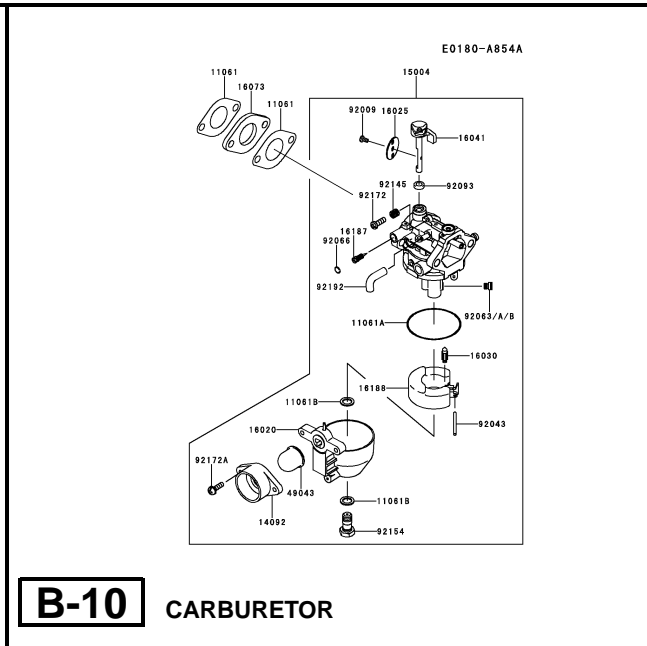
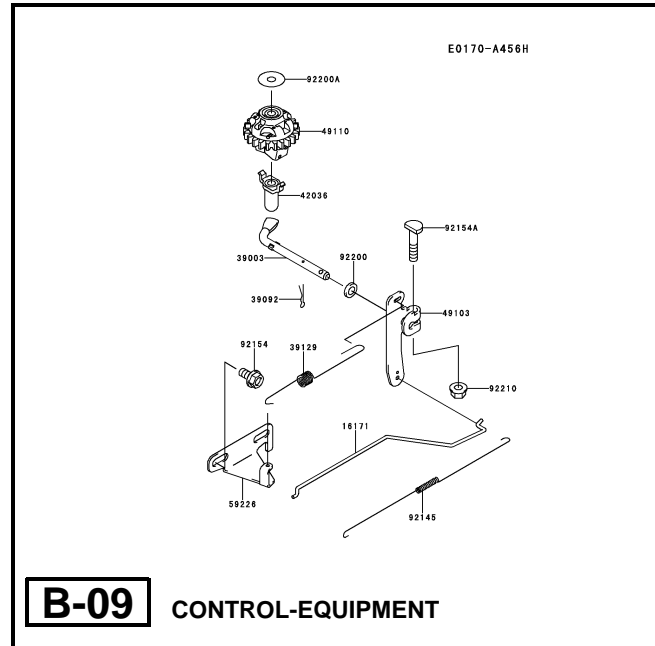
FJ180V- □ M50

GRID NO.

**B-02**

This grid covers:

**PICTORIAL INDEX**



This catalog covers:

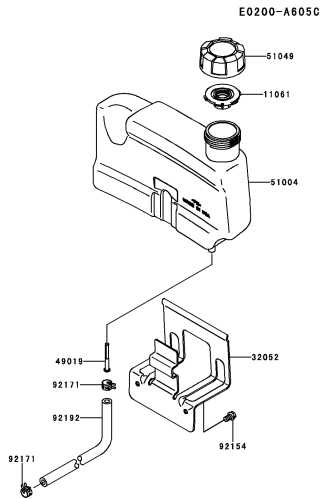
FJ180V- □ M50

GRID NO.

C-01

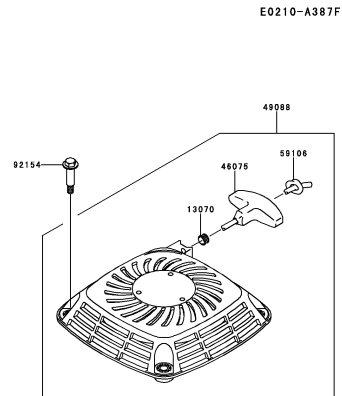
This grid covers:

PICTORIAL INDEX



C-03

FUEL-TANK/FUEL-VALVE



C-04

STARTER

This catalog covers:

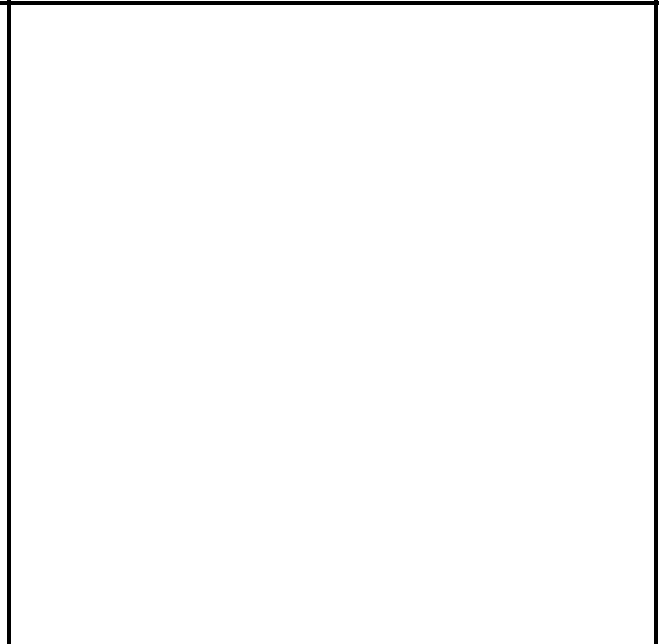
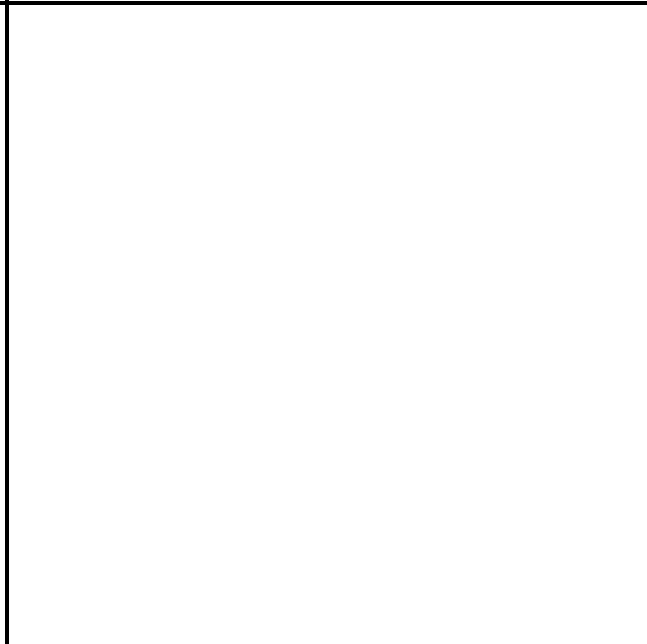
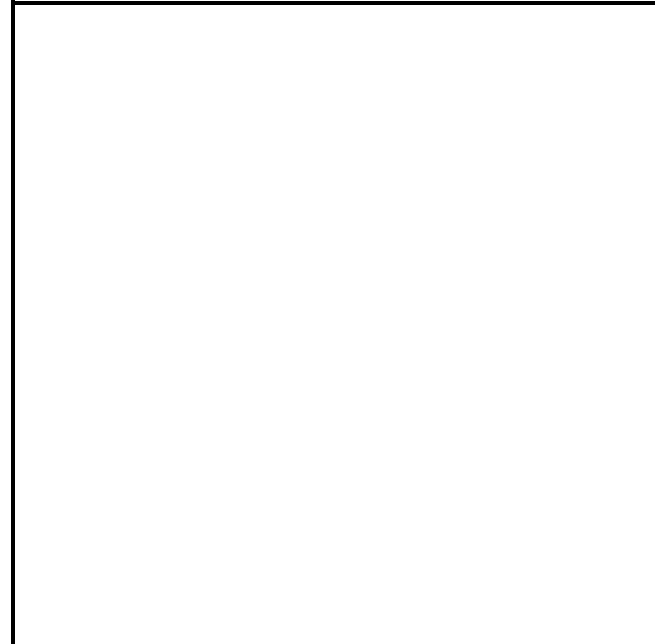
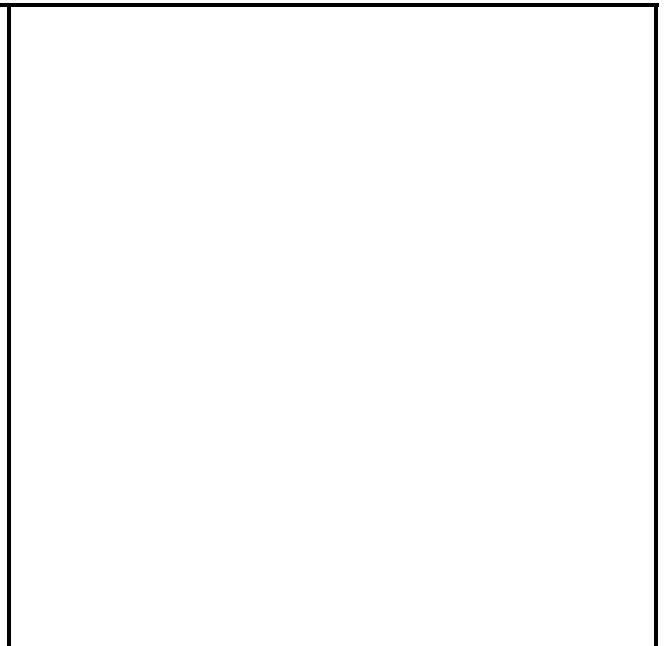
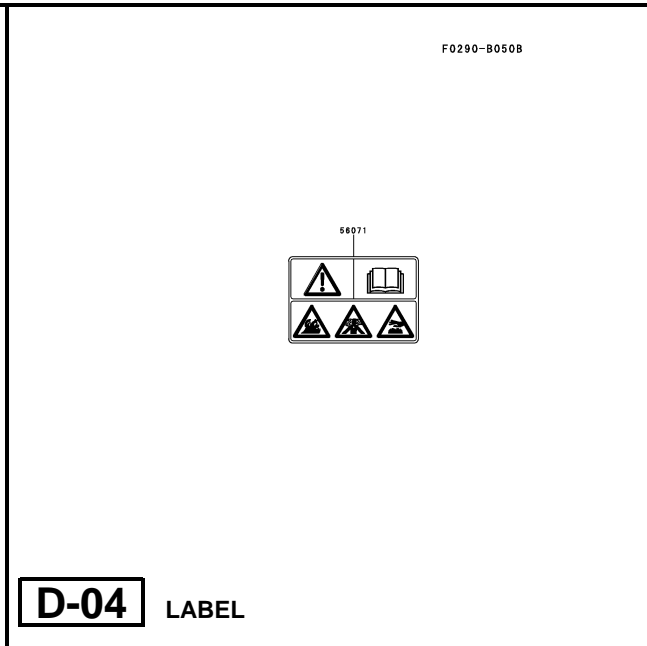
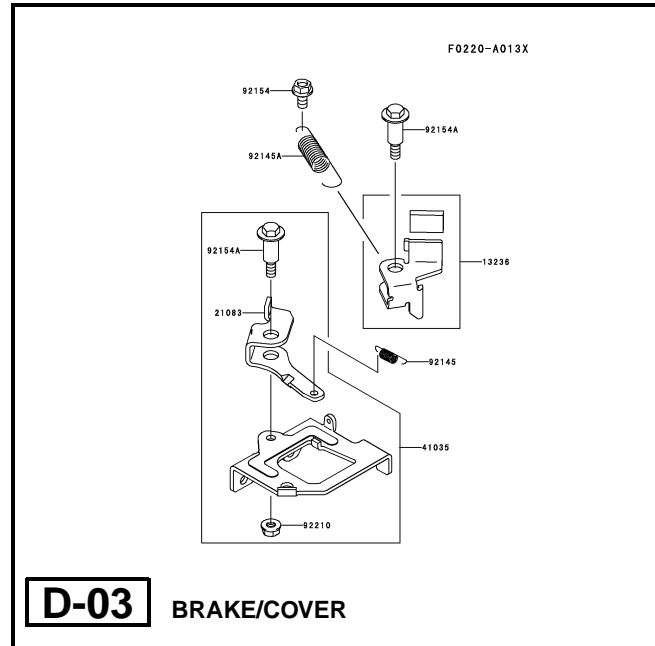
FJ180V- □ M50

GRID NO.

D-01

This grid covers:

PICTORIAL INDEX





This catalog covers:

**FJ180V- □ M50**

GRID NO.

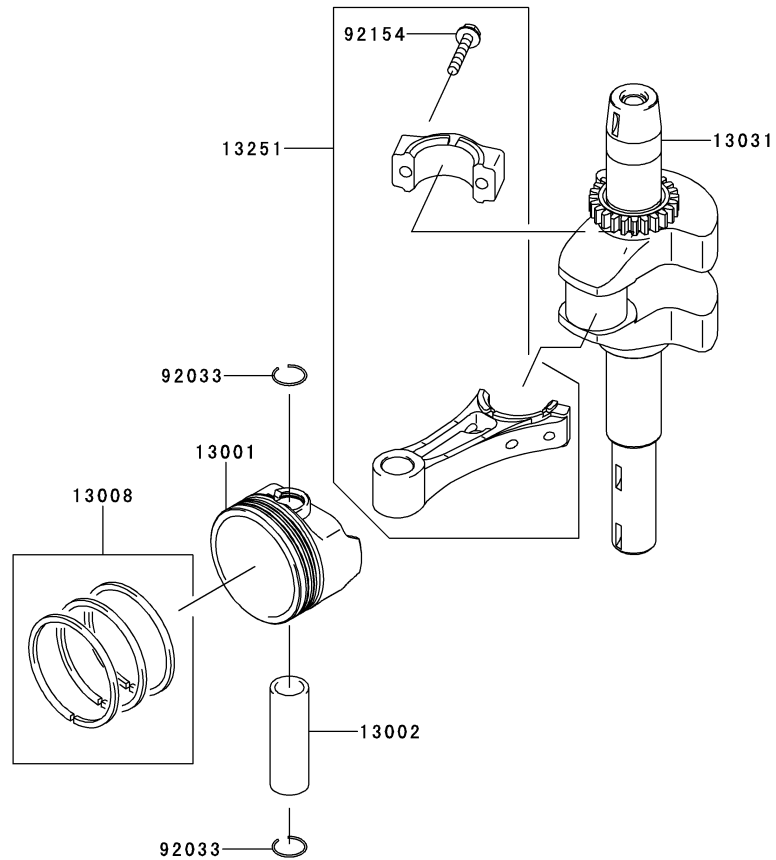
**B-04**

This grid covers:

**PISTON/CRANKSHAFT**

E0120-A342E

Ref. No.	Part No.	Description	Quantity
13001	13001-2175	PISTON-ENGINE	1
13002	13002-2102	PIN-PISTON	1
13008	13008-6073	RING-SET-PISTON	1
13031	13031-2129	CRANKSHAFT-COMP	1
13251	13251-2083	ROD-ASSY-CONNECTING	1
92033	92033-2199	RING-SNAP	2
92154	92154-2010	BOLT,6X30	2





This catalog covers:

FJ180V- □ M50

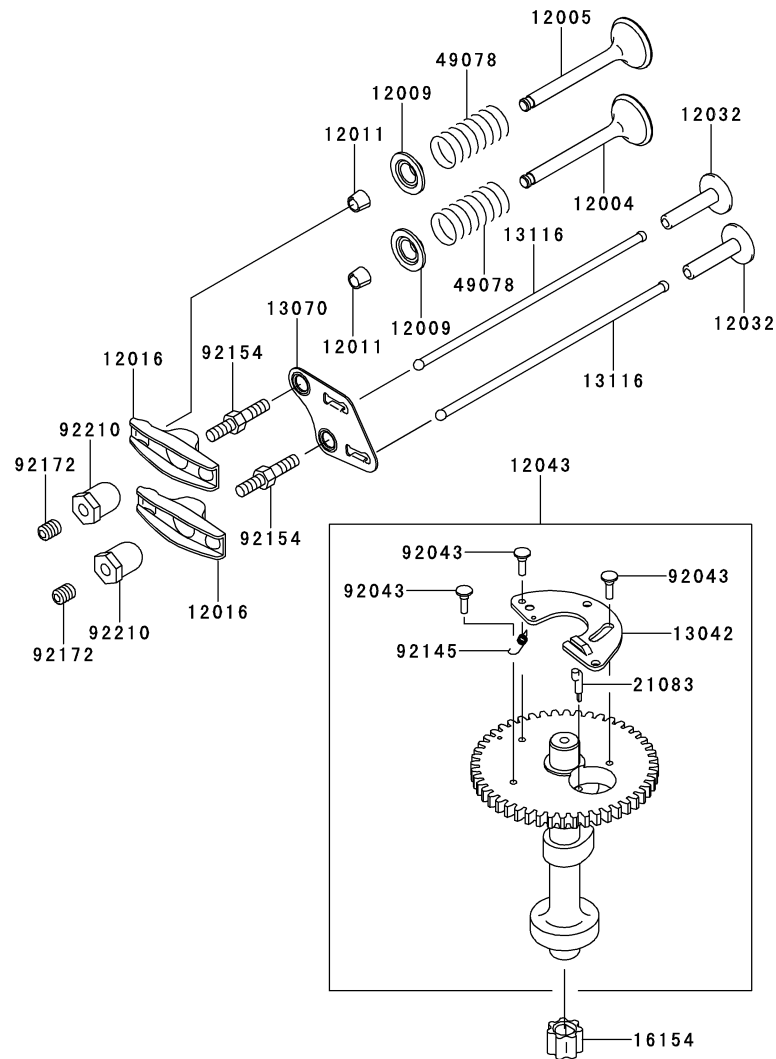
GRID NO.

**B-05**

This grid covers:

**VALVE/CAMSHAFT**

E0130-A135Z



Ref. No.	Part No.	Description	Quantity
12004	12004-2119	VALVE-INTAKE	1
12005	12005-2105	VALVE-EXHAUST	1
12009	12009-2072	RETAINER-VALVE SPRING	2
12011	12011-2056	COLLET	4
12016	12016-2067	ARM-ROCKER	2
12032	12032-2074	TAPPET	2
12043	12043-2001	CAMSHAFT-ASSY-VALVE	1
13042	13042-2121	WEIGHT	1
13070	13070-2118	GUIDE	1
13116	13116-2076	ROD-PUSH	2
16154	16154-7004	ROTOR-PUMP	1
21083	21083-2088	ARM	1
49078	49078-2089	SPRING-ENGINE VALVE	2
92043	92043-2262	PIN	3
92145	92145-2179	SPRING	1
92154	92154-2009	BOLT	2
92172	92172-2107	SCREW	2
92210	92210-2123	NUT,M6	2

This catalog covers:

**FJ180V-**  **M50**

GRID NO.

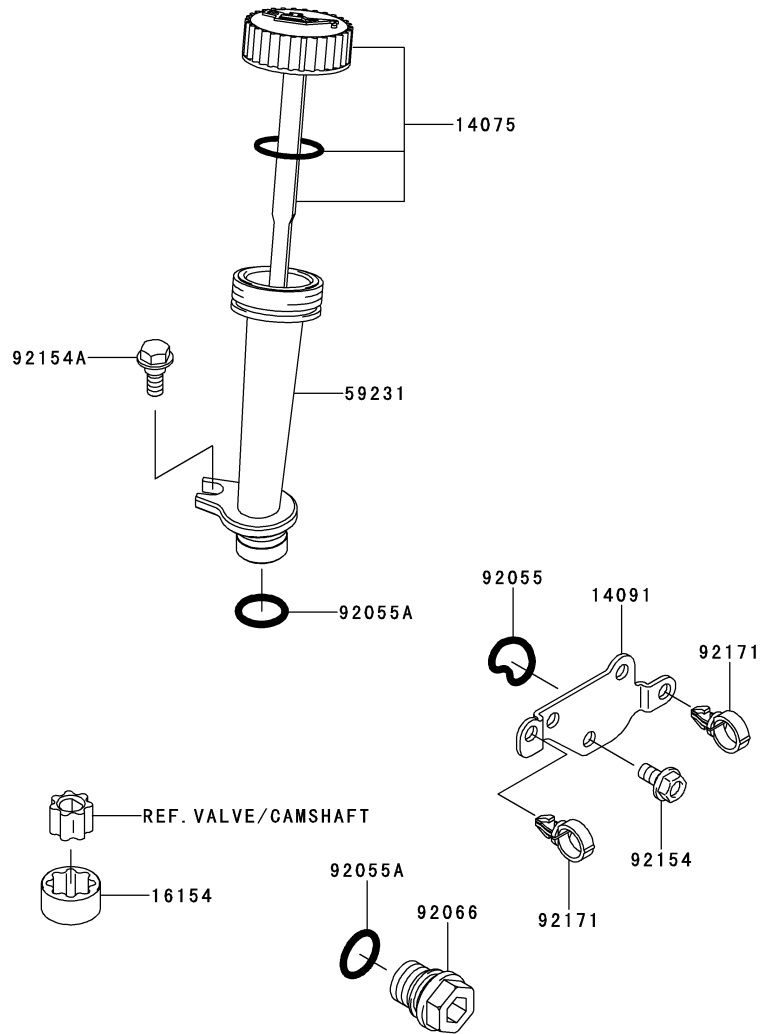
**B-06**

This grid covers:

**LUBRICATION-EQUIPMENT**

E0140-A455B

Ref. No.	Part No.	Description	Quantity
14075	14075-2060	CAP-ASSY	1
14091	14091-2139	COVER,OIL FILTER	1
16154	16154-7002	ROTOR-PUMP	1
59231	59231-2099	FILLER	1
92055	92055-2212	RING-O	1
92055A	92055-2214	RING-O,15.8X2.4	2
92066	92066-2257	PLUG	1
92154	92154-2003	BOLT,6X12	3
92154A	92154-2006	BOLT,M6	1
92171	92171-2089	CLAMP,12.45X5.33	2



This catalog covers:

**FJ180V-**  **M50**

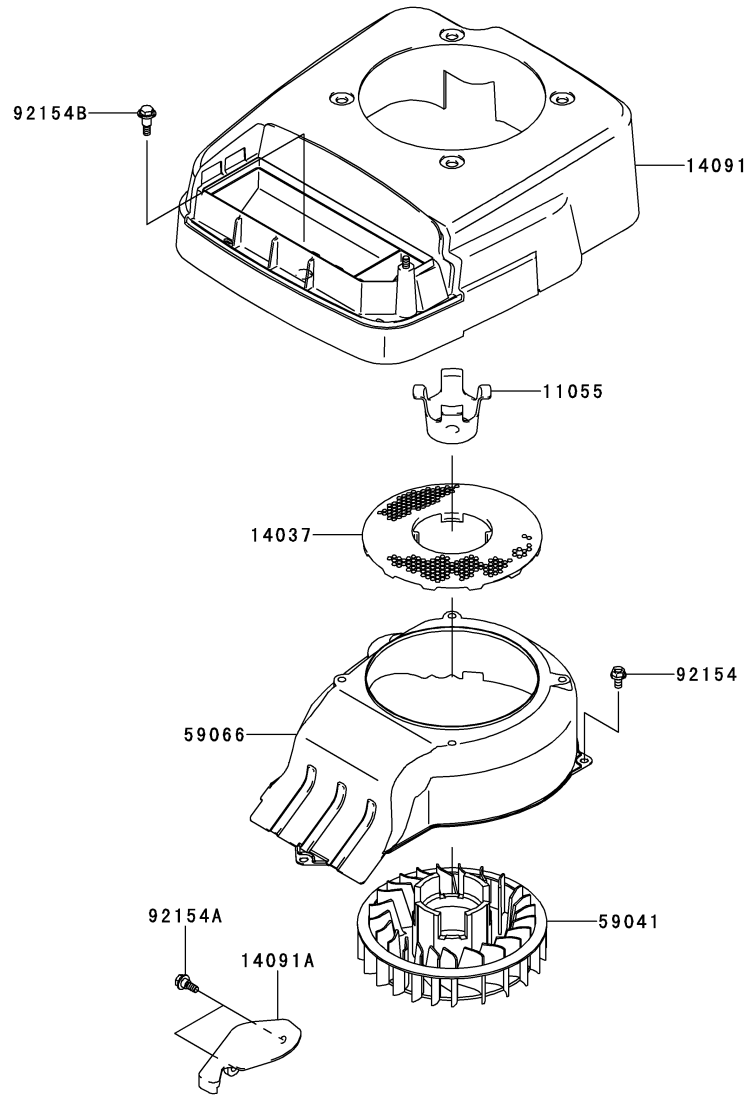
GRID NO.

**B-07**

This grid covers:

**COOLING-EQUIPMENT**

E0150-A990A



Ref. No.	Part No.	Description	Quantity
11055	11055-2014	BRACKET,FAN	1
14037	14037-2154	SCREEN	1
14091	14091-2140	COVER	1
14091A	14091-2142	COVER	1
59041	59041-2098	FAN	1
59066	59066-2812	HOUSING-FAN	1
92154	92154-2003	BOLT,6X12	1
92154A	92154-2006	BOLT,M6	2
92154B	92154-2013	BOLT,M6	1

This catalog covers:

**FJ180V- □ M50**

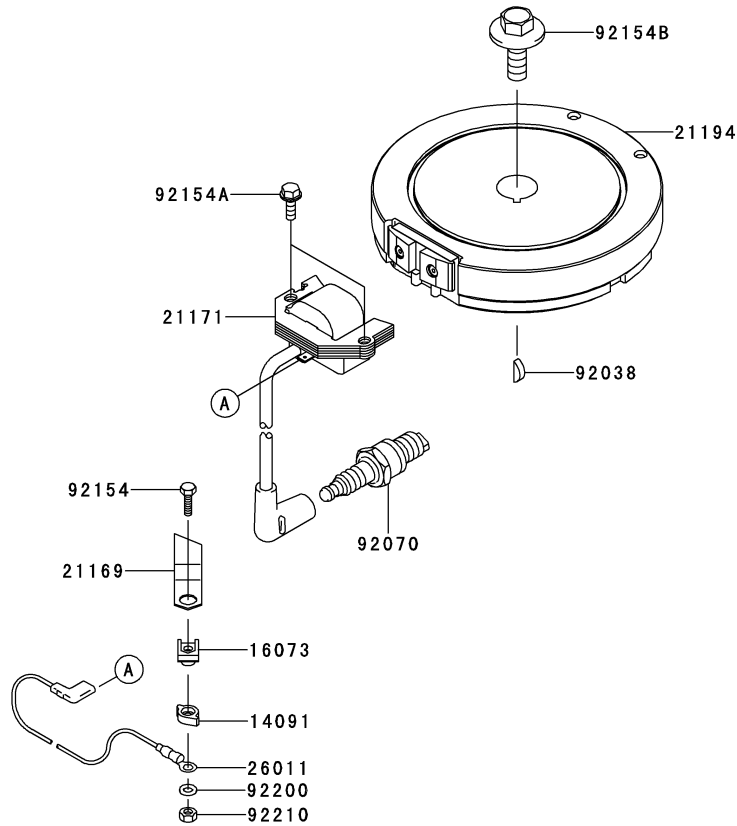
GRID NO.

**B-08**

This grid covers:

**ELECTRIC-EQUIPMENT**

E0160-B181B



Ref. No.	Part No.	Description	Quantity
14091	14091-2141	COVER	1
16073	16073-2241	INSULATOR	1
21169	21169-2077	TERMINAL	1
21171	21171-2267	COIL-ASSY-IGNITION	1
21194	21194-2355	FLYWHEEL-COMP	1
26011	26011-2390	WIRE-LEAD	1
92038	92038-2107	KEY	1
92070	92070-2119	PLUG-SPARK,BPR5ES(NGK)	1
92154	92154-2014	BOLT,4X16	1
92154A	92154-2016	BOLT,6X20	2
92154B	92154-2017	BOLT,12X30	1
92200	92200-2183	WASHER,4.5X8X0.5	1
92210	92210-2126	NUT,M4	1

This catalog covers:

**FJ180V- □ M50**

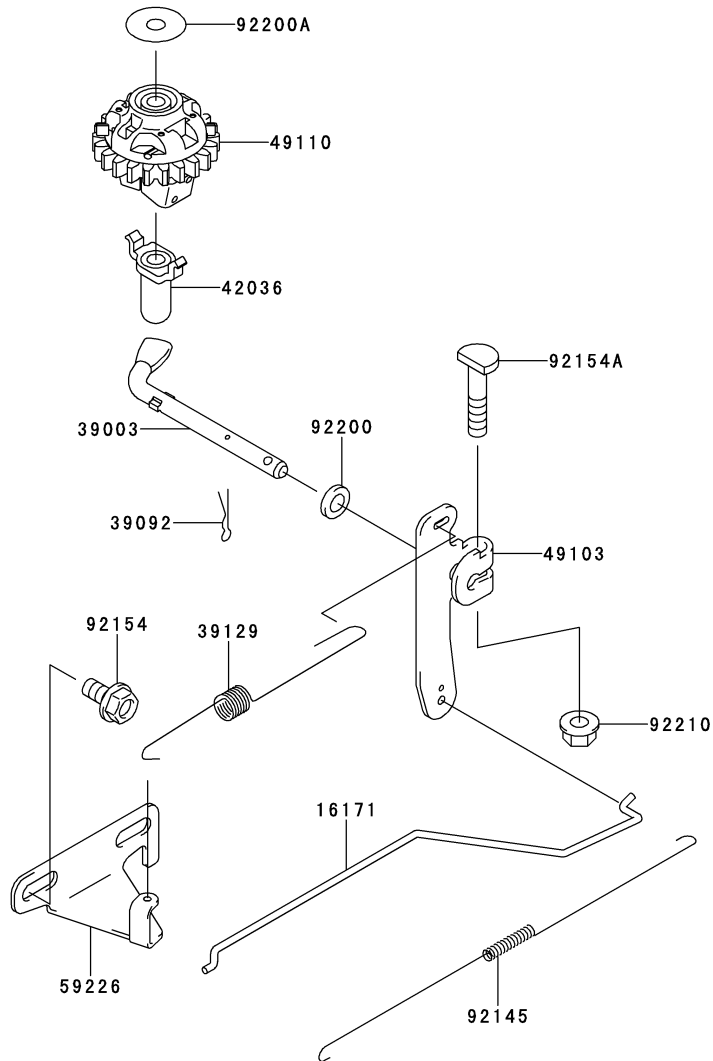
GRID NO.

**B-09**

This grid covers:

**CONTROL-EQUIPMENT**

E0170-A456H



Ref. No.	Part No.	Description	Quantity
16171	16171-2106	LINK, THROTTLE	1
39003	39003-2096	ARM-PIVOT	1
39092	39092-2055	PIN-HAIR	1
39129	39129-2127	SPRING-GOVERNOR	1
42036	42036-2051	SLEEVE	1
49103	49103-2177	ARM-GOVERNOR	1
49110	49110-2102	GOVERNOR-ASSY	1
59226	59226-2370	PANEL-CONTROL	1
92145	92145-2182	SPRING, THROTTLE	1
92154	92154-2003	BOLT, 6X12	2
92154A	92154-2018	BOLT, 6X28	1
92200	92200-2184	WASHER, 6.5X11.5X2	1
92200A	92200-2185	WASHER, 6.2X20X0.5	1
92210	92210-2121	NUT, M6	1

This catalog covers:

**FJ180V- □ M50**

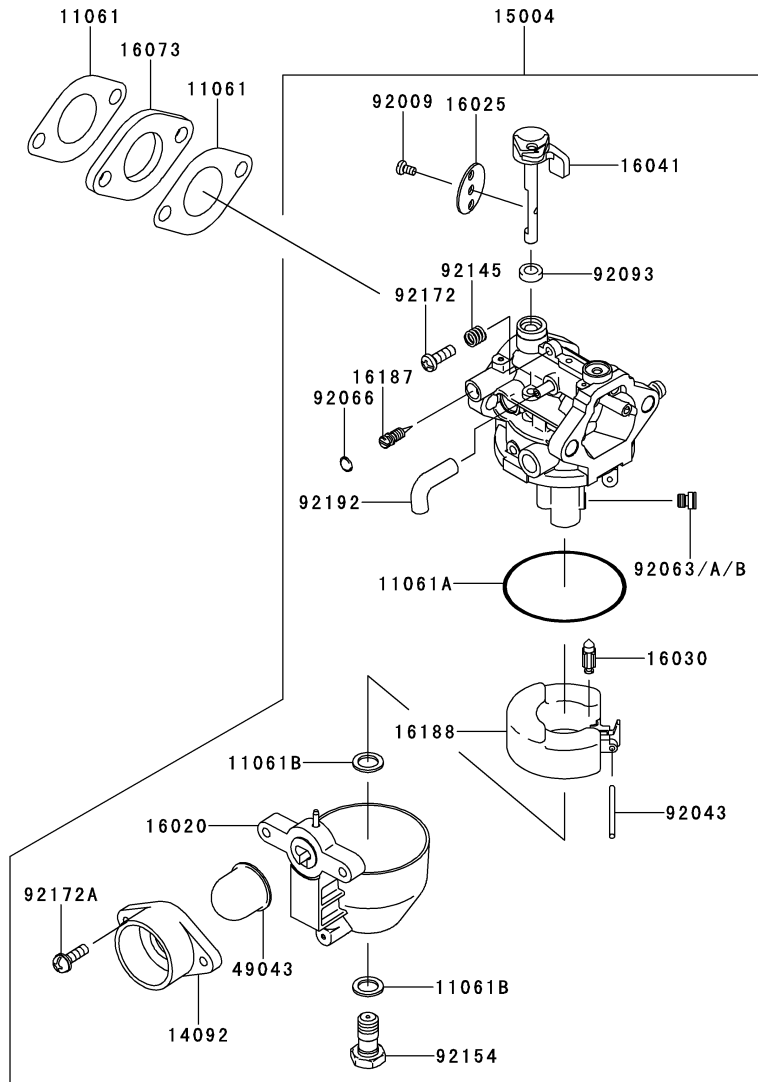
GRID NO.

**B-10**

This grid covers:

**CARBURETOR**

E0180-A854A



Ref. No.	Part No.	Description	Quantity
11061	11061-2215	GASKET,INSULATOR	2
11061A	11061-2238	GASKET	1
11061B	11061-7054	GASKET,CENTER POST	2
14092	14092-2010	COVER,PUMP-PRIMING	1
15004	15004-2071	CARBURETOR-ASSY	1
16020	16020-2155	CHAMBER-FLOAT	1
16025	16025-2213	VALVE-THROTTLE	1
16030	16030-7004	VALVE-FLOAT	1
16041	16041-2267	SHAFT-CARBURETOR	1
16073	16073-2240	INSULATOR	1
16187	16187-7002	NEEDLE-JET	1
16188	16188-2001	FLOAT	1
49043	49043-2076	PUMP-PRIMING	1
92009	92009-2049	SCREW	1
92043	92043-2274	PIN	1
92063	92063-2497	JET-MAIN,#81	1
92063A	92063-2498	JET-MAIN,#79,3280FT	AR
92063B	92063-2499	JET-MAIN,#77,6560FT	AR
92066	92066-7009	PLUG,EXPANSION	1
92093	92093-2135	SEAL	1
92145	92145-2202	SPRING	1
92154	92154-2048	BOLT	1
92172	92172-2132	SCREW	1
92172A	92172-2133	SCREW	2
92192	92192-2217	TUBE,PRIMING	1

This catalog covers:

**FJ180V- □ M50**

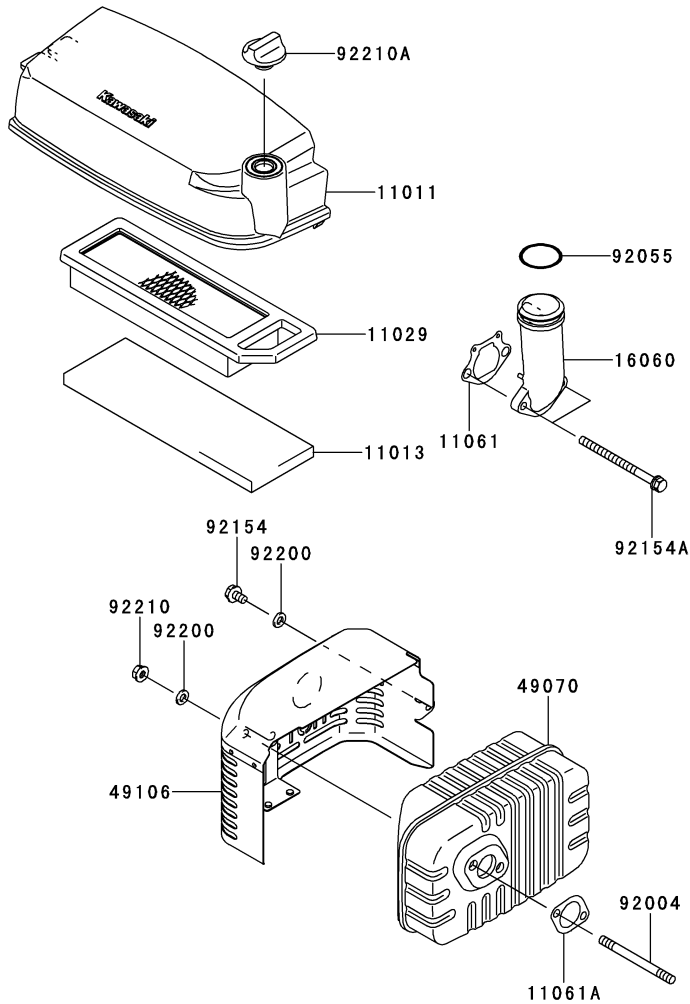
GRID NO.

**B-11**

This grid covers:

**AIR-FILTER/MUFFLER**

E0190-B084B



Ref. No.	Part No.	Description	Quantity
11011	11011-2372	CASE-AIR FILTER	1
11013	11013-2232	ELEMENT-AIR FILTER	1
11029	11029-2023	ELEMENT-ASSY-AIR FILTER	1
11061	11061-2211	GASKET,PIPE INTAKE	1
11061A	11061-2212	GASKET,MUFFLER	1
16060	16060-2217	PIPE-INTAKE	1
49070	49070-2792	MUFFLER-COMP	1
49106	49106-2675	COVER-MUFFLER	1
92004	92004-2162	STUD,6X80	2
92055	92055-2211	RING-O,31.7MM	1
92154	92154-2004	BOLT,6X10	1
92154A	92154-2030	BOLT,6X80	2
92200	92200-2192	WASHER,6.3X12X1.6	3
92210	92210-2121	NUT,M6	2
92210A	92210-2122	NUT,CASE-A/F	1

This catalog covers:

FJ180V- □ M50

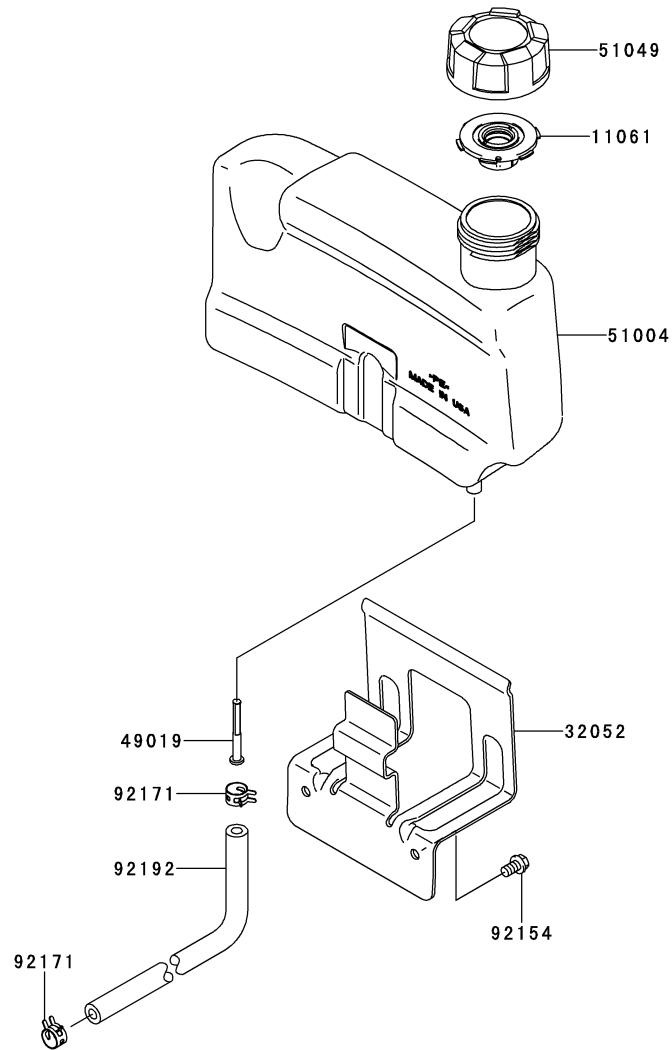
GRID NO.

C-03

This grid covers:

FUEL-TANK/FUEL-VALVE

E0200-A605C



Ref. No.	Part No.	Description	Quantity
11061	11061-2216	GASKET	1
32052	32052-2230	BRACKET-TANK	1
49019	49019-2119	FILTER-FUEL	1
51004	51004-2117	TANK-FUEL	1
51049	51049-2106	CAP-TANK	1
92154	92154-2004	BOLT,6X10	2
92171	92171-2090	CLAMP	2
92192	92192-2186	TUBE,6.35X12.7X330	1



This catalog covers:

**FJ180V- □ M50**

GRID NO.

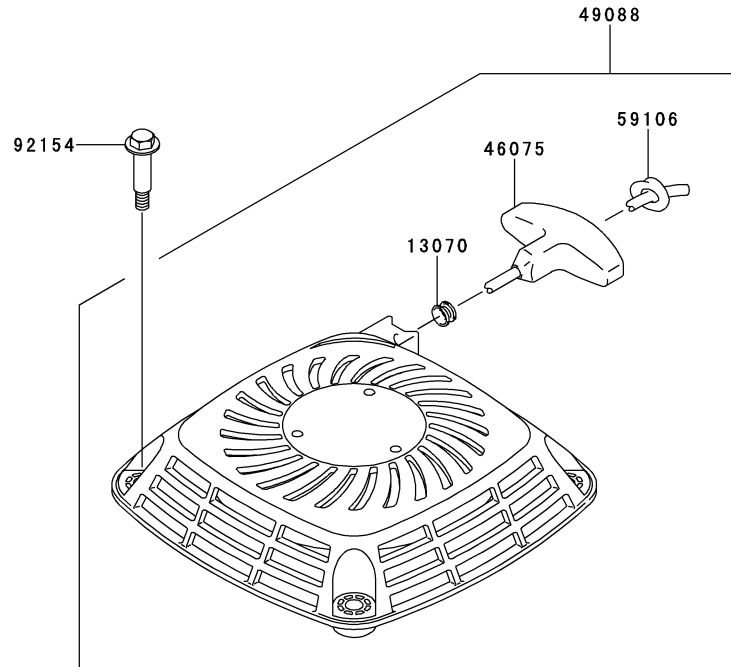
**C-04**

This grid covers:

**STARTER**

E0210-A387F

Ref. No.	Part No.	Description	Quantity
13070	13070-2124	GUIDE	1
46075	46075-7002	GRIP	1
49088	49088-2582	STARTER-RECOIL	1
59106	59106-2187	ROPE,3.5X2200	1
92154	92154-2015	BOLT,M6	4



This catalog covers:

**FJ180V- □ M50**

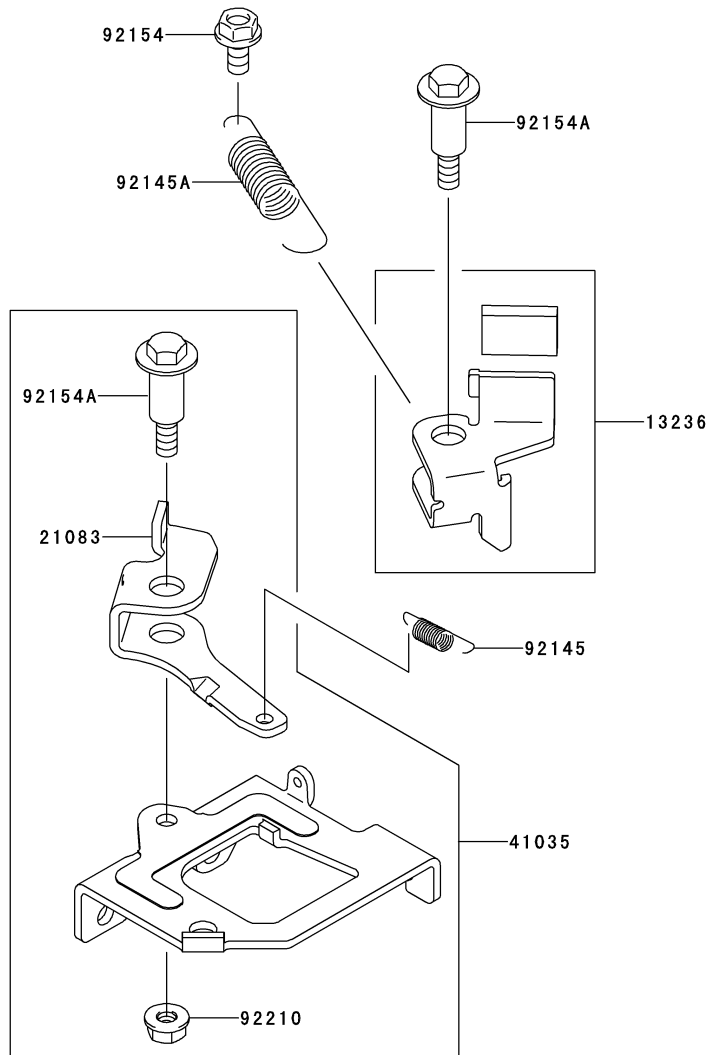
GRID NO.

**D-03**

This grid covers:

**BRAKE/COVER**

F0220-A013X



Ref. No.	Part No.	Description	Quantity
13236	13236-2165	LEVER-COMP	1
21083	21083-2089	ARM	1
41035	41035-2055	PANEL-ASSY-BRAKE	1
92145	92145-2180	SPRING	1
92145A	92145-2181	SPRING	1
92154	92154-2004	BOLT,6X10	1
92154A	92154-2005	BOLT,M6	2
92210	92210-2121	NUT,M6	1

This catalog covers:

**FJ180V- □ M50**

GRID NO.

**D-04**

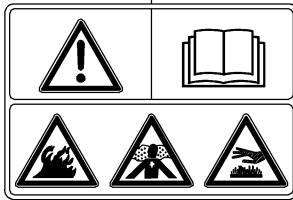
This grid covers:

**LABEL**

F0290-B050B

Ref. No.	Part No.	Description	Quantity
56071	56071-2007	LABEL-WARNING	1

56071



This catalog covers:

**FJ180V-  M50**

GRID NO.

**H-09**

This grid covers:

---

## PART NAME INDEX

AIR-FILTER/MUFFLER.....	B-11
BRAKE/COVER.....	D-03
CARBURETOR.....	B-10
CONTROL-EQUIPMENT.....	B-09
COOLING-EQUIPMENT.....	B-07
CYLINDER/CRANKCASE.....	B-03
ELECTRIC-EQUIPMENT.....	B-08
FUEL-TANK/FUEL-VALVE.....	C-03
LABEL.....	D-04
LUBRICATION-EQUIPMENT.....	B-06
PISTON/CRANKSHAFT.....	B-04
STARTER.....	C-04
VALVE/CAMSHAFT.....	B-05

This catalog covers:

**FJ180V- □ M50**

GRID NO.

**H-10**

This grid covers:

**NUMERICAL PARTS INDEX**

Part No.	Grid No.	Part No.	Grid No.	Part No.	Grid No.	Part No.	Grid No.	Part No.	Grid No.
11004-2146.....	B-03	21194-2355.....	B-08	92154-2006.....	B-06				
11008-2171.....	B-03	26011-2390.....	B-08	92154-2006.....	B-07				
11011-2372.....	B-11	32052-2230.....	C-03	92154-2009.....	B-05				
11013-2232.....	B-11	39003-2096.....	B-09	92154-2010.....	B-04				
11022-2083.....	B-03	39092-2055.....	B-09	92154-2011.....	B-03				
11029-2023.....	B-11	39129-2127.....	B-09	92154-2012.....	B-03				
11055-2014.....	B-07	41035-2055.....	D-03	92154-2013.....	B-07				
11061-2210.....	B-03	42036-2051.....	B-09	92154-2014.....	B-08				
11061-2211.....	B-11	46075-7002.....	C-04	92154-2015.....	C-04				
11061-2212.....	B-11	49019-2119.....	C-03	92154-2016.....	B-08				
11061-2213.....	B-03	49043-2076.....	B-10	92154-2017.....	B-08				
11061-2214.....	B-03	49070-2792.....	B-11	92154-2018.....	B-09				
11061-2215.....	B-10	49078-2089.....	B-05	92154-2028.....	B-03				
11061-2216.....	C-03	49088-2582.....	C-04	92154-2030.....	B-11				
11061-2238.....	B-10	49103-2177.....	B-09	92154-2048.....	B-10				
11061-7054.....	B-10	49106-2675.....	B-11	92171-2088.....	B-03				
12004-2119.....	B-05	49110-2102.....	B-09	92171-2089.....	B-06				
12005-2105.....	B-05	49120-2358.....	B-03	92171-2090.....	C-03				
12009-2072.....	B-05	51004-2117.....	C-03	92172-2107.....	B-05				
12011-2056.....	B-05	51049-2106.....	C-03	92172-2108.....	B-03				
12016-2067.....	B-05	56071-2007.....	D-04	92172-2132.....	B-10				
12032-2074.....	B-05	59041-2098.....	B-07	92172-2133.....	B-10				
12043-2001.....	B-05	59066-2812.....	B-07	92192-2184.....	B-03				
13001-2175.....	B-04	59106-2187.....	C-04	92192-2186.....	C-03				
13002-2102.....	B-04	59226-2370.....	B-09	92192-2217.....	B-10				
13008-6073.....	B-04	59231-2099.....	B-06	92200-2183.....	B-08				
13031-2129.....	B-04	92004-2162.....	B-11	92200-2184.....	B-09				
13042-2121.....	B-05	92009-2049.....	B-10	92200-2185.....	B-09				
13070-2118.....	B-05	92033-2199.....	B-04	92200-2192.....	B-11				
13070-2124.....	C-04	92038-2107.....	B-08	92210-2121.....	B-09				
13116-2076.....	B-05	92043-2261.....	B-03	92210-2121.....	B-11				
13236-2165.....	D-03	92043-2262.....	B-05	92210-2121.....	D-03				
13251-2083.....	B-04	92043-2263.....	B-03	92210-2122.....	B-11				
14037-2154.....	B-07	92043-2274.....	B-10	92210-2123.....	B-05				
14041-2056.....	B-03	92049-2272.....	B-03	92210-2126.....	B-08				
14075-2060.....	B-06	92049-2273.....	B-03						
14091-2138.....	B-03	92049-7008.....	B-03						
14091-2139.....	B-06	92055-2211.....	B-11						
14091-2140.....	B-07	92055-2212.....	B-06						
14091-2141.....	B-08	92055-2214.....	B-06						
14091-2142.....	B-07	92063-2497.....	B-10						
14092-2010.....	B-10	92063-2498.....	B-10						
15004-2071.....	B-10	92063-2499.....	B-10						
16020-2155.....	B-10	92066-2257.....	B-06						
16025-2213.....	B-10	92066-7009.....	B-10						
16030-7004.....	B-10	92070-2119.....	B-08						
16041-2267.....	B-10	92093-2135.....	B-10						
16060-2217.....	B-11	92145-2179.....	B-05						
16073-2240.....	B-10	92145-2180.....	D-03						
16073-2241.....	B-08	92145-2181.....	D-03						
16126-2247.....	B-03	92145-2182.....	B-09						
16154-7002.....	B-06	92145-2202.....	B-10						
16154-7004.....	B-05	92154-2003.....	B-03						
16171-2106.....	B-09	92154-2003.....	B-06						
16187-7002.....	B-10	92154-2003.....	B-07						
16188-2001.....	B-10	92154-2003.....	B-09						
21083-2088.....	B-05	92154-2004.....	B-11						
21083-2089.....	D-03	92154-2004.....	C-03						
21169-2077.....	B-08	92154-2004.....	D-03						
21171-2267.....	B-08	92154-2005.....	D-03						