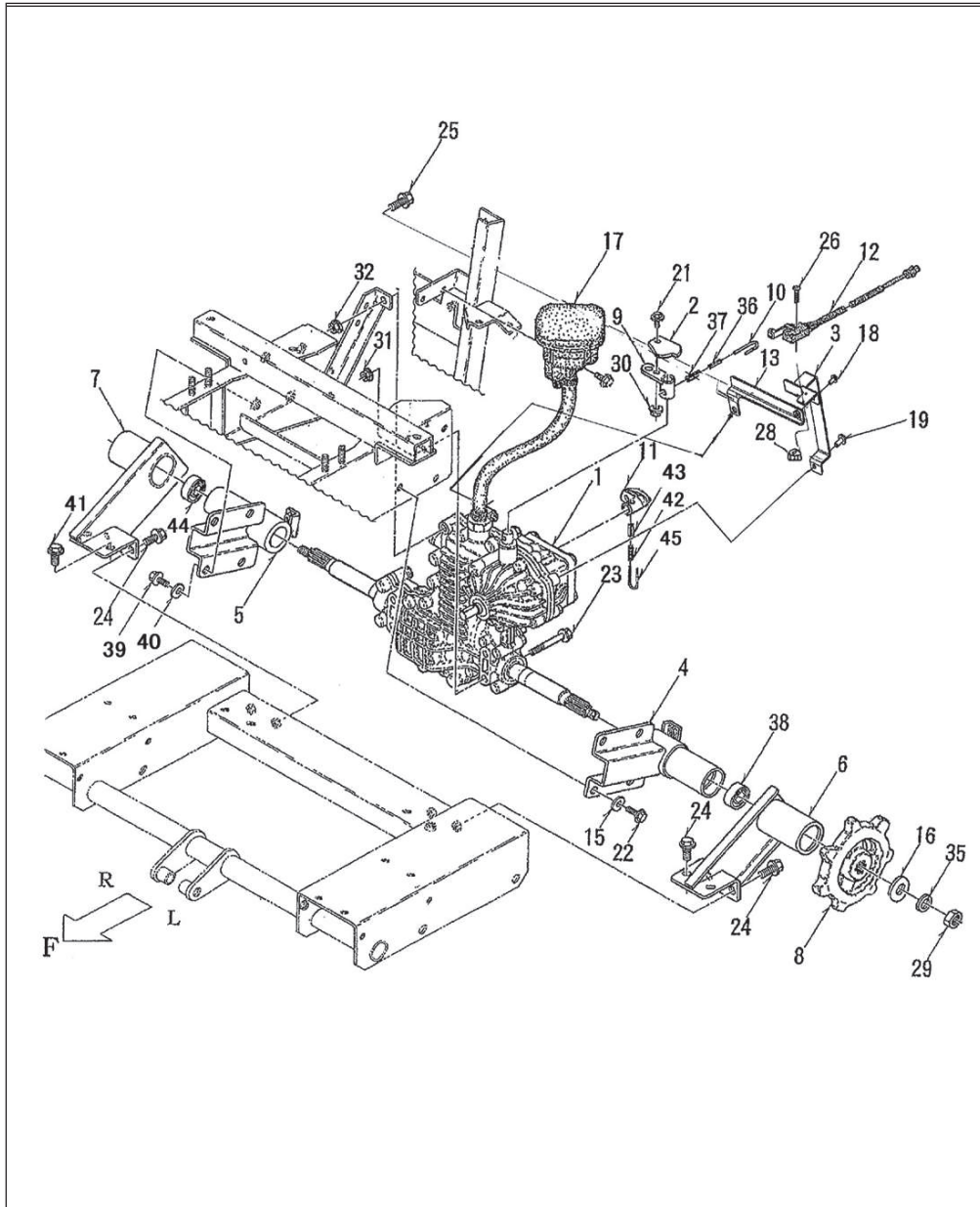


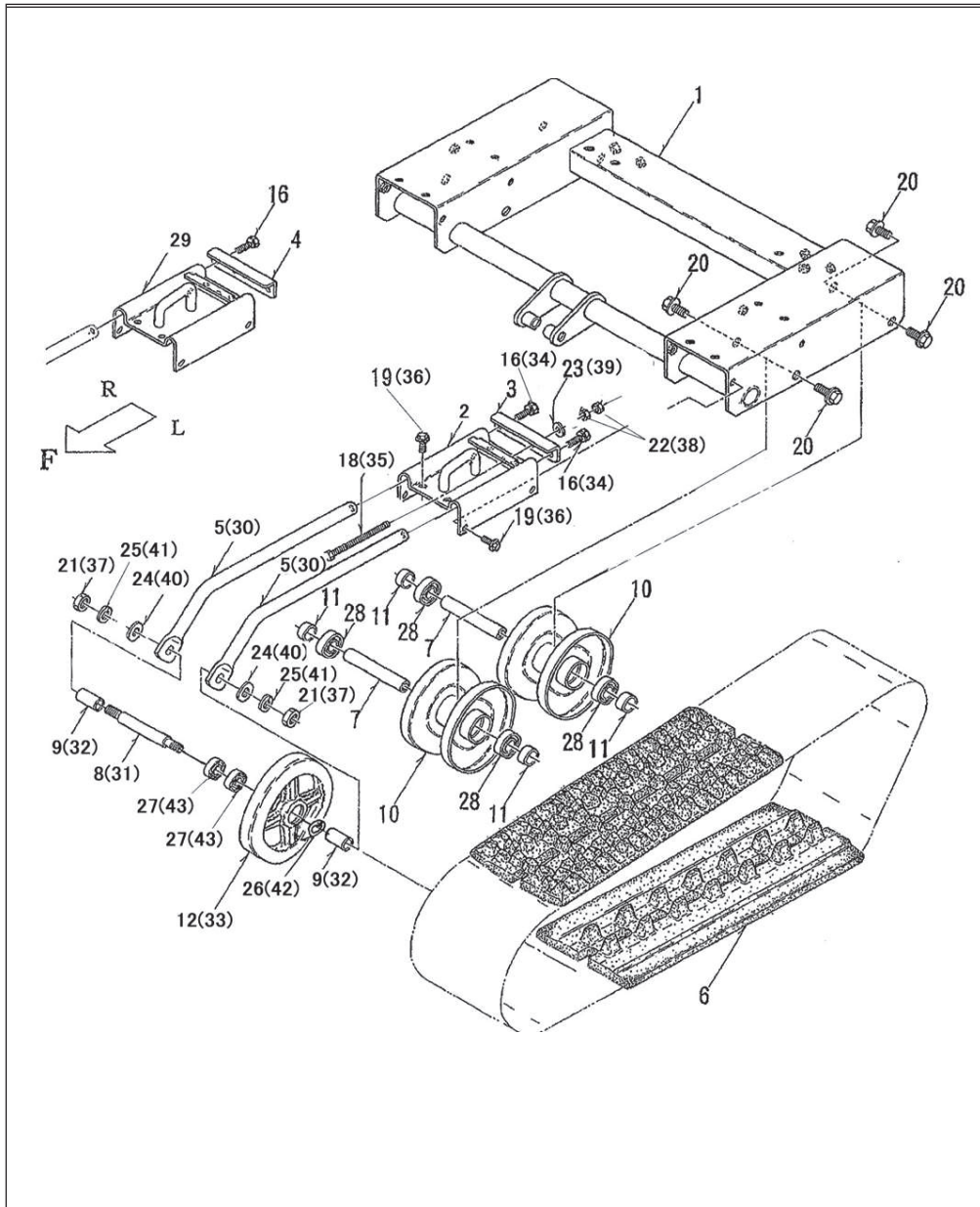
TRANSMISSION



TRANSMISSION

No.	Parts No.	Name	Quantity	Note
1	10001-B66-003	TRANSMISSION, SB-75HN	1	
2	16901-B66-801	CAM, SENSOR	1	
3	16901-B81-800	BRACKET, SENSOR	1	
4	21200-B66-800	SUPPORT L COMP, TRANSMISSION	1	
5	21300-B66-800	SUPPORT R COMP, TRANSMISSION	1	
6	22100-B66-800	SUPPORT L COMP, AXLE	1	
7	22200-B66-800	SUPPORT R COMP, AXLE	1	
8	26901-B07-801	SPROCKET, DRIVE	2	
9	75300-B66-803	ARM COMP, CHANGE	1	
10	75913-B18-000	WIRE, SPECIAL 1.2×100	1	
11	76800-B43-801	ARM COMP, SUB CHANGE	1	
12	83100-B10-000	SWITCH, CHUTE	1	
13	16100-B81-800	STAY COMP, SENSOR	1	
15	91251-0820261	WASHER, RD 8×20×2.6	4	
16	91251-1440451	WASHER, RD 14×40×4.5	2	
18	93100-0601617	BOLT, FLANGE 6×16	1	
19	93100-0801617	BOLT, FLANGE 8×16	1	
21	93100-0601617	BOLT, FLANGE 6×16	1	
22	93100-0802017	BOLT, FLANGE 8×20	4	
23	93100-0807017	BOLT, FLANGE 8×70	4	
24	93300-1002017	BOLT, FLANGE 10×1.25×20	4	
25	93300-1005017	BOLT, FLANGE 10×1.25×50	1	
26	83901-B10-000	BOLT, SPECIAL M3×20	2	
28	94002-03410	NUT, FLANGE 3	2	
29	94001-14411	NUT, 14	2	
30	94002-06410	NUT, FLANGE 6	1	
31	94002-08410	NUT, FLANGE 8	4	
32	94006-10410	NUT, FLANGE 10×1.25	1	
35	94111-14012	WASHER, SPG 14	2	
36	94319-35025	PIN, SPG 3.5×25	1	
37	94319-60025	PIN, SPG 6×25	1	
38	96105-06004	BEARING, 6004UU	1	
39	93100-0802017	BOLT, FLANGE 8×20	4	
40	91251-0820261	WASHER, RD 8×20×2.6	4	
41	93300-1002017	BOLT, FLANGE 10×1.25×20	4	
42	94319-35025	PIN, SPG 3.5×25	1	
43	94319-60025	PIN, SPG 6×25	1	
44	96105-06004	BEARING, 6004UU	1	
45	75913-B18-000	WIRE, SPECIAL 1.2×100	1	

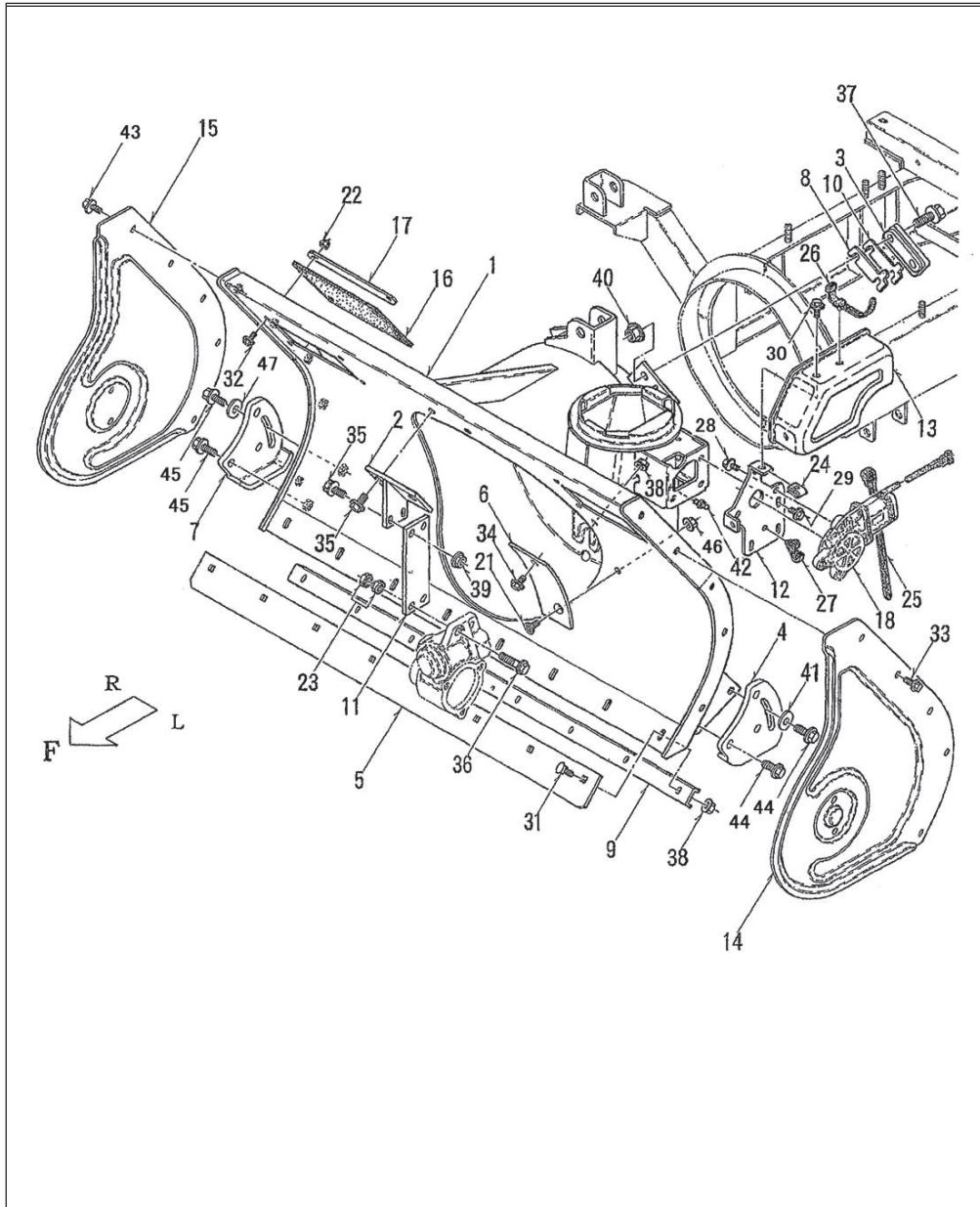
CRAWLER



CRAWLER

No.	Parts No.	Name	Quantity	Note
1	21100-B66-802	FRAME COMP, CRAWLER	1	
2	21400-B66-801	BRACKET COMP, BEAM SUPPORT	1	
3	21901-B66-800	SUPPORT L, TENSION BEAM	1	
4	21902-B66-800	SUPPORT R, TENSION BEAM	1	
5	21903-B66-800	SUPPORT, BEAM	2	
6	23901-A31-003	CRAWLER, 200×27×72RR	2	
7	24901-B50-000	SHAFT, WHEEL	4	
8	24901-B66-000	SHAFT, WHEEL	1	
9	24902-B66-800	COLLAR, 17×39	2	
10	26100-B50-000	WHEEL COMP, REAR	4	
11	26901-B50-000	COLLAR, 20×12.5	8	
12	26902-A02-800	WHEEL, FRONT	1	
16	91219-0825010	BOLT, SPECIAL 8×25	2	
18	92001-0812014	BOLT, 8×120	1	
19	93100-0801617	BOLT, FLANGE 8×16	8	
20	93300-1202517	BOLT, FLANGE 12×1.25×25	8	
21	94001-12412	NUT, 12	2	
22	94003-08412	NUT, SPECIAL 8	2	
23	94101-08010	WASHER, PLAIN 8	1	
24	94101-12010	WASHER, PLAIN 12	2	
25	94111-12012	WASHER, SPG 12	2	
26	94520-35080	CIRCLIP, EX 35	1	
27	96105-06003	BEARING, 6003UU	2	
28	96105-06004	BEARING, 6004UU	8	
29	21400-B66-801	BRACKET COMP, BEAM SUPPORT	1	
30	21903-B66-800	SUPPORT, BEAM	2	
31	24901-B66-000	SHAFT, WHEEL	1	
32	24902-B66-800	COLLAR, 17×39	2	
33	26902-A02-800	WHEEL, FRONT	1	
34	91219-0825010	BOLT, SPECIAL 8×25	2	
35	92001-0812014	BOLT, 8×120	1	
36	93100-0801617	BOLT, FLANGE 8×16	8	
37	94001-12412	NUT, 12	2	
38	94003-08412	NUT, SPECIAL 8	2	
39	94101-08010	WASHER, PLAIN 8	1	
40	94101-12010	WASHER, PLAIN 12	2	
41	94111-12012	WASHER, SPG 12	2	
42	94520-35080	CIRCLIP, EX 35	1	
43	96105-06003	BEARING, 6003UU	2	

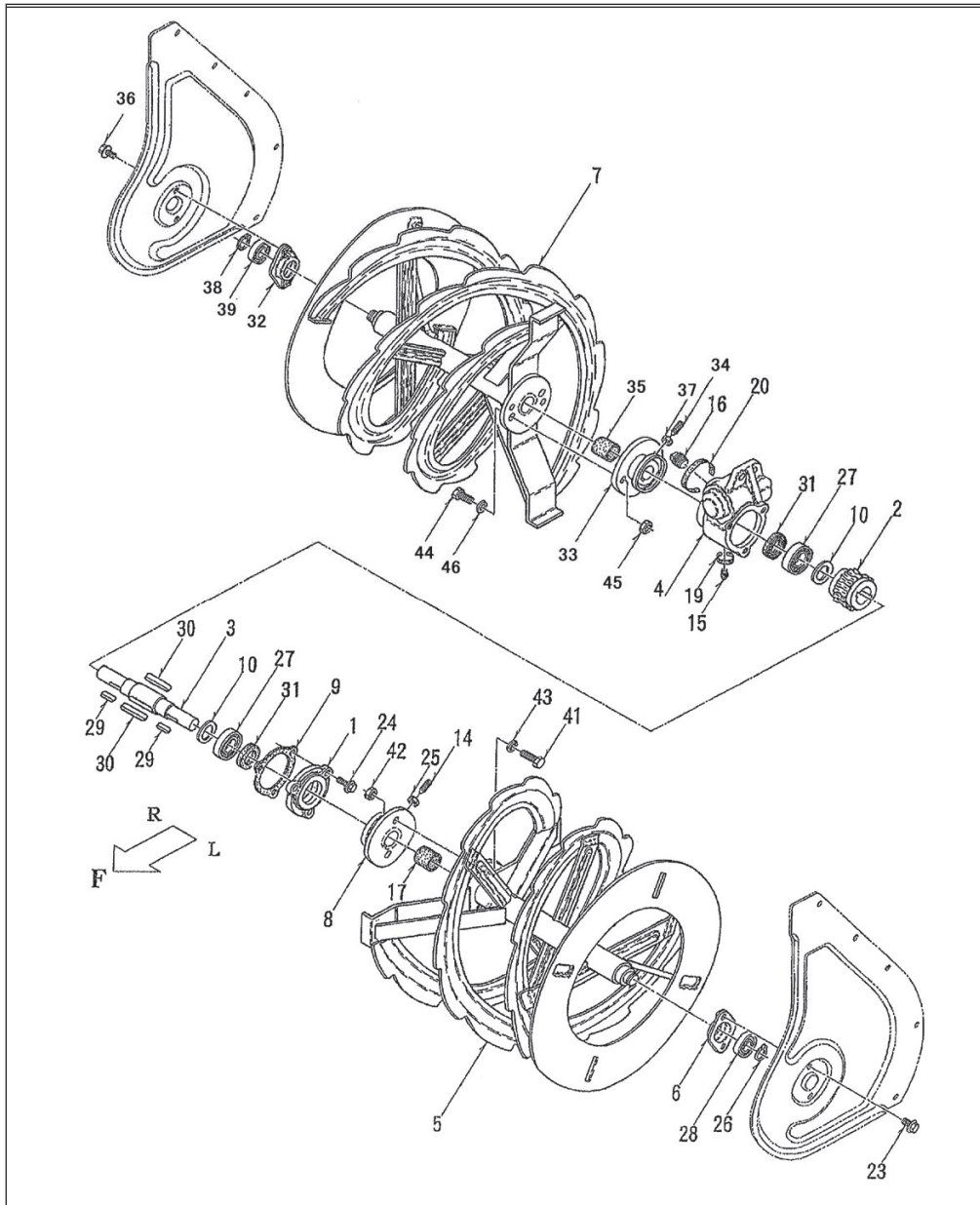
AUGER HOUSING



AUGER HOUSING

No.	Parts No.	Name	Quantity	Note
1	31100-B66-032	HOUSING COMP, AUGER	1	
2	31200-B50-601	SUPPORT COMP, AUGER GEAR CASE	1	
3	31400-B18-800	GUIDE COMP, ROLLING	4	
4	31901-B16-800	SKID L	1	
5	31901-B66-800	EDGE	1	
6	31902-A90-501	PLATE	1	
7	31902-B16-800	SKID R	1	
8	31902-B18-000	SHIM	4	
9	31902-B66-801	BRACKET, EDGE	1	
10	31903-B18-000	SHIM, 0.6	4	
11	31903-B50-800	PLATE, AUGER GEAR CASE	1	
12	33903-B39-304	BRACKET, MOTOR	1	
13	38901-B39-302	COVER, MOTOR	1	
14	38901-B50-001	COVER L, AUGER SIDE	1	
15	38902-B50-001	COVER R, AUGER SIDE	1	
16	39901-B66-000	PLATE, WINDOW	2	
17	39902-B66-001	PLATE	4	
18	81100-B53-002	MOTOR, JC578VA	1	
21	91217-0801679	SCREW 8×16	1	
22	91233-064010	NUT, SPECIAL 6	8	
23	91235-10110	NUT, HARD LOCK 10×1.25	2	
24	91236-0640707	NUT, SPECIAL 40707(6)	2	
25	91311-250	BAND, REPEAT RF250	1	
26	91314-119P7	STRAP, CABLE 1-19P7	1	
27	91315-C1J77	CLIP, CABLE C-1J77	1	
28	93100-0601617	BOLT, FLANGE 6×16	4	
29	93100-0601617	BOLT, FLANGE 6×16	3	
31	92600-0802014	BOLT, SPECIAL 8×20	8	
32	93100-0601617	BOLT, FLANGE 6×16	2	
32	93100-0601617	BOLT, FLANGE 6×16	8	
33	93100-0801617	BOLT, FLANGE 8×16	5	
34	93100-0802017	BOLT, FLANGE 8×20	1	
35	93300-1002517	BOLT, FLANGE 10×1.25×25	2	
36	93300-1004017	BOLT, FLANGE 10×1.25×25	2	
37	93300-1203517	BOLT, FLANGE 12×1.25×35	8	
38	94002-08410	NUT, FLANGE 8	8	
39	94006-10410	NUT, FLANGE 10×1.25	2	
40	94006-12410	NUT, FLANGE 12×1.25	8	
41	94101-10015	WASHER, PLAIN 10	1	
42	96381-20000	NIPPLE, GREASE A-MT6×1	2	
43	93100-0801617	BOLT, FLANGE 8×16	5	
44	93300-1002517	BOLT, FLANGE 10×1.25×25	2	
45	93300-1002517	BOLT, FLANGE 10×1.25×25	4	
46	94002-08410	NUT, FLANGE 8	2	
47	94101-10015	WASHER, PLAIN 10	1	

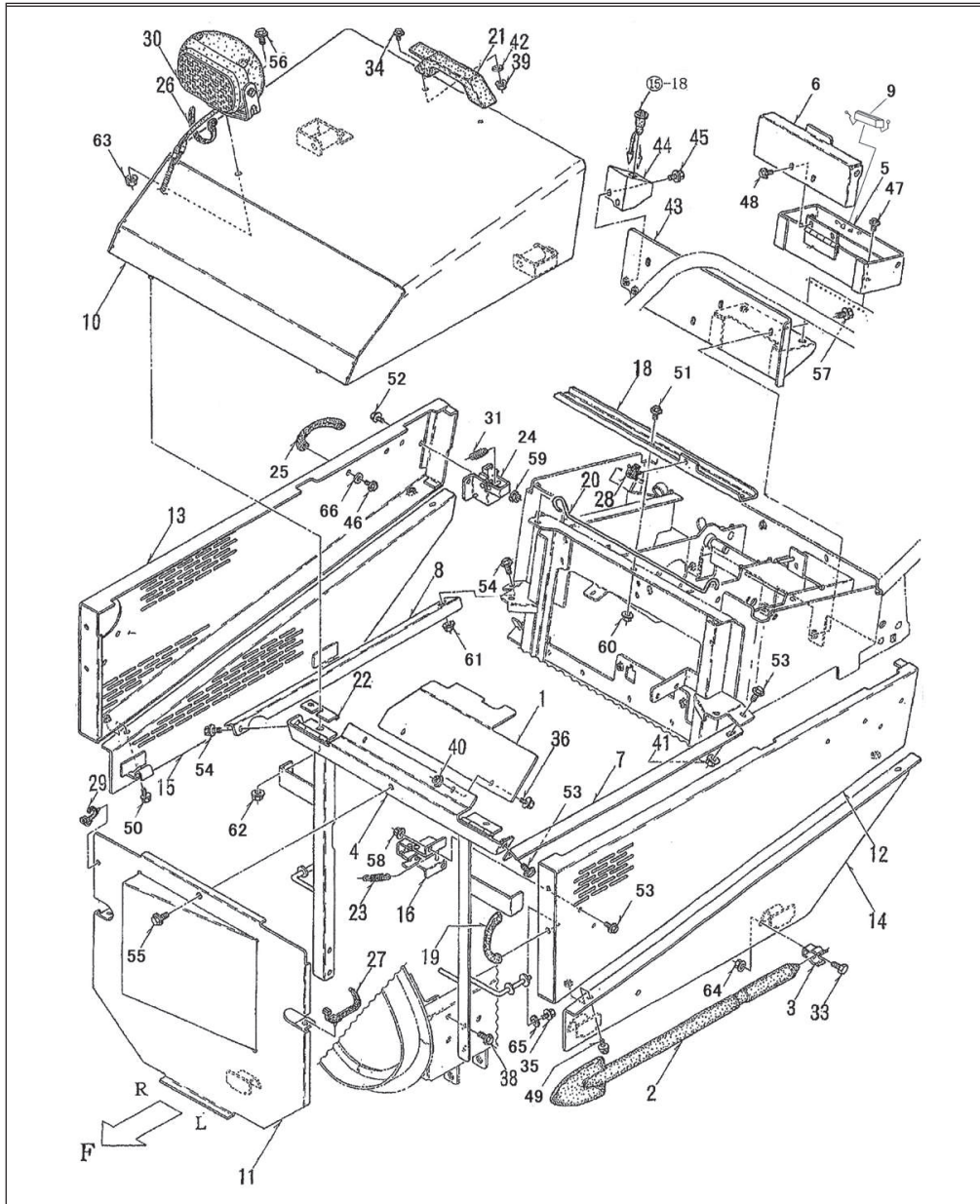
AUGER



AUGER

No.	Parts No.	Name	Quantity	Note
1	31905-A31-700	COVER B, AUGER GEAR CASE	1	
2	32902-A90-000	WORM WHEEL, M3 × 20	1	
3	34901-B08-001	SHAFT, AUGER	1	
4	34901-B51-700	CASE, AUGER GEAR	1	
5	35300-B66-603	AUGER L COMP	1	
6	35400-B01-001	CASE A COMP, BEARING	1	
7	35400-B66-604	AUGER R COMP	1	
8	35500-B28-802F2	FLANGE COMP, AUGER SHARE	1	
9	39902-A31-002	PACKING B, AUGER GEAR CASE	1	
10	91302-A31-000	WASHER, RD 30 × 42 × 2	2	
14	91221-082540	BOLT, SPECIAL 8 × 25	1	
15	91555-0141	PLUG, PT1/8	1	
16	91555-0641	PLUG, PT3/4	1	
17	91646-2830R	BUSH, BM2830FS	1	
19	91941-050	TAPE 50	1	
20	91941-150	TAPE 150	1	
23	93100-0801617	BOLT, FLANGE 8 × 16	2	
24	93100-0802517	BOLT, FLANGE 8 × 25	3	
25	94003-08412	NUT, SPECIAL 8	1	
26	94510-20080	CIRCLIP, EX 20	1	
27	96100-06006	BEARING, 6006	2	
28	96105-06004	BEARING, 6004UU	1	
29	97115-028241	KEY, 8 × 7 × 28RR	2	
30	97116-048241	KEY, 10 × 8 × 48RR	2	
31	98251-3004508	SEAL, OIL D30458	2	
32	35400-B01-001	CASE A COMP, BEARING	1	
33	35500-B28-802F2	FLANGE COMP, AUGER SHARE	1	
34	91221-082540	BOLT, SPECIAL 8 × 25	1	
35	91646-2830R	BUSH, BM2830FS	1	
36	93100-0801617	BOLT, FLANGE 8 × 16	2	
37	94003-08412	NUT, SPECIAL 8	1	
38	94510-20080	CIRCLIP, EX 20	1	
39	96105-06004	BEARING, 6004UU	1	
41	92001-1003014	BOLT, 10 × 30	1	
42	94001-10412	NUT, 10	1	
43	94111-10012	WASHER, SPG 10	1	
44	92001-1003014	BOLT, 10 × 30	1	
45	94001-10412	NUT, 10	1	
46	94111-10012	WASHER, SPG 10	1	

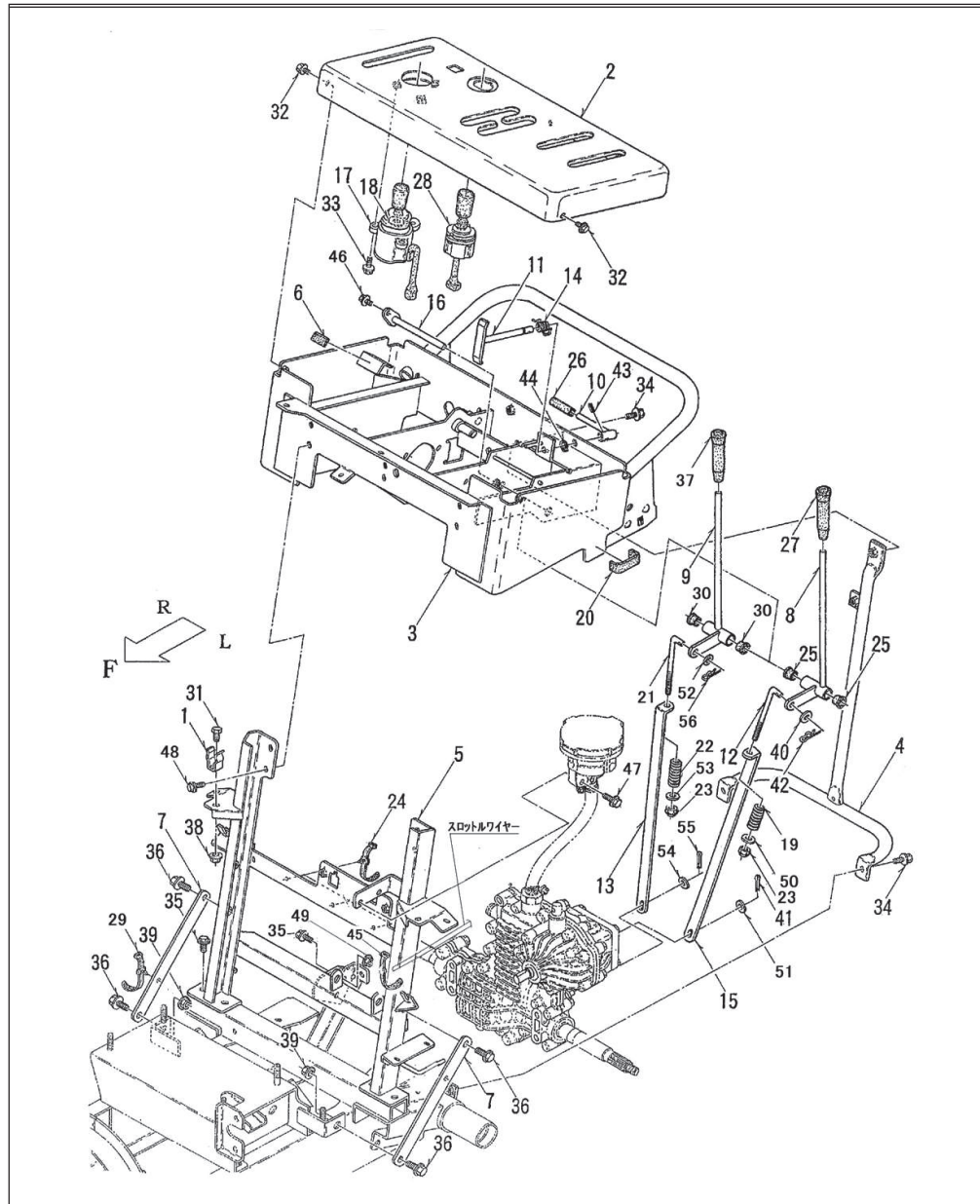
COVER (1)



COVER (1)

No.	Parts No.	Name	Quantity	Note
1	03901-B65-800	PROTECTOR, HEAT	1	
2	39901-B51-001	BAR, SNOW DROP	1	
3	39902-A65-001	STOPPER, BAR	2	
4	42100-B66-802	TOWER COMP, FRONT	1	
5	42200-B66-830	BOX COMP, TOOL	1	
6	42300-B66-830	COVER COMP, TOOL BOX	1	
7	42901-B66-800	BEAM L	1	
8	42902-B66-800	BEAM R	1	
9	42901-B72-000	MAGNET, C-931	1	
10	48100-B80-002	BONNET COMP	1	
11	48300-B66-005	COVER COMP, FRONT	1	
12	48400-B66-004	COVER L COMP, SIDE	1	
13	48500-B80-003	COVER R COMP, SIDE	1	
14	48600-B66-801	COVER L COMP, SIDE UNDER	1	
15	48700-B80-800	COVER R COMP, SIDE UNDER	1	
16	48800-B65-000	STOPPER COMP, SIDE COVER	2	
18	48901-B66-800	HPLDER, BONNET STAY	1	
19	48902-B65-000	HANDLE	2	
20	48903-B43-002	STAY, BONNET	1	
21	48904-B43-000	HANDLE, AP-829-3	1	
22	48906-B43-800	SHIM, BONNET	2	
23	91602-B18-002	SPRING, COIL 9.5 × 42	2	
24	48800-B65-000	STOPPER COMP, SIDE COVER	2	
25	48902-B65-000	HANDLE	2	
26	91311-140	BAND, REPEAT RF140	1	
27	91314-11W02	STRAP, CABLE 1-1W02	2	
28	91315-A0573	CLIP, CABLE A-0573	1	
29	91315-C4397	CLIP, CABLE C-4397	1	
30	91820-0181003	LIGHT, 18W	1	
31	91602-B18-002	SPRING, COIL 9.5 × 42	2	
33	92200-0801617	BOLT, 8 × 16	2	
34	93100-0501614	BOLT, FLANGE 5 × 16	2	
35	93100-0601017	BOLT, FLANGE 6 × 10	4	
36	93100-0601217	BOLT, FLANGE 6 × 12	2	
37	93100-0601617	BOLT, FLANGE 6 × 16	4	
38	93100-0801617	BOLT, FLANGE 8 × 16	4	
39	94002-05410	NUT, FLANGE 5	2	
40	94002-06410	NUT, FLANGE 6	2	
41	94002-08410	NUT, FLANGE 8	1	
42	94101-06015	WASHER, PLAIN 6	2	
43	48800-B80-001	COVER COMP, PANEL REAR	1	
44	48901-B80-801	STAY, LAMP	1	

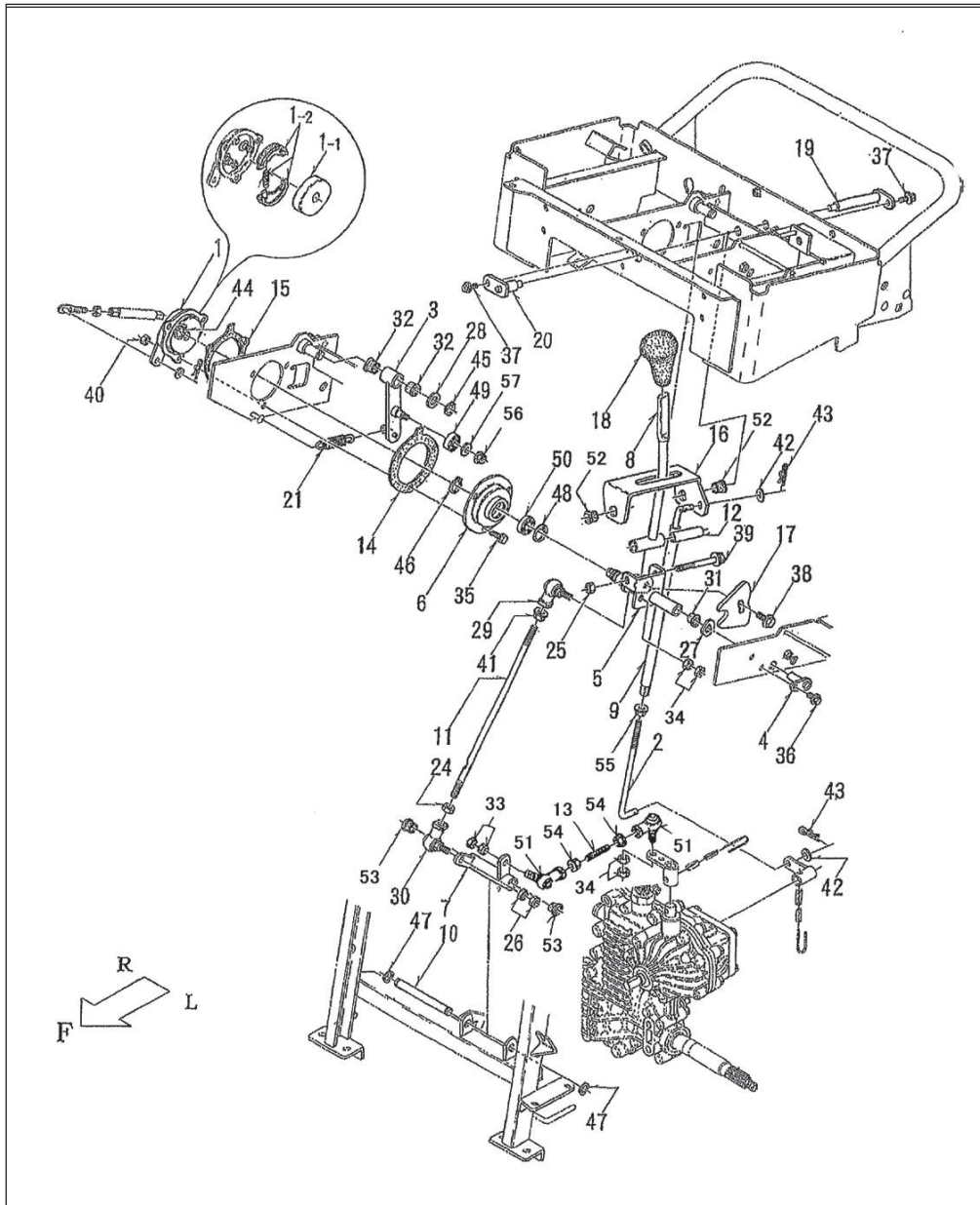
CONTROL BOX (1)



CONTROL BOX (1)

No.	Parts No.	Name	Quantity	Note
1	39902-A65-001	STOPPER, BAR	2	
2	72100-B66-801	PANEL COMP, CONTROL	1	
3	72200-B80-632	BOX COMP, CONTROL	1	
4	72400-B66-801	SUPPORT COMP, CONTROL PANEL	1	
6	72901-B43-000	RUBBER, 15×30×5	1	
7	72902-B66-800	STAY 240	2	
8	73200-B43-850	LEVER L COMP, SIDE CLUTCH	1	
9	73400-B43-850	LEVER R COMP, SIDE CLUTCH	1	
10	73700-B43-801	LEVER COMP, PARKING BRAKE	1	
11	73800-B43-051	BRAKE COMP, PARKING	1	
12	73901-B43-050	ROD, SIDE CLUTCH	1	
13	73902-B43-801	ROD B, SIDE CLUTCH	1	
14	73904-B43-001	SPRING, TORSION	1	
15	73907-B43-800	ROD BL, SIDE CLUTCH	1	
16	76500-B43-000	PIN 120 COMP, LEVER	1	
17	83200-B18-000	SWITCH, CONTROL	1	
18	83902-B18-000	WASHER, RD 11×32×4.5	1	
19	91601-A91-001	SPRING, COIL 14×50	1	
20	82904-B56-000	SPONGE, 15×100	2	
21	73901-B43-050	ROD, SIDE CLUTCH	1	
22	91601-A91-001	SPRING, COIL 14×50	1	
23	91233-084120	NUT, SPECIAL 8	1	
23	91233-084120	NUT, SPECIAL 8	1	
24	91314-119P7	STRAP, CABLE 1-19P7	3	
25	91644-121080	BUSH, 80F-1210	2	
26	91731-0809023	GRIP, LEVER J8	1	
27	91731-1008014	GRIP, LEVER OH10	1	
28	91830-0034105	SWITCH, CROSS LEVER SW90SU	1	
29	91314-119P7	STRAP, CABLE 1-19P7	1	
30	91644-121080	BUSH, 80F-1210	2	
31	92200-0801617	BOLT, 8×16	2	
32	93100-0601217	BOLT, FLANGE 6×12	3	
33	93100-0602017	BOLT, FLANGE 6×20	3	
34	93100-0801617	BOLT, FLANGE 8×16	3	
35	93100-0802017	BOLT, FLANGE 8×20	4	
36	93300-1002017	BOLT, FLANGE 10×1.25×20	4	
37	91731-1008014	GRIP, LEVER OH10	1	
38	94002-08410	NUT, FLANGE 8	2	
39	94006-10410	NUT, FLANGE 10×1.25	2	
40	94101-08010	WASHER, PLAIN 8	1	
41	94210-25150	PIN, SPLIT 2.5×15	1	
42	94251-080111	PIN, SNAP A8×1.8	1	
43	94319-30016	PIN, SPRING 3×16	1	
44	94510-10080	CIRCLIP, EX 10	1	
45	91311-250	BAND, REPEAT RF250	1	

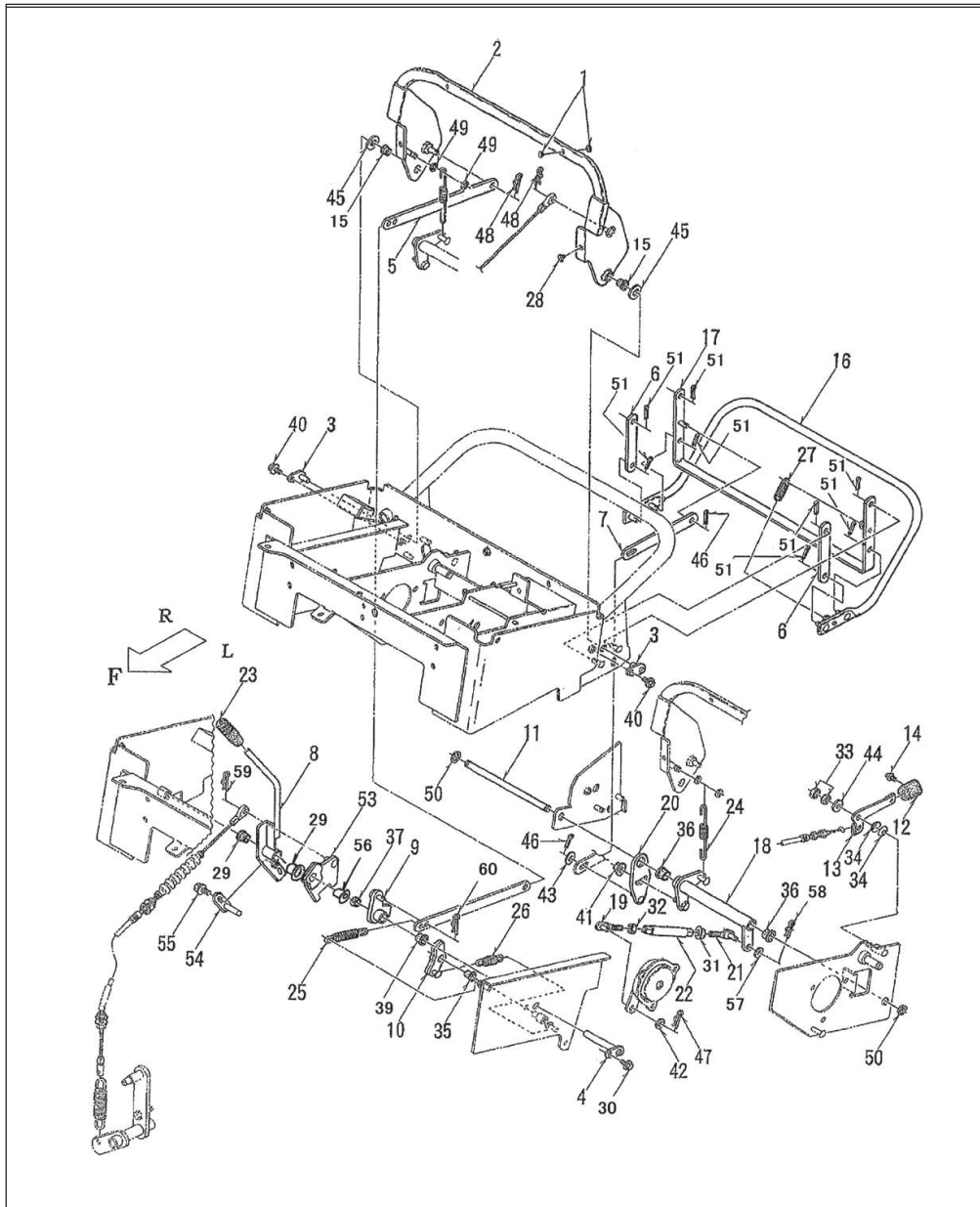
CHANGE LEVER (1)



CHANGE LEVER (1)

No.	Parts No.	Name	Quantity	Note
1	70001-B50-003	BRAKE ASSY	1	
2	73908-B43-002	ROD B, SUB CHANGE	1	
3	74400-B50-802	ARM COMP	1	
4	74500-B43-000	PIN 30 COMP, LEVER	1	
5	74600-B43-805	BOSS COMP, CHANGE LEVER	1	
6	74700-B43-800	HOLDER COMP, BRAKE	1	
7	75500-B43-850	LINK COMP, HST	1	
8	75700-B43-851	LEVER COMP, CHANGE	1	
9	75800-B43-850	ROD COMP, SUB CHANGE	1	
10	75901-B43-050	PIN 12×115	1	
11	75902-B43-052	ROD, HST CHANGE	1	
12	75903-M72-002	COLLAR, 9×63.5	1	
13	75904-B43-050	LINK, HST CHANGE	1	
14	75904-B50-000	PACKING A	1	
15	75905-B50-000	PACKING B	1	
16	75906-B43-801	ARM, CHANGE LEVER	1	
17	75908-B50-800	CAM, CHANGE LEVER	1	
18	75991-A90-000	GRIP, CHANGE LEVER	1	
19	76600-B43-000	PIN R COMP, HST	1	
20	76600-B66-800	PIN F COMP, HST	1	
21	91602-B50-001	SPRING, COIL 13.4×70	1	
24	91231-0841210	NUT, SPECIAL 8	1	
25	91233-084120	NUT, SPECIAL 8	1	
26	91235-08100	NUT, HARD LOCK 8	1	
27	91251-1225601	WASHER, RD 12255×6.0	1	
28	91251-1525231	WASHER, RD 15×25×2.3	1	
29	91634-080211	JOINT, BALL BL8D	1	
30	91634-080221	JOINT, BALL BL8DL	1	
31	91644-121080	BUSH, 80F-1210	1	
32	91644-151280	BUSH, 80F-1512	2	
33	91235-08100	NUT, HARD LOCK 8	1	
34	91235-08100	NUT, HARD LOCK 8	2	
35	92900-0601617	BOLT, SPRING 6×16	3	
36	93100-0601217	BOLT, FLANGE 6×12	1	
37	93100-0601617	BOLT, FLANGE 6×16	2	
38	93100-0802017	BOLT, FLANGE 8×20	1	
39	93100-0808017	BOLT, FLANGE 8×80	1	
40	94001-06412	NUT, 6	3	
41	94002-08410	NUT, FLANGE 8	1	
42	94101-08010	WASHER, PLAIN 8	2	
43	94251-080111	PIN, SNAP A8×1.8	2	
44	94510-14080	CIRCLIP, EX 14	1	
45	94510-15080	CIRCLIP, EX 15	1	

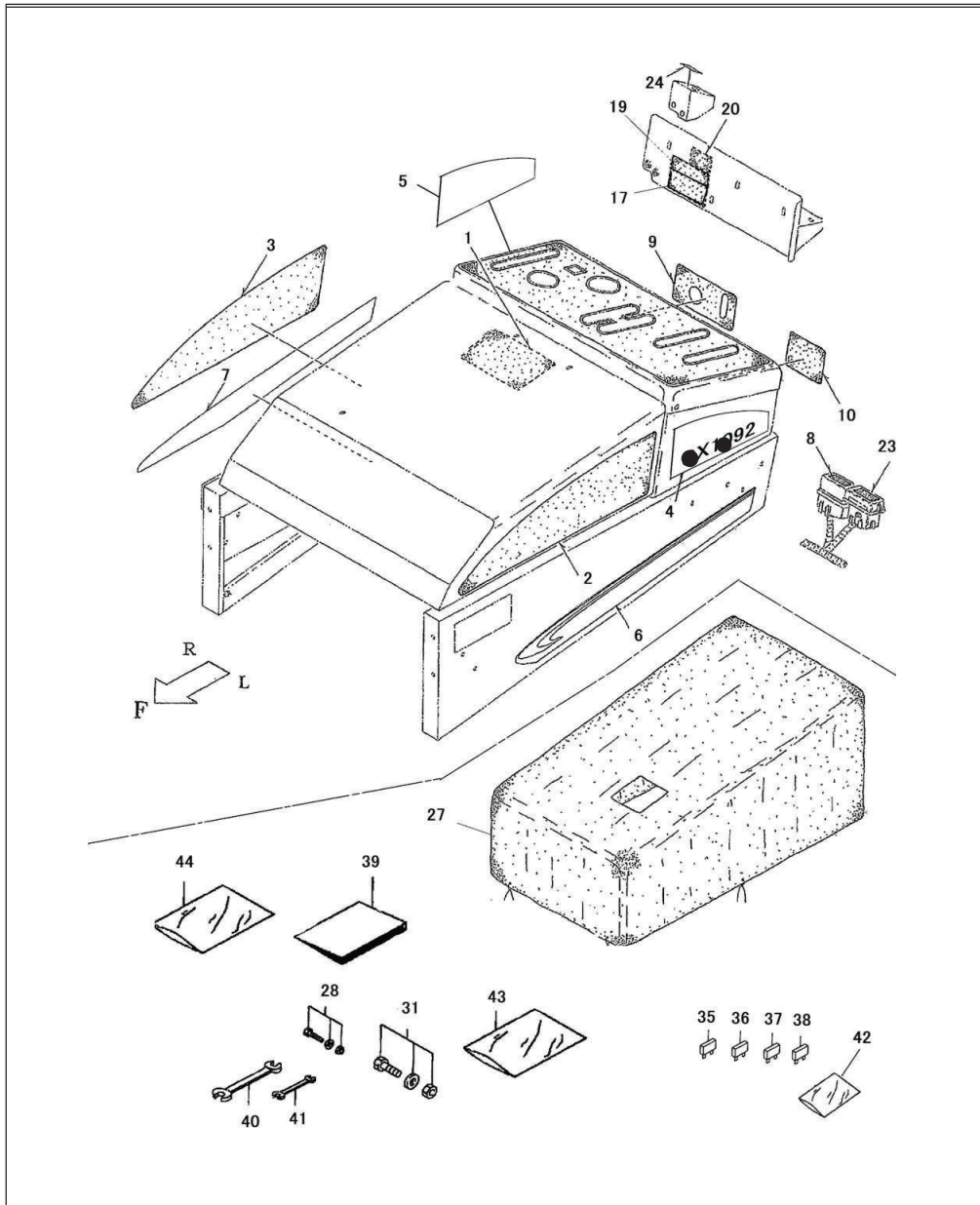
MAIN CLUTCH & AUGER CLUTCH (1)



MAIN CLUTCH & AUGER CLUTCH (1)

No.	Parts No.	Name	Quantity	Note
1	71902-B28-000	RIVET	2	
2	73100-B43-453	LEVER COMP, MAIN CLUTCH	1	
3	73200-B50-000	PIN 15 COMP, LEVER	2	
4	73600-B39-000	PIN 75.5 COMP, LEVER	1	
5	73905-B43-801	LINK, LEVER	1	
6	73909-B43-800	LINK100, LEVER	2	
7	73910-B43-800	LINK, EMERGENCY LEVER	1	
8	74100-B80-801	LEVER COMP, AUGER CLUTCH	1	
9	74400-B80-800	CAM COMP	1	
10	74500-B80-800	STOPPER COMP	1	
11	75905-B43-000	PIN 12×205	1	
12	75907-B18-000	KNOB, THROTTLE LEVER	1	
13	75907-B39-800	LEVER, THROTTLE	1	
14	75908-B18-001	SCREW, SPECIAL 4×8	1	
15	91644-121080	BUSH, 80F-1210	2	
16	76100-B43-801	LEVER A COMP, EMERGENCY	1	
17	76200-B43-800	LEVER B COMP, EMERGENCY	1	
18	76300-B43-801	ARM COMP, LEVER	1	
19	76300-B50-000	ROD L COMP, ADJUST	1	
20	76400-B43-800	ADJUSTER COMP, LEVER ARM	1	
21	76400-B50-000	ROD R COMP, ADJUST	1	
22	76904-B54-801	LINK 125	1	
23	76902-B18-000	GRIP, PARKING LEVER	1	
24	91601-B50-003	SPRING, COIL 10×118	1	
25	66902-M77-000	SPRING, COIL 18.4×92	1	
26	91603-B50-001	SPRING, COIL 10×50	1	
27	91605-G01-001	SPRING, COIL 10×45	1	
28	91701-A41-000	GROMMET, φ6	2	
29	91644-121080	BUSH, 80F-1210	2	
30	93100-0601217	BOLT, FLANGE 6×12	1	
31	94002-08410	NUT, FLANGE 8	1	
32	91231-0841210	NUT, SPECIAL 8	1	
33	91235-08100	NUT, HARD LOCK 8	1	
34	91252-082	SPRING H, PLATE 8	2	
35	91644-101280	BUSH, 80F-1012	1	
36	91644-121080	BUSH, 80F-1210	2	
37	91645-120880	BUSH, 80B-1208	1	
39	91644-121080	BUSH, 80F-1210	1	
40	93100-0601217	BOLT, FLANGE 6×12	2	
41	94002-08410	NUT, FLANGE 8	1	
42	94101-06010	WASHER, PLAIN 6	1	
43	94101-08010	WASHER, PLAIN 8	1	
44	94101-08015	WASHER, PLAIN 8	1	
45	94101-12010	WASHER, PLAIN 12	2	

MARK & ACCESSORY



MARK & ACCESSORY

No.	Parts No.	Name	Quantity	Note
1	79963-B80-000	MARK H, RELAY	1	
2	79901-B80-001	MARK L, BONNET	1	
3	79902-B80-001	MARK R, BONNET	1	
4	79903-B80-001	MARK L,	1	
5	79904-B80-001	MARK R,	1	
6	79905-B80-001	MARK L, DIESEL	1	
7	79906-B80-001	MARK R, DIESEL	1	
8	79965-B70-000	MARK, SLOW BLOW FUSE	1	
9	79962-B70-000	MARK, KEY SWITCH	1	
10	79963-B70-000	MARK, PARKING BRAKE	1	
17	79971-B70-000	Caiman Serial Number Label	1	
19	91971-B80-000	Caiman Info Label(SX1092H)	1	
23	79962-B80-000	MARK D, FUSE	1	
24	79961-B80-000	MARK, PREHEART	1	
27	78100-A90-001	COVER, SHEET	1	
28	90002-B10-000	BOLT ASSY, SHEAR 8 × 25	1	
31	90002-B18-000	BOLT ASSY, SHEAR 10 × 30	1	
35	91811-115	FUSE, BLADE 15A	1	
36	91811-105	FUSE 5A, BLADE	1	
37	91811-125	FUSE, BLADE 25A	1	
38	91811-110	FUSE, BLADE 10A	1	
39	91921-B80-000	INSTRUCTION MANUAL	1	
40	91905-B16-000	WRENCH 17, COMBINATION	2	
41	91903-B43-000	WRENCH 12, COMBINATION	2	
42	91998-030812	BAG 0.03 × 80 × 120, PLASTIC	1	
43	91998-071523	BAG 0.07 × 150 × 230, PLASTIC	1	
44	91997-240325	BAG 240 × 325, PLASTIC	1	

