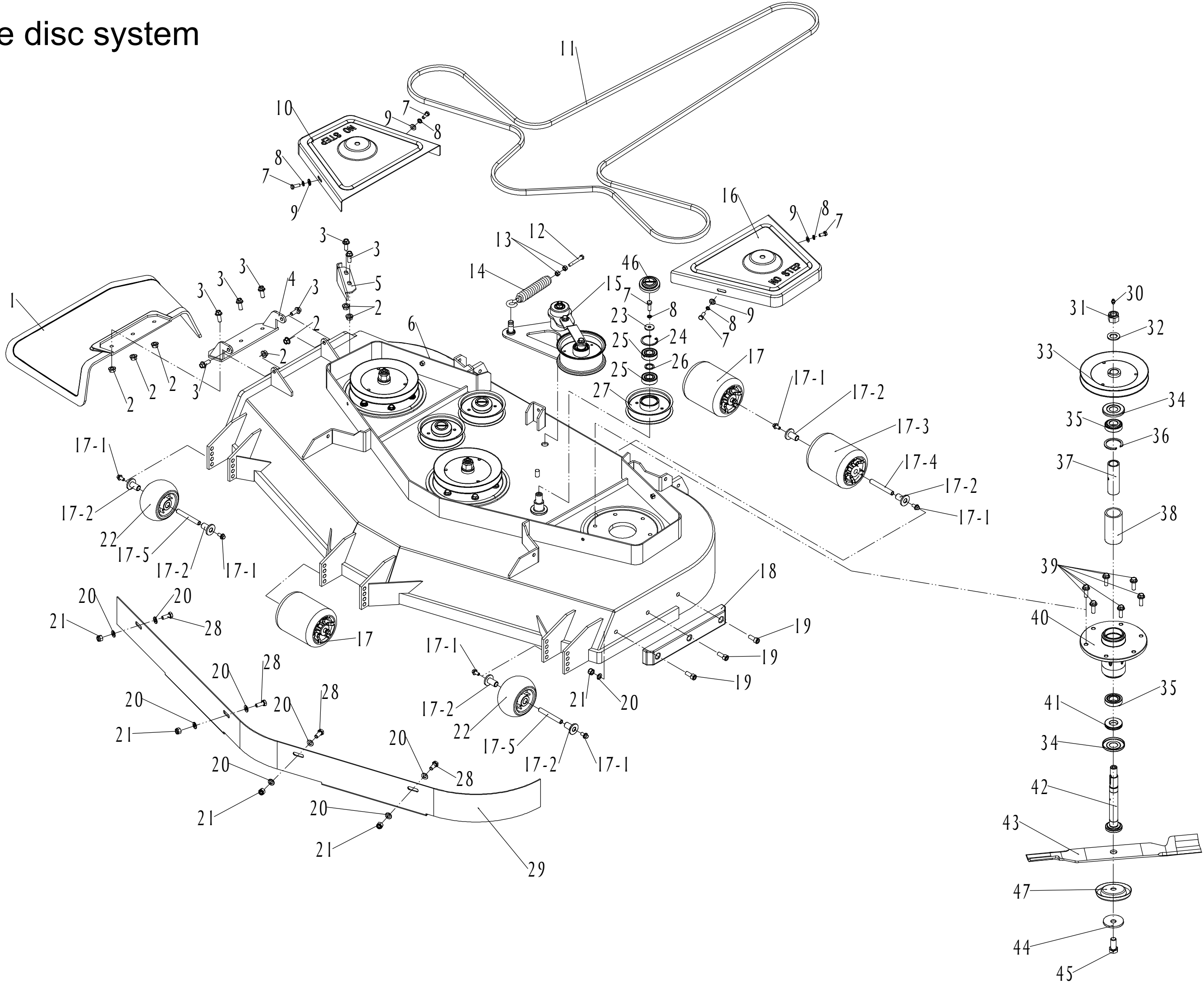


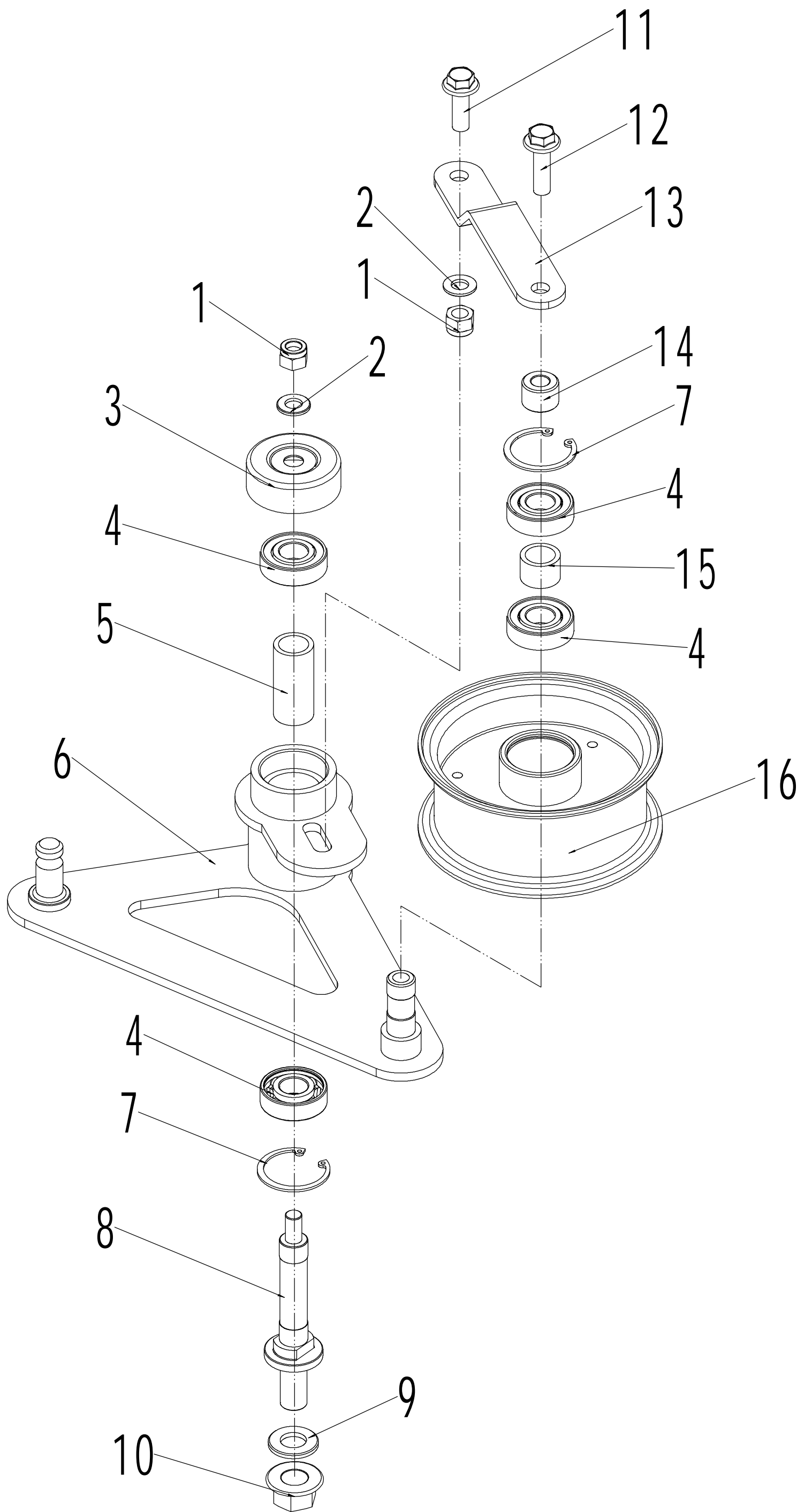
1 Blade disc system



1 Blade disc			
No.	art	Name	Qty
1	UZT85-00001	Grass Deflector	1
2	UZT85-00002	Nut - M10	7
3	UR200-00061	Bolt - M10×25	7
4	UZT85-00003	Install plate of deflector	1
5	UZT85-00004	Wind Deflector	1
6	UZT85-00005	Blade disc	1
7	U537-00060	Bolt - M8×20	7
8	U455-00053	Spring washer - φ8	7
9	U455-00061	Flat washer 8×1.6	7
10	UZT85-00006	Right pulley cover	1
11	UZT85-00007	Belt of blade disc	1
12	US270-00188	Bolt - M10×55	1
13	UG806-00061	Nut - M10	2
14	UZT85-00008	Tensional spring	1
15	UZT85-00009	Tensional part	1
16	UZT85-00010	Left pulley cover	1
17	UZT85-00011	Roller assembly	3
17-1	UR200-00058	Bolt - M8×20	10
17-2	UZT85-00012	Nylon bush	10
17-3	UZT85-00013	Front roller	3
17-4	UZT85-00014	Wheel shaft 1	3
17-5	UZT85-00015	Wheel shaft 2	2
18	UZT85-00016	Outside skirt of blade disc	1
19	UR390-00085	Bolt - M10×40	3
20	U455-00029	∅10	11
21	U537-00111	Nut - M10	7
22	UZT85-00017	Small wheel	2
23	UG700-00100	Washer	3
24	UT160-00052	Check ring φ47	3
25	UZT85-00018	Bearing	6
26	UZT85-00019	Partition	3
27	UZT85-00020	Deflecting wheel	3
28	UG806-00032	Bolt - M10×25	4
29	UZT85-00021	Front guard	1
30	UZT85-00022	Oil cup	3
31	UT160-00050	Nut - M20	3
32	UT160-00067	Washer 20	3
33	UZT85-00023	Pulley of Blade disc	3
34	UZT85-00024	Bearing cover	6
35	UT160-00068	Bearing	6
36	UZT85-00025	Partition	3
37	UZT85-00026	Inner Partition	3
38	UZT85-00027	Outside Partition	3
39	UZT85-00028	Bolt - M10×30	18
40	UZT85-00029	Bearing base	3
41	UZT85-00030	Oil sealing ring	3
42	UZT85-00031	Shaft of blade	3
43	UZT85-00032	Blade	3

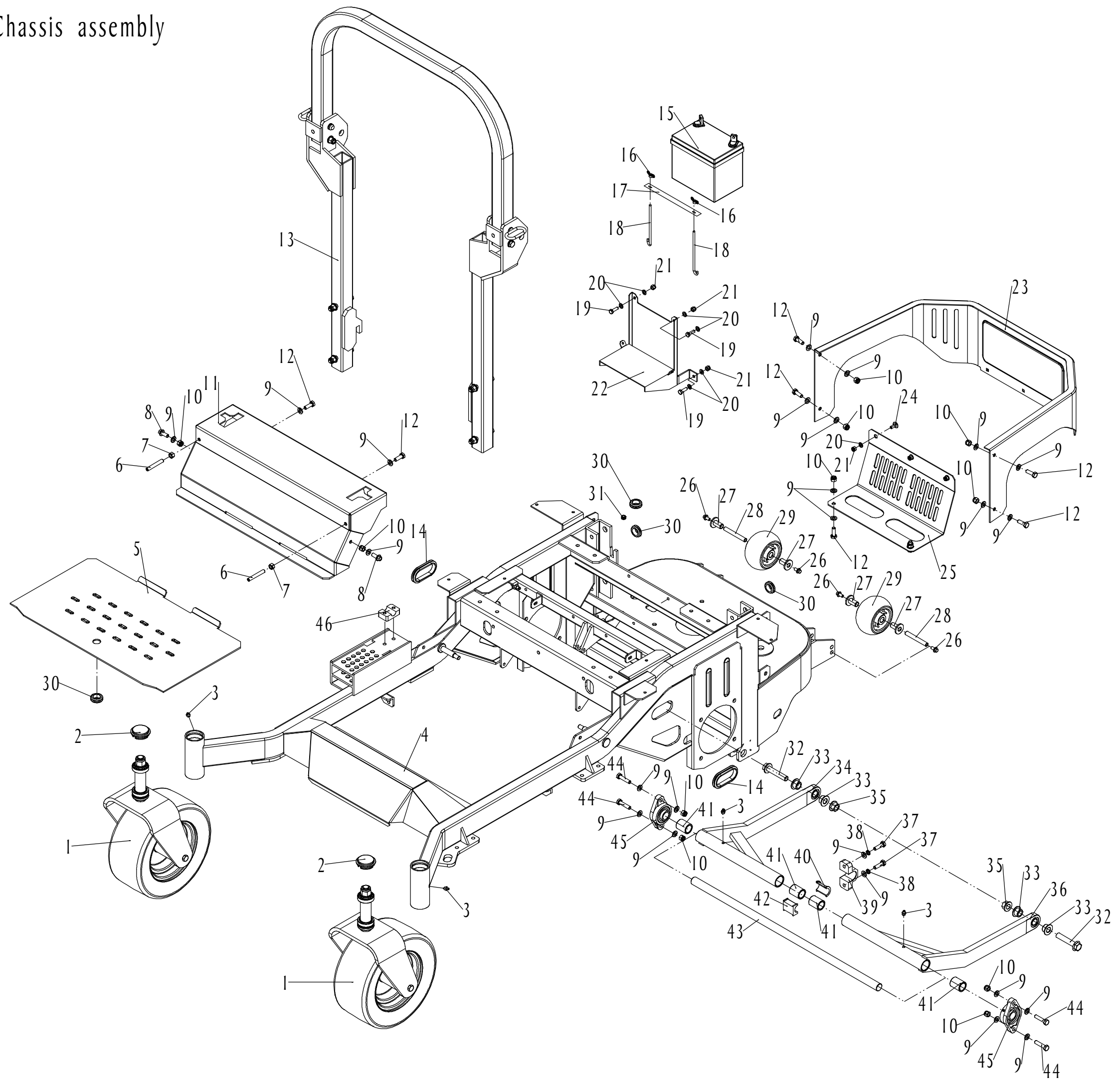
44	UZT85-00033	Dish washer	3
45	UZT85-00034	Central bolt	3
46	UZT85-00035	Water-proof cover	2
47	UZT85-00036	Protecting Bush	3

Part 2 Tensional part



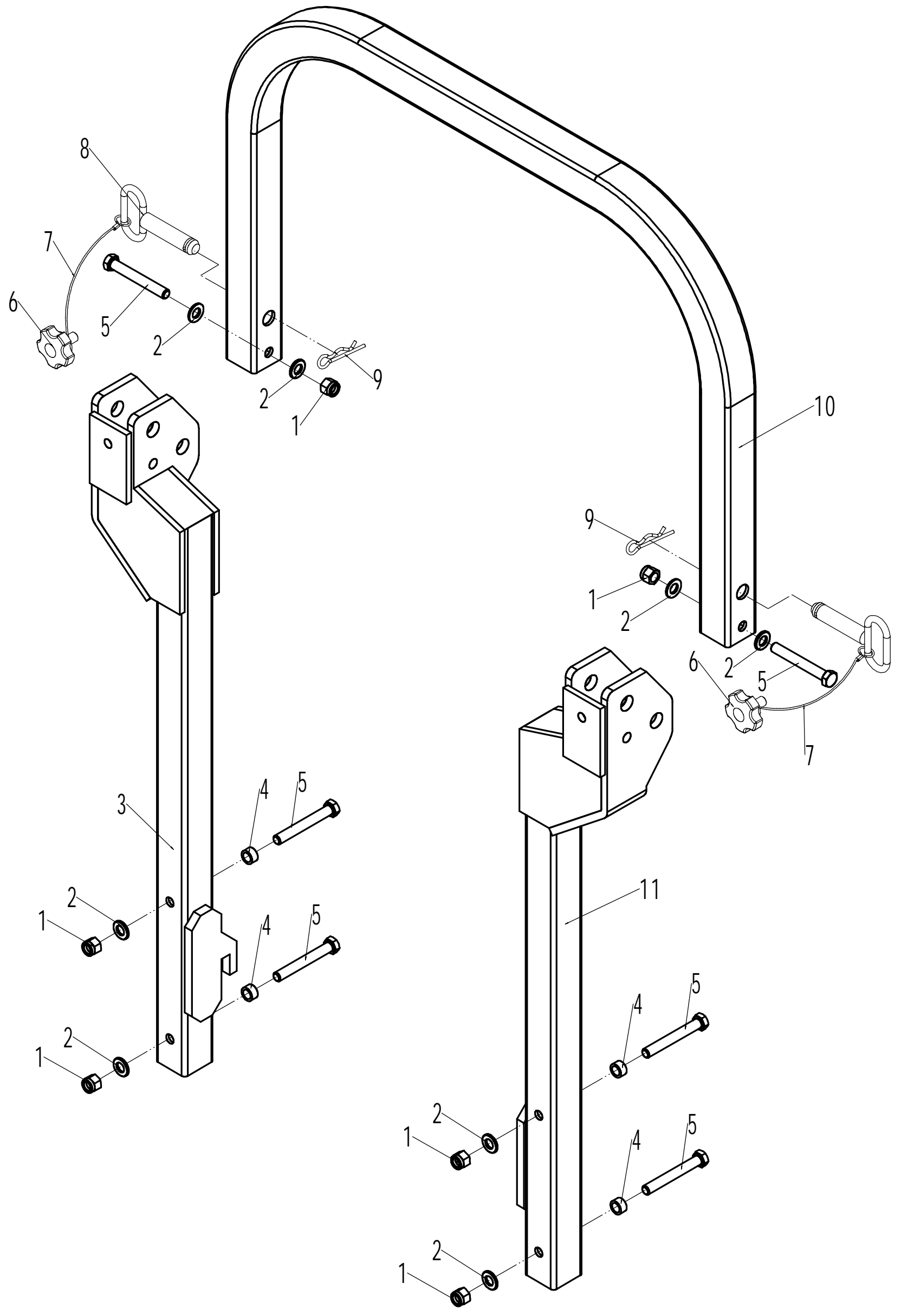
Tensional Part			
No.	art	Name	Qty
1	U537-00111	Nut - M10	2
2	U455-00029	Washer - 10	2
3	UZT85-00037	Bush	1
4	UZT85-00038	Bearing 6203-2RZ	4
5	UZT85-00039	Inner partition	1
6	UZT85-00040	Bracket	1
7	UZT85-00041	Check ring 40	2
8	UZT85-00042	Shaft of tensional part	1
9	UR200-00071	Washer Φ 16	1
10	US270-00093	M16	1
11	UZT85-00028	Bolt - M10*30	1
12	UZT85-00044	Bolt - M10*35	1
13	UZT85-00045	Connecting Rod	1
14	UZT85-00046	Washer	1
15	UZT85-00047	Inner partition	1
16	UZT85-00048	Tensional pulley	1

3 Chassis assembly



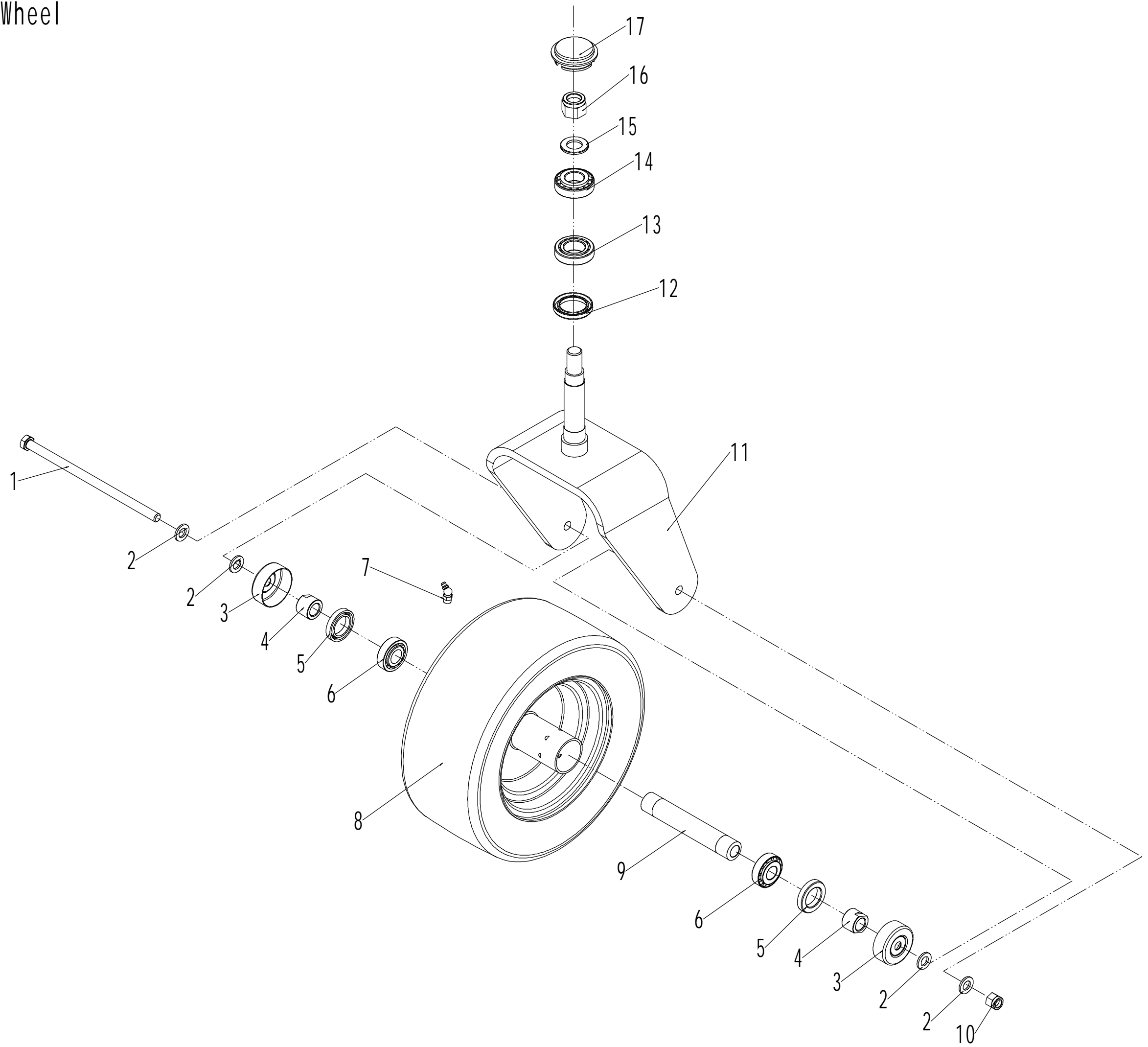
Chassis Assembly			
No.	art	Name	Qty
1	UZT85-00049	Front wheel assembly	2
2	UT160-00062	Dust-proof cover	2
3	UZT85-00022	Oil cup	2
4	UZT85-00051	Chassis	1
5	UZT85-00052	Middle pedal	1
6	UZT85-00053	Screw - M10×60	2
7	UG806-00061	Nut - M10	2
8	UR200-00061	Bolt - M10×25	2
9	U455-00029	Washer 10×2	28
10	U537-00111	Nut - M10	13
11	UZT85-00054	Front panel	1
12	UT160-00083	Bolt - M10×30	8
13	UZT85-00055	Protecting frame	1
14	UZT85-00056	Rubber ring	2
15	UZT85-00057	Battery	1
16	UZT85-00058	Nut - M8	2
17	UZT85-00059	Pressing plate	1
18	UZT85-00060	Pull rod	2
19	UG806-00029	Bolt - M8×25	4
20	U455-00061	Washer 8×1.6	8
21	U455-00007	Nut - M8	4
22	UZT85-00061	Bottom plate	1
23	UZT85-00062	Engine guard	1
24	UZT85-00063	Bolt - M8×20	3
25	UZT85-00064	Bottom plate	1
26	UR200-00056	Bolt - M10×20	4
27	UZT85-00012	Nylon bush	4
28	UZT85-00015	Wheel shaft	2
29	UZT85-00017	Wheel	2
30	UZT85-00068	Rubber ring	3
31	UZT85-00069	Rubber ring 8×6	1
32	UZT85-00070	Bolt - M16×80	2
33	UZT85-00071	Partition	4
34	UZT85-00072	Right hang stick	1
35	UZT85-00073	Nut 16	2
36	UZT85-00074	Left hang stick	1
37	UG390-00011	Bolt - M10×35	2
38	UR200-00070	Spring washer 10×2.8	2
39	UZT85-00075	Bracket	1
40	UZT85-00076	Nylon bush	1
41	UZT85-00077	Partition 1	4
42	UZT85-00078	Nylon bush	1
43	UZT85-00079	Hang shaft	1
44	UT160-00011	Bolt - M10×45	4
45	UZT85-00080	Bearing	2
46	UZT85-00081	Handle base	1

Part 4 Protecting Frame



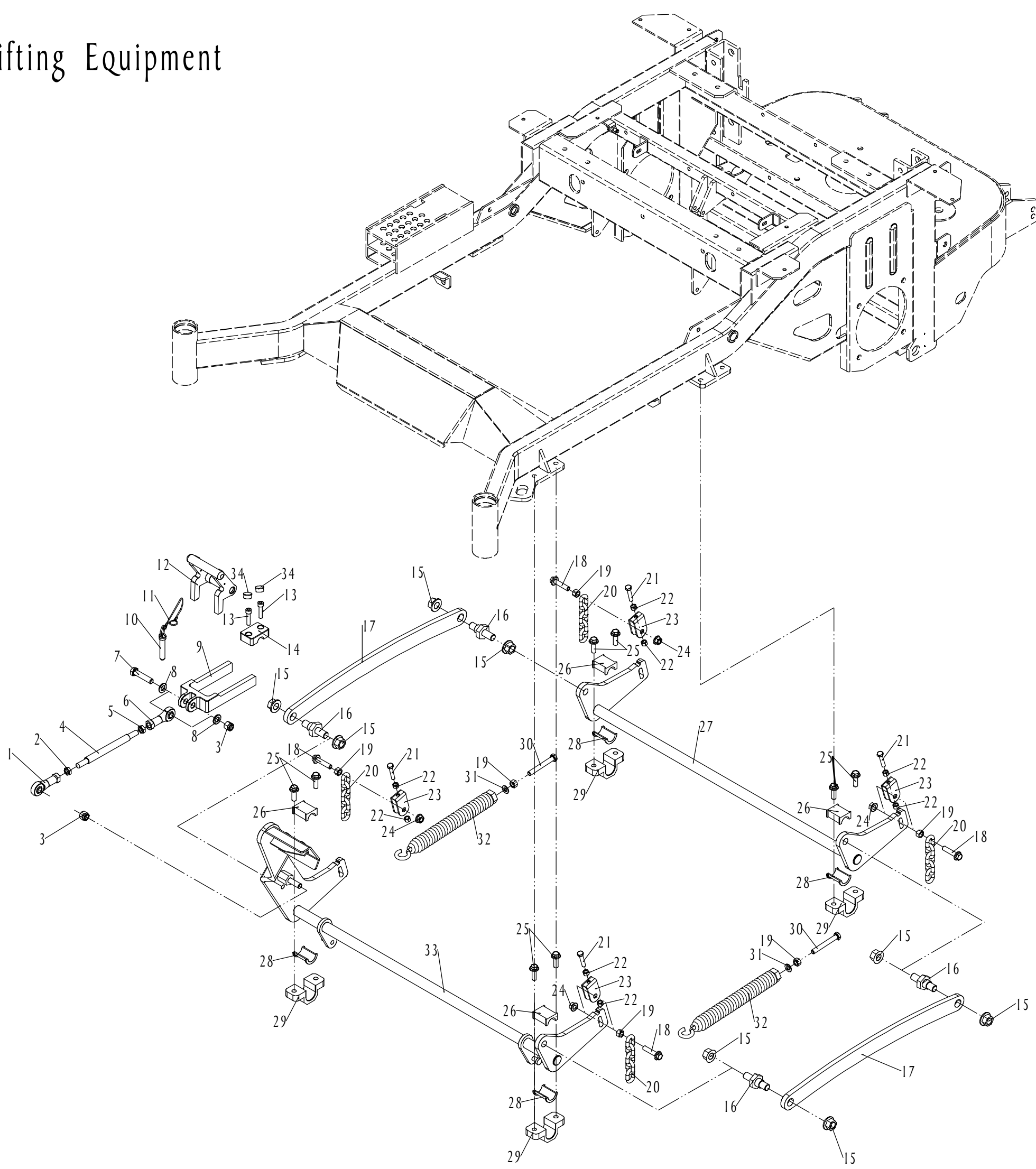
Protecting Frame			
No.	art	Name	Qty
1	UR200-00076	Nut - M12	6
2	UR200-00074	Washer Ø12	8
3	UZT85-00082	Lower left protecting frame	1
4	UZT85-00083	Partition	4
5	UZT85-00084	Blot - M12*90	6
6	UZT85-00085	Bolt - M10×30	2
7	UZT85-00086	Hang rope	2
8	UZT85-00087	Pin	2
9	UZT85-00088	Check ring	2
10	UZT85-00089	Upper protecting frame	1
11	UZT85-00090	Lower Right protecting frame	1

5 Front Wheel



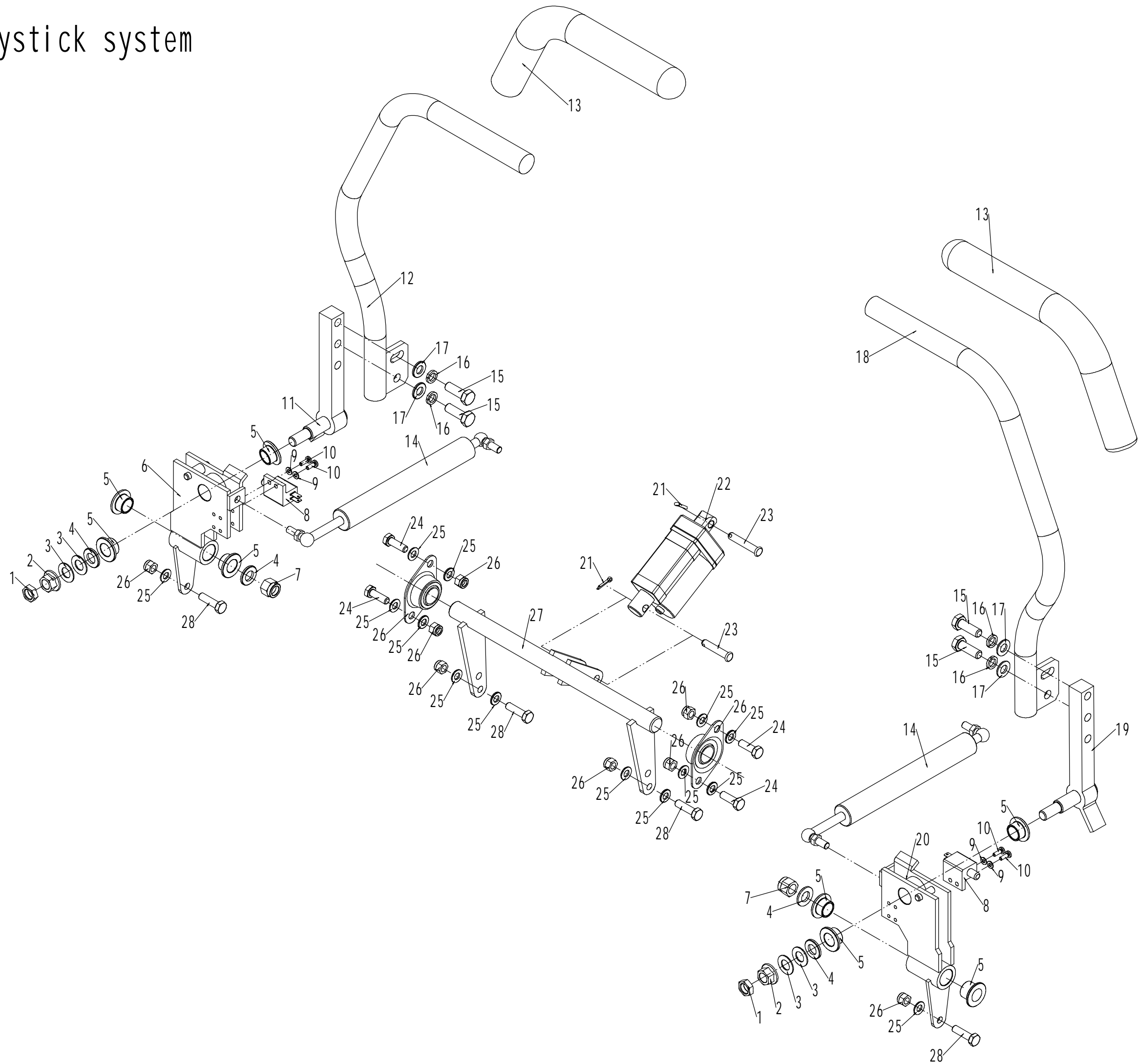
Front Wheels			
No.	art	Name	Qty
1	UZT85-00091	Bolt - M12*240	2
2	UR200-00074	Washer 12	8
3	UZT85-00092	Bush	4
4	UZT85-00093	Partition	4
5	UZT85-00094	Oil sealing	4
6	UZT85-00095	Bearing	4
7	UZT85-00022	Oil cup	2
8	UZT85-00097	Front wheel	2
9	UZT85-00098	Inner partition	2
10	UR200-00076	Nut - M12	2
11	UZT85-00099	Front wheel bracket	2
12	UZT85-00100	Sealing ring	2
13	UZT85-00101	Bearing	2
14	UT160-00067	Washer ϕ 20	2
15	UZT85-00102	Nut - M20	2
16	UT160-00062	Dust-proof cover	2

6 Lifting Equipment



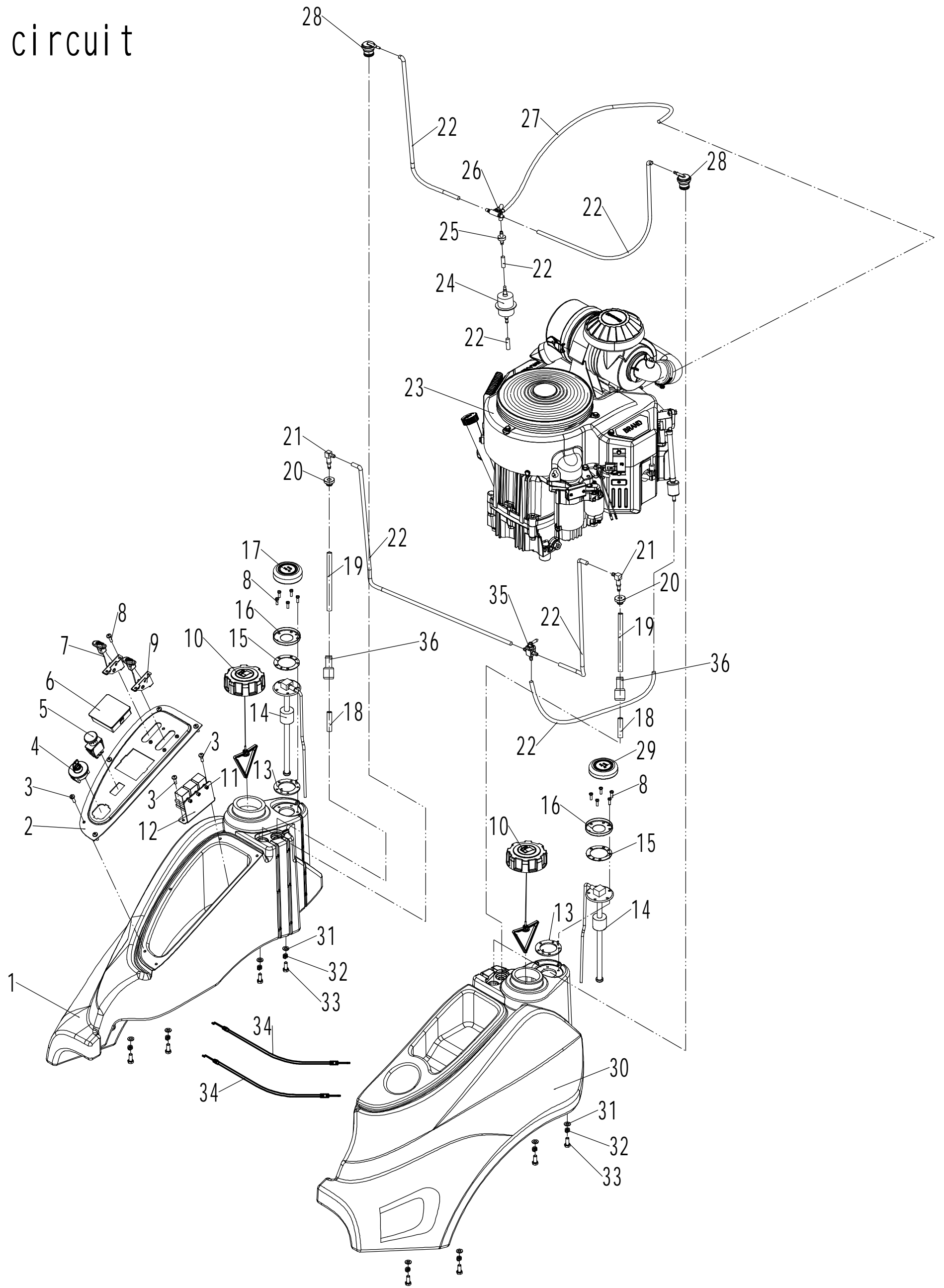
Lifting Equipment			
No.	art	Name	Qty
1	UZT85-00103	Bearing	1
2	UR200-00073	Nut - M12	1
3	UR200-00076	Nut - M12	2
4	UZT85-00104	Lifting Rod	1
5	UZT85-00105	Nut - M12	1
6	UZT85-00106	Bearing	1
7	UZT85-00107	Bolt - M12×55	1
8	UR200-00074	Washer 12×2.5	2
9	UZT85-00108	Sliding block	1
10	UZT85-00109	Pin	1
11	UZT85-00086	Hang rope	1
12	UZT85-00111	Lock lever	1
13	US270-00042	Screw - M8×35	2
14	UZT85-00112	Pressing block	1
15	UZT85-00113	Nut - M16	8
16	UZT85-00114	Pin	4
17	UZT85-00115	Connecting Rod	2
18	UZT85-00116	Bolt - M10*45	4
19	UG806-00061	Nut - M10	6
20	UZT85-00117	Hang chain	4
21	UT160-00002	Bolt - M8×40	4
22	UG700-00022	Nut - M8	8
23	UZT85-00118	Chain adjustment	4
24	UZT85-00119	Nut - M10	4
25	UZT85-00028	Bolt - M10×30	8
26	UZT85-00078	Nylon bush	4
27	UZT85-00122	Rear connecting rod	1
28	UZT85-00123	Nylon bush	4
29	UZT85-00075	Bracket	4
30	UZT85-00125	Bolt - M10×150	2
31	U455-00029	Washer 10×2	2
32	UZT85-00126	Pull spring	2
33	UZT85-00127	Front connecting rod	1
34	UZT85-00128	Pulg	2

7 Joystick system



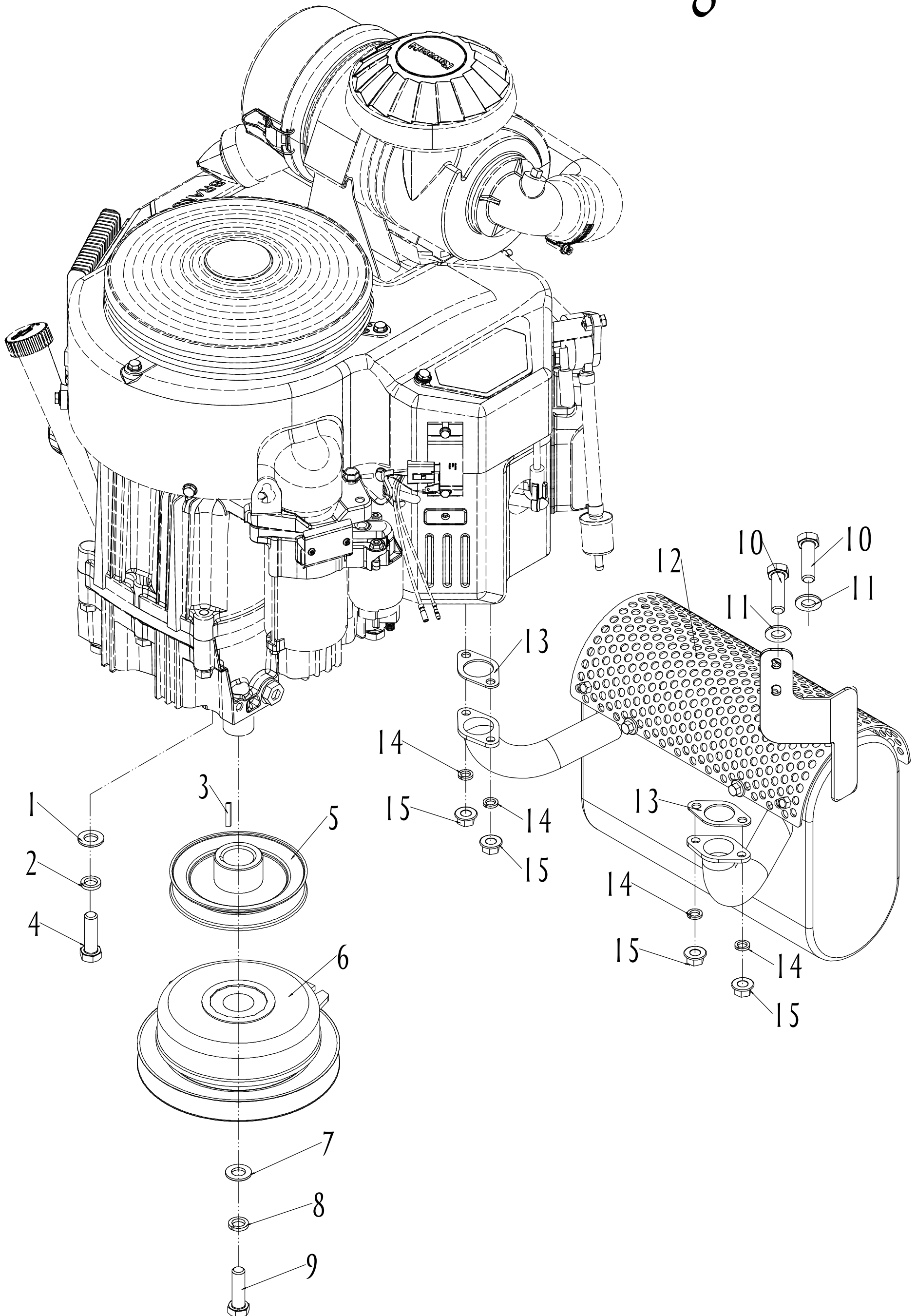
Joystick System			
No.	art	Name	Qty
1	UZT85-00129	Nut - M12	2
2	UZT85-00130	Nut - M12	2
3	UZT85-00131	Washer 12×1	4
4	UR200-00074	Washer 12×2.5	4
5	UZT85-00132	Partition	8
6	UZT85-00133	Right handle joint	1
7	UR200-00076	Nut - M12	2
8	UZT85-00134	Switch	2
9	UZT85-00135	Washer 4×0.8	4
10	UZT85-00136	Screw - M4×12	4
11	UZT85-00137	Right handle connecting block	1
12	UZT85-00138	Right handle	1
13	UZT85-00139	Handle sheath	2
14	UZT85-00140	Damper	2
15	UT160-00083	Bolt - M10×30	4
16	UR200-00070	Spring washer 10×2.6	4
17	U455-00029	Washer 10×2	4
18	UZT85-00141	Left handle	1
19	UZT85-00142	Left handle connecting block	1
20	UZT85-00143	Left handle joint	
21	UZT85-00144	Check ring 3.2×14	2
22	UZT85-00145	Electric pushing rod	1
23	UZT85-00146	Pin axis 8×40	2
24	UZT85-00147	Bolt - M8×25	4
25	U455-00061	Washer 8×1.6	14
26	U455-00007	Nut - M8	8
27	UZT85-00148	Brake shaft	1
28	UZT85-00149	Bolt - M8×30	2

8 Oil circuit



Oil Circuit			
No.	art	Name	Qty
1	UZT85-00150	Right oil tank	1
2	UZT85-00151	Control panel	1
3	UZT85-00152	Screw - M6×20	7
4	UZT85-00153	Switch	1
5	UZT85-00154	PTO Switch	1
6	UZT85-00155	Screen	1
7	UZT85-00156	Throttle lever	1
8	UV160-00035	Screw - M3×16	16
9	UZT85-00157	Throttle lever	1
10	UZT85-00158	Oil tank cover	2
11	UA516-00063	Nut - M5	2
12	UZT85-00159	Relay bracket	1
13	UZT85-00160	Sealing gasket of oil level sensor	2
14	UZT85-00161	Oil level sensor	2
15	UZT85-00162	Washer	2
16	UZT85-00163	Pressing cover	2
17	UZT85-00164	Right Cover	2
18	UZT85-00165	Filter of input pipe	2
19	UZT85-00166	Input pipe	2
20	UZT85-00167	Sealing ring	2
21	UZT85-00168	Oil inlet	2
23	UZT85-00170	Engine	1
24	UZT85-00171	Filter of air inlet	1
25	UZT85-00172	One-way valve	1
26	UZT85-00173	Four-way valve	1
28	UZT85-00175	Pouring valve	2
29	UZT85-00164	Left Cover	1
30	UZT85-00177	Left oil tank	1
31	U455-00061	Washer 8×1.6	4
32	UZT85-00178	Spring	4
33	UZT85-00179	Bolt - M8×20	4
34	UZT85-00180	Throttle cable	2
35	UZT85-00181	Reversing valve	1
36	UZT85-00182	Balancing head	2

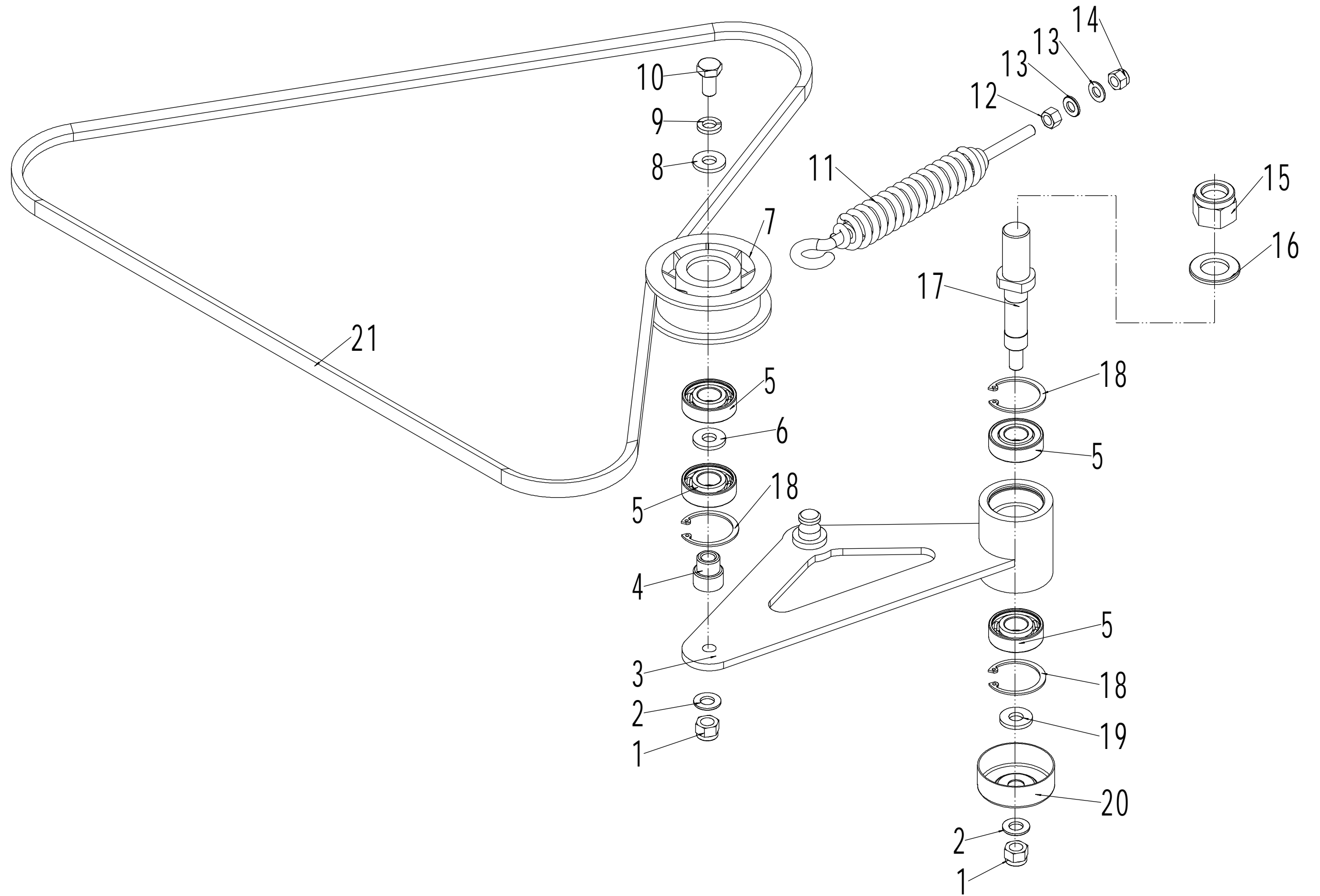
9 Engine Part



9 Engine Part

No.	art	Name	Qty
1	U455-00029	Washer Φ 10	4
2	UR200-00070	spring washer Φ 10	4
3	UZT85-00183	Key 6.25×6×36	1
4	UZT85-00184	Bolt	4
5	UZT85-00185	Engine pulley	1
6	U061-00001	Magnetic clutch	1
7	UR200-00074	Washer Φ 12	1
8	UR200-00075	spring washer Φ 12	1
9	UZT85-00187	Bolt - M12×1.25×75	1
10	UZT85-00179	Bolt - M8×20	2
11	U455-00061	Washer Φ 8	2
12	UZT85-00189	Muffler	1
13	UZT85-00190	Sealing gasket of muffler	2
14	U455-00053	spring washer Φ 8	4
15	UG700-00022	Nut - M8	2

10 Oil Pump Tensional Part

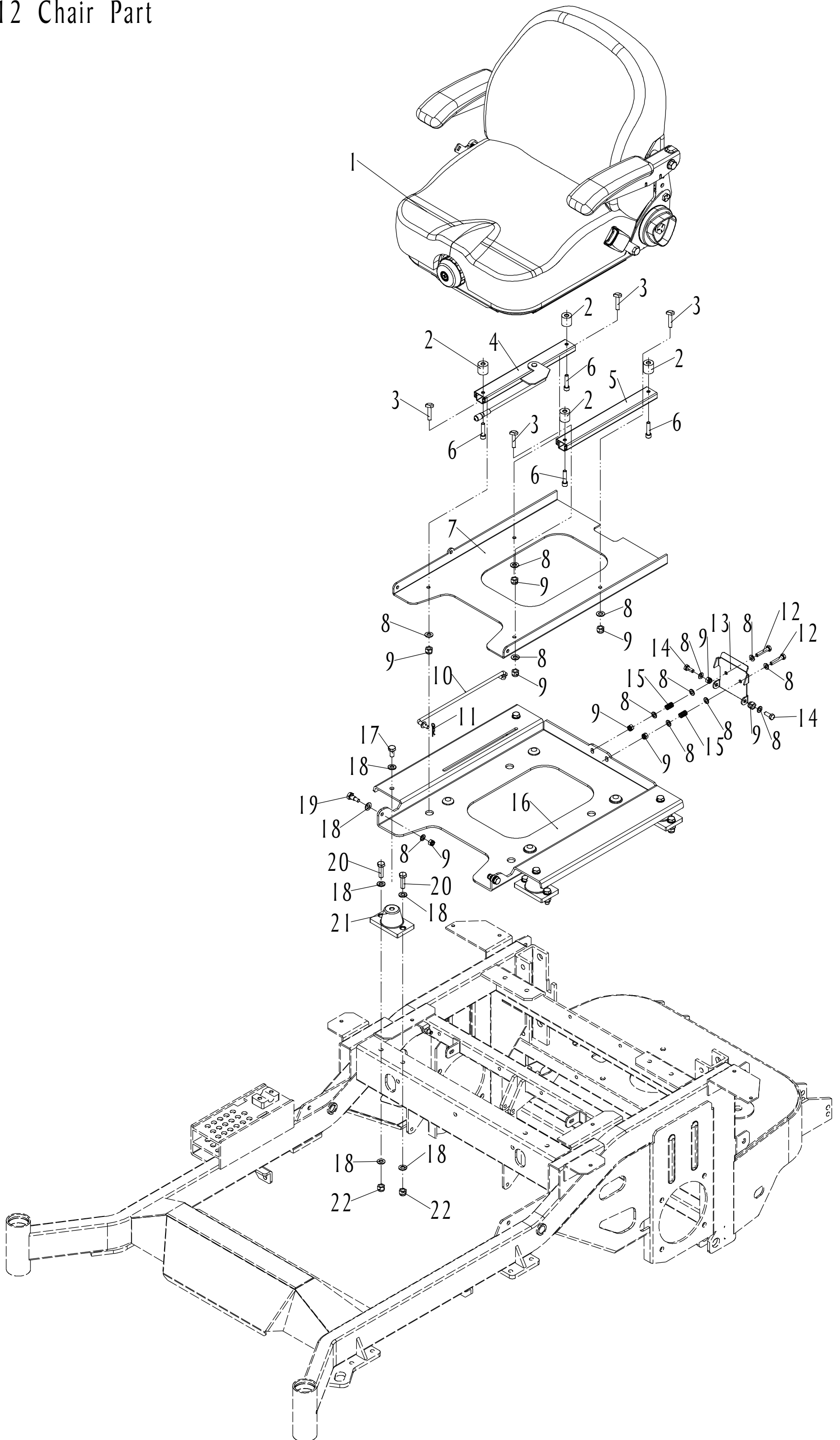


10 Oil Pump Tensional Part

No.	art	Name	Qty
1	UZT85-00191	Nut M10	2
2	U455-00029	Washer ϕ 10	2
3	UZT85-00192	Tensional Bracket	1
4	UZT85-00193	Shaft bush	1
5	UZT85-00194	Bearing	4
6	UZT85-00195	Partition	1
7	UZT85-00196	Tensional pulley	1
8	UZT85-00197	Washer	1
9	UZT85-00198	Spring washer ϕ 10	1
10	UT160-00040	Bolt - M10*60	1
11	UZT85-00199	Spring	1
12	UG700-00022	Nut - M8	1
13	U455-00061	Washer ϕ 8	2
14	U076-00006	Nut - M8	1
15	US270-00093	Nut - M16	1
16	UR200-00071	Washer ϕ 16	1
17	UZT85-00200	Shaft	1
18	UZT85-00041	Check ring ϕ 40	3
19	UZT85-00202	Gasket	1
20	UZT85-00037	Pulley bush	1
21	UZT85-00204	Belt	1

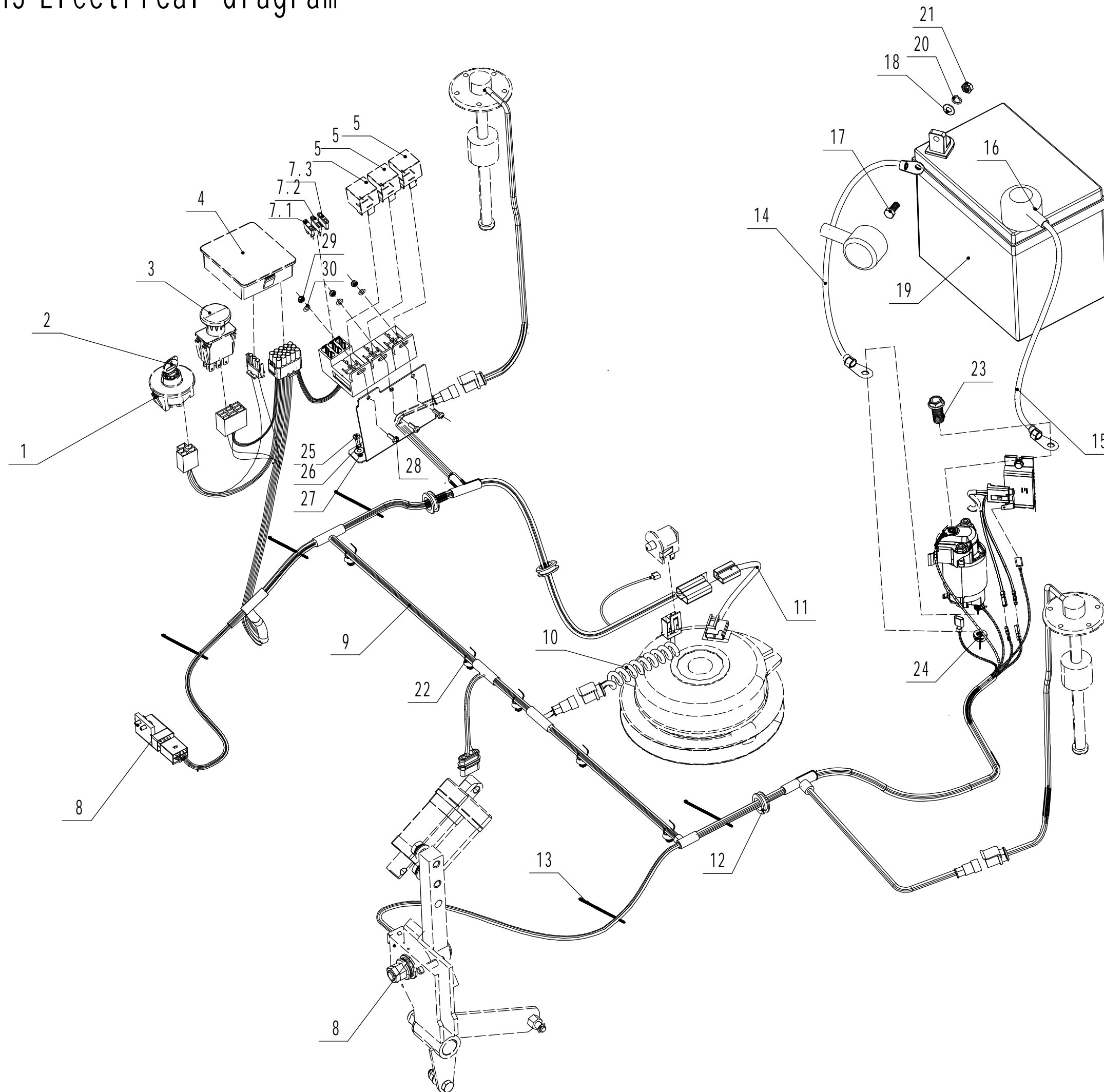
Rear Wheels			
No.	art	Name	Qty
1	UZT85-00205	Nut	8
2	UZT85-00206	Rear wheel	2
3		Bolt 1/2-13 12.9级	8
4	UR200-00074	Washer ϕ 12	8
5	UZT85-00208	Bolt - M8 \times 65	4
6	U455-00061	Washer ϕ 8	22
7	UZT85-00209	Oil tank	2
8	U076-00006	Nut - M8	12
9	UZT85-00210	Circlip	2
10	UZT85-00211	Pipe	2
11	UZT85-00212	Bolt 3/8-16 \times 35	4
12	UZT85-00213	Right gear box	1
13	UZT85-00214	Bolt - M8 \times 40	6
14	UZT85-00103	Bearing	4
15	UG700-00022	Nut - M8	4
16	UZT85-00216	Connecting rod	2
17	UZT85-00106	Bearing	2
18	U537-00111	Nut - M10	4
19	U076-00013	Washer ϕ 10	4
20	UZT85-00218	Back supporting rod	1
21	UZT85-00219	Front supporting rod	1
22	UZT85-00220	Connecting plate	1
23	UR200-00061	Bolt - M10 \times 25	4
24	UZT85-00221	Connecting Rod	2
25	UZT85-00222	Left gear box	1
26	UZT85-00223	Blot	2

12 Chair Part



12 Chair Part			
No.	art	Name	Qty
1	UZT85-00224	Chair	1
2	UZT85-00225	Partition	4
3		Bolt - M8×20	4
4	UZT85-00227	Right rail	1
5	UZT85-00227	Left rail	1
6	UZT85-00229	Bolt - 5/16-18×40	4
7	UZT85-00230	Install plate	1
8	U076-00005	Washer φ8	16
9	U076-00006	Nut M8	10
10	UZT85-00231	Pull arm	1
11		Pin	1
12	UG700-00026	Bolt - M8×45	4
13	UZT85-00233	Locking plate	1
14	UZT85-00179	Bolt - M8×20	2
15	UZT85-00235	Pressing spring	2
16	UZT85-00236	Chair Base	1
17	UG806-00032	Bolt - M10×25	4
18	U076-00013	Washer φ10	22
19	UZT85-00237	Connecting bolt	2
20	UZT85-00238	Bolt - M10×35	8
21	UZT85-00239	Chair damper	4
22	U537-00111	Nut - M10	8

13 Electrical diagram



Electrical Diagram			
No.	art	Name	Qty
1	UZT85-00153	Switch	1
2	UZT85-00241	Key	1
3	UZT85-00154	PTO Switch	1
4	UZT85-00155	Screen	1
5	UZT85-00244	Relay 12V 40A	3
7.1	UZT85-00245	Fuse, 25A	1
7.2	UZT85-00246	Fuse, 20A	1
7.3	UZT85-00247	Fuse, 10A	1
8	UZT85-00134	Switch	2
9	UZT85-00249	Wire assembly	1
10	UZT85-00250	Spring cable	1
11	UZT85-00251	Magnetic clutch cable	1
12	UZT85-00068	rubber ring	3
13	UZT85-00253	Cable tie	10
14	UZT85-00254	Positive pole wire	1
15	UZT85-00255	Negetive pole wire	1
16	UZT85-00256	Bush	2
17	UZT85-00257	Bolt - M6×16	2
18	UZT85-00258	Washer - 6	2
19	UZT85-00057	Battery 12V	1
20	UZT85-00260	spring washer - 6	2
21	UZT85-00261	Nut - M6	2
22	UZT85-00262	Cable tie	5
23	U061-00003	Bolt - M8×16	1
24	UZT85-00263	Nut - M8	1
25	UZT85-00264	Bolt - M6×12	2
26	U081-00014	spring washer - 6	2
27	UG700-00056	Washer - 6	2
28	US270-00205	Bolt - M4×10	3
29	UZT85-00135	Nut - M4	3
30	UZT85-00266	Washer - 4	3