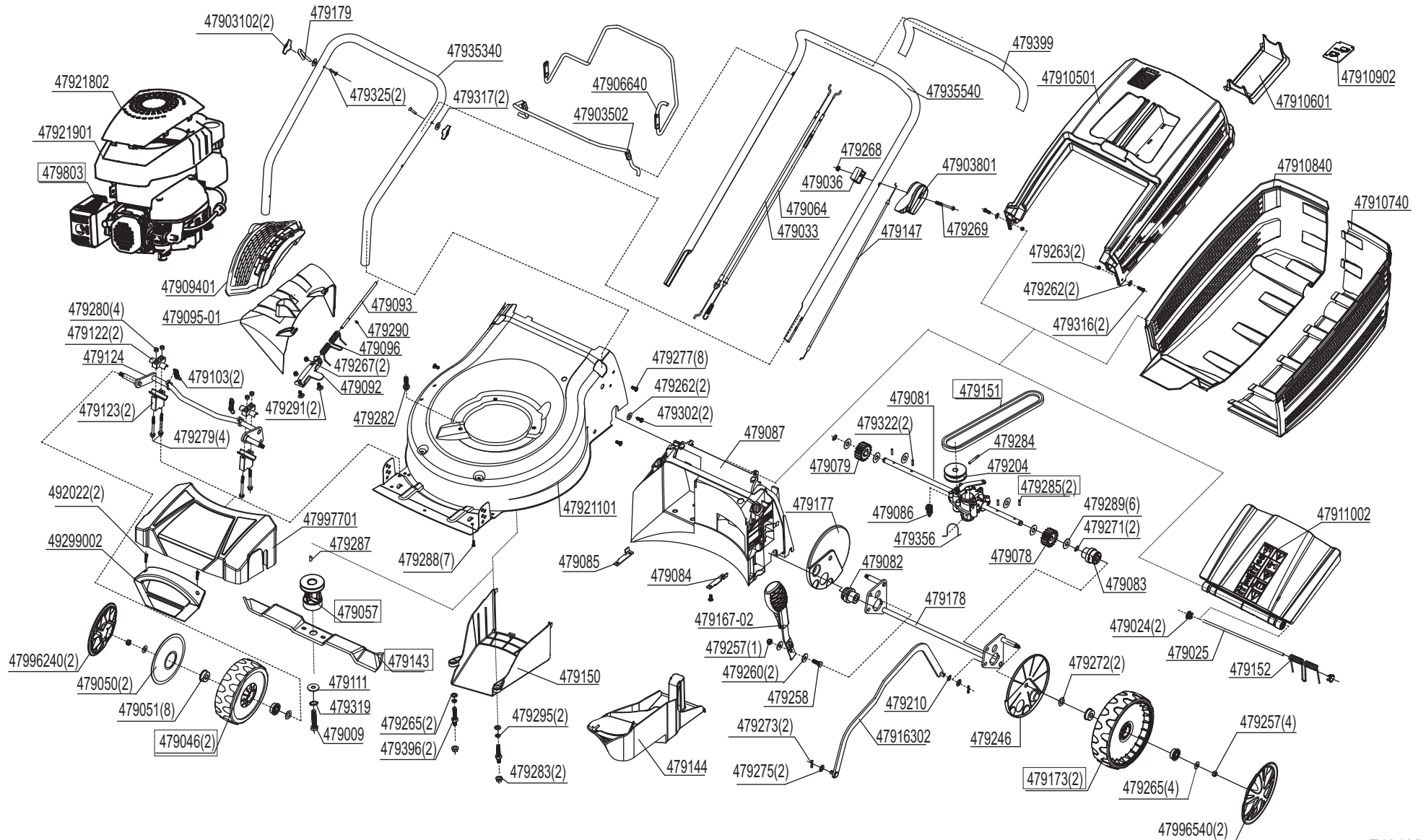


# 5.14 SP-S+ CLASSIC

Art.-Nr. 113102



E13102

a	b	c	d	e	f
---	---	---	---	---	---