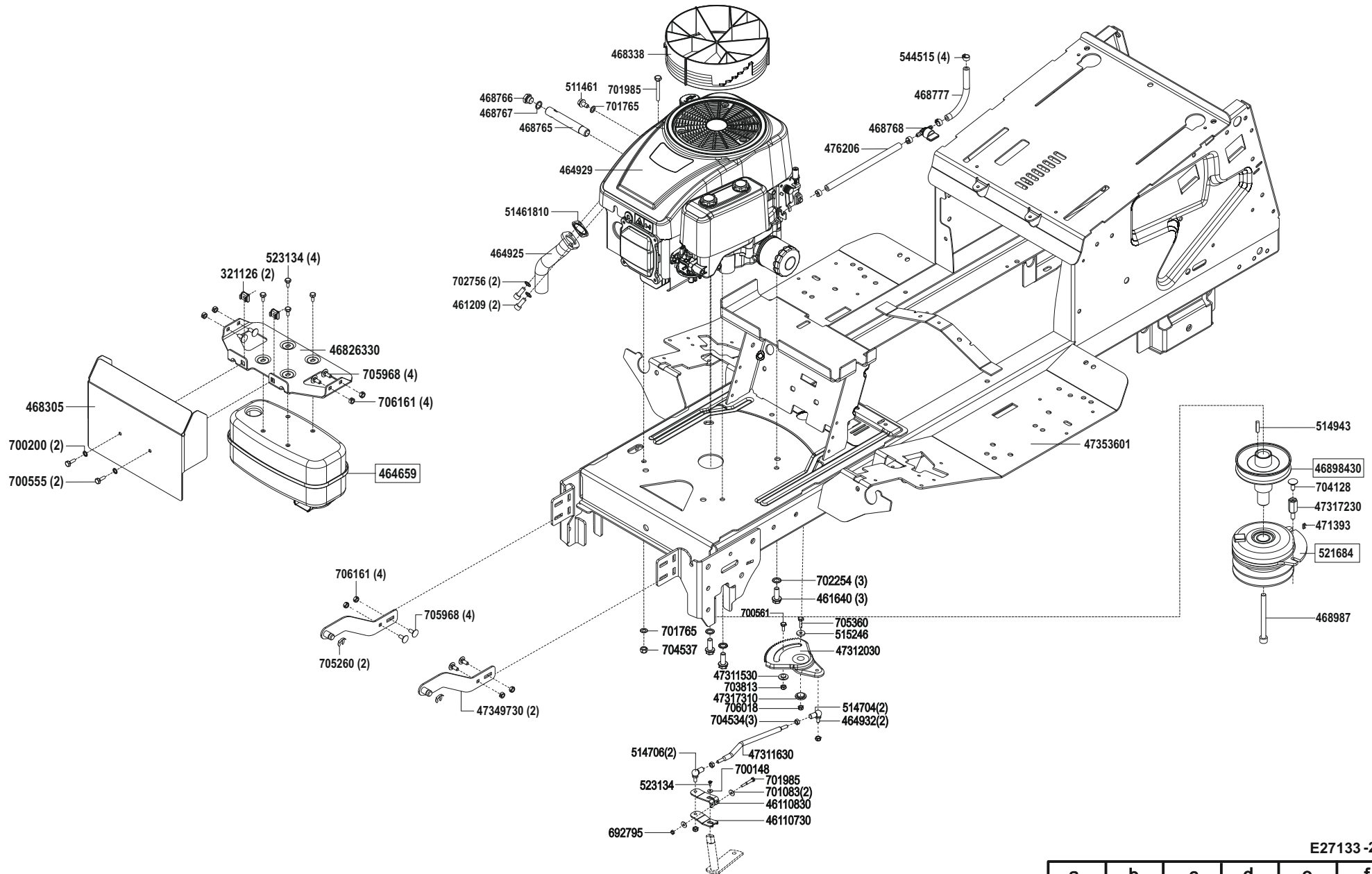




# T 15-95.5 HD-A

Art.Nr. 127133

**solo**  
by **AL-KO**



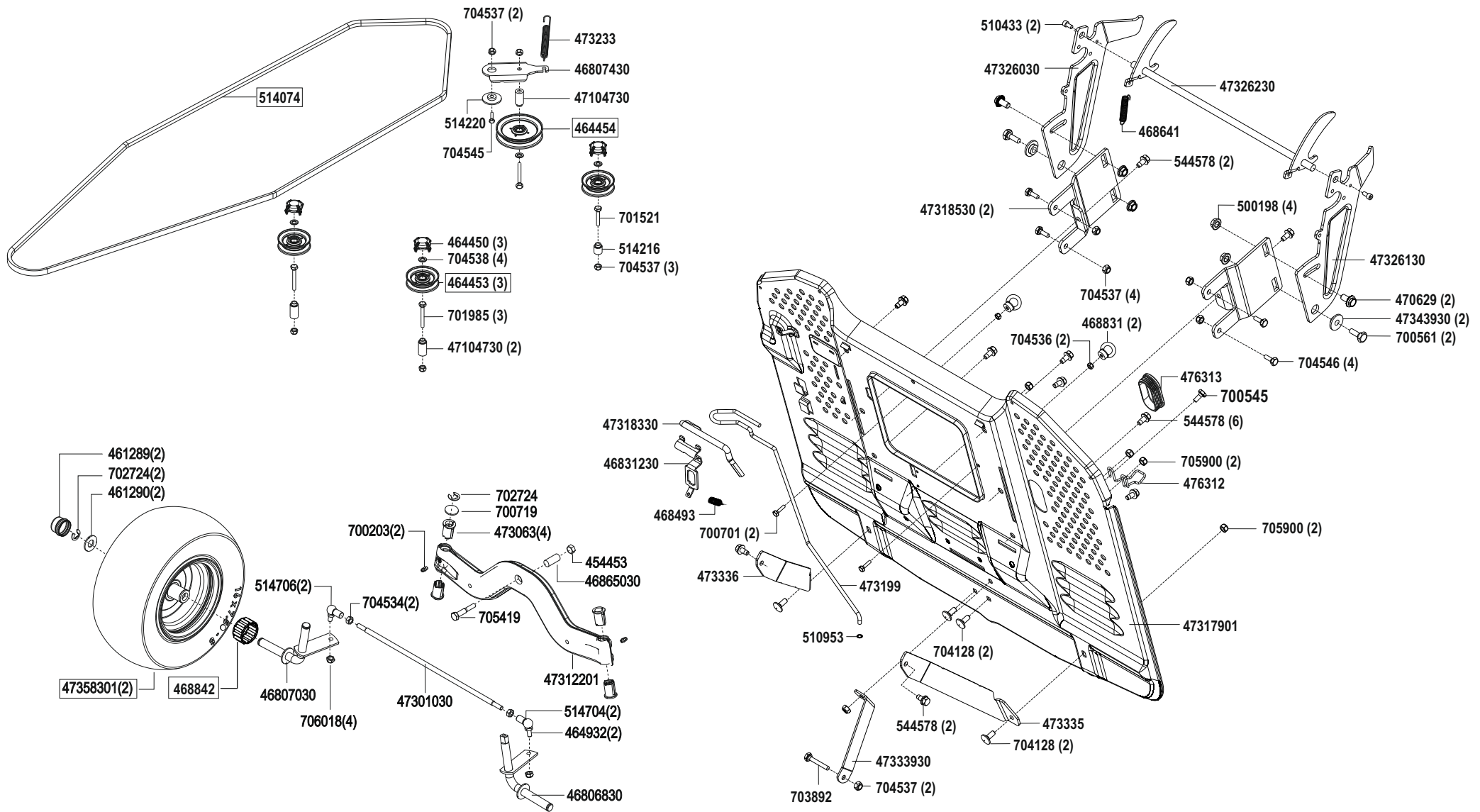
E27133-2

a	b	c	d	e	f
---	---	---	---	---	---

# T 15-95.5 HD-A

Art.Nr. 127133

**solo**  
by **AL-KO**



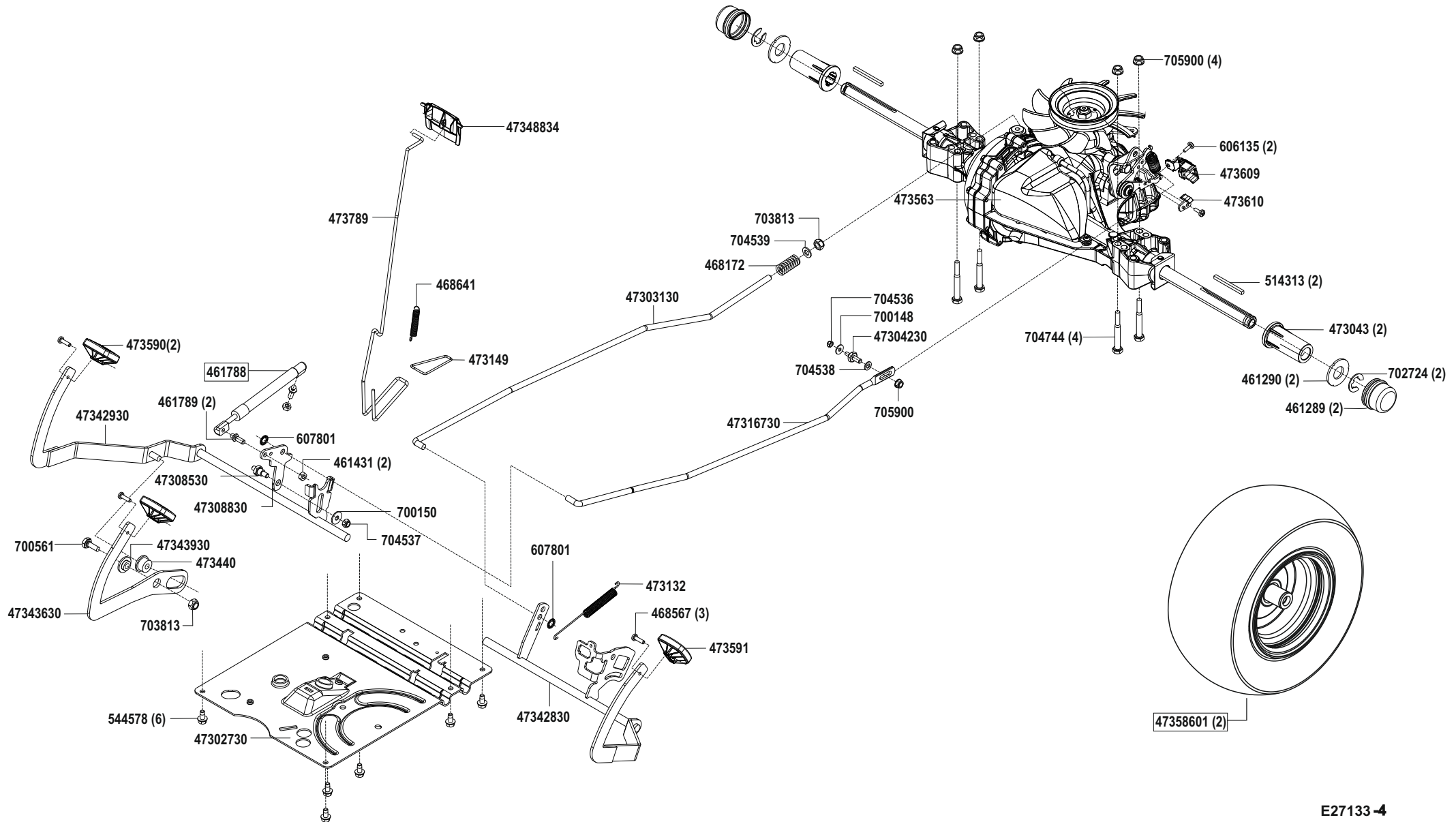
E27133-3

a	b	c	d	e	f
---	---	---	---	---	---

# T 15-95.5 HD-A

Art.Nr. 127133

**solo**  
by **AL-KO**



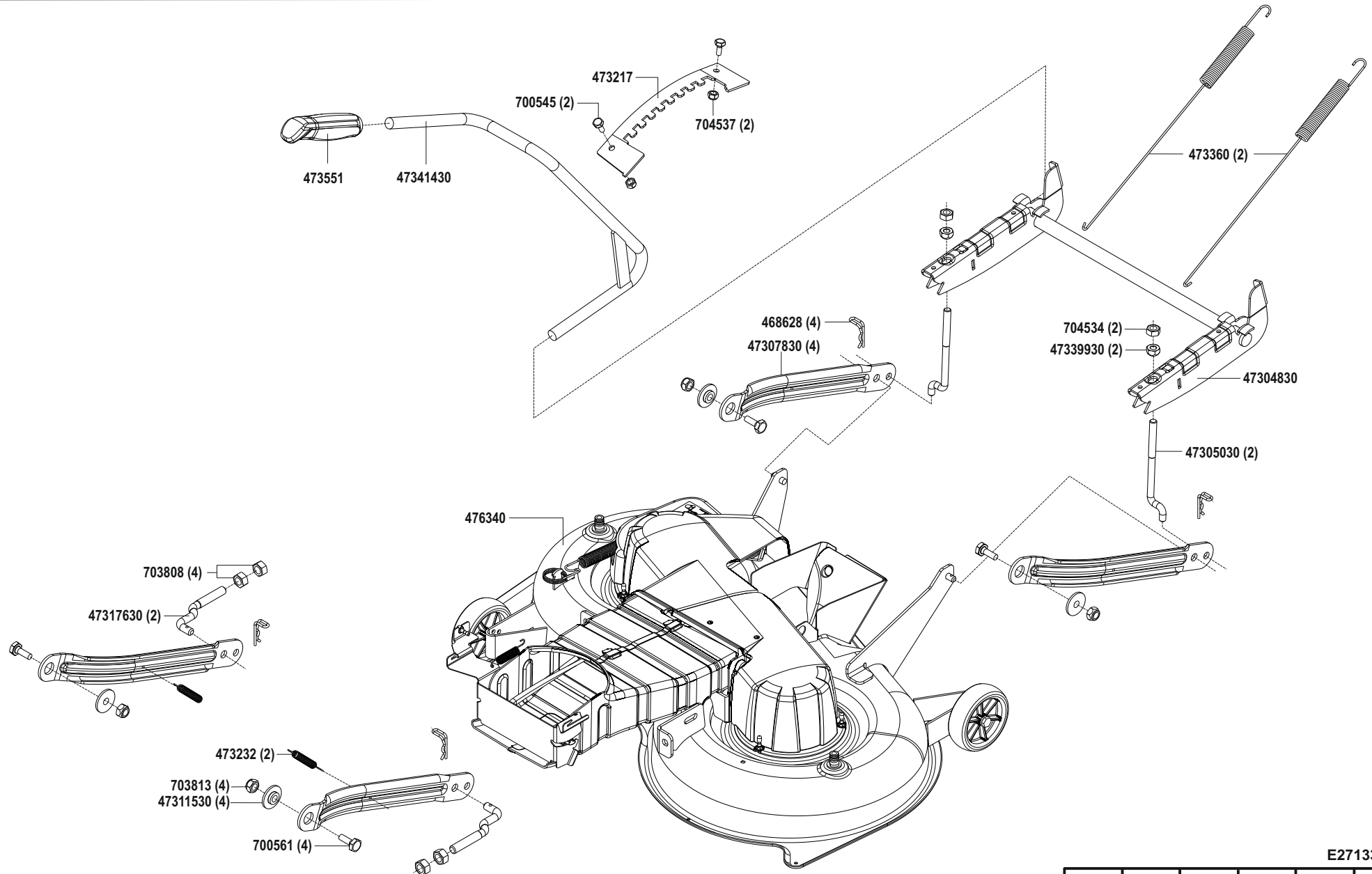
E27133-4

a	b	c	d	e	f
02/15					

# T 15-95.5 HD-A

Art.Nr. 127133

**solo**  
by **AL-KO**



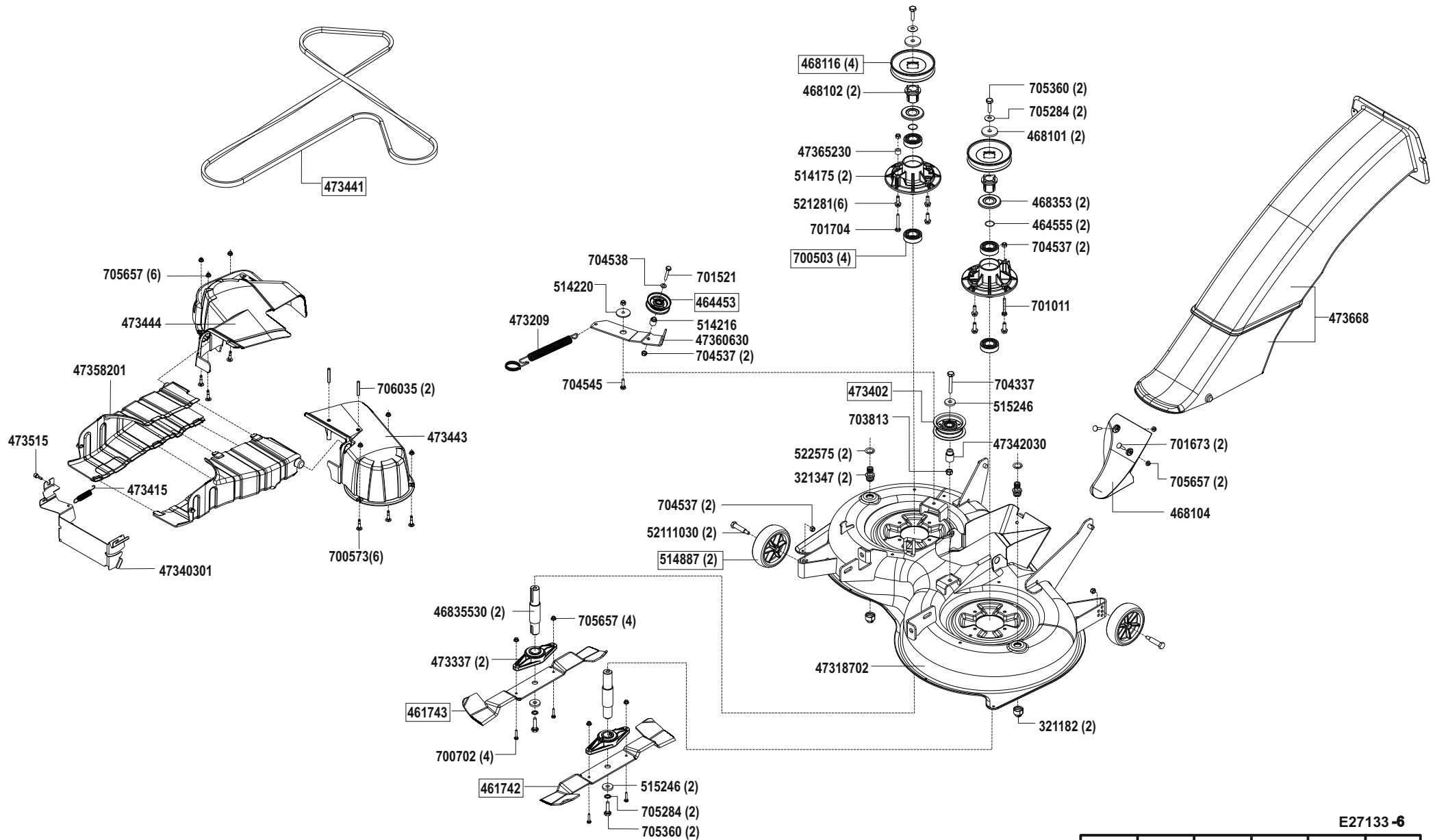
E27133-5

a	b	c	d	e	f
---	---	---	---	---	---

# T 15-95.5 HD-A

Art.Nr. 127133

**solo**  
by **AL-KO**



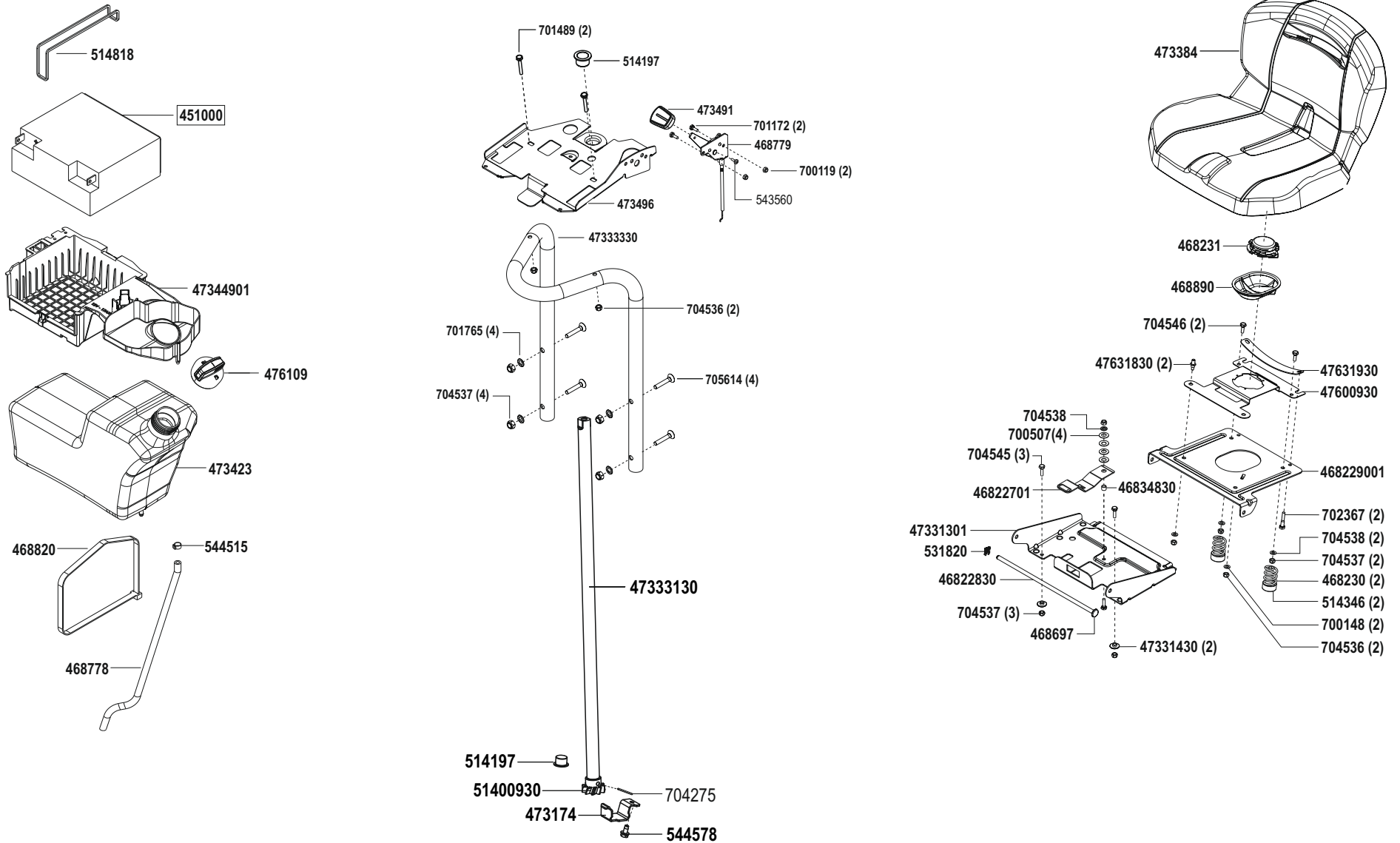
E27133-6

a	b	c	d	e	f
02/15					

# T 15-95.5 HD-A

Art.Nr. 127133

**solo**  
by **AL-KO**



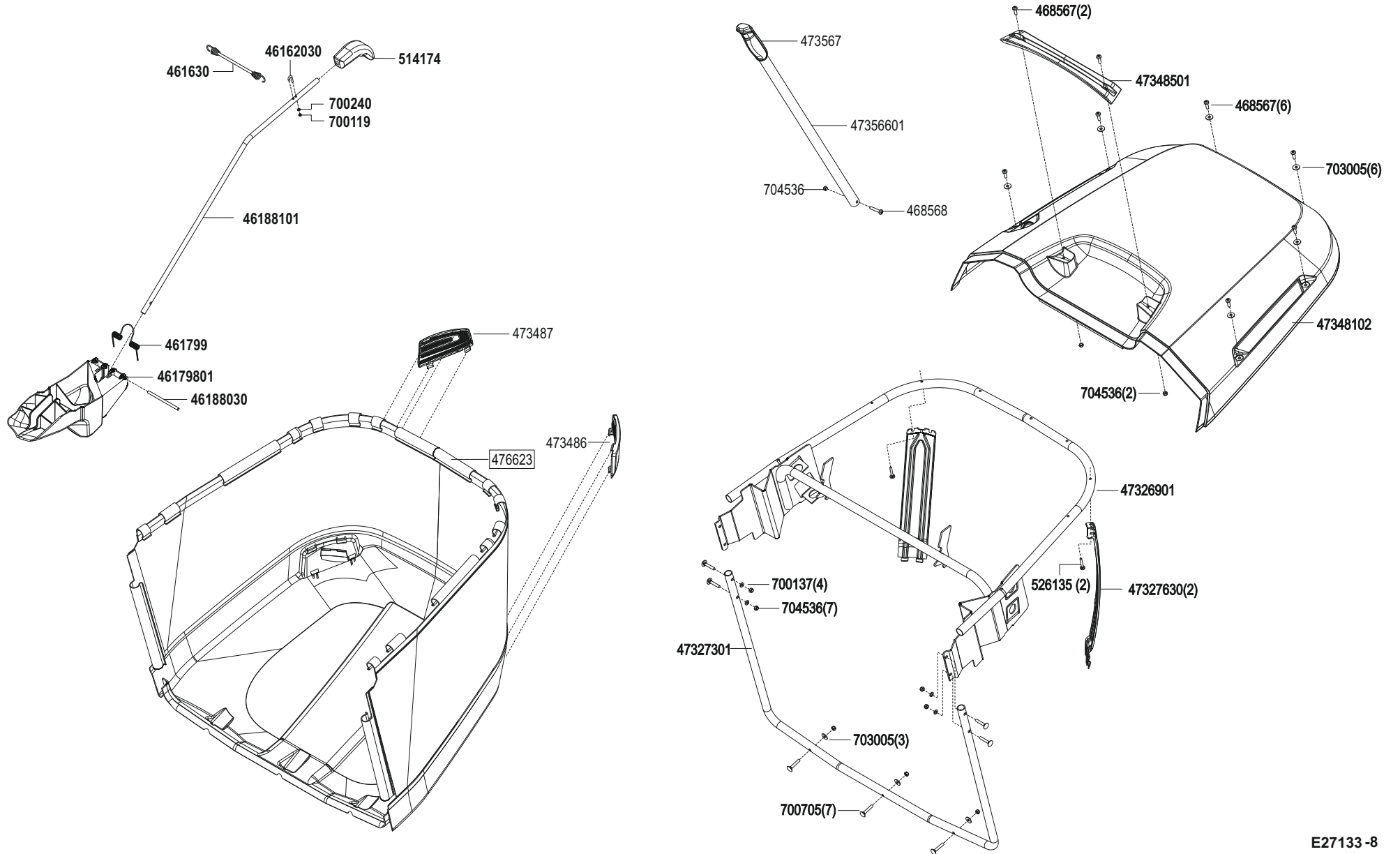
E27133-7

a	b	c	d	e	f
---	---	---	---	---	---

# T 15-95.5 HD-A

Art.Nr. 127133

**solo**  
by **AL-KO**



E27133-8

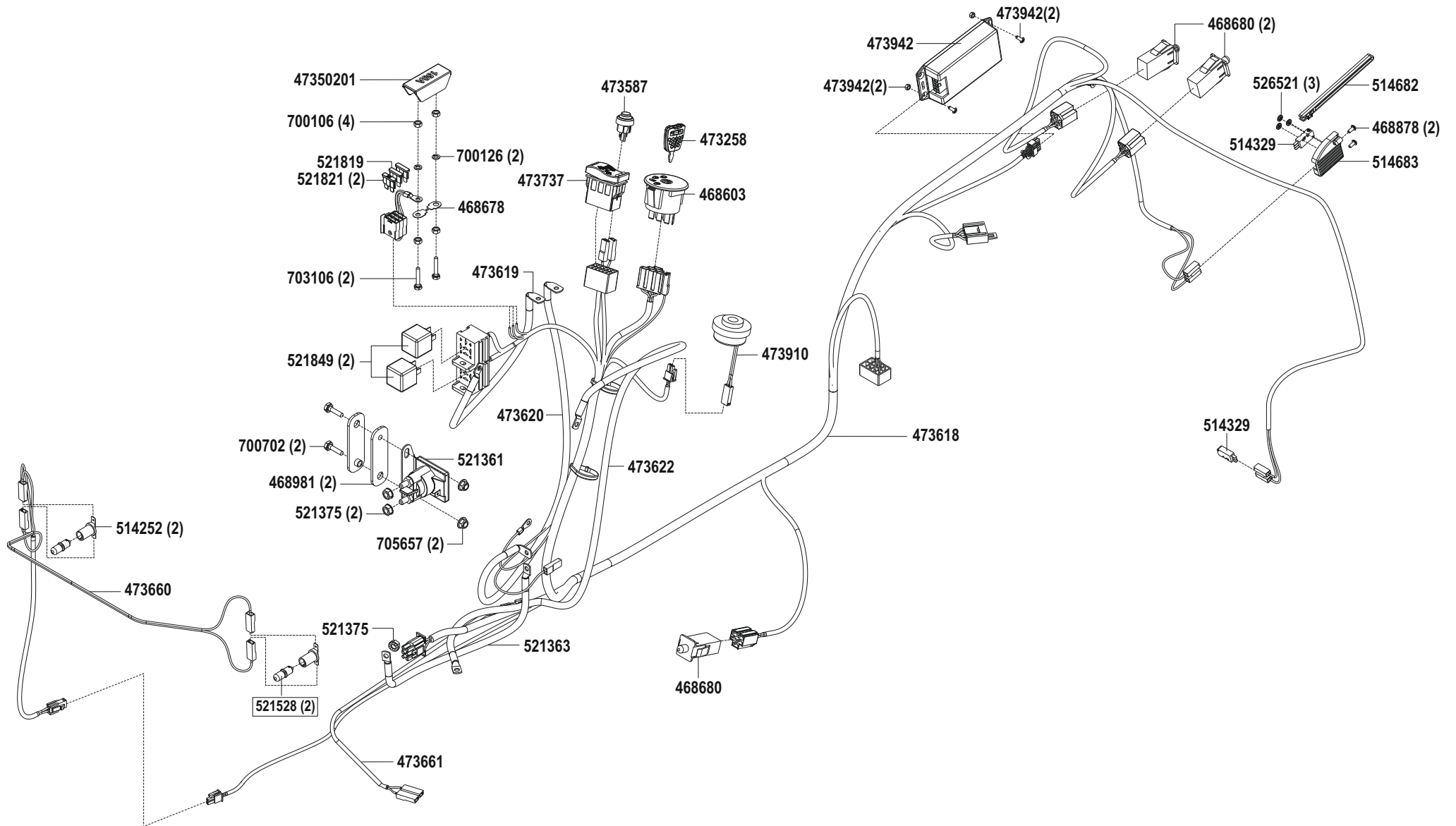
a	b	c	d	e	f
---	---	---	---	---	---



# T 15-95.5 HD-A

Art.Nr. 127133

**solo**  
by **AL-KO**



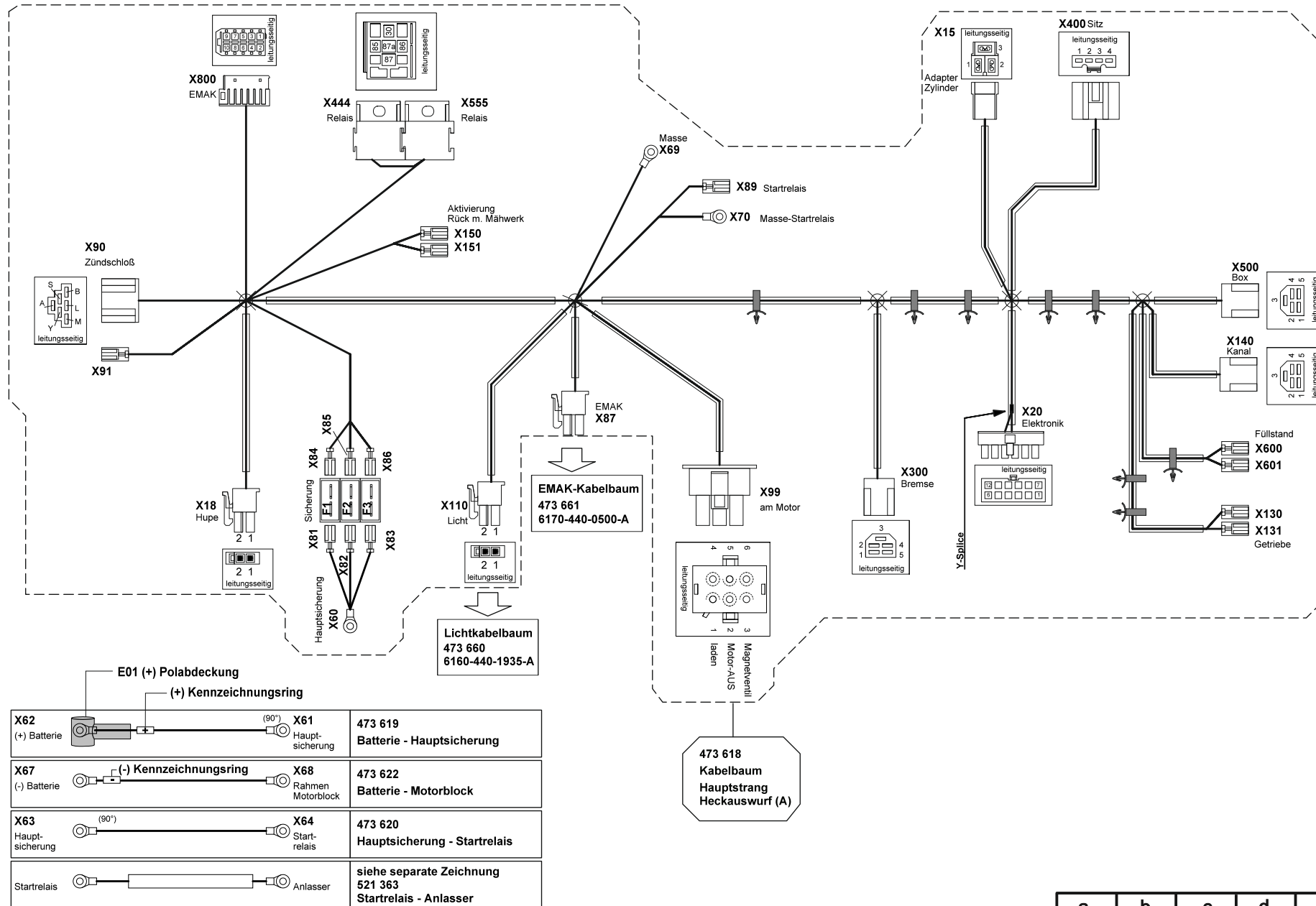
E27133-9

a	b	c	d	e	f
---	---	---	---	---	---

# T 15-95.5 HD-A

Art.Nr. 127133

**solo**  
by **AL-KO**



<b>X62</b> (+) Batterie	<b>(+) Kennzeichnungsring</b>	<b>X61</b> Haupt-sicherung	<b>473 619</b> Batterie - Hauptsicherung
<b>X67</b> (-) Batterie	<b>(-) Kennzeichnungsring</b>	<b>X68</b> Rahmen Motorblock	<b>473 622</b> Batterie - Motorblock
<b>X63</b> Haupt-sicherung		<b>X64</b> Start-relais	<b>473 620</b> Hauptsicherung - Startrelais
Startrelais		Anlasser	siehe separate Zeichnung 521 363 Startrelais - Anlasser

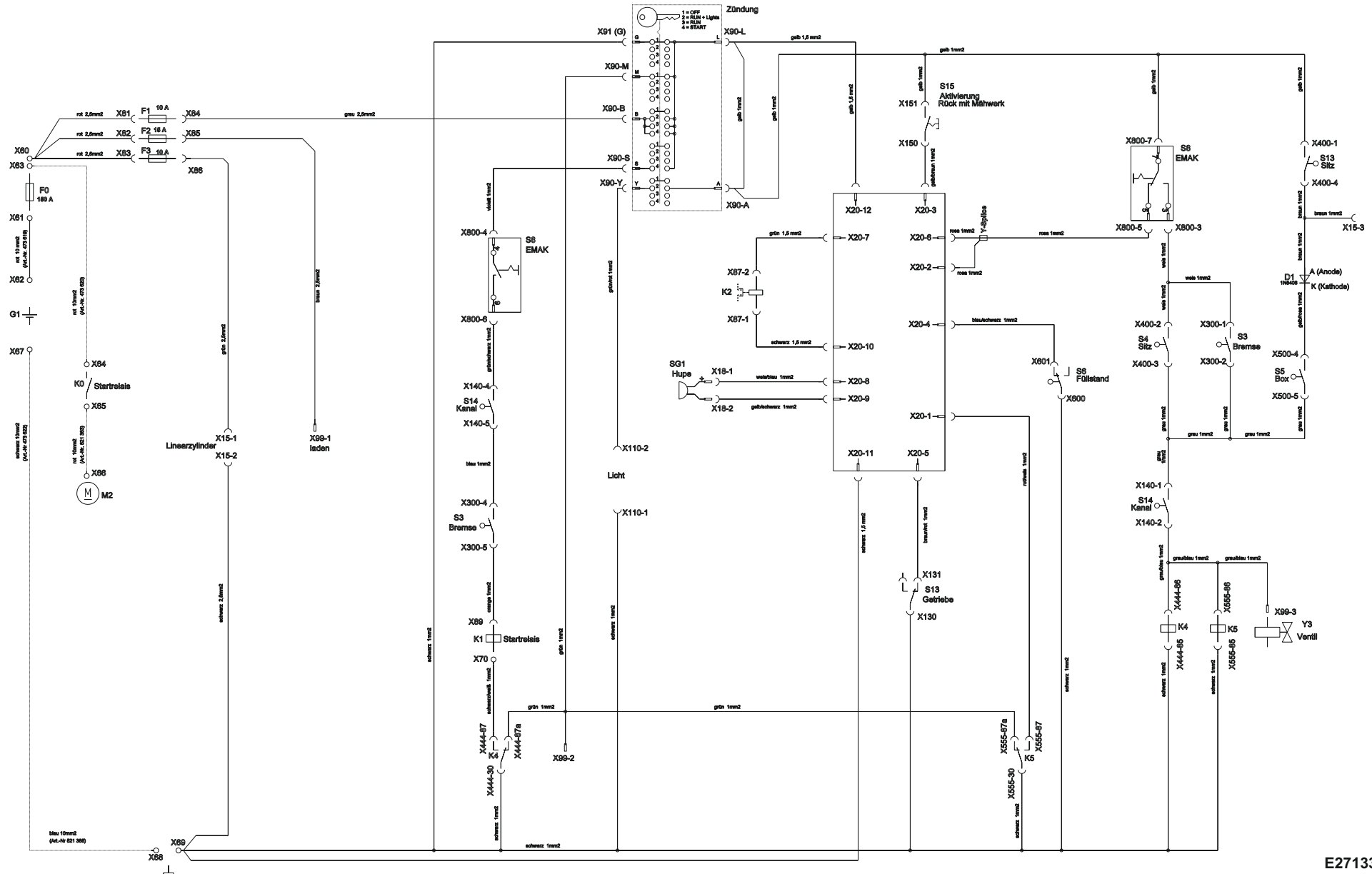
E27133-10

a	b	c	d	e	f
---	---	---	---	---	---

# T 15-95.5 HD-A

Art.Nr. 127133

**solo**  
by AL-KO



E27133-11

a	b	c	d	e	f
---	---	---	---	---	---