



RY18LT33A
RY18LT33B





- Important!** It is essential that you read the instructions in this manual before assembling, operating, and maintaining the product.
- Attention!** Il est essentiel que vous lisiez les instructions contenues dans ce manuel avant d'assembler, d'entretenir et d'utiliser le produit.
- Achtung!** Es ist wichtig, dass Sie vor Zusammenbau, Wartung und Benutzung des Produktes die Anweisungen in dieser Anleitung lesen.
- ¡Atención!** Resulta fundamental que lea este manual de instrucciones antes de realizar el montaje, el mantenimiento y de utilizar este producto
- Attenzione!** È importante leggere le istruzioni contenute nel presente manuale prima di montare il prodotto, svolgere le operazioni di manutenzione sullo stesso e metterlo in funzione.
- Let op!** Het is van essentieel belang dat u de instructies in deze gebruiksaanwijzing leest voor u het product monteert, onderhoudt en gebruikt.
- Atenção!** É fundamental que leia as instruções deste manual antes da montagem, manutenção e operação do aparelho.
- OBS!** Det er vigtigt, at man læser instrukserne i denne brugsanvisning, inden man samler, vedligeholder og betjener produktet.
- Observera!** Det är viktigt att du läser instruktionerna i manualen före montering, användning och underhåll av produkten.
- Huomio!** On tärkeää, että luet tämän käsikirjan ohjeet ennen tuotteen kokoamista, huoltoa ja käyttöä.
- Advarsel!** Det er viktig at du leser instruksjonene i denne manualen før sammensetning, vedlikehold og bruk av produktet
- Внимание!** Необходимо прочитать инструкции в данном руководстве перед сборкой, обслуживанием и эксплуатацией этого изделия.
- Uwaga!** Koniecznie należy przeczytać instrukcje zawarte w tym podręczniku przed montażem, obsługą oraz konserwacją produktu.
- Důležité upozornění!** Neinstalujte, neprovádějte údržbu ani nepoužívejte tento výrobek dříve, než si přečtete pokyny uvedené v tomto návodu.
- Figyelem!** Fontos, hogy a termék összeszerelése, karbantartása és használatá elött elolvassa a kézikönyvben található utasításokat.
- Atenție!** Este esențial să citiți instrucțiunile din acest manual înainte de asamblare, efectuarea întreținerii și operarea produsului.
- Uzmanību!** Ir svarīgi izlasīt šīs rokasgrāmatas instrukcijas pirms uzstādīšanas, apkopes un preces darbināšanas.
- Děmesio!** Prieš surenkant, prižiūrint ir naudojant gaminį, būtina perskaityti šiame vadove pateiktus nurodymus.
- Tähtis!** Enne masina kokkupanekut, hooldamist ja kasutama hakkamist tuleb käesolevas juhendis esitatud juhised kindlasti läbi lugeda.
- Upozorenje!** Vrlo je važno da ste prije sklapanja, održavanja i rada s ovim proizvodom pročitali upute u ovom priručniku.
- Pomembno!** Pomembno je da pred montažo vzdrževanjem in uporabo tega izdelka preberete navodila v tem priročniku.
- Upozornenie!** Je dôležité, aby ste si pred montážou, údržbou a obsluhou produktu prečítali pokyny v tomto návode.
- Важно!** Исключительно важно е да прочетете инструкциите в настоящото ръководство, преди да преминете към сглобяване, поддръжка или работа с продукта.
- Важливо!** Дуже важливо, щоб ви прочитали інструкції в цьому керівництві перед складанням, обслуговуванням та експлуатацією цієї машини.
- Önemli!** Ürünü monte etmeden, kullanmadan ve bakımını yapmadan önce bu kılavuzdaki talimatları okumanız önemlidir.
- Προσοχή!** Είναι πολύ σημαντικό να διαβάσετε τις οδηγίες στο παρόν εγχειρίδιο πριν συναρμολογήσετε, συντηρήσετε ή λειτουργήσετε το προϊόν.

Subject to technical modification | Sous réserve de modifications techniques | Technische Änderungen vorbehalten | Bajo reserva de modificaciones técnicas | Con riserva di eventuali modifiche tecniche | Technische wijzigingen voorbehouden | Com reserva de modificações técnicas | Med forbehold for tekniske ændringer | Med förbehåll för tekniska ändringar | Tekniset muutokset varataan | Med forbehold om tekniske endringer | могут быть внесены технические изменения | Z zastrzeżeniem modyfikacji technicznych | Změny technických údajů vyhrazeny | A műszaki módosítás jogát fenntartjuk | Sub rezerva modificărilor tehnice | Paturam tiesības mainīt tehniskos raksturlielumus | Pasliiekant teisę daryti techninius pakeitimus | Tehnised muudatused võimalikud | Podloženo tehničkim promjenama | Tehnične spremembe dopuščene | Právo na technické zmeny je vyhradené | Подлежи на технически модификации | Є об'єктом для технічних змін | Teknik değışiklięe tabidir | τεχνικών τροποποιήσεων.



Safety, performance, and dependability have been given top priority in the design of your cordless line trimmer.

INTENDED USE

The cordless line trimmer is intended for cutting long grass, pulpy weed, and similar vegetation at or about ground level.

The cutting plane should be approximately parallel to the ground surface when trimming and approximately vertical when edging.

The product is intended to be used only by adults who have read and understood the instructions and warnings in this manual and can be considered responsible for their actions.

The product is intended only for outdoor use in a well-ventilated area. For safety reasons, the product must be adequately controlled by a two-handed operation.

Do not use the product for any other purpose.

GENERAL PRODUCT SAFETY WARNINGS

⚠ WARNING! Read all safety warnings, instructions, illustrations and specifications provided with this power tool. Failure to follow all instructions listed below may result in electric shock, fire and/or serious injury.

Save all warnings and instructions for future reference.

The term "power tool" in the warnings refers to your mains-operated (corded) product or battery-operated (cordless) product.

WORK AREA SAFETY

- **Keep work area clean and well lit.** Cluttered or dark areas invite accidents.
- **Do not operate power tools in explosive atmospheres, such as in the presence of flammable liquids, gases or dust.** Power tools create sparks which may ignite the dust or fumes.
- **Keep children and bystanders away while operating a power tool.** Distractions can cause you to lose control.

ELECTRICAL SAFETY

- **Power tool plugs must match the outlet. Never modify the plug in any way. Do not use any adapter plugs with earthed (grounded) power tools.** Unmodified plugs and matching outlets will reduce risk of electric shock.
- **Avoid body contact with earthed or grounded surfaces, such as pipes, radiators, ranges and refrigerators.** There is an increased risk of electric shock if your body is earthed or grounded.
- **Do not expose power tools to rain or wet conditions. Water entering a power tool will increase the risk of electric shock.**
- **Do not abuse the cord. Never use the cord for carrying, pulling or unplugging the power tool. Keep cord away from heat, oil, sharp edges or moving parts.** Damaged or entangled cords increase the risk of electric shock.

PERSONAL SAFETY

- **Stay alert, watch what you are doing and use common sense when operating a power tool. Do not use a power tool while you are tired or under the influence of drugs, alcohol or medication.** A moment of inattention while operating power tools may result in serious personal injury.

- **Use personal protective equipment. Always wear eye protection.** Protective equipment such as dust mask, non-skid safety shoes, hard hat or hearing protection used for appropriate conditions will reduce personal injuries.
- **Prevent unintentional starting. Ensure the switch is in the off-position before connecting to power source and/or battery pack, picking up or carrying the tool.** Carrying power tools with your finger on the switch or energising power tools that have the switch on invites accidents.
- **Remove any adjusting key or wrench before turning the power tool on.** A wrench or a key left attached to a rotating part of the power tool may result in personal injury.
- **Do not overreach. Keep proper footing and balance at all times.** This enables better control of the power tool in unexpected situations.
- **Dress properly. Do not wear loose clothing or jewellery. Keep your hair and clothing away from moving parts.** Loose clothes, jewellery or long hair can be caught in moving parts.
- **If devices are provided for the connection of dust extraction and collection facilities, ensure these are connected and properly used.** Use of dust collection can reduce dust-related hazards.
- **Do not let familiarity gained from frequent use of tools allow you to become complacent and ignore tool safety principles.** A careless action can cause severe injury within a fraction of a second.

POWER TOOL USE AND CARE

- **Do not force the power tool. Use the correct power tool for your application.** The correct power tool will do the job better and safer at the rate for which it was designed.
- **Do not use the power tool if the switch does not turn it on and off.** Any power tool that cannot be controlled with the switch is dangerous and must be repaired.
- **Disconnect the plug from the power source and/or remove the battery pack, if detachable, from the power tool before making any adjustments, changing accessories, or storing power tools.** Such preventive safety measures reduce the risk of starting the power tool accidentally.
- **Store idle power tools out of the reach of children and do not allow persons unfamiliar with the power tool or these instructions to operate the power tool.** Power tools are dangerous in the hands of untrained users.
- **Maintain power tools and accessories. Check for misalignment or binding of moving parts, breakage of parts and any other condition that may affect the power tool's operation. If damaged, have the power tool repaired before use.** Many accidents are caused by poorly maintained power tools.
- **Keep cutting tools sharp and clean.** Properly maintained cutting tools with sharp cutting edges are less likely to bind and are easier to control.
- **Use the power tool, accessories and tool bits etc. in accordance with these instructions, taking into account the working conditions and the work to be performed.** Use of the power tool for operations different from those intended could result in a hazardous situation.

- **Keep handles and grasping surfaces dry, clean and free from oil and grease.** Slippery handles and grasping surfaces do not allow for safe handling and control of the tool in unexpected situations.

BATTERY TOOL USE AND CARE

- **Recharge only with the charger specified by the manufacturer.** A charger that is suitable for one type of battery pack may create a risk of fire when used with another battery pack.
- **Use power tools only with specifically designated battery packs.** Use of any other battery packs may create a risk of injury and fire.
- **When battery pack is not in use, keep it away from other metal objects, like paper clips, coins, keys, nails, screws or other small metal objects, that can make a connection from one terminal to another.** Shorting the battery terminals together may cause burns or a fire.
- **Under abusive conditions, liquid may be ejected from the battery; avoid contact. If contact accidentally occurs, flush with water. If liquid contacts eyes, additionally seek medical help.** Liquid ejected from the battery may cause irritation or burns.
- **Do not use a battery pack or tool that is damaged or modified.** Damaged or modified batteries may exhibit unpredictable behaviour resulting in fire, explosion or risk of injury.
- **Do not expose a battery pack or tool to fire or excessive temperature.** Exposure to fire or temperature above 130°C may cause explosion.
- **Follow all charging instructions and do not charge the battery pack or tool outside the temperature range specified in the instructions.** Charging improperly or at temperatures outside the specified range may damage the battery and increase the risk of fire.

SERVICE

- **Have your power tool serviced by a qualified repair person using only identical replacement parts.** This will ensure that the safety of the power tool is maintained.
- **Never service damaged battery packs.** Service of battery packs should only be performed by the manufacturer or authorized service providers.

LINE TRIMMER SAFETY WARNINGS

- **Do not use the machine in bad weather conditions, especially when there is a risk of lightning.** This decreases the risk of being struck by lightning.
- **Thoroughly inspect the area for wildlife where the machine is to be used.** Wildlife may be injured by the machine during operation.
- **Thoroughly inspect the area where the machine is to be used and remove all stones, sticks, wires, bones, and other foreign objects.** Thrown objects can cause personal injury.
- **Before using the machine, always visually inspect to see that the cutter and the cutter assembly are not damaged.** Damaged parts increase the risk of injury.

- **Keep guards in place. Guards must be in working order and be properly mounted.** A guard that is loose, damaged, or is not functioning correctly may result in personal injury.
- **Keep all cooling air inlets clear of debris.** Blocked air inlets and debris may result in overheating or risk of fire.
- **Wear eye protection and ear protection.** Adequate protective equipment will reduce personal injury.
- **While operating the machine, always wear non-slip and protective footwear. Do not operate the machine when barefoot or wearing open sandals.** This reduces the chance of injury to the feet from contact with the moving cutter.
- **Always wear clothing such as trousers that covers the operator's legs while operating the machine.** Contact with the moving cutter or line may cause injury.
- **Keep bystanders away while operating the machine.** Thrown debris can result in serious personal injury.
- **Do not operate the machine above waist height.** This helps prevent unintended cutter contact and enables better control of the machine in unexpected situations.
- **Exercise caution when operating the machine in wet grass. Walk, never run.** This reduces the risk of slipping and falling which may result in personal injury.
- **Do not operate the machine on excessively steep slopes.** This reduces the risk of loss of control, slipping and falling which may result in personal injury.
- **When working on slopes, always be sure of your footing, always work across the face of slopes, never up or down and exercise extreme caution when changing direction.** This reduces the risk of loss of control, slipping and falling which may result in personal injury.
- **Keep all power cords and cables away from cutting area.** Power cords or cables may be hidden in hedges or bushes and can be accidentally cut or damaged by the line or cutter.
- **Keep all parts of the body away from the moving trimmer cutter or line. Do not clear material from the machine until it has been disconnected from the power source.** The moving trimmer cutter or line may result in serious personal injury.
- **Carry the machine with the machine switched off and away from your body.** Proper handling of the machine will reduce the likelihood of accidental contact with a moving trimmer cutter or line.
- **Only use replacement cutting heads and trimmer cutters or lines specified by the manufacturer. Do not replace the trimmer cutters or lines with metal wires or blades.** Incorrect replacement parts may cause loss of control, breakage and injury.

ADDITIONAL SAFETY WARNINGS

- Before use and after any impact, check that there are no damaged parts on the product. A defective switch or any part that is damaged or worn should be properly repaired or replaced by an authorised service centre.
- The small blade fitted to the lawn guard is designed to trim the newly extended line to the correct length for safe and optimum performance. The blade is very sharp. Do not touch the blade, particularly when cleaning the product.

- Use only the manufacturer's replacement cutting line. Do not use any other cutting attachment.
- Make sure that the cutting attachment is properly installed and securely fastened.
- Never operate the product unless all guards, deflectors, and handles are properly and securely attached.
- Ensure that the line cut-off blade in the guard is properly positioned and secured before each use.
- Keep the head attachment below waist level.
- Immediately turn off the product and remove the battery pack in the event of an accident or a breakdown. Do not operate the product again until it has been fully checked by an authorised service centre.
- To reduce the risk of injury associated with contacting moving parts, always turn off the product, remove the battery pack, and allow both to cool down. Make sure that all moving parts have come to a complete stop:
 - before servicing
 - before clearing a blockage
 - before checking, cleaning, and working on the product
 - before changing accessories
 - after striking a foreign object
 - whenever leaving the product unattended
 - whenever performing maintenance
 - whenever the product starts to vibrate abnormally
- Ensure that all guards and handles are properly fitted and are in good condition.
- Hold the product by designated handles, and restrict working time and exposure.
- Beware of objects thrown by the cutting means. Clear debris like small stones, gravel, and other foreign objects from the work area before starting operation. Wires or string may become entangled with the cutting means.
- Always ensure that ventilation openings are kept clear of debris.
- Injuries may be caused, or aggravated, by prolonged use of the product. When using the product for prolonged periods, ensure that you take regular breaks.
- Operate the product only in temperatures between 0°C and 40°C.
- Store the product in a location where the ambient temperature is between 0°C and 40°C.

ADDITIONAL BATTERY SAFETY WARNINGS

To reduce the risk of fire, personal injury, and product damage due to a short circuit, never immerse the product, battery pack, or charger in fluid or allow fluid to flow inside them. Corrosive or conductive fluids, such as seawater, certain industrial chemicals, and bleach or bleach-containing products, etc., can cause a short circuit.

- Charge the battery pack in a location where the ambient temperature is between 10°C and 38°C.
- Store the battery pack in a location where the ambient temperature is between 0°C and 20°C.
- Use the battery pack in a location where the ambient temperature is between 0°C and 40°C.

TRANSPORTATION AND STORAGE

- Turn off the product, remove the battery pack, and allow both to cool down before storing or transporting.
- Remove all foreign materials from the product.
- Do not store or transport the product with the battery pack fitted. Remove the battery pack, and secure it separately. Store the product in a cool, dry, and well-ventilated place that is inaccessible to children. Keep the product away from corrosive agents, such as garden chemicals and de-icing salts. Do not store the product outdoors.
- For transportation in vehicles, secure the product against movement or falling to prevent injury to persons or damage to the product.

TRANSPORTING LITHIUM BATTERIES

- Transport the battery pack in accordance with local and national provisions and regulations.
- Follow all special requirements on packaging and labelling when transporting batteries by a third party. Ensure that no batteries can come in contact with other batteries or conductive materials while in transport by protecting exposed connectors with insulating, non-conductive caps or tape. Do not transport batteries that are cracked or leaking. Check with the forwarding company for further advice.

MAINTENANCE

- Use only original manufacturer's replacement parts, accessories, and attachments. Failure to do so can cause possible injury, can contribute to poor performance, and may void your warranty.
- Servicing requires extreme care and knowledge and should be performed only by a qualified service technician. Have the product serviced by an authorised service centre only.
- Turn off the product and remove the battery back before conducting any maintenance or cleaning work.
- You may make adjustments or repairs described in this manual. For other repairs, contact an authorised service centre.
- For the replacement line, use only a nylon filament line of the diameter described in the specifications table of this manual.
- After each use, clean the product with a soft, dry cloth. Any part that is damaged should be properly repaired or replaced by an authorised service centre.
- Check all nuts, bolts, and screws before each use and at frequent intervals for proper tightness to ensure that the product is in safe working condition. Any part that is damaged should be properly repaired or replaced by an authorised service centre.
- Bring the product to an authorised service centre to replace damaged or unreadable labels

KNOW YOUR PRODUCT

See page 118.

1. Rear handle
2. Battery latch
3. On/off trigger
4. Lock-out trigger
5. Upper drive shaft

6. Front handle
7. Lower drive shaft
8. Cut-off blade
9. Guide wheel
10. Safety guard
11. Cutting line
12. Edging pedal
13. Operator's manual
14. Spool cover
15. Spool
16. Eyelet
17. Slider
18. Battery pack
19. Charger

SYMBOLS ON THE PRODUCT



Safety alert



Read and understand all the instructions before operating the product. Follow all the warnings and safety instructions.



Wear eye and ear protection.



Beware of thrown or flying objects. Keep all bystanders, especially children and pets, at least 15 m away from the operating area.



Do not use metal blades on the product.



Do not expose the product to rain or damp conditions.



Remove the battery pack before starting any work on the product.



Keep hands away from blades.



Guaranteed sound power level



European Conformity Mark



British Conformity Mark



EurAsian Conformity Mark



Ukraine Conformity Mark

Do not dispose of waste batteries, waste electrical and electronic equipment as unsorted municipal waste. Waste batteries and waste electrical and electronic equipment must be collected separately. Waste batteries, waste accumulators, and light sources have to be removed from the equipment. Check with your local authority or retailer for recycling advice and collection point. According to local regulations, retailers may have an obligation to take back waste batteries and waste electrical and electronic equipment free of charge. Your contribution to the reuse and recycling of waste batteries and waste electrical and electronic equipment helps to reduce the demand of raw materials. Waste batteries, in particular containing lithium, and waste electrical and electronic equipment contain valuable and recyclable materials, which can adversely impact the environment and the human health if not disposed of in an environmentally compatible manner. Delete personal data from waste equipment, if any.



SYMBOLS IN THIS MANUAL



Note



Warning



Parts or accessories sold separately

Lors de la conception du coupe-bordures sans fil, l'accent a été mis sur la sécurité, la performance et la fiabilité.

UTILISATION PRÉVUE

Le coupe-bordures sans fil est prévu pour la coupe au niveau du sol (ou environ) d'herbes longues et/ou pulpeuses et autres végétaux similaires.

Le plan de coupe doit être approximativement parallèle à la surface du sol lors du débroussaillage et approximativement vertical lors de la coupe de bordure.

Le produit est uniquement conçu pour une utilisation par les adultes qui ont lu et compris les instructions et avertissements contenus dans ce manuel et qui peuvent être considérés comme responsables de leurs actes.

Ce produit ne doit être utilisé qu'à l'extérieur dans une zone bien ventilée. Pour des raisons de sécurité, l'appareil doit être manipulé de manière appropriée, en utilisant les deux mains.

Utilisez ce produit pour aucun autre travail.

AVERTISSEMENTS DE SÉCURITÉ GÉNÉRAUX CONCERNANT LE PRODUIT

⚠ AVERTISSEMENT! Lisez l'ensemble des avertissements, instructions, illustrations et spécifications relatifs à la sécurité fournis avec ce produit. Le non-respect des instructions présentées ci-après peut entraîner des accidents tels que des incendies, des décharges électriques et/ou des blessures corporelles graves.

Bien garder tous les avertissements et instructions.

Dans les avertissements, l'expression « outil électrique » fait référence au produit alimenté sur le secteur (à fil) ou sur batterie (sans fil).

SÉCURITÉ DANS LA ZONE DE TRAVAIL

- **Maintenez l'endroit de travail propre et bien éclairé.** Un lieu de travail en désordre ou mal éclairé augmente le risque d'accidents.
- **N'utilisez pas l'outil électroportatif dans un environnement présentant des risques d'explosion et où se trouvent des liquides, des gaz ou poussières inflammables.** Les outils électroportatifs génèrent des étincelles risquant d'enflammer les poussières ou les vapeurs.
- **Tenez les enfants et autres personnes éloignés durant l'utilisation de l'outil électroportatif.** En cas d'inattention vous risquez de perdre le contrôle sur l'appareil.

SÉCURITÉ RELATIVE AU SYSTÈME ÉLECTRIQUE

- **La fiche de secteur de l'outil électroportatif doit être appropriée à la prise de courant. Ne modifiez en aucun cas la fiche. N'utilisez pas de fiches d'adaptateur avec des outils électriques avec mise à la terre.** Les fiches non modifiées et les prises de courant appropriées réduisent le risque de décharge électrique.
- **Évitez le contact physique avec des surfaces mises à la terre tels que tuyaux, radiateurs, fours et réfrigérateurs.** Il y a un risque élevé de choc électrique au cas où votre corps serait relié à la terre.

- **Ne pas exposer l'outil électroportatif à la pluie ou à l'humidité. La pénétration d'eau dans un outil électroportatif augmente le risque d'un choc électrique.**
- **Ne malmenez pas le câble d'alimentation. Ne jamais utiliser le cordon pour porter, tirer ou débrancher l'outil. Maintenir le câble éloigné des sources de chaleur, des parties grasses, des bords tranchants ou des parties de l'appareil en rotation.** Un câble endommagé ou torsadé augmente le risque d'un choc électrique.

SÉCURITÉ DES PERSONNES

- **Rester vigilant, surveiller ce que vous faites. Faire preuve de bon sens en utilisant l'outil électroportatif. Ne pas utiliser un outil électroportatif lorsqu'on est fatigué ou après avoir consommé de l'alcool, des drogues ou avoir pris des médicaments.** Un moment d'inattention lors de l'utilisation de l'outil électroportatif peut entraîner de graves blessures sur les personnes.
- **Porter des équipements de protection. Porter toujours des lunettes de protection.** Afin d'éviter tout dommage corporel, il convient d'utiliser, dans les conditions appropriées, des équipements de protection tels qu'un masque anti-poussière, des chaussures de sécurité antidérapantes, un casque de sécurité et une protection auditive.
- **Éviter toute mise en service accidentelle. Assurez-vous que l'interrupteur est en position "arrêt" avant la connexion au secteur et/ou l'insertion de la batterie, ainsi qu'avant de saisir ou de transporter l'outil.** Le transport d'un outil électrique avec votre doigt sur l'interrupteur ou la mise sous tension d'un outil dont l'interrupteur est en position "marche" est propice aux accidents.
- **Enlever tout outil de réglage ou toute clé avant de mettre l'outil électroportatif en fonctionnement. Une clé ou un outil se trouvant sur une partie en rotation peut causer des blessures.** Le fait de porter l'outil électroportatif avec le doigt sur l'interrupteur ou de le brancher sur la source de courant lorsque l'outil électroportatif est en fonctionnement, peut entraîner des accidents.
- **Ne pas se précipiter. Gardez une position et un équilibre adaptés à tout moment.** Cela permet un meilleur contrôle de l'outil dans des situations inattendues.
- **Portez des vêtements appropriés. Ne pas porter de vêtements amples ni de bijoux. Tenir vos cheveux et vos vêtements à l'écart des pièces en mouvement.** Des vêtements amples, des bijoux ou des cheveux longs peuvent être happés par des pièces en mouvement.
- **Si des dispositifs servant à aspirer ou à recueillir les poussières doivent être utilisés, vérifier que ceux-ci soient effectivement raccordés et qu'ils sont correctement utilisés.** L'utilisation d'un dispositif d'aspiration des poussières peut réduire les dangers dus aux poussières.
- **Ne pas relâcher sa vigilance en cas d'utilisation fréquente de certains outils et ne pas ignorer les principes de sécurité des outils.** Une action imprudente peut entraîner de graves blessures en une fraction de seconde.



UTILISATION ET EMPLOI SOIGNEUX D'OUTILS ÉLECTROPORTATIFS

- **Ne pas surcharger l'appareil. Utiliser l'outil électroportatif approprié au travail à effectuer.** Avec l'outil électroportatif approprié, vous travaillerez mieux et avec plus de sécurité à la vitesse pour laquelle il est prévu.
- **Ne pas utiliser un outil électroportatif dont l'interrupteur est défectueux.** Un outil électroportatif qui ne peut plus être mis en ou hors fonctionnement est dangereux et doit être réparé.
- **Retirer la fiche de la prise de courant et/ou enlever l'accu avant d'effectuer des réglages sur l'appareil, de changer les accessoires, ou de ranger l'appareil.** Cette mesure de précaution empêche une mise en fonctionnement de l'outil électroportatif par mégarde.
- **Conserver les outils à l'arrêt hors de la portée des enfants et ne pas permettre à des personnes ne connaissant pas l'outil ou les présentes instructions de le faire fonctionner.** Les outils sont dangereux entre les mains d'utilisateurs novices.
- **Entretien des accessoires et les outils électriques.** Vérifier que les parties en mouvement fonctionnent correctement et qu'elles ne soient pas coincées, et contrôler si des parties sont cassées ou endommagées de telle sorte que le bon fonctionnement de l'outil électroportatif s'en trouve entravé. Faire réparer ces parties endommagées avant d'utiliser l'appareil. De nombreux accidents sont dus à des outils électroportatifs mal entretenus.
- **Maintenir les outils de coupe aiguisés et propres.** Des outils soigneusement entretenus avec des bords tranchants bien aiguisés se coincent moins souvent et peuvent être guidés plus facilement.
- **Utiliser l'outil, les accessoires et les lames etc., conformément à ces instructions, en tenant compte des conditions de travail et du travail à réaliser.** L'utilisation des outils électroportatifs à d'autres fins que celles prévues peut entraîner des situations dangereuses.
- **Gardez les poignées et les surfaces de préhension sèches, propres et exemptes d'huile et de graisse.** Des poignées et des surfaces de préhension glissantes ne permettent pas une manipulation et un contrôle de l'outil en toute sécurité en cas de situation imprévue.

UTILISATION ET EMPLOI SOIGNEUX DES OUTILS ÉLECTRIQUES SANS FIL

- **Ne chargez les blocs de batteries que dans des chargeurs recommandés par le fabricant.** Un chargeur approprié à un type spécifique de batterie peut engendrer un risque d'incendie lorsqu'il est utilisé avec une autre batterie.
- **Dans les outils électriques, n'utilisez que les blocs de batteries spécialement prévus pour ceux-ci.** L'utilisation de tout autre bloc de batterie peut entraîner des blessures et des risques d'incendie.
- **Lorsqu'un bloc de batterie n'est pas utilisé, le maintenir à l'écart de tout autre objet métallique, par exemple trombones, pièces de monnaie, clés, clous, vis ou autres objets de petite taille qui peuvent donner lieu à une connexion d'une borne à une autre.** Un court-circuit entre les contacts de batterie peut provoquer des brûlures ou un incendie.
- **En cas d'utilisation abusive, du liquide peut sortir du bloc de batterie. Évitez tout contact avec ce liquide.**

En cas de contact accidentel, rincez soigneusement avec de l'eau. Si du liquide entre en contact avec les yeux, consultez immédiatement un médecin. Le liquide qui sort du bloc de batterie peut entraîner des irritations de la peau ou causer des brûlures.

- **Ne pas utiliser un outil ou un pack de batterie endommagé ou modifié.** Des batteries endommagées ou modifiées peuvent présenter un comportement imprévisible pouvant causer un incendie, une explosion ou un risque de blessure.
- **N'exposez pas un outil ou un bloc-sbatterie au feu ou à des températures excessives.** L'exposition au feu ou à des températures supérieures à 130 °C peut provoquer une explosion.
- **Suivre toutes les instructions de chargement et ne pas charger l'outil ou le pack de batterie en dehors de la plage de températures spécifiée dans les instructions.** Un chargement incorrect ou à des températures en dehors de la plage spécifiée peut endommager la batterie et augmenter le risque d'incendie.

TRAVAUX D'ENTRETIEN

- **Ne faire réparer l'outil électroportatif que par un personnel qualifié et seulement avec des pièces de rechange d'origine.** Ceci permet d'assurer la sécurité de l'appareil.
- **Ne jamais procéder à l'entretien des packs de batterie endommagés.** L'entretien des packs de batterie ne peut être effectué que par le fabricant ou des prestataires agréés.

AVERTISSEMENTS DE SÉCURITÉ RELATIFS À LA COUPE-BORDURES

- **N'utilisez pas la machine par mauvais temps, tout particulièrement en cas de risque de foudre.** Ceci réduit le risque d'être frappé par la foudre.
- **Inspectez soigneusement la zone où la machine doit être utilisée.** Les animaux peuvent être blessés par la machine pendant l'opération.
- **Vérifiez minutieusement la surface sur laquelle la machine sera utilisée et retirez les cailloux, tiges, câbles, os et autres objets étrangers.** Les objets projetés peuvent causer des blessures.
- **Avant d'utiliser la machine, inspectez-la toujours visuellement afin de vous assurer que les couteaux et leur installation ne sont ni usés ni endommagés.** Les pièces endommagées augmentent le risque de blessure.
- **Ne retirez jamais les protections. Les protections doivent être en état de fonctionnement et être correctement installées.** Une protection qui est desserrée, endommagée ou qui ne fonctionne pas correctement peut entraîner des blessures.
- **Gardez toutes les entrées d'air de refroidissement exemptes de débris.** Les entrées d'air bloquées et les débris peuvent entraîner une surchauffe ou un risque d'incendie.
- **Portez des protections oculaires et auditives.** Un équipement de protection adéquat réduira les dommages corporels.
- **Portez en tout temps des chaussures de protection antidérapantes lorsque vous utilisez la machine. N'utilisez pas la machine pieds nus ou avec des sandales ouvertes.** Cela réduit le risque de blessures aux pieds dues au contact avec la lame en mouvement.



- **Portez toujours des vêtements tels que des pantalons qui couvrent les jambes lors de l'utilisation de la machine.** Le contact avec la couteau ou le fil en mouvement peut entraîner des blessures.
- **Tenez les observateurs à distance lorsque vous utilisez la machine.** La chute de débris pourrait provoquer des blessures graves.
- **Ne faites pas fonctionner la machine au-dessus de la taille.** Cela contribue à éviter les contacts involontaires de la lame et confère un meilleur contrôle de la machine dans des situations imprévues.
- **Faites preuve de prudence lors de l'utilisation de la machine dans de l'herbe humide. Marchez, ne courez jamais.** Cela réduit le risque de glisser et de tomber, ce qui peut entraîner des blessures.
- **N'utilisez pas la machine sur des pentes trop raides.** Cela réduit le risque de perte de contrôle, de glissement et de chute, ce qui peut entraîner des blessures.
- **Lorsque vous travaillez sur des pentes, assurez-vous d'être toujours stable sur vos jambes, travaillez toujours en travers de la pente, évitez de monter et descendre et faites preuve d'une prudence extrême lorsque vous changez de direction.** Cela réduit le risque de perte de contrôle, de glissement et de chute, ce qui peut entraîner des blessures.
- **Tenir l'ensemble des cordons d'alimentation et des câbles à l'écart de la zone de coupe.** Des câbles ou des cordons d'alimentation cachés dans des haies ou des buissons pourraient être accidentellement coupés ou endommagés par la lame ou le fil.
- **Maintenez toutes les parties de votre corps à l'écart du couteau ou du fil en mouvement du coupe-bordures. Ne retirez pas le matériau de la machine tant que celle-ci n'a pas été débranchée de la source d'alimentation.** La lame ou le fil en mouvement du coupe-bordures peuvent entraîner des blessures graves.
- **Transportez la machine lorsqu'elle est éteinte et tenez-la éloignée de votre corps.** Une manipulation correcte de la machine réduira le risque de contact accidentel avec un couteau ou un fil du coupe-bordure en mouvement.
- **Utilisez uniquement les têtes de coupe et les couteaux de coupe de rechange spécifiés par le fabricant. Ne remplacez pas les couteaux ou fils du coupe-bordures par des câbles ou des lames en métal.** Des pièces de rechange inadaptées peuvent entraîner une perte de contrôle, une rupture et des blessures.
- N'utilisez jamais le produit sans que toutes les protections, tous les déflecteurs et toutes les poignées soient bien en place et bien verrouillés.
- Assurez-vous que la lame du fil de coupe dans la protection de la lame est correctement positionnée avant chaque utilisation.
- Garder l'accessoire de tête en dessous du niveau de la taille.
- En cas d'accident ou de panne, mettez immédiatement hors tension le bloc de batterie et déposez-le. N'utilisez plus le produit jusqu'à ce qu'il ait été entièrement vérifié par un service après-vente agréé.
- Pour réduire les risques de blessures infligées par des pièces mobiles, mettre toujours l'appareil hors tension avant de retirer le bloc-batterie et les laisser tous les deux refroidir. Assurez-vous que tous les éléments en mouvement se sont bien arrêtés:
 - avant entretien
 - avant de retirer une obstruction
 - avant de travailler sur le produit, de le vérifier ou de le nettoyer
 - avant de changer les accessoires
 - après un choc avec un corps étranger
 - lorsque vous laissez le produit sans surveillance
 - à chaque fois qu'une opération de maintenance est effectuée
 - si le produit se met à vibrer de façon anormale
- Assurez-vous que toutes les protections et poignées sont bien en place et en bon état.
- Maintenez le produit par les poignées destinées à cet effet et limitez le temps de travail et d'exposition.
- Prenez garde aux objets projetés par l'élément de coupe. Dégagez la zone de travail des débris tels que petites pierres, gravier et autres objets étrangers avant de commencer le travail. Des câbles ou de la ficelle pourraient s'emmêler dans les éléments de coupe.
- Assurez-vous que les ouïes de ventilation sont en permanence exemptes de débris.
- L'utilisation prolongée d'un outil est susceptible de provoquer ou d'aggraver des blessures. Lorsque vous utilisez le produit pendant de longues périodes, assurez-vous de faire des pauses régulières.
- Utilisez le produit uniquement à des températures comprises entre 0 et 40 °C.
- Stockez le produit à un endroit dont la température ambiante est comprise entre 0 et 40 °C.

EN
FR
DE
ES
IT
NL
PT
DA
SV
FI
NO
RU
PL
CS
HU
RO
LV
LT
ET
HR
SL
SK
BG
UK
TR
EL

INSTRUCTIONS DE SÉCURITÉ ADDITIONNELLES

- Avant utilisation et après tout impact, vérifiez qu'aucun élément n'est endommagé. Un interrupteur défectueux ou toute autre pièce endommagée doit être correctement remplacée ou réparée par un service après-vente agréé.
- La petite lame accrochée au carter de la débroussailluse est conçue pour tailler la nouvelle ligne étendue à la bonne longueur pour une performance sûre et optimale. La lame est très tranchante. Ne pas toucher la lame, tout particulièrement lors du nettoyage du produit.
- N'utilisez que du fil de coupe fourni par le fabricant. N'utilisez aucun autre accessoire de coupe.
- Assurez-vous que l'accessoire de coupe est bien en place et bien serré.

MISES EN GARDE DE SÉCURITÉ SUPPLÉMENTAIRES CONCERNANT LA BATTERIE

Pour réduire le risque d'incendie, de blessures corporelles et de dommages causés par un court-circuit, n'immergez jamais le produit, la batterie ou le chargeur dans un liquide et ne laissez jamais de liquide pénétrer dans aucun d'entre eux. Les fluides corrosifs ou conducteurs, tels que l'eau de mer, certains produits chimiques industriels, les produits de blanchiment ou contenant des agents de blanchiment etc. peuvent provoquer un court-circuit

- Rechargez le bloc de batterie à un endroit où la température ambiante est comprise entre 10 et 38 °C.

- Remisez le bloc de batterie à un endroit où la température ambiante est comprise entre 0 et 20°C
- Utiliser le bloc-batterie à un endroit où la température ambiante est comprise entre 0 et 40 °C.

TRANSPORT ET STOCKAGE

- Mettez l'appareil hors tension, retirez le bloc-batterie et laissez-le refroidir avant de le ranger ou de le transporter.
- Débarrassez l'appareil de tous les corps étrangers.
- Enlever la batterie avant de stocker et transporter le produit. Retirez le bloc-batterie et le fixer séparément. Rangez-le dans un endroit sec, bien aéré et hors de portée des enfants. Tenez le produit à l'écart des agents corrosifs tels que les produits chimiques pour le jardin et les sels de dégivrage. Ne rangez pas ranger le produit à l'extérieur.
- Pour le transport, attachez le produit pour l'empêcher de bouger ou de tomber, afin d'éviter toute blessure et tout dommage matériel.

TRANSPORT DES BATTERIES AU LITHIUM

- Transportez les batteries en conformité avec les dispositions et règlements locaux et nationaux.
- Respectez toutes les exigences légales particulières concernant l'emballage et l'étiquetage des batteries lorsque vous confiez leur transport à un tiers. Assurez-vous qu'aucune batterie ne puisse entrer en contact avec une autre batterie ou avec des matériaux conducteurs lors de son transport en isolant les bornes électriques avec du ruban adhésif ou des capuchons isolants non conducteurs. Ne transportez pas une batterie qui serait fendue ou qui fuirait. Demandez conseil au transporteur pour de plus amples informations.

ENTRETIEN

- N'utilisez que des pièces détachées et des accessoires d'origine constructeur. Le non respect de cette précaution peut entraîner de mauvaises performances, des blessures, et annuler votre garantie.
- Les réparations demandent un soin et des connaissances extrêmes et ne doivent être effectuées que par un technicien de service qualifié. Confiez l'entretien du produit à un centre de service agréé.
- Mettre le produit hors tension et retirer la batterie avant toute opération de maintenance ou de nettoyage.
- Vous n'êtes autorisé à effectuer que les réglages et réparations décrits dans ce manuel. Pour d'autres réparations ou conseils, faites vous assister par un service après-vente agréé.
- Pour remplacer le fil de coupe, n'utilisez que du fil nylon du diamètre indiqué dans la table des caractéristiques de ce manuel.
- Après chaque utilisation, utilisez un chiffon propre et sec pour nettoyer le produit. Toute pièce endommagée doit être correctement remplacée ou réparée par un centre de service agréé.
- Vérifier le bon serrage de tous les écrous, boulons et vis avant chaque utilisation et régulièrement pour s'assurer que le produit est en bon état de marche. Toute pièce endommagée doit être correctement remplacée ou réparée par un centre de service agréé.
- Apportez le produit à un centre de service agréé pour remplacer les étiquettes abîmées ou illisibles.

APPRENEZ À CONNAÎTRE VOTRE PRODUIT

Voir page 118.

1. Poignée arrière
2. Verrou de batterie
3. Gâchette marche/arrêt
4. Manette de verrouillage
5. Arbre d'entraînement supérieur
6. Poignée avant
7. Arbre d'entraînement inférieur
8. Lame de taille
9. Roue de guidage
10. Carter de protection
11. Fil de coupe
12. Pédale de bordure
13. Manuel utilisateur
14. Couvercle de bobine
15. Bobine
16. Œillet
17. Coulisseau
18. Bloc de batterie
19. Chargeur

SYMBOLES APPLIQUÉS SUR LE PRODUIT



Alerte de sécurité



Lisez et comprenez toutes les instructions avant d'utiliser le produit. Respectez l'ensemble des avertissements et consignes de sécurité.



Portez une protection oculaire et auditive.



Prenez garde à la projection d'objets au sol et dans les airs. Gardez tous les passants, en particulier les enfants et les animaux, éloignés d'au moins 15 m de la zone de travail.



N'utilisez pas de lame(s) métallique(s) sur le produit.



Ne pas exposer à la pluie ou à des conditions humides.



Retirez le bloc de batterie avant de commencer un quelconque travail sur le produit.



N'approchez pas vos mains des lames.



Niveau de puissance sonore garanti



Marque de conformité européenne



Marque de conformité britannique



Marque de conformité d'Eurasie



Marque de conformité ukrainienne

SYMBOLES DE CE MANUEL



Remarque

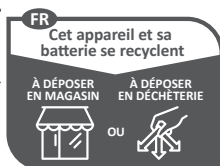


Avertissement



Pièces détachées et accessoires vendus séparément

Ne jetez pas les batteries et les équipements électriques et électroniques usagés parmi les déchets municipaux non triés. Les batteries et les équipements électriques et électroniques usagés doivent être collectés séparément. Les batteries, accumulateurs et sources lumineuses usagés doivent être retirés de l'équipement. S'adresser aux autorités locales ou au détaillant spécialisé en vue de connaître l'emplacement des centres de recyclage et des points de collecte. Selon les réglementations locales, les détaillants peuvent avoir l'obligation de récupérer gratuitement les batteries et les équipements électriques et électroniques usagés. Votre contribution à la réutilisation et au recyclage des batteries et équipements électriques et électroniques usagés permet de réduire la demande en matières premières. Les batteries, notamment celles qui contiennent du lithium, ainsi que les équipements électriques et électroniques usagés comportent des matériaux précieux et recyclables, qui peuvent avoir un impact négatif sur l'environnement et la santé humaine s'ils ne sont pas éliminés de manière respectueuse de l'environnement. Supprimer les données personnelles de l'équipement usagé, le cas échéant.



Points de collecte sur www.quefairedemesdechets.fr

Sicherheit, Leistung und Zuverlässigkeit hatten oberste Priorität bei der Entwicklung Ihres Akku-Rasentrimmers.

BESTIMMUNGSGEMÄSSE VERWENDUNG

Der Akku-Rasentrimmer ist zum Schneiden von langem Gras, breiigem Unkraut und ähnlicher Vegetation auf und über Bodenebene vorgesehen.

Die Schnittebene ist beim Schneiden in etwa parallel zur Bodenoberfläche und beim Kantenschneiden in etwa vertikal zur Bodenoberfläche.

Das Gerät ist ausschließlich zur Nutzung durch Erwachsene konzipiert, die die Anleitung und die Sicherheitshinweise in diesem Handbuch gelesen und verstanden haben und als für ihre Handlungen verantwortlich betrachtet werden können.

Das Produkt ist ausschließlich zur Verwendung in einem gut belüfteten Bereich im Freien vorgesehen. Aus Sicherheitsgründen muss das Produkt ausreichend durch Zweihandbedienung gesteuert werden.

Das Produkt darf zu keinen anderen Zwecken verwendet werden.

ALLGEMEINE SICHERHEITSHINWEISE ZUM GERÄT

⚠️ WARNUNG! Lesen Sie aufmerksam alle mit diesem Werkzeug gelieferten Warnungen, Anweisungen und Spezifikationen, beziehen Sie sich auf die Illustrationen. Die Nichtbeachtung der weiter unten aufgeführten Anweisungen kann Unfälle wie Brände, Elektroschocks und/oder schwere Körperverletzungen zur Folge haben.

Bewahren Sie alle Sicherheitshinweise und Anweisungen für die Zukunft auf.

Der Begriff „Elektrogerät“ in den Warnhinweisen bezieht sich auf Ihr über einen Stromanschluss (mit Stromkabel) oder mit einem Akku (kabellos) betriebenes Gerät.

ARBEITSPLATZSICHERHEIT

- **Halten Sie Ihren Arbeitsbereich sauber und gut beleuchtet.** Unordnung oder unbeleuchtete Arbeitsbereiche können zu Unfällen führen.
- **Arbeiten Sie mit dem Elektrowerkzeug nicht in explosionsgefährdeter Umgebung, in der sich brennbare Flüssigkeiten, Gase oder Stäube befinden.** Elektrowerkzeuge erzeugen Funken, die den Staub oder die Dämpfe entzünden können.
- **Halten Sie Kinder und andere Personen während der Benutzung des Elektrowerkzeugs fern.** Bei Ablenkung können Sie die Kontrolle über das Gerät verlieren.

ELEKTRISCHE SICHERHEIT

- **Der Anschlussstecker des Elektrowerkzeuges muss in die Steckdose passen. Der Stecker darf in keiner Weise verändert werden. Verwenden Sie keine Adapterstecker gemeinsam mit schutzgeerdeten Elektrowerkzeugen.** Unveränderte Stecker und passende Steckdosen verringern das Risiko eines elektrischen Schlages!
- **Vermeiden Sie Körperkontakt mit geerdeten Oberflächen wie von Rohren, Heizungen, Herden und Kühlschränken.** Es besteht ein erhöhtes Risiko durch elektrischen Schlag, wenn Ihr Körper geerdet ist.

- **Halten Sie Elektrowerkzeuge von Regen oder Nässe fern. Das Eindringen von Wasser in ein Elektrowerkzeug erhöht das Risiko eines elektrischen Schlages.**
- **Das Stromkabel nicht überstrapazieren. Verwenden Sie das Kabel niemals, um das Werkzeug damit zur tragen, zu ziehen oder den Stecker aus der Steckdose zu ziehen. Halten Sie das Kabel fern von Hitze, Öl, scharfen Kanten oder sich bewegendem Geräteteilen.** Beschädigte oder verwickelte Kabel erhöhen das Risiko eines elektrischen Schlages.

SICHERHEIT VON PERSONEN

- **Seien Sie aufmerksam, achten Sie darauf, was Sie tun und gehen Sie mit Vernunft an die Arbeit mit einem Elektrowerkzeug. Benutzen Sie kein Elektrowerkzeug, wenn Sie müde sind oder unter dem Einfluss von Drogen, Alkohol oder Medikamenten stehen.** Ein Moment der Unachtsamkeit beim Gebrauch des Elektrowerkzeuges kann zu ernsthaften Verletzungen führen.
- **Benutzen Sie eine persönliche Schutzausrüstung. Immer eine Schutzbrille.** Schutzausrüstung, beispielsweise Staubschutzmasken, rutschsichere Sicherheitsschuhe, Schutzhelme oder Gehörschutz, reduziert unter den entsprechenden Bedingungen die Verletzungsgefahr.
- **Vermeiden Sie eine unbeabsichtigte Inbetriebnahme. Vergewissern Sie sich, dass das Elektrowerkzeug ausgeschaltet ist, bevor Sie es an die Stromversorgung und/oder den Akkupack anschließen, es aufnehmen oder tragen.** Das Tragen von Elektrowerkzeugen mit dem Finger am Schalter bzw. von an das Stromversorgung angeschlossenen Elektrowerkzeugen bei eingeschaltetem Schalter kann zu Unfällen führen.
- **Entfernen Sie Einstellwerkzeuge oder Schraubenschlüssel, bevor Sie das Elektrowerkzeug einschalten.** Ein Werkzeug oder Schlüssel, der sich in einem drehenden Geräteteil befindet, kann zu Verletzungen führen.
- **Vermeiden Sie eine abnormale Körperhaltung. Sorgen Sie für einen sicheren Stand und halten Sie jederzeit das Gleichgewicht.** Dadurch können Sie das Elektrowerkzeug in unerwarteten Situationen besser kontrollieren.
- **Tragen Sie geeignete Kleidung. Tragen Sie keine locker sitzende Kleidung oder Schmuck. Halten Sie Ihr Haar und Ihre Kleidung von beweglichen Teilen fern.** Lockere Kleidung, Schmuck oder lange Haare können von sich bewegendem Teilen erfasst werden.
- **Wenn Staubabsaug- und -auffangeinrichtungen montiert werden können, vergewissern Sie sich, dass diese angeschlossen sind und richtig verwendet werden.** Verwendung einer Staubabsaugung kann Gefährdungen durch Staub verringern.
- **Wiegen Sie sich nicht in falscher Sicherheit und setzen Sie sich nicht über die Sicherheitsregeln für Elektrowerkzeuge hinweg, auch wenn sie nach vielfachem Gebrauch mit dem Elektrowerkzeug vertraut sind.** Eine unvorsichtige Aktion kann in einem Sekundenbruchteil eine schwere Verletzung verursachen.

VERWENDUNG UND BEHANDLUNG DES ELEKTROWERKZEUGES

- **Überlasten Sie das Gerät nicht.** Verwenden Sie für Ihre Arbeit das dafür bestimmte Elektrowerkzeug. Mit dem passenden Elektrowerkzeug arbeiten Sie besser und sicherer im angegebenen Leistungsbereich.
- **Benutzen Sie kein Elektrowerkzeug, dessen Schalter defekt ist.** Ein Elektrowerkzeug, das sich nicht mehr ein- oder ausschalten lässt, ist gefährlich und muss repariert werden.
- **Ziehen Sie den Stecker aus der Steckdose und/oder entfernen Sie den Akkupack, bevor Sie Geräteeinstellungen vornehmen, Zubehörteile wechseln oder das Gerät weglegen.** Diese Vorsichtsmaßnahme verhindert den unbeabsichtigten Start des Elektrowerkzeugs.
- **Bewahren Sie unbenutzte Elektrowerkzeuge außerhalb der Reichweite von Kindern auf. Lassen Sie Personen das Gerät nicht benutzen, die mit diesem nicht vertraut sind oder diese Anweisungen nicht gelesen haben.** Elektrowerkzeuge sind gefährlich, wenn sie von unerfahrenen Personen benutzt werden
- **Warten Sie Elektrowerkzeuge und das Zubehör.** Kontrollieren Sie, ob bewegliche Teile einwandfrei funktionieren und nicht klemmen, ob Teile gebrochen oder so beschädigt sind, dass die Funktion des Elektrowerkzeugs beeinträchtigt ist. Lassen Sie beschädigte Teile vor dem Einsatz des Gerätes reparieren. Viele Unfälle haben ihre Ursache in schlecht gewarteten Elektrowerkzeugen.
- **Halten Sie Schneidwerkzeuge scharf und sauber.** Sorgfältig gepflegte Schneidwerkzeuge mit scharfen Schneidkanten verklemmen sich weniger und sind leichter zu führen.
- **Verwenden Sie Elektrowerkzeug, Zubehör, Einsatzwerkzeuge usw. entsprechend diesen Anweisungen.** Berücksichtigen Sie dabei die Arbeitsbedingungen und die auszuführende Tätigkeit. Der Gebrauch von Elektrowerkzeugen für andere als die vorgesehenen Anwendungen kann zu gefährlichen Situationen führen.
- **Halten Sie die Griffe und Griffflächen trocken, sauber und frei von Öl und Schmierstoffen.** Rutschige Griffe und Griffflächen verhindern die sichere Bedienung und Kontrolle des Werkzeugs in unerwarteten Situationen.

VERWENDUNG UND BEHANDLUNG DES AKKUWERKZEUGES

- **Laden Sie die Akkus nur in Ladegeräten auf, die vom Hersteller empfohlen werden.** Für ein Ladegerät, das für eine bestimmte Art von Akkupacks geeignet ist, besteht Brandgefahr, wenn es mit anderen Akkupacks verwendet wird.
- **Verwenden Sie nur die dafür vorgesehenen Akkupacks in den Elektrowerkzeugen.** Der Gebrauch von anderen Akkupacks kann zu Verletzungen und Brandgefahr führen.
- **Halten Sie den nicht benutzten Akkupack fern von Büroklammern, Münzen, Schlüsseln, Nägeln, Schrauben oder anderen kleinen Metallgegenständen, die eine Überbrückung der Kontakte verursachen könnten.** Ein Kurzschluss zwischen den Akkukontakten kann Verbrennungen oder Feuer zur Folge haben.

- **Bei falscher Anwendung kann Flüssigkeit aus dem Akku austreten; vermeiden Sie den Kontakt damit. Bei zufälligem Kontakt mit Wasser abspülen.** Suchen Sie außerdem medizinische Hilfe auf, falls die Flüssigkeit in die Augen gerät. Austretende Akkufflüssigkeit kann zu Hautreizungen oder Verbrennungen führen.
- **Verwenden Sie keinen beschädigten oder modifizierten Akkupack oder Werkzeuge.** Beschädigte oder modifizierte Akkus können zu unvorhersehbaren Reaktionen führen, was zu Feuer, Explosion oder Verletzungsgefahr führt.
- **Setzen Sie Akkupacks oder Werkzeuge nicht Feuer oder zu hohen Temperaturen aus.** Feuereinwirkung oder Temperaturen über 130° C können zu einer Explosion führen.
- **Befolgen Sie alle Ladeanweisungen und laden Sie den Akkupack nicht außerhalb des in der Anleitung angegebenen Temperaturbereichs auf.** Bei unsachgemäßer Aufladung oder Aufladung bei Temperaturen außerhalb des angegebenen Bereichs kann der Akku beschädigt und das Brandrisiko erhöht werden.

SERVICE

- **Lassen Sie Ihr Elektrowerkzeug nur von qualifiziertem Fachpersonal und nur mit Original-Ersatzteilen reparieren.** Damit wird sichergestellt, dass die Sicherheit des Elektrowerkzeugs erhalten bleibt.
- **Warten Sie niemals beschädigte Akkupacks.** Sämtliche Wartung von Akkupacks sollte nur durch den Hersteller oder bevollmächtigte Kundendienststellen erfolgen.

SICHERHEITSHINWEISE FÜR DEN RASENTRIMMER

- **Nutzen Sie das Gerät nicht bei schlechtem Wetter, vor allem nicht bei Gewittergefahr.** Dies verringert das Risiko, von einem Blitz getroffen zu werden.
- **Überprüfen Sie das Gelände, auf dem das Gerät eingesetzt werden soll, gründlich auf frei lebende Tiere.** Frei lebende Tiere können durch das Gerät während des Betriebs verletzt werden.
- **Überprüfen Sie den Bereich, in dem das Gerät eingesetzt werden soll, gründlich und entfernen Sie alle Steine, Stöcke, Drähte, Knochen und sonstige Fremdkörper.** Herausgeschleuderte Gegenstände können Verletzungen verursachen.
- **Vergewissern Sie sich vor dem Einsatz des Geräts immer visuell, dass das Schneidelement und die Schneidbaugruppe nicht abgenutzt oder beschädigt sind.** Beschädigte Teile erhöhen die Verletzungsgefahr.
- **Lassen Sie die Schutzvorrichtungen an ihrem Platz.** Die Schutzvorrichtungen müssen funktionstüchtig und ordnungsgemäß angebracht sein. Eine lose, beschädigte oder nicht ordnungsgemäß funktionierende Schutzvorrichtung kann zu Verletzungen führen.
- **Halten Sie alle Lüftungseinlässe von Verunreinigungen frei.** Verstopfte Lufteinlässe und Verschmutzungen können zu Überhitzung und Brandgefahr führen.
- **Tragen Sie eine Schutzbrille und einen Gehörschutz.** Angemessene Schutzausrüstung verringert persönliche Verletzungen.
- **Tragen Sie beim Bedienen des Geräts stets rutschfestes und schützendes Schuhwerk.** Arbeiten Sie mit der Maschine niemals Barfuß oder mit offenen Sandalen. Dadurch wird die Gefahr von Fußverletzungen durch den Kontakt mit dem sich bewegenden Schneidelement verringert.

- **Tragen Sie beim Bedienen des Geräts immer Kleidung, die die Beine des Bedieners bedeckt, wie z. B. Hosen.** Das Berühren des sich bewegenden Schneidelements oder des Fadens kann Verletzungen verursachen.
- **Halten Sie umstehende Personen fern, während Sie das Gerät bedienen.** Umhergeschleuderte Überreste können zu schwerwiegenden Verletzungen führen.
- **Betreiben Sie das Gerät nicht oberhalb der Taillenhöhe.** Das hilft, ein unbeabsichtigtes Berühren des Schneidelements zu verhindern, und ermöglicht eine bessere Kontrolle des Geräts in unerwarteten Situationen.
- **Beim Schneiden von nassem Gras ist Vorsicht beim Bedienen des Geräts geboten. Gehen Sie stets im Schrittempo; laufen Sie niemals.** Dadurch wird die Gefahr des Ausrutschens und Fallens verringert, was zu Verletzungen führen kann.
- **Setzen Sie das Gerät nicht an übermäßig steilen Hängen ein.** Dadurch wird die Gefahr von Kontrollverlust, Ausrutschen und Stürzen, die zu Verletzungen führen können, verringert.
- **Achten Sie bei Arbeiten an Hängen immer auf einen sicheren Stand, arbeiten Sie immer quer zum Hang, niemals bergauf oder bergab, und lassen Sie bei Richtungsänderungen äußerste Vorsicht walten.** Dadurch wird die Gefahr von Kontrollverlust, Ausrutschen und Stürzen, die zu Verletzungen führen können, verringert.
- **Halten Sie alle Stromkabel aus dem Schneidebereich fern.** Stromkabel können in Hecken oder Gebüsch verborgen sein und versehentlich von Faden oder Schneidelement beschädigt oder durchtrennt werden.
- **Halten Sie alle Körperteile vom sich bewegenden Schneidelement oder dem Faden fern. Entfernen Sie das Material erst aus dem Gerät, wenn dieses von der Stromversorgung getrennt wurde.** Eine Berührung des sich bewegenden Schneidelements oder des Fadens kann zu schwerwiegenden persönlichen Verletzungen führen.
- **Tragen Sie das Gerät nur, wenn es ausgeschaltet ist, und richten Sie es vom Körper fort.** Die korrekte Handhabung des Geräts verringert die Wahrscheinlichkeit einer versehentlichen Berührung des sich bewegenden Schneidelements oder des Fadens.
- **Verwenden Sie ausschließlich die vom Hersteller angegebenen Schneidköpfe, Schneider und Fäden. Ersetzen Sie die Schneidelemente oder Fäden nicht durch Metalldrähte oder Messer.** Falsche Ersatzteile können zu Kontrollverlust, Beschädigungen und Verletzungen führen.

ZUSÄTZLICHE SICHERHEITSWARNUNGEN

- Überprüfen Sie vor jeder Benutzung und nach jedem Schlag, dass keine Teile beschädigt sind. Ein defekter Schalter oder ein anderes Teil, das beschädigt oder abgenutzt ist, muss durch den autorisierten Kundendienst ordnungsgemäß repariert oder ausgetauscht werden.
- Die am Messerschutz angebrachte kleine Klinge soll die neue verlängerte Schnur auf die richtige Länge für eine sichere und optimale Leistung schneiden. Das Messer ist sehr scharf. Berühren Sie das Messer, vor allem beim Reinigen des Geräts, nicht.
- Verwenden Sie nur den Ersatz-Schneidfaden des Herstellers. Benutzen Sie keinen anderen Schneidaufsatz.

- Stellen Sie sicher, dass der Schneidaufsatz ordnungsgemäß montiert und befestigt ist.
- Bedienen Sie das Produkt niemals ohne dass alle Schutzvorrichtungen, Abweiser und Griffe ordnungsgemäß und sicher befestigt sind.
- Stellen Sie vor jeder Verwendung sicher, dass die Klinge zum Abschneiden des Fadens im Messerschutz korrekt positioniert und gesichert ist.
- Halten Sie das Bürstenteil unterhalb der Taille.
- Schalten Sie das Gerät bei Unfällen oder Ausfällen sofort aus und entfernen Sie den Akkupack. Das Produkt darf nicht wieder in Betrieb genommen werden, bis es vollständig von einem autorisierten Kundendienst überprüft wurde.
- Um das Verletzungsrisiko bei Kontakt mit beweglichen Teilen zu verringern, schalten Sie das Gerät immer aus, nehmen Sie den Akkusatz heraus und lassen sie beides abkühlen. Stellen Sie sicher, dass alle bewegliche Teile vollständig angehalten sind:
 - bevor Sie das Produkt warten
 - bevor Sie eine Blockierung entfernen
 - bevor Sie das Produkt prüfen, reinigen oder daran arbeiten
 - bevor Sie Zubehörteile wechseln
 - nachdem ein Fremdkörper getroffen wurde
 - wenn Sie das Produkt unbeaufsichtigt zurücklassen
 - wenn Sie Wartungsarbeiten durchführen
 - wenn die Maschine anfängt ungewöhnlich zu vibrieren
- Stellen Sie sicher, dass alle Schutzabdeckungen und Griffe ordnungsgemäß befestigt und in gutem Zustand sind.
- Halten Sie das Produkt an den dafür vorgesehenen Griffen und schränken Sie die Arbeitszeit und Belastung ein.
- Achten Sie auf Objekte die durch das Schneidwerkzeug geschleudert werden können. Entfernen Sie allen Unrat, wie kleine Steine, Kies und andere Fremdkörper von dem Arbeitsbereich, bevor Sie die Arbeit beginnen. Drähte oder Schnüre können in dem Schneidwerkzeug verwickelt werden.
- Stellen Sie immer sicher, dass die Belüftungsöffnungen frei von Ablagerungen sind.
- Verletzungen können durch lange Benutzung eines Produkts entstehen oder verschlimmert werden. Wenn Sie das Gerät über einen längeren Zeitraum nutzen, stellen Sie regelmäßige Pausen sicher.
- Betreiben Sie das Gerät nur bei Temperaturen zwischen 0 und 40 °C.
- Bewahren Sie das Gerät bei einer Umgebungstemperatur von 0 bis 40 °C auf.

WEITERE SICHERHEITSHINWEISE ZUM AKKU

Um die Brandgefahr sowie die Gefahr von Personenschaden und der Beschädigung des Produkts aufgrund eines Kurzschlusses zu reduzieren, halten Sie das Gerät, den Akkupack und das Ladegerät von Flüssigkeiten fern. Korrodierende oder leitfähige Flüssigkeiten, wie Salzwasser, bestimmte Chemikalien und Bleichmittel oder Produkte, die Bleichmittel enthalten, können einen Kurzschluss verursachen.

- Laden Sie den Akkupack bei einer Umgebungstemperatur von 10 bis 38 °C.
- Bewahren Sie den Akkupack bei einer Umgebungstemperatur von 0 bis 20°C auf.
- Verwenden Sie den Akkupack bei Umgebungstemperaturen von 0 bis 40 °C.

TRANSPORT UND LAGERUNG

- Schalten Sie das Gerät aus, entfernen Sie den Akkupack und lassen Sie das Gerät abkühlen, bevor Sie es aufbewahren oder transportieren.
- Entfernen Sie alle Fremdkörper vom Produkt.
- Vermeiden Sie es, das Produkt mit eingelegtem Akkupack zu lagern oder zu transportieren. Entfernen Sie den Akkupack und sichern Sie ihn separat. Lagern Sie das Produkt an einem kühlen, trockenen und gut belüfteten Ort, der Kindern keinen Zugang bietet. Halten Sie das Produkt von ätzenden Mitteln wie Gartenchemikalien und Streusalz fern. Lagern Sie das Gerät nicht im Freien.
- Sichern Sie die Maschine beim Transport in einem Fahrzeug gegen Bewegung oder Herunterfallen, um Verletzungen und Beschädigung des Produkts zu verhindern.

TRANSPORT VON LITHIUM-IONEN-AKKUS

- Transportieren Sie Akkupacks gemäß Ihren örtlichen und nationalen Bestimmungen und Regeln.
- Befolgen Sie alle besonderen Anforderungen für Verpackung und Beschriftung, wenn Sie Akkus von Dritten transportieren lassen. Stellen Sie sicher, dass beim Transport kein Akku in Kontakt mit anderen Akkus oder leitenden Materialien kommt, indem Sie die freien Anschlüsse mit Isolierband, nichtleitenden Kappen oder Klebeband schützen. Beschädigte oder auslaufende Akkus dürfen nicht transportiert werden. Weitere Informationen erhalten Sie bei Ihrem Transportunternehmen.

WARTUNG UND PFLEGE

- Verwenden Sie ausschließlich original Ersatzteile, Zubehör und Aufsätze des Herstellers. Nichtbefolgung kann mögliche Verletzungen oder schlechte Leistung verursachen und Ihre Garantie ungültig machen.
- Service und Wartung des Gerätes erfordert besonderen Sorgfalt und Kenntnisstand und sollte nur durch qualifiziertes Personal durchgeführt werden. Lassen Sie das Gerät nur von einem autorisierten Servicecenter warten.
- Schalten Sie das Gerät vor der Wartung bzw. der Reinigung aus und entfernen Sie den Akku.
- Sie dürfen nur die in dieser Bedienungsanleitung beschriebenen Einstellungen oder Reparaturen durchführen. Kontaktieren Sie Ihren autorisierten Kundendienst für andere Reparaturen.
- Verwenden Sie als Ersatzfaden nur Nylonfaden mit einem Durchmesser wie in der Spezifikations-Tabelle in dieser Bedienungsanleitung beschrieben.
- Reinigen Sie das Produkt nach jeder Benutzung mit einem weichen, trockenen Lappen. Jedes beschädigte Teil muss durch den autorisierten Kundendienst ordnungsgemäß repariert oder ausgetauscht werden.

- Überprüfen Sie alle Muttern, Bolzen und Schrauben vor jedem Gebrauch und in regelmäßigen Abständen auf korrekte Dichtigkeit, um sicherzustellen, dass das Produkt in einem sicheren Arbeitszustand ist. Jedes beschädigte Teil muss durch den autorisierten Kundendienst ordnungsgemäß repariert oder ausgetauscht werden.
- Bringen Sie das Produkt zu einem autorisierten Kundendienst zurück, um beschädigte oder unleserliche Aufkleber zu ersetzen.

MACHEN SIE SICH MIT IHREM PRODUKT VERTRAUT

Siehe Seite 118.

1. Hinterer Handgriff
2. Akkuverschluss
3. Ein- /Ausschalter
4. Verriegelung Ein-/Ausschalter
5. Obere Antriebsachse
6. Vorderer Handgriff
7. Untere Antriebsachse
8. Fadenabschneider
9. Führungsrad
10. Schutzvorrichtung
11. Schneidfaden
12. Fußpedal für das Schneiden an Rasenkanten
13. Bedienungsanleitung
14. Spulenabdeckung
15. Spule
16. Öse
17. Schieberegler
18. Akkupack
19. Ladegerät

SYMBOLS AUF DEM PRODUKT



Sicherheitswarnung



Vor dem Bedienen des Produkts müssen Sie alle Anweisungen lesen und verstehen. Befolgen Sie alle Warn- und Sicherheitshinweise.



Tragen Sie Augen- und Gehörschutz.



Achten Sie auf geschleuderte oder fliegende Objekte. Halten Sie unbeteiligte Personen (insbesondere Kinder und Tiere) mindestens 15m vom Arbeitsbereich fern.



Benutzen Sie kein(e) Metallmesser(n) an diesem Produkt.



Nicht Regen oder feuchten Bedingungen aussetzen.



Entfernen Sie den Akkupack, bevor Sie mit Arbeiten an dem Produkt beginnen.



Halten Sie die Hände von Messern fern.



Garantierter Schalleistungspegel



Europäisches Konformitätskennzeichen



Britisches Konformitätskennzeichen



EurAsian Konformitätszeichen



Ukrainisches Konformitätskennzeichen



Entsorgen Sie Altbatterien, Elektro- und Elektronikaltgeräte nicht als unsortierten Siedlungsabfall. Altbatterien und Elektro- und Elektronikaltgeräte müssen getrennt gesammelt werden. Altbatterien, Altakkumulatoren und Lichtquellen müssen aus den Geräten entfernt werden. Erkundigen Sie sich bei den örtlichen Behörden oder bei Ihrem Fachhändler nach Recyclinghöfen und Sammelstellen. Je nach den örtlichen Vorschriften kann der Einzelhandel verpflichtet sein, Altbatterien und Elektro- und Elektronik-Altgeräte unentgeltlich zurückzunehmen. Ihr Beitrag zur Wiederverwendung und zum Recycling von Elektro- und Elektronikaltgeräten trägt dazu bei, den Bedarf an Rohstoffen zu verringern. Altbatterien, insbesondere lithiumhaltige Batterien, und Elektro- und Elektronik-Altgeräte enthalten wertvolle, wiederverwertbare Materialien, die sich negativ auf die Umwelt und die menschliche Gesundheit auswirken können, wenn sie nicht auf umweltverträgliche Weise entsorgt werden. Löschen Sie ggf. personenbezogene Daten aus Altgeräten.

SYMBOLE IN DIESER BEDIENUNGSANLEITUNG



Hinweis



Warnung



Teile oder Zubehör getrennt erhältlich

La seguridad, el rendimiento y la fiabilidad han sido las máximas prioridades a la hora de diseñar este cortabordes inalámbrico.

USO PREVISTO

El cortabordes inalámbrico se ha diseñado para cortar césped alto, hierba con tallos carnosos y vegetación similar al nivel del suelo o cerca de él.

El plano de corte debe estar aproximadamente paralelo a la superficie del suelo al cortar en horizontal y aproximadamente vertical al recortar bordes.

El producto está concebido para que lo usen únicamente adultos que hayan leído y comprendido las instrucciones y advertencias de este manual, y que puedan considerarse responsables de sus acciones.

El producto solo está pensado para utilizarse al aire libre en una zona bien ventilada. Por razones de seguridad, es necesario controlar el producto correctamente utilizando las dos manos.

No la use para ninguna otra finalidad.

ADVERTENCIAS GENERALES DE SEGURIDAD DEL PRODUCTO

⚠ ¡ADVERTENCIA! Lea todas las instrucciones de advertencias de seguridad, ilustraciones y especificaciones proporcionadas con el producto. El incumplimiento de las instrucciones que se indican a continuación puede ocasionar diversos accidentes como incendios, descargas eléctricas y/o graves heridas corporales.

Conservar estas advertencias e instrucciones para poder consultarlas posteriormente.

El término «herramienta eléctrica» incluido en las advertencias hace referencia a su producto conectado a la red eléctrica (con cable) o a su producto alimentado con batería (inalámbrico).

ZONA DE TRABAJO

- **Mantenga el área de trabajo limpia y bien iluminada.** Las zonas oscuras o poco despejadas pueden provocar accidentes.
- **No utilice herramientas eléctricas en entornos inflamables, como puede ser en presencia de líquidos inflamables, gases o polvo.** Las herramientas eléctricas crean chispas que pueden inflamar el polvo o el humo.
- **Mantenga a los niños y personas ajenas alejadas de la zona en la que está utilizando la herramienta eléctrica.** Las distracciones pueden hacer que pierda el control de la herramienta.

SEGURIDAD ELÉCTRICA

- **Las conexiones de la herramienta eléctrica deben corresponder a los de la toma de corriente. No modifique el enchufe de ninguna manera. No utilice ningún adaptador con herramientas eléctricas conectadas a tierra.** Utilizar enchufes sin modificar y tomas correspondientes reducirán el riesgo de descargas eléctricas.
- **Evite el contacto corporal con superficies conectadas a tierra, como tuberías, radiadores, estufas y refrigeradores.** Existe un mayor riesgo de descargas eléctricas si su cuerpo está conectado a tierra.

- **No exponga este producto a la lluvia o humedad. Si entra agua en una herramienta eléctrica podría aumentar el riesgo de descargas eléctricas.**
- **Utilice correctamente el cable. No utilice el cable para llevar, tirar o desconectar el cable de la herramienta. Mantenga el cable lejos del calor, aceite, bordes afilados o partes móviles.** Los cables dañados o enredados aumentan el riesgo de descargas eléctricas.

SEGURIDAD PERSONAL

- **Manténgase alerta y atento a lo que está haciendo y utilice el sentido común al utilizar una herramienta eléctrica. No utilice una herramienta eléctrica cuando esté cansado o bajo la influencia de drogas, alcohol o medicamentos.** En un momento de descuido, mientras utiliza herramientas eléctricas podrían ocurrir lesiones personales graves.
- **Utilice un equipo de protección personal. Utilice siempre dispositivos de protección ocular.** El equipo de protección como la máscara antipolvo, los zapatos de seguridad antideslizantes, el casco o la protección auditiva utilizados para trabajar en las condiciones adecuadas reducirá los daños personales.
- **Evite la puesta en marcha accidental de la herramienta. Asegúrese de que el interruptor está en posición OFF antes de conectar la herramienta a una toma de corriente y/o batería, y levantar o transportar la herramienta.** El transporte de herramientas con el dedo sobre el interruptor o la conexión de herramientas eléctricas con el interruptor en ON puede causar accidentes.
- **Extraiga cualquier llave de ajuste antes de encender la herramienta eléctrica.** Una llave que se encuentra conectada a una pieza de rotación puede resultar en lesiones personales.
- **No se extienda demasiado. Afírmese bien en sus piernas y no extienda demasiado el brazo.** Esto permite un mejor control de la herramienta eléctrica en situaciones inesperadas.
- **Lleve ropa adecuada. No use ropa holgada o joyas. No acerque el pelo ni la ropa a las piezas móviles.** La ropa suelta, joyas o el cabello largo pueden quedar atrapados en las piezas móviles.
- **Si existen dispositivos para la conexión de accesorios de recogida y extracción de polvo, asegúrese de que están conectados y que se utilizan adecuadamente.** El uso de accesorios de recogida de polvo puede reducir riesgos relacionados con el polvo.
- **Aunque se familiarice con el uso de la herramienta, no se relaje e ignore los principios de seguridad.** Una acción imprudente puede provocar lesiones graves en una fracción de segundo.

USO Y CUIDADO DE LA HERRAMIENTA ELÉCTRICA

- **No fuerce el producto. Utilice la herramienta correcta para su aplicación.** La herramienta correcta hará un trabajo más seguro y mejor para el que ha sido diseñada.
- **No utilice la herramienta eléctrica si el interruptor de encendido no responde.** Cualquier herramienta que no puede ser controlada con el interruptor de encendido es peligrosa y debe ser reparada.
- **Desconecte el enchufe de la fuente de alimentación y/o quite la batería, si es extraíble, de la herramienta**



eléctrica antes de realizar ningún ajuste, cambiar los accesorios o guardar las herramientas eléctricas. Estas medidas preventivas de seguridad reducen el riesgo de arranque accidental de la herramienta.

- Coloque las herramientas eléctricas a ralentí fuera del alcance de los niños y no permita que personas no familiarizadas con la herramienta o con estas instrucciones las utilicen. Las herramientas eléctricas son peligrosas en manos de personas no capacitadas.
- Conserve las herramientas eléctricas y los accesorios. Compruebe la alineación o unión de las piezas móviles, si existe rotura de piezas o cualquier otro problema que pueda afectar al funcionamiento de la herramienta. Si alguna pieza está dañada, la herramienta eléctrica debería repararse antes de volver a utilizarla. Muchos accidentes son causados por un mantenimiento deficiente.
- Mantenga las herramientas de corte bien afiladas y limpias. Las herramientas de corte con bordes de corte afilados que tienen un mantenimiento adecuado reducen su deterioro y son más fáciles de controlar.
- Utilice la herramienta, accesorios, partes eléctricas, etc., de acuerdo con estas instrucciones, teniendo en cuenta las condiciones de trabajo y el trabajo que se va a realizar. Utilizar la herramienta eléctrica para realizar trabajos diferentes a los que esta herramienta está destinada podría dar como resultado una situación peligrosa.
- Mantenga los mangos y las superficies de agarre secos, limpios y libres de aceite o grasa. Los mangos y superficies de sujeción resbaladizas no le permiten una sujeción y un control seguro de la herramienta en situaciones inesperadas.

USO Y CUIDADO DE LA HERRAMIENTA

- Recargue la unidad solamente con el cargador especificado por el fabricante. Podría haber un riesgo de incendio cuando se utilice un cargador con una batería para la que no está diseñado.
- Utilice sólo herramientas eléctricas específicamente diseñadas para ellos. Utilizar cualquier otro tipo de baterías puede causar lesiones o un riesgo de incendio.
- Cuando la batería no está en uso, manténgala alejada de otros objetos metálicos como clips, monedas, llaves, clavos, tornillos u otros objetos metálicos pequeños que puedan crear una conexión desde una terminal a otra. Causar un cortocircuito en los terminales de la batería puede causar quemaduras o un incendio.
- En condiciones abusivas, podría salir expulsado líquido de la batería, por lo que debería evitar el contacto con éste. Si se produce un contacto accidental, enjuáguese las manos con agua. Si el líquido entra en contacto con los ojos, acuda inmediatamente al médico. Si el líquido es expulsado de la batería y entra en contacto con él, podría causar irritación o quemaduras.
- No utilice un paquete de baterías o una herramienta que esté dañado o modificado. Las baterías dañadas o modificadas pueden presentar un comportamiento impredecible y provocar fuego, explosión o riesgo de lesión.

- No exponga la batería o la herramienta al fuego o a temperaturas excesivas. La exposición al fuego o a una temperatura superior a 130 °C puede provocar una explosión.
- Siga todas las instrucciones de carga y no cargue el paquete de baterías o la herramienta fuera del rango de temperatura especificado en las instrucciones. La carga inadecuada o a temperaturas fuera del rango especificado puede dañar la batería e incrementar el riesgo de fuego.

MANTENIMIENTO

- Su herramienta eléctrica debería ser reparada por personas cualificadas, que deberían utilizar únicamente piezas de repuesto idénticas. Esto garantizará la seguridad a la hora de utilizar la herramienta eléctrica.
- Nunca arregle baterías dañadas. Solo el fabricante o proveedores homologados deberían reparar las baterías.

ADVERTENCIAS DE SEGURIDAD DEL CORTABORDES

- No utilice el producto si las condiciones meteorológicas son adversas, especialmente si hay riesgo de rayos. Esto reduce el riesgo de ser alcanzado por un rayo.
- Inspecciones minuciosamente si hay algún animal silvestre en la zona en la que va a utilizar la máquina. La máquina podría provocar lesiones a estos animales silvestres durante su uso.
- Inspeccione cuidadosamente la zona en la que va a utilizar la máquina y retire todas las piedras, palos, cables, huesos y cualquier otro objeto extraño. Los objetos despedidos pueden provocar lesiones personales.
- Antes de utilizar la máquina, inspecciónela visualmente para asegurarse de que el dispositivo de corte o el conjunto del sistema de corte no estén dañados. El uso de componentes dañados aumenta el riesgo de lesión.
- Mantenga las protecciones en su posición. Las protecciones deben estar en buen estado y correctamente montadas. Una protección suelta, dañada o que no funcione correctamente podría provocar una lesión personal.
- Mantenga todos los orificios de refrigeración libres de cualquier residuo. Las entradas de aire bloqueadas y la suciedad pueden provocar un sobrecalentamiento o un riesgo de incendio.
- Utilice equipos de protección ocular y auditiva. El uso de un equipo de protección adecuado reducirá el riesgo de lesiones personales.
- Mientras utilice la máquina, lleve siempre calzado de protección no deslizante. No utilice la máquina si está descalzo o lleva sandalias. Esto reduce las probabilidades de que se produzca una lesión en los pies debido a un contacto con el dispositivo de corte en movimiento.
- Mientras utilice la máquina, lleve siempre ropa como pantalones que cubran las piernas. El contacto con



el dispositivo de corte o el hilo de corte en movimiento puede provocar lesiones.

- **Mantenga alejados a los transeúntes mientras utilice la máquina.** Los residuos despedidos pueden provocar una lesión personal grave.
- **No utilice la máquina por encima de la altura de la cintura.** Esto ayudará a evitar un contacto accidental con la cuchilla y permitirá mantener un mejor control de la máquina en situaciones inesperadas.
- **Extreme las precauciones cuando utilice la máquina en césped húmedo. Camine, nunca corra.** Esto reduce el riesgo de resbalones y caídas, que podrían provocar una lesión personal.
- **No utilice la máquina en pendientes muy pronunciadas.** Esto reduce el riesgo de que se produzca una pérdida de control, resbalones y caídas, que podrían provocar una lesión personal.
- **Cuando trabaje en pendientes, asegure siempre la posición de los pies, trabaje siempre en sentido transversal en relación con la pendiente, nunca hacia arriba o hacia abajo, y extreme las precauciones cuando cambie de dirección.** Esto reduce el riesgo de que se produzca una pérdida de control, resbalones y caídas, que podrían provocar una lesión personal.
- **Mantenga todos los cables de alimentación alejados de la zona de corte.** Los cables de alimentación pueden quedar ocultos en setos y arbustos, y sufrir cortes o daños de forma accidental por la acción del hilo o la cuchilla.
- **Mantenga todas las partes del cuerpo alejadas del dispositivo de corte o el hilo de corte en movimiento. No retire el material de la máquina hasta que esté desconectada de la fuente de alimentación.** El dispositivo de corte o hilo de corte en movimiento pueden provocar lesiones personales graves.
- **Cuando transporte la máquina, hágalo con el motor apagado y manténgala alejada del cuerpo.** Una manipulación adecuada de la máquina reducirá la posibilidad de un contacto accidental con el dispositivo de corte o el hilo de corte en movimiento.
- **Utilice únicamente cabezales de corte o hilos de corte especificados por el fabricante. No sustituya los dispositivos de corte o hilos de corte por cables o cuchillas de metal.** El uso de piezas de repuesto incorrectas puede provocar pérdida de control, rotura y lesiones.

AVISOS DE SEGURIDAD ADICIONALES

- Antes de su uso y después de algún golpe, compruebe que no hay piezas dañadas. Los interruptores defectuosos o cualquier otra pieza dañada o gastada deben ser sustituidos o reparados adecuadamente por un establecimiento de servicio autorizado.
- La pequeña cuchilla colocada en la protección de césped está diseñada para recortar la nueva línea ampliada en la longitud correcta para un rendimiento seguro y óptimo. La cuchilla está muy afilada. No toque la cuchilla, especialmente, cuando limpie el producto.
- Utilice sólo el hilo de corte de recambio del fabricante. No utilice ningún tipo de pieza cortante.
- Asegúrese de que el accesorio de corte está correctamente instalado y ajustado.

- Nunca use el producto excepto si todas las protecciones, deflectores y mangos están unidos de forma correcta y segura.
- Asegúrese de que la cuchilla de corte de línea de la protección de la cuchilla esté correctamente colocada y fijada antes de cada uso.
- Mantenga el accesorio del cabezal por debajo de la cintura.
- Apague inmediatamente la unidad y retire la batería en caso de accidente o avería. No vuelva a utilizar el producto hasta que un servicio de mantenimiento autorizado lo haya inspeccionado completamente.
- Para reducir el riesgo de lesión asociado con el contacto con las piezas móviles, apague siempre el producto, extraiga la batería y deje que ambos se enfríen. Asegúrese de que todas las partes móviles se han detenido por completo:
 - antes del mantenimiento
 - antes de limpiar una obstrucción
 - antes de inspeccionar, limpiar o trabajar con el producto
 - antes de cambiar los accesorios
 - después de golpear un objeto extraño
 - cuando deje el aparato desatendido
 - siempre que se lleve a cabo el mantenimiento
 - si el producto empieza a vibrar de forma anormal
- Asegúrese de que todas las protecciones y mangos están bien ajustados y en buenas condiciones.
- Sujete el producto por los mangos destinados al efecto y limite el tiempo de funcionamiento y de exposición.
- Tenga cuidado con los objetos lanzados por el medio de corte. Limpie la suciedad como pequeñas piedras, gravilla y otros objetos extraños de la zona de trabajo antes de empezar a operar. Los alambres o las cuerdas pueden enredarse en las líneas de corte.
- Asegúrese siempre de que las aberturas de ventilación estén libres de residuos.
- El uso prolongado de una herramienta puede causar o agravar lesiones. Si utiliza el producto durante periodos de tiempo prolongados, asegúrese de realizar pausas de forma periódica.
- Utilice el producto únicamente a temperaturas comprendidas entre 0 °C y 40 °C.
- Guarde el producto en un lugar donde la temperatura ambiente esté comprendida entre 0 °C y 40 °C.

ADVERTENCIAS DE SEGURIDAD DE LA BATERÍA ADICIONAL

Para reducir el riesgo de incendio, lesiones personales y daños al producto provocados por un cortocircuito, nunca sumerja el producto, la batería o el cargador en líquido, ni permita que un líquido fluya por su interior. Los fluidos corrosivos o conductivos, como el agua de mar, ciertos productos quími-cos industriales y blanqueadores o lejías que contienen, etc., Pueden causar un cortocircuito.

- Cargue la batería en un lugar donde la temperatura ambiente esté comprendida entre 10 °C y 38 °C.
- Guarde la batería en un lugar donde la temperatura ambiente esté comprendida entre 0 °C y 20 °C.
- Utilice la batería en un lugar donde la temperatura ambiente esté comprendida entre 0 °C y 40 °C.



TRANSPORTE Y ALMACENAMIENTO

- Apague el producto, extraiga la batería y deje que el producto se enfríe antes de almacenarlo o transportarlo.
- Limpie todo el material extraño que pueda permanecer en el producto.
- No almacene ni transporte el producto con las baterías instaladas. Extraiga la batería y fijela de forma independiente. Guarde en una zona seca y bien ventilada, a la que no puedan acceder los niños. Almacene el producto lejos de agentes corrosivos como sales de deshielo y productos químicos de jardín. No guarde el producto a la intemperie.
- Para transportar el producto, sujételo de modo que no se mueva ni se caiga para evitar lesiones personales o daños al producto.

TRANSPORTE DE BATERÍAS DE LITIO

- Transporte de baterías de acuerdo con las disposiciones y reglamentos nacionales y locales.
- Cumpla todos los requisitos especiales relativos al embalaje y etiquetado cuando el transporte de baterías se lleve a cabo por un tercero. Asegúrese de que, durante el transporte, las baterías no entran en contacto con otras baterías o materiales conductores protegiendo los conectores expuestos con tapones o tapas aislantes de material no conductor. No transporte baterías que tengan grietas o fugas. Consulte a la empresa de transporte para obtener más asesoramiento.

MANTENIMIENTO

- Utilice sólo piezas y accesorios de recambio originales del fabricante. Si no lo hace podría ocurrir un mal funcionamiento, podrían producirse daños o podría quedar anulada la garantía.
- Las reparaciones requieren tener mucho cuidado y conocimiento y sólo debe realizarse por un técnico de servicio calificado. Solicite la reparación del producto únicamente en un centro de servicio autorizado.
- Apague el producto y retire la batería antes de llevar a cabo cualquier trabajo de mantenimiento o limpieza.
- Usted solo puede realizar los ajustes o reparaciones descritos en este manual. Para otras reparaciones o consejos, busque la ayuda de un centro de servicio autorizado.
- Para sustituir el hilo utilice solo hilo con filamento de nylon del diámetro descrito en la tabla de características de este manual.
- Limpiar el producto con un paño suave seco después de cada uso. Cualquier pieza dañada debe ser sustituida o reparada adecuadamente por un centro de servicio autorizado.
- Compruebe todas las tuercas, pernos y tornillos antes de cada uso y a intervalos frecuentes para verificar si están bien apretados y asegurarse de que el producto se pueda utilizar de forma segura. Cualquier pieza dañada debe ser sustituida o reparada adecuadamente por un centro de servicio autorizado.
- Lleve el aparato a un centro de servicios autorizado para sustituir las etiquetas dañadas o ilegibles.

CONOZCA SU PRODUCTO

Véase la página 118.

1. Mango trasero
2. Cierre de la batería
3. Gatillo de encendido/apagado
4. Botón de bloqueo
5. Eje de accionamiento superior
6. Mango delantero
7. Eje de accionamiento inferior
8. Cuchilla de corte
9. Rueda de guía
10. Protección de seguridad
11. Hilo de corte
12. Pedal para recorte de bordes
13. Manual de instrucciones
14. Cubierta del carrete
15. Bobina
16. Ojal
17. Deslizador
18. Batería
19. Cargador

SÍMBOLOS EN EL PRODUCTO



Advertencia



Lea y entienda todas las instrucciones antes de utilizar el producto. Siga todas las advertencias e instrucciones de seguridad.



Utilice protección ocular y auditiva.



Tenga cuidado con los objetos volátiles o lanzados. Mantenga a todos los transeúntes, especialmente niños y mascotas, a una distancia mínima de 15 m de la zona de trabajo.



No utilice cuchillas metálicas en el producto.



No la exponga a la lluvia o a lugares húmedos.



Quite las baterías antes de empezar ningún trabajo con el producto.



Mantenga las manos alejadas de las cuchillas.



Nivel de potencia acústica garantizado





Marca de conformidad europea



Marca de conformidad británica



Certificado EAC de conformidad



Marca de conformidad de Ucrania

No deseche los residuos de baterías, aparatos eléctricos y electrónicos como residuos municipales no clasificados. Los residuos de baterías, aparatos eléctricos y electrónicos se deben recoger de forma independiente. Los residuos de baterías, acumuladores y fuentes de luz se deben retirar de los aparatos. Consulte con las autoridades locales o su distribuidor local para recibir asesoramiento sobre el reciclado y el punto de recogida. De acuerdo con lo establecido en las normativas locales, los establecimientos minoristas pueden tener la obligación de recuperar los residuos de baterías, aparatos eléctricos y electrónicos de forma gratuita. Su contribución a la hora de reutilizar y reciclar los residuos de baterías y los residuos de aparatos eléctricos y electrónicos ayuda a reducir la demanda de materias primas. Los residuos de baterías, en especial las que contienen litio, y los residuos de aparatos eléctricos y electrónicos contienen materiales valiosos que se pueden reciclar, y que podrían afectar de forma negativa al medio ambiente y a la salud humana si no se desechan de un modo medioambientalmente responsable. Si lo hubiera, elimine cualquier dato personal de los residuos de los aparatos.



SÍMBOLOS EN ESTE MANUAL



Nota



Advertencia



Las piezas o accesorios se venden por separado

La progettazione di questo tagliabordi a batterie è stata effettuata dando massima priorità a criteri di sicurezza, prestazioni e affidabilità.

UTILIZZO RACCOMANDATO

Il tagliabordi a batterie è destinato al taglio di erba alta, erbacce spesse e altra vegetazione simile al livello del terreno o a circa tale altezza.

Il piano di taglio deve essere approssimativamente parallelo alla superficie del pavimento durante il taglio e approssimativamente verticale durante la bordatura.

Il prodotto deve essere utilizzato solo da persone adulte, che abbiano letto e compreso le istruzioni e le avvertenze contenute in questo manuale e che siano responsabili delle proprie azioni.

Prodotto adatto solo per essere utilizzato all'esterno in aree ben ventilate. Per ragioni di sicurezza, l'utensile deve essere adeguatamente controllato utilizzando sempre due mani.

Non utilizzare per altri scopi.

AVVISI DI SICUREZZA GENERALI PER IL PRODOTTO

⚠ AVVERTENZA! Leggere tutte le istruzioni e avvertenze di sicurezza, le illustrazioni e le specifiche fornite con questo prodotto. La mancata osservanza delle istruzioni riportate di seguito potrebbe provocare incidenti quali incendi, scosse elettriche e/o gravi lesioni fisiche.

Conservare le presenti avvertenze ed istruzioni per poterle consultare in seguito.

Il termine "elettrotensile" nelle avvertenze si riferisce al prodotto alimentato con un cavo o al prodotto alimentato con una batteria (senza fili).

AMBIENTE DI LAVORO

- **Mantenere l'area di lavoro pulita e ben illuminata.** Aree di lavoro disordinate o non illuminate adeguatamente potranno causare incidenti.
- **Non mettere in funzione gli elettrotensili in atmosfere esplosive, come in presenza di liquidi infiammabili, gas o polvere.** Gli elettrotensili creano scintille che possono causare incendi a contatto con polveri e fumi.
- **Tenere bambini ed eventuali osservatori lontani mentre si mette in funzione l'elettrotensile.** Eventuali distrazioni potranno causare una perdita di controllo.

SICUREZZA ELETTRICA

- **La spina dell'elettrotensile deve corrispondere alla presa. Non modificare la spina in alcun modo. Non utilizzare spine adattatrici con elettrotensili con messa a terra (presa di terra).** Spine non modificate e prese corrispondenti ridurranno il rischio di scosse elettriche.
- **Evitare il contatto del corpo con superfici con messa a terra come tubi, radiatori, piani cottura e refrigeratori.** Rischio aumentato di scosse elettriche se il corpo viene collegato con messa a terra.
- **Non esporre il prodotto a pioggia o umidità. Nel caso in cui dell'acqua entrerà nell'elettrotensile il rischio di scosse elettriche aumenterà.**
- **Non sottoporre a sforzi il cavo dell'alimentazione. Non trasportare né tirare o scollegare l'elettrotensile dal cavo. Tenere il cavo lontano da calore, olio, angoli appuntiti o parti in movimento.** Cavi danneggiati o intrecciati potranno far aumentare il rischio di scosse elettriche.

SICUREZZA PERSONALE

- **Mantenere sempre l'attenzione e utilizzare buon senso quando si utilizza un elettrotensile. Non utilizzare un elettrotensile se stanchi o sotto l'influenza di droghe, alcool o farmaci.** Un momento di disattenzione durante le operazioni potrà risultare in gravi lesioni personali.
- **Utilizzare equipaggiamento di protezione personale. Indossare sempre occhiali di protezione.** L'utilizzo di attrezzature di protezione individuali, come maschere antipolveri, scarpe di sicurezza antidrucciolo, elmetto e dispositivi auricolari riducono il rischio di lesioni personali.
- **Prevenire l'avvio accidentale. Assicurarsi che l'interruttore sia sulla posizione off (spento) prima di collegare l'utensile all'alimentazione e/o al gruppo batterie, o prima di afferre e trasportare l'utensile.** Trasportare elettrotensili tenendo un dito sull'interruttore o con l'elettrotensile acceso potrà causare incidenti.
- **Rimuovere eventuali chiavi o dispositivi di regolazione prima di accendere l'elettrotensile.** Una chiave o un dispositivo di blocco collegato a una parte rotante dell'utensile potrà risultare in gravi lesioni personali.
- **Non protendersi. Rimanere bene in equilibrio sulle gambe e non distendere troppo lontano le braccia.** Ciò permetterà un miglior controllo dell'elettrotensile in situazioni inaspettate.
- **Indossare un abbigliamento adatto. Non utilizzare abiti con parti svolazzanti o gioielli. Tenere capelli e abiti a distanza dalle parti mobili.** Abiti con parti svolazzanti, gioielli o capelli lunghi potranno rimanere impigliati nelle parti in movimento.
- **Nel caso in cui vengano forniti dispositivi per l'estrazione e la raccolta della polvere, assicurarsi che gli stessi siano collegati e utilizzati correttamente.** Utilizzare il sacchetto di raccolta della polvere può ridurre rischi collegati alla polvere.
- **Non consentire che la familiarità conseguita con l'uso frequente degli utensili faccia diventare disinvolti al punto di ignorare i principi di sicurezza.** Eventuali disattenzioni potranno causare gravi lesioni in una frazione di un secondo.

UTILIZZO E MANUTENZIONE ELETTROTENSILI

- **Non forzare il prodotto. Utilizzare l'elettrotensile corretto per il proprio lavoro.** L'elettrotensile corretto svolgerà in maniera migliore e più sicura il lavoro per il quale è stato progettato.
- **Non utilizzare l'elettrotensile se l'interruttore non si accende e spegne.** Un elettrotensile che non può essere controllato dall'interruttore è pericoloso e deve essere riparato.
- **Prima di regolare, sostituirne gli accessori o riporre gli utensili elettrici, scollegare la spina dalla presa elettrica e/o rimuovere il gruppo batteria, se rimovibile.** Queste misure di sicurezza preventive ridurranno il rischio di avvio dell'elettrotensile.
- **Riporre elettrotensili lontano dalla portata dei bambini e non permettere a persone che non conoscano il funzionamento dell'elettrotensile o queste istruzioni di metterlo in funzione.** Gli elettrotensili possono essere pericolosi se utilizzati da personale non preparato.
- **Manutenere gli utensili elettrici e i loro accessori. Controllare l'eventuale allineamento scorretto o blocco delle parti in movimento, la rottura di parti**

e qualsiasi altra condizione che potrà influenzare il funzionamento dell'elettrotensile. In caso di danni far riparare l'elettrotensile prima di utilizzarlo. Elettrotensili sui quali non sono state svolte le dovute operazioni di manutenzione possono essere causa di incidenti.

- **Mantenere tutti gli utensili affilati e appuntiti.** Utensili per operazioni di taglio con parti taglienti sui quali sono state svolte le corrette operazioni di manutenzione non si bloccheranno e saranno più facili da controllare.
- **Utilizzare l'elettrotensile, i suoi accessori, le punte ecc. assieme a queste istruzioni tenendo conto delle condizioni di lavoro e del lavoro da svolgere.** Utilizzare l'elettrotensile per operazioni diverse da quelle indicate potrà causare situazioni pericolose.
- **tenere manici e superfici da ancoraggio asciutte, pulite, e libere da olio e grasso.** Impugnature o manici scivolosi non permetteranno di controllare e gestire in maniera sicura l'utensile in situazioni inaspettate.

UTILIZZO E MANUTENZIONE DI UN UTENSILE A BATTERIE

- **Ricaricare solo con il caricatore indicato dalla ditta produttrice.** Un caricatore adatto per un tipo di batterie potrà creare un rischio di incendio se utilizzato con un altro gruppo batterie.
- **Utilizzare elettrotensili solo con i gruppi batteria indicati.** L'utilizzo di gruppi batteria diversi da quelli indicati potrà causare rischi di lesioni e incendi.
- **Quando il gruppo batterie non viene utilizzato, tenerlo lontano da oggetti in metallo come fermagli, monete, chiavi, chiodi, viti o altri piccoli oggetti che potranno fare da tramite da un terminale all'altro.** Cortocircuitare i terminali della batteria assieme potrà causare scottature o incendi.
- **Se sottoposto a stress, la batteria potrà perdere dei liquidi; evitare il contatto.** Se si entra accidentalmente in contatto con tali liquidi, lavarsi immediatamente con acqua. Se il liquido entra negli occhi, rivolgersi a un medico. Il liquido espulso dalla batteria potrà causare irritazioni o scottature.
- **Non utilizzare batterie o strumenti danneggiati o alterati.** Le batterie danneggiate o alterate potrebbero avere un comportamento imprevedibile e causare incendi, esplosioni o rischio di lesioni.
- **Non esporre la batteria o l'utensile a fiamme libere o a temperature eccessive.** L'esposizione a fiamme libere o a temperature superiori a 130°C può causare esplosioni.
- **Seguire tutte le istruzioni per la ricarica e non ricaricare le batterie o gli utensili all'infuori dell'intervallo di temperature specificato nelle istruzioni.** Eseguire la ricarica in modo improprio o all'infuori dell'intervallo specificato potrebbe danneggiare la batteria e aumentare il rischio d'incendio.

MANUTENZIONE

- **Far svolgere la manutenzione da personale qualificato utilizzando solo parti di ricambio identiche.** Ciò permette di mantenere la sicurezza dell'elettrotensile.
- **Non riparare mai le batterie danneggiate.** La riparazione delle batterie dev'essere eseguita solo dal fabbricante o da fornitori di assistenza autorizzati.

AVVERTENZE DI SICUREZZA PER TAGLIABORDI

- **Non utilizzare la macchina con avverse condizioni meteo, specialmente in caso di fulmini.** Questo riduce il rischio di essere colpiti dai fulmini.
- **Ispezionare accuratamente l'area per eventuale presenza di fauna selvatica laddove la macchina dovrà essere utilizzata.** La fauna selvatica potrebbe essere danneggiata dalla macchina durante il funzionamento.
- **Ispezionare accuratamente l'area sulla quale la macchina deve essere utilizzata e rimuovere tutte le pietre, i ramoscelli, i fili, le ossa e altri oggetti estranei.** Gli oggetti scagliati possono causare lesioni personali.
- **Prima dell'uso della macchina, ispezionare visivamente il prodotto per controllare che l'attrezzo di taglio e il gruppo dell'attrezzo di taglio non siano danneggiati.** I pezzi danneggiati aumentano il rischio di lesioni.
- **Mantenere le protezioni in posizione. Le protezioni devono essere in ordine e sottoposte a corretto montaggio.** Una protezione che è lenta, danneggiata o non correttamente funzionante potrebbe causare lesioni personali.
- **Rimuovere eventuale materiale di scarto dalle griglie dell'aria.** Gli ingressi d'aria bloccati e i detriti possono causare surriscaldamento o rischio di incendi.
- **Indossare una protezione per occhi e orecchie.** Un dispositivo protettivo adeguato ridurrà le lesioni personali.
- **Durante l'uso della macchina, indossare sempre scarpe protettive e antiscivolo. Non mettere in funzione l'utensile se scalzi o se si indossano sandali.** Questo riduce la possibilità di lesioni ai piedi dal contatto con l'attrezzo di taglio mobile.
- **Indossare sempre abiti come pantaloni che coprono le gambe dell'operatore durante il funzionamento della macchina.** Il contatto con l'attrezzo di taglio mobile o la linea può causare lesioni.
- **Stare lontano dai passanti durante l'uso della macchina.** I detriti scagliati possono comportare gravi lesioni personali.
- **Non azionare la macchina sopra l'altezza del giro vita.** Questo aiuta a prevenire il contatto accidentale con l'attrezzo di taglio e consente un migliore controllo della macchina in situazioni impreviste.
- **Prestare attenzione quando si aziona la macchina sull'erba bagnata. Camminare, non correre mai.** Questo riduce il rischio di scivolamento e caduta che potrebbe causare lesioni personali.
- **Non azionare la macchina su discese eccessivamente ripide.** Questo riduce il rischio di perdita di controllo, scivolamento e caduta che potrebbe causare lesioni personali.
- **Quando si lavora sulle discese, prestare sempre attenzione al proprio appoggio, a lavorare sul davanti, senza fare sopra e sotto e prestare particolare attenzione quando si cambia direzione.** Questo riduce il rischio di perdita di controllo, scivolamento e caduta che potrebbe causare lesioni personali.
- **Tenere tutti i cavi di corrente lontano dall'area di taglio.** I cavi di corrente possono essere nascosti nelle siepi e nei cespugli e possono essere accidentalmente essere tagliati o danneggiati dalla linea o dall'attrezzo di taglio.
- **Tenere tutte le parti del corpo lontano dall'attrezzo o la linea del tagliasiepi mobile. Non rimuovere il materiale dalla macchina fino a quando non è stato scollegato dalla fonte di alimentazione.** L'attrezzo

di taglio o la linea del tagliasiepi mobile potrebbe comportare gravi lesioni personali.

- **Trasportare la macchina spenta e lontana dal corpo.** Maneggiare correttamente la macchina ridurrà la possibilità di contatto accidentale con un attrezzo di taglio o una linea in movimento.
- **Utilizzare solo testine di taglio e attrezzi di taglio del tagliasiepi sostitutivi specificati dal produttore. Non sostituire linee o attrezzi di taglio del tagliasiepi con fili o lame.** Pezzi sostitutivi incorretti possono causare perdita di controllo, rottura o lesioni.

ULTERIORI AVVERTENZE DI SICUREZZA

- Prima dell'utilizzo e dopo ogni impatto, controllare che non vi siano parti danneggiate. Un interruttore difettoso o qualsiasi parte danneggiata o consumata dovrebbe essere accuratamente riparata o sostituita da un servizio autorizzato.
- La piccola lama fissata sulla protezione per l'erba serve a regolare la nuova linea ampliata, alla lunghezza esatta per lavorare in modo sicuro e ottimale. La cuchilla está muy afilada. Non toccare la lama, soprattutto durante la pulizia del prodotto.
- Utilizzare solo il filo di taglio di sostituzione della ditta produttrice. Non utilizzare alcun altro accessorio di taglio.
- Assicurarsi che l'accessorio di taglio sia accuratamente installato e serrato.
- Non mettere mai in funzione il prodotto a meno che tutti gli schermi, i deflettori e i manici siano correttamente e saldamente montati.
- Assicurarsi che la lama di taglio a filo nella protezione sia correttamente posizionata e fissata prima di ogni uso.
- Tenere l'accessorio testa di taglio più in basso del giro vita.
- Spegnerne immediatamente il prodotto e rimuovere il pacco batteria in caso di incidente o guasto. Non utilizzare di nuovo il prodotto finché non è stato controllato a fondo da un centro di assistenza autorizzato.
- Per ridurre il rischio di lesioni associate al contatto con le parti mobili, spegnere sempre il prodotto, rimuovere il pacco batteria e lasciare che si raffreddi. Assicurarsi che tutte le parti in movimento si siano arrestate:
 - prima degli interventi di assistenza
 - prima di rimuovere un blocco
 - prima di svolgere le operazioni di controllo o pulizia sul prodotto o prima di utilizzarlo
 - prima di cambiare accessori
 - dopo aver colpito un corpo estraneo
 - quando si lascia il prodotto incustodito
 - ogniqualevolta si esegue la manutenzione
 - se il prodotto inizia a vibrare in maniera anormale
- Assicurarsi che tutti gli schermi e manici siano correttamente montati e siano in ottime condizioni.
- Reggere il prodotto dai manici e limitare i tempi di utilizzo e l'esposizione.
- Fare attenzione agli oggetti che potranno essere scagliati dalle parti di taglio dell'utensile. Rimuovere i detriti come piccole pietre, sassolini e simili dall'area di lavoro prima di avviare le operazioni. I cavi o fili potranno rimanere impigliati nelle parti di taglio.
- Assicurarsi che le griglie di ventilazione siano pulite e rimuovere eventuali materiali di scarto rimasti intrappolati.

- Il prolungato utilizzo dell'utensile potrà causare o aggravare lesioni. Quando il prodotto viene utilizzato per periodi lunghi, assicurarsi di effettuare delle brevi interruzioni.
- Azionare il prodotto solo con temperature tra 0°C e 40°C.
- Conservare il prodotto in una posizione in cui la temperatura ambiente è compresa tra 0°C e 40°C.

AVVERTENZE AGGIUNTIVE PER LA SICUREZZA DELLA BATTERIA

Per ridurre il rischio di incendio, lesioni personali e danni al prodotto dovuti a corto circuito, non immergere mai il prodotto, il pacco batteria o il caricabatterie in liquidi, né favorire la penetrazione di liquidi al loro interno. I fluidi corrosivi o conduttori come acqua salata, alcuni agenti chimici, agenti candeggianti o prodotti contenenti agenti candeggianti potrebbero provocare un corto circuito.

- Caricare il pacco batteria in una posizione in cui la temperatura ambiente è compresa tra 10°C e 38°C.
- Conservare il pacco batteria in una posizione in cui la temperatura ambiente è compresa tra 0°C e 20°C.
- Utilizzare il pacco batteria in una posizione in cui la temperatura ambiente è compresa tra 0°C e 40°C.

TRASPORTO E RIPONIMENTO

- Spegnerne il prodotto, rimuovere il pacco batteria e lasciare che si raffreddi prima di conservarlo o trasportarlo.
- Rimuovere eventuali materiali di scarto dal prodotto.
- Non conservare o trasportare il prodotto quando è installato il pacco batteria. Rimuovere il pacco batteria e stringerlo separatamente. Riporre in un luogo asciutto e ben ventilato non accessibile ai bambini. Tenere il prodotto lontano da agenti corrosivi come agenti chimici da giardino e sali scongelanti. Non conservare il prodotto all'aperto.
- Per il trasporto, assicurare il prodotto contro ogni movimento o contro eventuali cadute per evitare lesioni a persone o danni al prodotto.

TRASPORTO BATTERIE AL LITIO

- Trasportare le batterie rispettando quanto indicato dalle norme e regolamentazioni locali.
- Far rispettare quanto indicato sulle etichette e sull'involucro quando la batteria viene trasportata da terzi. Assicurarsi che le batterie non entrino in contatto con altre batterie o con materiali conduttivi mentre si trasportano proteggendo connettori esposti con tappi o nastro isolante e non conduttivo. Non trasportare batterie rotte o che perdono liquidi. Consultare la ditta produttrice per eventuali ulteriori consigli.

MANUTENZIONE

- Utilizzare solo parti di ricambio, accessori e dispositivi originali della ditta produttrice. In caso contrario si potranno causare lesioni, prestazioni basse e la garanzia verrà invalidata.
- Le operazioni di manutenzione devono essere svolte con grande attenzione e accortezza solo da un tecnico qualificato. Far riparare il prodotto esclusivamente da un centro assistenza autorizzato.
- Spegnerne il prodotto e rimuovere il pacco batteria prima di effettuare lavori di manutenzione e pulizia.
- Sarà solo possibile svolgere le regolazioni o riparazioni indicate nel presente manuale. Per altre riparazioni o consigli, rivolgersi a un centro servizi autorizzato.

- Per sostituire il filo di taglio, utilizzare solo il filo in nylon del diametro descritto nella tabella delle specifiche del presente manuale.
- Dopo ogni uso, pulire il prodotto con un panno morbido e asciutto. Riparare eventuali parti danneggiate o farle sostituire da un centro servizi autorizzato.
- Controllare che tutti i dadi, i bulloni e le viti siano adeguatamente serrati prima di ogni utilizzo e a intervalli frequenti, per accertarsi che il prodotto possa funzionare in sicurezza. Riparare eventuali parti danneggiate o farle sostituire da un centro servizi autorizzato.
- Portare il prodotto presso un centro servizi autorizzato per sostituire le parti danneggiate o le etichette illeggibili.

FAMILIARIZZARE CON IL PRODOTTO

Vedere pagina 118.

1. Manico posteriore
2. Fermo della batteria
3. Grilletto di accensione/spengimento
4. Interruttore di blocco
5. Albero motore superiore
6. Manico anteriore
7. Albero motore inferiore
8. Lama di taglio
9. Ruota guida
10. Schermo di sicurezza
11. Filo di taglio
12. Pedale di rifilatura
13. Manuale dell'operatore
14. Coperchio bobina
15. Bobina
16. Occhiello
17. Cursore
18. Batteria
19. Caricatore

SIMBOLI SUL PRODOTTO



Avvertenza



Prima di utilizzare il prodotto leggere e comprendere tutte le istruzioni. Osservare tutte le avvertenze e le istruzioni di sicurezza.



Indossare protezione occhi e orecchie.



Fare attenzione ad oggetti scagliati o lanciati dall'utensile. Tenere tutti i presenti, in particolare bambini e animali domestici, ad almeno 15 m dall'area operativa.



Non utilizzare lama(e) metallica(he) con questo prodotto.



Non esporre a pioggia o umidità.



Rimuovere la batteria prima di iniziare qualsiasi lavoro sul prodotto.



Tenere le lame lontano dalle lame.



Livello di potenza acustica garantito



Marchio di conformità europeo



Marchio di conformità britannico



Marchio di conformità EurAsian



Marchio di conformità ucraino



Non smaltire le batterie scariche e altre apparecchiature elettriche ed elettroniche come normali rifiuti. Le batterie scariche e i dispositivi elettrici ed elettronici dovranno essere raccolti separatamente. Le batterie usate, gli accumulatori e le fonti luminose non più utilizzabili dovranno essere rimossi dall'apparecchiatura. Consultare il proprio ente locale o rivenditore per consigli sul riciclo e sul punto di raccolta. In base alle normative locali i rivenditori potrebbero avere l'obbligo di riprendersi le batterie usate e le apparecchiature elettriche ed elettroniche gratuitamente. Il vostro contributo al riciclaggio delle batterie e delle apparecchiature elettriche ed elettroniche aiuta a ridurre la richiesta di materie prime. Le batterie usate, in particolare quelle che contengono litio e le apparecchiature elettriche ed elettroniche contengono materiali preziosi e riciclabili che potrebbero avere un impatto avverso sull'ambiente e la salute umana, se non smaltiti in un modo ecocompatibile. Eliminare i dati personali, se presenti, dalle apparecchiature da buttare.

SIMBOLI NEL PRESENTE MANUALE



Note



Avvertenze



Parti o accessori venduti separatamente

Bij het ontwerp van de snoerloze lijntrimmer hebben veiligheid, prestaties en betrouwbaarheid de hoogste prioriteit verkregen.

VOORGESCHREVEN GEBRUIK

De snoerloze lijntrimmer is bedoeld voor het snijden van lang gras, stevig onkruid en gelijksoortige vegetatie op of net boven bodemniveau.

Het snijvlak moet ongeveer parallel zijn aan het grondoppervlak wanneer u trimt en bijna verticaal wanneer u kanten bijwerkt.

Het apparaat is uitsluitend bedoeld voor gebruik door volwassenen die de instructies en waarschuwingen in deze handleiding hebben gelezen en begrepen en die als verantwoordelijk voor hun daden kunnen worden beschouwd.

Het product is uitsluitend bedoeld voor gebruik buitenshuis in een goed geventileerd gebied. Om veiligheidsredenen moet dit product met twee handen op de juiste wijze worden bediend en vastgehouden.

Gebruik het product niet voor andere doeleinden.

ALGEMENE PRODUCTVEILIGHEIDSWAARSCHUWINGEN

WAARSCHUWING! Lees alle veiligheidsinstructies, illustraties en specificaties die met dit product worden meegeleverd. Het niet in acht nemen van de hierna vermelde voorschriften kan ongelukken, zoals brand, elektrische schokken en/of ernstig lichamelijk letsel veroorzaken.

Bewaar deze waarschuwingen en voorschriften zorgvuldig om ze ook later te kunnen inzien.

De term "power tool" in de waarschuwingen heeft betrekking op uw elektrische gereedschap dat ofwel wordt aangedreven door een stroomvoorziening (via een kabel), of werkt op een accu (snoerloos).

WERKOMGEVING

- **Houd de werkplek schoon en goed verlicht.** Vervuilde of donkere plekken nodigen uit tot ongevallen.
- **Gebruik elektrische werktuigen niet in explosieve omgevingen, zoals in de aanwezigheid van ontvlambare vloeistoffen, gassen of stof.** Elektrisch gereedschap kan vonken veroorzaken die het stof of de gassen kunnen ontsteken.
- **Houd kinderen en omstanders weg terwijl u elektrisch gereedschap gebruikt.** Wanneer u wordt afgeleid, kunt u de controle verliezen.

ELEKTRISCHE VEILIGHEID

- **Stekkers van elektrisch gereedschap moeten overeenkomen met de contactdoos. Wijzig de stekker nooit. Gebruik geen adapters met gearde elektrische werktuigen.** Niet-gewijzigde stekkers en overeenkomstige contactdozen zullen het risico op elektrische schok verminderen.
- **Vermijd lichaamscontact met een geaard oppervlak, zoals buizen, radiatoren, kookfornuizen en koelkasten.** Er bestaat een verhoogd risico voor elektrische schokken als uw lichaam is geaard.

- **Stel het product niet bloot aan regen of natte omstandigheden. Water dat een elektrisch werktuig binnendringt, verhoogt het risico op elektrische schokken.**
- **Misbruik het snoer niet. Gebruik het snoer nooit om het elektrisch werktuig te dragen, eraan te trekken of het uit de contactdoos te trekken. Houd het snoer weg van hitte, olie, scherpe randen of bewegende onderdelen.** Beschadigde of verstrikte snoeren verhogen het risico op elektrische schokken.

PERSOONLIJKE VEILIGHEID

- **Blijf alert, kijk naar wat u doet en gebruik uw gezond verstand wanneer u elektrisch gereedschap gebruikt. Gebruik een elektrisch werktuig niet wanneer u moe of onder de invloed van drugs, alcohol of medicijnen bent.** Een ogenblik van onoplettendheid terwijl u elektrisch gereedschap gebruikt, kan leiden tot ernstige verwondingen.
- **Gebruik een persoonlijke beschermuitrusting. Draag altijd gehoorbescherming.** Gebruik van beschermingsmiddelen zoals een stofmasker, anti-slip veiligheidsschoenen, veiligheidshelm of gehoorbescherming leidt tot minder persoonlijk letsel.
- **Ongewenst starten voorkomen. Zorg ervoor dat de schakelaar zich in de uit-stand bevindt voor u de machine met een stroombron en/of accupack verbindt, de machine opheft of draagt.** Wanneer u elektrisch gereedschap draagt met de vinger op de schakelaar of wanneer het gereedschap met de stroombron is verbonden, kan dit leiden tot ongevallen.
- **Verwijder alle afstelsleutels voor u het elektrisch werktuig inschakelt.** Een sleutel die op een draaiend onderdeel van het elektrisch gereedschap werd achtergelaten, kan leiden tot verwondingen.
- **Overrek u niet. Ga altijd stevig op uw benen staan en reik niet te ver weg met uw arm.** Dit maakt een betere controle van het werktuig in onverwachte omstandigheden mogelijk.
- **Draag geen wijde kleding, dassen of sieraden die klem kunnen raken en u naar de bewegende delen toe kunnen trekken. Draag geen losse kledij of juwelen. Houd uw haar en kleding uit de buurt van bewegende delen.** Losse kledij, juwelen of lang haar kan in bewegende onderdelen verstrikt raken.
- **Als er apparaten worden geleverd voor de verbinding met een stofextractie en verzamelafaciliteiten, zorgt u ervoor dat deze zijn verbonden en goed worden gebruikt.** Het gebruik van een stofverzamelaar vermindert stof-gerelateerde gevaren.
- **Voorkom dat u door het frequent gebruik van gereedschappen laks wordt en de veiligheidsvoorschriften uit het oog verliest.** Een onzorgvuldige handeling kan binnen enkele seconden leiden tot ernstige verwondingen.

GEBRUIK VAN EN ZORG VOOR UW ELEKTRISCH GEREEDSCHAP

- **Forceer het product niet. Gebruik het correcte werktuig voor uw toepassing.** Het juiste werktuig zal de taak beter en veiliger uitvoeren aan het tempo waarvoor het werd ontworpen.

- **Gebruik het elektrisch werktuig niet als de schakelaar het niet kan in- of uitschakelen.** Een elektrisch werktuig dat niet met behulp van de schakelaar kan worden bediend, is gevaarlijk en moet worden gerepareerd.
- **Trek de stekker uit de contactdoos en/of ontkoppel het accupack van het werktuig voor u de machine afstelt, accessoires vervangt of het werktuig opbergt.** Zulke preventieve veiligheidsmaatregelen kunnen het risico op ongewenst starten van de machine verminderen.
- **Bewaars ongebruikt elektrisch gereedschap buiten het bereik van kinderen en niet-opgeleide personen die het gereedschap of deze gebruiksaanwijzingen niet kennen.** Elektrisch gereedschap is gevaarlijk in de handen van niet-opgeleide gebruikers.
- **Elektrisch gereedschap en accessoires moeten worden onderhouden.** Controleer op verkeerde aflijning of verstrikt raken van bewegende delen, defecten van onderdelen en alle andere situaties die de werking van het werktuig kunnen beïnvloeden. Indien beschadigd, laat u het elektrisch gereedschap repareren voor gebruik. Veel ongevallen worden veroorzaakt door slecht onderhouden elektrische werktuigen.
- **Houd de zaagwerktuigen scherp en schoon.** Correct onderhouden zaagwerktuigen met scherpe randen zijn minder geneigd om verstrikt te raken en kunnen makkelijker worden bestuurd.
- **Gebruik het werktuig, de accessoires en werktuigonderdelen, etc. in overeenstemming met deze instructies en houd rekening met de bedrijfsomstandigheden en het uit te voeren werk.** Het gebruik van een elektrisch werktuig voor zaken die niet in het voorgeschreven gebruik zijn beschreven, kan leiden tot gevaarlijke situaties.
- **Houd handvatten en grepen droog, schoon en vrij van olie en vet.** Gladde handvatten en grepen laten u niet toe om de machine veilig te bedienen en in onverwachte situaties te controleren?.

GEBUIK EN ONDERHOUD VAN HET ACCU AANGEDREVEN WERKTUIG

- **Herlaad enkel met de oplader die door de fabrikant is gespecificeerd.** Een oplader die voor een type accupack is geschikt kan een brandgevaar betekenen wanneer het met een ander accupack wordt gebruikt.
- **Gebruik elektrisch gereedschap uitsluitend met de specifiek toegewezen accupacks.** Het gebruik van andere accupacks kan leiden tot risico's op letsels en brand.
- **Wanneer het accupack niet wordt gebruikt, moet u het weg houden van andere metalen objecten, zoals papierclips, munten, sleutels, spijkers, schroeven of andere kleine metalen voorwerpen die een verbinding kan maken van een terminal naar een andere.** De batterijterminals kortsluiten kan leiden tot brandwonden of brand.
- **Bij verkeerd gebruik kan vloeistof uit de batterij lekken; vermijd contact.** Als per ongeluk contact wordt gemaakt, spoel dan met water. Schakel bovendien medische hulp in als er vloeistof in de

ogen komt. Uit de accu afkomstige vloeistof kan irritatie of brandwonden veroorzaken.

- **Gebruik geen beschadigde of gewijzigde accu of gereedschap.** Beschadigde of gewijzigde accu's kunnen onvoorspelbaar gedrag vertonen en leiden tot brand, explosies, of het risico op letsel.
- **Stel accu's of gereedschap niet bloot aan vuur of hoge temperaturen.** Blootstelling aan vuur of temperaturen hoger dan 130 °C kan explosies veroorzaken.
- **Volg alle instructies en laad de accu of het gereedschap niet op buiten het temperatuurbereik dat in de handleiding wordt aangegeven.** Onjuist opladen of opladen bij temperaturen buiten het aangegeven bereik kan schade aan de accu veroorzaken en risico op brand verhogen.

ONDERHOUD

- **Laat uw elektrisch gereedschap onderhouden door een gekwalificeerd onderhoudspersoon en gebruik hierbij uitsluitend identieke vervangonderdelen.** Dit zal ervoor zorgen dat de veiligheid van het werktuig wordt behouden.
- **Beschadigde accu's mogen niet worden onderhouden.** Onderhoud van accu's mag uitsluitend worden uitgevoerd door de fabrikant of erkende dienstverleners.

VEILIGHEIDSWAARSCHUWINGEN BIJ LIJNTRIMMER

- **Gebruik het apparaat niet bij slechte weersomstandigheden, vooral niet als er kans op blikseminslag bestaat.** Dit vermindert de kans te worden verrast.
- **Inspecteer het gebied waar het apparaat zal worden gebruikt grondig op eventueel aanwezige dieren.** Dieren kunnen gewond raken tijdens het gebruik van het apparaat.
- **Inspecteer grondig het gebied waar het apparaat zal worden gebruikt en verwijder stenen, stokken, draden, botten en andere vreemde voorwerpen.** Weggeslingerde voorwerpen kunnen persoonlijk letsel veroorzaken.
- **Voordat u het apparaat gebruikt, moet u altijd visueel controleren of de snijder en de snijderbevestiging niet beschadigd zijn.** Beschadigde onderdelen verhogen het risico op letsel.
- **Hou de afschermingen op hun plaats. Afschermingen moeten in goede staat verkeren en op de juiste wijze zijn aangebracht.** Een loszittende, beschadigde of niet goed functionerende afscherming kan leiden tot persoonlijk letsel.
- **Houd alle koelluchtinlaten vrij van afval.** Verstopte luchtinlaten en vuil kunnen leiden tot oververhitting of brandgevaar.
- **Draag gezichts- en gehoorbescherming.** Geschikt beschermend materiaal zal persoonlijk letsel verminderen.
- **Draag tijdens het gebruik van het apparaat altijd anti-slip en beschermend schoeisel.** Gebruik de machine wanneer u blootsvoets bent of open sandalen



draagt. Dit vermindert de kans op verwondingen aan de voeten door contact met de bewegende snijder.

- **Draag altijd kledij zoals een broek die de benen van de gebruiker bedekt tijdens het werken met het apparaat.** Contact met de bewegende snijder of draad kan letsel veroorzaken.
- **Houd omstanders uit de buurt tijdens gebruik van het apparaat.** Rondvliegende stukken kunnen ernstig lichamelijk letsel veroorzaken.
- **Gebruik het apparaat niet hoger dan de heupen.** Dit helpt toevallig contact met de snijder te voorkomen en maakt een betere controle over het apparaat in onverwachte situaties mogelijk.
- **Wees voorzichtig tijdens het gebruiken van het apparaat in nat gras. Loop gewoon, ga nooit rennen.** Dit vermindert het risico op uitglijden en vallen, wat tot persoonlijk letsel kan leiden.
- **Gebruik het apparaat niet op heel steile hellingen.** Dit vermindert het risico van controleverlies, uitglijden en vallen, wat tot persoonlijk letsel kan leiden.
- **Wanneer u op hellingen werkt, moet u altijd uw voeten in veiligheid weten, altijd dwars op de helling werken, nooit naar boven of naar beneden en wees uiterst voorzichtig wanneer u van richting verandert.** Dit vermindert het risico van controleverlies, uitglijden en vallen, wat tot persoonlijk letsel kan leiden.
- **Houd alle netsnoeren en kabels uit de buurt van de snijzone.** Netsnoeren of kabels kunnen verborgen zijn in heggen of struiken en kunnen per ongeluk door de draad of het mes worden afgesneden of beschadigd.
- **Houd alle delen van het lichaam weg van het bewegende trimmes of -draad. Verwijder geen materiaal van het apparaat alvorens dit is afgekoppeld van de stroombron.** Een bewegend trimmes of -draad kan ernstig persoonlijk letsel veroorzaken.
- **Vervoer het apparaat wanneer dit is uitgeschakeld en houd het weg van uw lichaam.** Een juiste hantering van het apparaat vermindert de kans op toevallig contact met een bewegend trimmes of -draad.
- **Gebruik enkel snijkoppen en trimmessen en -draden die door de fabrikant worden gespecificeerd om deze te vervangen. Vervang de trimmessen of -draden niet door metalen draden of messen.** Onjuiste vervangingsonderdelen kunnen controleverlies, breuk en letsels veroorzaken.

BIJKOMENDE VEILIGHEIDSWAARSCHUWINGEN

- Voor gebruik en na elke impact controleert u op beschadigde onderdelen. Een defecte schakelaar of een ander onderdeel dat beschadigd of versleten is, moet deskundig worden hersteld of vervangen door een geautoriseerde onderhoudsdienst.
- Het kleine mes dat aan de veiligheidskap is bevestigd, is bedoeld om de pas uitgetrokken draad op de juiste lengte te snijden voor veiligheid en optimale prestaties. Het snijblad is erg scherp. Raak het snijblad niet aan, vooral niet tijdens het reinigen van het product.

- Gebruik alleen de vervangmaaijlijn van de fabrikant. Gebruik geen enkel ander maaivoorzetstuk.
- Zorg ervoor dat het snijvoorzetstuk goed is geïnstalleerd en stevig is vastgemaakt.
- Gebruik het product nooit tenzij alle beschermers, deflectoren en handvatten correct en stevig zijn bevestigd.
- Controleer voor elk gebruik of het snijblad goed in de beschermkap is geplaatst en vastgezet.
- Houd het kop-hulpstuk onder middelhoogte.
- Schakel het apparaat onmiddellijk uit en verwijder de accu in geval van een ongeluk of defect. Gebruik het product niet opnieuw totdat het volledig is gecontroleerd door een erkend onderhoudscentrum.
- Schakel het product uit om het risico op verwonding door contact met bewegende onderdelen te verlagen, verwijder de accu en laat beide delen voldoende afkoelen. Zorg ervoor dat alle bewegende delen volledig tot stilstand zijn gekomen:
 - vóór onderhoud
 - voordat u een obstructie verwijdert
 - voor u het product controleert, reinigt of aan het product werkt.
 - voordat u accessoires verwisselt
 - nadat u een onbekend voorwerp raakt
 - wanneer u het product onbeheerd achterlaat
 - tijdens het uitvoeren van onderhoud
 - als het product abnormaal begint te trillen
- Zorg ervoor dat alle beschermers, handvatten correct zijn gemonteerd en zich in goede staat bevinden.
- Houd het product uitsluitend vast aan de handvatten en beperk de bedrijfs- en blootstellingstijd.
- Wees voorzichtig voor voorwerpen die door de snijelementen worden weggevoerd. Verwijder afval, zoals kleine stenen, grind en andere vreemde voorwerpen uit het werkgebied voor u begint te werken. Draden of touw kunnen/kan in het snijmechanisme vast komen te zitten.
- Zorg er altijd voor dat de ventilatie-openingen vrij blijven van afval.
- Verwondingen kunnen ontstaan, of verergeren, door langdurig gebruik van het product. Wanneer u een apparaat voor langere tijd achtereen gebruikt, neem dan regelmatig een pauze.
- Bedien het product alleen bij temperaturen tussen 0 °C en 40 °C.
- Bewaar het product op een locatie met een omgevingstemperatuur tussen 0 °C en 40 °C.

EXTRA WAARSCHUWINGEN BATTERIJVEILIGHEID

Dompel uw accu of oplader nooit onder in vloeistof en laat er nooit vloeistof instromen, zulks om het risico op brand, persoonlijk letsel en productschade door kortsluiting te verminderen. Bijtende of geleidende vloeistoffen, zoals zeewater, bepaalde industriële chemicaliën en bleekmiddelen of chloorhoudende producten, etc., kunnen kortsluiting veroorzaken.



- Laad de accu op op een locatie met een omgevingstemperatuur van 10 °C tot 38 °C.
- Bewaar de accu op een locatie met een omgevingstemperatuur van 0 °C tot 20 °C.
- Gebruik de accu op een locatie met een omgevingstemperatuur van 0 °C tot 40 °C.

TRANSPORT EN OPSLAG

- Schakel het product uit, verwijder de accu en laat het product afkoelen voordat u het vervoert of opbergt.
- Verwijder al het vreemde materiaal van het product.
- Stal of transporteer de machine niet met geïnstalleerde accu. Verwijder de accu en berg deze apart op. Bewaar het product op een koele, droge en goed geventileerde plaats die voor kinderen ontoegankelijk is. Houd het product uit de buurt van bijtende middelen, zoals tuinchemicaliën en doozouten. Sla het product niet buitenshuis op.
- Voor transport beveiligt u het product tegen bewegen of vallen om lichamelijke letsels of schade aan het product te voorkomen.

LITHIUMBATTERIJEN TRANSPORTEREN

- Vervoer de accu in overeenstemming met de plaatselijke en nationale bepalingen en voorschriften.
- Volg alle speciale voorschriften voor verpakking en etikettering wanneer u accu's door een derde laat vervoeren. Zorg ervoor dat accu's tijdens het vervoer niet in contact kunnen komen met andere accu's of geleidende materialen door blootliggende connectoren te beschermen met isolerende, niet-geleidende doppen of tape. Vervoer geen accu's die gebarsten zijn of lekken. Neem contact op met het expeditiebedrijf voor verder advies.

ONDERHOUD

- Gebruik alleen originele vervangingsonderdelen, accessoires en hulpstukken van de fabrikant. Doet u dat niet, dan kan dat mogelijke verwondingen veroorzaken, bijdragen tot slechte prestaties en kan uw garantie vervallen.
- Het onderhoud vereist uiterste zorgvuldigheid en kennis en mag alleen door een gekwalificeerde onderhoudstechnicus worden uitgevoerd. Het product mag uitsluitend door een erkend servicecentrum worden gerepareerd.
- Schakel de machine uit en verwijder de accu, alvorens onderhoud of reinigingswerkzaamheden aan de machine uit te voeren.
- U mag uitsluitend de afstellingen of herstellingen uitvoeren die in deze gebruiksaanwijzing worden beschreven. Voor andere herstellingen of advies, vraagt u hulp in een geautoriseerd onderhoudscentrum.
- Als vervanglijn gebruikt u uitsluitend filamentlijnen uit nylon van de diameter die in de specificatielijst van deze gebruiksaanwijzing is beschreven.
- Na elk gebruik, reinigt u het product met een zachte, droge doek. Elk onderdeel dat beschadigd is, moet naar behoren gerepareerd of vervangen worden door een erkend servicecentrum.

- Controleer alle moeren, bouten en schroeven regelmatig en vóór elk gebruik om te garanderen dat het product in veilige staat verkeert. Elk onderdeel dat beschadigd is, moet naar behoren gerepareerd of vervangen worden door een erkend servicecentrum.
- Breng het product naar een erkend servicecentrum om beschadigde of onleesbare etiketten te laten vervangen.

KEN UW PRODUCT

Zie pagina 118.

1. Achterste handvat
2. Accugrendel
3. Aan-uitschakelaar
4. Noodschakelaar
5. Bovenste aandrijfjas
6. Voorste handvat
7. Onderste aandrijfjas
8. Afsnijblad
9. Geleidelijk
10. Veiligheidsscherm
11. Maailijn
12. Randpedaal
13. Gebruikershandleiding
14. Spoeldeksel
15. Spoel
16. Oog
17. Schuifknop
18. Accu
19. Oplader

SYMBOLEN OP HET PRODUCT



Waarschuwing



Zorg ervoor dat u alle instructies op het product en in deze handleiding leest, begrijpt en uitvoert voordat u het product gebruikt. Volg alle waarschuwingen en veiligheidsinstructies.



Draag gezichts- en oorbescherming.



Pas op voor rondvliegende voorwerpen. Houd alle omstanders op tenminste 15 m afstand van de werkomgeving, vooral kinderen en huisdieren.



Gebruik geen metalen blad(en) op het product.



Stel niet bloot aan regen of vocht.



Verwijder de accu voordat u werkzaamheden aan het product uitvoert.



Houd uw handen uit de buurt van de snijmesses.



Gewaarborgd geluidsvermogensniveau



CE-markering



Brits conformiteitskeurmerk



EurAsian-symbool van overeenstemming



Oekraïens conformiteitskeurmerk

Gooi afgedankte elektrische en elektronische apparatuur niet weg als ongesorteerd gemeentelijk afval. Afgedankte elektrische en elektronische apparatuur moet afzonderlijk worden ingezameld. Afvalbatterijen, afvalaccu's en lichtbronnen moeten uit de apparatuur worden verwijderd. Neem contact op met uw gemeente of winkelier voor recyclingadvies en inzamelpunt. Volgens de plaatselijke voorschriften kunnen winkeliers verplicht zijn afgedankte elektrische en elektronische apparatuur kosteloos terug te nemen. Uw bijdrage aan hergebruik en recycling van afgedankte batterijen en afgedankte elektrische en elektronische apparatuur helpt de vraag naar grondstoffen te verminderen. Afgedankte batterijen, in het bijzonder deze die lithium bevatten, en afgedankte elektrische en elektronische apparatuur bevatten waardevolle en recycleerbare materialen, die een negatief effect kunnen hebben op het milieu en de volksgezondheid, indien ze niet op een milieuvriendelijke manier worden verwijderd. Verwijder eventuele persoonlijke gegevens van afgedankte apparatuur.



SYMBOLEN IN DEZE GEBRUIKSAANWIJZING



Opmerking



Waarschuwing



Onderdelen of accessoires worden apart verkocht

Na conceção do seu aparador sem fios, foi dada a máxima prioridade à segurança, ao desempenho e à fiabilidade.

USO PREVISTO

O aparador sem fios destina-se a cortar erva alta, ervas daninhas com polpa e vegetação semelhante ao nível do solo ou aproximadamente ao nível do solo.

O plano de corte deve estar aproximadamente paralelo à superfície do chão durante a aparagem, e deve estar aproximadamente à vertical durante a rebordagem.

O produto destina-se a ser utilizado apenas por adultos que tenham lido e compreendido as instruções e os avisos neste manual e que possam ser considerados responsáveis pelas suas ações.

O produto apenas se destina a ser usado ao ar livre numa área bem ventilada. Por motivos de segurança, o produto tem obrigatoriamente de ser controlado adequadamente, utilizando ambas as mãos durante a operação.

Não a use para nenhuma outra finalidade.

AVISOS DE SEGURANÇA GERAIS DO PRODUTO

⚠ ADVERTÊNCIA! Leia todas as instruções dos avisos de segurança, as ilustrações e as especificações técnicas fornecidas com este produto. O incumprimento das instruções seguintes pode ocasionar acidentes como incêndios, choques eléctricos e/ou ferimentos graves.

Conserve estas advertências e instruções para que possa consultá-las mais tarde.

O termo "ferramenta elétrica" nos avisos refere-se ao seu produto alimentado diretamente pela rede elétrica (com cabo elétrico) ou alimentado por bateria (sem cabo elétrico).

AMBIENTE DE TRABALHO

- **Mantenha a área de trabalho limpa e bem iluminada.** As áreas desordenadas ou escuras são um convite para acidentes.
- **Não opere ferramentas eléctricas em atmosferas explosivas, tais como na presença de líquidos inflamáveis, gases ou poeira.** As ferramentas eléctricas criam faíscas que podem causar a inflamação de poeiras ou vapores.
- **Ao operar esta ferramenta eléctrica, mantenha as crianças e as pessoas presentes afastadas.** Distrações podem fazer com que perca o controlo.

SEGURANÇA ELÉCTRICA

- **As fichas eléctricas da ferramenta têm de corresponder à tomada. Nunca altere a ficha seja de que maneira for. Não use quaisquer fichas adaptadoras com ferramentas de ligação com terra.** As fichas não modificadas e tomadas compatíveis reduzirão o risco de choque eléctrico.
- **Evite o contacto do corpo com superfícies com ligação terra ou enterradas, tais como tubos, radiadores, fogões e frigoríficos.** Há um aumento do risco de choque eléctrico se o seu corpo estiver ligado à terra.
- **Não exponha este produto à chuva ou humidade elevada. A entrada de água na ferramenta eléctrica aumentará o risco de choque eléctrico.**

- **Não abuse do cabo de alimentação. Nunca use o cabo para carregar, puxar ou retirar a ficha da ferramenta da tomada. Mantenha o cabo afastado do calor, óleo, pontas afiadas ou peças móveis.** Os cabos danificados ou emaranhados aumentam o risco de choque eléctrico.

SEGURANÇA PESSOAL

- **Ao operar esta ferramenta eléctrica, permaneça alerta, tenha em atenção ao que está a fazer e use o bom senso. Não utilize a ferramenta eléctrica quando se sentir cansado ou se se encontrar sob a influência de drogas, álcool ou medicamentos.** Um momento de desatenção enquanto opera estas ferramentas eléctricas pode resultar em ferimentos graves.
- **Utilizar equipamento de protecção. Use sempre protecção para os olhos.** Equipamento de protecção (por exemplo, máscara para poeiras, calçado antiderrapante, capacete ou protecção para os ouvidos) utilizado para as condições adequadas irá reduzir o risco de ferimentos.
- **Evite o arranque involuntário. Assegure-se de que o interruptor se encontra na posição de desligado antes de o ligar à fonte de energia e/ou bateria, levantando ou transportando a ferramenta.** Transportar ferramentas eléctricas com o seu dedo no interruptor ou ligar à corrente ferramentas eléctricas que têm o interruptor ligado são um convite a acidentes.
- **Remova qualquer chave de ajuste antes de ligar a ferramenta eléctrica.** Uma chave-inglesa ou uma chave colocada numa peça móvel da ferramenta eléctrica pode causar lesões pessoais.
- **Não se aproxime em demasia. Fique sempre bem apoiado nas pernas e não estique demasiado o braço.** Isto possibilita um melhor controlo da ferramenta eléctrica em situações inesperadas.
- **Use roupas adequadas. Não use roupa larga ou acessórios de jóias. Mantenha o seu cabelo e a sua roupa afastados de peças em movimento.** A roupa larga, jóias ou cabelo comprido podem ficar presos nas peças móveis.
- **Se são fornecidos os dispositivos para a ligação de espaços de extracção e recolha de pó, assegure-se de que estes se encontram conectados e usados correctamente.** A utilização de um colector de pó pode reduzir os perigos relacionados com o pó.
- **Estar familiarizado com as ferramentas por as utilizar com frequência não é razão para se tornar descuidado e para ignorar os princípios de segurança referentes a ferramentas.** Uma ação imprudente pode provocar lesões graves numa fração de segundo.

UTILIZAÇÃO E MANUTENÇÃO DA FERRAMENTA ELÉCTRICA

- **Não force o produto. Use a ferramenta eléctrica correcta para a sua aplicação.** A ferramenta fará o seu trabalho melhor e de forma mais segura trabalhando ao ritmo para que foi concebida.
- **Não use uma ferramenta caso o interruptor não ligue e desligue a ferramenta eléctrica correctamente.**



Qualquer ferramenta eléctrica que não possa ser controlada com o interruptor é perigosa e deve ser reparada.

- **Antes de fazer quaisquer ajustes, substituir acessórios, ou guardar ferramentas eléctricas, desencaixe a ficha da tomada da rede eléctrica e/ou desmonte o conjunto de baterias (se for desmontável) da ferramenta eléctrica.** Estas medidas de segurança preventivas reduzem o risco de arranque accidental da ferramenta eléctrica.
- **Armazene as ferramentas eléctricas fora do alcance das crianças e não permita que pessoas não familiarizadas com a ferramenta eléctrica ou com estas instruções utilizem a ferramenta eléctrica.** As ferramentas eléctricas são perigosas nas mãos de utilizadores inexperientes.
- **Faça manutenção às ferramentas eléctricas e aos respectivos acessórios.** Verifique se existe desalinhamento ou emperramento das peças móveis, ruptura das peças e qualquer outra condição que possa ter afectado o funcionamento da ferramenta eléctrica. Se danificado, mande a ferramenta eléctrica ser reparada antes de a utilizar. Muitos acidentes são causados por ferramentas eléctricas com fracas manutenções.
- **Mantenha as ferramentas de corte afiadas e limpas.** É menos provável que as ferramentas de corte com uma correcta manutenção e com pontas de corte afiadas fiquem presas e são mais fáceis de controlar.
- **Utilize a ferramenta, acessórios, peças eléctricas, etc., de acordo com estas instruções, tendo em conta as condições de trabalho e o trabalho que se vai realizar.** O uso da ferramenta eléctrica para as operações diferentes daquelas a que se destina podem causar uma situação perigosa.
- **Mantenha os cabos e as superfícies de agarre secos, limpos e livres de óleo ou gordura.** Os cabos e superfícies de fixação desvalorizadas não permitem uma fixação e um controlo seguro da ferramenta em situações inesperadas.

UTILIZAÇÃO E MANUTENÇÃO DA BATERIA

- **Recarregue apenas com o carregador especificado pelo fabricante.** Um carregador que seja adequado para um tipo de bateria pode causar risco de incêndio, quando utilizado com outra bateria.
- **Use ferramentas eléctricas somente com baterias especificamente concebidas.** O uso de qualquer outro tipo de bateria pode causar risco de lesões e incêndio.
- **Quando a bateria não estiver a ser utilizada, mantenha-a afastada de outros objectos metálicos como cliques de papel, moedas, chaves, pregos, parafusos, ou outros pequenos objectos metálicos que podem fazer a ligação de um terminal para outro.** Ligar os terminais da bateria em conjunto pode causar queimaduras ou um incêndio.
- **Sob circunstâncias abusivas, o líquido pode ser ejectado da bateria, evite o contacto. Se o contacto ocorrer accidentalmente, limpe com água abundante. Se o líquido entrar em contacto com os olhos, procure adicionalmente assistência médica.** O

líquido ejectado da bateria pode causar irritação ou queimaduras.

- **Não use um conjunto de baterias ou uma ferramenta que tenha sido sofrido danos ou modificações.** Baterias danificadas ou modificadas podem ter um comportamento imprevisível, resultando em incêndio, explosão ou risco de ferimentos.
- **Não exponha um conjunto de baterias nem uma ferramenta ao fogo ou a temperaturas excessivas.** A exposição ao fogo ou a temperaturas acima de 130 °C pode causar uma explosão.
- **Siga todas as instruções de carregamento e não dê carga ao conjunto de baterias ou à ferramenta fora da amplitude de temperaturas especificada nas instruções.** O carregamento feito de forma incorrecta ou sob temperaturas fora da amplitude especificada pode danificar a bateria e aumentar o risco de incêndio.

MANUTENÇÃO

- **A manutenção da sua ferramenta eléctrica deve ser efectuada por uma pessoa qualificada para reparações, utilizando apenas peças de substituição idênticas.** Isto assegurará que a segurança da ferramenta eléctrica é mantida.
- **Nunca tente reparar nem fazer manutenção a conjuntos de baterias danificados.** A reparação e manutenção de conjuntos de baterias só deve ser feita pelo fabricante ou por um centro de assistência autorizado.

AVISOS DE SEGURANÇA DO APARADOR

- **Não utilize o equipamento em condições meteorológicas adversas, especialmente se existir o risco de trovoadas.** Desta forma, reduz o risco de ser atingido por um raio.
- **Inspeccione a área minuciosamente para identificar a presença de vida selvagem quando utilizar o equipamento.** Os animais podem sofrer ferimentos durante o funcionamento do equipamento.
- **Inspeccione minuciosamente a área na qual o equipamento será utilizado e retire todas as pedras, galhos, fios, ossos e outros objetos estranhos.** Os objetos projetados podem provocar ferimentos pessoais.
- **Antes de utilizar o equipamento, inspeccione sempre visualmente para garantir que o cortador ou o conjunto de cortadores não está gasto ou danificado.** As peças danificadas aumentam o risco de ferimentos.
- **Mantenha os resguardos instalados. Os resguardos têm de estar em boas condições de funcionamento e corretamente montados.** Um resguardo solto, danificado ou que não esteja a funcionar corretamente poderá provocar ferimentos pessoais.
- **Mantenha as entradas de ar arrefecimento sem obstruções.** As entradas de ar obstruídas e resíduos poderão resultar em sobreaquecimento ou em risco de incêndio.
- **Use proteção ocular e auditiva.** O equipamento de proteção adequado reduz a probabilidade de ferimentos pessoais.



- **Durante a utilização do equipamento, use sempre calçado antiderrapante e de proteção. Não opere a máquina se estiver descalço ou se usar sandálias.** Desta forma, reduz as hipóteses de ferimentos nos pés devido ao contacto direto com o cortador em movimento.
 - **Use sempre vestuário, como calças, que cubra as pernas do operador ao operar o equipamento.** O contacto com o cortador ou linha em movimento poderá provocar ferimentos.
 - **Mantenha os transeuntes afastados durante a utilização do equipamento.** A projeção de resíduos pode resultar em ferimentos pessoais.
 - **Não opere o equipamento acima da linha da cintura.** Deste modo, ajuda a evitar o contacto inadvertido com o cortador e permite controlar melhor o equipamento em situações imprevistas.
 - **Exerça cautela ao operar o equipamento em relva molhada. Ande e nunca corra.** Desta forma, reduz o risco de deslize e queda, que poderá resultar em ferimentos pessoais.
 - **Não utilize o equipamento em inclinações excessivamente acentuadas.** Desta forma, reduz o risco de perda de controlo, deslize e queda, que poderá resultar em ferimentos pessoais.
 - **Ao trabalhar em inclinações, certifique-se sempre onde pisa, trabalhe sempre na direção transversal às inclinações, nunca para cima ou para baixo e exerça extrema cautela ao mudar de direção.** Desta forma, reduz o risco de perda de controlo, deslize e queda, que poderá resultar em ferimentos pessoais.
 - **Mantenha todos os cabos e fios de alimentação afastados da área de corte.** Os fios ou cabos de alimentação poderão estar escondidos em sebes ou arbustos e podem ser acidentalmente cortados pela linha ou cortador.
 - **Mantenha todas as partes do corpo afastadas do cortador, linha do recortador em movimento. Não desobstrua material sem que o equipamento esteja desligado da fonte de alimentação.** O cortador ou linha do recortador em movimento poderá provocar ferimentos pessoais graves.
 - **Transporte o equipamento desligado e afastado do corpo.** O correto manuseamento do equipamento reduz a probabilidade de contacto acidental com um cortador, linha do recortador em movimento.
 - **Utilize apenas as cabeças de corte, cortadores ou linhas do recortador de substituição especificados pelo fabricante. Não substitua os cortadores ou linhas do recortador por arames ou lâminas de metal.** As peças de substituição incorretas poderão provocar a perda de controlo, quebra e ferimentos.
- desempenho seguro e otimizado. A lâmina é muito afiada. Não toque na lâmina, em particular, ao limpar o produto.
- Use somente linhas de corte de substituição do fabricante. Não utilize nenhum tipo de peça cortante.
 - Assegure-se de que o acessório de corte está correctamente instalado e ajustado.
 - Nunca opere com o produto a menos que todas as proteções, deflectores e cabos estejam unidos de forma correta e segura.
 - Certifique-se de que a lâmina de corte da linha na proteção da lâmina está corretamente posicionada e segura antes de cada utilização.
 - Mantenha o acessório da cabeça abaixo da linha da cintura.
 - Em caso de acidente ou avaria, desligue de imediato e retire a bateria. Não volte a operar o produto enquanto não tiver sido totalmente verificado por um centro de assistência autorizado.
 - Para reduzir o risco de ferimentos associados ao contacto com peças móveis, desligue sempre o produto, desmonte a unidade da bateria e permitam que ambos arrefeçam. Certifique-se de que todas as peças em movimento pararam completamente:
 - antes de fazer reparações ou manutenção
 - antes de desobstruir bloqueios
 - antes de verificar, limpar ou funcionar com o produto
 - antes de substituir acessórios
 - depois de embater num objecto estranho
 - quando deixar o aparelho sem ninguém
 - sempre que fizer manutenção
 - se o produto começar a vibrar de forma anormal
 - Assegure-se de que todas as proteções e cabos estão bem ajustados e em boas condições.
 - Segure o produto pelos cabos destinados para o efeito e limite o tempo de funcionamento e de exposição.
 - Tenha cuidado com os objectos lançados pelo meio de corte. Limpe a sujidade como pequenas pedras, gravilha e outros objetos estranhos da zona de trabalho antes de começar a operar. Os cabos ou fio podem ficar emaranhados com as peças de corte.
 - Assegure-se sempre que as aberturas de ventilação se mantêm desobstruídas de detritos.
 - O uso prolongado de uma ferramenta pode causar o agravar lesões. Sempre que utilizar o produto durante períodos de tempo prolongados, certifique-se de que faz intervalos regulares.
 - Utilize o produto apenas em temperaturas entre 0 °C e 40 °C.
 - Guarde o produto num local em que a temperatura ambiente se situe entre 0 °C e 40 °C.

AVISOS DE SEGURANÇA ADICIONAIS

- Antes do seu uso e após qualquer impacto, comprove que não há peças danificadas. Os interruptores defeituosos ou gastas ou qualquer outra peça danificada devem ser substituídos ou reparados adequadamente por um estabelecimento de serviço autorizado.
- A lâmina pequena montada na guarda do relvado foi concebida para aparar a linha acabada de esticar ao comprimento correto, proporcionando assim um

AVISOS DE SEGURANÇA ADICIONAIS DAS BATERIAS

Para reduzir o risco de incêndio, ferimentos pessoais e danos ao produto causados por curto-circuito, nunca coloque o produto, o conjunto de baterias ou o carregador dentro de qualquer líquido, nem deixe que sejam penetrados

por qualquer líquido! Líquidos corrosivos ou condutivos como água salgada, determinadas substâncias químicas ou produtos que contenham branqueadores podem causar um curto-circuito.

- Carregue a bateria num local em que a temperatura ambiente se situe entre 10 °C e 38 °C.
- Guarde a bateria num local em que a temperatura ambiente se situe entre 0 °C e 20°C.
- Utilize a bateria num local em que a temperatura ambiente se situe entre 0 °C e 40 °C.

TRANSPORTE E ARMAZENAMENTO

- Desligue o produto, retire sempre a bateria e permita que o produto arrefeça antes de transportá-lo ou arrumá-lo.
- Limpe todos os materiais estranhos do produto.
- Não guarde nem transporte o produto com a bateria instalada. Retire a unidade da bateria e guarde-a separadamente. Guarde-o num local fresco e seco e bem ventilado a que as crianças não consigam aceder. Mantenha o produto afastado de agentes corrosivos tais como produtos químicos de jardim e sais de remoção de gelo. Não guarde o produto em espaços exteriores.
- Para transportar, prenda o aparelho de modo a evitar que este se mova ou caia, para evitar lesões ou danos no produto.

TRANSPORTE DE BATERIAS DE LÍCIO

- Transporte as baterias em conformidade com as disposições e regulamentos locais e nacionais.
- Siga todos os requisitos especiais na embalagem e rótulos ao transportar baterias por um terceiro. Certifique-se de que nenhuma bateria pode entrar em contato com outras baterias ou materiais condutores durante o transporte protegendo os conectores expostos com tampas ou fita isoladora e não condutora. Não transporte baterias que estejam rachadas ou com fugas. Confirme com a empresa de envio para mais conselhos.

MANUTENÇÃO

- Utilize apenas peças de substituição, acessórios e encaixes do fabricante original. A inobservância desta indicação pode causar um fraco desempenho, possíveis lesões e poderá anular a sua garantia.
- Os serviços de manutenção requerem extremo cuidado e conhecimentos e devem apenas ser realizado por um técnico de assistência qualificado. Repare o seu produto exclusivamente num centro de assistência autorizado.
- Desligue o produto e retire a bateria antes de realizar quaisquer tarefas de manutenção ou limpeza.
- Só pode proceder aos ajustes ou reparações descritas neste manual. Para outros reparos ou conselhos, procurar a ajuda de um centro de serviço autorizado.
- Ao substituir a linha use sempre linha com filamento de nylon com o diâmetro descrito na tabela de especificações neste manual.
- Limpar o produto com um pano suave seco depois de cada uso. Qualquer peça danificada deve ser substituída ou reparada adequadamente por um centro de serviço autorizado.

- Antes de cada utilização e a intervalos regulares, inspecione e certifique-se de que todas as porcas, parafusos e outros fixadores estão apertados com firmeza, para garantir que o produto está em condições que permitem o funcionamento em segurança. Qualquer peça danificada deve ser substituída ou reparada adequadamente por um centro de serviço autorizado.
- Leve o produto a um centro de serviço autorizado para substituir as etiquetas danificadas ou ilegíveis.

CONHEÇA O SEU APARELHO

Ver a página 118.

1. Pega traseira
2. Trinco da bateria
3. Gatilho ligar/desligar
4. Gatilho de bloqueio
5. Veio de transmissão superior
6. Pega frontal
7. Veio de transmissão inferior
8. Lâmina de corte
9. Roda da guia
10. Guarda de protecção
11. Linha de corte
12. Pedal do aparador
13. Manual do operador
14. Cobertura da bobina
15. Bobina
16. Ilhó
17. Guia
18. Bateria
19. Carregador

SÍMBOLOS NO PRODUTO



Aviso



Antes de utilizar este produto, leia e compreenda todas as instruções neste Manual. Siga todos os avisos e todas as instruções de segurança.



Utilize protecção ocular e auditiva.



Tenha cuidado com os objectos voláteis ou lançados. Mantenha todos os transeuntes, em especial as crianças e os animais de estimação, a uma distância mínima de 15 m da área de utilização.



Não utilize lâmina(s) de metal no produto.



Não o exponha à chuva ou a condições de humidade.



Antes de fazer quaisquer trabalhos de manutenção ou limpeza ao produto, desmonte o conjunto de baterias.



Mantenha as mãos afastadas das lâminas.



Nível de potência sonora garantido



Marca europeia de conformidade



Marca britânica de conformidade



Marca de conformidade EurAsian



Marca ucraniana de conformidade

Não elimine baterias, pilhas, equipamentos elétricos e eletrônicos juntamente com resíduos municipais não separados. Os resíduos de baterias, pilhas e equipamentos elétricos e eletrônicos devem ser recolhidos separadamente. Os resíduos de acumulares de baterias, pilhas e fontes de luz têm de ser retirados do equipamento. Para mais informações sobre pontos de recolha para reciclagem, contacte as suas autoridades locais ou o seu revendedor. De acordo com os regulamentos locais, os retalhistas têm a obrigação de receber os resíduos de baterias, pilhas e equipamentos elétricos e eletrônicos livres de encargos. O seu contributo para reutilizar e reciclar os resíduos de equipamentos elétricos e eletrônicos ajuda a reduzir a procura de matérias-primas. As baterias e pilhas usadas, em particular, contêm lítio e os resíduos de equipamentos elétricos e eletrônicos contêm materiais recicláveis preciosos, que podem afetar negativamente o meio ambiente e a saúde humana se não forem eliminados de uma forma ambientalmente compatível. Elimine os dados pessoais dos equipamentos, se existirem.



SÍMBOLOS NESTE MANUAL



Nota



Aviso



As peças ou acessórios vendem-se separadamente

Ved udformningen af din batteridrevne linetrimmer har vi givet topprioritet til sikkerhed, ydelse og driftssikkerhed.

TILTÆNKT ANVENDELSESFORMÅL

Den trådløse linetrimmer er beregnet til klipning af langt græs, frodigt ukrudt og tilsvarende vegetation på jordniveau eller umiddelbart derover.

Skæreniveauet skal være nogenlunde parallelt med jordoverfladen ved beskæring og nogenlunde lodret ved beskærelse af kanter.

Dette produkt er kun beregnet til at blive anvendt af voksne personer, der har læst og forstået instruktionerne og advarslerne i denne brugsvæjledning, og som kan betragtes som værende ansvarlige for deres handlinger.

Produktet er kun beregnet til brug i det fri i et godt ventileret område. Af sikkerhedsmæssige årsager skal produktet betjenes med to hænder, så man kan kontrollere det ordentligt.

Må ikke bruges til andre formål.

GENERELLE SIKKERHEDSADVARSLER FOR PRODUKTET

⚠ ADVARSEL! Læs alle omhyggeligt alle advarsler, anvisninger og specifikationer, som følger med maskinen, og studer illustrationerne. Hvis nedenstående forskrifter ikke overholdes, kan der ske uheld og ulykker som brand, elektrisk stød og/eller alvorlige personskader.

Gem vejledningen med advarsler og anvisninger til senere opslag.

Betegnelsen "eldrevet værktøj" in advarslerne henviser til jeres ledningsforbundne produkt eller batteridrevne (ledningsfri) produkt.

ARBEJDSOMGIVELSER

- Hold arbejdsområdet rent og godt oplyst. Rodede eller mørke områder inviterer til ulykker.
- Brug ikke elværktøjer i eksplosive omgivelser som fx i nærheden af brandbar væske, gas eller støv. Elværktøjer udløser gnister, som kan antænde støvet eller dampene.
- Der må ikke være børn og tilskuere i nærheden, når et elværktøj anvendes. Distractioner kan medføre, at du mister kontrollen.

ELEKTRISK SIKKERHED

- Elværktøjets elstik skal passe til elnetkontakten. Elstikket må aldrig modificeres på nogen som helst måde. Undlad brug af adapterstik til jordede (stelforbundne) elværktøjer. Umodificerede elstik og passende elnetkontakter reducerer faren for elektrisk stød.
- Undgå kropskontakt med jordede eller stelforbundne overflader som fx rør, radiatorer, komfurer og køleskabe. Der er forøget risiko for elektrisk stød, hvis din krop er forbundet med jord eller stel.
- Dette produkt må ikke udsættes for regn eller fugt. Hvis der trænger vand ind i et elværktøj, øges faren for elektrisk stød.
- Undlad at misbruge ledningen. Ledningen må aldrig bruges til at bære eller trække i elværktøjet eller til at trække stikket ud. Ledningen må ikke komme i nærheden af varme, olie, skarpe kanter eller bevægelige dele. Beskadigede eller sammenfiltrede ledninger øger faren for elektrisk stød.

PERSONLIG SIKKERHED

- Når man bruger et elværktøj, skal man være agtpågivende, iagttage hvad man gør og bruge sund fornuft. Undlad at bruge et elværktøj, hvis du er træt eller påvirket af narkotika, alkohol eller medikamenter. Et øjeblikvis uopmærksomhed under brug af motoriserede værktøjer kan medføre alvorlige personskader.
- Brug personlige værnemidler. Brug altid øjenværn. Personlige værnemidler som støvmaske, skridsikre sikkerhedssko, beskyttelseshjelm eller høreværn anvendt under de rette betingelser nedsætter antallet af personskader.
- Forebyg utilsigtet start. Kontrollér, at kontakten er i pos. OFF (=slukket), inden værktøjet sluttes til strømkilde og/eller batteri, samles op eller bæres. At bære elværktøjer med fingeren på kontakten eller at slutte strøm til elværktøjer med tændt kontakt er at invitere til ulykker.
- Fjern evt. skruenøgler, inden der tændes for elværktøjet. En efterladt skruenøgle fastgjort til en roterende del af elværktøjet kan medføre personskader.
- Overstræk ikke. Sørg for altid at have godt fodfæste og god balance. Dette giver bedre kontrol over elværktøjet i uventede situationer.
- Vær ordentligt klædt på. Bær ikke løftsiddende tøj eller smykker. Hold hår og beklædning på afstand af bevægelige dele. Løstsiddende tøj, smykker eller langt hår kan hænge fast i bevægelige dele.
- Hvis der findes anordninger for tilslutning af støvudsugnings- og -opsamlingsudstyr, skal disse tilsluttes og anvendes korrekt. Brug af støvopsamling kan reducere støvrelaterede faremomenter.
- Lad ikke fortroligheden, der er opstået ud fra hyppig brug af et redskab, påvirke dig til at være tilbagelænet og ignorere sikkerhedsprincipper. En uforsigtig handling kan forårsage alvorlige personskader på en brøkdæl af et sekund.

BRUG OG PLEJE AF ELVÆRKTØJ

- Undlad at tvinge produktet. Brug elværktøjet til det tiltænkte anvendelsesformål. Det korrekte elværktøj klarer opgaven bedre og sikrere med den hastighed, det er designet til.
- Elværktøjet må ikke tages i brug, hvis TÆND/SLUK-kontakten ikke virker. Et elværktøj, der ikke kan kontrolleres med TÆND/SLUK-kontakten, er farligt og skal repareres.
- Fjern stikket fra strømkilden, og/eller fjern batteripakken fra elværktøjet, hvis den er aftagelig, før du foretager justeringer, udsifter tilbehør eller lægger elværktøjet væk. Disse forebyggende sikkerhedsforanstaltninger reducerer faren for utilsigtet start af elværktøjet.
- Når elværktøjer ikke bruges, skal de opbevares utilgængeligt for børn; personer, som ikke er fortrolige med elværktøjet eller denne brugsanvisning, må ikke anvende elværktøjet. Elværktøjer er farlige i hænderne på ukundige brugere.
- Vedligehold elværktøj og tilbehør. Kontrollér, om der er forkert indjusterede eller forbundne bevægelige



dele, afbrækkede dele samt andre tilstande, som kan påvirke elværktøjets funktionsmåde. Hvis der konstateres skader, skal elværktøjet repareres inden brug. Mange ulykker skyldes dårligt vedligeholdte elværktøjer.

- **Skærende værktøjer skal holdes skarpe og rene.** Korrekt vedligeholdte skærende værktøjer med skarpe skær er mindre tilbøjelige til at binde/blokere og er lettere at kontrollere.
- **Brug elværktøjet, tilbehøret og værktøjs-bits osv. som foreskrevet i denne brugsanvisning, og tag højde for arbejdsforholdene og den aktuelle arbejdsopgave.** Brug af elværktøjet i strid med de tiltænkte anvendelsesformål kan medføre farlige situationer.
- **Hold håndtagene og gribefladerne tørre, rene og fri for olie og fedt.** Glatte håndtag og gribeflader umuliggør sikker håndtering og kontrol af redskabet i uventede situationer.

BRUG OG PLEJE AF BATTERIVÆRKTØJ

- **Opladning må kun finde sted med den af producenten foreskrevne oplader.** En oplader, der er beregnet til én type batteri, kan udgøre en brandrisiko, hvis den bruges til en anden batteritype.
- **Brug kun elværktøjer sammen med specifikt godkendte batterier.** Brug af andre batterityper kan medføre fare for personskade og brand.
- **Når batteriet ikke bruges, må det ikke opbevares sammen med metalgenstande som fx papirclips, mønter, nøgler, søm, skruer eller andre metalgenstande, som kan skabe forbindelse mellem batteriets poler.** Hvis batteriets poler kortsluttes, kan det forårsage forbrændinger eller ildebrand.
- **Hvis batteriet misbruges, kan der sprøjte væske ud af det; undgå kontakt med batterivæsken. Ved kontakt med batterivæsken skylles der med vand. Hvis der kommer væske i øjnene, kontaktes læge straks.** Udsprøjtet batterivæske kan forårsage irritation eller forbrændinger.
- **Brug ikke et batteri eller værktøj, der er beskadiget eller modificeret.** Beskadigede eller modificerede batterier kan være ustabile, hvilket kan medføre brand, eksplosion eller personskade.
- **Udsæt ikke batteri eller værktøj for åben ild eller høje temperaturer.** Udsættelse for ild eller temperaturer over 130 °C kan medføre eksplosion.
- **Følg vejledningen for opladning, og oplad ikke batteriet eller værktøjet uden for det temperaturområde, der er angivet i vejledningen.** Forkert opladning eller opladning ved temperaturer uden for det angivne område kan beskadige batteriet og øge risikoen for brand.

VEDLIGEHOLDELSE

- **Sørg for, at elværktøjet serviceres af en kvalificeret reparatør, som kun benytter sig af originale reservedele.** Herved garanteres sikkerheden for elproduktet.
- **Efterse aldrig beskadigede batteripakker.** Eftersyn af batteripakker bør kun udføres af producenten eller autoriserede serviceleverandører.

SIKKERHEDSADVARSLER FOR LINETRIMMER

- **Brug ikke maskinen under dårlige vejrforhold, især ikke når der er fare for lynnedslag.** Dette mindsker risikoen for at blive ramt af lynet.
- **Inspicér grundigt området, hvor maskinen skal bruges, for vilde dyr.** Dyr kan skades af maskinen under drift.
- **Undersøg grundigt området, hvor maskinen skal bruges, og fjern alle sten, pinde, ledninger, ben og andre fremmedelemeter.** Udkastede genstande kan forårsage personskade.
- **Inden brug af maskinen skal du altid inspicere produktet visuelt for at se, at skåret og skærets fastgørelseselementer ikke er beskadiget.** Beskadigede dele øger risikoen for personskader.
- **Hold afskærmningerne på plads. Afskærmninger skal være i funktionsdygtig stand og korrekt monteret.** En afskærmning, der er løs, beskadiget eller ikke fungerer korrekt, kan medføre personskade.
- **Hold alle køleluftindgange fri for affaldsstykker.** Blokerede luftindtag og snavs kan medføre overophedning eller risiko for brand.
- **Brug øjenbeskyttelse og høreværn.** Passende beskyttelsesudstyr vil reducere personskade.
- **Bær altid skridsikkert beskyttelsesfodtøj, mens maskinen betjenes. Undlad at bruge maskinen barfodet eller med åbne sandaler.** Dette reducerer risikoen for, at fødderne kommer til skade ved kontakt med det bevægelige skær.
- **Bær altid tøj såsom bukser, der dækker operatørens ben under betjening af maskinen.** Kontakt med det bevægelige skær eller line kan forårsage personskade.
- **Hold tilskuere på afstand under betjening af produktet.** Udkastede grene og ting kan resultere i alvorlig personskade.
- **Betjen ikke maskinen under livhøjde.** Dette hjælper med at forhindre utilsigtet kontakt med skåret og muliggør bedre kontrol af maskinen i uventede situationer.
- **Vær forsigtig, når du betjener maskinen i vådt græs. Gå, løb aldrig.** Dette reducerer risikoen for at glide og falde, hvilket kan medføre personskade.
- **Betjen ikke maskinen på meget stejle skrånninger.** Dette reducerer risikoen for at miste kontrollen, glide og falde, hvilket kan resultere i personskade.
- **Når du arbejder på skrånninger, skal du altid sikre dig et godt fodfæste, altid arbejde på tværs af skrånningen, aldrig op eller ned og udvise ekstrem forsigtighed, når du skifter retning.** Dette reducerer risikoen for at miste kontrollen, glide og falde, hvilket kan resultere i personskade.
- **Hold alle netledninger og kabler væk fra skæreamrådet.** Netledninger eller kabler kan være skjult i hække eller buske og kan ved et uheld blive overskåret eller beskadiget af linen eller skåret.
- **Hold alle kropsdele på afstand af det bevægelige trimmerskær eller line.** Fjern ikke materialet fra maskinen, før den er blevet afbrudt fra strømkilden. Det bevægelige trimmerskær eller line kan resultere i alvorlig personskade.
- **Bær maskinen, mens den er slukket og væk fra din krop.** Korrekt håndtering af maskinen vil reducere sandsynligheden for utilsigtet kontakt med en bevægelig trimmerklinge eller -line.



- **Brug kun reservedelsskærehoveder og trimmerskær, der er specificeret af producenten. Udskift ikke trimmerskærene eller linjerne med metalledninger eller -klinger.** Forkerte reservedele kan forårsage tab af kontrol, brud og personskade.

EKSTRA SIKKERHEDSADVARSLER

- Inden ibrugtagning og efter enhver ydre påvirkning skal man kontrollere, at der ikke findes beskadigede dele. En defekt kontakt eller en del, som er blevet beskadiget eller slidt, skal repareres ordentligt eller udskiftes på et autoriseret serviceværksted.
- Den lille klinge, der sidder fast på afskærmningen, er beregnet til at afskære den fornyligt forlængede line til den korrekte længde af hensyn til sikkerheden og bedst mulige resultat. Kniven er meget skarp. Berør ikke kniven, især ikke når du rengører produktet.
- Brug kun udskiftningstråd fra producenten. Der må ikke bruges andet skærende udstyr.
- Kontrollér, at klippeudstyret er monteret korrekt og ordentligt fastgjort.
- Produktet må aldrig benyttes, før alle skærme, deflektorer og håndtag er fastgjort ordentligt og sikkert.
- Sørg for, at linjeafskæringsklingen på klingeafskærmningen er korrekt placeret og fastgjort før hver brug.
- Hold hovedtilbehøret under livniveau.
- Sluk med det samme, og fjern batteripakken i tilfælde af en ulykke eller et nedbrud. Betjen ikke produktet igen, før det er blevet kontrolleret fuldstændigt af et godkendt servicecenter.
- Sluk altid for produktet, fjern batteripakken og lad begge dele køle af for at reducere risikoen for personskader ved kontakt med bevægelige dele. Kontrollér, at alle bevægelige dele er standset fuldstændigt:
 - før betjening
 - før rydning af en blokering
 - inden kontrol, rengøring eller arbejde på produktet
 - før der skiftes tilbehør
 - efter at have ramt et fremmedelement
 - når produktet efterlades uden opsyn
 - under vedligeholdelse
 - hvis produktet begynder at vibrere unormalt
- Sørg for, at alle afskærmninger og håndtag er korrekt monteret og i god stand.
- Hold produktet i de hertil indrettede håndtag, og begræns arbejdstiden og eksponeringen.
- Pas på bortslyngede objekter fra klippeudstyr. Fjern affald som små sten, ral og andre fremmedlegemer fra arbejdsområdet, inden arbejdets start. Ledninger og snore kan blive viklet ind i klippeudstyret.
- Sørg altid for, at ventilationsåbningerne er fri for affald.
- Længere tids brug af et værktøj kan forårsage - eller forværre - personskader. Når du bruger produktet i længere perioder, skal du sørge for at tage regelmæssige pauser.
- Brug kun produktet ved temperaturer mellem 0° C og 40° C.
- Opbevar produktet et sted, hvor omgivelsestemperaturen er mellem 0° C og 40° C.

YDERLIGERE SIKKERHEDSADVARSLER OM BATTERI

For at nedsætte risikoen for brand, personskade og produktbeskadigelse på grund af kortslutning må produktet, batteripakken eller opladeren aldrig nedsænkes i en væske, ligesom væsker ikke må flyde ind i dem. Sørg ligeledes for, at der ikke trænger væske ind i enhederne og batterierne. Korroderende eller ledende væsker, f.eks. saltvand, bestemte kemikalier, blegestoffer eller produkter, som indeholder blegemidler, kan forårsage kortslutning.

- Oplad batteripakken et sted, hvor omgivelsestemperaturen er mellem 10° C og 38° C.
- Opbevar batteripakken et sted, hvor omgivelsestemperaturen er mellem 0° C og 20° C.
- Brug batteripakken et sted, hvor omgivelsestemperaturen er mellem 0° C og 40° C.

TRANSPORT OG OPBEVARING

- Sluk for produktet, og fjern batteripakken, og lad det afkøle inden det opbevares eller transporteres.
- Afrens alle fremmedlegemer fra produktet.
- Lad være med at opbevare eller transportere produktet med batterier isat. Fjern batteripakken og placer den separat. Opbevar den på et køligt, tørt og godt ventileret sted utilgængeligt for børn. Sørg for, at produktet ikke kommer i nærheden af korrosive stoffer såsom havekemikalier og strøsalt. Opbevar ikke produktet udendørs
- Til transport skal man sikre produktet, så den ikke kan bevæge sig eller vælte; dette for at forebygge personskader eller skader på produktet.

TRANSPORT AF LITHIUM-BATTERIER

- Batterier skal transporteres i henhold til lokale og nationale forskrifter og love.
- Når batterier skal transporteres af tredjepart, skal alle specielle krav til emballering og mærkning overholdes. Man skal sikre sig, at ingen batterier under transporten kan komme i kontakt med andre batterier eller ledende materialer ved at beskytte blottede konnektorer med isolerende, ikke-ledende hætter eller tape. Undlad at transportere batterier med revner eller utætheder. Rådfør dig desuden med speditøren.

VEDLIGEHOLDELSE

- Brug kun originale reservedele, ekstraudstyr og tilbehør fra producenten. I modsat fald er der fare for personskader, dårlig maskinydelse og annullering af garantien.
- Vedligeholdelse kræver stor omhyggelighed og viden og bør kun udføres af en kvalificeret tekniker. Lad kun et autoriseret serviceværksted servicere produktet.
- Sluk for produktet og fjern batteripakken, før der foretages vedligeholdelse eller rengøring.
- Man kan selv foretage de justeringer eller reparationer, der er beskrevet i denne brugsanvisning. For andre reparationer eller råd skal man søge assistance på et autoriseret servicecenter.
- Tråden må kun udskiftes med en nylonfilamenttråd med den diameter, der er beskrevet i specifikationstabellen i denne brugsanvisning.

- Produktet skal rengøres med en blød klud efter hver brug. Enhver del, som bliver beskadiget, skal repareres korrekt eller udskiftes hos et autoriseret servicecenter.
- Tjek alle møtrikker, bolte og skruer før brug og ved regelmæssige intervaller for at sikre, at de er strammet ordentligt og at produktet er i en sikker funktionstilstand. Enhver del, som bliver beskadiget, skal repareres korrekt eller udskiftes hos et autoriseret servicecenter.
- Indlevér produktet hos et autoriseret servicecenter for at få udskiftet beskadigede eller ulæselige mærkater.

KEND PRODUKTET

Se side 118.

1. Baghåndtag
2. Batteripal
3. Kontakten for tænd/sluk
4. Låseaktivering
5. Øvre drivaksel
6. Forhåndtag
7. Nedre drivaksel
8. Afklipningsklinge
9. Styrehjul
10. Sikkerhedsskærm
11. Klippetråd
12. Kantpedal
13. Brugsanvisning
14. Spoleskærm
15. Spole
16. Øje
17. Skydeknop
18. Batteri
19. Oplader

SYMBOLER PÅ PRODUKTET



Sikkerheds Varsel



Læs og forstå alle anvisninger inden betjening af produktet. Overhold alle advarsler og sikkerhedsanvisninger.



Bær øjen- og høreværn.



Pas på udslyngede eller flyvende objekter. Hold alle omkringstående, især børn og kæledyr, mindst 15 m væk fra operationsområdet.



Undgå brug af metallklinge(r) på produktet.



Må ikke udsættes for regn eller bruges på fugtige steder.



Aftag batterisættet før der eventuelt udføres arbejde på produktet.



Hold hænderne væk fra klinger.



Garanteret støjniveau



Europæisk overensstemmelsesmærkning



Britisk overensstemmelsesmærkning



EurAsian overensstemmelsesmærke



Ukrainsk overensstemmelsesmærkning

Bortskaf ikke brugte batterier, elektriske dele og elektronisk udstyr som usorteret kommunalt affald. Brugte batterier, kasserede elektriske dele og elektronisk udstyr skal indsamles separat. Brugte batterier, affaldsakkumulatorer og lyskilder skal fjernes fra udstyret. Forhør dig hos de lokale myndigheder eller forhandler for genbrugsråd og indsamlings steder. Ifølge lokale bestemmelser er detailhandlere måske forpligtede til gratis at tage kasserede batterier, elektriske dele og elektronisk udstyr retur til bortskaffelse. Dit bidrag til genbrug og genanvendelse af brugte batterier, kasserede elektriske dele og elektronisk udstyr bidrager til at reducere efterspørgslen efter råmaterialer. Kasserede batterier, navnlig indeholdende lithium, og kasserede elektriske dele og elektronisk udstyr indeholder værdifulde og genanvendelige materialer, som kan have en negativ indvirkning på miljøet og menneskers sundhed, hvis det ikke bortskaffes på en miljøvenlig måde. Slet persondata fra eventuelt kasseret udstyr.



SYMBOLER I DENNE BRUGSANVISNING



Bemærk



Advarsel



Dele eller tilbehør, der sælges separat

Säkerhet, prestanda och pålitlighet har fått högsta prioritet vid utformningen av din sladdlösa strängtrimmer.

ANVÄNDNINGSMÅL

Den sladdlösa strängtrimmern är avsedd för högt gräs, tjockt ogräs och liknande växtlighet, på eller omkring marknivå.

Skärplanet ska vara ungefär parallellt med markytan vid trimning och ungefär vertikalt vid kantskärning.

Produkten är endast avsedd för vuxna användare som har läst och förstått instruktionerna och varningarna i denna manual och som kan anses vara ansvariga för sina handlingar.

Produkten är enbart avsedd för utomhusbruk på väl ventilerade områden. Av säkerhetsskäl ska båda händerna användas för korrekt manövrering av produkten.

Får ej användas för annat ändamål.

ALLMÄNNA PRODUKTSÄKERHETSVARNINGAR

⚠ VARNING! Studera alla säkerhetsvarningar och -instruktioner, illustrationer och specifikationer som följer med denna produkt. Underlåtenhet att respektera dessa föreskrifter kan leda till olyckor som brand, elektriska stötar och/eller allvarliga kroppsskador.

Spara dessa varningar och instruktioner för senare behov.

Termen "elektriskt verktyg" i varningarna avser din nätdrivna produkt (med sladd) eller din batteridrivna produkt (utan sladd).

ARBETSMILJÖ

- **Håll arbetsområdet rent och välupplyst.** Oordnade och mörka områden inbjuder till olyckor.
- **Använd inte kraftverktyg i explosiva atmosfärer, exempelvis i närheten av brännbara vätskor, gaser eller damm.** Kraftverktyg ger upphov till gnistor vilka kan antända damm eller ångor.
- **Håll barn och åskådare borta när du använder ett kraftverktyg.** Distractioner kan få dig att tappa kontrollen.

ELEKTRISK SÄKERHET

- **Kraftverktygets kontakt måste matcha uttaget. Modifiera inte kontakten på något sätt. Använd inga adapterkontakter med jordade kraftverktyg.** Omodifierade kontakter och matchande uttag minskar risken för elektrisk stöt.
- **Undvik kroppskontakt med jordade ytor, som exempelvis rör, element, spis och kylskåp.** Det föreligger en förhöjd risk för elektrisk stöt om din kropp är jordad.
- **Exponera inte produkten för regn eller våta förhållanden. Vatten som tränger in i ett kraftverktyg ökar risken för elektrisk stöt.**
- **Misshandla inte sladden. Använd aldrig sladden för att bära, dra eller koppla bort kraftverktyget. Håll sladden borta från värme, olja, vassa kanter och rörliga delar.** Skadade eller intrasslade elsladdar ökar risken för elektrisk stöt.

PERSONLIG SÄKERHET

- **Var uppmärksam på vad du gör och använd sunt förnuft när du använder ett kraftverktyg. Använd inte ett kraftverktyg när du är trött eller påverkad av droger, alkohol eller mediciner. Ett ögonblicks uppmärksamhet när du använder kraftverktyg kan orsaka allvarlig personskada.**

- **Använd skyddsutrustning. Bär alltid ögonskydd.** Skyddsutrustning som en dammskyddsmask, halkfria skyddsskor, en hård hjälm eller hörselskydd som används under lämpliga förhållanden minskar personskadorna.
- **Förhindra oavsiktlig start. Säkerställ att strömbrytaren är i av-läge innan du ansluter till uttaget och/eller batteripaketet, innan du lyfter upp verktyget och innan du bär det.** Att bära kraftverktyg med fingret på avtryckaren eller kraftverktyg som är igång bjuder in olyckor.
- **Ta bort eventuella justerings- eller skiftnycklar innan du startar kraftverktyget.** En skiftnyckel eller justeringsnyckel som lämnas kvar i en roterande del av kraftverktyget kan orsaka personskada.
- **Sträck dig inte. Ha alltid ett bra fotfäste och en god balans.** Det ger dig bättre kontroll över kraftverktyget i oväntade situationer.
- **Klä dig korrekt. Använd inte löst åtsittande kläder eller smycken. Håll ditt hår och dina kläder borta från rörliga delar.** Lösslittande kläder, smycken och långt hår kan fastna i rörliga delar.
- **Om några uppsamlingsenheter för damm och avfall medföljer ska dessa vara anslutna och användas på ett korrekt sätt.** Användningen av en dammuppsamlare kan minska dammrelaterade faror.
- **Låt inte den erfarenhet som följer med vana vid verktygsanvändning göra dig oförsiktig och ignorera säkerhetsprinciper för verktygsanvändningen.** En oförsiktig handling kan orsaka allvarlig personskada på bara bråkdelen av en sekund.

ANVÄND OCH TA HAND OM KRAFTVERKTYGET

- **Tvinga inte produkten. Använd rätt kraftverktyg för ditt jobb.** Rätt kraftverktyg gör jobbet bättre och säkrare om det används i den takt som det är designat för.
- **Använd inte kraftverktyget om strömbrytaren inte fungerar för att stänga av och sätta på verktyget.** Alla kraftverktyg som inte kan kontrolleras med strömbrytaren är farliga och måste repareras.
- **Ta ut kontakten ur eluttaget och/eller ta bort batteripaketet, ifall avtagbart, från elverktyget innan du gör några justeringar, byter tillbehör eller förvarar elverktyg.** Sådana förebyggande åtgärder minskar risken för att kraftverktyget startar oavsiktligt.
- **Förvara avstängda kraftverktyg utom räckhåll för barn och låt inte personer som är obekanta med kraftverktyg, eller dessa instruktioner, använda kraftverktyget.** Kraftverktyg är farliga i händerna på otränade användare.
- **Underhåll elverktyg och tillbehör. Kontrollera så att inga rörliga delar är felinriktade eller sitter fast, att inga delar har gått sönder samt att ingenting annat föreligger som kan påverka kraftverktygets användning. Reparera kraftverktyget innan användning om det är skadat.** Många olyckor uppstår på grund av dåligt underhållna kraftverktyg.
- **Håll skärverktyg vassa och rena.** Korrekt underhållna skärverktyg med vassa skärkanter fastnar inte lika lätt och är lättare att kontrollera.
- **Använd kraftverktyget, tillbehören och borrarpsatsar etc. i enlighet med dessa anvisningar och ta hänsyn till arbetsförhållanden och det jobb som ska utföras.** Användning av kraftverktyget till andra saker än det är avsett för kan resultera i en farlig situation.

- **Håll handtag och grepp torra, rena och fria från olja och smörj fett.** Hala handtag och grepp innebär osäker hantering och dålig kontroll över verktyget i oväntade situationer.

ANVÄNDNING OCH UNDERHÅLL AV BATTERIET

- **Använd endast den batteriladdare som tillverkaren rekommenderar.** En batteriladdare som passar en typ av batteripack kan vara en brandfara om den används med en annan typ av batteripack.
- **Använd eldrivna verktyg med batteripaket som är speciellt utformade för användning tillsammans med produkterna.** Om du använder andra batteripaket ökar du risken för skador och brand.
- **När batteripaketet inte används ska det hållas bort från metallföremål som gem, mynt, nycklar, spikar, skruvar och andra små metallföremål som kan kortsluta batteriets kontakter.** Vid kortslutning av batteriets kontakter finns det risk för brännskador eller brand.
- **Vätska kan läcka ut från batteripaketet vid felaktig användning; undvik kontakt med vätskan. Spola med vatten om du kommer i kontakt med den. Uppsök omedelbart läkarhjälp om du får vätska i ögonen.** Den kan orsaka irritation och brännskador.
- **Använd inte en batterienhet eller ett verktyg som är skadat eller har modifierats.** Skadade eller modifierade batterier kan bete sig oförutsägbart, vilket kan leda till brand, explosion eller risk för olycksfall.
- **Utsätt inte ett batteripaket eller ett verktyg för eld eller temperaturer över 130 °C** kan orsaka explosion.
- **Följ alla anvisningar för laddning och ladda inte batterienheten eller verktyget vid en temperatur utanför det intervall som anges i anvisningarna.** Att ladda på felaktigt sätt eller vid temperaturer utanför det angivna intervallet kan skada batteriet och ökar brandrisken.

UNDERHÅLL

- **Låt en kvalificerad serviceperson serva ditt kraftverktyg med identiska utbytesdelar.** Detta säkerställer att kraftverktygets säkerhet bibehålls.
- **Reparera aldrig skadade batteripaket.** Reparation av batteripaket får endast utföras av tillverkaren eller en auktoriserad serviceverkstad.

SÄKERHETSVARNINGAR FÖR STRÄNGTRIMMER

- **Använd inte maskinen vid dåliga väderförhållanden, särskilt inte när det finns risk för blixtnedslag.** Detta minskar risken för att träffas av blixten.
- **Inspektera området noga så att det inte finns djur där maskinen ska användas.** Djur kan skadas av maskinen när den används.
- **Inspektera noggrant det område där maskinen ska användas och plocka bort alla stenar, pinnar, ledningar, benbitar och andra främmande föremål.** Föremål som slungas upp kan orsaka personskada.
- **Innan maskinen används, inspektera den alltid för att säkerställa att skäret och skärmontaget inte är skadade.** Skadade delar ökar risken för kroppsskada.
- **Håll skydden på plats. Skydden måste vara i funktionsdugligt skick och korrekt monterade.** Ett

skydd som är löst, skadat eller inte fungerar korrekt kan resultera i personskada.

- **Håll alla kylluftsintag fria från skräp.** Blockerade luftinsläpp och skräp kan medföra i överhettning och risk för brand.
- **Använd skyddsglasögon och hörselskydd.** Adekvat skyddsutrustning minskar personskadorna.
- **Använd alltid kraftiga halksäkra skor när du använder maskinen. Använd inte maskinen barfota eller med öppna sandaler.** Det minskar risken för att det arbetande skäret ska skada fötterna.
- **Använd alltid kläder som täcker operatörens ben, t.ex. långbyxor, när du använder maskinen.** Kontakt med skär eller strängar i rörelse orsakar personskada.
- **Håll undan andra personer från maskinen när den används.** Kringflygande kvistar och skräp kan orsaka allvarlig kroppsskada.
- **Använd inte maskinen över midjehöjd.** Då kan oavsiktlig kontakt med skär undvikas, och du har bättre kontroll över maskinen i oväntade situationer.
- **Var försiktig när du använder maskinen i vått gräs. Gå. Spring aldrig.** Detta för att minska risken för att halka och falla vilket kan resultera i personskada.
- **Använd inte maskinen i överdrivet branta sluttningar.** Detta för att minska risken för att förlora kontrollen, halka eller falla vilket kan resultera i personskada.
- **När du arbetar i backar, tänk på att alltid placera fötterna säkert, arbeta alltid tvärs utmed backar, aldrig uppåt eller neråt, och var extra försiktig när du ändrar riktning.** Detta för att minska risken för att förlora kontrollen, halka eller falla vilket kan resultera i personskada.
- **Håll alla strömsladdar och kablar borta från skärområdet.** Strömsladdar eller kablar kan döjas i häckar eller buskar och av misstag kapas eller skadas av strängen eller skäret.
- **Håll alla kroppsdelar borta från skär och strängar i rörelse. Rensa inte bort material från maskinen förrän den har kopplats bort från strömmen.** Skär och strängar i rörelse kan orsaka allvarlig personskada.
- **Bär maskinen avstängd och undan från kroppen.** Korrekt hantering av maskinen minskar risken för oavsiktlig kontakt med skär eller strängar i rörelse.
- **Använd endast ersättnings-skär, strängar, skärhuvuden och blad som specificeras av tillverkaren. Byt inte ut skären eller strängarna eller mot strängar eller skär av metall.** Felaktiga reservdelar kan medföra att du tappar kontrollen, materialfel och personskada.

YTTERLIGARE SÄKERHETSFÖRESKRIFTER

- **Kontrollera före användning och efter påverkan att det inte finns några skadade delar.** Ett defekt reglage eller någon del som är skadad eller sliten ska repareras eller ersättas av godkänd servicecenter.
- **Det lilla bladet som är fäst vid grässkyddet är avsett att trimma den nyss framförda strängen till korrekt längd för säker och optimal prestanda.** Bladet är väldigt vasst. Vidrör inte bladet, särskilt vid rengöring av produkten.
- **Använd enbart ersättningsstråd från tillverkaren.** Använd inga andra skärtillbehör.

- Se till att skärtilbehöret är korrekt installerat och ordentligt fäst.
- Använd inte maskinen om inte alla skydd, avvisare och handtag är korrekt och ordentligt monterade.
- Säkerställ att linans skärblad i bladskyddet är korrekt placerat och säkrat före varje användning.
- Håll huvudtillbehöret under midjenivå.
- Stäng omedelbart av produkten och plocka ur batteripaketet vid olycksfall eller fel. Använd inte produkten igen innan den har kontrollerats i sin helhet av en auktoriserad serviceverkstad.
- För att minska risken för olycksfall i samband med rörliga delar, stäng alltid av produkten och avlägsna batteripaketet, och låt båda svalna. Se till att samtliga rörliga delar har stannat helt:
 - före service
 - före rensning av en blockering
 - före kontroll av, rengöring av eller arbete med produkten
 - före byte av tillbehör
 - efter kollision med ett främmande föremål
 - när produkten lämnas utan övervakning
 - alltid när underhåll utförs
 - när maskinen börjar vibrera onormalt
- Se till att alla skydd, handtag och spikskydd sitter ordentligt och är i gott skick.
- Håll produkten i de avsedda handtagen och begränsa arbetstid och exponering.
- Se upp för föremål som kastas i väg av skäranordningen. Rensa bort skräp som småstenar, grus och andra främmande föremål från arbetsområdet innan arbetet påbörjas. Vajrar eller tråd kan trasslas in i skärverktyget.
- Säkerställ alltid att ventilationshålen är öppna och fria från smuts.
- Risk för person- eller slitageskador vid användning av verktyget under lång tid. Om en produkt används under en längre tid, var noga med att ta regelbundna pauser.
- Använd endast produkten vid temperaturer mellan 0-40 °C.
- Förvara produkten på en plats där omgivningstemperaturen är mellan 0-40 °C.

YTTERLIGARE SÄKERHETSVARNINGAR FÖR BATTERIER

För att minska risken för brand, personskador och produktskador på grund av kortslutning, sänk aldrig ner produkten, batteripaketet eller laddaren i vätska och låt inte vätska tränga in i dem. Korroderande eller ledande vätskor, som saltvatten, vissa kemikalier, blekningsmedel eller produkter som innehåller blekmedel, kan orsaka en kortslutning.

- Ladda batteripaketet på en plats där omgivningstemperaturen är mellan 10-38 °C.
- Förvara batteripaketet på en plats där omgivningstemperaturen är mellan 0-20 °C.
- Använd batteripaketet på en plats där omgivningstemperaturen är mellan 0-40 °C.

TRANSPORT OCH FÖRVARING

- Stäng av produkten, ta ur batteripaketet och låt produkten svalna innan den förvaras eller transporteras.
- Ta bort allt främmande material från produkten.
- Förvara eller transportera inte produkten med batteripaketet installerat. Avlägsna batteripaketet och säkra det separat. Förvara den svalt och välventilerat på en plats där barn inte kan komma åt den. Håll produkten borta från frätande ämnen, såsom trädgårdskemikalier och vägsalt. Förvara inte produkten utomhus.
- Vid transport ska produkten säkras mot rörelser eller fallande för att förhindra personskador eller att produkten skadas.

TRANSPORTERA LITIUMBATTERIER

- Transportera batterier enligt lokala och nationella riktlinjer och föreskrifter.
- Följ alla särskilda krav på förpackning och etikettering vid transport av batterier som utförs av tredje part. Se till att inga batterier kan komma i kontakt med andra batterier eller ledande material under transporten genom att skydda exponerade kontaktytor med isolerande, icke ledande överdrag eller tejp. Transportera aldrig batterier som har spruckit eller som läcker. Kontrollera med det transporterande företaget för vidare rådgivning.

UNDERHÅLL

- Använd enbart reservdelar och tillbehör från tillverkaren Om inte kan det eventuellt orsaka skador, sämre resultat och kan upphäva garantin.
- Att serva produkten kräver extrem försiktighet och kunskap och bör endast utföras av en kvalificerad servicetekniker. Produkten får endast repareras på ett auktoriserat servicecenter.
- Stäng av produkten och plocka ur batteripaketet före eventuellt underhåll eller rengöringsarbete.
- Du får enbart göra justeringar eller reparationer som nämns i denna manual. För andra reparationer eller för råd ska du alltid vända till auktoriserat servicecenter.
- Använd enbart den specificerade nylontråden (finns i specifikationstabell i denna manual) vid utbyte.
- Efter rengöring ska maskinen alltid rengöras med en mjuk torr trasa. Skadade delar skall repareras ordentligt eller bytas ut av en auktoriserad servicefirma.
- Kontrollera alla muttrar, bultar och skruvar före varje användning och med täta intervall, så att de är ordentligt åtdragna och så att produkten är i säkert skick för användning. Skadade delar skall repareras ordentligt eller bytas ut av en auktoriserad servicefirma.
- Lämna produkten till auktoriserat servicecenter för utbyte av skadade eller oläsbara etiketter.

LÄR KÄNNA PRODUKTEN

Se sida 118.

1. Bakre handtag
2. Batterilås
3. På/Av-tryckare
4. Låslöslåsare
5. Övre drivaxel
6. Främre handtag
7. Nedre drivaxel

8. Skärblad
9. Styrhjul
10. Säkerhetsskydd
11. Skärtråd
12. Kantpedal
13. Bruksanvisning
14. Rullens kåpa
15. Rulle
16. Ögla
17. Glidplatta
18. Batteri
19. Batteriladdare

SYMBOLER PÅ PRODUKTEN



Säkerhetsvarning



Läs och se till att du förstår alla anvisningar innan du använder produkten. Följ alla varningar och säkerhetsanvisningar.



Bär skydd för ögon och öron.



Se upp för kringkastade eller flygande föremål. Alla åskådare, särskilt barn och husdjur, ska befinna sig minst 15 m från arbetsområdet.



Använd inte metallblad för produkten.



Utsätt inte för regn eller våta omgivningar.



Ta bort batteripaketet innan du påbörjar arbete på produkten.



Håll händer borta från bladen.



Garanterad ljudeffektsnivå



CE-märkning



Brittisk CE-märkning



EurAsian överensstämmelsesymbol



Ukrainsk CE-märkning



Kassera inte uttjänta batterier, elavfall och elektronisk utrustning som restavfall. Uttjänta batterier, elavfall och elektronisk utrustning måste samlas in separat. Uttjänta batterier, uttjänta ackumulatörer och ljuskällor måste avlägsnas från utrustningen. Hör med din lokala myndighet eller din återförsäljare om råd för återvinning och insamlingsstation. Beroende på lokala bestämmelser kan återförsäljare vara skyldiga att kostnadsfritt ta tillbaka uttjänta batterier samt elektriskt och elektroniskt avfall. Ditt bidrag till återanvändning och återvinning av uttjänta batterier samt elektriskt och elektroniskt avfall bidrar till att minska behovet av råmaterial. Uttjänta batterier, särskilt litiumbatterier, samt elavfall och elektronisk utrustning innehåller värdefulla och återvinningsbara material som kan påverka miljön och människors hälsa negativt, om de inte kasseras på ett miljömässigt sätt. Radera eventuella personuppgifter från avfallsutrustningen.

SYMBOLER I MANUALEN



OBS



Varning



Delar och utrustning säljs separat

Turvallisuus, tehokkuus ja käyttövarmuus ovat langattoman ruohotrimmerimme tärkeimpiä ominaisuuksia.

KÄYTTÖTARKOITUS

Langaton ruohotrimmeri on tarkoitettu leikkaamaan pitkäa ruohoa, paksuvartisia rikkakasveja ja vastaavia kasveja suunnilleen maanpinnan tasolta.

Leikatessa leikkaavan osan tulee olla lähes saman suuntainen maanpinnan kanssa, ja reunoja siistittäessä lähes kohtisuorassa maan pintaan nähden.

Tuote on tarkoitettu ainoastaan aikuisten käytettäväksi, jotka ovat lukeneet ja ymmärtäneet tämän käyttöoppaan ohjeet ja varoitukset, ja joita on voitava pitää vastuullisina tekemisistään.

Tuote on tarkoitettu ainoastaan ulkokäyttöön hyvin tuuletetuilla alueilla. Turvallisuuden varmistamiseksi tuotetta on ohjattava hallintakahvoilla kahdella kädellä.

Älä käytä muihin tarkoituksiin.

TUOTTEEN YLEISET TURVALLISUUSVAROITUKSET

VAROITUS! Lue kaikki laitteen mukana toimitetut turvaohjeet, kuvat ja tekniset tiedot. Näiden ohjeiden laiminlyönti voi aiheuttaa onnettomuuksia kuten tulipalon, sähköiskun ja/tai vakavia ruumiinvammoja.

Säilytä nämä varoitukset ja ohjeet myöhempiä tarvetta varten.

Varoituksissa termillä "konetyökalu" viitataan sähkö- (johdolliseen) tai akkukäyttöiseen (johdottomaan) tuotteeseen.

TYÖYMPÄRISTÖ

- **Pidä työalue siistinä ja valoisana.** Epäjärjestyksessä olevat ja pimeät alueet myötävaikuttavat onnettomuuksiin.
- **Älä käytä sähkötyökalua räjähdyssaltiliissa paikoissa, kuten helposti syttyvien nesteiden tai kaasujen tai pölyn läheisyydessä.** Sähkötyökalut kipinöivät, mikä saattaa sytyttää pölyn tai höyryä.
- **Pidä lapset ja sivulliset loitolla, kun käytät sähkötyökaluja.** Häiriöt voivat saada koneen riistäytymään hallinnasta.

SÄHKÖTURVALLISUUS

- **Pistokkeen on sovittava pistorasiaan.** Älä koskaan muunna pistoketta millään tavalla. Älä käytä maadoitettujen sähkötyökalujen kanssa minkäänlaisia sovitinpistokkeita. Alkuperäiset pistokkeet ja niitä vastaavat pistorasiat pienentävät sähköiskun vaaraa.
- **Älä kosketa maadoitettuihin pintoihin, kuten putkiin, lämpöpattereihin, helioihin tai jääkaappeihin.** Jos ruumiisi on maadoitettu, sähköiskun vaara on suurempi.
- **Älä altista tuotetta sateelle tai kosteudelle.** Sähkötyökaluun joutunut vesi kasvattaa sähköiskun vaaraa.
- **Pidä huolta sähköjohdosta.** Älä koskaan kannan tai vedä sähkötyökalua johdosta tai irrota pistoketta johdosta vetämällä. Pidä johto etäällä kuumista paikoista, öljystä, terävistä kulumista ja liikkuvista osista. Vioittunut tai takkuinen johto lisää sähköiskun vaaraa.

KÄYTTÄJÄN TURVALLISUUS

- **Ole valpas, katso mitä teet ja käytä maalaisjärkeä, kun käytät sähkötyökalua.** Älä käytä sähkötyökalua väsyneenä tai huumeiden, alkoholin tai lääkkeiden vaikutuksen alaisena. Tarkkaamattomuus sähkötyökalua käytettäessä saattaa johtaa vakavaan loukkaantumiseen.
- **Käytä henkilökohtaisia suojavarusteita.** Käytä aina suojalaseja. Sahan käytönaikaiset suojavälineet, kuten hengityssuojain, liukumattomat turvakengät, kypärä tai kuulosuojaimet, vähentävät henkilövahinkoja.
- **Älä anna koneen käynnistyä vahingossa.** Varmista, että katkaisin on poissa päältä, ennen kuin kytket koneen virtalähteeseen ja/tai akkuun ja ennen kuin nostat tai kannat konetta. Sähkötyökalun kantaminen sormi katkaisimella ja virran kytkeminen koneeseen, joka on päällä, saattaa johtaa onnettomuuksiin.
- **Irrota säätöavaimet ja jakovaimet ennen sähkötyökalun käynnistystä.** Sähkötyökalun pyöriivään osaan jätetty jako- tai säätöavain saattaa johtaa loukkaantumiseen.
- **Älä kurkota liian pitkälle.** Pysytele tukevasti jaloillasi äläkä kurkota käsivartta liian kauas. Tällöin sähkötyökalua on helpompi hallita odottamattomissa tilanteissa.
- **Älä pukeudu väliin vaatteisiin, kravattiin tai koruihin, jotka voivat juuttua liikkuviin osiin.** Älä käytä väliä vaatteita tai koruja. Estä hiusten tai vaatteiden takertuminen liikkuviin osiin. Löysät vaatteet, korut ja pitkät hiukset saattavat tarttua liikkuviin osiin.
- **Jos laitetta varten on pölynpoisto- ja keräyslaite, kytkä se asianmukaisesti ja käytä sitä oikein.** Pölyn kerääminen voi vähentää pölyyn liittyviä vaaroja.
- **Älä ole huolimaton ja laiminlyö turvaohjeita vain siksi, että olet kokenut muiden laitteiden käytössä.** Huolimaton toiminto voi aiheuttaa välittömän loukkaantumisen.

SÄHKÖTYÖKALUN KÄYTTÖ JA HUOLTO

- **Älä pakota tuotetta.** Käytä työhön sopivaa sähkötyökalua. Asianmukainen sähkötyökalu hoitaa työt paremmin ja turvallisemmin sillä vauhdilla, jota varten se on suunniteltu.
- **Älä käytä sähkötyökalua, jos se ei käynnisty ja sammu katkaisimesta.** Jos sähkötyökalua ei voida hallita katkaisimella, se on vaarallinen ja vaatii korjaamista.
- **Irrota kosketin virtalähteestä ja/tai akkupaketti konetyökalusta aina ennen säätämistä, lisävarusteiden vaihtamista tai työkalun varastointia.** Tällaiset varoitimet pienentävät sitä vaaraa, että kone käynnistyi vahingossa.
- **Varastoi sähkötyökalu pois lasten ulottuvilta äläkä anna kenenkään, joka ei tunne työkonetta tai näitä ohjeita, käyttää sitä.** Sähkötyökalut ovat vaarallisia kouluttamattomien käyttäjien käsissä.
- **Pidä konetyökalusi lisävarusteineen hyvässä kunnossa.** Tarkista, että liikkuvat osat on kohdistettu oikein ja että ne liikkuvat kunnolla, että osia ei ole rikkoutunut ja että mikään muu seikka ei häiritse sähkötyökalun toimintaa. Jos sähkötyökalu vioittuu, korjaa se ennen käyttöä. Onnettomuudet johtuvat usein sähkötyökalujen huonosta huollosta.

- **Pidä leikkuutyökalut terävinä ja puhtaina.** Asianmukaisesti huolletut leikkuutyökalut, joiden leikkuupinnat ovat teräviä, eivät jumiudu helposti ja niitä on helppo hallita.
- **Käytä työkonetta, lisävarusteita, teriä jne. näiden ohjeiden mukaisesti, ja huomioi työolosuhteet ja tehtävän työn laatu.** Työkoneen käyttö muuhun kuin sille tarkoitettuun työhön voi aiheuttaa vaarallisia tilanteita.
- **Pidä kädensijat ja tartuntapinnat kuivina ja puhtaina liasta, öljystä ja rasvasta.** Liukkaat kahvat ja tartuntapinnat tekevät käytöstä vaarallista, eikä laitetta voi hallita odottamattomissa tilanteissa.

AKKUKÄYTTÖISEN TYÖKALUN KÄYTTÖ JA HOITO

- **Käytä lataukseen ainoastaan valmistajan suosittelemaa laturia.** Yhden tyyppiselle akulle sopivan laturin käyttö toisenlaisen akun kanssa voi olla vaarallista.
- **Käytä sähkötyökalua ainoastaan sitä varten suunniteltujen akkujen kanssa.** Muiden akkujen käyttö voi johtaa loukkaantumiseen ja tulipaloon.
- **Kun akkua ei käytetä, pidä se erillään metalliesineistä, kuten paperiliittimistä, kolikoista, avaimista, nautoista, ruuveista ja muista pienistä metalliesineistä, jotka voivat yhdistää akun navat.** Akun napojen oikosulkeminen voi aiheuttaa palovammoja ja tulipalon.
- **Jos akkua käsitellään väärin, siitä voi vuotaa nestettä; älä kosketa sitä. Jos kosketat sitä vahingossa, huuhtele se vedellä. Jos nestettä pääsee silmiin, hakeudu välittömästi lääkärin hoitoon.** Akusta vuotanut neste voi ärsyttää ihoa ja aiheuttaa palovammoja.
- **Vaurioitunutta tai muunneltua akkua tai työkalua ei saa käyttää.** Vaurioituneet tai muunnellut akut voivat käyttäytyä odottamattomasti, ja ne voivat johtaa tulipaloon, räjähdykseen, vaaraan tai tapaturmaan.
- **Älä altista akkua tai työkalua tulelle tai liian korkealle lämpötilalle.** Tulelle tai yli 130 °C:n lämpötilalle altistuminen voi johtaa räjähdykseen.
- **Noudata kaikkia latausohjeita äläkä lataa akkua tai työkalua muissa kuin ohjeissa määritellyissä lämpötilaolosuhteissa.** Virheellinen lataus tai määritellyistä poikkeavat lämpötilat saattavat johtaa akun vaurioitumiseen ja lisätä tulipalon vaaraa.

HUOLTO

- **Huollata työkone pätevällä huoltomiehellä, joka käyttää ainoastaan asianmukaisia varaosia.** Tämä varmistaa, että sähkötyökalu on turvallinen.
- **Vaurioituneita akkuja ei koskaan saa huoltaa.** Akkuja saa huoltaa vain valmistaja tai valtuutettu huoltoliike.

RUOHOTRIMMERIN TURVALLISUUSVAROITUKSET

- **Älä käytä laitetta huonolla säällä, varsinkaan, jos on vaaraa salamoinnista.** Tämä pienentää riskiä salamaniskun kohteeksi joutumisesta.
- **Tarkasta laitteen käyttöalue huolellisesti villieläinten varalta.** Laitte voi vahingoittaa villieläimiä käytön aikana.
- **Tarkasta perusteellisesti alue, jolla laitetta käytetään, ja poista sieltä kaikki vierasesineet, kuten**

kivet, kepit, johdot, luut jne. Sinkoutuvat esineet voivat aiheuttaa henkilövahingon.

- **Tarkista aina ennen laitteen käyttöä silmämääräisesti, että leikkuri ja leikkurikokoonpano eivät ole vahingoittuneet.** Vaurioituneet osat lisäävät loukkaantumisvaaraa.
- **Pidä suojukset paikoillaan. Suojusten on oltava toimintakunnossa ja asennettu oikein.** Löysä, vahingoittunut tai virheellisesti toimiva suojuus voi johtaa henkilövahinkoon.
- **Pidä kaikki jäähdytysilman ottoaukot puhtaina.** Tukkeutuneet ilmantuloaukot ja roskat voivat aiheuttaa ylikuumenemistä ja tulipalon vaaran.
- **Käytä suojalaseja ja kuulosuojaimia.** Riittävät suojaruusteet vähentävät henkilövahinkoja.
- **Käytä aina laitetta käyttäessäsi lipsumattomia jalkineita ja suojakenkiä. Älä käytä laitetta paljasjaloin tai avosandaaleissa.** Tämä vähentää jalkojen loukkaantumisvaaraa, jos ne joutuvat kosketuksiin liikkuvan leikkurin kanssa.
- **Käytä aina housuja, jotka peittävät käyttäjän jalat laitteen käytön aikana.** Liikkuvaan leikkuriin tai siimaan koskeminen voi aiheuttaa loukkaantumisen.
- **Pidä sivulliset loitolla laitteesta työskentelyn aikana.** Sinkoutuvat roskat voivat aiheuttaa vakavan henkilövahingon.
- **Älä käytä laitetta vyötärön korkeuden yläpuolella.** Tämä auttaa estämään tahattoman kosketuksen leikkuriin ja mahdollistaa laitteen paremman hallinnan odottamattomissa tilanteissa.
- **Ole varovainen, kun käytät laitetta märällä ruoholla. Kävele, älä koskaan juokse.** Tämä vähentää liukastumisen ja kaatumisen vaaraa; tällaisesta vaarasta voi seurata henkilövahinko.
- **Älä käytä laitetta liian jyrkissä rinteissä.** Tämä vähentää hallinnan menettämisen, liukastumisen ja putoamisen vaaraa; tällaisesta vaarasta voi seurata henkilövahinko.
- **Kun työskentelet rinteissä, seiso aina tukevasti, etene rinteessä aina poikittain, ei koskaan ylös ja alas, ja ole erittäin varovainen, kun vaihdat suuntaa.** Tämä vähentää hallinnan menettämisen, liukastumisen ja putoamisen vaaraa; tällaisesta vaarasta voi seurata henkilövahinko.
- **Pidä kaikki virtajohdot ja kaapelit kaukana leikkuualueelta.** Virtajohdot tai -kaapelit voivat olla piilossa pensasaidassa tai pensaisissa, jolloin siima tai terä voi vahingossa leikata niitä.
- **Pidä kaikki kehonosat loitolla leikkurista ja siimasta. Älä poista materiaalia laitteesta, ennen kuin se on irrotettu virtalähteestä.** Leikkurin liikkuva leikkuri tai siima voi johtaa vakavaan henkilövahinkoon.
- **Kuljeta laitetta siten, että laite on pois päältä ja irti vartalostasi.** Laitteen asianmukainen käsittely vähentää tahattoman kosketuksen mahdollisuutta liikkuvaan trimmeriin, leikkuriin ja siimaan.
- **Käytä vain valmistajan määrittämiä vaihtoleikkuupäitä, trimmerileikkureita ja siimoja. Älä vaihda leikkureita tai siimoja metallijohtoihin tai -tertiin.** Virheelliset varaosat voivat aiheuttaa hallinnan menetyksen, rikkoutumisen ja loukkaantumisen.

MUITA TURVALLISUUSVAROITUKSIA

- Tarkista ennen käyttöä ja aina iskun jälkeen, että laitteessa ei ole vioittuneita osia. Valtuutetun huoltopisteen on korjattava tai vaihdettava viallinen kytkin tai muu vahingoittunut tai kulunut osa asianmukaisesti.
- Nurmikksuojaan kiinnitetyn pienen terän tehtävä on katkaista uusi esille tuleva siima oikeaan pituuteen, mikä takaa turvallisen ja optimaalisen toiminnan. Täällä on hyvin terävä. Varo koskemasta terään, erityisesti puhdistassasi laitetta.
- Käytä ainoastaan valmistajan tuottamaa siimaa. Älä käytä muita leikkuuvälineitä.
- Tarkista, että leikkuupää on asennettu asianmukaisesti ja tukevasti.
- Älä koskaan käytä tuotetta ilman, että kaikki suojukset, hihnat, ohjauslevyt ja kädensijat on kiinnitetty tukevasti.
- Varmista ennen jokaista käyttökertaa, että teräsuojassa oleva siimankatkaisuterä on oikein asennettu ja kiinnitetty.
- Pidä päälisävaruste vyötärön tason alapuolella.
- Katkaise laitteesta virta välittömästi onnettomuuden tai toimintahäiriön sattuessa. Älä käytä laitetta ennen kuin se on perusteellisesti tutkittu valtuutetussa huoltoliikkeessä.
- Liikkuvien osien kanssa kosketuksiin joutumiseen liittyvän tapaturmavaaran välttämiseksi laite on aina sammutettava, akkupakkaus poistettava ja molempien annettava jäähtyä. Varmista, että kaikki liikkuvat osat ovat pysähtyneet täysin:
 - ennen huoltoa
 - ennen tukoksen poistamista
 - ennen tuotteen tarkastusta, puhdistusta ja huoltoa
 - ennen lisävarusteiden vaihtamista
 - vieraaseen esineeseen osumisen jälkeen
 - kun jätät tuotteen valvomatta
 - aina huollon aikana
 - Jos tuote alkaa täräistä epänormaalisti
- Varmista, että kaikki suojukset ja kahvat ovat kunnolla paikoillaan ja hyvässä kunnossa.
- Pitele tuotetta aina kahvoista ja rajoita työaikaa sekä altistumista.
- Varo leikkuusiiman sinkoamia kappaleita. Siivoa työalueelta roskat, kuten pienet kivet, sora ja muut vieraskappaleet, ennen käytön aloittamista. Leikkulaitteeseen voi tarttua johtoja tai lankoja.
- Pidä aina huoli siitä, että tuuletusaukoissa ei ole roskia.
- Laitteen pitkittynyt käyttö voi aiheuttaa tai vaikeuttaa vammoja. Jos käytät laitetta jatkuvasti pitkään, muista pitää työssä säännöllisiä taukoja.
- Käytä tuotetta vain 0–40 °C:n lämpötilassa.
- Säilytä laitetta paikassa, jossa ympäristölämpötila on 0–40 °C.

MUITA AKUN TURVALLISUUSVAROITUKSIA

Jotta oikosulusta aiheutuva tulipalon, loukkaantumisen ja tuotevaurion riski olisi pienempi, älä koskaan upota akkupakkausta tai laturia nesteeseen tai päästä nestettä niiden sisälle. Syövyttävät tai sähköä johtavat nesteet, kuten suolavesi, tietyt kemikaalit ja lalkaisuaineet tai valkaisuaineita sisältävät tuotteet voivat aiheuttaa lyhytsulun.

- Lataa akku paikassa, jossa ympäristön lämpötila on välillä 10 °C – 38 °C.
- Säilytä akkupakkausta paikassa, jossa ympäristön lämpötila on välillä 0 °C – 20 °C.
- Käytä akkupakkausta paikassa, jossa ympäristön lämpötila on välillä 0 °C – 40 °C.

KULJETUS JA VARASTOITAESSA

- Sammuta laite, poista akkupakkaus ja anna laitteen jäähtyä ennen sen varastointia tai kuljetusta.
- Puhdista laitteesta kaikki vieraat materiaalit.
- Älä varastoi äläkä kuljeta laitetta akun ollessa paikallaan. Poista akkupakkaus ja varmista sen turvallisuus erikseen. Varastoi laite viileään, kuivaan ja hyvin tuulettuun paikkaan, jossa lapset eivät pääse siihen käsiksi. Pidä tuote erillään syövyttävistä aineista, kuten puutarhakemikaaleista ja jäänestosuolasta. Älä säilytä laitetta ulkona.
- Kiinnitä tuote kuljetettaessa siten, että se ei pääse liikkumaan tai kaatumaan, jotta vältytään loukkaantumisilta ja vaurioilta.

LITIUMAKKIJEN KULJETTAMINEN

- Kuljeta akkuja paikallisten ja kansallisten ehtojen ja säädösten mukaisesti.
- Noudata kaikkia pakkaamista ja nimeämistä koskevia erikoissäädöksiä, kun kolmas osapuoli kuljettaa akkuja. Varmista, että mikään akku ei kosketa muita akkuja tai johtavaa materiaalia kuljetuksen aikana suojaamalla paljaat navat eristävillä, johtamattomilla korkeilla tai teipillä. Älä kuljeta akkuja, jotka ovat halkeilleet tai vuotavat. Kysy välityritykseiltä lisäneuvoja.

HUOLTO

- Käytä ainoastaan alkuperäisiä valmistajan tuottamia varaosia, lisälaitteita ja lisävarusteita. Tämän noudattamatta jättäminen voi johtaa loukkaantumiseen ja huonoon tulokseen ja voi mitätöidä takuun.
- Huolto kaipaa suurta huolellisuutta ja hyvää työkalun tuntemusta: Se on annettava pätevän teknikon tehtäväksi. Teetä huollot ainoastaan valtuutetussa huoltoliikkeessä.
- Katkaise laitteesta virta ja poista akku aina ennen huolto- tai puhdistustoimenpidettä.
- Sinulla on lupa suorittaa ainoastaan tässä käsikirjassa kuvattuja säätöjä ja korjauksia. Pyydä apua valtuutetusta huollosta muiden korjaus- tai neuvontarpeiden tapauksessa.
- Käytä vaihtosiimana ainoastaan nailonsiimaa, jonka läpimitta vastaa tämän käsikirjan teknisten tietojen taulukkoa.
- Puhdista tuote aina käytön jälkeen pehmeällä ja kuivalla liinalla. Valtuutetun huoltopisteen on korjattava tai vaihdettava vioittuneet osat asianmukaisesti.
- Tarkista kaikkien muttereiden, pulltien ja ruuvien kireys ennen jokaista käyttökertaa ja säännöllisin aikavälein laitteen turvallisuuden takaamiseksi. Valtuutetun huoltopisteen on korjattava tai vaihdettava vioittuneet osat asianmukaisesti.
- Vie tuote valtuutettuun huoltoon vaurioituneiden ja lukukelvottomien kylltien vaihtamiseksi.

TUNNE TUOTTEESI

Katso sivu 118.

1. Takakädensija
2. Akun salpa
3. Päällä/pois-liipaisin
4. Lukitusliipaisin
5. Ylempi vetoakseli
6. Etukädensija
7. Alempi vetoakseli
8. Katkaisuterä
9. Ohjauspyörä
10. Suoja
11. Leikkuusiima
12. Reunapoljin
13. Manuaalinen leikkuu
14. Kelan kansi
15. Kela
16. Aukko
17. Liukusäädin
18. Akku
19. Laturi

TUOTTEESSA OLEVAT SYMBOLIT



Varoitus



Kaikki ohjeet on luettava ja ymmärrettävä ennen tuotteen käyttöä. Noudata varoituksia ja turvallisuusohjeita.



Käytä näkö- ja kuulosuojausta.



Varo sinkoutuneita ja muita lentäviä esineitä. Pidä kaikki sivulliset, erityisesti lapset ja lemmikit, vähintään 15 metrin päässä työskentelyalueelta.



Älä käytä tuotteessa metalliteriä.



Älä altista konetta sateelle tai kosteudelle.



Irrota akkuyksikkö laitteesta ennen kuin teet siihen mitään toimenpiteitä.



Pidä kädet loitolla teristä.



Taattu äänennteho



Eurooppalainen vaatimustenmukaisuusmerkintä



Brittiläinen vaatimustenmukaisuusmerkintä



EurAsian-vaatimustenmukaisuusmerkki



Ukrainalainen vaatimustenmukaisuusmerkintä

Älä hävitä käytettyjä akkuja sekä sähkö- ja elektroniikkalaiteromua lajittelemattomana yhdyskuntajätteenä.

Käytetyt akut sekä sähkö- ja elektroniikkalaiteromu on kerättävä erikseen. Käytetyt paristot ja akut ja hukkavalonlähteet on poistettava laitteista. Selvitä paikkakuntasi viranomaisilta tai jälleenmyyjältäsi kierrätyksestä koskevat ohjeet ja akkujen keräyspisteen sijainti. Paikallisten määräysten mukaan jälleenmyyjillä voi olla velvollisuus ottaa käytetyt akut sekä sähkö- ja elektroniikkalaiteromu takaisin veloitusetta. Panoksesi käytettyjen akkujen sekä sähkö- ja elektroniikkalaiteromun uudelleenkäyttöön ja kierrätykseen auttaa vähentämään raaka-aineiden kysyntää. Käytetyt, erityisesti litiumia sisältävät akut sekä sähkö- ja elektroniikkalaiteromu sisältävät arvokkaita ja kierrätettäviä materiaaleja, jotka voivat vaikuttaa haitallisesti ympäristöön ja ihmisten terveyteen, jos niitä ei hävitetä ympäristöystävällisellä tavalla. Poista mahdolliset henkilötiedot jätelaitteista.



TÄMÄN KÄSIKIRJAN SYMBOLIT



Huom



Varoitus



Osat ja lisävarusteet on hankittava erikseen

Sikkerhet, ytelse og pålitelighet har hatt topp prioritet under konstruksjonen av denne trådløse snortrimmeren.

TILTENKT BRUK

Den kabelfrie snortrimmeren er beregnet til kutting av lang gress, løkugress og lignende vegetasjon ved eller rundt bakkenivå.

Skjæreplanet bør være omtrent parallell med jordoverflaten ved kutting av gress og omtrent vertikal ved kanting.

Produktet skal bare brukes av voksne som har lest og forstått instruksjonene og advarslene i denne håndboken og som kan anses som ansvarlig for sine handlinger.

Produktet er kun tiltent til utendørs bruk på et godt ventilert sted. Av sikkerhets hensyn må produktet betjenes på forsvarlig vis med to hender.

Den skal ikke brukes til noe annet formål

GENERELLE SIKKERHETSADVARSLER FOR PRODUKTET

⚠ ADVARSEL! Les alle sikkerhetsadvarsler og -instruksjoner, illustrasjoner og spesifikasjoner som følger med dette produktet. Hvis forskriftene nedenfor ikke overholdes, kan det forårsake ulykker som brann, elektrisk støt og/eller alvorlige personskader.

Ta vare på disse advarslene og instruksene for å se i dem senere.

Betegnelsen "elektroverktøy" i advarslene refererer til strømledningsdrevet produkt eller batteridrevet (trådløst) produkt.

ARBEIDSOMGIVELSER

- **Hold arbeidsområdet rent, ryddig og godt opplyst.** Uryddige og dårlig opplyste områder fører lett til ulykker.
- **Ikke bruk elektrisk verktøy i eksplosive atmosfærer, som der det finnes brennbare væsker, gasser eller støv.** Elektrisk verktøy skaper gnister som kan antenne støv eller gasser.
- **Hold barn og andre på avstand når et elektrisk verktøy brukes.** Distraksjon kan føre til tap av kontroll.

ELEKTRISK SIKKERHET

- **Støpslet på det elektriske verktøyet må stemme med stikkkontakten. Foreta aldri noen form for endringer av støpslet. Ikke bruk noen form for adapterstøpsel til jordat elektrisk verktøy.** Umodifiserte støpsler og passende stikkontakter vil redusere risikoen for elektrisk sjokk.
- **Unngå kroppskontakt med jodede overflater, som vannrør, radiatorer, kokeapparater og kjøleaggregater.** Det er økt risiko for elektrisk støt dersom kroppen din har kontakt med jord.
- **Ikke utsett produktet for regn eller høy fuktighet.** Vann som trenger inn i et elektrisk verktøy vil øke faren for elektrisk støt.
- **Ikke misbruk den elektriske ledningen.** Bruk aldri ledningen til å bære det elektriske verktøyet eller trekke støpslet ut av stikkkontakten. Hold ledningen vekk fra varme, olje, skarpe kanter eller bevegelige deler. Skadet eller sammenfloknet ledning øker risikoen for elektrisk støt.

PERSONLIG SIKKERHET

- **Vær våken, se på hva du gjør og bruk fornuft når du arbeider med et elektrisk verktøy. Ikke bruk elektrisk verktøy når du er sliten eller under påvirkning av narkotiske stoffer, alkohol eller medisiner som kan påvirke din reaksjonsevne og/eller dømmekraft.** Et øyeblikks uoppmerksomhet når elektrisk verktøy brukes kan føre til alvorlige personskade.
- **Bruk personlig verneutstyr. Bruk alltid øyebeskyttelse.** Verneutstyr som støvmaske, sklisikre vernesko, hjelm og hørselsvern som brukes ved behov, vil redusere personskader.
- **Unngå utilsiktet start. Sørg for at bryteren er i posisjon OFF før utstyret kobles til strømmettet og / eller batteripakken, plukkes opp eller bæres.** Å bære det elektriske verktøyet med fingeren på startknappen eller koble strøm til et elektrisk verktøy med bryteren i ON inviterer til ulykker.
- **Fjern justeringsnøkler og annet verktøy før du setter strøm på det elektriske verktøyet.** En fastnøkkel eller annet verktøy festet til en roterende del av et elektrisk verktøy når det startes kan føre til personskade.
- **Ikke len deg for langt. Sørg for godt fotfeste og god balanse til enhver tid.** Dette gir bedre kontroll over det elektriske verktøyet i en uventet situasjon.
- **Kle deg riktig. Ikke bruk løstsittende plagg og/eller løsthengende smykker.** Hold hår og klær unna bevegelige deler. Løse plagg, smykker og langt hår kan fanges opp av bevegelige deler.
- **Hvis det finnes tilkoblingsmuligheter for oppsugnings- og oppsamlingsutstyr for støv, sørg for at dette blir tilkoblet og brukt på riktig måte.** Bruk av støvoppsamler kan redusere støvrelatert faresituasjoner.
- **Ikke la hyppig bruk av verktøyet føre til at du blir lettfeilig og ignorerer sikkerhetsprinsipper.** En uforsiktig handling kan føre til alvorlige personskader på en brøkdel av et sekund.

BRUK OG BEHANDLING AV ELEKTRISK VERKTØY

- **Ikke press maskinen. Bruk korrekt elektrisk verktøy for jobben som skal gjøres.** Riktig elektrisk verktøy vil gjøre jobben bedre og tryggere når det brukes slik det var tiltent.
- **Ikke bruk verktøyet hvis bryteren ikke slår verktøyet av og på.** Ethvert elektrisk verktøy som ikke kan kontrolleres med bryteren er farlig og må repareres før det kan brukes.
- **Før du gjør justeringer på elektroverktøy, bytter tilbehør eller setter verktøyet bort, må du trekke pluggen ut av strømkilden eller fjerne batteriet hvis dette lar seg gjøre.** Slike forebyggende sikkerhetstiltak reduserer risikoen for utilsiktet start av det elektriske verktøyet.
- **Oppbevar elektrisk verktøy som ikke brukes utenfor barns rekkevidde og la ikke personer som ikke er kjent med det elektriske verktøyet eller dets instruksjoner bruke det.** Elektrisk verktøy er farlig i hendene på uerfarne brukere.
- **Sørg for at elektroverktøy og tilbehør alltid er i god stand.** Kontroller for feilinnretting og at bevegelige deler løper fritt, at det ikke finnes ødelagte deler og enhver annen tilstand som kan påvirke det elektriske verktøyet drift. Hvis skadet må det elektriske

verktøyet repareres før bruk. Mange ulykker skyldes dårlig vedlikeholdt elektrisk verktøy.

- **Hold skjæreredskap skarpe og rene.** Korrekt vedlikeholdt skjæreverktøy med skarpe skjærekanter har mindre mulighet for å blokkere seg og er lettere å kontrollere.
- **Bruk det elektriske verktøyet, tilbehøret, verktøybits etc i henhold til disse instruksjonene, der du tar hensyn til arbeidsforholdene og det arbeidet som skal utføres.** Bruk av elektrisk verktøy på en måte det ikke var tiltenkt kan skape farlige situasjoner.
- **Hold håndtak og andre holdeoverflater tørre, rene og fri for olje og smøring.** Unngå at håndtak og andre holdeoverflater er glatte for det reduserer sikker håndtering og styring av verktøyet i uforutsette situasjoner.

BATTERIPRODUKTER - BRUK OG STELL

- **Lad bare med ladere som er spesifisert av produsenten.** En lader som passer til en type batteripakke kan skape risiko for brann dersom den brukes til en annen type batteripakke.
- **Bruk patterprodukter kun med spesielt tiltenkte batteripakker.** Bruk av andre batteripakker kan føre til risiko for skade og brann.
- **Når batteripakken ikke er i bruk, hold den borte fra metallgjenstander som binders, mynter, nøkler, spiker, skruer og annet som kan forbinde de to terminalene med hverandre.** Kortslutning av batteriterminalene kan føre til brenning eller brann.
- **Ved feil bruk av batteriet kan det slippe ut væske.** Hvis du får kontakt med væsken fra batteriet, skyll med rikelige mengder vann. Hvis væsken får kontakt med øynene må det søkes medisinsk hjelp. Væske som kommer ut av batteriet kan føre til irritasjon eller brannskår.
- **Ikke bruk et batteri eller verktøy som er skadet eller endret.** Batterier som er skadd eller endret, kan oppføre seg uforutsigbart, noe som kan føre til brann, eksplosjon og personskaade.
- **Ikke utsett batteriet eller verktøyet for ild eller høy temperatur.** Eksposering for brann eller temperatur over 130 °C kan føre til eksplosjon.
- **Alle ladeinstruksjoner må følges. Ikke lad batteriet eller verktøyet hvis omgivelsestemperaturen er utenfor området som er angitt i bruksanvisningen.** Feil lading eller lading ved temperaturer utenfor det angitte området kan ødelegge batteriet og øke risikoen for brann.

VEDLIKEHOLD

- **Sørg for at reparasjoner og vedlikehold av ditt elektriske verktøy utføres av kvalifiserte teknikere som kun bruker originale erstatningsdeler.** Dette vil sørge for at sikkerheten med det elektriske verktøyet ivaretas.
- **Aldri utfør vedlikehold på skadde batteripakker.** Vedlikehold av batterier skal bare utføres av produsenten eller autoriserte serviceleverandører.

SIKKERHETSADVARSLER FOR SNORTRIMMER

- **Ikke bruk maskinen under dårlige værforhold, spesielt når det er fare for lyn.** Dette øker risikoen for å bli truffet av lynet.

- **Inspiser området nøye for dyreliv der maskinen skal brukes.** Vilde dyr kan bli skadet av maskinen under drift.
- **Inspiser området der maskinen skal brukes nøye, og fjern alle steiner, pinner, kabler, bein og andre fremmedlegemer.** Gjenstander som slynges ut, kan forårsake personskaade.
- **Før bruk av maskinen må du alltid se over produktet for å sjekke at bladet og bladmonteringen ikke er skadet.** Skadde deler øker risikoen for skade.
- **Hold verneinnretningene på plass.** Verneinnretningene må være i god stand og være riktig montert. En verneinnretning som er løs, skadet eller ikke fungerer riktig, kan føre til personskaade.
- **Hold alle luftinntak rene for avfall.** Blokkerte luftinntak og avfall kan føre til overoppheting eller risiko for brann.
- **Bruk vernebriller og hørselvern.** Tilstrekkelig verneutstyr vil redusere personskaade.
- **Ved drift av maskinen bruk alltid sklisikkert og beskyttende føttø. Ikke bruk maskinen uten sko eller med åpne sandaler.** Dette reduserer risikoen for skade på føttene fra kontakt med den bevegelige kutteren.
- **Bruk alltid slike klær som bukser som dekker operatørens ben mens du bruker maskinen.** Kontakt med den bevegelige kutteren eller tråden kan forårsake skade.
- **Hold tilskuere på avstand mens du bruker maskinen.** Utslynget avfall kan føre til alvorlige personskaader.
- **Ikke bruk maskinen over hofte høyde.** Dette bidrar til å forhindre utilsikket kontakt med kutteren og muliggjør bedre kontroll av maskinen i uventede situasjoner.
- **Vær forsiktig når du bruker maskinen i vått gress.** Gå, du må aldri løpe mens du arbeider med maskinen. Dette reduserer risikoen for å skli og falle, noe som kan føre til personskaade.
- **Ikke bruk maskinen i svært bratte bakker.** Dette reduserer risikoen for tap av kontroll, glidning og fall, noe som kan føre til personskaade.
- **Når du jobber i bakker, må du alltid være sikker på at du har foffeste, alltid arbeide på tvers av bakker, aldri opp eller ned, samt være ekstremt forsiktig når du skifter retning.** Dette reduserer risikoen for tap av kontroll, glidning og fall, noe som kan føre til personskaade.
- **Hold alle strømledninger og kabler på avstand fra kutteområdet.** Strømledninger eller kabler kan være skjult i hekker eller busket og kan kuttes over eller skades av snoren eller bladet ved uhell.
- **Hold alle deler av kroppen på avstand fra den bevegelige trimmerkutteren eller tråden. Ikke tøm materialet fra maskinen før det er koblet fra strømkilden.** Den bevegelige trimmerkutteren eller tråden kan føre til alvorlig personskaade.
- **Bær maskinen med maskinen slått av og bort fra kroppen din.** Riktig håndtering av maskinen vil redusere sannsynligheten for utilsikket kontakt med en bevegelig trimmerkutter eller snor.
- **Bruk kun reservekuttehoder og trimmerkuttere eller snorer som er spesifisert av produsenten. Ikke skift ut trimmerkutterne eller snorene med metallvaier eller blader.** Feil reservedeler kan føre til tap av kontroll, brudd og skade.



SPESIELLE SIKKERHETSADVARSLER

- Før bruk og etter hvert slag, sjekk for skadede deler. En defekt bryter eller annen del som er skadet eller slitt skal repareres adekvat eller skiftes ut av et autorisert serviceverksted.
- Det lille bladet som er montert på plenvernet, er designet for å trimme klippesnoren til riktig lengde for sikker og optimal ytelse. Bladet er svært skarpt. Ikke berør bladet, spesielt ved rengjøring av produktet.
- Bruk kun produsentens påfyllingstråd. Ikke bruk andre kuttetilllegg.
- Påse at kutteutstyret er satt på riktig og festet godt.
- Ikke bruk produktet dersom ikke alle vern, avvisere og håndtak er på plass og forsvarlig festet.
- Forsikre deg om at linjeavskjæringsbladet i bladbeskyttelsen er riktig plassert og sikret før hver bruk.
- Hold hodefestet under hoftenivå.
- Slå umiddelbart av og fjern batteripakken i tilfelle en ulykke eller svikt. Ikke bruk redskapen igjen før den er nøye kontrollert av et autorisert servicesenter.
- Slå alltid av produktet, ta ut batteriet og la begge disse kjøles av for å redusere risikoen for personskaade som skyldes kontakt med bevegelige deler. Påse at alle bevegelige deler har stoppet helt:
 - før betjening
 - før rengjøring av en blokkering
 - før kontroll, rensing og arbeider på produktet
 - før endring av tilbehør
 - etter at en fremmed gjenstand er truffet
 - å la produktet stå uten tilsyn
 - når vedlikehold utføres
 - hvis produktet starter å vibrere unormalt
- Påse at alle verneanordninger og håndtak er påsatt riktig og i god stand.
- Hold produktet i angitte håndtak og begrenns arbeidstid og eksponering.
- Vær oppmerksom på at kutteenheten kan slenge opp gjenstander. Fjern avfall som småstein, grus og andre fremmedlegemer fra arbeidsområde før du begynner med jobben. Ledninger eller snorer kan surre seg inn i kutteenheten.
- Sørg alltid for at avfall ikke tetter ventilasjonsspaltene.
- Hvis man bruker verktøyet for lenge av gangen, kan det føre til eller forverre allerede eksisterende personskaade. Sørg for å ta regelmessige pauser når du bruker et produkt over lengre tid.
- Betjen produktet kun ved temperaturer mellom 0 °C og 40 °C.
- Oppbevar produktet på et sted der omgivelsestemperaturen er mellom 0 °C og 40 °C.

EKSTRA SIKKERHETSINSTRUKSER FOR BATTERI

For å redusere risikoen for brann, personskaade og produktskaade på grunn av en kortslutning skal produktet, batteripakken eller laderen aldri senkes ned i væske, og væske skal aldri flyte inn på innsiden av disse. Korroderende og ledende væsker som saltvann, visse kjemikalier og blekemidler eller produkt som inneholder blekemidler kan forårsake en kortslutning.

- Lad batteripakken på et sted der omgivelsestemperaturen er mellom 10 °C og 38 °C.
- Oppbevar batteripakken på et sted der omgivelsestemperaturen er mellom 0 °C og 20 °C.
- Brukbatteripakken på et sted der omgivelsestemperaturen er mellom 0 °C og 40 °C.

TRANSPORT OG LAGRING

- Slå av produktet, ta ut batteripakken og la det kjøles av før lagring eller transport.
- Fjern alle fremmedelementer fra produktet.
- Ikke lagre eller transporter produktet med montert batteripakke. Fjern batteripakken og sikre den separat. Lagres på et kjølig, tørt og godt ventilert sted som er utilgjengelig for barn. Hold avstand til korroderende midler som havekjemikalier og avisingssalt. Produktet skal ikke oppbevares utendørs.
- Ved transport må produktet sikres mot å komme i bevegelse eller falle for å unngå skade på personer eller produktet.

TRANSPORTERE LITIUM-BATTERIER

- Transporter batterier i henhold til lokale og nasjonale lover og forskrifter.
- Følg alle spesialkrav med hensyn til emballering og merking når batterier transporteres av en tredjepart. Påse at ingen batterier kan komme i kontakt med andre batterier eller ledende materialer under transporten ved å beskytte åpne kontakter med isolasjon, ikkeledende lokk eller tape. Ikke transporter batterier som er sprukne eller som lekker. Kontakt speditøren for å få ytterligere råd.

VEDLIKEHOLD

- Bruk kun produsentens originale reservedeler, tilleggsutstyr og påsatser. Dersom dette ikke følges, kan det forårsake personskaader, dårlig funksjon og kan annullere garantien din.
- Service krever meget stor forsiktighet og kunnskap og bør utføres kun av kvalifisert teknisk personale. Få utført service på produktet kun av et autorisert servicesenter.
- Slå av produktet og fjern batteriet før du utfører noe vedlikehold eller rengjøringsarbeid.
- Du kan bare foreta justeringer og reparasjoner som er beskrevet i denne brukermanualen. For andre typer reparasjoner eller råd anbefales det å kontakte et autorisert servicesenter.
- For å skifte tråd, bruk kun nylonfibertråd med diameteren spesifisert i tabellen i denne håndboken.
- Etter hver bruk, rens produktet med en myk tørr klut. Enhver del som er skadet må repareres eller skiftes ut på fagmessig måte ved et autorisert serviceverksted.
- Kontroller alle løse muttere, bolter og skruer før du bruker enheten. Sjekk ofte at disse er tilstrekkelig tilstrammet, slik at du er sikret et trygt arbeidsmiljø. Enhver del som er skadet må repareres eller skiftes ut på fagmessig måte ved et autorisert serviceverksted.
- Bring produktet til et autorisert servicesenter for utskifting av skadede eller uleselige etiketter.



KJENN PRODUKTET DITT

Se side 118.

1. Bakre håndtak
2. Batterilås
3. På-/av-avtrekker
4. Låsetrigger
5. Øvre drivaksel
6. Fremre håndtak
7. Nedre drivaksel
8. Kappeblad
9. Føringshjul
10. Sikkerhetsvern
11. Klippesnor
12. Kantpedal
13. Brukermanual
14. Spoledeksel
15. Spole
16. Øye
17. Glidebryter
18. Batteri
19. Lader

SYMBOLER PÅ PRODUKTET



Sikkerhetsalarm



Les og forstå alle instruksjoner før du betjener produktet. Følg alle advarsler og sikkerhetsanvisninger.



Bruke syns- og hørselsvern



Pass opp for gjenstander som slynges ut eller flyr i luften. Hold alle tilskuere, spesielt barn og kjæledyr, på en avstand på minst 15 m fra driftsområdet.



Ikke bruk metallblader på produktet.



Ikke utsette for regn eller fuktige forhold.



Fjern batteripakken før du starter arbeid på produktet.



Hold hendene unna bladene.



Garantert lydeffektnivå



Europeisk samsvarsmerking



Britisk samsvarsmerking



EurAsian samsvarsmerke



Ukrainsk samsvarsmerking

Ikke kast avfallsbatterier, elektrisk og elektronisk utstyrsavfall som usortert kommunalt avfall. Avfallsbatterier og elektrisk og elektronisk utstyrsavfall må samles inn separat. Avfallsbatterier, avfallsakkumulatorer og lyskilder må fjernes fra utstyret. Spør lokale myndigheter eller utsalget for råd om resirkulering og steder for kildesortering. I henhold til lokale forskrifter kan forhandlere være forpliktet til å ta tilbake avfallsbatterier, elektrisk og elektronisk utstyrsavfall gratis. Ditt bidrag til gjenbruk av og gjenvinning av avfallsbatterier og elektrisk og elektronisk utstyrsavfall bidrar til å redusere etterspørselen etter råmaterialer. Avfallsbatterier, spesielt de som inneholder litium, og elektrisk og elektronisk utstyrsavfall inneholder verdifulle og resirkulerbare materialer som kan påvirke miljøet og menneskets helse negativt, hvis de ikke blir kastet på en miljøkompatibel måte. Slett personlig data fra utstyrsavfall, om noen.



SYMBOLER I DENNE MANUALEN



Merk



Advarsel



Deler eller tilbehør som er tilgjengelige separat

В основе конструкции вашего беспроводного лесочного триммера лежат принципы безопасности, продуктивности и надежности.

НАЗНАЧЕНИЕ

Беспроводный лесочный триммер предназначен для скашивания длинной травы, мягкого сорняка и аналогичной растительности, находящейся примерно на уровне земли.

Режущая поверхность должна быть расположена примерно параллельно плоскости земли при стрижке и вертикально при обработке краев.

К использованию изделия допускаются только совершеннолетние, способные нести ответственность за свои действия, после изучения инструкций и предостережений в настоящем руководстве.

Продукт предназначен только для использования на открытом воздухе в хорошо проветриваемом месте. В целях безопасности инструментом необходимо управлять двумя руками.

Не используйте устройство для каких-либо иных целей.

ОБЩИЕ ПРАВИЛА ТЕХНИКИ БЕЗОПАСНОСТИ ПРИ ИСПОЛЬЗОВАНИИ ИЗДЕЛИЯ

⚠ ОСТОРОЖНО! Ознакомьтесь со всеми инструкциями по технике безопасности, иллюстрациями и техническими характеристиками, входящими в комплект изделия. Несоблюдение всех инструкций, указанных ниже, может привести к поражению электрическим током, пожару и / или серьезным травмам.

Сохраните все предупреждения и инструкции по технике безопасности для последующего использования.

Термин "электроинструмент" в предупреждениях означает изделие, работающее от электрической сети (проводное) или аккумулятора (беспроводное).

БЕЗОПАСНОСТЬ НА РАБОЧЕМ МЕСТЕ

- Рабочая зона должна быть свободна и хорошо освещена. Загромождение или плохое освещение рабочей зоны может привести к несчастным случаям.
- Не используйте электроинструмент во взрывоопасной среде, например в присутствии легковоспламеняющихся жидкостей, газов или пыли. В электроинструментах происходит искрообразование, что может привести к воспламенению пыли или газа.
- Не допускайте присутствия детей и посторонних лиц при работе с инструментом. Невнимательность может привести к утрате контроля.

ЭЛЕКТРОБЕЗОПАСНОСТЬ

- Вилка кабеля питания инструмента должна соответствовать используемой розетке. Не подвергайте вилку кабеля каким-либо изменениям. Не используйте какие-либо переходники с электроинструментами с заземляющим проводом. Использование оригинальных штепсельных вилок и соответствующих розеток предотвращает опасность поражения электрическим током.

- Не допускайте контакта частей тела с поверхностями заземленных предметов, таких как трубы, радиаторы отопления, кухонные плиты, холодильники. При соприкосновении частей тела человека с заземленными участками возрастает опасность поражения электрическим током.
- Не допускайте попадания влаги на изделие и не используйте его во влажной атмосфере. Попавшая внутрь инструмента вода повышает опасность поражения электрическим током.
- Обращайтесь с кабелем питания надлежащим образом. Не используйте кабель для переноски, перемещения или отключения инструмента от сети питания. Оберегайте кабель от источников тепла, масляных и острых предметов и движущихся деталей. Поврежденные или запутанные провода повышают опасность поражения электрическим током.

ЛИЧНАЯ БЕЗОПАСНОСТЬ

- Соблюдайте осторожность, следите за своими действиями и пользуйтесь здравым смыслом при работе с электроинструментом. Не пользуйтесь инструментом в состоянии усталости или под воздействием наркотических средств, алкоголя или медицинских препаратов. Малейшая невнимательность при работе с инструментом может привести к тяжкому телесному повреждению.
- Используйте средства индивидуальной защиты. Всегда надевайте средства защиты зрения. Такие средства защиты, как противопылевая маска, нескользящая обувь, жесткий головной убор и средства защиты органов слуха, при использовании в соответствующих условиях позволят снизить риск получения травмы.
- Не допускайте случайного запуска. Перед подключением к источнику питания или установкой аккумулятора батареи, подъемом или перемещением инструмента убедитесь, что переключатель находится в положении «выключено». Во избежание несчастных случаев при перемещении инструмента не держите пальцы на переключателе инструмента и не подключайте его к источнику питания при включенном положении переключателя.
- Перед включением инструмента уберите все регулировочные и гаечные ключи. Гаечные или регулировочные ключи, оставленные на вращающихся частях инструмента, могут привести к телесному повреждению.
- Не перенапрягать. Старайтесь сохранять устойчивость и подыскивайте твердую опору. Это обеспечивает лучшую управляемость электроинструментом в непредвиденных ситуациях.
- Одевайтесь соответствующим образом. Не надевайте свободную одежду и украшения. Не допускайте попадания волос и одежды в подвижные детали. Свободная одежда, украшения и длинные волосы могут попасть в движущиеся части.
- Если в инструменте предусмотрено использование устройства удаления и сбора пыли, обеспечьте их надежное крепление и

надлежащее использование. Использование пылесборника снижает опасность, связанную с пылеобразованием.

- Не нарушайте правила техники безопасности, даже несмотря на длительный опыт работы с инструментами. Неосторожное действие может стать причиной тяжелых травм в течение доли секунды.

ИСПОЛЬЗОВАНИЕ И ОБРАЩЕНИЕ С ИНСТРУМЕНТОМ

- Не прикладывайте чрезмерных усилий при работе с данным инструментом. В каждом случае используйте надлежащий электроинструмент. Правильно выбранный электроинструмент позволяет выполнить работу, для которой он предназначен, более качественно и более безопасно.
- Не пользуйтесь инструментом, если выключатель не включается или не выключается. Любой электроинструмент, не управляемый выключателем, представляет опасность и должен быть отремонтирован.
- Перед регулировкой, заменой принадлежностей и помещением электроинструмента на хранение отсоедините вилку от источника питания и/или извлеките аккумуляторный блок (если это возможно). Такие меры предосторожности помогут предотвратить опасность случайного пуска инструмента.
- Храните неиспользуемые электроинструменты в месте, недоступном для детей, а также не допускайте к использованию данного инструмента лиц, не знакомых с его работой или не ознакомленных с данными данными инструкциями. Инструмент в руках неподготовленного лица представляет опасность.
- Электроинструменты и принадлежности необходимо обслуживать. Проверяйте инструмент на отсутствие перекосов или заклинивания движущихся частей, их неисправности или других причин, которые могут отразиться на работе инструмента. При повреждении инструмента перед его дальнейшим использованием его следует отремонтировать. Многие несчастные случаи вызваны ненадлежащим обращением с инструментом.
- Содержите режущее устройство в чистоте и заточенном виде. При надлежащем техническом обслуживании режущего инструмента снижается вероятность застревания режущих частей и облегчается управляемость.
- Используйте инструмент, принадлежности, насадки и т.п. в соответствии с данными указаниями, и принимая во внимание условия работы и выполняемую работу. Использование данного электроинструмента не по назначению может создать опасную ситуацию.
- Держите ручки и поверхности захватывания сухими, чистым, не допускайте попадания на них смазочных веществ. Скользкие ручки и поверхности захватывания не позволяют безопасно управлять и контролировать инструмент в непредвиденных ситуациях.

ЭКСПЛУАТАЦИЯ УСТРОЙСТВА С АККУМУЛЯТОРНЫМ ПИТАНИЕМ И УХОД ЗА НИМ

- Зарядку выполняйте только с использованием зарядного устройства, указанного изготовителем. Зарядное устройство, подходящее к одному типу аккумуляторных батарей, может создать опасность возгорания при использовании с аккумуляторными батареями другого типа.
- Используйте электрические устройства только со специально предназначенными для них аккумуляторными батареями. Использование аккумуляторных батарей другого типа может привести к телесным повреждениям или возгоранию.
- Если аккумуляторная батарея не используется, храните ее отдельно от других металлических предметов, например канцелярских скрепок, монет, ключей, гвоздей, винтов и других мелких металлических предметов, которые могут привести к замыканию контактов батареи. Замыкание контактов батареи может вызвать ожоги или привести к возгоранию.
- При ненормальных условиях из батареи может вытечь жидкость, избегайте контакта с ней. Если этого избежать не удалось, смойте жидкость водой. Если жидкость попала в глаза, после их промывания обратитесь за медицинской помощью. Жидкость, вытекшая из батареи, может вызвать раздражение или ожог.
- Не используйте поврежденный или модифицированный аккумуляторный блок и инструмент. Поврежденные или модифицированные аккумуляторы могут вести себя непредсказуемо, что может привести к пожару, взрыву или послужить причиной травмы.
- Запрещается подвергать аккумуляторный блок или инструмент воздействию огня и высокой температуры. Воздействие огня или температуры выше 130°C может привести к взрыву.
- Заряжайте аккумуляторные блоки и инструмент в соответствии с инструкцией, не подвергая их при этом воздействию температур вне диапазона, указанного в инструкции. Несоблюдение инструкций и зарядка при воздействии температур вне диапазона, указанного в инструкции, может привести к повреждению аккумулятора и повысить риск возгорания.

ОБСЛУЖИВАНИЕ

- Техническое обслуживание и ремонт инструмента должно выполняться только квалифицированным специалистом с использованием взаимозаменяемых запасных частей. Это обеспечит нормальное техническое состояние устройства.
- Обслуживание аккумуляторных блоков с признаками повреждения не допускается. Обслуживание аккумуляторных блоков должно выполняться производителем или авторизованным сервисным центром.

ТРЕБОВАНИЯ БЕЗОПАСНОСТИ ПРИ ИСПОЛЬЗОВАНИИ ЛЕСОЧНОГО ТРИММЕРА

- Запрещается использовать машину в плохую погоду, особенно при угрозе возникновения молнии. Это снижает риск удара молнии.



- **Внимательно осмотрите зону использования машины, чтобы убедиться в отсутствии диких животных.** Животные могут пострадать от машины.
- **Внимательно осмотрите зону использования машины и очистите ее от камней, палок, металлических предметов, проводов, костей, игрушек и других инородных предметов.** Отбрасываемые предметы могут причинить травму.
- **Перед началом использования машины всегда осматривайте ее, чтобы убедиться в отсутствии повреждений пластмассовых лезвий и режущего блока.** Использование деталей с повреждениями повышает риск получения травм.
- **Не снимайте защитные щитки.** Защита должна быть в рабочем состоянии и установлена надлежащим образом. В случае недостаточной фиксации, повреждения или ненадлежащей работы защиты существует риск травм.
- **Очищайте от мусора вентиляционные отверстия для охлаждения двигателя.** Блокировка отверстий для забора воздуха может привести к перегреву и возгоранию.
- **Используйте защитные очки и средства защиты органов слуха.** Надлежащие средства защиты позволят снизить риск получения травм.
- **В процессе работы с машиной используйте нескользящую защитную обувь. Не работайте с инструментом босиком или в открытых сандалиях.** Это снижает риск получения травм от соприкосновения стоп с движущейся режущей леской или лезвиями.
- **Независимо от обстоятельств используйте одежду, которая закрывает ноги оператора (например, штаны) при работе с машиной.** Соприкосновение частей тела с движущимся пластмассовым лезвием или режущей леской может привести к получению травм.
- **В процессе работы с машиной убедитесь, что поблизости нет посторонних.** Существует риск получения травм от отлетающих частиц.
- **Запрещается работать с машиной с ее расположением выше уровня пояса.** Это помогает избежать случайного соприкосновения с пластмассовыми лезвиями и обеспечит повышенное качество управления машиной в нестандартных ситуациях.
- **При работе с машиной на мокрой траве проявляйте осторожность. Передвигайтесь шагом, не бегайте.** Это повышает риск падения и получения травмы.
- **Запрещается работать с машиной на избыточно скользких склонах.** Это повышает риск потери управления, падения и получения травмы.
- **Во время работы на склонах всегда следите за равновесием, работайте поперек склона, а не вниз и вверх, будьте особенно внимательны при смене направления движения.** Это повышает риск потери управления, падения и получения травмы.
- **Не допускайте попадания шнуров и кабелей питания в рабочую зону.** Шнуры или кабели питания могут быть спрятаны в живой изгороди или кустах, при этом существует риск их непреднамеренного повреждения режущей леской или пластмассовыми лезвиями.
- **Держите все части тела вдали от движущихся пластмассовых лезвий или режущей лески триммера. Запрещается извлекать материалы из машины до момента отсоединения ее от электрической сети.** Движущиеся лезвия или режущая леска триммера могут стать причиной получения серьезных травм.
- **При переноске машины она должна находиться в выключенном состоянии. Держите машину на расстоянии от себя.** Надлежащее обращение с машиной снизит вероятность случайного прикосновения к движущимся пластмассовым лезвиям или режущей леске триммера.
- **При замене режущих головок, пластмассовых лезвий или режущей лески триммера используйте только рекомендованные производителем комплектующие. Запрещается заменять пластмассовые лезвия или режущую леску на проволоку или лезвия из металла.** Использование неправильно подобранных запасных частей способно привести к потере управления, поломке машины и получению травм.

ДОПОЛНИТЕЛЬНЫЕ УКАЗАНИЯ ПО БЕЗОПАСНОСТИ

- **Перед использованием устройства или после него убедитесь, что в нем нет поврежденных деталей.** Для ремонта или замены неисправного переключателя или любой иной детали следует обращаться в авторизованный сервисный центр.
- **Маленький нож, установленный на защитном кожухе для стрижки газона, предназначен для обрезки лески при ее замене и обеспечивает повышенную безопасность и эффективную работу машины.** Лезвие очень острое. Не касайтесь лезвия, в частности, при очистке изделия.
- **Для замены режущей струны используйте только оригинальные струны от производителя.** Использование других режущих насадок не допускается.
- **Убедитесь, что режущая насадка правильно установлена и надежно закреплена.**
- **Никогда не эксплуатируйте изделие, если все защитные приспособления, отражатели и ручки не будут правильно и надежно закреплены.**
- **Перед каждым использованием проверьте правильность и надежность установки ножа-ограничителя длины лески.**
- **Удерживайте насадку ниже уровня талии.**
- **В случае аварии или поломки немедленно выключите устройство и извлеките аккумуляторный блок. Не используйте устройство, обратитесь в гарантийное обслуживание для дальнейшей проверки.**
- **Чтобы снизить риск получения травмы при контакте с подвижными деталями, всегда выключайте изделие, извлекайте аккумуляторный блок и дождитесь охлаждения обоих узлов. Убедитесь в полной остановке всех движущихся деталей:**
 - перед техническим обслуживанием
 - перед устранением засора
 - перед проверкой, чисткой и техобслуживанием продукта;



- перед заменой принадлежностей
 - после удара о посторонний предмет
 - оставляя продукт без присмотра
 - при выполнении технического обслуживания
 - если продукт начинает вибрировать
- Убедитесь в том, что все устройства защиты и ручки должным образом установлены и находятся в хорошем состоянии.
 - Держите изделие только за предназначенные для этого ручки и соблюдайте рабочий режим.
 - Остерегайтесь объектов, выбрасываемых режущими приспособлениями. Удалите мусор, такой как мелкие камни, гравий и другие посторонние предметы, из рабочей зоны до начала работы. Провода или шнуры могут запутаться в режущих деталях.
 - Всегда проверяйте устройство на отсутствие грязи в вентиляционных отверстиях.
 - Слишком продолжительное использование инструмента может привести к травме. При длительном использовании изделия периодически делайте перерыв.
 - Рабочий диапазон изделия: от 0°C до 40°C.
 - Храните изделие при температуре воздуха от 0°C и 40°C.

ТРЕБОВАНИЯ БЕЗОПАСНОСТИ ПРИ ИСПОЛЬЗОВАНИИ ДОПОЛНИТЕЛЬНОЙ АККУМУЛЯТОРНОЙ БАТАРЕИ

Чтобы уменьшить риск пожара, травмы и повреждения изделия вследствие короткого замыкания не погружайте изделие, аккумуляторный блок или зарядное устройство в жидкость и не допускайте попадания жидкости внутрь. Коррозионные и проводящие жидкости, такие как соленый раствор, определенные химикаты, отбеливающие средства или содержащие их продукты, могут привести к короткому замыканию.

- Заряжайте аккумуляторный блок при температуре воздуха от 10°C до 38°C.
- Храните аккумуляторный блок при температуре воздуха от 0°C и 20°C.
- Эксплуатация аккумуляторного блока допускается при температуре воздуха от 0°C и 40°C.

ТРАНСПОРТИРОВКА И ХРАНЕНИЕ

- Перед размещением на хранение или транспортировкой выключите изделие, извлеките аккумуляторный блок и дождитесь остывания изделия.
- Очистите устройство от всех посторонних материалов.
- Хранение и транспортировка изделия с установленными элементами питания не допускается. Извлеките аккумуляторный блок и надежно закрепите его. Храните его в прохладном, сухом, хорошо проветриваемом и недоступном для детей месте. Оберегайте от веществ, вызывающих коррозию, например, садовых удобрений или соли для удаления льда. Запрещается хранить изделие на улице.
- Для транспортировки закрепите изделие так, чтобы оно не могло переместиться или упасть во избежание травмирования персонала или повреждения изделия.

ПЕРЕВОЗКА ЛИТИЕВЫХ БАТАРЕЙ

- Транспортировку батареи осуществляйте в соответствии местными и национальными нормами и положениями.
- Следуйте всем особым требованиям к упаковке и маркировке при транспортировке батареи в сторонние организации. Проверьте, чтобы батарея не соприкасалась с другими батареями или токопроводящими материалами во время транспортировки, защитив открытые контакты с помощью изоляции, непроводящих колпачков или пленки. Не транспортируйте поврежденные или протекающие батареи. За консультацией обращайтесь в транспортно-экспедиционную компанию.

ОБСЛУЖИВАНИЕ

- Используйте только оригинальные запчасти, аксессуары и насадки от производителя. Невыполнение этого требования может привести к травме, к снижению производительности и к аннулированию гарантии.
- Обслуживание требует чрезвычайной заботы и знания и должно быть выполнено только квалифицированным техником обслуживания. Обратитесь в авторизованный сервисный центр.
- Перед проведением технического обслуживания или очистки выключите изделие и извлеките аккумуляторный блок.
- Вы можете выполнять работы по регулировке и обслуживанию, которые описаны в данном руководстве. Для проведения других ремонтных работ или за получением рекомендаций обращайтесь в авторизованный сервисный центр.
- Для замены струны используйте только нейлоновую струну, диаметр которой выбирается в соответствии с таблицей технических характеристик настоящего руководства.
- После каждого использования протирайте изделие мягкой сухой тканью. В случае повреждения какой-либо детали необходимо обратиться в авторизованный сервисный центр для выполнения надлежащего ремонта или замены.
- Перед каждым использованием и через определенные промежутки времени проверяйте затяжку всех гаек, болтов и винтов, чтобы убедиться, что инструмент находится в безопасном для эксплуатации состоянии. В случае повреждения какой-либо детали необходимо обратиться в авторизованный сервисный центр для выполнения надлежащего ремонта или замены.
- Обратитесь в авторизованный сервисный центр для замены поврежденных или нечитаемых этикеток изделия.

ИЗУЧИТЕ УСТРОЙСТВО

См. стр. 118.

1. Задняя ручка
2. Фиксатор аккумулятора
3. Выключатель питания
4. Курок блокировки
5. Верхний вал привода
6. Передняя ручка
7. Нижний вал привода

8. Лезвие для отрезания струны
9. Направляющее колесо
10. Защитное приспособление
11. Режущая струна
12. Педаль для стрижки краев газона
13. Руководство оператора
14. Крышка шпульки
15. Шпулька
16. Отверстие
17. Регулятор
18. Аккумулятор
19. Зарядное устройство

УСЛОВНЫЕ ОБОЗНАЧЕНИЯ НА ПРОДУКТЕ



Внимание



Перед началом работы с изделием внимательно ознакомьтесь со всеми инструкциями. Соблюдайте технику безопасности.



Надевайте средства защиты органов зрения и слуха.



Помните об опасности, которую представляют собой отбрасываемые устройством или вылетающие из-под него предметы. Не допускайте приближения посторонних лиц, особенно детей и домашних животных к рабочей зоне ближе чем на 15 м



Не используйте металлические лезвия при обслуживании устройства.



Не подвергайте инструмент воздействию дождя и не используйте в условиях повышенной влажности.



Перед запуском и использованием изделия извлеките аккумуляторный блок.



Держите руки подальше от ножей.



Гарантируемый уровень звуковой мощности



Знак соответствия европейским стандартам



Знак соответствия стандартам Великобритании



Знак Евразийского Соответствия



Знак соответствия Украины

Утилизация аккумуляторов, электрического и электронного оборудования в месте с несортированными бытовыми отходами не допускается. Сбор аккумуляторов, электрического и электронного оборудования в целях утилизации должен осуществляться отдельно. Перед утилизацией необходимо извлечь из оборудования элементы питания, аккумуляторы и источники света. Обратитесь к местным органам власти или поставщику, чтобы получить консультацию по переработке или информации о пунктах переработки. Ритейлеры могут быть обязаны бесплатно принимать аккумуляторы, электрическое и электронное оборудование на утилизацию в соответствии с местными регламентами. Ваш вклад в повторную переработку аккумуляторов, а также электрического и электронного оборудования позволит сократить потребность в сырье. Аккумуляторы, в частности, содержащие литий, а также электрическое и электронное оборудование содержит ценные и подлежащие повторной переработке материалы, которые в случае ненадлежащей утилизации способны вредить экологии и здоровью людей. Перед утилизацией удалите с оборудования все персональные данные.



УСЛОВНЫЕ ОБОЗНАЧЕНИЯ В ДАННОМ РУКОВОДСТВЕ



Примечание



Осторожно



Детали или принадлежности, приобретаемые отдельно

Транспортировка:

Категорически не допускается падение и любые механические воздействия на упаковку при транспортировке.

При разгрузке/погрузке не допускается использование любого вида техники, работающей по принципу зажима упаковки.

Хранение:

Необходимо хранить в сухом месте.

Необходимо хранить вдали от источников повышенных температур и воздействия солнечных лучей.

При хранении необходимо избегать резкого перепада температур.

Хранение без упаковки не допускается.

Срок службы изделия:

Срок службы изделия составляет 5 лет.

Не рекомендуется к эксплуатации по истечении 5 лет хранения с даты изготовления без предварительной проверки.

Дата изготовления (код даты) отштампован на поверхности корпуса изделия.

Пример:

W17 Y2015, где Y2015 - год изготовления

W17 – неделя изготовления

Определить месяц изготовления можно согласно приведенной ниже таблице, на примере 2015 года.

Обратите внимание! Количество недель в месяце различается от года в год.

Месяц	Январь	Февраль	Март	Апрель	Май	Июнь	Июль	Август	Сентябрь	Октябрь	Ноябрь	Декабрь	Год
Неделя	01	05	09	14	18	22	27	31	36	40	44	49	2015
	02	06	10	15	19	23	28	32	37	41	45	50	
	03	07	11	16	20	24	29	33	38	42	46	51	
	04	08	12	17	21	25	30	34	39	43	47	52	
	05	09	13	18	22	26	31	35	40	44	48	53	
			14			27							

- EN
- FR
- DE
- ES
- IT
- NL
- PT
- DA
- SV
- FI
- NO
- RU**
- PL
- CS
- HU
- RO
- LV
- LT
- ET
- HR
- SL
- SK
- BG
- UK
- TR
- EL

Bezpieczeństwo, efektywność i niezawodność były czynnikami o najwyższym priorytecie w trakcie projektowania Państwa bezprzewodowej podkaszarki żyłkowej.

PRZEZNACZENIE URZĄDZENIA

Bezprzewodowa podkaszarka żyłkowa nadaje się do cięcia długiej trawy, niezdrewniałych chwastów i podobnej roślinności na poziomie gruntu lub powyżej poziomu gruntu.

W trakcie przycinania na wysokość płaszczyzna cięcia powinna być ustawiona w przybliżeniu równolegle do gruntu, a w trakcie kształtowania płaszczyzny pionowej krzewów — w przybliżeniu pionowo.

Produkt powinny obsługiwać odpowiedzialne za swoje czyny osoby dorosłe, które przeczytały i zrozumiały instrukcje i ostrzeżenia zawarte w niniejszym podręczniku.

Produkt jest przeznaczony do użytku wyłącznie na zewnątrz pomieszczeń w dobrze wentylowanym miejscu. Ze względów bezpieczeństwa produkt należy obsługiwać dwiema rękami.

Nie używać do żadnych innych celów.

OGÓLNE OSTRZEŻENIA DOTYCZĄCE BEZPIECZEŃSTWA PRODUKTU

⚠ OSTRZEŻENIE! Należy zapoznać się ze wszystkimi dostarczonymi z tym produktem instrukcjami, ilustracjami i specyfikacjami. Nie przestrzeganie przedstawionych niżej zaleceń mogłoby pociągnąć za sobą wypadki takie jak pożary, porażenia prądem elektrycznym i/lub poważne obrażenia ciała.

Zachowajcie te ostrzeżenia i zalecenia, aby móc się do nich odnieść w późniejszym czasie.

Określenie „elektronarzędzie” w ostrzeżeniach oznacza produkt zasilany z sieci (przewodowy) lub zasilany akumulatorem (bezprzewodowy).

OTOCZENIE ROBOCZE

- **Miejsce pracy musi być utrzymywane w czystości i dobrze oświetlone.** Obszary zaśmieczone lub niewystarczająco oświetlone mogą być przyczyną wypadku.
- **Nie wolno uruchamiać urządzeń elektrycznych w miejscach, gdzie grozi to wybuchem, na przykład w pobliżu łatwopalnych cieczy, gazów lub pyłów.** Urządzenia elektryczne mogą wytwarzać iskry, które mogą być przyczyną zapłonu pyłów lub oparów.
- **Podczas używania narzędzi elektrycznych należy utrzymywać osoby postronne i dzieci z dala od miejsca pracy.** Odwrócenie uwagi operatora może spowodować utratę kontroli nad urządzeniem.

ZASADY BEZPIECZEŃSTWA DOTYCZĄCE OBSŁUGI URZĄDZEŃ ELEKTRYCZNYCH

- **Wtyczki zasilania elektronarzędzi muszą pasować do gniazd sieciowych. Nie wolno modyfikować wtyczek w żaden sposób. Nie wolno używać żadnych przejściówek do podłączania urządzeń posiadających przewód zasilania z uziemieniem.** Stosowanie oryginalnych wtyczek i dopasowanych gniazd sieciowych zmniejsza ryzyko porażenia prądem.
- **Unikać kontaktu ciała z powierzchniami uziemionymi lub podłączonymi do bieżąca zerowego, np. rury, instalacje grzewcze i chłodnicze.** Kontakt ciała z masą lub uziemieniem zwiększa ryzyko porażenia prądem.

- **Nie narażać tego produktu na działanie deszczu lub wody. Przedostanie się wody do wnętrza elektronarzędzia zwiększa ryzyko porażenia prądem.**
- **Nie uszkodzić przewodu zasilania. Nie wolno używać przewodu zasilania do przenoszenia, ciągnięcia urządzenia lub jego odłączania z gniazda sieciowego. Przewody elektryczne trzymać z dala od źródeł ciepła, oleju, ostrych krawędzi lub ruchomych elementów. Uszkodzony lub zaplątany przewód elektryczny zwiększa ryzyko porażenia prądem.**

BEZPIECZEŃSTWO OSOBISTE

- **Zachowywać skupienie, uważnie obserwować wykonywane czynności, stosować zasady zdrowego rozsądku podczas obsługi urządzenia. Nie używać urządzeń elektrycznych w stanie zmęczenia lub będąc pod wpływem leków, alkoholu lub środków odurzających.** Moment nieuwagi podczas obsługi elektronarzędzia może być przyczyną poważnego zranienia.
- **Stosować środki ochrony osobistej. Zawsze nosić okulary ochronne.** Sprzęt ochronny, taki jak maski przeciwpyłowe, ochronne obuwie antypoślizgowe, kask czy ochronniki słuchu, stosowany w odpowiednich warunkach pozwala zapobiegać obrażeniom.
- **Unikać możliwości przypadkowego uruchomienia urządzenia. Przed podłączeniem do zasilania/założeniem akumulatora lub w celu jego podniesienia lub przeniesienia należy upewnić się, że wyłącznik zasilania znajduje się w położeniu wyłączonym.** Przenoszenie elektronarzędzia z palcem na wyłączniku lub podłączenie zasilania do urządzenia, w którym wyłącznik znajduje się w położeniu wyłączonym grozi wypadkiem.
- **Usunąć wszelkie narzędzia i klucze przed włączeniem zasilania.** Uruchomienie elektronarzędzia z kluczem założonym na ruchomy element grozi poważnym wypadkiem.
- **Nie sięgać zbyt daleko. Należy cały czas pewnie opierać stopy i utrzymywać równowagę.** Zapewni to lepsze panowanie nad urządzeniem w nieprzewidywanych sytuacjach.
- **Należy zakładać odpowiednią odzież ochronną. Nie zakładać luźnego ubioru ani biżuterii. Włosy i luźne fragmenty odzieży należy trzymać z dala od ruchomych części.** Mogą być one wciągnięte przez ruchome części urządzenia.
- **Jeśli używane urządzenie posiada przyłączy do wyciągu i gromadzenia kurzu, należy go używać w odpowiedni sposób.** Stosowanie metod usuwania pyłu zmniejsza zagrożenie związane z jego gromadzeniem.
- **Nie należy dopuszczać do tego, aby wcześniejsza znajomość obsługi podobnych narzędzi doprowadziła do ignorowania zasad bezpiecznego posługiwania się narzędziem.** Nieostrożna obsługa może spowodować poważne urazy ciała w ciągu ułamka sekundy.

UŻYTKOWANIE I KONSERWACJA URZĄDZEŃ ELEKTRYCZNYCH

- **Nie przeciągać urządzenia. Używać odpowiedniego narzędzia do odpowiedniego rodzaju prac.** Najlepsze efekty pracy, przy zachowaniu pełnego bezpieczeństwa, zapewni używanie urządzeń w zakresie parametrów znamionowych i stosownie do ich przeznaczenia.

- **Nie używać tego urządzenia, jeśli wyłącznik nie pracuje poprawnie.** Używanie elektronarzędzia bez sprawnego wyłącznika jest zbyt niebezpieczne - należy oddać je do naprawy.
- **Przed przystąpieniem do regulacji lub wymiany akcesoriów bądź przed rozpoczęciem przechowywania należy odłączyć wtyczkę od źródła zasilania i/lub (o ile jest to możliwe) odłączyć akumulator od narzędzia z napędem.** Tego rodzaju środki zapobiegawcze pozwolą zmniejszyć ryzyko przypadkowego uruchomienia elektronarzędzia.
- **Nie używane urządzenia należy przechowywać poza zasięgiem dzieci. Nie wolno zezwalać osobom nie obeznanym z obsługą urządzeń elektrycznych na ich używanie.** Urządzenia elektryczne mogą być niebezpieczne w rękach osób nieposiadających odpowiedniego przygotowania.
- **Narzędzia z napędem i akcesoria należy utrzymywać w dobrym stanie technicznym. Należy sprawdzać wyrównanie elementów ruchomych, sprawdzać, czy nie ma jakichkolwiek uszkodzeń, uwzględniać wszelkie aspekty mające wpływ na bezpieczną pracę urządzenia. W przypadku stwierdzenia uszkodzeń, oddać urządzenie do naprawy.** Wiele wypadków spowodowane jest używaniem urządzeń w niewłaściwym stanie technicznym.
- **Elementy tnące muszą być ostre i czyste.** Odpowiednio ostre krawędzie tnące ułatwią prowadzenie urządzenia i są bardziej odporne na uszkodzenie.
- **Wszelkie urządzenia, przystawki, akcesoria itp. należy używać zgodnie z dołączonymi instrukcjami obsługi, z uwzględnieniem warunków i charakteru wykonywanej pracy.** Używanie narzędzi w sposób niezgodny z ich przeznaczeniem grozi poważnym niebezpieczeństwem.
- **Uchwyty i powierzchnie do trzymania muszą zawsze być suche, czyste i wolne od smaru oraz oleju.** Śliskie uchwyty i powierzchnie do trzymania nie umożliwiają bezpiecznej obsługi i kontrolowania narzędzia w nieoczekiwanych sytuacjach.

UŻYTKOWANIE I OBSŁUGA AKUMULATORA

- **Ładować wyłącznie za pomocą ładowarki dostarczonej przez producenta.** Ładowarka przeznaczona do jednego modelu akumulatora może być przyczyną pożaru w przypadku zastosowania do ładowania akumulatora innego typu.
- **Używać narzędzi ręcznych z napędem elektrycznym wyłącznie z akumulatorami przeznaczonymi do tych urządzeń.** Używanie innych akumulatorów wiąże się ze zwiększonym ryzykiem pożaru lub obrażeń ciała.
- **Gdy akumulator nie jest używany, przechowywać go z dala od innych metalowych przedmiotów, np. spinaczy, monet, kluczy, gwoździ, śrub lub innych małych metalowych przedmiotów, które mogłyby utworzyć połączenie między stykami, prowadząc do zwarcia.** Zwarcie styków akumulatora może spowodować oparzenia lub pożar.
- **W przypadku niewłaściwej obsługi może dojść do wycieku płynu z akumulatora, należy unikać kontaktu z tym płynem. Miejsce ewentualnego kontaktu przepłukać wodą. W przypadku, gdy płyn dostanie się do oczu, po przemyciu zwrócić się o pomoc do lekarza.** Płyn wyciekający z akumulatora może powodować podrażnienia i oparzenia.
- **Nie stosować uszkodzonych ani zmodyfikowanych akumulatorów i narzędzi.** Uszkodzone lub zmodyfikowane akumulatory mogą zachowywać się w sposób nieprzewidywalny, co może prowadzić do pożaru, wybuchu lub ryzyka obrażeń.
- **Nie narażać akumulatora lub narzędzia na działanie ognia lub zbyt wysokich temperatur.** Narażenie na działanie ognia lub temperatury powyżej 130°C może spowodować wybuch.
- **Przestrzegać wszystkich instrukcji ładowania i nie ładować akumulatora ani narzędzia poza podanym w instrukcji zakresem temperatur.** Ładowanie w niewłaściwy sposób lub w temperaturze poza określonym zakresem może doprowadzić do uszkodzenia akumulatora i wzrostu zagrożenia pożarowego.
- **Urządzenie elektryczne powinno być naprawiane przez wykwalifikowany personel, z zastosowaniem identycznych części zamiennych.** Dzięki temu zapewnione będzie bezpieczeństwo użytkowania urządzenia.
- **Nigdy nie serwisować uszkodzonych akumulatorów.** Serwisowaniem akumulatorów powinien zajmować się wyłącznie producent lub autoryzowany serwis.

KONSERWACJA

- **Urządzenie elektryczne powinno być naprawiane przez wykwalifikowany personel, z zastosowaniem identycznych części zamiennych.** Dzięki temu zapewnione będzie bezpieczeństwo użytkowania urządzenia.
- **Nigdy nie serwisować uszkodzonych akumulatorów.** Serwisowaniem akumulatorów powinien zajmować się wyłącznie producent lub autoryzowany serwis.

PODKASZARKA ŻYŁKOWA — OSTRZEŻENIA DOTYCZĄCE BEZPIECZEŃSTWA

- **Nie należy używać urządzenia w niekorzystnych warunkach atmosferycznych, zwłaszcza gdy istnieje ryzyko uderzenia pioruna.** Zmniejsza to ryzyko porażenia piorunem.
- **Należy dokładnie sprawdzić, czy na obszarze, na którym ma być używane urządzenie, nie ma dzikich zwierząt.** Dzikie zwierzęta mogą zostać zranione przez urządzenie podczas pracy.
- **Dokładnie sprawdzić obszar, na którym ma być używane urządzenie, i usunąć wszelkie kamienie, patyki, druty, kości i inne przedmioty.** Miotane przedmioty mogą spowodować obrażenia.
- **Przed użyciem urządzenia należy zawsze przeprowadzić jego oględziny, aby upewnić się, czy obcinak lub zespół obcinaka nie są zużyte lub uszkodzone.** Uszkodzone części zwiększają ryzyko pożaru.
- **Nie zdejmować osłon. Osłony muszą być sprawne i prawidłowo zamontowane.** Osłona, która jest poluzowana, uszkodzona lub nie działa prawidłowo, może spowodować obrażenia.
- **Wszelkie otwory wentylacyjne należy utrzymywać w stanie wolnym od zanieczyszczeń.** Zablokowane wloty powietrza i zanieczyszczenia mogą powodować przegrzanie lub ryzyko pożaru.
- **Stosować środki ochrony oczu i uszu.** Odpowiednie wyposażenie ochronne ograniczy obrażenia ciała.
- **W trakcie obsługi urządzenia należy zawsze nosić antypoślizgowe obuwie ochronne. Nie wolno obsługiwać urządzenia będąc boso, lub mając założone lekkie obuwie typu sandały.** Zmniejsza to prawdopodobieństwo obrażeń stóp w wyniku kontaktu z ruchomym obcinakiem.
- **Podczas obsługi maszyny należy zawsze nosić odzież, np. spodnie z długimi nogawkami.** Kontakt z ruchomym obcinakiem lub żyłką może spowodować obrażenia.

- **Urządzenia należy używać z dala od osób postronnych.** Wyrzucane pozostałości mogą spowodować poważne obrażenia.
- **W trakcie pracy z urządzeniem nie należy trzymać go powyżej pasa.** Zapobiega to niezamierzonemu dotknięciu obcinaka i umożliwia lepszą kontrolę nad urządzeniem w nieoczekiwanych sytuacjach.
- **Należy zachować ostrożność podczas obsługi urządzenia w mokrej trawie. Podczas pracy należy chodzić, nie wolno biegać.** Zmniejsza to ryzyko poślizgnięcia się i upadku, mogących prowadzić do powstania obrażeń.
- **Nie używać urządzenia na zbyt stromych zboczach.** Zmniejsza to ryzyko utraty kontroli, poślizgnięcia się i upadku, mogących prowadzić do powstania obrażeń.
- **Podczas pracy na zboczach należy zawsze upewniać się, że stoi się na stabilnym gruncie, zawsze kosić w poprzek zbocza, a nigdy w górę lub w dół, zaś podczas zmiany kierunku zachowywać szczególną ostrożność.** Zmniejsza to ryzyko utraty kontroli, poślizgnięcia się i upadku, mogących prowadzić do powstania obrażeń.
- **Wszystkie przewody zasilające i kable należy trzymać z dala od obszaru cięcia.** Przewody zasilające lub kable mogą być ukryte w żywopłotach lub krzewach i mogą zostać przypadkowo przecięte żyłką lub obcinak.
- **Podczas pracy urządzenia należy trzymać wszystkie części ciała z dala od ruchomego obcinaka oraz żyłki. Nie należy usuwać materiału z urządzenia, dopóki nie zostanie ono odłączone od źródła zasilania.** Obcinak lub żyłka w ruchu mogą spowodować poważne obrażenia.
- **W czasie przenoszenia urządzenie powinno być wyłączone i trzymane z dala od ciała.** Właściwa obsługa urządzenia zmniejszy prawdopodobieństwo przypadkowego kontaktu z ruchomym obcinakiem oraz żyłką.
- **Jako części zamienne należy stosować wyłącznie obcinaki i żyłki określone przez producenta. Nie należy zastępować obcinaków ani żyłek drutami lub ostrzami wykonanymi z metalu.** Niewłaściwe części zamienne mogą spowodować utratę kontroli, awarie i obrażenia.
- Przed każdym użyciem należy upewnić się, że ostrze odcinające w osłonie znajduje się w prawidłowym położeniu i jest prawidłowo zamocowane.
- Utrzymywać przystawkę z głowicą tnącą poniżej poziomu talii operatora.
- W razie wypadku lub awarii natychmiast wyłączyć i wymontować akumulator. Nie należy włączać produktu ponownie, dopóki nie zostanie w pełni sprawdzony przez autoryzowane centrum serwisowe.
- Aby ograniczyć ryzyko obrażeń związanych z kontaktem z częściami w ruchu, zawsze wyłączać produkt, wyjmować akumulator i poczekać, aż zarówno produkt, jak i akumulator ostygną. Upewnić się, że wszystkie elementy ruchome zostały całkowicie zatrzymane:
 - przed serwisowaniem
 - przed usunięciem zatoru
 - przed sprawdzeniem, czyszczeniem i użytkowaniem produktu,
 - przed wymianą akcesoriów
 - po uderzeniu innym przedmiotem
 - pozostawiając produkt bez nadzoru
 - zawsze w trakcie wykonywania konserwacji
 - jeśli produkt zacznie wibrować w nietypowy sposób
- Należy dopilnować, aby wszystkie osłony i uchwyty były odpowiednio zamontowane i znajdowały się w dobrym stanie.
- Należy trzymać produkt za odpowiednie uchwyty oraz stosować się do zaleceń dotyczących czasu pracy i narażenia.
- Należy zwrócić uwagę na obiekty odrzucane przez elementy tnące. Przed rozpoczęciem pracy należy usunąć małe kamienie, gruz oraz inne obce obiekty z miejsca pracy. Druty lub sznurki mogą zostać pochwycone przez przyrząd tnący.
- Otwory wentylacyjne należy utrzymywać w stanie wolnym od zanieczyszczeń.
- Długotwałe użytkowanie narzędzia może spowodować obrażenia ciała lub nasilić dolegliwości zdrowotne. W przypadku długotwałego użytkowania jakiegokolwiek produktu należy robić regularne przerwy.
- Produkt należy stosować tylko w temperaturach od 0°C do 40°C.
- Produkt należy przechowywać w miejscu, w którym temperatura otoczenia wynosi od 0°C do 40°C.

DODATKOWE OSTRZEŻENIA DOTYCZĄCE BEZPIECZEŃSTWA

- Przed użyciem oraz po jakimkolwiek uderzeniu należy sprawdzić, czy żadna część nie jest uszkodzona. Uszkodzony przełącznik lub inna uszkodzona lub zużyta część muszą być odpowiednio naprawione lub wymienione przez autoryzowany punkt serwisowy.
- Zadaniem nożyka przymocowanego do osłony trawnikowej jest przycinanie wysuniętej żyłki na właściwą długość w celu zapewnienia bezpiecznego, optymalnego działania. Ostrze jest bardzo ostre. Nie dotykać ostrza — zwłaszcza w trakcie czyszczenia produktu.
- Należy stosować wyłącznie żyłkę tnącą producenta. Nie używaj żadnych innych akcesoriów tnących.
- Należy upewnić się, że głowica tnąca jest prawidłowo zainstalowana i dobrze zamocowana.
- Nigdy nie wolno używać produktu, jeśli jakkolwiek osłona, deflektor lub uchwyt nie są prawidłowo i dobrze zamocowane.

AKUMULATOR — DODATKOWE OSTRZEŻENIA DOTYCZĄCE BEZPIECZEŃSTWA

Aby ograniczyć ryzyko pożaru, obrażeń oraz uszkodzenia produktu z powodu zwarcia, nigdy nie zanoszć produktu, akumulatora ani ładowarki w płynie ani nie dopuszczać do przedostania się płynu do ich wnętrza. Zwarcie spowodować mogą korodujące lub przewodzące ciecze, takie jak woda morską, określone chemikalia i wybielacze lub produkty zawierające wybielacze.

- Akumulator należy ładować w miejscu, w którym temperatura otoczenia wynosi od 10°C do 38°C.
- Akumulator należy przechowywać w miejscu, w którym temperatura otoczenia wynosi od 0°C do 20°C.
- Akumulator należy użytkować w miejscu, w którym temperatura otoczenia wynosi od 0°C do 40°C.

TRANSPORT I PRZECHOWYWANIE

- Przed odłożeniem bądź rozpoczęciem transportu lub składowania wymontować akumulator i poczekać, aż produkt ostygnie.
- Usunąć z produktu wszelkie zanieczyszczenia.
- Nie przechowywać ani nie transportować produktu z włożonym akumulatorem. Wyjąć akumulator i zamocować go osobno. Należy przechowywać urządzenie w chłodnym, suchym i dobrze wentylowanym miejscu, które jest niedostępne dla dzieci. Nie przechowywać urządzenia wraz z materiałami korozyjnymi, takimi jak ogrodowe substancje chemiczne lub sól odmrażająca. Nie przechowywać produktu poza pomieszczeniami.
- W przypadku transportu produktu należy zabezpieczyć go przed przemieszczaniem się lub upadkiem, aby nie dopuścić do obrażeń ciała lub uszkodzenia urządzenia.

TRANSPORTOWANIE AKUMULATORÓW LITOWYCH

- Akumulatory należy transportować zgodnie z lokalnymi i krajowymi przepisami i regulacjami.
- Należy postępować zgodnie z wszystkimi specjalnymi wymaganiami dotyczącymi pakowania i etykietowania akumulatorów podczas transportu przez stronę trzecią. Upewnij się, że żadne akumulatory nie zetkną się z innymi akumulatorami lub materiałami przewodzącymi podczas transportu; w tym celu należy zabezpieczyć odkryte złącza nieprzewodzącymi nakładkami izolacyjnymi lub taśmą izolacyjną. Nie należy transportować pękniętych ani nieszczelnych akumulatorów. Szczegółowe porady można uzyskać w firmie spedycyjnej.

KONSERWACJA

- Należy stosować wyłącznie oryginalne części zamienne, akcesoria oraz przystawki producenta. W przeciwnym razie może dość do obrażeń ciała, niskiej wydajności oraz do unieważnienia gwarancji.
- Serwisowanie wymaga wyjątkowej staranności i wiedzy. Może być wykonywane wyłącznie przez wykwalifikowany personel serwisowy. Serwisowanie należy powierzać wyłącznie autoryzowanemu serwisowi.
- Przed przystąpieniem do prac konserwacyjnych lub czyszczenia należy wyłączyć produkt i wyjąć akumulator.
- Użytkownik może jedynie wykonywać czynności regulacyjne i naprawcze opisane w tej instrukcji obsługi. W przypadku innych napraw lub pytań należy zwrócić się o pomoc do autoryzowanego punktu serwisowego.
- Do wymiany należy stosować wyłącznie nylonowej ciągłej żyłki o średnicy podanej w tabeli specyfikacji w tej instrukcji.
- Po każdym użyciu należy wyczyścić produkt miękką, suchą szmatką. Każdą uszkodzoną część należy odpowiednio naprawić lub wymienić w autoryzowanym punkcie serwisowym.
- Często (w tym przed każdym użyciem) sprawdzać wszystkie nakrętki, śruby i wkręty pod kątem należytego dokręcenia, aby mieć pewność, że produkt jest bezpieczny. Każdą uszkodzoną część należy odpowiednio naprawić lub wymienić w autoryzowanym punkcie serwisowym.
- Jeśli etykiety są uszkodzone lub nieczytelne, należy zwrócić produkt do punktu serwisowego w celu wymiany etykiet.

POZNAJ SWÓJ PRODUKT

Patrz str. 118.

1. Tylny uchwyt
2. Zatrzask akumulatora
3. Przycisk uruchamiający
4. Spust blokady
5. Górny wał napędowy
6. Przedni uchwyt
7. Dolny wał napędowy
8. Ostrze do przycinania żyłki
9. Koło prowadzące
10. Osłona zabezpieczająca
11. Linia cięcia
12. Uchwyt do trzymania w trakcie przycinania krawędzi
13. Instrukcja obsługi
14. Osłona szpuli
15. Szpula
16. Przelotka
17. Suwak
18. Akumulator
19. Ładowarka

SYMBOLE PRODUKTU

Alarm bezpieczeństwa



Przed przystąpieniem do obsługi produktu należy przeczytać ze zrozumieniem wszystkie instrukcje. Należy przestrzegać wszystkich ostrzeżeń i instrukcji dotyczących bezpieczeństwa.



Zakładać środki ochrony wzroku i słuchu.



Uwaga na odrzucane przedmioty. Dopilnować, aby wszyscy gapie — zwłaszcza dzieci, a także zwierzęta — znajdowali się co najmniej 15 m od obszaru pracy.



Nie należy montować w produkcie metalowych ostrzy.



Nie wystawiać urządzenia na działanie deszczu ani nie używać w miejscach o dużej wilgotności.



Przed rozpoczęciem pracy z produktem wymontować akumulator.



Nie zbliżać dłoni do ostrzy.



Gwarantowany poziom mocy akustycznej



Symbol zgodności z przepisami europejskimi



Symbol zgodności z przepisami brytyjskimi



Oznaczenie zgodności EurAsian



Symbol zgodności z przepisami ukraińskimi

SYMBOLE STOSOWANE W NINIEJSZEJ INSTRUKCJI



Uwaga



Ostrzeżenie!



Części lub akcesoria sprzedawane osobno

Zużytego sprzętu elektrycznego i elektronicznego, w tym zużytych baterii i akumulatorów, nie należy wyrzucać jako nieposortowanych odpadów komunalnych. Zużyty sprzęt elektryczny i elektroniczny, w tym zużyte baterie i akumulatory, musi być gromadzony osobno. Zużyte baterie, akumulatory i źródła światła muszą zostać usunięte ze sprzętu. Porady dotyczące recyklingu i informacje dotyczące punktów zbiórki odpadów można uzyskać od władz lokalnych bądź sklepu, w którym nabyto produkt. Zgodnie z lokalnymi przepisami sprzedawcy detaliczni mogą być zobowiązani do nieodpłatnego odbioru zużytego sprzętu elektrycznego i elektronicznego, w tym baterii i akumulatorów. Państwa wkład w ponowne wykorzystanie i recykling zużytego sprzętu elektrycznego i elektronicznego, w tym baterii i akumulatorów, pomaga zmniejszyć zapotrzebowanie na surowce. Zużyte baterie i akumulatory — w szczególności zawierające lit — a także pozostały sprzęt elektryczny i elektroniczny, zawierają nadające się do recyklingu i cenne materiały i surowce, które mogą mieć negatywny wpływ na środowisko naturalne i zdrowie ludzkie, jeśli nie są usuwane w sposób przyjazny dla środowiska naturalnego. Z utylizowanego sprzętu należy usunąć wszelkie ewentualne dane osobowe.





Při návrhu vašeho akumulátorového strunového vyžinače byl kladen obzvláštní důraz na bezpečnost, provozní vlastnosti a spolehlivost.

ZAMÝŠLENÉ POUŽITÍ

Tento akumulátorový strunový vyžinač je určen k sekání dlouhé trávy, dužnatého plevelu a podobné vegetace těsně nad zemí.

Řezná rovina by měla být při zastřihávání trávníku přibližně paralelní se zemí a při údržbě okrajů přibližně vertikální.

Tento stroj je určen k používání dospělými osobami, které četly návod k použití, chápou riziko a nebezpečí s ním spojená a mohou být považovány za osoby zodpovědné za své jednání.

Tento výrobek je určen pouze pro venkovní používání v dobře větrané oblasti. Z bezpečnostních důvodů je nutné s produktem řádně manipulovat oběma rukama.

Přístroj nepoužívejte ji k jiným účelům.

OBCENÁ BEZPEČNOSTNÍ UPOZORNĚNÍ K PRODUKTU

VAROVÁNÍ! Přečtěte si všechny bezpečnostní pokyny, ilustrace a specifikace dodané s tímto produktem. Nedodržení uvedených pokynů může způsobit požár, úraz elektrickým proudem a/nebo jiné vážné zranění.

Usochejte všechny pokyny a upozornění, abyste se k nim mohli v budoucnosti vrátit.

Termín „elektrické nářadí“ ve výstrahách odkazuje na produkt napájený ze sítě (s kabelem) nebo na baterie (bezdrátový).

PRACOVNÍ PROSTŘEDÍ

- **Udržujte pracovní prostor čistý a dobře osvětlený.** Zatarasené nebo tmavé oblasti vedou k nehodám.
- **Neppracujte s tímto elektricky poháněným nástrojem ve výbušných prostředích, například v přítomnosti hořlavých kapalin, plynů nebo prachu.** Elektricky poháněné nástroje vytvářejí jiskry, které mohou zapálit prach nebo výpary.
- **Udržujte děti a přihlízející během práce s elektricky poháněným nástrojem stranou.** Rozptylování může způsobit ztrátu kontroly.

ELEKTRICKÁ BEZPEČNOST

- **Zástrčky elektricky poháněného nástroje musí být shodné s elektrickou zásuvkou.** Nepokoušejte se zástrčku jakýmkoliv způsobem upravovat. **Nepoužívejte žádný adaptér zástrček se zemněným (uzemněným) elektricky poháněným nástrojem.** Neupravené zástrčky a shodné zásuvky snižují nebezpečí elektrického úrazu.
- **Předcházejte tělesnému kontaktu s uzemněnými nebo zemněnými povrchy, například trubkami, radiátory, sporáky a lednicemi.** Je zde zvýšené nebezpečí zásahu elektrickým proudem, pokud je vaše tělo zemněno nebo uzemněno.
- **Nevystavujte tento přístroj dešti nebo vlhkým podmínkám.** Voda vnikající do elektricky poháněného nástroje zvyšuje nebezpečí elektrického úrazu.
- **Nepoškozujte napájecí kabel.** Nikdy pro odpojování, táhnutí nebo přenašení elektricky poháněného

nástroje **nepoužívejte kabel.** Udržujte kabel mimo horké plochy, olej, pohyblivé součásti nebo ostré hrany. Poškozené nebo zamotané kabely zvyšují nebezpečí elektrického úrazu.

OSOBNÍ BEZPEČNOST

- **Budte ve střehu, hlídejte, co děláte a používejte zdravý rozum při provozu tohoto elektricky poháněného nástroje.** Elektrický nástroj **nepoužívejte, pokud jste unaveni nebo pod vlivem drog, alkoholu nebo léků.** Chvilce nepozornosti při práci s tímto elektricky poháněným nástrojem může způsobit vážná poranění osob.
- **Používejte osobní ochrannou výbavu. Vždy noste ochranu očí.** Ochranné prostředky jako ochranná maska, protiskluzová bezpečnostní obuv, přilba a ochrana sluchu využívané podle podmínek snižují riziko úrazů.
- **Zabraňte náhodnému spuštění. Zabezpečte, aby byl spínač v poloze vypnuto (off) před připojením zdroje energie a/nebo bloku baterií, přípravou nebo nesením nástroje.** Nošení elektrického nástroje s vaším prstem na spínači nebo se zapojenou zástrčkou elektrického nástroje může při zapnutí vést k nehodě.
- **Odstraňte všechny seřizovací klíče nebo šroubováky, než zapnete poháněný nástroj.** Klíč nebo šroubovák ponechaný přiložený k pohyblivému dílu elektricky poháněného nástroje může způsobit poranění osob.
- **Nepřeceňujte se. Udržujte řádné postavení a rovnováhu po celou dobu práce.** Toto umožňuje lepší ovládnutí poháněného nástroje v neočekávaných situacích.
- **Správně se oblékejte. Nenoste volný oděv nebo šperky. Braňte styku vlasů a oděvu s pohyblivými částmi.** Volný oděv, šperky nebo dlouhé vlasy mohou být zachyceny do pohyblivých dílů.
- **Pokud jsou zařízení vybavena přípojkou pro odsávání prachu a sběrným zařízením, ujistěte se, že jsou správně připojeny k nástroji, a že se správně používají.** Použití odsavače prachu může snížit nebezpečí související s prachem.
- **Nenechte se ukolébat znalostmi získanými při častém používání nástrojů a neignorujte bezpečnostní pravidla.** Nedbalá činnost může způsobit poranění ze zlomku sekundy.

POUŽITÍ A PÉČE O NÁSTROJ

- **Nepoužívejte nadměrnou sílu na nástroj.** Nářadí vybírejte podle povahy práce, kterou chcete provádět. Správný elektricky poháněný nástroj bude svou práci provádět lépe a bezpečněji při práci, pro kterou byl navržen.
- **Elektricky poháněný nástroj nepoužívejte, pokud spínač nezapíná a nevyplíná.** Každý elektricky poháněný nástroj, který nemůže být ovládán spínačem, je nebezpečný a musí být opraven.
- **Před jakýmkoliv seřizováním, výměnou doplňků, vyjímáním baterie nebo ukládáním elektrického nářadí odpojte nejdříve zástrčku od zdroje napájení elektrického nářadí, popřípadě, podle provedení, vyjměte baterii.** Také bezpečnostní preventivní opatření snižují riziko náhodného spuštění elektrického nástroje.





- **Ukládejte nečinný elektricky poháněný nástroj mimo dosah dětí a nenechávejte neznámé osoby pracovat s elektricky poháněným nástrojem nebo s těmito pokyny k obsluze elektrického nástroje.** Elektricky poháněné nástroje jsou nebezpečné v rukou nekvalifikovaných uživatelů.
- **Provádějte údržbu elektrického nářadí i příslušenství.** Kontrolujte vychýlení nebo zasekávání pohyblivých dílů, rozbité části a každé jiné podmičky, které mohou ovlivnit funkci elektricky poháněných nástrojů. Zjistí-li se poškození, musí se elektricky poháněný nástroj před použitím opravit. Mnoho úrazů je způsobeno nedostatečně udržovanými elektricky poháněnými nástroji.
- **Udržujte řezné nástroje ostré a čisté.** Řádně udržované řezné nástroje s ostrými řeznými hranami mají nízkou pravděpodobnost zaseknutí a jsou snadněji ovladatelné.
- **Poháněné nástroje, příslušenství a vrtáky, atd. používejte v souladu s těmito pokyny s ohledem k pracovním podmínkám a práci, která má být provedena.** Použití elektricky poháněného nástroje pro práce jiné, než zamýšlené by mohlo mít za následek nebezpečnou situaci.
- **Udržujte rukojeti a úchopové oblasti suché, čisté a bez mastnot a oleje.** Kluzké rukojeti a úchopové plochy neumožňují bezpečnou manipulaci a kontrolu nad nástrojem v neočekávaných situacích.

POUŽITÍ A PÉČE O NÁSTROJ NA BATERIE

- **Dobíjejte pouze nabíječkou určenou výrobcem.** Nabíječka, která je vhodná pro jeden typ akumulátoru může způsobit nebezpečí požáru, pokud se používá s jiným bateriovým modulem.
- **Elektrický nástroj používejte pouze s přesně určeným bateriovým modulem.** Použití jakéhokoliv jiného akumulátoru může způsobit nebezpečí poranění a požáru.
- **Pokud akumulátor nepoužíváte, uchovávejte jej mimo kovové předměty jako svorky pro papír, mince, klíče, hřebíky, šrouby nebo jiné malé kovové předměty, které mohou vytvořit propojení jednoho vývodu s druhým.** Zkratování vývodů baterie může způsobit požár nebo popáleniny.
- **Za nevhodných podmínek může z baterie vytékat kapalina; zabraňte kontaktu.** Pokud dojde k náhodnému kontaktu, omyjte vodou. Pokud kapalina přijde do kontaktu s očima, ihned vyhledejte lékařskou pomoc. Kapalina vytečená z baterie způsobit podráždění nebo popáleniny.
- **Nepoužívejte baterie ani nástroj, který je poškozený nebo upravený.** Poškozené nebo upravené baterie se mohou chovat nepředvídatelně a důsledkem může být požár, výbuch nebo riziko zranění.
- **Nevystavujte baterii ani zařízení ohni nebo příliš vysoké teplotě.** Vystavení ohni nebo teplotám nad 130 °C může způsobit výbuch.
- **Postupujte podle všech pokynů k nabíjení a nenabíjejte baterie nebo nástroj mimo teplotní rozsah uvedený v pokynech.** Nesprávné nabíjení nebo při teplotách mimo uvedený rozsah může poškodit baterii a zvýšit riziko požáru.

ÚDRŽBA

- **Váš elektricky poháněný nástroj smí opravovat pouze kvalifikovaný opravárenský pracovník a musí používat pouze shodné náhradní díly.** Toto zajišťuje udržování bezpečnosti elektricky poháněného nástroje.
- **Nikdy neopravujte poškozené baterie.** Baterie by měl opravovat pouze výrobce nebo autorizovaný servis.

BEZPEČNOSTNÍ VAROVÁNÍ K STRUNOVÉ SEKAČCE

- **Stroj nepoužívejte za nepříznivého počasí, obzvláště hrozí-li riziko zásahu bleskem.** Toto snižuje riziko zasažení bleskem.
- **Před použitím stroje si pozorně prohlédněte povrch, na němž jej budete používat, jestli tam nejsou volně žijící zvířata.** Při provozu stroje by mohla volně žijící zvířata utrpět zranění.
- **Pozorně si prohlédněte povrch, na němž budete stroj používat, a odstraňte všechny kameny, klacky, dráty, kosti a další cizorodý materiál.** Odsakující předměty mohou způsobit úraz.
- **Před použitím stroje vždy proveďte jeho vizuální kontrolu a zkontrolujte, zda není poškozen mechanismus a uchycení kotouče.** Poškozené části zvyšují riziko úrazu.
- **Neodstraňujte ochranné kryty. Kryty musí být funkční a řádně připevněny.** Uvolněný, poškozený nebo nedostatečně funkční kryt může způsobit úraz.
- **Udržujte všechny otvory pro chlazení vzduchem prosté smetí.** Zablkované ventilační průduchy a třísky mohou způsobit přehřátí stroje a riziko požáru.
- **Používejte ochranu zraku a sluchu.** Odpovídající ochranné pomůcky omezí vznik úrazu.
- **Při práci se strojem vždy noste protiskluzovou ochrannou obuv. Se zařízením nepracujte, pokud máte obuty sandály s otevřenou špičkou, nebo pokud jste bosí.** Tím omezíte riziko úrazu nohou v důsledku kontaktu s rotujícím mechanismem.
- **Při obsluze stroje vždy používejte ochranný oděv, jako jsou kalhoty, které zakrývají nohy.** Kontakt s pohyblivým se mechanismem nebo strunou může způsobit úraz.
- **Během provozu udržujte stroj v bezpečné vzdálenosti od osob.** Odlétávající třísky mohou způsobit vážný úraz.
- **Nepracujte se strojem nad úroveň pasu.** Pomůže to zabránit nechtěnému kontaktu s mechanismem a umožní to lépe ovládat stroj i v neočekávaných situacích.
- **Při práci se strojem ve vlhké trávě dbejte zvýšené opatrnosti. Chodte, nikdy neběhejte.** Tím omezíte riziko uklouznutí a pádu, jež by mohlo vést k úrazu.
- **Nepracujte se strojem na příliš příkrých svazích.** Tím omezíte riziko ztráty kontroly, uklouznutí a pádu, jež by mohlo vést k úrazu.
- **Při práci na svahu vždy dbejte na bezpečný postoj, pracujte napříč svahem, nikdy nahoru a dolů a obzvláště si dávejte pozor při změně směru.** Tím omezíte riziko ztráty kontroly, uklouznutí a pádu, jež by mohlo vést k úrazu.
- **Dbejte na to, aby v prostoru prožívání nebyly žádné elektrické šňůry a kabely.** Napájecí šňůry a kabely mohou být ukryté v živých plotech nebo keřích a nedopatřením může dojít k jejich přeseknutí strunou nebo kotoučem.





- Udržujte všechny části těla v dostatečné vzdálenosti od pohybující se struny nebo kotouče. Neodstraňujte materiál ze stroje, dokud není odpojen od zdroje napájení. Pohybující se kotouč nebo struna může způsobit vážný úraz.
- Přenášejte stroj s vypnutým motorem a dále od těla. Správná manipulace se strojem snižuje pravděpodobnost náhodného kontaktu s pohybujícím se kotoučem nebo strunou vyžinače.
- Používejte pouze náhradní vyžinačí hlavy, struny a kotouče určené výrobcem. Nenahrazujte kotouče nebo struny vyžinače kovovými dráty nebo čepeli. Nesprávné náhradní díly mohou způsobit ztrátu kontroly, poruchu či úraz.

DOPLŇUJÍCÍ BEZPEČNOSTNÍ VAROVÁNÍ

- Před prací s nástrojem a po nárazu zkontrolujte možné poškození dílů. Pokud je spínač nebo nějaká část poškozena či opotřebována, musí se řádně opravit nebo vyměnit pověřeným servisním střediskem.
- Malá čepel umístěná v krytu je určena k uřezání nově vytažené struny na správnou délku pro bezpečné použití a optimální výkon. Nůž je velmi ostrý. Nedotýkejte se nože, obzvláště během čištění přístroje.
- Používejte pouze náhradní záci strunu od výrobce. Nepoužívejte žádné jiné sekací nástavce.
- Zkontrolujte, zda je sekací doplněk řádně nainstalován a bezpečně upevněn.
- Nikdy výrobek neprovozujte, dokud nejsou všechny chrániče, vodící plechy a rukojetě řádně a bezpečně připojeny.
- Před každým použitím se ujistěte, že je čepel řádně umístěna v bezpečnostním krytu a zajištěna.
- Nástavec vyžinače udržujte pod výší pasu.
- V případě nehody nebo poruchy okamžitě zařízení vypněte a vyjměte baterii. Výrobek můžete znovu používat až po důkladné kontrole autorizovaným servisním centrem.
- K snížení rizika úrazu v důsledku styku s pohyblivými díly výrobek vždy vypněte, vyjměte baterii a nechte oboje vychladnout. Ujistěte se, že se zastavily všechny pohyblivé díly:
 - před servisem
 - před čištěním usazenin
 - před kontrolou, čištěním nebo prací na nástroji,
 - před výměnou příslušenství
 - po nárazu na cizí předmět
 - je-li ponechán výrobek bez dozoru
 - při údržbě
 - pokud stroj začne abnormálně vibrovat
- Zkontrolujte, zda jsou všechny bezpečnostní kryty, rukojeti správně instalovány a v dobrém stavu.
- Držte výrobek za rukojetě určené k držení a práci provádějte po omezenou dobu.
- Vyhýbejte se při sekání odmršťování předmětů. Odstraňte z pracovní oblasti předměty jako malé kameny, štěrka a další cizí předměty před započetím práce. Do záciho nástroje se mohou namotat dráty nebo struna.
- Vždy zajistěte, aby ventilační otvory nebyly ničím zataraseny.
- Poranění mohou být způsobena, či zhoršena, prodlouženým používáním nástroje. Používáte-li přístroj delší dobu, zajišťujte pravidelné přestávky.

- Přístroj provozujte pouze při teplotách mezi 0 °C a 40 °C.
- Přístroj skladujte v místě s teplotou prostředí mezi 0 °C a 40 °C.

DOPLŇUJÍCÍ BEZPEČNOSTNÍ UPOZORNĚNÍ K BATERII

Ke snížení rizika požáru, úrazu a poškození výrobku v důsledku zkratu nikdy nenořte přístroj, baterii ani nabíječku do tekutiny a nedovoďte, aby do nich tekutina vnikla. Korodující nebo vodivé kapaliny, jako je slaná voda, určité chemikálie a bělicí prostředky nebo výrobky, které obsahují bělidlo, mohou způsobit zkrat.

- Baterii dobíjejte na místě s teplotou prostředí mezi 10 °C a 38 °C.
- Baterii skladujte na místě s teplotou prostředí mezi 0 °C a 20 °C.
- Baterii použijte na místě s okolní teplotou 0 °C a 40 °C.

TRANSPORT A SKLADOVÁNÍ

- Před přenášením nebo uložením přístroje z něj vždy vyjměte akumulátor a nechte oba vychladnout.
- Odstraňte z výrobku všechny cizí materiály.
- Výrobek neskladujte ani nepřenášejte s vloženou baterií. Vyjměte baterii a zajistěte ji odděleně. Ukládejte v chladných, suchých a dobře větraných prostorech, které nejsou přístupné dětem. Udržujte produkt mimo korozivní materiály, například zahrádkářské chemikálie a rozmrazovací soli. Výrobek neskladujte venku.
- Při transportu výrobku zajistěte proti pohybům nebo pádu, abyste zabránili poranění osob nebo poškození výrobku.

TRANSPORT LITHIOVÝCH BATERIÍ

- Přenos baterií dle místních a národních opatření a předpisů.
- Dodržujte všechny zvláštní požadavky na balení a značení při transportu baterií třetí stranou. Zajistěte, aby žádné baterie nepřišly do kontaktu s jinými bateriemi nebo vodivými materiály při transportu pomocí ochrany nekrytých kontaktů prostřednictvím izolace, nevodivých krytek či lepicích pásek. Nepřevravujte prasklé nebo baterie s unikajícím elektrolytem. Ptejte se u zásilkové společnosti na další radu.

ÚDRŽBA

- Používejte pouze originální příslušenství, doplňky a náhradní díly výrobce. Zanedbání může zapříčinit možné poranění, slabý výkon a může dojít ke ztrátě záruky.
- Údržba vyžaduje extrémní péči a znalosti a měla by být prováděna pouze kvalifikovaným servisním technikem. Výrobek nechte opravit pouze v pověřeném servisu.
- Před údržbou nebo čištěním přístroje jej vypněte a vyjměte akumulátor.
- Můžete provádět pouze v návodu k obsluze uvedené opravy a seřízení. Pro jiné opravy nebo poradenství, požádejte o pomoc autorizované servisní středisko.
- Při výměně struny používejte pouze monofilní strunu o průměru dle tabulky technických údajů v návodu.
- Po každém použití setřete nástroj měkkým a suchým hadříkem. Jakýkoliv poškozený díl je nutné správně opravit nebo nechat vyměnit v autorizovaném servisním středisku.



- Pravidelně a před každým použitím kontrolujte, zda jsou matice, šrouby a šroubky řádně utažené, aby byl výrobek v bezpečném provozním stavu. Jakýkoliv poškozený díl je nutné správně opravit nebo nechat vyměnit v autorizovaném servisním středisku.
- Chcete-li vyměnit poškozené nebo nečitelné štítky, předejte zařízení do autorizovaného servisního střediska.

POZNEJTE SVŮJ NÁSTROJ

Viz strana 118.

1. Zadní rukojeť
2. Uzávěr baterie
3. Hlavní spoušť
4. Samovypínací mechanismus
5. Horní hnací hřídel
6. Přední rukojeť
7. Dolní hnací hřídel
8. Řezací nůž struny
9. Vodicí kolo
10. Ochranný kryt
11. Žací struna
12. Pedál obrubovače
13. Návod k obsluze
14. Kryt cívky
15. Cívka
16. Oko
17. Jezdec
18. Baterie
19. Nabíječka

SYMBOLY NA VÝROBKU



Bezpečnostní výstraha



Před používáním výrobku se obeznamte se všemi pokyny. Dbejte na všechna upozornění a dodržujte bezpečnostní pokyny.



Ochrana očí a sluchu



Dávejte pozor na odmrštěné nebo odletující předměty. V okruhu nejméně 15 m od pracovního prostoru se nesmí vyskytovat žádní přihlížející, zejména děti a zvířata.



Nepoužívejte na výrobku kovové nože(nůž).



Nevystavujte dešti nebo nepoužívejte ve vlhkých podmínkách.



Před zahájením jakékoli práce na přístroji vyjměte akumulátor.



Udržujte ruce v dostatečné vzdálenosti od ostří.



Zaručená hladina akustického výkonu



Značka shody s evropskými normami



Značka shody s britskými normami



Euroasijská značka shody



Značka shody s ukrajinskými normami

Nelikvidujte vybité baterie a elektrické a elektronické zařízení společně s netříděným komunálním odpadem. Vybité baterie a elektrický a elektronický odpad musí být shromažďovány odděleně. Vybité baterie, akumulátory a odpadní světelné zdroje musí být od zařízení odděleny. Informace o sběrných místech a recyklaci baterií vám poskytne místní úřad nebo prodejce. Podle místních nařízení mohou mít maloobchodníci povinnost brát bezplatně zpět vybité baterie, elektrický a elektronický odpad. Když budete přispívat k opětovnému použití a recyklaci vybitých baterií a elektrického a elektronického odpadu, pomůže to snížit potřebu surovin. Vybité baterie, zejména ty s obsahem lithia, elektrický a elektronický odpad obsahují cenné a recyklovatelné materiály, které mohou mít nepříznivý dopad na životní prostředí a lidské zdraví, nebudou-li zlikvidovány ekologickým způsobem. Odstraňte z odpadu osobní údaje, pokud nějaké obsahuje.



SYMBOLY V NÁVODU



Poznámka



Varování



Díly nebo příslušenství jsou v prodeji samostatně



Az akkumulátoros szegélynyíró kialakítása során elsődleges szempont volt a biztonság, a teljesítmény és a megbízhatóság.

RENDELTELTÉSSZERŰ HASZNÁLAT

Az akkumulátoros szegélynyírót magas fű, puhaszárú gyomok és hasonló növényzet talajszint közeli vágására tervezték.

Nyírásakor a vágási síknak nagyjából párhuzamosnak kell lennie a talajjal, szegélykialakítások pedig kb. függőlegesnek.

A terméket kizárólag olyan felnőttek használhatják, akik elolvasták és megértették az utasításokat és figyelmeztetéseket, és tetteikért felelősséget tudnak vállalni.

A termék csak kültéri, jól szellőztetett területen való használatra készült. Biztonsági okokból a terméket kétkézes működtetéssel megfelelő ellenőrzés alatt kell tartani.

Semmilyen más célra ne használja.

ÁLTALÁNOS BIZTONSÁGI FIGYELMEZTETÉSEK A TERMÉKHEZ

⚠ FIGYELMEZTETÉS! Olvassa el, illetve tekintse meg a termékhez biztosított minden biztonsági figyelmeztetést, illusztrációt és műszaki leírást. Az alább részletezett előírások be nem tartása olyan baleseteket okozhat, mint pl. tűz, áramütés és/vagy súlyos testi sérülések.

Őrizze meg ezeket a figyelmeztetéseket és utasításokat a későbbi tájékozódásra is.

A figyelmeztetéseken a „nagy teljesítményű eszköz” a hálózatról működtetett (vezetékes) vagy az akkumulátorral üzemelő (vezeték nélküli) termékre utal.

MUNKATERÜLET

- A munkaterületet tartsa tisztán és jól megvilágítva. A zendetlen vagy sötét munkaterületek balesetekhez vezethetnek.
- Az elektromos szerszámgépeket ne működtesse robbanásveszélyes környezetben, mint például robbanásveszélyes folyadékok, gázok vagy porok jelenlétében. Az elektromos gépekben szikrák keletkeznek, amik begyújtják a port vagy a gőzöket.
- Az elektromos szerszámgép használatakor a gyerekeket és a kívülállókat tartsa távol. A figyelem elterelődése az irányítás elvesztését okozhatja.

ELEKTROMOS BIZTONSÁG

- A szerszámgép dugaszának illeszkednie kell az aljzathoz. Semmilyen módon ne módosítsa a dugaszt. A földelt elektromos gépekhez ne használjon adapter dugaszt. A nem módosított és illeszkedő dugasz csökkenti az áramütés kockázatát.
- Kerülje az érintkezést földelt felületekkel, mint például csövekkel, radiátorokkal és hűtőkkel. Megnöveli az áramütés kockázatát, ha a teste földeltté válik.
- Ne tegye ki a terméket esőnek vagy nedves környezet hatásának. A szerszámgépekbe kerülő víz növeli az áramütés kockázatát.
- Ne rongálja meg a kábelt. A szerszámgép kábelét soha ne használja a szerszám hordozására, húzására vagy kihúzására. A kábelt hőtől, olajtól, éles tárgyaktól vagy mozgó alkatrészekről tartsa távol. A sérült vagy beakadt kábelek növelik az áramütés kockázatát.

SZEMÉLYI BIZTONSÁG

- **Elektromos szerszámgép működtetésekor legyen mindig éber, figyeljen arra, amit csinál, és használja a józan eszét. Ne használja a szerszámgépet, ha fáradt vagy alkohol, gyógyszer illetve más tudatmódosító szerek hatása alatt áll. A gép használata közben már egyetlen figyelmen kívül hagyás is súlyos személyi sérüléshez vezethet.**
- **Használjon személyi védelmi eszközöket. Mindig viseljen védőszemüveget.** Az adott feltételekhez használt védőfelszerelés, például porvédő maszk, csúszásmentes biztonsági cipő, védősisak vagy hallásvédő, csökkenti a személyi sérüléseket.
- **Kerülje el a véletlen bekapcsolást. A szerszám szállítása vagy felemelése, az áramellátás és/vagy akkumulátor csatlakoztatása előtt ellenőrizze, hogy a kapcsoló kikapcsoló állásban van.** Szerszámgépek szállítása a kapcsolón tartott ujjal vagy bekapcsolt szerszámgépek áram alá helyezése balesetekhez vezet.
- **A szerszámgépről bekapcsolás előtt távolítson el minden beállító kulcsot és csavarkulcsot.** Egy a szerszámgép forgó alkatrészén maradt beállító kulcs vagy csavarkulcs személyi sérülést eredményezhet.
- **Ne hajtson ki túlságosan. Mindig tartson megfelelő testtartást és egyensúlyt.** Ez a szerszámgép jobb irányítását teszi lehetővé váratlan szituációkban.
- **Viseljen megfelelő ruházatot. Ne legyen fel laza ruhát vagy ékszereket. A haját és a ruházatát tartsa távol a mozgó alkatrészekről.** A laza ruházat, ékszerek vagy a hosszú haj beakadhatnak a mozgó alkatrészekbe.
- **Ha a gép el van látva porkivezető vagy -gyűjtő berendezésekhez való csatlakozási lehetőséggel, akkor ügyeljen rá, hogy ezeket csatlakoztassák és megfelelően használják.** A porfogó használata csökkentheti a porral kapcsolatos veszélyeket.
- **Ne töltse el elégedettséggel az, hogy a gyakori eszközhasználatból kellő jártasságot szerzett, és ne hagyja figyelmen kívül az eszköz biztonsági alapelveit.** Egy figyelmen kívül hagyás a másodperc törtrésze alatt súlyos sérüléseket okozhat.

A SZERSZÁMGÉP HASZNÁLATA ÉS KARBANTARTÁSA

- **Ne erőltesse a terméket. A feladathoz a megfelelő szerszámgépet használja.** A megfelelő szerszámgép jobb teljesítménnyel és sokkal biztonságosabban fog dolgozni olyan körülmények között, amilyenekre azt tervezték.
- **Ne használja a szerszámgépet, ha a kapcsoló nem kapcsol be és ki.** Bármilyen szerszámgép veszélyes, amit a kapcsolóval nem lehet irányítani, ezért azt meg kell javítani.
- **Mielőtt beállítást végezne, tartozékot cserélne vagy a nagy teljesítményű gépet eltávolítaná, húzza ki a csatlakozódugót a konnektorból és/vagy vegye ki az akkumulátort, ha eltávolítható.** Az ilyen megelőző biztonsági óvintézkedések csökkentik a szerszámgép véletlen bekapcsolódásának kockázatát.
- **A használaton kívüli gépet gyerekek számára nem elérhető helyen tárolja, és ne hagyja, hogy a szerszámgépet vagy a kézikönyvet nem ismerő személyek használják a szerszámgépet.** Gyakorlatlan felhasználók kezében a szerszámgépek veszélyesek.





- Végezze el a nagy teljesítményű gépek és a tartozékok karbantartását. Ellenőrizze a mozgó alkatrészek akadását vagy helytelen beállítását, az alkatrészek törését és minden más körülményt, ami hatással lehet a szerszámgép működésére. Ha sérült, a szerszámgépet használat előtt meg kell javítani. Sok balesetet a rosszul karbantartott szerszámgépek okoznak.
- A vágószerszámok legyenek élesek és tiszták. A megfelelően karbantartott, éles vágóélű vágószerszámok kevésbé akadnak be és könnyebben irányíthatók.
- A szerszámgépet, a tartozékokat és a biteket stb. ezen utasításban leírtaknak megfelelően használja, figyelembe véve a munkakörülményeket és az elvégzendő feladatot. A szerszámgép rendeltetésétől eltérő műveletekre való használata veszélyes helyzeteket eredményezhet.
- A fogantyúkat és a fogófelületeket tartsa szárazon, tisztán, olajtól és kenőzsírtól mentesen. A csúszós fogantyúk és fogófelületek nem teszik lehetővé a gép kezelését és irányítását egy váratlan helyzetben.

AKKUMULÁTOROS SZERSZÁMGÉP HASZNÁLATA ÉS KARBANTARTÁSA

- Csak a gyártó által megadott töltővel töltsen az akkumulátorokat. Egy adott akkumulátortípushoz való töltő egy másik típusú akkumulátorral való használata tűzveszélyes lehet.
- A társzámokat csak a hozzájuk való akkumulátorokkal üzemeltesse. Más akkumulátorok használata tűzveszélyes lehet, és sérüléseket okozhat.
- Az akkumulátort használaton kívül tartsa távol más fém tárgyaktól, úgymint gemkapcsoktól, érméktől, kulcsoktól, szögektől, csavaroktól vagy más kisméretű fém tárgyaktól, amelyek rövidre zárhatják a két érintkezőt. Az akkumulátor érintkezőinek rövidre zárása tüzet vagy égéseket okozhat.
- Nem megfelelő körülmények esetén folyadék távozhat az akkumulátorból, kerülje az azzal való érintkezést. Ha mégis érintkezik vele, öblítse le vízzel. Ha a folyadék szembe kerül, forduljon orvoshoz. Az akkumulátorból kifolyt folyadék irritációt vagy égéseket okozhat.
- Ne használjon sérült vagy átalakított akkucsomagot vagy eszközt. A sérült vagy átalakított akkumulátor előre nem látható módon üzemelhet, ami tüzet, robbanást, más kockázatot vagy sérülést okozhat.
- Ne tegye ki az akkucsomagot vagy az eszközt túl magas hőmérsékleti hatásnak és ne tegye tűzbe ezeket. A tűznek vagy a 130°C feletti hőmérsékletnek való kitétség robbanást okozhat.
- Tartsa be az összes feltöltési utasítást és ne töltsen az akkucsomagot vagy az eszközt az utasításban megadott hőmérséklet-tartományon kívül. A helytelen töltés vagy a megadott tartományon kívüli hőmérsékleten való feltöltés az akkumulátort károsíthatja, és a tűzveszély kockázatát növelheti.

KARBANTARTÁS

- A szerszámgépet csak szakképzett szervizszakemberrel szervizeltesse, csak azonos cserealkatrészeket használva. Ez biztosítja, hogy a szerszámgép használata továbbra is biztonságos legyen.
- Soha ne javítson sérült akkucsomagokat. Az akkucsomagok javítását csak a gyártó vagy a hivatalos szervizek végezhetik.

A SZEGÉLYNYÍRÓ BIZTONSÁGI FIGYELMEZTETÉSEI

- Ne használja a gépet rossz időjárási körülmények között, különösen villámlás kockázata idején. Ez csökkenti a villámcsapás kockázatát.
- Alaposan vizsgálja meg a területet, ahol a gépet használni kívánja. A vadon élő állatok a gép működése közben megsérülhetnek.
- Alaposan vizsgálja át a felületet, ahol a gépet használni fogja, és távolítson el minden követ, botot, drótot, csontot és más idegen tárgyat. A ledobott tárgyak személyi sérülést okozhatnak.
- A gép használata előtt mindig szemrevételezze, hogy a vágószerszám vagy annak szerelvénye nem sérült. A sérült alkatrészek növelik a sérülés kockázatát.
- Tartsa a védőburkolatokat a helyükön. A védőburkolatoknak működőképesnek kell lenniük és megfelelően fel kell szerelni azokat. A meglazult, sérült vagy nem megfelelően működő védőburkolat személyi sérülést okozhat.
- A hűtőlevegő bemeneteit tartsa lerakódástól mentesen. Az eltömődött légbemlő nyílások és a törmelék túlmelegedést vagy tűzveszélyt okozhatnak.
- Viseljen szem- és fülvédőt! A megfelelő védőfelszerelés használata esetén csökken a személyi sérülés kockázata.
- A gép működtetése közben mindig viseljen csúszásmentes, védő lábbelit. Ne használja a gépet meztelb vagy nyitott szandálban. Ez csökkenti a lábsérülés esélyét a mozgó vágószerszámmal való érintkezés miatt.
- Mindig olyan ruházatot, pl. nadrágot viseljen, amely a gép működtetése közben eltakarja a lábát. A mozgó vágószerszámmal való érintkezés sérülést okozhat.
- A termék üzemeltetése alatt tartsa távol a nézelődőket. A kivetett törmelék súlyos személyi sérülést okozhat.
- Ne működtesse a gépet csipőmagasság felett. Ez segít megelőzni a vágószerszámmal való véletlen érintkezést, és váratlan helyzetekben jobb irányítást biztosít a gép felett.
- Körültekintően járjon el, amikor a gépet nedves fűben használja. Gyalogoljon, ne fusson. Ez csökkenti a megcsúszás és az elesés kockázatát, ami személyi sérüléssel járhat.
- Ne üzemeltesse a gépet túl meredek lejtőn. Ez csökkenti az irányítás elvesztésének, a megcsúszás és az elesés kockázatát, ami személyi sérüléssel járhat.
- A lejtőn végzett munka során mindig biztos lábon álljon, mindig a lejtő mentén keresztül dolgozzon, soha ne felfelé vagy lefelé, és irányváltáskor legyen rendkívül óvatos. Ez csökkenti az irányítás elvesztésének, a megcsúszás és az elesés kockázatát, ami személyi sérüléssel járhat.
- Tartson minden tápkábelt és vezetékét távol a vágóterülettől. Tápkábelek és vezetékek lehetnek a sövényben vagy bokorban, és a damil vagy vágószerszám véletlenül elvághatja őket.
- Tartsa távol összes testrészét a mozgó vágószerszámtól vagy damiltól. Ne tisztítsa ki az anyagot a gépből, amíg le nem választotta az áramforrásról. A mozgó vágószerszám vagy damil súlyos személyi sérülést okozhat.



- **A gépet kikapcsolt állapotban és testétől eltartva szállítsa.** A gép megfelelő kezelése esetén csökken a mozgó vágószerszámmal vagy damillal való érintkezés esélye.
- **Csak a gyártó által előírt csere vágófejeket, vágószerszámokat vagy damilokat használja. Ne cserélje ki a vágószerszámokat vagy damilokat fémhuzalokkal vagy késekkel.** A nem megfelelő cserealkatrészek miatt elvesztheti az irányítást a gép felett, meghibásodás és sérülés következhet be.

TOVÁBBI BIZTONSÁGI FIGYELMEZTETÉSEK

- Használat előtt és amennyiben a gépet bármilyen behatás éri, ellenőrizze, hogy az alkatrészek nem sérültek. A hibás kapcsolókat vagy bármilyen más sérült vagy elhasznált alkatrészt egy hivatalos szervizközpontban megfelelően meg kell javítani vagy ki kell cseréltetni.
- A gypevédő burkolatra szerelt kis penge vágja le az újonnan kihúzott szálát a megfelelő hossza, így biztonságosan és a legkedvezőbb teljesítménnyel használható. A kés nagyon éles. Ne nyúljon a késhez, különösen a termék tisztításakor ne.
- Csere esetén csak a gyártó által előírt csereszálát használja. Ne használjon semmilyen más vágó szerelvényt.
- Bizonyosodjon meg róla, hogy a vágószerelék helyesen lett felszerelve és biztonságosan rögzítve van.
- Soha ne működtesse a terméket, amíg nincs minden védőburkolat, terelőlemez és fogantyú megfelelően felszerelve és rögzítve.
- Minden használat előtt győződjön meg arról, hogy a védőelemben lévő damilvágó penge megfelelően legyen elhelyezve és rögzítve.
- Tartsa a vágófejet a derék szintje alatt.
- Baleset vagy üzemzavar esetén azonnal kapcsolja ki és vegye ki az akkumulátort. Ne használja a készüléket, amíg teljesen ét nem vizsgálták egy hivatalos szervizközpont
- A mozgó alkatrészek megérintése miatt keletkező sérülés kockázatának csökkentésére minden esetben állítsa le a terméket, vegye ki az akkumulátort és hagyja mindkettőt lehűlni. Ellenőrizze, hogy minden mozgó rész teljesen megállt:
 - szervizelés előtt
 - az eltömődés eltávolítása előtt
 - ellenőrzés, karbantartás vagy a gépen végzett bármilyen művelet megkezdése előtt;
 - kiegészítők cseréje előtt
 - idegen objektum eltávolítása után
 - a termék felügyelet nélkül hagyása esetén
 - karbantartás végzésekor
 - ha a gép szokatlanul kezd rezegni
- Ügyeljen rá, hogy az összes védőburkolat és fogantyú megfelelően felszerelt és jó állapotú legyen.
- A terméket az arra szolgáló fogantyúnál tartsa, és korlátozza a munkaidőt és a vibrációnak való kitettséget.
- Ügyeljen a vágóeszköz által kivetett tárgyakra. A használat megkezdése előtt tisztítsa le a hulladékokat, például a kisebb köveket, kavicsot és más idegen tárgyakat a munkaterületről. A drótok és a vágószál beakadhatnak a vágóeszközbe.
- Mindig ügyeljen rá, hogy semmi ne maradjon a szellőzőnyílásokban.
- Hosszabb használat sérülést okozhat. Ha a terméket hosszabb ideig használja, ügyeljen arra, hogy rendszeresen tartson szünetet.

- Csak 0 °C és 40 °C közötti hőmérsékleten használja a készüléket.
- Olyan helyen tárolja a készüléket, ahol a környezeti hőmérséklet 0 °C és 40 °C között van.

AZ AKKUMULÁTOR KIEGÉSZÍTŐ BIZTONSÁGI FIGYELMEZTETÉSEI

A rövidzárlat általi tűz, sérülések vagy termékárosodások veszélye elkerülésére ne merítse a szerszámot, a cserélhető akkut vagy a töltőkészüléket folyadékba, és gondoskodjon arról, hogy ne hatoljanak folyadékok a készülékekbe és az akkuba. A korrozív hatású vagy vezetőképes folyadékok, mint pl. a sós víz, bizonyos vegyi anyagok, fehéritők vagy fehéritő tartalmú termékek, rövidzárlatot okozhatnak.

- Olyan helyen töltsd az akkumulátort, ahol a környezeti hőmérséklet 10 °C és 38 °C között van.
- Az akkumulátort 0 °C és 20°C közötti hőmérsékleten tárolja.
- Az akkumulátort 0 °C és 40 °C közötti hőmérsékleten használja.

SZÁLLÍTÁS ÉS TÁROLÁS

- Tárolás vagy szállítás előtt kapcsolja ki a terméket, vegye ki az akkusomagot és hagyja kihűlni.
- Minden idegen anyagot tisztítsa meg a terméket.
- Ne tárolja vagy szállítsa a terméket beszerelt akkumulátorral. Vegye ki az akkumulátort, és rögzítse külön. Hűvös, száraz és jól szellőztetett, gyerekektől elzárta helyiségben tárolja. A terméket tartsa távol a korrodáló szerektől, például kerti vegyszerektől vagy a jégmentesítő sótól. Ne tárolja a terméket kültéren.
- Szállításkor rögzítse a terméket elmozdulás és leesés ellen, hogy elkerülje a sérüléseket és a termék sérülését.

LÍTIUM AKKUMULÁTOROK SZÁLLÍTÁSA

- Az akkumulátorokat a helyi és nemzeti előírásokkal és szabályokkal összhangban szállítsa.
- Az akkumulátorok külső fél általi szállításakor kövesse a csomagolásra és a címkézésre vonatkozó speciális előírásokat. Ügyeljen arra, hogy az akkumulátorok ne érhessenek más akkumulátorokhoz vagy vezető anyagokhoz szállítás közben; ehhez a szabadon maradt csatlakozókat védje szigetelő fedéllel vagy szalaggal. Ne szállítson repedt vagy szivárgó akkumulátorokat. További információért vegye fel a kapcsolatot a továbbítást végző céggel.

KARBANTARTÁS

- Csak a gyártó eredeti cserealkatrészeit, tartozékait és szereléseit használja. Ennek figyelmen kívül hagyása gyenge motor teljesítményt, esetleges sérülést és a jótállás elvesztését okozhatja.
- szervizelés különös figyelmet és hozzáértést igényel, és csak szakképzett szerelő végezheti el. A terméket csak engedéllyel rendelkező szervizben javíttassa.
- Bármilyen karbantartási vagy tisztítási munkát végrehajtása előtt kapcsolja ki a készüléket és vegye ki az akkumulátort.
- Ön csak a használati útmutatóban leírt beállításokat és javításokat végezheti el. További javításokért vagy tanácsért kérjen segítséget egy hivatalos szervizközpontban.
- Csere vágószálként csak a jelen kézikönyvben a műszaki adatoknál megadott átmérőjű nejlön vágószálát használjon.

- Minden egyes használat után egy puha, száraz ruhával tisztítsa meg a terméket. A sérült alkatrészeket egy hivatalos szervizközpontban kell megjavíttatni vagy kicseréltetni.
- Minden használat előtt és gyakori időközönként ellenőrizzen minden anyacsavart és csavart a megfelelő meghúzás szempontjából, hogy biztosítsa a termék biztonságos üzemi állapotát. A sérült alkatrészeket egy hivatalos szervizközpontban kell megjavíttatni vagy kicseréltetni.
- A sérült vagy olvashatatlan címkék cseréjéhez vigye vissza a terméket egy hivatalos szervizközpontba.

ISMÉRJE MEG A TERMÉKET

Lásd 118. oldal.

1. Hátsó fogantyú
2. Akkumulátor retesze
3. Főkapcsoló
4. Indító retesze
5. Felső hajtótengely
6. Elülső fogantyú
7. Alsó hajtótengely
8. Vágókés
9. Vezetőkerék
10. Biztonsági védőburkolat
11. Vágószál
12. Szélezőpedál
13. Kezelői kézikönyv
14. Orsófedél
15. Orsó
16. Kis nyílás
17. Csúszka
18. Akkumulátor
19. Töltő

SZIMBÓLUMOK A TERMÉKEN



Biztonsági figyelmeztetés



A termék használata előtt olvasson el és értsen meg minden utasítást. Tartsa be az összes figyelmeztetést és biztonsági utasítást.



Viseljen szem- és fülvédőt.



Figyeljen a kivetett vagy repülő tárgyakra. A működési területtől tartson legalább 15 m-es távolságban minden nézelődőt, különösen a gyerekeket és a háziállatokat.



Ne használjon fém kés(ek)e)t a terméken.



Ne tegye ki esőnek, és ne használja nedves környezetben.



A terméken végzett bármilyen munkálat előtt vegye ki az akkumulátort



Tartsa távol a kezét a pengéktől.



Garantált hangteljesítményszint



Európai megfelelőségi jelölés



Brit megfelelőségi jelölés



Eurázsiai megfelelőségi jelzés



Ukrán megfelelőségi jelölés

Az akkumulátorok, valamint az elektromos és elektronikus berendezések hulladékait ne dobja a válogatatlan települési hulladékok közé. Az akkumulátorok, valamint az elektromos és elektronikus berendezések hulladékait elkülönítve gyűjtse. A hulladékká vált elemeket, akkumulátorokat és fényforrásokat vegye ki a berendezésből. A helyi hatóságoktól vagy a forgalmazótól kérhet információt az újrahasznosításról, illetve arról, hogy hol található gyűjtőpont. A helyi szabályozások szerint a kereskedők kötelesek lehetnek ingyen visszavenni az akkumulátorok, illetve az elektromos és elektronikus berendezések hulladékait. A hozzájárulása az akkumulátorok, illetve az elektromos és elektronikus berendezések hulladékainak újrafelhasználásához és újrafeldolgozásához segít csökkenteni a nyersanyagok iránti keresletet. Különösen a lítiumot tartalmazó akkumulátorok, illetve az elektromos és elektronikus berendezések hulladékai értékes és újrafeldolgozható anyagokat tartalmaznak, amelyek káros hatással lehetnek a környezetre és az emberi egészségre, ha nem környezetbarát módon kezelik őket. A hulladékká vált berendezésből szükség esetén törölje a személyes adatokat.



A KÉZIKÖNYVBEN HASZNÁLT SZIMBÓLUMOK



Megjegyzés



Figyelem



Külön értékesített alkatrészek és kiegészítők



Siguranța, performanța și fiabilitatea au constituit principalele noastre preocupări la proiectarea mașinii dvs. de tuns iarba fără fir.

UTILIZARE PREVĂZUTĂ

Mașina cu cap tăietor fără fir este destinată tunderii ierburilor înalte, a buruienilor ierboase și a altor plante similare, la nivelul solului.

Planul de tăiere trebuie să fie aproximativ orizontal în cazul tunderii ierburilor și aproximativ vertical în cazul bordurării.

Produsul este conceput pentru a fi utilizat de către adulți cu discernământ, care au citit și au înțeles instrucțiunile și avertismentele din acest manual și din manualul relevant al capului motor și pot fi considerați responsabili pentru acțiunile proprii.

Produsul este proiectat să fie folosit doar în mediu exterior și în zonă bine aerisită. Din motive de siguranță, produsul trebuie manevrat corespunzător, cu ambele mâini.

Nu folosiți în alte scopuri.

ATENȚIONĂRI GENERALE CU PRIVIRE LA SIGURANȚA ÎN UTILIZARE A DRUJBEI CU LANȚ

⚠ AVERTISMENT! Citiți toate instrucțiunile privind avertizările de siguranță, ilustrațiile și specificațiile furnizate împreună cu acest produs. Nerespectarea instrucțiunilor prezentate în continuare poate provoca accidente cum ar fi incendii, electrocutare și/sau vătămări corporale grave.

Păstrați aceste avertismente și instrucțiuni, pentru a le putea consulta ulterior.

Termenul „unealtă electrică” din avertizări se referă la unealta dvs. electrică alimentată la curent (cu fir) sau la baterie (fără fir).

MEDIUL DE LUCRU

- **Mențineți curată și bine iluminată zona de lucru.** Zonele dezordonate și întunecate prezintă pericol de accidente.
- **Nu operați cu unealta electrică în atmosfere explozive, precum în prezența lichidelor, gazelor sau a prafului inflamabil(ă).** Unelele electrice creează scântei care pot aprinde praful sau vaporii.
- **Țineți copiii și persoanele din jur la distanță în timpul operării unei unelte electrice.** Distragerea atenției vă poate face să pierdeți controlul.

SIGURANȚĂ ELECTRICĂ

- **Ștecărele uneltelor electrice trebuie să se potrivească cu priza. Nu modificați niciodată ștecărul în nici un fel. Nu folosiți niciodată adaptoare de ștecăr cu uneltele electrice cu împământare.** Ștecărele nemodificate și prizele potrivite reduc riscul de electrocutare.
- **Evitați contactul corpului cu suprafețele conectate la împământare, precum țevi, radiatoare, reșouri, mașini de gătit și frigider.** Există un risc crescut de electrocutare când corpul dumneavoastră are contact cu împământarea.
- **Nu expuneți produsul la ploaie sau condiții de umiditate.** Apa care intră într-o unealtă electrică vă crește riscul de electrocutare.
- **Nu forțați cablul.** Nu trageți niciodată unealta electrică de cablul de alimentare pentru a o transporta, a o trage sau a scoate ștecărul din priză. Țineți cablul de alimentare departe de căldură, ulei, muchii ascuțite sau piese în mișcare. Cablurile deteriorate sau încurcate cresc riscul de electrocutare.

SIGURANȚĂ PERSONALĂ

- **Fiți vigilenți, fiți atenți la ceea ce faceți, acționați cu simț practic când operați o unealtă electrică. Nu folosiți unealta electrică în timp ce sunteți obosit sau sub influența drogurilor, a alcoolului sau a medicamentelor.** Un moment de neatenție în timpul operării uneltelor electrice poate cauza vătămare personală gravă.
- **Utilizați echipament personal de protecție. Purtați întotdeauna ochelari de protecție.** Utilizarea echipamentelor de protecție, cum ar fi măști pentru praf, pantofi anti-derapanți, cască de protecție sau protecții pentru auz, conform condițiilor specifice de lucru ajută la evitarea pericolului de răni personale.
- **Prevenirea pornirii neintenționată. Asigurați-vă că comutatorul este în poziția oprit înainte de deconectarea la sursa de alimentare și / sau la acumulator, ridicarea sau transportul uneltei.** Transportarea uneltelor electrice cu degetul pe comutator sau punerea sub tensiune a uneltelor electrice care au comutatorul în poziția pornit predisune la accidente.
- **Îndepărtați orice cheie de reglare înainte de a porni unealta.** O cheie sau rămasă atașată de o piesă rotativă a uneltei electrice poate cauza vătămări corporale.
- **Nu vă aplecați excesiv. În timpul operării dispozitivului, păstrați-vă în permanență echilibrul și stabilitatea.** Acest lucru permite un mai bun control al uneltei electrice în situații neașteptate.
- **Îmbrăcați-vă corespunzător. Nu purtați haine largi sau bijuterii. Păstrați-vă părul și îmbrăcămintea departe de piesele în mișcare.** Hainele largi, bijuteriile sau părul lung pot fi prinse de piesele aflate în mișcare.
- **Dacă sunt prevăzute dispozitive pentru conectarea facilităților de extracție și de colectare a prafului, asigurați-vă că acestea sunt conectate și folosite corect.** Utilizarea colectării prafului poate reduce riscurile legate de praf.
- **Obişnuința dobândită prin utilizarea frecventă a instrumentelor nu trebuie să vă facă impasibili și să ignorați principiile de siguranță privind instrumentele.** O acțiune neatență poate cauza vătămarea gravă într-o fracțiune de secundă.

FOLOSIREA ȘI ÎNTREȚINEREA UNELTEI ELECTRICE

- **Nu forțați produsul. Folosiți unealta electrică corectă pentru aplicație.** Unealta electrică corectă va funcționa mai bine și mai sigur la viteza pentru care a fost proiectată.
- **Nu folosiți unealta electrică dacă comutatorul nu o poate porni și opri.** Orice unealtă electrică, care nu poate fi controlată cu comutatorul este periculoasă și trebuie reparată.
- **Înainte de a efectua reglaje, de a schimba accesoriile sau de a depozita o unealtă electrică, deconectați ștecherul de la rețea și/sau acumulatorul de la unealtă.** Astfel de măsuri preventive de siguranță reduc riscul de pornire accidentală a uneltei electrice.
- **Nu lăsați uneltele electrice la îndemâna copiilor și nu permiteți persoanelor nefamiliarizate cu unealta electrică sau cu aceste instrucțiuni să folosească unealta.** Unelele electrice sunt periculoase în mâinile utilizatorilor neinstruiți.
- **Efectuați regulat lucrări de întreținere a uneltelor electrice și accesoriilor acestora.** Verificați alinierea sau lipirea pieselor în mișcare, spargerea pieselor, precum și orice altă stare care poate afecta

EN

FR

DE

ES

IT

NL

PT

DA

SV

FI

NO

RU

PL

CS

HU

RO

LV

LT

ET

HR

SL

SK

BG

UK

TR

EL



funcționarea unelei electrice. Dacă este deteriorată, **solicitați repararea unelei înainte de utilizare.** Multe accidente sunt cauzate de unele electrice întreținute necorespunzător.

- **Păstrați uneltele de tăiere ascuțite și curate.** Uneltele de tăiere corect întreținute, cu muchii de tăiere ascuțite au o probabilitate mai redusă de lipire și sunt mai ușor de controlat.
- **Folosiți uneltele electrice, accesoriile și burghiile etc. în conformitate cu aceste instrucțiuni, ținând cont de condițiile de lucru și de lucrarea care urmează să fie efectuată.** Utilizarea unelei electrice pentru alte operații decât cele preconizate poate duce la situații periculoase.
- **Țineți mânerul și suprafețele de apucare uscate, curate, fără ulei sau grăsime.** Mănerul alunecoasă și suprafețele neregulate nu permit o manipulare sigură și un control al aparatului în situații neașteptate.

FOLOSIREA ȘI ÎNTREȚINEREA MAȘINII CU ACUMULATOR

- **Reîncărcați numai cu încărcătorul specificat de producător.** Un încărcător destinat unui anumit tip de acumulator este folosit la încărcarea altor acumulatori există pericolul de incendii.
- **Folosiți uneltele electrice numai cu acumulatorii indicați.** Utilizarea oricărui altă acumulatori poate crea un risc de vătămare și de incendiu.
- **Atunci când acumulatorul nu este în uz, păstrați-l departe de alte obiecte metalice, cum ar fi agrafe de birou, monede, chei, cuie, șuruburi sau alte obiecte metalice mici, care pot face o conexiune de la o bornă la alta.** Scurtcircuitarea bornelor bateriei poate provoca arsuri sau incendiu.
- **Ca urmare a folosirii necorespunzătoare, din acumulator se poate scurge lichid; evitați contactul cu acesta.** În cazul unui contact accidental, spălați cu apă. În cazul contactului cu ochii, consultați suplimentar un medicul. Lichidul care iese din acumulator poate provoca iritații sau arsuri.
- **Nu utilizați acumulatori sau uneltele deteriorate sau modificate.** Acumulatorii deteriorați sau modificați au un comportament imprevizibil și prezintă pericol de incendiu, explozie sau accidentare.
- **Nu expuneți acumulatorul sau uneltele la foc sau temperaturi excesive.** Expunerea la foc sau temperaturi de peste 130°C prezintă pericol de explozie.
- **Respectați toate instrucțiunile de încărcare și nu încărcați acumulatorul sau uneltele la temperaturi din afara intervalului specificat în instrucțiuni.** Încărcarea necorespunzătoare sau la o temperatură din afara intervalului specificat poate deteriora acumulatorul și crește riscul de incendiu.

ÎNTREȚINERE

- **Solicitați efectuarea lucrărilor de service la uneltele dvs. electrice numai de către o persoană calificată în reparații, folosind numai piese de schimb identice.** Acest lucru va garanta că siguranța unelei electrice este menținută.
- **Nu trebuie să efectuați niciodată reparații asupra acumulatorilor deteriorate.** Reparațiile asupra acumulatorilor trebuie să fie efectuate numai de către producător sau de furnizorii de servicii autorizați.

AVERTISMENTE DE SIGURANȚĂ PENTRU TRIMERULUI LINIAR

- **Nu utilizați mașina în condiții de vreme nefavorabilă, mai ales când există riscul de producere de fulgere.** Ez csökken a villámcsapás kockázata.
- **În zonele în care veți folosi mașina, asigurați-vă mai întâi că nu se află animale sălbatice.** Animalele sălbatice pot avea de suferit în timpul operării mașinii.
- **Inspectați cu atenție suprafața unde se va utiliza mașina și îndepărtați toate pietrele, bețele, firele, oasele și alte lucruri.** Obiectele proiectate pot cauza leziuni fizice.
- **Înainte de a utiliza mașina, inspectați întotdeauna vizual echipamentul pentru a vă asigura că dispozitivul de tăiere și ansamblul tăietor nu prezintă uzură.** Piesele uzate sporesc riscul de vătămare.
- **Protecțiile trebuie să fie instalate. Protecțiile trebuie să funcționeze bine și să fie montate corespunzător.** Protecțiile slăbite, defecte sau care nu funcționează corespunzător pot conduce la vătămări personale.
- **Țineți toate orificiile de intrare a aerului de răcire departe de moloz.** Orificiile de admisie a aerului care sunt blocate pot conduce la supraîncălzire sau risc de incendiu.
- **Purtați echipament de protecție pentru ochi și urechi.** Echipamentul corespunzător de protecție reduce riscurile producerii de vătămări personale.
- **Purtați întotdeauna încălțăminte antiderapantă și de protecție în timpul operării mașinii. Nu operați mașina când sunteți desculți sau purtați sandale deschise.** Acest lucru reduce riscul de vătămare a picioarelor printr-un eventual contact cu dispozitivul de tăiere aflat în funcțiune.
- **Când operați mașina, purtați întotdeauna articole de îmbrăcăminte, cum ar fi pantaloni, care să vă acopere picioarele.** Contactul cu dispozitivul sau firul de tăiere aflate în funcțiune vă poate cauza vătămări.
- **În timpul operării mașinii, țineți la distanță persoanele prezente.** Resturile proiectate pot cauza răniri grave ale persoanelor.
- **Nu utilizați mașina peste înălțimea taliei.** Acest lucru vă ajută să preveniți contactul nedorit cu dispozitivul de tăiere și vă asigură un control mai bun asupra mașinii în situații neașteptate.
- **Fiți vigilenți când operați mașina pe iarbă udă. Mergeți. Nu alergați niciodată.** Reduceți astfel riscul de a aluneca și de a cădea, care poate conduce la vătămări personale.
- **Nu folosiți mașina pe pante excesiv de înclinate.** Reduceți astfel riscul de a pierde controlul, de a aluneca și de a cădea, care poate conduce la vătămări personale.
- **Când pozișiți mașina în pantă, asigurați-vă de o poziție fermă a picioarelor, operați mașina întotdeauna transversal peste suprafața în pantă, niciodată în susul sau în josul pantei, și accordați o atenție deosebită la schimbarea direcției.** Reduceți astfel riscul de a pierde controlul, de a aluneca și de a cădea, care poate conduce la vătămări personale.
- **Țineți toate cablurile de curent departe de zona de tundere.** În gardurile vii sau în tufisuri pot fi fire sau cabluri electrice ascunse, care pot fi tăiate accidental cu firul sau dispozitivul de tăiere.
- **Țineți toate părțile corpului departe de dispozitivul sau firul de tăiere aflate în funcțiune. Nu curățați materialul de pe mașină până când aceasta nu a**

fost deconectată de la sursa de curent. Dispozitivul sau firul de tăiere aflate în funcțiune pot avea ca rezultat grave vătămări personale.

- **Transportați mașina în stare oprită și la distanță de corpul dumneavoastră.** Manipularea corespunzătoare a mașinii va reduce riscul contactului accidental cu un eventual dispozitiv sau fir de tăiere aflate în mișcare.
- **Folosiți numai capete de tăiere și dispozitive sau fire de tăiere specificate de producător. Nu înlocuiți dispozitivele sau firele de tăiere cu fire sau discuri metalice.** Piese de schimb incorecte pot avea ca rezultat pierderea controlului, stricarea mașinii și vătămarea.

AVERTIZĂRI SUPLIMENTARE DE SIGURANȚĂ

- Înainte de folosire și după fiecare impact, verificați să nu existe părți/piese deteriorate. Un întrerupător defect sau orice altă parte care e deteriorată sau uzată trebuie reparată corespunzător sau înlocuită la un atelier service autorizat.
- Lama mică montată pe apărătoarea mașinii este destinată scurtării firului tăietor nou la lungimea corespunzătoare pentru a garanta siguranța și performanțele optime. Lama este foarte ascuțită. Nu atingeți lama, mai ales atunci când se curăță echipamentul.
- Folosiți doar fir de tăiere înlocuitor al producătorului. Nu folosiți niciun alt accesoriu de tăiere.
- Asigurați-vă că accesoriul de tăiere este corect instalat și prins fix.
- Nu operați niciodată produsul fără a avea toate apărătorile, defletoarele și mânerul corespunzător atașate și fixate.
- Înainte de fiecare utilizare, asigurați-vă că lama firului tăietor este bine poziționată și securizată.
- Mențineți capul tăietor atașat mai jos de nivelul taliei dvs.
- Opriti imediat mașina și îndepărtați acumulatorul în caz de accident sau defecțiune. Nu utilizați din nou produsul înainte de a realiza o verificare completă, la un centru de service autorizat.
- Pentru a se reduce riscul de accidentare în urma contactului cu piesele în mișcare, opriti întotdeauna echipamentul atunci când nu îl utilizați și deconectați acumulatorul lăsându-le pe ambele să se răcească. Asigurați-vă că toate piesele mobile s-au oprit complet:
 - înainte de efectuarea reparațiilor
 - înainte de a îndepărta un obiect ce a determinat un blocaj
 - înainte de a verifica, curăța sau lucra asupra produsului
 - înainte de a schimba accesoriile
 - după ce a fost lovit un obiect străin
 - când lăsați produsul nesupravegheat
 - în timpul lucrărilor de întreținere a produsului
 - dacă produsul începe să vibreze anormal
- Asigurați-vă că toate apărătorile și mânerul sunt corespunzător fixate și că se află în stare bună.
- Țineți produsul de mânerul proiectate și restricționați timpul și expunerea de lucru.
- Fiți atent la obiectele aruncate de mijloacele de tăiere. Curățați resturile precum pietre mici, pietriș și alte obiecte străine din zona de lucru înainte de începerea operării. Cabluri sau fire pot să fie încălcite în mijloacele de tăiere

- Asigurați-vă întotdeauna că deschiderile de ventilație nu sunt acoperite de resturi.
- Pot fi cauzate sau agravate vătămările de la folosirea prelungită a aparatului. Când utilizați unealta timp mai îndelungat, asigurați-vă că faceți pauze regulat.
- Operați cu produsul numai în medii cu valori de temperatură cuprinse între 0°C și 40°C.
- Depozitați produsul într-un loc unde temperatura ambientală este între 0°C și 40°C.

AVERTISMENTE SUPLIMENTARE PRIVIND SIGURANȚA LA UTILIZAREA BATERIILOR

- Pentru a reduce riscurile de incendiu, accidentare și deteriorare a produsului în urma unui scurtcircuit, nu scufundați niciodată produsul, acumulatorul sau încărcătorul în lichide și nici nu permiteți pătrunderea lichidelor în interiorul acestora. Lichidele corosive sau cu conductibilitate, precum apa sărată, anumite substanțe chimice și înălbitori sau produse ce conțin înălbitori, pot provoca un scurtcircuit.
- Încărcați acumulatorul într-un loc unde temperatura ambientală este între 10°C și 38°C.
 - Depozitați acumulatorul într-un loc unde temperatura ambientală este între 0°C și 20°C.
 - Utilizați acumulatorul într-un loc unde temperatura ambientală este între 0°C și 40°C.

TRANSPORTAREA ȘI DEPOZITAREA

- Opriti echipamentul, scoateți acumulatorul și lăsați să se răcească atât echipamentul cât și acumulatorul înainte de transport sau depozitare.
- Curățați toate materialele străine din produs.
- Nu depozitați și nu transportați unealta cu acumulatorul montat. Scoateți acumulatorul și asigurați-l separat. Depozitați-l într-un loc răcoros, uscat și bine aerisit ce este inaccesibil copiilor. Păstrați produsul la distanță de agenți corozivi, precum substanțe chimice de grădină și săruri de dezghețare. Nu depozitați produsul în aer liber.
- Pentru transportare, fixați produsul împotriva mișcării sau căderii pentru a preveni vătămarea persoanelor sau deteriorarea produsului.

TRANSPORTAREA BATERIILOR DE LITIU.

- Transportați bateriile în conformitate cu prevederile și reglementările locale și naționale.
- Urmați toate cerințele speciale privind împachetarea și etichetarea atunci când transportați baterii către un terț. Asigurați-vă că nicio baterie nu poate să intre în contact cu alte baterii sau materiale conductive în timpul transportului prin protejarea conectorilor expuși cu bandă, capace izolatoare neconductive. Nu transportați bateriile ce sunt crăpate sau care au scurgeri. Verificați cu firma transportatoare pentru recomandări ulterioare.

ÎNȚREȚINERE

- Folosiți doar piese de schimb, accesorii și atasamente originale ale producătorului Neumarea acestora poate cauza posibilă vătămare, slaba funcționare și ar putea anula garanția.
- Service-ul necesită atenție și cunoștințe deosebite și trebuie îndeplinit doar de către un tehnician service calificat. Duceți produsul la reparații numai într-un centru service autorizat.

- Opriti unealta și scoateți acumulatorul înainte de a efectua orice operațiune de întreținere sau curățare.
- Puteți face doar reglaje sau reparațiile descrise în acest manual. Pentru alte reparații sau sfaturi, căutați asistență din partea unui centru service autorizat.
- Pentru fir de schimb, folosiți doar linie cu filament din nylon cu diametrul descris în tabelul cu specificații din acest manual.
- După fiecare folosire curățați produsul cu o cârpă moale și uscată. Orice piesă deteriorată trebuie să fie reparată în mod corespunzător sau înlocuită de un service autorizat.
- Verificați înainte de fiecare utilizare și periodic ca toate șuruburile, piulițele și bolțurile filetate să fie strânse adecvat, pentru a asigura siguranța în utilizare a produsului. Orice piesă deteriorată trebuie să fie reparată în mod corespunzător sau înlocuită de un service autorizat.
- Duceți produsul la un centru service autorizat pentru a înlocui etichetele deteriorate sau ilizibile.

CUNOAȘTEȚI-VĂ PRODUSUL

Vezi pagina 118.

1. Mânerul principal
2. Locașul bateriei
3. Declanșator pornire/oprire
4. Declanșator blocabil
5. Arbore de angrenare la partea superioară
6. Mâner anterior
7. Arbore de angrenare la partea inferioară
8. Lamă de tăiere
9. Volantă
10. Apărătoare de siguranță
11. Fir de tăiere
12. Pedală pentru bordurare
13. Manualul de operare
14. Capac bobină
15. Bobină
16. Gaură
17. Glisieră
18. Acumulator
19. Încărcător

SIMBOLURILE DE PE PRODUS.



Avertizare de siguranță



Citiți și înțelegeți toate instrucțiunile înainte de a utiliza produsul. Respectați toate avertismentele și instrucțiunile de siguranță.



Purtați protecție pentru ochi și urechi.



Feriți-vă de obiecte proiectate sau în zbor. Mențineți o distanță de cel puțin 15 m între zona de lucru și persoanele prezente, mai ales copii și animale.



Nu folosiți lame/discuri de metal la acest produs.



Nu expuneți produsul la ploaie sau umezeală.



Decuplați acumulatorul înainte de a realiza orice fel de operație de întreținere sau reparație asupra produsului.



Nu apropiați mâinile de lame.



Nivel garantat al puterii acustice



Marcajul european de conformitate



Marcajul britanic de conformitate



Marcaj de conformitate EurAsian

001

Marcajul ucrainian de conformitate

A nu se arunca deșeurile de echipamente electronice și electrice și bateriile epuizate la gunoii menajer. Deșeurile formate din echipamente electrice și electronice și bateriile epuizate trebuie colectate separat. Sursele de iluminare, bateriile și acumulatorii epuizați trebuie scoase din aceste echipamente. Adresați-vă autorităților sau distribuitorilor locali pentru a afla informații despre punctele de colectare. Conform reglementărilor naționale, vânzătorii cu amănuntul au obligația de a colecta bateriile epuizate, deșeurile de echipament electric și electronic, gratuit. Contribuția dvs. la reciclarea și reutilizarea bateriilor, a echipamentelor electrice și electronice ajută la reducerea cererii de materii prime. Bateriile epuizate, în special cele cu litiu, deșeurile formate din echipamente electrice și electronice conțin materiale reciclabile valoroase, care pot avea o influență negativă asupra mediului înconjurător și asupra sănătății umane, dacă nu sunt eliminate într-o manieră ecologică. Ștergeți datele personale din echipamentul deșeu, dacă este cazul.



SIMBOLURI DIN ACEST MANUAL



Notă



Avertisment



Piese sau accesorii vândute separat



Radot jūsu akumulatoru auklas trimmeri, veiktspējai un uzticamībai ir pievērsta vislielākā vērība.

PAREDZĒTAIS LIETOJUMS

Akumulatoru auklas trimmeris ir paredzēts garas zāles, stiebru vai līdzīgu augu pļaušanai pie zemes vai nelielā augstumā.

Pļaušanas plaknei jābūt aptuveni paralēlai zemes virsmai, veicot zāles pļaušanu, vai aptuveni vertikālai, veicot malu apļaušanu.

Produkts ir paredzēts lietošanai tikai pieaugušajiem, kas ir izlasījuši un izpratuši norādes un brīdinājumus šajā rokasgrāmatā un var tikt uzskatīti par atbildīgiem par savām darbībām.

Ierīce ir paredzēta tikai lietošanai ārā, labi vēdinātos apstākļos. Drošības apsvērumu dēļ produkts ir atbilstoši jākontrolē, strādājot ar abām rokām.

Nelietojiet citiem mērķiem.

VISPĀRĒJIE PRODUKTA DROŠĪBAS BRĪDINĀJUMI

▲ BRĪDINĀJUMS! Izlasiet visus drošības brīdinājumus, norādes, ilustrācijas un specifiskācijas, kas sniegtas kopā ar šo izstrādājumu. Visu uzskaitīto instrukciju neievērošana ir bīstama; tā var izraisīt elektrisko triecienu, aizdegšanos un/vai nopietnas traumas.

Brīdinājumus un instrukcijas saglabājiet turpmākai uzziņai.

Apzīmējums "elektroinstruments" brīdinājumos attiecas uz jūsu elektroinstrumentu, kas tiek darbināts no elektrotīkla (ar vadu) vai ar akumulatora (bezvadu) palīdzību.

DARBA VIETA

- Turiet darba vietu tīru un labi apgaismotu. Pārblīvētas un tumšas vietas izraisa negadījumus.
- Nedarbiniet elektroinstrumentus sprādzienbīstamā vidē, piemēram, degošu šķidrums, gāzu vai putekļu klātbūtnē. Elektroinstrumenti rada dzirksteles, kas var aizdedzināt putekļus vai gāzes.
- Neļaujiet bērniem un blakusstāvētājiem tuvoties darbā esošiem elektroinstrumentiem. Izkļaidības dēļ jūs varat zaudēt kontroli.

ELEKTRODROŠĪBA

- Elektroinstrumenta kontaktdakšai jāatbilst kontaktligzdai. Nekad nepārveidojiet kontaktdakšu. Sazemētiem elektroinstrumentiem nelietojiet pārejas ligzdas. Nepārveidotas kontaktdakšas un atbilstošas kontaktligzdas samazinās elektriskā trieciena risku.
- Nepieļaujiet ķermeņa kontaktu ar sazemētām virsmām, piemēram, caurulēm, radiatoriem, pavarjiem un saldētāvām. Ja jūsu ķermenis ir sazemēts, pastāv palielināts elektriskā trieciena risks.
- Nepakļaujiet precī lietum vai slapjiem apstākļiem. Ūdens iekļūšana elektroinstrumentā palielina elektriskā trieciena risku.
- Neizmantojiet kabeli nepareizi. Nekad neizmantojiet vadu, lai nestu, vilktu elektroinstrumentu vai atvienotu kontaktdakšu. Turiet kabeli tālu no siltuma avota, eļļas, asiem priekšmetiem vai kustīgām detaļām. Bojāts vai savērpts kabelis palielina elektriskā trieciena iespēju.

PERSONISKĀ DROŠĪBA

- Uzmanieties darba laikā un izmantojiet veselo saprātu, darbojoties ar elektroinstrumentu. Neizmantojiet elektroierīci, ja esat noguris vai narkotisko vielu, alkohola vai medikamentu ietekmē. Neuzmanības brīdis, strādājot ar elektroinstrumentiem, var izraisīt smagus ievainojumus.
- Lietojiet personīgi aizsargaprīkojumu. Vienmēr lietojiet aizsargbrilles. Aizsardzības aprīkojums, piemēram, putekļu maska, neslidīši drošības apavi, aizsargķivere, vai ausu aizsarglīdzekļi, to izmantojot atbilstošos apstākļos, samazinās ievainojumu risku.
- Nepieļaujiet nejašu iedarbināšanu. Pirms pievienot enerģijas avotam un/vai akumulatoram, pacelt un pārvietot darbarīku, pārliecinieties, ka slēdzis ir izslēgtā stāvoklī. Elektroinstrumentu pārnēsāšana, turot pirkstu uz slēdža vai ieslēgtu elektroinstrumentu pārnēsāšana var izraisīt nelaimes gadījumu.
- Noņemiet visas regulēšanas uzgriežņu atslēgas pirms elektroierīces ieslēgšanas. Uzgriežņu atslēga vai atslēga, kas palikusi piestiprināta pie elektroinstrumenta rotējošās detaļas, var izraisīt personas ievainojumu.
- Nepersitempkite. Visu laiku stāviet stingri un stabili. Tas ļauj labāk vadīt elektroinstrumentu negaidītās situācijās.
- Apģērbieties pareizi. Nevalkājiet vaļīgu apģērbu vai rotaslietas. Netuviniet matus un apģērbu kustīgajām daļām. Vaļīgs apģērbs, rotaslietas vai gari mati var tikt ierauti starp kustīgām detaļām.
- Ja ierīce ir aprīkota ar putekļu nosūcēja un savācēja pievienojumu, pārliecinieties, ka tas ir pievienots un tiek pareizi lietots. Putekļu savācēja lietošana var samazināt putekļu izraisītos riskus.
- Neļaujiet biežas instrumentu lietošanas radītam pieradumam ļaut palikt nevērīgam un neievērot instrumentu drošības principus. Neuzmanīga rīcība var radīt smagas traumas tikai dažu sekunžu laikā.

ELEKTROINSTRUMENTU LIETOŠANA UN APRŪPE

- Nepielietojiet spēku, izmantojot ražojumu. Izmantojiet savam darbam atbilstošu elektroierīci. Pareizais elektroinstruments veiks darbu labāk un drošāk ar ātrumu, kādam ticis konstruēts.
- Nelietojiet elektroinstrumentu, ja ar slēdzi to nevar ieslēgt un izslēgt. Ja elektroinstrumentu nevar vadīt ar slēdzi, tas ir bīstams un jāremontē.
- Atvienojiet kontaktdakšu no sprieguma avota un/vai noņemiet akumulatoru bloku no elektroinstrumenta, pirms veikt jebkādu regulēšanu vai darba piederumu maiņu vai novietot elektroinstrumentu glabāšanai. Šādi profilakses pasākumi samazina elektroierīces nejausas iedarbināšanas iespēju.
- Glabājiet neizmantotus elektroinstrumentus bērniem nepieejamās vietās un neļaujiet neapmācītām personām darboties ar elektroinstrumentiem. Elektroinstrumenti ir bīstami neapmācītu personu rokās.
- Uzturiet elektroinstrumentus un to aksesuārus kārtībā. Pārbaudiet kustīgu detaļu savienojumu pareizību, detaļu berzi un citus apstākļus, kas var ietekmēt elektroinstrumenta darbu. Ja elektroinstruments ir bojāts, pirms lietošanas veiciet tā remontu. Daudzus negadījumus izraisa slikti apkopti elektroinstrumenti.





- Turiet griezējriekus asus un tīrus. Pareizi apkopti griezējinstrumenti ar asām griezējšķautnēm retāk pielīp un ir vieglāk vadāmi.
- Izmantojiet elektroierīci, piederumus, darbinstrumentus u.c. saskaņā ar šiem norādījumiem, ņemiet vērā darba apstākļus un veicamo darbu. Elektroinstrumenta izmantošana neparedzētu darbību veikšanai var radīt bīstamu situāciju.
- Rokturēm un citām satverošām virsmām ir jābūt sausām, tīrām un bez eļļas un smērvielu plankumiem. Negaidītās situācijās slideni rokturi un slidena satvēriena virsmas padara darbarīka lietošanu nedrošu un nekontrolējamu.

AR AKUMULATORU DARBINĀMU IERĪČU LIETOŠANA UN KOPŠANA

- Uzlādējiet tikai ar ražotāja noteikto lādētāju. Lādētājs, kas paredzēts lietošanai ar viena veida akumulatoru, var būt ugunsnedrošs, ja to izmanto ar citu akumulatoru.
- Lietojiet elektriskos instrumentus tikai ar konkrētajai ierīcei paredzēto akumulatoru. Jebkura cita akumulatora lietošana var radīt ievainojumu un ugunsgrēka risku.
- Kad nelietojat akumulatoru, neturiet to citu metāla priekšmetu tuvumā, piemēram: papīra saspaušanas, monētas, atslēgas, naglas, skrūves vai citi sīki metāla priekšmeti, kas var veidot savienojumu starp spailēm. Akumulatora spaiļu īsslēgums var radīt aizdegšanos vai ugunsgrēku.
- Nepareizas rīcības gadījumā no akumulatora var izkļūt šķidrums; izvairieties no saskares ar to. Nejaūšas saskares gadījumā skalojiet skarto vietu ar ūdeni. Ja šķidrums iekļūst acīs, nekavējoties meklējiet medicīnisko palīdzību. No akumulatora izkļuvušais šķidrums var izraisīt kairinājumu vai apdegumus.
- Neizmantojiet akumulatoru bloku, kas ir bojāts vai pārveidots. Bojāts vai pārveidots akumulatoru bloks var izraisīt neparedzamu darbību, kas var izraisīt uzliesmošanu, sprādzienu vai ievainojumu risku.
- Nepakļaujiet akumulatoru bloku vai instrumentu liesmu vai paaugstinātas temperatūras iedarbībai. Pakļaujot liesmām vai temperatūrai virs 130°C var izraisīt sprādzienu.
- Ievērojiet visas lādēšanas instrukcijas un nelādējiet akumulatoru bloku vai instrumentu, ja temperatūra ir ārpus diapazona, kas norādīts instrukcijās. Nepareiza lādēšana vai lādēšana temperatūrā, kas ir ārpus norādītā diapazona, var izraisīt akumulatora bojājumus un palielināt uzliesmošanas risku.

APKOPE

- Vai jūsu elektroinstrumentu apkalpo kvalificēts personāls, izmantojot tikai identiskas rezerves daļas. Tas nodrošinās elektroinstrumenta drošības saglabāšanu.
- Nekad neveiciet bojātu akumulatoru bloku remontu. Akumulatoru bloku remontu drīkst veikt tikai ražotājs vai pilnvarots servisa nodrošinātājs.

AUKLAS TRIMMERA DROŠĪBAS BRĪDINĀJUMI

- Neizmantojiet ierīci sliktos laika apstākļos, it īpaši, pastāvot zibens riskam. Tas samazina zibens spēriena saņemšanas risku.

- Rūpīgi pārbaudiet teritoriju, kurā paredzēts izmantot ierīci, vai tajā nav savvaļas dzīvnieku. Ierīce darbības laikā var savainot savvaļas dzīvniekus.
- Rūpīgi pārbaudiet zonu, kurā ierīce tiks izmantota, un novāciet visus akmeņus, zarus, vadus, koka gabalus un citus svešķermeņus. Mesti priekšmeti var izraisīt ievainojumus.
- Pirms ierīces lietošanas vienmēr vizuāli pārbaudiet, lai pārliecinātos, ka griezējs un griezēja mezgls nav nodiluši vai bojāti. Bojātas daļas palielina ievainojumu risku.
- Turiet aizsargus vietā. Aizsargiem jābūt darba kārtībā un pareizi uzstādītiem. Aizsargs, kas ir valģis, bojāts vai nedarbojas pareizi, var izraisīt ievainojumus.
- Dzesēšanas gaisa ieejas atveres nedrīkst būt aizsērējušas. Bloķētas gaisa ieplūdes atveres un grūzi var izraisīt pārkaršanu vai aizdegšanās risku.
- Valkājiet acu un dzirdes aizsarglīdzekļus. Atbilstoši aizsarglīdzekļi samazinās ievainojumus.
- Lietojot ierīci, vienmēr valkājiet neslīdošus un aizsargājošus apavus. Nestrādājiet ar iekārtu, ja jums ir basas kājas vai vaļējas sandales. Tas samazina kāju ievainojumu iespējamību, saskaroties ar kustīgo griezēju.
- Iekārtas lietošanas laikā vienmēr valkājiet apģērbu, piemēram, bikses, kas nosedz lietotāja kājas. Saskarsme ar kustīgo griezēju vai auklu var izraisīt ievainojumus.
- Ierīces lietošanas laikā turiet pārējos atstatu. Mesti priekšmeti var izraisīt smagus ievainojumus.
- Neizmantojiet ierīci virs jostas augstuma. Tas palīdzēs novērst neparedzētu saskari ar griezēju un negaidītās situācijās nodrošinās labāku kontroli pār ierīci.
- Ievērojiet piesardzību, lietojot ierīci slajā zālē. Ejiet, nekādā gadījumā neskrīniet. Tas samazina paslīdēšanas un krišanas risku, kas var izraisīt ievainojumus.
- Neizmantojiet ierīci pārmērīgi stāvās nogāzēs. Tas samazina kontroles zaudēšanas, slīdēšanas un krišanas risku, kas var izraisīt ievainojumus.
- Strādājot nogāzēs, vienmēr pārliecinieties par stabilu pamatu zem kājām, vienmēr strādājiet paralēli nogāzei, nekad augšup vai lejup un ievērojiet īpašu piesardzību, mainot virzienu. Tas samazina kontroles zaudēšanas, slīdēšanas un krišanas risku, kas var izraisīt ievainojumus.
- Turiet visus elektrības vadus un kabelus atstatu no plāušanas zonas. Elektrības vadi var būt apslēpti krūmos vai dzīvzoga, tāpēc tos ar auklu vai griezēju var nejauši pārgriezt vai bojāt.
- Turiet visas ķermeņa daļas atstatu no kustīgā trimmera griezēja vai auklas. Netīriet materiālu no ierīces, līdz tā nav atvienota no sprieguma avota. Kustīgais trimmera griezējs vai aukla var izraisīt smagus ievainojumus.
- Pārnēsājiet ierīci, kad ierīce ir izslēgta un atstatu no ķermeņa. Pareiza apiešanās ar ierīci samazinās nejaūšas saskarsmes iespējamību ar kustīgo trimmera griezēju vai auklu.
- Izmantojiet tikai ražotāja norādītās nomaīņas plāušanas galvas un trimmera griezējus vai auklas. Neaizstājiet trimmera griezējus vai auklas ar metāla vadiem vai asmeņiem. Nepareizas nomaīņas daļas var izraisīt kontroles zaudēšanu, bojājumus un ievainojumus.

PAPILDU DROŠĪBAS BRĪDINĀJUMI

- Pirms lietošanas un pēc jebkura trieciena, pārbaudiet, vai nav bojātu daļu. Bojāts slēdzis vai kāda daļa, kas



ir bojāta vai nolietota, pareizi jāsalabo vai jānomaina pilnvarotā servisa centrā.

- Mazais asmens, kas uzstādīts uz plāvēja aizsarga ir paredzēts tikko izvilktas auklas apciršanai pareizajā garumā drošai un optimālai darbībai. Asmens ir ļoti ass. Nepieskarieties asmenim, it īpaši, tīrot produktu.
- Lietojiet tikai ražotāja piedāvāto rezerves griešanas auklu. Nelietojiet citus griešanas uzgaļus.
- Pārļiecinieties, ka griešanas uzgalis ir pareizi uzstādīts un droši nostiprināts.
- Nekad nedarbiniet produktu, ja vien visi aizsargi, deflektori un rokturi ir pareizi un droši pievienoti.
- Pirms katras lietošanas pārļiecinieties, ka auklas apciršanas asmens drošības aizsargs ir pareizi uzlikts un nostiprināts.
- Turiet galvas pielāgojumu zemāk par jostasvietu.
- Negadījumā vai saplīšanas gadījumā nekavējoties izslēdziet un noņemiet akumulatora bloku. Neizmantojiet izstrādājumu līdz tas nav pilnībā pārbaudīts pilnvarotā servisa centrā.
- Lai samazinātu tādu ievainojumu risku, kas saistīti ar saskarsmi ar kustīgām daļām, vienmēr izslēdziet produktu, noņemiet akumulatoru bloku un ļaujiet abiem atdzist. Pārļiecinieties, ka visas kustīgās daļas ir pilnīgi apstājušās:
 - pirms sākt apkopi
 - pirms nosprostojumu tīrīšanas
 - pirms iekārtas pārbaudes, tīrīšanas vai labošanas
 - pirms papildaprīkojuma nomaiņas
 - pēc trieciena pret svešķermeņi
 - kad atstājat ierīci bez uzraudzības
 - ikreiz, kad veicat apkopi
 - ja iekārta sāk neparasti vibrēt
- Pārļiecinieties, ka visi aizsargi un rokturi ir atbilstoši uzstādīti un ir labā stāvoklī.
- Turiet precīzi aiz paredzētajiem rokturiem un ierobežojiet darba laiku, un pakļaušanu.
- Uzmanieties no priekšmetiem, kas tiek izsvaidīti griešanas laikā. Pirms darba uzsākšanas atīriet darba zonu no maziem akmeņiem, grants un citiem svešiem priekšmetiem. Vadi vai auklas var iepīties griešanas laikā.
- Vienmēr pārļiecinieties, ka ventilācijas atveres ir tīras un neārsturētas.
- Ilgstoša preces lietošana var radīt ievainojumus vai pasliktināt jau esošos. Izmantojot produktu ilgāku laika posmu, nodrošiniet, ka tiek ņemti regulāri pārtraukumi.
- Izmantojiet produktu tikai apkārtējās vides temperatūras diapazonā no 0°C un 40°C.
- Glabājiet produktu vietā, kurā apkārtējās vides temperatūra ir starp 0°C un 40°C.

PAPILDU AKUMULATORU BLOKA DROŠĪBAS BRĪDINĀJUMI

Lai samazinātu aizdegšanās, ievainojumu un produkta bojājumu risku, kas radies īssavienojuma rezultātā, nekad neņemrciet produktu, akumulatoru bloku vai lādētāju šķidrumā vai nepieļaujiet šķidruma ieplūšanu tajos. Koroziju izraisoši vai vadītspējīgi šķidrumi, piemēram, sālsūdens, noteiktas ķīmikālijas, balinātāji vai produkti, kas satur balinātājus, var izraisīt īssavienojumu.

- Veiciet akumulatora bloka nomaiņu vietā, kur temperatūra ir starp 10°C un 38°C.
- Glabājiet akumulatoru bloku vietā, kurā apkārtējās vides temperatūra ir starp 0°C un 20°C.
- Izmantojiet akumulatoru bloku vietā, kurā apkārtējās vides temperatūra ir starp 0°C un 40°C.

TRANSPORTĒŠANA UN UZGLABĀŠANA

- Pirms produkta novietošanas glabāšanai vai transportēšanas, izslēdziet to, noņemiet akumulatoru bloku un ļaujiet tam atdzist.
- Notīriet visus svešķermeņus no izstrādājuma.
- Neglabājiet vai nepārvadājiet produktu, ja tam ievietotas baterijas. Noņemiet akumulatora bloku un nolieciet to drošā vietā. Uzglabājiet to vēsā, sausā un labi vēdinātā vietā, kurai nevar piekļūt bērni. Sargiet izstrādājumu no korozīvām vielām, piemēram, dārzeņu ķīmikālijām un pretapledošanas sāļš. Neglabājiet produktu ārpus telpām.
- Transportējot nostipriniet ierīci, lai tā nekustētos un neapgāztos, jo tas var izraisīt miesas bojājumus un ierīces bojājumus.

LITIJA BATERIJU TRANSPORTĒŠANA

- Transportējiet baterijas saskaņā ar vietējiem un valsts noteikumiem un regulām.
- Ievērojiet visas īpašās prasības saistībā ar iepakojšanu un marķēšanu, transportējot trešās puses baterijas. Nodrošiniet, ka baterijas transportā nevar nonākt saskarē ar citām baterijām vai vadītspējīgiem materiāliem, aizsargājot atklātos savienotājus ar nevadošiem izolācijas vāciņiem vai lentēm. Netransportējiet ieleplisājušās baterijas vai baterijas, kurām ir noplūde. Lūdziet padomu kravu pārvadāšanas uzņēmumam.

APKOPE

- Lietojiet tikai oriģinālās ražotāja rezerves daļas, piederumus un uzgaļus. Pretējā gadījumā var tikt radīti ievainojumi un parādīts slikts sniegums, kā arī var tikt anulēta garantija.
- Aptarnavimā atlikti būtina itin atīdziai, todēl rekomenduojuame, kad tehninē apziūra vykdytu kvalifikuotas specialistas. Veiciet apkalpošanu tikai pilnvarotā servisa centrā.
- Izslēdziet produktu un noņemiet akumulatora bloku pirms veikt jēbkādus apkopes vai tīrīšanas darbus.
- Jūs varat veikt tikai šajā rokasgrāmatā aprakstīto regulēšanu un remontdarbus. Cita veida remontam vai konsultācijām, vērsieties pēc padoma autorizētā servisa centrā.
- Aizstāšanai izmantojiet tikai neilona šķiedras auklu, kuras diametrs aprakstīts šīs rokasgrāmatas specifikācijas tabulā.
- Pēc katras lietošanas reizes notīriet precī ar mīkstu, sausu drāniņu. Jēbkura bojāta detaļa jānodod remontam vai nomaiņai pilnvarotā apkopes centrā.
- Pārbaudiet visus uzgriežņus un skrūves pirms katras lietošanas kā arī ar regulāriem intervāliem, vai tie ir novilkti, lai nodrošinātu izstrādājuma drošu lietošanas stāvokli. Jēbkura bojāta detaļa jānodod remontam vai nomaiņai pilnvarotā apkopes centrā.
- Nesiet precī uz pilnvarotu pakalpojumu centru, lai nomainītu bojātos vai nesalasāmās uzlīmes.

PAZĪSTIET SAVU IERĪCI

Skatīt 118. lappusi

1. Aizmugurējais rokturis
2. Akumulatora fiksators
3. Ieslēgšanas/izslēgšanas mēlīte
4. Bloķēšanas mēlīte
5. Augšējā piedziņas ass
6. Priekšējais rokturis
7. Apakšējā piedziņas ass
8. Atgriešanas asmens
9. Vadotnes ritenītis
10. Drošības aizsargs
11. Griešanas aukla
12. Malu apgriešanas pedālis
13. Lietotāja rokasgrāmata
14. Spoles pārsegs
15. Spole
16. Cilpa
17. Slīdnis
18. Akumulators
19. Lādētājs

UZ PRECES ESOŠIE SIMBOLI



Drošības brīdinājums



Izlasiet un izprotiet visas norādes pirms produkta lietošanas. Ievērojiet visus brīdinājumus un drošības norādes.



Lietojiet acu un ausu aizsargus.



Sargieties no izmestiem vai lidojošiem priekšmetiem. Nodrošiniet, ka nepiederоšas personas, bērni un dzīvnieki atrodas vismaz 15 m attālumā no darba zonas.



Neizmantojiet metāla asmeņus.



Nepakļaujiet lietum vai mitriem apstākļiem.



Noņemiet akumulatoru bloku, pirms uzsākt jebkādas apkopes darbus.



Turiet rokas atstatu no asmeņiem.



Garantētais skaņas intensitātes līmenis



Eiropas atbilstības zīme



Lielbritānijas atbilstības zīme



EurAsian atbilstības marķējums



Ukrainas atbilstības zīme

Neizmetiet akumulatoru atkritumus kā nešķirotus sadzīves atkritumus. Akumulatoru atkritumi, elektrisko un elektronisko iekārtu atkritumi jāsavāc atsevišķi. Bateriju, akumulatoru un gaismas avotu atkritumi ir jāizņem no iekārtām. Sazinieties ar jūsu vietējo pašvaldību vai pārdevēju, lai gūtu informāciju par šādām savākšanas vietām. Saskaņā ar vietējiem noteikumiem mazumtirgotājiem var būt pienākums bez maksas pieņemt atpakaļ akumulatoru, elektrisko un elektronisko iekārtu atkritumus. Jūsu ieguldījums elektrisko un elektronisko iekārtu atkritumu otrreizējā izmantošanā un otrreizējā pārstrādē palīdz samazināt izejvielu pieprasījumu. Akumulatoru atkritumi, it īpaši tie, kas satur litiju, un elektrisko un elektronisko iekārtu atkritumi satur vērtīgus un pārstrādājamus materiālus, kas var nelabvēlīgi ietekmēt vidi un cilvēku veselību, ja tos neapglabā videi draudzīgā veidā. Izdzēsiet no atkritumos nododamajām iekārtām personīgos datus, ja tādi tur ir.

SIMBOLI ŠAJĀ ROKASGRĀMATĀ



Piezīme



Brīdinājums



Atsevišķi nopērkamās daļas vai piederumi



Kuriant šią akumulatorinę vielinę žoliapjovę, didžiausia svarba buvo teikiama jos saugai, efektyvumui ir patikimumui.

NAUDOJIMO PASKIRTIS

Akumulatorinė vielinė žoliapjovė yra skirta aukštai žolei, peraugusioms piktžolėms ir panašiai augalijai pažemiumi arba prie pat žemės pjauti.

Pjovimo plokštuma turi būti maždaug lygiagrečiai pagrindo paviršiui, kai pjaunate, ir maždaug vertikali, kai tvarkote kraštus.

Šis įrenginys skirtas naudoti tik suaugusiems, kurie yra perskaitę ir supratę šiame vadove pateiktus nurodymus bei įspėjimus ir gali būti laikomi atsakingais už savo veiksmus.

Prietaisas skirtas naudoti lauke, gerai vėdinamoje vietoje. Darbo šiuo įrenginiu saugą galima užtikrinti tik dirbant abiem rankomis.

Nenaudokite kitais tikslais.

BENDROSIOS ĮRENGINIO NAUDOJIMO SAUGOS TAIŠYKLĖS

⚠️ ĮSPĖJIMAS! Perskaitykite visus su šiuo gaminiu pateiktus saugos įspėjimus, nurodymus, paveikslėlius ir specifikacijas. Apačioje išdėstyti instrukcijų nesilaikymas gali sukelti elektros smūgį, gaisrą ir (ar) sunkius sužeidimus.

Saugokite šiuos įspėjimus ir nurodymus, kad galėtumėte vadovautis jais vėliau.

Įspėjimuose naudojama sąvoka „elektrinis įrankis“ reiškia prie elektros tinklo jungiamą (laidinį) elektrinį įrankį arba akumuliatoriumi maitinamą (belaidį) įrenginį.

DARBO APLINKA

- Darbo vieta turi būti švari ir gerai apšviesta. Nelaimingi atsitikimai įvyksta netvarkingose ar tamsiose vietose.
- Nenaudokite elektrinių įrankių, jei šalia yra degios ir sprogti galinčios medžiagos (skysčiai, dujos ar dulkes). Elektriniai įrankiai kibirkščiuoja ir gali uždegti dulkes arba garus.
- Neleiskite vaikams ir šalia esantiems asmenims būti šalia įjungto elektrinio įrankio. Išsiblaškę galite prarasti kontrolę.

ELEKTROS SAUGA

- Elektrinio įrankio kištukai turi atitikti kištukinį lizdą. Niekada nekeiskite kištuko. Su įžemintais (įžeminimo) elektriniais įrankiais niekada nenaudokite kištukų adapterių. Nepakeisti kištukai ir atitinkantys lizdai sumažina elektros smūgio pavojų.
- Stenkitės nesiliesti prie įžemintų ar įžeminimo paviršių (vamzdžių, radiatorių, grandinių / viryklių, šaldytuvų). Įžeminus savo kūną, padidės elektros smūgio pavojus.
- Gaminio negalima naudoti ar laikyti Lietuvoje ar drėgmėje. Dėl vandens, patekusio į elektrinį įrankį, padidėja elektros smūgio pavojus.
- Laidą naudokite pagal jo paskirtį. Niekada jo nenaudokite elektriniams įrankiams pernešti, tempti ar išjungti. Saugokite maitinimo laidą nuo karščio, tepalų, aštrių kampų ir judančių detalių. Pažeisti ar supainioti laidai padidina elektros smūgio galimybę.

ASMENINĖ SAUGA

- Būkite budrūs ir stebėkite, ką darote, bei sąmoningai naudokite elektrinį įrankį. Nesinaudokite įrankiu, kai esate pavargę ar paveikti narkotinių medžiagų, alkoholio ar vaistų. Neatidumas darbo su elektriniu įrankiu metu gali sukelti sunkius sužeidimus.
- Naudokite asmeninės apsaugos įrangą. Visada dėvėkite akių apsaugos priemonės. Apsauginės priemonės, pavyzdžiui, apsauginės kaukės, batai neslidžiais padais, šalmas arba klausos apsaugos priemonės, naudojamos atitinkamomis darbo sąlygomis, sumažins pavojų susižaloti.
- Saugokitės, kad įrankis netyčia neįsijungtų. Įsitinkinkite, kad prieš prijungiant įrankį prie maitinimo šaltinio ir (ar) baterijos, pakeliant ar nešant įrankį, jungiklis yra išjungtas. Nešant elektrinį įrankį, uždėjęs pirštą ant jungiklio, arba elektrinį įrankį, kurio jungiklis yra įjungtoje padėtyje, gali įvykti nelaimingas atsitikimas.
- Prieš įjungiant elektrinį įrankį, išimkite derinimo raktą ar veržliaraktį. Jei juos paliksite pridėtus prie besisukančios įrankio dalies, galite susižaloti.
- Nepersitempkite. Visada tvirtai stovėkite ir išlaikykite pusiausvyrą. Tai padės geriau kontroliuoti įrankį netikėtų situacijų metu.
- Dėvėkite tik darbu tinkamus drabužius. Nedėvėkite laisvų, neprigulusių drabužių ir juvelyrinių dirbinių. Saugokitės, kad judančios dalys neįtrauktų plaukų ir drabužių. Laisvi drabužiai, papuošalai ar ilgi plaukai gali įsipainioti į judančias įrankio dalis.
- Jei įrengti dulkių ištraukimo ir surinkimo įrengimai, įsitinkinkite, kad jie prijungti ir naudojami tinkamai. Su dulėmis susijusiam pavojui sumažinti naudokite dulkių surinkimą.
- Nepasitikėkite vien savo patirtimi, įgyta dažnai naudojantis įrankiais, – neignoruokite įrankio naudojimo saugos taisyklių. Nerūpestingai elgiantis, galima susižeisti per sekundės dalį.

ELEKTRINIO ĮRANKIO NAUDOJIMAS IR PRIEŽIŪRA

- Nenaudokite per didelės jėgos. Pritaikykite tinkamą elektrinį įrankį atliekamam darbui. Naudodami pagal paskirtį pagamintą tinkamą elektrinį įrankį, darbą atliksite geriau ir saugiau.
- Nenaudokite elektrinio įrankio, jei jungiklio negalite įjungti ir išjungti. Jungikliu nevaldomas elektrinis įrankis yra pavojingas ir jį reikia taisyti.
- Ištraukite kištuką iš energijos šaltinio ir (arba) išimkite iš elektrinio įrankio akumuliatorių, ir tik po to atlikite elektrinių įrankių reguliavimo, priedų keitimo arba paruošimo sandėliavimui darbus. Tokios saugumo priemonės apsaugos nuo atsitiktinio įrankio įsijungimo.
- Laikykite elektrinį įrankį vaikams neprieinamoje vietoje ir neleiskite juo naudotis asmenims, kurie nemoka juo naudotis. Neįgudusiems asmenims elektriniai įrankiai yra pavojingi.
- Prižiūrėkite elektrinius įrankius ir priedus. Patikrinkite judančių detalių nesutapimus, sukibimą, ar sumontuotos detalės nesulūžusios bei kitą būklę, kuri gali turėti neigiamos įtakos įrankio veikimui. Jei įrankis sugedęs, prieš naudojimą jį reikia suremontuoti. Nemažai nelaimingų atsitikimų įvyksta dėl netinkamai prižiūrimų elektrinių įrankių.





- **Pjovimo įrankius reikia pastoviai galąsti ir valyti.** Tinkamai prižiūrėti aštriais ašmenimis pjovimo įrankiai mažiau stringa ir juos lengviau valdyti.
- **Naudokite elektrinius įrankius, atsargines detales, grąžtus ir t. t., pagal šias instrukcijas ir atsižvelgdami į darbo sąlygas bei turimą atlikti darbą.** Naudokite elektrinį įrankį tik pagal tiesioginę paskirtį, kitaip sukelsite pavojingą situaciją.
- **Rankenos ir suėmimo paviršiai turi būti sausi, švarūs ir nesutepti alyva ar tepalais.** Jeigu rankenos ar suėmimo paviršiai slidūs, krūmapjovę naudoti ir valdyti nesaugu netikėtomis situacijomis.

ĮRANKIO SU AKUMULIATORIUMI NAUDOJIMAS IR PRIEŽIŪRA

- **Pakartotinai kraukite prietaisą tik naudodami gamintojo nurodytą kroviklį.** Vieno tipo akumuliatoriui tinkantis įkroviklis gali kelti gaisro pavojų kitokiam akumuliatoriui.
- **Elektrinius įrankius naudokite tik su jiems skirtais baterijų paketais.** Naudojant kitokius akumuliatorius, galima susižeisti ar sukelti gaisrą.
- **Kai akumuliatorius nenaudojamas, jį laikykite toliau nuo kitų metalinių daiktų, pavyzdžiui, sąvaržėlių, monetų, raktų, vinių, varžtų ar kitų mažų metalinių daiktų, kurie vieną gnybtą gali sujungti su kitu.** Sutrumpinus vieną akumuliatoriaus gnybtą su kitu, galima nusideginti arba sukelti gaisrą.
- **Netinkamomis sąlygomis iš akumuliatoriaus gali ištekti skystis - nelieskite jo.** Jei atsitiktinai prisilietėte - nuplaukite vandeniu. Jei skysčio pateko į akis, nedelsiant kreipkitės į gydytoją. Iš akumuliatoriaus iškėjęs skystis gali nudeginti ar sukelti sudirginimus.
- **Nenaudokite akumuliatorių bloko ar įrankio, kuris yra sugadintas arba pakeistas.** Sugadinti arba pakeisti akumuliatoriai gali veikti neprognozuojamai ir dėl to gali kilti gaisras, sprogimas arba pavojus susižaloti.
- **Saugokite akumuliatorių nuo ugnies ir pernelyg aukštos temperatūros.** Patekus į ugnį arba veikiant aukštesnei nei 130 °C temperatūrai gali kilti sprogimas.
- **Laikykites visų įkrovimo instrukcijų ir neįkraukite akumuliatorių bloko ar įrankio jei temperatūra yra už instrukcijose nurodyto diapazono ribų.** Netinkamai įkraunant arba jei temperatūra yra už nurodyto diapazono ribų gali būti sugadinti akumuliatoriai ir padidėti gaisro pavojus.

TECHNINIS APTARNAVIMAS

- **Elektrinį įrankį turi remontuoti tik kvalifikuoti darbuotojai, kurie naudoja identiškas atsargines dalis.** Tai užtikrina elektrinio įrankio saugumą.
- **Niekada neremontuokite pažeistų akumuliatorių.** Akumuliatorius remontuoti gali tik jo gamintojai arba įgaliotieji techninės priežiūros paslaugų teikėjai.

VIELINĖS ŽOLIAPJOVĖS NAUDOJIMO SAUGOS TAISYKLĖS

- **Nenaudokite įrenginio prastomis oro sąlygomis, ypač, jei gali trenkti žaibas.** Taip sumažinamas pavojus būti nutrenktiems žaibo.
- **Kruopščiai patikrinkite, ar toje vietoje, kur bus naudojamas įrenginys, nėra laukinių gyvūnų.** Veikiantis įrenginys gali sužeisti laukinius gyvūnus.
- **Kruopščiai patikrinkite vietą, kur bus naudojamas įrenginys, ir pašalinkite visus akmenis, šakeles, laidus, kaulus ir kitus pašalinius daiktus.** Svaidomi daiktai gali sužaloti.
- **Prieš naudodami įrenginį visada įsitikinkite, kad pjoviklis ir pjoviklio blokas yra nenudisidėję ir nepažeisti.** Sugadintas dalys didina pavojų susižaloti.
- **Apsauginiai gaubtai privalo būti uždėti. Apsauginiai gaubtai privalo būti darbui tinkamos būklės ir tinkamai sumontuoti.** Atsilaisvinęs, sugadintas arba netinkamai veikiantis apsauginis gaubtas gali sužaloti.
- **Stebėkite, kad oro vėsinimo įsiurbimo angos neužsikimšę atliekomis.** Užsikimšę oro įsiurbimo angos ir nešvarumai gali sukelti įrenginio perkaitimą arba gaisro pavojų.
- **Dėvėkite akių ir ausų apsaugos priemones.** Tinkamos apsaugos priemonės sumažins susižalojimo pavojų.
- **Naudodamiesi įrenginiu visada avėkite apsauginę avalynę (neslidžiais padais). Nedirbkite su šiuo prietaisu neapsiavę arba avėdami atvirus sandalus.** Taip sumažinsite galimybę susižeisti kojas dėl sąlyčio su judančiu pjovikliu.
- **Dirbdami įrenginiu visada dėvėkite drabužius, pavyzdžiui, kojas dengiančias kelnes.** Prisilietus prie judančio pjoviklio arba valo galima susižaloti.
- **Dirbdami su įrenginiu neleiskite artyn vaikų ir pašalinių asmenų.** Išmestos nupjautos šakos gali sunkiai sužaloti.
- **Nenaudokite įrenginio virš juosmens aukščio.** Taip netyčia neprisiliesite prie pjoviklio ir lengviau suvaldysite įrenginį netikėtų situacijų atveju.
- **Būkite atsargūs dirbdami įrenginiu su šlapioje žolėje. Visada eikite, niekada nebėkite.** Tai sumažina riziką paslysti, nukristi ir susižaloti.
- **Nedirbkite įrenginiu pernelyg stačiuose šlaituose.** Taip sumažinsite riziką prarasti įrenginio kontrolę, paslysti, nukristi ir susižaloti.
- **Dirbdami šlaituose visada stovėkite tvirtai, visada dirbkite skersai šlaito ir niekada – aukštin ar žemyn, o keisdami judėjimo kryptį būkite itin atsargūs.** Taip sumažinsite riziką prarasti įrenginio kontrolę, paslysti, nukristi ir susižaloti.
- **Maitinimo laidus ir kabelius nutieskite atokiai nuo pjovimo zonos.** Maitinimo laidai ar kabeliai gali pasislėpti gyvatvorėse ar krūmuose, ir įrenginio pjovimo valas ar pjoviklis juos gali būti netyčia nupjauti ar pažeisti.
- **Pasirūpinkite, kad visos kūno dalys privalo būti toliau nuo pjoviklio ar valo.** Nevalykite šiukšlių nuo įrenginio, kol jis neatjungtas nuo maitinimo šaltinio. Judantis žoliapjovės pjoviklis arba valas gali sunkiai sužaloti.
- **Nešamas įrenginys turi būti išjungtas ir neprispaustas prie kūno.** Tinkamai dirbdami su įrenginiu sumažinsite atsitiktinio prisilietimo prie judančio žoliapjovės pjoviklio ar valo tikimybę.
- **Naudokite tik gamintojo nurodytas atsargines pjovimo galvutes ir žoliapjovės pjoviklius. Nekeiskite žoliapjovės pjoviklių ar valų metaliniais valais ar peiliais.** Dėl netinkamų atsarginių dalių galite prarasti kontrolę, susižaloti, gali lūžti įrenginio dalys.



**PAPILDOMI SAUGOS ĮSPĖJIMAI**

- Prieš naudodami įrenginį ir po bet kokio jo sutrenkimo patikrinkite, ar nėra pakenktų dalių. Nekokybišką jungiklį ar pakenktą arba susidėvėjusią dalį reikia tinkamai sutaisyti arba pakeisti. Dalis keisti gali tik įgaliotas techninio aptarnavimo centras.
- Mažas, ant apsauginio gaubto sumontuotas peiliukas skirtas naujai išstumtai pjovimo vietai iki tinkamo ilgio nukirpti, kad darbas būtų saugus ir optimalus. Peilis yra labai aštrus. Nelieskite šio peilio, ypač valydami įrenginį.
- Keitimui naudokite tik gamintojo pjovimo lyną. Nenaudokite jokio kito pjovimo įtaiso.
- Patikrinkite, ar pjovimo įtaisas tinkamai sumontuotas ir pritvirtintas.
- Gaminio jokių būdu negalima naudoti, jeigu nėra tinkamai pritvirtinti apsauginiai įtaisai, kreiptuvai ir rankenos.
- Prieš kiekvieną naudojimą įsitinkite, kad peilio apsauginiame gaubte esantis vielos nuopjovimo peiliukas yra tinkamai nustatytas ir pritvirtintas.
- Pjovimo įtaisas privalo būti laikomas žemiau juosmens linijos.
- Nelaimingo atsitikimo arba gedimo atveju nedelsdami išjunkite įrenginį ir išimkite akumuliatorių. Nenaudokite įrenginio tol, kol jis nebus išsamiai patikrintas įgaliotos techninės priežiūros centre.
- Norėdami išvengti pavojaus susižaloti prisilietus prie judančių dalių, visada išjunkite įrenginį, išimkite akumuliatorių ir palaukite, kol jie abu atvės. Patikrinkite, ar visos judančio dalys visiškai nustojo sukstis.
 - prieš atlikdami techninę priežiūrą
 - prieš pašalindami užsikimšimą
 - prieš tikrindami ar valydami prietaisą arba prieš pradėdami juo pjauti žolę;
 - prieš keisdami priedus
 - kliudę pašalinį objektą
 - prieš palikdami įrenginį be priežiūros
 - kaskart atlikdami techninę priežiūrą
 - prietaisui pradėjus neįprastai vibruoti
- Patikrinkite, ar visi apsauginiai įtaisai ir rankenos tinkamai sumontuotos ir geros būklės.
- Laikyti gaminį už tam skirtų rankenų ir riboti darbo laiką bei buvimą sveikatai žalingoje aplinkoje.
- Saugokitės iš pjovimo įtaiso „iššaunamų“ objektų. Prieš pradėdami darbą, iš darbo ploto pašalinkite nuolaužas, tokias kaip nedidelė akmenukai, žvyras ir kiti pašaliniai daiktai. Vietos arba virvelės gali įspainioti pjovimo įtaisuose.
- Visada patikrinkite, ar ventiliavimo angos nėra užsikimšusios atliekomis.
- Ilgiau naudojant, įrankis kelia sužeidimų pavojų ir apsunkina darbą. Naudodamiesi įrenginiu ilgesnį laiką, būtinai darykite pertraukas.
- Naudokite įrenginį tik esant nuo 0 °C iki 40 °C temperatūrai.
- Įrenginį laikykite ten, kur aplinkos temperatūra yra nuo 0 °C iki 40 °C.

PAPILDOMI AKUMULATORIAUS SAUGOS ĮSPĖJIMAI

- Siekiant sumažinti gaisro, susižeidimų ir įrangos pažeidimų pavojus, galinčius kilti dėl trumpojo elektros jungimo, pasirūpinkite, kad įrankis, akumulatorius arba įkroviklis niekada nebūtų panardintas į jokį skystį, o taip pat, kad skystis nepatektų į jų vidų. Koroziją sukeliantys arba laidūs skysčiai, pvz., sūrus vanduo, tam tikri chemikalai ir balikliai arba produktai, kurių sudėtyje yra baliklių, gali sukelti trumpąjį jungimą.
- Akumuliatorių kraukite nuo 10 °C iki 38 °C temperatūros aplinkoje.
 - Įrenginį laikykite nuo 0 °C iki 20 °C temperatūros aplinkoje.
 - Akumuliatorių naudokite nuo 0 °C iki 40 °C temperatūros aplinkoje.

GABENIMAS IR LAIKYMAS

- Išjunkite įrenginį, išimkite akumuliatorių ir palaukite, kol įrenginys atvės, jei norite jį padėti saugojimo vietą arba transportuoti.
- Nuo įrankio nuvalykite visas pašalines medžiagas.
- Nelaikykite ir negabenkite gaminio su įdėtomis baterijomis. Išimkite akumuliatorių ir padėkite jį atskirai į saugią vietą. Laikykite vėsioje, sausoje, gerai vėdinamoje ir vaikams nepasiekiamoje vietoje. Laikykite gaminį toliau nuo korozinių medžiagų, pvz. sodo chemikalų ir tirpdančių druskų. Nelaikykite įrenginio lauke.
- Paruošiant gabenimui, gaminį reikia pritvirtinti, kad nejudėtų ir nenukristų, nes priešingu atveju jis gali sužaloti žmones arba sugesti pats.

LIČIO BATERIJŲ TRANSPORTAVIMAS

- Akumuliatorių gabenkite pagal vietinius ir šalies reikalavimus bei nuostatas.
- Akumulatorius gabenant trečiajai šaliai būtina laikytis visų specialių reikalavimų, nurodytų pakuotėse ir etiketėse. Užtikrinkite, kad gabenimo metu nei vienas akumulatorius nesiliestų su kitais akumulatoriais arba laidžiosiomis medžiagomis – apsauginius jungiamuosius elementus uždenkite izoliacinėmis nelaidžiomis movomis arba juosta. Įskilusių ir tekančių akumuliatorių negabenkite. Dėl tolesnių patarimų kreipkitės į transporto įmonę.

PRIEŽIŪRA

- Keitimui naudokite tik originalias gamintojo atsargines dalis. Neoriginalios dalys gali būti sužeidimų ir įrenginio blogo veikimo priežastis, ir dėl to gali būti anuliuotas garantinis pažymėjimas.
- Aptarnavimą atlikti būtina itin atidžiai, todėl rekomenduojame, kad techninę apžiūrą vykdytų kvalifikuotas specialistas. Įrenginį techninei priežiūrai pristatykite tik į įgaliotąjį techninės priežiūros centrą.
- Prieš vykdydami techninės priežiūros ar valymo darbus, išjunkite įrenginį ir išimkite akumuliatorių.
- Gaminį reguliuoti ar taisyti patiems galima tik tiek, kiek aprašyta šiame vadove. Dėl kitų dalių taisymo ar pagalbos taisant reikia kreiptis į įgaliotą techninio aptarnavimo centrą.
- Seną stygą keisti tik nailono pluošto styga, kurios skersmuo nurodytas šio vadovo specifikacijų lentelėje.
- Po kiekvieno naudojimo, išvalykite įrenginį sausu švelnaus audinio gabalėliu. Bet kurią apgadintą detalę



leidžiama remontuoti arba keisti tik autorizuotame aptarnavimo centre.

- Reguliariai ir prieš kiekvieną naudojimą tikrinkite, ar tinkamai užveržti visi sraigčiai, varžtai ir veržlės, kad užtikrintumėte saugą darbo aplinką. Bet kurią apgadintą detalę leidžiama remontuoti arba keisti tik autorizuotame aptarnavimo centre.
- Prireikus pakeisti sugadintas ar neįskaitomas etiketes, gaminių reikia nugabenti į įgaliotą techninio aptarnavimo centrą.

SUSIPAŽINKITE SU ĮRENGINIU

Žr. 118 psl.

1. Galinė rankena
2. Akumuliatoriaus fiksatorius
3. Įjungimo / išjungimo gaidukas
4. Užrakinimo fiksatorius
5. Viršutinis varomasis velenas
6. Priekinė rankena
7. Apatinis varomasis velenas
8. Nupjovimo geležtė
9. Kreipiamasis ratas
10. Saugos apsauginis aptvaras
11. Pjovimo linija
12. Vėjos pakraščių karpytuvo pedalas
13. Naudotojo vadovas
14. Ritės dangtelis
15. Ritė
16. Kilpelė
17. Slankiklis
18. Baterija
19. Įkroviklis

SIMBOLIAI ANT ĮRENGINIO



Pranešimas apie saugumą



Reguliariai ir prieš kiekvieną naudojimą tikrinkite, ar tinkamai užveržti visi sraigčiai, varžtai ir veržlės, kad užtikrintumėte saugą darbo aplinką. Vadovaukitės visais įspėjimais ir saugos taisyklėmis.



Dėvėkite akių ir ausų apsaugą.



Saugokitės išmetamų arba skrendančių objektų. Visi pašaliečiai, ypač vaikai ir naminiai gyvūnai, privalo būti bent 15 m atstumu nuo darbo vietos



Prietaise nemontuokite metalinės(-ių) geležtės(-čių).



Neleiskite gaminiui būti po lietumi arba drėgnose sąlygose.



Prieš pradėdami bet kokius darbus gaminyje išimkite akumuliatorių bloką.



Laikykite rankas atokiai nuo peilių.



Garantuotas akustinis lygis



Europos atitikties ženklas



Didžiosios Britanijos atitikties ženklas



„EurAsian“ atitikties ženklas



Ukrainos atitikties ženklas

Neišmeskite senų akumuliatorių, elektros ir elektroninės įrangos atliekų kartu su nerūšiuotomis komunalinėmis atliekomis. Seni akumuliatoriai, elektros ir elektroninės įrangos atliekas privaloma surinkti atskirai. Senos baterijos, akumuliatoriai ir šviesos šaltinių atliekos turi būti pašalinti iš įrangos. Patarimų dėl perdirbimo ir informacijos apie surinkimo punktus kreipkitės į savo vietos valdžios institucijas. Atsižvelgiant į vietos teisės aktus, mažmenininkai gali būti įpareigoti nemokamai priimti atgal senus akumuliatorius ir elektros bei elektroninės įrangos atliekas. Prisidėdami prie pakartotinio senų akumuliatorių ir elektros bei elektroninės įrangos atliekų panaudojimo ir perdirbimo padedate mažinti žaliavų poreikį. Senuose akumuliatoriuose, ypač tuose, kuriuose yra ličio, elektros ir elektroninės įrangos atliekose yra vertingų ir perdirbimui tinkamų medžiagų, kurios gali turėti neigiamą poveikį aplinkai ir žmonių sveikatai, jei nėra šalinamos aplinkai nekenksmingu būdu. Išrinkite senuose prietaisuose esančius asmens duomenis, jei tokių buvo.



SIMBOLIAI VADOVE



Pastaba



Įspėjimas!



Detalės arba priedai yra parduodami atskirai



Juhtmeta jõhtrimmeri juures on peetud esmatähtsaks ohutust, töövõimet ja töökindlust.

OTSTARBEKOHANE KASUTAMINE

Juhtmeta jõhtrimmer on ette nähtud kõrge muru, säise umbrohu ja sarnase taimeestiku lõikamiseks maapinnal või maapinna lähedal.

Lõikepea peab trimmerdamise ajal olema maapinnaga ligikaudu paralleelne ja servalõikamise ajal ligikaudu vertikaalne.

Toodet tohivad kasutada täiskasvanud, kes on lugenud käesolevat kasutusjuhendit ning saavad aru nendes olevatest juhistest ja hoiatustest, ning kes vastutavad oma tegevuse eest.

See seade on ette nähtud kasutamiseks vaid väljaspool ruume, hästiventileeritud kohas. Ohutuse tagamise eesmärgil peab töötamise ajal hoidma tööriista kahe käega, et seda saaks piisavalt kontrollida.

Ärge kasutage ühekski muuks otstarbeks.

SEADME ÜLDISED OHUTUSJUHISED

⚠ HOIATUS! Lugege läbi kõik tootega kaasasolevad ohutusjuhised, illustatsioonid ja spetsifikatsioonid. Allpool esitatud hoiatuste ja juhist eiramise puhul on oht saada elektrilööki või raskeid kehavigastusi ning/või tekitada tulekahju.

Hoidke kõik hoiatused ja juhised tulevikus vaatamiseks alles.

Hoiatustes kasutatav termin "mootortööriist" viitab võrgutoitega (juhtmega) seadmele või akuga (juhtmeta) seadmele.

TÖÖKOHT

- Hoidke töökoht puhas ja hästi valgustatud. Korrastamata ja pimedas kohas töötamisel võivad juhtuda õnnetused.
- Ärge kasutage elektritööriistu plahvatusohtlikes keskkondades, näiteks kergestisüttivate vedelike ja gaaside läheduses ega tolmuses kohas. Elektritööriistad tekitavad sädemeid, mis võivad tolmu või auru süüdata.
- Elektritööriistaga töötamisel hoidke lapsed ja kõrvalised isikud eemal. Tähelepanu hajumise korral võib teil kontroll kaduda.

ELEKTRIOHUTUS

- Elektritööriistade pistikud peavad pistikupesasa sobima. Ärge püüdke pistiku konstruktsiooni mingil moel muuta. Ärge ühendage maanduskontaktiga (kordusmaandusega) elektritööriistu elektrivõrku läbi vahepistmike. Pistiku ja pistikupesasa konstruktsiooni muutmise korral tekib elektrilöögi oht.
- Hoiduge kehalisest kontaktist maandatud pindadega, näiteks torud, radiaatorid, elektripliidid ja külmikud. Kehaosade maandamise suureneb elektrilöögi saamise oht.
- Ärge jätke kultivaatorit vihma kätte või märga kohta. Vee sattumisel elektrilise tööriista sisemusse suureneb elektrilöögi saamise oht.
- Ärge kasutage toitejuhet mittesihipäraselt. Ärge kasutage toitejuhet tööriista kandmiseks,

vedamiseks või pistikupesast väljatõmbamiseks. Hoidke toitejuhe eemal kuumusest, õlist, teravatest servadest ja liikuvatest osadest. Vigastatud või keerdus toitekaabli suurendavad elektrilöögi ohtu.

ISIKUKAITSE

- Mehaanilise tööriistaga töötamisel jälgige tööpiirkonda ja kasutage sealjuures tervet mõistust. Ärge kasutage tööriista siis, kui te olete väsinud, uimastite, alkoholi või ravimite mõju all. Hetkeline tähelepanu hajumine tööriista kasutamise ajal võib põhjustada raske kehavigastuse.
- Kasutage isikukaitsevahendeid. Kandke alati silmakaitsevahendeid. Oludele vastavad kaitsevahendid, nagu tolumumask, libisemist takistavad turvajalatsid, kiiver või kuulmiskaitsmed, vähendavad kehalisi vigastusi.
- Vältige tahtmatut käivitumist. Enne toitejuhtme või aku ühendamist, tööriista kättevõtmist või teisaldamist veenduge, et tööriista lüliti on välja lülitatud. Õnnetuste vältimiseks ärge hoidke tööriista kandmise ajal sõrme lülituspulki ega ühendage tööriista toitevõrku siis, kui lüliti on sisse lülitatud.
- Enne tööriista sisselülitamist eemaldage sellelt reguleervõti või mutrivõti. Elektritööriista külge jäetud reguleervõti või mutrivõti võivad põhjustada raske kehavigastuse.
- Ärge kummardage. Hoidke end pidevalt jalgadel ja tasakaalus. Siis on teil ootamatu olukorra tekkimisel tööriista üle parem kontroll.
- Kandke tööks sobivat riietust. Ärge kandke lõtvu riideid ja ehteid. Hoidke juuksed ja riided liikuvatest osadest eemal. Lõdvad riietuseseimed, ehted ja pikad juuksed võivad haakuda liikuvate osade külge.
- Kui tööriistal tuleb kasutada tolmu eraldamis- või kogumisseadisi, siis veenduge, et need on ühendatud ja nõuetekohases kasutuses. Tolmukoguri kasutamisega saab vähendada tolmuga seotud ohtusid.
- Ärge muutuge hooletuks ega ignoreerige tööriista ohutusnõudeid, kui te seadet juba tunnete ja olete seda tihti kasutanud. Hooletu tegutsemine võib põhjustada raske kehavigastuse mõne sekundi murdosa jooksul.

ELEKTRI-TÖÖRIISTA KASUTAMINE JA KORRASHOID

- Ärge kasutage töötamisel liigset jõudu. Kasutage tööks sobivat elektritööriista. Õigesti valitud elektritööriist töötab ettenähtud võimsuspiirkonnas paremini ja ohutumalt.
- Ärge kasutage elektritööriista, kui lüliti ei lülita seda sisse ja välja. Lülitiga lülitamatu tööriista kasutamine on ohtlik ja see tuleb lasta ära remontida.
- Enne tööriista reguleerimist, tarvikute vahetamist või tööriista hoiustamist ühendage pistik vooluallikast lahti ja/või eemaldage võimalusel tööriista aku. Need ennetavad ohutusmeetmed vähendavad tööriista tahtmatu käivitumise riski.
- Hoidke kasutuses mittevõlvaid elektritööriistu lastele kättesaamatus kohas ja ärge lubage elektritööriista mitte tundvaid või kasutusjuhendiga mitte tutvunud isikuid elektritööriista kasutada. Oskamatu kasutaja käes olev elektritööriist on ohtlik.
- Hooldage elektritööriista ja tarvikuid. Kontrollige liikuvate osade mittetsentreeritust ja kinnitumist,





osade vigastusi ning tehke kindlaks muud seisundid, mis võivad mõjustada elektritööriista tööd. Kui mõni osa on vigastatud, siis laske elektritööriista enne kasutamist ära parandada. Halvasti hooldatud elektritööriistad põhjustavad palju õnnetusi.

- **Hoidke lõiketerad teravad ja puhtad.** Teravate lõiketeradega ja nõuetekohaselt hooldatud lõikeriistad jäävad harvemini kinni ning neid on kergem kontrolli all hoida.
- **Tööriistade, tarvikute, otsakute ja muude lisaseadmete kasutamisel juhinduge nende kasutusjuhenditest, võttes arvesse tehtavat tööd ja tööolusid.** Tööoperatsiooniks mitte ettenähtud tööriista kasutamine võib tekitada ohtliku olukorra.
- **Hoidke tööriista käepidemed ja haardepinnad kuivana, puhtana ja ärge laske neile sattuda õli või määret.** Libedad käepidemed ja haardepinnad ei võimalda tööriista turvaliselt haarata ja ootamatutes olukordades kontrollida.

AKUTÖÖRIISTA KASUTAMINE JA KORRASHOID

- **Laadige akut ainult tootja poolt ettenähtud laadijaga.** Akulaadaja, mis sobib ühele akupaketile võib põhjustada tulekahju, kui seda kasutada teise akupaketiga.
- **Kasutage akutööriista ainult selleks ettenähtud akudega.** Muude akupaketide kasutamine võib põhjustada kehavigastusi või tulekahju.
- **Sel ajal kui akupakett ei ole kasutusel, hoidke seda eemal metallesemetest nagu kirjaklambrid, mündid, võtmed, naelad, kruvid ja muudest väikestest metallobjektidest, mis võivad akulemmid lühistada.** Aku klemmide lühistamine võib põhjustada põletust või tulekahju.
- **Aku vale kasutamise korral võib akuedelik välja voolata - vältige sellega kokkupuudet.** Akuedeliku nahale sattumisel peske see veega maha. Vedeliku silma sattumisel pöörduge viivitamatult arsti poole. Väljapritsv akuedelik võib tekitada nahaärritust või -põletust.
- **Ärge kasutage vigast või ümbertehtud akut ega tööriista.** Vigased või ümbertehtud akud võivad toimida ettearvamatu, mille tagajärjeks on tulekahju, plahvatus või vigastuste oht.
- **Ärge jätke akut või tööriista tule lähedale ega liiga kõrge temperatuuri kätte.** Tuli või temperatuur üle 130 °C võib põhjustada plahvatust.
- **Järgige kõiki laadimisjuhiseid ning ärge laadige akut ega tööriista väljaspool juhistes määratletud temperatuurivahemikku.** Vale laadimine või laadimine väljaspool määratletud temperatuurivahemikku võib akut rikkuda ja suurendada tulekahju ohtu.

TEENINDAMINE

- **Laske oma elektrilist tööriista hooldada väljaõppinud teenindustöötajal; remontimisel tohib kasutada ainult originaalvaruosi.** See tagab elektriseadme ohutuse.
- **Ärge kunagi remontige vigast akut.** Vigast akut tohivad remontida vaid tootja või volitatud hooldustöötajad.

JÕHVTRIMMERI OHUTUSJUHISED

- **Ärge kasutage masinat halva ilma korral, eriti kui on olemas äikeseho.** Taip sumazinamas pavojus büti nutrenkiems žaibo.

- **Kontrollige põhjalikult ala, kus masinat kasutatakse, metsloomade ja -lindude suhtes.** Masin võib neid töötamise ajal vigastada.
- **Kontrollige põhjalikult ala, kus masinat kasutatakse, ja eemaldage kõik kivid, pulgad, juhtmed, kondid ja muud esemed.** Ohku paisatud esemed võivad põhjustada kehavigastusi.
- **Enne masina kasutamist kontrollige alati visuaalselt, et lõikuri ja tera koost poleks kulunud ega kahjustatud.** Kahjustatud osad suurendavad vigastuste ohtu.
- **Kasutage kaitseelemente.** Kaitselemendid peavad olema töökorras ja nõuetekohaselt paigaldatud. Kaitseelement, mis on lahti, kahjustatud või ei tööta korralikult, võib põhjustada kehavigastusi.
- **Hoidke jahutusõhu pilud prahist puhtad.** Sisselaskeavade ummistused ja praht võivad põhjustada ülekuumenemist või tuleohtu.
- **Kasutage silma- ja kõrvakaitsmeid.** Piisavad kaitsevahendid vähendavad kehavigastusi.
- **Masinaga töötades kandke alati mittelibiseva tallaga kaitsejalatseid.** Ärge kasutage seadet paljajalu ega kandke töötamise ajal lahtisi sandaale. See vähendab jalgade liikuva lõikuri kokkupuutest tulenevat vigastamisohu.
- **Masina kasutamise ajal kandke alati riideid, näiteks pükse, mis katavad kasutaja jalad.** Kokkupuude liikuva lõikuri või jõhviga võib põhjustada vigastusi.
- **Masina kasutamise ajal hoidke kõrvaliseid isikud eemal.** Lendav prügi võib tekitada tõsiseid kehavigastusi.
- **Ärge kasutage masinat vöökohast kõrgemal.** See aitab vältida tahtmatut kokkupuudet lõikuriga ja tagab ootamatutes olukordades masina üle parema kontrolli.
- **Olge ettevaatlik, kui kasutate masinat märja muruga.** Töötamisel kõndige, ärge kunagi jookske. See vähendab libisemise ja kukkumise ohtu, mis võib lõppeda kehavigastustega.
- **Ärge kasutage masinat liiga järskudel nõlvadel.** See vähendab kontrolli kaotamise, libisemise ja kukkumise ohtu, mis võib lõppeda kehavigastustega.
- **Kui töötate nõlvadel, olge alati oma jalgealusel kindel.** Töötage alati piki nõlvakut, mitte kunagi üles või alla, ja suunda muutes olge äärmiselt ettevaatlik. See vähendab kontrolli kaotamise, libisemise ja kukkumise ohtu, mis võib lõppeda kehavigastustega.
- **Hoidke kõik toitejuhtmed ja -kaablid lõikepiirkonnast eemal.** Hekid ja pöösad võivad toitejuhtmeid või -kaableid varjata ning jõhv või lõikur võib need ootamatult katki lõigata või neid kahjustada.
- **Hoidke kõik kehaosad liikuvast trimmeri lõikurist või jõhvist eemal.** Ärge eemaldage masinast materjali enne, kui see on vooluallikast lahti ühendatud. Liikuv trimmeri lõikur või jõhv võib põhjustada tõsiseid kehavigastusi.
- **Kandke masinat, kui masin on välja lülitatud ja kehast eemal.** Masina nõuetekohane käsitsemine vähendab juhusliku kokkupuute tõenäosust liikuva trimmeri lõikuri või jõhviga.
- **Kasutage ainult tootja poolt ette nähtud varulõikepeasid ja trimmeri lõikureid või jõhve.** Ärge asendage trimmeri lõikureid või jõhve metalltraatide või teradega. Valed varuosad võivad põhjustada kontrolli kadumist, punumemist ja vigastusi.



TÄIENDAVAD OHUTUSJUHISED

- Enne töötamise alustamist kontrollige, et seadme osad ei ole vigastatud. Vigastatud lüliti ja vigastatud osad tuleb lasta pädeval hooldajal parandada või asendada.
- Kaitsekatte küljes olev väike tera löikab uue väljaulatuva jõhvi pikkuse parajaks, et saavutada ohutu ja optimaalne tulemus. Löiketera on väga terav. Ärge puudutage löiketera, eriti toodet puhastades.
- Kasutage ainult tootja poolt tarnitud jõhvi. Ärge kasutage mingit muud löikeorganit.
- Veenduge, et löikeorgan on õigesti paigaldatud ja kindlalt kinnitatud.
- Ärge hakake masinat enne kasutama, kui olete veendunud, et kõik kaitsed, suunajad ja käepidemed on õigesti ja ohutult kinnitatud.
- Enne iga kasutamist veenduge, et terakaitses olev löiketera oleks õigesti paigutatud ja kinnitatud.
- Hoidke peatarvik vöökohast allpool.
- Lülitage otsekohe välja ja eemaldage aku õnnetuse või rikke korral. Ärge kasutage tööriista enne, kui see on volitatud parandustöökojas põhjalikult kontrollitud.
- Et vähendada liikuvate osadega kokkupuutumisest tingitud vigastuste ohtu, lülitage alati toode välja, eemaldage aku ja laske mõlemal maha jahtuda. Veenduge, et kõik masina liikuvad osad on täielikult seiskunud:
 - enne hooldust
 - enne takistuse kõrvaldamist
 - enne kontrollimist, puhastamist või teenindamist,
 - enne tarvikute vahetamist
 - pärast võõrkehaga kokkupuutumist
 - seadme jätmine järelevalveta
 - alati hooldustööde teostamisel
 - kui toode hakkab ebatavaliselt vibreerima
- Veenduge, et kõik kaitsekatted ja käepidemed on nõuetekohaselt kinnitatud ning heas seisundis.
- Hoidke kultivaatorit kinni selleks ette nähtud käepidemetest ja piirake tööaega ning vibratsiooniga kokkupuudet.
- Hoidke eemale löikeorgani poolt ülespaisatud esemete eest. Enne töö alustamist puhastage tööpiirkond väikestest kividest, kruusast ja muust lahtisest materjalist. Traadid ja nõõrid võivad takerduda löiketeradesse.
- Veenduge, et ventilatsioonivad on kogu aeg prahist puhtad.
- Seadme pikaajalisel kasutamisel võite saada kehavigastusi ja varasemad vigastused võivad süveneda. Kui kasutate toodet pikaajaliselt, tehke regulaarselt pause.
- Kasutage toodet ainult temperatuurivahemikus 0–40 °C.
- Hoidke toodet kohas, kus keskkonna temperatuur on vahemikus 0–40 °C.

AKU LISAOHUTUSJUHISED

Et vähendada tulekahju ja kehaliste vigastuste ohtu ning lühisest tulenevat toote kahjustamist, ärge kunagi kastke tööriista, akut või laadijat vedelikesse ega laske neil vedelikuga kokku puutuda. Korrodeeruvad või elektrit juhtivad vedelikud, nagu soolvesi, teatud kemikaalid ja pleegitusained või pleegitusaineid sisaldavad tooted, võivad põhjustada lühisid.

- Laadige akut kohas, kus keskkonna temperatuur on vahemikus 10–38 °C.
- Hoidke akut kohas, kus keskkonna temperatuur on vahemikus 0–20 °C.
- Kasutage akut kohas, kus keskkonna temperatuur on vahemikus 0–40 °C.

TRANSPORTIMINE JA HOIUSTAMINE

- Enne toote hoiustamist või selle transportimist lülitage toode välja, eemaldage aku ja laske mõlemal maha jahtuda.
- Puhastage seade kõikidest võõrkehadest.
- Ärge hoidke ega transportige toodet koos paigaldatud patareidiga. Eemaldage aku ja kinnitage see eraldi. Hoidke kuivas ja hästi ventileeritud kohas, mis on lastele juurdepääsmatu. Hoidke seadet eemal korrodeerivatest ainetest, nagu aiakemikaalid ja jääsulatussoolad. Ärge hoiustage toodet väljas.
- Vedamise ajal tõkestage kultivaator liikuma hakkamise ja alla kukkumise vastu, et vältida kehavigastusi ja masinaosade kahjustamist.

LIITUMAKUDE TEISALDAMINE

- Akude transportimisel juhenduge kasutuskohas kehtivatest riiklikest määrustest ja eeskirjadest.
- Akude transportimisel allettevõtjate poolt järgige kõiki pakkimise ja tähistamise erinõudeid. Veenduge, et akud ei satu kokkupuutese teiste akude ega voolu juhtivate materjalidega, kui avatud klemmid on transportimise ajal kaitstud voolu mittejuhtivate isoleerkorkide või teibiga. Ärge transportige pragunenud või lekkivaid akusid. Küsige lisateavet transportettevõtelt.

HOOLDUS

- Kasutage ainult tootja originaalvaruosi, tarvikuid ja tööorganeid. Selle nõude eiramine võib põhjustada, kehavigastuse, tootluse languse ja teile antud garantii tühistamise.
- Hooldamine nõuab ülimalt korrashoidu ja teadmisi ning tuleks teostada ainult kvalifitseeritud hooldustehnikute poolt. Toodet tohib parandada vaid volitatud teeninduses.
- Lülitage seade välja ja eemaldage aku enne mistahes hooldus- või puhastustöid.
- Lubatud on teha ainult selles kasutusjuhendis kirjeldatud reguleerimis- ja parandustoiminguid. Muude remonditööde tellimiseks ja abi saamiseks pöörduge volitatud hoolduskeskusesse.
- Asendusjõhvina kasutage vaid sellise läbimõõduga nailonjõhvi, mis on esitatud selle kasutusjuhendi tehniliste andmete tabelis.
- Iga kord pärast kasutamist puhastage seadet pehme ja kuiva lapiga. Vigastatud osad tuleb lasta pädeval hooldajal parandada või asendada.
- Iga kord enne kasutamist ja sagedaste intervallide tagant kontrollige, kas kõik mutrid, poldid ja kruvid on tugevalt kinni ning veenduge, et tööriist on kasutamiseks ohutu. Vigastatud osad tuleb lasta pädeval hooldajal parandada või asendada.
- Pöörduge vigastatud ja loetamatute kleebiste asendamiseks volitatud hoolduskeskuse poole.

ÕPPIGE OMA TOODET TUNDMA

Vt leht 118.

1. Tagumine käepide
2. Aku sulgur
3. SISSE/VÄLJA-päästik
4. Lahtilukustuse nupp
5. Ülemine veovõll
6. Eesmine käepide
7. Alumine veovõll
8. Mahalõiketera
9. Juhtratas
10. Kaitsekate
11. Lõikejõhv
12. Ääristamispedaal
13. Kasutusjuhend
14. Pooli kate
15. Jõhvi pool
16. Jõhvi silm
17. Lüugur
18. Aku paketiiga
19. Laadija

MASINAL OLEVAD SÜMBOLID



Ohutusalane teave



Enne toote kasutamist lugege läbi ja tehke endale selgeks kõik juhised. Järgige kõiki hoiatusi ja tööohutuseeskirju.



Kandke kaitseprille ja kõrvaklappe.



Hoiduge ülespaisatud ja lendavate esemete eest. Hoidke kõik kõrvalised isikud, eelkõige lapsed ja koduloomad, vähemalt 15 m kaugusel tööpiirkonnast.



Ärge kasutage seadmel metallist lõiketera(sid).



Ärge jätke vihma ega niiskuse kätte.



Enne mistahes tööde tegemist toote kallal võtke aku välja.



Hoidke käed lõiketeradest eemal.



Garanteeritud helivõimsuse tase



Euroopa vastavusmärgis



Suurbritannia vastavusmärgis



Euraasia vastavusmärk



Ukraina vastavusmärgis

Ärge kõrvaldage kasutatud patareisid ning elektri- ja elektroonikaseadmete jäätmeid sortimata olmejäätmetena. Kasutatud patareisid ning elektri- ja elektroonikaseadmete jäätmed tuleb koguda eraldi. Patareijäätmed, akujäätmed ja jäätmetest valgusallikad tuleb seadmetest eemaldada. Küsige nõu jäätmekäitluse ja kogumiskoha kohta oma kohalikust omavalitsusest või jaemüüjalt. Kohalike eeskirjade kohaselt võib jaemüüjatel olla kohustus kasutatud patareisid ning elektri- ja elektroonikaseadmete jäätmed tasuta tagasi võtta. Teie panus patareide ning elektri- ja elektroonikaseadmete jäätmete korduskasutamisse ja ringlussevõttu aitab vähendada toorainete nõudlust. Patareijäätmed, mis sisaldavad eelkõige liitiumi, ning elektri- ja elektroonikaseadmete jäätmed sisaldavad väärtuslikke ja ringlussevõetavaid materjale, mis võivad keskkonda ja inimeste tervist kahjustada, kui neid ei kõrvaldata keskkonnasäästlikul viisil. Olemasolul kustutage jäätmeseadmist isikuandmed.

KASUTUSJUHENDI SÜMBOLID



Märkus



Hoiatus



Eraldi ostetavad osad või tarvikud



Vodeću ulogu u dizajnu vašeg akumulatorskog trimera s reznom nití imaju sigurnost, performanse i pouzdanost.

NAMJENA

Akumulatorski trimer s reznom nití namijenjen je za košnju duge trave mesnatog korova i slične vegetacije na razini zemlje ili blizu nje.

Rezna ravnina treba biti približno paralelna s površinom tla prilikom šišanja i približno okomita prilikom rezanja rubova.

Proizvod smiju koristiti samo odrasle osobe koje su pročitale i razumjele upute i upozorenja u ovom priručniku i koje se mogu smatrati odgovornima za svoje postupke.

Ovaj uređaj namijenjen je samo za korištenje na otvorenom u dobro prozračenom prostoru. Iz sigurnosnih razloga proizvod za vrijeme rukovanja uvijek držite pod kontrolom držeći ga s obje ruke.

Proizvod ne koristite ni za kakvu drugu svrhu.

OPĆA SIGURNOSNA UPOZORENJA O PROIZVODU

⚠ UPOZORENJE! Pročitajte i pregledajte sve sigurnosne upute, slike i specifikacije isporučene uz ovaj proizvod. Nepoštovanje svih uputa može dovesti do električnog udara, požara i / ili teške ozljede.

Sačuvajte ova upozorenja i upute kako biste ih naknadno mogli konzultirati.

Pojam „električni alat“ u upozorenjima odnosi se na vaš električni proizvod (žični) napajan iz električne mreže ili proizvod na baterije (bežični).

RADNA OKOLINA

- **Držite radni prostor čistim i dobro osvijetljenim.** Zatrpani i neosvijetljeni radni prostori izazivaju nezgode.
- **Nemojte rukovati električnim alatima u eksplozivnim atmosferama u kojima su prisutne zapaljive tekućine, plinovi ili prašina.** Električni alati stvaraju iskre koje mogu zapaliti prašinu ili pare.
- **Tijekom rada s električnim alatom držite podalje djecu i promatrače.** Ometanje može dovesti do toga da izgubite kontrolu.

ELEKTRIČNA SIGURNOST

- **Utikači električnog alata moraju odgovarati utičnici.** Nikada nemojte modificirati utikače ni na koji način. Nemojte koristiti nikakve adapter utikače s uzemljenim električnim alatima. Originalni utikači i odgovarajuće utičnice smanjuju opasnost od strujnog udara.
- **Izbjegavajte kontakt tijela s uzemljenim površinama poput cijevi, radijatora, štednjaka i hladnjaka.** Ako je vaše tijelo uzemljeno, povećava se opasnost od strujnog udara.
- **Nemojte proizvod izlagati kiši ili vlažnim uvjetima.** Ulazak vode u električni alat povećava opasnost od strujnog udara.
- **Nemojte zlorabiti kabel.** Nikada nemojte koristiti kabel za nošenje, povlačenje ili isključivanje električnog alata. Držite kabel podalje od topline, ulja, oštih rubova ili pokretnih dijelova uređaja. Oštećeni ili zapleteni kabeli povećavaju opasnost od strujnog udara.

OSOBNJA SIGURNOST

- **Budite na oprezu, gledajte to što radite i pri radu s električnim alatom koristite zdrav razum.** Nemojte koristiti električni alat kad ste umorni ili pod utjecajem droge, alkohola ili lijekova. Trenutak nepažnje pri radu s električnim alatima može dovesti do teških osobnih ozljeda.
- **Koristite osobnu zaštitnu opremu. Uvijek nosite zaštitna sredstva za oči.** Zaštitna oprema poput maske za zaštitu od prašine, protukliznih sigurnosnih cipela, kacige, ili opreme za zaštitu sluha korištena u odgovarajućim uvjetima smanjit će tjelesne ozljede.
- **Spriječite slučajno pokretanje. Osigurajte da je prije priključivanja na izvor napajanja i/ili baterije, podizanja ili nošenja alata, sklopka u položaju OFF (isključeno).** Nošenje električnog alata s vašim prstom na sklopki ili uključivanje električnih alata sa sklopkom postavljenom na položaj on (uključeno) dovodi do nezgoda.
- **Prije uključivanja električnog alata uklonite sve klinove za podešavanje i ključeve.** Ključ ili klin ostavljen priključen na rotirajućem dijelu električnog alata može dovesti do osobne ozljede.
- **Ne sežite preko određene granice. Cijelo vrijeme držite pravilno uporište i ravnotežu.** Ovo u neočekivanim situacijama omogućuje bolju kontrolu nad električnim alatom.
- **Pravilno se odjenite. Nemojte nositi široku odjeću ili nakit. Svoju kosu i odjeću držite podalje od dijelova u pokretu.** Široka odjeća, nakit ili dugačka kosa mogu biti zahvaćeni u pokretne dijelove alata.
- **Ako su uređaji opremljeni s priključkom aparata za odvajanje i prikupljanje prašine, osigurajte da su oni priključeni i pravilno korišteni.** Korištenje uređaja za sakupljanje prašine smanjuje opasnosti vezane uz prašinu.
- **Nemojte dopustiti da vas poznavanje alata zbog česte uporabe opusti toliko da zanemarite sigurnosne principe rukovanja alatom.** Nepažljiv rad može uzrokovati ozbiljne povrede unutar djelića sekunde.

KORIŠTENJE I BRIGA O ELEKTRIČNOM ALATU

- **Nemojte proizvod koristiti iznad njegovih mogućnosti.** Za vašu primjenu koristite točan električni alat. Točan električni alat bolje će i sigurnije uraditi posao u odnosu za što je namijenjen.
- **Nemojte koristiti električni alat ako ga sklopka pravilno ne uključuje i isključuje.** Svaki električni alat koje se ne može kontrolirati pomoću sklopke je opasan i mora se popraviti.
- **Izvučite utikač iz izvora električnog napajanja i/ili uklonite baterijski sklop, ako je odvojiv, prije izvršavanja bilo kakvih prilagodbi ili skladištenja električnih alata.** Ovakve preventivne sigurnosne mjere smanjuju opasnost od slučajnog pokretanja električnog alata.
- **Električne alate pohranite u stanju mirovanja izvan dohvata djece i ne dopustite rad s električnim alatom osobama koje nisu upoznate s električnim alatom ili ovim uputama.** Električni alati su opasni u rukama nestručnih korisnika.





- **Održavajte električne alate i pribor.** Provjerite radi pogrešnog poravnanja ili savijanja pokretnih dijelova, puknuća dijelova i drugih uvjeta koji mogu utjecati na rad električnog alata. Ako je oštećen, električni alat prije korištenja popravite. Većina nezgoda uzrokovano je od strane električnih alata koji su slabo održavani.
- **Rezne alate držite oštrim i čistim.** Pravilno održavanim reznim alatima s oštrim rubovima za rezanje, manja je vjerojatnost zahvaćanja i lakše se kontroliraju.
- **Koristite električni alat, pribor i dijelove alata itd., u skladu s ovim uputama i uzetvi u obzir radne uvjete i rad koji treba izvršiti.** Korištenje električnog alata za radove drugačije od njegove namjene može dovesti do opasne situacije.
- **Održavajte ručke i površine hvata suhim, čistim i da na njima nema ulja i masti.** Skisliske ručke i površine za hvatanje ne omogućuju sigurno rukovanje i kontrolu alata u neočekivanim situacijama.

KORIŠTENJE I BRIGA O AKU ALATU

- **Punite samo s punjačem navedenim od proizvođača.** Punjač koji je prikladan za jednu vrstu baterija može dovesti do opasnosti od požara kada se koristi s drugom baterijom.
- **Koristite AKU alate samo s posebno naznačenim baterijama.** Korištenje bilo kojih drugih baterija dovodi do opasnosti od ozljeda i požara.
- **Kada se baterija ne koristi držite je dalje od drugih metalnih predmeta kao što su spajalice za papir, kovanice, ključevi, čavli, vijci ili drugi mali metalni predmeti koji mogu spojiti jedan pol na drugi.** Kratki spoj polova baterije može izazvati opekotine ili požar.
- **Pod uvjetima loma može doći do izbacivanja tekućine iz baterije, izbjegavajte kontakt.** Ako dođe do nehotičnog kontakta, isperite to mjesto s vodom. Ako tekućina dospije u oči, dodatno potražite liječničku pomoć. Tekućina koja istječe iz baterije može dovesti do iritacije ili opekotina.
- **Nemojte koristiti bateriju ili alat koji su oštećeni ili modificirani.** Oštećene ili modificirane baterije mogu imati nepredvidivo ponašanje, što može dovesti do požara, eksplozije ili rizika od tjelesnih ozljeda.
- **Nemojte izlagati baterijski sklop ili alat vatri ili visokoj temperaturi.** Izlaganje vatri ili temperaturi višoj od 130°C može dovesti do eksplozije.
- **Slijedite sve upute za punjenje i nemojte puniti bateriju ili alat na temperaturama izvan temperaturnog raspona specificiranog u uputama.** Nepravilno punjenje ili punjenje na temperaturama izvan specificiranog raspona može oštetiti bateriju i povećati rizik od požara.

ODRĀEVANJE

- **Neka vaš električni alat servisira kvalificirana osoba za popravak koristeći samo identične zamjenske dijelove.** Ovo će osigurati da se održi sigurnost električnog alata.
- **Nikada nemojte popravljati oštećene baterije.** Popravak oštećenih baterija smije izvoditi isključivo proizvođač ili ovlašteni servisni centar.

SIGURNOSNA UPOZORENJA TRIMERA S REZNOM NITI

- **Izbjegavajte uporabu uređaja po lošem vremenu, posebno kada postoji opasnost od munje.** Time se smanjuje rizik od udara munje.
- **Temeljito pregledajte površinu na kojoj će se koristiti uređaj i provjerite ima li na njoj divljih životinjskih vrsta.** Uređaj može ozlijediti divlje životinje tijekom rada.
- **Temeljito pregledajte površinu na kojoj će se koristiti uređaj i uklonite svo kamenje, štapove, žice, kosti i ostale strane predmete.** Bačeni predmeti mogu prouzročiti tjelesne ozljede.
- **Prije korištenja uređaja uvijek ga vizualno pregledajte kako biste se uvjerali da rezač i sklop rezača nije istrošen ili oštećen.** Oštećeni dijelovi povećavaju rizik od ozljede.
- **Štitnike držite na njihovom mjestu.** Štitnici moraju biti u radnom stanju i pravilno montirani. Štitnik koji je labav, oštećen ili neispravan može dovesti do tjelesne ozljede.
- **Održavajte sve ulaze za zrak čistim od krhotina.** Blokirani ulazi za zrak i prljavština mogu dovesti do pregrijavanja ili rizika od izbijanja požara.
- **Nosite zaštitu za oči i uši.** Odgovarajuća zaštitna oprema ublažit će tjelesne ozljede.
- **Tijekom rukovanja uređajem, uvijek nosite protukliznu i zaštitnu obuću.** Nemojte raditi bosu ili u otvorenim sandalama. Time se smanjuje mogućnost ozljeđivanja stopala izazvanog kontaktom s pokretnim rezačem.
- **Tijekom rukovanja uređajem uvijek nosite odjeću poput hlača koje pokrivaju noge rukovatelja.** Kontakt s pokretnim rezačem ili reznom niti može prouzročiti ozljede.
- **Nazočne osobe držite podalje tijekom rada s uređajem.** Izbacivanje krhotina otpada može izazvati teške tjelesne ozljede.
- **Uređajem ne rukujte na visini iznad struka.** Na taj se način sprečava nenamjeran kontakt s rezačem i omogućava bolje upravljanje uređajem u neočekivanim situacijama.
- **Budite oprezni prilikom rada s uređajem u mokroj travi.** Hodajte, nemojte trčati. Time se smanjuje rizik od klizanja i pada koji mogu dovesti do tjelesne ozljede.
- **Uređajem nemojte upravljati na prevelikim strminama.** Time se smanjuje rizik od gubitka nadzora, klizanja i pada koji mogu dovesti do tjelesne ozljede.
- **Prilikom rada na strminama, uvijek budite sigurni u svoje uporište, na strminama uvijek radite dijagonalno, a nikada prema gore ili dolje i budite krajnje oprezni pri promjeni smjera.** Time se smanjuje rizik od gubitka nadzora, klizanja i pada koji mogu dovesti do tjelesne ozljede.
- **Sve priključne vodove i kabele držite podalje od područja rezanja.** Priključni vodovi ili kabeli mogu biti skriveni u živicama ili grmlju i moguće ih je slučajno prerezati reznom niti ili rezačem.
- **Sve dijelove tijela držite podalje od pokretnog rezača trimera ili rezne niti.** Ne čistite materijal s uređaja sve dok se ne odvojite od izvora napajanja. Pokretni rezač ili rezna nit trimera mogu izazvati teške tjelesne ozljede.





- **Uređaj nosite dok je isključen i udaljen od vašeg tijela.** Pravilno rukovanje uređajem smanjit će vjerojatnost slučajnog kontakta s pokretnim rezačem ili reznom niti trimera.
- **Koristite samo zamjenske rezne glave ili rezače ili rezne niti trimera koje je naveo proizvođač. Rezače ili rezne niti trimera ne zamjenjujte metalnim žicama ili oštricama.** Nepravilno postavljeni dijelovi mogu prouzročiti gubitak nadzora, puknuće i ozljede.

DODATNA SIGURNOSNA UPOZORENJA

- Prije korištenja i nakon svakog udara provjerite da nema oštećenih dijelova. Prekidač u kvaru ili bilo koji dio da je oštećen ili istrošen trebali biste pravilno popraviti ili zamijeniti od strane ovlaštenog servisnog centra.
- Mali nož montiran na štitnik travnjaka dizajniran je za odsijecanje novoizvučene niti na ispravnu duljinu, za siguran i optimalan rad. Oštrica je vrlo oštra. Nemojte dirati oštricu, osobito prilikom čišćenja proizvoda.
- Koristite samo proizvođačevu zamjenski flaks. Nemojte koristiti nikakav drugi priključak za rezanje.
- Provjerite da li je priključak za rezanje pravilno instaliran i čvrsto pritegnut.
- Nikada ne radite s proizvodom ako svi štitnici, deflektori i ručke nisu pravilno i čvrsto priključeni.
- Prije svake upotrebe uvjerite se da je nož za odsijecanje niti u štitniku noža pravilno smješten i pričvršćen.
- Nastavak glave držite ispod visine struka.
- Odmah ga isključite i izvadite baterijski sklop u slučaju nesreće ili kvara. Proizvodom nemojte ponovno rukovati sve dok ga potpuno ne provjeri ovlašteno servisni centar.
- Kako biste smanjili rizik od ozljeda zbog kontakta s pokretnim dijelovima, uvijek isključite proizvod, izvadite baterijski sklop i pustite da se ohladi. Provjerite da su svi pokretni dijelovi zaustavljeni:
 - prije servisiranja
 - prije uklanjanja blokade
 - prije provjere, čišćenja ili rada na uređaju
 - prije promjene pribora
 - nakon udaranja u stranu tijelo
 - kada ostavljate proizvod bez nadzora
 - prilikom svakog održavanja
 - ako uređaj počne abnormalno vibrirati
- Osigurajte da su svi štitnici, ručke pravilno pričvršćeni i u dobrom stanju.
- Držite proizvod za označene ručke i ograničite radno vrijeme i izloženost.
- Čuvajte se odbačenih premeta od flaksa. Očistite malene ostatke poput kamenčića, grumena i drugih stranih predmeta iz radnog područja prije rada. Žice ili flaks se mogu upetljati odrezenim komadima.
- Osigurajte da su ventilacijski otvori uvijek čisti od krhotina.
- Povrede mogu biti uzrokovane ili zadobivene produljenim korištenjem alata. Kada proizvod koristite dulje vremensko razdoblje, svakako se redovito odmarajte.
- Proizvodom rukujte samo na temperaturama između 0°C i 40°C.
- Proizvod čuvajte na mjestu čija je okolišna temperatura između 0°C i 40°C.

DODATNA SIGURNOSNA UPOZORENJA ZA BATERIJU

Kako biste smanjili rizik od požara, tjelesnih ozljeda i oštećenja proizvoda zbog kratkog spoja, nikada nemojte umakati proizvod, baterijski sklop ili punjač u tekućinu ili dozvoliti da tekućina prodre u njih. Korozirajuće ili vodljive tekućine kao slana voda, određene kemikalije i sredstva za bijeljenje ili proozvod koji sadrže sredstva bijeljenja, mogu prouzročiti kratak spoj.

- Baterijski sklop punite na mjestu na kojem je okolišna temperatura između 10°C i 38°C.
- Baterijski sklop čuvajte na mjestu na kojem je okolišna temperatura između 0°C i 20°C.
- Baterijski sklop koristite na mjestu na kojem je okolišna temperatura između 0°C i 40°C.

PRIJEVOZ I SKLADIŠTENJE

- Isključite proizvod, izvadite baterijski sklop i pustite ga da se ohladi prije skladištenja ili prevoženja.
- Očistite svaki strani materijal s uređaja.
- Ne skladištite i ne prevozite proizvod s ugrađenim baterijskim sklopom. Izvadite baterijski sklop i zasebno ga pričvrstite. Skladištite ga na suhom i dobro ventiliranom mjestu koje nije pristupačno djeci. Držite proizvod podalje od korozivnih sredstva kao što su vrtno kemikalije i soli protiv zaleđivanja. Proizvod ne čuvajte na otvorenom.
- Za prijevoz, osigurajte uređaj protiv pomicanja ili pada kako biste spriječili povrede osoba ili oštećenja na uređaju.

TRANSPORTIRANJE LITIJUMSKIH BATERIJA

- Transportirajte bateriju u skladu s lokalnim i nacionalnim pravima i zakonima.
- Slijedite sve specijalne zahtjeve na pakiranju i naljepnicama prilikom transporta baterije od treće strane. Osigurajte da baterija ne može doći u kontakt s drugim baterijama ili provodnim materijalima tijekom transporta tako da zaštitite izložene priključke s izolacijom, kapicama koje ne provode energiju ili trakom. Nemojte transportirati baterije koje su polomljene ili cure. Provjerite kod kompanije koji transportirate za daljnju pomoć.

ODRŽAVANJE

- Koristite samo originalne zamjenske dijelove, dodatni pribor i priključke od proizvođača. Nepoštivanje ovih uputa može dovesti do mogućih ozljeda, loše učinkovitosti i može dovesti do poništenja jamstva.
- Servisiranje iziskuje krajnju pažnju i znanje i treba da ga vrši samo kvalificirani serviser. Neka se proizvod servisira samo u ovlaštenom servisnom centru.
- Isključite proizvod i izvadite baterijski sklop prije obavljanja bilo kakvog održavanja ili čišćenja uređaja.
- Možete samo vršiti podešavanje ili popravke opisane u ovom manualu. Za ostale popravke ili savjete, potražite pomoć ovlaštenog servisnog centra.
- Za zamjenski flaks koristite samo najlonski flaks promjera koji je opisan u tablici specifikacija u ovom priručniku.



- Nakon svakog korištenja proizvod obrišite sa suhom mekom krpom. Svaki oštećeni dio trebao bi pravilno popraviti ili zamijeniti ovlašteni servisni centar.
- Prije svake upotrebe i u čestim vremenskim intervalima provjeravajte jesu li sve matice, svornjaci i vijci dobro zategnuti kako biste bili sigurni da se proizvod nalazi u sigurnom radnom stanju. Svaki oštećeni dio trebao bi pravilno popraviti ili zamijeniti ovlašteni servisni centar.
- Za zamjenu oštećenih ili nečistljivih naljepnica vratite proizvod u ovlašteni servisni centar.

UPOZNAJTE SVOJ PROIZVOD

Pogledajte stranicu 118.

1. Stražnja ručica
2. Gumb za vađenje i stavljanje baterije
3. Okidač za uključivanje/isključivanje
4. Okidač za otključavanje
5. Gornja pogonska osovina
6. Prednja ručka
7. Donja pogonska osovina
8. Oštrica za rezanje
9. Kotač za navođenje
10. Štitnik
11. Flaks
12. Papučica za rubove travnjaka
13. Upute za uporabu
14. Poklopac kalema
15. Kalem
16. Mali otvor za flaks
17. Klizač
18. Baterija
19. Punjač

SIMBOLI NA PROIZVODU



Sigurnosno upozorenje



Prije rada s proizvodom morate pročitati i razumjeti sve upute. Slijedite sva upozorenja i sigurnosne upute.



Nosite sredstva za zaštitu vida i sluha.



Čuvajte se odbačenih ili letećih predmeta. Sve nazočne osobe, a osobito djecu i kućne ljubimce, držite na udaljenosti od najmanje 15 m od radnog područja.



Nemojte koristiti metalne oštrice na proizvodu.



Ne izlažite kiši ili vlažnim uvjetima.



Prije započinjanja bilo kakvih radova na proizvodu uklonite bateriju.



Ruke držite podalje od oštrica.



Jamčena razina zvučne snage



Europska oznaka sukladnosti



Britanska oznaka sukladnosti



EurAsian znak konformnosti



Ukrajinska oznaka sukladnosti

Otpadne akumulatore, otpadnu električnu i elektroničku opremu nemojte odlagati kao nesortirani komunalni otpad. Otpadni akumulatori i otpadna električna i elektronička oprema moraju se prikupljati odvojeno. Otpadne baterije, otpadni akumulatori i izvori svjetla moraju se ukloniti iz opreme. Za savjete o recikliranju i mjestu prikupljanja otpadnih baterija obratite se lokalnim vlastima ili distributeru. U skladu s lokalnim propisima, trgovci u maloprodaji imaju obvezu besplatnog preuzimanja otpadnih baterija i otpadne električne i elektroničke opreme. Vaš doprinos ponovnoj upotrebi i recikliranju otpadnih baterija i otpadne električne i elektroničke opreme pomaže u smanjenju potrebe za sirovinama. Otpadne baterije, osobito one koje sadrže litij i električna i elektronička oprema sadrži i vrijedne materijale koje je moguće reciklirati, koji mogu negativno utjecati na okoliš i ljudsko zdravlje, ako se ne uklanja na način ekološki sukladan s okolišem. Izbrišite osobne podatke iz otpadne opreme, ako ih ima.



SIMBOLI U OVOM PRIRUČNIKU



Napomena



Upozorenje



Dijelovi ili pribor prodan odvojeno

Brezžična kosilnica za trato je zasnovana za zagotavljanje najvišje ravni varnosti, učinkovitosti in zanesljivosti delovanja.

NAMEN UPORABE

Brezžična kosilnica za trato je namenjena za košnjo visoke trave, močnega plevela in podobnega rastlinja na tleh ali v bližini tal.

Rezalno ploskev je treba pri košenju premikati čimbolj vodoravno s tlemi, pri obrezovanju pa čimbolj navpično.

Izdelek lahko uporabljajo samo odrasli, ki so prebrali in razumejo navodila ter opozorila v tem priročniku ter lahko odgovarjajo za svoja dejanja.

Izdelek je namenjen le za uporabo na prostem in v dobro zračenih prostorih. Zaradi varnosti je zahtevano dvoročno krmiljenje naprave.

Za druge namene ga ne uporabljajte.

SPLOŠNA VARNOSTNA OPOZORILA ZA IZDELEK

⚠ OPOZORILO! Preberite vsa varnostna opozorila, risbe in tehnične podatke, priložene tem izdelkom. Če ne upoštevate opozoril in navodil, lahko pride do električnega udara, ognja in/ali hudih poškodb.

Shranite vsa opozorila in navodila za kasnejšo uporabo.

Izraz »električno orodje« v opozorilih se nanaša na električno napajani (ožičeni) izdelek ali baterijsko napajani (brežžični) izdelek.

DELOVNO OBMOČJE

- **Delovno območje naj bo čisto in dobro osvetljeno.** V neurejenih in temnih območjih se rade zgodijo nesreče.
- **Električnih orodij ne uporabljajte v eksplozivnih okoljih npr. v bližini vnetljivih tekočin, plinov ali prahu.** Električna orodja proizvajajo iskre, ki lahko vnamejo prah ali hlape.
- **Med uporabo električnega orodja v bližino ne pustite otrok in drugih ljudi.** Zaradi zmanjšane koncentracije lahko izgubite nadzor.

ELEKTRIČNA VARNOST

- **Vtiči električnih orodij se morajo prilegati vtičnicam.** Vtiča nikoli in na noben način ne smete spreminjati. Z ozemljenimi električnimi orodji ne uporabljajte adapterjev vtiča. Nespremenjeni vtiči in ustrezne vtičnice zmanjšajo tveganje električnega udara.
- **Izogibajte se telesnemu stiku z ozemljenimi površinami, kot so cevi, radiatorji, kuhalniki in hladilniki.** Če je vaše telo ozemljeno, obstaja povečano tveganje električnega udara.
- **Izdelka ne izpostavljajte dežju ali vlagi.** Voda v električnem orodju znatno poveča tveganje električnega udara.
- **Kabla ne uporabljajte za neustrezne namene.** Kabla nikoli ne uporabljajte za prenašanje, vleko ali izklop električnega orodja. Pazite, da kabel ne pride v stik z vročino, oljem, ostrimi robovi ali gibljivimi deli. Poškodovani ali zapleteni kabli zvišujejo tveganje električnega udara.

OSEBNA VARNOST

- **Med obratovanjem bodite pozorni, spremljajte potek dela in uporabljajte zdrav razum.** Električnega orodja

ne uporabljajte, ko ste utrujeni oz. pod vplivom drog, alkohola ali zdravil. Trenutek nepazljivosti med uporabo električnega orodja lahko povzroči hude telesne poškodbe.

- **Uporabljajte osebno zaščitno opremo. Vedno nosite zaščito za oči.** Uporaba zaščitne opreme, na primer protiprašne maske, nedrsečih varnostnih čevljev, čelade ali zaščite ušes v ustreznih pogojih zmanjša nevarnost telesnih poškodb.
- **Preprečite neželen zagon. Preden orodje priključite na vir napajanja, vstavite baterije, ga vzamete v roke ali prenašate, se prepričajte, da je stikalo v izključenem položaju.** Prenašanje električnih orodij, tako da prst držite na stikalo, ali dovajanje napajanja električnim orodjem, pri katerih je stikalo v položaju »on (vklop)« poveča tveganje nesreč.
- **Pred vklopom električnega orodja odstranite morebitne nastavitvene ključe ali izvijače.** Izvijač ali ključ, ki ostane pritrjen na vrtljivi del električnega orodja, lahko povzroči telesne poškodbe.
- **Nesiahajte priliš daleko. Pazite, da stojite stabilno in da imate ravnotežje.** To omogoča boljši nadzor nad električnim orodjem v nepričakovanih situacijah.
- **Bodite primerno oblačeni. Ne nosite ohlapnih oblačil ali nakita.** Las in oblačil ne približujte gibljivim delom. Ohlapna oblačila, nakit ali dolgi lasje se lahko zapletejo v gibljive dele.
- **Če so naprave namenjene priključitvi na pripomočke za sesanje in zbiranje prahu, se prepričajte, da so ti priključeni in ustrezno uporabljeni.** Uporaba zbiralca prahu lahko zmanjša nevarnosti, povezane s prahom.
- **Pazite, da zaradi pogoste uporabe orodja ne postanete preveč samozavestni pri svojem delu in ne namenite pozornosti upoštevanju varnostnih načel uporabe.** Neprevidnost lahko že v delčku sekunde povzroči hudo poškodbo.

UPORABA IN NEGA ELEKTRIČNEGA ORODJA

- **Izdelka ne preobremenjujte.** Uporabite električno orodje, ki ustreza vašemu delu. Ustrezno električno orodje bo nalogo opravilo bolje in varneje v kategoriji, za katero je bilo zasnovano.
- **Ne uporabljajte električnega orodja, če ga stikalo ne vklopi ali izklopi, kot bi bilo treba.** Kakršno koli električno orodje, ki ga ni mogoče nadzirati s stikalom, je nevarno in ga je potrebno popraviti.
- **Pred izvajanjem prilagoditev, menjavanjem dodatkov ali shranjevanjem električnega orodja vtič izključite iz vira napajanja in/ali iz električnega orodja odstranite akumulatorsko baterijo, če se lahko odstrani.** Tovrstni preventivni varnostni ukrepi zmanjšajo možnost slučajnega zagona električnega orodja.
- **Električna orodja, ki niso v uporabi, shranjujte izven dosega otrok in ne dovolite, da bi električno orodje uporabljale osebe, ki niso seznanjene z električnim orodjem ali s temi navodili.** Električna orodja so v rokah neusposobljenih uporabnikov nevarna.
- **Električno orodje in dodatke vzdržujte.** Preverite, če so gibljivi deli napačno poravnani ali zaskočeni, če so sestavni deli polomljeni ali če obstaja



kakršno koli druge stanje, ki lahko vpliva na varno delovanje električnega orodja. Če je električno orodje poškodovano, ga pred ponovno uporabo dajte v popravilo. Številne nesreče zakrivijo neustrezno vzdrževana električna orodja.

- **Rezalna orodja naj bodo vedno nabrušena in čista.** Pravilno vzdrževana rezalna orodja z ostrimi rezili se težje zaskočijo in jih je lažje nadzirati.
- **Električno orodje, dodatke, nastavke za orodje itd. uporabljajte v skladu s temi navodili ter upoštevajte delovne pogoje in vrsto dela, ki ga boste izvajali.** Uporaba električnega orodja za namene, ki so drugačni od tistih, za katere je bilo orodje zasnovano, lahko povzroči nevarne situacije.
- **Ročaji in površine za prijem naj bodo suhe in čiste, na njih naj ne bo olja ter maščobe.** Če so ročaji ali površine za prijem spolzke, ni zagotovljeno varno rokovanje in upravljanje z orodjem v nepričakovanih situacijah.

UPORABA IN VZDRŽEVANJE BATERIJSKEGA ORODJA

- **Baterijo polnite le s polnilnikom, ki ga določa proizvajalec.** Polnilnik, ki ustreza eni vrsti baterij, morda lahko povzroči požar, če z njim polnite drugo vrsto baterij.
- **Baterijska orodja uporabljajte samo s predpisano vrsto baterij.** Uporaba katerih koli drugih baterij ustvari tveganje poškodb in požara.
- **Ko baterije ne uporabljajte, pazite, da bo odmaknjena od kovinskih predmetov, kot so papirne sponke, kovanci, ključiči, žebliji, vijaki ali drugih majhni kovinski predmeti, ki bi lahko povzročili povezavo med obema terminaloma.** Kratak stik zaradi povezanih terminalov baterije lahko povzroči opekline ali požar.
- **Ob zlorabi baterije lahko iz nje steče tekočina. Če se po nesreči dotaknete tekočine, mesto dotika sperite z vodo. Če pride tekočina v stik z očmi, poiščite zdravstveno pomoč.** Tekočina, ki izteče iz baterije, lahko povzroči vnetje ali opekline.
- **Poškodovanega ali spremenjenega akumulatorja oziroma orodja ne uporabljajte.** Poškodovani ali spremenjeni akumulatorji lahko delujejo na nepredvidljiv način, kar lahko povzroči požar, eksplozijo ali nevarnost telesne poškodbe.
- **Akumulatorskega vložka ali orodja ne izpostavljajte ognju ali previsokim temperaturam.** Ob izpostavljenosti ognju ali temperaturam, višjim od 130 °C, lahko pride do eksplozije.
- **Dosledno upoštevajte navodila za polnjenje in akumulatorja oziroma orodja ne polnite izven temperaturnega razpona, predpisanega v navodilih.** Ob nepravilnem polnjenju oziroma polnjenju pri temperaturah izven predpisanega razpona se lahko poškoduje akumulator in poveča nevarnost požara.

SERVISIRANJE

- **Električno orodje naj servisira usposobljena oseba, uporabljati pa sme le originalne nadomestne dele.** To bo zagotovilo vzdrževanje varnostni električnega orodja.
- **Nikoli ne servisirajte poškodovanih akumulatorjev.** Akumulatorje lahko servisira samo proizvajalec ali pooblaščen serviser.

VARNOSTNA OPOZORILA ZA NITNO KOSILNICO

- **Stroja ne uporabljajte v slabem vremenu, predvsem če obstaja nevarnost grmenja.** To zmanjša nevarnost udara strele.
- **Temeljito preverite, ali so na območju, kjer nameravate uporabljati stroj, živali.** Delujoč stroj lahko poškoduje živali.
- **Temeljito pregledjte območje, v katerem boste uporabljali stroj, in odstranite vse kamne, veje, žice, kosti in drug material.** Leteči predmeti lahko povzročijo telesne poškodbe.
- **Pred uporabo stroja vedno vizualno preverite, ali sta rezalnik ali sestav rezalnika poškodovana.** Poškodovani deli povečajo nevarnost telesnih poškodb.
- **Ščitniki na bodo vedno nameščeni. Ščitniki morajo delovati in biti pravilno nameščeni.** Zrahljan, poškodovan ali nepravilno delujoč ščitnik lahko povzroči telesne poškodbe.
- **Poskrbite, da bodo odprtine za zračenje čiste.** Zamašeni dovodi zraka in drobir lahko povzročijo pregrevanje ali nevarnost požara.
- **Nosite zaščito oči in zaščito ušes.** Ustrezna zaščitna oprema zmanjša telesne poškodbe.
- **Med uporabo stroja vedno nosite nedrsečo in zaščitno obutev. Naprave ne uporabljajte, če ste bos ali nosite odprte sandale.** S tem se zmanjša možnost poškodb nog, če pridejo v stik s premikajočim se rezalnikom.
- **Med uporabo stroja vedno nosite oblačila, kot so hlače, ki pokrivajo noge uporabnika.** Stik s premikajočim se rezalnikom ali nitko lahko povzroči poškodbo.
- **Med uporabo stroja naj se opazovalci ne približujejo delovnemu območju.** Leteči drobir lahko povzroči hude telesne poškodbe.
- **Stroja ne uporabljajte na višini nad pasom.** To pomaga preprečiti neželeni stik z rezalnikom in omogoča boljši nadzor nad strojem v nepričakovanih situacijah.
- **Med uporabo stroja na mokri travi bodite previdni. Vedno hodite, nikoli ne tecite.** S tem se zmanjša nevarnost zdrsna in padca ter posledičnih telesnih poškodb.
- **Stroja ne uporabljajte na preveč strmih pobočjih.** S tem se zmanjša nevarnost izgube nadzora, zdrsna in padca ter posledičnih telesnih poškodb.
- **Med delom na pobočjih hodite s trdnimi koraki in vedno delajte prečno na pobočja, nikoli v smeri navzgor ali navzdol, med spreminjanjem smeri pa bodite izjemno previdni.** S tem se zmanjša nevarnost izgube nadzora, zdrsna in padca ter posledičnih telesnih poškodb.
- **Zagotovite, da so napajalni kabli in kabli umaknjeni iz območja rezanja.** Napajalni kabli ali kabli se lahko skrivajo v živi meji ali grmovju, zato jih lahko z nitko ali rezalnikom nenamerno prerežete ali poškodujete.
- **Ne približujte delov telesa premikajočemu se obrezovalniku ali nitki.** Napajalni kabli ali kabli se lahko skrivajo v živi meji ali grmovju, zato jih lahko z nitko ali rezalnikom nenamerno prerežete ali poškodujete.
- **Stroj prenašajte, ko je izklopljen in usmerjen stran od vašega telesa.** Ustrezno ravnanje s strojem zmanjša verjetnost nenamernega stika s premikajočim se obrezovalnikom ali rezilom.



- **Uporabljajte izključno nadomestne rezalne glave in obrezovalnike, predpisane s strani proizvajalca. Obrezovalnikov ali nitk ne nadomeščajte s kovinskimi žicami ali rezili.** Neustrezni nadomestni deli lahko povzročijo izgubo nadzora, zlom in telesne poškodbe.

DODATNA VARNOSTNA OPOZORILA

- Pred uporabo in po vsakem udarcu se prepričajte, da ni poškodovanih delov. Okvarjeno stikalo ali drug del, ki je poškodovan ali obrabljen, morate ustrezno popraviti ali zamenjati pri pooblaščenem serviserju.
- Manjše rezilo, nameščeno na varovalo kosilnice, je zasnovano za rezanje na novo podaljšane nitke na dolžino, ki omogoča varno in optimalno delovanje. Rezilo je zelo ostro. Ne dotikajte se rezila, predvsem med čiščenjem izdelka.
- Uporabljajte le originalno nadomestno rezalno vrstico. Ne uporabljajte nobenih drugih rezalnih pripomočkov.
- Prepričajte se, da je rezalna glava ustrezno nameščena in trdno pritrjena.
- Izdelka nikoli ne uporabljajte, če vse zaščite, ščitniki in ročaji niso pravilno in čvrsto nameščeni.
- Pred vsako uporabo se prepričajte, da je rezilo za rezanje na varovalo rezila v ustreznem položaju.
- Glava izdelka naj bo vedno pod višino pasu.
- V primeru nesreče ali okvare izdelek takoj izklopite in odstranite baterijski vložek. Izdelek prenehajte uporabljati, dokler ga temeljito ne pregledajo na pooblaščenem servisu.
- Za zmanjšanje nevarnosti poškodbe zaradi stika s premikajočimi se deli izdelek vedno izklopite in odstranite baterijski vložek ter počakajte, da se ohladita. Prepričajte se, da so se vsi premikajoči se deli popolnoma zaustavili:
 - preden opravite servis
 - preden odstranite zamašek
 - pred preverjanjem in čiščenjem izdelka ali delom na njem,
 - preden menjate dodatke
 - zatem ko udarite ob tuj predmet
 - ko pustite izdelek brez nadzora
 - med vzdrževanjem
 - če izdelek začne nenormalno vibrirati
- Zagotovite, da so vsa varovala in ročaji pravilno nameščeni in v dobrem stanju.
- Izdelek držite za temu namenjene ročaje ter omejite čas uporabe in izpostavljenosti.
- Pazite na predmete, ki jih odmetava rezalni del. Z delovnega območja odstranite ostanke, kot so kamenčki, gramoz in drugi tujki, preden začnete z delom. Žice ali vrvice se lahko ujamejo v rezila.
- Poskrbite, da bodo prezračevalne odprtine vedno proste.
- Daljša uporaba orodja lahko privede do poškodb ali pa so poškodbe lahko hujše. Če izdelek uporabljate daljši čas, poskrbite za redne premore.
- Izdelek uporabljajte samo pri temperaturah med 0 °C in 40 °C.
- Izdelek shranjujte v prostoru, v katerem je temperatura okolja med 0 °C in 40 °C.

DODATNA VARNOSTNA OPOZORILA ZA BATERIJO

Za zmanjšanje nevarnosti požara, telesne poškodbe in poškodbe izdelka zaradi kratkega stika nikoli ne potopite izdelka, baterijskega vložka ali polnilca v tekočino ali dopustite, da bi tekočina vdrla vanju. Korozivne ali prevodne tekočine, kot so slana voda, določene kemikalije in belila ali proizvodi, ki le ta vsebujejo, lahko povzročijo kratek stik.

- Baterijski vložek polnite na mestu, kjer je temperatura okolja med 10 °C in 38 °C.
- Baterijski vložek shranjujte na mestu, kjer je temperatura okolja med 0 °C in 20 °C.
- Baterijski vložek uporabljajte na mestu, kjer je temperatura okolja med 0 °C in 40 °C.

TRANSPORT IN SHRANJEVANJE

- Pred shranjevanjem ali transportom izdelka izdelek izklopite, odstranite baterijski vložek in počakajte, da se ohladi.
- Očistite vse tujke z izdelka.
- Ne shranjujte in ne prevažajte izdelka z nameščenim baterijskim vložkom. Odstranite baterijski vložek in ga pritrдите ločeno. Shranite jo na suhem in dobro prezračenem mestu, ki ni na dosegu otrok. Shranjujte proč od korozivnih sredstev, kot so vrtno kemikalije in soli za topljenje ledu. Izdelka ne shranjujte na prostem.
- Za transport zavarujte izdelek pred premiki ali padci, da preprečite poškodbe oseb ali izdelka.

PRENAŠANJE LITIJEVIH BATERIJ

- Baterije prevažajte v skladu z lokalnimi in državnimi uredbami in predpisi.
- Upošteвайте vse posebne zahteve glede pakiranja in označevanja, kadar prevoz opravlja tretja oseba. Zagotovite, da baterije med prevozom ne morejo priti v stik z drugimi baterijami ali prevodnimi materiali tako, da zaščitite izpostavljene konektorje z izolacijo, neprevodnimi pokrovčki ali trakom. Ne prevažajte poškodovanih baterij oz. baterij, ki puščajo. Za nadaljnje informacije se obrnite na posredovalno podjetje.

VZDRŽEVANJE

- Uporabljajte le originalne rezervne dele in dodatke, ki jih priporoča proizvajalec. V nasprotnem primeru naprava lahko slabo deluje, povzroči poškodbe, garancija pa ne velja več.
- Servisiranje zahteva posebno pozornost in znanje in naj jo zato opravlja samo izurjeni servisni tehnik. Izdelek naj servisirajo izključno v pooblaščenem servisnem centru.
- Pred vzdrževanjem ali čiščenjem izdelka ga izklopite in odstranite baterijski vložek.
- Opravite lahko samo tukaj navedene prilagoditve ali popravila. Za druga popravila ali nasvete se posvetujte s pooblaščenim storitvenim centrom.
- Za nadomestno nitko uporabljajte samo nitko iz najlonskih vlaken s premerom, ki je opisan v tabeli s tehničnimi podatki v tem priročniku.
- Po vsaki uporabi izdelek očistite z mehko in suho krpo. Vsak poškodovani del mora ustrezno popraviti ali zamenjati pooblaščen servisni center.

- Pred vsako uporabo in nato v rednih intervalih preverite, da so vse matice, sorniki in vijaki ustrezno priti ter da je izdelek varen za uporabo. Vsak poškodovani del mora ustrezno popraviti ali zamenjati pooblaščen servisni center.
- Poškodovane ali nečitljive nalepke naj zamenjajo v pooblaščenem servisnem centru.

SPOZNAJTE SVOJ IZDELEK

Glejte stran 118

1. Zadnji ročaj
2. Zaklep za baterijo
3. Sprožilec za vklop/izklop
4. Zaklepna tipka
5. Zgornja pogonska gred
6. Sprednji ročaj
7. Spodnja pogonska gred
8. Rezilo
9. Vodilno kolo
10. Varovalo
11. Rezilna nitka
12. Pedal za košenje robov
13. Priročnik za uporabo
14. Pokrov vretena
15. Vreteno
16. Vstavitvena odprtina
17. Drsnik
18. Akumulator
19. Polnilec

SIMBOLI NA IZDELKU



Varnostni alarm



Pred uporabo izdelka preberite in razumite vsa navodila. Upošteвайте vsa opozorila in varnostna navodila.



Nosite zaščito za oči in ušesa.



Pazite na izvržene ali leteče predmete. Opazovalci, predvsem otroci in domače živali, morajo biti najmanj 15 m od območja uporabe.



Z izdelkom ne uporabljajte kovinskih rezil.



Ne izpostavljajte ga dežju ali vlagi.



Pred izvajanjem del na pripomočku odstranite akumulatorski vložek.



Rok ne približujte rezilom.



Zajamčena raven zvočne moči



Evropski znak skladnosti



Britanski znak skladnosti



EurAsian oznaka o skladnosti



Ukrajinski znak skladnosti

Odpadnih baterij in odpadne električne in elektronske opreme ne odlagajte med nesortirane gospodinjanske odpadke. Odpadne baterije in odpadno električno in elektronsko opremo je treba zbirati ločeno. Odpadne baterije, odpadne akumulatorje in svetlobne vire je treba odstraniti iz opreme. Za informacije o recikliranju in mestih zbiranja odpadkov se obrnite na lokalno agencijo ali prodajalca. Skladno z lokalnimi predpisi morajo trgovci na drobno odpadne baterije in odpadno električno in elektronsko opremo morda brezplačno prevzeti. Vaš prispevek k ponovni uporabi in recikliranju odpadnih baterij in odpadne električne in elektronske opreme pomaga zmanjšati zahteve po surovinah. Odpadne baterije, predvsem tiste, ki vsebujejo litij, in odpadna električna in elektronska oprema vsebujejo dragocene materiale in materiale, ki jih je mogoče reciklirati, in lahko v primeru, da se ne odložijo na način, skladen z okoljem, negativno vplivajo na okolje in zdravje ljudi. Če so v odpadni opremi shranjeni osebni podatki, jih izbrišite.



SIMBOLI V TEM PRIROČNIKU



Opomba



Opozorilo



Deli ali dodatki so na prodaj ločeno



Pri návrhu vášho akumulátorového vyžinača na trávu boli prvoradá bezpečnosť, výkon a spoľahlivosť.

ÚČEL POUŽITIA

Akumulátorový vyžinač na trávu je určený na kosenie dlhej trávy, dužinatej buriny a podobnej vegetácie na povrchu zeme alebo blízko povrchu zeme.

Rovina rezu musí byť približne rovnobežná s povrchom zeme pri strihaní a približne kolmá na povrch zeme pri začíšťovaní okrajov trávniku.

Tento výrobok je určený len na používanie osobami, ktoré si prečítali a rozumejú pokynom a výstrahám v tejto príručke a sú za svoje konanie zodpovedné.

Tento produkt je určený výhradne na použitie v exteriéri a v dobre vetraných priestoroch. Z bezpečnostných dôvodov musí byť produkt náležite ovládaný pomocou oboch rúk.

Nepoužívajte na žiadne iné účely.

VŠEOBECNÉ BEZPEČNOSTNÉ VÝSTRAHY PRE VÝROBOK

VAROVANIE! Prečítajte si všetky pokyny s bezpečnostnými výstrahami, obrázky a parametre uvádzané pre tento výrobok. Pri nedodržaní pokynov uvedených nižšie môže dôjsť k úrazu elektrickým prúdom, požiaru alebo závažnému osobnému poraneniu.

Odložte všetky upozornenia a pokyny použité v budúcnosti.

Výraz „elektrické náradie“ uvádzaný vo výstrahách sa vzťahuje na produkt napájaný zo siete (s káblom) alebo produkt napájaný akumulátorom (bez kábla).

PRACOVNÝ PRIESTOR

- Pracovisko udržiavajte v čistote a správne osvetlené. Prepchané alebo tmavé miesta zvyšujú pravdepodobnosť nehôd.
- Nepracujte s mechanickými nástrojmi vo výbušných atmosférach, napríklad v blízkosti zápalných tekutín, plynov alebo prachu. Mechanické nástroje vytvárajú iskry, ktoré môžu podpáliť takýto prach alebo výpary.
- Deti a okolostojaci sa počas práce s mechanickým nástrojom nesmú zdržovať v jeho blízkosti. Rozptýlenie môže spôsobiť, že stratíte nad nástrojom kontrolu.

ELEKTRICKÁ BEZPEČNOSŤ

- Zástrčky mechanického nástroja musia zodpovedať zásuvke. Zástrčku nikdy žiadnym spôsobom neupravujte. S uzemnenými mechanickými nástrojmi nepoužívajte rozdvojné zásuvky. Použitím neupravovaných zástrčiek a zodpovedajúcich zásuviek sa znižuje riziko úrazu elektrickým prúdom.
- Vyhýbajte sa telesnému kontaktu s uzemnenými povrchmi, napríklad rúrami, radiátormi, sporákmi a chladničkami. Ak je vaše telo uzemnené, hrozí vysoké riziko úrazu elektrickým prúdom.
- Nevystavujte produkt dažďu ani mokrému prostrediu. Voda, ktorá vnikne do mechanického nástroja, zvyšuje riziko úrazu elektrickým prúdom.
- Kábel nemamahajte. Nikdy nepoužívajte kábel na prenášanie, ťahanie alebo odpájanie mechanického nástroja. Kábel nedávajte do blízkosti tepla, oleja, ostrých okrajov alebo pohyblivých dielov. Poškodené alebo zamotané káble zvyšujú riziko úrazu elektrickým prúdom.

OSOBNÁ BEZPEČNOSŤ

- Pri práci s mechanickým nástrojom buďte ostražití, sledujte, čo robíte a používajte zdravý rozum. Nepoužívajte mechanický nástroj, keď ste unavení alebo pod vplyvom drog, alkoholu alebo liekov. Chvilka nepozornosti počas práce s mechanickými nástrojmi môže spôsobiť závažné osobné poranenie.
- Používajte osobné ochranné pomôcky. Vždy používajte chrániče zraku. Na redukovanie osobných poranení sa pre príslušné podmienky musia používať ochranné prostriedky, ako je protiprachová maska, ochranná obuv s protišmykovou úpravou, prilba alebo chrániče sluchu.
- Zabráňte neúmyselnému spusteniu. Pred zapojením zariadenia do siete a/alebo k jednotke akumulátora, zdvíhaním alebo prenášaním nástroja vždy skontrolujte, či je spínač vo vypnutej polohe. Pri prenášaní mechanických nástrojov s prstom položeným na spínači alebo pripájaní mechanických nástrojov so zapnutým spínačom sa zvyšuje riziko úrazu.
- Pred zapnutím nástroja odstráňte prípadný nastavovací klin alebo kľúč. Keď necháte kľúč alebo klin nasadený na rotujúci diel mechanického nástroja, môže dôjsť k vážnemu poraneniu osôb.
- Nepreceňujte sa. Neustále zachovávajte pevnú oporu nôh a rovnováhu. Tak si zaistíte lepšiu kontrolu nad mechanickým nástrojom v nečakaných situáciách.
- Primerane sa oblečte. Nenoste voľný odev ani šperky. Svoje vlasy a odev majte v bezpečnej vzdialenosti od pohyblivých dielov. Voľný odev, šperky či dlhé vlasy sa môžu zachytiť do pohyblivých častí.
- Ak sú zariadenia vybavené pripojením na prostriedky na odsávanie a zber prachu, zaistíte, aby boli správne pripojené a primerane sa používali. Pri použití týchto prostriedkov sa znižujú riziká pochádzajúce z prachu.
- Nedovoľte, aby znalosti získané počas častého používania náradia spôsobili, že budete ignorovať princípy bezpečnosti pre náradie. Nedbanlivosť môže spôsobiť závažné poranenie v zlomku sekundy.

POUŽÍVANIE ELEKTRICKÉHO NÁSTROJA A STAROSTLIVOSŤ OŇ

- Na nástroj nevyvíjajte silu. Používajte vhodný nástroj pre dané použitie. Správny mechanický nástroj splní svoju úlohu lepšie a bezpečnejšie pri rýchlosti, na ktorú je určený.
- Mechanický nástroj nepoužívajte, ak spínač nezapína a nevypína nástroj. Mechanický nástroj, ktorý sa nedá ovládať spínačom, je nebezpečný a musí sa dať opraviť.
- Pred vykonávaním akýchkoľvek úprav, výmenou príslušenstva alebo uskladnením elektrického náradia odpojte elektrickú zástrčku zo zdroja napájania a/alebo vyberte z elektrického náradia súpravu batérií, ak sa dá vybrať. Takéto preventívne opatrenie znižuje riziko neúmyselného spustenia mechanického nástroja.
- Nečinné mechanické nástroje odložte mimo dosahu detí a nedovoľte používať mechanický nástroj osobám neoboznámeným s mechanickým nástrojom alebo týmito pokynmi. Mechanické nástroje sú v rukách netrénovaných osôb nebezpečné.

EN

FR

DE

ES

IT

NL

PT

DA

SV

FI

NO

RU

PL

CS

HU

RO

LV

LT

ET

HR

SK

SL

BG

UK

TR

EL





- **Vykonávajte údržbu elektrického náradia a príslušenstva.** Skontrolujte, či pohyblivé diely nie sú nesprávne nastavené alebo zablokované, či niektoré diely nie sú poškodené, ako aj akýkoľvek iný stav, ktorý by mohol ovplyvniť činnosť mechanického nástroja. V prípade poškodenia nechajte mechanický nástroj pre použitím opraviť. Veľké množstvo nehôd je spôsobených nedostatočnou údržbou mechanických nástrojov.
- **Rezacie nástroje udržiavajte ostré a v čistote.** Správne udržiavané rezacie nástroje s ostrými ostriami sa menej pravdepodobne zaseknú a ľahšie sa ovládajú.
- **Mechanický nástroj, príslušenstvo a vrtáky a pod., používajte v súlade s týmto návodom, pričom berte do úvahy pracovné podmienky a úlohu, ktorú chcete vykonať.** Pri používaní mechanického nástroja na iné ako určené činnosti môže dôjsť k nebezpečným situáciám.
- **Rukoväte a úchopné povrchy udržiavajte suché, čisté a bez zvyškov oleja či maziva.** Klzké rukoväte a úchopné povrchy neumožňujú bezpečnú manipuláciu a ovládanie nástroja v neočakávaných situáciách.

POUŽÍVANIE AKUMULÁTORA A STAROSTLIVOSŤ OŇ

- **Nabíjajte len s použitím nabíjačky špecifikovanej výrobcom.** Nabíjačka, ktorá je vhodná pre jeden typ jednotky akumulátora, môže pri použití s inou jednotkou akumulátora spôsobiť riziko požiaru.
- **Používajte len mechanické nástroje so špecificky určenými jednotkami akumulátorov.** Pri použití iných jednotiek akumulátora vzniká riziko poranenia a požiaru.
- **Keď sa jednotka akumulátora nepoužíva, nedávajte ju do blízkosti iných kovových objektov, ako sú papierové sponky, mince, kľúče, klince, skrutky či iné malé kovové predmety, ktoré by mohli skratovať svorky.** Pri skratovaní svoriek akumulátora môže dôjsť k popáleninám alebo požiaru.
- **Za nevhodných podmienok, keď by z batérie vytekala kvapalina, predchádzajte kontaktu s ňou.** Pri náhodnom kontakte opláchnite vodou. Ak tekutina zasiahne oči, dodatočne vyhľadajte lekársku pomoc. Tekutina vytečená z akumulátora môže spôsobiť podráždenie alebo popáleniny.
- **Poškodenú alebo upravenú súpravu batérií alebo náradie nepoužívajte.** Poškodené alebo upravené batérie môžu vykazovať nepredvídateľné správanie s následkom požiaru, výbuchu alebo poranenia.
- **Súpravu batérií ani náradie nevystavujte účinkom ohňa ani nadmernej teploty.** Vystavenie účinkom ohňa alebo teploty nad 130 °C môže spôsobiť výbuch.
- **Dodržiavajte všetky pokyny na nabíjanie a súpravu batérií ani náradie nenabíjajte mimo rozsahu teplôt, ktorý je uvedený v pokynoch.** Nesprávne nabíjanie alebo nabíjanie pri teplotách mimo uvedeného rozsahu môže poškodiť batériu a zvýšiť riziko vzniku požiaru.

OPRAVY

- **Servis mechanického nástroja prenechajte kvalifikovanému servisnému pracovníkovi s použitím len identických náhradných dielov.** Takto zachováte bezpečnosť mechanického nástroja.
- **Nikdy nevykonávajte servis poškodených súprav batérií.** Servis súprav batérií sme vykonávať len výrobca alebo autorizovaní poskytovatelia servisu.

BEZPEČNOSTNÉ VÝSTRAHY PRE VYŽÍNAČ

- **Stroj nepoužívajte za zlých poveternostných podmienok, hlavne ak existuje riziko výskytu bleskov.** Znižuje sa tým riziko zasiahnutia bleskom.
- **Z hľadiska výskytu voľne žijúcich zvierat dôkladne skontrolujte oblasť, kde sa má stroj používať.** Stroj môže počas prevádzky poraniť voľne žijúce zvieratá.
- **Pozorne skontrolujte plochu, kde sa bude stroj používať a odstráňte všetky kamene, palice, drôty, kosti a iný cudzí materiál.** Odhodnené predmety môžu spôsobiť osobné poranenie.
- **Pred použitím vždy zrakom stroj skontrolujte, aby ste sa uistili, že rezací nôž a príslušenstvo rezacieho noža nie sú poškodené.** Poškodené diely zvyšujú riziko poranenia.
- **Ochranné kryty ponechajte v správnej polohe. Ochranné kryty musia byť funkčné a správne namontované.** Ochranný kryt, ktorý je uvoľnený, poškodený alebo nefunguje správne, môže spôsobiť zranenie osôb.
- **Zo všetkých otvorov na chladiaci vzduch odstraňujte úlomky.** Zablokované prívody vzduchu a nečistoty môžu spôsobiť prehriatie alebo riziko požiaru.
- **Používajte ochranu zraku a sluchu.** Náležitú ochrannú pomôcku znižia riziko zranenia osôb.
- **Pri obsluhu stroja vždy noste pevnú protišmykovú ochrannú obuv. Nepoužívajte nástroj bosí alebo v otvorených sandálach.** Znižuje sa tak možnosť poranenia nôh pri kontakte s pohybujúcim sa rezacím nožom.
- **Vždy noste odev, ako sú nohavice, ktoré zakrývajú nohy obsluhujúcej osoby počas obsluhy stroja.** Kontakt s pohybujúcim sa rezacím nožom alebo drôtom môže spôsobiť zranenie.
- **Počas obsluhy stroja zabráňte prístupu okolostojacim.** Vymrštené úlomky môžu spôsobiť vážne poranenie osôb.
- **Stroj neobsluhujte nad výškou pásu.** Pomáha to predísť náhodnému kontaktu s rezacím nožom a umožňuje lepšiu kontrolu nad strojom v neočakávaných situáciách.
- **Buďte opatrný, keď obsluhujete stroj na mokrej tráve. Chodte krokom, nikdy nebežte.** Znižuje sa tak riziko pošmyknutia a pádu, ktoré môžu mať za následok zranenie osôb.
- **Stroj nepoužívajte na nadmerne strmých svahoch.** Znižuje sa tak riziko straty kontroly, pošmyknutia a pádu, ktoré môžu mať za následok zranenie osôb.
- **Pri práci na svahoch vždy zaujmite správny postoj, pracujte vždy naprieč svahom, nikdy nie hore alebo dole svahom, a pri zmene smeru pracujte mimoriadne opatrne.** Znižuje sa tak riziko straty kontroly, pošmyknutia a pádu, ktoré môžu mať za následok zranenie osôb.
- **Všetky elektrické a ďalšie káble vedte mimo miesta strihania.** Elektrické a ďalšie káble sa môžu skrývať v živom plote alebo kríkoch a rezací nôž alebo drôt ich môžu náhodne prerezať.
- **Zabráňte kontaktu akekoľvek časti tela s pohybujúcou sa rezacou strunou alebo drôtom. Materiál nečistite zo stroja, kým nie je odpojený od zdroja napájania.** Pohybujúca sa rezacia struna alebo drôt môžu spôsobiť vážne zranenie osôb.
- **Stroj prenášajte vypnutý a v dostatočnej vzdialenosti od tela.** Náležitá manipulácia so strojom zniží



pravdepodobnosť náhodného kontaktu s pohybujúcou sa rezacou strunou alebo drôtom.

- **Pri výmene používajte len rezacie hlavy a rezacie struny alebo drôty špecifikované výrobcom. Rezacie struny a drôty nenahrádzajte kovovými drôtmí ani čepeľami.** Nesprávne náhradné diely môžu spôsobiť stratu kontroly, poškodenie a zranenie.

ĎALŠIE BEZPEČNOSTNÉ VÝSTRAHY

- Pred použitím a po každom náraze skontrolujte, či nie sú nejaké diely poškodené. Chybný spínač či akýkoľvek iný diel, ktorý je poškodený alebo opotrebovaný, je potrebné náležite opraviť alebo vymeniť v autorizovanom servisnom zariadení.
- Malý nôž, vsadený do krytu na ochranu trávniká, je určený na zastrihnutie novo vysunutého vlákna na správnu dĺžku pre bezpečnú a optimálnu prevádzku. Čepeľ je veľmi ostrá. Najmä počas čistenia výrobku sa nedotýkajte čepele.
- Používajte len náhradné rezné vlákno výrobcu. Nepoužívajte žiadne iné rezné nástavce.
- Skontrolujte, či je rezný nástavec správne namontovaný a bezpečne upnutý.
- Nikdy nepoužívajte produkt, kým nie sú správne a bezpečne nasadené všetky ochranné kryty, odchylovače a rukoväte.
- Pred každým použitím skontrolujte, že nôž na odstrihnutie struny v kryte čepele je v správnej polohe a zaistený.
- Príslušenstvo hlavy držte pod úrovňou pásu.
- V prípade nehody alebo poškodenia okamžite výrobok vypnite a vyberte z neho súpravu batérií. Nepoužívajte výrobok znovu, pokiaľ nebude úplne skontrolovaný autorizovaným servisným strediskom.
- Aby ste znížili riziko poranenia spojeného s kontaktom s pohyblivými časťami, výrobok vždy vypnite, vyberte z neho súpravu batérií a nechajte ich vychladnúť. Skontrolujte, či sa všetky pohyblivé diely úplne zastavili:
 - pred vykonávaním servisu
 - pred odstránením zablokovania
 - pred kontrolou, čistením alebo prácou na zariadení
 - pred výmenou príslušenstva
 - po naražení na cudzí predmet
 - pri ponechaní produktu bez dozoru
 - pri každom vykonávaní údržby
 - ak zariadenie začne neštandardne vibrovať
- Skontrolujte, či sú všetky ochranné kryty, rukoväte správne nasadené a v dobrom stave.
- Produkt držte za rukoväť na to určené a obmedzte pracovný čas a expozíciu.
- Pozor na objekty vymrštené rezným nástrojom. Pred začatím práce odstráňte z pracoviska kamenky, štrk a ostatné cudzie predmety. Do rezných zariadení sa môžu zamotať vodiče alebo vlákna.
- Vždy skontrolujte, či vetracie otvory nie sú upchaté úlomkami.
- Pri dlhodobom alebo zvýšenom používaní môže dôjsť k zraneniam. Keď používate akýkoľvek výrobok dlhšiu dobu, robte si pravidelné prestávky.
- Výrobok prevádzkujte len pri teplotách v rozsahu 0 °C až 40 °C.
- Výrobok skladujte na mieste s teplotou okolia v rozsahu 0 °C až 40 °C.

DOPLNKOVÉ BEZPEČNOSTNÉ VÝSTRAHY PRE BATÉRIU

Aby ste znížili riziko požiaru alebo poškodenia výrobku skratom, nikdy výrobok, akumulátor ani nabíjačku neponárajte do kvapaliny ani nedovoľte, aby sa do nich kvapalina dostala. Korodujúce alebo vodivé kvapaliny, ako je slaná voda, určité chemikálie a bieliace prostriedky alebo výrobky, ktoré obsahujú bielidlo, môžu spôsobiť skrat.

- Akumulátor nabíjajte len na mieste s teplotou okolia v rozsahu 10 °C až 38 °C.
- Akumulátor skladujte na mieste s teplotou okolia v rozsahu 0 °C až 20 °C.
- Akumulátor používajte na mieste, kde je teplota okolia v rozsahu 0 °C až 40 °C.

PREPRAVA A SKLADOVANIE

- Pred uskladnením alebo dopravou výrobok vypnite, vyberte z neho súpravu batérií a nechajte ho vychladnúť.
- Z výrobku odstráňte všetok cudzí materiál.
- Výrobok neskladujte ani neprevádzajte s namontovanou súpravou batérií. Vyberte súpravu batérií a samostatne zaisťte. Odložte ho na suché a dobre vetrané miesto, na ktoré nemajú prístup deti. Nedávajte zariadenie do blízkosti korozívnych činidiel, ako sú záhradné chemikálie a rozmrazovacie soli. Výrobok neuchovávajte vonku.
- Pri preprave zaisťte produkt pred pohybom alebo pádom, aby nedošlo k poraneniu osôb alebo poškodeniu produktu.

PREPRAVA LÍTOVÝCH AKUMULÁTOROV

- Akumulátory prepravujte v súlade s miestnymi smernicami a nariadeniami.
- Keď akumulátory prepravuje tretia strana, dodržiavajte všetky požiadavky na balení a označení. Zabezpečte, aby počas prepravy akumulátory neprišli do kontaktu s inými akumulátormi ani vodivými materiálmi – chráňte obnažené konektory pomocou izolácie, nevodivými viečkami alebo páskou. Neprepravujte akumulátory, ktoré sú prasknuté alebo vytekajú. Ďalšie pokyny zistíte u nasledujúcej spoločnosti.

ÚDRŽBA

- Používajte len originálne náhradné diely, príslušenstvo a nástavce výrobcu. V opačnom prípade môže dôjsť k možnému poraneniu, nedostatočnému výkonu a strate platnosti záruky.
- Údržba vyžaduje extrémnu starostlivosť a znalosti, a musí byť prevádzaná výhradne v autorizovanom servise. Servis výrobku zverte len autorizovanému servisnému stredisku.
- Pred vykonávaním údržby alebo čistenia výrobok vypnite a vyberte z neho súpravu batérií.
- Môžete vykonávať len úpravy alebo opravy popísané v tejto príručke. Pri ostatných opravách alebo ak potrebujete radu, vyhľadajte pomoc v autorizovanom servisnom centre.
- Pri výmene drôtu používajte len nylonové drôtené vlákno s priemerom predpísaným v tabuľke špecifikácií tejto príručky.
- Po každom použití vyčistíte produkt mäkkou suchou tkaninou. Akýkoľvek poškodený diel sa musí náležite opraviť alebo vymeniť v autorizovanom servisnom centre.

- Pred používaním a v častých intervaloch skontrolujte všetky matice, svorníky a skrutky, či sú správne utiahnuté, aby ste zaistili bezpečný prevádzkový stav výrobku. Akýkoľvek poškodený diel sa musí náležite opraviť alebo vymeniť v autorizovanom servisnom centre.
- Prineste produkt to autorizovaného servisného centra na výmenu poškodených alebo nečitateľných štítkov.

OBOZNÁMTE SA S VAŠÍM PRODUKTOM

Pozrite stranu 118.

1. Zadná rukoväť
2. Poistka batérie
3. Spínač zapnutia/vypnutia
4. Blokovací spínač
5. Horný hriadeľ pohonu
6. Predná rukoväť
7. Spodný hriadeľ pohonu
8. Orezávacie ostrie
9. Vodiace koliesko
10. Ochranný kryt
11. Rezací drôt
12. Pedál na úpravu okrajov
13. Návod na obsluhu
14. Kryt cievky
15. Cievka
16. Pútko
17. Posúvač
18. Batéria
19. Nabíjačka

SYMBOLY NA PRODUKTE



Výstražná značka



Pred používaním výrobku si prečítajte a pochopte všetky pokyny. Dodržujte všetky výstrahy a bezpečnostné pokyny.



Používajte chrániče zraku a sluchu.



Pozor na vymrštené alebo odletujúce objekty. Zabezpečte, aby všetci okolostojaci, hlavne deti a zvieratá, boli aspoň 15 m od plochy používania výrobku.



Nepoužívajte kovové ostria na produkte.



Nevystavujte dažďu ani nepoužívajte vo vlhkom prostredí.



Vyberte sadu batérií pred vykonávaním akýchkoľvek prác na výrobku.



Ruky držte v bezpečnej vzdialenosti od čepeľí.



Garantovaná úroveň hluku



Európske označenie zhody



Britské označenie zhody



Euroázijská značka zhody



Ukrajinské označenie zhody

Odpadové batérie a akumulátory a odpadové elektrické a elektronické zariadenia nelikvidujte ako netriedený komunálny odpad. Odpadové batérie a akumulátory a odpadové elektrické a elektronické zariadenia sa musia zbierať separovane. Odpadové batérie, odpadové akumulátory a svetelné zdroje treba z výrobu vybrať. Informácie o zbernom mieste získate od miestneho orgánu verejnej správy alebo vám ich poskytne maloobchodný predajca. Podľa miestnych predpisov môžu mať maloobchodníci povinnosť bezplatne prevziať odpadové batérie a akumulátory a odpadové elektrické a elektronické zariadenia. Váš príspevok k opätovnému použitiu a recyklácii odpadových batérií a akumulátorov a odpadových elektrických a elektronických zariadení pomáha znižovať dopyt po surovinách. Odpadové batérie a akumulátory, konkrétne tie, ktoré obsahujú lítium, a odpadové elektrické a elektronické zariadenia obsahujú cenné a recyklovateľné materiály, ktoré môžu mať nepriaznivý vplyv na životné prostredie a ľudské zdravie, ak sa nelikvidujú ekologicky vhodným spôsobom. Odstráňte prípadné osobné údaje z odpadového zariadenia.



SYMBOLY V TOMTO NÁVODE



Poznámka



Varovanie



Diely alebo príslušenstvo predávané samostatne



Безопасността, работните характеристики и надеждността са аспектите, на които е даден най-голям приоритет при проектирането на Вашия безжичен тример с корда.

ПРЕДНАЗНАЧЕНИЕ

Безжичният тример с корда е предназначен за рязане на висока трева, бурени и подобна растителност на нивото на земята.

Повърхността на рязане трябва да е приблизително успоредна на земната повърхност при рязане и приблизително отвесна при оформяне на ръбове.

Продуктът е предназначен за използване само от възрастни, които са прочели и разбрали инструкциите и предупрежденията в това ръководство и могат да се считат отговорни за действията си.

Продуктът е предназначен за използване само на открити и добре проветрени пространства. От съображения за сигурност, продуктът трябва да бъде управляван адекватно чрез работа с двете ръце.

Не го използвайте за никакви други цели.

ОБЩИ ПРЕДУПРЕЖДЕНИЯ ЗА БЕЗОПАСНОСТ ПРИ РАБОТА С ПРОДУКТА

⚠️ ПРЕДУПРЕЖДЕНИЕ! Прочетете всички инструкции с предупреждения за безопасност, илюстрации и спецификации, предоставени с този продукт. Неспазването на всички инструкции, посочени по-долу, може да доведе до токов удар, пожар и/или сериозно нараняване.

Съхранявайте всички предупреждения и инструкции за бъдещи справки.

Терминът „електрически инструмент“ в предупрежденията се отнася до електрически продукт (с кабел) или работещ с батерия (безжичен).

БЕЗОПАСНОСТ НА РАБОТНАТА ЗОНА

- **Поддържайте работното пространство чисто и добре осветено.** Безпорядъкът или тъмнината в работното пространство са предпоставка за злополуки.
- **Не използвайте електрически инструменти в експлозивни среди, например в присъствието на запалителни течности, газове или прах.** По време на работа електрическите инструменти произвеждат искри, които могат да възпламенят прах или пари.
- **Дръжте децата и страничните наблюдатели далече, докато боравите с електрически инструмент.** Ако вниманието ви бъде отклонено, може да загубите контрола над електрическия инструмент.

ЕЛЕКТРИЧЕСКА БЕЗОПАСНОСТ

- **Щепселът на електрическия инструмент трябва да е съвместим с контакта. В никакъв случай не внасяйте изменения в конструкцията на щепсела.** Когато работите със занулен електрически инструменти, не използвайте адаптери за щепсела. Използването на оригиналните щепсели и контакти намалява риска от токов удар.

- **Избягвайте допир със заземени повърхности, като тръби, радиатори, печки и хладилници.** Когато тялото ви е заземено, рискът от възникване на токов удар е по-голям.
- **Не излагайте продукта на дъжд или влажни условия.** Проникването на вода в електрическия инструмент повишава опасността от токов удар.
- **Не насилвайте захранваща кабел.** Никога не носете, не изключвайте и не дърпайте електрическия инструмент за кабела. Предпазвайте кабела от нагряване, омасляване, допир до остри ръбове или до подвижни звена на машини. Повредените или усукани кабели увеличават риска от токов удар.

ЛИЧНА БЕЗОПАСНОСТ

- **Бъдете бдителни, внимавайте какво правите и проявявайте благоразумие, когато боравите с електрически инструмент.** Не използвайте електрическия инструмент, когато сте уморени или под влиянието на наркотични вещества, алкохол или лекарства. Миг невнимание, докато боравите с електрически инструмент, е достатъчен за получаването на сериозни наранявания.
- **Използвайте лична защитна екипировка.** Винаги носете защитни очила. Предпазни средства като маска против прах, непълзгащи се предпазни обувки, твърда шапка или антифони, използвани при подходящи условия, ще намалят физическите наранявания.
- **Не допускайте нежелано стартиране.** Преди да вдигате или носите инструмента и преди да го включате в електрическата мрежа и/или батерия, винаги проверявайте дали превключателят е на позиция OFF (изкл). Носенето на инструмента с пръст върху превключателя или включването му към електричеството, докато превключателят му е на включен, е предпоставка за злополуки.
- **Махнете всички гаечни или френски ключове за настройка преди да включите инструмента.** Помощен инструмент, забравен на въртящ се елемент, може да доведе до физически наранявания.
- **Не се протягайте, за да работите на трудно достижими места.** Винаги стъпвайте стабилно по време на работа и пазете равновесие. Това дава възможност за по-добър контрол над електрическия инструмент в неочаквани ситуации.
- **Обличайте се целесъобразно.** Не носете широки дрехи или украшения. Дръжте косата и дрехите си далече от движещите се части. Широките дрехи, украшенията, дългите коси могат да бъдат захванати и увлечени от движещи се елементи.
- **Ако устройствата са оборудвани със съоръжение за издърпване и събиране на прах, уверете се, че е то свързано и функционира правилно.** Използването на устройствата за събиране на прах ще намали рисковете, свързани с работа в прашни условия.
- **Не позволявайте опита ви с често използване на инструменти да ви направи прекалено самоуверени и да ви накара да игнорирате принципите за безопасност.** Едно небрежно действие може да доведе до сериозно нараняване в рамките само на секунда.



ИЗПОЛЗВАНЕ И ОБСЛУЖВАНЕ НА ЕЛЕКТРИЧЕСКИЯ ИНСТРУМЕНТ

- **Не насилвайте продукта.** Използвайте електрически инструмент, съобразно неговото предназначение. Правилно подобреният електрически инструмент ще свърши работата по-добре и по-безопасно в зададения от производителя диапазон на натоварване.
- **Не използвайте електрически инструменти, чиито пусков прекъсвач е повреден.** Електрически инструмент, който не може да бъде контролиран посредством превключвател, е опасен и трябва да бъде ремонтиран.
- **Изключете щепсела на ел. захранването и/или извадете акумулаторната батерия, ако може да се изважда, от електрически инструмент, преди да извършвате каквито и да е действия по регулиране, смяна на принадлежностите или съхраняване на електрически инструмент.** Тази мярка премахва опасността от задействане на електрическия инструмент по невнимание.
- **Съхранявайте незаетите електрически инструменти на недостъпни за деца места и не позволявайте на лица, незапознати с инструмента или с тези указания, да боравят с него.** Когато са в ръцете на неопитни потребители, електрическите инструменти могат да бъдат изключително опасни.
- **Поддържайте в добро състояние електрическите инструменти и техните принадлежности.** Проверявайте за неизправности или заклиняване в подвижните елементи, за счупени части или други обстоятелства, които могат да влошат работата на електрическия инструмент. Преди да използвате електрическия инструмент, се погрижете повредите да бъдат отстранени. Много от трудовете злополуки се дължат на недобре поддържани електрически инструменти.
- **Поддържайте режещите инструменти винаги добре заточени и чисти.** Инструменти, за които е полагана правилна грижа и са с добре наточени режещи елементи, се управляват по-лесно и вероятността да заядат е по-малка.
- **Използвайте електрическите инструменти, принадлежностите и режещите и др. части съобразно тези указания, като се съобразявате с работните условия и с работата, която ще извършвате.** Използването на електрически инструменти за различни от предвидените от производителя приложения повишава опасността от възникване на трудови злополуки.
- **Поддържайте ръкохватките и повърхностите за захващане сухи, чисти и неомаслени.** Хлъзгавите ръкохватки и повърхности за захващане не дават възможност за безопасно управление и контролиране на инструмента при възникване на неочаквани ситуации.

ИЗПОЛЗВАНЕ И ОБСЛУЖВАНЕ НА ИНСТРУМЕНТА С БАТЕРИЯ

- **Презареждайте единствено със зарядното устройство, посочено от производителя.** Зарядно устройство, подходящо за зареждане на един вид

батерии, може да предизвика риск от пожар, ако бъде използвано за други батерии.

- **Използвайте електрически инструменти с батерии единствено със специално предназначения за тях батерии.** Използването на всякакви други батерии може да създаде риск от нараняване и пожар.
- **Когато батерията не се използва, съхранявайте я далеч от други метални обекти, като например кламери, монети, ключове, гвоздеи, гайки или други малки метални обекти, които могат да направят връзка между клемите.** Късото съединение от клемите може да доведе до изгаряния или пожар.
- **При неправилно използване батерията може да отдели течност; избягвайте контакт.** Ако случайно настъпи контакт, промийте с вода. Ако течността влезе в контакт с очите, потърсете незабавно медицинска помощ. Отделената от батерията течност може да причини възпаление или изгаряния.
- **Не използвайте акумулаторна батерия или инструмент, които са повредени или променени по някакъв начин.** Повредените или променени батерии могат да работят по непредсказуем начин, което да доведе до пожар, взрив или опасност от наранявания.
- **Не излагайте акумулаторна батерия или инструмент на огън или прекалено висока температура.** Излагането на огън или на температура над 130 °C може да причини взрив.
- **Следвайте всички инструкции за зареждане и не зареждайте акумулаторната батерия или инструмента извън температурния диапазон, посочен в инструкциите.** Неправилното зареждане или зареждането при температури извън посочения диапазон може да повреди батерията и да увеличи риска от пожар.

СЕРВИЗНО ОБСЛУЖВАНЕ

- **Ремонтът на електрическите инструменти трябва да се извършва само от квалифицирани специалисти и само с използването на оригинални резервни части.** По този начин се гарантира поддържането на безопасност при работа с електрическия инструмент.
- **Никога не обслужвайте повредени акумулаторни батерии.** Обслужването на акумулаторните батерии трябва да се извършва само от производителя или от оторизирани доставчици на услуги по сервизно обслужване.

ПРЕДУПРЕЖДЕНИЯ ЗА БЕЗОПАСНОСТ ПРИ РАБОТА С ТРИМЕРА С КОРДА

- **Не използвайте машината при лоши метеорологични условия, особено когато има риск от мълнини.** Това намалява риска от поразяване от мълния.
- **Проверете внимателно зоната, в която ще използвате машината, за диви животни.** Дивите животни може да бъдат наранени от машината по време на работа.



- Проверете внимателно мястото, на което ще се използва машината, и премахнете всички камъни, пръчки, жици, кости и други чужди предмети. Изхвърлените предмети може да причинят физическо нараняване.
- Преди да използвате машината, винаги я проверявайте визуално, за да се уверите, че резачката и модулет на резачката не са повредени. Повредени части повишават риска от нараняване.
- Дръжте предпазителите на място. Предпазителите трябва да бъдат в изправно състояние и да бъдат правилно монтирани. Разхлабен, повреден или неправилно функциониращ предпазител може да доведе до физическо нараняване.
- Дръжте всички охлаждащи вентилационни отвори чисти от отпадъци. Запушените отвори за въздух и отломки могат да доведат до прегряване или риск от пожар.
- Носете защитни средства за предпазване на очите и ушите. Подходящите защитни средства ще намалят броя на нараняванията.
- Докато работите с машината, винаги носете непълзгащи се предпазни обувки. Не използвайте инструмента, ако сте боси или носите отворени сандали. Това намалява възможността от нараняване на краката при контакт с движещата се резачка.
- По време на работа с машината винаги носете дрехи, например панталони, които покриват краката ви. Контактът с движещите се резачка или влакно може да доведе до нараняване.
- Страничните наблюдатели трябва да са далече при работа с машината. Изхвърляните отпадъци могат да доведат до сериозно физическо нараняване.
- Не работете с машината на височина над кръста. Това помага да се предотврати неволен контакт с резачката и позволява по-добър контрол върху машината в неочаквани ситуации.
- Бъдете внимателни при работа с машината във влажна трева. Вървете, никога не тичайте, когато косите. Това намалява риска от подхлъзване и падане, което може да доведе до физическо нараняване.
- Не работете с машината на прекалено стръмни склонове. Това намалява риска от загуба на контрол, подхлъзване и падане, което може да доведе до физическо нараняване.
- Когато работите по склонове, винаги бъдете сигурни в опората си, винаги работете по хоризонтала спрямо наклона на склона, никога нагоре или надолу, и бъдете изключително внимателни, когато промените посоката. Това намалява риска от загуба на контрол, подхлъзване и падане, което може да доведе до физическо нараняване.
- Дръжте всички захранващи проводници и кабели настрани от зоната на рязане. Захранващите проводници или кабели може да са скрити в клони

или храсти и може случайно да бъдат срязани или повредени от влакното или резачката.

- Дръжте всички части на тялото далеч от движещите се резачка или влакно на тримера. Не почиствайте материали от машината, докато тя не бъде изключена от източника на захранване. Движещите се резачка или влакно на тримера могат да доведат до сериозно физическо нараняване.
- Пренасяйте машината изключена и далеч от тялото си. Правилното боравене с машината ще намали вероятността от случаен контакт с движещи се резачка или влакно на тримера.
- Използвайте само резервни режещи глави и резачки или влакна за тримера, посочени от производителя. Не заменяйте резачки или влакна на тримера с метални проводници или остриета. Неправилните резервни части могат да доведат до загуба на контрол, счупване и нараняване.

ДОПЪЛНИТЕЛНИ ПРЕДУПРЕЖДЕНИЯ ЗА БЕЗОПАСНОСТ

- Преди употреба и след всяко въздействие проверете дали няма повредени части. Поправянето или заменянето на дефектен превключвател или повредени или износени части трябва да се извършва само от упълномощени сервизи.
- Малкото острие, прикачено към предпазителя за трева, служи за подрязване на новоразвитата корда до подходящата дължина, при която се гарантира безопасна работа и оптимални работни характеристики. Острието е много остро. Не докосвайте острието особено при почистване на продукта.
- Подменяйте режещото влакно само с оригинално такова от производителя. Не използвайте никакво друго режещо приспособление.
- Уверете се, че приспособлението за рязане е правилно монтирано и здраво закрепено.
- Никога не работете с продукта, докато всички предпазителни, отклонителни и ръкохватки не са прикрепени правилно и стабилно.
- Преди всяка употреба се уверявайте, че острието за отрязване на кордата в предпазителя на острието е правилно позиционирано и закрепено.
- Дръжте приставката с главата под нивото на кръста.
- В случай на неизправност или повреда изключете и свалете акумулаторната батерия. Не работете с продукта отново, докато той не премине щателна проверка в оторизиран сервизен център.
- За да се намали рискът от нараняване, свързан с контактуване с движещи се части, винаги изключвайте продукта, изваждайте акумулаторната батерия и изчакайте да изстинат. Уверете се, че всички движещи се части са спрели напълно:
 - преди обслужване
 - преди почистване на запушване
 - преди проверка, почистване или работа по уреда
 - преди смяна на принадлежности
 - след удряне на чужд предмет





- когато оставяте продукта без надзор
 - всеки път при извършване на техническо обслужване
 - ако уредът започне да вибрира неестествено
- Уверете се, че всички предпазители и ръкохватки са поставени на мястото им и са в изправност.
 - Дръжте продукта за предназначенияте ръкохватки и ограничавайте времето за работа.
 - Внимавайте за обекти, захвърлени от режещия механизъм. Почистете отпадъците като малки камъни, чакъл и други чужди обекти от работната зона, преди да започнете работа. В режещите елементи могат да се заплетат жици или влакна.
 - Винаги проверявайте дали по вентилационните отвори има отпадък.
 - Продължителното използване на инструмента може да доведе до наранявания или влошаване. Когато използвате продукта продължително време, уверявайте се, че правите редовни почивки.
 - С изделието трябва да се работи само при температури между 0 °C и 40 °C.
 - Съхранявайте продукта при околна температура между 0 °C и 40 °C.

ДОПЪЛНИТЕЛНИ ПРЕДУПРЕЖДЕНИЯ ЗА БЕЗОПАСНОСТ ЗА БАТЕРИЯТА

За да намалите риска от пожар, физическо нараняване и повреда на продукта поради късо съединение, никога не потапяйте продукта, комплекта батерии или зарядното устройство в течност и не позволявайте в тях да проникне течност. Течностите, предизвикващи корозия или провеждащи електричество, като солена вода, определени химикали, изобелващи вещества или продукти, съдържащи изобелващи вещества, могат да предизвикат късо съединение.

- Зареждайте акумулаторната батерия на място, на което околната температура е между 10 °C и 38 °C.
- Съхранявайте акумулаторната батерия на място, на което околната температура е между 0 °C и 20 °C.
- Използвайте акумулаторната батерия на място, на което околната температура е между 0 °C и 40 °C.

ТРАНСПОРТИРАНЕ И СЪХРАНЕНИЕ

- Изключете продукта, извадете акумулаторната батерия и го изчакайте да се охлади, преди да го приберете за съхранение или да го транспортирате.
- Почистете продукта от всички чужди частици.
- Не съхранявайте и транспортирайте продукта с поставени батерии. Извадете акумулаторната батерия и я съхранете отделно. Съхранявайте я на хладно, сухо и добре проветрявано място, което е недостъпно за деца. Дръжте продукта далече от разяждащи вещества, като например градински химикали и размразяващи соли. Не съхранявайте продукта на открито.
- Когато транспортирате продукта, го обезопасете така, че да не може да се движи или да падне, защото това може да доведе до евентуални наранявания на хора или повреди по продукта.

ТРАНСПОРТИРАНЕ НА ЛИТИЕВИ БАТЕРИИ

- Транспортирайте батериите в съответствие с местните и национални постановления и разпоредби.
- Спазвайте всички специални изисквания за пакетирание и етикетирание, когато транспортирате батерии чрез трето лице. Уверете се, че батериите не влизат в контакт с други батерии или проводими материали по време на транспортиране, като предпазите откритите конектори с изолация, непроводими капачета или лента. Не транспортирайте батерии, които са спукани или текат. Свържете се със следната компания за допълнителен съвет.

ПОДДРЪЖКА

- Използвайте само оригинални резервни части, аксесоари и приставки от производителя. В противен случай може да се влоши работата на инструмента или да получите тежки контузии, а гаранцията ви ще стане невалидна.
- Сервизното обслужване изисква изключително внимание и специфични познания и следва да бъде извършвано само от квалифициран техник. Продуктът трябва да бъде ремонтиран само в упълномощен сервиз.
- Изключете продукта и свалете акумулаторната батерия, преди да извършвате каквато и да е профилактика или почистващи дейности.
- Можете да правите само такива настройки и поправки, които са описани в настоящото ръководство. За други поправки или съвети потърсете съдействие от оторизиран сервизен център.
- Когато трябва да смените кордата, използвайте само корда с найлонови влакна със съответния диаметър, посочен в таблицата със спецификации в настоящото ръководство.
- Всеки път след употреба почиствайте продукта с мека и суха кърпа. Всяка повредена част трябва да бъде поправена или заменена от упълномощен сервизен център.
- Проверявайте всички гайки, болтове и винтове преди всяко използване и на чести интервали за правилно затягане, за да се уверите, че изделието е в безопасно работно състояние. Всяка повредена част трябва да бъде поправена или заменена от упълномощен сервизен център.
- Занесете продукта в оторизиран сервизен център, ако е необходима замяна на повредени или нечетливи етикети.

ОПОЗНАЙТЕ ВАШИЯ ПРОДУКТ

Вж. страница 118.

1. Задна ръкохватка
2. Фиксатор на батерията
3. Спусък за включване/изключване
4. Спусък за фиксиране
5. Горен задвижващ вал
6. Предна ръкохватка
7. Долен задвижващ вал
8. Острие за подрязване
9. Направляващо колело



10. Предпазител
11. Режещо влакно
12. Педал за оформяне на ръбовете
13. Ръководство за оператора
14. Капак на макарата
15. Макара
16. Отвор
17. Плъзгач
18. Батерия
19. Зарядно устройство

СИМВОЛИ НА ПРОДУКТА



Предупреждение относно безопасността



Прочетете и разберете всички инструкции, преди да използвате продукта. Следвайте всички предупреждения и инструкции за безопасност.



Носете средства за защита на зрението и слуха.



Внимавайте за изхвърлени или летящи обекти. Близкостоящите, особено деца и домашни любимци, трябва да стоят поне на 15 m от зоната на работа.



Не използвайте метални остриета върху продукта.



Не излагайте на дъжд и на влажни условия.



Извадете батерията, преди да започнете каквато и да е работа по уреда.



Дръжте ръцете си далече от остриетата.



Гарантирано ниво на шум



Знак за съответствие с европейските изисквания



Знак за съответствие с изискванията на Обединеното кралство



EurAsian знак за съответствие



001

Знак за съответствие с изискванията на Украйна

Не изхвърляйте отпадъците от батерии, електрическо и електронно оборудване като несортирани битови отпадъци. Отпадъците от батерии и електрически и електронно оборудване трябва да се събират отделно.

Отпадъците от батерии, акумулатори и светлинни източници трябва да бъдат премахнати от оборудването. Обърнете се към местните власти или към продавача за съвет относно рециклирането и местата за събиране. Съгласно местните разпоредби търговците на дребно трябва да бъдат задължени да приемат обратно отпадъци от батерии и електрическо и електронно оборудване. Вашият принос за повторната употреба и рециклирането на отпадъци от батерии и електрическо и електронно оборудване помага за намаляване на търсенето на суровини. Отпадъците от батерии, особено съдържащите литий, и електрическо и електронно оборудване съдържат ценни, подходящи за рециклиране материали, които може да имат неблагоприятно въздействие върху околната среда и човешкото здраве, ако не бъдат изхвърлени по екологичен начин. Ако на отпадъчното оборудване има лични данни, изтрийте ги.



СИМВОЛИ В НАСТОЯЩОТО РЪКОВОДСТВО



Забележка



Предупреждение



Частите или принадлежностите се продават отделно

Головними міркуваннями при розробці цього бездротового тримера були безпека, ефективність та надійність.

ПЕРЕДБАЧУВАНОМУ ВИКОРИСТАННІ

Бездротовий тример призначений для різання довгої трави, м'ясистого бур'яну та подібної рослинності на рівні ґрунту або близько до нього.

Площина косіння повинна бути приблизно паралельною поверхні землі під час косіння трави і приблизно вертикальною при боковому обрізанні.

Виріб призначений для використання тільки дорослими, які уважно прочитали та зрозуміли інструкції та попередження у цьому керівництві, та можуть вважатися відповідальними за власні дії.

Продукт призначений тільки для використання на відкритому повітрі у добре провітрюваній області. З міркувань безпеки продукт повинен належним чином контролюватися за допомогою двох рук.

Не використовуйте для будь-яких інших цілей.

ЗАГАЛЬНІ ПОПЕРЕДЖЕННЯ З БЕЗПЕКИ ВИКОРИСТАННЯ

⚠ Попередження! Вивчіть всі правила безпеки, інструкції, ілюстрації і специфікації, що поставляються з пристроєм. Aşağıda belirtilen talimatlara uyulmaması, yangın, elektrik çarpması ve/veya ciddi bedensel yaralanmalar gibi kazalar sebep olabilir.

Збережіть всі інструкції і вказівки для майбутнього використання.

Термін "електроінструмент" у попередженнях стосується вашого (дротового) електричного інструменту, що живиться від електромережі, або (бездротового) електричного інструменту, що працює на акумуляторної батареї.

БЕЗПЕКА РОБОЧОГО МІСЦЯ

- Утримуйте робоче місце в чистоті і добре освітленим. Безлад на робочому місці або темні місця спричиняють аварії.
- Не використовуйте продукт у вибухонебезпечних атмосферах, наприклад, у присутності легко займистих рідин, газів або пилу. Під час роботи косарки виникають іскри, що можуть призвести до займання пилу або парів.
- Тримайте дітей та сторонніх осіб подалі під час роботи електроінструментом. Відволікання уваги може призвести до втрати контролю.

ЕЛЕКТРОБЕЗПЕКА

- Вилка живлення електроінструменту повинна відповідати розетці. Ніколи не змінюйте вилку. Не використовуйте ніякі вилки-перехідники з заземленими (замкнутими на землю) електроінструментами. Не змінені вилки та відповідні розетки зменшують ризик ураження електричним струмом.
- Уникайте контакту тіла з заземленими поверхнями, такими як труби, радіатори, плити та холодильники. Існує підвищений ризик ураження електричним струмом, якщо ваше тіло заземлене.

- Не піддавайте електроінструменти впливу дощу або вологих умов. Попадання води на пристрій збільшує ризик ураження електричним струмом.
- Не зловжуйте шнур. Ніколи не використовуйте шнур живлення для перенесення, переміщення або вилучення вилки з розетки. Тримайте шнур подалі від тепла, масла, гострих кромок або рухомих частин. Пошкоджені або заплутані шнури збільшують ризик ураження електричним струмом.

ОСОБИСТА БЕЗПЕКА

- Будьте уважні, дивіться, що ви робите, і використовуйте здоровий глузд при експлуатації виробу. Не працюйте з виробом, коли ви втомлені або знаходитеся під дією наркотиків, алкоголю або медикаментів. Найменша необережність при роботі з електроінструментом може призвести до серйозних травм.
- Використовуйте персональне захисне обладнання. Завжди одягайте захисні окуляри. Засоби захисту, такі як респіратор, нековзне взуття, каска або засоби захисту органів слуху, що використовуються в належних умовах знизять ризик отримання травми.
- Вимкніть можливість випадкового ввімкнення. Переконайтеся, що вимикач знаходиться у вимкненому положенні перед підключенням до джерела живлення та / або акумуляторної батареї, підніманням або переміщенням інструменту. Не переносьте електроінструмент з пальцем на вимикачі або подачею живлення на інструмент, який має перемикач, щоб запобігти нещасного випадку.
- Перед включенням електроінструменту знімайте регулювальний або гайковий ключ. Гайковий ключ або регулювальний ключ, залишений на обертаємій частині електроінструменту, може призвести до травми.
- Не тягніться. Зберігайте правильну стійку і баланс весь час. Це дозволяє краще контролювати інструмент в несподіваних ситуаціях.
- Одягайтеся правильно. Не носіть вільний одяг або прикраси. Saçlarınızı ve kıyafetlerinizi hareketli parçalardan uzak tutun. Вільний одяг, прикраси або довге волосся можуть потрапити в рухомі частини.
- Якщо є пристрої для підключення для збору пилу, переконайтеся, що вони під'єднані і використовуються правильно. Використання пилозбірника знижує небезпеку, пов'язану з запиленістю.
- Не дозволяйте звичці від частого використання пристрою стати причиною втрати пильності та ігнорувати принципи безпеки роботи з пристроєм. Пам'ятайте, що достатньо частки секунди, щоб отримати серйозні травми.

ВИКОРИСТАННЯ ТА ДОГЛЯД ЗА ЕЛЕКТРОІНСТРУМЕНТОМ

- Не перевантажуйте електроінструмент. Використовуйте відповідний для вашої потреби електроінструмент. Електроінструмент виконає роботу краще і безпечніше при швидкості, для якої він був розроблений.

- Не використовуйте електроінструмент, якщо перемикач не включає та вимикає його. Будь-який електроінструмент, який не може управлятися за допомогою перемикача, є небезпечним і має бути відремонтований.
- Перед здійсненням будь-яких налаштувань, заміною аксесуарів або зберіганням пристрою від'єднайте штекер від електричної мережі та/або вийміть акумулятор з електричного пристрою, якщо він знімний. Такі запобіжні заходи знижують ризик випадкового запуску приладу.
- Зберігайте непрацюючі електроприлади у недоступному для дітей місці і не дозволяйте особам, які не знайомі з інструкціями електричного прилада або з даними інструкціями, працювати з електроприладами. Електроінструменти небезпечні в руках недосвідчених користувачів.
- Обслуговування електричного пристрою та аксесуарів. Перевіряйте рухомі частини на наявність зміщення елементів або некоректного з'єднання, а також поломки та будь-яких інших чинників, які можуть вплинути на роботу електроінструменту. Якщо пошкоджений, відремонтуйте електроінструмент перед використанням. Багато нещасних випадків є наслідком поганого догляду за електроінструментом.
- Тримайте ріжучий інструмент гострим і чистим. Добре доглянутий ріжучий інструмент з гострими ріжучими крайками рідше зв'язується і легше контролюється.
- Використовуйте електроприлади, приладдя та насадки відповідно до цих інструкцій, урахувуючи умови та характер роботи. Використання електричного інструменту для операцій, які відрізняються від призначених, може призвести до небезпечної ситуації.
- Тримайте ручки та поверхні захвату сухими, чистими та без слідів мастила та змазки. Слизькі ручки та поверхні захвату не забезпечують безпечне маніпулювання та керування інструментом у неочікуваних ситуаціях.

ВИКОРИСТАННЯ І ДОГЛЯД ІНСТРУМЕНТУ НА БАТАРЕЙКАХ

- Перезаряджати тільки за допомогою зарядного пристрою, зазначеного виробником. Зарядний пристрій, що підходить для одного типу акумуляторів, може створити ризик загоряння при використанні з іншим акумуляторним блоком.
- Використовуйте електроінструменти тільки з призначеними для них акумуляторами. Використання будь-яких інших акумуляторів, може створити ризик отримання травми і пожежі.
- Коли акумуляторна батарея не використовується, тримайте її подалі від металевих предметів, таких як кліпси, монети, ключі, цвяхи, гвинти або інші невеликі металеві предмети, які можуть замкнути клеми. Коротке замикання контактів акумулятора може призвести до опіків або пожежі.
- У важких умовах експлуатації, рідина може бути випущена з батареї; уникайте контакту. При випадковому контакті змийте водою. Якщо

рідина потрапила в очі, зверніться за медичною допомогою. Рідина з акумулятора може викликати роздратування або опіки.

- Заборонено використовувати акумулятор або пристрій, що були пошкоджені або модифіковані. Використання пошкоджених або модифікованих акумуляторів може мати непередбачувані наслідки, серед яких: виникнення пожежі, вибуху та ризик травмування.
- Уникайте загоряння та високої температури акумулятору або пристрою. Загоряння або висока температура понад 130°C можуть стати причиною вибуху.
- Дотримуйтесь усіх інструкцій щодо заряджання пристрою та уникайте заряджання поза діапазоном температур, що позначені у інструкції. Неправильне заряджання або заряджання при температурі, поза межами позначеними в інструкції, може пошкодити акумулятор та підвищити ризик виникнення пожежі.

ОБСЛУГОВУВАННЯ

- Дозволяйте обслуговувати ваш електроінструмент тільки кваліфікованому персоналу, використовуючи тільки ідентичні запасні частини. Це гарантуватиме безпечну експлуатацію електроінструменту.
- Заборонено використання пошкоджених акумуляторів. Обслуговування акумуляторів має бути здійснене тільки виробником або у авторизованому сервісному центрі.

ЗАХОДИ БЕЗПЕКИ ПРИ ЕКСПЛУАТАЦІЇ ЛІНІЙНОГО ТРИМЕРА

- Не використовуйте виріб при поганій погоді, особливо коли існує ризик блискавки. Це зменшує ризик ураження блискавкою.
- Переконайтеся у відсутності тварин та птахів на ділянці, на якій планується використовувати виріб. При роботі виріб може завдати шкоди птахам і тваринам.
- Уважно огляньте ділянку, на якій планується використовувати виріб, та приберіть з неї всі камені, цеглу, гілки, дрот, кістки й інші предмети. При розльоті такі предмети можуть травмувати.
- Перед використанням інструменту завжди перевіряйте ножі та блок скошування в цілому на наявність пошкоджень. Ушкодження деталей підвищує ризик травмування.
- Не знімайте щитки. Щитки мають бути в робочому стані та правильно встановлені. Погане закріплення, ушкодження або неправильна робота захисних щитків може призвести до травмування.
- Тримайте всі повітряозабірники охолодження вільними від сміття. Через блокування вентиляційних отворів та накопичення решток підвищується вірогідність перегріву та загоряння.
- Надягайте засоби захисту очей та вух. Адекватні засоби захисту допомагають зменшити травмування.
- Для роботи з інструментом надягайте захисне взуття з нековзною підшовою. Не експлуатуйте



машину босоніж або у відкритих сандалях. Робоче взуття зменшує шанс травмування ніг від контакту з ножем, що рухається.

- Для роботи з інструментом завжди надягайте відповідний одяг, як-от штани, що повністю закривають ноги. Контакт із ножем або волосінню, що обертаються, може призвести до травмування.
- Сторонні особи повинні знаходитися на віддаленні від виробу, коли він працює. Уламки при розльоті можуть завдати серйозної травми.
- Не використовуйте інструмент на рівні пояса або вище. Це допомагає запобігти випадкових контактів ножа та дозволяє краще контролювати інструмент у несподіваних ситуаціях.
- Будьте уважні при використанні інструменту на вологій траві. Ходіть, ніколи не бігайте. На мокрій траві можна послизнутися та впасти, що може призвести до травмування.
- Не використовуйте інструмент на занадто крутих схилах. На крутих схилах можна послизнутися та впасти, що може призвести до травмування.
- При роботі на схилах слідкуйте за надійністю опори, завжди рухайтесь поперек схилу, а не вниз чи вгору, і будьте обережні при зміні напрямку руху. На крутих схилах можна послизнутися та впасти, що може призвести до травмування.
- Слідкуйте за тим, аби дроти живлення не потрапили у зону зрізання. Кабелі живлення можуть бути непомітними у живоплоті або кущах, тому існує ризик їхнього випадкового перерізання ножем або волосінню.
- Коли тример працює, тримайте кінцівки та інші частини тіла на відстані від ножа або волосіні. Перш ніж вичищати матеріал, що застряг в інструменті, від'єднайте його від джерела живлення. Ніж або волосінь тримера, коли вони рухаються, можуть завдати серйозної травми.
- Для перенесення вимикайте інструмент і тримайте його на відстані від тіла. Правильне поводження з тримером знижує ймовірність випадкового контакту з ножем або волосінню, що рухаються.
- Використовуйте тільки головки, ножі або волосінь, визначені виробником. Не замінійте ножі або волосінь тримера на металевий дріт. При використанні неправильних запасних частин підвищується ризик втрати контролю, поломки та травмування.

ДОДАТКОВІ ЗАГАЛЬНІ ПОПЕРЕДЖЕННЯ ЩОДО БЕЗПЕКИ

- Перед використанням, а також у разі механічного впливу перевіряйте цілісність виробу та його частин. Несправний вимикач або будь-яка пошкоджена частина, повинні бути відремонтовані чи замінені в авторизованому сервісному центрі.
- Маленьке лезо на захисному кожусі призначене для обрізки нової волосіні до потрібної для безпечної та оптимальної роботи довжини. Лезо дуже гостре. Не торкайтесь леза, особливо під час чищення.

- Використовуйте тільки заміну ріжучу лінію від виробника. Не використовуйте будь-який інше ріжуче приладдя.
- Переконайтеся, що ріжуча насадка правильно встановлена та надійно закріплена.
- В жодному разі не користуйтеся приладом, поки всі захисні частини, дефлектори та ручки не будуть належним чином та надійно закріплені.
- Перед кожним використанням перевіряйте ніж на щитку і слідкуйте за тим, щоби він був правильно встановлений і надійно закріплений.
- Тримайте прилаштування голівки нижче рівня пояса.
- У разі нещасного випадку або пошкодження, негайно вимкніть пристрій та від'єднайте акумуляторну батарею. Не використовуйте прилад знову до проведення його повної перевірки в авторизованому сервісному центрі.
- Щоб знизити ризик травмування рухомими частинами пристрою, завжди вимикайте пристрій, виймайте акумулятор та дайте їм охолонуть. Переконайтеся, що всі рухомі частини зупинилися:
 - перед обслуговуванням
 - перед очищенням закупорення
 - перед перевіркою, чищенням, або роботі на продукт
 - перед зміною приладдя
 - Після удару об сторонній предмет
 - коли залишаєте продукт без нагляду
 - перед кожним технічним обслуговуванням
 - якщо продукт починає ненормально вібрувати
- Переконайтеся, що всі захисні щитки та ручки приладдані належним чином і знаходяться у робочому стані.
- Тримайте прилад за спеціально призначені ручки та лімітуйте час роботи із ним.
- Остерігайтесь об'єктів, кинутих у ріжучі засоби. Вичистіть сміття таке, як дрібні камені, гравій та інші сторонні предмети з робочої зони перед початком операції. Дроти або волосінь можуть заплутатися у ріжучому засобі.
- Завжди переконайтеся, що вентиляційні отвори знаходяться чистими від сміття.
- Тривале використання інструменту може призвести до травмування або загострення існуючої травми. При використанні приладу протягом тривалого періоду часу, часті перерви.
- Експлуатувати виріб дозволяється при температурі від 0°C до 40°C.
- Зберігайте виріб у місці, де навколишня температура тримається в межах 0–40°C.

ДОДАТКОВІ ПОПЕРЕДЖЕННЯ З ТЕХНІКИ БЕЗПЕКИ ЩОДО ВИКОРИСТАННЯ АКУМУЛЯТОРІВ

Для зменшення ризику загорання, травмування та пошкодження пристрою у разі короткого замикання ніколи не занурюйте виріб, акумуляторну батарею або зарядний пристрій у рідину та не допускайте потраплення



рідини всередину. Корозійні і струмопровідні рідини, такі як солоний розчин, певні хімікати, вибілювальні засоби або продукти, що їх містять, можуть призвести до короткого замикання.

- Заряджайте акумулятор у місці з температурою від 10°C до 38°C.
- Зберігайте акумулятор у місці, де навколишня температура тримається в межах 0-20°C.
- Використовуйте акумулятор у місці, де навколишня температура тримається в межах 0-40°C.

ТРАНСПОРТУВАННЯ ТА ЗБЕРІГАННЯ

- Перед зберіганням або чищенням вимкніть пристрій, вийміть акумулятор та дайте пристрою охолонути.
- Почистіть всі сторонні матеріали з продукту.
- Заборонено зберігання або транспортування пристрою зі встановленим акумулятором. Вийміть акумуляторну батарею та зберігайте її окремо. Зберігайте продукт в прохолодному, сухому і добре провітрюваному місці, недоступному для дітей. Зберігати подалі від агресивних агентів, таких як садові хімікати і солей проти обледеніння. Не зберігайте пристрій на відкритому повітрі.
- Для транспортування, забезпечіть машину від руху або падіння, щоб запобігти травми людей або пошкодження машини.

ПЕРЕВЕЗЕННЯ ЛІТЄВИХ БАТАРЕЙ

- Здійсніть транспортування акумуляторної батареї відповідно до місцевих та загальнодержавних норм і правил.
- Дотримуйтесь всі спеціальні вимоги до упаковки і маркування при транспортуванні батареї третьою стороною. Переконайтеся, що під час транспортування акумулятор не вступає в контакт з іншими акумуляторними батареями або струмопровідними матеріалами та захистіть відкриті роз'єми ізоляційними непровідними кришками або стрічкою. Чи не переносьте акумулятори, тріснути або бігу. Зв'язатися з нами для отримання подальших рекомендацій.

ТЕХНІЧНЕ ОБСЛУГОВУВАННЯ

- Використовуйте тільки оригінальні запасні частини, аксесуари та обладнання від виробника. Невиконання цієї вимоги може привести до можливої травми, поганої продуктивності та може призвести до втрати гарантії.
- Обслуговування вимагає крайньої обережності і знання і повинно бути виконане тільки кваліфікованим фахівцем. Звертайтеся тільки до авторизованого сервісного центру.
- Вимкніть пристрій та вийміть акумуляторну батарею перед виконанням будь-яких робіт з технічного обслуговування чи очищення.
- Ви можете зробити регулювання та ремонт, описані в цьому посібнику користувача. Для інших ремонтних робіт, зверніться до авторизованого сервісного агента.

- Під час заміни волосіні використовуйте тільки нейлонову волосінь з діаметром, вказаним у таблиці технічних характеристик цього керівництва.
- Після кожного використання, очистіть виріб м'якою сухою тканиною. Будь-яка пошкоджена деталь, має бути правильно відремонтована або замінена в авторизованому сервісному центрі.
- Перевірте всі гайки, болти і гвинти після короткого проміжка часу і перед кожним використанням на правильну герметичність, щоб забезпечити продукт у безпечному робочому стані. Будь-яка пошкоджена деталь, має бути правильно відремонтована або замінена в авторизованому сервісному центрі.
- Принесіть продукт в авторизований сервісний центр для заміни пошкоджених або нечитаемих етикеток.

ЗНАЙ СВІЙ ПРОДУКТ

Дивіться сторінку 118.

1. Задня ручка
2. Фіксатор акумуляторної батареї
3. Вимикач
4. Затисна клямка
5. Важіль підвищеної передачі
6. Передня ручка
7. Важіль зниженої передачі
8. Обрізаюче лезо
9. Напряме колесо
10. Захисне запобіжне пристосування
11. Ріжуча лінія
12. Педаль
13. Інструкція з експлуатації
14. Кришка котушки
15. Котушка
16. Вушко
17. Бігунок
18. Акумуляторна батарея
19. Зарядний пристрій

СИМВОЛИ НА ПРОДУКТІ



Попередження



Перед використанням пристрою прочитайте та зрозумійте всі інструкції. Дотримуйтесь всіх попереджень та інструкцій з безпеки використання.



Носіть захист очей і вух.



Остерігайтесь кинутих або літаючих об'єктів. Сторонні особи, діти та хатні тварини повинні знаходитися не ближче 15 м від робочої зони.



Не використовуйте металеве лезо(а) на продукті.



Не піддавайте впливу дощу або вологих умов.



Вийміть батарею перед початком ремонту або технічного обслуговування приладу.



Тримайте руки на відстані від ножів.



Гарантований рівень звукової потужності.



Європейський знак відповідності



Британський знак відповідності



Євразійська знак відповідності.



Український знак відповідності



Не викидайте старі акумулятори, старе електричне та електронне устаткування разом із несортованим побутовим сміттям. Старі акумулятори, старе електричне та електронне устаткування збираються окремо. З устаткування необхідно зняти старі батареї, акумулятори та джерела світла. За консультацією по утилізації пристрою слід звернутися до органу місцевої влади або до дилера. Місцеве законодавство може зобов'язувати продавців безкоштовно приймати старі акумулятори та електричне й електронне устаткування. Ваш внесок до справи повторного використання та переробки старих акумуляторів, електричного та електронного устаткування зменшує потребу у сировині. В акумуляторах, особливо літєвих, і старому електричному та електронному устаткуванні містяться цінні, придатні для переробки матеріали, і якщо утилізація такого устаткування проводиться у неекологічний спосіб, це негативно впливає на навколишнє середовище та людське здоров'я. Видаліть персональні дані з устаткування, яке передається на переробку.

СИМВОЛИ В ЦЬОМУ ПОСІБНИКУ



ПРИМІТКА



Попередження



Запчастини та аксесуари, що продаються окремо

Kablosuz ot biçme makinenizin tasarımında güvenlik, performans ve güvenilirliğe en yüksek öncelik verilmiştir.

KULLANIM AMACI

Kablosuz ot biçme makinesi; uzun çim, kalın ot ve yer seviyesindeki benzer otları kesmek için tasarlanmıştır.

Kesme düzlemi kesme esnasında yüzeye yaklaşık olarak paralel, kenar kesme esnasında ise yaklaşık olarak dik konumda olmalıdır.

Ürün, sadece bu el kitabındaki talimat ve uyarıları okuyup anlamış ve hareketlerinden sorumlu tutulabilecek olan yetişkinler tarafından kullanılabilir.

Ürün sadece dış mekanlarda, iyi havalandırılan bir alanda kullanılmak üzere tasarlanmıştır. Güvenlik nedenleriyle ürün iki elle kullanılarak uygun şekilde kontrol edilmelidir.

Başka herhangi bir amaçla kullanmayın.

GENEL ÜRÜN GÜVENLİĞİ UYARILARI

⚠ UYARI! Bu ürünle birlikte sağlanan bütün güvenlik uyarı ve talimatlarını, çizim ve teknik özellikleri okuyun. Aşağıda belirtilen talimatlara uyulmaması, yangın, elektrik çarpması ve/veya ciddi bedensel yaralanmalar gibi kazalar sebep olabilir.

İleride başvurmak üzere tüm uyarıları ve talimatları saklayın.

Yarılarıdaki "elektrikli alet" terimi şebeke elektrliğiyle çalışan (kablolu) ya da pille çalışan (kablosuz) ürünü ifade eder.

ÇALIŞMA ALANI GÜVENLİĞİ

- Çalışma alanını temiz tutun ve iyi şekilde aydınlatın. Dağınık veya karanlık alanlar kazaya davetiye çıkarır.
- Elektrikli aletleri yanıcı sıvıların, gazların veya tozun mevcut olduğu patlayıcı atmosferlerde kullanmayın. Elektrikli aletler tozu veya buharları ateşleyebilecek kıvılcımlar oluşturur.
- Bir elektrikli alet kullanırken çocukları ve çevredeki insanları uzaklaştırın. Dikkat dağınıklığı kontrolü kaybetmenize neden olabilir.

ELEKTRİKSEL GÜVENLİK

- Elektrik fişleri prize uygun olmalıdır. Fişi hiçbir zaman hiçbir şekilde değiştirmeyin. Topraklı elektrikli aletlerle birlikte herhangi bir adaptörlü fiş kullanmayın. Üzerinde değişiklik yapılmayan fişler ve uygun prizler elektrik çarpması riskini azaltır.
- Vücudunuzla borular, radyatörler, kuzine ve buzdolabı gibi topraklı ürünlere temas etmekten kaçının. Vücudunuz topraklanırsa yüksek elektrik çarpması riski mevcuttur.
- Ürünü yağmura veya ıslak koşullara maruz bırakmayın. Elektrikli alete su girmesi elektrik çarpması riskini artırır.
- Kabloyu amacı dışında kullanmayın. Kabloyu hiçbir zaman elektrikli aleti taşımak, çekmek veya fişten çıkarmak için kullanmayın. Kabloyu ısıdan, yağdan, keskin kenarlardan veya hareketli parçalardan uzak tutun. Hasarlı veya dolanmış kablolar elektrik çarpması riskini artırabilir.

KİŞİSEL GÜVENLİK

- Bir elektrikli alet kullanırken dikkatli olun, yaptığınız işe dikkat edin ve sağduyulu olun. Yorgunken veya uyuşturucu, alkol veya ilaç etkisi altındayken bir elektrikli alet kullanmayın. Elektrikli aletleri

kullanırken bir anlık dikkatsizlik ciddi fiziksel yaralanma ile sonuçlanabilir.

- **Kişisel koruyucu ekipman kullanın. Koruyucu gözlük takın.** Uygun koşullarda kullanılan toz maskesi, kaymaz güvenlik ayakkabıları, kask veya kulak tıkaçı fiziksel yaralanma riskini azaltacaktır.
- **Kasıtsız başlamayı önleyin. Aleti yerinden alırken veya taşırken güç kaynağına ve/veya pil takımına bağlamadan önce anahtarın kapalı konumda olduğundan emin olun.** Elektrikli aletleri parmağınızı anahtarın üzerinden veya anahtarlı elektrikli aletlerin gücü açıkken taşımak tehlikeye davetiye çıkarır.
- **Elektrikli aleti açmadan önce ayar kamasını veya anahtarını çıkartın.** Bir ayar anahtarının veya kamanın elektrikli aletin döner parçasına takılı hâle bırakılması fiziksel yaralanma ile sonuçlanabilir.
- **Yukarıya doğru erismeye çalışmayın. Yere sağlam basın ve dengeyi her zaman koruyun.** Bu, beklenmedik durumlarda gücün daha iyi kontrol edilmesini sağlar.
- **Uygun şekilde giyinin. Bol kıyafet giymeyin veya takı takmayın. Saçlarınızı ve kıyafetlerinizi hareketli parçalardan uzak tutun.** Bol kıyafetler, takı veya uzun saç hareketli parçalara yakalanabilir.
- **Eğer toz tahliye ve toplama aparatları için bağlantı cihazları sağlanmışsa bunların doğru şekilde bağlandığından ve kullanıldığından emin olun.** Toz toplama aparatı kullanmak tozdan kaynaklanan tehlikeleri azaltabilir.
- **Makinelerin sık kullanılması ile elde edilen aşınalığın konsantrasyonunuzu kaybettirmesine ve alet güvenliğini etkilerken göz ardı etmenizi sağlamasına izin vermeyin.** Dikkatsizce yapılan bir davranış birkaç saniye içinde ciddi yaralanmaya neden olabilir.

ELEKTRİKLİ ALET KULLANIMI VE BAKIMI

- Elektrikli aletin kapasitesini zorlamayın. Uygulanması için doğru elektrikli aleti kullanın. Doğru elektrikli alet tasarlandığı işi daha iyi ve daha güvenli bir şekilde yapacaktır.
- Eğer anahtar açılıp kapanmıyorsa makineyi kullanmayın. Anahtarla kontrol edilemeyen her elektrikli alet tehlikelidir ve onarılmalıdır.
- Herhangi bir ayar yapmadan ya da aksesuar değiştirmeden önce fişi güç kaynağından ve/veya pil takımını çıkartılabiliyorsa aletten çıkarın. Bu gibi önleyici güvenlik tedbirleri elektrikli aletin kazara çalışma riskini azaltır.
- Boş konumda olan elektrikli aletleri çocukların ulaşamayacağı yerde depolayın ve elektrikli aleti tanımayan veya bu talimatları bilmeyen kişilerin elektrikli aleti kullanımına izin vermeyin. Elektrikli aletler eğitimsiz kullanıcıların elinde tehlikelidir.
- Elektrikli aletlerin ve aksesuarların bakımını yapın. Hareketli parçalardan hıza kaymasını ve bağlantısını, parçaların kırık olup olmadığını ve elektrikli aletin çalışmasını etkileyebilecek diğer durumları kontrol edin. Eğer hasarlıysa elektrikli aleti kullanmadan önce onartın. Pek çok kaza bakımı kötü yapılmış elektrikli aletlerden kaynaklanır.
- Kesici aletleri keskin ve temiz tutun. Uygun şekilde bakımı yapılan keskin kesme kenarlarına sahip kesme aletlerinin sıkışma olasılığı daha azdır ve kontrol edilmesi daha kolaydır.



- Elektrik aleti, aksesuarları ve alet uçlarını vb. çalışma koşullarını ve yapılacak çalışmayı dikkate alarak bu talimatlara uygun şekilde kullanın. Elektrikli aleti amaçlananlar dışındaki çalışmalar için kullanmak tehlikeli bir durumun oluşmasına yol açabilir.
- Kulpları ve kavrama yüzeylerini kuru, temiz ve yağdan ve gresten arındırılmış hâlde tutun. Kaygan kulplar ve kavrama yüzeyleri beklenmedik durumlarda aletin güvenli şekilde taşınmasına ve kontrol edilmesine izin vermez.

PİLLİ ALET KULLANIMI VE BAKIMI

- Sadece üretici tarafından belirtilen şarj cihazı ile şarj edin. Tek bir pil takımı tipine uygun bir şarj cihazı başka bir pil takımı ile birlikte kullanıldığında yangın riski oluşturabilir.
- Elektrikli aletleri sadece özel olarak belirtilmiş pil takımları ile birlikte kullanın. Başka bir pil takımı kullanmak yaralanma ve yangın riski oluşturabilir.
- Pil takımı kullanılmadığı zaman atış, bozuk para, anahtar, çivi, vida ve diğer metal nesnelere gibi bir terminalden diğerine bağlantı oluşturabilecek diğer metal nesnelere uzak tutun. Pil terminallerinin birlikte kısa devre yapması yangına veya yangına neden olabilir.
- Kötü koşullarda pilden sıvı boşalabilir; temas etmekten kaçın. Eğer kazara temas ederseniz temas eden yeri suyla yıkayın. Eğer sıvı gözlerinize temas ederse ek olarak tıbbi yardım alın. Pilden boşalan sıvı tahrişe veya yanıklara neden olabilir.
- Hasar görmüş ya da değiştirilmiş pil paketi ya da aleti kullanmayın. Hasar görmüş ya da değiştirilmiş piller yangın, patlama ya da yaralanma riskine yol açabilecek beklenmeyen davranış sergileyebilir.
- Pil paketi ya da aleti ateş ya da aşırı ısıya maruz bırakmayın. Ateş ya da 130°C üzerinde ısıya maruz kalmak patlamaya neden olabilir.
- Şarj işlemine ilişkin tüm talimatlara uyun ve pil paketi ya da aleti talimatlarda belirtilen sıcaklık aralığı dışında şarj etmeyin. Belirtilen sıcaklık aralığı dışında şarj edildiğinde pil zarar görebilir ve yangın riski artar.

SERVİS

- Elektrikli aletinizi sadece aynı yedek parçaları kullanarak nitelikli bir tamirciye onartın. Bu, elektrikli aletin güvenliğini muhafaza edilmesini sağlar.
- Hasarlı pil takımlarına asla bakım uygulamayın. Pil takımlarının bakımı üretici ya da yetkili hizmet sağlayıcılar tarafından yapılmalıdır.

OT BIÇME MAKİNESİ GÜVENLİK UYARILARI

- Makineyi kötü hava koşullarında, özellikle de yıldırım riskinin olduğu durumlarda kullanmayın. Bu yıldırım çarpması riskini azaltır.
- Makinenin kullanılacağı alanda canlılar olup olmadığını iyice kontrol edin. Canlılar çalışma sırasında makine yüzünden yaralanabilir.
- Makinenin kullanılacağı alanı özenle denetleyin ve tüm paspasları, kızakları, kartonları, telleri, kemikleri ve diğer yabancı cisimleri kaldırın. Fırlayan nesnelere kişisel yaralanmaya neden olabilir.
- Kesicinin ve kesici grubunun hasar görmediğinden emin olmak için makineyi kullanmadan önce her zaman görsel olarak inceleyin. Hasarlı parçalar yaralanma riskini artırır.

- Muhafazaları yerinde bulundurun. Muhafazalar çalışır halde olmalı ve doğru monte edilmiştir. Gevşemiş, hasar görmüş veya doğru işleme yapılmayan bir muhafaza kişisel yaralanmaya sonuçlanabilir.
- Tüm soğuk hava girişlerini biriktikten temizleyin. Tıkanmış hava girişleri ve kalıntılar aşırı ısınmaya veya yangın riskine sonuçlanabilir.
- Göz ve kulak koruyucu ekipman kullanın. Yeterli koruyucu ekipman kişisel yaralanmaları azaltacaktır.
- Makineyi çalıştırırken her zaman kaymaz ve koruyucu bir ayakkabı giyin. Ürünü çıplak ayakla veya üstü açık terlik giyerken kullanmayın. Bu hareketli kesiciye temasın kaynaklanan ayak yaralanmaları ihtimalini azaltır.
- Makineyi çalıştırırken daima kullanıcının bacaklarını kapatan pantolon gibi giysiler giyin. Hareketli kesici veya ip ile temas yaralanmaya neden olabilir.
- Makineyi çalıştırırken çevredekileri uzakta tutun. Fırlayan parçalar ciddi bedensel yaralanmalara neden olabilir.
- Makineyi bel yüksekliğinin üzerinde çalıştırmayın. Bu, istenmeyen kesici temasını önlemeye yardımcı olur ve beklenmedik durumlarda makinenin daha iyi kontrol edilmesini sağlar.
- Makineyi ıslak çimde çalıştırırken dikkatli olun. Yürüyün, hiçbir zaman koşmayın. Bu, kişisel yaralanmaya sonuçlanabilecek kayma ve düşme riskini azaltır.
- Makineyi çok dik yokuşlarda çalıştırmayın. Bu, kişisel yaralanmaya sonuçlanabilecek kontrolü kaybetme riskini azaltır.
- Yokuşlarda çalışırken her zaman ayağınızı sağlam bastığınızdan emin olun, her zaman yokuşun yüzüne doğru çalışın, asla yukarıya veya aşağıya doğru çalışmayın ve yön değiştirirken ekstra dikkatli olun. Bu, kişisel yaralanmaya sonuçlanabilecek kontrolü kaybetme riskini azaltır.
- Tüm güç kabloları ile normal kabloları kesim alanından uzak tutun. İp veya kesici, çit ya da çalılıklarda gizli kalmış güç kabloları ile kabloları kazara kesebilir veya bunlara zarar verebilir.
- Vücudunuzun tüm kısımlarını hareketli kesici veya ipten uzak tutun. Güç kaynağıyla bağlantısı kesilene kadar makinedeki malzemeyi temizlemeyin. Hareketli biçme makinesi kesicisi veya ipi ciddi kişisel yaralanmalara neden olabilir.
- Makineyi makine kapalıyken taşıyın ve vücudunuzdan uzakta tutun. Makinenin uygun şekilde kullanılması, hareketli biçme makinesi kesicisi veya ipi ile kazara temas olasılığını azaltır.
- Yalnızca üretici tarafından belirtilen yedek kesme kafalarını ve biçme makinesi kesicileri veya iplerini kullanın. Biçme makinesi kesicileri veya iplerini metal tel veya bıçaklarla değiştirmeyin. Yanlış yedek parçalar kontrol kaybına, kırılmaya ve yaralanmaya neden olabilir.

EK GÜVENLİK UYARILARI

- Kullanımdan önce ve her türlü darbeden sonra üründe hasarlı parça olup olmadığını kontrol edin. Arızalı bir anahtarın ya da hasarlı veya aşınmış herhangi bir parçanın yetkili bir servis tarafından gerektiği gibi onarılması ya da değiştirilmesi gerekir.



- Çim muhafazasına takılı küçük bıçak, güvenli ve optimum performans için yeni uzatılmış teli doğru uzunlukta kesmek üzere tasarlanmıştır. Bıçak çok keskindir. Özellikle de ürünü temizlerken bıçağa dokunmayın.
- Yalnızca üreticinin yedek kesme telini kullanın. Başka bir kesme aparatı kullanmayın.
- Kesme eklentisinin düzgün şekilde takılı olduğundan ve güvenli şekilde sıkıştırıldığından emin olun.
- Tüm korumalar, deflektörler ve tutamaklar düzgün ve güvenli şekilde takılmadan aska ürünü kullanmayın.
- Her kullanımdan önce, korkuluk içindeki kesme bıçağının doğru yerleştirildiğinden ve tespit edildiğinden emin olun.
- Kafa bağlantısını göğüs hizasının altında tutun.
- Bir kaza ya da arıza durumunda ürünü derhal durdurun ve pil takımını çıkarın. Yetkili servis merkezi tarafından kontrol edilene dek ürünü tekrar çalıştırmayın.
- Hareketli parçalara temastan kaynaklanabilecek yaralanma riskini azaltmak için her zaman ürünü kapatın, pil paketini çıkarın ve ikisinin de soğumasını bekleyin. . Tüm hareketli parçaların tamamen durduğundan emin olun:
 - servis yapmadan önce
 - tıkanıklığı temizlemeden önce
 - ürünü kontrol etme, temizleme ve ürün üzerinde çalışmadan önce
 - aksesuarları değiştirmeden önce
 - yabancı bir nesneye çarptıktan sonra
 - ürün gözetimsiz bırakıldığında
 - bakım yapıldığı her zaman
 - eğer ürünler anormal şekilde titremeye başlarsa
- Tüm korumaların, kulpların doğru şekilde takıldığından ve iyi durumda olduğundan emin olun.
- Ürünü belirtilen tutamaklardan tutun ve ürünle çalışma ve ürüne maruz kalma süresini kısa tutun.
- Kesme araçlarının fırlatabileceği objelere karşı dikkatli olun. Çalışma alanındaki küçük taşlar, çakıl ve diğer yabancı nesnelere çalışmadan önce temizleyin. Kablo ya da teller kesme araçlarına dolanabilir.
- Havalandırma girişlerinin her zaman biriktendiren arındırılmış hâlde tutulduğundan emin olun.
- Ürünün uzun süre kullanılması nedeniyle yaralanmalar meydana gelebilir veya kötüleşebilir. Herhangi bir alet uzun süre kullanıldığında düzenli molalar verdiğinizden emin olun.
- Ürünü yalnızca 0°C ve 40°C arası sıcaklıklarda çalıştırın.
- Ürünü ortam sıcaklığının 0°C ve 40°C arasında olduğu bir yerde muhafaza edin.

PİL İÇİN EK GÜVENLİK UYARILARI

- Kısa devreden kaynaklanacak yangın, yaralanma ve maddi hasar risklerini azaltmak için ürünü, pil paketini ya da şarj cihazını asla bir sıvıya batırmayın, ya da içine sıvı girmesine izin vermeyin. Tuzlu su, belirli kimyasallar, ağartıcı madde veya ağartıcı madde içeren ürünler gibi korozyif veya iletken sıvılar kısa devreye neden olabilir.
- Pil paketini 10°C ve 38°C arasındaki ortam sıcaklığında şarj edin.

- Pil paketini ortam sıcaklığının 0°C ve 20°C arasında olduğu bir yerde muhafaza edin.
- Pil paketini ortam sıcaklığının 0°C ve 40°C arasında olduğu bir yerde kullanın..

TAŞIMA VE DEPOLAMA

- Nakletmeden ya da depolamadan önce ürünü kapatın, pil paketini çıkarın ve ürünün soğumasını bekleyin.
- Üründeki tüm yabancı maddeleri temizleyin.
- Ürünü pil paketi takılıken ürünü saklamayın veya taşımayın. Pil takımını çıkartın ve ayrıca sabitleyin. Çocukların erişemeyeceği serin, kuru ve iyi havalandırılan bir yerde depolayın. Bahçe kimyasalları ve buz çözücü tuzlar gibi korozyif maddelerden uzak tutun. Ürünü açık havada depolamayın.
- Taşınacağı zaman insanların yaralanmasını veya ürünün zarar görmesini önlemek amacıyla ürünü hareket etmemesi veya düşmesi için sabitleyin.

LİTYUM BATARYALARIN TAŞINMASI

- Bataryayı yerel ve ulusal hükümlere ve yönetmeliklere uygun şekilde taşıyın.
- Bataryalar üçüncü bir şahıs tarafından taşındığında ambalaj ve etiket üzerindeki tüm özel koşullara uyun. Açıkta ki konnektörleri yalıtın, iletken olmayan başlıklar veya bant ile koruyarak hiçbir bataryanın taşıma sırasında diğer bataryalarla veya iletken malzemelerle temas etmediğinden emin olun. Çatlak veya sızdıran bataryaları taşımayın. Ek tavsiye için nakliye şirketi ile birlikte kontrol edin.

BAKIM

- Sadece orijinal üreticinin yedek parçalarını, aksesuarlarını ve ek parçalarını kullanın. Aksine davranış olası yaralanmaya yol açabilir, yetersiz performans neden olabilir ve garantinizin geçersiz olmasıyla sonuçlanabilir.
- Servis çalışması en yüksek düzeyde dikkat ve bilgi gerektirir ve sadece nitelikli bir servis teknisyeni tarafından yapılmalıdır. Ürünün servis işlemlerini sadece yetkili bir servis merkezinde yaptırın.
- Herhangi bir bakım ya da temizlik işleminden önce ürünü durdurun ve pil takımını çıkarın.
- Sadece bu kılavuzda açıklandığı şekilde ayar veya onarım yapabilirsiniz. Diğer onarımlar için yetkili servis temsilcisini arayın.
- Yedek tel olarak yalnızca bu kılavuzun spesifikasyonlar tablosunda belirtilen çapta naylon tel kullanın.
- Her kullanım sonrası ürünü yumuşak ve kuru bir bezle temizleyin. Hasarlı her tür parça yetkili servis merkezi tarafından uygun şekilde onarılmalı veya değiştirilmelidir.
- Her kullanımdan önce ve sık aralıklarla tüm somun, civata ve vidaların uygun sıkılıkta olduğunu ve bu şekilde ürünü emniyetli kullanım koşullarına sahip olduğunu kontrol edin. Hasarlı her tür parça yetkili servis merkezi tarafından uygun şekilde onarılmalı veya değiştirilmelidir.
- Zarar görmüş veya okunmaz durumdaki etiketleri değiştirmek için yetkili bir servis merkezine gönderin.

ÜRÜNÜZÜ TANIYIN

Bkz. sayfa 118.

1. Arka kulp
2. PİL mandalı
3. Açma/kapama tetiği
4. Kilit tetiği
5. Üst tahrik mili
6. Ön kulp
7. Alt tahrik mili
8. Kesme bıçağı
9. Kılavuz tekerlek
10. Güvenlik koruması
11. Kesme İpi
12. Kenar düzeltme pedali
13. Kullanım kılavuzu
14. Makara kapağı
15. Sargı
16. Delik halka
17. Kaydırıcı
18. PİL
19. Şarj cihazı

ÜRÜN ÜZERİNDEKİ SEMBOLLER



Güvenlik ikazı



Ürünü çalıştırmadan önce bütün talimatları okuyup anlayın. Tüm uyarı ve güvenlik talimatlarına uyun.



Koruyucu gözlük ve kulak tıkacı kullanın.



Fırlayan ve sıçrayan nesnelere dikkat edin. Üçüncü şahısları, özellikle çocukları ve evcil hayvanları çalışma alanından en az 15 m uzakta tutun.



Bu ürüne metal bıçak kullanmayın.



Ürünü yağmura veya nemli koşullara maruz bırakmayın.



Ürün üzerinde herhangi bir çalışma yapmaya başlamadan önce batarya takımını çıkartın.



Ellerinizi bıçaklardan uzak tutun.



Güvenceli ses gücü seviyesi



Avrupa Uyumluluk İşareti



Britanya Uyumluluk İşareti



EurAsian Uygunluk İşareti



Ukrayna Uyumluluk İşareti

Atık pilleri, atık elektrikli ve elektronik ekipmanı, sınıflandırılmamış belediye atığı olarak bertaraf etmeyin. Atık piller ile atık elektrikli ve elektronik ekipmanlar ayrıca toplanmalıdır. Atık pil, akü ve ışık kaynakları ekipmandan çıkarılmalıdır. Geri dönüşüm tavsiyesi ve toplama noktası bilgisi için yerel yetkililer ya da perakendeciniz ile iletişime geçin. Yerel düzenlemelere göre perakendecilerin atık piller ile atık elektrikli ve elektronik ekipmanı ücretsiz olarak geri alma yükümlülüğü olabilir. Atık bataryaların yanı sıra atık elektrikli ve elektronik ekipmanların yeniden kullanımı ve geri dönüşümüne katkınız, hammadde talebini azaltmaya yardımcı olur. Özellikle lityum içeren atık piller ile atık elektrikli ve elektronik ekipmanlar, çevreye uyumlu bir şekilde bertaraf edilmediği takdirde çevre ve insan sağlığını olumsuz yönde etkileyebilecek değerli ve geri dönüştürülebilir malzemeler içerir. Varsa, atık ekipmandaki kişisel verileri silin.



BU KILAVUZDAKİ SEMBOLLER



Not



Uyarı



Ayrı satılan parçalar veya aksesuarlar

Κατά το σχεδιασμό της μεσινέζας μπαταρίας δόθηκε ιδιαίτερη προτεραιότητα στην ασφάλεια, την απόδοση και την αξιοπιστία της.

ΠΡΟΟΡΙΖΟΜΕΝΗ ΧΡΗΣΗ

Η μεσινέζα μπαταρίας προορίζεται για την κοπή ψηλού χόρτου, ζιζανίων και παρόμοιας βλάστησης σε επίπεδο εδάφους ή γύρω από αυτό.

Το επίπεδο κοπής πρέπει να είναι περίπου παράλληλη με την επιφάνεια του εδάφους κατά το κούρεμα και περίπου κατακόρυφο κατά την κοπή άκρων.

Το προϊόν προορίζεται για χρήση μόνο από ενήλικες που έχουν διαβάσει και κατανοήσει τις οδηγίες και προειδοποιήσεις αυτού του εγχειριδίου και μπορούν να θεωρηθούν υπεύθυνοι για τις πράξεις τους.

Το προϊόν προορίζεται μόνο για χρήση σε εξωτερικό χώρο, ο οποίος αερίζεται καλά. Για λόγους ασφαλείας το μηχάνημα πρέπει να ελέγχεται επαρκώς με χειρισμό και με τα δύο χέρια.

Μην χρησιμοποιείτε το εργαλείο για άλλες εργασίες.

ΓΕΝΙΚΕΣ ΠΡΟΕΙΔΟΠΟΙΗΣΕΙΣ ΑΣΦΑΛΕΙΑΣ ΠΡΟΪΟΝΤΟΣ

⚠ ΠΡΟΕΙΔΟΠΟΙΗΣΗ! Διαβάστε προσεκτικά όλες τις προειδοποιήσεις, οδηγίες και προδιαγραφές που παρέχονται με το εργαλείο και ανατρέξτε στις εικόνες. Τυχόν παράβλεψη των παρακάτω οδηγιών μπορεί να επιφέρει ηλεκτροπληξία, πυρκαγιά ή και σοβαρό τραυματισμό.

Φυλάξτε αυτές τις προειδοποιήσεις και οδηγίες για να μπορέσετε να ανατρέξετε μελλοντικά.

Ο όρος «ηλεκτρικό εργαλείο» στις προειδοποιήσεις αναφέρεται στο χειροκίνητο (με καλώδιο) προϊόν ή στο προϊόν που λειτουργεί με μπαταρία (χωρίς καλώδιο).

ΑΣΦΑΛΕΙΑ ΤΟΥ ΧΩΡΟΥ ΕΡΓΑΣΙΑΣ

- Φροντίστε να διατηρείτε το χώρο εργασίας σας καθαρό και καλά φωτισμένο. Χώροι με υπερβολικά αντικείμενα ή μη φωτισμένοι προκαλούν ατυχήματα.
- Μη χρησιμοποιείτε ηλεκτρικά εργαλεία σε εκρηκτικό περιβάλλον, παραδείγματος χάρη κοντά σε εύφλεκτα υγρά, αέρια ή σκόνες. Οι σπινθίρες που προέρχονται από τα ηλεκτρικά εργαλεία μπορούν να τα αναφλέξουν ή να τα κάνουν να εκραγούν.
- Κρατάτε τα παιδιά, τους επισκέπτες και τα κατοικίδια ζώα μακριά όταν χρησιμοποιείτε κάποιο ηλεκτρικό εργαλείο. Θα μπορούσαν να αποσπάσουν την προσοχή σας και να σας κάνουν να χάσετε τον έλεγχο του εργαλείου.

ΗΛΕΚΤΡΙΚΗ ΑΣΦΑΛΕΙΑ

- Το φως του ηλεκτρικού εργαλείου πρέπει να ταιριάζει στην πρίζα. Μην τροποποιήσετε ποτέ το φως. Μην χρησιμοποιείτε ποτέ μετασχηματιστές με ηλεκτρικά εργαλεία που είναι γεωμμένα. Θα αποφύγετε έτσι τον κίνδυνο ηλεκτροπληξίας.
- Αποφεύγετε κάθε επαφή με γειωμένες επιφάνειες (δηλαδή σωληνώσεις, καλοριφέρ, κουζίνες, ψυγεία, κλπ). Ο κίνδυνος ηλεκτροπληξίας αυξάνεται αν κάποιο

τμήμα του σώματός σας βρίσκεται σε επαφή με γειωμένες επιφάνειες.

- Μην εκθέτετε τα ηλεκτρικά εργαλεία στη βροχή ή την υγρασία. Ο κίνδυνος ηλεκτροπληξίας αυξάνεται εάν εισέλθει νερό στο ηλεκτρικό εργαλείο.
- Φροντίστε να διατηρείτε το καλώδιο παροχής ρεύματος σε καλή κατάσταση. Μην κρατάτε ποτέ το εργαλείο σας από το καλώδιο παροχής ρεύματος και μην τραβάτε ποτέ το καλώδιο για να το αποσυνδέσετε. Κρατάτε το καλώδιο παροχής ρεύματος μακριά από οποιαδήποτε πηγή θερμότητας, λάδια, αιχμηρά αντικείμενα και κινούμενα στοιχεία. Ο κίνδυνος ηλεκτροπληξίας αυξάνεται αν το καλώδιο παροχής ρεύματος υποστεί ζημιά ή μπλεχτεί.

ΠΡΟΣΩΠΙΚΗ ΑΣΦΑΛΕΙΑ

- Παραμένετε σε επαγρύπνηση, κοιτάτε καλά τι κάνετε και επικαλεστείτε τη λογική σας όταν χρησιμοποιείτε ηλεκτρικά εργαλεία. Μη χρησιμοποιείτε το ηλεκτρικό εργαλείο σας όταν είστε κουρασμένος/η, υπό την επήρεια οινοπνεύματος ή ναρκωτικών ή αν παίρνετε φάρμακα. Μην ξεχνάτε ποτέ πως ένα δευτερόλεπτο απροσεξίας αρκεί για να τραυματιστείτε σοβαρά.
- Χρησιμοποιείτε προστατευτικές διατάξεις. Προστατεύετε πάντα τα μάτια σας. Ανάλογα με τις συνθήκες, φορέστε επίσης μάσκα κατά της σκόνης, αντιολισθητικά υποδήματα, προστατευτικό κράνος ή ωτασπίδες για να αποφύγετε τον κίνδυνο σοβαρού σωματικού τραυματισμού.
- Αποφύγετε τα τυχαία ξεκινήματα. Βεβαιωθείτε ότι ο διακόπτης βρίσκεται στη θέση «διακοπή» πριν συνδέσετε το εργαλείο σας με πρίζα ή τοποθετήσετε την μπαταρία, καθώς και όταν πιάνετε ή μεταφέρετε το εργαλείο. Για να αποφύγετε κάθε κίνδυνο ατυχημάτων, μην μετακινείτε το εργαλείο σας με το δάκτυλο επάνω στη σκανδάλη και μην το συνδέετε / μην τοποθετείτε την μπαταρία όταν ο διακόπτης βρίσκεται στη θέση «λειτουργία».
- Αφαιρέστε τα κλειδιά σύσφιξης πριν θέσετε το εργαλείο σας σε λειτουργία. Ένα κλειδί σύσφιξης που θα έχει μείνει συνδεδεμένο σε κάποιο κινούμενο στοιχείο του εργαλείου μπορεί να προκαλέσει σοβαρό σωματικό τραυματισμό.
- Φροντίστε να διατηρείτε πάντα την ισορροπία σας. Σταθείτε καλά στα πόδια σας και μην τεντώνετε τα χέρια σας πολύ μακριά. Μια σταθερή θέση εργασίας σας επιτρέπει να ελέγξετε καλύτερα το εργαλείο σας σε περίπτωση απρόβλεπτου συμβάντος.
- Φοράτε κατάλληλα ρούχα. Μη φοράτε φαρδιά ρούχα ή κοσμήματα. Κρατάτε τα μαλλιά και τα ρούχα σας μακριά από τα κινούμενα μέρη του εργαλείου. Τα φαρδιά ρούχα, τα κοσμήματα και τα μακριά μαλλιά μπορούν να πιαστούν στα κινούμενα τμήματα.
- Αν το εργαλείο σας είναι εξοπλισμένο με διάταξη αναρρόφησης της σκόνης, φροντίστε αυτή να τοποθετείται και να χρησιμοποιείται σωστά. Θα αποφύγετε έτσι τον κίνδυνο ατυχημάτων.
- Ακόμη και όταν εξοικειωθείτε με τη χρήση του εργαλείου, ποτέ μην αγνοείτε τους κανόνες



ασφαλούς χρήσης τους. Τυχόν απροσεξία, μπορεί να επιφέρει σοβαρό τραυματισμό μέσα σε δευτερόλεπτα.

ΧΡΗΣΗ ΚΑΙ ΣΥΝΤΗΡΗΣΗ ΤΩΝ ΗΛΕΚΤΡΙΚΩΝ ΕΡΓΑΛΕΙΩΝ

- **Μη ζορίζετε το εργαλείο σας.** Χρησιμοποιήστε το κατάλληλο για την εργασία που θέλετε να εκτελέσετε εργαλείο. Το ηλεκτρικό εργαλείο σας θα είναι αποτελεσματικότερο και ασφαλέστερο αν το χρησιμοποιήσετε στην ταχύτητα για την οποία έχει σχεδιαστεί.
- **Μη χρησιμοποιήσετε το ηλεκτρικό εργαλείο εάν δεν μπορείτε να το θέσετε σε λειτουργία και εκτός λειτουργίας με το διακόπτη.** Ένα εργαλείο που δεν μπορεί να θεθεί σωστά σε λειτουργία και εκτός λειτουργίας είναι επικίνδυνο και πρέπει οπωσδήποτε να επισκευαστεί.
- **Αποσυνδέετε το φως από την παροχή ρεύματος και/ή αφαιρέστε την μπαταρία, εφόσον αφαιρείται, προτού προβείτε σε ρυθμίσεις, αλλαγή εξαρτημάτων ή αποθηκεύσετε τα ηλεκτρικά εργαλεία.** Θα μειώσετε έτσι τον κίνδυνο ακούσιου ξεκινήματος του εργαλείου.
- **Τακτοποιείτε τα ηλεκτρικά εργαλεία σας μακριά από τα παιδιά. Μην αφήνετε άτομα που δε γνωρίζουν το εργαλείο ή που δεν έχουν λάβει γνώση των συστάσεων ασφαλείας να χρησιμοποιούν το εργαλείο.** Τα ηλεκτρικά εργαλεία είναι επικίνδυνα στα χέρια άπειρων ατόμων.
- **Φροντίστε για τη συντήρηση των ηλεκτρικών εργαλείων και των εξαρτημάτων τους.** Ελέγχετε την ευθυγράμμιση και τις ενώσεις των κινούμενων τμημάτων, τυχόν σπασμένα τμήματα και οποιαδήποτε άλλη κατάσταση μπορεί να επηρεάσει την ορθή λειτουργία του ηλεκτρικού εργαλείου. **Αν κάποια τμήματα έχουν υποστεί ζημιά, δώστε το εργαλείο σας για επιδιόρθωση πριν το χρησιμοποιήσετε.** Πολλά ατυχήματα οφείλονται σε κακή συντήρηση των εργαλείων.
- **Φροντίστε να διατηρείτε τα εργαλεία σας καθαρά και ακονισμένα.** Ένα καλά ακονισμένο και καθαρό εργαλείο κοπής κινδυνεύει λιγότερο να εμπλακεί και θα μπορείτε ευκολότερα να διατηρήσετε τον έλεγχό του.
- **Χρησιμοποιήστε το ηλεκτρικό σας εργαλείο, τα εξαρτήματά του, τις κατασβιδόλαμες, κλπ. σύμφωνα με τις παρούσες οδηγίες χρήσης, λαμβάνοντας υπόψη τις συνθήκες χρήσης καθώς και τις επιθυμητές εφαρμογές.** Προς αποφυγήν επικίνδυνων καταστάσεων, χρησιμοποιείτε το ηλεκτρικό εργαλείο σας μόνο για τις εργασίες για τις οποίες έχει σχεδιαστεί.
- **Διατηρείτε τις λαβές και τις επιφάνειες στήριξης στεγνές, καθαρές και ελεύθερες ελαίων ή λιπαντικών ουσιών.** Τυχόν γλιστερές λαβές ή επιφάνειες στήριξης δεν επιτρέπουν τον ασφαλή χειρισμό και έλεγχο του εργαλείου σε έκτακτες καταστάσεις.

ΣΥΣΤΑΣΕΙΣ ΑΣΦΑΛΕΙΑΣ ΣΧΕΤΙΚΑ ΜΕ ΤΑ ΕΠΑΝΑΦΟΡΤΙΖΟΜΕΝΑ ΕΡΓΑΛΕΙΑ

- **Φορτίζετε την μπαταρία του εργαλείου σας αποκλειστικά με το φορτιστή που συνιστά ο κατασκευαστής.** Ένας φορτιστής κατάλληλος για έναν ορισμένο τύπο μπαταρίας μπορεί να προκαλέσει πυρκαγιά αν χρησιμοποιηθεί με μπαταρία άλλου τύπου.

- **Μόνον ένας συγκεκριμένος τύπος μπαταρίας πρέπει να χρησιμοποιείται με κάθε επαναφορτιζόμενο εργαλείο.** Η χρήση οποιασδήποτε άλλης μπαταρίας μπορεί να προκαλέσει πυρκαγιά.
- **Όταν η μπαταρία δεν χρησιμοποιείται, κρατάτε την μακριά από μεταλλικά αντικείμενα όπως συνδετήρες, κέρματα, κλειδιά, βίδες, πρόκες ή οποιοδήποτε άλλο αντικείμενο που θα μπορούσε να συνδέσει τις επαφές μεταξύ τους.** Το βραχυκύκλωμα των επαφών της μπαταρίας μπορεί να προκαλέσει εγκαύματα ή πυρκαγιές.
- **Αποφύγετε κάθε επαφή με το υγρό μπαταρίας σε περίπτωση διαρροής της μπαταρίας λόγω ακατάλληλης χρήσης. Αν συμβεί αυτό, ξεπλύνετε αμέσως την εν λόγω ζώνη με άφθονο καθαρό νερό. Αν πέσει στα μάτια σας, συμβουλευθείτε επίσης γιατρό.** Το υγρό που διαρρέει από μια μπαταρία μπορεί να προκαλέσει ερεθισμούς ή εγκαύματα.
- **Μη χρησιμοποιείτε μπαταρίες ή εργαλεία που φέρουν φθορές ή έχουν υποστεί μετατροπές.** Μπαταρίες με φθορές ή τροποποιήσεις μπορεί να προκαλέσουν αντικανονική συμπεριφορά του εργαλείου με αποτέλεσμα την πρόκληση πυρκαγιάς, έκρηξης ή τραυματισμού.
- **Μην εκθέτε τις μπαταρίες ή το εργαλείο σε φωτιά ή υπερβολικά υψηλή θερμοκρασία.** Τυχόν έκθεση σε φωτιά ή θερμοκρασία μεγαλύτερη των 130°C μπορεί να επιφέρει έκρηξη.
- **Ακολουθήστε όλες τις οδηγίες για τη φόρτιση της μπαταρίας και μη φορτίτε τη μπαταρία ή το εργαλείο εκτός του συνιστώμενου στις οδηγίες εύρους θερμοκρασίας.** Στην περίπτωση που η φόρτιση πραγματοποιείται με εσφαλμένο τρόπο ή σε θερμοκρασίες εκτός των συνιστώμενων, η μπαταρία μπορεί να υποστεί φθορές και να αυξηθεί ο κίνδυνος πυρκαγιάς.

ΣΥΝΤΗΡΗΣΗ

- **Οι επιδιορθώσεις πρέπει να πραγματοποιούνται από ειδικευμένο τεχνικό και μόνο με γνήσια ανταλλακτικά.** Θα μπορείτε έτσι να χρησιμοποιήσετε το ηλεκτρικό σας εργαλείο με πλήρη ασφάλεια.
- **Ποτέ μην επισκευάζετε μπαταρίες που φέρουν φθορές.** Η επισκευή των μπαταριών πρέπει να πραγματοποιείται μόνο από τον κατασκευαστή ή εξουσιοδοτημένους παροχείς σέρβις.

ΠΡΟΕΙΔΟΠΟΙΗΣΕΙΣ ΑΣΦΑΛΕΙΑΣ ΜΕΣΙΝΕΖΑΣ

- **Αποφύγετε την χρήση του μηχανήματος σε κακές καιρικές συνθήκες, ιδίως όταν υπάρχει κίνδυνος κεραυνών.** Αυτό μειώνει τον κίνδυνο να χτυπηθείτε από κεραυνό.
- **Επιθεωρήστε ενδελεχώς τον χώρο στον οποίο πρόκειται να χρησιμοποιηθεί το μηχάνημα για τυχόν άγρια ζώα.** Μπορεί να υποστούν τραυματισμό κατά τη λειτουργία του μηχανήματος.
- **Ελέγξτε προσεκτικά την περιοχή, στην οποία πρόκειται να χρησιμοποιηθεί το μηχάνημα και απομακρύνετε τυχόν πέτρες, κλαδιά, μέταλλα, καλώδια, οστά, παιχνίδια ή άλλα ξένα αντικείμενα.** Τυχόν εκτοξευόμενα αντικείμενα μπορεί να προκαλέσουν ατομικό τραυματισμό.



- Πριν χρησιμοποιήσετε το μηχάνημα, ελέγχετε πάντα οπτικά για να δείτε ότι ο κόφτης και το συγκρότημα κοπής δεν έχουν υποστεί ζημιά. Τα μέρη με ζημιές αυξάνουν τον κίνδυνο τραυματισμού.
- Διατηρήστε τα προστατευτικά στη θέση τους. Τα προστατευτικά πρέπει να είναι λειτουργικά και σωστά τοποθετημένα. Προφυλακτήρας που είναι χαλαρός, κατεστραμμένος ή δεν λειτουργεί σωστά μπορεί να προκαλέσει τραυματισμό.
- Διατηρείτε όλους τους αεραγωγούς ψύξης καθαρούς από υπολείμματα. Οι φραγμένες εισόδους αέρα και τυχόν υπολείμματα μπορεί να προκαλέσουν υπερθέρμανση ή κίνδυνο πυρκαγιάς.
- Φοράτε προστατευτικά ματιών και αυτιών. Ο επαρκής προστατευτικός εξοπλισμός θα αποτρέψει τον προσωπικό τραυματισμό.
- Κατά τη λειτουργία του μηχανήματος, να φοράτε πάντα αντιολισθητικά και προστατευτικά υποδήματα. Μην χρησιμοποιείτε το μηχάνημα ξυπόλυτοι ή φορώντας σανδάλια ή πέδιλα. Αυτό θα μειώσει την πιθανότητα τραυματισμού στα πόδια λόγω επαφής με τον κινούμενη κόφτη.
- Να φοράτε πάντα ρούχα όπως παντελόνι που καλύπτει τα πόδια του χειριστή ενώ χειρίζετε το μηχάνημα. Η επαφή με τον κινούμενο κόφτη ή την πετονιά μπορεί να προκαλέσει τραυματισμό.
- Μην επιτρέπεται παριστάμενος να πλησιάζουν ενόσω λειτουργεί το μηχάνημα. Τυχόν εκτοξευόμενα υπολείμματα μπορεί να προκαλέσουν ατομικό τραυματισμό.
- Μην χειρίζεστε το μηχάνημα πάνω από το ύψος του θώρακα. Αυτό βοηθά στην πρόληψη της ακούσιας επαφής με τον κόφτη και επιτρέπει τον καλύτερο έλεγχο του μηχανήματος σε απροσδόκητες καταστάσεις.
- Επιδείξτε προσοχή κατά τη λειτουργία του μηχανήματος σε βρεγμένο γρασίδι. Απλά περπατάτε, ποτέ μην τρέχετε. Αυτό μειώνει τον κίνδυνο γλιστρήματος και πτώσης που μπορεί να οδηγήσει σε τραυματισμό.
- Μη λειτουργείτε το μηχάνημα σε υπερβολικά απότομες πλαγιές. Αυτό μειώνει τον κίνδυνο απώλειας ελέγχου, γλιστρήματος και πτώσης που μπορεί να οδηγήσει σε τραυματισμό.
- Όταν εργάζεστε σε πλαγιές, να είστε πάντα σίγουροι για το πάτημά σας, να εργάζεστε πάντα κατά μήκος των πλαγιών, ποτέ προς τα πάνω ή προς τα κάτω και να είστε ιδιαίτερα προσεκτικοί όταν αλλάζετε κατεύθυνση. Αυτό μειώνει τον κίνδυνο απώλειας ελέγχου, γλιστρήματος και πτώσης που μπορεί να οδηγήσει σε τραυματισμό.
- Κρατήστε όλα τα καλώδια ρεύματος και τα λοιπά καλώδια μακριά από την περιοχή κοπής. Τα καλώδια ρεύματος ή τα λοιπά καλώδια μπορεί να είναι κρυμμένα σε φράκτες ή θάμνους και μπορεί να κοπούν ή να καταστραφούν κατά λάθος από την πετονιά ή τον κόφτη.
- Κρατήστε όλα τα μέρη του σώματός σας μακριά από την κινούμενη μεσινέζα ή την πετονιά. Μην αφαιρείτε υλικό από το μηχάνημα πριν να απασυνδεθεί από την πηγή ρεύματος. Ο κινούμενος κόφτης κοπής ή η πετονιά μπορεί να οδηγήσει σε σοβαρό ατομικό τραυματισμό.
- Μεταφέρετε το μηχάνημα, απενεργοποιημένο, κρατώντας το μακριά από το σώμα σας. Ο σωστός χειρισμός του μηχανήματος θα μειώσει την πιθανότητα τυχαίας επαφής με την κινούμενη μεσινέζα ή την πετονιά.
- Χρησιμοποιείτε μόνο ανταλλακτικές κεφαλές κοπής, κόφτες μεσινέζας και πετονιές οι οποίες καθορίζονται από τον κατασκευαστή. Μην αντικαθιστάτε τους κόφτες της μεσινέζας ή τις πετονιές με μεταλλικά σύρματα ή λεπίδες. Η χρήση ακατάλληλων εξαρτημάτων μπορεί να προκαλέσει απώλεια ελέγχου, σπασίμο και τραυματισμό.

ΠΡΟΣΘΕΤΕΣ ΠΡΟΕΙΔΟΠΟΙΗΣΕΙΣ ΑΣΦΑΛΕΙΑΣ

- Πριν από τη χρήση και μετά από οποιαδήποτε πρόσκρουση, βεβαιωθείτε ότι δεν υπάρχουν τμήματα του προϊόντος που έχουν υποστεί ζημιά. Οποιαδήποτε βλάβη σε διακόπτη ή τμήμα του μηχανήματος θα πρέπει να επισκευάζεται ή να αντικαθιστάται από εξουσιοδοτημένο κέντρο επισκευών.
- Η μικρή λεπίδα που είναι τοποθετημένη στον προφυλακτήρα γκαζόν έχει σχεδιαστεί για να κόβει τη νέα εκτεταμένη πετονιά στο σωστό μήκος για ασφαλή και βέλπστη απόδοση. Η λεπίδα είναι πολύ αιχμηρή. Μην αγγίζετε τη λεπίδα, ιδιαίτερα κατά τον καθαρισμό του προϊόντος.
- Χρησιμοποιείτε αποκλειστικά ανταλλακτική πετονιά κοπής του κατασκευαστή. Μην χρησιμοποιείτε άλλα εξαρτήματα κοπής.
- Βεβαιωθείτε ότι το εξάρτημα κοπής είναι σωστά τοποθετημένο και ασφαλισμένο.
- Μην χρησιμοποιείτε το προϊόν παρά μόνο εάν όλα τα προστατευτικά, οι εκτροπείς και οι λαβές είναι σωστά και ασφαλώς τοποθετημένα.
- Βεβαιωθείτε ότι η λεπίδα αποκοπής πετονιάς στον προφυλακτήρα είναι σωστά τοποθετημένη και ασφαλισμένη πριν από κάθε χρήση.
- Κρατήστε το προσάρτημα κεφαλής κάτω από τη ύψος της μέσης.
- Απενεργοποιήστε αμέσως το προϊόν και αφαιρέστε αμέσως τη μπαταρία σε περίπτωση ατυχήματος ή βλάβης. Μην λειτουργείτε ξανά το προϊόν μέχρι να ελεγχθεί πλήρως από εξουσιοδοτημένο κέντρο σέρβις.
- Για να μειώσετε τον κίνδυνο τραυματισμού που σχετίζεται με την επαφή με κινούμενα μέρη, πάντα να απενεργοποιείτε το προϊόν, να αφαιρείτε τη μπαταρία και να το αφήνετε να κρυώσει. Βεβαιωθείτε ότι όλα τα κινούμενα μέρη έχουν σταματήσει εντελώς να κινούνται:
 - πριν από την επισκευή
 - πριν από τον καθαρισμό απόφραξης,
 - πριν από κάθε έλεγχο, καθαρισμό ή επέμβαση στο μηχάνημα,
 - πριν από την αλλαγή εξαρτημάτων,
 - μετά από πρόσκρουση σε ξένο αντικείμενο,
 - οποτεδήποτε αφήνετε το μηχάνημα χωρίς επίβλεψη
 - οποτεδήποτε εκτελείται συντήρηση
 - εάν το μηχάνημα αρχίσει να δονείται ασυνήθιστα,
- Βεβαιωθείτε ότι όλα τα προστατευτικά και οι λαβές έχουν τοποθετηθεί σωστά και είναι σε καλή κατάσταση.



- Κρατάτε το προϊόν από τις ειδικές λαβές και περιορίστε τον χρόνο εργασίας και την έκθεση.
- Προσέξτε τα εκτοξευόμενα αντικείμενα από τα στοιχεία κοπής. Καθαρίστε τυχόν συντρίμμια, όπως μικρές πέτρες, χαλίκια και άλλα ξένα αντικείμενα από την περιοχή εργασίας πριν ξεκινήσετε τη λειτουργία τους. Καλώδια ή σκοινιά μπορεί να μπλεχτούν στα μέσα κοπής.
- Οι θυρίδες εξερισμού θα πρέπει να παραμένουν πάντα καθαρές.
- Οι τραυματισμοί μπορεί να προκληθούν ή να επιδεινωθούν από την παρατεταμένη χρήση του προϊόντος. Όταν χρησιμοποιείτε το προϊόν για παρατεταμένες περιόδους, φροντίστε να κάνετε τακτικά διαλείμματα.
- Χρησιμοποιείτε το προϊόν μόνο σε θερμοκρασίες μεταξύ 0°C και 40°C
- Αποθηκεύστε το προϊόν σε χώρο όπου η θερμοκρασία περιβάλλοντος κυμαίνεται μεταξύ 0 °C και 40 °C.

ΕΠΙΠΡΟΣΘΕΤΕΣ ΠΡΟΕΙΔΟΠΟΙΗΣΕΙΣ ΑΣΦΑΛΕΙΑΣ ΜΠΑΤΑΡΙΑΣ

Για ελαχιστοποίηση του κινδύνου φωτιάς, τραυματισμών και καταστροφής του προϊόντος λόγω βραχυκυκλώματος, ποτέ μην βυθίζετε το προϊόν, τη συστοιχία της μπαταρίας ή τον φορητή σε υγρά και μην αφήνετε τυχόν υγρά να εισχωρήσουν σε αυτά. Διαβρωτικά ή αγώγιμα υγρά, όπως το θαλάσσιο νερό, κάποια βιομηχανικά χημικά, το χλώριο, προϊόντα που περιέχουν χλώριο, κ.α., μπορούν να προκαλέσουν βραχυκύκλωμα.

- Φορτίζετε τη μπαταρία σε χώρο όπου η θερμοκρασία περιβάλλοντος κυμαίνεται μεταξύ 10 °C και 38 °C.
- Αποθηκεύετε τη μπαταρία σε χώρο όπου η θερμοκρασία περιβάλλοντος κυμαίνεται μεταξύ 0 °C και 20 °C.
- Αποθηκεύστε τη μπαταρία σε χώρο όπου η θερμοκρασία περιβάλλοντος κυμαίνεται μεταξύ 0 °C και 40 °C.

ΜΕΤΑΦΟΡΑ ΚΑΙ ΑΠΟΘΗΚΕΥΣΗ

- Απενεργοποιήστε το προϊόν, αφαιρέστε τη μπαταρία και αφήστε και τα δύο να κρυώσουν πριν από την αποθήκευση ή τη μεταφορά.
- Καθαρίστε το προϊόν από όλα τα ξένα σώματα.
- Μην αποθηκεύετε και μην μεταφέρετε το προϊόν με τοποθετημένη τη συστοιχία μπαταρίας. Αφαιρέστε τη μπαταρία και φυλάξτε τη χωριστά. Αποθηκεύστε το προϊόν σε δροσερό, στεγνό και καλά αεριζόμενο χώρο, μη προσπίο από παιδιά. Κρατήστε το προϊόν μακριά από διαβρωτικά μέσα, όπως χημικά προϊόντα κήπου και άλατα αποπάγωσης. Μην αποθηκεύετε το προϊόν σε εξωτερικό χώρο.
- Για μεταφορά εντός οχήματος, στερεώστε το προϊόν προς αποφυγή μετακίνησης ή πτώσης ώστε να αποτραπεί τραυματισμός προσώπων ή ζημιά του προϊόντος.

ΜΕΤΑΦΟΡΑ ΜΠΑΤΑΡΙΩΝ ΛΙΘΙΟΥ

- Η μεταφορά της συστοιχίας μπαταρίας θα πρέπει να εκτελείται σύμφωνα με τους τοπικούς κανονισμούς και προϋποθέσεις.
- Ακολουθήστε όλες τις ειδικές απαιτήσεις σχετικά με τη συσκευασία και την επισήμανση κατά τη

μεταφορά μπαταριών από τρίτους. Βεβαιωθείτε ότι, κατά τη μεταφορά, οι μπαταρίες δεν έρχονται σε επαφή με παλαιότερες μπαταρίες ή αγώγιμα υλικά προστατευόντας τυχόν εκτεθειμένους συνδέσμους με μονωτικά, μη αγώγιμα καπάκια ή ταινία. Μην μεταφέρετε μπαταρίες που είναι σπασμένες ή παρουσιάζουν διαρροή. Επικοινωνήστε με την εταιρεία πρώιθησης για βοήθεια.

ΣΥΝΤΗΡΗΣΗ

- Χρησιμοποιείτε μόνο αυθεντικά ανταλλακτικά, εξαρτήματα και προσαρτήματα από τον κατασκευαστή. Εάν δεν το κάνετε, μπορεί να προκληθεί τραυματισμός, κακή απόδοση του μηχανήματος και ακύρωση της εγγύησής σας.
- Η συντήρηση απαιτεί μεγάλη προσοχή και γνώσεις και πρέπει να εκτελείται μόνο από εξειδικευμένο τεχνικό. Να αναθέτε τη επισκευή του προϊόντος μόνο σε εξουσιοδοτημένο κέντρο επισκευών.
- Απενεργοποιήστε το προϊόν και αφαιρέστε το πακέτο μπαταρίας πριν διενεργήσετε οποιαδήποτε εργασία συντήρησης ή καθαρισμού.
- Μπορείτε να κάνετε τις ρυθμίσεις και τις επισκευές που περιγράφονται σε αυτό το εγχειρίδιο. Για άλλες επισκευές, επικοινωνήστε με έναν εξουσιοδοτημένο αντιπρόσωπο σέρβις.
- Για πετονιά αντικατάστασης, χρησιμοποιήστε μόνο νάιλον νήμα της διαμέτρου που αναφέρεται στον πίνακα προδιαγραφών του παρόντος εγχειριδίου.
- Μετά από κάθε χρήση, καθαρίστε το προϊόν με ένα μαλακό, στεγνό πανί. Οποιαδήποτε βλάβη εξαρτήματος θα πρέπει να επισκευάζεται ή να εκτελείται αντικατάσταση από εξουσιοδοτημένο κέντρο επισκευών.
- Ελέγξτε, πριν από κάθε χρήση και σε τακτά χρονικά διαστήματα, ότι όλα τα παξιμάδια, τα μπουλόνια και τις βίδες είναι σωστά σφιγμένα, προκειμένου να διασφαλίσετε την ασφαλή λειτουργία του προϊόντος. Οποιαδήποτε βλάβη εξαρτήματος θα πρέπει να επισκευάζεται ή να εκτελείται αντικατάσταση από εξουσιοδοτημένο κέντρο επισκευών.
- Δώστε το μηχανήμα σε εξουσιοδοτημένο κέντρο σέρβις για να αντικατασταθούν οι ειδικές που έχουν υποστεί ζημιά ή δεν μπορούν να διαβαστούν.

ΓΝΩΡΙΣΤΕ ΤΟ ΠΡΟΪΟΝ ΣΑΣ

Βλ. σελίδα 118.

1. Πίσω λαβή
2. Ασφάλιση μπαταρίας
3. Σκανδάλη On/Off
4. Ασφάλεια σκανδάλης
5. Αξονας επάνω συστήματος οδήγησης
6. Εμπρός λαβή
7. Αξονας κάτω συστήματος οδήγησης
8. Λεπίδα αποκοπής
9. Ρόδα οδηγός
10. Προστατευτικό ασφαλείας
11. Πετονιά κοπής
12. Πετάλ κοπής άκρων
13. Εγχειρίδιο χρήσης
14. Κάλυμμα καρουλιού
15. Καρούλι



16. Τρύπα
17. Ολισθητής
18. Συστοιχία μπαταριών
19. Φορτιστής



Ουκρανικό σήμα συμμόρφωσης

ΣΥΜΒΟΛΑ ΣΤΟ ΠΡΟΪΟΝ



Ειδοποίηση ασφαλείας



Διαβάστε και κατανοήστε όλες τις οδηγίες πριν λειτουργήσετε το προϊόν. Ακολουθήστε όλες τις οδηγίες ασφαλείας και όλες τις προειδοποιήσεις.



Φοράτε προστατευτικά ματιών και αυτιών.



Προσέξτε τυχόν εκκινασσόμενα ή ιπτάμενα αντικείμενα. Κρατήστε όλους τους παρευρισκόμενους, ιδιαίτερα παιδιά και κατοικίδια ζώα, σε απόσταση τουλάχιστον 15 μέτρων από την περιοχή λειτουργίας.



Μην χρησιμοποιείτε μεταλλικά μαχαίρια στο προϊόν.



Μην εκθέτετε το προϊόν σε βροχή ή υγρές συνθήκες.



Αφαιρέστε τη μπαταρία πριν ξεκινήσετε οποιαδήποτε εργασία στο μηχάνημα.



Κρατήστε τα χέρια σας μακριά από τα μαχαίρια.



Εγγυημένο επίπεδο ισχύος ήχου



Ευρωπαϊκό σήμα συμμόρφωσης



Βρετανικό σήμα συμμόρφωσης



EurAsian σήμα πιστότητας



Οι μπαταρίες καθώς και ο ηλεκτρονικός και ηλεκτρικός εξοπλισμός δεν πρέπει να απορρίπτονται στα αδιαχώριστα απορρίμματα της κοινότητας. Οι μπαταρίες καθώς και ο ηλεκτρονικός και ηλεκτρικός εξοπλισμός προς απόρριψη θα πρέπει να συλλέγονται χωριστά. Οι μπαταρίες, οι συσσωρευτές και οι πηγές φωτός προς απόρριψη θα πρέπει να αφαιρούνται από τον εξοπλισμό. Επικοινωνήστε με την τοπική σας αρχή ή τον προμηθευτή σας για συμβουλές ανακύκλωσης και σημείο συλλογής. Σύμφωνα με τους τοπικούς κανονισμούς, οι προμηθευτές ενδέχεται να υποχρεούνται να παραλαμβάνουν τον ηλεκτρονικό και ηλεκτρικό εξοπλισμό προς απόρριψη, χωρίς χρέωση. Η συμβολή σας στην επαναχρησιμοποίηση και την ανακύκλωση ηλεκτρονικού και ηλεκτρικού εξοπλισμού προς απόρριψη βοηθά στη μείωση της ζήτησης πρώτων υλών. Οι άχρηστες μπαταρίες, και κυρίως όσες περιέχουν λίθιο, όπως και ο άχρηστος ηλεκτρονικός και ηλεκτρικός εξοπλισμός, περιέχουν πολύτιμα ανακυκλώσιμα υλικά, τα οποία μπορεί να βλάψουν τόσο το περιβάλλον, όσο και την ανθρώπινη υγεία, εάν δεν απορρίπτονται με τρόπο φιλικό προς το περιβάλλον. Διαγράψτε τυχόν προσωπικά δεδομένα από τον εξοπλισμό.

ΣΥΜΒΟΛΑ ΣΤΟ ΕΓΧΕΙΡΙΔΙΟ



Σημείωση



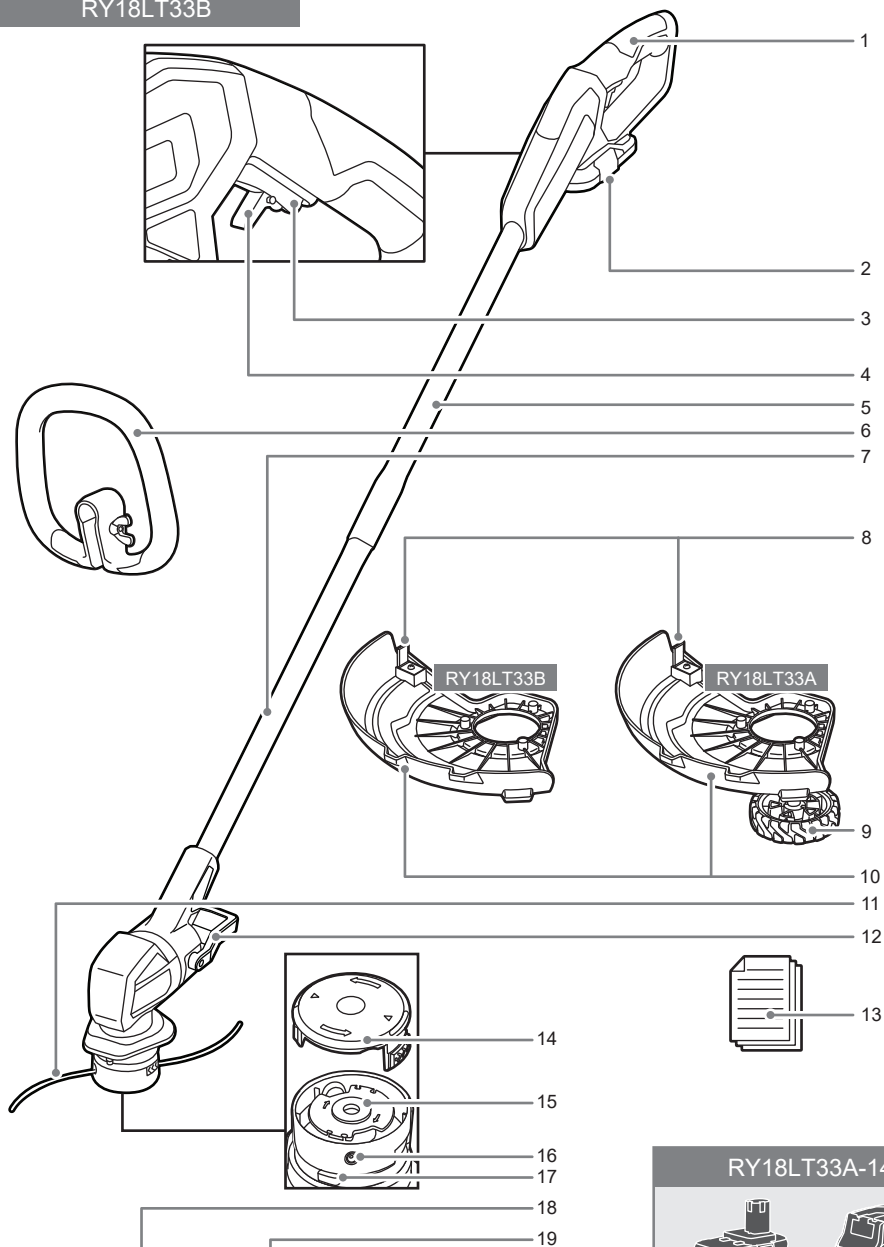
Προειδοποίηση



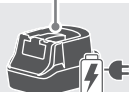
Εξαρτήματα ή παρελκόμενα που πωλούνται χωριστά

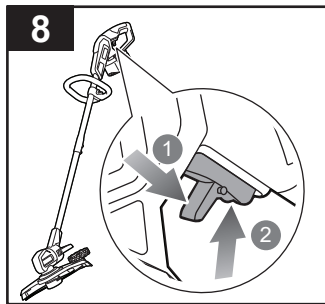
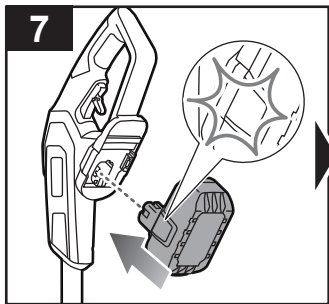
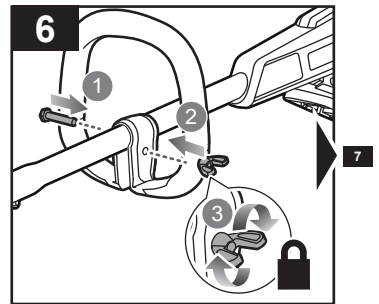
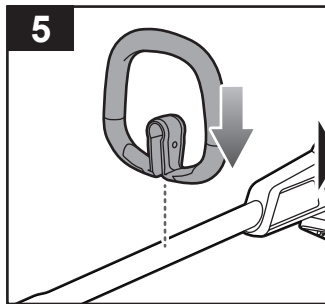
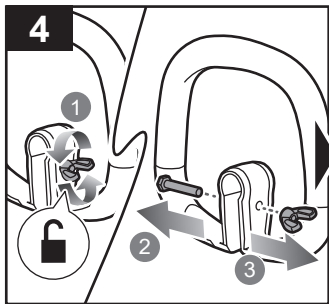
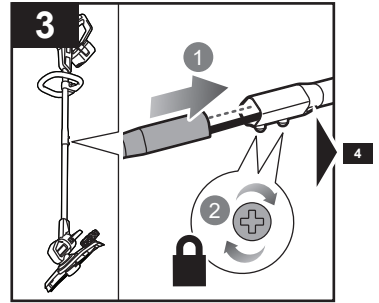
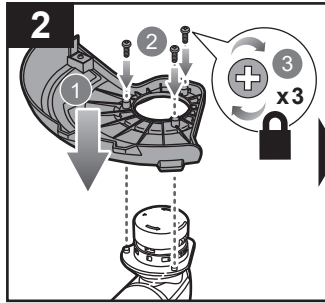
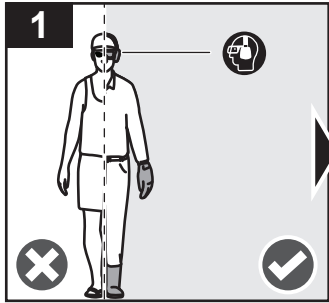
R18LT33A

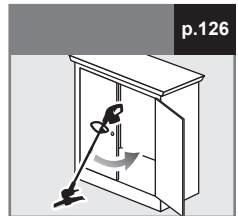
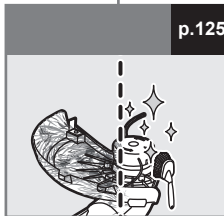
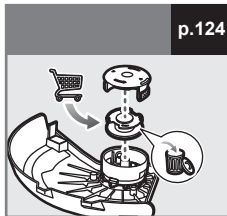
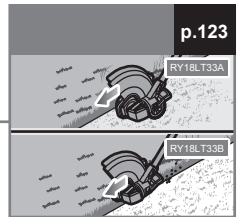
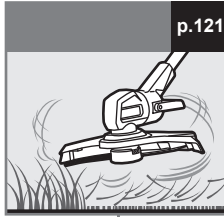
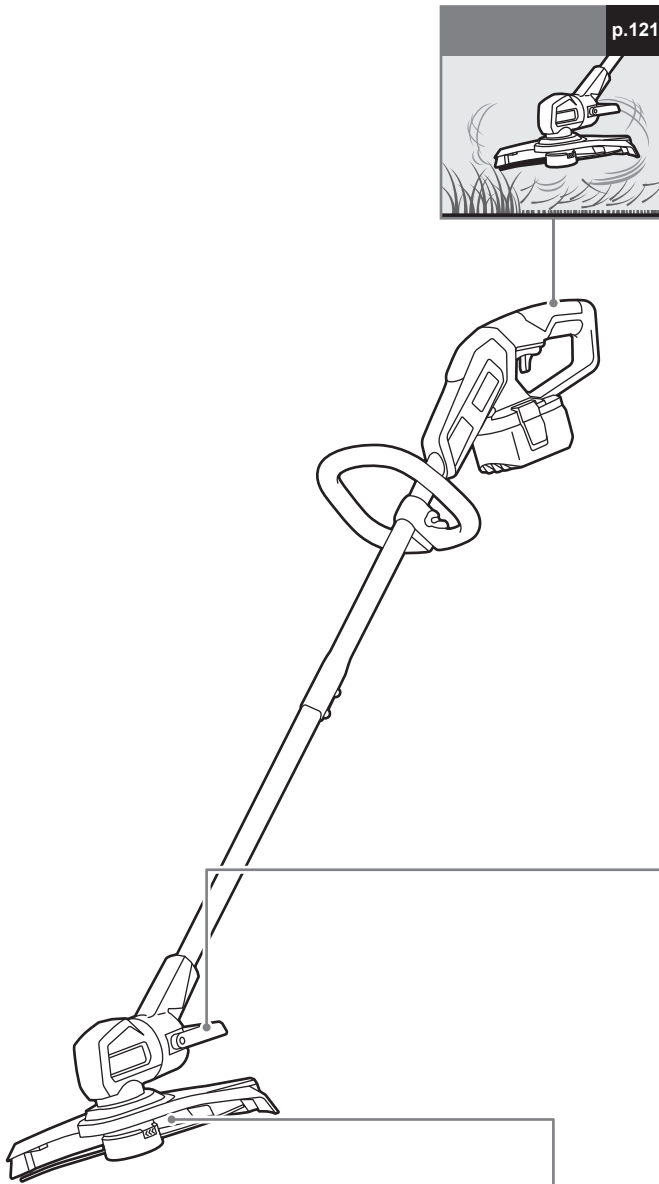
R18LT33B

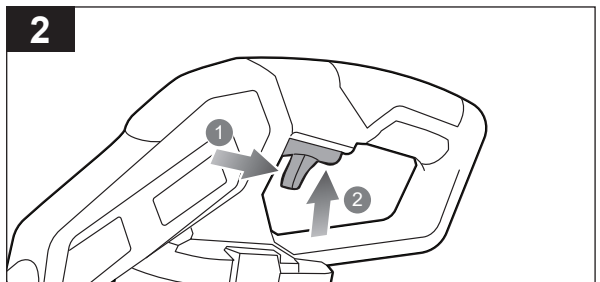
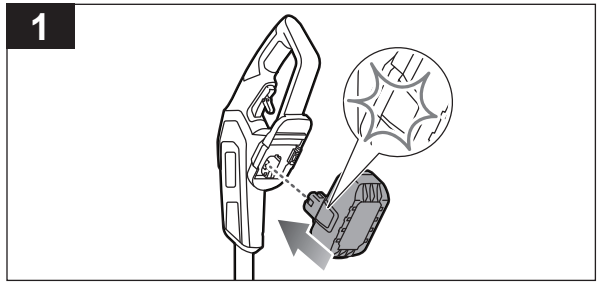
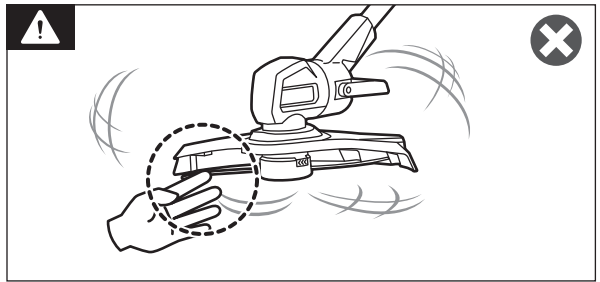
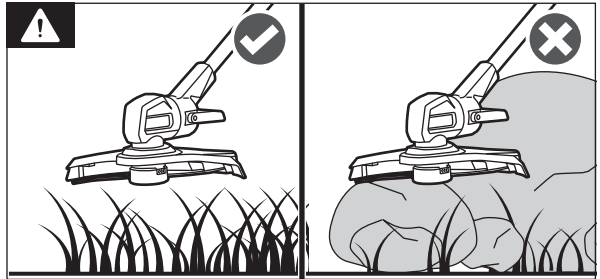
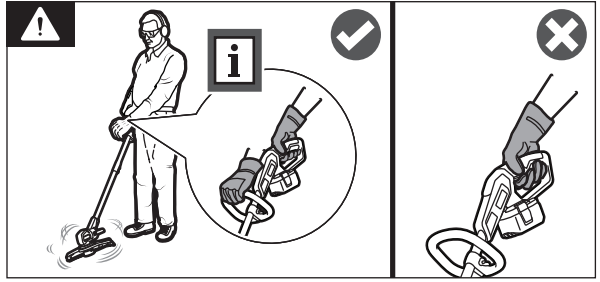
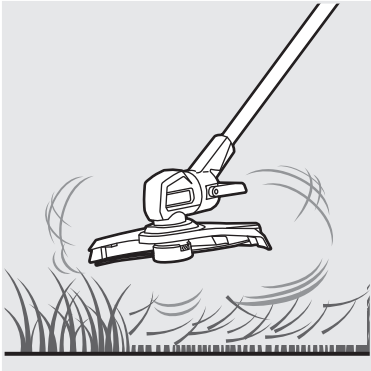


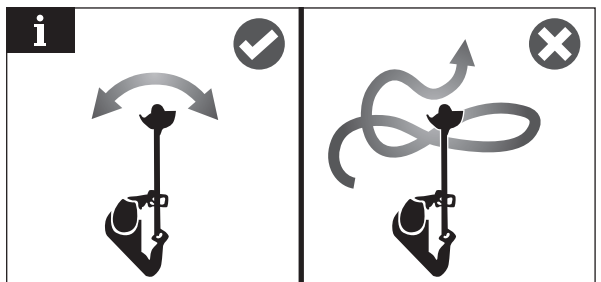
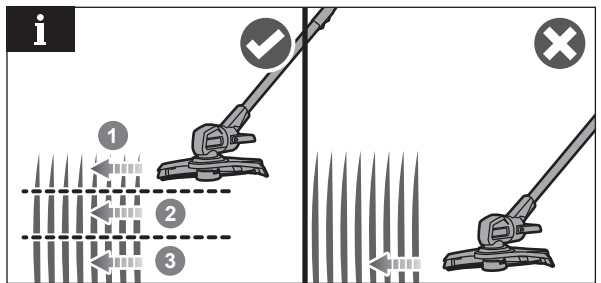
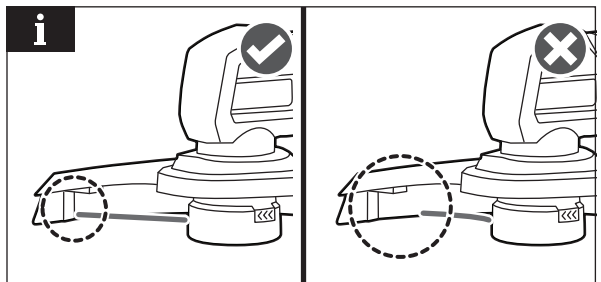
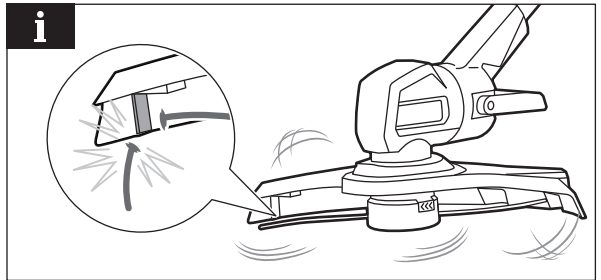
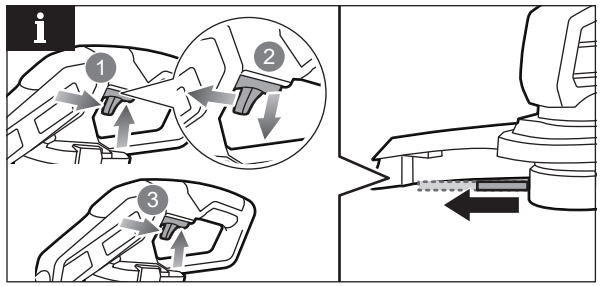
R18LT33A-140

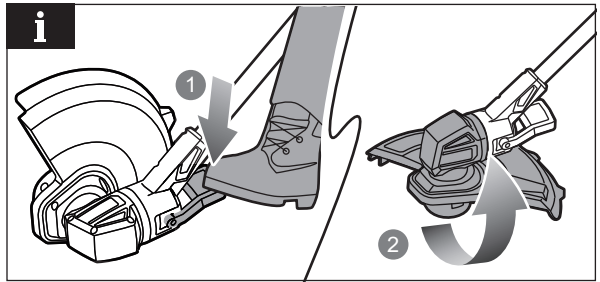
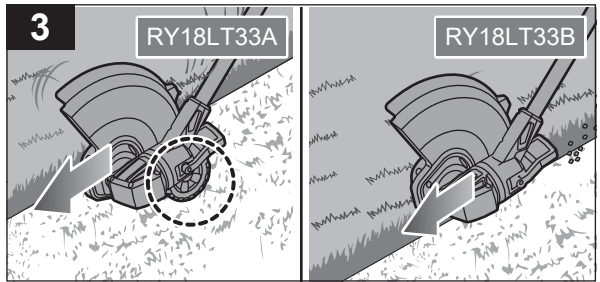
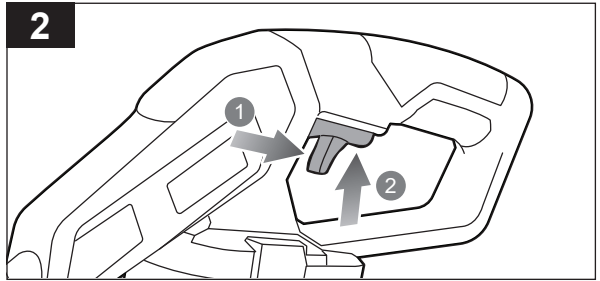
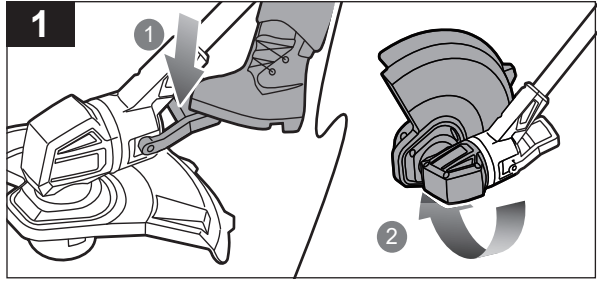
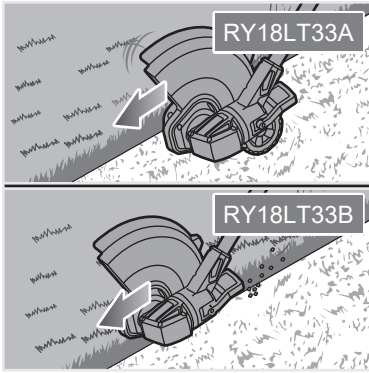


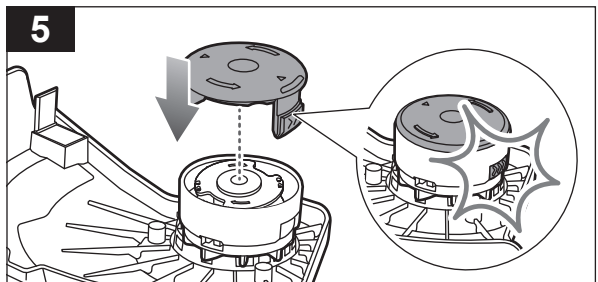
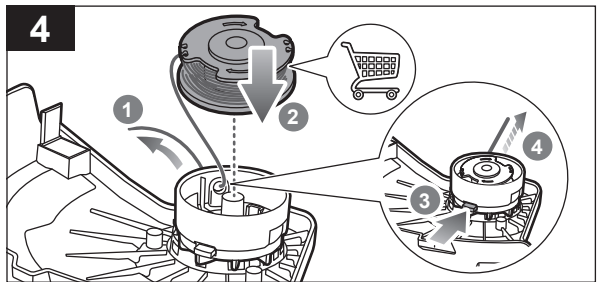
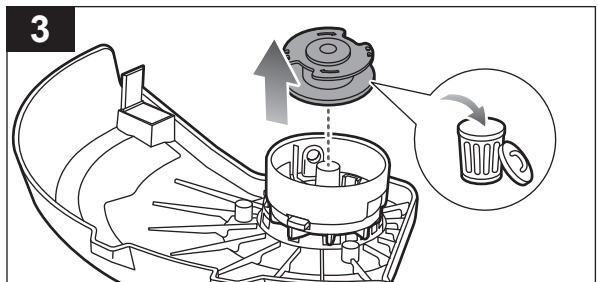
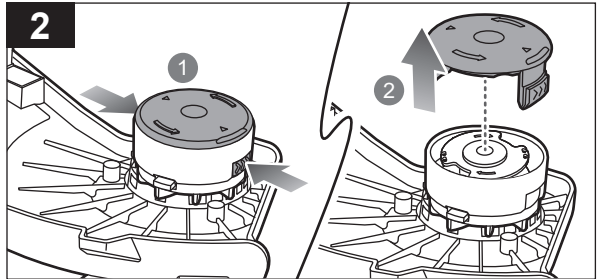
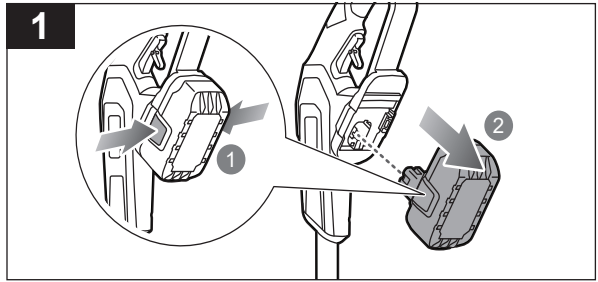
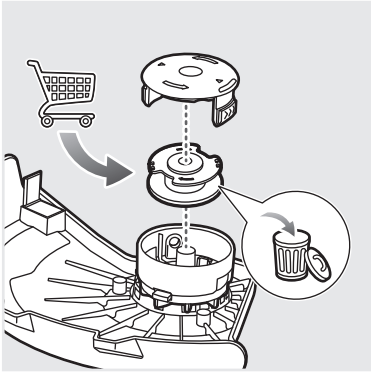


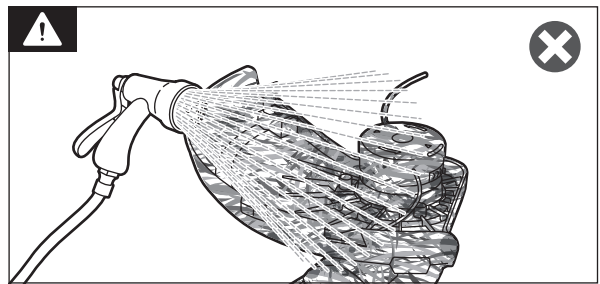
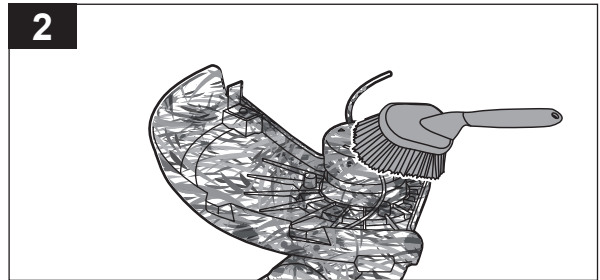
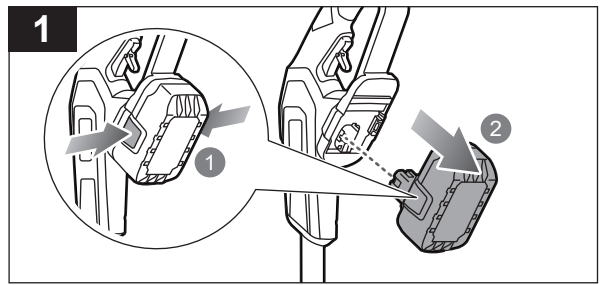
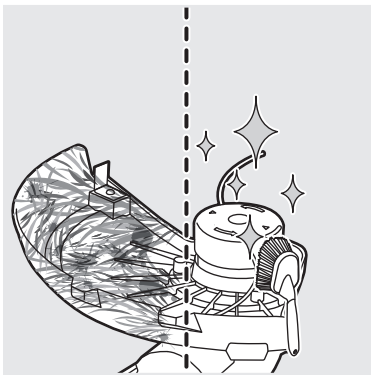


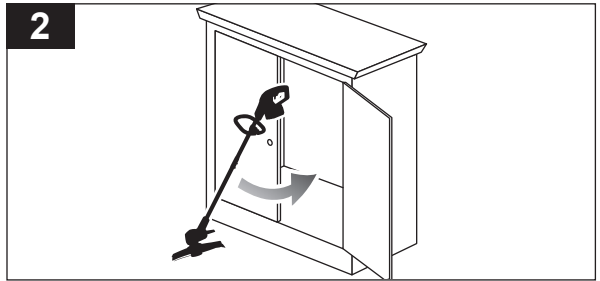
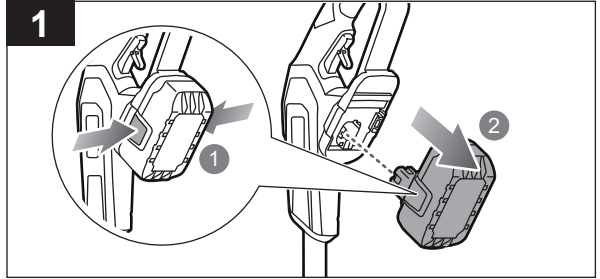
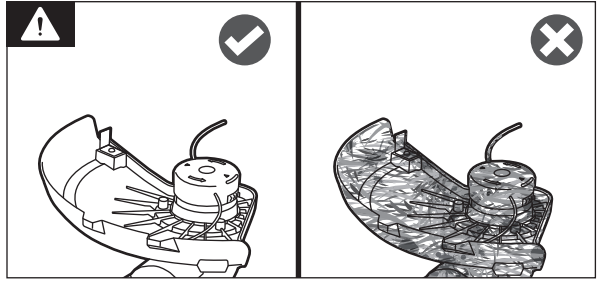
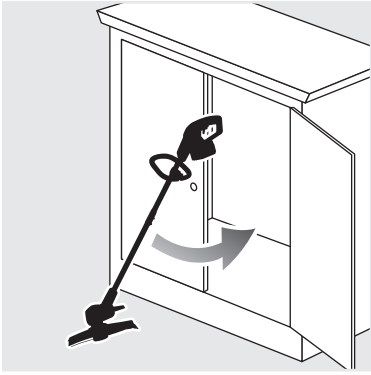
















English	Français	Deutsch	Español	Italiano
Product specifications	Caractéristiques produit	Produkt-Spezifikationen	Características del producto	Caratteristiche del prodotto
Cordless line trimmer according to lawn trimmer with edger requirements	Coupe-bordures sans fil selon les exigences du coupe bordures avec coupe-herbe	Akku-Rasentrimmer entsprechend den Anforderungen an Rasentrimmer mit Kantenschneider	Cortasetos inalámbrico en función de los requisitos de la recortadora con bordeadora	Tagliabordi a batterie in base ai requisiti dello sfrondatore
Model	Modèle	Modell	Modelo	Modello
Voltage	Tension	Spannung	Tensión	Voltaggio
No-load speed	Vitesse à vide	Leerlaufdrehzahl	Velocidad sin carga	Velocità senza carico
33 cm Cutting capacity	33 cm Capacité de coupe	33 cm Schnittbreite Durchmesser	33 cm Capacidad de corte	33 cm Capacità di taglio
28 cm Cutting capacity	28 cm Capacité de coupe	28 cm Schnittbreite Durchmesser	28 cm Capacidad de corte	28 cm Capacità di taglio
Cutting capacity	Capacité de coupe	Schnittbreite Durchmesser	Capacidad de corte	Capacità di taglio
Cutting line diameter	Diamètre du Fil de Coupe	Schneidfaden-Durchmesser	Cortar el diámetro de la línea	Diametro linea di taglio
Cutting capacity (flailing blade)	Capacité de coupe (Lame à fileaux)	Schnittbreite Durchmesser (Schlegelmesser)	Capacidad de corte (Cuchilla oscilante)	Capacità di taglio (Lama a flagelli)
Vibration level (in accordance with IEC 62841-4-4 Annex I)	Niveau de vibration (selon l'Annexe I de la norme IEC 62841-4-4)	Vibrationsgrad (gemäß Anhang I von IEC 62841-4-4)	Nivel de vibración (de acuerdo con el Anexo I de IEC 62841-4-4)	Livello vibrazioni (secondo quanto disposto dall'Allegato I della Direttiva IEC 62841-4-4)
Rear handle	Poignée arrière	Hintere Handgriff	Mango trasero	Manico posteriore
Front handle	Poignée avant	Vorderer Handgriff	Mango delantero	Manico anteriore
Uncertainty	Incertitude	Unsicherheit	Incertidumbre	Incertezza
Noise emission level (in accordance with IEC 62841-4-4 Annex I)	Niveau d'émission sonore (selon l'Annexe I de IEC 62841-4-4)	Geräuschemission (gemäß Anhang I von IEC 62841-4-4)	Nivel de emisión de ruido (de acuerdo con el Anexo I de IEC 62841-4-4)	Livello di emissione rumore (secondo quanto disposto dall'Allegato I della Direttiva IEC 62841-4-4)
A-weighted sound pressure level at the operator's position	Niveau de pression sonore pondéré A au niveau de l'opérateur	A-bewerteter Schalldruckpegel an der Position des Anwenders	Nivel de presión sonora ponderado A en la posición del operario	Livello di pressione sonora pesato A alla posizione dell'operatore
Uncertainty	Incertitude	Unsicherheit	Incertidumbre	Incertezza
A-weighted sound power level	Niveau de puissance sonore pondéré A	A-bewerteter Schalleistungspegel	Nivel de potencia acústica ponderada en A	Livello di potenza sonora pesato A
Uncertainty	Incertitude	Unsicherheit	Incertidumbre	Incertezza
$L_{WA} + K_{WA}$	$L_{WA} + K_{WA}$	$L_{WA} + K_{WA}$	$L_{WA} + K_{WA}$	$L_{WA} + K_{WA}$
Weight without battery pack	Poids sans la batterie	Gewicht ohne Akkupack	Peso (sin la batería)	Peso (senza batterie)

Battery and charger	Batterie et chargeur	Akku und Ladegerät	Bateria y cargador	Batteria e caricatore
Model	Modèle	Modell	Modelo	Modello
Battery pack	Bloc de batterie	Akkupack	Bateria	Batteria
Charger	Chargeur	Ladegerät	Cargador	Caricatore
Compatible battery packs	Blocs des batterie compatibles	Kompatible Akkupacks	Paquetes de batería compatibles	Gruppo batterie compatibili
Compatible chargers	Chargeurs compatibles	Kompatible Ladegeräte	Cargador compatible	Caricatore compatibile

Replacement parts	Pièces de rechange	Ersatzteile	Piezas de repuesto	Parti di ricambio
Heavy-duty blades	Lames ultra-robustes	Leistungsstarke Klingen	Cuchillas de altas prestaciones	Lame per impieghi gravosi
Complete spool	Bobine complète	Komplette Spule	Bobina completa	Bobina completa
NOTE: Visit your local special orders desk or contact RYOBI Customer Service for replacement parts.	REMARQUE: Pour obtenir des pièces de rechange, consultez le bureau local chargé des commandes spéciale ou le service client RYOBI.	HINWEIS: Wenden Sie sich an Ihren örtlichen Kundendienst oder kontaktieren Sie den RYOBI-Kundendienst, um Ersatzteile zu erhalten.	NOTA: Visite su servizio local de pedidos especiales o póngase en contacto con el Servicio de atención al cliente de RYOBI para obtener piezas de recambio.	NOTA: Recarsi presso il banco ordini speciali di zona oppure contattare l'assistenza clienti RYOBI per i pezzi di ricambio.





Nederlands	Português	Dansk	Svenska		
Productgegevens	Características do aparelho	Produktspecifikationer	Produktspecifikationer		
Vereisten snoer/loze lijntrimmer volgens gazontrimmer met graskantmaaiër	Recortador de relvado eléctrico recargável de acordo com requisitos do cortador de bordas	Trådløs trådtrimmer i henhold til plænetrimmer med krav til kantrimmer	Sladdlös grästrimmer enligt kraven för gräsmattetrimering inklusive kantrimning		
Model	Modelo	Model	Modell	RY18LT33B	RY18LT33A
Spanning	Voltagem	Spænding	Spänning	18 V d.c.	
Snelheid zonder lading	Velocidade sem carga	Tomgangshastighed	Hastighet utan belastning		
33 cm Snijscapiteit	33 cm Capacidade de corte	33 cm Skærekapacitet	33 cm Trimmingskapacitet	7600/min	
28 cm Snijscapiteit	28 cm Capacidade de corte	28 cm Skærekapacitet	28 cm Trimmingskapacitet	8500/min	
Snijscapiteit	Capacidade de corte	Skærekapacitet	Trimmingskapacitet	33 cm, 28 cm	
Maaiëlijndiameter	Cortar o diâmetro da linha	Klippertrådsdiameter	Klipprådens diameter	1,65 mm	
Snijscapiteit (Zwenksnijblad)	Capacidade de corte (Lâmina de malhar)	Skærekapacitet (Slagleklinge)	Trimmingskapacitet (Svängande blad)	22 cm	
Trillingsniveau (in overeenstemming met bijlage I van IEC 62841-4-4)	Nível de vibração (em conformidade com o Anexo I de IEC 62841-4-4)	Vibrationsniveau (iht. bilag I til IEC 62841-4-4)	Vibrationsnivå (enligt Annex I i IEC 62841-4-4)		
Achterste handvat	Pega traseira	Baghåndtag	Bakre handtag	$a_n = 2,3 \text{ m/s}^2$	
Voorste handvat	Pega frontal	Forhåndtag	Främre handtag	$a_n = 1,2 \text{ m/s}^2$	
Onzekerheid	Incerteza	Usikkerhed	Osäkerhet	$K = 1,5 \text{ m/s}^2$	
Geluidsemissieniveau (in overeenstemming met bijlage I van IEC 62841-4-4)	Nível de emissão de ruído (em conformidade com o Anexo I de IEC 62841-4-4)	Støjemissionsniveau (iht. bilag I til IEC 62841-4-4)	Bullerutsläppsnivå (enligt Annex I i IEC 62841-4-4)		
A-gewogen geluidsdrukkniveau op de plaats van de bediener	Nível de pressão sonora ponderado A na posição do operador	A-vægtet lydtryksniveau ved operatørens position	A-viktad ljudtrycksnivå vid operatörsplats	$L_{pA} = 80,5 \text{ dB(A)}$	
Onzekerheid	Incerteza	Usikkerhed	Osäkerhet	$K_{pA} = 3,0 \text{ dB}$	
A-gewogen geluidsniveau	Nível de potência sonora ponderada A	A-vægtet lydeffektniveau	A-vägd ljudeffektnivå	$L_{wA} = 91,5 \text{ dB(A)}$	
Onzekerheid	Incerteza	Usikkerhed	Osäkerhet	$K_{wA} = 1,2 \text{ dB}$	
$L_{pA} + K_{pA}$	$L_{wA} + K_{wA}$	$L_{pA} + K_{pA}$	$L_{wA} + K_{wA}$	94 dB(A)	
Gewicht (zonder batterij)	Peso (sem a bateria)	Vægt (uden batteri)	Vikt (utan batteri)	2,6 kg	

Accu en oplader	Bateria e carregador	Batteri og oplader	Batteri och batteriladdare			
Model	Modelo	Model	Modell	RY18LT33A-140	RY18LT33B	RY18LT33A
Accu	Bateria	Batteri	Batteri	4,0	-	-
Lader	Carregador	Oplader	Batteriladdare	RC18120	-	-
Compatibele accupacks	Baterias compatíveis	Kompatible batterier	Kompatibla batteripaket	RB18..		
Compatibele oplader	Carregador compatível	Kompatibel oplader	Kompatibel laddare	BCL14.., BC-18.., BCL18.., RC18..		

Vervangonderdelen	Peças de substituição	Reserveedele	Utbytesdelar		
Extra sterke snijbladen	Lâminas de uso muito intensivo	Kraftige klinger	Slitstarka blad	RAC155, RAC158,	
Volledige rol	Bobina completa	Komplet spole	Komplett spole	RAC125	
OPMERKING: Bezoek de lokale verkooptspecialisten of neem contact op met de klantenservice van RYOBI voor vervangende onderdelen.	NOTA: Visite o seu ponto de encomendas especiais local ou contacte o Apoio ao cliente da RYOBI para obter peças de substituição.	BEMÆRK: Besøg din lokale specialbutik eller kontakt RYOBI kundeservice for reserveedele.	OBS: Besök ditt lokala kontor för specialbeställningar eller kontakta RYOBI-kundeservice för reservdelar.		





Suomi	Norsk	Русский	Polski
Tuotteen tekniset tiedot	Produktspesifikasjoner	Характеристики изделия	Parametry techniczne
Reunatrimmerilla varustetun nurmikotrimmerin vaatimusten mukainen johdoton siimatrimmeri	Kabelfri snortrimmer i henhold til krav til plentrimmer med kantkrav	Беспроводный лесочный триммер и требования к триммерам с функцией выравнивания края газона	Bezprzewodowa przycinarka trawnika — wymagania takie jak w przypadku przycinarki trawnika z krawędziarką
Malli	Modell	Модель	Model
Jännite	Spennning	Напряжение	Napięcie
Nopeus ilman kuormaa	Tomgangshastighet	Холостая скорость	Prędkość obrotowa bez obciążenia
33 cm Leikkauskapasiteetti	33 cm Klippekapasitet	33 см Сокращение вместимости	33 cm Szerokość cięcia
28 cm Leikkauskapasiteetti	28 cm Klippekapasitet	28 см Сокращение вместимости	28 cm Szerokość cięcia
Leikkauskapasiteetti	Klippekapasitet	Сокращение вместимости	Szerokość cięcia
Leikkusuimaan halkaisija	Diameter på klippesnoren	Диаметр режущей струны	Średnica żyłki tnącej
Leikkauskapasiteetti (Leikkuuterä)	Klippekapasitet (Slagblad)	Сокращение вместимости (Измельчающее лезвие)	Szerokość cięcia (Nóż ruchomy)
Tärinätaso (standardin IEC 62841-4-4 liitteen I mukaisesti)	Vibrasjonsnivå (iht. tillegg I i IEC 62841-4-4)	Уровень вибрации (в соответствии с Приложением I стандарта IEC 62841-4-4)	Poziom wibracji (zgodnie z aneksem I normy IEC 62841-4-4)
Takakädensija	Bakre håndtak	Задняя ручка	Tyłny uchwyt
Etukädensija	Fremre håndtak	Передняя ручка (280 mm / 330 mm)	Przedni uchwyt
Epätarkkuus	Usikkerhet	Погрешность	Niepewność pomiaru
Melutaso (standardin IEC 62841-4-4 liitteen I mukaisesti)	Støyutslipnivå (iht. tillegg I i IEC 62841-4-4)	Уровень шума (в соответствии с Приложением I стандарта IEC 62841-4-4)	Poziom emisji hałasu (zgodnie z aneksem I normy IEC 62841-4-4)
A-painotettu käyttäjään kohdistuva äänenpainetaso	A-vektet lydtrykk ved operatørposisjon	Амплитудно-взвешенный уровень звукового давления на рабочем месте оператора	Poziom ważonego ciśnienia akustycznego w pozycji operatora
Epätarkkuus	Usikkerhet	Погрешность	Niepewność pomiaru
A-painotettu äänenteho	A-vektet lydteffektivå	Уровень А-взвешенной звуковой мощности	A-ważony poziom mocy akustycznej
Epätarkkuus	Usikkerhet	Погрешность	Niepewność pomiaru
$L_{WA} + K_{WA}$	$L_{WA} + K_{WA}$	$L_{WA} + K_{WA}$	$L_{WA} + K_{WA}$
Paino (ilman akkua)	Vekt (uten batteri)	Вес (без батарей)	Masa (bez akumulatora)

Akku ja laturi	Batteri og lader	Аккумуляторная батарея и зарядное устройство	Akumulator i ladowarka
Malli	Modell	Модель	Model
Akku	Batteri	Аккумулятор	Akumulator
Laturi	Lader	Зарядное устройство	Ladowarka
Yhteensopivat akut	Kompatible batteripakker	Совместимая аккумуляторная батарея	Pasujące akumulatory
Yhteensopiva laturi	Kompatibel lader	Совместимое зарядное устройство	Zgodna ladowarka

Varaosat	Erstatningsdeler	Запасные части	Części zamienne
Terät vaatimaan käyttöön	Kraftige blader	Лезвия повышенной прочности	Wytrzymałe noże
Täydellinen kela	Fullstendig spole	Катушка в сборе	Kompletna szpula
HUOMAUTUS: Kun tarvitset varaosia, käy paikallisissa toimipisteissä tai ota yhteyttä RYOBI-asiakaspalveluun.	MERK: Besøk den lokale spesialbestillingskranken eller ta kontakt med RYOBI kundeservice for reservedeler.	ПРИМЕЧАНИЕ: Для приобретения запасных деталей обращайтесь в региональную службу специальных заказов или в клиентскую службу RYOBI.	UWAGA: W celu uzyskania części zamiennych należy odwiedzić lokalny dział zamówień specjalnych lub skontaktować się z Działem Obsługi Klienta firmy RYOBI.





Čeština	Magyar	Română	Latviski		
Technické údaje produktu	Termék műszaki adatai	Specificațiile produsului	Produkta specifikācijas		
Akumulátorový strunový vyžinač podle požadavků na vyžinače trávníku s požadavky na obrubovač	Vezeték nélküli fűkasza a szegélynyíró fűnyíró előírásainak megfelelően	Mașină cu cap tăietor fără fir conformă cu cerințele stabilite pentru mașinile de tuns gazonul cu dispozitiv pentru margini	Akumulatoru auklas trimmeris saskaņā ar malu apgriezēja prasībām		
Model	Typus	Model	Modelis	RY18LT33B	RY18LT33A
Elektrické napětí	Feszültség	Tensiune	Spriegums	18 V d.c.	
Rychlost naprázdno	Üresjárati fordulatszám	Viteză fără sarcină	Tukšgaitas ātrums		
33 cm Řezací kapacita	33 cm Vágási teljesítmény	33 cm Lungimea de tăiere	33 cm Griešanas dziļums	7600/min	
28 cm Řezací kapacita	28 cm Vágási teljesítmény	28 cm Lungimea de tăiere	28 cm Griešanas dziļums	8500/min	
Řezací kapacita	Vágási teljesítmény	Lungimea de tăiere	Griešanas dziļums	33 cm, 28 cm	
Průměr záběru	Vágószál átmérő	Diametru fir de tăiere	Griezējvada diametrs	1,65 mm	
Řezací kapacita (Cepový nůž)	Vágási teljesítmény (Szárzúzó kés)	Lungimea de tăiere (Lamă de tip Imblăciu)	Griešanas dziļums (Apciršanas asmens)	22 cm	
Úroveň vibrací (v souladu s přílohou I normy IEC 62841-4-4)	Vibrációs szint (az IEC 62841-4-4 I függeléke szerint)	Nivel de vibrație (în conformitate cu Anexa I a IEC 62841-4-4)	Vibrācijas līmenis (saskaņā ar direktīvas IEC 62841-4-4 I pielikumu)		
Zadní rukojeť	Hátsó fogantyú	Mănerul principal	Aizmugurējais rokturis	$a_h = 2,3 \text{ m/s}^2$	
Přední rukojeť	Elűső fogantyú	Măner anterior	Priekšējais rokturis	$a_h = 1,2 \text{ m/s}^2$	
Nejistota	Bizonytalanság	Incertitudine	NeNOTEIKTĪBA	$K = 1,5 \text{ m/s}^2$	
Hladina emise hluku (v souladu s přílohou I normy IEC 62841-4-4)	Hangkibocsátási szint (az IEC 62841-4-4 I függeléke szerint)	Nivel emisie zgomot (în conformitate cu Anexa I a IEC 62841-4-4)	Trokšņu emisijas līmenis (saskaņā ar direktīvas IEC 62841-4-4 I pielikumu)		
Hladina akustického tlaku vážená funkcií A v poloze obsluhy	A-súlyozott hangnyomásszint a kezelő helyén	Valoare A nivel presiune zgomot la poziția operatorului	A-novērtējuma skaņas spiediena līmenis operatora darba vietā	$L_{pA} = 80,5 \text{ dB(A)}$	
Nejistota	Bizonytalanság	Incertitudine	NeNOTEIKTĪBA	$K_{pA} = 3,0 \text{ dB}$	
Hladina akustického výkonu vážená funkcií A	A-súlyozott hangteljesítményszint	Nivel de putere acustică ponderată A	A-līmeņa skaņas jaudas līmenis	$L_{WA} = 91,5 \text{ dB(A)}$	
Nejistota	Bizonytalanság	Incertitudine	NeNOTEIKTĪBA	$K_{WA} = 1,2 \text{ dB}$	
$L_{pA} + K_{pA}$	$L_{WA} + K_{WA}$	$L_{WA} + K_{WA}$	$L_{WA} + K_{WA}$	94 dB(A)	
Hmotnost (bez baterie)	Súly (akkumulátor nélkül)	Greutate (fără acumulator)	Svars (bez baterijas)	2,6 kg	

Nabíječka a baterie	Akkumulátor és töltő	Bateria și încărcătorul	Akumulators un lādētājs			
Model	Typus	Model	Modelis	RY18LT33A-140	RY18LT33B	RY18LT33A
Baterie	Akkumulátor	Acumulator	Akumulators	4,0	-	-
Nabíječka	Töltő	Încărcător	Lādētājs	RC18120	-	-
Kompatibilní akumulátory	Kompatibilis akkumulátorok	Acumulatori compatibili	Savietojami akumulatoru komplekti	RB18..		
Kompatibilní nabíječka	Kompatibilis töltő	Încărcător compatibil	Saderīgs lādētājs	BCL14.., BC-18.., BCL18.., RC18..		

Náhradní díly	Cserealkatrészek	Piese de schimb	Rezerves daļas		
Nože se zvýšenou odolností	Erős kések	Lame de capacitate mare	Īpaši izturīgie asmeņi	RAC155, RAC158,	
Úplná cívka	Tejjes orsó	Mosor complet	Spole komplektā	RAC125	
POZNÁMKA: Náhradní díly objednávejte přes místního dodavatele nebo se obraťte na oddělení zákaznických služeb RYOBI.	MEGJEGYZÉS: Cserealkatrészekért látogassa meg a helyi különleges rendelések pultot vagy lépjen kapcsolatba a RYOBI ügyfélszolgálatával.	NOTĂ: Vizitați reprezentanța dvs. locală de vânzări sau contactați Serviciul Asistență Clienți RYOBI pentru piese de schimb.	PIEZĪME: Rezerves daļas meklējiet jūsu vietējā īpašo pasūtījumu centrā vai sazinieties ar RYOBI Klientu apkalpošanas dienestu.		





Lietuviškai	Eesti	Hrvatski	Slovenščina	Slovenčina
Gaminio techninės savybės	Toote tehnilised andmed	Specifikacije proizvoda	Specifikacije izdelka	Špecifikácie produktu
Akumulatorinė vielinė žoliapjovė atitinka vejamovėms su vejos pakraščių karpytuvu taikomus reikalavimus	Lūhmetla jōhvtrimmer vastavalt koos servajaga murutrimmeri nõuetele	Akumulatorski trimer s reznom niti u skladu sa trimmerom za travnjak sa zahtjevima za šišače rubova travnjaka	Brezžična kosilnica za trato u skladu z zahtevami obrezovalnikov in kosilnic za robove	Akumulátorový vyžinač na trávu podľa požiadaviek na vyžinač trávnikov s obrubovačkou.
Modelis	Mudel	Model	Model	Modelis
Įtampa	Pinge	Napon	Napetost	Napätie
Greitis be apkrovimo	Tühikäigukirus	Brzina bez opterećenja	Hlitoost neobremenjenega motorja	Rýchlosť naprázdno
33 cm Pjovimo talpa	33 cm Lōikevōimsus	33 cm Kapaciteta rezanja	33 cm Kapaciteta rezanja	33 cm Kapacita rezania
28 cm Pjovimo talpa	28 cm Lōikevōimsus	28 cm Kapaciteta rezanja	28 cm Kapaciteta rezanja	28 cm Kapacita rezania
Pjovimo talpa	Lōikevōimsus	Kapaciteta rezanja	Kapaciteta rezanja	Kapacita rezania
Pjovimo linijos diametras	Trimmerijōhvi lābimōōt	Promjer flaksa	Premier rezalne nitke	Priemer rezného drōtu
Pjovimo talpa (Spragiliniai peiliai)	Lōikevōimsus (Koot-tūipi lōiketera)	Kapaciteta rezanja (Nož za ušitnjavanje)	Kapaciteta rezanja (Nihajno rezilo)	Kapacita rezania (Cepový nōž)
Vibracijos lygis (pagal IEC 62841-4-4 standarto I priedą)	Vibratsioontase (vastavalt standarti IEC 62841-4-4 lisale I)	Razina vibracija (u skladu s Dodatkom I IEC 62841-4-4)	Nivo vibracij (v skladu z dodatkom I standarda IEC 62841-4-4)	Ūroveň vibrācij (v sūlade s Dodatkom I v IEC 62841-4-4)
Galinė rankena	Tagumine kāepide	Stražnja ručica	Zadnji ročaj	Zadná rukoväť
Priekinė rankena	Eesmine kāepide	Prednja ručka	Sprednji ročaj	Predná rukoväť
Nepastovumas	Māāramatus	Neodređenost	Negotovost	Neurčitost
Skleidžiamo triukšmo lygis (pagal IEC 62841-4-4 standarto I priedą)	Vibratsioontase (vastavalt standarti IEC 62841-4-4 lisale I)	Razina emisija buke (u skladu s Dodatkom I IEC 62841-4-4)	Raven emisij hrupa (v skladu z dodatkom I standarda IEC 62841-4-4)	Ūroveň emisij hluku (v sūlade s Dodatkom I v IEC 62841-4-4)
A dažninės charakteristikos garso slėgio lygis operatoriaus vietoje	A-kaalutud helirōhu tase operatori tōōkohal	A-ponderirana razina zvučnog tlaka u položaju operatera	A-vrednotena raven zvočnega tlaka na položaju upravljavca	Vāženā A hladina akustického tlaku na poziciji operātora
Nepastovumas	Māāramatus	Neodređenost	Negotovost	Neurčitost
A-svertinis akustinis lygis	A-kaalutud helivōimsuse tase	Ponderirana razina zvučne snage	A-izmerjena raven zvočne moči	Vāženā A hladina akustického výkonu
Nepastovumas	Māāramatus	Neodređenost	Negotovost	Neurčitost
$L_{\text{wak}} + K_{\text{wak}}$	$L_{\text{wak}} + K_{\text{wak}}$	$L_{\text{wak}} + K_{\text{wak}}$	$L_{\text{wak}} + K_{\text{wak}}$	$L_{\text{wak}} + K_{\text{wak}}$
Svoris (be akumulatorinės baterijos)	Kaal (ilma akuta)	Težina (bez baterije)	Teža (brez baterije)	Hmotnosť (bez akumulátora)

Akumulatorius ir įkroviklis	Aku ja laadija	Baterija i punjač	Baterija in polnilnik	Akumulátor a nabijačka
Modelis	Mudel	Model	Model	Modelis
Baterija	Aku paketiga	Baterija	Akumulator	Batéria
Įkroviklis	Laadija	Punjač	Polniliec	Nabijačka
Suderinami baterijos paketai	Ūhilduvad akupaketid	Kompatibilna pakiranja baterija	Združljive baterije	Kompatibilné jednotky akumulátorov
Suderinamas įkroviklis	Ūhilduv laadija	Kompatibilni punjači	Združljiv polniliec	Kompatibilná nabijačka

Atsarginės detalės	Asendusosad	Zamjena dijelova	Nadomestni deli	Náhradné diely
Tvirti peiliai	Vastupidavad lōiketerad	Noževi za teške radne uvjete	Močna rezila	Čepele na vysoké zaťaženie
Pilna ritė	Komplektnė pool	Cijela špula	Celotna tuljava	Kompletná cievka
PASTABA: Jei prireiktų keičiamųjų dalių, nuvykite į vietos specialiuųjų užsakymų biurą arba kreipkitės į RYOBI klientų aptarnavimo tarnybą.	MĀRKUS: Varuosade tellimiseks pōōrduge kohalik u tellimispunkti poole vōi vōtke ūhendust RYOBI klientiteenidusega.	NAPOMENA: Posjetite vaš lokalni ured za posebne narudžbe ili kontaktirajte RYOBI korisničku službu za zamjenske dijelove.	OPOMBA: Za nadomestne dele se obrnite na lokalno poslovalnico za posebna naročila ali službo za storitve za stranke RYOBI.	POZNĀMKA: Ak potrebujete náhradné diely, navštivte miestne oddelenie pre špeciálne objednávky alebo sa obráťte na zákaznicky servis RYOBI.



България	українська	Türkçe	Ελληνικά		
Τεχνικές характеристики	Τεχνικές характеристики пристрою	Ürün teknik özellikleri	Προδιαγραφές προϊόντος		
Безжичен тример с корда в съответствие с изискванията за тример за ръбове	Бездотовий тример відповідно до вимог для тримерів для газонів з кромокю	Kenar budama makinesi çim biçme makinesi gereksinimlerine göre kabloşuz ot biçme makinesi	Ασύρματη μερσινέζα σύμφωνα με τις απαιτήσεις κορευτικού γκαζόν με ακροκόφη.		
Μοδελ	Μοδελ	Model	Μοντέλο	RY18LT33B	RY18LT33A
Ναπρעהие	Напруга	Voltaj	Ηλεκτρική τάση	18 V d.c.	
Скорост в ненатоварен режим	Швидкість без навантаження	Yüksüz hız	Ταχύτητα χωρίς φορτίο		
33 cm Капацитет на рязане	33 cm Ріжуча здатність	33 cm Kesme Kapasitesi	33 cm Δυνατότητα κοπής	7600/min	
28 cm Капацитет на рязане	28 cm Ріжуча здатність	28 cm Kesme Kapasitesi	28 cm Δυνατότητα κοπής	8500/min	
Капацитет на рязане	Ріжуча здатність	Kesme Kapasitesi	Δυνατότητα κοπής	33 cm, 28 cm	
Диаметър на режешото влакно	Диаметр волосіні	Kesme hattı çapı	Διάμετρος πειονισа κοπής	1,65 mm	
Капацитет на рязане (Острие за вършеене)	Ріжуча здатність (Відкидне лезо)	Kesme Kapasitesi (Parçalama bıçağı)	Δυνατότητα κοπής (κινούμενη λεπίδα)	22 cm	
Ниво на вибрациите (в съответствие с приложение I на IEC 62841-4-4)	Рівень вібрації (відповідно до IEC 62841-4-4 додаток I)	Titreşim seviyesi (IEC 62841-4-4, Ek I uyarınca)	Επίπεδα κραδασμών (σύμφωνα με το πρότυπο IEC 62841-4-4 Παράρτημα I)		
Задна ръкохватка	Задня ручка	Arka kulp	Πίσω λαβή	$a_{rh} = 2,3 \text{ m/s}^2$	
Предна ръкохватка	Передня ручка	Ön kulp	Μπροσινή λαβή	$a_{rh} = 1,2 \text{ m/s}^2$	
Променливост	Ποхибка	Belirsiz	Αβεβαιότητα	$K = 1,5 \text{ m/s}^2$	
Ниво на шумовите емисии (в съответствие с приложение I на IEC 62841-4-4)	Рівень шуму (відповідно до IEC 62841-4-4 Annex I)	Gürültü emisyon seviyesi (IEC 62841-4-4 Ek I uyarınca)	Επίπεδο εκπομπής θορύβου (σύμφωνα με την IEC 62841-4-4 Annex I)		
Ниво на шумово налягане с равнище А на мястото на оператора	Рівень звукового тиску за шкалою А для оператора пристрою	Kullanıcı pozisyonundaki A ağırlıklı ses basıncı seviyesi	Στάθμη ηχητικής πίεσης με στάθμηση Α στη θέση του χειριστή	$L_{pA} = 80,5 \text{ dB(A)}$	
Променливост	Ποхибка	Belirsiz	Αβεβαιότητα	$K_{pA} = 3,0 \text{ dB}$	
Ниво на силата на шума с равнище А	А-зважений рівень звукової потужності	A ağırlıklı ses gücü seviyesi	Επίπεδο ηχητικής ισχύος με στάθμηση Α	$L_{WA} = 91,5 \text{ dB(A)}$	
Променливост	Ποхибка	Belirsiz	Αβεβαιότητα	$K_{WA} = 1,2 \text{ dB}$	
$L_{pA} + K_{pA}$	$L_{WA} + K_{WA}$	$L_{WA} + K_{WA}$	$L_{WA} + K_{WA}$	94 dB(A)	
Тегло (без батерията)	Βαга (без акумулатора)	Ağırlık (batarya hariç)	Βάρος χωρίς τη μπαταρία	2,6 kg	

Батерия и зарядно устройство	Акумулатор і зарядний пристрій	Pil ve şarj cihazı	Μπαταρία και φορτιστής			
Μοδελ	Μοδελ	Model	Μοντέλο	RY18LT33A-140	RY18LT33B	RY18LT33A
Батерия	Акумулаторна батарея	Pil	Πακέτο μπαταριών	4,0	-	-
Зарядно устройство	Зарядний пристрій	Şarj cihazı	Φορτιστής	RC18120	-	-
Съвместими батерии	Сумісні акумулаторні блоки	Uyumlu pil takımları	Συμβατά пакέτα μπαταρίας	RB18..		
Съвместимо зарядно устройство	Сумісний зарядний пристрій	Uyumlu şarj cihazı	Συμβατοί φορτιστές	BCL14.., BC-18.., BCL18.., RC18..		

Забелешка	Забелешка	Забелешка	Забелешка			
Здравни остриета	Надміцні леза	Ağır iş türü bıçaklar	Λεπίδες βαριάς χρήσης	RAC155, RAC158,		
Οкомплектована ролка	Повна котушка	Tam daire	Πλήρες καρούλι	RAC125		
ЗАБЕΛΕЖКА: За поръчка на резервни части посетете местното бюро за специални поръчки или се свържете с центъра за обслужване на клиенти на RYOBI.	ПРИМІТКА: Завітайте до місцевої служби замовлень або зверніться до служби підтримки клієнтів RYOBI, щодо отримання запасних частин.	NOT: Yedek parçalar için özel sipariş masanızı ziyaret edin veya RYOBI Müşteri Hizmetleri ile iletişime geçin.	ΣΗΜΕΙΩΣΗ: Επισκεφτείτε το τοπικό γραφείο ειδικών παραγγελιών ή επικοινωνήστε με το τμήμα εξυπηρέτησης πελατών της RYOBI για ανταλλακτικά.			

EN

⚠ WARNING

The declared vibration total values and the declared noise emission values given in this instruction manual have been measured in accordance with a standardised test and may be used to compare one tool with another. They may be used for a preliminary assessment of exposure.

The declared vibration and noise emission values represent the main applications of the tool. However, if the tool is used for different applications, used with different accessories, or poorly maintained, the vibration and noise emission may differ. These conditions may significantly increase the exposure levels over the total working period. An estimation of the level of exposure to vibration and noise should take into account the times when the tool is turned off or when it is running idle. These conditions may significantly reduce the exposure level over the total working period.

Identify additional safety measures to protect the operator from the effects of vibration and noise, such as maintaining the tool and the accessories, keeping the hands warm (in case of vibration), and organising work patterns.

FR

⚠ AVERTISSEMENT

Le niveau total de vibrations et le niveau total d'émissions sonores déclarés indiqués dans ce manuel d'instruction ont été mesurés selon une méthode de test normalisée et peut servir de référence pour comparer les outils entre eux. Ils peuvent servir d'évaluation préliminaire à l'exposition.

Les niveaux d'émissions sonores et de vibrations déclarés représentent les principales applications de l'outil. Toutefois, si l'outil est utilisé pour des applications différentes ou des accessoires différents, ou s'il est mal entretenu, les vibrations émises peuvent varier. Ces facteurs pourraient augmenter considérablement les niveaux d'exposition sur la durée totale d'utilisation. Une estimation du niveau d'exposition aux vibrations et du bruit doit aussi prendre en compte les périodes durant lesquelles l'outil est éteint ou lorsqu'il fonctionne à vide. Ces facteurs pourraient réduire considérablement le niveau d'exposition sur la durée totale d'utilisation.

Identifiez toute mesure de sécurité supplémentaire à observer pour protéger l'opérateur des effets des vibrations et du bruit, comme l'entretien de l'outil et des accessoires, le maintien au chaud des mains (en cas de vibrations), et l'élaboration de schémas de pulvérisation.

DE

⚠ WARNING

Die in dieser Anleitung deklarierten Gesamtwerte der Schwingungsemission und die deklarierten Werte der Geräuschemission wurden gemäß einer standardisierten Testmethode gemessen und können verwendet werden, um Werkzeuge miteinander zu vergleichen. Sie können für eine vorläufige Beurteilung der Belastung verwendet werden.

Die deklarierten Werte für Schwingungs- und Geräuschemission treffen auf die Hauptanwendung des Werkzeugs zu. Wenn jedoch das Werkzeug für verschiedene Anwendungen oder mit unterschiedlichem Zubehör genutzt wird oder schlecht gewartet ist, kann die Schwingungs- und Geräuschemission variieren. Diese Bedingungen können das Belastungsniveau über die gesamte Arbeitszeit deutlich steigern. Eine Schätzung der Schwingungsbelastung sollte auch die Zeiten berücksichtigen, in denen das Werkzeug ausgeschaltet ist oder im Leerlauf läuft. Diese Bedingungen können das Belastungsniveau über die gesamte Arbeitszeit deutlich reduzieren.

Legen Sie zusätzliche Sicherheitsmaßnahmen fest, um den Bediener vor den Auswirkungen von Schwingung und Geräuschen zu schützen, z. B. Warten des Geräts und der Zubehörteile, Warmhalten der Hände (bei Schwingung) und Organisieren der Tätigkeit.

ES

⚠ ADVERTENCIA

Los valores totales de emisión de vibración declarados y los valores de emisiones de ruido declarados que se indican en este manual de instrucciones se han calculado según lo establecido en una prueba estandarizada y se pueden utilizar para comparar una herramienta con otra. Se pueden utilizar para una evaluación preliminar de exposición.

Los valores declarados de emisión de vibración y ruido representan las aplicaciones principales de la herramienta. No obstante, si la herramienta se utiliza para diferentes aplicaciones, con distintos accesorios o con un mantenimiento deficiente, la emisión de vibración y ruido podría diferir. Estas condiciones podrían aumentar significativamente los niveles de exposición sobre el periodo de funcionamiento total. Una estimación del nivel de exposición a la vibración y el ruido debería también tenerse en cuenta cuando la herramienta está apagada o cuando funciona a baja intensidad. Estas condiciones podrían reducir significativamente el nivel de exposición sobre el periodo de funcionamiento total.

Identifique cualquier medida de protección adicional para proteger al operario de los efectos de la vibración y el ruido, como el mantenimiento de la herramienta y los accesorios, mantener las manos calientes (en caso de vibración) y la organización de los patrones de trabajo.

IT

⚠ AVVERTENZE

Il livello di emissioni di vibrazioni riportato in questa scheda informativa è stato misurato con un metodo di prova standardizzato ed è utilizzabile per confrontare gli utensili fra di loro. Questi possono essere usati per una valutazione preliminare dell'esposizione.

I valori di emissione di rumori e vibrazioni rappresentano le principali applicazioni dello strumento. Tuttavia, se l'utensile viene utilizzato in applicazioni differenti, con differenti accessori o con scarsa manutenzione, l'emissione di vibrazioni e rumori può essere diversa. Queste condizioni possono significativamente aumentare il livello di esposizione nel periodo di lavoro totale. Una stima del livello di esposizione alle vibrazioni e ai rumori va presa in considerazione anche quando l'utensile viene spento oppure è in funzione a folle. Queste condizioni possono significativamente ridurre il livello di esposizione nel periodo di lavoro totale.

Identificare le misure di sicurezza aggiuntive per proteggere l'operatore dagli effetti di vibrazioni e rumori, come la manutenzione di strumento e accessori, mantenendo le mani calde (in caso di vibrazione) e le modalità di lavoro.

NL

⚠ WAARSCHUWING

Het gespecificeerde totale trillingswaarden en geluidsemissiewaarden in deze instructiehandleiding zijn gemeten overeenkomstig een gestandaardiseerde test en kunnen worden gebruikt om gereedschappen met elkaar te vergelijken. Ze kunnen worden gebruikt voor een voorafgaande beoordeling van blootstelling.

De gespecificeerde trillings- en geluidsemissiewaarden vertegenwoordigen de belangrijkste toepassingen van het gereedschap. Als het gereedschap echter voor andere toepassingen of met andere accessoires wordt gebruikt slecht wordt onderhouden, kunnen de trillings- en geluidsemissiewaarden afwijken. Deze omstandigheden kunnen het blootstellingsniveau over de gehele gebruiksperiode aanzienlijk verhogen. Een schatting van het niveau van blootstelling aan trillingen en geluid dient ook rekening te houden met de perioden dat het gereedschap is uitgeschakeld of is ingeschakeld maar niet wordt gebruikt. Deze omstandigheden kunnen de blootstellingsniveaus over de gehele gebruiksperiode aanzienlijk verhogen.

Stel aanvullende veiligheidsmaatregelen vast om de gebruiker te beschermen tegen de effecten van trillingen en geluid, zoals onderhoud van het gereedschap en de accessoires, het warm houden van de handen (in geval van trillingen) en het organiseren van werkpatronen.

PT

⚠ AVISO

Os valores de vibração totais declarados e o nível de emissão de ruído dado nesta ficha de informações foi medido de acordo com um teste normalizado e pode ser utilizado para fazer comparações entre ferramentas. Podem ser utilizados para uma avaliação preliminar da exposição.

O nível declarado de emissão de vibrações e ruído representa as aplicações principais da ferramenta. Contudo, se a ferramenta for utilizada para várias aplicações, com diferentes acessórios ou se receber manutenção insuficiente, a emissão de vibrações e ruído pode ser diferente. Estas condições podem aumentar significativamente o nível de exposição ao longo do período total de trabalho. Uma estimativa do nível de exposição às vibrações e ruído deverá também levar em conta os tempos que a ferramenta está desligada ou que está a funcionar mas sem estar a ser utilizada para trabalho. Estas condições podem reduzir significativamente o nível de exposição ao longo do período total de trabalho.

Identifique medidas de segurança adicionais para proteger o operador dos efeitos da vibração e ruído, tal como a manutenção da ferramenta e dos acessórios, manter as mãos quentes (em caso de vibração) e organizar padrões de trabalho.

DA

⚠ ADVARSEL

Vibrations- og støjemissionsværdierne, der er angivet i denne vejledning er målt i overensstemmelse med en standardiseret test og kan bruges til at sammenligne et værktøj med et andet. De kan bruges til en foreløbig vurdering af udsættelse.

De angivne vibrations- og støjemissionsværdier repræsenterer værktøjets hovedanvendelser. Hvis værktøjet midlertidigt anvendes til andre formål med forskellig tilbehør eller er dårligt vedligeholdt, kan vibrations- og lydmissionen afvige. Disse forhold kan i væsentlig grad forøge udsættelsesniveauet over den samlede arbejdsperiode. Et overslag over udsættelsesniveauet for vibrationer og støj bør også tage højde for de gange, hvor værktøjet er slukket, eller når det kører i tomgang. Disse forhold kan i betragteligt omfang reducere udsættelsesniveauet over den samlede arbejdsperiode.

Find yderligere sikkerhedsforanstaltninger, der kan beskytte operatøren mod virkningerne af vibrationer og støj, såsom vedligeholdelse af værktøjet og tilbehøret, holde hænderne varme (i tilfælde af vibrationer) og organisering af arbejdsmonster.

SV

VARNING

De angivna totala vibrations- och bulleremissionsvärdena som anges i denna instruktionsmanual har uppmätts i enlighet med ett standardiserat test och kan användas för att jämföra olika verktyg. De kan användas för en preliminär bedömning av exponering.

De angivna vibrations- och bulleremissionsvärdena representerar verktygets huvudsakliga användningsområden. Om verktyget emellertid används i andra tillämpningar, med andra tillbehör eller underhålls bristfälligt, kan vibrationer och bulleremission skilja sig från de angivna. Dessa förhållanden kan öka exponeringsnivåerna under den totala arbetsperioden avsevärt. En uppskattning av exponeringsnivån för vibrationer och buller bör även ta med i beräkningen de tider då verktyget är avstängt eller när det är igång men inte används i arbete. Dessa förhållanden kan minska exponeringsnivån under den totala arbetsperioden avsevärt.

Identifiera ytterligare säkerhetsåtgärder för att skydda operatören från effekterna av vibrationer och buller, såsom att underhålla verktyget och tillbehören, hålla händerna varma (i händelse av vibrationer) och organisera arbetsmönster.

FI

VAROITUS

Tässä ohjekäsikirjassa tänäkin annettu kokonaisarvo ja ilmoitettu melupäästöarvo on mitattu standardoiduin kokein mukaisesti, ja niitä voidaan käyttää työkalujen vertaamiseen toisiinsa. Niitä voidaan käyttää alitustuksen alustavaan arvioimiseen.

Ilmoitetut värähdys- ja melupäästöarvot koskevat työkalun pääkäyttötarkoituksia. Värähdyspäästö voi kuitenkin vaihdella, jos työkalua käytetään eri käyttötarkoituksiin, eri tarvikkeilla tai huonosti huollettuina. Mainitut olosuhteet saattavat nostaa alitustustasoa huomattavasti kokonaistyöajaksi aikana. Värähdys- ja melun alitustustason arviointi tulisi ottaa huomioon myös silloin, kun työkalu on kytetty pois päältä tai kun se on käynnissä, mutta sitä ei varsinaisesti käytetä. Mainitut olosuhteet saattavat vähentää huomattavasti alitustustasoa kokonaistyöajaksi aikana.

Lisävaroitimenpiireillä, kuten työkalun ja lisävarusteiden huoltamisella, käsien lämpimänä pitämisellä (värähdys tapauksessa) ja työmallien järjestämisellä, voit suojella käyttäjä värähdystä ja melulta.

NO

ADVARSEL

De erklærte totale vibrasjonsverdiene og de erklærte støytstøttsverdiene gitt i denne brukerhåndboken har blitt målt i samsvar med en standardisert test og kan brukes til å sammenligne ett verktøy med ett annet. De kan brukes for en preliminær vurdering av eksponering.

De opplyste vibrasjons- og støytstøttsverdiene representerer verktøyets hovedbruksområder. Men hvis verktøyet brukes til ulike bruksområder, brukes med ulike tilbehør eller vedlikeholdet er dårlig, kan vibrasjons- og støytstøttsverdiene forskjellig. Disse forholdene kan øke eksponeringsnivået betraktelig i løpet av hele arbeidsperioden. En vurdering av eksponeringsnivået for vibrasjon og støyt skal ta hensyn til de gangene verktøyet er slått av eller går på tomgang. Disse forholdene kan betydelig redusere eksponeringsnivået over den totale arbeidsperioden.

Identifiser ytterligere sikkerhetstiltak for å beskytte operatøren mot virkningen av vibrasjon og støyt, slik som å vedlikeholde verktøyet og tilbehøret, holde hendene varme (i tilfelle vibrasjon) eller organisere arbeidsmønstre.

RU

ОСТОЖО

Заявленные данные о совокупном уровне вибрационного и шумового воздействия, указанные в настоящем руководстве, получены в ходе стандартизированных исследований и могут использоваться для сравнения инструментов. Могут применяться в рамках предварительной оценки степени воздействия.

Заявленный уровень вибрационного и шумового воздействия учитывает основные области применения инструмента. При этом, если инструмент используется иным образом, с другим оборудованием либо некачественно обслуживается, степень вибрационного и шумового воздействия может отличаться. В рамках всего периода эксплуатации эти условия могут способствовать значительному повышению уровня воздействия. Расчет уровня вибрационного и шумового воздействия должен также проводиться с учетом количества выключений инструмента и продолжительности работы на холостом ходу. В рамках всего периода эксплуатации эти условия могут способствовать значительному снижению уровня воздействия.

Обеспечьте дополнительные меры защиты оператора от воздействия вибрации и шума, например, техническое обслуживание инструмента и принадлежности, поддержание температуры рук (в случае вибрации) и организации графика работ.

PL

OSTRZEŻENIE

Podany w niniejszej instrukcji łączny poziom emisji wibracji zmierzono zgodnie ze znormalizowaną metodą testowania — może on być wykorzystywany do wzajemnego porównywania narzędzi. Można go wykorzystywać do wstępnej oceny narażenia.

Deklarowany poziom emisji wibracji i hałasu odpowiada głównym zastosowaniom narzędzia. Jeżeli jednak narzędzie będzie używane do innych zastosowań lub z innymi akcesoriami, bądź też jeśli będzie niewłaściwie konserwowane, poziom emisji wibracji i hałasu może się różnić. Warunki takie mogą doprowadzić do znaczącego wzrostu poziomu narażenia w całym okresie eksploatacji. Oszacowanie poziomu narażenia na wibracje i hałas powinno również uwzględniać okresy, w których narzędzie jest wyłączone bądź działa, ale nie jest wykorzystywane do pracy. Warunki takie mogą doprowadzić do znaczącego ograniczenia poziomu narażenia w całym okresie eksploatacji.

Należy zidentyfikować dodatkowe środki bezpieczeństwa mające na celu ochronę operatora przed skutkami wibracji i hałasu, takie jak konserwacja narzędzia i akcesoriów, utrzymywanie ciepła dłoni (w przypadku wibracji) oraz organizacja pracy.

CS

VAROVÁNÍ

Deklarované celkové hodnoty vibrací a deklarované hodnoty hlučnosti uvedené v tomto návodu byly změněny standardizovanou zkušební metodou a mohou být použity k porovnání jednoho mlohače s druhým. Mohou být použity k předběžnému posouzení vystavení vibracím a hluku.

Deklarované hodnoty vibrací a hlučnosti jsou vymezeny hlavními způsoby použití tohoto mlohače. Pokud je však mlohač použit jiným způsobem, s jiným příslušenstvím nebo při nedostatečné údržbě, úroveň vibrací a hluku se mohou lišit. Tyto podmínky mohou podstatně zvýšit úroveň vystavení vibracím a hluku za celou pracovní dobu. Při odhadu úrovně vystavení vibracím a hluku je nutné vzít v úvahu také dobu, kdy je mlohač vypnut nebo běží naprázdno. Tyto podmínky mohou podstatně snížit úroveň vystavení vibracím a hluku za celou pracovní dobu.

K ochraně obsluhy před účinky vibrací a hluku určete další bezpečnostní opatření, například provádění údržby mlohače a příslušenství, udržování rukou v teple (v případě vibrací) a organizování pracovních cyklů.

HU

FIGYELMEZTÉS

A jelen használati kézikönyvben közölt rezgés- és zajkibocsátási értékek szabványosított vizsgálat segítségével mérték, amelynek segítségével az eszközök egymással összehasonlíthatók. Ezek alkalmazhatók a kitétség előzetes felmérésére is.

A megadott rezgés-kibocsátási és zajkibocsátási szint az eszköz fő alkalmazásait jelöli. Azonban ha az eszköz nem megfelelően tartású karban, különböző alkalmazásokra vagy eltérő tartozékokkal használják, akkor a rezgés- és zajkibocsátás változhat. Ezek a beavatkozások jelentősen növelhetik a kitétségi szintet a teljes működési időtartam során. A rezgésnek és zajnak való kitétségi szint becslést értékeléskor is figyelembe kell venni, amikor az eszköz ki van kapcsolva, vagy amikor csak tétlenül jár. Ezek jelentősen csökkenthetik a kitétségi szintet a teljes működési időtartam során.

A kezelő rezgés- és zajártalom elleni védelméhez tegyen meg további biztonsági intézkedéseket, mint pl. az eszköz és alkatrészei karbantartása, a kéz melegen tartása (rezgés esetén) és a munkavégzési folyamat megszervezése.

RO

AVERTISMENT

Nivelul total al vibrațiilor și valorile emisiilor de zgomot declarate în acest manual cu instrucțiuni au fost măsurate în conformitate cu o metodă de testare standardizată și pot fi utile pentru compararea uneltelor între ele. Acestea pot fi utilizate pentru evaluarea preliminară a expunerii.

Valorile emisiilor de vibrație și de zgomot declarate sunt relevante pentru domeniul de utilizare al acesteia unelte. Totuși, dacă uneltea este utilizată în alte scopuri, cu alte accesorii sau este întreținută necorespunzător, nivelul vibrațiilor și al zgomotului poate fi diferit. În acest caz, nivelul de expunere total, pe parcursul întregii perioade de lucru, poate crește. O estimare a nivelului de expunere la vibrații și zgomot trebuie să țină cont și de numărul de porniri-oprire, precum și de perioada în care uneltea este oprită sau funcționează în gol. În acest caz, nivelul de expunere total, pe parcursul întregii perioade de lucru, poate fi mai mic.

Identificați măsuri de protecție suplimentare pentru protecția operatorului contra efectelor vibrațiilor și zgomotului, precum întreținerea uneltei și a accesoriilor, menținerea mâinilor calde (în caz de vibrație) și organizarea de perioade de lucru.

LV

BRĪDINĀJUMS

Deklarētie kopējie vibrāciju līmeņi un deklarētie trokšņu izstarošanas līmeņi, kas norādīti šajā instrukcijā ir mēriti saskaņā ar standartizētiem testiem, un var tikt izmantoti viena instrumenta salīdzināšanai ar citu. Tos var izmantot sākotnējai ietekmes novērtēšanai.

Deklarētie vibrāciju un trokšņu veidošanās vērtības apspoguļots galvenajam instrumenta pielietojumam. Tomēr, ja instruments tiek izmantots citām pielietojumiem, izmantots ar citiem aksesuāriem, vai netiek pienācīgi kopēti, vibrāciju un trokšņu līmeņis var atšķirties. Šie apstākļi var būtiski palielināt ietekmes līmeņi visā darba laikā. Vibrāciju un trokšņu iedarbības līmeņa noteikšanai jāņem vērā arī laika posmi, kad instruments ir izslēgts, vai arī darbosjas tukšgājā. Šie apstākļi var būtiski samazināt ietekmes līmeņi visā darba laikā.

Nosakiet papildu drošības pasākumus, lai aizsargātu lietotāju no vibrācijas un trokšņu ietekmes, piemēram, veicot instrumenta un aprīkojuma apkopes, roku uzturēšana siltumā (vibrāciju gadījumā), vai organizējot darba grafiku.

LT

ĮSPĖJIMAS

Šioje naudojimo instrukcijoje nurodytos keliamos vibracijos vertės nustatytos atsižvelgiant į standartinį bandymo metodą, todėl jas galima palyginti su kitų elektrinių įrankių keliamo vibracija. Jos taip pat gali būti naudojamos preliminariam vibracijos poveikiui įvertinti.

Deklaruojamos vibracijos ir skleidžiamo triukšmo vertės atspindi pagrindinius įrenginio taikymo būdus. Tačiau, jei šiuo įrenginiu atliekami kiti darbai, naudojant kitus priedus arba prastai prižiūrimus priedus, keliamos vibracijos ir triukšmo vertės gali skirtis. Šiomis sąlygomis gali žymiai padidėti vibracijos poveikio lygiai per visą darbo laiką. Vertinant vibracijos ir triukšmo poveikio lygį per tam tikrą darbo laikotarpį, reikia atsižvelgti ne tik į laiką, kai įrenginys veikia, bet ir į tą laiką, kai įrenginys yra išjungtas, ir į laiką, kai jis veikia tuščiajais eiga be apkrovos. Šiomis sąlygomis gali žymiai sumažėti vibracijos poveikio lygis per visą darbo laiką.

Nustatykite papildomas saugos priemones, skirtas operatoriui apsaugoti nuo vibracijos ir triukšmo poveikio, pvz., techniškai prižiūrėkite įrenginį ir priedus, laikykite rankas šiltai (vibracijos atveju) ir organizuokite darbo pamainas.

ET

HOIATUS

Kāesleavas juhendis toodud vibratsioontase ja deklareeritud müramissiooni väärtused on mõeldud standardmeetodi järgi ja seda saab kasutada tööriistade omavaheliseks võrdlemiseks. Neid võib kasutada ka emissiooni esialgseks hindamiseks.

Deklareeritud vibratsiooni ja müramissiooni väärtused kehtivad tööriista peamistele rakendustele. Kui aga tööriista kasutatakse muudeks töödeks, rakendatakse teisi tehnikaid või kui tööriista hooalus pole piisav, võib vibratsiooni ja müramissiooni tase kõrguda. Need tingimused võivad emissiooni tööperioodi jooksul tunduvalt suurendada. Vibratsiooni ja müramissiooni täpseks hindamiseks tuleb arvesse võtta ka aega, mil seade on väljas lülitatud või sisse lülitatud, kuid tegelikult tööde rakendamata. Need tingimused võivad emissiooni tööperioodi jooksul tunduvalt vähendada.

Tehke kindlaks läidvadad ohutusmeetmed kasutaja kaitsemise vibratsiooni ja müra mõju eest: näiteks tööriista ja liseseadmete hooldamine, kätte soojas hoidmine (vibratsiooni korral) ja töökorraldus.

HR

UPOZORJE

Deklarirane ukupne vrijednosti vibracija i deklarirane emisije buke navedene u ovom priručniku s uputama izmjerene su u skladu sa standardiziranim ispitnom metodom i mogu se koristiti za usporedbu jednog alata s drugim. Moguće ih je upotrijebiti za preliminarnu procjenu izlaganja.

Deklarirane vrijednosti razine emisije vibracija i buke predstavljaju glavne primjene alata. Međutim, ako se alat koristi za druge primjene, koristeći s različitim dodacima ili ako se loše održava, emisija vibracija i buke se može razlikovati od navedene vrijednosti. Ti uvjeti mogu uzrokovati značajno povećanje razine izloženosti u ukupnom vremenu rada alatom. Procjena razine izloženosti vibracijama i buci također bi trebala uzeti u obzir i vrijeme u kojem je alat isključen ili radi u ukupnom roku. Ti uvjeti mogu uzrokovati značajno smanjenje razine izloženosti u ukupnom vremenu rada alatom.

Utvrdite dodatne sigurnosne mjere za zaštitu rukovatelja od djelovanja vibracija i buke, kao što su održavanje alata i pribora, održavanje topline ruku (u slučaju vibracija) i organiziranje radnog vremena.

SL

OPOZORILO

Skupni vrednosti emisij vibracij in emisij hrupa, navedeni v tem priručniku, sta bili izmerjeni v skladu z metodo standardiziranega preskusa in se lahko uporabljata za medsebojno primerjavo orodja. Uporabljajo se lahko za predhodno oceno stopnje izpostavljenosti.

Navedeni vrednosti emisij vibracij in hrupa veljata za glavne namene uporabe orodja. Vendar, če se orodje uporablja v druge namene, z drugimi dodatki ali je slabo vzdrževano, sta lahko ravni emisij vibracij in hrupa drugačni. V teh pogojih se lahko stopnja izpostavljenosti v celotnem delovnem obdobju občutno zviša. V oceni stopnje izpostavljenosti vibracijam in hrupu je treba upoštevati tudi obdobja, v katerih je orodje ugasnjeno oziroma teče, vendar ni v dejanski uporabi. V teh pogojih se lahko stopnja izpostavljenosti v celotnem delovnem obdobju občutno zniža.

Ugotovite dodatne varnostne ukrepe za zaščito uporabnika pred učinki vibracij in hrupa, kot je vzdrževanje orodja in dodatkov, ohranjanje toplih rok (v primeru vibracij) in organizacija delovnih vzorcev.

SK

VAROVANIE

Deklarované celkové hodnoty vibrací a deklarované hodnoty emisii hluku uvedené v tomto návodu na obsluhu boli merané v súlade so štandardizovanou skúškou a môžu sa použiť na porovnanie jedného náradia s druhým. Môžu sa použiť na predbežné posúdenie expozície.

Deklarované hodnoty vibráci a emisii hluku sú pre hlavnú použitia náradia. No ak sa náradie používa na iné aplikácie, v spojení s inými príslušenstvami alebo je jeho údržba nepostačujúca, emisie vibráci a hluku sa môžu líšiť. Tieto podmienky značne zvýšia úroveň expozície počas celkovej pracovnej doby. Odhad úrovne expozície účinkom vibráci a hluku musí taktiež zohľadniť časy vypnutia náradia alebo ak beží na voľnobeh. Tieto podmienky môžu značne zmeniť expozíciu počas celkovej pracovnej doby.

Identifikujte ďalšie bezpečnostné opatrenia na ochranu obsluhu pred účinkami vibráci a hluku, ako je napríklad udržiavanie náradia a príslušenstva, udržiavanie teplých rúk (v prípade vibráci) a organizácia pracovných postupov.

BG

ВНИМАНИЕ

Декларираните общи стойности на излъчените вибрации и на шумовите емисии, посочени в настоящото ръководство, са измерени в съответствие със стандартизиран тестов метод и може да се използва за сравнение на един инструмент с друг. Те може да се използва за предварително оценяване на въздействието.

Декларираните стойности на излъчените вибрации и на шумовите емисии представляват основните приложения на инструмента. Въпреки това, ако инструментът се използва за различни приложения, с различни принадлежности или поддръжката му е некачествена, излъчените вибрации и шумовите емисии могат да се различават. Тези условия могат значително да увеличат нивото на излагане през целия срок на работа. При оценяване на нивото на излагане на вибрации и шум също трябва да се вземе предвид колко пъти инструментът е бил изключван или колко пъти е работил на празен ход. Тези условия могат значително да намалят нивото на излагане през целия срок на работа.

Определете допълнителни мерки за предпазване на оператора от ефектите от вибрациите и шума, като например поддържане на инструмента и аксесоарите, поддържане на ръцете топли (в случай на вибрации), организация на моделите за работа.

UK

ПОПЕРЕДЖЕННЯ

Значения вибрації та шуму, наведені в цьому керівництві, вимірювалися відповідно до стандартизованого методу виробництва та можуть бути використані для порівняння одного інструменту з іншим. Ними можна користуватися для попередньої оцінки впливу.

Наведені значення виміряно при стандартній експлуатації виробу. Утім якщо виріб використовується для інших цілей, з іншими додатковими пристосуваннями або ж не проходить належного обслуговування, рівні вібрації та шуму можуть відрізнятися від зазначених. Як наслідок, рівні впливу впродовж загального робочого часу можуть значно збільшитися. При оцінці рівнів впливу вібрації та шуму слід враховувати періоди, коли виріб вимкнений або працює на холостих обертах. Як наслідок, рівні впливу впродовж загального робочого часу можуть значно зменшитися.

Дотримуйтеся додаткових заходів, які можуть захистити оператора від впливу вібрації та шуму: підтримуйте пристрій та додаткові пристосування у належному стані, слідкуйте, щоби руки залишалися теплими (при вібрації), та продумайте графік роботи.

TR

UYARI

Bu kullanımla kilavuzunda verilen toplam titreşim değerleri ve gürültü emisyonları değerleri standartlaştırılmış bir teste göre ölçülmüştür ve bir alet diğerleriyle karşılaştırılmak için kullanılabılır. Maruz kalmanın önceden değerlendirilmesi için kullanılabılır.

Beyan edilen titreşim ve gürültü emisyonları değerleri aletin ana uygulaması için değildir. Ancak, alet farklı uygulamalar için kullanılıyorsa, farklı aksesuarlarla kullanılıyorsa ve bakımı yapılmıyorsa, titreşim ve gürültü emisyonu değışiklik gösterbilir. Bu koşullar toplam çalıřma süresi genelinde maruz kalma düzeylerini önemli oranda artırabilir. Titreşime ve gürültüye maruz kalma seviyesinin tahmininde aletin kapatıldığı veya boşta çalıřtığı süreler dikkate alınmalıdır. Bu koşullar toplam çalıřma süresi boyunca maruz kalma seviyesini önemli oranda azaltabilir.

Kullanılan kişiyi titreşim ve gürültüden etkilerinden korumak için aletin ve aksesuarların bakımını yapın, (titreşim halinde) elleri sıcak tutmak ve çalıřma modelleri organize etmek gibi ilave güvenlik önlemlerini benimseyin.

EL

Προειδοποίηση

Οι δηλωθείσες συνολικές τιμές κραδασμών και εκπομπών θορύβου που αναφέρονται σε αυτό το εγχειρίδιο οδήγουν στον μετρητέο σήμαφω να με τα τυποποιημένα μέθοδο δοκιμής και μπορούν να χρησιμοποιηθούν για τη σύγκριση εργαλείων μεταξύ τους. Μπορούν να χρησιμοποιηθούν για προκαταρκτική αξιολόγηση της έκθεσης.

Οι δηλωθείσες τιμές κραδασμών και εκπομπών θορύβου αφορούν ισχύουν για τις κύριες εφαρμογές του εργαλείου. Ωστόσο, εάν το εργαλείο χρησιμοποιείται για διαφορετικές εφαρμογές, με διαφορετικά εξαρτήματα ή δεν συντηρείται σωστά, οι τιμές κραδασμών και εκπομπών θορύβου μπορεί να διαφοροποιηθούν. Οι προϋποθέσεις αυτές μπορεί να αυξήσουν σημαντικά τα επίπεδα έκθεσης κατά τη διάρκεια της συνολικής περιόδου εργασίας. Οπότε πρέπει να ληφθεί υπόψη μια εκτίμηση της έκθεσης σε κραδασμούς και θόρυβο όταν το εργαλείο είναι απενεργοποιημένο ή όταν μεταβαίνει σε αδράνεια. Ο συνθήκες αυτές μπορεί να μειώσουν σημαντικά τα επίπεδα έκθεσης κατά τη διάρκεια της συνολικής περιόδου εργασίας.

Προσδιορίστε πρόσθετα μέτρα ασφαλείας για την προστασία του χειριστή από τις επιπτώσεις των κραδασμών και του θορύβου, όπως συντήρηση του εργαλείου και των εξαρτημάτων, διατήρηση των χεριών ζεστών, (σε περίπτωση κραδασμών) και οργάνωση σχεδίων εργασίας.

EN RYOBI WARRANTY APPLICATION CONDITIONS

In addition to any statutory rights resulting from the purchase, this product is covered by a warranty as stated below.

1. The warranty period is 24 months for consumers and commences on the date when the product was purchased. This date has to be documented by an invoice or other proof of purchase. The product is designed and dedicated to consumer and private use only. So there is no warranty provided in case of professional or commercial use. This warranty applies only on new products.
2. There is a possibility to extend for a part of the range of power tools (AC/DC) the warranty period over the period described above using the registration on the www.ryobitools.eu website. The eligibility of products for extended warranty is clearly displayed in stores and / or on packaging and is contained within the product documentation. The end user is required to register his/her newly-acquired products online within 30 days from the date of purchase. The end user may register for the extended warranty in his/her country of residence if listed on the online registration form where this option is valid. Furthermore, end users must give their consent to the storage of their personal data that is required to be entered online. They must also accept the terms and conditions. The registration confirmation receipt, which is sent out by e-mail, and the original invoice showing the date of purchase will serve as proof of the extended warranty.
3. The warranty covers all defects of the product during the warranty period due to faults in workmanship or material at the purchase date. The warranty is limited to repair and/or replacement and does not include any other obligations including but not limited to incidental or consequential damages. The warranty is not valid if the product has been misused, used contrary to the instruction manual, or has been incorrectly connected to a power supply. This warranty does not apply to:
 - any damage to the product that is the result of improper or lack of maintenance
 - any product that has been altered or modified
 - any product where original identification (trade mark, serial number) markings have been defaced, altered or removed
 - any damage caused by non-observance of the instruction manual
 - any product not displaying the CE approval mark on the rating plate
 - any product that has been attempted to be repaired by a non-authorized warranty service centre or without prior authorisation by Technronic Industries
 - any product connected to improper power supply (amps, voltage, frequency)
 - any product used with inappropriate fuel mixture (fuel, oil, ratio of oil/ fuel mixture)
 - any damage caused by external influences (water, chemical, physical, shocks) or foreign substances
 - normal wear and tear spare parts
 - inappropriate use, overloading of the tool
 - use of non-approved accessories or parts
 - Accessories provided with the tool or purchased separately including but not limited to blades, saw chains, cutting lines, etc.
 - Any periodic adjustments to or maintenance cleaning of carburetors
 - Components (parts and accessories) subject to natural wear and tear, including but not limited to bump knobs, drive belts, clutch, blades of hedge trimmers or lawn mowers, harness, cable throttle, carbon brushes, power cord, tines, felt washers, hitch pins, blower fans, blower and vacuum tubes, vacuum bag and straps, guide bars, saw chains, hoses, connector fittings, spray nozzles, wheels, spray wands, inner reels, outer spools, cutting lines, spark plugs, air filters, gas filters, mulching blades, etc.
4. For servicing, the product must be sent or presented to a RYOBI authorised service station listed for each country in the following list of service station addresses. In some countries your local RYOBI dealer undertakes to send the product to the RYOBI service organisation. When sending a product to a RYOBI service station, the product should be safely packed without any dangerous contents such as petrol, marked with sender's address and accompanied by a short description of the fault.
5. A repair / replacement under this warranty is free of charge. It does not constitute an extension or a new start of the warranty period. Exchanged parts or products become our property. In some countries delivery charges or postage will have to be paid by the sender. Your statutory rights arising from the purchase of the product remain unaffected.
6. This warranty is valid in the European Community, Switzerland, Iceland, Norway, Liechtenstein, Turkey, Russia, and the United Kingdom. Outside these areas, please contact your authorised RYOBI dealer to determine if another warranty applies.

AUTHORISED SERVICE CENTRE

Any request or issue with the product can be addressed to your local authorised service centres (visit www.ryobitools.eu) or directly to: Technronic Industries GmbH, Max Eyth Straße 10, 71364 Winnenden, Germany. Please state the serial number and product type printed on the label.

FR RYOBI CONDITIONS D'APPLICATION DE LA GARANTIE

En plus des droits statutaires liés à l'achat, ce produit est couvert par une garantie telle que décrite ci-dessous.

1. La durée de la garantie accordée au consommateur est de 24 mois à partir de la date d'achat. Cette date doit être authentifiée par une facture ou tout autre preuve d'achat. Le produit a été conçu en vue d'une utilisation strictement privée. Aucune garantie ne s'applique donc en cas d'utilisation professionnelle ou commerciale.
2. Il existe pour une partie de la gamme « jardin » (AC/DC), une possibilité d'étendre la période de garantie au-delà de la période précédemment décrite en utilisant le formulaire d'enregistrement présent sur le site Internet www.ryobitools.eu. L'éligibilité d'un outil est clairement affichée dans les points de vente et/ou sur l'emballage et la documentation. L'utilisateur final doit enregistrer son/ses outil(s) nouvellement acheté(s) en ligne dans les 30 jours qui suivent la date d'achat. L'utilisateur a la possibilité de s'enregistrer pour l'extension de garantie dans son pays de résidence si celui-ci est listé dans le formulaire d'enregistrement en ligne où cette option est valide. L'utilisateur final doit donner son consentement pour l'enregistrement des données requises pour accéder au site et doit accepter les termes et conditions. La confirmation d'enregistrement, envoyée par courrier électronique, ainsi que la facture originale mentionnant la date d'achat serviront de preuve de l'extension de garantie.
3. La garantie couvre pendant la période de garantie les défauts des produits liés à la fabrication et aux matériaux à la date d'achat. La garantie est limitée à la réparation et/ou au remplacement et n'inclut aucune autre obligation, tel que, mais sans s'y limiter, les dommages accessoires ou indirects. La garantie est non valable en cas de mauvaise utilisation du produit, d'utilisation contraire aux instructions du mode d'emploi, ou en cas de branchement incorrect. Cette garantie ne s'applique pas pour :
 - tout dommage au produit résultant d'un mauvais entretien
 - tout produit ayant été altéré ou modifié
 - tout produit dont les marquages originaux d'identification (marque, numéro de série) ont été dégradés, altérés ou retirés
 - tout dommage causé par le non-respect des instructions du mode d'emploi
 - tout produit non CE
 - tout produit ayant subi une tentative de réparation par du personnel non qualifié ou sans autorisation préalable de Technronic Industries
 - tout produit raccorder à une alimentation secteur non conforme (ampérage, voltage, fréquence)
 - tout produit utilisé avec un mélange inapproprié (essence, huile, pourcentage d'huile)
 - tout dommage causé par des influences extérieures (chimiques, physiques, chocs) ou par des substances étrangères
 - l'usure normale des pièces consommables
 - une utilisation inappropriée, une surcharge de l'outil
 - l'utilisation de pièces ou accessoires non agréés
 - Tout réglage périodique ou tout nettoyage de maintenance des carburateurs
 - les composants (pièces et accessoires) sujets à une usure naturelle, incluant de façon non exhaustive les têtes de fil à frapper, les courroies de transmission, les embrayages, les lames des taille-haies ou des tondeuses à gazon, les harnais, les câbles d'accélérateur, les charbons, les cordons d'alimentation, les fraises de cultivateurs, les rondelles feutre, les gouppilles de fraise, les turbines et lame de broyage des souffleurs, les tubes de soufflage et d'aspiration des souffleurs, les sacs de souffleurs et leurs lanières, les guides-chaîne, les chaînes de tronçonneuses, les tuyaux et raccords, les buses et lances de nettoyeurs haute pression, les roues, les recharges de fil des têtes de coupe, les têtes de coupe, le fil de coupe, les bougies d'allumage, les filtres à air, les filtres à essence, etc.
4. Si le produit doit être réparé, envoyez-le à un service après-vente agréé RYOBI dont vous trouverez ci-dessous la liste pour chaque pays. Dans certains pays, votre revendeur RYOBI se chargera d'envoyer le produit à un centre de réparation RYOBI. Lorsque vous envoyez un produit à un service après-vente RYOBI, celui-ci doit être correctement emballé, sans contenir aucun produit dangereux tel que de l'essence, et vous devez indiquer votre adresse ainsi qu'une courte description du problème.
5. Une réparation / un remplacement sous garantie est gratuit(e). Ceci ne constituera pas une extension de garantie ni un nouveau départ de la période de garantie. Les pièces ou les outils remplacés deviennent notre propriété. Dans certains pays, les frais de port devront être assumés par l'expéditeur. Vos droits statutaires restent inchangés.
6. Cette garantie est valable dans la Communauté européenne, la Suisse, l'Islande, la Norvège, le Liechtenstein, la Turquie, la Russie et le Royaume-Uni. En dehors de ces zones, veuillez contacter votre distributeur agréé RYOBI pour déterminer si une autre garantie s'applique.

SERVICE APRÈS-VENTE AGRÉÉ

Toute demande ou tout problème concernant le produit peut être transmis à votre centre de réparation agréé local (consultez www.ryobitools.eu) ou directement à : Technronic Industries GmbH, Max Eyth Straße 10, 71364 Winnenden, Germany. Veuillez mentionner le numéro de série et le type de produit imprimé sur l'étiquette.

DE RYOBI GARANTIEBEDINGUNGEN

Zusätzlich zu den gesetzlichen Rechten aus dem Kauf gilt für dieses Produkt die nachstehend aufgeführte Garantie.

- Der Garantiezeitraum beträgt für Verbraucher 24 Monate und beginnt mit dem Datum des Kaufs. Dieses Datum muss durch eine Rechnung oder einen anderen Kaufbeleg dokumentiert werden. Dieses Produkt wurde ausschließlich zur privaten Nutzung durch Verbraucher entwickelt. Für den Fall einer professionellen bzw. kommerziellen Nutzung besteht daher keine Garantie.
- Es besteht die Möglichkeit, für einen Teil des Sortiments der Gartenwerkzeuge (AC/DC) den Garantiezeitraum über den oben genannten Zeitraum hinaus zu verlängern, indem der Verbraucher die Registrierung auf der Website www.ryobitools.eu durchführt. Die Berechtigung der Werkzeuge für die Garantieverlängerung ist deutlich im Geschäft und/oder auf der Verpackung beschrieben und in der Produktdokumentation erwähnt. Der Verbraucher muss das neu erworbene Gerät online innerhalb von 30 Tagen ab dem Kaufdatum registrieren. Der Verbraucher kann das Gerät zwecks Garantieverlängerung in seinem Wohnsitzland/Heimatland registrieren, wenn dieses Land auf dem Online-Registrierungsformular aufgeführt und die Option gültig ist. Darüber hinaus muss der Verbraucher seine Zustimmung zur Speicherung der Daten geben, die online eingegeben werden müssen, und er muss die allgemeinen Geschäftsbedingungen akzeptieren. Die Bestätigung der Registrierung, die per E-Mail versandt wird, und die Originalrechnung mit dem Kaufdatum gelten als Beleg für die Garantieverlängerung.
- Die Garantie deckt alle Defekte des Geräts während des Garantiezeitraums ab, die auf zum Zeitpunkt des Kaufs bestehende Verarbeitungs- oder Materialfehler zurückzuführen sind. Die Garantie beschränkt sich auf Reparatur und/oder Ersatz und beinhaltet keine anderen Verpflichtungen, insbesondere keinen Schadenersatz für Folge- oder Nebenschäden. Die Garantie gilt nicht, wenn das Gerät fehlerhaft eingesetzt wurde, gegenseitlich zur Bedienungsanleitung eingesetzt wurde oder falsch angeschlossen wurde. Die Garantie gilt nicht für Folgendes:
 - Schäden am Gerät, die auf unkorrekte Wartung zurückzuführen sind
 - Geräte, an denen Veränderungen vorgenommen wurden
 - Produkte, bei denen die ursprüngliche Identifizierung (Handelsmarke, Seriennummer) unleserlich gemacht, verändert oder entfernt wurde
 - Schäden durch Nichtbeachtung der Bedienungsanleitung
 - nicht-CE-zertifizierte Geräte
 - Geräte, an denen durch nicht-qualifizierte Personen oder ohne vorherige Genehmigung von Technonic Industries Reparaturversuche vorgenommen wurden
 - Geräte, die an unkorrekte Energiequellen (Ampere, Volt, Frequenz) angeschlossen wurden
 - Geräte, die mit einer fehlerhaften Treibstoffmischung (Treibstoff, Öl, Ölantel) betrieben wurden
 - Schäden durch äußere Einflüsse (chemisch, physisch, Stöße) oder Fremdstoffe
 - normaler Verschleiß von Ersatzteilen
 - unangemessene Nutzung, Überlastung des Geräts
 - Nutzung nicht genehmigter Zubehöriteile oder Ersatzteile
 - Regelmäßige Einstellung oder Wartungsreinigung des Vergasers
 - Komponenten (Ersatzteile und Zubehöriteile), die natürlichem Verschleiß unterliegen, einschließlich, aber nicht begrenzt auf Service- und Wartungssets, Kohlebürsten, Lager, Spannvorrichtungen, SDS-Bohreraufnahme /Bit-Adapter, Netzkabel, Zusatzhandgriff, Transportkoffer, Schleifplatten, Staubbeutel, Staubabführungen, Filzunterlegscheiben, Bolzen und Federn von Schlagschraubern, einschließlich, aber nicht beschränkt auf Fadenköpfe, Antriebsriemen, Kupplungen, die Klängen von Heckenscheren oder Rasenmähern, Kabelstränge, Gaszüge, Zinken, Steckbolzen, Lüfter, Saug- und Gebläserohre oder Düsen, Fangsäcke und Gurte, Führungsschienen, Sägeketten, Schläuche, Verbinder, Sprühdüsen, Räder, Sprühstäbe, innere Rollen, äußere Spulen, Schneidfäden, Zündkerzen, Luftfilter, Benzin-/ Ölfilter, Hackseil-Messer usw.
- Zum Service muss das Gerät zu einer von RYOBI autorisierten Servicestation gebracht oder dorthin geschickt werden. Die Servicestationen für die einzelnen Länder sind in der folgenden Liste aufgeführt. In einigen Ländern sendet Ihr RYOBI-Händler vor Ort das Gerät an das RYOBI-Serviceunternehmen. Beim Einsenden an die RYOBI-Servicestation sollte das Gerät sicher verpackt sein, ohne gefährliche Inhalte wie Benzin, und es sollte mit der Adresse des Absenders und einer kurzen Beschreibung des Fehlers versehen sein.
- Eine Reparatur bzw. ein Ersatz gemäß dieser Garantie ist kostenlos. Hieraus ergibt sich weder eine Garantieverlängerung noch der Beginn eines neuen Garantiezeitraums. Die ausgelassenen Ersatzteile oder Werkzeuge gehen in unser Eigentum über. In einigen Ländern müssen die Zustellgebühren oder die Versandkosten vom Absender gezahlt werden. Ihre gesetzlichen Rechte aus dem Kauf des Geräts bleiben hiervon unberührt.
- Diese Garantie ist gültig in der Europäischen Gemeinschaft, der Schweiz, Island, Norwegen, Liechtenstein, der Türkei, Russland und dem Vereinigten Königreich. Bitte wenden Sie sich außerhalb dieser Gebiete an Ihre autorisierten RYOBI-Händler, um festzustellen, ob eine andere Garantie gilt.

AUTORISIRTER KUNDENDIENST

Bitte wenden Sie sich bei Fragen zum oder Problemen mit dem Gerät an das örtliche autorisierte Servicecenter (siehe www.ryobitools.eu) oder direkt an: Technonic Industries GmbH, Max Eyth Straße 10, 71364 Winnenden, Germany. Bitte geben Sie die Seriennummer und den auf dem Typenschild aufgedruckten Gerätetyp an.

ES CONDICIONES DE APLICACIÓN DE LA GARANTÍA DE RYOBI

Además de cualquier derecho legal derivado de la compra, este producto está cubierto por una garantía que se indica a continuación.

- El periodo de garantía es de 24 meses para consumidores y comienza en la fecha en que se comprara el producto. Dicha fecha debe documentarse con una factura u otro comprobante de compra. El producto está diseñado y concebido únicamente para el uso privado del consumidor. Por lo tanto, no se ofrece garantía en caso de uso profesional o comercial.
- Existe la posibilidad de ampliar el periodo de garantía respecto a una parte de la gama de herramientas de jardinería (CA/CC) durante el periodo descrito más arriba y mediante el registro en el sitio web www.ryobitools.eu. La elegibilidad de las herramientas para que se amplíe el periodo de garantía se muestra claramente en las tiendas o en el embalaje y está incluida en la documentación del producto. El usuario final tiene que registrar en línea sus herramientas recientemente adquiridas en un plazo de 30 días a partir de la fecha de compra. El usuario final podrá registrarse para obtener la garantía ampliada en su país de residencia si este aparece en la lista del formulario de registro en línea cuando esta opción sea válida. Además, los usuarios finales deberán dar su consentimiento al almacenamiento de los datos necesarios para el acceso en línea y tienen que aceptar los términos y condiciones. El recibo de confirmación de registro, que se envía por correo electrónico, y la factura original que muestra la fecha de compra servirán como comprobante para la garantía ampliada.
- La garantía cubre todos los defectos del producto durante el periodo de garantía debido a fallos de mano de obra o material en la fecha de compra. La garantía se limita a la reparación o sustitución y no incluye ninguna otra obligación como, por ejemplo, daños accidentales o consecuentes. La garantía no es válida si se ha usado mal el producto, se ha usado contraviniendo el manual de instrucciones o se ha conectado de forma incorrecta. Esta garantía no es aplicable a:
 - ningún daño en el producto que sea consecuencia de un mantenimiento inadecuado
 - ningún producto que haya sido alterado o modificado
 - ningún producto en el que los marcados de identificación originales (marca comercial, número de serie) se hayan borrado, modificado o eliminado
 - ningún daño provocado por no seguir el manual de instrucciones
 - ningún producto que no sea CE
 - ningún producto que haya sufrido un intento de reparación por parte de un profesional no cualificado o sin la autorización previa de Technonic Industries.
 - ningún producto conectado a un suministro eléctrico inadecuado (amperios, voltaje, frecuencia)
 - ningún producto usado con una mezcla de combustible inadecuada (combustible, aceite, porcentaje de aceite)
 - ningún daño causado por influencias externas (químicas, físicas, impactos) o sustancias extrañas
 - desgaste normal de piezas de repuesto
 - uso inadecuado, sobrecarga de la herramienta
 - uso de accesorios o piezas no aprobados
 - Cualquier ajuste periódico o limpieza de mantenimiento de los carburadores
 - Componentes (piezas y accesorios) sujetos al desgaste natural incluyendo, entre otros, pomos de golpes, correas de transmisión, embragues, cuchillas de cortasetos o cortacésped, arneses, cable del acelerador, escobillas de carbono, cables eléctricos, púas, discos de filtro, pasadores de enganche, ventiladores de soplador, tubos de aspiración y de soplado, bolsas y correas de aspiración, barras guías, cadenas de sierra, mangueras, herrajes de conectores, boquillas pulverizadoras, ruedas, lanzas pulverizadoras, bobinas interiores, carretes exteriores, líneas de corte, bujías, filtros de aire, filtros de gas, cuchillas de compostaje, etc.
- Para su mantenimiento, el producto debe enviarse o presentarse a una estación de servicio de RYOBI autorizada que figure en la siguiente lista de direcciones de estaciones de servicio por países. En algunos países, su distribuidor RYOBI local se responsabiliza de enviar el producto a la compañía de servicio de RYOBI. Cuando se envíe un producto a una estación de servicio de RYOBI, este debe estar empaquetado de forma segura sin contenidos peligrosos como gasolina, marcado con la dirección del remitente y acompañado de una breve descripción del fallo.
- Una reparación / sustitución con esta garantía es gratuita. No constituye una ampliación ni un nuevo comienzo del periodo de garantía. Las piezas o herramientas intercambiadas pasan a ser de nuestra propiedad. En algunos países, los gastos de envío o correo tendrá que pagarlos el remitente. Sus derechos legales derivados de esta compra de la herramienta no se verán afectados.
- Esta garantía es válida en la Comunidad Europea, Suiza, Islandia, Noruega, Liechtenstein, Turquía, Rusia y el Reino Unido. Fuera de estas zonas, póngase en contacto con su distribuidor de RYOBI autorizado para determinar si es aplicable otra garantía.

SERVICIO TÉCNICO AUTORIZADO

Cualquier solicitud o problema relacionado con el producto se puede remitir a su centro de servicio autorizado local (www.ryobitools.eu) o directamente a: Technonic Industries GmbH, Max Eyth Straße 10, 71364 Winnenden, Germany. Indique el número de serie y el tipo de producto que aparecen impresos en la etiqueta.

IT CONDIZIONI DI VALIDITÀ DELLA GARANZIA RYOBI

In aggiunta ai diritti di legge risultanti dall'acquisto, il prodotto è coperto dalla garanzia sotto descritta.

1. Il periodo di garanzia è di 24 mesi per i consumatori, a decorrere dalla data di acquisto del prodotto. La data deve essere documentata da una fattura o altra prova d'acquisto. Il prodotto è progettato e destinato solo all'utilizzo privato dei consumatori. Pertanto non viene fornita alcuna garanzia in caso di uso professionale o commerciale.
2. Per una serie di utensili da giardino (CA/CC) è possibile prolungare il periodo di garanzia oltre quello descritto, registrandosi sul sito web www.ryobitools.eu. Gli utensili per i quali è possibile prolungare il periodo di garanzia sono chiaramente indicati nei negozi e/o sulle confezioni e nella documentazione dei prodotti. L'utente deve registrare online l'utensile acquistato entro 30 giorni dalla data di acquisto. L'utente può registrarsi per la garanzia prolungata nel proprio paese di residenza, se questo è elencato nel modulo di registrazione online dove questa opzione sia valida. Inoltre gli utenti devono fornire il proprio consenso alla conservazione dei dati da immettere online e devono accettare le condizioni generali. La conferma di registrazione, inviata tramite e-mail, e la fattura originale indicante la data di acquisto, costituiranno la prova della garanzia prolungata.
3. La garanzia copre tutti i difetti del prodotto durante il periodo di garanzia, risultati da manodopera o materiali alla data di acquisto. La garanzia è limitata alla riparazione e/o sostituzione e non include alcun altro obbligo quali, a mero titolo esemplificativo, i danni incidentali o consequenziali. La garanzia non è valida se il prodotto è stato usato scorrettamente, in modo contrario al manuale di istruzioni o se è stato collegato in modo errato. La garanzia non è valida per:
 - qualsiasi danno al prodotto dovuto a manutenzione errata;
 - qualsiasi prodotto che sia stato alterato o modificato;
 - qualsiasi prodotto le cui marcature di identificazione originali (marchi di fabbrica, numero di serie) siano state cancellate, alterate o rimosse;
 - qualsiasi danno causato dalla non osservanza delle istruzioni del manuale;
 - qualsiasi prodotto privo di omologazione CE;
 - qualsiasi prodotto che sia stato sottoposto a un tentativo di riparazione da parte di un professionista non qualificato oppure senza la previa autorizzazione di Technronic Industries;
 - qualsiasi prodotto collegato a un'alimentazione errata (per ampere, tensione, frequenza);
 - qualsiasi prodotto usato con una miscela di carburante errata (carburante, olio, percentuale di olio);
 - qualsiasi danno causato da influenze esterne (chimiche, fisiche, urti) o sostanze estranee;
 - la normale usura delle parti di ricambio;
 - uso inappropriato, sovraccarico dell'utensile;
 - uso di accessori o parti non omologate;
 - qualsiasi regolazione periodica o pulizia di manutenzione dei carburatori;
 - componenti (parti e accessori) soggetti alla normale usura compresi, a mero titolo esemplificativo, testine a filo, cinghie di trasmissione, frizioni, lame di tagliasiepi o tagliaerba, imbragature, cavi di accelerazione, spazzole al carbonio, cavi di alimentazione, denti, rondelle di feltro, perni di aggancio, ventole dei soffiatori, tubi di soffiatori e aspiratori, sacchetti e cinghie per aspirapolvere, barre guida, catene per seghe, tubi, raccordi di connessione, ugelli di spruzzo, ruote, erogatori, bobine interne ed esterne, linee di taglio, candele, filtri dell'aria, filtri del gas, lame per mulching ecc.
4. Per la manutenzione il prodotto dev'essere spedito o portato presso uno dei centri assistenza autorizzati RYOBI elencati per ogni paese nel seguente elenco di indirizzi dei centri. In alcuni paesi il rivenditore locale RYOBI si incarica di inviare il prodotto all'organizzazione di assistenza RYOBI. Quando si invia un prodotto a un centro assistenza RYOBI, imballarlo in modo sicuro senza contenuti pericolosi come la benzina, apporre l'indirizzo del mittente e accompagnarlo da una breve descrizione del guasto.
5. La riparazione/sostituzione ai sensi della presente garanzia è gratuita. Non costituisce un prolungamento o un nuovo inizio del periodo di garanzia. Le parti o gli utensili scambiati diventano di nostra proprietà. In alcuni paesi i costi di consegna o di spedizione postale devono essere pagati dal mittente. I diritti di legge derivanti dall'acquisto dell'utensile rimangono inalterati.
6. La presente garanzia è valida in Comunità Europea, Svizzera, Islanda, Norvegia, Liechtenstein, Turchia, Russia e Regno Unito. Al di fuori di tali aree contattare il rivenditore autorizzato RYOBI per sapere se è valida un'altra garanzia.

CENTRO SERVIZI AUTORIZZATO

Qualsiasi richiesta o problema con il prodotto può essere indirizzato ai centri di assistenza autorizzati locali ([visitare www.ryobitools.eu](http://www.ryobitools.eu)) o direttamente a: Technronic Industries GmbH, Max Eyth Straße 10, 71364 Winnenden, Germany. Si prega di indicare il numero di serie e il tipo di prodotto stampati sull'etichetta.

NL RYOBI GARANTIEVOORWAARDEN

Naast de wettelijke rechten die voortvloeien uit de aankoop, wordt dit product gedekt door een garantie, zoals hieronder staat vermeld.

1. De garantietermijn voor consumenten bedraagt 24 maanden en gaat in op de datum waarop het product is gekocht. Deze datum moet worden gedocumenteerd met een factuur of een ander aankoopbewijs. Het product is uitsluitend ontworpen en bedoeld voor persoonlijk gebruik door consumenten. Er wordt dus geen garantie gegeven voor professioneel of commercieel gebruik.
2. Voor een deel van ons aanbod van tuingeredschappen (AC/DC) is het mogelijk om de garantietermijn te verlengen over de boven beschreven termijn, met behulp van de website www.ryobitools.eu. De gereedschappen die in aanmerking komen voor de verlenging van de garantietermijn wordt duidelijk weergegeven in winkels en/of verpakkingen en staat beschreven in de productdocumentatie. De eindgebruiker moet zijn/haar nieuw gekochte gereedschappen binnen 30 dagen na aankoop online registreren. De eindgebruiker kan zich registreren voor de verlengde garantietermijn als zijn woonland staat vermeld op het online registratieformulier waar deze optie geldig is. Bovendien moeten eindgebruikers toestemming geven voor de opslag van de gegevens die online ingevuld moeten worden en moeten ze de algemene voorwaarden accepteren. Het ontvangstbewijs van de registratie, dat per e-mail wordt verzonden en de oorspronkelijke factuur met de aankoopdatum vormt het bewijs van de verlengde garantietermijn.
3. De garantie dekt tijdens de garantietermijn alle gebreken van het product vanwege defecten in vakmanschap of materiaal op de aankoopdatum. De garantie is beperkt tot reparatie en/of vervanging en bevat geen andere verplichtingen, waaronder maar niet beperkt tot incidentele of gevolgschade. De garantie is niet geldig als het product is misbruikt, in strijd met de gebruiksaanwijzing wordt gebruikt of onjuist is aangesloten. Deze garantie geldt niet voor:
 - alle schade aan het product die het gevolg is van onjuist onderhoud
 - elk product dat is veranderd of aangepast
 - elk product waar de oorspronkelijke identificatie (handelsmerk, serienummer) is beschadigd, gewijzigd of verwijderd
 - alle schade die is veroorzaakt door het niet opvolgen van de gebruiksaanwijzing
 - elk niet-CE-product
 - elk product waar een poging tot reparatie is gedaan door een niet-erkende professional of zonder voorafgaande toestemming door Technronic Industries.
 - elk product dat is verbonden met een verkeerde voeding (amperage, spanning, frequentie)
 - elk product dat wordt gebruikt met een verkeerd brandstofmengsel (brandstof, olie, oliegehalte)
 - alle schade die is veroorzaakt door externe invloeden (chemisch, fysiek, schokken) of vreemde stoffen
 - normale slijtage van reserveonderdelen
 - ongepast gebruik, overbelasting van het gereedschap
 - gebruik van niet-goedgekeurde accessoires of onderdelen
 - Alle periodieke aanpassingen aan of het onderhoud en reiniging van carburateurs
 - Componenten (onderdelen en accessoires) die onderhevig zijn aan natuurlijke slijtage, waaronder maar niet beperkt tot stootknoppen, aandrijfriemen, koppelingen, messen van hegtrimmers of grasmaaiers, hamas, gaskabel, koolstofborstels, stroomsnoeren, tanden, vittringen, koppelingsspannen, blazers, blaas- en zuigbuizen, zuigzakken en -riemen, geleidingsstaven, zaagkettingen, slangen, koppelingen, mondstukken, wielen, spuitstokken, binnenhaspels, buitenhaspels, snijdraden, bougies, luchtfilters, gasfilters, maaimessen, etc.
4. Voor onderhoud moet het product worden verzonden of gebracht naar een erkend servicestation van RYOBI die voor elk land staan vermeld in de volgende lijst met adressen voor servicestations. In sommige landen zal uw lokale RYOBI-dealer het product verzenden naar de RYOBI-serviceorganisatie. Wanneer u het product naar een servicestation van RYOBI verzendt, moet het product veilig worden verpakt zonder enige gevaarlijke inhoud, zoals benzine, met het adres van de afzender en vergezeld van een korte beschrijving van het defect.
5. Een reparatie/vervanging die onder deze garantie valt is gratis. Het vormt geen verlenging of een nieuwe start van de garantietermijn. Verwisselde onderdelen of gereedschappen worden ons eigendom. In sommige landen moeten de verzendkosten door de afzender worden betaald. Uw wettelijke rechten die voortvloeien uit de aankoop van het gereedschap blijven onaangetast.
6. Deze garantie is geldig binnen de Europese Gemeenschap, Zwitserland, IJsland, Noorwegen, Liechtenstein, Turkije, Rusland en het Verenigd Koninkrijk. Buiten deze gebieden moet u contact opnemen met uw erkende RYOBI-dealer om vast te stellen of er een andere garantie van toepassing is.

GEAUTORISEERD ONDERHOUDSCENTRUM

Elk verzoek of probleem met het product kan worden gericht aan uw lokale geautoriseerde servicecentra (bezoek www.ryobitools.eu) of rechtstreeks aan: Technronic Industries GmbH, Max Eyth Straße 10, 71364 Winnenden, Germany. Vermeld het serienummer en het type product dat op het etiket staat.

PT CONDIÇÕES DE APLICAÇÃO DA GARANTIA RYOBI

Para além de quaisquer direitos previstos por lei resultantes da compra, este produto está coberto por uma garantia conforme descrição abaixo.

- O período da garantia é de 24 meses para consumidores particulares e inicia-se na data de compra do produto. Esta data tem de ser documentada por uma factura ou por outra prova de compra. O produto foi concebido para e destina-se apenas a consumidores particulares e uso privado. Assim, não é dada garantia em caso de utilização por profissionais ou uso comercial.
- Para uma parte da gama de ferramentas de jardim (AC/DC) existe a possibilidade de prolongamento do período da garantia para além do período descrito acima, mediante registo no Web site www.ryobitools.eu. A elegibilidade das ferramentas para prolongamento do período da garantia é claramente visível nas lojas e/ou nas embalagens e está contida na documentação do produto. O utilizador final tem de fazer o registo online das suas ferramentas recém-adquiridas no prazo de 30 dias após a data de compra. O utilizador final pode fazer o registo para prolongamento da garantia no seu país de residência, desde que esteja listado no formulário de registo online e para os casos em que esta opção seja válida. Para além disso, os utilizadores finais têm de autorizar o armazenamento dos dados cujo preenchimento lhes for solicitado online e têm de aceitar os termos e as condições. O recibo de confirmação do registo é enviado por e-mail e, em conjunto com a factura original ostentando a data de compra, servirá de prova do prolongamento da garantia.
- A garantia cobre todos os defeitos do produto durante o período da garantia devidos a defeitos de fabrico ou de material à data da compra. A garantia está limitada à reparação e/ou substituição e não inclui quaisquer outras obrigações, incluindo mas não se limitando a, perdas complementares ou indirectas. A garantia não é válida se o produto tiver sido utilizado incorrectamente, utilizado de forma contrária ao Manual de Instruções ou se as respectivas ligações tiverem sido feitas incorrectamente. Esta garantia não se aplica ao seguinte:
 - quaisquer danos ao produto que sejam resultado de manutenção incorrecta
 - qualquer produto que tenha sido alterado ou modificado
 - qualquer produto cujas marcações de identificação de origem (marca comercial, número de série) tiverem sido apagadas, alteradas ou retiradas
 - quaisquer danos causados pelo incumprimento do Manual de Instruções
 - qualquer produto que não seja da Comunidade Europeia
 - qualquer produto ao qual tenha sido feita, ou tentada fazer, uma reparação por outra pessoa que não um profissional habilitado ou sem autorização prévia da Techntronic Industries.
 - qualquer produto ligado a uma fonte de alimentação eléctrica incorrecta (Amperes, Voltagem e Frequência)
 - qualquer produto utilizado com uma mistura de combustível incorrecta (combustível, óleo, percentagem de óleo)
 - qualquer dano causado por influências externas (químicas, físicas, impactos) ou substâncias estranhas
 - desgaste e degradação normal de sobresselentes
 - utilização incorrecta, sobrecarga da ferramenta
 - utilização de acessórios ou peças não aprovados
 - quaisquer ajustes periódicos a, ou limpeza de manutenção de, carburadores
 - Componentes (peças e acessórios) sujeitos a desgaste e degradação natural, incluindo mas não se limitando a, maçanetas anti-choque, correias de transmissão, embraíagens, lâminas de recortadores de sebes ou cortarelas, arneses, cabos de acelerador, escovas de carvão, cabos eléctricos, dentes, anilhas de feltro, pinos de engate, ventoinhas do soprador, tubos do soprador e do aspirador, cintas e sacos do aspirador, barras de guia, correntes de serra, mangueiras, peças de ligação, bocais de pulverização, rodas, varinhas de pulverização, bobinas interiores, bobinas exteriores, linhas de corte, velas de ignição, filtros do ar, filtros de gasolina, lâminas trituradoras, etc.
- Para assistência, o produto tem de ser enviado para, ou apresentado em, um posto de assistência autorizado RYOBI, conforme listado para cada país na lista de moradas de postos de assistência seguinte. Nalguns países, o seu concessionário RYOBI local encarrega-se de enviar o produto para a organização de assistência RYOBI. Quando enviar um produto para um posto de assistência RYOBI, o produto deve ser embalado de forma segura, sem conter nenhuns conteúdos perigosos (por exemplo, gasolina), marcado com o endereço do remetente e acompanhado por uma breve descrição da avaria.
- Uma reparação/substituição ao abrigo desta garantia é gratuita. Não constitui um prolongamento a, nem um novo início de, o período da garantia. As peças ou ferramentas substituídas tornam-se propriedade nossa. Nalguns países, o remetente terá de pagar os custos de entrega ou a remessa postal. Os seus direitos previstos por lei resultantes da compra da ferramenta mantêm-se inalterados
- Esta garantia é válida na Comunidade Europeia, Suíça, Islândia, Noruega, Liechtenstein, Turquia, Rússia e Reino Unido. Fora destas áreas, entre em contacto com o seu concessionário autorizado RYOBI para determinar se existe outra garantia aplicável.

CENTRO DE ASSISTÊNCIA AUTORIZADO

Qualquer pedido ou problema relacionado com o produto pode ser encaminhado para os seus centros de reparação autorizados locais (visite www.ryobitools.eu) ou directamente para: Techntronic Industries GmbH, Max Eyth Straße 10, 71364 Winnenden, Germany. Indique o número de série e o tipo de produto impressos na etiqueta.

DA RYOBI BETINGELSER FOR GARANTI

Udover lovbestemte rettigheder, som resulterer af købet, er dette produkt dækket af en garanti, som anført herunder.

- Garantiperioden er 24 måneder for forbrugere og begynder på den dato, som produktet blev købt. Denne dato skal dokumenteres af en faktura eller andet bevis for køb. Produktet er udelukkende designet og dedikeret til forbrugere og privat brug. Så der ydes ingen garanti i tilfælde af professionel eller kommerciel brug.
- Der er en mulighed for at forlænge garantiperioden for en del af udvalget af haveværktøj (AC/DC), hen over den ovenfor beskrevne periode vha. registrering på hjemmesiden www.ryobitools.eu. Betingelsen for værktøjet til forlængelse af garantiperioden er tydeligt vist i butikker og/eller på emballage og indeholdt i produktokumentationen. Slutbrugeren skal registrere hans/hendes nyligt indkøbte værktøj online indenfor 30 dage efter købsdatoen. Slutbrugeren kan registrere sig for den forlængede garanti i sit land, hvis han/hun er opført på den online registreringsformular, hvor denne mulighed er gyldig. Derudover skal slutbrugere give deres samtykke til at opbevare data, som er påkrævet at indstæde online, og de er nødt til at acceptere vilkår og betingelser. Registreringsbekræftelseskvitteringen, som sendes ud på e-mail, og den originale faktura, som viser købsdatoen, vil fungere som bevis for den forlængede garanti.
- Garantien dækker alle defekter, som et produkt måtte have i løbet af garantiperioden, og som skyldes produktionsfejl eller materialefejl på købsdatoen. Garantien er begrænset til reparation og/eller udskiftning og inkluderer ikke andre forpligtelser, inklusiv men ikke begrænset til tilfældige skader eller følgeskader. Garantien er ugyldig, hvis produktet er blevet misbrugt, brugt uden at overholde vejledningen, eller det er blevet forkeret tilslutet. Denne garanti gælder ikke:
 - Beskadigelse af produktet, som er et resultat af uegnet vedligeholdelse
 - Et produkt der er blevet ændret eller modificeret
 - Et produkt hvor de originale identifikationsmærkninger (varemærke, serienummer) er blevet ødelagt, ændret eller fjernet.
 - Enhver beskadigelse forårsaget af manglende overholdelse af vejledningen
 - Ethvert ikke CE-produkt
 - Ethvert produkt som er blevet forsøgt repareret af en ukvalificeret professionel eller uden tidligere autorisation af Techntronic Industries.
 - Ethvert produkt som er tilslutet uegnet strømforsyning (ampere, spænding, frekvens)
 - Ethvert produkt som bruges med uegnet brændstofblanding (brændstof, olie, procentdel olie)
 - Enhver skade forårsaget af ekstern påvirkning (kemisk, fysisk, chok) eller fremmedelementer
 - Normal slid på reservedele
 - Uegnet brug, overbelastning af værktøjet
 - Brug af ikke-godkendt tilbehør eller dele
 - Alle regelmæssige justeringer eller vedligeholdelsesrengøring af karburatorer
 - Komponenter (dele og tilbehør) som er udsat for naturlig slid og ælde, inklusiv men ikke begrænset til drejeknapper, drivrem, greb, klinger til hæktrimmere eller plæneklippere, seie, kabel gasspjæld, kulbørster, elledning, tænder, filtskiver, ophængstapper, blæseventilatorer, blæser- og sugeslanger, sugepose og stropper, styrestænger, savkæder, slanger, forbindelsespakninger, sprøjtedyser, hjul, sprøjtestave, indvendige ruller, udvendige ruller, udvendige spoler, skærelinjer, tændrør, luftfiltre, gasfiltre, tildækningsblade etc.
- For eftersyn skal produktet sendes til eller præsenteres for en RYOBI-autoriseret service værksted, som er oplyst for hvert land i den følgende liste over service værksted adresser. I nogle lande påtager din lokale RYOBI-forhandler sig ansvaret for at sende produktet til RYOBI-serviceorganisationen. Når et produkt sendes til en RYOBI-service værksted, skal det pakkes sikkert ind uden noget farligt indhold som benzin, mærkes med afsenderens adresse og med en kort beskrivelse af fejlen.
- En reparation/erstatning under denne garanti er gratis. Den udgør ikke en forlængelse eller en ny start på garantiperioden. Udvekslede dele eller værktøjer bliver vores ejendom. I nogle lande skal leveringsafgifter eller porto betales af afsenderen. Dine lovbestemte rettigheder i forbindelse med købet forbliver uanfægtede
- Denne garanti gælder i EU, Schweiz, Island, Norge, Liechtenstein, Tyrkiet, Rusland og Storbritannien. Udenfor disse områder bedes du kontakte din autoriserede RYOBI-forhandler for at afgøre, om en anden garanti gælder.

AUTORISERED SERVICEVÆRKSTEDER

Enhver anmodning eller problem angående produktet kan adresseres til dine lokale autoriserede servicecentre (gå ind på www.ryobitools.eu) eller direkte til: Techntronic Industries GmbH, Max Eyth Straße 10, 71364 Winnenden, Germany. Angiv serienummer og produkttype, der er trykt på etiketten.

SV RYOBI ANVÄNDNINGSVILLKOR FÖR GARANTI

Förutom eventuella lagstadgade rättigheter som uppstår genom köpet, täcks den här produkten av en garanti som anges nedan.

- Garantiperioden är 24 månader för konsumenter och börjar gälla från det datum då produkten köptes. Detta datum måste dokumenteras på en faktura eller annat köpbevis. Produkten är utformad och avsedd för konsumenter och privat bruk. Därmed tillhandahålls ingen garanti vid yrkesmässigt eller kommersiellt bruk.
- Det finns möjlighet att förlänga garantiperioden för en del av utbudet för trädgårdsverktyg (AC/DC) under den period som anges ovan genom att använda registreringen på webbplatsen www.ryobitools.eu. De verktyg som är berättigade till en förlängning av garantiperioden visas tydligt i butikler och/eller på förpackningen/och anges i produktdokumentationen. Slut användaren behövs registrera hans/hennes nyförvärvade verktyg online inom 30 dagar från köpdatumet. Slut användaren kan registrera sig för den förlängda garantin i det land där han/hon bor om landet finns angivet i registreringsformuläret online och där detta alternativ är giltigt. Dessutom måste slut användaren ge sitt medgivande till lagring av data vilket krävs vid registrering online samt acceptera villkoren. Bekräftelsekvittot för registreringen som skickas ut via e-post och originalfakturan som visar köpdatumet kommer att gälla som bevis för den förlängda garantin.
- Garantin täcker alla produktdefekter under garantiperioden som beror på brister i utförande eller material vid köpdatumet. Garantin är begränsad gällande reparation och/eller utbyte och inkluderar inte några skyldigheter inklusive men inte begränsat till oförutsedda skador eller följdskador. Garantin är inte giltig om produkten har missbrukats, använts i strid med bruksanvisningen eller inte anslutits på rätt sätt. Denna garanti täcker inte:
 - eventuella skador på produkten som uppstått till följd av felaktigt underhåll
 - produkter som har ändrats eller modifierats
 - produkter där ursprungliga identifieringsmärkningarna (varumärke, serienummer) har målats över, ändrats eller tagits bort
 - eventuella skador som uppstått till följd av att bruksanvisningen inte efterföljts
 - alla icke CE-produkter
 - eventuella produkter som har försökts repareras av en icke-kvalificerad yrkesman eller utan föregående medgivande från Technronic Industries.
 - eventuella produkter som anslutits till felaktig strömförsörjning (ampere, volt, frekvens)
 - eventuella produkter som använts med olämplig bränsleblandning (bränsle, olja, oljeprocent)
 - eventuella skador som uppstått till följd av yttre påverkan (kemisk, fysisk, stöt) eller främmande ämnen
 - normalt slitage av reservdelar
 - olämplig användning, överbelastning av verktyget
 - användningen av icke-godkända tillbehör eller delar
 - Eventuella periodiska justeringar av eller vid underhållsrengöring av förgasare
 - Komponenter (delar och tillbehör) är föremål för naturligt slitage, inklusive men inte begränsat till tryckknappar, drivremmar, koppling, blad till kantrimrar eller gräsklippare, sele, gasreglagevajer, kolborstar, strömladd, spetsar, filbrickor, kopplingsprint, blåsfäkt, blås- och sugrör, sugpåse och remmar, styrskenor, sägkedjor, slangar, anslutningsdonördel, spraymunstycken, hjul, spraystavar, innerullar, ytterspolar, skärtråd, tändstift, luftfilter, gasfilter, spröydelningsblad osv.
- Vid service måste produkten skickas eller uppvisas för en RYOBI- auktoriserad servicestation som står angiven för varje land i följande adresslista över servicestationer. I vissa länder tar din lokala RYOBI- återförsäljare på sig ansvaret att skicka produkten till RYOBI- serviceorganisationen. När en produkt skickas till en RYOBI- servicestation, ska produkten paketeras säkert utan något farligt innehåll såsom bensin, markeras med avsändarens adress samt en kort beskrivning av felet.
- En reparation/ett utbyte under denna garanti är kostnadsfri. Det utgör inte en förlängning eller förymelse av garantiperioden. Utbyta delar eller verktyg blir vår egendom. I vissa länder måste leveranskostnader eller porto betalas av avsändaren. Dina lagstadgade rättigheter som härrör från köpet av verktyget förblir opåverkade
- Denna garanti är giltig i Europeiska gemenskapen, Schweiz, Island, Norge, Liechtenstein, Turkiet, Ryssland och Storbritannien. Utanför dessa länder, kontakta din auktoriserade RYOBI- återförsäljare för att avgöra om en annan garanti gäller.

AUKTORISERAT SERVICECENTER

Varje begäran eller problem avseende produkten kan adresseras till ditt lokala auktoriserade servicecenter (besök www.ryobitools.eu) eller direkt till: Technronic Industries GmbH, Max Eyth Straße 10, 71364 Winnenden, Germany. Ange serienumret och produkttypen som anges på etiketten.

FI RYOBI-TAKUUN SOVELTAMISEHDOT

Tällä tuotteella on oston luomien lakisäästeiden oikeuksien ohella alla mainitun mukainen takuu.

- Takuun kesto on kuluttajille 24 kuukautta ja takuuaika alkaa tuotteen ostohetkestä. Tämän päivämäärän tulee lukea laskussa tai muussa ostotositteesta. Tuote on suunniteltu ja tarkoitettu vain kuluttajien ja yksityiseen käyttöön. Takuu ei siis kata ammatti- eikä kaupallista käyttöä.
- Joidenkin putarhätökalujen (AC/DC) takuun kesto on mahdollista laajentaa yllä mainittua kesto pidemmäksi verkkoosivuston www.ryobitools.eu rekisteröinnin kautta. Työkalujen kelpoisuus takuujakson laajennukseen näkyy selkeästi myymälöissä ja/tai pakkauksissa ja/tai tämä tieto sisältyy tuotedokumentaation. Loppukäyttäjän täytyy rekisteröidä vasta hankittu työkalu internetissä 30 päivän kuluessa ostopäivämäärästä. Loppukäyttäjää voi rekisteröidä laajennettun takuun kolmea kertaa, jos se on tuoteltuna online-rekisteröintilomakkeessa, jossa mainitaan, missä tämä vaihtoehto on voimassa. Loppukäyttäjien täytyy lisäksi hyväksyä tietojen tallennus, jotka heidän täytyy antaa online-tilassa sekä ehdot. Rekisteröinnin vahvistuskuitti, joka lähetetään sähköpostitse, ja alkuperäinen ostopäivämäärän ilmaiseva lasku toimivat laajennettun takuun toistina.
- Takuu kattaa kaikki tuotteenen takuuajana tulevat viat, joiden aiheuttajina ovat tuotteen ostopäivänä olleet valmistus- tai materiaaliviat. Takuu on rajoitettu korjaukseen jalkoi vaihtoon eikä se sisällä mitään mutta velvoitteita mukaan lukien satunnais- ja seurannaisvahinkoja, mutta rajoittumatta niihin. Takuu ei päde, jos tuotetta on käytetty väärin, käyttöohjeeseen vastaisesti tai jos se on liitetty virheellisesti. Tämä takuu ei kata:
 - virheellisestä huollosta johtuvia vaurioita
 - muunnuttua tai muutettua tuotetta
 - tuotetta, jonka alkuperäiset tunnistemerkinnät (tavaramerkki, sarjanumero) on turmeltu, muutettu tai poistettu
 - tämän käyttöoppaan laiminlyönnistä johtuvia vaurioita
 - ei-CE-tuotetta
 - tuotetta, jota on yrittänyt korjata epäpätevä ammattilainen tai joka on korjattu ilman Technronic Industriesin ennakkolupa.
 - tuotetta, joka on liitetty virheelliseen teholahteeneseen (ampeirit, jännite, taajuus)
 - tuotetta, jossa on käytetty väärää polttoaineseosta (polttoaine, öljy, öljyprosentti)
 - ulkoisten vaikutusten (kemiallinen, fyysinen, iskut) tai vieraiden aineiden aiheuttamaa vauriota
 - normaaleja kuluja vaurioita
 - virheellistä käyttöä, työkalun ylikuormitusta
 - ei-hyväksytyjen tarvikkeiden tai osien käyttöä
 - Kaasutinten säännöllistä säätöä tai ylläpitävää puhdistusta
 - Luonnollisesti kuluja komponentteja (osia tai tarvikkeita), joihin sisältyvät puskunipit, käyttöihinat, kytkin, pensasleikkuriin tai ruohonleikkuriin terät, valjaat, kaasuvaijeri, hihlarajat, virtajohto, piikit, huopatiivisteet, sokkapatit, puhallinten tuuletin, puhallin- ja imuputket, muurin säkit ja ihinat, terälevyt, sahankeijut, leikut, liinostat, siikkuusuttimet, pyörät, ruiskutusputket, sisä- ja ulkoeläet, leikkusuomitt, hehkutulpat, ilmansuodattimet, kaasusuodattimet, siipputerät yms. näihin kuitenkin rajoittumatta.
- Tuote on lähetettävä huollettavaksi valtuutettuun RYOBI-huoltoon tai näytettävä siellä. Niiden osoitteet kussakin maassa löytyvät seuraavasta luettelosta. Joissakin maissa paikallinen RYOBI-jälleenmyyjä huolehtii tuotteen lähetyksestä RYOBI-huolto-organisaatioon. Kun tuote lähetetään RYOBI-huoltoon, se täytyy pakata hyvin ilman vaarallisia aineita, kuten polttoainetta, ja pakkaukseen täytyy merkitä lähettäjän nimi sekä vian lyhyt kuvaus.
- Takuun kattama korjaus/vaihto on maksuton. Se ei tarkoita takuuajan laajennusta tai alkamista alusta. Vaihdetut osat tai työkalut siirtyvät valmistajan omistukseen. Joissakin maissa lähettäjän täytyy maksaa lähetyskustannukset tai postikulut. Työkalun oston luomat lakisäästeiset oikeudet pysyvät koskemattomina
- Tämä takuu on voimassa Euroopan yhteisössä, Sveitsissä, Islannissa, Norjassa, Liechtensteinissa, Turkissa, Venäjällä ja Yhdistyneessä kuningaskunnassa. Osa näiden alueiden ulkopuolella yhteyttä omaan valtuutettuun RYOBI-jälleenmyyjään ja selvitä, onko jotain muuta takuuta.

VALTUUTETTU HUOLTO

Kaikki tuotteenen liittyvät pyynnöt tai kysymykset voidaan osoittaa paikallisille valtuutetuille huoltoilikoille (katso www.ryobitools.eu) tai suoraan osoitteeseen: Technronic Industries GmbH, Max Eyth Straße 10, 71364 Winnenden, Germany. Ilmoita tarraan painettu sarjanumero ja tuotetyyppi.



NO RYOBI GARANTIBETINGELSER

I tillegg til eventuelle lovbestemte rettigheter som følger av kjøpet, er dette produktet dekket av en garanti som angitt nedenfor.

- Garantiperioden er 24 måneder for konsumenter og gjelder fra den datoen som produktet ble kjøpt. Denne datoen skal dokumenteres med en faktura eller annet kjøpsbevis. Produktet er designet og beregnet kun til konsument- og privat bruk. Så det gis ingen garanti ved profesjonell eller kommersiell bruk.
- For en del av utvalget av hageverktøy (AC/DC) er det mulighet til å utvide garantiperioden i den perioden som er beskrevet ovenfor ved bruk av registreringer på nettsidene www.ryobitools.eu. Kvalifiseringen av verktøyene for en utvidelse av garantiperioden er tydelig vist i butikker og/eller på pakningen / og finnes innen produktdokumentasjonen. Sluttbrukeren må registrere sine nylig anskaffede verktøy online innen 30 dager etter kjøpsdato. Sluttbrukeren kan registrere seg for den utvidede garantien i sitt land hvis det er opplyst på online registreringsskjemaet der dette alternativet er gyldig. Videre må sluttbrukere gi sitt samtykke til oppbevaring av dataene som kreves for å gå online, og de må godta vilkår og betingelser. Registreringsbekreftelsen, som sendes ut på e-post, og den originale fakturaen som viser forårsdato, vil tjene som bevis for den utvidede garantien.
- Garantien dekker alle defekter i produktet under garantiperioden på grunn av defekter i utførelse eller materiale på kjøpsdato. Garantien er begrenset til å reparere og/eller erstatte og inkluderer ikke noen andre forpliktelser, inkludert, men ikke begrenset til, tilfeldige eller følgesmessige skader. Garantien er ikke gyldig hvis produktet har blitt misbrukt, brukt på annen måte enn det som beskrives i bruksanvisningen eller er koblet til på feil måte. Denne garantien gjelder ikke for:
 - enhver skade på produktet som er resultat av utilstrekkelig vedlikehold
 - ethvert produkt som har blitt endret eller modifisert
 - ethvert produkt der de originale identifiseringsmerkene (varemerke, serienummer) har blitt uleselig, er endret eller fjernet
 - enhver skade som forårsakes av ikke-overholdelse av instruksjonshåndboken
 - ethvert ikke-CE-produkt
 - ethvert produkt som har blitt forsøkt reparert eller av en ikke-kvalifisert fagperson eller uten tidligere autorisasjon fra Technonic Industries.
 - ethvert produkt tilkoblet feil strømforsyning (ampere, spenning, frekvens)
 - ethvert produkt som brukes med feil drivstoffblandning (drivstoff, olje, prosentandel olje)
 - enhver skade som er forårsaket av eksterne påvirkninger (kjemiske, fysiske, støt) eller fremmede stoffer
 - normal slitasje og sliteserservedeler
 - feil bruk, overbelastning av verktøyet
 - bruk av ikke-godkjent tilbehør eller deler
 - Eventuelle periodiske justeringer av eller vedlikeholdsrengjøring av forbrennere
 - Komponenter (deler og tilbehør) som er underlagt naturlig slitasje, inkludert, men ikke begrenset til bulkknøtter, drivreimer, clutch, blader på hekktrimmere eller gressklippere, seler, kabelspjeld, karbonbørster, strømledning, kniver, feltpakninger, heispinner, blåsevisfler, blåse- og vakuumslang, vakuumpose og reimer, førerstenger, sagkjeder, strømpjer, koblingsmonteringer, spraydyser, hjul, spraystenger, indre spoler, ytre spoler, kuttelinjer, tennplugg, luftfilter, gassfilter, mulchingblader osv.
- For service må produktet sendes eller fremlegges for en RYOBI-autorisert servicestasjon opplyst for hvert land i den følgende listen over servicestasjonsadresser. I noen land sender den lokale RYOBI-forhandleren produktet til RYOBI servicorganisasjonen. Ved å sende et produkt til en RYOBI servicestasjon skal produktet være sikkert pakket uten noe farlig innhold, slik som bensin, merket med senterets adresse og fulgt av en kort beskrivelse av feilen.
- En reparasjon/erstatning under denne garantien er gratis. Den utgjør ingen forlengelse eller en ny start av garantiperioden. Utvekslede deler eller verktøy blir vår eiendom. I noen land vil leveringskostnader eller franking måtte betales av senteret. Dine lovbestemte rettigheter som oppstår fra kjøp av verktøyet forblir uberørt.
- Denne garantien er gyldig i EU, Sveits, Island, Norge, Liechtenstein, Tyrkia, Russland og Storbritannia. Utenfor disse områdene ta kontakt med din autoriserte RYOBI-forhandler om en annen garanti gjelder.

AUTORISERT SERVICESTASJON

Enhver forespørsel eller problem med produktet kan henvises til de lokale autoriserte servicestasjonene (se www.ryobitools.eu) eller direkte til: Technonic Industries GmbH, Max Eyth Straße 10, 71364 Winnenden, Germany. Angi serienummer og produkttype som er trykket på etiketten.

RU УСЛОВИЯ ПРИМЕНЕНИЯ ГАРАНТИИ НА ПРОДУКЦИЮ RYOBI

Помимо законных прав, возникающих при покупке, данное изделие покрывается гарантией в соответствии с приведенными ниже пунктами.

- Гарантийный период для покупателя составляет 24 месяца с даты покупки изделия. Дата покупки должна быть подтверждена полностью заполненным гарантийным талоном и чеком о покупке. Данное изделие предназначено только для частного использования покупателем. Поэтому гарантия не распространяется на использование в профессиональных или коммерческих целях.
- Предусмотрена возможность продления для части изделий линейки садовых инструментов (AC/DC) гарантийного периода с помощью регистрации на сайте www.ryobitools.eu. Право инструмента на продление гарантийного периода четко указано в магазинах и / или на упаковке / и содержится в сопутствующему инструменту документации. Конечный пользователь должен зарегистрировать свой приобретенный инструмент в течение 30 дней с даты покупки. Конечный пользователь может зарегистрировать свой инструмент на продление гарантии в стране своего проживания, если она указана в форме онлайн-регистрации. Кроме того, конечный пользователь должен дать свое согласие на хранение данных, которые необходимо ввести в онлайн-форму и принять правила и условия. Подтверждение регистрации, которое вы получите по электронной почте, заполненный гарантийный талон и оригинальный чек, в котором указана дата покупки, будут служить доказательством продленной гарантии.
- Гарантия покрывает в течение гарантийного периода все дефекты качества или материала изделия на дату покупки. Гарантия ограничена ремонтом и / или заменой и не включает никакие другие обязательства, включая, но не ограничиваясь случайными или косвенными убытками. Гарантия становится недействительной, если изделие использовалось не по назначению, вопреки инструкциям, данным в Руководстве пользователя или было неправильно подключено. Настоящая гарантия не распространяется на:
 - любые повреждения изделия в результате неправильного технического обслуживания или недостаточного ухода за инструментом
 - любые изделия, подвергшиеся изменениям и модификации
 - любые изделия, оригинальные идентификационные отметки которого (торговая марка, серийный номер) были повреждены, изменены или удалены
 - любые повреждения, вызванные несоблюдением инструкций Руководства пользователя
 - любые изделия, не сертифицированные маркировкой "CE" для продажи в Европейском союзе
 - любые изделия, подвергшиеся попыткам ремонта неквалифицированным работником или без предварительного утверждения компанией Technonic Industries.
 - любые изделия, подключенные к неправильному источнику питания (сила тока, напряжение, частота)
 - любые изделия, в которых использовались несоответствующие топливные смеси (топливо, масло, процент масла)
 - любые повреждения, вызванные внешними воздействиями (химические, физические, удары) или посторонними веществами
 - естественный износ запасных деталей
 - несоответствующее использование, перегрузка инструмента
 - использование неутвержденных аксессуаров и неоригинальных запасных деталей
 - любые регулярные регулировки, техническое обслуживание или чистка карбюраторов
 - компоненты (детали и аксессуары), подверженные естественному износу, включая, но не ограничиваясь фиксаторы шпильки приводные ремни, сменные муфты, лезвия триммеров и газонокосилок, плевачные ремни, кабельный дроссельный регулятор, угольные щетки, кабели питания, зубья, войлочные шайбы, фиксирующие шпильки, вентиляторы воздушники, трубки воздушники и пылесоса, мешок для сбора мусора и ремни, пыльные шины, пыльные цепи, шланги, соединительные детали, распылительные насадки, колеса, распылительные переходники, внутренние катушки и шпули, режущую леску, свечи зажигания, воздушные и топливные фильтры, мульчирующие лезвия и др.
- Для проведения технического обслуживания изделие следует направлять в авторизованные сервисные центры RYOBI, указанные для каждой страны в приведенном ниже списке адресов станций сервисного обслуживания. В некоторых странах местные дилеры RYOBI отправляют изделия в сервисные организации RYOBI. При отправке изделия в сервисный центр RYOBI, изделие должно быть безопасно упаковано и не содержать никаких опасных веществ, таких как бензин, должен быть подписан адрес отправителя и сопровождаться кратким описанием неисправности.
- Ремонт / замена проводится в рамках настоящей гарантии бесплатно. Он не продлевает гарантию и не начинает новый гарантийный период. Заменяемые детали и инструменты становятся нашей собственностью. В некоторых странах отправитель должен оплачивать стоимость отправки. Ваши законные права, возникшие при покупке инструмента, остаются неизменными.
- Настоящая гарантия действительна в Европейском Сообществе, Швейцарии, Исландии, Норвегии, Лихтенштейне, Турции, России и Великобритании. Вне указанных территорий обращайтесь к своему авторизованному дилеру RYOBI, чтобы узнать, применяются ли условия каких-либо других гарантий.

УПОЛНОМОЧЕННЫЙ СЕРВИСНЫЙ ЦЕНТР

При возникновении проблем с изделием обращайтесь в один из региональных авторизованных сервисных центров (см. www.ryobitools.eu) или напрямую: Technonic Industries GmbH, Max Eyth Straße 10, 71364 Winnenden, Germany. Укажите серийный номер и тип изделия, указанные на табличке.



PL WARUNKI GWARANCJI RYOBI

Oprócz praw ustawowych wynikających z zakupu produkt jest objęty gwarancją, której warunki podano poniżej.

1. Okres gwarancyjny wynosi 24 miesiące dla konsumentów i rozpoczyna się w dniu zakupu produktu. Datę zakupu należy udokumentować fakturą lub innym dowodem zakupu. Produkt został zaprojektowany i jest przeznaczony do użytku konsumenckiego i prywatnego. W związku z tym gwarancja nie obejmuje zastosowań profesjonalnych i komercyjnych.
2. Istnieje możliwość wyłączenia okresu gwarancyjnego dla części asortymentu narzędzi ogrodniczych (AC/DC) poprzez zarejestrowanie produktu na stronie internetowej www.ryobitools.eu. Kwalifikowalność narzędzi do wydłużenia okresu gwarancyjnego jest wyraźnie określona w sklepach i/lub na opakowaniu oraz w dokumentacji produktu. Użytkownik końcowy musi zarejestrować nowo kupione narzędzia online w ciągu 30 dni od daty zakupu. Użytkownik końcowy może zarejestrować się w celu przedłużenia gwarancji w swoim kraju zamieszkania, jeżeli jest on wymieniony w formularzu rejestracji online, gdzie opcja ta obowiązuje. Ponadto użytkownicy końcowi muszą wyrazić zgodę na przechowywanie danych, wprowadzanych na stronie internetowej i zaakceptować regulamin. Dowodem wyłączenia gwarancji jest wysłane pocztą elektroniczną potwierdzenie rejestracji i oryginał faktury potwierdzającej datę zakupu.
3. Gwarancja obejmuje wszystkie wady produktu ujawnione w okresie gwarancyjnym wynikające usterek wykonania lub materiału obecnych w dniu zakupu. Gwarancja jest ograniczona do naprawy i/lub wymiany i nie obejmuje żadnych innych zobowiązań, w tym między innymi odpowiedzialności za szkody przypadkowe lub wtórne. Gwarancja nie obowiązuje, jeżeli produkt był nieprawidłowo używany, używany niezgodnie z instrukcją lub nie był prawidłowo podłączony. Gwarancja nie obejmuje:
 - uszkodzenia produktu wynikającego z nieprawidłowej konserwacji,
 - produktu, który został zmieniony lub zmodyfikowany,
 - produktu, którego oryginalne oznaczenie (znak towarowy, numer seryjny) zostało zniszczone, zmienione lub usunięte,
 - jakichkolwiek uszkodzeń wynikających z nieprzestrzegania instrukcji,
 - jakiegokolwiek produktu bez certyfikatu CE,
 - jakiegokolwiek produktu, który próbowano naprawić z pomocą niewykwalifikowanej osoby lub bez uzyskania wcześniejszej zgody firmy Techtronic Industries.
- jakiegokolwiek produktu podłączonego nie prawidłowego źródła zasilania (nieprawidłowe napięcie prądu, napięcie, częstotliwość),
- jakiegokolwiek produktu, który był używany z nieprawidłową mieszanką paliwową (paliwo, olej, procentowy udział oleju),
- jakichkolwiek uszkodzeń spowodowanych wpływem czynników zewnętrznych (chemicznych, fizycznych, drgań) lub substancji obcych,
- normalnego zużycia części zamiennych,
- nieprawidłowego użycia, przecięcia narzędzia,
- stosowania niezatwierdzonych akcesoriów lub części,
- jakichkolwiek okresowych regulacji lub czyszczenia gaźników w ramach konserwacji
- elementów (części i akcesoriów) podlegających naturalnemu zużyciu, obejmujących, między innymi, kopułki do zwalniania żyłki, pasy napędowe, sprężelgo, ostrza przycinarek do żywopłotów lub kosiarzek do trawy, uprzęż, przepustnicę linkową, szcztolki węglowe, przewód zasilania, zęby, podkładki filcowe, kolki podnośnika, wentylatory dmuchawy, rury nadmuchowe i ssawne, worek na śmieci i paski, prowadnice, łańcuchy pły, węże, mocowanie złączcy, dysze natryskowe, koła, przęty natryskowe, szpule wewnętrzne, szpule zewnętrzne, filtry gazu, ostrza do ściółkowania itp.
4. W celu serwisowania produkt należy wysłać lub okazać w autoryzowanym punkcie serwisowym RYOBI znajdującym się na przedstawionym poniżej wykazie punktów serwisowych w poszczególnych krajach. W niektórych krajach lokalny dystrybutor produktów RYOBI podejmuje się wysyłki produktu do centrum serwisowego RYOBI. W przypadku wysyłki do punktu serwisowego RYOBI produkt – pozbawiony jakichkolwiek niebezpiecznych substancji, na przykład benzyny – należy bezpiecznie zapakować i dołączyć adres nadawcy oraz krótki opis usterki.
5. Naprawa/wymiana w ramach niniejszej gwarancji jest bezpłatna. Nie stanowi jednak o przedłużeniu lub rozpoczęciu od nowa biegu okresu gwarancyjnego. Wymienione części lub narzędzia stają się naszą własnością. W przypadku niektórych krajów nadawca będzie musiał uregulować koszty dostawy lub opłaty pocztowe. Prawa ustawowe wynikające z zakupu narzędzia pozostają niezmiennione.
6. Niniejsza gwarancja obowiązuje we Wspólnocie Europejskiej, Szwajcarii, na Islandii, w Norwegii, a także w Liechtensteinie, Turcji, Rosji oraz Zjednoczonym Królestwie Wielkiej Brytanii i Irlandii Północnej. Poza tymi obszarami należy skontaktować się z autoryzowanym dostawcą produktów RYOBI i ustalić, czy obowiązuje inna gwarancja.

AUTORYZOWANY PUNKT SERWISOWY

Wszelkie zapytania i problemy z produktem można zgłaszać do lokalnych autoryzowanych centrów serwisowych (patrz www.ryobitools.eu) lub bezpośrednio do: Techtronic Industries GmbH, Max Eyth Straße 10, 71364 Winnenden, Germany. Prosimy o podanie wydrukowanego na etykiecie numeru seryjnego oraz typu produktu.

CS ZÁRUČNÍ PODMÍNKY RYOBI

Kromě zákonných práv vyplývajících z koupě výrobku se na tento výrobek vztahuje také níže uvedené záruka.

1. Záruční doba pro spotřebitele je 24 měsíců a začíná datem nákupu výrobku. Datum musí být zaznamenáno na faktúře nebo jiném dokladu o koupi. Tento výrobek je navržen a určen pouze pro soukromé účely spotřebitelů. Záruka se tedy nevztahuje na profesionální nebo komerční využití výrobku.
2. U některých zahradních nástrojů (AC/DC) je možné záruční dobu prodloužit. K tomu je nutná registrace na stránkách www.ryobitools.eu. Možnost prodloužené záruční doby výrobků je jasně uvedena v prodejních, popř. na obalech nebo v dokumentech o výrobku. Koncový uživatel musí svůj nový nástroj zaregistrovat online do 30 dnů od data nákupu. Koncový uživatel se může k prodloužené záruční době zaregistrovat v zemi trvalého pobytu, pokud je tato uvedena na internetovém registračním formuláři u výrobku, kde je tato možnost dostupná. Koncový uživatel musí dále souhlasit s uložením osobních údajů, která musí zadat na internetu, a přijmout obchodní podmínky. E-mail s potvrzením registrace a původní faktura s datem koupě poslouží jako důkaz o prodloužené záruce.
3. Záruka se vztahuje na veškeré vady na výrobku v rámci záruční doby způsobené výrobními vadami nebo vadami materiálu v době koupě. Záruka je omezena na opravu, popřípadě výměnu a nezahrnuje žádné další povinnosti, včetně mimo jiné vedlejších či následných odškodnění. Záruka neplatí při použití výrobku k nevhodným účelům, v rozporu s uživatelskou příručkou nebo při nesprávném zapojení. Záruka se nevztahuje na:
 - veškeré škody na výrobku způsobené nesprávnou údržbou
 - veškeré produkty, které byly pozměněny nebo upraveny
 - veškeré produkty, kde byly původní identifikační prvky (obchodní značka, sériové číslo) poňeny, pozměněny nebo odstraněny
 - veškeré škody způsobené nedodržením pokynů uživatelské příručky
 - veškeré produkty bez CE certifikace
 - veškeré produkty, které se pokusil opravit nekvalifikovaný odborník nebo opravy bez předchozího svolení společnosti Techtronic Industries.
 - veškeré produkty zapojené do nesprávného elektrického zdroje (proud, napětí, frekvence)
 - veškeré produkty používané s nevhodnou palivovou směsí (palivo, olej, procento oleje)
 - veškeré škody způsobené externími vlivy (chemickými, fyzickými, nárazy) nebo cizími látkami
 - běžné opotřebování dílů
 - nevhodné použití, přetěžování nástroje
 - použití neschválených příslušenství nebo dílů
 - veškerá pravidelná seřízení nebo čištění v rámci údržby karburátorů
 - komponenty (díly a příslušenství) podléhající opotřebení, včetně mimo jiné nárazových koleček, posuvných pásů, spojek, nožů plotových nůžek a sekaček na trávu, popruhu, plynového lanka, karbonových kartáčů, napájecího kabelu, zubů, plstěných podložek, závesných kolíků, větráků fukaru, trubíc fukaru a vysavače, vaku, kol, stříkačích tyčí, vnitřních cívek, plynových kotočů, fezných strun, zapalovačích svíček, vzduchových filtrů, plynových filtrů, mulčovačích nožů atd.
4. K provedení servisu musí být výrobek zaslán nebo předán do autorizovaného servisního centra společnosti RYOBI, jejichž adresy jsou uvedeny podle země v seznamu servisních center. V některých zemích za vás výrobek pošle servisní organizaci RYOBI sám prodejce výrobků této značky. Při zaslání výrobku do servisního centra RYOBI je potřeba výrobek bezpečně zabalit bez nebezpečného obsahu jako benzín, opatřit adresou odesílatele a připojit krátký popis závady.
5. Oprava, popř. výměna v rámci této záruky je zdarma. Neznamená to prodloužení nebo začátek nové záruční lhůty. Vyměněné díly nebo nástroje přejdou do našeho vlastnictví. V některých zemích platí poštovné odesílatele. Vaše zákonná práva vyplývající z koupě tohoto nástroje zůstávají nedotčena.
6. Tato záruka platí v Evropském společenství, Švýcarsku, na Islandu, v Norsku, Lichtenštejnsku, Turecku, Rusku a Spojeném království. Mimo tuto území kontaktujte autorizovaného prodejce značky RYOBI, který zjistí, zda se na výrobek vztahuje jiná záruka.

POVĚŘENÉ SERVISNÍ STŘEDISKO

S požadavky nebo problémy týkajícími se tohoto výrobku se můžete obracet na místní pověřené servisní středisko (podle www.ryobitools.eu) nebo přímo na: Techtronic Industries GmbH, Max Eyth Straße 10, 71364 Winnenden, Germany. Uveďte výrobní číslo a druh výrobku ze štítku.

HU A RYOBI GARANCIA ALKALMAZÁSÁNAK FELTÉTELEI

A vásárlásból adódó törvényben rögzített jogok mellett a termékre az alábbi garancia vonatkozik.

1. A fogyasztói garancia tartama 24 hónap, mely a termék vásárlásának napjával kezdődik. Ezt a dátumot számlával vagy a vásárlást igazoló egyéb dokumentummal kell bizonyítani. A termék rendeltetése csak fogyasztói és magánéleti használat. Ezért professzionális vagy kereskedelmi használat esetén a garancia nem érvényes.
2. A kerti szerszámok (egyenáramú/váltóáramú) egy részénél a garancia időtartama a www.ryobitools.eu weblapon regisztrálva meghosszabbítható. Az áruházakban, a csomagoláson, illetve a termék dokumentációjában egyértelműen jelzve van, hogy az adott termék garanciája meghosszabbítható-e. A végfelhasználónak a vásárlás dátumától számított 30 napon belül regisztrálnia kell az újonnan vásárolt szerszámot. A végfelhasználó akkor regisztrálhat a kiterjesztett garanciára, ha az ország, ahol lakik, fel van sorolva az online regisztrációs űrlapon azon országok között, ahol választható ez az opció. Ezenkívül a végfelhasználónak bele kell egyeznie az online regisztrálás során szükséges adatok tárolásába, és el kell fogadnia a felhasználási feltételeket. A kiterjesztett garanciát a regisztráció beérkezésétől e-mailben küldött visszaigazolás és a vásárlás dátumát tartalmazó eredeti számla igazolja.
3. A garancia a termék vásárlásakor fennálló, a gyártás során keletkezett hibákra és anyaghibákra érvényes a garanciális időtartam alatt. A garancia csak a javításra/cserére korlátozódik, és nem terjed ki semmilyen egyéb kötelezettségre, nem kizárólagosan ideértve a véletlen vagy szándékos rongálást. A garancia nem érvényes, ha a terméket nem megfelelően, a használati utasításban foglaltakkal ellentétben, illetve nem megfelelően csatlakoztatva használták. A garancia nem vonatkozik:
 - a terméket a nem megfelelő karbantartás következtében ért károsításra
 - megváltoztatott vagy átalakított termékre
 - olyan termékre, melyen az eredeti azonosítókat (védjegy, sorozatszám) megrongálták, megváltoztatták vagy eltávolították
 - a használati utasítás be nem tartásából eredő kárra
 - CE jelöléssel nem rendelkező termékekre
 - olyan termékre, melyet nem képzett, illetve a Techtronic Industries által nem feljogosított szerelő javított
 - nem megfelelő (áramerősségű, feszültségű, frekvenciájú) áramforrásra csatlakoztatott termékre
 - nem megfelelő üzemanyag-keverékkel (üzemanyag, olaj, olaj aránya) használt termékre
 - külső (vegyi, fizikai, ütés) hatásokból vagy idegen anyagokból eredő károkról
 - a cserélhető alkatrészek természetes kopására és elhasználódására
 - a szerzőm helytelen használatára, túlterhelésére
 - nem jóváhagyott tartozékok és alkatrészek használatára
 - A karburátorok rendszeres beállítása, karbantartása, tisztítása
 - A természetes kopásnak és elhasználódásnak kitett alkatrészek és kiegészítők, például (de nem kizárólag) damilodobok, ékszíjak, foglalatok, sövényvágók és fűnyírók kése, heveder, gázbowden, szénkéfék, tápkábel, kultivátorfogak, filcalátétek, akasztószögek, fűvókészülékek ventilátora, fűvókészülék és szívócsővek, szívózsák és pánrok, terelőrudak, fűrészlánccok, tömlők, csatlakozószerevények, permetezőfejek, kerekek, permetezőszárak, belső dobok, külső csévék, vágódamilok, gyújtógyertyák, légszűrők, gázsűrők, mulcsoskések stb.
4. A terméket javításra el kell vinni egy meghatalmazott RYOBI szervizbe; ezeket az egyes országokhoz a következő listában találja. Egyes országokban a helyi RYOBI kereskedő vállalja a termék elszállítását a RYOBI szervizbe. A terméket veszélyes tartalom, például benzín nélkül csomagolva, a feladói címét feltüntetve, a hiba rövid leírásával együtt küldje el a RYOBI szervizbe.
5. A jelen garancia hatálya alatt végzett javítás, illetve csere ingyenes. Nem jelenti a garanciális időtartam újraindulását. A kicserélt alkatrészek és szerszámok a mi tulajdonunkba kerülnek. Egyes országokban a szállítási vagy postázási költség a feladói viseli. A vedőnek a szerzőm megvásárlásából adódó törvényes jogai nem változnak.
6. Ez a garancia az Európai Közösségben, Svájcban, Izlandon, Norvégiában, Liechtensteinben, Törökországban, Oroszországban és az Egyesült Királyságban érvényes. E területen kívül kérdezze meg a RYOBI forgalmazót, hogy milyen garancia van érvényben.

HIVATALOS SZERVIZKÖZPONT

Ha bármilyen kérés vagy problémája van a termékkel kapcsolatban, forduljon a helyi hivatalos szervizközponthoz (átogasson el a www.ryobitools.eu oldalra), vagy közvetlenül ide: Techtronic Industries GmbH, Max Eyth Straße 10, 71364 Winnenden, Germany. Adja meg a címkére nyomtatott sorozatszámot és terméktípust.

RO CONDIȚII DE APLICARE A GARANȚIEI PENTRU PRODUSELE RYOBI

În plus față de condițiile stabilite rezultate din achiziționarea acestui produs, acesta este acoperit de garanția stipulată mai jos.

1. Perioada de garanție este de 24 de luni pentru consumatorii și începe de la data achiziționării produsului. Data de începere a garanției trebuie demonstrată cu o factură sau altă dovadă a cumpărării produsului. Produsul este destinat și conceput doar pentru utilizare în scopuri personale. Din acest motiv, nu se oferă garanție pentru utilizarea sa în scop profesional sau comercial.
2. Există posibilitatea de extindere a perioadei de garanție pentru gama de unelte electrice pentru grădini (de CA/CC) peste perioada stipulată mai sus prin înscrierea produsului pe website-ul www.ryobitools.eu. Eligibilitatea pentru perioada de extindere a garanției este afișată în mod clar în magazinele de vânzare și/sau pe ambalaj sau este inclusă în documentația livrată împreună cu produsul. Utilizatorul final este obligat să-și înregistreze produsul online în termen de maxim 30 de zile de la achiziția acestuia. Utilizatorul final poate înregistra produsul pentru garanția extinsă oferită în țara sa de rezidență dacă aceasta este listată în formularul de înregistrare online și dacă această opțiune este validă. În plus, utilizatorii finali trebuie să-și dea acordul pentru stocarea datelor personale solicitate la înregistrarea online și trebuie să accepte termenii și condițiile. Mesajul de confirmare a înregistrării, trimis prin e-mail și factura originală cu data achiziției vor dovedi perioada de garanție extinsă.
3. Garanția acoperă toate defecțiunile produsului survenite în perioada de garanție datorate defectelor de execuție sau materialelor folosite, începând cu data achiziției acestuia. Garanția este limitată la reparare și/sau înlocuire și nu include alte obligații, inclusiv, dar fără a se limita la daune accidentale sau rezultate pe cale de consecință. Garanția își pierde valabilitatea dacă produsul este utilizat necorespunzător, utilizat neconform cu instrucțiunile de utilizare din manualul cu instrucțiuni sau conectat incorect. Garanția nu se aplică în cazul:
 - oricărei defecțiuni survenite în urma întreținerii necorespunzătoare a produsului
 - oricărui produs alterat sau modificat
 - oricărui produs la care inscripțiile cu datele de identificare (marca comercială, numărul de serie) au fost șterse, modificate sau îndepărtate
 - oricărei defecțiuni datorate neconformării cu instrucțiunile din manualul de utilizare
 - oricărui produs neconectat CE
 - oricărui produs asupra căruia au fost efectuate tentative de reparare de către personal necalificat sau fără autorizație prealabilă din partea Techtronic Industries.
 - oricărui produs conectat la o sursă de alimentare necorespunzătoare (curent, tensiune, frecvență)
 - oricărui produs utilizat cu un amestec de carburant necorespunzător (combustibil, ulei, proporții de adaos ulei)
 - oricărui defecțiuni datorate unor influențe externe (chimice, fizice, șocuri) sau substanțe străine
 - uzurii și fisurării normale a pieselor de rezervă
 - utilizării neadevurate, suprasolicitarilor uneltei
 - utilizării de piese și accesorii neaprobate
 - Orice operații de curățare sau reglare periodică a carburatoarelor
4. Componentele (piese și accesorii) supuse uzurii și defecțiilor normale, care includ, fără a se limita la manșoane de protecție, curele de transmisie, ambreiaj, lamele de la tăietoarele de arbore sau gazon, hamașamente, cablu de accelerație, perni de cărbune, cordon de alimentare, dinți, discuri de păslă, știfturi de siguranță, ventilatoare de suflantă, tuburi de aspirare sau suflare, sac de colectare resturi și banda de susținere a acestuia, bare de ghidare, lanțuri de fierăstrău, furtunuri, accesorii de conectare, duze de pulverizare, volante, baghete de pulverizare, moșoare interne, carcase exterioare pentru moșoare, fire tăietoare, bujii, filtre de aer, filtre de gaz, lame de tocător, etc.
5. Pentru efectuarea reparațiilor, produsul trebuie trimis sau adus la un centru de reparații autorizat RYOBI din lista următoare de centre de reparații prezentate pentru fiecare țară. În anumite țări, reprezentatul local RYOBI va trimite produsul spre reparare la sediul central de reparații RYOBI. Atunci când trimiteți produsul spre reparare la un centru de reparații RYOBI, acesta trebuie ambalat în siguranță, fără conținut periculos (cum ar fi benzină), marcat cu adresa expeditorului și însoțit de o scurtă descriere a defectului.
6. Repararea/înlocuirea în perioada de garanție este gratuită. Aceasta nu este însoțită de o prelungire sau o reințiere a perioadei de garanție. Piesele sau uneltele schimbate devin proprietatea dvs. În anumite țări, taxele de expediție sau poștale vor fi suportate de expeditor. Drepturile dvs. stabilite rezultate din achiziția produsului rămân neschimbate.
7. Această garanție este valabilă în Comunitatea Europeană, Elveția, Islanda, Norvegia, Liechtenstein, Turcia, Rusia și Marea Britanie. În afara acestor zone, vă rugăm să contactați reprezentantul dvs. local RYOBI pentru a determina dacă se aplică alt tip de garanție.

CENTRU DE SERVICE AUTORIZAT

Orice întrebare sau problemă în legătură cu produsul se poate adresa la centrele locale autorizate de service (vizitați www.ryobitools.eu) sau direct la: Techtronic Industries GmbH, Max Eyth Straße 10, 71364 Winnenden, Germany. Vă rugăm să specificați numărul de serie și tipul de produs tipărit pe etichetă.

LV RYOBI GARANTIJAS PIEMĒROŠANAS NOSACĪJUMI

Papildus jebkādam likumiskajām tiesībām, kuras rodas, veicot pirkumu, izstrādājums tiek nodrošināts ar tālāk tekstā noteikto garantiju.

1. Garantijas periods pretārtējājiem ir 24 mēneši, tas atskaitē tiek sāka no datuma, kurā veikta izstrādājuma iegāde. Šim datumam jābūt dokumentētam rēķinā vai citā pirkumu apliecināšā dokumentā. Izstrādājums ir radīts un paredzēts tikai patērētāja privātai lietošanai. Saistībā ar iepriekšminēto, garantija netiek nodrošināta profesionālās vai komerciālās lietošanas gadījumā.
2. Pastāv iespēja pagarināt daļas no dārze instrumentu klāsta (Mainstrāvas/akumulatoru) garantiju ilgāk par iepriekš minēto periodu, izmantojot reģistrāciju internetā vietnē www.ryobitools.eu. Instrumenti, kas pakļauti garantijas perioda pagarināšanai, tiek skaidri apzīmēti veikalos un/vai uz iepakojuma un izstrādājumu komplektācijā dokumentācijā. Gala lietotājam nepieciešams reģistrēt tā iegādāto jauno instrumentu 30 dienu laikā no pirkuma datuma. Gala lietotājs var reģistrēties pagarinātajai garantijai savā mītnes valstī, ja tā minēta tiešsaistes reģistrācijas veidlapā, kurā šī iespēja ir aktīva. Bez tam, gala lietotājam ir jānodrošina piekrišana tiešsaistes ievadīšanai nepieciešamo datu glabāšanai un jāpiekrīt noteikumiem un nosacījumiem. Reģistrācijas apstiprinājums, kas tiek nosūtīts, izmantojot e-pastu, un rēķina oriģināls, kurā norādīts iegādes datums, kalpo kā pagarinātās garantijas apstiprinājums.
3. Garantija attiecas uz visiem izstrādājuma defektiem garantijas periodā, kas saistīti ar ražošanas vai materiālu defektiem no pirkuma datuma. Šī garantija tiek ierobežota ar remontu un/vai nomainu un neietver jebkādas citas saistības, tajā skaitā, bet ne tikai, cēloņsakarīgos vai saistītos bojājumus. Garantija nav spēkā, ja izstrādājums ir nepareizi lietots, izmantots pretējai norādē lietošanas rokasgrāmātā vai bijis nepareizi pieslēgts. Šī garantija netiek attiecināta uz:
 - jebkādiem izstrādājuma bojājumiem, kas radušies nepareizas uzturēšanas rezultātā
 - jebkuru izstrādājumu, kas ticis pārveidots vai mainīts
 - jebkuru izstrādājumu, kura oriģinālās identifikācijas (preču zīme, sērijas numurs) marķējums ir ticis nodzēsts, mainīts vai noņemts
 - jebkādiem bojājumiem, kuri radušies neievērojot norādes lietošanas rokasgrāmātā
 - jebkādam izstrādājumam bez CE sertifikācijas
 - jebkuru izstrādājumam, kura remontu mēģinājis veikt nekvalificēts personāls vai bez Technonic Industries iepriekšējas autorizācijas.
 - jebkuru izstrādājumam, kurš bijis pieslēgts neatbilstošu parametru (strāvas, sprieguma, frekvences) sprieguma avotam
 - jebkuru izstrādājumam, kurš bijis izmantots ar nepareizu degvielas maisījumu (degviela, eļļa, eļļas procentuālais saturs)
 - jebkuriem bojājumiem, kuri radušies ārējās iedarbības (ķīmiskas, fiziskas, triecieni) vai vielu ietekmē
 - detaļu normāla lietošanas nodiluma rezultātā
 - nepareizas lietošanas vai instrumentu pārslodzes rezultātā
 - neapstiprinātu detaļu vai aprīkojuma lietošanas rezultātā
 - jebkādu periodiskus karburatoru regulēšanas darbus vai apkopes tīrīšanu
 - Komponentus (daļas un aksesuārus), kas pakļauti dabīgām nodilumam, ieskaitot, bet neaprobežojoties ar atsitiena pogām, piedziņas siksnām, sajūgiem, krūmu šķēru un plaujašmašīnu asmeņiem, uzķabēm, drošību trosītem, oglekļa sukām, elektrības vadiem, tapām, filca aplākšņiem, sakabes tapām, pūteja ventilatoriem, pūteja un sūksšanas caurulēm, savākšanas maisiņiem un siksnām, vadotņu plankām, zaģu ķēdēm, šūtenēm, savienojumu uzgaļiem, izsmidzinātāja uzgaļiem, rīteniem, izsmidzinātāja caurulēm, iekšējām spoļēm, ārējām spoļēm, plaušanas auklām, aizdedzēs svečēm, gaisa filtriem, degvielas filtriem, mulčēšanas asmeņiem, utt.
4. Servisa nodrošināšanai, izstrādājums ir jānodod pilnvarotā RYOBI servisa centrā, kas norādīts katrai valstij tālāk minētajā servisa centru adresē sarakstā. Dažās valstīs jūsu vietējais RYOBI izplatītājs uzņemas izstrādājuma nosūtīšanu uz RYOBI servisa organizāciju. Nosūtīt izstrādājumu uz RYOBI servisa centru, izstrādājuma jābūt droši iepakotam, tas nedrīkst saturēt bīstamas vielas kā degvielu, sūtiņam jābūt marķētam ar sūtītāja adresi un īsu kļūmes aprakstu.
5. Remonts/nomaina šīs garantijas ietvaros ir bezmaksas. Tas nerada garantijas perioda pagarināšanu vai jaunu garantiju. Nomainītās daļas vai instrumentu kļūst par mūsu īpašumu. Dažas valstīs piegādes vai pasta izmaksas būs jāapmaksā sūtītājam. Jūsu likumiskās tiesības, kas nodrošinās, iegādājoties instrumentu, paliek nemainīgas
6. Šī garantija ir spēkā Eiropas Kopienā, Šveicē, Islandē, Norvēģijā, Lichtenšteinā, Turcijā, Krievijā un Apvienotajā Karalistē. Ārpus šīm teritorijām, lūdzu, sazinieties ar jūsu pilnvaroto RYOBI izplatītāju, lai noteiktu, vai ir piemērojama cita garantija.

AUTORIZĒTS APKALPOŠANAS CENTRS

Ar jebkuru pieprasījumu vai problēmu, kas saistīta ar produktu, var vērsties Jūsu vietējā pilnvarotajā servisa centrā (apmeklējiet www.ryobitools.eu) vai tieši pie: Technonic Industries GmbH, Max Eyth StraÙe 10, 71364 Winnenden, Germany, Lūdzu, norādiet sērijas numuru un produkta tipu, kas norādīts uz etiķetes.

LT „RYOBI“ GARANTIJOS TAIKĀMO SĀLYGOS

Papildant bet kokias įstatymuose numatytas perkant atsiirandancias teises, šiam įrenginiui taikoma toliau nurodyta garantija.

1. Vartotojams suteikiama 24 mėnesių trukmės garantija nuo įrenginio įsigijimo datos. Ši data turi būti nurodyta sąskaitoje faktūroje ar kitame pirkimą įrodančiame dokumente. Šis įrenginys skirtas tik vartotojų rinkai ir asmeniniam naudojimui. Todėl garantija netaikoma, jei įrenginys naudojamas profesionalūs ar komercinems reikmėms.
2. Įsigijus tam tikrus sudedamuosius įrenginius (AC/DC), suteikiama galimybė pratęsti garantiją, kad ji galiojot ilgiau, nei nurodyta pirmiau, naudojantis registracija interneto svetainėje www.ryobitools.eu. Ar galima pratęsti įrenginio garantinį laikotarpį, aiškiai nurodoma parduotuvėse ir (arba) ant įrenginio pakuočės, ir (arba) įrenginio dokumentuose. Galutinis naudotojas turi užregistruoti savo naujai įsigytą įrenginį per 30 dienų nuo įsigijimo datos. Galutinis naudotojas gali registruotis išplėstinei garantijai savo gyvenamojoje šalyje, jei ji nurodyta internetinėje registracijos formoje, kurioje siūdoma tokia galimybė. Be to, galutiniai naudotojai turi sutikti su duomenų, kuriuos reikia įvesti internetu, saugojimu ir svetainės naudojimo sąlygomis. Kaip išplėstinės garantijos įrodymus naudojamos registracijos patvirtinimo kvitas, atsiunčiamas el. paštu, ir originali sąskaita faktūra, kurioje nurodyta įsigijimo data.
3. Ši garantija apima visus garantiniu laikotarpiu aptiktus įrenginio trūkumus, atsiradusius dėl gamybos arba medžiaginių defektų nuo įsigijimo datos. Ši garantija ribojama remontu ir (arba) pakeitimu, ji neapima jokių kitų įsipareigojimų, įskaitant (bet tuo neapsiribojant) galutinius arba antrinius naudotojus. Garantija anuluojama, jei įrenginys buvo naudojamas netinkamai, naudojamas ne pagal nurodomą instrukciją arba netinkamai prijungtas. Ši garantija netaikoma:
 - jokiai įrenginiui padarytai žalai, kurią lėmė netinkama techninė priežiūra;
 - jokiai įrenginiui, kuris buvo keičiamas ar modifikuojamas;
 - jokiai įrenginiui, kurio originalūs identifikavimo ženklai (prekės ženklas, serijos numeris) buvo sugadinti, pakeisti arba pašalinti;
 - jokiai žalai, kurią lėmė naudojimo instrukcijos nesilaikymas;
 - jokiais CE ženklu nepažymėtais įrenginiais;
 - jokiai įrenginiui, kurį bandė remontuoti nekvalifikuoti asmenys arba kuris buvo remontojamas be „Technonic Industries“ leidimo;
 - jokiai įrenginiui, kuris buvo prijungtas prie netinkamo maitinimo tinklo (netinkamos srovės, tūlumo, dažnio);
 - jokiai įrenginiui, kuris buvo naudojamas su netinkamu degalų mišiniu (degalai, alyva, maišymo santykis);
 - jokiai žalai, kurią lėmė išorinis poveikis (cheminis, fizinis, smūgiai) arba pašalinės medžiagos;
 - dėvimosioms dalims;
 - netinkamam naudojimui, įrenginio perkrovai;
 - nepatvirtintų priedų arba dalių naudojimui;
 - Jokiai reguliariam karbiuratorių reguliavimui arba priežiūros ir valymo darbams
 - Komponentams (dalims ir priedams), kurie natūraliai dėviasi, įskaitant (bet tuo neapsiribojant) spyruoklines galvutes, pavarų diržus, sankabą, gyvatvorių genėtuvą ar žoliapjovių geležtes, diržus, trosinį drošelį, anglinius šepetėlius, maitinimo kabelį, virbus, fetro poveržes, prikabinimo kaiščius, pūstuvo ventilatorius, pūstuvo ir siurblio vamzdžius, siurblio maišą ir diržus, kreipiamuosius strypus, pjūklų grandines, žarneles, jungiamąsias detales, purškimo antgalius, ratus, purškimo liestukus, vidines rites, išorines rites, pjovimo vielą, uždegimo žvakės, oro filtrus, dujų filtrus, mulčavimo geležtes ir pan.
4. Prireikus atlikti priežiūros darbus, įrenginį reikia siųsti arba atvežti RYOBI įgaliotajam priežiūros centrui, nurodytam kiekvienos šalies priežiūros centrų adresų sąrašė. Kai kuriose šalyse vietinis RYOBI atstovas siunčia įrenginį RYOBI priežiūros organizacijai. Siunčiant įrenginį RYOBI priežiūros centrui, reikia saugiai jį supakuoti pašalinant visas pavojingas medžiagas, pvz., benzina, nurodyti ant pakuočės siuntėjo adresą ir pridėti trumpą gedimo aprašymą.
5. Pagal šią garantiją remontas / keitimas atliekami nemokamai. Tokie veiksmai nelaikomi garantijos pratęsimu arba naujo garantinio laikotarpio pradžia. Dalys arba įrenginiai, kuriuos pakeitėme, tampa mūsų nuosavybė. Kai kuriose šalyse pristatymo ir pašto išlaidas turi padengti siuntėjas. Įstatymuose numatytos jūsų teisės, atsiirandancias perkant įrenginį, lieka nepakeistos
6. Ši garantija galioja Europos Bendrijos šalyse, Šveicarijoje, Islandijoje, Norvegijoje, Lichtenšteine, Turkiijoje, Rusijoje ir Jungtinėje Karalystėje. Jei gyvenate ne šiose šalyse, kreipkitės į įgaliotąjį RYOBI atstovą ir sužinokite, ar jums taikoma kita garantija.

ĮGALIOTAS TECHINIS PRIEŽIŪROS CENTRAS

Jei turite kokių nors pagaidavimų ar problemų, susijusių su šiuo gaminiu, galite kreiptis į artimiausią įgaliotąjį techninės priežiūros centrą apsilankydami www.ryobitools.eu arba tiesiogiai: Technonic Industries GmbH, Max Eyth StraÙe 10, 71364 Winnenden, Germany. Nurodykite etiketėje išspausdintą serijos numerį ir gaminio tipą.

ET RYOBI GARANTIIINGIMUSED

Lisaks toote ostust tulenevatele seadusjärgsetele õigustele, kehtib tootele ka alltoodud garantiiga.

1. Tarbijatele on garantiiaeg 24 kuud ja algab sellel kuupäeval, mil toode osteti. Selle kuupäeva tõestuseks on vaja arvi või mõnda teist tõendit ostu sooritamise kohta. Toode on mõeldud eratarbijatele ainult isiklikuks kasutamiseks. Seega ei kehti garantii ostu kasutamisel kutsetegevuses või kaubanduslikel eesmärkidel.
2. Teatud osale (vahelduvvoolu/älalisvoolu) aiatööriistadele on võimalik pikendada eespool toodud garantiiaega, kasutades toote registreerimist veebilehel www.ryobitools.eu. Teave tööriista võimaliku pikendatud garantiiaja kohta on selgelt esile toodud pöördides ja/või pakendil / ning see sisaldub toote dokumentatsioonis. Lõpptarbijaja peab registreerima oma uued tööriistad interneti teel 30 päeva jooksul pärast ostupäeva. Lõppkasutaja võib registreerida pikendatud garantiiaja saamise oma elukohariigis, kui veebis olevas registreerimisvormis on see valik lubatav. Lisaks peavad kasutajad andma oma nõusoleku veebis nõutud sisestatavate andmete säilitamiseks ning nad peavad nõustuma tingimustega. E-posti teel saadetak registreerimise kinnitus ja arve originaal, kus on näha ostu sooritamise kuupäev, on pikendatud garantiiaja tõestuseks.
3. Garantii katab kõik defektid toote garantiiaja jooksul, kui ostu kuupäeval ilmnevad talitlus- või materjalivead. Garantii piirub toote remondi ja/ või väljavahetamisega ning ei sisalda mud kohustusi, muu hulgas ettenägematuid või kaudseid kahjusid. Garantii ei kehti, kui toode ei ole kasutatud sihtotstarbeliselt või kooskõlas kasutusjuhendiga või see on valesti ühendatud. Garantii ei kehti järgmistel põhjustel:
 - toode on kahjustatud vale hoolduse tõttu
 - toode on muudetud
 - toode algupärase identifitseerimisjärgised (kaubamärk, seerianumber) on rikutud, muudetud või eemaldatud
 - kahju on tekkinud kasutusjuhendi mittejärgmisest
 - tootel puudub CE-märgis
 - toode on püüdnud remontida vastavalt kvalifikatsiooni mitte omav isik või ilma firma Technonic Industries eelneva loata.
 - toode on ühendatud valesse toiteallikasse (voolutugevus, pinge, sagedus)
 - tootega kasutati sobimatut kütusesegu (kütus, õli, õli protsent)
 - välismõjude (keemilised, füüsikalised, elektrilõõgid) või võõrkehade tekitatud kahju
 - tavapärase kulumine ja katkised varuosad
 - ebaõige kasutamine, tööriista ülekoormamine
 - heakskiitmata tarvikute või osade kasutamine
 - Karburaatorite korralised reguleerimistööd või hooldus- ja puhastustööd
 - Komponendid (osad ja tarvikud), mida iseloomustab kulumine ja vananemine, muu hulgas puutenupud, kiilrihmad, sidur, hekilõikurite või muruniidukite lõiketerad, rakmed, gaasitross, süsinikharjad, toitejuhe, freesiterad, viidist seibid, tihvtid, õhuventilaatorid, puhuri- ja imuritrud, kogumiskott ja rihmad, juhkimid, saeketid, voolikud, liitmikud, pihusti otsakud, rattad, pritsi varred, sisemised poolid, välismised poolid, jõhvud, süüteküünlad, õhufiltrid, gaasifiltrid, mülmisriistad jne.
4. Hoolduseks peab toote saatma või viima RYOBI volitatud teenindusse, mille aadressi leiate järgnevat teeninduspunkti nimekirjast vastava riigi alt. Mõnedes riikides võtab kohalik RYOBI edasimüüja enda kanda kohustuse saata toode RYOBI teenindusorganisatsiooni. Tootte saatmisel RYOBI teenindusse peab toode olema ohutult pakitud ja ei tohi sisaldada ohtlikke aineid (nt bensiini), kirjas peab olema saatja aadress ja lisatud vea lühikirjeldus.
5. Garantii alusel tehtavad remonditööd / asendamine on tasuta. See ei pikenda garantii kehtivusaega ega tähistu vea garantiiaja algust. Väljavahetatud osad või tööriistad kuuluvad meile. Mõnedes riikides maksab kätetoimetamis- ja postikulud saatja. Teile jäävad kehtima tööriista ostust tulenevad seadusjärgsed õigused
6. See garantii kehtib Euroopa Liidus, Šveitsis, Islandil, Norras, Liechtensteinis, Türgis, Venemaal ja Ühendkuningriigis. Väljaspool neid piirkondi võtke ühendust volitatud RYOBI edasimüüjaga, et teha kindlaks kas kehtib mõni teine garantii.

VOLITATUD HOOLDUSKESKUS

Tootega seotud päringute või probleemide korral pöörduge kohaliku volitatud hoolduskeskuse poole (vt www.ryobitools.eu) või otse aadressile: Technonic Industries GmbH, Max Eyth Straße 10, 71364 Winnenden, Germany. Märkige ära sildil olev seerianumber ja toote tüüp.

HR UVJETI PRIMJENE JAMSTVA TVRTKE RYOBI

Osim svim zakonskim pravima koja proizlaze iz kupnje, ovaj je proizvod pokriven jamstvom kako je navedeno u nastavku.

1. Jamstveno razdoblje za potrošače traje 24 mjeseca i počinje s datumom na koji je proizvod kupljen. Taj datum mora se dokumentirati računom ili drugim dokazom o kupnji. Proizvod je konstruiran i namijenjen samo za privatnu upotrebu korisnika. Stoga se jamstvo ne daje u slučaju profesionalne ili komercijalne uporabe.
2. Postoji mogućnost da se za dio asortimana vrtnih alata pokretanih izmjeničnom strujom (AC/DC) produži gore navedeno jamstveno razdoblje putem registriranja na mrežnom mjestu www.ryobitools.eu. Uvjeti koje je potrebno zadovoljiti kako bi se produžilo jamstveno razdoblje jasno su istaknuti u prodavaonicama i / ili na pakiranju / i nalaze se unutar dokumentacije proizvoda. Krajnji korisnik mora registrirati svoje novo kupljene alate na mreži u roku od 30 dana od datuma kupnje. Krajnji korisnik može se registrirati za produženo jamstvo u svojoj zemlji boravišta ako se nalazi na popisu u mrežnom obrascu za registraciju gdje je ta opcija važeća. Nadalje, krajnji korisnici moraju dati svoj pristanak na pohranu podataka koji su potrebni za mrežni ulazak i moraju prihvatiti odredbe i uvjete. Potvrda o prijemu registracije, koja se šalje putem e-pošte, kao i originalni račun s vidljivim datumom kupnje poslužit će kao dokaz produženog jamstva.
3. Jamstvo pokriva sve nedostatke proizvoda tijekom jamstvenog razdoblja koji su nastali zbog neispravnosti prilikom izrade ili materijala s datumom kupnje. Jamstvo je ograničeno na popravak i/ili zamjenu i ne obuhvaća nikakve druge obveze, uključujući, ali ne ograničavajući se na slučajne ili posljedične štete. Jamstvo ne vrijedi ako je proizvod bio zlorabljeno, korišten u suprotnosti s priručnikom s uputama ili ako je pogrešno spojen. Ovo jamstvo ne primjenjuje se na:
 - svako oštećenje proizvoda koje je rezultat nepravilnog održavanja
 - svaki proizvod koji je izmijenjen ili modificiran
 - svaki proizvod gdje su originalne identifikacijske oznake (zaštitni znak, serijski broj) izbrisane, zamijenjene ili uklonjene
 - svako oštećenje uzrokovano nepridržavanjem korisničkog priručnika
 - svaki proizvod koji nije CE
 - svaki proizvod koji je pokušao popraviti nekvalificirani profesionalac ili bez prethodnog odobrenja od strane Technonic Industries
 - svaki proizvod priključen na nepravilno napajanje energijom (amperi, napon, frekvencija)
 - Svaki proizvod korišten s neodgovarajućom mješavinom (gorivo, ulje, postotak ulja)
 - svako oštećenje uzrokovano vanjskim utjecajima (kemijsko, fiziko, udar) ili stranim stvarima
 - normalno trošenje i habanje rezervnih dijelova
 - nepravilno korištenje, preopterećenje alata
 - korištenje neodobrenog dodatnog pribora ili dijelova
 - rasplinjača nakon 6 mjeseci, podešavanje rasplinjača nakon 6 mjeseci
 - komponente (dijelovi i dodatni pribor) koji su predmet prirodnog trošenja i habanja, uključujući no ne ograničavajući se na gumbce za otpuštanje, pogonske remene, spojku, oštrice trimera za grmlje ili kosilicu, kope, saje gasa, ugljene četke, kabele za napajanje, noževe, podloške, ztike za zglobnu vezu, ventilatore puhalica, cijevi za ispuhavanje i usisavanje, vakuumske vrećice i trake, vodicice, lance pile, crijeva, priključene elemente, mlaznice za raspršivanje, kodače, koplja za raspršivanje, unutarnje kolote, vanjske kalame, flaksove, svjećice, filtre za zrak, filtre za plin, oštrice za usitnjavanje itd.
4. Za potrebe servisiranja, proizvod se mora poslati ili odnijeti u ovlaštenu servisnu postaju tvrtke RYOBI navedenu na sljedećem popisu s adresama servisnih postaja u svakoj zemlji. U nekim zemljama, vaš lokalni RYOBI zastupnik obvezuje se da će poslati proizvod u servisnu organizaciju tvrtke RYOBI. Kada se proizvod šalje u neku servisnu postaju tvrtke RYOBI, proizvod se mora sigurno pakirati bez ijednog od opasnih sadržaja kao što je benzin, na njemu mora pisati adresa pošiljatelja i mora biti popraćen kratkim opisom kvara.
5. Popravak / zamjena pod ovim jamstvom su besplatni. Oni ne predstavljaju produženje ili novi početak jamstvenog razdoblja. Zamijenjeni dijelovi ili alati postaju naše vlasništvo. U nekim državama troškove isporuke ili poštarinu mora platiti pošiljatelj. Vaša zakonska prava koja proizlaze iz kupnje alata ostaju nepromijenjena
6. Ovo jamstvo je valjano u zemljama Europske zajednice, Švicarskoj, Islandu, Norveškoj, Lihtenštajnu, Turskoj, Rusiji i Ujedinjenoj Kraljevini. Izvan tih područja vas molimo da se obratite svojem ovlaštenom zastupniku tvrtke RYOBI kako biste utvrdili primjenjuje li se drugo jamstvo.

OVLASŤENI SERVISNI CENTAR

Za svaki zahtjev ili problem s proizvodom možete se obratiti vašim ovlaštenim servisnim centrima (posjetite adresu www.ryobitools.eu) ili izravno na: Technonic Industries GmbH, Max Eyth Straße 10, 71364 Winnenden, Germany. Navedite serijski broj i vrstu proizvoda oisnutu na naljepnici.

SL POGOJI ZA VELJAVNOST GARANCIJE RYOBI

Poleg morebitnih zakonsko določenih pravic, ki izvirajo iz nakupa, za ta izdelek velja spodaj navedena garancija.

1. Garancijsko obdobje je za potrošnike 24 mesecev in začne teči z dnem nakupa izdelka. Ta datum mora biti dokumentiran z računom ali drugim dokazilom o nakupu. Izdelek je zasnovan in namenjen izključno za potrošniško zasebno uporabo. V primeru strokovne oziroma komercialne uporabe izdelka garancija ne velja.
2. Obstaja možnost podaljšanja garancije na del naše ponudbe vrtnih orodij (AC/DC) prek obdobja garancije, opisanega zgoraj, s pomočjo registracije na spletnem mestu www.ryobitools.eu. Ustreznost orodij za podaljšanje garancijskega obdobja je jasno prikazana v trgovinah in/ali na embalaži oziroma je navedena v dokumentaciji izdelka. Končni uporabnik mora registrirati svoje novo orodje na spletu v 30 dneh po datumu nakupa. Končni uporabnik lahko registrira podaljšano garancijo v svoji državi bivanja, če je na obrazcu spletne registracije navedeno, da ta možnost velja za njegovo državo. Poleg tega morajo končni uporabniki podati svoje soglasje za shranjevanje podatkov, ki so potrebni za spletni dostop in morajo sprejeti pogoje in določila uporabe spletnega mesta. Potrdilo o registraciji, ki ga pošljemo prek e-pošte, in originalni račun, ki prikazuje datum nakupa, služita kot dokazilo o podaljšani garanciji.
3. Garancija krije vse okvare izdelka, do katerih pride v garancijskem obdobju zaradi napak v izdelavi ali materialu, ki so bile prisotne ob datumu nakupa. Garancija je omejena na popravilo in/ali zamenjavo in ne vključuje nobenih drugih obveznosti, med drugim vključno z naključno ali posledično škodo. Garancija ne velja, če je bil izdelek napačno uporabljen, uporabljen v nasprotju z navodili iz priročnika za uporabo ali če ni bil pravilno povezan. Ta garancija ne velja za:
 - škodo na izdelku, ki je posledica neustreznega vzdrževanja
 - spremenjen ali prilagojen izdelek
 - izdelek, katerega originalna identifikacijska oznaka (blagovna znamka, serijska številka) je bil poškodovan, spremenjena ali odstranjena
 - škodo, ki je posledica neupoštevanja navodil iz priročnika za uporabo
 - izdelek, ki nima oznake CE
 - izdelek, ki ga je poskušal opraviti nekvalificiran strokovnjak ali ki je bil popravljen brez predhodne odobritve s strani družbe Technonic Industries.
 - izdelek, ki je bil povezan na neustrezno napajanje (amperska moč, napetost, frekvenca)
 - izdelek, ki je bil uporabljen z neustrezno mešanico goriva (gorivo, olje, odstotek olja)
 - škodo, ki jo povzročijo zunanji vplivi (kemični, fizični, mehanski) ali tuje snovi
 - rezervne dele, ki so podvrženi običajni uporabi
 - neprimerno uporabo, preobremenitev orodja
 - uporabo neodobrenih dodatkov ali delov
 - Vsako redno prilagajanje ali vzdrževalno čiščenje uplinjačev
 - Komponente (sestavni in rezervni deli), ki so podvrženi običajni obrabi, med drugim vključno z gumbi odbijača, pogonskimi jermeni, sklopko, rezili obrezovalnikov za žive meje ali kosilnic za trato, nosilnimi pasovi, kablji, dušilnimi ventili, oglikovimi krtačami, napajalnimi kablji, zobci, tesnili iz filca, vezniimi zatčji, ventilatorji pihalnika, cevimi pihalnika in sesalnika, vrečko in pasovi sesalnika, vodilnimi palicami, verigami motorne žage, cevimi, priključki, razpršilnimi šobami, kolesci, razpršilnimi palicami, notranjimi kolesci, zunanjimi motki, rezalnimi vrvicami, vžigalnimi svečkami, zračnimi filtri, plinskimi filtri, rezili za mulčenje itd.
4. Za servisiranje morate izdelek poslati ali prinesiti v pooblaščen servisni center družbe RYOBI, ki je naveden za vsako državo na naslednjem seznamu naslovov servisnih centrov. V nekaterih državah se vaš lokalni posrednik družbe RYOBI obveže, da bo poslal izdelek na servis družbe RYOBI. Ko pošiljate izdelek v servisni center družbe RYOBI, mora biti izdelek varno zapakiran in ne sme vsebovati nobenih nevarnih snovi, kot je npr. bencin, opravljen pa mora biti z naslovom pošiljatelja in vsebovati kratek opis napake.
5. Popravilo/zamenjava v skladu s to garancijo sta brezplačni storitvi. To pa ne predstavlja podaljšanja ali ponovnega začeta garancijskega obdobja. Zamenjani deli ali orodja postanejo naša last. V nekaterih državah stroške dostave ali poštno plačilo pošiljatelj. Vaše zakonsko določene pravice, ki izvirajo iz nakupa orodja, ostajajo nespremenjene.
6. Ta garancija velja v Evropski skupnosti, Švici, na Islandiji, Norveškem, v Lichtenštajnu, Turčiji, Rusiji in Združenem kraljestvu. Izven teh območij se obrnite na svojega pooblaščenega posrednika izdelkov RYOBI, dealer ki vam bo povedal, ali velja kakšna druga garancija.

POOBLAŠČEN SERVISNI CENTER

V primeru zahtev ali težav v zvezi z izdelkom se lahko obrnete na lokalne pooblaščené servisne centre (obiščite www.ryobitools.eu) ali neposredno na: Technonic Industries GmbH, Max Eyth Straße 10, 71364 Winnenden, Germany. Prosimo, da navedete serijsko številko in tip izdelka, ki sta natisnjena na oznaki.

SK ZÁRUČNÉ PODMIENKY RYOBI

Na tento výrobek sa okrem všetkých zákonných práv, vyplývajúcich z nákupu, vzťahuje záruka v nasledovnom znení.

1. Záručná doba pre spotrebiteľa je 24 mesiacov a začína plynúť odo dňa, kedy bol výrobok zakúpený. Tento dátum musí byť doložený faktúrou alebo iným dokladom o zakúpení. Výrobok je navrhnutý a určený pre spotrebiteľov a len na súkromné používanie. Preto sa záruka sa neposkytuje v prípade použitia na profesionálne a komerčné účely.
2. V prípade záhradného náradia (na striedavý/jednosmerný prúd AC/DC), existuje možnosť predĺženia záručnej doby oproti záručnej dobe, uvedenej vyššie, s využitím on-line registrácie na webovej stránke www.ryobitools.eu. Označenie na náradí o nároku na predĺženie záručnej doby je zreteľne uvedené v obchodoch a/alebo na obale a je uvedené v dokumentácii k výrobku. Koncový používateľ musí zaregistrovať svoje novozískané náradie on-line do 30 dní odo dňa nákupu. Koncový používateľ sa môže zaregistrovať na predĺženie záruky v krajine svojho bydliska, ak je v on-line registračnom formulári uvedená táto možnosť. Ďalej musia koncoví používatelia ešte dať svoj súhlas k uchovávaniu údajov, ktoré je potrebné zadať on-line a musia súhlasiť s podmienkami. Potvrdenie o prijatí registrácie, ktorý je zasielané e-mailom a originál faktúry, v ktorej je uvedený dátum nákupu, slúžia ako dôkaz o predĺženej záruke.
3. Záruka sa vzťahuje na všetky poruchy výroby v záručnej dobe, spôsobené chybami materiálů alebo spracovania k dátumu nákupu. Táto záruka je obmedzená na opravu a/alebo výmenu a nezahŕňa ďalšie povinnosti, vrátane, okrem iných, náhodné alebo následné škody. Táto záruka je neplátná, ak bol výrobok nesprávne používaný, bol používaný v rozpore s návodom na použitie alebo bol nesprávne zapojený. Táto záruka sa nevzťahuje na:
 - akékoľvek poškodenie výrobku, ktoré bolo spôsobené nesprávnou obsluhou
 - akýkoľvek výrobok, ktorý bol zmenený alebo upravený
 - akýkoľvek výrobok, na ktorom bolo poškodené, upravené alebo odstránené identifikačné označenie (ochranná známka, výrobné číslo)
 - akékoľvek škody, spôsobené nedodrzaním návodu na obsluhu
 - akýkoľvek výrobok, ktorý neobsahuje označenie CE
 - akýkoľvek výrobok, ktorý sa pokúša opraviť nekvalifikovaný odborník alebo bol opravovaný bez predchádzajúceho súhlasu zo strany spoločnosti Technonic Industries.
 - akýkoľvek výrobok, pripojený k nesprávnejmu napájaciemu zdroju (ampéry, napätie, frekvencia)
 - akýkoľvek výrobok, používaný s nesprávnou palivovou zmesou (palivo, olej, percento oleja)
 - akékoľvek poškodenia, spôsobené vonkajšími vplyvmi (chemickými, fyzikálnymi, nárazmi) alebo cudzorodými látkami
 - bežné opotrebovanie náhradných dielov
 - nevhodné používanie, preťažovanie nástroja
 - používanie neschváleného príslušenstva a dielov
 - Akékoľvek pravidelné úpravy alebo čistenie karburátorov, vykonávaných iných údržby
 - Súčiastky (diely a príslušenstvo), ktoré podliehajú prirodzenému opotrebeniu, okrem iných, otočné gombíky, hnacie remene, spojka, nože na nožnice na živý plot alebo kosačku na trávu, popruhy, lanko škrťacej klapky, uhliky, napájací kábel, radličky, plstené podložky, závesné klnice, lopatky fúkačov, trubice vysávača a fúkača, vak do vysávača a popruhy, vodiace líšty, retazové pily, hadice, spojovacie armatúry, trysky, kolešá, striekacie rúrky, vnútorné cievky, vonkajšie cievky, žacie lanká, zapalovacie sviečky, vzduchové filtre, benzínové filtre, mulčovacie nože atď.
4. Na opravu musí byť výrobok odoslaný alebo doručený do autorizovaného servisného strediska RYOBI, uvedeného pre každú krajinu v nasledovnom zozname adries servisných stredísk. V niektorých krajinách miestny zástupca RYOBI preberá na seba záväzok zaslať tovar do servisnej organizácie RYOBI. Pri odosielaní výrobku do servisného strediska RYOBI je potrebné výrobok bezpečne zabaliť bez akéhokoľvek nebezpečného obsahu, ako je bencin, s vyznačením adresy odosiadateľa, s krátkym popisom poruchy.
5. Oprava/výmena je vrátmi teľto záruky bezplatná. Nezmenené a predĺžené záruky alebo spustenie novej záručnej doby. Vymenené diely alebo nástroje sa stávajú našim vlastníctvom. V niektorých krajinách náklady na odoslanie alebo poštovné musí zaplatiť odosiadateľ. Vaše zákonné práva, vyplývajúce z nákupu náradia, zostávajú nedotknuté
6. Táto záruka je plátná v Európskych spoločenstvách, Švajčiarsku, Islande, Nórsku, Lichtenštajnsku, Turecku, Rusku a Spojenom kráľovstve. Ak sa nachádzate mimo týchto oblastí, obráťte sa na autorizovaného predajcu RYOBI na určenie, či sa dá uplatniť iná záruka.

AUTORIZOVANÉ SERVISNÉ CENTRUM

Všetky žiadosti alebo problémy s výrobkom možno adresovať miestnym autorizovaným servisným strediskám (navštívte www.ryobitools.eu) alebo priamo na: Technonic Industries GmbH, Max Eyth Straße 10, 71364 Winnenden, Germany. Uvedte sériové číslo a typ výrobku uvedené na etikeťe.

BG УСЛОВИЯ ЗА ВАЛИДНОСТ НА ГАРАНЦИЯТА НА RYOBI

В допълнение към законоустановените права, произтичащи от покупката, този продукт е обхванат от гаранция, както е изложено по-долу.

- Гаранционният срок е 24 месеца за клиенти и започва да тече от деня на закупуване на продукта. Тази дата трябва да се докаже с фактура или друго доказателство за покупка. Продуктът е изработен и предназначен само за потребителска и лична употреба. Следователно не се дава гаранция в случай на използване от професионалисти или с търговска цел.
- Съществува възможност за удължаване на гаранционния срок за част от диапазона на гаранцията на градински инструменти (AC/DC) след изтичането на описания тук чрез регистрацията на уеб сайта www.ryobitools.eu. В магазините и/или на опаковката или вътре в документацията на продукта е показано ясно дали инструментът отговаря на условията за такова удължаване на гаранционния срок. Крайният потребител трябва да регистрира своите новопридобити инструменти онлайн в рамките на 30 дни от датата на покупка. Крайният потребител може да се регистрира за удължена гаранция в държавата си на пребиваване, ако е посочена вня формулара за онлайн регистрация като място, където тази опция е валидна. Освен това крайните потребители трябва да дадат съгласието си за съхранение на данните, които са задължителни за попълване онлайн, и трябва да приемат общите условия. Полученото потвърждение за регистрация, изпратено по електронна поща, и оригиналната фактура, показваща датата на покупка, ще служат като доказателство за удължената гаранция.
- Гаранцията покрива всички дефекти на продукта по време на гаранционния срок, които се дължат на проблеми в изработката или материалите към момента на покупката. Гаранцията е ограничена до ремонт или измяна и не включва други задължения, включително, но не само, случайни или косвени щети. Гаранцията е невалидна, ако продуктът е използван неправилно или в противоречие с ръководството с инструкции, както и ако е свързан неправилно. Тази гаранция не важи за:
 - щети по продукта в резултат на неправилна профилация
 - продукти, които са били изменени или модифицирани
 - продукт, при който оригиналните маркировки за идентификация (търговска марка, сериен номер) са изтрили, променени или премахнати
 - повреда, причинена от неспазване на ръководството с инструкции
 - продукт без CE маркировка
 - продукт, за който е направен опит за ремонт от неквалифициран специалист или без предварително разрешение от Techtronic Industries.
 - продукт, свързан към неподходящо електрозахранване (ампераж, волтаж, честота)
 - продукт, използван с неподходяща горивна смес (гориво, масло, процент масло)
 - щети, причинени от външни влияния (химични, физични, удари) или чужди вещества
 - нормално износване на резервни части
 - неподходяща употреба, претоварване на инструмента
 - използване на неодобрени аксесоари или частиВсякакви периодични настройки или почистване с цел извършване на поддръжка на карбуратори
- Компоненти (част и аксесоари), подложени на естествено износване, включително, но не само, копчета за пласане, задвижващи ремъци, съединител, остриета на ножици за жив плет или косачки за трева, прерамки, кабелен дросел, карбонови четки, захранващ кабел, остриета, филцови шайби, осигурителни шифтове, вентилатори на уреди за обдухване, тръби за обдухване и всмукване, торба за отпадъци и ремъци, водещи шини, вериги за триони, маркучи, фитинги на конектори, дюзи, копела, пръскалки, вътрешни и външни макари, режещо влакно, запалителни свещи, въздушни филтри, горивни филтри, остриета за мулчиране и др.
- За обслужване продуктът трябва да се изпрати или занесе на оторизиран сервиз на RYOBI, посочен за всяка държава в следния списък с адреси на сервиси. В някои държави местният търговец на RYOBI поема отговорността да изпрати продукта до сервизен център на RYOBI. При изпращане на продукт до сервиз на RYOBI той трябва да е опакован безопасно без опасно съдържание, напр. бензин, да е маркиран с адреса на подателя и придружен от кратко описание на повредата.
- Ремонтът/замяната по силата на тази гаранция са безплатни. Те не водят до удължаване или подновяване на гаранционния срок. Сменените части или инструменти стават наша собственост. В някои държави таксите за доставка или изпращане трябва да се платят от подателя. Законоустановените ви права, произтичащи от закупуването на инструмента, остават незаменни.
- Тази гаранция е валидна в Европейската общност, Швейцария, Исландия, Норвегия, Лихтенщайн, Турция и Обединеното кралство. Извън тези области се свържете с упълномощения търговец на RYOBI, за да се установи дали е приложима друга гаранция.

УПЪЛНОМОЩЕН СЕРВИЗЕН ЦЕНТЪР

Всички заявки или проблеми, свързани с продукта, могат да бъдат отправени към местните упълномощени сервизни центрове (www.ryobitools.eu) или директно до: Techtronic Industries GmbH, Max Eyth Straße 10, 71364 Winnenden, Germany. Посочете серийния номер и типа на продукта, отпечатани върху етикета.

UK ГАРАНТИЙНИ УМОВИ ДЛЯ RYOBI

Осрім загалом установените законом прав, що стосуються покупки, цей пристрій покривається гарантією, що зазначено нижче.

- Гарантійний період для споживачів складає 24 місяці і починається за моменту придбання цього пристрою. Ця дата повинна бути задокументована у гарантійному талоні або чеку, що підтверджує покупку. Цей пристрій був розроблений і призначений тільки для споживачого і приватного використання. У разі професійного або комерційного використання цього пристрою, він втрачає гарантію.
- Існує можливість продовжити гарантійний період, понад період описаний вище, для частини лінійки садових інструментів (перемінного/постійного струму) за допомогою реєстрації на сайті www.ryobitools.eu. Пристрої, які мають право на подовження гарантійного періоду, мають чіткі позначки щодо цього в магазинах і/або на упаковок / та документації до пристрою. Кінцевий користувач повинен зареєструвати його/її новопридбаний пристрій онлайн протягом 30 днів з дати покупки. Кінцевий користувач може зареєструватися для подовження гарантійного періоду в своїй країні постійного перебування, якщо вона є доступною у відповідній опції онлайн форми реєстрації. Крім того, кінцеві користувачі повинні дати свою згоду на прийняття даних, які необхідні для введення онлайн, а також вони повинні прийняти правила та умови. Отримання підтвердження реєстрації, яке відправляється на адресу електронної пошти, та оригінал гарантійного талона із зазначеною датою покупки буде слугувати доказом подовженої гарантії.
- Гарантія поширюється на всі дефекти пристрою протягом гарантійного терміну щодо недотримання стандартів виробництва або матеріалів на дату придбання. Гарантія обмежується ремонтом та/або заміною, та не включає в себе будь-яких інших зобов'язань, в тому числі, але не обмежена у разі випадкових та подальших пошкоджень. Гарантія не діє, якщо пристрій використовувався неналежним чином, всупереч інструкції з експлуатації або був неправильно підключений до мережі. Дана гарантія не поширюється на:
 - пристрої, що були пошкоджені у результаті неправильного технічного обслуговування;
 - пристрої, що були видозмінені або модифіковані;
 - пристрої, оригінальне ідентифікаційне (товарний знак, серійний номер) маркування яких було пошкоджене, змінено або видалено;
 - будь-які пошкодження, заподіяні недотриманням інструкції з експлуатації;
 - пристрої, що не мають маркування CE;
 - пристрої, що були відремонтовані некваліфікованим фахівцем або за відсутності попереднього дозволу від Techtronic Industries;
 - пристрої, підключені до невідповідного джерела живлення (сила току, напруження, частота);
 - пристрої, що використовувались із невідповідною паливною сумішшю (паливом, оливою, відсотковою часткою оливи);
 - будь-які пошкодження спричинені зовнішніми впливами (хімічними, фізичними, стрибком напруги) або сторонніми речовинами;
 - нормальну амортизацію запасних частин;
 - невідповідне використання, переваження пристрою;
 - використання не підтверджених запасних частин або аксесуарів;
 - Будь-які періодичні коригування або технічне очищення карбураторівКомпоненти (частини та аксесоари) з урахуванням нормального зношування, враховуючи але це без обмеження на імпульсні кнопки, ремені приводу, зчеплення, леза кущоріза або газонкосарки, ремені, троси дросельного клапану, вугільні щітки, шнури живлення, зубці, фетрові підкладки, зчіпні штири, вентилятори повітродувки, трубки аліосота та повітродувки, вакуумні мішки та накладки, напрядки, ланцюги, гнучкі шланги, з'єднувальні фітінги, розсілювальні насадки, копелса, жорсткі сопла, внутрішні кутюшки, зовнішні золотники, ріжучі волосінні, свічки запалення, повітряні фільтри, протигазові фільтри, мульчувальні леза, т.д.
- Для обслуговування, пристрій має бути відправлений або поданий до одного з авторизованих сервісних центрів RYOBI, які перелічені для кожної країни у наступному переліку адрес сервісних центрів. У деяких країнах місцевий дилер RYOBI зобов'язується відправити пристрій до сервісного центру RYOBI. При відправленні пристрою до сервісного центру RYOBI, пристрій має бути надійно упакований без будь-якого небезпечного вмісту, наприклад бензину, з позначеною адресою відправника та супроводжується коротким описом несправності.
- Ремонт / заміна відповідно до цієї гарантії здійснюється безкоштовно. Це не є основою для подовження або початку нового гарантійного періоду. Замінені частини або прилади переходять до власності компанії. У деяких країнах вартість доставки або поштові витрати повинні бути сплачені відправником. Загально встановлені правила поведінки на пристрій залишаються незмінними.
- Ця гарантія є діючою у країнах, членах ЄС, Швейцарії, Ісландії, Норвегії, Лихтенштейні, Туреччині, Росії та Великій Британії. За межами цих зон, будь ласка, зверніться до офіційного дилера RYOBI, щоб визначити, чи застосовується інша гарантія.

АВТОРИЗОВАНІ СЕРВІСНІ ЦЕНТРИ

З будь-яких питань або проблем, пов'язаних з пристроєм, ви можете звернутись до місцевих авторизованих сервісних центрів (відвідайте www.ryobitools.eu) або напрямку до: Techtronic Industries GmbH, Max Eyth Straße 10, 71364 Winnenden, Germany. Будь ласка, вкажіть серійний номер та тип продукту, вказані на етикетці.

TR RYOBI GARANTİ UYGULAMA KOŞULLARI

Alınan kaynaklanan yasal haklara ek olarak, ürün aşağıda belirtilen garanti kapsamındadır.

1. Tüketiciler için 24 ay olan garanti süresi, ürünün satın alındığı tarihte başlar. Bu tarihin bir fatura ya da alım kantiyata belgelenmesi gerekir. Ürün sadece tüketim ve özel kullanım için geliştirilmiştir ve adanmıştır. Bu nedenle, profesyonel ve/veya ticari kullanım halinde garanti kapsamı sağlanmaz.
2. Başçe aletlerinin bir bölümü (AC/DC) için www.ryobitools.eu sayfasındaki kayıt işlemini kullanarak garantinin belirtilen süresinin ötesine uzatma imkanı mevcuttur. Aletlerin garanti süresinin uzatılmasına uygun olup olmadığını mağazalarda ve/veya ambalajda açıkça belirtilmiştir olup, ürün dokümantasyonunda gösterilir. Son kullanıcının yeni aldığı aletleri satın alma tarihini izleyen 30 gün içinde kaydettirmesi gerekir. Son kullanıcının imkân ettiği ülkede, bu seçeneğin geçerli olduğu çevrimiçi kayıt formunda belirtilmiştir, uzatılmış garanti süresi için kayıt yaptırabilir. Dahası, son kullanıcıların çevrimiçi giriş için gerekli verilerini kaydedilmesine izin vermek ve hüküm ve koşulları kabul etmelidir. E-posta ile gönderilen kayıt teyit makbuzu ve alım tarihini gösteren orijinal fatura uzatılmış garantinin kanıtı olarak değerlendirilir.
3. Garanti, ürünün alım tarihindeki işçilik ve malzeme kusurları nedeniyle garanti süresi içinde oluşacak bütün arızalarını kapsar. Bu garanti onarım ve değiştirilme sınırlı olup, tesadüf ya da dolaylı hasarlar da dahil, ancak bunlarla sınırlı olmayan başka hiçbir taahhüdün kapsamına girmez. Garanti, ürünün kötü, kullanıcı kılavuzuna aykırı kullanılması ya da yanlış bağlanması halinde geçerli değildir. Bu garanti aşağıdaki kapsamaz:
 - üründe, yanlış bakımdan kaynaklanan herhangi bir hasar
 - değiştirilmiş ya da modifiye edilmiş herhangi bir ürün
 - orijinal tırtıl işaretleri (ticari marka, seri numarası) silinmiş, değiştirilmiş ya da kaldırılmış herhangi bir ürün
 - kullanma kılavuzuna uymamaktan kaynaklanmış herhangi bir hasar
 - herhangi bir AT dışı ürün
 - kalifiye olmayan personel tarafından ya da önceden Techtronic Industries onayı alınmadan onarılmış herhangi bir ürün
 - uygunsuz güç kaynağına (amper, voltaj, frekans) bağlanmış herhangi bir ürün
 - uygunsuz bir yakıt karışımıyla (yakıt, yağ, yap yüzdesi) kullanılmış herhangi bir ürün
 - harici etkilerden (kimyasal, fiziksel, darbe) veya yabancı cisimlerden kaynaklanan her türlü hasar
 - normal aşınır ve yıpranır aksam
 - uygunsuz kullanımı, aletin aşırı yüklenmesi
 - onaysız aksesuar veya parça kullanımı
 - Karbüratörlere uygulanacak her türlü periyodik ayar, bakım veya temizlik
 - Darbe Düğmesi, Tahrik Kayışları, Kavrama, Çit Budama ya da Çim Biçme Makinelerinin Bıçakları, Kayış Koşulları, Kablo Gaz, Kömür Fırçaları, Güç Kablo, Dişler, Keçe Rondelalar, Bağlantı Pimleri, Üfleyci Pervaneleri, Üfleyci ve Vakum Boruları, Vakum Torbası ve Kayışları, Kılavuz Çubuklar, Zincir Testere, Hortumlar, Konektör Bağlantıları, Püskürtme Memeleri, Çarklar, Püskürtme Çubukları, Dahili Makaralar, Harici Makaralar, Kesme Telleri, Bujiler, Hava Filtreleri, Gaz Filtreleri, Malçlama Bıçakları vb. gibi parçaları kapsayan, ancak bunlarla sınırlı olmayan, aşınma ve yıpranmaya tabi bileşenler (aksam ve aksesuarlar).
4. Ürünün servis için her ülkede aşağıdaki servis istasyonları adres listesinde yer alan yetkili bir RYOBI servis istasyonuna gönderilmesi ya götürülmesi gereklidir. Bazı ülkelerde, yerel RYOBI distribütörünüzün ürünü RYOBI servis teşkilatına göndermeyi üstlenir. Bir ürün bir RYOBI servis istasyonuna gönderilirse, ürünün güvenli bir biçimde ambalajlanması, bezinizi gibi tehlikeli maddeler içermemesi, gönderenin adresini taşınması ve arızanın kısa bir açıklamasını içermesi gerekir.
5. Bu garanti kapsamında yapılacak onarım / değişiklik ücretsizdir. Garanti süresinin uzatılması ya da yeniden başlatılması anlamına gelmez. Değiştirilmiş parçalar veya aletler bize ait olur. Bazı ülkelerde teslimat ücretleri veya posta giderlerini gönderici tarafından ödenmesi gerekir. Alınan kaynaklanan yasal haklarınız etkilenmez.
6. Bu garanti Avrupa Birliği'nde, İsviçre, İzlanda, Norveç, Lihtenştayn, Türkiye, Rusya ve Birleşik Krallık'ta geçerlidir. Bu alanların dışında, başka bir garantinin geçerli olup olmadığını belirlemek için lütfen yetkili RYOBI distribütörünüzle irtibata geçin.

YETKİLİ SERVİS MERKEZİ

Ürüne ilgili her türlü talep ve sorun yerel yetkili servis merkezlerine (www.ryobitools.eu adresini ziyaret edin) veya doğrudan aşağıdaki şekilde iletilebilir: Techtronic Industries GmbH, Max Eyth Straße 10, 71364 Winnenden, Germany. Lütfen etikette yer alan seri numarasını ve ürün tipini belirtin.

EL ÖROİ EΦAPMOΓHΣ TΩN ΠPOΨOΠOEEΩH EΓΓYHΣHΣ THΣ RYOBI

Εκτός από τα νόμιμα δικαιώματα, τα οποία απορρέουν από την αγορά του, το παρόν προϊόν καλύπτεται και από την παρακάτω εγγύηση.

1. Η διάρκεια της εγγύησης για τους καταναλωτές είναι 24 μήνες και αρχίζει από την ημερομηνία αγοράς. Η ημερομηνία θα πρέπει να αναγράφεται στην απόδειξη ή σε άλλο αποδοκίμο αγοράς. Το προϊόν έχει σχεδιαστεί και προορίζεται αποκλειστικά για οικιακή χρήση από καταναλωτές. Συνεπώς, δεν παρέχεται εγγύηση σε περίπτωση επαγγελματικής ή εμπορικής χρήσης. Η εγγύηση αυτή ισχύει μόνο για τα προϊόντα.
2. Υπάρχει η δυνατότητα επέκτασης της εγγύησης για ορισμένα ηλεκτρικά εργαλεία (AC/DC), πέραν του παραπάνω αναφερόμενου χρονικού διαστήματος, μέσω εγγραφής στο δικτυακό τόπο www.ryobitools.eu. Η επιλεξιμότητα των εργαλείων με δυνατότητα επέκτασης της περιόδου εγγύησης αναγράφεται ρητά στα καταστήματα και/ή επάνω στη συσκευασία, ενώ περιέχεται στην τεκμηρίωση του προϊόντος. Το τελικός χρήστης θα πρέπει να καταχωρήσει τα προσωπικά αποκτήθιστα εργαλεία online, εντός 30 ημερών από την ημερομηνία αγοράς. Ο τελικός χρήστης μπορεί να εγγραφεί για την επέκταση εγγύησης στη χώρα κατοικίας, εφόσον αυτή περιλαμβάνεται στο online έντυπο εγγραφής, εάν υπάρχει η δυνατότητα επέκτασης. Επιπλέον, οι τελικοί χρήστες θα πρέπει να διασφαλίσουν την συμπεριφορά τους ως προς την απόδειξη των προσωπικών στοιχείων τους, τα οποία χρειάζονται να καταχωρηθούν διαδικτυακά. Επίσης, θα πρέπει να δηλώσουν ότι αποδέχονται τους Όρους και τις Προϋποθέσεις. Η απόδειξη περιβαλλοντικής της εγγραφής, η οποία αποστέλλεται μέσω email, και η κωδικός απόδειξη αγοράς, η οποία αναγράφει την ημερομηνία αγοράς, αποτελούν αποδοκίμο της παραταταμένης εγγύησης.
3. Η παρούσα εγγύηση καλύπτει, καθ'όλη τη διάρκεια ισχύος της, όλα τα ελαττώματα του προϊόντος, κατά την ημερομηνία αγοράς, τα οποία απορρέουν από την κατασκευή ή στο υλικό. Η εγγύηση περιορίζεται στην επίσκεψη και/ή αντικατάσταση και δεν περιλαμβάνει καμία άλλη υποχρέωση, συμπεριλαμβανομένων, ενδεικτικά, συμπληρωματικών ή παρεπόμενων ζημιών. Η εγγύηση δεν ισχύει στην περίπτωση κακής χρήσης, παρεκκλίσεως από τις οδηγίες χρήσης ή λανθασμένης σύνδεσης στην παροχή ρεύματος. Η εγγύηση δεν ισχύει για:
 - αποασθότητα βλάβης λόγω εφαρμόσιμης ή απουσίας συντήρησης
 - αποασθότητα προϊόν, το οποίο έχει αλλοιωθεί ή τροποποιηθεί
 - αποασθότητα προϊόν, στο οποίο έχει γίνει αλλοίωση, τροποποίηση ή αφαιρεθεί το γνήσιο αναγνωριστικό (όποιο κατατεθεί, σειριακό αριθμό)
 - αποασθότητα ζημιά προκλήθηκε λόγω μη τήρησης του εγχειριδίου οδηγιών
 - απουσίας της σήμανσης έγκρισης CE στην πινακίδα προδιαγραφών
 - αποασθότητα προϊόν, στο οποίο έχει γίνει προσπάθεια επίσκεψης από μη καταρτισμένο επαγγελματία ή χωρίς την προηγούμενη έγκριση της Techtronic Industries.
 - αποασθότητα προϊόν, το οποίο έχει συνδεθεί σε ακατάλληλη παροχή ρεύματος (αμπερ, ισχύ, συχνότητα)
 - αποασθότητα προϊόν χρησιμοποιείται με ακατάλληλο μέγμα καυσίμου (βενζίνη, πετρέλαιο, αναλογία μείγματος πετρελαίου/βενζίνης)
 - αποασθότητα ζημιά έχει προκληθεί από εξωτερικές επόψεις (χημικές, φυσικές, κλιματικές/και) ή ζέως ουσίες
 - φυσιολογική φθορά και ρήξη ανταλλακτικών
 - ακατάλληλη χρήση, υπερφόρτωση του εργαλείου
 - χρήση μη ενδοεπινομηών εξαρτημάτων, ή ανταλλακτικών
 - Παρελκόμενα που παρέχονται με το εργαλείο ή αγοράζονται χωριστά, συμπεριλαμβανομένων, ενδεικτικά, λεπίδων, αλυστρίων, γραμμών κοπής κ.λπ.
 - Οποιασδήποτε περιοδικής ρυθμίσεως ή καθαρισμού συντήρησης του καριμπρατέρ
 - Εξαρτήματα (μητμάτα και παρελκόμενα) που υφίστανται φυσική φθορά, συμπεριλαμβανομένων, ενδεικτικά, χερουλία, μάντες μεταδόσης κίνησης, συμπλέκτης, λεπίδες κοπτικών θάμνων ή γλοσκοπτικών, μάντες, ντίζες γκαζιού, ψήκτες, κλώδιο ρεύματος, δόντια, ροδέλες από τσόχα, πέτρα κοτασόδου, ανεμιστήρες ψυγίτηρα, σωλήνες ψυγίτηρα και ηλεκτρικής σκούπας, σκούλες και μάντες ηλεκτρικής σκούπας, ράβδοι οδηγίτης, αλυσίδες πριονιού, εύκαμπτοι σωλήνες, εξαρτήματα σύνδεσης, ακροφύσια γέρας, τροχοί, ράβδοι ψακαμού, εξωτερικά καρούλια, εξωτερικά καρούλια, γραμμές κοπής, μπτοχί, φίλτρα αέρα, φίλτρα αερίου, λεπίδες τεμαχισμού κ.λπ.
4. Το προϊόν θα πρέπει να αποσταλεί ή να παραδοθεί για επίσκεψη ή συντήρηση σε εξουσιοδοτημένο σημείο σέρβις της RYOBI που περιλαμβάνεται στον ακόλουθο κατάλογο, εκτός αν υπάρχουν για κάθε χώρα, σε ορισμένες χώρες, το τοπικό σημείο πώλησης της RYOBI αναλαμβάνει την αποστολή ή το προϊόν στο κεντρικό σέρβις της RYOBI. Κατά την αποστολή ενός προϊόντος σε σημείο σέρβις της RYOBI, αυτό θα πρέπει να είναι ασφαλή συσκευασμένο, χωρίς επικίνδυνο περιεχόμενο, όπως, πετρέλαιο, να φέρει τη διεύθυνση του αποστολέα και να συνοδεύεται από σύντομη περιγραφή της βλάβης.
5. Η επιδιόρθωση / αντικατάσταση υπό την παρούσα εγγύηση παρέχεται δωρεάν. Δε συνιστά παράταση της περιόδου εγγύησης ή εκκίνηση νέας περιόδου εγγύησης. Όσα μέρη ή προϊόντα προέρχονται από αντικατάσταση, περιέρχονται στην ιδιοκτησία μας. Σε ορισμένες χώρες, τα ενδοχαιμα εξόδα παράδοσης ή μεταφορές βαρύνουν τον αποστολέα. Τα νόμιμα δικαιώματα σας όπως απορρέουν από την αγορά του προϊόντος παραμένουν ανεπηρέαστα.
6. Η εγγύηση αυτή ισχύει στην Ευρωπαϊκή Ένωση, την Ελβετία, την Ισπανία, τη Νορβηγία, το Λιχτενστάιν, την Τουρκία, τη Ρωσία και το Ηνωμένο Βασίλειο. Εκτός των παραπάνω περιοχών, σας παρακαλούμε να επικοινωνήσετε με εξουσιοδοτημένο κατάστημα πώλησης της RYOBI, προκειμένου να διαπιστωθεί ένα ισχύει κάποια άλλη εγγύηση.

ΕΞΟΥΣΙΟΔΟΤΗΜΕΝΟ ΚΕΝΤΡΟ ΣΕΡΒΙΣ

Για οποιαδήποτε αίτημα ή πρόβλημα με το προϊόν μπορείτε να απευθυνθείτε στα τοπικά εξουσιοδοτημένα κέντρα σέρβις (επισκεφθείτε τη διεύθυνση www.ryobitools.eu) ή απευθείας στη διεύθυνση: Techtronic Industries GmbH, Max Eyth Straße 10, 71364 Winnenden, Germany. Αναφέρετε τον σειριακό αριθμό και τον τύπο προϊόντος που αναγράφονται στην ετικέτα.

EN EC DECLARATION OF CONFORMITY

Cordless line trimmer

Brand: RYOBI | Manufacturer¹ | Model number² | Serial number range³

We declare as the manufacturer under our sole responsibility that the product mentioned below fulfills all the relevant provisions of the following European Directives, European Regulations and harmonised standards⁴

Measured sound power level..... 91,5 dB(A)
 Guaranteed sound power level..... 94 dB(A)
 Conformity assessment method to Annex VI Directive 2000/14/EC amended by 2005/88/EC.
 Authorised to compile the technical file.⁵

FR DÉCLARATION CE DE CONFORMITÉ

Coupe-bordures sans fil

Marque: RYOBI | Fabricant¹ | Numéro de modèle² | Étendue des numéros de série³

Nous déclarons sous notre entière responsabilité que le produit mentionné ci-dessous remplit toutes les dispositions pertinentes des directives et réglementations européennes suivantes, ainsi que des normes harmonisées ci-après⁴

Niveau de puissance sonore mesuré..... 91,5 dB(A)
 Niveau de puissance sonore garanti..... 94 dB(A)
 Méthode d'évaluation de conformité de l'annexe VI Directive 2000/14/EC modifiée 2005/88/EC.

Autorisé à rédiger le dossier technique.⁵

DE EG-KONFORMITÄTSERKLÄRUNG

Akku-Rasentrimmer

Marke: RYOBI | Hersteller¹ | Modellnummer² | Seriennummernbereich³

Wir erklären in alleiniger Verantwortung, dass das nachstehend erwähnte Produkt allen einschlägigen Bestimmungen der folgenden EU-Richtlinien, EU-Vorschriften und harmonisierten Normen entspricht⁴

Gemessener Schalleistungspegel..... 91,5 dB(A)
 Garantiertes Schalleistungspegel..... 94 dB(A)
 Konformitätsbeurteilungsmethode zu Anhang VI Richtlinie 2000/14/EC wie durch 2005/88/EC.

Autorisiert die technische Datei zu erstellen.⁵

ES DECLARACIÓN CE DE CONFORMIDAD

Cortabordes inalámbrico

Marca: RYOBI | Fabricante¹ | Número de modelo² | Intervalo del número de serie³

Declaramos, bajo nuestra exclusiva responsabilidad, que el producto mencionado a continuación cumple con todas las disposiciones relevantes de las siguientes directivas, normas armonizadas y reglamentos europeos⁴

Nivel de potencia acústica medido..... 91,5 dB(A)
 Nivel de potencia acústica garantizado..... 94 dB(A)
 Método de evaluación de conformidad con el anexo VI Directiva 2000/14/EC modificada por la 2005/88/EC.

Autorizado para elaborar la ficha técnica.⁵

IT DICHIARAZIONE CE DI CONFORMITÀ

Tagliabordi a batterie

Marca: RYOBI | Ditta produttrice¹ | Numero modello² | Gamma numero seriale³

Dichiariamo sotto la nostra unica responsabilità che il prodotto descritto in basso soddisfa tutte le disposizioni delle direttive europee e che sono state osservate le norme seguenti⁴

Livello di potenza acustica misurato..... 91,5 dB(A)
 Livello di potenza sonora garantita..... 94 dB(A)
 Metodo di valutazione sulla conformità all'allegato VI Direttiva 2000/14/EC modificata con la 2005/88/EC.

Autorizzato per compilare il file tecnico.⁵

NL EG-VERKLARING VAN OVEREENSTEMMING

Snoerloze lijntrimmer

Merk: RYOBI | Fabrikant¹ | Modelnummer² | Seriennummerbereik³

Wij verklaren naar onze eigen verantwoordelijkheid, dat het hieronder genoemde product voldoet aan alle relevante bepalingen van de volgende Europese richtlijnen, Europese verordeningen en geharmoniseerde normen⁴

Gemeten geluidsniveau..... 91,5 dB(A)
 Gegarandeerd geluidsniveau..... 94 dB(A)
 Evaluatiemethode conformiteit volgens bijlage VI Richtlijn 2000/14/EC gewijzigd door 2005/88/EC.

Afgevaardigde voor het samenstellen van de technische fiche.⁵

PT DECLARAÇÃO CE DE CONFORMIDADE

Aparador sem fios

Marca: RYOBI | Fabricante¹ | Número do modelo² | Intervalo do número de série³

Declaramos sob nossa exclusiva responsabilidade que o produto mencionado abaixo cumpre todas as disposições aplicáveis das seguintes diretivas, regulamentos e normas harmonizadas da União Europeia⁴

Nível de potência sonora medido..... 91,5 dB(A)
 Nível de potência sonora garantido..... 94 dB(A)
 Método de avaliação de conformidade para o anexo VI Directiva 2000/14/EC alterada por 2005/88/EC.

Autorizado para compilar o ficheiro técnico.⁵

DA EF-OVERENSSTEMMELSESERKLÆRING

Trådløse linetrimmer

Brand: RYOBI | Producent¹ | Modelnummer² | Serienummerområde³

Vi erklærer under eget ansvar, at produktet nævnt nedenfor opfylder alle de relevante forskrifter i de følgende europæiske direktiver, europæiske forordninger og harmoniserede standarder⁴

Målt støjniveau..... 91,5 dB(A)
 Garanteret støjniveau..... 94 dB(A)
 Overensstemmelsesvurderingsmetode til bilag VI Direktiv 2000/14/EC ændret ved 2005/88/EC.

Bemyndiget til at udarbejde det tekniske kartotek.⁵

SV EG-FÖRSÄKRAN ÖVERENSSTÄMMELSE

Sladdlösa strängtrimmern

Marke: RYOBI | Tillverkare¹ | Modellnummer² | Serienummerintervall³

Vi förklarar under eget ansvar att den produkt som nämns nedan uppfyller alla relevanta föreskrifter i följande europeiska direktiv, europeiska förordningar och harmoniserade standarder⁴

Uppmått ljudeffektnivå..... 91,5 dB(A)
 Garanterad ljudeffektnivå..... 94 dB(A)
 Konformitetsbedömning gjord enligt metod i VI Direktiv 2000/14/EC samt tillägg i 2005/88/EC.

Godkänd att sammanställa den tekniska filen.⁵

FI EY-VAATIMUSTENMUKAISUUSVAKUUTUS

Akkukäyttöistä ruohotrimmerimme

Tuotemerkki: RYOBI | Valmistaja¹ | Mallinumero² | Sarjanumeroalue³

Vakuutamme alla mainitun tuotteen olevan seuraavien eurooppalaisten direktiivien, asetusten ja yhdenmukaistettujen standardien säännösten mukainen⁴

Mittattu äänenteho..... 91,5 dB(A)
 Taattu äänenteho..... 94 dB(A)
 Säännösten noudattaminen tarkastettu direktiivin 2000/14/EC liitteen VI mukaisesti muutettu direktiivillä 2005/88/EC.

Valtuutettu kokoomaan tekninen tiedosto.⁵

NO CE-SAMSVARERKLÆRING

Trådløse snortrimmeren

Merke: RYOBI | Producent¹ | Modellnummer² | Serienummerserie³

Vi erklærer på eget ansvar at produktet beskrevet nedenfor oppfyller alle de relevante bestemmelserne i de europeiske direktiver, europeiske forskrifter og harmoniserte standarder⁴

Målt lydteffektivnivå..... 91,5 dB(A)
 Garantert lydteffektivnivå..... 94 dB(A)
 Metode for vurdering av konformitet til Tillegg VI Direktiv 2000/14/EC endret ved 2005/88/EC.

Autorisert til å sette sammen den tekniske filen.⁵

RU ДЕКЛАРАЦИЯ О СООТВЕТСТВИИ СТАНДАРТАМ ЕС

Беспроводного триммер

Марка: RYOBI | Изготовитель¹ | Номер модели² | Диапазон заводских номеров³

Со всей ответственностью заявляем, что нижеупомянутое изделие отвечает всем соответствующим положениям следующих европейских директив, европейских регламентов, а также гармонизированных стандартов⁴

Измеренный уровень звуковой мощности..... 91,5 dB(A)
 Гарантируемый уровень звуковой мощности..... 94 dB(A)
 Способ оценки соответствия, приложение VI к директиве 2000/14/EC с изменениями 2005/88/EC.

Лицо, ответственное за подготовку технической документации.⁵

PL DEKLARACJA ZGODNOŚCI WE

Bezprzewodowa podkaszarka żyłkowa

Marka: RYOBI | Producent¹ | Numer modelu² | Zakres numerów seryjnych³

Oświadczamy na własną odpowiedzialność, że produkt opisany w sekcji „Specyfikacja” spełnia wszystkie istotne postanowienia wymienionych poniżej dyrektyw UE, przepisów europejskich oraz norm zharmonizowanych⁴

Zmierzony poziom mocy akustycznej..... 91,5 dB(A)
 Gwarantowany poziom mocy akustycznej..... 94 dB(A)
 Metoda ocena zgodności zgodnej z aneksem VI Dyrektywa 2000/14/EC zmieniona przez dyrektywę 2005/88/EC.

Osoba upoważniona do sporządzenia dokumentu technicznego.⁵

CS CE PROHLÁŠENÍ O SHODĚ

Akumulátorové strunové sekačky

Značka: RYOBI | Výrobce¹ | Číslo modelu² | Rozsah sériových čísel³

Výhradně na vlastní odpovědnost prohlašujeme, že níže uvedený výrobek splňuje všechna příslušná ustanovení evropských směrnic, evropských nařízení a harmonizovaných norem⁴

Změňená hodina akustického výkonu..... 91,5 dB(A)
 Zaručená hodina akustického výkonu..... 94 dB(A)
 Soulad s metodou určování pro přílohu VI směrnice 2000/14/EC upravená 2005/88/EC.
 Pověření ke kompilaci technického souboru.⁵



HU EK-MEGFELELŐSÉGI NYILATKOZATA

Vezezők nélküli fűkasza

Marka: RYOBI | Gyártó¹ | Típuszám² | Sorozatszám tartomány³

Kizárólagos felelősségünk keretében nyilatkozunk, hogy az alább említett termék megfelel a következő európai irányelvek, szabályozások és harmonizált szabványok vonatkozó rendelkezéseinek⁴

Mért hangteljesítményszint..... 91,5 dB(A)

Garantált hangteljesítményszint..... 94 dB(A)

A megfelelőségi értékelési eljárás a 2000/14/EC irányelv VI. függeléké szerint történt által módosított 2005/88/EC irányelv.

A műszaki dokumentáció összeállítására felhatalmazott:⁵

RO DECLARAȚIE DE CONFORMITATE CE

Motocoasa cu acumulator de tuns gazonul

Marca: RYOBI | Producător¹ | Număr serie² | Gamă număr serie³

Declarăm pe proprie responsabilitate că produsul menționat mai jos îndeplinește toate prevederile relevante ale directivei Uniunii Europene, ale Regulamentelor UE și standardele armonizate⁴

Nivelul măsurat al puterii acustice..... 91,5 dB(A)

Nivel garantat al puterii acustice..... 94 dB(A)

Metoda de evaluare a conformității cu Anexa VI Directiva 2000/14/EC modificată prin 2005/88/EC.

Autorizat să completeze fișa tehnică:⁵

LV EK ATBILSTĪBAS DEKLARĀCIJA

Bezvadu auklas trimmeris

Zīmols: RYOBI | Ražotājs¹ | Modeļa numurs² | Sērijas numura intervāls³

Ar pilnu atbildību mēs deklarējam, ka tālāk norādītais produkts izpilda visas atbilstošās norādīto Eiropas direktīvu, Eiropas regulu un harmonizēto standartu prasības⁴

Izmērītais skaņas jaudas līmenis..... 91,5 dB(A)

Garantētais skaņas intensitātes līmenis..... 94 dB(A)

Atbilstības novērtēšanas metode pielikumam VI Direktīvai 2000/14/EC labota 2005/88/EC.

Pilnvarots sastādīt tehnisko failu:⁵

LT EB ATITIKTIES DEKLARACIJA

Belaidė vieulinė žoliapjovė

Prekės ženklas: RYOBI | Gamintojas¹ | Modelio numeris² | Serijinio numerio diapazonas³

Mes atsiąginkami pareiškiame, kad toliau minimas gaminytis atitinka nurodytus Europos direktyvas, Europos reglamentus ir darniuosius standartus⁴

Išmatuotas akustinis lygis..... 91,5 dB(A)

Garantuotas akustinis lygis..... 94 dB(A)

Atitikties įvertinimo metodas pagal direktyvos 2000/14/EC, VI Priedą su pataisomis 2005/88/EC.

Įgaliotas sudaryti techninį failą:⁵

ET EÜ VASTAVUSDEKLARATSIOON

Juhtmeta jõhvtrimmeri

Mark: RYOBI | Tootja¹ | Mudeli number² | Seeria numbrid vahemik³

Kinnitame oma ainnuvastutuse, et allpool nimetatud toode vastab järgmistele Euroopa direktiivide, Euroopa määruste ja õhtlustatud standardite kõigile asjaomastele sätetele⁴

Mõõdetud helivõimsuse tase..... 91,5 dB(A)

Garanteeritud helivõimsuse tase..... 94 dB(A)

Vastavushindamine vastavalt lisale VI direktiivis 2000/14/EC muudetud direktiiviga 2005/88/EC.

Tehnilise faili koostamiseks volitatud isik:⁵

HR IZJAVA O SUKLADNOSTI

Bežični trimmer s reznom nit

Marka: RYOBI | Proizvođač¹ | Broj modela² | Raspon serijskog broja³

Pod punom odgovornošću izjavljujemo da proizvod naveden u nastavku zadovoljava sve relevantne odredbe sljedećih europskih direktiva, europskih uredbi i usklađenih normi⁴

Izmjerena razina zvučne snage..... 91,5 dB(A)

Jamčena razina zvučne snage..... 94 dB(A)

Metoda procjene usklađenosti prema Dodatku VI Direktive 2000/14/EC navedeno u 2005/88/EC.

Ovlašten da sastavi tehničku datoteku:⁵

SL ES-IZJAVA O SKLADNOSTI

Brezžično kosilnica za trato

Znamka: RYOBI | Proizvajalec¹ | Številka modela² | Razpon serijskih števil³

Pod izključno lastno odgovornostjo izjavljamo, da spodaj navedeni izdelek izpolnjuje vse ustrezne predpise naslednjih evropskih direktiv, evropskih uredb in harmoniziranih standardov⁴

Izmerjena raven zvočne moči..... 91,5 dB(A)

Zajamčena raven zvočne moči..... 94 dB(A)

Način ugotavljanja skladnosti z aneksom VI direktive 2000/14/EC ki je bila spremenjena z 2005/88/EC.

Pooblaščen oseba za sestavo tehnične dokumentacije:⁵

SK ES VYHLÁSENIE O ZHODE

Akumulátorový vyžinač na trávu

Značka: RYOBI | Výrobca¹ | Číslo modelu² | Rozsah sériových čísiel³

Na vlastnú zodpovednosť vyhlasujeme, že doľu uvedeny výrobok vyhovuje príslušným ustanoveniam nasledujúcich európskych smerníc, európskych nariadení a harmonizovaných noriem⁴

Nameraná úroveň hluku..... 91,5 dB(A)

Garantovaná úroveň hluku..... 94 dB(A)

Spôsob určenia zhody podľa Dodatku VI Smernica 2000/14/EC doplnená o 2005/88/EC.

Oprávnená osoba na zostavenie technického súboru:⁵

BG CE - ДЕКЛАРАЦИЯ ЗА СЪОТВЕТСТВИЕ

Безжичният тример за трева

Марка: RYOBI | Производител¹ | Номер на модела² | Обхват на серийни номера³

Декларираме на своя лична отговорност, че продуктът, посочен по-долу, отговаря на всички съответни разпоредби на директивите и регламентите на Европейския съюз и хармонизираните стандарти по-долу⁴

Измерено ниво на шум..... 91,5 dB(A)

Гарантирано ниво на шум..... 94 dB(A)

Метод за оценяване на съответствието с приложение VI Директива 2000/14/EC, изменена от 2005/88/EC.

Упълномощено лице за съставяне на техническия файл:⁵

UK СЕРТИФИКАТ ВІДПОВІДНОСТІ ВИМОГАМ ЄС

Бездротовий газонний трімер

Марка: RYOBI | Виробник¹ | Номер моделі² | Діапазон серійного номеру³

Ми відповідально заявляємо, що описаний нірме пристрій відповідає всім чинним положенням директив ЄС, Європейських норм та гармонізованих стандартів⁴

Вимірний рівень звукової потужності..... 91,5 dB(A)

Гарантований рівень звукової потужності..... 94 dB(A)

Метод оцінки відповідності Annex VI Directive 2000/14/EC з поправками, внесеними 2005/88 / EC.

Дозвіл на складання технічного файла:⁵

TR CE UYGUNLUK BEYANI

Kablosuz Ot Biçme Makinesi

Marka: RYOBI | Üretici¹ | Model numarası² | Seri numaraları aralığı³

Tüm sorumluğulu bize ait olmak üzere, aşağıda belirtilen ürünün aşağıdaki Avrupa Direktifleri, Avrupa Mevzuatı ve uyumlaştırılmış standartların ilgili hükümlerini yerine getirdiğini beyan ederiz⁴

Ölçülen ses gücü seviyesi..... 91,5 dB(A)

Güvenceli ses gücü seviyesi..... 94 dB(A)

2005/88/AT ile değiştirilen 2000/14/AT Direktifi Ek VI uyarınca uygunluk değerlendirilmesinde yöntem.

Teknik dosyayı derlemekte yetkili sorumlu:⁵

EL ΔΗΛΩΣΗ ΣΥΜΜΟΡΦΩΣΗΣ ΕΚ

Ασύρματο μοτορποροφάλιδο

Μάρκα: RYOBI | Κατασκευαστής¹ | Αριθμός μοντέλου² | Έυρος σειριακών αριθμών³

Δηλώνω, με την ιδιότητα του κατασκευαστή και με αποκλειστικά δική μας ευθύνη, ότι το παρακάτω αναφερόμενο προϊόν πληρεί όλες τις σχετικές διατάξεις των ακόλουθων Ευρωπαϊκών Οδηγιών, Ευρωπαϊκών Κανονισμών και εναρμονισμένων προτύπων⁴

Μετρούμενη επίπεδο ισχύος ήχου..... 91,5 dB(A)

Εγγυημένο επίπεδο ισχύος ήχου..... 94 dB(A)

Μέθοδος αξιολόγησης της συμμόρφωσης προς το Παράρτημα VI Οδηγίας 2000/14/ΕΚ όπως τροποποιήθηκε από την 2005/88/ΕΚ.

Εξουσιοδοτημένο άτομο για σύνταξη τεχνικού αρχείου:⁵

¹ Techtronic Industries GmbH
Max-Eyth-Strasse 10, 71366 Winnenden, Germany

² RY18LT33A / RY18LT33B

³ RY18LT33A: 48652001000001 - 48652001999999
RY18LT33B: 48652401000001 - 48652401999999

⁴ 2006/42/EC, 2014/30/EU, 2000/14/EC, 2005/88/EC, 2011/65/EU, (EU)/2015/863, EN ISO 12100:2010, EN 62841-1:2015+A11:2022, EN IEC 55014-1:2021, EN IEC 55014-2:2021, EN IEC 63000:2018, EN 62233:2008

Todd Chipner
Vice President, Quality – Asia
Winnenden, Dec. 31, 2022

⁵ Alexander Krug, Managing Director
Techtronic Industries GmbH
Max-Eyth-Strasse 10, 71366 Winnenden, Germany



GB-DECLARATION OF CONFORMITY

Manufacturer: Techtronic Industries GmbH
Max-Eyth-Straße 10, 71364 Winnenden, Germany

We declare as the manufacturer under our sole responsibility that the product mentioned below

Cordless line trimmer
Brand: RYOBI
Model number: RY18LT33A / RY18LT33B
Serial number range:
RY18LT33A: 48652001000001 - 48652001999999
RY18LT33B: 48652401000001 - 48652401999999

fulfills all the relevant provisions of the following Regulations: S.I. 2008/1597 (as amended), S.I. 2016/1091 (as amended), S.I. 2012/3032 (as amended), S.I. 2001/1701 (as amended) and that the following designated standards have been used:

EN ISO 12100:2010, BS EN 62841-1:2015+A11:2022,
BS EN IEC 55014-1:2021, BS EN IEC 55014-2:2021,
BS EN IEC 63000:2018, BS EN 62233:2008

Measured sound power level: 91.5 dB(A)
Guaranteed sound power level: 94 dB(A)
Conformity assessment method to S.I. 2001/1701 Schedule 9 (as amended)



Todd Chipner
Vice President, Quality – Asia
Winnenden, Dec. 31, 2022

Authorised to compile the technical file:
Techtronic Industries (UK) Ltd
Parkway
Marlow Bucks SL7 1YL
UK

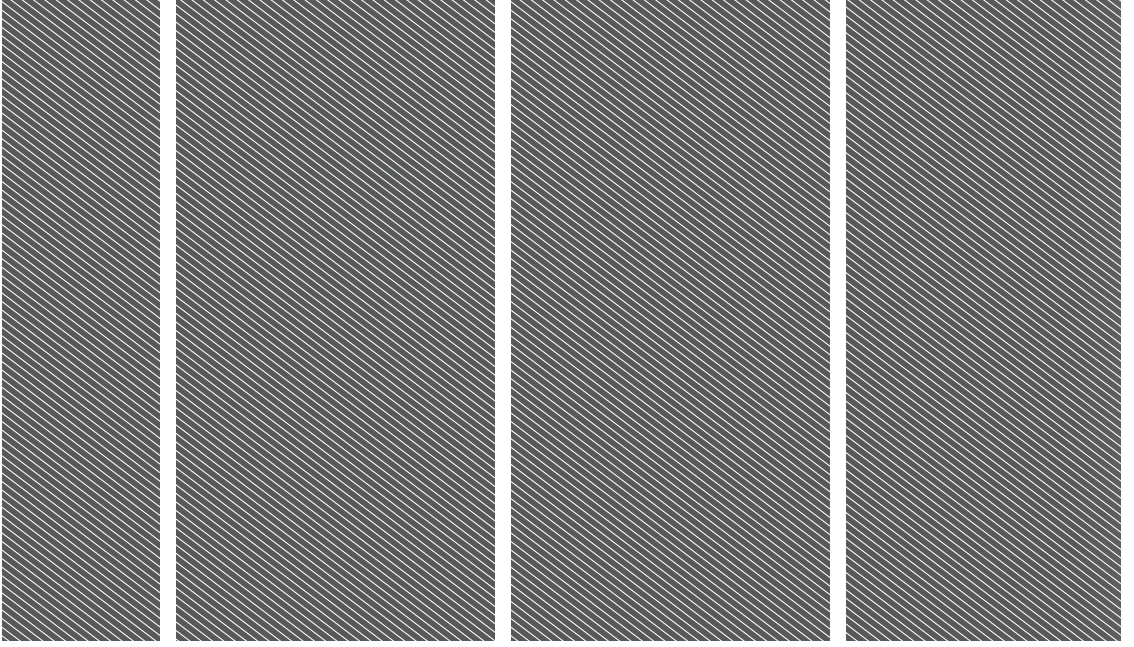






- EN** RYOBI is a trade mark of Ryobi Limited, and is used under license.
- FR** RYOBI est une marque déposée de Ryobi Limited, et est utilisée sous license.
- DE** RYOBI ist ein Markenzeichen von Ryobi Limited und wird in Lizenz verwendet.
- ES** RYOBI es una marca registrada de Ryobi Limited, y se utiliza bajo licencia.
- IT** L'utilizzo del marchio registrato RYOBI è legato alla licenza concessa da Ryobi Limited.
- NL** RYOBI is een handelsmerk van Ryobi Limited en wordt onder licentie gebruikt.
- PT** RYOBI é uma marca comercial de Ryobi Limited, e é utilizada sob licença.
- DA** RYOBI er et varemærke tilhørende Ryobi Limited og bruges under licens.
- SV** RYOBI är en del av varumärke Ryobi Limited och dess användning är licensierad.
- HU** A RYOBI a Ryobi Limitedin omistama tavaramerki, ja sitä käytetään lisenssin puitteissa.
- NO** RYOBI er et varemerke for Ryobi Limited, og brukes under lisens.
- RU** RYOBI является товарным знаком компании Ryobi Limited, используемым по лицензии.
- PL** RYOBI to znak towarowy firmy Ryobi Limited i jest używany zgodnie z udzieloną licencją.
- CS** RYOBI je ochranná známka společnosti Ryobi Limited a její používání podléhá licenci.
- HU** A RYOBI a Ryobi Limited védjegye, használatra licenc keretében történik.
- RO** RYOBI este o marcă comercială a firmei Ryobi Limited și este utilizată sub licență.
- LV** RYOBI ir Ryobi Limited preču zīme un tiek izmantota saskaņā ar licenci.
- LT** „RYOBI“ yra „Ryobi Limited“ prekės ženklas, naudojamas pagal licenciją.
- ET** RYOBI on ettevõtte Ryobi Limited kaubamärk, mida kasutatakse litsentsi alusel.
- HR** RYOBI je žig tvrtke Ryobi Limited i koristi se po licenci.
- SL** RYOBI je blagovna znamka družbe Ryobi Limited in se uporablja na podlagi dovoljenja.
- SK** RYOBI je ochranná známka spoločnosti Ryobi Limited a používa sa na základe licencie.
- BG** RYOBI е търговска марка на Ryobi Limited и се използва под лиценз.
- UK** RYOBI є товарним знаком Ryobi Limited, і використовується за ліцензією.
- TR** RYOBI, Ryobi Limited şirketine ait olup, lisans altında kullanılan bir ticari markadır.
- EL** Το RYOBI αποτελεί εμπορικό σήμα της Ryobi Limited και χρησιμοποιείται μετά από χορήγηση άδειας.





Techtronic Industries GmbH

Max-Eyth-Straße 10,
71364 Winnenden, Germany

Techtronic Industries (UK) Ltd

Parkway
Marlow Bucks SL7 1YL
UK

961497021-01

